

BOOMS



PARTS MANUAL FOR 90', 100', 120' AND 132' BOOMS

HAGIE MANUFACTURING COMPANY

721 CENTRAL AVENUE WEST
BOX 273
CLARION, IOWA 50525-0273

COVERS BOOM SERIAL NUMBERS:

10-13 493573
02-14, 02-15
02-16, 03-17

U75031414001-200
U75061414001-200
U75111414001-200
U75131414001-200
U75151414001-200

To obtain the most current parts manual for your machine,
please visit www.hagiehelp.com.

© 2013-17 Hagie Manufacturing Company. Clarion, Iowa USA



BOOM IDENTIFICATION

Each Hagie boom is identified by means of a serial number. This serial number denotes the model, the year in which it was built, and the number of the toolbar. To ensure prompt, efficient service when ordering parts or requesting service repairs from Hagie Manufacturing Company, record the serial number in the space provided below.

NOTE: Reference to left hand and right hand used throughout this manual refers to the position when seated in the operator's seat facing forward.

This manual is not intended to be a complete guide for machine maintenance and repairs. If you are not properly trained to perform service on this machine, contact Hagie Customer Support for assistance. Improper maintenance or repair may result in property damage, personal injury, or death.

BOOM SERIAL NUMBER

TABLE OF CONTENTS

LIFTARM ASSEMBLY 90/100 4

TRANSOM ASSEMBLY 90/100 5

BOOM HYDRAULIC VALVES 90/100. 6-8

NORAC HYDRAULIC VALVE 90/100. 9-10

BOOM ASSEMBLY 90/100. 11-21

BOOM STAND 90/100 22

15" DRY BOOM SPACING 90/100 23-29

20" DRY BOOM SPACING 90/100 30-36

15" WET BOOM SPACING 90/100 37-43

20" WET BOOM SPACING 90/100 44-50

BOOM FOAMER 90/100/120. 51-54

CAM AND DRY FIT COUPLING 90/100 55-56

SOLUTION VALVES 90/100. 57-66

SOLUTION HOSING 90/100. 67

LIFTARM ASSEMBLY 120/132 ALUM 68-69

TRANSOM ASSEMBLY 120/132 ALUM 70-71

BOOM HYDRAULIC VALVES 120/132 ALUM. 72-73

MUTICOUPLER ASSEMBLY 90/100/120/132 74

BOOM ASSEMBLY 120/132 ALUM. 75-78

CAM AND DRY FIT COUPLING 120/132 ALUM 79-80

SOLUTION VALVES 120/132 ALUM. 81-85

NORAC BRACKETS 120/132 ALUM 86-87

BOOM CRADLE 90/100/120/132. 88

15" WET BOOM SPACING 120 ALUM 89-93

20" WET BOOM SPACING 120 ALUM 94-98

SOLUTION HOSING 120 ALUM. 99

REAR BOOM OPTION. 100-102

HYDRAULIC DIAGRAM 104-111

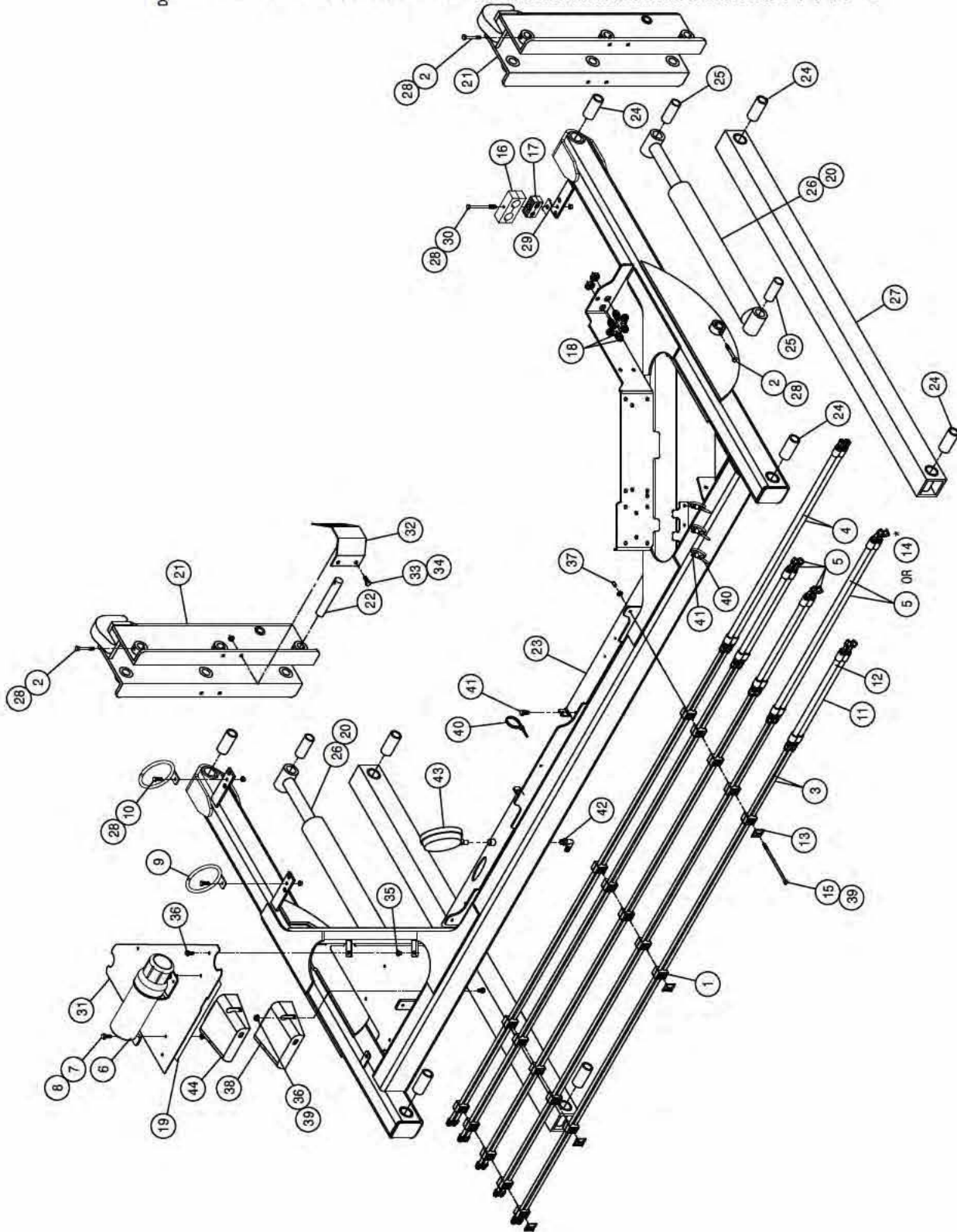
ELECTRICAL DIAGRAM. 112-123

LIFTARM ASSEMBLY 90/100

DET. QTY PART NO. DESCRIPTION

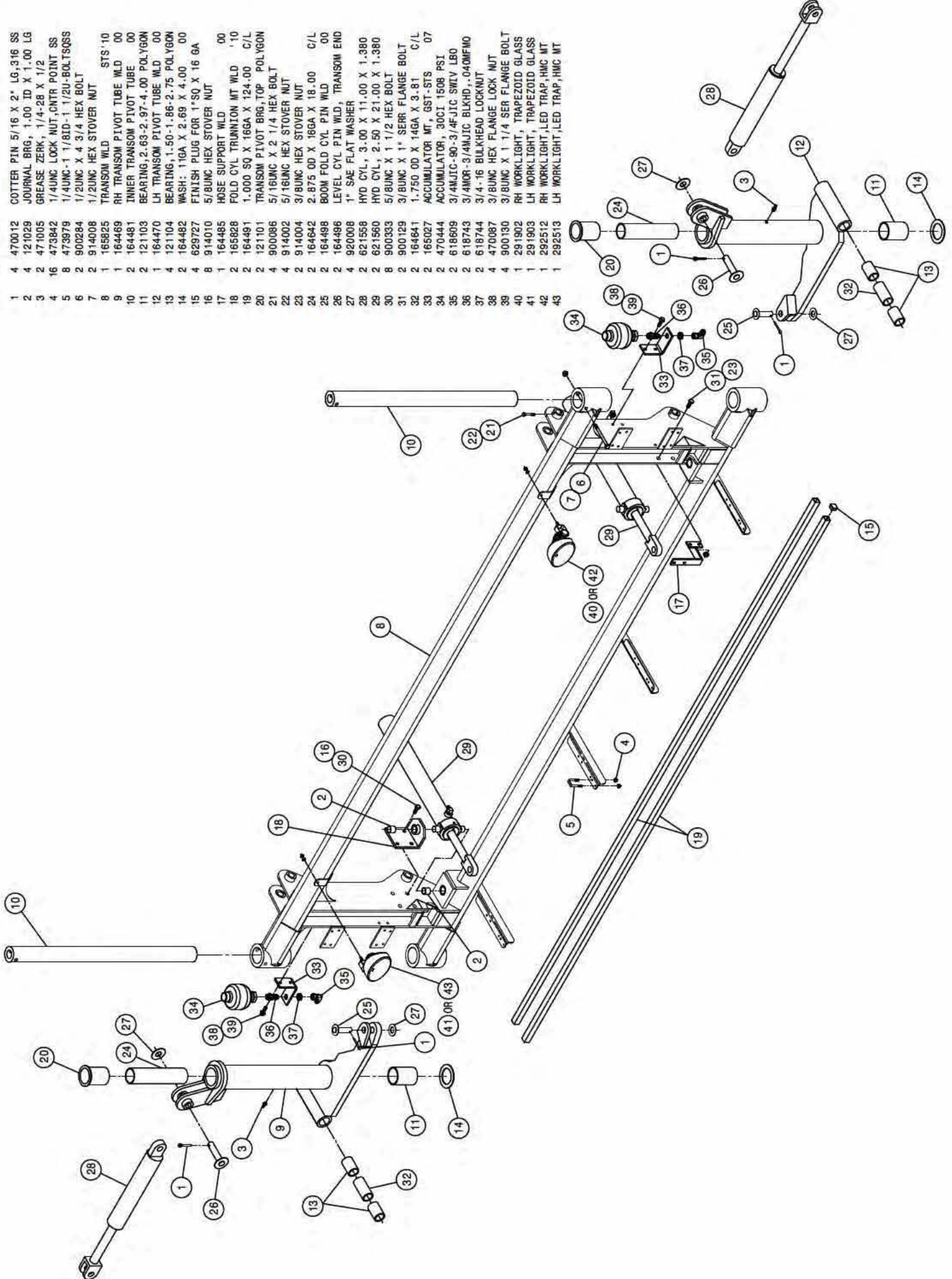
1	20	470473	TUBE CLAMP, HVY DTY .375-.375
2	8	900066	5/16UNC X 2 1/4 HEX BOLT
3	10	615852	LIFTARM HYD TUBE ASSY,STLSLS 07
4	2	616304	06-451TC-06FJX-06FJX-36 H/A
5	6	616316	06-451TC-06FJX-06FJX45-18 H/A
6	1	344017	MANUAL CANISTER W/NEOPREN SEAL
7	2	470234N	5/16UNC X 1" SER FLG BOLT SS
8	2	470113N	5/16UNC SER FLG LOCK NUT SS
9	2	165954	HOSE RING WLD
10	2	900065N	5/16UNC X 1" HEX BOLT SS
11	1	616578	06-451TC-06FJX-06FJX90-18 H/A
12	1	616740	06-451TC-06FJX-06FJX-20 H/A
13	4	470474	COVER PLATE FOR 470473 CLAMP
14	2	617191	06-451TC-06FJX-06FJX45-39 H/A
15	4	900032	1/4UNC X 6 1/2" HEX BOLT
16	1	A51729	TUBE CLAMP (PAIR)
17	1	470274	TUBE CLAMP BODY, .750-.750
18	2	616749	3/4MJC BLKHD RUN TEE
19	1	650393	DECAL, 90° BOOM MODULES '12
20	2	621557	REPAIR KIT, HYD CYL 621556
21	2	164800	QUICK ATTACH PLT WLD STS 04
22	12	164452	LIFT ARM MT PIVOT PIN, STS12 00
23	1	165987	UPPER LIFTARM WLD STS'14
24	8	121107	BEARING, 1.00-1.36-3.00 POLYGON
25	4	121109	BEARING, 1.00-1.25-3.13 POLYGON
26	2	621556	HYD CYL, 2.50 X 18.00 X 1.500
27	2	164450	LWR LIFTARM WLD, STS 00
28	11	914002	5/16UNC HEX STOVER NUT
29	1	470281	STACK BOLT SAFETY LOCK PLATE
30	1	900076	5/16UNC X 4" HEX BOLT
31	1	165006	UPPER LIFTARM BUSS COVER, STS05
32	1	165742	RECEPTACLE MT, BOOMS STS'12
33	2	900129	3/8UNC X 1" HEX CAP BOLT
34	2	914004	3/8UNC HEX STOVER NUT
35	3	470380N	1/4-20 NUTSERT, .027-.165 YZ
36	7	470118	1/4UNC X 3/4 SER FLG BOLT
37	4	629770	CAPLUGS CAP, .234 X .500 VINYL
38	1	292017	IQAN-XS2 MODULE
39	8	470121	1/4UNC SER FLG LOCK NUT
40	7	470154	CABLE TIE, 11.00" BLK NYLON
41	7	470432	PUSH MT BASE FOR PLASTIC TIE
42	1	618556	1/4NPT-90-1/2 HOSE BARB, POLY
43	1	690359	PRESSURE GA GLYCERT 100 PSI
44	1	292016	IQAN-XA2 MODULE

NOTE: AN (*) IS USED WITH NORAC OPTION.



DET. QTY PART NO. DESCRIPTION

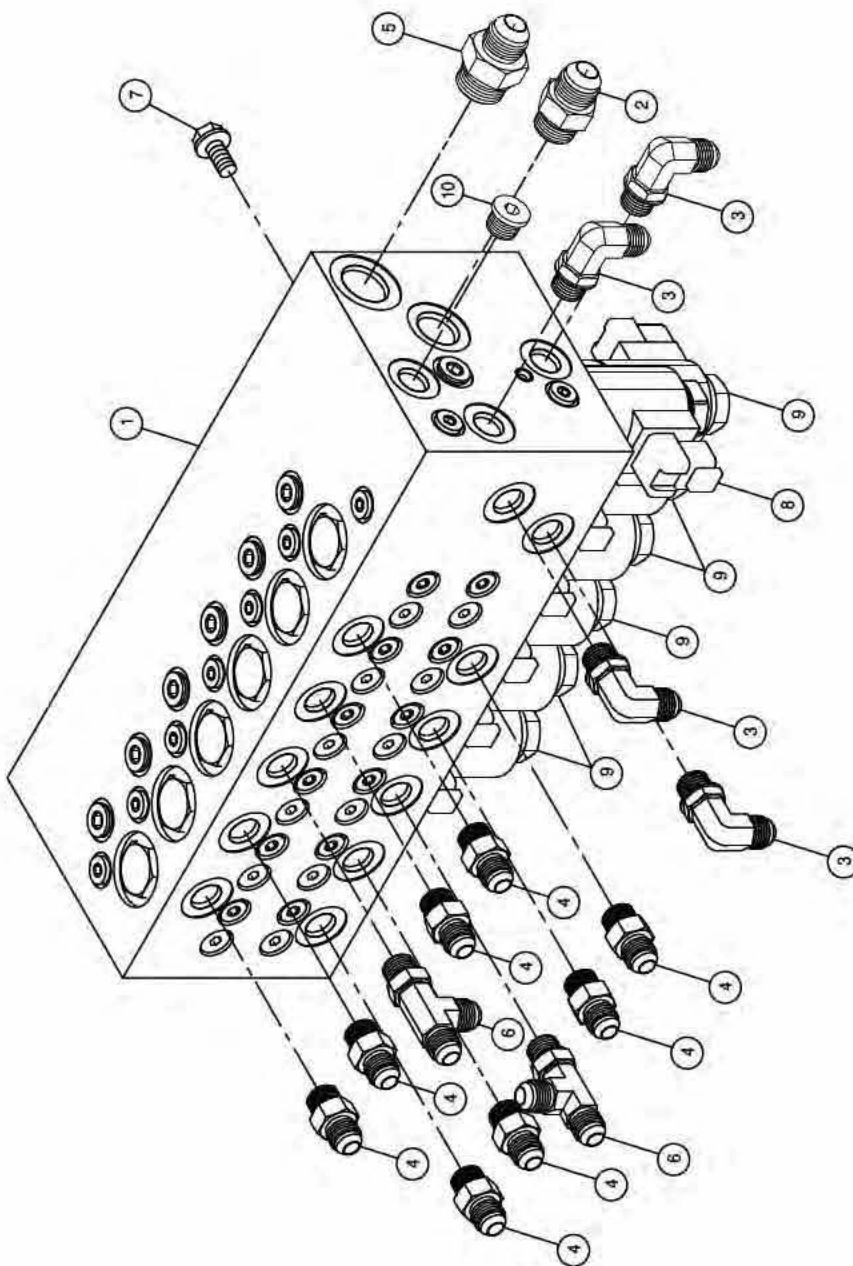
1	4	470012	COTTER PIN 5/16 X 2" LG,316 SS
2	4	121029	JOURNAL BRG, 1.00 ID X 1.00 LG
3	2	471005	GREASE ZERK, 1/4-28 X 1/2
4	16	473842	1/4UNC LOCK NUT,CNTR POINT SS
5	8	473879	1/4UNC-1 1/8ID-1 1/2U-BOLTSQSS
6	2	900284	1/2UNC X 4 3/4 HEX BOLT
7	2	914008	1/2UNC HEX STOVER NUT
8	1	165825	TRANSOM WLD
9	1	164469	RH TRANSOM PIVOT TUBE WLD
10	2	164481	INNER TRANSOM PIVOT TUBE
11	2	121103	BEARING,2.63-2.97-4.00 POLYGON
12	1	164470	LH TRANSOM PIVOT TUBE WLD
13	4	121104	BEARING,1.50-1.86-2.75 POLYGON
14	2	164482	WASH: 11GA X 2.69 X 4.00
15	4	629727	FINISH PLUG FOR 1"SQ X 16 GA
16	8	914010	5/8UNC HEX STOVER NUT
17	1	164485	HOSE SUPPORT WLD
18	2	165828	FOLD CYL TRUNNION MT WLD
19	2	164491	1.000 SQ X 16GA X 124.00 C/L
20	2	121101	TRANSOM PIVOT BRG, TOP POLYGON
21	4	900086	5/16UNC X 2 1/4 HEX BOLT
22	4	914002	5/16UNC HEX STOVER NUT
23	2	914004	3/8UNC HEX STOVER NUT
24	2	164642	2.875 OD X 16GA X 18.00 C/L
25	2	164498	BOOM FOLD CYL PIN WLD
26	2	164496	LEVEL CYL PIN WLD, TRANSOM END
27	4	920008	1" SAE FLAT WASHER
28	2	621558	HYD CYL, 3.00 X 11.00 X 1.380
29	2	621560	HYD CYL, 2.50 X 21.00 X 1.380
30	8	900333	5/8UNC X 1 1/2 HEX BOLT
31	2	900129	3/8UNC X 1" SERR FLANGE BOLT
32	2	164641	1.750 OD X 14GA X 3.81 C/L
33	2	165027	ACCUMULATOR MT, GST-STS
34	2	470444	ACCUMULATOR, 30CI 1508 PSI
35	2	618609	3/4NJTIC-90-3/4FJTC SWTV L80
36	2	618743	3/4NOR-3/4NJTIC BLKHD,.040MFM0
37	2	618744	3/4-16 BULKHEAD LOCKNUT
38	4	470087	3/8UNC X 1 1/4 SER FLANGE LOCK NUT
39	4	900130	3/8UNC X 1 1/4 SER FLANGE BOLT
40	1	291902	RH WORKLIGHT, TRAPEZOID GLASS
41	1	291903	LH WORKLIGHT, TRAPEZOID GLASS
42	1	292512	RH WORKLIGHT,LED TRAP,HMC MT
43	1	292513	LH WORKLIGHT,LED TRAP,HMC MT



BOOM MANIFOLD ASSEMBLY 90/100, NORIAC

DET. QTY PART NO. DESCRIPTION

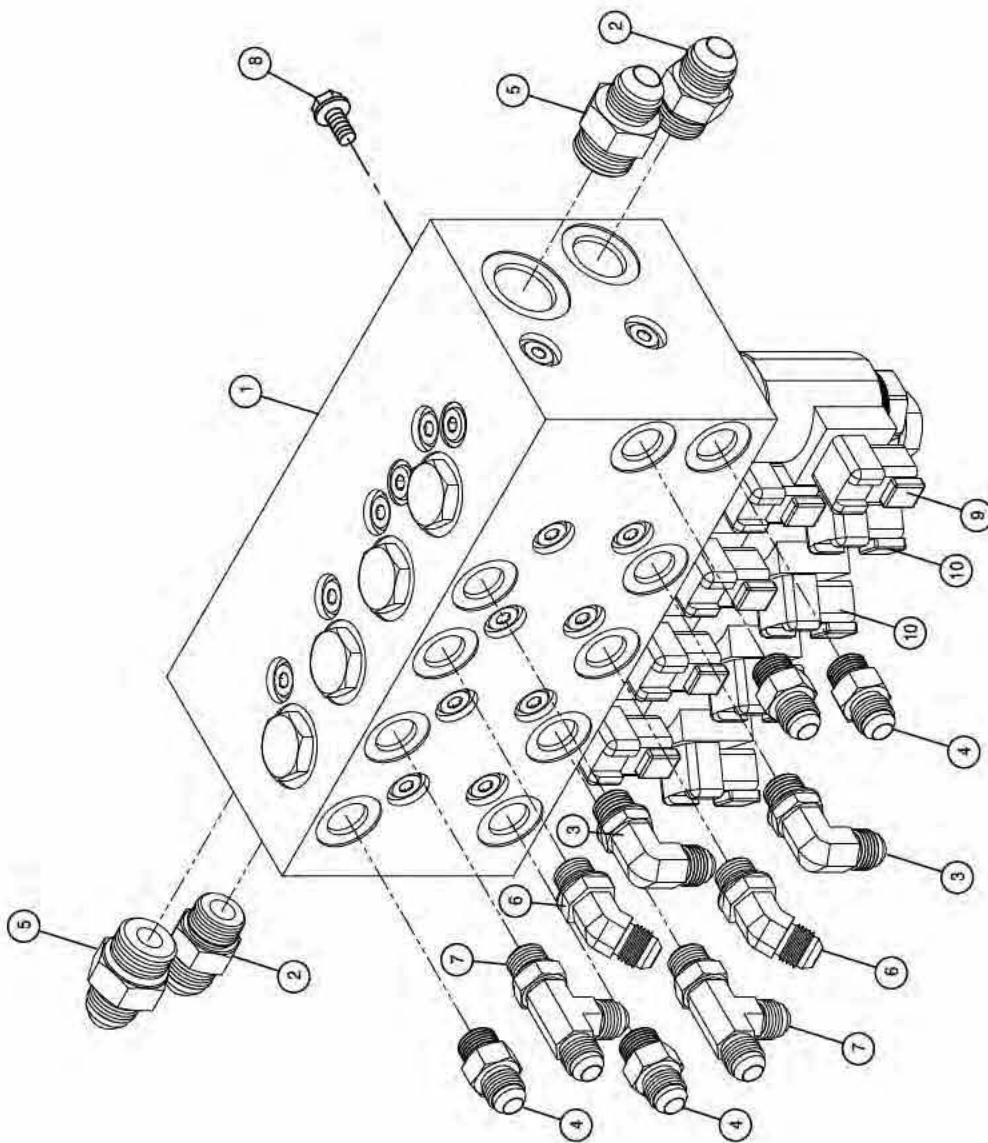
1	606272	VALVE, LOAD SENSE BOOM SAUER
2	611125	3/4MJIC-3/4MOR ADPTR
3	618119	9/16MJIC-90-9/16MOR LBO
4	618126	9/16MJIC-9/16MOR ADPTR
5	618327	3/4MJIC-7/8MOR ADPTR
6	618444	9/16MOR RUN TEE-9/16MJIC
7	900128N	3/8UNC X 3/4 SER FLG BOLT YZ
8	606303	CARTRIDGE, SV10, FOR VLV 606272
9	606304	CARTRIDGE, PSV10, FOR VLV 606272
10	618754	9/16MOR PLUG, HEX SOCKET



BOOM MANIFOLD ASSEMBLY 90/100, NORAC

DET. QTY PART NO. DESCRIPTION

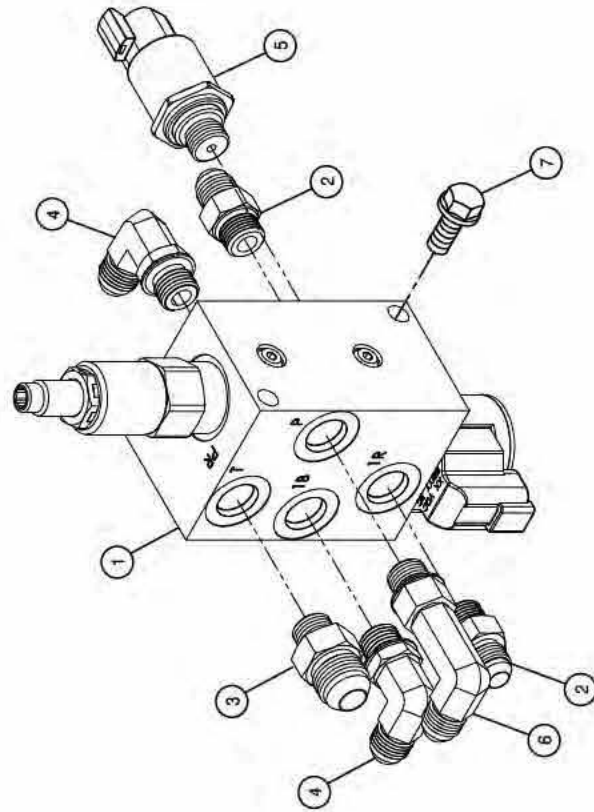
1	1	606529	NORAC BOOM FOLD VALVE
2	2	611125	3/4MJIC-3/4MOR ADPTR
3	2	618119	9/16MJIC-90-9/16MOR LBO
4	4	618126	9/16MJIC-9/16MOR ADPTR
5	2	618327	3/4MJIC-7/16MOR ADPTR
6	2	618425	9/16MJIC-45-9/16MOR LBO
7	2	618444	9/16MOR RUN TEE-9/16MJIC
8	4	900128N	3/BUNC X 3/4 SER FLG BOLT YZ
9	1	606303	CARTRIDGE, SV10, FOR VLV 606272
10	4	606304	CARTRIDGE, PSV10, FOR VLV 606272



BREAKAWAY VALVE ASSEMBLY 90/100

DET. QTY PART NO. DESCRIPTION

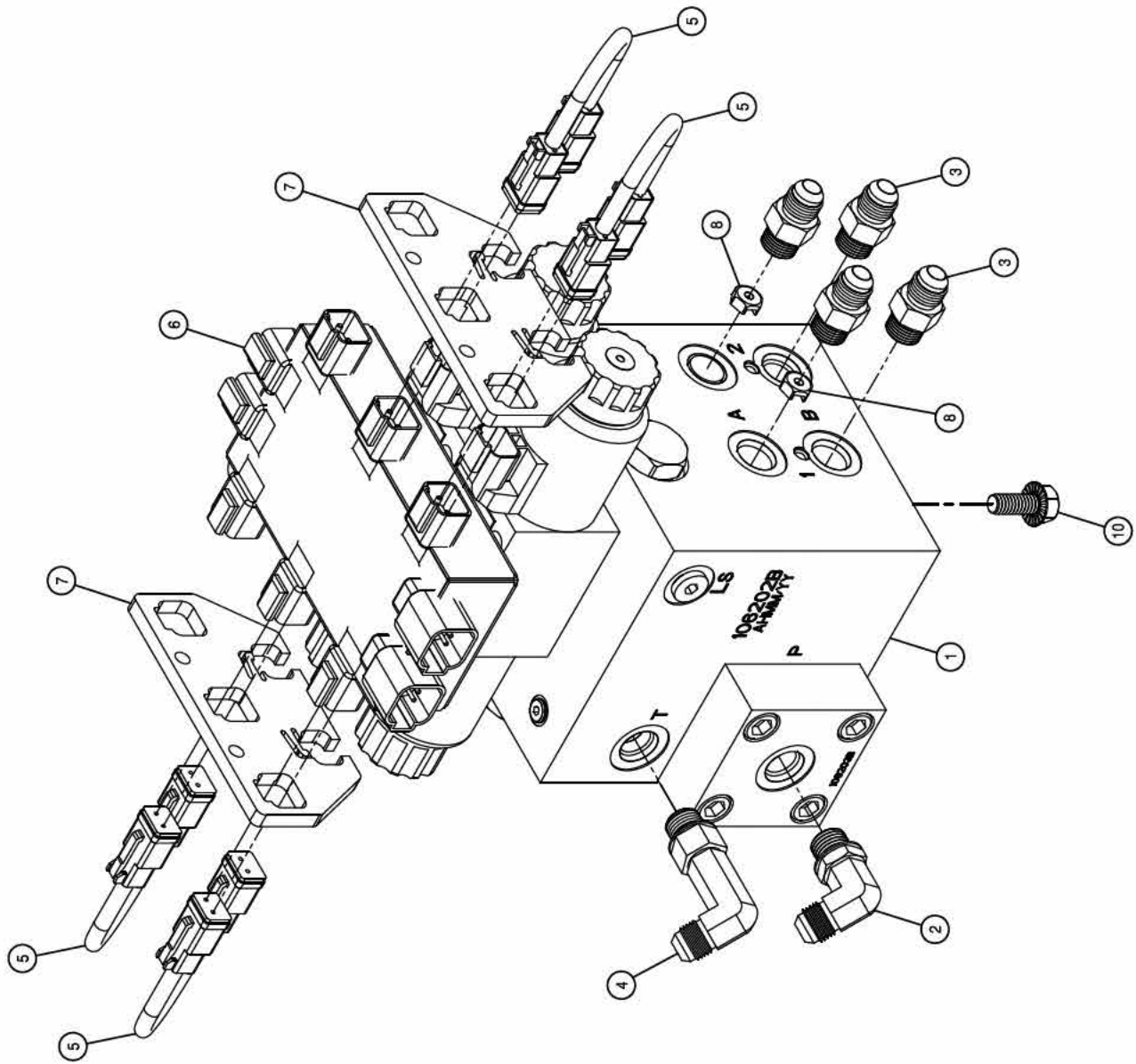
1	1	607119	90/100 BREAKAWAY BLOCK	STS'14
2	2	618126	9/16MJIC-9/16MOR ADPTR	
3	1	618360	3/4MJIC-9/16MOR ADPTR	
4	2	618119	9/16MJIC-90-9/16MOR LBO	
5	1	606347	PRESSURE TRANSDUCER, 7500PSI	
6	1	618440	9/16MJIC-90-9/16MOR EX LG LBO	
7	2	900064N	5/16UNC X 3/4 SER FLG BOLT SS	



NORAC VALVE ASSEMBLY 90/100

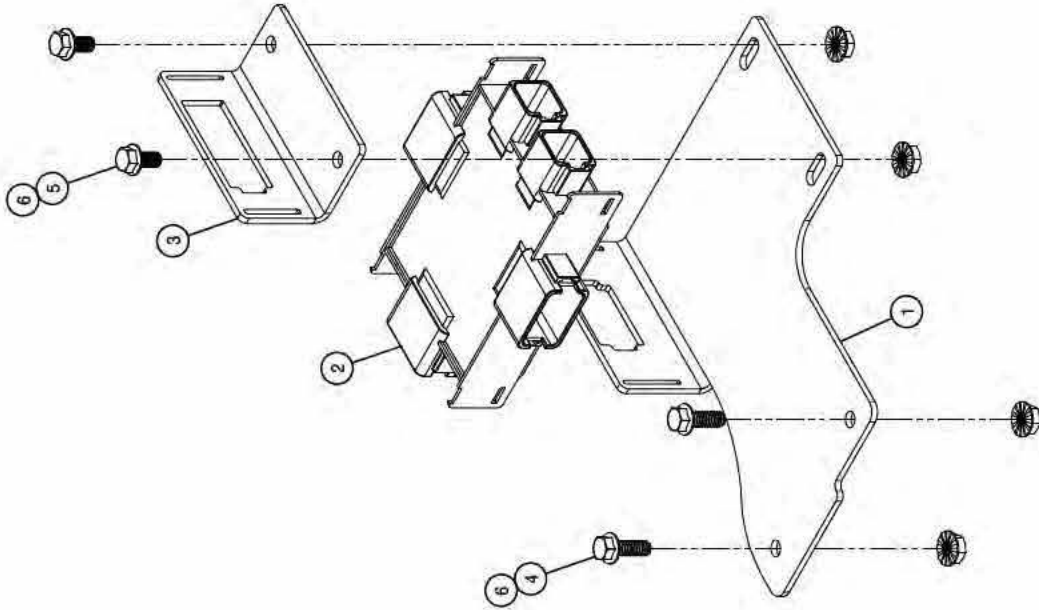
DET. QTY PART NO. DESCRIPTION

1	1	606455	NORAC HYD VALVE (449630)
2	1	618119	9/16MJIC-90-9/16MOR LBO
3	4	618126	9/16MJIC-9/16MOR ADPTR
4	1	618440	9/16MJIC-90-9/16MOR EX LG LBO
5	4	693132	NORAC CABLE,UC5 INTRFC TILT DT
6	1	693133	NORAC MODULE,UC5 VALVE
7	1	693134	NORAC MT BRKT,VLV MODUL,TYPE 2
8	2	693136	NORAC ORIFICE, 0.047
NS	3	693156	NORAC CABLE,UC5 INTRFC TLT DT
10	4	900064N	5/16UNC X 3/4 SER FLG BOLT SS



NORAC MODULE ASSEMBLY 90/100

DET.	QTY	PART NO.	DESCRIPTION	STS '14
1	1	167178	UC5 MTG BRKT	STS '14
2	1	693751	UC5 INPUT MODULE PASS THRU	
3	1	167179	CLAMP UC5 BRKT	STS '14
4	2	470118	1/4UNC X 3/4 SER FLG BOLT	
5	2	470122	1/4UNC X 1/2 SER FLG BOLT	
6	2	470121	1/4UNC SER FLG LOCK NUT	

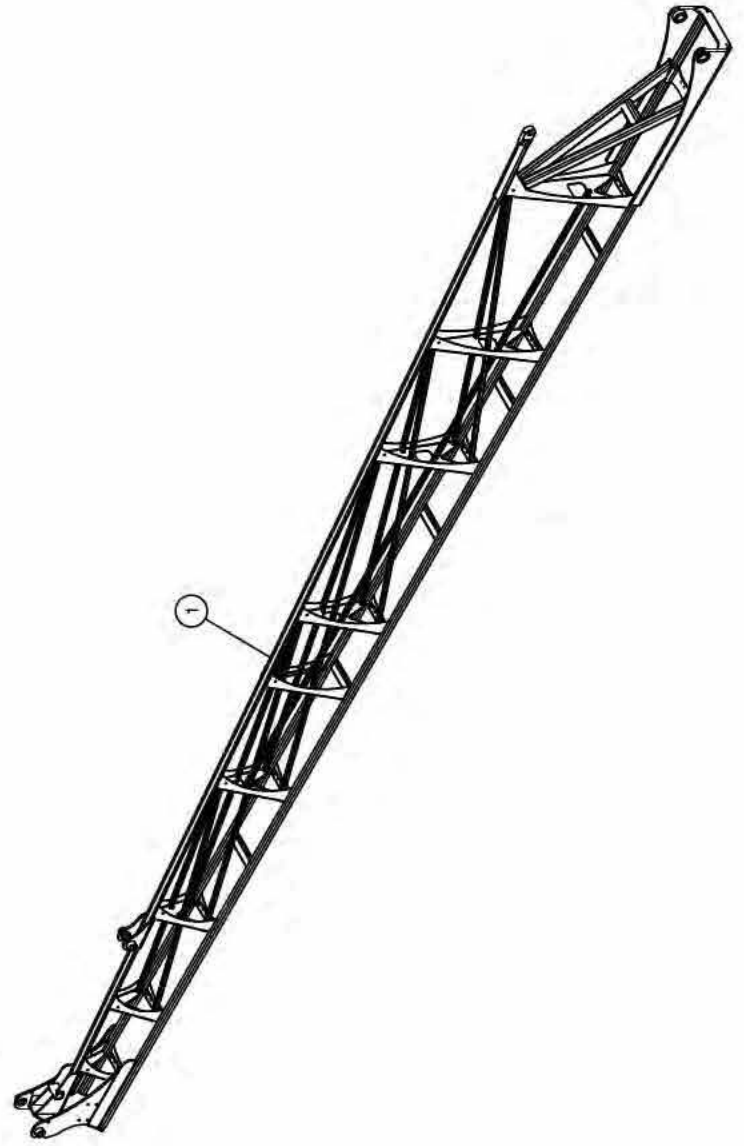
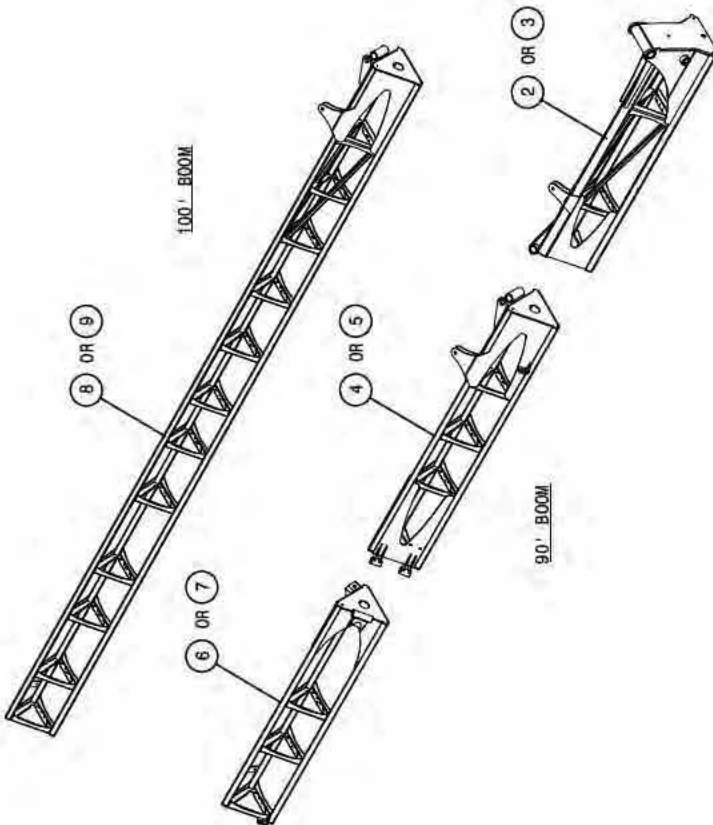


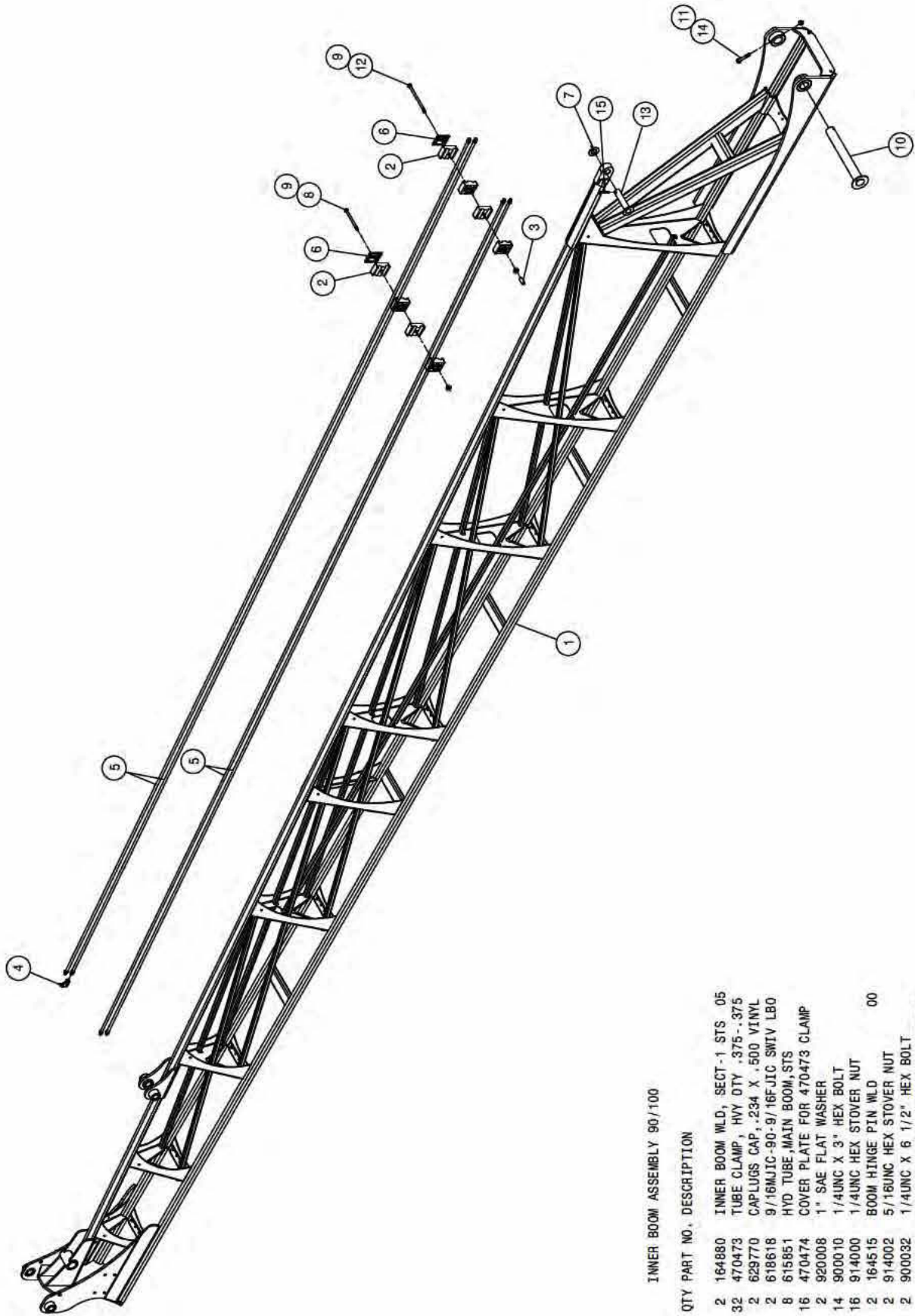
BOOM ASSEMBLY 90/100

DET. QTY PART NO. DESCRIPTION

1	2	164880	INNER BOOM WLD, SECT-1 STS 05
2	1	165800	RH FLDVR BM WLD, 100' SECT-2' 10
3	1	165801	LH FLDVR BM WLD, 100' SECT-2' 10
4	1	164971	RH BREAKAWAY BM WLD, SCT-3 '13
5	1	164973	LH BREAKAWAY BM WLD, SCT-3 '13
6	1	164970	RH 90' BOOM TIP WLD, SCT-4 '13
7	1	164975	LH 90' BOOM TIP WLD, SCT-4 '13
8	1	165815	RH BRKWAY BM WLD, 100' SECT-3' 10
9	1	165816	LH BRKWAY BM WLD, 100' SECT-3' 10

NOTE: QUANTITY LISTED IS FOR ONE MACHINE.





INNER BOOM ASSEMBLY 90/100

DET.	QTY	PART NO.	DESCRIPTION
1	2	164880	INNER BOOM WLD, SECT-1 STS .05
2	32	470473	TUBE CLAMP, Hvy DTY .375-.375
3	2	629770	CAPPLUGS CAP, .234 X .500 VINYL
4	2	618618	9/16MJIC-90-9/16FJIC SWTV LBO
5	8	615851	HYD TUBE, MAIN BOOM, STS
6	16	470474	COVER PLATE FOR 470473 CLAMP
7	2	920008	1" SAE FLAT WASHER
8	14	900010	1/4UNC X 3" HEX BOLT
9	16	914000	1/4UNC HEX STOVER NUT
10	2	164515	BOOM HINGE PIN WLD
11	2	914002	5/16UNC HEX STOVER NUT
12	2	900032	1/4UNC X 6 1/2" HEX BOLT
13	2	164500	LEVEL CYL PIN WLD, SHAFT END, 00
14	2	900073	5/16UNC X 3 1/4 HEX BOLT
15	2	470012	COTTER PIN 5/16 X 2" LG, 316 SS

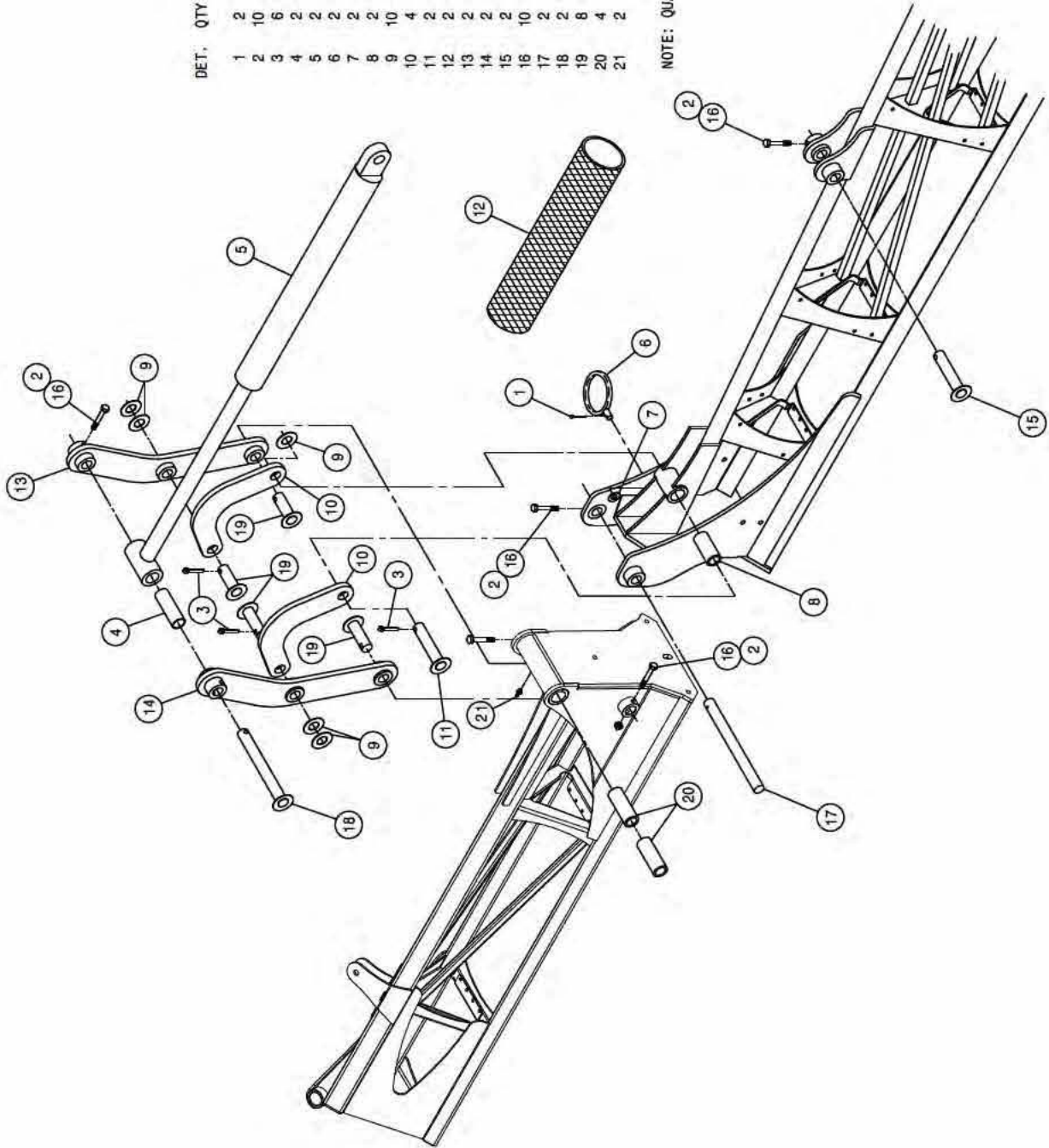
NOTE: QUANTITY LISTED IS FOR ONE MACHINE.

BOOM HINGE ASSEMBLY 90/100

DET. QTY PART NO. DESCRIPTION

1	2	390984	COTTER PIN 1/8 X 1 1/4
2	10	914002	5/16UNC HEX STOVER NUT
3	6	470012	COTTER PIN 5/16 X 2" LG, 316 SS
4	2	121108	BEARING, 1.00-1.25-3.75 POLYGON
5	2	621562	HYD CYL, 2.25 X 21.00 X 1.380
6	2	164517	HOSE SUPPORT RING WLD 00
7	2	920004	1/2 SAE FLAT WASHER
8	2	121121	BEARING, 1.00-1.36-3.60 POLYGON
9	10	920008	1" SAE FLAT WASHER
10	4	164643	XX402 TOP ARM(LEFT) 10.35 CNTR
11	2	165834	PIN WLD, 1.00 X 5.14
12	2	470378	SIDEWINDER SLEEVE, 14.06 X 21"
13	2	165836	RH FOLD-OVER BOOMERANG WLD
14	2	165837	LH FOLD-OVER BOOMERANG WLD
15	2	164522	BOOM FOLD CYL PIN WLD 00
16	10	900086	5/16UNC X 2 1/4 HEX BOLT
17	2	164678	BOOM FOLD PIVOT PIN, STS 05
18	2	164520	BOOM CYL PIVOT PIN WLD 00
19	8	164524	BOOMERANG CNTR PVT PIN WLD 00
20	4	121106	BEARING, 1.00-1.36-3.70 POLYGON
21	2	471005	GREASE ZERK, 1/4-28 X 1/2

NOTE: QUANTITY LISTED IS FOR ONE MACHINE.

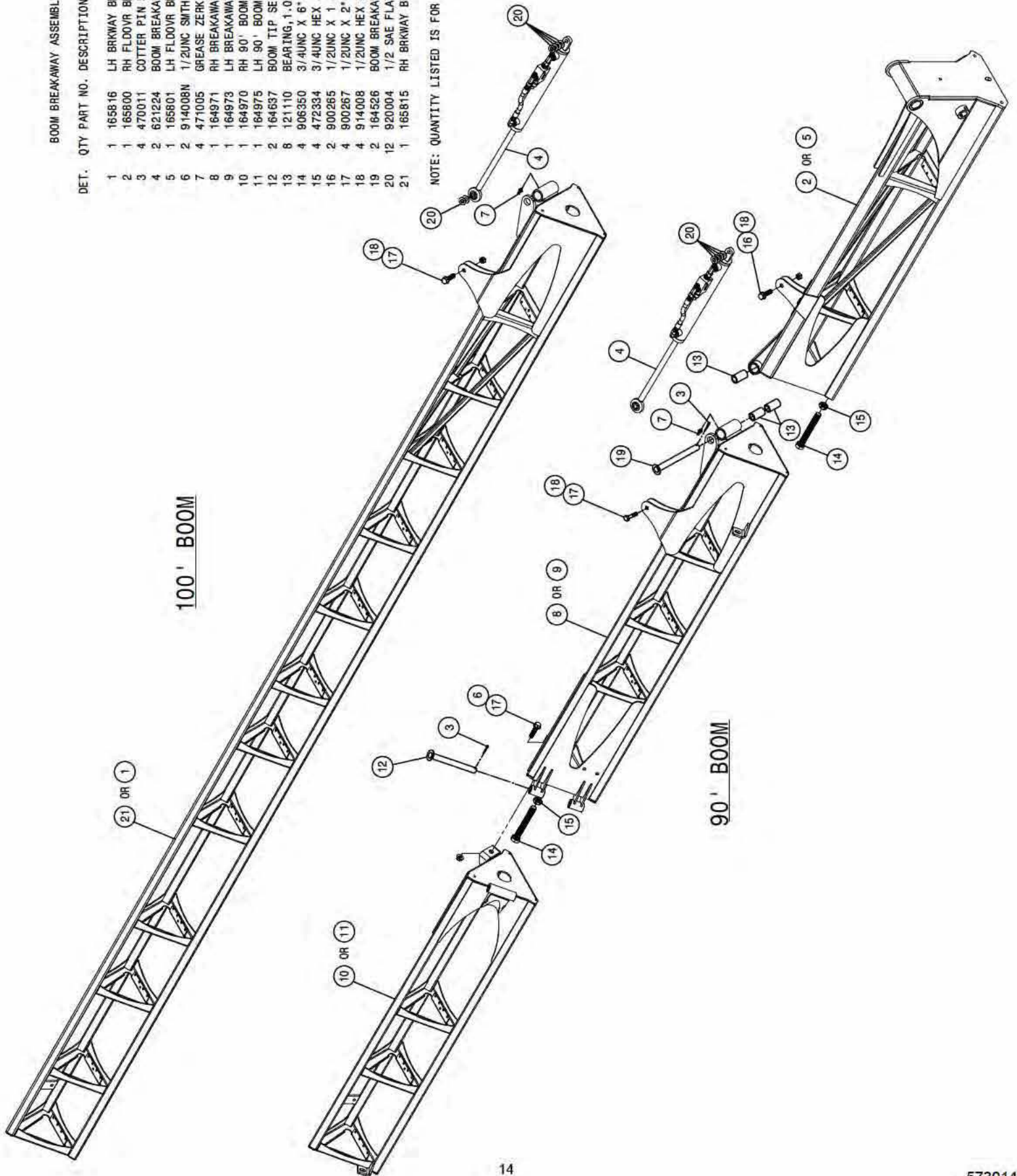


BOOM BREAKAWAY ASSEMBLY 90/100

DET. QTY PART NO. DESCRIPTION

1	1	165816	LH BRKWAY BM WLD, 100' SECT-3 '10
2	1	165800	RH FLDVVR BM WLD, 100' SECT-2 '10
3	4	470011	COTTER PIN 5/32 X 1 1/2, 316 SS
4	2	621224	BOOM BREAKAWAY CYL ASSY STS '13
5	1	165801	LH FLDVVR BM WLD, 100' SECT-2 '10
6	2	914008N	1/2UNC SMTH FLANGE NUT
7	4	471005	GREASE ZERK, 1/4-28 X 1/2
8	1	164971	RH BREAKAWAY BM WLD, SCT-3 '13
9	1	164973	LH BREAKAWAY BM WLD, SCT-3 '13
10	1	164970	RH 90' BOOM TIP WLD, SCT-4 '13
11	1	164975	LH 90' BOOM TIP WLD, SCT-4 '13
12	2	164637	BOOM TIP SECTION PIN WLD 00
13	8	121110	BEARING, 1.00-1.23-2.00 POLYGON
14	4	906350	3/4UNC X 6" HEX BOLT FULL
15	4	472334	3/4UNC HEX JAM NUT
16	2	900265	1/2UNC X 1 1/2 HEX BOLT
17	4	900267	1/2UNC X 2" HEX BOLT
18	4	914008	1/2UNC HEX STOVER NUT
19	2	164526	BOOM BREAKAWAY PVT PIN WLD 00
20	12	920004	1/2 SAE FLAT WASHER
21	1	165815	RH BRKWAY BM WLD, 100' SECT-3 '10

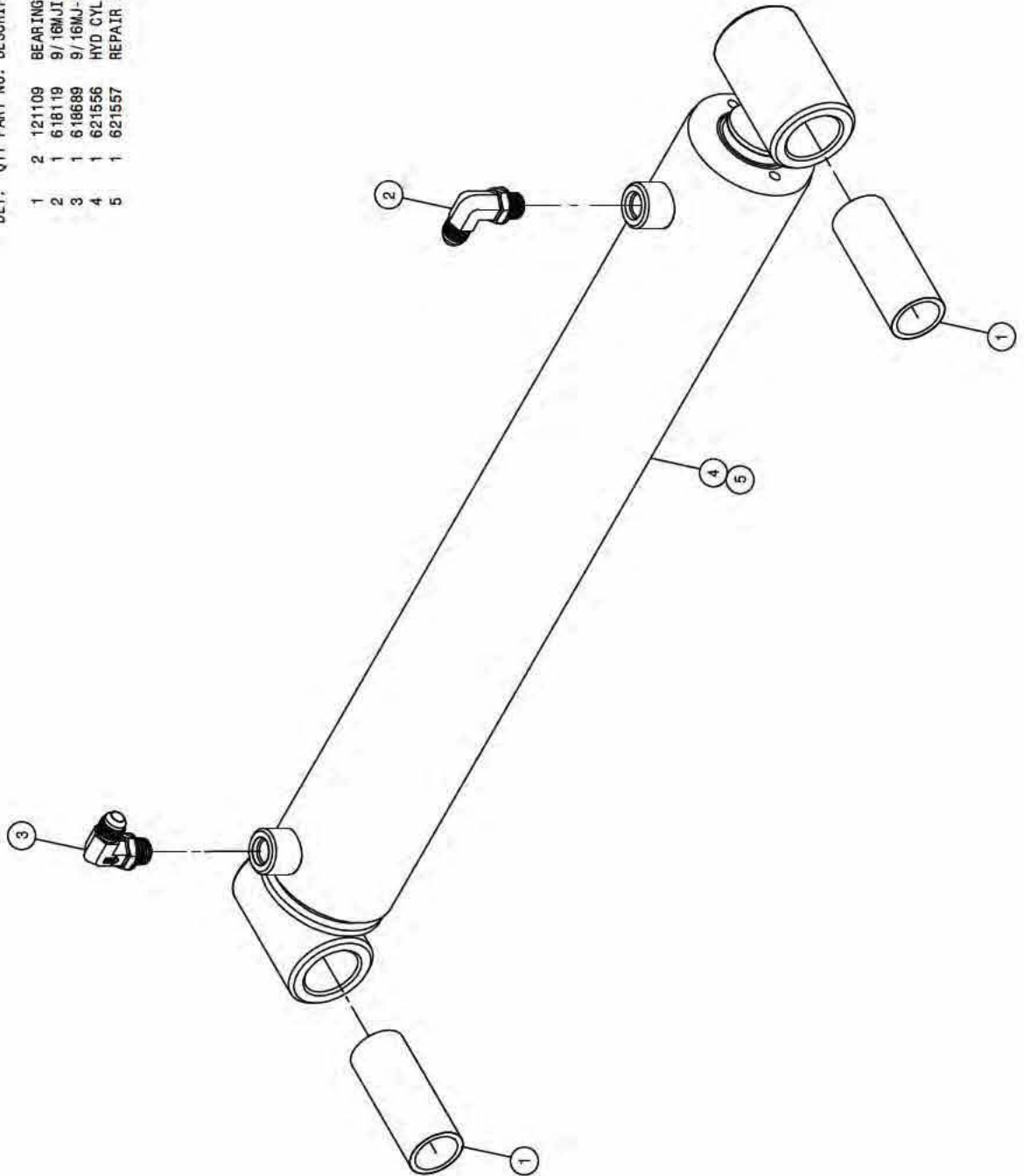
NOTE: QUANTITY LISTED IS FOR ONE MACHINE.

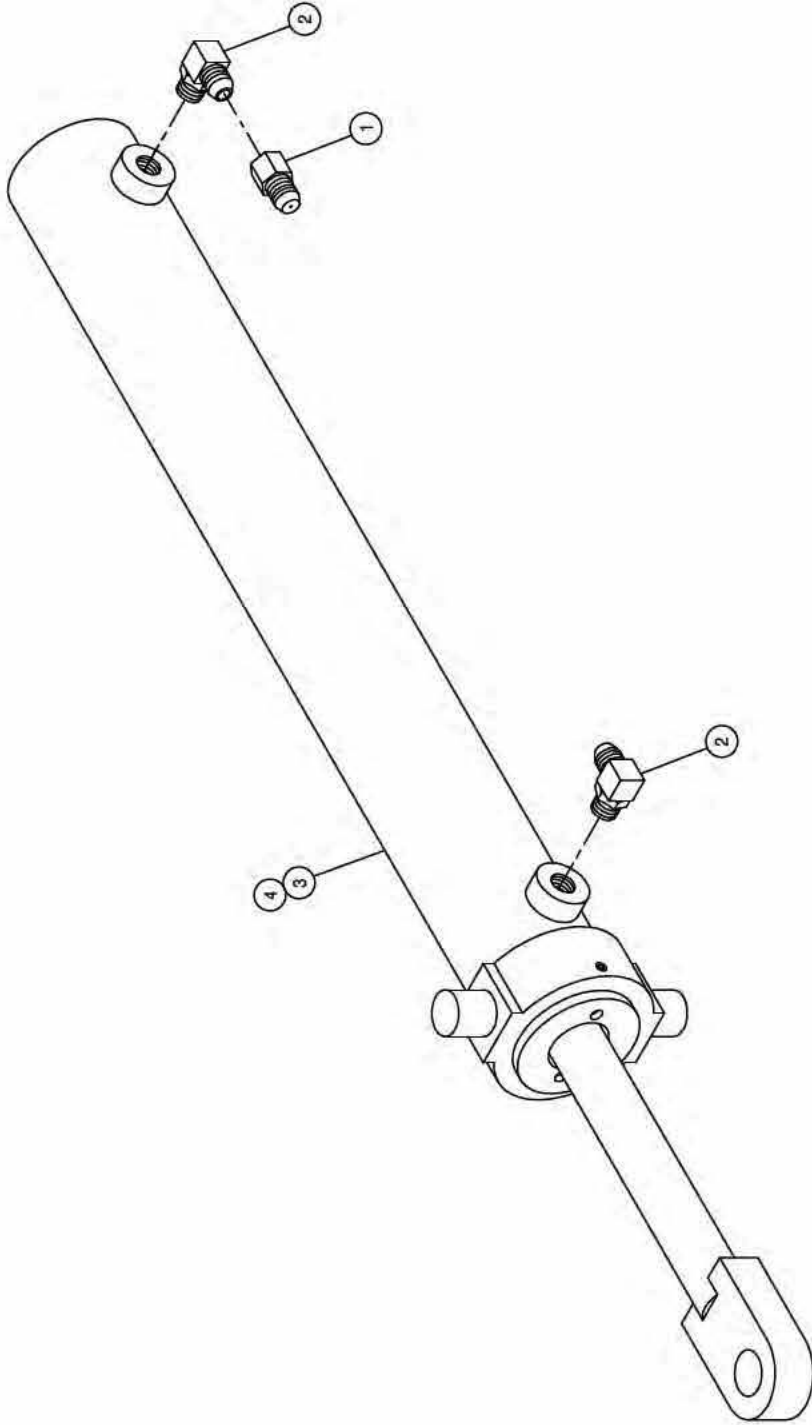


LIFT CYLINDER ASSEMBLY 90/100

DET. QTY PART NO. DESCRIPTION

1	2	121109	BEARING,1.00-1.25-3.13 POLYGON
2	1	618119	9/16MJIC-90-9/16MOR LBO
3	1	618689	9/16MJ-90-9/16MOR .042 CHK VLV
4	1	621556	HYD CYL, 2.50 X 18.00 X 1.500
5	1	621557	REPAIR KIT, HYD CYL 621556





BOOM FOLD CYLINDER ASSEMBLY 90/100

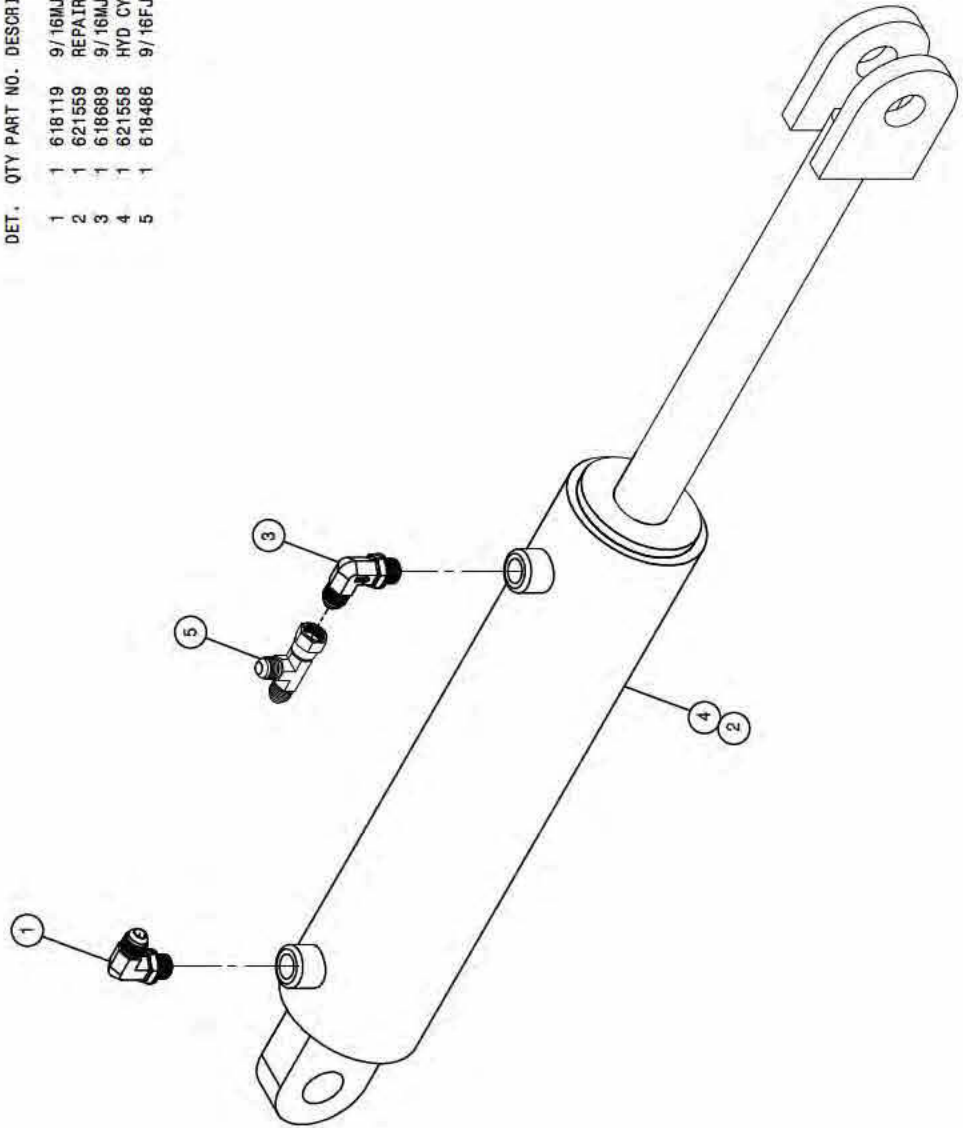
DET. QTY PART NO. DESCRIPTION

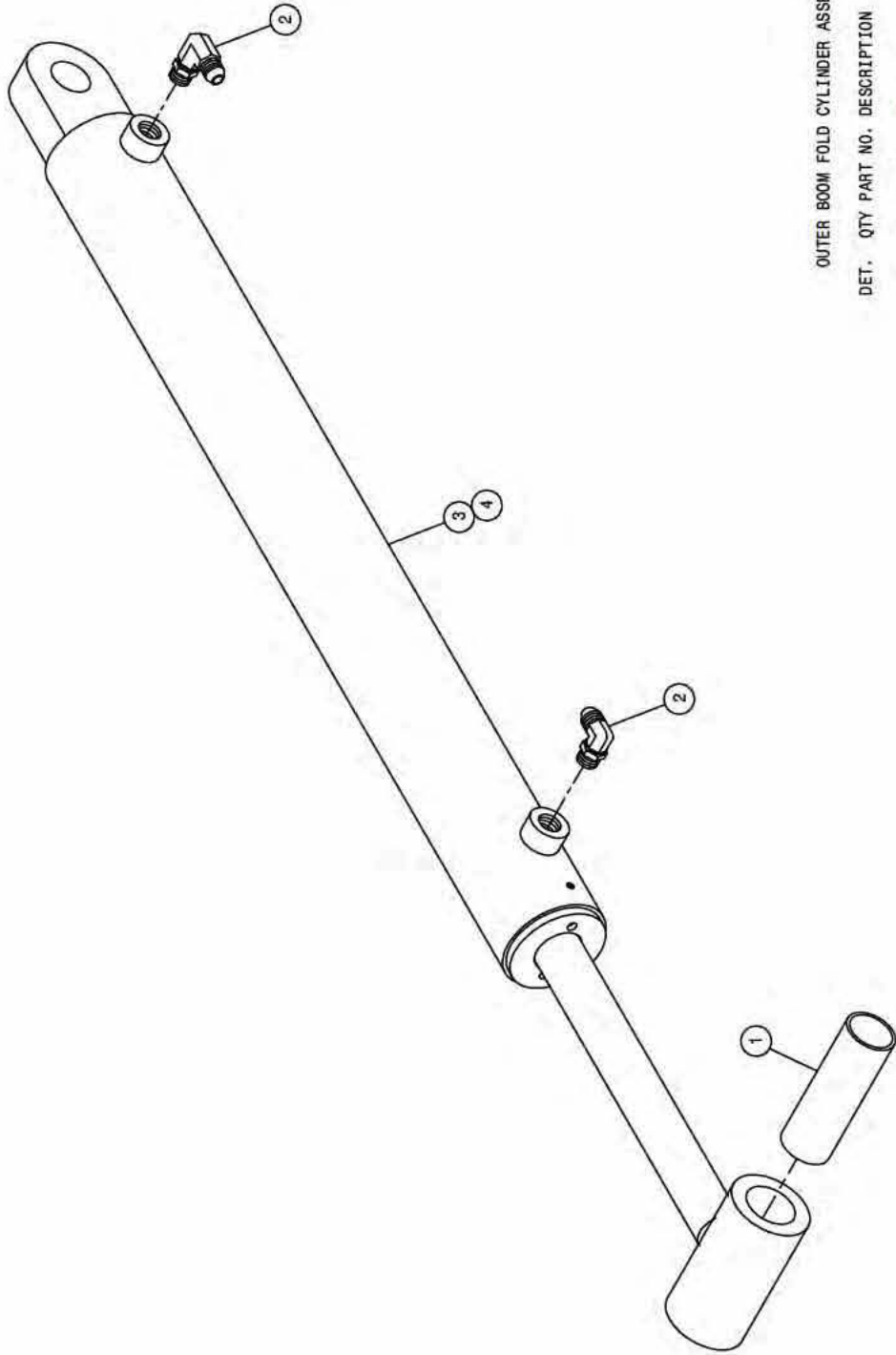
1	618733	9/16JIC .042 ORIFICE ADPTR
2	618119	9/16MJIC-90-9/16MOR LBO
3	621560	HYD CYL. 2.50 X 21.00 X 1.380
4	621561	REPAIR KIT, HYD CYL 621560

BOOM LEVEL CYLINDER ASSEMBLY 90/100

DET. QTY PART NO. DESCRIPTION

1	1	618119	9/16MJIC-90-9/16MOR LBO
2	1	621559	REPAIR KIT, HYD CYL 621558
3	1	618689	9/16MJ-90-9/16MOR .042 CHK VLV
4	1	621558	HYD CYL, 3.00 X 11.00 X 1.380
5	1	618486	9/16FJIC SW RUN TEE-9/16MJIC

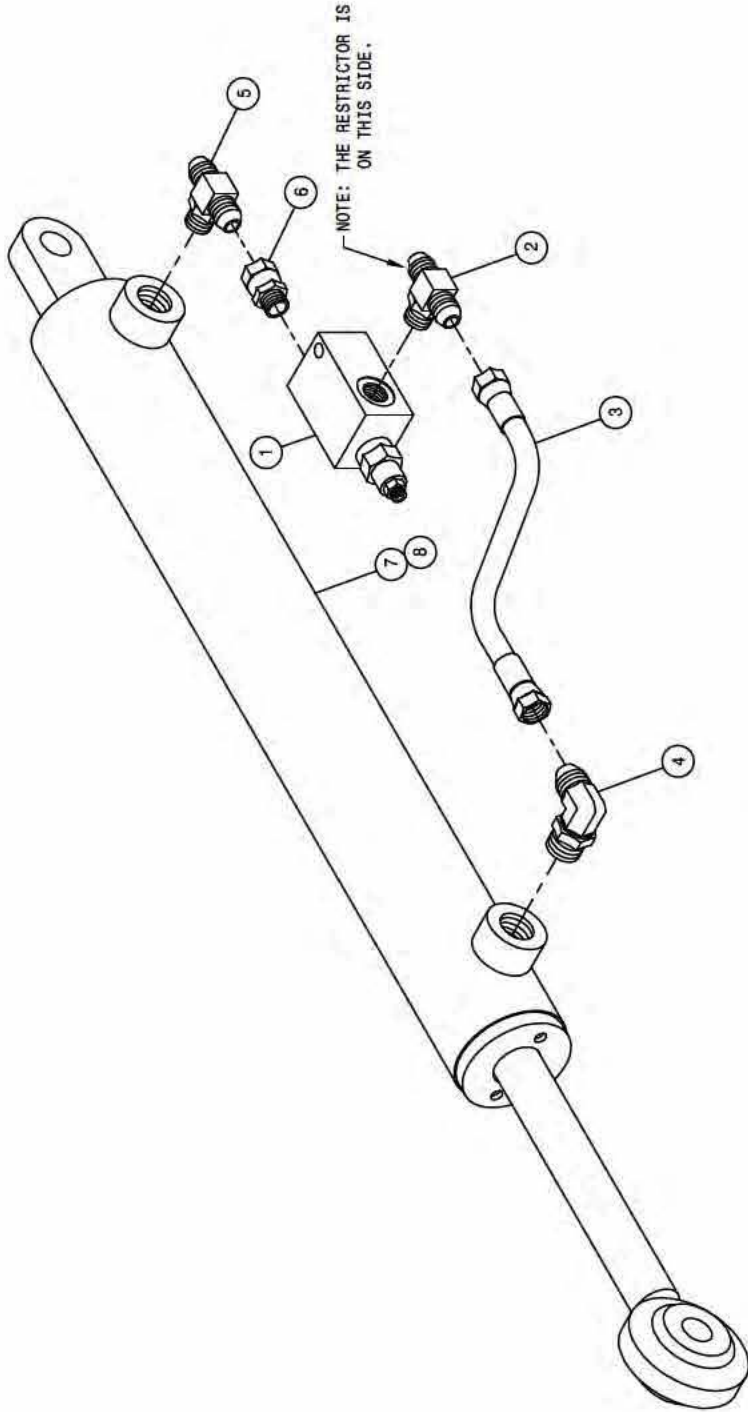




OUTER BOOM FOLD CYLINDER ASSEMBLY 90/100

DET. QTY PART NO. DESCRIPTION

1	121108	BEARING, 1.00-1.25-3.75 POLYGON
2	618688	9/16MJ-90-9/16MOR .025 CHK VLV
3	621562	HYD CYL, 2.25 X 21.00 X 1.380
4	621563	REPAIR KIT, HYD CYL 621562



BOOM BREAKAWAY CYLINDER ASSEMBLY 90/100

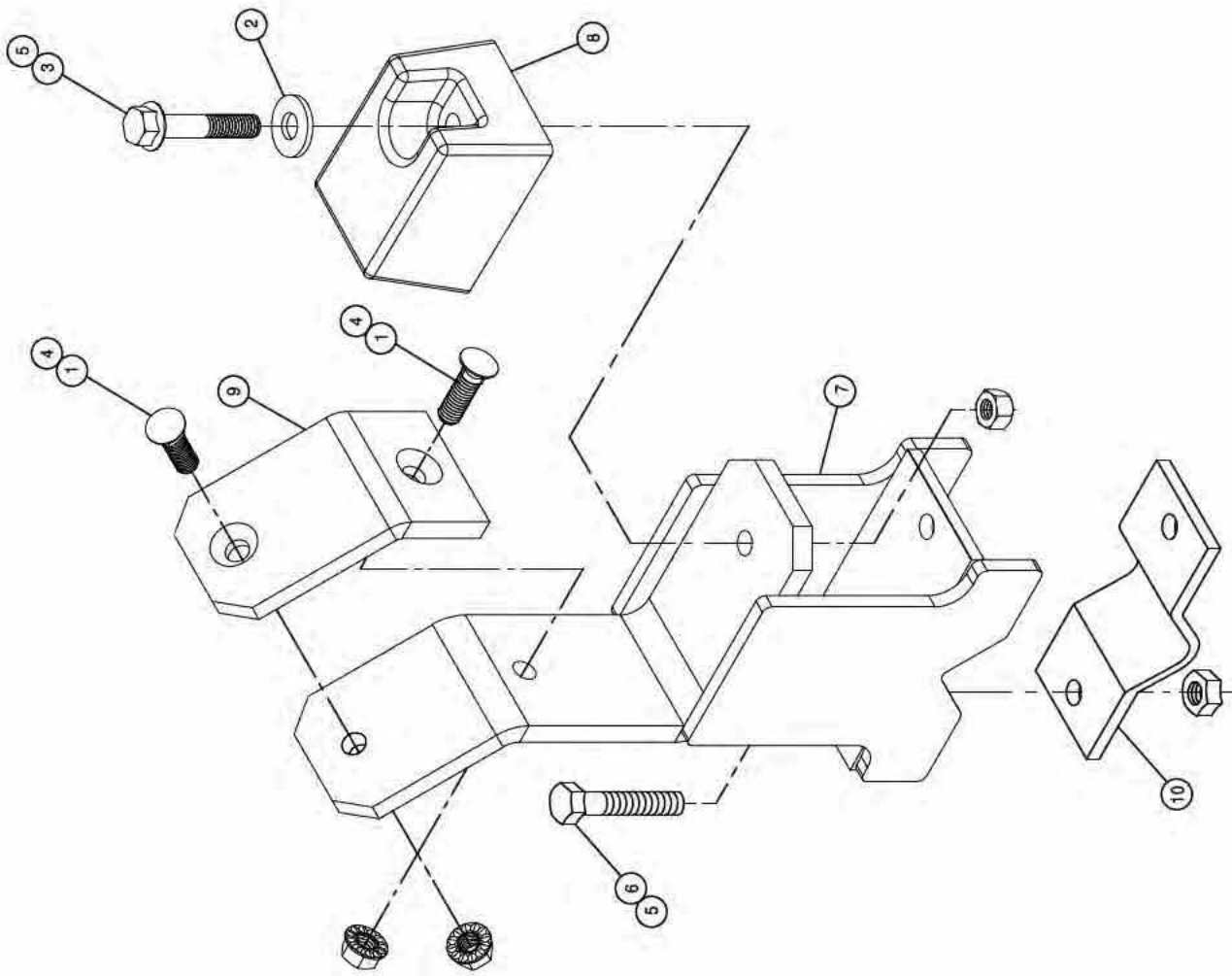
DET. QTY PART NO. DESCRIPTION

1	1	607540	KICK-DOWN RELIEF VALVE, 80QPSI
2	1	614752	RESTRICTOR BR TEE ASSY, .042DIA
3	1	617054	04-451TC-06FJX-06FJX-11 H/A
4	1	618119	9/16MJIC-90-9/16MOR LBO
5	1	618629	9/16MOR BRANCH TEE-9/16MJIC
6	1	618668	9/16FJIC SWIV-9/16MOR ADPTR
7	1	621590	HYD CYL, 1.50 X 10.88 X .875
8	1	621591	REPAIR KIT, HYD CYL 621590

BOOM SUPPORT CRADLE ASSEMBLY 90/100

DET. QTY PART NO. DESCRIPTION

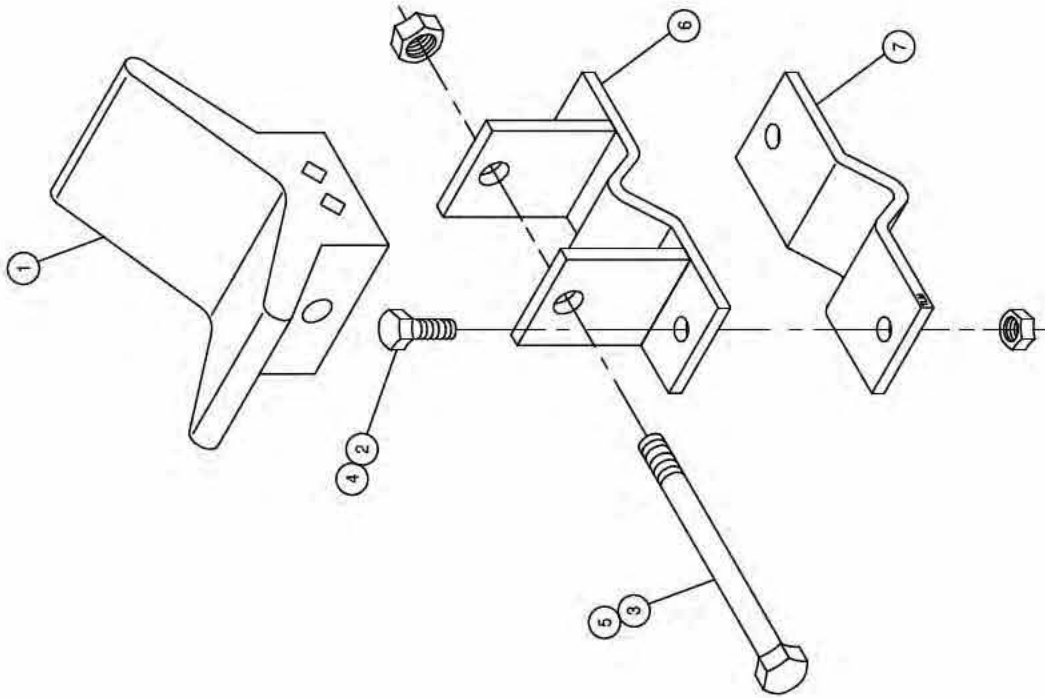
1	2	470328	3/8UNC X 1 1/4 #3HD PLOW BOLT
2	1	483043	3/8 REGULAR FLAT WASHER
3	1	900133	3/8UNC X 2" SERR FLANGE BOLT
4	2	470087	3/8UNC HEX FLANGE LOCK NUT
5	3	914004	3/8UNC HEX STOVER NUT
6	2	900170	3/8UNC X 2 1/4 SER FLANGE BOLT
7	1	164811	BOOM SUPP CRADLE WLD, 80/90' 04
8	1	164541	BOOM SUPPORT PAD
9	1	164542	BOOM SUPPORT CRADLE PAD
10	1	164543	BOOM SUPPORT KEEPER



BOOM SUPPORT ASSEMBLY 90/100

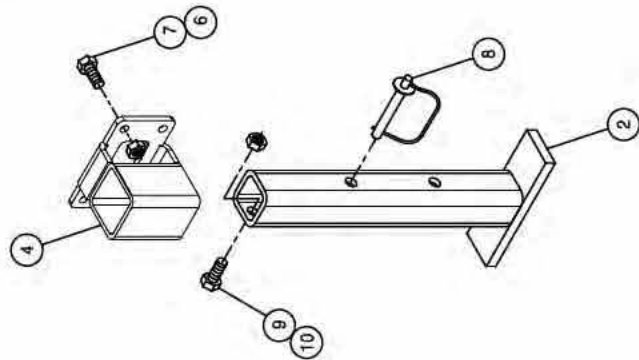
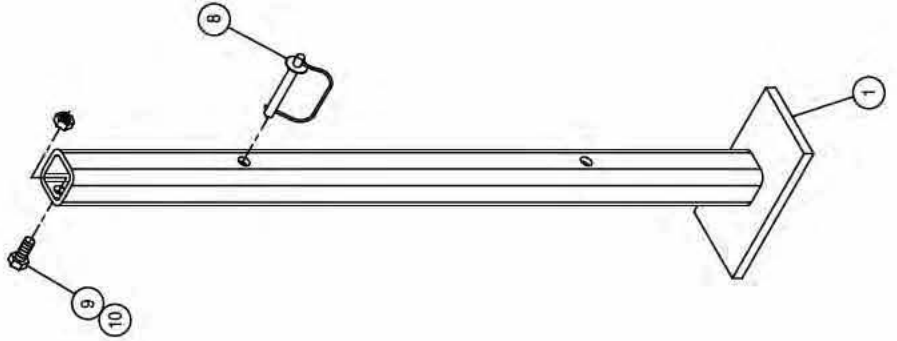
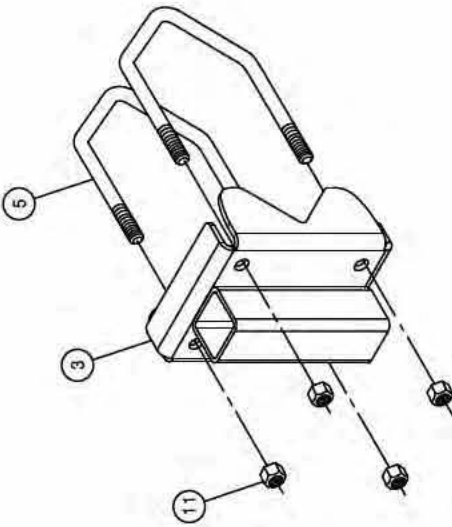
DET. QTY PART NO. DESCRIPTION

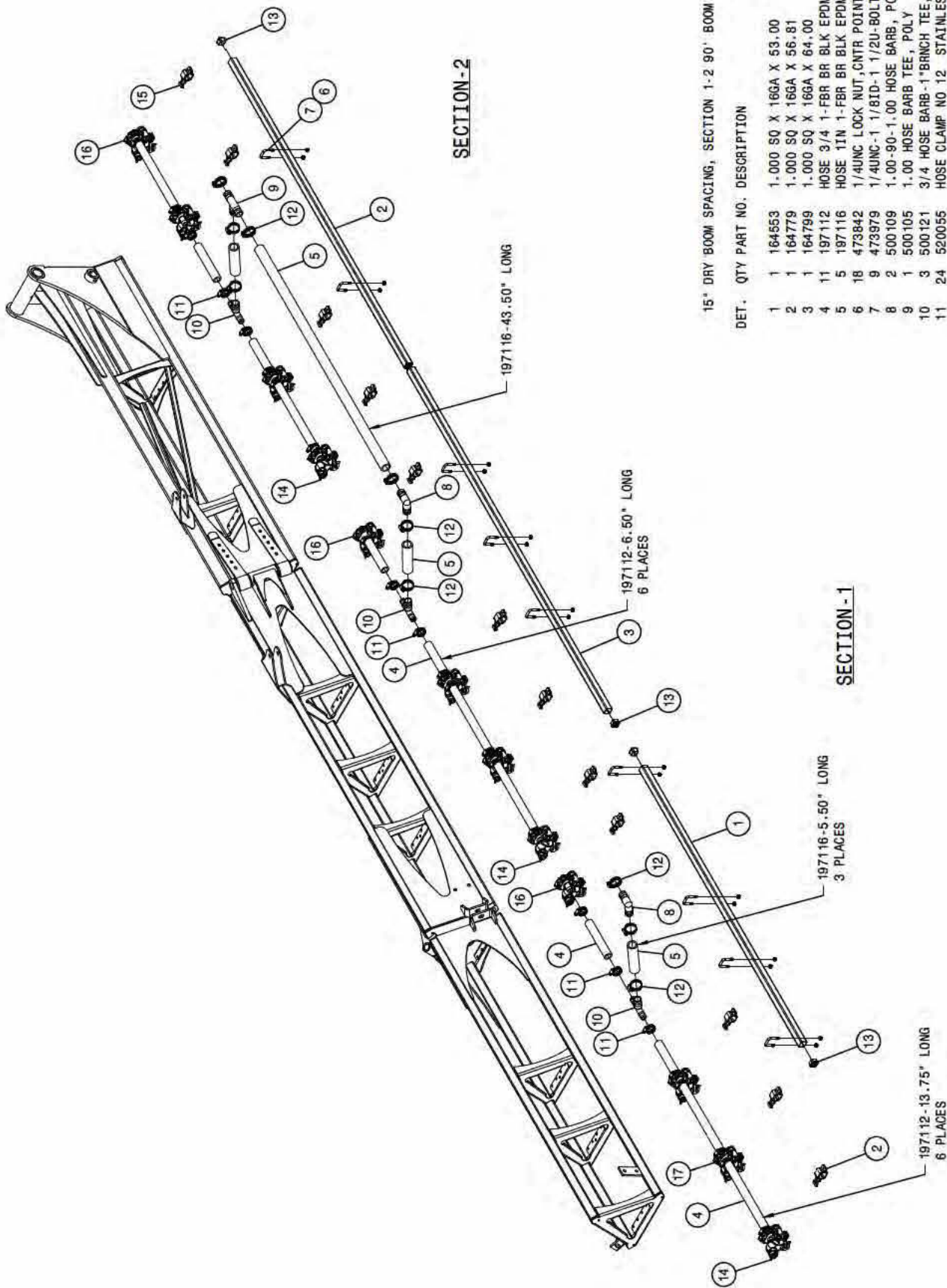
1	470324	3" RUBBER BOW GUARD
2	900130	3/8UNC X 1 1/4 SER FLANGE BOLT
3	900273	1/2UNC X 3 3/4 HEX BOLT
4	914004	3/8UNC HEX STOVER NUT
5	914008	1/2UNC HEX STOVER NUT
6	164544	FRT BOOM SUPP WLD,90' BOOM 00
7	164545	FRT BOOM SUPPORT MT 00



BOOM STAND OPTION 90/100

DET.	QTY	PART NO.	DESCRIPTION
1	2	164787	TRANSOM STAND POST WLD, STS 04
2	2	164794	BOOM STAND POST WLD, STS 04
3	2	164855	TRANSOM STAND MT WLD, STS 05
4	2	164857	MAIN BOOM JACKSTAND WLD, STS 05
5	4	438293	5/8UNC X 6 1/4 CTR U-BOLT TRI
6	8	470087	3/8UNC HEX FLANGE LOCK NUT
7	8	470329	3/8UNC X 1 1/4 SER FLANGE BOLT
8	4	470361	SNAP LOCK PIN, 1/2 X 3 1/2
9	4	900263	1/2UNC X 1" HEX BOLT
10	4	914008	1/2UNC HEX STOVER NUT
11	8	914010	5/8UNC HEX STOVER NUT





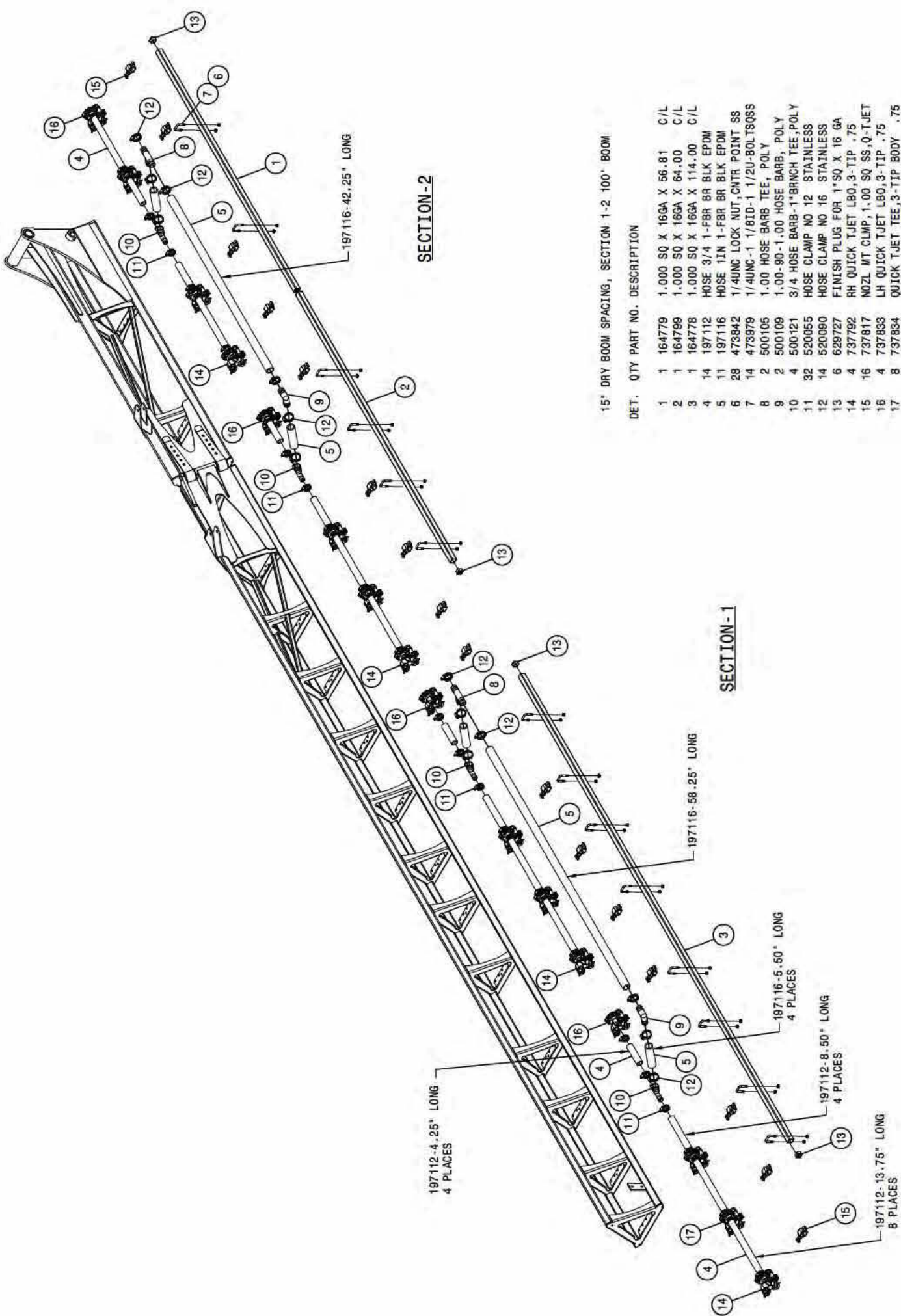
15' DRY BOOM SPACING, SECTION 1-2 90' BOOM

DET. QTY PART NO. DESCRIPTION

1	1	164553	1.000 SQ X 16GA X 53.00	C/L
2	1	164779	1.000 SQ X 16GA X 56.81	C/L
3	1	164799	1.000 SQ X 16GA X 64.00	C/L
4	11	197112	HOSE 3/4 1-FBR BR BLK EPDM	
5	5	197116	HOSE 1IN 1-FBR BR BLK EPDM	
6	18	473842	1/4UNC LOCK NUT, CNTR POINT SS	
7	9	473979	1/4UNC-1 1/8ID-1 1/2U-BOLTSQSS	
8	2	500109	1.00-90-1.00 HOSE BARB, POLY	
9	1	500105	1.00 HOSE BARB TEE, POLY	
10	3	500121	3/4 HOSE BARB-1"BRNCH TEE, POLY	
11	24	520055	HOSE CLAMP NO 12 STAINLESS	
12	10	520090	HOSE CLAMP NO 16 STAINLESS	
13	3	629727	FINISH PLUG FOR 1"SQ X 16 GA	
14	3	737792	RH QUICK TJET LBO, 3-TIP .75	
15	12	737817	NOZL WT CLMP, 1.00 SQ SS, Q-TJET	
16	3	737833	LH QUICK TJET LBO, 3-TIP .75	
17	6	737834	QUICK TJET TEE, 3-TIP BODY .75	

SECTION - 1

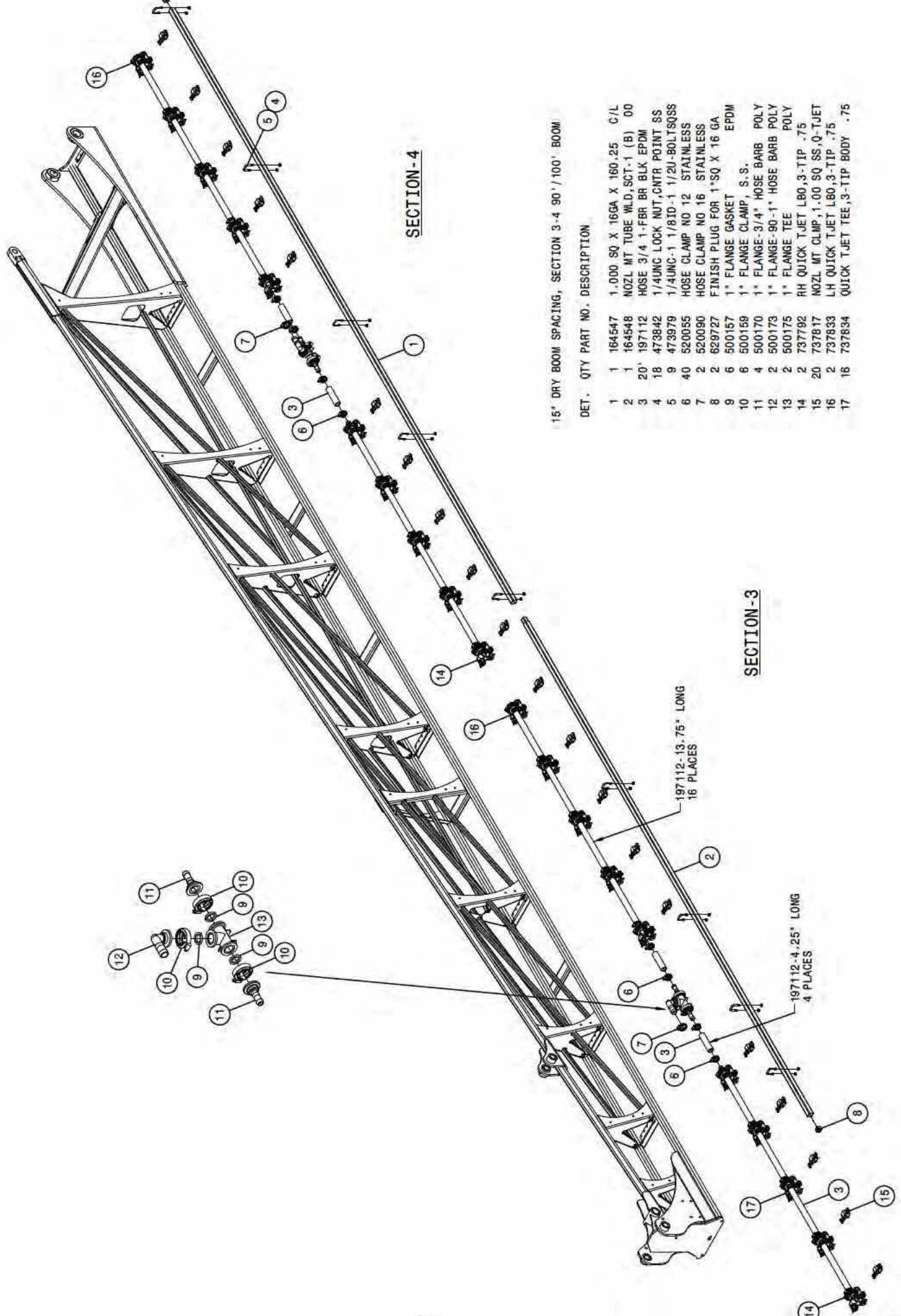
SECTION - 2



15" DRY BOOM SPACING, SECTION 1-2 100' BOOM

DET. QTY PART NO. DESCRIPTION

DET.	QTY	PART NO.	DESCRIPTION
1	1	164779	1.000 SQ X 16GA X 56.81 C/L
2	1	164799	1.000 SQ X 16GA X 64.00 C/L
3	1	164778	1.000 SQ X 16GA X 114.00 C/L
4	14	197112	HOSE 3/4 1-FBR BR BLK EPDM
5	11	197116	HOSE 1IN 1-FBR BR BLK EPDM
6	28	473842	1/4UNC LOCK NUT,CNTR POINT SS
7	14	473979	1/4UNC-1 1/8ID-1 1/2U-BOLTSQSS
8	2	500105	1.00 HOSE BARB TEE, POLY
9	2	500109	1.00-90-1.00 HOSE BARB, POLY
10	4	500121	3/4 HOSE BARB-1"BRNCH TEE,POLY
11	32	520055	HOSE CLAMP NO 12 STAINLESS
12	14	520090	HOSE CLAMP NO 16 STAINLESS
13	6	629727	FINISH PLUG FOR 1"SQ X 16 GA
14	4	737792	RH QUICK TJET L80,3-TIP .75
15	16	737817	NOZL MT CLMP,1.00 SQ SS,Q-TJET
16	4	737833	LH QUICK TJET L80,3-TIP .75
17	8	737834	QUICK TJET TEE,3-TIP BODY .75



15' DRY BOOM SPACING, SECTION 3-4 90'/100' BOOM

DET. QTY PART NO. DESCRIPTION

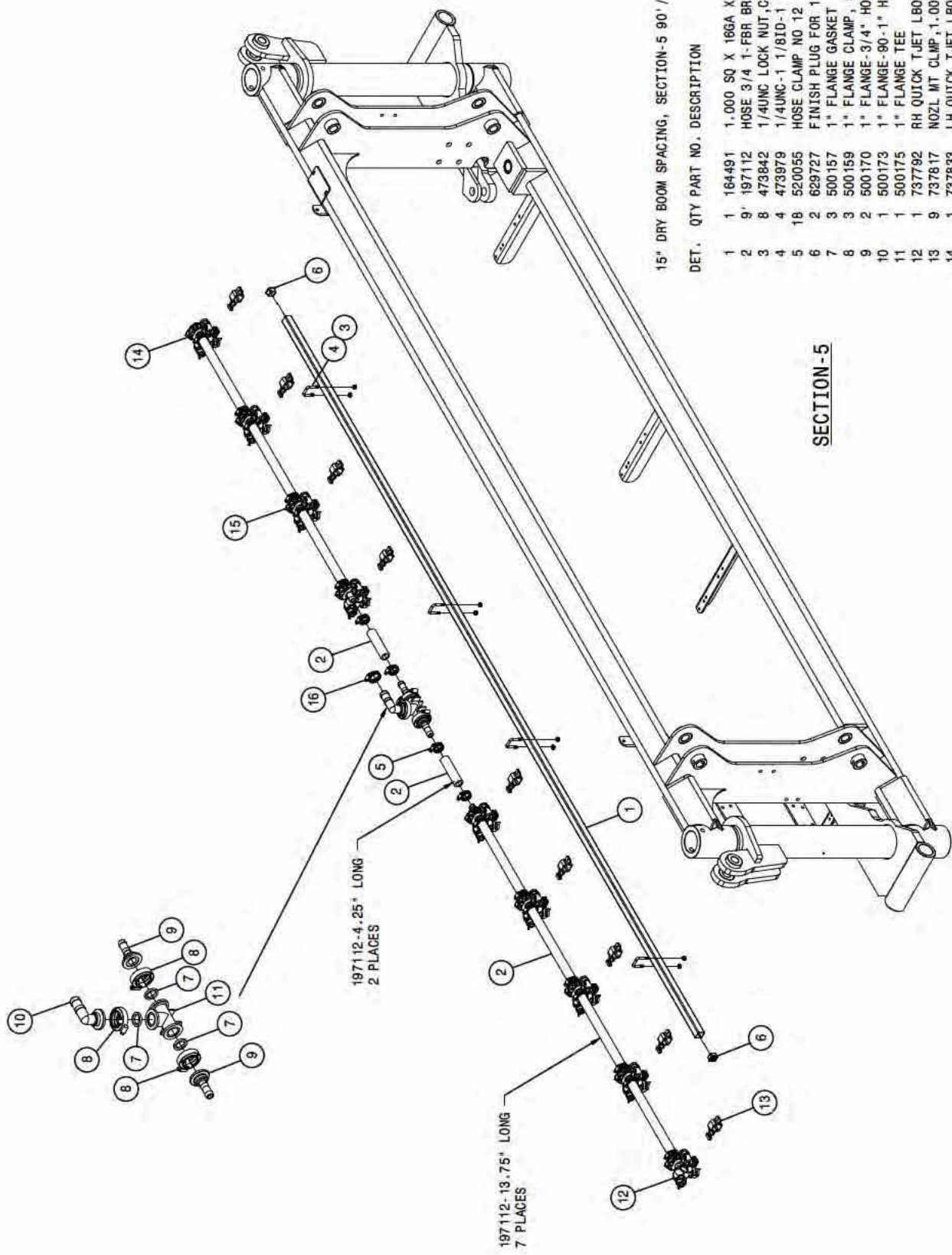
DET.	QTY	PART NO.	DESCRIPTION	C/L
1	1	164547	1.000 SQ X 16GA X 160.25	C/L
2	1	164548	NOZL MT TUBE WLD.SCT-1 (B) 00	00
3	20'	197112	HOSE 3/4 1-FBR BR BLK EPDM	
4	18	473842	1/4UNC LOCK NUT,CNTR POINT SS	
5	9	473979	1/4UNC-1 1/8ID-1 1/2U-BOLTSQSS	
6	40	520055	HOSE CLAMP NO 12 STAINLESS	
7	2	520090	HOSE CLAMP NO 16 STAINLESS	
8	2	629727	FINISH PLUG FOR 1"SQ X 16 GA	
9	6	500157	1" FLANGE GASKET EPDM	
10	6	500159	1" FLANGE CLAMP S.S.	
11	4	500170	1" FLANGE-3/4" HOSE BARB POLY	POLY
12	2	500173	1" FLANGE-90-1" HOSE BARB POLY	POLY
13	2	500175	1" FLANGE TEE	POLY
14	2	737792	RH QUICK TJET L80,3-TIP .75	
15	20	737817	NOZL MT CLMP,1.00 SQ SS,0-TJET	
16	2	737833	LH QUICK TJET L80,3-TIP .75	
17	16	737834	QUICK TJET TEE,3-TIP BODY .75	

SECTION-4

SECTION-3

197112-13-.75" LONG
16 PLACES

197112-4-.25" LONG
4 PLACES

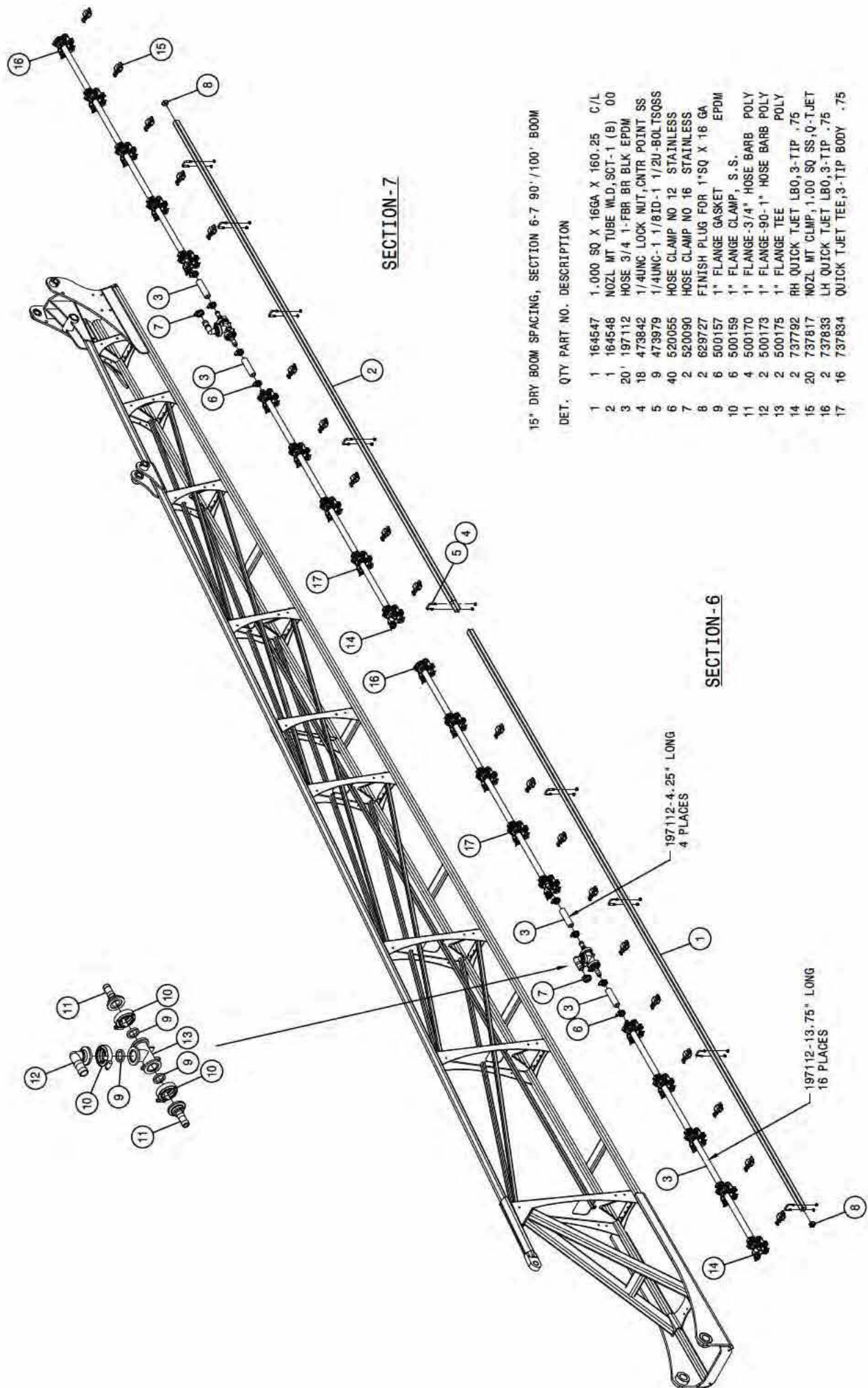


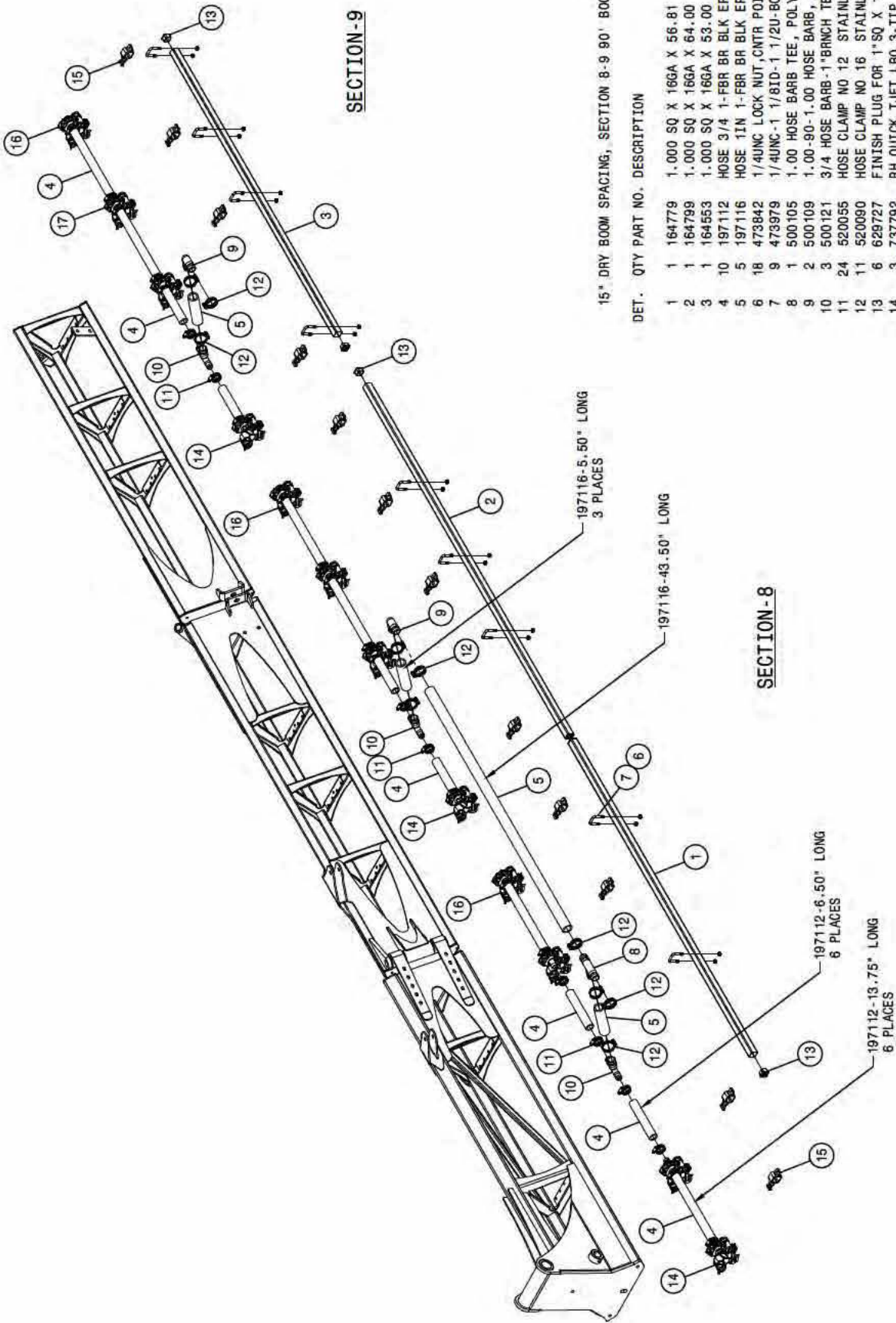
15' DRY BOOM SPACING, SECTION-5 90' / 100' BOOM

DET. QTY PART NO. DESCRIPTION

1	1	164491	1.000 SQ X 166A X 124.00	C/L
2	9	197112	HOSE 3/4 1-FBR BR BLK EPDM	
3	8	473842	1/4UNC LOCK NUT,CNTR POINT SS	
4	4	473879	1/4UNC-1 1/8ID-1 1/2U-BOLTSQSS	
5	18	520055	HOSE CLAMP NO 12 STAINLESS	
6	2	629727	FINISH PLUG FOR 1"SQ X 16 GA	
7	3	500157	1" FLANGE GASKET	EPDM
8	3	500159	1" FLANGE CLAMP, S.S.	
9	2	500170	1" FLANGE-3/4" HOSE BARB	POLY
10	1	500173	1" FLANGE-90-1" HOSE BARB	POLY
11	1	500175	1" FLANGE TEE	POLY
12	1	737792	RH QUICK TJET L80.3-TIP .75	
13	9	737817	NOZL MT CLMP,1.00 SQ SS,0-TJET	
14	1	737833	LH QUICK TJET L80.3-TIP .75	
15	7	737834	QUICK TJET TEE,3-TIP BODY .75	
16	1	520090	HOSE CLAMP NO 16 STAINLESS	

SECTION-5

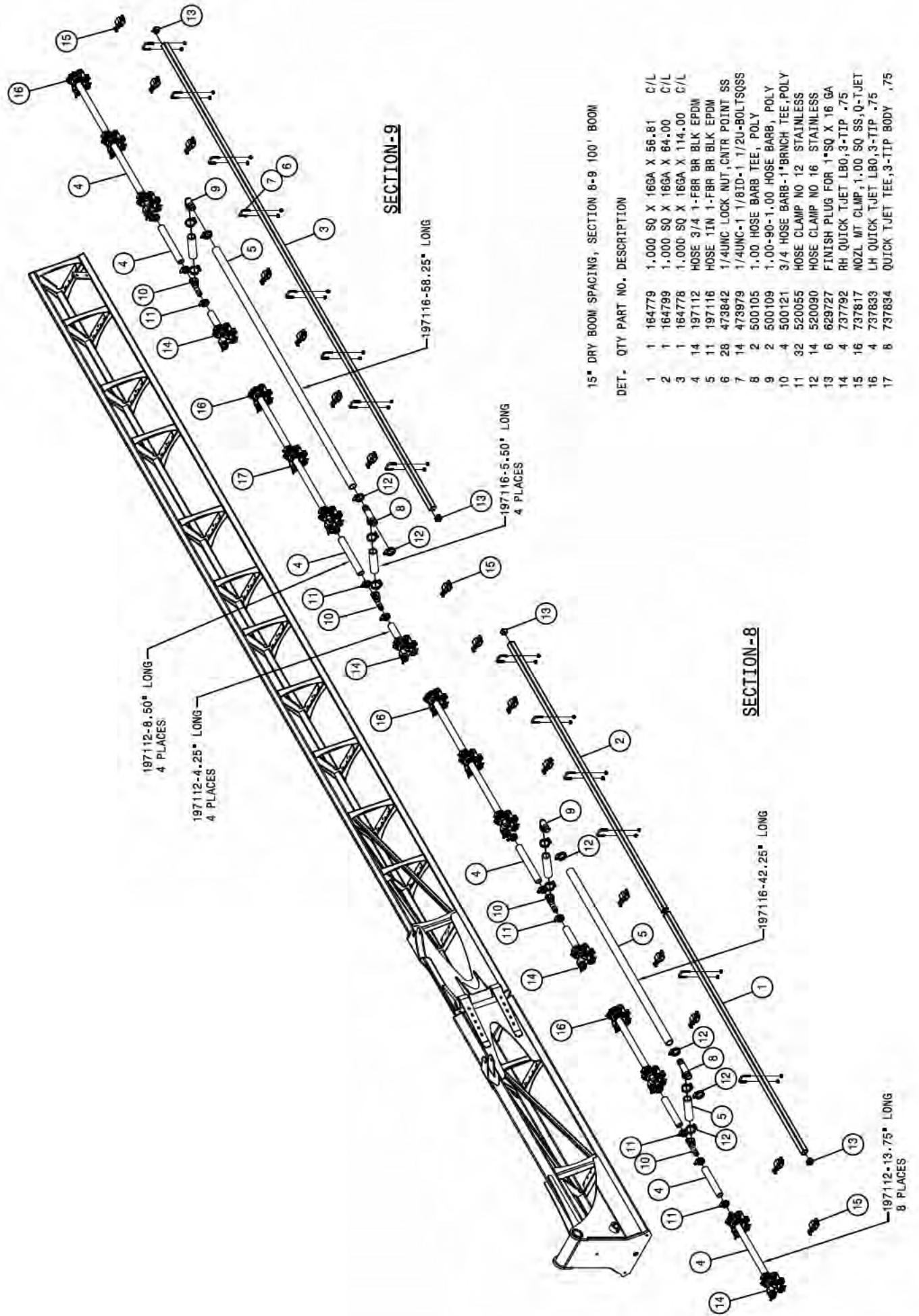




15" DRY BOOM SPACING, SECTION 8-9 90' BOOM

DET. QTY PART NO. DESCRIPTION

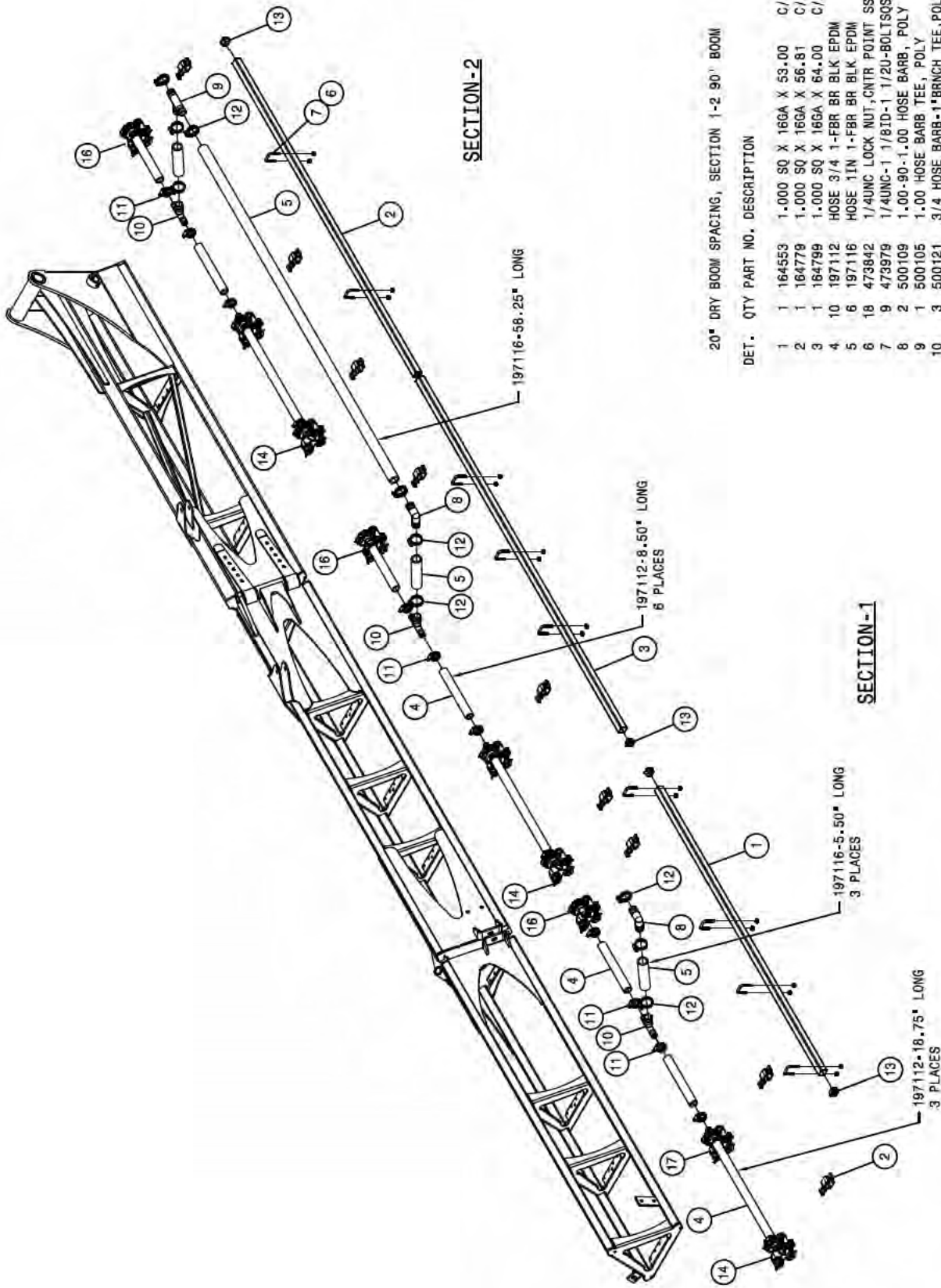
1	1	164779	1.000 SQ X 16GA X 56.81	C/L
2	1	164799	1.000 SQ X 16GA X 64.00	C/L
3	1	164553	1.000 SQ X 16GA X 53.00	C/L
4	10	197112	HOSE 3/4 1-FBR BR BLK EPDM	
5	5	197116	HOSE 1IN 1-FBR BR BLK EPDM	
6	18	473842	1/4UNC LOCK NUT, CNTR POINT SS	
7	9	473979	1/4UNC-1 1/8ID-1 1/2U-BOLTSQSS	
8	1	500105	1.00 HOSE BARB TEE, POLY	
9	2	500109	1.00-90-1.00 HOSE BARB, POLY	
10	3	500121	3/4 HOSE BARB-1"BRNCH TEE, POLY	
11	24	520055	HOSE CLAMP NO 12 STAINLESS	
12	11	520090	HOSE CLAMP NO 16 STAINLESS	
13	6	629727	FINISH PLUG FOR 1"SQ X 16 GA	
14	3	737792	RH QUICK TJET L80, 3-TIP .75	
15	12	737817	NOZL MT CLMP, 1.00 SQ SS, Q-TJET	
16	3	737833	LH QUICK TJET L80, 3-TIP .75	
17	6	737834	QUICK TJET TEE, 3-TIP BODY .75	



15' DRY BOOM SPACING, SECTION 8-9 100' BOOM

DET. QTY PART NO. DESCRIPTION

1	1	164779	1.000 SQ X 16GA X 56.81	C/L
2	1	164799	1.000 SQ X 16GA X 64.00	C/L
3	1	164778	1.000 SQ X 16GA X 114.00	C/L
4	14	197112	HOSE 3/4 1-FBR BR BLK EPDM	
5	11	197116	HOSE 1IN 1-FBR BR BLK EPDM	
6	28	473842	1/4UNC LOCK NUT,CNTR POINT SS	
7	14	473879	1/4UNC-1 1/8ID-1 1/2U-BOLTSQSS	
8	2	500105	1.00 HOSE BARB TEE, POLY	
9	2	500109	1.00-90-1.00 HOSE BARB, POLY	
10	4	500121	3/4 HOSE BARB-1"BRNCH TEE,POLY	
11	32	520055	HOSE CLAMP NO 12 STAINLESS	
12	14	520090	HOSE CLAMP NO 16 STAINLESS	
13	6	629727	FINISH PLUG FOR 1"SQ X 16 GA	
14	4	737792	RH QUICK TJET LBO,3-TIP .75	
15	16	737817	NOZL MT CLMP,1.00 SQ SS,0-TJET	
16	4	737833	LH QUICK TJET LBO,3-TIP .75	
17	8	737834	QUICK TJET TEE,3-TIP BODY .75	



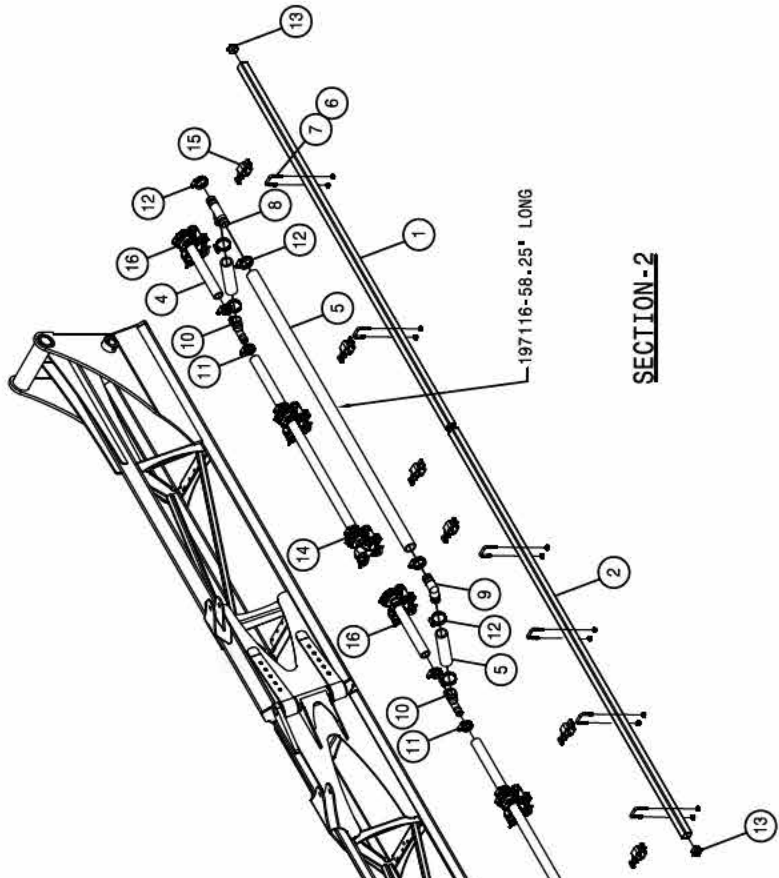
20' DRY BOOM SPACING, SECTION 1-2 90' BOOM

DET. QTY PART NO. DESCRIPTION

1	1	164553	1.000 SQ X 16GA X 53.00	C/L
2	1	164779	1.000 SQ X 16GA X 56.81	C/L
3	1	164799	1.000 SQ X 16GA X 64.00	C/L
4	10	197112	HOSE 3/4 1-FBR BR BLK EPDM	
5	6	197116	HOSE 1IN 1-FBR BR BLK EPDM	
6	18	479842	1/4UNC LOCK NUT,CNTR POINT SS	
7	9	479979	1/4UNC-1 1/8ID-1 1/2U-BOLTSQSS	
8	2	500109	1.00-90-1.00 HOSE BARB, POLY	
9	1	500105	1.00 HOSE BARB TEE, POLY	
10	3	500121	3/4 HOSE BARB-1"BRNCH TEE,POLY	
11	18	520055	HOSE CLAMP NO 12 STAINLESS	
12	10	520090	HOSE CLAMP NO 16 STAINLESS	
13	6	629727	FINISH PLUG FOR 1"SQ X 16 GA	
14	3	737792	RH QUICK TJET LBO,3-TIP .75	
15	9	737817	NOZL MT CLMP,1.00 SQ SS,Q-TJET	
16	3	737833	LH QUICK TJET LBO,3-TIP .75	
17	3	737834	QUICK TJET TEE,3-TIP BODY .75	

SECTION-1

SECTION-2

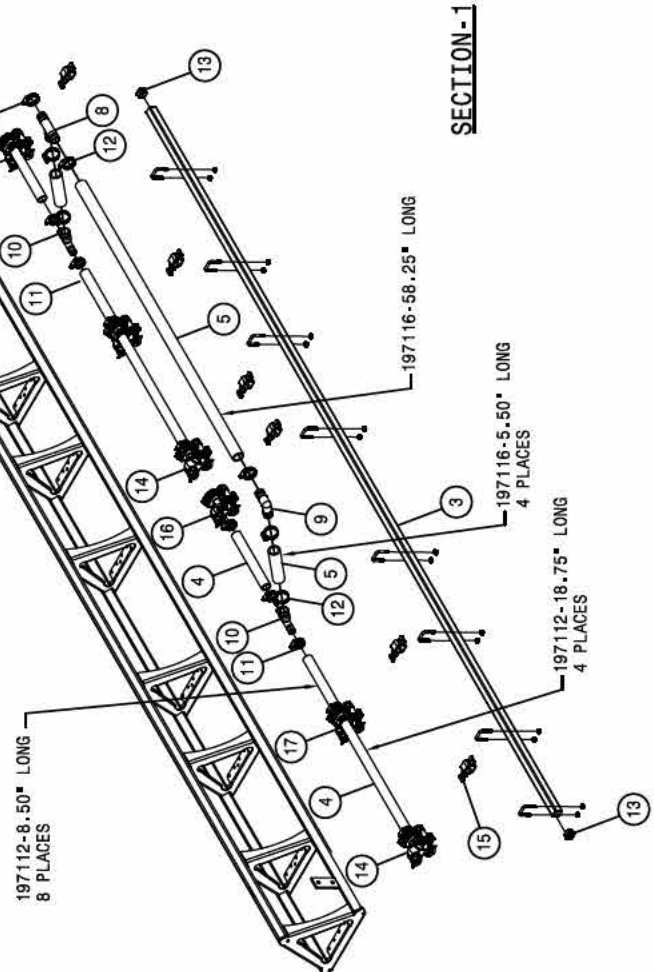


SECTION-2

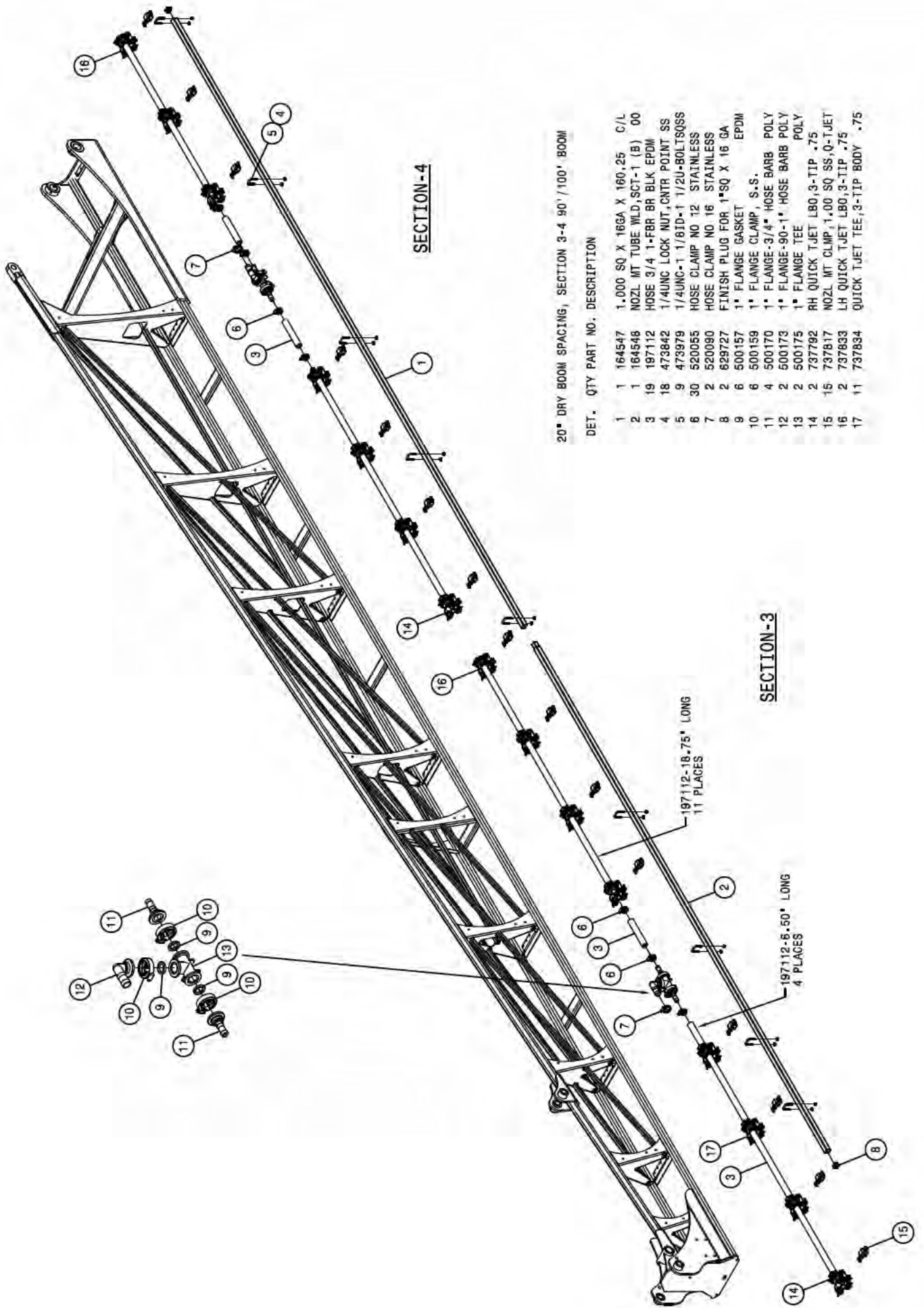
20° DRY BOOM SPACING, SECTION 1-2 100' BOOM

DET. QTY PART NO. DESCRIPTION

DET.	QTY	PART NO.	DESCRIPTION
1	1	164779	1.000 SQ X 16GA X 56.81 C/L
2	1	164799	1.000 SQ X 16GA X 64.00 C/L
3	1	164778	1.000 SQ X 16GA X 114.00 C/L
4	12	197112	HOSE 3/4 1-FBR BR BLK EPDM
5	12	197116	HOSE 1IN 1-FBR BR BLK EPDM
6	28	473842	1/4UNC LOCK NUT,CNTR POINT SS
7	14	473979	1/4UNC-1 1/8ID-1 1/2U-BOLTSQSS
8	2	500105	1.00 HOSE BARB TEE, POLY
9	2	500109	1.00-90-1.00 HOSE BARB, POLY
10	4	500121	3/4 HOSE BARB-1"BRNCH TEE,POLY
11	24	520055	HOSE CLAMP NO 12 STAINLESS
12	14	520090	HOSE CLAMP NO 16 STAINLESS
13	6	629727	FINISH PLUG FOR 1"SQ X 16 GA
14	4	737792	RH QUICK TJET L80,3-TIP .75
15	13	737817	NOZL MT CLMP,1.00 SQ SS,Q-TJET
16	4	737833	LH QUICK TJET L80,3-TIP .75
17	4	737834	QUICK TJET TEE,3-TIP BODY .75



SECTION-1



20' DRY BOOM SPACING, SECTION 3-4 90' / 100' BOOM

DET. QTY PART NO. DESCRIPTION

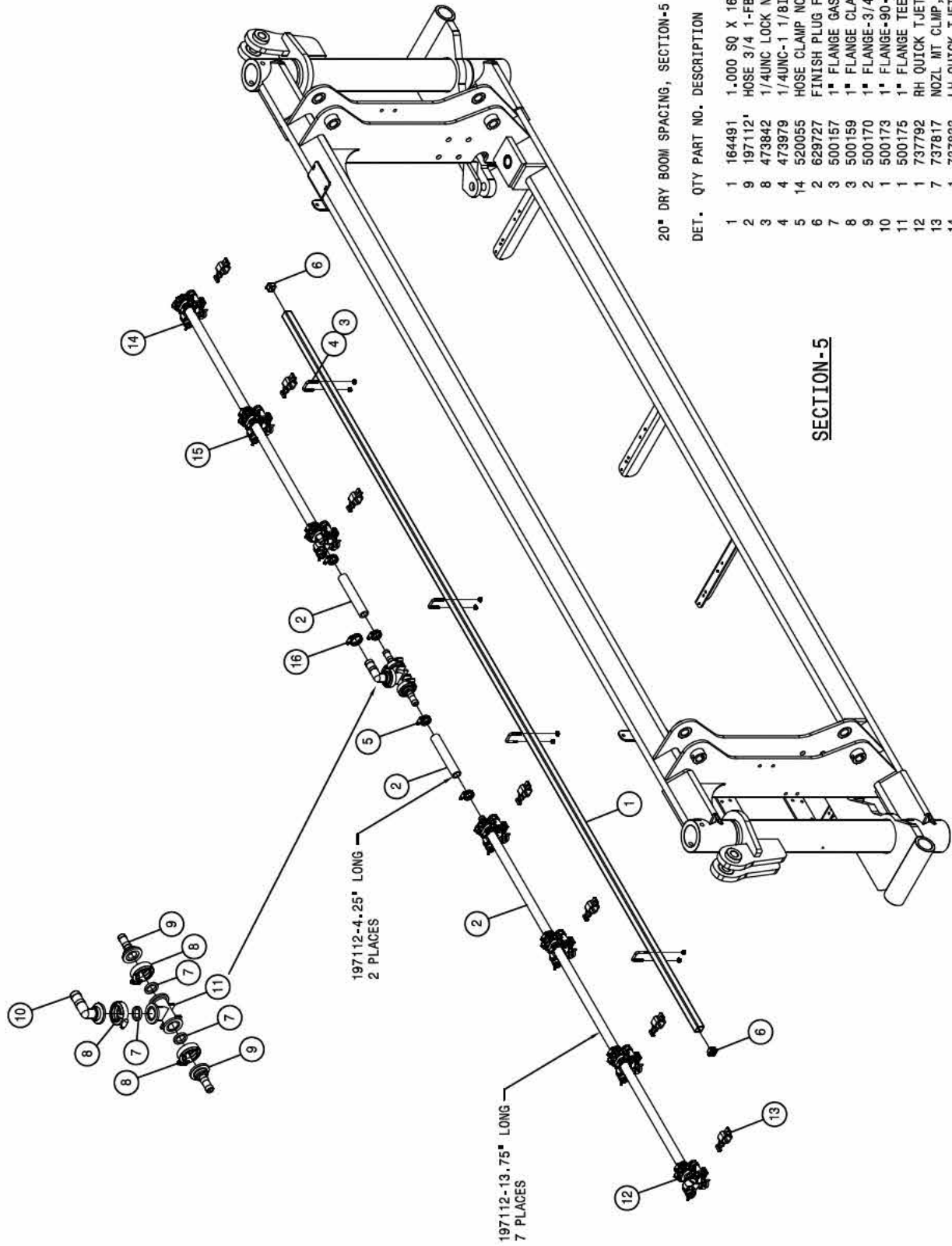
1	1	164547	1.000 SQ X 16GA X 160,25	C/L
2	1	164548	NOZL MT TUBE WLD, SCT-1 (B)	00
3	19	197112	HOSE 3/4 1-FBR BR BLK EPDM	
4	18	473842	1/4UNC LOCK NUT, CNTR POINT SS	
5	9	473979	1/AUNC-1 1/8ID-1 1/2U-80LTSOSS	
6	30	520055	HOSE CLAMP NO 12 STAINLESS	
7	2	520090	HOSE CLAMP NO 16 STAINLESS	
8	2	629727	FINISH PLUG FOR 1"SQ X 16 GA	
9	6	500157	1" FLANGE GASKET	EPDM
10	6	500159	1" FLANGE CLAMP, S.S.	
11	4	500170	1" FLANGE-3/4" HOSE BARB	POLY
12	2	500173	1" FLANGE-90-1" HOSE BARB	POLY
13	2	500175	1" FLANGE TEE	POLY
14	2	737792	RH QUICK TJET LBO, 3-TIP .75	
15	15	737817	NOZL MT CLMP, 1.00 SQ SS, Q-TJET	
16	2	737833	LH QUICK TJET LBO, 3-TIP .75	
17	11	737834	QUICK TJET TEE, 3-TIP BODY .75	

SECTION-3

SECTION-4

197112-18-.75' LONG
11 PLACES

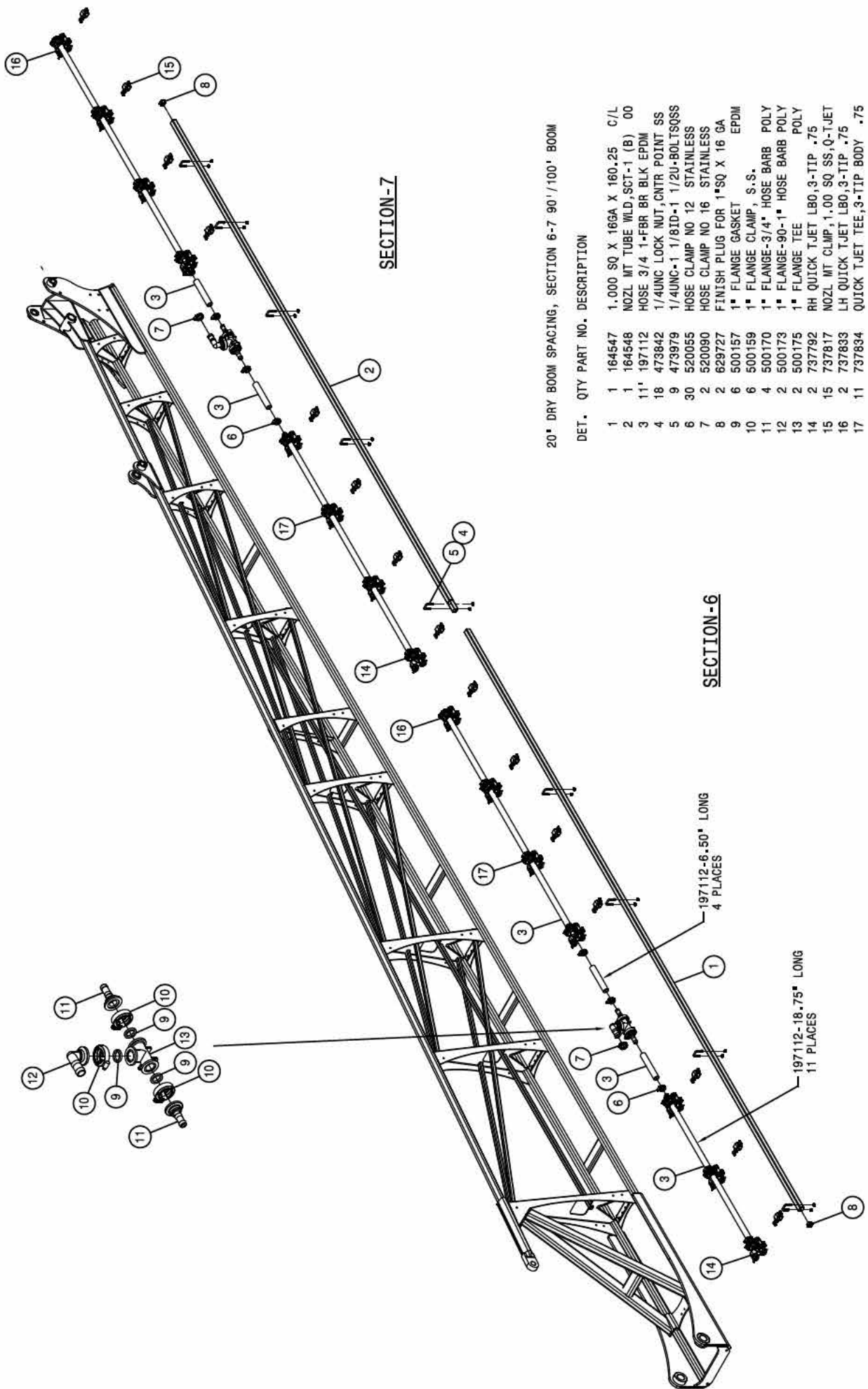
197112-6-.50' LONG
4 PLACES



20" DRY BOOM SPACING, SECTION-5 90°/100' BOOM

DET.	QTY	PART NO.	DESCRIPTION
1	1	164491	1.000 SQ X 16GA X 124.00 C/L
2	9	197112	HOSE 3/4 1-FBR BR BLK EPDM
3	8	473842	1/4UNC LOCK NUT,CNTR POINT SS
4	4	473979	1/4UNC-1 1/8ID-1 1/2U-BOLTSQSS
5	14	520055	HOSE CLAMP NO 12 STAINLESS
6	2	629727	FINISH PLUG FOR 1"SQ X 16 GA
7	3	500157	1" FLANGE GASKET EPDM
8	3	500159	1" FLANGE CLAMP, S.S.
9	2	500170	1" FLANGE-3/4" HOSE BARB POLY
10	1	500173	1" FLANGE-90-1" HOSE BARB POLY
11	1	500175	1" FLANGE TEE POLY
12	1	737792	RH QUICK TJET LBO,3-TIP .75
13	7	737817	NOZL MT CLMP,1.00 SQ SS-Q-TJET
14	1	737833	LH QUICK TJET LBO,3-TIP .75
15	5	737834	QUICK TJET TEE,3-TIP BODY .75
16	1	520090	HOSE CLAMP NO 16 STAINLESS

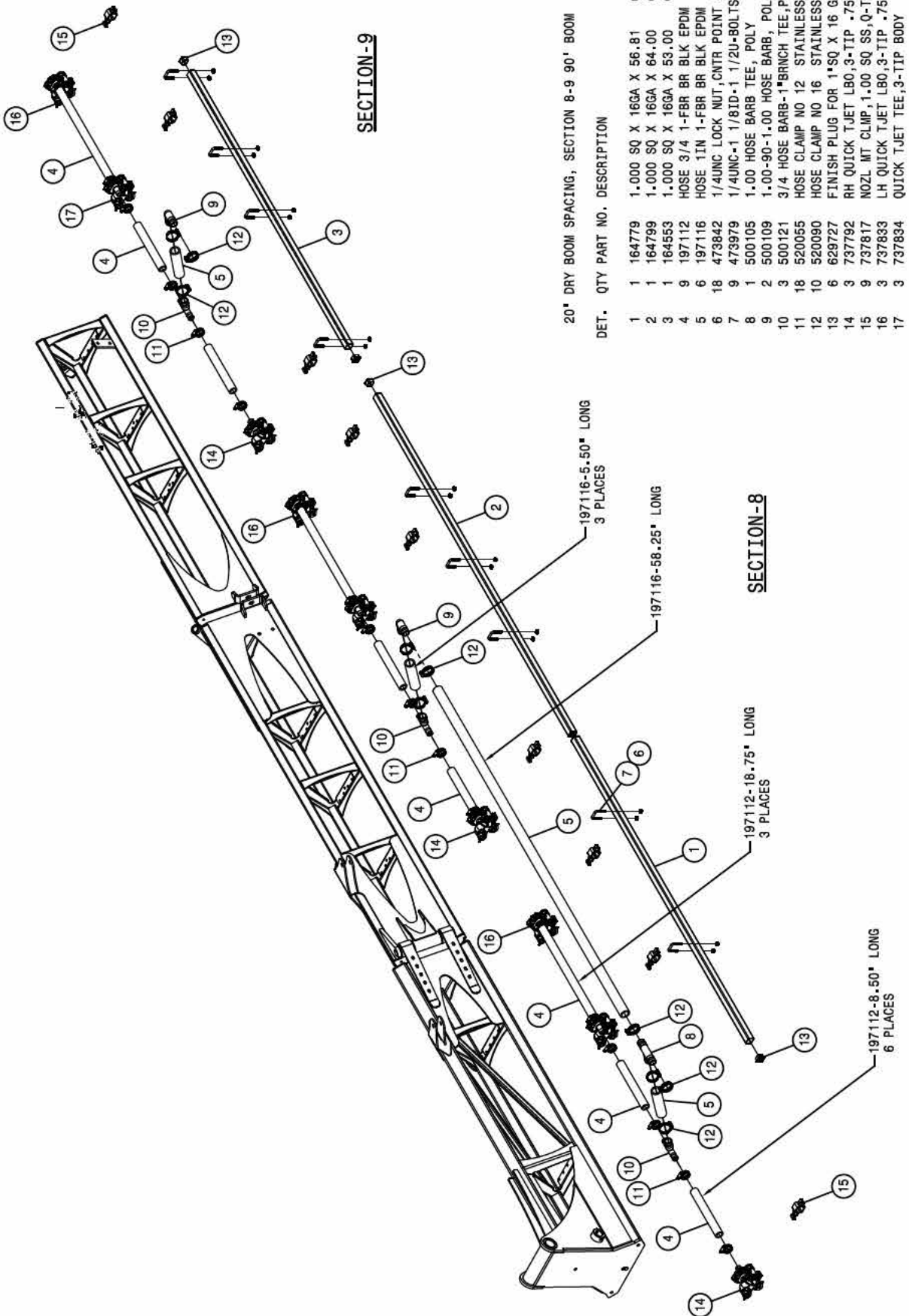
SECTION-5



20° DRY BOOM SPACING, SECTION 6-7 90°/100' BOOM

DET. QTY PART NO. DESCRIPTION

QTY	PART NO.	DESCRIPTION	C/L
1	164547	1.000 SQ X 166A X 160.25	00
2	164548	NOZL MT TUBE WLD, SCT-1 (B)	00
3	11 197112	HOSE 3/4 1-FBR BR BLK EPDM	
4	18 473842	1/4UNC LOCK NUT, CNTR POINT SS	
5	9 473979	1/4UNC-1 1/8ID-1 1/2U-BOLTSQSS	
6	30 520055	HOSE CLAMP NO 12 STAINLESS	
7	2 520090	HOSE CLAMP NO 16 STAINLESS	
8	2 629727	FINISH PLUG FOR 1"SQ X 16 GA	
9	6 500157	1" FLANGE GASKET EPDM	
10	6 500159	1" FLANGE CLAMP, S.S.	
11	4 500170	1" FLANGE-3/4" HOSE BARB POLY	
12	2 500173	1" FLANGE-90-1" HOSE BARB POLY	
13	2 500175	1" FLANGE TEE POLY	
14	2 737792	RH QUICK TJET LB0,3-TIP .75	
15	15 737817	NOZL MT CLMP, 1.00 SQ SS, Q-TJET	
16	2 737833	LH QUICK TJET LB0,3-TIP .75	
17	11 737834	QUICK TJET TEE, 3-TIP BODY .75	



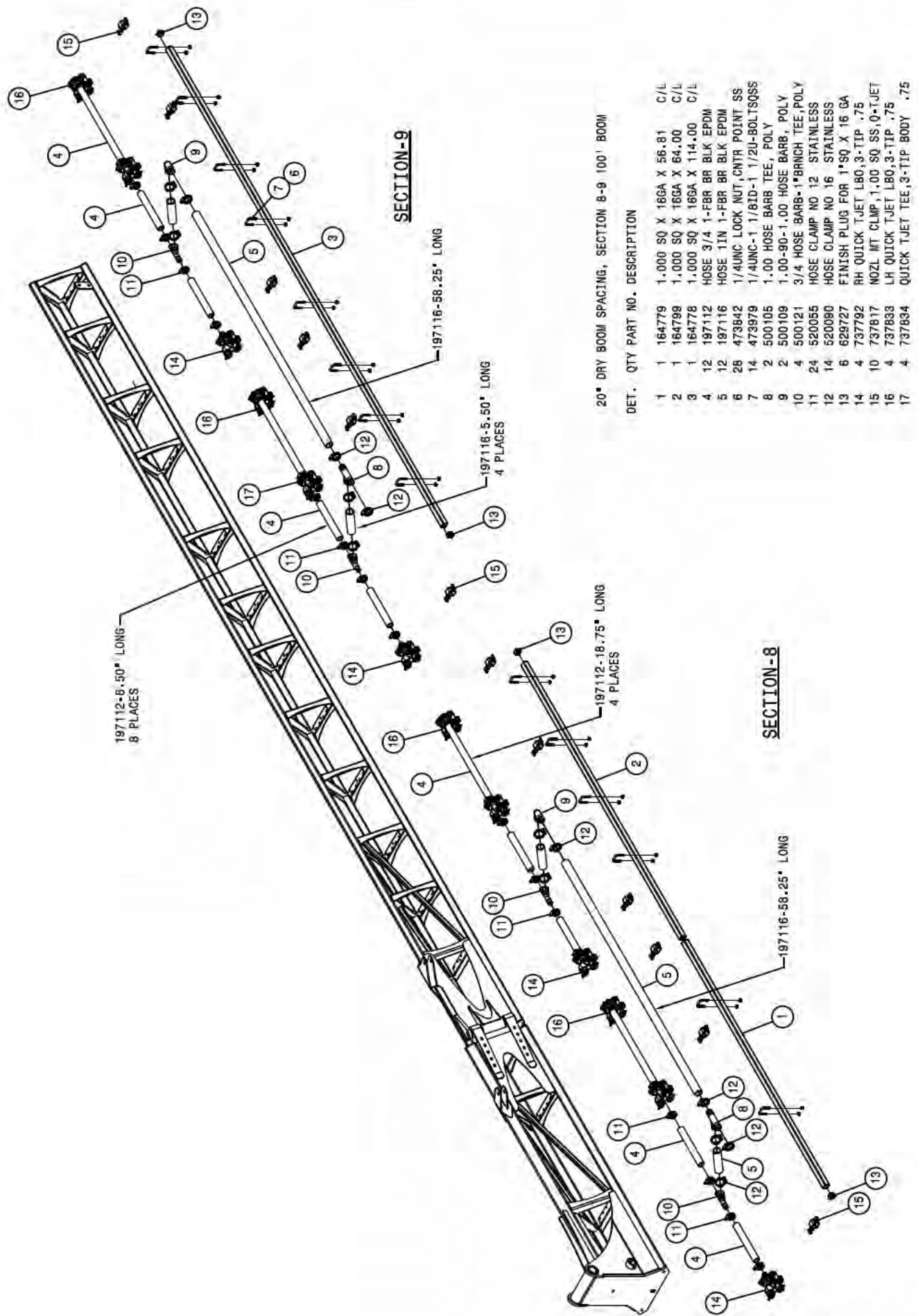
SECTION-9

20' DRY BOOM SPACING, SECTION 8-9 90' BOOM

DET. QTY PART NO. DESCRIPTION

1	1	164779	1.000 SQ X 16GA X 56.81	C/L
2	1	164799	1.000 SQ X 16GA X 64.00	C/L
3	1	164553	1.000 SQ X 16GA X 53.00	C/L
4	9	197112	HOSE 3/4 1-FBR BR BLK EPDM	
5	6	197116	HOSE 1IN 1-FBR BR BLK EPDM	
6	18	473842	1/4UNC LOCK NUT,CNTR POINT SS	
7	9	473979	1/4UNC-1 1/8ID-1 1/2U-BOLTSQSS	
8	1	500105	1.00 HOSE BARB TEE, POLY	
9	2	500109	1.00-90-1.00 HOSE BARB, POLY	
10	3	500121	3/4 HOSE BARB-1"BRNCH TEE,POLY	
11	18	520055	HOSE CLAMP NO 12 STAINLESS	
12	10	520090	HOSE CLAMP NO 16 STAINLESS	
13	6	629727	FINISH PLUG FOR 1"SQ X 16 GA	
14	3	737792	RH QUICK TJET L80,3-TIP .75	
15	9	737817	NOZL MT CLMP,1.00 SQ SS,Q-TJET	
16	3	737883	LH QUICK TJET L80,3-TIP .75	
17	3	737834	QUICK TJET TEE,3-TIP BODY .75	

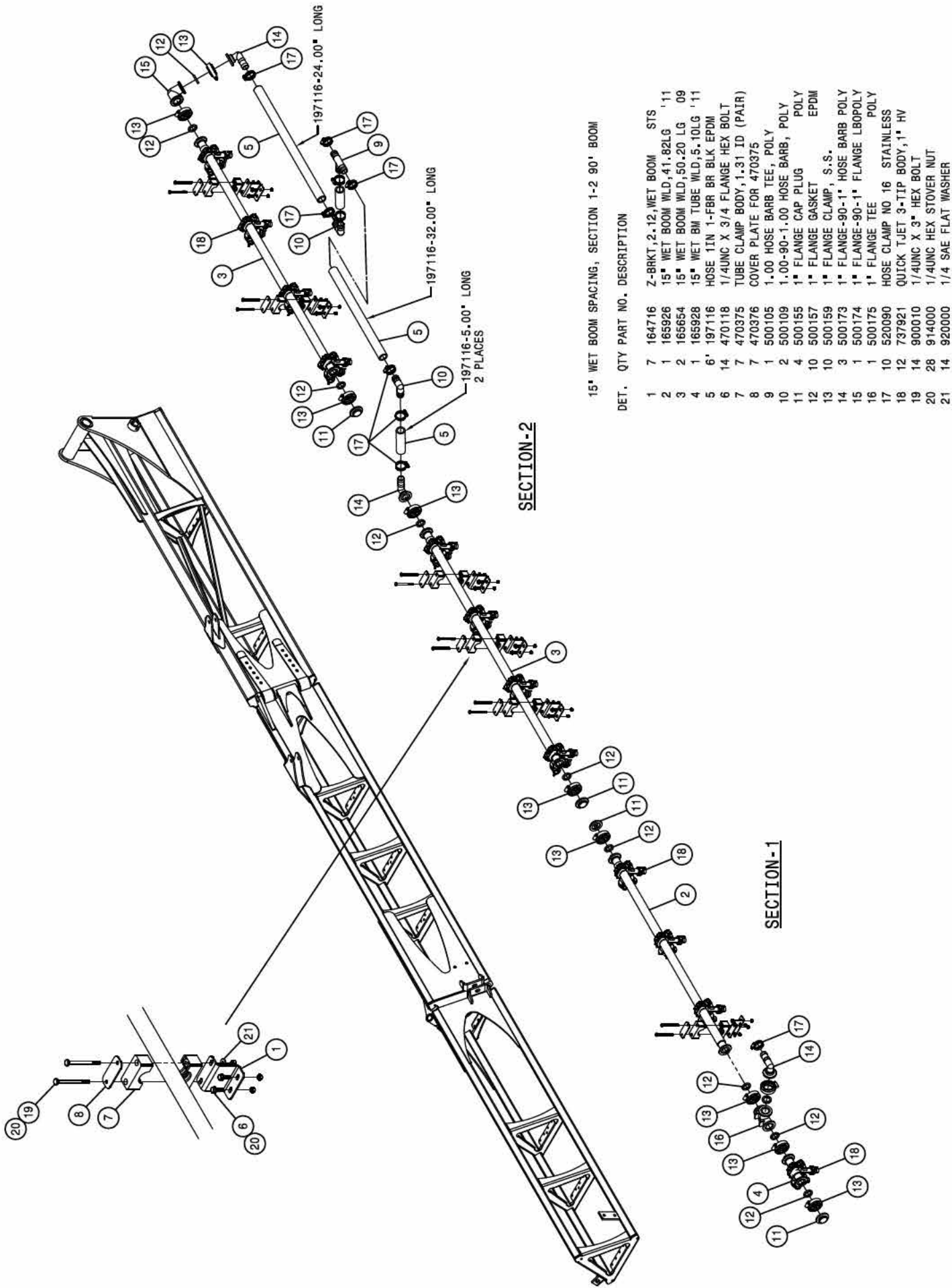
SECTION-8



20' DRY BOOM SPACING, SECTION 8-9 100' BOOM

DET. QTY PART NO. DESCRIPTION

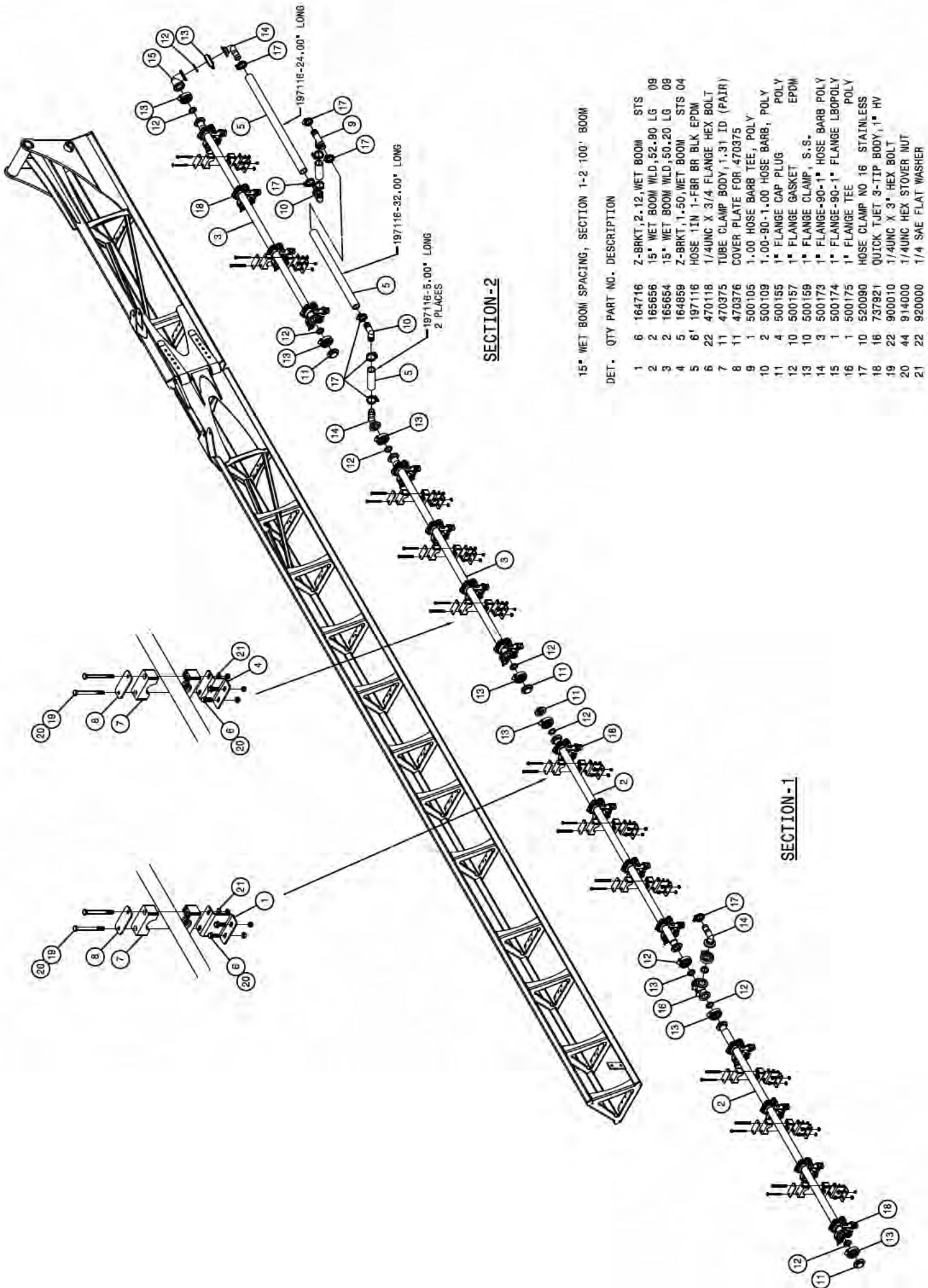
1	1	164779	1.000 SQ X 16GA X 56.81	C/L
2	1	164799	1.000 SQ X 16GA X 64.00	C/L
3	1	164778	1.000 SQ X 16GA X 114.00	C/L
4	12	197112	HOSE 3/4 1-FBR BR BLK EPDM	
5	12	197116	HOSE 1IN 1-FBR BR BLK EPDM	
6	28	473842	1/4UNC LOCK NUT,CNTR POINT SS	
7	14	473979	1/4UNC-1 1/8ID-1 1/2U-BOLTSQSS	
8	2	500105	1.00 HOSE BARB TEE, POLY	
9	2	500109	1.00-90-1.00 HOSE BARB, POLY	
10	4	500121	3/4 HOSE BARB-1"BRNCH TEE,POLY	
11	24	520055	HOSE CLAMP NO 12 STAINLESS	
12	14	520090	HOSE CLAMP NO 16 STAINLESS	
13	6	629727	FINISH PLUG FOR 1"SQ X 16 GA	
14	4	737792	RH QUICK TJET L80,3-TIP .75	
15	10	737817	NOZL MT CLMP,1.00 SQ SS,Q-TJET	
16	4	737833	LH QUICK TJET L80,3-TIP .75	
17	4	737834	QUICK TJET TEE,3-TIP BODY .75	



15' WET BOOM SPACING, SECTION 1-2 90' BOOM

DET. QTY PART NO. DESCRIPTION

DET.	QTY	PART NO.	DESCRIPTION
1	7	164716	Z-BRKT, 2.12, WET BOOM STS
2	1	165926	15" WET BOOM WLD, 41.82LG '11
3	2	165654	15" WET BOOM WLD, 50.20 LG 09
4	1	165928	15" WET BM TUBE WLD, 5.10LG '11
5	6	197116	HOSE 1IN 1-FBR BR BLK EPDM
6	14	470118	1/4UNC X 3/4 FLANGE HEX BOLT
7	7	470375	TUBE CLAMP BODY, 1.31 ID (PAIR)
8	7	470376	COVER PLATE FOR 470375
9	1	500105	1.00 HOSE BARB TEE, POLY
10	2	500109	1.00-90-1.00 HOSE BARB, POLY
11	4	500155	1" FLANGE CAP PLUG POLY
12	10	500157	1" FLANGE GASKET EPDM
13	10	500159	1" FLANGE CLAMP, S.S.
14	3	500173	1" FLANGE-90-1" HOSE BARB POLY
15	1	500174	1" FLANGE-90-1" FLANGE LBOPOLY
16	1	500175	1" FLANGE TEE POLY
17	10	520090	HOSE CLAMP NO 16 STAINLESS
18	12	737921	QUICK TJET 3-TIP BODY, 1" HV
19	14	900010	1/4UNC X 3" HEX BOLT
20	28	914000	1/4UNC HEX STOVER NUT
21	14	920000	1/4 SAE FLAT WASHER



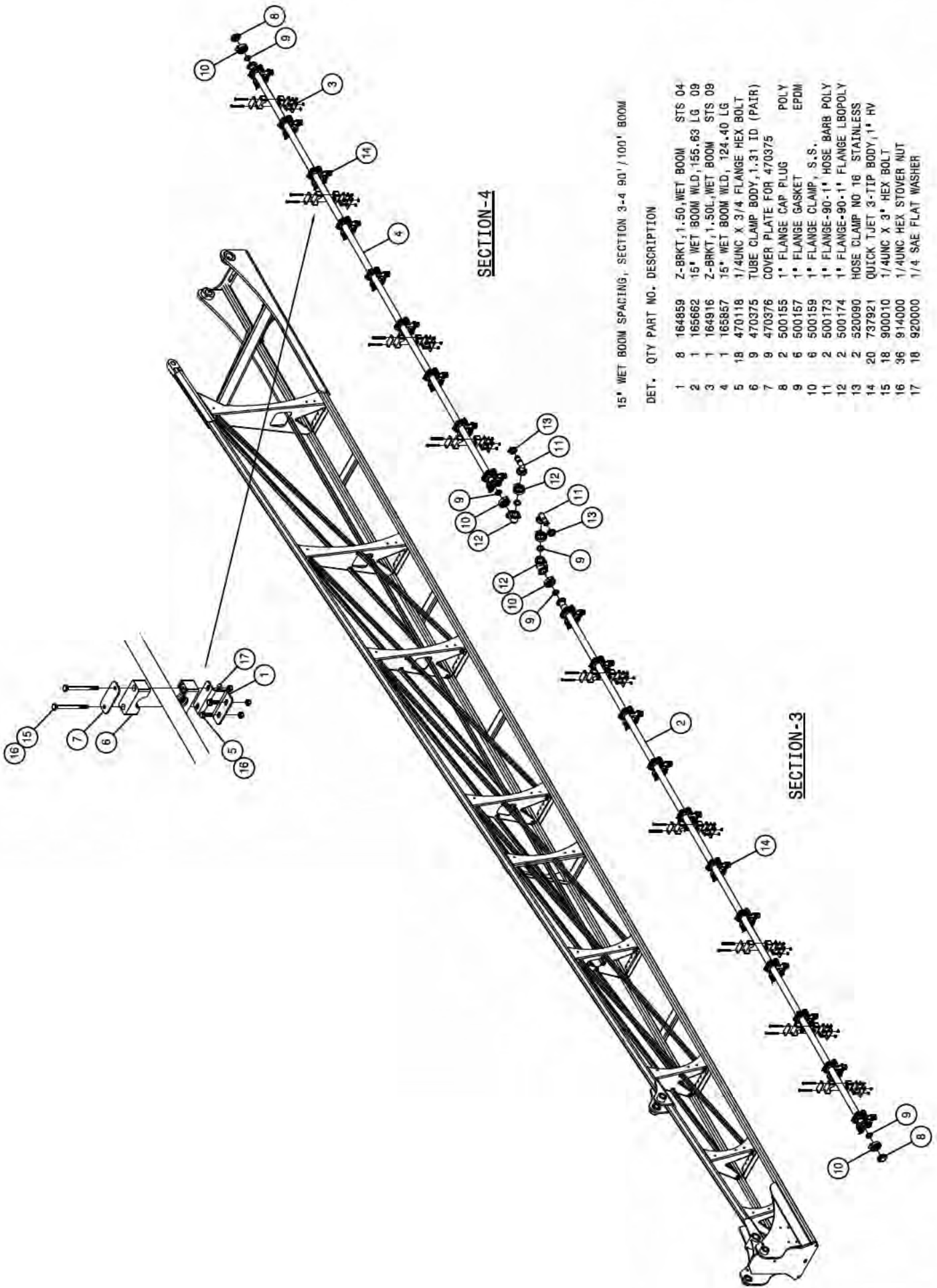
SECTION-2

15" WET BOOM SPACING, SECTION 1-2 100' BOOM

DET. QTY PART NO. DESCRIPTION

1	6	164716	Z-BRKT,2.12 WET BOOM	STS
2	2	165656	15" WET BOOM WLD,52.90 LG	09
3	2	165654	15" WET BOOM WLD,50.20 LG	09
4	5	164859	Z-BRKT,1.50 WET BOOM	STS 04
5	6'	197116	HOSE 1IN 1-FBR BR BLK EPDM	
6	22	470118	1/4UNC X 3/4 FLANGE HEX BOLT	
7	11	470375	TUBE CLAMP BODY, 1.31 ID (PAIR)	
8	11	470376	COVER PLATE FOR 470375	
9	1	500105	1.00 HOSE BARB TEE, POLY	
10	2	500109	1.00-90-1.00 HOSE BARB, POLY	
11	4	500155	1" FLANGE CAP PLUG	POLY
12	10	500157	1" FLANGE GASKET	EPDM
13	10	500159	1" FLANGE CLAMP, S.S.	
14	3	500173	1" FLANGE-90-1" HOSE BARB POLY	
15	1	500174	1" FLANGE-90-1" FLANGE LBOPOLY	
16	1	500175	1" FLANGE TEE	POLY
17	10	520090	HOSE CLAMP NO 16 STAINLESS	
18	16	737921	QUICK TJET 9-TIP BODY, 1" HV	
19	22	900010	1/4UNC X 3" HEX BOLT	
20	44	914000	1/4UNC HEX STOVER NUT	
21	22	920000	1/4 SAE FLAT WASHER	

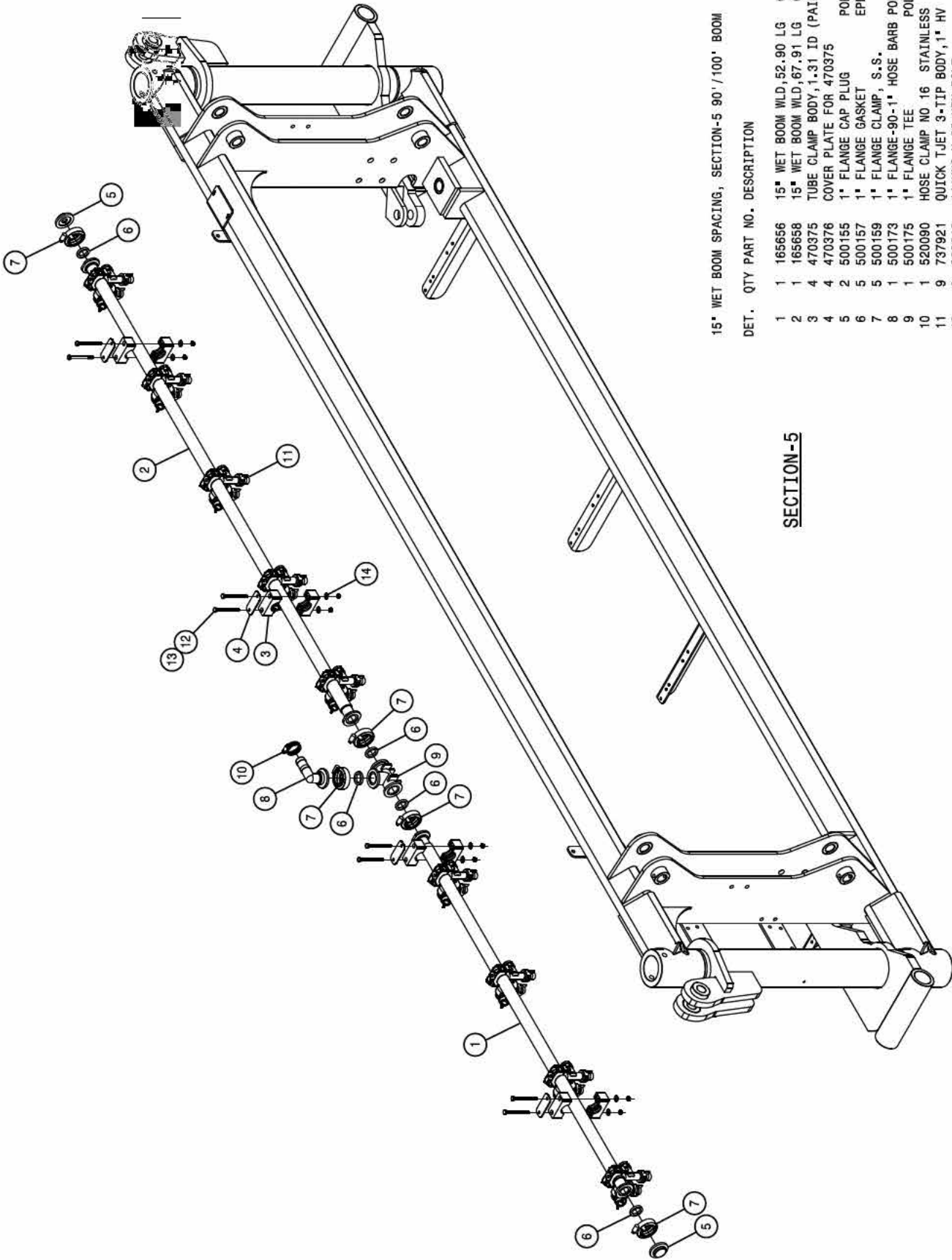
SECTION-1



15' WET BOOM SPACING, SECTION 3-4 90° / 100' BOOM

DET. QTY PART NO. DESCRIPTION

1	8	164859	Z-BRKT, 1.50, WET BOOM	STS 04
2	1	165662	15' WET BOOM WLD, 155.63 LG	09
3	1	164916	Z-BRKT, 1.50L, WET BOOM	STS 09
4	1	165857	75' WET BOOM WLD, 124.40 LG	
5	18	470118	1/4UNC X 3/4 FLANGE HEX BOLT	
6	9	470375	TUBE CLAMP BODY, 1.31 ID (PAIR)	
7	9	470376	COVER PLATE FOR 470375	POLY
8	2	500155	1" FLANGE CAP PLUG	EPDM
9	6	500157	1" FLANGE GASKET	
10	6	500159	1" FLANGE CLAMP, S.S.	
11	2	500173	1" FLANGE-90-1" HOSE BARR POLY	
12	2	500174	1" FLANGE-90-1" FLANGE LBOPOLY	
13	2	520090	HOSE CLAMP NO 16 STAINLESS	
14	20	737921	QUICK TJET 3-TIP BODY, 1" HV	
15	18	900010	1/4UNC X 3" HEX BOLT	
16	36	914000	1/4UNC HEX STOVER NUT	
17	18	920000	1/4 SAE FLAT WASHER	

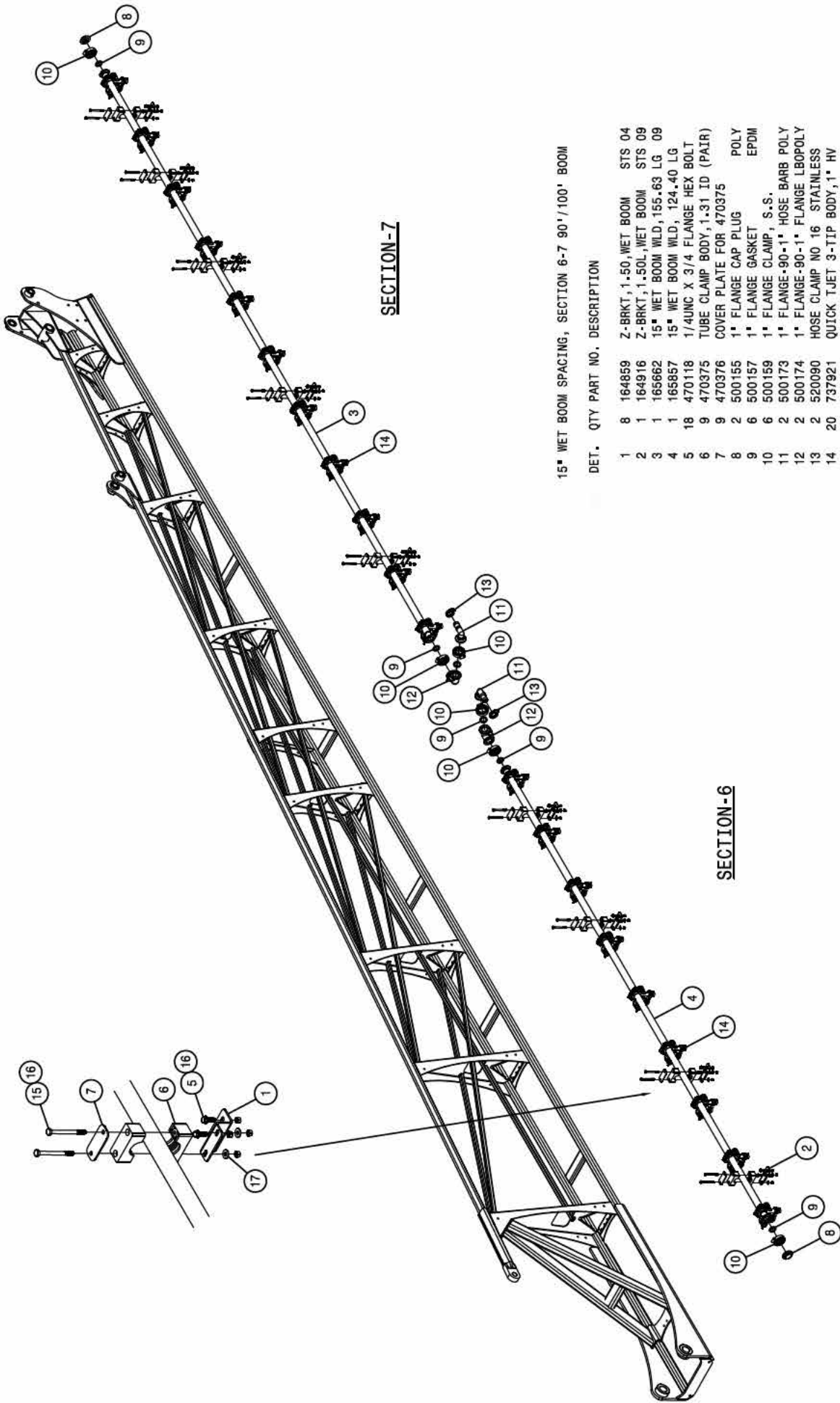


15' WET BOOM SPACING, SECTION-5 90' / 100' BOOM

DET. QTY PART NO. DESCRIPTION

1	1	165656	15" WET BOOM WLD,52.90 LG	09
2	1	165658	15" WET BOOM WLD,67.91 LG	09
3	4	470375	TUBE CLAMP BODY,1.31 ID (PAIR)	
4	4	470376	COVER PLATE FOR 470375	POLY
5	2	500155	1" FLANGE CAP PLUG	POLY
6	5	500157	1" FLANGE GASKET	EPDM
7	5	500159	1" FLANGE CLAMP, S.S.	
8	1	500173	1" FLANGE-90-1" HOSE BARB	POLY
9	1	500175	1" FLANGE TEE	POLY
10	1	520090	HOSE CLAMP NO 16	STAINLESS
11	9	737921	QUICK TJET 3-TIP BODY,1" HV	
12	8	900010	1/4UNC X 3" HEX BOLT	
13	8	914000	1/4UNC HEX STOVER NUT	
14	8	920000	1/4 SAE FLAT WASHER	

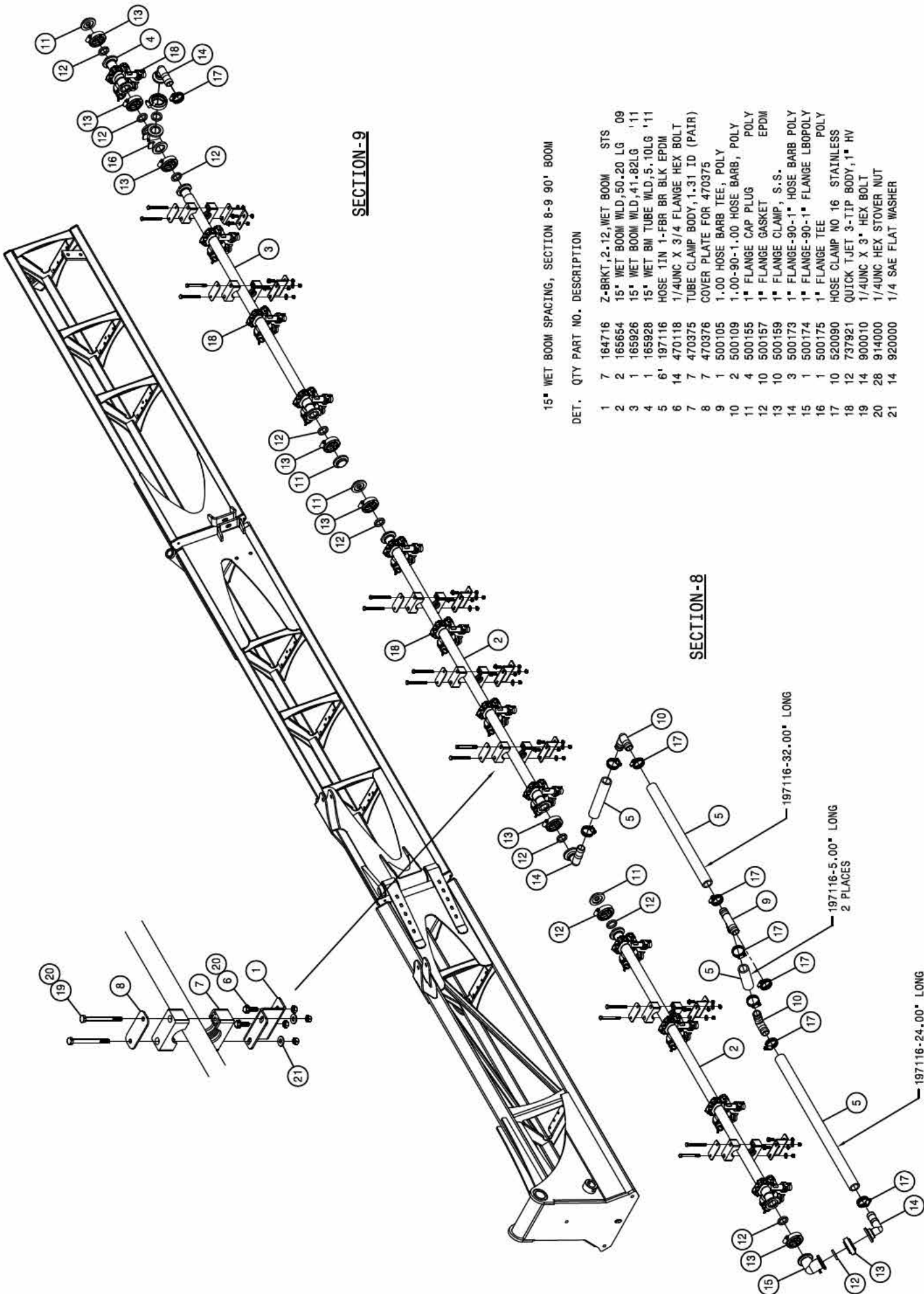
SECTION-5



15" WET BOOM SPACING, SECTION 6-7 90°/100' BOOM

DET. QTY PART NO. DESCRIPTION

1	8	164859	Z-BRKT, 1.50, WET BOOM	STS 04
2	1	164916	Z-BRKT, 1.50L, WET BOOM	STS 09
3	1	165662	15" WET BOOM WLD, 155.63 LG	LG 09
4	1	165857	15" WET BOOM WLD, 124.40 LG	
5	18	470118	1/4UNC X 3/4 FLANGE HEX BOLT	
6	9	470375	TUBE CLAMP BODY, 1.31 ID (PAIR)	
7	9	470376	COVER PLATE FOR 470375	POLY
8	2	500155	1" FLANGE CAP PLUG	EPDM
9	6	500157	1" FLANGE GASKET	
10	6	500159	1" FLANGE CLAMP, S.S.	
11	2	500173	1" FLANGE-90-1" HOSE BARB POLY	
12	2	500174	1" FLANGE-90-1" FLANGE LBOPOLY	
13	2	520090	HOSE CLAMP NO 16 STAINLESS	
14	20	737921	QUICK TJET 3-TIP BODY, 1" HV	
15	18	900010	1/4UNC X 3" HEX BOLT	
16	36	914000	1/4UNC HEX STOVER NUT	
17	18	920000	1/4 SAE FLAT WASHER	



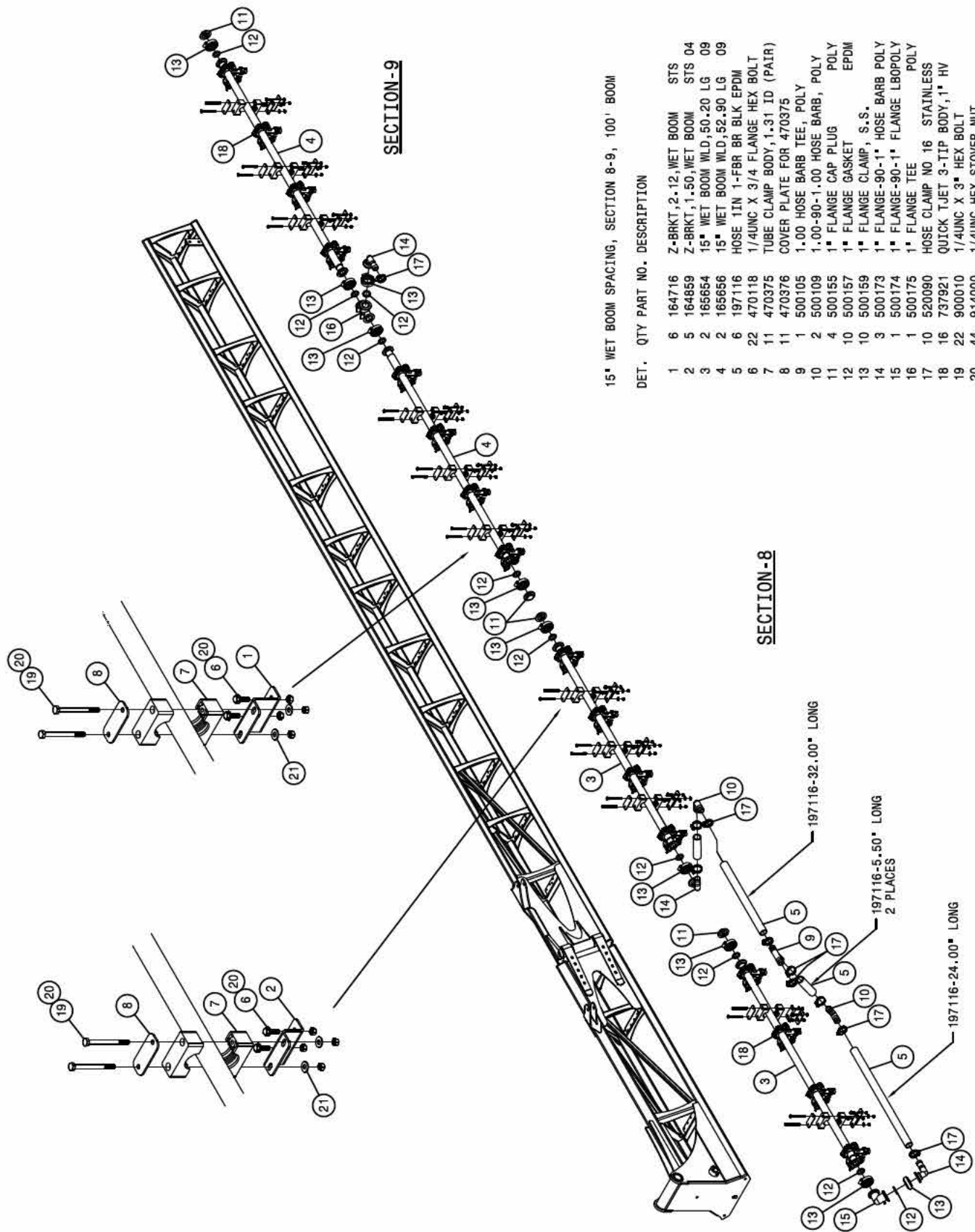
SECTION-9

SECTION-8

15" WET BOOM SPACING, SECTION 8-9 90° BOOM

DET. QTY PART NO. DESCRIPTION

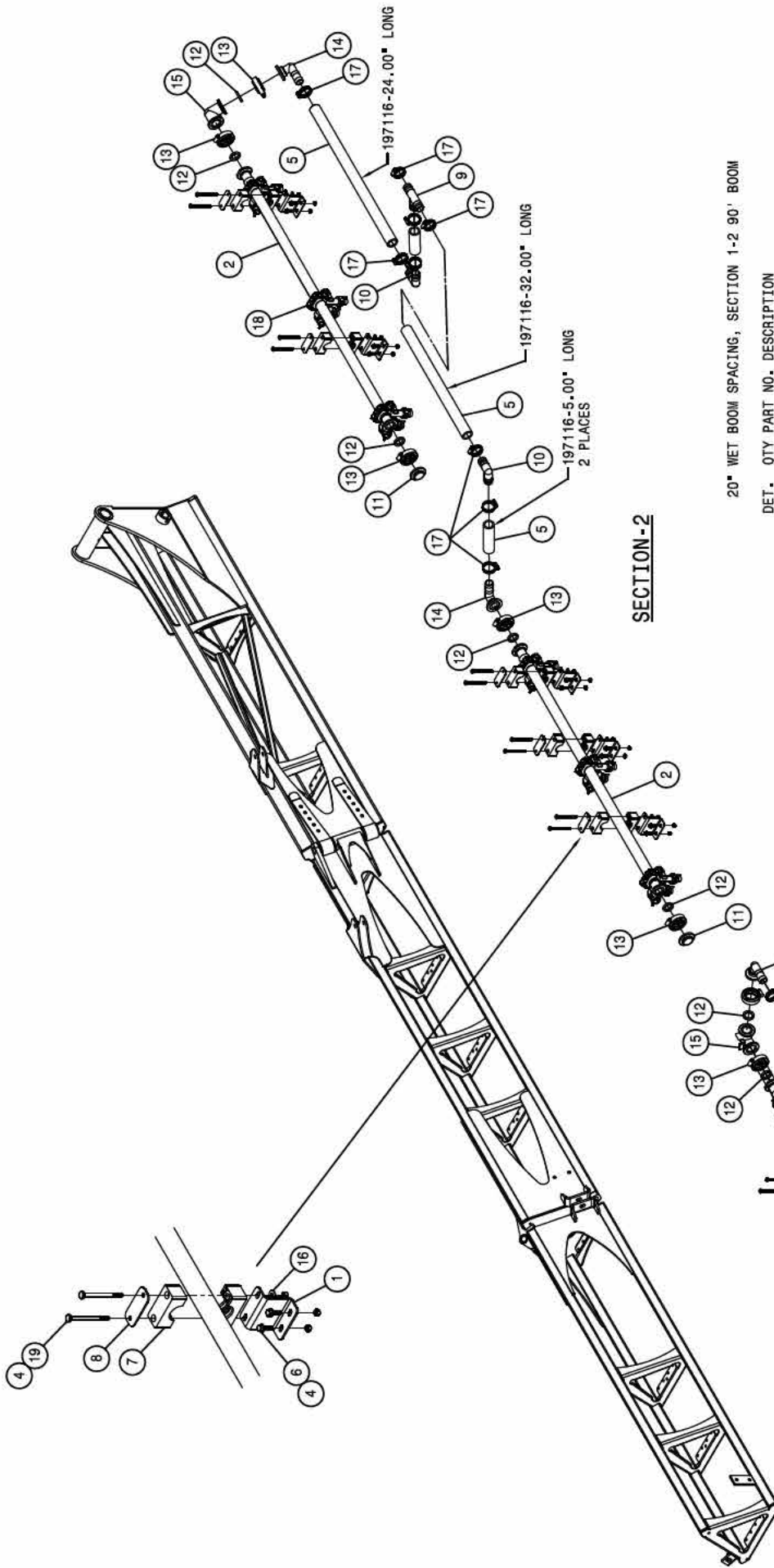
DET.	QTY	PART NO.	DESCRIPTION
1	7	164716	Z-BRKT, 2-12, WET BOOM STS
2	2	165654	15" WET BOOM WLD, 50.20 LG .09
3	1	165926	15" WET BOOM WLD, 41.82 LG '11
4	1	165928	15" WET BM TUBE WLD, 5.10 LG '11
5	6'	197116	HOSE 1IN 1-FBR BR BLK EPDM
6	14	470118	1/4UNC X 3/4 FLANGE HEX BOLT
7	7	470375	TUBE CLAMP BODY, 1.31 ID (PAIR)
8	7	470376	COVER PLATE FOR 470375
9	1	500105	1.00 HOSE BARB TEE, POLY
10	2	500109	1.00-90-1.00 HOSE BARB, POLY
11	4	500155	1" FLANGE CAP PLUG POLY
12	10	500157	1" FLANGE GASKET EPDM
13	10	500159	1" FLANGE CLAMP, S.S.
14	3	500173	1" FLANGE-90-1" HOSE BARB POLY
15	1	500174	1" FLANGE-90-1" FLANGE LBOPOLY
16	1	500175	1" FLANGE TEE POLY
17	10	520090	HOSE CLAMP NO 16 STAINLESS
18	12	737921	QUICK T-JET 3-TIP BODY, 1" HV
19	14	900010	1/4UNC X 3" HEX BOLT
20	28	914000	1/4UNC HEX STOVER NUT
21	14	920000	1/4 SAE FLAT WASHER



15' WET BOOM SPACING, SECTION 8-9, 100' BOOM

DET. QTY PART NO. DESCRIPTION

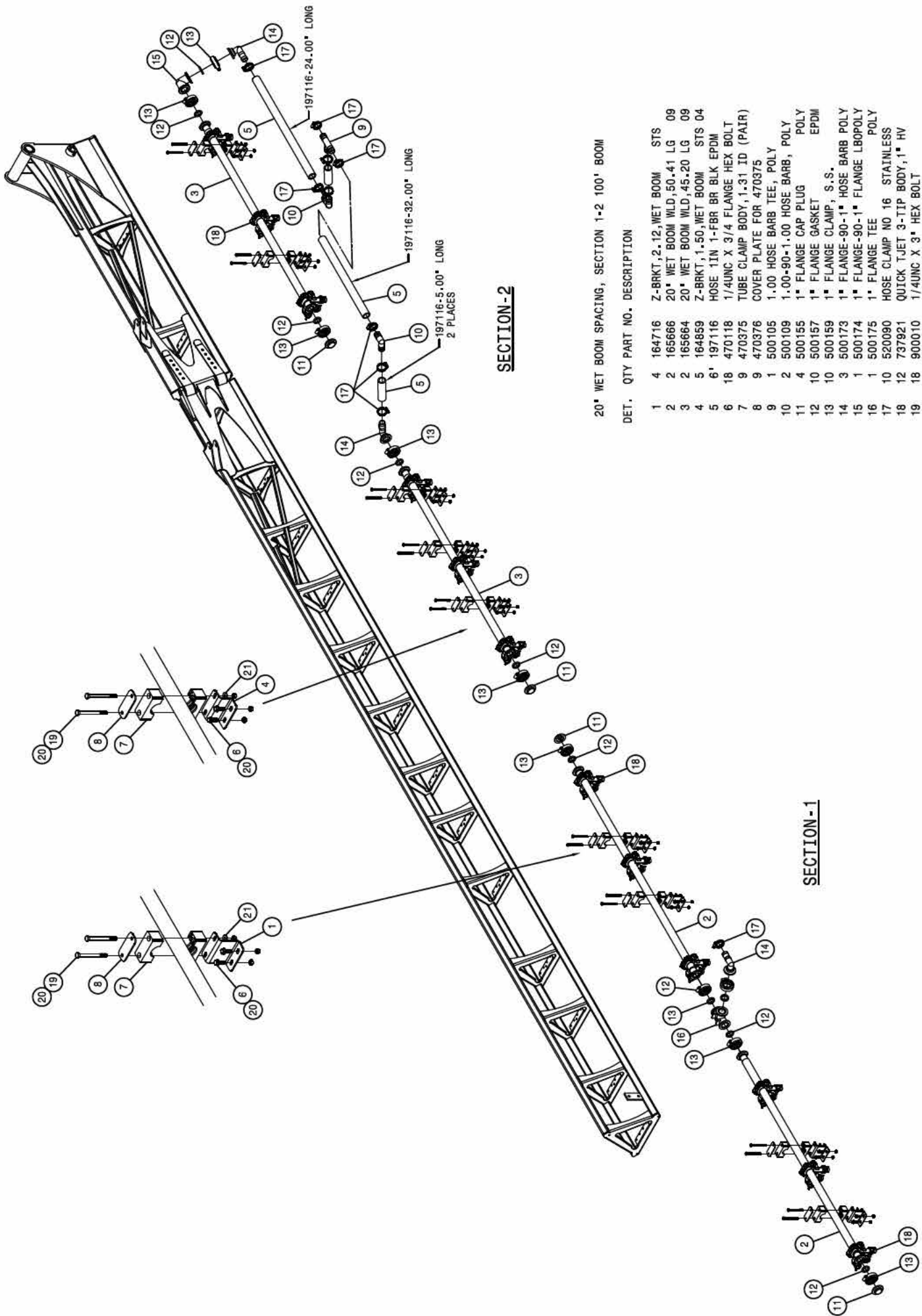
1	6	164716	Z-BRKT,2-12,WET BOOM	STS
2	5	164859	Z-BRKT,1-50,WET BOOM	STS 04
3	2	165654	15" WET BOOM WLD,50.20 LG	09
4	2	165656	15" WET BOOM WLD,52.90 LG	09
5	6	197116	HOSE 1IN 1-FBR BR BLK EPDM	
6	22	470118	1/4UNC X 3/4 FLANGE HEX BOLT	
7	11	470375	TUBE CLAMP BODY,1.31 ID (PAIR)	
8	11	470376	COVER PLATE FOR 470375	
9	1	500105	1.00 HOSE BARB TEE, POLY	
10	2	500109	1.00-90-1.00 HOSE BARB, POLY	
11	4	500155	1" FLANGE CAP PLUG	POLY
12	10	500157	1" FLANGE GASKET	EPDM
13	10	500159	1" FLANGE CLAMP, S.S.	
14	3	500173	1" FLANGE-90-1" HOSE BARB POLY	
15	1	500174	1" FLANGE-90-1" FLANGE LBOPOLY	
16	1	500175	1" FLANGE TEE	POLY
17	10	520090	HOSE CLAMP NO 16 STAINLESS	
18	16	737921	QUICK TJET 3-TIP BODY,1" HV	
19	22	900010	1/4UNC X 3" HEX BOLT	
20	44	914000	1/4UNC HEX STOVER NUT	
21	22	920000	1/4 SAE FLAT WASHER	



20" WET BOOM SPACING, SECTION 1-2 90° BOOM

DET. QTY PART NO. DESCRIPTION

1	5	164716	Z-BRKT, 2, 12, WET BOOM	STS
2	3	165664	20" WET BOOM WLD, 45.20 LG	09
3	2	164859	Z-BRKT, 1.50, WET BOOM	STS 04
4	28	914000	1/4UNC HEX STOVER NUT	
5	6'	197116	HOSE 1IN 1-FBR BR BLK EPDM	
6	14	470118	1/4UNC X 3/4 FLANGE HEX BOLT	
7	7	470375	TUBE CLAMP BODY, 1.31 ID (PAIR)	
8	7	470376	COVER PLATE FOR 470375	
9	1	500105	1.00 HOSE BARB TEE, POLY	
10	2	500109	1.00-90-1.00 HOSE BARB, POLY	
11	3	500155	1" FLANGE CAP PLUG	POLY
12	8	500157	1" FLANGE GASKET	EPDM
13	8	500159	1" FLANGE CLAMP, S.S.	
14	3	500173	1" FLANGE-90-1" HOSE BARB POLY	
15	2	500174	1" FLANGE-90-1" FLANGE LBOPOLY	
16	14	920000	1/4 SAE FLAT WASHER	
17	9	520090	HOSE CLAMP NO 16	STAINLESS
18	9	737921	QUICK T-JET 3-TIP BODY, 1" HV	
19	14	900010	1/4UNC X 3" HEX BOLT	



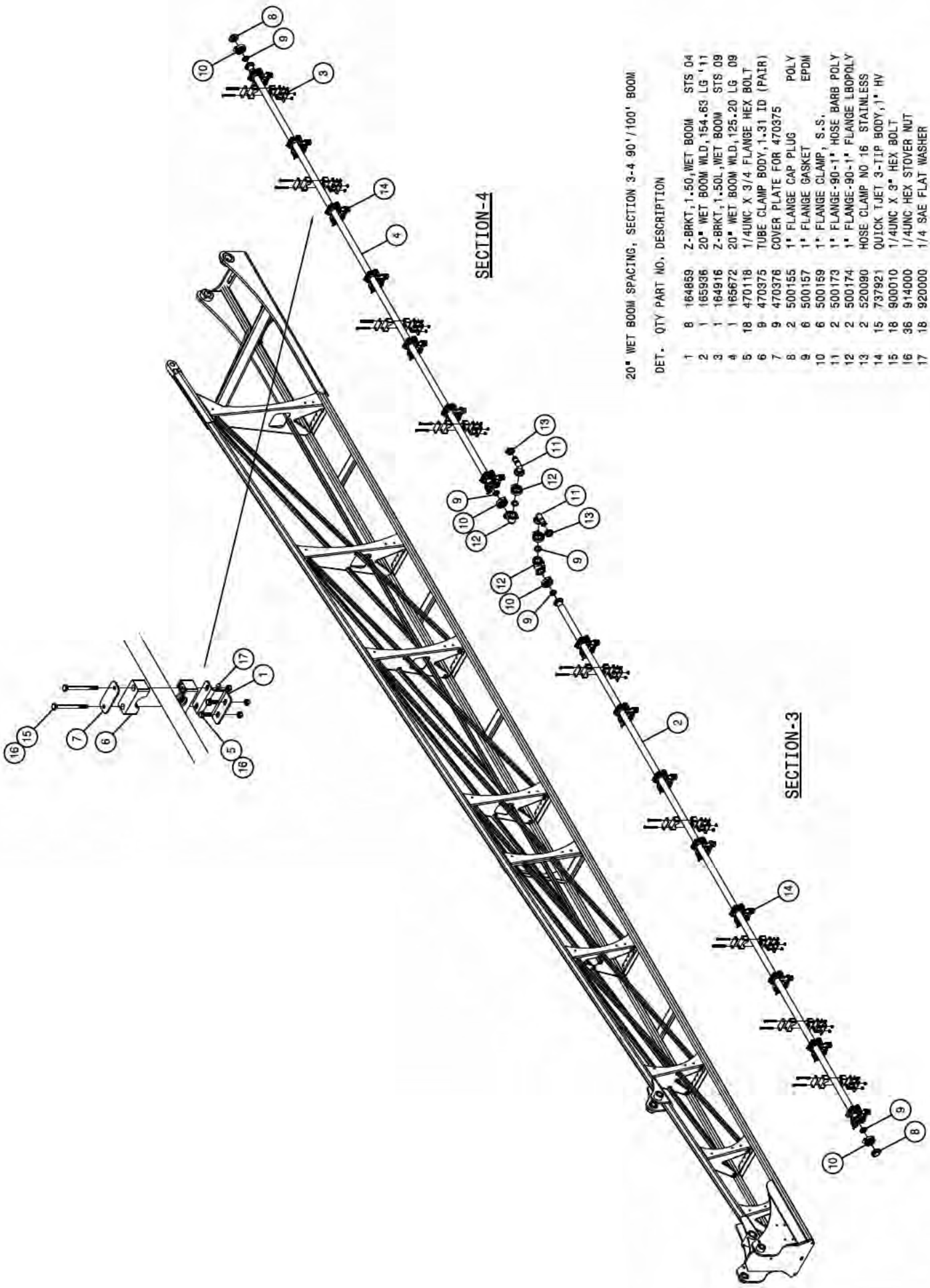
SECTION-2

20' WET BOOM SPACING, SECTION 1-2 100' BOOM

DET. QTY PART NO. DESCRIPTION

DET.	QTY	PART NO.	DESCRIPTION
1	4	164716	Z-BRKT,2-12,WET BOOM STS
2	2	165666	20' WET BOOM WLD,50.41 LG 09
3	2	165664	20' WET BOOM WLD,45.20 LG 09
4	5	164859	Z-BRKT,1.50,WET BOOM STS 04
5	6'	197116	HOSE 1IN 1-FBR BR BLK EPDM
6	18	470118	1/4UNC X 3/4 FLANGE HEX BOLT
7	9	470375	TUBE CLAMP BODY,1-.31 ID (PAIR)
8	9	470376	COVER PLATE FOR 470375
9	1	500105	1.00 HOSE BARB TEE, POLY
10	2	500109	1.00-90-1.00 HOSE BARB, POLY
11	4	500155	1" FLANGE CAP PLUG POLY
12	10	500157	1" FLANGE GASKET EPDM
13	10	500159	1" FLANGE CLAMP, S.S.
14	3	500173	1" FLANGE-90-1" HOSE BARB POLY
15	1	500174	1" FLANGE-90-1" FLANGE LPOPOLY
16	1	500175	1" FLANGE TEE POLY
17	10	520090	HOSE CLAMP NO 16 STAINLESS
18	12	737921	QUICK T-JET 3-TIP BODY,1" HV
19	18	900010	1/4UNC X 3" HEX BOLT
20	36	914000	1/4UNC HEX STOVER NUT
21	18	920000	1/4 SAE FLAT WASHER

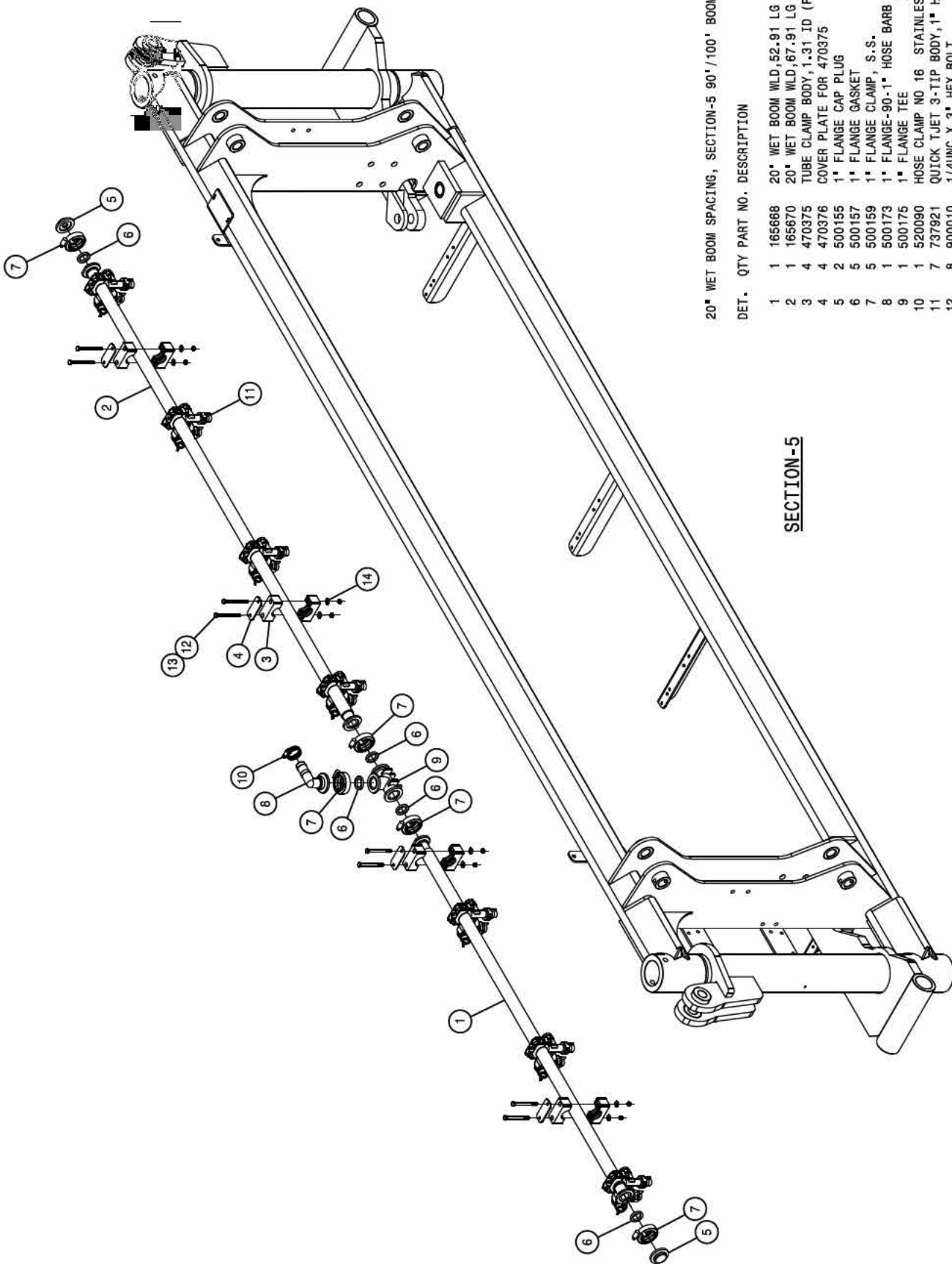
SECTION-1



20" WET BOOM SPACING, SECTION 3-4 90°/100' BOOM

DET. QTY PART NO. DESCRIPTION

1	8	164859	Z-BRKT, 1.50, WET BOOM	STS 04
2	1	165936	20" WET BOOM WLD, 154.63 LG '11	
3	1	164916	Z-BRKT, 1.50L, WET BOOM	STS 09
4	1	165672	20" WET BOOM WLD, 125.20 LG .09	
5	18	470118	1/4UNC X 3/4 FLANGE HEX BOLT	
6	9	470375	TUBE CLAMP BODY, 1.31 ID (PAIR)	
7	9	470378	COVER PLATE FOR 470375	POLY
8	2	500155	1" FLANGE CAP PLUG	EPDM
9	6	500157	1" FLANGE GASKET	
10	6	500159	1" FLANGE CLAMP, S.S.	
11	2	500173	1" FLANGE-90-1" HOSE BARB POLY	
12	2	500174	1" FLANGE-90-1" FLANGE LBOPOLY	
13	2	520090	HOSE CLAMP NO 16 STAINLESS	
14	15	737821	QUICK TJET 3-TIP BODY, 1" HV	
15	18	900010	1/4UNC X 3" HEX BOLT	
16	36	914000	1/4UNC HEX STOVER NUT	
17	18	920000	1/4 SAE FLAT WASHER	

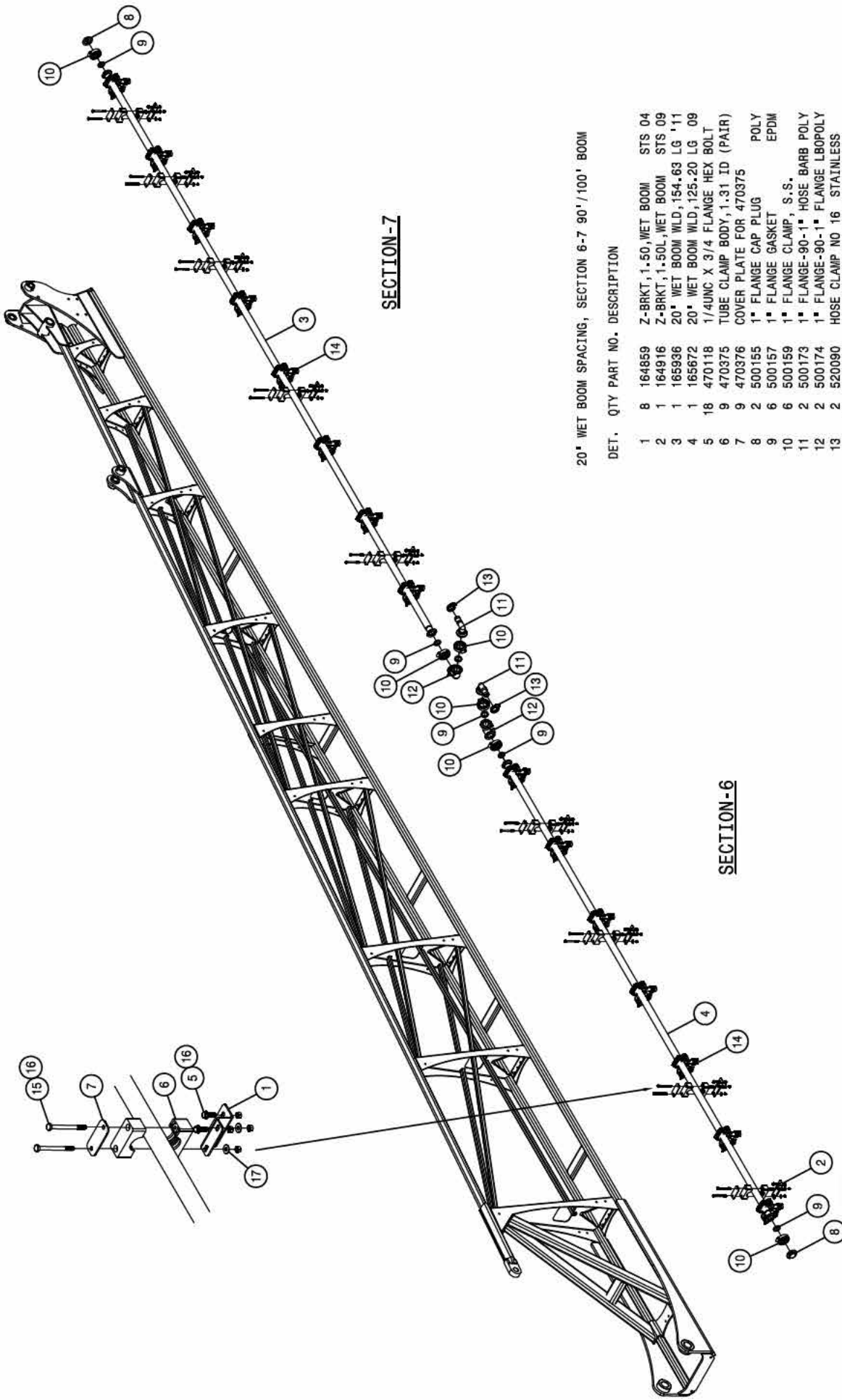


20" WET BOOM SPACING, SECTION-5 90°/100' BOOM

DET. QTY PART NO. DESCRIPTION

1	1	165668	20" WET BOOM WLD,52.91 LG	09
2	1	165670	20" WET BOOM WLD,67.91 LG	09
3	4	470375	TUBE CLAMP BODY,1.31 ID (PAIR)	
4	4	470376	COVER PLATE FOR 470375	POLY
5	2	500155	1" FLANGE CAP PLUG	EPDM
6	5	500157	1" FLANGE GASKET	
7	5	500159	1" FLANGE CLAMP, S.S.	
8	1	500173	1" FLANGE-90-1" HOSE BARB	POLY
9	1	500175	1" FLANGE TEE	POLY
10	1	520090	HOSE CLAMP NO 16	STAINLESS
11	7	737921	QUICK TJET 3-TIP BODY,1" HV	
12	8	900010	1/4UNC X 3" HEX BOLT	
13	8	914000	1/4UNC HEX STOVER NUT	
14	8	920000	1/4 SAE FLAT WASHER	

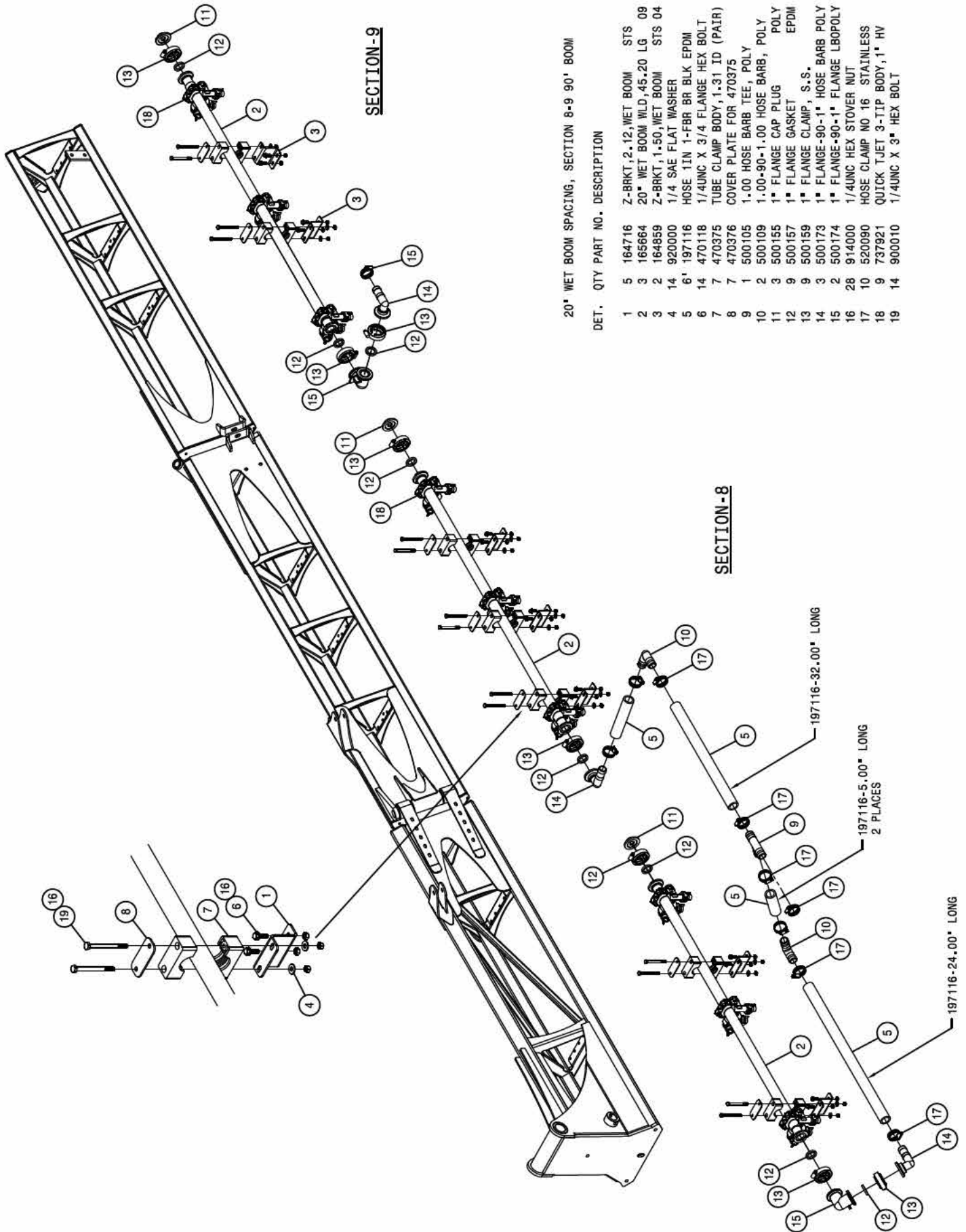
SECTION-5



20' WET BOOM SPACING, SECTION 6-7 90' / 100' BOOM

DET. QTY PART NO. DESCRIPTION

DET.	QTY	PART NO.	DESCRIPTION
1	8	164859	Z-BRKT,1.50,WET BOOM STS 04
2	1	164916	Z-BRKT,1.50L,WET BOOM STS 09
3	1	165936	20" WET BOOM WLD,154.63 LG '11
4	1	165672	20" WET BOOM WLD,125.20 LG 09
5	18	470118	1/4UNC X 3/4 FLANGE HEX BOLT
6	9	470375	TUBE CLAMP BODY,1.31 ID (PAIR)
7	9	470376	COVER PLATE FOR 470375
8	2	500155	1" FLANGE CAP PLUG POLY
9	6	500157	1" FLANGE GASKET EPDM
10	6	500159	1" FLANGE CLAMP, S.S.
11	2	500173	1" FLANGE-90-1" HOSE BARB POLY
12	2	500174	1" FLANGE-90-1" FLANGE LBOPOLY
13	2	520090	HOSE CLAMP NO 16 STAINLESS
14	15	737921	QUICK T-JET 3-TIP BODY,1" HV
15	18	900010	1/4UNC X 3" HEX BOLT
16	36	914000	1/4UNC HEX STOVER NUT
17	18	920000	1/4 SAE FLAT WASHER



SECTION-9

SECTION-8

20' WET BOOM SPACING, SECTION 8-9 90' BOOM

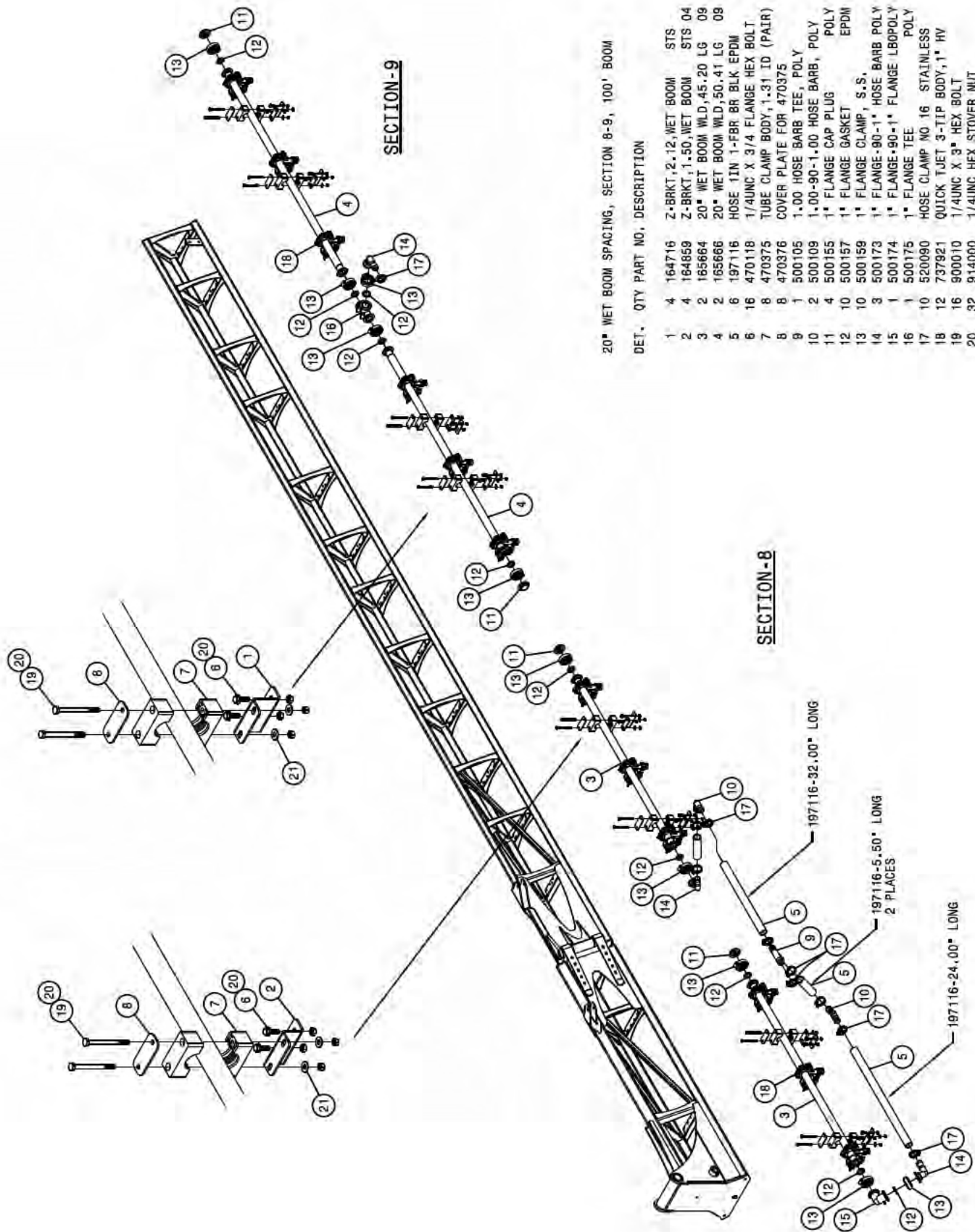
DET. QTY PART NO. DESCRIPTION

DET.	QTY	PART NO.	DESCRIPTION
1	5	164716	Z-BRKT, 2.12, WET BOOM STS
2	3	165664	20" WET BOOM WLD, 45.20 LG 09
3	2	164859	Z-BRKT, 1.50, WET BOOM STS 04
4	14	920000	1/4 SAE FLAT WASHER
5	6'	197116	HOSE 1IN 1-FBR BR BLK EPDM
6	14	470118	1/4UNC X 3/4 FLANGE HEX BOLT
7	7	470375	TUBE CLAMP BODY, 1.31 ID (PAIR)
8	7	470376	COVER PLATE FOR 470375
9	1	500105	1.00 HOSE BARB TEE, POLY
10	2	500109	1.00-90-1.00 HOSE BARB, POLY
11	3	500155	1" FLANGE CAP PLUG POLY
12	9	500157	1" FLANGE GASKET EPDM
13	9	500159	1" FLANGE CLAMP, S.S.
14	3	500173	1" FLANGE-90-1" HOSE BARB POLY
15	2	500174	1" FLANGE-90-1" FLANGE LBOPOLY
16	28	914000	1/4UNC HEX STOVER NUT
17	10	520090	HOSE CLAMP NO 16 STAINLESS
18	9	737921	QUICK TJET 3-TIP BODY, 1" HV
19	14	900010	1/4UNC X 3" HEX BOLT

197116-32.00" LONG

197116-5.00" LONG
2 PLACES

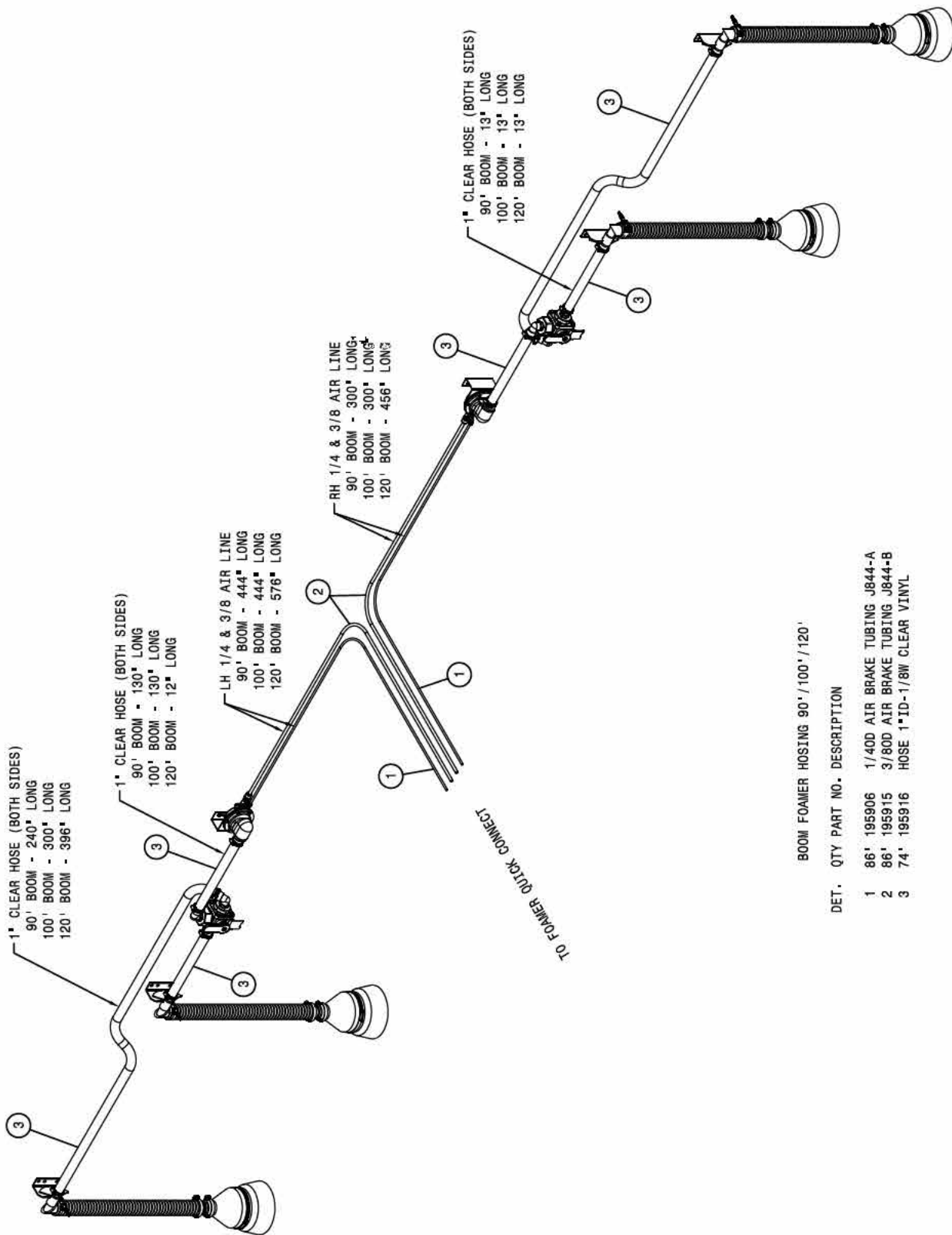
197116-24.00" LONG



20" WET BOOM SPACING, SECTION 8-9, 100' BOOM

DET. QTY PART NO. DESCRIPTION

1	4	164716	Z-BRKT, 2.12, WET BOOM	STS
2	4	164859	Z-BRKT, 1.50, WET BOOM	STS 04
3	2	165664	20" WET BOOM WLD, 45.20 LG	09
4	2	165666	20" WET BOOM WLD, 50.41 LG	08
5	6	197116	HOSE 1IN 1-FBR BR BLK EPDM	
6	16	470118	1/4UNC X 3/4 FLANGE HEX BOLT	
7	8	470375	TUBE CLAMP BODY, 1.31 ID (PAIR)	
8	8	470375	COVER PLATE FOR 470375	
9	1	500105	1.00 HOSE BARB TEE, POLY	
10	2	500109	1.00-90-1.00 HOSE BARB, POLY	
11	4	500155	1" FLANGE CAP PLUG, POLY	
12	10	500157	1" FLANGE GASKET, EPDM	
13	10	500159	1" FLANGE CLAMP, S.S.	
14	3	500173	1" FLANGE-90-1" HOSE BARB POLY	
15	1	500174	1" FLANGE-90-1" FLANGE LB POLY	
16	1	500175	1" FLANGE TEE, POLY	
17	10	520090	HOSE CLAMP NO 16 STAINLESS	
18	12	737921	QUICK TJET 3-TIP BODY, 1" HV	
19	16	900010	1/4UNC X 3" HEX BOLT	
20	32	914000	1/4UNC HEX STOVER NUT	
21	16	920000	1/4 SAE FLAT WASHER	



BOOM FOAMER HOISING 90' / 100' / 120'

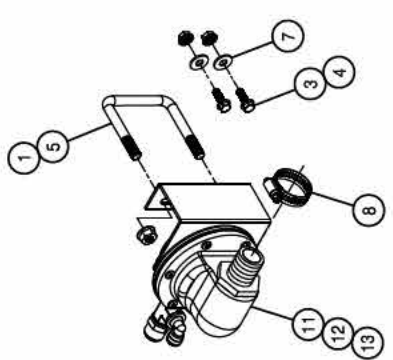
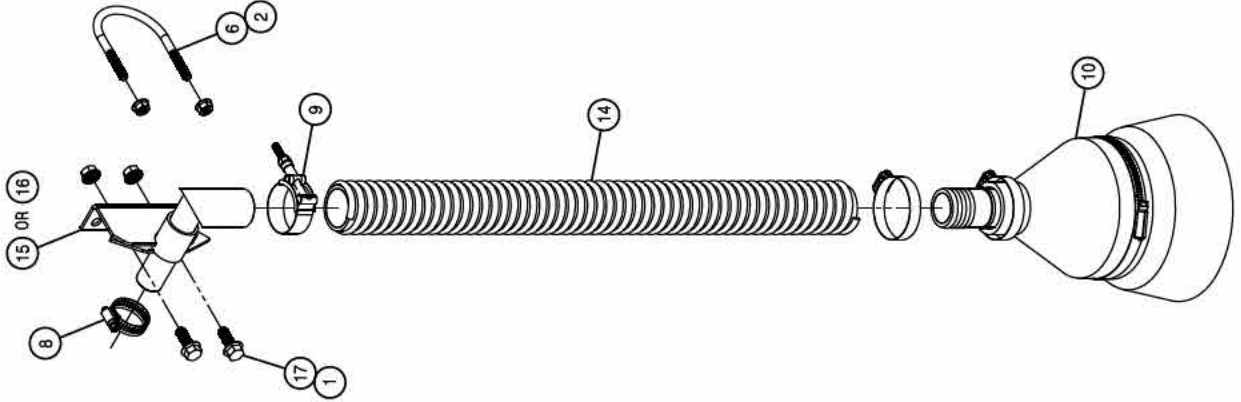
DET. QTY PART NO. DESCRIPTION

- 1 86' 195906 1/400 AIR BRAKE TUBING J844-A
- 2 86' 195915 3/800 AIR BRAKE TUBING J844-B
- 3 74' 195916 HOSE 1"ID-1/8W CLEAR VINYL

MIXER VALVE & FOAMER DROP HOSE 90' / 100' / 120'

DET. QTY PART NO. DESCRIPTION

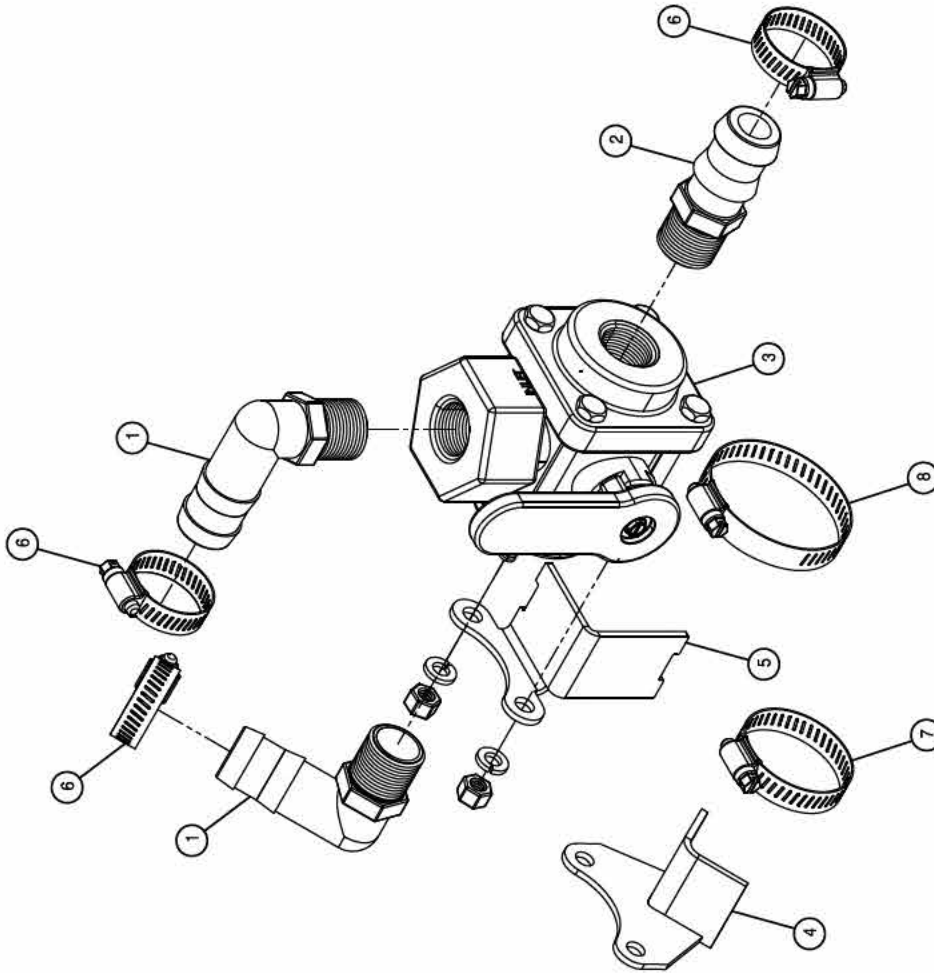
1	4	470087	3/8UNC HEX FLANGE LOCK NUT
2	2	470113	5/16UNC HEX FLANGE LOCK NUT
3	2	470118	1/4UNC X 3/4 FLANGE HEX BOLT
4	2	470121	1/4UNC HEX FLANGE LOCK NUT
5	2	472036	3/8UNC-2.83ID-2.88 U-BOLT SQ
6	2	472195	5/16UNC-2 11/16ID-3 9/16U-BOLT
7	2	483038	1/4 REGULAR FLAT WASHER
8	2	520090	HOSE CLAMP NO 16 STAINLESS
9	1	520133	1.81/2.06 T-BOLT HOSE CLAMP SS
10	1	701290	YELLOW 1.5" COLLECTOR DEFLECTOR
11	1	701296	FOAMHEAD ASSEMBLY, RICHWAY
12	1	701277	FOAMHEAD PRIMARY SCREEN
13	1	701278	FOAMHEAD OUTLET NIPPLE.W/SCRNS
14	1	701334	1 1/2 X 24" COIL DROP HOSE
15	1	701335	RH FOAMER DROP SWIVEL WLD '13
16	1	701336	LH FOAMER DROP SWIVEL WLD '13
17	2	900129	3/8UNC X 1" SERR FLANGE BOLT



RIGHT 3-WAY FOAMER VALVE ASSEMBLY 90°/100°/120°

DET. QTY PART NO. DESCRIPTION

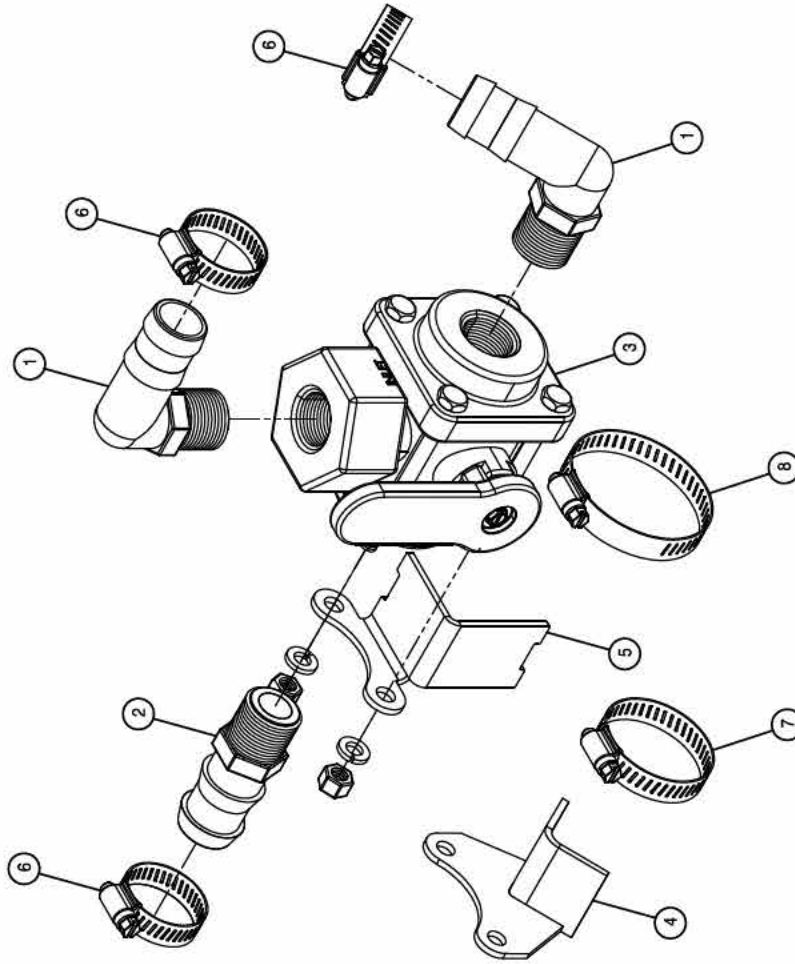
1	2	500026	3/4NPT-90-1°HOSE BARB, POLY
2	1	500123	3/4NPT-1°HOSE BARB, POLY
3	1	696003	BALL VLV, 3/4NPT 3WAY-SIDE POLY
4	1	701191	1° SOLU VLV MT WLD
5	1	701343	BALL VLV MT, 120°BOOM '13
6	3	520090	HOSE CLAMP NO 16 STAINLESS
7	1	520085	HOSE CLAMP NO 24 STAINLESS
8	1	520089	HOSE CLAMP NO 40 STAINLESS

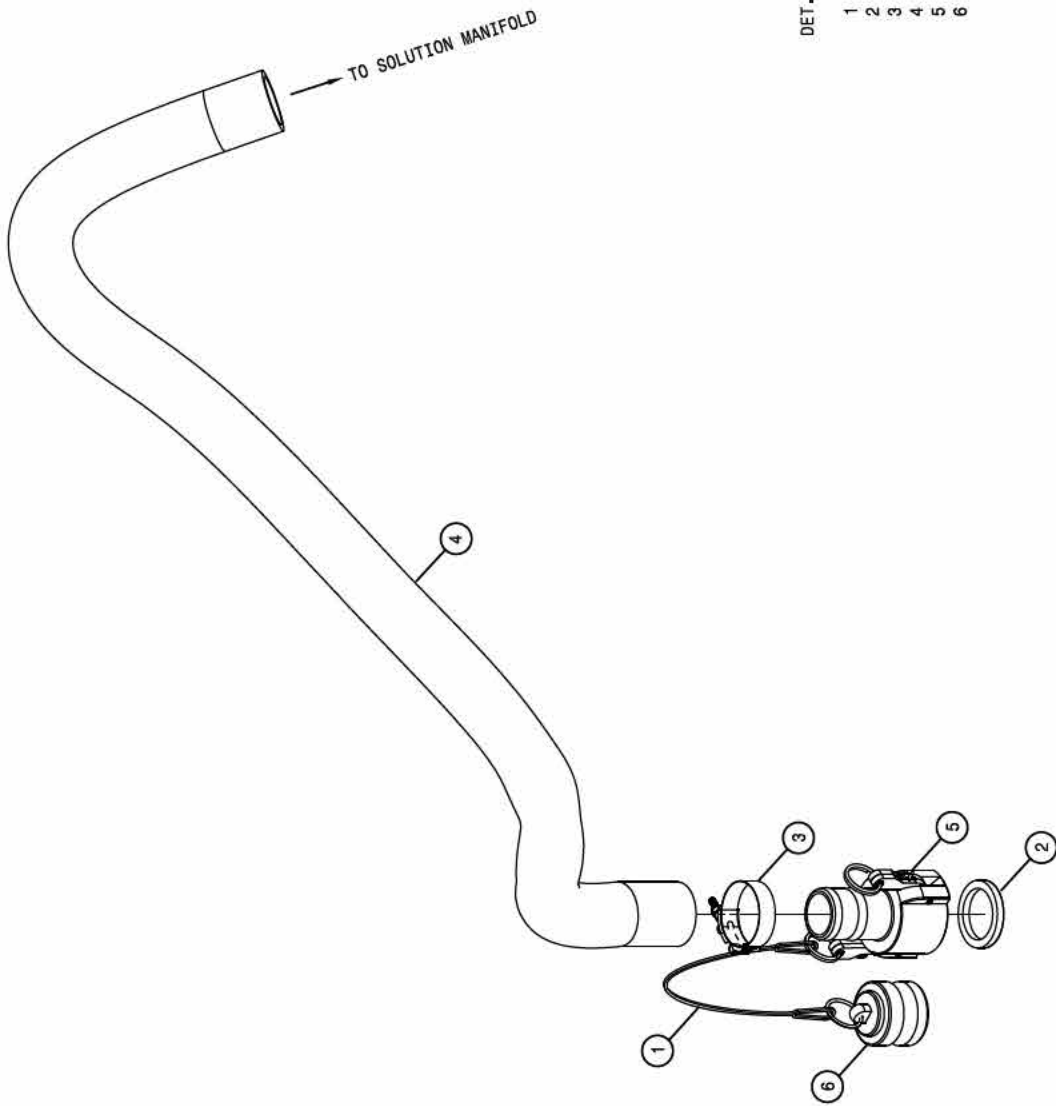


LEFT 3-WAY FOAMER VALVE ASSEMBLY 90°/100°/120°

DET. QTY PART NO. DESCRIPTION

1	2	500026	3/4NPT-90-1"HOSE BARB, POLY
2	1	500123	3/4NPT-1"HOSE BARB, POLY
3	1	696003	BALL VLV,3/4NPT 3WAY-SIDE POLY
4	1	701191	1" SOLU VLV MT WLD
5	1	701343	BALL VLV MT, 120°BOOM '13
6	3	520090	HOSE CLAMP NO 16 STAINLESS
7	1	520085	HOSE CLAMP NO 24 STAINLESS
8	1	520089	HOSE CLAMP NO 40 STAINLESS

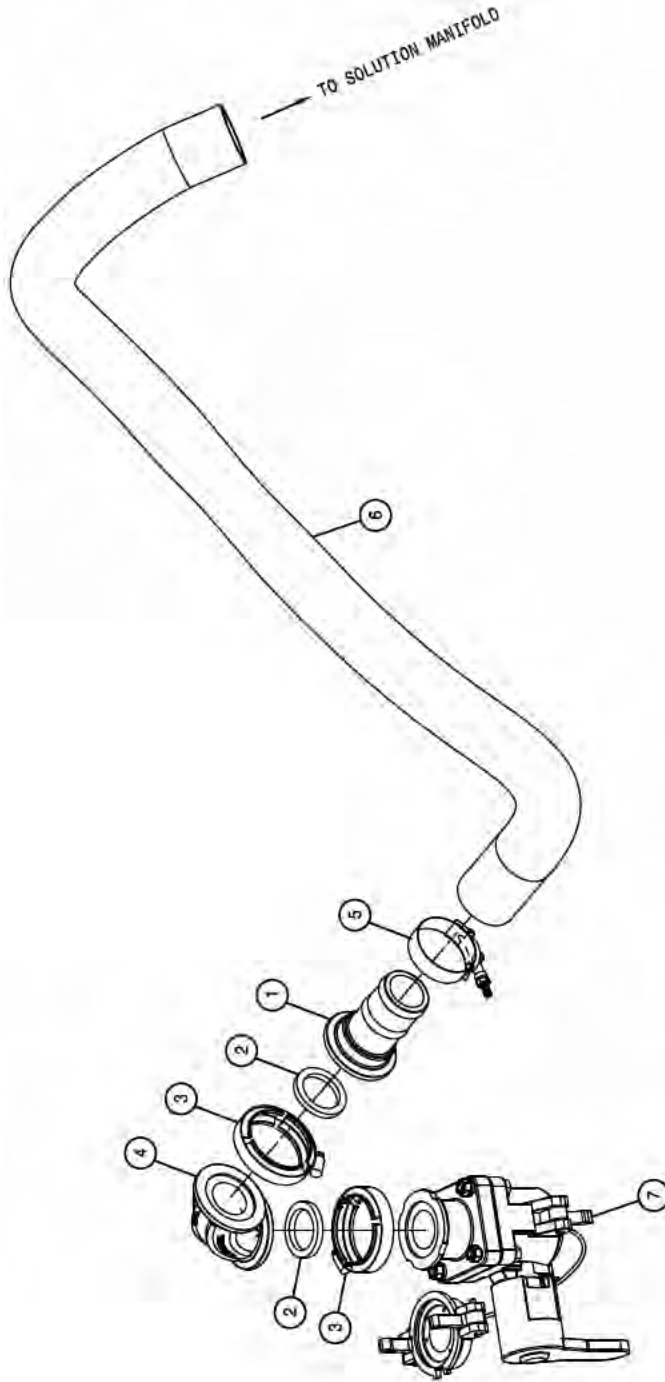




CAMI COUPLING ASSEMBLY 90/100

DET. QTY PART NO. DESCRIPTION

1	470322	LANYARD, 8" NYLON LOOP/LOOP
2	500231	2"FP FLANGE GASKET, EXTRA THICK
3	520141	2.31/2.62 T-BOLT HOSE CLAMP SS
4	601894	HOSE, 2 X 91 2F-1W EPDM
5	690272	2" FEM COUPLER W/LOCK, 2" BARB
6	690392	PLUG FOR 2.00 FEMALE COUPLER



DRY FIT CONNECTION ASSEMBLY 90/100

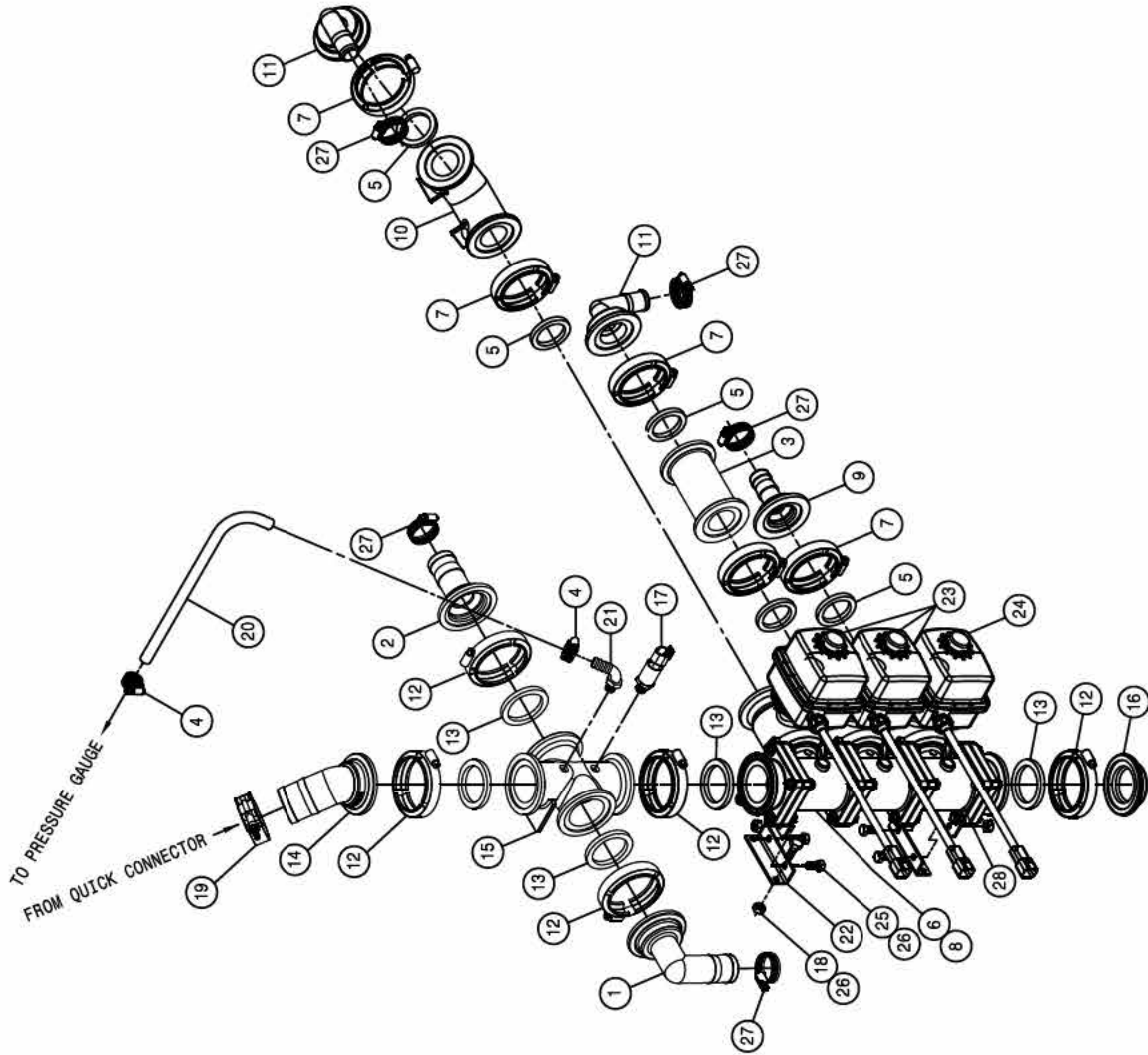
DET. QTY PART NO. DESCRIPTION

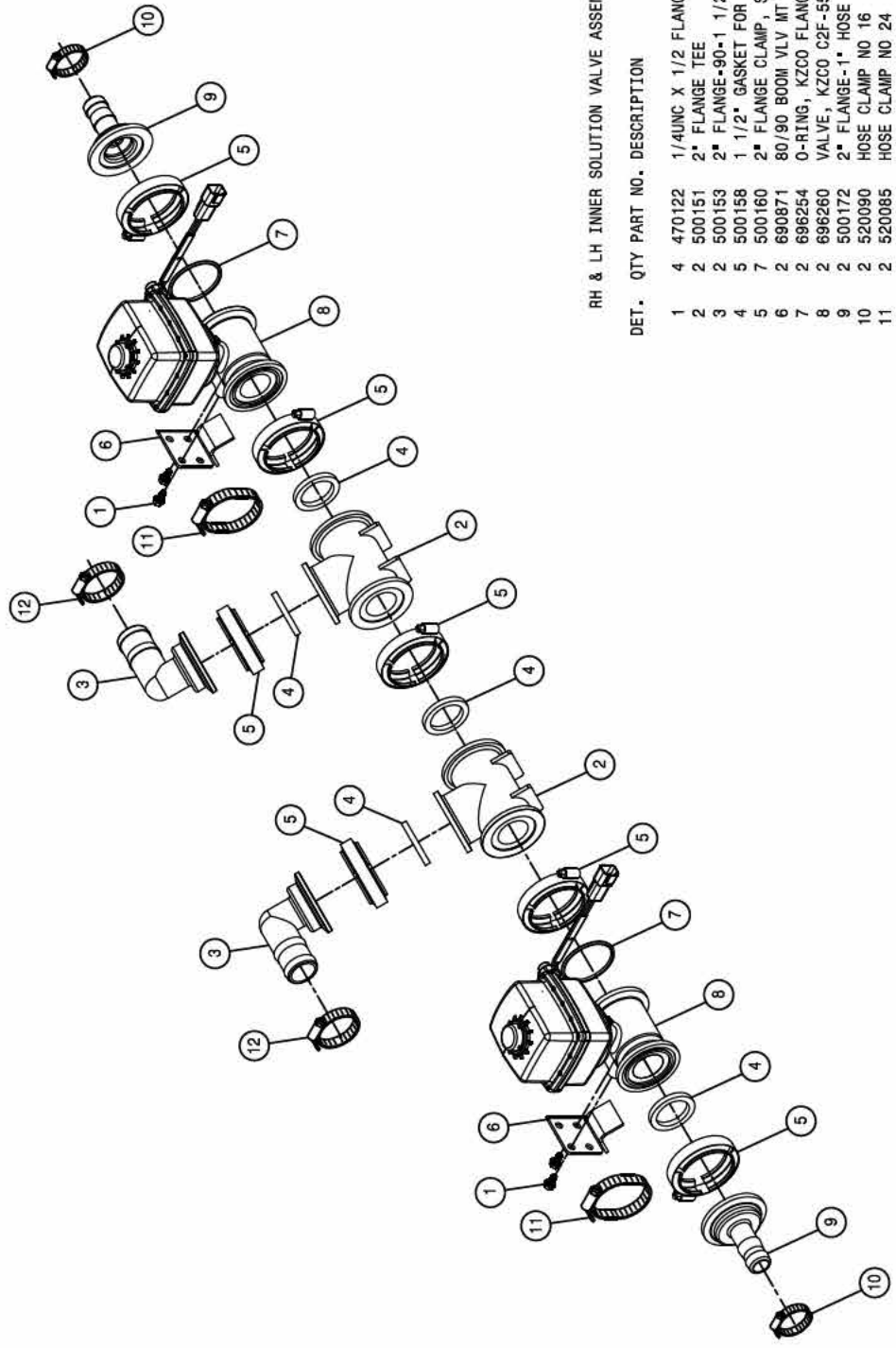
1	500154	2" FLANGE-2" HOSE BARB	POLY
2	500158	1 1/2" GASKET FOR 2" FLANGE	
3	500160	2" FLANGE CLAMP, S.S.	
4	500266	2" FLANGE SWEEP 90	
5	520141	2.31/2.62 T-BOLT HOSE CLAMP SS	
6	601081	HOSE, 2 X 79 2F-1W EPDM	
7	696236	2" MALE MANIFLD DRYMATE VLV, POLY	

SOLUTION CONTROL VALVE ASSEMBLY 90/100

DET. QTY PART NO. DESCRIPTION

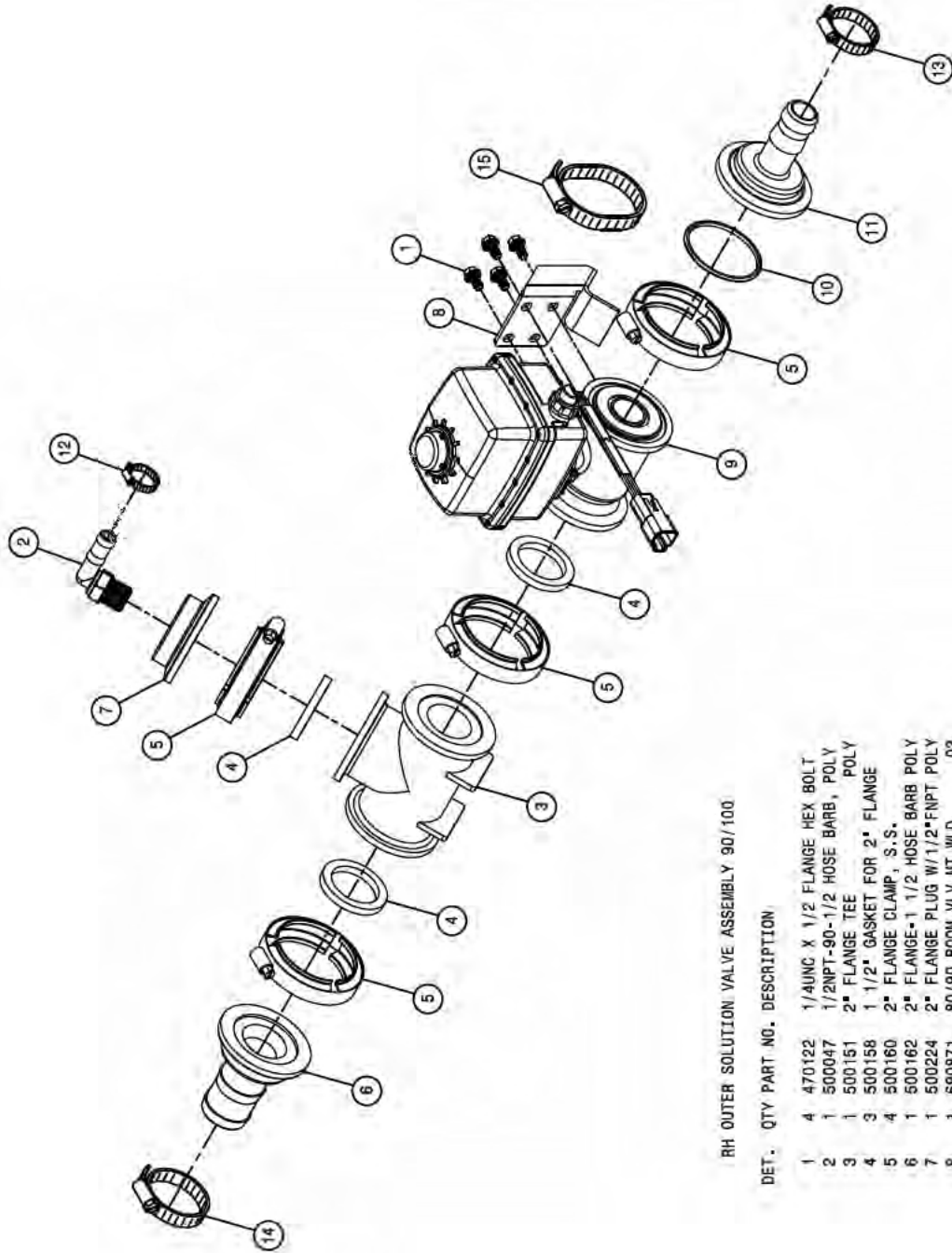
DET.	QTY	PART NO.	DESCRIPTION
1	1	500197	2" FP FLANGE-90-1 1/2" HBARR
2	1	500230	2" FP FLANGE-1 1/2" HOSE BARB
3	1	500177	2" FLANGE-2" FLANGE CPLR POLY
4	2	520070	HOSE CLAMP NO 8 STAINLESS
5	5	500158	1 1/2" GASKET FOR 2" FLANGE
6	7	696254	O-RING, KZCO FLANGED VALVES
7	5	500160	2" FLANGE CLAMP, S.S.
8	2	696255	END CAP, 220 FLANGE VLV 696253
9	1	500172	2" FLANGE-1" HOSE BARB POLY
10	1	500180	2" FLANGE-90-2" FLANGE LBO, LONG
11	2	500189	2" FLANGE-90-1" HOSE BARB POLY
12	5	500194	2"FP FLANGE CLAMP, S.S.
13	5	500195	2"FP FLANGE GASKET EPDM
14	1	500255	2"FP FLANGE-45-2"HOSEBARB POLY
15	1	503111	2" FP CROSS W/2 GAGE PORTS '14
16	1	500206	2"FP FLANGE PLUG
17	1	691281	PRESSURE TRANSDUCER 0-300 PSI
18	4	900065	5/16UNC X 1" HEX BOLT
19	1	520141	2.31/2.62 T-BOLT HOSE CLAMP SS
20	1	601634	HOSE, 1/2 X 78 1BR BLK EPDM
21	1	618556	1/4NPT-90-1/2 HOSE BARB, POLY
22	2	690870	SOLU VLV MANIF MT BRKT STS 03
23	3	696260	VALVE, KZCO C2F-55B-M-S9
24	1	696259	VALVE, 3 SECT KZCO 400-3CIN-DJ
25	4	900064	5/16UNC X 3/4 HEX BOLT
26	8	914002	5/16UNC HEX STOVER NUT
27	5	520090	HOSE CLAMP NO 16 STAINLESS
28	3	696269	MANIFOLD SECT, 1" (696253/259)





RH & LH INNER SOLUTION VALVE ASSEMBLY 90/100

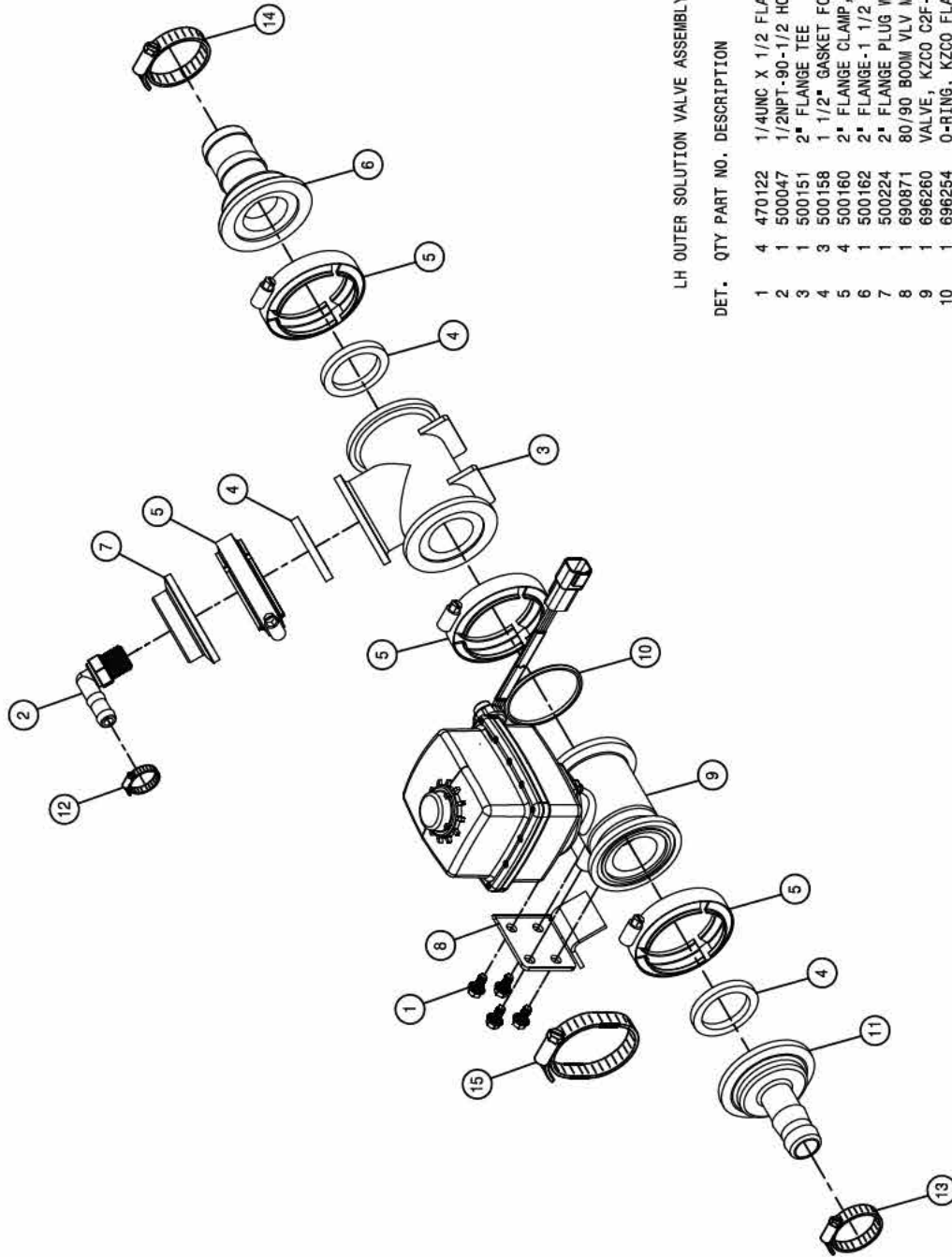
DET.	QTY	PART NO.	DESCRIPTION
1	4	470122	1/4UNC X 1/2 FLANGE HEX BOLT
2	2	500151	2" FLANGE TEE POLY
3	2	500153	2" FLANGE-90-1 1/2 HBARB POLY
4	5	500158	1 1/2" GASKET FOR 2" FLANGE
5	7	500160	2" FLANGE CLAMP, S.S.
6	2	690871	80/90 BOOM VLV MT WLD
7	2	696254	O-RING, KZCO FLANGED VALVES
8	2	696260	VALVE, KZCO C2F-55B-M-S9
9	2	500172	2" FLANGE-1" HOSE BARB POLY
10	2	520090	HOSE CLAMP NO 16 STAINLESS
11	2	520085	HOSE CLAMP NO 24 STAINLESS
12	2	520067	HOSE CLAMP NO 28 STAINLESS



RH OUTER SOLUTION VALVE ASSEMBLY 90/100

DET. QTY PART NO. DESCRIPTION

1	4	470122	1/4UNC X 1/2 FLANGE HEX BOLT
2	1	500047	1/2NPT-90-1/2 HOSE BARB, POLY
3	1	500151	2" FLANGE TEE POLY
4	3	500158	1 1/2" GASKET FOR 2" FLANGE
5	4	500160	2" FLANGE CLAMP, S.S.
6	1	500162	2" FLANGE-1 1/2 HOSE BARB POLY
7	1	500224	2" FLANGE PLUG W/1/2"FNPT POLY
8	1	690871	80/90 BOOM VLV MT WLD 03
9	1	696260	VALVE, KZCO C2F-55B-M-89
10	1	696254	O-RING, KZCO FLANGED VALVES
11	1	500172	2" FLANGE-1" HOSE BARB POLY
12	1	520070	HOSE CLAMP NO 8 STAINLESS
13	1	520090	HOSE CLAMP NO 16 STAINLESS
14	1	520067	HOSE CLAMP NO 28 STAINLESS
15	1	520085	HOSE CLAMP NO 24 STAINLESS



LH OUTER SOLUTION VALVE ASSEMBLY 90/100

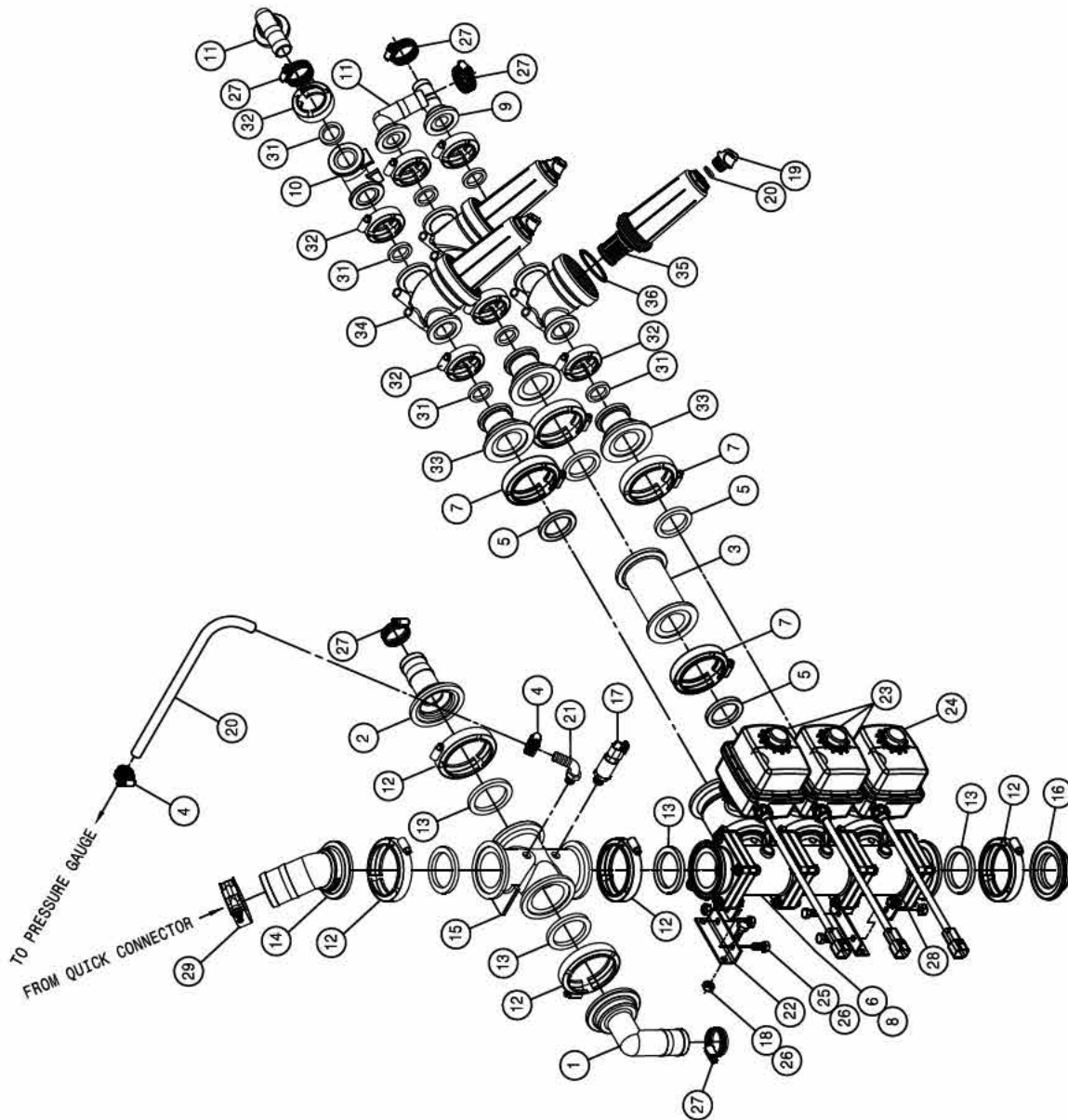
DET. QTY PART NO. DESCRIPTION

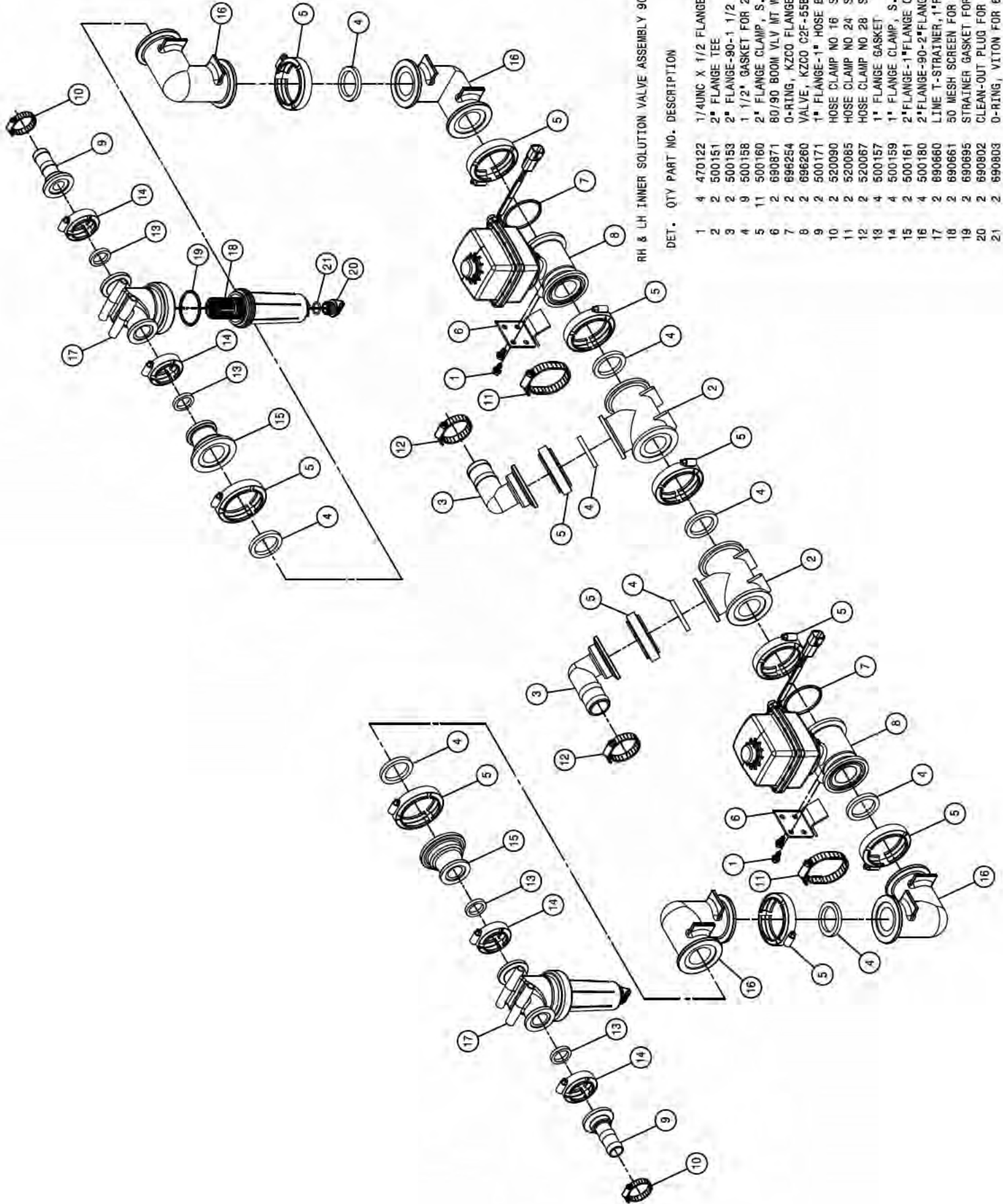
1	4	470122	1/4UNC X 1/2 FLANGE HEX BOLT
2	1	500047	1/2NPT-90-1/2 HOSE BARB, POLY
3	1	500151	2" FLANGE TEE
4	3	500158	1 1/2" GASKET FOR 2" FLANGE
5	4	500160	2" FLANGE CLAMP, S.S.
6	1	500162	2" FLANGE-1 1/2 HOSE BARB POLY
7	1	500224	2" FLANGE PLUG W/1/2"FNPT POLY
8	1	690871	80/90 BOOM VLV MT WLD 03
9	1	696260	VALVE, KZCO C2F-55B-M-S9
10	1	696254	O-RING, KZCO FLANGED VALVES
11	1	500172	2" FLANGE-1" HOSE BARB POLY
12	1	520070	HOSE CLAMP NO 8 STAINLESS
13	1	520090	HOSE CLAMP NO 16 STAINLESS
14	1	520067	HOSE CLAMP NO 28 STAINLESS
15	1	520085	HOSE CLAMP NO 24 STAINLESS

SOLUTION CONTROL VALVE ASSEMBLY 90/100 W/SCREENS

DET. QTY PART NO. DESCRIPTION

QTY	PART NO.	DESCRIPTION
1	500197	2" FP FLANGE-90-1 1/2 HBARB
1	500230	2" FP FLANGE-1 1/2" HOSE BARB
3	500177	2" FLANGE-2" FLANGE CPLR POLY
4	520070	HOSE CLAMP NO 8 STAINLESS
5	500158	1 1/2" GASKET FOR 2" FLANGE
6	696254	O-RING, KZCO FLANGED VALVES
7	500160	2" FLANGE CLAMP, S.S.
8	696255	END CAP, 220 FLANGE VLV 696253
9	500171	1" FLANGE-1" HOSE BARB POLY
10	500174	1" FLANGE-90-1" HOSE BARB POLY
11	500173	1" FLANGE-90-1" HOSE BARB POLY
12	500194	2"FP FLANGE CLAMP, S.S.
13	500195	2"FP FLANGE GASKET EPDM
14	500255	2"FP FLANGE-45-2"HOSEBARB POLY
15	503111	2" FP CROSS W/2 GAGE PORTS '14
16	500206	2"FP FLANGE PLUG
17	691281	PRESSURE TRANSDUCER 0-300 PSI
18	900065	5/16UNC X 1" HEX BOLT
19	690802	CLEAN-OUT PLUG FOR 690660
20	690803	O-RING, VITON FOR 690802 PLUG
21	618556	1/4NPT-90-1/2 HOSE BARB,POLY
22	690870	SOLU VLV MANIF MT BRKT STS 03
23	696260	VALVE, KZCO C2F-55B-M-S9
24	696259	VALVE, 3 SECT KZCO 400-3CIM-DJ
25	900064	5/16UNC X 3/4 HEX BOLT
26	914002	5/16UNC HEX STOVER NUT
27	520090	HOSE CLAMP NO 16 STAINLESS
28	696269	MANIFOLD SECT,1" (696253/259)
29	520141	2.31/2-.62 T-BOLT HOSE CLAMP SS
30	601634	HOSE, 1/2 X 78 1BR BLK EPDM
31	500157	1" FLANGE GASKET EPDM
32	500159	1" FLANGE CLAMP, S.S.
33	500161	2"FLANGE-1"FLANGE COUPLER,POLY
34	690660	LINE T-STRAINER,1"FLG,W/O SCR
35	690661	50 MESH SCREEN FOR 690660
36	690695	STRAINER GASKET FOR 690660

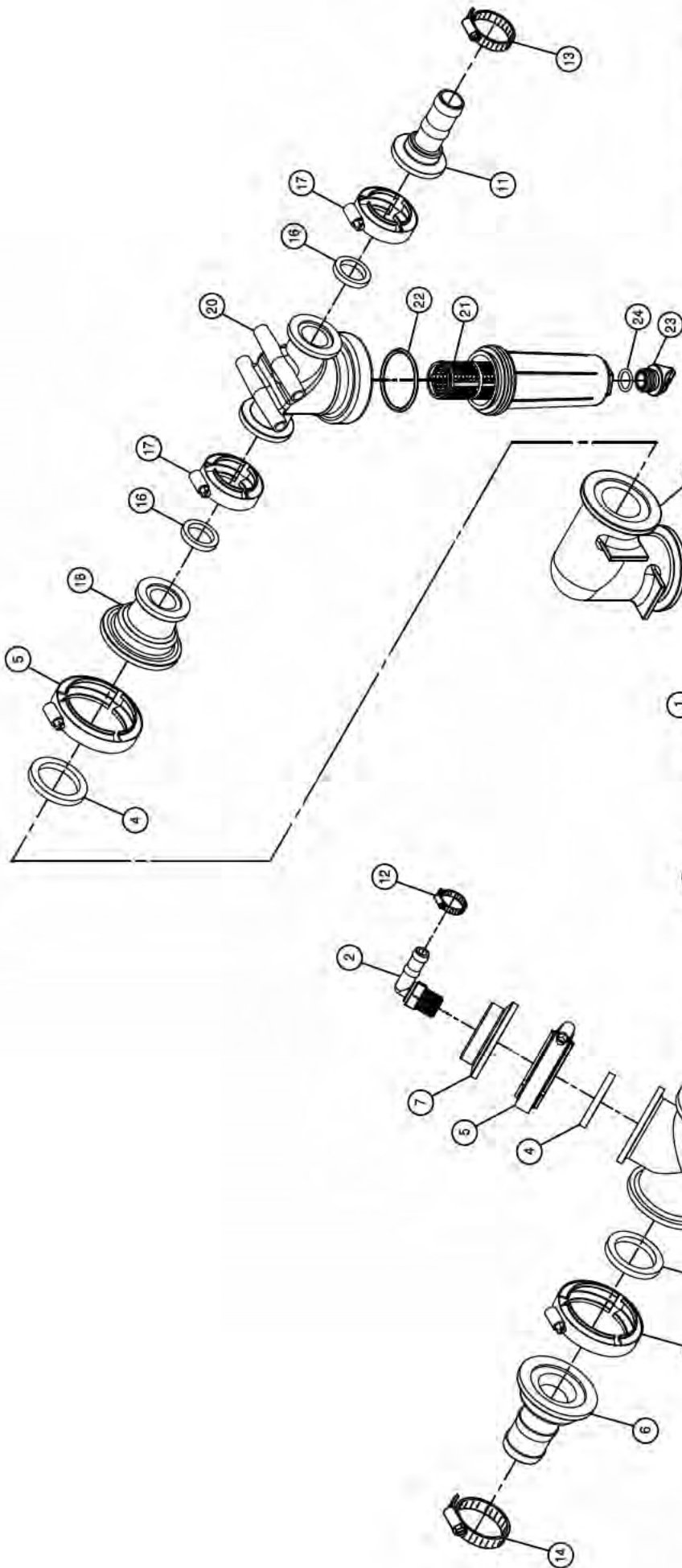




RH & LH INNER SOLUTION VALVE ASSEMBLY 90/100 W/SCREENS

DET. QTY PART NO. DESCRIPTION

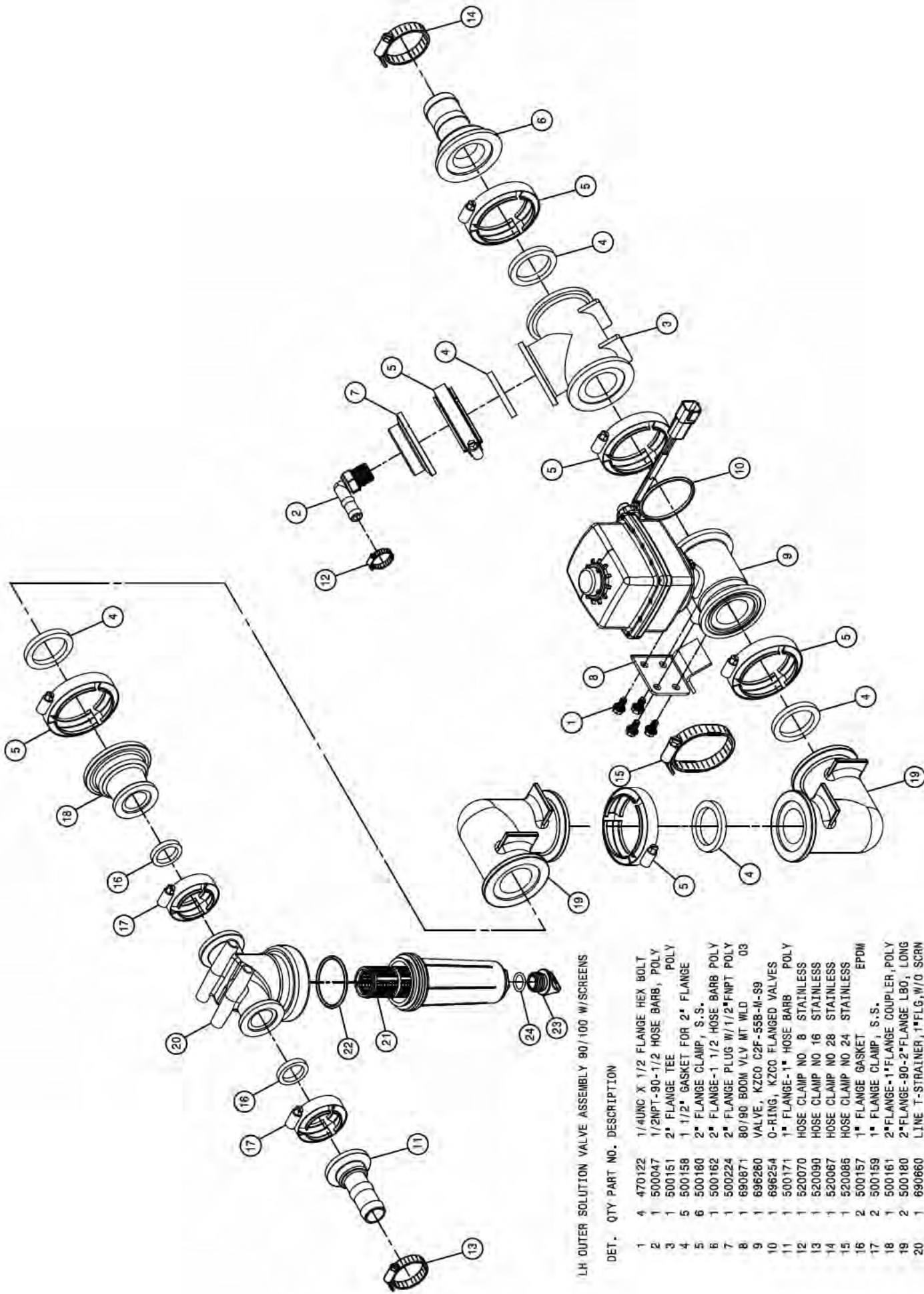
1	4	470122	1/4UNC X 1/2 FLANGE HEX BOLT
2	2	500151	2" FLANGE TEE POLY
3	2	500153	2" FLANGE-90-1 1/2 HBARR POLY
4	9	500158	1 1/2" GASKET FOR 2" FLANGE
5	11	500160	2" FLANGE CLAMP, S.S.
6	2	690871	80/90 BOOM VLV MT WLD
7	2	696254	0-RING, KZCO FLANGED VALVES
8	2	696260	VALVE, KZCO C2F-55B-M-S9
9	2	500171	1" FLANGE-1" HOSE BARB POLY
10	2	520090	HOSE CLAMP NO 16 STAINLESS
11	2	520085	HOSE CLAMP NO 24 STAINLESS
12	2	520067	HOSE CLAMP NO 28 STAINLESS
13	4	500157	1" FLANGE GASKET EPDM
14	4	500159	1" FLANGE CLAMP, S-S.
15	2	500161	2" FLANGE-1" FLANGE COUPLER, POLY
16	4	500180	2" FLANGE-90-2" FLANGE LBO, LONG
17	2	690660	LIME T-STRAINER, 1" FLG. W/O SCRN
18	2	690661	50 MESH SCREEN FOR 690660
19	2	690695	STRAINER GASKET FOR 690660
20	2	690802	CLEAN-OUT PLUG FOR 690660
21	2	690803	O-RING, VITON FOR 690802 PLUG



RH OUTER SOLUTION VALVE ASSEMBLY 90/100 W/SCREENS

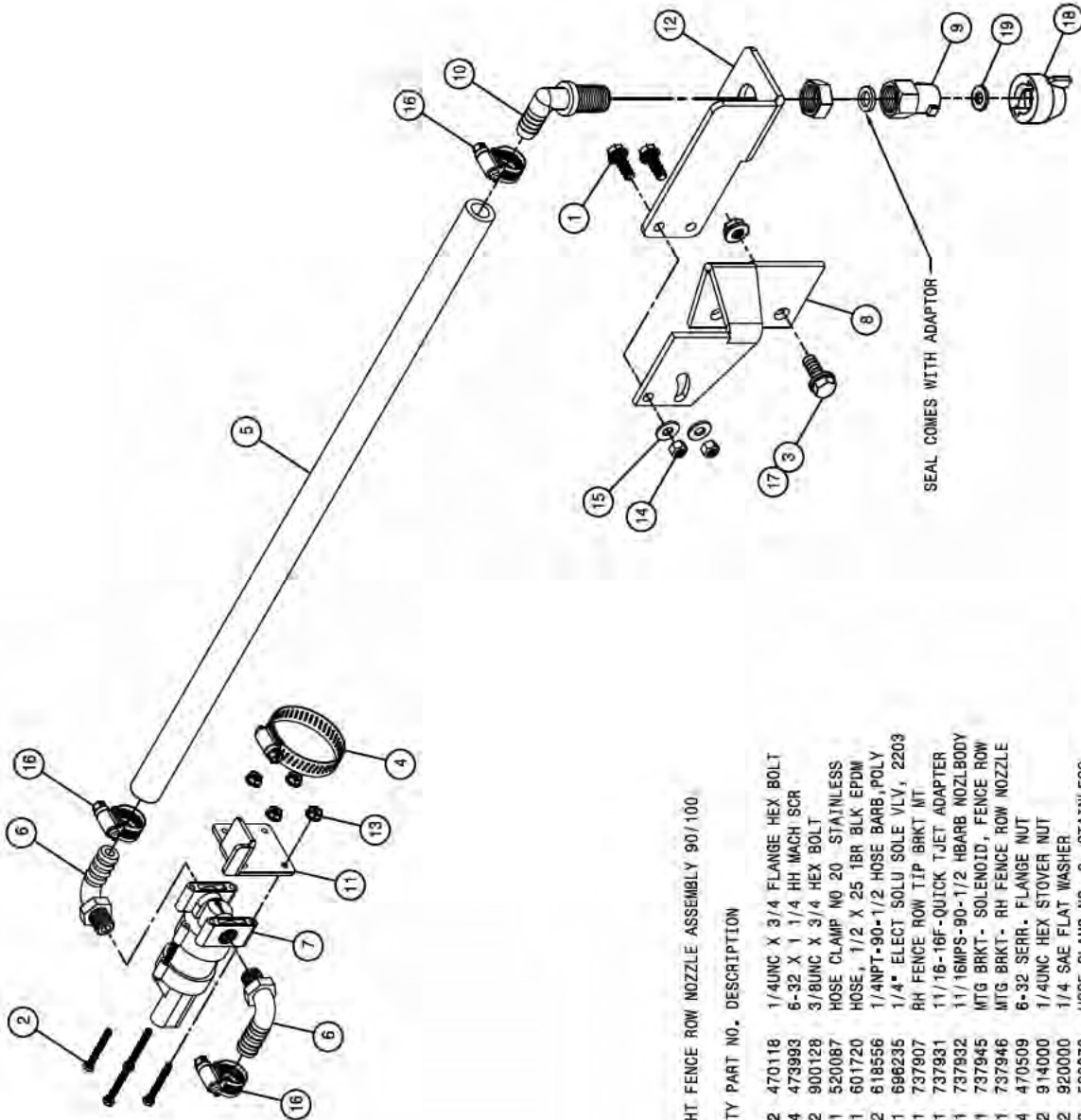
DET. QTY PART NO. DESCRIPTION

1	4	470122	1/4UNC X 1/2 FLANGE HEX BOLT
2	1	500047	1/2NPT-90-1/2 HOSE BARB, POLY
3	1	500151	2" FLANGE TEE
4	5	500158	1 1/2" GASKET FOR 2" FLANGE
5	6	500160	2" FLANGE CLAMP, S.S.
6	1	500162	2" FLANGE-1 1/2 HOSE BARB POLY
7	1	500224	2" FLANGE PLUG W/1/2"FNPT POLY
8	1	690871	80/90 BOOM VLV MT WILD 03
9	1	696260	VALVE, KZCO C2F-558-M-S9
10	1	696254	O-RING, KZCO FLANGED VALVES
11	1	500171	1" FLANGE-1" HOSE BARB POLY
12	1	520070	HOSE CLAMP NO 8 STAINLESS
13	1	520090	HOSE CLAMP NO 16 STAINLESS
14	1	520067	HOSE CLAMP NO 28 STAINLESS
15	1	520085	HOSE CLAMP NO 24 STAINLESS
16	2	500157	1" FLANGE GASKET EPDM
17	2	500159	1" FLANGE CLAMP, S.S.
18	1	500161	2"FLANGE-1"FLANGE COUPLER,POLY
19	2	500180	2"FLANGE-90-2"FLANGE LEO, LONG
20	1	690660	LINE T-STRAINER,1"FLG,W/O SCRN
21	1	690661	50 MESH SCREEN FOR 690660
22	1	690695	STRAINER GASKET FOR 690660
23	1	690802	CLEAN-OUT PLUG FOR 690660
24	1	690803	O-RING, VITON FOR 690802 PLUG



LH OUTER SOLUTION VALVE ASSEMBLY 90/100 W/SCREENS

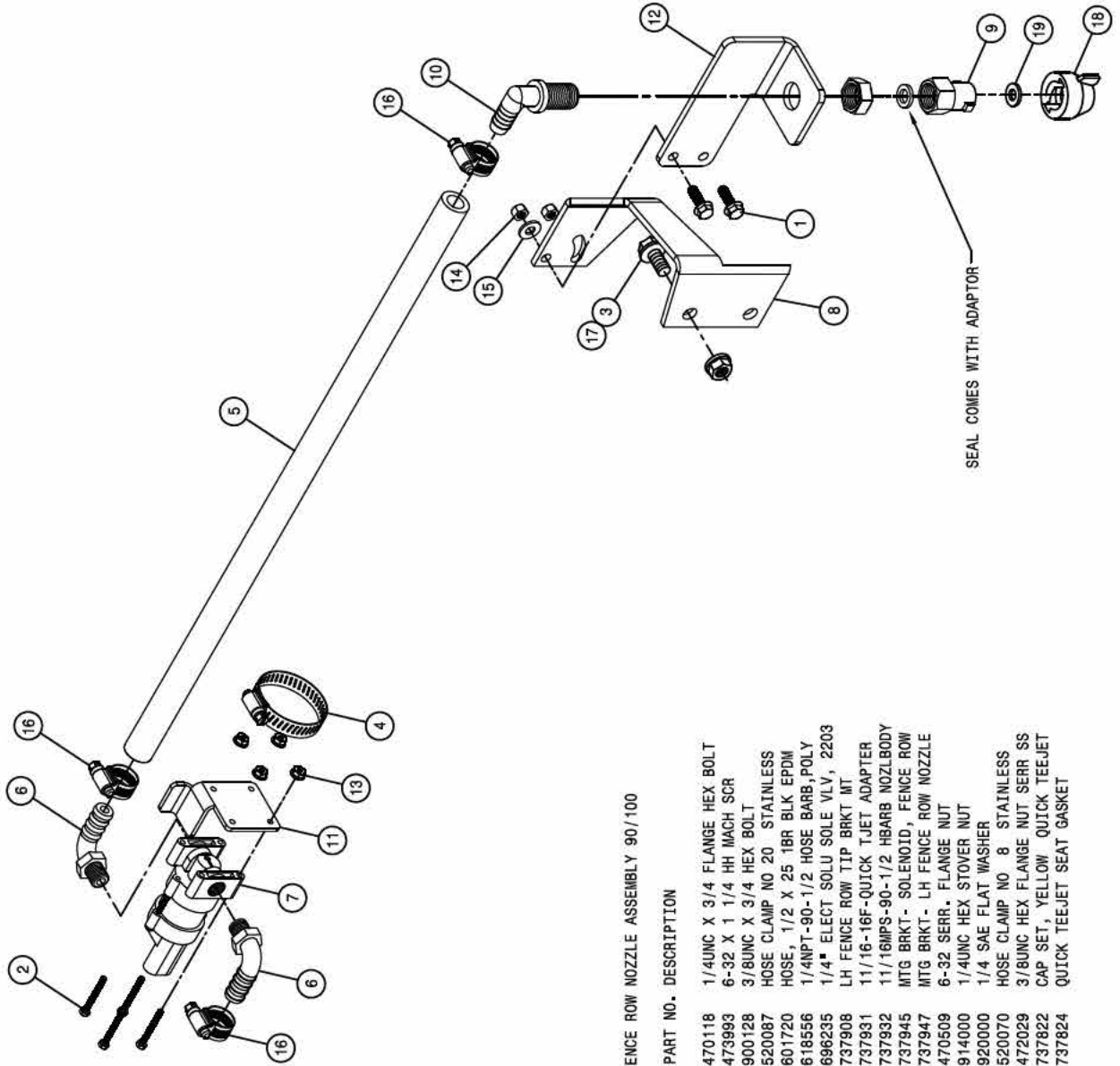
DET.	QTY	PART NO.	DESCRIPTION
1	4	470122	1/4UNC X 1/2 FLANGE HEX BOLT
2	1	500047	1/2NPT-90-1/2 HOSE BARB, POLY
3	1	500151	2" FLANGE TEE
4	5	500158	1 1/2" GASKET FOR 2" FLANGE
5	6	500180	2" FLANGE CLAMP, S.S.
6	1	500182	2" FLANGE-1 1/2 HOSE BARB POLY
7	1	500224	2" FLANGE PLUG W/1/2"FMPT POLY
8	1	690871	80/90 BOOM VLV WT WLD 03
9	1	696260	VALVE, KZCO C2F-558-M-S9
10	1	696254	O-RING, KZCO FLANGED VALVES
11	1	500171	1" FLANGE-1" HOSE BARB POLY
12	1	520070	HOSE CLAMP NO 8 STAINLESS
13	1	520090	HOSE CLAMP NO 16 STAINLESS
14	1	520087	HOSE CLAMP NO 28 STAINLESS
15	1	520086	HOSE CLAMP NO 24 STAINLESS
16	2	500157	1" FLANGE GASKET EPDM
17	2	500159	1" FLANGE CLAMP, S.S.
18	1	500161	2"FLANGE-1"FLANGE COUPLER,POLY
19	2	500180	2"FLANGE-90-2"FLANGE LBO, LONG
20	1	690660	LINE T-STRAINER,1"FLG,W/O SCR
21	1	690661	50 MESH SCREEN FOR 690660
22	1	690695	STRAINER GASKET FOR 690660
23	1	690802	CLEAN-OUT PLUG FOR 690660
24	1	690803	O-RING, VITON FOR 690802 PLUG



RIGHT FENCE ROW NOZZLE ASSEMBLY 90/100

DET. QTY PART NO. DESCRIPTION

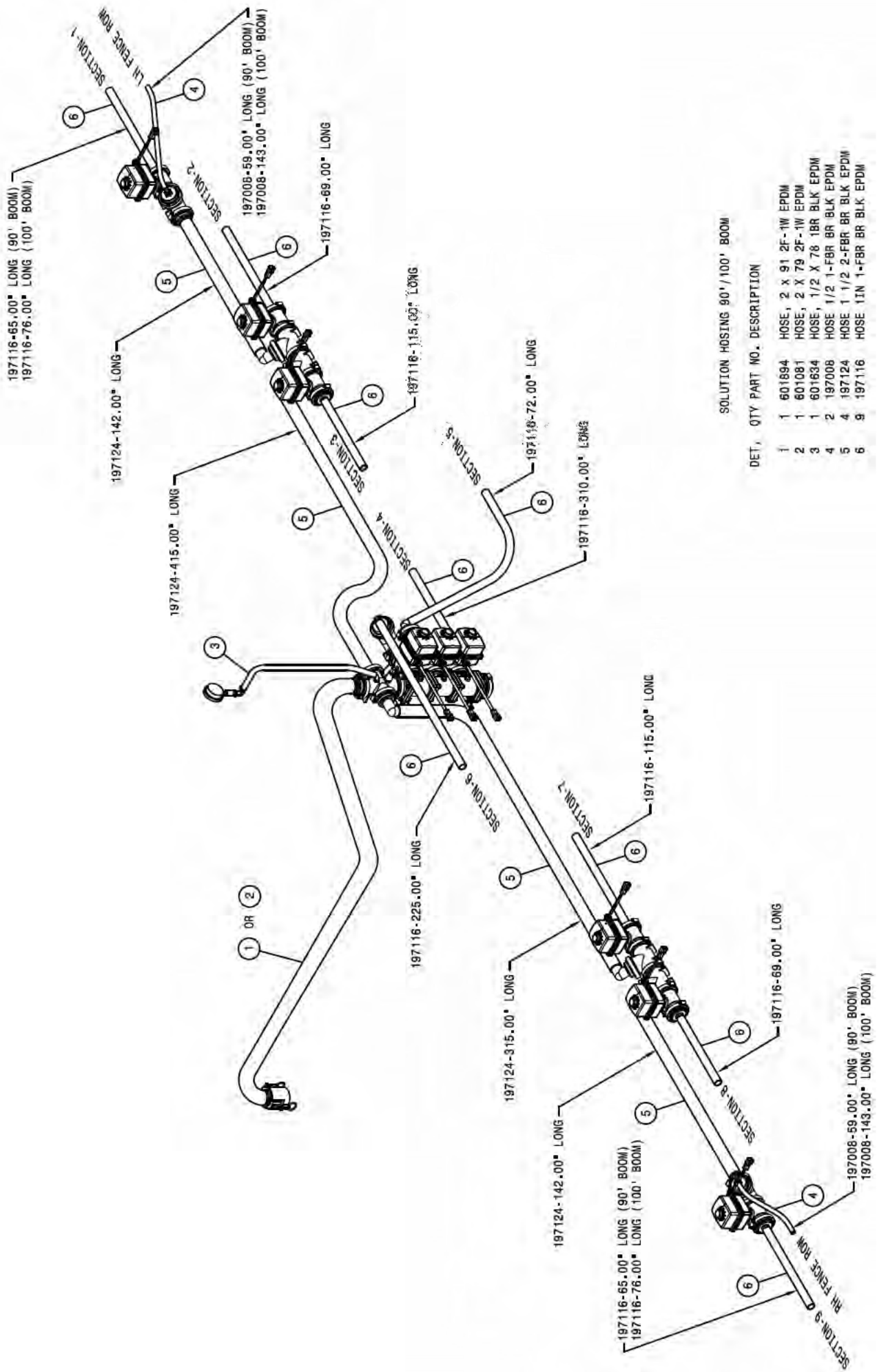
1	2	470118	1/4UNC X 3/4 FLANGE HEX BOLT
2	4	473993	6-32 X 1 1/4 HH MACH SCR
3	2	900128	3/8UNC X 3/4 HEX BOLT
4	1	520087	HOSE CLAMP NO 20 STAINLESS
5	1	601720	HOSE, 1/2 X 25 1BR BLK EPDM
6	2	618556	1/4NPT-90-1/2 HOSE BARB,POLY
7	1	686235	1/4" ELECT SOLU SOLE VLV, 2203
8	1	737907	RH FENCE ROW TIP BRKT MT.
9	1	737931	11/16-16F-QUICK T-JET ADAPTER
10	1	737932	11/16MPS-90-1/2 HBARB NOZLBODY
11	1	737945	MTG BRKT- SOLENOID, FENCE ROW
12	1	737946	MTG BRKT- RH FENCE ROW NOZZLE
13	4	470509	6-32 SERR. FLANGE NUT
14	2	914000	1/4UNC HEX STOVER NUT
15	2	920000	1/4 SAE FLAT WASHER
16	3	520070	HOSE CLAMP NO 8 STAINLESS
17	2	472029	3/8UNC HEX FLANGE NUT SERR SS
18	1	737822	CAP SET, YELLOW QUICK TEEJET
19	1	737824	QUICK TEEJET SEAT GASKET



LEFT FENCE ROW NOZZLE ASSEMBLY 90/100

DET. QTY PART NO. DESCRIPTION

1	2	470118	1/4UNC X 3/4 FLANGE HEX BOLT
2	4	473993	6-32 X 1 1/4 HH MACH SCR
3	2	900128	3/8UNC X 3/4 HEX BOLT
4	1	520087	HOSE CLAMP NO 20 STAINLESS
5	2	601720	HOSE, 1/2 X 25 1BR BLK EPDM
6	2	618556	1/4NPT-90-1/2 HOSE BARB, POLY
7	1	696235	1/4" ELECT SOLU SOLE VLV, 2203
8	1	737908	LH FENCE ROW TIP BRKT MT
9	1	737931	11/16-16F-QUICK TJET ADAPTER
10	1	737932	11/16MPS-90-1/2 HBARB NOZLBODY
11	1	737945	MTG BRKT - SOLENOID, FENCE ROW
12	1	737947	MTG BRKT - LH FENCE ROW NOZZLE
13	4	470509	6-32 SERR. FLANGE NUT
14	2	914000	1/4UNC HEX STOVER NUT
15	2	920000	1/4 SAE FLAT WASHER
16	3	520070	HOSE CLAMP NO 8 STAINLESS
17	2	472029	3/8UNC HEX FLANGE NUT SERR SS
18	1	737822	CAP SET, YELLOW QUICK TEEJET
19	1	737824	QUICK TEEJET SEAT GASKET



SOLUTION HOISING 90'/100' BOOM

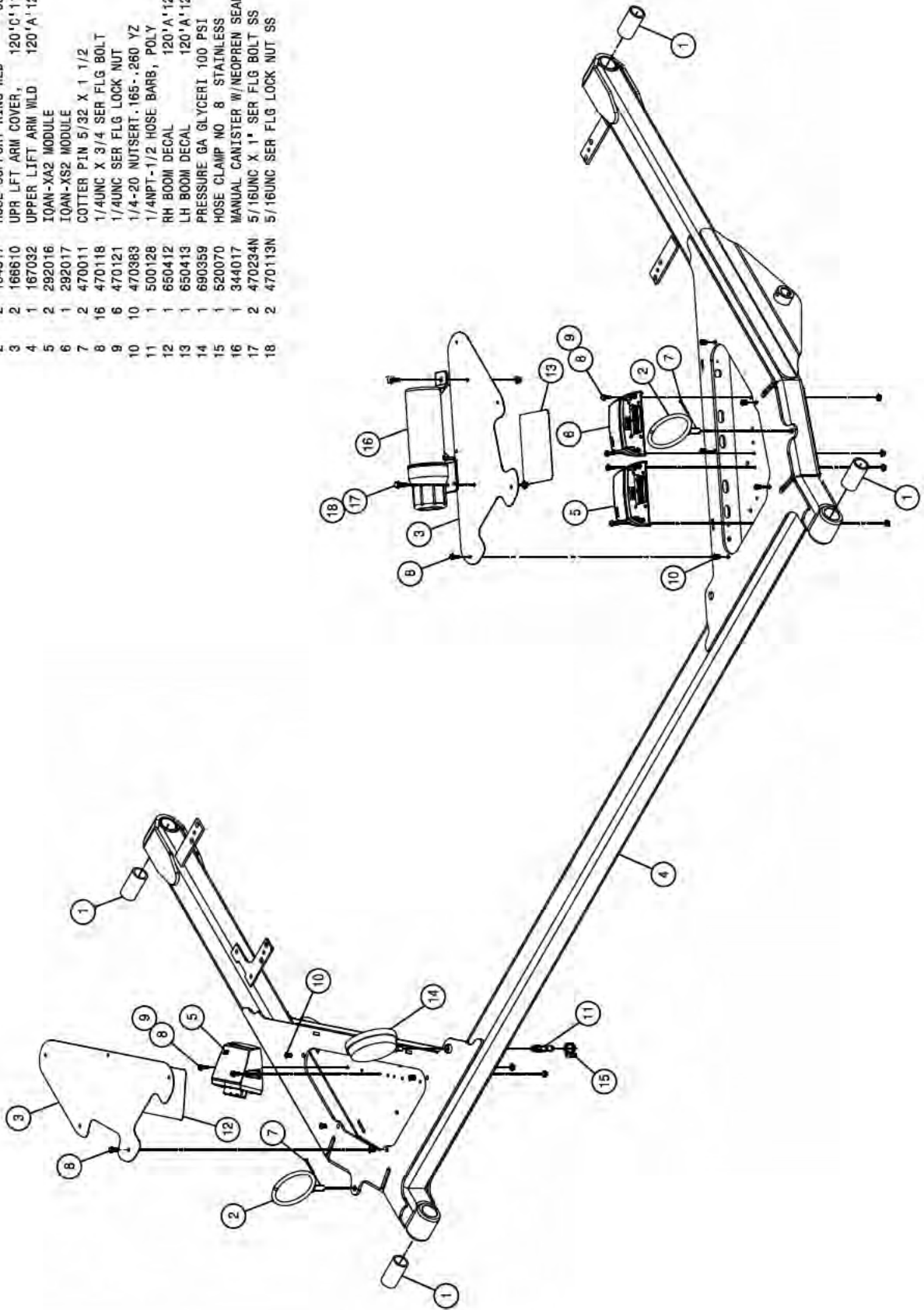
DET, QTY PART NO. DESCRIPTION

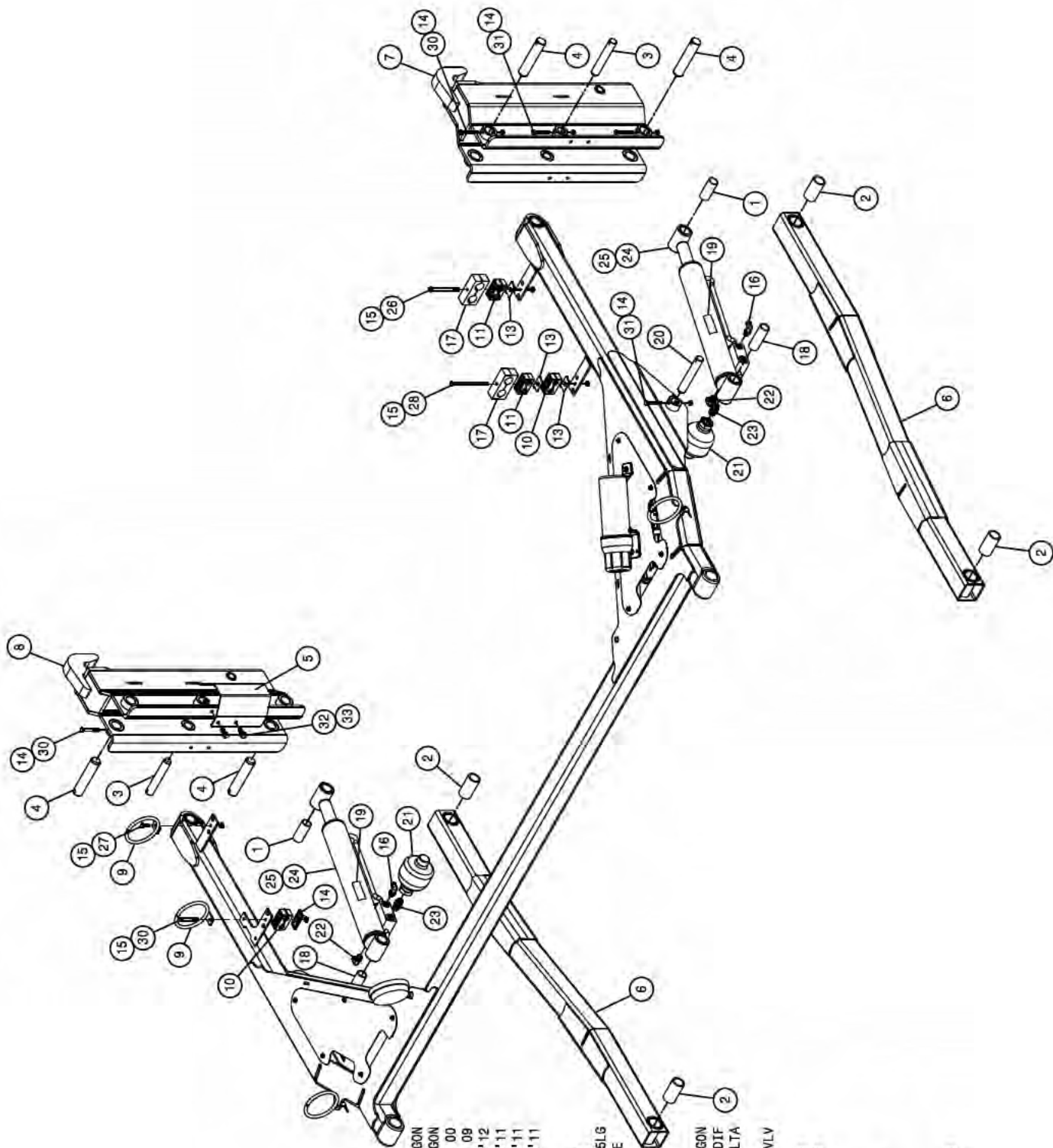
DET	QTY	PART NO.	DESCRIPTION
1	1	601894	HOSE, 2 X 91 2F-1W EPDM
2	1	601081	HOSE, 2 X 79 2F-1W EPDM
3	1	601634	HOSE, 1/2 X 78 1BR BLK EPDM
4	2	197008	HOSE 1/2 1-FBR BR BLK EPDM
5	4	197124	HOSE 1 1/2 2-FBR BR BLK EPDM
6	9	197116	HOSE 1 1/2 1-FBR BR BLK EPDM

LIFTARM ASSEMBLY 120'x132'

DET. QTY PART NO. DESCRIPTION

1	4	121119	BEARING, 1.25-1.61-3.00 POLYGON
2	2	164517	HOSE SUPPORT RING WLD 00
3	2	166610	UPR LFT ARM COVER, 120'C'11
4	1	167032	UPPER LIFT ARM WLD 120'A'12
5	2	292016	IOAN-YA2 MODULE
6	1	292017	IOAN-XS2 MODULE
7	2	470011	COTTER PIN 5/32 X 1 1/2
8	16	470118	1/4UNC X 3/4 SER FLG BOLT
9	6	470121	1/4UNC SER FLG LOCK NUT
10	10	470383	1/4-20 NUTSERT .165-.260 YZ
11	1	500128	1/4NPT-1/2 HOSE BARB, POLY
12	1	650412	RH BOOM DECAL 120'A'12
13	1	650413	LH BOOM DECAL 120'A'12
14	1	690359	PRESSURE GA GLYCERI 100 PSI
15	1	520070	HOSE CLAMP NO 8 STAINLESS
16	1	344017	MANUAL CANISTER W/NEOPREN SEAL
17	2	470234N	5/16UNC X 1" SER FLG BOLT SS
18	2	470113N	5/16UNC SER FLG LOCK NUT SS



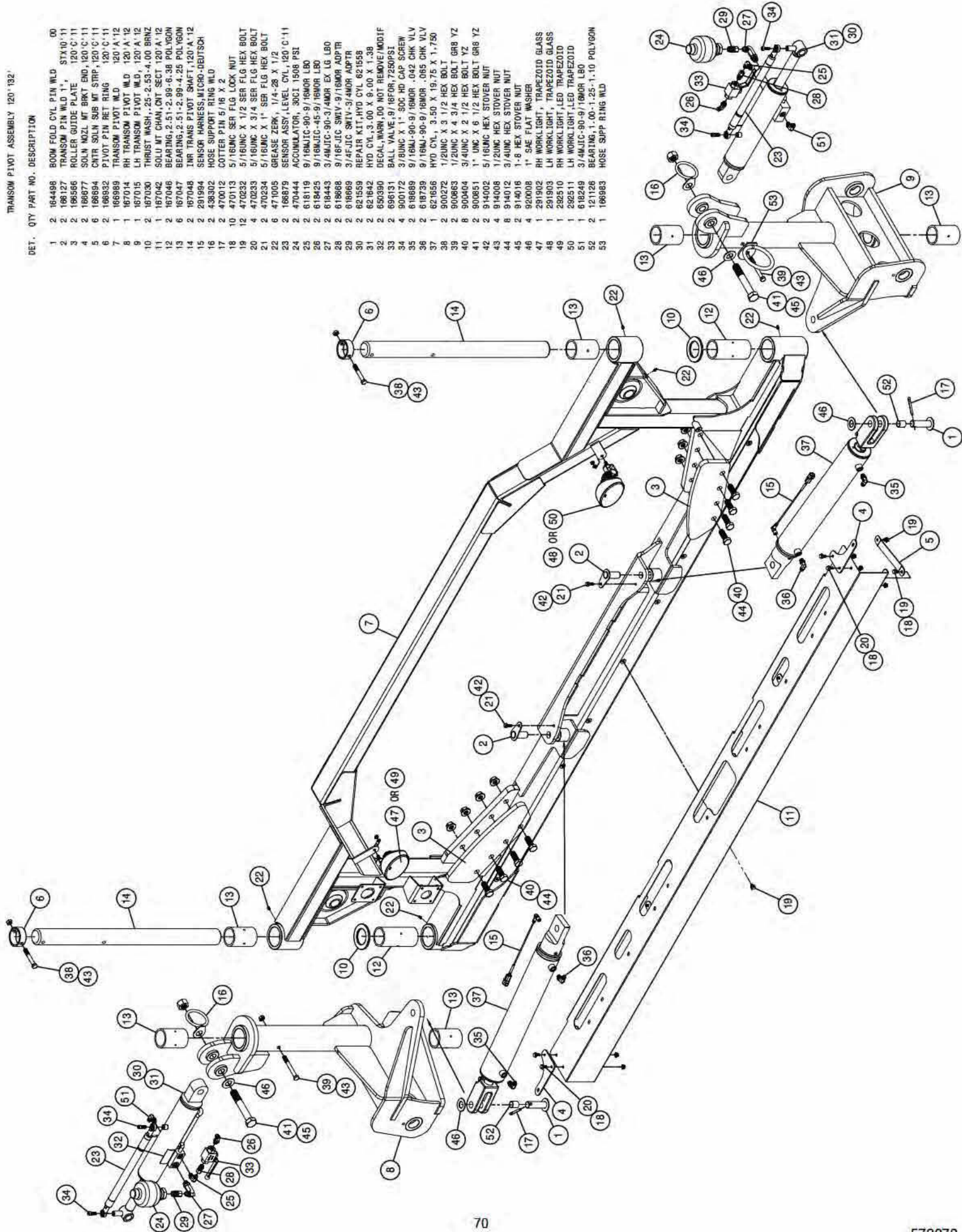


LIFTARM ASSEMBLY 120'132'

DET.	QTY	PART NO.	DESCRIPTION
1	2	121109	BEARING, 1.00-1.25-3.13 POLYCON
2	4	121119	BEARING, 1.25-1.61-3.00 POLYCON
3	2	164452	LIFT ARM MT PIVOT PIN, STS12 00
4	4	165713	LIFT ARM MT PIV PIN, 120'BM 08
5	1	165742	RECEPTACLE MT, BOOMS STS'12
6	2	166587	LOWER LIFT ARM WLD, 120'C'11
7	1	166800	LH QUICK ATTACH WLD, 120'C'11
8	1	166601	RH QUICK ATTACH WLD, 120'C'11
9	2	165954	HOSE RING WLD
10	2	470274	TUBE CLAMP BODY, .750-.750
11	2	470275	TUBE CLAMP BODY, 1.000-1.000
12	1	470276	CLAMP COVER PLATE, SINGL, 2-.55LG
13	4	470281	STACK BOLT SAFETY LOCK PLATE
14	8	473001	5/16UNC HEX NUT, NYLOC
15	4	914002	5/16UNC HEX STOVER NUT
16	2	618249	3/4MJIC-90-9/16MOR LBO
17	2	A51729	TUBE CLAMP (PAIR)
18	2	121115	BEARING, 1.00-1.25-4.00 POLYCON
19	2	650390	DECAL, WARN, DO NOT REMOVE/MODIF
20	2	A53739	LIFT CYL PIN, BARREL END, DELTA
21	2	470444	ACCUMULATOR, 30CI 1508 PSI
22	2	618739	9/16MJ-90-9/16MOR .065 CHK VLV
23	2	618820	3/4MOR UNION
24	2	621640	HYD CYL, 3.25 X 16.00 X 1.63
24	2	621640	HYD CYL, 3.25 X 16.00 X 1.63
25	2	621579	REPAIR KIT, HYD CYL 621578
26	1	900077	5/16UNC X 4 1/4 HEX BOLT
27	1	900065	5/16UNC X 1" HEX BOLT
28	1	900082	5/16UNC X 5 1/2" HEX BOLT
29	1	900084	5/16UNC X 6" HEX BOLT
30	5	900070	5/16UNC X 2 1/2 BOLT
31	4	900086	5/16UNC X 2 1/4 HEX BOLT
32	1	900129N	3/8UNC X 1" SER FLG BOLT YZ
33	1	470087N	3/8UNC HEX SER FLG NUT YZ

DET. QTY. PART NO. DESCRIPTION

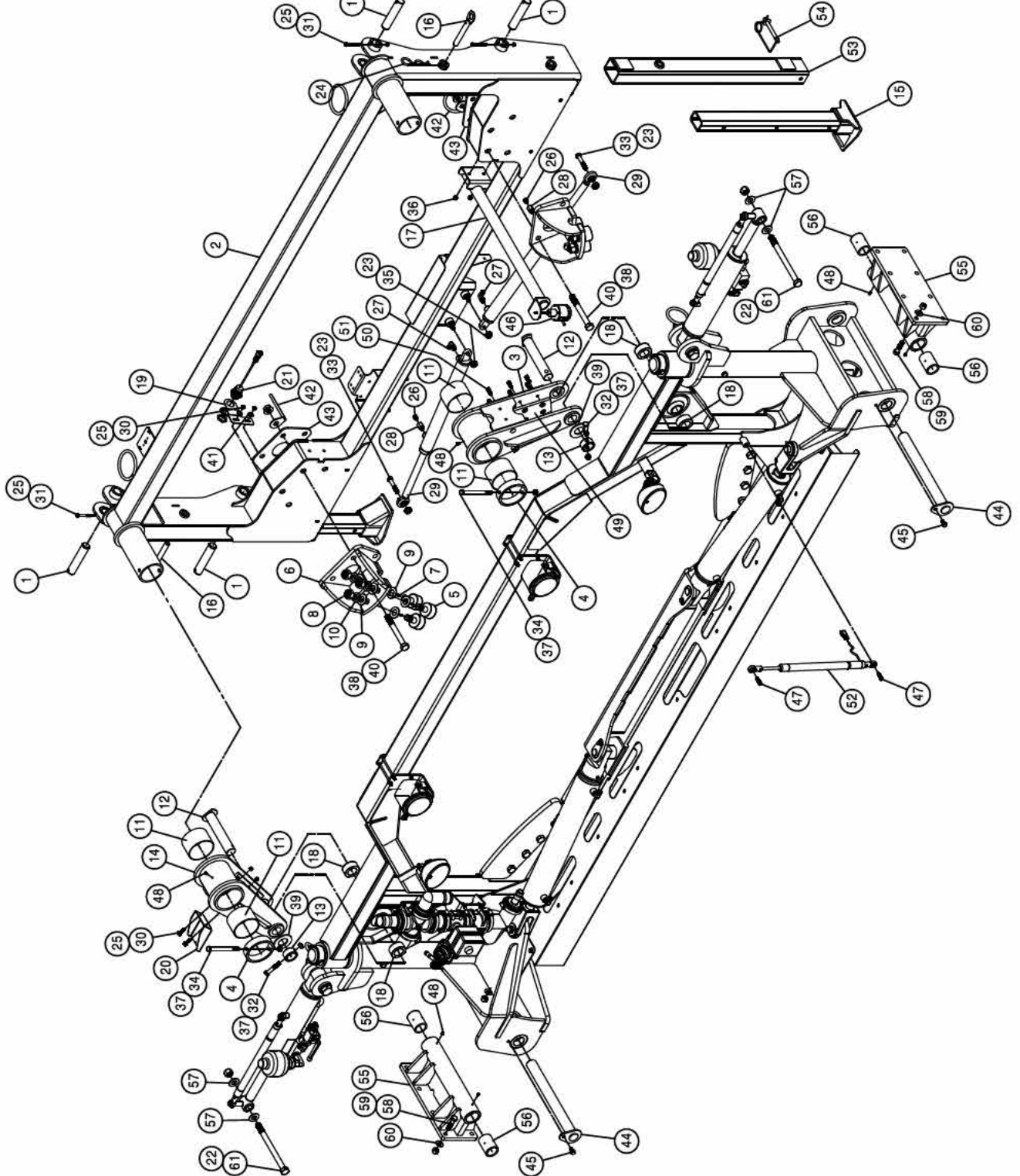
1	2	164498	BOOM FOLD CYL PIN WLD
2	2	166127	TRANSOM PIN WLD 1"
3	2	166566	ROLLER GUIDE PLATE 120° C'11
4	2	166677	SOLN NOZZL MT BRKT END, 120° C'11
5	6	166694	CNTR SOLN SUB MT STRP, 120° C'11
6	2	166932	PIVOT PIN RET RING 120° C'11
7	1	166989	TRANSOM PIVOT WLD
8	1	167014	RH TRANSOM PIVOT WLD 120° A'12
9	1	167015	LH TRANSOM PIVOT WLD 120° A'12
10	1	167030	SOLU MT CHAN, CNT SECT 120° A'12
11	2	167042	BEARING, 2.51-2.53-4.00 BRNZ
12	2	167046	BEARING, 2.51-2.99-6.38 POLYUSM
13	6	167047	BEARING, 2.51-2.99-4.25 POLYUSM
14	2	167048	LHR TRANS PIVOT SHAF, 120° A'12
15	2	291994	SENSOR HARNESS, MICRO-DEUTSCH
16	2	438302	HOSE SUPPORT RING WLD
17	2	470112	COTTER PIN 5/16 X 2
18	10	470113	5/16UNC SER FLG LOCK NUT
19	12	470232	5/16UNC X 1/2 SER FLG HEX BOLT
20	4	470233	5/16UNC X 3/4 SER FLG HEX BOLT
21	2	470234	5/16UNC X 1" SER FLG HEX BOLT
22	6	471005	GREASE ZERK, 1/4-28 X 1/2
23	2	166879	SENSOR ASSY, LEVEL CYL, 120° C'11
24	2	470444	ACCUMULATOR, SOGI 1508 PST
25	2	618119	9/16MJIC-90-9/16MOR LBO
26	2	618425	9/16MJIC-45-9/16MOR LBO
27	2	618443	3/4MJIC-90-3/4MOR EX LG LBO
28	2	618668	9/16FJIC SWIV-9/16MOR ADPTR
29	2	618669	3/4FJIC SWIV-3/4MOR ADPTR
30	2	621559	REPAIR KIT, HYD CYL 621558
31	2	621642	HYD CYL, 3.00 X 8.00 X 1.38
32	2	650390	DECAL, WARN, DO NOT REMOVE/MODIF
33	2	696131	BALL VALVE, 9/16FOR, 7250P/SI
34	4	900172	3/8UNC X 1" SOC HD CAP SCREW
35	2	618689	9/16MJIC-90-9/16MOR .042 CHK VLV
36	2	618739	9/16MJIC-90-9/16MOR .065 CHK VLV
37	1	621656	HYD CYL, 3.50 X 19.75 X 1.750
38	2	900272	1/2UNC X 3 1/2 HEX BOLT
39	2	900663	1/2UNC X 4 3/4 HEX BOLT GR8 YZ
40	8	900404	3/4UNC X 2 1/2 HEX BOLT YZ
41	2	900651	1" UNC X 6 1/2 HEX BOLT GR8 YZ
42	2	914002	5/16UNC HEX STOVER NUT
43	4	914008	1/2UNC HEX STOVER NUT
44	4	914012	3/4UNC HEX STOVER NUT
45	2	914016	1-8 HEX STOVER NUT
46	4	920008	1" SAE FLAT WASHER
47	1	291902	RH WORKLIGHT, TRAPEZOID GLASS
48	1	291903	LH WORKLIGHT, TRAPEZOID GLASS
49	1	292510	RH WORKLIGHT, LED TRAPEZOID
50	1	292511	LH WORKLIGHT, LED TRAPEZOID
51	1	618249	3/4MJIC-90-9/16MOR LBO
52	2	121126	BEARING, 1.00-1.25-1.10 POLYUSM
53	1	166983	HOSE SUPP RING WLD



TRANSOM PIVOT ASSEMBLY 120'132'

DET. QTY PART NO. DESCRIPTION

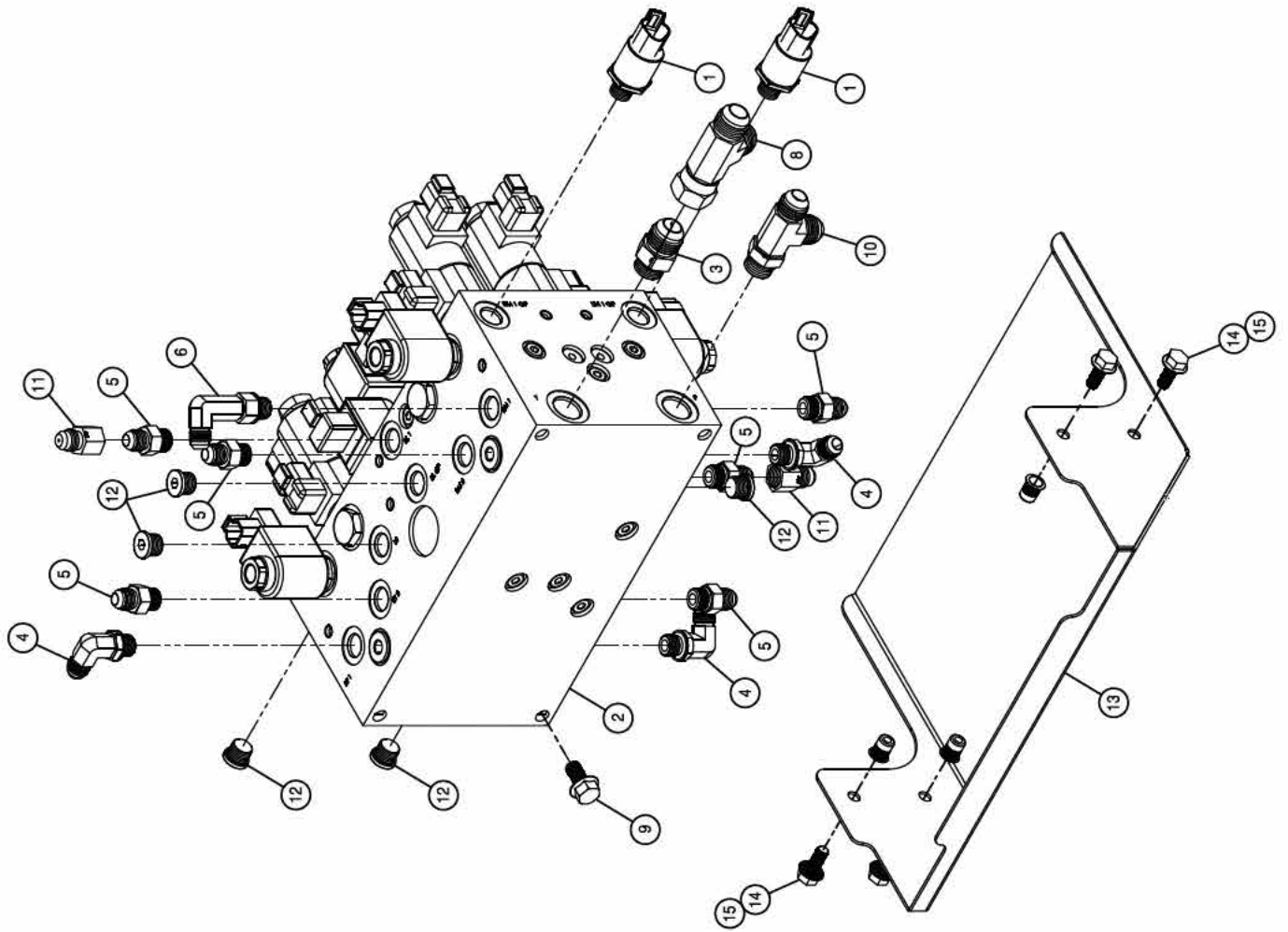
1	4	165713	LIFT ARM MT PIV PIN, 120'BM 09
2	1	166406	TRANSOM FIXED WLD, 120'C'11
3	1	166544	PENDULUM-WLD, TRANSOM, 120'C'11
4	2	166552	RET RING-PENDULUM, 120'C'11
5	6	125057	TRACK ROLLER, 2.250D, .875-14THD
6	2	166570	ROLLER MT WLD, 120'C'11
7	6	471001	GREASE ZERK, 3/16 DRIVE-IN
8	6	910095	7/8UNF HEX NUT
9	12	920007	7/8 SAE FLAT WASHER
10	6	920507	7/8 LOCK WASHER
11	4	166591	BEARING, 4.00-4.25-6.94 POLYGON
12	2	166611	LWR PENDULUM PIN, 120'C'11
13	2	166697	PEND RETNR BUSH, 120'C'11
14	1	166698	PENDULUM-WLD, TRNSM, 120'C'11
15	2	167057	INR TUBE BM STAND WLD, 120'A'12
16	2	166772	BOOM STAND PIN WLD, 120'C'11
17	1	166793	NORAC MT WLD, 120'C'11
18	4	166861	SPOR BUSH, BALL JOINT, 120'C'11
19	1	166874	PROX BRKT, LIFT
20	1	166915	NORAC ROLL SENSOR WLD, 120'C'11
21	1	292927	INDUCTIVE PROX SENSOR, 30MM
22	2	914016	1-8 HEX STOVER NUT
23	4	470345N	1/2UNC HEX SMTH FLG LCK NUT YZ
24	2	470613	HAIRPIN, .243 X 5.00
25	8	473001	5/16UNC HEX NUT, NYLOC
26	2	470114	BREATHER FILTER VENT, 1/4 NPT
27	2	618119	9/16MJC-90-9/16MOR LBO
28	2	618123	9/16MOR-1/4FNPT ADPTR
29	2	621661	ROLL CYLINDER
30	4	900065	5/16UNC X 1" HEX BOLT
31	4	900070	5/16UNC X 2 1/2 BOLT
32	2	900268	1/2UNC X 2 1/2 HEX BOLT
33	2	900269	1/2UNC X 2 3/4 HEX BOLT
34	2	900277	1/2UNC X 5 1/2 HEX BOLT
35	2	900842	1/2UNC X 2 1/2 HEX BOLT GR8 YZ
36	2	914004	3/8UNC HEX STOVER NUT
37	4	914008	1/2UNC HEX STOVER NUT
38	8	914012	3/4UNC HEX STOVER NUT
39	2	920013	1 1/2 SAE FLAT WASHER
40	6	900416	3/4UNC X 6 1/2 HEX BOLT
41	2	483040	5/16 REGULAR FLAT WASHER
42	2	166903	HOSE RING WLD, 4" X 3/4" 120'C'11
43	2	166909	STIFF PLT FIXED TRANS, 120'C'11
44	2	167043	LEVEL PIN WLD 120'A'12
45	2	900262	1/2UNC X 3/4 HEX BOLT
46	1	693113	SENSOR, NORAC U05 ULTRASONIC
47	2	900172	3/8UNC X 1" SOC HD CAP SCREW
48	6	471005	GREASE ZERK, 1/4-28 X 1/2
49	2	166938	PENDULUM WEAR PLT, 120'C'12
50	12	920502	3/8 LOCK WASHER
51	12	900173	3/8UNC X 7/8SOC HD CAP SCR GR8
52	1	166879	SENSOR ASSY, LEVEL CYL, 120'C'11
53	2	167055	OTR TUBE BM STAND WLD, 120'A'12
54	2	470361	SNAP LOCK PIN, 1/2 X 3 1/2
55	2	167036	SECT 1 ADPTR WLD 120'A'12
56	4	167041	BEARING, 1.76-2.25-3.00 POLYGON
57	4	920008	1" SAE FLAT WASHER
58	16	900857	5/8UNC X 2 1/4 HEX BOLT GR8 YZ
59	16	914610	5/8UNC HEX STOVER NUT GR8 YZ
60	16	920005	5/8 SAE FLAT WASHER
61	2	900869	1" UNC X 13 HEX BOLT GR8 YZ

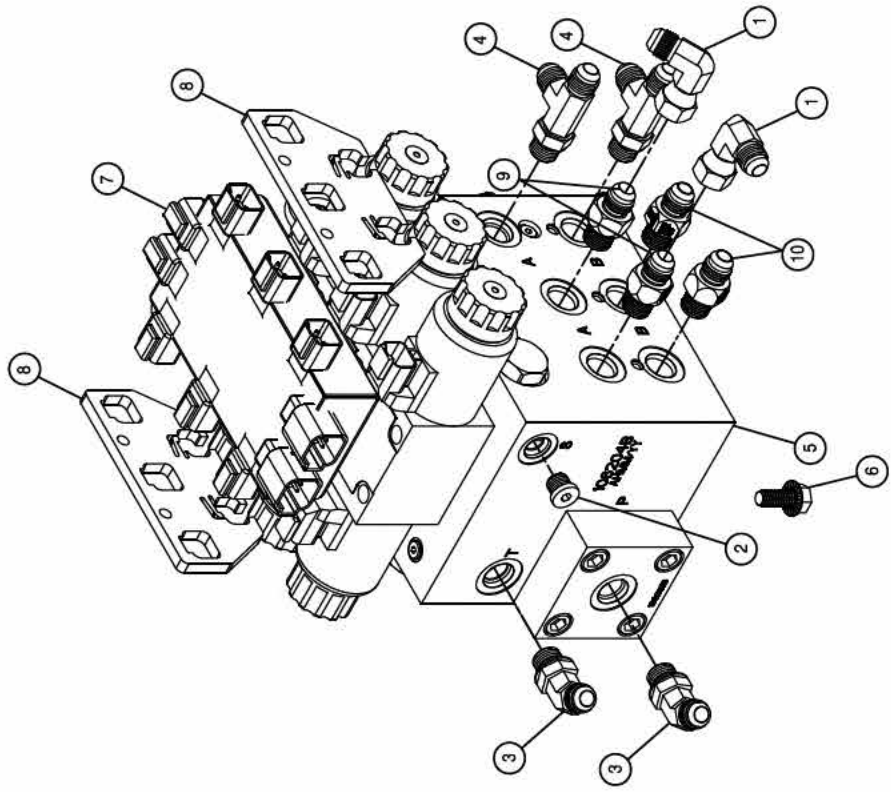
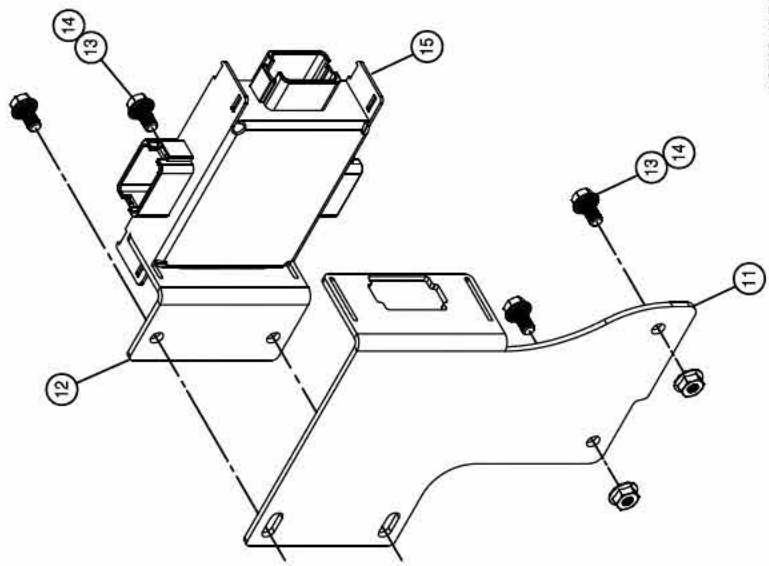


FOLD CONTROL VALVE ASSEMBLY 120'132'

DET. QTY PART NO. DESCRIPTION

1	2	606347	PRESSURE TRANSDUCER, 7500PSI
2	1	606527	FOLD MANIFOLD, 120'A STS'14
3	1	618574	7/8MJIC-3/4MOR ADPTR
4	3	618119	9/16MJIC-90-9/16MOR LBO
5	6	618126	9/16MJIC-9/16MOR ADPTR
6	1	618440	9/16MJIC-90-9/16MOR EX LG LBO
7	4	470381	OBS>:5/16-18 NUTSERT .027-.150
8	1	618333	7/8FJIC SW RUN TEE-7/8MJIC
9	4	900128	3/8UNC X 3/4 HEX BOLT YZ
10	1	618494	3/4MOR RUN TEE-3/4MJIC
11	2	618735	9/16JIC .062 ORIFICE ADPTR
12	5	618754	9/16MOR PLUG, HEX SOCKET
13	1	166871	MANIFLD GUARD WLD, 120'C'11
14	4	470233	5/16UNC X 3/4 SER FLG HEX BOLT

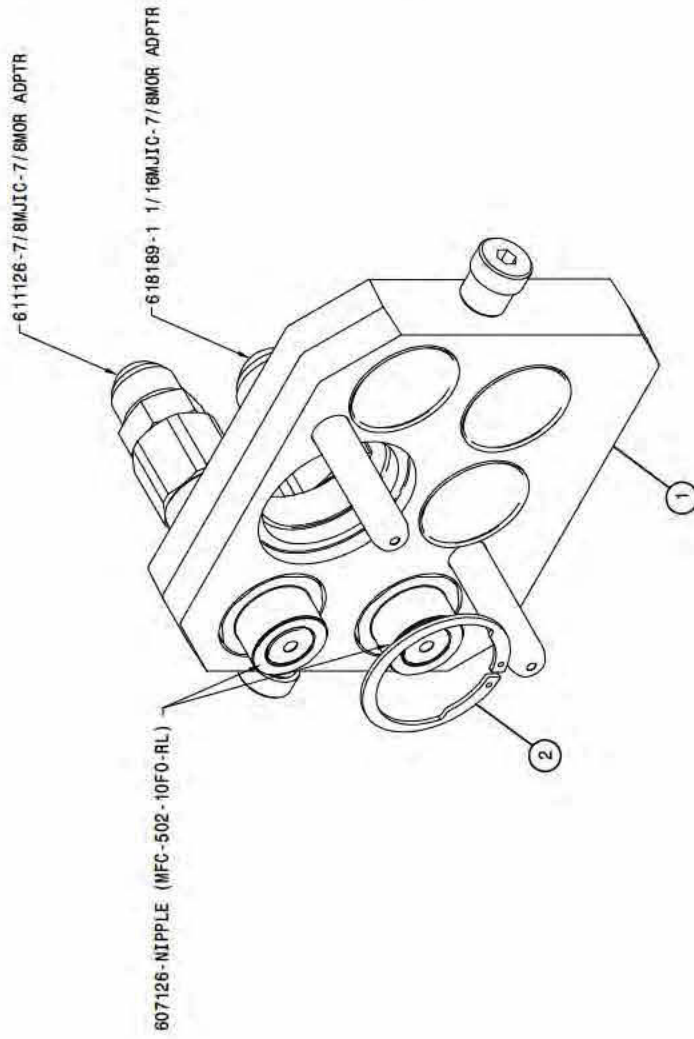




NORAC HYDRAULIC VALVE ASSEMBLY 120'132'

DET. QTY PART NO. DESCRIPTION

DET.	QTY	PART NO.	DESCRIPTION
1	2	618618	9/16NJC-90-9/16FJC SWIV LBO
2	1	618753	7/16MOR PLUG, HEX SOCKET
3	2	618425	9/16NJC-45-9/16MOR LBO
4	2	618444	9/16MOR RUN TEE-9/16NJC
5	1	606456	NORAC HYD VALVE (449600)
6	4	470233	5/16UNC X 3/4 SER FLG HEX BOLT
7	1	693133	NORAC MODULE UC5 VALVE
8	2	693134	NORAC MT BRKT, VLV MODUL, TYPE 2
9	2	618884	9/16NJC-9/16MOR.042MFMO ADPTR
10	2	618885	9/16NJC-9/16MOR.055MOMF ADPTR
11	1	167178	UC5 MTG BRKT STS'14
12	1	167179	CLAMP UC5 BRKT STS'14
13	4	470122	1/4UNC X 1/2 SER FLG BOLT
14	4	470121	1/4UNC SER FLG LOCK NUT
15	1	693751	UC5 INPUT MODULE PASS THRU



MULTICOUPLER ASSEMBLY 90' / 100' / 120' / 132' BOOM

DET. QTY PART NO. DESCRIPTION

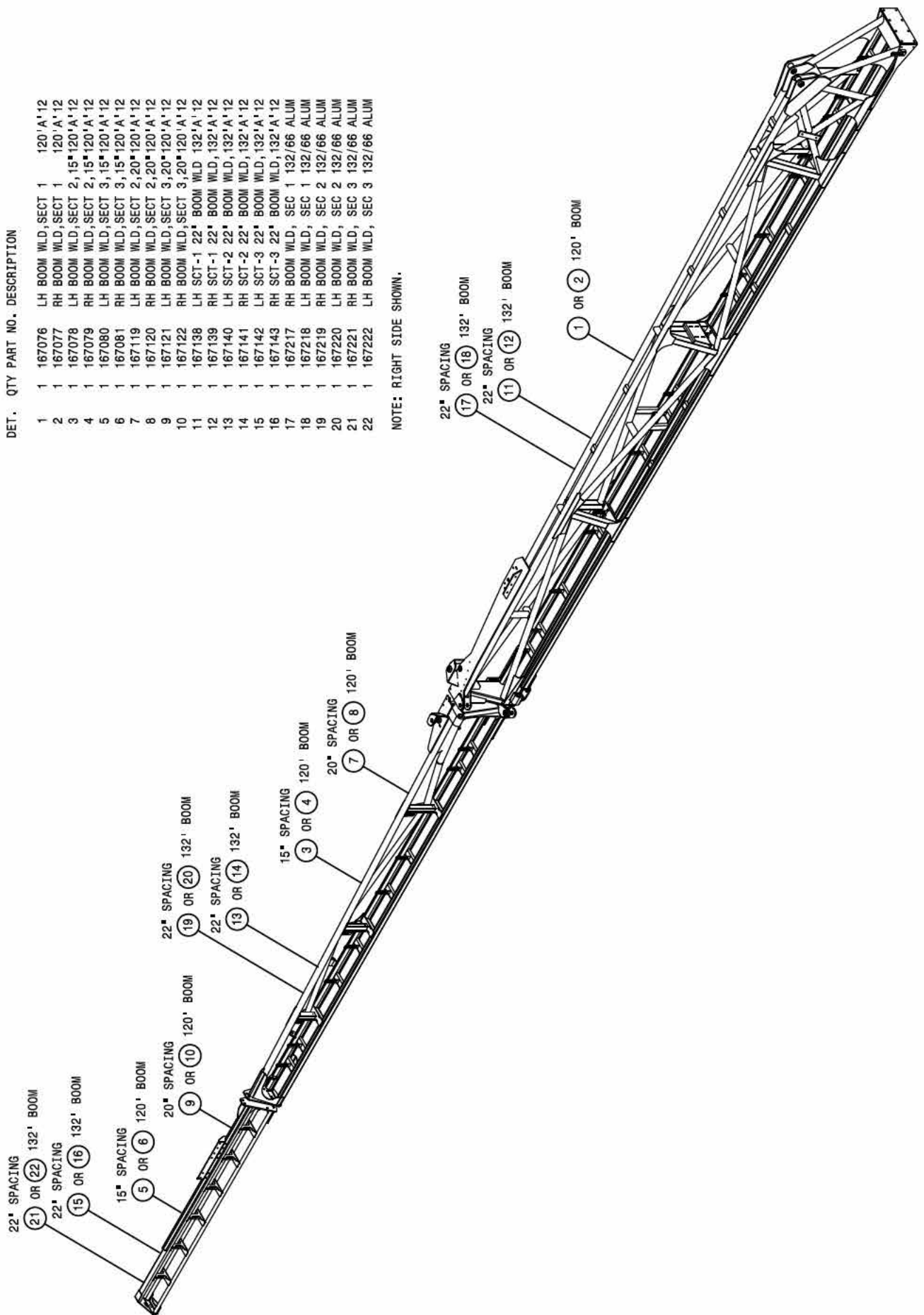
- 1 1 607114 MOBILE HALF COUPLER ASSY, 0502
- 2 1 629546 SNAP RING, 1.637 EXTERNAL

BOOM ASSEMBLY 120' 132' ALUM

DET. QTY PART NO. DESCRIPTION

1	1	167076	LH BOOM WLD, SECT 1 120'A'12
2	1	167077	RH BOOM WLD, SECT 1 120'A'12
3	1	167078	LH BOOM WLD, SECT 2, 15*120'A'12
4	1	167079	RH BOOM WLD, SECT 2, 15*120'A'12
5	1	167080	LH BOOM WLD, SECT 3, 15*120'A'12
6	1	167081	RH BOOM WLD, SECT 3, 15*120'A'12
7	1	167119	LH BOOM WLD, SECT 2, 20*120'A'12
8	1	167120	RH BOOM WLD, SECT 2, 20*120'A'12
9	1	167121	LH BOOM WLD, SECT 3, 20*120'A'12
10	1	167122	RH BOOM WLD, SECT 3, 20*120'A'12
11	1	167138	LH SCT-1 22* BOOM WLD 132'A'12
12	1	167139	RH SCT-1 22* BOOM WLD, 132'A'12
13	1	167140	LH SCT-2 22* BOOM WLD, 132'A'12
14	1	167141	RH SCT-2 22* BOOM WLD, 132'A'12
15	1	167142	LH SCT-3 22* BOOM WLD, 132'A'12
16	1	167143	RH SCT-3 22* BOOM WLD, 132'A'12
17	1	167217	RH BOOM WLD, SEC 1 132/66 ALUM
18	1	167218	LH BOOM WLD, SEC 1 132/66 ALUM
19	1	167219	RH BOOM WLD, SEC 2 132/66 ALUM
20	1	167220	LH BOOM WLD, SEC 2 132/66 ALUM
21	1	167221	RH BOOM WLD, SEC 3 132/66 ALUM
22	1	167222	LH BOOM WLD, SEC 3 132/66 ALUM

NOTE: RIGHT SIDE SHOWN.

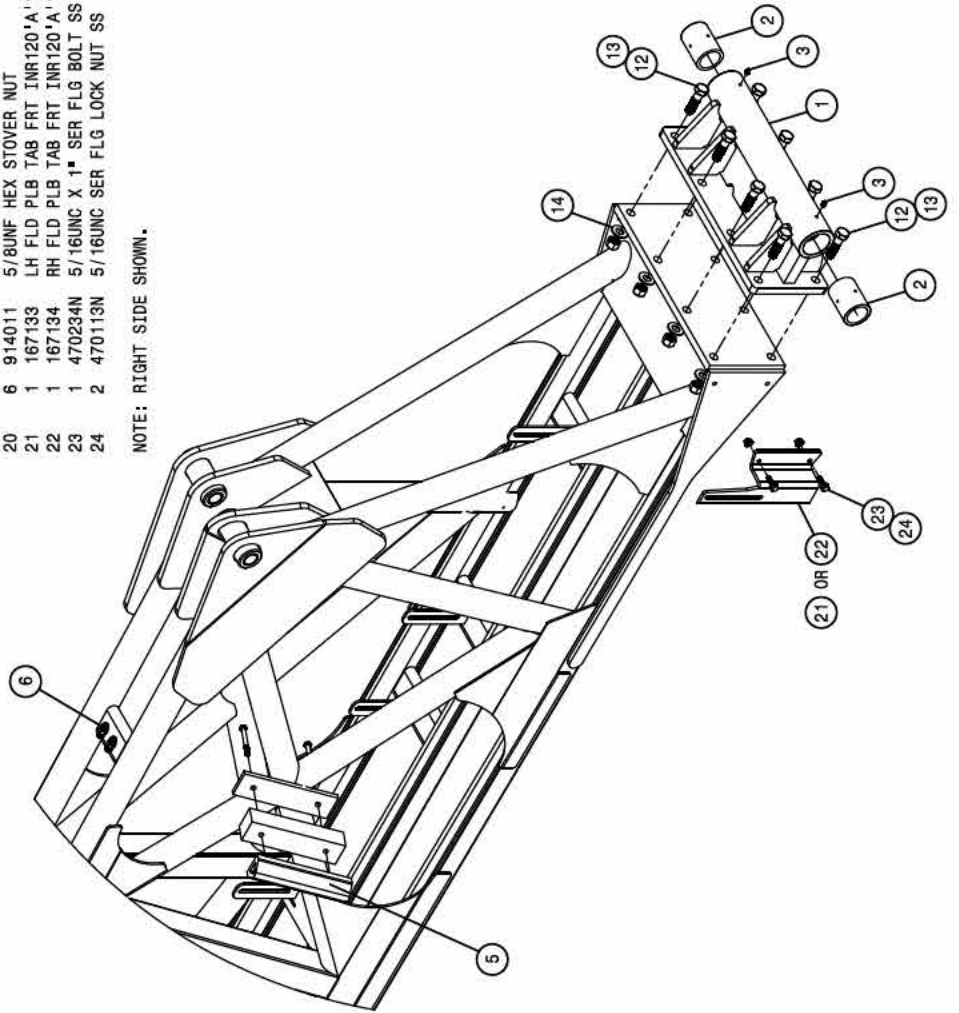
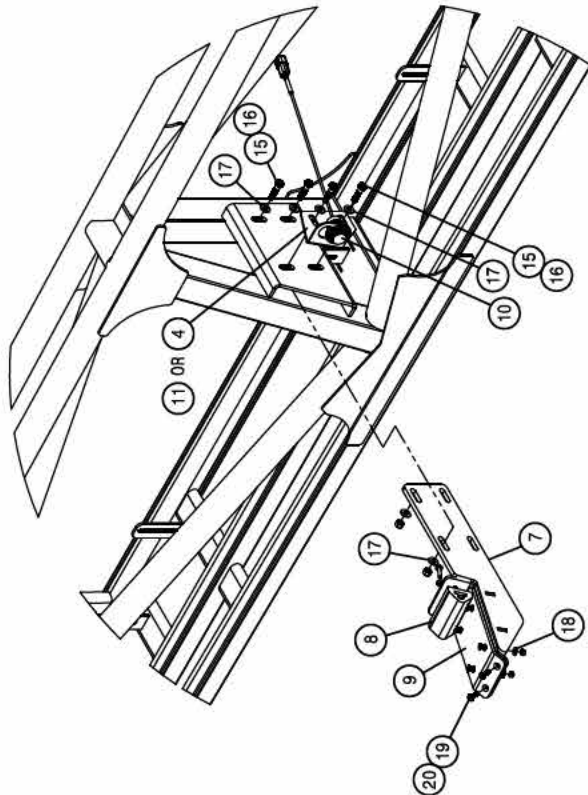


BOOM MOUNT ASSEMBLY 120'132' ALUM

DET. QTY PART NO. DESCRIPTION

1	1	167036	SECT 1 ADPTR WLD	120'A'12
2	2	167041	BEARING, 1.76-2.25-3.00 POLYGON	
3	2	471005	GREASE ZERK, 1/4-28 X 1/2	
4	1	167071	RH PROX MT, SECT1-2 OTR120'A'12	
5	1	167102	BOOM BUMPER ASSY	120'A'12
6	2	619010	9/16MJIC UNION	
7	1	167094	RH ARM BRKT SHELF WLD	120'A'12
8	1	167111	ARM BRKT SHELF BUMPER	120'A'12
9	1	167112	ARM BRKT SHELF PAD	120'A'12
10	1	292927	INDUCTIVE PROX SENSOR, 30MM	
11	1	167070	LH PROX MT, SECT1-2 OTR120'A'12	
12	8	900857	5/8UNC X 2 1/4 HEX BOLT GR8 YZ	
13	8	914810	5/8UNC HEX STOVER NUT GR8 YZ	
14	8	920005	5/8 SAE FLAT WASHER	
15	4	900858	3/8UNC X 1 1/2" HEX BOLT GR8YZ	
16	4	914004	3/8UNC HEX STOVER NUT	
17	8	920002	3/8 SAE FLAT WASHER	
18	9	920000	1/4 SAE FLAT WASHER	
19	6	472284	1/4UNF X 1"FLAT SOC HD CAP SCR	
20	6	914011	5/8UNF HEX STOVER NUT	
21	1	167133	LH FLD PLB TAB FRT INR120'A'12	
22	1	167134	RH FLD PLB TAB FRT INR120'A'12	
23	1	470234N	5/16UNC X 1" SER FLG BOLT SS	
24	2	470113N	5/16UNC SER FLG LOCK NUT SS	

NOTE: RIGHT SIDE SHOWN.

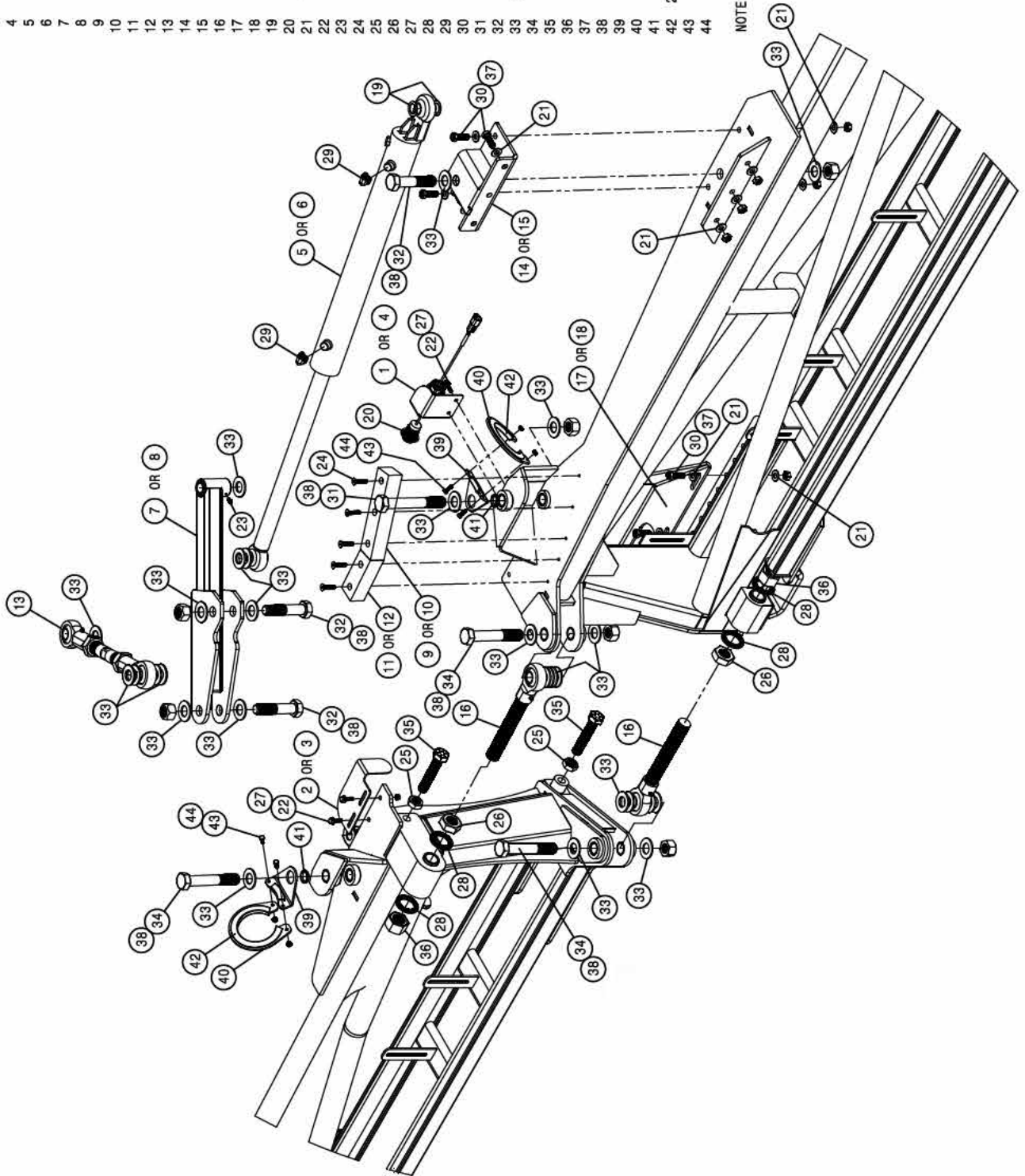


BOOM FOLD ASSEMBLY 120'132' ALUM

DET. QTY PART NO. DESCRIPTION

1	167067	RH PROX MT,SECT 1-2	120'A'12
2	167068	RH PROX FLAG,SECT 1-2,120'A'12	
3	167066	LH PROX FLAG,SECT 1-2,120'A'12	
4	167065	LH PROX MT,SECT 1-2	120'A'12
5	167091	RH HYD CYL,OUTER FOLD	120'A'12
6	167090	LH HYD CYL,OUTER FOLD	120'A'12
7	167096	RH SCNDRY FOLD ARM WLD	120'A'12
8	167095	LH SCNDRY FOLD ARM WLD	120'A'12
9	167099	RH-GUIDE LONG, POLY	120'A'12
10	167098	LH-GUIDE LONG, POLY	120'A'12
11	167101	RH-GUIDE SHORT, POLY	120'A'12
12	167100	LH-GUIDE SHORT, POLY	120'A'12
13	167103	S2-FOLD ARM CONN ASSY	120'A'12
14	167105	RH SIDE SUPP BRKT WLD	120'A'12
15	167104	LH SIDE SUPP BRKT WLD	120'A'12
16	167109	ROD END WELD,SECT1-2	120'A'12
17	167124	RH SHLD NOZL SCT1 OTR	120'A'12
18	167123	LH SHLD NOZL SCT1 OTR	120'A'12
19	167132	SHIM,1.50 OD-1.00 ID-.05 THK	
20	292927	INDUCTIVE PROX SENSOR, 30MM	
21	920004	1/2 SAE FLAT WASHER	
22	470234	5/16UNC X 1" SER FLG HEX BOLT	
23	471006	GREASE ZERK,1/4-28 TPR THD YZ	
24	472285	5/16UNF X 1.5FLT SOCHD CAP SCR	
25	472372	7/8-9 UNC HEX JAM NUT	
26	472373	1 1/4UNF HEX JAM NUT	
27	473001	5/16UNC HEX NUT,NYLOC	
28	483021	1 1/2" NORD LOCK WASHER	
29	618119	9/16MJIC-90-9/16MOR LBO	
30	900804	1/2UNC X 1 1/2 HEX BOLT GR8 YZ	
31	900859	1" UNC X 7" HEX BOLT GR8 YZ	
32	900861	1" UNC X 4 1/2" HEX BOLT GR8 YZ	
33	920008	1" SAE FLAT WASHER	
34	900862	1" UNC X 6" HEX BOLT GR8 YZ	
35	900870	7/8UNC X 4.50 FULL HEX BOLT GR8	
36	910041	1 1/4UNF HEX NUT	
37	914008	1/2UNC HEX STOVER NUT	
38	914016	1-8 HEX STOVER NUT	
39	165950	HOSE SUPP RING MT,BM	120'A'13
40	165951	HOSE SUPP U-RING,BOOM	120'A'13
41	165952	HOSE SUPP RING, STS	120'A'13
42	2.0	QUICKEDGE TRIM .135 TO .250	
43	900002	1/4UNC X 3/4 HEX BOLT	
44	910000	1/4UNC HEX NUT	

NOTE: RIGHT SIDE SHOWN.

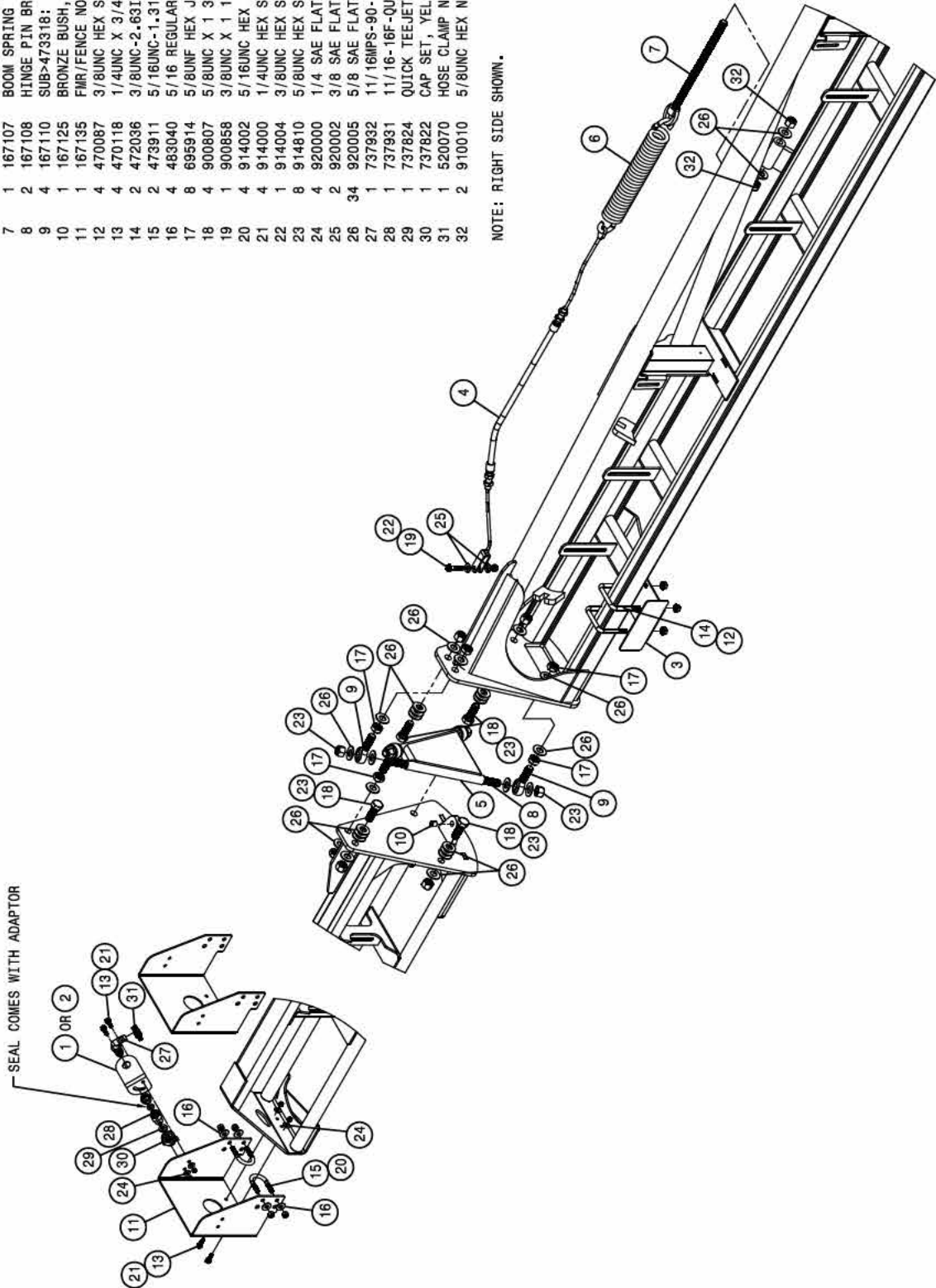


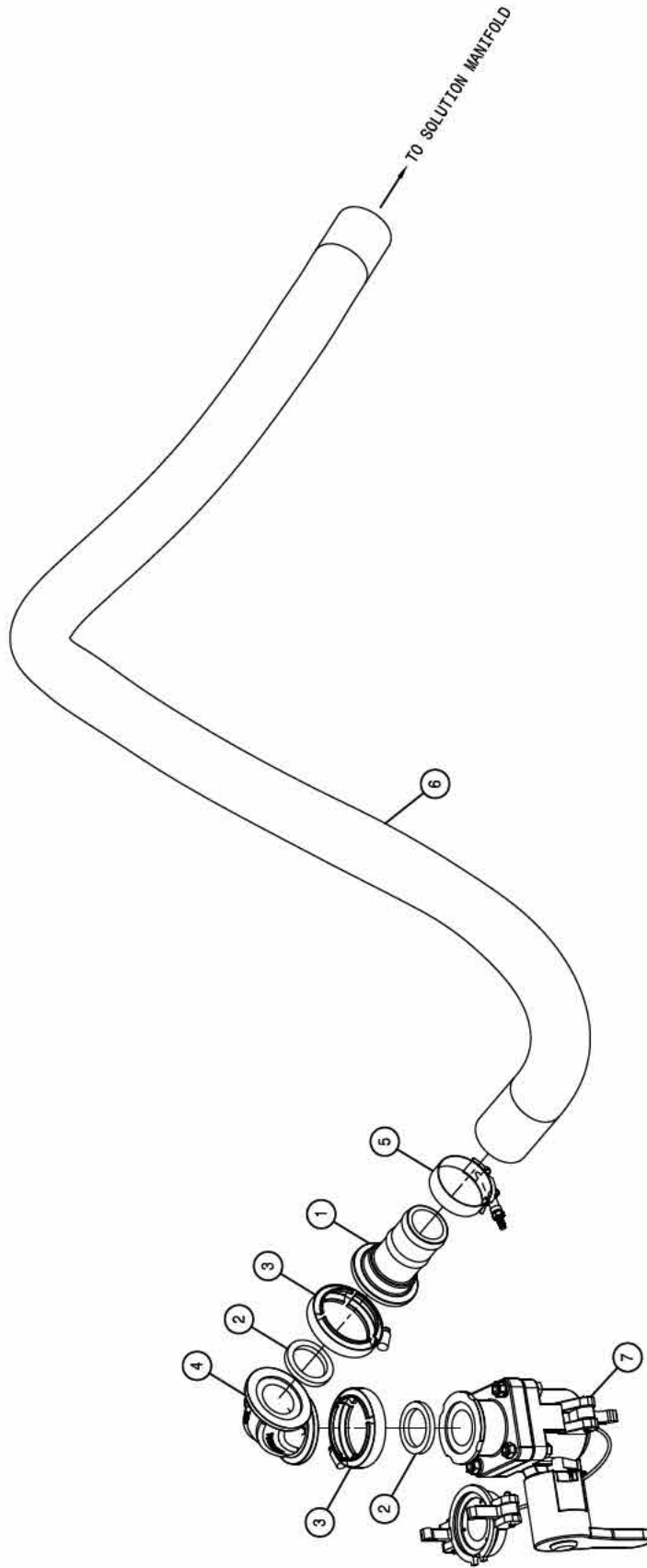
BOOM BREAKAWAY ASSEMBLY 120'132' ALUM

DET. QTY PART NO. DESCRIPTION

1	1	166862	RH FENCE ROW NOZ BRKT, 120'C'11
2	1	166863	LH FENCE ROW NOZ BRKT, 120'C'11
3	1	167069	PROX FLAG, SECT1-2 OTR, 120'A'12
4	1	167092	CABLE BREAK AWAY 120'A'12
5	1	167097	A-FRAME WLD 120'A'12
6	1	167106	SPRING BREAK AWAY 120'A'12
7	1	167107	BOOM SPRING ROD ASSY 120'A'12
8	2	167108	HINGE PIN BREAK AWAY 120'A'12
9	4	167110	SUB-473318: ROD END, 120'A'12
10	1	167125	BRONZE BUSH, .5000-.3810-.50LG
11	1	167135	FMR/FENCE NOZL MT 7.5"120'A'12
12	4	470087	3/8UNC HEX SER FLG NUT
13	4	470118	1/4UNC X 3/4 SER FLG BOLT
14	2	472036	3/8UNC-2.6310-2.88 U-BOLT SQ
15	2	473911	5/16UNC-1.3110-2.00 U-BOLT
16	4	483040	5/16 REGULAR FLAT WASHER
17	8	695914	5/8UNF HEX JAM NUT SS
18	4	900807	5/8UNC X 1 3/4 HEX BOLT GR8 YZ
19	1	900858	3/8UNC X 1 1/2" HEX BOLT GR8 YZ
20	4	914002	5/16UNC HEX STOVER NUT
21	4	914000	1/4UNC HEX STOVER NUT
22	1	914004	3/8UNC HEX STOVER NUT
23	8	914810	5/8UNC HEX STOVER NUT GR8 YZ
24	4	920000	1/4 SAE FLAT WASHER
25	2	920002	3/8 SAE FLAT WASHER
26	34	920005	5/8 SAE FLAT WASHER
27	1	737932	11/16MPS-90-1/2 HBARB NOZLBODY
28	1	737931	11/16-16F-QUICK TJET ADAPTER
29	1	737824	QUICK TEEJET SEAT GASKET
30	1	737822	CAP SET, YELLOW QUICK TEEJET
31	1	520070	HOSE CLAMP NO 8 STAINLESS
32	2	910010	5/8UNC HEX NUT

NOTE: RIGHT SIDE SHOWN.

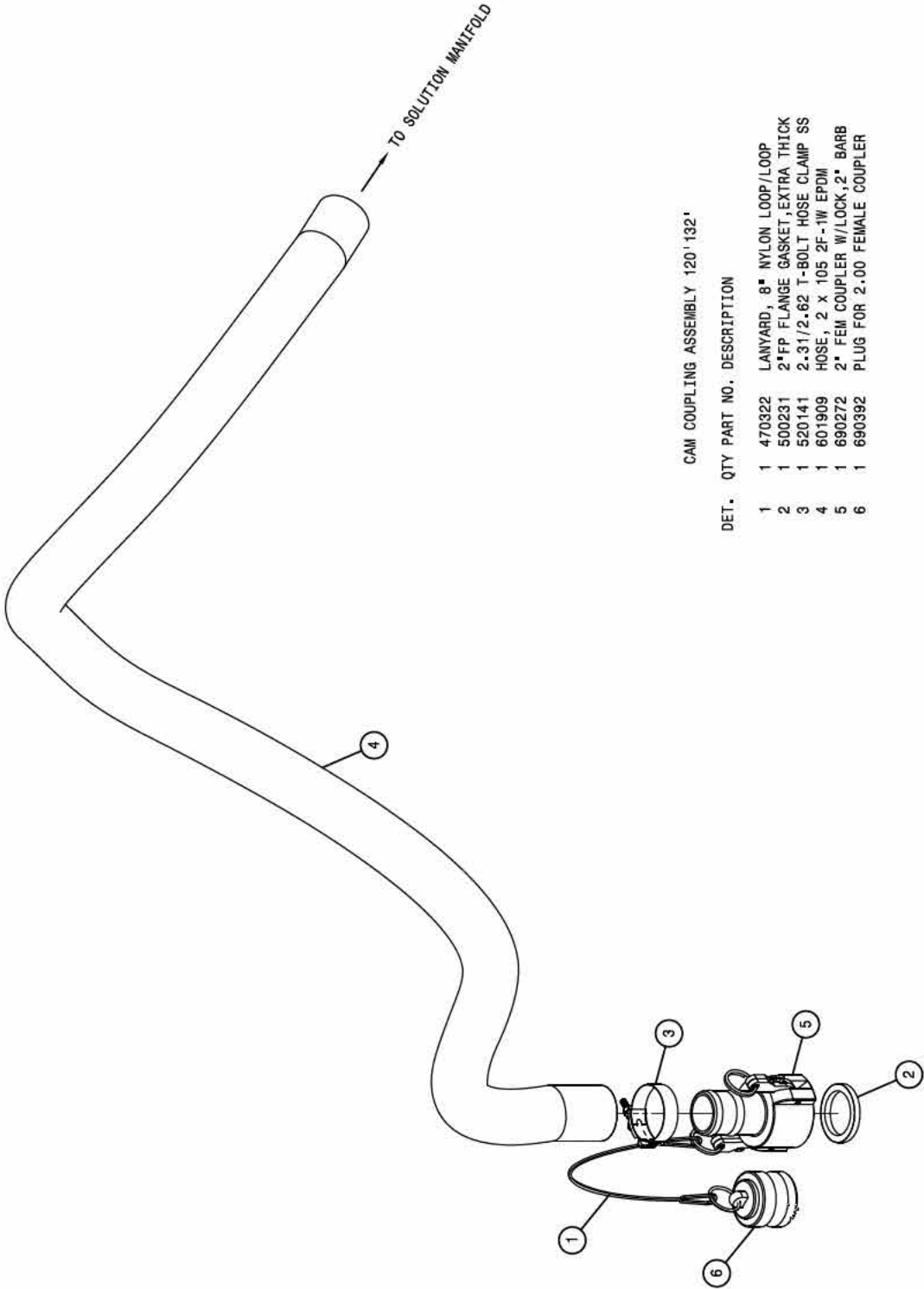




DRY FIT CONNECTION ASSEMBLY 120'132'

DET. QTY PART NO. DESCRIPTION

1	1	500154	2" FLANGE-2" HOSE BARB	POLY
2	2	500158	1 1/2" GASKET FOR 2" FLANGE	
3	2	500160	2" FLANGE CLAMP, S.S.	
4	1	500266	2" FLANGE SWEEP 90	
5	1	520141	2.31/2.62 T-BOLT HOSE CLAMP SS	
6	1	601082	HOSE, 2 X 95 2F-1W EPDM	
7	1	696236	2"MALE MANFLD DRYMATE VLV,POLY	



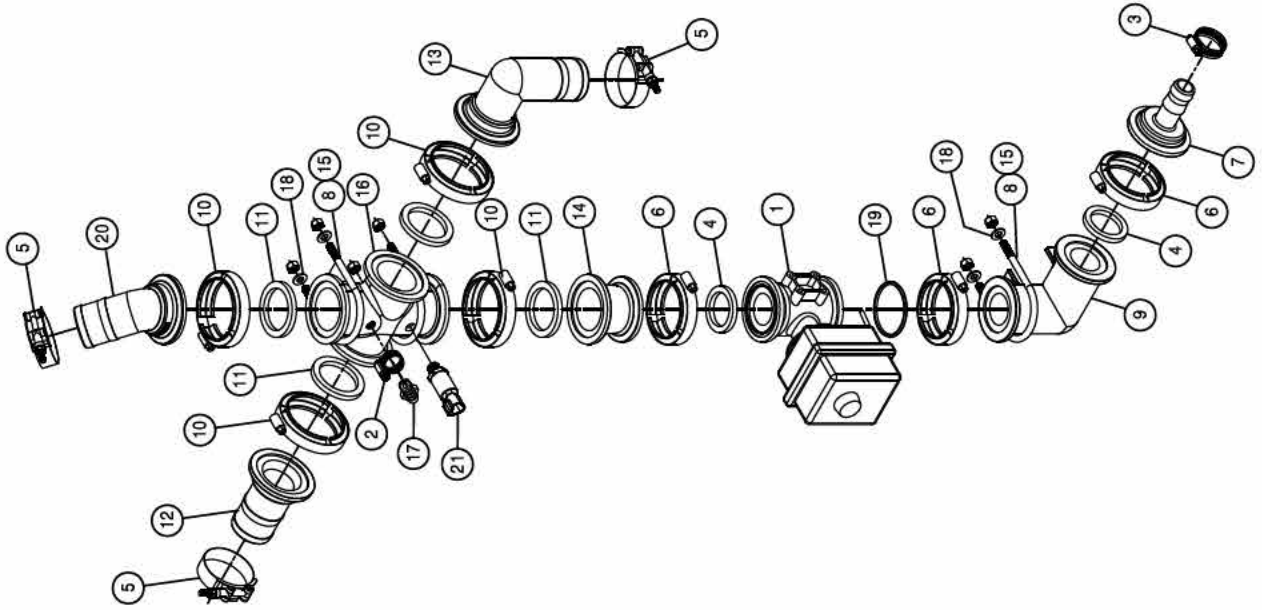
CAM COUPLING ASSEMBLY 120' 132'

DET.	QTY	PART NO.	DESCRIPTION
1	1	470322	LANYARD, 8" NYLON LOOP/LOOP
2	1	500231	2" FP FLANGE GASKET, EXTRA THICK
3	1	520141	2.31/2.62 T-BOLT HOSE CLAMP SS
4	1	601909	HOSE, 2 x 105 2F--1W EPDM
5	1	690272	2" FEM COUPLER W/LOCK, 2" BARB
6	1	690392	PLUG FOR 2.00 FEMALE COUPLER

CENTER SOLUTION VALVE ASSEMBLY 120'132'

DET. QTY PART NO. DESCRIPTION

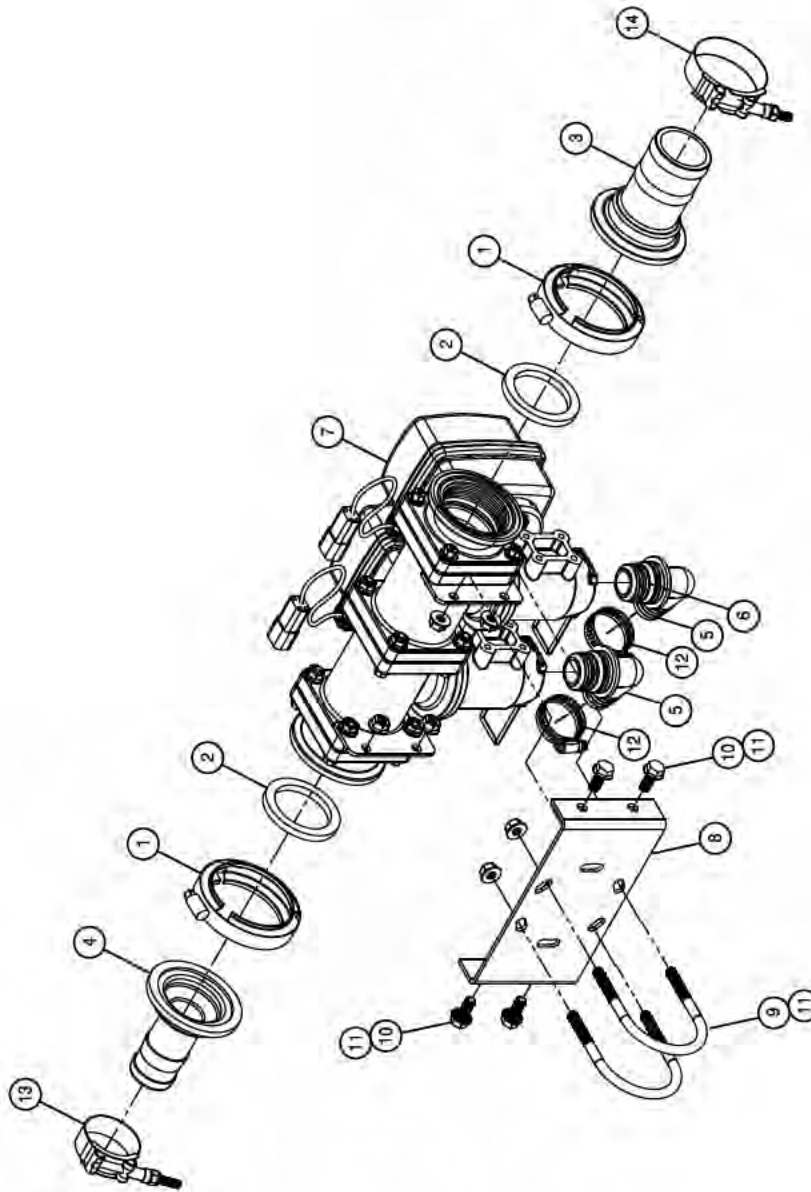
QTY	PART NO.	DESCRIPTION
1	696256	VALVE, KZCO C2F-60B-M-S9
2	520070	HOSE CLAMP NO 8 STAINLESS
3	520090	HOSE CLAMP NO 16 STAINLESS
4	500158	1 1/2" GASKET FOR 2" FLANGE
5	520141	2-31/2-62 T-BOLT HOSE CLAMP SS
6	500160	2" FLANGE CLAMP, S.S.
7	500172	2" FLANGE-1" HOSE BARB POLY
8	472034	.312UNC-2.50ID-4.250 U-BOLT SS
9	500180	2"FLANGE-90-2"FLANGE L80, LONG
10	500194	2"FP FLANGE CLAMP, S.S.
11	500195	2"FP FLANGE GASKET EPDM
12	500196	2"FP FLANGE-2" HOSE BARB POLY
13	500198	2"FP FLANGE-90-2"HOSEBARB POLY
14	500199	2"FP FLANGE-2"FLANGE REDU POLY
15	6 914002	5/16UNC HEX STOVER NUT
16	503111	2" FP CROSS W/2 GAGE PORTS '14
17	618556	1/4NPT-90-1/2 HOSE BARB,POLY
18	6 920001	5/16 SAE FLAT WASHER
19	696254	O-RING, KZCO FLANGED VALVES
20	500255	2"FP FLANGE-45-2"HOSEBARB POLY
21	691281	PRESSURE TRANSDUCER 0-300 PSI



RH INNER SOLUTION VALVE ASSEMBLY 120" 132'

DET. QTY PART NO. DESCRIPTION

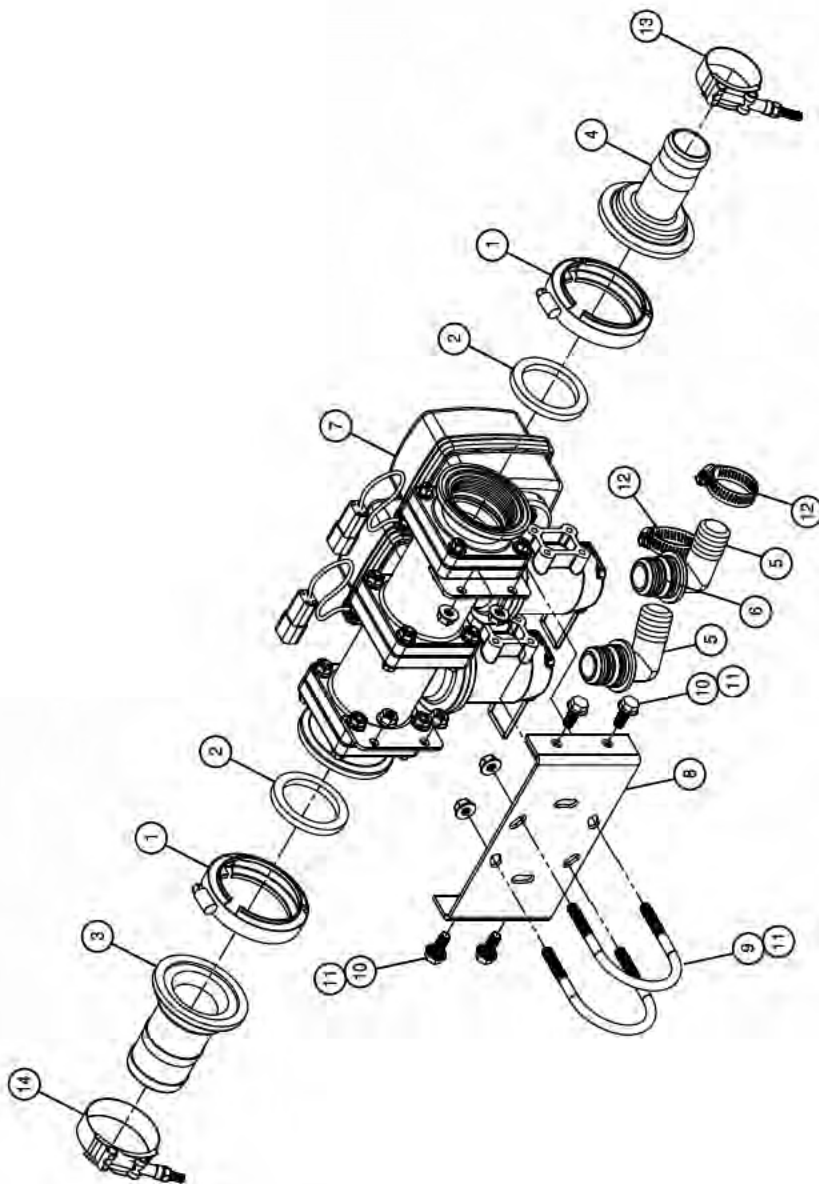
1	2	500194	2"FP FLANGE CLAMP, S.S.
2	2	500195	2"FP FLANGE GASKET EPDM
3	1	500196	2"FP FLANGE-2" HOSE BARB POLY
4	1	500230	2" FP FLANGE-1 1/2" HOSE BARB
5	2	606272	1"90 HOSE BARB FOR 696270,KZCO
6	4	696278	O-RING FOR 696271 & 696272
7	1	696270	2-VALVE STACK,90 DEG,QX4 KZCO
8	1	A56870	MTG BRKT SLTN VALVE 120" - 1
9	2	473974	5/16UNC-2 9/16-3 1/2 U-BOLT SS
10	4	470233	5/16UNC X 3/4 SER FLG HEX BOLT
11	8	470570	5/16UNC HEX FLG CNTR LOCK NUT
12	2	520090	HOSE CLAMP NO 16 STAINLESS
13	1	520133	1.81/2.06 T-BOLT HOSE CLAMP SS
14	1	520141	2.31/2.62 T-BOLT HOSE CLAMP SS



LH INNER SOLUTION VALVE ASSEMBLY 120" 132"

DET. QTY PART NO. DESCRIPTION

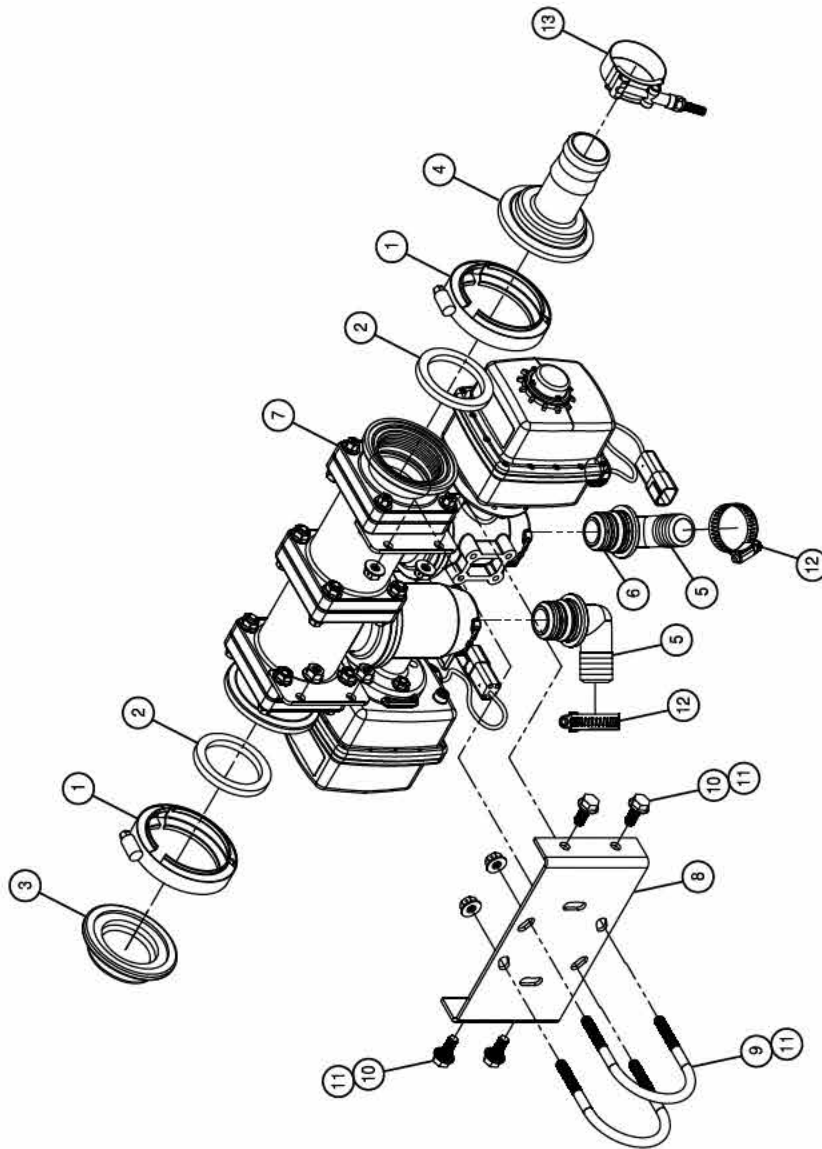
1	2	500194	2"FP FLANGE CLAMP, 8.S.S.
2	2	500195	2"FP FLANGE GASKET EPDM
3	1	500196	2"FP FLANGE-2" HOSE BARB POLY
4	1	500230	2" FP FLANGE-1 1/2" HOSE BARB
5	2	696272	1"90 HOSE BARB FOR 696270,KZCO
6	4	696276	O-RING FOR 696271 & 696272
7	1	696270	2-VALVE STACK,90 DEG,OX& KZCO
8	1	A56370	MTG BRKT SLTN VALVE 120"- 1
9	2	473974	5/16UNC-2 9/16-3 1/2 U-BOLT SS
10	4	470233	5/16UNC X 3/4 SER FLG HEX BOLT
11	8	470570	5/16UNC HEX FLG CNTR LOCK NUT
12	2	520090	HOSE CLAMP NO 16 STAINLESS
13	1	520133	1.81/2.06 T-BOLT HOSE CLAMP SS
14	1	520141	2.31/2.62 T-BOLT HOSE CLAMP SS



RH OUTER SOLUTION VALVE ASSEMBLY 120°132°

DET. QTY PART NO. DESCRIPTION

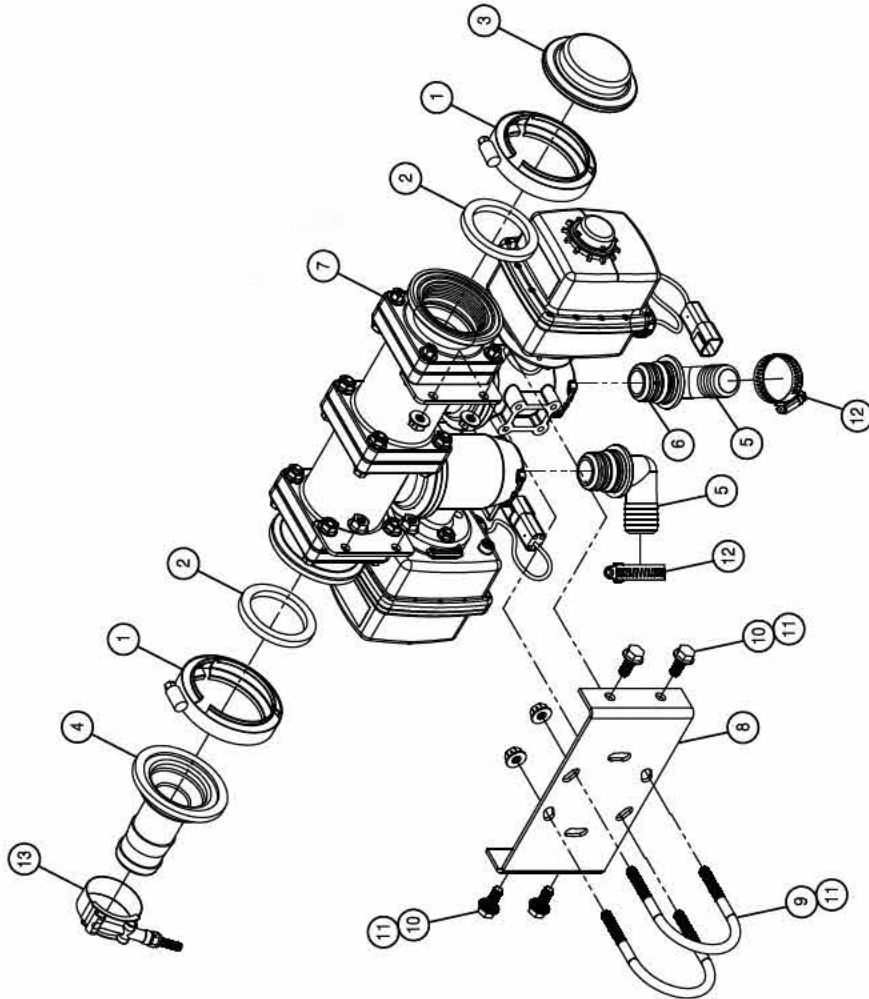
1	2	500194	2"FP FLANGE CLAMP, S.S.
2	2	500195	2"FP FLANGE GASKET EPDM
3	1	500206	2"FP FLANGE PLUG
4	1	500230	2" FP FLANGE-1 1/2" HOSE BARB
5	2	696272	1"90 HOSE BARB FOR 696270,KZCO
6	4	696276	0-RING FOR 696271 & 696272
7	1	696295	2-VALVE STACK,180 DEG,0X4 KZCO
8	1	A56370	MTG BRKT SLTN VALVE 120°- 1
9	2	473974	5/16UNC-2 9/16-3 1/2 U-BOLT SS
10	4	470233	5/16UNC X 3/4 SER FLG HEX BOLT
11	8	470570	5/16UNC HEX FLG CNTR LOCK NUT
12	2	520090	HOSE CLAMP NO 16 STAINLESS
13	1	520133	1-.81/2-06 T-BOLT HOSE CLAMP SS

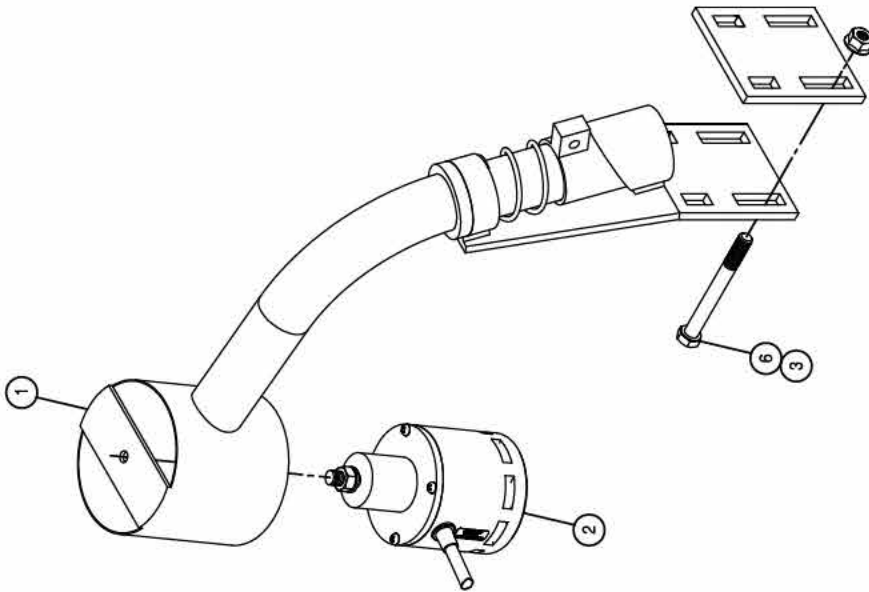
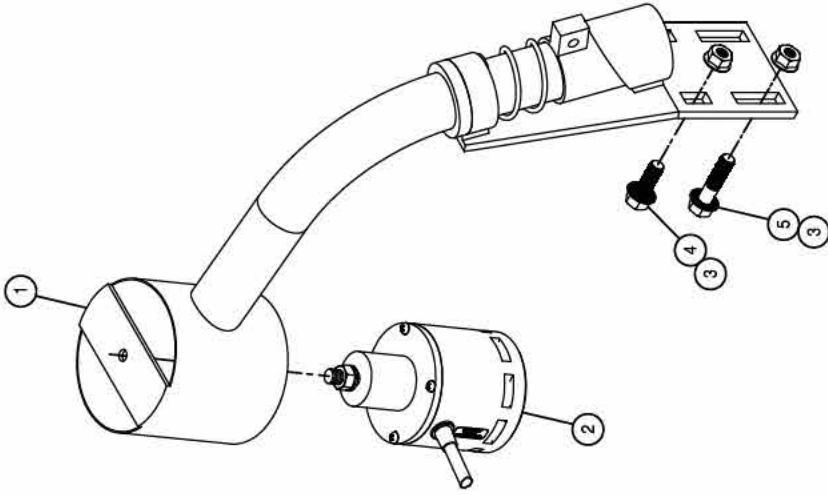


LH OUTER SOLUTION VALVE ASSEMBLY 120'132'

DET. QTY PART NO. DESCRIPTION

1	2	500194	2"FP FLANGE CLAMP, S.S.
2	2	500195	2"FP FLANGE GASKET EPDM
3	1	500206	2"FP FLANGE PLUG
4	1	500230	2" FP FLANGE-1 1/2" HOSE BARB
5	2	696272	1"90 HOSE BARB FOR 696270,KZCO
6	4	696276	O-RING FOR 696271 & 696272
7	1	696295	2-VALVE STACK,180 DEG,QX4 KZCO
8	1	A56370	MTG BRKT SLTN VALVE 120'- 1
9	2	473974	5/16UNC-2 9/16-3 1/2 U-BOLT SS
10	4	470233	5/16UNC X 3/4 SER FLG HEX BOLT
11	8	470570	5/16UNC HEX FLG CNTR LOCK NUT
12	2	520090	HOSE CLAMP NO 16 STAINLESS
13	1	520133	1-81/2-.06 T-BOLT HOSE CLAMP SS





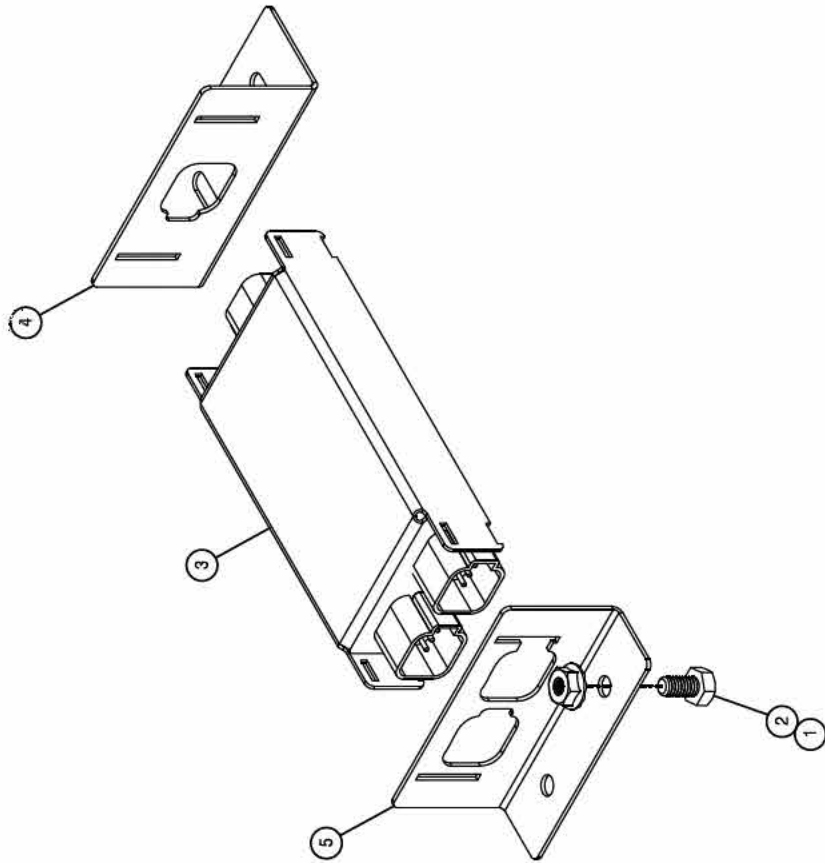
NORAC SENSOR ASSEMBLY

DET. QTY PART NO. DESCRIPTION

1	2	693068	SENSOR MTG BRKT, NORAC
2	2	693113	SENSOR, NORAC UC5 ULTRASONIC
3	8	470087	3/8UNC HEX FLANGE LOCK NUT
4	2	900129	3/8UNC X 1" SERR FLANGE BOLT
5	2	900131	3/8UNC X 1 1/2 HEX BOLT
6	4	900138	3/8UNC X 3 1/2 HEX BOLT

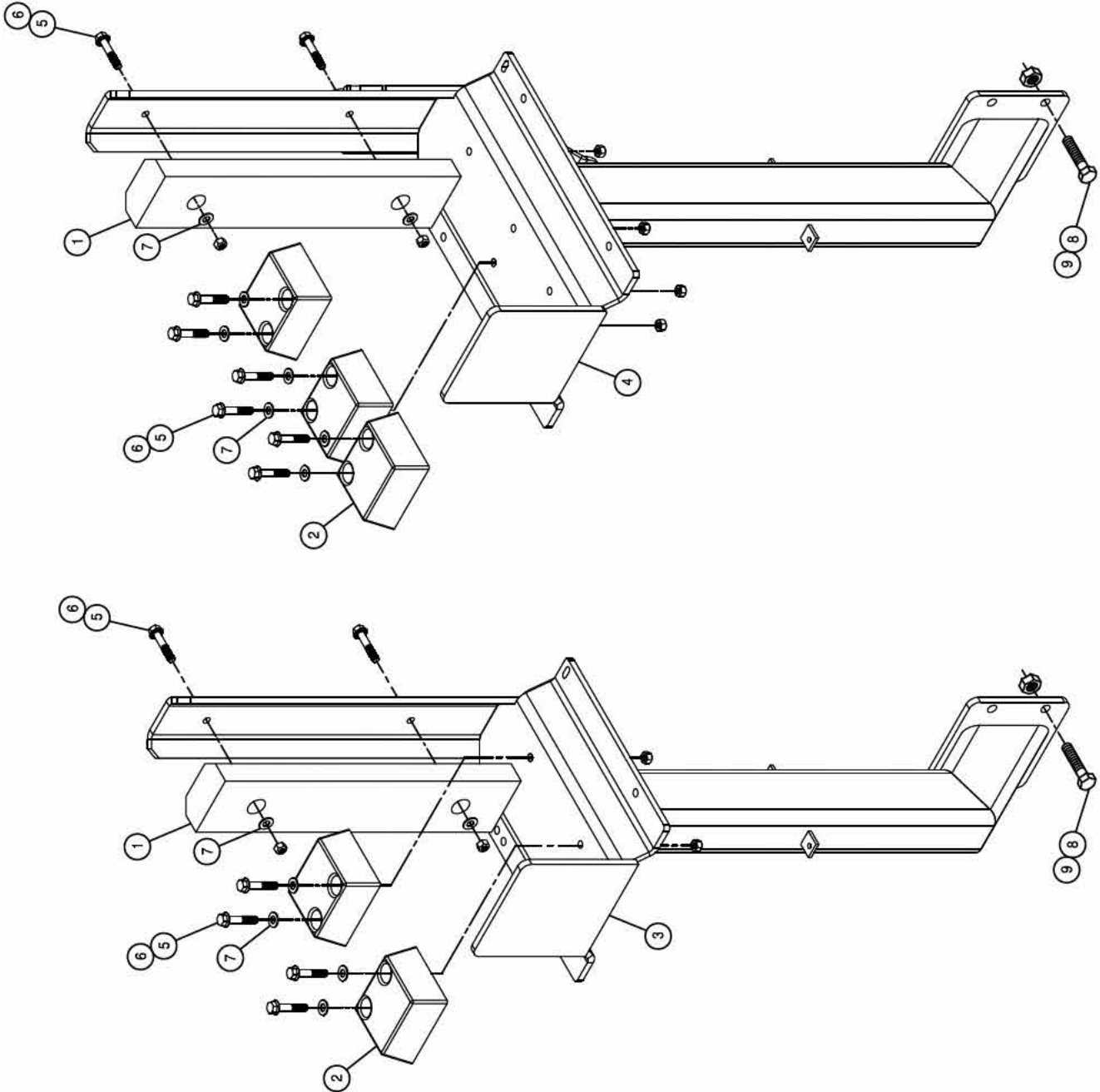
MODULE MOUNTS 120'132'

DET.	QTY	PART NO.	DESCRIPTION
1	4	470121	1/4UNC SER FLG LOCK NUT
2	4	900000	1/4UNC X 1/2 HEX BOLT
3	1	693139	NORAC MODULE,UC5 CONTROL
4	1	693124	RH NORAC UC5 MODUL MT.,STX10'11
5	1	693125	LH NORAC UC5 MODUL MT.,STX10'11



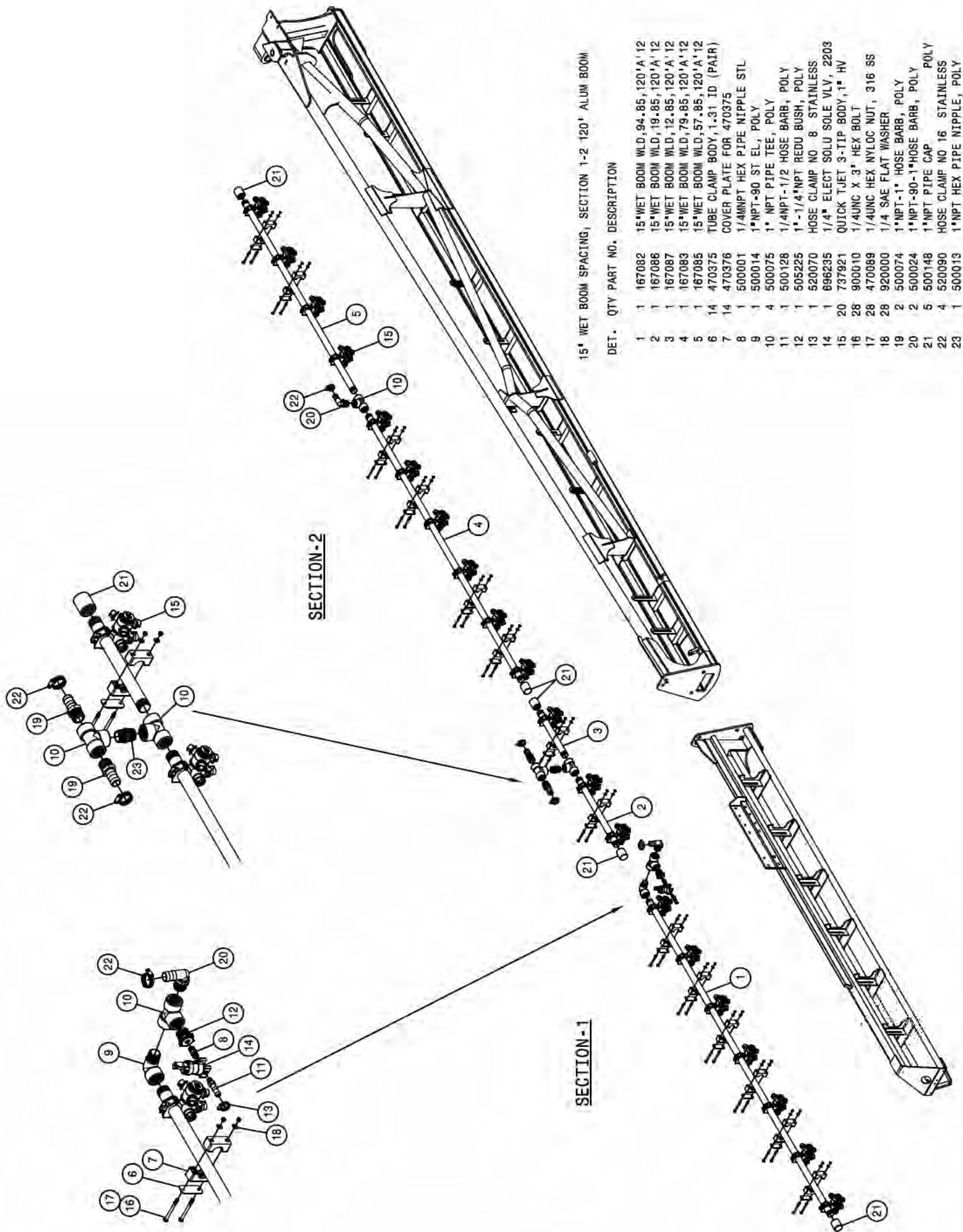
BOOM CRADLE ASSEMBLY

DET.	QTY	PART NO.	DESCRIPTION
1	2	164512	RUBBER BUMPER, BOOM CRADLE 00
2	5	164513	BOOM CRADLE PAD 00
3	1	165041	BOOM CRADLE WLD 07
4	1	167053	BOOM CRADLE WLD,ALUM 120'A'12
5	14	900133	3/8UNC X 2" SERR FLANGE BOLT
6	14	914004	3/8UNC HEX STOVER NUT
7	14	920002	3/8 SAE FLAT WASHER
8	8	900804	1/2UNC X 1 1/2 HEX BOLT GR8
9	8	914808	1/2UNC HEX STOVER NUT GR8



120' / 132' BOOM

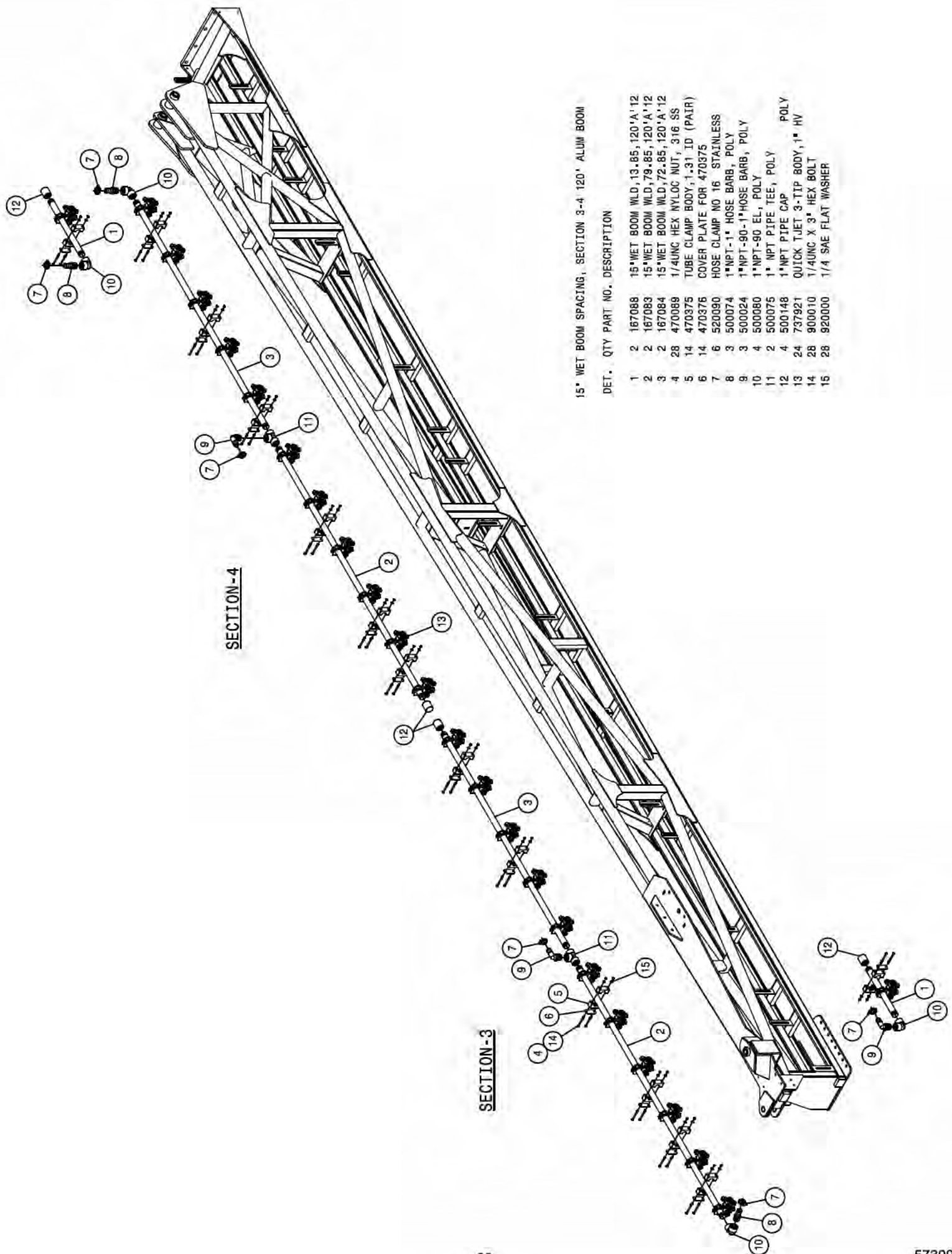
90' / 100' BOOM



15" WET BOOM SPACING, SECTION 1-2 120' ALUM BOOM

DET. QTY PART NO. DESCRIPTION

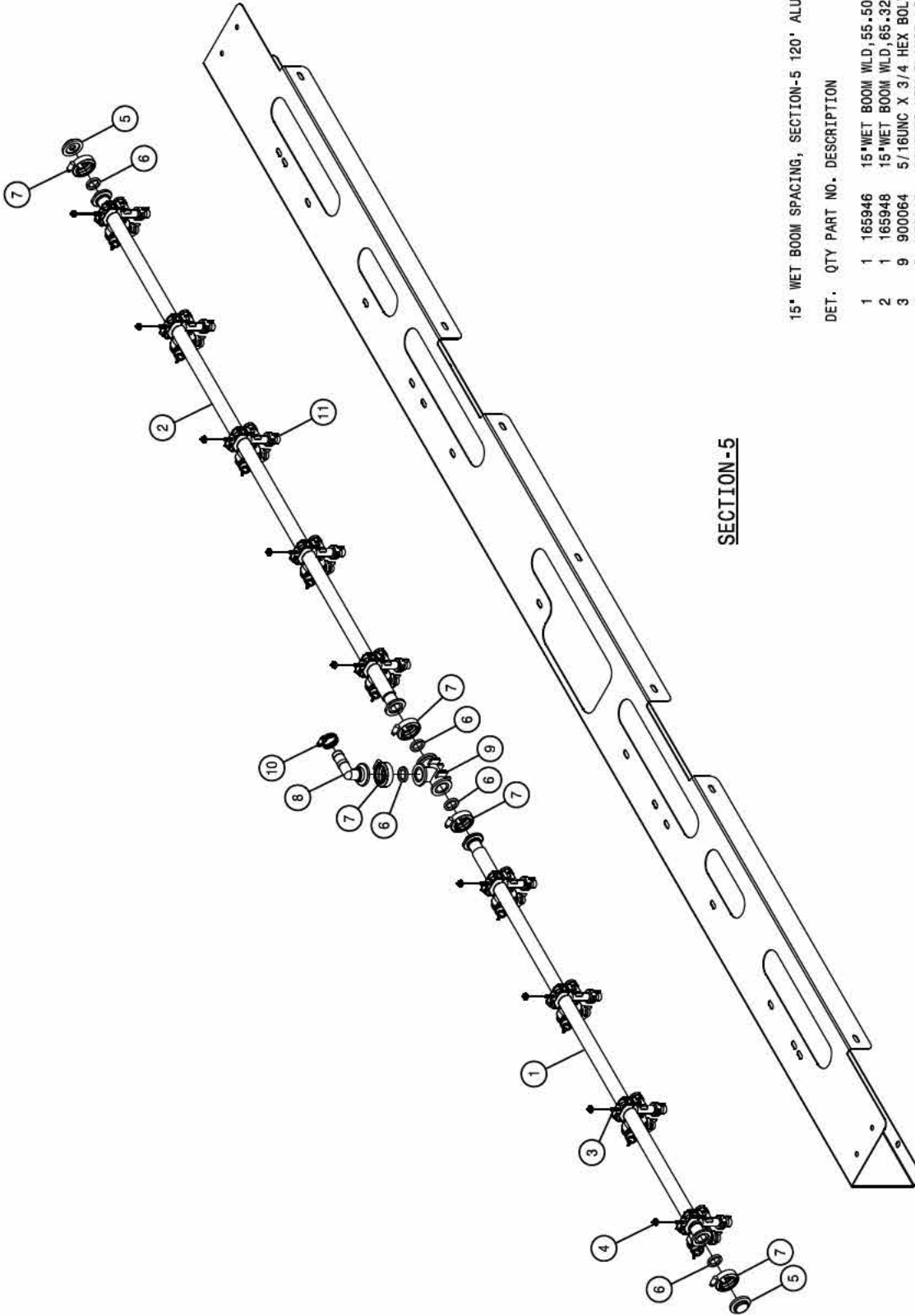
DET.	QTY	PART NO.	DESCRIPTION
1	1	167082	15"WET BOOM WLD,94.85,120'A'12
2	1	167086	15"WET BOOM WLD,19.85,120'A'12
3	1	167087	15"WET BOOM WLD,12.85,120'A'12
4	1	167083	15"WET BOOM WLD,79.85,120'A'12
5	1	167085	15"WET BOOM WLD,57.85,120'A'12
6	14	470375	TUBE CLAMP BODY,1.31 ID (PAIR)
7	14	470376	COVER PLATE FOR 470375
8	1	500001	1/4MNPT HEX PIPE NIPPLE STL
9	1	500014	1"NPT-90 ST EL, POLY
10	4	500075	1" NPT PIPE TEE, POLY
11	1	500128	1/4NPT-1/2 HOSE BARB, POLY
12	1	505225	1"-1/4"NPT REDU BUSH, POLY
13	1	520070	HOSE CLAMP NO 8 STAINLESS
14	1	696235	1/4" ELECT SOLU SOLE VLV, 2203
15	20	737921	QUICK TJET 3-TIP BODY,1" HV
16	28	900010	1/4UNC X 3" HEX BOLT
17	28	470089	1/4UNC HEX NYLOC NUT, 316 SS
18	28	920000	1/4 SAE FLAT WASHER
19	2	500074	1"NPT-1" HOSE BARB, POLY
20	2	500024	1"NPT-90-1"HOSE BARB, POLY
21	5	500148	1"NPT PIPE CAP
22	4	520090	HOSE CLAMP NO 16 STAINLESS
23	1	500013	1"NPT HEX PIPE NIPPLE, POLY



15" WET BOOM SPACING, SECTION 3-4 120' ALUM BOOM

DET. QTY PART NO. DESCRIPTION

1	2	167088	15"WET BOOM WLD,13.85,120'A'12
2	2	167083	15"WET BOOM WLD,79.85,120'A'12
3	2	167084	15"WET BOOM WLD,72.85,120'A'12
4	28	470089	1/4UNC HEX NYLOC NUT, 316 SS
5	14	470375	TUBE CLAMP BODY,1.31 ID (PAIR)
6	14	470375	COVER PLATE FOR 470375
7	6	520090	HOSE CLAMP NO 16 STAINLESS
8	3	500074	1"NPT-1" HOSE BARB, POLY
9	3	500024	1"NPT-90-1"HOSE BARB, POLY
10	4	500080	1"NPT-90 EL, POLY
11	2	500075	1" NPT PIPE TEE, POLY
12	4	500148	1"NPT PIPE CAP POLY
13	24	737921	QUICK TJET 3-TIP BODY,1" HV
14	28	900010	1/4UNC X 3" HEX BOLT
15	28	920000	1/4 SAE FLAT WASHER

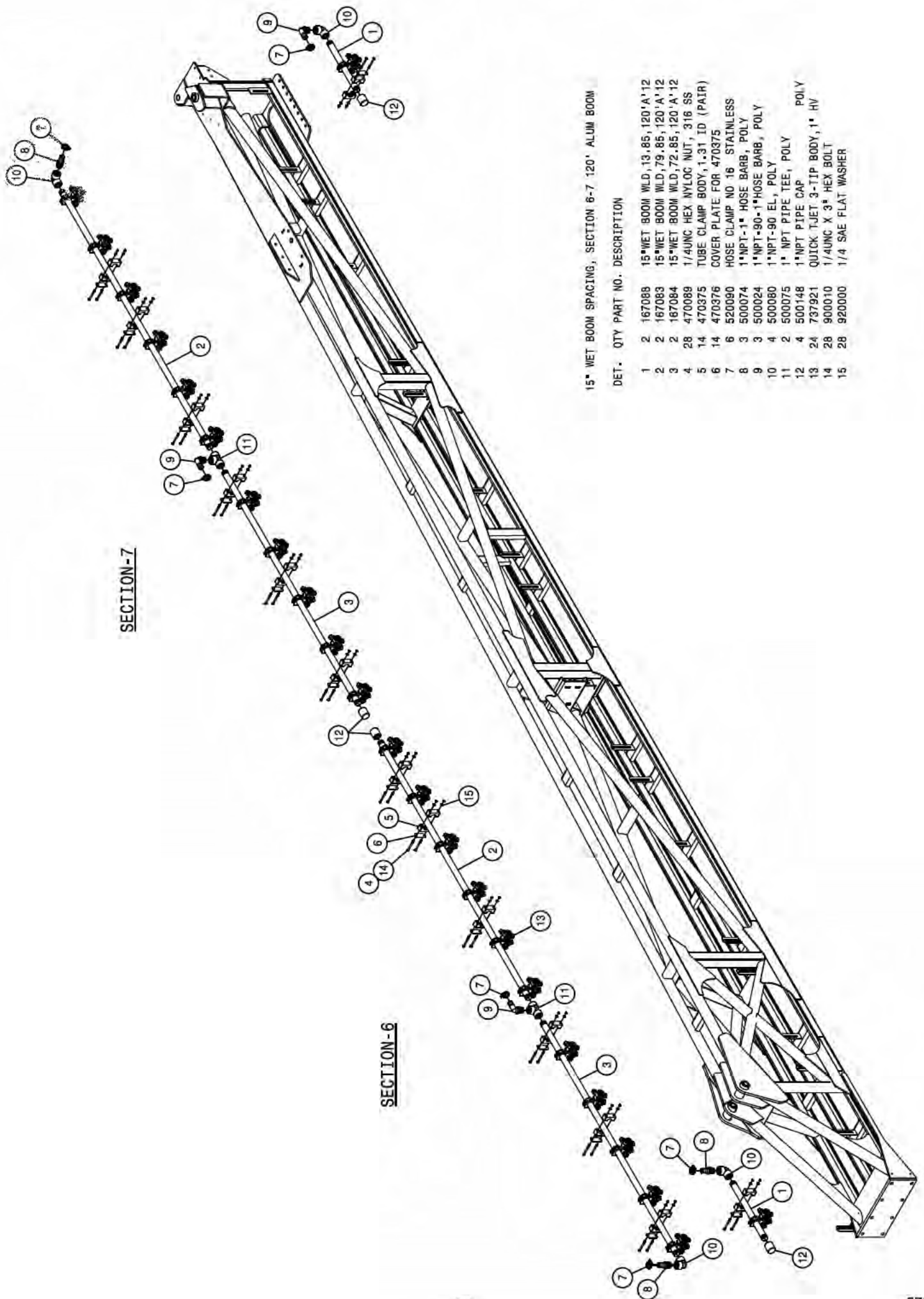


SECTION-5

15' WET BOOM SPACING, SECTION-5 120' ALUM BOOM

DET. QTY PART NO. DESCRIPTION

1	1	165946	15"WET BOOM WLD,55-50LG STS'12
2	1	165948	15"WET BOOM WLD,65-32LG STS'12
3	9	900064	5/16UNC X 3/4 HEX BOLT
4	9	470113	5/16UNC HEX FLANGE LOCK NUT
5	2	500155	1" FLANGE CAP PLUG POLY
6	5	500157	1" FLANGE GASKET EPDM
7	5	500159	1" FLANGE CLAMP, S.S.
8	1	500173	1" FLANGE-90-1" HOSE BARB POLY
9	1	500175	1" FLANGE TEE POLY
10	1	520090	HOSE CLAMP NO 16 STAINLESS
11	9	737921	QUICK TJET 3-TIP BODY,1" HV



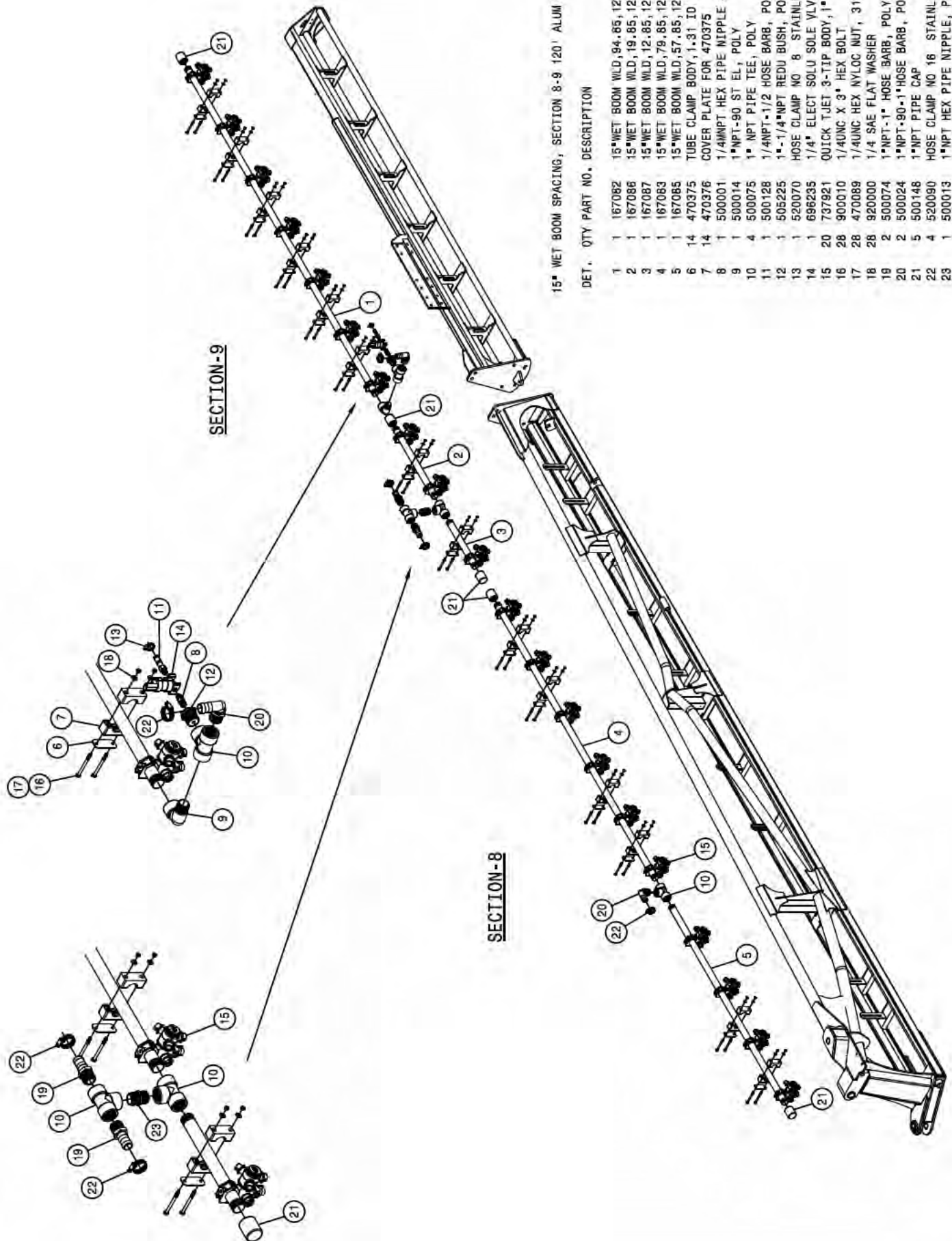
SECTION-7

SECTION-6

15" WET BOOM SPACING, SECTION 6-7 120' ALUM BOOM

DET. QTY PART NO. DESCRIPTION

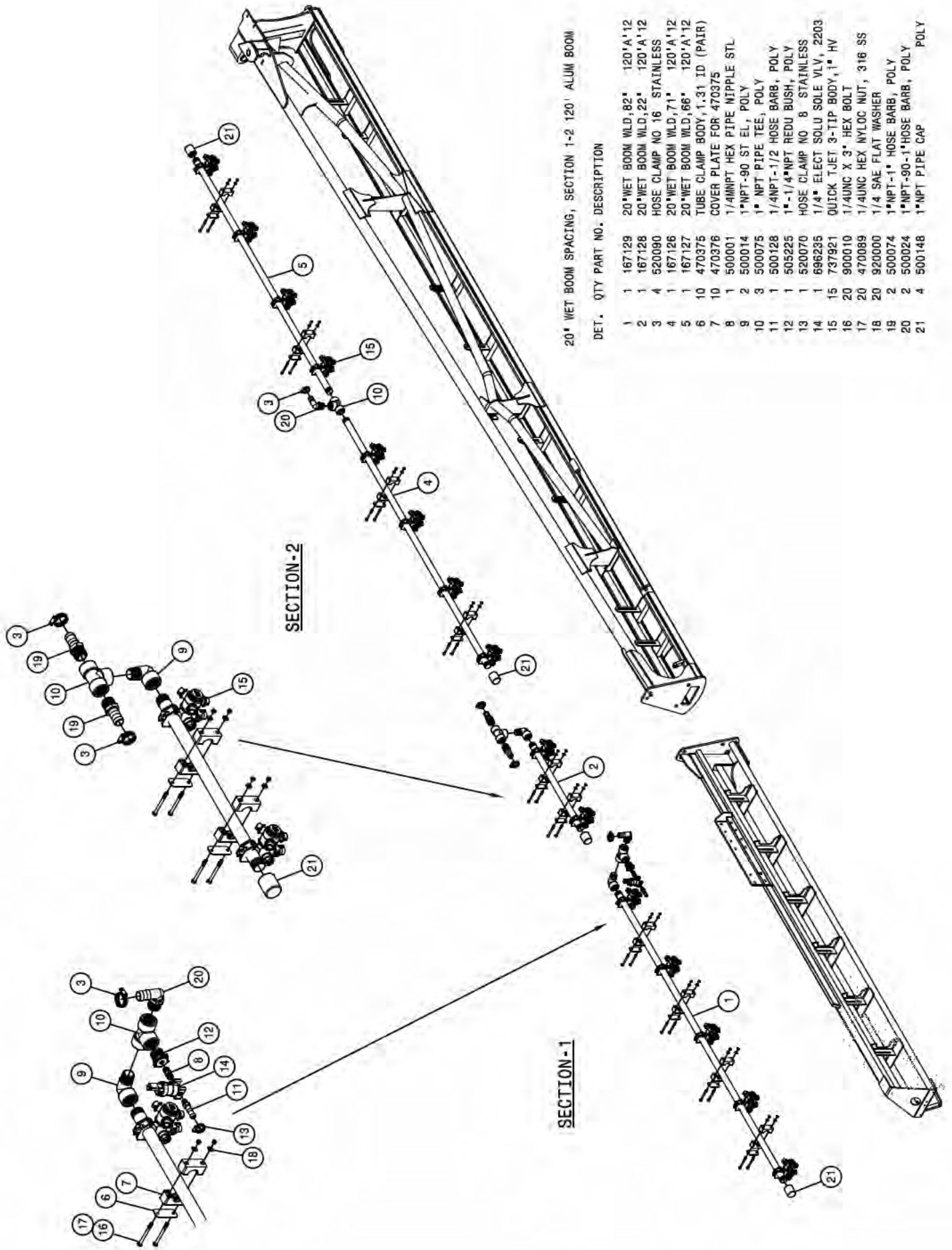
1	2	167088	15"WET BOOM WLD,13.85,120'A'12
2	2	167083	15"WET BOOM WLD,79.85,120'A'12
3	2	167084	15"WET BOOM WLD,72.85,120'A'12
4	28	470089	1/4UNC HEX NYLOC NUT, 316 SS
5	14	470375	TUBE CLAMP BODY,1.31 ID (PAIR)
6	14	470376	COVER PLATE FOR 470375
7	6	520090	HOSE CLAMP NO 16 STAINLESS
8	3	500074	1"NPT-1" HOSE BARB, POLY
9	3	500024	1"NPT-90-1"HOSE BARB, POLY
10	4	500080	1"NPT-90 EL, POLY
11	2	500075	1" NPT PIPE TEE, POLY
12	4	500148	1" NPT PIPE CAP, POLY
13	24	737921	QUICK T-JET 3-TIP BODY,1" HV
14	28	900010	1/4UNC X 3" HEX BOLT
15	28	920000	1/4 SAE FLAT WASHER



15' WET BOOM SPACING, SECTION 8-9 120' ALUM BOOM

DET. QTY PART NO. DESCRIPTION

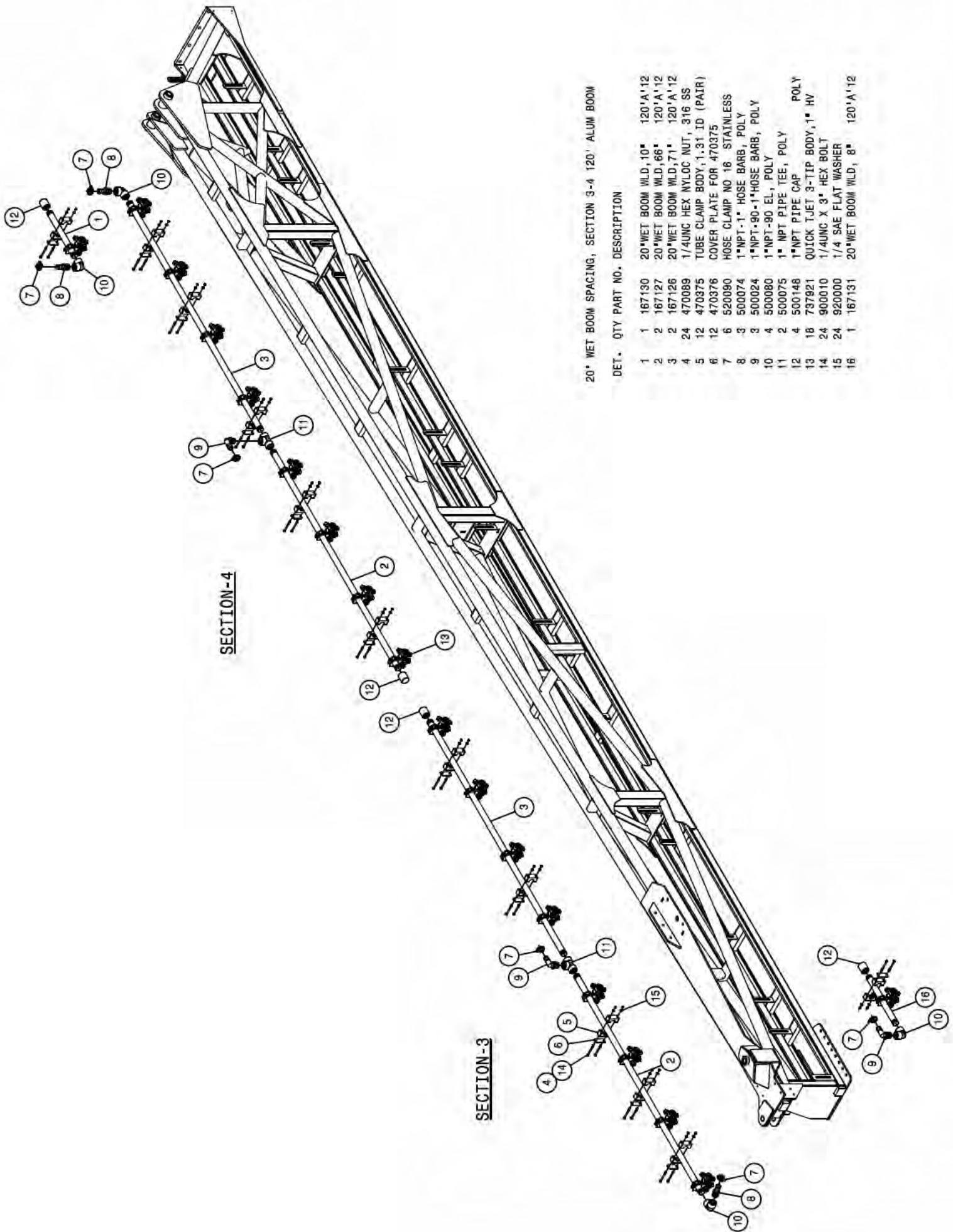
DET.	QTY	PART NO.	DESCRIPTION
1	1	167082	15"WET BOOM WLD, 94.85, 120'A'12
2	1	167086	15"WET BOOM WLD, 19.85, 120'A'12
3	1	167087	15"WET BOOM WLD, 12.85, 120'A'12
4	1	167083	15"WET BOOM WLD, 79.85, 120'A'12
5	1	167085	15"WET BOOM WLD, 57.85, 120'A'12
6	14	470375	TUBE CLAMP BODY, 1.31 ID (PAIR)
7	14	470376	COVER PLATE FOR 470375
8	1	500001	1/4MNPT HEX PIPE NIPPLE STL
9	1	500014	1"NPT-90 ST EL, POLY
10	4	500075	1" NPT PIPE TEE, POLY
11	1	500128	1/4NPT-1/2 HOSE BARB, POLY
12	1	505225	1"-1/4"NPT REDU BUSH, POLY
13	1	520070	HOSE CLAMP NO 8 STAINLESS
14	1	696235	1/4" ELECT SOLU SOLE VLV, 2203
15	20	737921	QUICK TJET 3-TIP BODY, 1" HV
16	28	900010	1/4UNC X 3" HEX BOLT
17	28	470089	1/4UNC HEX NYLOC NUT, 316 SS
18	28	920000	1/4 SAE FLAT WASHER
19	2	500074	1"NPT-1" HOSE BARB, POLY
20	2	500024	1"NPT-90-1" HOSE BARB, POLY
21	5	500148	1"NPT PIPE CAP POLY
22	4	520090	HOSE CLAMP NO 16 STAINLESS
23	1	500013	1"NPT HEX PIPE NIPPLE, POLY



20' WET BOOM SPACING, SECTION 1-2 120' ALUM BOOM

DET. QTY PART NO. DESCRIPTION

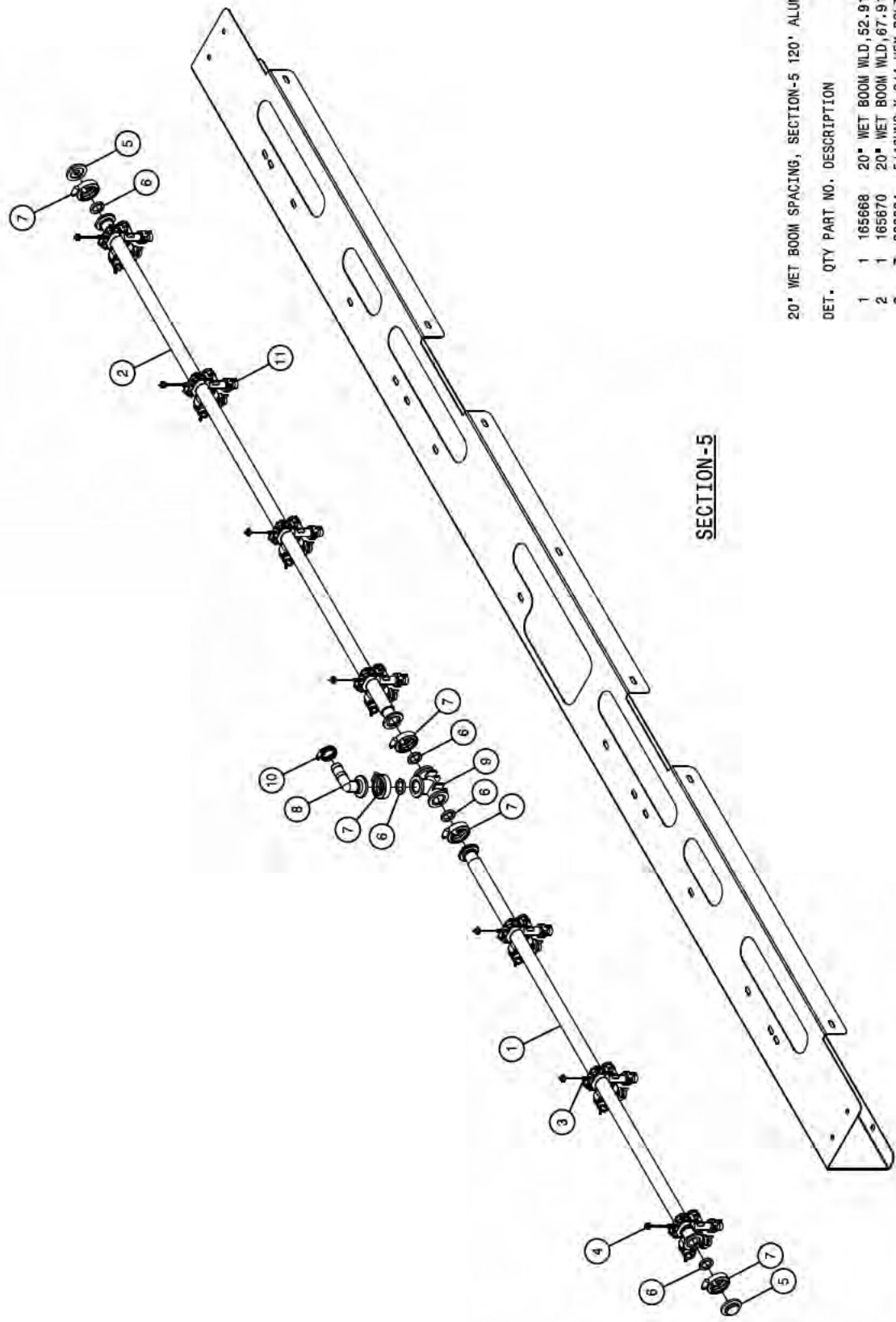
1	1	167129	20"WET BOOM WLD,82"	120'A'12
2	1	167128	20"WET BOOM WLD,22"	120'A'12
3	4	520090	HOSE CLAMP NO 16	STAINLESS
4	1	167126	20"WET BOOM WLD,71"	120'A'12
5	1	167127	20"WET BOOM WLD,66"	120'A'12
6	10	470375	TUBE CLAMP BODY, 1.31 ID (PAIR)	
7	10	470376	COVER PLATE FOR 470375	
8	1	500001	1/4"MNPT HEX PIPE NIPPLE STL	
9	2	500014	1"NPT-90 ST EL, POLY	
10	3	500075	1" NPT PIPE TEE, POLY	
11	1	500128	1/4"NPT-1/2 HOSE BARB, POLY	
12	1	505225	1"-1/4"NPT REDU BUSH, POLY	
13	1	520070	HOSE CLAMP NO 8	STAINLESS
14	1	696235	1/4" ELECT SOLU SOLE VLV, 2203	
15	15	737921	QUICK TJET 3-TIP BODY, 1" HV	
16	20	900010	1/4UNC X 3" HEX BOLT	
17	20	470089	1/4UNC HEX NYLOC NUT, 316 SS	
18	20	920000	1/4 SAE FLAT WASHER	
19	2	500074	1"NPT-1" HOSE BARB, POLY	
20	2	500024	1"NPT-90-1"HOSE BARB, POLY	
21	4	500148	1"NPT PIPE CAP	POLY



20' WET BOOM SPACING, SECTION 3-4 120' ALUM BOOM

DET. QTY PART NO. DESCRIPTION

1	1	167130	20"WET BOOM WLD, 10"	120'A'12
2	2	167127	20"WET BOOM WLD, 66"	120'A'12
3	2	167126	20"WET BOOM WLD, 71"	120'A'12
4	24	470089	1/4UNC HEX NYLOC NUT, 316 SS	
5	12	470375	TUBE CLAMP BODY, 1.31 ID (PAIR)	
6	12	470376	COVER PLATE FOR 470375	
7	6	520090	HOSE CLAMP NO 16 STAINLESS	
8	3	500074	1"NPT-1" HOSE BARB, POLY	
9	3	500024	1"NPT-90-1"HOSE BARB, POLY	
10	4	500080	1"NPT-90 EL, POLY	
11	2	500075	1" NPT PIPE TEE, POLY	
12	4	500148	1"NPT PIPE CAP	POLY
13	18	737921	QUICK TJET 3-TIP BODY, 1"	HV
14	24	900010	1/4UNC X 3" HEX BOLT	
15	24	920000	1/4 SAE FLAT WASHER	
16	1	167131	20"WET BOOM WLD, 8"	120'A'12

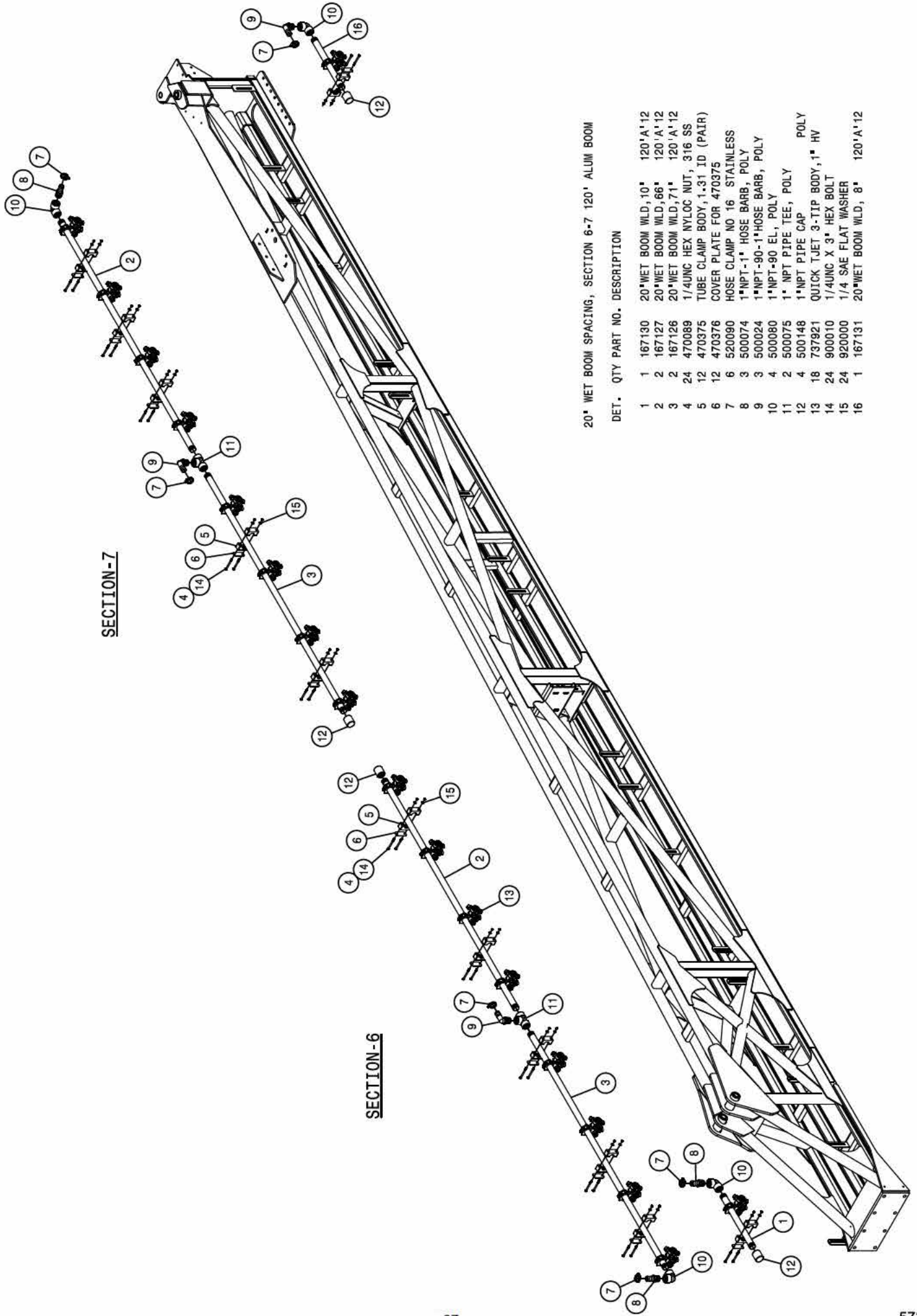


SECTION-5

20' WET BOOM SPACING, SECTION-5 120' ALUM BOOM

DET. QTY PART NO. DESCRIPTION

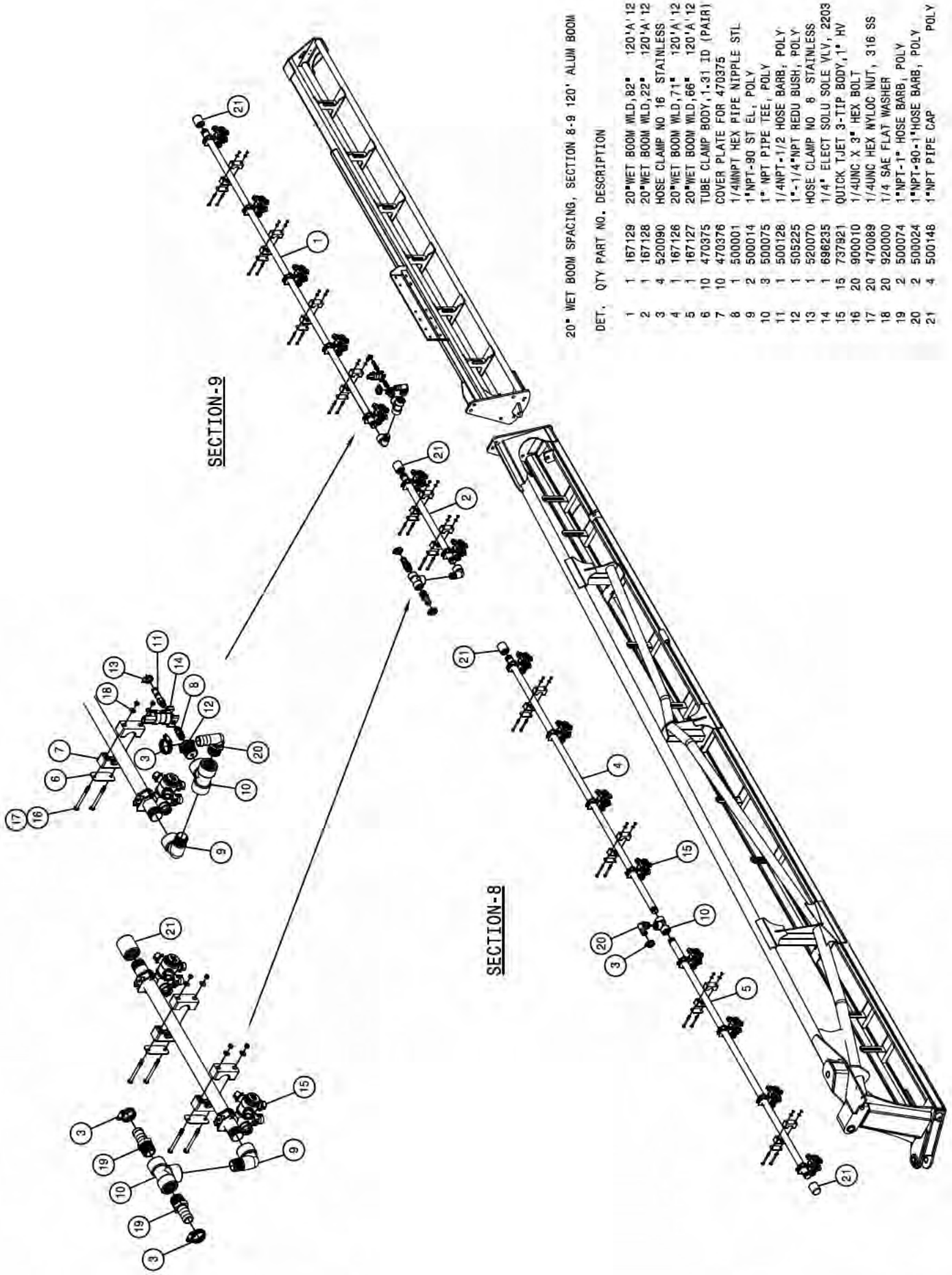
1	1	165668	20" WET BOOM WLD, 52.91 LG	09
2	1	165670	20" WET BOOM WLD, 67.91 LG	09
3	7	900064	5/16UNC X 3/4 HEX BOLT	
4	7	470113	5/16UNC HEX FLANGE LOCK NUT	POLY
5	2	500155	1" FLANGE CAP PLUG	EPDM
6	5	500157	1" FLANGE GASKET	
7	5	500159	1" FLANGE CLAMP, S.S.	
8	1	500173	1" FLANGE-90-1" HOSE BARB	POLY
9	1	500175	1" FLANGE TEE	POLY
10	1	520090	HOSE CLAMP NO 16	STAINLESS
11	7	737921	QUICK TJET 3-TIP BODY, 1" HV	



20' WET BOOM SPACING, SECTION 6-7 120' ALUM BOOM

DET. QTY PART NO. DESCRIPTION

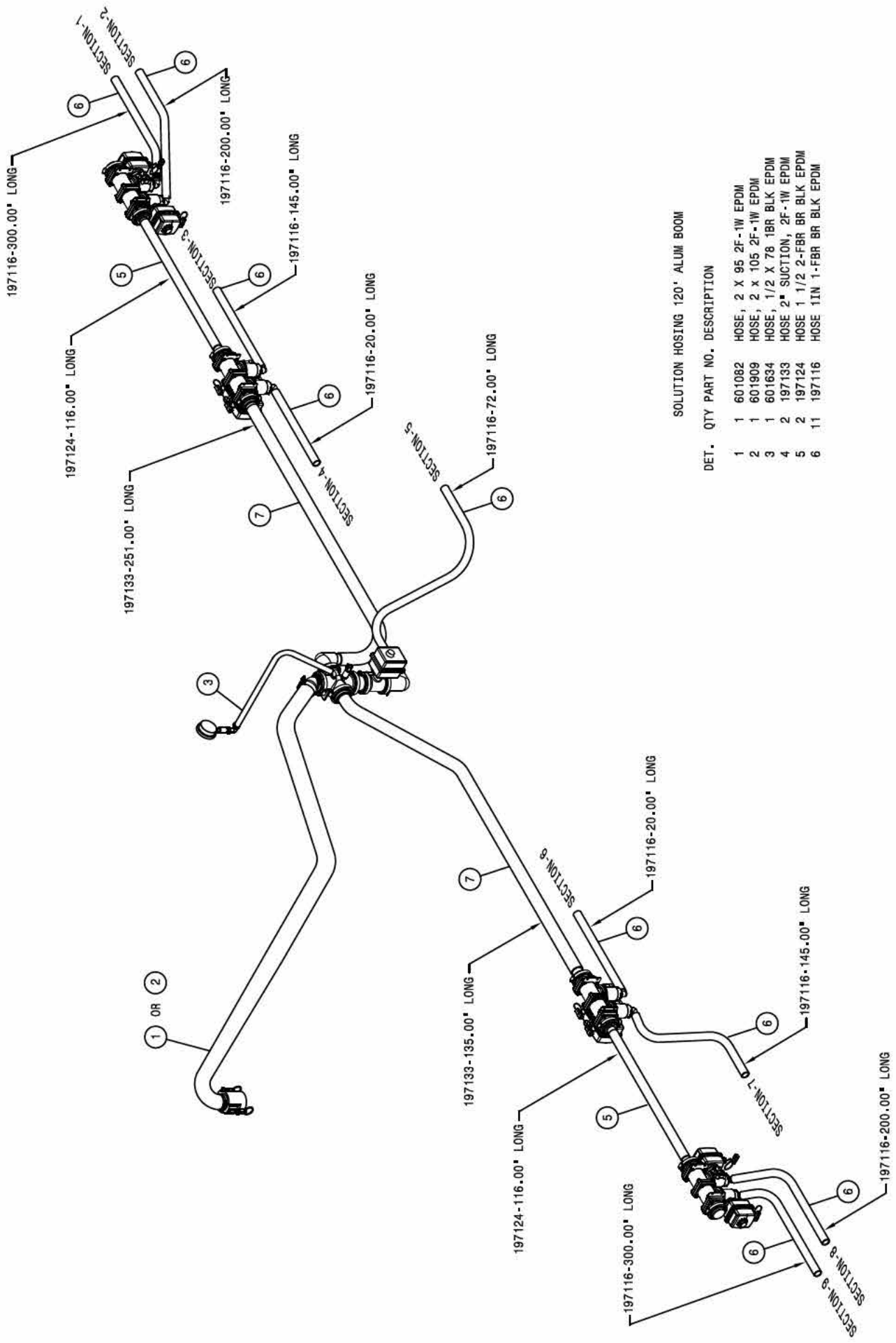
DET.	QTY	PART NO.	DESCRIPTION
1	1	167130	20' WET BOOM WLD, 10" 120'A'12
2	2	167127	20' WET BOOM WLD, 66" 120'A'12
3	2	167126	20' WET BOOM WLD, 71" 120'A'12
4	24	470089	1/4UNC HEX NYLOC NUT, 316 SS
5	12	470375	TUBE CLAMP BODY, 1.31 ID (PAIR)
6	12	470376	COVER PLATE FOR 470375
7	6	520090	HOSE CLAMP NO 16 STAINLESS
8	3	500074	1"NPT-1" HOSE BARB, POLY
9	3	500024	1"NPT-90-1" HOSE BARB, POLY
10	4	500080	1"NPT-90 EL, POLY
11	2	500075	1" NPT PIPE TEE, POLY
12	4	500148	1"NPT PIPE CAP
13	18	737921	QUICK TJET 3-TIP BODY, 1" HV POLY
14	24	900010	1/4UNC X 3" HEX BOLT
15	24	920000	1/4 SAE FLAT WASHER
16	1	167131	20' WET BOOM WLD, 8" 120'A'12



20" WET BOOM SPACING, SECTION 8-9 120' ALUM BOOM

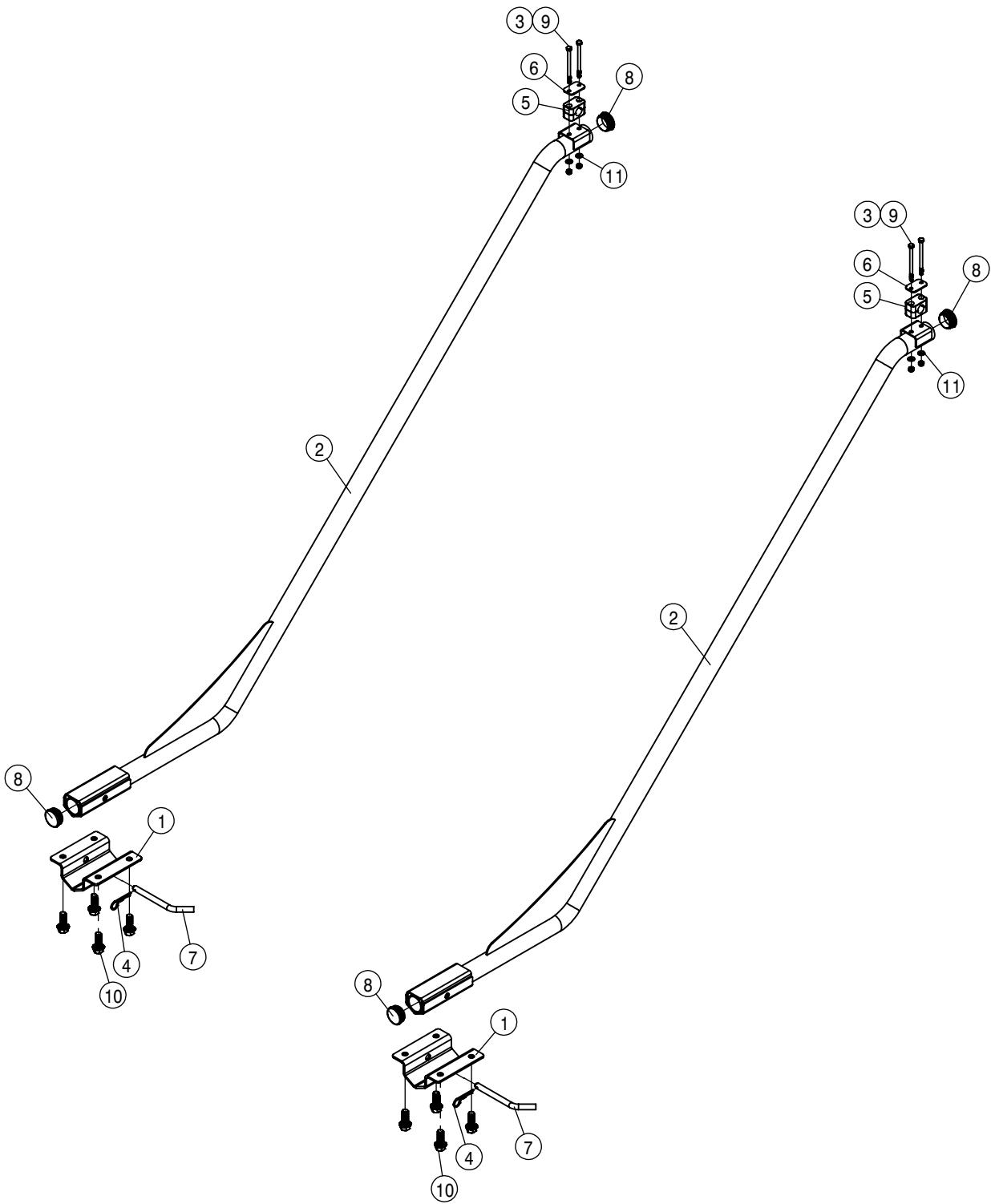
DET. QTY PART NO. DESCRIPTION

1	1	167129	20"WET BOOM WLD,82"	120'A'12
2	1	167128	20"WET BOOM WLD,22"	120'A'12
3	4	520090	HOSE CLAMP NO 16	STAINLESS
4	1	167126	20"WET BOOM WLD,71"	120'A'12
5	1	167127	20"WET BOOM WLD,66"	120'A'12
6	10	470375	TUBE CLAMP BODY,1.31 ID (PAIR)	
7	10	470376	COVER PLATE FOR 470375	
8	1	500001	1/4MNPT HEX PIPE NIPPLE STL	
9	2	500014	1"NPT-90 ST EL, POLY	
10	3	500075	1" NPT PIPE TEE, POLY	
11	1	500128	1/4NPT-1/2 HOSE BARB, POLY	
12	1	505225	1"-1/4"NPT REDU BUSH, POLY	
13	1	520070	HOSE CLAMP NO 8	STAINLESS
14	1	696235	1/4" ELECT SOLU SOLE VLV, 2203	
15	15	737921	QUICK TJET 3-TIP BODY,1" HV	
16	20	900010	1/4UNC X 3" HEX BOLT	
17	20	470089	1/4UNC HEX NYLOC NUT, 316 SS	
18	20	920000	1/4 SAE FLAT WASHER	
19	2	500074	1"NPT-1" HOSE BARB, POLY	
20	2	500024	1"NPT-90-1"HOSE BARB, POLY	
21	4	500148	1"NPT PIPE CAP	POLY

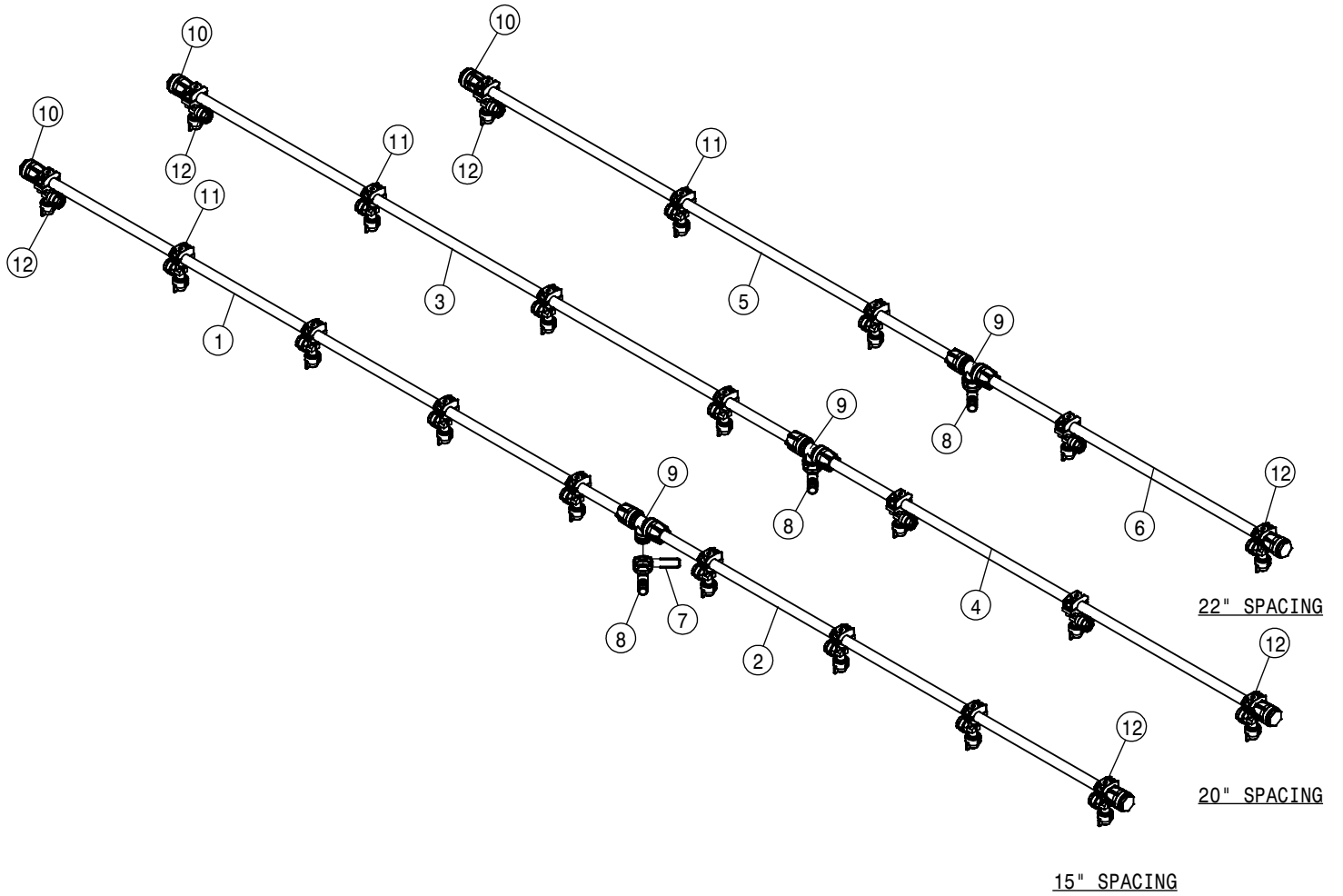


SOLUTION HOISING 120' ALUM BOOM

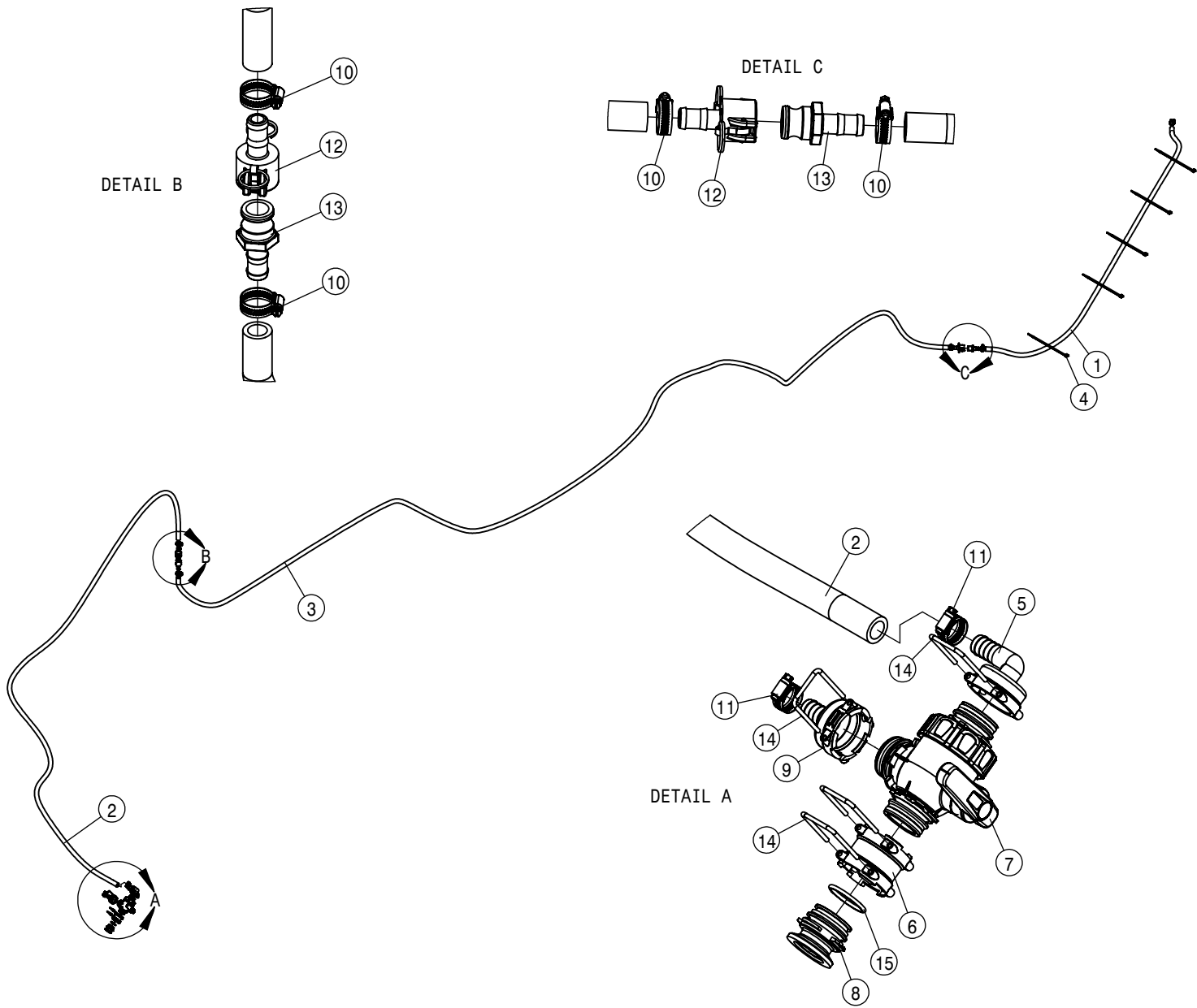
DET.	QTY	PART NO.	DESCRIPTION
1	1	601082	HOSE, 2 X 95 2F-1W EPDM
2	1	601909	HOSE, 2 X 105 2F-1W EPDM
3	1	601634	HOSE, 1/2 X 78 1BR BLK EPDM
4	2	197133	HOSE 2" SUCTION, 2F-1W EPDM
5	2	197124	HOSE 1 1/2 2-FBR BR BLK EPDM
6	11	197116	HOSE 1IN 1-FBR BR BLK EPDM



REAR BOOM MOUNTING ASSEMBLY			
DET	QTY	P/N	DESCRIPTION
1	2	165083	REAR BOOM MNT BRACKET
2	2	165087	REAR BOOM WLD
3	4	470089N	1/4UNC HEX NYLOC NUT, 316 SS
4	2	470235	1/8 #11 HAIR PIN
5	2	470358	TUBE CLAMP BODY, .840 (1/2 PIPE)
6	2	470359	COVER PLATE FOR 470358
7	2	472382	BENT PIN 1/2 X 4
8	4	629772	CAPPLUGS PLUG, 1 3/4" RD, BLACK POLY
9	4	900013N	1/4UNC X 3 3/4 HEX BOLT SS
10	8	900265N	1/2UNC X 1 1/2 SERR FLANGE BOLT
11	4	920000N	1/4 SAE FLAT WASHER SS



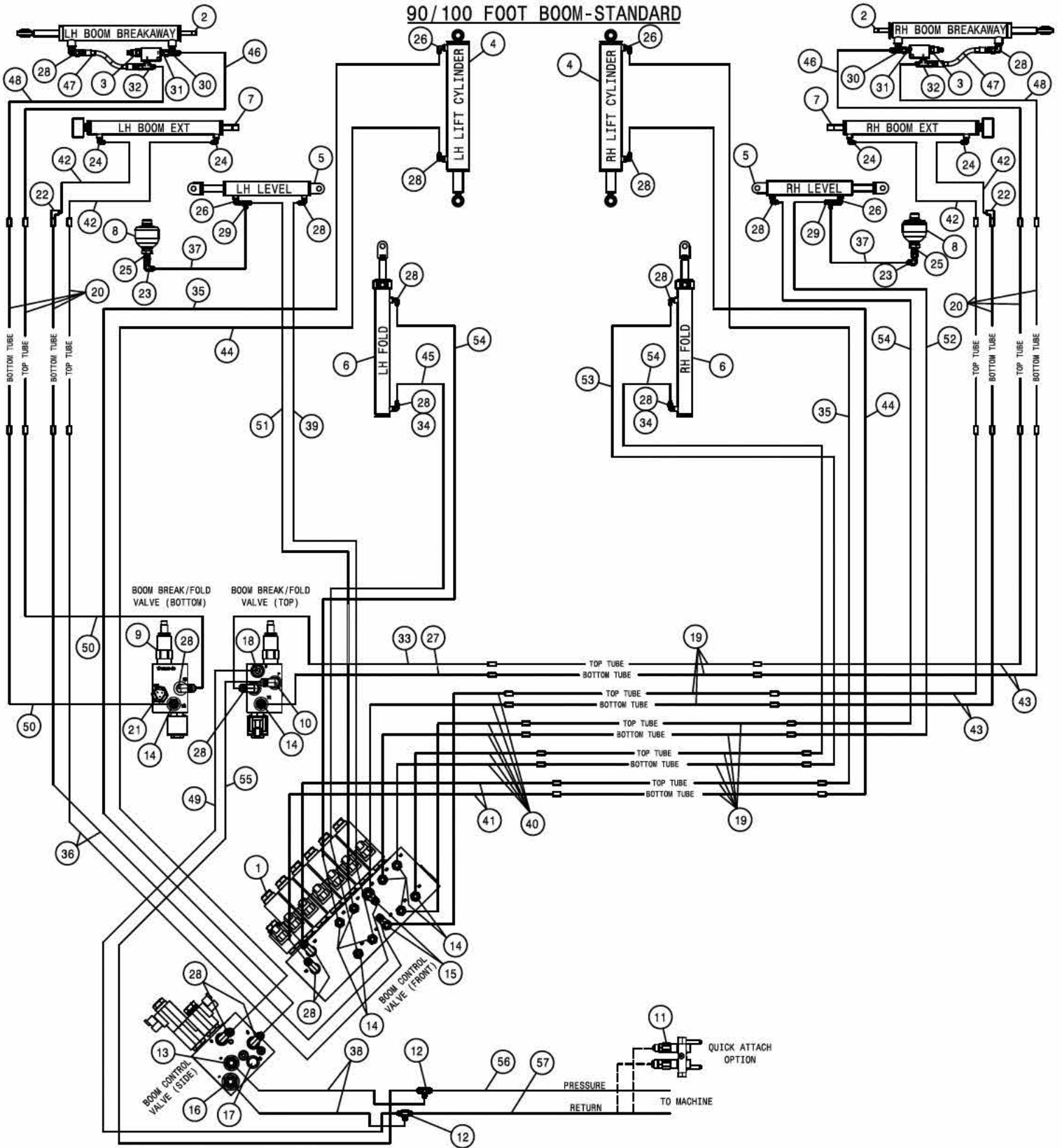
REAR BOOM NOZZLE SPACING			
DET	QTY	P/N	DESCRIPTION
1	1	167264	TUBE-WET BM .50X69.08 15"SP
2	1	167265	TUBE-WET BM .50X54.08 15" SP
3	1	167466	TUBE-WET BM .5X71.58 20"SP
4	1	167467	TUBE-WET BM .5X51.58 20"SP
5	1	167468	TUBE-WET BM .5X56.58 22" SP
6	1	167469	TUBE-WET BM .5X34.58 22"SP
7	3	500311	FORK D3 DIST 29
8	3	500327	T3 TO 20MM HB 90
9	3	500330	T3 - TEE 1/2" PIPE BOOM END
10	6	500332	1/2" PIPE BOOM END
11	15	737970	QUICK TJET SINGLE BODY, 1/2"
12	6	737971	QUICK TJET SINGLE BODY 1/2" RS



REAR BOOM SOLUTION HOISING			
DET	QTY	P/N	DESCRIPTION
1	1	197121-093	HOSE 3/4 2-FBR BR BLK EPDM
2	1	197121-170	HOSE 3/4 2-FBR BR BLK EPDM
3	1	197121-306	HOSE 3/4 2-FBR BR BLK EPDM
4	5	470555	CABLE TIE, 1/2 X 15" BLACK NYL
5	1	500297	T5 TO 20MM HB 90
6	1	503112	T5 - FEMALE COUPLING
7	1	503113	T5 - 455 3-WAY BALL VLV
8	1	503114	T5 - 1" BANGO FLANGE ADAPTR
9	1	503115	T5 FEM - 20MM HOSE BARB
10	5	520055	HOSE CLAMP NO 12 STAINLESS
11	2	520080	HOSE CLAMP NO 10 STAINLESS
12	2	696207	.75 HOSE BARB-FEMALE COUPLER
13	2	696208	.75 HOSE BARB-MALE COUPLER
14	4	737738	FORK,D.3 DIST.42 (737731)
15	1	737763	O-RING, 1 1/4"CONN EPDM

This Page Intentionally Blank

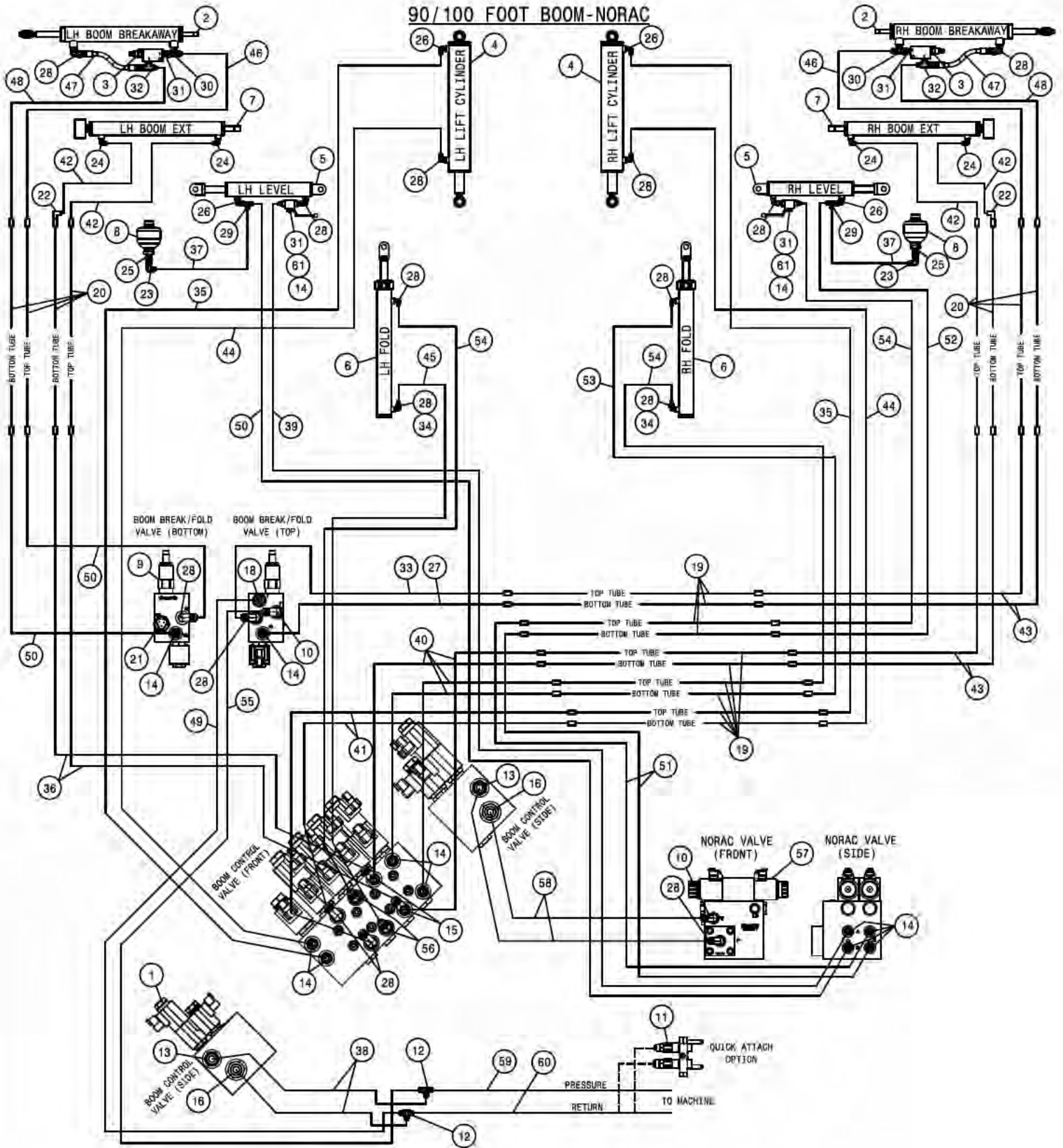
90/100 FOOT BOOM-STANDARD



90/100 BOOM STANDARD HYD DIAG 2014
REFERENCE DRAWING NO. 499331

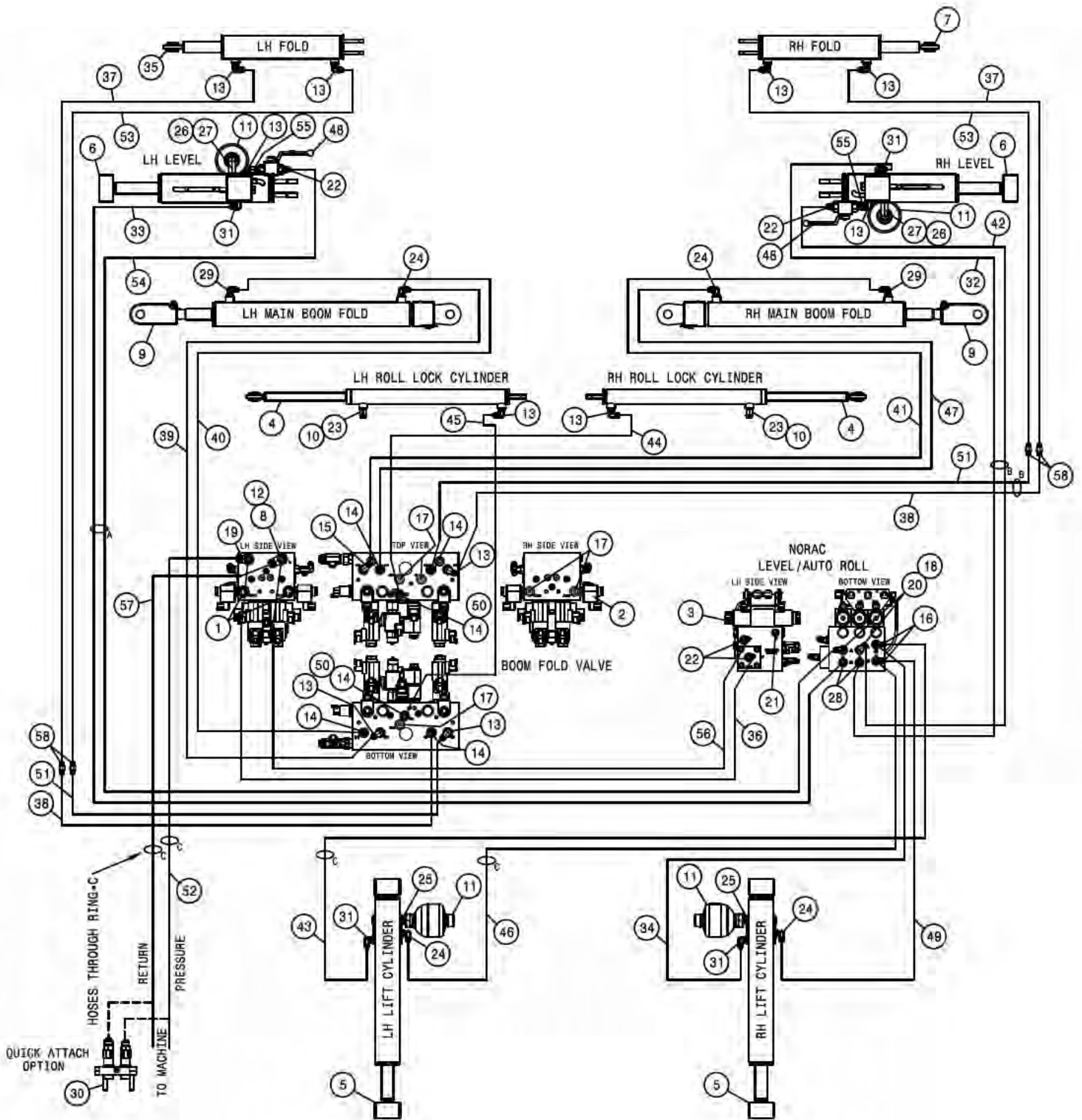
DET.	QTY	PART NO.	DESCRIPTION	DET.	QTY	PART NO.	DESCRIPTION
1	1	606272	VALVE, LOAD SENSE BOOM SAUER	29	2	618486	9/16FJIC SW RUN TEE-9/16MJIC
2	2	621590	HYD CYL, 1.50 X 10.88 X .875	30	2	618629	9/16MOR BRANCH TEE-9/16MJIC
2	2	621590	HYD CYL, 1.50 X 10.88 X .875	31	2	618668	9/16FJIC SWIV-9/16MOR ADPTR
3	2	607540	KICK-DOWN RELIEF VALVE, 800PSI	32	2	614752	RESTRICTOR BR TEE ASSY,.042DIA
4	2	621556	HYD CYL, 2.50 X 18.00 X 1.500	33	1	616578	06-451TC-06FJX-06FJX90-18 H/A
5	2	621558	HYD CYL, 3.00 X 11.00 X 1.380	34	2	618733	9/16JIC .042 ORIFICE ADPTR
6	2	621560	HYD CYL, 2.50 X 21.00 X 1.380	35	2	616358	06-451TC-06FJX-06FJX-56 H/A
7	2	621562	HYD CYL, 2.25 X 21.00 X 1.380	36	2	616357	06-451TC-06FJX-06FJX90-79 H/A
8	2	470444	ACCUMULATOR, 30CI 1508 PSI	37	2	616365	06-451TC-08FJX-06FJX90-30 H/A
9	1	607119	90/100 BREAKAWAY BLOCK STS'14	38	2	616366	08-451TC-08FJX-08FJX90-18 H/A
10	1	618440	9/16MJIC-90-9/16MOR EX LG LBO	39	1	616403	06-451TC-06FJX-06FJX-65 H/A
11	1	607114	MOBILE HALF COUPLER ASSY, 0502	40	6	616316	06-451TC-06FJX-06FJX45-18 H/A
12	2	618749	3/4MJIC BLKHD RUN TEE	41	2	616304	06-451TC-06FJX-06FJX-36 H/A
13	1	611125	3/4MJIC-3/4MOR ADPTR	42	4	616356	06-451TC-06FJX-06FJX90-27 H/A
14	10	618126	9/16MJIC-9/16MOR ADPTR	43	4	616353	06-451TC-06FJX-06FJX-71 H/A
15	2	618444	9/16MOR RUN TEE-9/16MJIC	44	2	616371	06-451TC-06FJX-06FJX-38 H/A
16	1	618327	3/4MJIC-7/8MOR ADPTR	45	1	616352	06-451TC-06FJX-06FJX-62 H/A
17	1	618754	9/16MOR PLUG, HEX SOCKET	46	2	616360	06-451TC-06FJX-06FJX-84 H/A
18	1	618360	3/4MJIC-9/16MOR ADPTR	47	2	617054	04-451TC-06FJX-06FJX-11 H/A
19	10	615852	LIFTARM HYD TUBE ASSY,STSL5 07	48	2	616361	06-451TC-06FJX-06FJX-86 H/A
20	8	615851	HYD TUBE,MAIN BOOM,STS	49	1	617193	06-451TC-08FJX-08FJX90-33 H/A
21	1	606347	PRESSURE TRANSDUCER,7500PSI	50	2	616359	06-451TC-06FJX-06FJX-78 H/A
22	2	618618	9/16MJIC-90-9/16FJIC SWIV LBO	51	1	616349	06-451TC-06FJX-06FJX-47 H/A
23	2	618609	3/4MJIC-90-3/4FJIC SWIV LBO	52	1	616348	06-451TC-06FJX-06FJX-42 H/A
24	4	618688	9/16MJ-90-9/16MOR .025 CHK VLV	53	1	616350	06-451TC-06FJX-06FJX-58 H/A
25	2	618743	3/4MOR-3/4MJIC BLKHD,.040MFMO	54	3	616351	06-451TC-06FJX-06FJX-60 H/A
26	4	618689	9/16MJ-90-9/16MOR .042 CHK VLV	55	1	617192	06-451TC-06FJX-08FJX-33 H/A
27	1	616740	06-451TC-06FJX-06FJX-20 H/A	56	1	617194	08-451TC-08FJX-10FJX-50 H/A
28	16	618119	9/16MJIC-90-9/16MOR LBO	57	1	617195	08-451TC-08FJX-12FJX-50 H/A

90/100 FOOT BOOM-NORAC



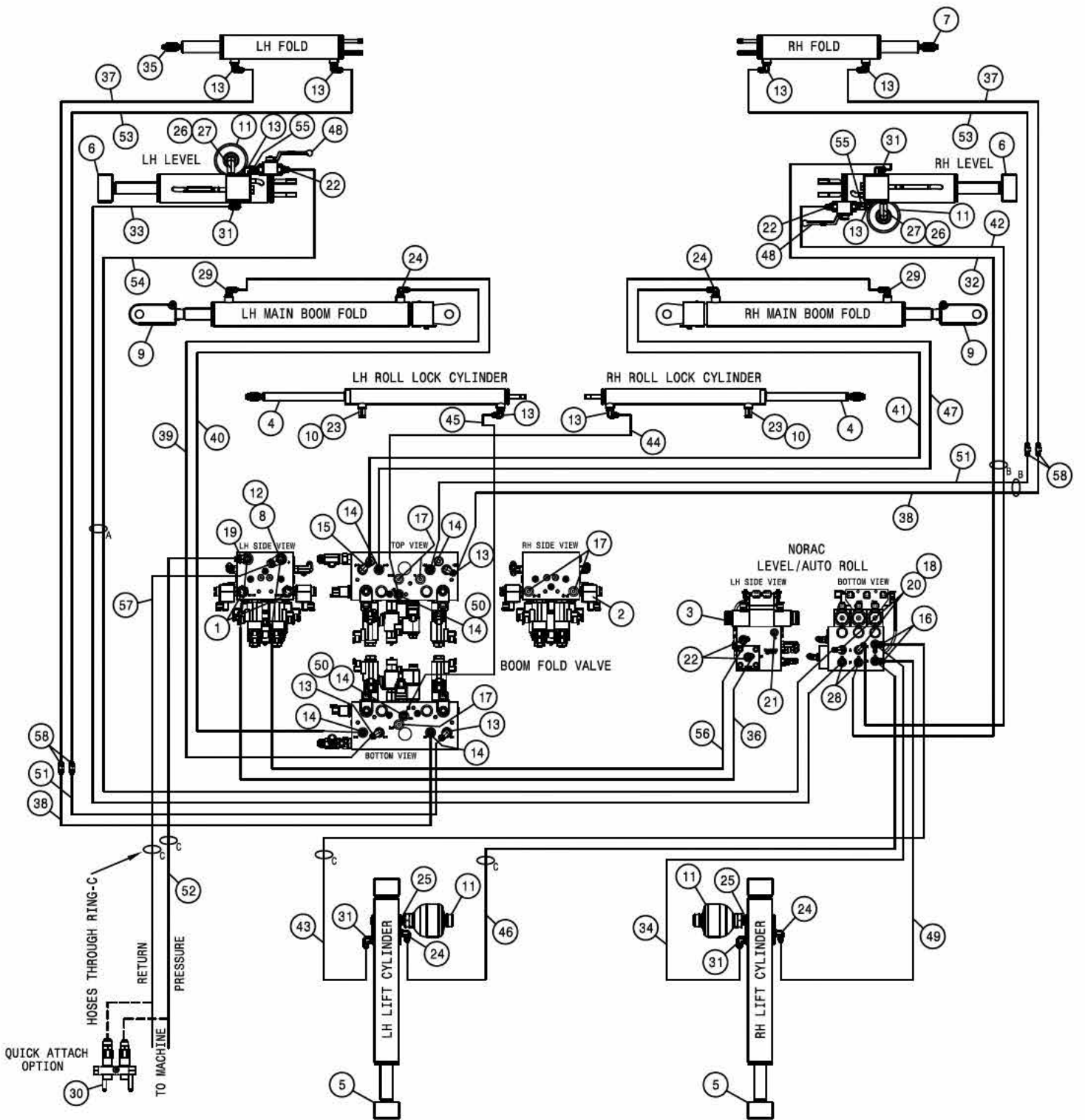
90/100 BOOM NORAC HYD DIAG 2014
REFERENCE DRAWING NO. 499332

DET.	QTY	PART NO.	DESCRIPTION	DET.	QTY	PART NO.	DESCRIPTION
1	1	606529	NORAC BOOM FOLD VALVE	31	4	618668	9/16FJIC SWIV-9/16MOR ADPTR
2	2	621590	HYD CYL, 1.50 X 10.88 X .875	32	2	614752	RESTRICTOR BR TEE ASSY, .042DIA
2	2	621590	HYD CYL, 1.50 X 10.88 X .875	33	1	616578	06-451TC-06FJX-06FJX90-18 H/A
3	2	607540	KICK-DOWN RELIEF VALVE, 800PSI	34	2	618733	9/16JIC .042 ORIFICE ADPTR
4	2	621556	HYD CYL, 2.50 X 18.00 X 1.500	35	2	616358	06-451TC-06FJX-06FJX-56 H/A
5	2	621558	HYD CYL, 3.00 X 11.00 X 1.380	36	2	616357	06-451TC-06FJX-06FJX90-79 H/A
6	2	621560	HYD CYL, 2.50 X 21.00 X 1.380	37	2	616365	06-451TC-08FJX-06FJX90-30 H/A
7	2	621562	HYD CYL, 2.25 X 21.00 X 1.380	38	2	616366	08-451TC-08FJX-08FJX90-18 H/A
8	2	470444	ACCUMULATOR, 30CI 1508 PSI	39	1	616611	06-451TC-06FJX-06FJX-91 H/A
9	1	607119	90/100 BREAKAWAY BLOCK STS'14	40	4	616316	06-451TC-06FJX-06FJX45-18 H/A
10	2	618440	9/16MJIC-90-9/16MOR EX LG LBO	41	2	616304	06-451TC-06FJX-06FJX-36 H/A
11	1	607114	MOBILE HALF COUPLER ASSY, 0502	42	4	616356	06-451TC-06FJX-06FJX90-27 H/A
12	2	618749	3/4MJIC BLKHD RUN TEE	43	4	616353	06-451TC-06FJX-06FJX-71 H/A
13	2	611125	3/4MJIC-3/4MOR ADPTR	44	2	616371	06-451TC-06FJX-06FJX-38 H/A
14	12	618126	9/16MJIC-9/16MOR ADPTR	45	1	616352	06-451TC-06FJX-06FJX-62 H/A
15	2	618444	9/16MOR RUN TEE-9/16MJIC	46	2	616360	06-451TC-06FJX-06FJX-84 H/A
16	2	618327	3/4MJIC-7/8MOR ADPTR	47	2	617054	04-451TC-06FJX-06FJX-11 H/A
17	1	618754	9/16MOR PLUG, HEX SOCKET	48	2	616361	06-451TC-06FJX-06FJX-86 H/A
18	1	618360	3/4MJIC-9/16MOR ADPTR	49	1	617193	06-451TC-08FJX-08FJX90-33 H/A
19	10	615852	LIFTARM HYD TUBE ASSY, STSLS 07	50	3	616359	06-451TC-06FJX-06FJX-78 H/A
20	8	615851	HYD TUBE, MAIN BOOM, STS	51	2	617191	06-451TC-06FJX-06FJX45-39 H/A
21	1	606347	PRESSURE TRANSDUCER, 7500PSI	52	1	616348	06-451TC-06FJX-06FJX-42 H/A
22	2	618618	9/16MJIC-90-9/16FJIC SWIV LBO	53	1	616350	06-451TC-06FJX-06FJX-58 H/A
23	2	618609	3/4MJIC-90-3/4FJIC SWIV LBO	54	3	616351	06-451TC-06FJX-06FJX-60 H/A
24	4	618688	9/16MJ-90-9/16MOR .025 CHK VLV	55	1	617192	06-451TC-06FJX-08FJX-33 H/A
25	2	618743	3/4MOR-3/4MJIC BLKHD, .040MFMO	56	2	618425	9/16MJIC-45-9/16MOR LBO
26	4	618689	9/16MJ-90-9/16MOR .042 CHK VLV	57	1	606455	NORAC HYD VALVE (44963D)
27	1	616740	06-451TC-06FJX-06FJX-20 H/A	58	2	616556	08-451TC-06FJX-08FJX90-31 H/A
28	15	618119	9/16MJIC-90-9/16MOR LBO	59	1	617194	08-451TC-08FJX-10FJX-50 H/A
29	2	618486	9/16FJIC SW RUN TEE-9/16MJIC	60	1	617195	08-451TC-08FJX-12FJX-50 H/A
30	2	618629	9/16MOR BRANCH TEE-9/16MJIC	61	2	696131	BALL VALVE, 9/16FOR, 7250PSI



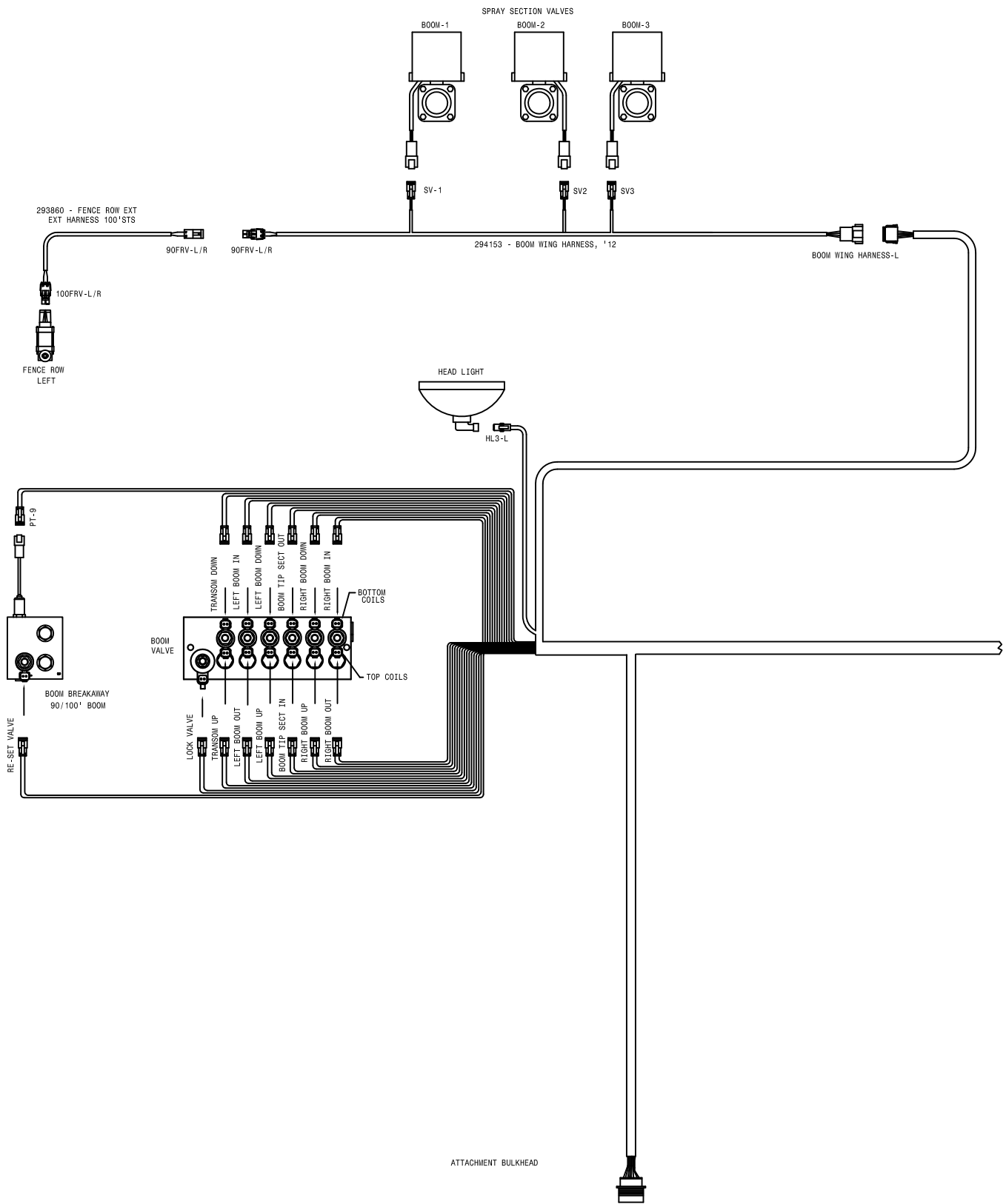
120' ALUM BOOM HYDRAULIC DIAGRAM STS 2014
REFERENCE DRAWING NO. 499180

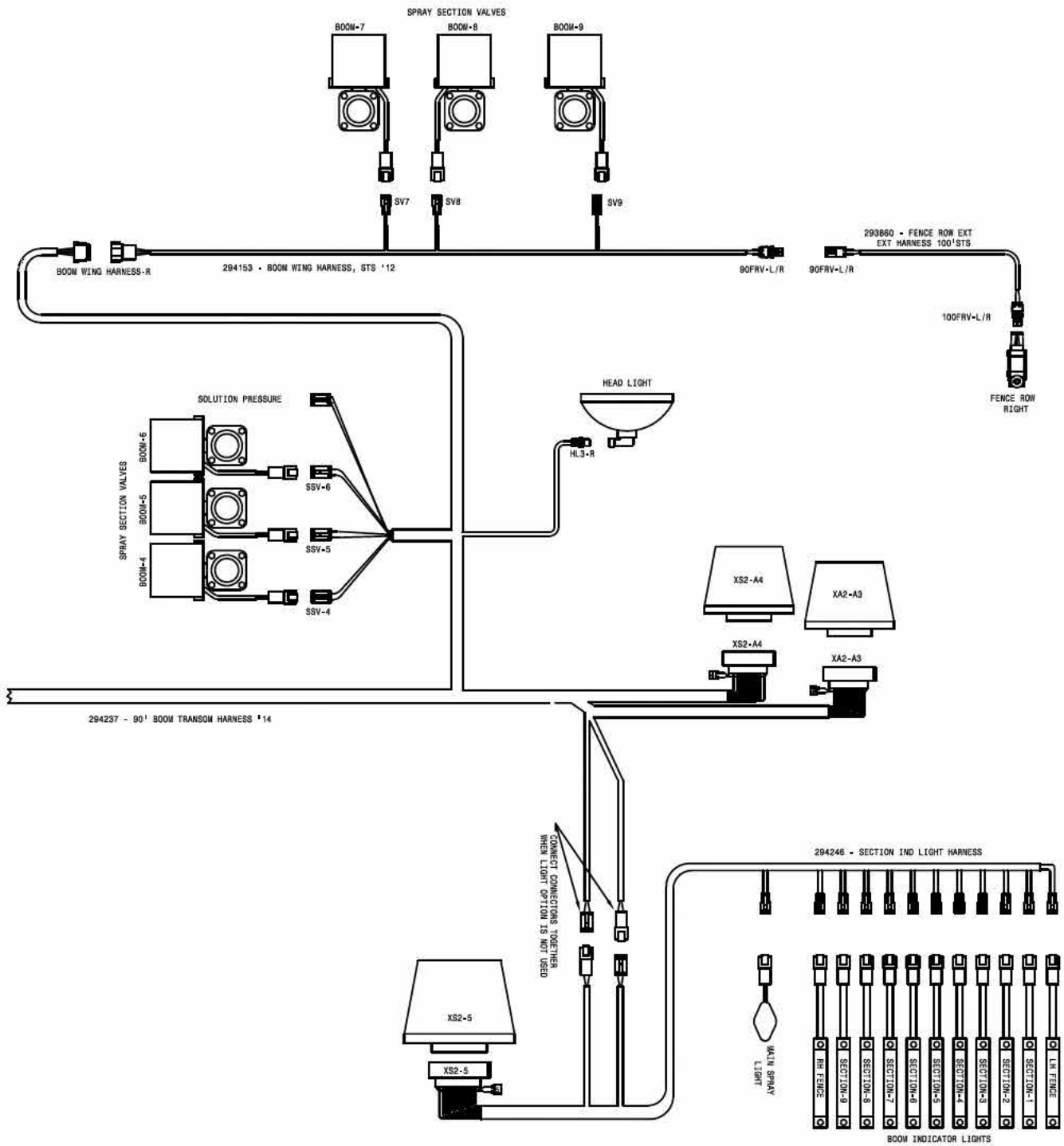
DET.	QTY	PART NO.	DESCRIPTION	DET.	QTY	PART NO.	DESCRIPTION
1	2	606347	PRESSURE TRANSDUCER,7500PSI	29	2	618689	9/16MJ-90-9/16MOR .042 CHK VLV
2	1	606527	FOLD MANIFOLD, 120'A STS'14	30	1	607114	MOBILE HALF COUPLER ASSY, 0502
3	1	606456	NORAC HYD VALVE (44960D)	31	4	618249	3/4MJIC-90-9/16MOR LBO
4	2	621626	HYD CYL,1.50-16.00-1.00	32	1	617167	06-451TC-08FJX-06FJX90-106 H/A
5	2	621640	HYD CYL,3.25 X 16.00 X 1.63	33	1	617168	06-451TC-08FJX-06FJX90-141 H/A
5	2	621640	HYD CYL,3.25 X 16.00 X 1.63	34	1	617166	06-451TC-08FJX-06FJX90-171 H/A
6	2	621642	HYD CYL,3.00 X 9.00 X 1.38	35	1	167090	LH HYD CYL,OUTER FOLD 120'A'12
6	2	621642	HYD CYL,3.00 X 9.00 X 1.38	36	1	617008	06-451TC-06FJX-08FJX-32 H/A
7	1	167091	RH HYD CYL,OUTER FOLD 120'A'12	37	2	616517	04-451TC-06FJX-06FJX-272 H/A
8	1	618574	7/8MJIC-3/4MOR ADPTR	38	2	616119	04-451TC-06FJX-06FJX-175 H/A
9	1	621656	HYD CYL, 3.50 X 19.75 X 1.750	39	1	616349	06-451TC-06FJX-06FJX-47 H/A
9	1	621656	HYD CYL, 3.50 X 19.75 X 1.750	40	1	616585	06-451TC-06FJX-06FJX90-62 H/A
10	2	470114	BREATHER FILTER VENT, 1/4 NPT	41	1	616351	06-451TC-06FJX-06FJX-60 H/A
11	4	470444	ACCUMULATOR, 30CI 1508 PSI	42	1	616646	06-451TC-06FJX-06FJX45-106 H/A
12	1	618333	7/8FJIC SW RUN TEE-7/8MJIC	43	1	617165	06-451TC-06FJX-08FJX-133 H/A
13	11	618119	9/16MJIC-90-9/16MOR LBO	44	1	616580	06-451TC-06FJX-06FJX90-34 H/A
14	6	618126	9/16MJIC-9/16MOR ADPTR	45	1	617006	06-451TC-06FJX-06FJX90-25 H/A
15	1	618440	9/16MJIC-90-9/16MOR EX LG LBO	46	1	616875	06-451TC-06FJX-06FJX90-171 H/A
16	2	618444	9/16MOR RUN TEE-9/16MJIC	47	1	616593	06-451TC-06FJX-06FJX90-38 H/A
17	5	618754	9/16MOR PLUG, HEX SOCKET	48	2	696131	BALL VALVE,9/16FOR,7250PSI
18	2	618618	9/16MJIC-90-9/16FJIC SWIV LBO	49	1	616974	06-451TC-06FJX-06FJX-133 H/A
19	1	618494	3/4MOR RUN TEE-3/4MJIC	50	2	618735	9/16JIC .062 ORIFICE ADPTR
20	2	618884	9/16MJIC-9/16MOR.042MFMO ADPTR	51	2	616866	04-451TC-06FJX-06FJX90-178 H/A
21	1	618753	7/16MOR PLUG, HEX SOCKET	52	1	617161	08-451TC-08FJX-10FJX-152 H/A
22	4	618425	9/16MJIC-45-9/16MOR LBO	53	2	616665	04-451TC-06FJX-06FJX-249 H/A
23	2	618123	9/16MOR-1/4FNPT ADPTR	54	1	616563	06-451TC-06FJX-06FJX-141 H/A
24	4	618739	9/16MJ-90-9/16MOR .065 CHK VLV	55	2	618668	9/16FJIC SWIV-9/16MOR ADPTR
25	2	618820	3/4MOR UNION	56	1	617163	08-451TC-06FJX-10FJX45-29 H/A
26	2	618669	3/4FJIC SWIV-3/4MOR ADPTR	57	1	617162	10-451TC-10FJX-12FJX-152 H/A
27	2	618443	3/4MJIC-90-3/4MOR EX LG LBO	58	4	619010	9/16MJIC UNION
28	2	618885	9/16MJIC-9/16MOR.055MOMF ADPTR				



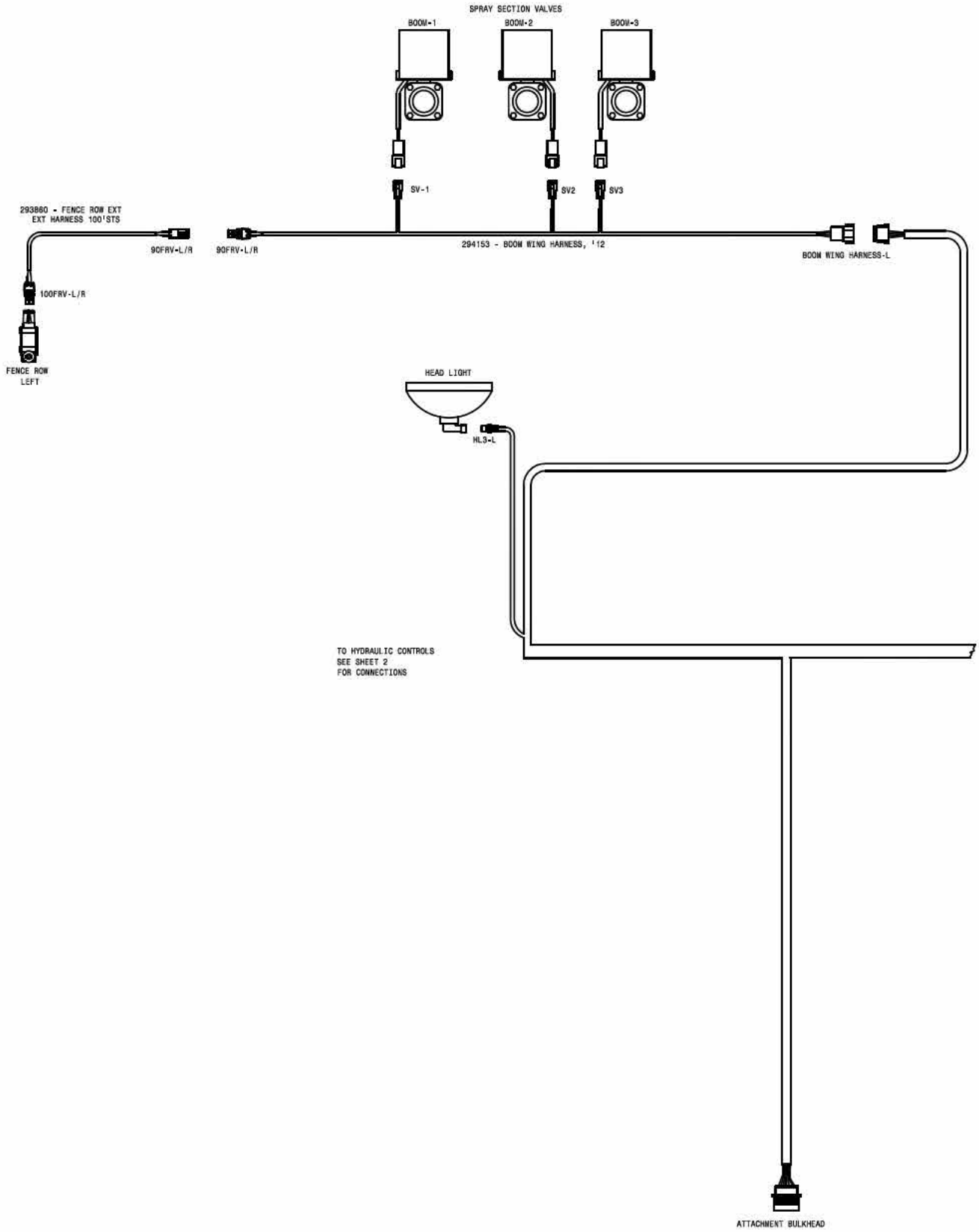
132' ALUM BOOM HYDRAULIC DIAGRAM STS 2014
REFERENCE DRAWING NO. 499184

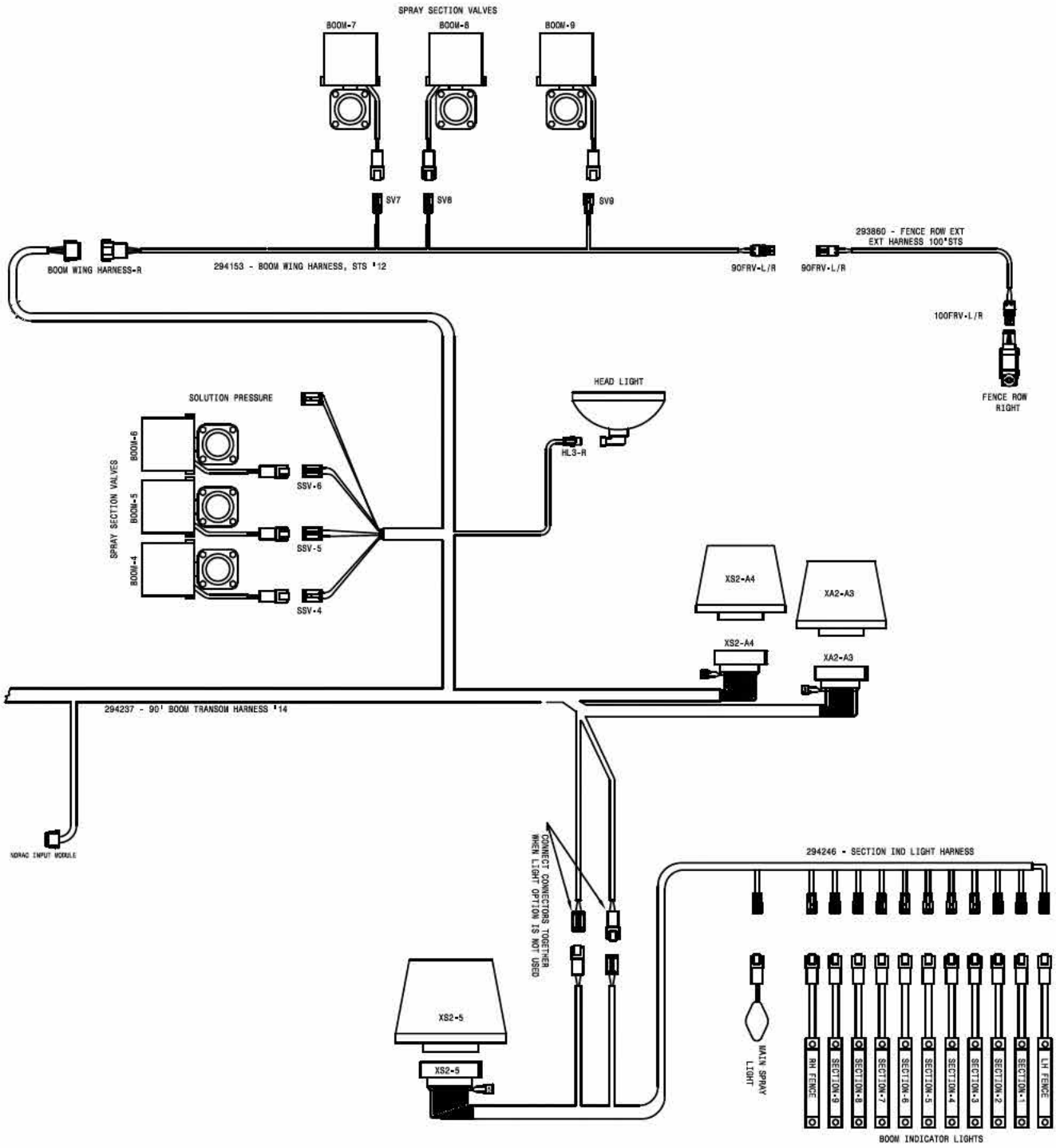
DET.	QTY	PART NO.	DESCRIPTION	DET.	QTY	PART NO.	DESCRIPTION
1	2	606347	PRESSURE TRANSDUCER,7500PSI	30	1	607114	MOBILE HALF COUPLER ASSY, 0502
2	1	606527	FOLD MANIFOLD, 120'A STS'14	31	4	618249	3/4MJIC-90-9/16MOR LBO
3	1	606456	NORAC HYD VALVE (44960D)	32	1	617167	06-451TC-08FJX-06FJX90-106 H/A
4	2	621626	HYD CYL,1.50-16.00-1.00	33	1	617168	06-451TC-08FJX-06FJX90-141 H/A
5	2	621640	HYD CYL,3.25 X 16.00 X 1.63	34	1	617166	06-451TC-08FJX-06FJX90-171 H/A
6	2	621642	HYD CYL,3.00 X 9.00 X 1.38	35	1	167090	LH HYD CYL, OUTER FOLD 120'A'12
7	1	167091	RH HYD CYL, OUTER FOLD 120'A'12	36	1	617008	06-451TC-06FJX-08FJX-32 H/A
8	1	618574	7/8MJIC-3/4MOR ADPTR	37	2	617045	04-451TC-06FJX-06FJX-315 H/A
9	1	621656	HYD CYL, 3.50 X 19.75 X 1.750	38	2	616119	04-451TC-06FJX-06FJX-175 H/A
10	2	470114	BREATHER FILTER VENT, 1/4 NPT	39	1	616349	06-451TC-06FJX-06FJX-47 H/A
11	4	470444	ACCUMULATOR, 30CI 1508 PSI	40	1	616585	06-451TC-06FJX-06FJX90-62 H/A
12	1	618333	7/8FJIC SW RUN TEE-7/8MJIC	41	1	616351	06-451TC-06FJX-06FJX-60 H/A
13	11	618119	9/16MJIC-90-9/16MOR LBO	42	1	616646	06-451TC-06FJX-06FJX45-106 H/A
14	6	618126	9/16MJIC-9/16MOR ADPTR	43	1	617165	06-451TC-06FJX-08FJX-133 H/A
15	1	618440	9/16MJIC-90-9/16MOR EX LG LBO	44	1	616580	06-451TC-06FJX-06FJX90-34 H/A
16	2	618444	9/16MOR RUN TEE-9/16MJIC	45	1	617006	06-451TC-06FJX-06FJX90-25 H/A
17	5	618754	9/16MOR PLUG, HEX SOCKET	46	1	616875	06-451TC-06FJX-06FJX90-171 H/A
18	2	618618	9/16MJIC-90-9/16FJIC SWIV LBO	47	1	616593	06-451TC-06FJX-06FJX90-38 H/A
19	1	618494	3/4MOR RUN TEE-3/4MJIC	48	2	696131	BALL VALVE, 9/16FOR, 7250PSI
20	2	618884	9/16MJIC-9/16MOR.042MFMO ADPTR	49	1	616974	06-451TC-06FJX-06FJX-133 H/A
21	1	618753	7/16MOR PLUG, HEX SOCKET	50	2	618735	9/16JIC .062 ORIFICE ADPTR
22	4	618425	9/16MJIC-45-9/16MOR LBO	51	2	616866	04-451TC-06FJX-06FJX90-178 H/A
23	2	618123	9/16MOR-1/4FNPT ADPTR	52	1	617161	08-451TC-08FJX-10FJX-152 H/A
24	4	618739	9/16MJ-90-9/16MOR .065 CHK VLV	53	2	617044	04-451TC-06FJX-06FJX-295 H/A
25	2	618820	3/4MOR UNION	54	1	616563	06-451TC-06FJX-06FJX-141 H/A
26	2	618669	3/4FJIC SWIV-3/4MOR ADPTR	55	2	618668	9/16FJIC SWIV-9/16MOR ADPTR
27	2	618443	3/4MJIC-90-3/4MOR EX LG LBO	56	1	617163	08-451TC-06FJX-10FJX45-29 H/A
28	2	618885	9/16MJIC-9/16MOR.055MOMF ADPTR	57	1	617162	10-451TC-10FJX-12FJX-152 H/A
29	2	618689	9/16MJ-90-9/16MOR .042 CHK VLV	58	4	619010	9/16MJIC UNION



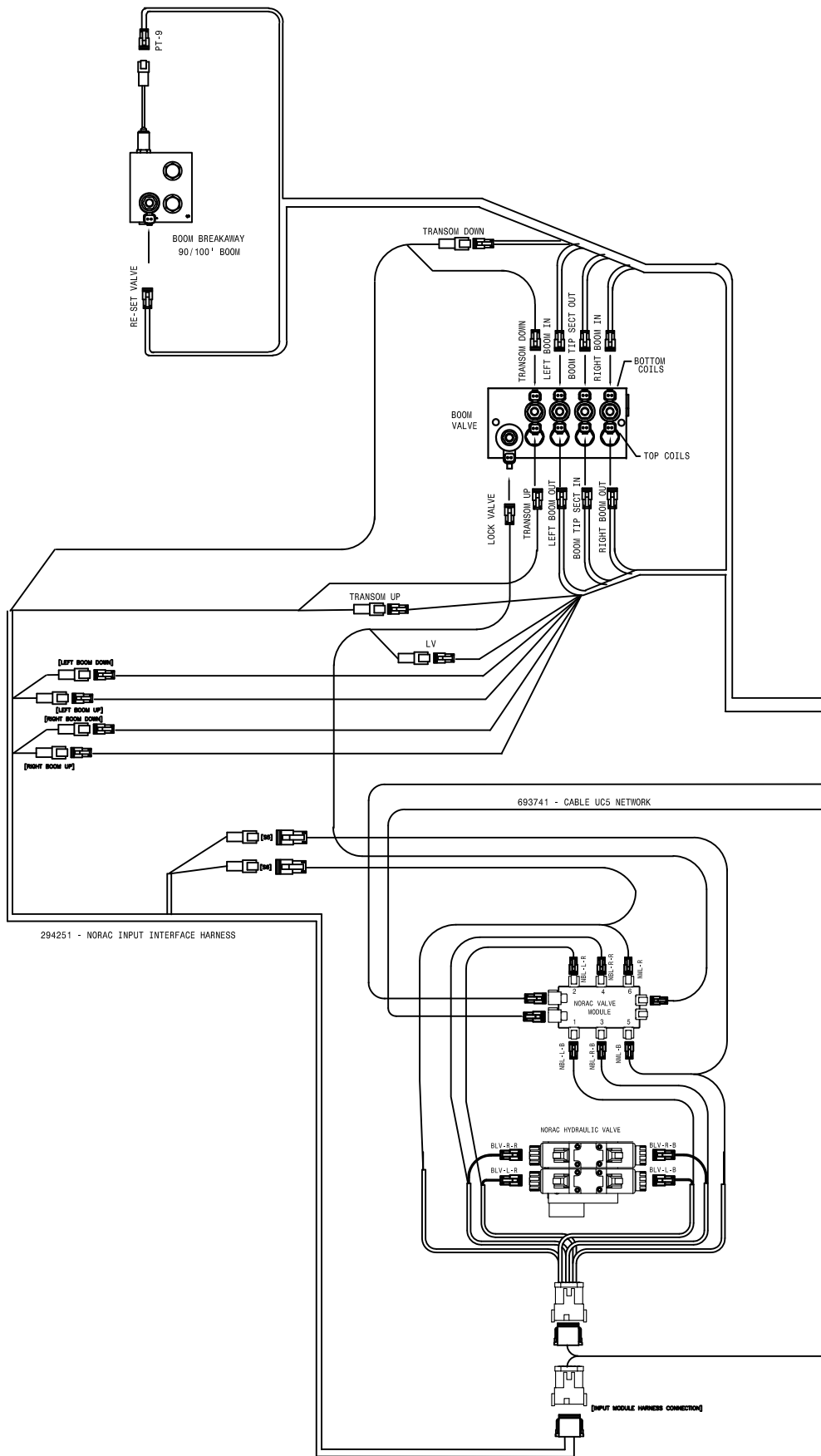


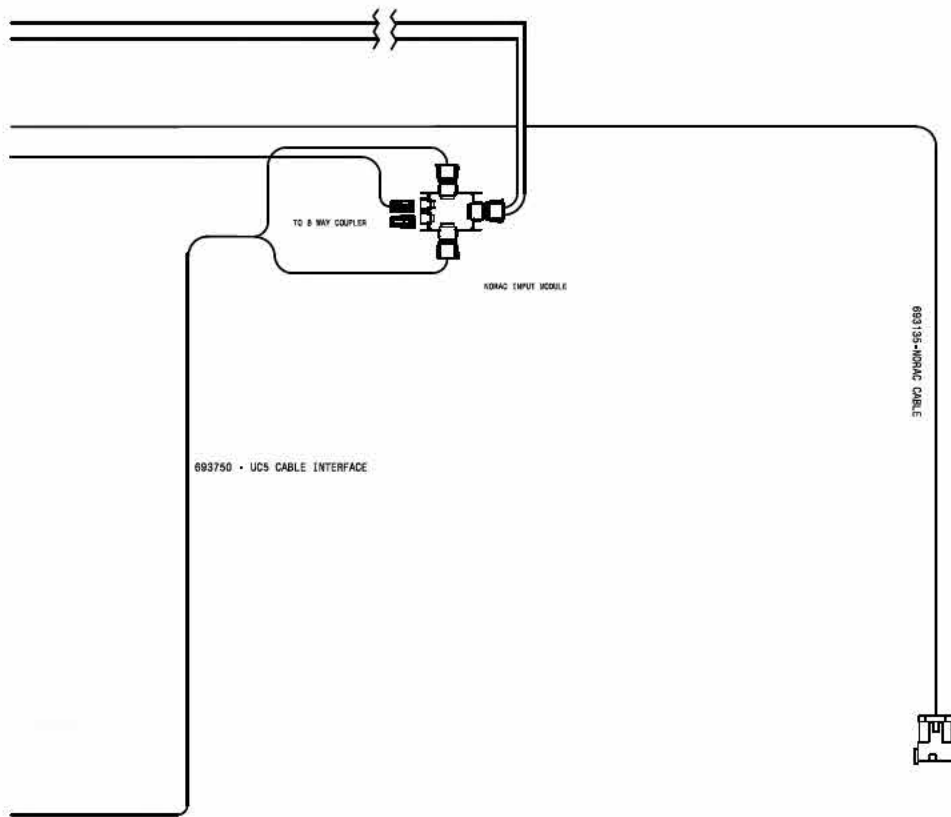
10/7/13 BSH
STS 90-100 BOOM WIRE DIAGRAM
 WITHOUT NORAC
 SHEET 1 OF 1
 REVISION DATE: 10/7/13
499185





10/7/13 BAH
STS 90-100 BOOM WIRE DIAGRAM
 WITH NORAC
 SHEET 1 OF 2
 REVISION DATE: 10/7/13 **499186**

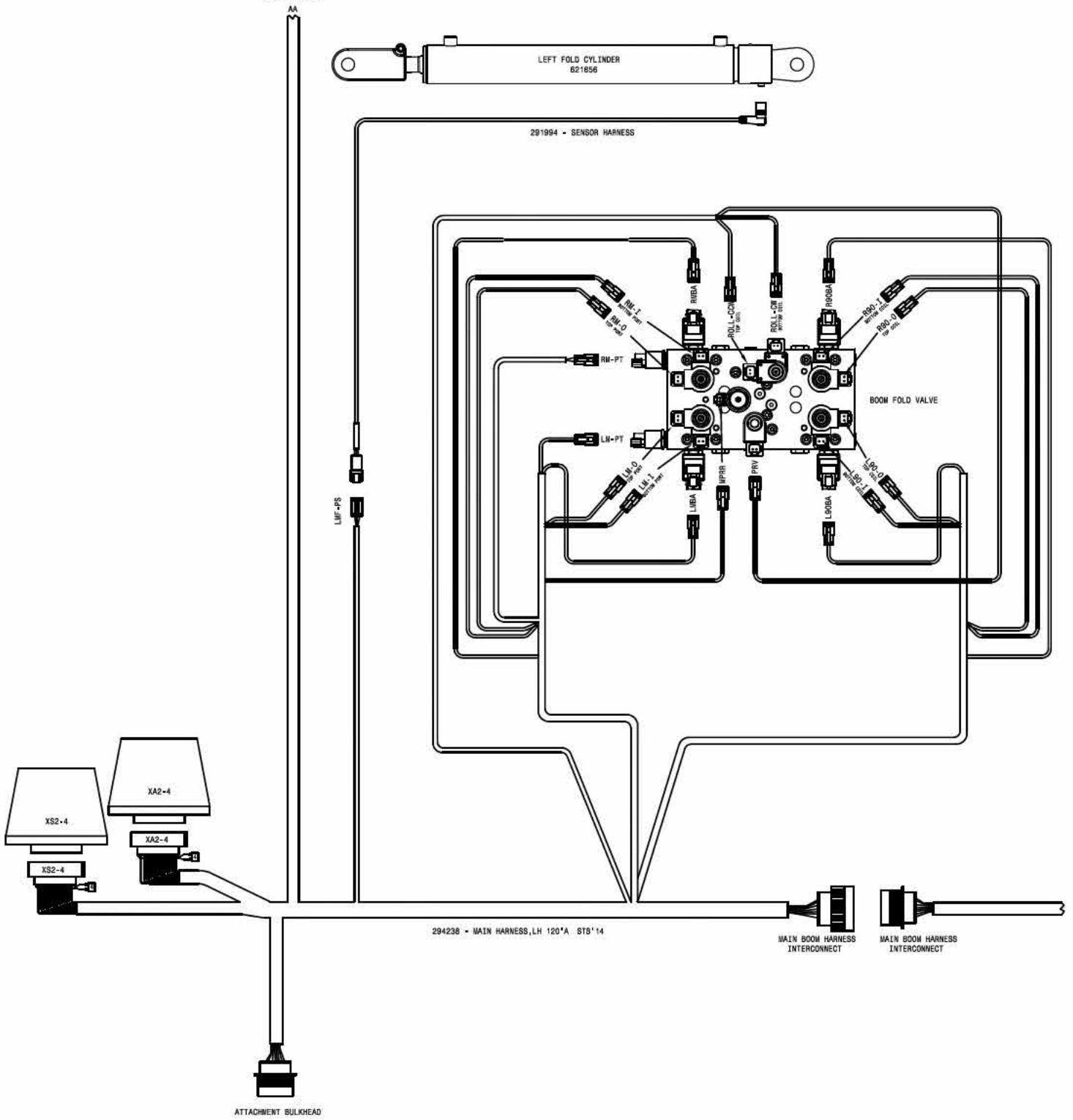


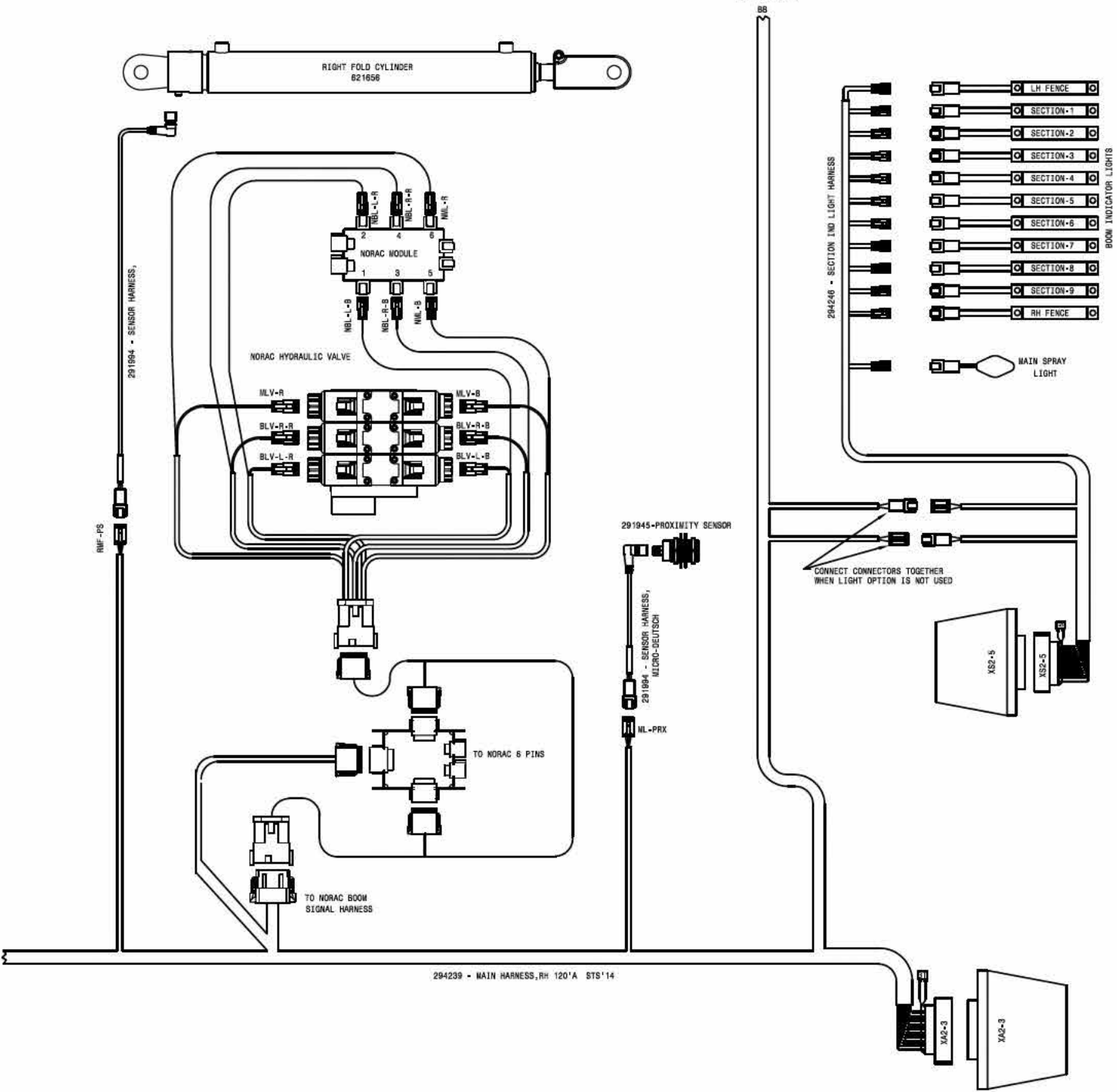


10/7/13 BSH

STS 90-100 BOOM WIRE DIAGRAM
 WITHOUT NORAC
 SHEET 2 OF 2
 REVISION DATE: 10/7/13

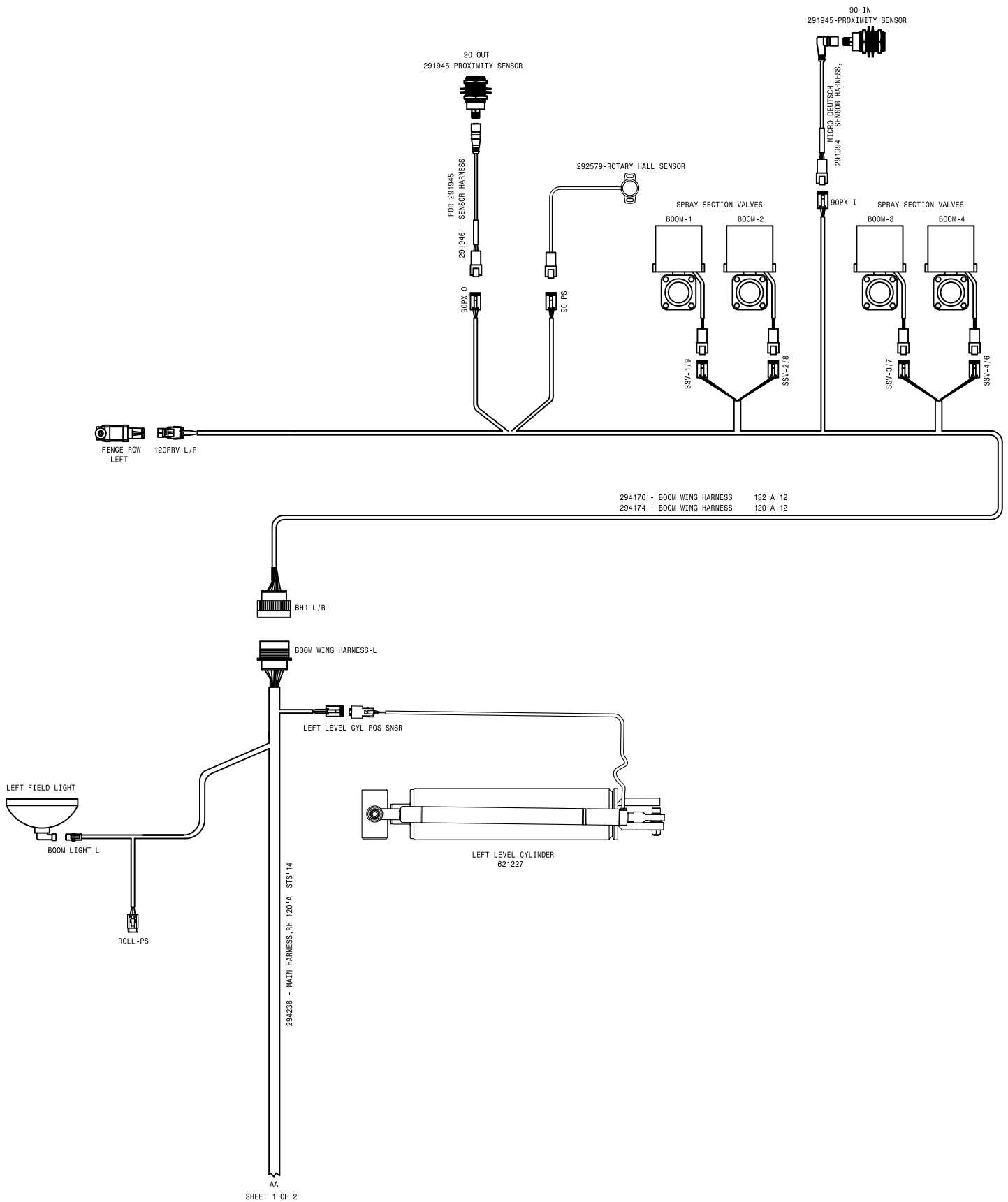
499186



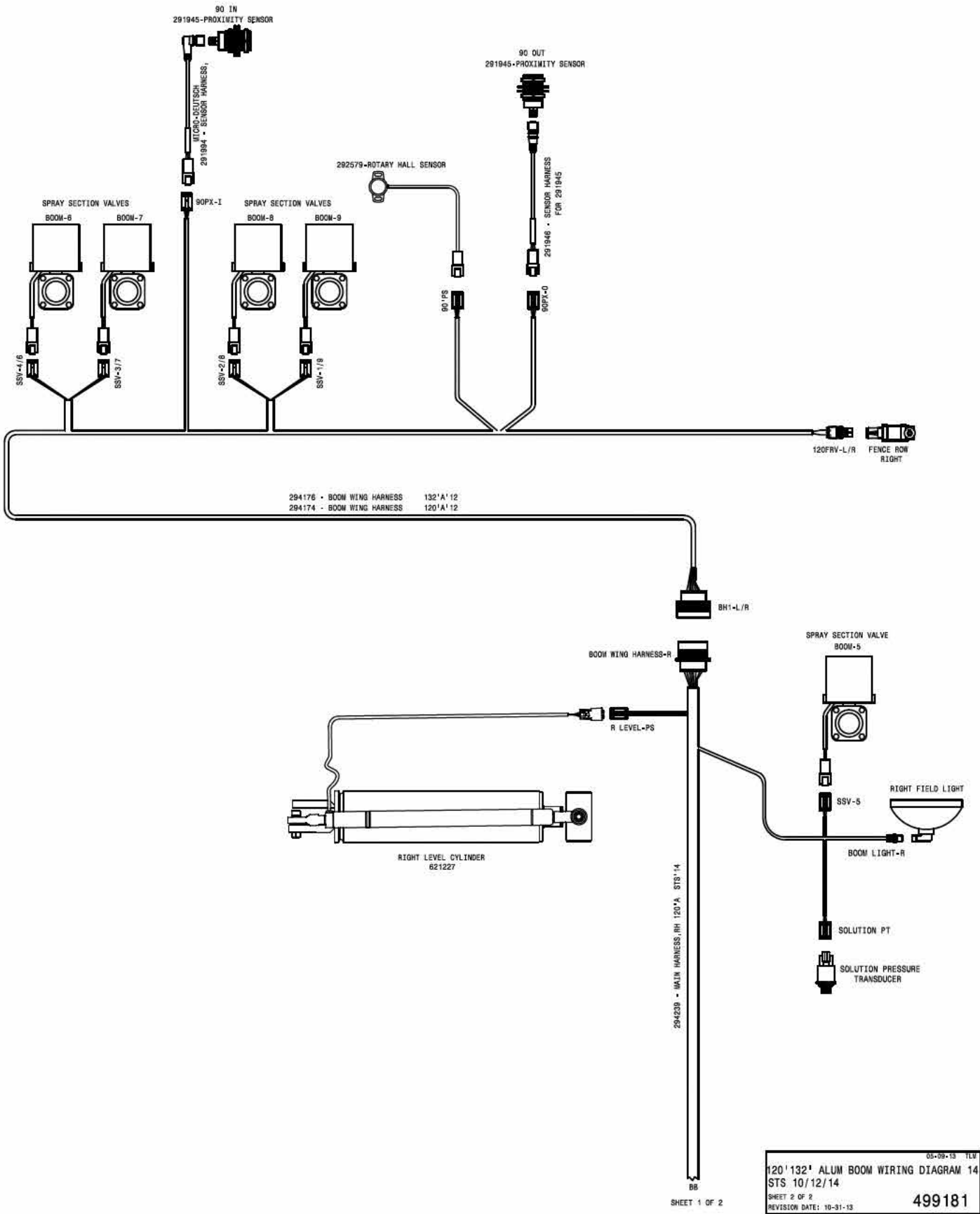


294239 - MAIN HARNESS, RH 120'A STS'14

10-22-13 BMH
 120'132' ALUM BOOM WIRING DIAGRAM 14
 STS 10/12/14
 SHEET 1 OF 2
 REVISION DATE: 10-31-13
499181



SHEET 1 OF 2



05-09-13 TLV

120'132' ALUM BOOM WIRING DIAGRAM 14
 STS 10/12/14
 SHEET 2 OF 2
 REVISION DATE: 10-31-13

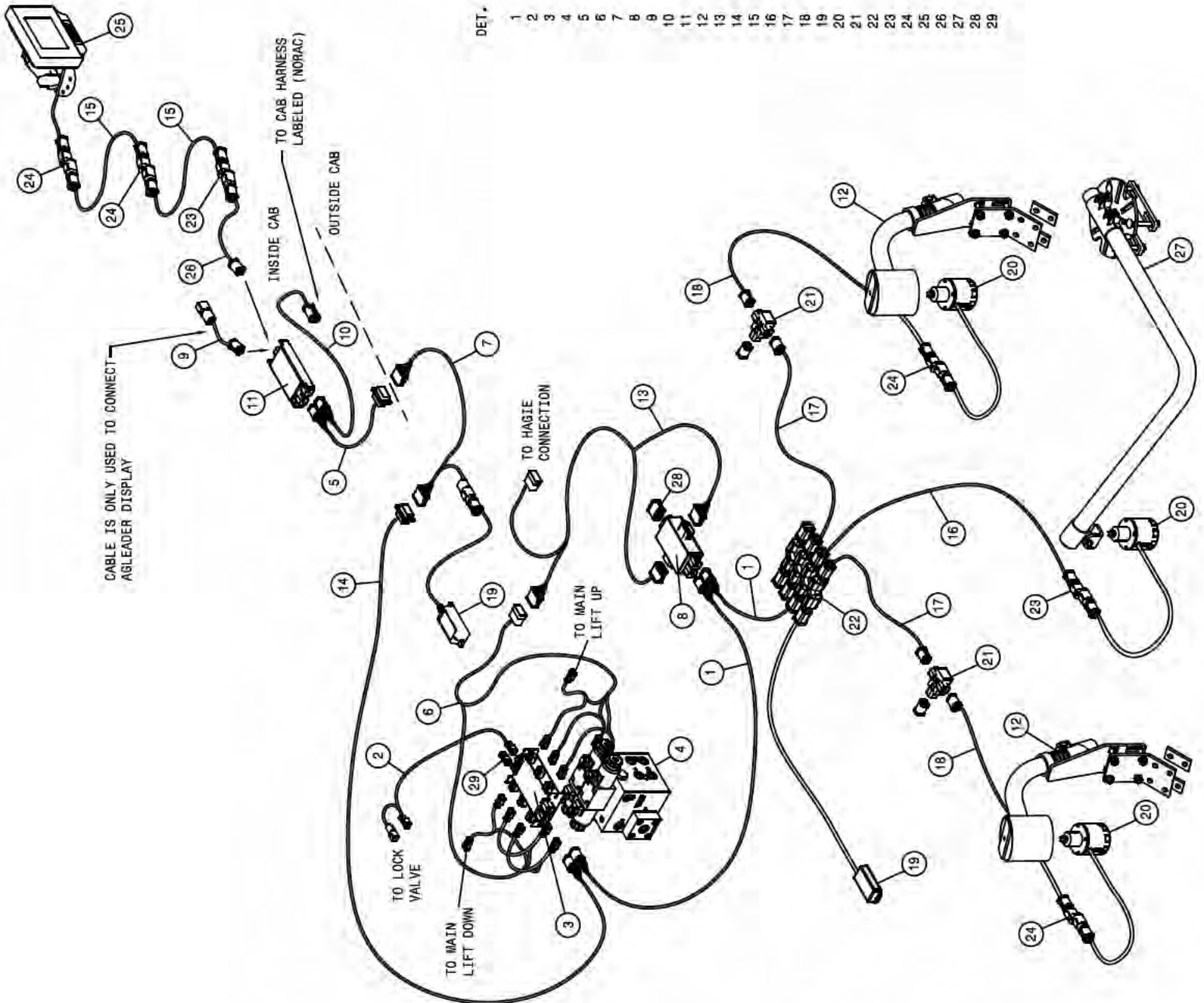
499181

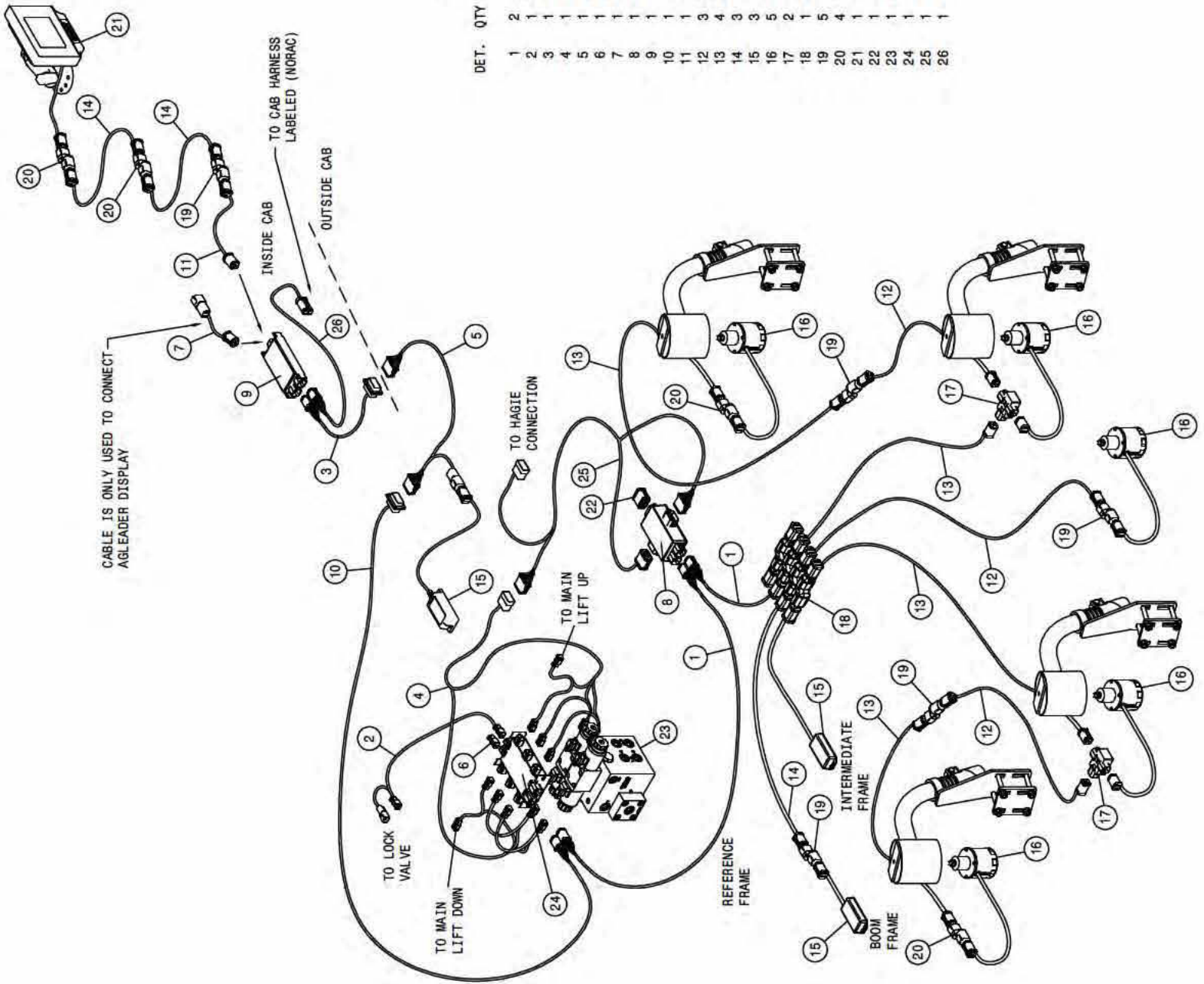
SHEET 1 OF 2

NORAC WIRING DIAGRAM 90"/100'

DET. QTY PART NO. DESCRIPTION

DET.	QTY	PART NO.	DESCRIPTION
1	1	693741	CABLE UC5 NETWORK 14 AWG 1M
2	1	693802	CABLE, UC5 VALVE LOCK
3	1	693133	NORAC MODULE, UC5 VALVE
4	1	606455	NORAC HYD VALVE (44963D)
5	1	693142	NORAC CABLE, STS IN-CAB CANBUS
6	1	693749	UC5 CABLE, VALVE
7	1	693745	CABLE, UC5, CAB TO BOOM DISCONN
8	1	693751	UC5 INPUT MODULE PASS THRU
9	1	693159	UC5 NETWORK ADPTR, CAN LINE ONLY
10	1	693746	CABLE, BATT, 4-PIN DT FUSED-5A
11	1	693139	NORAC MODULE, UC5 CONTROL
12	2	693068	SENSOR MTG BRKT, NORAC
13	1	693750	UC5 CABLE INTERFACE
14	1	693135	NORAC CABLE, STS BW DISCNT 150"
15	2	693150	NORAC CBL, UC5 NETWORK, 1 METER
16	1	693161	NORAC CABLE, UC5 NETWORK, 5M
17	2	693145	NORAC CABLE, UC5 NETWORK, 10M
18	1	693806	CABLE, UC5 12 AWG 7M
19	2	693165	NORAC UC5 ROLL SENSOR
20	3	693173	SENSOR, NORAC UC5 ULTRASONIC
21	2	693147	NORAC UC5 NETWORK CPLR, 3-WAY
22	1	693131	NORAC UC5 NETWORK CPLR, 8-WAY
23	4	693128	NORAC UC5 NETWORK 2-WAY CPLR
24	4	693146	NORAC UC5 2-WAY CPLR W/TRIMTOR
25	1	693122	ECHO DISPLAY KIT, NORAC, STS, *10
26	1	693130	NORAC CABLE, UC5 NETWORK, 0.5M
27	1	693072	MAIN LIFT SENSOR MT, UC4+, NORAC
28	1	693801	UC5 NETWORK 12 PIN PLUG, A-KEY
29	1	693752	UC5 NETWORK 2 PIN PLUG





NORAC WIRING DIAGRAM 120'

DET. QTY PART NO. DESCRIPTION

DET.	QTY	PART NO.	DESCRIPTION
1	2	693741	CABLE UC5 NETWORK 14 AWG 1M
2	1	693802	CABLE,UC5 VALVE LOCK
3	1	693142	NORAC CABLE,STS IN-CAB CANBUS
4	1	693749	UC5 CABLE,VALVE
5	1	693745	CABLE,UC5,CAB TO BOOM DISCONN
6	1	693752	UC5 NETWORK 2 PIN PLUG
7	1	693159	UC5 NETWORK ADPTR,CAN LINE ONLY
8	1	693751	UC5 INPUT MODULE PASS THRU
9	1	693139	NORAC MODULE,UC5 CONTROL
10	1	693135	NORAC CABLE,STS BM DISCNT 150"
11	1	693130	NORAC CABLE,UC5 NETWORK,0.5M
12	3	693127	NORAC CABLE,UC5 NETWORK,3METER
13	4	693145	NORAC CABLE,UC5 NETWORK,10M
14	3	693150	NORAC CBL,UC5 NETWORK,1 METER
15	3	693165	NORAC UC5 ROLL SENSOR
16	5	693113	SENSOR,NORAC UC5 ULTRASONIC
17	2	693147	NORAC UC5 NETWORK CPLR,3-WAY
18	1	693131	NORAC UC5 NETWORK CPLR,8-WAY
19	5	693128	NORAC UC5 NETWORK 2-WAY CPLR
20	4	693146	NORAC UC5 2-WAY CPLR W/TRMNTOR
21	1	693122	ECHO DISPLAY KIT,NORAC,STS 10
22	1	693801	UC5 NETWORK 12 PIN PLUG,A-KEY
23	1	693455	HYDRAULIC STEERING VALVE,RAVEN
24	1	693133	NORAC MODULE,UC5 VALVE
25	1	693750	UC5 CABLE INTERFACE
26	1	693746	CABLE,BATT,4-PIN DT FUSED-5A

Notes: