

STS 16



PARTS MANUAL FOR HAGIE STS 16
HAGIE MANUFACTURING COMPANY

721 CENTRAL AVENUE WEST
BOX 273
CLARION, IOWA 50525-0273

COVERS MACHINE SERIAL NUMBERS: U16181616001-200

08-15 493641
01-16, 02-16, 03-17,
01-18, 06-18

To obtain the most current parts manual for your machine,
please visit www.hagie.com.

© 2015-18 Hagie Manufacturing Company. Clarion, Iowa USA



SPRAYER IDENTIFICATION

Each Hagie sprayer is identified by means of a frame serial number. This serial number denotes the model, the year in which it was built, and the number of the sprayer. As for further identification, the engine has a serial number and the planetary hubs have an identification plate that describe the type of mount and gear ratio. To ensure prompt, efficient service when ordering parts or requesting service repairs from your local John Deere dealer, record the serial and identification numbers in the spaces provided below.

NOTE: Reference to left hand and right hand used throughout this manual refers to the position when seated in the operator's seat facing forward.

This manual is not intended to be a complete guide for machine maintenance and repairs. If you are not properly trained to perform service on this machine, contact your local John Deere dealer for assistance. Improper maintenance or repair may result in property damage, personal injury, or death.

SPRAYER SERIAL NUMBER

ENGINE SERIAL NUMBER

FILTER QUICK REFERENCE

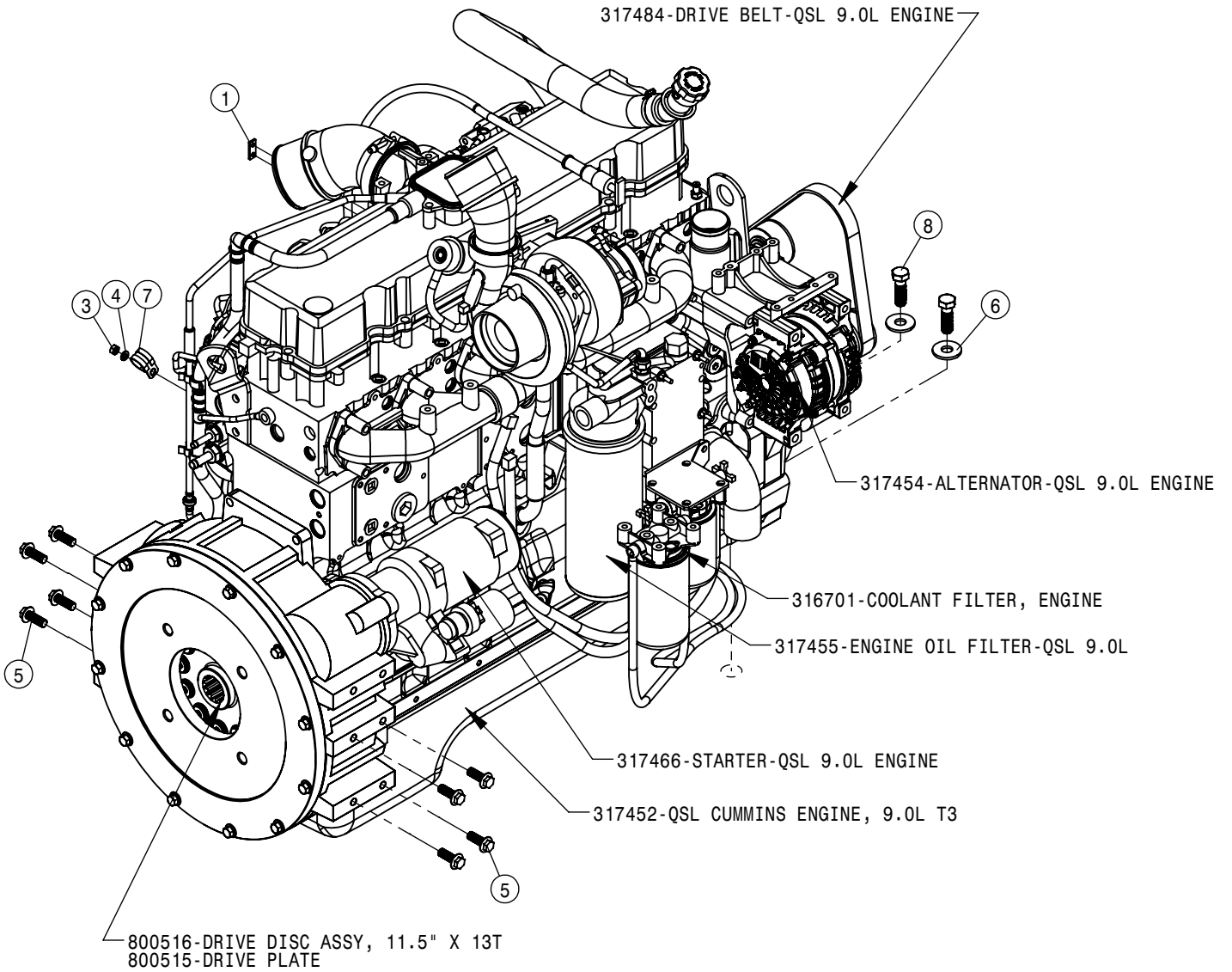
<u>QTY</u>	<u>P/N</u>	<u>DESCRIPTION</u>
1	605657	HYD OIL FILTER, CHARGE PUMP
1	605659	HYD TANK OIL FILTER
1	605663	CASE DRAIN OIL FILTER
1	605661	STEERING MOTOR OIL FILTER
1	605666	FAN MOTOR OIL FILTER
1	657557	CAB PRECLEANER AIR FILTER
1	657559	CAB PAPER FILTER
1	657558	CAB CHARCOAL FILTER
		<u>T3 ENGINE</u>
2	317154	ENGINE AIR FILTER, PRIMARY
2	317155	ENGINE AIR FILTER, SECONDARY
1	317455	ENGINE OIL FILTER QSL
1	317669	FUEL/WATER SEPERATOR T3
1	316689	FUEL FILTER, PRIMARY ENG T3
1	316701	COOLANT FILTER

TRANSLATED DECAL KITS

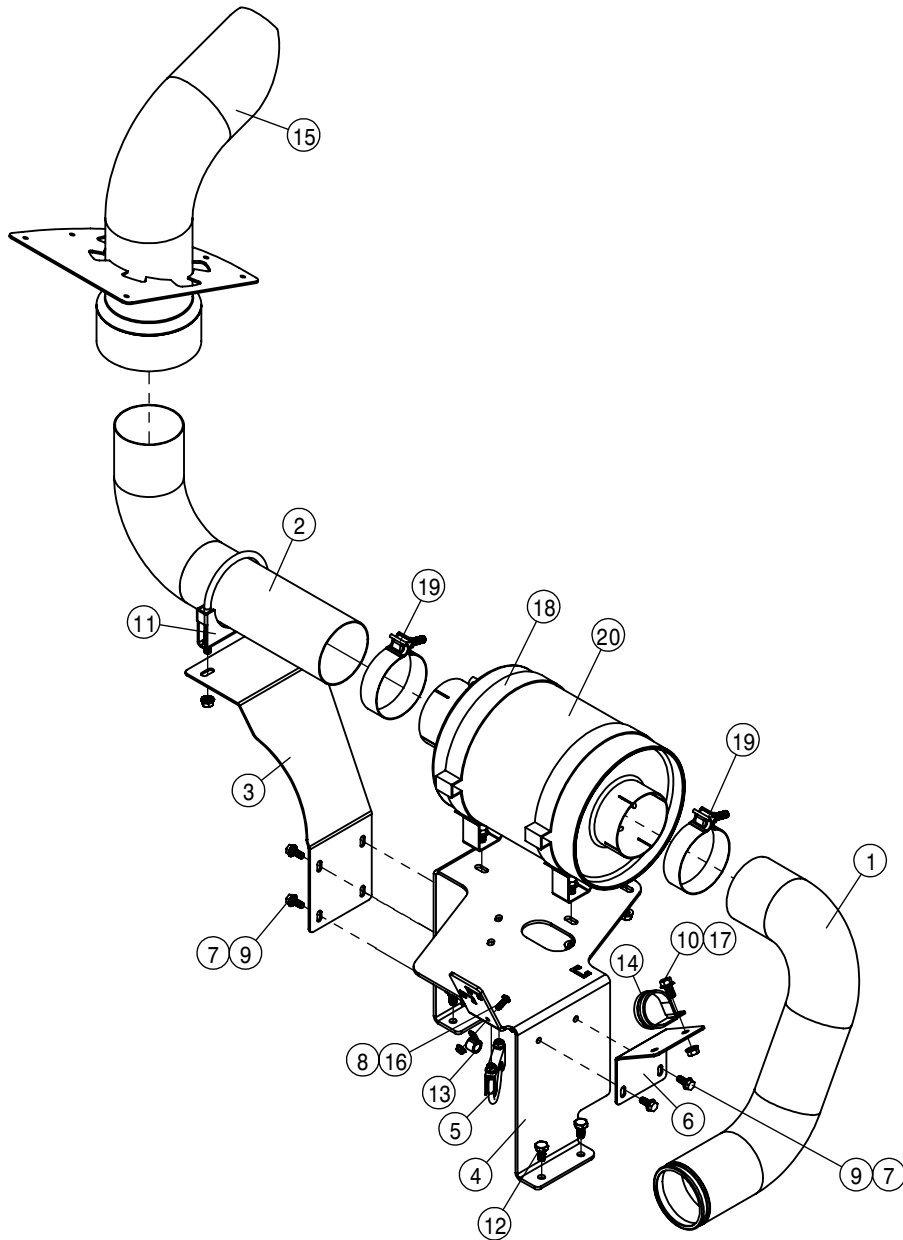
<u>QTY</u>	<u>P/N</u>	<u>DESCRIPTION</u>
1	KDC500HUN	DECAL KIT, STS HUNGARY
1	KDC501MEX	DECAL KIT, STS MEXICO
1	KDC502UKR	DECAL KIT, STS UKRAINE
1	KDC511CHN	DECAL KIT, STS CHINESE
1	KDC512RMA	DECAL KIT, STS ROMANIAN

TABLE OF CONTENTS

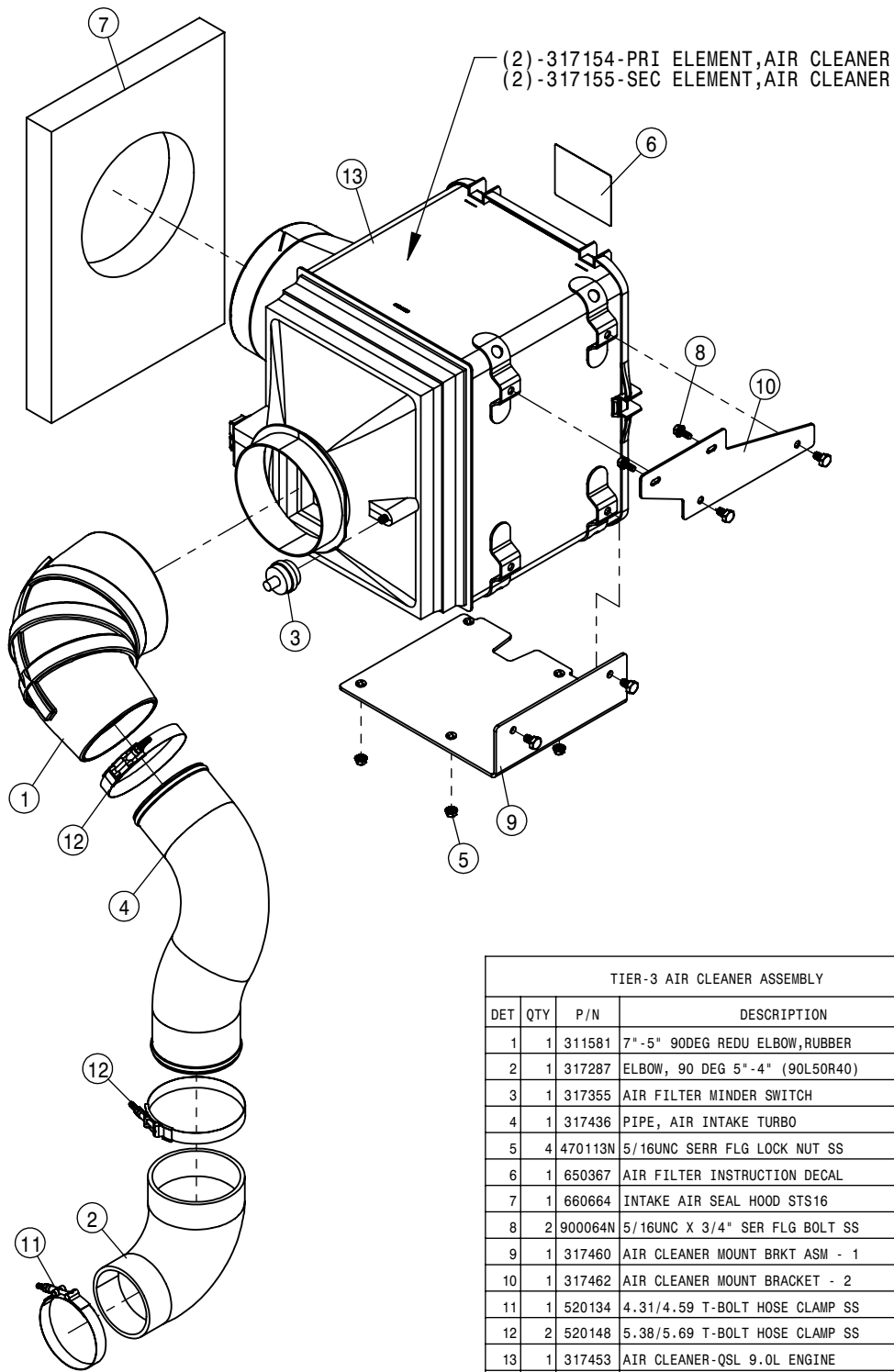
ENGINE ASSEMBLY T3	4-10
CHASSIS ELECTRICAL	11-13
A/C AND HEATER LINES	14-15
HYDRAULIC HOISING	16-27
HYDRAULIC PUMP ASSEMBLY	28-32
WHEEL MOTOR ASSEMBLY	33-38
COMBO AUX OIL COOLER ASSEMBLY	39
HYDRAULIC TANK ASSEMBLY	40-41
HYDRAULIC COMPONENTS	42-54
TREAD ADJUST ASSEMBLY	55-65
FUEL SYSTEM	66
LEG ASSEMBLIES	67-72
STEERING CYLINDER AND TIE ROD ASSEMBLY	73-77
TIRE ASSEMBLY	78-79
AIR BAG AND AIR SYSTEM	80-85
CAB ASSEMBLY	86-102
COMBO CONTROL BOX ASSEMBLY	103
TOOLBOX OPTION	104
QUICK ATTACH	105
BULKHEAD AND BELLY PAN	106-107
ENGINE HOOD	108
BACK-UP CAMERA	109-110
SERVICE PLATFORM AND LADDER	111-112
SOLUTION SYSTEM	113-119
FRONT FILL AND SIDE FILL OPTION	120-126
REAR FILL OPTION	127
REAR WHEEL NOZZLE OPTION	128-129
FILL FLOW METER	130
HAND WASH OPTION	131
FOAMER OPTION	132
FENDER OPTION	133-134
BOOM CRADLE OPTION	135-138
TALL CROP OPTION	139-144
PRESSURE WASHER OPTION	145-148
MODULAR INJECTION SYSTEM	149-152
REMOTE GREASE BANK	153
WIRING DIAGRAM	154-155
HYDRAULIC DIAGRAM	156-163
ABBREVIATIONS	164
INDEX	165



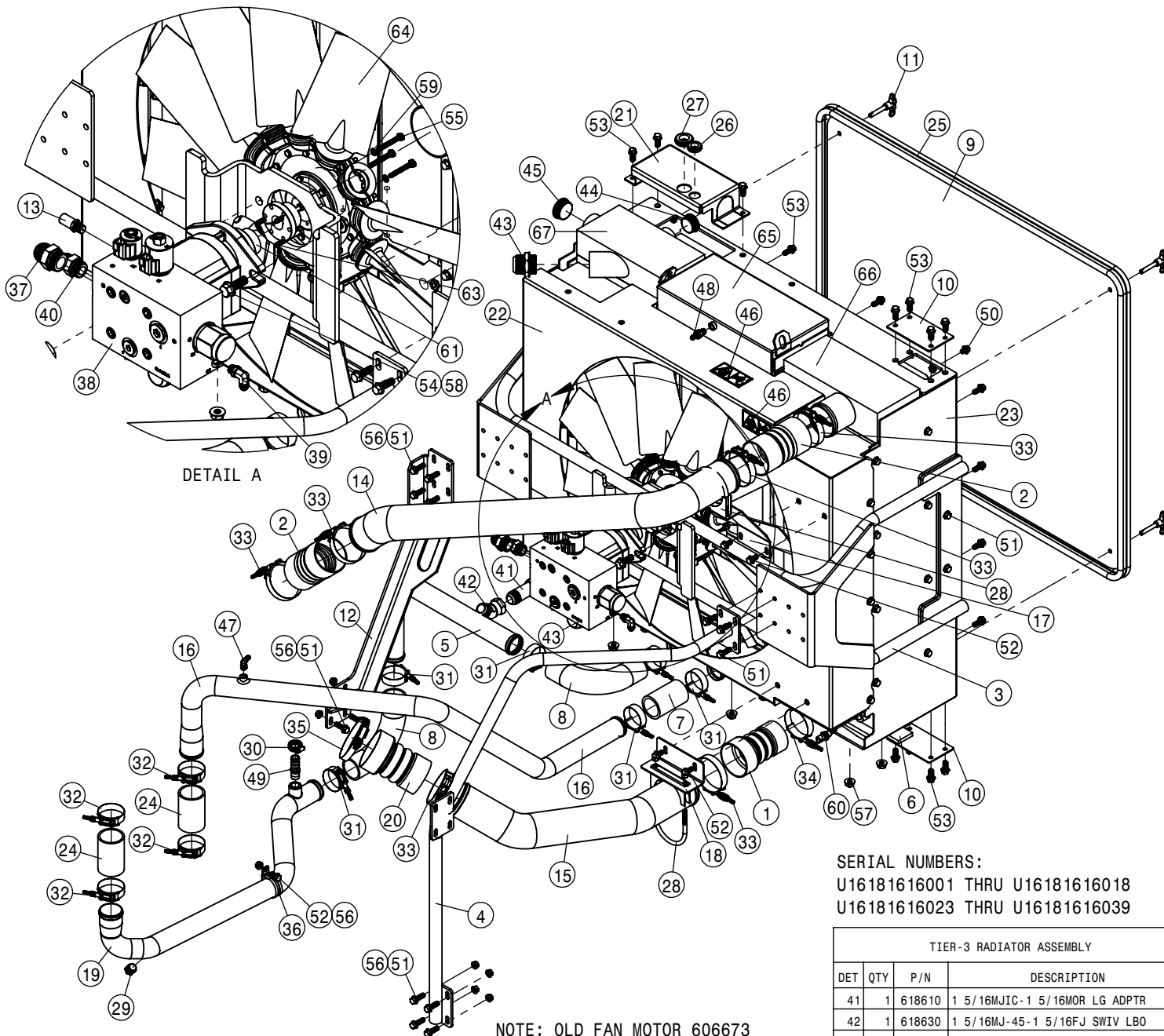
TIER-3 365 HP ENGINE ASSEMBLY			
DET	QTY	P/N	DESCRIPTION
1	1	292684	BUSBAR, GRID HEATER
NS	1	294241	ENGINE HARNESS T3 QSL
3	1	473778	8MM-1.25 HEX NUT
4	1	473804	8MM LOCK WASHER
5	8	473855	12MM-1.75 X 35MM SM FLG BOLT
6	2	483037N	5/8 REGULAR FLAT WASHER YZ
7	1	520121	CUSH CLAMP,#16 1IN X 3/4W
8	2	900335N	5/8UNC X 2" HEX BOLT



TIER-3 EXHAUST ASSEMBLY			
DET	QTY	P/N	DESCRIPTION
1	1	317441	PIPE, TURBO EXHAUST
2	1	317442	PIPE, EXHAUST OUTLET
3	1	317443	BRACKET-EXHAUST PIPE
4	1	317447	EXHAUST SUPPORT
5	1	317467	CLAMP 2.5 U-BOLT
6	1	317476	BRACKET-OIL FILL HOSE
7	6	470113N	5/16UNC SERR FLG LOCK NUT SS
8	1	470121	1/4 UNC SERR FLG LOCK NUT
9	6	470233	5/16UNC X 3/4 SERR FLG HEX BOLT
10	5	470409	3/8UNC X 3/4" SERR FLG BOLT
11	1	472217	4" MUFFLER CLAMP 3/8UNC
12	4	473793	10MM-1.50 X 20MM HEX BOLT GR8
13	1	520118	CUSH CLAMP,#8 1/2D X 1/2W
14	1	520161	CUSH CLAMP,#32 2"D-3/4W LOOP
15	1	660531	EXHAUST STACK WLDT STS' 14
16	1	903700	1/4UNC X 3/4 PHIL PAN MACH SCR
17	5	910004N	3/8UNC FLANGE CNTR LOCK NUT
18	2	317106	MUFFLER MNTG CLAMP
19	2	470519	MUFFLER CLAMP, 4.00 ACCUSEAL
20	1	317107	86144M - 4" RESONATOR



TIER-3 AIR CLEANER ASSEMBLY			
DET	QTY	P/N	DESCRIPTION
1	1	311581	7"-5" 90DEG REDU ELBOW,RUBBER
2	1	317287	ELBOW, 90 DEG 5"-4" (90L50R40)
3	1	317355	AIR FILTER MINDER SWITCH
4	1	317436	PIPE, AIR INTAKE TURBO
5	4	470113N	5/16UNC SERR FLG LOCK NUT SS
6	1	650367	AIR FILTER INSTRUCTION DECAL
7	1	660664	INTAKE AIR SEAL HOOD STS16
8	2	900064N	5/16UNC X 3/4" SER FLG BOLT SS
9	1	317460	AIR CLEANER MOUNT BRKT ASM - 1
10	1	317462	AIR CLEANER MOUNT BRACKET - 2
11	1	520134	4.31/4.59 T-BOLT HOSE CLAMP SS
12	2	520148	5.38/5.69 T-BOLT HOSE CLAMP SS
13	1	317453	AIR CLEANER-QSL 9.0L ENGINE
14	4	473796	10MM-1.50 X 16MM HEX BOLT GR8



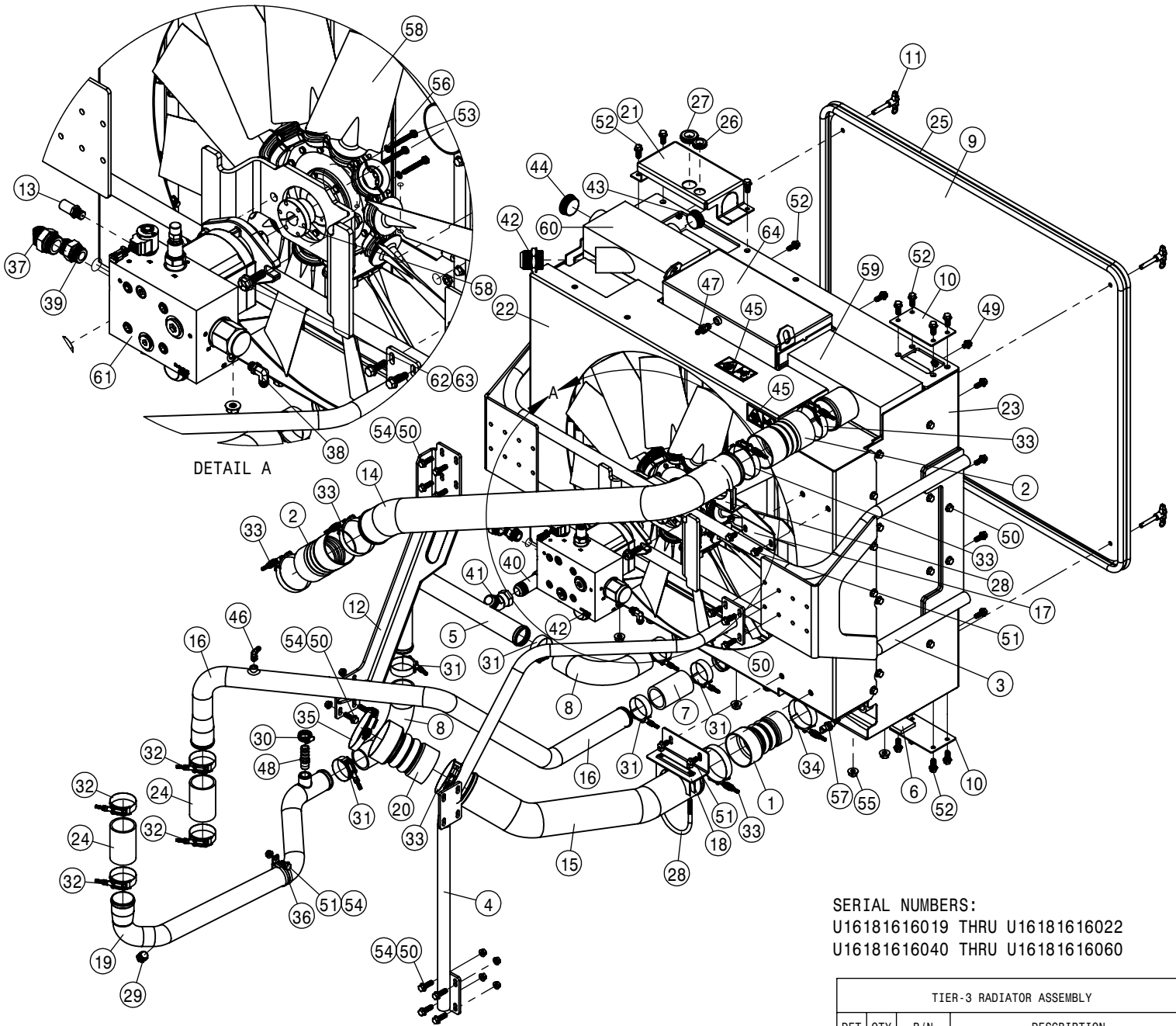
SERIAL NUMBERS:
 U16181616001 THRU U16181616018
 U16181616023 THRU U16181616039

NOTE: OLD FAN MOTOR 606673
 REPLACEMENT KIT KSF013.

TIER-3 RADIATOR ASSEMBLY			
DET	QTY	P/N	DESCRIPTION
1	1	311500	3.50-3.00 X 6.00 REDU CAC HOSE
2	2	311501	HOSE, 3.50" CAC HOSE
3	1	317181	FAN FRAME WLD
4	1	317194	RH COOLING PKG SUPP WLD
5	1	317200	PIPE - RAD TO WATER INLET 1
6	1	317202	COOLING PACKAGE ISOLATOR
7	1	317203	COOLANT HOSE
8	2	317204	COOLANT ELBOW
9	1	317337	INTAKE SCREEN WLD
10	2	317341	COOLING PKG FRAME COVER
11	4	317364	T-HANDLE QUICK PIN - 1.75" X 3/8 D
12	1	317390	SUPPORT BRACE COOLING PACK
13	1	619023	9/16 MOR DIAGNOSTIC FITTING
14	1	317437	TUBE, CAC HOT SIDE
15	1	317438	TUBE, CAC COLD SIDE
16	1	317439	PIPE ENGINE TO RAD - OUTLET
17	1	317463	CAC HOT BRKT
18	1	317464	CAC COLD PIPE SUPPORT
19	1	317440	PIPE - RAD TO WATER INLET 2
20	1	317465	4.00-3.50 X 6.00 REDU CAC HOSE

TIER-3 RADIATOR ASSEMBLY			
DET	QTY	P/N	DESCRIPTION
21	1	317468	CONDENSOR ACCESS COVER STS16
22	1	317471	FAN SHROUD WLD
23	1	317473	COOLING PKG FRAME WLD
24	2	317475	COOLANT HOSE - 2.25"
25	1	344553	INTAKE SCREEN SEAL
26	1	470203	GROMMET, .750ID .125GW 1.062GD
27	1	470204	GROMMET,1.000ID .125GW 1.375GD
28	2	470327	MUFFLER CLAMP, 3.50 IN HD
29	1	505231	PIPE PLUG .50NPT HEX HD BRS
30	1	520055	HOSE CLAMP NO 12 STAINLESS
31	6	520140	2.18/2.50 T-BOLT HOSE CLAMP SS
32	4	520142	2.50/2.81 T-BOLT HOSE CLAMP SS
33	6	520145	3.56/3.88 T-BOLT HOSE CLAMP SS
34	1	520146	3.06/3.38 T-BOLT HOSE CLAMP SS
35	1	520157	T-BOLT HOSE CLAMP 3.56-to-4.50
36	1	520161	CUSH CLAMP,#32 2"D-3/4W LOOP
37	1	618186	1 5/16MJIC-1 5/16MOR ADPTR
38	1	606544	35CC FAN MOTOR ASSY
39	1	618119	9/16MJIC-90-9/16MOR LBO
40	1	611127	1 1/16MJIC-1 1/16MOR ADPTR

TIER-3 RADIATOR ASSEMBLY			
DET	QTY	P/N	DESCRIPTION
41	1	618610	1 5/16MJIC-1 5/16MOR LG ADPTR
42	1	618630	1 5/16MJ-45-1 5/16FJ SWIV LBO
43	2	618682	1 7/8MOR-1 7/8MJIC ADPTR
44	1	618759	1 5/8MOR PLUG, HEX SOCKET
45	1	618760	1 7/8MOR PLUG, HEX SOCKET
46	2	650434	DECAL, FAN BLADE WARNING
47	1	711104	1/4MNPT-90-3/8 HOSE BARB, BRS
48	1	712100	1/4NPT X 3/8 HOSE FTG,PUSHLOCK
49	1	712440	1/2 NPT X 3/4 HOSE BARB
50	2	900126	3/8UNC X 1/2 SERR FLG BOLT YZ
51	20	900127N	3/8UNC X 1 1/4 SER FLANGE BOLT
52	5	900128N	3/8UNC X 3/4 SER FLANGE BOLT
53	53	900129N	3/8UNC X 1" SERR FLANGE BOLT
54	2	900265N	1/2UNC X 1 1/2 SERR FLANGE BOLT
55	3	906007	1/4UNC X 2" HEX BOLT FULL
56	42	910004N	3/8UNC FLANGE CNTR LOCK NUT
57	6	914008N	1/2UNC SMTH FLG CTR LCK NUT YZ
58	2	914015	1/2UNC HEX CENTER-LOCK NUT
59	6	920500	1/4 LOCK WASHER
60	1	290098	TEMP SENDER - CAC
61	1	317536	SPLIT BUSHING ADAPTOR
62	3	900009	1/4UNC X 2 3/4 HEX BOLT
63	3	900023	1/4UNC X 2 1/4 HEX BOLT
64	1	317223	ENG FAN, 32" DIA-12 BLADE STS'14
65	1	317766	RADIATOR COOLER (317470)
66	1	317765	CHARGE AIR COOLER (317470)
67	1	317767	HYDRAULIC OIL COOLER (317470)

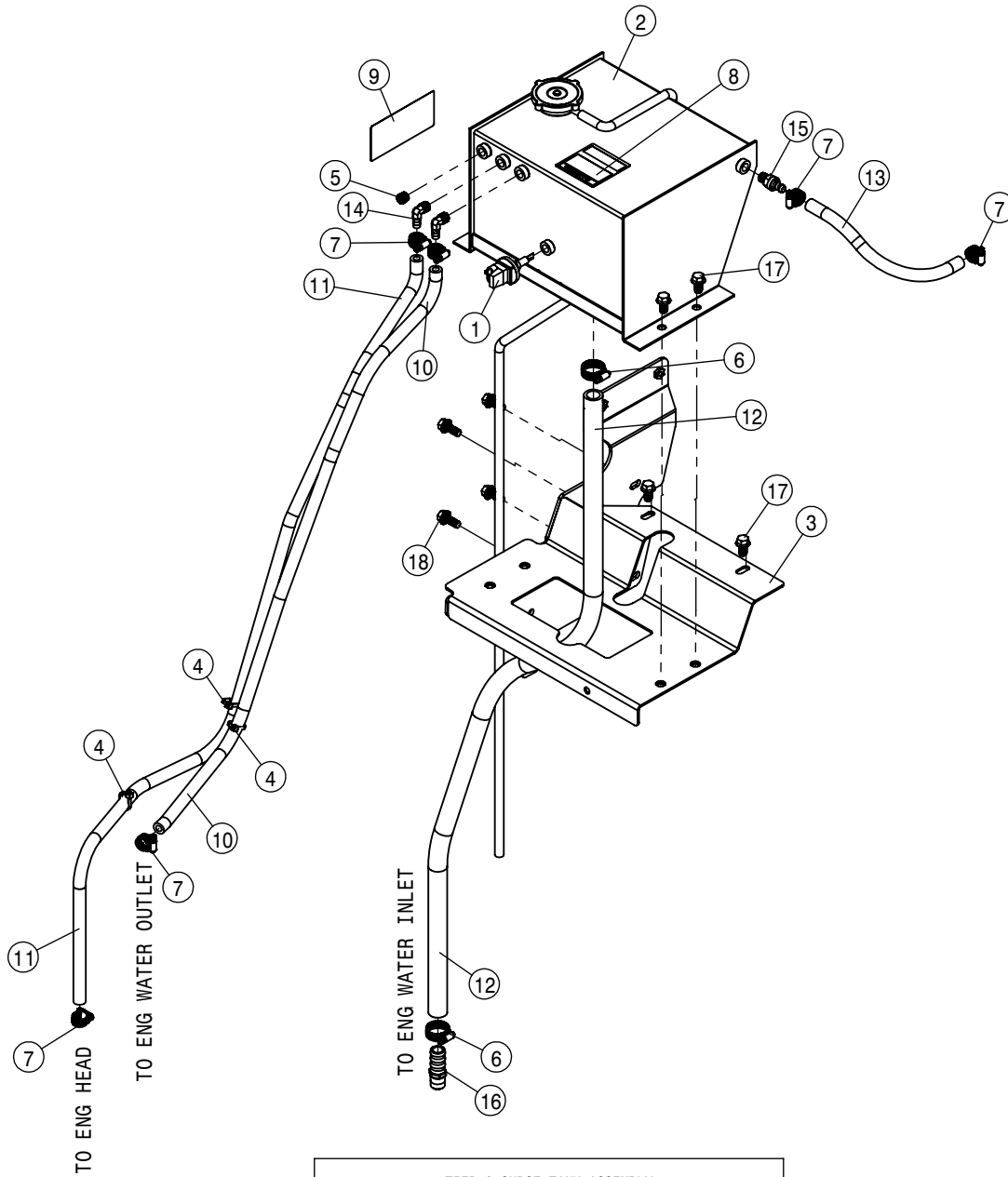


SERIAL NUMBERS:
 U16181616019 THRU U16181616022
 U16181616040 THRU U16181616060

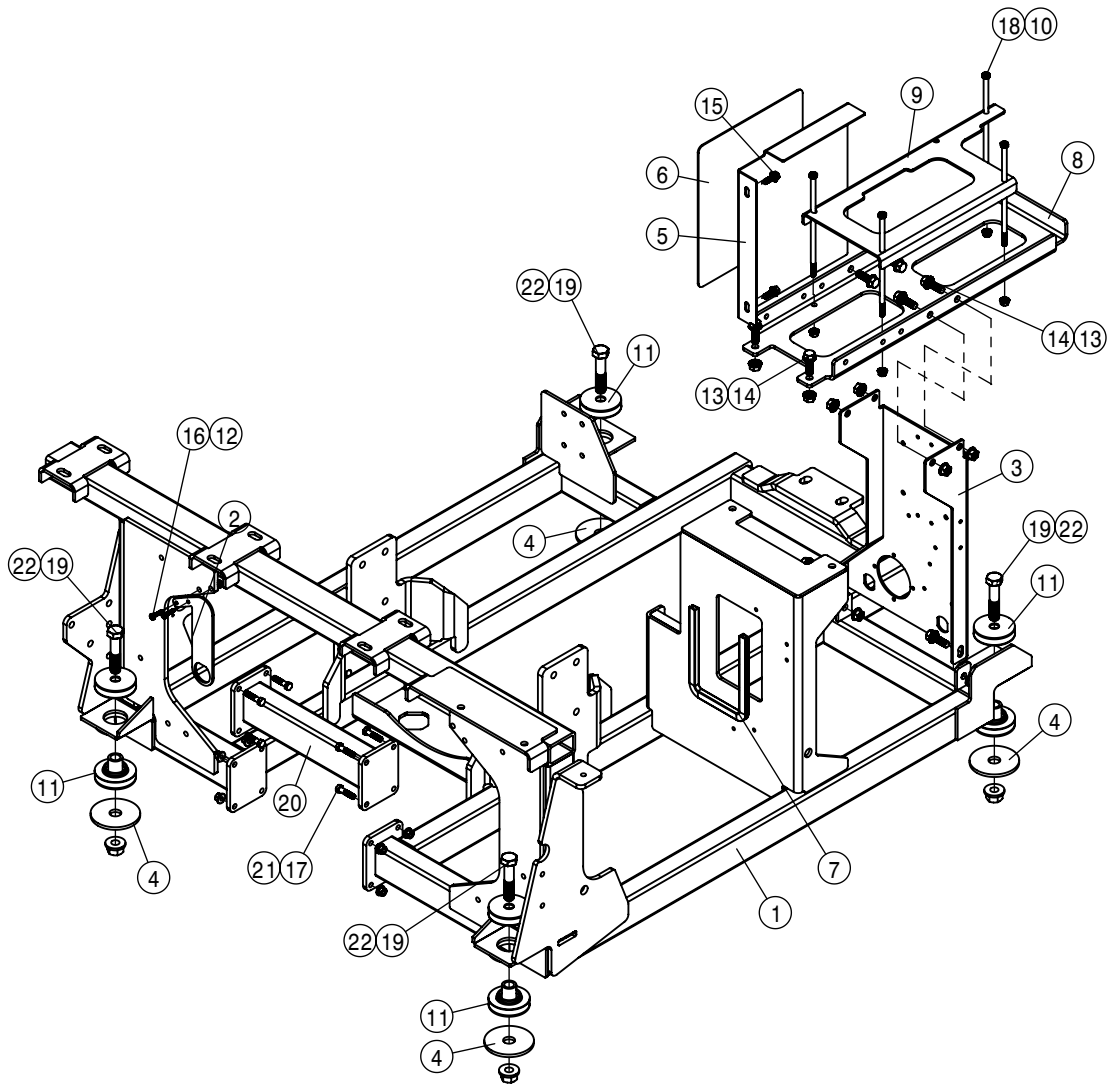
TIER-3 RADIATOR ASSEMBLY			
DET	QTY	P/N	DESCRIPTION
1	1	311500	3.50-3.00 X 6.00 REDU CAC HOSE
2	2	311501	HOSE, 3.50" CAC HOSE
3	1	317181	FAN FRAME WLD
4	1	317194	RH COOLING PKG SUPP WLD
5	1	317200	PIPE - RAD TO WATER INLET 1
6	1	317202	COOLING PACKAGE ISOLATOR
7	1	317203	COOLANT HOSE
8	2	317204	COOLANT ELBOW
9	1	317337	INTAKE SCREEN WLD
10	2	317341	COOLING PKG FRAME COVER
11	4	317364	T-HANDLE QUICK PIN - 1.75" X 3/8 D
12	1	317390	SUPPORT BRACE COOLING PACK
13	1	619023	9/16 MOR DIAGNOSTIC FITTING
14	1	317437	TUBE, CAC HOT SIDE
15	1	317438	TUBE, CAC COLD SIDE
16	1	317439	PIPE ENGINE TO RAD - OUTLET
17	1	317463	CAC HOT BRKT
18	1	317464	CAC COLD PIPE SUPPORT
19	1	317440	PIPE - RAD TO WATER INLET 2
20	1	317465	4.00-3.50 X 6.00 REDU CAC HOSE

TIER-3 RADIATOR ASSEMBLY			
DET	QTY	P/N	DESCRIPTION
21	1	317468	CONDENSOR ACCESS COVER STS16
22	1	317471	FAN SHROUD WLD
23	1	317473	COOLING PKG FRAME WLD
24	2	317475	COOLANT HOSE - 2.25"
25	1	344553	INTAKE SCREEN SEAL
26	1	470203	GROMMET, .750ID .125GW 1.062GD
27	1	470204	GROMMET,1.000ID .125GW 1.375GD
28	2	470327	MUFFLER CLAMP, 3.50 IN HD
29	1	505231	PIPE PLUG .50NPT HEX HD BRS
30	1	520055	HOSE CLAMP NO 12 STAINLESS
31	6	520140	2.18/2.50 T-BOLT HOSE CLAMP SS
32	4	520142	2.50/2.81 T-BOLT HOSE CLAMP SS
33	6	520145	3.56/3.88 T-BOLT HOSE CLAMP SS
34	1	520146	3.06/3.38 T-BOLT HOSE CLAMP SS
35	1	520157	T-BOLT HOSE CLAMP 3.56-to-4.50
36	1	520161	CUSH CLAMP,#32 2"D-3/4W LOOP
37	1	618186	1 5/16MJIC-1 5/16MOR ADPTR
38	1	618119	9/16MJIC-90-9/16MOR LBO
39	1	611127	1 1/16MJIC-1 1/16MOR ADPTR
40	1	618610	1 5/16MJIC-1 5/16MOR LG ADPTR

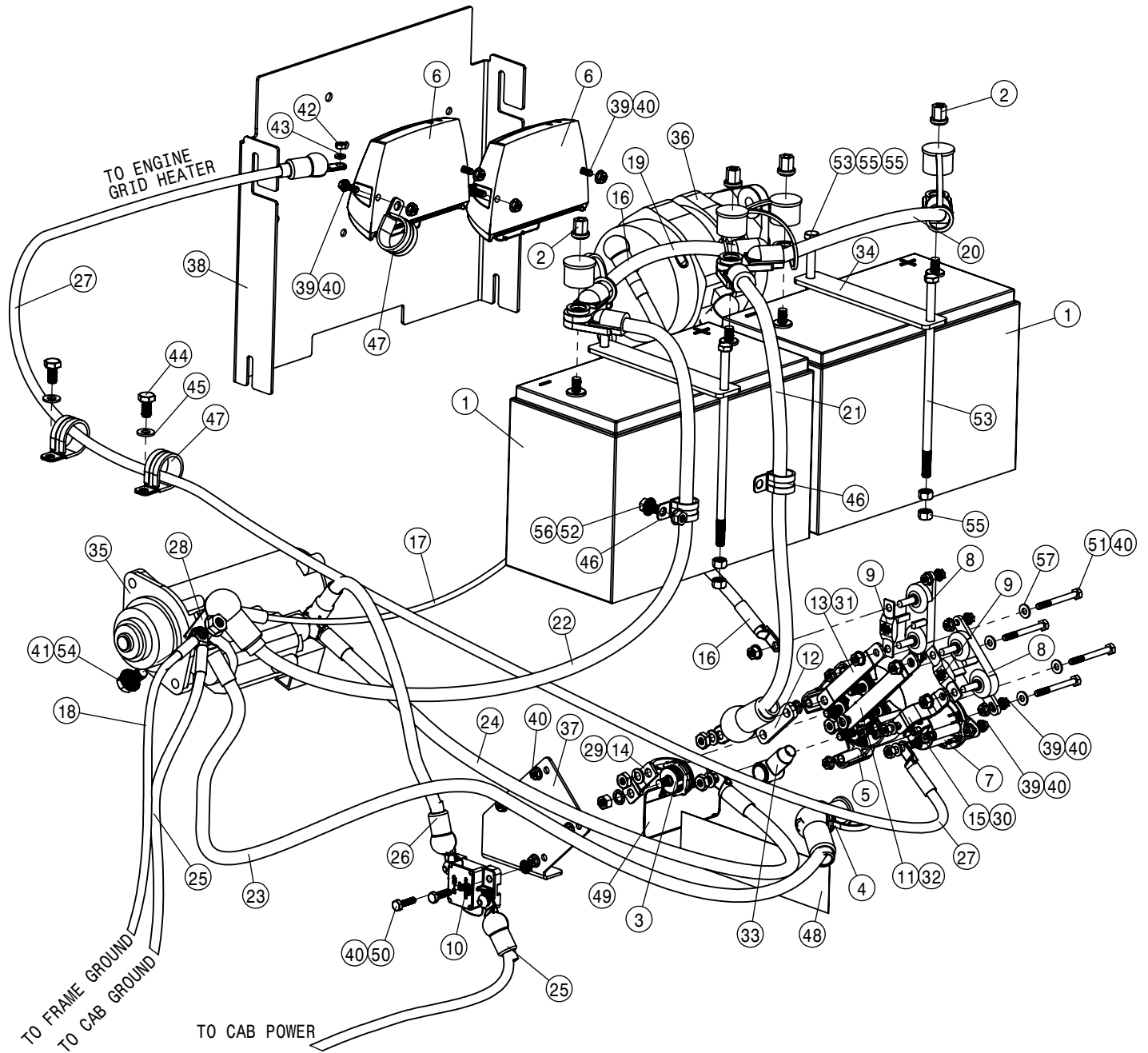
TIER-3 RADIATOR ASSEMBLY			
DET	QTY	P/N	DESCRIPTION
41	1	618630	1 5/16MJ-45-1 5/16FJ SWIV LBO
42	2	618682	1 7/8MOR-1 7/8MJIC ADPTR
43	1	618759	1 5/8MOR PLUG, HEX SOCKET
44	1	618760	1 7/8MOR PLUG, HEX SOCKET
45	2	650434	DECAL, FAN BLADE WARNING
46	1	711104	1/4MNPT-90-3/8 HOSE BARB, BRS
47	1	712100	1/4NPT X 3/8 HOSE FTG,PUSHLOCK
48	1	712440	1/2 NPT X 3/4 HOSE BARB
49	2	900126	3/8UNC X 1/2 SERR FLG BOLT YZ
50	20	900127N	3/8UNC X 1 1/4 SER FLANGE BOLT
51	5	900128N	3/8UNC X 3/4 SER FLANGE BOLT
52	53	900129N	3/8UNC X 1" SERR FLANGE BOLT
53	3	906007	1/4UNC X 2" HEX BOLT FULL
54	42	910004N	3/8UNC FLANGE CNTR LOCK NUT
55	6	914008N	1/2UNC SMTH FLG CTR LCK NUT YZ
56	3	920500	1/4 LOCK WASHER
57	1	290098	TEMP SENDER - CAC
58	1	317223	ENG FAN, 32" DIA-12 BLADE STS'14
59	1	317765	CHARGE AIR COOLER (317470)
60	1	317767	HYDRAULIC OIL COOLER (317470)
61	1	606613	35CC FAN MOTOR ASSY
62	2	470409	3/8UNC X 3/4 HHSFB GR5 MC
63	2	470570	5/16-18UNC CTRLK FLG NUT MC GR5
64	1	317766	RADIATOR COOLER (317470)



TIER-3 SURGE TANK ASSEMBLY			
DET	QTY	P/N	DESCRIPTION
1	1	317157	SENSOR, LOW COOLANT T4I STS
2	1	317432	RESERVOIR TANK ASSY
3	1	317457	SURGE TANK SUPPORT
4	3	470154	CABLE TIE, 11.00" BLK NYLON
5	1	501103	PIPE PLUG .25NPT SKT HD
6	2	520055	HOSE CLAMP NO 12 STAINLESS
7	6	520069	HOSE CLAMP NO 6 STAINLESS
8	1	650174	DECAL,CAUTION RADIATOR,STS 07
9	1	650462	DECAL,COOLING SYSTEM PROCEDURE
10	1	657393	WATER OUTLET VENT HOSE-QSL
11	1	657394	BLOCK VENT HOSE-QSL
12	1	657395	COOLANT FILL HOSE
13	1	657396	HOSE, 3/8 X 12 HEATER
14	2	711104	1/4MNPT-90-3/8 HOSE BARB, BRS
15	1	712100	1/4NPT X 3/8 HOSE FTG,PUSHLOCK
16	1	712440	1/2 NPT X 3/4 HOSE BARB
17	6	900128N	3/8UNC X 3/4 SER FLANGE BOLT
18	4	900129N	3/8UNC X 1" SERR FLANGE BOLT



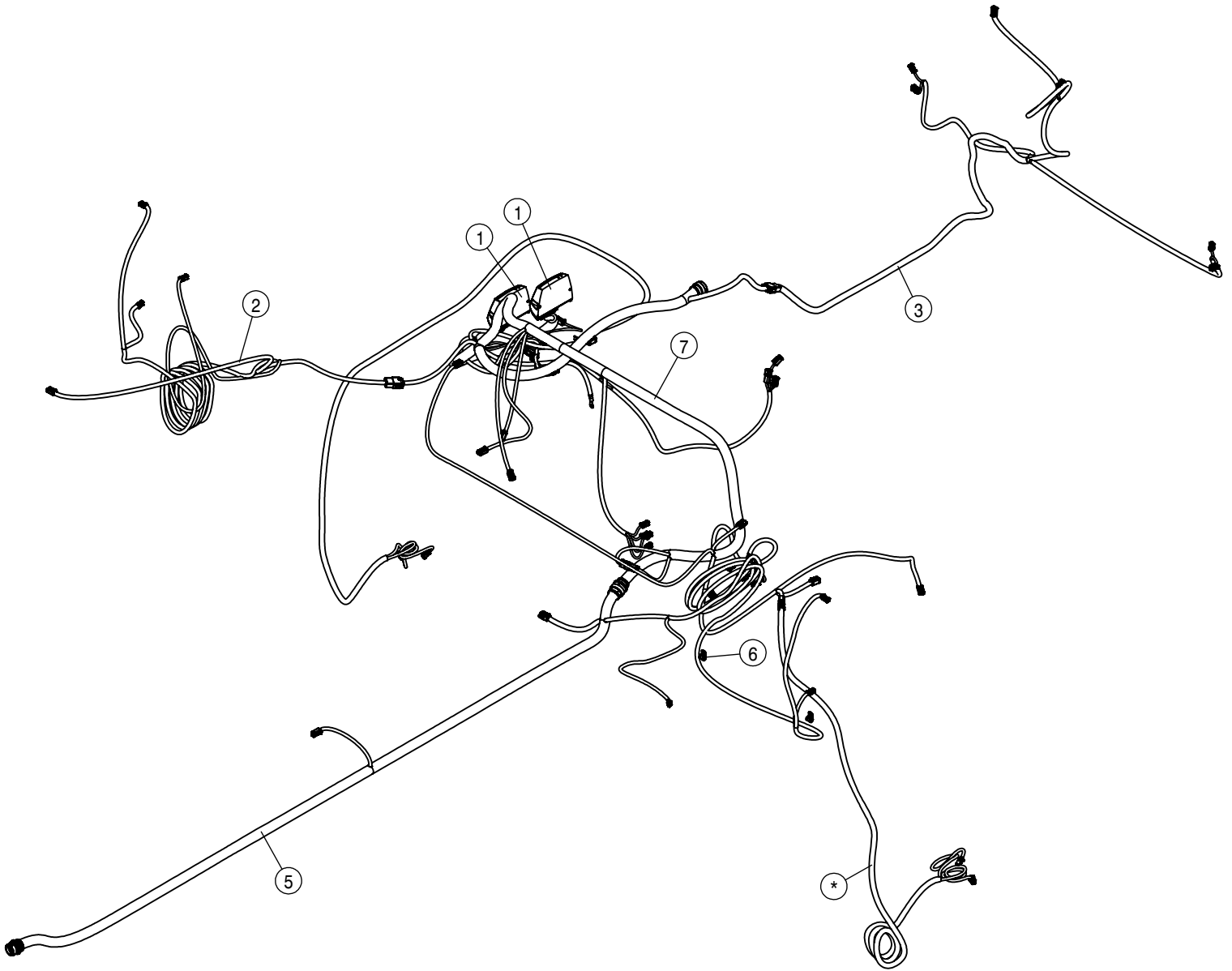
TIER-3 ENGINE SKID ASSEMBLY			
DET	QTY	P/N	DESCRIPTION
1	1	317431	ENGINE SKID FRM WLD STS16 '15
2	1	317368	WIRE HARNESS BLKHD
3	1	317249	BATTERY STAND
4	4	311091	SNUBBING WASHER FOR 311090
5	1	317254	BATTERY HEAT SHIELD
6	1	317256	REFLECTIVE HEAT SHIELD
7	1	317352	QUICKEDGE TRIM, C/L 19.5"
8	1	317444	BATTERY MOUNT
9	1	317446	BATTERY CLAMP
10	4	470087	3/8-16UNC HEX FLG NUT SER MC GR5
11	4	311057	RUBBER MT SET,SSB33-1000-4
12	2	470121	1/4-20UNC HEX FLG NUT SER MC GR5
13	8	470360	1/2UNC SERR FLG HEX NUT
14	8	470431	1/2UNC X 1 1/2 SERR FLG BOLT
15	2	470460	3/8 X 1" SERR FLG BOLT
16	2	900003	1/4UNC X 1 HHCS GR5 MC
17	8	900131	3/8UNC X 1 1/2 HEX BOLT
18	4	900150	3/8UNC X 9 1/2 HHCS GR5 MC
19	4	900408	3/4UNC X 3 1/2 HEX BOLT
20	1	317248	FRAME SPACER WLD
21	8	910106	3/8-16UNC CTRLK FLG NUT MC GR5
22	4	910111	3/4-10UNC CTRLK FLG NUT MC GR5



TIER-3 BATTERY AND CABLE ASSEMBLY			
DET	QTY	P/N	DESCRIPTION
1	2	291196	BATTERY, 12V 900CCA, SS STUD
2	4	291205	BATTERY NUT, 3/8-16 SS CLSD CAP
3	1	291680	POSITIVE JUMPER STUD, RED
4	1	291681	NEGATIVE JUMPER STUD, BLACK
5	1	291957	BATTERY SWITCH, DUAL CIRCUIT
6	2	292016	IQAN-XA2 MODULE
7	1	292505	MCR
8	2	292578	HIGH AMP FUSE HOLDER W/COVER
9	2	292641	FUSE, 250 AMP 32 VOLT DC
10	1	292642	CIRCUIT BREAKER, 150 AMP BUSS
11	1	292651	BUSBAR, MD TO GRID HEAT FUSE
12	1	292652	BUSBAR, MASTER DISC. JUMPER
13	1	292653	BUSBAR, MD TO ALT. FUSE
14	1	292654	BUSBAR, POST TO MD
15	1	292655	BUSBAR, MCR TO FUSE
16	1	292656	BATT CABLE, RED 20" 1/0 5/16-5/16
17	1	292657	BATT CABLE, BLK 35" 2GA 1/2-1/4
18	1	292658	BATT CABLE, BLK 75" 2GA 3/8-1/2
19	1	292659	BATT CABLE, BLK 16" 2/0 3/8-3/8

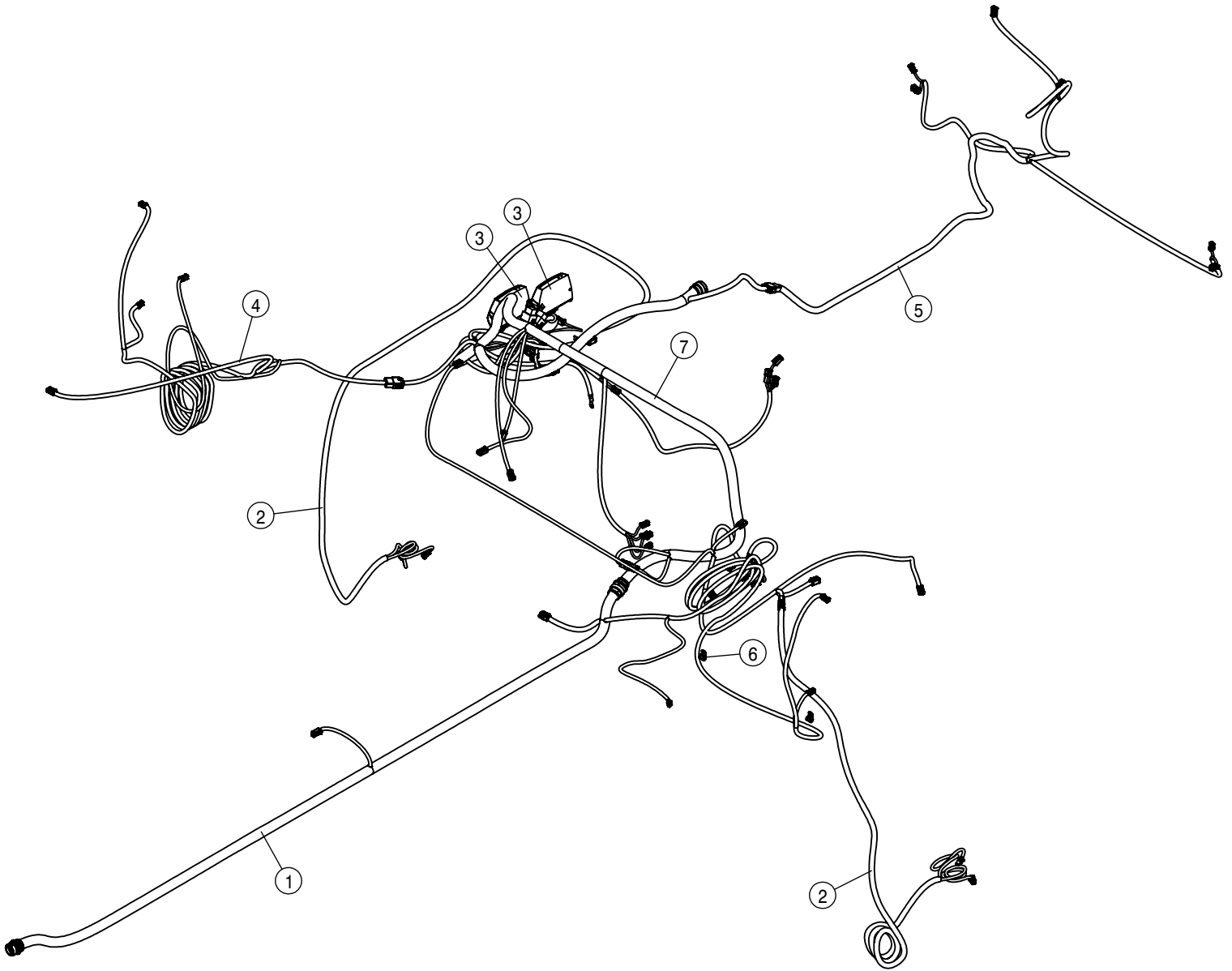
TIER-3 BATTERY AND CABLE ASSEMBLY			
DET	QTY	P/N	DESCRIPTION
20	1	292660	BATT CABLE, RED 18" 2/0 3/8-3/8
21	1	292661	BATT CABLE, RED 34" 2/0 3/8-3/8
22	1	292662	BATT CABLE, BLK 47" 2/0 3/8-1/2
23	1	292664	BATT CABLE, BLK 45" 2/0 1/2-3/8
24	1	292665	BATT CABLE, RED 42" 2/0 1/2-3/8
25	1	292668	CAB PWR, GND CABLE ASY
26	1	292669	BATT CABLE, RED 21" 1/0 1/2-1/4
27	1	292670	BATT CABLE, RED 94" 2GA 1/4-5/16
28	1	292671	BUSBAR, GND EXT
29	1	292673	HEAT SHRINK, RED .75 X .03 X 1 1/2"
30	1	292674	HEAT SHRINK, RED .75 X .03 X 2 1/2"
31	1	292675	HEAT SHRINK, RED .75 X .03 X 3 1/2"
32	1	292676	HEAT SHRINK, RED .75 X .03 X 4 1/2"
33	1	292677	RUBBER BOOT (RED) 2 TO 2/0 GAUGE
34	2	316470	BATTERY TIE-DOWN
35	1	317299	STARTER - DENSO PA90L
36	1	317300	ALTERNATOR - DELCO 200 AMP
37	1	317345	MST DISC. COVER
38	1	362037	MODULE BOX REMOVABLE COVER

TIER-3 BATTERY AND CABLE ASSEMBLY			
DET	QTY	P/N	DESCRIPTION
39	10	470118	1/4 UNC X 3/4 SER FLG BOLT
40	20	470121	1/4 UNC SERR FLG LOCK NUT
41	1	470360	1/2UNC SERR FLG HEX NUT
42	1	473767	6MM-1.00 HEX NUT
43	1	473768	6MM LOCK WASHER
44	2	473793	10MM-1.50 X 20MM HEX BOLT GR8
45	2	473799	10MM FLAT WASHER
46	2	520121	CUSH CLAMP, #16 1IN X 3/4W
47	3	520160	CUSH CLAMP, #24 1 1/2D-3/4W LOOP
48	1	650295	IMPORTANT/ NEG/ POS DECAL
49	1	650296	CAUTION DECAL
50	2	900003	1/4UNC X 1" HEX BOLT
51	4	900008N	1/4UNC X 2 1/2 HEX BOLT SS
52	1	900128N	3/8UNC X 3/4 SER FLANGE BOLT
53	4	900150	3/8UNC X 9 1/2 HEX BOLT
54	1	900263N	1/2UNC X 1" SER FLANGE BOLT
55	8	910004	3/8UNC HEX NUT
56	1	910004N	3/8UNC FLANGE CNTR LOCK NUT
57	4	920000N	1/4 SAE FLAT WASHER SS



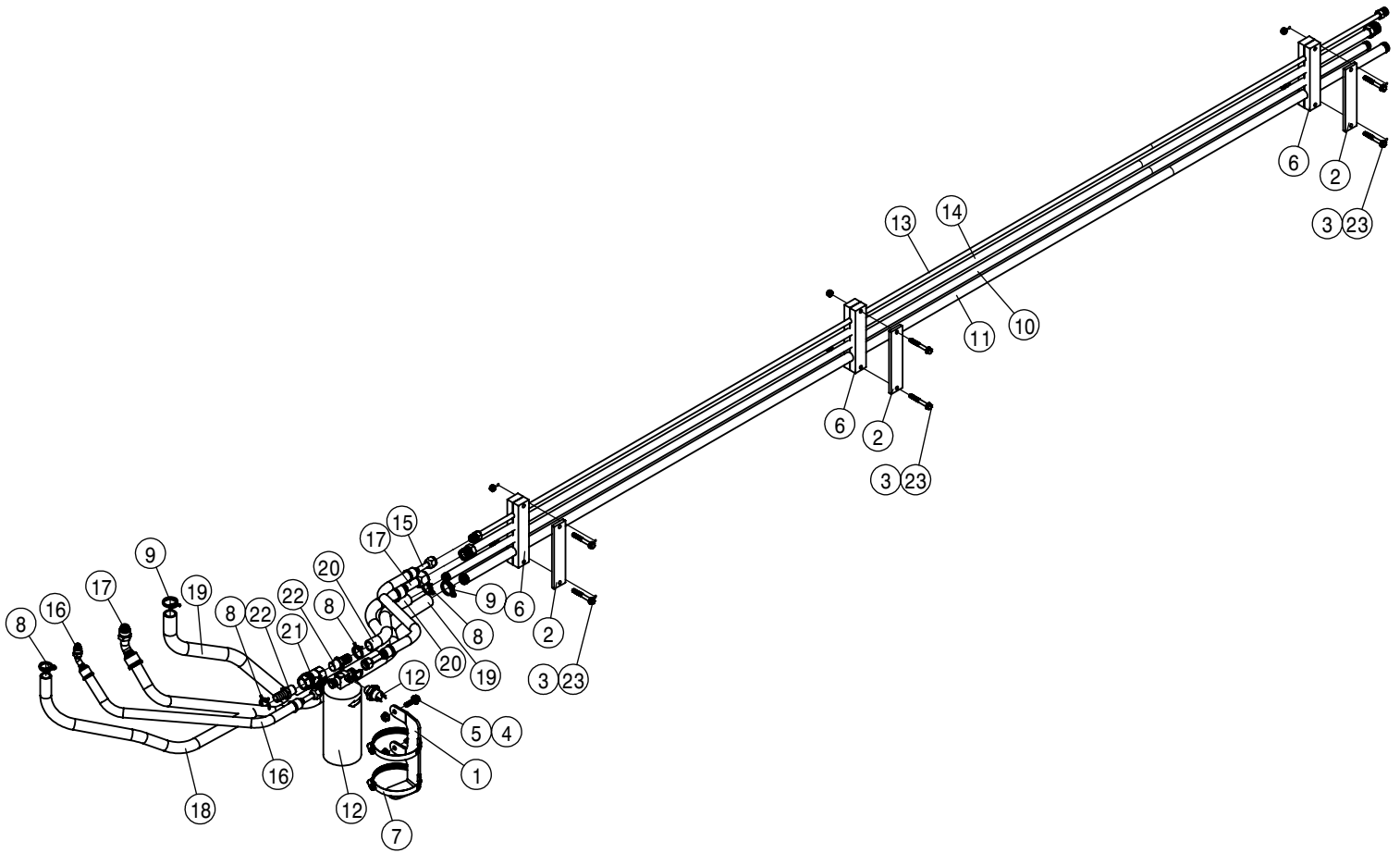
SERIAL NUMBERS:
 U16181616001 THRU U16181616018
 U16181616023 THRU U16181616039

CHASSIS ELECTRICAL HARNESS			
DET	QTY	P/N	DESCRIPTION
1	2	292016	IQAN-XA2 MODULE
2	1	294223	REAR/MID RIGHT HARNESS STS'14
3	1	294227	REAR LIGHT HARNESS STS'14
4	2	294229	WHEEL MOTOR HARNESS STS'14
5	1	294243	FRT/BACK HARNESS, L/F STS'14
6	2	520167	CUSH CLAMP,#6 3/8D X 3/4W
7	1	294073	HARNESS-REAR MODULE



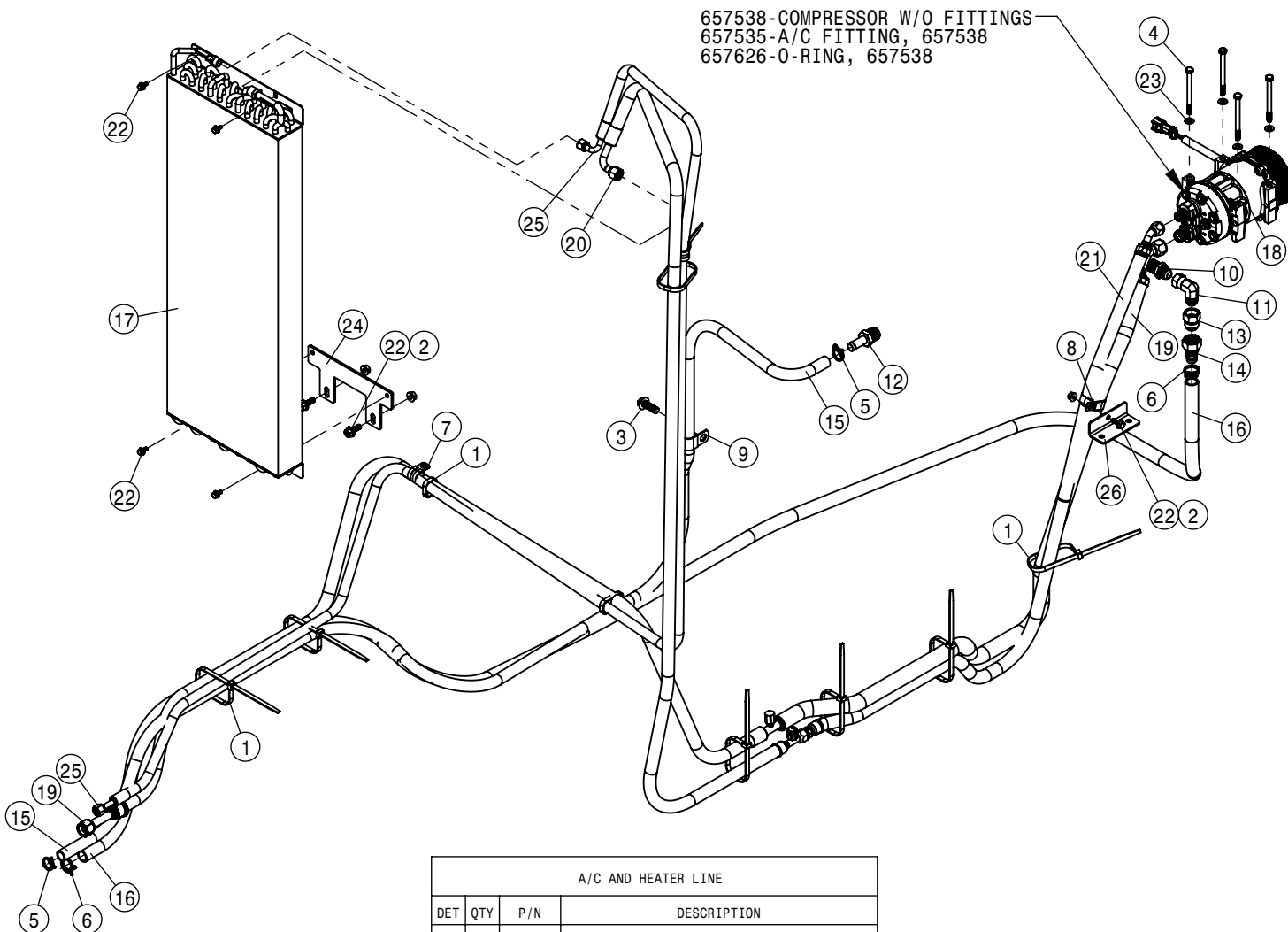
SERIAL NUMBERS:
 U16181616019 THRU U16181616022
 U16181616040 THRU U16181616060

CHASSIS ELECTRICAL HARNESS			
DET	QTY	P/N	DESCRIPTION
1	1	294243	FRT/BACK HARNESS, L/F STS '14
2	2	294229	WHEEL MOTOR HARNESS STS '14
3	2	292016	IQAN-XA2 MODULE
4	1	294223	REAR/MID RIGHT HARNESS STS '14
5	1	294227	REAR LIGHT HARNESS STS '14
6	2	520167	CUSH CLAMP,#6 3/8D X 3/4W
7	1	294084	HARNESS,REAR MODULE STS '17

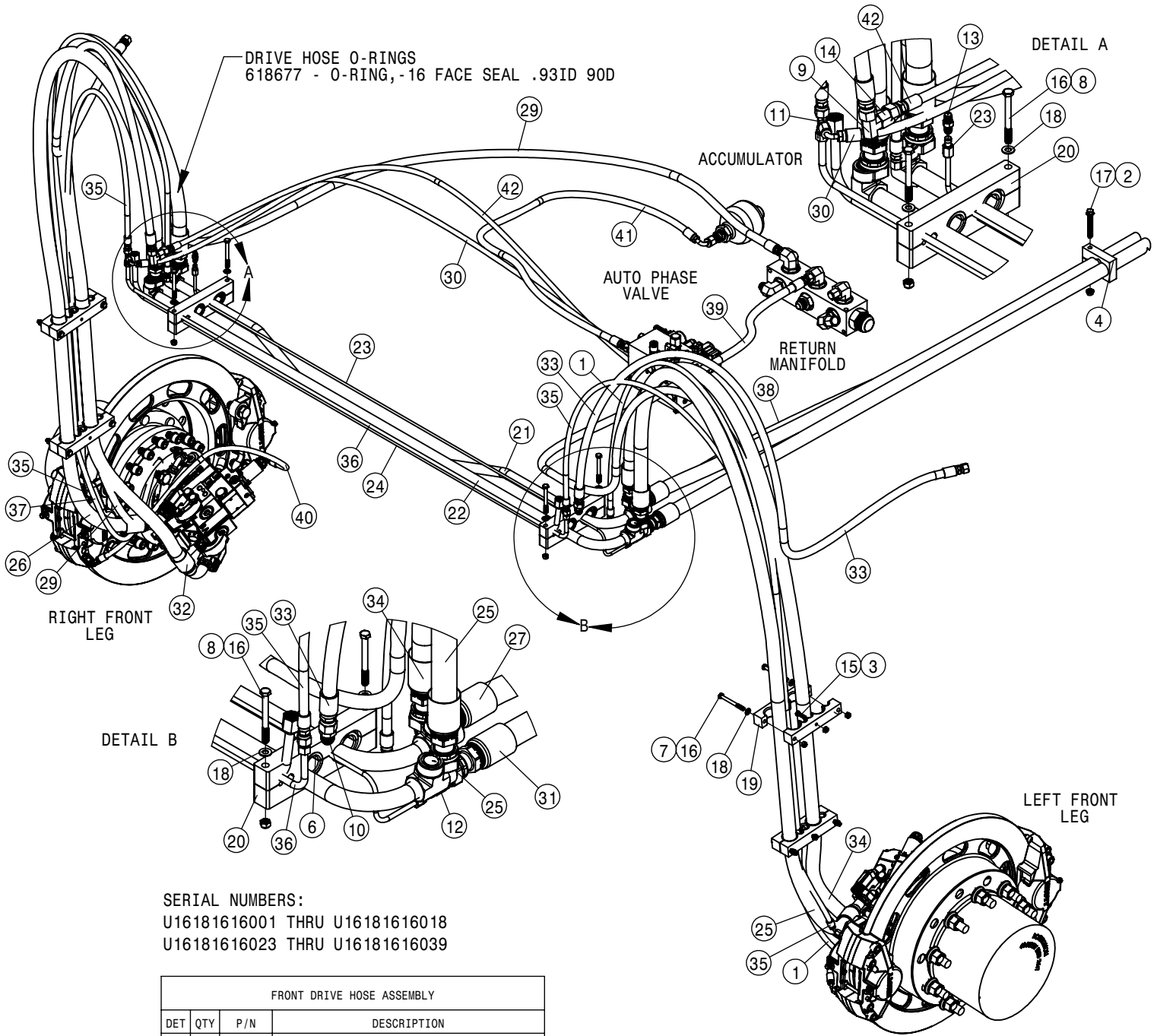


A/C AND HEATER LINES			
DET	QTY	P/N	DESCRIPTION
1	1	317145	A/C DRYER MT
2	3	342718	HYD TUBE CLAMP KEEPER, 6.00
3	6	470089	1/4UNC HEX NYL-LOC NUT
4	2	470113	5/16UNC SERR FLG LOCK NUT
5	2	470234	5/16UNC X 1" SERR FLG HEX BOLT
6	3	470695	TUBE CLAMP BODY,4HOLE.375-.750
7	2	520052	HOSE CLAMP NO 52 STAINLESS
8	4	520081	HOSE CLAMP NO 14 DBL WIRE
9	2	520082	HOSE CLAMP NO 16 DBL WIRE
10	1	615919	M/F TUBE ASSY 103" L/F
11	1	615922	M/F TUBE ASSY 103" L/F
12	1	657438	RECEIVER DRIER W/SWITCH
13	1	657481	A/C TUBE ASSY, .3750D,STS16
14	1	657483	A/C TUBE ASSY, .6250D,STS16
15	1	657586	A/C HOSE,06-06F-06F-21.5
16	1	657587	A/C HOSE, 06-06F-06M45-23.9
17	1	657588	A/C HOSE, 10-10F-10M45-41
18	1	657592	HOSE, 5/8 x 23 HEATER
19	1	657610	HOSE, 3/4 x 36 HEATER
20	1	657618	HOSE, 5/8 x 10 HEATER
21	1	696011	1/2 NPT FEMALE BALL VALVE
22	2	716007	1/2 x 5/8 HOSE BARB
23	6	900007N	1/4 UNC X 2 SER FLG BOLT SS

657538-COMPRESSOR W/O FITTINGS
 657535-A/C FITTING, 657538
 657626-O-RING, 657538



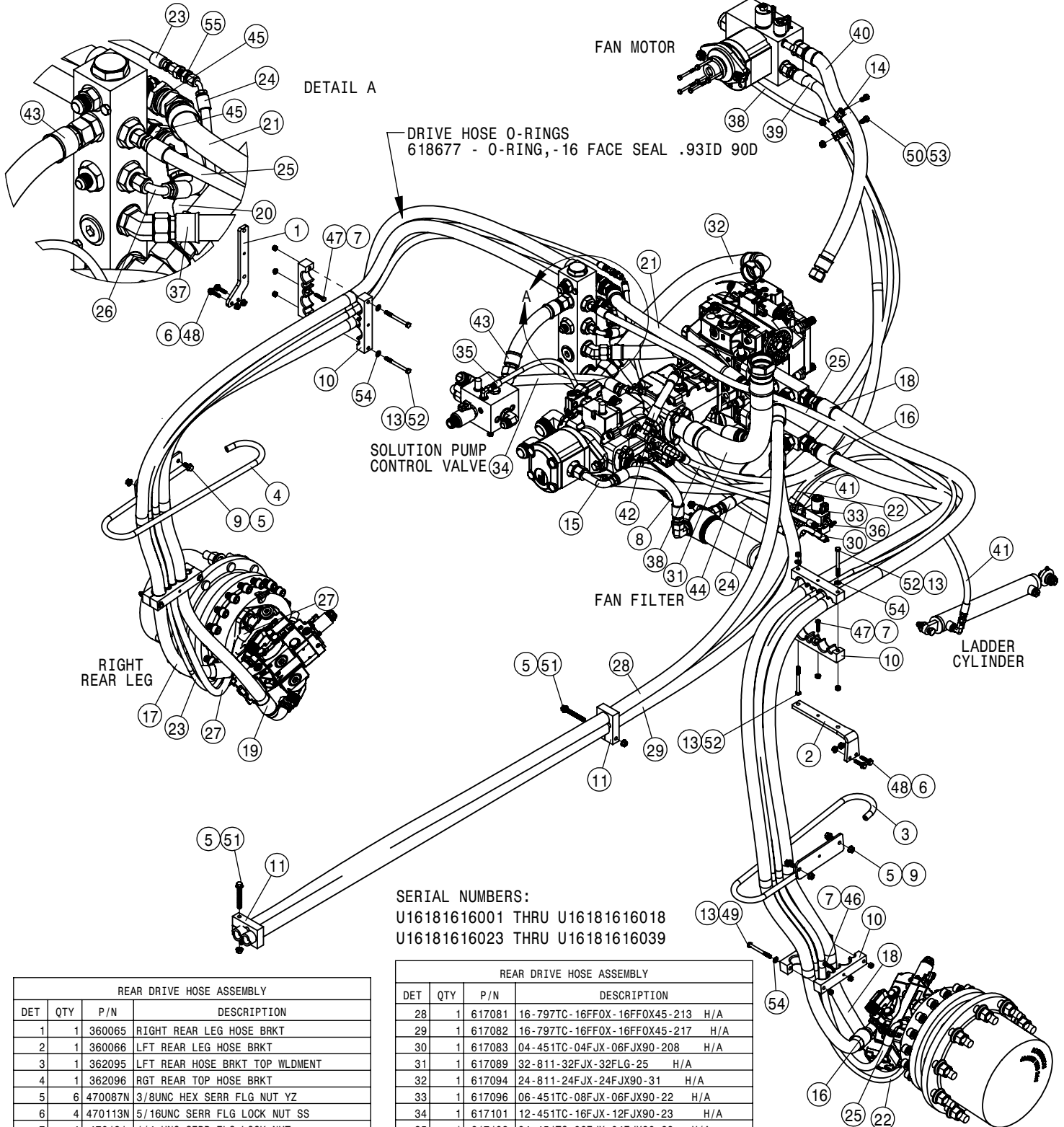
A/C AND HEATER LINE			
DET	QTY	P/N	DESCRIPTION
1	9	470555	CABLE TIE, 1/2 X 15" BLACK NYLON
2	3	470570	5/16-18UNC CTRLK FLG NUT MC GR5
3	1	473855	12MM-1.75 X 35MM SM FLG BOLT
4	4	473868	8MM-1.25 X 100MM HEX BOLT
5	2	520081	HOSE CLAMP NO 14 DBL WIRE
6	2	520082	HOSE CLAMP NO 16 DBL WIRE
7	2	520115	CUSH CLAMP,#12 0.75"D-3/4W LOOP
8	1	520123	CUSH CLAMP,#32 1 3/4D X 5/8W
9	1	520158	CUSH CLAMP, .87x1.00W
10	1	618059	7/8MJIC-3/4MNPT ADPTR
11	1	618301	7/8MJIC-90-7/8FJIC SWIV LBO
12	1	618949	5/8 HOSE BARB - 3/4MNPT
13	1	618954	7/8FJIC-1 1/16MJIC
14	1	618955	3/4 HOSE BARB-1 1/16FJX ADPTR
15	1	657397	HOSE, 5/8 x 108 HEATER
16	1	657398	HOSE, 3/4 x 132 HEATER
17	1	657457	COIL, COND 12 X 31.6
18	1	657536	A/C COMPRESSOR
19	1	657634	A/C HOSE, 12-10F-SV-10F45-158"
20	1	657635	A/C HOSE, 08-08FSV-08F90-59"
21	1	657636	A/C HOSE, 08-08M-08F45-62"
22	7	900486	5/16UNC X 3/4 HHSFB SS
23	4	920001	5/16 SAE FLAT WASHER
24	1	317450	A/C COND BRKT WLD
25	1	657581	A/C HOSE,06-06F-06F90-136
26	1	317049	BRKT- A/C HOSE SUPP, STS16



SERIAL NUMBERS:
 U16181616001 THRU U16181616018
 U16181616023 THRU U16181616039

FRONT DRIVE HOSE ASSEMBLY			
DET	QTY	P/N	DESCRIPTION
1	1	617068	04-451TC-04FJX-04FJX-126 H/A
2	1	470087N	3/8UNC HEX SERR FLG NUT YZ
3	4	470121	1/4 UNC SERR FLG LOCK NUT
4	1	470673	HOSE CLAMP, 4-HOLE
NS	2	470679	SIDEWINDER SLEEVE
6	4	470686	RUBBER INSERT, CLAMP
7	8	473001	5/16UNC HEX NUT,NYLOC
8	4	473001N	5/16UNC HEX NUT,NYLOC 316 SS
9	1	618311	3/4MJIC UNION TEE
10	1	618314	3/4MJIC UNION
11	1	618485	7/16FJIC SW RUN TEE-7/16MJIC
12	1	618488	7/16MJIC UNION TEE
13	1	618524	7/16MJIC UNION
14	1	618532	3/4FJIC CAP NUT
15	4	900003	1/4UNC X 1" HEX BOLT
16	12	900073N	5/16UNC X 3 1/4 HEX BOLT SS
17	1	900136N	3/8UNC X 3" SERR FLANGE BOLT
18	12	920001N	5/16 SAE FLAT WASHER SS
19	4	470672	HOSE CLAMP, 5-HOLE
20	2	470685	TUBE CLAMP
21	1	615913	TUBE ASSY 1"OD 16-ORFS
22	1	615914	TUBE ASSY 1"OD 16-ORFS
23	1	615916	TUBE ASSY 1/4"OD 4-FJIC

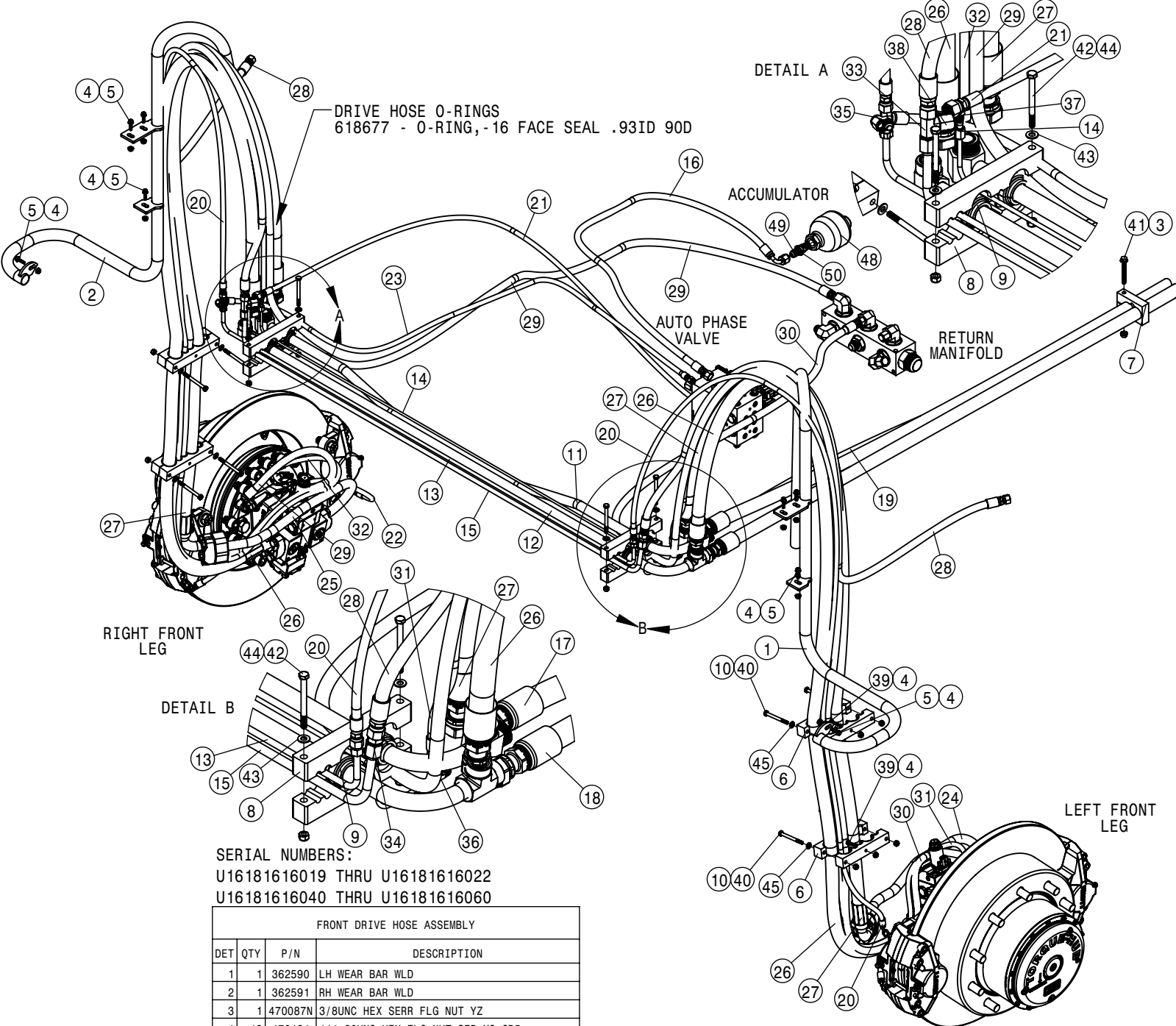
FRONT DRIVE HOSE ASSEMBLY			
DET	QTY	P/N	DESCRIPTION
24	1	615917	TUBE ASSY 1/2"OD 8-FJIC
25	1	617060	16-797TC-16FFOX-16FFOX45-110 H/A
26	1	617060	16-797TC-16FFOX-16FFOX45-110 H/A
27	1	617081	16-797TC-16FFOX-16FFOX45-213 H/A
28	1	617211	04-451TC-04FJX-04FJX45-37 H/A
29	1	617074	08-451TC-08FJX-08FJX90-190 H/A
30	1	617209	04-451TC-04FJX90-06FJX-75 H/A
31	1	617082	16-797TC-16FFOX-16FFOX45-217 H/A
32	1	617061	16-797TC-16FFOX-16FFOX90-114 H/A
33	2	617212	8-451TC-8FJX-8FJX-75 H/A
34	1	617061	16-797TC-16FFOX-16FFOX90-114 H/A
35	1	617213	04-451TC-06FJX-04FJX90-95 H/A
36	1	615915	TUBE ASSY 3/8"OD 6-MJIC
37	1	617068	04-451TC-04FJX-04FJX-126 H/A
38	1	617083	04-451TC-04FJX-06FJX90-208 H/A
39	1	617073	08-451TC-08FJX-08FJX90-173
40	1	617211	04-451TC-04FJX-04FJX45-37 H/A
41	1	616323	06-451TC-08FJX-08FJX90-56 H/A
42	1	617210	04-451TC-04FJX-08FJX-78 H/A



SERIAL NUMBERS:
 U16181616001 THRU U16181616018
 U16181616023 THRU U16181616039

REAR DRIVE HOSE ASSEMBLY			
DET	QTY	P/N	DESCRIPTION
1	1	360065	RIGHT REAR LEG HOSE BRKT
2	1	360066	LFT REAR LEG HOSE BRKT
3	1	362095	LFT REAR HOSE BRKT TOP WLDMENT
4	1	362096	RGT REAR TOP HOSE BRKT
5	6	470087N	3/8UNC HEX SERR FLG NUT YZ
6	4	470113N	5/16UNC SERR FLG LOCK NUT SS
7	4	470121	1/4 UNC SERR FLG LOCK NUT
8	1	470369	HOSE PROTECTOR, 8" BLACK
9	4	470409	3/8UNC X 3/4" SERR FLG BOLT
10	4	470672	HOSE CLAMP, 5-HOLE
11	2	470673	HOSE CLAMP, 4-HOLE
NS	2	470679	SIDEWINDER SLEEVE
13	8	473001	5/16UNC HEX NUT,NYLOC
14	2	520160	CUSH CLAMP,#24 1 1/2D-3/4WLOOP
15	1	616676	12-451TC-12FJX-12FJX90L-18 H/A
16	1	617062	16-797TC-16FFOX-16FFOX45-123 H/A
17	1	617062	16-797TC-16FFOX-16FFOX90-31 H/A
18	1	617063	16-797TC-16FFOX-16FFOX90-128 H/A
19	1	617063	16-797TC-16FFOX-16FFOX90-128 H/A
20	1	617067	16-797TC-16FFOX-16FFOX90-31 H/A
21	1	617067	16-797TC-16FFOX-16FFOX90-31 H/A
22	1	617069	04-451TC-04FJX-06FJX90-139 H/A
23	1	617071	04-451TC-04FJX-04FJX-138 H/A
24	1	617072	04-451TC-06FJX-04FJX45-43 H/A
25	1	617075	08-451TC-08FJX-08FJX90-160 H/A
26	1	617077	08-451TC-08FJX-08FJX90-15 H/A
27	1	617080	08-451TC-08FJX-08FJX90-133 H/A

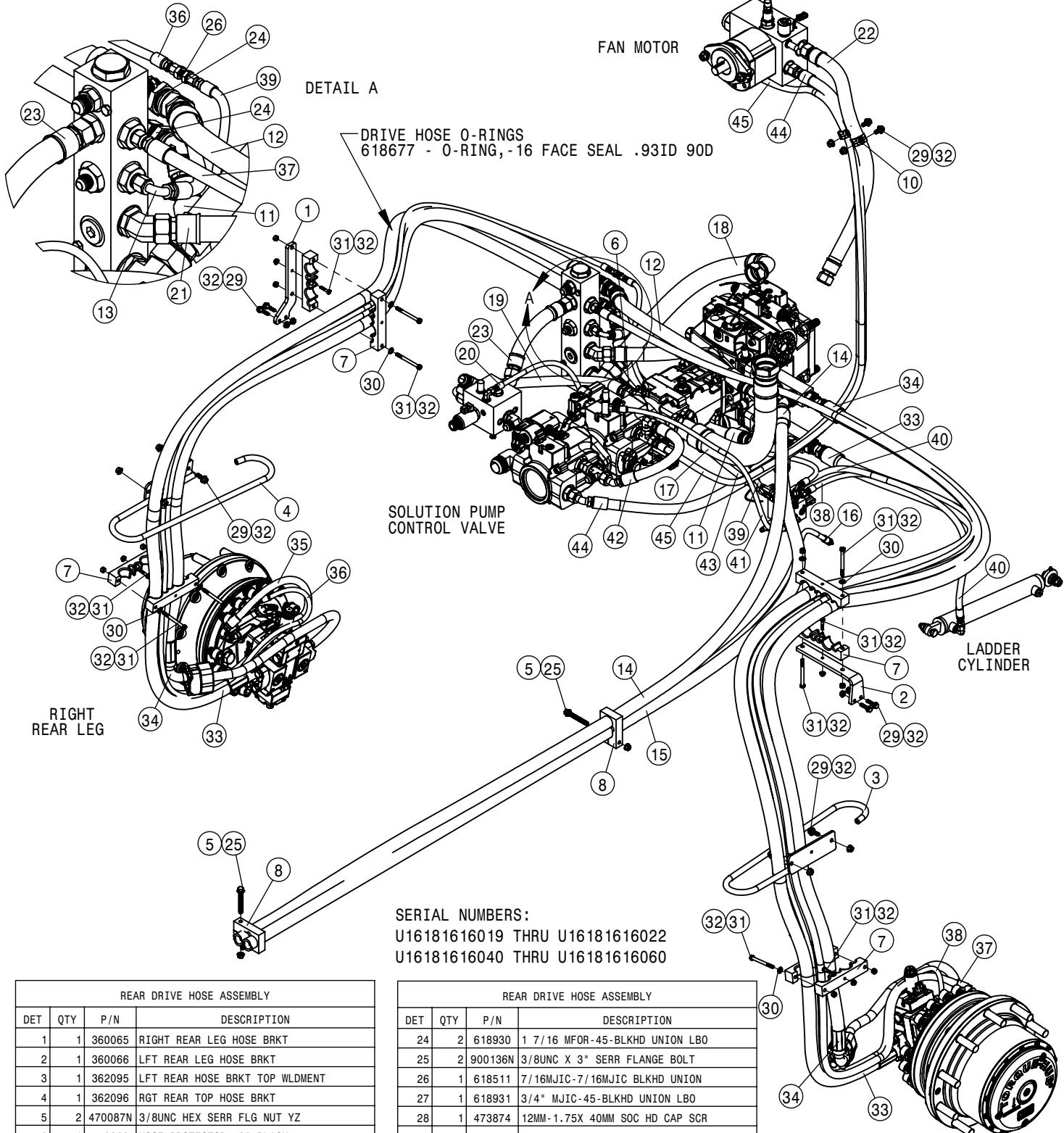
REAR DRIVE HOSE ASSEMBLY			
DET	QTY	P/N	DESCRIPTION
28	1	617081	16-797TC-16FFOX-16FFOX45-213 H/A
29	1	617082	16-797TC-16FFOX-16FFOX45-217 H/A
30	1	617083	04-451TC-04FJX-06FJX90-208 H/A
31	1	617089	32-811-32FJX-32FLG-25 H/A
32	1	617094	24-811-24FJX-24FJX90-31 H/A
33	1	617096	06-451TC-08FJX-06FJX90-22 H/A
34	1	617101	12-451TC-16FJX-12FJX90-23 H/A
35	1	617102	04-451TC-06FJX-04FJX90-29 H/A
36	1	617121	04-451TC-06FJX-04FJX90-34 H/A
37	1	617123	16-811-16FJX-16FJX90-22 H/A
38	1	617124	06-451TC-10FJX-06FJX90-85 H/A
39	1	617125	12-451TC-12FJX-12FJX90-88 H/A
40	1	617126	16-811-16FJX-16FJX-34 H/A
41	1	617127	06-451TC-06FJX-06FJX45-36 H/A
42	1	617132	10-451TC-10FJX-10FJX90-11 H/A
43	1	617139	16-811-16FJX-16FJX-12 H/A
44	1	617199	12-451TC-12FJX-12FJX-73 H/A
45	2	618930	1 7/16 MFOR-45-BLKHD UNION LBO
46	2	900003	1/4UNC X 1" HEX BOLT
47	2	900004	1/4UNC X 1 1/4 HEX BOLT
48	4	900066N	5/16UNC X 1 1/4 SERR.FLG.HEX BOLT
49	4	900073N	5/16UNC X 3 1/4 HEX BOLT SS
50	2	900128	3/8UNC X 3/4 HEX BOLT
51	2	900136N	3/8UNC X 3" SERR FLANGE BOLT
52	4	900539N	5/16UNC X 3 1/2 HEX BOLT SS
53	2	910004N	3/8UNC FLANGE CNTR LOCK NUT
54	8	920001N	5/16 SAE FLAT WASHER SS
55	1	618511	7/16MJIC-7/16MJIC BLKHD UNION



SERIAL NUMBERS:
 U16181616019 THRU U16181616022
 U16181616040 THRU U16181616060

FRONT DRIVE HOSE ASSEMBLY			
DET	QTY	P/N	DESCRIPTION
1	1	362590	LH WEAR BAR WLD
2	1	362591	RH WEAR BAR WLD
3	1	470087N	3/8UNC HEX SERR FLG NUT YZ
4	12	470121	1/4-20UNC HEX FLG NUT SER MC GR5
5	8	470231	1/4UNC X 1 HHFSB GR5 MC
6	4	470672	HOSE CLAMP, 5-HOLE
7	1	470673	HOSE CLAMP, 4-HOLE
8	2	470685	HOSE CLAMP
9	4	470686	RUBBER INSERT, CLAMP
10	8	473001	5/16-18UNC NYLOCK NUT MC GR5
11	1	615913	TUBE ASSY 1"OD 16-ORFS
12	1	615914	TUBE ASSY 1"OD 16-ORFS
13	1	615915	TUBE ASSY 3/8"OD 6-MJIC
14	1	615916	TUBE ASSY 1/4"OD 4-FJIC
15	1	615917	TUBE ASSY 1/2"OD 8-FJIC
16	1	616323	06-451TC-08FJX-08FJX90-56 H/A
17	1	617081	16-797TC-16FFOX-16FFOX45-213 H/A
18	1	617082	16-797TC-16FFOX-16FFOX45-217 H/A
19	1	617083	04-451TC-04FJX-06FJX90-208 H/A
20	2	617206	04-451TC-06FJX-04FJX45-113"
21	1	617210	04-451TC-04FJX-08FJX-78 H/A
22	2	617211	04-451TC-04FJX-04FJX45-37 H/A
23	1	617388	04-451TC-06FJX-06FJX90-72 H/A
24	1	617456	LFT DRV TUBE 1.00"X 0.120"WT
25	1	617457	RGT DRV TUBE 1.00"X 0.120"WT
26	2	617462	16-797TC-16FFOX-16C62F-126 H/A
27	2	617463	16-797TC-16FFOX-16C62F90-112 H/A
28	2	617478	08-451TC-08FJX-08FJX-80 H/A
29	1	617481	08-451TC-08FJX-08FJX90-231 H/A

FRONT DRIVE HOSE ASSEMBLY			
DET	QTY	P/N	DESCRIPTION
30	1	617482	08-451TC-08FJX-08FJX90-207 H/A
31	1	617483	04-451TC-04FJX-04FJX45-149 H/A
32	1	617484	04-451TC-04FJX-04FJX45-145 H/A
33	1	618311	3/4MJIC UNION TEE
34	1	618314	3/4MJIC UNION
35	1	618486	9/16FJIC SW RUN TEE-9/16MJIC
36	1	618488	7/16MJIC UNION TEE
37	1	618524	7/16MJIC UNION
38	1	618532	3/4FJIC CAP NUT
39	4	900003	1/4UNC X 1 HHCS GR5 MC
40	8	900073	5/16UNC X 3 1/4 HHCS GR5 MC
41	1	900136N	3/8UNC X 3" SERR FLANGE BOLT
42	4	900521	5/16UNC X 3 1/2 HHCS SS
43	4	910113	SAE FLAT WASHER 5/16 SS
44	4	910132	5/16-18UNC NYLOCK NUT SS
45	8	920001	SAE FLAT WASHER 5/16 MC
NS	1	470762	SIDEWINDER SLEEVE RH
NS	1	470763	SIDEWINDER SLEEVE LH
48	1	470444	ACCUM, DIAPHRAGM, 30CI 1508 PSI
49	1	618743	3/4MOR-3/4MJIC BLKHD, .040 ORF
50	1	618744	3/4 THD BLKHD LOCK NUT

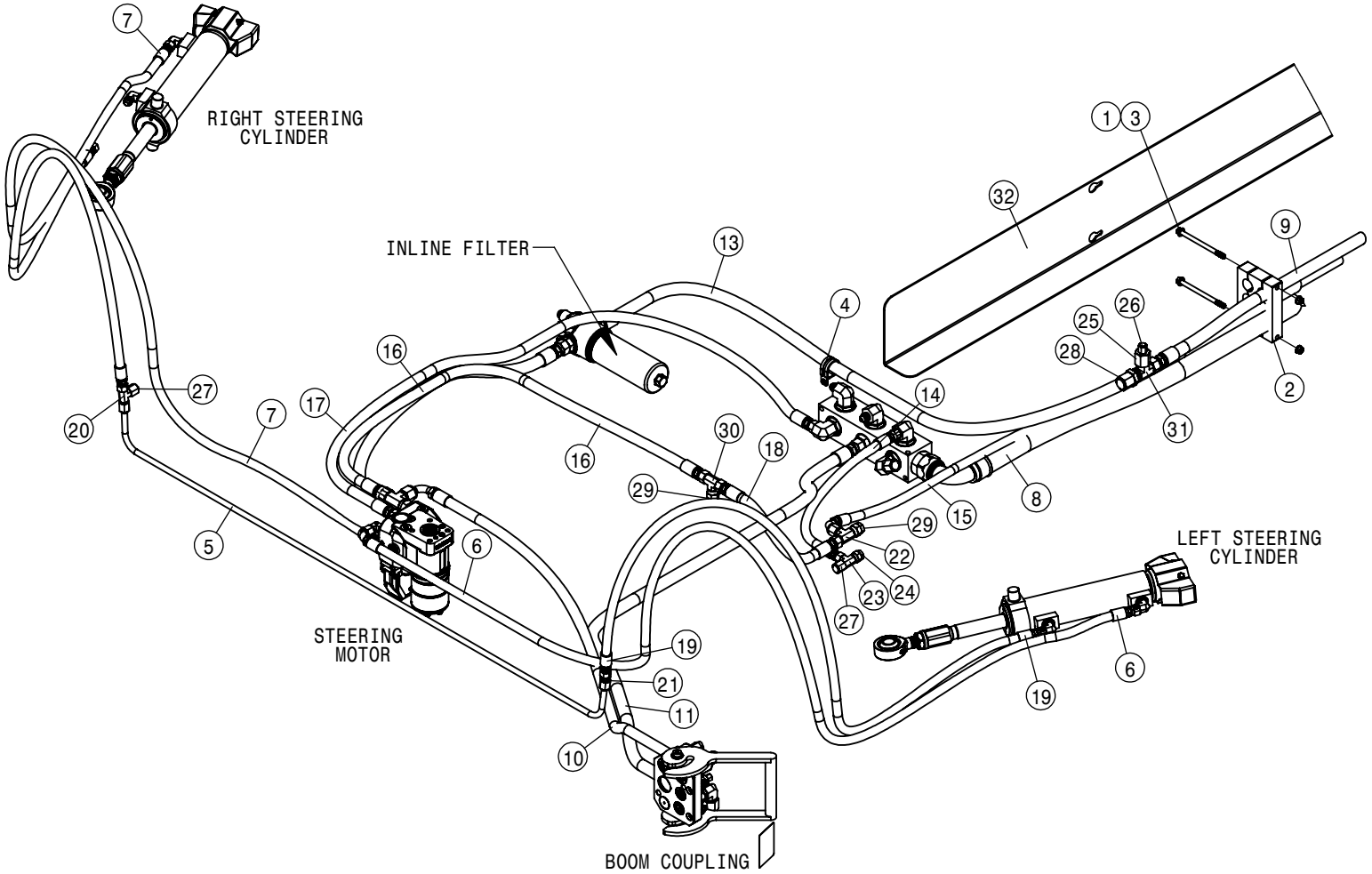


SERIAL NUMBERS:
 U16181616019 THRU U16181616022
 U16181616040 THRU U16181616060

REAR DRIVE HOSE ASSEMBLY			
DET	QTY	P/N	DESCRIPTION
1	1	360065	RIGHT REAR LEG HOSE BRKT
2	1	360066	LFT REAR LEG HOSE BRKT
3	1	362095	LFT REAR HOSE BRKT TOP WLDMENT
4	1	362096	RGT REAR TOP HOSE BRKT
5	2	470087N	3/8UNC HEX SERR FLG NUT YZ
6	1	470369	HOSE PROTECTOR, 8" BLACK
7	4	470672	HOSE CLAMP, 5-HOLE
8	2	470673	HOSE CLAMP, 4-HOLE
NS	2	470679	SIDEWINDER SLEEVE
10	2	520160	CUSH CLAMP, #24 1 1/2D-3/4WLOOP
11	1	617067	16-797TC-16FFOX-16FFOX90-31 H/A
12	1	617067	16-797TC-16FFOX-16FFOX90-31 H/A
13	1	617077	08-451TC-08FJX-08FJX90-15 H/A
14	1	617081	16-797TC-16FFOX-16FFOX45-213 H/A
15	1	617082	16-797TC-16FFOX-16FFOX45-217 H/A
16	1	617083	04-451TC-04FJX-06FJX90-208 H/A
17	1	617089	32-811-32FJX-32FLG-25 H/A
18	1	617094	24-811-24FJX-24FJX90-31 H/A
19	1	617101	12-451TC-16FJX-12FJX90-23 H/A
20	1	617102	04-451TC-06FJX-04FJX90-29 H/A
21	1	617123	16-811-16FJX-16FJX90-22 H/A
22	1	617126	16-811-16FJX-16FJX-34 H/A
23	1	617139	16-811-16FJX-16FJX-12 H/A

REAR DRIVE HOSE ASSEMBLY			
DET	QTY	P/N	DESCRIPTION
24	2	618930	1 7/16 MFOR-45-BLKHD UNION LBO
25	2	900136N	3/8UNC X 3" SERR FLANGE BOLT
26	1	618511	7/16MJIC-7/16MJIC BLKHD UNION
27	1	618931	3/4" MJIC-45-BLKHD UNION LBO
28	1	473874	12MM-1.75X 40MM SOC HD CAP SCR
29	10	470409	3/8UNC X 3/4 HHSFB GR5 MC
30	8	920502	HLOCK WASHER 3/8 MC
31	12	900129	3/8UNC X 1 HHCS GR5 MC
32	22	910106	3/8-16UNC CTRLK FLG NUT MC GR5
33	2	617464	16-797TC-16FFOX-16C62F-138 H/A
34	2	617465	16-797TC-16FFOX-16C62FX90-120 H/A
35	1	617485	08-451TC-08FJX-08FJX90-161 H/A
36	1	617486	04-451TC-04FJX-04FJX45-155 H/A
37	1	617487	08-451TC-08FJX-08FJX90-176 H/A
38	1	617488	04-451TC-06FJX-04FJX45-155 H/A
39	1	617490	04-451TC-04FJX-06FJX45-42 H/A
40	1	617491	06-451TC-06FJX-06FJX-40 H/A
41	1	617489	04-451TC-04FJX-06FJX-31 H/A
42	1	617474	12-451TC-10FJX-12FJX45-16 H/A
43	1	617492	06-451TC-08FJX-06FJX90-16 H/A
44	1	617471	12-451TC-12FJX-12FJX45-83 H/A
45	1	617472	06-451TC-10FJX-06FJX90-87 H/A
46	1	617505	04-451TC-06FJX-04FJX90-33 H/A

STANDARD FRONT AUX HYDRAULIC HOSES

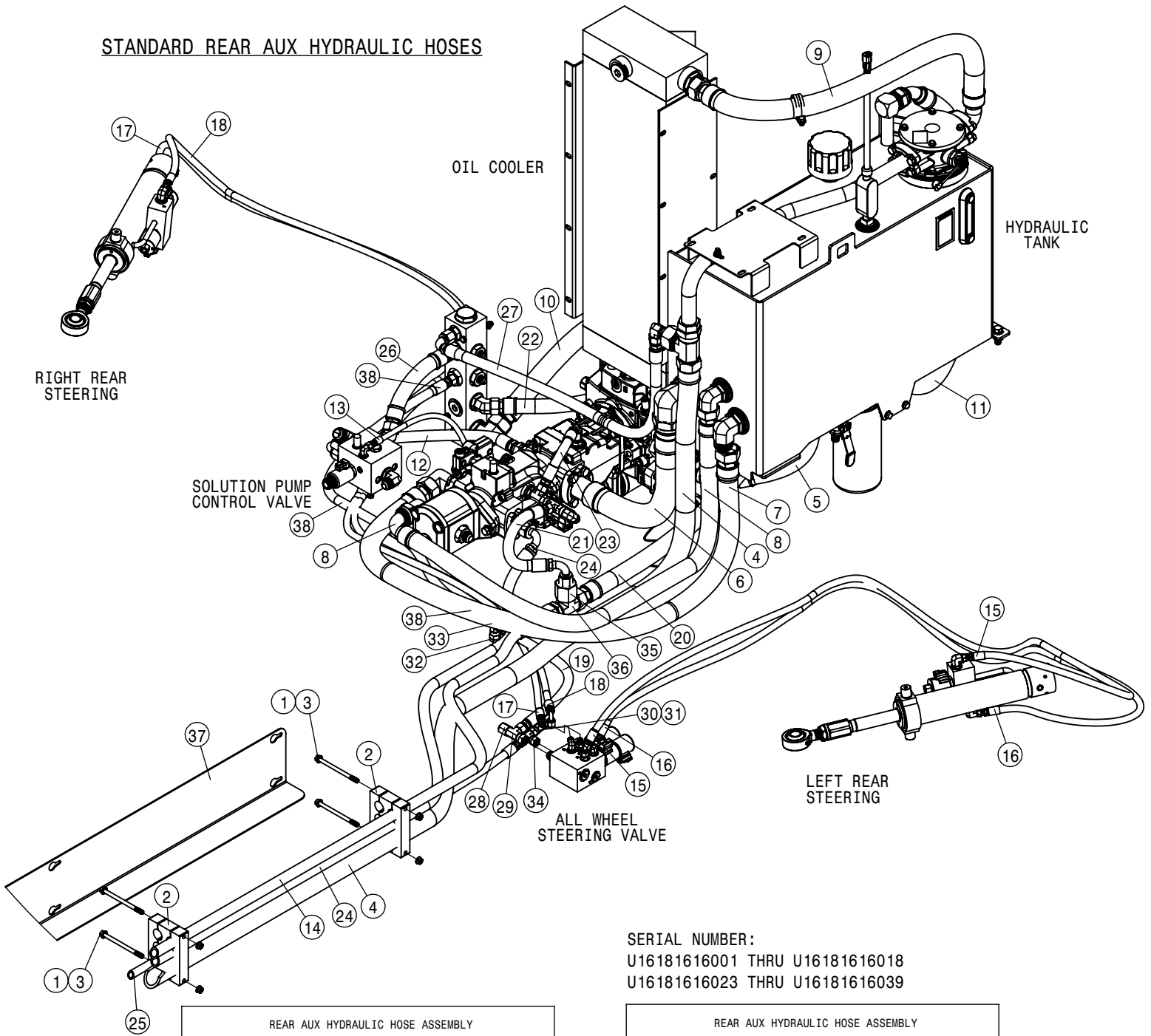


SERIAL NUMBER:
 U16181616001 THRU U16181616018
 U16181616023 THRU U16181616039

FRONT AUX HYDRAULIC HOSE ASSEMBLY			
DET	QTY	P/N	DESCRIPTION
1	3	470087	3/8UNC HEX SERR FLANGE NUT
2	1	470671	HOSE CLAMP, 6-HOLE
3	2	470683	3/8UNC X5 1/2SMTH FLG HEX BOLT
4	1	520160	CUSH CLAMP,#24 1 1/2D-3/4WLOOP
5	1	615917	TUBE ASSY 1/2"OD 8-FJIC
6	1	617078	08-451TC-08FJX-08FJX90-118 H/A
7	1	617079	08-451TC-08FJX-08FJX-107 H/A
8	1	617087	24-811-24FJX-24FJX90-177 H/A
9	1	617105	12-451TC-12FJX-12FJX-115 H/A
10	1	617129	10-451TC-10FJX-12FJX90-55 H/A
11	1	617130	12-451TC-12FJX-12FJX90-78 H/A
12	1	617131	12-451TC-12FJX-12FJX-44 H/A
13	1	617133	12-451TC-12FJX-16FJX90-187 H/A
14	1	617134	08-451TC-08FJX-08FJX-22 H/A
15	1	617135	08-451TC-08FJX-10FJX90-141 H/A
16	1	617136	10-451TC-10FJX-12FJX-53 H/A

FRONT AUX HYDRAULIC HOSE ASSEMBLY			
DET	QTY	P/N	DESCRIPTION
17	1	617137	10-451TC-10FJX-10FJX-79 H/A
18	1	617138	10-451TC-10FJX-10FJX-16 H/A
19	2	617212	8-451TC-8FJX-8FJX-75 H/A
20	1	618311	3/4MJIC UNION TEE
21	1	618314	3/4MJIC UNION
22	1	618333	7/8FJIC SW RUN TEE-7/8MJIC
23	1	618451	3/4FJIC SW RUN TEE-3/4MJIC
24	1	618457	3/4MJIC PLUG
25	1	618483	1 1/16FJIC-9/16MJIC ADPTR
26	1	618531	9/16FJIC CAP NUT
27	2	618532	3/4FJIC CAP NUT
28	1	618533	1 1/16FJIC CAP NUT
29	2	618543	7/8MJIC PLUG
30	1	618593	7/8FJ SW BRANCH TEE-7/8MJ
31	1	618750	1 1/16MJIC BLKHD RUN TEE
32	1	660290	HOSE GUARD - L/F

STANDARD REAR AUX HYDRAULIC HOSES

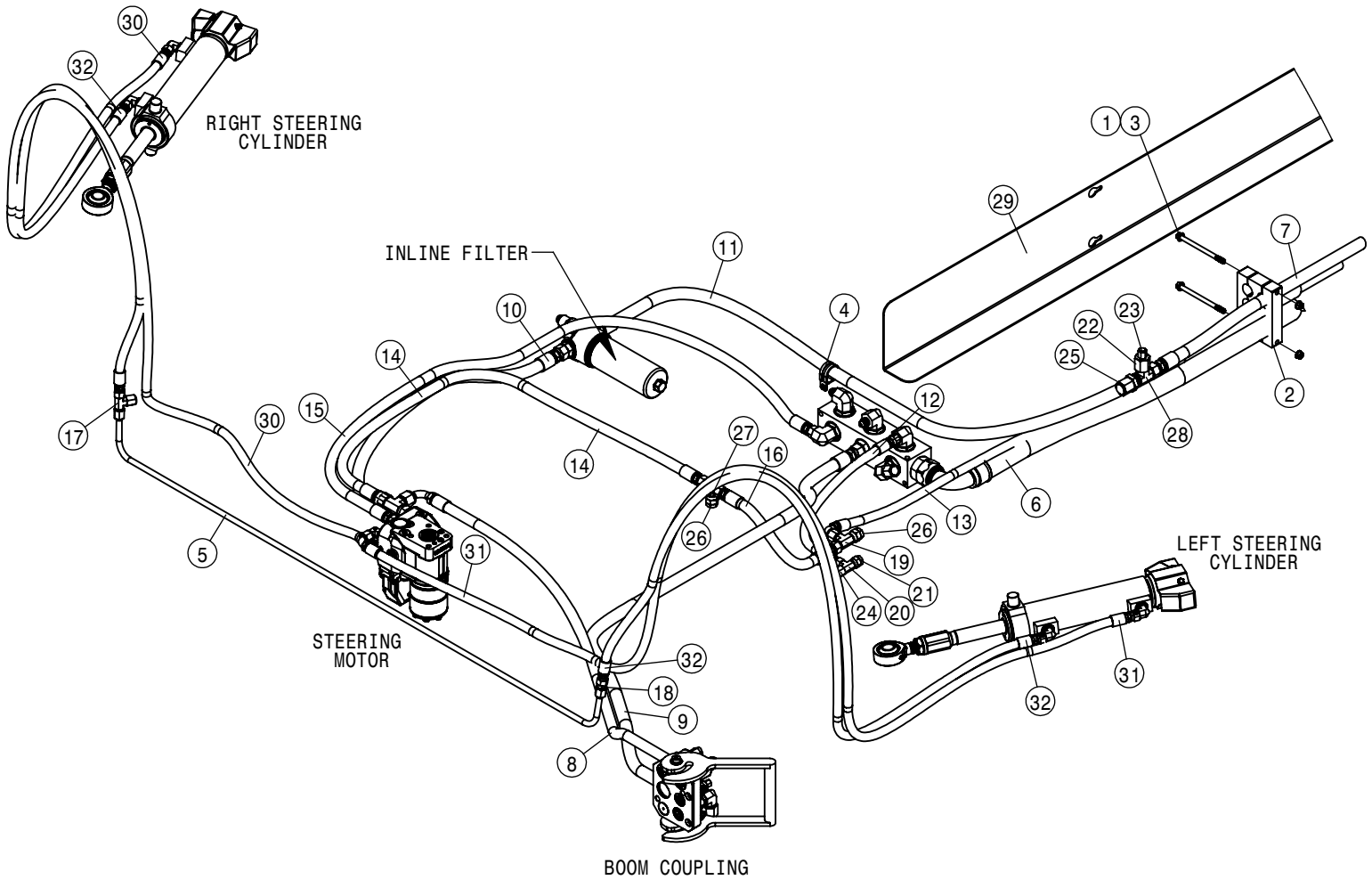


SERIAL NUMBER:
 U16181616001 THRU U16181616018
 U16181616023 THRU U16181616039

REAR AUX HYDRAULIC HOSE ASSEMBLY			
DET	QTY	P/N	DESCRIPTION
1	4	470087	3/8UNC HEX SERR FLANGE NUT
2	2	470671	HOSE CLAMP, 6-HOLE
3	4	470683	3/8UNC X5 1/2SMTH FLG HEX BOLT
4	1	617087	24-811-24FJX-24FJX90-177 H/A
5	1	617088	24-811-24FJX-24FJX45-18 H/A
6	1	617089	32-811-32FJX-32FLG-25 H/A
7	1	617091	24-811-24FJX-24FJX-71 H/A
8	1	617092	20-811-20FJX-20FJX90-60 H/A
9	1	617093	24-811-24FJX-24FLG90-48 H/A
10	1	617094	24-811-24FJX-24FJX90-31 H/A
11	1	617095	20-811-20FJX-20FJX45-47 H/A
12	1	617101	12-451TC-16FJX-12FJX90-23 H/A
13	1	617102	04-451TC-06FJX-04FJX90-29 H/A
14	1	617105	12-451TC-12FJX-12FJX-115 H/A
15	1	617115	06-451TC-06FJX-06FJX45-101 H/A
16	1	617116	06-451TC-06FJX-06FJX-99 H/A
17	1	617117	06-451TC-06FJX-06FJX-137
18	1	617118	06-451TC-06FJX-06FJX90-137 H/A
19	1	617119	10-451TC-10FJX-10FJX-18 H/A

REAR AUX HYDRAULIC HOSE ASSEMBLY			
DET	QTY	P/N	DESCRIPTION
20	1	617120	20-811-20FJX-20FJX-37 H/A
21	1	617122	12-451TC-10FJX-12FJX90-18 H/A
22	1	617123	16-811-16FJX-16FJX90-22 H/A
23	1	617132	10-451TC-10FJX-10FJX90-11 H/A
24	1	617133	12-451TC-12FJX-16FJX90-187 H/A
25	1	617135	08-451TC-08FJX-10FJX90-141 H/A
26	1	617139	16-811-16FJX-16FJX-12 H/A
27	1	617171	12-451TC-12FJX-12FJX90-43 H/A
28	1	618328	7/8FJIC CAP NUT
29	1	618333	7/8FJIC SW RUN TEE-7/8MJIC
30	1	618451	3/4FJIC SW RUN TEE-3/4MJIC
31	2	618532	3/4FJIC CAP NUT
32	1	618543	7/8MJIC PLUG
33	1	618593	7/8FJ SW BRANCH TEE-7/8MJ
34	1	618643	3/4FJ SW BRANCH TEE-3/4MJ
35	2	618665	1 5/8FJIC-1 1/16MJIC ADPTR
36	1	618752	1 5/8MJIC BLKHD RUN TEE
37	1	660290	HOSE GUARD - L/F
38	1	617097	10-451TC-10FJX-10FJX-47 H/A

STANDARD FRONT AUX HYDRAULIC HOSES

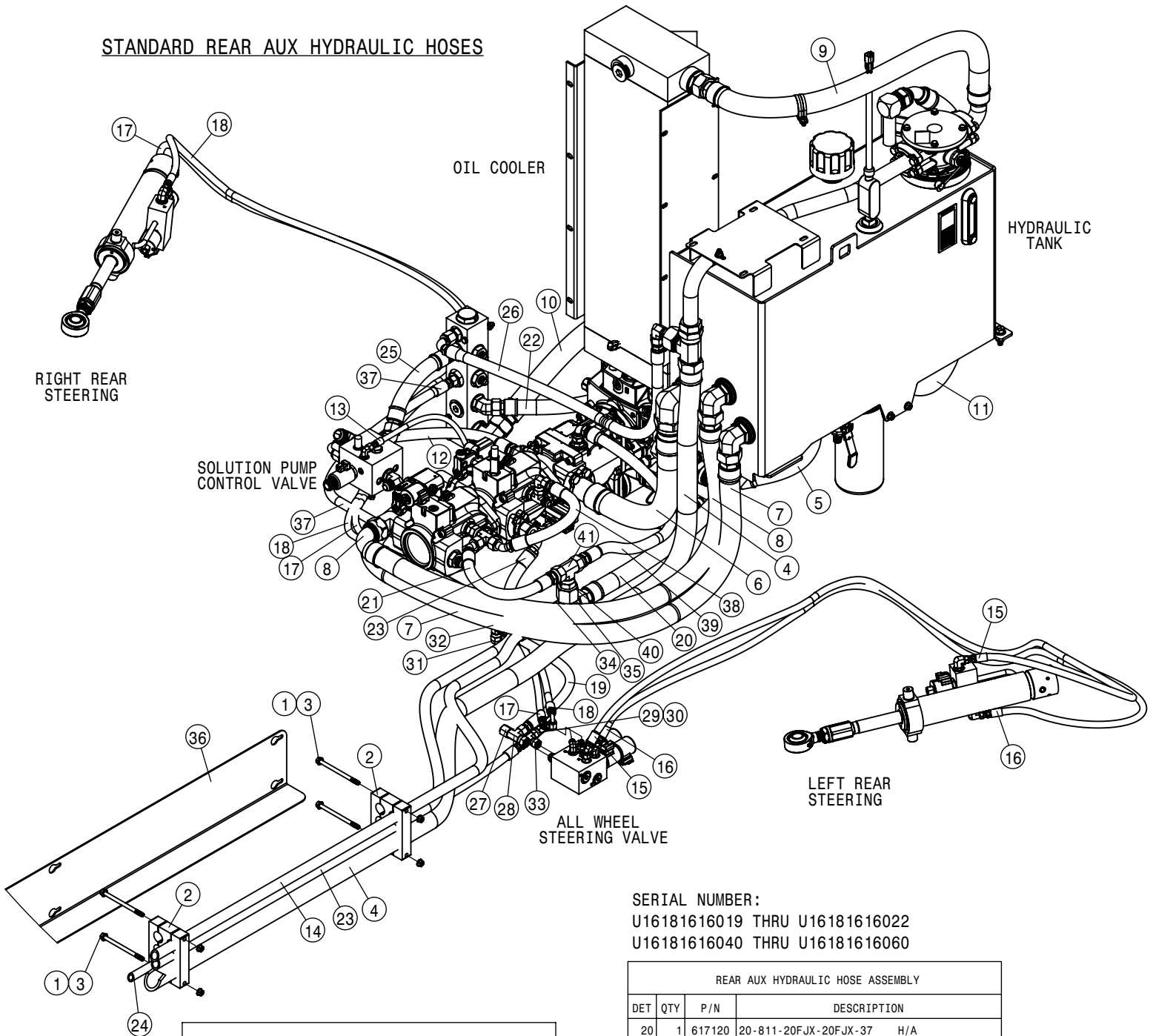


SERIAL NUMBER:
 U16181616019 THRU U16181616022
 U16181616040 THRU U16181616060

FRONT AUX HYDRAULIC HOSE ASSEMBLY			
DET	QTY	P/N	DESCRIPTION
1	3	470087	3/8UNC HEX SERR FLANGE NUT
2	1	470671	HOSE CLAMP, 6-HOLE
3	2	470683	3/8UNC X5 1/2SMTH FLG HEX BOLT
4	1	520160	CUSH CLAMP,#24 1 1/2D-3/4WLOOP
5	1	615917	TUBE ASSY 1/2"OD 8-FJIC
6	1	617087	24-811-24FJX-24FJX90-177 H/A
7	1	617105	12-451TC-12FJX-12FJX-115 H/A
8	1	617129	10-451TC-10FJX-12FJX90-55 H/A
9	1	617130	12-451TC-12FJX-12FJX90-78 H/A
10	1	617131	12-451TC-12FJX-12FJX-44 H/A
11	1	617133	12-451TC-12FJX-16FJX90-187 H/A
12	1	617134	08-451TC-08FJX-08FJX-22 H/A
13	1	617135	08-451TC-08FJX-10FJX90-141 H/A
14	1	617136	10-451TC-10FJX-12FJX-53 H/A
15	1	617137	10-451TC-10FJX-10FJX-79 H/A
16	1	617138	10-451TC-10FJX-10FJX-16 H/A

FRONT AUX HYDRAULIC HOSE ASSEMBLY			
DET	QTY	P/N	DESCRIPTION
17	1	618311	3/4MJIC UNION TEE
18	1	618314	3/4MJIC UNION
19	1	618333	7/8FJIC SW RUN TEE-7/8MJIC
20	1	618451	3/4FJIC SW RUN TEE-3/4MJIC
21	1	618457	3/4MJIC PLUG
22	1	618483	1 1/16FJIC-9/16MJIC ADPTR
23	1	618531	9/16FJIC CAP NUT
24	1	618532	3/4FJIC CAP NUT
25	1	618533	1 1/16FJIC CAP NUT
26	2	618543	7/8MJIC PLUG
27	1	618593	7/8FJ SW BRANCH TEE-7/8MJ
28	1	618750	1 1/16MJIC BLKHD RUN TEE
29	1	660290	HOSE GUARD - L/F
30	1	617479	08-451TC-08FJX-08FJX-119 H/A
31	1	617480	08-451TC-08FJX-08FJX90-127 H/A
32	2	617478	08-451TC-08FJX-08FJX-80 H/A

STANDARD REAR AUX HYDRAULIC HOSES

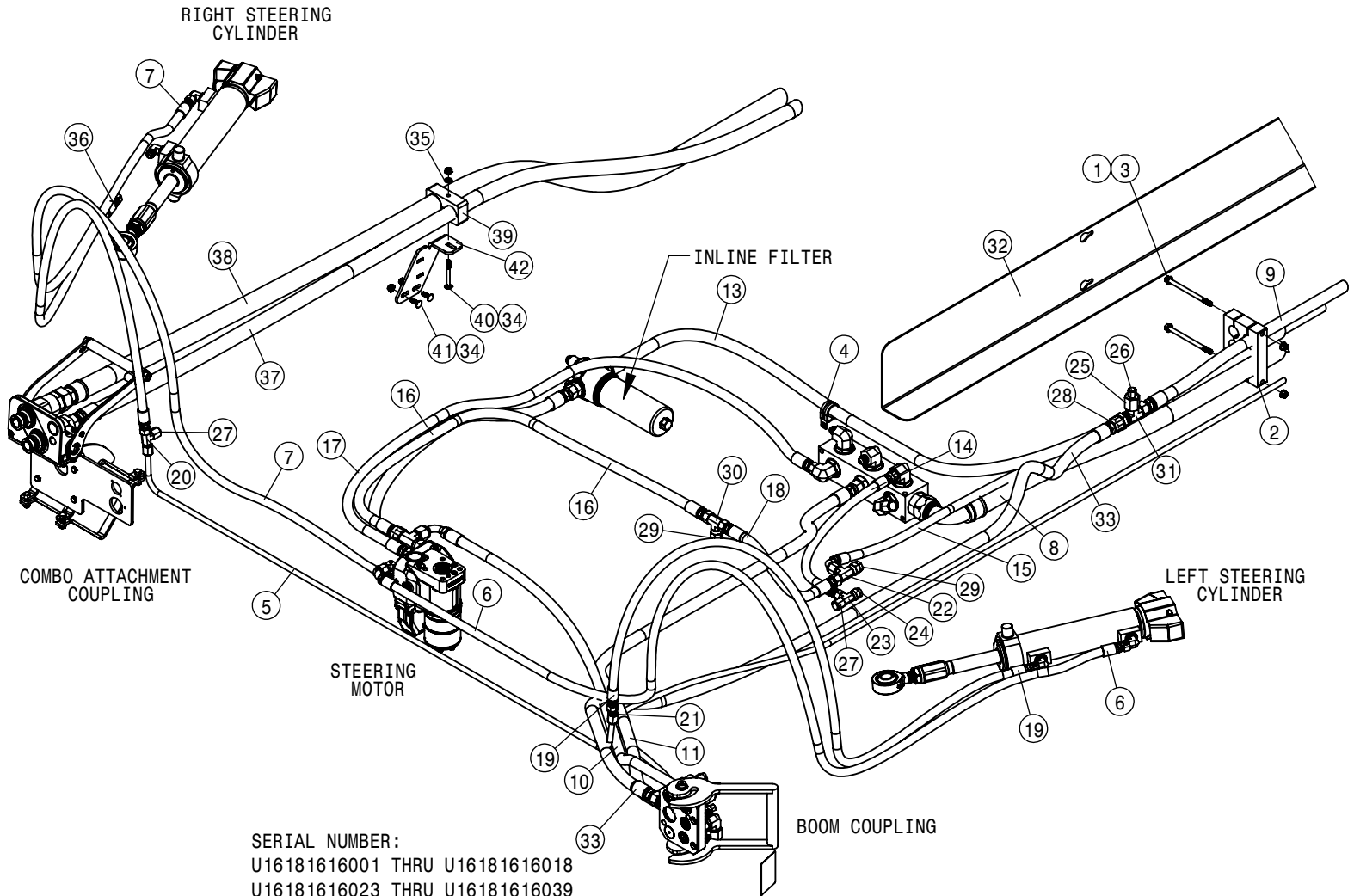


SERIAL NUMBER:
 U16181616019 THRU U16181616022
 U16181616040 THRU U16181616060

REAR AUX HYDRAULIC HOSE ASSEMBLY			
DET	QTY	P/N	DESCRIPTION
1	4	470087	3/8UNC HEX SERR FLANGE NUT
2	2	470671	HOSE CLAMP, 6-HOLE
3	4	470683	3/8UNC X5 1/2SMTH FLG HEX BOLT
4	1	617087	24-811-24FJX-24FJX90-177 H/A
5	1	617088	24-811-24FJX-24FJX45-18 H/A
6	1	617089	32-811-32FJX-32FLG-25 H/A
7	1	617091	24-811-24FJX-24FJX-71 H/A
8	1	617473	24-811-24FJX-24FJX90-61 H/A
9	1	617093	24-811-24FJX-24FLG90-48 H/A
10	1	617094	24-811-24FJX-24FJX90-31 H/A
11	1	617095	20-811-20FJX-20FJX45-47 H/A
12	1	617101	12-451TC-16FJX-12FJX90-23 H/A
13	1	617102	04-451TC-06FJX-04FJX90-29 H/A
14	1	617105	12-451TC-12FJX-12FJX-115 H/A
15	1	617115	06-451TC-06FJX-06FJX45-101 H/A
16	1	617116	06-451TC-06FJX-06FJX-99 H/A
17	1	617117	06-451TC-06FJX-06FJX-137 H/A
18	1	617118	06-451TC-06FJX-06FJX90-137 H/A
19	1	617119	10-451TC-10FJX-10FJX-18 H/A

REAR AUX HYDRAULIC HOSE ASSEMBLY			
DET	QTY	P/N	DESCRIPTION
20	1	617120	20-811-20FJX-20FJX-37 H/A
21	1	617475	12-451TC-16FJX-12FJX45-18 H/A
22	1	617123	16-811-16FJX-16FJX90-22 H/A
23	1	617133	12-451TC-12FJX-16FJX90-187 H/A
24	1	617135	08-451TC-08FJX-10FJX90-141 H/A
25	1	617139	16-811-16FJX-16FJX-12 H/A
26	1	617171	12-451TC-12FJX-12FJX90-43 H/A
27	1	618328	7/8FJIC CAP NUT
28	1	618333	7/8FJIC SW RUN TEE-7/8MJIC
29	1	618451	3/4FJIC SW RUN TEE-3/4MJIC
30	2	618532	3/4FJIC CAP NUT
31	1	618543	7/8MJIC PLUG
32	1	618593	7/8FJ SW BRANCH TEE-7/8MJ
33	1	618643	3/4FJ SW BRANCH TEE-3/4MJ
34	1	618665	1 5/8FJIC-1 1/16MJIC ADPTR
35	1	618752	1 5/8MJIC BLKHD RUN TEE
36	1	660290	HOSE GUARD - L/F
37	1	617097	10-451TC-10FJX-10FJX-47 H/A
38	1	617474	12-451TC-10FJX-12FJX45-16 H/A
39	1	617476	12-451TC-10FJX90-16FJX-30 H/A
40	1	618547	1 5/8FJIC-1 5/16MJIC ADPTR
41	1	618717	1 5/16FJX BRANCH TEE-1 5/16MJ

COMBO FRONT AUX HYDRAULIC HOSES

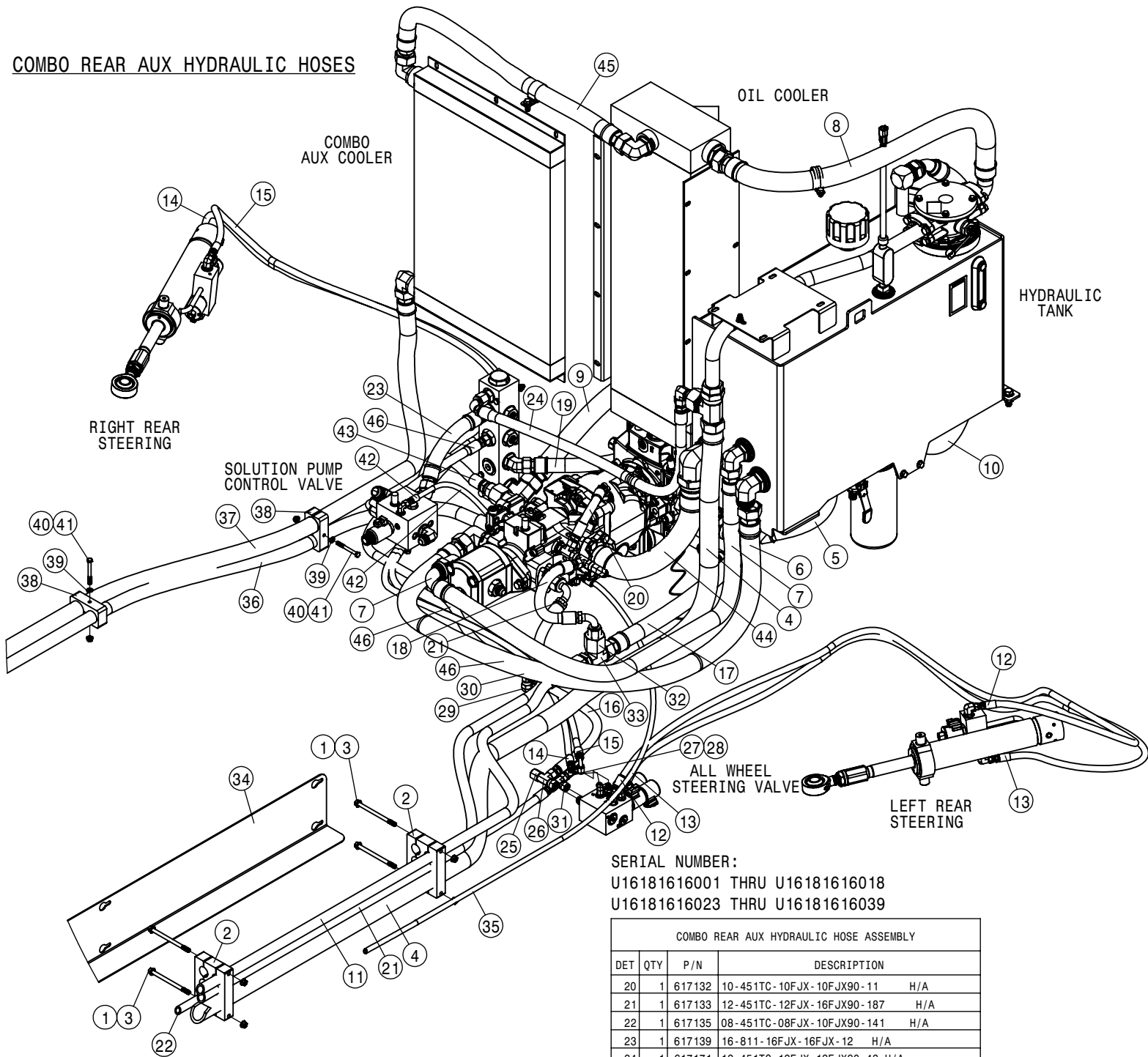


SERIAL NUMBER:
 U16181616001 THRU U16181616018
 U16181616023 THRU U16181616039

COMBO FRONT AUX HYDRAULIC HOSE ASSEMBLY			
DET	QTY	P/N	DESCRIPTION
1	3	470087	3/8UNC HEX SERR FLANGE NUT
2	1	470671	HOSE CLAMP, 6-HOLE
3	2	470683	3/8UNC X5 1/2SMTH FLG HEX BOLT
4	1	520160	CUSH CLAMP, #24 1 1/2D-3/4WLOOP
5	1	615917	TUBE ASSY 1/2"OD 8-FJIC
6	1	617078	08-451TC-08FJX-08FJX90-118 H/A
7	1	617079	08-451TC-08FJX-08FJX-107 H/A
8	1	617087	24-811-24FJX-24FJX90-177 H/A
9	1	617105	12-451TC-12FJX-12FJX-115 H/A
10	1	617129	10-451TC-10FJX-12FJX90-55 H/A
11	1	617130	12-451TC-12FJX-12FJX90-78 H/A
12	1	617131	12-451TC-12FJX-12FJX-44 H/A
13	1	617133	12-451TC-12FJX-16FJX90-187 H/A
14	1	617134	08-451TC-08FJX-08FJX-22 H/A
15	1	617135	08-451TC-08FJX-10FJX90-141 H/A
16	1	617136	10-451TC-10FJX-12FJX-53 H/A
17	1	617137	10-451TC-10FJX-10FJX-79 H/A
18	1	617138	10-451TC-10FJX-10FJX-16 H/A
19	2	617212	8-451TC-8FJX-8FJX-75 H/A
20	1	618311	3/4MJIC UNION TEE
21	1	618314	3/4MJIC UNION

COMBO FRONT AUX HYDRAULIC HOSE ASSEMBLY			
DET	QTY	P/N	DESCRIPTION
22	1	618333	7/8FJIC SW RUN TEE-7/8MJIC
23	1	618451	3/4FJIC SW RUN TEE-3/4MJIC
24	1	618457	3/4MJIC PLUG
25	1	618483	1 1/16FJIC-9/16MJIC ADPTR
26	1	618531	9/16FJIC CAP NUT
27	2	618532	3/4FJIC CAP NUT
28	1	618533	1 1/16FJIC CAP NUT
29	2	618543	7/8MJIC PLUG
30	1	618593	7/8FJ SW BRANCH TEE-7/8MJ
31	1	618750	1 1/16MJIC BLKHD RUN TEE
32	1	660290	HOSE GUARD - L/F
33	1	617111	12-451TC-12FJX-12FJX-93 H/A
34	3	470113N	5/16UNC SERR FLG LOCK NUT SS
35	1	920001N	5/16 SAE FLAT WASHER SS
36	1	617112	04-451TC-04FJX-04FJX45-239 H/A
37	1	617113	16-451TC-16FJX-20FJX90-215 H/A
38	1	617114	20-811-20FJX-20-FJX-229 H/A
39	1	470674	HOSE CLAMP, 2-HOLE
40	1	901073	5/16UNC X 3 CARR BOLT
41	2	901064	5/16UNC X 1 CARR BOLT
42	1	362035	COMBO SUPPORT BRKT

COMBO REAR AUX HYDRAULIC HOSES

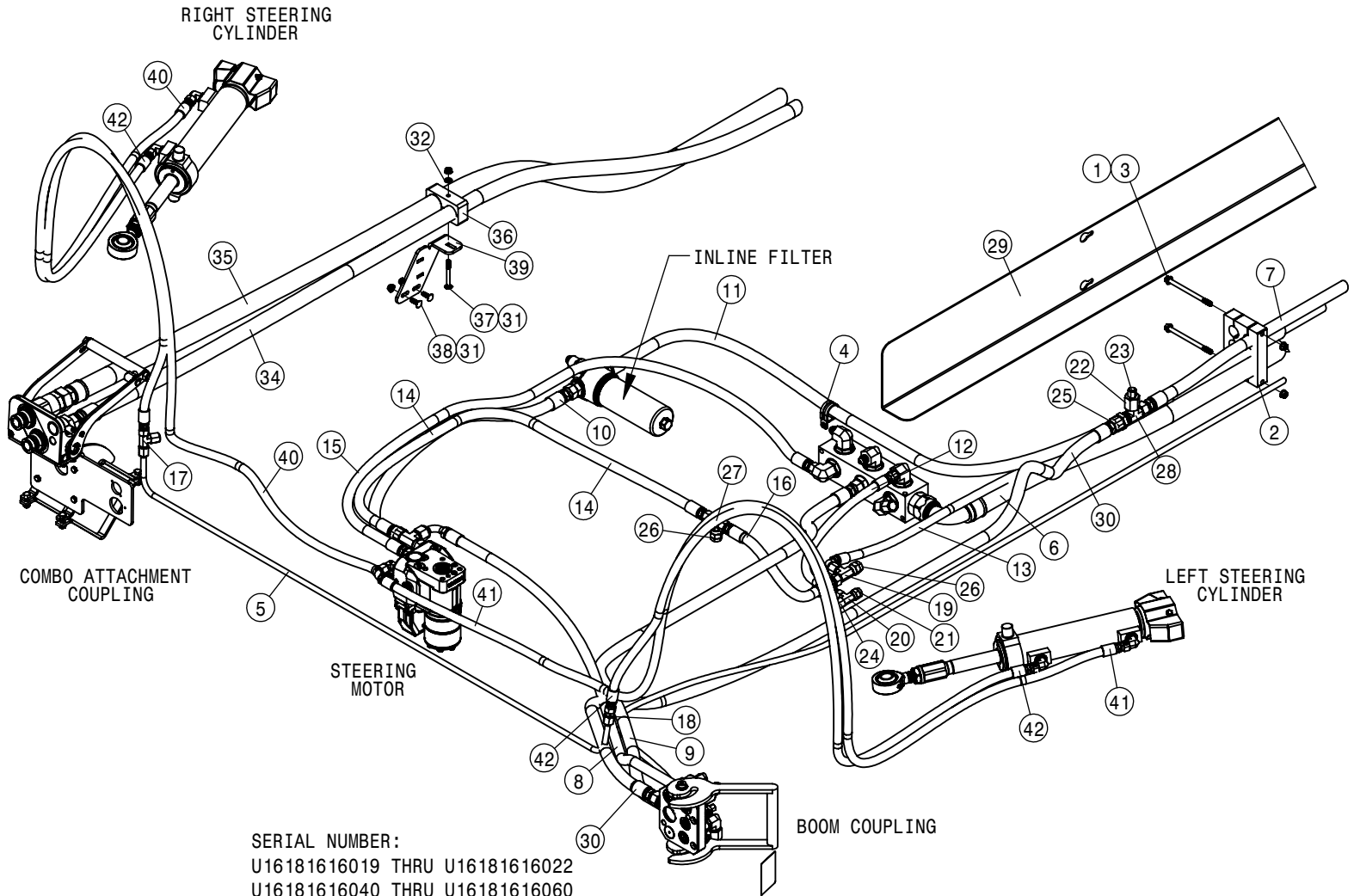


SERIAL NUMBER:
 U16181616001 THRU U16181616018
 U16181616023 THRU U16181616039

COMBO REAR AUX HYDRAULIC HOSE ASSEMBLY			
DET	QTY	P/N	DESCRIPTION
1	4	470087	3/8UNC HEX SERR FLANGE NUT
2	2	470671	HOSE CLAMP, 6-HOLE
3	4	470683	3/8UNC X5 1/2SMTH FLG HEX BOLT
4	1	617087	24-811-24FJX-24FJX90-177 H/A
5	1	617088	24-811-24FJX-24FJX45-18 H/A
6	1	617091	24-811-24FJX-24FJX-71 H/A
7	1	617092	20-811-20FJX-20FJX90-60 H/A
8	1	617093	24-811-24FJX-24FLG90-48 H/A
9	1	617094	24-811-24FJX-24FJX90-31 H/A
10	1	617095	20-811-20FJX-20FJX45-47 H/A
11	1	617105	12-451TC-12FJX-12FJX-115 H/A
12	1	617115	06-451TC-06FJX-06FJX45-101 H/A
13	1	617116	06-451TC-06FJX-06FJX-99 H/A
14	1	617117	06-451TC-06FJX-06FJX-137
15	1	617118	06-451TC-06FJX-06FJX90-137 H/A
16	1	617119	10-451TC-10FJX-10FJX-18 H/A
17	1	617120	20-811-20FJX-20FJX-37 H/A
18	1	617122	12-451TC-10FJX-12FJX90-18 H/A
19	1	617123	16-811-16FJX-16FJX90-22 H/A

COMBO REAR AUX HYDRAULIC HOSE ASSEMBLY			
DET	QTY	P/N	DESCRIPTION
20	1	617132	10-451TC-10FJX-10FJX90-11 H/A
21	1	617133	12-451TC-12FJX-16FJX90-187 H/A
22	1	617135	08-451TC-08FJX-10FJX90-141 H/A
23	1	617139	16-811-16FJX-16FJX-12 H/A
24	1	617171	12-451TC-12FJX-12FJX90-43 H/A
25	1	618328	7/8FJIC CAP NUT
26	1	618333	7/8FJIC SW RUN TEE-7/8MJIC
27	1	618451	3/4FJIC SW RUN TEE-3/4MJIC
28	2	618532	3/4FJIC CAP NUT
29	1	618543	7/8MJIC PLUG
30	1	618593	7/8FJ SW BRANCH TEE-7/8MJ
31	1	618643	3/4FJ SW BRANCH TEE-3/4MJ
32	2	618665	1 5/8FJIC-1 1/16MJIC ADPTR
33	1	618752	1 5/8MJIC BLKHD RUN TEE
34	1	660290	HOSE GUARD - L/F
35	1	617112	04-451TC-04FJX-04FJX45-239 H/A
36	1	617113	16-451TC-16FJX-20FJX90-215 H/A
37	1	617114	20-811-20FJX-20-FJX-229 H/A
38	2	470674	HOSE CLAMP, 2-HOLE
39	2	920001N	5/16 SAE FLAT WASHER SS
40	2	470113N	5/16UNC SERR FLG LOCK NUT SS
41	2	900072N	5/16UNC X 3" HEX BOLT SS
42	1	617102	04-451TC-06FJX-04FJX90-29 H/A
43	1	617101	12-451TC-16FJX-12FJX90-23 H/A
44	1	617090	32-811-32FJX-40FLG-23 H/A
45	1	617173	20-811-20FJX-20FJX-39 H/A
46	1	617097	10-451TC-10FJX-10FJX-47 H/A

COMBO FRONT AUX HYDRAULIC HOSES

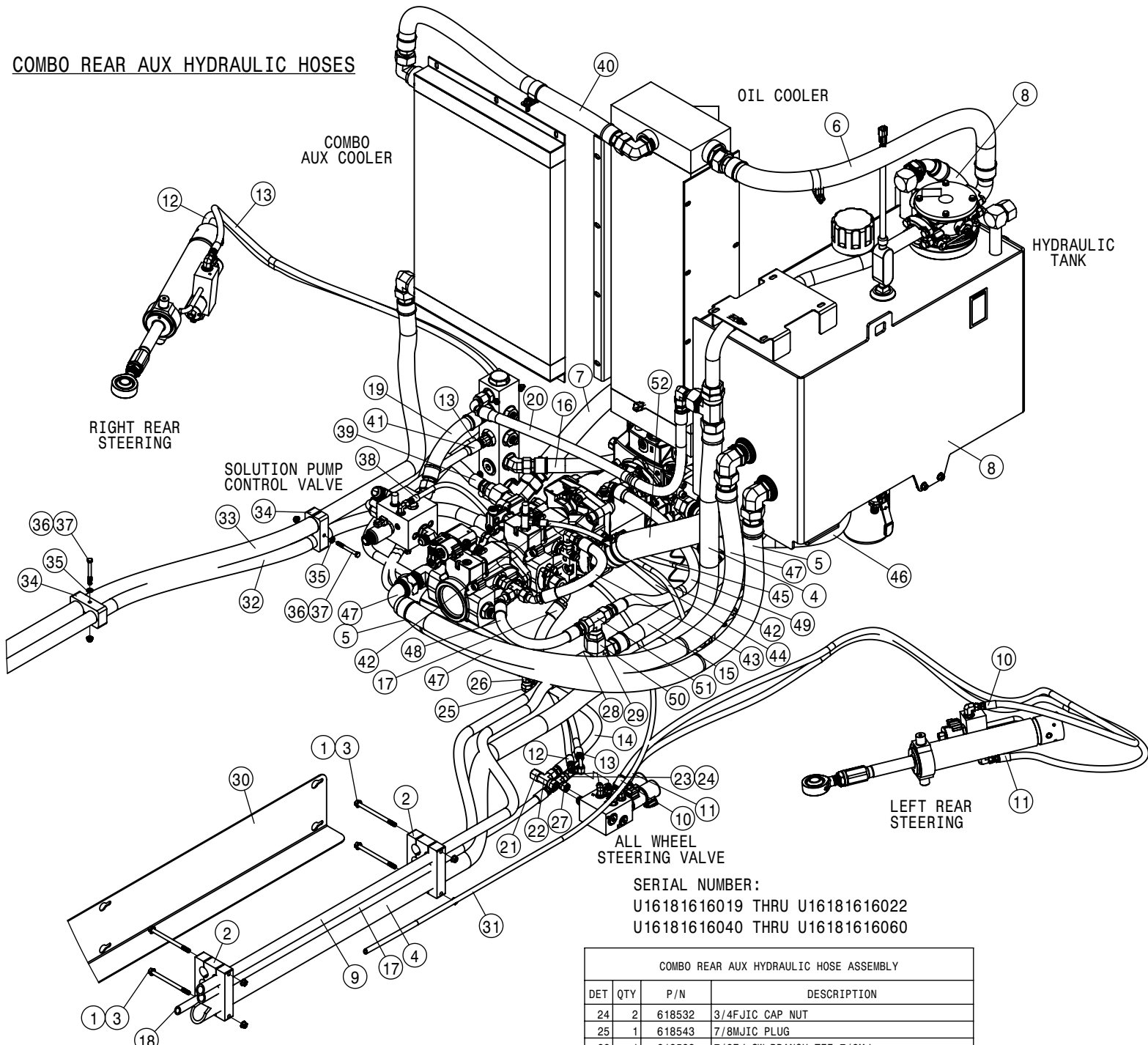


SERIAL NUMBER:
 U16181616019 THRU U16181616022
 U16181616040 THRU U16181616060

COMBO FRONT AUX HYDRAULIC HOSE ASSEMBLY				
DET	QTY	P/N	DESCRIPTION	
1	3	470087	3/8UNC HEX SERR FLANGE NUT	
2	1	470671	HOSE CLAMP, 6-HOLE	
3	2	470683	3/8UNC X5 1/2SMTH FLG HEX BOLT	
4	1	520160	CUSH CLAMP, #24 1 1/2D-3/4WLOOP	
5	1	615917	TUBE ASSY 1/2"OD 8-FJIC	
6	1	617087	24-811-24FJX-24FJX90-177 H/A	
7	1	617105	12-451TC-12FJX-12FJX-115 H/A	
8	1	617129	10-451TC-10FJX-12FJX90-55 H/A	
9	1	617130	12-451TC-12FJX-12FJX90-78 H/A	
10	1	617131	12-451TC-12FJX-12FJX-44 H/A	
11	1	617133	12-451TC-12FJX-16FJX90-187 H/A	
12	1	617134	08-451TC-08FJX-08FJX-22 H/A	
13	1	617135	08-451TC-08FJX-10FJX90-141 H/A	
14	1	617136	10-451TC-10FJX-12FJX-53 H/A	
15	1	617137	10-451TC-10FJX-10FJX-79 H/A	
16	1	617138	10-451TC-10FJX-10FJX-16 H/A	
17	1	618311	3/4MJIC UNION TEE	
18	1	618314	3/4MJIC UNION	
19	1	618333	7/8FJIC SW RUN TEE-7/8MJIC	
20	1	618451	3/4FJIC SW RUN TEE-3/4MJIC	
21	1	618457	3/4MJIC PLUG	

COMBO FRONT AUX HYDRAULIC HOSE ASSEMBLY				
DET	QTY	P/N	DESCRIPTION	
22	1	618483	1 1/16FJIC-9/16MJIC ADPTR	
23	1	618531	9/16FJIC CAP NUT	
24	1	618532	3/4FJIC CAP NUT	
25	1	618533	1 1/16FJIC CAP NUT	
26	2	618543	7/8MJIC PLUG	
27	1	618593	7/8FJ SW BRANCH TEE-7/8MJ	
28	1	618750	1 1/16MJIC BLKHD RUN TEE	
29	1	660290	HOSE GUARD - L/F	
30	1	617111	12-451TC-12FJX-12FJX-93 H/A	
31	3	470113N	5/16UNC SERR FLG LOCK NUT SS	
32	1	920001N	5/16 SAE FLAT WASHER SS	
33	1	617112	04-451TC-04FJX-04FJX45-239 H/A	
34	1	617113	16-451TC-16FJX-20FJX90-215 H/A	
35	1	617114	20-811-20FJX-20-FJX-229 H/A	
36	1	470674	HOSE CLAMP, 2-HOLE	
37	1	901073	5/16UNC X 3 CARR BOLT	
38	2	901064	5/16UNC X 1 CARR BOLT	
39	1	362035	COMBO SUPPORT BRKT	
40	1	617479	08-451TC-08FJX-08FJX-119 H/A	
41	1	617480	08-451TC-08FJX-08FJX90-127 H/A	
42	2	617478	08-451TC-08FJX-08FJX-80 H/A	

COMBO REAR AUX HYDRAULIC HOSES

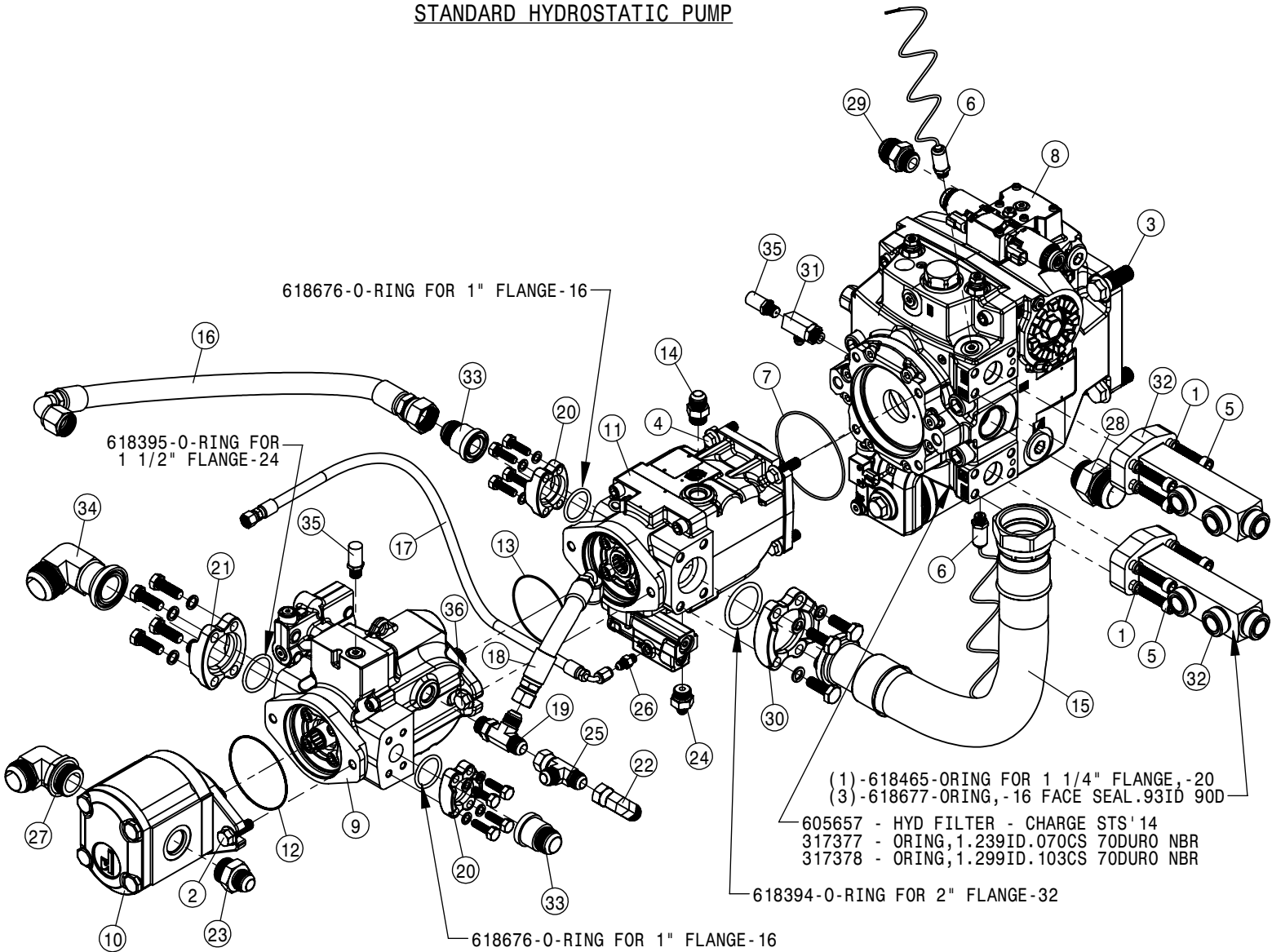


SERIAL NUMBER:
 U16181616019 THRU U16181616022
 U16181616040 THRU U16181616060

COMBO REAR AUX HYDRAULIC HOSE ASSEMBLY			
DET	QTY	P/N	DESCRIPTION
1	4	470087	3/8UNC HEX SERR FLANGE NUT
2	2	470671	HOSE CLAMP, 6-HOLE
3	4	470683	3/8UNC X5 1/2SMITH FLG HEX BOLT
4	1	617087	24-811-24FJX-24FJX90-177 H/A
5	1	617091	24-811-24FJX-24FJX-71 H/A
6	1	617093	24-811-24FJX-24FLG90-48 H/A
7	1	617094	24-811-24FJX-24FJX90-31 H/A
8	1	617095	20-811-20FJX-20FJX45-47 H/A
9	1	617105	12-451TC-12FJX-12FJX-115 H/A
10	1	617115	06-451TC-06FJX-06FJX45-101 H/A
11	1	617116	06-451TC-06FJX-06FJX-99 H/A
12	1	617117	06-451TC-06FJX-06FJX-137 H/A
13	1	617118	06-451TC-06FJX-06FJX90-137 H/A
14	1	617119	10-451TC-10FJX-10FJX-18 H/A
15	1	617120	20-811-20FJX-20FJX-37 H/A
16	1	617123	16-811-16FJX-16FJX90-22 H/A
17	1	617133	12-451TC-12FJX-16FJX90-187 H/A
18	1	617135	08-451TC-08FJX-10FJX90-141 H/A
19	1	617139	16-811-16FJX-16FJX-12 H/A
20	1	617171	12-451TC-12FJX-12FJX90-43 H/A
21	1	618328	7/8FJIC CAP NUT
22	1	618333	7/8FJIC SW RUN TEE-7/8MJIC
23	1	618451	3/4FJIC SW RUN TEE-3/4MJIC

COMBO REAR AUX HYDRAULIC HOSE ASSEMBLY			
DET	QTY	P/N	DESCRIPTION
24	2	618532	3/4FJIC CAP NUT
25	1	618543	7/8MJIC PLUG
26	1	618593	7/8FJ SW BRANCH TEE-7/8MJ
27	1	618643	3/4FJ SW BRANCH TEE-3/4MJ
28	1	618665	1 5/8FJIC-1 1/16MJIC ADPTR
29	1	618752	1 5/8MJIC BLKHD RUN TEE
30	1	660290	HOSE GUARD - L/F
31	1	617112	04-451TC-04FJX-04FJX45-239 H/A
32	1	617113	16-451TC-16FJX-20FJX90-215 H/A
33	1	617114	20-811-20FJX-20-FJX-229 H/A
34	2	470674	HOSE CLAMP, 2-HOLE
35	2	920001N	5/16 SAE FLAT WASHER SS
36	2	470113N	5/16UNC SERR FLG LOCK NUT SS
37	2	900072N	5/16UNC X 3" HEX BOLT SS
38	1	617102	04-451TC-06FJX-04FJX90-29 H/A
39	1	617101	12-451TC-16FJX-12FJX90-23 H/A
40	1	617173	20-811-20FJX-20FJX-39 H/A
41	1	617097	10-451TC-10FJX-10FJX-47 H/A
42	1	617489	04-451TC-04FJX-06FJX-31 H/A
43	1	617474	12-451TC-10FJX-12FJX45-16 H/A
44	1	617492	06-451TC-08FJX-06FJX90-16 H/A
45	1	617505	04-451TC-06FJX-04FJX90-33 H/A
46	1	617466	24-811-24FJX-24FJX45-20 H/A
47	1	617473	24-811-24FJX-24FJX90-61 H/A
48	1	617475	12-451TC-16FJX-12FJX45-18 H/A
49	1	617476	12-451TC-10FJX90-16FJX-30 H/A
50	1	618547	1 5/8FJIC-1 5/16MJIC ADPTR
51	1	618717	1 5/16FJX BRANCH TEE-1 5/16MJ
52	1	195418-019	HOSE, 7219-40 2.50 75P

STANDARD HYDROSTATIC PUMP



- (1) - 618465-ORING FOR 1 1/4" FLANGE, -20
- (3) - 618677-ORING, -16 FACE SEAL.93ID 90D
- 605657 - HYD FILTER - CHARGE STS' 14
- 317377 - ORING, 1.239ID.070CS 70DURO NBR
- 317378 - ORING, 1.299ID.103CS 70DURO NBR

SERIAL NUMBER:

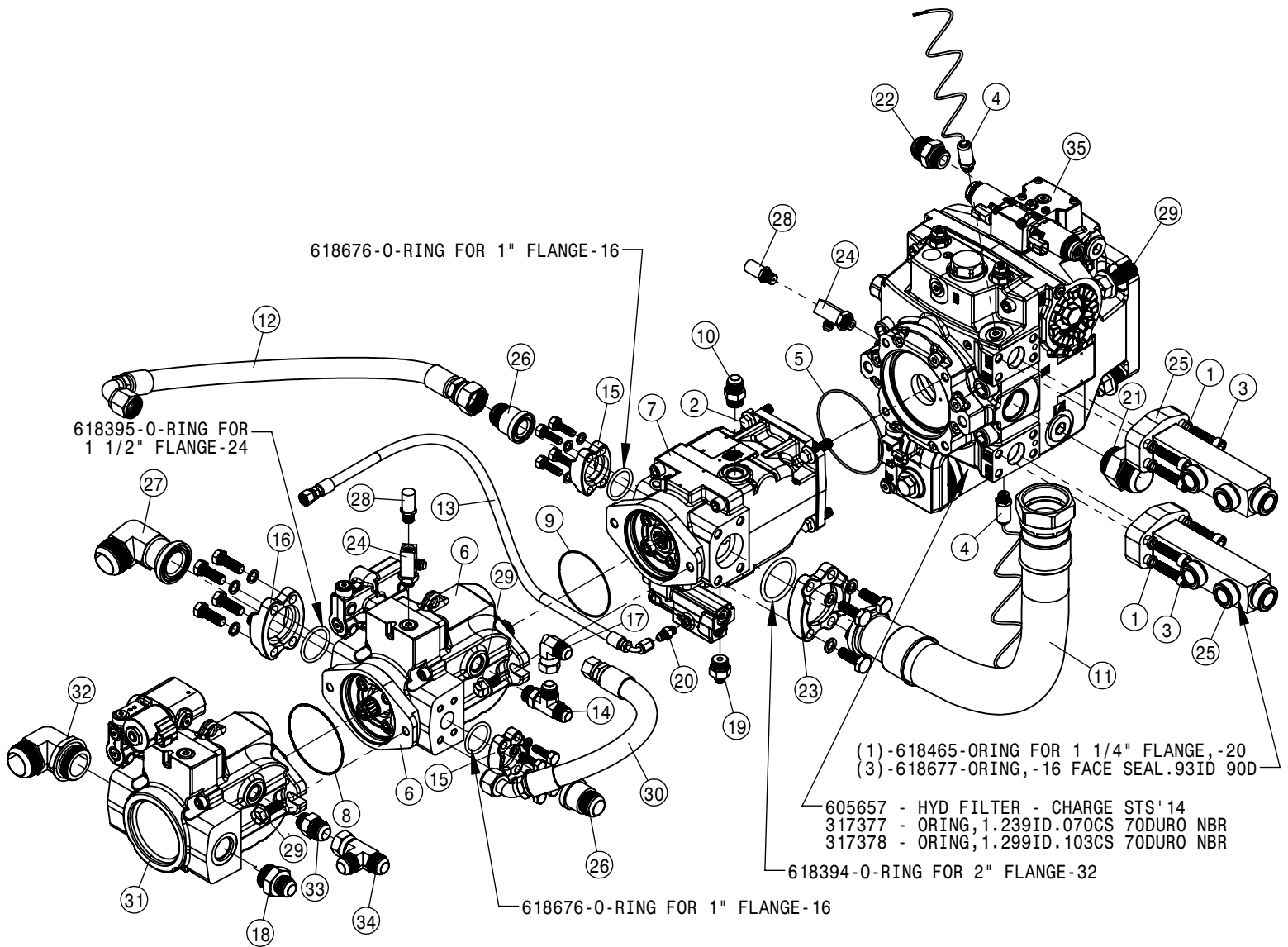
U16181616001 THRU U16181616018

U16181616023 THRU U16181616039

STANDARD HYDROSTATIC PUMP WITH 25GPM PUMP ASSEMBLY			
DET	QTY	P/N	DESCRIPTION
1	8	470189	7/16 HC LOCK WASH FOR 618598
2	2	470431	1/2UNC X 1 1/2 SERR FLG BOLT
3	4	472367	3/4UNC X 2" SM FLG BOLT GR8 YZ
4	4	473856	12MM-1.75 X 40MM SM FLANGED BOLT
5	8	473874	12MM-1.75X 40MM SOC HD CAP SCR
6	2	606196	PRESSURE TRANSDUCER, 9000 PSI
7	1	606197	O-RING, 4.73ID-.103CS-4.9430D
8	1	606518	H1 PUMP , 165CC, D/C MT, ISL
9	1	606523	PUMP-38CC BB/B MNT
10	1	606524	40CC GEAR PUMP
11	1	606525	PUMP 45CC C/BB MT
12	1	606870	O-RING FOR 606865 SUND B-MT
13	1	607115	O-RING, 3.739ID-.070CS-3.8090D
14	1	611126	7/8MJIC-7/8MOR ADPTR
15	1	617089	32-811-32FJX-32FLG-25 H/A
16	1	617101	12-451TC-16FJX-12FJX90-23 H/A
17	1	617102	04-451TC-06FJX-04FJX90-29 H/A
18	1	617132	10-451TC-10FJX-10FJX90-11 H/A
19	1	618130	7/8MOR RUN TEE-7/8MJIC

STANDARD HYDROSTATIC PUMP WITH 25GPM PUMP ASSEMBLY			
DET	QTY	P/N	DESCRIPTION
20	2	618297	1.00 SPLIT FLANGE KIT #61
21	1	618299	1.50 SPLIT FLANGE KIT #61
22	1	618301	7/8MJIC-90-7/8FJIC SWIV LBO
23	1	618308	1 1/16MJIC-1 5/16MOR ADPTR
24	1	618310	9/16MJIC-7/8MOR ADPTR
25	1	618333	7/8FJIC SW RUN TEE-7/8MJIC
26	1	618467	7/16MJIC-7/16MOR ADPTR
27	1	618477	1 5/8MJIC-90-1 5/8MOR LBO
28	1	618527	1 7/8MJIC-1 5/8MOR ADPTR
29	1	618558	1 5/16MJIC-1 1/16MOR ADPTR
30	1	618766	2" SPLIT FLANGE KIT #61
31	1	618782	9/16MOR-9/16FOR-9/16MJIC BRNCH
32	2	618876	DRIVE PUMP MANIFOLD BLK
33	2	618899	1 5/16MJ-1"FLANGE C61 ADPTR
34	1	619020	1 1/2 FLG-90-1 7/8 MJIC LBO
35	2	619023	9/16 MOR DIAGNOSTIC FITTING
36	2	900263N	1/2UNC X 1" SER FLANGE BOLT

STANDARD HYDROSTATIC PUMP



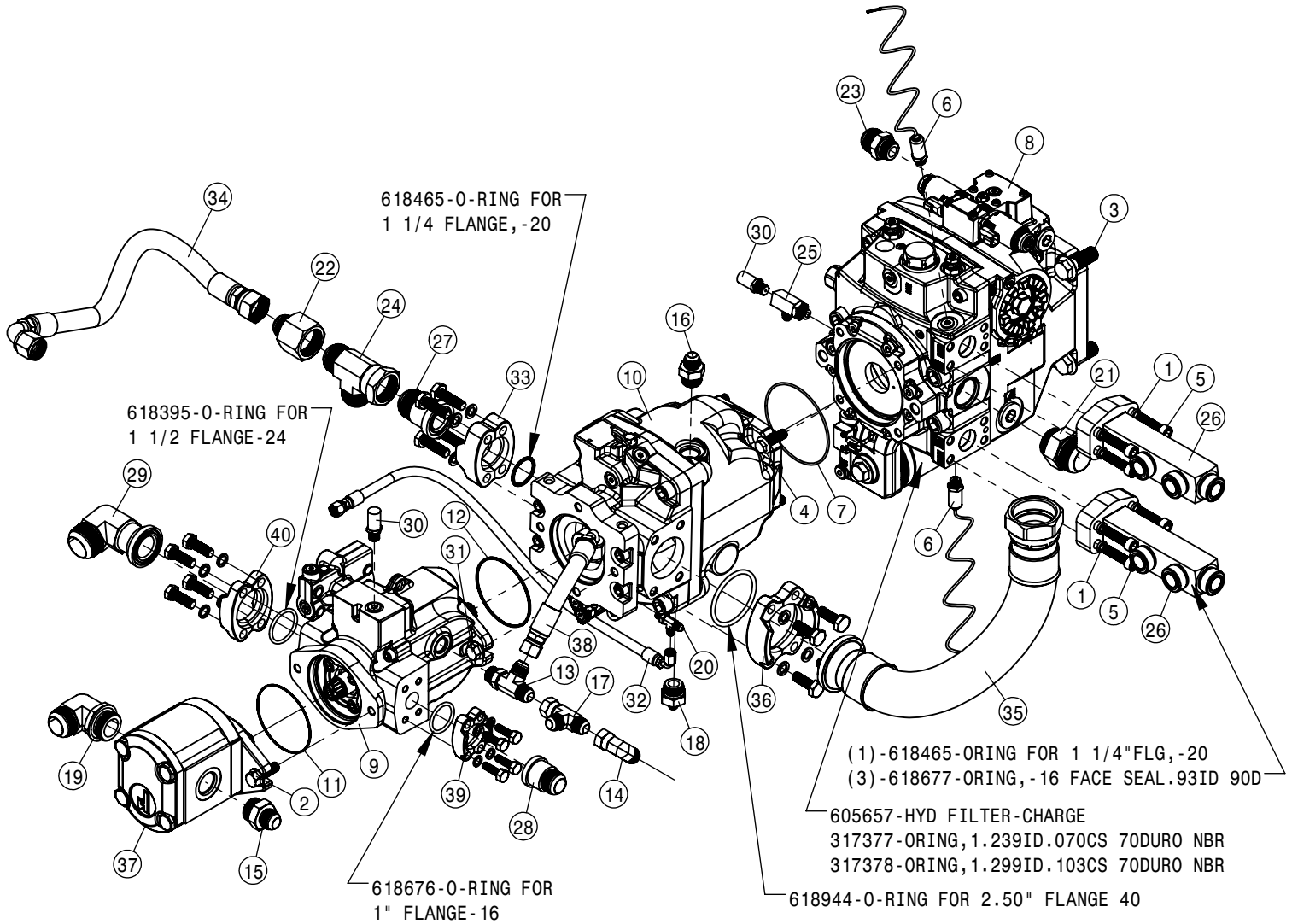
SERIAL NUMBER:

U16181616019 THRU U16181616022
 U16181616040 THRU U16181616060

STANDARD HYDROSTATIC PUMP WITH 25GPM PUMP ASSEMBLY				
DET	QTY	P/N	DESCRIPTION	
1	8	470189	7/16	HC LOCK WASH FOR 618598
2	4	473856	12MM-1.75 X 40MM	SM FLANGED BOLT
3	8	473874	12MM-1.75X 40MM	SOC HD CAP SCR
4	2	606196	PRESSURE TRANSDUCER, 9000 PSI	
5	1	606197	O-RING, 4.73ID-.103CS-4.9430D	
6	1	606523	PUMP-38CC BB/B MNT	
7	1	606525	PUMP 45CC C/BB MT	
8	1	606870	O-RING FOR 606865 SUND B-MT	
9	1	607115	O-RING, 3.739ID-.070CS-3.8090D	
10	1	611126	7/8MJIC-7/8MOR ADPTR	
11	1	617089	32-811-32FJX-32FLG-25	H/A
12	1	617101	12-451TC-16FJX-12FJX90-23	H/A
13	1	617102	04-451TC-06FJX-04FJX90-29	H/A
14	1	618130	7/8MOR RUN TEE-7/8MJIC	
15	2	618297	1.00 SPLIT FLANGE KIT #61	
16	1	618299	1.50 SPLIT FLANGE KIT #61	
17	1	618301	7/8MJIC-90-7/8FJIC SWIV LBO	
18	1	618308	1 1/16MJIC-1 5/16MOR ADPTR	
19	1	618310	9/16MJIC-7/8MOR ADPTR	

STANDARD HYDROSTATIC PUMP WITH 25GPM PUMP ASSEMBLY				
DET	QTY	P/N	DESCRIPTION	
20	1	618467	7/16MJIC-7/16MOR ADPTR	
21	1	618527	1 7/8MJIC-1 5/8MOR ADPTR	
22	1	618558	1 5/16MJIC-1 1/16MOR ADPTR	
23	1	618766	2" SPLIT FLANGE KIT #61	
24	2	618782	9/16MOR-9/16FOR-9/16MJIC BRNCH	
25	2	618876	DRIVE PUMP MANIFOLD BLK	
26	2	618899	1 5/16MJ-1"FLANGE C61 ADPTR	
27	1	619020	1 1/2 FLG-90-1 7/8 MJIC LBO	
28	2	619023	9/16 MOR DIAGNOSTIC FITTING	
29	8	900516	1/2UNC X 1 HHSFB GR5 MC	
30	1	617474	12-451TC-10FJX-12FJX45-16 H/A	
31	1	606606	PUMP-45CC SAE B MNT	
32	1	618432	1 7/8MJIC-90-1 7/8MOR LBO	
33	1	618189	1 1/16MJIC-7/8MOR ADPTR	
34	1	618487	1 1/16FJ SW RUN TEE-1 1/16MJ	
35	1	606522	H1 PUMP, 165CC, D/C MT, ISL	

COMBO HYDROSTATIC PUMP



SERIAL NUMBER:

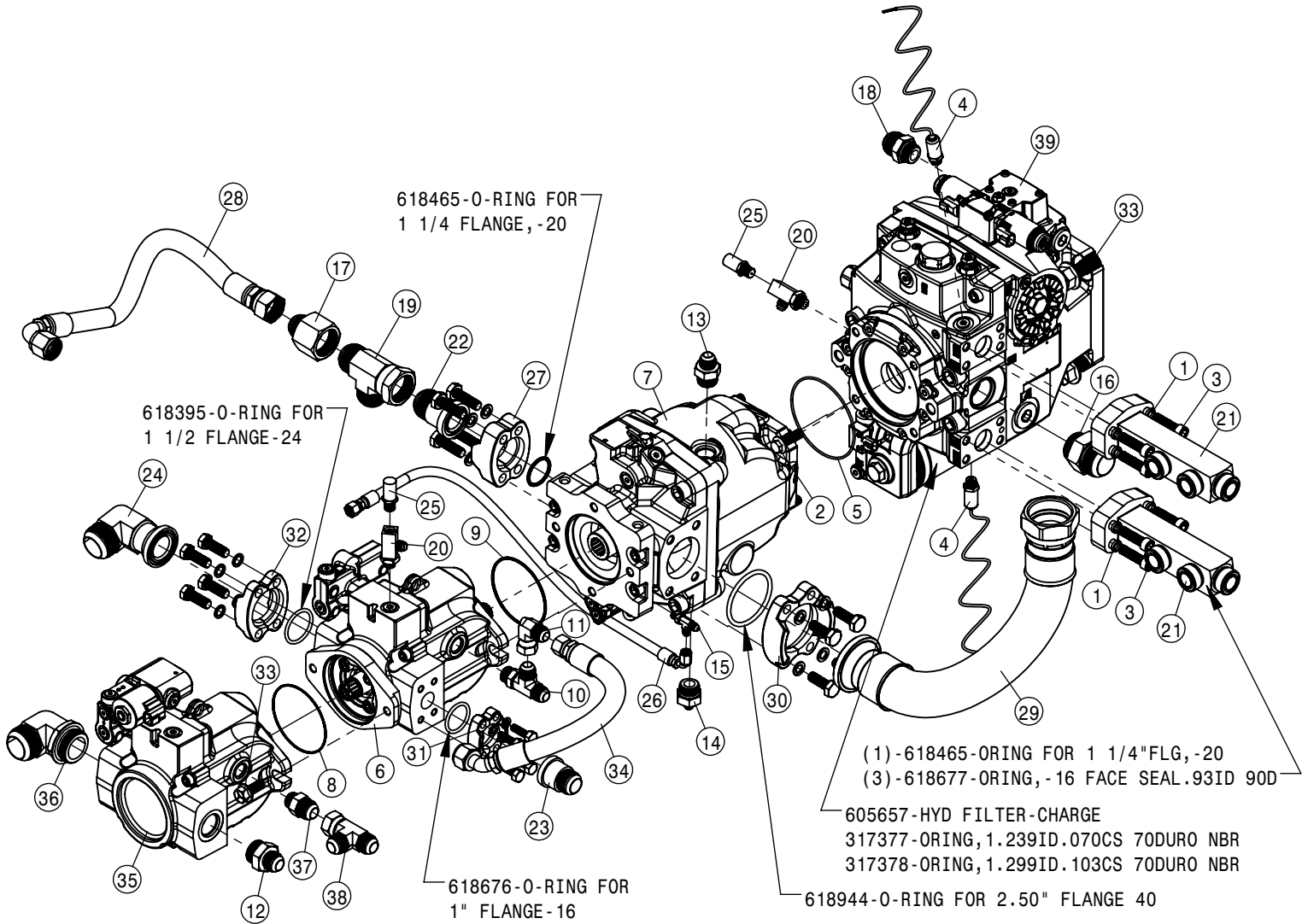
U16181616001 THRU U16181616018

U16181616023 THRU U16181616039

COMBO HYDROSTATIC PUMP WITH 60GPM PUMP ASSEMBLY			
DET	QTY	P/N	DESCRIPTION
1	8	470189	7/16 HC LOCK WASH FOR 618598
2	2	470431	1/2UNC X 1 1/2 SERR FLG BOLT
3	4	472367	3/4UNC X 2" SM FLG BOLT GR8 YZ
4	4	473856	12MM-1.75 X 40MM SM FLANGED BOLT
5	8	473874	12MM-1.75X 40MM SOC HD CAP SCR
6	2	606196	PRESSURE TRANSDUCER, 9000 PSI
7	1	606197	O-RING, 4.73ID-.103CS-4.943OD
8	1	606518	H1 PUMP , 165CC, D/C MT, ISL
9	1	606523	PUMP-38CC BB/B MNT
10	1	606526	PUMP 100CC C/BB MT
11	1	606870	O-RING FOR 606865 SUND B-MT
12	1	606977	O-RING, B-MT, 3.989ID X .103CS
13	1	618130	7/8MOR RUN TEE-7/8MJIC
14	1	618301	7/8MJIC-90-7/8FJIC SWIV LBO
15	1	618308	1 1/16MJIC-1 5/16MOR ADPTR
16	1	618309	7/8MJIC-1 1/16MOR ADPTR
17	1	618333	7/8FJIC SW RUN TEE-7/8MJIC
18	1	618344	9/16MJIC-1 1/16MOR ADPTR
19	1	618477	1 5/8MJIC-90-1 5/8MOR LBO
20	1	618509	7/16MOR RUN TEE-7/16MJIC

COMBO HYDROSTATIC PUMP WITH 60GPM PUMP ASSEMBLY			
DET	QTY	P/N	DESCRIPTION
21	1	618527	1 7/8MJIC-1 5/8MOR ADPTR
22	1	618547	1 5/8FJIC-1 5/16MJIC ADPTR
23	1	618558	1 5/16MJIC-1 1/16MOR ADPTR
24	1	618726	1 5/8FJ SW RUN TEE-1 5/8MJ
25	1	618782	9/16MOR-9/16FOR-9/16MJIC BRNCH
26	2	618876	DRIVE PUMP MANIFOLD BLK
27	1	618894	1 5/8MJIC-1 1/4FLG C62
28	1	618899	1 5/16MJ-1"FLANGE C61 ADPTR
29	1	619020	1 1/2 FLG-90-1 7/8 MJIC LBO
30	2	619023	9/16 MOR DIAGNOSTIC FITTING
31	2	900263N	1/2UNC X 1" SER FLANGE BOLT
32	1	617102	04-451TC-06FJX-04FJX90-29 H/A
33	1	618461	1 1/4 SPLIT FLANGE KIT
34	1	617101	12-451TC-16FJX-12FJX90-23 H/A
35	1	617090	32-811-32FJX-40FLG-23 H/A
36	1	618359	2 1/2" SPLIT FLANGE KIT #61
37	1	606524	40CC GEAR PUMP
38	1	617132	10-451TC-10FJX-10FJX90-11 H/A
39	1	618297	1.00 SPLIT FLANGE KIT #61
40	1	618299	1.50 SPLIT FLANGE KIT #61

COMBO HYDROSTATIC PUMP

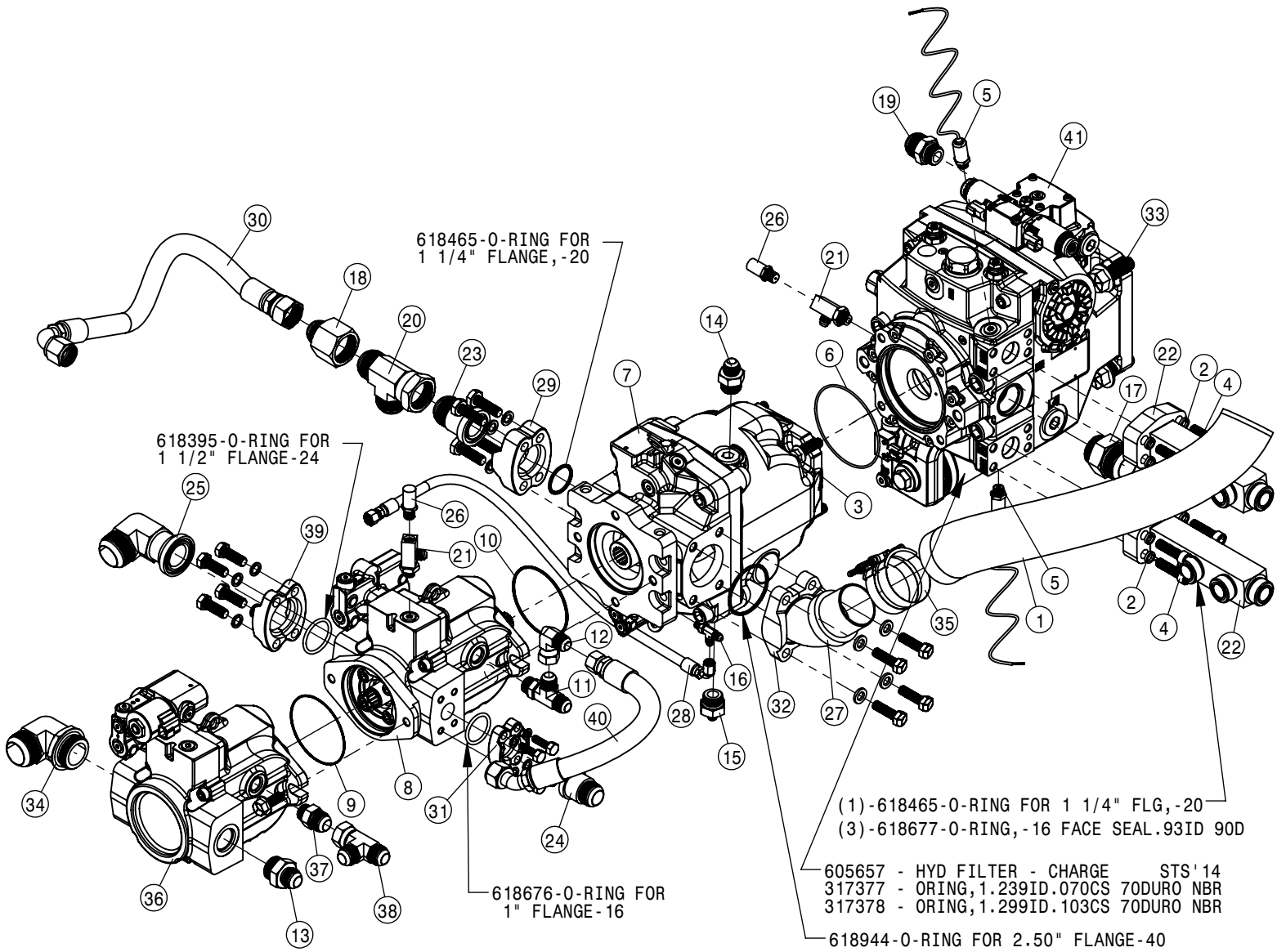


SERIAL NUMBER:

U16181616019 THRU U16181616022
U16181616040 THRU U16181616060

COMBO HYDROSTATIC PUMP WITH 60GPM PUMP ASSEMBLY				
DET	QTY	P/N	DESCRIPTION	
1	8	470189	7/16 HC LOCK WASH FOR 618598	
2	4	473856	12MM-1.75 X 40MM SM FLANGED BOLT	
3	8	473874	12MM-1.75X 40MM SOC HD CAP SCR	
4	2	606196	PRESSURE TRANSDUCER, 9000 PSI	
5	1	606197	O-RING, 4.73ID-.103CS-4.9430D	
6	1	606523	PUMP-38CC BB/B MNT	
7	1	606526	PUMP 100CC C/BB MT	
8	1	606870	O-RING FOR 606865 SUND B-MT	
9	1	606977	O-RING, B-MT, 3.989ID X .103CS	
10	1	618130	7/8MOR RUN TEE-7/8MJIC	
11	1	618301	7/8MJIC-90-7/8FJIC SWIV LBO	
12	1	618308	1 1/16MJIC-1 5/16MOR ADPTR	
13	1	618309	7/8MJIC-1 1/16MOR ADPTR	
14	1	618344	9/16MJIC-1 1/16MOR ADPTR	
15	1	618509	7/16MOR RUN TEE-7/16MJIC	
16	1	618527	1 7/8MJIC-1 5/8MOR ADPTR	
17	1	618547	1 5/8FJIC-1 5/16MJIC ADPTR	
18	1	618558	1 5/16MJIC-1 1/16MOR ADPTR	
19	1	618726	1 5/8FJ SW RUN TEE-1 5/8MJ	
20	2	618782	9/16MOR-9/16FOR-9/16MJIC BRNCH	

COMBO HYDROSTATIC PUMP WITH 60GPM PUMP ASSEMBLY				
DET	QTY	P/N	DESCRIPTION	
21	2	618876	DRIVE PUMP MANIFOLD BLK	
22	1	618894	1 5/8MJIC-1 1/4FLG C62	
23	1	618899	1 5/16MJ-1"FLANGE C61 ADPTR	
24	1	619020	1 1/2 FLG-90-1 7/8 MJIC LBO	
25	2	619023	9/16 MOR DIAGNOSTIC FITTING	
26	1	617102	04-451TC-06FJX-04FJX90-29	H/A
27	1	618461	1 1/4 SPLIT FLANGE KIT	
28	1	617101	12-451TC-16FJX-12FJX90-23	H/A
29	1	617090	32-811-32FJX-40FLG-23	H/A
30	1	618359	2 1/2" SPLIT FLANGE KIT #61	
31	1	618297	1.00 SPLIT FLANGE KIT #61	
32	1	618299	1.50 SPLIT FLANGE KIT #61	
33	8	900516	1/2UNC X 1 HHSFB GR5 MC	
34	1	617474	12-451TC-10FJX-12FJX45-16	H/A
35	1	606606	PUMP-45CC SAE B MNT	
36	1	618432	1 7/8MJIC-90-1 7/8MOR LBO	
37	1	618189	1 1/16MJIC-7/8MOR ADPTR	
38	1	618487	1 1/16FJ SW RUN TEE-1 1/16MJ	
39	1	606522	H1 PUMP, 165CC, D/C MT, ISL	

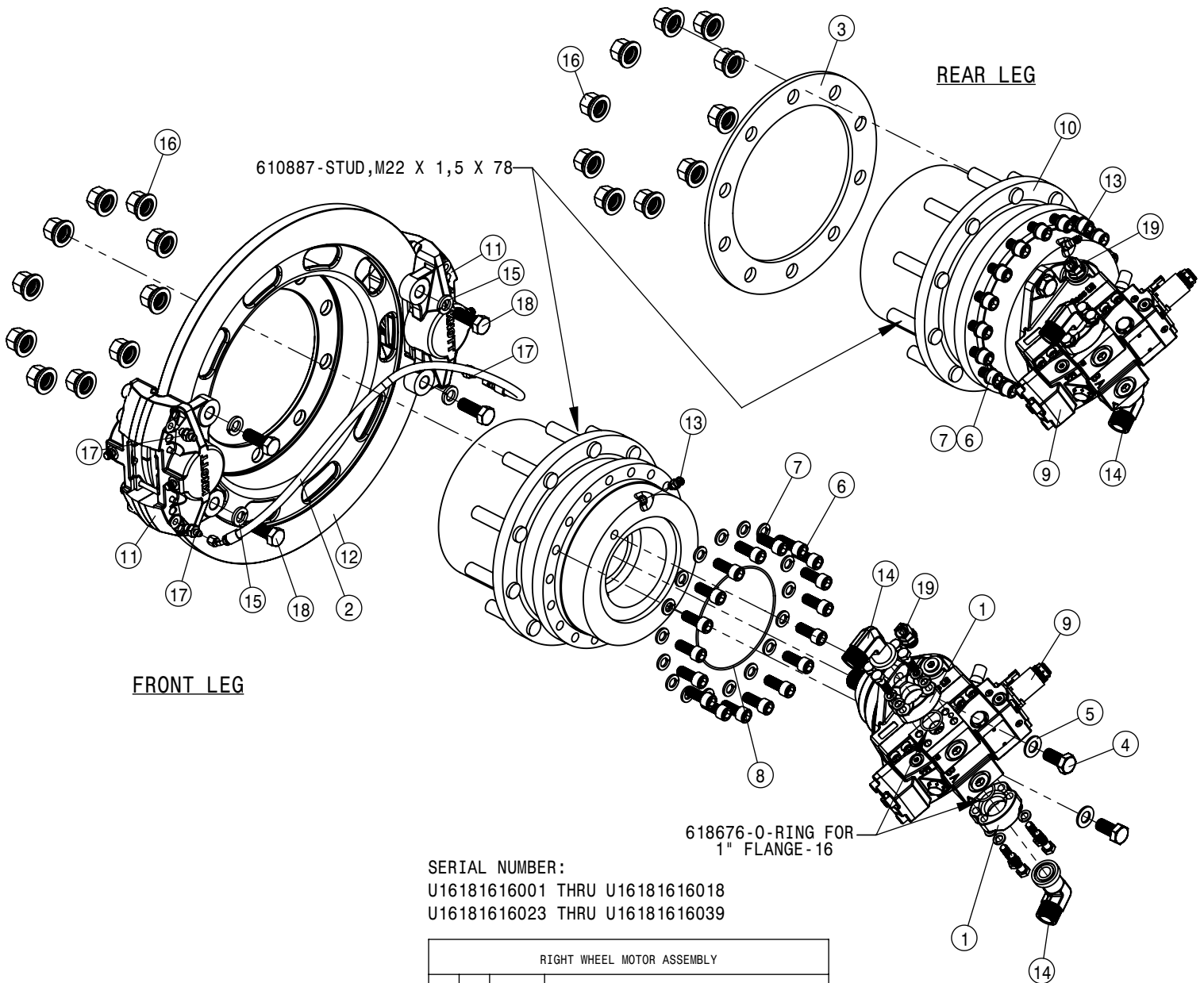


SERIAL NUMBERS:

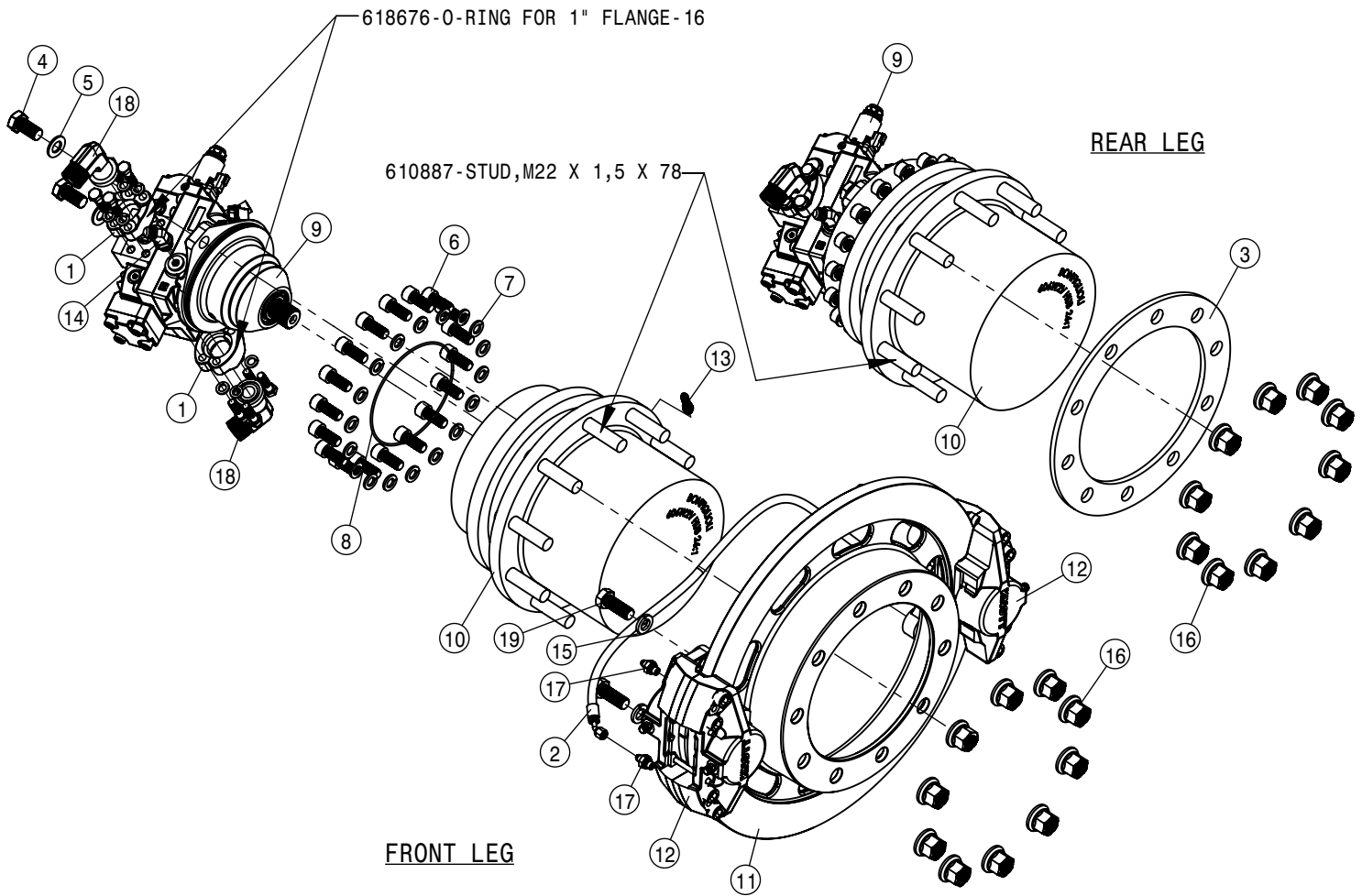
U16181616019 THRU U16181616022
 U16181616040 THRU U16181616060

HYDROSTATIC PUMP WITH 80 GAL PUMP ASSEMBLY			
DET	QTY	P/N	DESCRIPTION
1	1	195418-019	HOSE, 7219-40 2.50 75P
2	8	470189	7/16 HC LOCK WASH FOR 618598
3	4	473856	12MM-1.75 X 40MM SM FLANGED BOLT
4	8	473874	12MM-1.75X 40MM SOC HD CAP SCR
5	2	606196	PRESSURE TRANSDUCER, 9000 PSI
6	2	606197	O-RING, 4.73ID-.103CS-4.9430D
7	1	606429	LS PUMP, 147CC
8	1	606523	PUMP-38CC BB/B MNT
9	1	606870	O-RING FOR 606865 SUND B-MT
10	1	606977	O-RING, B-MT, 3.989ID X .103CS
11	1	618130	7/8MOR RUN TEE-7/8MJIC
12	1	618301	7/8MJIC-90-7/8FJIC SWIV LBO
13	1	618308	1 1/16MJIC-1 5/16MOR ADPTR
14	1	618309	7/8MJIC-1 1/16MOR ADPTR
15	1	618344	9/16MJIC-1 1/16MOR ADPTR
16	1	618509	7/16MOR RUN TEE-7/16MJIC
17	1	618527	1 7/8MJIC-1 5/8MOR ADPTR
18	1	618547	1 5/8FJIC-1 5/16MJIC ADPTR
19	1	618558	1 5/16MJIC-1 1/16MOR ADPTR
20	1	618726	1 5/8FJ SW RUN TEE-1 5/8MJ
21	2	618782	9/16MOR-9/16FOR-9/16MJIC BRNCH

HYDROSTATIC PUMP WITH 80 GAL PUMP ASSEMBLY			
DET	QTY	P/N	DESCRIPTION
22	2	618876	DRIVE PUMP MANIFOLD BLK
23	1	618894	1 5/8MJIC-1 1/4FLG C62
24	1	618899	1 5/16MJ-1"FLANGE C61 ADPTR
25	1	619020	1 1/2 FLG-90-1 7/8 MJIC LBO
26	2	619023	9/16 MOR DIAGNOSTIC FITTING
27	1	760837	1788-40-40 3.34CA
28	1	617102	04-451TC-06FJX-04FJX90-29 H/A
29	1	618461	1 1/4 SPLIT FLANGE KIT
30	1	617101	12-451TC-16FJX-12FJX90-23 H/A
31	1	618297	1.00 SPLIT FLANGE KIT #61
32	1	760834	2.50 SPLIT FLANGE CODE 61
33	8	470232	5/16UNC X 1/2 HHSFB GR5 MC
34	1	618432	1 7/8MJIC-90-1 7/8MOR LBO
35	2	520143	2.87/3.18 T-BOLT HOSE CLAMP SS
36	1	606606	PUMP-45CC SAE B MNT
37	1	618189	1 1/16MJIC-7/8MOR ADPTR
38	1	618487	1 1/16FJ SW RUN TEE-1 1/16MJ
39	1	618299	1.50 SPLIT FLANGE KIT #61
40	1	617474	12-451TC-10FJX-12FJX45-16 H/A
41	1	606522	H1 PUMP, 165CC, D/C MT, ISL

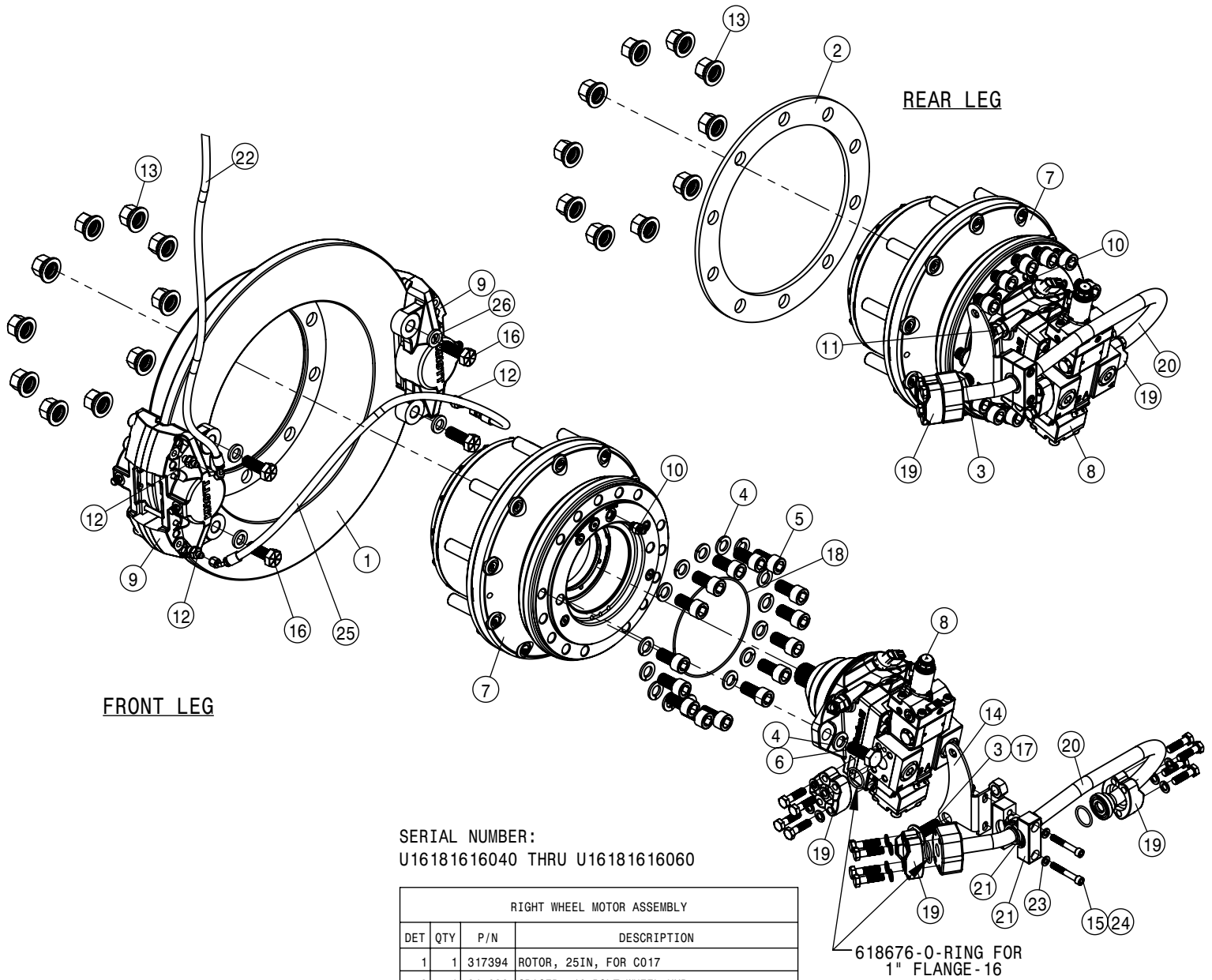


RIGHT WHEEL MOTOR ASSEMBLY			
DET	QTY	P/N	DESCRIPTION
1	4	618933	M12 SPLIT FLANGE KIT #62 (-16)
2	1	617211	04-451TC-04FJX-04FJX45-37 H/A
3	1	360120	SPACER, 10 BOLT WHEEL HUB
4	4	473838	20MM-1.5 X 40MM HEX BOLT GR8
5	4	473839	20MM FLAT WASHER
6	36	473840	16MM-2.00 X 40MM SOC CAP SCR
7	36	473841	16MM LOCK WASHER
8	2	606190	O-RING,WHL MTR HSNG SAUER
9	2	606514	H1-B-80CC WHL MTR SAUER
10	2	610826	606W2V WHEEL HUB, 26:1 W/BRAKE
11	2	611172	CALIPER, 2X75MM
12	1	611173	ROTOR, 25IN
13	2	618214	7/16MJIC-45-7/16MOR
14	4	618654	1" FLANGE-90-1 7/16MFOR LBO
15	4	920506N	3/4 LOCK WASHER YZ
16	20	824055	22MM-1.50 SMTH FLG WHEEL NUT
17	3	618950	7/16MJIC-M12X1.0
18	4	900437	3/4UNF X 2" HEX BOLT GR8 YZ
19	2	618602	3/4MJIC-45-7/8MOR LBO



SERIAL NUMBER:
 U16181616001 THRU U16181616018
 U16181616023 THRU U16181616039

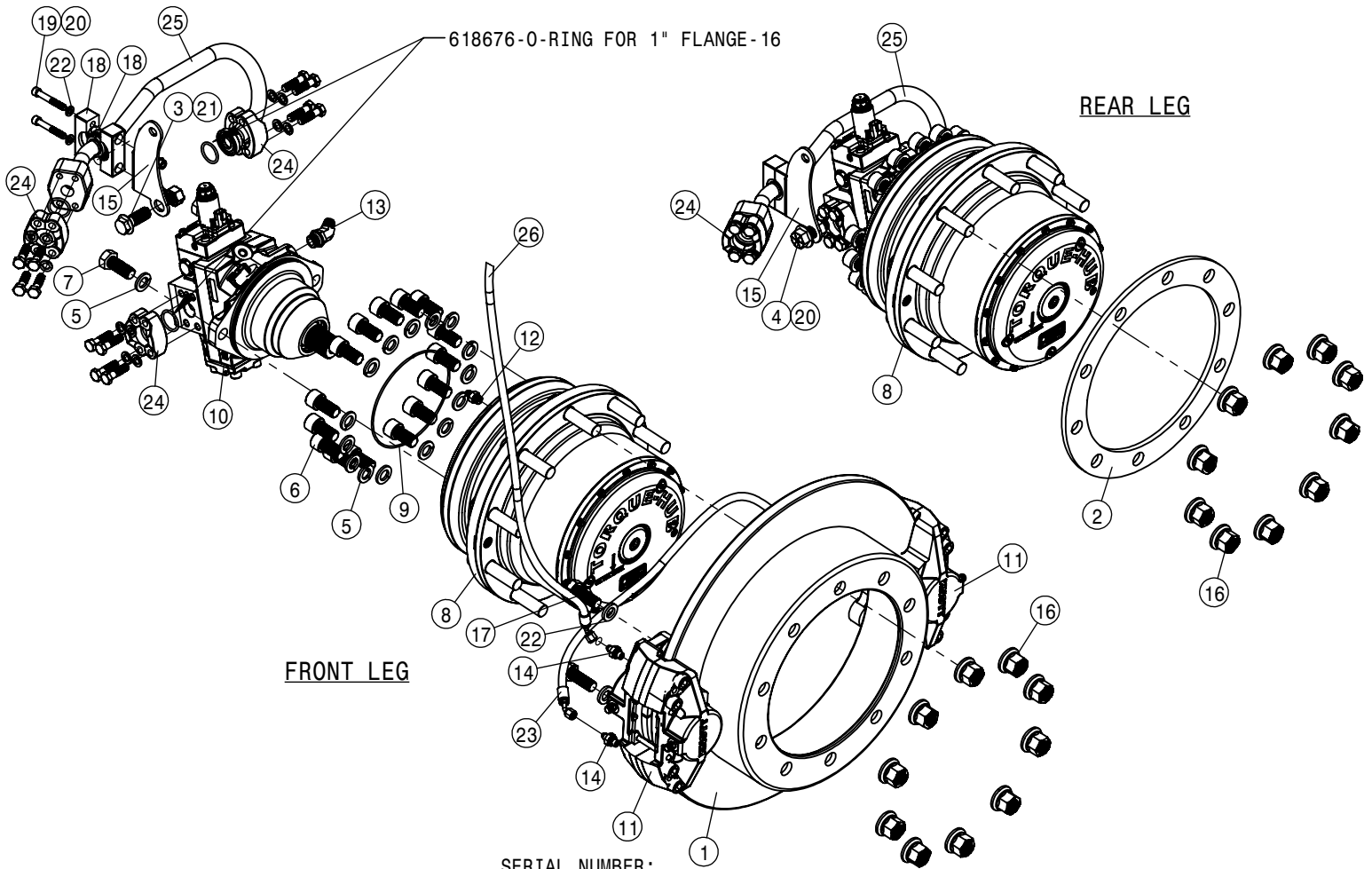
LEFT WHEEL MOTOR ASSEMBLY			
DET	QTY	P/N	DESCRIPTION
1	4	618933	M12 SPLIT FLANGE KIT #62 (-16)
2	1	617211	04-451TC-04FJX-04FJX45-37 H/A
3	1	360120	SPACER, 10 BOLT WHEEL HUB
4	4	473838	20MM-1.5 X 40MM HEX BOLT GR8
5	4	473839	20MM FLAT WASHER
6	36	473840	16MM-2.00 X 40MM SOC CAP SCR
7	36	473841	16MM LOCK WASHER
8	2	606190	O-RING,WHL MTR HSNG SAUER
9	2	606514	H1-B-80CC WHL MTR SAUER
10	2	610826	606W2V WHEEL HUB, 26:1 W/BRAKE
11	1	611173	ROTOR, 25IN
12	2	611172	CALIPER, 2X75MM
13	2	618214	7/16MJIC-45-7/16MOR
14	2	618602	3/4MJIC-45-7/8MOR LBO
15	4	920506N	3/4 LOCK WASHER YZ
16	20	824055	22MM-1.50 SMTH FLG WHEEL NUT
17	3	618950	7/16MJIC-M12X1.0
18	4	618654	1" FLANGE-90-1 7/16MFOR LBO
19	4	900437	3/4UNF X 2" HEX BOLT GR8 YZ



SERIAL NUMBER:
 U16181616040 THRU U16181616060

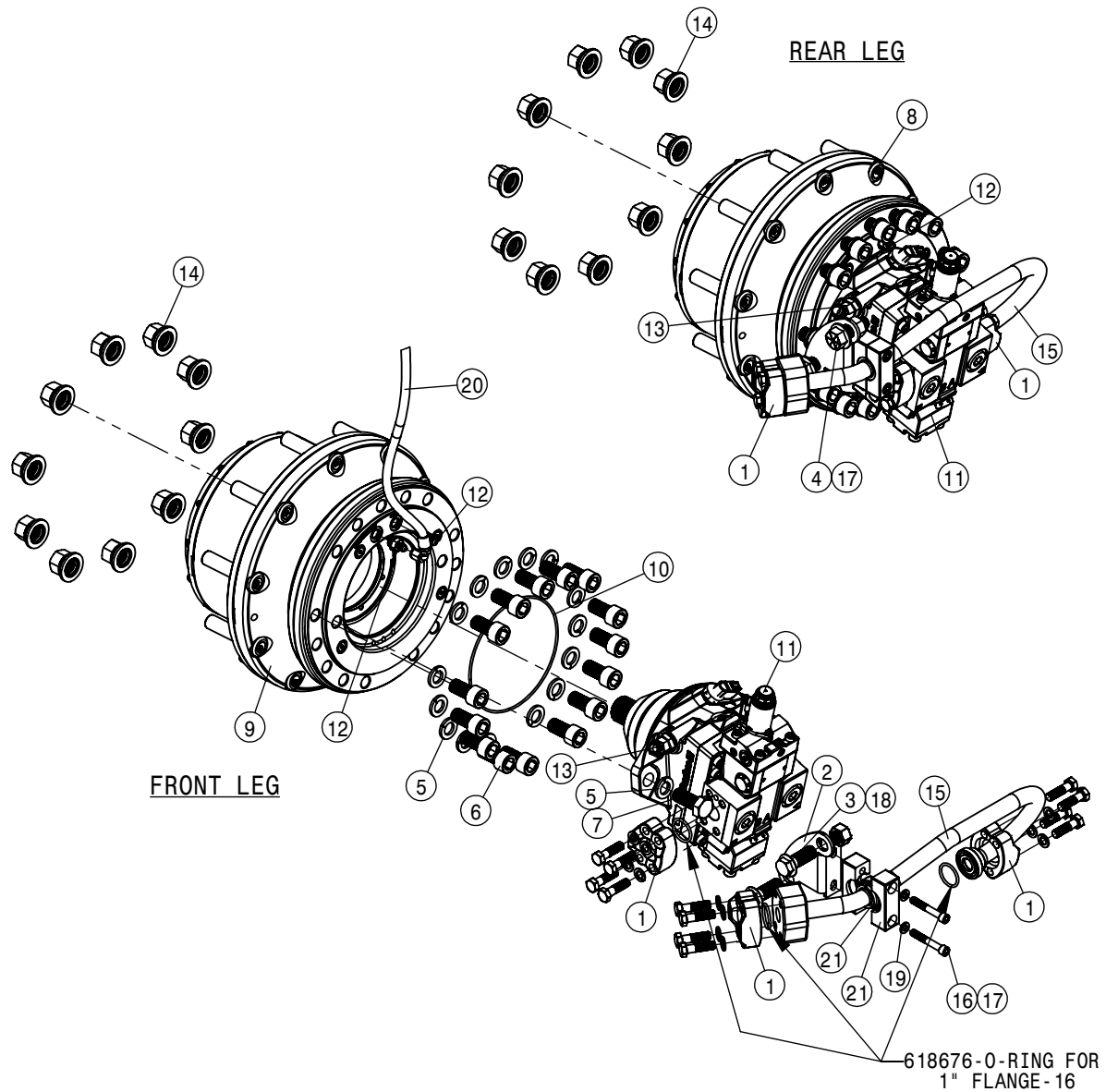
RIGHT WHEEL MOTOR ASSEMBLY			
DET	QTY	P/N	DESCRIPTION
1	1	317394	ROTOR, 25IN, FOR C017
2	1	317696	SPACER, 10 BOLT WHEEL HUB
3	2	472367	3/4UNC X 2 HHFB GR8 MC
4	34	473854	20MM LOCK WASHER
5	30	473885	20MM-2.50 X 40 MM SHCS
6	4	473886	20MM-2.50 X 50MM HEX BOLT
7	2	606129	HUB, C017, 30:1
8	2	606632	H1-B 80cc WHL MTR W40SFT SAUER
9	2	611172	CALIPER, 2X75MM
10	1	618468	7/16MJIC-9/16MOR ADPTR
11	2	618602	3/4MJIC-45-7/8MOR LBO
12	3	618950	7/16MJIC-M12X1.0
13	20	824055	22MM-1.50 SMTH FLG WHEEL NUT
14	2	360212	RGT LEG TUBE BRKT
15	4	900398	3/8UNC X 2 1/2" SOC HD CAP SCR
16	4	900437	3/4UNF X 2 HHCS GR8 MC
17	2	910012	3/4-10UNC HEX NUT MC GR5
18	2	606190	O-RING, WHL MTR HSNG SAUER
19	6	618933	M12 SPLIT FLANGE KIT #62 (-16)
20	2	617457	RGT DRV TUBE 1.00" X 0.120" WT
21	2	470693	CLAMP ASSY W/ 1" RUBBER INS
22	1	617206	04-451TC-06FJX-04FJX45-113"
23	4	920502	HLOCK WASHER 3/8 MC
24	4	470087	3/8-16UNC HEX FLG NUT SER MC GR5
25	1	617211	04-451TC-04FJX-04FJX45-37 H/A
26	4	920506	HLOCK WASHER 3/4 MC

618676-0-RING FOR
 1" FLANGE-16



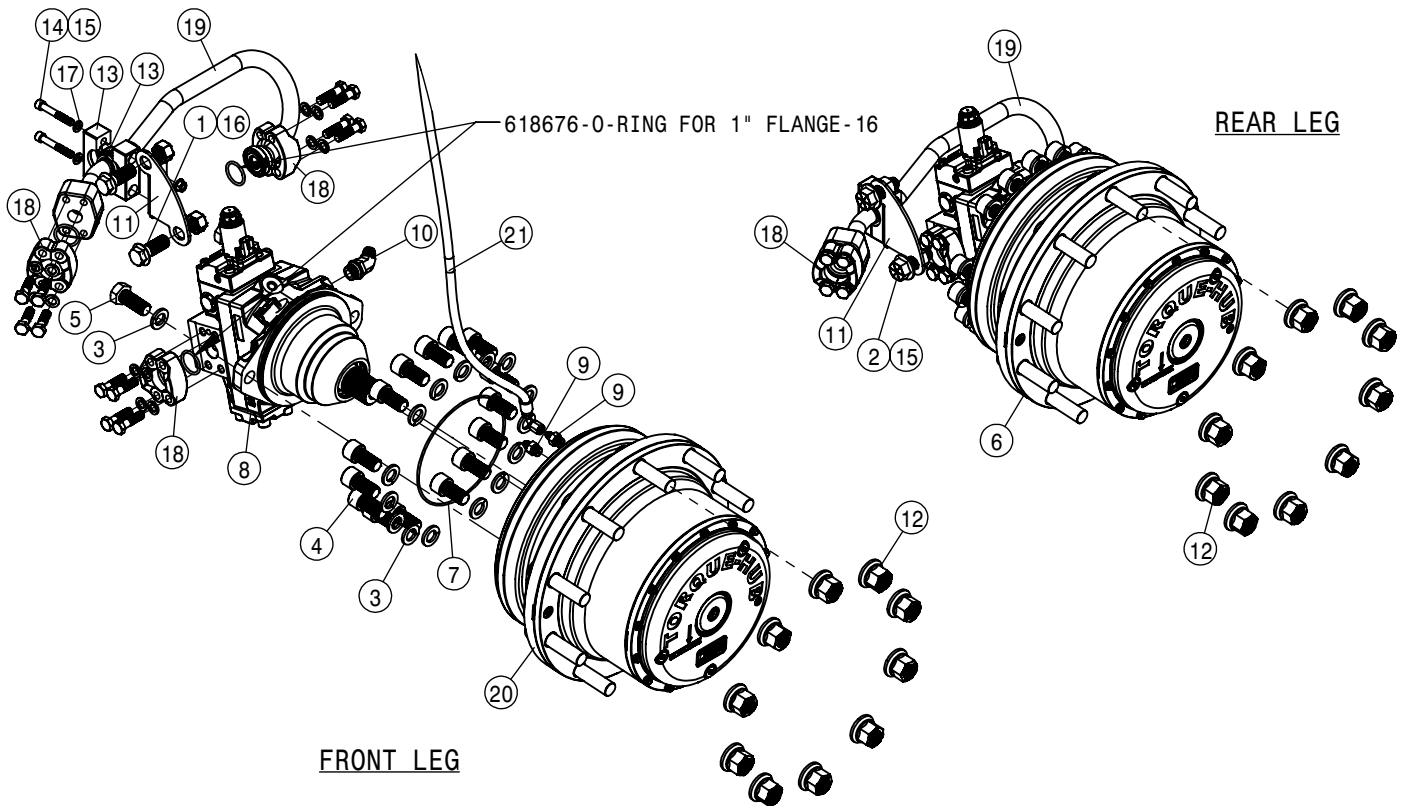
SERIAL NUMBER:
U16181616040 THRU U16181616060

LEFT WHEEL MOTOR ASSEMBLY			
DET	QTY	P/N	DESCRIPTION
1	1	317394	ROTOR, 25IN, FOR C017
2	1	317696	SPACER, 10 BOLT WHEEL HUB
3	1	472367	3/4UNC X 2" SM FLG BOLT GR8 YZ
4	1	472367	3/4UNC X 2 HHFB GR8 MC
5	34	473854	20MM LOCK WASHER
6	30	473885	20MM-2.50 X 40 MM SHCS
7	4	473886	20MM-2.50 X 50MM HEX BOLT
8	2	606129	HUB, C017, 30:1
9	2	606190	O-RING,WHL MTR HSNG SAUER
10	2	606632	H1-B 80cc WHL MTR W40SFT SAUER
11	2	611172	CALIPER, 2X75MM
12	2	618468	7/16MJIC-9/16MOR ADPTR
13	2	618602	3/4MJIC-45-7/8MOR LBO
14	3	618950	7/16MJIC-M12X1.0
15	2	360209	LFT LEG TUBE BRKT
16	20	824055	22MM-1.50 SMTH FLG WHEEL NUT
17	4	900004	1/4UNC X 1 1/4 HHCS GR5 MC
18	2	470693	CLAMP ASSY W/ 1" RUBBER INS
19	4	900398	3/8UNC X 2 1/2" SOC HD CAP SCR
20	5	910012	3/4-10UNC HEX NUT MC GR5
21	1	910012	3/4UNC HEX NUT
22	8	920502	HLOCK WASHER 3/8 MC
23	1	617211	04-451TC-04FJX-04FJX45-37 H/A
24	6	618933	M12 SPLIT FLANGE KIT #62 (-16)
25	2	617456	LFT DRV TUBE 1.00"X 0.120"WT
26	1	617206	04-451TC-06FJX-04FJX45-130"



SERIAL NUMBER:
 U16181616019 THRU U16181616022

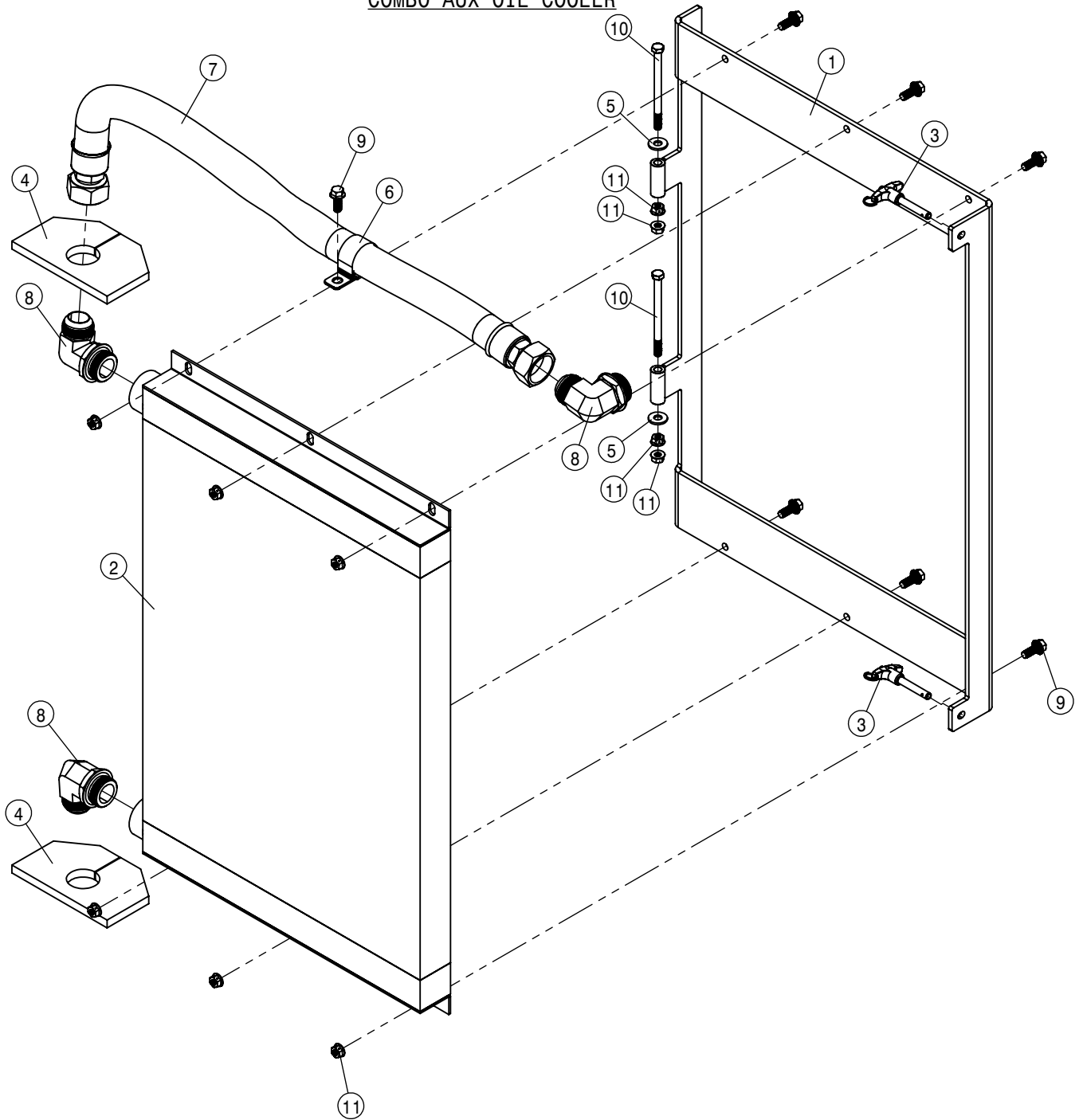
RIGHT WHEEL MOTOR ASSEMBLY			
DET	QTY	P/N	DESCRIPTION
1	6	618933	M12 SPLIT FLANGE KIT #62 (-16)
2	2	360212	RGT LEG TUBE BRKT
3	2	472367	3/4UNC X 2" SM FLG BOLT GR8 YZ
4	2	472367	3/4UNC X 2 HHFB GR8 MC
5	34	473854	20MM LOCK WASHER
6	30	473885	20MM-2.50 X 40 MM SHCS
7	4	473886	20MM-2.50 X 50MM HEX BOLT
8	1	606129	HUB, C017, 30:1
9	1	606130	HUB, C017, 30:1 W/DYNAMIC BRAKE
10	2	606190	O-RING,WHL MTR HSNG SAUER
11	2	606632	H1-B 80cc WHL MTR W40SFT SAUER
12	2	618468	7/16MJIC-9/16MOR ADPTR
13	2	618602	3/4MJIC-45-7/8MOR LBO
14	20	824055	22MM-1.50 SMTH FLG WHEEL NUT
15	2	617457	RGT DRV TUBE 1.00"X 0.120"WT
16	4	900398	3/8UNC X 2 1/2" SOC HD CAP SCR
17	6	910012	3/4-10UNC HEX NUT MC GR5
18	2	910012	3/4UNC HEX NUT
19	4	920502	HLOCK WASHER 3/8 MC
20	1	617206	04-451TC-04FJX-04FJX90-140"
21	2	470693	CLAMP ASSY W/ 1" RUBBER INS



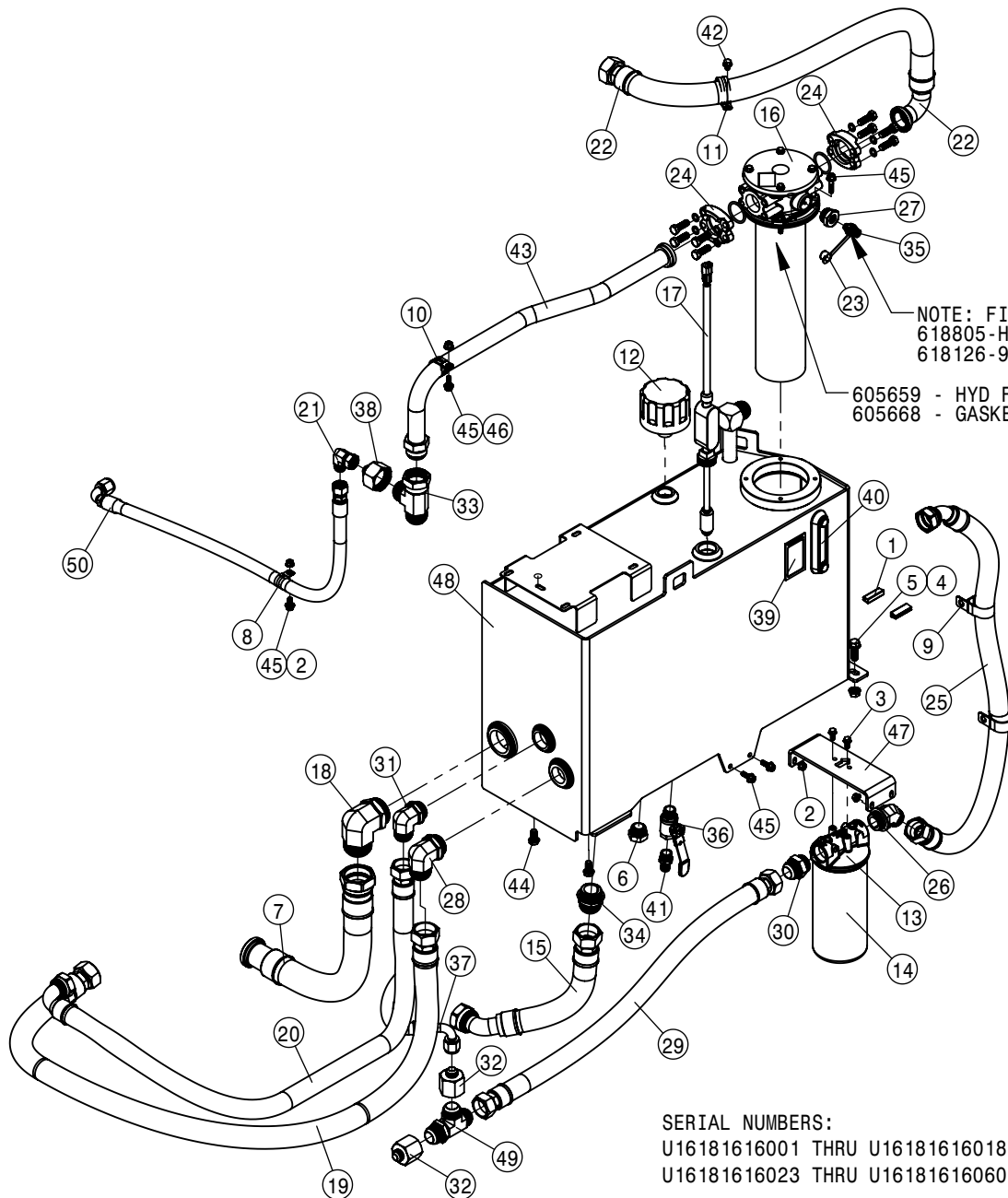
SERIAL NUMBER:
 U16181616019 THRU U16181616022

LEFT WHEEL MOTOR ASSEMBLY				
DET	QTY	P/N	DESCRIPTION	
1	2	472367	3/4UNC X 2" SM FLG BOLT GR8 YZ	
2	2	472367	3/4UNC X 2 HHFB GR8 MC	
3	34	473854	20MM LOCK WASHER	
4	30	473885	20MM-2.50 X 40 MM SHCS	
5	4	473886	20MM-2.50 X 50MM HEX BOLT	
6	1	606129	HUB, C017, 30:1	
7	2	606190	O-RING,WHL MTR HSNG	SAUER
8	2	606632	H1-B 80cc WHL MTR W40SFT SAUER	
9	3	618468	7/16MJIC-9/16MOR ADPTR	
10	2	618602	3/4MJIC-45-7/8MOR LBO	
11	2	360209	LFT LEG TUBE BRKT	
12	20	824055	22MM-1.50 SMTH FLG WHEEL NUT	
13	2	470693	CLAMP ASSY W/ 1" RUBBER INS	
14	4	900398	3/8UNC X 2 1/2" SOC HD CAP SCR	
15	6	910012	3/4-10UNC HEX NUT MC GR5	
16	2	910012	3/4UNC HEX NUT	
17	4	920502	HLOCK WASHER 3/8 MC	
18	6	618933	M12 SPLIT FLANGE KIT #62 (-16)	
19	2	617456	LFT DRV TUBE 1.00"X 0.120"WT	
20	1	606130	HUB, C017, 30:1 W/DYNAMIC BRAKE	
21	1	617206	04-451TC-04FJX-04FJX90-140"	

COMBO AUX OIL COOLER



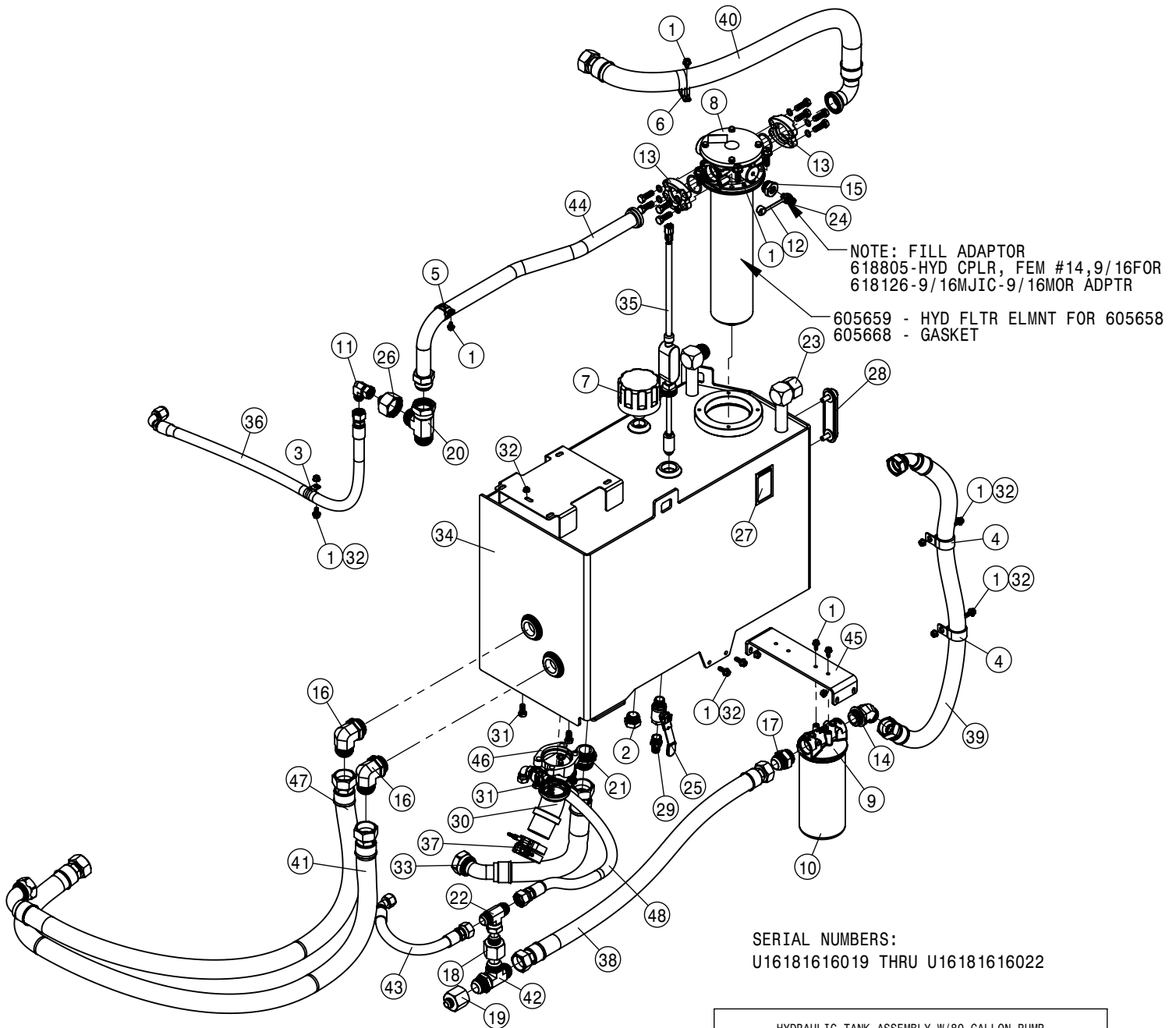
COMBO AUX OIL COOLER ASSEMBLY			
DET	QTY	P/N	DESCRIPTION
1	1	317353	COMBO COOLER FRAME
2	1	317356	OIL COOLER
3	2	317364	T-HANDLE QUICK PIN - 1.75" X 3/8 D
4	2	362126	COMBO COOLER FOAM SEAL
5	2	483043	3/8 REGULAR FLAT WASHER
6	1	520124	CUSH HOSE CLAMP, #28, 1 3/4 X 1 W
7	1	617173	20-811-20FJX-20FJX-39 H/A
8	3	618477	1 5/8MJIC-90-1 5/8MOR LBO
9	7	900129N	3/8UNC X 1" SERR FLANGE BOLT
10	2	900142	3/8 UNC X 5" HEX BOLT
11	10	910004N	3/8UNC FLANGE CNTR LOCK NUT



SERIAL NUMBERS:
 U16181616001 THRU U16181616018
 U16181616023 THRU U16181616060

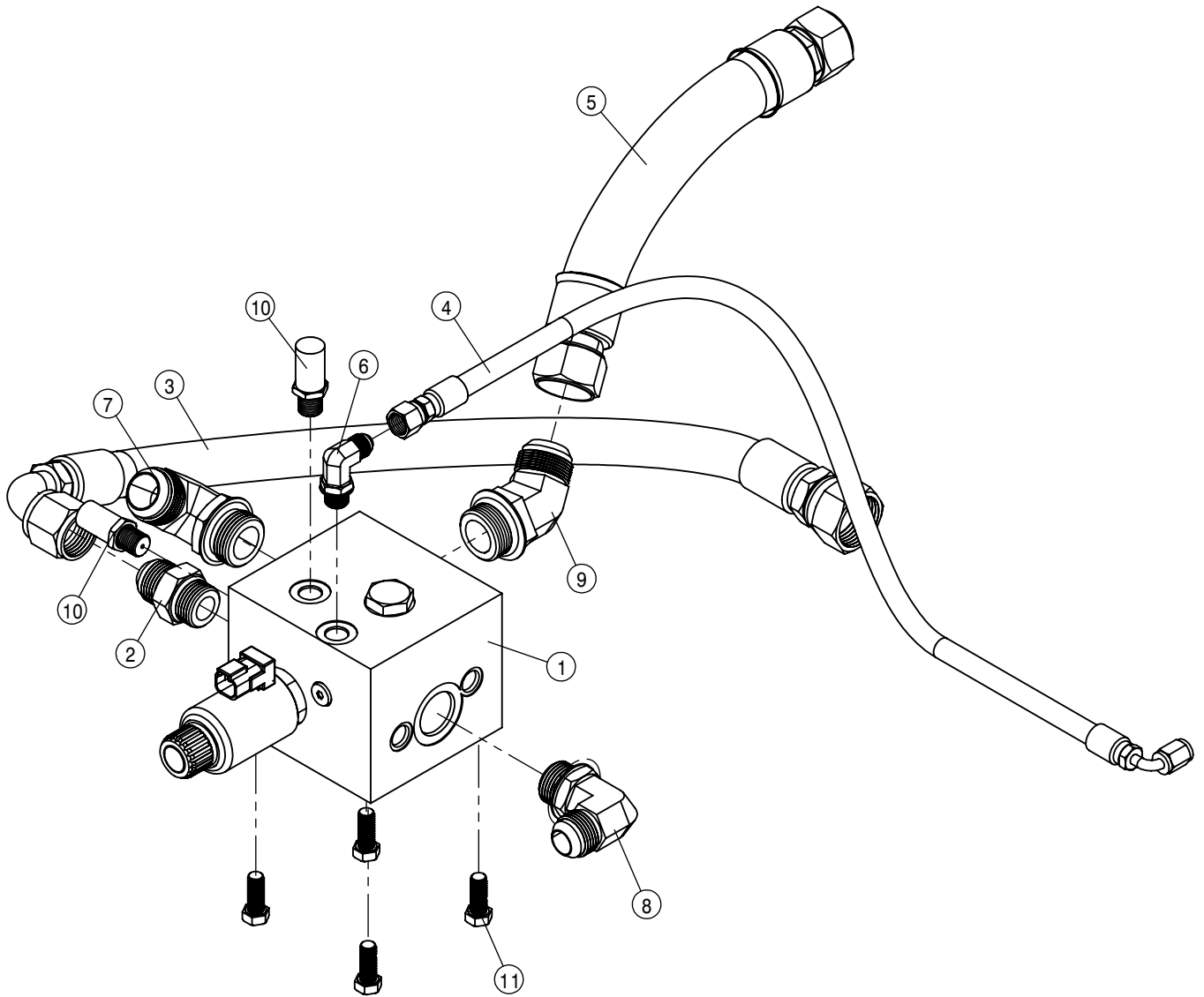
HYDRAULIC TANK ASSEMBLY			
DET	QTY	P/N	DESCRIPTION
1	2	193012-002	QUICKEDGE TRIM .135 TO .250
2	8	470087	3/8UNC HEX SERR FLANGE NUT
3	2	470233	5/16UNC X 3/4 SERR FLG HEX BOLT
4	2	470360	1/2UNC SERR FLG HEX NUT
5	2	470431	1/2UNC X 1 1/2 SERR FLG BOLT
6	1	470471	1 5/16MOR PLUG, MAGNETIC
7	1	617089	32-811-32FJX-32FLG-25 H/A
8	1	520121	CUSH CLAMP,#16 1IN X 3/4W
9	2	520124	CUSH HOSE CLAMP,#28, 1 3/4D X 1 W
10	1	520160	CUSH CLAMP,#24 1 1/2D-3/4W LOOP
11	1	520161	CUSH CLAMP,#32 2"D-3/4W LOOP
12	1	605656	T.R.A.P. BREATHER 1" NPT
13	1	605662	CASE DRAIN FILTER HEAD
14	1	605663	CASE DRAIN FILTER ELEMENT
15	1	617088	24-811-24FJX-24FJX45-18 H/A
16	1	605658	HYD TANK RETURN FILTER
17	1	294025	TEMPERATURE/OIL LEVEL SENSOR
18	1	611170	2 1/2 MOR-90-2 1/2 MJIC
19	1	617091	24-811-24FJX-24FJX-71 H/A
20	1	617092	20-811-20FJX-20FJX90-60 H/A
21	1	618191	1 1/16MJ-90-1 1/16FJ SWIV LBO
22	1	617093	24-811-24FJX-24FLG90-48 H/A
23	1	618255	DUST CAP/PLUG FOR 618804/805
24	2	618299	1.50 SPLIT FLANGE KIT #61
25	1	617095	20-811-20FJX-20FJX45-47 H/A

HYDRAULIC TANK ASSEMBLY			
DET	QTY	P/N	DESCRIPTION
26	1	618396	1 5/8MJIC-45-1 5/8MOR LBO
27	1	618397	1 5/16MOR-9/16FOR ADPTR
28	1	618432	1 7/8MJIC-90-1 7/8MOR LBO
29	1	617120	20-811-20FJX-20FJX-37 H/A
30	1	618472	1 5/8MJIC-1 5/8MOR ADPTR
31	1	618477	1 5/8MJIC-90-1 5/8MOR LBO
32	2	618665	1 5/8FJIC-1 1/16MJIC ADPTR
33	1	618681	1 7/8FJ SW RUN TEE-1 7/8MJ
34	1	618682	1 7/8MOR-1 7/8MJIC ADPTR
35	1	618870	HYD CPLR, MALE #14 9/16MOR
36	1	618881	3/4 NPT BALL VLV BRS LOCK
37	1	617122	12-451TC-10FJX-12FJX90-18 H/A
38	1	618936	1 7/8FJIC-1 1/16MJIC ADPTR
39	1	650430	HYDRAULIC OIL DECAL
40	1	701367	SIGHT GAUGE
41	1	711102	3/4NPT X 3/4 HOSE BARB, BRS
42	1	900126	3/8UNC X 1/2 SERR FLG BOLT YZ
43	1	617151	HYD TANK TUBE
44	2	900263	1/2UNC X 1" HEX BOLT
45	12	900504	3/8UNC X 1 1/2 HHSFB GR5 MC
46	1	910106	3/8-16UNC CTRLK FLG NUT MC GR5
47	1	760809	filter mount plate
48	1	760788	HYDRAULIC RESERVOIR STS 2014
49	1	618752	1 5/8MJIC BLKHD RUN TEE
50	1	617171	12-451TC-12FJX-12FJX90-43 H/A

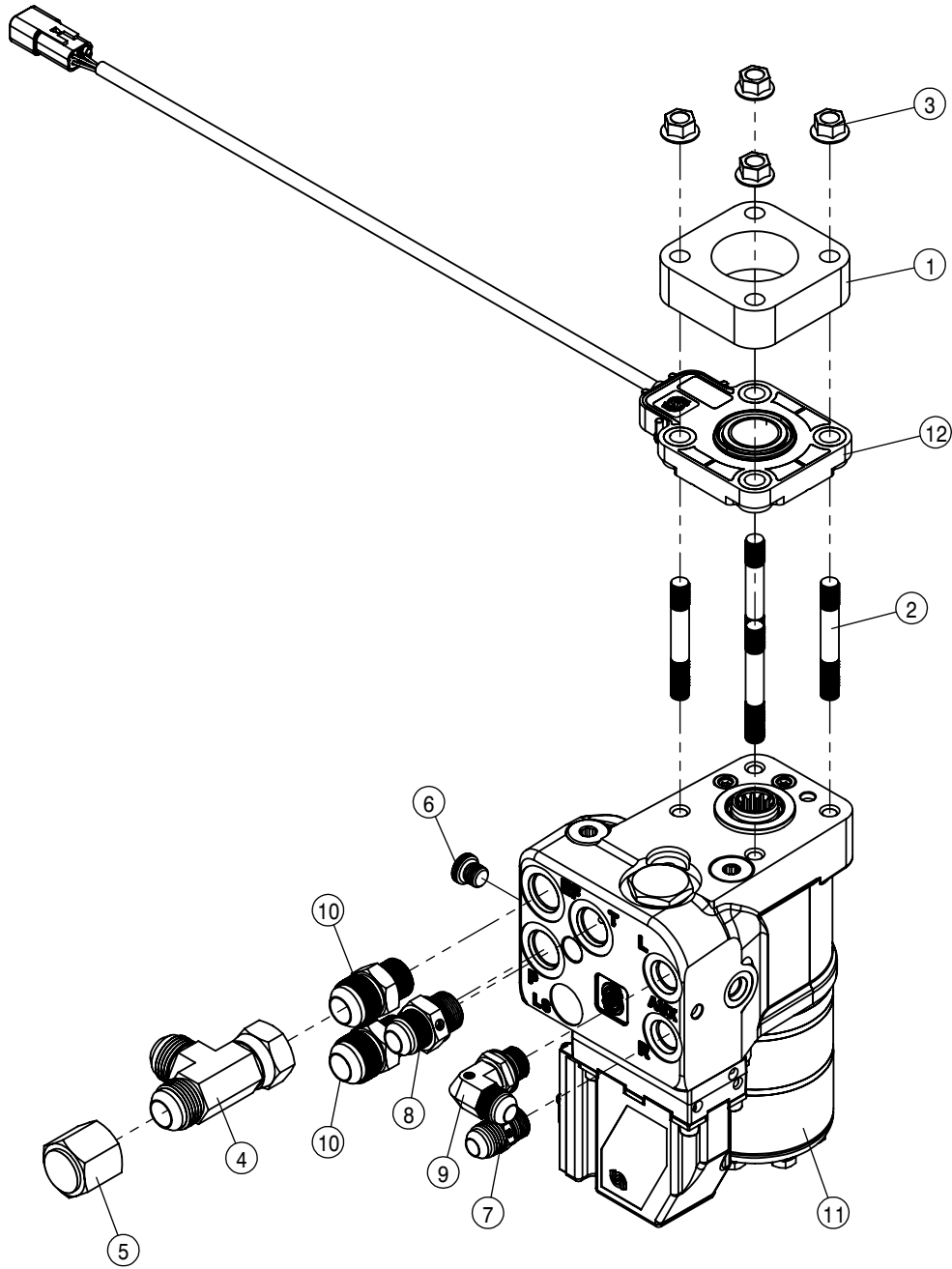


HYDRAULIC TANK ASSEMBLY W/80 GALLON PUMP			
DET	QTY	P/N	DESCRIPTION
1	17	470232	5/16UNC X 1/2 HHSFB GR5 MC
2	1	470471	1 5/16MOR PLUG, MAGNETIC
3	1	520121	CUSH CLAMP,#16 1IN X 3/4W
4	2	520124	CUSH HOSE CLAMP,#28, 1 3/4D X 1 W
5	1	520160	CUSH CLAMP,#24 1 1/2D-3/4WLOOP
6	1	520161	CUSH CLAMP,#32 2"D-3/4W LOOP
7	1	605656	T.R.A.P. BREATHER 1" NPT
8	1	605658	HYD TANK RETURN FILTER
9	1	605662	CASE DRAIN FILTER HEAD
10	1	605663	CASE DRAIN FILTER ELEMENT
11	1	618191	1 1/16MJ-90-1 1/16FJ SWIV LBO
12	1	618255	DUST CAP/PLUG FOR 618804/805
13	2	618299	1.50 SPLIT FLANGE KIT #61
14	1	618396	1 5/8MJIC-45-1 5/8MOR LBO
15	1	618397	1 5/16MOR-9/16FOR ADPTR
16	2	618432	1 7/8MJIC-90-1 7/8MOR LBO
17	1	618472	1 5/8MJIC-1 5/8MOR ADPTR
18	1	618547	1 5/8FJIC-1 5/16MJIC ADPTR
19	1	618665	1 5/8FJIC-1 1/16MJIC ADPTR
20	1	618681	1 7/8FJ SW RUN TEE-1 7/8MJ
21	1	618682	1 7/8MOR-1 7/8MJIC ADPTR
22	1	618717	1 5/16FJX BRANCH TEE-1 5/16MJ
23	1	618828	1 5/8FJIC CAP NUT

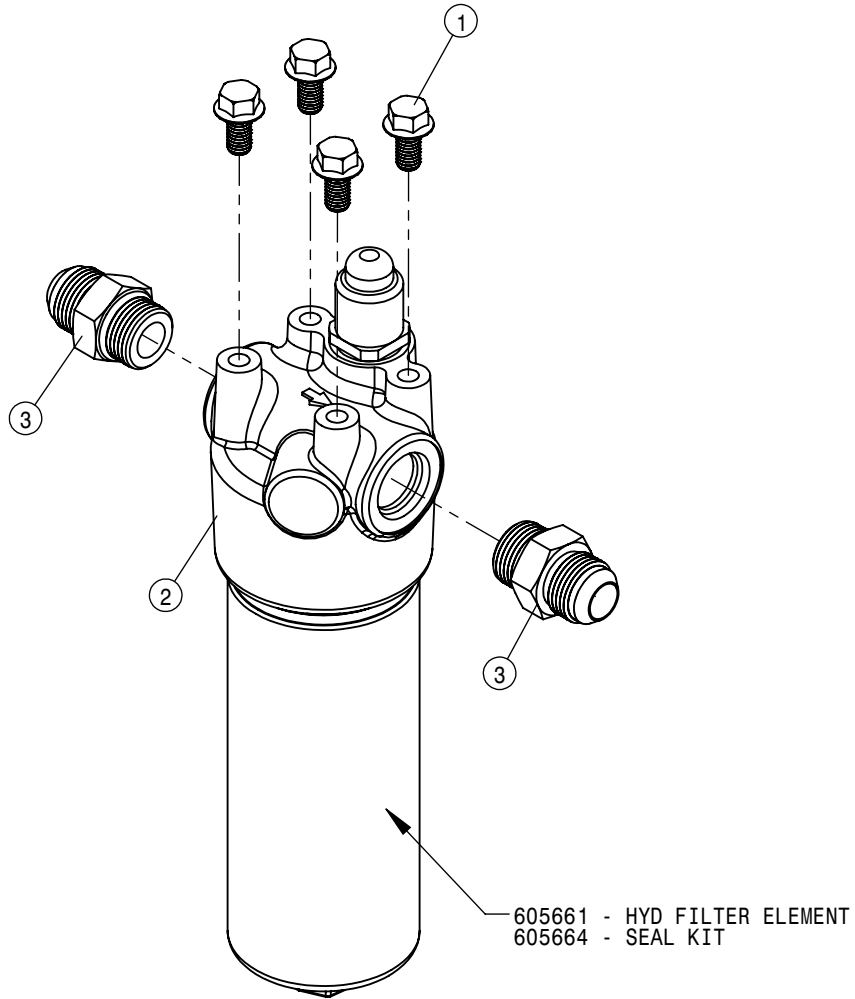
HYDRAULIC TANK ASSEMBLY W/80 GALLON PUMP			
DET	QTY	P/N	DESCRIPTION
24	1	618870	HYD CPLR, MALE #14 9/16MOR
25	1	618881	3/4 NPT BALL VLV BRS LOCK
26	1	618936	1 7/8FJIC-1 1/16MJIC ADPTR
27	1	650430	HYDRAULIC OIL DECAL
28	1	701367	SIGHT GAUGE
29	1	711102	3/4NPT X 3/4 HOSE BARB, BRS
30	1	760837	1788-40-40 3.34CA
31	6	900264	1/2UNC X 1 1/4 HHCS GR5 MC
32	10	910119	5/16-18UNC HEX FLG NUT SER SS
33	1	617466	24-811-24FJX-24FJX45-20 H/A
34	1	760823	HYDRAULIC RESERVOIR, GST
35	1	294025	TEMPERATURE/OIL LEVEL SENSOR
36	1	617171	12-451TC-12FJX-12FJX90-43 H/A
37	2	520143	2.87/3.18 T-BOLT HOSE CLAMP SS
38	1	617120	20-811-20FJX-20FJX-37 H/A
39	1	617095	20-811-20FJX-20FJX45-47 H/A
40	1	617093	24-811-24FJX-24FLG90-48 H/A
41	1	617091	24-811-24FJX-24FJX-71 H/A
42	1	618752	1 5/8MJIC BLKHD RUN TEE
43	1	617475	12-451TC-16FJX-12FJX45-18 H/A
44	1	617151	HYD TANK TUBE
45	1	760833	GST HYD RES FILTER MT
46	1	760834	2.50 SPLIT FLANGE CODE 61
47	1	617473	24-811-24FJX-24FJX90-61 H/A
48	1	617476	12-451TC-10FJX90-16FJX-30 H/A



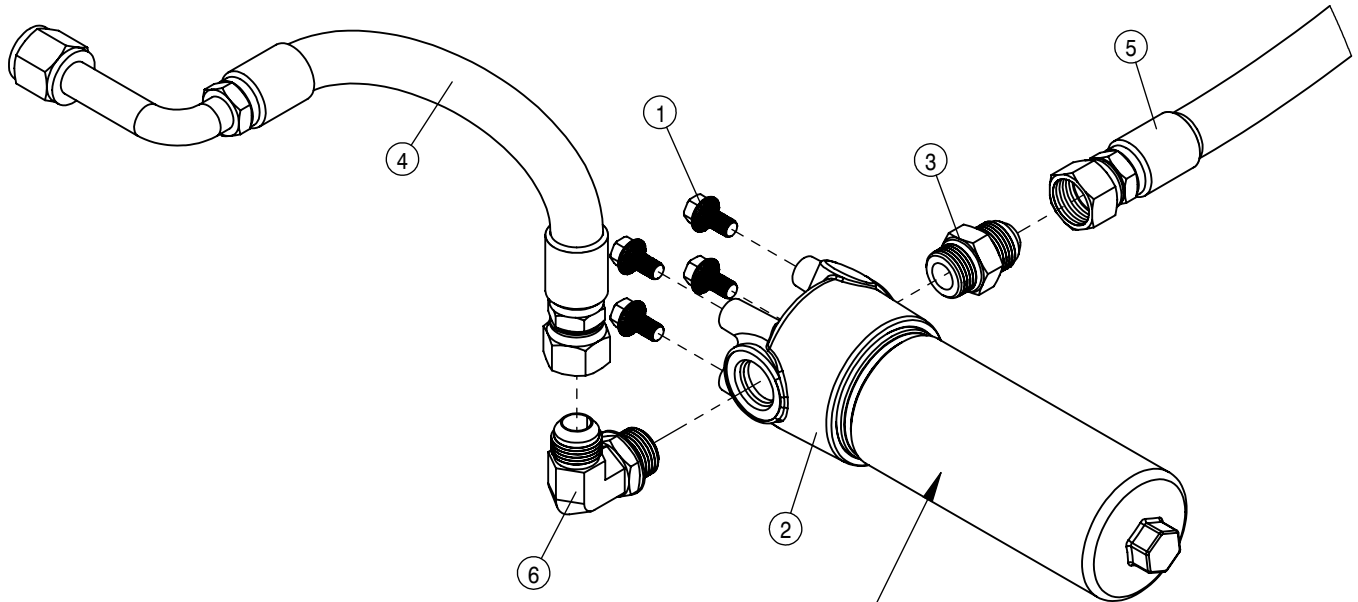
SOLUTION CONTROL VALVE ASSEMBLY			
DET	QTY	P/N	DESCRIPTION
1	1	606253	CTRL VALVE, SOLU PUMP SAUER
2	1	611127	1 1/16MJIC-1 1/16MOR ADPTR
3	1	617101	12-451TC-16FJX-12FJX90-23 H/A
4	1	617102	04-451TC-06FJX-04FJX90-29 H/A
5	1	617139	16-811-16FJX-16FJX-12 H/A
6	1	618119	9/16MJIC-90-9/16MOR LBO
7	1	618178	1 5/16MJIC-90-1 5/16MOR LBO
8	1	618248	1 1/16MJIC-90-1 1/16MOR LBO
9	1	618901	1 5/16MJIC-45-1 5/16MOR LBO
10	2	619023	9/16 MOR DIAGNOSTIC FITTING
11	4	900129	3/8UNC X 1" HEX BOLT



STEERING MOTOR ASSEMBLY			
DET	QTY	P/N	DESCRIPTION
1	1	345017	STEERING VALVE SPACER BLOCK
2	4	472340	M10 X 1.5 X 3" STUD BOLT, DBL END
3	4	473866	M10 X 1.5 HEX SERR FLG NUT
4	1	618487	1 1/16FJ SW RUN TEE-1 1/16MJ
5	1	618533	1 1/16FJIC CAP NUT
6	1	618909	M12 MOR PLUG, HEX SOCKET
7	1	618910	3/4MJIC-M18MOR ADPTR
8	1	618911	7/8MJIC-M22 MOR ADPTR
9	1	618912	3/4MJIC-90-M18MOR LBO
10	2	619019	1 1/16MJIC-M22 MOR ADPTR
11	1	749333	VALVE ASM-STEERING,AWS
12	1	749341	BEI STEERING ANGLE SENSOR

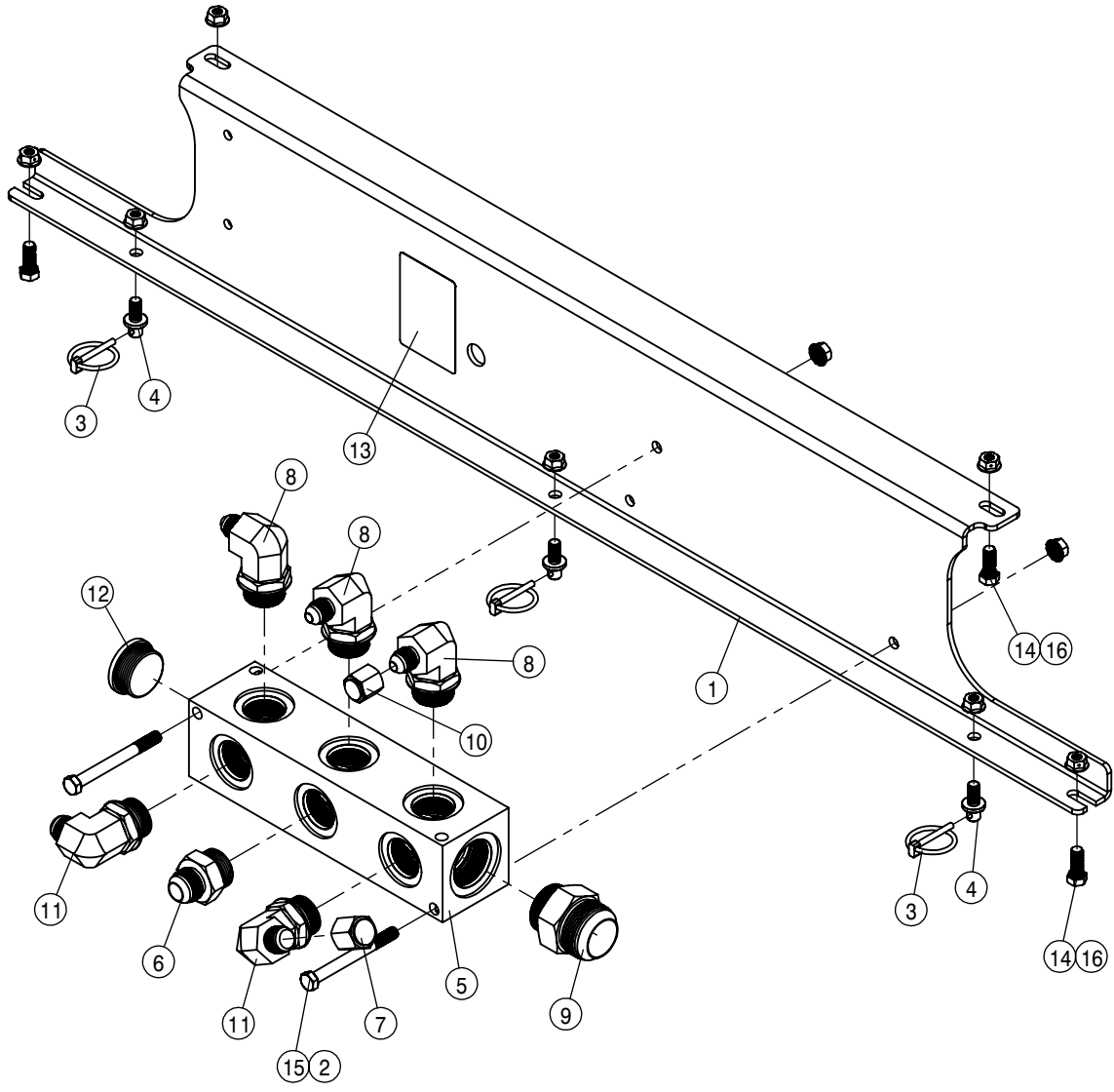


STEERING MOTOR INLINE FILTER			
DET	QTY	P/N	DESCRIPTION
1	4	470409	3/8UNC X 3/4" SERR FLG BOLT
2	1	605660	HYD FILTER 5M SAE12
3	2	611127	1 1/16MJIC-1 1/16MOR ADPTR

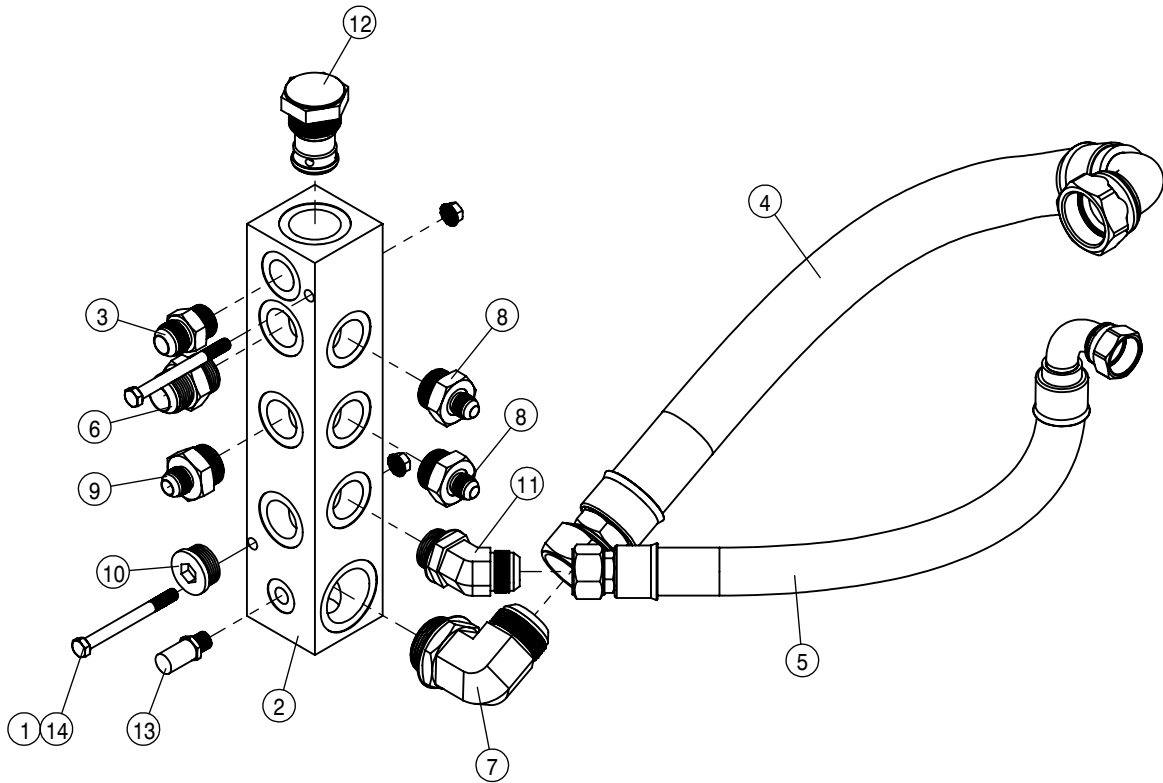


605666 - HYDRAULIC FILTER 20 MICRON
 605664 - SEAL KIT

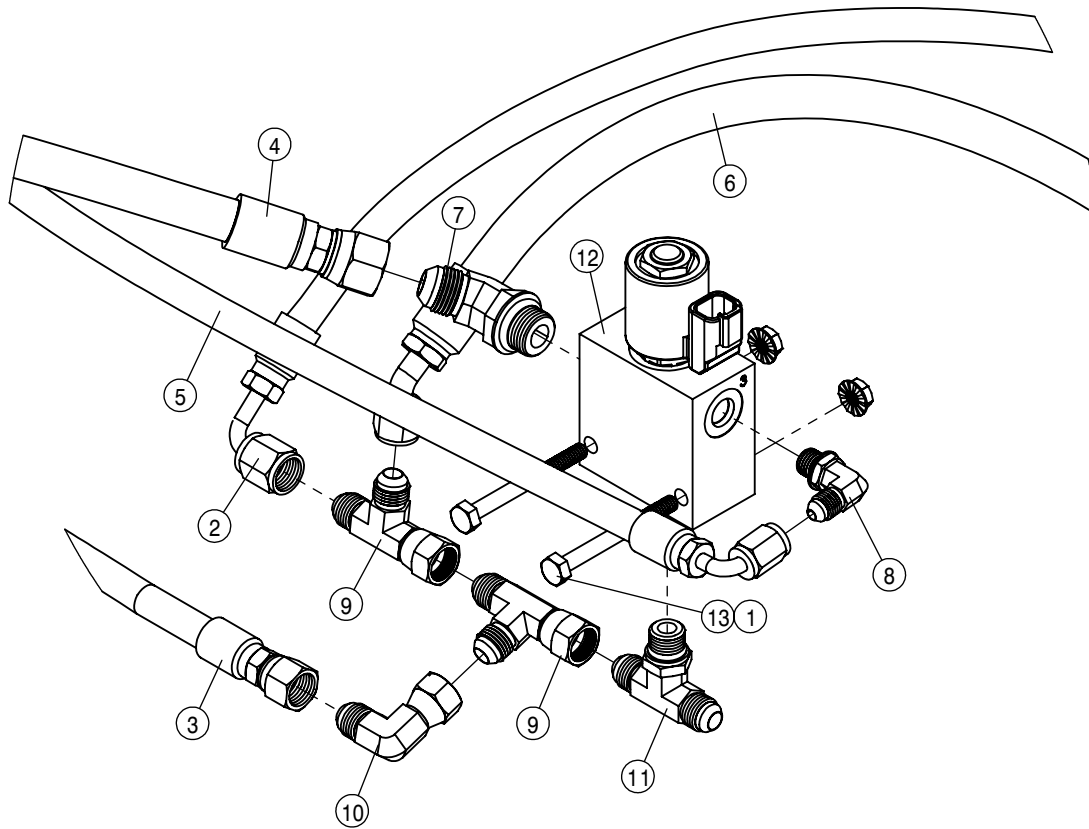
FAN MOTOR INLINE FILTER			
DET	QTY	P/N	DESCRIPTION
1	4	470409	3/8UNC X 3/4" SERR FLG BOLT
2	1	605665	HYD FILTER 20 MICRON SAE12
3	1	611127	1 1/16MJIC-1 1/16MOR ADPTR
4	1	616676	12-451TC-12FJX-12FJX90L-18 H/A
5	1	617199	12-451TC-12FJX-12FJX-73 H/A
6	1	618248	1 1/16MJIC-90-1 1/16MOR LBO



RETURN MANIFOLD AND BULKHEAD ASSEMBLY			
DET	QTY	P/N	DESCRIPTION
1	1	362113	FRONT BULKHEAD, STS
2	5	470087	3/8UNC HEX SERR FLANGE NUT
3	3	470335	LINCHPIN, 3/16 X 1 1/4 GRIP
4	3	470520	HANGER PIN, 3/8UNC x.437Dx.500L
5	1	606246	MANIFOLD, 1 5/16FOR
6	1	618308	1 1/16MJIC-1 5/16MOR ADPTR
7	1	618328	7/8FJIC CAP NUT
8	3	618475	3/4MJIC-90-1 5/16MOR LBO
9	1	618527	1 7/8MJIC-1 5/8MOR ADPTR
10	1	618532	3/4FJIC CAP NUT
11	2	618589	7/8MJIC-90-1 5/16MOR LBO
12	1	618759	1 5/8MOR PLUG, HEX SOCKET
13	1	650339	DECAL, WARNING, HYD. OIL INJ
14	4	900129	3/8UNC X 1" HEX BOLT
15	2	900139	3/8UNC X 3 3/4 HEX BOLT
16	4	910004N	3/8UNC FLANGE CNTR LOCK NUT

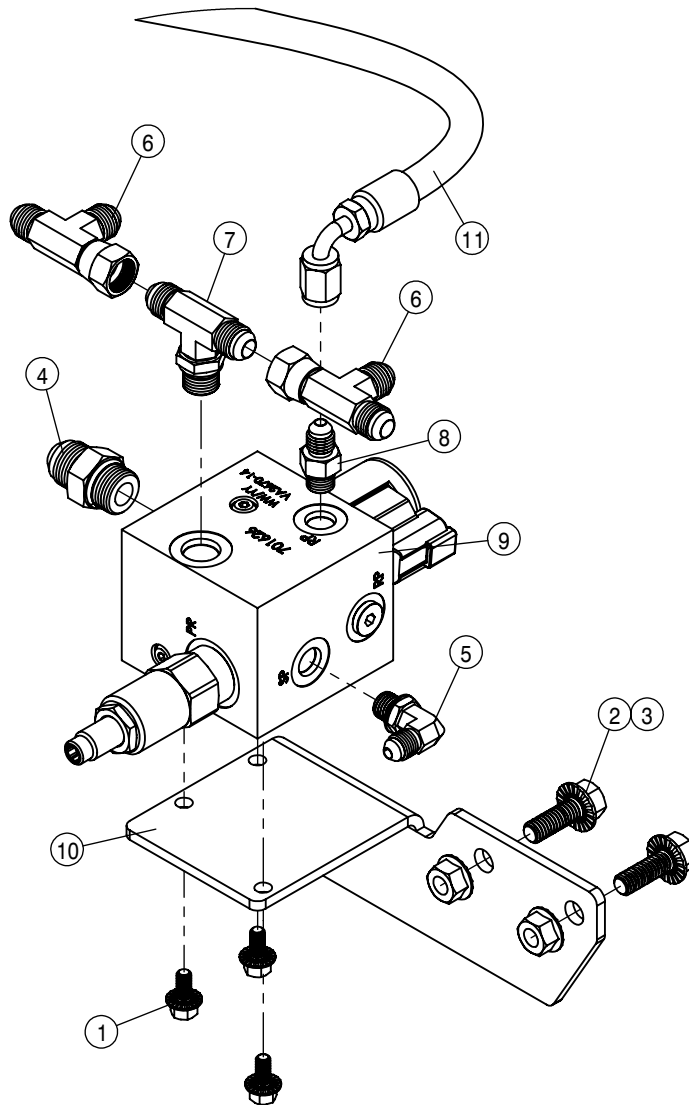


REAR RETURN MANIFOLD ASSEMBLY			
DET	QTY	P/N	DESCRIPTION
1	2	470087	3/8UNC HEX SERR FLANGE NUT
2	1	607574	MANIFOLD, #16, # 24 ends
3	1	611127	1 1/16MJIC-1 1/16MOR ADPTR
4	1	617094	24-811-24FJX-24FJX90-31 H/A
5	1	617123	16-811-16FJX-16FJX90-22 H/A
6	1	618186	1 5/16MJIC-1 5/16MOR ADPTR
7	1	618432	1 7/8MJIC-90-1 7/8MOR LBO
8	2	618470	3/4MJIC-1 5/16MOR ADPTR
9	1	618601	7/8MJIC-1 5/16MOR ADPT
10	1	618758	1 5/16MOR PLUG, HEX SOCKET
11	1	618901	1 5/16MJIC-45-1 5/16MOR LBO
12	1	618935	20 SIZE CHECK VALVE
13	1	619023	9/16 MOR DIAGNOSTIC FITTING
14	2	900140	3/8UNC X 4" HEX BOLT



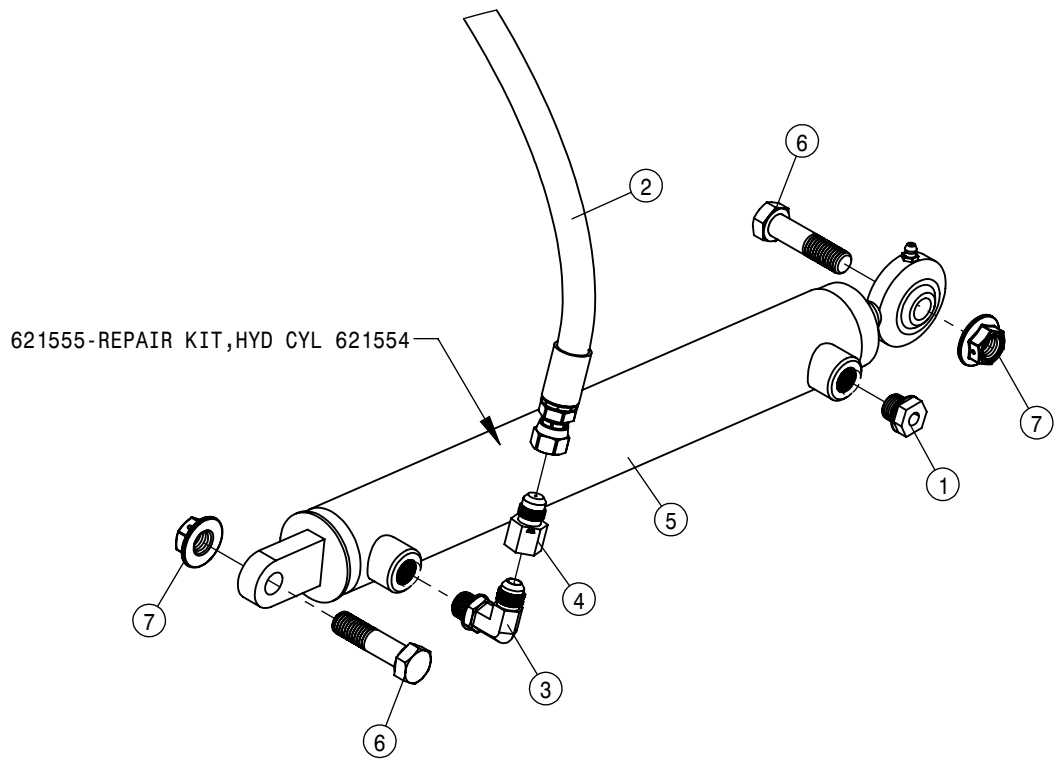
SERIAL NUMBERS:
 U16181616001 THRU U16181616018
 U16181616023 THRU U16181616039

BRAKE AND LADDER VALVE ASSEMBLY			
DET	QTY	P/N	DESCRIPTION
1	2	470121	1/4 UNC SERR FLG LOCK NUT
2	1	617069	04-451TC-04FJX-06FJX90-139 H/A
3	1	617072	04-451TC-06FJX-04FJX45-43 H/A
4	1	617096	06-451TC-08FJX-06FJX90-22 H/A
5	1	617121	04-451TC-06FJX-04FJX90-34 H/A
6	1	617127	06-451TC-06FJX-06FJX45-36 H/A
7	1	618315	3/4MJIC-45-3/4MOR LBO
8	1	618473	7/16MJIC-90-7/16MOR LBO
9	2	618486	9/16FJIC SW RUN TEE-9/16MJIC
10	1	618618	9/16MJIC-90-9/16FJIC SWIV LBO
11	1	618629	9/16MOR BRANCH TEE-9/16MJIC
12	1	701625	ASSY, BRAKE/LADDER VALVE
13	2	900008N	1/4UNC X 2 1/2 HEX BOLT SS

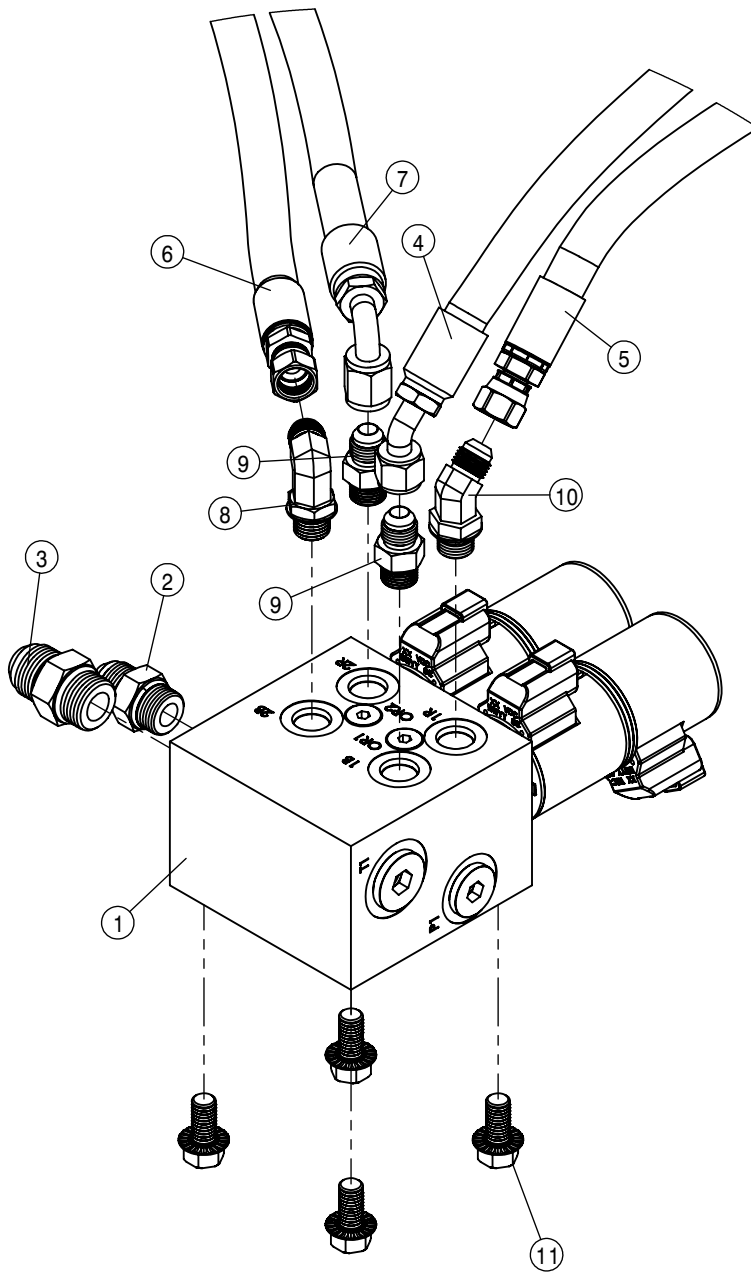


SERIAL NUMBERS:
 U16181616019 THRU U16181616022
 U16181616040 THRU U16181616060

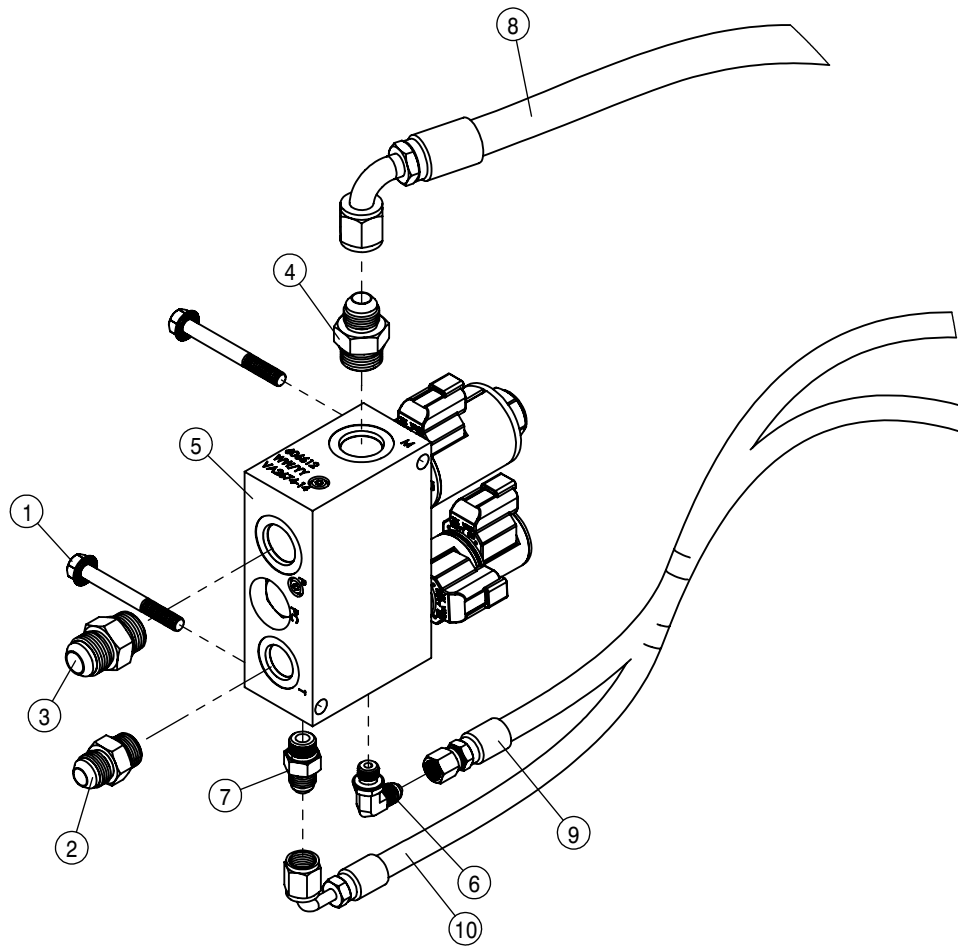
PARK BRAKE ASSEMBLY					
DET	QTY	P/N	DESCRIPTION		
1	3	470122	1/4UNC X 1/2	HHSFB	GR5 MC
2	2	470460	3/8UNC X 1	HHSFB	GR5 MC
3	2	472029	3/8-16UNC	HEX FLG NUT	SER SS
4	1	611125	3/4MJIC-3/4MOR	ADPTR	
5	1	618473	7/16MJIC-90-7/16MOR	LBO	
6	2	618486	9/16FJIC SW RUN TEE-9/16MJIC		
7	1	618629	9/16MOR BRANCH TEE-9/16MJIC		
8	1	618467	7/16MJIC-7/16MOR	ADPTR	
9	1	701626	ASSY, PARK BRAKE CNTRL-REDUC/RELIEVE		
10	1	317760	PRESS RED/REL BRKT,STS		
11	1	617505	04-451TC-06FJX-04FJX90-33	H/A	



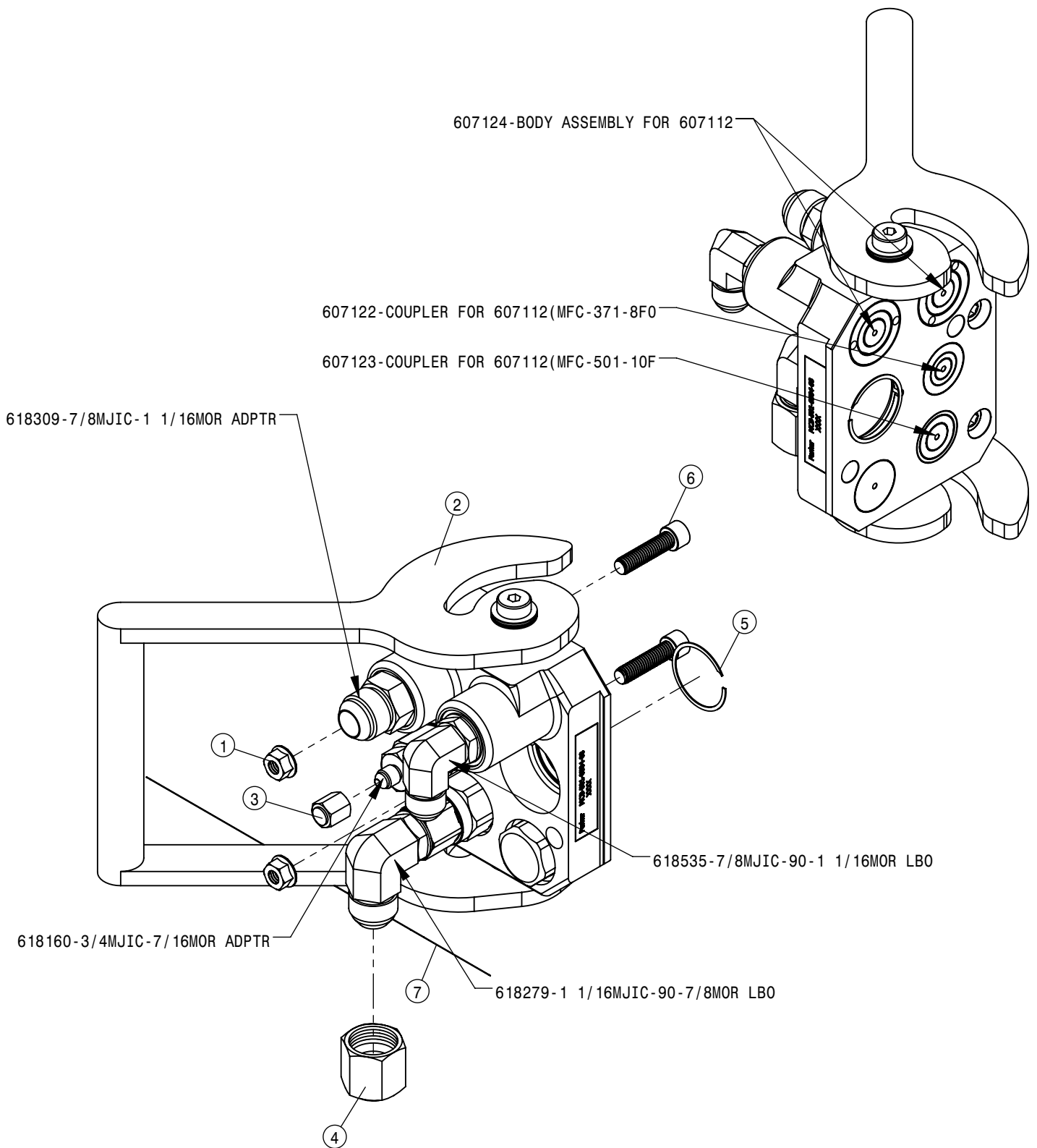
LADDER CYLINDER ASSEMBLY			
DET	QTY	P/N	DESCRIPTION
1	1	362036	SAE 6 BRASS BREATHER
2	1	617127	06-451TC-06FJX-06FJX45-36 H/A
3	1	618119	9/16MJIC-90-9/16MOR LBO
4	1	618733	9/16JIC .042 ORIFICE ADPTR
5	1	621554	CYLINDER, 1.50 ID x 12.00 STRK
6	2	900267	1/2UNC X 2" HEX BOLT
7	2	914015	1/2UNC HEX CENTER-LOCK NUT



ALL WHEEL STEER HYDRAULIC VALVE ASSEMBLY			
DET	QTY	P/N	DESCRIPTION
1	1	606542	AWS VLV, STS PWRSYS 14
2	1	611125	3/4MJIC-3/4MOR ADPTR
3	1	611126	7/8MJIC-7/8MOR ADPTR
4	1	617115	06-451TC-06FJX-06FJX45-101 H/A
5	1	617116	06-451TC-06FJX-06FJX-99 H/A
6	1	617117	06-451TC-06FJX-06FJX-137
7	1	617118	06-451TC-06FJX-06FJX90-137 H/A
8	1	618119	9/16MJIC-90-9/16MOR LBO
9	2	618126	9/16MJIC-9/16MOR ADPTR
10	1	618425	9/16MJIC-45-9/16MOR LBO
11	4	900128N	3/8UNC X 3/4 SER FLANGE BOLT

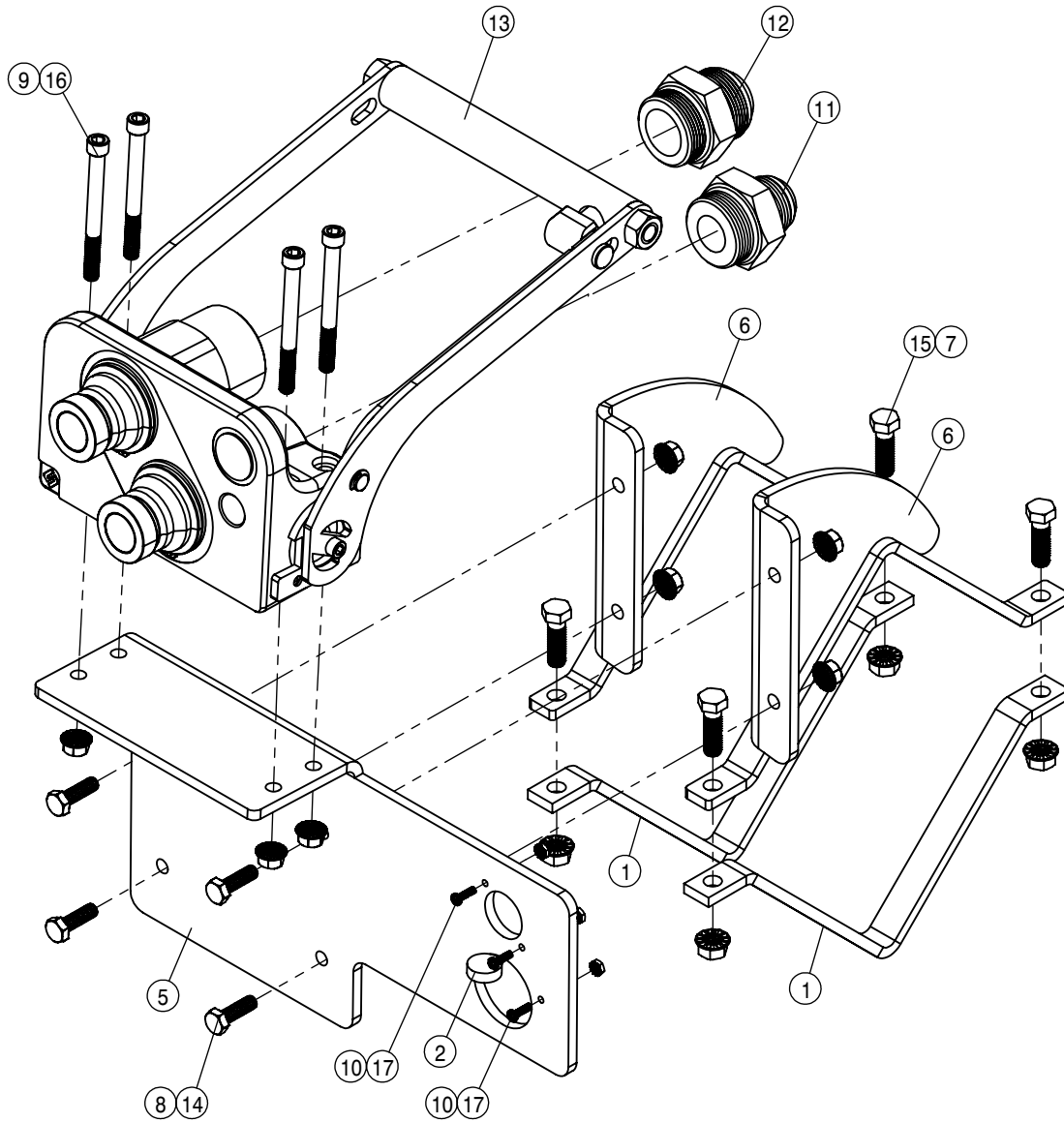


SIDE FILL LIFT ASSEMBLY			
DET	QTY	P/N	DESCRIPTION
1	2	470669	5/16UNC X 2 3/4 FLANG HEX BOLT
2	1	611125	3/4MJIC-3/4MOR ADPTR
3	1	611126	7/8MJIC-7/8MOR ADPTR
4	1	618327	3/4MJIC-7/8MOR ADPTR
5	1	606612	SIDE FILL VLV ASSY STS' 16
6	1	618473	7/16MJIC-90-7/16MOR LBO
7	1	618126	9/16MJIC-9/16MOR ADPTR
8	1	617108	08-451TC-08FJX-08FJX90-127 H/A
9	1	617389	04-451TC-04FJX-04FJX-111 H/A
10	1	617390	04-451TC-06FJX-06FJX90-100 H/A

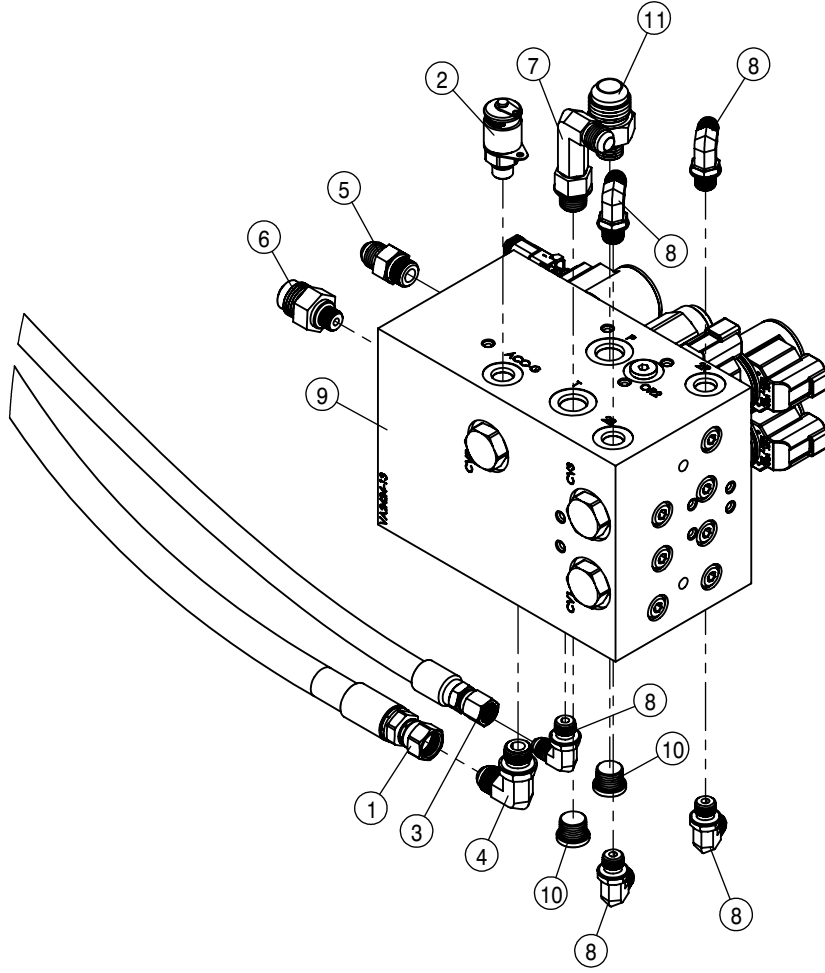


BOOM HYDRAULIC QUICK COUPLER ASSEMBLY			
DET	QTY	P/N	DESCRIPTION
1	2	470087	3/8UNC HEX SERR FLANGE NUT
2	1	607112	FIX HALF COUPLER ASSY
3	1	618363	7/16FJIC CAP NUT
4	1	618533	1 1/16FJIC CAP NUT
5	1	629547	VS-150-S16 RETAINING RING
6	2	900174	3/8UNC x 1 1/2" SOC HD CAP SCR
7	1	HXE28534	LABEL, HYDRAULIC ENGLISH

COMBO OPTION QUICK ATTACH

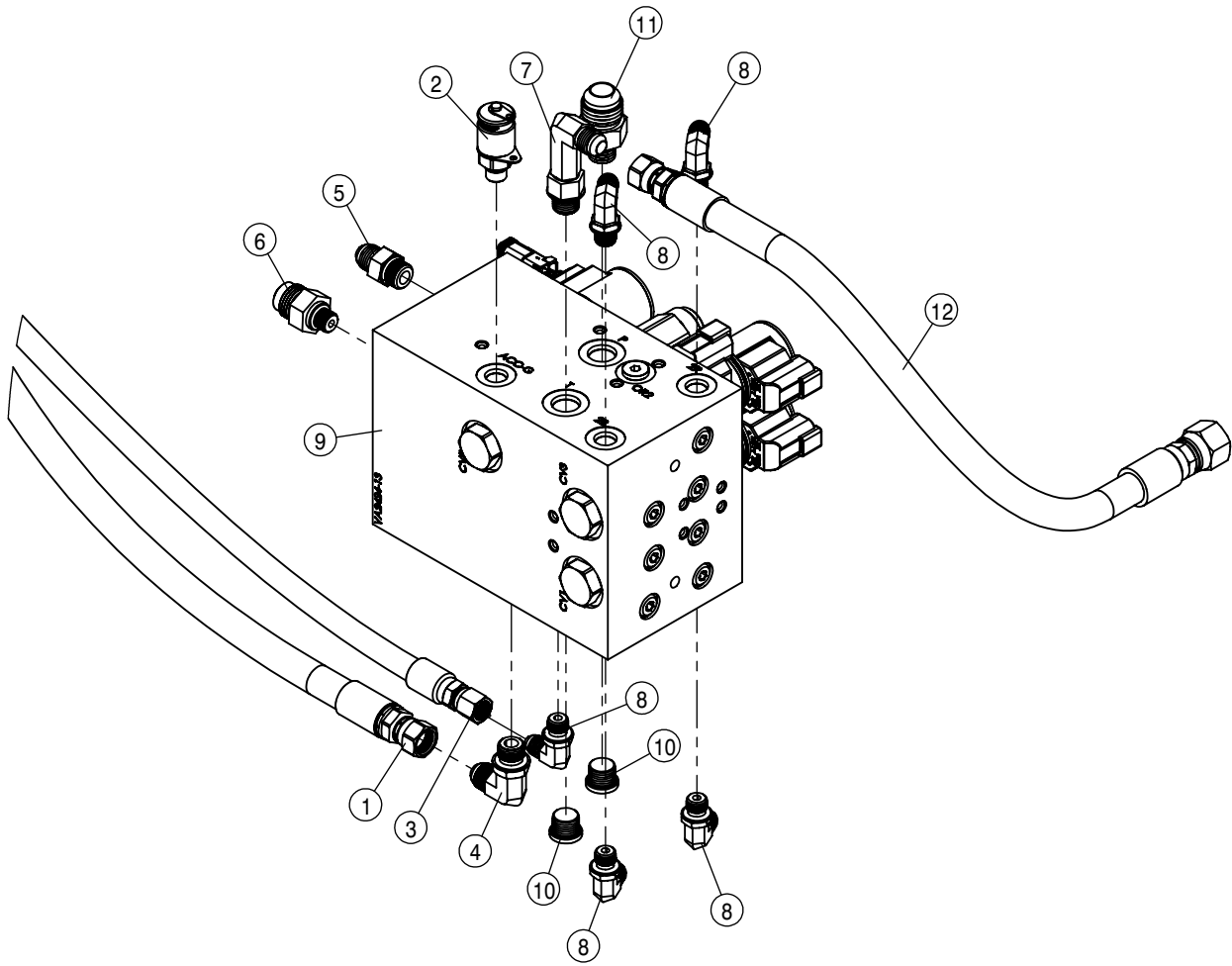


COMBO OPTION HYDRAULIC QUICK COUPLER ASSEMBLY			
DET	QTY	P/N	DESCRIPTION
1	2	003078	RECEPT MTG BRKT, PAINTED STS 07
2	1	291754	AMP CAP, 17 SHELL
NS	1	293866	POWER HARNESS, MAIN STSC 05
NS	1	294047	STS COMBO CHASSIS TO BAR HARNESS
5	1	362043	SOLUTION COMBO MOUNT
6	2	362047	RECEPT SCM BRKT WLD LFT
7	4	470087	3/8UNC HEX SERR FLANGE NUT
8	4	470113	5/16UNC SERR FLG LOCK NUT
9	4	470113N	5/16UNC SERR FLG LOCK NUT SS
10	3	470467	6-32 KEP NUT
11	1	618455	1 5/16MJIC-1 5/8 MOR ADPTR
12	1	618472	1 5/8MJIC-1 5/8MOR ADPTR
13	1	618877	COMBO MULT CPLR MACHINE
14	4	900065	5/16UNC X 1" HEX BOLT
15	4	900127	3/8UNC X 1 1/4 HEX BOLT
16	4	900175	5/16UNC X 3 1/4 SKT HD CAP SCR
17	3	903812	6-32 X 1/2 PHIL PAN MACH SCR



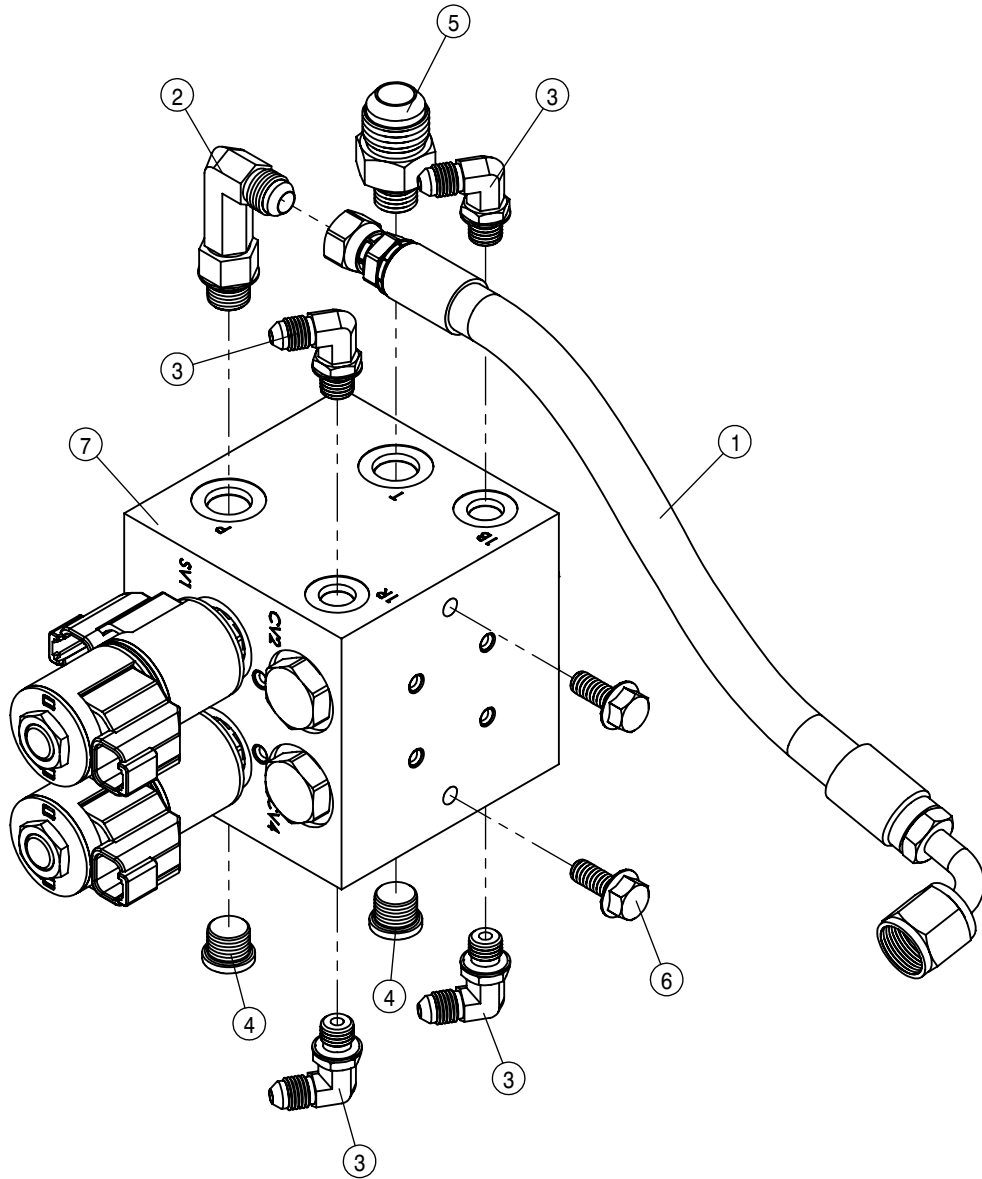
SERIAL NUMBER:
 U16181616001 THRU U16181616018
 U16181616023 THRU U16181616039

FRONT TREAD ADJUST HYDRAULIC VALVE ASSEMBLY			
DET	QTY	P/N	DESCRIPTION
1	1	616599	06-451TC-06FJX-08FJX90-62 H/A
2	1	619025	7/16MOR DIAG FITTING
3	1	617210	04-451TC-04FJX-08FJX-78 H/A
4	1	618119	9/16MJIC-90-9/16MOR LBO
5	1	618126	9/16MJIC-9/16MOR ADPTR
6	1	618160	3/4MJIC-7/16MOR ADPTR
7	1	618440	9/16MJIC-90-9/16MOR EX LG LBO
8	5	618473	7/16MJIC-90-7/16MOR LBO
9	1	606293	MULTIFUNCTION VALVE
10	2	618754	9/16 MOR PLUG, HEX SOCKET
11	1	618832	7/8MJIC-9/16MOR ADPTR



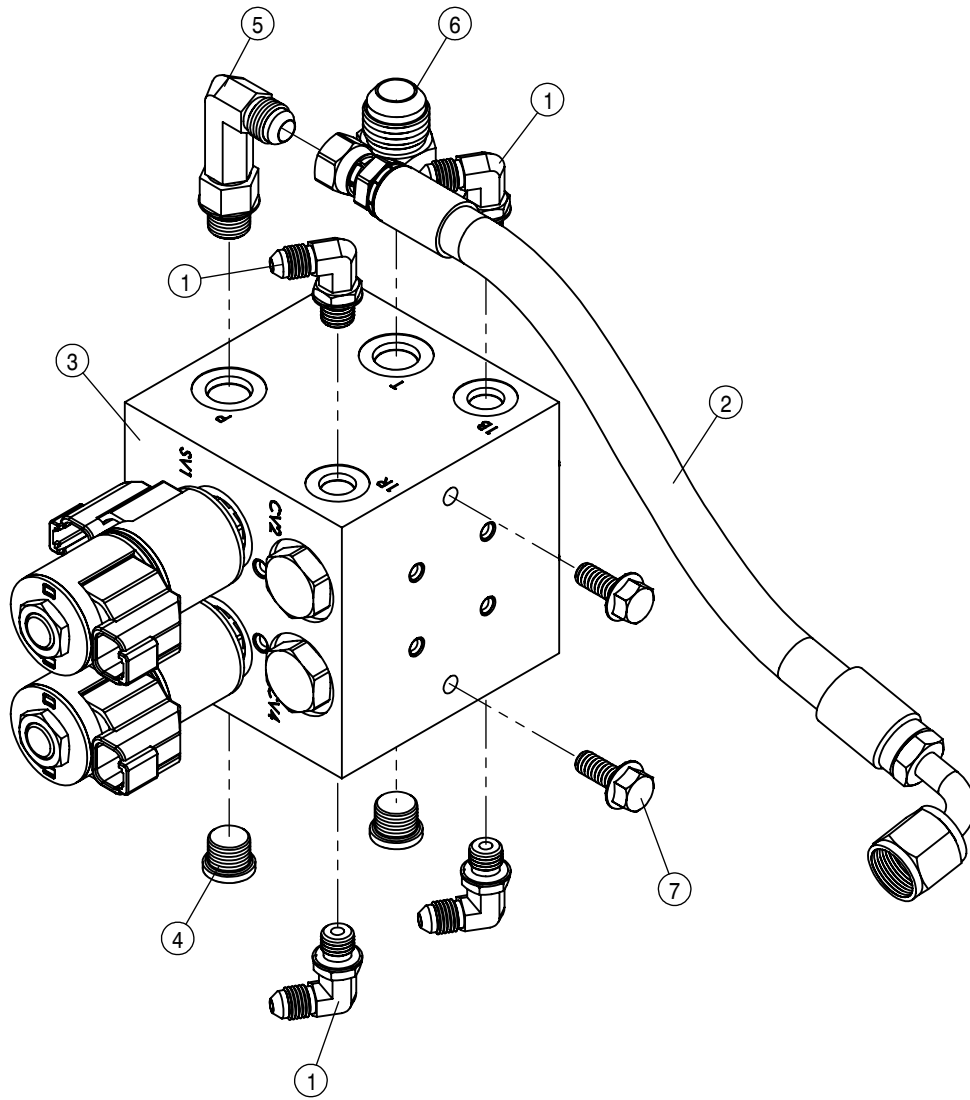
SERIAL NUMBER:
 U16181616019 THRU U16181616022
 U16181616040 THRU U16181616060

FRONT TREAD ADJUST HYDRAULIC VALVE ASSEMBLY			
DET	QTY	P/N	DESCRIPTION
1	1	616599	06-451TC-06FJX-08FJX90-62 H/A
2	1	619025	7/16MOR DIAG FITTING
3	1	617210	04-451TC-04FJX-08FJX-78 H/A
4	1	618119	9/16MJIC-90-9/16MOR LBO
5	1	618126	9/16MJIC-9/16MOR ADPTR
6	1	618160	3/4MJIC-7/16MOR ADPTR
7	1	618440	9/16MJIC-90-9/16MOR EX LG LBO
8	5	618473	7/16MJIC-90-7/16MOR LBO
9	1	606293	MULTIFUNCTION VALVE
10	2	618754	9/16 MOR PLUG, HEX SOCKET
11	1	618832	7/8MJIC-9/16MOR ADPTR
12	1	617099	06-451TC-06FJX-08FJX-18



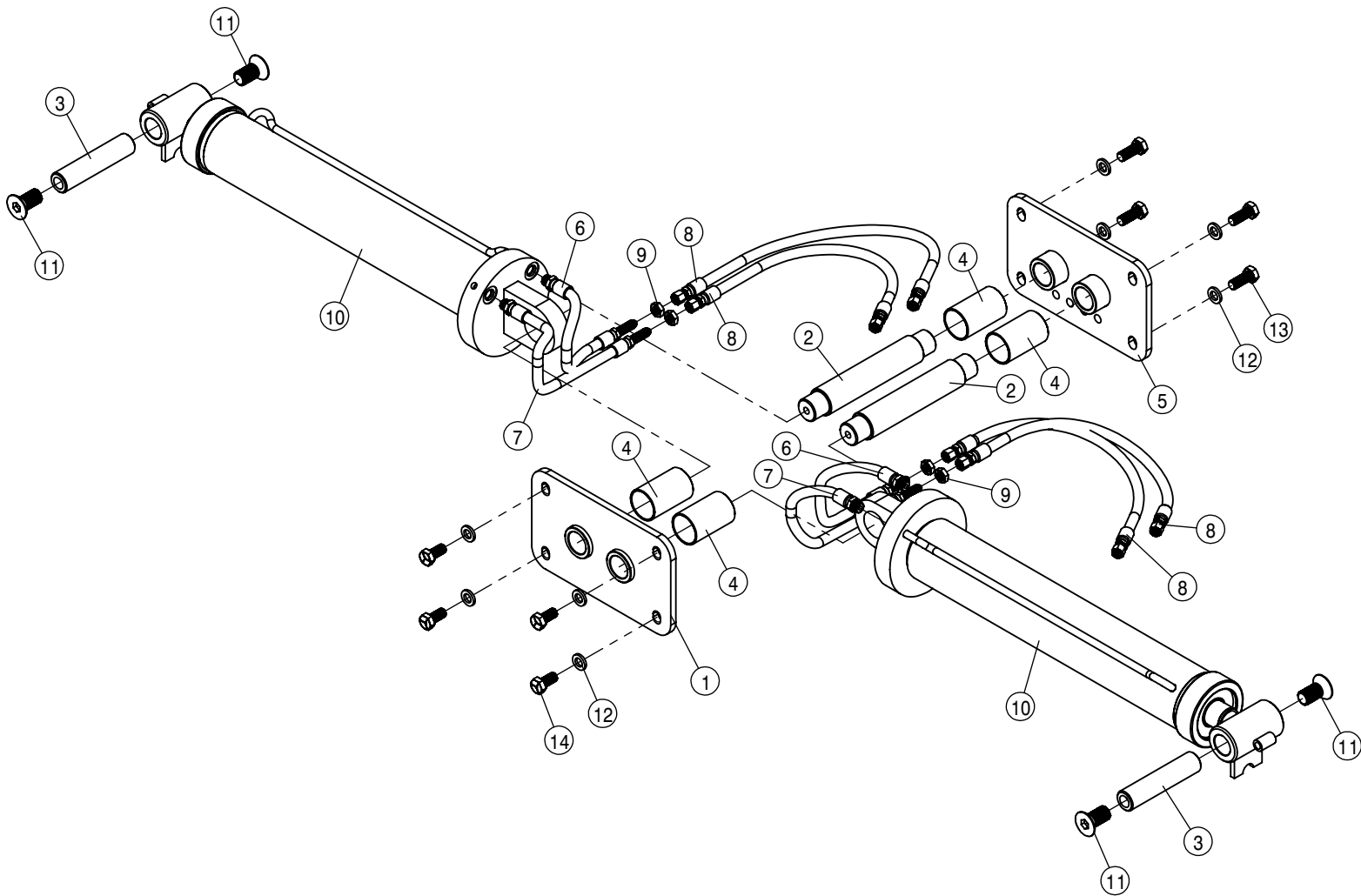
SERIAL NUMBER:
 U16181616001 THRU U16181616018
 U16181616030 THRU U16181616039

REAR TREAD ADJUST HYDRAULIC VALVE ASSEMBLY				
DET	QTY	P/N	DESCRIPTION	
1	1	617098	06-451TC-06FJX-08FJX90-13	H/A
2	1	618440	9/16MJIC-90-9/16MOR	EX LG LBO
3	4	618473	7/16MJIC-90-7/16MOR	LBO
4	2	618754	9/16 MOR PLUG, HEX SOCKET	
5	1	618832	7/8MJIC-9/16MOR	ADPTR
6	2	900064N	5/16UNC X 3/4"	SER FLG BOLT SS
7	1	606540	TREAD ADJ VLV, STS	PWRSYS 14



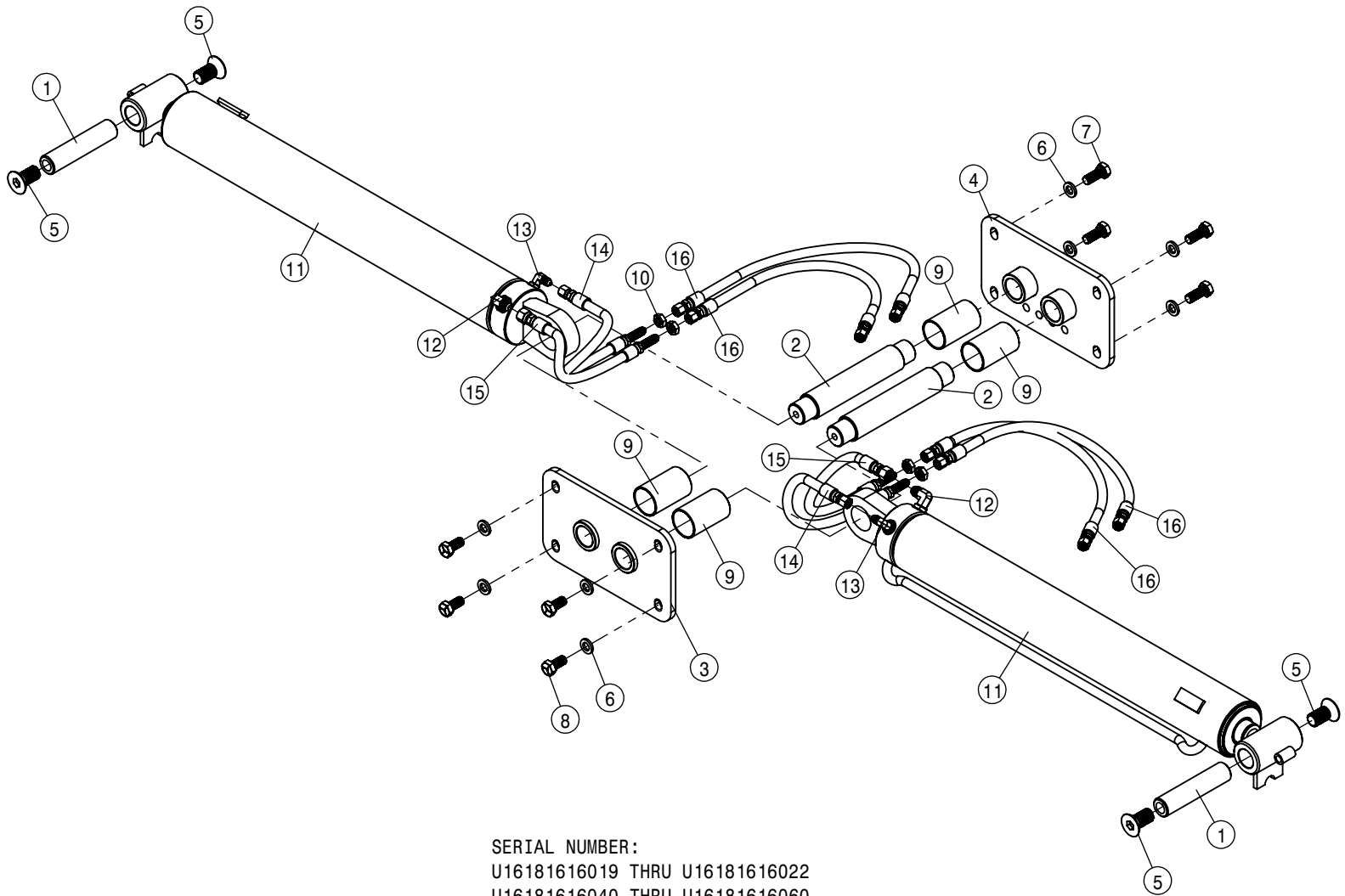
SERIAL NUMBER:
 U16181616019 THRU U16181616022
 U16181616040 THRU U16181616060

REAR TREAD ADJUST HYDRAULIC VALVE ASSEMBLY			
DET	QTY	P/N	DESCRIPTION
1	4	618473	7/16MJIC-90-7/16MOR LBO
2	1	617098	06-451TC-06FJX-08FJX90-13 H/A
3	1	606540	TREAD ADJ VLV,STS PWRSYS 14
4	2	618754	9/16 MOR PLUG, HEX SOCKET
5	1	618440	9/16MJIC-90-9/16MOR EX LG LBO
6	1	618832	7/8MJIC-9/16MOR ADPTR
7	2	900064N	5/16UNC X 3/4" SER FLG BOLT SS



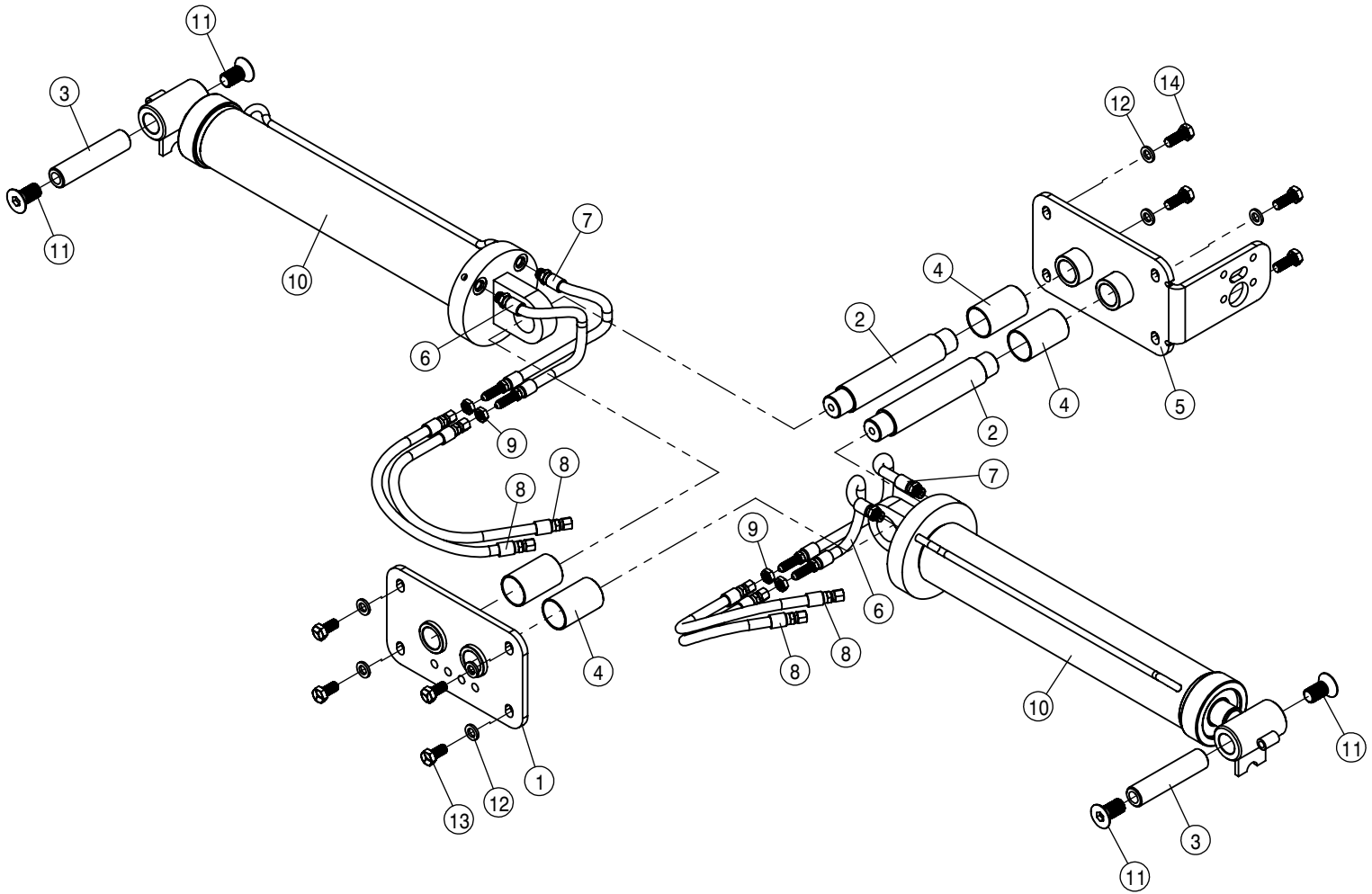
SERIAL NUMBER:
 U16181616001 THRU U16181616018
 U16181616023 THRU U165181616039

FRONT HYDRAULIC TREAD ADJUST ASSEMBLY			
DET	QTY	P/N	DESCRIPTION
1	1	361576	FRT TRD ADJ ACCESS PLT WLD
2	2	361581	TRD ADJ CYL PIVOT PIN, M/F
3	2	361582	TREAD ADJ CYL PIN, OUTER LEG
4	4	361583	TRD ADJ CYL SPACER, M/F
5	1	361689	REAR TRD ADJ ACCESS PLT WLD 04
6	2	616070	04-451TC-04MJBH-06MOR-11.00H/A
7	2	616071	04-451TC-04MJBH-06MOR-13.00H/A
8	4	617100	04-451TC-04FJX-04FJX-24 H/A
9	4	618525	7/16-20 BLKHD LOCKNUT
10	2	621552	HYD CYL, 3.00 X 16.00 X 1.375
11	4	900391	3/4UNC X 1 1/2 FLT SOC CAP SCR
12	8	920504	HLOCK WASHER 1/2 MC
13	4	900522	1/2UNF X 1 1/4 HHCS GR5 MC
14	4	900301	1/2UNF X 1 HHCS GR5 MC



SERIAL NUMBER:
 U16181616019 THRU U16181616022
 U16181616040 THRU U16181616060

FRONT HYDRAULIC TREAD ADJUST ASSEMBLY				
DET	QTY	P/N	DESCRIPTION	
1	2	361582	TREAD ADJ CYL PIN, OUTER LEG	
2	2	361581	TRD ADJ CYL PIVOT PIN, M/F	
3	1	361576	FRT TRD ADJ ACCESS PLT WLD	
4	1	361689	REAR TRD ADJ ACCESS PLT WLD 04	
5	4	900391	3/4UNC X 1 1/2 FLT SOC CAP SCR	
6	8	920504	HLOCK WASHER 1/2 MC	
7	4	900522	1/2UNF X 1 1/4 HHCS GR5 MC	
8	4	900301	1/2UNF X 1 HHCS GR5 MC	
9	4	361583	TRD ADJ CYL SPACER, M/F	
10	4	618525	7/16-20 BLKHD LOCKNUT	
11	2	621040	HYD CYL, 3.00 X 21.00 X 1.38	
12	2	618119	9/16MJIC-90-9/16MOR LBO	
13	2	618473	7/16MJIC-90-7/16MOR LBO	
14	2	617493	04-451TC-04MJBH-04FJX-13 H/A	
15	2	617494	04-451TC-04MJBH-06FJX-14 H/A	
16	4	617100	04-451TC-04FJX-04FJX-24 H/A	

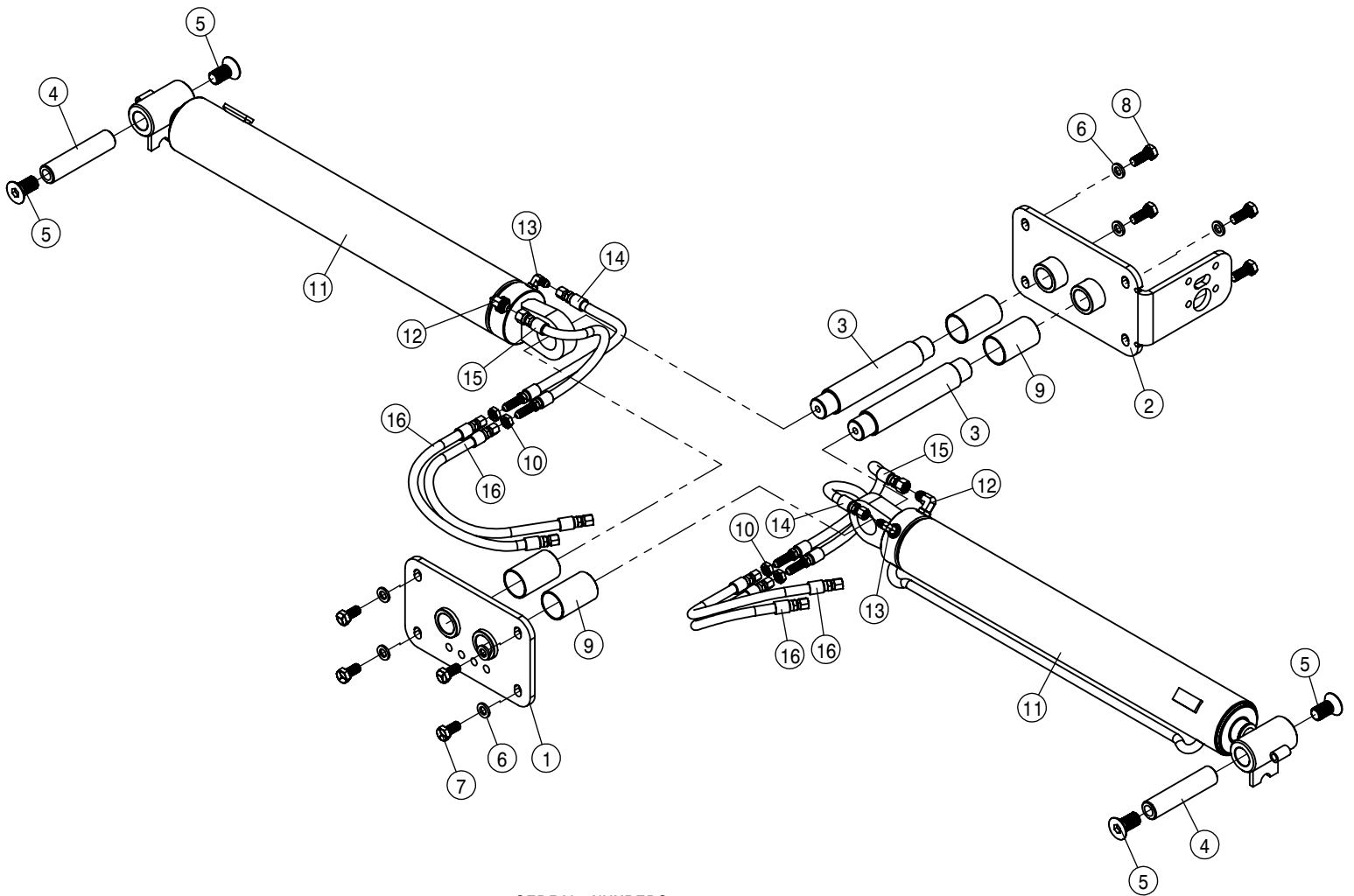


SERIAL NUMBER:

U16181616001 THRU U16181616018

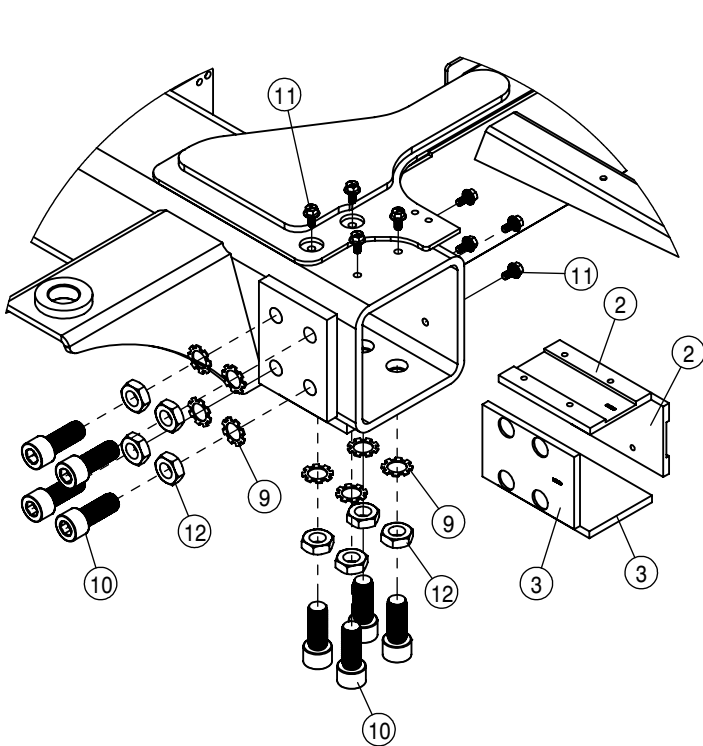
U16181616023 THRU U16181616039

REAR HYDRAULIC TREAD ADJUST ASSEMBLY			
DET	QTY	P/N	DESCRIPTION
1	1	361579	REAR TRD ADJ ACCESS PLT WLD
2	2	361581	TRD ADJ CYL PIVOT PIN, M/F
3	2	361582	TREAD ADJ CYL PIN, OUTER LEG
4	4	361583	TRD ADJ CYL SPACER, M/F
5	1	362129	ACCESS PLT - TREAD ADJ WLD
6	2	616070	04-451TC-04MJBH-06MOR-11.00H/A
7	2	616071	04-451TC-04MJBH-06MOR-13.00H/A
8	4	617100	04-451TC-04FJX-04FJX-24 H/A
9	4	618525	7/16-20 BLKHD LOCKNUT
10	2	621552	HYD CYL, 3.00 X 16.00 X 1.375
11	4	900391	3/4UNC X 1 1/2 FLT SOC CAP SCR
12	8	920504	HLOCK WASHER 1/2 MC
13	4	900301	1/2UNF X 1 HHCS GR5 MC
14	4	900522	1/2UNF X 1 1/4 HHCS GR5 MC

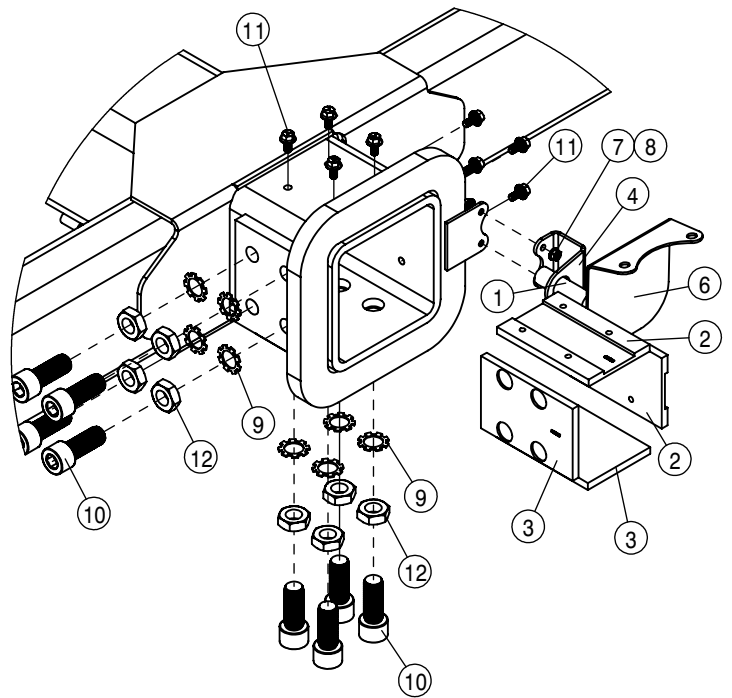


SERIAL NUMBERS:
 U16181616019 THRU U16181616022
 U16181616040 THRU U16181616060

REAR HYDRAULIC TREAD ADJUST ASSEMBLY			
DET	QTY	P/N	DESCRIPTION
1	1	361579	REAR TRD ADJ ACCESS PLT WLD
2	1	362129	ACCESS PLT - TREAD ADJ WLD
3	2	361581	TRD ADJ CYL PIVOT PIN, M/F
4	2	361582	TREAD ADJ CYL PIN, OUTER LEG
5	4	900391	3/4UNC X 1 1/2 FLT SOC CAP SCR
6	8	920504	HLOCK WASHER 1/2 MC
7	4	900301	1/2UNF X 1 HHCS GR5 MC
8	4	900522	1/2UNF X 1 1/4 HHCS GR5 MC
9	4	361583	TRD ADJ CYL SPACER, M/F
10	4	618525	7/16-20 BLKHD LOCKNUT
11	2	621040	HYD CYL, 3.00 X 21.00 X 1.38
12	2	618119	9/16MJIC-90-9/16MOR LBO
13	2	618473	7/16MJIC-90-7/16MOR LBO
14	2	617493	04-451TC-04MJBH-04FJX-13 H/A
15	2	617494	04-451TC-04MJBH-06FJX-14 H/A
16	4	617100	04-451TC-04FJX-04FJX-24 H/A



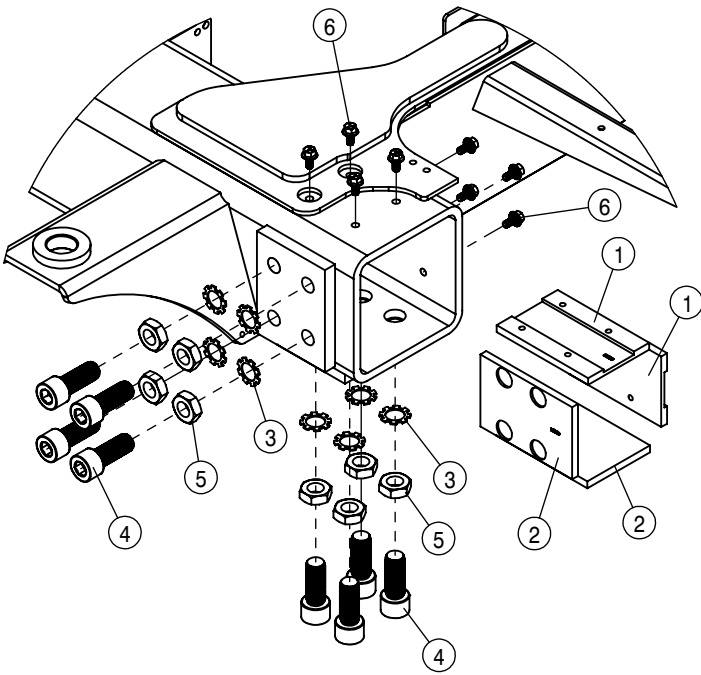
FRONT MAINFRAME



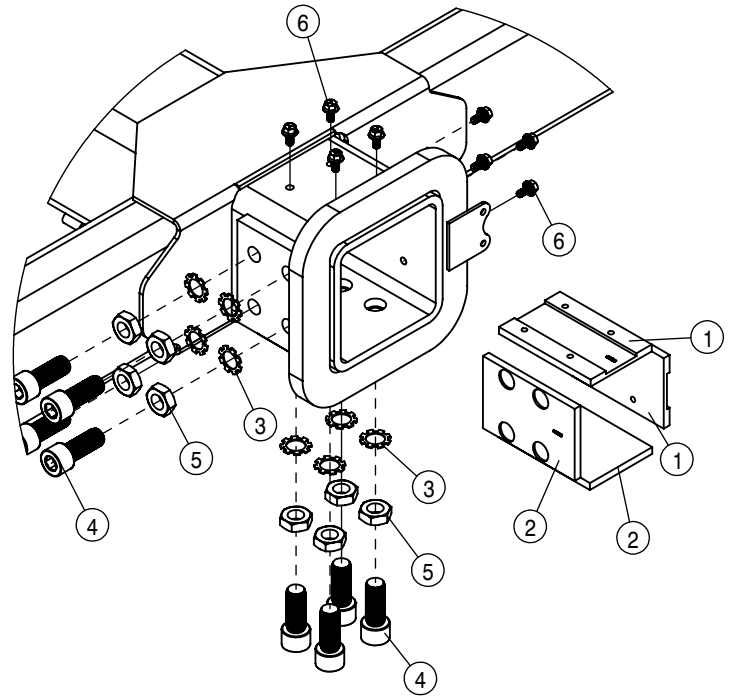
REAR MAINFRAME

SERIAL NUMBER:
 U16181616001 THRU U16181616018
 U16181616023 THRU U16181616039

HYDRAULIC TREAD MAINFRAME PLATE ASSEMBLY			
DET	QTY	P/N	DESCRIPTION
	1	293827	TREAD SENSOR
	4	342719	TRD ADJ BRONZE BEARING, TAPPED
	4	342721	TRD ADJ BRONZE BRG
	1	342856	TREAD SENSOR MT
NS	1	359092	RH SENSOR REFLECTOR
	1	359093	LH SENSOR REFLECTOR
	2	470113N	5/16UNC SERR FLG LOCK NUT SS
	2	470233	5/16UNC X 3/4 SERR FLG HEX BOLT
	16	920504	HLOCK WASHER 1/2 MC
	16	900395	1"UNC X 2 1/2 SOCKET CAP SCR
	16	470409	3/8UNC X 3/4 HHSFB GR5 MC
	16	910101	1-8UNC HEX JAM NUT MC GR5



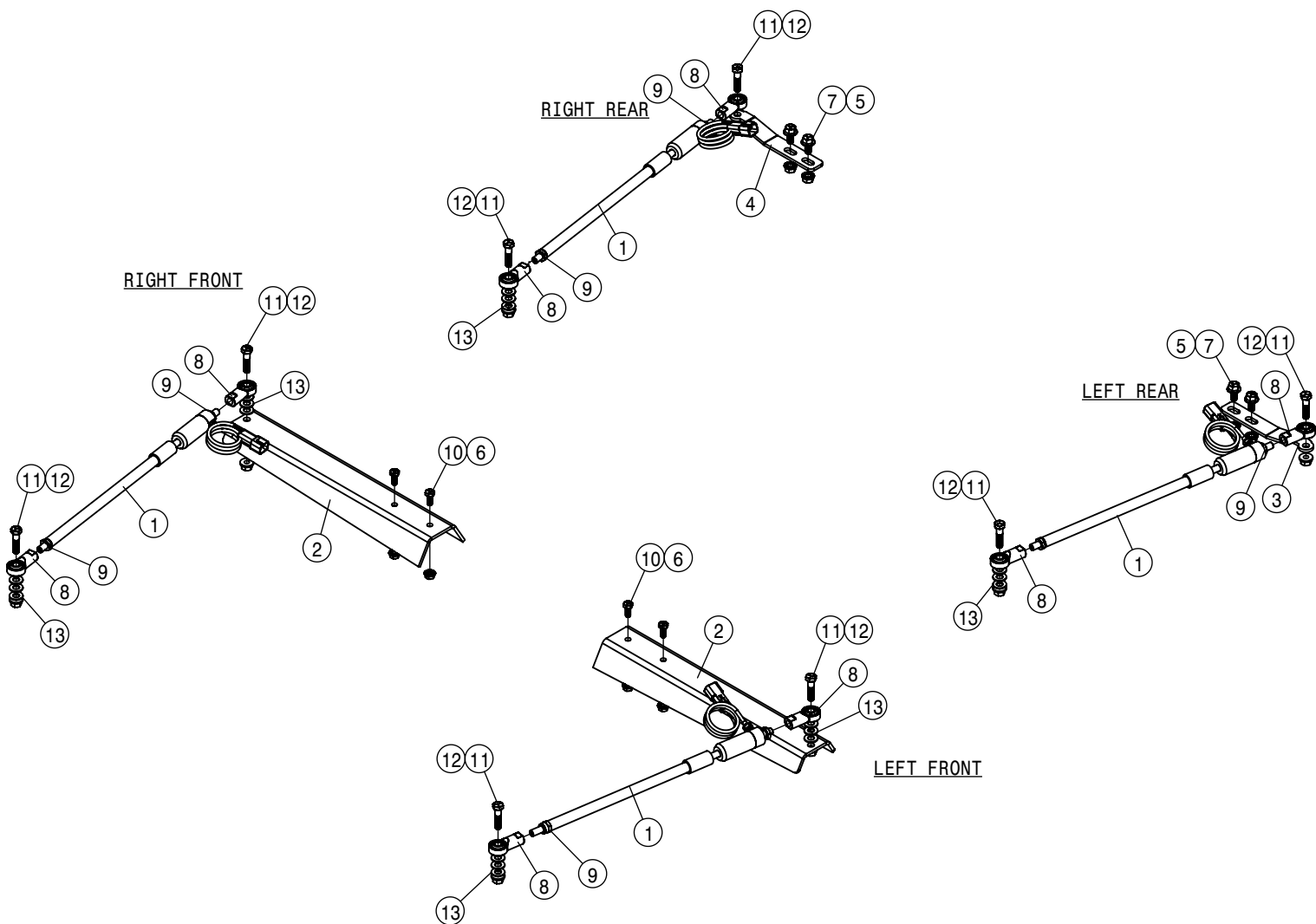
FRONT MAINFRAME



REAR MAINFRAME

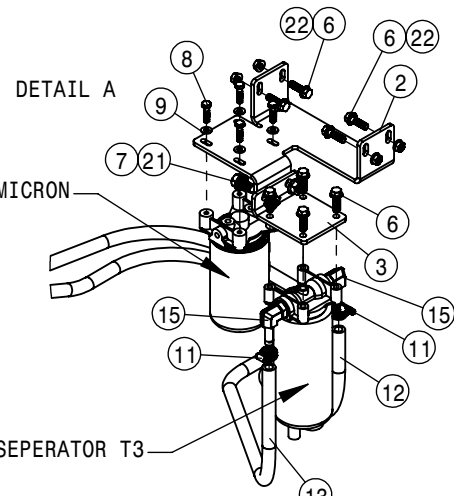
SERIAL NUMBER:
 U16181616019 THRU U16181616022
 U16181616040 THRU U16181616060

HYDRAULIC TREAD MAINFRAME PLATE ASSEMBLY				
DET	QTY	P/N	DESCRIPTION	
1	4	342719	TRD ADJ BRONZE BEARING, TAPPED	
2	4	342721	TRD ADJ BRONZE BRG	
3	16	483018	EXT TOOTH LOCK WASHER 1 MC	
4	16	900395	1"UNC X 2 1/2 SOCKET CAP SCR	
5	16	910101	1-8UNC HEX JAM NUT MC GR5	
6	16	470409	3/8UNC X 3/4 HHSFB GR5 MC	

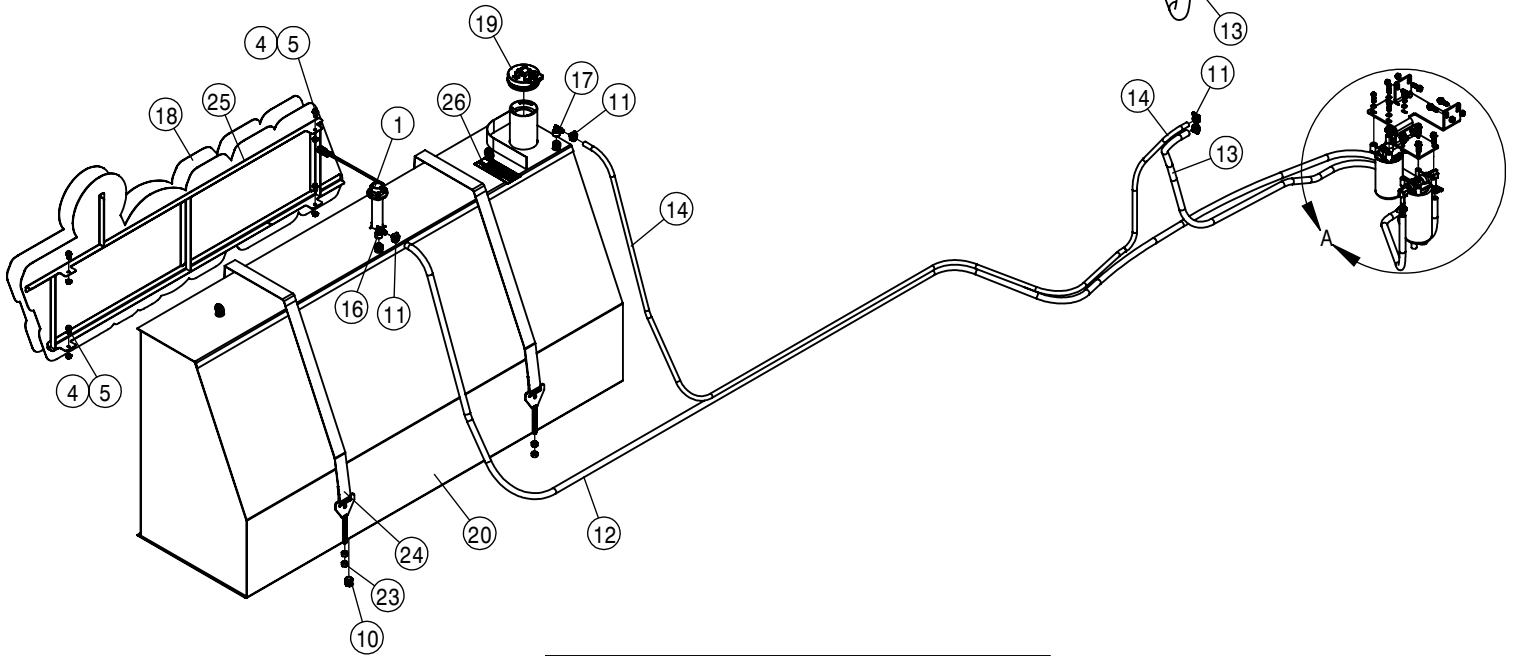


TREAD ADJUST ELECTRICAL ASSEMBLY			
DET	QTY	P/N	DESCRIPTION
1	4	294325	250MM SENSOR WITH DT04-4P CON
2	2	360518	FRT SUPP TRD SENSOR MT
3	1	363012	LH REAR TRD ADJ BRKT
4	1	363013	RH REAR TRD ADJ BRKT
5	4	470087	3/8-16UNC HEX FLG NUT SER MC GR5
6	4	470113	5/16-18UNC HEX FLG NUT SER MC GR5
7	4	470409	3/8UNC X 3/4 HHSFB GR5 MC
8	8	470628	BALL END,9.9MM BORE X 10MM THD
9	8	473887	10MM-1.50 HEX JAM NUT
10	4	900064	5/16UNC X 3/4 HHCS GR5 MC
11	8	900131	3/8UNC X 1 1/2 HHCS GR5 MC
12	8	910106	3/8-16UNC CTRLK FLG NUT MC GR5
13	18	920002	SAE FLAT WASHER 3/8 MC

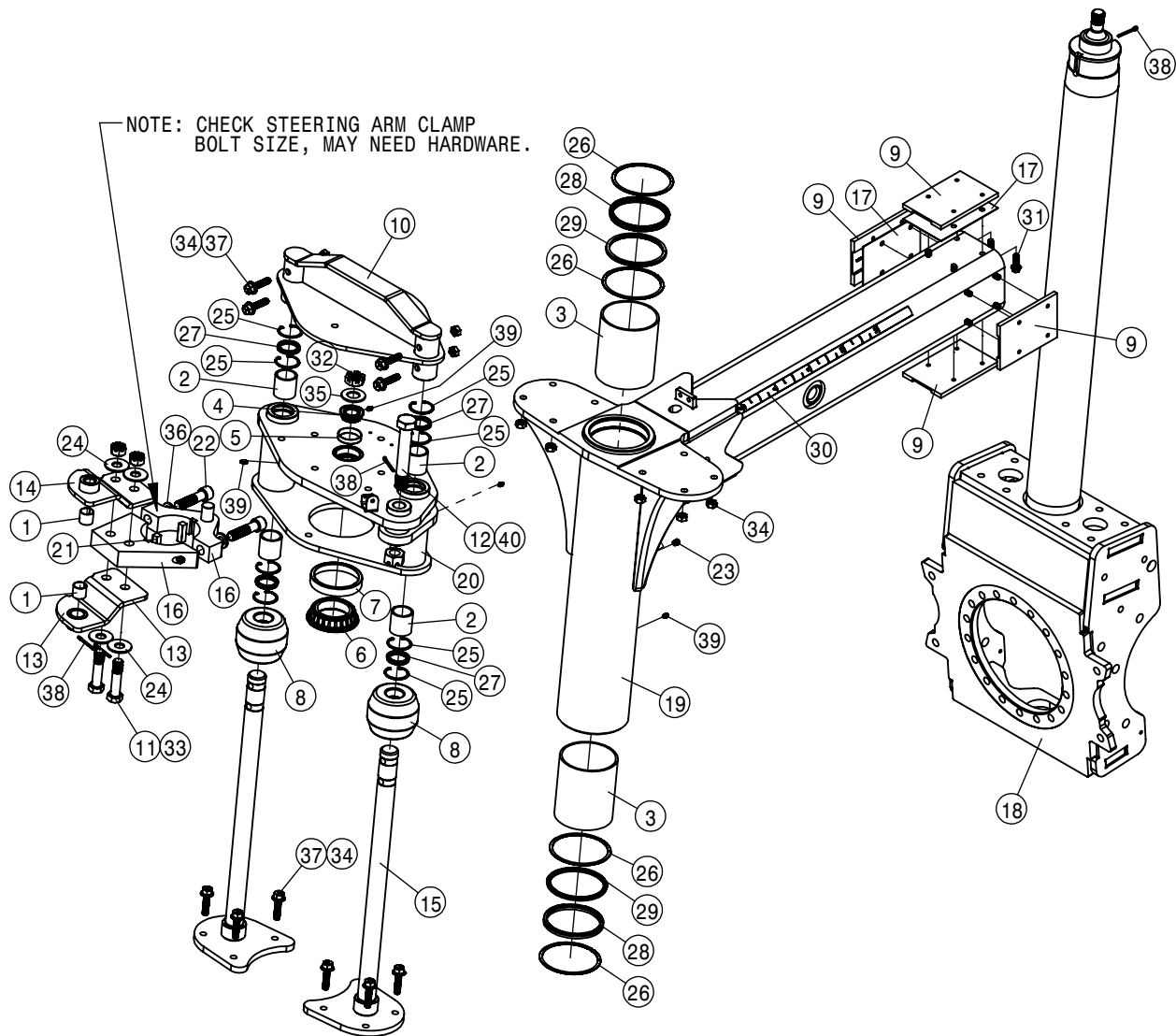
(TIER-3) 316689-FILTER, MAIN FUEL, 3 MICRON



(TIER-3) 317669-FUEL/WATER SEPERATOR T3



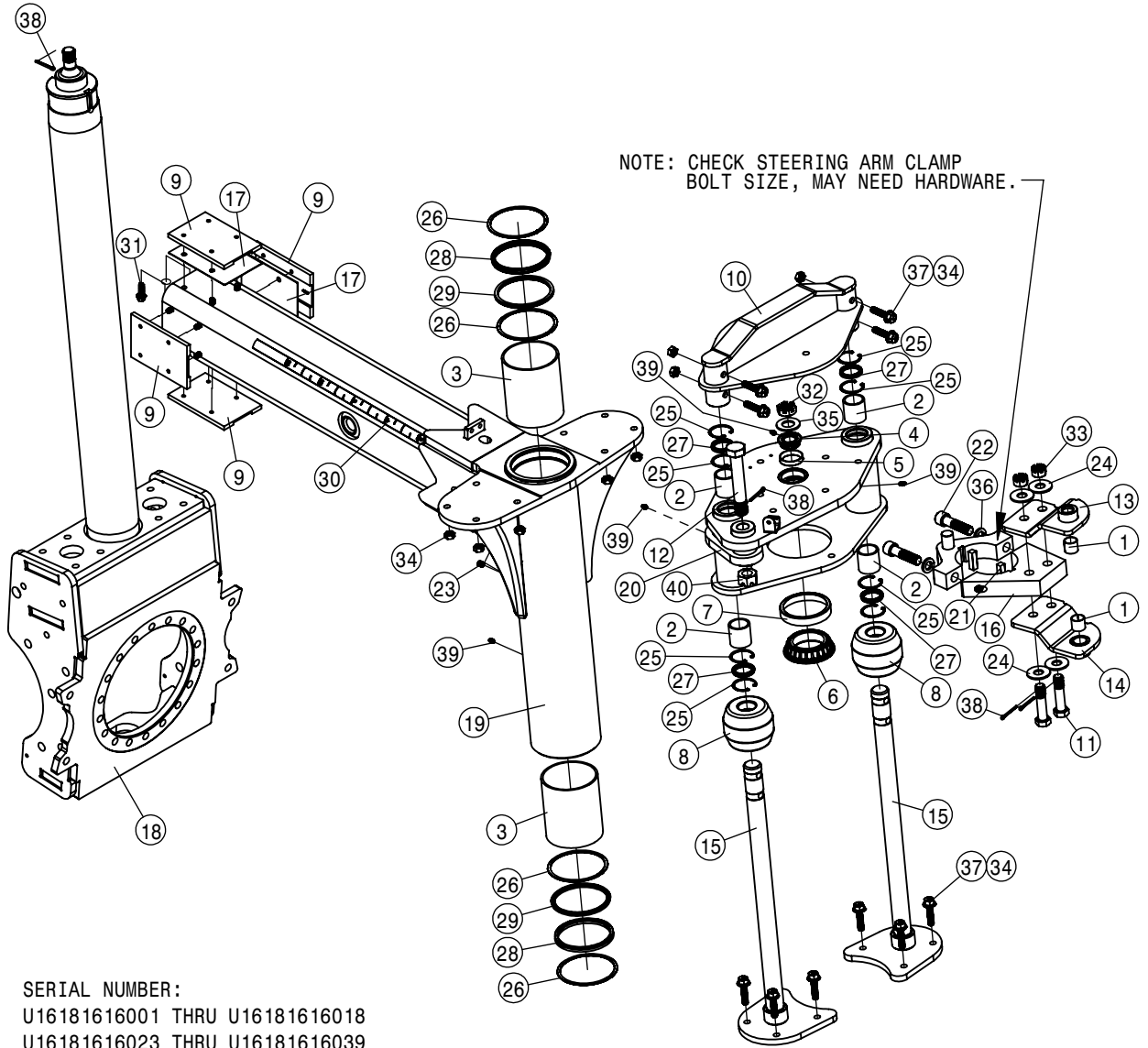
FUEL SYSTEM ASSEMBLY			
DET	QTY	P/N	DESCRIPTION
1	1	291355	FUEL SENSOR STS16
2	1	317271	FILTER MOUNT PLATE
3	1	317445	FUEL STRAINER BRACKET
4	4	470113	5/16UNC SERR FLG LOCK NUT
5	4	470233	5/16UNC X 3/4 SERR FLG HEX BOLT
6	8	470329	3/8UNC X 1 1/4 SERR FLG HEX BOLT
7	2	470360N	1/2UNC SERR FLG HEX NUT YZ
8	4	473790	8MM-1.25 X 30MM HEX BOLT
9	4	473849	8MM FLAT WASHER
10	1	503703	PIPE PLUG .50NPT SKT HD
11	6	520070	HOSE CLAMP NO 8 STAINLESS
12	1	601090	HOSE, 1/2 X 236 FUEL LINE,BIO
13	1	601091	HOSE, 1/2 X 106 FUEL LINE,BIO
14	1	601092	HOSE, 3/8 X 158 FUEL LINE,BIO
15	2	618002	1/2 HOSE BARB-90-7/8MOR
16	1	618262	1/2 HOSE BARB-90-1/2 FNPT BR
17	1	618263	3/8 HOSE BARB-90-1/2 FNPT BR
18	1	650179	DECAL,HAGIE, 26 X 60
19	1	760469	FUEL TANK CAP,3.50" VENTED
20	1	760486	FUEL TANK WLDMT,STS16 07
21	2	900263N	1/2UNC X 1" SER FLANGE BOLT
22	4	910004N	3/8UNC FLANGE CNTR LOCK NUT
23	8	910008	1/2UNC HEX NUT
24	2	A52308	FUEL TANK STRAP ASSY
25	1	362549	FUEL TANK SIGN BRACKET WLD '16
26	1	650849	DECAL,CAUTION, ENG FUEL



SERIAL NUMBER:
 U16181616001 THRU U16181616018
 U16181616023 THRU U16181616039

RIGHT SEVERE DUTY LEG ASSEMBLY			
DET	QTY	P/N	DESCRIPTION
1	2	121029	JOURNAL BRG, 1.00 ID x 1.00 LG
2	4	121113	TOWER SLEEVE BRG (POLYGON) 05
3	2	121125	BEARING-POLY 4.50 ID X 5.74 LG
4	1	125050	BRG CONE, 1.00 ID W/FACE SEAL
5	1	125051	BRG CUP FOR 125050
6	1	125052	BRG CONE, 2.687 ID W/FACE SEAL
7	1	125053	BRG CUP FOR 125052
8	2	311058	RUBBER SPRING
9	4	343009	TRD ADJ BRONZE BEARING, TAPPED
10	1	359333	AIR BAG TOWER TOP MT WLD
11	2	359545	TRUNION MT BOLT, STS AWS 09
12	1	359546	STRG CYL BOLT, STS AWS LRG 09
13	1	359547	TOP TRUNION MT WLD, STS AWS 09
14	1	359548	BTM TRUNION MT WLD, STS AWS 09
15	2	359654	NITRO TOWER WLD, STS AWS 13
16	1	359664	3/4" STRG ARM CLAMP WLD
17	2	360072	SHIM - TRD ADJ BEARING
18	1	360075	INNER LEG WELDMT-STS, SDS LEG
19	1	360082	OUTER LEG-WLDMT, SDS LEG
20	1	360148	RH AIR BAG LWR PLT WLD, STS 15
21	2	470447	KEY .50 SQ X 1.69 LONG

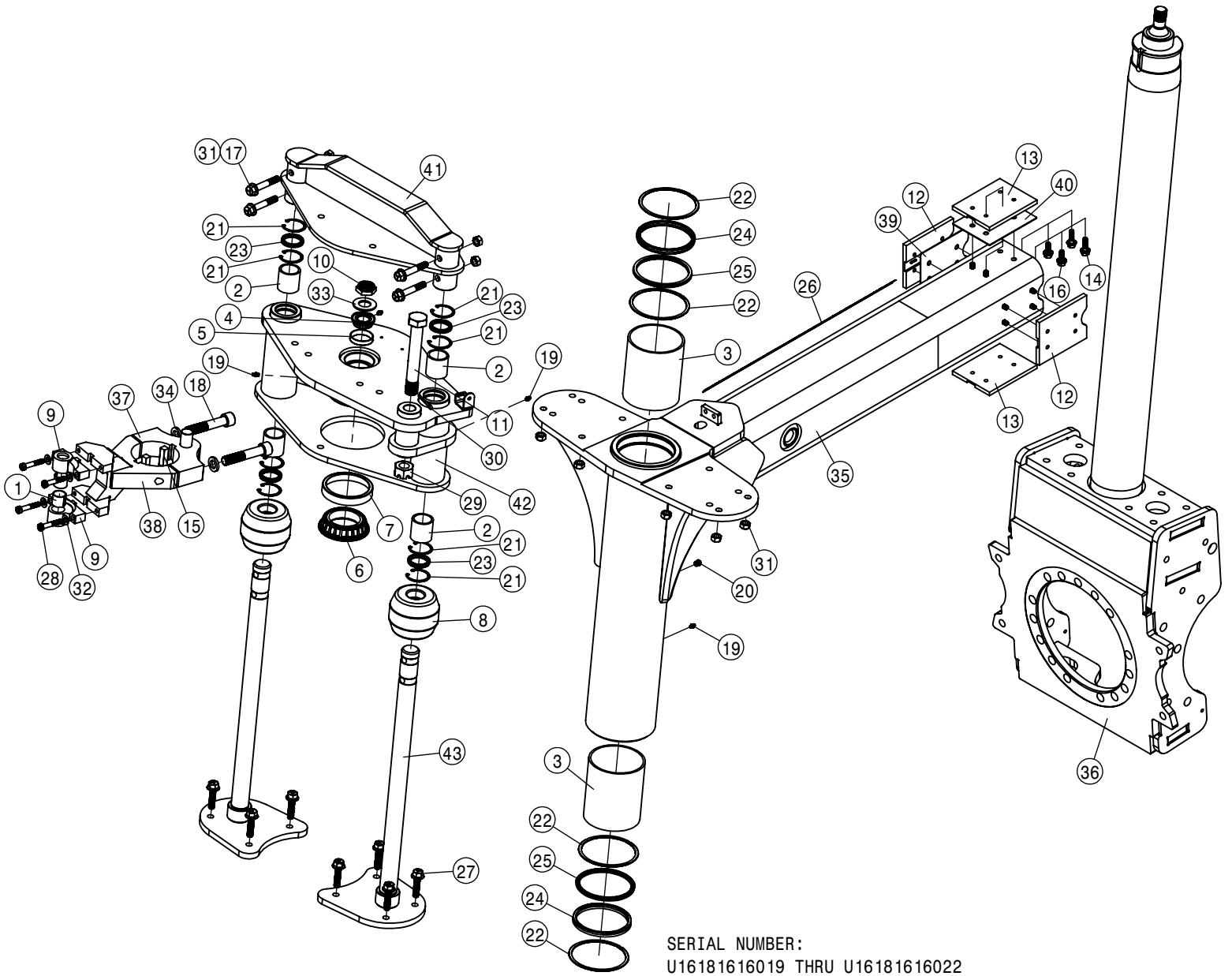
RIGHT SEVERE DUTY LEG ASSEMBLY			
DET	QTY	P/N	DESCRIPTION
22	2	470890	3/4UNC X 3" SOC HD CAP SCR GR8
23	1	471030	PRESSURE RELIEF VALVE-GREASE 45-80 PSI
24	4	483048	3/4 REG FLAT WASH, THRU-HARD YZ
25	8	629537	187RRH00Z SNAP RING
26	4	629538	4.5 SPIROLOX RING
27	4	629620	SEAL, 1.500 ROD DIA
28	2	629621	SEAL, 4.500 ROD DIA
29	2	629625	SEAL, 4.500 ROD DIA
30	1	650459	DECAL, TREAD ADJ INDICATOR '14
31	16	900127N	3/8UNC X 1 1/4 SER FLANGE BOLT
32	1	910021	1" -14 SLOT JAM NUT
33	2	910102	3/4UNC HEX SLOT NUT GR8
34	12	914008	1/2 UNC HEX STOVER NUT
35	1	920008	1" SAE FLAT WASHER
36	2	920506	3/4 LOCK WASHER
37	12	900519	1/2UNC X 2 HHSFB GR5 MC FT
38	4	910120	3/16 X 1 3/4 COTTER PIN SS
39	4	471005	GREASE ZERK, 1/4-28 X 1/2
40	1	910020	1-8UNC HEX SLTDD NUT MC GR5



SERIAL NUMBER:
 U16181616001 THRU U16181616018
 U16181616023 THRU U16181616039

LEFT SEVERE DUTY LEG ASSEMBLY			
DET	QTY	P/N	DESCRIPTION
1	2	121029	JOURNAL BRG, 1.00 ID x 1.00 LG
2	4	121113	TOWER SLEEVE BRG (POLYGON) 05
3	2	121125	BEARING-POLY 4.50 ID X 5.74 LG
4	1	125050	BRG CONE, 1.00 ID W/FACE SEAL
5	1	125051	BRG CUP FOR 125050
6	1	125052	BRG CONE, 2.687 ID W/FACE SEAL
7	1	125053	BRG CUP FOR 125052
8	2	311058	RUBBER SPRING
9	4	343009	TRD ADJ BRONZE BEARING, TAPPED
10	1	359333	AIR BAG TOWER TOP MT WLD
11	2	359545	TRUNION MT BOLT, STS AWS 09
12	1	359546	STRG CYL BOLT, STS AWS LRG 09
13	1	359547	TOP TRUNION MT WLD, STS AWS 09
14	1	359548	BTM TRUNION MT WLD, STS AWS 09
15	2	359654	NITRO TOWER WLD, STS AWS 13
16	1	359664	3/4" STRG ARM CLAMP WLD
17	2	360072	SHIM - TRD ADJ BEARING
18	1	360075	INNER LEG WELDMT-STS, SDS LEG
19	1	360082	OUTER LEG-WLDMT, SDS LEG
20	1	360149	LH AIR BAG LWR PLT WLD, STS 15
21	2	470447	KEY .50 SQ X 1.69 LONG

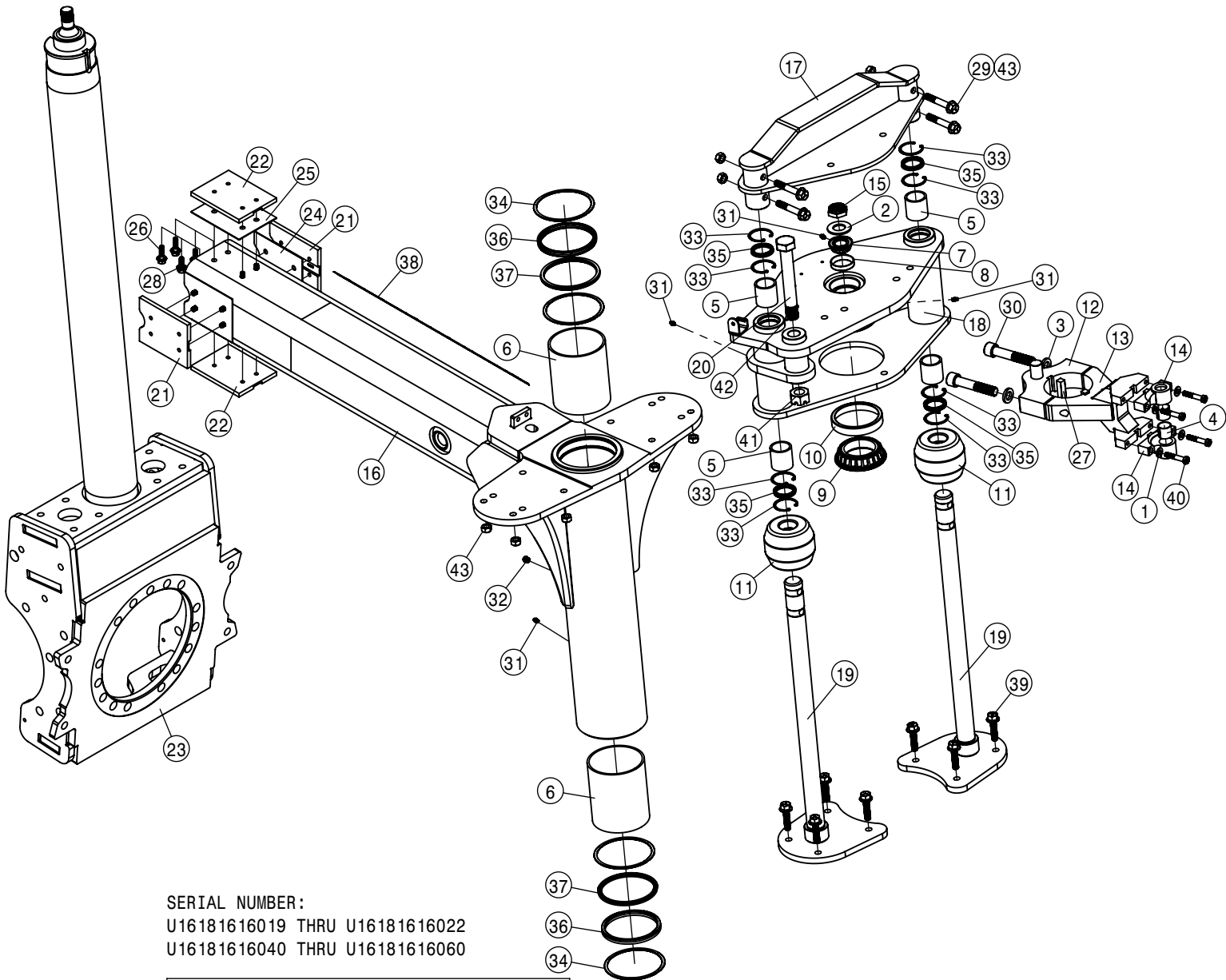
LEFT SEVERE DUTY LEG ASSEMBLY			
DET	QTY	P/N	DESCRIPTION
22	2	470890	3/4UNC X 3" SOC HD CAP SCR GR8
23	1	471030	PRESSURE RELIEF VALVE-GREASE 45-80 PSI
24	4	483048	3/4 REG FLAT WASH, THRU-HARD YZ
25	8	629537	187RRRHOZ SNAP RING
26	4	629538	4.5 SPIROLOX RING
27	4	629620	SEAL, 1.500 ROD DIA
28	2	629621	SEAL, 4.500 ROD DIA
29	2	629625	SEAL, 4.500 ROD DIA
30	1	650459	DECAL, TREAD ADJ INDICATOR '14
31	16	900127N	3/8UNC X 1 1/4 SER FLANGE BOLT
32	1	910021	1"-14 SLOT JAM NUT
33	2	910102	3/4UNC HEX SLOT NUT GR8
34	12	914008	1/2 UNC HEX STOVER NUT
35	1	920008	1" SAE FLAT WASHER
36	2	920506	3/4 LOCK WASHER
37	13	900519	1/2UNC X 2 HHSFB GR5 MC FT
38	5	910120	3/16 X 1 3/4 COTTER PIN SS
39	5	471005	GREASE ZERK, 1/4-28 X 1/2
40	1	910020	1-8UNC HEX SLTDD NUT MC GR5



SERIAL NUMBER:
 U16181616019 THRU U16181616022
 U16181616040 THRU U16181616060

RIGHT FRONT SEVERE DUTY LEG ASSEMBLY			
DET	QTY	P/N	DESCRIPTION
1	2	121029	JOURNAL BRG, 1.00 ID X 1.00 LG
2	4	121113	TOWER SLEEVE BRG (POLYGON) 05
3	2	121125	BEARING-POLY 4.50 ID X 5.74 LG
4	1	125050	BRG CONE, 1.00 ID W/FACE SEAL
5	1	125051	BRG CUP FOR 125050
6	1	125052	BRG CONE, 2.687 ID W/FACE SEAL
7	1	125053	BRG CUP FOR 125052
8	2	311058	RUBBER SPRING
9	2	359687	TRUNNION-STEERING CYLINDER
10	1	360561	1-14 UNS THIN HEX NUT LCK
11	1	360797	STRG CYL BOLT
12	2	360852	TRD ADJ BRONZE BEARING, TAPPED
13	2	360853	TRD ADJ BRONZE BEARING, TAPPED
14	16	470329	3/8UNC X 1 1/4 HHSFB GR5 MC
15	2	470447	KEY .50 SQ X 1.69 LONG
16	16	470460	3/8UNC X 1 HHSFB GR5 MC
17	4	470461	1/2UNC X 3 HHSFB GR5 MC
18	2	470904	3/4UNC X 4" SOC HD CAP SCR GR8
19	4	471005	GREASE ZERK, 1/4-28 X 1/2
20	1	471030	PRESSURE RELIEF VALVE-GREASE 45-80 PSI
21	8	629537	187RRH00Z SNAP RING
22	4	629538	4.5 SPIROLOX RING

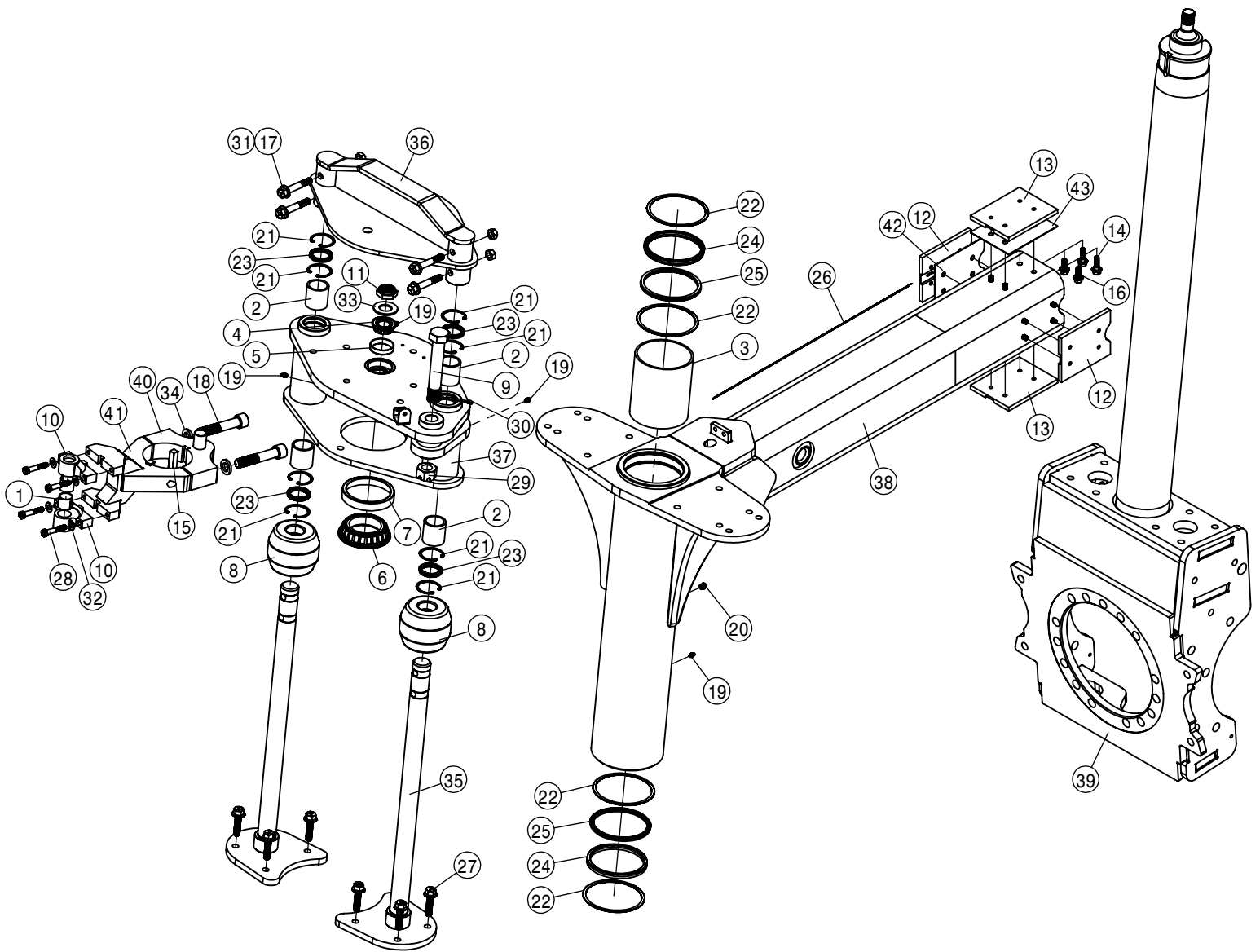
RIGHT FRONT SEVERE DUTY LEG ASSEMBLY			
DET	QTY	P/N	DESCRIPTION
23	4	629620	SEAL, 1.500 ROD DIA
24	2	629621	SEAL, 4.500 ROD DIA
25	2	629625	SEAL, 4.500 ROD DIA
26	1	650486	DECAL,TREAD ADJ INDICATOR DTS
27	8	900519	1/2UNC X 2 HHSFB GR5 MC FT
28	4	900821	3/8UNF X 2 HHCS GR8 MC
29	1	910020	1-8UNC HEX SLTDD NUT MC GR5
30	1	910120	3/16 X 1 3/4 COTTER PIN SS
31	12	914008	1/2-13UNC STOVER NUT MC GR5
32	4	920002	SAE FLAT WASHER 3/8 MC
33	1	920008	1" SAE FLAT WASHER
34	2	920506	HLOCK WASHER 3/4 MC
35	1	360860	OUTER LEG WELDMENT STS
36	1	360861	INNER LEG WELDMT-STS, SDS LEG
37	1	359683	STEERING ARM WLDMT-STS
38	1	359684	STEERING TRUN MNT WLD - STS
39	1	360864	NOTCHED SHIM - TRD ADJ BEARING
40	1	360865	SHIM - TRD ADJ BEARING
41	1	360780	AIR BAG TOWER TOP MT WLD
42	1	360786	RH AIR BAG LWR PLT WLD
43	2	360795	NITRO TOWER WLD



SERIAL NUMBER:
 U16181616019 THRU U16181616022
 U16181616040 THRU U16181616060

LEFT FRONT SEVERE DUTY LEG ASSEMBLY			
DET	QTY	P/N	DESCRIPTION
1	4	920002	SAE FLAT WASHER 3/8 MC
2	1	920008	1" SAE FLAT WASHER
3	2	920506	HLOCK WASHER 3/4 MC
4	2	121029	JOURNAL BRG, 1.00 ID X 1.00 LG
5	4	121113	TOWER SLEEVE BRG (POLYGON) 05
6	2	121125	BEARING-POLY 4.50 ID X 5.74 LG
7	1	125050	BRG CONE, 1.00 ID W/FACE SEAL
8	1	125051	BRG CUP FOR 125050
9	1	125052	BRG CONE, 2.687 ID W/FACE SEAL
10	1	125053	BRG CUP FOR 125052
11	2	311058	RUBBER SPRING
12	1	359683	STEERING ARM WLDMT-STS
13	1	359684	STEERING TRUN MNT WLD - STS
14	2	359687	TRUNNION-STEERING CYLINDER
15	1	360561	1-14 UNS THIN HEX NUT LCK
16	1	360718	OTR LEG WLD STS
17	1	360780	AIR BAG TOWER TOP MT WLD
18	1	360785	LH AIR BAG LWR PLT WLD
19	2	360795	NITRO TOWER WLD
20	1	360797	STRG CYL BOLT
21	2	360852	TRD ADJ BRONZE BEARING, TAPPED
22	2	360853	TRD ADJ BRONZE BEARING, TAPPED

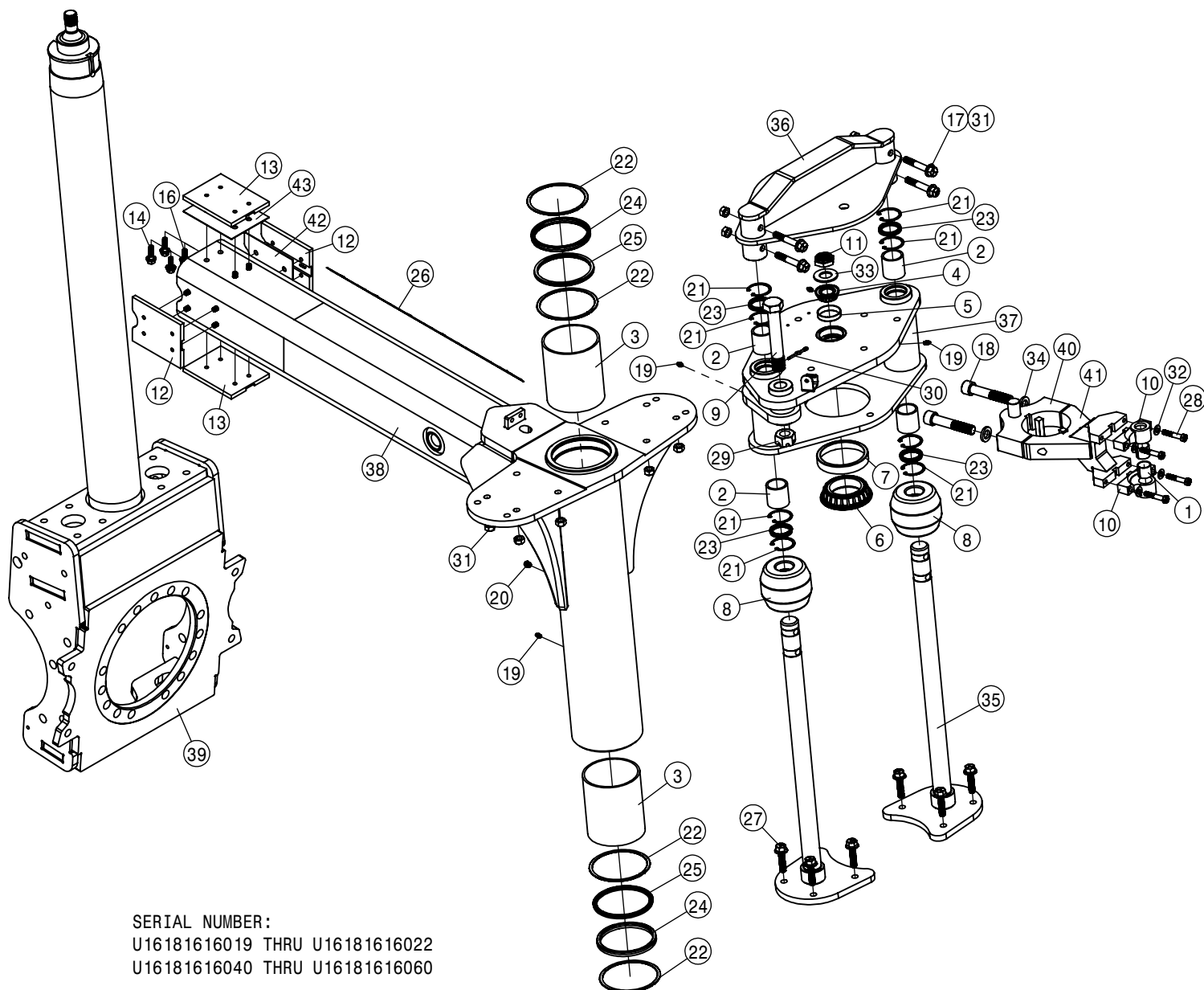
LEFT FRONT SEVERE DUTY LEG ASSEMBLY			
DET	QTY	P/N	DESCRIPTION
23	1	360861	INR LEG WLD-STS, SDS LEG
24	2	360864	NOTCHED SHIM - TRD ADJ BEARING
25	2	360865	SHIM - TRD ADJ BEARING
26	16	470329	3/8UNC X 1 1/4 HHSFB GR5 MC
27	2	470447	KEY .50 SQ X 1.69 LONG
28	16	470460	3/8UNC X 1 HHSFB GR5 MC
29	4	470461	1/2UNC X 3 HHSFB GR5 MC
30	2	470904	3/4UNC X 4" SOC HD CAP SCR GR8
31	4	471005	GREASE ZERK, 1/4-28 X 1/2
32	1	471030	PRESSURE RELIEF VALVE-GREASE 45-80 PSI
33	8	629537	187RRH00Z SNAP RING
34	4	629538	4.5 SPIROLOX RING
35	4	629620	SEAL, 1.500 ROD DIA
36	2	629621	SEAL, 4.500 ROD DIA
37	2	629625	SEAL, 4.500 ROD DIA
38	1	650486	DECAL,TREAD ADJ INDICATOR DTS
39	8	900519	1/2UNC X 2 HHSFB GR5 MC FT
40	4	900821	3/8UNC X 2 HHCS GR8 MC
41	1	910020	1-8UNC HEX SLTTD NUT MC GR5
42	1	910120	3/16 X 1 3/4 COTTER PIN SS
43	12	914008	1/2-13UNC STOVER NUT MC GR5



SERIAL NUMBER:
 U16181616019 THRU U16181616022
 U16181616040 THRU U16181616060

RIGHT REAR SEVERE DUTY LEG ASSEMBLY			
DET	QTY	P/N	DESCRIPTION
1	2	121029	JOURNAL BRG, 1.00 ID x 1.00 LG
2	4	121113	TOWER SLEEVE BRG (POLYGON) 05
3	2	121125	BEARING-POLY 4.50 ID X 5.74 LG
4	1	125050	BRG CONE, 1.00 ID W/FACE SEAL
5	1	125051	BRG CUP FOR 125050
6	1	125052	BRG CONE, 2.687 ID W/FACE SEAL
7	1	125053	BRG CUP FOR 125052
8	2	311058	RUBBER SPRING
9	1	359546	STRG CYL BOLT, STS AWS LRG 09
10	2	359687	TRUNNION-STEERING CYLINDER
11	1	360561	1-14 UNS THIN HEX NUT LCK
12	2	360852	TRD ADJ BRONZE BEARING, TAPPED
13	2	360853	TRD ADJ BRONZE BEARING, TAPPED
14	16	470329	3/8UNC X 1 1/4 HHSFB GR5 MC
15	2	470447	KEY .50 SQ X 1.69 LONG
16	16	470460	3/8UNC X 1 HHSFB GR5 MC
17	4	470461	1/2UNC X 3 HHSFB GR5 MC
18	2	470904	3/4UNC X 4* SOC HD CAP SCR GR8
19	4	471005	GREASE ZERK, 1/4-28 X 1/2
20	1	471030	PRESSURE RELIEF VALVE-GREASE 45-80 PSI
21	8	629537	187RRH00Z SNAP RING
22	4	629538	4.5 SPIROLOX RING

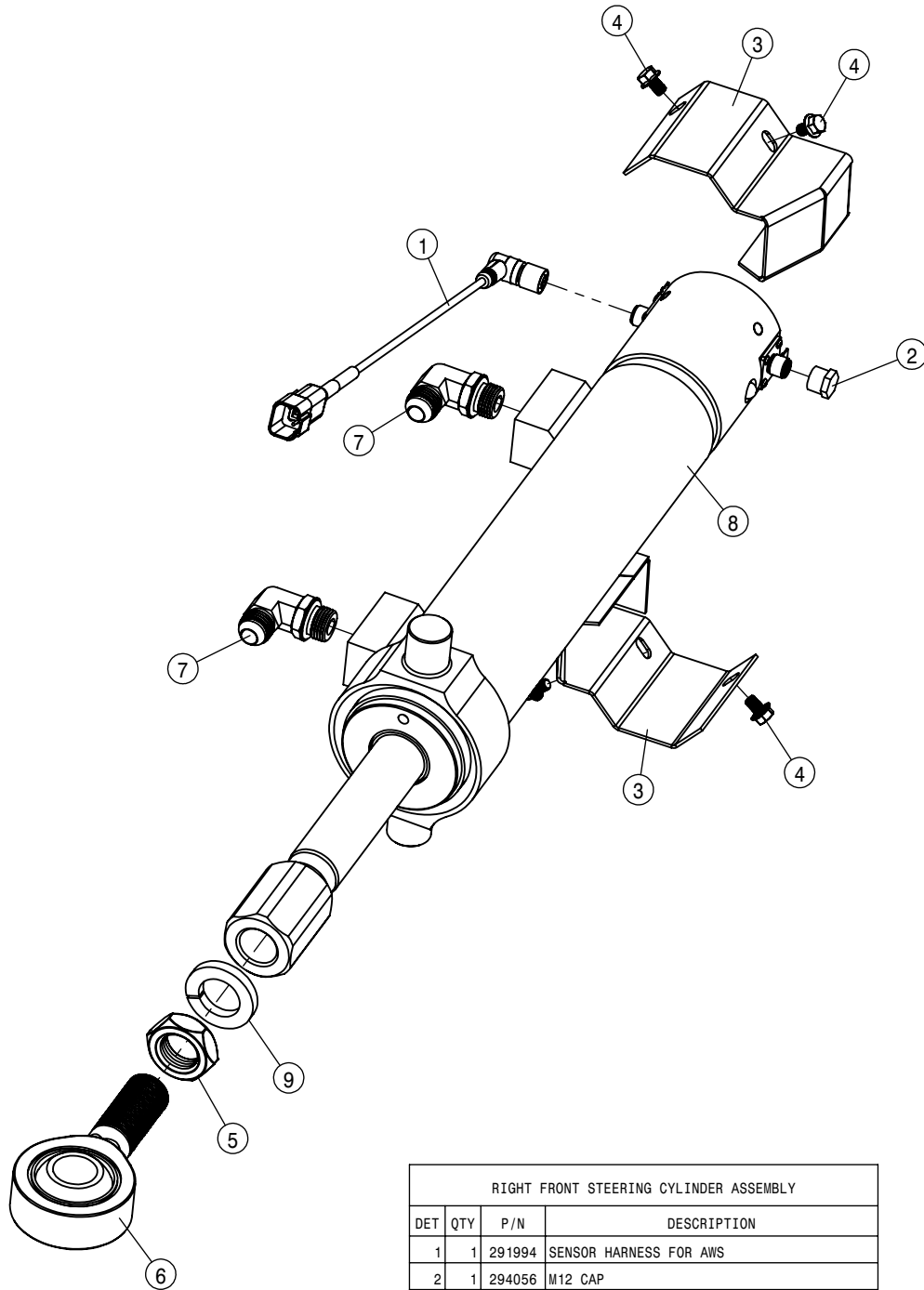
RIGHT REAR SEVERE DUTY LEG ASSEMBLY			
DET	QTY	P/N	DESCRIPTION
23	4	629620	SEAL, 1.500 ROD DIA
24	2	629621	SEAL, 4.500 ROD DIA
25	2	629625	SEAL, 4.500 ROD DIA
26	1	650486	DECAL, TREAD ADJ INDICATOR DTS
27	8	900519	1/2UNC X 2 HHSFB GR5 MC FT
28	4	900821	3/8UNF X 2 HHCS GR8 MC
29	1	910020	1-8UNC HEX SLTTD NUT MC GR5
30	1	910120	3/16 X 1 3/4 COTTER PIN SS
31	12	914008	1/2-13UNC STOVER NUT MC GR5
32	4	920002	SAE FLAT WASHER 3/8 MC
33	1	920008	1" SAE FLAT WASHER
34	2	920506	HLOCK WASHER 3/4 MC
35	2	359654	NITRO TOWER WLD, STS AWS 13
36	1	359333	AIR BAG TOWER TOP MT WLD
37	1	360148	RH AIR BAG LWR PLT WLD, STS 15
38	1	360860	OUTER LEG WELDMENT STS
39	1	360861	INNER LEG WELDMT-STS, SDS LEG
40	1	359683	STEERING ARM WLDMT-STS
41	1	359684	STEERING TRUN MNT WLD - STS
42	1	360864	NOTCHED SHIM - TRD ADJ BEARING
43	1	360865	SHIM - TRD ADJ BEARING



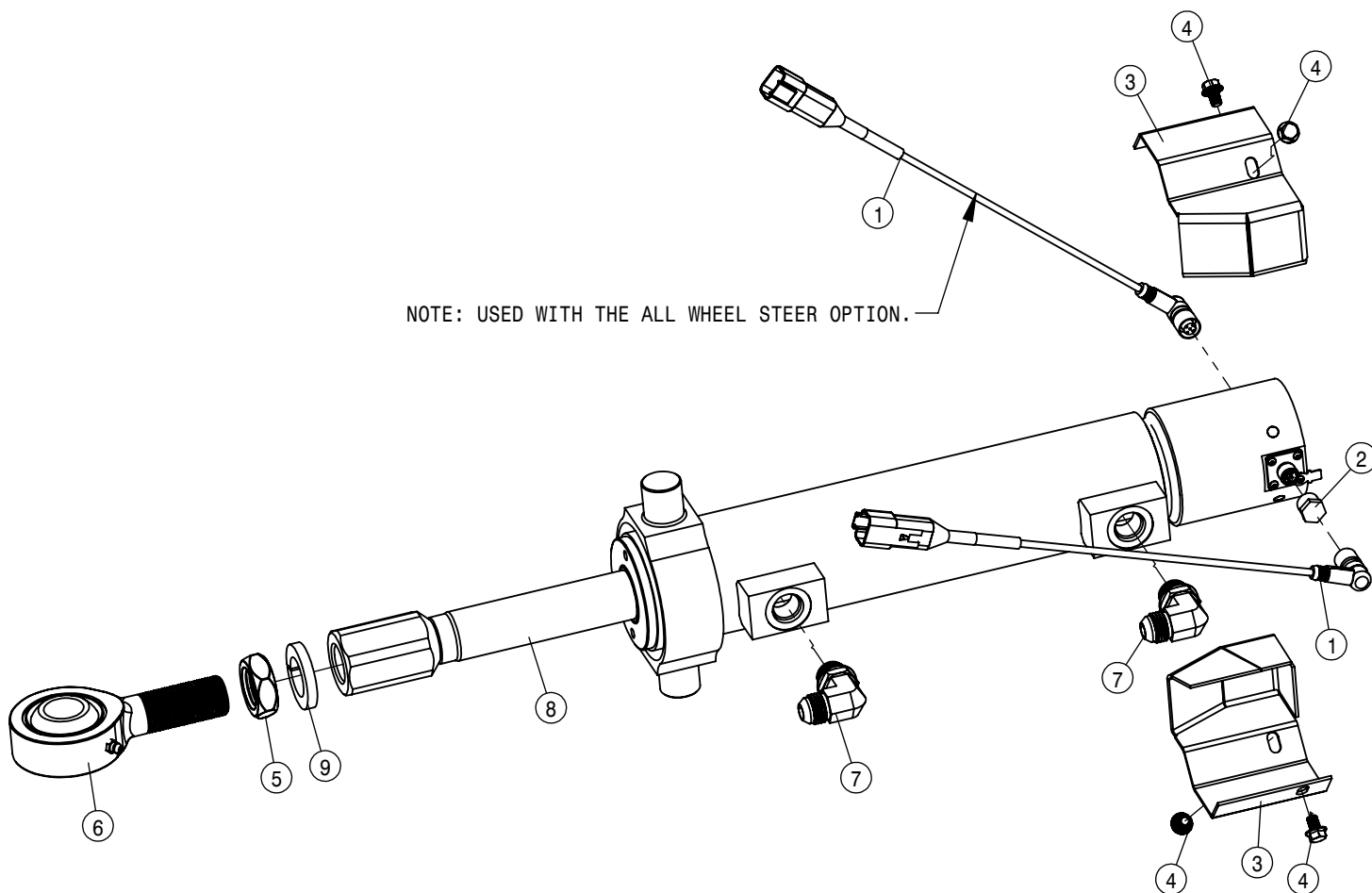
SERIAL NUMBER:
 U16181616019 THRU U16181616022
 U16181616040 THRU U16181616060

LEFT REAR SEVERE DUTY LEG ASSEMBLY			
DET	QTY	P/N	DESCRIPTION
1	2	121029	JOURNAL BRG, 1.00 ID x 1.00 LG
2	4	121113	TOWER SLEEVE BRG (POLYGON) 05
3	2	121125	BEARING-POLY 4.50 ID X 5.74 LG
4	1	125050	BRG CONE, 1.00 ID W/FACE SEAL
5	1	125051	BRG CUP FOR 125050
6	1	125052	BRG CONE, 2.687 ID W/FACE SEAL
7	1	125053	BRG CUP FOR 125052
8	2	311058	RUBBER SPRING
9	1	359546	STRG CYL BOLT, STS AWS LRG 09
10	2	359687	TRUNNION-STEERING CYLINDER
11	1	360561	1-14 UNS THIN HEX NUT LCK
12	2	360852	TRD ADJ BRONZE BEARING, TAPPED
13	2	360853	TRD ADJ BRONZE BEARING, TAPPED
14	16	470329	3/8UNC X 1 1/4 HHSFB GR5 MC
15	2	470447	KEY .50 SQ X 1.69 LONG
16	16	470460	3/8UNC X 1 HHSFB GR5 MC
17	4	470461	1/2UNC X 3 HHSFB GR5 MC
18	2	470904	3/4UNC X 4" SOC HD CAP SCR GR8
19	4	471005	GREASE ZERK, 1/4-28 X 1/2
20	1	471030	PRESSURE RELIEF VALVE-GREASE 45-80 PSI
21	8	629537	1877RH00Z SNAP RING
22	4	629538	4.5 SPIROLOX RING

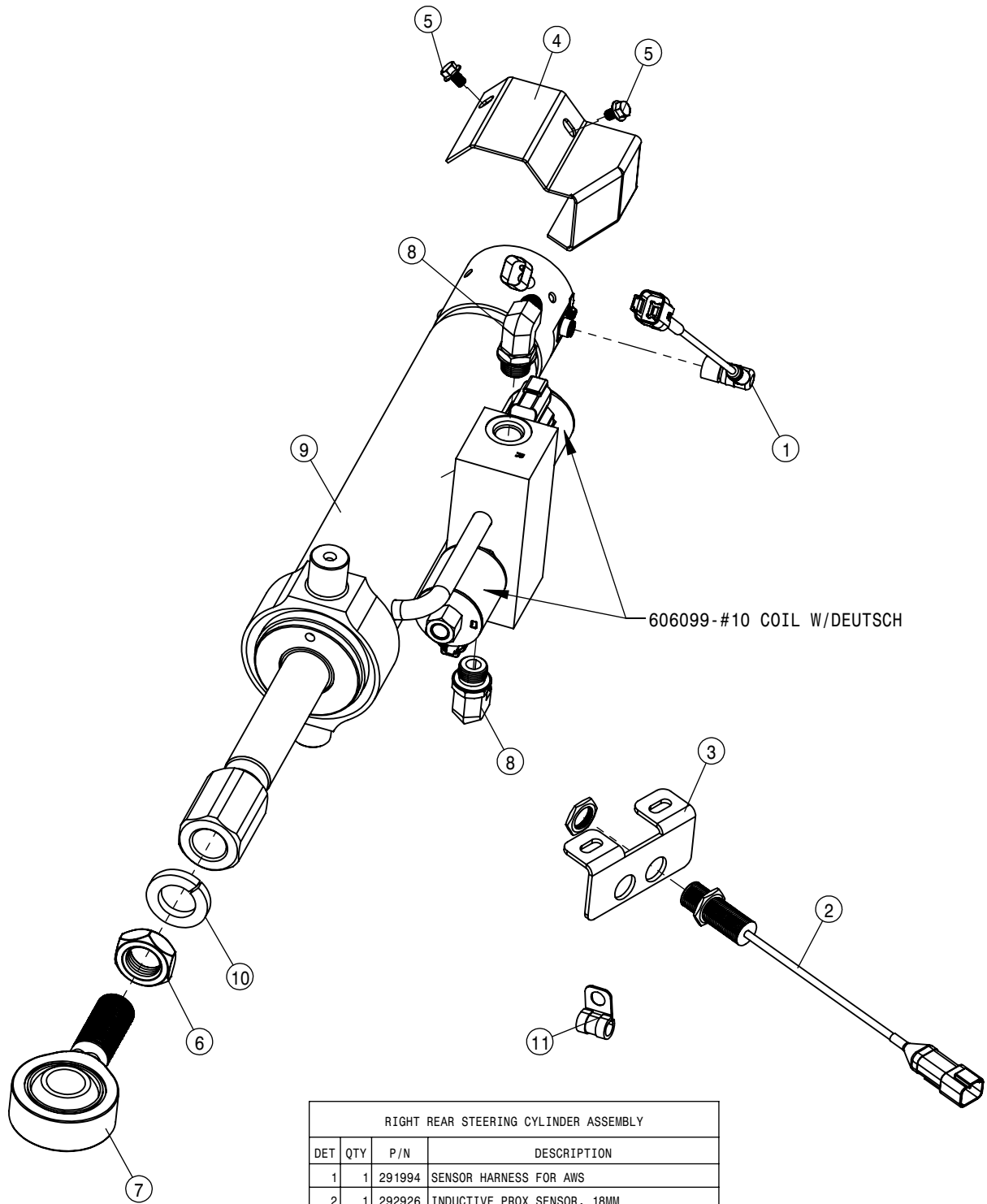
LEFT REAR SEVERE DUTY LEG ASSEMBLY			
DET	QTY	P/N	DESCRIPTION
23	4	629620	SEAL, 1.500 ROD DIA
24	2	629621	SEAL, 4.500 ROD DIA
25	2	629625	SEAL, 4.500 ROD DIA
26	1	650486	DECAL, TREAD ADJ INDICATOR DTS
27	8	900519	1/2UNC X 2 HHSFB GR5 MC FT
28	4	900821	3/8UNF X 2 HHCS GR8 MC
29	1	910020	1-8UNC HEX SLTTD NUT MC GR5
30	1	910120	3/16 X 1 3/4 COTTER PIN SS
31	12	914008	1/2-13UNC STOVER NUT MC GR5
32	4	920002	SAE FLAT WASHER 3/8 MC
33	1	920008	1" SAE FLAT WASHER
34	2	920506	HLOCK WASHER 3/4 MC
35	2	359654	NITRO TOWER WLD, STS AWS 13
36	1	359333	AIR BAG TOWER TOP MT WLD
37	1	360149	LH AIR BAG LWR PLT WLD, STS 15
38	1	360860	OUTER LEG WELDMNT STS
39	1	360861	INNER LEG WELDMNT-STS, SDS LEG
40	1	359683	STEERING ARM WLDMT-STS
41	1	359684	STEERING TRUN MNT WLD - STS
42	1	360864	NOTCHED SHIM - TRD ADJ BEARING
43	1	360865	SHIM - TRD ADJ BEARING



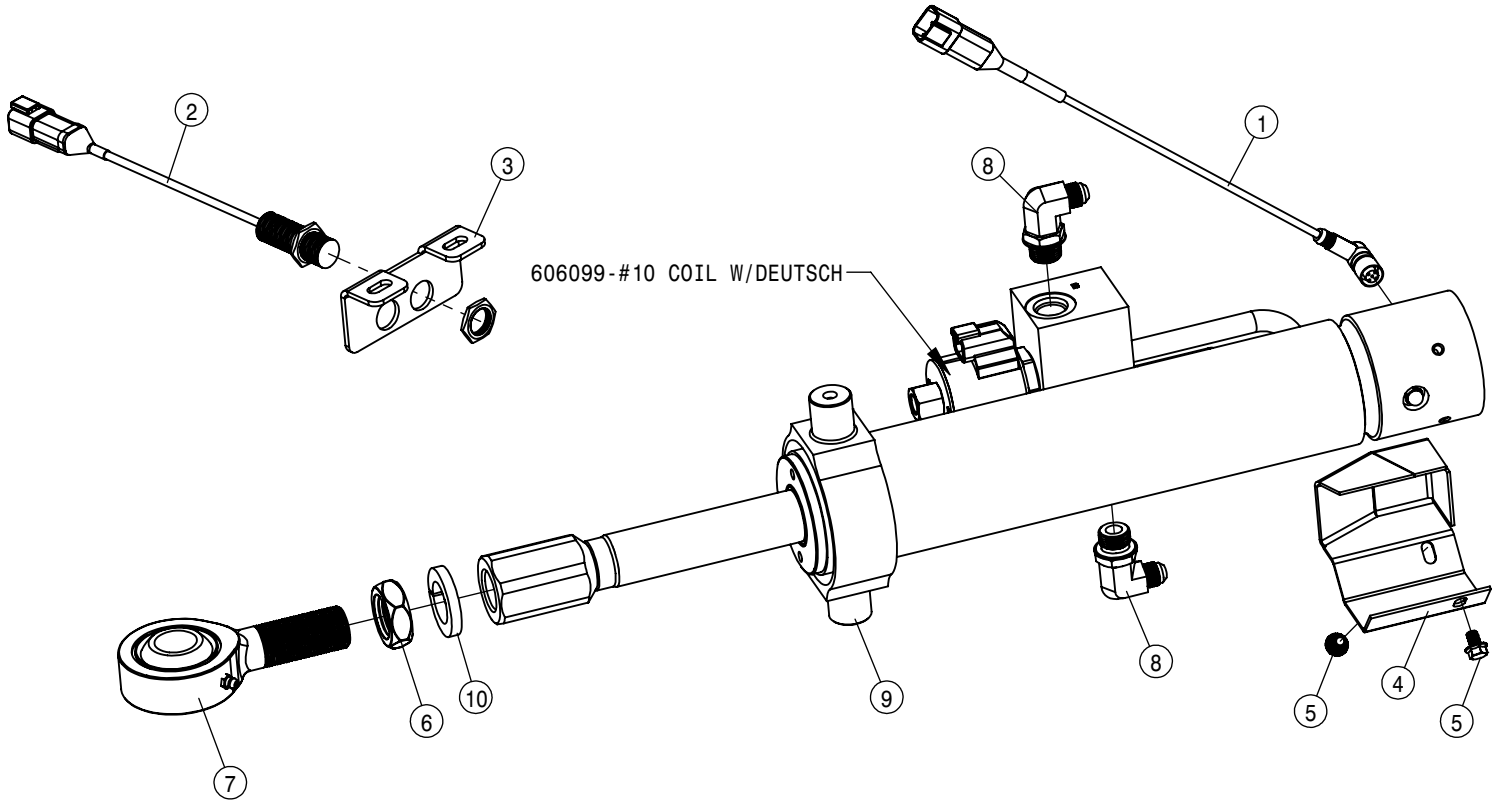
RIGHT FRONT STEERING CYLINDER ASSEMBLY			
DET	QTY	P/N	DESCRIPTION
1	1	291994	SENSOR HARNESS FOR AWS
2	1	294056	M12 CAP
3	2	359645	STRG CYL SENSOR GUARD
4	4	470883	1/4UNC X 3/8 SERR FLG BOLT SS
5	1	472328	1" - 12 HEX JAM NUT
6	1	474004	ROD END, 1.00 BORE, 1-12 RH MALE
7	2	618241	3/4MJIC-90-3/4MOR LBO
8	1	621654	HYD CYL, 2.50 X 8.81 PHASE/SENS
9	1	920508	1" LOCK WASHER



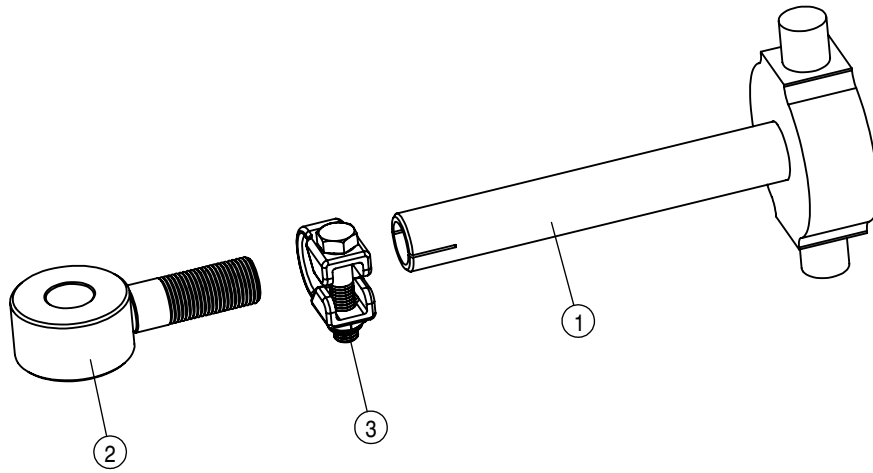
LEFT FRONT STEERING CYLINDER ASSEMBLY			
DET	QTY	P/N	DESCRIPTION
1	2	291994	SENSOR HARNESS FOR AWS
2	2	294056	M12 CAP
3	2	359645	STRG CYL SENSOR GUARD
4	4	470883	1/4UNC X 3/8 SERR FLG BOLT SS
5	1	472328	1"-12 HEX JAM NUT
6	1	474004	ROD END,1.00 BORE,1-12 RH MALE
7	2	618241	3/4MJIC-90-3/4MOR LBO
8	1	621654	HYD CYL,2.50 X 8.81 PHASE/SENS
9	1	920508	1" LOCK WASHER



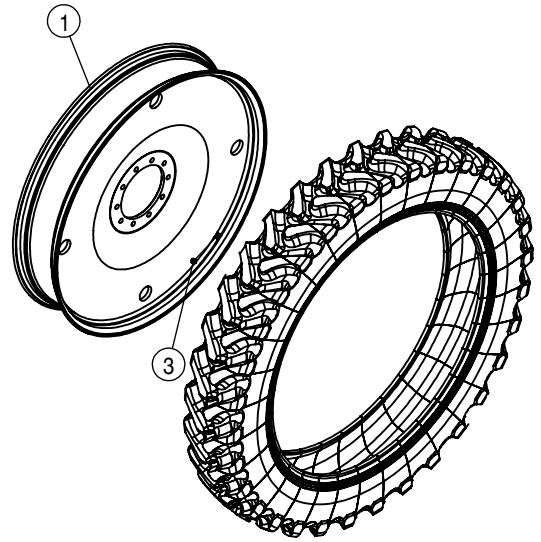
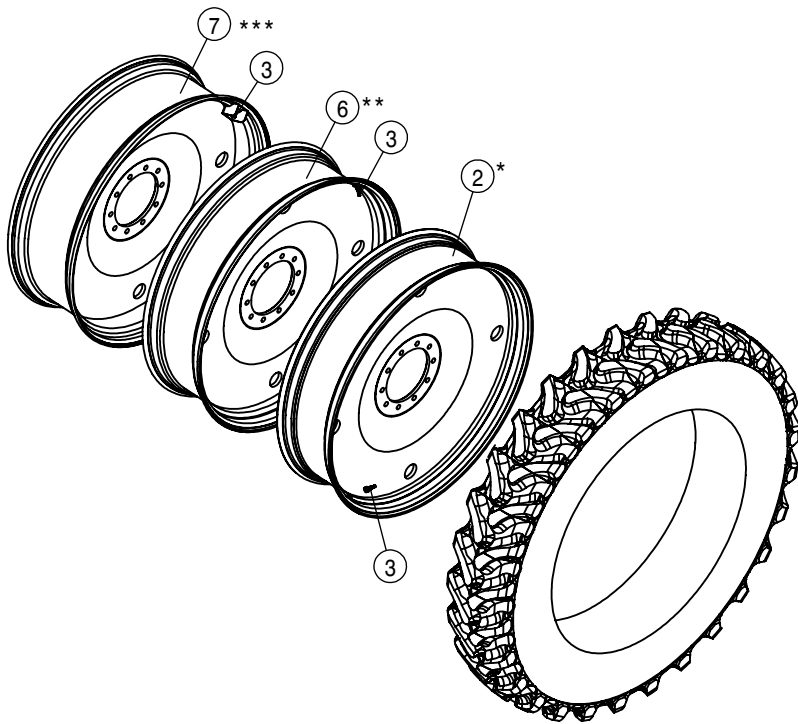
RIGHT REAR STEERING CYLINDER ASSEMBLY			
DET	QTY	P/N	DESCRIPTION
1	1	291994	SENSOR HARNESS FOR AWS
2	1	292926	INDUCTIVE PROX SENSOR, 18MM
3	1	359555	SENSOR BRKT, STS AWS 09
4	1	359645	STRG CYL SENSOR GUARD
5	2	470883	1/4UNC X 3/8 SERR FLG BOLT SS
6	1	472328	1" -12 HEX JAM NUT
7	1	474004	ROD END, 1.00 BORE, 1-12 RH MALE
8	2	618115	9/16MJIC-90-3/4MOR LBO
9	1	621653	HYD CYL, 2.50 X 8.81 X 1.25
10	1	920508	1" LOCK WASHER
11	1	520167	CUSH CLAMP, #6 3/8D X 3/4W



LEFT REAR STEERING CYLINDER ASSEMBLY			
DET	QTY	P/N	DESCRIPTION
1	1	291994	SENSOR HARNESS FOR AWS
2	1	292926	INDUCTIVE PROX SENSOR, 18MM
3	1	359555	SENSOR BRKT, STS AWS 09
4	1	359645	STRG CYL SENSOR GUARD
5	2	470883	1/4UNC X 3/8 SERR FLG BOLT SS
6	1	472328	1"-12 HEX JAM NUT
7	1	474004	ROD END, 1.00 BORE, 1-12 RH MALE
8	2	618115	9/16MJIC-90-3/4MOR LBO
9	1	621653	HYD CYL, 2.50 X 8.81 X 1.25
10	1	920508	1" LOCK WASHER

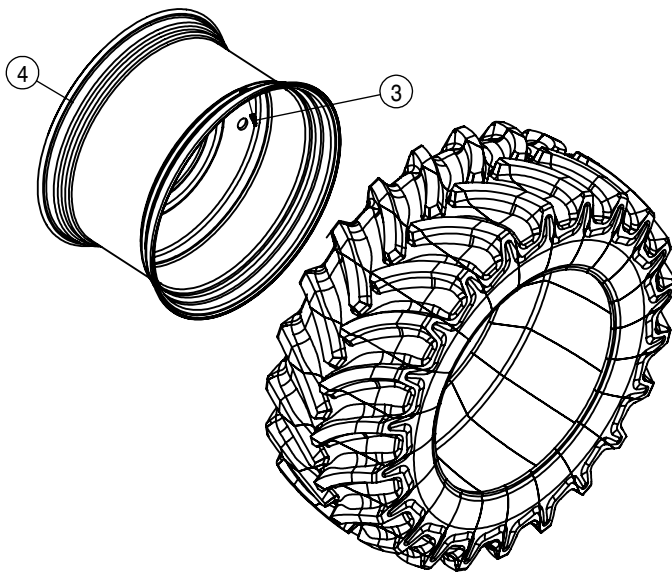


REAR STANDARD TIE ROD ASSEMBLY			
DET	QTY	P/N	DESCRIPTION
	1	359086	REAR TIE ROD SHAFT WLD
	1	359089	TIE ROD STUD WLD
	1	749322	STEERING TUBE CLAMP & BOLT ASSY

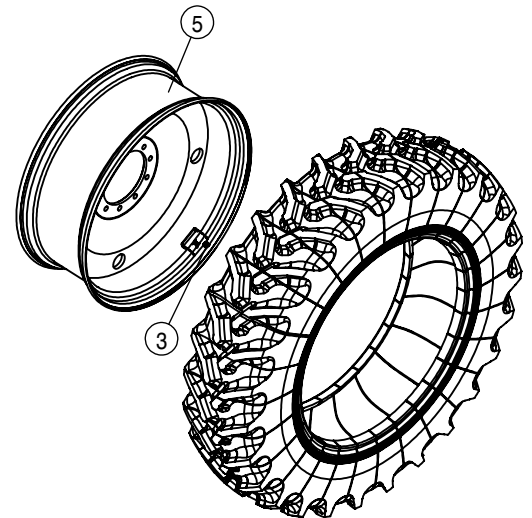


IF320/105 R54 RADIAL TIRE

- * IF380/105 R50 RADIAL TIRE
- ** VF420/95 R50 RADIAL TIRE
- *** VF480/80 R50 RADIAL TIRE



IF800/55 R46 RADIAL TIRE



520/85 R42 RADIAL TIRE

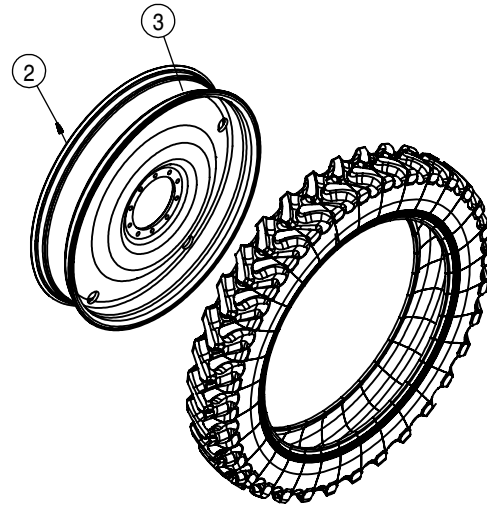
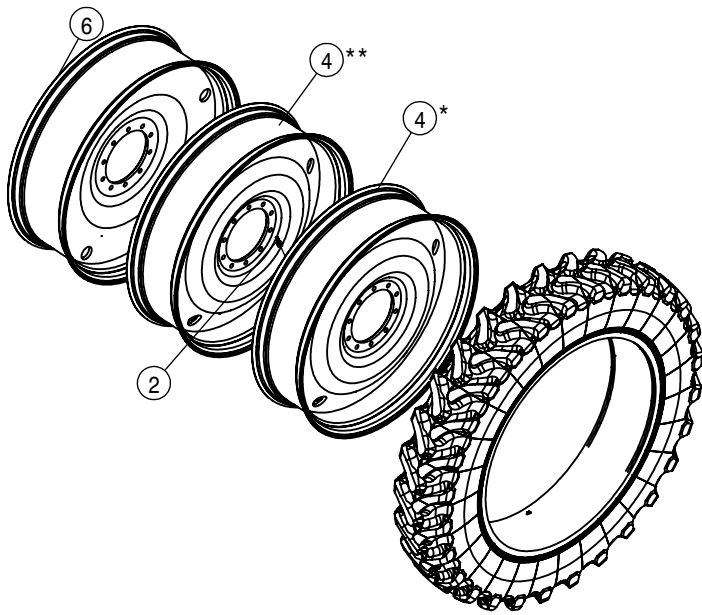
480/80 R42 RADIAL TIRE

SERIAL NUMBER:

U16181616001 THRU U16181616018

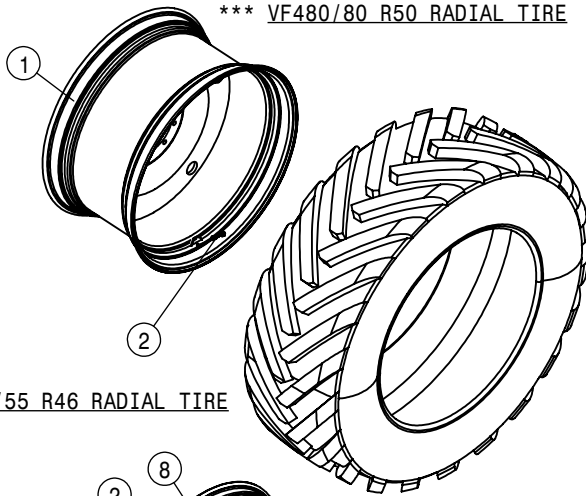
U16181616023 THRU U16181616039

TIRE AND RIM ASSEMBLY			
DET	QTY	P/N	DESCRIPTION
1	1	820174	WHEEL 54 X W10A
2	1	820207	WHEEL - 50 X W12B
3	6	821252	VALVE STEM, TR-618A, STAINLESS
4	1	821072	WHEEL -46 X F-DW28B
5	1	820191	WHEEL - 42 X W16B
6	1	820176	WHEEL - 50 X W13B
7	1	820183	WHEEL - 50 X W15B

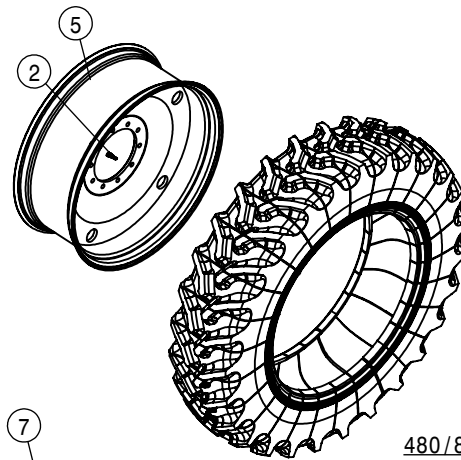


IF320/105 R54 RADIAL TIRE

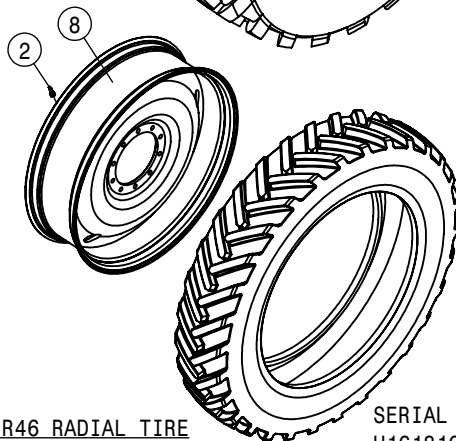
- * IF380/105 R50 RADIAL TIRE
- ** VF420/95 R50 RADIAL TIRE
- *** VF480/80 R50 RADIAL TIRE



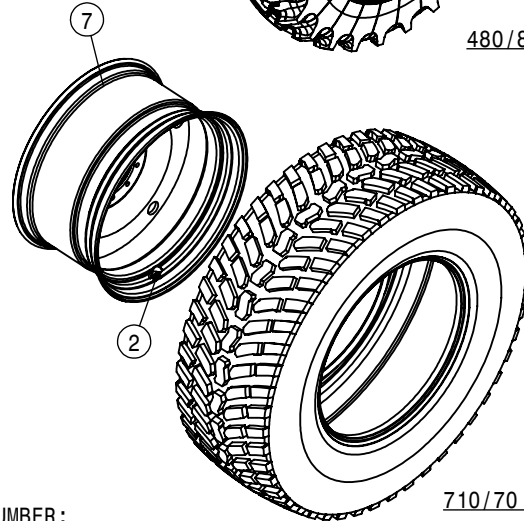
IF800/55 R46 RADIAL TIRE



480/80 R42 RADIAL TIRE



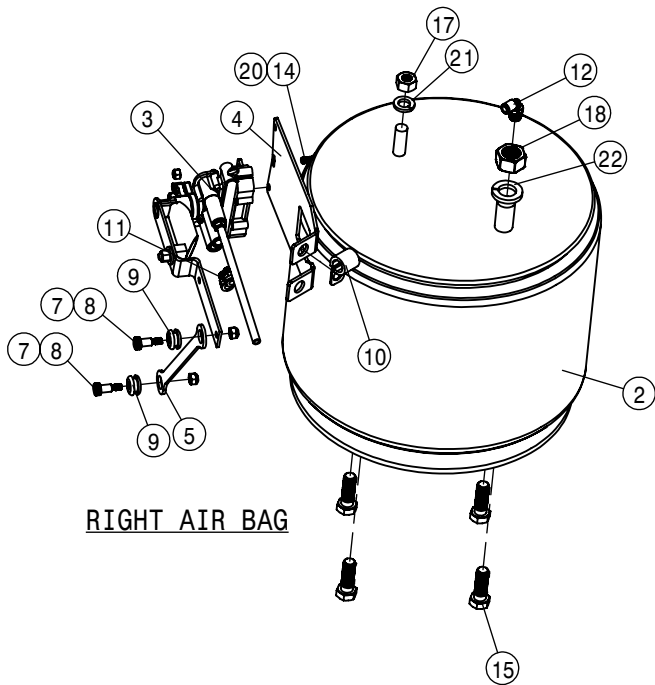
VF380/90 R46 RADIAL TIRE



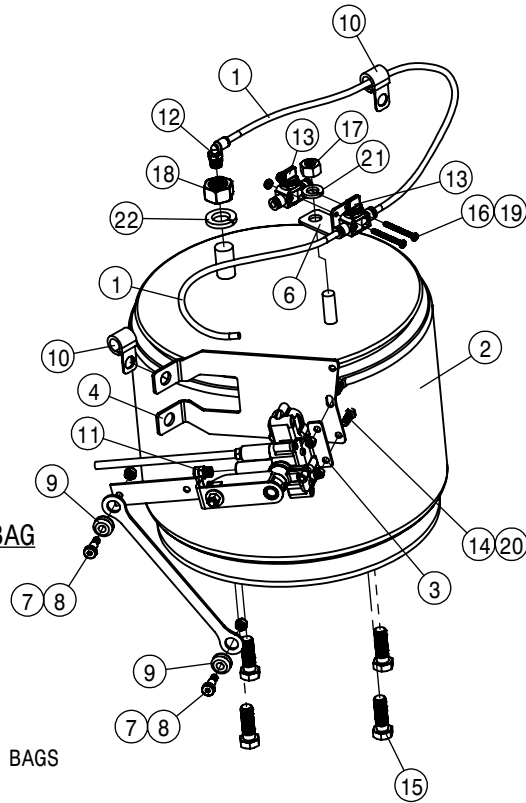
710/70 R42 RADIAL TIRE

SERIAL NUMBER:
 U16181616019 THRU U16181616022
 U16181616040 THRU U16181616060

TIRE AND RIM ASSEMBLY			
DET	QTY	P/N	DESCRIPTION
1	1	821270	RIM WLD, DW25B X 46, STS' 17
2	8	821252	VALVE STEM, TR-618A, STAINLESS
3	1	821283	RIM WLD 10x54 BRAKE, STS' 17
4	2	821284	RIM WLD 13x50 BRAKE, STS' 17
5	1	821203	RIM WLD, W16B X 42, STS' 17
6	1	821208	RIM WLD, W15B X 50, STS' 17
7	1	821202	RIM WLD, DW23B X 42, STS' 17
8	1	821293	RIM WLD 13x46 BRAKE, STS' 17



RIGHT AIR BAG

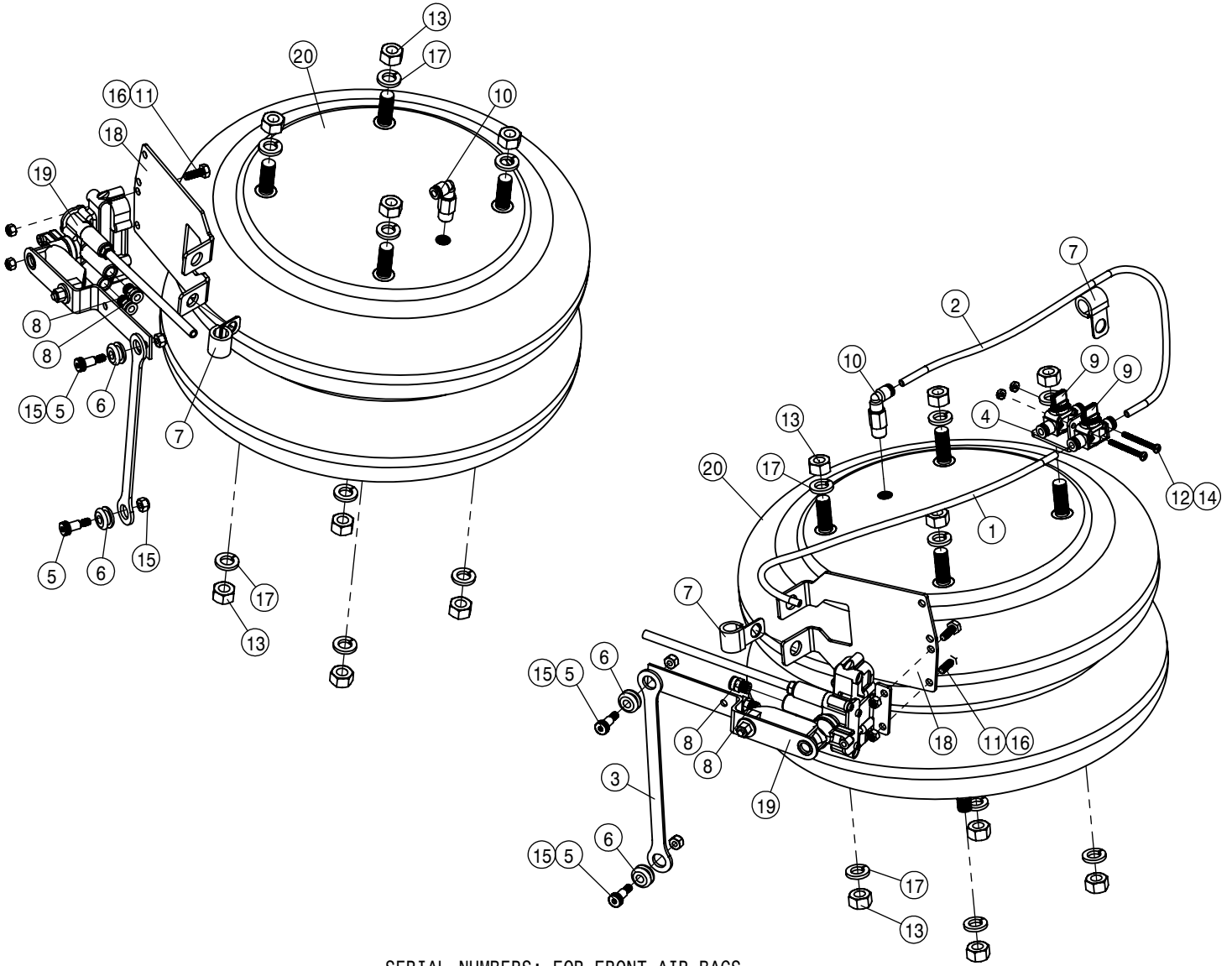


LEFT AIR BAG

ALL MACHINES USE THESE AIR BAGS FOR THE REAR.

SERIAL NUMBERS: FOR FRONT AIR BAGES
 U16181616001 THRU U16181616018
 U16181616023 THRU U16181616039

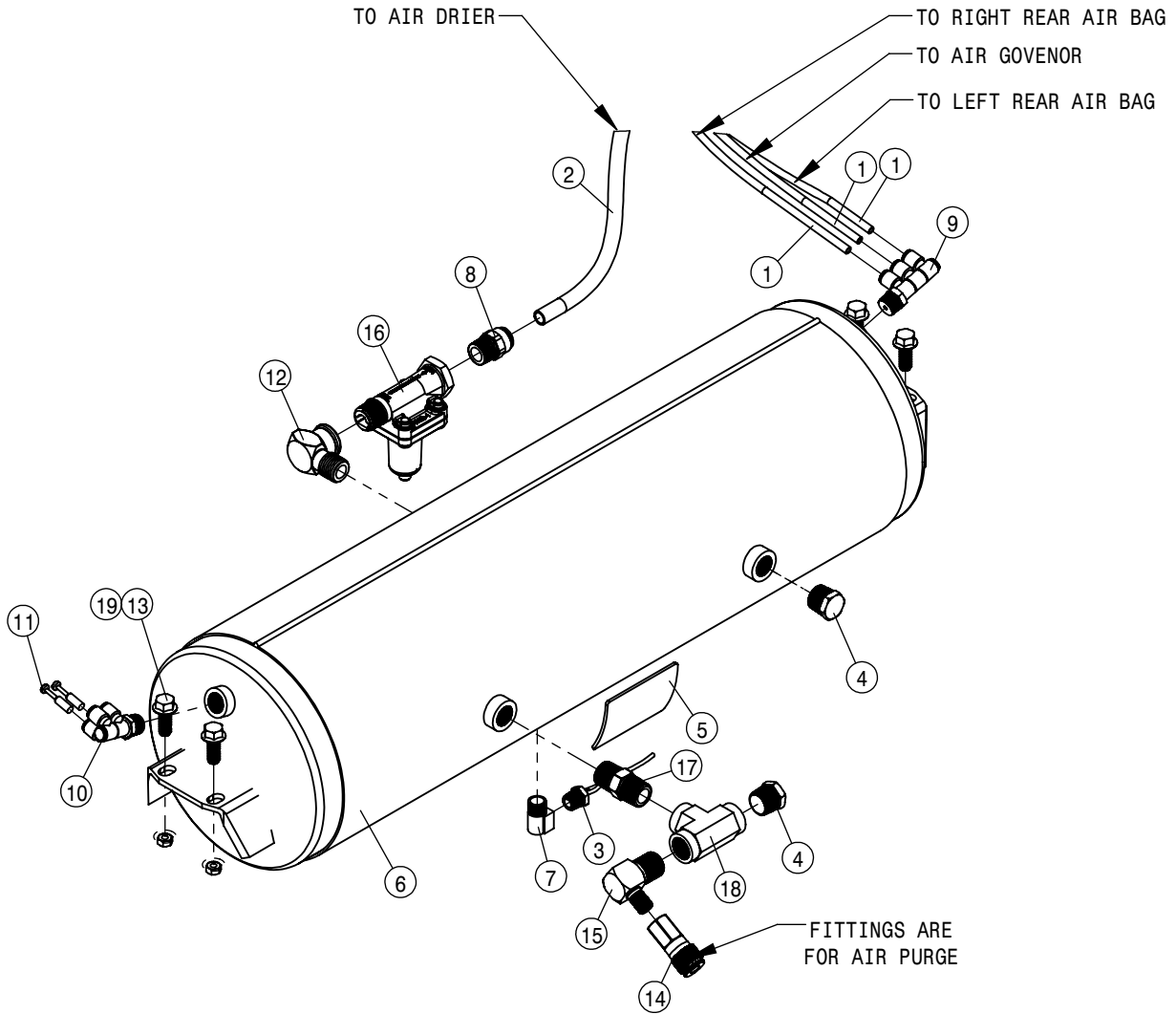
FRONT AN REAR AIR BAG ASSEMBLY			
DET	QTY	P/N	DESCRIPTION
1	2	195906-069	1/40D AIR BRAKE TUBING J844-A
2	2	311080	AIRIDE SPRING, 11.81 BASE
3	2	358832	AIRIDE SPRING CTRL VALVE 98
4	2	360140	AIRRIDE VALVE BRACKET
5	2	360141	LINK-AIR VALVE, FRONT MOUNT
6	1	360147	AIR DUMP VLV BRKT,STS 15
7	4	470089N	1/4UNC HEX NYLOC NUT, 316 SS
8	4	470607	1/4UNC-5/16 X .50 SHLDR SCR SS
9	4	470608	GROMMET-.31 ID X .56 PD X .19 PG
10	3	520164	CUSH HOSE CLAMP,#9, 9/16D X 3/4W
11	4	711036	1/8MNPT-1/4 NYL TUBE FTG
12	2	711040	1/4MNPT-90-1/4 NYL TUBE LBO
13	2	711053	AIR VALVE, 1/4 NYL TUBE
14	4	900002	1/4UNC x 3/4 HEX BOLT
15	8	900265	1/2UNC X 1 1/2 HEX BOLT
16	2	903854	8-32 X 1 3/4 PHIL PN MACH SCR SS
17	2	910008	1/2UNC HEX NUT
18	2	910013	3/4UNF HEX NUT
19	2	910024	8-32 HEX NUT
20	4	914000	1/4UNC HEX STOVER NUT
21	2	920504	1/2 LOCK WASHER
22	2	920506	3/4 LOCK WASHER



SERIAL NUMBERS: FOR FRONT AIR BAGS
 U16181616019 THRU U161816022
 U16181616040 THRU U161816060

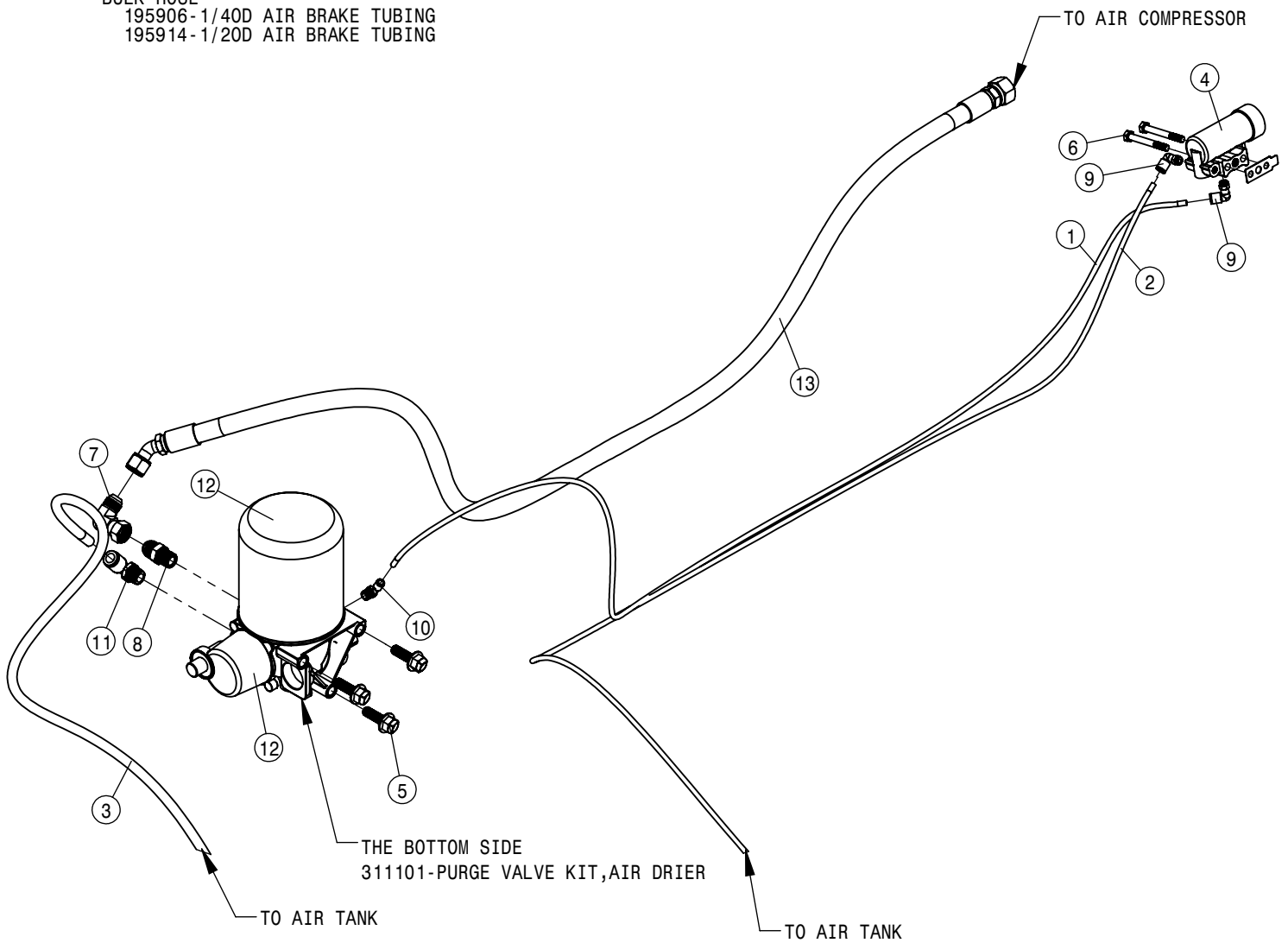
FRONT AIR BAG ASSEMBLY			
DET	QTY	P/N	DESCRIPTION
1	1	195906-018	1/40D AIR BRAKE TUBING J844-A
2	1	195906-021	1/40D AIR BRAKE TUBING J844-A
3	2	360141	LINK-AIR VALVE, FRONT MOUNT
4	1	360147	AIR DUMP VLV BRKT,STS 15
5	4	470607	1/4UNC-5/16 X .50 SHLDR SCR SS
6	4	470608	GROMMET-.31 ID X .56 PD X .19 PG
7	3	520164	CUSH HOSE CLAMP,#9, 9/16D X 3/4W
8	4	711036	1/8MNPT-1/4 NYL TUBE FTG
9	2	711053	AIR VALVE, 1/4 NYL TUBE
10	2	711098	1/4 NPT QUICK CONNECT FITTING
11	4	900002	1/4UNC x 3/4 HEX BOLT
12	2	903854	8-32 X 1 3/4 PHIL PN MACH SCR SS
13	16	910008	1/2-13UNC HEX NUT MC GR5
14	2	910024	8-32 HEX NUT
15	4	910118	1/4-20UNC NYLOCK NUT SS
16	4	914000	1/4UNC HEX STOVER NUT
17	16	920504	1/2 LOCK WASHER
18	2	360798	AIRIDE VALVE BRACKET
19	2	358832	AIRIDE SPRING CTRL VALVE 98
20	2	311100	AIR RIDE SPRING

BULK HOSE
 195906-1/40D AIR BRAKE TUBING
 195914-1/20D AIR BRAKE TUBING
 195963-1/40D NYLON TUBING, YELLOW



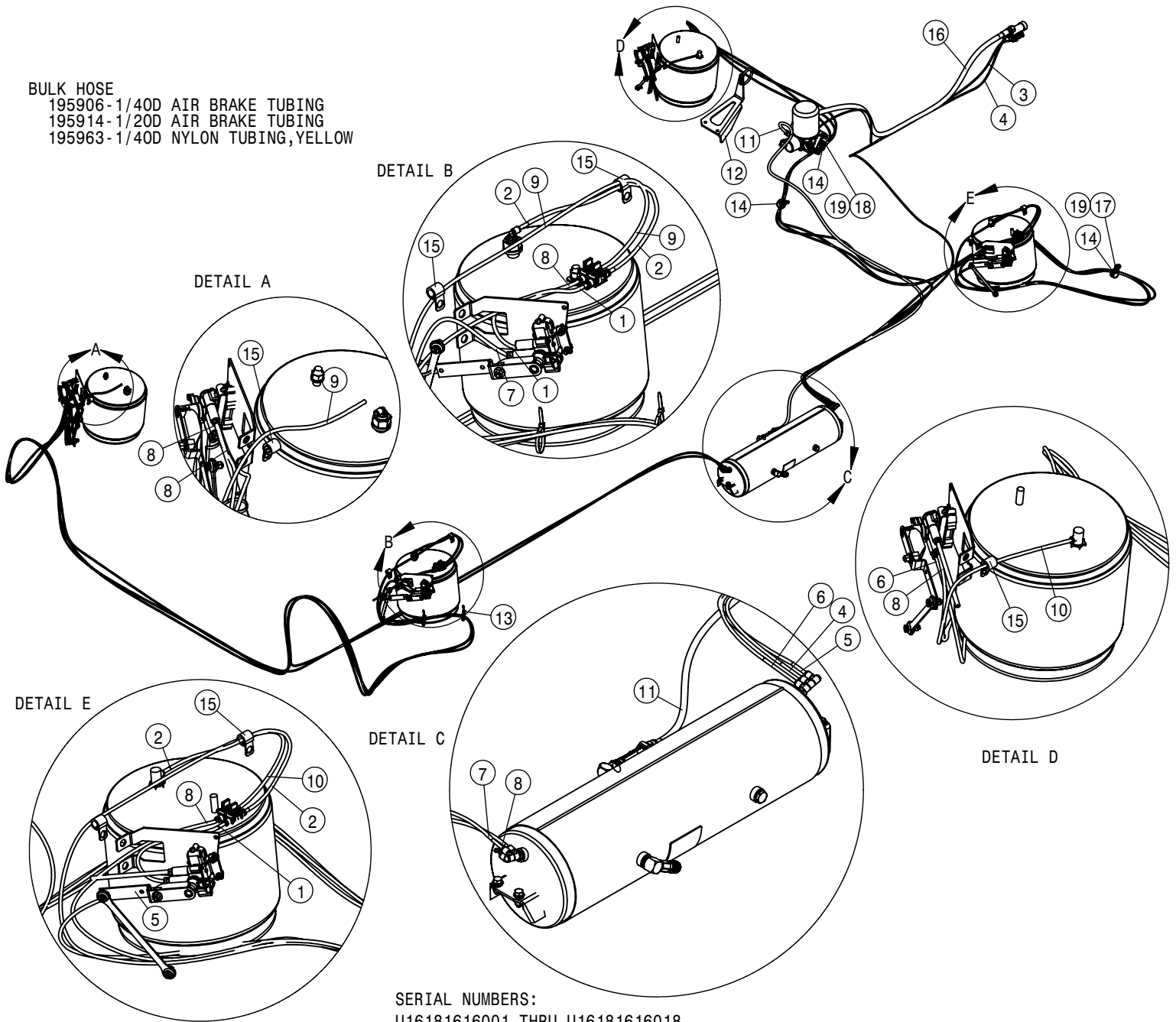
AIR TANK ASSEMBLY			
DET	QTY	P/N	DESCRIPTION
1	3	195906-069	1/40D AIR BRAKE TUBING J844-A
2	1	195914-129	1/20D AIR BRAKE TUBING J844-B
3	1	470266	DRAIN VALVE KIT, 1/4NPT
4	2	505231	PIPE PLUG .50NPT HEX HD BRS
5	1	650348	DECAL, NOTICE, DRAIN AIR TANK
6	1	701365	AIR TANK
7	1	711027	1/4 NPT ST EL BRS
8	1	711037	1/2MNPT-1/2 NYL TUBE FTG
9	1	711046	3/8MNPT-1/4 NYL TUBE TRPL LBO
10	1	711047	3/8MNPT-1/4NYL TUBE, DBL BRANCH
11	2	711063	RUBBER PLUG FOR 1/4 PISCO CPLR7
12	1	711079	1/2NPT ST EL BRS
13	4	900129N	3/8UNC X 1" SERR FLANGE BOLT
14	1	711083	1/4 NPTF SLV LOCK SOCKET BRS
15	1	618633	1/2MNPT-90-1/4MNPT REDU LBO
16	1	311086	CHECK VALVE, PRESS CRTL, WABCO
17	1	500000	1/2MNPT HEX PIPE NIPPLE STL
18	1	503819	1/2FNPT PIPE TEE STL
19	5	910001	1/4-28UNF HEX NUT MC GR5

BULK HOSE
 195906-1/40D AIR BRAKE TUBING
 195914-1/20D AIR BRAKE TUBING



AIR DRIER AND GOVERNOR ASSEMBLY			
DET	QTY	P/N	DESCRIPTION
1	1	195906-069	1/40D AIR BRAKE TUBING J844-A
2	1	195906-162	1/40D AIR BRAKE TUBING J844-A
3	1	195914-129	1/20D AIR BRAKE TUBING J844-B
4	1	316277	AIR COMPRESSOR GOVERNOR KIT
5	3	470431	1/2UNC X 1 1/2 HHSFB GR5 MC
6	2	473822	8MM-1.25 X 70MM HEX BOLT GR8
7	1	618301	7/8MJIC-90-7/8FJIC SWIV LBO
8	1	618325	7/8MJIC-1/2MNPT ADPTR
9	2	711039	1/8MNPT-90-1/4 NYL TUBE LBO
10	1	711040	1/4MNPT-90-1/4 NYL TUBE LBO
11	1	711042	1/2MNPT-1/2 NYL TUBE LBO
12	1	311084	AIR DRYER, SYSTEM SAVER 1200
13	1	617204	10-451TC-12FJX-10FJX45-69 H/A

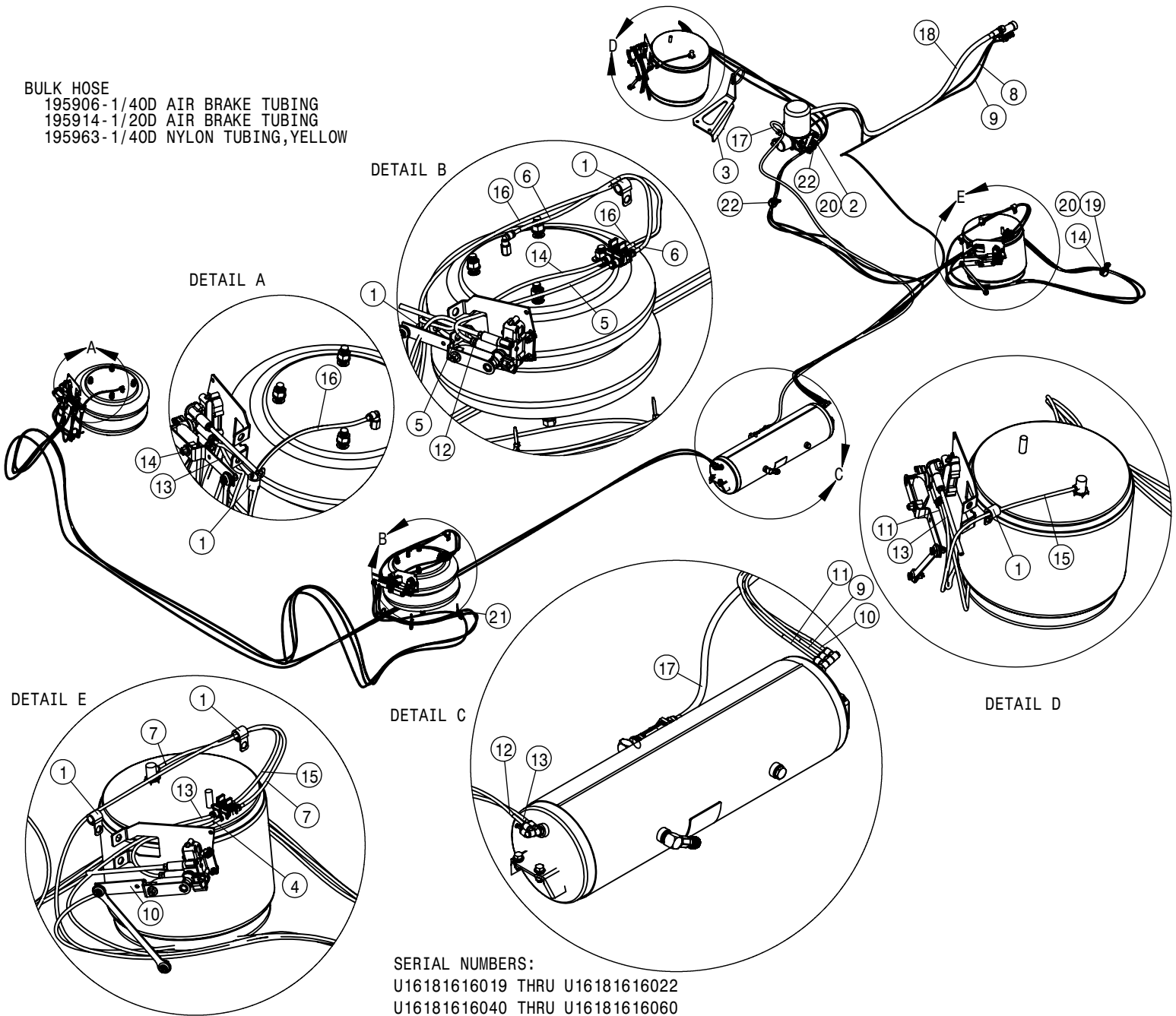
BULK HOSE
 195906-1/40D AIR BRAKE TUBING
 195914-1/20D AIR BRAKE TUBING
 195963-1/40D NYLON TUBING, YELLOW



SERIAL NUMBERS:
 U16181616001 THRU U16181616018
 U16181616023 THRU U16181616039

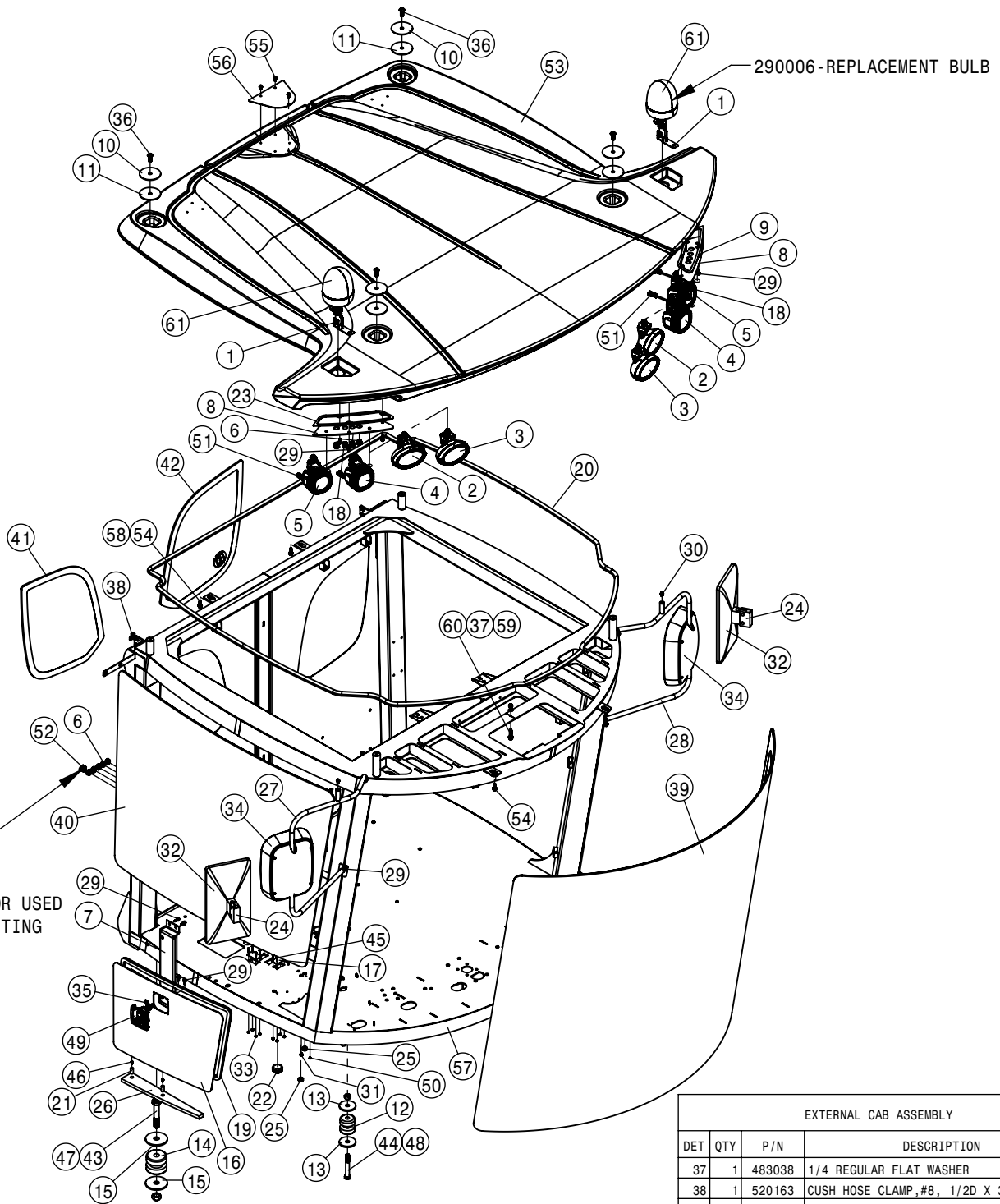
AIR LINE ASSEMBLY			
DET	QTY	P/N	DESCRIPTION
1	2	195906-011	1/40D AIR BRAKE TUBING J844-A
2	2	195906-022	1/40D AIR BRAKE TUBING J844-A
3	1	195906-069	1/40D AIR BRAKE TUBING J844-A
4	1	195906-162	1/40D AIR BRAKE TUBING J844-A
5	1	195906-181	1/40D AIR BRAKE TUBING J844-A
6	1	195906-226	1/40D AIR BRAKE TUBING J844-A
7	1	195906-238	1/40D AIR BRAKE TUBING J844-A
8	3	195906-300	1/40D AIR BRAKE TUBING J844-A
9	1	195906-326	1/40D AIR BRAKE TUBING J844-A
10	1	195906-330	1/40D AIR BRAKE TUBING J844-A
11	1	195914-129	1/20D AIR BRAKE TUBING J844-B
12	1	362115	REAR RGT LEG HOSE BRKT
13	6	470154	CABLE TIE, 11.00" BLK NYLON
14	4	520160	CUSH CLAMP, #24 1 1/2D-3/4WLOOP
15	6	520164	CUSH HOSE CLAMP, #9, 9/16D X 3/4W
16	1	617204	10-451TC-12FJX-10FJX45-69 H/A
17	1	900128N	3/8UNC X 3/4 SER FLANGE BOLT
18	2	900129N	3/8UNC X 1" SERR FLANGE BOLT
19	3	910004N	3/8UNC FLANGE CNTR LOCK NUT

BULK HOSE
 195906-1/40D AIR BRAKE TUBING
 195914-1/20D AIR BRAKE TUBING
 195963-1/40D NYLON TUBING, YELLOW



SERIAL NUMBERS:
 U16181616019 THRU U16181616022
 U16181616040 THRU U16181616060

AIR LINE ASSEMBLY			
DET	QTY	P/N	DESCRIPTION
1	3	520164	CUSH HOSE CLAMP, #9, 9/16D X 3/4W
2	2	900129N	3/8UNC X 1" SERR FLANGE BOLT
3	1	362115	REAR RGT LEG HOSE BRKT
4	1	195906-011	1/40D AIR BRAKE TUBING J844-A
5	1	195906-018	1/40D AIR BRAKE TUBING J844-A
6	1	195906-021	1/40D AIR BRAKE TUBING J844-A
7	1	195906-022	1/40D AIR BRAKE TUBING J844-A
8	1	195906-069	1/40D AIR BRAKE TUBING J844-A
9	1	195906-162	1/40D AIR BRAKE TUBING J844-A
10	1	195906-181	1/40D AIR BRAKE TUBING J844-A
11	1	195906-226	1/40D AIR BRAKE TUBING J844-A
12	1	195906-238	1/40D AIR BRAKE TUBING J844-A
13	2	195906-300	1/40D AIR BRAKE TUBING J844-A
14	1	195906-303	1/40D AIR BRAKE TUBING J844-A
15	1	195906-330	1/40D AIR BRAKE TUBING J844-A
16	1	195906-331	1/40D AIR BRAKE TUBING J844-A
17	1	195914-129	1/20D AIR BRAKE TUBING J844-B
18	1	617204	10-451TC-12FJX-10FJX45-69 H/A
19	1	900128N	3/8UNC X 3/4 SER FLANGE BOLT
20	3	910004N	3/8UNC FLANGE CNTR LOCK NUT
21	6	470154	CABLE TIE, 11.00" BLK NYLON
22	4	520160	CUSH CLAMP, #24 1 1/2D-3/4WLOOP

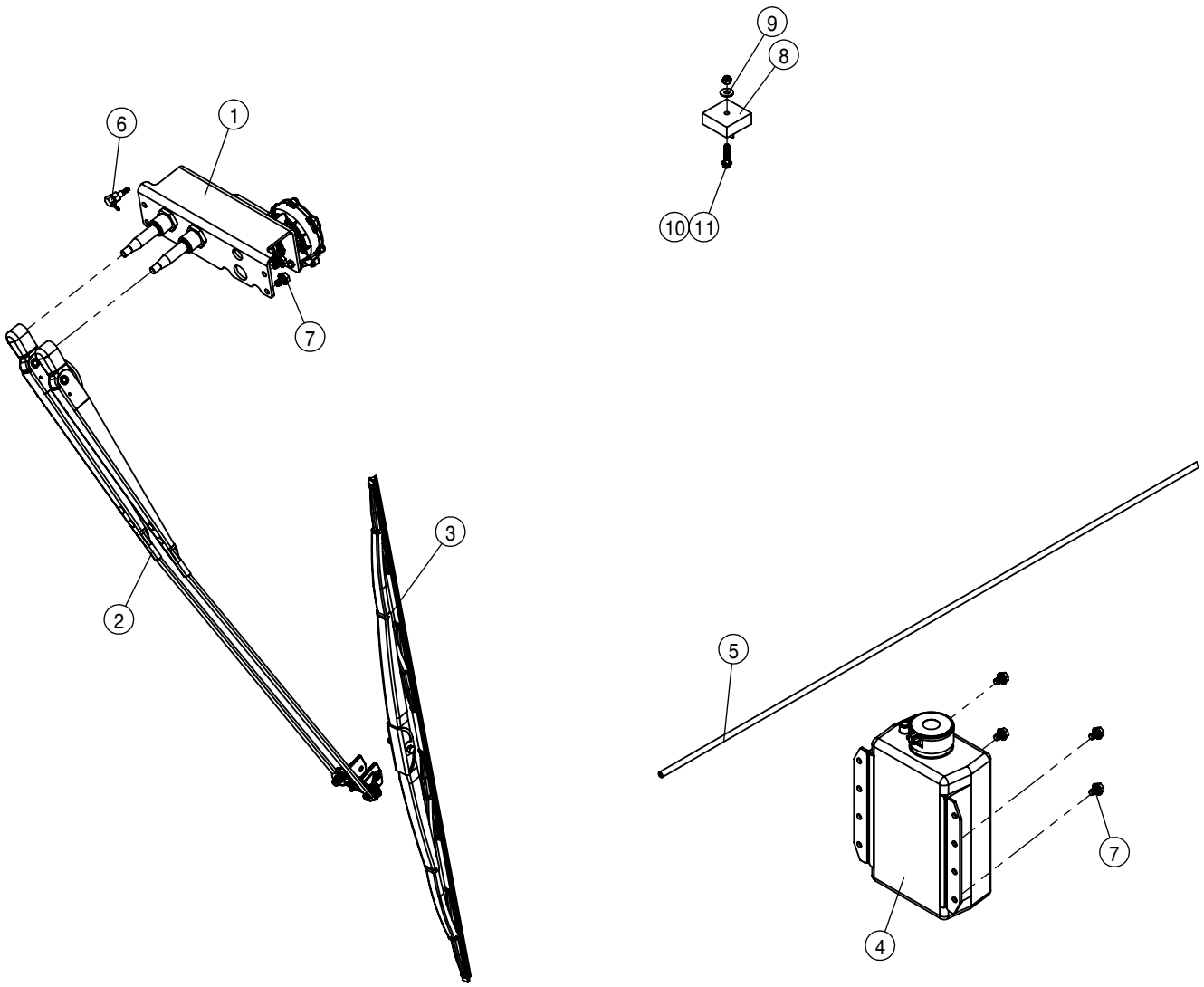


NOTE:
WIRE PROTECTOR USED
FOR WIRES EXITING
THE CAB.

EXTERNAL CAB ASSEMBLY			
DET	QTY	P/N	DESCRIPTION
1	2	290060	BEACON TILT SURFACE MT,QK CHG
2	2	292614	WORKLIGHT - HALOGEN CLOSE RANGE
3	2	292615	Worklight - Oval 100 Long Range
4	2	292618	WORKLIGHT-TYRI LED FLOOD
5	2	292619	WORKLIGHT-TYRI LED TRAP
6	7	292634	HOLE PLUG
7	1	344299	ACCESS PANEL SEALING SURFACE WLDT
8	2	344357	ROOF LIGHT MNT PLT, STSCAB'14
9	1	344358	ROOF LIGHT MNT PLT GASKET, STSCAB'14
10	4	344359	ROOF RETAINER WASHER, STSCAB'14
11	4	344360	ROOF RETAINER WASHER SEAL, STSCAB'14
12	2	344393	ISO MOUNT
13	4	344394	ISO MT WASHER FRNT, STS'14
14	2	344395	ISO MOUNT
15	4	344396	ISO MT WASHER REAR, STS'14
16	1	344452	FRT ACCESS PNL WLDT, STS'14
17	2	344477	PLATE - 12 PIN COVER
18	10	344478	BUSHING - STRAIN RELIEF

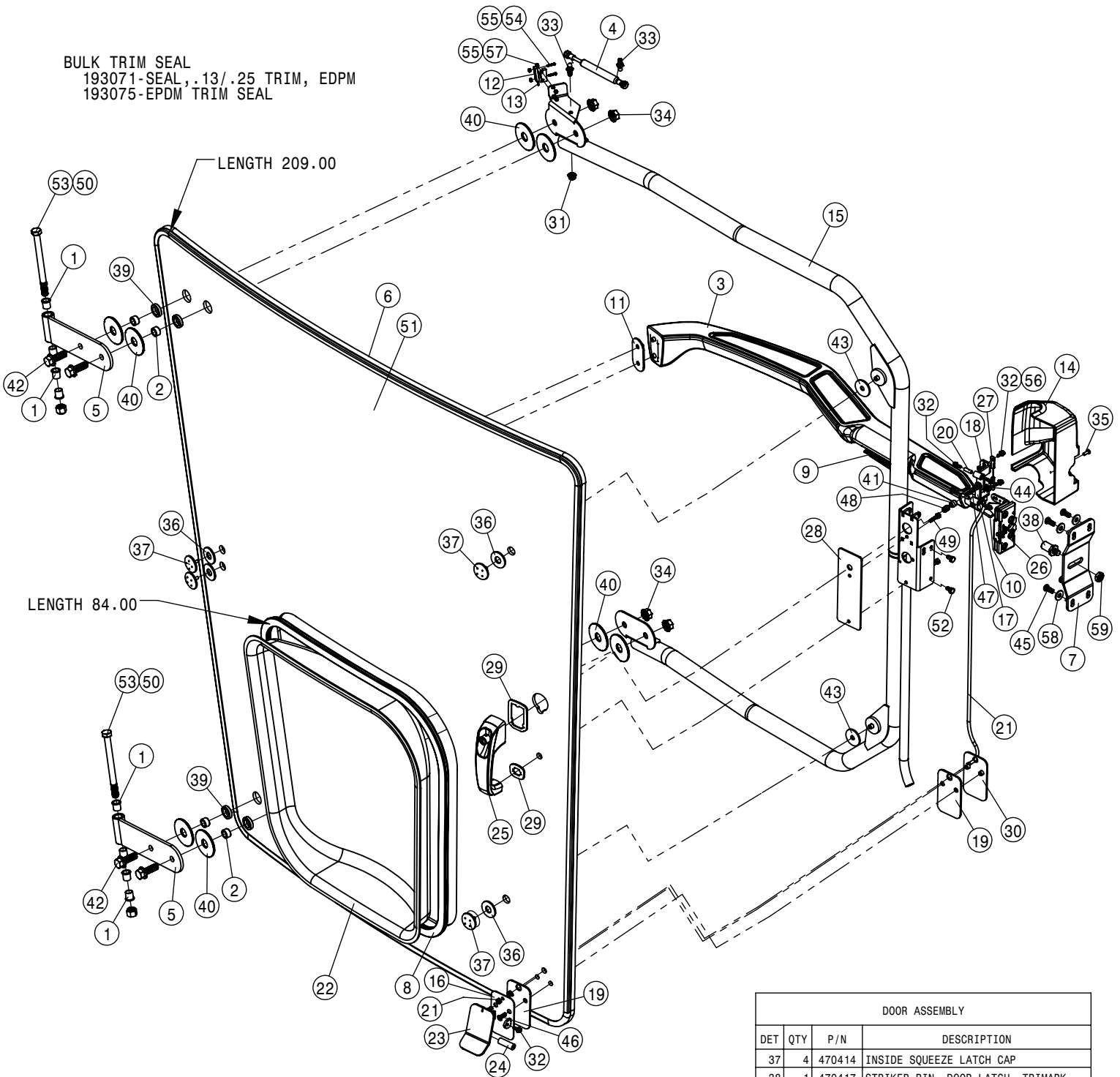
EXTERNAL CAB ASSEMBLY			
DET	QTY	P/N	DESCRIPTION
19	1	344479	SEAL - ACCESS PANEL
20	1	344481	SEAL - CAB ROOF STS
21	2	344497	THREADED NYLN SPCR, STS'14
22	1	344509	HOLE PLUG - 24 SERIES
23	1	344513	ROOF LIGHT MT PLT RH GASKET, STS'14
24	2	344515	STD MIR BRKT, STS'14
25	2	344554	HOSE GROMMET, STS'14
26	1	344579	ACCESS PANEL SEAL LWR, STS'14
27	1	344631	MIRROR BRKT WLDT RH, STS'15
28	1	344635	MIRROR BRKT WLDT LH, STS'15
29	16	470118	1/4UNC X 3/4 HHSFB GR5 MC
30	2	470122	1/4 UNC X 1/2 SERR FLG BOLT
31	3	470143	3/8UNC X 1/2 SKT HD SET SCR
32	2	470348	MIRROR STS 10 & 12
33	8	470467	#6-32UNC KEP NUT MC GR5
34	2	470648	POWER MIRROR
35	1	470661	CAM LATCH, STS'14
36	4	474001	1/2-13 UNC X 1 1/4 BHCS SS PATCH

EXTERNAL CAB ASSEMBLY			
DET	QTY	P/N	DESCRIPTION
37	1	483038	1/4 REGULAR FLAT WASHER
38	1	520163	CUSH HOSE CLAMP,#8, 1/2D X 3/4W
39	1	658100	WINDOW - FRT 2014 STS
40	1	658101	WINDOW - RH SIDE 2014 STS CAB
41	1	658103	WINDOW - REAR RH 2014 STS CAB
42	1	658104	WINDOW - REAR LH 2014 STS CAB
43	2	900481	7/8UNC X 5 HHCS GR8 MC
44	2	900847	5/8UNC X 4 1/2 HHCS GR8 MC
45	8	903814	#6-32 UNC X 3/4 PHMS PH BZ
46	2	903884	#10-32 UNF X 3/8 PHMS PH BZ
47	2	914014	7/8-9UNC STOVER NUT MC GR8
48	2	914810	5/8-11UNC STOVER NUT MC GR8
49	1	470660	LATCH ASSY, STS'14
50	7	470053	1/4-20X1/4 AL HD SET SCR CUP
51	4	294299	TYRI JUMPER HARNESS
52	1	344572	BUSHING - ANTENNA STRAIGHT
53	1	658139	CAB ROOF, STS/DTS '17
54	4	910126	5/16UNC X 1 HHSFB SS
55	3	470122N	1/4 UNC X 1/2 SERR FLG BOLT SS
56	1	344449	PLATE - ROOF ANTENNA STS
57	1	344824	CAB WLDT, STS 17 W/DECALS
58	4	483024	FENDER WASHER 5/16 MC
59	1	473010	3/8-16UNC NYLOCK NUT SS
60	1	910044	3/8UNC X 1 1/2 HHFB GR8 MC
61	2	AZ101891	IDENT LAMP ROTATING BEACON



WIPER ASSEMBLY			
DET	QTY	P/N	DESCRIPTION
1	1	344367	WIPER MOTOR STS
2	1	344379	WIPER ARM STS
3	1	344380	WIPER BLADE STS
4	1	344382	WASHER BOTTLE
5	1	344383	HOSE - WASHER STS
6	1	344483	WASHER BULKHEAD, STS' 14
7	8	470232	5/16UNC X 1/2 SERR FLG HEX BOLT
8	1	290094	TIMER - WIPER
9	1	483038	1/4 REGULAR FLAT WASHER
10	1	470089N	1/4UNC HEX NYLOC NUT, 316 SS
11	1	900004N	1/4 UNC X 1 1/4 SER FLG BOLT SS

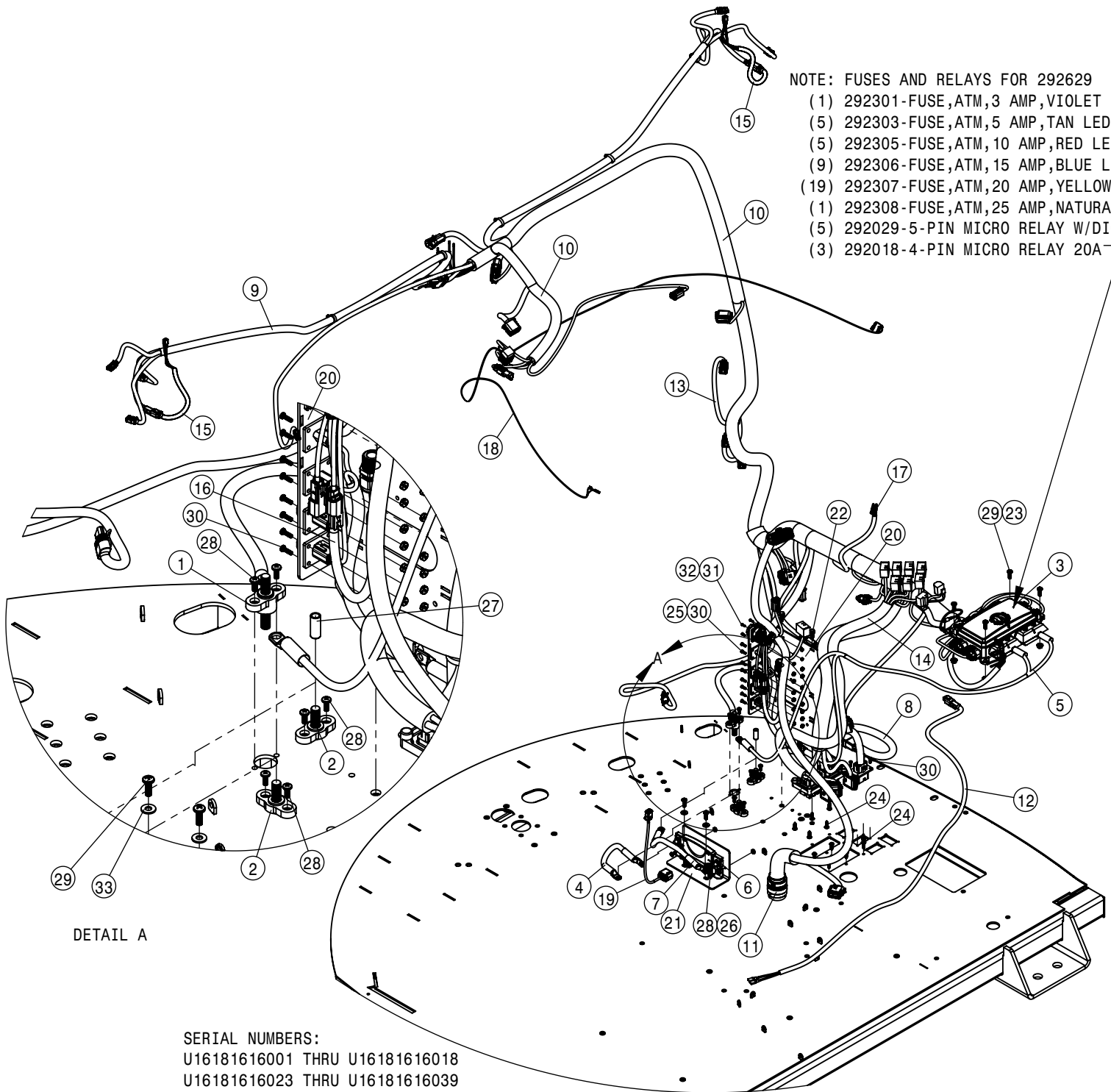
BULK TRIM SEAL
 193071-SEAL, .13/.25 TRIM, EDPM
 193075-EPDM TRIM SEAL



DOOR ASSEMBLY			
DET	QTY	P/N	DESCRIPTION
1	8	127506	NYLON FLANGE BRG, STS
2	4	343335	DOOR HINGE GLASS BUSH, CAB 05
3	1	344331	DOOR LATCH TUBE MOLDED, STSCAB' 14
4	1	344335	GAS CYLINDER 40LB 2.0 STROKE
5	2	344336	DOOR HINGE WLDT, STSCAB' 14
6	1	344423	BULB SEAL - DOOR, CAB
7	1	344428	DOOR LATCH STRKR PIN MNT PLATE '14
8	1	344482	TRIM SEAL - BUBBLE STS
9	1	344508	DOOR LOCK KIT, STS' 14
10	1	344510	DOOR LATCH ROD, STS' 14
11	1	344551	GASKET - DOOR ARM REST MOUNT
12	1	344560	DOOR SWITCH, STS' 14
13	1	344561	DOOR SWITCH MAGNET, STS' 14
14	1	344589	DOOR LATCH COVER, STS' 15
15	1	344590	DOOR FRAME WLDT, STS' 15
16	1	344592	FOOT PEDAL BASE WLDT, STS' 15
17	1	344596	DOOR LATCH HINGE, STS' 15
18	1	344597	DOOR LATCH HINGE WLDT, STS' 15

DOOR ASSEMBLY			
DET	QTY	P/N	DESCRIPTION
19	2	344600	FOOT PEDAL MT GASKET, STS' 15
20	2	344604	DOOR LATCH HINGE PIN, STS' 15
21	1	344607	DOOR RELEASE CABLE, STS' 15
22	1	344610	DOOR BUBBLE INSERT, STS' 15
23	1	344611	FOOT PEDAL WLDT, STS' 15
24	1	344618	FOOT PEDAL PIVOT PIN, STS' 15
25	1	344620	DOOR HANDLE PUSH BUTTON' 15
26	1	344621	DOOR LATCH, STS' 15
27	1	344624	DOOR LATCH CABLE ASSY, STS' 15
28	1	344625	DOOR HANDLE MT GASKET, STS' 15
29	1	344627	DOOR HANDLE GASKET, STS' 15
30	1	344628	FOOT PEDAL MT WLDT, STS' 15
31	1	470113	5/16UNC SERR FLG LOCK NUT
32	8	470215	10-32 X 1/2 SERR FLG HEX BOLT
33	2	470255	BALL STUD, 5/16-18 THRD X 10MM
34	4	470360	1/2UNC SERR FLG HEX NUT
35	1	470412	INSIDE SQUEEZE LATCH SCREWS
36	4	470413	INSIDE SQUEEZE LATCH GASKET

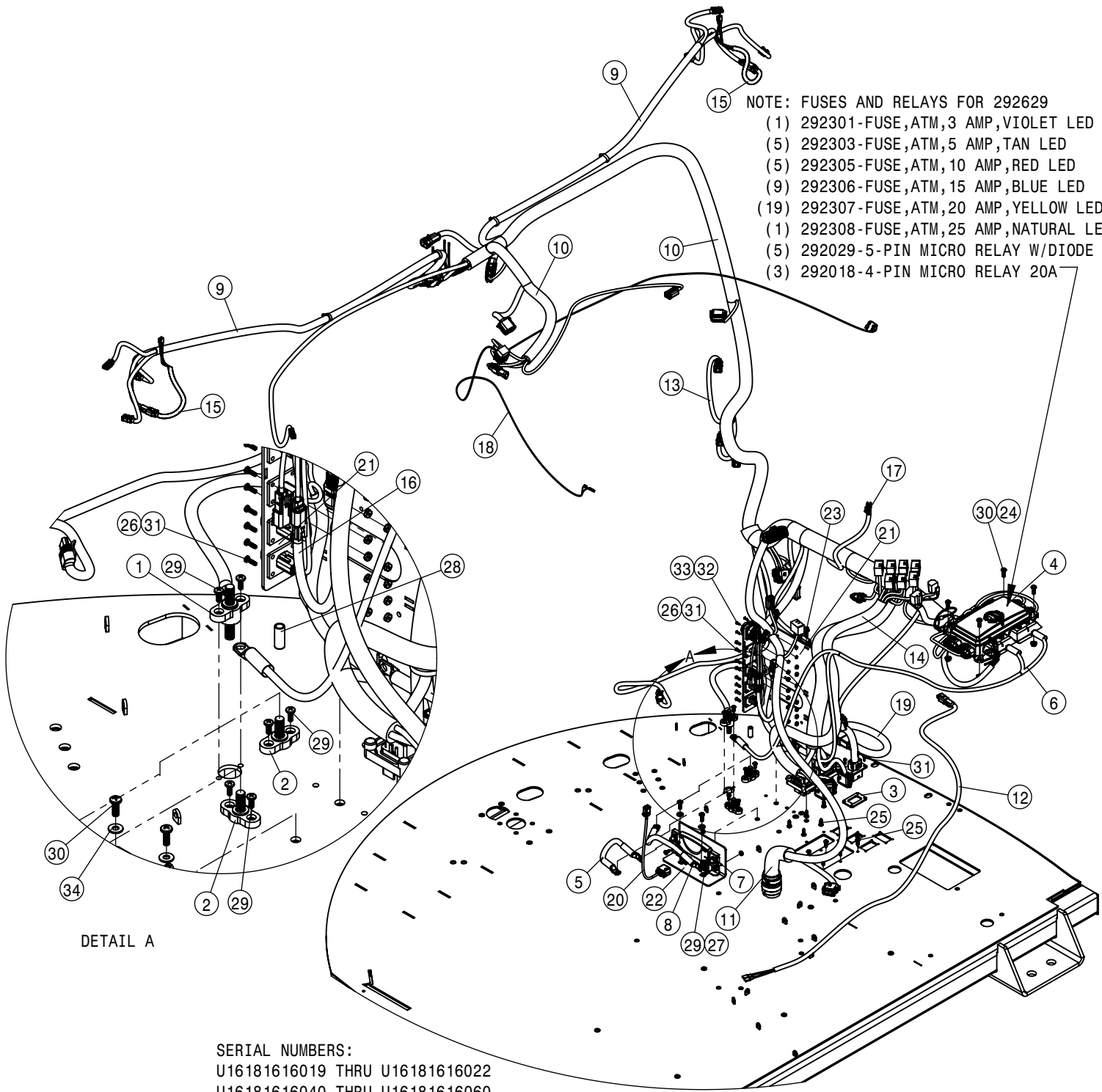
DOOR ASSEMBLY			
DET	QTY	P/N	DESCRIPTION
37	4	470414	INSIDE SQUEEZE LATCH CAP
38	1	470417	STRIKER PIN, DOOR LATCH, TRIMARK
39	4	470419	DOOR HINGE BUSH,RUBBER STS 05
40	8	470420	DOOR HINGE BUSH,RUBBER STS 05
41	1	470421	NYLON SPACER, SPHERICAL 6MMx12
42	4	470431	1/2UNC X 1 1/2 SERR FLG BOLT
43	2	470489	GASKET, DOOR HANDLE STIFFENER
44	1	470689	10-24 HEX NYLOC NUT, SS
45	4	472375	5/16UNC X 3/4 BUTN CAP SCR BLK
46	2	473761	6MM-1.00 X 20MM FLT HD SCREW
47	1	473762	6MM-1.00 X 45 PAN HD PHL SCREW
48	2	473767	6MM-1.00 HEX NUT
49	2	473787	6MM-1.00 X 25MM HEX BOLT GR8
50	2	473988	1/2UNC HEX NUT, NYLOC SS
51	1	658105	GLASS DOOR, STS' 15
52	2	900000	1/4UNC X 1/2 HEX BOLT
53	2	900348	1/2UNC X 6" HEX BOLT SS
54	2	903906	#4-40 X 5/8 PHIL PAN HD SCREW
55	4	910031	#4-40 HEX LOCK NUT
56	2	914027	10-32 HEX STOVER NUT
57	2	903904	4-40 X 3/8 PHIL PAN MACH SCR
58	4	910133	USS FLAT WASHER 5/16 BZ
59	1	473759	12MM-1.75 HEX JAM NUT YZ



SERIAL NUMBERS:
 U16181616001 THRU U16181616018
 U16181616023 THRU U16181616039

CAB ELECTRICAL - TOP ASSEMBLY			
DET	QTY	P/N	DESCRIPTION
1	1	291749	TERM BLOCK, BLACK, 3/8-16 THRU
2	2	291750	TERM BLOCK, RED, 3/8-16 THRU
3	1	292629	DVEC - INTERIOR
4	1	292647	CABLE - BATTERY POWER STS
5	1	292648	CABLE - DVEC POWER STS
6	1	292761	SOLID STATE MCR
7	1	292762	CABLE - SWITCH POWER STS
8	1	294146	HARNESS - AUTO STEER CAB
9	2	294200	HARNESS - ROOF STS
10	1	294201	HARNESS - MAIN CAB INT STS
11	1	294203	HARNESS - SEAT POD STS
12	1	294204	HARNESS - 12V POWER PLUG STS
13	1	294205	HARNESS - A-POST GAUGE STS
14	1	294206	HARNESS - CAB SWITCH STS
15	2	294207	HARNESS - BEACON STS
16	1	294210	HARNESS - PRES SWITCH STS
17	1	294211	HARNESS - E-STOP STS
18	1	294212	HARNESS - SPEAKER STS

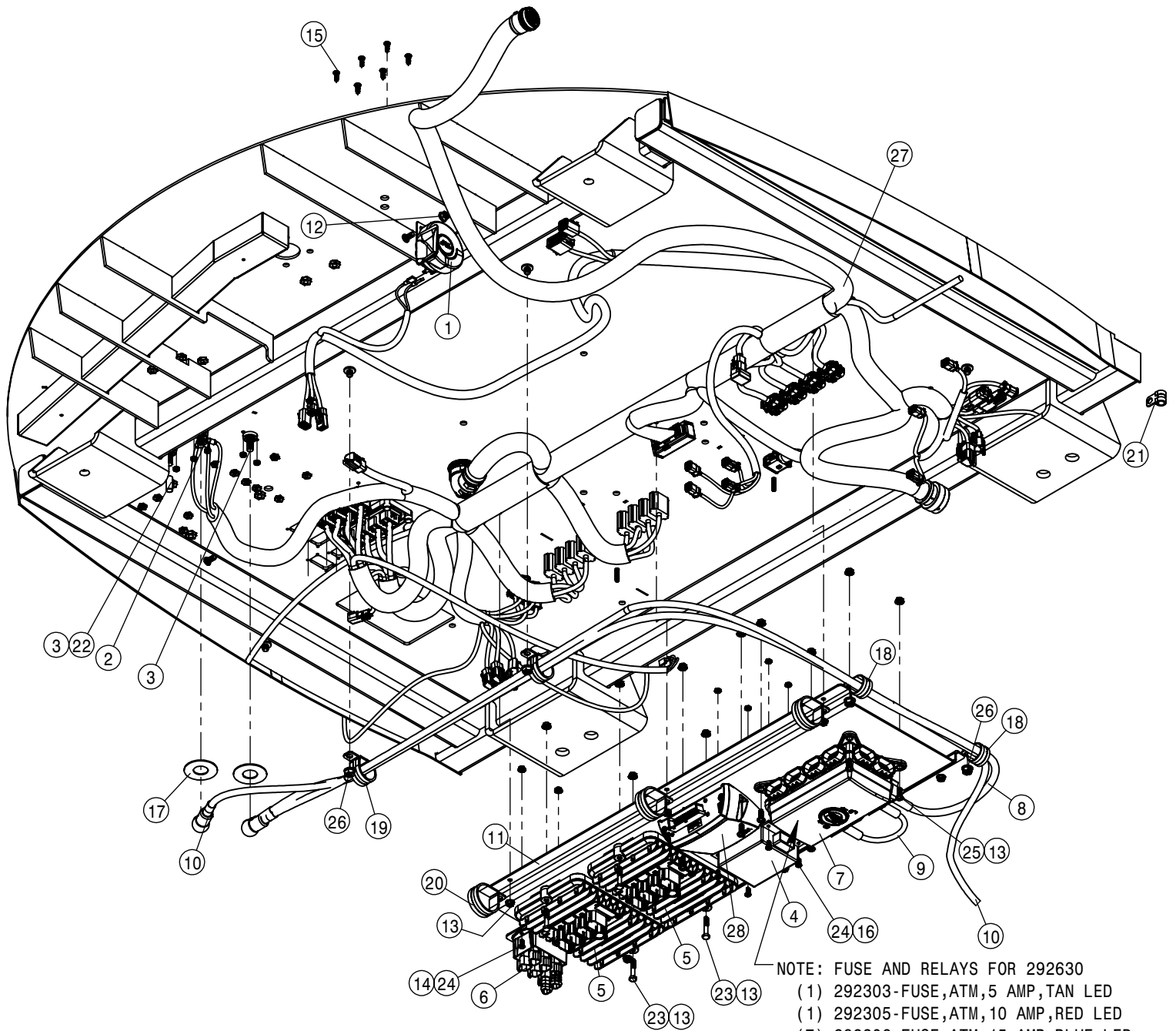
CAB ELECTRICAL - TOP ASSEMBLY			
DET	QTY	P/N	DESCRIPTION
19	1	294425	HARNESS, SOLID STATE MCR
20	1	344310	CAB ELEC BRKT '15
21	1	345233	MCR MT BRKT
22	2	470118	1/4 UNC X 3/4 SER FLG BOLT
23	4	470121	1/4 UNC SERR FLG LOCK NUT
24	12	470465	#12 X 3/4 PHIL PAN SHT MTL SCR
25	20	470467	#6-32UNC KEP NUT MC GR5
26	2	470542	#10-32UNF KEP NUT MC GR5
27	1	629736	CAPPLUGS CAP, .312 X 1.00 VINYL
28	8	903706	10-32X1/2 PHIL PAN MACH SCR
29	6	903711	1/4UNC X3/4PHIL PANHD MACH SCR
30	20	903812	6-32 X 1/2 PHIL PAN MACH SCR
31	4	903904	4-40 X 3/8 PHIL PAN MACH SCR
32	4	910029	4-40 HEX NUT
33	2	910112	SAE FLAT WASHER 1/4 SS



SERIAL NUMBERS:
 U16181616019 THRU U16181616022
 U16181616040 THRU U16181616060

CAB ELECTRICAL-TOP ASSEMBLY			
DET	QTY	P/N	DESCRIPTION
1	1	291749	TERM BLOCK,BLACK,3/8-16 THRU
2	2	291750	TERM BLOCK,RED,3/8-16 THRU
3	1	292120	DEUTSCH GASKET, DT12-L012
4	1	292629	DVEC - INTERIOR
5	1	292647	CABLE - BATTERY POWER STS
6	1	292648	CABLE - DVEC POWER STS
7	1	292761	SOLID STATE MCR
8	1	292762	CABLE - SWITCH POWER STS
9	2	294200	HARNESS - ROOF STS
10	1	294201	HARNESS - MAIN CAB INT STS
11	1	294203	HARNESS - SEAT POD STS
12	1	294204	HARNESS - 12V POWER PLUG STS
13	1	294205	HARNESS - A-POST GAUGE STS
14	1	294206	HARNESS - CAB SWITCH STS
15	2	294207	HARNESS - BEACON STS
16	1	294210	HARNESS - PRES SWITCH STS
17	1	294211	HARNESS - E-STOP STS

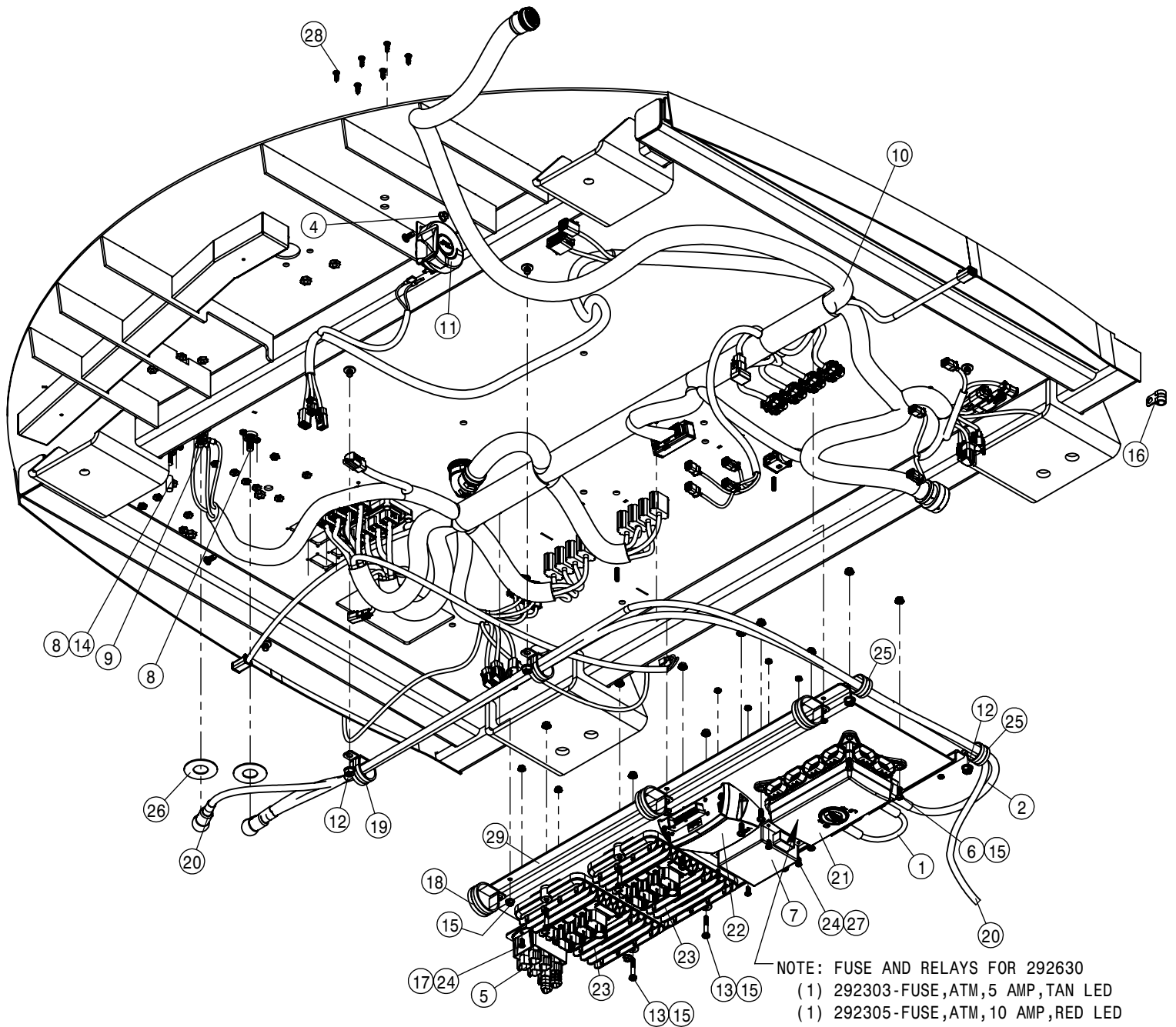
CAB ELECTRICAL-TOP ASSEMBLY			
DET	QTY	P/N	DESCRIPTION
18	1	294212	HARNESS - SPEAKER STS
19	1	294369	HARNESS - AUTO STEER CAB
20	1	294425	HARNESS, SOLID STATE MCR
21	1	344310	CAB ELEC BRKT '15
22	1	345233	MCR MT BRKT
23	2	470118	1/4UNC X 3/4 HHSFB GR5 MC
24	4	470121	1/4-20UNC HEX FLG NUT SER MC GR5
25	12	470465	#12 X 3/4 PHIL PAN SHT MTL SCR
26	20	470467	#6-32UNC KEP NUT MC GR5
27	2	470542	#10-32UNF KEP NUT MC GR5
28	1	629736	CAPPLUGS CAP,.312 X 1.00 VINYL
29	8	903706	10-32X1/2 PHIL PAN MACH SCR
30	6	903711	1/4UNC X3/4PHIL PANHD MACH SCR
31	20	903812	6-32 X 1/2 PHIL PAN MACH SCR
32	4	903904	4-40 X 3/8 PHIL PAN MACH SCR
33	4	910029	#4-40UNC HEX NUT MC GR5
34	2	910112	SAE FLAT WASHER 1/4 SS



SERIAL NUMBERS:
 U16181616001 THRU U16181616018
 U16181616023 THRU U16181616039

CAB ELECTRICAL-BOTTOM ASSEMBLY			
DET	QTY	P/N	DESCRIPTION
1	1	290062	HORN
2	1	291749	TERM BLOCK,BLACK,3/8-16 THRU
3	2	291750	TERM BLOCK,RED,3/8-16 THRU
4	1	291910	FLASHER, SOLID STATE, 12V
5	2	292009	IQAN-MC3 CONTROLLER
6	1	292406	J1939 JUNCTION MODULE
7	1	292630	DVEC - EXTERIOR
8	1	292645	CABLE - SSDVEC POWER CABLE
9	1	292650	CABLE - SSDVEC JUMPER
10	1	292668	CAB PWR,GND CABLE ASY
11	1	344442	BRACKET - ELEC MODULE MOUT CAB
12	1	470113N	5/16UNC SERR FLG LOCK NUT SS
13	16	470121	1/4 UNC SERR FLG LOCK NUT
14	2	470175	10-32 SERR FLANGE NUT

CAB ELECTRICAL-BOTTOM ASSEMBLY			
DET	QTY	P/N	DESCRIPTION
15	6	470465	#12 X 3/4 PHIL PAN SHT MTL SCR
16	10	470542	10-32 KEP NUT
17	2	470677	NYLON WASHER 1"ID, 2-1/4"OD, .075"W
18	2	520108	CUSH HOSE CLAMP,#20, 1 1/4 X 3/4W
19	2	520160	CUSH CLAMP,#24 1 1/2D-3/4WLOOP
20	3	520161	CUSH CLAMP,#32 2"D-3/4W LOOP
21	1	520163	CUSH HOSE CLAMP,#8, 1/2D X 3/4W
22	1	629736	CAPPLUGS CAP, .312 X 1.00 VINYL
23	4	900005	1/4UNC X 1 1/2 HEX BOLT
24	6	903706	10-32X1/2 PHIL PAN MACH SCR
25	6	903711	1/4UNC X3/4PHIL PANHD MACH SCR
26	4	910004N	3/8UNC FLANGE CNTR LOCK NUT
27	1	294288	HARNESS - MAIN CAB EXT STS
28	1	292017	IQAN-XS2 MODULE



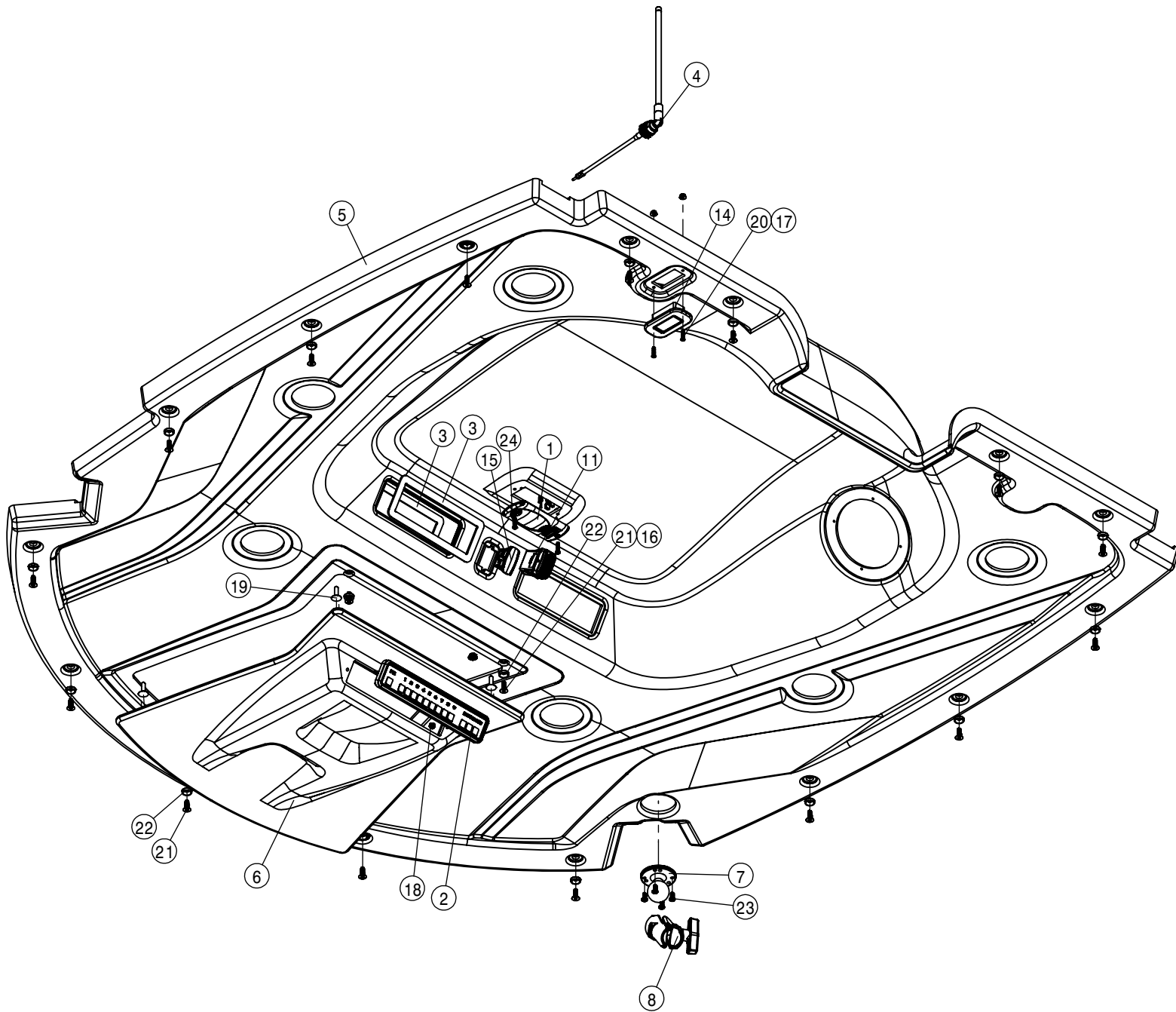
SERIAL NUMBERS:

U16181616019 THRU U16181616022

U16181616040 THRU U16181616060

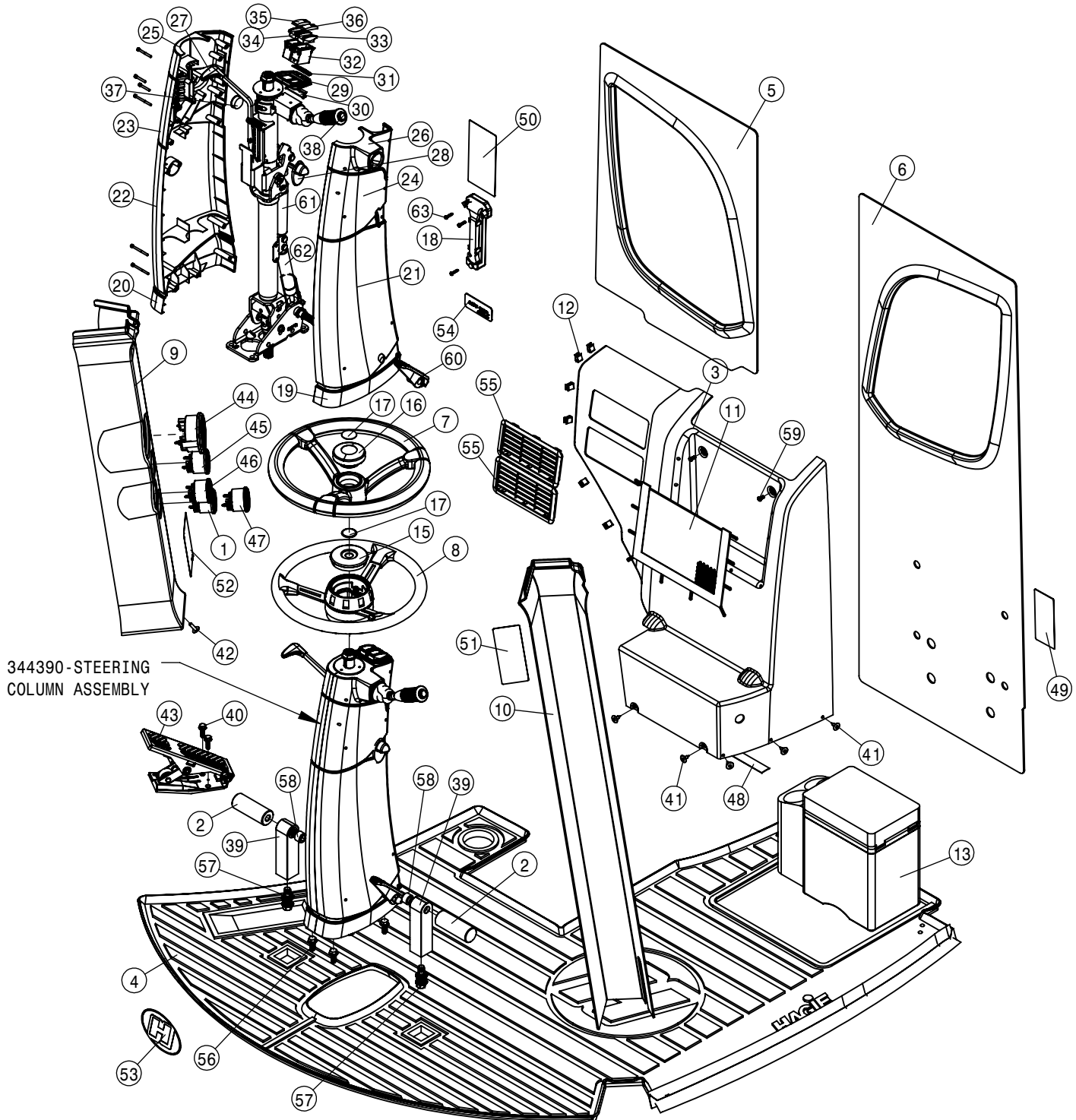
CAB ELECTRICAL - BOTTOM ASSEMBLY			
DET	QTY	P/N	DESCRIPTION
1	1	292650	CABLE - SSDVEC JUMPER
2	1	292645	CABLE - SSDVEC POWER CABLE
3	2	914027	#10-32UNF STOVER NUT MC GR2
4	1	910119	5/16-18UNC HEX FLG NUT SER SS
5	1	292406	J1939 JUNCTION MODULE
6	6	903711	1/4UNC X3/4PHIL PANHD MACH SCR
7	1	291910	FLASHER, SOLID STATE, 12V
8	2	291750	TERM BLOCK,RED,3/8-16 THRU
9	1	291749	TERM BLOCK,BLACK,3/8-16 THRU
10	1	294085	HARNESS - MAIN CAB EXT STS
11	1	290062	HORN
12	4	910004N	3/8UNC FLANGE CNTR LOCK NUT
13	4	900005	1/4UNC X 1 1/2 HHCS GR5 MC
14	1	629736	CAPPLUGS CAP, .312 X 1.00 VINYL
15	14	470121	1/4-20UNC HEX FLG NUT SER MC GR5

CAB ELECTRICAL - BOTTOM ASSEMBLY			
DET	QTY	P/N	DESCRIPTION
16	1	520163	CUSH HOSE CLAMP,#8, 1/2D X 3/4W
17	2	470175	#10-32UNF HEX FLG NUT SER MC GR5
18	3	520161	CUSH CLAMP,#32 2"D-3/4W LOOP
19	2	520160	CUSH CLAMP,#24 1 1/2D-3/4WLOOP
20	1	292668	CAB PWR,GND CABLE ASY
21	1	292630	DVEC - EXTERIOR
22	1	292017	IQAN-XS2 MODULE
23	2	292009	IQAN-MC3 CONTROLLER
24	6	903706	10-32X1/2 PHIL PAN MACH SCR
25	2	520108	CUSH HOSE CLAMP,#20, 1 1/4D X 3/4W
26	2	470677	NYLON WASHER 1"ID, 2-1/4"OD, .075"W
27	10	470542	#10-32UNF KEP NUT MC GR5
28	6	470465	#12 X 3/4 PHIL PAN SHT MTL SCR
29	1	344442	BRACKET - ELEC MODULE MOUT CAB



HEADLINER ASSEMBLY			
DET	QTY	P/N	DESCRIPTION
1	1	292620	DOMELIGHT
2	1	292678	LIGHT BAR - SECTION INDICATOR
3	2	343331	RADIO BEZEL,CAB, BLK PLASIC 05
4	1	344177	ANTENNA - RADIO
5	1	344349	HEADLINER
6	1	344350	HEADLINER ACCESS PANEL
7	1	344384	1.5" RAM BALL MNT BASE 2.50"DIA
8	1	344385	1.5" RAM BALL MNT 4.50"DBL SOC ARM
NS	1	344415	RADIO - STANDARD
NS	1	344416	RADIO - PREMIUM
11	1	344417	BLUETOOTH MIC
NS	1	344418	HARNESS - BLUETOOTH MIC

HEADLINER ASSEMBLY			
DET	QTY	P/N	DESCRIPTION
NS	2	344419	SPEAKER
14	1	344459	GARMENT HOOK
15	1	344461	HOLE PLUG - CONTURA V
16	2	470121	1/4 UNC SERR FLG LOCK NUT
17	4	470463	8-32 SERR FLANGE NUT
18	2	470541	8-32 KEP NUT
19	4	470545	PUSH TREE FASTENER 1/4 X 1
20	2	472376	#8-32 X 3/4 FLT HD PHIL SCREW
21	17	472378	1/4-20 X 3/4 FLT HD SOCKET SCREW ZN BLK
22	17	472380	1/4 CNTR SNK WASH, NYLON
23	4	903706	10-32X1/2 PHIL PAN MACH SCR
24	2	903850	8-32 X 3/4 PHIL PAN MACH SCR BZ

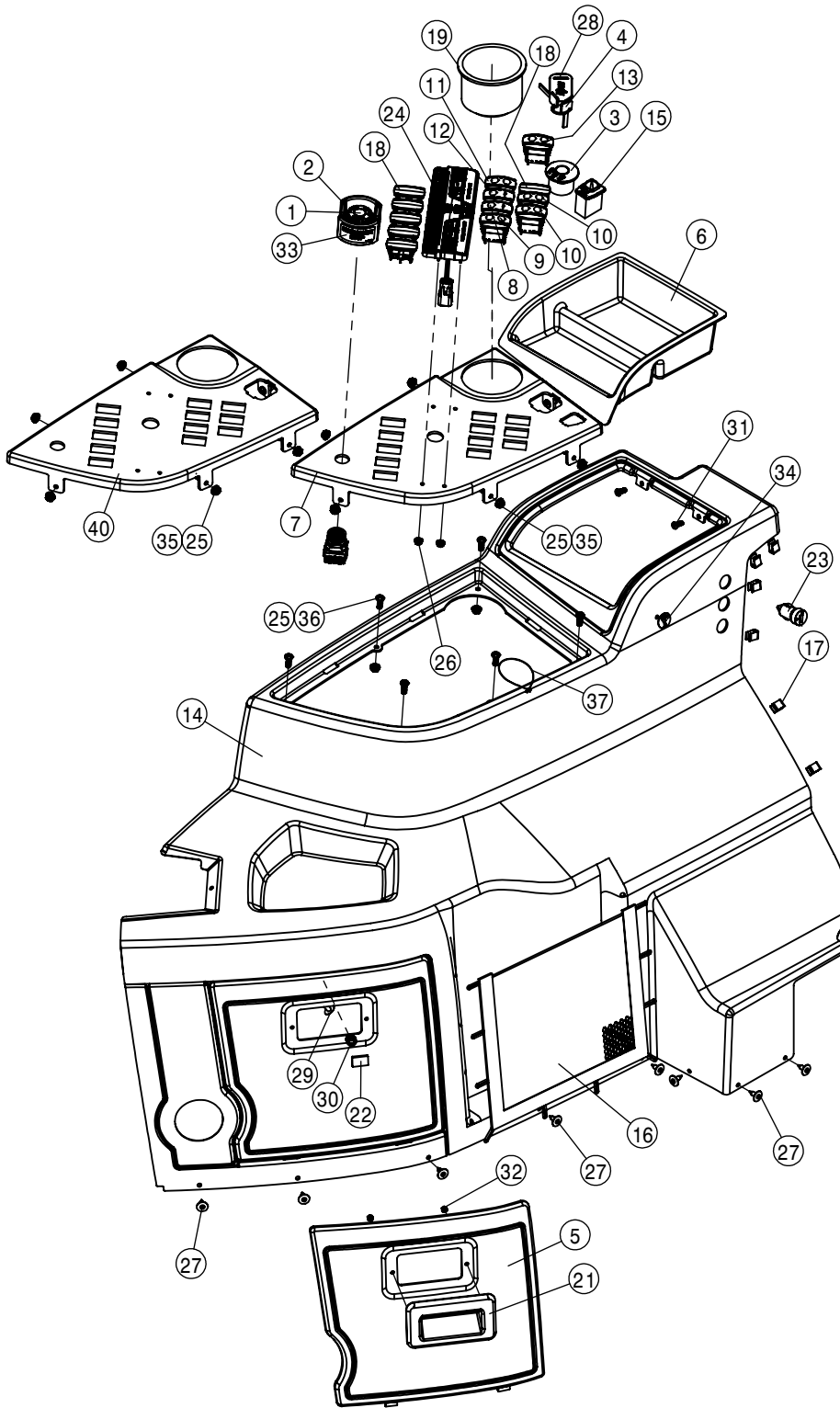


344390-STEERING COLUMN ASSEMBLY

CAB INTERIOR ASSEMBLY			
DET	QTY	P/N	DESCRIPTION
1	1	344171	GAUGE BLANK
2	2	344284	STS CAB FOOT PEG '14
3	1	344308	REAR CONSOLE
4	1	344339	FLOORMAT - MOLDED
5	1	344347	RH REAR WALL LINER
6	1	344348	LH REAR WALL LINER
7	1	344391	STEERING WHEEL - DELUXE
8	1	344392	STEERING WHEEL - PREMIUM
9	1	344397	RH A POST COVER
10	1	344398	LH A POST COVER
11	1	344411	CARGO NET - REAR CONSOLE
12	6	344413	"U" CLIP
13	1	344420	ELEC COOLER
14	4	344464	POWER OUTLET 12V
15	1	344573	CTR CAP,STEERING WHEEL-PREMIUM
16	1	344574	CTR CAP STEERING WHEEL - DELUXE
17	2	344575	DECAL - STEERING WHEEL CENTER
18	1	344646	WINDOW BREAKING TOOL, STS' 15
19	1	344686	LH SIDE-LWR COVER, STRG COLUMN
20	1	344687	RH SIDE-LWR COVER, STRG COLUMN
21	1	344688	LH SIDE-MID COVER, STRG COLUMN

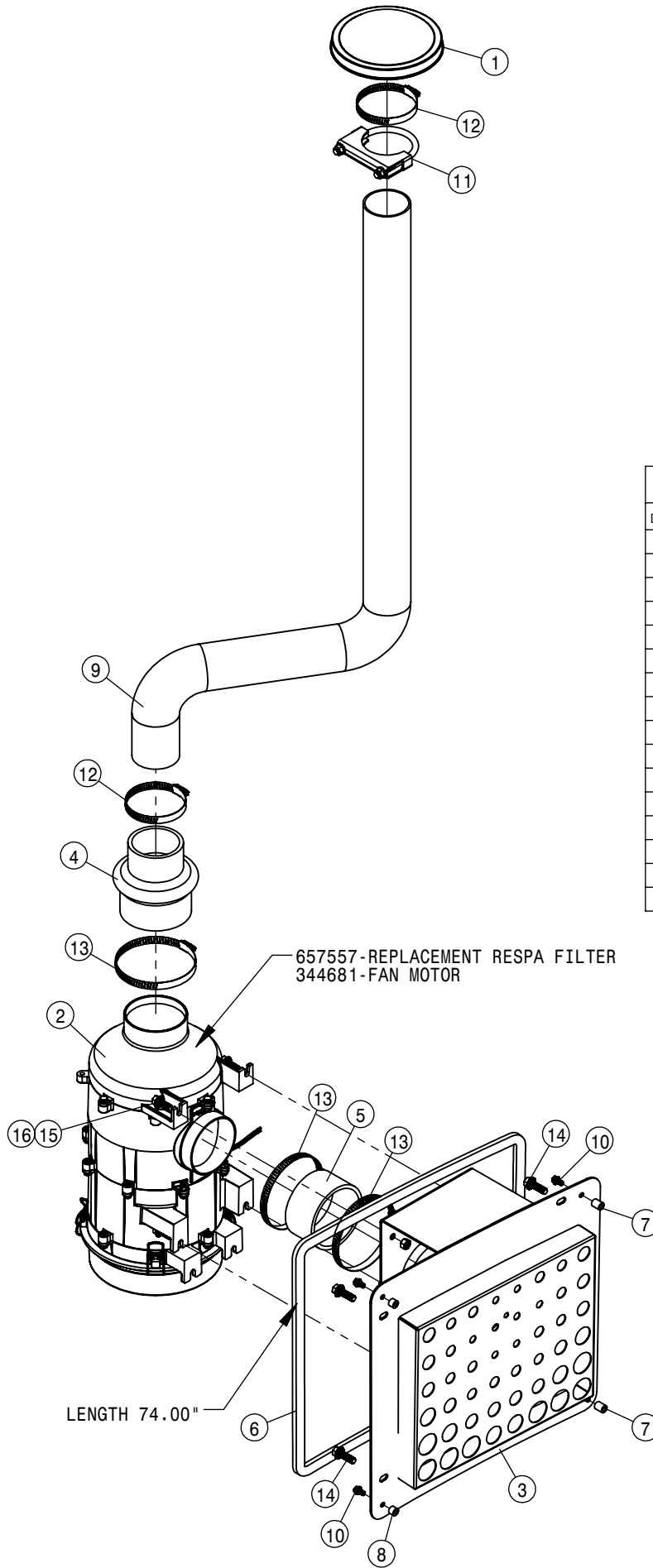
CAB INTERIOR ASSEMBLY			
DET	QTY	P/N	DESCRIPTION
22	1	344689	RH SIDE-MID COVER, STRG COLUMN
23	1	344690	RH SIDE-UPR COVER, STRG COLUMN
24	1	344692	LH SIDE-UPR COVER, STRG COLUMN
25	1	344693	RH SIDE-TOP COVER, STRG COLUMN
26	1	344694	LH SIDE-TOP COVER, STRG COLUMN
27	1	344695	UPR HANDLE RAL, STRG COLUMN
28	1	344696	LH UPR HANDLE RAL, STRG COLUMN
29	1	344697	SWITCH HOUSING, STRG COLUMN
30	1	344698	LIGHT 4LED 12V, STRG COLUMN
31	1	344699	INDICATOR PAD, STRG COLUMN
32	2	344700	SWITCH BASE, STRG COLUMN
33	1	344701	SWITCH ON/OFF SERIES 533
34	1	344702	SWITCH ON/OFF SERIES 533
35	1	344703	BLUE COVER, LIGHTS, 1-LED
36	1	344704	RED COVER, HAZARD SERIES 533
37	1	344734	RH CAP, STRG COLUMN
38	1	344691	LH SWITCH, WIPER/LIGHTS, STRG
39	2	344286	STS CAB FOOT PEG RISER
40	2	470234	5/16UNC X 1" SERR FLG HEX BOLT
41	5	470466	1/4 X 3/4 PLTC LCK RIVET
42	1	470545	PUSH TREE FASTENER 1/4 X 1

CAB INTERIOR ASSEMBLY			
DET	QTY	P/N	DESCRIPTION
43	1	470649	PEDAL - DECAL
44	1	470650	GAUGE - 3" RPM
45	1	470651	GAUGE - 2" FUEL
46	1	470652	GAUGE - 2" COOLANT TEMP
47	1	470654	GAUGE, DEF 2" '14
48	1	490645	VHB TAPE 5952, BLACK
49	1	650164	DECAL,NO PASSNGR/NOT NEAR LEAK
50	1	650176	DECAL,CAUTION,CAB CHEM EXPOSUR
51	1	650474	DECAL,PWR LINE/BM FOLD
52	1	650479	JOYSTICK DECAL, STS' 15
53	1	651008	DECAL - H-DOT FRONT GLASS 5.00"
54	1	651009	ROPS DECAL, STS' 14
55	2	657549	2412, 4"X8" Louver Grill
56	4	900129N	3/8UNC X 1" SERR FLANGE BOLT
57	4	900263N	1/2UNC X 1" SER FLANGE BOLT
58	2	900396	5/8UNC X 2 SOCKET CAP SCR
59	2	903706	10-32X1/2 PHIL PAN MACH SCR
60	1	344705	LEFT PEDAL, STRG COLUMN
61	1	344707	GAS SPRING 400N, STRG COLUMN
62	1	344708	GAS SPRING 500N, STRG COLUMN
63	3	903850	8-32 X 3/4 PHIL PAN MACH SCR BZ

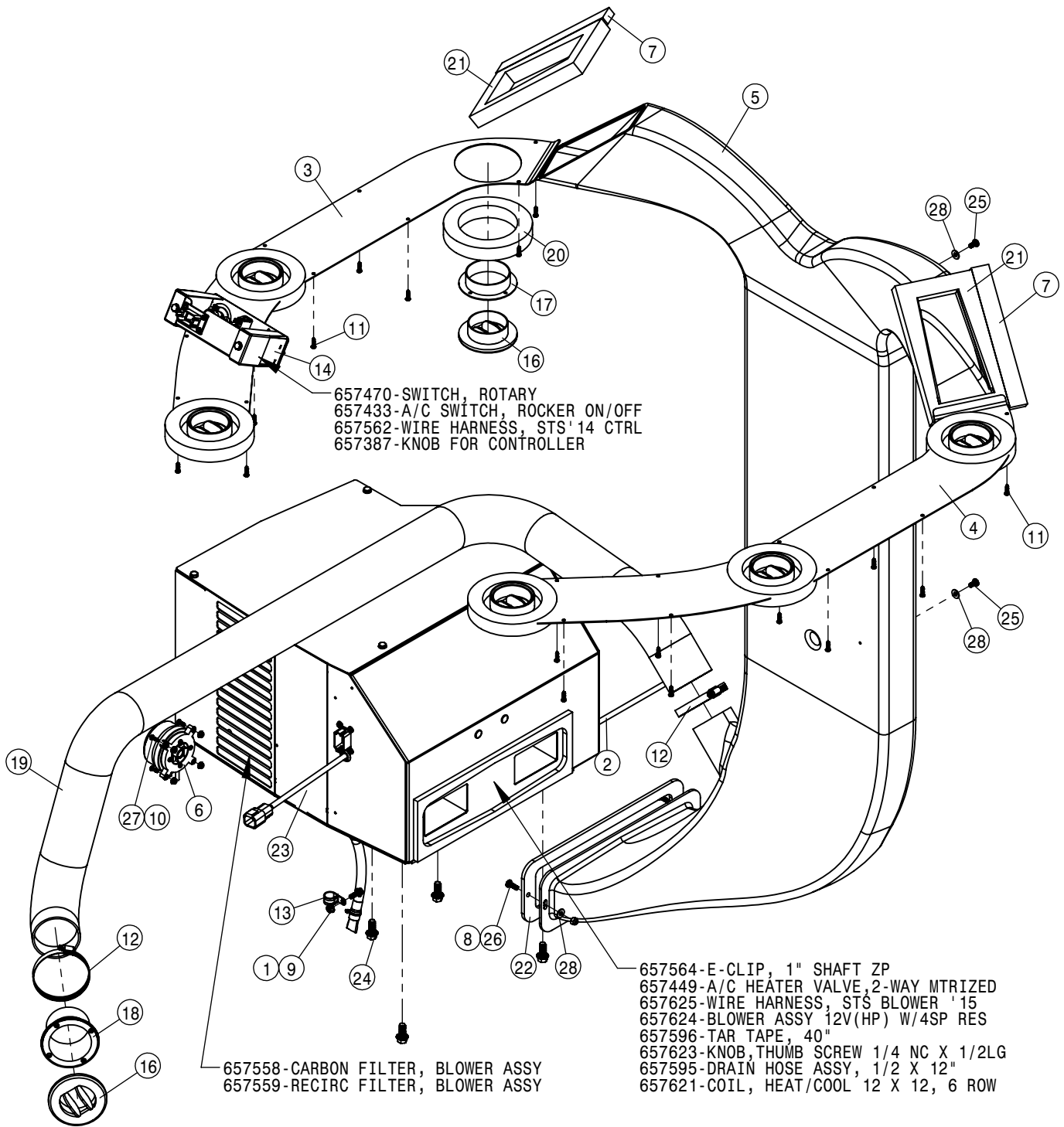


CONSOLE ASSEMBLY			
DET	QTY	P/N	DESCRIPTION
1	1	290081	E-STOP SWITCH,LED MUSHROOM
2	1	290089	E-STOP SHROUD, STS '11
3	1	291916	IGNITION SWITCH
4	2	291917	IGNITION KEY FOR 291916
5	1	344306	CONSOLE DOOR
6	1	344307	CONSOLE TRAY
7	1	344309	CONSOLE SWITCH PANEL
8	1	344312	SWITCH - SOLUTION PUMP
9	1	344313	SWITCH - MAIN TANK
10	2	344314	SWITCH - BOOM FOLD
11	1	344315	SWITCH - RINSE
12	1	344316	SWITCH - AGITATION
13	1	344317	SWITCH - FOAMER
14	1	344407	CONSOLE BODY
15	1	344409	SWITCH - POWER MIRROR
16	1	344410	CARGO NET - SIDE CONSOLE
17	6	344413	"U" CLIP
18	6	344461	HOLE PLUG - CONTURA V
19	1	344462	CUP HOLDER - LARGE
NS	4	344464	POWER OUTLET 12V
21	1	344465	DOOR HANDLE
22	1	344514	PLATE - CONSOLE DOOR
23	1	344555	USB CHARGING ADAPTER - DC
24	1	344556	SECTION KEYPAD STS' 15
25	18	470121	1/4 UNC SERR FLG LOCK NUT
26	4	470175	10-32 SERR FLANGE NUT
27	8	470466	1/4 X 3/4 PLTC LCK RIVET
28	1	470544	HAGIE KEY CHAIN
29	1	470545	PUSH TREE FASTENER 1/4 X 1
30	1	470676	MORTISE MOUNT-PULL MAG CATCH
31	2	472344	1/4UNCX5/8 ALHD BUTTON CAP SCR
32	2	473870	M5 HEX NUT
33	1	650278	DECAL, E-STOP, STS '11
34	1	650467	DECAL - AUX 2
35	12	903708	1/4UNC X1/2PHIL PANHD MACH SCR
36	6	903711	1/4UNC X3/4PHIL PANHD MACH SCR
37	1	470609	8" BEAD CHAIN
NS	1	493626	STS QUICK START GUIDE
NS	1	493662	STS TOOL INSTRUCTION SHEET
40	1	343912	CONSOLE SWITCH PANEL, NO MRR

BULK TRIM SEAL
 193070-SEAL, .63 X .63 D-SECT EDPM

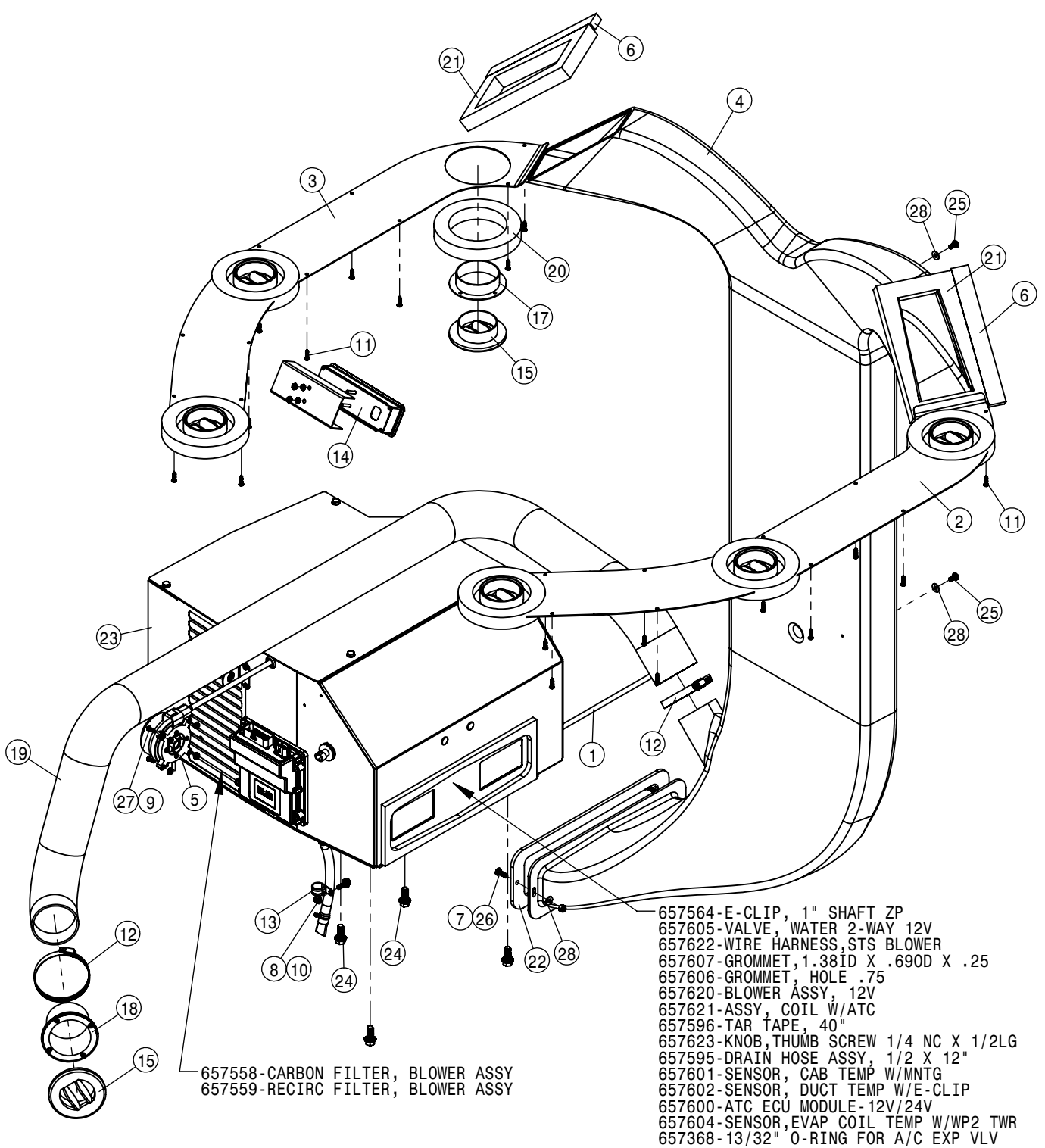


AIR INTAKE ASSEMBLY			
DET	QTY	P/N	DESCRIPTION
1	1	311534	RAIN CAP, 3" INLET, POLY
2	1	343863	HVAC FILTRATION UNIT, DTS
3	1	343903	TALL CROP MT WLD, DTS
4	1	343909	AIR INTAKE COUPLING, DTS
5	1	344669	TC HVAC DUCT, STS' 15
6	1	344480	SEAL - RESPA PANEL
7	2	344557	STAND OFF 5/8" LG, STS' 14
8	2	344558	STAND OFF 3/8" LG, STS' 14
9	1	344667	TALL CROP INTAKE TUBE, STS' 16
10	4	470122	1/4 UNC X 1/2 SERR FLG BOLT
11	1	470160	MUFFLER CLAMP 3.00 IN
12	2	520052	HOSE CLAMP NO 52 STAINLESS
13	3	520072	HOSE CLAMP NO 72 STAINLESS
14	4	900127N	3/8UNC X 1 1/4 SER FLANGE BOLT
15	4	900129N	3/8UNC X 1" SERR FLANGE BOLT
16	4	910004	3/8UNC HEX NUT



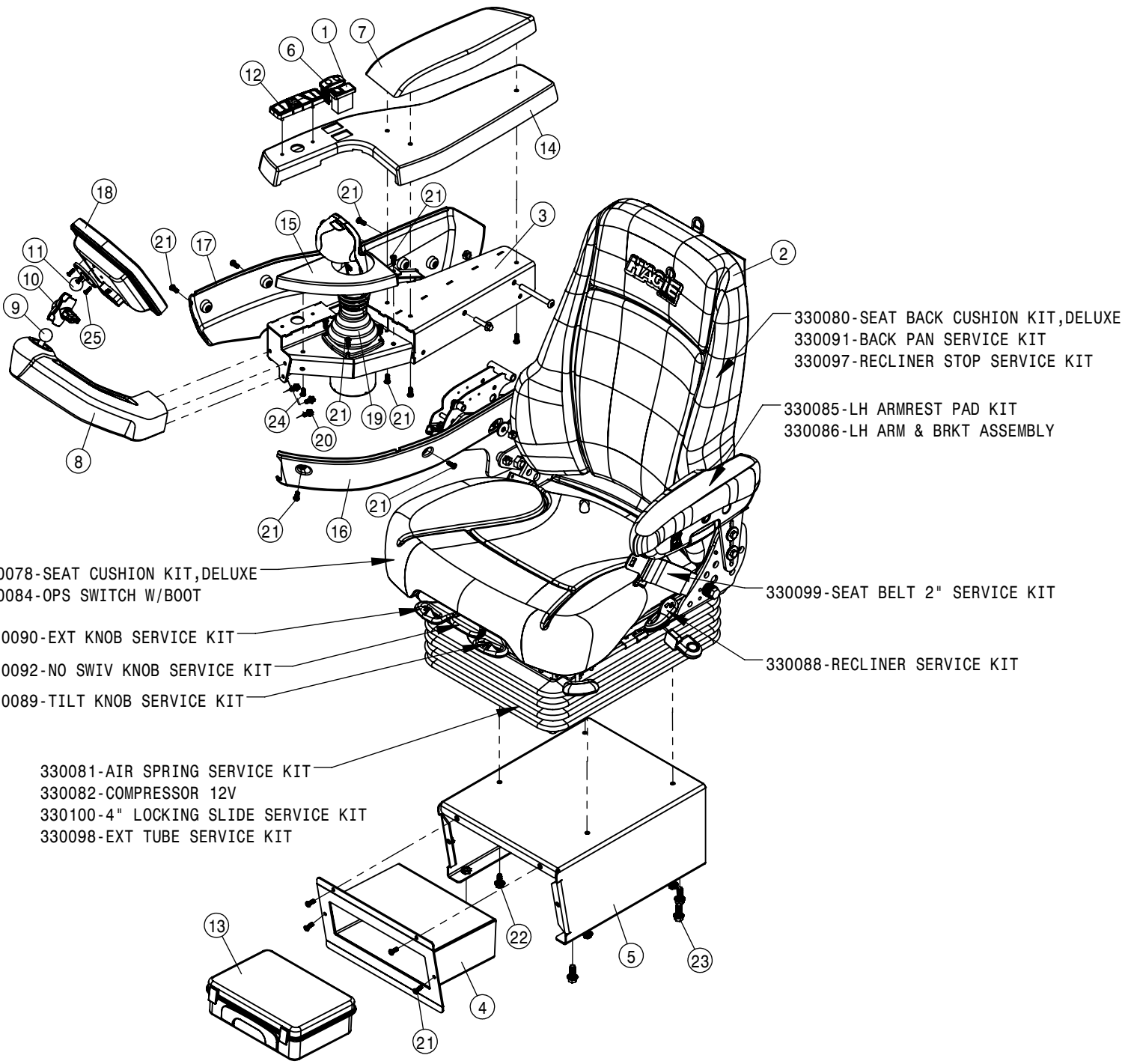
DELUXE/STANDARD HVAC ASSEMBLY			
DET	QTY	P/N	DESCRIPTION
1	1	473834	1/4UNC X 3/4 SER FLG BOLT SS
2	1	317315	HOSE - HVAC PRESSURE
3	1	344361	PLATE, ROOF DUCT COVER RH, STSCAB' 14
4	1	344362	PLATE, ROOF DUCT COVER LH, STSCAB' 14
5	1	344366	DUCT HVAC - STS CAB
6	1	344425	PRESSURE SWITCH - HVAC
7	2	344576	TEMP SEAL DUCT, STS' 14
8	2	470089	1/4UNC HEX NYL-LOC NUT
9	1	470121N	1/4 UNC SERR FLG LOCK NUT SS
10	4	470463	8-32 SERR FLANGE NUT
11	20	473990N	#8 X 3/4 PHIL PAN SMS TY-A BZ
12	2	520052	HOSE CLAMP NO 52 STAINLESS
13	1	520104	CUSH HOSE CLMP, #12, 3/4D x 1/2W
14	1	657542	HVAC CONTROL - MANUAL, STS' 14

DELUXE/STANDARD HVAC ASSEMBLY			
DET	QTY	P/N	DESCRIPTION
NS	1	657544	HARNESS - HVAC MAN CONTROL
16	7	657546	LOUVER, 4" W/O MNT
17	6	657547	PANEL MNT, LOUVER (THK PANEL)
18	1	657548	PANEL MNT, LOUVER (THK PANEL)
19	1	657550	HOSE - 3IN HVAC
20	6	657552	GASKET SEAL ROOF LOUVER
21	2	657553	GASKET SEAL ROOF LOUVER
22	1	657556	GASKET SEAL ROOF LOUVER
23	1	657560	HVAC STANDARD CONTROL ENHANCED
24	4	900129N	3/8UNC X 1" SERR FLANGE BOLT
25	2	903708N	1/4UNC X1/2PHIL PAN MACH SCR BZ
26	2	903711	1/4UNC X3/4PHIL PANHD MACH SCR
27	4	903844	8-32 X 1/2 PHIL PANHD MACH SCR
28	4	920000	1/4 SAE FLAT WASHER



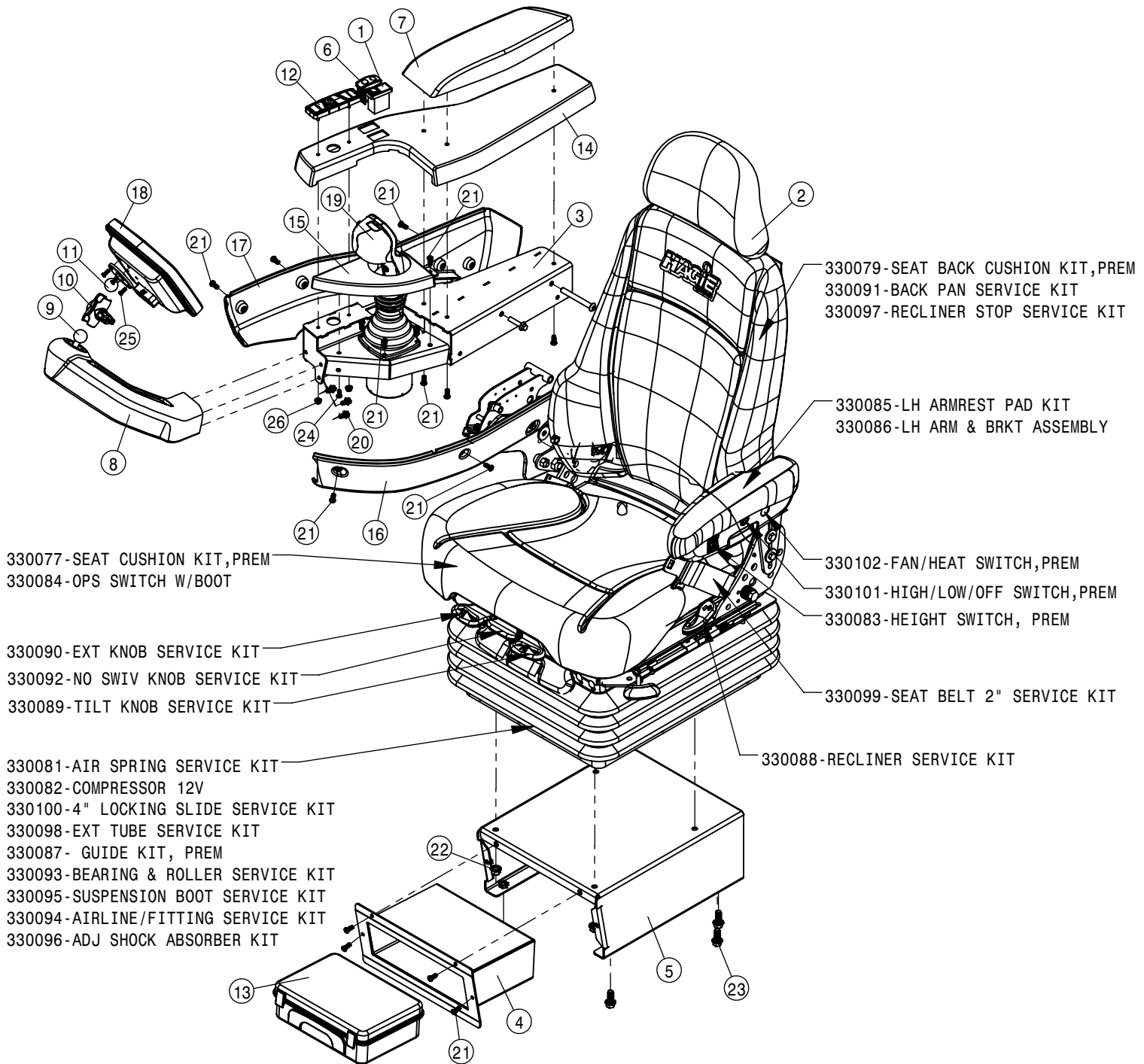
PREMIUM HVAC ASSEMBLY			
DET	QTY	P/N	DESCRIPTION
1	1	317315	HOSE - HVAC PRESSURE
2	1	344362	PLATE, ROOF DUCT COVER LH, STSCAB' 14
3	1	344361	PLATE, ROOF DUCT COVER RH, STSCAB' 14
4	1	344366	DUCT HVAC - STS CAB
5	1	344425	PRESSURE SWITCH - HVAC
6	2	344576	TEMP SEAL DUCT, STS' 14
7	2	470089	1/4UNC HEX NYL-LOC NUT
8	1	470121N	1/4 UNC SERR FLG LOCK NUT SS
9	4	470463	8-32 SERR FLANGE NUT
10	1	473834	1/4UNC X 3/4 SER FLG BOLT SS
11	20	473990N	#8 X 3/4 PHIL PAN SMS TY-A BZ
12	2	520052	HOSE CLAMP NO 52 STAINLESS
13	1	520104	CUSH HOSE CLMP, #12, 3/4D x 1/2W
14	1	657543	HVAC-CTRL-AUTO, CAB

PREMIUM HVAC ASSEMBLY			
DET	QTY	P/N	DESCRIPTION
15	7	657546	LOUVER, 4" W/O MNT
NS	1	657545	HARNESS-HVAC AUTO CTRL STS' 14
17	6	657547	PANEL MNT, LOUVER (THK PANEL)
18	1	657548	PANEL MNT, LOUVER (THK PANEL)
19	1	657550	HOSE - 3IN HVAC
20	6	657552	GASKET SEAL ROOF LOUVER
21	2	657553	GASKET SEAL ROOF LOUVER
22	1	657556	GASKET SEAL ROOF LOUVER
23	1	657561	BLOWER UNIT-AUT TMP CTRL STS' 15
24	4	900129N	3/8UNC X 1" SERR FLANGE BOLT
25	2	903708N	1/4UNC X1/2PHIL PAN MACH SCR BZ
26	2	903711	1/4UNC X3/4PHIL PANHD MACH SCR
27	4	903844	8-32 X 1/2 PHIL PANHD MACH SCR
28	4	920000	1/4 SAE FLAT WASHER



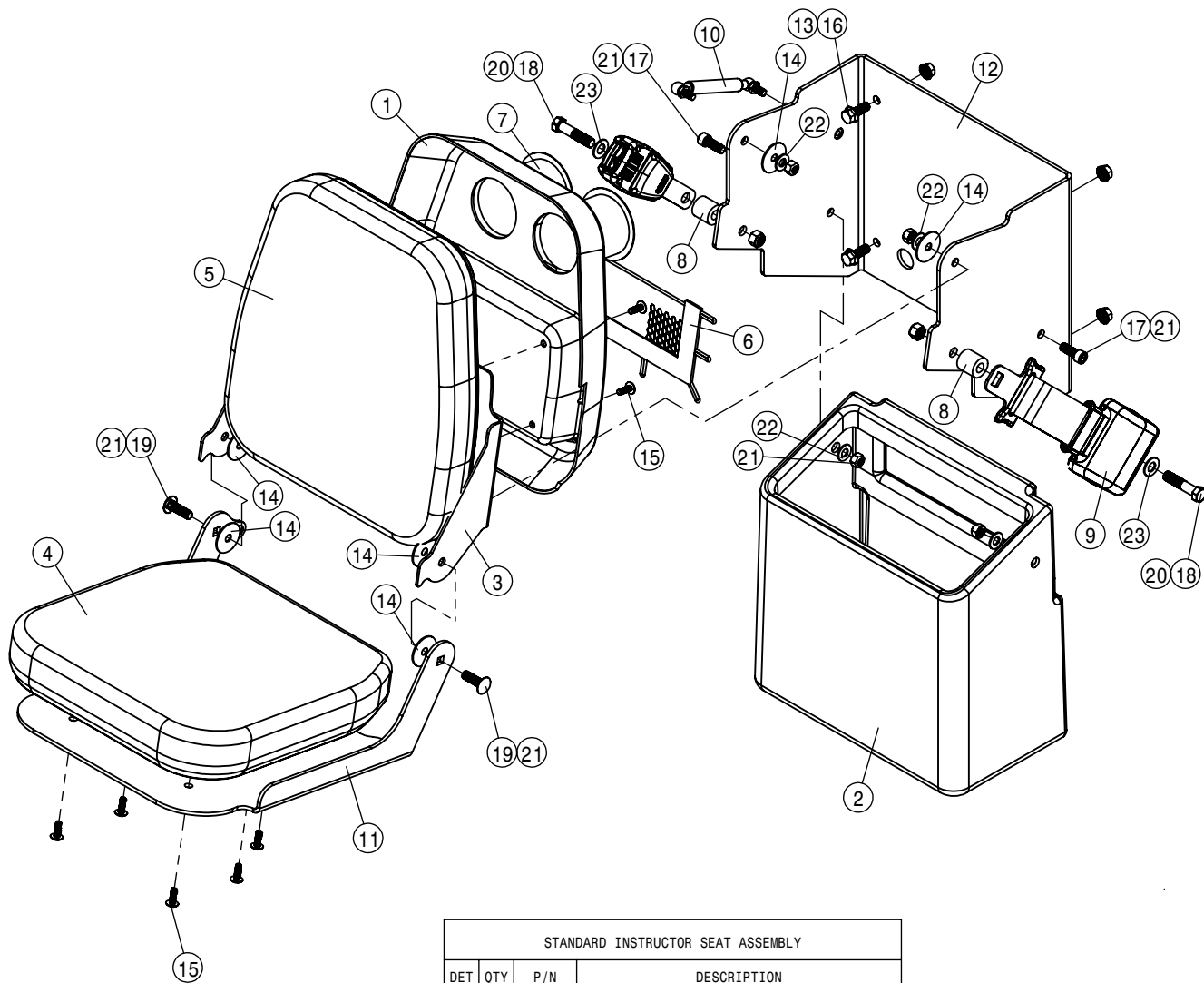
DELUXE SEAT ASSEMBLY			
DET	QTY	P/N	DESCRIPTION
1	1	292201	SWITCH, BRAKE, STS
2	1	330075	SEAT - DELUXE, CAB STS'14
3	1	344167	POD STRUCTURE WLDMT
4	1	344271	STS CAB FIRST AID WLDMNT '14
5	1	344275	STS CAB SEAT RISER WLDMNT '14
6	1	344311	SWITCH - THROTTLE
7	1	344340	ARMREST POD, ASSY, STSCAB'14
8	1	344342	POD DISPLAY MNT ASSY MOLDED, STSCAB'14
9	1	344363	1" RAM BALL MNT 1/4UNC THRD HOLE
10	1	344364	1" RAM BALL MNT 2.00"DBL SOC ARM
11	1	344365	1" RAM BALL MNT BASE 2.50"DIA
12	1	344399	RADIO KEYPAD
13	1	344427	MEDICAL KIT

DELUXE SEAT ASSEMBLY			
DET	QTY	P/N	DESCRIPTION
14	1	344516	POD UPPER, CAB
15	1	344517	POD MIDDLE, CAB
16	1	344518	POD INNER, CAB
17	1	344519	POD OUTER
18	1	344612	MACHINE DISPLAY ASSEMBLY, 2014
19	1	344656	JOYSTICK, CAB
20	4	470122	1/4 UNC X 1/2 SERR FLG BOLT
21	19	472344	1/4UNCX5/8 ALHD BUTTON CAP SCR
22	4	473873	M8 x 20MM LG SERR FLANGE HEX BOLT
23	6	900129N	3/8UNC X 1" SERR FLANGE BOLT
24	1	903706	10-32X1/2 PHIL PAN MACH SCR
25	4	903844	8-32 X 1/2 PHIL PANHD MACH SCR

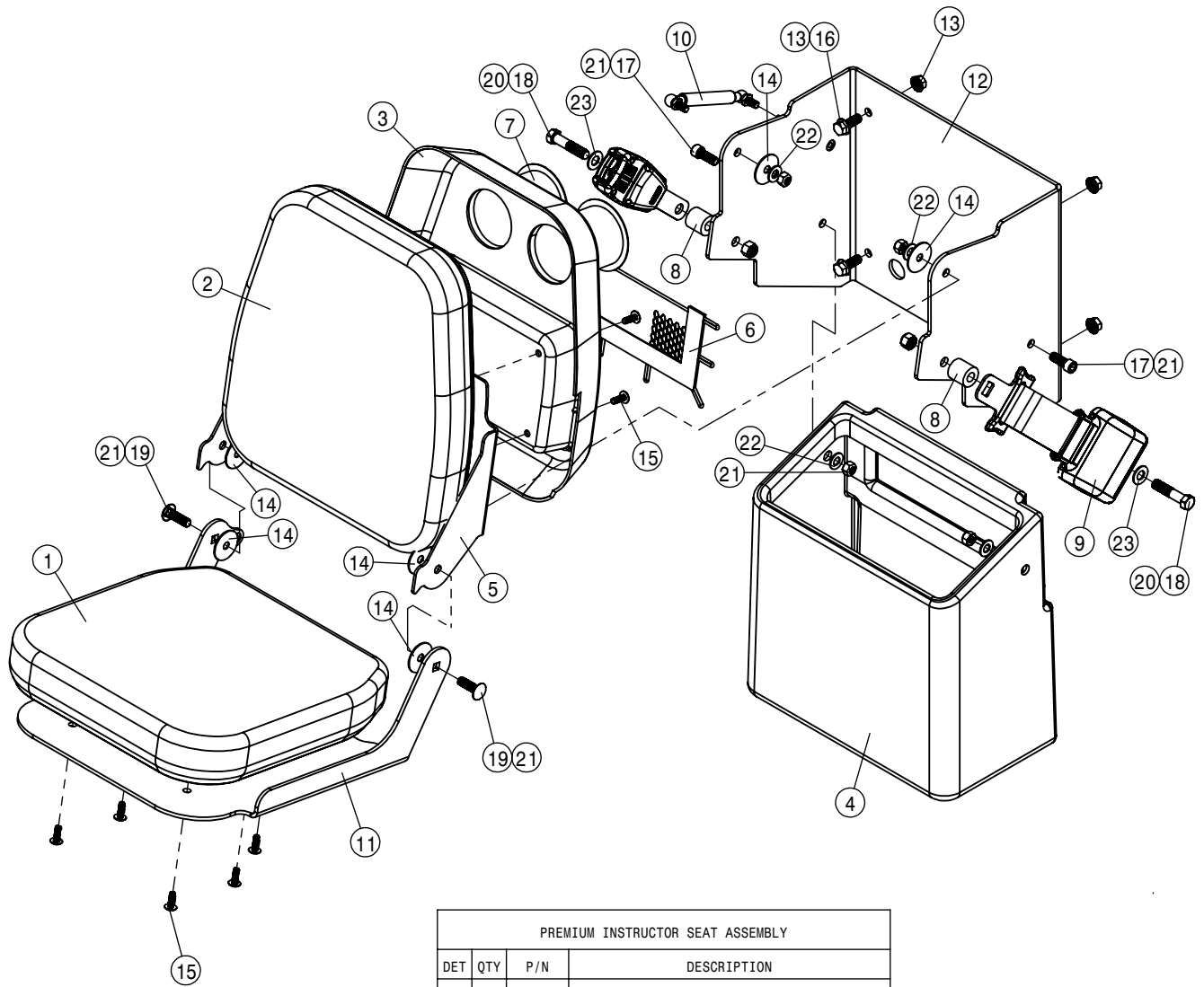


PREMIUM SEAT ASSEMBLY			
DET	QTY	P/N	DESCRIPTION
1	1	292201	SWITCH, BRAKE, STS
2	1	330068	SEAT - PREMIUM, CAB STS '14
3	1	344167	POD STRUCTURE WLDMT
4	1	344279	STS CAB FIRST AID WLDMNT '14
5	1	344280	STS CAB SEAT RSR WLDMNT '14
6	1	344311	SWITCH - THROTTLE
7	1	344340	ARMREST POD, ASSY, STSCAB '14
8	1	344342	POD DISPLAY MNT ASSY MOLDED, STSCAB '14
9	1	344363	1" RAM BALL MNT 1/4UNC THRD HOLE
10	1	344364	1" RAM BALL MNT 2.00"DBL SOC ARM
11	1	344365	1" RAM BALL MNT BASE 2.50"DIA
12	1	344399	RADIO KEYPAD
13	1	344427	MEDICAL KIT

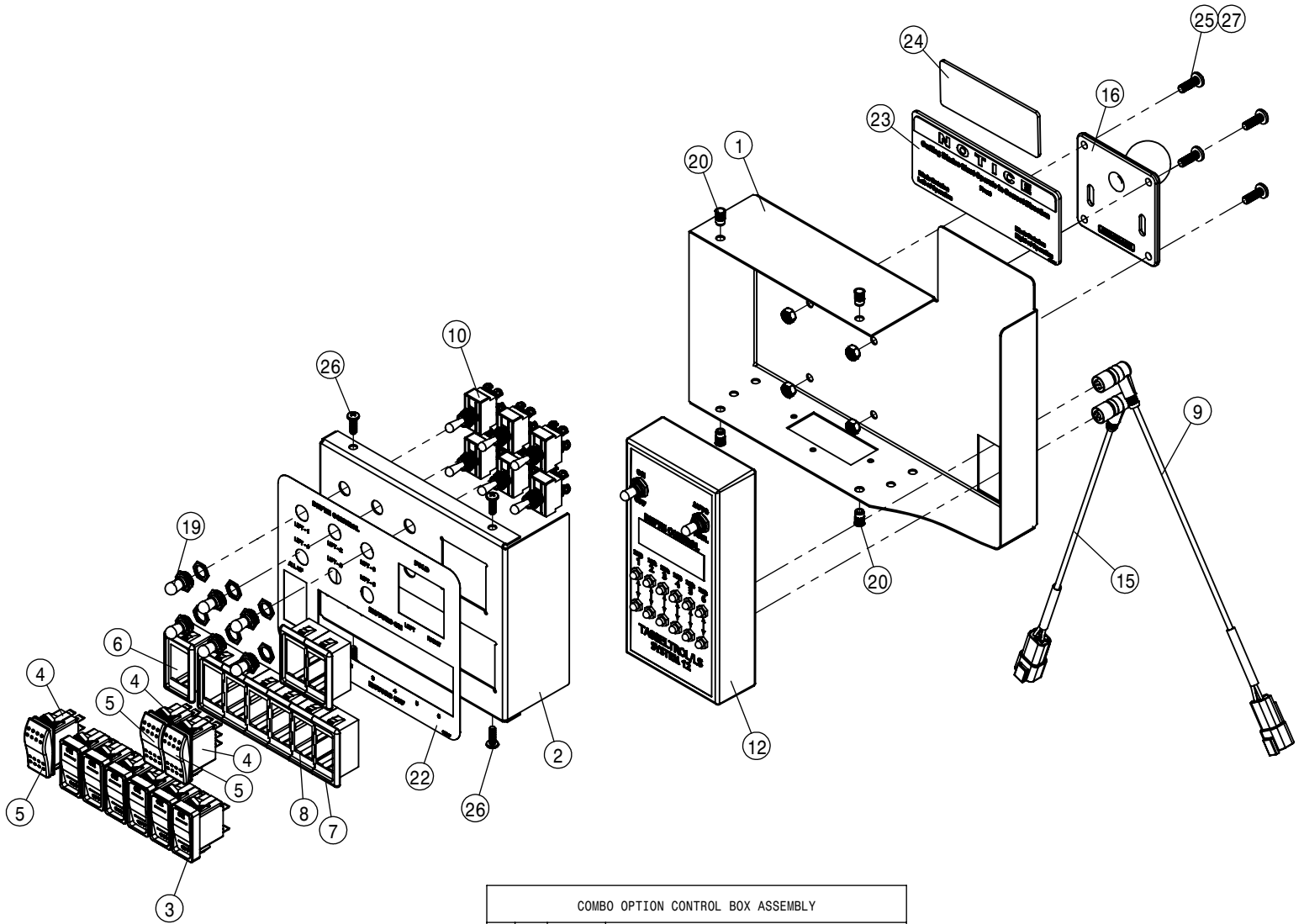
PREMIUM SEAT ASSEMBLY			
DET	QTY	P/N	DESCRIPTION
14	1	344516	POD UPPER, CAB
15	1	344517	POD MIDDLE, CAB
16	1	344518	POD INNER, CAB
17	1	344519	POD OUTER
18	1	344612	MACHINE DISPLAY ASSEMBLY, 2014
19	1	344656	JOYSTICK, CAB
20	4	470122	1/4 UNC X 1/2 SERR FLG BOLT
21	19	472344	1/4UNCX5/8 ALHD BUTTON CAP SCR
22	4	473866	M10 X 1.5 HEX SERR FLG NUT
23	6	900129N	3/8UNC X 1" SERR FLANGE BOLT
24	1	903706	10-32X1/2 PHIL PAN MACH SCR
25	4	903844	8-32 X 1/2 PHIL PANHD MACH SCR
26	2	470175	HEX FLANGE NUT SER #10-32 MC GR5



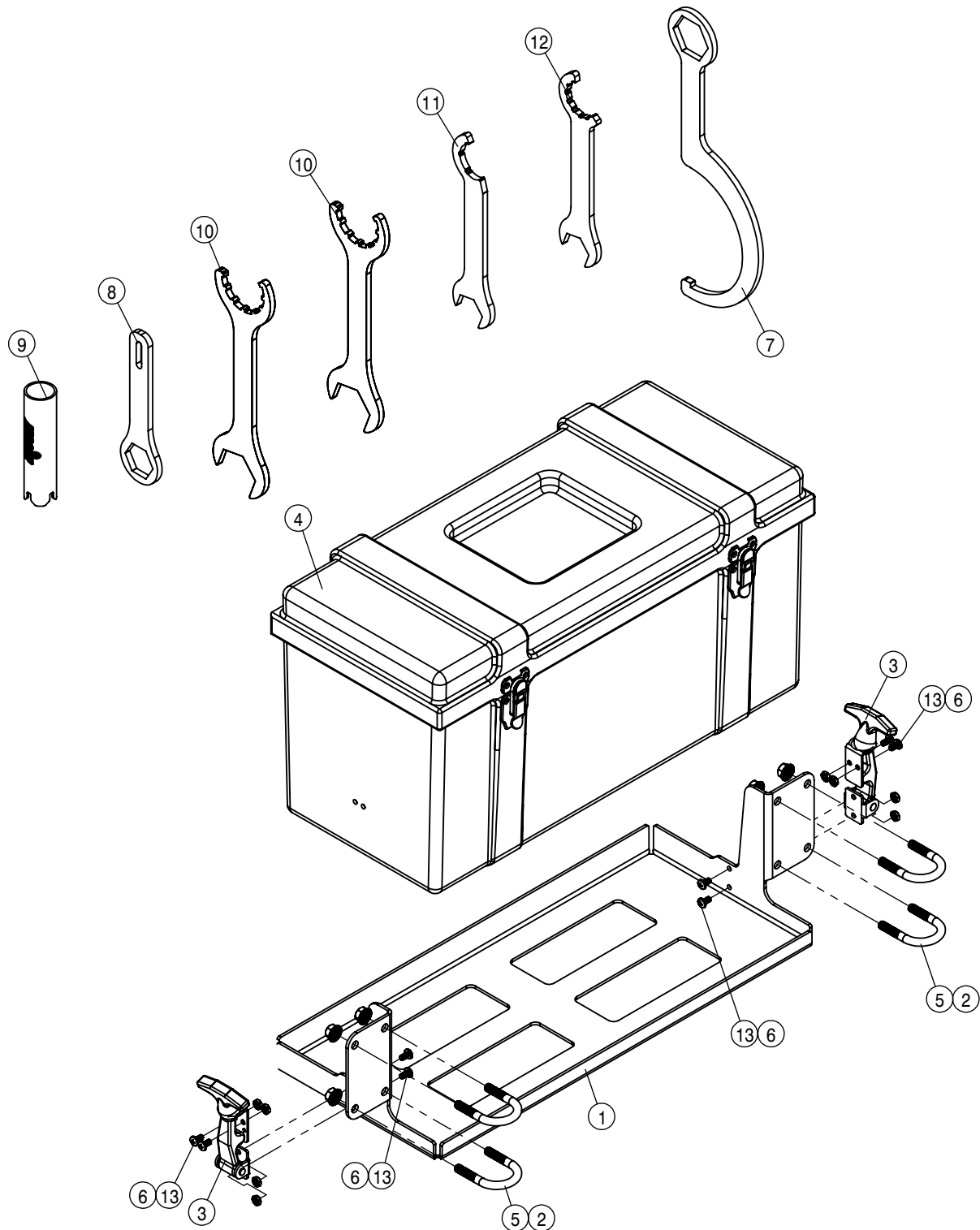
STANDARD INSTRUCTOR SEAT ASSEMBLY			
DET	QTY	P/N	DESCRIPTION
1	1	344162	PANEL BACK INSTRUCTOR SEAT BACK
2	1	344163	BIN STORAGE INSTRUCTOR SEAT
3	1	344166	BRKT BACK INSTRUCTOR SEAT MOUNT
4	1	344174	CUSH BASE INST SEAT STD
5	1	344175	CUSH BACK INST SEAT STD
6	1	344412	CARGO NET - INSTRUCTOR SEAT
7	2	344463	CUP HOLDER - SMALL
8	2	344489	INST SEAT BELT BUSHING, STS' 14
9	1	344493	INST SEAT BELT ASSY, STS' 14
10	1	344559	INST SEAT GAS SPRING, STS' 14
11	1	344564	BRKT BASE INST SEAT WLDT, STS' 14
12	1	344566	BRKT INST SEAT MT WLDT, STS' 14
13	4	470087	3/8UNC HEX SERR FLANGE NUT
14	6	470657	3/8 PTFE LOW-FRICT WASHER
15	10	472261	1/4UNC X 3/4 TRUSS HD BOLT
16	4	900129N	3/8UNC X 1" SERR FLANGE BOLT
17	2	900172	3/8UNC X 1" SOC HD CAP SCR, ZINC
18	2	900235	7/16-20 HEX HEAD BOLT, GR 5
19	2	901130	3/8UNC X 1 1/4 CARR BOLT
20	2	910030	7/16UNF HEX NUT, NYLOC GR5
21	4	914004	3/8UNC HEX STOVER NUT
22	4	920002	3/8 SAE FLAT WASHER
23	2	920003	7/16 SAE FLAT WASHER



PREMIUM INSTRUCTOR SEAT ASSEMBLY			
DET	QTY	P/N	DESCRIPTION
1	1	330070	CUSH BASE INST SEAT PREM
2	1	330071	CUSH BACK INST SEAT PREM
3	1	344162	PANEL BACK INSTRUCTOR SEAT BACK
4	1	344163	BIN STORAGE INSTRUCTOR SEAT
5	1	344166	BRKT BACK INSTRUCTOR SEAT MOUNT
6	1	344412	CARGO NET - INSTRUCTOR SEAT
7	2	344463	CUP HOLDER - SMALL
8	2	344489	INST SEAT BELT BUSHING, STS' 14
9	1	344493	INST SEAT BELT ASSY, STS' 14
10	1	344559	INST SEAT GAS SPRING, STS' 14
11	1	344564	BRKT BASE INST SEAT WLDT, STS' 14
12	1	344566	BRKT INST SEAT MT WLDT, STS' 14
13	4	470087	3/8UNC HEX SERR FLANGE NUT
14	6	470657	3/8 PTFE LOW-FRICT WASHER
15	10	472261	1/4UNC X 3/4 TRUSS HD BOLT
16	4	900129N	3/8UNC X 1" SERR FLANGE BOLT
17	2	900172	3/8UNC X 1" SOC HD CAP SCR, ZINC
18	2	900235	7/16-20 HEX HEAD BOLT, GR 5
19	2	901130	3/8UNC X 1 1/4 CARR BOLT
20	2	910030	7/16UNF HEX NUT, NYLOC GR5
21	4	914004	3/8UNC HEX STOVER NUT
22	4	920002	3/8 SAE FLAT WASHER
23	2	920003	7/16 SAE FLAT WASHER

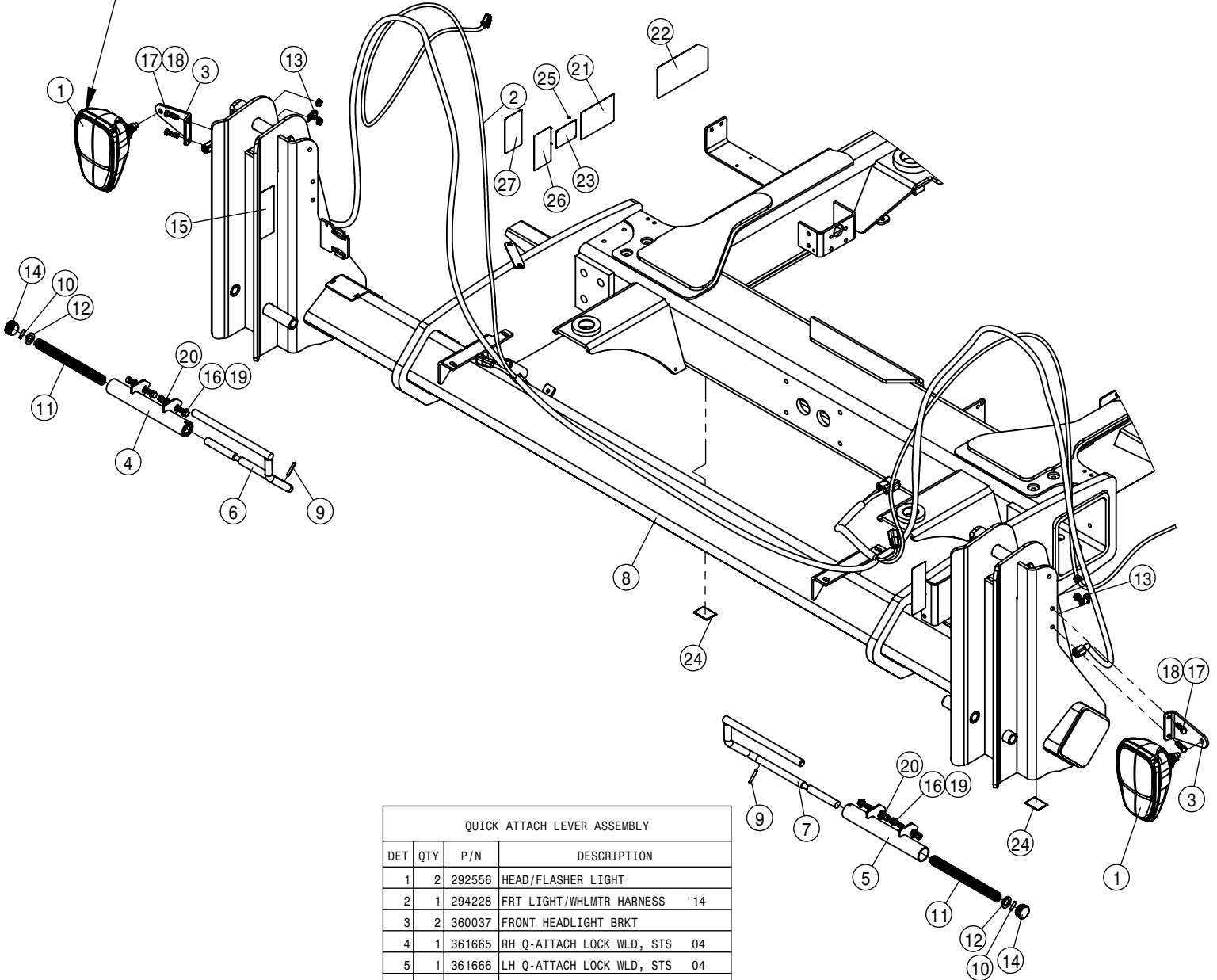


COMBO OPTION CONTROL BOX ASSEMBLY			
DET	QTY	P/N	DESCRIPTION
1	1	003200	SWITCH BOX HOUSING WLD,STSC 05
2	1	003201	SWITCH BOX COVER,STS COMBO 05
3	6	292204	SWITCH,SOLU TANK/NTB FLOAT,STS
4	3	292220	SWITCH,DPDT, MOM-OFF-MOM ON
5	3	292221	SWITCH ACUATOR FOR 292220
6	1	292260	MOUNTING TRIM, SINGLE VMS
7	4	292261	MOUNTING TRIM, END VME
8	4	292262	MOUNTING TRIM, MIDDLE VME
9	1	292583	SENSOR HARNESS FOR AWS
10	6	293172	TOGGLE SWITCH DPDT W/JUMPERS
NS	1	293862	SWITCH BOX HARNESS,STS COMBO05
12	1	294035	LS CTRL 6L DISPLAY BOX ASSY
NS	1	294036	STS COMBO CAB HARNESS, '14
NS	1	294048	STS CAB HARNESS 2
15	1	294049	SENSOR HARNESS FOR SIE
16	1	344386	1.5" RAM BALL MNT BASE 3.625"SQ
NS	1	344491	RAM SHRT SCKT ARM 1.5" BALL, STS'14
NS	1	344492	RAM U BLT BASE 1.5 BALL, STS'14
19	6	470001	RUBBER BOOT AND NUT FOR 298012
20	4	470384N	10-32 NUTSERT .020-.130 STL
NS	2	471100	DUAL LOCK, 1.00 x 1.00
22	1	650127	DECAL,STS COMBO CAB BOX 05
23	1	650303	CUTTER ROTATION DECAL
24	1	650379	DECAL,ENGAGE DET HD HYD MTRS
25	4	903700	1/4UNC X 3/4 PHIL PAN MACH SCR
26	4	903710	10-32 X 5/8 PHIL PANHD MACH SCR
27	4	910000	1/4UNC HEX NUT

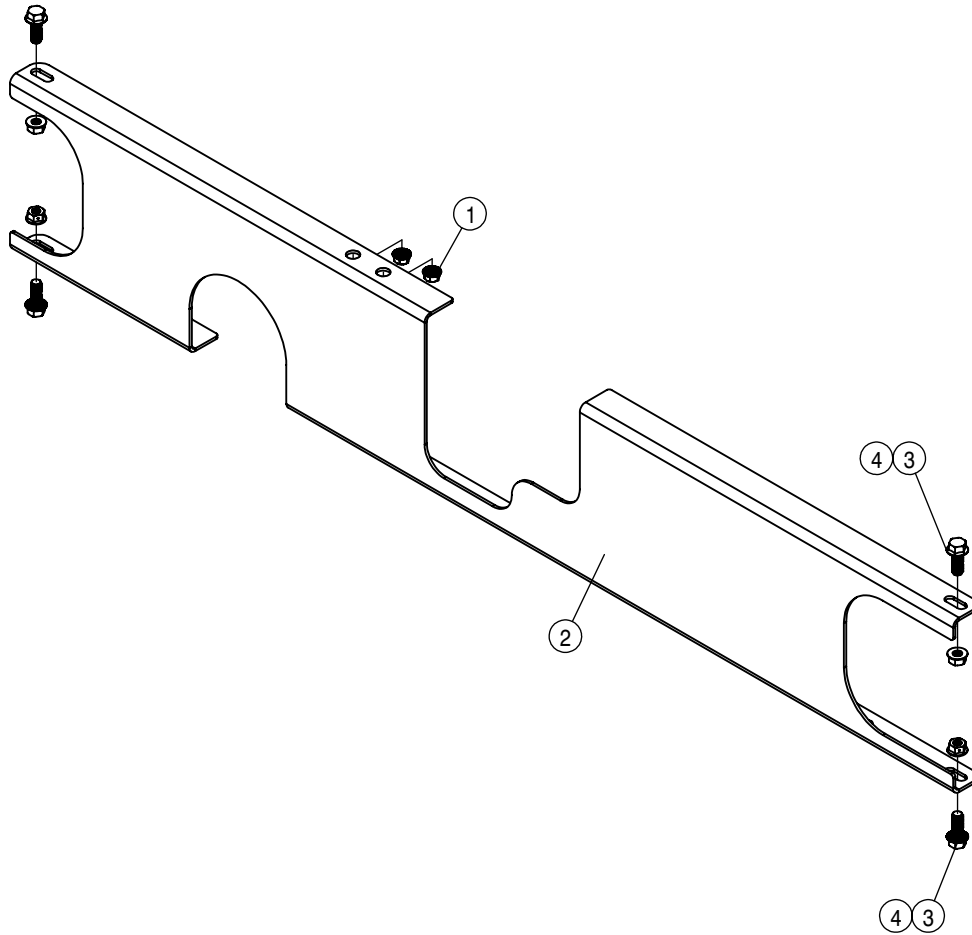


TOOLBOX ASSEMBLY			
DET	QTY	P/N	DESCRIPTION
1	1	345042	TOOLBOX MNT BASE, STS '12
2	8	470113	5/16UNC SERR FLG LOCK NUT
3	2	470643	RUBBER DRAW LATCH
4	1	470841	TOOL BOX w/TRAY
5	4	473911	5/16UNC-1.31ID-2.00 U-BOLT ZINC
6	8	914027	10-32 HEX STOVER NUT
7	1	470893	BANJO MLS222 SERIES SPNR WRNH
8	1	470894	BANJO MLST100 SERIES WRENCH
9	1	470896	TEEJET NOZZEL REMOVAL SOCKET
10	2	470895	EASY FIT T5 FITTING WRENCH
11	1	470899	EASY FIT T3 FITTING SPEED WRNH
12	1	470900	EASY FIT T3 FITTING WRENCH
13	8	903884	10-32X3/8 PHIL PN MACH SCR

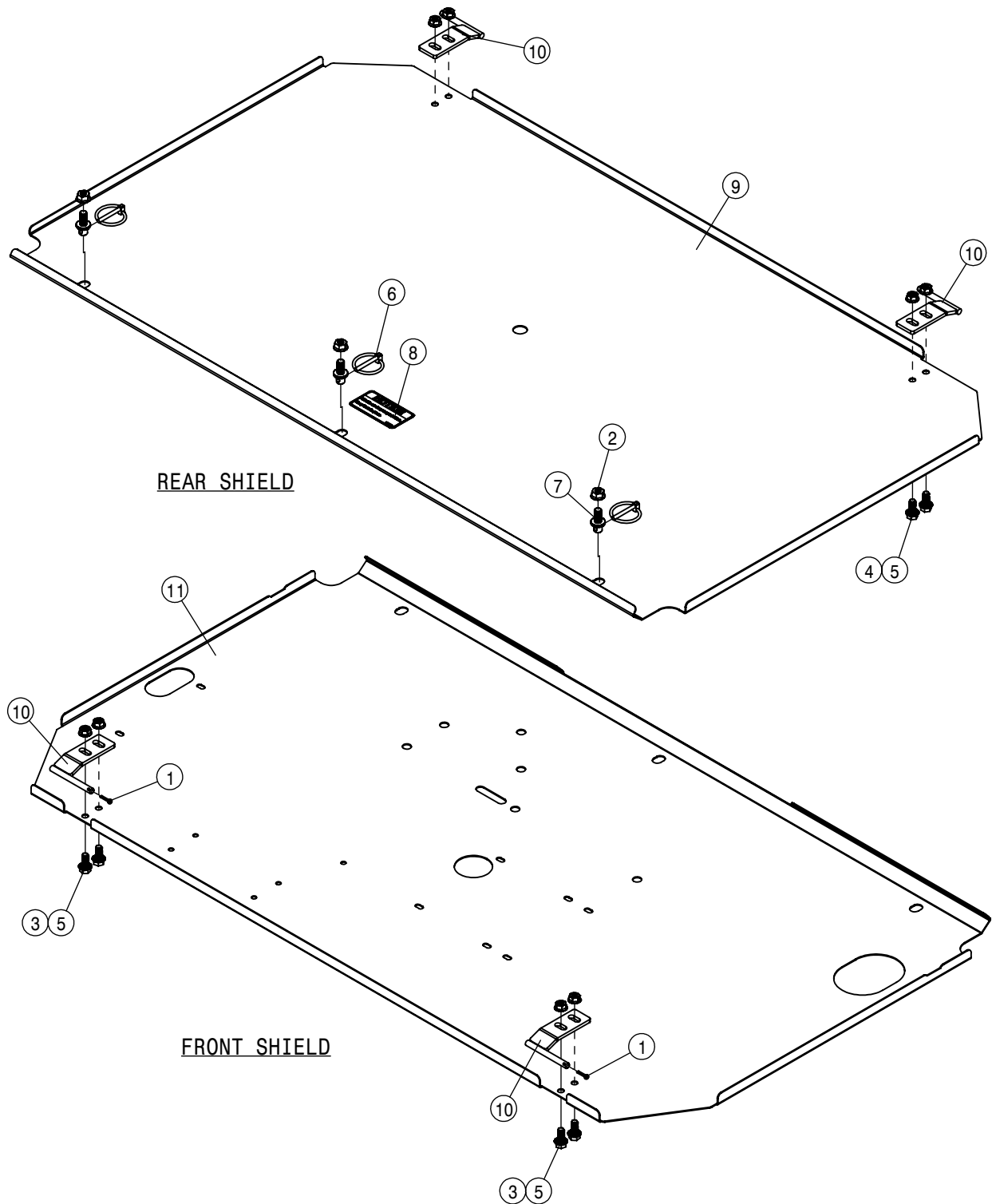
290007-REPLACEMENT BULB 12V/55W
 290008-REPLACEMENT BULB 12V/4W
 290010-REPLACEMENT BULB 12V/55W
 290011-REPLACEMENT BULB 12V/21W



QUICK ATTACH LEVER ASSEMBLY			
DET	QTY	P/N	DESCRIPTION
1	2	292556	HEAD/FLASHER LIGHT
2	1	294228	FRT LIGHT/WHLMTR HARNESS '14
3	2	360037	FRONT HEADLIGHT BRKT
4	1	361665	RH Q-ATTACH LOCK WLD, STS 04
5	1	361666	LH Q-ATTACH LOCK WLD, STS 04
6	1	361670	RH Q-ATTACH LOCK PIN WLD,STS04
7	1	361671	LH Q-ATTACH LOCK PIN WLD,STS04
8	1	362174	MIANFRAME WLDMT-ST516 2015
9	2	473805	ROLL PIN, 1/4 X 1 1/2
10	2	473850	ROLL PIN, 1/4 X 1"
11	2	482018	SPRING, 1.00 X 12.00 COMPRSN
12	2	483055	.771ID-1.2500D-.135T MACH WASH
13	2	520167	CUSH CLAMP,#6 3/8D X 3/4W
14	2	629765	CAPLUG, 1 1/2" RD, BLACK POLY
15	2	650178	DECAL,CAUTION QUICK ATTACH LOC
16	4	900127N	3/8UNC X 1 1/4 SER FLANGE BOLT
17	4	900130	3/8UNC X 1 1/4 HEX BOLT
18	4	910004N	3/8UNC FLANGE CNTR LOCK NUT
19	4	914004N	3/8UNC HEX STOVER NUT
20	4	920002N	3/8 SAE FLAT WASHER
21	1	650455	DECAL,PATENTS, HAGIE STS
22	1	650466	DECAL, FLUIDS FOR ALL MODELS
23	1	650315	HAGIE NAMEPLATE
24	4	650277	DECAL,LIFT POINT
25	4	485073	METAL-TACK GRIP .02/.03,3/16HD
26	1	650505	DECAL, NOTICE:EMISSION CTRL '16
27	1	650484	DECAL, NOTICE:EMISSION CTRL '15

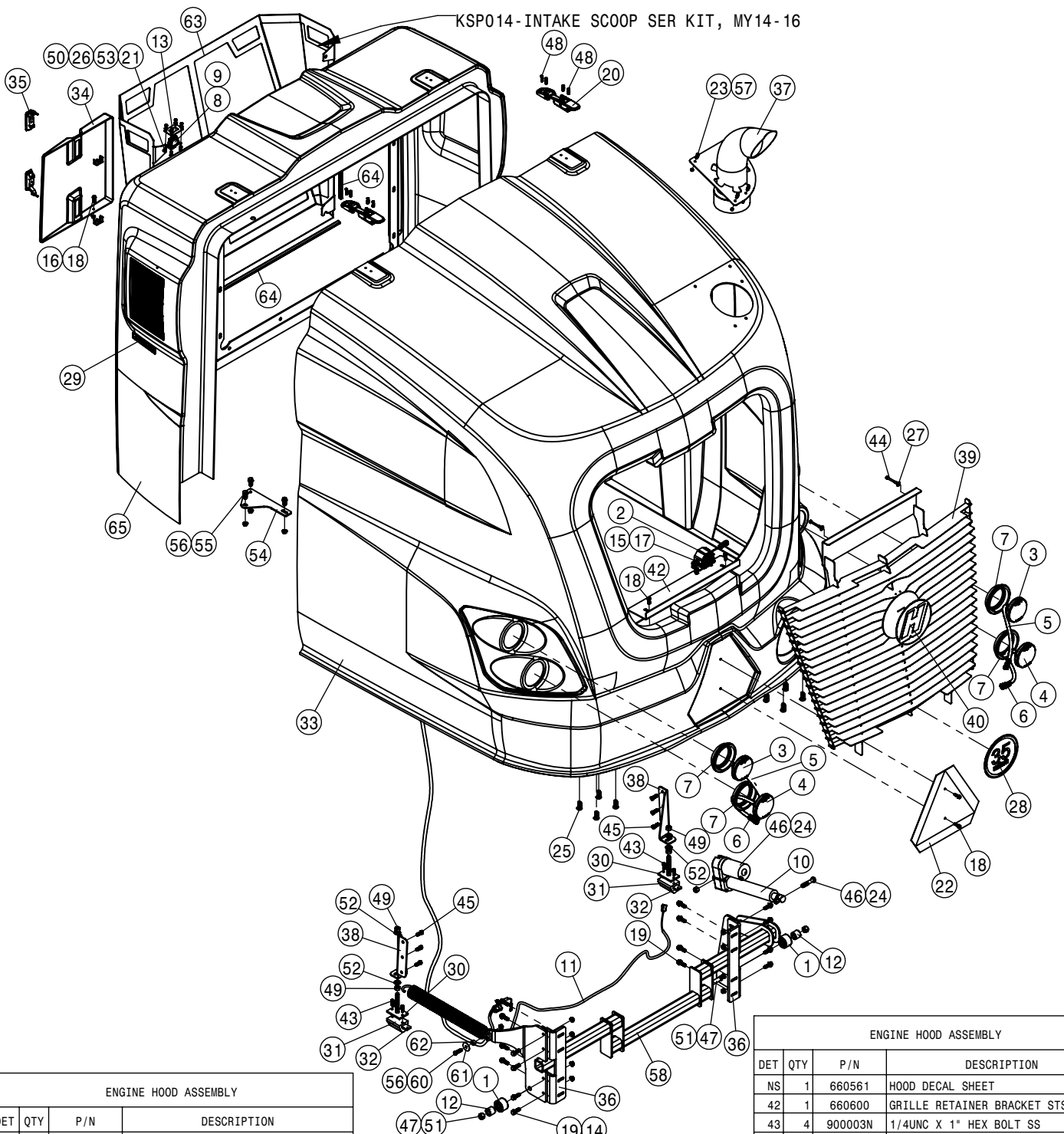


REAR BULKHEAD ASSEMBLY			
DET	QTY	P/N	DESCRIPTION
1	2	470113N	5/16UNC SERR FLG LOCK NUT SS
2	1	660297	REAR BULKHEAD 2015
3	4	900129N	3/8UNC X 1" SERR FLANGE BOLT
4	4	910004N	3/8UNC FLANGE CNTR LOCK NUT



FRONT AND REAR BELLY SHIELD ASSEMBLY			
DET	QTY	P/N	DESCRIPTION
1	2	470075	1/8 X 3/4 COTTER PIN
2	3	470087N	3/8UNC HEX SERR FLG NUT YZ
3	4	470113	5/16UNC SERR FLG LOCK NUT
4	4	470113N	5/16UNC SERR FLG LOCK NUT SS
5	8	470233	5/16UNC X 3/4 SERR FLG HEX BOLT
6	3	470335	LINCHPIN, 3/16 X 1 1/4 GRIP
7	3	470520	HANGER PIN,3/8UNC x.437Dx.500L
8	1	650851	DECAL, NOTICE, SHIELD PROTECT
9	1	660289	REAR BELLY SHIELD, STS 13
10	4	660578	HINGE - BELLY PAN, WLD
11	1	660597	BELLY SHIELD - FRONT

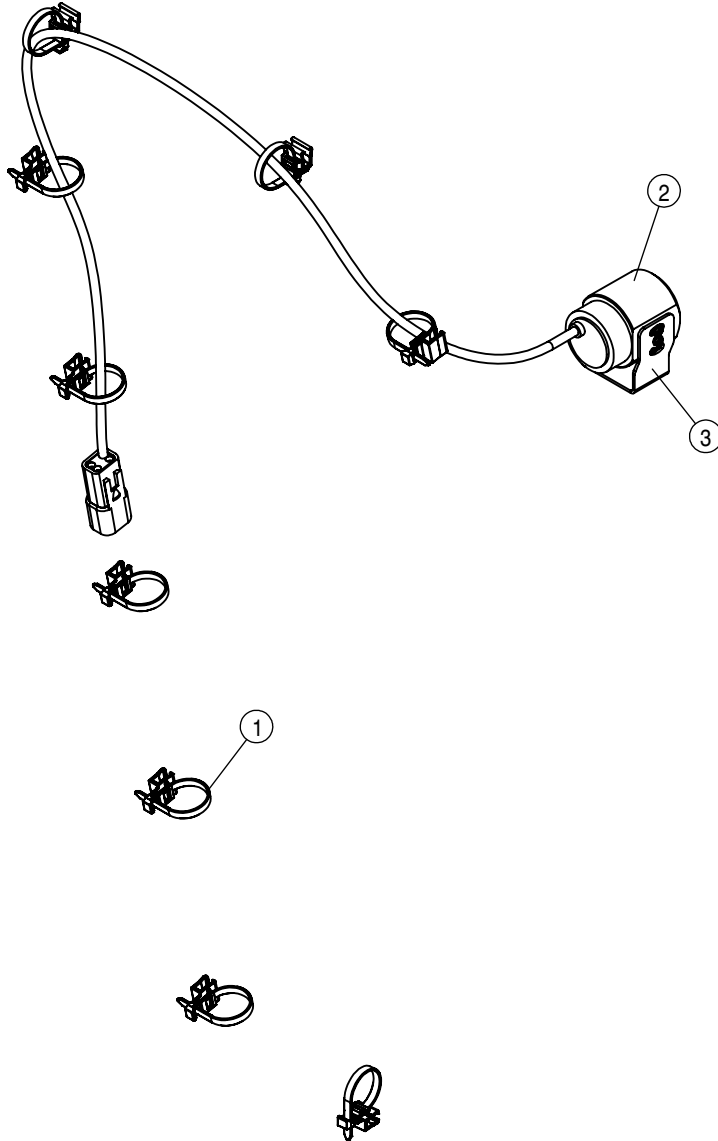
KSP014-INTAKE SCOOP SER KIT, MY14-16



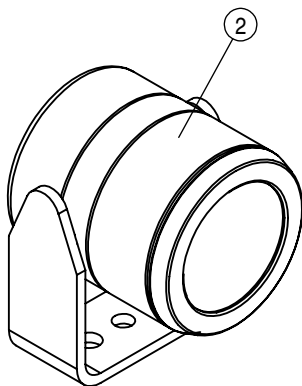
ENGINE HOOD ASSEMBLY			
DET	QTY	P/N	DESCRIPTION
1	2	125056	TRACK ROLLER,2.00 OD, .625 BORE
2	1	290061	ALARM,BACKUP 107DBA LT DUTY
3	2	290200	AMBER LED STT 3 DIODE LAMP
4	2	290201	RED LED STT 3 DIODE LAMP
5	2	290202	2-WIRE PIGTAIL FOR 290200AMBER
6	2	290203	3-WIRE PIGTAIL FOR 290201 RED
7	4	290204	4" GROMMET FR 290200 & 290201
8	1	292220	SWITCH,DPDT, MOM-OFF-MOM ON
9	1	292221	SWITCH ACUATOR FOR 292220
10	1	292235	STS HOOD ACTUATOR
11	1	294053	HOOD ACTUATOR HARNESS
12	2	361679	BUMPER PIVOT BRG SPACER,STS 04
13	1	362116	HOOD SWITCH MT PLATE
14	8	470087	3/8UNC HEX SERR FLANGE NUT
15	2	470121	1/4 UNC SERR FLG LOCK NUT
16	1	470121N	1/4 UNC SERR FLG LOCK NUT SS
17	2	470122	1/4 UNC X 1/2 SERR FLG BOLT
18	5	470231N	1/4UNC X 1" SERR FLG BOLT SS
19	16	470329	3/8UNC X 1 1/4 SERR FLG HEX BOLT
20	2	470368	LATCH W/KEEPER, FLEXIBLE LEVER
21	4	472235N	10-32 X 3/4 PHIL PAN MACH SCR BZ
22	1	472249	SLOW MOVING VEHICLE SIGN

ENGINE HOOD ASSEMBLY			
DET	QTY	P/N	DESCRIPTION
23	5	472345	1/4UNC X 1 ALHD BUTTON CAP SCR
24	2	473007	1/2UNC HEX NUT, NYLOC
25	8	473987	1/2UNC X 1 1/4BUT SKTHD SCR
26	4	483016	#10 REGULAR FLAT WASHER
27	2	483038	1/4 REGULAR FLAT WASHER
28	1	650224	DECAL,35MPH ID SYMBOL, VINYL
29	2	650426	AWS DECAL
30	2	660224	ENG HOOD BUMPER WLD, STS 04
31	2	660226	ENG HOOD BUMPER, STS 04
32	2	660227	ENG HOOD BUMPER KEEPER, STS 04
33	1	660506	ENGINE HOOD REAR ASSYSTS'14
34	1	660510	ENGINE HOOD ACS PANEL STS'14
35	2	660525	LATCH ACS PNL RETAINER STS'14
36	2	660526	ENGINE HOOD BLKHD MNT BRKT STS'14
37	1	660531	EXHAUST STACK WLDT STS'14
38	2	660532	ENGINE HOOD BMPR MNT BRKT STS'14
39	1	660533	GRILLE INSERT WLDT STS'14
40	1	660559	DECAL HAGIE DOT 8.25"DIA GRILLE

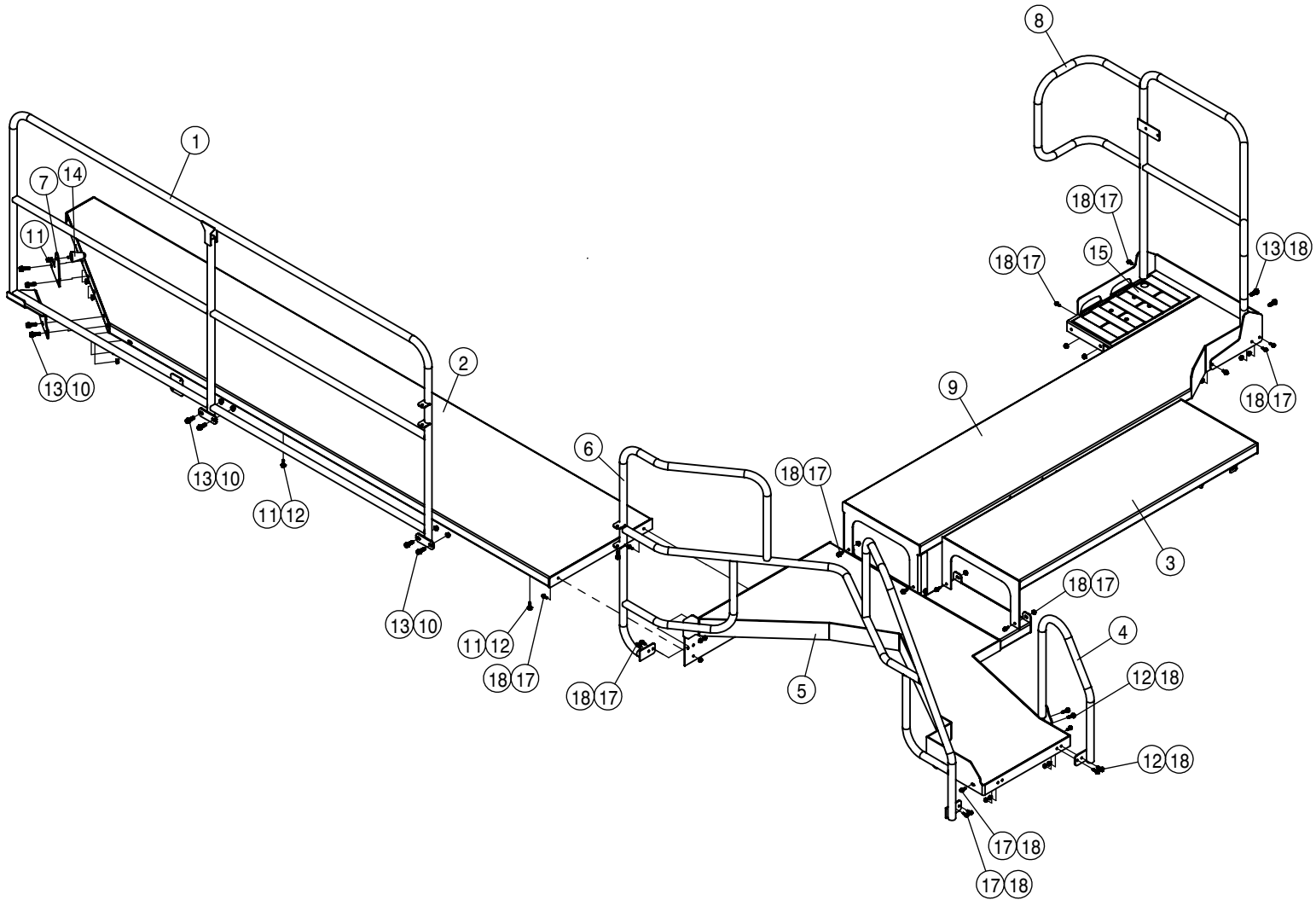
ENGINE HOOD ASSEMBLY			
DET	QTY	P/N	DESCRIPTION
NS	1	660561	HOOD DECAL SHEET
42	1	660600	GRILLE RETAINER BRACKET STS'14
43	4	900003N	1/4UNC X 1" HEX BOLT SS
44	2	900008	1/4UNC X 2 1/2 HEX BOLT
45	9	900129	3/8UNC X 1" HEX BOLT
46	2	900268	1/2UNC X 2 1/2 HEX BOLT
47	2	900341	5/8UNC X 3 3/4 HEX BOLT
48	8	903893	10-32 X 1" PHIL PAN MACH SCR
49	4	910008	1/2UNC HEX NUT
50	4	910027N	10-32 HEX NUT
51	2	914010P	5/8UNC HEX STOVER NUT
52	4	920004	1/2 SAE FLAT WASHER
53	4	920510	#10 LOCK WASHER
54	1	660815	FRONT HOOD TIE BRKT, STS
55	3	900129N	3/8UNC X 1 1/4 HEX BOLT
56	4	470087N	3/8UNC HEX SERR FLG NUT YZ
57	5	914000	1/4UNC HEX STOVER NUT
58	1	660807	STS16 HOOD HINGE WLDT'16
59	1	482028	EXT. SPRING OD-2.1875", LG-20"
60	1	900130	3/8UNC X 1 1/4 HEX BOLT
61	1	920025	WASHER, 1.50D, .406 ID
62	1	314998	SPACER, .75 OD, .38 ID
63	1	660827	AIR INTAKE SCOOP SER KIT WLD
64	3	193016-042	QUICKEDGE TRIM .060 TO .170
65	1	660503	ENGINE HOOD FRONT ASSY STS'14



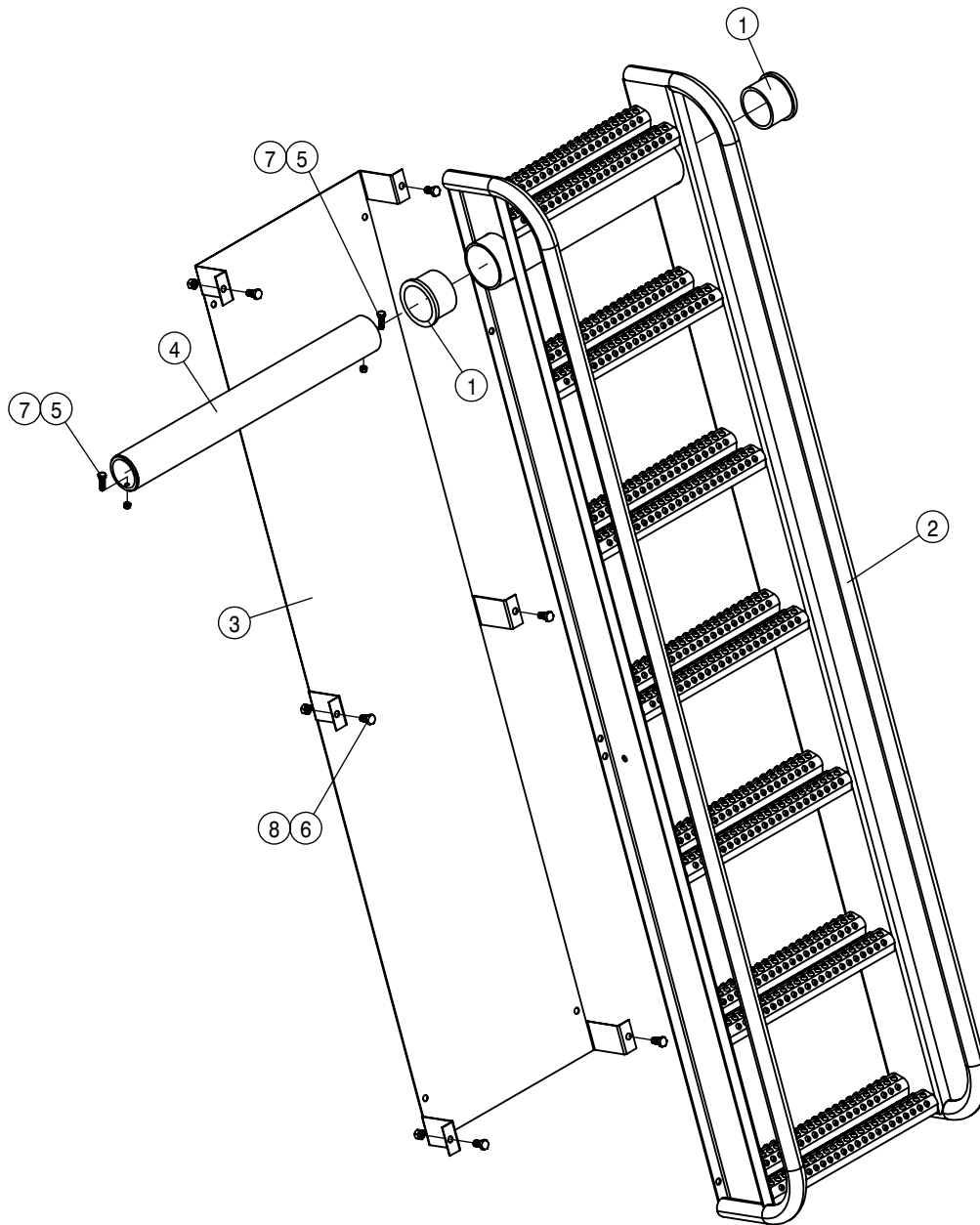
BACK-UP CAMERA ASSEMBLY			
DET	QTY	P/N	DESCRIPTION
1	9	470680	CABLE TIE/CLIP .04"-.12"W
2	1	693930	BACKUP CAMERA
3	1	693978	CAMERA BRACKET STS



SINGLE CAMERA OPTION			
DET	QTY	P/N	DESCRIPTION
NS	1	294219	LONG VIDEO CABLE
2	1	693518	B-UP CAMERA



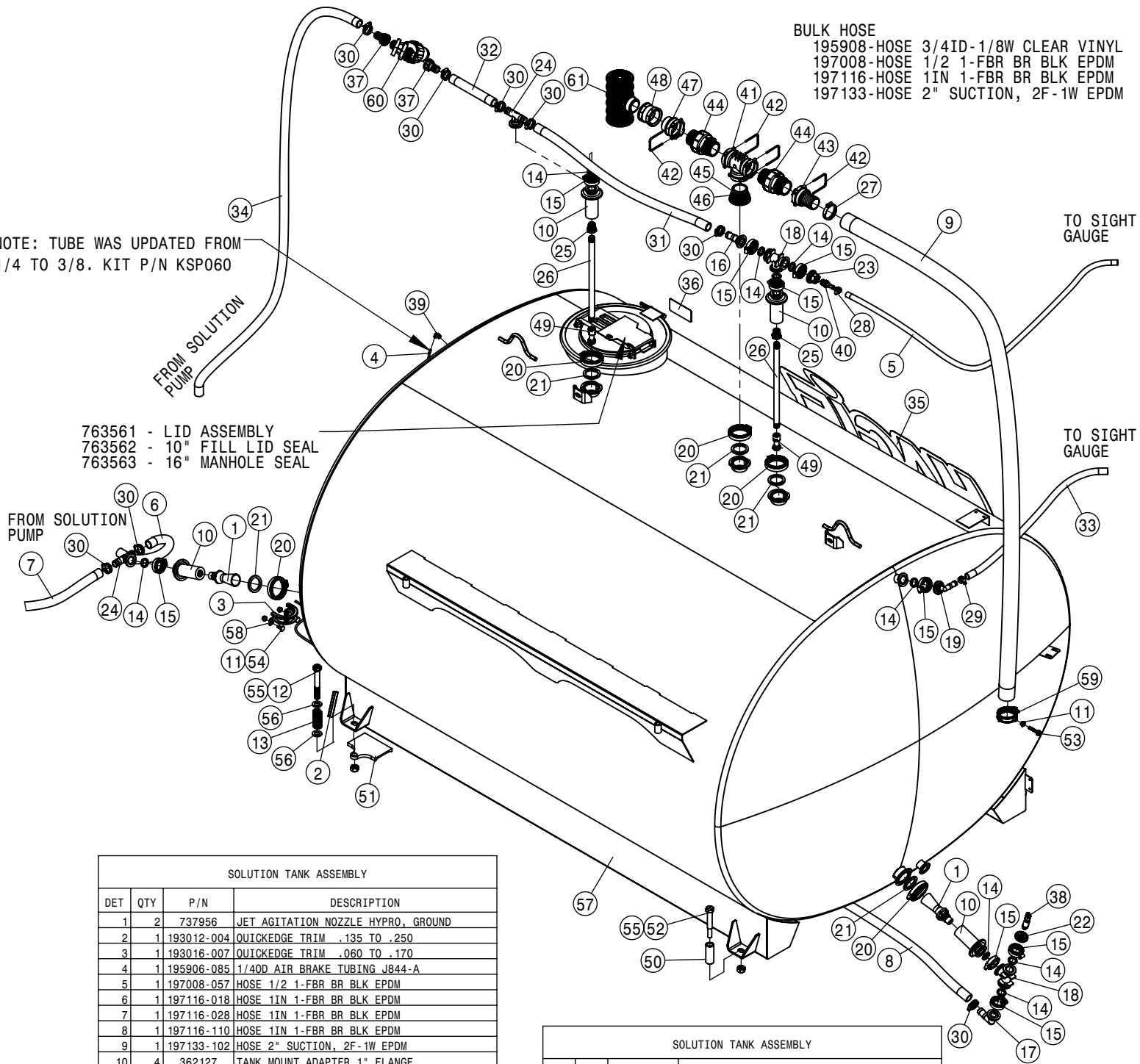
SERVICE PLATFORM ASSEMBLY			
DET	QTY	P/N	DESCRIPTION
1	1	343514	LH FRT HANDRAIL WLD, STS16 05
2	1	343518	LH SIDE PLATFORM WLD, STS 16 05
3	1	344473	CNTR SERV PLATFORM WLD, STS '14
4	1	344520	RH HANDRAIL WLD,LH PLTFRM '14
5	1	344521	LH REAR SERV PLTFRM WLD STS '14
6	1	344522	LH REAR HANDRAIL WLD
7	1	344578	BRACKET-DOOR STOP STS 2014
8	1	344902	HAND RAIL WELD ASMY
9	1	344904	REAR CENTER PLATFORM
10	8	470087N	3/8UNC HEX SERR FLG NUT YZ
11	8	470113	5/16UNC SERR FLG LOCK NUT
12	11	470234	5/16UNC X 1" SERR FLG HEX BOLT
13	10	470329	3/8UNC X 1 1/4 SERR FLG HEX BOLT
14	1	470571	BUMPER,MALE STUD 2.375 X 1.75
15	5	490670	SAFETY TREAD TAPE, 2" X 9"
16	2	910004N	3/8UNC FLANGE CNTR LOCK NUT
17	22	470233	5/16UNC X 3/4 HHSFB GR5 MC
18	26	470113	HEX FLANGE NUT SER 5/16-18 MC GR5



LADDER ASSEMBLY				
DET	QTY	P/N	DESCRIPTION	
1	2	121102	LADDER PIVOT BEARING, POLYGON	
2	1	343808	LADDER WLDMNT, STS 10/16 11	
3	1	344009	STEP BACKPLATE STS CE	
4	1	344534	LADDER MT TUBE, STS '14	
5	2	900003	1/4UNC X 1" HEX BOLT	
6	6	900128	3/8UNC X 3/4 HEX BOLT	
7	2	914000	1/4UNC HEX STOVER NUT	
8	6	914004	3/8UNC HEX STOVER NUT	

BULK HOSE
 195908-HOSE 3/4ID-1/8W CLEAR VINYL
 197008-HOSE 1/2 1-FBR BR BLK EPDM
 197116-HOSE 1IN 1-FBR BR BLK EPDM
 197133-HOSE 2" SUCTION, 2F-1W EPDM

NOTE: TUBE WAS UPDATED FROM 1/4 TO 3/8. KIT P/N KSP060

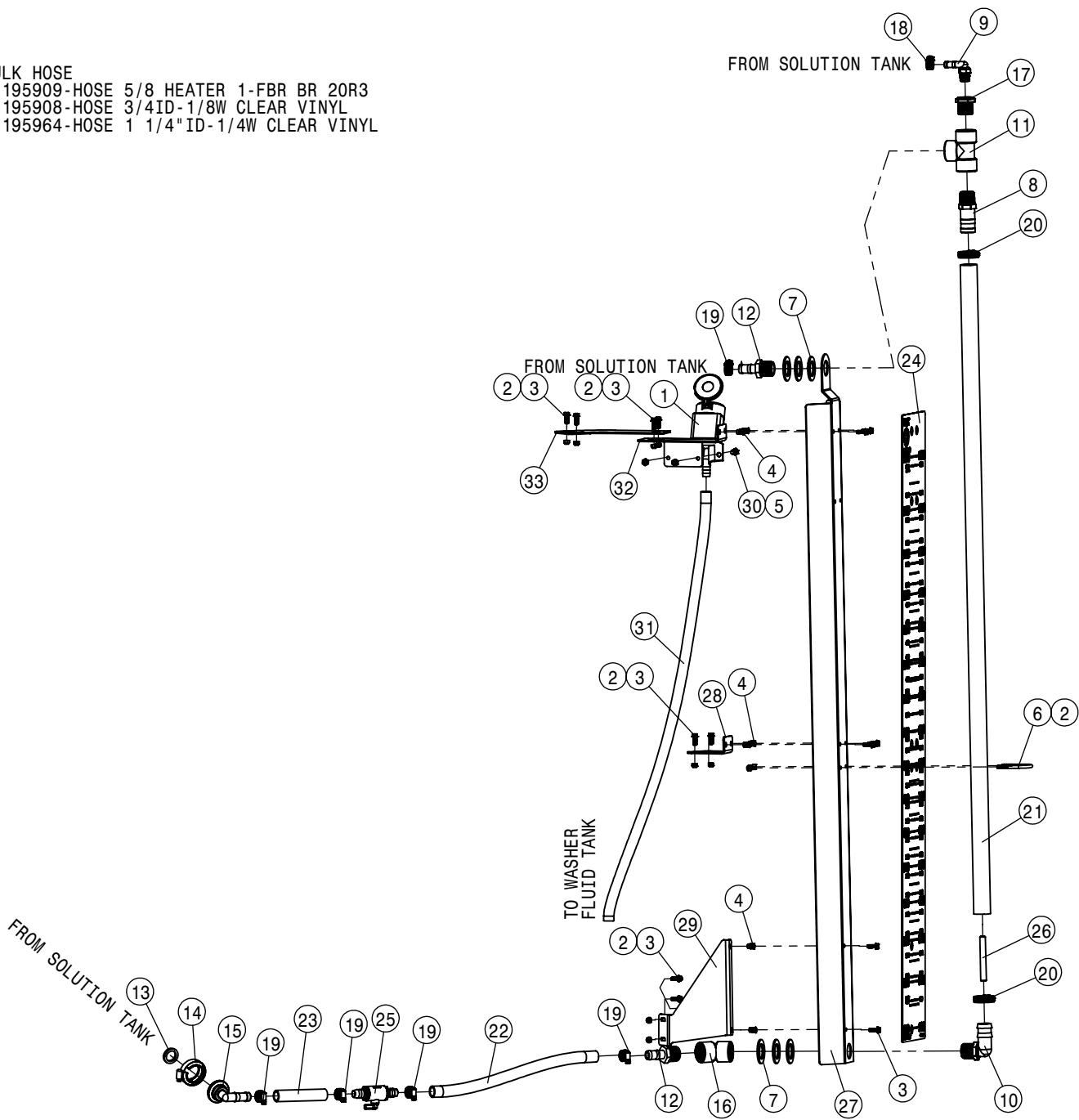


SOLUTION TANK ASSEMBLY			
DET	QTY	P/N	DESCRIPTION
1	2	737956	JET AGITATION NOZZLE HYPRO, GROUND
2	1	193012-004	QUICKEDGE TRIM .135 TO .250
3	1	193016-007	QUICKEDGE TRIM .060 TO .170
4	1	195906-085	1/40D AIR BRAKE TUBING J844-A
5	1	197008-057	HOSE 1/2 1-FBR BR BLK EPDM
6	1	197116-018	HOSE 1IN 1-FBR BR BLK EPDM
7	1	197116-028	HOSE 1IN 1-FBR BR BLK EPDM
8	1	197116-110	HOSE 1IN 1-FBR BR BLK EPDM
9	1	197133-102	HOSE 2" SUCTION, 2F-1W EPDM
10	4	362127	TANK MOUNT ADAPTER 1" FLANGE
11	3	470087	3/8-16UNC HEX FLG NUT SER MC GR5
12	2	470131	3/4UNC X 5 1/2 HEX BOLT GR8
13	2	482016	SPRING, 1.4 X 3.00 COMPRSN
14	9	500157	1" FLANGE GASKET EPDM
15	9	500159	1" FLANGE CLAMP S.S.
16	1	500171	1" FLANGE-1" HOSE BARB POLY
17	1	500173	1"FLANGE-90-1"HOSE BARB POLY
18	2	500175	1" FLANGE TEE, POLY
19	1	500185	1"FLANGE-90-3/4"HOSE BARB POLY
20	5	500194	2" FP FLANGE CLAMP S.S.
21	5	500195	2" FP FLANGE GASKET EPDM
22	1	500226	1" FLANGE PLUG W/1/4"FNPT POLY
23	1	500238	1" FLANGE PLUG W/1/2"FNPT POLY
24	2	500268	1" FLANGE HOSE BARB TEE
25	2	504211	RED BUSH 3/4MNPT-1/2FNPT,POLY
26	2	507032	SS PIPE NIPPE, .50NPT-16.00
27	1	520068	HOSE CLAMP NO 32 STAINLESS
28	1	520069	HOSE CLAMP NO 6 STAINLESS
29	1	520070	HOSE CLAMP NO 8 STAINLESS
30	8	520090	HOSECLAMP NO 16 STAINLESS
31	1	601053	HOSE, 1 X 39 1BR BLK EPDM
32	1	601726	HOSE, 1 X 11 1BR BLK EPDM
33	1	601858	HOSE, 3/4 X 32 CLEAR VINYL
34	1	601868	HOSE, 1 X 88 1BR BLK EPDM
35	1	650144	DECAL, LOGO, SOLU TANK STS12
36	1	650850	DECAL,WARNING, DANGEROUS CHEM

SOLUTION TANK ASSEMBLY			
DET	QTY	P/N	DESCRIPTION
37	2	691280	1" HOSE BARB WITH FLY NUT
38	1	691281	PRESSURE TRANSDUCER,300PSI
39	1	711040	1/4MNPT-90-1/4 NYL TUBE LBO
40	1	713340	1/2NPT-1/2 HOSE BARB, POLY
41	1	737754	2"FEM T-CONNECTOR POLY
42	5	737756	2" FORK FOR 737754/755
43	1	737759	2"F-2"HOSE BARB POLY
44	2	737761	2"M CHECK VALVE POLY
45	2	737762	O-RING, -.227 EPDM
46	1	737767	T7 TO "BANJO 2" FP" ADAPTER
47	1	737768	T7 TO BSP ADAPTER
48	1	737769	THREADED COUPLING
49	2	737953	NOZZLE,PROCLEAN TANKWASH
50	2	763840	TANK MNT BUSHING
51	2	763841	TANK ISOLATOR
52	2	900412	3/4UNC X 5 HHCS GR5 MC
53	1	900506	3/8UNC X 2 HHSFB GR5 MC FT
54	2	901129	3/8-16 X 1 CARRIAGE BOLT
55	4	914012	3/4UNC HEX STOVER NUT
56	4	920006	3/4 SAE FLAT WASHER
57	1	763839	1600 GAL SS TANK 15
58	1	691563	RINSE HOSE SUPP STS '16
59	1	520170	VIBRATION-DAMPING CLAMP HANGER
60	1	690071	LINE STRAINER, .32 MESH, 150PSI
61	1	737770	T FILTER WITH BSP THREADS, 16 MESH

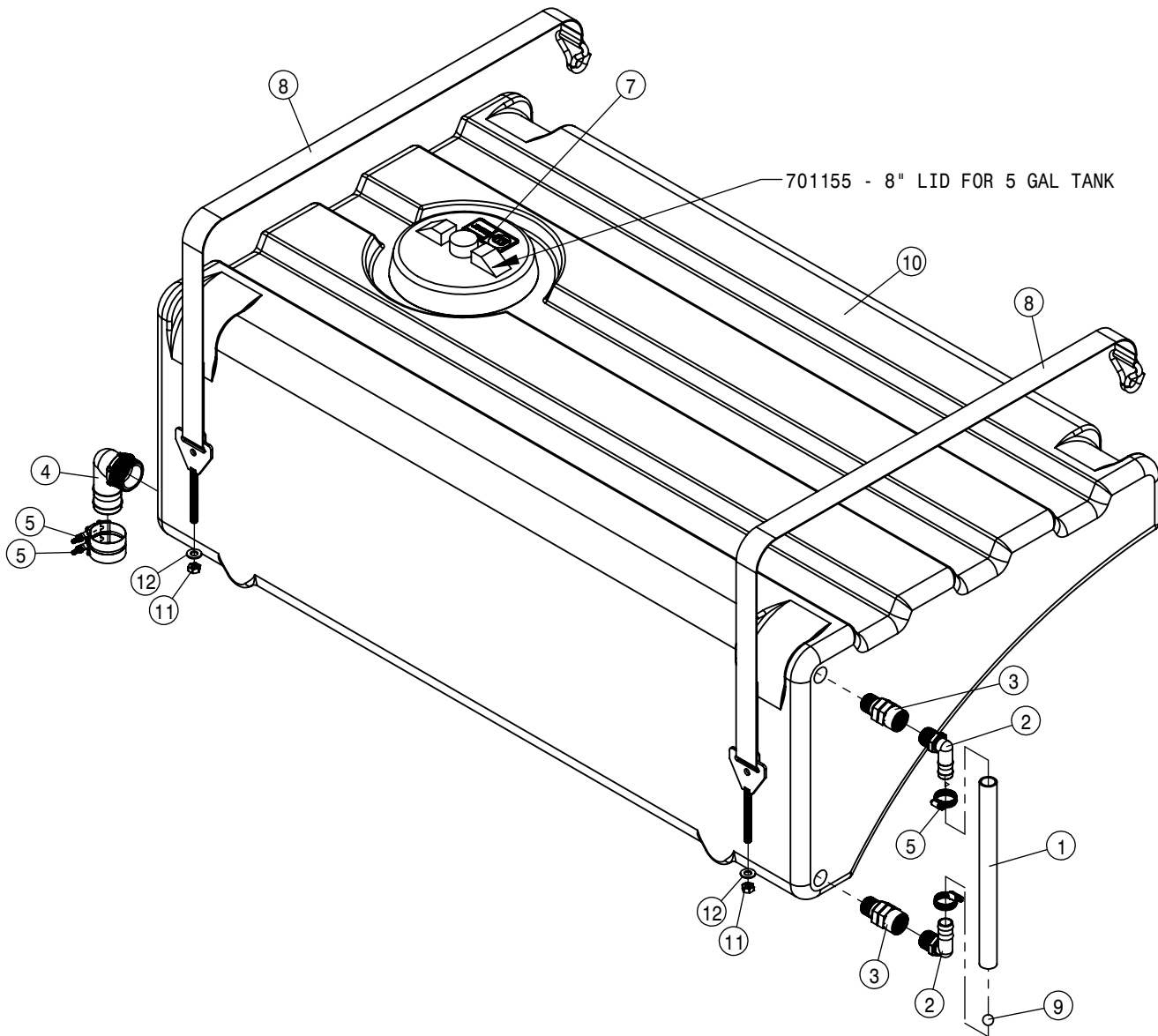
BULK HOSE

- 195909-HOSE 5/8 HEATER 1-FBR BR 20R3
- 195908-HOSE 3/4ID-1/8W CLEAR VINYL
- 195964-HOSE 1 1/4" ID-1/4W CLEAR VINYL



SIGHT GAUGE ASSEMBLY			
DET	QTY	P/N	DESCRIPTION
1	1	343972	REMOTE FILL
2	10	470089	1/4UNC HEX NYL-LOC NUT
3	14	470118	1/4 UNC X 3/4 SER FLG BOLT
4	6	470380	1/4-20 NUTSERT .027-1.65 ALUM
5	2	473001	5/16UNC HEX NUT,NYLOC
6	1	473969	1/4UNC-1 1/2 X 2 3/4 RD U-BOLT
7	6	483022	1.375 X 2.125 X .134 MACH WASH
8	1	500021	HOSE BARB-1" NPT X 1.25" HOSE
9	1	500047	1/2NPT-90-1/2 HOSE BARB, POLY
10	1	500051	1"NPT-90-1 1/4" HOSE BARB, POLY
11	1	500075	1" NPT PIPE TEE, POLY
12	2	500108	STRAIGHT-POLY, 1" MPT X 3/4 HOSE BARB
13	1	500157	1" FLANGE GASKET EPDM
14	1	500159	1" FLANGE CLAMP S.S.
15	1	500185	1"FLANGE-90-3/4"HOSE BARB POLY
16	1	503110	1" NPT 45 ELBOW

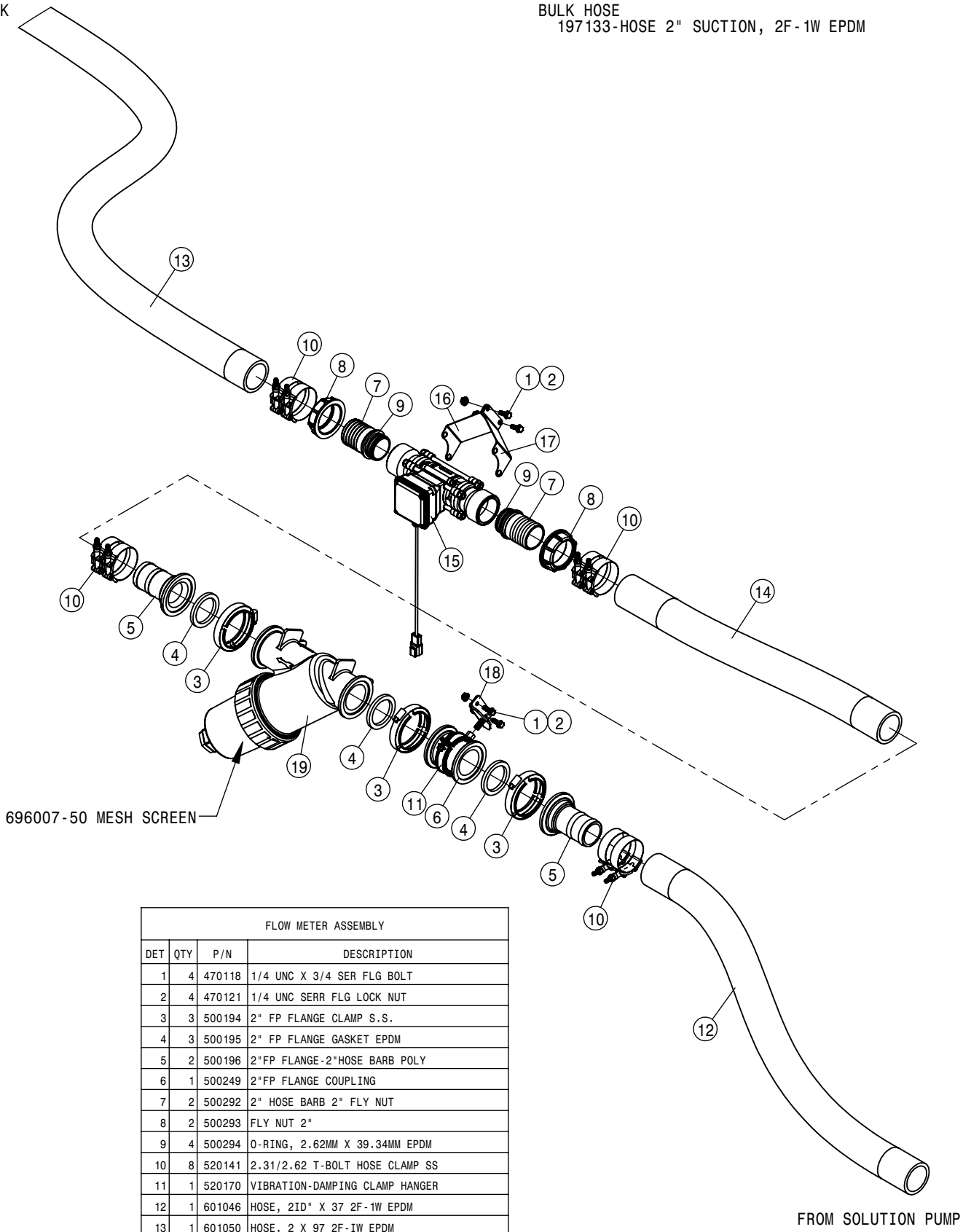
SIGHT GAUGE ASSEMBLY			
DET	QTY	P/N	DESCRIPTION
17	1	505233	1" -1/2"NPT REDU BUSH, POLY
18	1	520069	HOSE CLAMP NO 6 STAINLESS
19	5	520070	HOSE CLAMP NO 8 STAINLESS
20	2	520087	HOSE CLAMP NO 20 STAINLESS
21	1	601025	HOSE, 1 1/4 X 58 CLEAR VINYL
22	1	601057	HOSE, 3/4 X 17 CLEAR VINYL
23	1	601070	HOSE, 3/4 X 5, CLEAR VINYL
24	1	650470	DECAL, 1600G SS SIGHT GAUGE STS' 15
25	1	696193	3/4" HOSE BARB MICRO VALVE
26	1	701448	FLOAT-SIGHT GAUGE 2013
27	1	701466	SS TANK SIGHT GAUGE, STS ' 14
28	1	701468	SIGHT GAUGE MNT BRKT MID, STS' 14
29	1	701469	SIGHT GAUGE MT BRKT LWR, STS' 14
30	2	900065	5/16UNC X 1" HEX BOLT
31	1	195909-041	HOSE 5/8 HEATER 1-FBR BR 20R3
32	1	701377	SIGHT GAUGE MT BRKT OTR
33	1	701378	SIGHT GAUGE MT BRKT INR



POLY RINSE TANK ASSEMBLY			
DET	QTY	P/N	DESCRIPTION
1	1	195916-016	HOSE 1"ID-1/8W CLEAR VINYL
2	2	500024	1"NPT-90-1"HOSE BARB, POLY
3	2	500107	1"NPT SWIVEL POLY
4	1	500141	2"MNPT-90-2" HOSE BARB, POLY
5	2	520090	HOSECLAMP NO 16 STAINLESS
5	2	520141	2.31/2.62 T-BOLT HOSE CLAMP SS
7	1	650114	DECAL, FILL WITH FRESH WATER
8	2	763599	POLY RINSE TNK STRAP ASSY STS
9	1	763623	GREEN POLYPROPYLENE BALL 0.750"
10	1	764180	100 GAL POLY TANK, GRAY '16
11	2	914008	1/2 UNC HEX STOVER NUT
12	2	920004	1/2 SAE FLAT WASHER

TO BOOM QUICK
COUPLER

BULK HOSE
197133-HOSE 2" SUCTION, 2F-1W EPDM

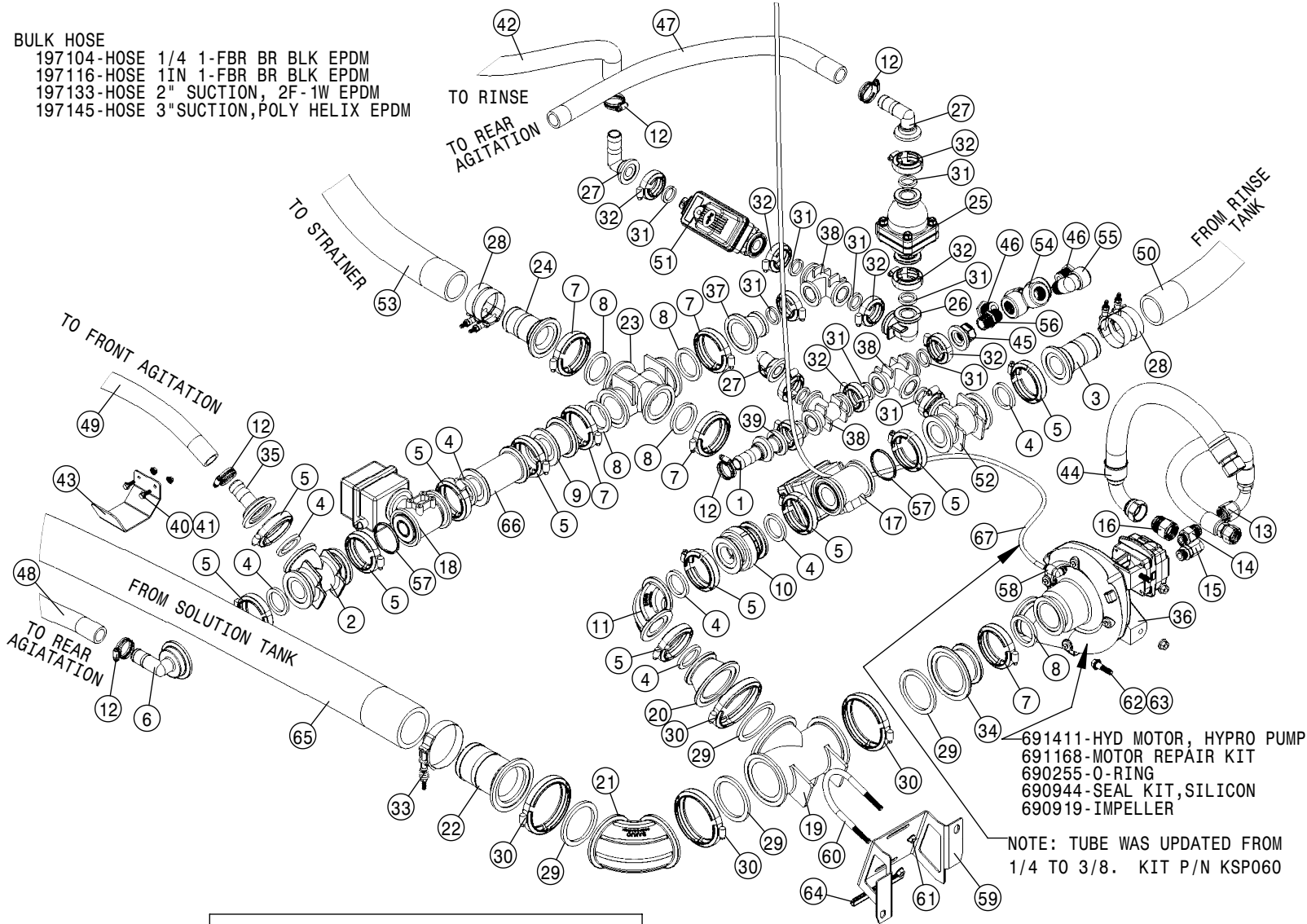


696007-50 MESH SCREEN

FLOW METER ASSEMBLY			
DET	QTY	P/N	DESCRIPTION
1	4	470118	1/4 UNC X 3/4 SER FLG BOLT
2	4	470121	1/4 UNC SERR FLG LOCK NUT
3	3	500194	2" FP FLANGE CLAMP S.S.
4	3	500195	2" FP FLANGE GASKET EPDM
5	2	500196	2"FP FLANGE-2"HOSE BARB POLY
6	1	500249	2"FP FLANGE COUPLING
7	2	500292	2" HOSE BARB 2" FLY NUT
8	2	500293	FLY NUT 2"
9	4	500294	O-RING, 2.62MM X 39.34MM EPDM
10	8	520141	2.31/2.62 T-BOLT HOSE CLAMP SS
11	1	520170	VIBRATION-DAMPING CLAMP HANGER
12	1	601046	HOSE, 2ID" X 37 2F-1W EPDM
13	1	601050	HOSE, 2 X 97 2F-1W EPDM
14	1	601099	HOSE, 2 X 26 2F-1W EPDM
15	1	691101	MAGNETIC FLOWMETER 2" FLYNUT
16	1	691302	ORION FLOW METER MNT FRONT
17	1	691303	ORION FLOW METER MNT REAR
18	1	691337	STRAINER CLAMP MNT WLD
19	1	696006	LINE "Y" STRAINER,2"FP FLG 50M

FROM SOLUTION PUMP

BULK HOSE
 197104-HOSE 1/4 1-FBR BR BLK EPDM
 197116-HOSE 1IN 1-FBR BR BLK EPDM
 197133-HOSE 2" SUCTION, 2F-1W EPDM
 197145-HOSE 3" SUCTION, POLY HELIX EPDM

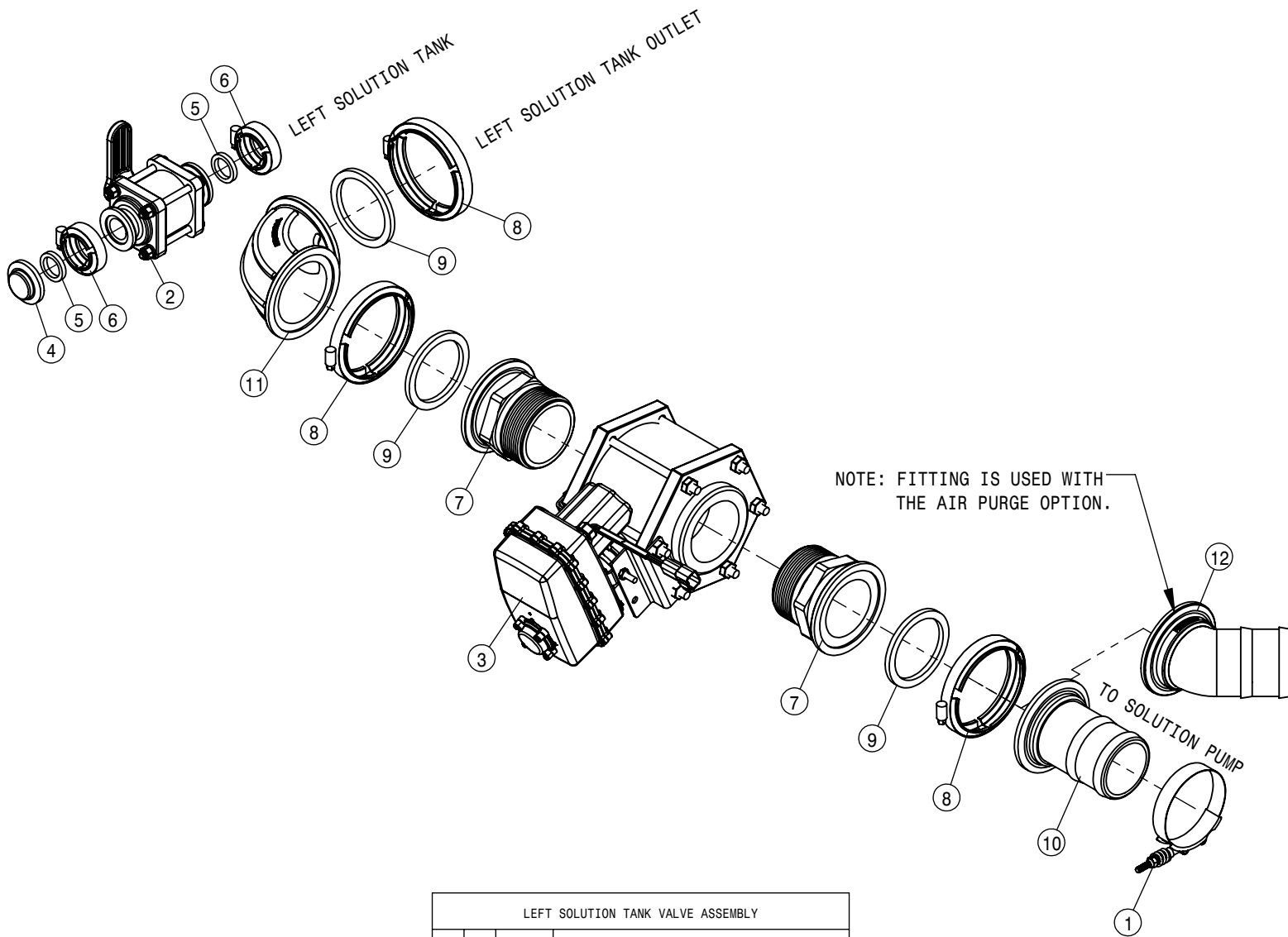


691411-HYD MOTOR, HYPRO PUMP
 691168-MOTOR REPAIR KIT
 690255-O-RING
 690944-SEAL KIT,SILICON
 690919-IMPELLER

NOTE: TUBE WAS UPDATED FROM 1/4 TO 3/8. KIT P/N KSP060

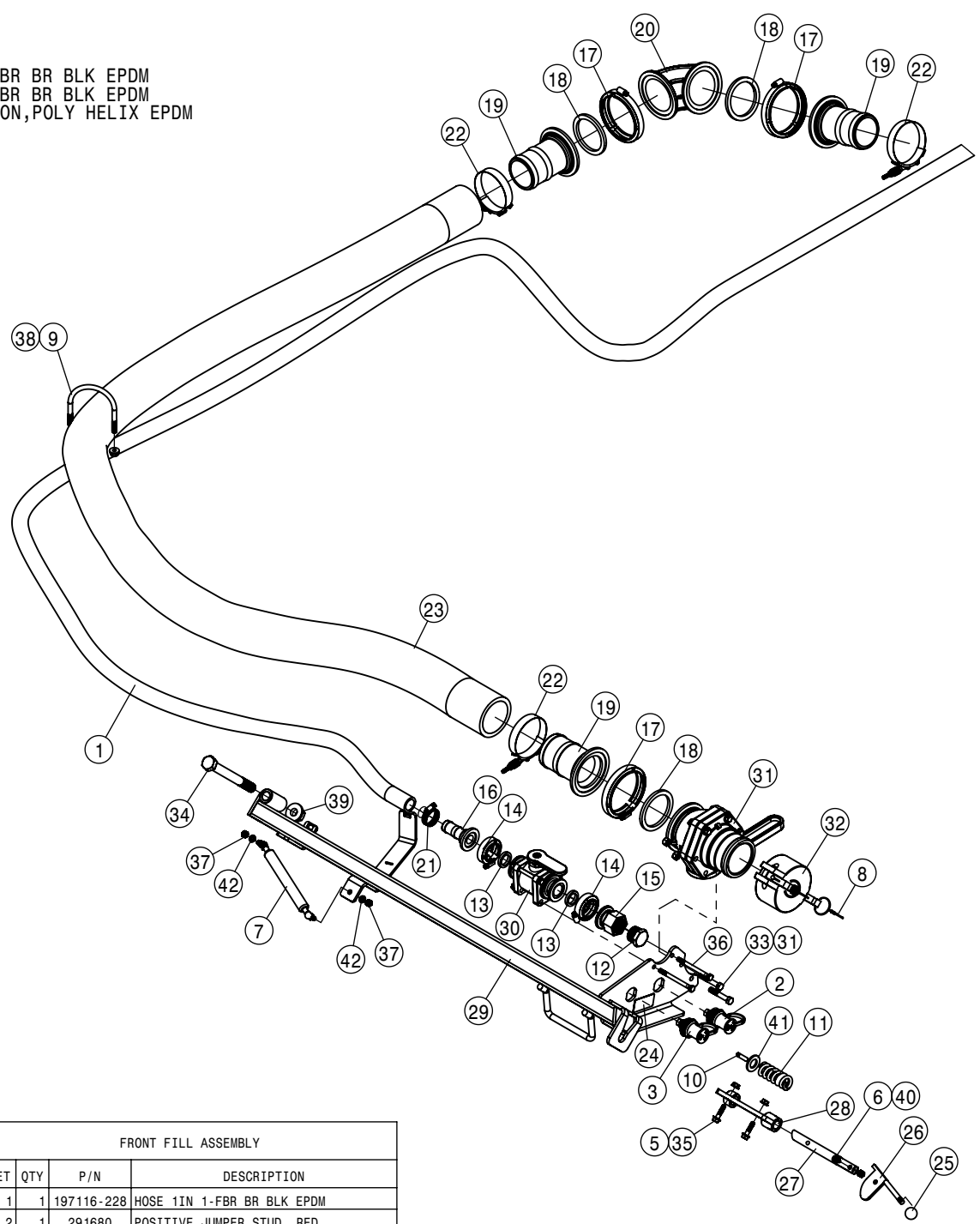
SOLUTION PUMP ASSEMBLY SS TANK			
DET	QTY	P/N	DESCRIPTION
1	1	500171	1" FLANGE-1" HOSE BARB POLY
2	1	500151	2" FLANGE TEE, POLY
3	1	500154	2" FLANGE-2" HOSE BARB POLY
4	8	500158	1 1/2" GASKET FOR 2" FLANGE
5	10	500160	2" FLANGE CLAMP S.S.
6	1	500189	2" FLANGE-90-1" HOSE BARB POLY
7	5	500194	2" FP FLANGE CLAMP S.S.
8	5	500195	2" FP FLANGE GASKET EPDM
9	1	500199	2"FP FLANGE-2"FLAGE REDU POLY
10	1	500264	2" CHECK STANDARD PORT
11	1	500266	2" FLANGE SWEEP 90
12	6	520090	HOSECLAMP NO 16 STAINLESS
13	1	617103	12-451TC-12FJX-12FJX90-22 H/A
14	1	618193	1 1/16MJIC-3/4MOR ADPTR
15	1	618279	1 1/16MJIC-90-7/8MOR LBO
16	1	618641	1 1/16FJIC -1 5/16MJIC ADPTR
17	1	696256	VALVE, KZCO C2F-60B-M-S9
18	1	696257	VALVE, KZCO C2F-62-Q-S9
19	1	500217	3"FLANGE TEE POLY
20	1	500237	3"FLANGE-2" STD FLANGE ADPTR POLY
21	1	500262	3"FLANGE-90-3"FLG SWEEP LBO
22	1	500210	3"FLANGE-3" HOSEBARB POLY
23	1	500203	2"FP FLANGE CROSS POLY
24	1	500196	2"FP FLANGE-2"HOSE BARB POLY
25	1	696008	PRESS RELIEF VLV,100PSI,1"FLG
26	1	500174	1" FLANGE-90-1" FLANGE LBOPOLY
27	3	500173	1"FLANGE-90-1"HOSE BARB POLY
28	4	520141	2.31/2.62 T-BOLT HOSE CLAMP SS
29	4	500209	3" FLANGE GASKET EPDM
30	4	500208	3" FLANGE CLAMP S.S.
31	11	500157	1" FLANGE GASKET EPDM
32	11	500159	1" FLANGE CLAMP S.S.
33	1	520145	3.56/3.88 T-BOLT HOSE CLAMP SS
34	1	500212	3"FLANGE - 2" FP FLANGE ADPTR
35	1	500172	2" FLANGE-1 " HOSE BARB

SOLUTION PUMP ASSEMBLY SS TANK			
DET	QTY	P/N	DESCRIPTION
36	1	691249	HYPRO PUMP, 9306C-HMSC-BU-001
37	1	500244	2"FP FLANGE-1"FLAGE ADPTR POLY
38	3	500175	1" FLANGE TEE, POLY
39	1	500155	1" FLANGE CAP PLUG POLY
40	2	470118	1/4 UNC X 3/4 SER FLG BOLT
41	2	470121	1/4 UNC SERR FLG LOCK NUT
42	1	601868	HOSE, 1 X 88 1BR BLK EPDM
43	1	701471	HOSE SUPPORT STS 14/16
44	1	617104	16-811-16FJX-16FJX90-26 H/A
45	1	500375	1 FLANGE X .75" FNPT
46	2	500043	3/4NPT PIPE PLUG, POLY
47	1	197116-028	HOSE 1IN 1-FBR BR BLK EPDM
48	1	197116-018	HOSE 1IN 1-FBR BR BLK EPDM
49	1	197116-110	HOSE 1IN 1-FBR BR BLK EPDM
50	1	197133-076	HOSE 2"" SUCTION, 2F-1W EPDM
51	1	696196	3/4" ELEC BALL VALVE SS 1" FLG
52	1	500150	2" FLANGE-1" BRANCH TEE POLY
53	1	197133-037	HOSE, 2ID X 097 2F-W1 EPDM
54	1	500267	3/4NPT CROSS POLY
55	1	500139	POLY STREET EL 3/4", (SLO75-90)
56	1	690098	3/4NPT CLOSE NIPPLE, POLY
57	2	N208245	O-RING, KZCO FLANGED VALVE
58	1	711123	1/8MNPT-90-3/8 NYL TUBE LBO
59	1	696023	SOL FIT MT
60	1	475011	3/8UNC-3 5/8ID-5 3/8 U-BOLT SS
61	2	472029	3/8-16UNC HEX FLG NUT SER SS
62	2	900504	3/8UNC X 1 1/2 HHSFB GR5 MC
63	2	910106	3/8-16UNC CTRLK FLG NUT MC GR5
64	1	193016-005	QUICKEDGE TRIM .060 TO .170
65	1	197134-064	HOSE 3" SUCTION, 2F-1W EPDM
66	1	500177	2" FLANGE-2" FLANGE CPLR POLY
67	1	195915-085	3/8OD AIR BRAKE TUBING J844-B



LEFT SOLUTION TANK VALVE ASSEMBLY			
DET	QTY	P/N	DESCRIPTION
1	1	520145	3.56/3.88 T-BOLT HOSE CLAMP SS
2	1	696147	BALL VLV, 1" FLANGE
3	1	696268	KZCO, 3" VALVE
4	1	500155	1" FLANGE CAP PLUG POLY
5	2	500157	1" FLANGE GASKET EPDM
6	2	500159	1" FLANGE CLAMP S.S.
7	2	500164	3" FLANGE - 3.00 MNPT ADPTR POLY
8	3	500208	3" FLANGE CLAMP S.S.
9	3	500209	3" FLANGE GASKET EPDM
10	1	500210	3"FLANGE-3" HOSEBARB POLY
11	1	500262	3"FLANGE-90-3"FLG SWEEP LBO
12	1	500258	3"FLANGE-45-3" HOSEBARB, POLY

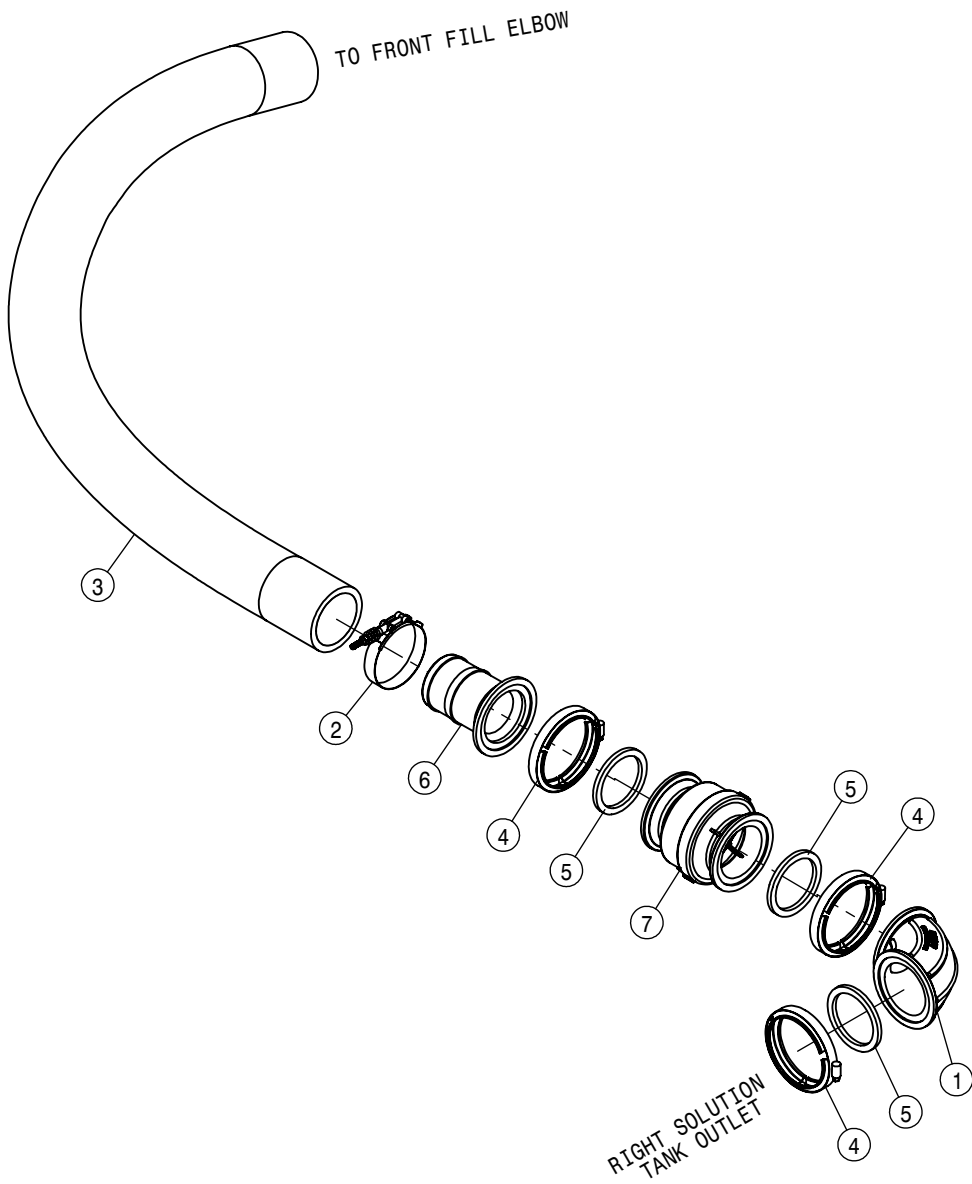
BULK HOSE
 197008-HOSE 1/2 1-FBR BR BLK EPDM
 197116-HOSE 1IN 1-FBR BR BLK EPDM
 197145-HOSE 3" SUCTION, POLY HELIX EPDM



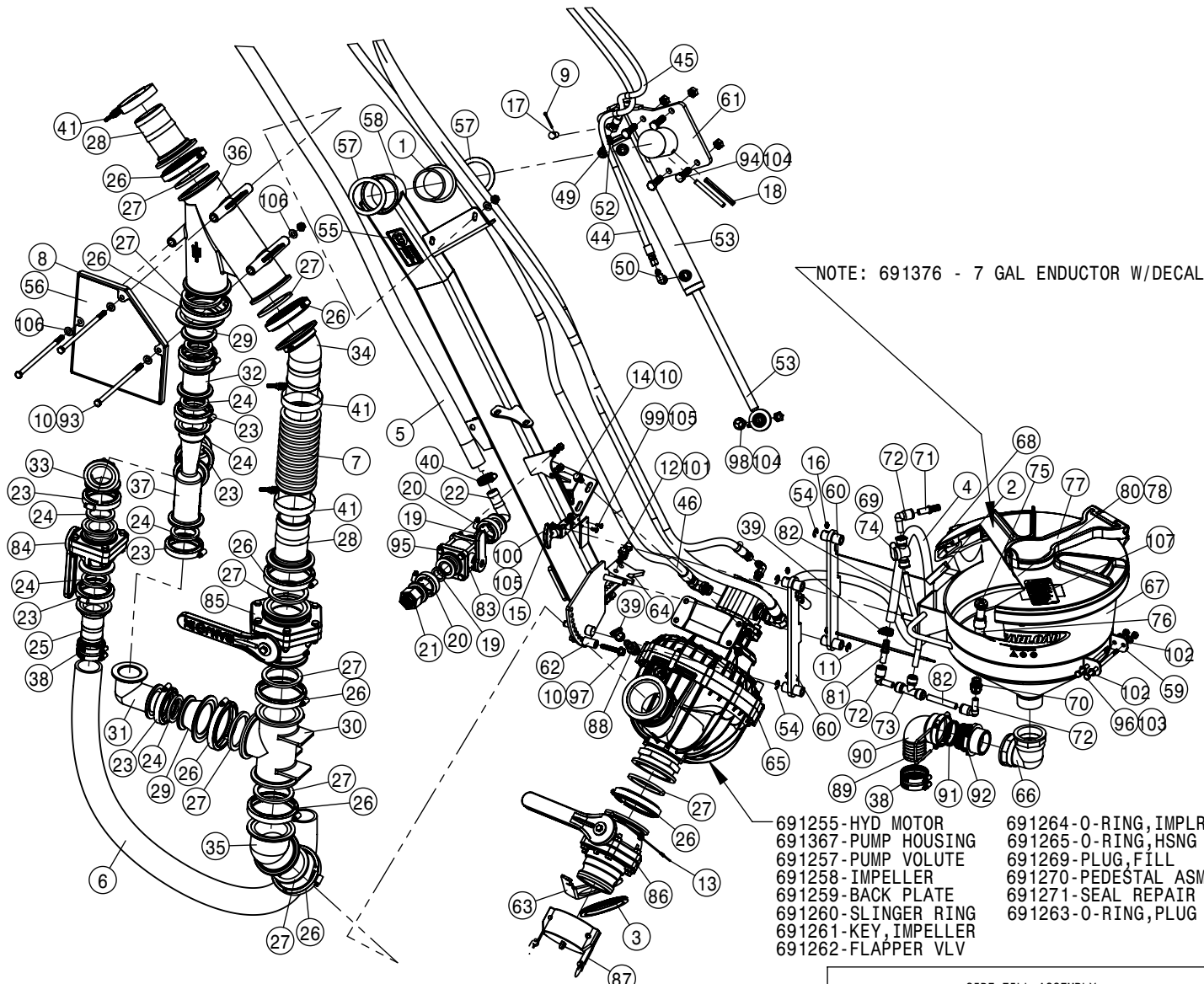
FRONT FILL ASSEMBLY			
DET	QTY	P/N	DESCRIPTION
1	1	197116-228	HOSE 1IN 1-FBR BR BLK EPDM
2	1	291680	POSITIVE JUMPER STUD, RED
3	1	291681	NEGATIVE JUMPER STUD, BLACK
NS	1	294168	FRONT FILL PWR HARNESS STS' 12
5	2	470113	5/16UNC SERR FLG LOCK NUT
6	1	470122	1/4UNC X 1/2 HHSFB GR5 MC
7	1	470253	HYD DAMPER 100LB 4.0 STROKE
8	1	470352	LANYARD, 11" POLY
9	1	472048	3/8 UNC U-BOLT 3.50ID X 4.125 ZINC
10	1	472316	ROLL PIN, 5/16 X 1 1/2
11	1	482017	SPRING
12	1	500063	1"NPT PIP PLUG, POLY
13	2	500157	1" FLANGE GASKET EPDM
14	2	500159	1" FLANGE CLAMP S.S.
15	1	500168	1" FLANGE-1" FNPT ADPTR POLY
16	1	500171	1" FLANGE-1" HOSE BARB POLY
17	3	500208	3" FLANGE CLAMP S.S.
18	3	500209	3" FLANGE GASKET EPDM
19	3	500210	3" FLANGE-3" HOSEBARB POLY
20	1	500262	3" FLANGE-90-3" FLG SWEEP LBO
21	1	520090	HOSECLAMP NO 16 STAINLESS
22	3	520145	3.56/3.88 T-BOLT HOSE CLAMP SS
23	1	601827	HOSE 3 X 98 POLY HELIX EPDM
24	1	650516	FRT/SIDE FILL PANEL DECAL

FRONT FILL ASSEMBLY			
DET	QTY	P/N	DESCRIPTION
25	1	659291	KNOB, BLK, 3/8" - 16 UNC
26	1	690698	FRT FILL SUPP ARM REL WLD
27	1	691139	FRT FILL SUPP ARM LATCH PIN' 10
28	1	691140	FRT FILL LATCH BRKT WLD, STS' 10
29	1	691378	FRT FILL SUPP ARM W/DECAL
30	1	696147	BALL VLV, 1" FLANGE
31	1	696192	3" FLG STUBBY VALVE, 3"M-ADPTR
32	1	696231	CAP FOR 3" MALE COUPLER POLY
33	2	900170	3/8UNC X 2 1/4 HEX BOLT
34	1	900418	3/4UNC X 7" HEX BOLT
35	2	900490	5/16UNC X 1 1/4 HHSFB SS
36	2	900498	5/16UNC X 3 3/4 HHCS SS
37	2	910002	5/16UNC HEX NUT
38	2	910106	3/8-16UNC CTRLK FLG NUT MC GR5
39	1	910111	3/4-10UNC CTRLK FLG NUT MC GR5
40	1	914002	5/16UNC HEX STOVER NUT
41	1	920006	3/4 SAE FLAT WASHER
42	2	920501	5/16 LOCK WASHER

BULK HOSE
 197145-HOSE 3" SUCTION, POLY HELIX EPDM



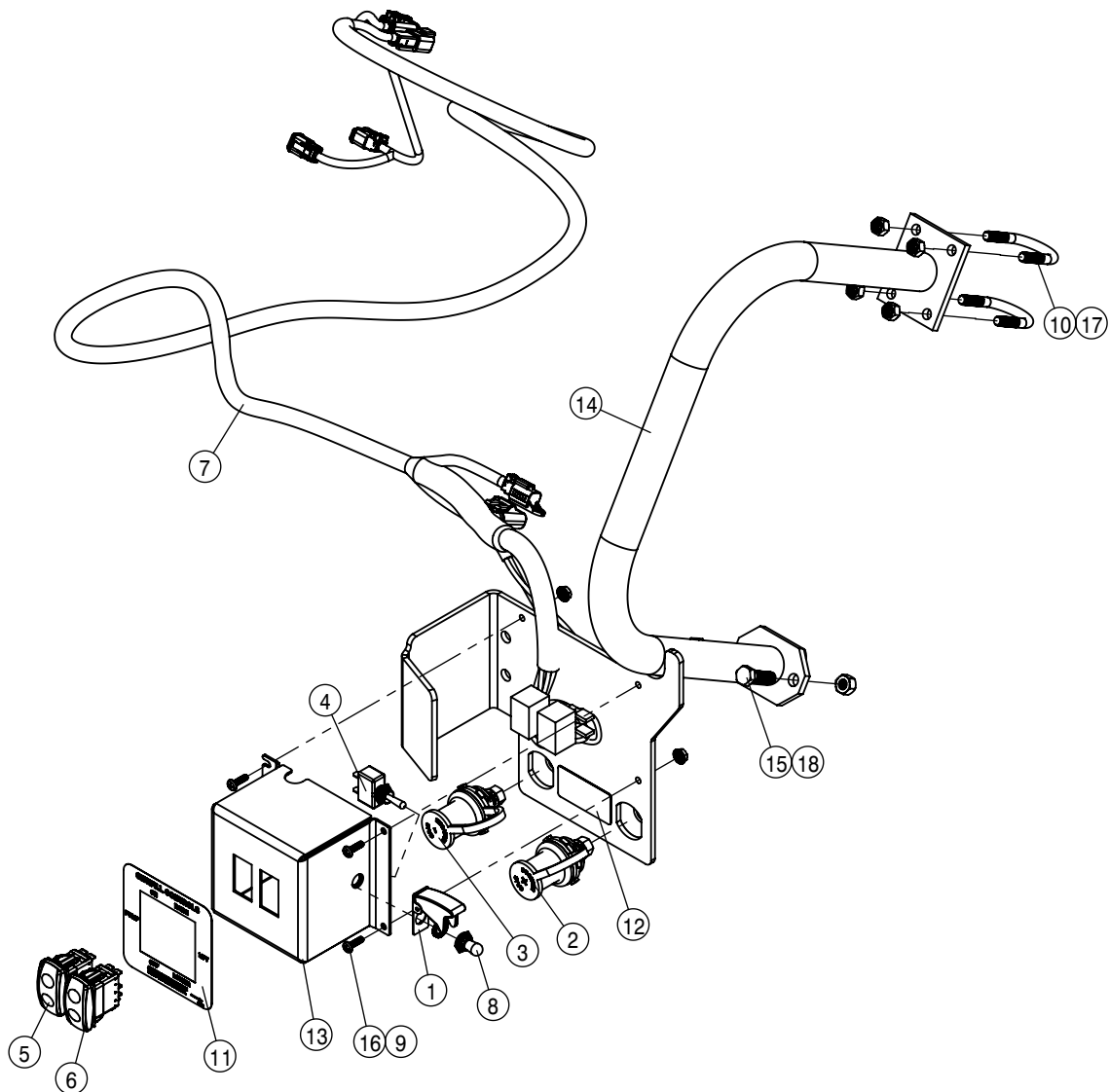
RH SOLUTION TANK VALVE (FRONT FILL)			
DET	QTY	P/N	DESCRIPTION
1	1	500262	3" FLANGE-90-3" FLG SWEEP LBO
2	1	520145	3.56/3.88 T-BOLT HOSE CLAMP SS
3	1	601663	HOSE, 3 X 50 POLY HELIX EPDM
4	3	500208	3" FLANGE CLAMP S.S.
5	3	500209	3" FLANGE GASKET EPDM
6	1	500210	3" FLANGE-3" HOSEBARB POLY
7	1	500142	CHECK VALVE 3" FLANGE



SIDE FILL ASSEMBLY			
DET	QTY	P/N	DESCRIPTION
1	1	121101	TRANSOM PIVOT BRG_TOP POLYGON
2	1	193012-003	QUICKEDGE TRIM .135 TO .250
3	1	193016-011	QUICKEDGE TRIM .060 TO .170
4	1	197008-044	HOSE 1/2 1-FBR BR BLK EPDM
5	1	197116-258	HOSE 1IN 1-FBR BR BLK EPDM
6	1	197133-048	HOSE 2" SUCTION, 2F-1W EPDM
7	1	197145-008	HOSE 3"SUCTION,POLY HELIX EPDM
8	1	344616	SIDE FILL DECAL PLT
9	1	470021	COITTER PIN 1/8 X 1 1/4 SS
10	8	470087	3/8UNC HEX SERR FLANGE NUT
11	2	470154	CABLE TIE, 11.00" BLK NYLON
12	2	470329	3/8UNC X 1 1/4 SERR FLG HEX BOLT
13	1	470352	LANYARD, 11" POLY
14	4	470460	3/8 X 1" SERR FLG BOLT
15	1	470643	RUBBER DRAW LATCH
16	4	471005	GREASE ZERK, 1/4-28 X 1/2
17	1	472279	CLEVIS PIN 1/2DIA X 1 3/4
18	2	473963	ROLL PIN, 3/8 X 3 1/2
19	2	500157	1" FLANGE GASKET EPDM
20	2	500159	1" FLANGE CLAMP S.S.
21	1	500168	1" FLANGE-1" FNPT ADPTR POLY
22	1	500173	1"FLANGE-90-1"HOSE BARB POLY
23	7	500194	2" FP FLANGE CLAMP S.S.
24	7	500195	2" FP FLANGE GASKET EPDM
25	1	500196	2"FP FLANGE-2"HOSE BARB POLY
26	9	500208	3" FLANGE CLAMP S.S.
27	9	500209	3" FLANGE GASKET EPDM
28	2	500210	3"FLANGE-3"HOSEBARB POLY
29	2	500212	3"FLANGE - 2" FP FLANGE ADPTR
30	1	500217	3"FLANGE TEE POLY
31	1	500219	2"FP FLANGE-90-2"FP FLANGE LBO
32	1	500249	2"FP FLANGE COUPLING
33	1	500254	2"FP FLANGE-90-2"FP SWEEP LBO
34	1	500258	3"FLANGE-45-3"HOSEBARB, POLY
35	1	500259	3" FLANGE X 45° FLANGED COUPLING

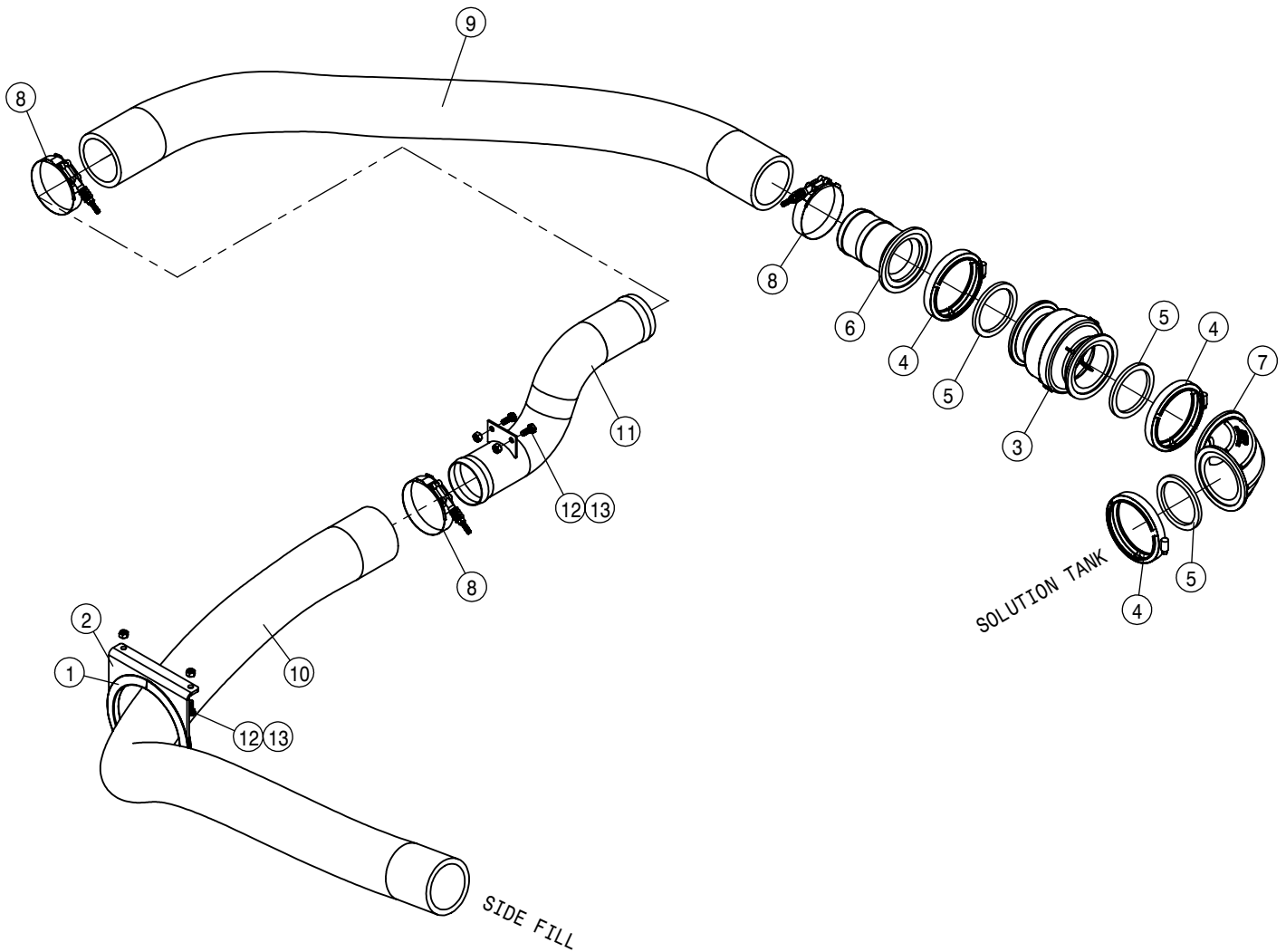
SIDE FILL ASSEMBLY			
DET	QTY	P/N	DESCRIPTION
36	1	500260	3" FP FLANGE 45 Y COUPLING
37	1	500261	2" FP FLANGE POLY VENTURI
38	4	520068	HOSE CLAMP NO 32 STAINLESS
39	2	520069	HOSE CLAMP NO 6 STAINLESS
40	1	520090	HOSECLAMP NO 16 STAINLESS
41	3	520145	3.56/3.88 T-BOLT HOSE CLAMP SS
42	1	617107	10-451TC-10FJX-10FJX-132 H/A
43	1	617109	06-451TC-06FJX-06FJX90-133 H/A
44	1	617389	04-451TC-04FJX-04FJX-111 H/A
45	1	617390	04-451TC-06FJX-06FJX90-100 H/A
46	1	617480	08-451TC-08FJX-08FJX90-127 H/A
47	1	618119	9/16MJIC-90-9/16MOR LBO
48	1	618183	3/4MJIC-90-7/8MOR LBO
49	1	618425	9/16MJIC-45-9/16MOR LBO
50	1	618499	7/16MJIC-90-9/16MOR LBO
51	1	618535	7/8MJIC-90-1 1/16MOR LBO
52	1	618731	9/16 - .025 ORIFICE ADPT
53	1	621554	HYD CYL, 1.50" X 12.25" X 0.75"
54	4	629541	SNAP RING, 1/2" EXTERNAL E-STYLE
55	1	650116	DECAL,INDUCTOR FILLING INSTR
56	1	650469	SIDE FILL INSTRUCTION DECAL
57	2	690729	3.50 OD X 2.68 ID X 11 GA WASH
58	1	691191	SIDE FILL ARM WLD, 2012
59	1	691192	HOPPER BAND WLD, SIDE FILL
60	2	691193	HOPPER PARAL ARM WLD,SIDE FILL
61	1	691195	CYL MNT WLD, SIDE FILL 2012
62	1	691197	BUSHING, .75 OD X 1.31 L'G
63	1	691225	HOSE SUPP BRKT SIDE FILL '12
64	1	691231	ADJ SIDE FILL CRADLE STS '12
65	1	691251	3" FLANGE TRANSFER PUMP
66	1	691342	HYPRO ELBOW FNPT
67	1	691343	HYPRO TANK CLEAN LOAD 7 GAL
68	1	691344	HYPRO GROMMET TANK SEAL 10MM
69	2	691346	HYPRO CLIP SAFETY PTC 1/2"
70	1	691348	HYPRO PUSH CONNECT FITTING 1/2

SIDE FILL ASSEMBLY			
DET	QTY	P/N	DESCRIPTION
71	1	691349	HYPRO HOSE BARB TO TUBE PTC
72	3	691350	HYPRO FITTING ELBOW PTC 1/2"
73	1	691351	HYPRO FITTING UNION TEE PTC1/2
74	1	691354	HYPRO VALVE, 2-WAY PTC
75	1	691357	HYPRO NOZ PROCLEAN CNTNR RINSE
76	1	691358	HYPRO PROCLEAN CNTNR RINSE VLV
77	1	691359	HYPRO TL S/A 16" HINGED
78	1	691360	HYPRO BREATHER LABYRINTH
79	1	691361	HYPRO O-RING, BREATHER
80	1	691362	HYPRO NUT, BREATHER
81	1	691363	HYPRO HOSE BARB TO TUBE PTC
82	1	691368	TUBING KIT, HYPRO
83	1	696147	BALL VLV, 1" FLANGE
84	1	696150	BALL VLV, 2"FP FLANGE STUBBY
85	1	696190	BALL VLV, 3" FP FLANGE
86	1	696192	3"FLG STUBBY VALVE,3"M-ADPTR
87	1	696231	CAP FOR 3" MALE COUPLER POLY
88	1	713340	1/2NPT-1/2 HOSE BARB, POLY
89	1	737756	2" FORK FOR 737754/755
90	1	737760	2"FP-90-2" HOSE BARB POLY
91	2	737762	O-RING, -227 EPDM
92	1	737771	MALE T7 TO MALE 2" NPT
93	3	900148	3/8UNC X 8 HEX BOLT
94	4	900265	1/2UNC X 1 1/2 HEX BOLT
95	2	900498	5/16UNC X 3 3/4 HHCS SS
96	2	900502	5/16UNC X 5 1/2 HHCS SS
97	1	900506	3/8UNC X 2 HHSFB GR5 MC FT
98	1	900519	1/2UNC X 2 HHSFB GR5 MC FT
99	2	903706	10-32X1/2 PHIL PAN MACH SCR
100	2	903710	10-32 X 5/8 PHIL PANHD MACH SCR
101	2	910106	3/8-16UNC CTRLK FLG NUT MC GR5
102	4	910113	SAE FLAT WASHER 5/16 SS
103	2	914002	5/16UNC HEX STOVER NUT
104	5	914008	1/2 UNC HEX STOVER NUT
105	4	914027	10-32 HEX STOVER NUT
106	6	920002	3/8 SAE FLAT WASHER
107	1	N203265	DECAL CAUTION



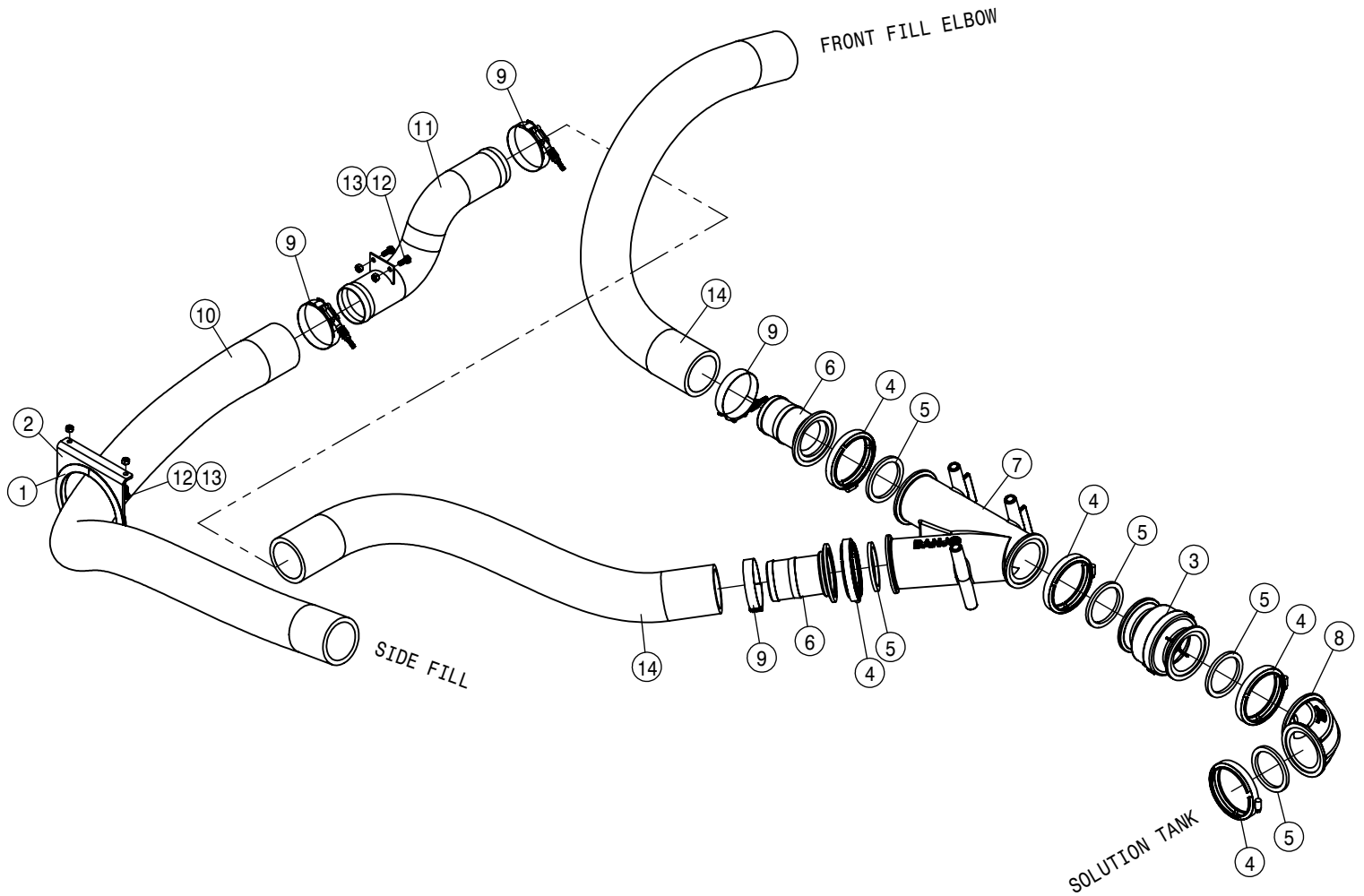
SIDE FILL SWITCH BOX ASSEMBLY			
DET	QTY	P/N	DESCRIPTION
1	1	291655	AIRCRAFT TOGGLE SWITCH GUARD
2	1	291680	POSITIVE JUMPER STUD, RED
3	1	291681	NEGATIVE JUMPER STUD, BLACK
4	1	291937	TOGGLE SWITCH, SPST
5	1	292226	SWITCH - SIDEFILL PUMP SPEED
6	1	292367	SWITCH - SIDEFILL CYLINDER
7	1	294230	SIDE FILL HARNESS
8	1	470001	RUBBER BOOT AND NUT FOR 298012
9	4	470175	10-32 SERR FLANGE NUT
10	2	473911	5/16UNC-1.31ID-2.00 U-BOLT ZINC
11	1	650155	DECAL, SIDEFILL CTRL STS 05
12	1	650516	FRT/SIDE FILL PANEL DECAL
13	1	691371	SIDE FILL SWITCH BOX, STS'16
14	1	691377	CHEM IND GUARD W/DECAL
15	2	900130	3/8UNC X 1 1/4 HEX BOLT
16	4	903710	#10-32 UNF X 5/8 PHMS PH BZ
17	4	914002	5/16UNC HEX STOVER NUT
18	2	914004	3/8UNC HEX STOVER NUT

BULK HOSE
197145-HOSE 3" SUCTION, POLY HELIX EPDM



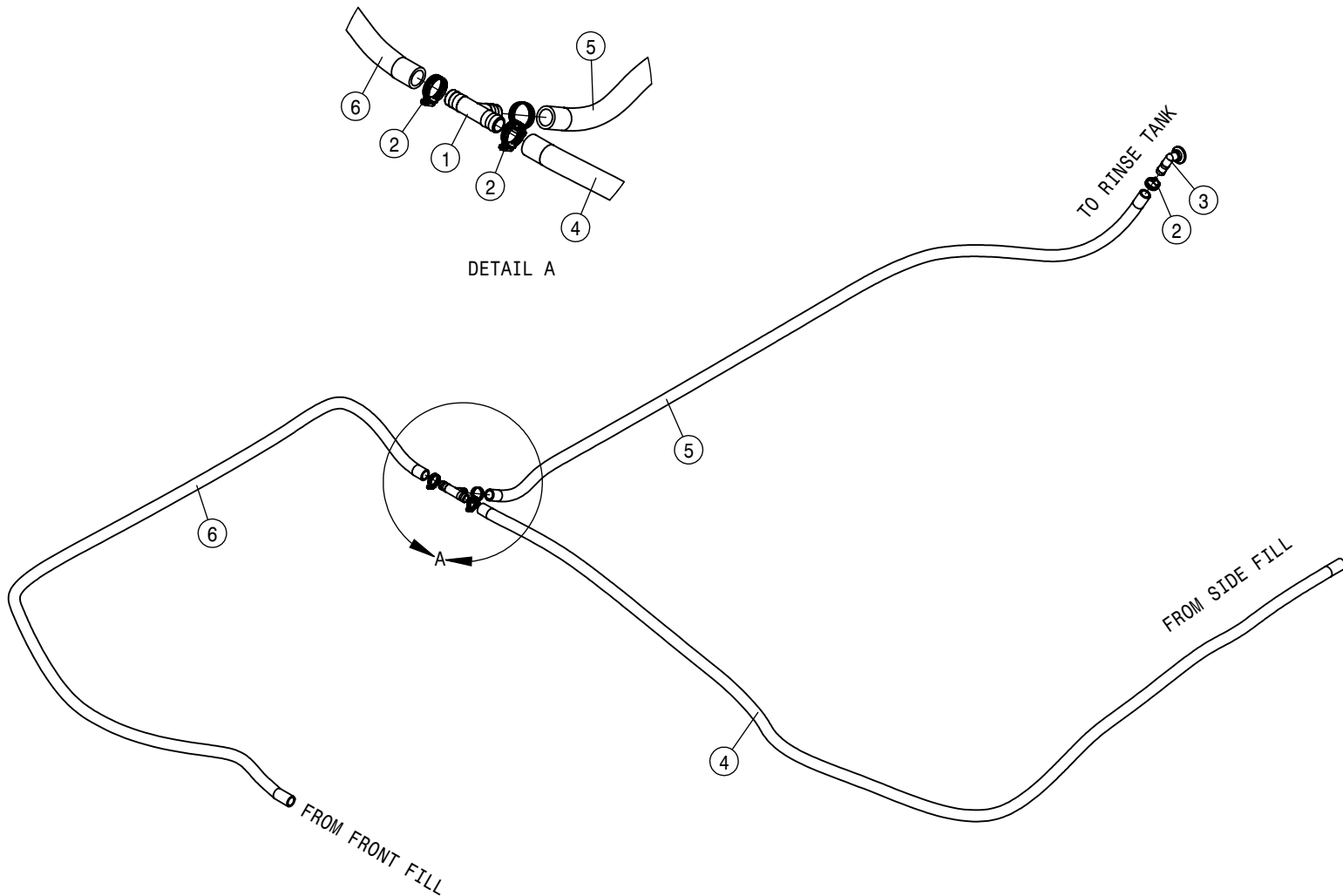
RH SOLUTION TANK VALVE (SIDE FILL)			
DET	QTY	P/N	DESCRIPTION
1	1	193012	QUICKEDGE TRIM .135 TO .250
2	1	342991	SIDEFILL HOSE SUPP BRKT,STS 05
3	1	500142	CHECK VALVE 3" FLANGE
4	3	500208	3" FLANGE CLAMP S.S.
5	3	500209	3" FLANGE GASKET EPDM
6	1	500210	3"FLANGE-3' HOSEBARB POLY
7	1	500262	3"FLANGE-90-3"FLG SWEEP LBO
8	3	520145	3.56/3.88 T-BOLT HOSE CLAMP SS
9	1	601798	HOSE, 3 X 51 POLY HELIX EPDM
10	1	601916	HOSE, 3 X 65 POLY HELIX EPDM
11	1	690731	SOLU TUBE, 3.00 S.S. SIDE FILL
12	4	900064	5/16UNC X 3/4" HEX BOLT
13	4	914002	5/16UNC HEX STOVER NUT

BULK HOSE
197145-HOSE 3"SUCTION,POLY HELIX EPDM

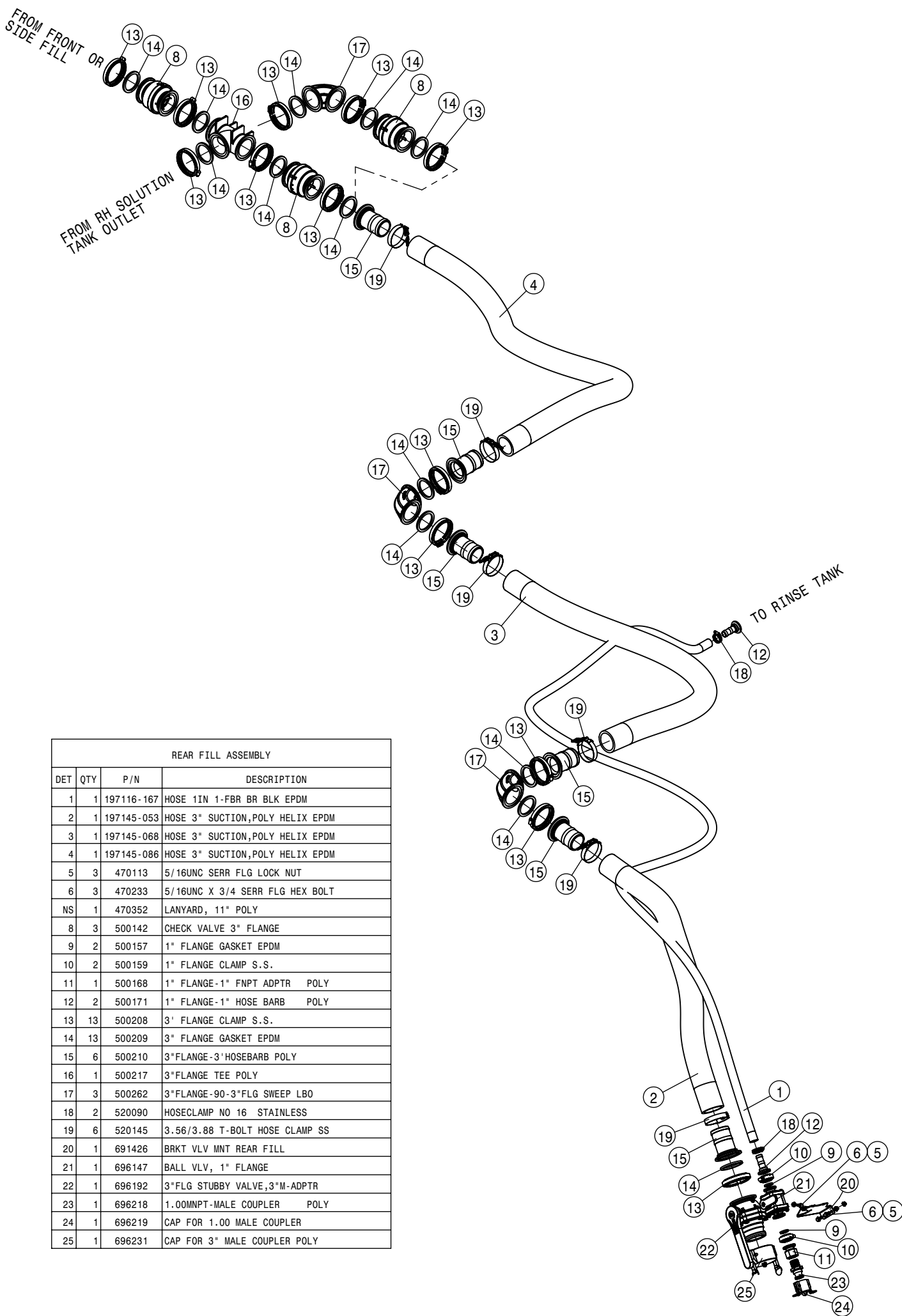


RH SOLUTION TANK VALVE (FRONT AND SIDE FILL)			
DET	QTY	P/N	DESCRIPTION
1	1	193012	QUICKEDGE TRIM .135 TO .250
2	1	342991	SIDEFILL HOSE SUPP BRKT,STS 05
3	1	500142	CHECK VALVE 3" FLANGE
4	5	500208	3" FLANGE CLAMP S.S.
5	5	500209	3" FLANGE GASKET EPDM
6	2	500210	3"FLANGE-3'HOSEBARB POLY
7	1	500260	3" FP FLANGE 45 Y COUPLING
8	1	500262	3"FLANGE-90-3"FLG SWEEP LBO
9	4	520145	3.56/3.88 T-BOLT HOSE CLAMP SS
10	1	601916	HOSE, 3 X 65 POLY HELIX EPDM
11	1	690731	SOLU TUBE, 3.00 S.S. SIDE FILL
12	4	900064	5/16UNC X 3/4" HEX BOLT
13	4	914002	5/16UNC HEX STOVER NUT
14	2	197145-040	HOSE 3" SUCTION,POLY HELIX EPDM

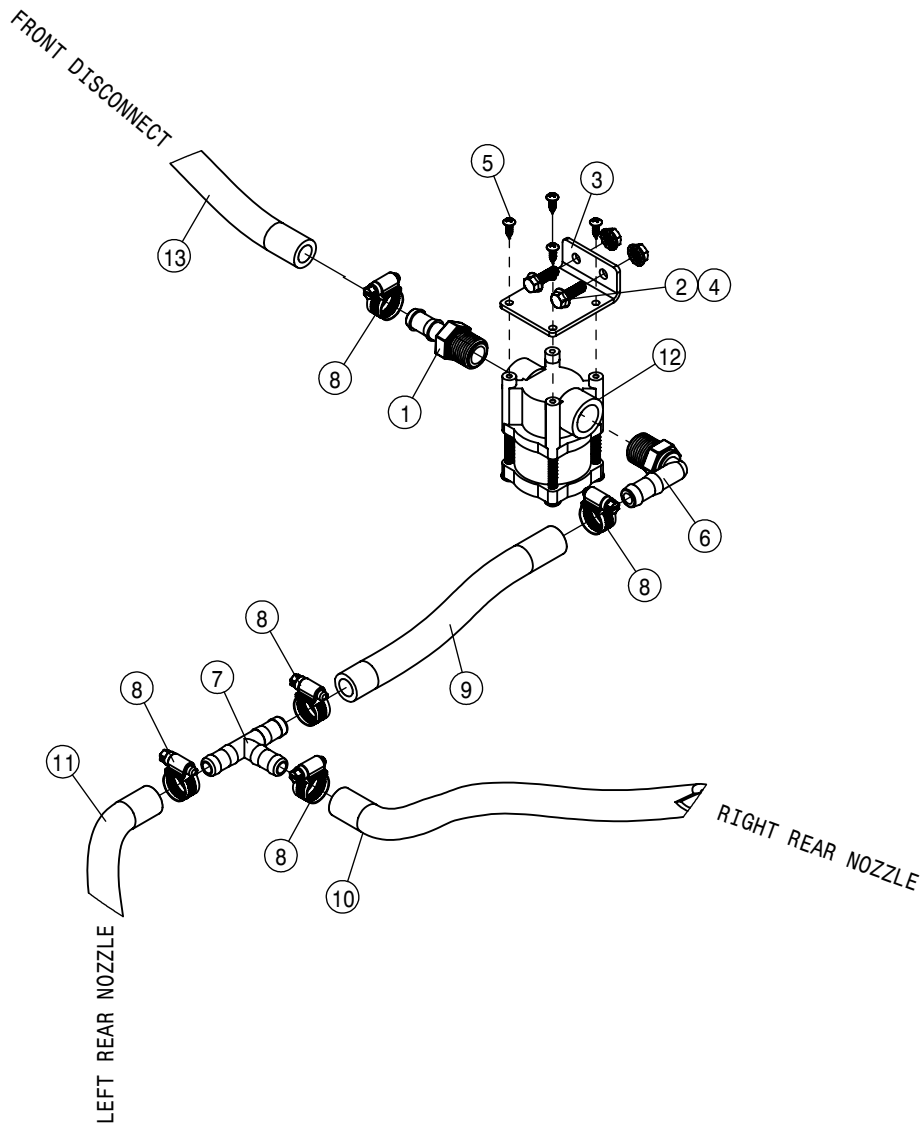
BULK HOSE
 197116-HOSE 1IN 1-FBR BR BLK EPDM



FILL/RINSE HOSES FRONT/SIDE FILL ASSEMBLY			
DET	QTY	P/N	DESCRIPTION
1	1	500105	1.00 HOSE BARB TEE, POLY
2	4	520090	HOSECLAMP NO 16 STAINLESS
3	1	500173	1" FLANGE-90-1" HOSE BARB POLY
4	1	197116-150	HOSE 1IN 1-FBR BR BLK EPDM
5	1	197116-109	HOSE 1IN 1-FBR BR BLK EPDM
6	1	197116-119	HOSE 1IN 1-FBR BR BLK EPDM

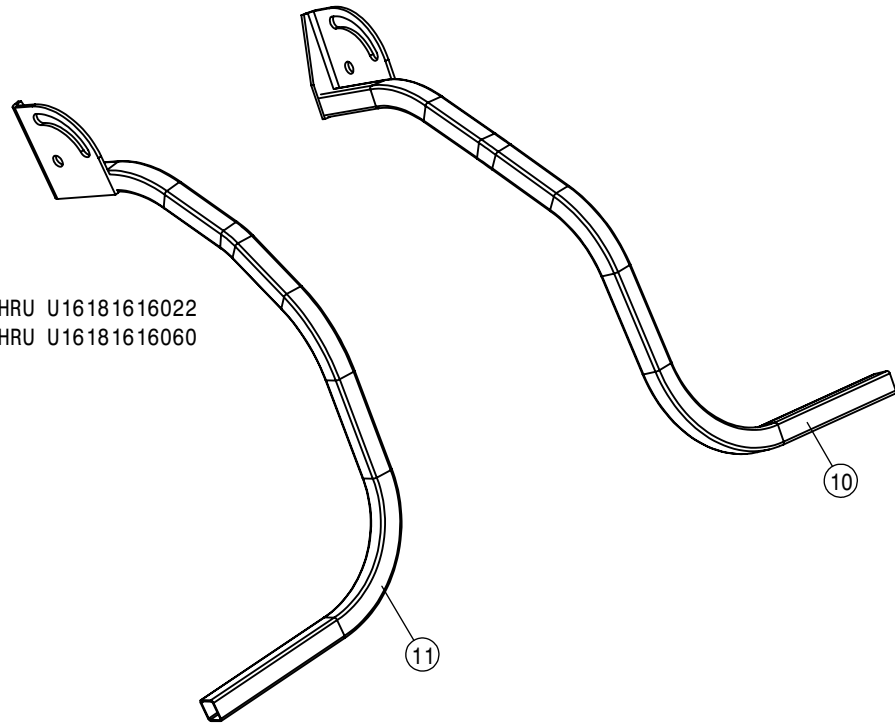


REAR FILL ASSEMBLY			
DET	QTY	P/N	DESCRIPTION
1	1	197116-167	HOSE 1IN 1-FBR BR BLK EPDM
2	1	197145-053	HOSE 3" SUCTION,POLY HELIX EPDM
3	1	197145-068	HOSE 3" SUCTION,POLY HELIX EPDM
4	1	197145-086	HOSE 3" SUCTION,POLY HELIX EPDM
5	3	470113	5/16UNC SERR FLG LOCK NUT
6	3	470233	5/16UNC X 3/4 SERR FLG HEX BOLT
NS	1	470352	LANYARD, 11" POLY
8	3	500142	CHECK VALVE 3" FLANGE
9	2	500157	1" FLANGE GASKET EPDM
10	2	500159	1" FLANGE CLAMP S.S.
11	1	500168	1" FLANGE-1" FNPT ADPTR POLY
12	2	500171	1" FLANGE-1" HOSE BARB POLY
13	13	500208	3' FLANGE CLAMP S.S.
14	13	500209	3" FLANGE GASKET EPDM
15	6	500210	3"FLANGE-3'HOSEBARB POLY
16	1	500217	3"FLANGE TEE POLY
17	3	500262	3"FLANGE-90-3"FLG SWEEP LBO
18	2	520090	HOSECLAMP NO 16 STAINLESS
19	6	520145	3.56/3.88 T-BOLT HOSE CLAMP SS
20	1	691426	BRKT VLV MNT REAR FILL
21	1	696147	BALL VLV, 1" FLANGE
22	1	696192	3"FLG STUBBY VALVE,3"M-ADPTR
23	1	696218	1.00MNPT-MALE COUPLER POLY
24	1	696219	CAP FOR 1.00 MALE COUPLER
25	1	696231	CAP FOR 3" MALE COUPLER POLY

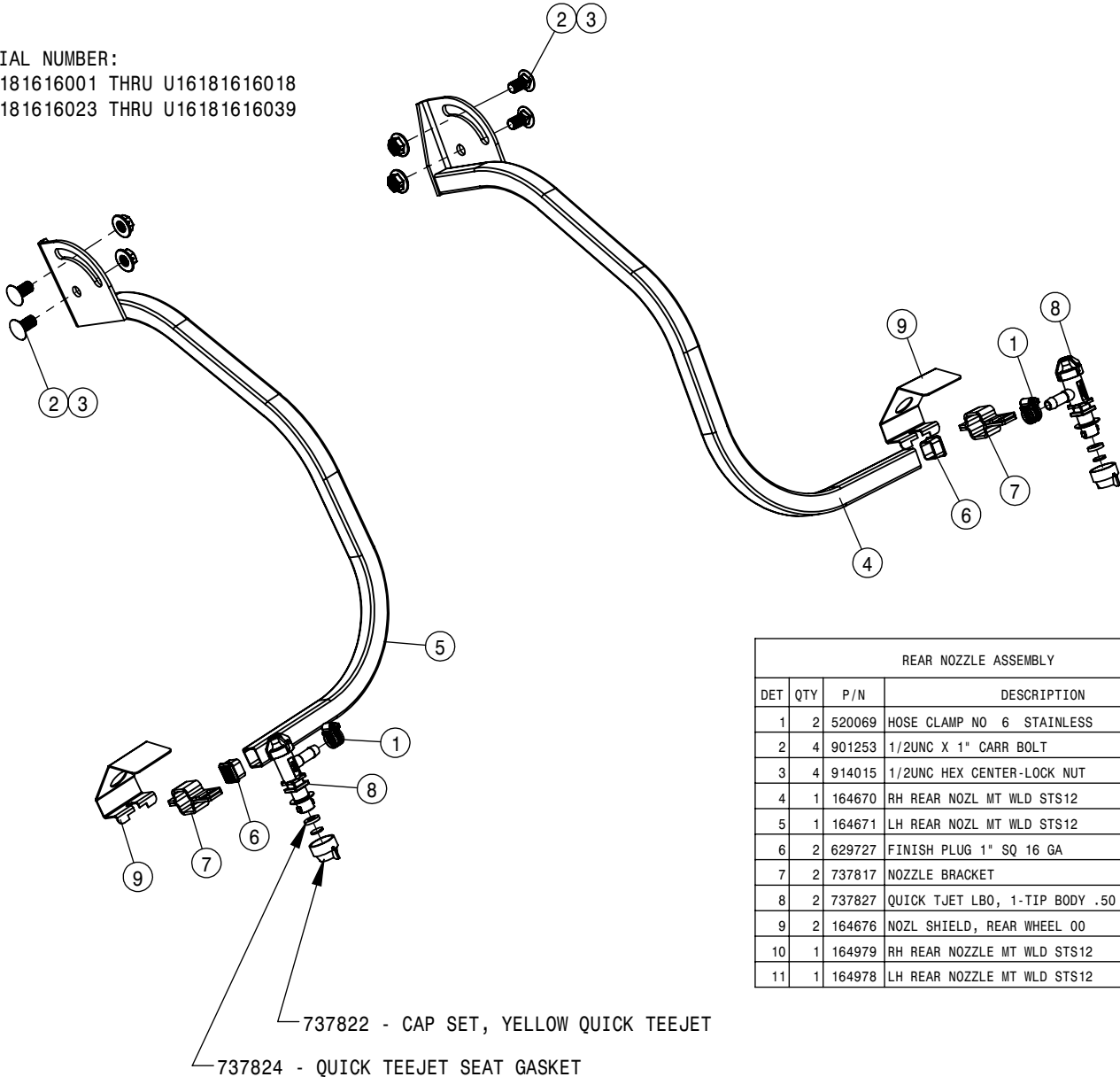


REAR WHEEL NOZZLE VALVE ASSEMBLY			
DET	QTY	P/N	DESCRIPTION
1	1	713340	1/2NPT-1/2 HOSE BARB, POLY
2	2	470118	1/4 UNC X 3/4 SER FLG BOLT
3	1	345018	REAR WHEEL SPRAY VLV MNT
4	2	470121	1/4 UNC SERR FLG LOCK NUT
5	4	473902	#8 X 1/2 PHIL PAN HD MTL SCR
6	1	500047	1/2NPT-90-1/2 HOSE BARB, POLY
7	1	500120	1/2" HOSE BARB TEE
8	5	520069	HOSE CLAMP NO 6 STAINLESS
9	1	601021	HOSE, 1/2 X 9 1BR BLK EPDM
10	1	601022	HOSE, 1/2 X 222 1BR BLK EPDM
11	1	601608	HOSE, 1/2 X 235 1BR EPDM
12	1	696238	SOLU VLV, 1/2FNPT, 12V 150PSI
13	1	601028	HOSE, 1/2 X 203 1BR BLK EPDM

SERIAL NUMBER:
 U16181616019 THRU U16181616022
 U16181616040 THRU U16181616060

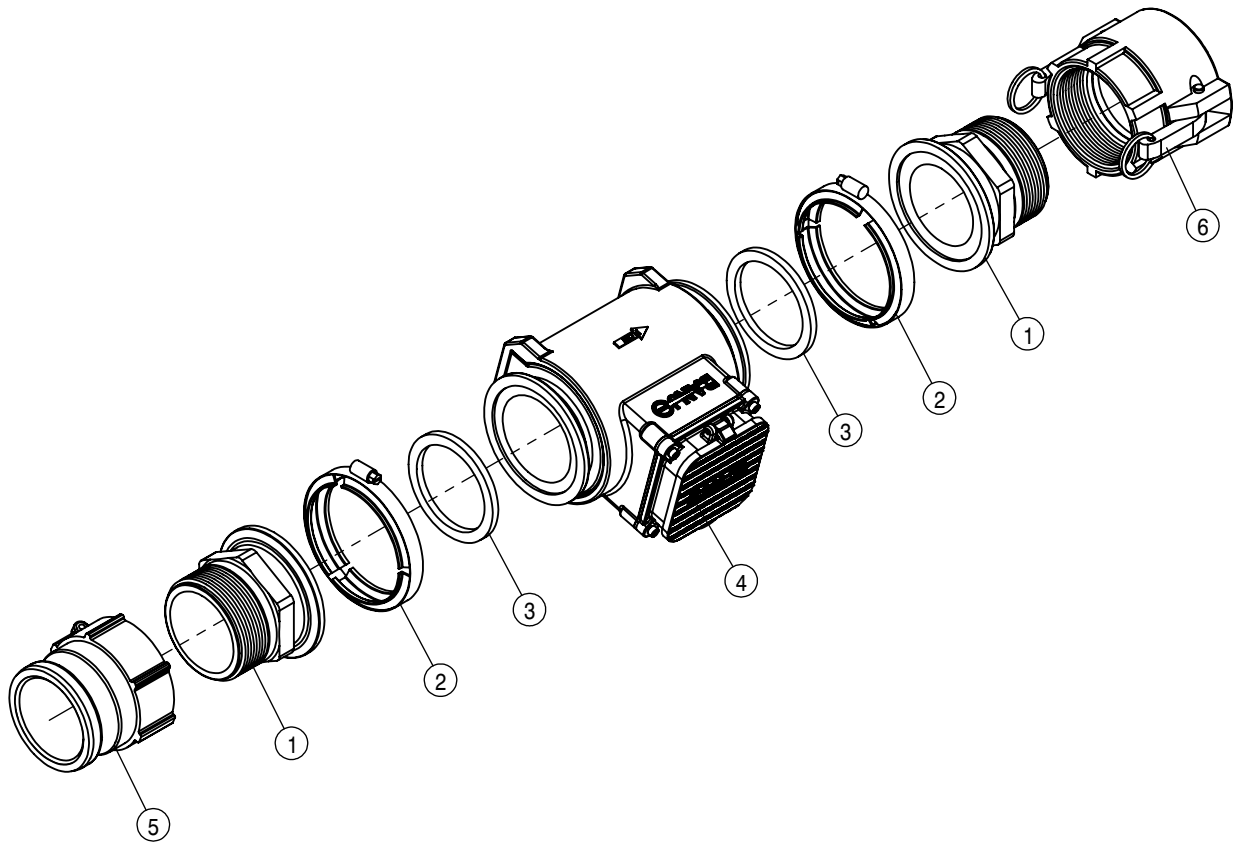


SERIAL NUMBER:
 U16181616001 THRU U16181616018
 U16181616023 THRU U16181616039



REAR NOZZLE ASSEMBLY			
DET	QTY	P/N	DESCRIPTION
1	2	520069	HOSE CLAMP NO 6 STAINLESS
2	4	901253	1/2UNC X 1" CARR BOLT
3	4	914015	1/2UNC HEX CENTER-LOCK NUT
4	1	164670	RH REAR NOZL MT WLD STS12
5	1	164671	LH REAR NOZL MT WLD STS12
6	2	629727	FINISH PLUG 1" SQ 16 GA
7	2	737817	NOZZLE BRACKET
8	2	737827	QUICK TJET LBO, 1-TIP BODY .50
9	2	164676	NOZL SHIELD, REAR WHEEL 00
10	1	164979	RH REAR NOZZLE MT WLD STS12
11	1	164978	LH REAR NOZZLE MT WLD STS12

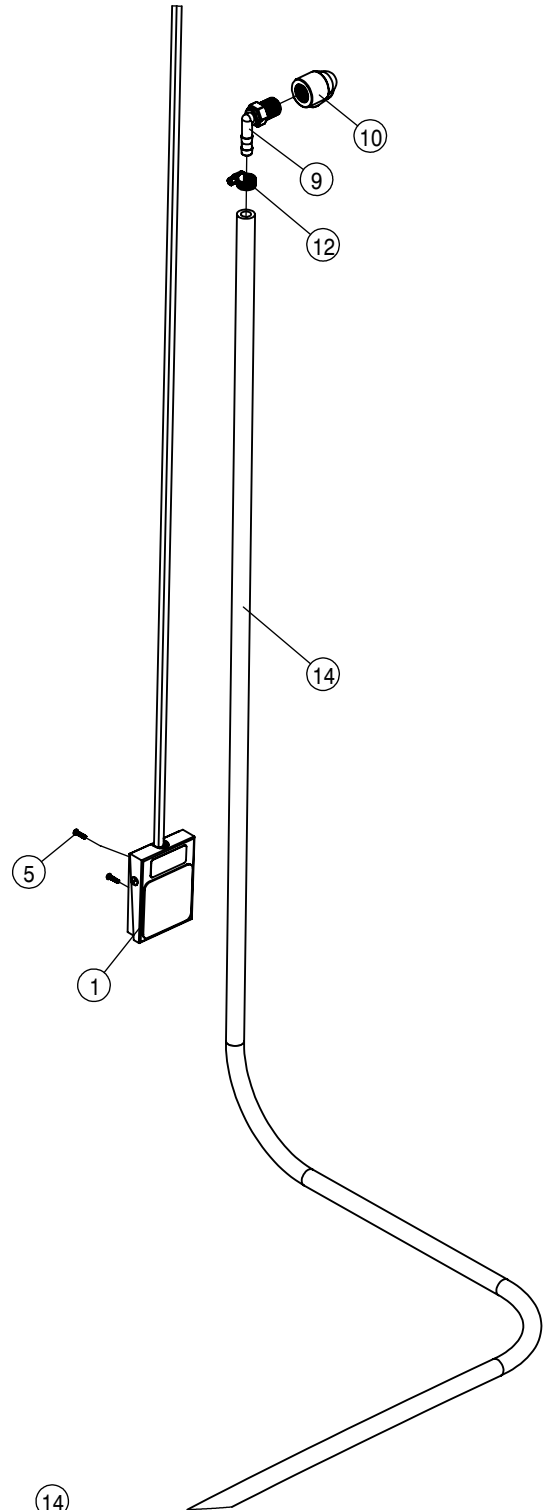
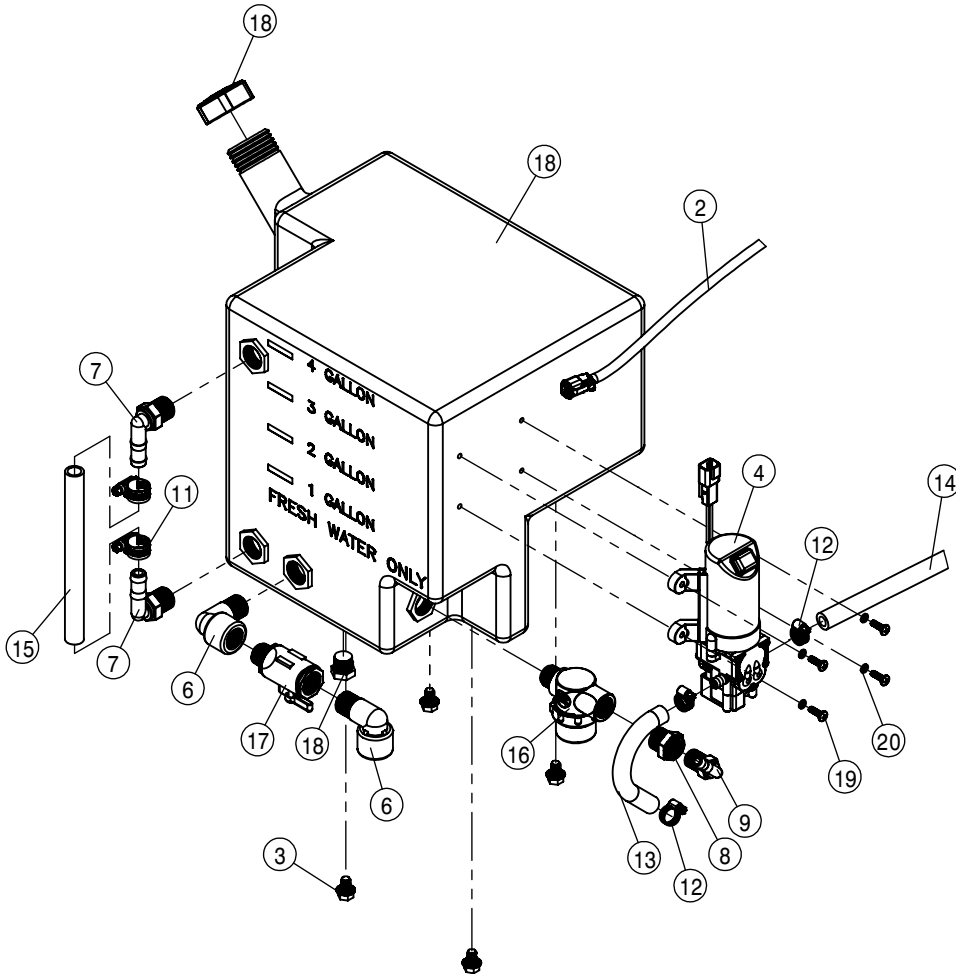
737822 - CAP SET, YELLOW QUICK TEEJET
 737824 - QUICK TEEJET SEAT GASKET



FILL FLOW METER ASSEMBLY			
DET	QTY	P/N	DESCRIPTION
1	2	500164	3" FLANGE- 3.00 MNPT ADPTR POLY
2	2	500208	3' FLANGE CLAMP S.S.
3	2	500209	3" FLANGE GASKET EPDM
4	1	691242	3" MANIFOLD FLOWMETER, BANJO
5	1	696225	3.00 FNPT-MALE COUPLER POLY
6	1	696228	3.00FNPT-FEMALE COUPLER POLY

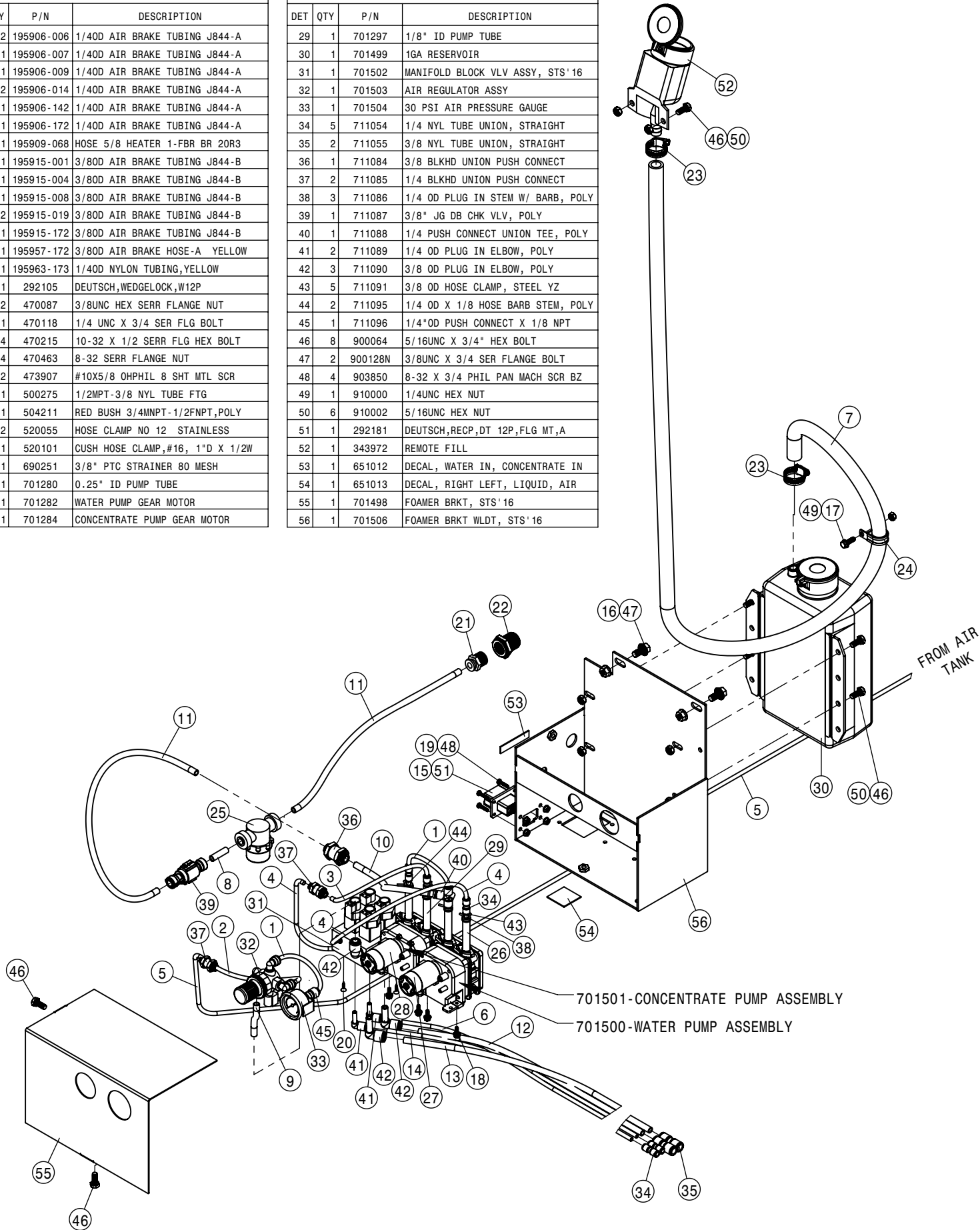
BULK HOSE
 195902-HOSE 1/2ID-3/32W CLEAR VINYL
 195923-HOSE 3/8 1-FBR BR BLK RLA

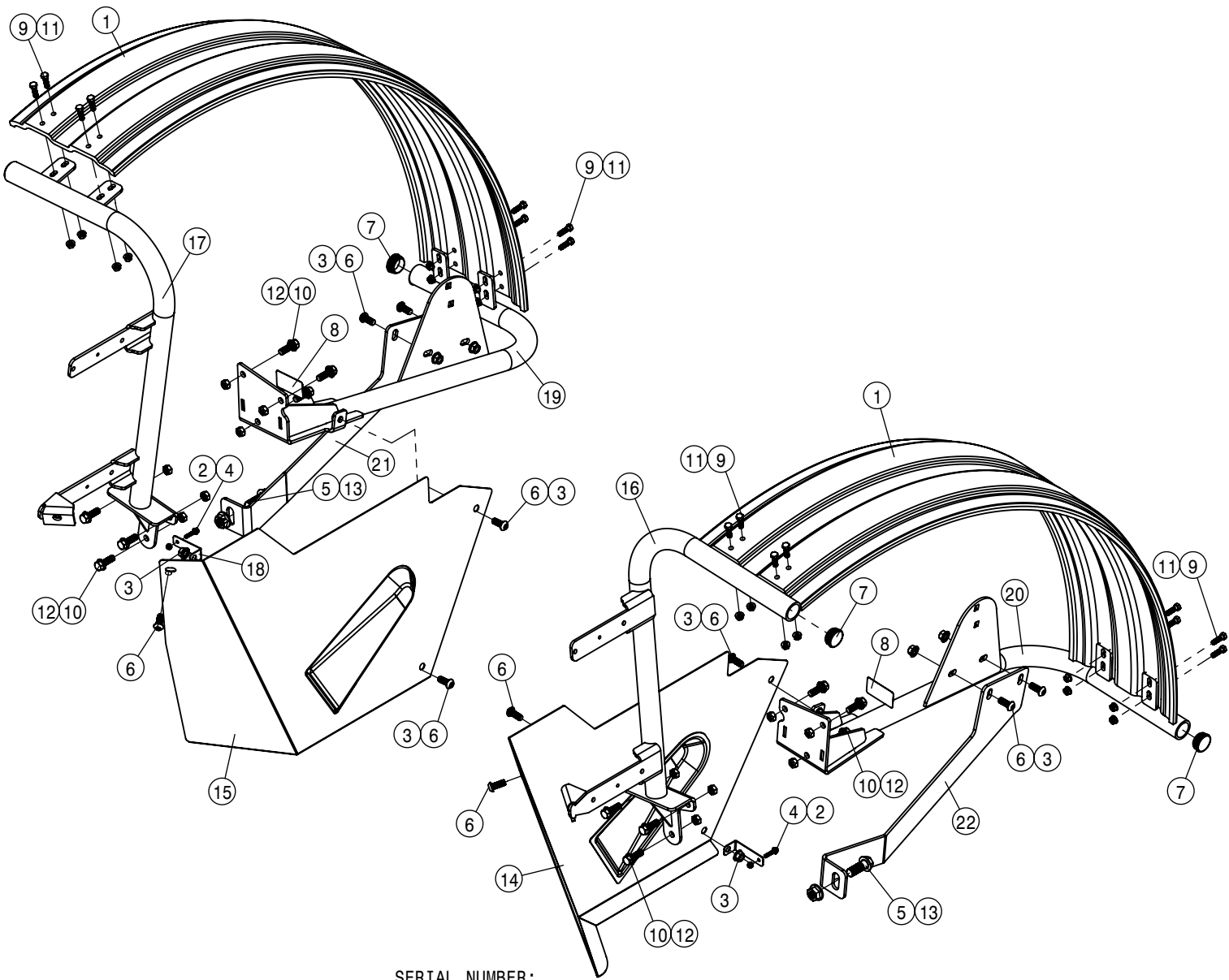
HAND WASH TANK ASSEMBLY			
DET	QTY	P/N	DESCRIPTION
1	1	294059	footswitch assembly, 60" cord
2	1	294252	HANDWASH EXTENSION HARNESS
3	4	470232N	5/16UNC X 1/2 SERR FLG BOLT SS
4	1	470596	DIAPHRAM PUMP W/DEUTSCH CONNEC
5	2	472351	4-40 X 1/2 PAN HD MTL SCR TYP F
6	2	500044	1/2NPT-90 ST EL, POLY
7	2	500047	1/2NPT-90-1/2 HOSE BARB, POLY
8	1	500286	1/2"-3/8"NPT REDU BUSH, POLY
9	2	500287	3/8NPT-90-3/8 HOSE BARB, POLY
10	1	500288	3/8NPT-90 EL, POLY
11	2	520069	HOSE CLAMP NO 6 STAINLESS
12	4	520120	HOSE CLAMP NO 4 STAINLESS
13	1	601076	HOSE, 3/8 X 7.00 1FBR BR
14	1	601077	HOSE, 3/8 X 200.00 1FBR BR
15	1	601078	HOSE, 1/2 X 7.50" CLEAR VINYL
16	1	690207	IN-LINE STRAINER, 1/2 FNPT, HYPRO
17	1	696195	1/2FNPT-1/2MNPT MICRO BALL VLV
18	1	763831	TANK-HAND WASH, 4.4 GALLON
19	4	903710N	10-32 X 5/8 PHIL PANHD MACH SCR
20	4	920510N	#10 LOCK WASHER YZ



FOAMER ASSEMBLY			
DET	QTY	P/N	DESCRIPTION
1	2	195906-006	1/40D AIR BRAKE TUBING J844-A
2	1	195906-007	1/40D AIR BRAKE TUBING J844-A
3	1	195906-009	1/40D AIR BRAKE TUBING J844-A
4	2	195906-014	1/40D AIR BRAKE TUBING J844-A
5	1	195906-142	1/40D AIR BRAKE TUBING J844-A
6	1	195906-172	1/40D AIR BRAKE TUBING J844-A
7	1	195909-068	HOSE 5/8 HEATER 1-FBR BR 20R3
8	1	195915-001	3/80D AIR BRAKE TUBING J844-B
9	1	195915-004	3/80D AIR BRAKE TUBING J844-B
10	1	195915-008	3/80D AIR BRAKE TUBING J844-B
11	2	195915-019	3/80D AIR BRAKE TUBING J844-B
12	1	195915-172	3/80D AIR BRAKE TUBING J844-B
13	1	195957-172	3/80D AIR BRAKE HOSE-A YELLOW
14	1	195963-173	1/40D NYLON TUBING,YELLOW
15	1	292105	DEUTSCH,WEDGELock,W12P
16	2	470087	3/8UNC HEX SERR FLANGE NUT
17	1	470118	1/4 UNC X 3/4 SER FLG BOLT
18	4	470215	10-32 X 1/2 SERR FLG HEX BOLT
19	4	470463	8-32 SERR FLANGE NUT
20	2	473907	#10X5/8 OHPHIL 8 SHT MTL SCR
21	1	500275	1/2MPT-3/8 NYL TUBE FTG
22	1	504211	RED BUSH 3/4MNPT-1/2FNPT,POLY
23	2	520055	HOSE CLAMP NO 12 STAINLESS
24	1	520101	CUSH HOSE CLAMP,#16, 1"D X 1/2W
25	1	690251	3/8" PTC STRAINER 80 MESH
26	1	701280	0.25" ID PUMP TUBE
27	1	701282	WATER PUMP GEAR MOTOR
28	1	701284	CONCENTRATE PUMP GEAR MOTOR

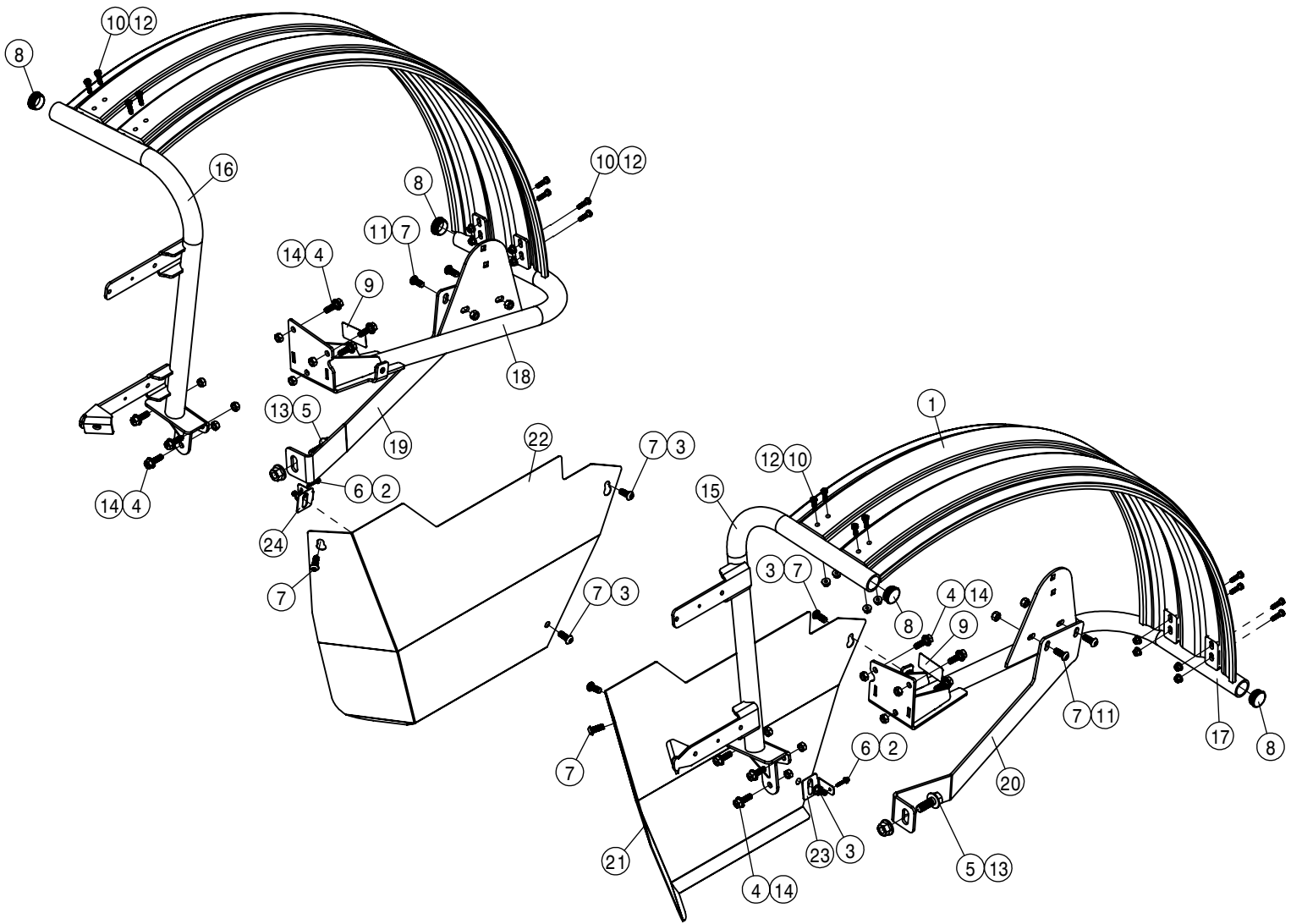
FOAMER ASSEMBLY			
DET	QTY	P/N	DESCRIPTION
29	1	701297	1/8" ID PUMP TUBE
30	1	701499	1GA RESERVOIR
31	1	701502	MANIFOLD BLOCK VLV ASSY, STS'16
32	1	701503	AIR REGULATOR ASSY
33	1	701504	30 PSI AIR PRESSURE GAUGE
34	5	711054	1/4 NYL TUBE UNION, STRAIGHT
35	2	711055	3/8 NYL TUBE UNION, STRAIGHT
36	1	711084	3/8 BLKHD UNION PUSH CONNECT
37	2	711085	1/4 BLKHD UNION PUSH CONNECT
38	3	711086	1/4 OD PLUG IN STEM W/ BARB, POLY
39	1	711087	3/8" JG DB CHK VLV, POLY
40	1	711088	1/4 PUSH CONNECT UNION TEE, POLY
41	2	711089	1/4 OD PLUG IN ELBOW, POLY
42	3	711090	3/8 OD PLUG IN ELBOW, POLY
43	5	711091	3/8 OD HOSE CLAMP, STEEL YZ
44	2	711095	1/4 OD X 1/8 HOSE BARB STEM, POLY
45	1	711096	1/4"OD PUSH CONNECT X 1/8 NPT
46	8	900064	5/16UNC X 3/4" HEX BOLT
47	2	900128N	3/8UNC X 3/4 SER FLANGE BOLT
48	4	903850	8-32 X 3/4 PHIL PAN MACH SCR BZ
49	1	910000	1/4UNC HEX NUT
50	6	910002	5/16UNC HEX NUT
51	1	292181	DEUTSCH,RECP,DT 12P,FLG MT,A
52	1	343972	REMOTE FILL
53	1	651012	DECAL, WATER IN, CONCENTRATE IN
54	1	651013	DECAL, RIGHT LEFT, LIQUID, AIR
55	1	701498	FOAMER BRKT, STS'16
56	1	701506	FOAMER BRKT WLDT, STS'16





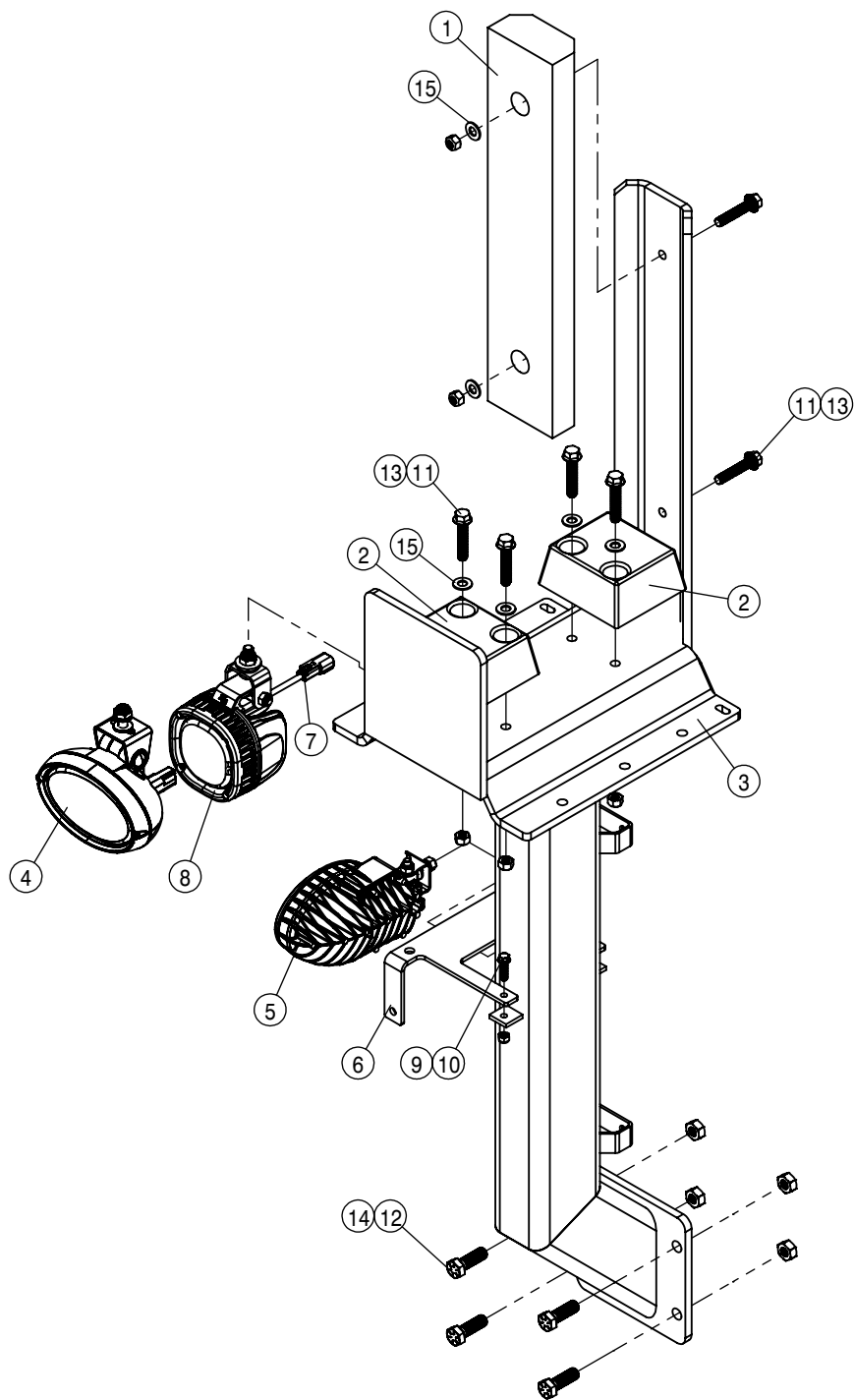
SERIAL NUMBER:
 U16181616001 THRU U16181616018
 U16181616023 THRU U16181616039

FRONT/REAR FENDER ASSEMBLY (SEVERE DUTY LEG)			
DET	QTY	P/N	DESCRIPTION
1	2	359598	FRONT FENDER, STS '10
2	2	470089	1/4UNC HEX NYL-LOC NUT
3	8	470360	1/2-13UNC HEX FLG NUT SER MC GR5
4	2	470407	1/4UNC X 1 1/4 SERR FLG BOLT
5	2	472367	3/4UNC X 2" SM FLG BOLT GR8 YZ
6	10	473987	1/2UNC X 1 1/4BUT SKTHD SCR
7	4	629772	CAPPLUGS PLUG,1 3/4" RD, BLACK POLY
8	2	650851	DECAL, NOTICE, SHIELD PROTECT
9	16	900130	3/8UNC X 1 1/4 HEX BOLT
10	12	900265N	1/2UNC X 1 1/2 SERR FLANGE BOLT
11	16	910004N	3/8UNC FLANGE CNTR LOCK NUT
12	12	914008	1/2 UNC HEX STOVER NUT
13	2	914012N	3/4UNC CNTLCK SM FLG HEX NUT
14	1	360121	CROP SHIELD WLD-LH SDS LEG
15	1	360122	CROP SHIELD WLD-RH SDS LEG
16	1	360123	FENDER BRKT-LH FRT, SDS LEG
17	1	360124	FENDER BRKT-RH FRT, SDS LEG
18	2	360139	MTG STRAP-CROP SHIELD SDS LEG
19	1	362571	SDS FENDER BRKT WLD RH, STS'16
20	1	362575	SDS FENDER BRKT WLD LH, STS'16
21	1	362577	RH FENDER BRKT LWR BRACE, STS'16
22	1	362578	LH FENDER BRKT LWR BRACE, STS'16

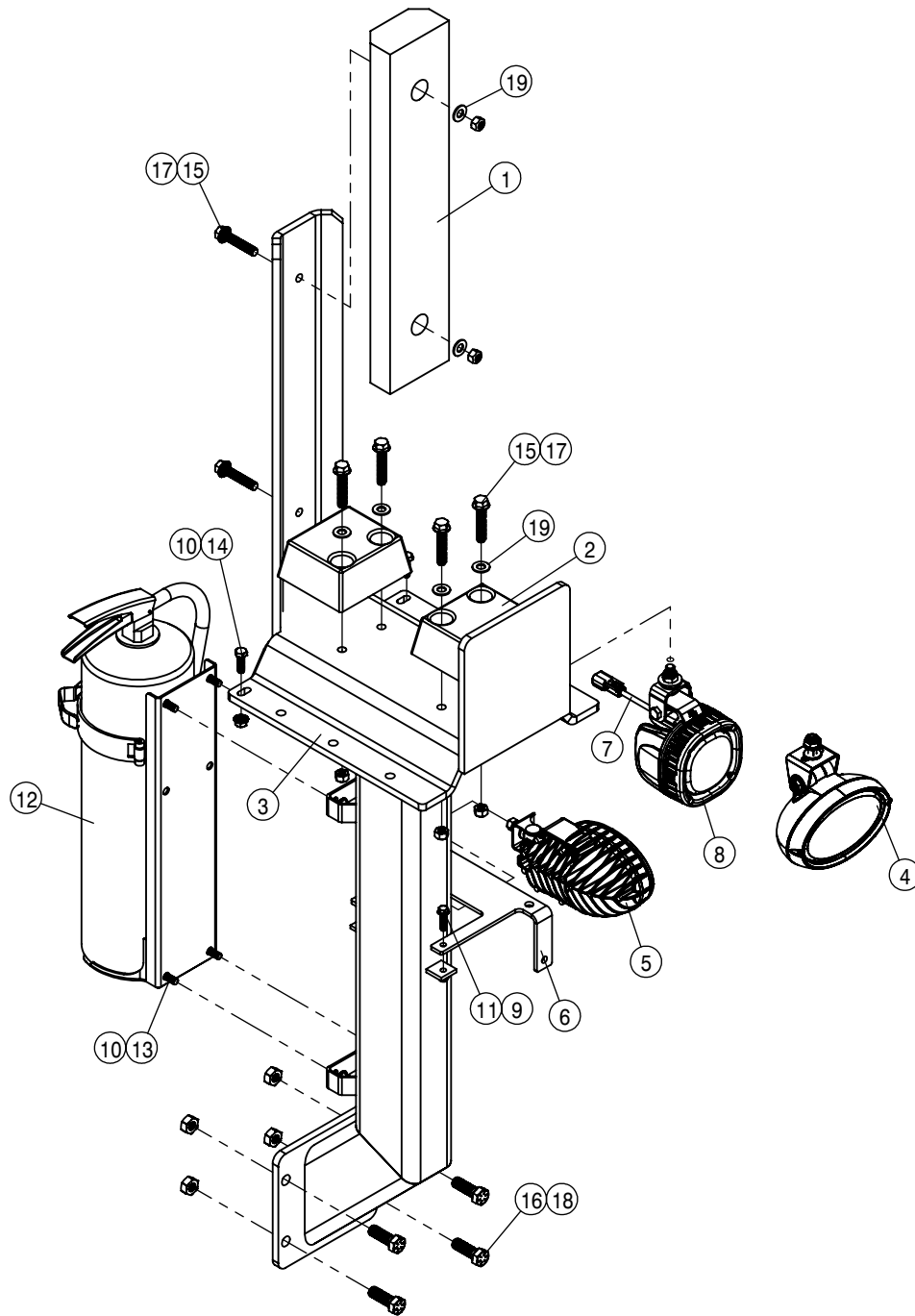


SERIAL NUMBER:
 U16181616019 THRU U16181616022
 U16181616040 THRU U16181616060

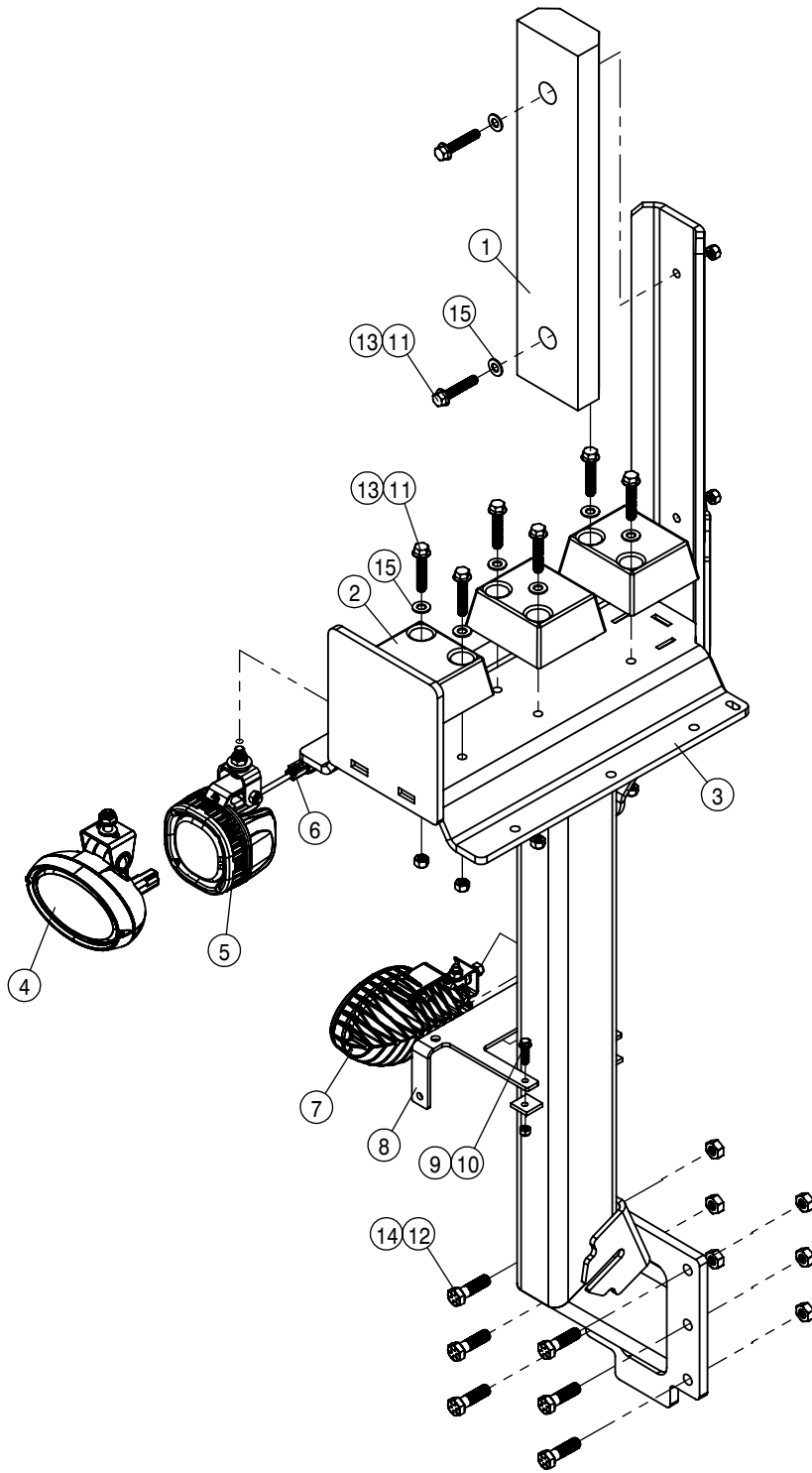
FRONT/REAR FENDER ASSEMBLY (SEVERE DUTY LEG)			
DET	QTY	P/N	DESCRIPTION
1	2	359598	FRONT FENDER, STS '10
2	2	470089	1/4UNC HEX NYL-LOC NUT
3	4	470360	1/2UNC SERR FLG HEX NUT
4	12	470431	1/2UNC X 1 1/2 HHSFB GR5 MC
5	2	472367	3/4UNC X 2 HHFB GR8 MC
6	2	473836	1/4UNC X 1 1/4 HHSFB SS FT
7	10	473987	1/2UNC X 1 1/4BUT SKTHD SCR
8	4	629772	CAPPLUGS PLUG, 1 3/4" RD, BLACK POLY
9	2	650851	DECAL, NOTICE, SHIELD PROTECT
10	16	900130	3/8UNC X 1 1/4 HHCS GR5 MC
11	4	910008	1/2-13UNC HEX NUT MC GR5
12	16	910106	3/8-16UNC CTRLK FLG NUT MC GR5
13	2	910111	3/4-10UNC CTRLK FLG NUT MC GR5
14	12	914008	1/2-13UNC STOVER NUT MC GR5
15	1	360123	FENDER BRKT-LH FRT, SDS LEG
16	1	360124	FENDER BRKT-RH FRT, SDS LEG
17	1	362575	SDS FENDER BRKT WLD LH, STS' 16
18	1	362571	SDS FENDER BRKT WLD RH, STS' 16
19	1	362577	RH FENDER BRKT LWR BRACE, STS' 16
20	1	362578	LH FENDER BRKT LWR BRACE, STS' 16
21	1	360868	CROP SHIELD WLD-LH SDS LEG
22	1	360869	CROP SHIELD WLD - RH SDS LEG
23	1	360870	SDS CROP SHIELD LH MT BRKT
24	1	360871	SDS CROP SHIELD RH MT BRKT



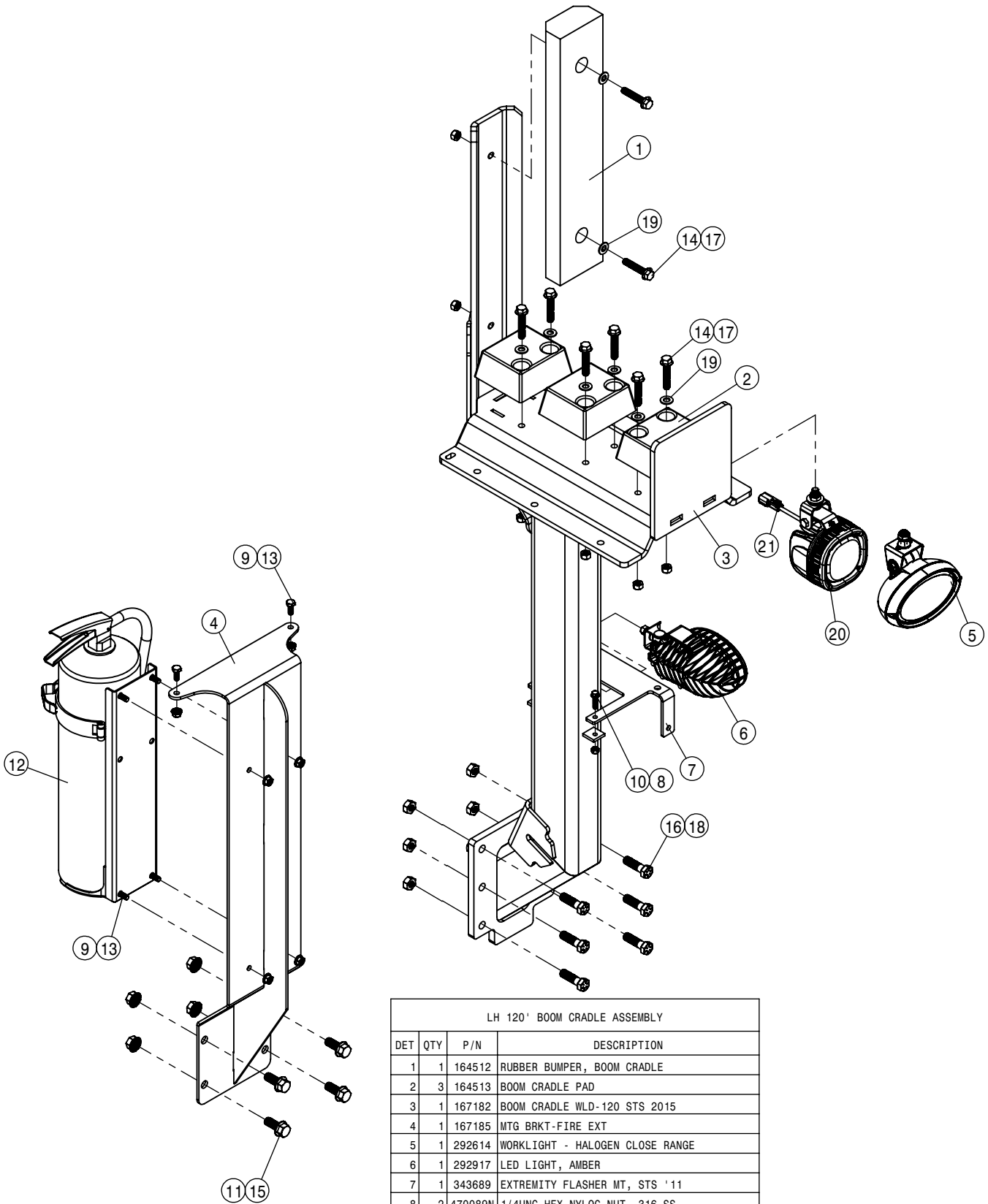
RH 90/100' BOOM CRADLE ASSEMBLY			
DET	QTY	P/N	DESCRIPTION
1	1	164512	RUBBER BUMPER, BOOM CRADLE
2	2	164513	BOOM CRADLE PAD
3	1	165041	BOOM CRADLE WLD 07
4	1	292614	WORKLIGHT - HALOGEN CLOSE RANGE
5	1	292917	LED LIGHT, AMBER
6	1	343689	EXTREMITY FLASHER MT, STS '11
7	1	294299	TYRI JUMPER HARNESS
8	1	292618	WORKLIGHT-TYRI LED FLOOD
9	2	470089N	1/4UNC HEX NYLOC NUT, 316 SS
10	2	470231N	1/4UNC X 1" SERR FLG BOLT SS
11	6	900133N	3/8UNC X 2" SERR FLANGE BOLT
12	4	900804	1/2UNC X 1 1/2 HEX BOLT GR8 YZ
13	6	914004	3/8UNC HEX STOVER NUT
14	4	914808	1/2UNC HEX STOVER NUT GR8
15	6	920002N	3/8 SAE FLAT WASHER



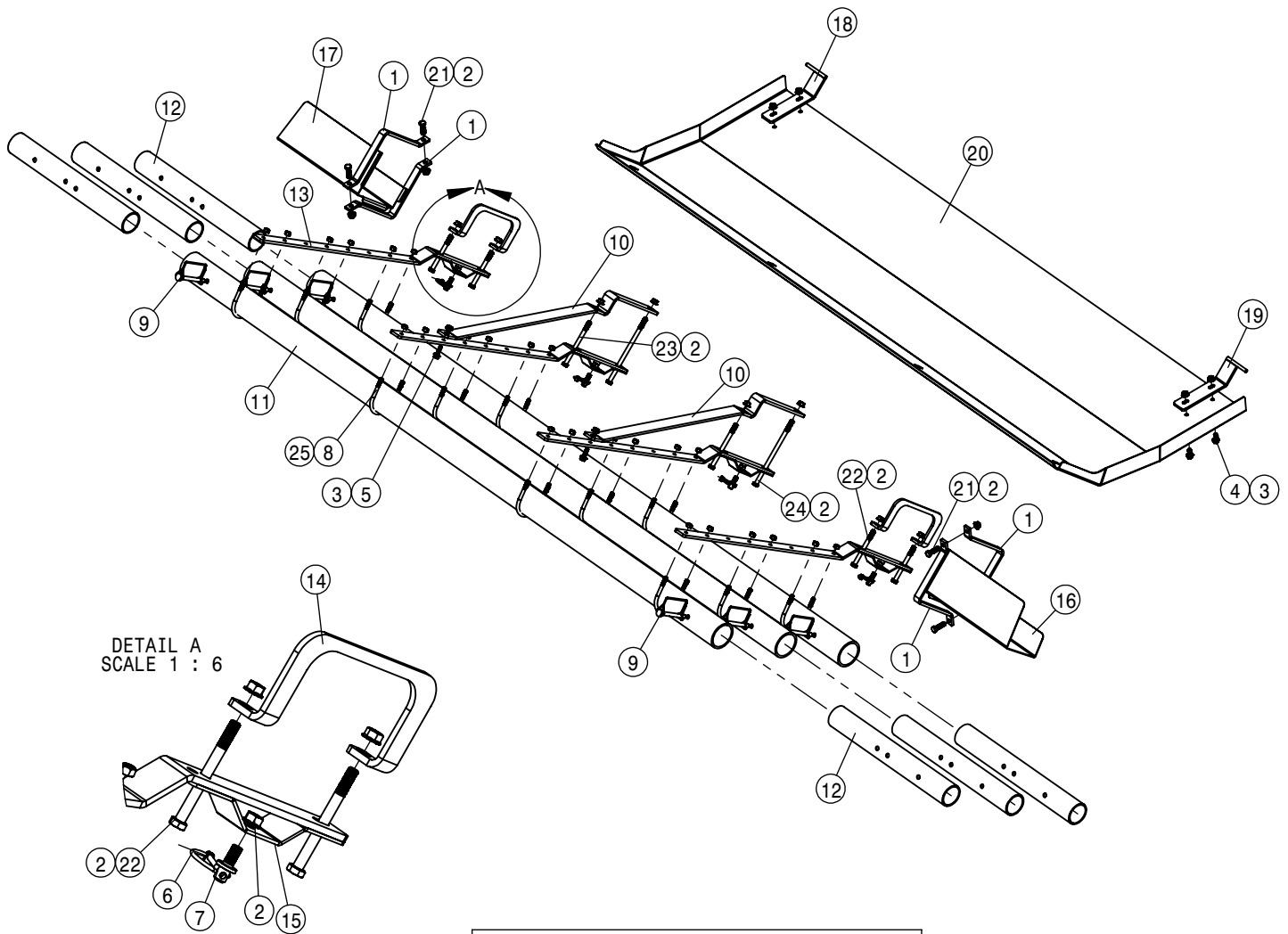
LH 90/100' BOOM CRADLE ASSEMBLY			
DET	QTY	P/N	DESCRIPTION
1	1	164512	RUBBER BUMPER, BOOM CRADLE
2	2	164513	BOOM CRADLE PAD
3	1	165041	BOOM CRADLE WLD 07
4	1	292614	WORKLIGHT - HALOGEN CLOSE RANGE
5	1	292917	LED LIGHT, AMBER
6	1	343689	EXTREMITY FLASHER MT, STS '11
7	1	294299	TYRI JUMPER HARNESS
8	1	292618	WORKLIGHT-TYRI LED FLOOD
9	2	470089N	1/4UNC HEX NYLOC NUT, 316 SS
10	6	470113	5/16UNC SERR FLG LOCK NUT
11	2	470231N	1/4UNC X 1" SERR FLG BOLT SS
12	1	490508	FIRE EXTINGUISHER
13	4	900064	5/16UNC X 3/4" HEX BOLT
14	2	900065N	5/16UNC X 1" HEX BOLT SS
15	6	900133N	3/8UNC X 2" SERR FLANGE BOLT
16	4	900804	1/2UNC X 1 1/2 HEX BOLT GR8 YZ
17	6	914004	3/8UNC HEX STOVER NUT
18	4	914808	1/2UNC HEX STOVER NUT GR8
19	6	920002N	3/8 SAE FLAT WASHER



RH 120' BOOM CRADLE ASSEMBLY			
DET	QTY	P/N	DESCRIPTION
1	1	164512	RUBBER BUMPER, BOOM CRADLE
2	3	164513	BOOM CRADLE PAD
3	1	167182	BOOM CRADLE WLD-120 STS 2015
4	1	292614	WORKLIGHT - HALOGEN CLOSE RANGE
5	1	292618	WORKLIGHT-TYRI LED FLOOD
6	1	294299	TYRI JUMPER HARNESS
7	1	292917	LED LIGHT, AMBER
8	1	343689	EXTREMITY FLASHER MT, STS '11
9	2	470089N	1/4UNC HEX NYLOC NUT, 316 SS
10	2	470231N	1/4UNC X 1" SERR FLG BOLT SS
11	8	900133N	3/8UNC X 2" SERR FLANGE BOLT
12	6	900805	1/2UNC X 1 3/4 HEX BOLT GR8 YZ
13	8	914004	3/8UNC HEX STOVER NUT
14	6	914808	1/2UNC HEX STOVER NUT GR8
15	8	920002N	3/8 SAE FLAT WASHER

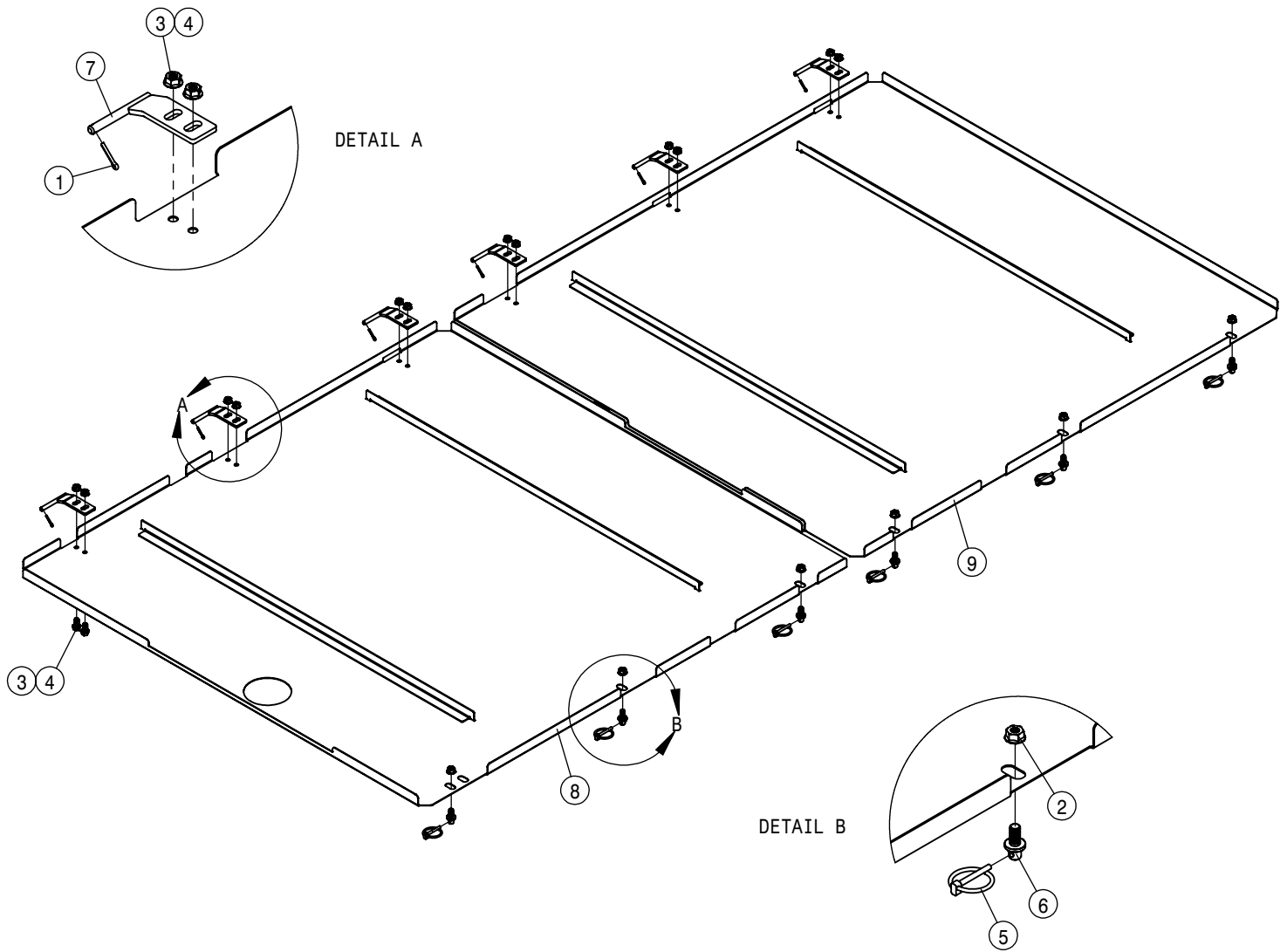


LH 120' BOOM CRADLE ASSEMBLY			
DET	QTY	P/N	DESCRIPTION
1	1	164512	RUBBER BUMPER, BOOM CRADLE
2	3	164513	BOOM CRADLE PAD
3	1	167182	BOOM CRADLE WLD-120 STS 2015
4	1	167185	MTG BRKT-FIRE EXT
5	1	292614	WORKLIGHT - HALOGEN CLOSE RANGE
6	1	292917	LED LIGHT, AMBER
7	1	343689	EXTREMITY FLASHER MT, STS '11
8	2	470089N	1/4UNC HEX NYLOC NUT, 316 SS
9	6	470113	5/16UNC SERR FLG LOCK NUT
10	2	470231N	1/4UNC X 1" SERR FLG BOLT SS
11	4	470360	1/2UNC SERR FLG HEX NUT
12	1	490508	FIRE EXTINGUISHER
13	6	900064	5/16UNC X 3/4" HEX BOLT
14	8	900133N	3/8UNC X 2" SERR FLANGE BOLT
15	4	900264N	1/2UNC X 1 1/4 SER FLANGE BOLT
16	6	900805	1/2UNC X 1 3/4 HEX BOLT GR8 YZ
17	8	914004	3/8UNC HEX STOVER NUT
18	6	914808	1/2UNC HEX STOVER NUT GR8
19	8	920002N	3/8 SAE FLAT WASHER
20	1	292618	WORKLIGHT-TYRI LED FLOOD
21	1	294299	TYRI JUMPER HARNESS

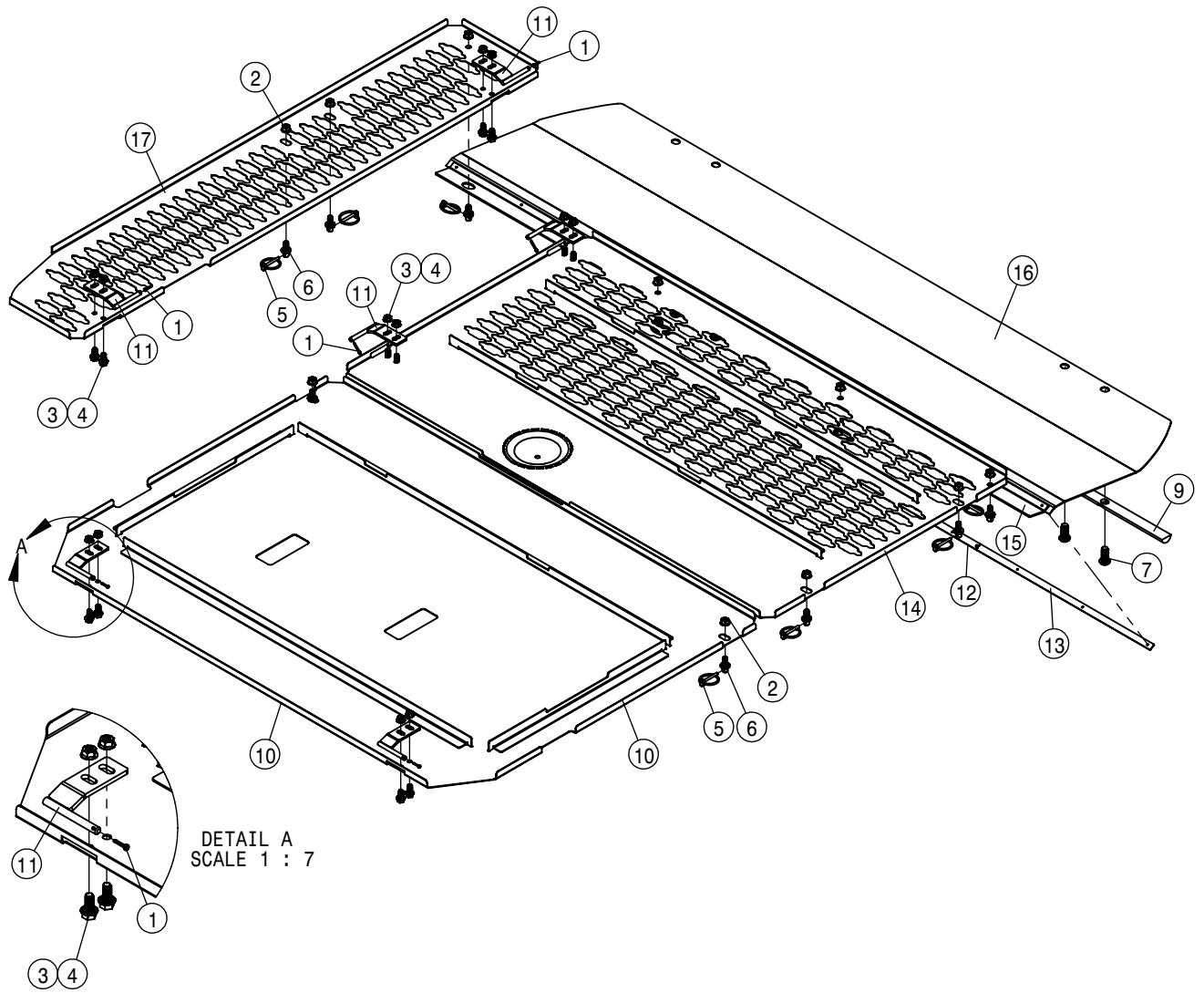


DETAIL A
SCALE 1 : 6

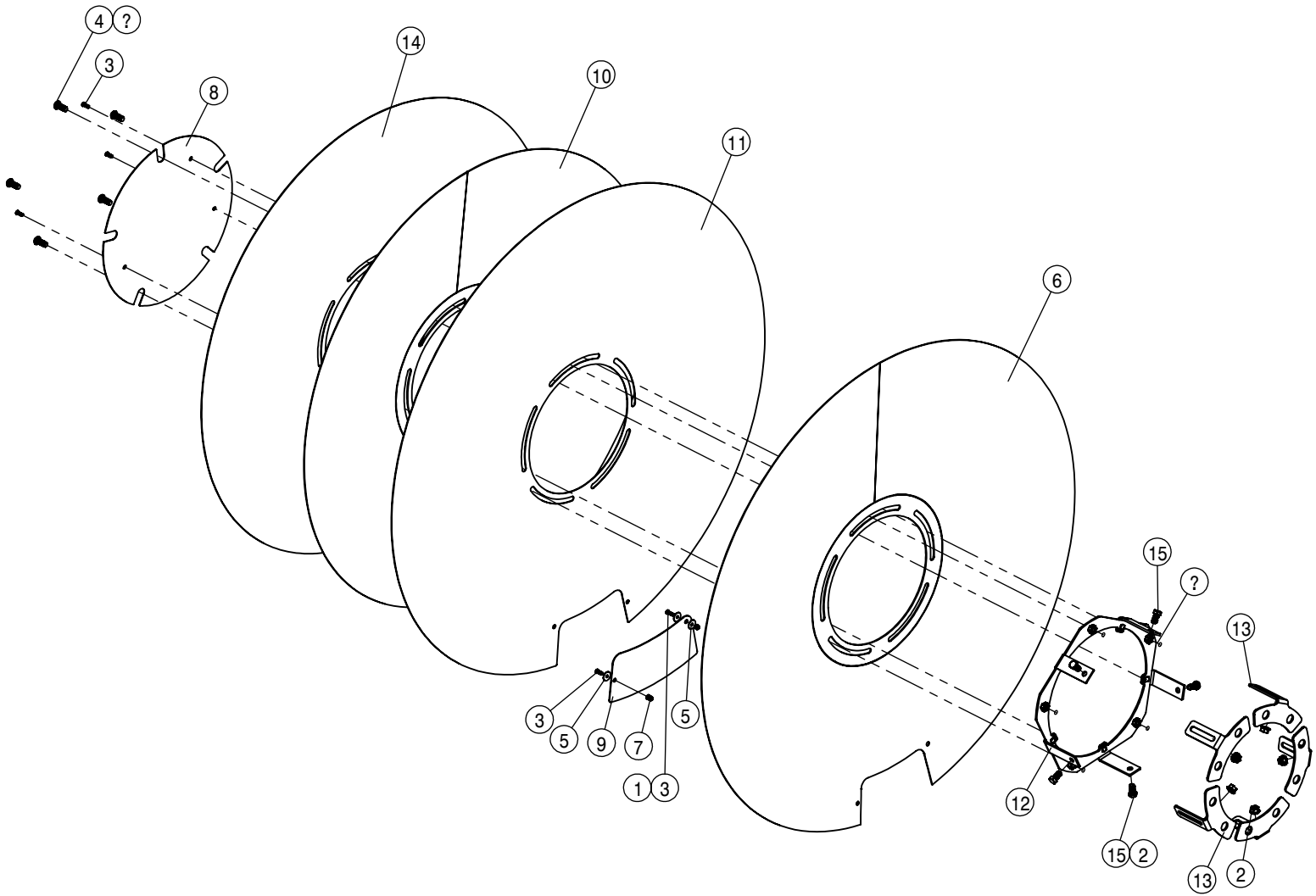
FRONT TALL CROP SHIELD ASSEMBLY			
DET	QTY	P/N	DESCRIPTION
1	4	003078	RECEPT MTG BRKT, PAINTED STS 07
2	16	470087	3/8UNC HEX SERR FLANGE NUT
3	6	470113	5/16UNC SERR FLG LOCK NUT
4	4	470233	5/16UNC X 3/4 SERR FLG HEX BOLT
5	2	470234	5/16UNC X 1" SERR FLG HEX BOLT
6	4	470335	LINCHPIN, 3/16 X 1 1/4 GRIP
7	4	470520	HANGER PIN,3/8UNC x.437Dx.500L
8	12	472046	5/16UNC-3.00ID-3.687 U-BOLT,SS
9	6	475016	KLIK PIN 3/8 DIA x 3 x 1 1/2
10	2	660465	BRUSH GUARD SUPPORT
11	3	660466	BRUSH GUARD PVC TUBE STS
12	6	660467	BRUSH GUARD PVC EXT STS
13	4	660468	BRUSH GUARD MT STS
14	2	660470	BRUSH GUARD MT SUPPORT STS
15	4	660471	FRNT BELLY SHLD RETAINER STS
16	1	660474	LH FRT TOOLBAR SHIELD STS
17	1	660473	RH FRT TOOLBAR SHIELD STS
18	1	660475	RH FRT SHLD HING WLD STS'14
19	1	660476	LH FRT SHLD HING WLD STS'14
20	1	660472	FRT BELLY SHIELD STS'14
21	4	900127	3/8UNC X 1 1/4 HEX BOLT
22	4	900140	3/8UNC X 4" HEX BOLT
23	2	900142	3/8 UNC X 5" HEX BOLT
24	2	900151	3/8UNC X 7 1/2 HEX BOLT
25	24	914002	5/16UNC HEX STOVER NUT



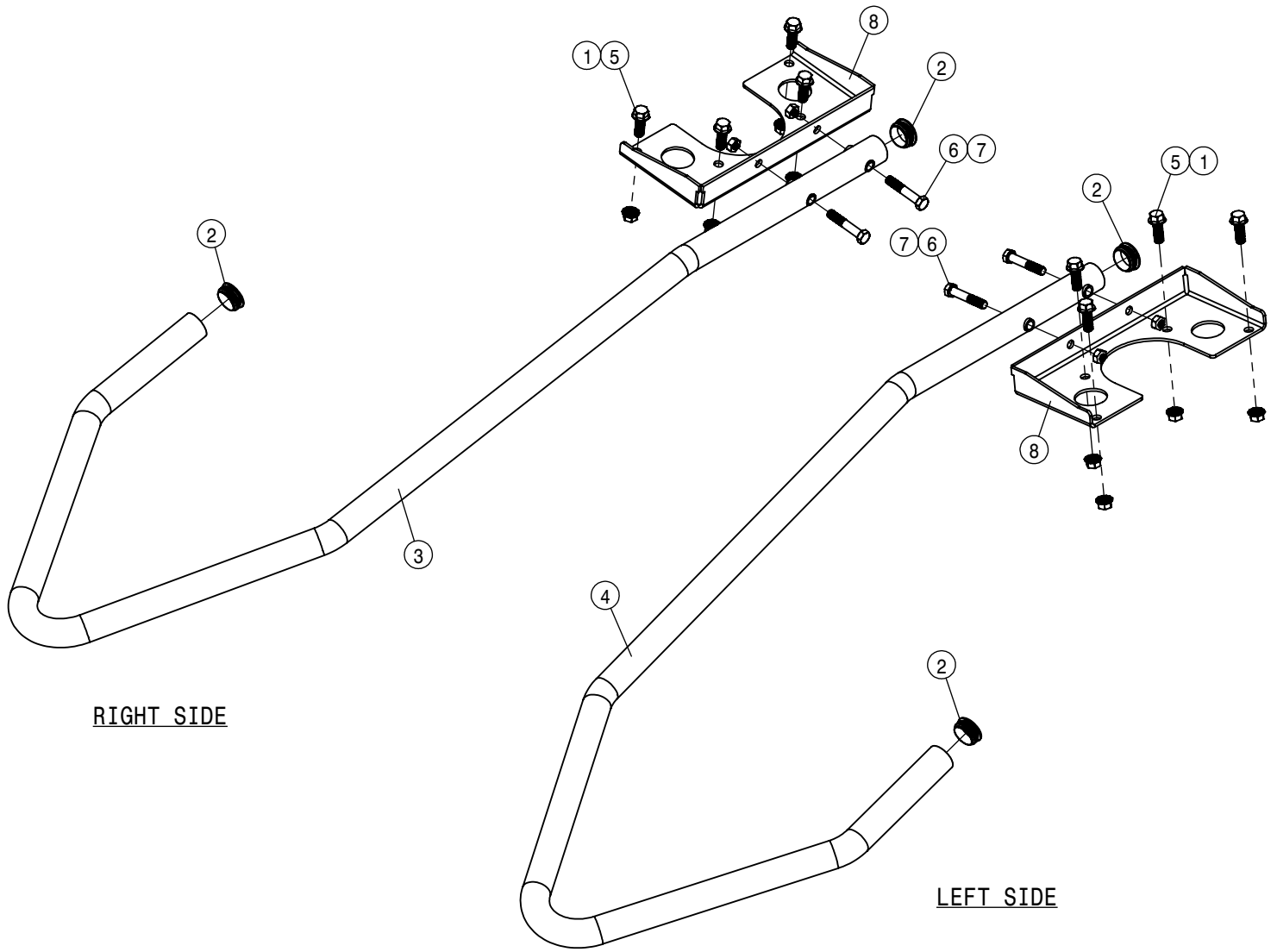
CENTER TALL CROP SHIELD ASSEMBLY			
DET	QTY	P/N	DESCRIPTION
1	6	470075	1/8 X 3/4 COTTER PIN
2	6	470087	3/8UNC HEX SERR FLANGE NUT
3	12	470113	5/16UNC SERR FLG LOCK NUT
4	12	470233	5/16UNC X 3/4 SERR FLG HEX BOLT
5	6	470335	LINCHPIN, 3/16 X 1 1/4 GRIP
6	6	470520	HANGER PIN, 3/8UNC x .437Dx .500L
7	6	660578	HINGE - BELLY PAN, WLD
8	1	660582	BELLY PAN - LF SOLU FRT, WLD
9	1	660583	BELLY PAN - LF SOLU REAR, WLD



REAR TALL CROP SHIELD ASSEMBLY			
DET	QTY	P/N	DESCRIPTION
1	6	470075	1/8 X 3/4 COTTER PIN
2	10	470087	3/8UNC HEX SERR FLANGE NUT
3	12	470113	5/16UNC SERR FLG LOCK NUT
4	12	470233	5/16UNC X 3/4 SERR FLG HEX BOLT
5	10	470335	LINCHPIN, 3/16 X 1 1/4 GRIP
6	10	470520	HANGER PIN, 3/8UNC x .437Dx .500L
7	4	473987	1/2UNC X 1 1/4BUT SKTHD SCR
NS	10	485072	POP RIVET, 1/8DIA X 1/4 GRIP SS
9	1	660566	BAR - CURTAIN
10	1	660568	BELLY PAN - ENGINE FRONT, WLD
11	6	660578	HINGE - BELLY PAN, WLD
12	1	660595	HOLDER - CURTAIN, OUTER SCT 1
13	1	660596	HOLDER - CURTAIN, OUTER SCT 2
14	1	660610	BELLY PAN - ENGINE REAR, WLD
15	1	660586	HOLDER - CURTAIN
16	1	660574	CURTAIN - HOOD
17	1	660565	BELLY PAN - HOOD, RH



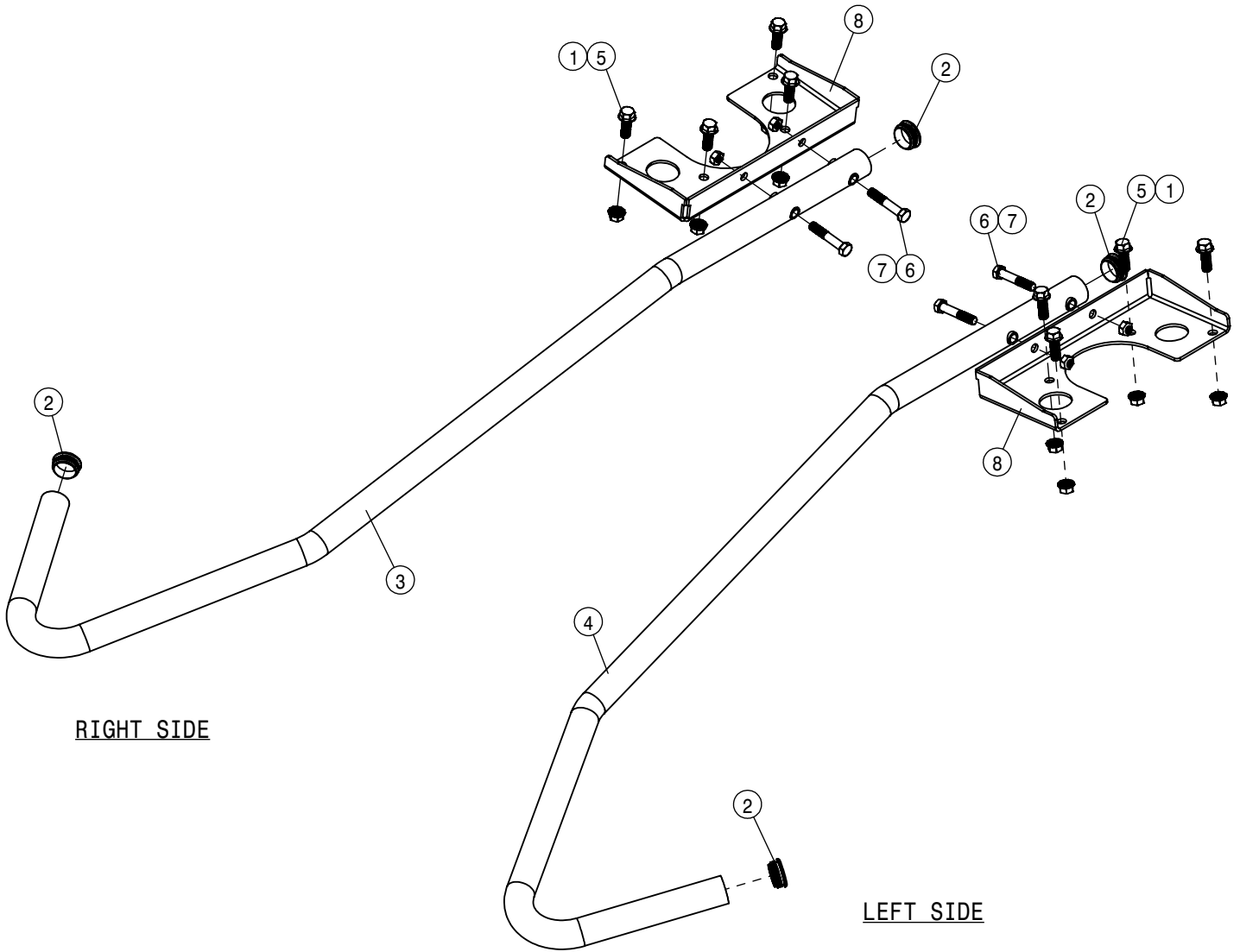
TALL CROP WHEEL GUARD			
DET	QTY	P/N	DESCRIPTION
1	1	470089	1/4UNC HEX NYL-LOC NUT
2	5	470360	1/2UNC SERR FLG HEX NUT
3	5	472379	1/4UNC X 3/4 SKT HD LOC SCR SS
4	5	473987N	1/2UNC X 1 1/4BUT SKTHD SCR SS
5	3	483067	1/4 X 1.00 OD FENDER WASHER
6	1	662278	320 54" HUB CAP WLD
7	1	470385	1/4-20 NUTSERT.027-.165BLK STL
8	1	662283	HUB CAP ACCESS DOOR
9	1	662284	HUB CAP VALVE STEM DOOR
10	1	662291	320 50" HUB CAP WLD
11	1	662282	380 54" WHEEL HUB CAP
12	1	662307	HUB CAP ADAPTER WLD
13	5	662309	HUB CAP ADAPTER PLATE
14	1	662301	380 50" WHEEL HUB CAP
15	5	900263	1/2UNC X 1" HEX BOLT



RIGHT SIDE

LEFT SIDE

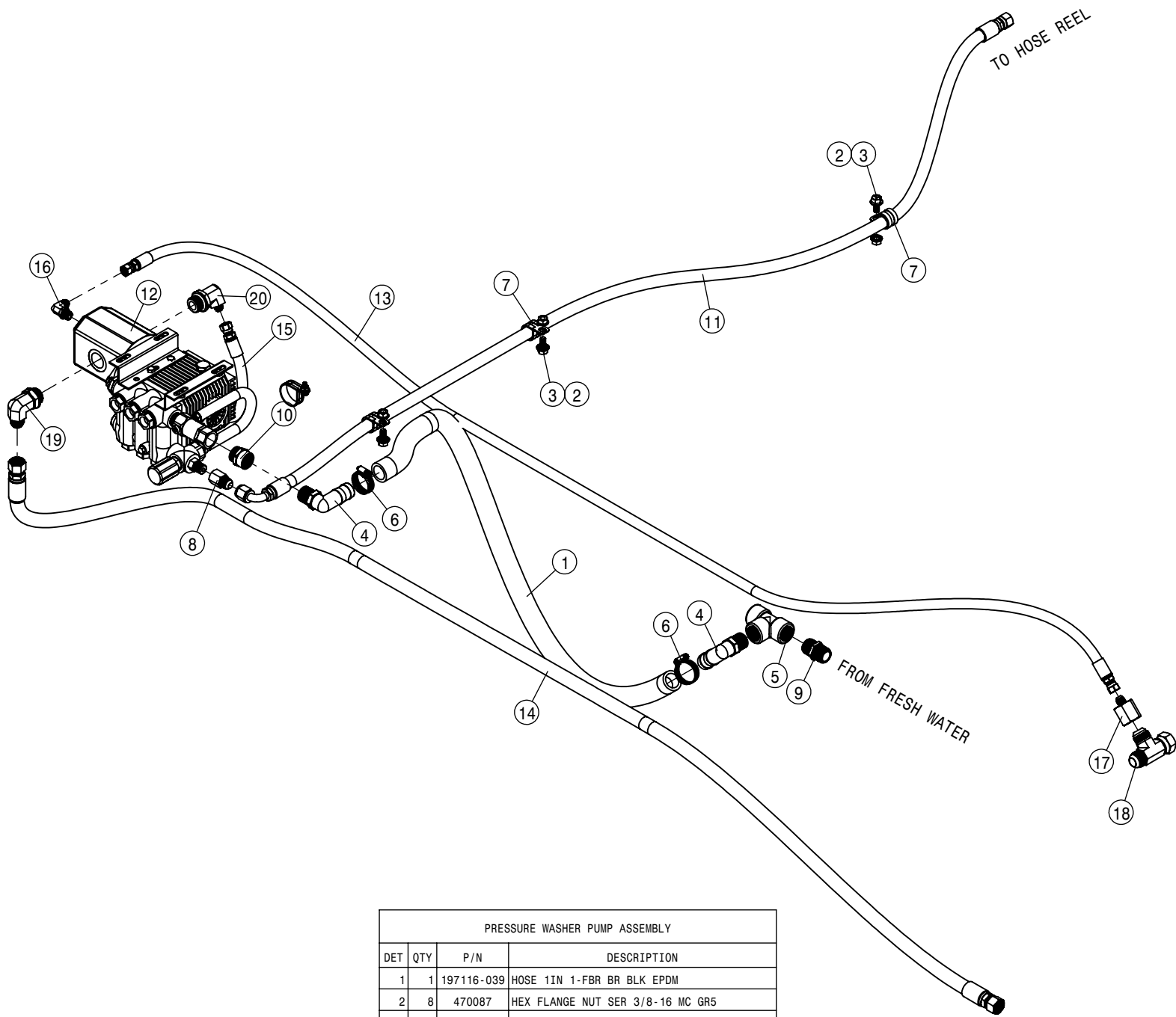
54" 380 WHEEL CROP DIVIDER ASSEMBLY (SEVERE DUTY LEG)			
DET	QTY	P/N	DESCRIPTION
1	8	470360N	1/2UNC SERR FLG HEX NUT YZ
2	4	629772	CAPPLUGS PLUG,1 3/4" RD, BLACK POLY
3	1	662271	RH 380 CROP DIVIDER WLD
4	1	662273	LH 380 CROP DIVIDER WLD
5	8	900265N	1/2UNC X 1 1/2 SERR FLANGE BOLT
6	4	900269	1/2UNC X 2 3/4 HEX BOLT
7	4	914008	1/2 UNC HEX STOVER NUT
8	2	662304	MTG PLT-CROP DIVIDER WLD SD



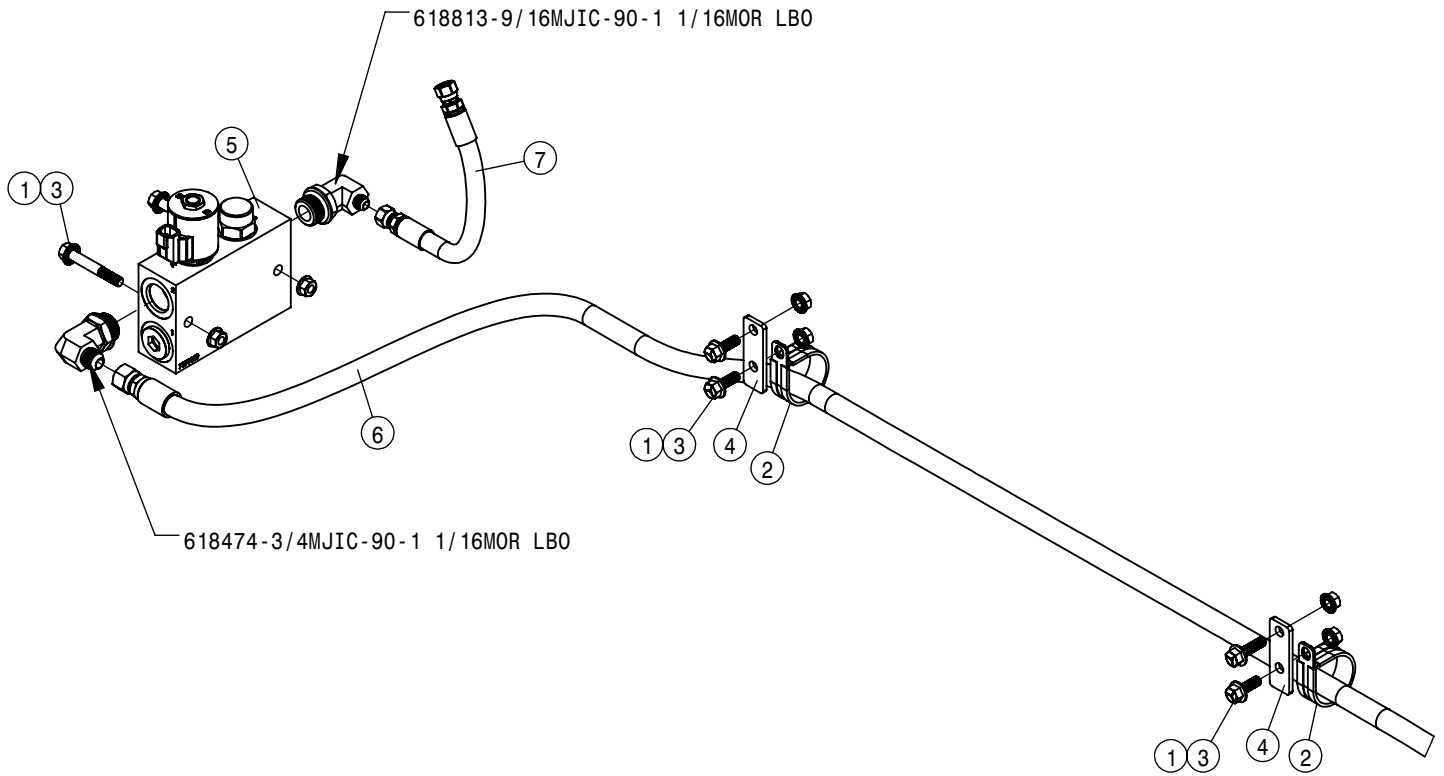
RIGHT SIDE

LEFT SIDE

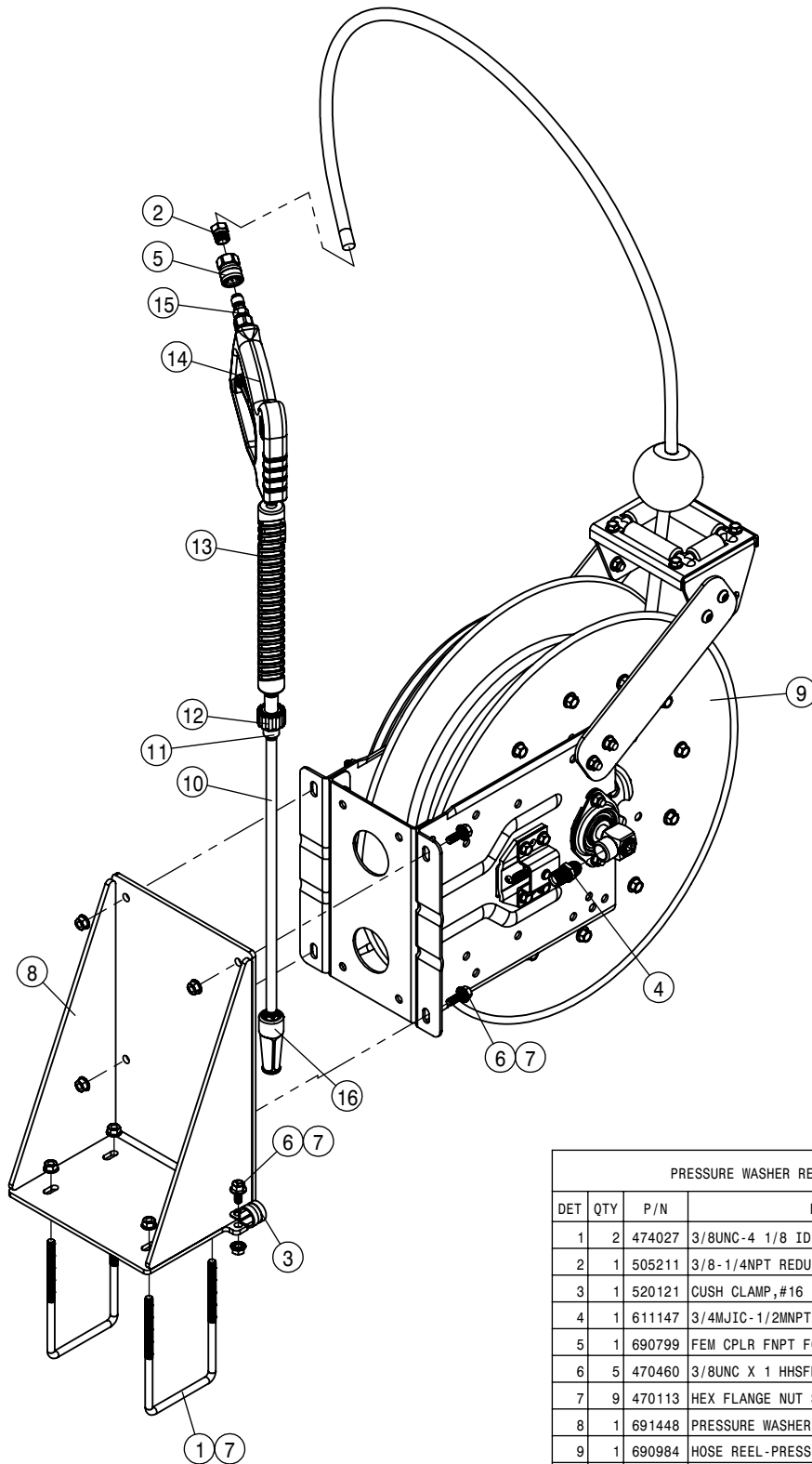
54" 320 WHEEL CROP DIVIDER ASSEMBLY (SEVERE DUTY LEG)			
DET	QTY	P/N	DESCRIPTION
1	8	470360N	1/2UNC SERR FLG HEX NUT YZ
2	4	629772	CAPPLUGS PLUG, 1 3/4" RD, BLACK POLY
3	1	662264	RH 320 CROP DIVIDER WLD
4	1	662268	LH 320 CROP DIVIDER WLD
5	8	900265N	1/2UNC X 1 1/2 SERR FLANGE BOLT
6	4	900269	1/2UNC X 2 3/4 HEX BOLT
7	4	914008	1/2 UNC HEX STOVER NUT
8	2	662304	MTG PLT-CROP DIVIDER WLD SD



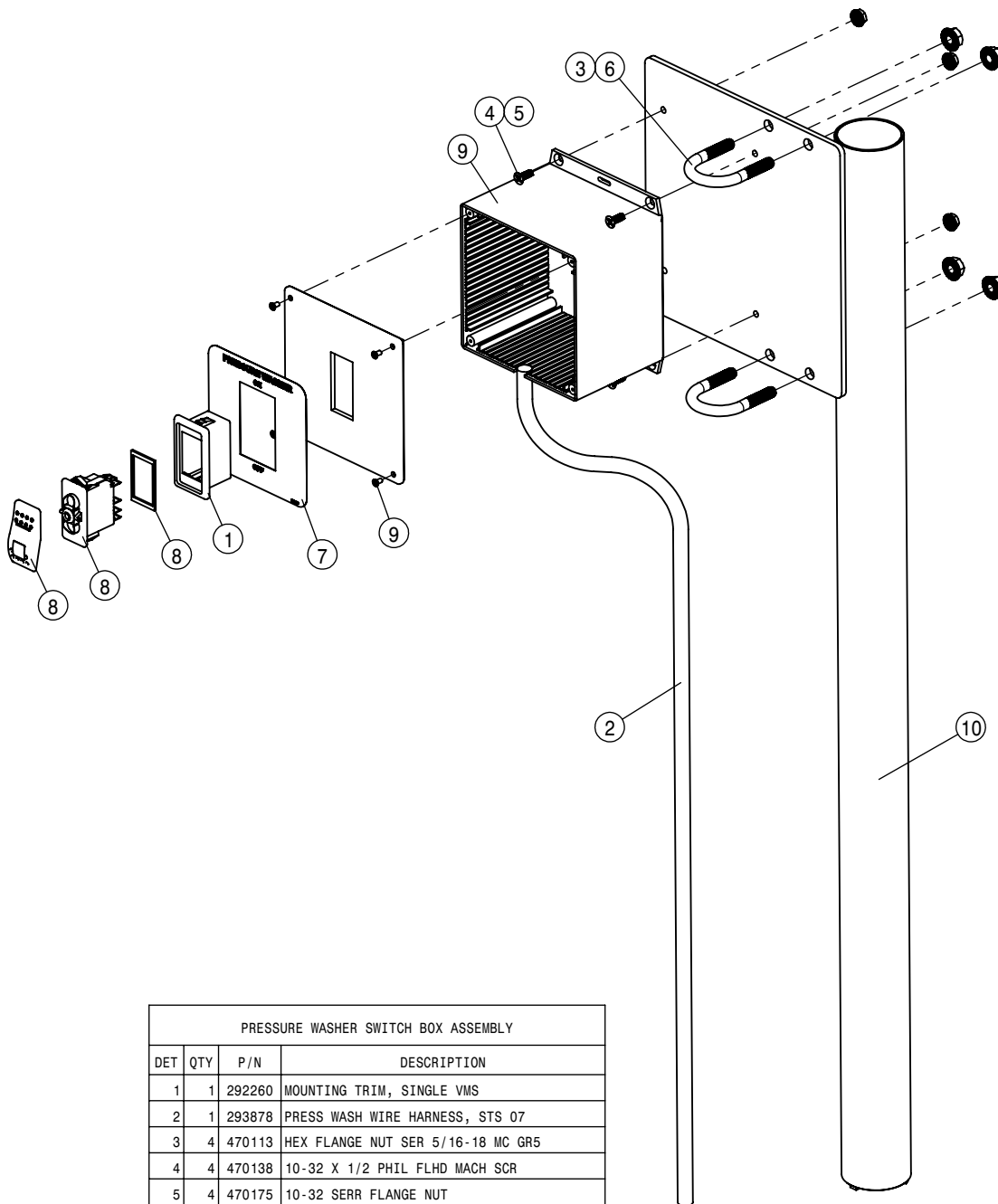
PRESSURE WASHER PUMP ASSEMBLY			
DET	QTY	P/N	DESCRIPTION
1	1	197116-039	HOSE 1IN 1-FBR BR BLK EPDM
2	8	470087	HEX FLANGE NUT SER 3/8-16 MC GR5
3	3	900507	3/8UNC X 2 1/2 HHSFB GR5 MC
4	2	500026	3/4NPT-90-1"HOSE BARB, POLY
5	1	505218	3/4 NPT PIPE TEE, POLY
6	2	520090	HOSECLAMP NO 16 STAINLESS
7	3	520121	CUSH CLAMP,#16 1IN X 3/4W
8	1	618787	3/4MJIC-3/8FNPT ADPTR
9	1	690098	3/4NPT CLOSE NIPPLE, POLY
10	1	715449	3/4FNPT X 3/4MGHT ADPTR BRS
11	1	617449	08-451TC-08FJX-08FJX90-85 H/A
12	1	690672	PRESSURE WASHER,PACE 320 HYD
13	1	617446	06-451TC-06FJX-06FJX-84
14	1	617448	10-451TC-10FJX-10FJX-89 H/A
15	1	617450	06-451TC-06FJX-06FJX-9 H/A
16	1	618119	9/16MJIC-90-9/16MOR LBO
17	1	618483	1 1/16FJIC-9/16MJIC ADPTR
18	1	618487	1 1/16FJ SW RUN TEE-1 1/16MJ
19	1	618535	7/8MJIC-90-1 1/16MOR LBO
20	1	618813	9/16MJIC-90-1 1/16MOR LBO
21	1	520100	CUSH HOSE CLAMP,#24, 1 1/2D X 1/2W
22	1	900002	1/4UNC X 3/4 HHCS GR5 MC



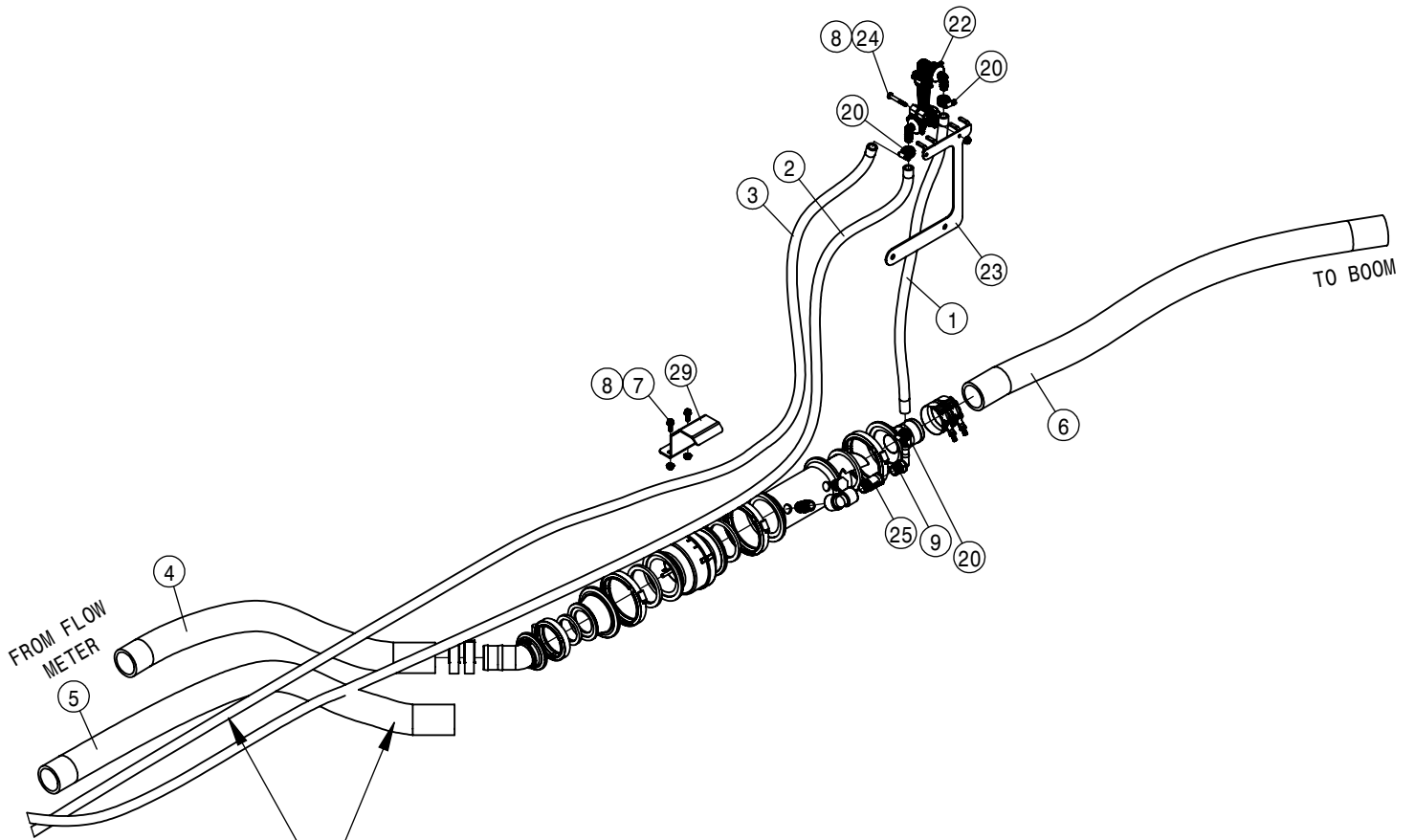
PRESSURE WASHER HYDRAULIC VALVE ASSEMBLY			
DET	QTY	P/N	DESCRIPTION
1	6	470087	HEX FLANGE NUT SER 3/8-16 MC GR5
2	2	520161	CUSH CLAMP,#32 2"D-3/4W LOOP
3	6	900507	3/8UNC X 2 1/2 HHSFB GR5 MC
4	2	344110	STS BRCKT PRESSURE WASHER
5	1	606543	HYD VLV 7GPM PFC
6	1	617447	08-451TC-08FJX-08FJX-95 H/A
7	1	617450	06-451TC-06FJX-06FJX-9 H/A



PRESSURE WASHER REEL ASSEMBLY			
DET	QTY	P/N	DESCRIPTION
1	2	474027	3/8UNC-4 1/8 ID-7 U BOLT
2	1	505211	3/8-1/4NPT REDU BUSH, BRS
3	1	520121	CUSH CLAMP,#16 1IN X 3/4W
4	1	611147	3/4MJIC-1/2MNPT ADPTR
5	1	690799	FEM CPLR FNPT FOR 690672
6	5	470460	3/8UNC X 1 HHSFB GR5 MC
7	9	470113	HEX FLANGE NUT SER 5/16-18 MC GR5
8	1	691448	PRESSURE WASHER BRKT WLDT, STS'16
9	1	690984	HOSE REEL-PRESS WASH .25" X 100'
10	1	690796	LANCE, PRESSURE WASHER 690672
11	1	690795	ST-41 CONNECT,PRESS WASH690672
12	1	690794	ST-40 CONNECT,PRESS WASH690672
13	1	690793	12'' LANCE FOR WASH 690672
14	1	690792	TRIGGER GUN, PRESS WASH 690672
15	1	690798	MALE CPLR,MNPT FOR 690672
16	1	690797	NOZZEL, PRESSURE WASHER 690672

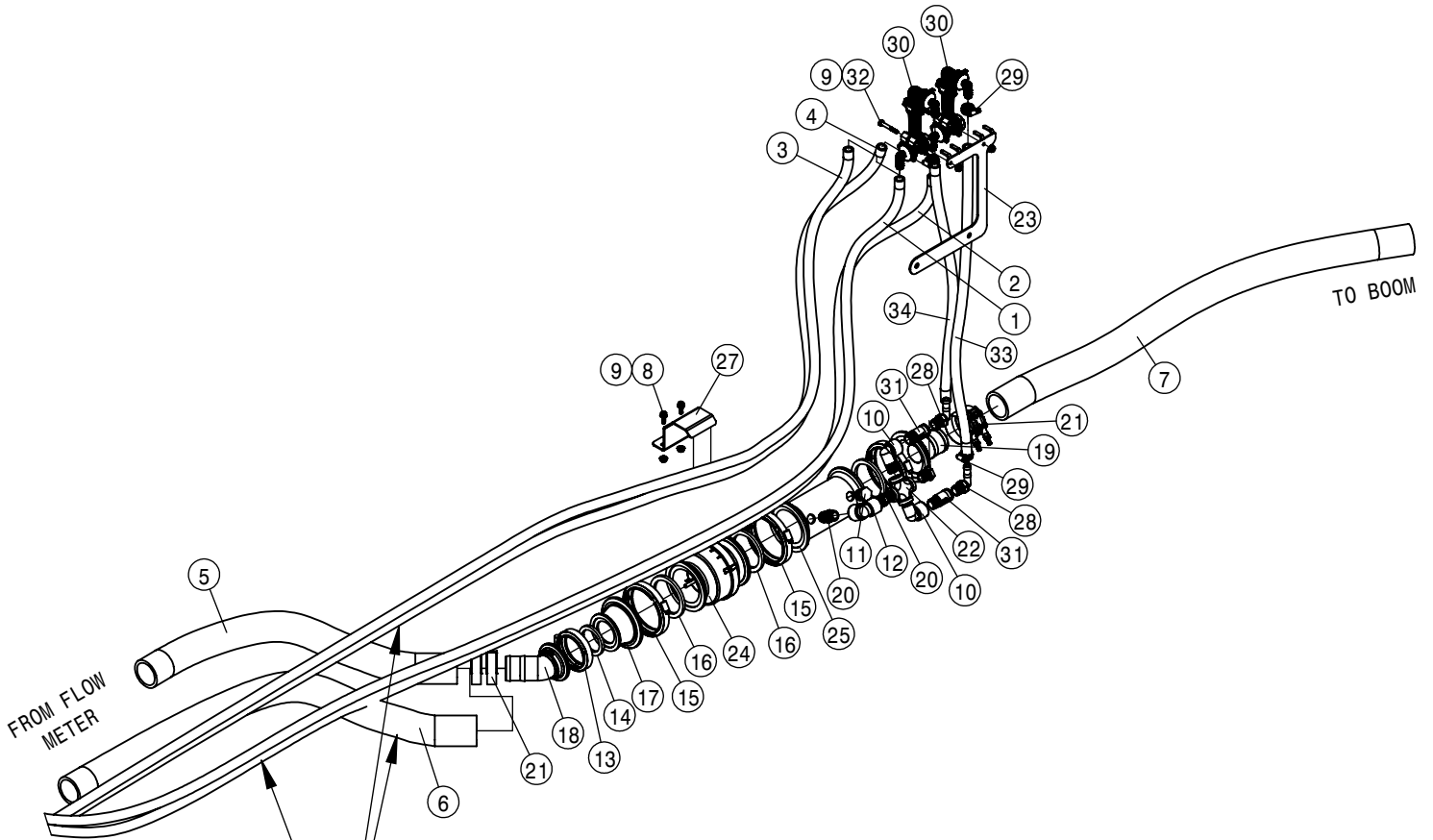


PRESSURE WASHER SWITCH BOX ASSEMBLY			
DET	QTY	P/N	DESCRIPTION
1	1	292260	MOUNTING TRIM, SINGLE VMS
2	1	293878	PRESS WASH WIRE HARNESS, STS 07
3	4	470113	HEX FLANGE NUT SER 5/16-18 MC GR5
4	4	470138	10-32 X 1/2 PHIL FLHD MACH SCR
5	4	470175	10-32 SERR FLANGE NUT
6	2	473911N	5/16UNC-1.31ID-2.00 U-BOLT YZ
7	1	650156	DECAL, PRESS WASH CTRL STS 05
8	1	292218	SWITCH,SIDE FILL PUMP/PRESWASH
9	1	690975	PRESS WASH SWTCH BOX, STS 05
10	1	691452	BRACKET WELDMT-PRESS WASH WAND



NOTE: LONG FRAME HOSE

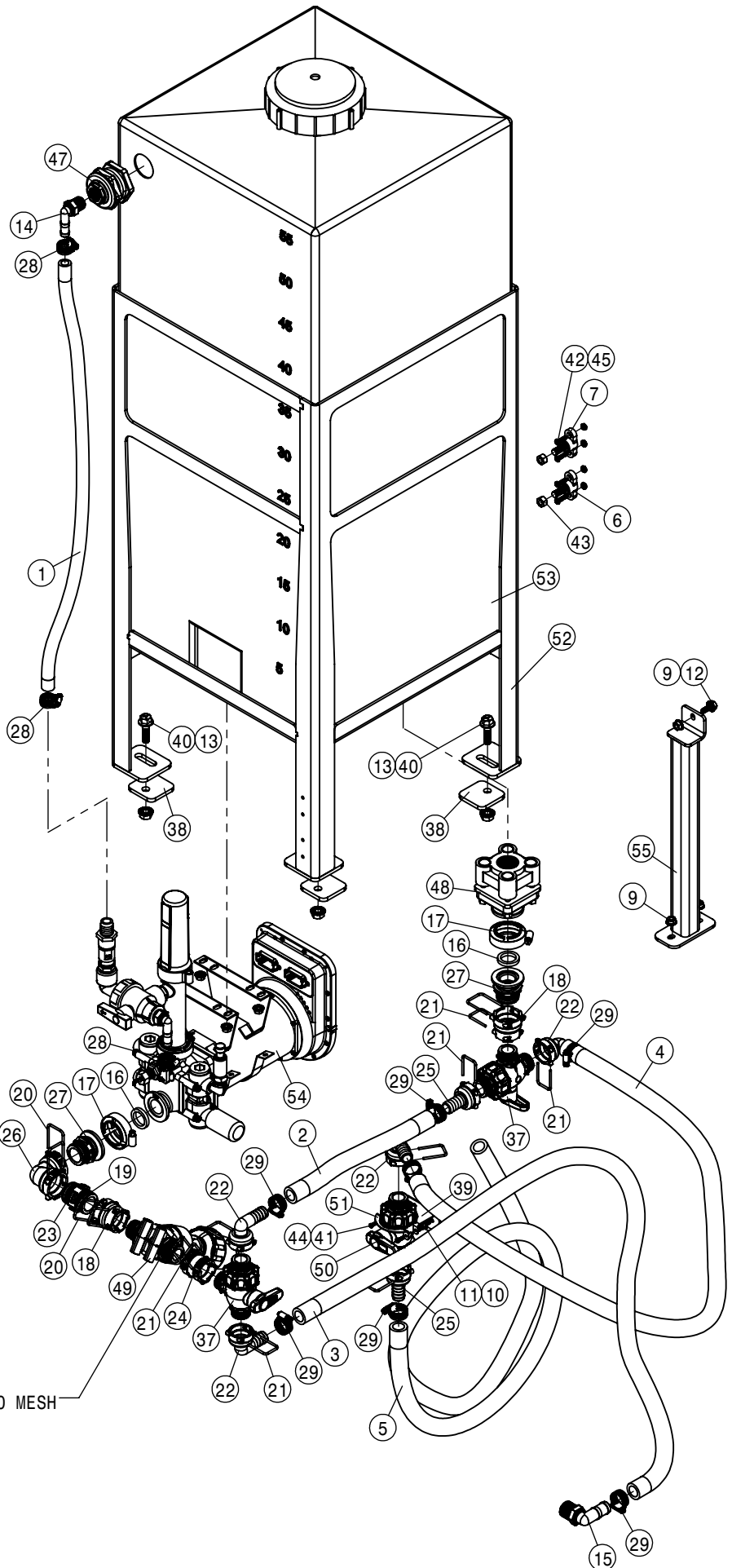
MODULAR INJECTION MIXING VALVE (1-PUMP)				
DET	QTY	P/N	DESCRIPTION	
1	1	197008-031	HOSE 1/2 1-FBR BR BLK EPDM	
2	1	197008-180	HOSE 1/2 1-FBR BR BLK EPDM	
3	1	197008-211	HOSE 1/2 1-FBR BR BLK EPDM	
4	1	197133-029	HOSE 2" SUCTION, 2F-1W EPDM	
5	1	197133-040	HOSE 2" SUCTION, 2F-1W EPDM	
6	1	197133-041	HOSE 2" SUCTION, 2F-1W EPDM	
7	2	470118	1/4UNC X 3/4 HHSFB GR5 MC	
8	3	470121	1/4-20UNC HEX FLG NUT SER MC GR5	
9	1	500047	1/2NPT-90-1/2 HOSE BARB, POLY	
10	1	500062	1/2"NPT PLUG, POLY	
11	1	500078	1/2NPT-90 EL, POLY	
12	1	500194	2" FP FLANGE CLAMP S.S.	
13	1	500195	2" FP FLANGE GASKET EPDM	
14	3	500208	3" FLANGE CLAMP S.S.	
15	3	500209	3" FLANGE GASKET EPDM	
16	1	500212	3"FLANGE - 2" FP FLANGE ADTPTR	
17	1	500255	2"FP FLANGE - 45- 2"HOSE BARB POLY	
18	1	500346	3" FLANGE-2"HOSE BARB POLY	
19	1	503101	1/2NPT CLOSE NIPPLE, POLY	
20	3	520070	HOSE CLAMP NO 8 STAINLESS	
21	4	520141	2.31/2.62 T-BOLT HOSE CLAMP SS	
22	1	701384	FLOW VIEW MANIFOLD	
23	1	701794	WILGER FLOW VIEW BRKT	
24	1	900006	1/4UNC X 1 3/4 HHCS GR5 MC	
25	1	701619	CHECK VALVE-RAVEN 333-0011-102	
26	1	500142	CHECK VALVE 3" FLANGE	
27	1	500345	FLANGE COUPLER 3 X 7, 1/2 NPT	
28	2	701492	MIXER FIN	
29	1	345023	3" MIXER CLAMP	



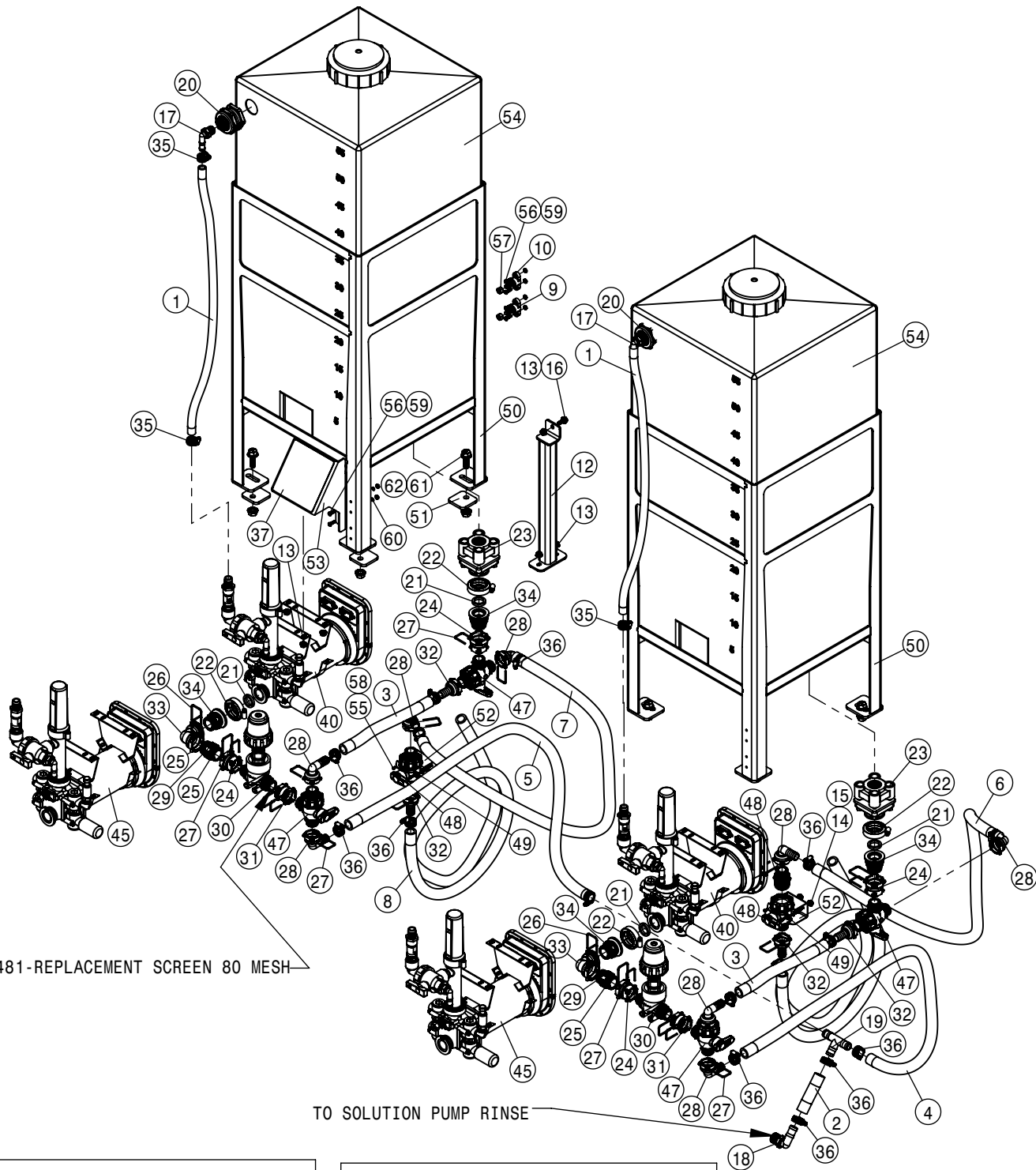
NOTE: LONG FRAME HOSES

MODULAR INJECTION MIXING VALVE (2-PUMP)			
DET	QTY	P/N	DESCRIPTION
1	1	197008-159	HOSE 1/2 1-FBR BR BLK EPDM
2	1	197008-180	HOSE 1/2 1-FBR BR BLK EPDM
3	1	197008-189	HOSE 1/2 1-FBR BR BLK EPDM
4	1	197008-211	HOSE 1/2 1-FBR BR BLK EPDM
5	1	197133-029	HOSE 2" SUCTION, 2F-1W EPDM
6	1	197133-040	HOSE 2" SUCTION, 2F-1W EPDM
7	1	197133-041	HOSE 2" SUCTION, 2F-1W EPDM
8	2	470118	1/4UNC X 3/4 HHSFB GR5 MC
9	4	470121	1/4-20UNC HEX FLG NUT SER MC GR5
10	2	500044	1/2NPT-90 ST EL, POLY
11	2	500062	1/2"NPT PLUG, POLY
12	1	500078	1/2NPT-90 EL, POLY
13	1	500194	2" FP FLANGE CLAMP S.S.
14	1	500195	2" FP FLANGE GASKET EPDM
15	3	500208	3" FLANGE CLAMP S.S.
16	3	500209	3" FLANGE GASKET EPDM
17	1	500212	3"FLANGE - 2" FP FLANGE ADTPTR
18	1	500255	2"FP FLANGE - 45- 2"HOSE BARB POLY
19	1	500346	3" FLANGE-2"HOSE BARB POLY
20	2	503101	1/2NPT CLOSE NIPPLE, POLY
21	4	520141	2.31/2.62 T-BOLT HOSE CLAMP SS
22	1	701422	PIPE CROSS-.50" NPT, POLY
23	1	701794	WILGER FLOW VIEW BRKT
24	1	500142	CHECK VALVE 3" FLANGE
25	1	500345	FLANGE COUPLER 3 X 7, 1/2 NPT
26	2	701492	MIXER FIN
27	1	345023	3" MIXER CLAMP
28	2	500047	1/2NPT-90-1/2 HOSE BARB, POLY
29	3	520070	HOSE CLAMP NO 8 STAINLESS
30	2	701384	FLOW VIEW MANIFOLD
31	2	701619	CHECK VALVE-RAVEN 333-0011-102
32	2	900006	1/4UNC X 1 3/4 HHCS GR5 MC
33	1	197008-031	HOSE 1/2 1-FBR BR BLK EPDM
34	1	197008-027	HOSE 1/2 1-FBR BR BLK EPDM

MODULAR INJECTION TANK ASSEMBLY (1-TANK)			
DET	QTY	P/N	DESCRIPTION
1	1	197008-032	HOSE 1/2 1-FBR BR BLK EPDM
2	1	197112-014	HOSE 3/4 1-FBR BR BLK EPDM
3	1	197112-051	HOSE 3/4 1-FBR BR BLK EPDM
4	1	197112-055	HOSE 3/4 1-FBR BR BLK EPDM
5	1	197112-076	HOSE 3/4 1-FBR BR BLK EPDM
6	1	291792	TERM BLOCK,RED,3/8-16 SINGLE
7	1	291936	TERM BLOCK,RED,3/8-16 SINGLE
NS	1	294106	HAGIE MODULAR INJ BATT CBL
9	7	470113	5/16-18UNC HEX FLG NUT SER MC GR5
10	2	470121	1/4-20UNC HEX FLG NUT SER MC GR5
11	2	470122	1/4UNC X 1/2 HHSFB GR5 MC
12	1	470233	5/16UNC X 3/4 HHSFB GR5 MC
13	4	470325	7/16-14UNC HEX FLG NUT SER MC GR5
14	1	500047	1/2NPT-90-1/2 HOSE BARB, POLY
15	1	500054	3/4NPT-90-3/4 HOSE BARB, POLY
16	2	500157	1" FLANGE GASKET EPDM
17	2	500159	1" FLANGE CLAMP S.S.
18	2	500305	T4 - T3 FEMALE REDUCER
19	4	500308	O-RING, -216 EPDM
20	4	500310	FORK D3 DIST 34.2
21	10	500311	FORK D3 DIST 29
22	4	500327	T3 TO 20MM HB 90
23	1	500341	T4 NIPPLE
24	1	500348	T3 FEMALE COUPLER
25	2	500349	T3 FEMALE - .75 HB
26	1	500356	T4 FEMALE 90
27	2	500357	1" FLANGE - T4M ADAPTER
28	3	520070	HOSE CLAMP NO 8 STAINLESS
29	7	520080	HOSE CLAMP NO 10 STAINLESS
NS	1	693367	AG LDR MULTI PRODUCT UNLOCK
NS	1	693392	RVN INJ CAN/LOGIC EXT 18'
NS	1	693955	AG LDR ISO INJ INST INSTRUCT
NS	1	693956	AG LDR CBL ISO EXTEND 16'
NS	1	693957	AG LDR CBL ISO PUMP ADAPTOR
NS	1	693981	CABLE-POWER, MULTI MODULE, 3'
NS	1	694174	RAVEN CBL INJ NO AGIT
37	2	696013	3 WAY T3 INTERRUPTED FLOW VLV
38	4	701793	MODULAR INJ BACKING PLT
39	1	701795	VLV MNT BRKT
40	4	900512	7/16UNC X 1 1/2 HHSFB GR5 MC
41	2	903812	6-32 X 1/2 PHIL PAN MACH SCR
42	4	903888	10-24 X 3/4 PHIL PAN MACH SCR
43	2	910004	3/8-16UNC HEX NUT MC GR5
44	2	910022	#6-32UNC HEX NUT MC GR5
45	4	910026	#10-24UNC HEX NUT MC GR5
46	4	920510	HLOCK WASHER #10 MC
47	1	500131	1/2"NPT TANK FLANGE POLY
48	1	500178	1"FLG TANK FTG,BOTDRN BLT POLY
49	1	500342	STRAINER T3M 80 MESH
50	1	696014	T3 2 WAY BALL VLV
51	1	701791	INJ VLV BRKT
52	1	701792	INJECTION STAND WLD
53	1	763745	MODULAR INJ TANK W HOLES
54	1	693879	HAGIE SIDEKICK PRO HW/SW
55	1	362564	PLATFORM SUPP WLD
56	1	693998	RVN SPRO ISO PMP, 5-200, HW/SW



691481-REPLACEMENT SCREEN 80 MESH



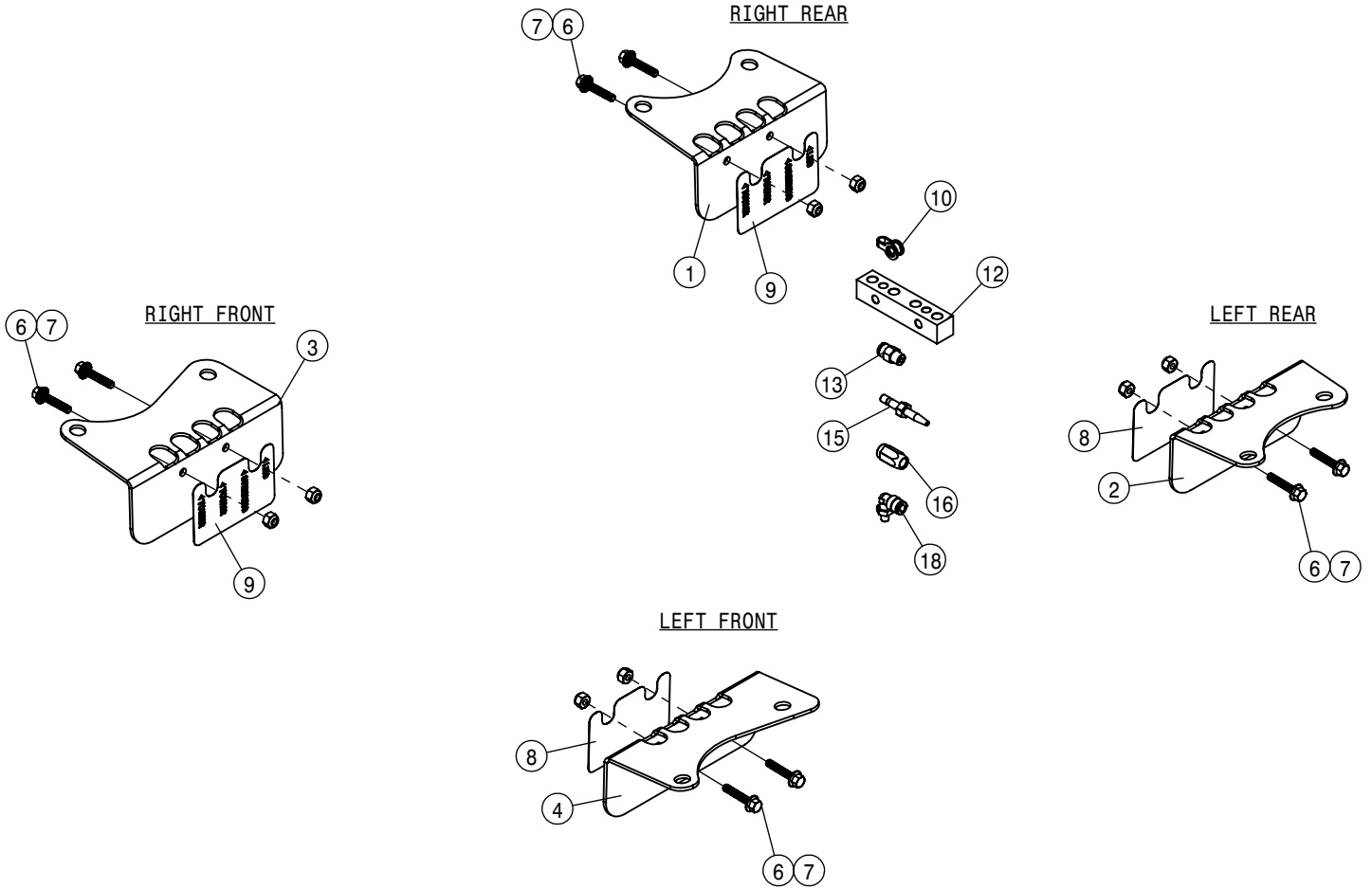
691481-REPLACEMENT SCREEN 80 MESH

TO SOLUTION PUMP RINSE

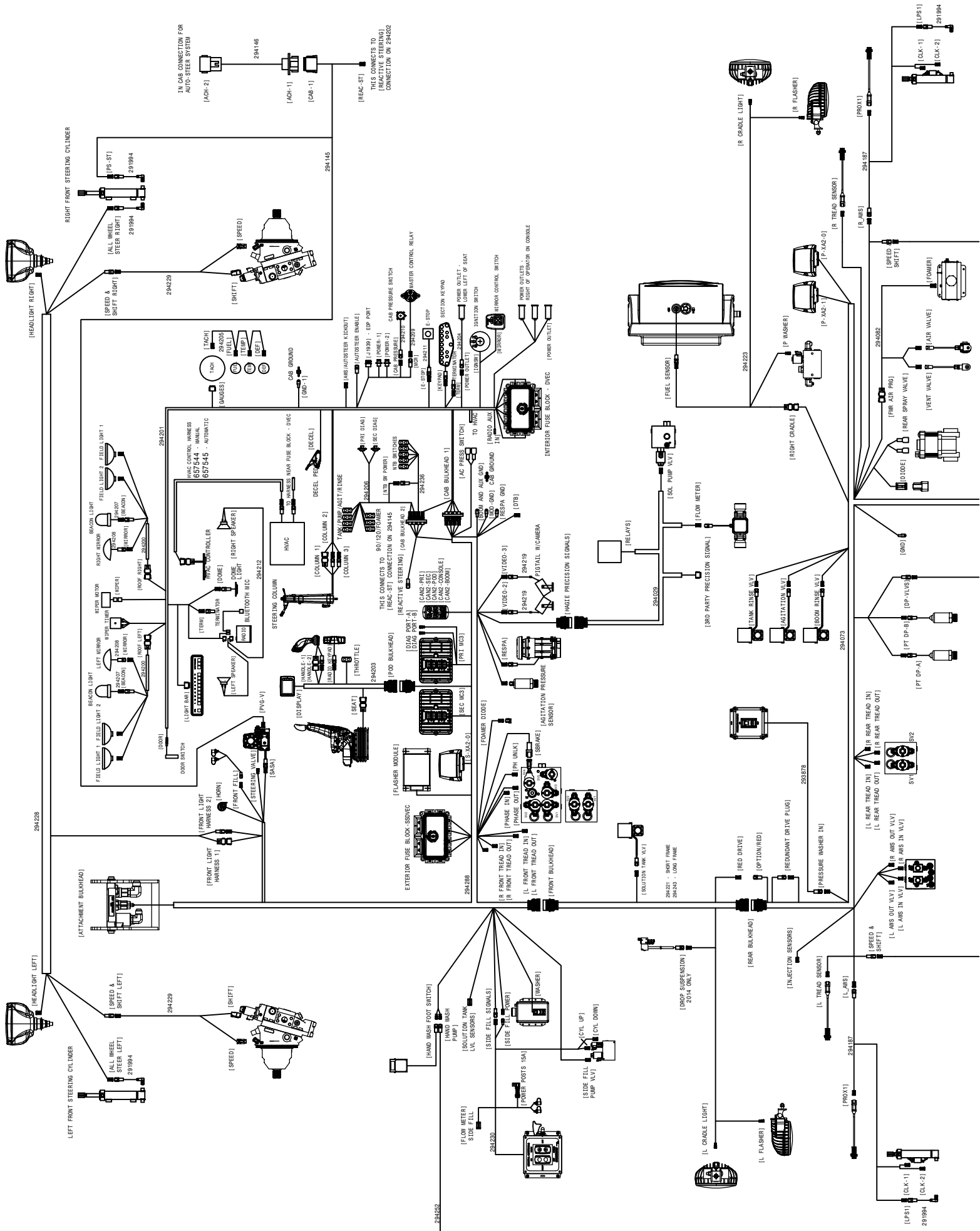
MODULAR INJECTION TANK ASSEMBLY (2-TANKS)			
DET	QTY	P/N	DESCRIPTION
1	2	197008-032	HOSE 1/2 1-FBR BR BLK EPDM
2	1	197112-004	HOSE 3/4 1-FBR BR BLK EPDM
3	2	197112-014	HOSE 3/4 1-FBR BR BLK EPDM
4	1	197112-045	HOSE 3/4 1-FBR BR BLK EPDM
5	1	197112-047	HOSE 3/4 1-FBR BR BLK EPDM
6	1	197112-051	HOSE 3/4 1-FBR BR BLK EPDM
7	1	197112-055	HOSE 3/4 1-FBR BR BLK EPDM
8	2	197112-076	HOSE 3/4 1-FBR BR BLK EPDM
9	1	291792	TERM BLOCK, BLACK, 3/8-16 SINGLE
10	1	291936	TERM BLOCK, RED, 3/8-16 SINGLE
NS	1	294106	HAGIE MODULAR INJ BATT CBL
12	1	362564	PLATFORM SUPP WLD
13	7	470113	5/16-18UNC HEX FLG NUT SER MC GR5
14	4	470121	1/4-20UNC HEX FLG NUT SER MC GR5
15	4	470122	1/4UNC X 1/2 HHSFB GR5 MC
16	1	470233	5/16UNC X 3/4 HHSFB GR5 MC
17	2	500047	1/2NPT-90-1/2 HOSE BARB, POLY
18	1	500054	3/4NPT-90-3/4 HOSE BARB, POLY
19	1	500073	3/4 HOSE BARB TEE, POLY
20	2	500131	1/2"NPT TANK FLANGE POLY
21	4	500157	1" FLANGE GASKET EPDM

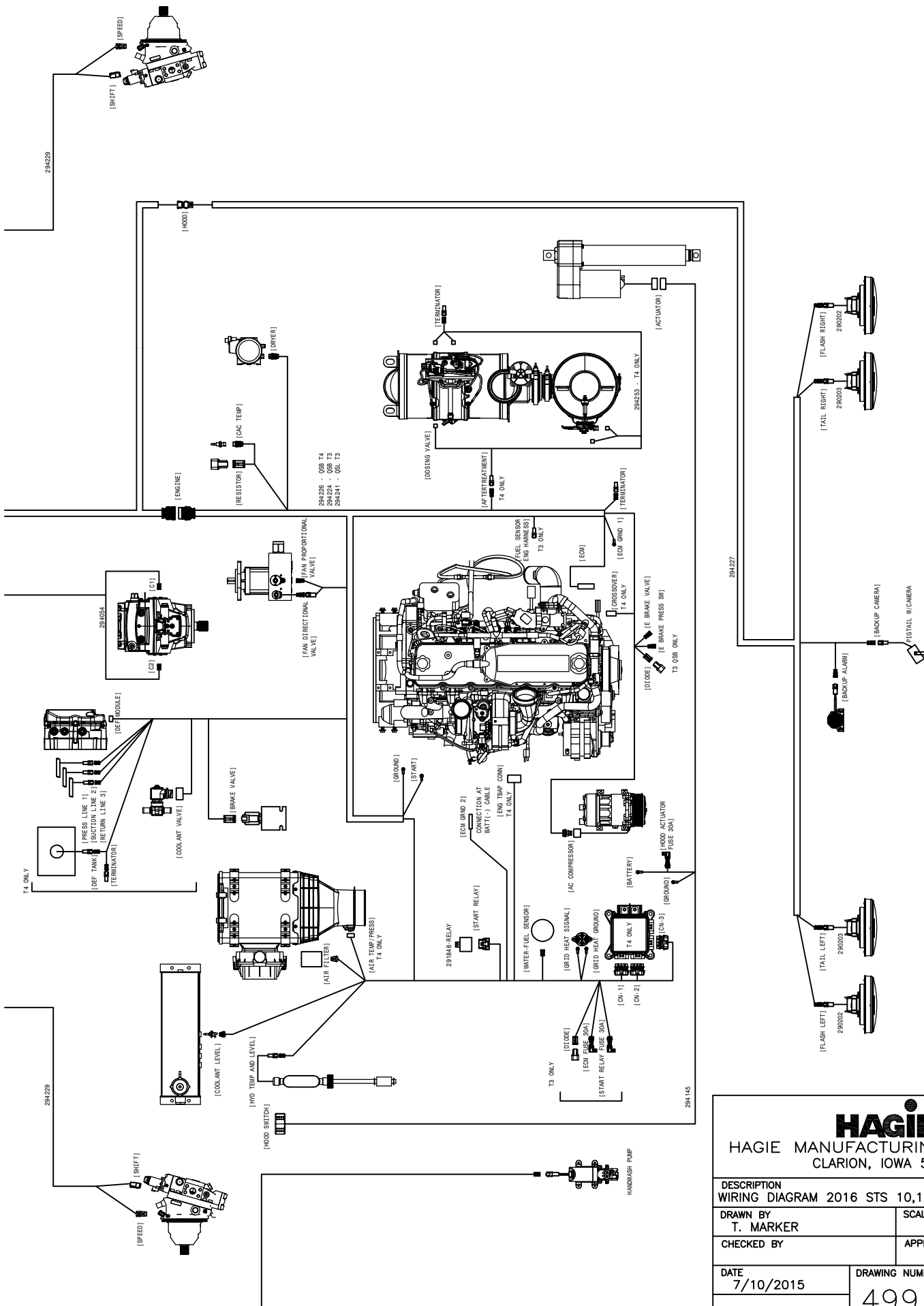
MODULAR INJECTION TANK ASSEMBLY (2-TANKS)			
DET	QTY	P/N	DESCRIPTION
22	4	500159	1" FLANGE CLAMP S.S.
23	2	500178	1" FLG TANK FTG, BOTDRN BLT POLY
24	4	500305	T4 - T3 FEMALE REDUCER
25	8	500308	O-RING, -.216 EPDM
26	8	500310	FORK D3 DIST 34.2
27	20	500311	FORK D3 DIST 29
28	8	500327	T3 TO 20MM HB 90
29	2	500341	T4 NIPPLE
30	2	500342	STRAINER T3M 80 MESH
31	2	500348	T3 FEMALE COUPLER
32	4	500349	T3 FEMALE - .75 HB
33	2	500356	T4 FEMALE 90
34	4	500357	1" FLANGE - T4M ADAPTER
35	5	520070	HOSE CLAMP NO 8 STAINLESS
36	16	520080	HOSE CLAMP NO 10 STAINLESS
37	1	650515	DECAL, INST MODULR CHEM INJECT
NS	1	693367	AG LDR MULTI PRODUCT UNLOCK
NS	1	693392	RVN INJ CAN/LOGIC EXT 18'
40	2	693879	HAGIE SIDEKICK PRO HW/SW
NS	1	693955	AG LDR ISO INJ INST INSTRUCT
NS	1	693956	AG LDR CBL ISO EXTEND 16'

MODULAR INJECTION TANK ASSEMBLY (2-TANKS)			
DET	QTY	P/N	DESCRIPTION
NS	1	693957	AG LDR CBL ISO PUMP ADAPTOR
NS	1	693981	CABLE-POWER, MULTI MODULE, 3'
45	2	693998	RVN SPRO ISO PMP, 5-200, HW/SW
NS	1	694174	RAVEN CBL INJ NO AGIT
47	4	696013	3 WAY T3 INTERRUPTED FLOW VLV
48	2	696014	T3 2 WAY BALL VLV
49	2	701791	INJ VLV BRKT
50	2	701792	INJECTION STAND WLD
51	4	701793	MODULAR INJ BACKING PLT
52	2	701795	VLV MNT BRKT
53	1	701796	INSTRUCTION DECAL MT BRKT
54	2	763745	MODULAR INJ TANK W HOLES
55	4	903812	6-32 X 1/2 PHIL PAN MACH SCR
56	6	903888	10-24 X 3/4 PHIL PAN MACH SCR
57	2	910004	3/8-16UNC HEX NUT MC GR5
58	3	910022	#6-32UNC HEX NUT MC GR5
59	6	910026	#10-24UNC HEX NUT MC GR5
60	6	920510	HLOCK WASHER #10 MC
61	8	470431	1/2UNC X 1 1/2 HHSFB GR5 MC
62	8	470360	1/2-13UNC HEX FLG NUT SER MC GR5



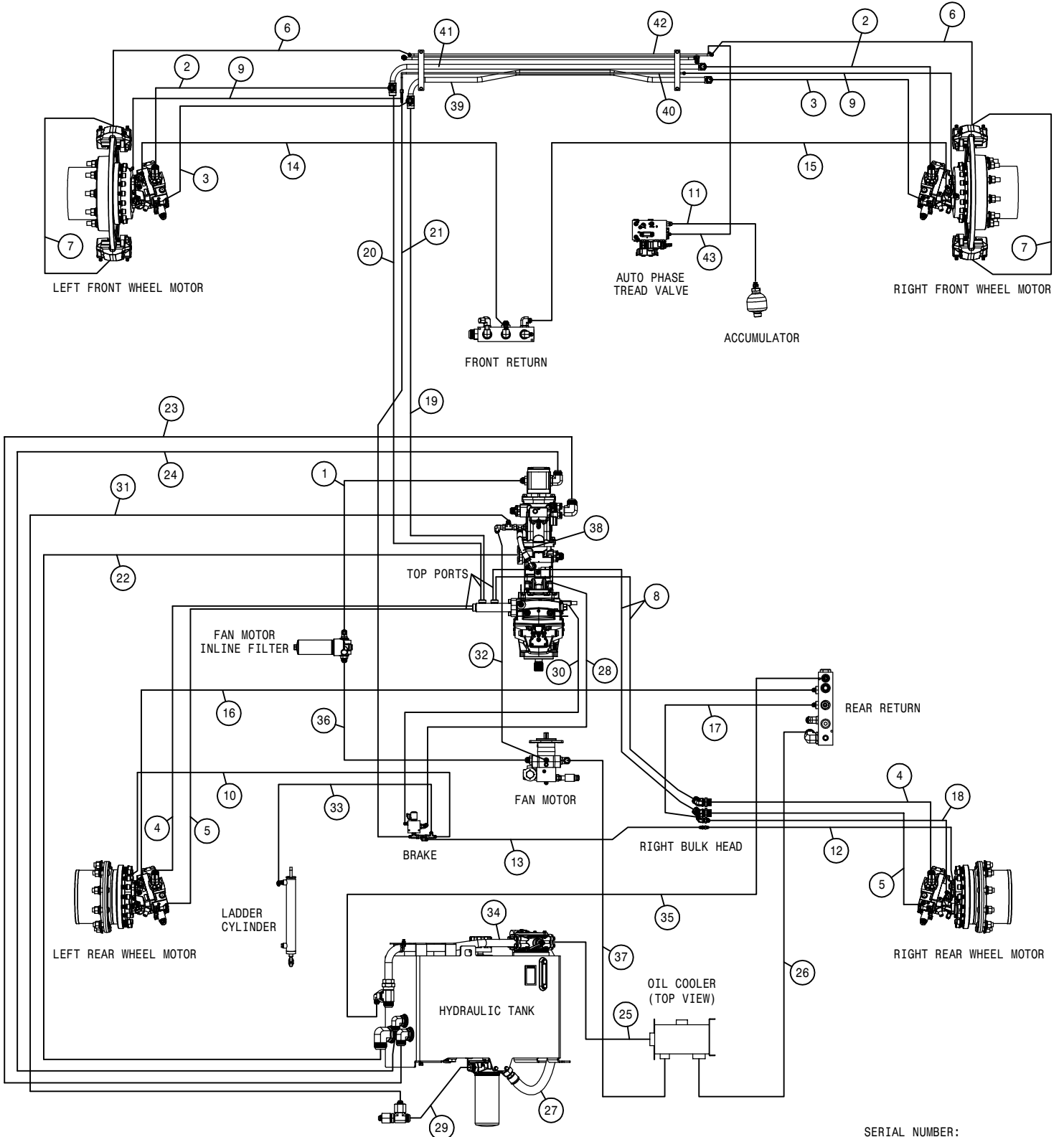
REMOTE GREASE BANK ASSEMBLY			
DET	QTY	P/N	DESCRIPTION
1	1	360424	2017 GREASE ZERK RHR BRKT
2	1	360425	2017 GREASE ZERK LHR BRKT
3	1	360902	2017 GREASE ZERK RHF BRKT
4	1	360903	2017 GREASE ZERK LHF BRKT
NS	16	470154	CABLE TIE, 11.00" BLK NYLON
6	8	473836	1/4UNC X 1 1/4 HHSFB SS FT
7	8	910118	1/4-20UNC NYLOCK NUT SS
8	2	650507	2017 GREASE ZERK LH DECAL
9	2	650506	2017 GREASE ZERK RH DECAL
10	16	470740	PROTECTIVE ZERK CAP
NS	16	470738	LEAKLESS ZERK (1/8" - 27 PTF)
12	4	606474	MANIFOLD
13	16	470741	STR PUSH CON 1/4 X 1/8 NPT
NS	32	470735	PROTECTIVE RUBBER BOOT
15	32	470736	SHORT FIELD INSTALL
16	32	470737	FIELD INSTALL NUT
NS	1	470745	5/16"OD HOSE 35' GREASE FILLED
18	16	470744	90 SWIVEL PUSH CON 1/4 - 28





REFERENCE ONLY

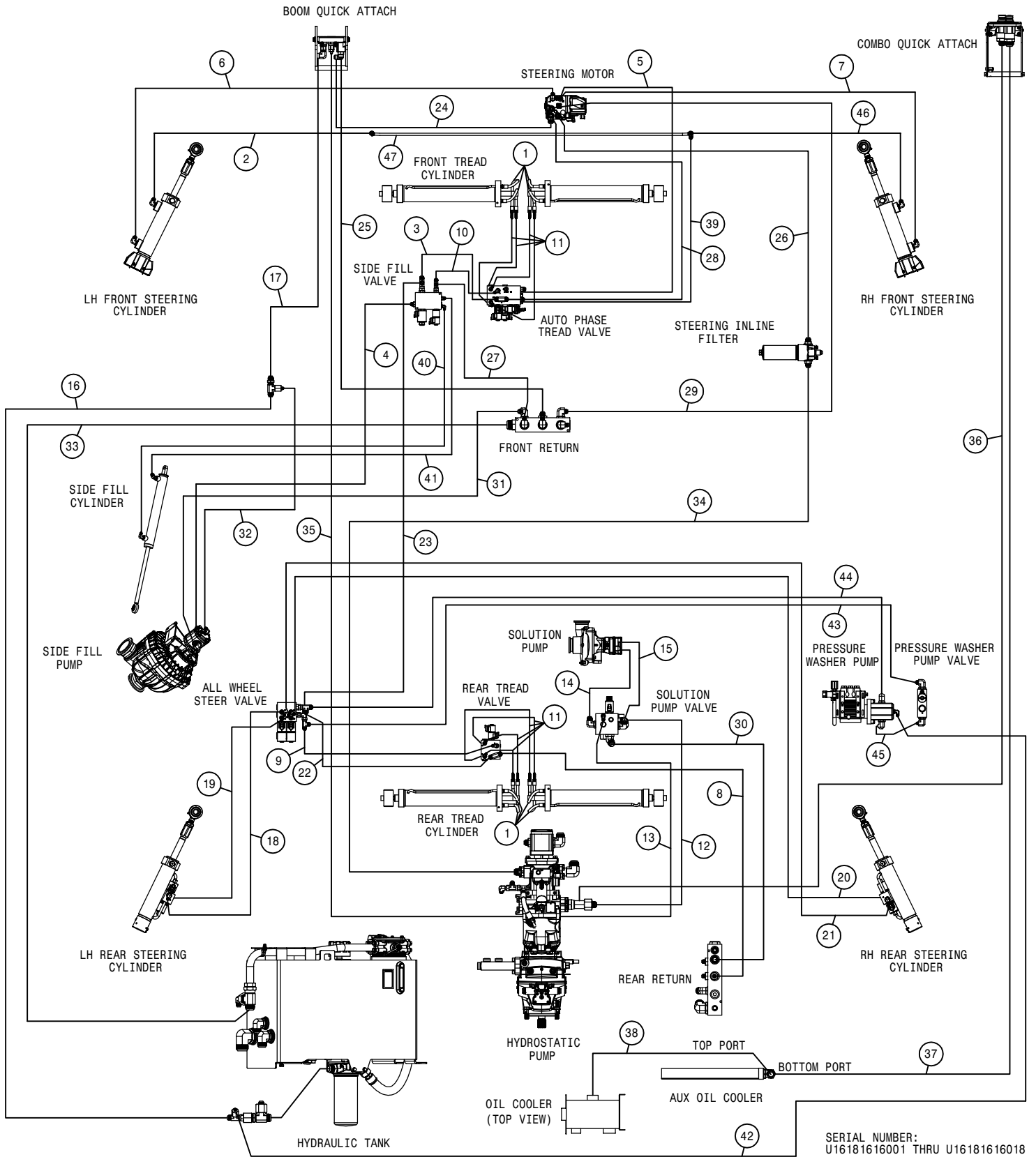
HAGIE HAGIE MANUFACTURING COMPANY CLARION, IOWA 50525		
DESCRIPTION WIRING DIAGRAM 2016 STS 10,12,14,16		
DRAWN BY T. MARKER		SCALE NONE
CHECKED BY		APPROVED BY
DATE 7/10/2015	DRAWING NUMBER 499344	REV A
SHEET 1 OF 1		



SERIAL NUMBER:
 U16181616001 THRU U16181616018
 U16181616023 THRU U16181616039

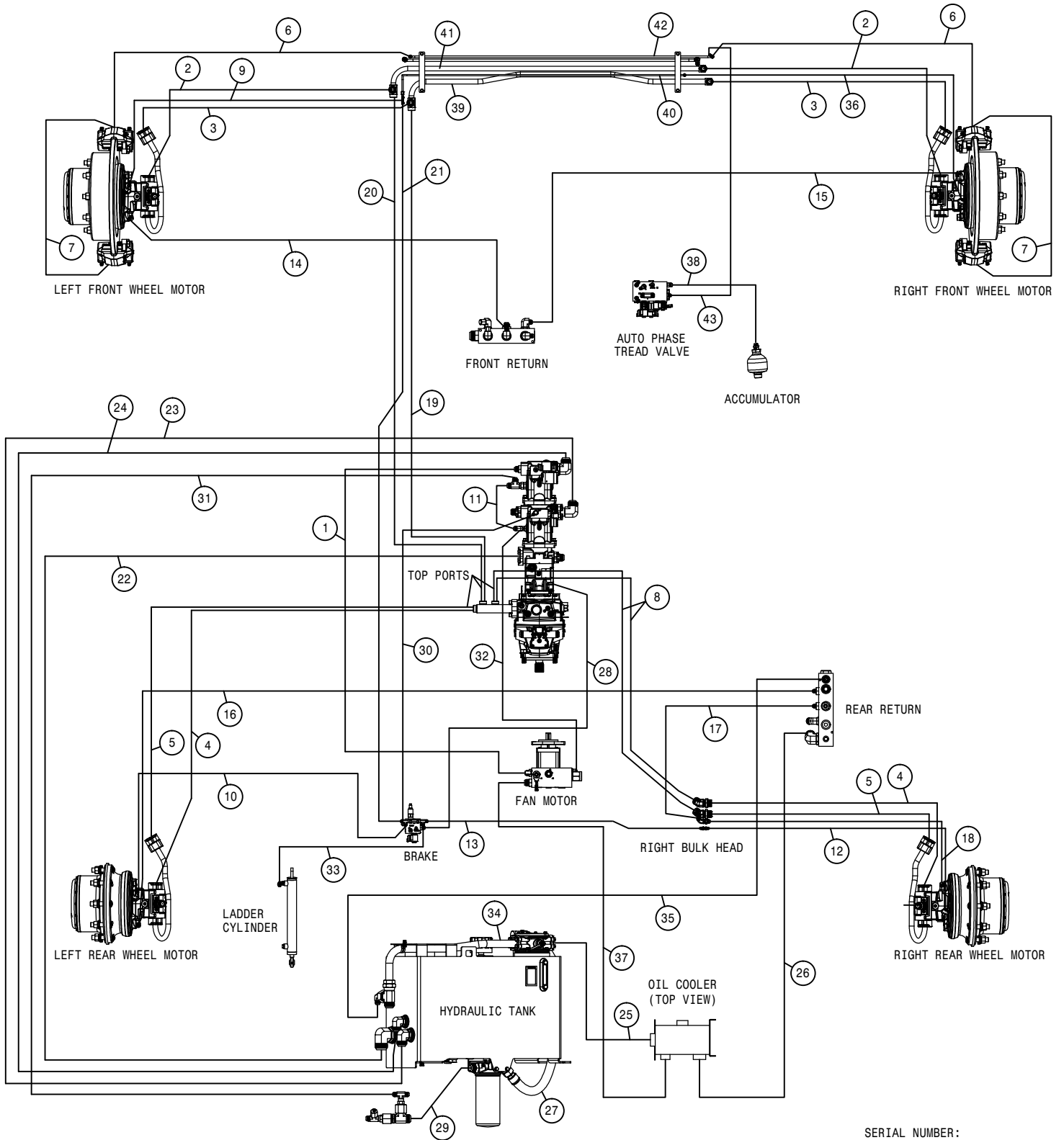
STS 16 HYDRAULIC DIAGRAM 2016
REFERENCE DRAWING NO. 499351s1_RevB

DET.	QTY	PART NO.	DESCRIPTION	DET.	QTY	PART NO.	DESCRIPTION
1	1	616671	08-451TC-10FJX-12FJX-25 H/A	23	1	617091	24-811-24FJX-24FJX-71 H/A
2	1	617060	16-797TC-16FFOX-16FFOX45-110H/	24	1	617092	20-811-20FJX-20FJX90-60 H/A
3	2	617061	16-797TC-16FFOX-16FFOX90-114H/	25	1	617093	24-811-24FJX-24FLG90-48 H/A
4	2	617062	16-797TC-16FFOX-16FFOX45-123H/	26	1	617094	24-811-24FJX-24FJX90-31 H/A
5	2	617063	16-797TC-16FFOX-16FFOX90-128H/	27	1	617095	20-811-20FJX-20FJX45-47 H/A
6	2	617213	04-451TC-04FJX-04FJX90-95 H/A	28	1	617096	06-451TC-08FJX-06FJX90-22 H/A
7	2	617211	04-451TC-04FJX-04FJX45-37 H/A	29	1	617120	20-811-20FJX-20FJX-37 H/A
8	2	617067	16-797TC-16FFOX-16FFOX90-31H/A	30	1	617121	04-451TC-06FJX-04FJX90-34 H/A
9	2	617068	04-451TC-04FJX-04FJX-126 H/A	31	1	617122	12-451TC-10FJX-12FJX90-18 H/A
10	1	617069	04-451TC-04FJX-06FJX90-139 H/A	32	1	617124	06-451TC-10FJX-06FJX90-85 H/A
11	1	616323	06-451TC-08FJX-08FJX90-56 H/A	33	1	617127	06-451TC-06FJX-06FJX45-36 H/A
12	1	617071	04-451TC-04FJX-04FJX-138 H/A	34	1	617151	HYD TANK TUBE
13	1	617072	04-451TC-06FJX-04FJX45-43 H/A	35	1	617171	12-451TC-12FJX-12FJX90-43 H/A
14	1	617073	08-451TC-08FJX-08FJX90-173 H/A	36	1	617199	12-451TC-12FJX-12FJX-73 H/A
15	1	617074	08-451TC-08FJX-08FJX90-190 H/A	37	1	617214	16-811-16FJX-16FJX90-43 H/A
16	1	617075	08-451TC-08FJX-08FJX90-160 H/A	38	1	617132	10-451TC-10FJX-10FJX90-11 H/A
17	1	617077	08-451TC-08FJX-08FJX90-15 H/A	39	1	615913	TUBE ASSY, 1" OD 16-ORFS
18	1	617080	08-451TC-08FJX-08FJX90-133 H/A	40	1	615916	TUBE ASSY, 1/4" OD FJIC
19	1	617081	16-797TC-16FFOX-16FFOX45-213H/	41	1	615914	TUBE ASSY, 1" OD 16-ORFS
20	1	617082	16-797TC-16FFOX-16FFOX45-217H/	42	1	615915	HYD TUBE ASSY, 1/4" OD 4-MJIC
21	1	617083	04-451TC-04FJX-06FJX90-208 H/A	43	1	617209	04-451TC-04FJX90-06FJX-75 H/A
22	1	617089	32-811-32FJX-32FLG-25 H/A				



STS 16 HYDRAULIC DIAGRAM 2016
REFERENCE DRAWING NO. 499351s2_RevB

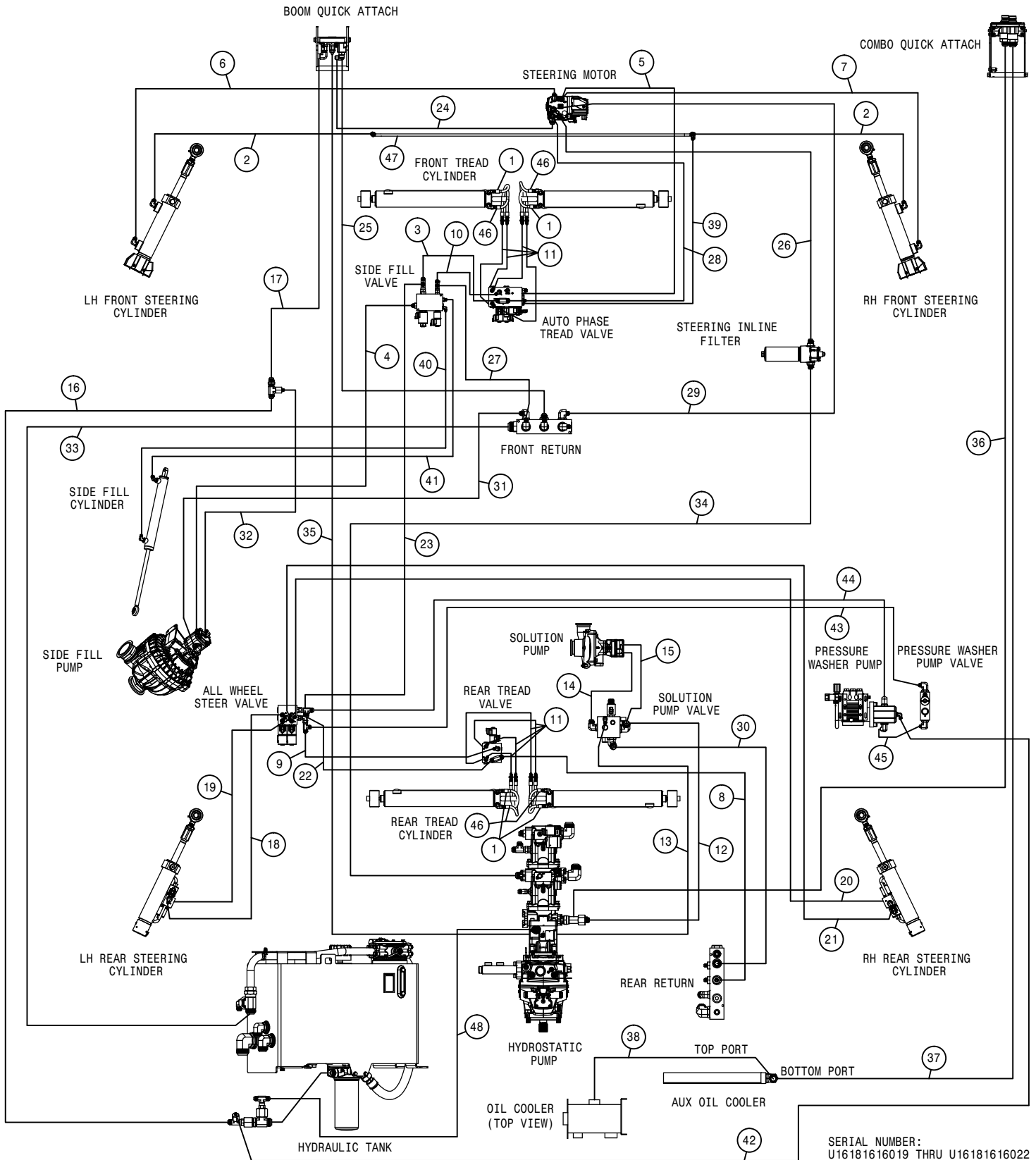
DET.	QTY	PART NO.	DESCRIPTION	DET.	QTY	PART NO.	DESCRIPTION
1	8	616070	04-451TC-04MJBH-06MOR-11.00H/A	25	1	617130	12-451TC-12FJX-12FJX90-78 H/A
2	1	617212	08-451TC-08FJX-08FJX-75 H/A	26	1	617131	12-451TC-12FJX-12FJX-44 H/A
3	1	616138	06-482TC-06FJX-06FJX-9 H/A	27	1	617134	08-451TC-08FJX-08FJX-22 H/A
4	1	617108	08-451TC-08FJX-08FJX90-127 H/A	28	1	617136	10-451TC-10FJX-12FJX-53 H/A
5	1	616599	06-451TC-06FJX-08FJX90-62 H/A	29	1	617137	10-451TC-10FJX-10FJX-79 H/A
6	1	617078	08-451TC-08FJX-08FJX90-118 H/A	30	1	617139	16-811-16FJX-16FJX-12 H/A
7	1	617079	08-451TC-08FJX-08FJX-107 H/A	31	1	617107	10-451TC-10FJX-10FJX-132 H/A
8	1	617097	10-451TC-10FJX-10FJX-47 H/A	32	1	617109	06-451TC-06FJX-06FJX90-133 H/A
9	1	617098	06-451TC-06FJX-08FJX90-13 H/A	33	1	617087	24-811-24FJX-24FJX90-177 H/A
10	1	617099	06-451TC-06FJX-08FJX-18 H/A	34	1	617133	12-451TC-12FJX-16FJX90-187 H/A
11	8	617100	04-451TC-04FJX-04FJX-24 H/A	35	1	617112	04-451TC-04FJX-04FJX45-239 H/A
12	1	617101	12-451TC-16FJX-12FJX90-23 H/A	36	1	617113	16-451TC-16FJX-20FJX90-215 H/A
13	1	617102	04-451TC-06FJX-04FJX90-29 H/A	37	1	617114	20-811-20FJX-20FJX-229 H/A
14	1	617103	12-451TC-12FJX-12FJX90-22 H/A	38	1	617173	20-811-20FJX-20FJX-39 H/A
15	1	617104	16-811-16FJX-16FJX90-26 H/A	39	1	617210	04-451TC-04FJX-08FJX-78 H/A
16	1	617105	12-451TC-12FJX-12FJX-115 H/A	40	1	617389	04-451TC-04FJX-04FJX-111 H/A
17	1	617111	12-451TC-12FJX-12FJX-93 H/A	41	1	617390	04-451TC-06FJX-06FJX90-100 H/A
18	1	617115	06-451TC-06FJX-06FJX45-101 H/A	42	1	617446	06-451TC-06FJX-06FJX-84 H/A
19	1	617116	06-451TC-06FJX-06FJX-99 H/A	43	1	617447	08-451TC-08FJX-08FJX-95 H/A
20	1	617117	06-451TC-06FJX-06FJX-137 H/A	44	1	617448	10-451TC-10FJX-10FJX-89 H/A
21	1	617118	06-451TC-06FJX-06FJX90-137 H/A	45	1	617450	06-451TC-06FJX-06FJX-9 H/A
22	1	617119	10-451TC-10FJX-10FJX-18 H/A	46	1	616212	06-482TC-06FJX-06FJX-54 H/A
23	1	617128	08-451TC-08FJX-10FJX90-113 H/A	47	1	615917	TUBE ASSY, 1/2" OD 8-FJIC
24	1	617129	10-451TC-10FJX-12FJX90-55 H/A				



SERIAL NUMBER:
 U16181616019 THRU U16181616022
 U16181616040 THRU U16181616060

STS 16 HYDRAULIC DIAGRAM 2016
REFERENCE DRAWING NO. 499351s3_RevB

DET.	QTY	PART NO.	DESCRIPTION	DET.	QTY	PART NO.	DESCRIPTION
1	1	617471	12-451TC-12FJX-12FJX45-83 H/A	23	1	617091	24-811-24FJX-24FJX-71 H/A
2	2	617462	16-797TC-16FFOX-16C62F-126 H/A	24	1	617092	20-811-20FJX-20FJX90-60 H/A
3	2	617463	16-797TC-16FFOX-16C62F90-112 H	25	1	617093	24-811-24FJX-24FLG90-48 H/A
4	2	617464	16-797TC-16FFOX-16C62F-138 H/A	26	1	617094	24-811-24FJX-24FJX90-31 H/A
5	2	617465	16-797TC-16FFOX-16C62FX90-120H	27	1	617095	20-811-20FJX-20FJX45-47 H/A
6	2	617205	04-451TC-04FJX-04FJX90-130 H/A	28	1	617492	06-451TC-08FJX-06FJX90-16 H/A
7	2	617211	04-451TC-04FJX-04FJX45-37 H/A	29	1	617120	20-811-20FJX-20FJX-37 H/A
8	2	617067	16-797TC-16FFOX-16FFOX90-31H/A	30	1	617489	04-451TC-04FJX-06FJX-31 H/A
9	1	617483	04-451TC-04FJX-04FJX45-149 H/A	31	1	617475	12-387TC-16FJX-12FJX45-18 H/A
10	1	617488	04-451TC-06FJX-04FJX45-155 H/A	32	1	617472	06-451TC-10FJX-06FJX90-87 H/A
11	1	617474	12-451TC-10FJX-12FJX45-16 H/A	33	1	617491	06-451TC-06FJX-06FJX-40 H/A
12	1	617486	04-451TC-04FJX-04FJX45-155 H/A	34	1	617151	HYD TANK TUBE
13	1	617490	04-451TC-04FJX-06FJX45-42 H/A	35	1	617171	12-451TC-12FJX-12FJX90-43 H/A
14	1	617482	08-451TC-08FJX-08FJX90-207 H/A	36	1	617484	04-451TC-04FJX-04FJX45-145 H/A
15	1	617481	08-451TC-08FJX-08FJX90-231 H/A	37	1	617126	16-811-16FJX-16FJX-34 H/A
16	1	617487	08-451TC-08FJX-08FJX90-176 H/A	38	1	616323	06-451TC-08FJX-08FJX90-56 H/A
17	1	617077	08-451TC-08FJX-08FJX90-15 H/A	39	1	615913	TUBE ASSY, 1" OD 16-ORFS
18	1	617485	08-451TC-08FJX-08FJX90-161 H/A	40	1	615916	TUBE ASSY, 1/4" OD FJIC
19	1	617081	16-797TC-16FFOX-16FFOX45-213H/	41	1	615914	TUBE ASSY, 1" OD 16-ORFS
20	1	617082	16-797TC-16FFOX-16FFOX45-217H/	42	1	615915	HYD TUBE ASSY, 3/8" OD 6-MJIC
21	1	617083	04-451TC-04FJX-06FJX90-208 H/A	43	1	617209	04-451TC-04FJX90-06FJX-75 H/A
22	1	617090	32-811-32FJX-40FLG-23 H/A				



SERIAL NUMBER:
 U16181616019 THRU U16181616022
 U16181616040 THRU U16181616060

STS 16 HYDRAULIC DIAGRAM 2016
REFERENCE DRAWING NO. 499351s4_RevB

DET.	QTY	PART NO.	DESCRIPTION		DET.	QTY	PART NO.	DESCRIPTION	
1	4	617493	04-451TC-04MJBH-04FJX-13	H/A	25	1	617130	12-451TC-12FJX-12FJX90-78	H/A
2	2	617478	08-451TC-08FJX-08FJX-80	H/A	26	1	617131	12-451TC-12FJX-12FJX-44	H/A
3	1	616138	06-482TC-06FJX-06FJX-9	H/A	27	1	617134	08-451TC-08FJX-08FJX-22	H/A
4	1	617108	08-451TC-08FJX-08FJX90-127	H/A	28	1	617136	10-451TC-10FJX-12FJX-53	H/A
5	1	616599	06-451TC-06FJX-08FJX90-62	H/A	29	1	617137	10-451TC-10FJX-10FJX-79	H/A
6	1	617480	08-451TC-08FJX-08FJX90-127	H/A	30	1	617139	16-811-16FJX-16FJX-12	H/A
7	1	617479	08-451TC-08FJX-08FJX-119	H/A	31	1	617107	10-451TC-10FJX-10FJX-132	H/A
8	1	617097	10-451TC-10FJX-10FJX-47	H/A	32	1	617109	06-451TC-06FJX-06FJX90-133	H/A
9	1	617098	06-451TC-06FJX-08FJX90-13	H/A	33	1	617087	24-811-24FJX-24FJX90-177	H/A
10	1	617099	06-451TC-06FJX-08FJX-18	H/A	34	1	617133	12-451TC-12FJX-16FJX90-187	H/A
11	8	617100	04-451TC-04FJX-04FJX-24	H/A	35	1	617112	04-451TC-04FJX-04FJX45-239	H/A
12	1	617101	12-451TC-16FJX-12FJX90-23	H/A	36	1	617113	16-451TC-16FJX-20FJX90-215	H/A
13	1	617102	04-451TC-06FJX-04FJX90-29	H/A	37	1	617114	20-811-20FJX-20FJX-229	H/A
14	1	617103	12-451TC-12FJX-12FJX90-22	H/A	38	1	617173	20-811-20FJX-20FJX-39	H/A
15	1	617104	16-811-16FJX-16FJX90-26	H/A	39	1	617210	04-451TC-04FJX-08FJX-78	H/A
16	1	617105	12-451TC-12FJX-12FJX-115	H/A	40	1	617389	04-451TC-04FJX-04FJX-111	H/A
17	1	617111	12-451TC-12FJX-12FJX-93	H/A	41	1	617390	04-451TC-06FJX-06FJX90-100	H/A
18	1	617115	06-451TC-06FJX-06FJX45-101	H/A	42	1	617446	06-451TC-06FJX-06FJX-84	H/A
19	1	617116	06-451TC-06FJX-06FJX-99	H/A	43	1	617447	08-451TC-08FJX-08FJX-95	H/A
20	1	617117	06-451TC-06FJX-06FJX-137	H/A	44	1	617448	10-451TC-10FJX-10FJX-89	H/A
21	1	617118	06-451TC-06FJX-06FJX90-137	H/A	45	1	617450	06-451TC-06FJX-06FJX-9	H/A
22	1	617119	10-451TC-10FJX-10FJX-18	H/A	46	4	617494	04-451TC-04MJBH-06FJX-14	H/A
23	1	617128	08-451TC-08FJX-10FJX90-113	H/A	47	1	615917	TUBE ASSY, 1/2" OD 8-FJIC	
24	1	617129	10-451TC-10FJX-12FJX90-55	H/A	48	1	617476	12-387TC-10FJX90-16FJX-30	H/A

ABBREVIATIONS

A/C - AIR CONDITIONER	MT - MOUNT
ADPTR - ADAPTER	MTR - MOTOR
AGI - AGITATOR	P/N - PART NUMBER
ALT - ALTERNATOR	PLT - PLATE
ASSY - ASSEMBLY	QTY - QUANTITY
BRKT - BRACKET	RED - REDUCER
DET - DETAIL	REF - REFERENCE
DISPL - DISPLACEMENT	REST - RESTRICTOR
EL - ELBOW	REQ - REQUIRED
EXT - EXTENSION	SHFT - SHAFT
FLO - FLOW	SOL - SOLUTION
FNPT - FEMALE NATIONAL PIPE THREAD	STRG - STEERING
FOR - FEMALE O-RING	ST - STREET
FRT - FRONT	SV - STANDARD VOLUME
HV - HI-VOLUME	SWIV - SWIVEL
HYD - HYDRAULIC	UNC - UNIFIED NATIONAL COURSE
HYDRO - HYDROSTATIC	UNF - UNIFIED NATIONAL FINE
LG - LONG	V - VOLT
LWR - LOWER	W/ - WITH
MJIC - MALE J.I.C.	WHL - WHEEL
MOR - MALE O-RING	WLD - WELDMENT

-A-

ABBREVIATIONS.....	164
AIR BAG.....	80
AIR CLEANER.....	6
AIR CONDITIONER	
BLOWER.....	97,98
COMPRESSOR.....	15
DRIER.....	14
HOSE.....	14
TUBES.....	14
AIR COOLER, CHARGE.....	7
AIR DRIER.....	83
AIR FILTER, CAB.....	97,98
AIR GOVERNOR.....	83
AIR LINES.....	82,83,84
AIR TANK.....	82
AIR VALVE.....	82,83
AGITATION.....	113
ALTERNATOR.....	4,11
ANTENNA.....	93
ARMREST.....	99,100
AUTO-PHASING HYD VALVE.....	55
AUX OIL COOLER.....	39

-B-

BACKUP ALARM.....	108
BATTERY.....	11
CABLE.....	11
STAND.....	10
SWITCH.....	11
BEACON.....	86
BELLY SHIELD.....	107
BELT, DRIVE.....	4
BLOWER, A/C.....	97,98
BOOM CRADLE.....	135
BRAKE VALVE.....	48
BREATHER.....	40
BULKHEAD.....	46,106
BUSBAR.....	11

-C-

CAB.....	86
ELECTRICAL.....	91
MOUNTS.....	86
CIRCUIT BREAKER.....	11
CLAMP, TUBE.....	14
COMPRESSOR, A/C.....	15
CONDENSOR, A/C.....	15
CONSOLE.....	95
REAR.....	94
CONTROL VALVE, SOLUTION.....	42
COOLANT SENSOR.....	7

COOLER.....	94
CHARGE AIR.....	7
OIL.....	7
CRADLE,	
BOOM.....	135,136,137,138
FUEL TANK.....	66
CYLINDER,	
LADDER.....	50
SIDEFILL.....	122
STEERING.....	73,74,75,76
TREAD ADJUST.....	61,62

-D-

DIAGRAM,	
ELECTRICAL.....	154
HYDRAULIC.....	156
DOOR.....	88
DRIVE BELT.....	4

-E-

ELECTRICAL VALVE.....	118,119
ELECTRICAL, CAB.....	94
ELECTRICAL, CHASSIS.....	12
ENGINE.....	4
HOOD.....	108
SKID.....	10
EXHAUST	
PIPE.....	5
SUPPORT.....	5

-F-

FAN	
SHROUD.....	7
FENDERS.....	133
FILTERS,	
AIR DRIER.....	83
FUEL.....	66
MINDER.....	6
OIL.....	4,40,44
FIRE EXTINGUISHER.....	136,138
FLASHER.....	135,136
FLOORMAT.....	94
FLOWMETER.....	117,130
FOAMER.....	132
FRONT FILL.....	120
FUEL SENSOR.....	66
FUEL TANK.....	66
FUSE.....	11

-G-	
GAUGE.....	94
SIGHT.....	114
GLASS.....	86,88

-H-	
HANDRAIL.....	111
HANDWASH.....	131
HEAD LINER.....	93
HEAT SHIELD, BATTERY.....	10
HOOD, ENGINE.....	108
HOSE GUARD.....	20
HOSE SLEEVE.....	19
HOSING, HYDRAULIC.....	16,17,18,19
HUB, WHEEL.....	33,34
HYDRAULIC	
DIAGRAM.....	156
QUICK CONNECT.....	53,54
OIL COOLER.....	7
TANK.....	40
HYDROSTATIC PUMP.....	28

-I-	
INJECTION SYSTEM.....	149,150,151,152
INSTRUCTINAL SEAT.....	101,102
INTAKE SCREEN.....	7

-J-	
JOYSTICK.....	99,100

-L-	
LADDER.....	112
CYLINDER.....	50
LATCH.....	86,87
LEG.....	67,68
LEVEL SENSOR.....	40
LIGHTS.....	86,105,135,136
LINE STRAINER.....	113,117
LS DISPLAY.....	103

-M-	
MANIFOLD, RETURN.....	46,47
MIRROR.....	86
MOTOR,	
STEERING.....	43
WHEEL.....	33,34
MOUNT,	
CAB.....	86

RUBBER.....	10
MUFFLER.....	5

-O-	
OIL COOLER.....	7
OIL FILTER.....	4

-P-	
PLATFORM, SERVICE.....	111
PUMP, HYROSTATIC.....	28

-Q-	
QUICK ATTACH,	
LIFTARM.....	105
SOLUTION.....	116
QUICK CONNECT, HYDRAULIC.....	53,54

-R-	
RADIATOR.....	7
RADIO.....	93
REMOTE FILL.....	114
REMOTE GREASE BANK.....	153
RETURN MANIFOLD.....	46,47
RINSE TANK.....	115
ROOF.....	86
RUBBER MOUNT.....	9

-S-	
SCREEN, INTAKE.....	7
SEAT.....	99,100,101,102
SENSOR	
COOLANT.....	9
FUEL.....	66
LEVEL.....	40
SHIELD	
BELLY.....	107
TALL CORN.....	139,140,141
WHEEL MOTOR.....	142
SHROUD, FAN.....	7
SIDE FILL.....	122
CYLINDER.....	122
VALVE.....	52
SIGHT GUAGE.....	114
SKID, ENGINE.....	10
SMV SIGN.....	108
SOLUTION	
PUMP.....	118
TANK.....	113
SPEAKER, RADIO.....	93
STARTER.....	4,10

STEERING	
COLUMN.....	94
CYLINDER.....	73,74,75,76
MOTOR.....	43
WHEEL.....	94
STRAINER, LINE.....	113,117
SURGE TANK.....	9
SWITCH,	
BATTERY.....	10
BOX.....	123

-T-

TANK	
AIR.....	82
FUEL.....	66
HYDRAULIC.....	40
RINSE.....	115
SOLUTION.....	113
SURGE.....	9
TIRE.....	78
TOOLBOX.....	104
TREAD ADJUST.....	55,56
CYLINDER.....	59,60
TREAD VALVE.....	55,56
TUBE CLAMP.....	14

-V-

VALVE,	
ALL WHEEL STEER.....	51
AUTO-PHASING HYDRAULIC.....	55
BRAKE.....	48
ELECTRIC.....	115,118,119
REAR NOZZLE.....	128
SIDE FILL.....	52
TREAD.....	55,56

-W-

WHEEL HUB.....	33,34
WHEEL MOTOR.....	33,34
WIPER.....	87
WIRING DIAGRAM.....	154

Notes: