

STS 14



PARTS MANUAL FOR HAGIE STS 14

HAGIE MANUFACTURING COMPANY

721 CENTRAL AVENUE WEST
BOX 273
CLARION, IOWA 50525-0273

COVERS MACHINE SERIAL NUMBERS:

U16121616001-200

08-15 493635
02-16, 03-17,
01-18, 06-18

To obtain the most current parts manual for your machine,
please visit www.hagie.com.

© 2015-18 Hagie Manufacturing Company. Clarion, Iowa USA



SPRAYER IDENTIFICATION

Each Hagie sprayer is identified by means of a frame serial number. This serial number denotes the model, the year in which it was built, and the number of the sprayer. As for further identification, the engine has a serial number and the planetary hubs have an identification plate that describe the type of mount and gear ratio. To ensure prompt, efficient service when ordering parts or requesting service repairs from your local John Deere dealer, record the serial and identification numbers in the spaces provided below.

NOTE: Reference to left hand and right hand used throughout this manual refers to the position when seated in the operator's seat facing forward.

This manual is not intended to be a complete guide for machine maintenance and repairs. If you are not properly trained to perform service on this machine, contact your local John Deere dealer for assistance. Improper maintenance or repair may result in property damage, personal injury, or death.

SPRAYER SERIAL NUMBER

ENGINE SERIAL NUMBER

FILTER QUICK REFERENCE

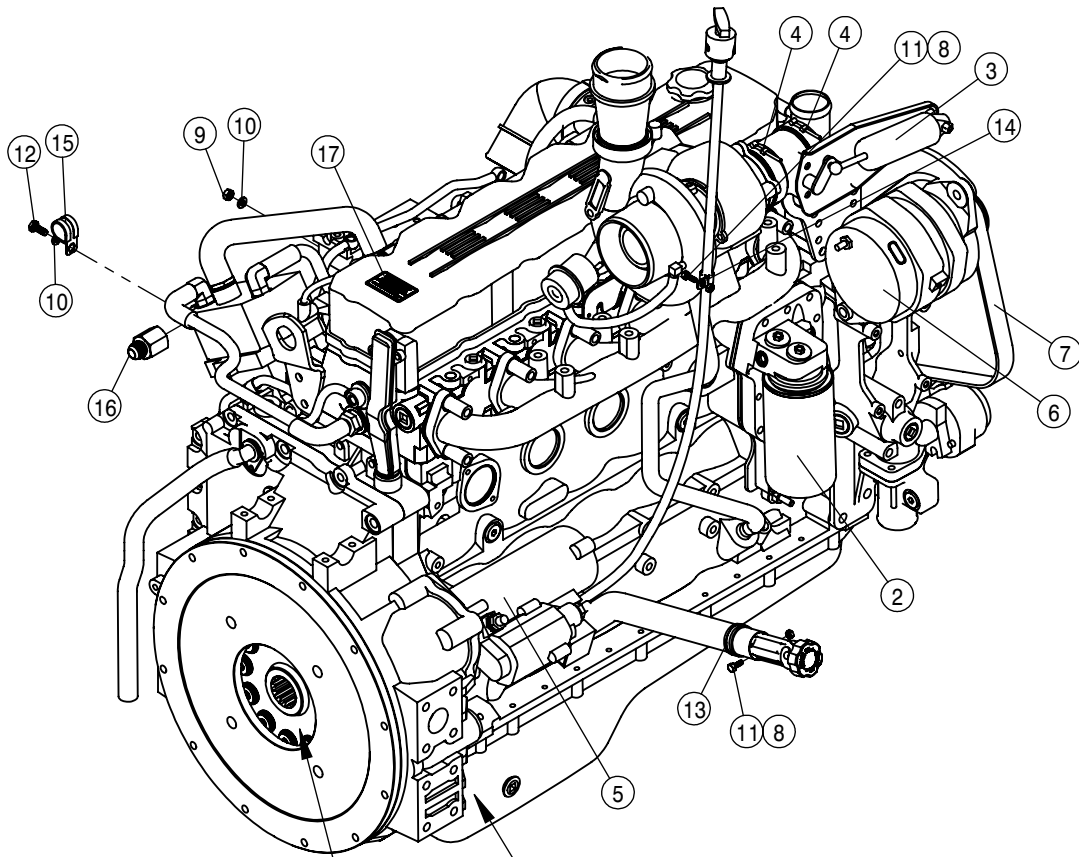
| <u>QTY</u> | <u>P/N</u> | <u>DESCRIPTION</u> |
|------------------|------------|------------------------------|
| 1 | 605657 | HYD OIL FILTER, CHARGE PUMP |
| 1 | 605659 | HYD TANK OIL FILTER |
| 1 | 605663 | CASE DRAIN OIL FILTER |
| 1 | 605661 | STEERING MOTOR OIL FILTER |
| 1 | 605666 | FAN MOTOR OIL FILTER |
| 1 | 657557 | CAB PRECLEANER AIR FILTER |
| 1 | 657559 | CAB PAPER FILTER |
| 1 | 657558 | CAB CHARCOAL FILTER |
| <u>T3 ENGINE</u> | | |
| 1 | 317491 | ENGINE AIR FILTER, PRIMARY |
| 1 | 317492 | ENGINE AIR FILTER, SECONDARY |
| 1 | 316372 | ENGINE OIL FILTER T3,T4I,T4F |
| 1 | 316684 | FUEL/WATER SEPERATOR T3 |
| 1 | 316683 | FUEL FILTER, PRIMARY ENG T3 |

TRANSLATED DECAL KITS

| <u>QTY</u> | <u>P/N</u> | <u>DESCRIPTION</u> |
|-------------------|------------|------------------------------|
| 1 | KDC500HUN | DECAL KIT, STS HUNGARY |
| 1 | KDC501MEX | DECAL KIT, STS MEXICO |
| 1 | KDC502UKR | DECAL KIT, STS UKRAINE |
| 1 | KDC511CHN | DECAL KIT, STS CHINESE |
| 1 | KDC512RMA | DECAL KIT, STS ROMANIAN |
| <hr/> | | |
| <u>T4F ENGINE</u> | | |
| 1 | 317491 | ENGINE AIR FILTER, PRIMARY |
| 1 | 317492 | ENGINE AIR FILTER, SECONDARY |
| 1 | 316372 | ENGINE OIL FILTER T3,T4I,T4F |
| 1 | 317400 | FUEL/WATER SEPERATOR T4F |
| 1 | 317399 | PRIMARY FUEL FILTER T4I,T4F |

TABLE OF CONTENTS

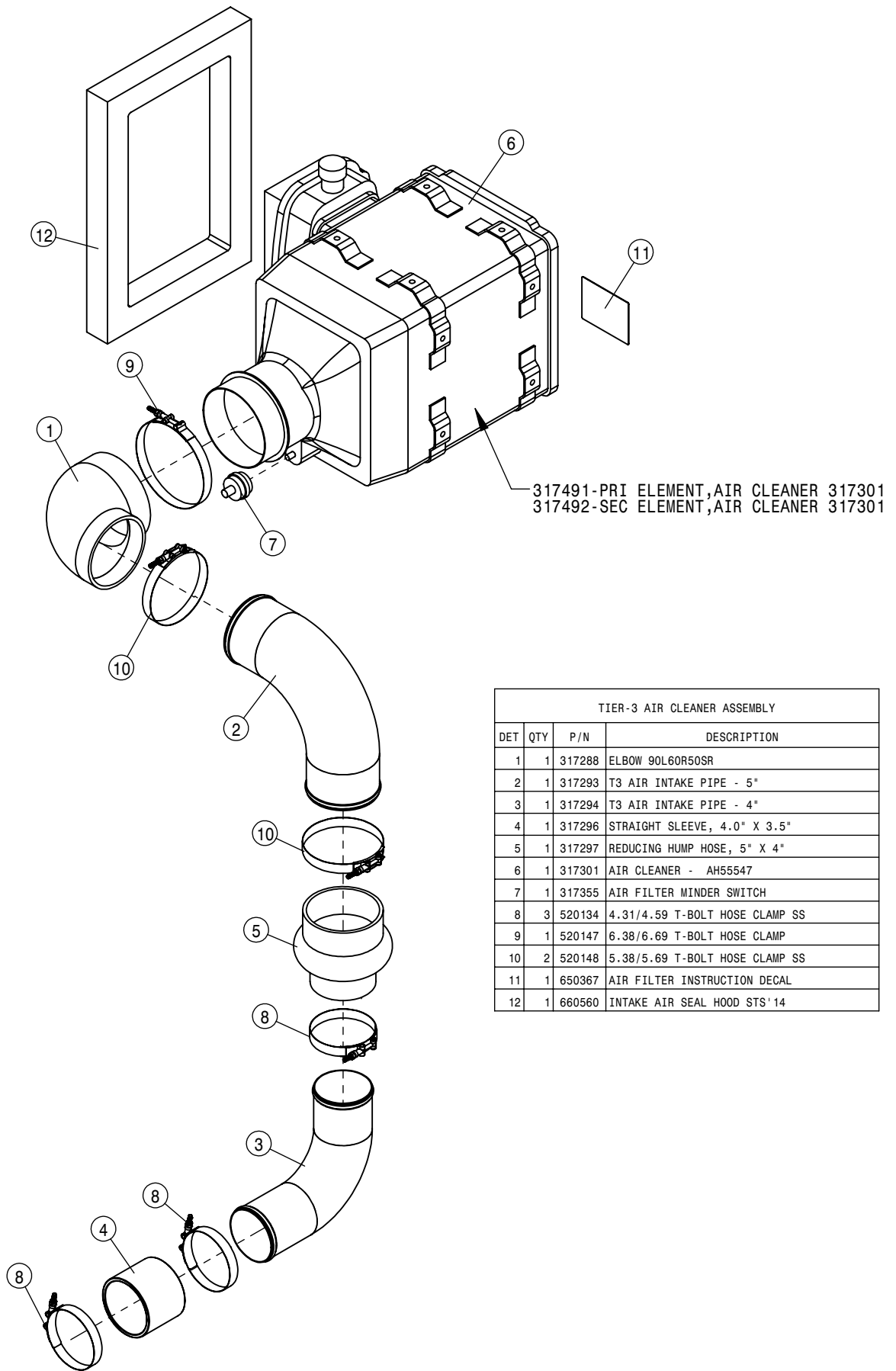
| | |
|----------------------------------------------|---------|
| ENGINE ASSEMBLY T3 | 4-9 |
| ENGINE ASSEMBLY T4F | 10-16 |
| CHASSIS ELECTRICAL | 17 |
| A/C AND HEATER LINES | 18-19 |
| HYDRAULIC HOISING | 20-25 |
| HYDRAULIC PUMP ASSEMBLY | 26-27 |
| WHEEL MOTOR ASSEMBLY | 28-29 |
| COMBO AUX OIL COOLER ASSEMBLY | 30 |
| HYDRAULIC TANK ASSEMBLY | 31 |
| HYDRAULIC COMPONETS | 32-46 |
| FUEL SYSTEM | 47 |
| LEG ASSEMBLIES | 48-49 |
| STEERING CYLINDER AND TIE ROD ASSEMBLY | 50-54 |
| TIRE ASSEMBLY | 55 |
| AIR BAG AND AIR SYSTEM | 56-60 |
| TREAD ADJUST ASSEMBLY | 61-66 |
| CAB ASSEMBLY | 67-81 |
| COMBO OPTION CONTROL BOX | 82 |
| TOOLBOX OPTION | 83 |
| QUICK ATTACH | 84 |
| BULKHEAD AND BELLY PAN | 85-86 |
| ENGINE HOOD | 87 |
| BACK-UP CAMERA | 88-89 |
| SERVICE PLATFORM AND LADDER | 90-91 |
| SOLUTION SYSTEM | 92-98 |
| FRONT FILL AND SIDE FILL OPTION | 99-105 |
| REAR FILL OPTION | 106 |
| REAR WHEEL NOZZLE OPTION | 107-108 |
| FILL FLOW METER | 109 |
| HAND WASH OPTION | 110 |
| FOAMER OPTION | 111 |
| FENDER OPTION | 112 |
| BOOM CRADLE OPTION | 113-116 |
| TALL CROP OPTION | 117-122 |
| PRESSURE WASHER OPTION | 123-126 |
| MODULAR INJECTION OPTION | 127-130 |
| REMOTE GREASE BANK | 131 |
| WIRING DIAGRAM | 132-133 |
| HYDRAULIC DIAGRAM | 134-137 |
| ABBREVIATIONS | 138 |
| INDEX | 139 |



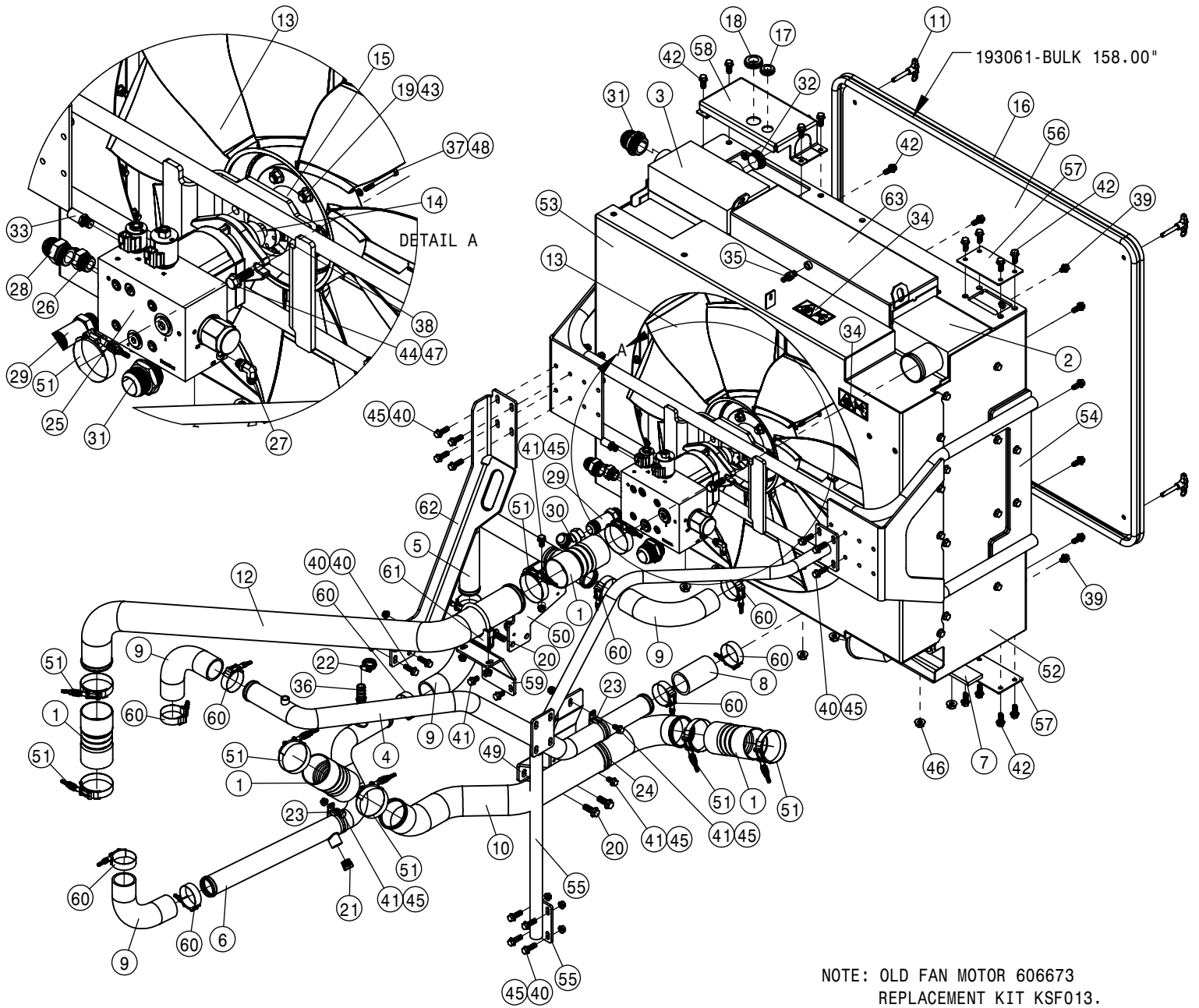
317285 - T3 275HP ENG-REPAIR CONFIG STS' 14

800513-PUMP DRIVE ASSY, STS' 14
800514-DRIVE PLATE, STS' 14

| TIER-3 275 HP ENGINE ASSEMBLY | | | |
|-------------------------------|-----|--------|------------------------------------|
| DET | QTY | P/N | DESCRIPTION |
| NS | 1 | 294224 | ENGINE HARNESS T3, 14 |
| | 1 | 316372 | ENGINE OIL FILTER |
| | 1 | 316644 | EXHAUST BRAKE |
| | 2 | 316646 | V-CLAMP, EXHAUST BRAKE,CUMMINS |
| | 1 | 317299 | STARTER - DENSO PA90L |
| | 1 | 317300 | ALTERNATOR - DELCO 200 AMP |
| | 1 | 317304 | DRIVE BELT - 3289716 |
| | 2 | 473767 | 6MM-1.00 HEX NUT |
| | 1 | 473778 | 8MM-1.25 HEX NUT |
| | 2 | 473804 | 8MM LOCK WASHER |
| | 2 | 473826 | 6MM-1.00 X 16MM HEX BOLT GR8 |
| | 1 | 473827 | 8MM-1.25 X 20MM HEX BOLT GR8 |
| | 1 | 520100 | CUSH HOSE CLAMP,#24, 1 1/2D X 1/2W |
| | 1 | 520118 | CUSH CLAMP,#8 1/2D X 1/2W |
| | 1 | 520121 | CUSH CLAMP,#16 1IN X 3/4W |
| | 1 | 618518 | 1 1/16FJIC-7/8MJIC ADPTR |
| | 1 | 650461 | DECAL,MCO REQUIREMENTS,275 HP |



| TIER-3 AIR CLEANER ASSEMBLY | | | |
|-----------------------------|-----|--------|--------------------------------|
| DET | QTY | P/N | DESCRIPTION |
| 1 | 1 | 317288 | ELBOW 90L60R50SR |
| 2 | 1 | 317293 | T3 AIR INTAKE PIPE - 5" |
| 3 | 1 | 317294 | T3 AIR INTAKE PIPE - 4" |
| 4 | 1 | 317296 | STRAIGHT SLEEVE, 4.0" X 3.5" |
| 5 | 1 | 317297 | REDUCING HUMP HOSE, 5" X 4" |
| 6 | 1 | 317301 | AIR CLEANER - AH55547 |
| 7 | 1 | 317355 | AIR FILTER MINDER SWITCH |
| 8 | 3 | 520134 | 4.31/4.59 T-BOLT HOSE CLAMP SS |
| 9 | 1 | 520147 | 6.38/6.69 T-BOLT HOSE CLAMP |
| 10 | 2 | 520148 | 5.38/5.69 T-BOLT HOSE CLAMP SS |
| 11 | 1 | 650367 | AIR FILTER INSTRUCTION DECAL |
| 12 | 1 | 660560 | INTAKE AIR SEAL HOOD STS' 14 |

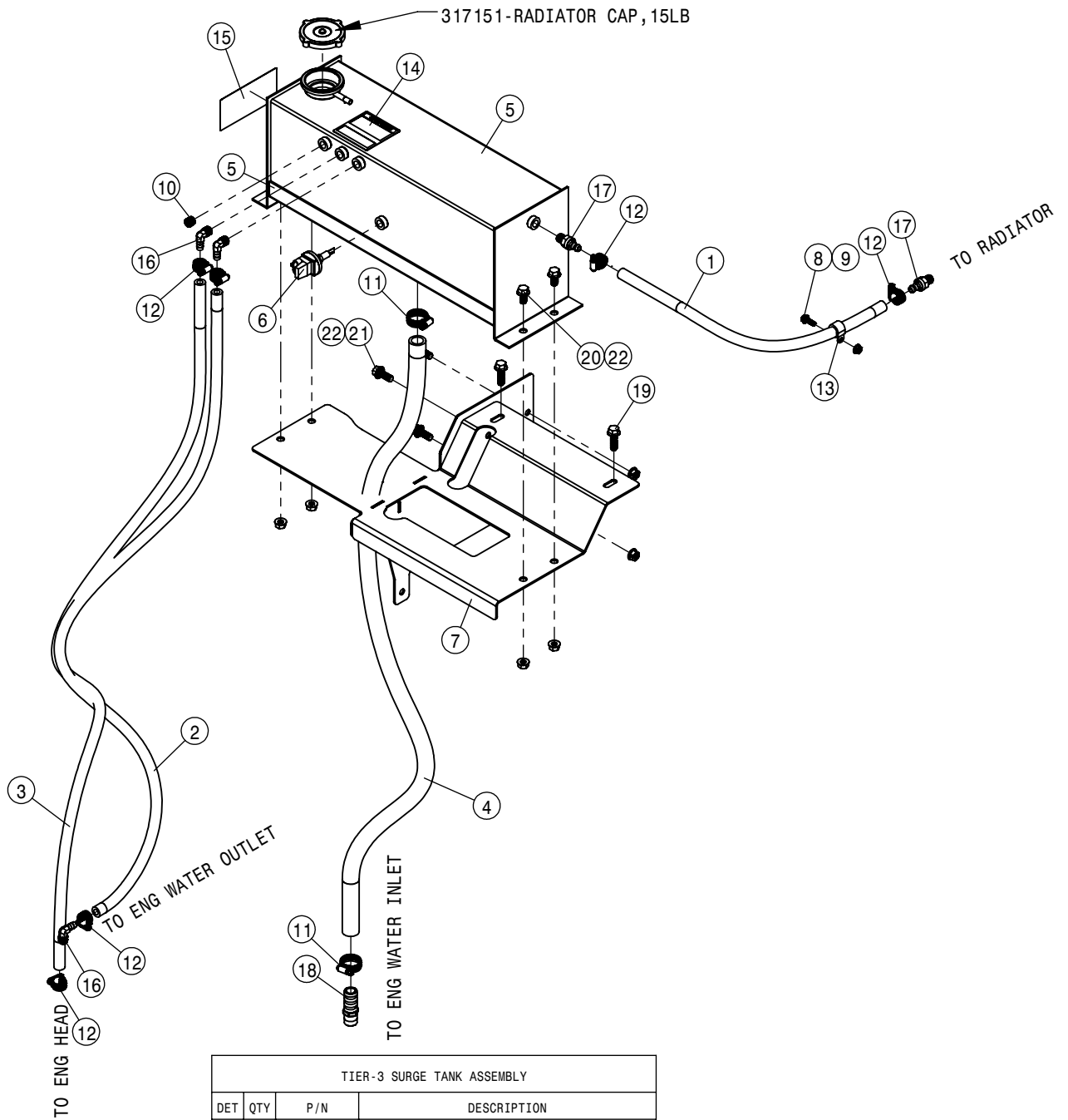


NOTE: OLD FAN MOTOR 606673
REPLACEMENT KIT KSF013.

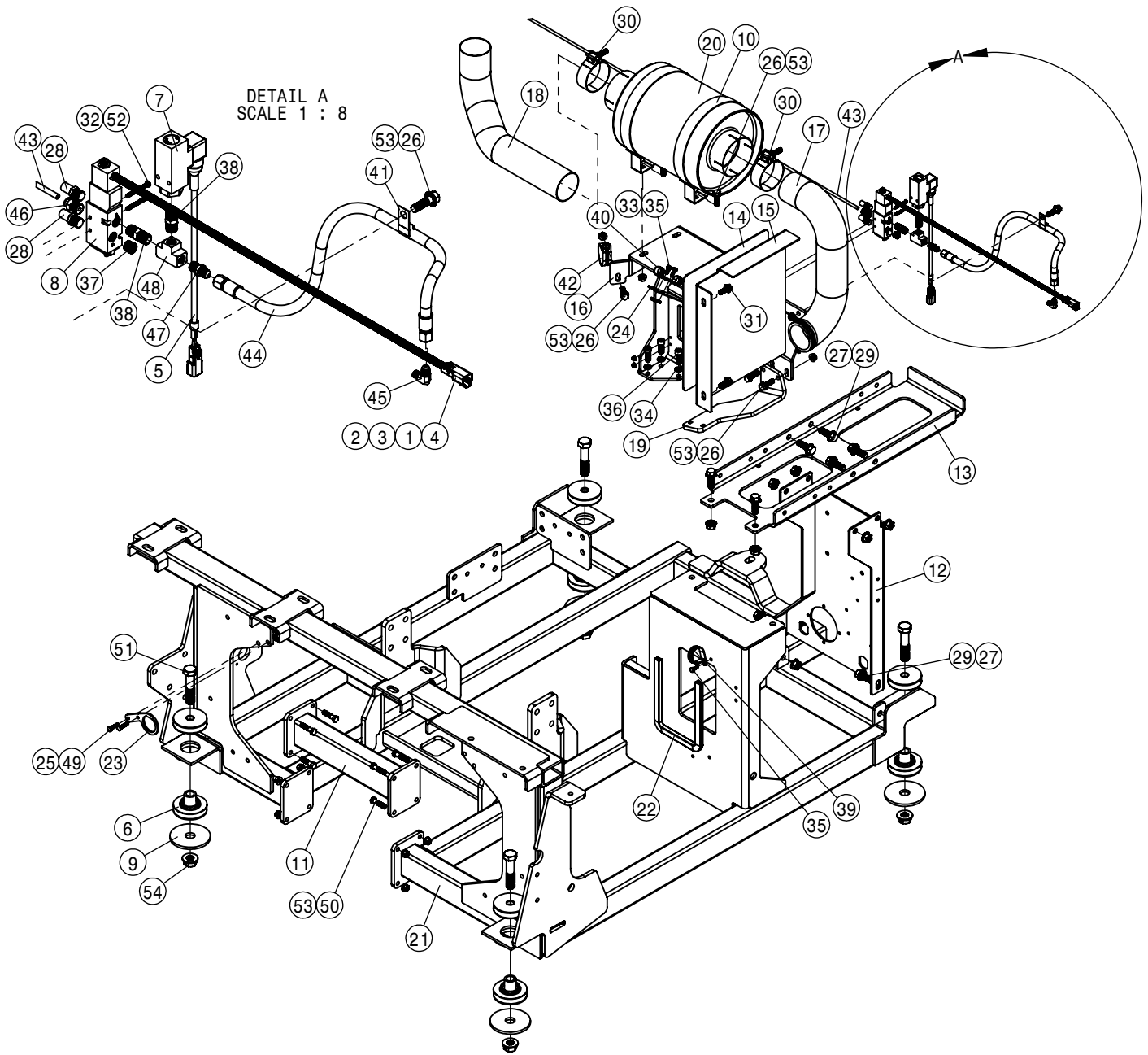
| TIER-3 RADIATOR ASSEMBLY | | | |
|--------------------------|-----|---------|------------------------------------|
| DET | QTY | P/N | DESCRIPTION |
| 1 | 4 | 311592 | 3.00 X 6.00 CAC HOSE |
| 2 | 1 | 317170 | CHARGE AIR COOLER STS'14 |
| 3 | 1 | 317171 | HYD OIL COOLER STS'14 |
| 4 | 1 | 317199 | PIPE - WATER OUTLET TO RAD |
| 5 | 1 | 317200 | PIPE - RAD TO WATER INLET 1 |
| 6 | 1 | 317201 | PIPE - RAD TO WATER INLET 2 |
| 7 | 1 | 317202 | COOLING PACKAGE ISOLATOR |
| 8 | 1 | 317203 | COOLANT HOSE |
| 9 | 4 | 317204 | COOLANT ELBOW |
| 10 | 1 | 317292 | PIPE - CAC TO INTAKE |
| 11 | 4 | 317364 | T-HANDLE QUICK PIN - 1.75" X 3/8 D |
| 12 | 1 | 317389 | PIPE - T3 CAC HOT SIDE |
| 13 | 1 | 317535 | 32" ENGINE FAN |
| 14 | 2 | 317536 | SPLIT BUSHING ADAPTOR |
| 15 | 1 | 317537 | FAN HUB |
| 16 | 1 | 344553 | INTAKE SCREEN SEAL |
| 17 | 1 | 470203 | GROMMET, .750ID .125GW 1.062GD |
| 18 | 1 | 470204 | GROMMET, 1.000ID .125GW 1.375GD |
| 19 | 6 | 470360N | 1/2UNC SERR FLG HEX NUT YZ |
| 20 | 4 | 473855 | 12MM-1.75 X 35MM SM FLG BOLT |
| 21 | 1 | 505231 | PIPE PLUG .50NPT HEX HD BRS |

| TIER-3 RADIATOR ASSEMBLY | | | |
|--------------------------|-----|---------|--------------------------------|
| DET | QTY | P/N | DESCRIPTION |
| 22 | 1 | 520055 | HOSE CLAMP NO 12 STAINLESS |
| 23 | 3 | 520161 | CUSH CLAMP,#32 2"D-3/4W LOOP |
| 24 | 1 | 520166 | CUSH CLAMP, 3"D-3/4W LOOP |
| 25 | 1 | 606544 | 35CC FAN MOTOR ASSY |
| 26 | 1 | 611127 | 1 1/16MJIC-1 1/16MOR ADPTR |
| 27 | 1 | 618119 | 9/16MJIC-90-9/16MOR LBO |
| 28 | 1 | 618186 | 1 5/16MJIC-1 5/16MOR ADPTR |
| 29 | 1 | 618610 | 1 5/16MJIC-1 5/16MOR LG ADPTR |
| 30 | 1 | 618630 | 1 5/16MJ-45-1 5/16FJ SWIV LBO |
| 31 | 2 | 618682 | 1 7/8MOR-1 7/8MJIC ADPTR |
| 32 | 1 | 618759 | 1 5/8MOR PLUG, HEX SOCKET |
| 33 | 1 | 619023 | 9/16 MOR DIAGNOSTIC FITTING |
| 34 | 2 | 650434 | DECAL, FAN BLADE WARNING |
| 35 | 1 | 712100 | 1/4NPT X 3/8 HOSE FTG,PUSHLOCK |
| 36 | 1 | 712440 | 1/2 NPT X 3/4 HOSE BARB |
| 37 | 6 | 900009 | 1/4UNC X 2 3/4 HEX BOLT |
| 38 | 3 | 900023 | 1/4UNC X 2 1/4 HEX BOLT |
| 39 | 2 | 900126 | 3/8UNC X 1/2 SERR FLG BOLT YZ |
| 40 | 20 | 900127N | 3/8UNC X 1 1/4 SER FLANGE BOLT |
| 41 | 6 | 900128N | 3/8UNC X 3/4 SER FLANGE BOLT |
| 42 | 51 | 900129N | 3/8UNC X 1" SERR FLANGE BOLT |

| TIER-3 RADIATOR ASSEMBLY | | | |
|--------------------------|-----|---------|---------------------------------|
| DET | QTY | P/N | DESCRIPTION |
| 43 | 6 | 900264N | 1/2UNC X 1 1/4 SER FLANGE BOLT |
| 44 | 2 | 900265N | 1/2UNC X 1 1/2 SERR FLANGE BOLT |
| 45 | 45 | 910004N | 3/8UNC FLANGE CNTR LOCK NUT |
| 46 | 6 | 914008N | 1/2UNC SMTH FLG CTR LCK NUT YZ |
| 47 | 2 | 914015 | 1/2UNC HEX CENTER-LOCK NUT |
| 48 | 6 | 920500 | 1/4 LOCK WASHER |
| 49 | 1 | 317198 | CAC / RAD PIPE SUPP |
| 50 | 1 | 317331 | HOSE PLATE |
| 51 | 8 | 520146 | 3.06/3.38 T-BOLT HOSE CLAMP SS |
| 52 | 1 | 317162 | COOLING PKG FRAME WLD |
| 53 | 1 | 317173 | FAN SHROUD WLD |
| 54 | 1 | 317181 | FAN FRAME WLD |
| 55 | 1 | 317194 | RH COOLING PKG SUPP WLD |
| 56 | 1 | 317337 | INTAKE SCREEN WLD |
| 57 | 2 | 317341 | COOLING PKG FRAME COVER |
| 58 | 1 | 317342 | CONDENSOR ACCESS COVER |
| 59 | 1 | 317206 | CAC PIPE SUPP |
| 60 | 10 | 520140 | 2.18/2.50 T-BOLT HOSE CLAMP SS |
| 61 | 1 | 470160 | MUFFLER CLAMP 3.00 IN |
| 62 | 1 | 317390 | SUPPORT BRACE COOLING PACK |
| 63 | 1 | 317169 | RADIATOR STS'14 |



| TIER-3 SURGE TANK ASSEMBLY | | | |
|----------------------------|-----|------------|----------------------------------|
| DET | QTY | P/N | DESCRIPTION |
| 1 | 1 | 195917-021 | HOSE 3/8 HEATER 1-FBR |
| 2 | 1 | 195917-050 | HOSE 3/8 HEATER 1-FBR |
| 3 | 1 | 195917-052 | HOSE 3/8 HEATER 1-FBR |
| 4 | 1 | 195924-048 | HOSE 3/4 HEATER 1-FBR BR 20R3 |
| 5 | 1 | 317172 | SURGE TANK |
| 6 | 1 | 317157 | SENSOR, LOW COOLANT T4I STS |
| 7 | 1 | 317756 | SURGE TANK SUPPORT WLD |
| 8 | 1 | 470118 | 1/4 UNC X 3/4 SER FLG BOLT |
| 9 | 1 | 470121 | 1/4 UNC SERR FLG LOCK NUT |
| 10 | 1 | 501103 | PIPE PLUG .25NPT SKT HD |
| 11 | 2 | 520055 | HOSE CLAMP NO 12 STAINLESS |
| 12 | 6 | 520069 | HOSE CLAMP NO 6 STAINLESS |
| 13 | 1 | 520117 | CUSH HOSE CLAMP,#10, 5/8D X 1/2W |
| 14 | 1 | 650174 | DECAL,CAUTION RADIATOR,STS 07 |
| 15 | 1 | 650462 | DECAL,COOLING SYSTEM PROCEDURE |
| 16 | 3 | 711104 | 1/4MNPT-90-3/8 HOSE BARB, BRS |
| 17 | 2 | 712100 | 1/4NPT X 3/8 HOSE FTG,PUSHLOCK |
| 18 | 1 | 712440 | 1/2 NPT X 3/4 HOSE BARB |
| 19 | 2 | 900127N | 3/8UNC X 1 1/4 SER FLANGE BOLT |
| 20 | 4 | 900128N | 3/8UNC X 3/4 SER FLANGE BOLT |
| 21 | 4 | 900129N | 3/8UNC X 1" SERR FLANGE BOLT |
| 22 | 6 | 910004N | 3/8UNC FLANGE CNTR LOCK NUT |

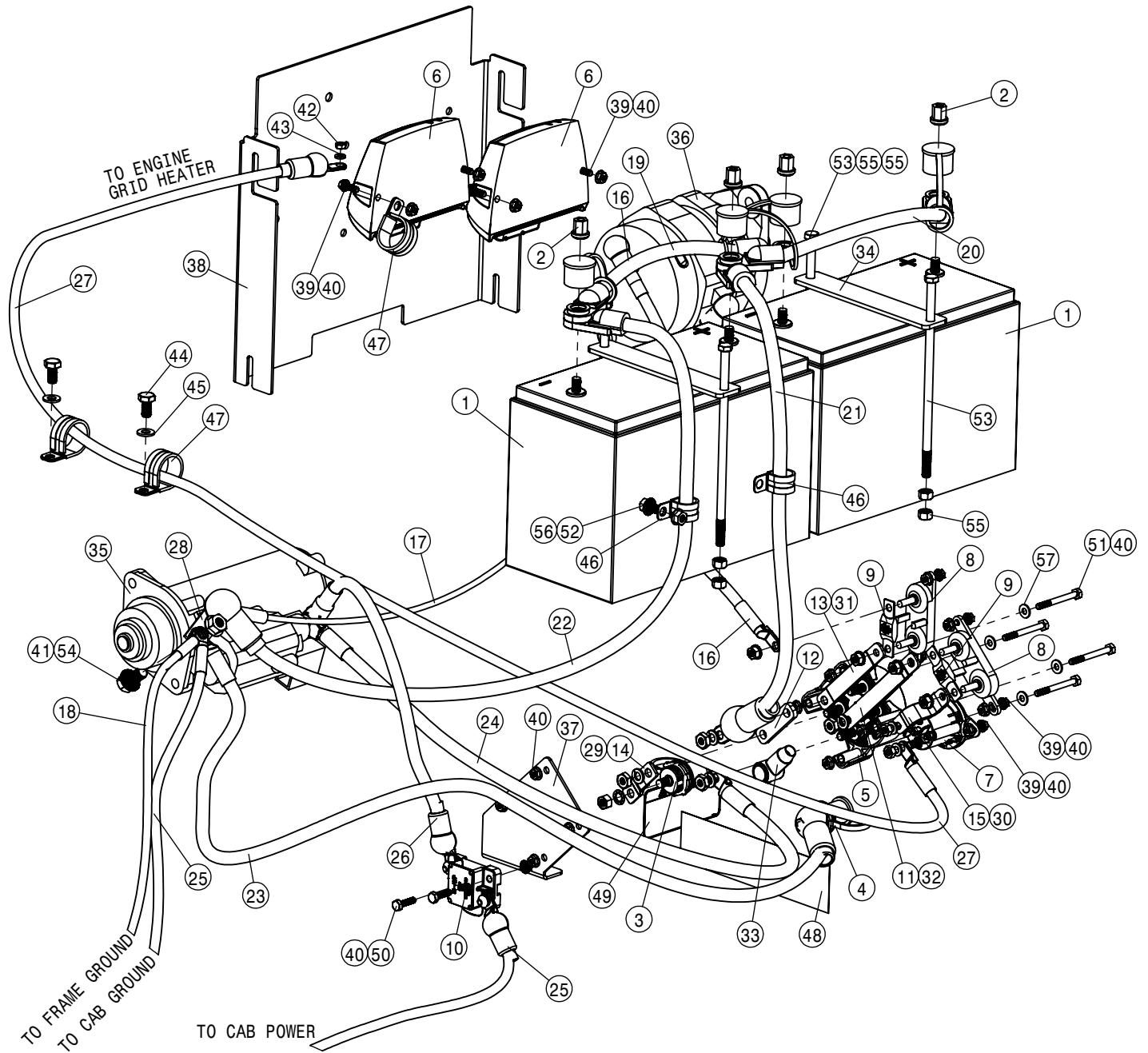


DETAIL A
SCALE 1 : 8

| TIER-3 ENGINE SKID AND EXHAUST ASSEMBLY | | | |
|-----------------------------------------|-----|--------|---------------------------------|
| DET | QTY | P/N | DESCRIPTION |
| 1 | 2 | 192507 | .25 ID WIRE FLEX GUARD |
| 2 | 1 | 292100 | DEUTSCH DT WEDGE LOCK, W2P |
| 3 | 2 | 292109 | DEUTSCH,S&F PIN,SZ16,16-14GA |
| 4 | 1 | 292332 | DEUTSCH RECEPTACLE, DT04-2PE004 |
| 5 | 1 | 293568 | PRESS SWITCH HARNESS,STS16 05 |
| 6 | 4 | 311057 | RUBBER MT SET,SSB33-1000-4 |
| 7 | 1 | 311083 | PRESSURE SWITCH,80PSI,12VDC |
| 8 | 1 | 311087 | AIR VALVE,1/4FNPT,12VDC |
| 9 | 4 | 311091 | SNUBBING WASHER FOR 311090 |
| 10 | 2 | 317106 | MUFFLER MNTG CLAMP |
| 11 | 1 | 317248 | FRAME SPACER WLD |
| 12 | 1 | 317249 | BATTERY STAND |
| 13 | 1 | 317253 | BATT MOUNT |
| 14 | 1 | 317256 | REFLECTIVE HEAT SHIELD |
| 15 | 1 | 317254 | BATTERY HEAT SHIELD |
| 16 | 1 | 317281 | T3 EXHAUST SUPPORT |
| 17 | 1 | 317289 | T3 TURBO EXHAUST PIPE |
| 18 | 1 | 317290 | T3 EXHAUST PIPE |

| TIER-3 ENGINE SKID AND EXHAUST ASSEMBLY | | | |
|-----------------------------------------|-----|--------|----------------------------------|
| DET | QTY | P/N | DESCRIPTION |
| 19 | 1 | 317295 | T3 EXHAUST MOUNT PLATE |
| 20 | 1 | 317307 | RESONATOR, EXHAUST |
| 21 | 1 | 317310 | ENGINE SKID FRAME |
| 22 | 1 | 317352 | QUICKEDGE TRIM, C/L 19.5" |
| 23 | 1 | 317368 | WIRE HARNESS BLKHD |
| 24 | 1 | 317379 | T3 VENT HOSE BRACKET |
| 25 | 2 | 470121 | 1/4 UNC SERR FLG LOCK NUT |
| 26 | 8 | 470329 | 3/8UNC X 1 1/4 SERR FLG HEX BOLT |
| 27 | 8 | 470360 | 1/2UNC SERR FLG HEX NUT |
| 28 | 2 | 470402 | 1/4MNPT MUFFLER |
| 29 | 8 | 470431 | 1/2UNC X 1 1/2 SERR FLG BOLT |
| 30 | 2 | 470458 | MUFFLER CLAMP, 3.00 ACCUSEAL |
| 31 | 2 | 470460 | 3/8 X 1" SERR FLG BOLT |
| 32 | 2 | 470463 | 8-32 SERR FLANGE NUT |
| 33 | 3 | 473767 | 6MM-1.00 HEX NUT |
| 34 | 3 | 473798 | 10MM LOCK WASHER |
| 35 | 3 | 473826 | 6MM-1.00 X 16MM HEX BOLT GR8 |
| 36 | 3 | 473844 | 10MM-1.50 X 30 SOC HD CAP SCR |

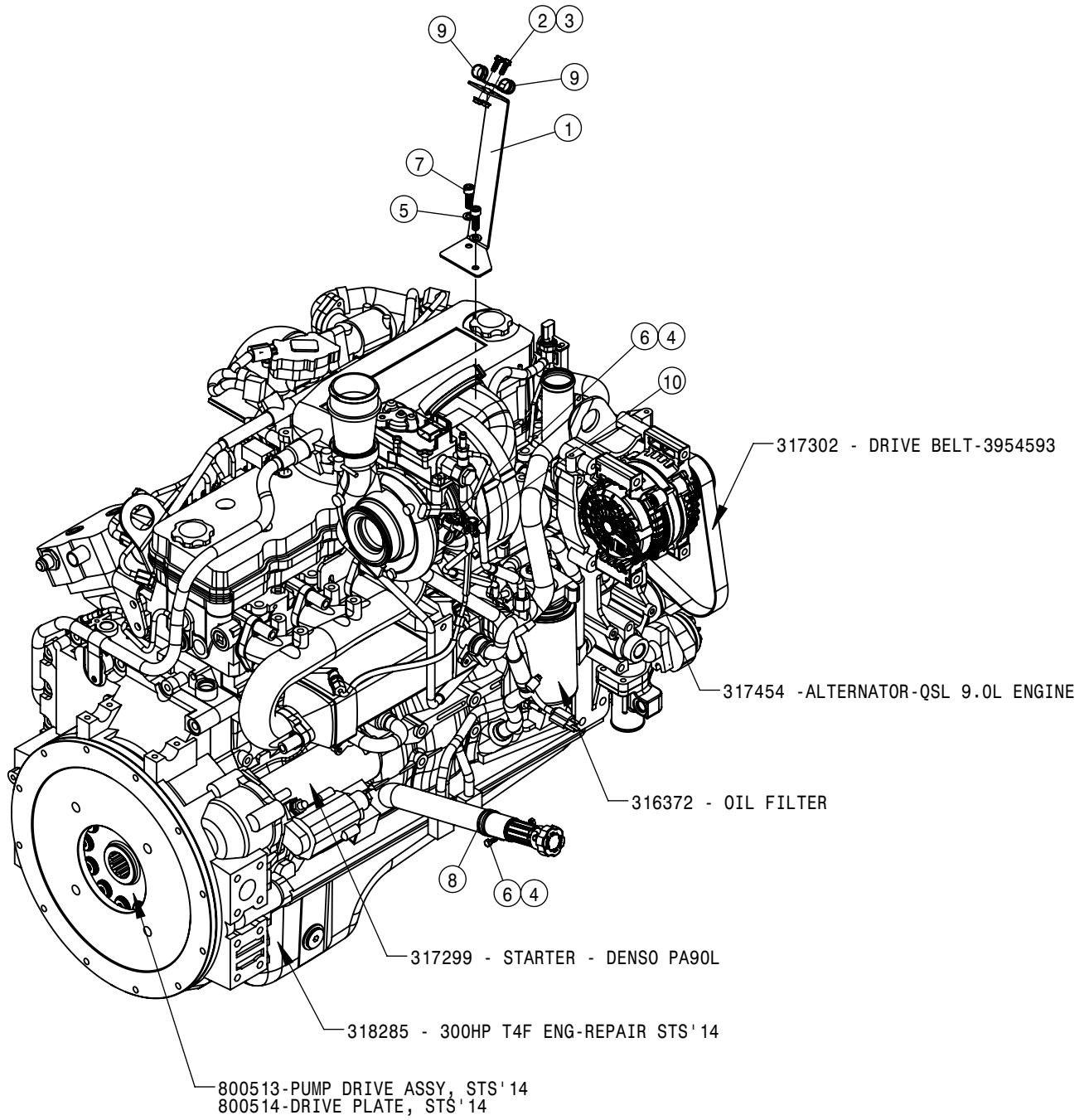
| TIER-3 ENGINE SKID AND EXHAUST ASSEMBLY | | | |
|-----------------------------------------|-----|---------|------------------------------------|
| DET | QTY | P/N | DESCRIPTION |
| 37 | 1 | 501103 | PIPE PLUG .25NPT SKT HD |
| 38 | 2 | 502707 | PIPE NIPPLE,1/4NPT HEX, BRS |
| 39 | 1 | 520100 | CUSH HOSE CLAMP,#24, 1 1/2D X 1/2W |
| 40 | 2 | 520104 | CUSH HOSE CLMP,#12, 3/4D x 1/2W |
| 41 | 1 | 520128 | CUSH J-CLIP,#9, 9/16D X 3/4W |
| 42 | 1 | 520161 | CUSH CLAMP,#32 2"D-3/4W LOOP |
| 43 | 1 | 601671 | HOSE, 1/4 X 145 AIR |
| 44 | 1 | 611352 | 04-213-04FJX-04FJX-25 H/A |
| 45 | 1 | 618447 | 7/16MJIC-90-1/8MNPT LBO |
| 46 | 1 | 711049 | 1/4 NYL TUBE-1/4MNPT FTG |
| 47 | 1 | 711057 | 7/16MJIC-1/4MNPT ADPTR BRS |
| 48 | 1 | 711060 | 1/4 UNION TEE BRS |
| 49 | 2 | 900003 | 1/4UNC X 1" HEX BOLT |
| 50 | 8 | 900131 | 3/8UNC X 1 1/2 HEX BOLT |
| 51 | 4 | 900408 | 3/4UNC X 3 1/2 HEX BOLT |
| 52 | 2 | 903855 | 8-32 X 1 1/2 PHIL PAN HD SCR |
| 53 | 16 | 910004N | 3/8UNC FLANGE CNTR LOCK NUT |
| 54 | 4 | 914012N | 3/4UNC CNTLCK SM FLG HEX NUT |



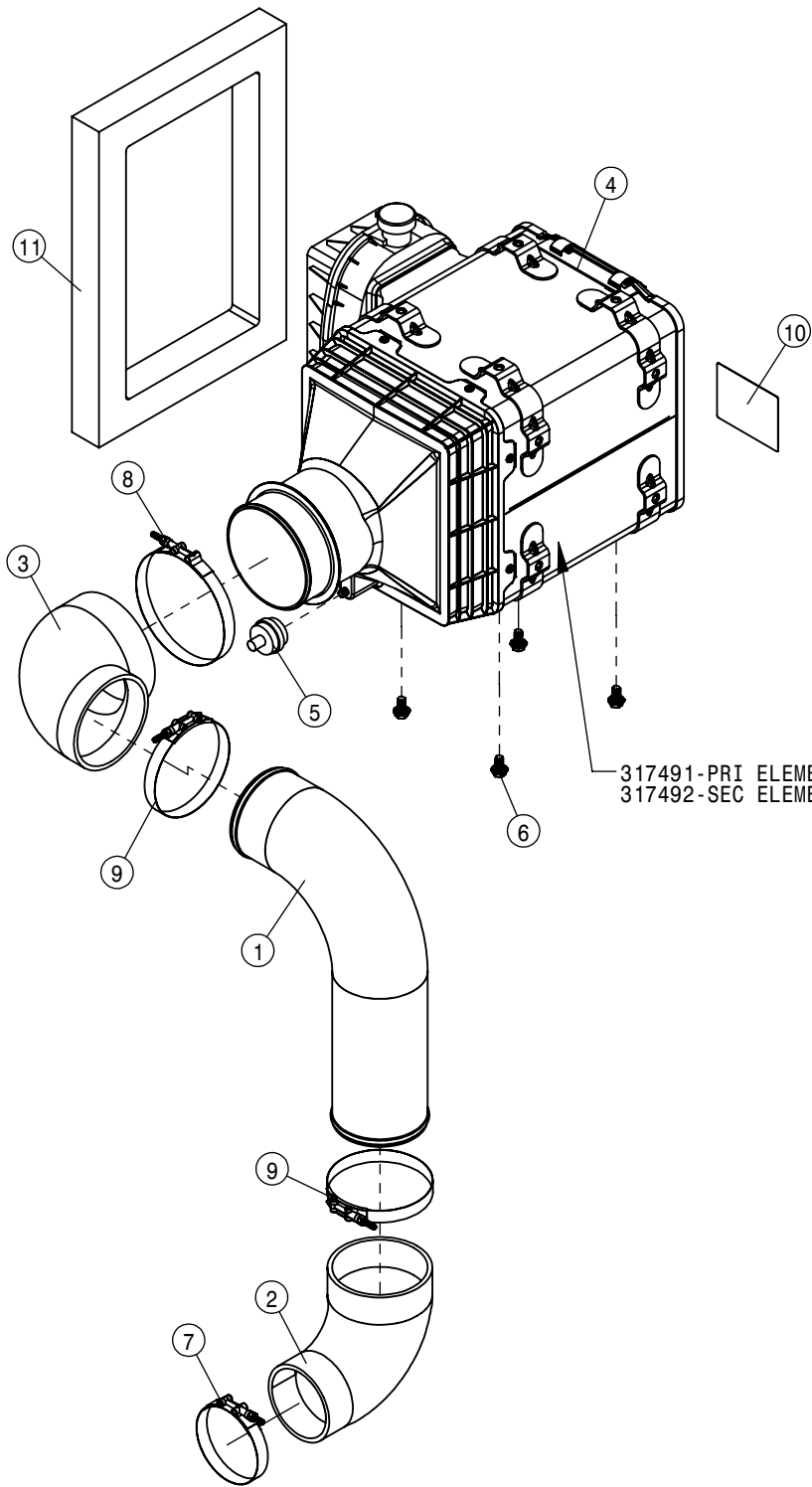
| TIER-3 BATTERY AND CABLE ASSEMBLY | | | |
|-----------------------------------|-----|--------|-----------------------------------|
| DET | QTY | P/N | DESCRIPTION |
| 1 | 2 | 291196 | BATTERY, 12V 900CCA, SS STUD |
| 2 | 4 | 291205 | BATTERY NUT, 3/8-16 SS CLSD CAP |
| 3 | 1 | 291680 | POSITIVE JUMPER STUD, RED |
| 4 | 1 | 291681 | NEGATIVE JUMPER STUD, BLACK |
| 5 | 1 | 291957 | BATTERY SWITCH, DUAL CIRCUIT |
| 6 | 2 | 292016 | IQAN-XA2 MODULE |
| 7 | 1 | 292505 | MCR |
| 8 | 2 | 292578 | HIGH AMP FUSE HOLDER W/COVER |
| 9 | 2 | 292641 | FUSE, 250 AMP 32 VOLT DC |
| 10 | 1 | 292642 | CIRCUIT BREAKER, 150 AMP BUSS |
| 11 | 1 | 292651 | BUSBAR, MD TO GRID HEAT FUSE |
| 12 | 1 | 292652 | BUSBAR, MASTER DISC. JUMPER |
| 13 | 1 | 292653 | BUSBAR, MD TO ALT. FUSE |
| 14 | 1 | 292654 | BUSBAR, POST TO MD |
| 15 | 1 | 292655 | BUSBAR, MCR TO FUSE |
| 16 | 1 | 292656 | BATT CABLE, RED 20" 1/0 5/16-5/16 |
| 17 | 1 | 292657 | BATT CABLE, BLK 35" 2GA 1/2-1/4 |
| 18 | 1 | 292658 | BATT CABLE, BLK 75" 2GA 3/8-1/2 |
| 19 | 1 | 292659 | BATT CABLE, BLK 16" 2/0 3/8-3/8 |

| TIER-3 BATTERY AND CABLE ASSEMBLY | | | |
|-----------------------------------|-----|--------|-------------------------------------|
| DET | QTY | P/N | DESCRIPTION |
| 20 | 1 | 292660 | BATT CABLE, RED 18" 2/0 3/8-3/8 |
| 21 | 1 | 292661 | BATT CABLE, RED 34" 2/0 3/8-3/8 |
| 22 | 1 | 292662 | BATT CABLE, BLK 47" 2/0 3/8-1/2 |
| 23 | 1 | 292664 | BATT CABLE, BLK 45" 2/0 1/2-3/8 |
| 24 | 1 | 292665 | BATT CABLE, RED 42" 2/0 1/2-3/8 |
| 25 | 1 | 292668 | CAB PWR, GND CABLE ASY |
| 26 | 1 | 292669 | BATT CABLE, RED 21" 1/0 1/2-1/4 |
| 27 | 1 | 292670 | BATT CABLE, RED 94" 2GA 1/4-5/16 |
| 28 | 1 | 292671 | BUSBAR, GND EXT |
| 29 | 1 | 292673 | HEAT SHRINK, RED .75 X .03 X 1 1/2" |
| 30 | 1 | 292674 | HEAT SHRINK, RED .75 X .03 X 2 1/2" |
| 31 | 1 | 292675 | HEAT SHRINK, RED .75 X .03 X 3 1/2" |
| 32 | 1 | 292676 | HEAT SHRINK, RED .75 X .03 X 4 1/2" |
| 33 | 1 | 292677 | RUBBER BOOT (RED) 2 TO 2/0 GAUGE |
| 34 | 2 | 316470 | BATTERY TIE-DOWN |
| 35 | 1 | 317299 | STARTER - DENSO PA90L |
| 36 | 1 | 317300 | ALTERNATOR - DELCO 200 AMP |
| 37 | 1 | 317345 | MST DISC. COVER |
| 38 | 1 | 362037 | MODULE BOX REMOVABLE COVER |

| TIER-3 BATTERY AND CABLE ASSEMBLY | | | |
|-----------------------------------|-----|---------|----------------------------------|
| DET | QTY | P/N | DESCRIPTION |
| 39 | 10 | 470118 | 1/4 UNC X 3/4 SER FLG BOLT |
| 40 | 20 | 470121 | 1/4 UNC SERR FLG LOCK NUT |
| 41 | 1 | 470360 | 1/2UNC SERR FLG HEX NUT |
| 42 | 1 | 473767 | 6MM-1.00 HEX NUT |
| 43 | 1 | 473768 | 6MM LOCK WASHER |
| 44 | 2 | 473793 | 10MM-1.50 X 20MM HEX BOLT GR8 |
| 45 | 2 | 473799 | 10MM FLAT WASHER |
| 46 | 2 | 520121 | CUSH CLAMP, #16 1IN X 3/4W |
| 47 | 3 | 520160 | CUSH CLAMP, #24 1 1/2D-3/4W LOOP |
| 48 | 1 | 650295 | IMPORTANT/ NEG/ POS DECAL |
| 49 | 1 | 650296 | CAUTION DECAL |
| 50 | 2 | 900003 | 1/4UNC X 1" HEX BOLT |
| 51 | 4 | 900008N | 1/4UNC X 2 1/2 HEX BOLT SS |
| 52 | 1 | 900128N | 3/8UNC X 3/4 SER FLANGE BOLT |
| 53 | 4 | 900150 | 3/8UNC X 9 1/2 HEX BOLT |
| 54 | 1 | 900263N | 1/2UNC X 1" SER FLANGE BOLT |
| 55 | 8 | 910004 | 3/8UNC HEX NUT |
| 56 | 1 | 910004N | 3/8UNC FLANGE CNTR LOCK NUT |
| 57 | 4 | 920000N | 1/4 SAE FLAT WASHER SS |

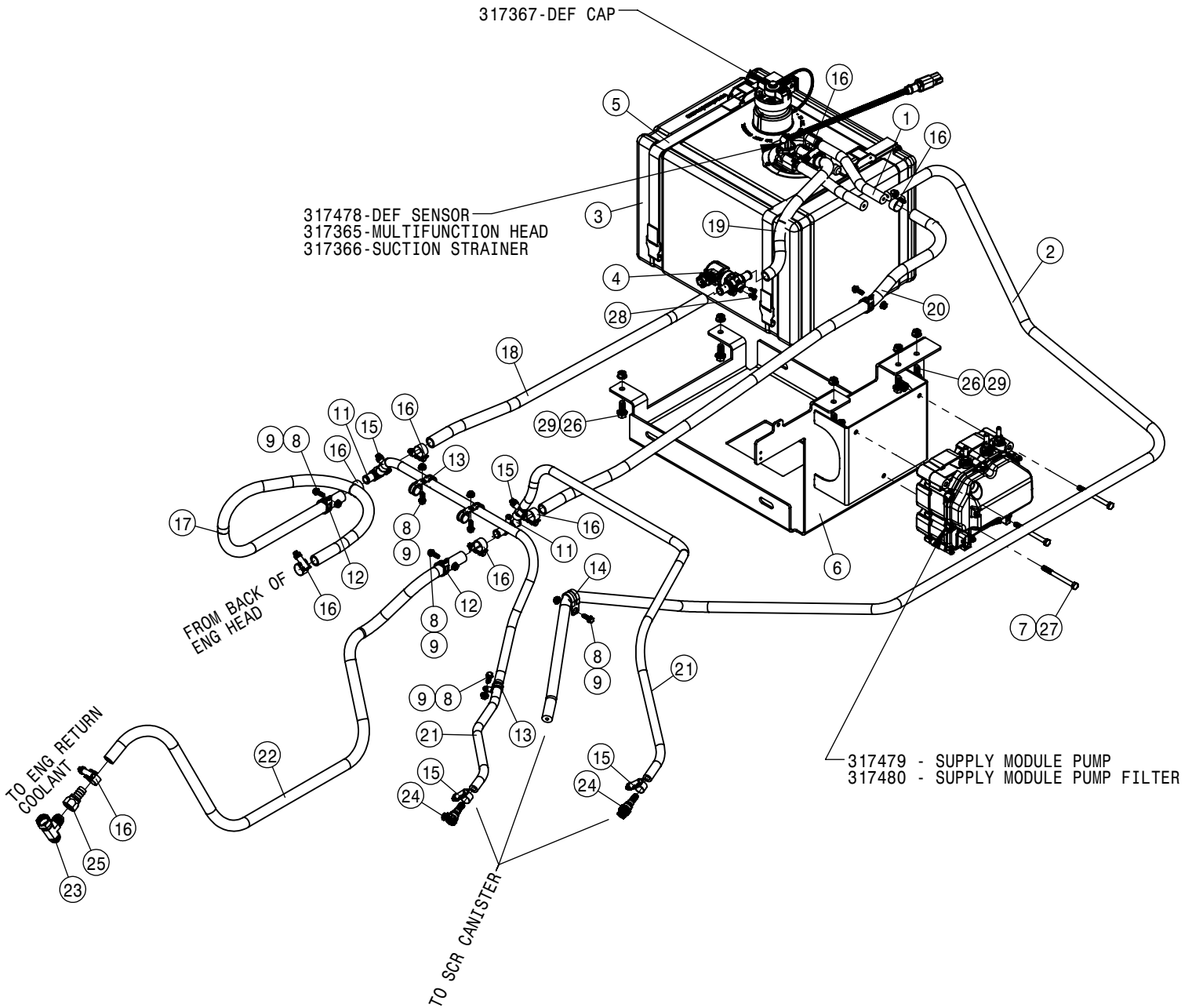


| TIER-4F 300 HP ENGINE ASSEMBLY | | | |
|--------------------------------|-----|--------|------------------------------------|
| DET | QTY | P/N | DESCRIPTION |
| 1 | 1 | 317380 | T4I/T4F VENT HOSE BRACKET |
| 2 | 2 | 470118 | 1/4 UNC X 3/4 SER FLG BOLT |
| 3 | 2 | 470121 | 1/4 UNC SERR FLG LOCK NUT |
| 4 | 2 | 473767 | 6MM-1.00 HEX NUT |
| 5 | 2 | 473798 | 10MM LOCK WASHER |
| 6 | 2 | 473826 | 6MM-1.00 X 16MM HEX BOLT GR8 |
| 7 | 2 | 473844 | 10MM-1.50 X 30 SOC HD CAP SCR |
| 8 | 1 | 520100 | CUSH HOSE CLAMP,#24, 1 1/2D X 1/2W |
| 9 | 2 | 520104 | CUSH HOSE CLMP,#12, 3/4D X 1/2W |
| 10 | 1 | 520118 | CUSH CLAMP,#8 1/2D X 1/2W |



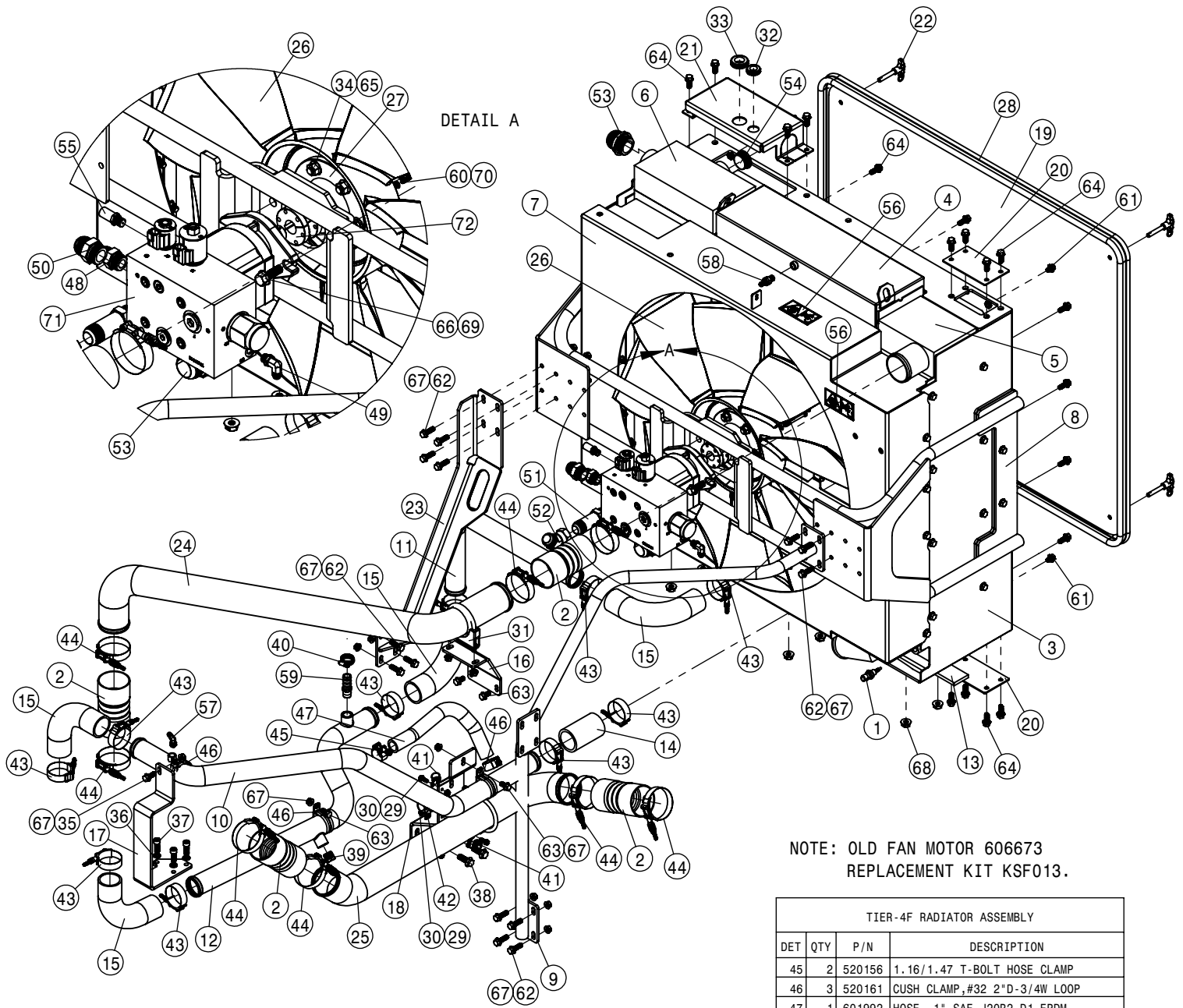
317491-PRI ELEMENT,AIR CLEANER 317301
 317492-SEC ELEMENT,AIR CLEANER 317301

| TIER-4F AIR CLEANER ASSEMBLY | | | |
|------------------------------|-----|--------|--------------------------------|
| DET | QTY | P/N | DESCRIPTION |
| 1 | 1 | 317267 | AIR INTAKE PIPE |
| 2 | 1 | 317287 | ELBOW, 90 DEG 5"-4" (90L50R40) |
| 3 | 1 | 317288 | ELBOW 90L60R50SR |
| 4 | 1 | 317301 | AIR CLEANER - AH55547 |
| 5 | 1 | 317355 | AIR FILTER MINDER SWITCH |
| 6 | 4 | 473875 | 10MM-1.5 X 20MM FLG SER BLT YZ |
| 7 | 1 | 520134 | 4.31/4.59 T-BOLT HOSE CLAMP SS |
| 8 | 1 | 520147 | 6.38/6.69 T-BOLT HOSE CLAMP |
| 9 | 2 | 520148 | 5.38/5.69 T-BOLT HOSE CLAMP SS |
| 10 | 1 | 650367 | AIR FILTER INSTRUCTION DECAL |
| 11 | 1 | 660560 | INTAKE AIR SEAL HOOD STS'14 |



| TIER-4F DEF TANK ASSEMBLY | | | |
|---------------------------|-----|--------|---------------------------------|
| DET | QTY | P/N | DESCRIPTION |
| 1 | 2 | 317329 | DEF SUCTION/THROTTLE HOSE ASSY |
| 2 | 1 | 317330 | DEF PRESSURE HOSE ASSY |
| 3 | 1 | 317358 | DEF TANK 10 GALLON |
| 4 | 1 | 317359 | COOLANT VALVE STS '14 |
| 5 | 2 | 317395 | DEF TIE DOWN STRAP |
| 6 | 1 | 343950 | DEF TANK CRADLE ASM |
| 7 | 3 | 470113 | 5/16UNC SERR FLG LOCK NUT |
| 8 | 7 | 470118 | 1/4 UNC X 3/4 SER FLG BOLT |
| 9 | 7 | 470121 | 1/4 UNC SERR FLG LOCK NUT |
| NS | 5 | 490522 | DEF FLUID 1 GAL |
| 11 | 2 | 500285 | 3/8 x 5/8 x 5/8 MOLDED TEE |
| 12 | 3 | 520101 | CUSH HOSE CLAMP,#16, 1"D X 1/2W |
| 13 | 5 | 520104 | CUSH HOSE CLMP,#12, 3/4D X 1/2W |
| 14 | 1 | 520121 | CUSH CLAMP,#16 1IN X 3/4W |
| 15 | 4 | 520168 | CLAMP, CONSTANT TORQUE HOSE |

| TIER-4F DEF TANK ASSEMBLY | | | |
|---------------------------|-----|---------|--------------------------------|
| DET | QTY | P/N | DESCRIPTION |
| 16 | 10 | 520169 | CLAMP, CONSTANT TORQUE HOSE |
| 17 | 1 | 601039 | HOSE, 5/8 X 39.4 HEATER |
| 18 | 1 | 601040 | DEF TANK SUPPLY HOSE 1 |
| 19 | 1 | 601041 | DEF TANK SUPPLY HOSE 2 |
| 20 | 1 | 601042 | DEF TANK RETURN HOSE |
| 21 | 2 | 601051 | HOSE, 3/8 X 46.00 HEATER |
| 22 | 1 | 601052 | HOSE, MAIN RETURN |
| 23 | 1 | 618333 | 7/8FJIC SW RUN TEE-7/8MJIC |
| 24 | 2 | 618880 | 3/8 J2044 QUICK CONNECT |
| 25 | 1 | 711101 | 5/8 HOSE BARB-7/8FJX ADPTR,BRS |
| 26 | 5 | 900129N | 3/8UNC X 1" SERR FLANGE BOLT |
| 27 | 3 | 900539 | 5/16UNC X 3 1/2 HEX BOLT |
| 28 | 2 | 903706N | 10-32X1/2 PHIL PAN MACH SCR BZ |
| 29 | 5 | 910004N | 3/8UNC FLANGE CNTR LOCK NUT |

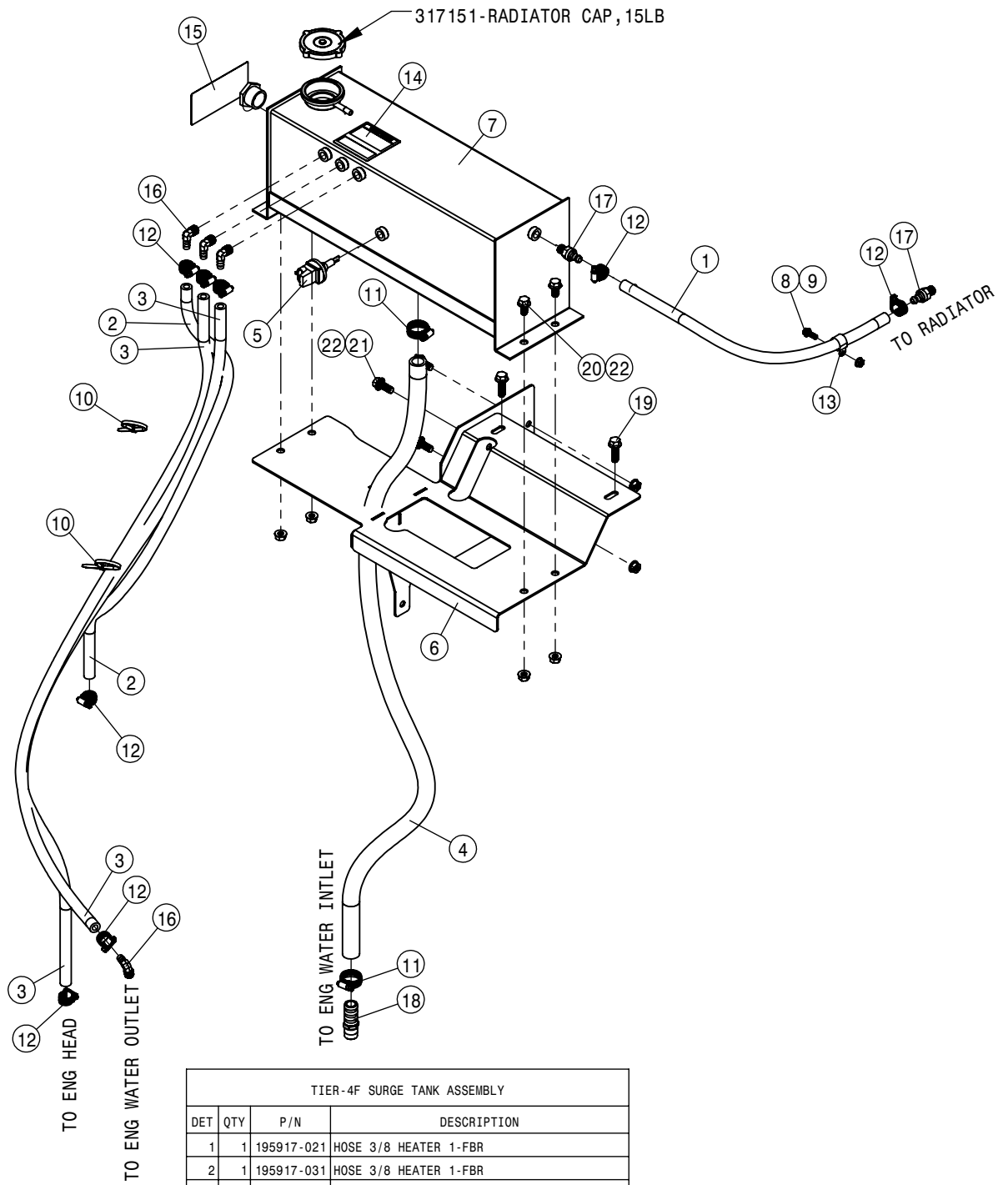


NOTE: OLD FAN MOTOR 606673
REPLACEMENT KIT KSF013.

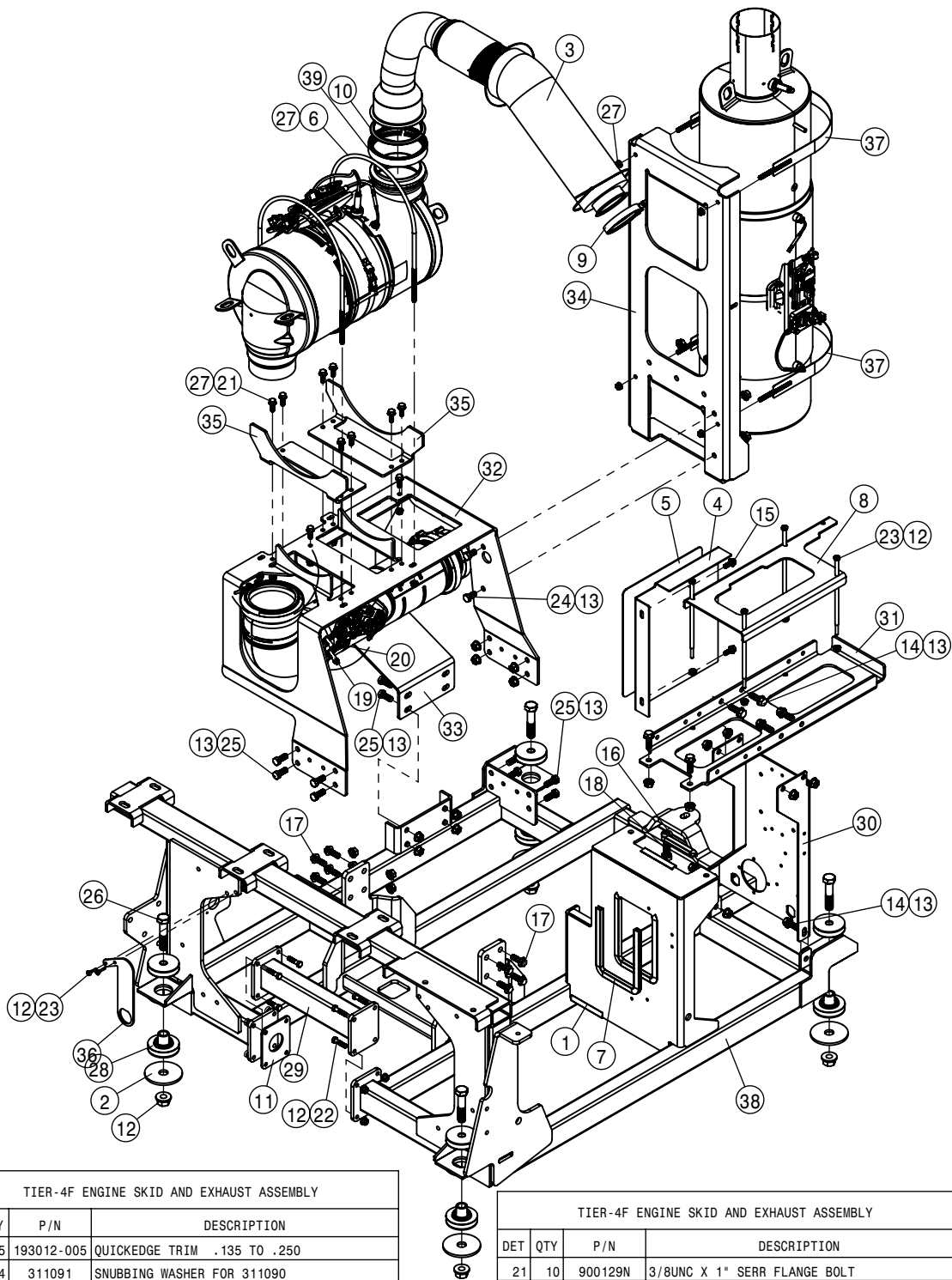
| TIER-4F RADIATOR ASSEMBLY | | | |
|---------------------------|-----|--------|------------------------------------|
| DET | QTY | P/N | DESCRIPTION |
| 1 | 1 | 290098 | TEMP SENDER - CAC |
| 2 | 4 | 311592 | 3.00 X 6.00 CAC HOSE |
| 3 | 1 | 317162 | COOLING PKG FRAME WLD |
| 4 | 1 | 317169 | RADIATOR STS'14 |
| 5 | 1 | 317170 | CHARGE AIR COOLER STS'14 |
| 6 | 1 | 317171 | HYD OIL COOLER STS'14 |
| 7 | 1 | 317173 | FAN SHROUD WLD |
| 8 | 1 | 317181 | FAN FRAME WLD |
| 9 | 1 | 317194 | RH COOLING PKG SUPP WLD |
| 10 | 1 | 317199 | PIPE - WATER OUTLET TO RAD |
| 11 | 1 | 317200 | PIPE - RAD TO WATER INLET 1 |
| 12 | 1 | 317201 | PIPE - RAD TO WATER INLET 2 |
| 13 | 1 | 317202 | COOLING PACKAGE ISOLATOR |
| 14 | 1 | 317203 | COOLANT HOSE |
| 15 | 4 | 317204 | COOLANT ELBOW |
| 16 | 1 | 317206 | CAC PIPE SUPP |
| 17 | 1 | 317280 | PIPE SUPP |
| 18 | 1 | 317327 | CAC / RAD PIPE SUPP |
| 19 | 1 | 317337 | INTAKE SCREEN WLD |
| 20 | 2 | 317341 | COOLING PKG FRAME COVER |
| 21 | 1 | 317342 | CONDENSOR ACCESS COVER |
| 22 | 4 | 317364 | T-HANDLE QUICK PIN - 1.75" X 3/8 D |

| TIER-4F RADIATOR ASSEMBLY | | | |
|---------------------------|-----|---------|---------------------------------|
| DET | QTY | P/N | DESCRIPTION |
| 23 | 1 | 317390 | SUPPORT BRACE COOLING PACK |
| 24 | 1 | 317392 | PIPE T4F CAC HOT SIDE |
| 25 | 1 | 317490 | PIPE - CAC TO INTAKE |
| 26 | 1 | 317535 | 32" ENGINE FAN |
| 27 | 1 | 317537 | FAN HUB |
| 28 | 1 | 344553 | INTAKE SCREEN SEAL |
| 29 | 3 | 470118 | 1/4 UNC X 3/4 SER FLG BOLT |
| 30 | 3 | 470121 | 1/4 UNC SERR FLG LOCK NUT |
| 31 | 2 | 470160 | MUFFLER CLAMP 3.00 IN |
| 32 | 1 | 470203 | GROMMET, .750ID .125GW 1.062GD |
| 33 | 1 | 470204 | GROMMET,1.000ID .125GW 1.375GD |
| 34 | 6 | 470360N | 1/2UNC SERR FLG HEX NUT YZ |
| 35 | 1 | 470460 | 3/8 X 1" SERR FLG BOLT |
| 36 | 3 | 473798 | 10MM LOCK WASHER |
| 37 | 3 | 473844 | 10MM-1.50 X 30 SOC HD CAP SCR |
| 38 | 2 | 473855 | 12MM-1.75 X 35MM SM FLG BOLT |
| 39 | 1 | 505231 | PIPE PLUG .50NPT HEX HD BRS |
| 40 | 1 | 520055 | HOSE CLAMP NO 12 STAINLESS |
| 41 | 2 | 520104 | CUSH HOSE CLMP,#12, 3/4D X 1/2W |
| 42 | 1 | 520121 | CUSH CLAMP,#16 1IN X 3/4W |
| 43 | 10 | 520140 | 2.18/2.50 T-BOLT HOSE CLAMP SS |
| 44 | 8 | 520146 | 3.06/3.38 T-BOLT HOSE CLAMP SS |

| TIER-4F RADIATOR ASSEMBLY | | | |
|---------------------------|-----|---------|---------------------------------|
| DET | QTY | P/N | DESCRIPTION |
| 45 | 2 | 520156 | 1.16/1.47 T-BOLT HOSE CLAMP |
| 46 | 3 | 520161 | CUSH CLAMP,#32 2"D-3/4W LOOP |
| 47 | 1 | 601992 | HOSE, 1" SAE J20R2-D1 EPDM |
| 48 | 1 | 611127 | 1 1/16MJIC-1 1/16MOR ADPTR |
| 49 | 1 | 618119 | 9/16MJIC-90-9/16MOR LBO |
| 50 | 1 | 618186 | 1 5/16MJIC-1 5/16MOR ADPTR |
| 51 | 1 | 618610 | 1 5/16MJIC-1 5/16MOR LG ADPTR |
| 52 | 1 | 618630 | 1 5/16MJIC-45-1 5/16FJ SWIV LBO |
| 53 | 2 | 618662 | 1 7/8MOR-1 7/8MJIC ADPTR |
| 54 | 1 | 618759 | 1 5/8MOR PLUG, HEX SOCKET |
| 55 | 1 | 619023 | 9/16 MOR DIAGNOSTIC FITTING |
| 56 | 2 | 650434 | DECAL, FAN BLADE WARNING |
| 57 | 1 | 711104 | 1/4MNPT-90-3/8 HOSE BARB, BRS |
| 58 | 1 | 712100 | 1/4NPT X 3/8 HOSE FTG,PUSHLOCK |
| 59 | 1 | 712440 | 1/2 NPT X 3/4 HOSE BARB |
| 60 | 6 | 900009 | 1/4UNC X 2 3/4 HEX BOLT |
| 61 | 2 | 900126 | 3/8UNC X 1/2 SERR FLG BOLT YZ |
| 62 | 20 | 900127N | 3/8UNC X 1 1/4 SER FLANGE BOLT |
| 63 | 4 | 900128N | 3/8UNC X 3/4 SER FLANGE BOLT |
| 64 | 51 | 900129N | 3/8UNC X 1" SERR FLANGE BOLT |
| 65 | 6 | 900264N | 1/2UNC X 1 1/4 SER FLANGE BOLT |
| 66 | 2 | 900265N | 1/2UNC X 1 1/2 SERR FLANGE BOLT |
| 67 | 45 | 910004N | 3/8UNC FLANGE CNTR LOCK NUT |
| 68 | 6 | 914008N | 1/2UNC SMTH FLG CTR LCK NUT YZ |
| 69 | 2 | 914015 | 1/2UNC HEX CENTER-LOCK NUT |
| 70 | 6 | 920500 | 1/4 LOCK WASHER |
| 71 | 1 | 606544 | 35CC FAN MOTOR ASSY |
| 72 | 2 | 317536 | SPLIT BUSHING ADAPTOR |
| 73 | 3 | 900023 | 1/4UNC X 2 1/4 HEX BOLT |

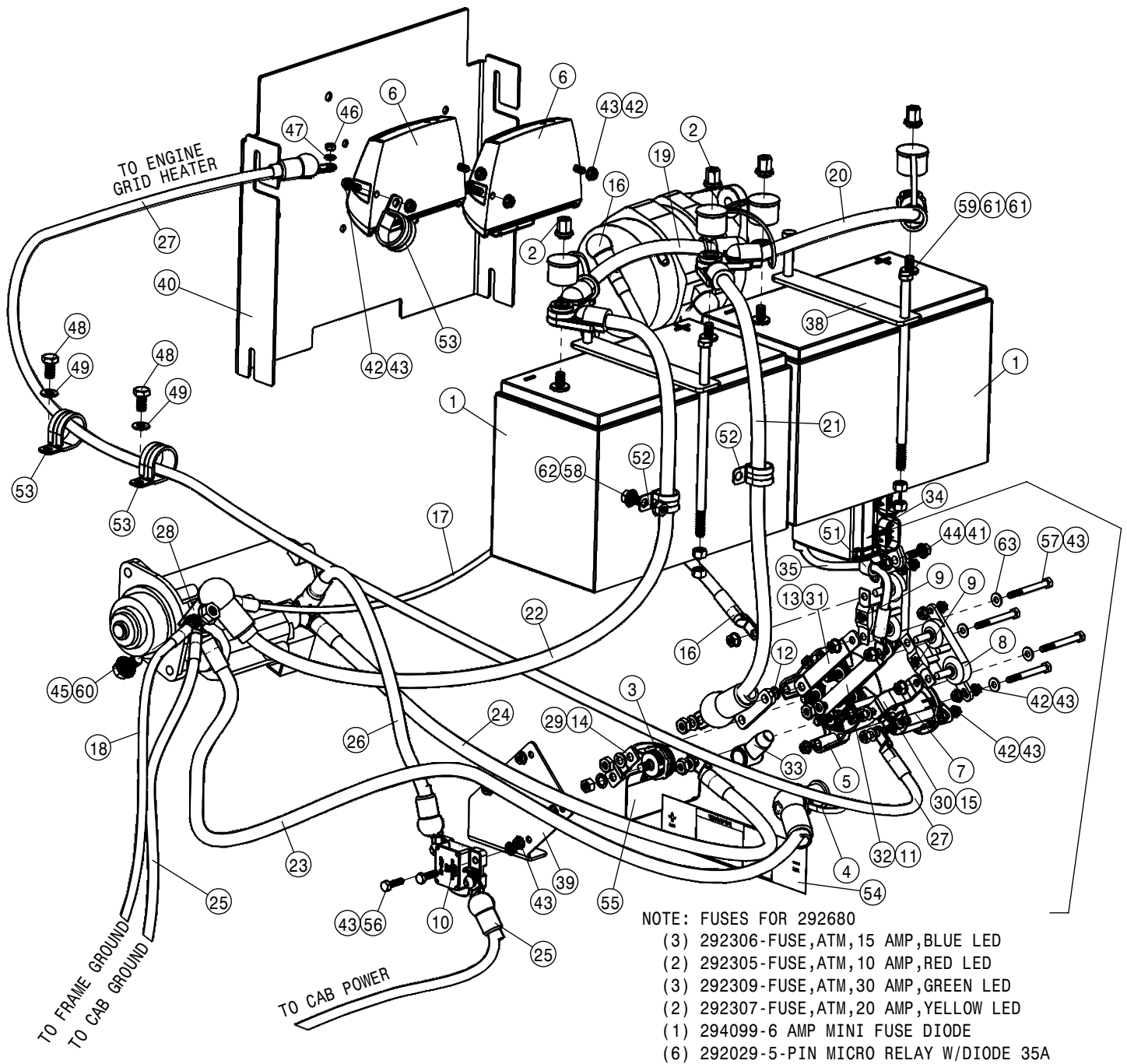


| TIER-4F SURGE TANK ASSEMBLY | | | |
|-----------------------------|-----|------------|----------------------------------|
| DET | QTY | P/N | DESCRIPTION |
| 1 | 1 | 195917-021 | HOSE 3/8 HEATER 1-FBR |
| 2 | 1 | 195917-031 | HOSE 3/8 HEATER 1-FBR |
| 3 | 2 | 195917-049 | HOSE 3/8 HEATER 1-FBR |
| 4 | 1 | 195924-048 | HOSE 3/4 HEATER 1-FBR BR 20R3 |
| 5 | 1 | 317157 | SENSOR, LOW COOLANT T4I STS |
| 6 | 1 | 317756 | SURGE TANK SUPPORT WLD |
| 7 | 1 | 317172 | SURGE TANK |
| 8 | 1 | 470118 | 1/4 UNC X 3/4 SER FLG BOLT |
| 9 | 1 | 470121 | 1/4 UNC SERR FLG LOCK NUT |
| 10 | 2 | 470154 | CABLE TIE, 11.00" BLK NYLON |
| 11 | 2 | 520055 | HOSE CLAMP NO 12 STAINLESS |
| 12 | 8 | 520069 | HOSE CLAMP NO 6 STAINLESS |
| 13 | 1 | 520117 | CUSH HOSE CLAMP,#10, 5/8D X 1/2W |
| 14 | 1 | 650174 | DECAL,CAUTION RADIATOR,STS 07 |
| 15 | 1 | 650462 | DECAL,COOLING SYSTEM PROCEDURE |
| 16 | 4 | 711104 | 1/4MNPT-90-3/8 HOSE BARB, BRS |
| 17 | 2 | 712100 | 1/4NPT X 3/8 HOSE FTG,PUSHLOCK |
| 18 | 1 | 712440 | 1/2 NPT X 3/4 HOSE BARB |
| 19 | 2 | 900127N | 3/8UNC X 1 1/4 SER FLANGE BOLT |
| 20 | 4 | 900128N | 3/8UNC X 3/4 SER FLANGE BOLT |
| 21 | 4 | 900129N | 3/8UNC X 1" SERR FLANGE BOLT |
| 22 | 6 | 910004N | 3/8UNC FLANGE CNTR LOCK NUT |



| TIER-4F ENGINE SKID AND EXHAUST ASSEMBLY | | | |
|------------------------------------------|-----|------------|----------------------------------|
| DET | QTY | P/N | DESCRIPTION |
| 1 | 5 | 193012-005 | QUICKEDGE TRIM .135 TO .250 |
| 2 | 4 | 311091 | SNUBBING WASHER FOR 311090 |
| 3 | 1 | 317244 | PIPE, T4F - TURBO - DOC |
| 4 | 1 | 317254 | BATTERY HEAT SHIELD |
| 5 | 1 | 317256 | REFLECTIVE HEAT SHIELD |
| 6 | 2 | 317322 | 3/8UNC-11.63ID-14.5 UBOLT |
| 7 | 1 | 317352 | QUICKEDGE TRIM, C/L 19.5" |
| 8 | 1 | 317446 | BATTERY CLAMP |
| 9 | 1 | 317732 | TURBO OUTLET CLAMP 3905216 |
| 10 | 1 | 318228 | 5" EXHAUST GASKET Q312516 |
| 11 | 1 | 318327 | SPCR, ENGINE FRAME |
| 12 | 18 | 470087 | 3/8-16UNC HEX FLG NUT SER MC GR5 |
| 13 | 25 | 470360 | 1/2UNC SERR FLG HEX NUT |
| 14 | 8 | 470431 | 1/2UNC X 1 1/2 SERR FLG BOLT |
| 15 | 2 | 470460 | 3/8 X 1" SERR FLG BOLT |
| 16 | 1 | 473841 | 16MM LOCK WASHER |
| 17 | 8 | 473855 | 12MM-1.75 X 35MM SM FLG BOLT |
| 18 | 1 | 473861 | 16MM-2.00 X 40MM HEX BOLT YZ |
| 19 | 2 | 520168 | CLAMP, CONSTANT TORQUE HOSE |
| 20 | 2 | 618880 | 3/8 J2044 QUICK CONNECT |

| TIER-4F ENGINE SKID AND EXHAUST ASSEMBLY | | | |
|------------------------------------------|-----|---------|------------------------------|
| DET | QTY | P/N | DESCRIPTION |
| 21 | 10 | 900129N | 3/8UNC X 1" SERR FLANGE BOLT |
| 22 | 8 | 900131 | 3/8UNC X 1 1/2 HEX BOLT |
| 23 | 6 | 900150 | 3/8UNC X 9 1/2 HHCS GR5 MC |
| 24 | 5 | 900263 | 1/2UNC X 1" HEX BOLT |
| 25 | 12 | 900264 | 1/2UNC X 1 1/4 HEX BOLT |
| 26 | 4 | 900408 | 3/4UNC X 3 1/2 HEX BOLT |
| 27 | 18 | 910004N | 3/8UNC FLANGE CNTR LOCK NUT |
| 28 | 4 | 311057 | RUBBER MT SET,SSB33-1000-4 |
| 29 | 1 | 317248 | FRAME SPACER WLD |
| 30 | 1 | 317249 | BATTERY STAND |
| 31 | 1 | 317253 | BATT MOUNT |
| 32 | 1 | 317312 | SCR PLATE |
| 33 | 1 | 317313 | SCR SUPP STIFFNER |
| 34 | 1 | 317314 | SCR MOUNT |
| 35 | 2 | 317321 | DOC INNER REST STS'14 |
| 36 | 1 | 317368 | WIRE HARNESS BLKHD |
| 37 | 2 | 317531 | SCR SUPPORT STRAP WELD |
| 38 | 1 | 318164 | ENG SKID FRAME T4F W/DECAL |
| 39 | 1 | 318227 | DOC INLET CLAMP A035R793 |

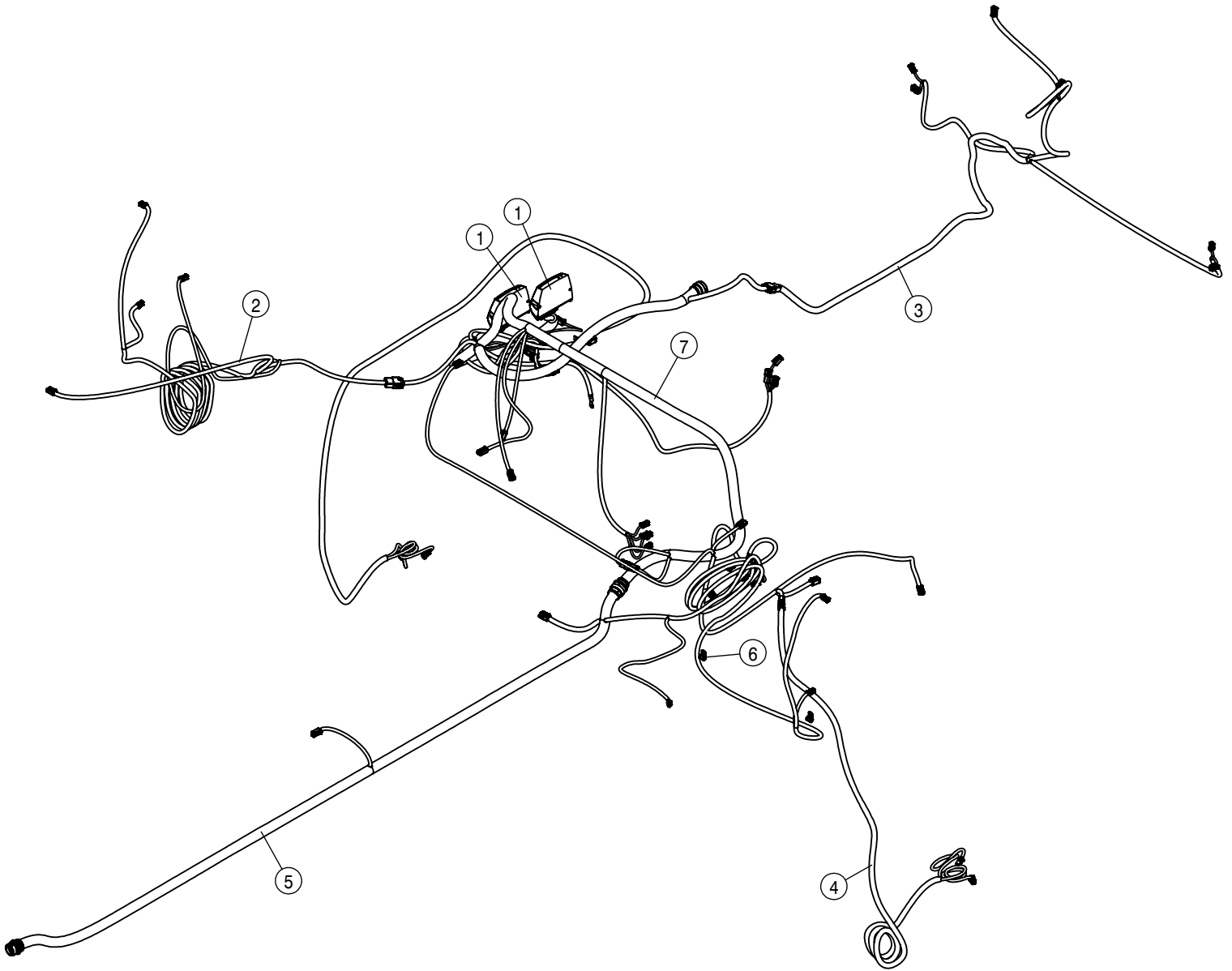


NOTE: FUSES FOR 292680
 (3) 292306-FUSE, ATM, 15 AMP, BLUE LED
 (2) 292305-FUSE, ATM, 10 AMP, RED LED
 (3) 292309-FUSE, ATM, 30 AMP, GREEN LED
 (2) 292307-FUSE, ATM, 20 AMP, YELLOW LED
 (1) 294099-6 AMP MINI FUSE DIODE
 (6) 292029-5-PIN MICRO RELAY W/DIODE 35A

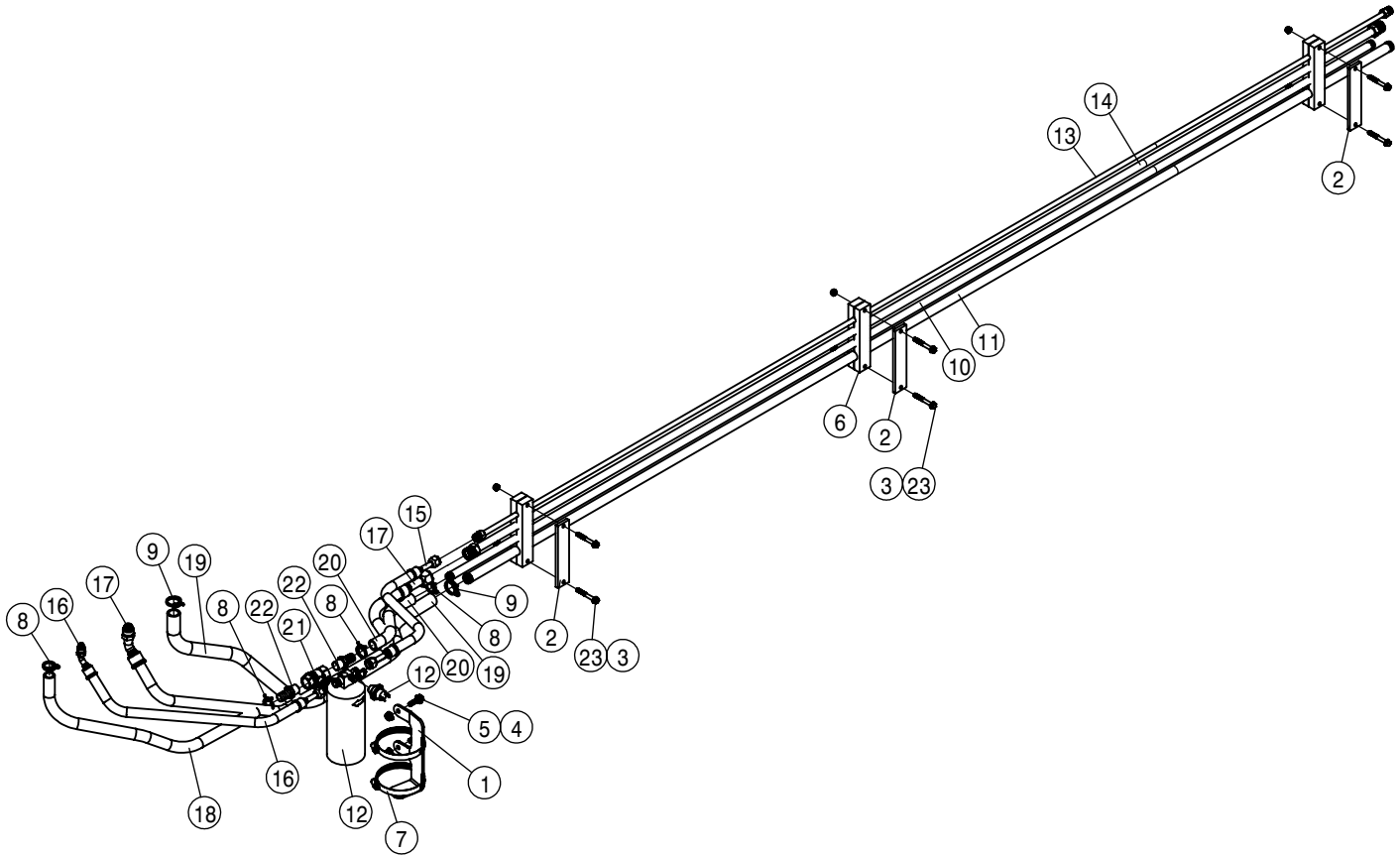
| TIER-4F BATTERY AND CABLE ASSEMBLY | | | |
|------------------------------------|-----|--------|-----------------------------------|
| DET | QTY | P/N | DESCRIPTION |
| 1 | 2 | 291196 | BATTERY, 12V 900CCA, SS STUD |
| 2 | 4 | 291205 | BATTERY NUT, 3/8-16 SS CLSD CAP |
| 3 | 1 | 291680 | POSITIVE JUMPER STUD, RED |
| 4 | 1 | 291681 | NEGATIVE JUMPER STUD, BLACK |
| 5 | 1 | 291957 | BATTERY SWITCH, DUAL CIRCUIT |
| 6 | 2 | 292016 | IQAN-XA2 MODULE |
| 7 | 1 | 292505 | MCR |
| 8 | 2 | 292578 | HIGH AMP FUSE HOLDER W/COVER |
| 9 | 2 | 292641 | FUSE, 250 AMP 32 VOLT DC |
| 10 | 1 | 292642 | CIRCUIT BREAKER, 150 AMP BUSS |
| 11 | 1 | 292651 | BUSBAR, MD TO GRID HEAT FUSE |
| 12 | 1 | 292652 | BUSBAR, MASTER DISC. JUMPER |
| 13 | 1 | 292653 | BUSBAR, MD TO ALT. FUSE |
| 14 | 1 | 292654 | BUSBAR, POST TO MD |
| 15 | 1 | 292655 | BUSBAR, MCR TO FUSE |
| 16 | 1 | 292656 | BATT CABLE, RED 20" 1/0 5/16-5/16 |
| 17 | 1 | 292657 | BATT CABLE, BLK 35" 2GA 1/2-1/4 |
| 18 | 1 | 292658 | BATT CABLE, BLK 75" 2GA 3/8-1/2 |
| 19 | 1 | 292659 | BATT CABLE, BLK 16" 2/0 3/8-3/8 |
| 20 | 1 | 292660 | BATT CABLE, RED 18" 2/0 3/8-3/8 |
| 21 | 1 | 292661 | BATT CABLE, RED 34" 2/0 3/8-3/8 |

| TIER-4F BATTERY AND CABLE ASSEMBLY | | | |
|------------------------------------|-----|---------|-------------------------------------|
| DET | QTY | P/N | DESCRIPTION |
| 22 | 1 | 292662 | BATT CABLE, BLK 47" 2/0 3/8-1/2 |
| 23 | 1 | 292664 | BATT CABLE, BLK 45" 2/0 1/2-3/8 |
| 24 | 1 | 292665 | BATT CABLE, RED 42" 2/0 1/2-3/8 |
| 25 | 1 | 292668 | CAB PWR, GND CABLE ASY |
| 26 | 1 | 292669 | BATT CABLE, RED 21" 1/0 1/2-1/4 |
| 27 | 1 | 292670 | BATT CABLE, RED 94" 2GA 1/4-5/16 |
| 28 | 1 | 292671 | BUSBAR, GND EXT |
| 29 | 1 | 292673 | HEAT SHRINK, RED .75 X .03 X 1 1/2" |
| 30 | 1 | 292674 | HEAT SHRINK, RED .75 X .03 X 2 1/2" |
| 31 | 1 | 292675 | HEAT SHRINK, RED .75 X .03 X 3 1/2" |
| 32 | 1 | 292676 | HEAT SHRINK, RED .75 X .03 X 4 1/2" |
| 33 | 1 | 292677 | RUBBER BOOT (RED) 2 TO 2/0 GAUGE |
| 34 | 1 | 292680 | VEC |
| 35 | 1 | 292683 | VEC POWER CABLE |
| NS | 1 | 294226 | TIER 4F HARNESS ASSY |
| NS | 1 | 294253 | AFTERTREATMENT HARNESS |
| 38 | 2 | 316470 | BATTERY TIE-DOWN |
| 39 | 1 | 317345 | MST DISC. COVER |
| 40 | 1 | 362037 | MODULE BOX REMOVABLE COVER |
| 41 | 4 | 470113N | 5/16UNC SERR FLG LOCK NUT SS |
| 42 | 10 | 470118 | 1/4 UNC X 3/4 SER FLG BOLT |

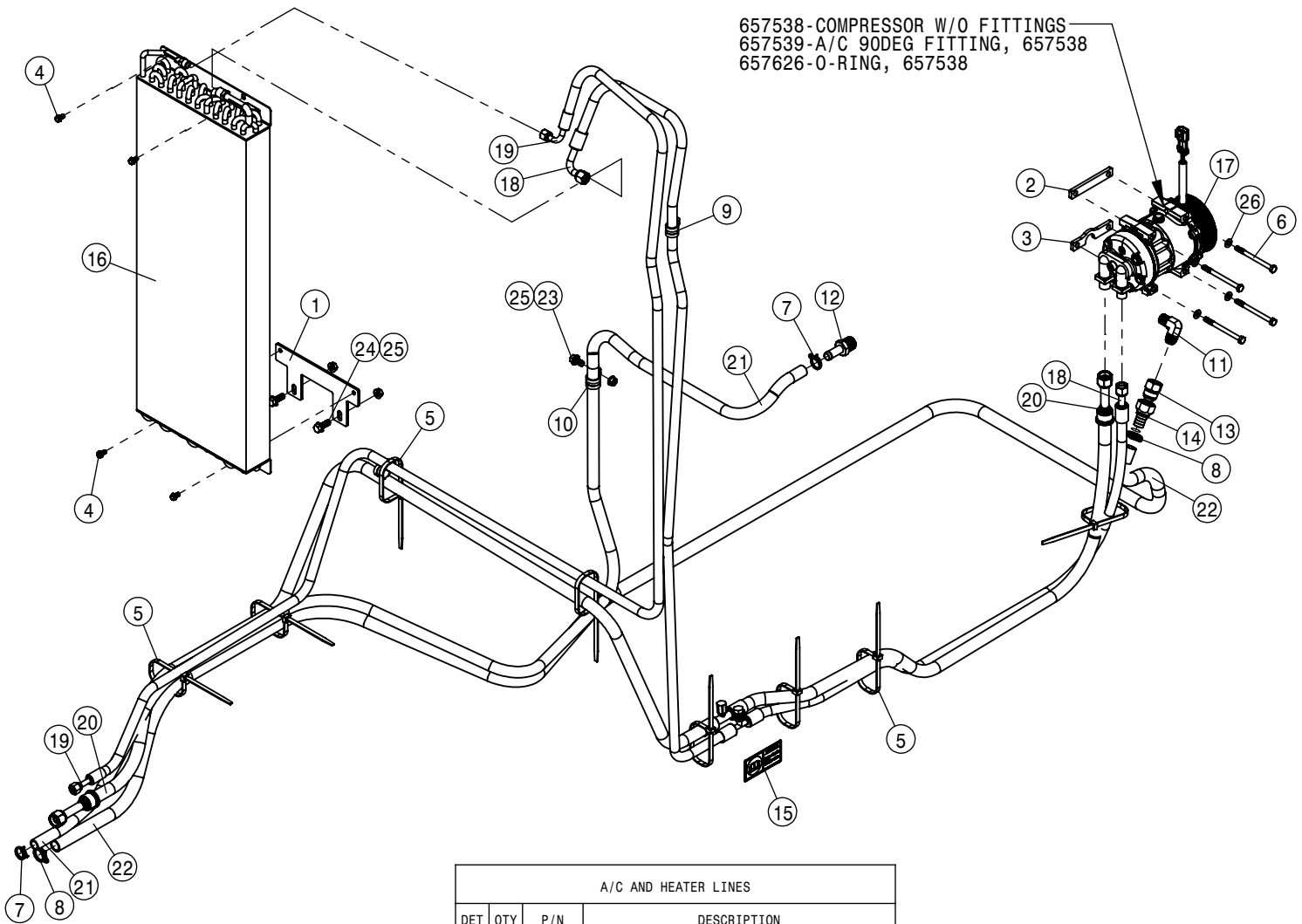
| TIER-4F BATTERY AND CABLE ASSEMBLY | | | |
|------------------------------------|-----|---------|-----------------------------------|
| DET | QTY | P/N | DESCRIPTION |
| 43 | 20 | 470121 | 1/4 UNC SERR FLG LOCK NUT |
| 44 | 4 | 470234N | 5/16UNC X 1" SERR FLG BOLT SS |
| 45 | 1 | 470360 | 1/2UNC SERR FLG HEX NUT |
| 46 | 1 | 473767 | 6MM-1.00 HEX NUT |
| 47 | 1 | 473768 | 6MM LOCK WASHER |
| 48 | 2 | 473793 | 10MM-1.50 X 20MM HEX BOLT GR8 |
| 49 | 2 | 473799 | 10MM FLAT WASHER |
| 50 | 1 | 294062 | SOL PUMP DIODE TO RELAY ADAPTR |
| 51 | 1 | 520117 | CUSH HOSE CLAMP, #10, 5/8D X 1/2W |
| 52 | 2 | 520121 | CUSH CLAMP, #16 1IN X 3/4W |
| 53 | 3 | 520160 | CUSH CLAMP, #24 1 1/2D-3/4W LOOP |
| 54 | 1 | 650295 | IMPORTANT/ NEG/ POS DECAL |
| 55 | 1 | 650296 | CAUTION DECAL |
| 56 | 2 | 900003 | 1/4UNC X 1" HEX BOLT |
| 57 | 4 | 900008N | 1/4UNC X 2 1/2 HEX BOLT SS |
| 58 | 1 | 900128N | 3/8UNC X 3/4 SER FLANGE BOLT |
| 59 | 4 | 900150 | 3/8UNC X 9 1/2 HEX BOLT |
| 60 | 1 | 900263N | 1/2UNC X 1" SER FLANGE BOLT |
| 61 | 8 | 910004 | 3/8UNC HEX NUT |
| 62 | 1 | 910004N | 3/8UNC FLANGE CNTR LOCK NUT |
| 63 | 4 | 920000N | 1/4 SAE FLAT WASHER SS |



| CHASSIS ELECTRICAL HARNESS | | | |
|----------------------------|-----|--------|-------------------------------|
| DET | QTY | P/N | DESCRIPTION |
| 1 | 2 | 292016 | IQAN-XA2 MODULE |
| 2 | 1 | 294223 | REAR/MID RIGHT HARNESS STS'14 |
| 3 | 1 | 294227 | REAR LIGHT HARNESS STS'14 |
| 4 | 2 | 294229 | WHEEL MOTOR HARNESS STS'14 |
| 5 | 1 | 294243 | FRT/BACK HARNESS, L/F STS'14 |
| 6 | 2 | 520167 | CUSH CLAMP,#6 3/8D X 3/4W |
| 7 | 1 | 294073 | HARNESS-REAR MODULE |

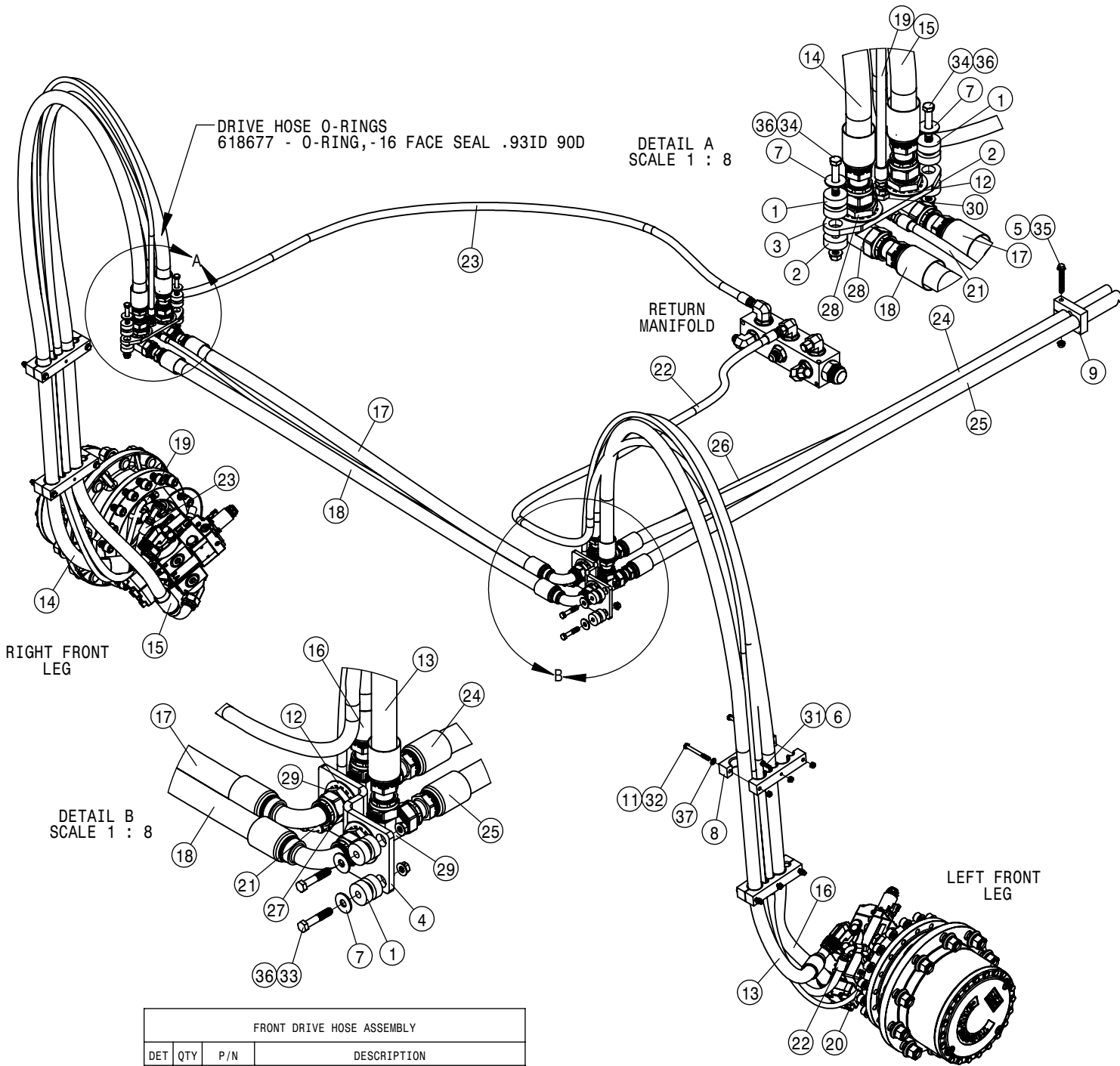


| A/C AND HEATER LINES | | | |
|----------------------|-----|---------|--------------------------------|
| DET | QTY | P/N | DESCRIPTION |
| 1 | 1 | 317145 | A/C DRYER MT |
| 2 | 3 | 342718 | HYD TUBE CLAMP KEEPER, 6.00 |
| 3 | 6 | 470089 | 1/4UNC HEX NYL-LOC NUT |
| 4 | 2 | 470113 | 5/16UNC SERR FLG LOCK NUT |
| 5 | 2 | 470234 | 5/16UNC X 1" SERR FLG HEX BOLT |
| 6 | 3 | 470695 | TUBE CLAMP BODY,4HOLE.375-.750 |
| 7 | 2 | 520052 | HOSE CLAMP NO 52 STAINLESS |
| 8 | 4 | 520081 | HOSE CLAMP NO 14 DBL WIRE |
| 9 | 2 | 520082 | HOSE CLAMP NO 16 DBL WIRE |
| 10 | 1 | 615919 | M/F TUBE ASSY 103" L/F |
| 11 | 1 | 615922 | M/F TUBE ASSY 103" L/F |
| 12 | 1 | 657438 | RECEIVER DRIER W/SWITCH |
| 13 | 1 | 657481 | A/C TUBE ASSY, .3750D,STS16 |
| 14 | 1 | 657483 | A/C TUBE ASSY, .6250D,STS16 |
| 15 | 1 | 657586 | A/C HOSE,06-06F-06F-21.5 |
| 16 | 1 | 657587 | A/C HOSE, 06-06F-06M45-23.9 |
| 17 | 1 | 657588 | A/C HOSE, 10-10F-10M45-41 |
| 18 | 1 | 657592 | HOSE, 5/8 x 23 HEATER |
| 19 | 1 | 657610 | HOSE, 3/4 x 36 HEATER |
| 20 | 1 | 657618 | HOSE, 5/8 x 10 HEATER |
| 21 | 1 | 696011 | 1/2 NPT FEMALE BALL VALVE |
| 22 | 2 | 716007 | 1/2 x 5/8 HOSE BARB |
| 23 | 6 | 900007N | 1/4 UNC X 2 SER FLG BOLT SS |



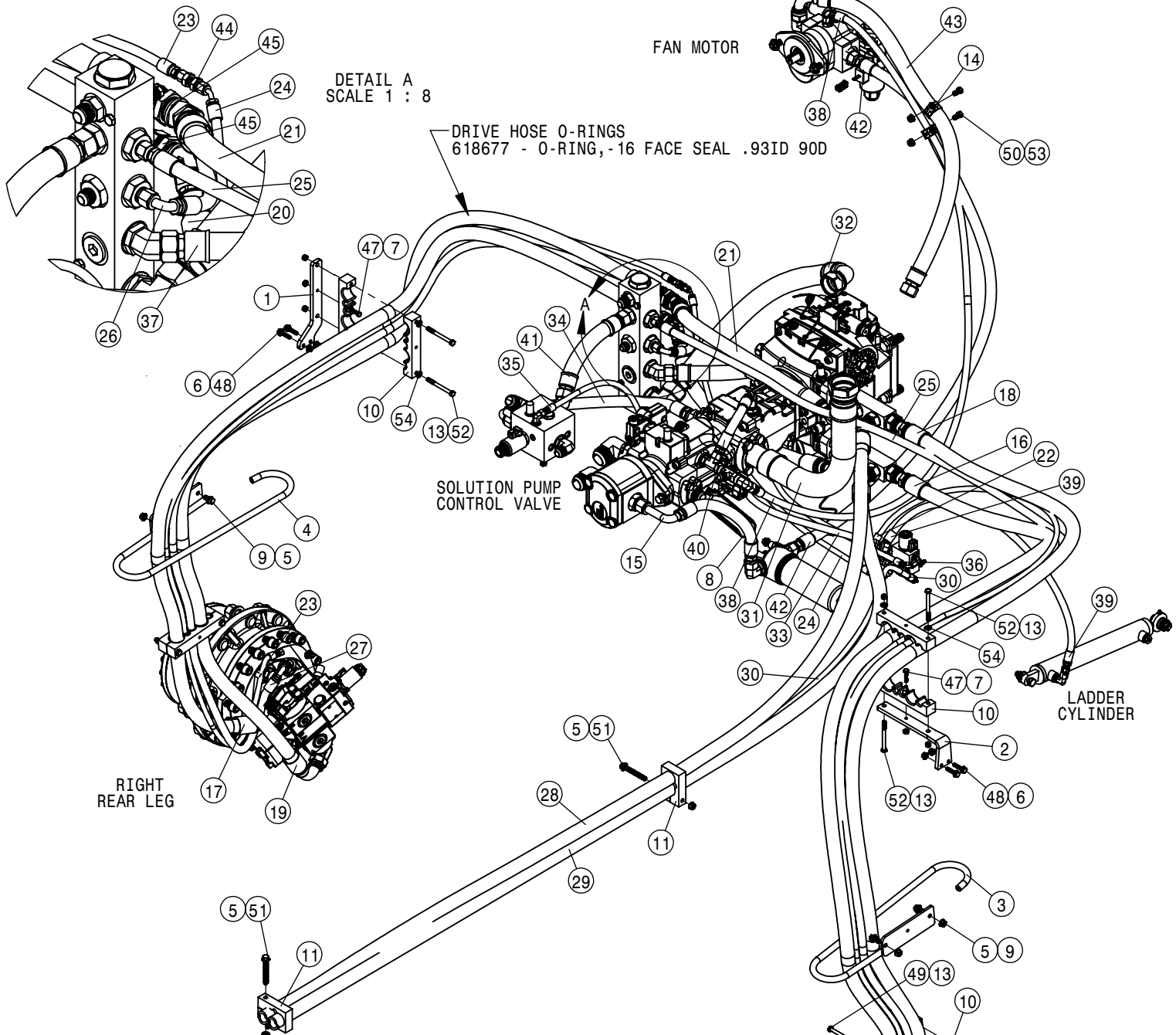
657538-COMPRESSOR W/O FITTINGS
 657539-A/C 90DEG FITTING, 657538
 657626-O-RING, 657538

| A/C AND HEATER LINES | | | |
|----------------------|-----|---------|----------------------------------|
| DET | QTY | P/N | DESCRIPTION |
| | 1 | 317450 | A/C COND BRKT WLD |
| | 1 | 317673 | SPACER-A/C COMPRESSOR (TOP) |
| | 1 | 317674 | SPACER-A/C COMPRESSOR (BOTTOM) |
| | 4 | 470122N | 1/4 UNC X 1/2 SERR FLG BOLT SS |
| | 8 | 470555 | CABLE TIE, 1/2 X 15" BLACK NYLON |
| | 4 | 473868 | 8MM-1.25 X 100MM HEX BOLT |
| | 2 | 520081 | HOSE CLAMP NO 14 DBL WIRE |
| | 2 | 520082 | HOSE CLAMP NO 16 DBL WIRE |
| | 2 | 520115 | CUSH CLAMP, #12 0.75"D-3/4W LOOP |
| | 1 | 520121 | CUSH CLAMP, #16 1IN X 3/4W |
| | 1 | 611124 | 7/8MJIC-90-1/2MNPT LBO |
| | 1 | 618949 | 5/8 HOSE BARB - 3/4MNPT |
| | 1 | 618954 | 7/8FJIC-1 1/16MJIC |
| | 1 | 618955 | 3/4 HOSE BARB-1 1/16FJX ADPTR |
| | 1 | 650542 | DECAL, NOTICE R134A, 4.00LB |
| | 1 | 657457 | COIL, COND 12 X 31.6 |
| | 1 | 657537 | A/C COMPRESSOR |
| | 1 | 657579 | A/C HOSE, 08-08F-SV-08F90-138 |
| | 1 | 657581 | A/C HOSE, 06-06F-06F90-136 |
| | 1 | 657589 | A/C HOSE, 12-10F-SV-10F-148" |
| | 1 | 657593 | HOSE, 5/8 x 112 HEATER |
| | 1 | 657611 | HOSE, 3/4 x 135 HEATER |
| | 1 | 900128N | 3/8UNC X 3/4 SER FLANGE BOLT |
| | 2 | 900129N | 3/8UNC X 1" SERR FLANGE BOLT |
| | 3 | 910004N | 3/8UNC FLANGE CNTR LOCK NUT |
| | 4 | 920001N | 5/16 SAE FLAT WASHER SS |



| FRONT DRIVE HOSE ASSEMBLY | | | |
|---------------------------|-----|---------|----------------------------------|
| DET | QTY | P/N | DESCRIPTION |
| 1 | 4 | 344565 | ISO BARRY MOUNT |
| 2 | 2 | 344584 | .41 X 1.31 X .50 BUSHING |
| 3 | 1 | 362103 | RF BULKHEAD BRKT BUSHING MGT |
| 4 | 1 | 362104 | LF BULKHEAD BRKT |
| 5 | 1 | 470087N | 3/8UNC HEX SERR FLG NUT YZ |
| 6 | 4 | 470121 | 1/4 UNC SERR FLG LOCK NUT |
| 7 | 4 | 470377 | 3/8 X 1 3/16 BONDED SS WASHER |
| 8 | 4 | 470672 | HOSE CLAMP, 5-HOLE |
| 9 | 1 | 470673 | HOSE CLAMP, 4-HOLE |
| NS | 2 | 470679 | SIDEWINDER SLEEVE |
| 11 | 8 | 473001 | 5/16UNC HEX NUT,NYLOC |
| 12 | 4 | 474003 | WASHER - INT TOOTH, 1.5" ID |
| 13 | 1 | 617060 | 16-797TC-16FFOX-16FFOX45-110 H/A |
| 14 | 1 | 617060 | 16-797TC-16FFOX-16FFOX45-110 H/A |
| 15 | 1 | 617061 | 16-797TC-16FFOX-16FFOX90-114 H/A |
| 16 | 1 | 617061 | 16-797TC-16FFOX-16FFOX90-114 H/A |
| 17 | 1 | 617064 | 16-797TC-16FFOX-16FFOX90-61 H/A |
| 18 | 1 | 617065 | 16-797TC-16FFOX-16FFOX90-65 H/A |
| 19 | 1 | 617068 | 04-451TC-04FJX-04FJX-126 H/A |
| 20 | 1 | 617068 | 04-451TC-04FJX-04FJX-126 H/A |

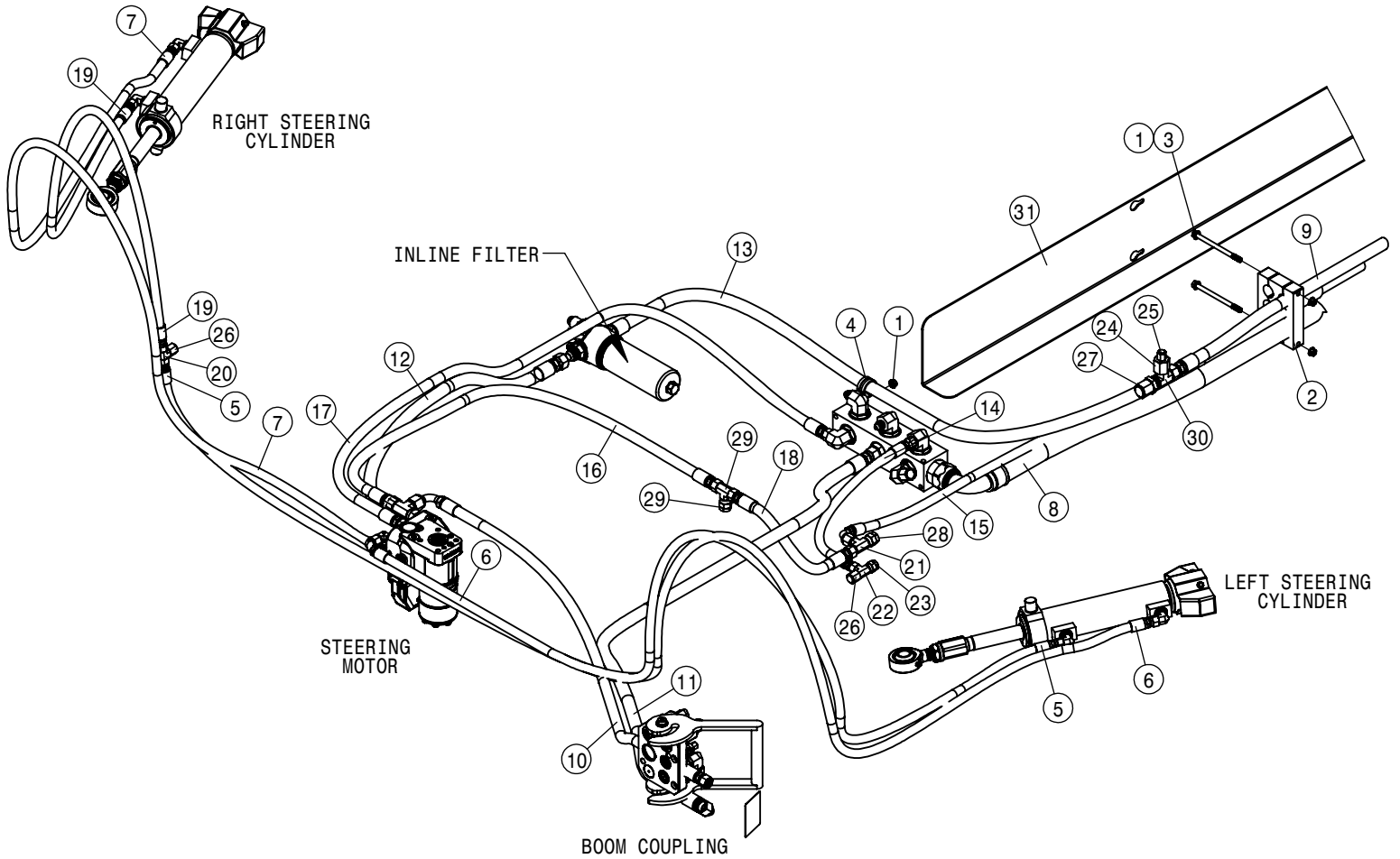
| FRONT DRIVE HOSE ASSEMBLY | | | |
|---------------------------|-----|---------|----------------------------------|
| DET | QTY | P/N | DESCRIPTION |
| 21 | 1 | 617070 | 04-451TC-04FJX-04FJX90-61 H/A |
| 22 | 1 | 617073 | 08-451TC-08FJX-08FJX90-173 |
| 23 | 1 | 617074 | 08-451TC-08FJX-08FJX90-190 H/A |
| 24 | 1 | 617081 | 16-797TC-16FFOX-16FFOX45-213 H/A |
| 25 | 1 | 617082 | 16-797TC-16FFOX-16FFOX45-217 H/A |
| 26 | 1 | 617083 | 04-451TC-04FJX-06FJX90-208 H/A |
| 27 | 1 | 618748 | 7/16MJIC BLKHD RUN TEE |
| 28 | 2 | 618886 | 1 7/16MFOR-90-BLKHD UNION LBO |
| 29 | 2 | 618887 | 1 7/16MFOR-BLKHD RUN TEE |
| 30 | 1 | 618889 | 7/16MJIC-90-BLKHD UNION LBO |
| 31 | 4 | 900003 | 1/4UNC X 1" HEX BOLT |
| 32 | 8 | 900073N | 5/16UNC X 3 1/4 HEX BOLT SS |
| 33 | 2 | 900133 | 3/8UNC X 2" HEX BOLT |
| 34 | 2 | 900135N | 3/8UNC X 2 3/4 HEX BOLT |
| 35 | 1 | 900136N | 3/8UNC X 3" SERR FLANGE BOLT |
| 36 | 4 | 910004N | 3/8UNC FLANGE CNTR LOCK NUT |
| 37 | 8 | 920001N | 5/16 SAE FLAT WASHER SS |



| REAR DRIVE HOSE ASSEMBLY | | | |
|--------------------------|-----|---------|----------------------------------|
| DET | QTY | P/N | DESCRIPTION |
| 1 | 1 | 360065 | RIGHT REAR LEG HOSE BRKT |
| 2 | 1 | 360066 | LFT REAR LEG HOSE BRKT |
| 3 | 1 | 362095 | LFT REAR HOSE BRKT TOP WLDMENT |
| 4 | 1 | 362096 | RGT REAR TOP HOSE BRKT |
| 5 | 6 | 470087N | 3/8UNC HEX SERR FLG NUT YZ |
| 6 | 4 | 470113N | 5/16UNC SERR FLG LOCK NUT SS |
| 7 | 4 | 470121 | 1/4 UNC SERR FLG LOCK NUT |
| 8 | 1 | 470369 | HOSE PROTECTOR, 8" BLACK |
| 9 | 4 | 470409 | 3/8UNC X 3/4" SERR FLG BOLT |
| 10 | 4 | 470672 | HOSE CLAMP, 5-HOLE |
| 11 | 2 | 470673 | HOSE CLAMP, 4-HOLE |
| NS | 2 | 470679 | SIDEWINDER SLEEVE |
| 13 | 8 | 473001 | 5/16UNC HEX NUT, NYLOC |
| 14 | 2 | 520160 | CUSH CLAMP, #24 1 1/2D-3/4WLOOP |
| 15 | 1 | 616676 | 12-451TC-12FJX-12FJX90L-18 H/A |
| 16 | 1 | 617062 | 16-797TC-16FFOX-16FFOX45-123 H/A |
| 17 | 1 | 617062 | 16-797TC-16FFOX-16FFOX45-123 H/A |
| 18 | 1 | 617063 | 16-797TC-16FFOX-16FFOX90-128 H/A |
| 19 | 1 | 617063 | 16-797TC-16FFOX-16FFOX90-128 H/A |
| 20 | 1 | 617067 | 16-797TC-16FFOX-16FFOX90-31 H/A |
| 21 | 1 | 617067 | 16-797TC-16FFOX-16FFOX90-31 H/A |
| 22 | 1 | 617069 | 04-451TC-04FJX-06FJX90-139 H/A |
| 23 | 1 | 617071 | 04-451TC-04FJX-04FJX-138 H/A |
| 24 | 1 | 617072 | 04-451TC-06FJX-04FJX45-43 H/A |
| 25 | 1 | 617075 | 08-451TC-08FJX-08FJX90-160 H/A |
| 26 | 1 | 617077 | 08-451TC-08FJX-08FJX90-15 H/A |
| 27 | 1 | 617080 | 08-451TC-08FJX-08FJX90-133 H/A |

| REAR DRIVE HOSE ASSEMBLY | | | |
|--------------------------|-----|---------|-----------------------------------|
| DET | QTY | P/N | DESCRIPTION |
| 28 | 1 | 617081 | 16-797TC-16FFOX-16FFOX45-213 H/A |
| 29 | 1 | 617082 | 16-797TC-16FFOX-16FFOX45-217 H/A |
| 30 | 1 | 617083 | 04-451TC-04FJX-06FJX90-208 H/A |
| 31 | 1 | 617089 | 32-811-32FJX-32FLG-25 H/A |
| 32 | 1 | 617094 | 24-811-24FJX-24FJX90-31 H/A |
| 33 | 1 | 617096 | 06-451TC-08FJX-06FJX90-22 H/A |
| 34 | 1 | 617101 | 12-451TC-16FJX-12FJX90-23 H/A |
| 35 | 1 | 617102 | 04-451TC-06FJX-04FJX90-29 H/A |
| 36 | 1 | 617121 | 04-451TC-06FJX-04FJX90-34 H/A |
| 37 | 1 | 617123 | 16-811-16FJX-16FJX90-22 H/A |
| 38 | 1 | 617124 | 06-451TC-10FJX-06FJX90-85 H/A |
| 39 | 1 | 617127 | 06-451TC-06FJX-06FJX45-36 H/A |
| 40 | 1 | 617132 | 10-451TC-10FJX-10FJX90-11 H/A |
| 41 | 1 | 617139 | 16-811-16FJX-16FJX-12 H/A |
| 42 | 1 | 617199 | 12-451TC-12FJX-12FJX-73 H/A |
| 43 | 1 | 617214 | 16-811-16FJX-16FJX90-43 |
| 44 | 1 | 618511 | 7/16MJIC-7/16MJIC BLKHD UNION |
| 45 | 2 | 618930 | 1 7/16 MFOR-45-BLKHD UNION LBO |
| 46 | 2 | 900003 | 1/4UNC X 1" HEX BOLT |
| 47 | 2 | 900004 | 1/4UNC X 1 1/4 HEX BOLT |
| 48 | 4 | 900066N | 5/16UNC X 1 1/4 SERR.FLG.HEX BOLT |
| 49 | 4 | 900073N | 5/16UNC X 3 1/4 HEX BOLT SS |
| 50 | 2 | 900128 | 3/8UNC X 3/4 HEX BOLT |
| 51 | 2 | 900136N | 3/8UNC X 3" SERR FLANGE BOLT |
| 52 | 4 | 900539N | 5/16UNC X 3 1/2 HEX BOLT SS |
| 53 | 2 | 910004N | 3/8UNC FLANGE CNTR LOCK NUT |
| 54 | 8 | 920001N | 5/16 SAE FLAT WASHER SS |

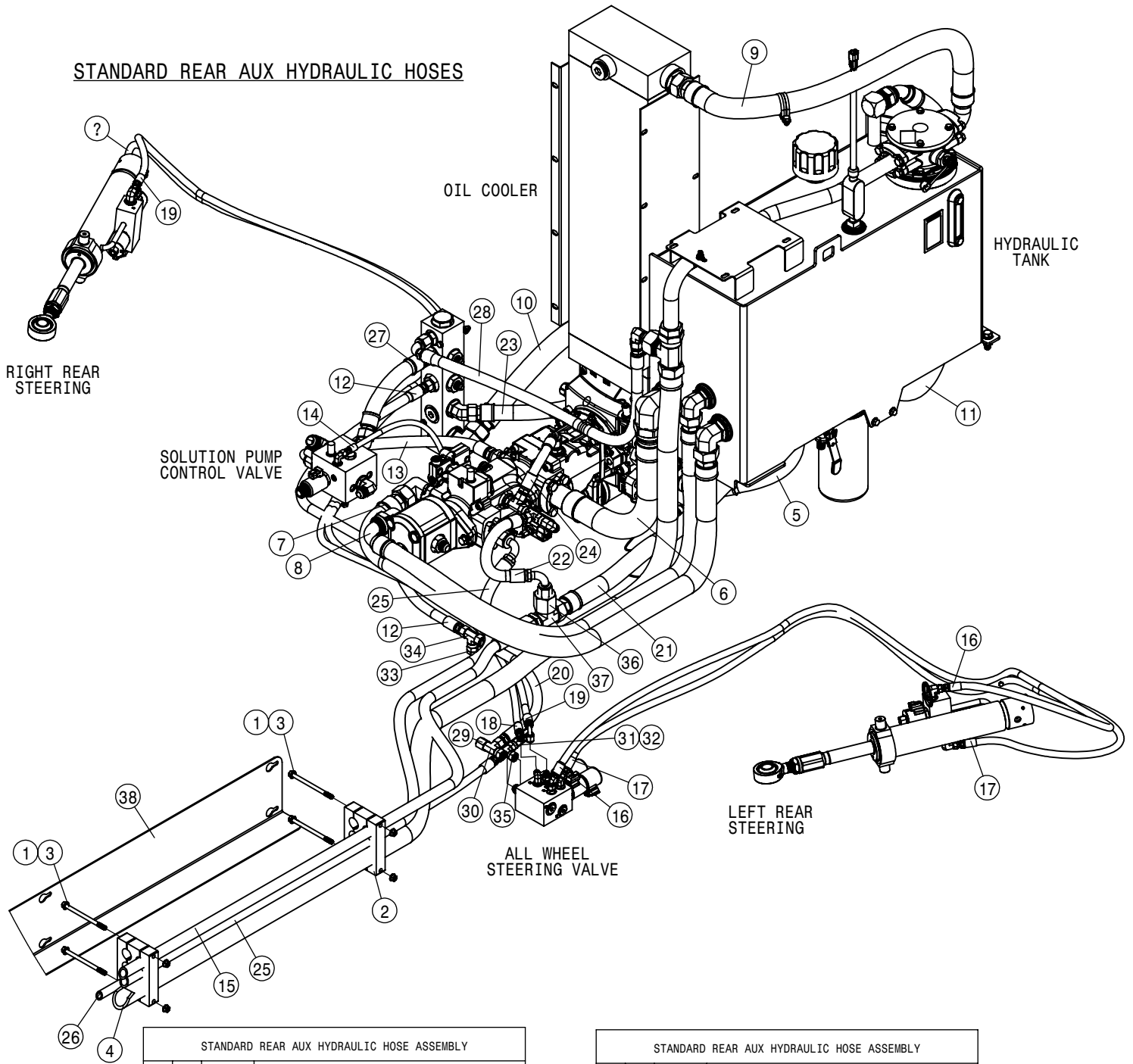
STANDARD FRONT AUX HYDRAULIC HOSES



| STANDARD FRONT AUX HYDRAULIC HOSE ASSEMBLY | | | | |
|--------------------------------------------|-----|--------|--------------------------------|--|
| DET | QTY | P/N | DESCRIPTION | |
| 1 | 3 | 470087 | 3/8UNC HEX SERR FLANGE NUT | |
| 2 | 1 | 470671 | HOSE CLAMP, 6-HOLE | |
| 3 | 2 | 470683 | 3/8UNC X5 1/2SMTH FLG HEX BOLT | |
| 4 | 1 | 520160 | CUSH CLAMP,#24 1 1/2D-3/4WLOOP | |
| 5 | 1 | 616102 | 08-451TC-08FJX-08FJX-206 | |
| 6 | 1 | 617078 | 08-451TC-08FJX-08FJX90-118 H/A | |
| 7 | 1 | 617079 | 08-451TC-08FJX-08FJX-107 H/A | |
| 8 | 1 | 617087 | 24-811-24FJX-24FJX90-177 H/A | |
| 9 | 1 | 617105 | 12-451TC-12FJX-12FJX-115 H/A | |
| 10 | 1 | 617129 | 10-451TC-10FJX-12FJX90-55 H/A | |
| 11 | 1 | 617130 | 12-451TC-12FJX-12FJX90-78 H/A | |
| 12 | 1 | 617131 | 12-451TC-12FJX-12FJX-44 H/A | |
| 13 | 1 | 617133 | 12-451TC-12FJX-16FJX90-187 H/A | |
| 14 | 1 | 617134 | 08-451TC-08FJX-08FJX-22 H/A | |
| 15 | 1 | 617135 | 08-451TC-08FJX-10FJX90-141 H/A | |
| 16 | 1 | 617136 | 10-451TC-10FJX-12FJX-53 H/A | |

| STANDARD FRONT AUX HYDRAULIC HOSE ASSEMBLY | | | | |
|--------------------------------------------|-----|--------|-----------------------------|--|
| DET | QTY | P/N | DESCRIPTION | |
| 17 | 1 | 617137 | 10-451TC-10FJX-10FJX-79 H/A | |
| 18 | 1 | 617138 | 10-451TC-10FJX-10FJX-16 H/A | |
| 19 | 1 | 617212 | 8-451TC-8FJX-8FJX-75 H/A | |
| 20 | 1 | 618311 | 3/4MJIC UNION TEE | |
| 21 | 1 | 618333 | 7/8FJIC SW RUN TEE-7/8MJIC | |
| 22 | 1 | 618451 | 3/4FJIC SW RUN TEE-3/4MJIC | |
| 23 | 1 | 618457 | 3/4MJIC PLUG | |
| 24 | 1 | 618483 | 1 1/16FJIC-9/16MJIC ADPTR | |
| 25 | 1 | 618531 | 9/16FJIC CAP NUT | |
| 26 | 2 | 618532 | 3/4FJIC CAP NUT | |
| 27 | 1 | 618533 | 1 1/16FJIC CAP NUT | |
| 28 | 2 | 618543 | 7/8MJIC PLUG | |
| 29 | 1 | 618593 | 7/8FJ SW BRANCH TEE-7/8MJ | |
| 30 | 1 | 618750 | 1 1/16MJIC BLKHD RUN TEE | |
| 31 | 1 | 660290 | HOSE GUARD - L/F | |

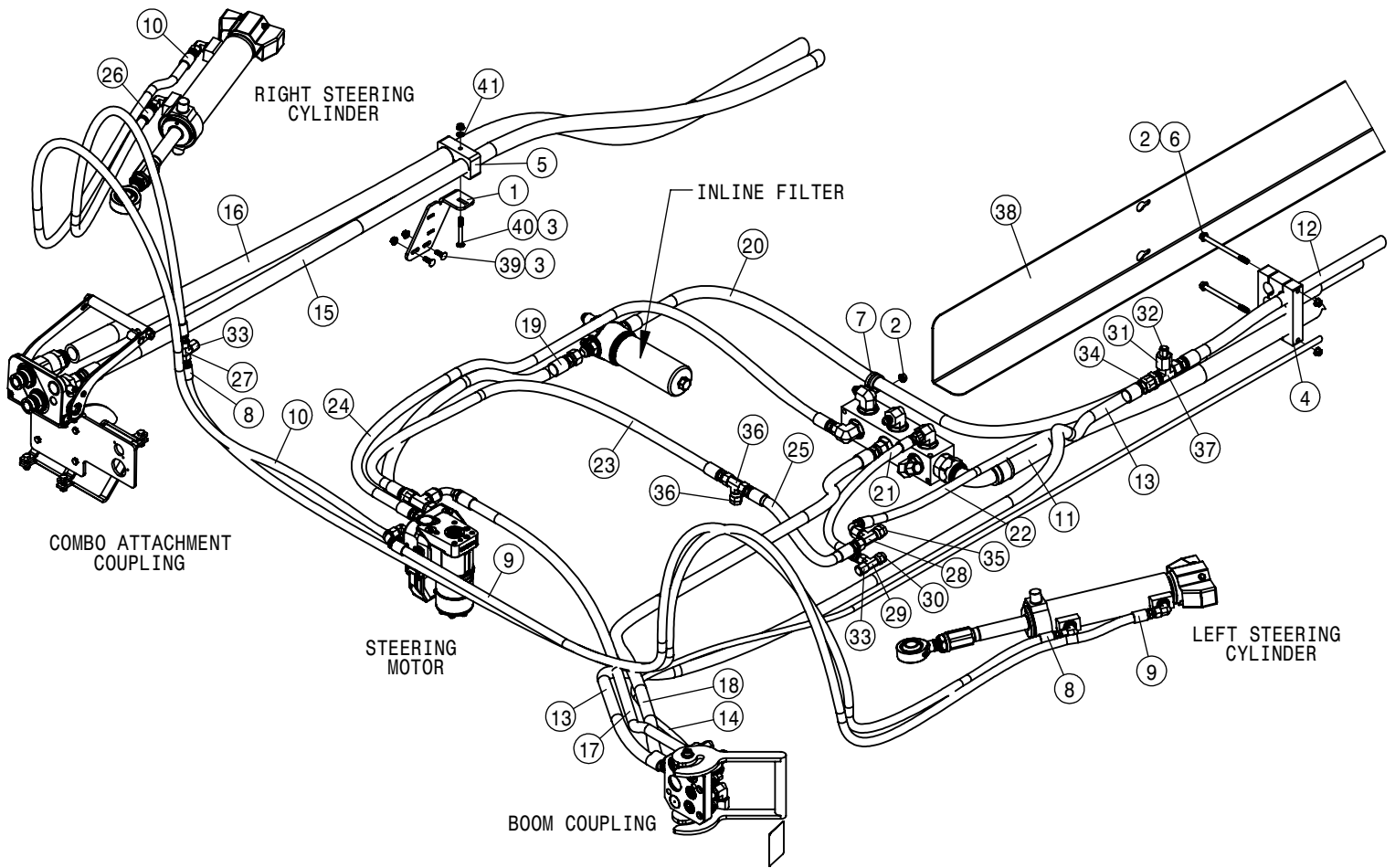
STANDARD REAR AUX HYDRAULIC HOSES



| STANDARD REAR AUX HYDRAULIC HOSE ASSEMBLY | | | |
|-------------------------------------------|-----|--------|--------------------------------|
| DET | QTY | P/N | DESCRIPTION |
| 1 | 4 | 470087 | 3/8UNC HEX SERR FLANGE NUT |
| 2 | 2 | 470671 | HOSE CLAMP, 6-HOLE |
| 3 | 4 | 470683 | 3/8UNC X5 1/2SMTH FLG HEX BOLT |
| 4 | 1 | 617087 | 24-811-24FJX-24FJX90-177 H/A |
| 5 | 1 | 617088 | 24-811-24FJX-24FJX45-18 H/A |
| 6 | 1 | 617089 | 32-811-32FJX-32FLG-25 H/A |
| 7 | 1 | 617091 | 24-811-24FJX-24FJX-71 H/A |
| 8 | 1 | 617092 | 20-811-20FJX-20FJX90-60 H/A |
| 9 | 1 | 617093 | 24-811-24FJX-24FLG90-48 H/A |
| 10 | 1 | 617094 | 24-811-24FJX-24FJX90-31 H/A |
| 11 | 1 | 617095 | 20-811-20FJX-20FJX45-47 H/A |
| 12 | 1 | 617097 | 10-451TC-10FJX-10FJX-47 H/A |
| 13 | 1 | 617101 | 12-451TC-16FJX-12FJX90-23 H/A |
| 14 | 1 | 617102 | 04-451TC-06FJX-04FJX90-29 H/A |
| 15 | 1 | 617105 | 12-451TC-12FJX-12FJX-115 H/A |
| 16 | 1 | 617115 | 06-451TC-06FJX-06FJX45-101 H/A |
| 17 | 1 | 617116 | 06-451TC-06FJX-06FJX-99 H/A |
| 18 | 1 | 617117 | 06-451TC-06FJX-06FJX-137 |
| 19 | 1 | 617118 | 06-451TC-06FJX-06FJX90-137 H/A |

| STANDARD REAR AUX HYDRAULIC HOSE ASSEMBLY | | | |
|-------------------------------------------|-----|--------|--------------------------------|
| DET | QTY | P/N | DESCRIPTION |
| 20 | 1 | 617119 | 10-451TC-10FJX-10FJX-18 H/A |
| 21 | 1 | 617120 | 20-811-20FJX-20FJX-37 H/A |
| 22 | 1 | 617122 | 12-451TC-10FJX-12FJX90-18 H/A |
| 23 | 1 | 617123 | 16-811-16FJX-16FJX90-22 H/A |
| 24 | 1 | 617132 | 10-451TC-10FJX-10FJX90-11 H/A |
| 25 | 1 | 617133 | 12-451TC-12FJX-16FJX90-187 H/A |
| 26 | 1 | 617135 | 08-451TC-08FJX-10FJX90-141 H/A |
| 27 | 1 | 617139 | 16-811-16FJX-16FJX-12 H/A |
| 28 | 1 | 617171 | 12-451TC-12FJX-12FJX90-43 H/A |
| 29 | 1 | 618328 | 7/8FJIC CAP NUT |
| 30 | 1 | 618333 | 7/8FJIC SW RUN TEE-7/8MJIC |
| 31 | 1 | 618451 | 3/4FJIC SW RUN TEE-3/4MJIC |
| 32 | 2 | 618532 | 3/4FJIC CAP NUT |
| 33 | 1 | 618543 | 7/8MJIC PLUG |
| 34 | 1 | 618593 | 7/8FJ SW BRANCH TEE-7/8MJ |
| 35 | 1 | 618643 | 3/4FJ SW BRANCH TEE-3/4MJ |
| 36 | 2 | 618665 | 1 5/8FJIC-1 1/16MJIC ADPTR |
| 37 | 1 | 618752 | 1 5/8MJIC BLKHD RUN TEE |
| 38 | 1 | 660290 | HOSE GUARD - L/F |

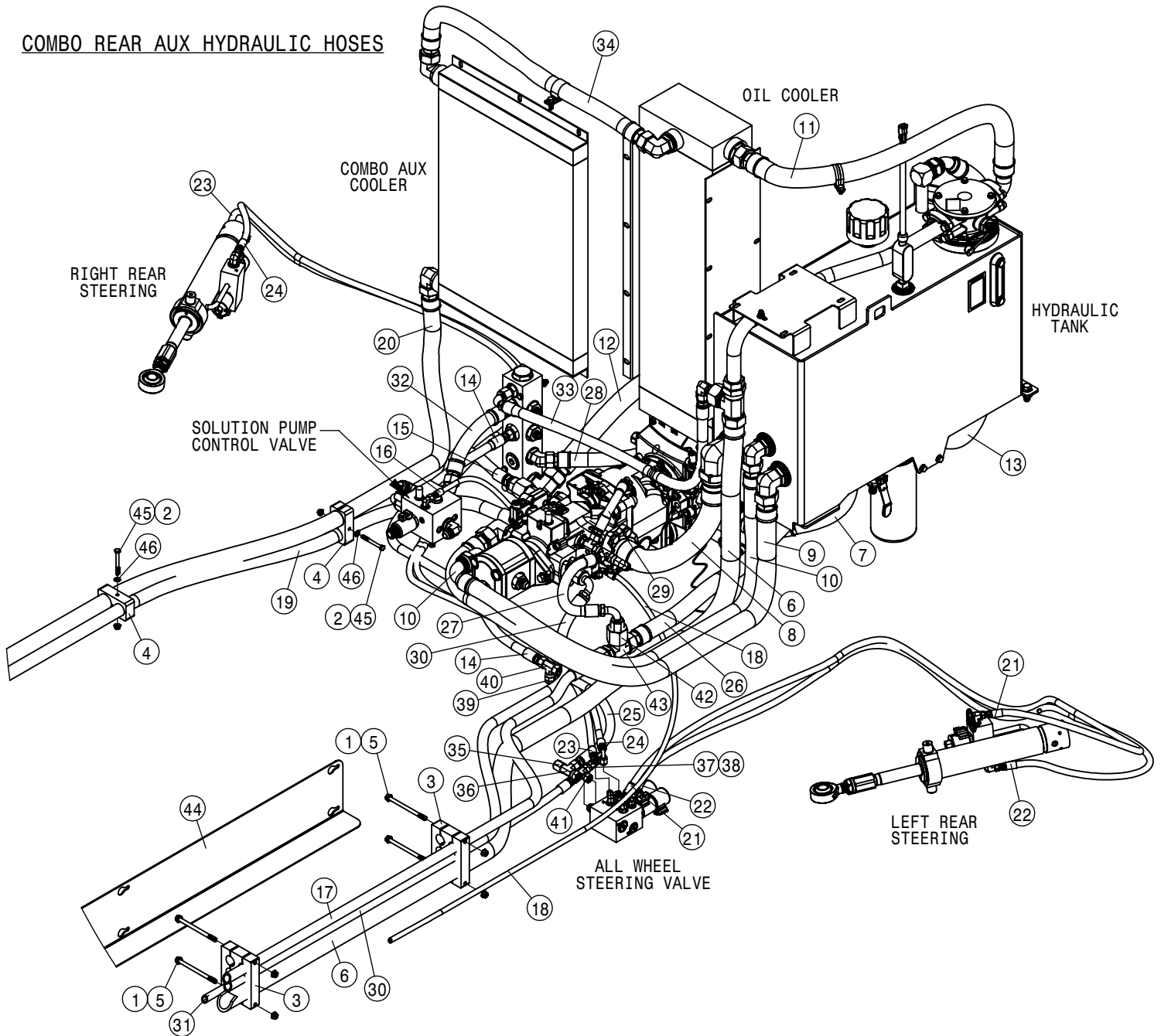
COMBO FRONT AUX HYDRAULIC HOSES



| COMBO FRONT AUX HYDRAULIC HOSE ASSEMBLY | | | |
|-----------------------------------------|-----|---------|---------------------------------|
| DET | QTY | P/N | DESCRIPTION |
| 1 | 1 | 362035 | COMBO SUPPORT BRKT |
| 2 | 3 | 470087 | 3/8UNC HEX SERR FLANGE NUT |
| 3 | 3 | 470113N | 5/16UNC SERR FLG LOCK NUT SS |
| 4 | 1 | 470671 | HOSE CLAMP, 6-HOLE |
| 5 | 1 | 470674 | HOSE CLAMP, 2-HOLE |
| 6 | 2 | 470683 | 3/8UNC X5 1/2SMTH FLG HEX BOLT |
| 7 | 1 | 520160 | CUSH CLAMP, #24 1 1/2D-3/4WLOOP |
| 8 | 1 | 616102 | 08-451TC-08FJX-08FJX-206 |
| 9 | 1 | 617078 | 08-451TC-08FJX-08FJX90-118 H/A |
| 10 | 1 | 617079 | 08-451TC-08FJX-08FJX-107 H/A |
| 11 | 1 | 617087 | 24-811-24FJX-24FJX90-177 H/A |
| 12 | 1 | 617105 | 12-451TC-12FJX-12FJX-115 H/A |
| 13 | 1 | 617111 | 12-451TC-12FJX-12FJX-93 H/A |
| 14 | 1 | 617112 | 04-451TC-04FJX-04FJX45-239 H/A |
| 15 | 1 | 617113 | 16-451TC-16FJX-20FJX90-215 H/A |
| 16 | 1 | 617114 | 20-811-20FJX-20-FJX-229 H/A |
| 17 | 1 | 617129 | 10-451TC-10FJX-12FJX90-55 H/A |
| 18 | 1 | 617130 | 12-451TC-12FJX-12FJX90-78 H/A |
| 19 | 1 | 617131 | 12-451TC-12FJX-12FJX-44 H/A |
| 20 | 1 | 617133 | 12-451TC-12FJX-16FJX90-187 H/A |
| 21 | 1 | 617134 | 08-451TC-08FJX-08FJX-22 H/A |

| COMBO FRONT AUX HYDRAULIC HOSE ASSEMBLY | | | |
|-----------------------------------------|-----|---------|--------------------------------|
| DET | QTY | P/N | DESCRIPTION |
| 22 | 1 | 617135 | 08-451TC-08FJX-10FJX90-141 H/A |
| 23 | 1 | 617136 | 10-451TC-10FJX-12FJX-53 H/A |
| 24 | 1 | 617137 | 10-451TC-10FJX-10FJX-79 H/A |
| 25 | 1 | 617138 | 10-451TC-10FJX-10FJX-16 H/A |
| 26 | 1 | 617212 | 8-451TC-8FJX-8FJX-75 H/A |
| 27 | 1 | 618311 | 3/4MJIC UNION TEE |
| 28 | 1 | 618333 | 7/8FJIC SW RUN TEE-7/8MJIC |
| 29 | 1 | 618451 | 3/4FJIC SW RUN TEE-3/4MJIC |
| 30 | 1 | 618457 | 3/4MJIC PLUG |
| 31 | 1 | 618483 | 1 1/16FJIC-9/16MJIC ADPTR |
| 32 | 1 | 618531 | 9/16FJIC CAP NUT |
| 33 | 2 | 618532 | 3/4FJIC CAP NUT |
| 34 | 1 | 618533 | 1 1/16FJIC CAP NUT |
| 35 | 2 | 618543 | 7/8MJIC PLUG |
| 36 | 1 | 618593 | 7/8FJ SW BRANCH TEE-7/8MJ |
| 37 | 1 | 618750 | 1 1/16MJIC BLKHD RUN TEE |
| 38 | 1 | 660290 | HOSE GUARD - L/F |
| 39 | 2 | 901064 | 5/16UNC X 1 CARR BOLT |
| 40 | 1 | 901073 | 5/16UNC X 3 CARR BOLT |
| 41 | 1 | 920001N | 5/16 SAE FLAT WASHER SS |

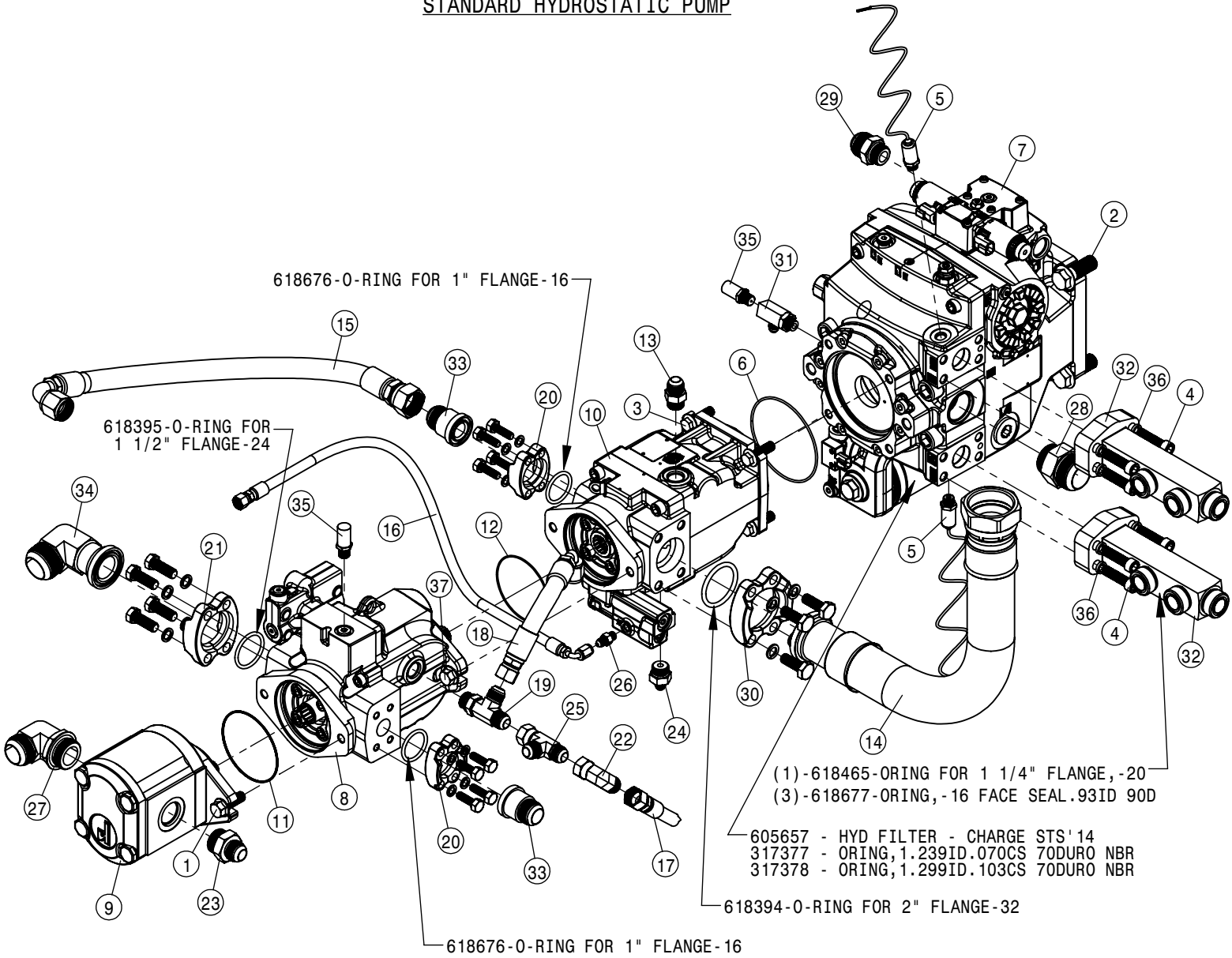
COMBO REAR AUX HYDRAULIC HOSES



| COMBO REAR AUX HYDRAULIC HOSE ASSEMBLY | | | |
|----------------------------------------|-----|---------|--------------------------------|
| DET | QTY | P/N | DESCRIPTION |
| 1 | 4 | 470087 | 3/8UNC HEX SERR FLANGE NUT |
| 2 | 2 | 470113N | 5/16UNC SERR FLG LOCK NUT SS |
| 3 | 2 | 470671 | HOSE CLAMP, 6-HOLE |
| 4 | 2 | 470674 | HOSE CLAMP, 2-HOLE |
| 5 | 4 | 470683 | 3/8UNC X5 1/2SMTH FLG HEX BOLT |
| 6 | 1 | 617087 | 24-811-24FJX-24FJX90-177 H/A |
| 7 | 1 | 617088 | 24-811-24FJX-24FJX45-18 H/A |
| 8 | 1 | 617090 | 32-811-32FJX-40FLG-23 H/A |
| 9 | 1 | 617091 | 24-811-24FJX-24FJX-71 H/A |
| 10 | 1 | 617092 | 20-811-20FJX-20FJX90-60 H/A |
| 11 | 1 | 617093 | 24-811-24FJX-24FLG90-48 H/A |
| 12 | 1 | 617094 | 24-811-24FJX-24FJX90-31 H/A |
| 13 | 1 | 617095 | 20-811-20FJX-20FJX45-47 H/A |
| 14 | 1 | 617097 | 10-451TC-10FJX-10FJX-47 H/A |
| 15 | 1 | 617101 | 12-451TC-16FJX-12FJX90-23 H/A |
| 16 | 1 | 617102 | 04-451TC-06FJX-04FJX90-29 H/A |
| 17 | 1 | 617105 | 12-451TC-12FJX-12FJX-115 H/A |
| 18 | 1 | 617112 | 04-451TC-04FJX-04FJX45-239 H/A |
| 19 | 1 | 617113 | 16-451TC-16FJX-20FJX90-215 H/A |
| 20 | 1 | 617114 | 20-811-20FJX-20-FJX-229 H/A |
| 21 | 1 | 617115 | 06-451TC-06FJX-06FJX45-101 H/A |
| 22 | 1 | 617116 | 06-451TC-06FJX-06FJX-99 H/A |
| 23 | 1 | 617117 | 06-451TC-06FJX-06FJX-137 |

| COMBO REAR AUX HYDRAULIC HOSE ASSEMBLY | | | |
|----------------------------------------|-----|---------|--------------------------------|
| DET | QTY | P/N | DESCRIPTION |
| 24 | 1 | 617118 | 06-451TC-06FJX-06FJX90-137 H/A |
| 25 | 1 | 617119 | 10-451TC-10FJX-10FJX-18 H/A |
| 26 | 1 | 617120 | 20-811-20FJX-20FJX-37 H/A |
| 27 | 1 | 617122 | 12-451TC-10FJX-12FJX90-18 H/A |
| 28 | 1 | 617123 | 16-811-16FJX-16FJX90-22 H/A |
| 29 | 1 | 617132 | 10-451TC-10FJX-10FJX90-11 H/A |
| 30 | 1 | 617133 | 12-451TC-12FJX-16FJX90-187 H/A |
| 31 | 1 | 617135 | 08-451TC-08FJX-10FJX90-141 H/A |
| 32 | 1 | 617139 | 16-811-16FJX-16FJX-12 H/A |
| 33 | 1 | 617171 | 12-451TC-12FJX-12FJX90-43 H/A |
| 34 | 1 | 617173 | 20-811-20FJX-20FJX-39 H/A |
| 35 | 1 | 618328 | 7/8FJIC CAP NUT |
| 36 | 1 | 618333 | 7/8FJIC SW RUN TEE-7/8MJIC |
| 37 | 1 | 618451 | 3/4FJIC SW RUN TEE-3/4MJIC |
| 38 | 2 | 618532 | 3/4FJIC CAP NUT |
| 39 | 1 | 618543 | 7/8MJIC PLUG |
| 40 | 1 | 618593 | 7/8FJ SW BRANCH TEE-7/8MJ |
| 41 | 1 | 618643 | 3/4FJ SW BRANCH TEE-3/4MJ |
| 42 | 2 | 618665 | 1 5/8FJIC-1 1/16MJIC ADPTR |
| 43 | 1 | 618752 | 1 5/8MJIC BLKHD RUN TEE |
| 44 | 1 | 660290 | HOSE GUARD - L/F |
| 45 | 2 | 900072N | 5/16UNC X 3" HEX BOLT SS |
| 46 | 2 | 920001N | 5/16 SAE FLAT WASHER SS |

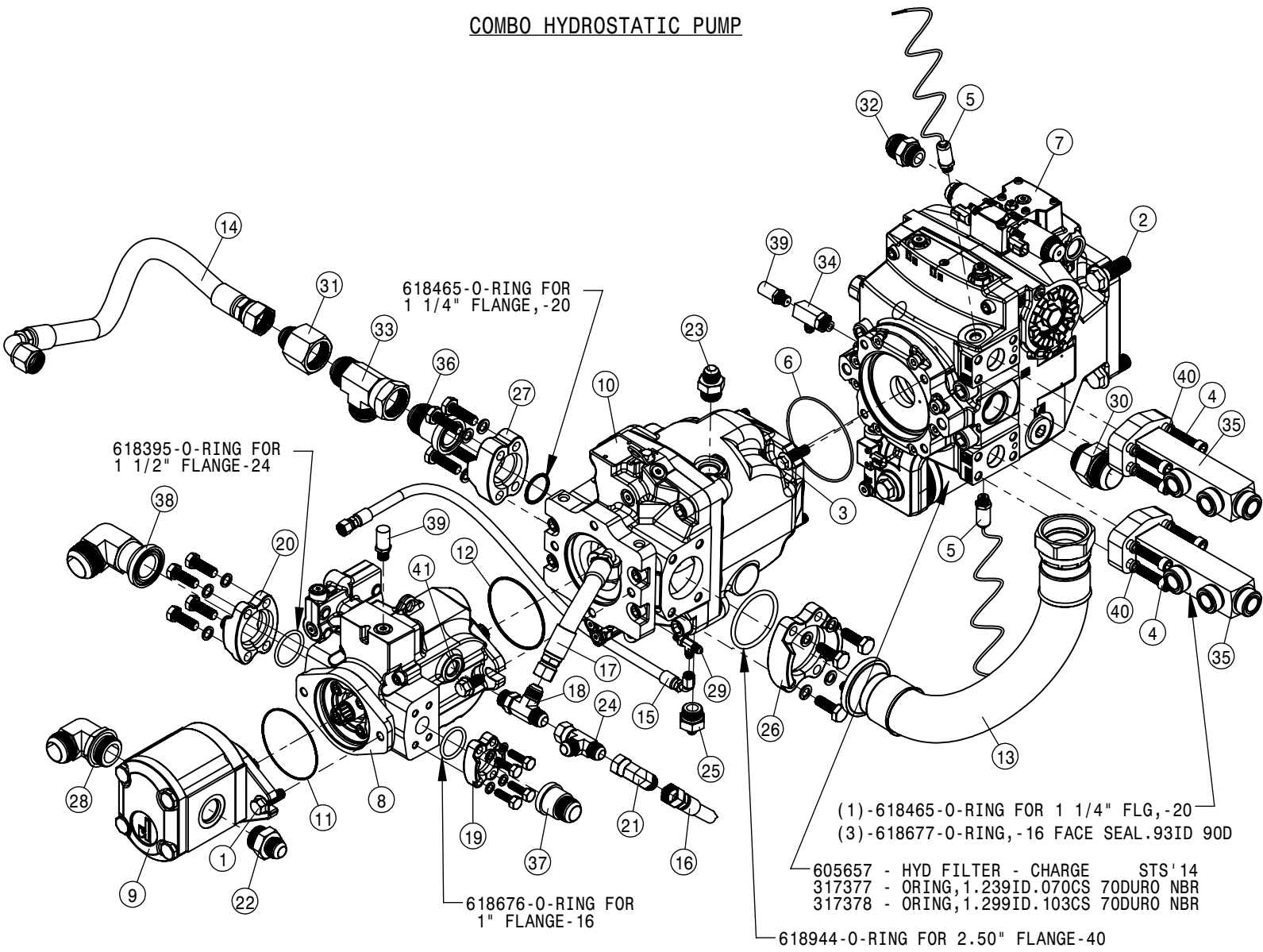
STANDARD HYDROSTATIC PUMP



| STANDARD HYDROSTATIC PUMP ASSEMBLY | | | |
|------------------------------------|-----|--------|----------------------------------|
| DET | QTY | P/N | DESCRIPTION |
| 1 | 2 | 470431 | 1/2UNC X 1 1/2 SERR FLG BOLT |
| 2 | 4 | 472367 | 3/4UNC X 2" SM FLG BOLT GR8 YZ |
| 3 | 4 | 473856 | 12MM-1.75 X 40MM SM FLANGED BOLT |
| 4 | 8 | 473874 | 12MM-1.75X 40MM SOC HD CAP SCR |
| 5 | 2 | 606196 | PRESSURE TRANSDUCER, 9000 PSI |
| 6 | 1 | 606197 | O-RING, 4.73ID-.103CS-4.9430D |
| 7 | 1 | 606519 | H1 PUMP 147CC D/C MT |
| 8 | 1 | 606523 | PUMP-38CC BB/B MNT |
| 9 | 1 | 606524 | 40CC GEAR PUMP |
| 10 | 1 | 606525 | PUMP 45CC C/BB MT |
| 11 | 1 | 606870 | O-RING FOR 606865 SUND B-MT |
| 12 | 1 | 607115 | O-RING, 3.739ID-.070CS-3.8090D |
| 13 | 1 | 611126 | 7/8MJIC-7/8MOR ADPTR |
| 14 | 1 | 617089 | 32-811-32FJX-32FLG-25 H/A |
| 15 | 1 | 617101 | 12-451TC-16FJX-12FJX90-23 H/A |
| 16 | 1 | 617102 | 04-451TC-06FJX-04FJX90-29 H/A |
| 17 | 1 | 617124 | 06-451TC-10FJX-06FJX90-85 H/A |
| 18 | 1 | 617132 | 10-451TC-10FJX-10FJX90-11 H/A |

| STANDARD HYDROSTATIC PUMP ASSEMBLY | | | |
|------------------------------------|-----|---------|--------------------------------|
| DET | QTY | P/N | DESCRIPTION |
| 19 | 1 | 618130 | 7/8MOR RUN TEE-7/8MJIC |
| 20 | 2 | 618297 | 1.00 SPLIT FLANGE KIT #61 |
| 21 | 1 | 618299 | 1.50 SPLIT FLANGE KIT #61 |
| 22 | 1 | 618301 | 7/8MJIC-90-7/8FJIC SWIV LBO |
| 23 | 1 | 618308 | 1 1/16MJIC-1 5/16MOR ADPTR |
| 24 | 1 | 618310 | 9/16MJIC-7/8MOR ADPTR |
| 25 | 1 | 618333 | 7/8FJIC SW RUN TEE-7/8MJIC |
| 26 | 1 | 618467 | 7/16MJIC-7/16MOR ADPTR |
| 27 | 1 | 618477 | 1 5/8MJIC-90-1 5/8MOR LBO |
| 28 | 1 | 618527 | 1 7/8MJIC-1 5/8MOR ADPTR |
| 29 | 1 | 618558 | 1 5/16MJIC-1 1/16MOR ADPTR |
| 30 | 1 | 618766 | 2" SPLIT FLANGE KIT #61 |
| 31 | 1 | 618782 | 9/16MOR-9/16FOR-9/16MJIC BRNCH |
| 32 | 2 | 618876 | DRIVE PUMP MANIFOLD BLK |
| 33 | 2 | 618899 | 1 5/16MJ-1"FLANGE C61 ADPTR |
| 34 | 1 | 619020 | 1 1/2 FLG-90-1 7/8 MJIC LBO |
| 35 | 2 | 619023 | 9/16 MOR DIAGNOSTIC FITTING |
| 36 | 8 | 470189 | 7/16 HC LOCK WASH FOR 618598 |
| 37 | 2 | 900263N | 1/2UNC X 1" SER FLANGE BOLT |

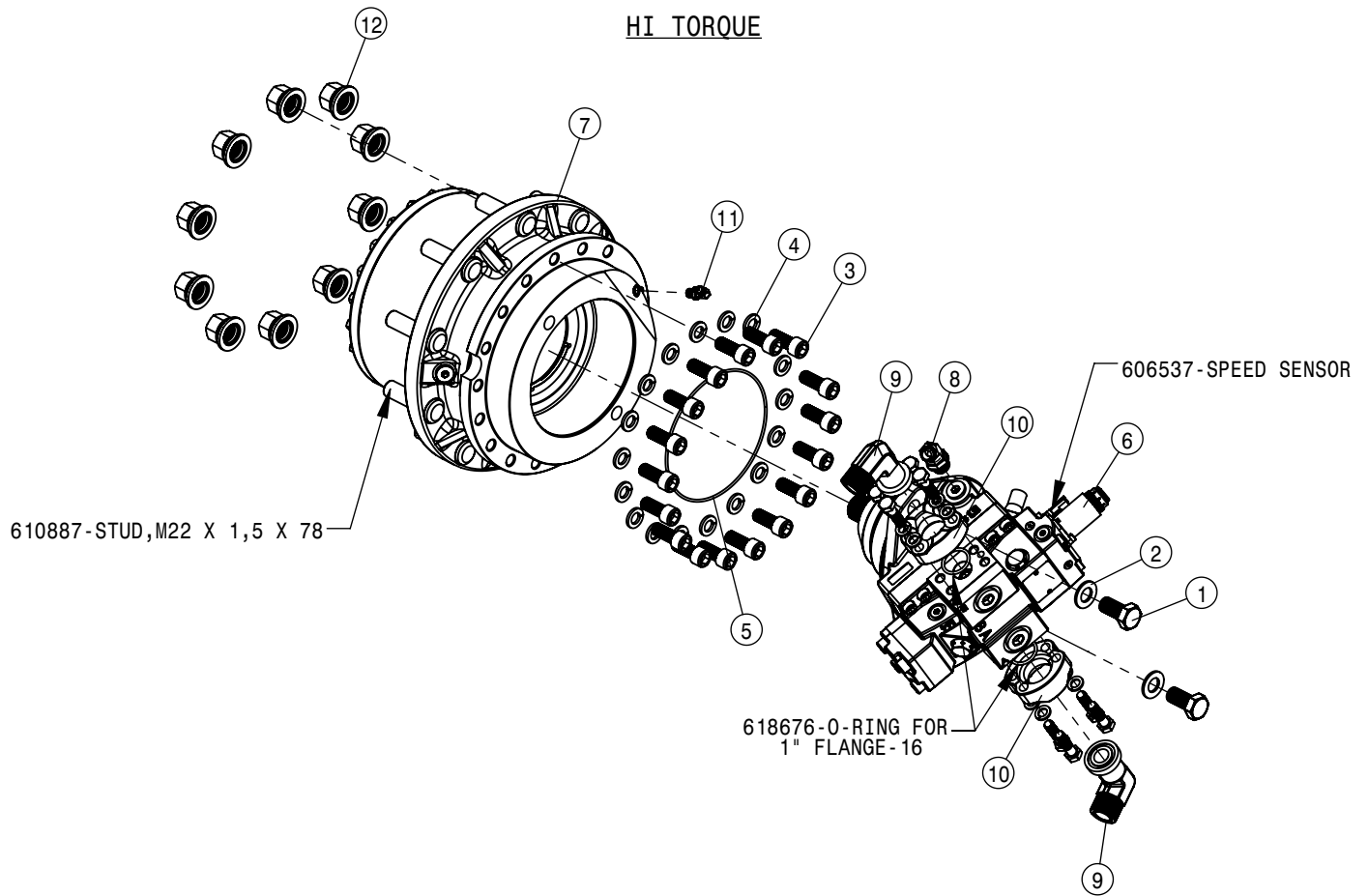
COMBO HYDROSTATIC PUMP



| COMBO HYDROSTATIC PUMP ASSEMBLY | | | |
|---------------------------------|-----|--------|----------------------------------|
| DET | QTY | P/N | DESCRIPTION |
| 1 | 2 | 470431 | 1/2UNC X 1 1/2 SERR FLG BOLT |
| 2 | 4 | 472367 | 3/4UNC X 2" SM FLG BOLT GR8 YZ |
| 3 | 4 | 473856 | 12MM-1.75 X 40MM SM FLANGED BOLT |
| 4 | 8 | 473874 | 12MM-1.75X 40MM SOC HD CAP SCR |
| 5 | 2 | 606196 | PRESSURE TRANSDUCER, 9000 PSI |
| 6 | 1 | 606197 | O-RING, 4.73ID-.103CS-4.9430D |
| 7 | 1 | 606519 | H1 PUMP 147CC D/C MT |
| 8 | 1 | 606523 | PUMP-38CC BB/B MNT |
| 9 | 1 | 606524 | 40CC GEAR PUMP |
| 10 | 1 | 606526 | PUMP 100CC C/BB MT |
| 11 | 1 | 606870 | O-RING FOR 606865 SUND B-MT |
| 12 | 1 | 606977 | O-RING, B-MT, 3.989ID X .103CS |
| 13 | 1 | 617090 | 32-811-32FJX-40FLG-23 H/A |
| 14 | 1 | 617101 | 12-451TC-16FJX-12FJX90-23 H/A |
| 15 | 1 | 617102 | 04-451TC-06FJX-04FJX90-29 H/A |
| 16 | 1 | 617124 | 06-451TC-10FJX-10FJX90-85 H/A |
| 17 | 1 | 617132 | 10-451TC-10FJX-10FJX90-11 H/A |
| 18 | 1 | 618130 | 7/8MOR RUN TEE-7/8MJIC |
| 19 | 1 | 618297 | 1.00 SPLIT FLANGE KIT #61 |
| 20 | 1 | 618299 | 1.50 SPLIT FLANGE KIT #61 |

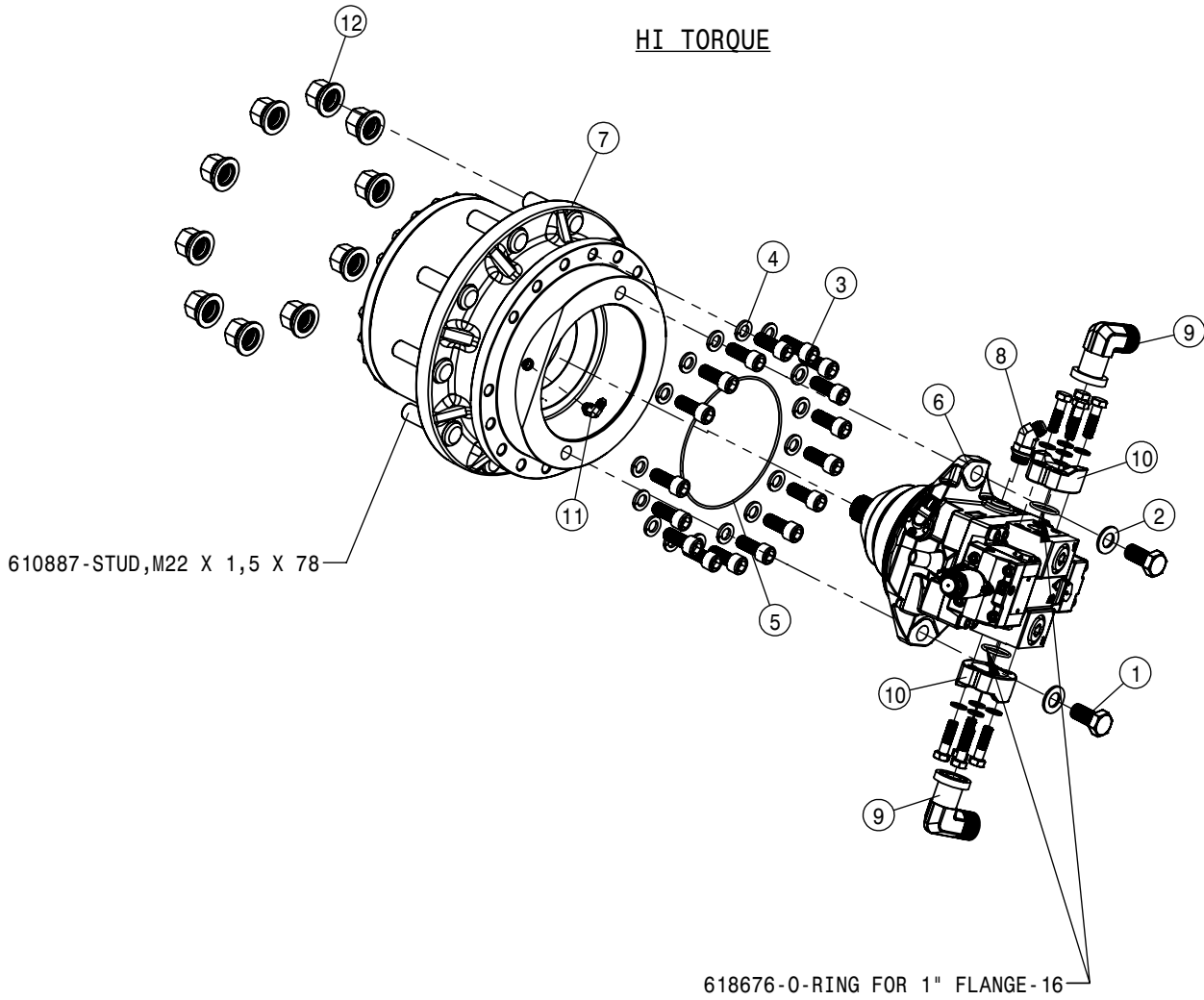
| COMBO HYDROSTATIC PUMP ASSEMBLY | | | |
|---------------------------------|-----|---------|--------------------------------|
| DET | QTY | P/N | DESCRIPTION |
| 21 | 1 | 618301 | 7/8MJIC-90-7/8FJIC SWIV LBO |
| 22 | 1 | 618308 | 1 1/16MJIC-1 5/16MOR ADPTR |
| 23 | 1 | 618309 | 7/8MJIC-1 1/16MOR ADPTR |
| 24 | 1 | 618333 | 7/8FJIC SW RUN TEE-7/8MJIC |
| 25 | 1 | 618344 | 9/16MJIC-1 1/16MOR ADPTR |
| 26 | 1 | 618359 | 2 1/2" SPLIT FLANGE KIT #61 |
| 27 | 1 | 618461 | 1 1/4 SPLIT FLANGE KIT |
| 28 | 1 | 618477 | 1 5/8MJIC-90-1 5/8MOR LBO |
| 29 | 1 | 618509 | 7/16MOR RUN TEE-7/16MJIC |
| 30 | 1 | 618527 | 1 7/8MJIC-1 5/8MOR ADPTR |
| 31 | 1 | 618547 | 1 5/8FJIC-1 5/16MJIC ADPTR |
| 32 | 1 | 618558 | 1 5/16MJIC-1 1/16MOR ADPTR |
| 33 | 1 | 618726 | 1 5/8FJ SW RUN TEE-1 5/8MJ |
| 34 | 1 | 618782 | 9/16MOR-9/16FOR-9/16MJIC BRNCH |
| 35 | 2 | 618876 | DRIVE PUMP MANIFOLD BLK |
| 36 | 1 | 618894 | 1 5/8MJIC-1 1/4FLG C62 |
| 37 | 1 | 618899 | 1 5/16MJ-1"FLANGE C61 ADPTR |
| 38 | 1 | 619020 | 1 1/2 FLG-90-1 7/8 MJIC LBO |
| 39 | 2 | 619023 | 9/16 MOR DIAGNOSTIC FITTING |
| 40 | 8 | 470189 | 7/16 HC LOCK WASH FOR 618598 |
| 41 | 2 | 900263N | 1/2UNC X 1" SER FLANGE BOLT |

HI TORQUE



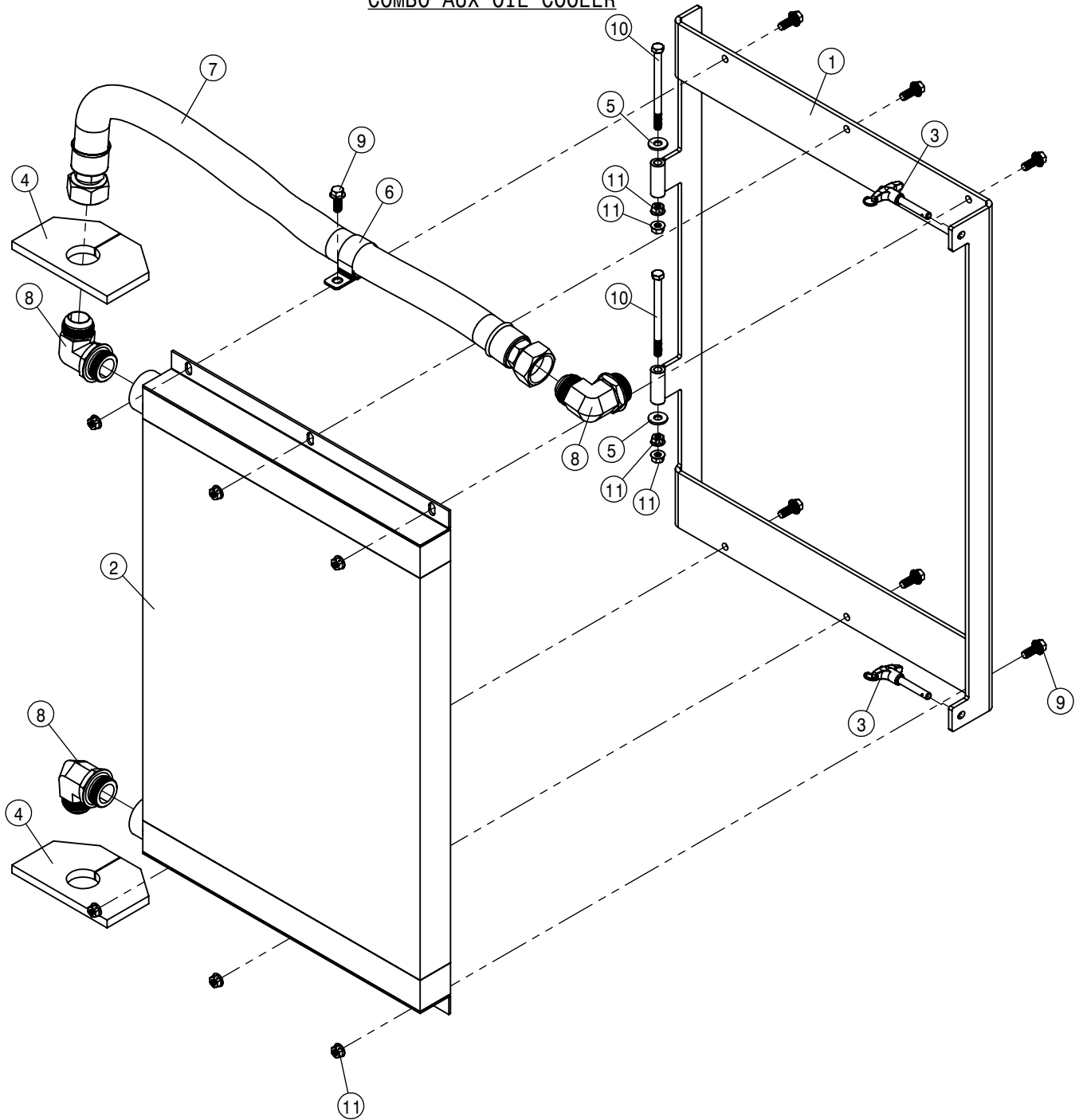
| RIGHT WHEEL MOTOR ASSEMBLY | | | |
|----------------------------|-----|--------|--------------------------------|
| DET | QTY | P/N | DESCRIPTION |
| 1 | 2 | 473838 | 20MM-1.5 X 40MM HEX BOLT GR8 |
| 2 | 2 | 473839 | 20MM FLAT WASHER |
| 3 | 17 | 473840 | 16MM-2.00 X 40MM SOC CAP SCR |
| 4 | 17 | 473841 | 16MM LOCK WASHER |
| 5 | 1 | 606190 | O-RING,WHL MTR HSNG SAUER |
| 6 | 1 | 606514 | H1-B-80CC WHL MTR SAUER |
| 7 | 1 | 610506 | TORQ HUB,25:1 CW18E |
| 8 | 1 | 618602 | 3/4MJIC-45-7/8MOR LBO |
| 9 | 2 | 618654 | 1" FLANGE-90-1 7/16MFOR LBO |
| 10 | 2 | 618933 | M12 SPLIT FLANGE KIT #62 (-16) |
| 11 | 1 | 618934 | 7/16MJIC-90-M12MOR LBO |
| 12 | 10 | 824055 | 22MM-1.50 SMTH FLG WHEEL NUT |

HI TORQUE

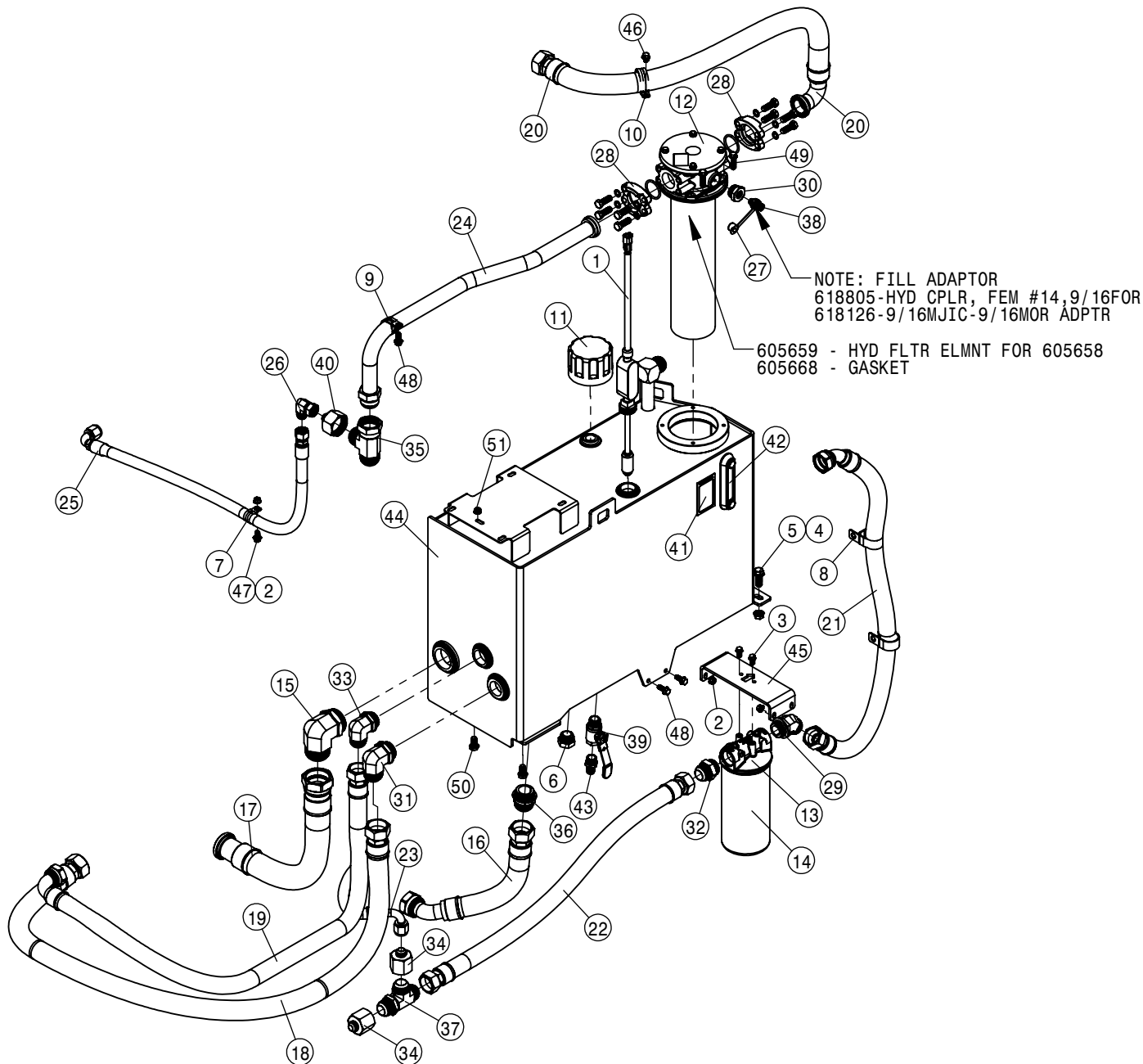


| LEFT WHEEL MOTOR ASSEMBLY | | | |
|---------------------------|-----|--------|--------------------------------|
| DET | QTY | P/N | DESCRIPTION |
| 1 | 2 | 473838 | 20MM-1.5 X 40MM HEX BOLT GR8 |
| 2 | 2 | 473839 | 20MM FLAT WASHER |
| 3 | 17 | 473840 | 16MM-2.00 X 40MM SOC CAP SCR |
| 4 | 17 | 473841 | 16MM LOCK WASHER |
| 5 | 1 | 606190 | O-RING,WHL MTR HSNG SAUER |
| 6 | 2 | 606514 | H1-B-80CC WHL MTR SAUER |
| 7 | 1 | 610506 | TORQ HUB,25:1 CW18E |
| 8 | 1 | 618602 | 3/4MJIC-45-7/8MOR LBO |
| 9 | 2 | 618654 | 1" FLANGE-90-1 7/16MFOR LBO |
| 10 | 2 | 618933 | M12 SPLIT FLANGE KIT #62 (-16) |
| 11 | 1 | 618934 | 7/16MJIC-90-M12MOR LBO |
| 12 | 10 | 824055 | 22MM-1.50 SMTH FLG WHEEL NUT |

COMBO AUX OIL COOLER

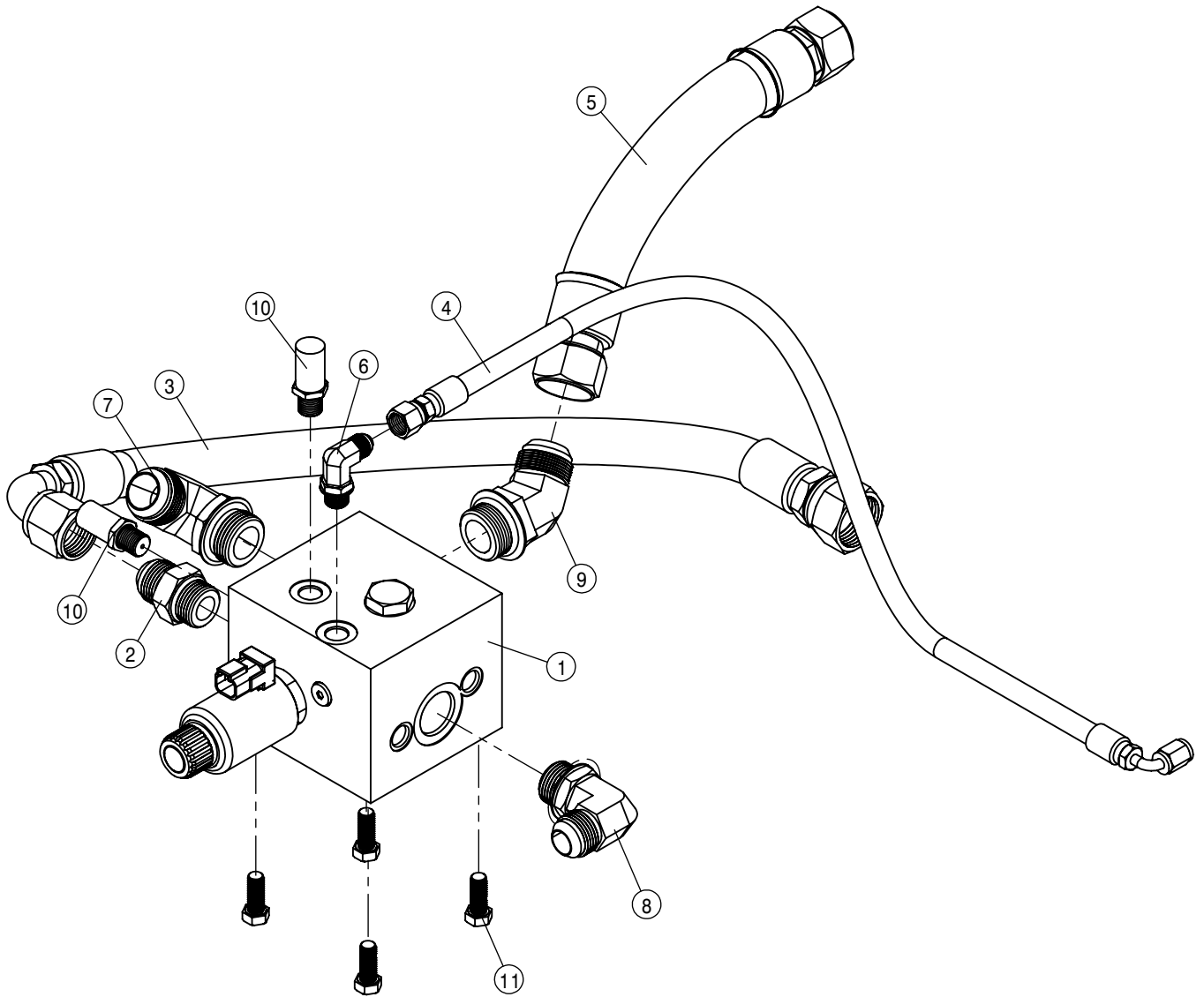


| COMBO AUX OIL COOLER ASSEMBLY | | | |
|-------------------------------|-----|---------|------------------------------------|
| DET | QTY | P/N | DESCRIPTION |
| 1 | 1 | 317353 | COMBO COOLER FRAME |
| 2 | 1 | 317356 | OIL COOLER |
| 3 | 2 | 317364 | T-HANDLE QUICK PIN - 1.75" X 3/8 D |
| 4 | 2 | 362126 | COMBO COOLER FOAM SEAL |
| 5 | 2 | 483043 | 3/8 REGULAR FLAT WASHER |
| 6 | 1 | 520124 | CUSH HOSE CLAMP, #28, 1 3/4 X 1 W |
| 7 | 1 | 617173 | 20-811-20FJX-20FJX-39 H/A |
| 8 | 3 | 618477 | 1 5/8MJIC-90-1 5/8MOR LBO |
| 9 | 7 | 900129N | 3/8UNC X 1" SERR FLANGE BOLT |
| 10 | 2 | 900142 | 3/8 UNC X 5" HEX BOLT |
| 11 | 10 | 910004N | 3/8UNC FLANGE CNTR LOCK NUT |

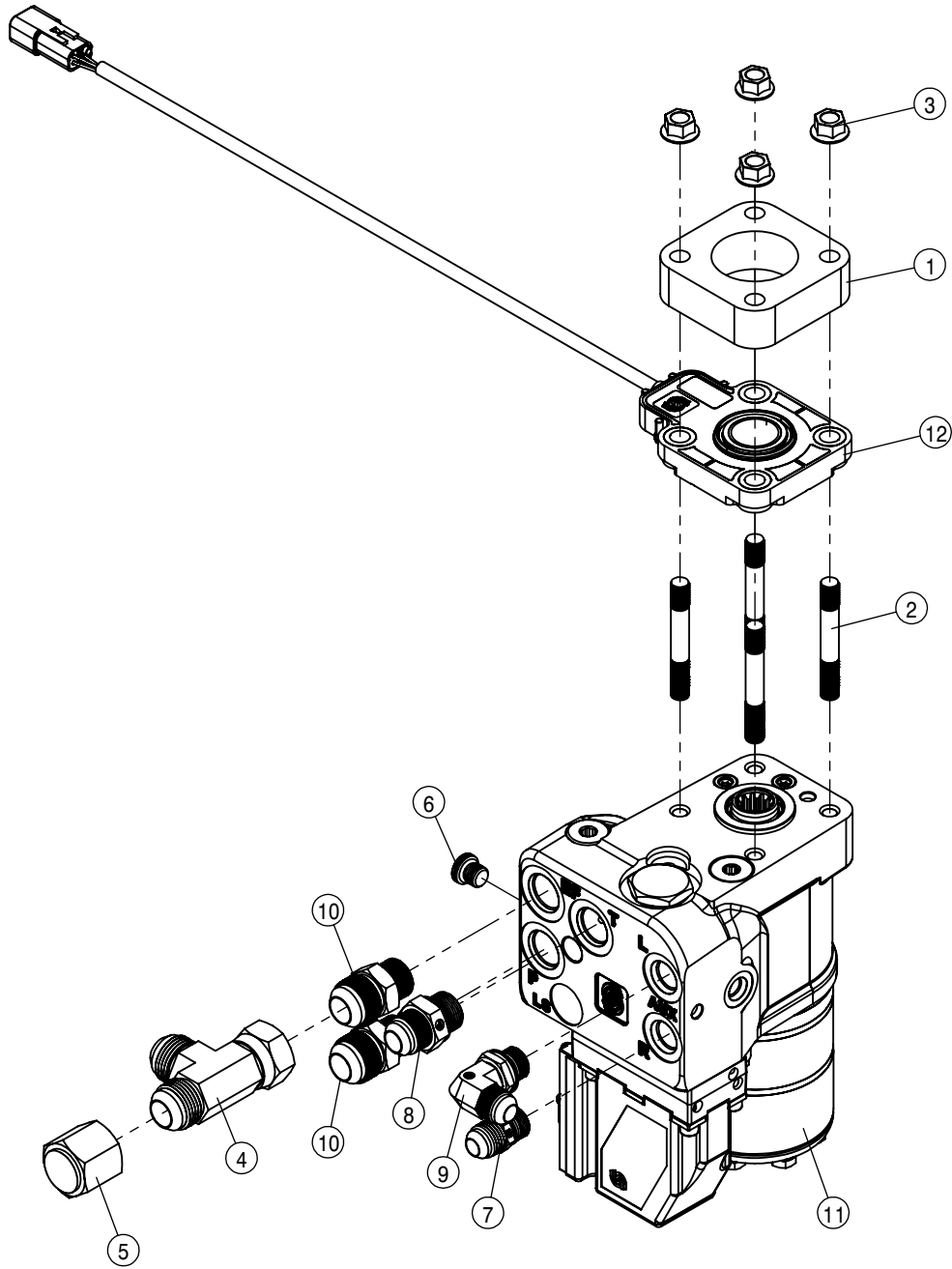


| HYDRAULIC TANK ASSEMBLY | | | |
|-------------------------|-----|--------|-----------------------------------|
| DET | QTY | P/N | DESCRIPTION |
| 1 | 1 | 294025 | TEMPERATURE/OIL LEVEL SENSOR |
| 2 | 8 | 470087 | 3/8UNC HEX SERR FLANGE NUT |
| 3 | 2 | 470233 | 5/16UNC X 3/4 SERR FLG HEX BOLT |
| 4 | 2 | 470360 | 1/2UNC SERR FLG HEX NUT |
| 5 | 2 | 470431 | 1/2UNC X 1 1/2 SERR FLG BOLT |
| 6 | 1 | 470471 | 1 5/16MOR PLUG, MAGNETIC |
| 7 | 1 | 520121 | CUSH CLAMP,#16 1IN X 3/4W |
| 8 | 2 | 520124 | CUSH HOSE CLAMP,#28, 1 3/4D X 1 W |
| 9 | 1 | 520160 | CUSH CLAMP,#24 1 1/2D-3/4WLOOP |
| 10 | 1 | 520161 | CUSH CLAMP,#32 2"D-3/4W LOOP |
| 11 | 1 | 605656 | T.R.A.P. BREATHER 1" NPT |
| 12 | 1 | 605658 | HYD TANK RETURN FILTER |
| 13 | 1 | 605662 | CASE DRAIN FILTER HEAD |
| 14 | 1 | 605663 | CASE DRAIN FILTER ELEMENT |
| 15 | 1 | 611170 | 2 1/2 MOR-90-2 1/2 MJIC |
| 16 | 1 | 617088 | 24-811-24FJX-24FLJ45-18 H/A |
| 17 | 1 | 617089 | 32-811-32FJX-32FLG-25 H/A |
| 18 | 1 | 617091 | 24-811-24FJX-24FLJ-71 H/A |
| 19 | 1 | 617092 | 20-811-20FJX-20FLJ90-60 H/A |
| 20 | 1 | 617093 | 24-811-24FJX-24FLG90-48 H/A |
| 21 | 1 | 617095 | 20-811-20FJX-20FLJ45-47 H/A |
| 22 | 1 | 617120 | 20-811-20FJX-20FLJ-37 H/A |
| 23 | 1 | 617122 | 12-451TC-10FJX-12FLJ90-18 H/A |
| 24 | 1 | 617151 | HYD TANK TUBE |
| 25 | 1 | 617171 | 12-451TC-12FJX-12FLJ90-43 H/A |
| 26 | 1 | 618191 | 1 1/16MJ-90-1 1/16FJ SWIV LBO |

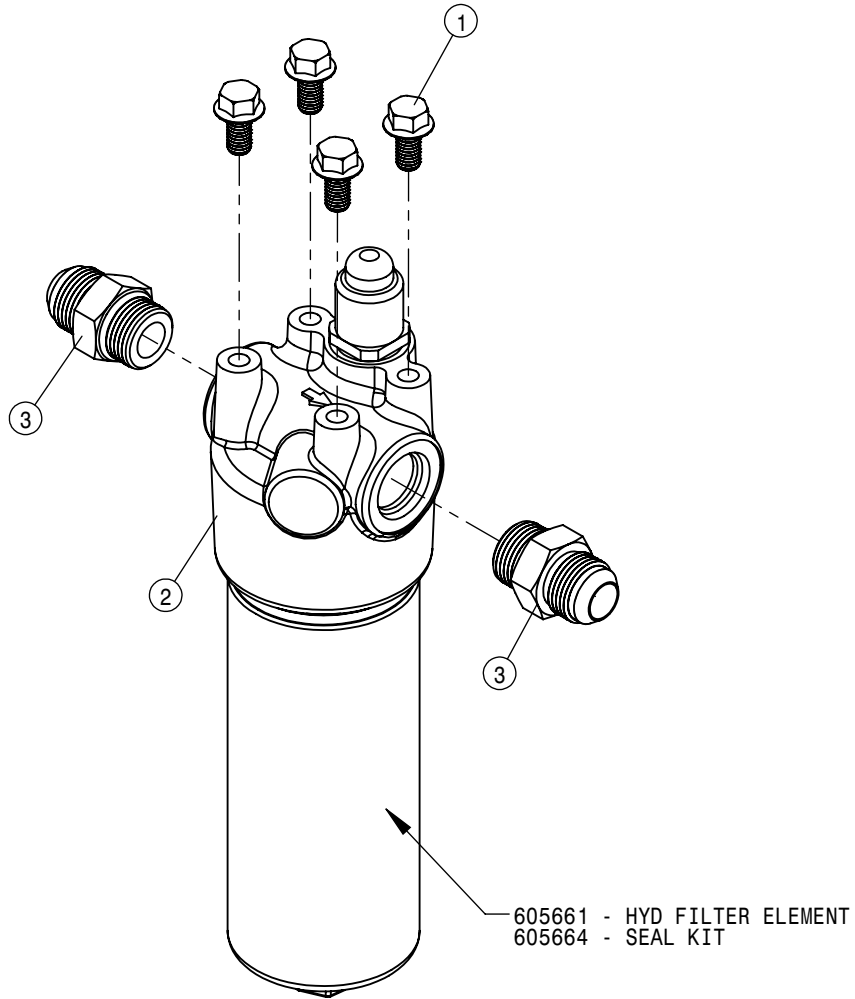
| HYDRAULIC TANK ASSEMBLY | | | |
|-------------------------|-----|---------|--------------------------------|
| DET | QTY | P/N | DESCRIPTION |
| 27 | 1 | 618255 | DUST CAP/PLUG FOR 618804/805 |
| 28 | 2 | 618299 | 1.50 SPLIT FLANGE KIT #61 |
| 29 | 1 | 618396 | 1 5/8MJIC-45-1 5/8MOR LBO |
| 30 | 1 | 618397 | 1 5/16MOR-9/16FOR ADPTR |
| 31 | 1 | 618432 | 1 7/8MJIC-90-1 7/8MOR LBO |
| 32 | 1 | 618472 | 1 5/8MJIC-1 5/8MOR ADPTR |
| 33 | 1 | 618477 | 1 5/8MJIC-90-1 5/8MOR LBO |
| 34 | 2 | 618665 | 1 5/8FJIC-1 1/16MJIC ADPTR |
| 35 | 1 | 618681 | 1 7/8FJ SW RUN TEE-1 7/8MJ |
| 36 | 1 | 618682 | 1 7/8MOR-1 7/8MJIC ADPTR |
| 37 | 1 | 618752 | 1 5/8MJIC BLKHD RUN TEE |
| 38 | 1 | 618870 | HYD CPLR, MALE #14 9/16MOR |
| 39 | 1 | 618881 | 3/4 NPT BALL VLV BRS LOCK |
| 40 | 1 | 618936 | 1 7/8FJIC-1 1/16MJIC ADPTR |
| 41 | 1 | 650430 | HYDRAULIC OIL DECAL |
| 42 | 1 | 701367 | SIGHT GAUGE |
| 43 | 1 | 711102 | 3/4NPT X 3/4 HOSE BARB, BRS |
| 44 | 1 | 760788 | HYDRAULIC RESERVOIR STS 2014 |
| 45 | 1 | 760809 | filter mount plate |
| 46 | 1 | 900126 | 3/8UNC X 1/2 SERR FLG BOLT YZ |
| 47 | 1 | 900128N | 3/8UNC X 3/4 SER FLANGE BOLT |
| 48 | 6 | 900129N | 3/8UNC X 1" SERR FLANGE BOLT |
| 49 | 4 | 900131N | 3/8UNC X 1 1/2 SER FLANGE BOLT |
| 50 | 2 | 900263 | 1/2UNC X 1" HEX BOLT |
| 51 | 1 | 910004N | 3/8UNC FLANGE CNTR LOCK NUT |



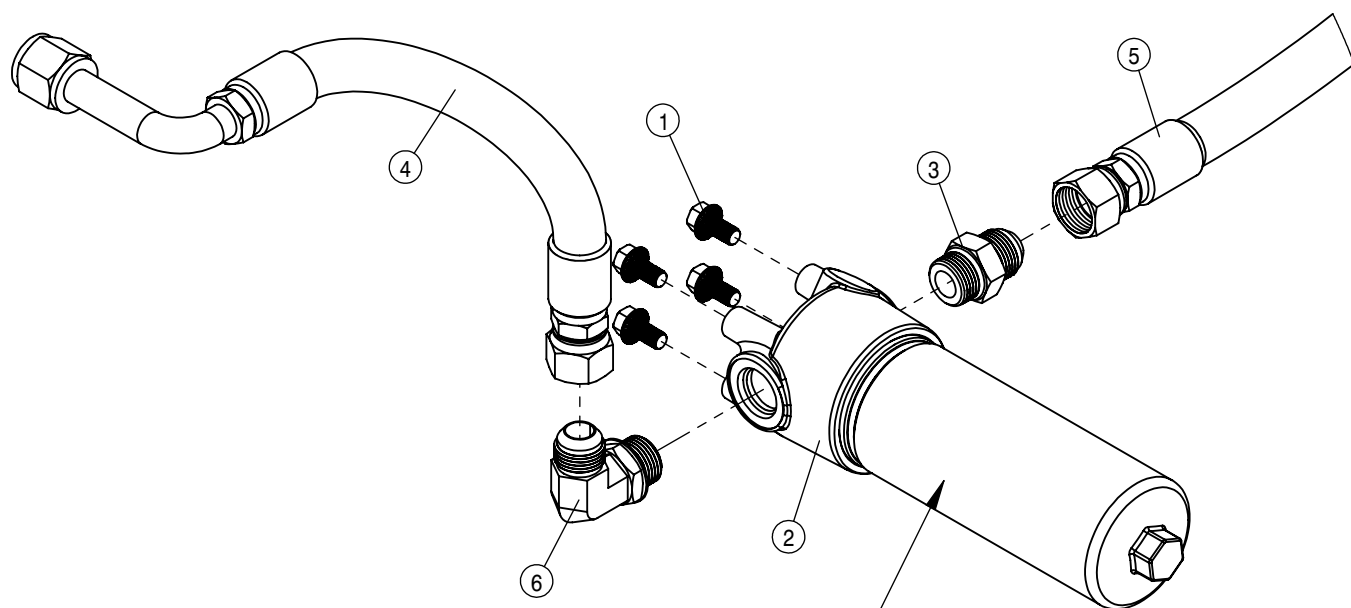
| SOLUTION CONTROL VALVE ASSEMBLY | | | |
|---------------------------------|-----|--------|-------------------------------|
| DET | QTY | P/N | DESCRIPTION |
| 1 | 1 | 606253 | CTRL VALVE, SOLU PUMP SAUER |
| 2 | 1 | 611127 | 1 1/16MJIC-1 1/16MOR ADPTR |
| 3 | 1 | 617101 | 12-451TC-16FJX-12FJX90-23 H/A |
| 4 | 1 | 617102 | 04-451TC-06FJX-04FJX90-29 H/A |
| 5 | 1 | 617139 | 16-811-16FJX-16FJX-12 H/A |
| 6 | 1 | 618119 | 9/16MJIC-90-9/16MOR LBO |
| 7 | 1 | 618178 | 1 5/16MJIC-90-1 5/16MOR LBO |
| 8 | 1 | 618248 | 1 1/16MJIC-90-1 1/16MOR LBO |
| 9 | 1 | 618901 | 1 5/16MJIC-45-1 5/16MOR LBO |
| 10 | 2 | 619023 | 9/16 MOR DIAGNOSTIC FITTING |
| 11 | 4 | 900129 | 3/8UNC X 1" HEX BOLT |



| STEERING MOTOR ASSEMBLY | | | |
|-------------------------|-----|--------|-----------------------------------|
| DET | QTY | P/N | DESCRIPTION |
| 1 | 1 | 345017 | STEERING VALVE SPACER BLOCK |
| 2 | 4 | 472340 | M10 X 1.5 X 3" STUD BOLT, DBL END |
| 3 | 4 | 473866 | M10 X 1.5 HEX SERR FLG NUT |
| 4 | 1 | 618487 | 1 1/16FJ SW RUN TEE-1 1/16MJ |
| 5 | 1 | 618533 | 1 1/16FJIC CAP NUT |
| 6 | 1 | 618909 | M12 MOR PLUG, HEX SOCKET |
| 7 | 1 | 618910 | 3/4MJIC-M18MOR ADPTR |
| 8 | 1 | 618911 | 7/8MJIC-M22 MOR ADPTR |
| 9 | 1 | 618912 | 3/4MJIC-90-M18MOR LBO |
| 10 | 2 | 619019 | 1 1/16MJIC-M22 MOR ADPTR |
| 11 | 1 | 749333 | VALVE ASM-STEERING,AWS |
| 12 | 1 | 749341 | BEI STEERING ANGLE SENSOR |

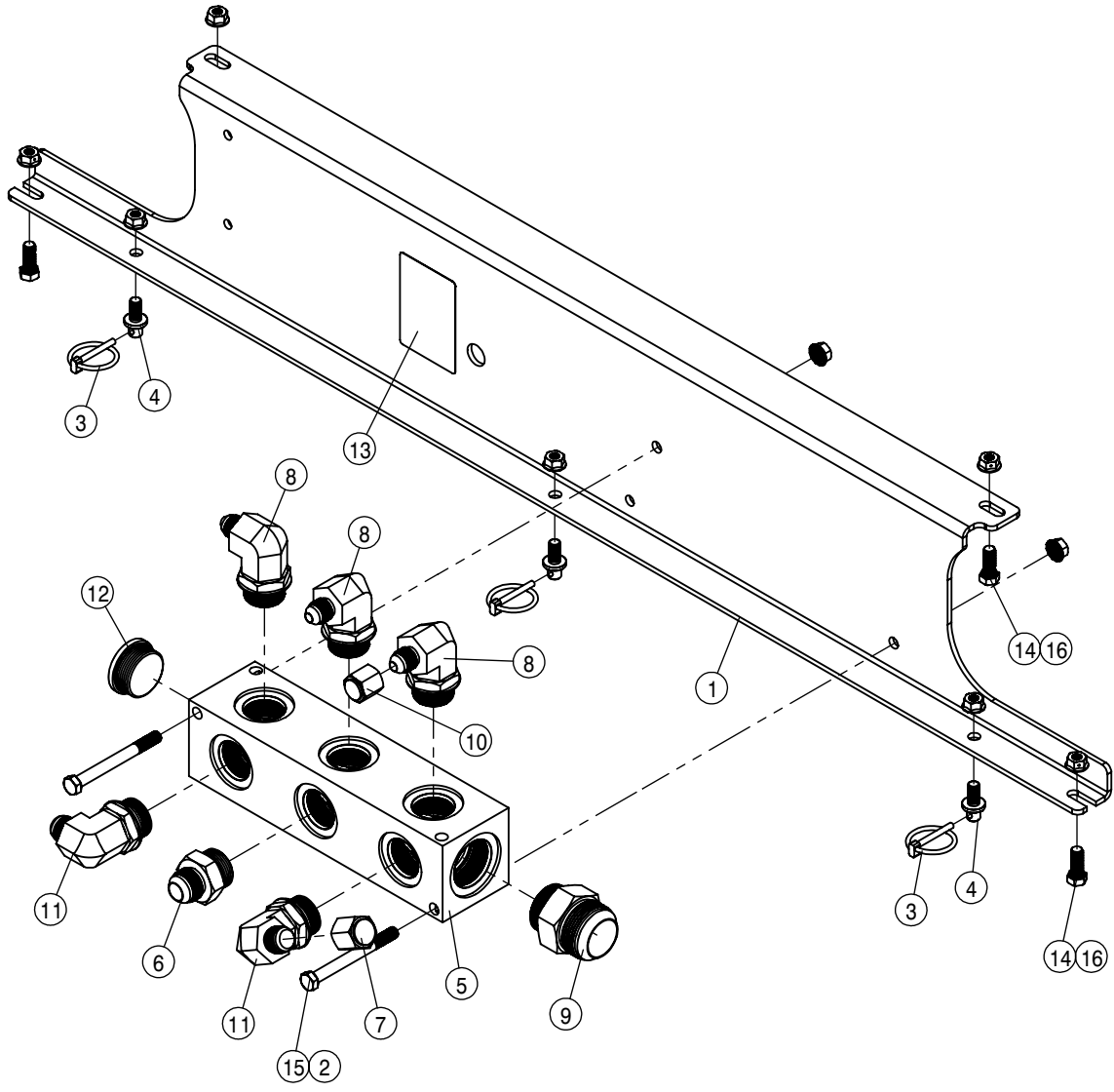


| STEERING MOTOR INLINE FILTER | | | |
|------------------------------|-----|--------|-----------------------------|
| DET | QTY | P/N | DESCRIPTION |
| 1 | 4 | 470409 | 3/8UNC X 3/4" SERR FLG BOLT |
| 2 | 1 | 605660 | HYD FILTER 5M SAE12 |
| 3 | 2 | 611127 | 1 1/16MJIC-1 1/16MOR ADPTR |

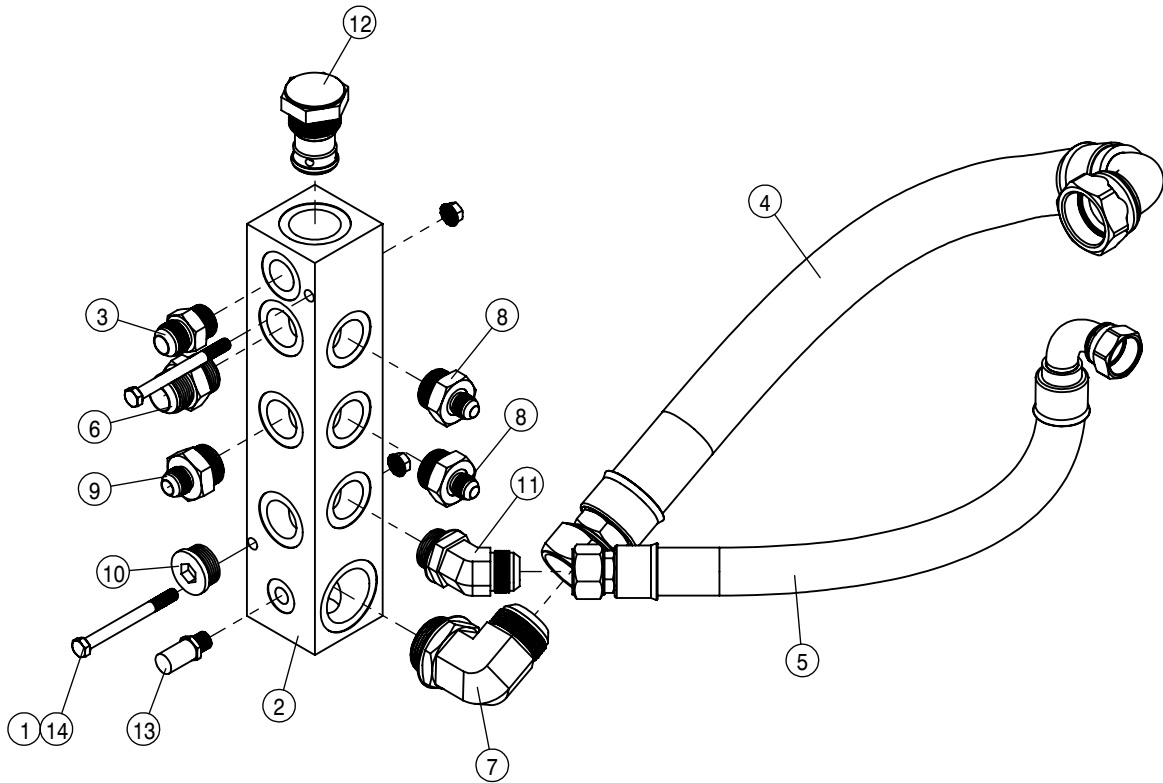


605666 - HYDRAULIC FILTER 20 MICRON
 605664 - SEAL KIT

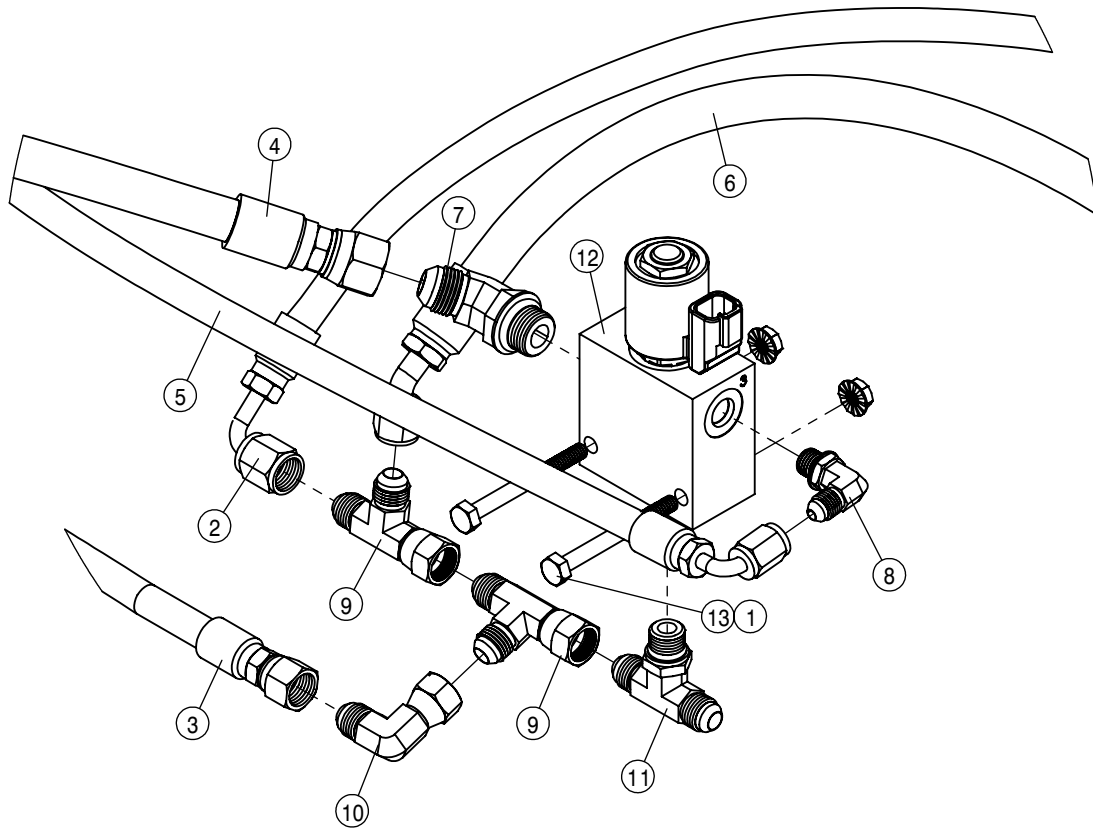
| FAN MOTOR INLINE FILTER | | | |
|-------------------------|-----|--------|--------------------------------|
| DET | QTY | P/N | DESCRIPTION |
| 1 | 4 | 470409 | 3/8UNC X 3/4" SERR FLG BOLT |
| 2 | 1 | 605665 | HYD FILTER 20 MICRON SAE12 |
| 3 | 1 | 611127 | 1 1/16MJIC-1 1/16MOR ADPTR |
| 4 | 1 | 616676 | 12-451TC-12FJX-12FJX90L-18 H/A |
| 5 | 1 | 617199 | 12-451TC-12FJX-12FJX-73 H/A |
| 6 | 1 | 618248 | 1 1/16MJIC-90-1 1/16MOR LBO |



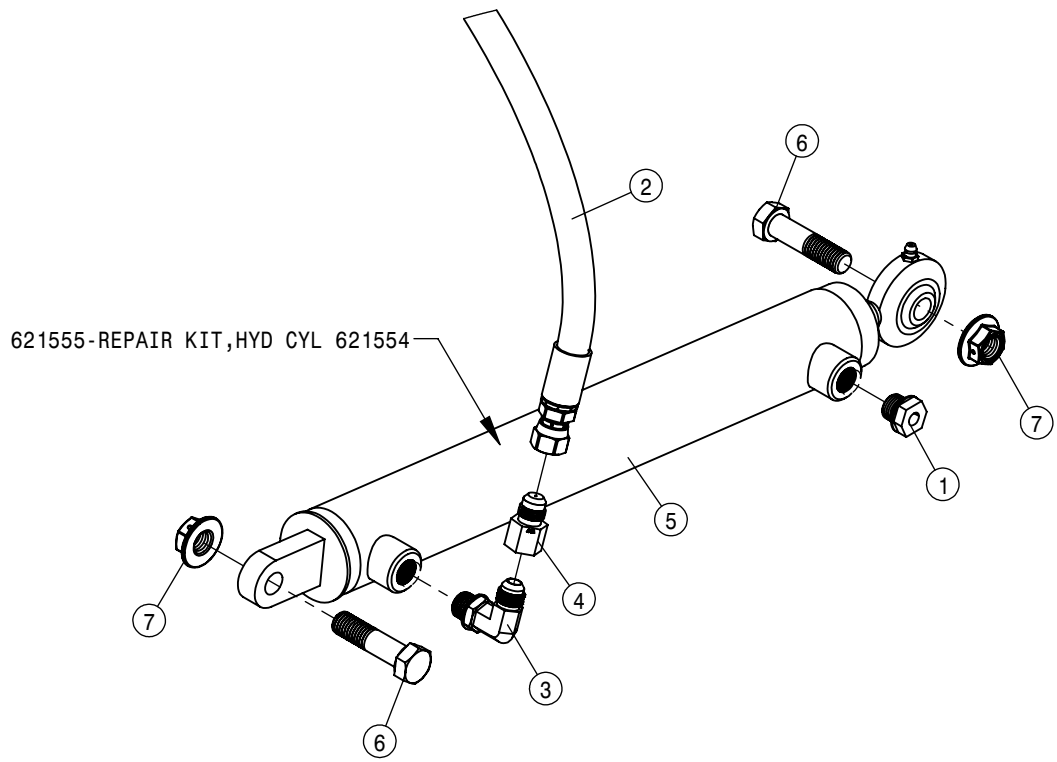
| RETURN MANIFOLD AND BULKHEAD ASSEMBLY | | | |
|---------------------------------------|-----|---------|---------------------------------|
| DET | QTY | P/N | DESCRIPTION |
| 1 | 1 | 362113 | FRONT BULKHEAD, STS |
| 2 | 5 | 470087 | 3/8UNC HEX SERR FLANGE NUT |
| 3 | 3 | 470335 | LINCHPIN, 3/16 X 1 1/4 GRIP |
| 4 | 3 | 470520 | HANGER PIN, 3/8UNC x.437Dx.500L |
| 5 | 1 | 606246 | MANIFOLD, 1 5/16FOR |
| 6 | 1 | 618308 | 1 1/16MJIC-1 5/16MOR ADPTR |
| 7 | 1 | 618328 | 7/8FJIC CAP NUT |
| 8 | 3 | 618475 | 3/4MJIC-90-1 5/16MOR LBO |
| 9 | 1 | 618527 | 1 7/8MJIC-1 5/8MOR ADPTR |
| 10 | 1 | 618532 | 3/4FJIC CAP NUT |
| 11 | 2 | 618589 | 7/8MJIC-90-1 5/16MOR LBO |
| 12 | 1 | 618759 | 1 5/8MOR PLUG, HEX SOCKET |
| 13 | 1 | 650339 | DECAL, WARNING, HYD. OIL INJ |
| 14 | 4 | 900129 | 3/8UNC X 1" HEX BOLT |
| 15 | 2 | 900139 | 3/8UNC X 3 3/4 HEX BOLT |
| 16 | 4 | 910004N | 3/8UNC FLANGE CNTR LOCK NUT |



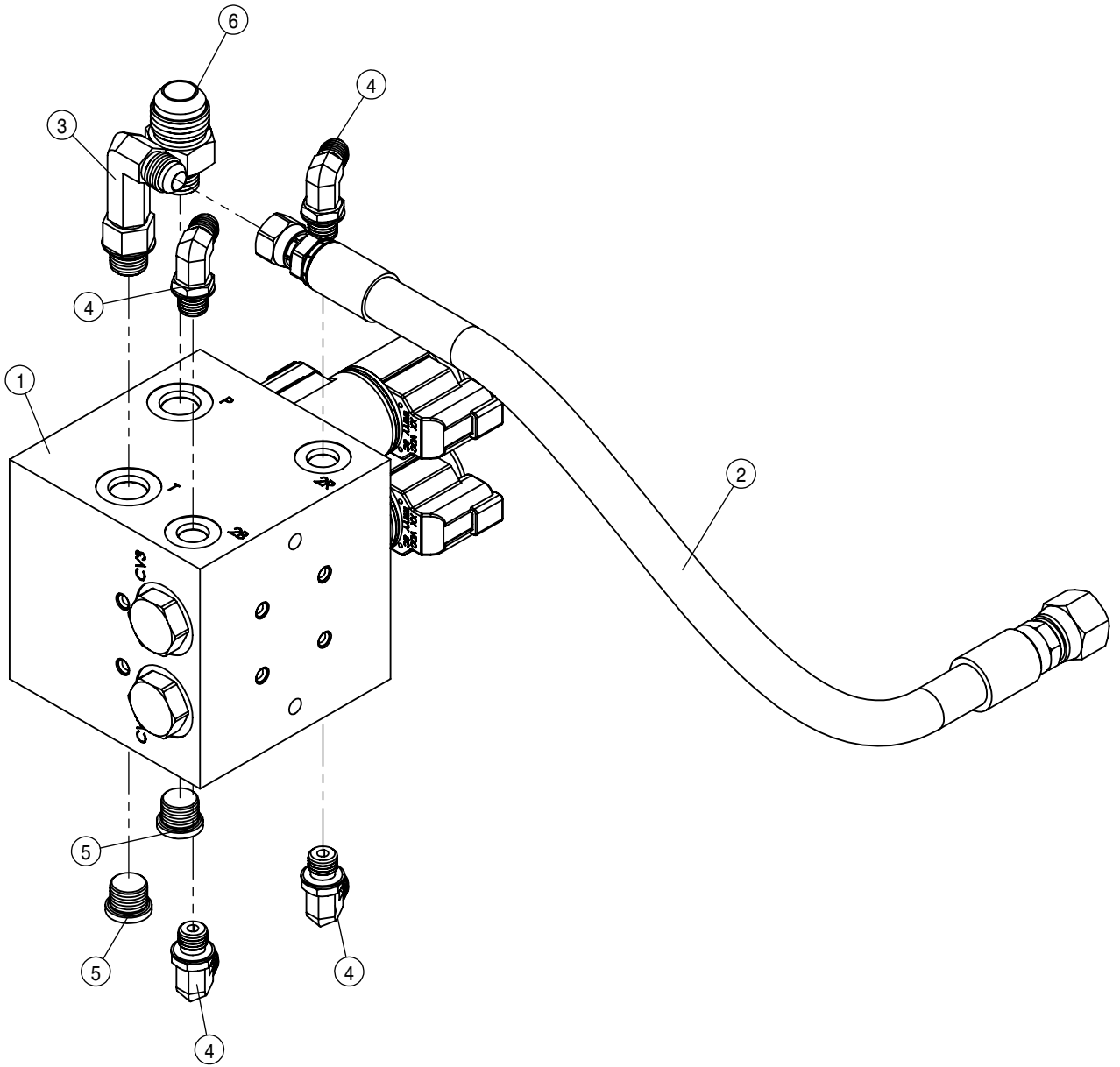
| REAR RETURN MANIFOLD ASSEMBLY | | | |
|-------------------------------|-----|--------|-----------------------------|
| DET | QTY | P/N | DESCRIPTION |
| 1 | 2 | 470087 | 3/8UNC HEX SERR FLANGE NUT |
| 2 | 1 | 607574 | MANIFOLD, #16, # 24 ends |
| 3 | 1 | 611127 | 1 1/16MJIC-1 1/16MOR ADPTR |
| 4 | 1 | 617094 | 24-811-24FJX-24FJX90-31 H/A |
| 5 | 1 | 617123 | 16-811-16FJX-16FJX90-22 H/A |
| 6 | 1 | 618186 | 1 5/16MJIC-1 5/16MOR ADPTR |
| 7 | 1 | 618432 | 1 7/8MJIC-90-1 7/8MOR LBO |
| 8 | 2 | 618470 | 3/4MJIC-1 5/16MOR ADPTR |
| 9 | 1 | 618601 | 7/8MJIC-1 5/16MOR ADPT |
| 10 | 1 | 618758 | 1 5/16MOR PLUG, HEX SOCKET |
| 11 | 1 | 618901 | 1 5/16MJIC-45-1 5/16MOR LBO |
| 12 | 1 | 618935 | 20 SIZE CHECK VALVE |
| 13 | 1 | 619023 | 9/16 MOR DIAGNOSTIC FITTING |
| 14 | 2 | 900140 | 3/8UNC X 4" HEX BOLT |



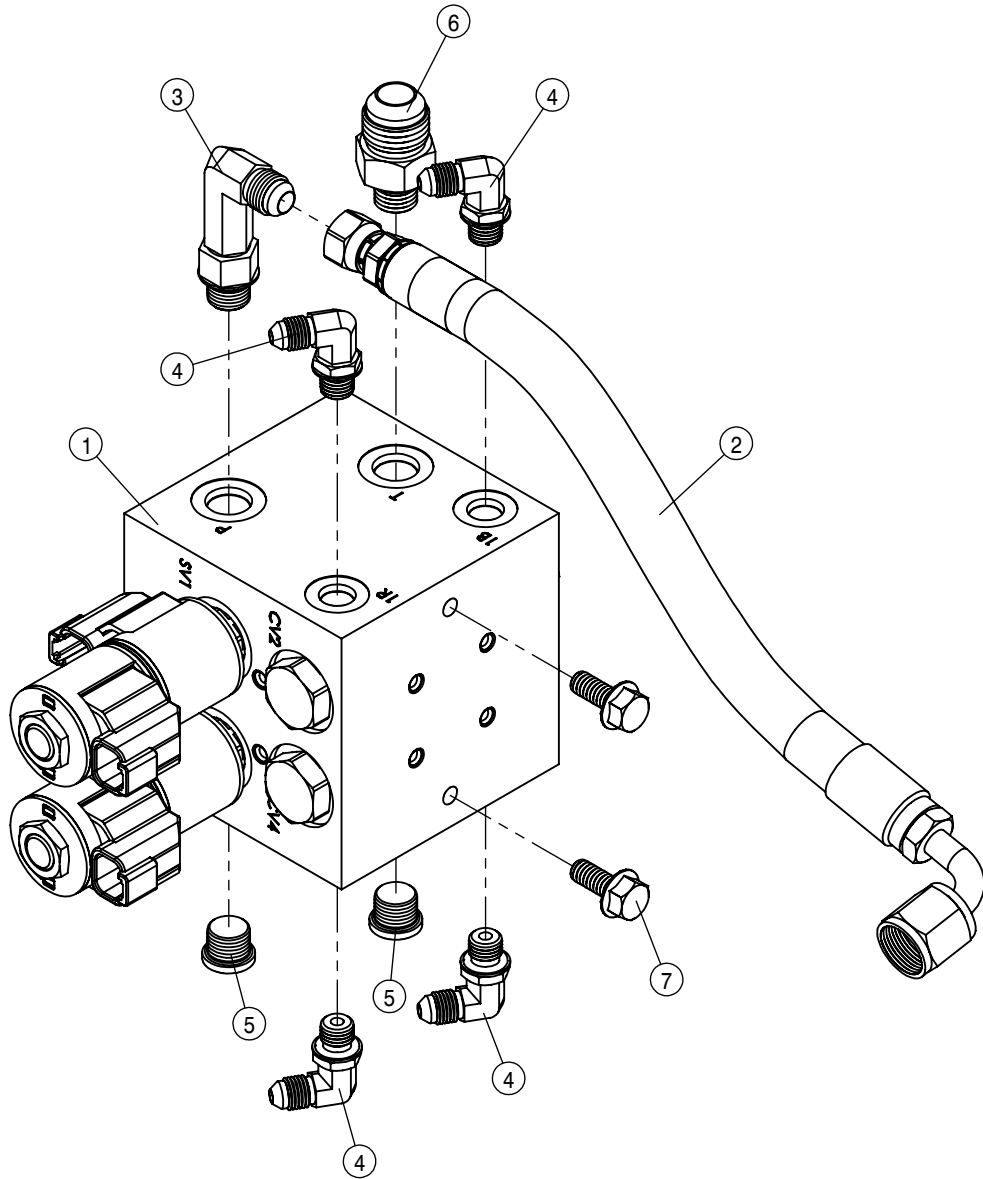
| BRAKE AND LADDER VALVE ASSEMBLY | | | |
|---------------------------------|-----|---------|--------------------------------|
| DET | QTY | P/N | DESCRIPTION |
| 1 | 2 | 470121 | 1/4 UNC SERR FLG LOCK NUT |
| 2 | 1 | 617069 | 04-451TC-04FJX-06FJX90-139 H/A |
| 3 | 1 | 617072 | 04-451TC-06FJX-04FJX45-43 H/A |
| 4 | 1 | 617096 | 06-451TC-08FJX-06FJX90-22 H/A |
| 5 | 1 | 617121 | 04-451TC-06FJX-04FJX90-34 H/A |
| 6 | 1 | 617127 | 06-451TC-06FJX-06FJX45-36 H/A |
| 7 | 1 | 618315 | 3/4MJIC-45-3/4MOR LBO |
| 8 | 1 | 618473 | 7/16MJIC-90-7/16MOR LBO |
| 9 | 2 | 618486 | 9/16FJIC SW RUN TEE-9/16MJIC |
| 10 | 1 | 618618 | 9/16MJIC-90-9/16FJIC SWIV LBO |
| 11 | 1 | 618629 | 9/16MOR BRANCH TEE-9/16MJIC |
| 12 | 1 | 701625 | ASSY, BRAKE/LADDER VALVE |
| 13 | 2 | 900008N | 1/4UNC X 2 1/2 HEX BOLT SS |



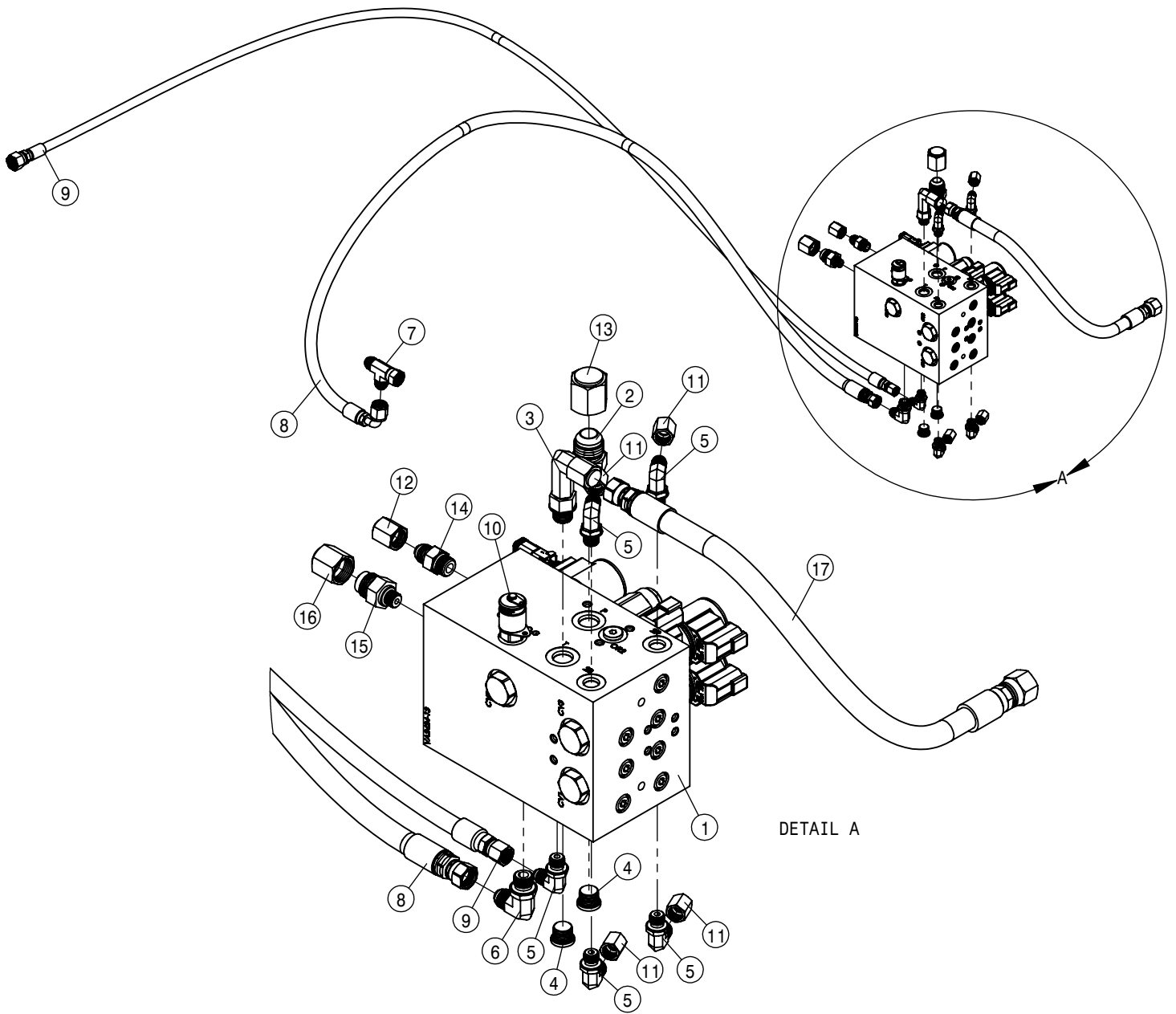
| LADDER CYLINDER ASSEMBLY | | | |
|--------------------------|-----|--------|--------------------------------|
| DET | QTY | P/N | DESCRIPTION |
| 1 | 1 | 362036 | SAE 6 BRASS BREATHER |
| 2 | 1 | 617127 | 06-451TC-06FJX-06FJX45-36 H/A |
| 3 | 1 | 618119 | 9/16MJIC-90-9/16MOR LBO |
| 4 | 1 | 618733 | 9/16JIC .042 ORIFICE ADPTR |
| 5 | 1 | 621554 | CYLINDER, 1.50 ID x 12.00 STRK |
| 6 | 2 | 900267 | 1/2UNC X 2" HEX BOLT |
| 7 | 2 | 914015 | 1/2UNC HEX CENTER-LOCK NUT |



| FRONT TREAD ADJUST HYDRAULIC VALVE ASSEMBLY | | | |
|---------------------------------------------|-----|--------|-------------------------------|
| DET | QTY | P/N | DESCRIPTION |
| 1 | 1 | 606540 | TREAD ADJ VLV,STS PWRSYS 14 |
| 2 | 1 | 617099 | 06-451TC-06FJX-08FJX-18 |
| 3 | 1 | 618440 | 9/16MJIC-90-9/16MOR EX LG LBO |
| 4 | 4 | 618473 | 7/16MJIC-90-7/16MOR LBO |
| 5 | 2 | 618754 | 9/16 MOR PLUG, HEX SOCKET |
| 6 | 1 | 618832 | 7/8MJIC-9/16MOR ADPTR |

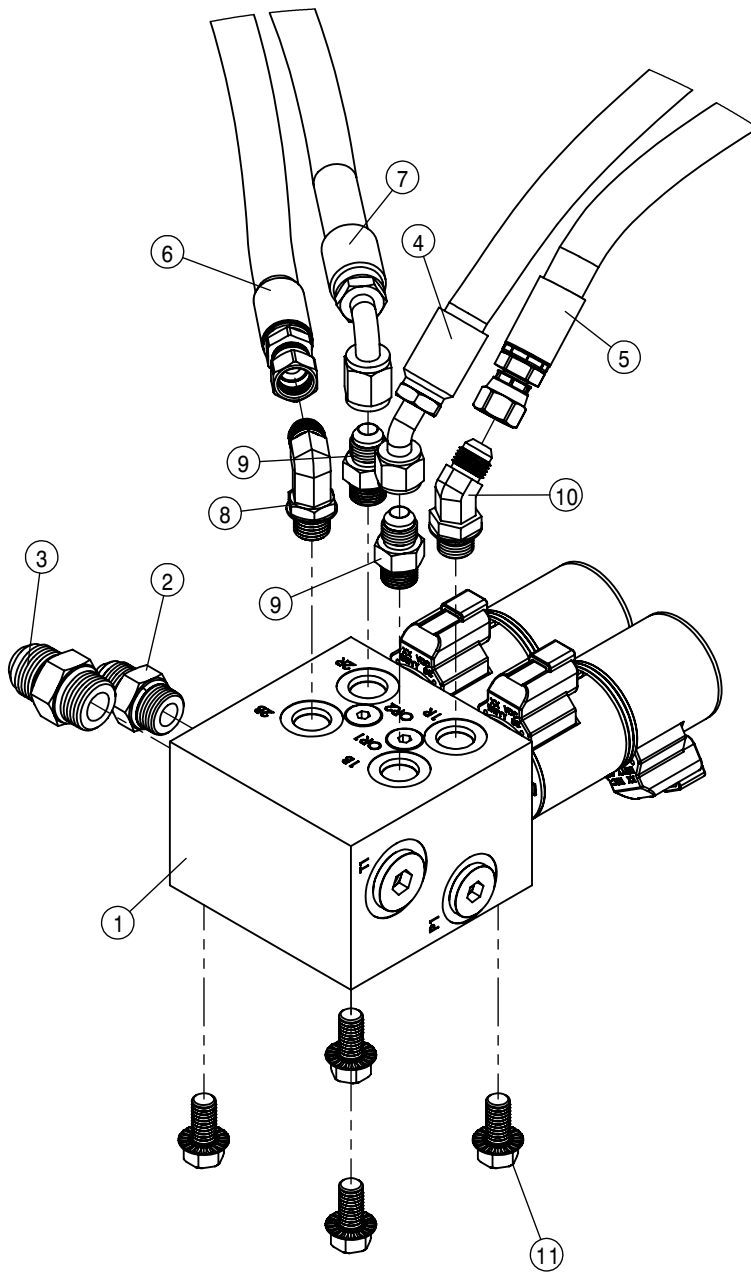


| REAR TREAD ADJUST HYDRAULIC VALVE ASSEMBLY | | | |
|--------------------------------------------|-----|---------|--------------------------------|
| DET | QTY | P/N | DESCRIPTION |
| 1 | 1 | 606540 | TREAD ADJ VLV, STS PWRSYS 14 |
| 2 | 1 | 617098 | 06-451TC-06FJX-08FJX90-13 H/A |
| 3 | 1 | 618440 | 9/16MJIC-90-9/16MOR EX LG LBO |
| 4 | 4 | 618473 | 7/16MJIC-90-7/16MOR LBO |
| 5 | 2 | 618754 | 9/16 MOR PLUG, HEX SOCKET |
| 6 | 1 | 618832 | 7/8MJIC-9/16MOR ADPTR |
| 7 | 2 | 900064N | 5/16UNC X 3/4" SER FLG BOLT SS |

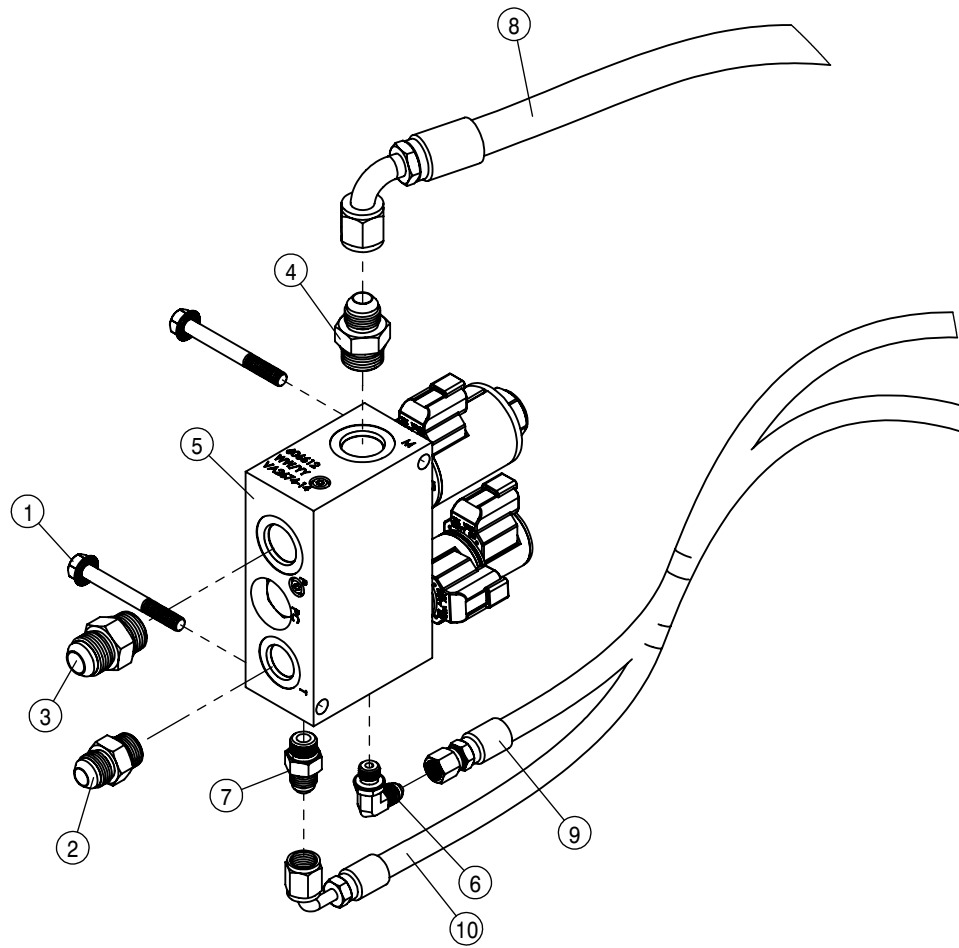


DETAIL A

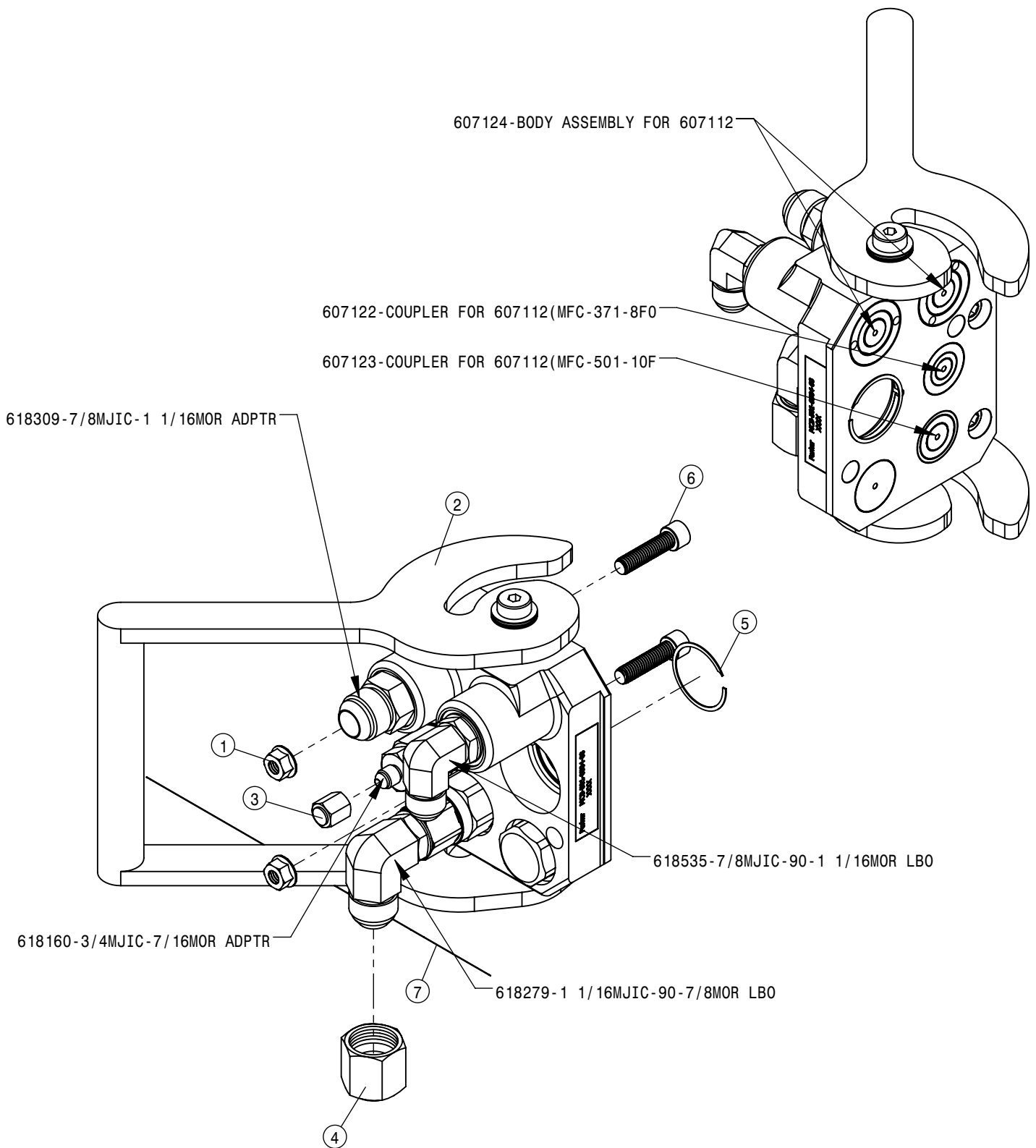
| AUTO-PHASING HYDRAULIC VALVE ASSEMBLY | | | |
|---------------------------------------|-----|--------|-------------------------------|
| DET | QTY | P/N | DESCRIPTION |
| 1 | 1 | 606293 | MULTIFUNCTION VALVE |
| 2 | 1 | 618832 | 7/8MJIC-9/16MOR ADPTR |
| 3 | 1 | 618440 | 9/16MJIC-90-9/16MOR EX LG LBO |
| 4 | 2 | 618754 | 9/16 MOR PLUG, HEX SOCKET |
| 5 | 5 | 618473 | 7/16MJIC-90-7/16MOR LBO |
| 6 | 1 | 618119 | 9/16MJIC-90-9/16MOR LBO |
| 7 | 1 | 618451 | 3/4FJIC SW RUN TEE-3/4MJIC |
| 8 | 1 | 616599 | 06-451TC-06FJX-08FJX90-62 H/A |
| 9 | 1 | 617210 | 04-451TC-04FJX-08FJX-78 H/A |
| 10 | 1 | 619025 | 7/16MOR DIAG FITTING |
| 11 | 4 | 618363 | 7/16FJIC CAP NUT |
| 12 | 2 | 618531 | 9/16FJIC CAP NUT |
| 13 | 1 | 618328 | 7/8FJIC CAP NUT |
| 14 | 1 | 618126 | 9/16MJIC-9/16MOR ADPTR |
| 15 | 1 | 618160 | 3/4MJIC-7/16MOR ADPTR |
| 16 | 1 | 618532 | 3/4FJIC CAP NUT |
| 17 | 1 | 617099 | 06-451TC-06FJX-08FJX-18 |



| ALL WHEEL STEER HYDRAULIC VALVE ASSEMBLY | | | |
|------------------------------------------|-----|---------|--------------------------------|
| DET | QTY | P/N | DESCRIPTION |
| 1 | 1 | 606542 | AWS VLV, STS PWRSYS 14 |
| 2 | 1 | 611125 | 3/4MJIC-3/4MOR ADPTR |
| 3 | 1 | 611126 | 7/8MJIC-7/8MOR ADPTR |
| 4 | 1 | 617115 | 06-451TC-06FJX-06FJX45-101 H/A |
| 5 | 1 | 617116 | 06-451TC-06FJX-06FJX-99 H/A |
| 6 | 1 | 617117 | 06-451TC-06FJX-06FJX-137 |
| 7 | 1 | 617118 | 06-451TC-06FJX-06FJX90-137 H/A |
| 8 | 1 | 618119 | 9/16MJIC-90-9/16MOR LBO |
| 9 | 2 | 618126 | 9/16MJIC-9/16MOR ADPTR |
| 10 | 1 | 618425 | 9/16MJIC-45-9/16MOR LBO |
| 11 | 4 | 900128N | 3/8UNC X 3/4 SER FLANGE BOLT |

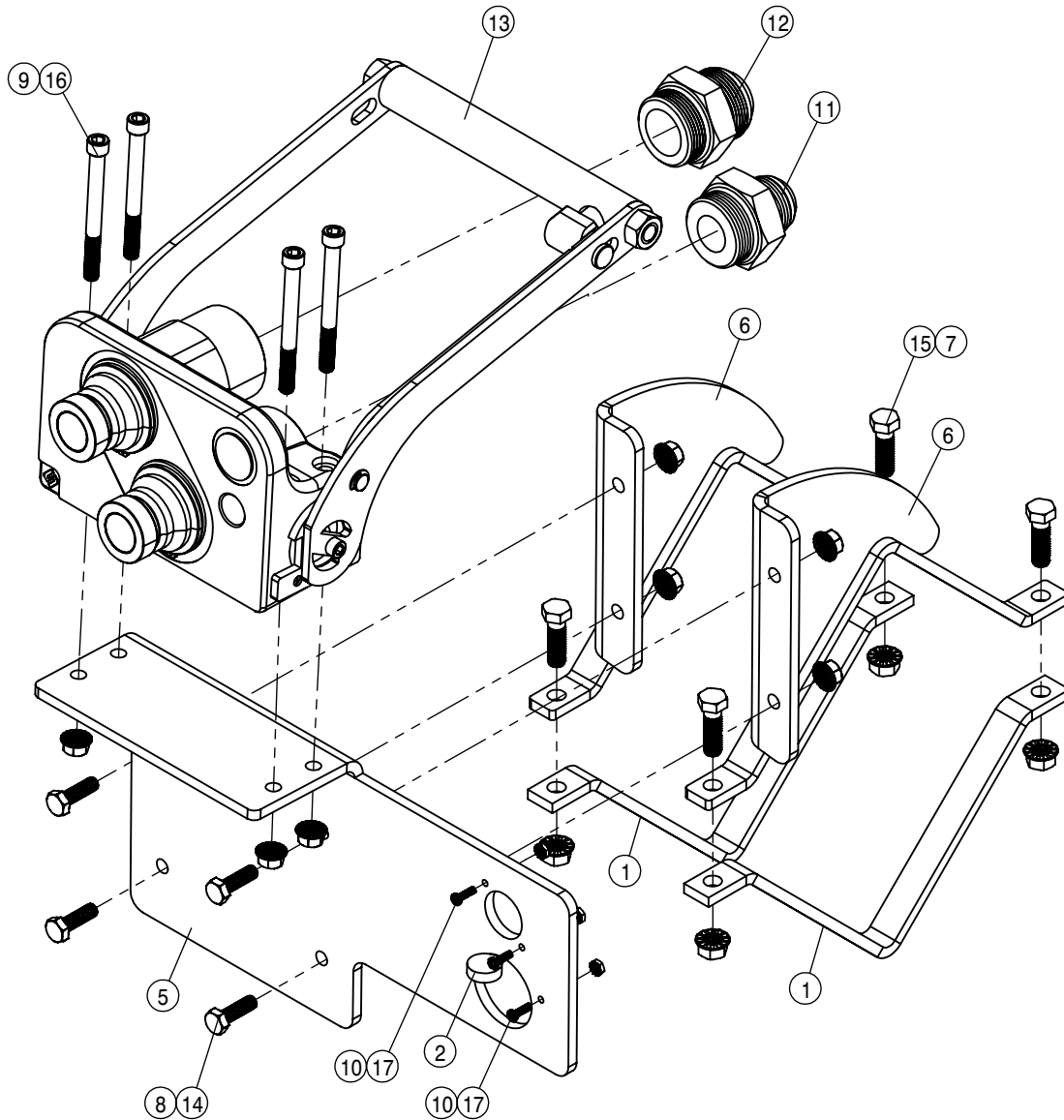


| SIDE FILL LIFT ASSEMBLY | | | |
|-------------------------|-----|--------|--------------------------------|
| DET | QTY | P/N | DESCRIPTION |
| 1 | 2 | 470669 | 5/16UNC X 2 3/4 FLANG HEX BOLT |
| 2 | 1 | 611125 | 3/4MJIC-3/4MOR ADPTR |
| 3 | 1 | 611126 | 7/8MJIC-7/8MOR ADPTR |
| 4 | 1 | 618327 | 3/4MJIC-7/8MOR ADPTR |
| 5 | 1 | 606612 | SIDE FILL VLV ASSY STS' 16 |
| 6 | 1 | 618473 | 7/16MJIC-90-7/16MOR LBO |
| 7 | 1 | 618126 | 9/16MJIC-9/16MOR ADPTR |
| 8 | 1 | 617108 | 08-451TC-08FJX-08FJX90-127 H/A |
| 9 | 1 | 617389 | 04-451TC-04FJX-04FJX-111 H/A |
| 10 | 1 | 617390 | 04-451TC-06FJX-06FJX90-100 H/A |

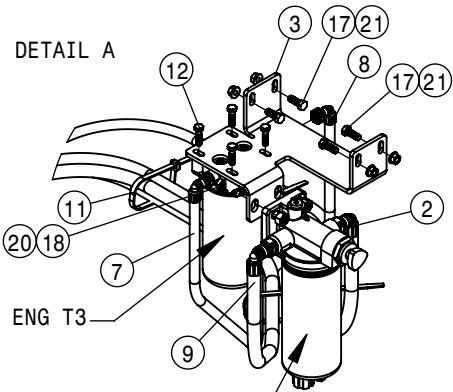


| BOOM HYDRAULIC QUICK COUPLER ASSEMBLY | | | |
|---------------------------------------|-----|----------|--------------------------------|
| DET | QTY | P/N | DESCRIPTION |
| 1 | 2 | 470087 | 3/8UNC HEX SERR FLANGE NUT |
| 2 | 1 | 607112 | FIX HALF COUPLER ASSY |
| 3 | 1 | 618363 | 7/16FJIC CAP NUT |
| 4 | 1 | 618533 | 1 1/16FJIC CAP NUT |
| 5 | 1 | 629547 | VS-150-S16 RETAINING RING |
| 6 | 2 | 900174 | 3/8UNC x 1 1/2" SOC HD CAP SCR |
| 7 | 1 | HXE28534 | LABEL, HYDRAULIC ENGLISH |

COMBO OPTION QUICK ATTACH

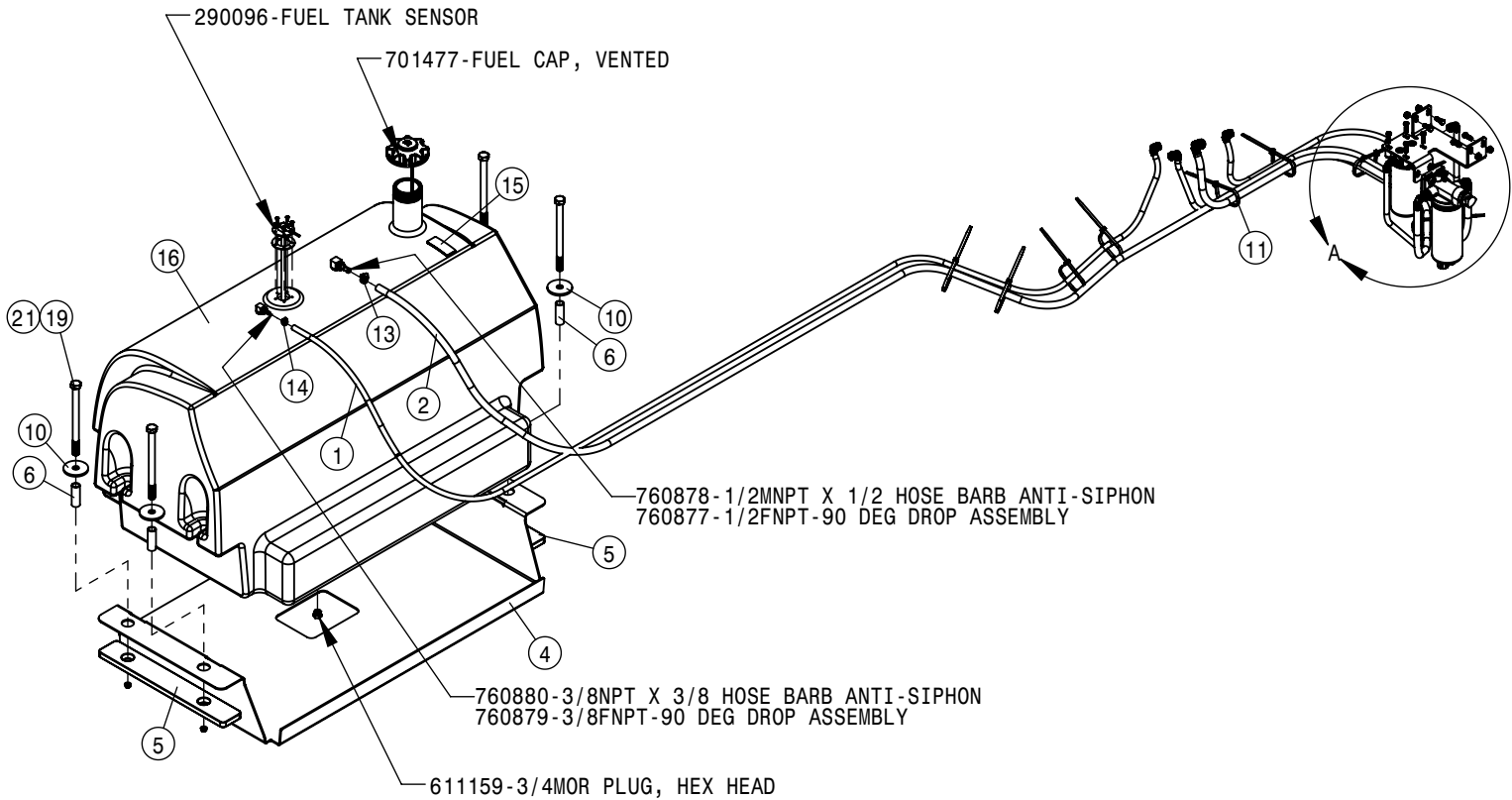


| COMBO OPTION HYDRAULIC QUICK COUPLER ASSEMBLY | | | |
|-----------------------------------------------|-----|---------|----------------------------------|
| DET | QTY | P/N | DESCRIPTION |
| 1 | 2 | 003078 | RECEPT MTG BRKT, PAINTED STS 07 |
| 2 | 1 | 291754 | AMP CAP, 17 SHELL |
| NS | 1 | 293866 | POWER HARNESS, MAIN STSC 05 |
| NS | 1 | 294047 | STS COMBO CHASSIS TO BAR HARNESS |
| 5 | 1 | 362043 | SOLUTION COMBO MOUNT |
| 6 | 2 | 362047 | RECEPT SCM BRKT WLD LFT |
| 7 | 4 | 470087 | 3/8UNC HEX SERR FLANGE NUT |
| 8 | 4 | 470113 | 5/16UNC SERR FLG LOCK NUT |
| 9 | 4 | 470113N | 5/16UNC SERR FLG LOCK NUT SS |
| 10 | 3 | 470467 | 6-32 KEP NUT |
| 11 | 1 | 618455 | 1 5/16MJIC-1 5/8 MOR ADPTR |
| 12 | 1 | 618472 | 1 5/8MJIC-1 5/8MOR ADPTR |
| 13 | 1 | 618877 | COMBO MULT CPLR MACHINE |
| 14 | 4 | 900065 | 5/16UNC X 1" HEX BOLT |
| 15 | 4 | 900127 | 3/8UNC X 1 1/4 HEX BOLT |
| 16 | 4 | 900175 | 5/16UNC X 3 1/4 SKT HD CAP SCR |
| 17 | 3 | 903812 | 6-32 X 1/2 PHIL PAN MACH SCR |



(TIER-3) 316683-FUEL FILTER, PRIMARY ENG T3
 (TIER-4F) 317399-PRIMARY FUEL FILTER

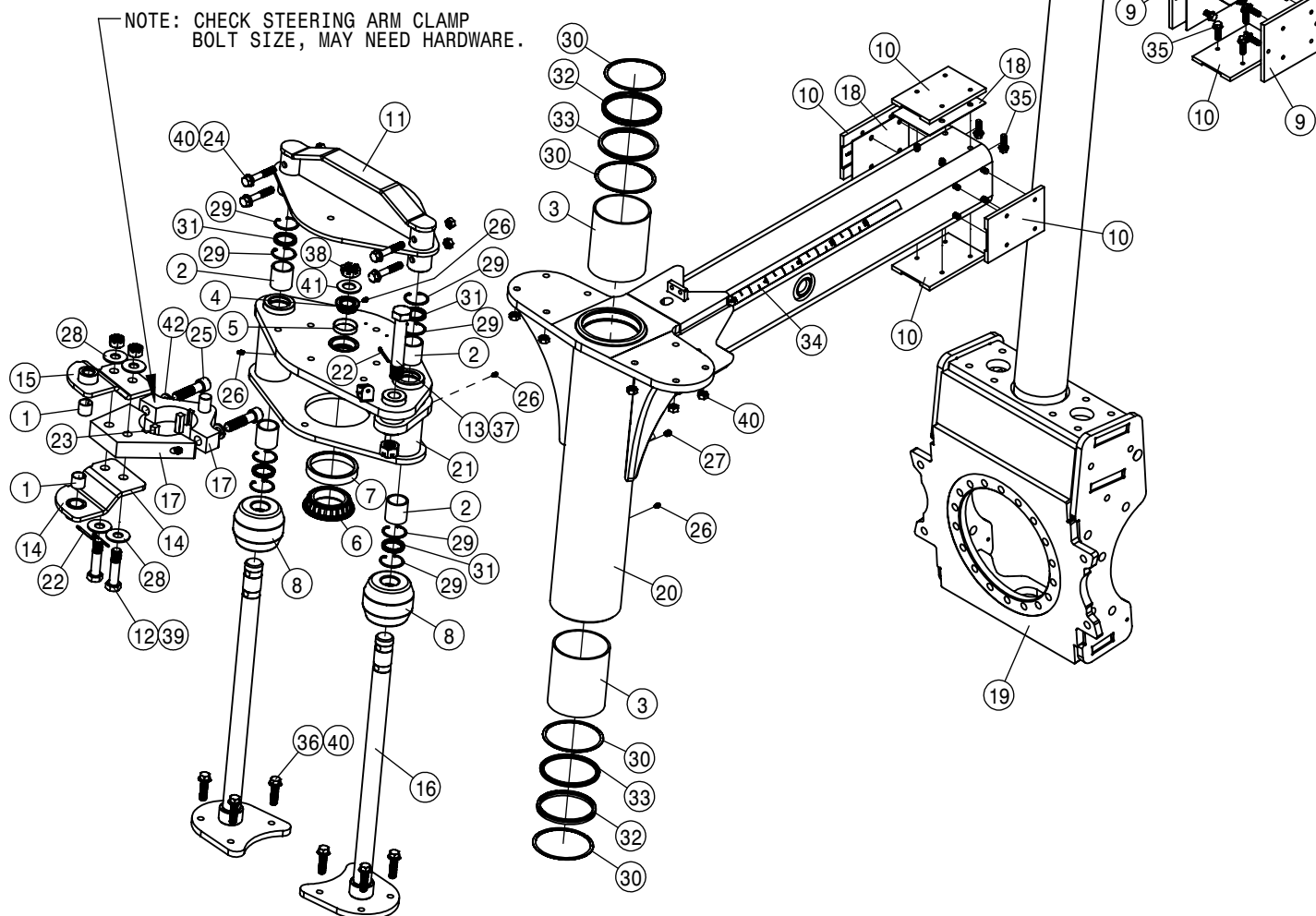
(TIER-3) 316684-FUEL/WATER SEPERATOR T3
 (TIER-4F) 317400-FUEL/WATER SEPERATOR T4F



| FUEL SYSTEM ASSEMBLY | | | |
|----------------------|-----|--------|--------------------------------------|
| DET | QTY | P/N | DESCRIPTION |
| 1 | 1 | 317269 | FUEL RETURN HOSE |
| 2 | 1 | 317270 | FUEL SUCTION HOSE ASSY |
| 3 | 1 | 317271 | FILTER MT PLT |
| 4 | 1 | 317343 | FUEL TANK CRADLE |
| 5 | 2 | 317361 | FUEL TANK ISOLATOR |
| 6 | 4 | 317375 | BUSH 1 OD X .125 WA X 2.880 |
| 7 | 1 | 317421 | FUEL HOSE, FILTER TO RAIL |
| 8 | 1 | 317422 | FUEL HOSE, PUMP TO FILTER |
| 9 | 1 | 317423 | FUEL HOSE, STRAINER TO PUMP |
| 10 | 4 | 341172 | WASHER-.75" ID X 3.00" OD X .25" THK |
| 11 | 9 | 470555 | CABLE TIE, 1/2 X 15" BLACK NYLON |

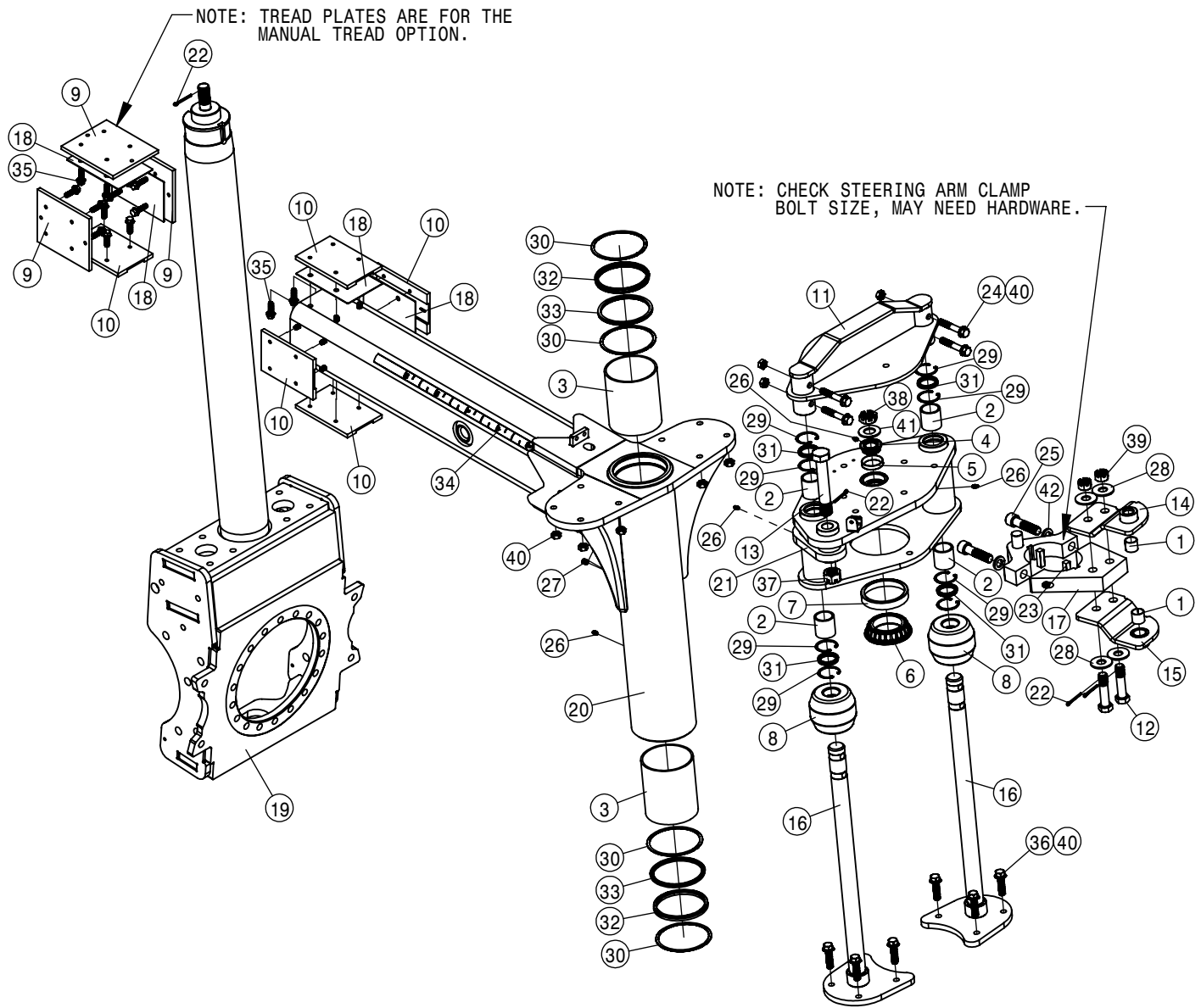
| FUEL SYSTEM ASSEMBLY | | | |
|----------------------|-----|--------|---------------------------------|
| DET | QTY | P/N | DESCRIPTION |
| 12 | 4 | 473790 | 8MM-1.25 X 30MM HEX BOLT |
| 13 | 1 | 520069 | HOSE CLAMP NO 6 STAINLESS |
| 14 | 1 | 520120 | HOSE CLAMP NO 4 STAINLESS |
| 15 | 1 | 650431 | DECAL, ULTRA LOW SULFUR FUEL |
| 16 | 1 | 763956 | FUEL TANK 134 GAL W/DECAL |
| 17 | 4 | 900129 | 3/8UNC X 1" HEX BOLT |
| 18 | 2 | 900264 | 1/2UNC X 1 1/4 HEX BOLT |
| 19 | 4 | 900420 | 3/4UNC X 10.00" HEX BOLT |
| 20 | 2 | 910008 | 1/2UNC HEX NUT |
| 21 | 8 | 910042 | 3/8-16UNC HEX FLG NUT SM MC GR8 |

NOTE: TREAD PLATES ARE FOR THE MANUAL TREAD OPTION.



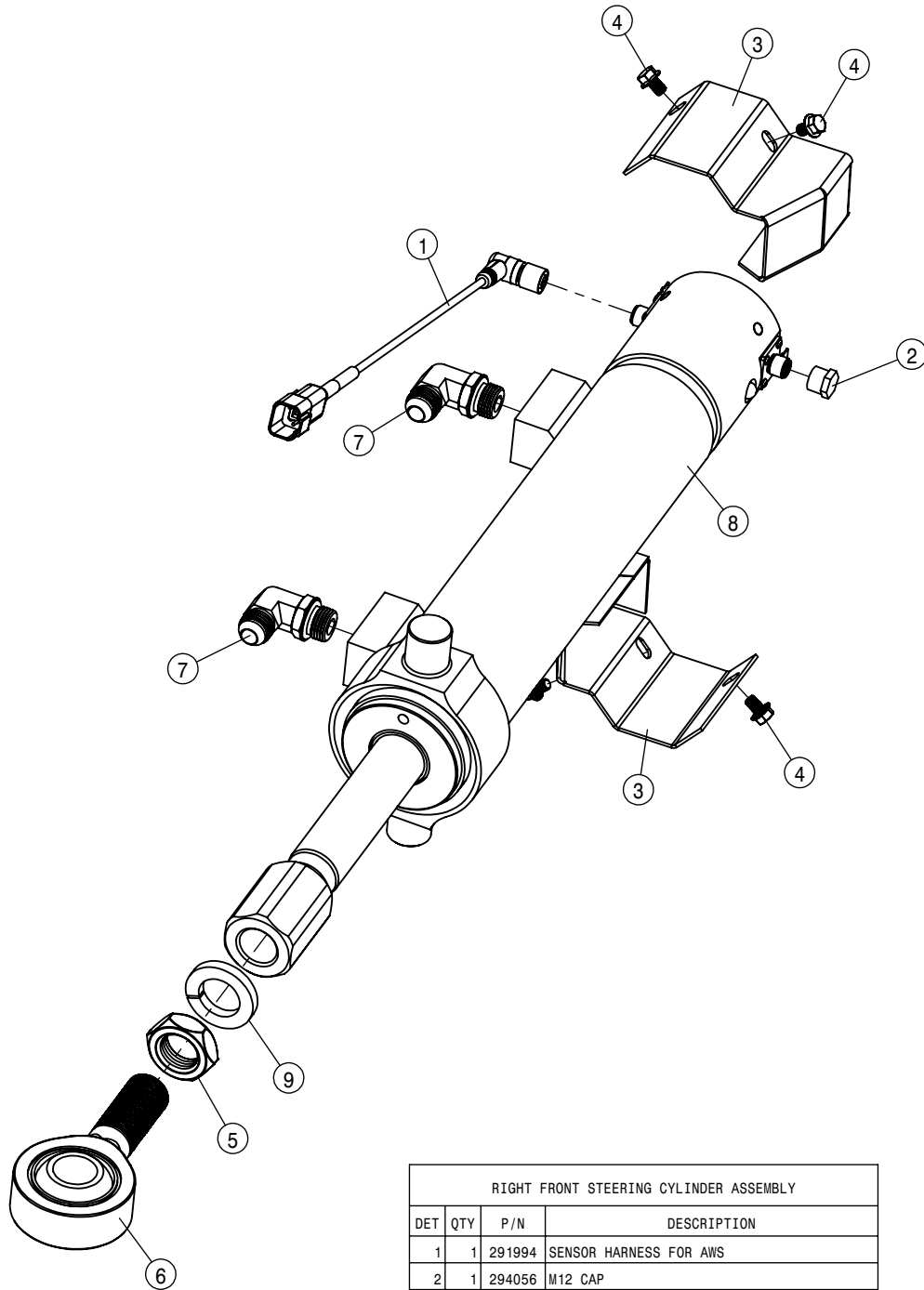
| RIGHT SEVERE DUTY LEG ASSEMBLY | | | |
|--------------------------------|-----|--------|---------------------------------|
| DET | QTY | P/N | DESCRIPTION |
| 1 | 2 | 121029 | JOURNAL BRG, 1.00 ID x 1.00 LG |
| 2 | 4 | 121113 | TOWER SLEEVE BRG (POLYGON) 05 |
| 3 | 2 | 121125 | BEARING-POLY 4.50 ID X 5.74 LG |
| 4 | 1 | 125050 | BRG CONE, 1.00 ID W/FACE SEAL |
| 5 | 1 | 125051 | BRG CUP FOR 125050 |
| 6 | 1 | 125052 | BRG CONE, 2.687 ID W/FACE SEAL |
| 7 | 1 | 125053 | BRG CUP FOR 125052 |
| 8 | 2 | 311058 | RUBBER SPRING |
| 9 | 3 | 342917 | TREAD ADJ PLATE, TAPPED, STS 10 |
| 10 | 5 | 343009 | TRD ADJ BRONZE BEARING, TAPPED |
| 11 | 1 | 359333 | AIR BAG TOWER TOP MT WLD |
| 12 | 2 | 359545 | TRUNION MT BOLT, STS AWS 09 |
| 13 | 1 | 359546 | STRG CYL BOLT, STS AWS LRG 09 |
| 14 | 1 | 359547 | TOP TRUNION MT WLD, STS AWS 09 |
| 15 | 1 | 359548 | BTM TRUNION MT WLD, STS AWS 09 |
| 16 | 2 | 359654 | NITRO TOWER WLD, STS AWS 13 |
| 17 | 1 | 359664 | 3/4" STRG ARM CLAMP WLD |
| 18 | 4 | 360072 | SHIM - TRD ADJ BEARING |
| 19 | 1 | 360075 | INNER LEG WELDMT-STS, SDS LEG |
| 20 | 1 | 360082 | OUTER LEG-WLDMT, SDS LEG |
| 21 | 1 | 360148 | RH AIR BAG LWR PLT WLD, STS 15 |

| RIGHT SEVERE DUTY LEG ASSEMBLY | | | |
|--------------------------------|-----|---------|----------------------------------------|
| DET | QTY | P/N | DESCRIPTION |
| 22 | 4 | 470117N | 3/16 X 1 3/4 COTTER PIN SS |
| 23 | 2 | 470447 | KEY .50 SQ X 1.69 LONG |
| 24 | 4 | 470461N | 1/2UNC X 3" SERR FLG BOLT YZ |
| 25 | 2 | 470890 | 3/4UNC X 3" SOC HD CAP SCR GR8 |
| 26 | 4 | 471005N | GREASE ZERK, 1/4-28 X 1/2 YZ |
| 27 | 1 | 471030 | PRESSURE RELIEF VALVE-GREASE 45-80 PSI |
| 28 | 4 | 483048 | 3/4 REG FLAT WASH, THRU-HARD YZ |
| 29 | 8 | 629537 | 187RRH00Z SNAP RING |
| 30 | 4 | 629538 | 4.5 SPIROLOX RING |
| 31 | 4 | 629620 | SEAL, 1.500 ROD DIA |
| 32 | 2 | 629621 | SEAL, 4.500 ROD DIA |
| 33 | 2 | 629625 | SEAL, 4.500 ROD DIA |
| 34 | 1 | 650459 | DECAL, TREAD ADJ INDICATOR '14 |
| 35 | 32 | 900127N | 3/8UNC X 1 1/4 SER FLANGE BOLT |
| 36 | 8 | 900267N | 1/2UNC X 2" SERR FLG BOLT |
| 37 | 1 | 910020N | 1" UNC HEX SLOTTED NUT |
| 38 | 1 | 910021 | 1"-14 SLOT JAM NUT |
| 39 | 2 | 910102 | 3/4UNC HEX SLOT NUT GR8 |
| 40 | 12 | 914008 | 1/2 UNC HEX STOVER NUT |
| 41 | 1 | 920008 | 1" SAE FLAT WASHER |
| 42 | 2 | 920506 | 3/4 LOCK WASHER |

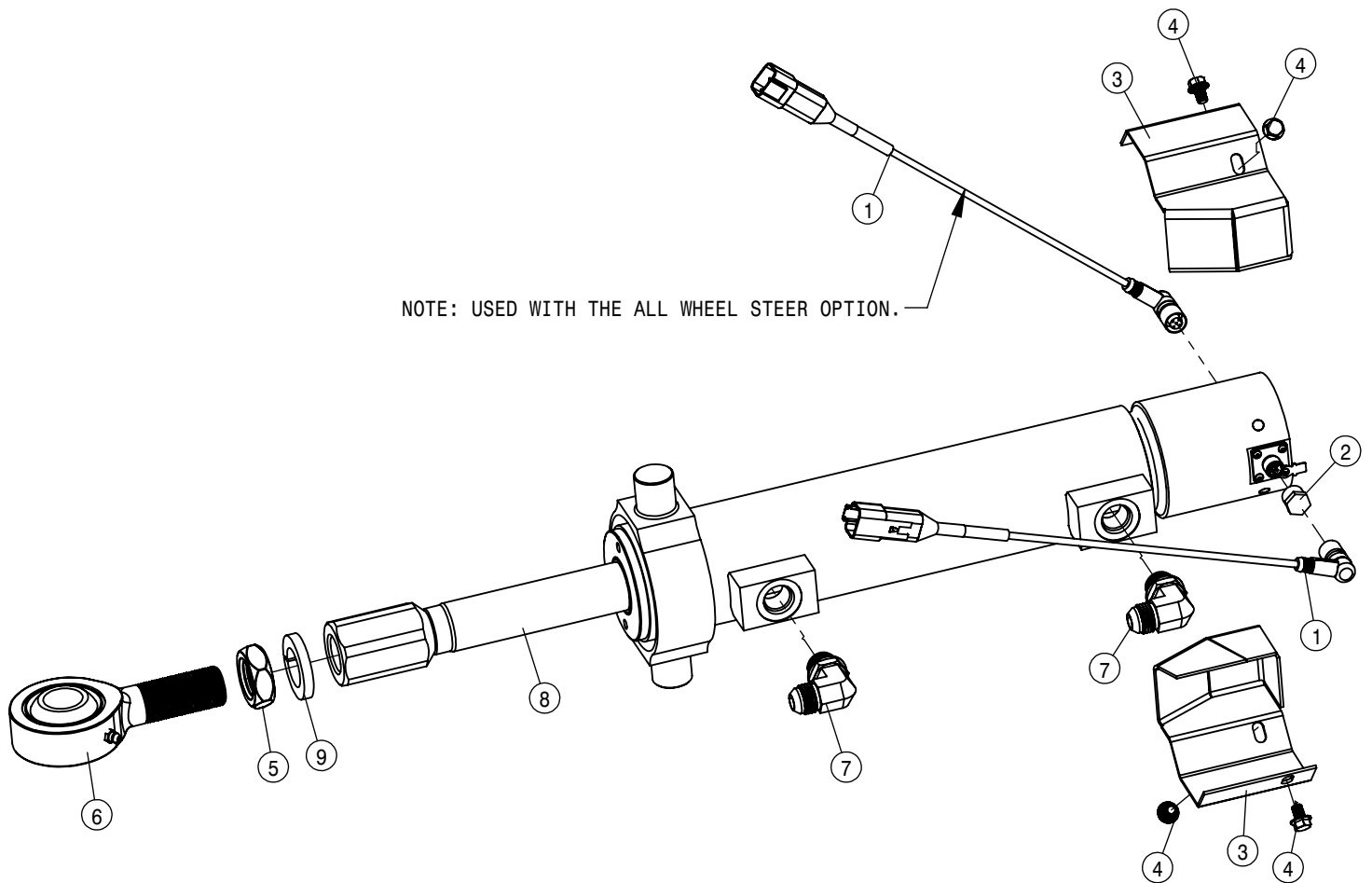


| LEFT SEVERE DUTY LEG ASSEMBLY | | | |
|-------------------------------|-----|--------|---------------------------------|
| DET | QTY | P/N | DESCRIPTION |
| 1 | 2 | 121029 | JOURNAL BRG, 1.00 ID X 1.00 LG |
| 2 | 4 | 121113 | TOWER SLEEVE BRG (POLYGON) 05 |
| 3 | 2 | 121125 | BEARING-POLY 4.50 ID X 5.74 LG |
| 4 | 1 | 125050 | BRG CONE, 1.00 ID W/FACE SEAL |
| 5 | 1 | 125051 | BRG CUP FOR 125050 |
| 6 | 1 | 125052 | BRG CONE, 2.687 ID W/FACE SEAL |
| 7 | 1 | 125053 | BRG CUP FOR 125052 |
| 8 | 2 | 311058 | RUBBER SPRING |
| 9 | 3 | 342917 | TREAD ADJ PLATE, TAPPED, STS 10 |
| 10 | 5 | 343009 | TRD ADJ BRONZE BEARING, TAPPED |
| 11 | 1 | 359333 | AIR BAG TOWER TOP MT WLD |
| 12 | 2 | 359545 | TRUNION MT BOLT, STS AWS 09 |
| 13 | 1 | 359546 | STRG CYL BOLT, STS AWS LRG 09 |
| 14 | 1 | 359547 | TOP TRUNION MT WLD, STS AWS 09 |
| 15 | 1 | 359548 | BTM TRUNION MT WLD, STS AWS 09 |
| 16 | 2 | 359654 | NITRO TOWER WLD, STS AWS 13 |
| 17 | 1 | 359664 | 3/4" STRG ARM CLAMP WLD |
| 18 | 4 | 360072 | SHIM - TRD ADJ BEARING |
| 19 | 1 | 360075 | INNER LEG WELDMT-STS, SDS LEG |
| 20 | 1 | 360082 | OUTER LEG-WLDMT, SDS LEG |
| 21 | 1 | 360149 | LH AIR BAG LWR PLT WLD, STS 15 |

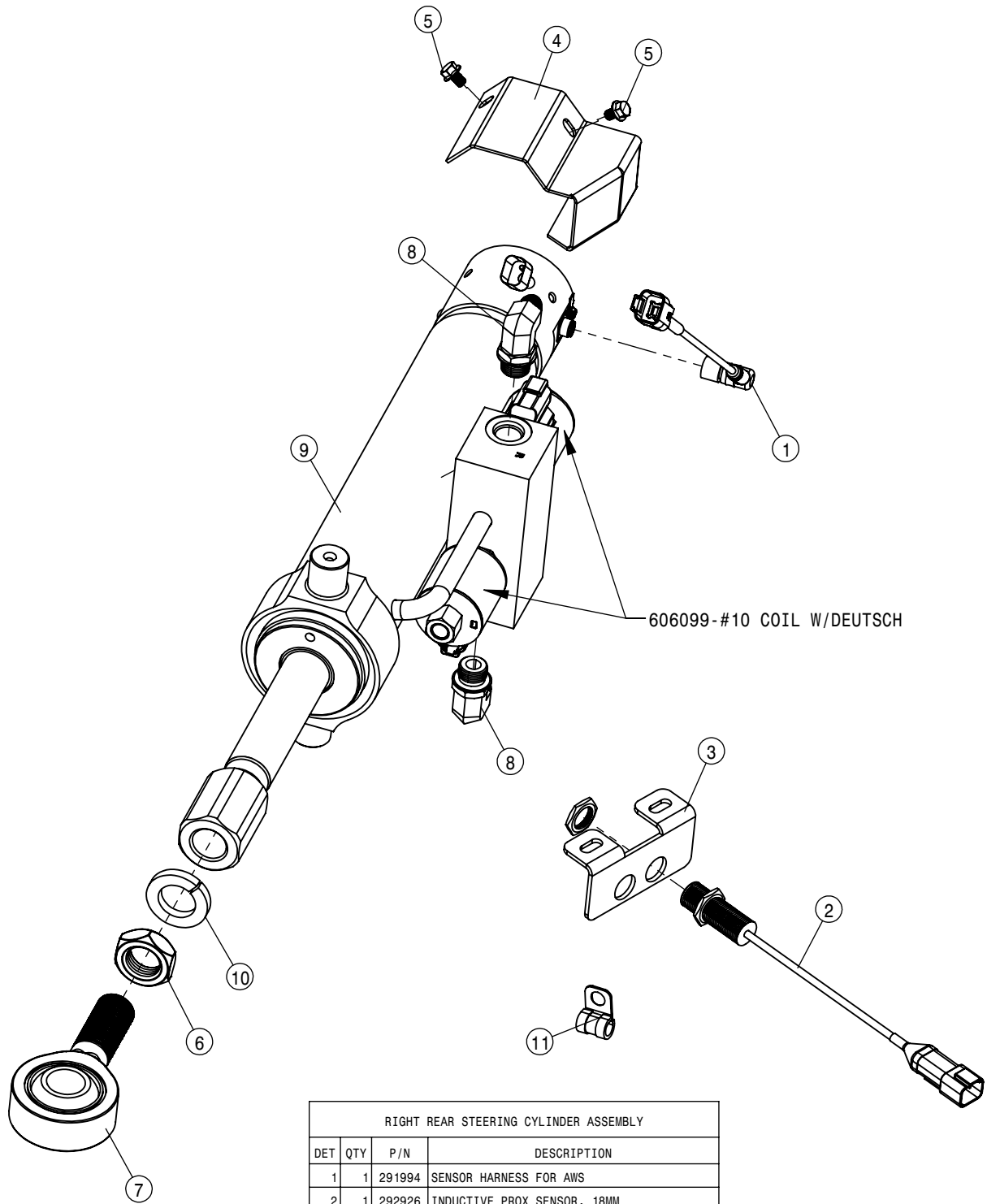
| LEFT SEVERE DUTY LEG ASSEMBLY | | | |
|-------------------------------|-----|---------|----------------------------------------|
| DET | QTY | P/N | DESCRIPTION |
| 22 | 4 | 470117N | 3/16 X 1 3/4 COTTER PIN SS |
| 23 | 2 | 470447 | KEY .50 SQ X 1.69 LONG |
| 24 | 4 | 470461N | 1/2UNC X 3" SERR FLG BOLT YZ |
| 25 | 2 | 470890 | 3/4UNC X 3" SOC HD CAP SCR GR8 |
| 26 | 4 | 471005N | GREASE ZERK, 1/4-28 X 1/2 YZ |
| 27 | 1 | 471030 | PRESSURE RELIEF VALVE-GREASE 45-80 PSI |
| 28 | 4 | 483048 | 3/4 REG FLAT WASH, THRU-HARD YZ |
| 29 | 8 | 629537 | 187RRH00Z SNAP RING |
| 30 | 4 | 629538 | 4.5 SPIROLOX RING |
| 31 | 4 | 629620 | SEAL, 1.500 ROD DIA |
| 32 | 2 | 629621 | SEAL, 4.500 ROD DIA |
| 33 | 2 | 629625 | SEAL, 4.500 ROD DIA |
| 34 | 1 | 650459 | DECAL, TREAD ADJ INDICATOR '14 |
| 35 | 32 | 900127N | 3/8UNC X 1 1/4 SER FLANGE BOLT |
| 36 | 8 | 900267N | 1/2UNC X 2" SERR FLG BOLT |
| 37 | 1 | 910020N | 1" UNC HEX SLOTTED NUT |
| 38 | 1 | 910021 | 1"-14 SLOT JAM NUT |
| 39 | 2 | 910102 | 3/4UNC HEX SLOT NUT GR8 |
| 40 | 12 | 914008 | 1/2 UNC HEX STOVER NUT |
| 41 | 1 | 920008 | 1" SAE FLAT WASHER |
| 42 | 2 | 920506 | 3/4 LOCK WASHER |



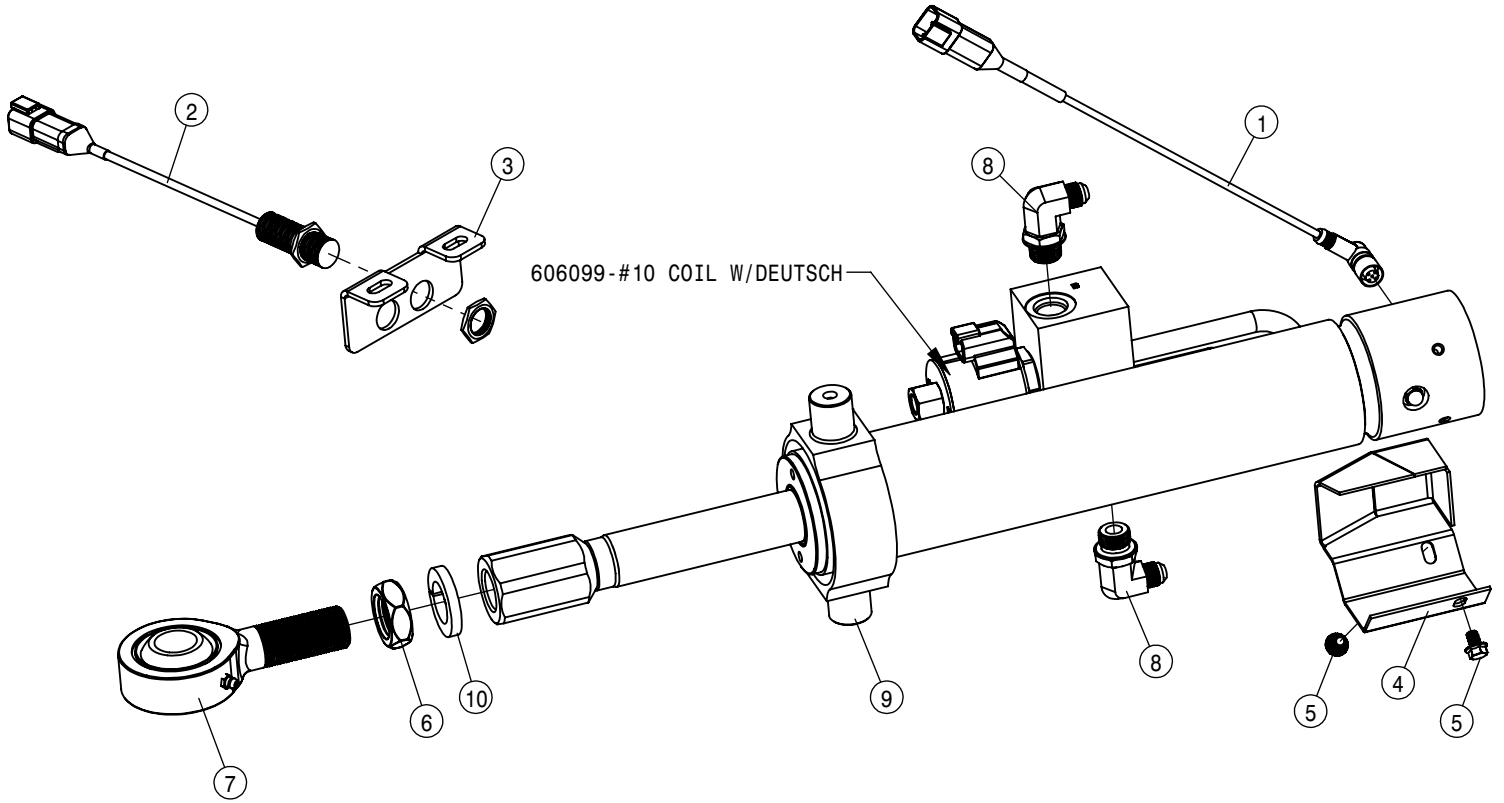
| RIGHT FRONT STEERING CYLINDER ASSEMBLY | | | |
|----------------------------------------|-----|--------|----------------------------------|
| DET | QTY | P/N | DESCRIPTION |
| 1 | 1 | 291994 | SENSOR HARNESS FOR AWS |
| 2 | 1 | 294056 | M12 CAP |
| 3 | 2 | 359645 | STRG CYL SENSOR GUARD |
| 4 | 4 | 470883 | 1/4UNC X 3/8 SERR FLG BOLT SS |
| 5 | 1 | 472328 | 1" - 12 HEX JAM NUT |
| 6 | 1 | 474004 | ROD END, 1.00 BORE, 1-12 RH MALE |
| 7 | 2 | 618241 | 3/4MJIC-90-3/4MOR LBO |
| 8 | 1 | 621654 | HYD CYL, 2.50 X 8.81 PHASE/SENS |
| 9 | 1 | 920508 | 1" LOCK WASHER |



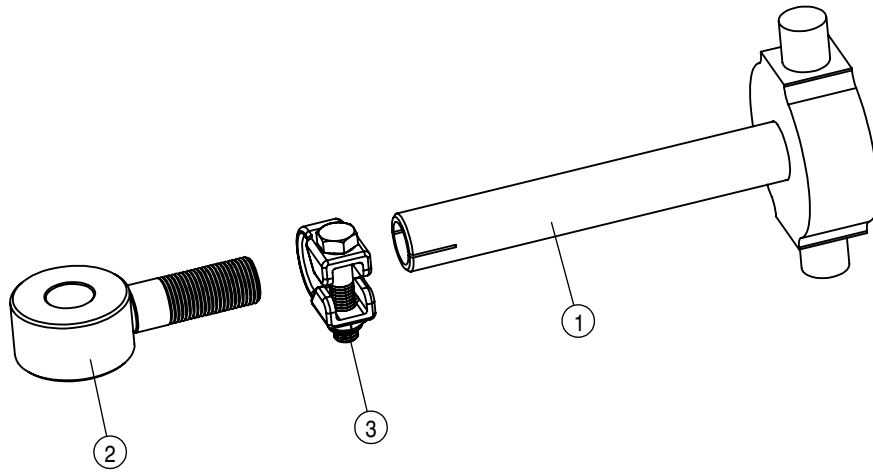
| LEFT FRONT STEERING CYLINDER ASSEMBLY | | | |
|---------------------------------------|-----|--------|----------------------------------|
| DET | QTY | P/N | DESCRIPTION |
| 1 | 2 | 291994 | SENSOR HARNESS FOR AWS |
| 2 | 2 | 294056 | M12 CAP |
| 3 | 2 | 359645 | STRG CYL SENSOR GUARD |
| 4 | 4 | 470883 | 1/4UNC X 3/8 SERR FLG BOLT SS |
| 5 | 1 | 472328 | 1"-12 HEX JAM NUT |
| 6 | 1 | 474004 | ROD END, 1.00 BORE, 1-12 RH MALE |
| 7 | 2 | 618241 | 3/4MJIC-90-3/4MOR LBO |
| 8 | 1 | 621654 | HYD CYL, 2.50 X 8.81 PHASE/SENS |
| 9 | 1 | 920508 | 1" LOCK WASHER |



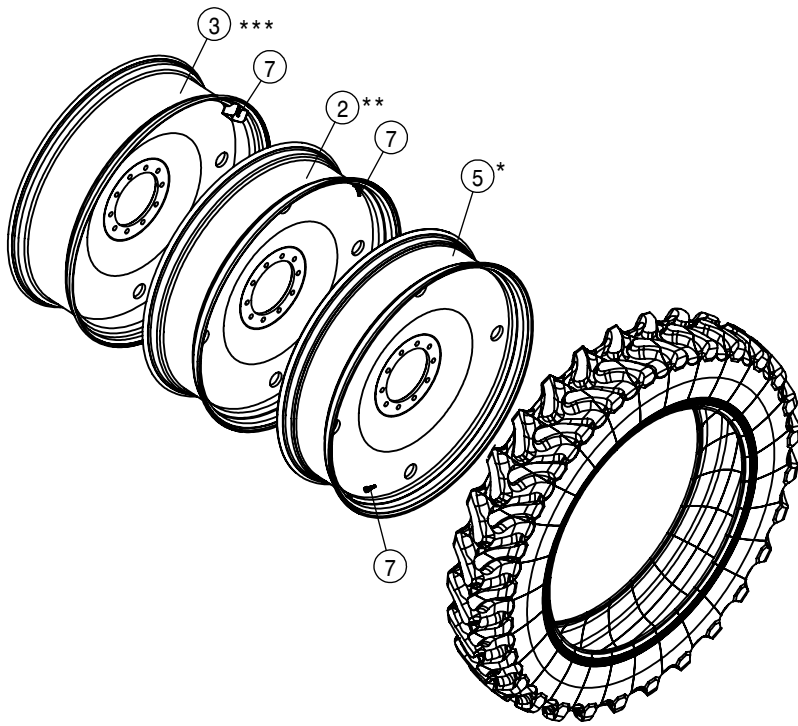
| RIGHT REAR STEERING CYLINDER ASSEMBLY | | | |
|---------------------------------------|-----|--------|----------------------------------|
| DET | QTY | P/N | DESCRIPTION |
| 1 | 1 | 291994 | SENSOR HARNESS FOR AWS |
| 2 | 1 | 292926 | INDUCTIVE PROX SENSOR, 18MM |
| 3 | 1 | 359555 | SENSOR BRKT, STS AWS 09 |
| 4 | 1 | 359645 | STRG CYL SENSOR GUARD |
| 5 | 2 | 470883 | 1/4UNC X 3/8 SERR FLG BOLT SS |
| 6 | 1 | 472328 | 1" -12 HEX JAM NUT |
| 7 | 1 | 474004 | ROD END, 1.00 BORE, 1-12 RH MALE |
| 8 | 2 | 618115 | 9/16MJIC-90-3/4MOR LBO |
| 9 | 1 | 621653 | HYD CYL, 2.50 X 8.81 X 1.25 |
| 10 | 1 | 920508 | 1" LOCK WASHER |
| 11 | 1 | 520167 | CUSH CLAMP, #6 3/8D X 3/4W |



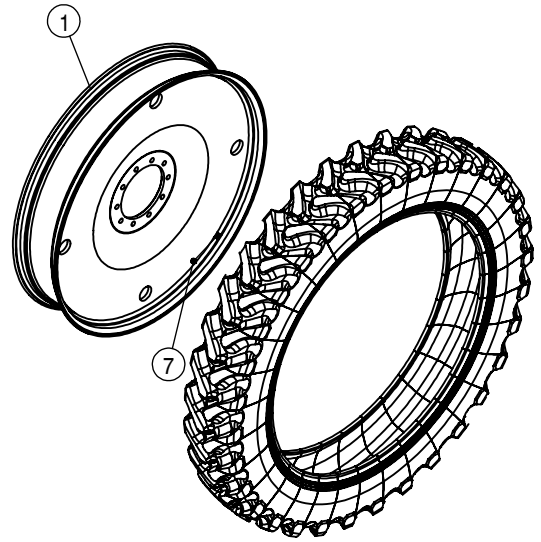
| LEFT REAR STEERING CYLINDER ASSEMBLY | | | |
|--------------------------------------|-----|--------|----------------------------------|
| DET | QTY | P/N | DESCRIPTION |
| 1 | 1 | 291994 | SENSOR HARNESS FOR AWS |
| 2 | 1 | 292926 | INDUCTIVE PROX SENSOR, 18MM |
| 3 | 1 | 359555 | SENSOR BRKT, STS AWS 09 |
| 4 | 1 | 359645 | STRG CYL SENSOR GUARD |
| 5 | 2 | 470883 | 1/4UNC X 3/8 SERR FLG BOLT SS |
| 6 | 1 | 472328 | 1"-12 HEX JAM NUT |
| 7 | 1 | 474004 | ROD END, 1.00 BORE, 1-12 RH MALE |
| 8 | 2 | 618115 | 9/16MJIC-90-3/4MOR LBO |
| 9 | 1 | 621653 | HYD CYL, 2.50 X 8.81 X 1.25 |
| 10 | 1 | 920508 | 1" LOCK WASHER |



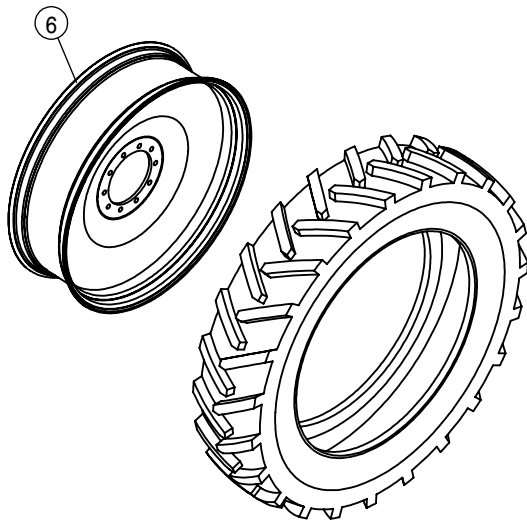
| REAR STANDARD TIE ROD ASSEMBLY | | | |
|--------------------------------|-----|--------|---------------------------------|
| DET | QTY | P/N | DESCRIPTION |
| 1 | 1 | 359086 | REAR TIE ROD SHAFT WLD |
| 2 | 1 | 359089 | TIE ROD STUD WLD |
| 3 | 1 | 749322 | STEERING TUBE CLAMP & BOLT ASSY |



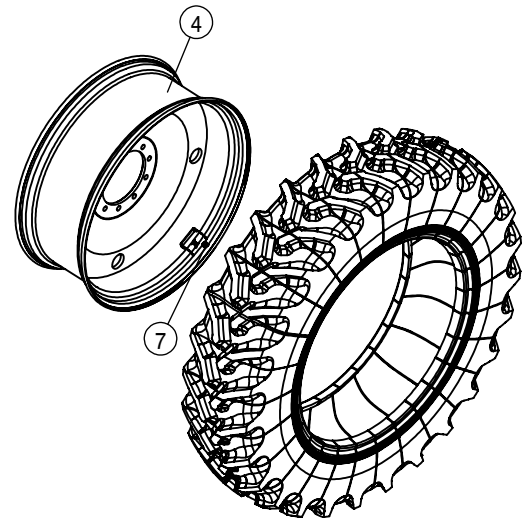
- * IF380/105 R50 RADIAL TIRE
- ** VF420/95 R50 RADIAL TIRE
- *** VF480/80 R50 RADIAL TIRE



IF320/105 R54 RADIAL TIRE



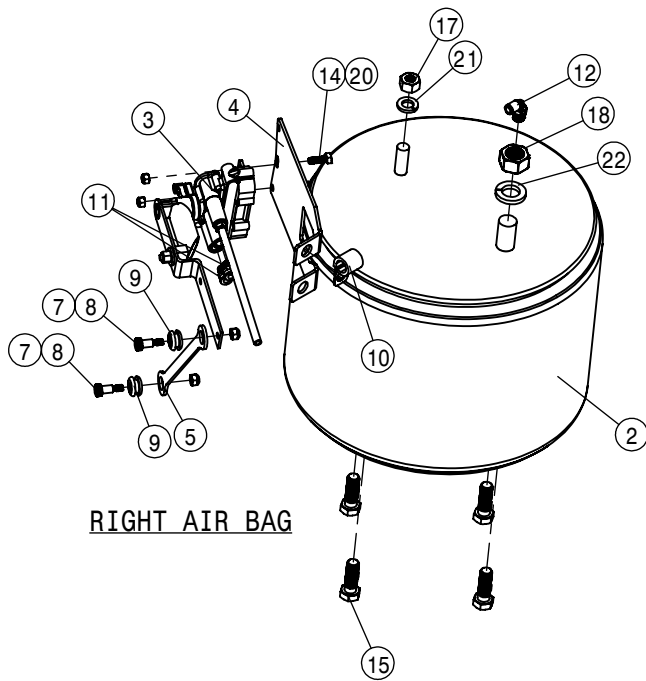
VF380/90 R46 RADIAL TIRE



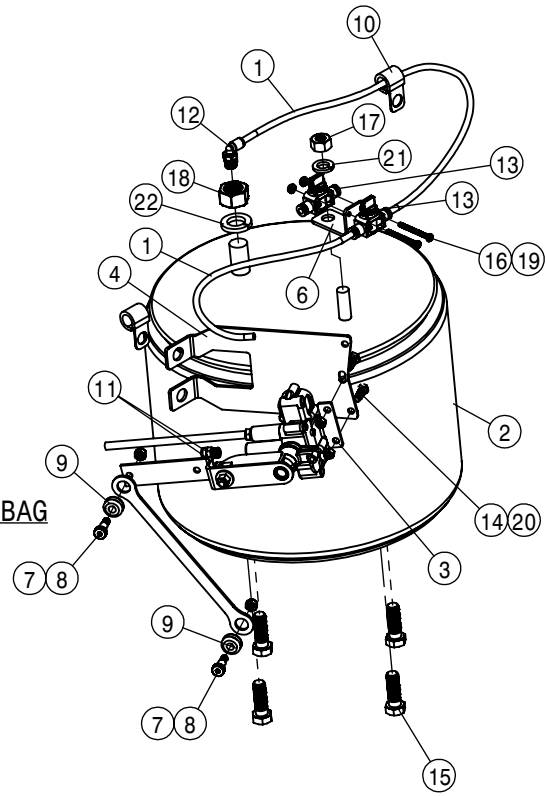
520/85 R42 RADIAL TIRE

480/80 R42 RADIAL TIRE

| TIRE AND RIM ASSEMBLY | | | |
|-----------------------|-----|--------|--------------------------------|
| DET | QTY | P/N | DESCRIPTION |
| 1 | 1 | 820174 | WHEEL 54 X W10A |
| 2 | 1 | 820176 | WHEEL - 50 X W13B |
| 3 | 1 | 820183 | WHEEL - 50 X W15B |
| 4 | 1 | 820191 | WHEEL - 42 X W16B |
| 5 | 1 | 820207 | WHEEL - 50 X W12B |
| 6 | 1 | 821054 | RIM WLD,46 X W13A (PAINTED) |
| 7 | 5 | 821252 | VALVE STEM, TR-618A, STAINLESS |



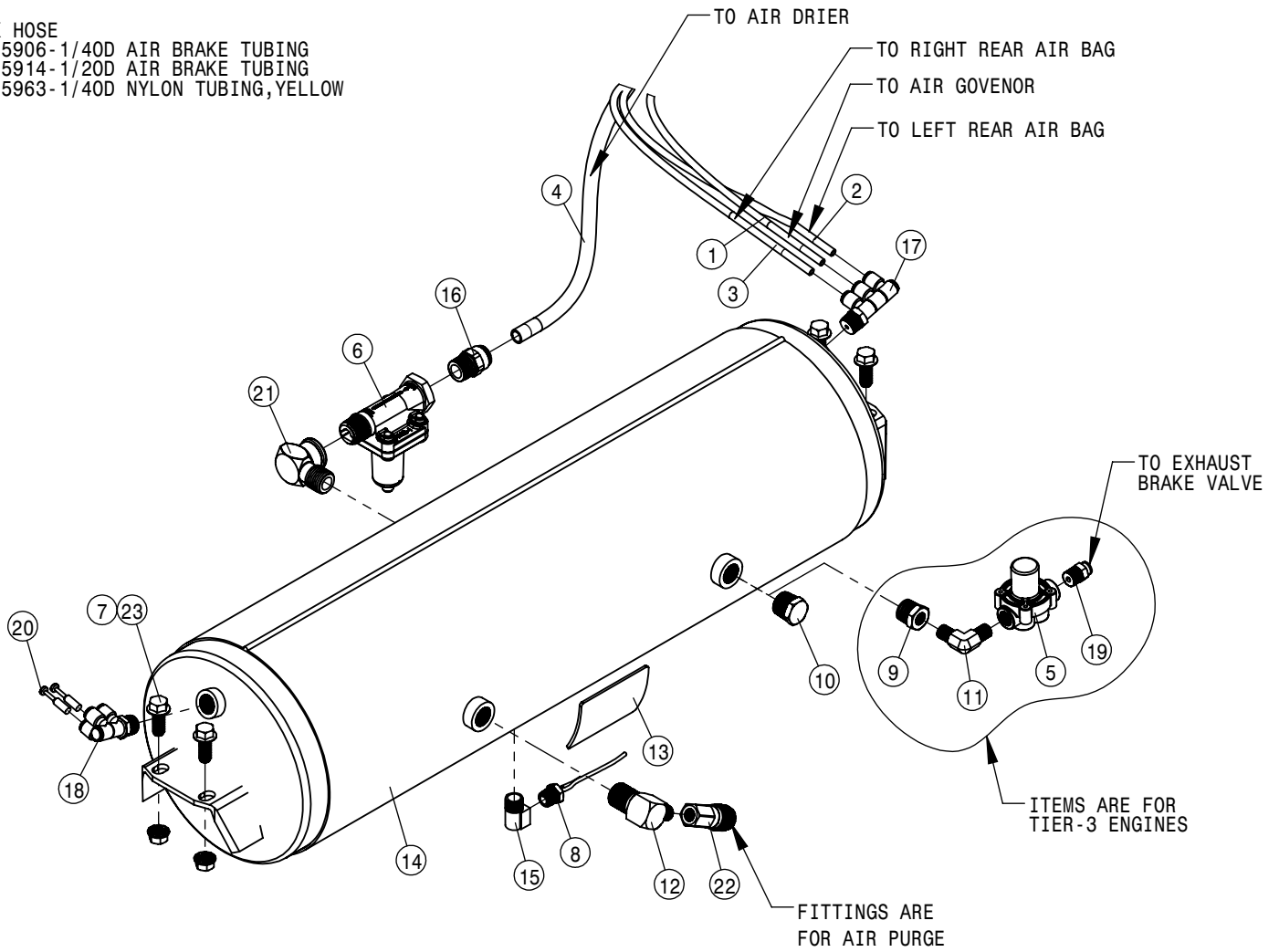
RIGHT AIR BAG



LEFT AIR BAG

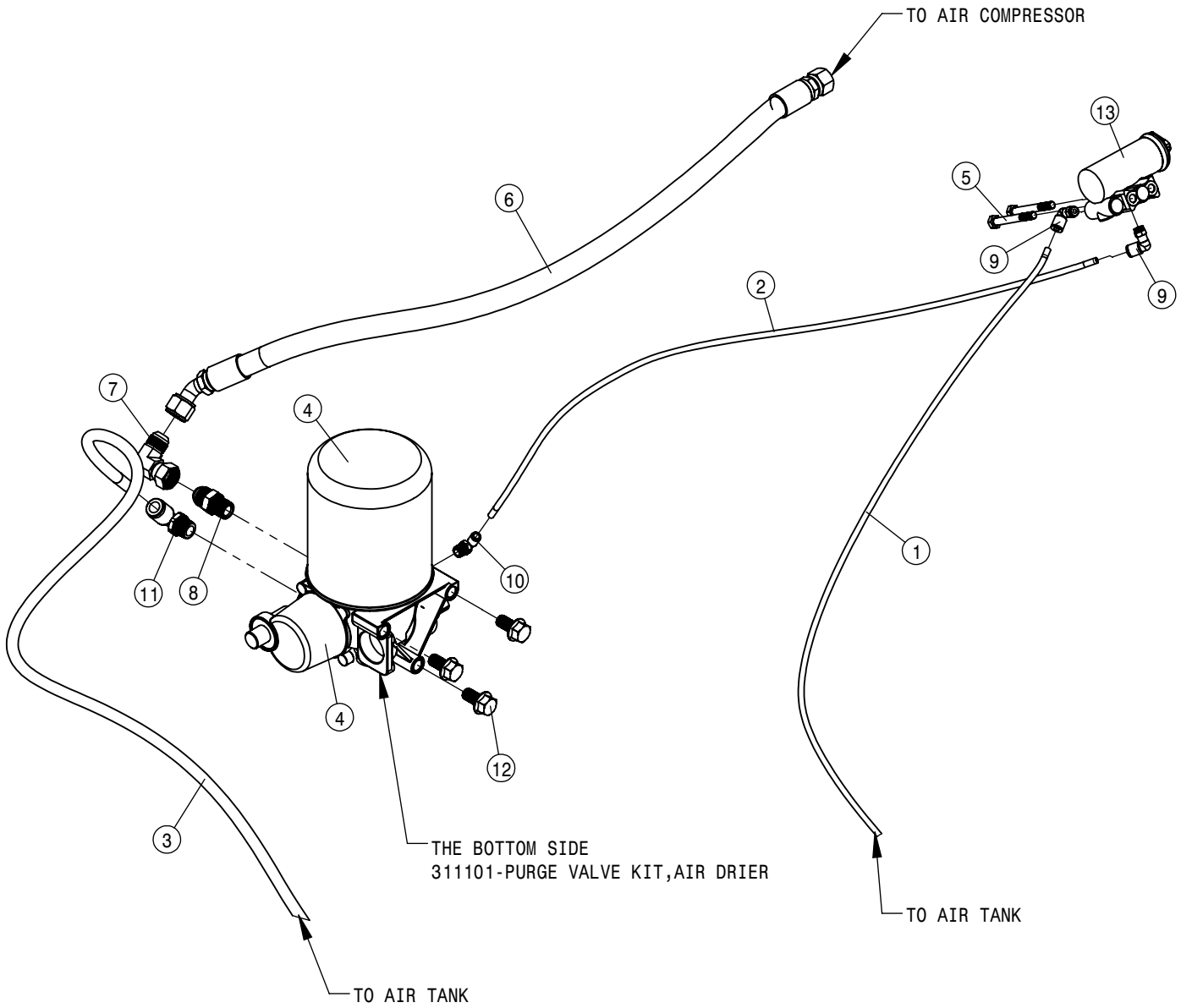
| AIR BAG ASSEMBLY | | | |
|------------------|-----|------------|----------------------------------|
| DET | QTY | P/N | DESCRIPTION |
| 1 | 2 | 195906-022 | 1/40D AIR BRAKE TUBING J844-A |
| 2 | 2 | 311080 | AIRIDE SPRING, 11.81 BASE |
| 3 | 2 | 358832 | AIRIDE SPRING CTRL VALVE 98 |
| 4 | 2 | 360140 | AIRRIDE VALVE BRACKET |
| 5 | 2 | 360141 | LINK-AIR VALVE, FRONT MOUNT |
| 6 | 1 | 360147 | AIR DUMP VLV BRKT,STS 15 |
| 7 | 4 | 470089N | 1/4UNC HEX NYLOC NUT, 316 SS |
| 8 | 4 | 470607 | 1/4UNC-5/16 X .50 SHLDR SCR SS |
| 9 | 4 | 470608 | GROMMET-.31 ID X .56 PD X .19 PG |
| 10 | 3 | 520164 | CUSH HOSE CLAMP,#9, 9/16D X 3/4W |
| 11 | 4 | 711036 | 1/8MNPT-1/4 NYL TUBE FTG |
| 12 | 2 | 711040 | 1/4MNPT-90-1/4 NYL TUBE LBO |
| 13 | 2 | 711053 | AIR VALVE, 1/4 NYL TUBE |
| 14 | 3 | 900002 | 1/4UNC x 3/4 HEX BOLT |
| 15 | 8 | 900265 | 1/2UNC X 1 1/2 HEX BOLT |
| 16 | 2 | 903854 | 8-32 X 1 3/4 PHIL PN MACH SCR SS |
| 17 | 2 | 910008 | 1/2UNC HEX NUT |
| 18 | 2 | 910013 | 3/4UNF HEX NUT |
| 19 | 2 | 910024 | 8-32 HEX NUT |
| 20 | 4 | 914000 | 1/4UNC HEX STOVER NUT |
| 21 | 2 | 920504 | 1/2 LOCK WASHER |
| 22 | 2 | 920506 | 3/4 LOCK WASHER |

BULK HOSE
 195906-1/40D AIR BRAKE TUBING
 195914-1/20D AIR BRAKE TUBING
 195963-1/40D NYLON TUBING, YELLOW



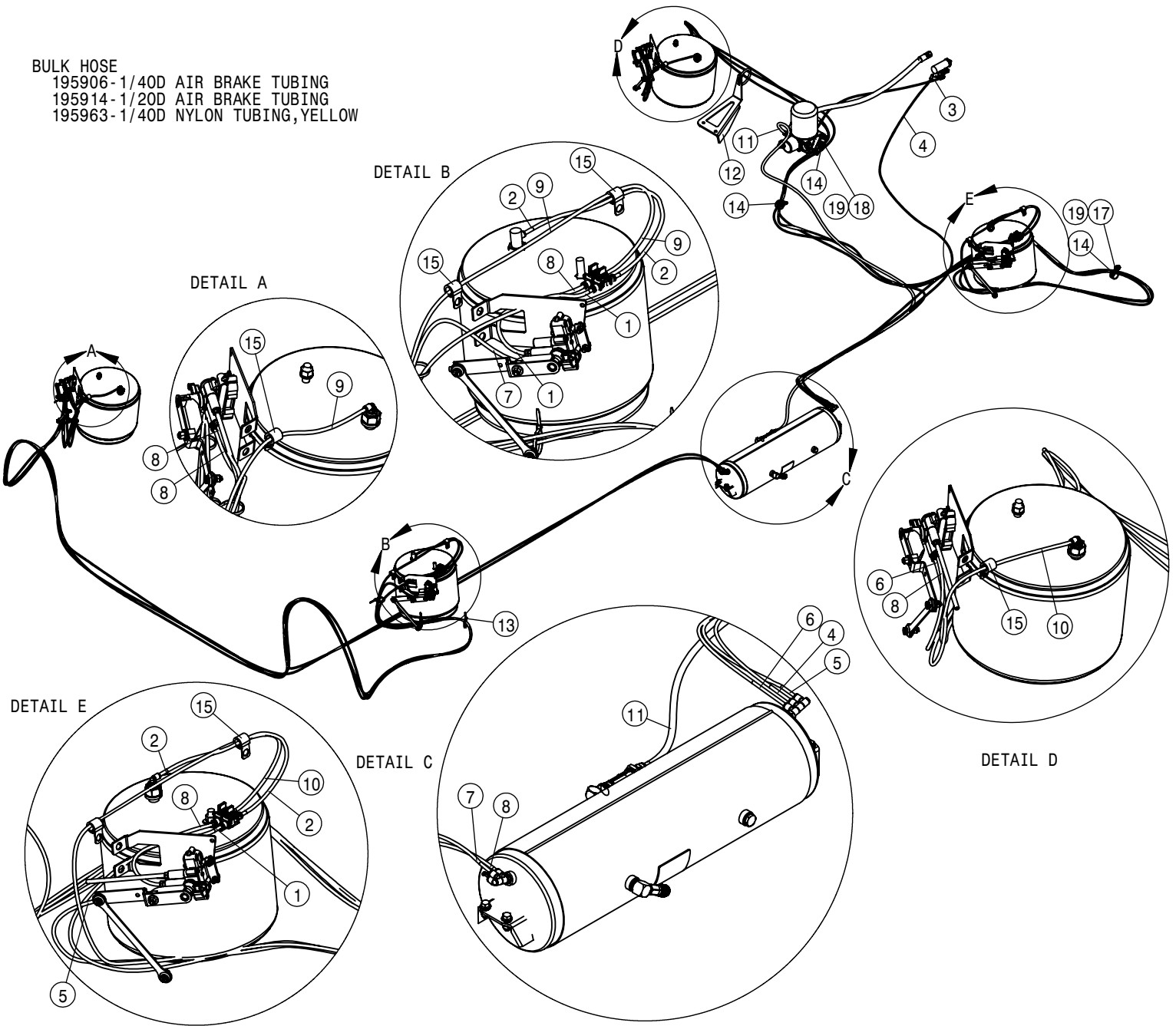
| AIR TANK ASSEMBLY | | | |
|-------------------|-----|------------|---------------------------------|
| DET | QTY | P/N | DESCRIPTION |
| 1 | 1 | 195906-123 | 1/40D AIR BRAKE TUBING J844-A |
| 2 | 1 | 195906-181 | 1/40D AIR BRAKE TUBING J844-A |
| 3 | 1 | 195906-226 | 1/40D AIR BRAKE TUBING J844-A |
| 4 | 1 | 195914-128 | 1/20D AIR BRAKE TUBING J844-B |
| 5 | 1 | 311081 | PROTECTION VALVE, JACOBS |
| 6 | 1 | 311086 | CHECK VALVE, PRESS CRTL, WABCO |
| 7 | 4 | 470087N | 3/8UNC HEX SERR FLG NUT YZ |
| 8 | 1 | 470266 | DRAIN VALVE KIT, 1/4NPT |
| 9 | 1 | 505212 | 1/2-1/4NPT REDU BUSH, BRS |
| 10 | 1 | 505231 | PIPE PLUG .50NPT HEX HD BRS |
| 11 | 1 | 618571 | 1/4MNPT-90-1/4MNPT LBO |
| 12 | 1 | 618633 | 1/2MNPT-90-1/4MNPT REDU LBO |
| 13 | 1 | 650348 | DECAL, NOTICE, DRAIN AIR TANK |
| 14 | 1 | 701365 | AIR TANK |
| 15 | 1 | 711027 | 1/4 NPT ST EL BRS |
| 16 | 1 | 711037 | 1/2MNPT-1/2 NYL TUBE FTG |
| 17 | 1 | 711046 | 3/8MNPT-1/4 NYL TUBE TRPL LBO |
| 18 | 1 | 711047 | 3/8MNPT-1/4NYL TUBE, DBL BRANCH |
| 19 | 1 | 711049 | 1/4 NYL TUBE-1/4MNPT FTG |
| 20 | 2 | 711063 | RUBBER PLUG FOR 1/4 PISCO CPLR7 |
| 21 | 1 | 711079 | 1/2NPT ST EL BRS |
| 22 | 1 | 711083 | 1/4 NPTF SLV LOCK SOCKET BRS |
| 23 | 4 | 900129N | 3/8UNC X 1" SERR FLANGE BOLT |

BULK HOSE
 195906-1/40D AIR BRAKE TUBING
 195914-1/20D AIR BRAKE TUBING

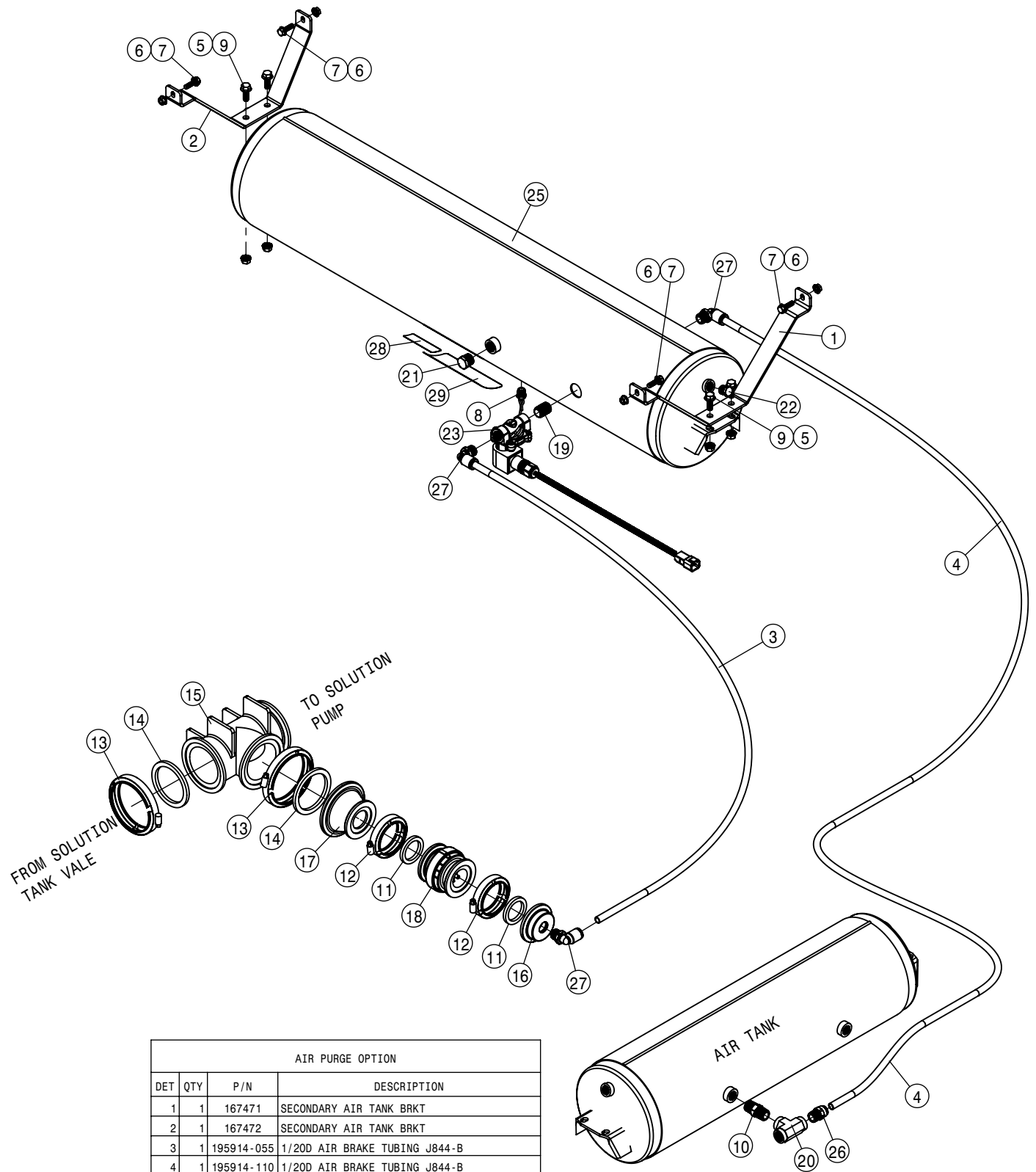


| AIR DRIER AND GOVERNOR ASSEMBLY | | | | |
|---------------------------------|-----|------------|-------------------------------|--|
| DET | QTY | P/N | DESCRIPTION | |
| 1 | 1 | 195906-123 | 1/40D AIR BRAKE TUBING J844-A | |
| 2 | 1 | 195906-032 | 1/40D AIR BRAKE TUBING J844-A | |
| 3 | 1 | 195914-128 | 1/20D AIR BRAKE TUBING J844-B | |
| 4 | 1 | 311084 | AIR DRYER,SYSTEM SAVER 1200 | |
| 5 | 2 | 473822 | 8MM-1.25 X 70MM HEX BOLT GR8 | |
| 6 | 1 | 601941 | 10-451TC-10FJX-10FJX45-36 | |
| 7 | 1 | 618301 | 7/8MJIC-90-7/8FJIC SWIV LBO | |
| 8 | 1 | 618325 | 7/8MJIC-1/2MNPT ADPTR | |
| 9 | 2 | 711039 | 1/8MNPT-90-1/4 NYL TUBE LBO | |
| 10 | 1 | 711040 | 1/4MNPT-90-1/4 NYL TUBE LBO | |
| 11 | 1 | 711042 | 1/2MNPT-1/2 NYL TUBE LBO | |
| 12 | 3 | 900263N | 1/2UNC X 1" SER FLANGE BOLT | |
| 13 | 1 | 316277 | AIR COMPRESSOR GOVERNOR KIT | |

BULK HOSE
 195906-1/40D AIR BRAKE TUBING
 195914-1/20D AIR BRAKE TUBING
 195963-1/40D NYLON TUBING, YELLOW

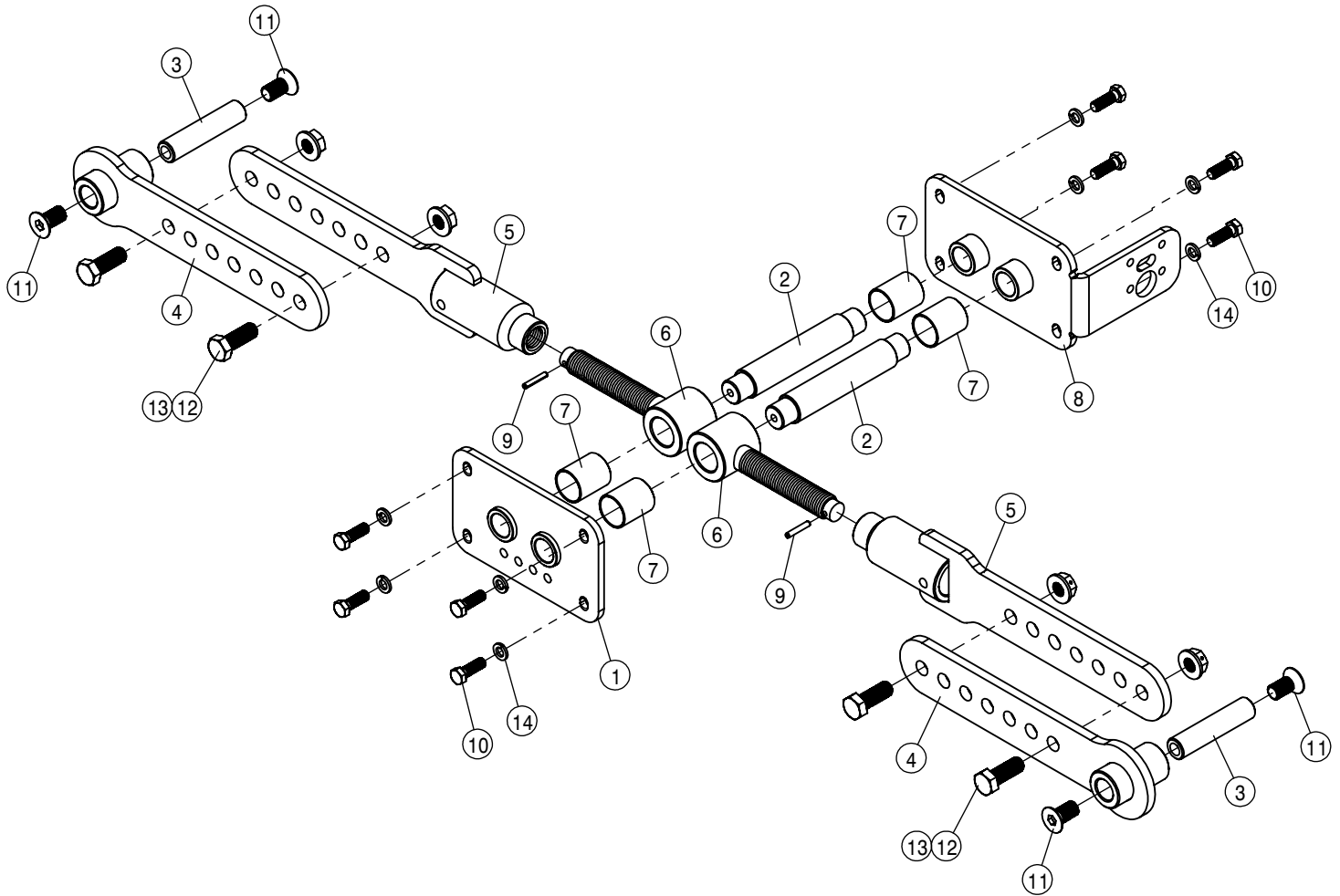


| AIR LINE ASSEMBLY | | | | |
|-------------------|-----|------------|----------------------------------|--|
| DET | QTY | P/N | DESCRIPTION | |
| 1 | 2 | 195906-011 | 1/40D AIR BRAKE TUBING J844-A | |
| 2 | 2 | 195906-022 | 1/40D AIR BRAKE TUBING J844-A | |
| 3 | 1 | 195906-032 | 1/40D AIR BRAKE TUBING J844-A | |
| 4 | 1 | 195906-123 | 1/40D AIR BRAKE TUBING J844-A | |
| 5 | 1 | 195906-181 | 1/40D AIR BRAKE TUBING J844-A | |
| 6 | 1 | 195906-226 | 1/40D AIR BRAKE TUBING J844-A | |
| 7 | 1 | 195906-238 | 1/40D AIR BRAKE TUBING J844-A | |
| 8 | 3 | 195906-300 | 1/40D AIR BRAKE TUBING J844-A | |
| 9 | 1 | 195906-326 | 1/40D AIR BRAKE TUBING J844-A | |
| 10 | 1 | 195906-330 | 1/40D AIR BRAKE TUBING J844-A | |
| 11 | 1 | 195914-128 | 1/20D AIR BRAKE TUBING J844-B | |
| 12 | 1 | 362115 | REAR RGT LEG HOSE BRKT | |
| 13 | 6 | 470154 | CABLE TIE, 11.00" BLK NYLON | |
| 14 | 4 | 520160 | CUSH CLAMP,#24 1 1/2D-3/4WLOOP | |
| 15 | 6 | 520164 | CUSH HOSE CLAMP,#9, 9/16D X 3/4W | |
| 16 | 1 | 601941 | 10-451TC-10FJX-10FJX45-36 | |
| 17 | 1 | 900128N | 3/8UNC X 3/4 SER FLANGE BOLT | |
| 18 | 1 | 900129N | 3/8UNC X 1" SERR FLANGE BOLT | |
| 19 | 2 | 910004N | 3/8UNC FLANGE CNTR LOCK NUT | |

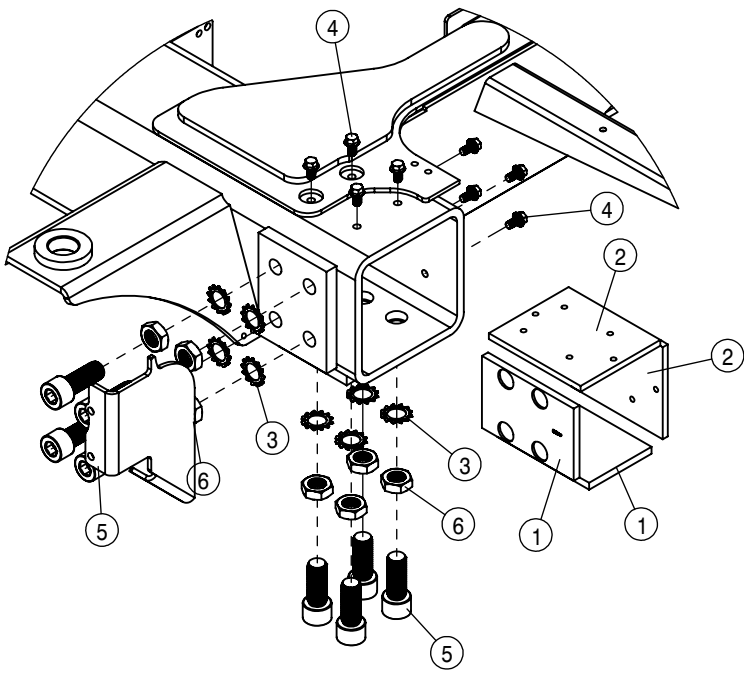


| AIR PURGE OPTION | | | |
|------------------|-----|------------|------------------------------------|
| DET | QTY | P/N | DESCRIPTION |
| 1 | 1 | 167471 | SECONDARY AIR TANK BRKT |
| 2 | 1 | 167472 | SECONDARY AIR TANK BRKT |
| 3 | 1 | 195914-055 | 1/20D AIR BRAKE TUBING J844-B |
| 4 | 1 | 195914-110 | 1/20D AIR BRAKE TUBING J844-B |
| 5 | 4 | 470087 | 3/8UNC HEX SERR FLANGE NUT |
| 6 | 4 | 470113 | 5/16-18UNC HEX FLG NUT SER MC GR5 |
| 7 | 4 | 470234 | 5/16UNC X 1" SERR FLG HEX BOLT |
| 8 | 1 | 470266 | DRAIN VALVE KIT, 1/4NPT |
| 9 | 4 | 470460 | 3/8 X 1" SERR FLG BOLT |
| 10 | 1 | 500000 | 1/2MNPT HEX PIPE NIPPLE STL |
| 11 | 2 | 500158 | 1 1/2" GASKET FOR 2" FLANGE |
| 12 | 2 | 500160 | 2" FLANGE CLAMP S.S. |
| 13 | 2 | 500208 | 3" FLANGE CLAMP S.S. |
| 14 | 2 | 500209 | 3" FLANGE GASKET EPDM |
| 15 | 1 | 500217 | 3"FLANGE TEE POLY |
| 16 | 1 | 500224 | 2" FLANGE PLUG W/1/2" FNPT POLY |
| 17 | 1 | 500237 | 3" FLANGE-2" STD FLANGE ADPTR POLY |
| 18 | 1 | 500264 | 2" CHECK STANDARD PORT |
| 19 | 1 | 502717 | CLOSE NIPPLE .50NPT BRS |
| 20 | 1 | 503819 | 1/2FNPT PIPE TEE STL |

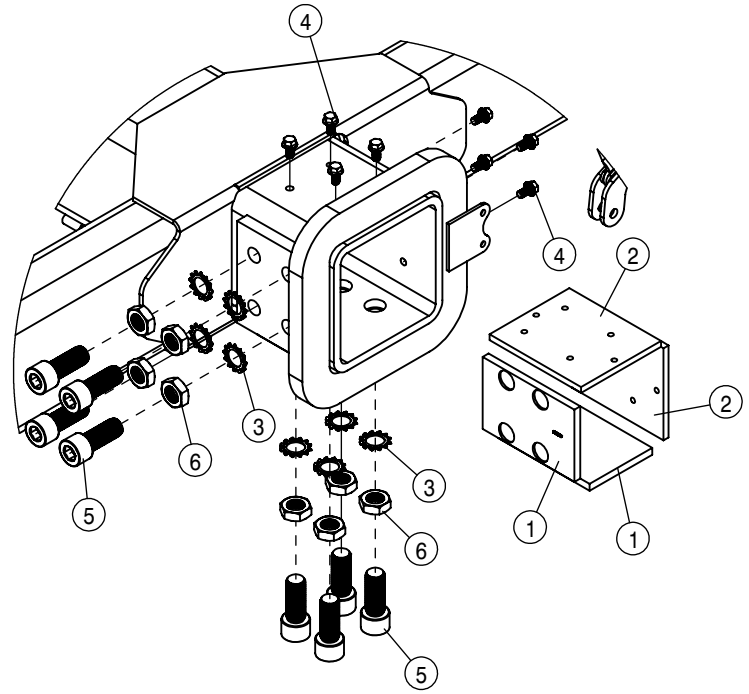
| AIR PURGE OPTION | | | |
|------------------|-----|---------|--------------------------------|
| DET | QTY | P/N | DESCRIPTION |
| 21 | 1 | 505231 | PIPE PLUG .50NPT HEX HD BRS |
| 22 | 2 | 505238 | PIPE PLUG .375NPT HEX HD BRS |
| 23 | 1 | 696241 | .5FNPT N/C SOLENOID VALVE |
| 24 | 1 | 696242 | 12V COIL FOR SOLE VLV |
| 25 | 1 | 701520 | AIR TANK FOR AIR PURGE W/DECAL |
| 26 | 1 | 711037 | 1/2MNPT-1/2 NYL TUBE FTG |
| 27 | 3 | 711042 | 1/2MNPT-1/2 NYL TUBE LBO |
| 28 | 1 | N209334 | LABEL, AIR TANK DRAIN |
| 29 | 1 | N404969 | LABEL, DECAL SAFETY AIR DRIER |



| REAR NO TREAD ADJUST ASSEMBLY | | | |
|-------------------------------|-----|---------|--------------------------------|
| DET | QTY | P/N | DESCRIPTION |
| 1 | 1 | 361579 | REAR TRD ADJ ACCESS PLT WLD |
| 2 | 2 | 361581 | TRD ADJ CYL PIVOT PIN, M/F |
| 3 | 2 | 361582 | TREAD ADJ CYL PIN, OUTER LEG |
| 4 | 2 | 361964 | TREAD ADJ TIE ROD LEG BAR WLDT |
| 5 | 2 | 361967 | TREAD ADJ TIE ROD CON BAR WLDT |
| 6 | 2 | 361970 | TREAD ADJ TIE ROD ADJ BAR WLDT |
| 7 | 4 | 361973 | TRD ADJ TIE ROD SPACER |
| 8 | 1 | 362129 | ACCESS PLT - TREAD ADJ WLD |
| 9 | 2 | 473805 | ROLL PIN, 1/4 X 1 1/2 |
| 10 | 8 | 900303N | 1/2UNF X 1 1/2 HEX BOLT |
| 11 | 4 | 900391N | 3/4UNC X 1 1/2 FLT SOC CAP SCR |
| 12 | 4 | 900403N | 3/4UNC X 2" HEX BOLT |
| 13 | 4 | 914012N | 3/4UNC CNTLCK SM FLG HEX NUT |
| 14 | 8 | 920504N | 1/2 LOCK WASHER YZ |

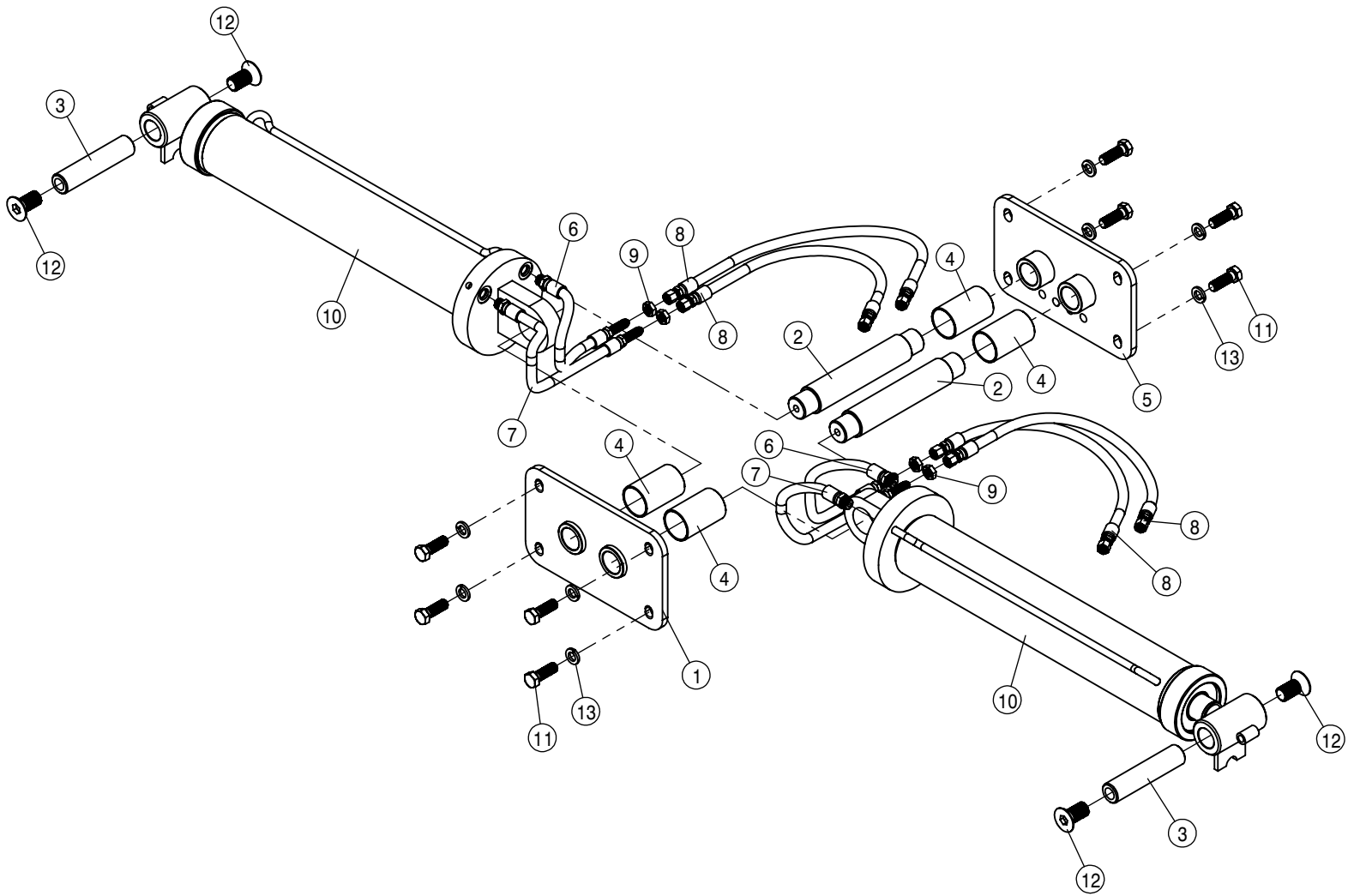


FRONT MAINFRAME

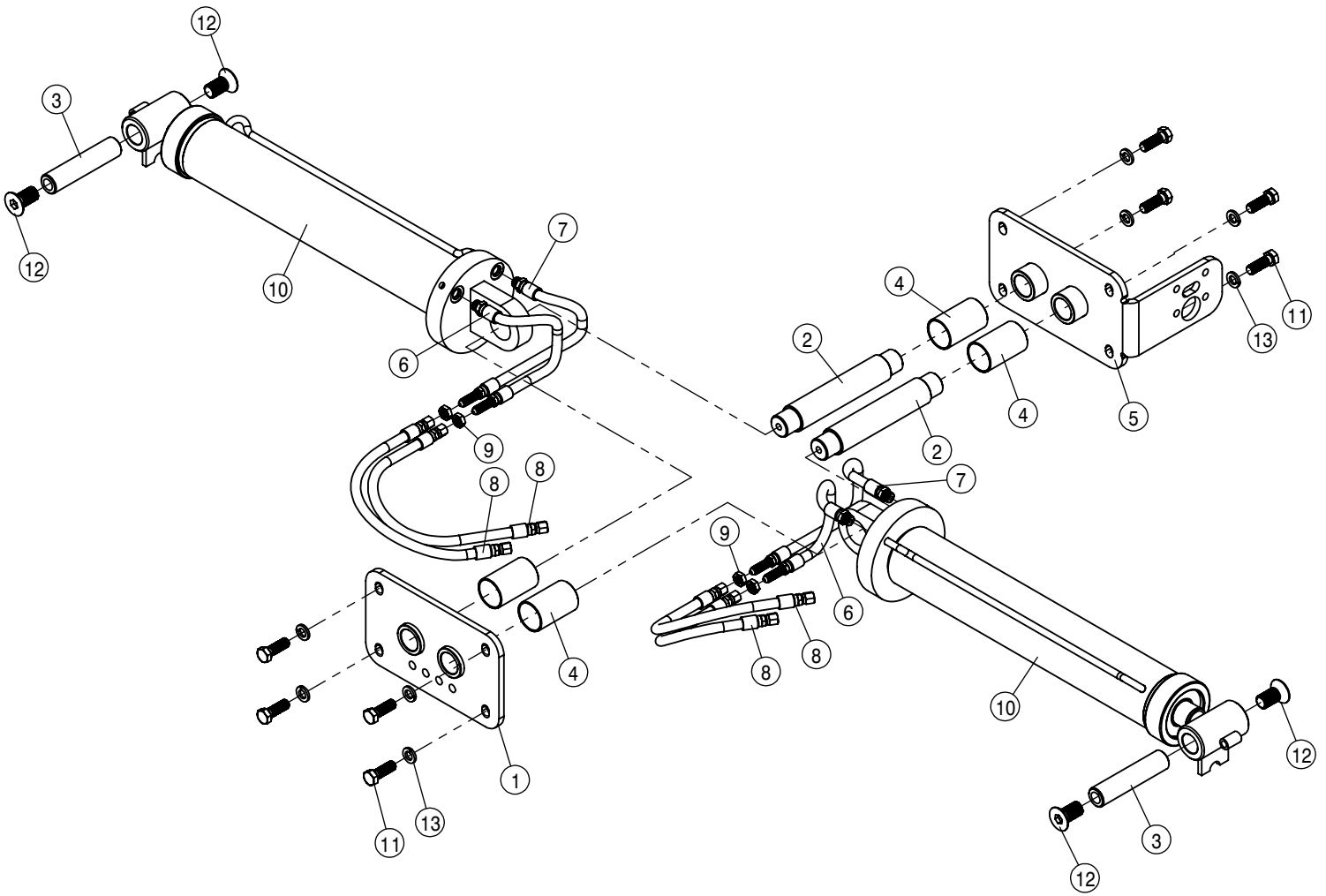


REAR MAINFRAME

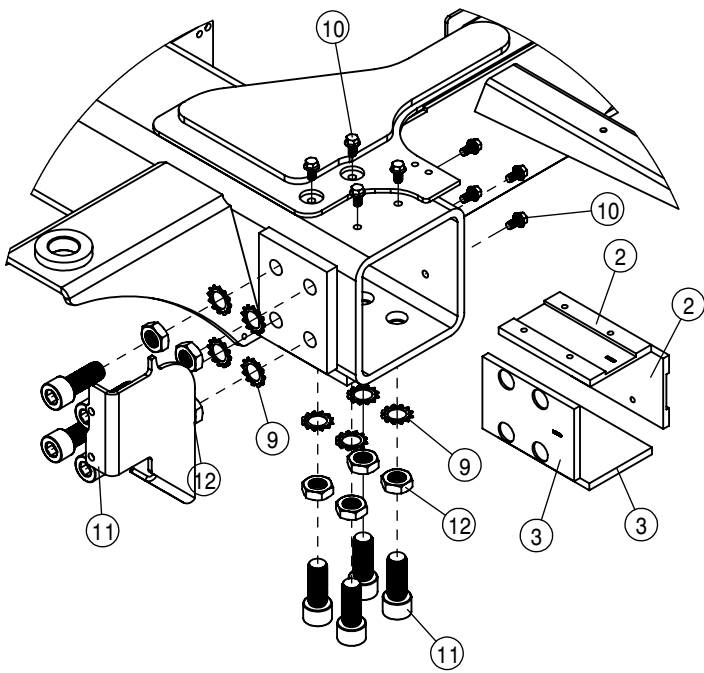
| NO TREAD MAINFRAME PLATE ASSEMBLY | | | |
|-----------------------------------|-----|---------|----------------------------------|
| DET | QTY | P/N | DESCRIPTION |
| 1 | 4 | 342721 | TRD ADJ BRONZE BRG |
| 2 | 4 | 342917 | TREAD ADJ PLATE, TAPPED, STS 10 |
| 3 | 16 | 483018N | 1" EXTERNAL TOOTH LOCK WASHER YZ |
| 4 | 16 | 900128N | 3/8UNC X 3/4 SER FLANGE BOLT |
| 5 | 16 | 900395N | 1"UNC X 2 1/2 SOCKET CAP SCR |
| 6 | 16 | 910101N | 1" UNC HEX JAM NUT |



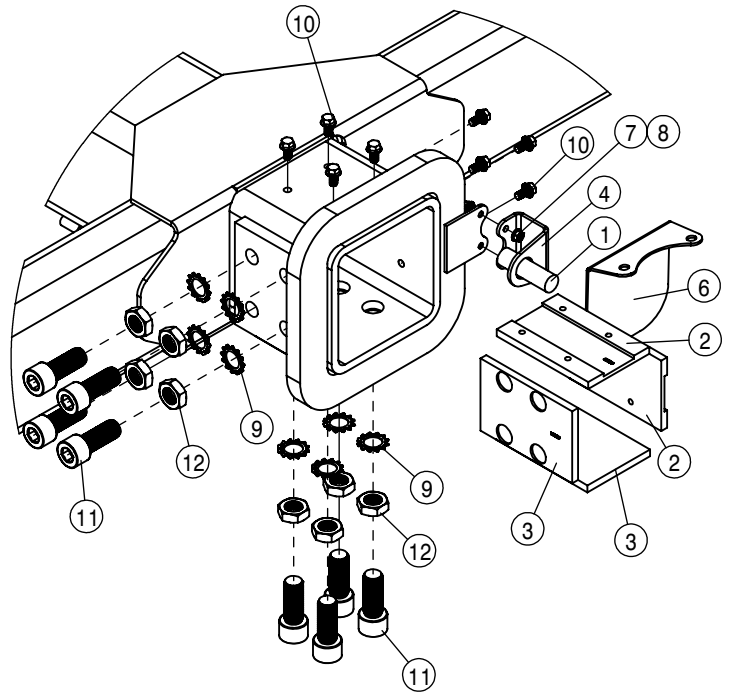
| FRONT HYDRAULIC TREAD ADJUST ASSEMBLY | | | |
|---------------------------------------|-----|---------|--------------------------------|
| DET | QTY | P/N | DESCRIPTION |
| 1 | 1 | 361576 | FRT TRD ADJ ACCESS PLT WLD |
| 2 | 2 | 361581 | TRD ADJ CYL PIVOT PIN, M/F |
| 3 | 2 | 361582 | TREAD ADJ CYL PIN, OUTER LEG |
| 4 | 4 | 361583 | TRD ADJ CYL SPACER, M/F |
| 5 | 1 | 361689 | REAR TRD ADJ ACCESS PLT WLD 04 |
| 6 | 2 | 616070 | 04-451TC-04MJBH-06MOR-11.00H/A |
| 7 | 2 | 616071 | 04-451TC-04MJBH-06MOR-13.00H/A |
| 8 | 4 | 617100 | 04-451TC-04FJX-04FJX-24 H/A |
| 9 | 4 | 618525 | 7/16-20 BLKHD LOCKNUT |
| 10 | 2 | 621552 | HYD CYL, 3.00 X 16.00 X 1.375 |
| 11 | 8 | 900303N | 1/2UNF X 1 1/2 HEX BOLT |
| 12 | 4 | 900391N | 3/4UNC X 1 1/2 FLT SOC CAP SCR |
| 13 | 8 | 920504N | 1/2 LOCK WASHER YZ |



| REAR HYDRAULIC TREAD ADJUST ASSEMBLY | | | |
|--------------------------------------|-----|---------|--------------------------------|
| DET | QTY | P/N | DESCRIPTION |
| 1 | 1 | 361579 | REAR TRD ADJ ACCESS PLT WLD |
| 2 | 2 | 361581 | TRD ADJ CYL PIVOT PIN, M/F |
| 3 | 2 | 361582 | TREAD ADJ CYL PIN, OUTER LEG |
| 4 | 4 | 361583 | TRD ADJ CYL SPACER, M/F |
| 5 | 1 | 362129 | ACCESS PLT - TREAD ADJ WLD |
| 6 | 2 | 616070 | 04-451TC-04MJBH-06MOR-11.00H/A |
| 7 | 2 | 616071 | 04-451TC-04MJBH-06MOR-13.00H/A |
| 8 | 4 | 617100 | 04-451TC-04FJX-04FJX-24 H/A |
| 9 | 4 | 618525 | 7/16-20 BLKHD LOCKNUT |
| 10 | 2 | 621552 | HYD CYL, 3.00 X 16.00 X 1.375 |
| 11 | 8 | 900303N | 1/2UNF X 1 1/2 HEX BOLT |
| 12 | 4 | 900391N | 3/4UNC X 1 1/2 FLT SOC CAP SCR |
| 13 | 8 | 920504N | 1/2 LOCK WASHER YZ |

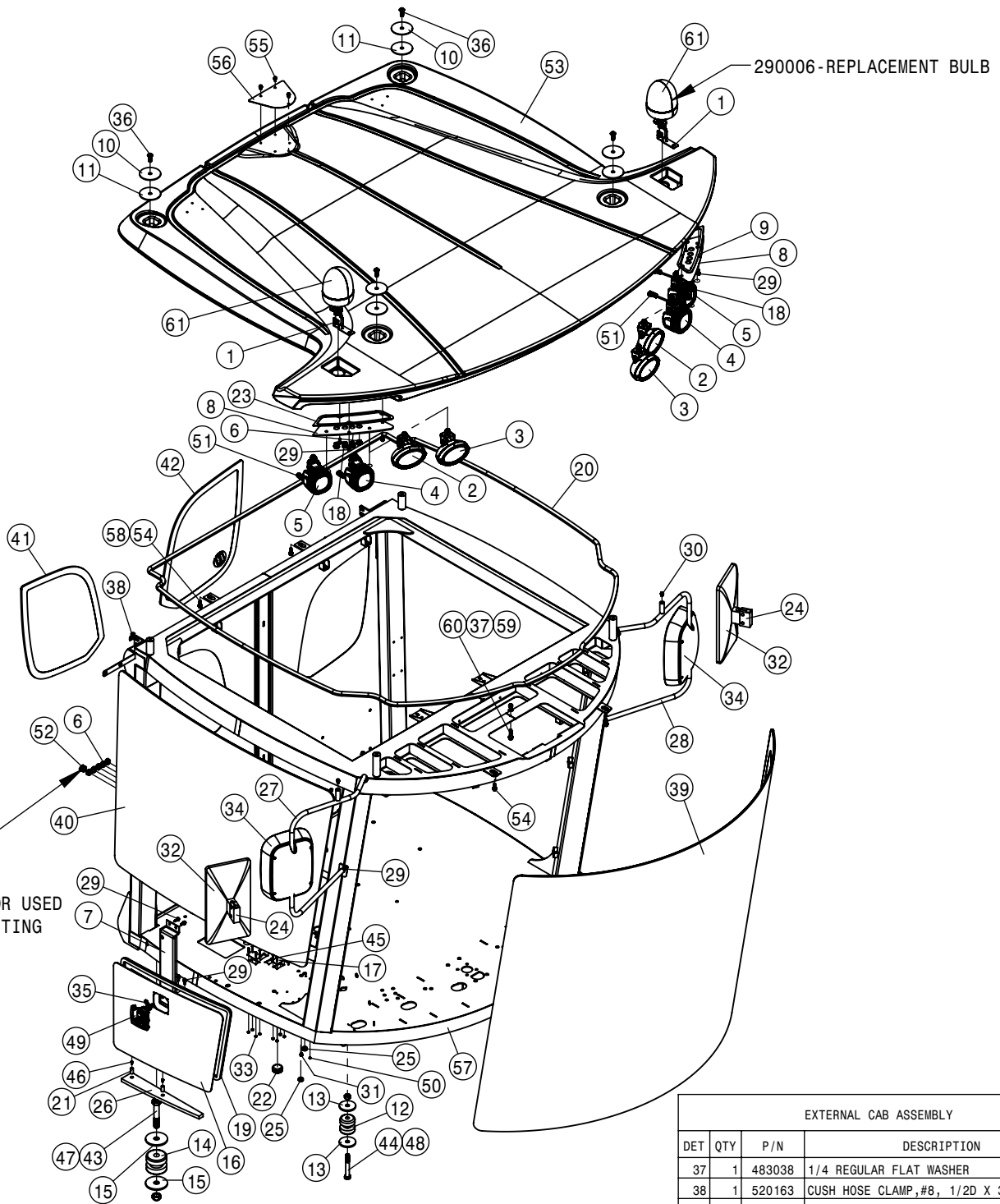


FRONT MAINFRAME



REAR MAINFRAME

| HYD TREAD MAINFRAME PLATE ASSEMBLY | | | |
|------------------------------------|-----|---------|----------------------------------|
| DET | QTY | P/N | DESCRIPTION |
| | 1 | 293827 | TREAD SENSOR |
| | 4 | 342719 | TRD ADJ BRONZE BEARING, TAPPED |
| | 4 | 342721 | TRD ADJ BRONZE BRG |
| | 1 | 342856 | TREAD SENSOR MT |
| NS | 1 | 359092 | RH SENSOR REFLECTOR |
| | 1 | 359093 | LH SENSOR REFLECTOR |
| | 2 | 470113N | 5/16UNC SERR FLG LOCK NUT SS |
| | 2 | 470233 | 5/16UNC X 3/4 SERR FLG HEX BOLT |
| | 16 | 483018N | 1" EXTERNAL TOOTH LOCK WASHER YZ |
| | 16 | 900128N | 3/8UNC X 3/4 SER FLANGE BOLT |
| | 16 | 900395N | 1"UNC X 2 1/2 SOCKET CAP SCR |
| | 16 | 910101N | 1" UNC HEX JAM NUT |

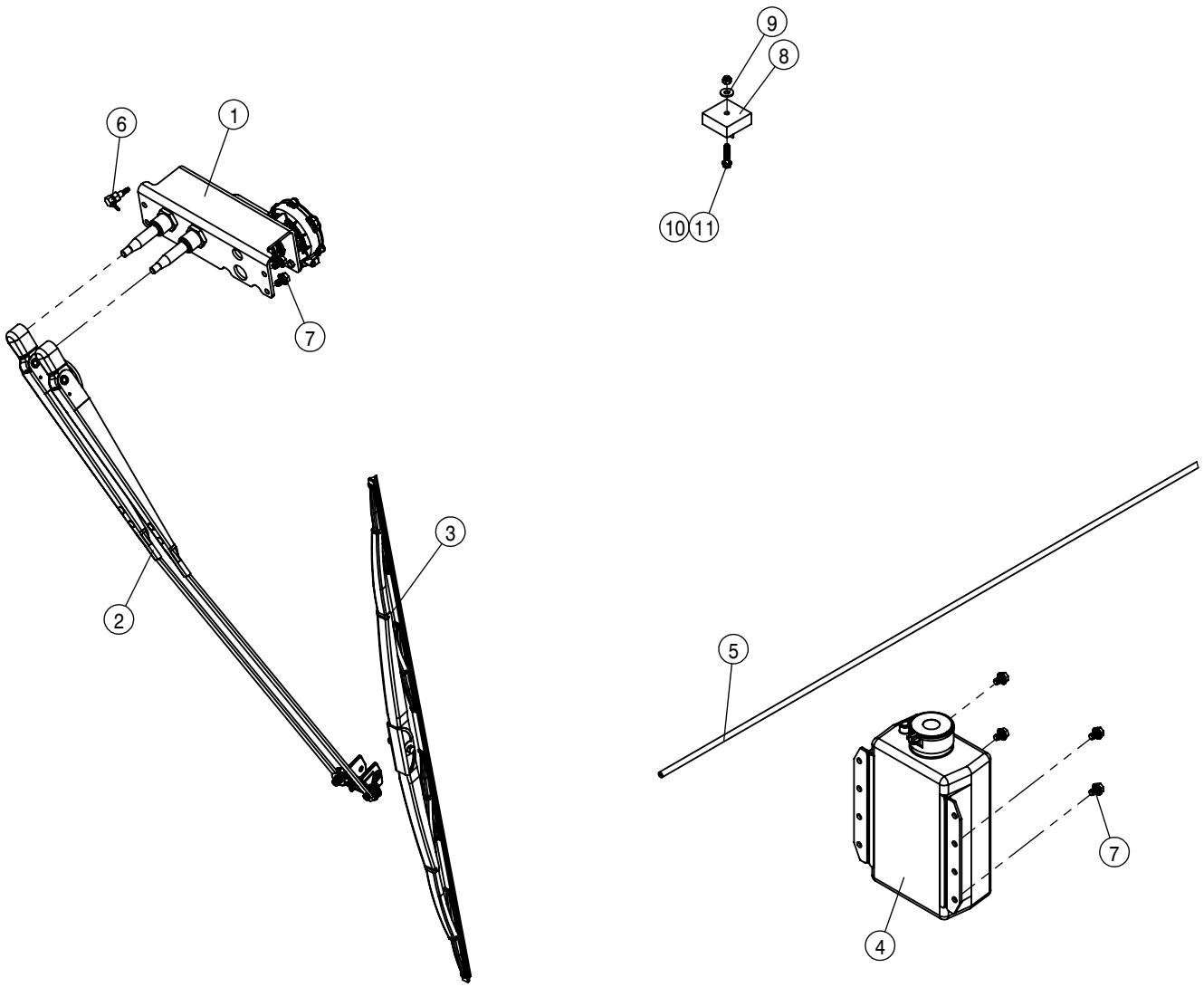


NOTE:
WIRE PROTECTOR USED
FOR WIRES EXITING
THE CAB.

| EXTERNAL CAB ASSEMBLY | | | |
|-----------------------|-----|--------|--------------------------------------|
| DET | QTY | P/N | DESCRIPTION |
| 1 | 2 | 290060 | BEACON TILT SURFACE MT,QK CHG |
| 2 | 2 | 292614 | WORKLIGHT - HALOGEN CLOSE RANGE |
| 3 | 2 | 292615 | Worklight - Oval 100 Long Range |
| 4 | 2 | 292618 | WORKLIGHT-TYRI LED FLOOD |
| 5 | 2 | 292619 | WORKLIGHT-TYRI LED TRAP |
| 6 | 7 | 292634 | HOLE PLUG |
| 7 | 1 | 344299 | ACCESS PANEL SEALING SURFACE WLDT |
| 8 | 2 | 344357 | ROOF LIGHT MNT PLT, STSCAB'14 |
| 9 | 1 | 344358 | ROOF LIGHT MNT PLT GASKET, STSCAB'14 |
| 10 | 4 | 344359 | ROOF RETAINER WASHER, STSCAB'14 |
| 11 | 4 | 344360 | ROOF RETAINER WASHER SEAL, STSCAB'14 |
| 12 | 2 | 344393 | ISO MOUNT |
| 13 | 4 | 344394 | ISO MT WASHER FRNT, STS'14 |
| 14 | 2 | 344395 | ISO MOUNT |
| 15 | 4 | 344396 | ISO MT WASHER REAR, STS'14 |
| 16 | 1 | 344452 | FRT ACCESS PNL WLDT, STS'14 |
| 17 | 2 | 344477 | PLATE - 12 PIN COVER |
| 18 | 10 | 344478 | BUSHING - STRAIN RELIEF |

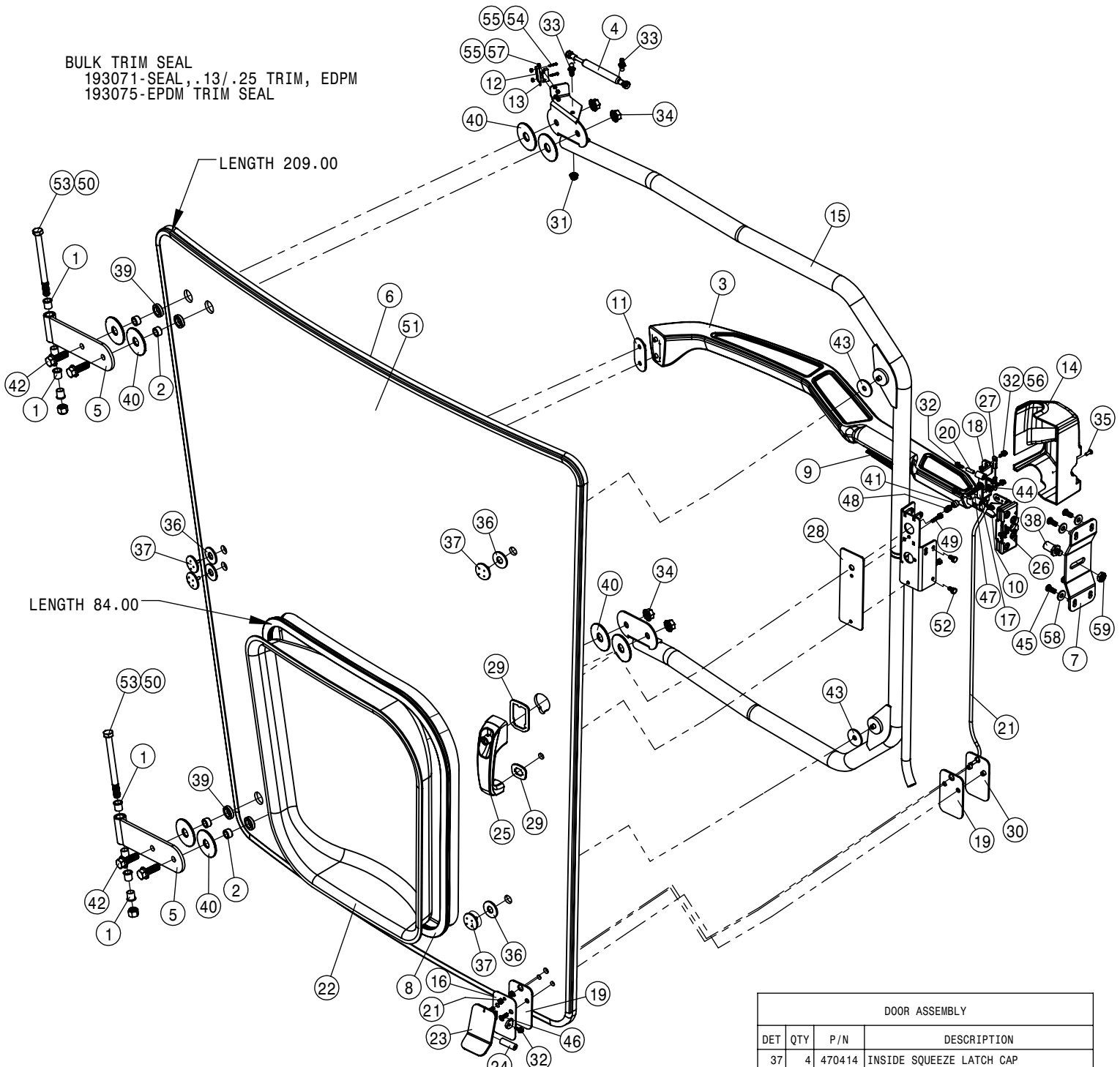
| EXTERNAL CAB ASSEMBLY | | | |
|-----------------------|-----|--------|-------------------------------------|
| DET | QTY | P/N | DESCRIPTION |
| 19 | 1 | 344479 | SEAL - ACCESS PANEL |
| 20 | 1 | 344481 | SEAL - CAB ROOF STS |
| 21 | 2 | 344497 | THREADED NYLN SPCR, STS'14 |
| 22 | 1 | 344509 | HOLE PLUG - 24 SERIES |
| 23 | 1 | 344513 | ROOF LIGHT MT PLT RH GASKET, STS'14 |
| 24 | 2 | 344515 | STD MIR BRKT, STS'14 |
| 25 | 2 | 344554 | HOSE GROMMET, STS'14 |
| 26 | 1 | 344579 | ACCESS PANEL SEAL LWR, STS'14 |
| 27 | 1 | 344631 | MIRROR BRKT WLDT RH, STS'15 |
| 28 | 1 | 344635 | MIRROR BRKT WLDT LH, STS'15 |
| 29 | 16 | 470118 | 1/4UNC X 3/4 HHSFB GR5 MC |
| 30 | 2 | 470122 | 1/4 UNC X 1/2 SERR FLG BOLT |
| 31 | 3 | 470143 | 3/8UNC X 1/2 SKT HD SET SCR |
| 32 | 2 | 470348 | MIRROR STS 10 & 12 |
| 33 | 8 | 470467 | #6-32UNC KEP NUT MC GR5 |
| 34 | 2 | 470648 | POWER MIRROR |
| 35 | 1 | 470661 | CAM LATCH, STS'14 |
| 36 | 4 | 474001 | 1/2-13 UNC X 1 1/4 BHCS SS PATCH |

| EXTERNAL CAB ASSEMBLY | | | |
|-----------------------|-----|----------|---------------------------------|
| DET | QTY | P/N | DESCRIPTION |
| 37 | 1 | 483038 | 1/4 REGULAR FLAT WASHER |
| 38 | 1 | 520163 | CUSH HOSE CLAMP,#8, 1/2D X 3/4W |
| 39 | 1 | 658100 | WINDOW - FRT 2014 STS |
| 40 | 1 | 658101 | WINDOW - RH SIDE 2014 STS CAB |
| 41 | 1 | 658103 | WINDOW - REAR RH 2014 STS CAB |
| 42 | 1 | 658104 | WINDOW - REAR LH 2014 STS CAB |
| 43 | 2 | 900481 | 7/8UNC X 5 HHCS GR8 MC |
| 44 | 2 | 900847 | 5/8UNC X 4 1/2 HHCS GR8 MC |
| 45 | 8 | 903814 | #6-32 UNC X 3/4 PHMS PH BZ |
| 46 | 2 | 903884 | #10-32 UNF X 3/8 PHMS PH BZ |
| 47 | 2 | 914014 | 7/8-9UNC STOVER NUT MC GR8 |
| 48 | 2 | 914810 | 5/8-11UNC STOVER NUT MC GR8 |
| 49 | 1 | 470660 | LATCH ASSY, STS'14 |
| 50 | 7 | 470053 | 1/4-20X1/4 AL HD SET SCR CUP |
| 51 | 4 | 294299 | TYRI JUMPER HARNESS |
| 52 | 1 | 344572 | BUSHING - ANTENNA STRAIGHT |
| 53 | 1 | 658139 | CAB ROOF, STS/DTS '17 |
| 54 | 4 | 910126 | 5/16UNC X 1 HHSFB SS |
| 55 | 3 | 470122N | 1/4 UNC X 1/2 SERR FLG BOLT SS |
| 56 | 1 | 344449 | PLATE - ROOF ANTENNA STS |
| 57 | 1 | 344824 | CAB WLDT, STS 17 W/DECALS |
| 58 | 4 | 483024 | FENDER WASHER 5/16 MC |
| 59 | 1 | 473010 | 3/8-16UNC NYLOCK NUT SS |
| 60 | 1 | 910044 | 3/8UNC X 1 1/2 HHFB GR8 MC |
| 61 | 2 | AZ101891 | IDENT LAMP ROTATING BEACON |



| WIPER ASSEMBLY | | | |
|----------------|-----|---------|---------------------------------|
| DET | QTY | P/N | DESCRIPTION |
| 1 | 1 | 344367 | WIPER MOTOR STS |
| 2 | 1 | 344379 | WIPER ARM STS |
| 3 | 1 | 344380 | WIPER BLADE STS |
| 4 | 1 | 344382 | WASHER BOTTLE |
| 5 | 1 | 344383 | HOSE - WASHER STS |
| 6 | 1 | 344483 | WASHER BULKHEAD, STS' 14 |
| 7 | 8 | 470232 | 5/16UNC X 1/2 SERR FLG HEX BOLT |
| 8 | 1 | 290094 | TIMER - WIPER |
| 9 | 1 | 483038 | 1/4 REGULAR FLAT WASHER |
| 10 | 1 | 470089N | 1/4UNC HEX NYLOC NUT, 316 SS |
| 11 | 1 | 900004N | 1/4 UNC X 1 1/4 SER FLG BOLT SS |

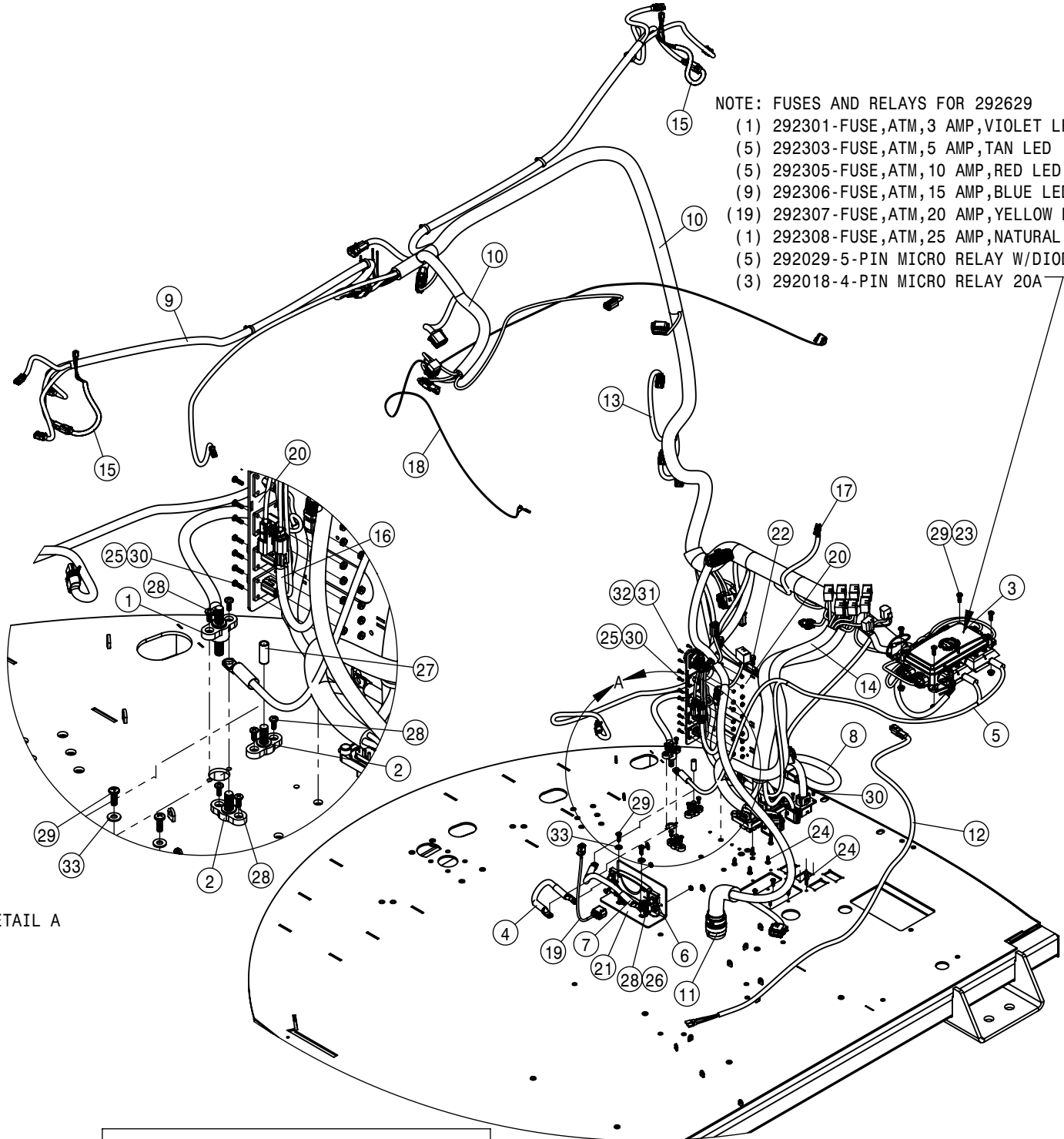
BULK TRIM SEAL
 193071-SEAL, .13/.25 TRIM, EDPM
 193075-EPDM TRIM SEAL



| DOOR ASSEMBLY | | | |
|---------------|-----|--------|------------------------------------|
| DET | QTY | P/N | DESCRIPTION |
| 1 | 8 | 127506 | NYLON FLANGE BRG, STS |
| 2 | 4 | 343335 | DOOR HINGE GLASS BUSH, CAB 05 |
| 3 | 1 | 344331 | DOOR LATCH TUBE MOLDED, STSCAB' 14 |
| 4 | 1 | 344335 | GAS CYLINDER 40LB 2.0 STROKE |
| 5 | 2 | 344336 | DOOR HINGE WLDT, STSCAB' 14 |
| 6 | 1 | 344423 | BULB SEAL - DOOR, CAB |
| 7 | 1 | 344428 | DOOR LATCH STRKR PIN MNT PLATE '14 |
| 8 | 1 | 344482 | TRIM SEAL - BUBBLE STS |
| 9 | 1 | 344508 | DOOR LOCK KIT, STS' 14 |
| 10 | 1 | 344510 | DOOR LATCH ROD, STS' 14 |
| 11 | 1 | 344551 | GASKET - DOOR ARM REST MOUNT |
| 12 | 1 | 344560 | DOOR SWITCH, STS' 14 |
| 13 | 1 | 344561 | DOOR SWITCH MAGNET, STS' 14 |
| 14 | 1 | 344589 | DOOR LATCH COVER, STS' 15 |
| 15 | 1 | 344590 | DOOR FRAME WLDT, STS' 15 |
| 16 | 1 | 344592 | FOOT PEDAL BASE WLDT, STS' 15 |
| 17 | 1 | 344596 | DOOR LATCH HINGE, STS' 15 |
| 18 | 1 | 344597 | DOOR LATCH HINGE WLDT, STS' 15 |

| DOOR ASSEMBLY | | | |
|---------------|-----|--------|--------------------------------|
| DET | QTY | P/N | DESCRIPTION |
| 19 | 2 | 344600 | FOOT PEDAL MT GASKET, STS' 15 |
| 20 | 2 | 344604 | DOOR LATCH HINGE PIN, STS' 15 |
| 21 | 1 | 344607 | DOOR RELEASE CABLE, STS' 15 |
| 22 | 1 | 344610 | DOOR BUBBLE INSERT, STS' 15 |
| 23 | 1 | 344611 | FOOT PEDAL WLDT, STS' 15 |
| 24 | 1 | 344618 | FOOT PEDAL PIVOT PIN, STS' 15 |
| 25 | 1 | 344620 | DOOR HANDLE PUSH BUTTON' 15 |
| 26 | 1 | 344621 | DOOR LATCH, STS' 15 |
| 27 | 1 | 344624 | DOOR LATCH CABLE ASSY, STS' 15 |
| 28 | 1 | 344625 | DOOR HANDLE MT GASKET, STS' 15 |
| 29 | 1 | 344627 | DOOR HANDLE GASKET, STS' 15 |
| 30 | 1 | 344628 | FOOT PEDAL MT WLDT, STS' 15 |
| 31 | 1 | 470113 | 5/16UNC SERR FLG LOCK NUT |
| 32 | 8 | 470215 | 10-32 X 1/2 SERR FLG HEX BOLT |
| 33 | 2 | 470255 | BALL STUD, 5/16-18 THRD X 10MM |
| 34 | 4 | 470360 | 1/2UNC SERR FLG HEX NUT |
| 35 | 1 | 470412 | INSIDE SQUEEZE LATCH SCREWS |
| 36 | 4 | 470413 | INSIDE SQUEEZE LATCH GASKET |

| DOOR ASSEMBLY | | | |
|---------------|-----|--------|----------------------------------|
| DET | QTY | P/N | DESCRIPTION |
| 37 | 4 | 470414 | INSIDE SQUEEZE LATCH CAP |
| 38 | 1 | 470417 | STRIKER PIN, DOOR LATCH, TRIMARK |
| 39 | 4 | 470419 | DOOR HINGE BUSH,RUBBER STS 05 |
| 40 | 8 | 470420 | DOOR HINGE BUSH,RUBBER STS 05 |
| 41 | 1 | 470421 | NYLON SPACER, SPHERICAL 6MMx12 |
| 42 | 4 | 470431 | 1/2UNC X 1 1/2 SERR FLG BOLT |
| 43 | 2 | 470489 | GASKET, DOOR HANDLE STIFFENER |
| 44 | 1 | 470689 | 10-24 HEX NYLOC NUT, SS |
| 45 | 4 | 472375 | 5/16UNC X 3/4 BUTN CAP SCR BLK |
| 46 | 2 | 473761 | 6MM-1.00 X 20MM FLT HD SCREW |
| 47 | 1 | 473762 | 6MM-1.00 X 45 PAN HD PHL SCREW |
| 48 | 2 | 473767 | 6MM-1.00 HEX NUT |
| 49 | 2 | 473787 | 6MM-1.00 X 25MM HEX BOLT GR8 |
| 50 | 2 | 473988 | 1/2UNC HEX NUT, NYLOC SS |
| 51 | 1 | 658105 | GLASS DOOR, STS' 15 |
| 52 | 2 | 900000 | 1/4UNC X 1/2 HEX BOLT |
| 53 | 2 | 900348 | 1/2UNC X 6" HEX BOLT SS |
| 54 | 2 | 903906 | #4-40 X 5/8 PHIL PAN HD SCREW |
| 55 | 4 | 910031 | #4-40 HEX LOCK NUT |
| 56 | 2 | 914027 | 10-32 HEX STOVER NUT |
| 57 | 2 | 903904 | 4-40 X 3/8 PHIL PAN MACH SCR |
| 58 | 4 | 910133 | USS FLAT WASHER 5/16 BZ |
| 59 | 1 | 473759 | 12MM-1.75 HEX JAM NUT YZ |

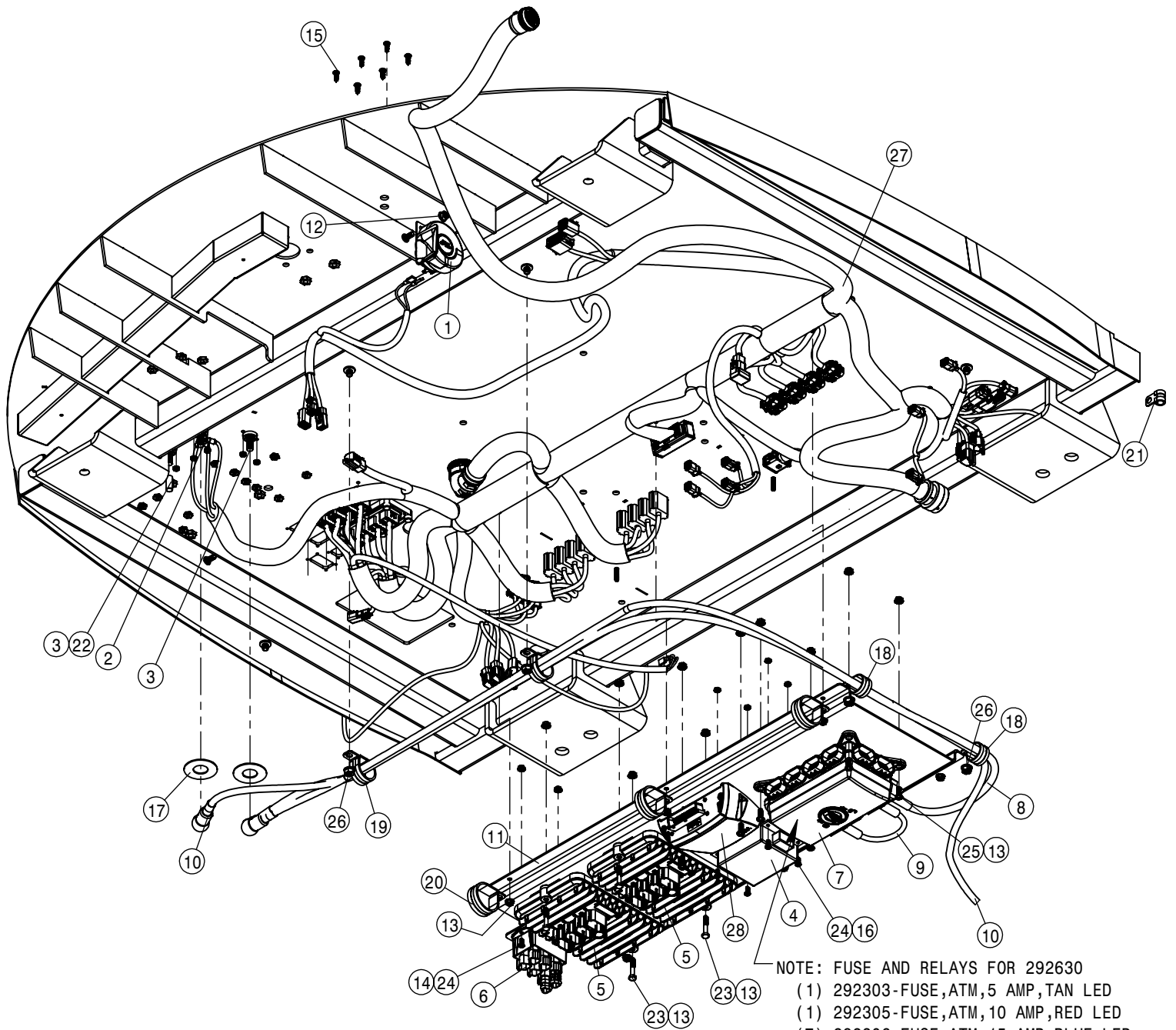


NOTE: FUSES AND RELAYS FOR 292629
 (1) 292301-FUSE,ATM,3 AMP,VIOLET LED
 (5) 292303-FUSE,ATM,5 AMP,TAN LED
 (5) 292305-FUSE,ATM,10 AMP,RED LED
 (9) 292306-FUSE,ATM,15 AMP,BLUE LED
 (19) 292307-FUSE,ATM,20 AMP,YELLOW LED
 (1) 292308-FUSE,ATM,25 AMP,NATURAL LED
 (5) 292029-5-PIN MICRO RELAY W/DIODE 35A
 (3) 292018-4-PIN MICRO RELAY 20A

DETAIL A

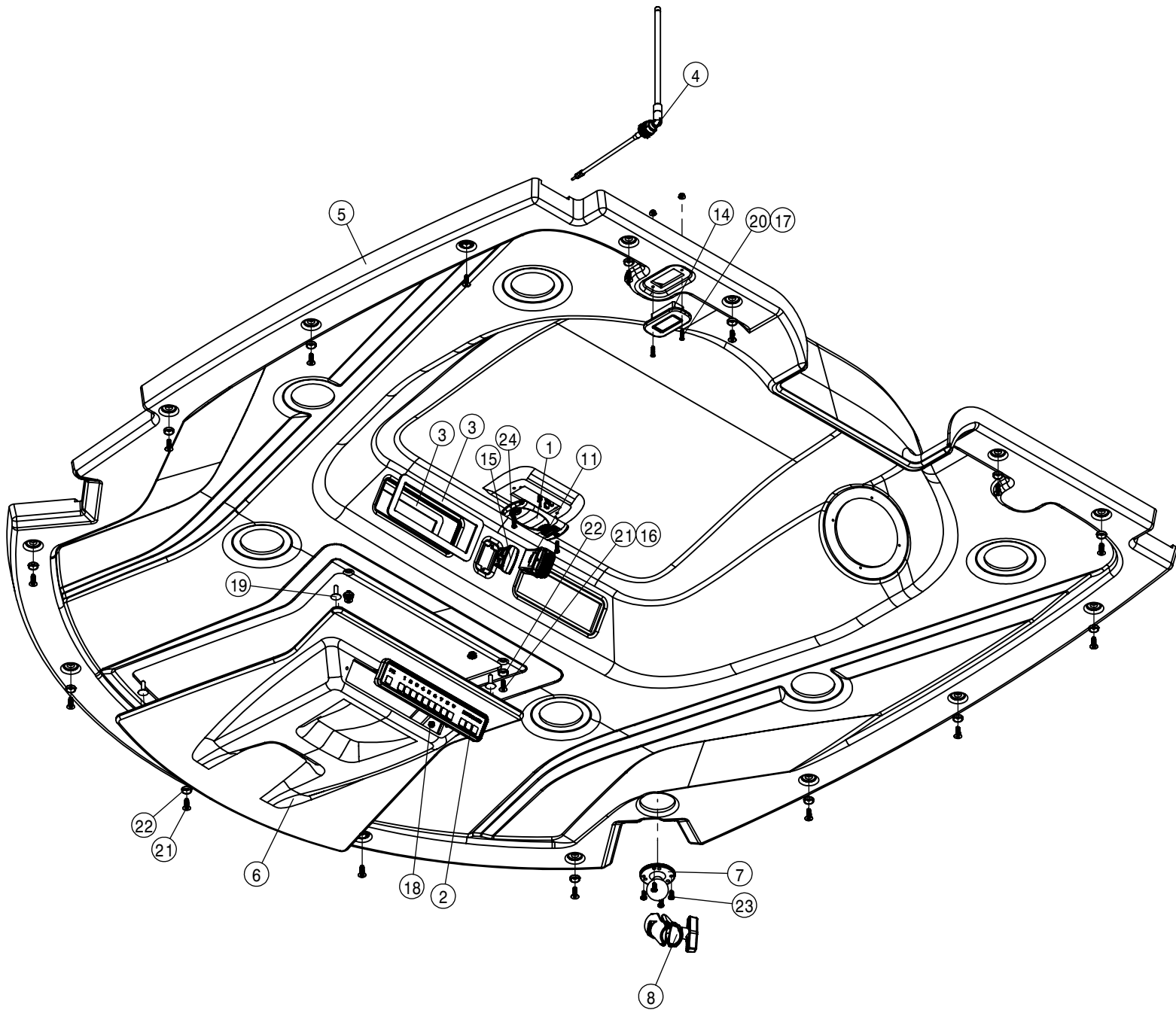
| CAB ELECTRICAL - TOP ASSEMBLY | | | |
|-------------------------------|-----|--------|------------------------------|
| DET | QTY | P/N | DESCRIPTION |
| 1 | 1 | 291749 | TERM BLOCK,BLACK,3/8-16 THRU |
| 2 | 2 | 291750 | TERM BLOCK,RED,3/8-16 THRU |
| 3 | 1 | 292629 | DVEC - INTERIOR |
| 4 | 1 | 292647 | CABLE - BATTERY POWER STS |
| 5 | 1 | 292648 | CABLE - DVEC POWER STS |
| 6 | 1 | 292761 | SOLID STATE MCR |
| 7 | 1 | 292762 | CABLE - SWITCH POWER STS |
| 8 | 1 | 294146 | HARNESS - AUTO STEER CAB |
| 9 | 2 | 294200 | HARNESS - ROOF STS |
| 10 | 1 | 294201 | HARNESS - MAIN CAB INT STS |
| 11 | 1 | 294203 | HARNESS - SEAT POD STS |
| 12 | 1 | 294204 | HARNESS - 12V POWER PLUG STS |
| 13 | 1 | 294205 | HARNESS - A-POST GAUGE STS |
| 14 | 1 | 294206 | HARNESS - CAB SWITCH STS |
| 15 | 2 | 294207 | HARNESS - BEACON STS |
| 16 | 1 | 294210 | HARNESS - PRES SWITCH STS |
| 17 | 1 | 294211 | HARNESS - E-STOP STS |

| CAB ELECTRICAL - TOP ASSEMBLY | | | |
|-------------------------------|-----|--------|--------------------------------|
| DET | QTY | P/N | DESCRIPTION |
| 18 | 1 | 294212 | HARNESS - SPEAKER STS |
| 19 | 1 | 294425 | HARNESS, SOLID STATE MCR |
| 20 | 1 | 344310 | CAB ELEC BRKT '15 |
| 21 | 1 | 345233 | MCR MT BRKT |
| 22 | 2 | 470118 | 1/4 UNC X 3/4 SER FLG BOLT |
| 23 | 4 | 470121 | 1/4 UNC SERR FLG LOCK NUT |
| 24 | 12 | 470465 | #12 X 3/4 PHIL PAN SHT MTL SCR |
| 25 | 20 | 470467 | #6-32UNC KEP NUT MC GR5 |
| 26 | 2 | 470542 | #10-32UNF KEP NUT MC GR5 |
| 27 | 1 | 629736 | CAPPLUGS CAP,.312 X 1.00 VINYL |
| 28 | 8 | 903706 | 10-32X1/2 PHIL PAN MACH SCR |
| 29 | 6 | 903711 | 1/4UNC X3/4PHIL PANHD MACH SCR |
| 30 | 20 | 903812 | 6-32 X 1/2 PHIL PAN MACH SCR |
| 31 | 4 | 903904 | 4-40 X 3/8 PHIL PAN MACH SCR |
| 32 | 4 | 910029 | 4-40 HEX NUT |
| 33 | 2 | 910112 | SAE FLAT WASHER 1/4 SS |



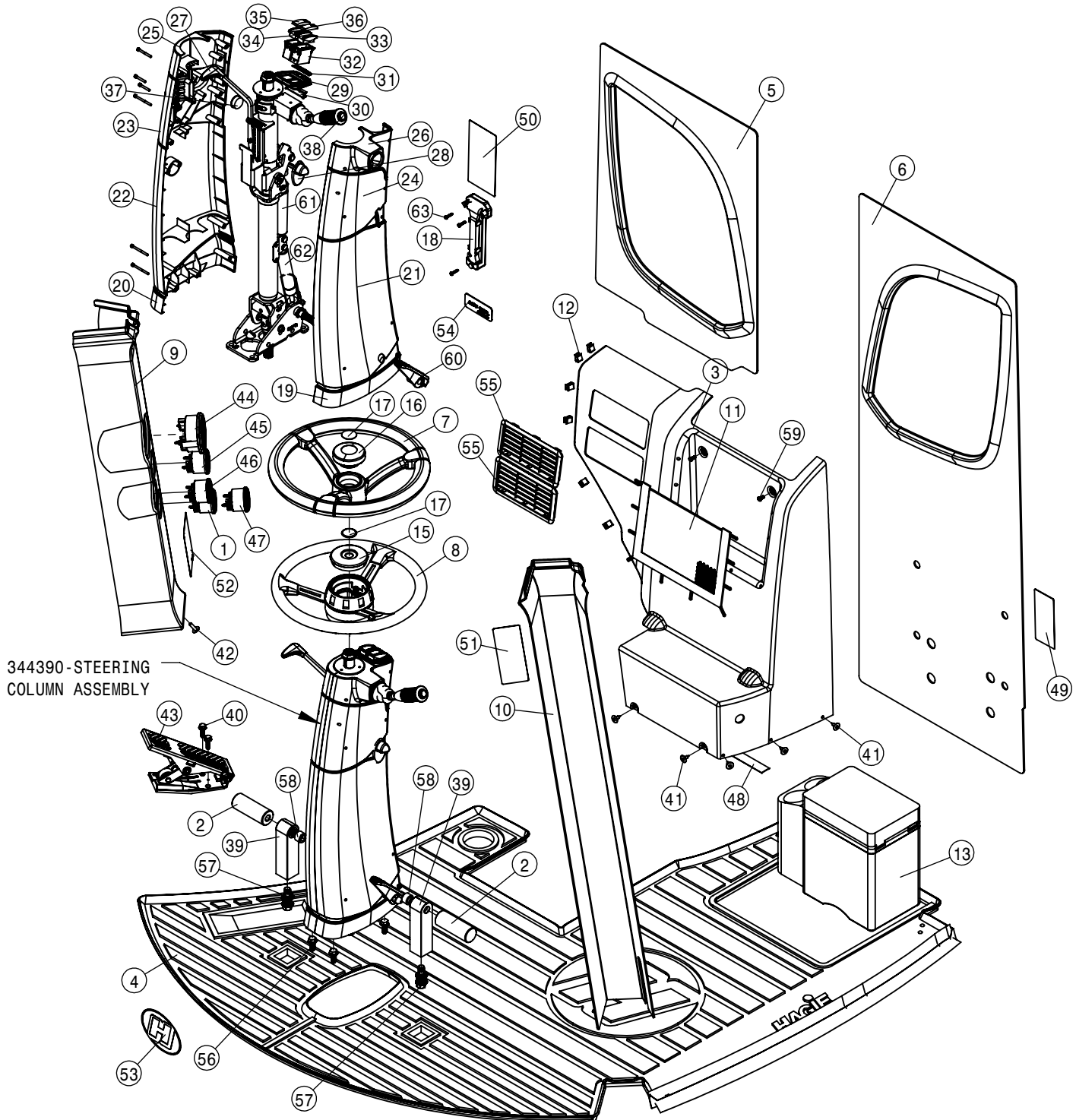
| CAB ELECTRICAL-BOTTOM ASSEMBLY | | | |
|--------------------------------|-----|---------|--------------------------------|
| DET | QTY | P/N | DESCRIPTION |
| 1 | 1 | 290062 | HORN |
| 2 | 1 | 291749 | TERM BLOCK,BLACK,3/8-16 THRU |
| 3 | 2 | 291750 | TERM BLOCK,RED,3/8-16 THRU |
| 4 | 1 | 291910 | FLASHER, SOLID STATE, 12V |
| 5 | 2 | 292009 | IQAN-MC3 CONTROLLER |
| 6 | 1 | 292406 | J1939 JUNCTION MODULE |
| 7 | 1 | 292630 | DVEC - EXTERIOR |
| 8 | 1 | 292645 | CABLE - SSDVEC POWER CABLE |
| 9 | 1 | 292650 | CABLE - SSDVEC JUMPER |
| 10 | 1 | 292668 | CAB PWR,GND CABLE ASY |
| 11 | 1 | 344442 | BRACKET - ELEC MODULE MOUT CAB |
| 12 | 1 | 470113N | 5/16UNC SERR FLG LOCK NUT SS |
| 13 | 16 | 470121 | 1/4 UNC SERR FLG LOCK NUT |
| 14 | 2 | 470175 | 10-32 SERR FLANGE NUT |

| CAB ELECTRICAL-BOTTOM ASSEMBLY | | | |
|--------------------------------|-----|---------|-------------------------------------|
| DET | QTY | P/N | DESCRIPTION |
| 15 | 6 | 470465 | #12 X 3/4 PHIL PAN SHT MTL SCR |
| 16 | 10 | 470542 | 10-32 KEP NUT |
| 17 | 2 | 470677 | NYLON WASHER 1"ID, 2-1/4"OD, .075"W |
| 18 | 2 | 520108 | CUSH HOSE CLAMP,#20, 1 1/4D X 3/4W |
| 19 | 2 | 520160 | CUSH CLAMP,#24 1 1/2D-3/4WLOOP |
| 20 | 3 | 520161 | CUSH CLAMP,#32 2"D-3/4W LOOP |
| 21 | 1 | 520163 | CUSH HOSE CLAMP,#8, 1/2D X 3/4W |
| 22 | 1 | 629736 | CAPPLUGS CAP, .312 X 1.00 VINYL |
| 23 | 4 | 900005 | 1/4UNC X 1 1/2 HEX BOLT |
| 24 | 6 | 903706 | 10-32X1/2 PHIL PAN MACH SCR |
| 25 | 6 | 903711 | 1/4UNC X3/4PHIL PANHD MACH SCR |
| 26 | 4 | 910004N | 3/8UNC FLANGE CNTR LOCK NUT |
| 27 | 1 | 294288 | HARNESS - MAIN CAB EXT STS |
| 28 | 1 | 292017 | IQAN-XS2 MODULE |



| HEADLINER ASSEMBLY | | | |
|--------------------|-----|--------|------------------------------------|
| DET | QTY | P/N | DESCRIPTION |
| 1 | 1 | 292620 | DOMELIGHT |
| 2 | 1 | 292678 | LIGHT BAR - SECTION INDICATOR |
| 3 | 2 | 343331 | RADIO BEZEL,CAB, BLK PLASIC 05 |
| 4 | 1 | 344177 | ANTENNA - RADIO |
| 5 | 1 | 344349 | HEADLINER |
| 6 | 1 | 344350 | HEADLINER ACCESS PANEL |
| 7 | 1 | 344384 | 1.5" RAM BALL MNT BASE 2.50"DIA |
| 8 | 1 | 344385 | 1.5" RAM BALL MNT 4.50"DBL SOC ARM |
| NS | 1 | 344415 | RADIO - STANDARD |
| NS | 1 | 344416 | RADIO - PREMIUM |
| 11 | 1 | 344417 | BLUETOOTH MIC |
| NS | 1 | 344418 | HARNESS - BLUETOOTH MIC |

| HEADLINER ASSEMBLY | | | |
|--------------------|-----|--------|-----------------------------------------|
| DET | QTY | P/N | DESCRIPTION |
| NS | 2 | 344419 | SPEAKER |
| 14 | 1 | 344459 | GARMENT HOOK |
| 15 | 1 | 344461 | HOLE PLUG - CONTURA V |
| 16 | 2 | 470121 | 1/4 UNC SERR FLG LOCK NUT |
| 17 | 4 | 470463 | 8-32 SERR FLANGE NUT |
| 18 | 2 | 470541 | 8-32 KEP NUT |
| 19 | 4 | 470545 | PUSH TREE FASTENER 1/4 X 1 |
| 20 | 2 | 472376 | #8-32 X 3/4 FLT HD PHIL SCREW |
| 21 | 17 | 472378 | 1/4-20 X 3/4 FLT HD SOCKET SCREW ZN BLK |
| 22 | 17 | 472380 | 1/4 CNTR SNK WASH, NYLON |
| 23 | 4 | 903706 | 10-32X1/2 PHIL PAN MACH SCR |
| 24 | 2 | 903850 | 8-32 X 3/4 PHIL PAN MACH SCR BZ |

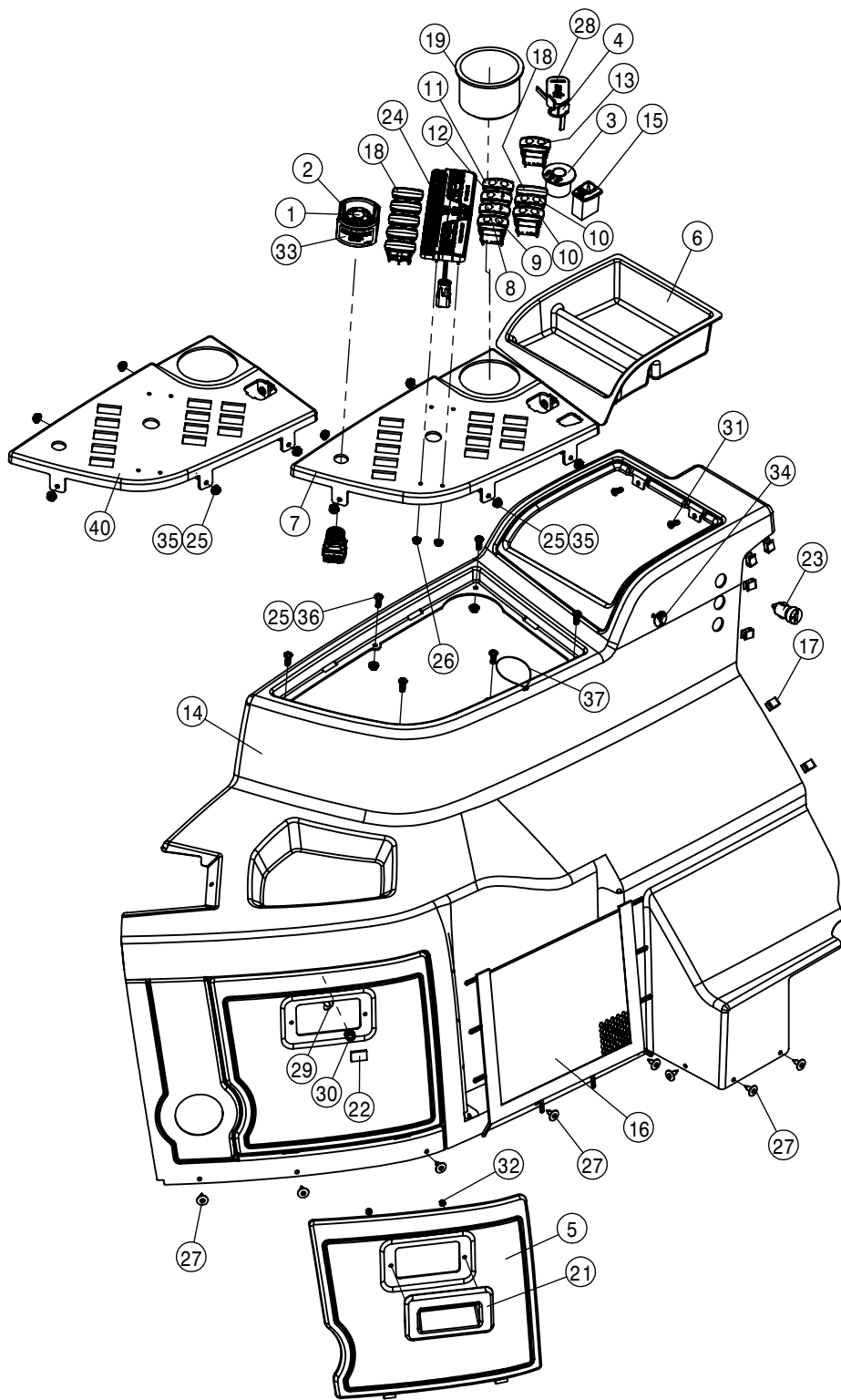


344390-STEERING COLUMN ASSEMBLY

| CAB INTERIOR ASSEMBLY | | | |
|-----------------------|-----|--------|---------------------------------|
| DET | QTY | P/N | DESCRIPTION |
| 1 | 1 | 344171 | GAUGE BLANK |
| 2 | 2 | 344284 | STS CAB FOOT PEG '14 |
| 3 | 1 | 344308 | REAR CONSOLE |
| 4 | 1 | 344339 | FLOORMAT - MOLDED |
| 5 | 1 | 344347 | RH REAR WALL LINER |
| 6 | 1 | 344348 | LH REAR WALL LINER |
| 7 | 1 | 344391 | STEERING WHEEL - DELUXE |
| 8 | 1 | 344392 | STEERING WHEEL - PREMIUM |
| 9 | 1 | 344397 | RH A POST COVER |
| 10 | 1 | 344398 | LH A POST COVER |
| 11 | 1 | 344411 | CARGO NET - REAR CONSOLE |
| 12 | 6 | 344413 | "U" CLIP |
| 13 | 1 | 344420 | ELEC COOLER |
| 14 | 4 | 344464 | POWER OUTLET 12V |
| 15 | 1 | 344573 | CTR CAP,STEERING WHEEL-PREMIUM |
| 16 | 1 | 344574 | CTR CAP STEERING WHEEL - DELUXE |
| 17 | 2 | 344575 | DECAL - STEERING WHEEL CENTER |
| 18 | 1 | 344646 | WINDOW BREAKING TOOL, STS' 15 |
| 19 | 1 | 344686 | LH SIDE-LWR COVER, STRG COLUMN |
| 20 | 1 | 344687 | RH SIDE-LWR COVER, STRG COLUMN |
| 21 | 1 | 344688 | LH SIDE-MID COVER, STRG COLUMN |

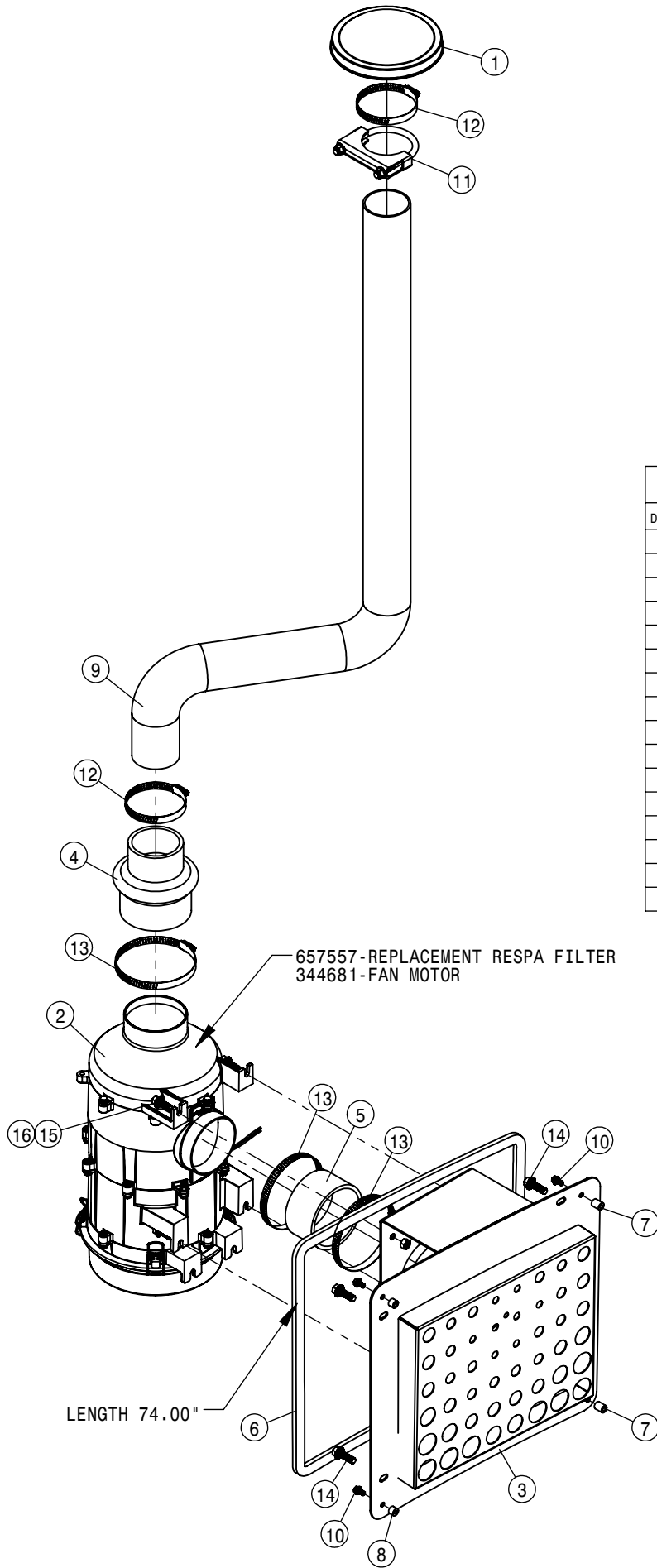
| CAB INTERIOR ASSEMBLY | | | |
|-----------------------|-----|--------|--------------------------------|
| DET | QTY | P/N | DESCRIPTION |
| 22 | 1 | 344689 | RH SIDE-MID COVER, STRG COLUMN |
| 23 | 1 | 344690 | RH SIDE-UPR COVER, STRG COLUMN |
| 24 | 1 | 344692 | LH SIDE-UPR COVER, STRG COLUMN |
| 25 | 1 | 344693 | RH SIDE-TOP COVER, STRG COLUMN |
| 26 | 1 | 344694 | LH SIDE-TOP COVER, STRG COLUMN |
| 27 | 1 | 344695 | UPR HANDLE RAL, STRG COLUMN |
| 28 | 1 | 344696 | LH UPR HANDLE RAL, STRG COLUMN |
| 29 | 1 | 344697 | SWITCH HOUSING, STRG COLUMN |
| 30 | 1 | 344698 | LIGHT 4LED 12V, STRG COLUMN |
| 31 | 1 | 344699 | INDICATOR PAD, STRG COLUMN |
| 32 | 2 | 344700 | SWITCH BASE, STRG COLUMN |
| 33 | 1 | 344701 | SWITCH ON/OFF SERIES 533 |
| 34 | 1 | 344702 | SWITCH ON/OFF SERIES 533 |
| 35 | 1 | 344703 | BLUE COVER, LIGHTS, 1-LED |
| 36 | 1 | 344704 | RED COVER, HAZARD SERIES 533 |
| 37 | 1 | 344734 | RH CAP, STRG COLUMN |
| 38 | 1 | 344691 | LH SWITCH, WIPER/LIGHTS, STRG |
| 39 | 2 | 344286 | STS CAB FOOT PEG RISER |
| 40 | 2 | 470234 | 5/16UNC X 1" SERR FLG HEX BOLT |
| 41 | 5 | 470466 | 1/4 X 3/4 PLTC LCK RIVET |
| 42 | 1 | 470545 | PUSH TREE FASTENER 1/4 X 1 |

| CAB INTERIOR ASSEMBLY | | | |
|-----------------------|-----|---------|---------------------------------|
| DET | QTY | P/N | DESCRIPTION |
| 43 | 1 | 470649 | PEDAL - DECAL |
| 44 | 1 | 470650 | GAUGE - 3" RPM |
| 45 | 1 | 470651 | GAUGE - 2" FUEL |
| 46 | 1 | 470652 | GAUGE - 2" COOLANT TEMP |
| 47 | 1 | 470654 | GAUGE, DEF 2" '14 |
| 48 | 1 | 490645 | VHB TAPE 5952, BLACK |
| 49 | 1 | 650164 | DECAL,NO PASSNGR/NOT NEAR LEAK |
| 50 | 1 | 650176 | DECAL,CAUTION,CAB CHEM EXPOSUR |
| 51 | 1 | 650474 | DECAL,PWR LINE/BM FOLD |
| 52 | 1 | 650479 | JOYSTICK DECAL, STS' 15 |
| 53 | 1 | 651008 | DECAL - H-DOT FRONT GLASS 5.00" |
| 54 | 1 | 651009 | ROPS DECAL, STS' 14 |
| 55 | 2 | 657549 | 2412, 4"X8" Louver Grill |
| 56 | 4 | 900129N | 3/8UNC X 1" SERR FLANGE BOLT |
| 57 | 4 | 900263N | 1/2UNC X 1" SER FLANGE BOLT |
| 58 | 2 | 900396 | 5/8UNC X 2 SOCKET CAP SCR |
| 59 | 2 | 903706 | 10-32X1/2 PHIL PAN MACH SCR |
| 60 | 1 | 344705 | LEFT PEDAL, STRG COLUMN |
| 61 | 1 | 344707 | GAS SPRING 400N, STRG COLUMN |
| 62 | 1 | 344708 | GAS SPRING 500N, STRG COLUMN |
| 63 | 3 | 903850 | 8-32 X 3/4 PHIL PAN MACH SCR BZ |

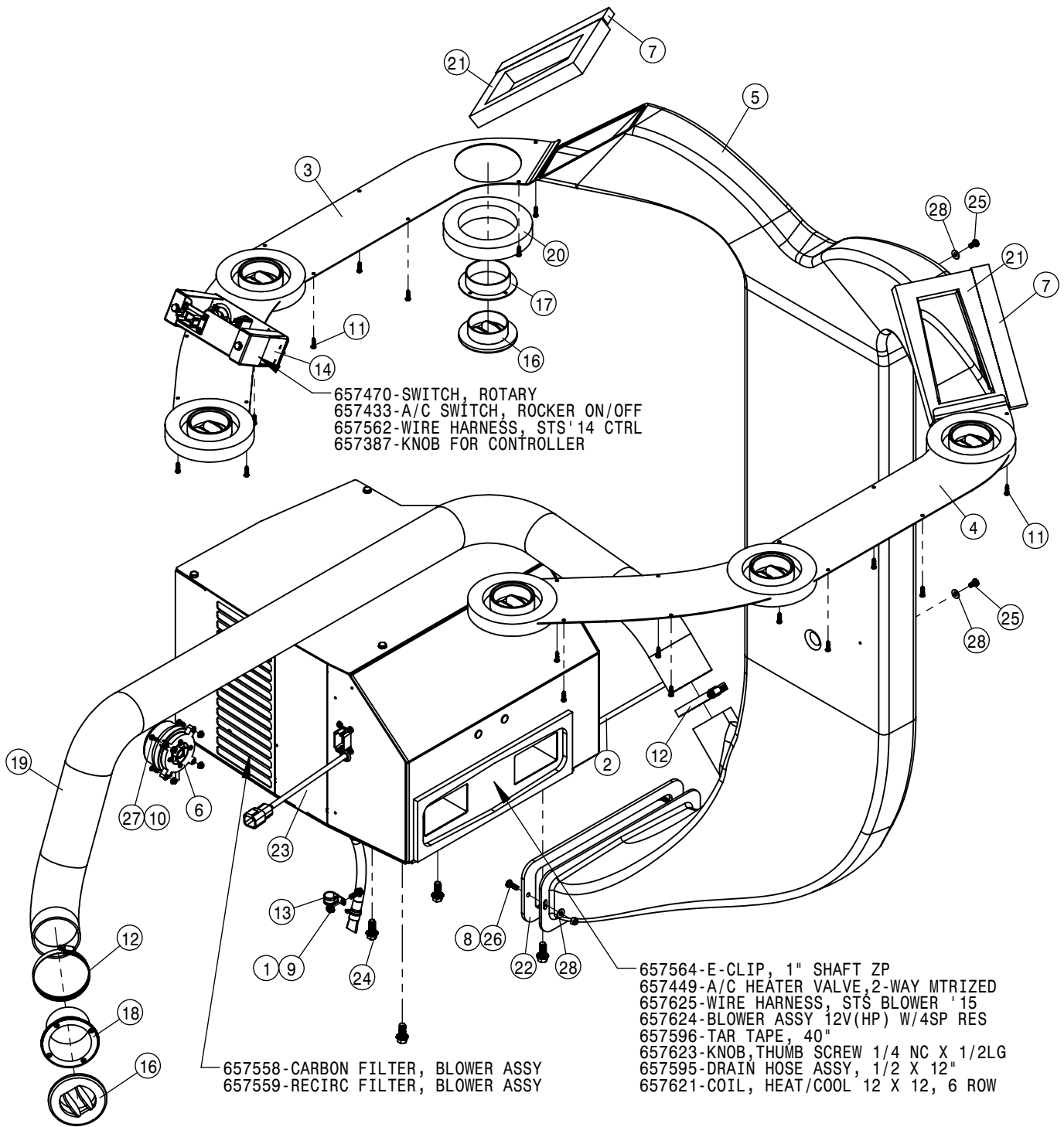


| CONSOLE ASSEMBLY | | | |
|------------------|-----|--------|--------------------------------|
| DET | QTY | P/N | DESCRIPTION |
| 1 | 1 | 290081 | E-STOP SWITCH,LED MUSHROOM |
| 2 | 1 | 290089 | E-STOP SHROUD, STS '11 |
| 3 | 1 | 291916 | IGNITION SWITCH |
| 4 | 2 | 291917 | IGNITION KEY FOR 291916 |
| 5 | 1 | 344306 | CONSOLE DOOR |
| 6 | 1 | 344307 | CONSOLE TRAY |
| 7 | 1 | 344309 | CONSOLE SWITCH PANEL |
| 8 | 1 | 344312 | SWITCH - SOLUTION PUMP |
| 9 | 1 | 344313 | SWITCH - MAIN TANK |
| 10 | 2 | 344314 | SWITCH - BOOM FOLD |
| 11 | 1 | 344315 | SWITCH - RINSE |
| 12 | 1 | 344316 | SWITCH - AGITATION |
| 13 | 1 | 344317 | SWITCH - FOAMER |
| 14 | 1 | 344407 | CONSOLE BODY |
| 15 | 1 | 344409 | SWITCH - POWER MIRROR |
| 16 | 1 | 344410 | CARGO NET - SIDE CONSOLE |
| 17 | 6 | 344413 | "U" CLIP |
| 18 | 6 | 344461 | HOLE PLUG - CONTURA V |
| 19 | 1 | 344462 | CUP HOLDER - LARGE |
| NS | 4 | 344464 | POWER OUTLET 12V |
| 21 | 1 | 344465 | DOOR HANDLE |
| 22 | 1 | 344514 | PLATE - CONSOLE DOOR |
| 23 | 1 | 344555 | USB CHARGING ADAPTER - DC |
| 24 | 1 | 344556 | SECTION KEYPAD STS' 15 |
| 25 | 18 | 470121 | 1/4 UNC SERR FLG LOCK NUT |
| 26 | 4 | 470175 | 10-32 SERR FLANGE NUT |
| 27 | 8 | 470466 | 1/4 X 3/4 PLTC LCK RIVET |
| 28 | 1 | 470544 | HAGIE KEY CHAIN |
| 29 | 1 | 470545 | PUSH TREE FASTENER 1/4 X 1 |
| 30 | 1 | 470676 | MORTISE MOUNT-PULL MAG CATCH |
| 31 | 2 | 472344 | 1/4UNCX5/8 ALHD BUTTON CAP SCR |
| 32 | 2 | 473870 | M5 HEX NUT |
| 33 | 1 | 650278 | DECAL, E-STOP, STS '11 |
| 34 | 1 | 650467 | DECAL - AUX 2 |
| 35 | 12 | 903708 | 1/4UNC X1/2PHIL PANHD MACH SCR |
| 36 | 6 | 903711 | 1/4UNC X3/4PHIL PANHD MACH SCR |
| 37 | 1 | 470609 | 8" BEAD CHAIN |
| NS | 1 | 493626 | STS QUICK START GUIDE |
| NS | 1 | 493662 | STS TOOL INSTRUCTION SHEET |
| 40 | 1 | 343912 | CONSOLE SWITCH PANEL, NO MRR |

BULK TRIM SEAL
 193070-SEAL, .63 X .63 D-SECT EDPM

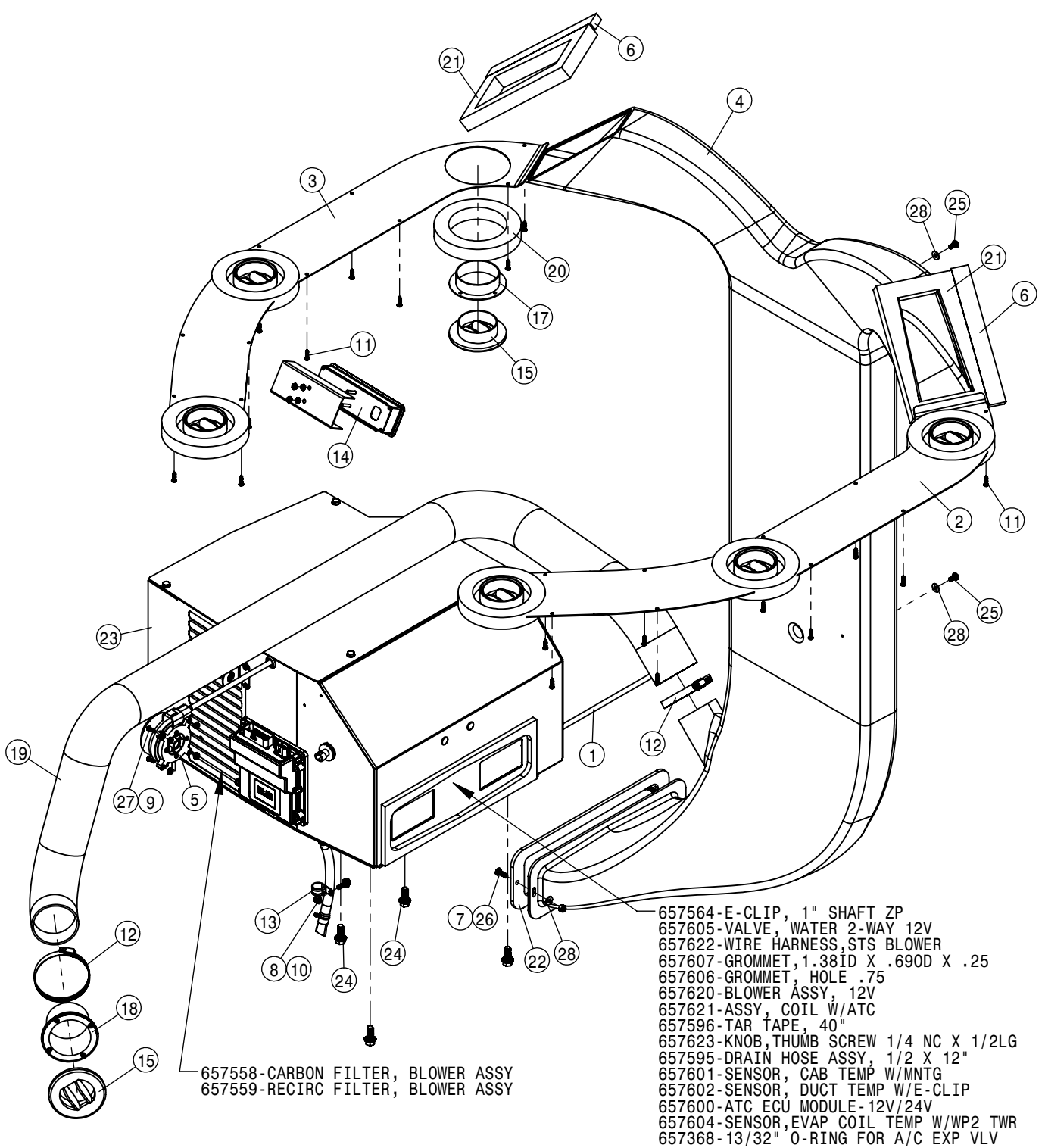


| AIR INTAKE ASSEMBLY | | | |
|---------------------|-----|---------|--------------------------------|
| DET | QTY | P/N | DESCRIPTION |
| 1 | 1 | 311534 | RAIN CAP, 3" INLET, POLY |
| 2 | 1 | 343863 | HVAC FILTRATION UNIT, DTS |
| 3 | 1 | 343903 | TALL CROP MT WLD, DTS |
| 4 | 1 | 343909 | AIR INTAKE COUPLING, DTS |
| 5 | 1 | 344669 | TC HVAC DUCT, STS' 15 |
| 6 | 1 | 344480 | SEAL - RESPA PANEL |
| 7 | 2 | 344557 | STAND OFF 5/8" LG, STS' 14 |
| 8 | 2 | 344558 | STAND OFF 3/8" LG, STS' 14 |
| 9 | 1 | 344667 | TALL CROP INTAKE TUBE, STS' 16 |
| 10 | 4 | 470122 | 1/4 UNC X 1/2 SERR FLG BOLT |
| 11 | 1 | 470160 | MUFFLER CLAMP 3.00 IN |
| 12 | 2 | 520052 | HOSE CLAMP NO 52 STAINLESS |
| 13 | 3 | 520072 | HOSE CLAMP NO 72 STAINLESS |
| 14 | 4 | 900127N | 3/8UNC X 1 1/4 SER FLANGE BOLT |
| 15 | 4 | 900129N | 3/8UNC X 1" SERR FLANGE BOLT |
| 16 | 4 | 910004 | 3/8UNC HEX NUT |



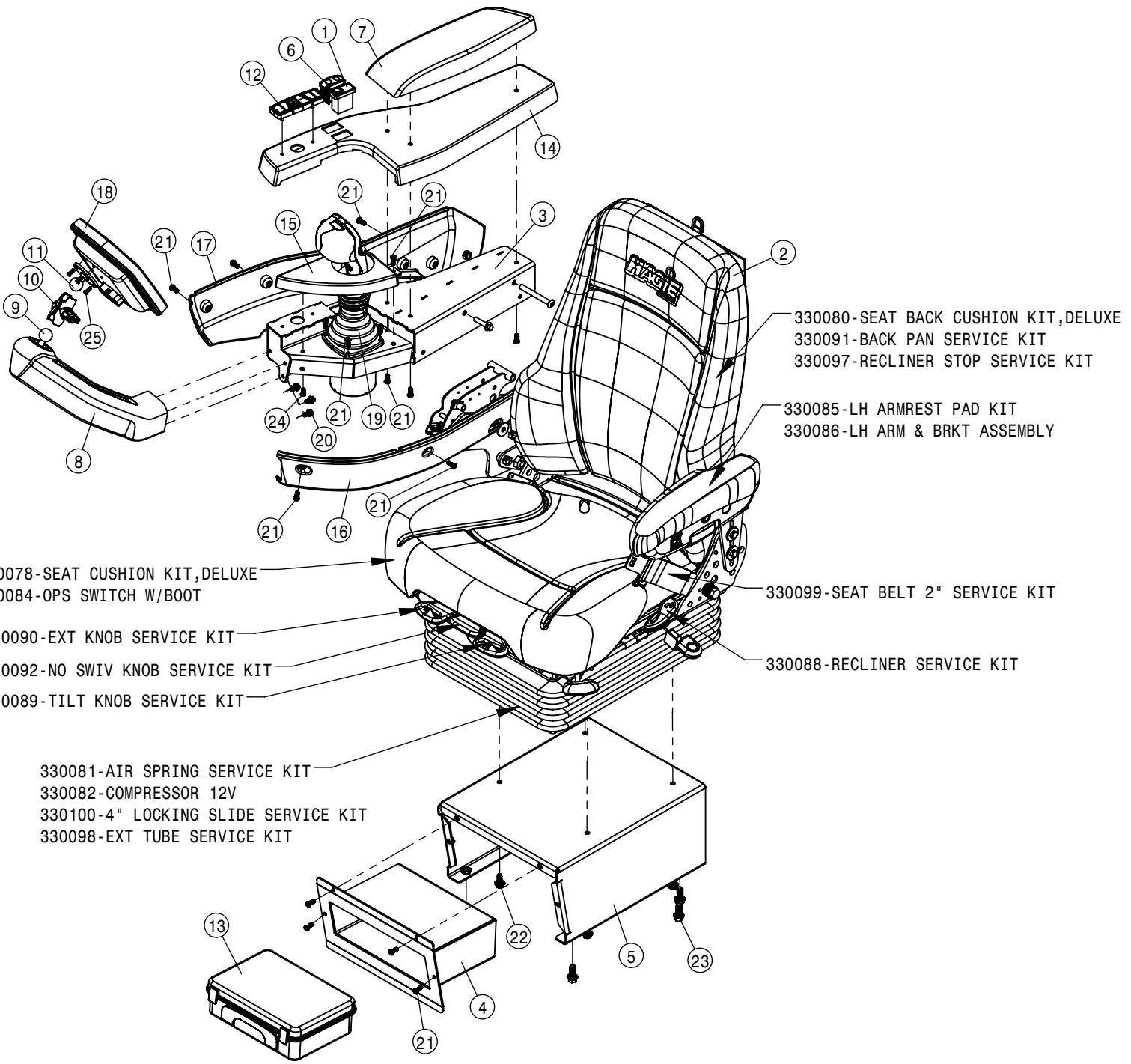
| DELUXE/STANDARD HVAC ASSEMBLY | | | |
|-------------------------------|-----|---------|---------------------------------------|
| DET | QTY | P/N | DESCRIPTION |
| 1 | 1 | 473834 | 1/4UNC X 3/4 SER FLG BOLT SS |
| 2 | 1 | 317315 | HOSE - HVAC PRESSURE |
| 3 | 1 | 344361 | PLATE, ROOF DUCT COVER RH, STSCAB' 14 |
| 4 | 1 | 344362 | PLATE, ROOF DUCT COVER LH, STSCAB' 14 |
| 5 | 1 | 344366 | DUCT HVAC - STS CAB |
| 6 | 1 | 344425 | PRESSURE SWITCH - HVAC |
| 7 | 2 | 344576 | TEMP SEAL DUCT, STS' 14 |
| 8 | 2 | 470089 | 1/4UNC HEX NYL-LOC NUT |
| 9 | 1 | 470121N | 1/4 UNC SERR FLG LOCK NUT SS |
| 10 | 4 | 470463 | 8-32 SERR FLANGE NUT |
| 11 | 20 | 473990N | #8 X 3/4 PHIL PAN SMS TY-A BZ |
| 12 | 2 | 520052 | HOSE CLAMP NO 52 STAINLESS |
| 13 | 1 | 520104 | CUSH HOSE CLMP, #12, 3/4D x 1/2W |
| 14 | 1 | 657542 | HVAC CONTROL - MANUAL, STS' 14 |

| DELUXE/STANDARD HVAC ASSEMBLY | | | |
|-------------------------------|-----|---------|---------------------------------|
| DET | QTY | P/N | DESCRIPTION |
| NS | 1 | 657544 | HARNESS - HVAC MAN CONTROL |
| 16 | 7 | 657546 | LOUVER, 4" W/O MNT |
| 17 | 6 | 657547 | PANEL MNT, LOUVER (THK PANEL) |
| 18 | 1 | 657548 | PANEL MNT, LOUVER (THK PANEL) |
| 19 | 1 | 657550 | HOSE - 3IN HVAC |
| 20 | 6 | 657552 | GASKET SEAL ROOF LOUVER |
| 21 | 2 | 657553 | GASKET SEAL ROOF LOUVER |
| 22 | 1 | 657556 | GASKET SEAL ROOF LOUVER |
| 23 | 1 | 657560 | HVAC STANDARD CONTROL ENHANCED |
| 24 | 4 | 900129N | 3/8UNC X 1" SERR FLANGE BOLT |
| 25 | 2 | 903708N | 1/4UNC X1/2PHIL PAN MACH SCR BZ |
| 26 | 2 | 903711 | 1/4UNC X3/4PHIL PANHD MACH SCR |
| 27 | 4 | 903844 | 8-32 X 1/2 PHIL PANHD MACH SCR |
| 28 | 4 | 920000 | 1/4 SAE FLAT WASHER |



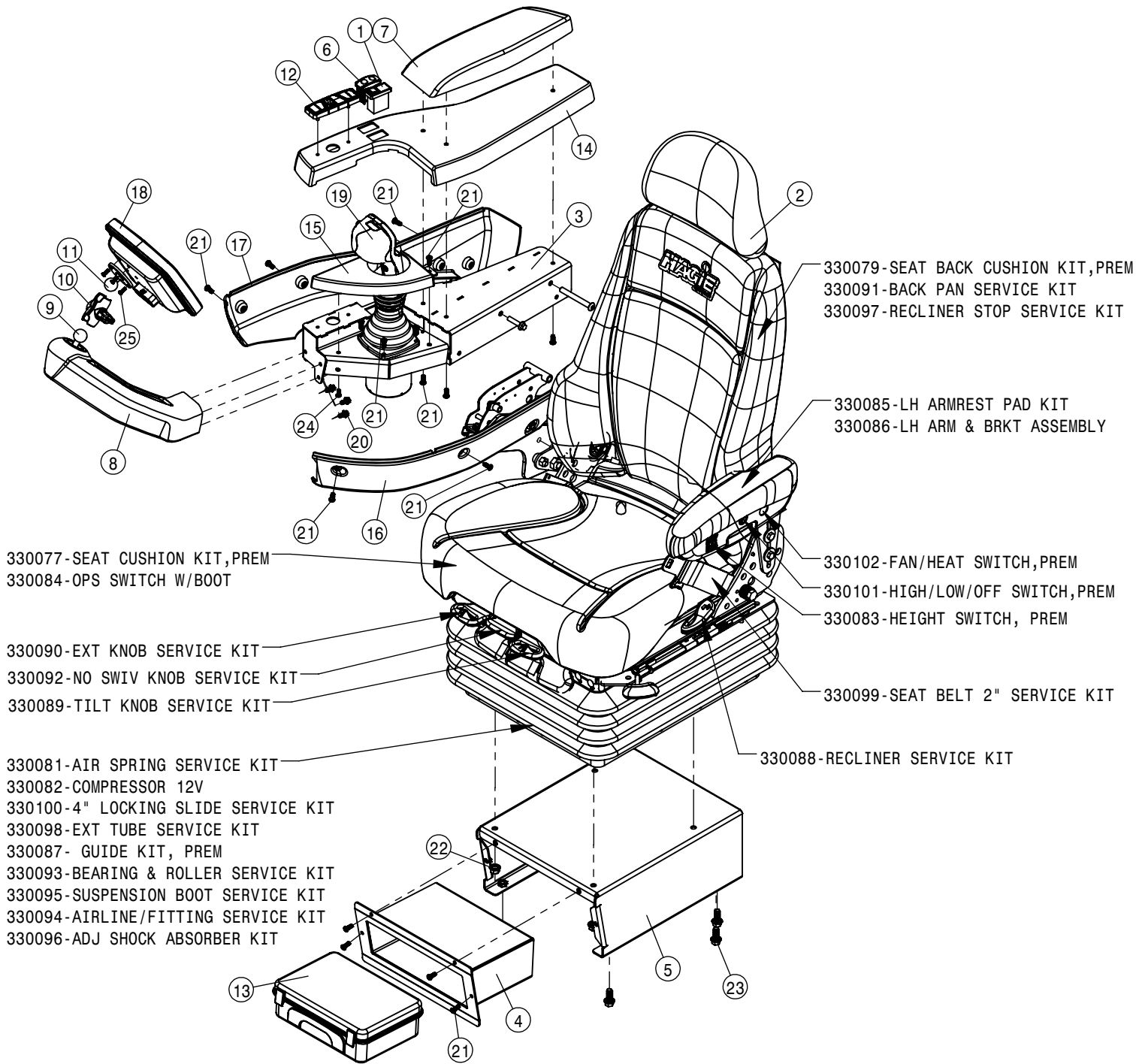
| PREMIUM HVAC ASSEMBLY | | | |
|-----------------------|-----|---------|---------------------------------------|
| DET | QTY | P/N | DESCRIPTION |
| 1 | 1 | 317315 | HOSE - HVAC PRESSURE |
| 2 | 1 | 344362 | PLATE, ROOF DUCT COVER LH, STSCAB' 14 |
| 3 | 1 | 344361 | PLATE, ROOF DUCT COVER RH, STSCAB' 14 |
| 4 | 1 | 344366 | DUCT HVAC - STS CAB |
| 5 | 1 | 344425 | PRESSURE SWITCH - HVAC |
| 6 | 2 | 344576 | TEMP SEAL DUCT, STS' 14 |
| 7 | 2 | 470089 | 1/4UNC HEX NYL-LOC NUT |
| 8 | 1 | 470121N | 1/4 UNC SERR FLG LOCK NUT SS |
| 9 | 4 | 470463 | 8-32 SERR FLANGE NUT |
| 10 | 1 | 473834 | 1/4UNC X 3/4 SER FLG BOLT SS |
| 11 | 20 | 473990N | #8 X 3/4 PHIL PAN SMS TY-A BZ |
| 12 | 2 | 520052 | HOSE CLAMP NO 52 STAINLESS |
| 13 | 1 | 520104 | CUSH HOSE CLMP, #12, 3/4D x 1/2W |
| 14 | 1 | 657543 | HVAC-CTRL-AUTO, CAB |

| PREMIUM HVAC ASSEMBLY | | | |
|-----------------------|-----|---------|----------------------------------|
| DET | QTY | P/N | DESCRIPTION |
| 15 | 7 | 657546 | LOUVER, 4" W/O MNT |
| NS | 1 | 657545 | HARNESS-HVAC AUTO CTRL STS' 14 |
| 17 | 6 | 657547 | PANEL MNT, LOUVER (THK PANEL) |
| 18 | 1 | 657548 | PANEL MNT, LOUVER (THK PANEL) |
| 19 | 1 | 657550 | HOSE - 3IN HVAC |
| 20 | 6 | 657552 | GASKET SEAL ROOF LOUVER |
| 21 | 2 | 657553 | GASKET SEAL ROOF LOUVER |
| 22 | 1 | 657556 | GASKET SEAL ROOF LOUVER |
| 23 | 1 | 657561 | BLOWER UNIT-AUT TMP CTRL STS' 15 |
| 24 | 4 | 900129N | 3/8UNC X 1" SERR FLANGE BOLT |
| 25 | 2 | 903708N | 1/4UNC X1/2PHIL PAN MACH SCR BZ |
| 26 | 2 | 903711 | 1/4UNC X3/4PHIL PANHD MACH SCR |
| 27 | 4 | 903844 | 8-32 X 1/2 PHIL PANHD MACH SCR |
| 28 | 4 | 920000 | 1/4 SAE FLAT WASHER |



| DELUXE SEAT ASSEMBLY | | | |
|----------------------|-----|--------|----------------------------------------|
| DET | QTY | P/N | DESCRIPTION |
| 1 | 1 | 292201 | SWITCH, BRAKE, STS |
| 2 | 1 | 330075 | SEAT - DELUXE, CAB STS'14 |
| 3 | 1 | 344167 | POD STRUCTURE WLDMT |
| 4 | 1 | 344271 | STS CAB FIRST AID WLDMNT '14 |
| 5 | 1 | 344275 | STS CAB SEAT RISER WLDMNT '14 |
| 6 | 1 | 344311 | SWITCH - THROTTLE |
| 7 | 1 | 344340 | ARMREST POD, ASSY, STSCAB'14 |
| 8 | 1 | 344342 | POD DISPLAY MNT ASSY MOLDED, STSCAB'14 |
| 9 | 1 | 344363 | 1" RAM BALL MNT 1/4UNC THRD HOLE |
| 10 | 1 | 344364 | 1" RAM BALL MNT 2.00"DBL SOC ARM |
| 11 | 1 | 344365 | 1" RAM BALL MNT BASE 2.50"DIA |
| 12 | 1 | 344399 | RADIO KEYPAD |
| 13 | 1 | 344427 | MEDICAL KIT |

| DELUXE SEAT ASSEMBLY | | | |
|----------------------|-----|---------|-----------------------------------|
| DET | QTY | P/N | DESCRIPTION |
| 14 | 1 | 344516 | POD UPPER, CAB |
| 15 | 1 | 344517 | POD MIDDLE, CAB |
| 16 | 1 | 344518 | POD INNER, CAB |
| 17 | 1 | 344519 | POD OUTER |
| 18 | 1 | 344612 | MACHINE DISPLAY ASSEMBLY, 2014 |
| 19 | 1 | 344656 | JOYSTICK, CAB |
| 20 | 4 | 470122 | 1/4 UNC X 1/2 SERR FLG BOLT |
| 21 | 19 | 472344 | 1/4UNCX5/8 ALHD BUTTON CAP SCR |
| 22 | 4 | 473873 | M8 x 20MM LG SERR FLANGE HEX BOLT |
| 23 | 6 | 900129N | 3/8UNC X 1" SERR FLANGE BOLT |
| 24 | 1 | 903706 | 10-32X1/2 PHIL PAN MACH SCR |
| 25 | 4 | 903844 | 8-32 X 1/2 PHIL PANHD MACH SCR |



330077-SEAT CUSHION KIT, PREM
330084-OPS SWITCH W/BOOT

330090-EXT KNOB SERVICE KIT
330092-NO SWIV KNOB SERVICE KIT
330089-TILT KNOB SERVICE KIT

330081-AIR SPRING SERVICE KIT
330082-COMPRESSOR 12V
330100-4" LOCKING SLIDE SERVICE KIT
330098-EXT TUBE SERVICE KIT
330087- GUIDE KIT, PREM
330093-BEARING & ROLLER SERVICE KIT
330095-SUSPENSION BOOT SERVICE KIT
330094-AIRLINE/FITTING SERVICE KIT
330096-ADJ SHOCK ABSORBER KIT

330079-SEAT BACK CUSHION KIT, PREM
330091-BACK PAN SERVICE KIT
330097-RECLINER STOP SERVICE KIT

330085-LH ARMREST PAD KIT
330086-LH ARM & BRKT ASSEMBLY

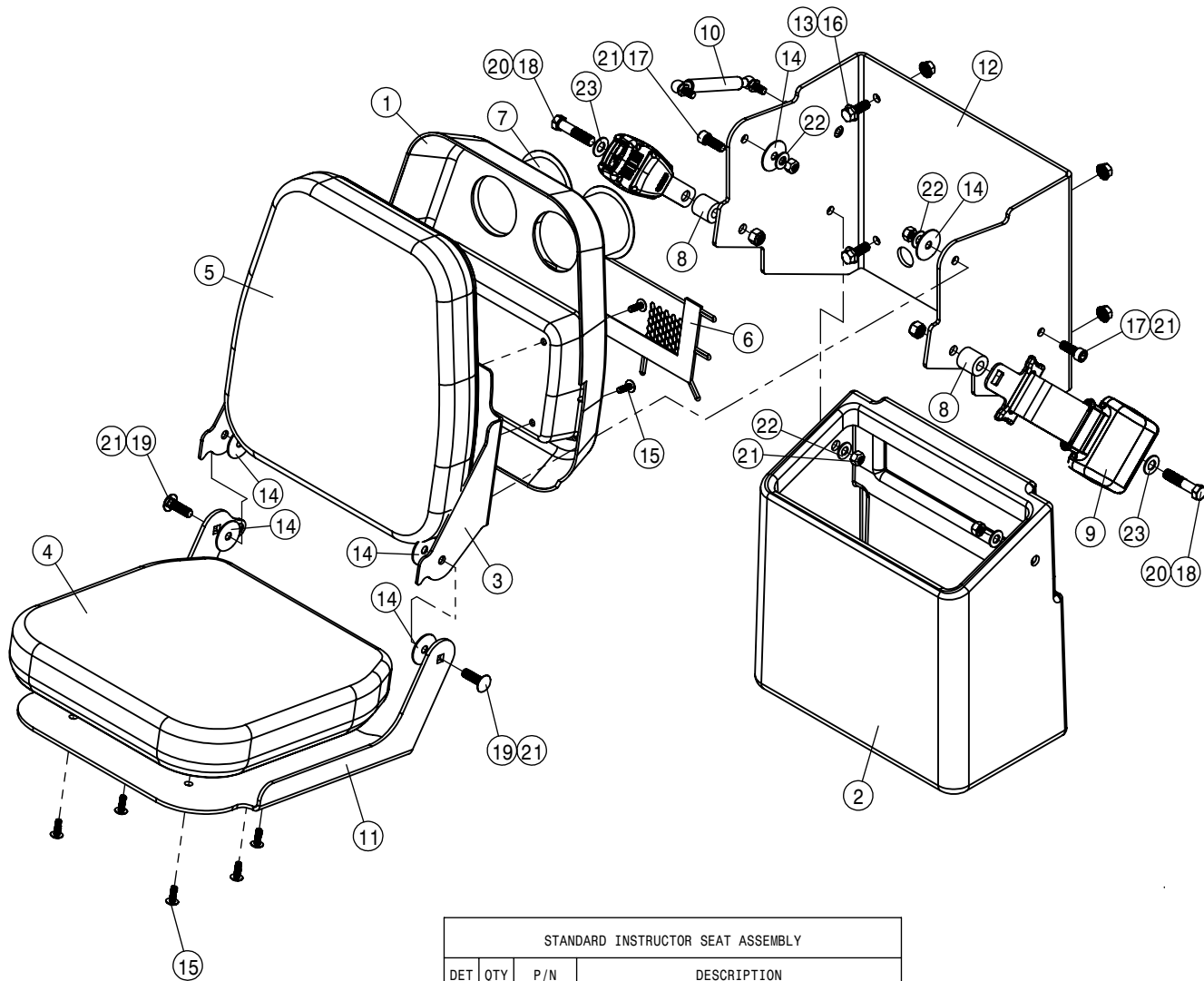
330102-FAN/HEAT SWITCH, PREM
330101-HIGH/LOW/OFF SWITCH, PREM
330083-HEIGHT SWITCH, PREM

330099-SEAT BELT 2" SERVICE KIT

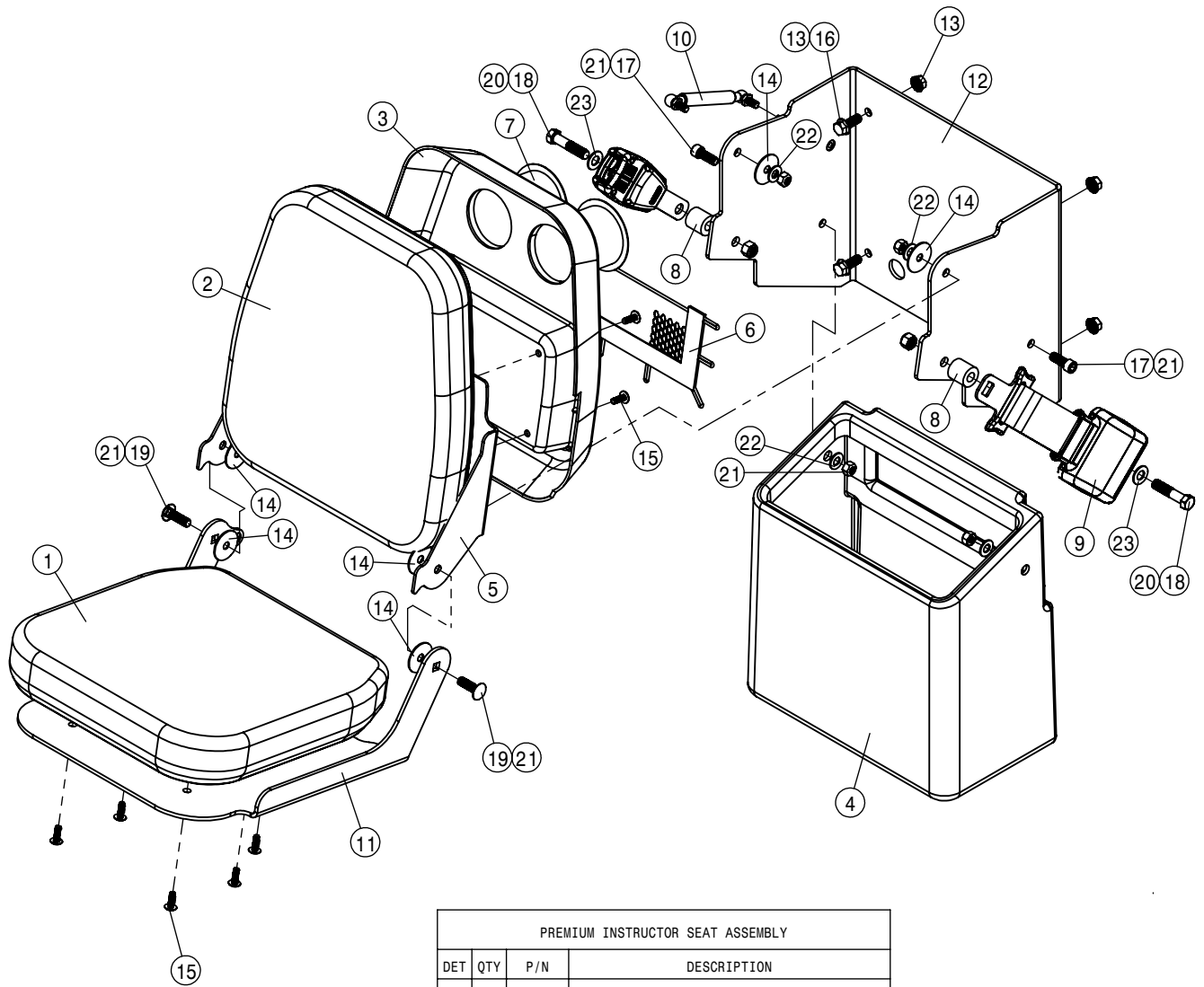
330088-RECLINER SERVICE KIT

| PREMIUM SEAT ASSEMBLY | | | |
|-----------------------|-----|--------|-----------------------------------------|
| DET | QTY | P/N | DESCRIPTION |
| 1 | 1 | 292201 | SWITCH, BRAKE, STS |
| 2 | 1 | 330068 | SEAT - PREMIUM, CAB STS '14 |
| 3 | 1 | 344167 | POD STRUCTURE WLDMT |
| 4 | 1 | 344279 | STS CAB FIRST AID WLDMNT '14 |
| 5 | 1 | 344280 | STS CAB SEAT RSR WLDMNT '14 |
| 6 | 1 | 344311 | SWITCH - THROTTLE |
| 7 | 1 | 344340 | ARMREST POD, ASSY, STSCAB '14 |
| 8 | 1 | 344342 | POD DISPLAY MNT ASSY MOLDED, STSCAB '14 |
| 9 | 1 | 344363 | 1" RAM BALL MNT 1/4UNC THRD HOLE |
| 10 | 1 | 344364 | 1" RAM BALL MNT 2.00"DBL SOC ARM |
| 11 | 1 | 344365 | 1" RAM BALL MNT BASE 2.50"DIA |
| 12 | 1 | 344399 | RADIO KEYPAD |
| 13 | 1 | 344427 | MEDICAL KIT |

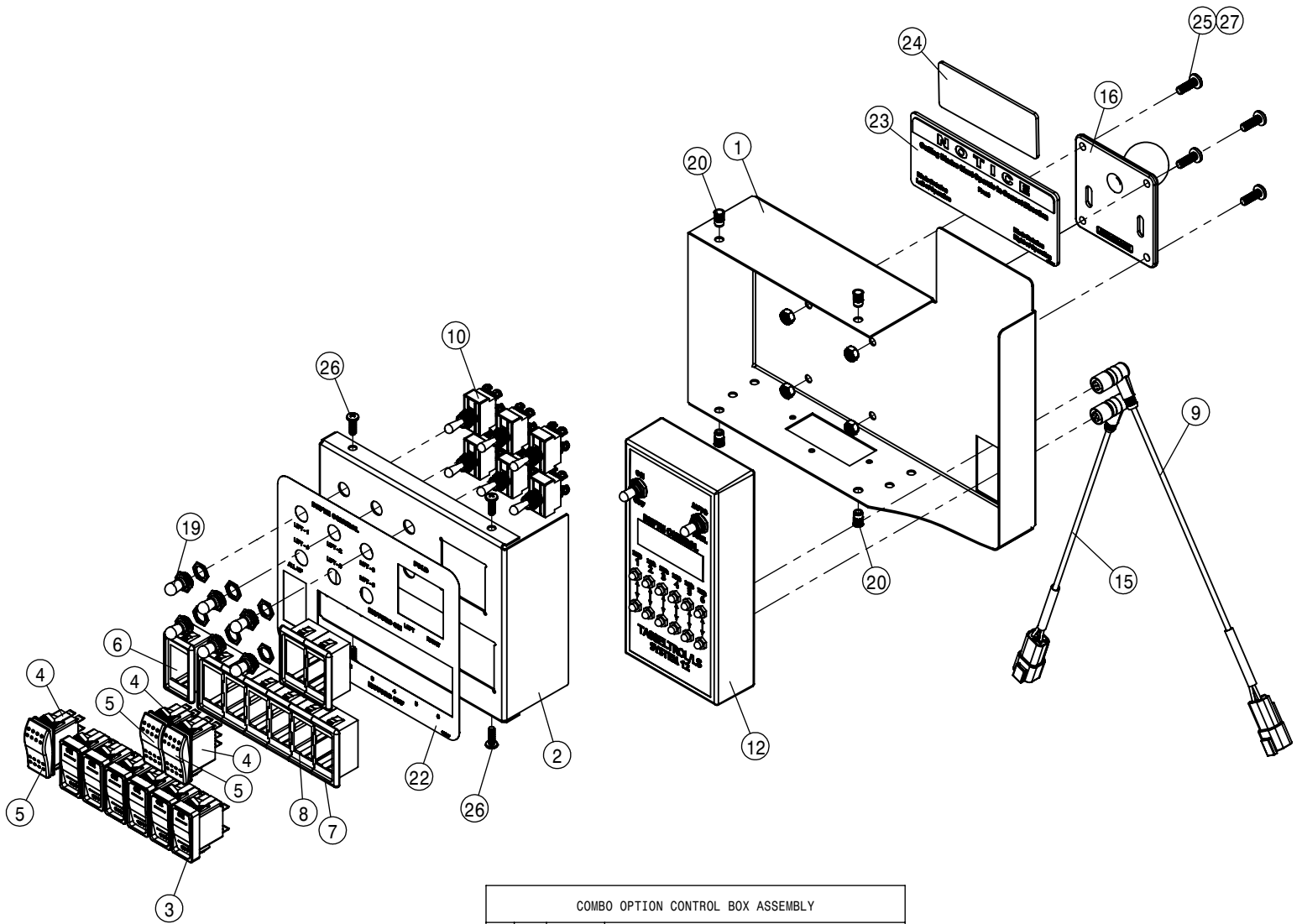
| PREMIUM SEAT ASSEMBLY | | | |
|-----------------------|-----|---------|--------------------------------|
| DET | QTY | P/N | DESCRIPTION |
| 14 | 1 | 344516 | POD UPPER, CAB |
| 15 | 1 | 344517 | POD MIDDLE, CAB |
| 16 | 1 | 344518 | POD INNER, CAB |
| 17 | 1 | 344519 | POD OUTER |
| 18 | 1 | 344612 | MACHINE DISPLAY ASSEMBLY, 2014 |
| 19 | 1 | 344656 | JOYSTICK, CAB |
| 20 | 4 | 470122 | 1/4 UNC X 1/2 SERR FLG BOLT |
| 21 | 19 | 472344 | 1/4UNCX5/8 ALHD BUTTON CAP SCR |
| 22 | 4 | 473866 | M10 X 1.5 HEX SERR FLG NUT |
| 23 | 6 | 900129N | 3/8UNC X 1" SERR FLANGE BOLT |
| 24 | 1 | 903706 | 10-32X1/2 PHIL PAN MACH SCR |
| 25 | 4 | 903844 | 8-32 X 1/2 PHIL PANHD MACH SCR |



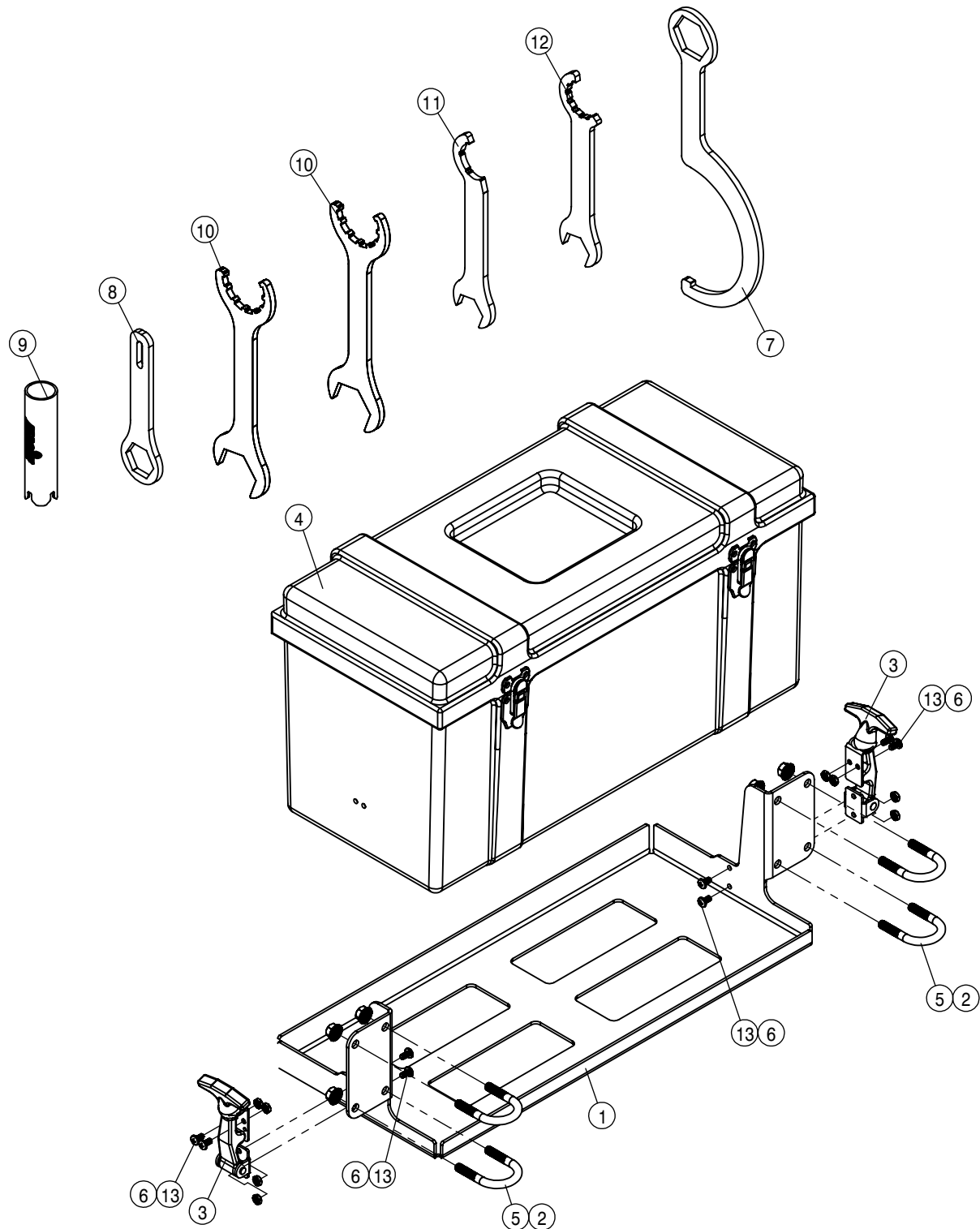
| STANDARD INSTRUCTOR SEAT ASSEMBLY | | | |
|-----------------------------------|-----|---------|-----------------------------------|
| DET | QTY | P/N | DESCRIPTION |
| 1 | 1 | 344162 | PANEL BACK INSTRUCTOR SEAT BACK |
| 2 | 1 | 344163 | BIN STORAGE INSTRUCTOR SEAT |
| 3 | 1 | 344166 | BRKT BACK INSTRUCTOR SEAT MOUNT |
| 4 | 1 | 344174 | CUSH BASE INST SEAT STD |
| 5 | 1 | 344175 | CUSH BACK INST SEAT STD |
| 6 | 1 | 344412 | CARGO NET - INSTRUCTOR SEAT |
| 7 | 2 | 344463 | CUP HOLDER - SMALL |
| 8 | 2 | 344489 | INST SEAT BELT BUSHING, STS' 14 |
| 9 | 1 | 344493 | INST SEAT BELT ASSY, STS' 14 |
| 10 | 1 | 344559 | INST SEAT GAS SPRING, STS' 14 |
| 11 | 1 | 344564 | BRKT BASE INST SEAT WLDT, STS' 14 |
| 12 | 1 | 344566 | BRKT INST SEAT MT WLDT, STS' 14 |
| 13 | 4 | 470087 | 3/8UNC HEX SERR FLANGE NUT |
| 14 | 6 | 470657 | 3/8 PTFE LOW-FRICT WASHER |
| 15 | 10 | 472261 | 1/4UNC X 3/4 TRUSS HD BOLT |
| 16 | 4 | 900129N | 3/8UNC X 1" SERR FLANGE BOLT |
| 17 | 2 | 900172 | 3/8UNC X 1" SOC HD CAP SCR, ZINC |
| 18 | 2 | 900235 | 7/16-20 HEX HEAD BOLT, GR 5 |
| 19 | 2 | 901130 | 3/8UNC X 1 1/4 CARR BOLT |
| 20 | 2 | 910030 | 7/16UNF HEX NUT, NYLOC GR5 |
| 21 | 4 | 914004 | 3/8UNC HEX STOVER NUT |
| 22 | 4 | 920002 | 3/8 SAE FLAT WASHER |
| 23 | 2 | 920003 | 7/16 SAE FLAT WASHER |



| PREMIUM INSTRUCTOR SEAT ASSEMBLY | | | |
|----------------------------------|-----|---------|-----------------------------------|
| DET | QTY | P/N | DESCRIPTION |
| 1 | 1 | 330070 | CUSH BASE INST SEAT PREM |
| 2 | 1 | 330071 | CUSH BACK INST SEAT PREM |
| 3 | 1 | 344162 | PANEL BACK INSTRUCTOR SEAT BACK |
| 4 | 1 | 344163 | BIN STORAGE INSTRUCTOR SEAT |
| 5 | 1 | 344166 | BRKT BACK INSTRUCTOR SEAT MOUNT |
| 6 | 1 | 344412 | CARGO NET - INSTRUCTOR SEAT |
| 7 | 2 | 344463 | CUP HOLDER - SMALL |
| 8 | 2 | 344489 | INST SEAT BELT BUSHING, STS' 14 |
| 9 | 1 | 344493 | INST SEAT BELT ASSY, STS' 14 |
| 10 | 1 | 344559 | INST SEAT GAS SPRING, STS' 14 |
| 11 | 1 | 344564 | BRKT BASE INST SEAT WLDT, STS' 14 |
| 12 | 1 | 344566 | BRKT INST SEAT MT WLDT, STS' 14 |
| 13 | 4 | 470087 | 3/8UNC HEX SERR FLANGE NUT |
| 14 | 6 | 470657 | 3/8 PTFE LOW-FRICT WASHER |
| 15 | 10 | 472261 | 1/4UNC X 3/4 TRUSS HD BOLT |
| 16 | 4 | 900129N | 3/8UNC X 1" SERR FLANGE BOLT |
| 17 | 2 | 900172 | 3/8UNC X 1" SOC HD CAP SCR, ZINC |
| 18 | 2 | 900235 | 7/16-20 HEX HEAD BOLT, GR 5 |
| 19 | 2 | 901130 | 3/8UNC X 1 1/4 CARR BOLT |
| 20 | 2 | 910030 | 7/16UNF HEX NUT, NYLOC GR5 |
| 21 | 4 | 914004 | 3/8UNC HEX STOVER NUT |
| 22 | 4 | 920002 | 3/8 SAE FLAT WASHER |
| 23 | 2 | 920003 | 7/16 SAE FLAT WASHER |

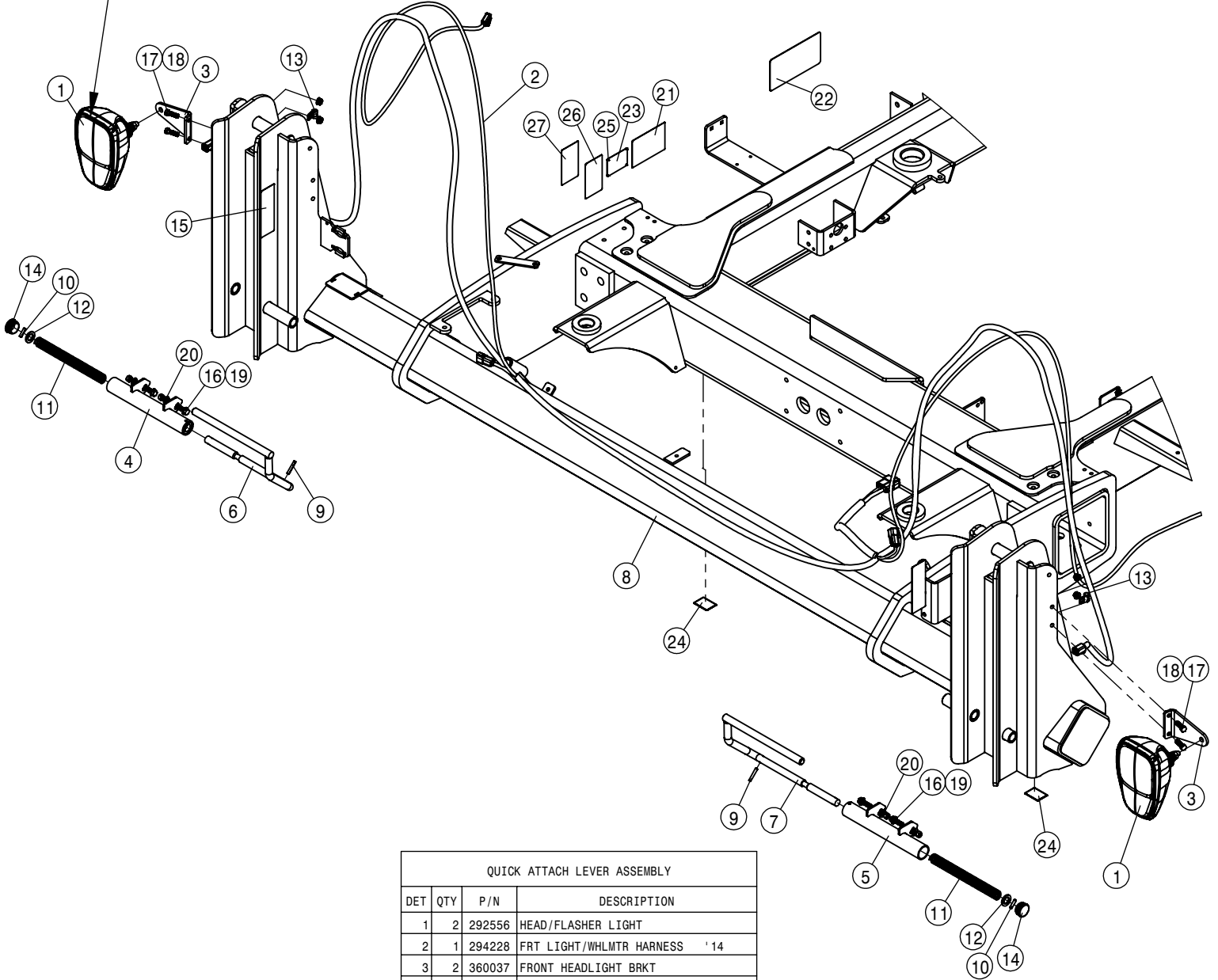


| COMBO OPTION CONTROL BOX ASSEMBLY | | | |
|-----------------------------------|-----|---------|-------------------------------------|
| DET | QTY | P/N | DESCRIPTION |
| 1 | 1 | 003200 | SWITCH BOX HOUSING WLD,STSC 05 |
| 2 | 1 | 003201 | SWITCH BOX COVER,STS COMBO 05 |
| 3 | 6 | 292204 | SWITCH,SOLU TANK/NTB FLOAT,STS |
| 4 | 3 | 292220 | SWITCH,DPDT, MOM-OFF-MOM ON |
| 5 | 3 | 292221 | SWITCH ACUATOR FOR 292220 |
| 6 | 1 | 292260 | MOUNTING TRIM, SINGLE VMS |
| 7 | 4 | 292261 | MOUNTING TRIM, END VME |
| 8 | 4 | 292262 | MOUNTING TRIM, MIDDLE VME |
| 9 | 1 | 292583 | SENSOR HARNESS FOR AWS |
| 10 | 6 | 293172 | TOGGLE SWITCH DPDT W/JUMPERS |
| NS | 1 | 293862 | SWITCH BOX HARNESS,STS COMBO05 |
| 12 | 1 | 294035 | LS CTRL 6L DISPLAY BOX ASSY |
| NS | 1 | 294036 | STS COMBO CAB HARNESS, '14 |
| NS | 1 | 294048 | STS CAB HARNESS 2 |
| 15 | 1 | 294049 | SENSOR HARNESS FOR SIE |
| 16 | 1 | 344386 | 1.5" RAM BALL MNT BASE 3.625"SQ |
| NS | 1 | 344491 | RAM SHRT SCKT ARM 1.5" BALL, STS'14 |
| NS | 1 | 344492 | RAM U BLT BASE 1.5 BALL, STS'14 |
| 19 | 6 | 470001 | RUBBER BOOT AND NUT FOR 298012 |
| 20 | 4 | 470384N | 10-32 NUTSERT .020-.130 STL |
| NS | 2 | 471100 | DUAL LOCK, 1.00 x 1.00 |
| 22 | 1 | 650127 | DECAL,STS COMBO CAB BOX 05 |
| 23 | 1 | 650303 | CUTTER ROTATION DECAL |
| 24 | 1 | 650379 | DECAL,ENGAGE DET HD HYD MTRS |
| 25 | 4 | 903700 | 1/4UNC X 3/4 PHIL PAN MACH SCR |
| 26 | 4 | 903710 | 10-32 X 5/8 PHIL PANHD MACH SCR |
| 27 | 4 | 910000 | 1/4UNC HEX NUT |

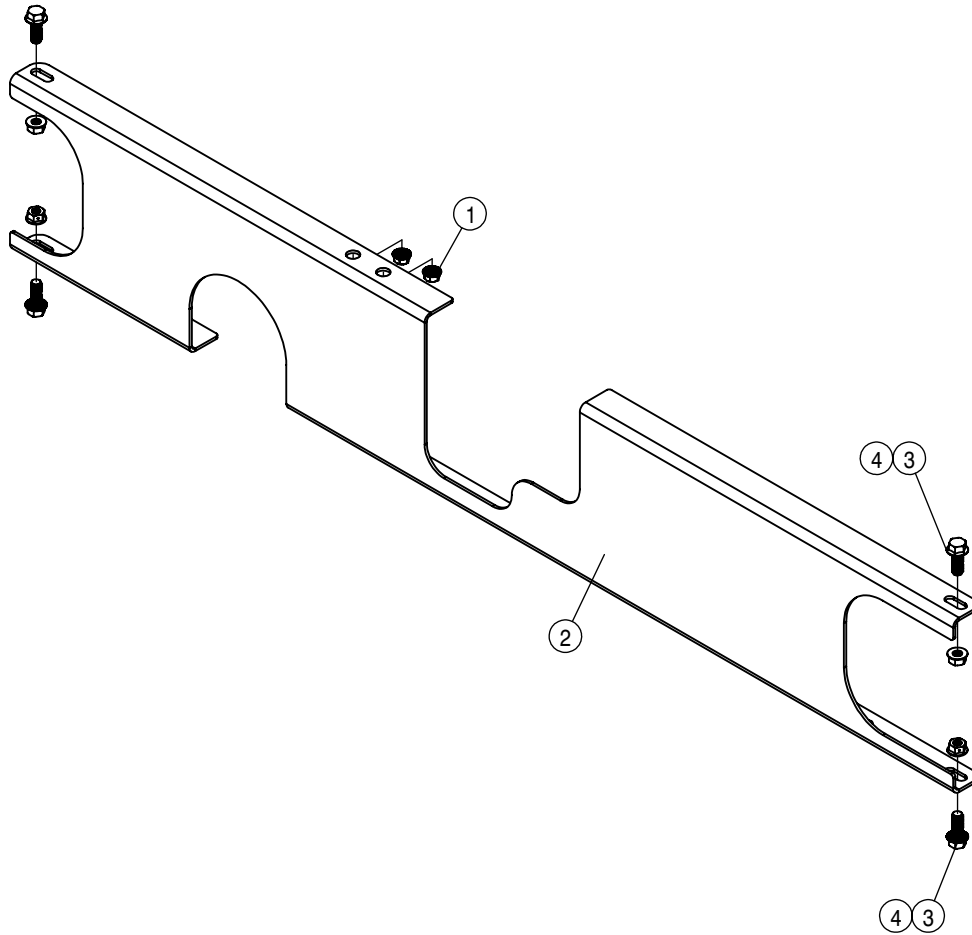


| TOOLBOX ASSEMBLY | | | |
|------------------|-----|--------|---------------------------------|
| DET | QTY | P/N | DESCRIPTION |
| 1 | 1 | 345042 | TOOLBOX MNT BASE, STS '12 |
| 2 | 8 | 470113 | 5/16UNC SERR FLG LOCK NUT |
| 3 | 2 | 470643 | RUBBER DRAW LATCH |
| 4 | 1 | 470841 | TOOL BOX w/TRAY |
| 5 | 4 | 473911 | 5/16UNC-1.31ID-2.00 U-BOLT ZINC |
| 6 | 8 | 914027 | 10-32 HEX STOVER NUT |
| 7 | 1 | 470893 | BANJO MLS222 SERIES SPNR WRNH |
| 8 | 1 | 470894 | BANJO MLST100 SERIES WRENCH |
| 9 | 1 | 470896 | TEEJET NOZZEL REMOVAL SOCKET |
| 10 | 2 | 470895 | EASY FIT T5 FITTING WRENCH |
| 11 | 1 | 470899 | EASY FIT T3 FITTING SPEED WRNH |
| 12 | 1 | 470900 | EASY FIT T3 FITTING WRENCH |
| 13 | 8 | 903884 | 10-32X3/8 PHIL PN MACH SCR |

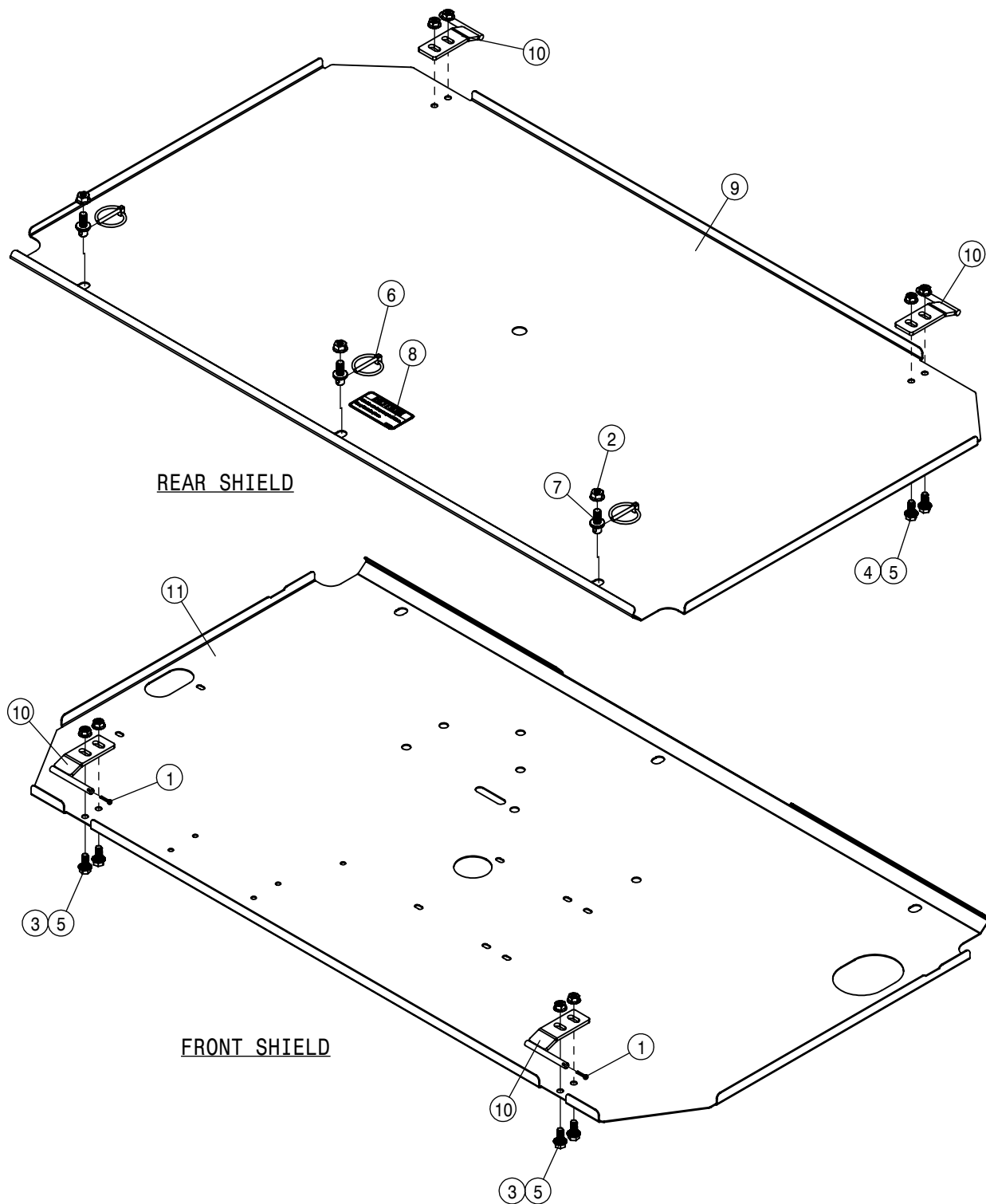
290007-REPLACEMENT BULB 12V/55W
 290008-REPLACEMENT BULB 12V/4W
 290010-REPLACEMENT BULB 12V/55W
 290011-REPLACEMENT BULB 12V/21W



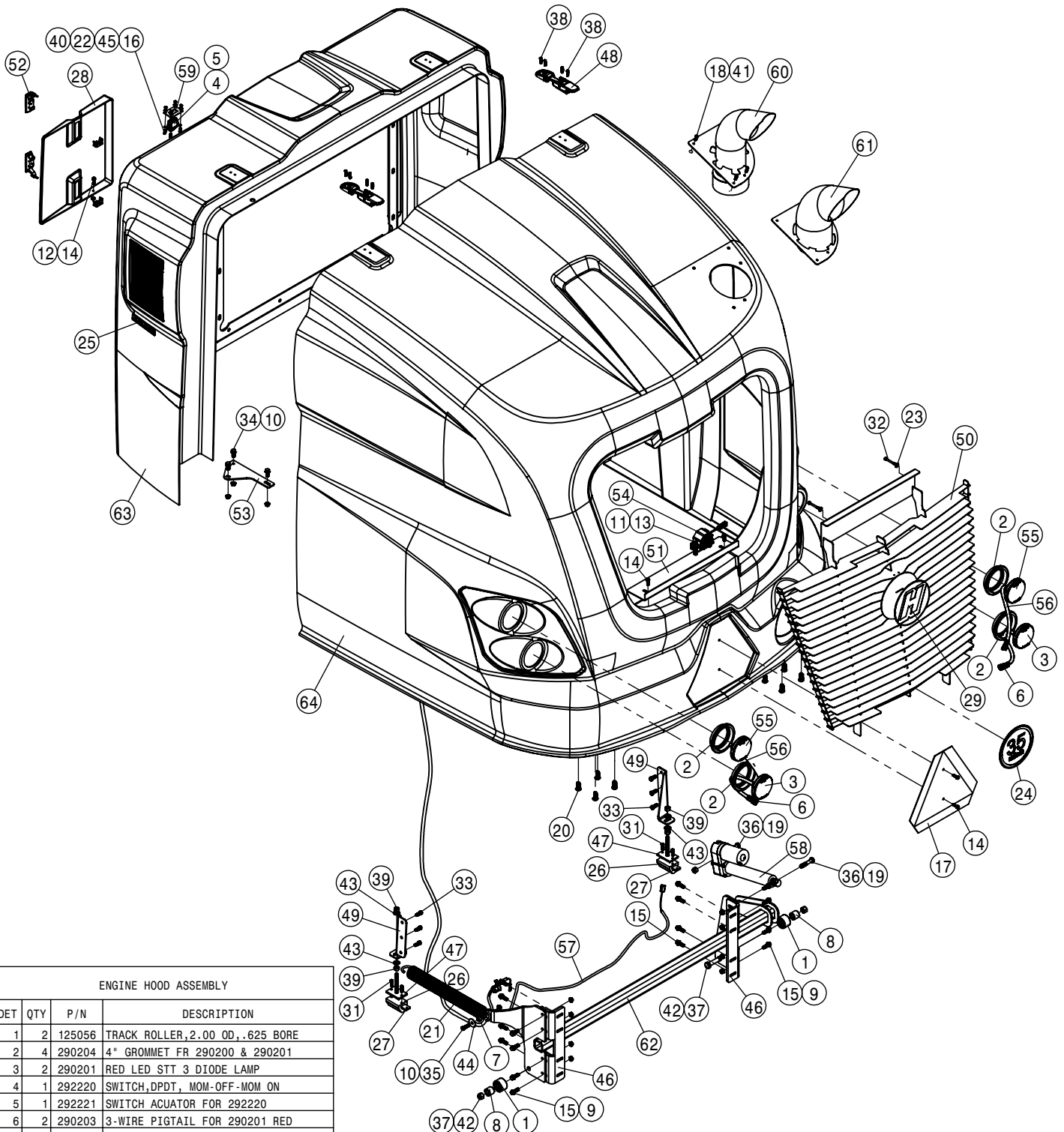
| QUICK ATTACH LEVER ASSEMBLY | | | |
|-----------------------------|-----|---------|--------------------------------|
| DET | QTY | P/N | DESCRIPTION |
| 1 | 2 | 292556 | HEAD/FLASHER LIGHT |
| 2 | 1 | 294228 | FRT LIGHT/WHLMTR HARNESS '14 |
| 3 | 2 | 360037 | FRONT HEADLIGHT BRKT |
| 4 | 1 | 361665 | RH Q-ATTACH LOCK WLD, STS 04 |
| 5 | 1 | 361666 | LH Q-ATTACH LOCK WLD, STS 04 |
| 6 | 1 | 361670 | RH Q-ATTACH LOCK PIN WLD,STS04 |
| 7 | 1 | 361671 | LH Q-ATTACH LOCK PIN WLD,STS04 |
| 8 | 1 | 362172 | MIANFRAME WLDMT-STS14 2015 |
| 9 | 2 | 473805 | ROLL PIN, 1/4 X 1 1/2 |
| 10 | 2 | 473850 | ROLL PIN, 1/4 X 1" |
| 11 | 2 | 482018 | SPRING, 1.00 X 12.00 COMPRSN |
| 12 | 2 | 483055 | .771ID-1.2500D-.135T MACH WASH |
| 13 | 2 | 520167 | CUSH CLAMP,#6 3/8D X 3/4W |
| 14 | 2 | 629765 | CAPLUG, 1 1/2" RD, BLACK POLY |
| 15 | 2 | 650178 | DECAL,CAUTION QUICK ATTACH LOC |
| 16 | 4 | 900127N | 3/8UNC X 1 1/4 SER FLANGE BOLT |
| 17 | 4 | 900130 | 3/8UNC X 1 1/4 HEX BOLT |
| 18 | 4 | 910004N | 3/8UNC FLANGE CNTR LOCK NUT |
| 19 | 4 | 914004N | 3/8UNC HEX STOVER NUT |
| 20 | 4 | 920002N | 3/8 SAE FLAT WASHER |
| 21 | 1 | 650455 | DECAL,PATENTS, HAGIE STS |
| 22 | 1 | 650466 | DECAL, FLUIDS FOR ALL MODELS |
| 23 | 1 | 650315 | HAGIE NAMEPLATE |
| 24 | 4 | 650277 | DECAL,LIFT POINT |
| 25 | 4 | 485073 | METAL-TACK GRIP .02/.03,3/16HD |
| 26 | 1 | 650505 | DECAL, NOTICE:EMISSION CTRL'16 |
| 27 | 1 | 650484 | DECAL, NOTICE:EMISSION CTRL'15 |



| REAR BULKHEAD ASSEMBLY | | | |
|------------------------|-----|---------|------------------------------|
| DET | QTY | P/N | DESCRIPTION |
| 1 | 2 | 470113N | 5/16UNC SERR FLG LOCK NUT SS |
| 2 | 1 | 660297 | REAR BULKHEAD 2015 |
| 3 | 4 | 900129N | 3/8UNC X 1" SERR FLANGE BOLT |
| 4 | 4 | 910004N | 3/8UNC FLANGE CNTR LOCK NUT |



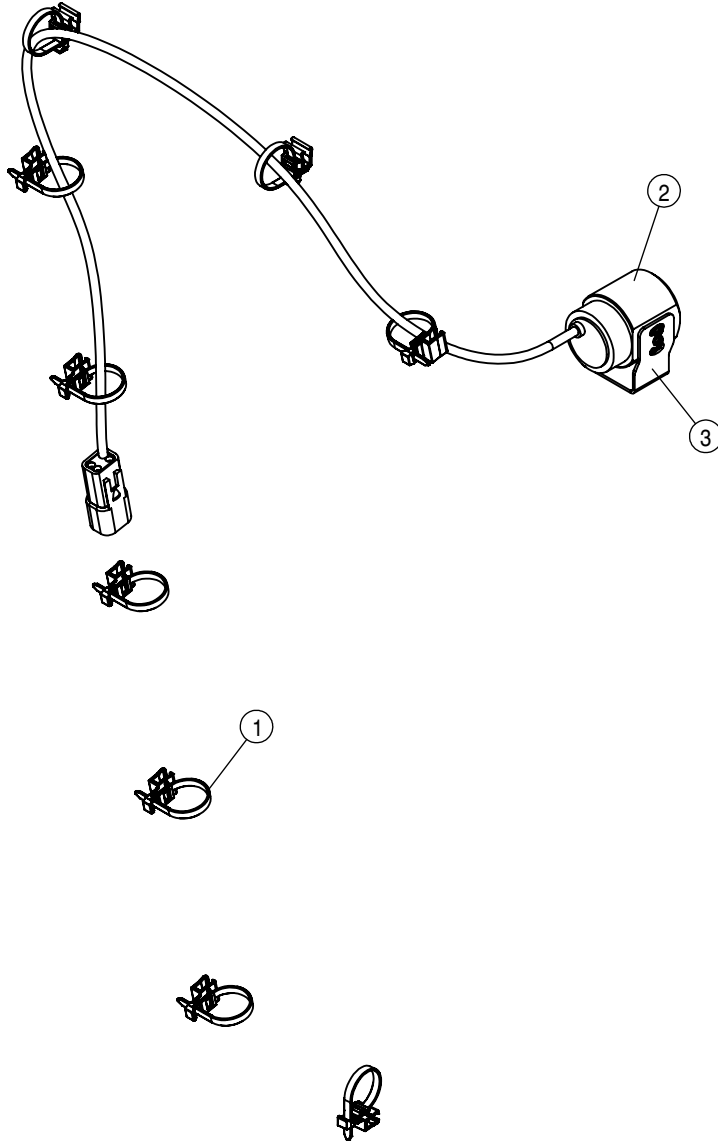
| FRONT AND REAR BELLY SHIELD ASSEMBLY | | | |
|--------------------------------------|-----|---------|---------------------------------|
| DET | QTY | P/N | DESCRIPTION |
| 1 | 2 | 470075 | 1/8 X 3/4 COTTER PIN |
| 2 | 3 | 470087N | 3/8UNC HEX SERR FLG NUT YZ |
| 3 | 4 | 470113 | 5/16UNC SERR FLG LOCK NUT |
| 4 | 4 | 470113N | 5/16UNC SERR FLG LOCK NUT SS |
| 5 | 8 | 470233 | 5/16UNC X 3/4 SERR FLG HEX BOLT |
| 6 | 3 | 470335 | LINCHPIN, 3/16 X 1 1/4 GRIP |
| 7 | 3 | 470520 | HANGER PIN,3/8UNC x.437Dx.500L |
| 8 | 1 | 650851 | DECAL, NOTICE, SHIELD PROTECT |
| 9 | 1 | 660289 | REAR BELLY SHIELD, STS 13 |
| 10 | 4 | 660578 | HINGE - BELLY PAN, WLD |
| 11 | 1 | 660597 | BELLY SHIELD - FRONT |



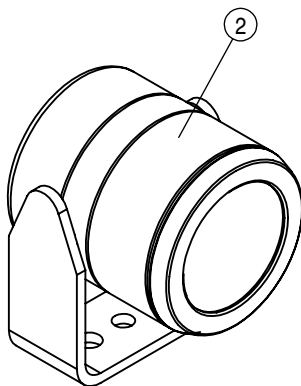
| ENGINE HOOD ASSEMBLY | | | |
|----------------------|-----|---------|----------------------------------|
| DET | QTY | P/N | DESCRIPTION |
| 1 | 2 | 125056 | TRACK ROLLER,2.00 OD,.625 BORE |
| 2 | 4 | 290204 | 4" GROMMET FR 290200 & 290201 |
| 3 | 2 | 290201 | RED LED STT 3 DIODE LAMP |
| 4 | 1 | 292220 | SWITCH,DPDT, MOM-OFF-MOM ON |
| 5 | 1 | 292221 | SWITCH ACUATOR FOR 292220 |
| 6 | 2 | 290203 | 3-WIRE PIGTAIL FOR 290201 RED |
| 7 | 1 | 314998 | SPACER, .75 OD, .38 ID |
| 8 | 2 | 361679 | BUMPER PIVOT BRG SPACER,STS 04 |
| 9 | 8 | 470087 | 3/8UNC HEX SERR FLANGE NUT |
| 10 | 4 | 470087N | 3/8UNC HEX SERR FLG NUT YZ |
| 11 | 2 | 470121 | 1/4 UNC SERR FLG LOCK NUT |
| 12 | 1 | 470121N | 1/4 UNC SERR FLG LOCK NUT SS |
| 13 | 2 | 470122 | 1/4 UNC X 1/2 SERR FLG BOLT |
| 14 | 5 | 470231N | 1/4UNC X 1" SERR FLG BOLT SS |
| 15 | 16 | 470329 | 3/8UNC X 1 1/4 SERR FLG HEX BOLT |
| 16 | 4 | 472235N | 10-32 X 3/4 PHIL PAN MACH SCR BZ |
| 17 | 1 | 472249 | SLOW MOVING VEHICLE SIGN |
| 18 | 5 | 472345 | 1/4UNC X 1 ALHD BUTTON CAP SCR |
| 19 | 2 | 473007 | 1/2UNC HEX NUT, NYLOC |
| 20 | 8 | 473987 | 1/2UNC X 1 1/4BUT SKTHD SCR |
| 21 | 1 | 482028 | EXT. SPRING OD-2.1875", LG-20" |
| 22 | 4 | 483016 | #10 REGULAR FLAT WASHER |
| 23 | 2 | 483038 | 1/4 REGULAR FLAT WASHER |
| 24 | 1 | 650224 | DECAL,35MPH ID SYMBOL, VINYL |
| 25 | 2 | 650426 | AWS DECAL |
| 26 | 2 | 660226 | ENG HOOD BUMPER, STS 04 |
| 27 | 2 | 660227 | ENG HOOD BUMPER KEEPER, STS 04 |
| 28 | 1 | 660510 | ENGINE HOOD ACS PANEL STS'14 |

| ENGINE HOOD ASSEMBLY | | | |
|----------------------|-----|---------|-----------------------------------|
| DET | QTY | P/N | DESCRIPTION |
| 29 | 1 | 660559 | DECAL HAGIE DOT 8.25"DIA GRILLE |
| NS | 1 | 660561 | HOOD DECAL SHEET |
| 31 | 4 | 900003N | 1/4UNC X 1" HEX BOLT SS |
| 32 | 2 | 900008 | 1/4UNC X 2 1/2 HEX BOLT |
| 33 | 9 | 900129 | 3/8UNC X 1" HEX BOLT |
| 34 | 3 | 900129N | 3/8UNC X 1" SERR FLANGE BOLT |
| 35 | 1 | 900130 | 3/8UNC X 1 1/4 HEX BOLT |
| 36 | 2 | 900268 | 1/2UNC X 2 1/2 HEX BOLT |
| 37 | 2 | 900341 | 5/8UNC X 3 3/4 HEX BOLT |
| 38 | 8 | 903893 | 10-32 X 1" PHIL PAN MACH SCR |
| 39 | 4 | 910008 | 1/2UNC HEX NUT |
| 40 | 4 | 910027N | 10-32 HEX NUT |
| 41 | 5 | 914000 | 1/4UNC HEX STOVER NUT |
| 42 | 2 | 914010P | 5/8UNC HEX STOVER NUT |
| 43 | 4 | 920004 | 1/2 SAE FLAT WASHER |
| 44 | 1 | 920025 | WASHER, 1.50D, .406 ID |
| 45 | 4 | 920510 | #10 LOCK WASHER |
| 46 | 2 | 660526 | ENGINE HOOD BLKHD MNT BRKT STS'14 |

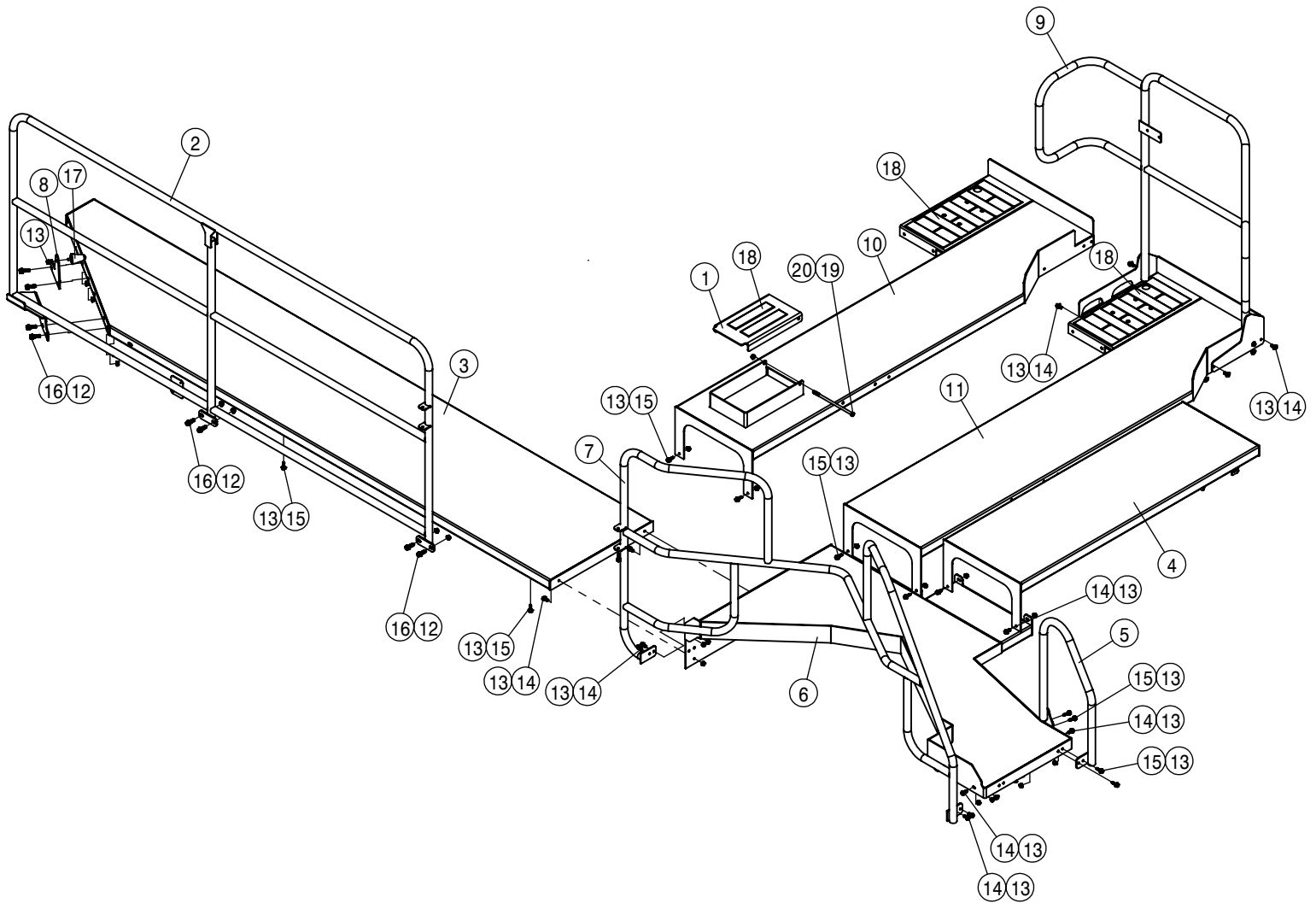
| ENGINE HOOD ASSEMBLY | | | |
|----------------------|-----|--------|----------------------------------|
| DET | QTY | P/N | DESCRIPTION |
| 47 | 2 | 660224 | ENG HOOD BUMPER WLD, STS 04 |
| 48 | 2 | 470368 | LATCH W/KEEPER, FLEXIBLE LEVER |
| 49 | 2 | 660532 | ENGINE HOOD BMPR MNT BRKT STS'14 |
| 50 | 1 | 660533 | GRILLE INSERT WLDT STS'14 |
| 51 | 1 | 660600 | GRILLE RETAINER BRACKET STS'14 |
| 52 | 2 | 660525 | LATCH ACS PNL RETAINER STS'14 |
| 53 | 1 | 660815 | FRONT HOOD TIE BRKT, STS |
| 54 | 1 | 290061 | ALARM,BACKUP 107DBA LT DUTY |
| 55 | 2 | 290200 | AMBER LED STT 3 DIODE LAMP |
| 56 | 2 | 290202 | 2-WIRE PIGTAIL FOR 290200AMBER |
| 57 | 1 | 294053 | HOOD ACTUATOR HARNESS |
| 58 | 1 | 292235 | STS HOOD ACTUATOR |
| 59 | 1 | 362116 | HOOD SWITCH MT PLATE |
| 60 | 1 | 660531 | EXHAUST STACK WLDT STS'14 |
| 61 | 1 | 660253 | EXHAUST STACK WLDT STS T4F |
| 62 | 1 | 660809 | ENGHOOD HINGE MNT WLDT STS'16 |
| 63 | 1 | 660503 | ENGINE HOOD FRONT ASSY STS'14 |
| 64 | 1 | 660506 | ENGINE HOOD REAR ASSYSTS'14 |



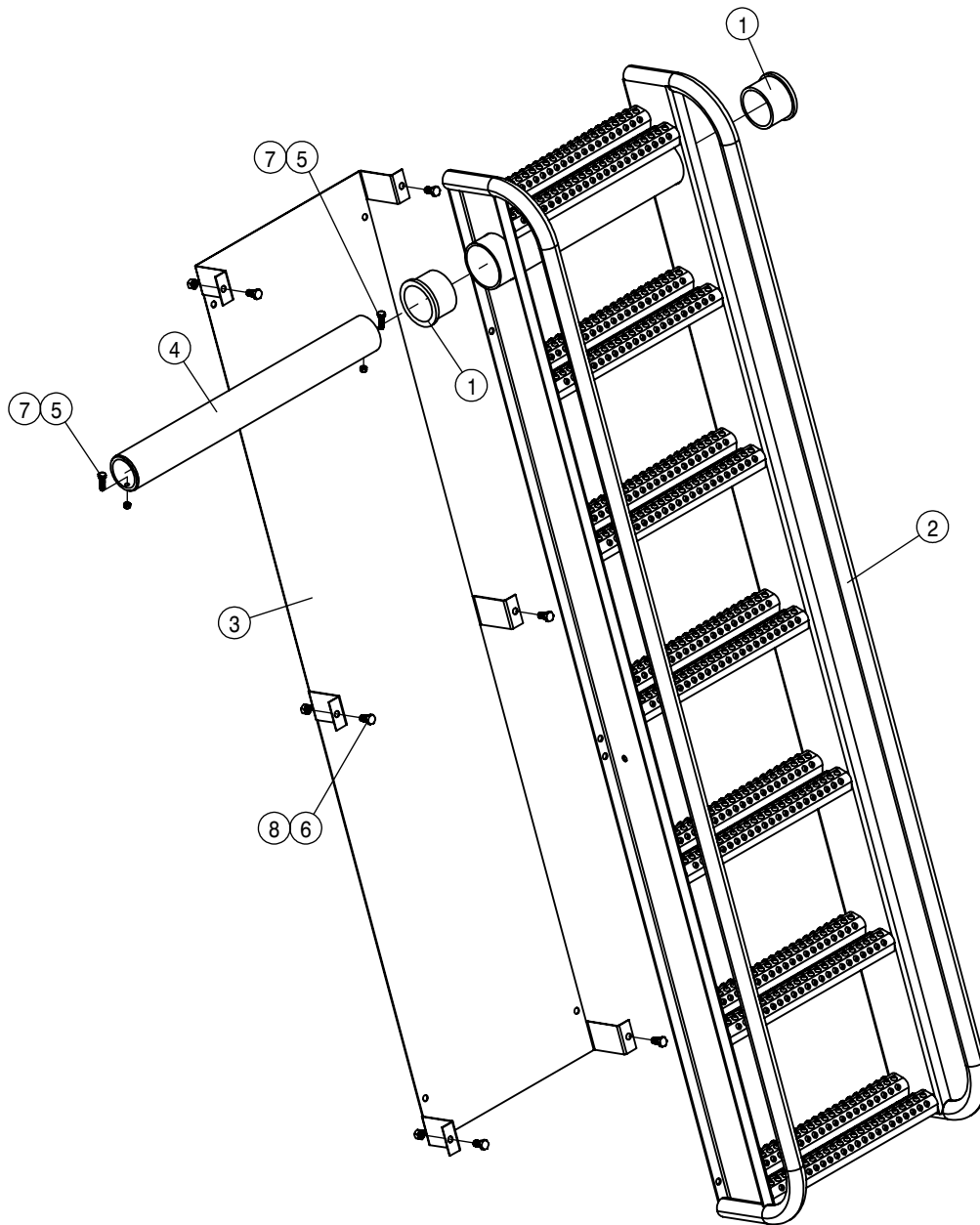
| BACK-UP CAMERA ASSEMBLY | | | |
|-------------------------|-----|--------|---------------------------|
| DET | QTY | P/N | DESCRIPTION |
| 1 | 9 | 470680 | CABLE TIE/CLIP .04"-.12"W |
| 2 | 1 | 693930 | BACKUP CAMERA |
| 3 | 1 | 693978 | CAMERA BRACKET STS |



| SINGLE CAMERA OPTION | | | |
|----------------------|-----|--------|------------------|
| DET | QTY | P/N | DESCRIPTION |
| NS | 1 | 294219 | LONG VIDEO CABLE |
| 2 | 1 | 693518 | B-UP CAMERA |



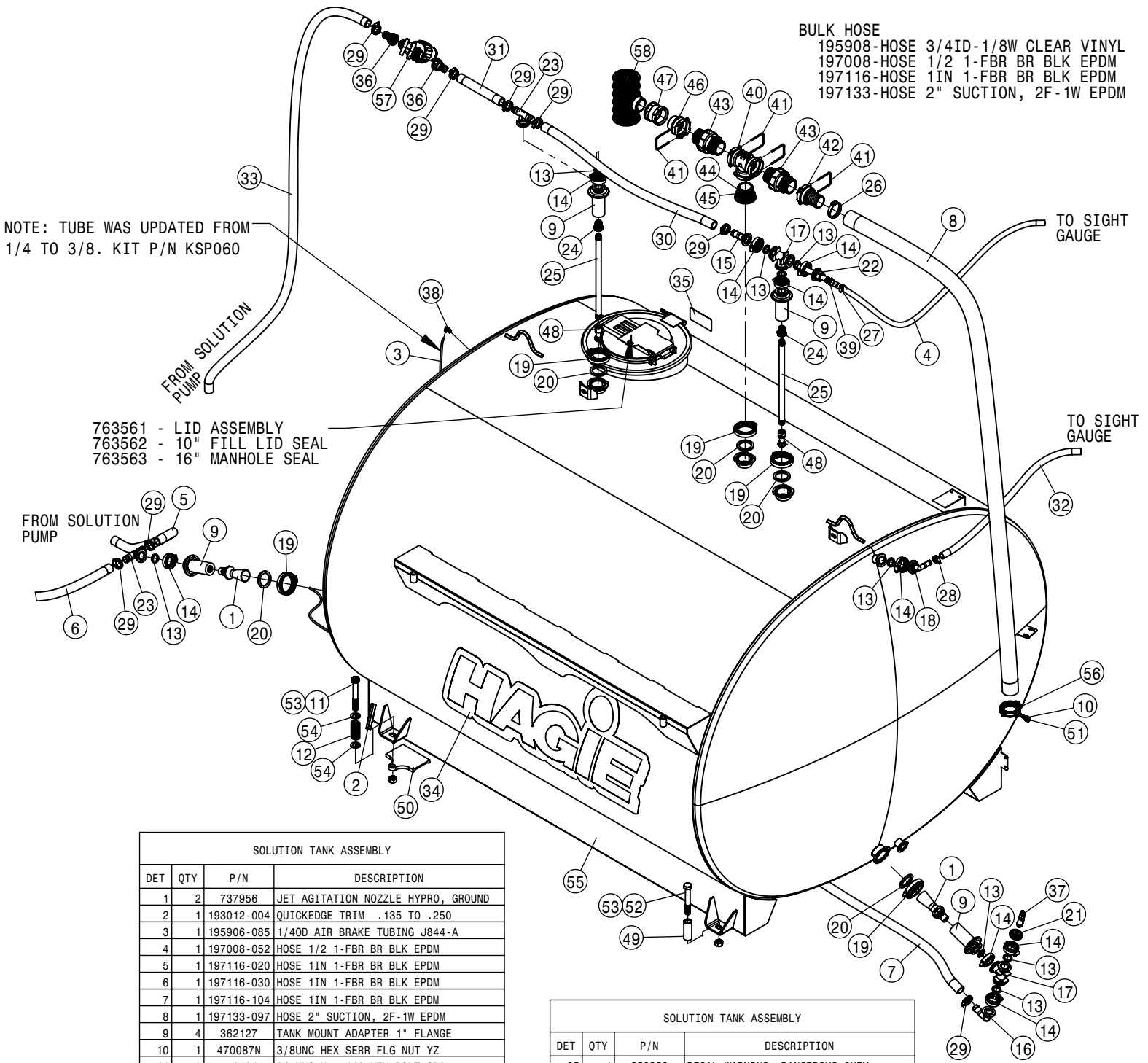
| SERVICE PLATFORM ASSEMBLY | | | |
|---------------------------|-----|---------|----------------------------------|
| DET | QTY | P/N | DESCRIPTION |
| 1 | 1 | 317326 | DEF FILL COVER |
| 2 | 1 | 343514 | LH FRT HANDRAIL WLD, STS16 05 |
| 3 | 1 | 343518 | LH SIDE PLATFORM WLD, STS 16 05 |
| 4 | 1 | 344473 | CNTR SERV PLATFORM WLD, STS '14 |
| 5 | 1 | 344520 | RH HANDRAIL WLD,LH PLTFRM '14 |
| 6 | 1 | 344521 | LH REAR SERV PLTFRM WLD STS '14 |
| 7 | 1 | 344522 | LH REAR HANDRAIL WLD |
| 8 | 1 | 344578 | BRACKET-DOOR STOP STS 2014 |
| 9 | 1 | 344902 | HAND RAIL WELD ASMY |
| 10 | 1 | 344903 | REAR CENTER PLATFORM T4F |
| 11 | 1 | 344904 | REAR CENTER PLATFORM |
| 12 | 8 | 470087N | 3/8UNC HEX SERR FLG NUT YZ |
| 13 | 33 | 470113 | 5/16UNC SERR FLG LOCK NUT |
| 14 | 16 | 470233 | 5/16UNC X 3/4 SERR FLG HEX BOLT |
| 15 | 16 | 470234 | 5/16UNC X 1" SERR FLG HEX BOLT |
| 16 | 12 | 470329 | 3/8UNC X 1 1/4 SERR FLG HEX BOLT |
| 17 | 1 | 470571 | BUMPER,MALE STUD 2.375 X 1.75 |
| 18 | 12 | 490670 | SAFETY TREAD TAPE, 2" X 9" |
| 19 | 1 | 900152 | 3/8UNC X 9" HEX BOLT YZ |
| 20 | 5 | 910004N | 3/8UNC FLANGE CNTR LOCK NUT |



| LADDER ASSEMBLY | | | |
|-----------------|-----|--------|-------------------------------|
| DET | QTY | P/N | DESCRIPTION |
| 1 | 2 | 121102 | LADDER PIVOT BEARING, POLYGON |
| 2 | 1 | 343808 | LADDER WLDMNT, STS 10/16 11 |
| 3 | 1 | 344009 | STEP BACKPLATE STS CE |
| 4 | 1 | 344534 | LADDER MT TUBE, STS '14 |
| 5 | 2 | 900003 | 1/4UNC X 1" HEX BOLT |
| 6 | 6 | 900128 | 3/8UNC X 3/4 HEX BOLT |
| 7 | 2 | 914000 | 1/4UNC HEX STOVER NUT |
| 8 | 6 | 914004 | 3/8UNC HEX STOVER NUT |

BULK HOSE
 195908-HOSE 3/4ID-1/8W CLEAR VINYL
 197008-HOSE 1/2 1-FBR BR BLK EPDM
 197116-HOSE 1IN 1-FBR BR BLK EPDM
 197133-HOSE 2" SUCTION, 2F-1W EPDM

NOTE: TUBE WAS UPDATED FROM 1/4 TO 3/8. KIT P/N KSP060



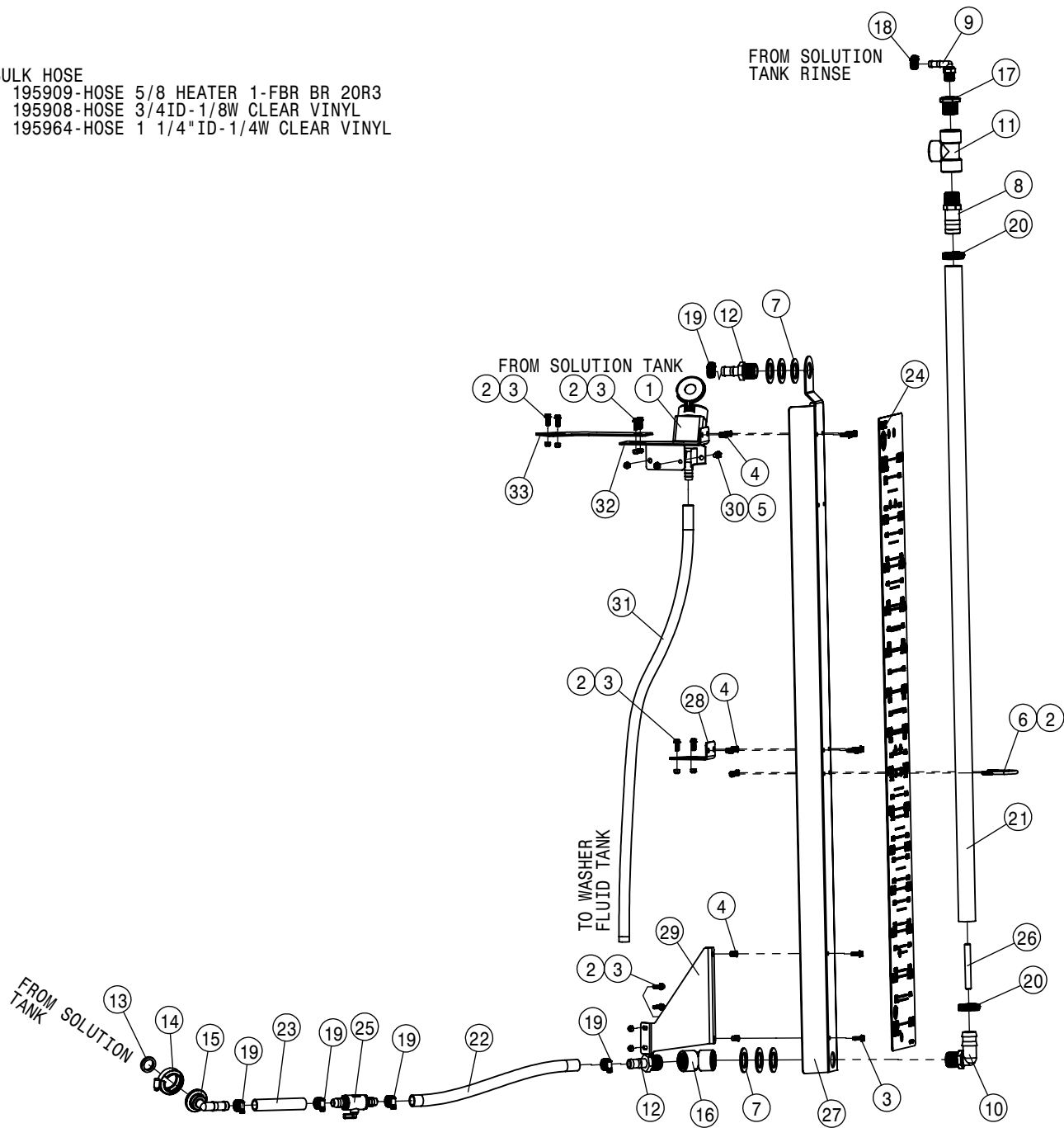
763561 - LID ASSEMBLY
 763562 - 10" FILL LID SEAL
 763563 - 16" MANHOLE SEAL

| SOLUTION TANK ASSEMBLY | | | |
|------------------------|-----|------------|------------------------------------|
| DET | QTY | P/N | DESCRIPTION |
| 1 | 2 | 737956 | JET AGITATION NOZZLE HYPRO, GROUND |
| 2 | 1 | 193012-004 | QUICKEDGE TRIM .135 TO .250 |
| 3 | 1 | 195906-085 | 1/40D AIR BRAKE TUBING J844-A |
| 4 | 1 | 197008-052 | HOSE 1/2 1-FBR BR BLK EPDM |
| 5 | 1 | 197116-020 | HOSE 1IN 1-FBR BR BLK EPDM |
| 6 | 1 | 197116-030 | HOSE 1IN 1-FBR BR BLK EPDM |
| 7 | 1 | 197116-104 | HOSE 1IN 1-FBR BR BLK EPDM |
| 8 | 1 | 197133-097 | HOSE 2" SUCTION, 2F-1W EPDM |
| 9 | 4 | 362127 | TANK MOUNT ADAPTER 1" FLANGE |
| 10 | 1 | 470087N | 3/8UNC HEX SERR FLG NUT YZ |
| 11 | 2 | 470131 | 3/4UNC X 5 1/2 HEX BOLT GR8 |
| 12 | 2 | 482016 | SPRING, 1.4 X 3.00 COMPRSN |
| 13 | 9 | 500157 | 1" FLANGE GASKET EPDM |
| 14 | 9 | 500159 | 1" FLANGE CLAMP S.S. |
| 15 | 1 | 500171 | 1" FLANGE-1" HOSE BARB POLY |
| 16 | 1 | 500173 | 1"FLANGE-90-1"HOSE BARB POLY |
| 17 | 2 | 500175 | 1" FLANGE TEE, POLY |
| 18 | 1 | 500185 | 1"FLANGE-90-3/4"HOSE BARB POLY |
| 19 | 5 | 500194 | 2" FP FLANGE CLAMP S.S. |
| 20 | 5 | 500195 | 2" FP FLANGE GASKET EPDM |
| 21 | 1 | 500226 | 1" FLANGE PLUG W/1/4"FNPT POLY |
| 22 | 1 | 500238 | 1" FLANGE PLUG W/1/2"FNPT POLY |
| 23 | 2 | 500268 | 1" FLANGE HOSE BARB TEE |
| 24 | 2 | 504211 | RED BUSH 3/4MNPT-1/2FNPT,POLY |
| 25 | 2 | 507032 | SS PIPE NIPPE, .50NPT-16.00 |
| 26 | 1 | 520068 | HOSE CLAMP NO 32 STAINLESS |
| 27 | 1 | 520069 | HOSE CLAMP NO 6 STAINLESS |
| 28 | 1 | 520070 | HOSE CLAMP NO 8 STAINLESS |
| 29 | 8 | 520090 | HOSECLAMP NO 16 STAINLESS |
| 30 | 1 | 601053 | HOSE, 1 X 39 1BR BLK EPDM |
| 31 | 1 | 601726 | HOSE, 1 X 11 1BR BLK EPDM |
| 32 | 1 | 601858 | HOSE, 3/4 X 32 CLEAR VINYL |
| 33 | 1 | 601868 | HOSE, 1 X 88 1BR BLK EPDM |
| 34 | 2 | 650144 | DECAL, LOGO, SOLU TANK STS12 |

| SOLUTION TANK ASSEMBLY | | | |
|------------------------|-----|---------|------------------------------------|
| DET | QTY | P/N | DESCRIPTION |
| 35 | 1 | 650850 | DECAL,WARNING, DANGEROUS CHEM |
| 36 | 2 | 691280 | 1" HOSE BARB WITH FLY NUT |
| 37 | 1 | 691281 | PRESSURE TRANSDUCER,300PSI |
| 38 | 1 | 711040 | 1/4MNPT-90-1/4 NYL TUBE LBO |
| 39 | 1 | 713340 | 1/2NPT-1/2 HOSE BARB, POLY |
| 40 | 1 | 737754 | 2"FEM T-CONNECTOR POLY |
| 41 | 5 | 737756 | 2" FORK FOR 737754/755 |
| 42 | 1 | 737759 | 2"F-2"HOSE BARB POLY |
| 43 | 2 | 737761 | 2"M CHECK VALVE POLY |
| 44 | 2 | 737762 | O-RING, -.227 EPDM |
| 45 | 1 | 737767 | T7 TO "BANJO 2" FP" ADAPTER |
| 46 | 1 | 737768 | T7 TO BSP ADAPTER |
| 47 | 1 | 737769 | THREADED COUPLING |
| 48 | 2 | 737953 | NOZZLE,PROCLEAN TANKWASH |
| 49 | 2 | 763840 | TANK MNT BUSHING |
| 50 | 2 | 763841 | TANK ISOLATOR |
| 51 | 1 | 900133N | 3/8UNC X 2" SERR FLANGE BOLT |
| 52 | 2 | 900412N | 3/4UNC X 5" HEX BOLT |
| 53 | 4 | 914012 | 3/4UNC HEX STOVER NUT |
| 54 | 4 | 920006 | 3/4 SAE FLAT WASHER |
| 55 | 1 | 763838 | 1400 GAL SS TANK 15 |
| 56 | 1 | 520170 | VIBRATION-DAMPING CLAMP HANGER |
| 57 | 1 | 690071 | LINE STRAINER, .32 MESH, 150PSI |
| 58 | 1 | 737770 | T FILTER WITH BSP THREADS, 16 MESH |

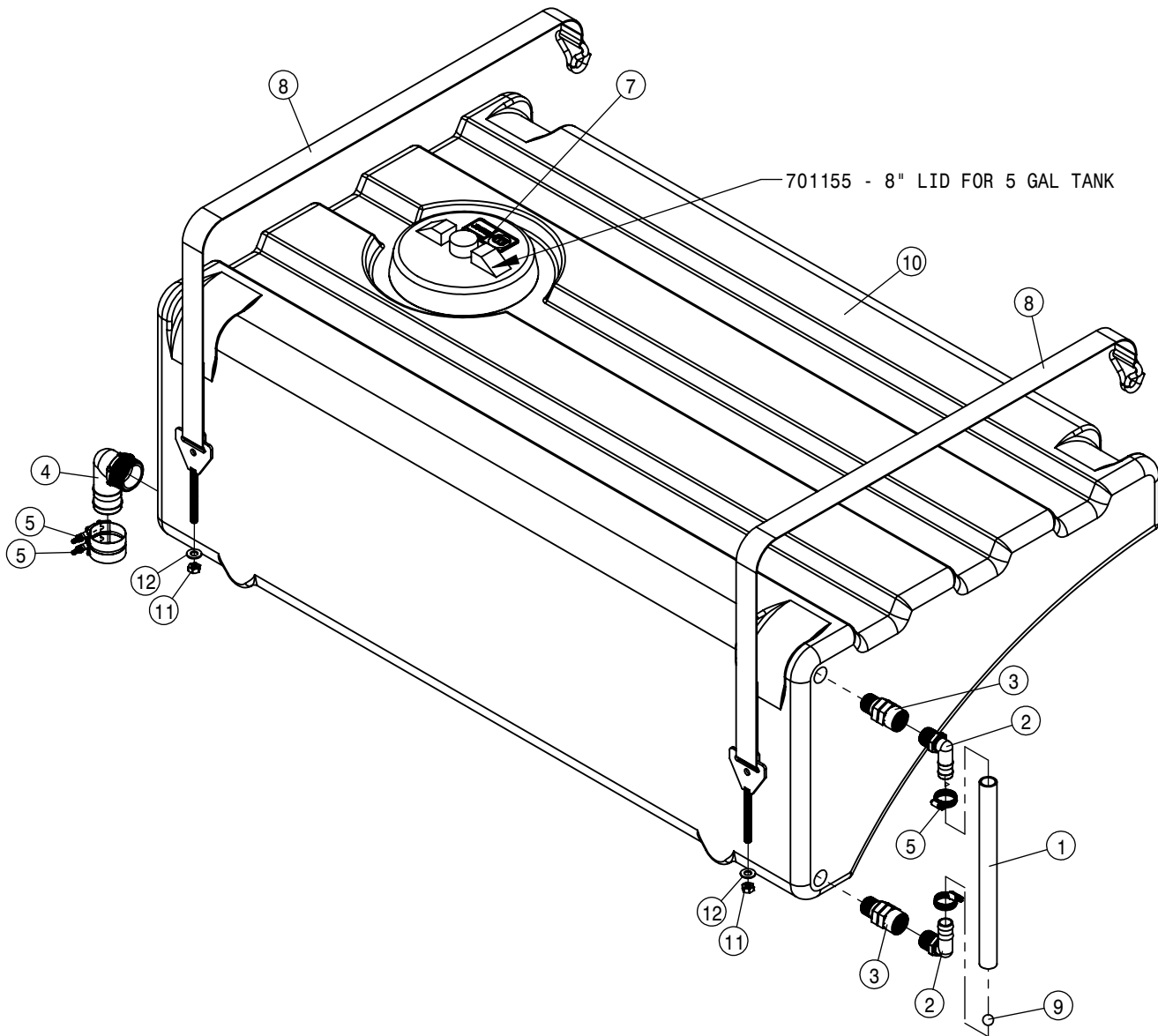
BULK HOSE

- 195909-HOSE 5/8 HEATER 1-FBR BR 20R3
- 195908-HOSE 3/4ID-1/8W CLEAR VINYL
- 195964-HOSE 1 1/4"ID-1/4W CLEAR VINYL

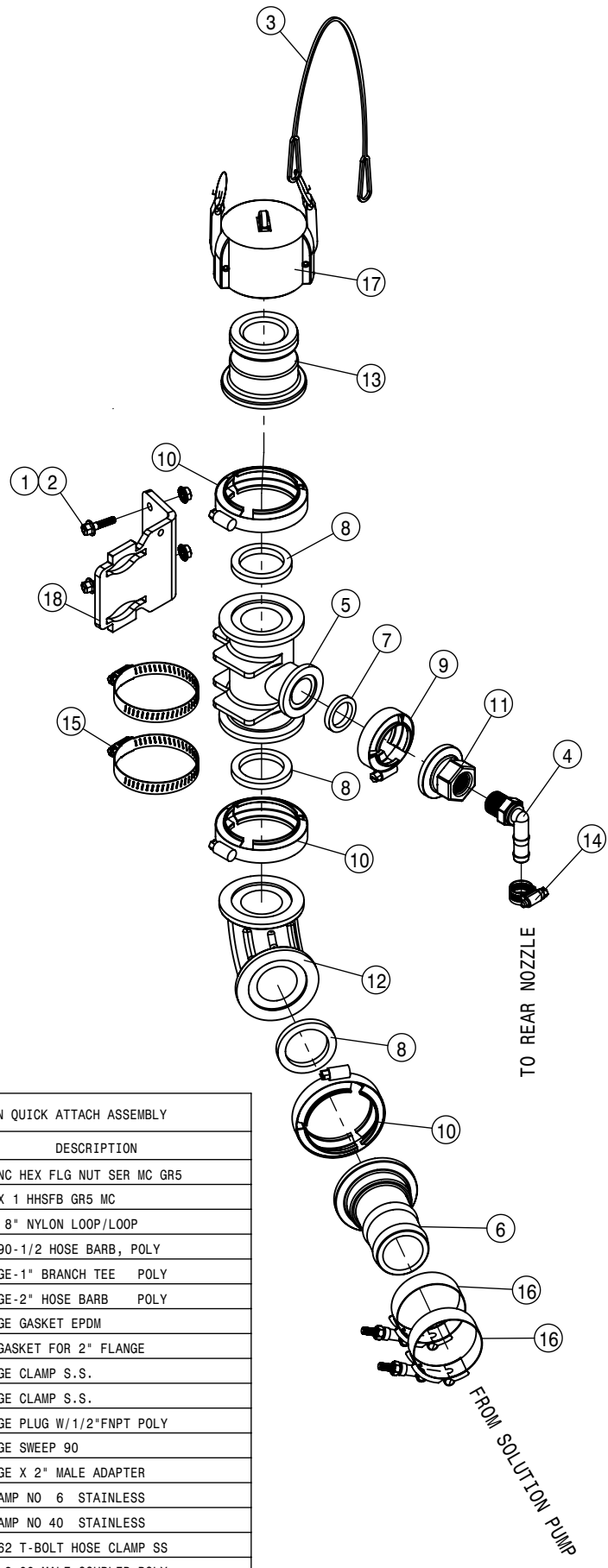


| SIGHT GAUGE ASSEMBLY | | | |
|----------------------|-----|--------|---------------------------------------|
| DET | QTY | P/N | DESCRIPTION |
| | | | REMOTE FILL |
| 1 | 1 | 343972 | REMOTE FILL |
| 2 | 10 | 470089 | 1/4UNC HEX NYL-LOC NUT |
| 3 | 14 | 470118 | 1/4 UNC X 3/4 SER FLG BOLT |
| 4 | 6 | 470380 | 1/4-20 NUTSERT .027-1.65 ALUM |
| 5 | 2 | 473001 | 5/16UNC HEX NUT,NYLOC |
| 6 | 1 | 473969 | 1/4UNC-1 1/2 X 2 3/4 RD U-BOLT |
| 7 | 6 | 483022 | 1.375 X 2.125 X .134 MACH WASH |
| 8 | 1 | 500021 | HOSE BARB-1" NPT X 1.25" HOSE |
| 9 | 1 | 500047 | 1/2NPT-90-1/2 HOSE BARB, POLY |
| 10 | 1 | 500051 | 1"NPT-90-1 1/4" HOSE BARB, POLY |
| 11 | 1 | 500075 | 1" NPT PIPE TEE, POLY |
| 12 | 2 | 500108 | STRAIGHT-POLY, 1" MPT X 3/4 HOSE BARB |
| 13 | 1 | 500157 | 1" FLANGE GASKET EPDM |
| 14 | 1 | 500159 | 1" FLANGE CLAMP S.S. |
| 15 | 1 | 500185 | 1"FLANGE-90-3/4"HOSE BARB POLY |
| 16 | 1 | 503110 | 1" NPT 45 ELBOW |

| SIGHT GAUGE ASSEMBLY | | | |
|----------------------|-----|------------|------------------------------------|
| DET | QTY | P/N | DESCRIPTION |
| 17 | 1 | 505233 | 1"-1/2"NPT REDU BUSH, POLY |
| 18 | 1 | 520069 | HOSE CLAMP NO 6 STAINLESS |
| 19 | 5 | 520070 | HOSE CLAMP NO 8 STAINLESS |
| 20 | 2 | 520087 | HOSE CLAMP NO 20 STAINLESS |
| 21 | 1 | 601025 | HOSE, 1 1/4 X 58 CLEAR VINYL |
| 22 | 1 | 601057 | HOSE, 3/4 X 17 CLEAR VINYL |
| 23 | 1 | 601070 | HOSE, 3/4 X 5, CLEAR VINYL |
| 24 | 1 | 650442 | DECAL, 1400G SS SIGHT GAUGE STS'14 |
| 25 | 1 | 696193 | 3/4" HOSE BARB MICRO VALVE |
| 26 | 1 | 701448 | FLOAT-SIGHT GAUGE 2013 |
| 27 | 1 | 701466 | SS TANK SIGHT GAUGE, STS '14 |
| 28 | 1 | 701468 | SIGHT GAUGE MNT BRKT MID, STS'14 |
| 29 | 1 | 701469 | SIGHT GAUGE MT BRKT LWR,STS'14 |
| 30 | 2 | 900065 | 5/16UNC X 1" HEX BOLT |
| 31 | 1 | 195909-044 | HOSE 5/8 HEATER 1-FBR BR 20R3 |
| 32 | 1 | 701377 | SIGHT GAUGE MT BRKT OTR |
| 33 | 1 | 701378 | SIGHT GAUGE MT BRKT INR |



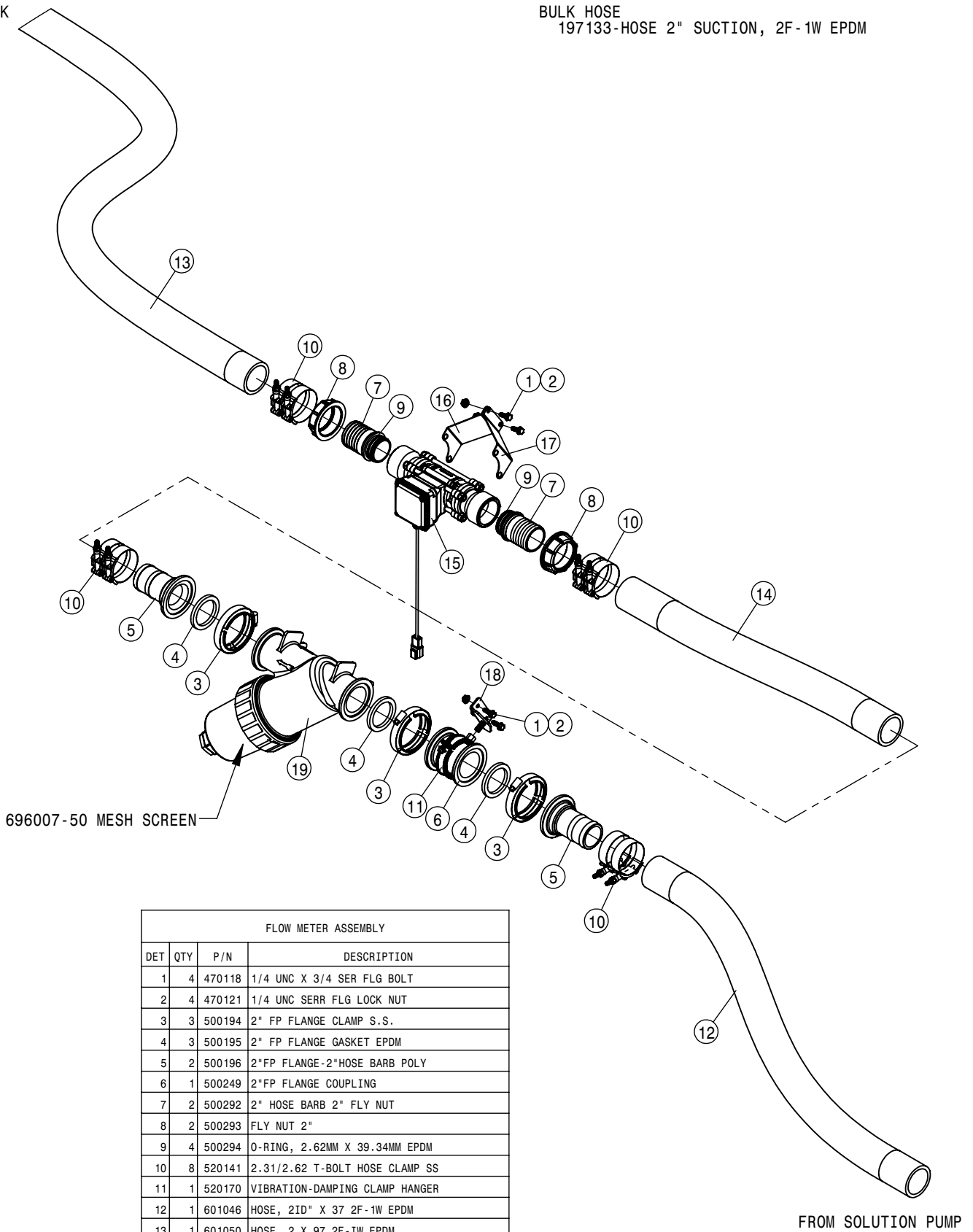
| POLY RINSE TANK ASSEMBLY | | | |
|--------------------------|-----|------------|---------------------------------|
| DET | QTY | P/N | DESCRIPTION |
| 1 | 1 | 195916-016 | HOSE 1"ID-1/8W CLEAR VINYL |
| 2 | 2 | 500024 | 1"NPT-90-1"HOSE BARB, POLY |
| 3 | 2 | 500107 | 1"NPT SWIVEL POLY |
| 4 | 1 | 500141 | 2"MNPT-90-2" HOSE BARB, POLY |
| 5 | 2 | 520090 | HOSECLAMP NO 16 STAINLESS |
| 5 | 2 | 520141 | 2.31/2.62 T-BOLT HOSE CLAMP SS |
| 7 | 1 | 650114 | DECAL, FILL WITH FRESH WATER |
| 8 | 2 | 763599 | POLY RINSE TNK STRAP ASSY STS |
| 9 | 1 | 763623 | GREEN POLYPROPYLENE BALL 0.750" |
| 10 | 1 | 764180 | 100 GAL POLY TANK, GRAY '16 |
| 11 | 2 | 914008 | 1/2 UNC HEX STOVER NUT |
| 12 | 2 | 920004 | 1/2 SAE FLAT WASHER |



| FRONT SOLUTION QUICK ATTACH ASSEMBLY | | | |
|--------------------------------------|-----|--------|----------------------------------|
| DET | QTY | P/N | DESCRIPTION |
| 1 | 2 | 470121 | 1/4-20UNC HEX FLG NUT SER MC GR5 |
| 2 | 2 | 470231 | 1/4UNC X 1 HHSFB GR5 MC |
| 3 | 1 | 470322 | LANYARD 8" NYLON LOOP/LOOP |
| 4 | 1 | 500047 | 1/2NPT-90-1/2 HOSE BARB, POLY |
| 5 | 1 | 500150 | 2" FLANGE-1" BRANCH TEE POLY |
| 6 | 1 | 500154 | 2" FLANGE-2" HOSE BARB POLY |
| 7 | 1 | 500157 | 1" FLANGE GASKET EPDM |
| 8 | 3 | 500158 | 1 1/2" GASKET FOR 2" FLANGE |
| 9 | 1 | 500159 | 1" FLANGE CLAMP S.S. |
| 10 | 3 | 500160 | 2" FLANGE CLAMP S.S. |
| 11 | 1 | 500238 | 1" FLANGE PLUG W/1/2"FNPT POLY |
| 12 | 1 | 500266 | 2" FLANGE SWEEP 90 |
| 13 | 1 | 500276 | 2" FLANGE X 2" MALE ADAPTER |
| 14 | 1 | 520069 | HOSE CLAMP NO 6 STAINLESS |
| 15 | 2 | 520099 | HOSE CLAMP NO 40 STAINLESS |
| 16 | 2 | 520141 | 2.31/2.62 T-BOLT HOSE CLAMP SS |
| 17 | 1 | 690623 | CAP FOR 2.00 MALE COUPLER POLY |
| 18 | 1 | 763943 | SOLU QUICK TACH BRKT |

TO BOOM QUICK
COUPLER

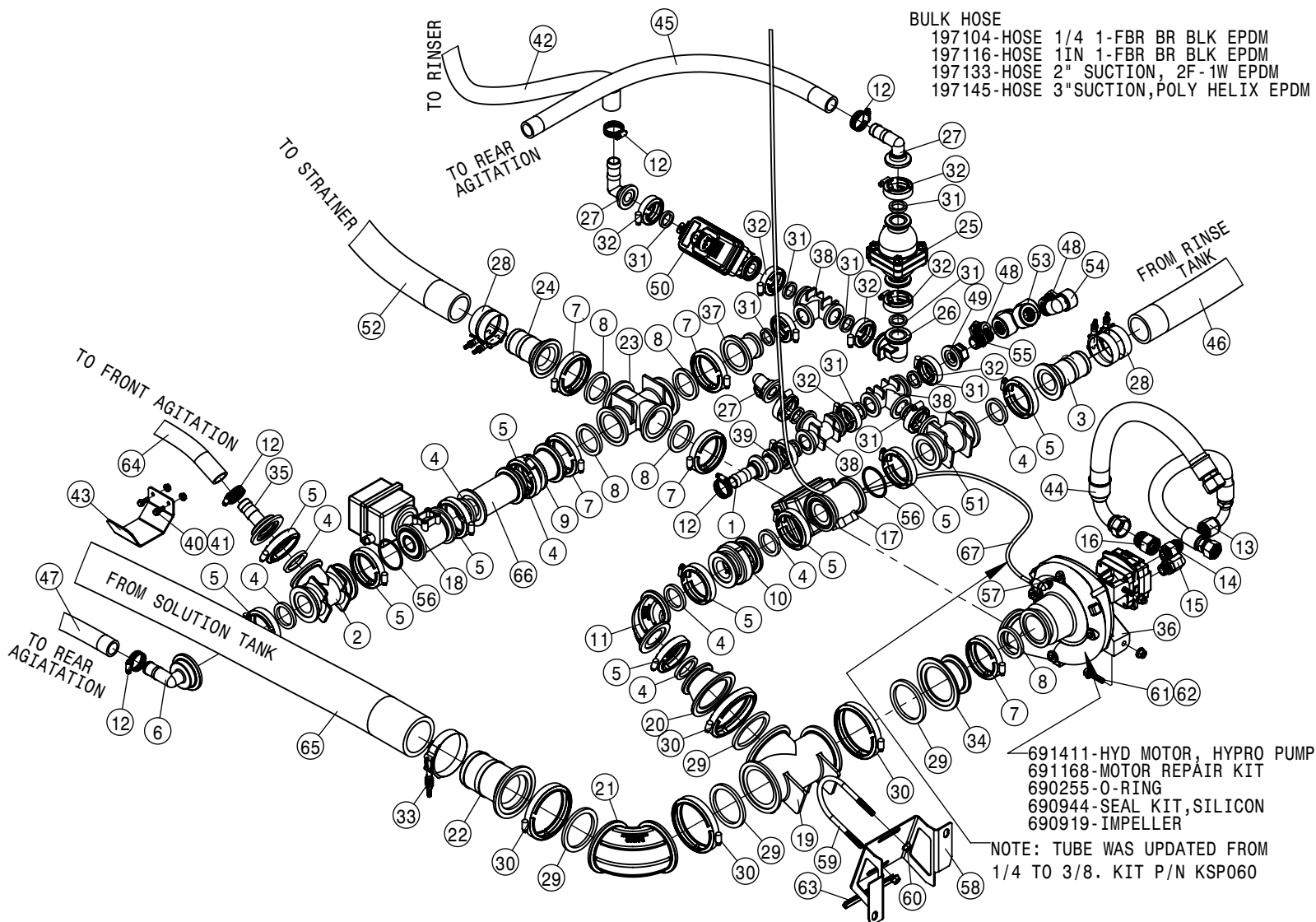
BULK HOSE
197133-HOSE 2" SUCTION, 2F-1W EPDM



696007-50 MESH SCREEN

| FLOW METER ASSEMBLY | | | |
|---------------------|-----|--------|--------------------------------|
| DET | QTY | P/N | DESCRIPTION |
| 1 | 4 | 470118 | 1/4 UNC X 3/4 SER FLG BOLT |
| 2 | 4 | 470121 | 1/4 UNC SERR FLG LOCK NUT |
| 3 | 3 | 500194 | 2" FP FLANGE CLAMP S.S. |
| 4 | 3 | 500195 | 2" FP FLANGE GASKET EPDM |
| 5 | 2 | 500196 | 2"FP FLANGE-2"HOSE BARB POLY |
| 6 | 1 | 500249 | 2"FP FLANGE COUPLING |
| 7 | 2 | 500292 | 2" HOSE BARB 2" FLY NUT |
| 8 | 2 | 500293 | FLY NUT 2" |
| 9 | 4 | 500294 | O-RING, 2.62MM X 39.34MM EPDM |
| 10 | 8 | 520141 | 2.31/2.62 T-BOLT HOSE CLAMP SS |
| 11 | 1 | 520170 | VIBRATION-DAMPING CLAMP HANGER |
| 12 | 1 | 601046 | HOSE, 2ID" X 37 2F-1W EPDM |
| 13 | 1 | 601050 | HOSE, 2 X 97 2F-1W EPDM |
| 14 | 1 | 601099 | HOSE, 2 X 26 2F-1W EPDM |
| 15 | 1 | 691101 | MAGNETIC FLOWMETER 2" FLYNUT |
| 16 | 1 | 691302 | ORION FLOW METER MNT FRONT |
| 17 | 1 | 691303 | ORION FLOW METER MNT REAR |
| 18 | 1 | 691337 | STRAINER CLAMP MNT WLD |
| 19 | 1 | 696006 | LINE "Y" STRAINER,2"FP FLG 50M |

FROM SOLUTION PUMP

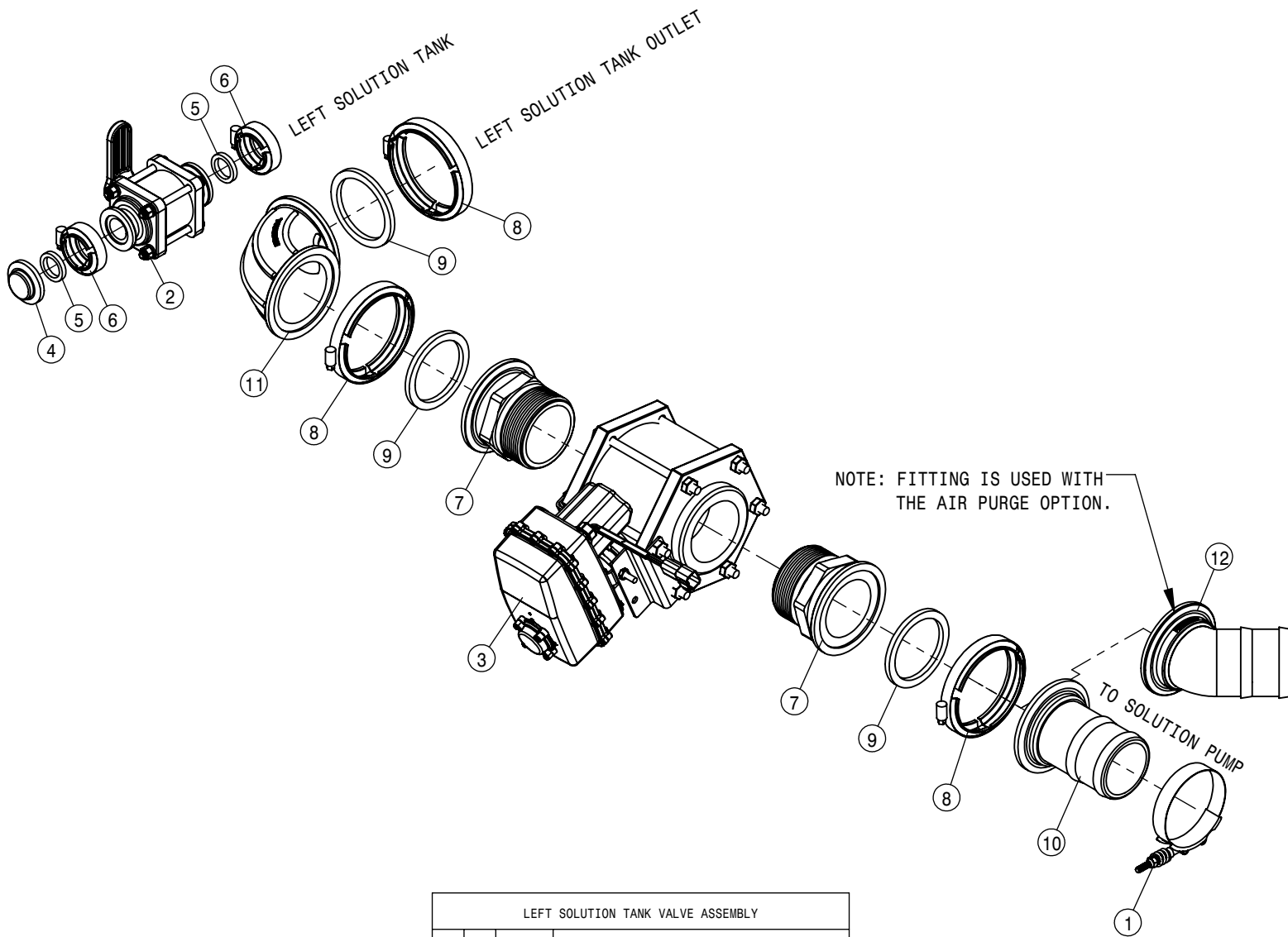


- BULK HOSE**
 197104-HOSE 1/4 1-FBR BR BLK EPDM
 197116-HOSE 1IN 1-FBR BR BLK EPDM
 197133-HOSE 2" SUCTION, 2F-1W EPDM
 197145-HOSE 3" SUCTION, POLY HELIX EPDM

- 691411-HYD MOTOR, HYPRO PUMP
 691168-MOTOR REPAIR KIT
 690255-O-RING
 690944-SEAL KIT,SILICON
 690919-IMPELLER
 NOTE: TUBE WAS UPDATED FROM
 1/4 TO 3/8. KIT P/N KSP060

| SOLUTION PUMP ASSEMBLY SS TANK | | | |
|--------------------------------|-----|--------|------------------------------------|
| DET | QTY | P/N | DESCRIPTION |
| 1 | 1 | 500171 | 1" FLANGE-1" HOSE BARB POLY |
| 2 | 1 | 500151 | 2" FLANGE TEE, POLY |
| 3 | 1 | 500154 | 2" FLANGE-2" HOSE BARB POLY |
| 4 | 8 | 500158 | 1 1/2" GASKET FOR 2" FLANGE |
| 5 | 10 | 500160 | 2" FLANGE CLAMP S.S. |
| 6 | 1 | 500189 | 2" FLANGE-90-1" HOSE BARB POLY |
| 7 | 5 | 500194 | 2" FP FLANGE CLAMP S.S. |
| 8 | 5 | 500195 | 2" FP FLANGE GASKET EPDM |
| 9 | 1 | 500199 | 2"FP FLANGE-2"FLAGE REDU POLY |
| 10 | 1 | 500264 | 2" CHECK STANDARD PORT |
| 11 | 1 | 500266 | 2" FLANGE SWEEP 90 |
| 12 | 6 | 520090 | HOSECLAMP NO 16 STAINLESS |
| 13 | 1 | 617103 | 12-451TC-12FJX-12FJX90-22 H/A |
| 14 | 1 | 618193 | 1 1/16MJIC-3/4MOR ADPTR |
| 15 | 1 | 618279 | 1 1/16MJIC-90-7/8MOR LBO |
| 16 | 1 | 618641 | 1 1/16FJIC -1 5/16MJIC ADPTR |
| 17 | 1 | 696256 | VALVE, KZCO C2F-60B-M-S9 |
| 18 | 1 | 696257 | VALVE, KZCO C2F-62-Q-S9 |
| 19 | 1 | 500217 | 3"FLANGE TEE POLY |
| 20 | 1 | 500237 | 3" FLANGE-2" STD FLANGE ADPTR POLY |
| 21 | 1 | 500262 | 3"FLANGE-90-3"FLG SWEEP LBO |
| 22 | 1 | 500210 | 3"FLANGE-3"HOSEBARB POLY |
| 23 | 1 | 500203 | 2"FP FLANGE CROSS POLY |
| 24 | 1 | 500196 | 2"FP FLANGE-2"HOSE BARB POLY |
| 25 | 1 | 696008 | PRESS RELIEF VLV,100PSI,1"FLG |
| 26 | 1 | 500174 | 1" FLANGE-90-1" FLANGE LBOPOLY |
| 27 | 3 | 500173 | 1"FLANGE-90-1"HOSE BARB POLY |
| 28 | 4 | 520141 | 2.31/2.62 T-BOLT HOSE CLAMP SS |
| 29 | 4 | 500209 | 3" FLANGE GASKET EPDM |
| 30 | 4 | 500208 | 3" FLANGE CLAMP S.S. |
| 31 | 11 | 500157 | 1" FLANGE GASKET EPDM |
| 32 | 11 | 500159 | 1" FLANGE CLAMP S.S. |
| 33 | 1 | 520145 | 3.56/3.88 T-BOLT HOSE CLAMP SS |
| 34 | 1 | 500212 | 3"FLANGE - 2" FP FLANGE ADPTR |
| 35 | 1 | 500172 | 2" FLANGE-1 " HOSE BARB |

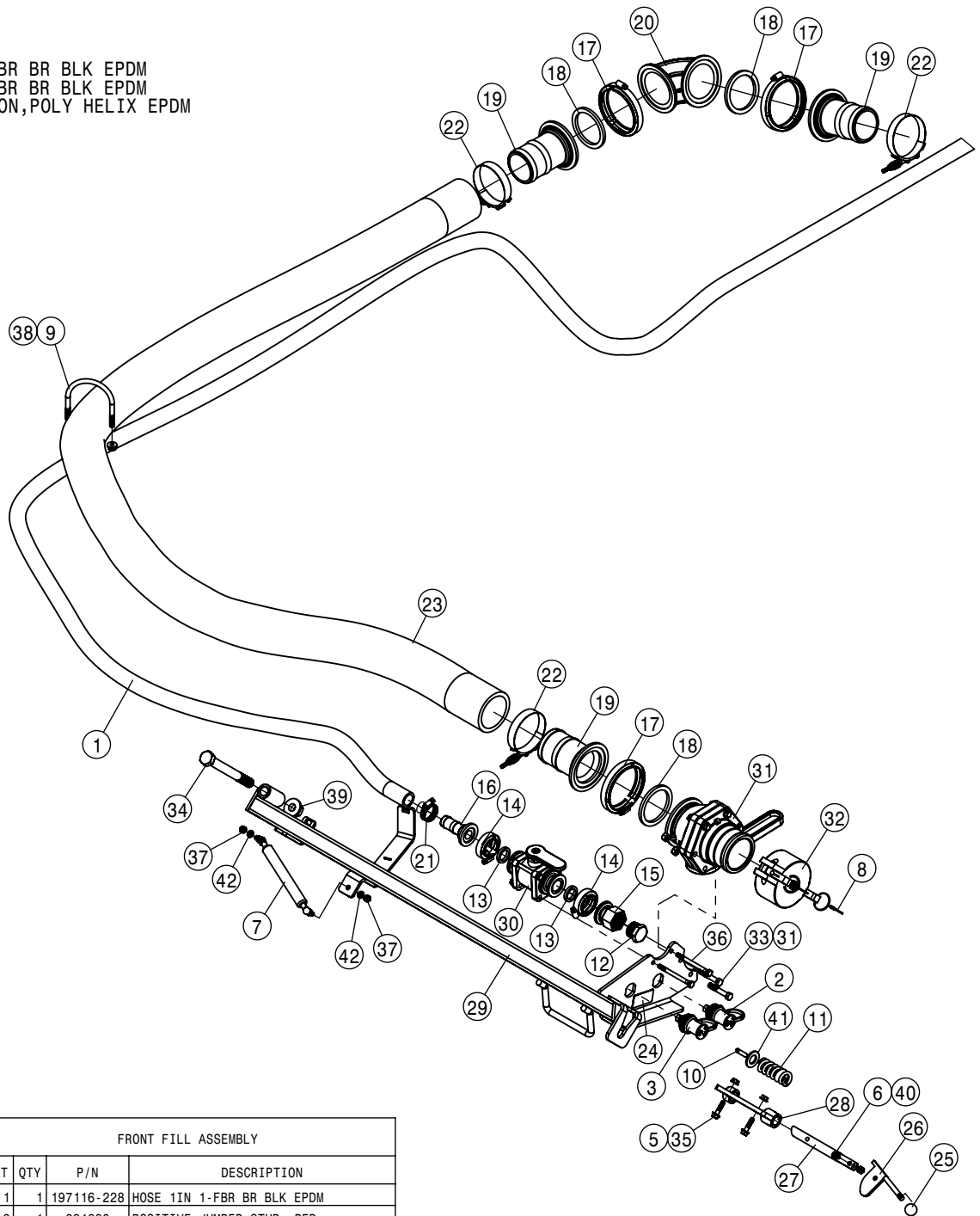
| SOLUTION PUMP ASSEMBLY SS TANK | | | |
|--------------------------------|-----|------------|---------------------------------|
| DET | QTY | P/N | DESCRIPTION |
| 36 | 1 | 691249 | HYPRO PUMP, 9306C-HM5C-BU-001 |
| 37 | 1 | 500244 | 2"FP FLANGE-1"FLAGE ADPTR POLY |
| 38 | 3 | 500175 | 1" FLANGE TEE, POLY |
| 39 | 1 | 500155 | 1" FLANGE CAP PLUG POLY |
| 40 | 2 | 470118 | 1/4 UNC X 3/4 SER FLG BOLT |
| 41 | 2 | 470121 | 1/4 UNC SERR FLG LOCK NUT |
| 42 | 1 | 601868 | HOSE, 1 X 88 1BR BLK EPDM |
| 43 | 1 | 701471 | HOSE SUPPORT STS 14/16 |
| 44 | 1 | 617104 | 16-811-16FJX-16FJX90-26 H/A |
| 45 | 1 | 197116-030 | HOSE 1IN 1-FBR BR BLK EPDM |
| 46 | 1 | 197133-085 | HOSE 2" SUCTION, 2F-1W EPDM |
| 47 | 1 | 197116-020 | HOSE 1IN 1-FBR BR BLK EPDM |
| 48 | 2 | 500043 | 3/4NPT PIPE PLUG, POLY |
| 49 | 1 | 500375 | 1 FLANGE X .75" FNPT |
| 50 | 1 | 696196 | 3/4" ELEC BALL VALVE SS 1" FLG |
| 51 | 1 | 500150 | 2" FLANGE-1" BRANCH TEE POLY |
| 52 | 1 | 197133-037 | HOSE, 2ID X 097 2F-W1 EPDM |
| 53 | 1 | 500267 | 3/4NPT CROSS POLY |
| 54 | 1 | 500139 | POLY STREET EL 3/4", (SL075-90) |
| 55 | 1 | 690098 | 3/4NPT CLOSE NIPPLE, POLY |
| 56 | 2 | N208245 | O-RING, KZCO FLANGED VALVE |
| 57 | 1 | 711123 | 1/8MNPT-90-3/8 NYL TUBE LBO |
| 58 | 1 | 696023 | SOL FIT MT |
| 59 | 1 | 475011 | 3/8UNC-3 5/8ID-5 3/8 U-BOLT SS |
| 60 | 2 | 472029 | 3/8-16UNC HEX FLG NUT SER SS |
| 61 | 2 | 900504 | 3/8UNC X 1 1/2 HHSFB GR5 MC |
| 62 | 2 | 910106 | 3/8-16UNC CTRLK FLG NUT MC GR5 |
| 63 | 1 | 193016-005 | QUICKEDGE TRIM .060 TO .170 |
| 64 | 1 | 197116-104 | HOSE 1IN 1-FBR BR BLK EPDM |
| 65 | 1 | 197134-064 | HOSE 3" SUCTION, 2F-1W EPDM |
| 66 | 1 | 500177 | 2" FLANGE-2" FLANGE CPLR POLY |
| 67 | 1 | 195915-085 | 3/8OD AIR BRAKE TUBING J844-B |



| LEFT SOLUTION TANK VALVE ASSEMBLY | | | |
|-----------------------------------|-----|--------|----------------------------------|
| DET | QTY | P/N | DESCRIPTION |
| 1 | 1 | 520145 | 3.56/3.88 T-BOLT HOSE CLAMP SS |
| 2 | 1 | 696147 | BALL VLV, 1" FLANGE |
| 3 | 1 | 696268 | KZCO, 3" VALVE |
| 4 | 1 | 500155 | 1" FLANGE CAP PLUG POLY |
| 5 | 2 | 500157 | 1" FLANGE GASKET EPDM |
| 6 | 2 | 500159 | 1" FLANGE CLAMP S.S. |
| 7 | 2 | 500164 | 3" FLANGE - 3.00 MNPT ADPTR POLY |
| 8 | 3 | 500208 | 3" FLANGE CLAMP S.S. |
| 9 | 3 | 500209 | 3" FLANGE GASKET EPDM |
| 10 | 1 | 500210 | 3"FLANGE-3"HOSEBARB POLY |
| 11 | 1 | 500262 | 3"FLANGE-90-3"FLG SWEEP LBO |
| 12 | 1 | 500258 | 3"FLANGE-45-3"HOSEBARB, POLY |

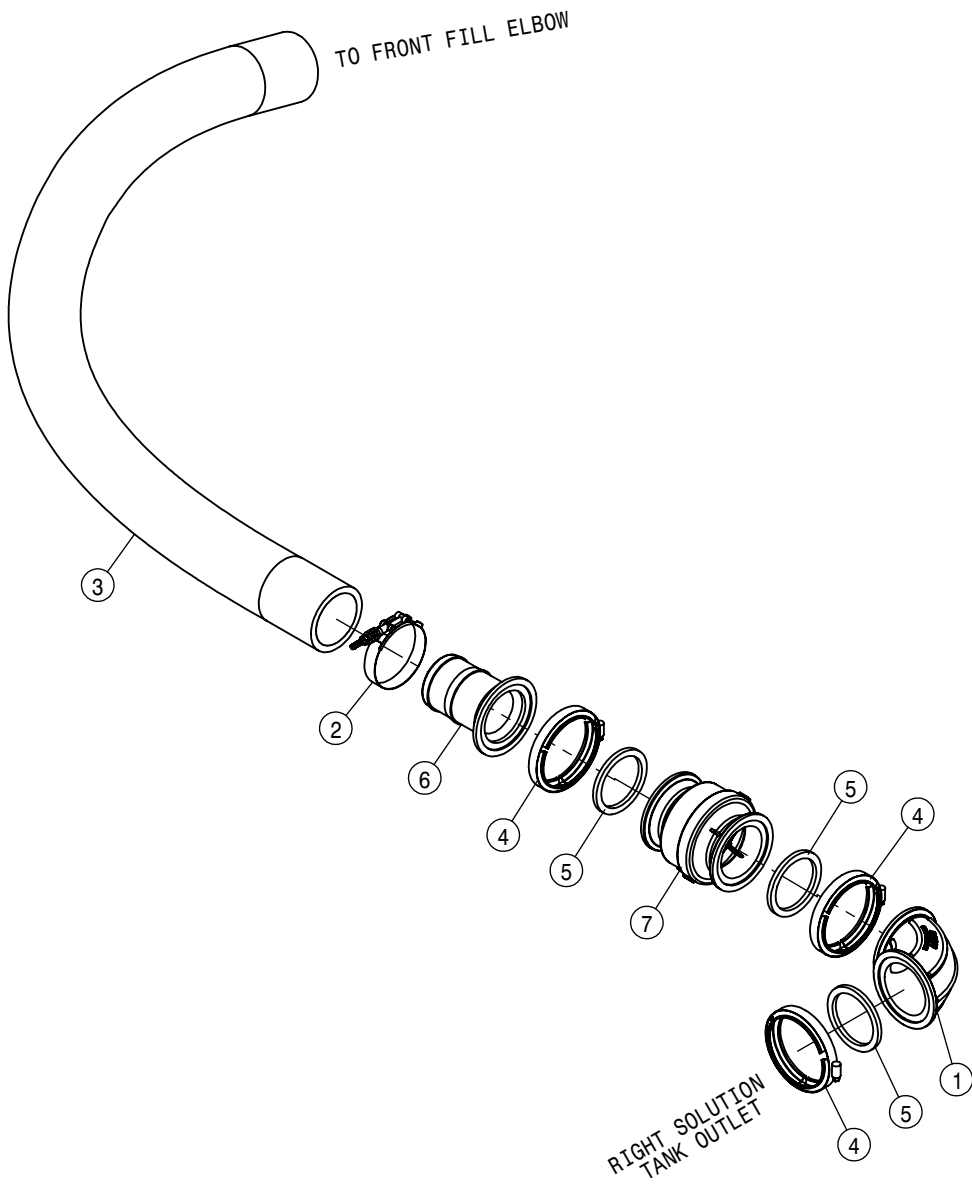
BULK HOSE

- 197008-HOSE 1/2 1-FBR BR BLK EPDM
- 197116-HOSE 1IN 1-FBR BR BLK EPDM
- 197145-HOSE 3" SUCTION, POLY HELIX EPDM

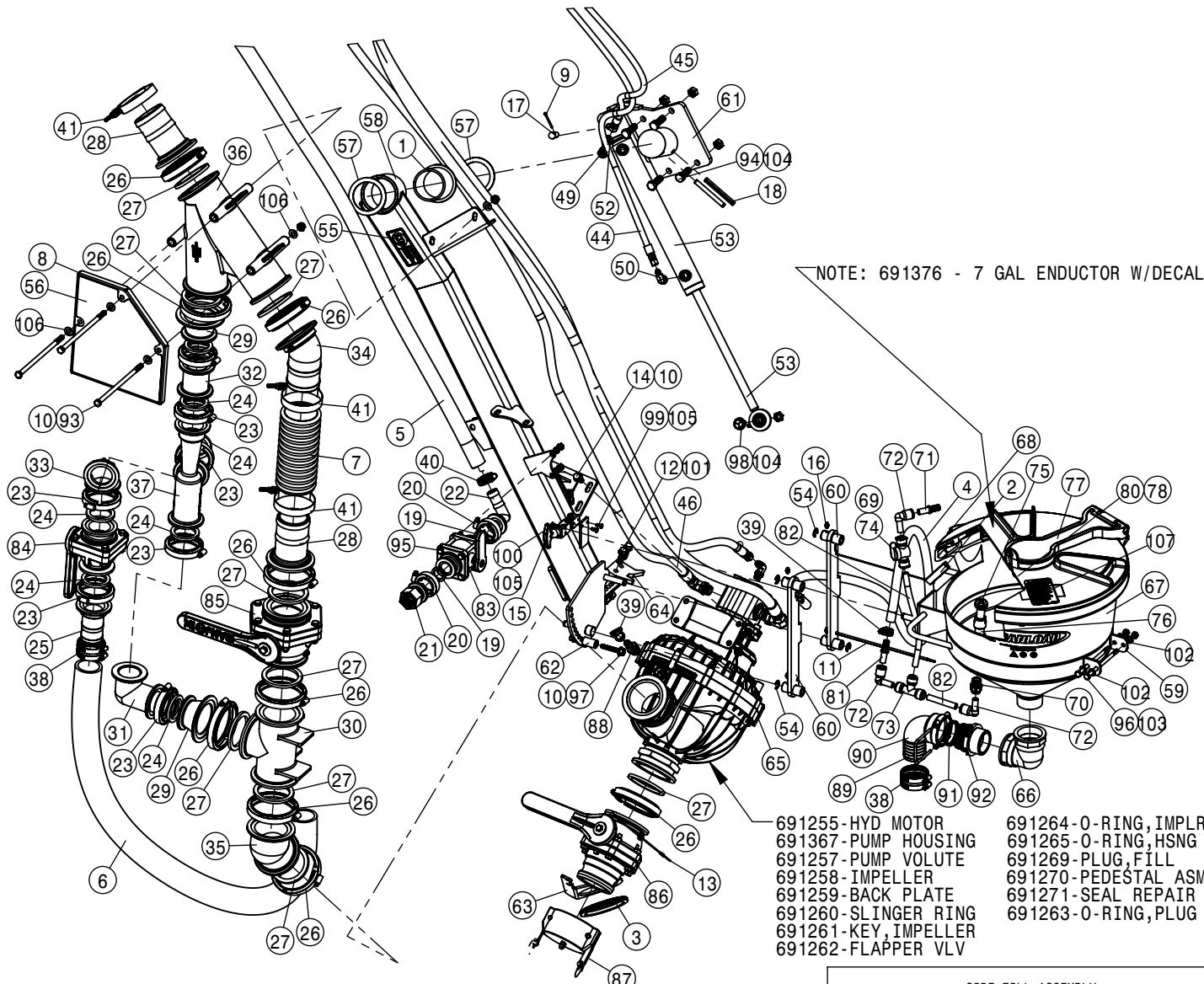


| FRONT FILL ASSEMBLY | | | |
|---------------------|-----|------------|------------------------------------|
| DET | QTY | P/N | DESCRIPTION |
| 1 | 1 | 197116-228 | HOSE 1IN 1-FBR BR BLK EPDM |
| 2 | 1 | 291680 | POSITIVE JUMPER STUD, RED |
| 3 | 1 | 291681 | NEGATIVE JUMPER STUD, BLACK |
| NS | 1 | 294168 | FRONT FILL PWR HARNESS STS' 12 |
| 5 | 2 | 470113 | 5/16UNC SERR FLG LOCK NUT |
| 6 | 1 | 470122 | 1/4UNC X 1/2 HHSFB GR5 MC |
| 7 | 1 | 470253 | HYD DAMPER 100LB 4.0 STROKE |
| 8 | 1 | 470352 | LANYARD, 11" POLY |
| 9 | 1 | 472048 | 3/8 UNC U-BOLT 3.50ID X 4.125 ZINC |
| 10 | 1 | 472316 | ROLL PIN, 5/16 X 1 1/2 |
| 11 | 1 | 482017 | SPRING |
| 12 | 1 | 500063 | 1"NPT PIP PLUG, POLY |
| 13 | 2 | 500157 | 1" FLANGE GASKET EPDM |
| 14 | 2 | 500159 | 1" FLANGE CLAMP S.S. |
| 15 | 1 | 500168 | 1" FLANGE-1" FNPT ADPTR POLY |
| 16 | 1 | 500171 | 1" FLANGE-1" HOSE BARB POLY |
| 17 | 3 | 500208 | 3" FLANGE CLAMP S.S. |
| 18 | 3 | 500209 | 3" FLANGE GASKET EPDM |
| 19 | 3 | 500210 | 3" FLANGE-3" HOSEBARB POLY |
| 20 | 1 | 500262 | 3" FLANGE-90-3" FLG SWEEP LBO |
| 21 | 1 | 520090 | HOSECLAMP NO 16 STAINLESS |
| 22 | 3 | 520145 | 3.56/3.88 T-BOLT HOSE CLAMP SS |
| 23 | 1 | 601827 | HOSE 3 X 98 POLY HELIX EPDM |
| 24 | 1 | 650516 | FRT/SIDE FILL PANEL DECAL |

| FRONT FILL ASSEMBLY | | | |
|---------------------|-----|--------|----------------------------------|
| DET | QTY | P/N | DESCRIPTION |
| 25 | 1 | 659291 | KNOB, BLK, 3/8" - 16 UNC |
| 26 | 1 | 690698 | FRT FILL SUPP ARM REL WLD |
| 27 | 1 | 691139 | FRT FILL SUPP ARM LATCH PIN' 10 |
| 28 | 1 | 691140 | FRT FILL LATCH BRKT WLD, STS' 10 |
| 29 | 1 | 691378 | FRT FILL SUPP ARM W/DECAL |
| 30 | 1 | 696147 | BALL VLV, 1" FLANGE |
| 31 | 1 | 696192 | 3" FLG STUBBY VALVE, 3"M-ADPTR |
| 32 | 1 | 696231 | CAP FOR 3" MALE COUPLER POLY |
| 33 | 2 | 900170 | 3/8UNC X 2 1/4 HEX BOLT |
| 34 | 1 | 900418 | 3/4UNC X 7" HEX BOLT |
| 35 | 2 | 900490 | 5/16UNC X 1 1/4 HHSFB SS |
| 36 | 2 | 900498 | 5/16UNC X 3 3/4 HHCS SS |
| 37 | 2 | 910002 | 5/16UNC HEX NUT |
| 38 | 2 | 910106 | 3/8-16UNC CTRLK FLG NUT MC GR5 |
| 39 | 1 | 910111 | 3/4-10UNC CTRLK FLG NUT MC GR5 |
| 40 | 1 | 914002 | 5/16UNC HEX STOVER NUT |
| 41 | 1 | 920006 | 3/4 SAE FLAT WASHER |
| 42 | 2 | 920501 | 5/16 LOCK WASHER |



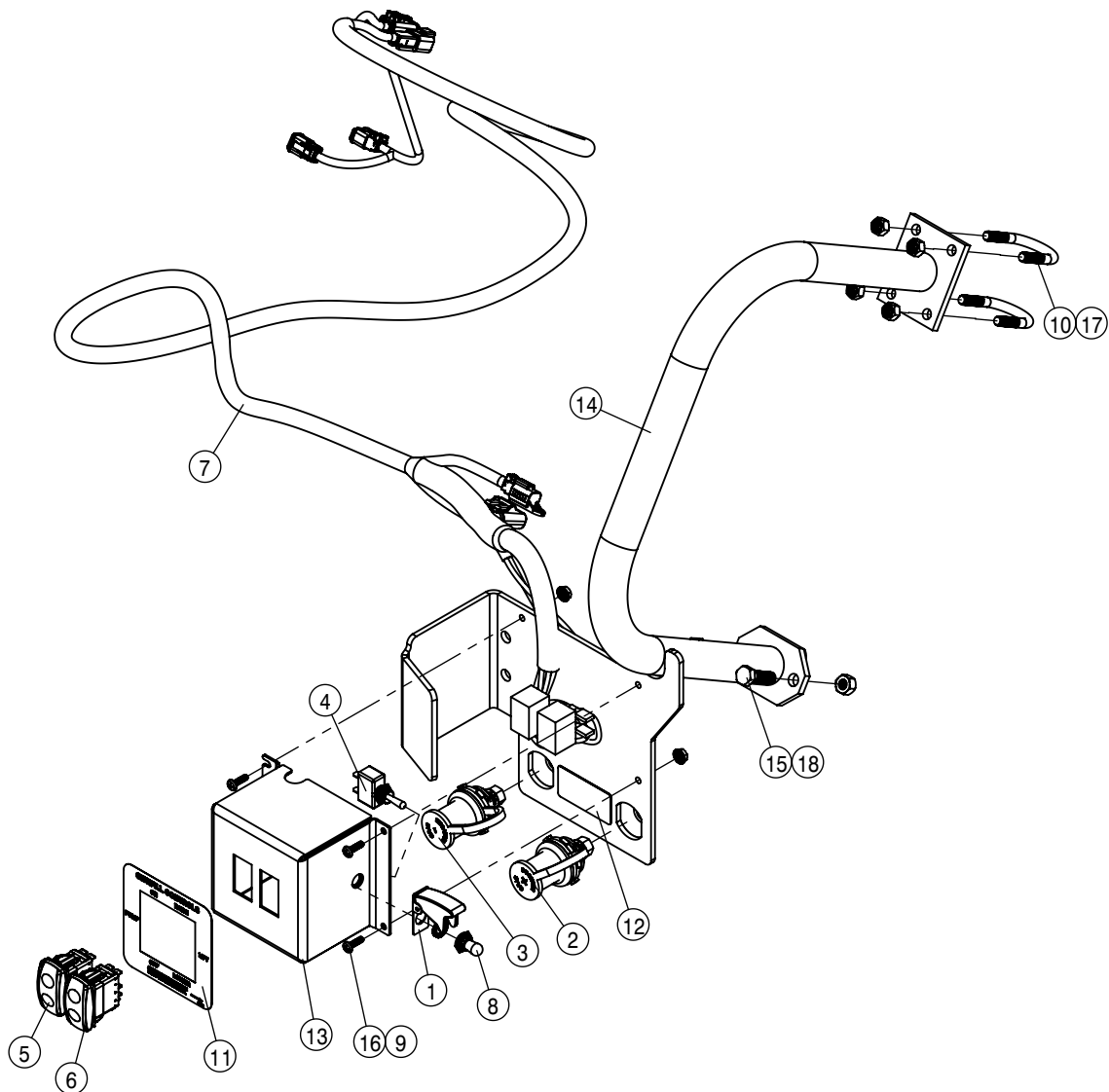
| RH SOLUTION TANK VALVE (FRONT FILL) | | | |
|-------------------------------------|-----|--------|--------------------------------|
| DET | QTY | P/N | DESCRIPTION |
| 1 | 1 | 500262 | 3"FLANGE-90-3"FLG SWEEP LBO |
| 2 | 1 | 520145 | 3.56/3.88 T-BOLT HOSE CLAMP SS |
| 3 | 1 | 601663 | HOSE, 3 X 50 POLY HELIX EPDM |
| 4 | 3 | 500208 | 3' FLANGE CLAMP S.S. |
| 5 | 3 | 500209 | 3" FLANGE GASKET EPDM |
| 6 | 1 | 500210 | 3"FLANGE-3"HOSEBARB POLY |
| 7 | 1 | 500142 | CHECK VALVE 3" FLANGE |



| SIDE FILL ASSEMBLY | | | |
|--------------------|-----|------------|----------------------------------|
| DET | QTY | P/N | DESCRIPTION |
| 1 | 1 | 121101 | TRANSOM PIVOT BRG_TOP POLYGON |
| 2 | 1 | 193012-003 | QUICKEDGE TRIM .135 TO .250 |
| 3 | 1 | 193016-011 | QUICKEDGE TRIM .060 TO .170 |
| 4 | 1 | 197008-044 | HOSE 1/2 1-FBR BR BLK EPDM |
| 5 | 1 | 197116-258 | HOSE 1IN 1-FBR BR BLK EPDM |
| 6 | 1 | 197133-048 | HOSE 2" SUCTION, 2F-1W EPDM |
| 7 | 1 | 197145-008 | HOSE 3"SUCTION,POLY HELIX EPDM |
| 8 | 1 | 344616 | SIDE FILL DECAL PLT |
| 9 | 1 | 470021 | COITTER PIN 1/8 X 1 1/4 SS |
| 10 | 8 | 470087 | 3/8UNC HEX SERR FLANGE NUT |
| 11 | 2 | 470154 | CABLE TIE, 11.00" BLK NYLON |
| 12 | 2 | 470329 | 3/8UNC X 1 1/4 SERR FLG HEX BOLT |
| 13 | 1 | 470352 | LANYARD, 11" POLY |
| 14 | 4 | 470460 | 3/8 X 1" SERR FLG BOLT |
| 15 | 1 | 470643 | RUBBER DRAW LATCH |
| 16 | 4 | 471005 | GREASE ZERK, 1/4-28 X 1/2 |
| 17 | 1 | 472279 | CLEVIS PIN 1/2DIA X 1 3/4 |
| 18 | 2 | 473963 | ROLL PIN, 3/8 X 3 1/2 |
| 19 | 2 | 500157 | 1" FLANGE GASKET EPDM |
| 20 | 2 | 500159 | 1" FLANGE CLAMP S.S. |
| 21 | 1 | 500168 | 1" FLANGE-1" FNPT ADPTR POLY |
| 22 | 1 | 500173 | 1"FLANGE-90-1"HOSE BARB POLY |
| 23 | 7 | 500194 | 2" FP FLANGE CLAMP S.S. |
| 24 | 7 | 500195 | 2" FP FLANGE GASKET EPDM |
| 25 | 1 | 500196 | 2"FP FLANGE-2"HOSE BARB POLY |
| 26 | 9 | 500208 | 3" FLANGE CLAMP S.S. |
| 27 | 9 | 500209 | 3" FLANGE GASKET EPDM |
| 28 | 2 | 500210 | 3"FLANGE-3"HOSEBARB POLY |
| 29 | 2 | 500212 | 3"FLANGE - 2" FP FLANGE ADPTR |
| 30 | 1 | 500217 | 3"FLANGE TEE POLY |
| 31 | 1 | 500219 | 2"FP FLANGE-90-2"FP FLANGE LBO |
| 32 | 1 | 500249 | 2"FP FLANGE COUPLING |
| 33 | 1 | 500254 | 2"FP FLANGE-90-2"FP SWEEP LBO |
| 34 | 1 | 500258 | 3"FLANGE-45-3"HOSEBARB, POLY |
| 35 | 1 | 500259 | 3" FLANGE X 45° FLANGED COUPLING |

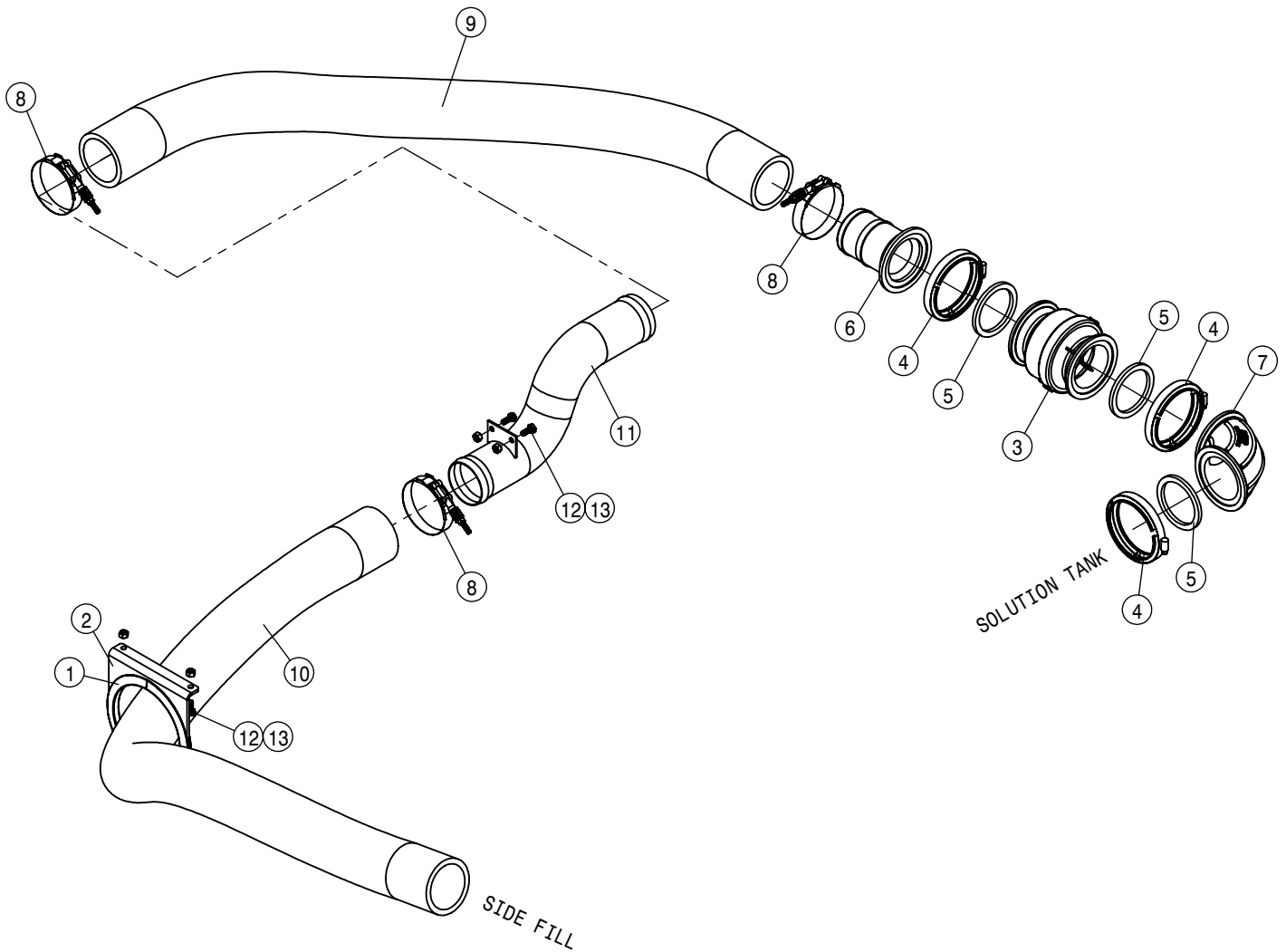
| SIDE FILL ASSEMBLY | | | |
|--------------------|-----|--------|----------------------------------|
| DET | QTY | P/N | DESCRIPTION |
| 36 | 1 | 500260 | 3" FP FLANGE 45 Y COUPLING |
| 37 | 1 | 500261 | 2" FP FLANGE POLY VENTURI |
| 38 | 4 | 520068 | HOSE CLAMP NO 32 STAINLESS |
| 39 | 2 | 520069 | HOSE CLAMP NO 6 STAINLESS |
| 40 | 1 | 520090 | HOSECLAMP NO 16 STAINLESS |
| 41 | 3 | 520145 | 3.56/3.88 T-BOLT HOSE CLAMP SS |
| 42 | 1 | 617107 | 10-451TC-10FJX-10FJX-132 H/A |
| 43 | 1 | 617109 | 06-451TC-06FJX-06FJX90-133 H/A |
| 44 | 1 | 617389 | 04-451TC-04FJX-04FJX-111 H/A |
| 45 | 1 | 617390 | 04-451TC-06FJX-06FJX90-100 H/A |
| 46 | 1 | 617480 | 08-451TC-08FJX-08FJX90-127 H/A |
| 47 | 1 | 618119 | 9/16MJIC-90-9/16MOR LBO |
| 48 | 1 | 618183 | 3/4MJIC-90-7/8MOR LBO |
| 49 | 1 | 618425 | 9/16MJIC-45-9/16MOR LBO |
| 50 | 1 | 618499 | 7/16MJIC-90-9/16MOR LBO |
| 51 | 1 | 618535 | 7/8MJIC-90-1 1/16MOR LBO |
| 52 | 1 | 618731 | 9/16 - .025 ORIFICE ADPT |
| 53 | 1 | 621554 | HYD CYL, 1.50" X 12.25" X 0.75" |
| 54 | 4 | 629541 | SNAP RING, 1/2" EXTERNAL E-STYLE |
| 55 | 1 | 650116 | DECAL,INDUCTOR FILLING INSTR |
| 56 | 1 | 650469 | SIDE FILL INSTRUCTION DECAL |
| 57 | 2 | 690729 | 3.50 OD X 2.68 ID X 11 GA WASH |
| 58 | 1 | 691191 | SIDE FILL ARM WLD, 2012 |
| 59 | 1 | 691192 | HOPPER BAND WLD, SIDE FILL |
| 60 | 2 | 691193 | HOPPER PARAL ARM WLD,SIDE FILL |
| 61 | 1 | 691195 | CYL MNT WLD, SIDE FILL 2012 |
| 62 | 1 | 691197 | BUSHING, .75 OD X 1.31 L'G |
| 63 | 1 | 691225 | HOSE SUPP BRKT SIDE FILL '12 |
| 64 | 1 | 691231 | ADJ SIDE FILL CRADLE STS '12 |
| 65 | 1 | 691251 | 3" FLANGE TRANSFER PUMP |
| 66 | 1 | 691342 | HYPRO ELBOW FNPT |
| 67 | 1 | 691343 | HYPRO TANK CLEAN LOAD 7 GAL |
| 68 | 1 | 691344 | HYPRO GROMMET TANK SEAL 10MM |
| 69 | 2 | 691346 | HYPRO CLIP SAFETY PTC 1/2" |
| 70 | 1 | 691348 | HYPRO PUSH CONNECT FITTING 1/2 |

| SIDE FILL ASSEMBLY | | | |
|--------------------|-----|---------|---------------------------------|
| DET | QTY | P/N | DESCRIPTION |
| 71 | 1 | 691349 | HYPRO HOSE BARB TO TUBE PTC |
| 72 | 3 | 691350 | HYPRO FITTING ELBOW PTC 1/2" |
| 73 | 1 | 691351 | HYPRO FITTING UNION TEE PTC1/2 |
| 74 | 1 | 691354 | HYPRO VALVE, 2-WAY PTC |
| 75 | 1 | 691357 | HYPRO NOZ PROCLEAN CNTNR RINSE |
| 76 | 1 | 691358 | HYPRO PROCLEAN CNTNR RINSE VLV |
| 77 | 1 | 691359 | HYPRO TL S/A 16" HINGED |
| 78 | 1 | 691360 | HYPRO BREATHER LABYRINTH |
| 79 | 1 | 691361 | HYPRO O-RING, BREATHER |
| 80 | 1 | 691362 | HYPRO NUT, BREATHER |
| 81 | 1 | 691363 | HYPRO HOSE BARB TO TUBE PTC |
| 82 | 1 | 691368 | TUBING KIT, HYPRO |
| 83 | 1 | 696147 | BALL VLV, 1" FLANGE |
| 84 | 1 | 696150 | BALL VLV, 2"FP FLANGE STUBBY |
| 85 | 1 | 696190 | BALL VLV, 3" FP FLANGE |
| 86 | 1 | 696192 | 3"FLG STUBBY VALVE,3"M-ADPTR |
| 87 | 1 | 696231 | CAP FOR 3" MALE COUPLER POLY |
| 88 | 1 | 713340 | 1/2NPT-1/2 HOSE BARB, POLY |
| 89 | 1 | 737756 | 2" FORK FOR 737754/755 |
| 90 | 1 | 737760 | 2"FP-90-2" HOSE BARB POLY |
| 91 | 2 | 737762 | O-RING, -227 EPDM |
| 92 | 1 | 737771 | MALE T7 TO MALE 2" NPT |
| 93 | 3 | 900148 | 3/8UNC X 8 HEX BOLT |
| 94 | 4 | 900265 | 1/2UNC X 1 1/2 HEX BOLT |
| 95 | 2 | 900498 | 5/16UNC X 3 3/4 HHCS SS |
| 96 | 2 | 900502 | 5/16UNC X 5 1/2 HHCS SS |
| 97 | 1 | 900506 | 3/8UNC X 2 HHSFB GR5 MC FT |
| 98 | 1 | 900519 | 1/2UNC X 2 HHSFB GR5 MC FT |
| 99 | 2 | 903706 | 10-32X1/2 PHIL PAN MACH SCR |
| 100 | 2 | 903710 | 10-32 X 5/8 PHIL PANHD MACH SCR |
| 101 | 2 | 910106 | 3/8-16UNC CTRLK FLG NUT MC GR5 |
| 102 | 4 | 910113 | SAE FLAT WASHER 5/16 SS |
| 103 | 2 | 914002 | 5/16UNC HEX STOVER NUT |
| 104 | 5 | 914008 | 1/2 UNC HEX STOVER NUT |
| 105 | 4 | 914027 | 10-32 HEX STOVER NUT |
| 106 | 6 | 920002 | 3/8 SAE FLAT WASHER |
| 107 | 1 | N203265 | DECAL CAUTION |



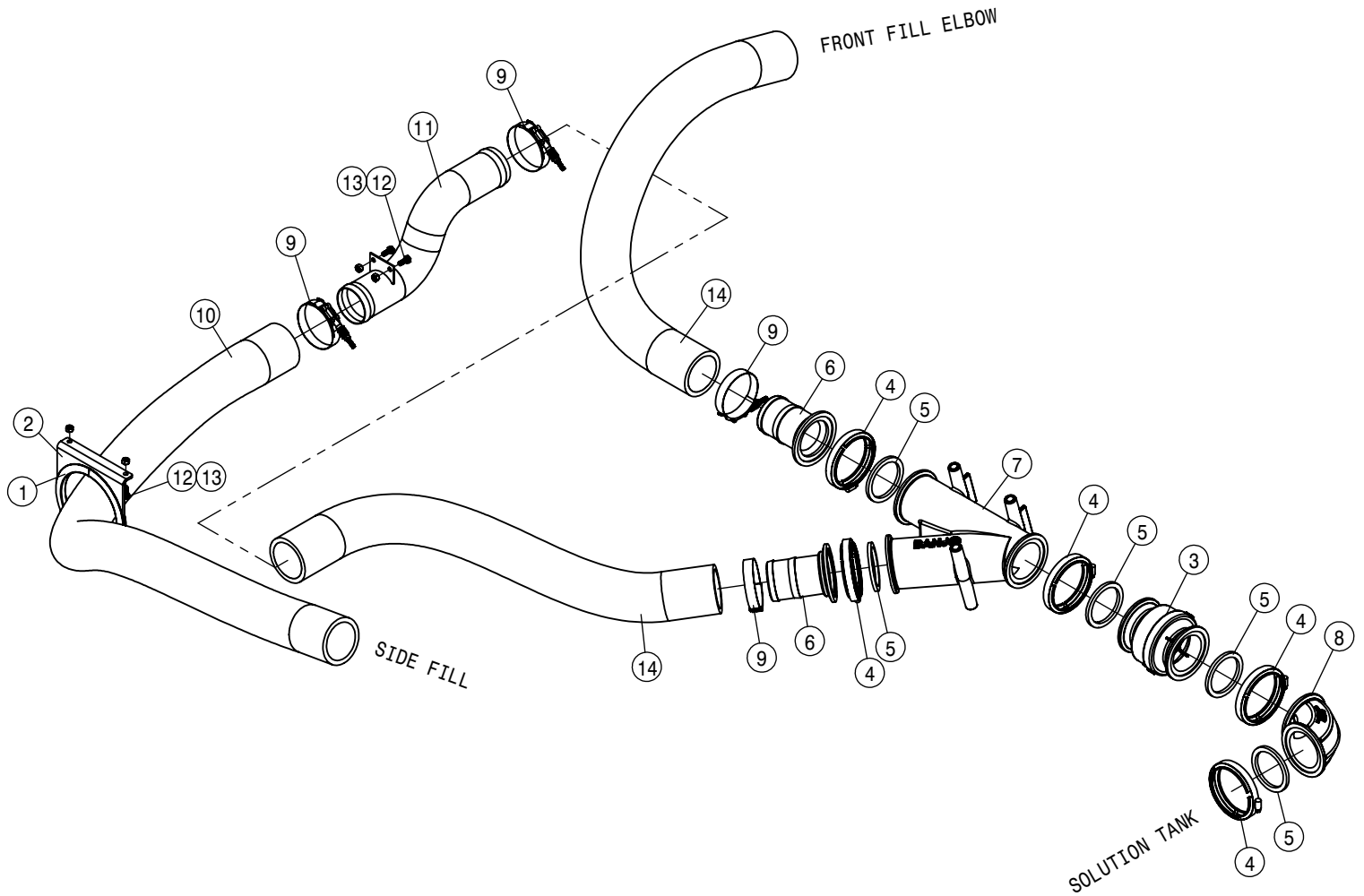
| SIDE FILL SWITCH BOX ASSEMBLY | | | |
|-------------------------------|-----|--------|---------------------------------|
| DET | QTY | P/N | DESCRIPTION |
| 1 | 1 | 291655 | AIRCRAFT TOGGLE SWITCH GUARD |
| 2 | 1 | 291680 | POSITIVE JUMPER STUD, RED |
| 3 | 1 | 291681 | NEGATIVE JUMPER STUD, BLACK |
| 4 | 1 | 291937 | TOGGLE SWITCH, SPST |
| 5 | 1 | 292226 | SWITCH - SIDEFILL PUMP SPEED |
| 6 | 1 | 292367 | SWITCH - SIDEFILL CYLINDER |
| 7 | 1 | 294230 | SIDE FILL HARNESS |
| 8 | 1 | 470001 | RUBBER BOOT AND NUT FOR 298012 |
| 9 | 4 | 470175 | 10-32 SERR FLANGE NUT |
| 10 | 2 | 473911 | 5/16UNC-1.31ID-2.00 U-BOLT ZINC |
| 11 | 1 | 650155 | DECAL, SIDEFILL CTRL STS 05 |
| 12 | 1 | 650516 | FRT/SIDE FILL PANEL DECAL |
| 13 | 1 | 691371 | SIDE FILL SWITCH BOX, STS'16 |
| 14 | 1 | 691377 | CHEM IND GUARD W/DECAL |
| 15 | 2 | 900130 | 3/8UNC X 1 1/4 HEX BOLT |
| 16 | 4 | 903710 | #10-32 UNF X 5/8 PHMS PH BZ |
| 17 | 4 | 914002 | 5/16UNC HEX STOVER NUT |
| 18 | 2 | 914004 | 3/8UNC HEX STOVER NUT |

BULK HOSE
197145-HOSE 3" SUCTION, POLY HELIX EPDM



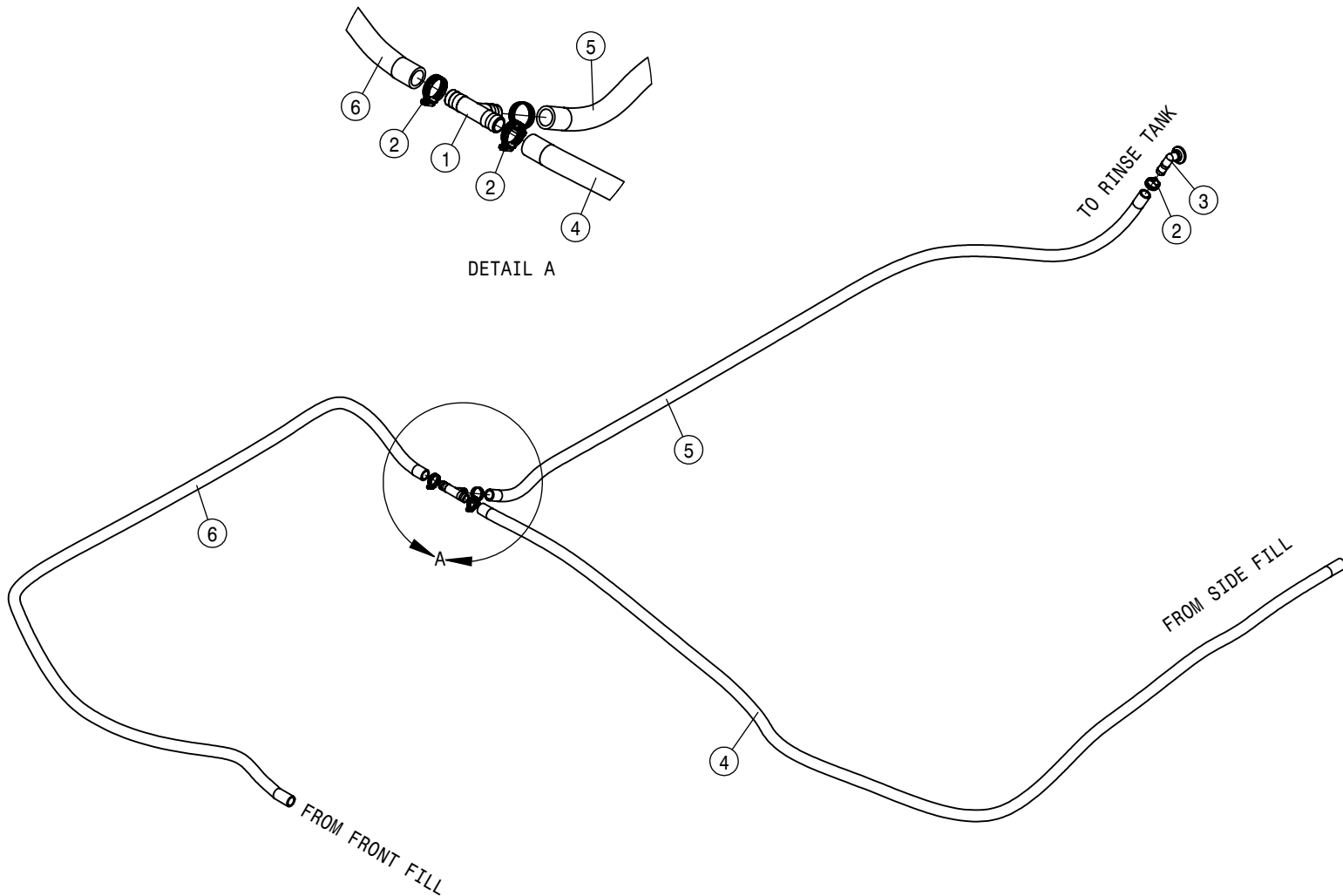
| RH SOLUTION TANK VALVE (SIDE FILL) | | | |
|------------------------------------|-----|--------|--------------------------------|
| DET | QTY | P/N | DESCRIPTION |
| 1 | 1 | 193012 | QUICKEDGE TRIM .135 TO .250 |
| 2 | 1 | 342991 | SIDEFILL HOSE SUPP BRKT,STS 05 |
| 3 | 1 | 500142 | CHECK VALVE 3" FLANGE |
| 4 | 3 | 500208 | 3" FLANGE CLAMP S.S. |
| 5 | 3 | 500209 | 3" FLANGE GASKET EPDM |
| 6 | 1 | 500210 | 3"FLANGE-3' HOSEBARB POLY |
| 7 | 1 | 500262 | 3"FLANGE-90-3"FLG SWEEP LBO |
| 8 | 3 | 520145 | 3.56/3.88 T-BOLT HOSE CLAMP SS |
| 9 | 1 | 601798 | HOSE, 3 X 51 POLY HELIX EPDM |
| 10 | 1 | 601916 | HOSE, 3 X 65 POLY HELIX EPDM |
| 11 | 1 | 690731 | SOLU TUBE, 3.00 S.S. SIDE FILL |
| 12 | 4 | 900064 | 5/16UNC X 3/4" HEX BOLT |
| 13 | 4 | 914002 | 5/16UNC HEX STOVER NUT |

BULK HOSE
197145-HOSE 3"SUCTION,POLY HELIX EPDM

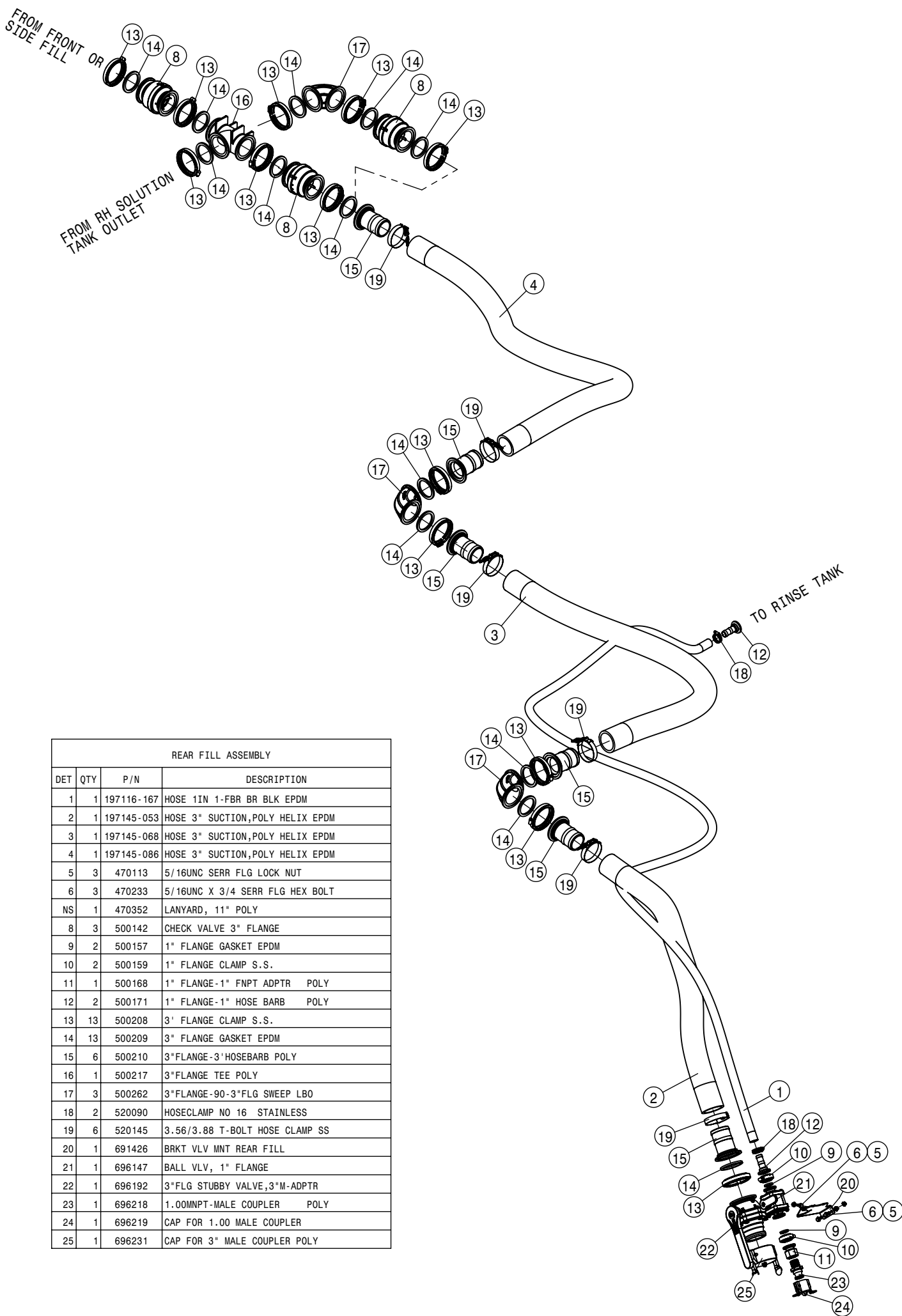


| RH SOLUTION TANK VALVE (FRONT AND SIDE FILL) | | | |
|----------------------------------------------|-----|------------|---------------------------------|
| DET | QTY | P/N | DESCRIPTION |
| 1 | 1 | 193012 | QUICKEDGE TRIM .135 TO .250 |
| 2 | 1 | 342991 | SIDEFILL HOSE SUPP BRKT,STS 05 |
| 3 | 1 | 500142 | CHECK VALVE 3" FLANGE |
| 4 | 5 | 500208 | 3" FLANGE CLAMP S.S. |
| 5 | 5 | 500209 | 3" FLANGE GASKET EPDM |
| 6 | 2 | 500210 | 3"FLANGE-3'HOSEBARB POLY |
| 7 | 1 | 500260 | 3" FP FLANGE 45 Y COUPLING |
| 8 | 1 | 500262 | 3"FLANGE-90-3"FLG SWEEP LBO |
| 9 | 4 | 520145 | 3.56/3.88 T-BOLT HOSE CLAMP SS |
| 10 | 1 | 601916 | HOSE, 3 X 65 POLY HELIX EPDM |
| 11 | 1 | 690731 | SOLU TUBE, 3.00 S.S. SIDE FILL |
| 12 | 4 | 900064 | 5/16UNC X 3/4" HEX BOLT |
| 13 | 4 | 914002 | 5/16UNC HEX STOVER NUT |
| 14 | 2 | 197145-040 | HOSE 3""SUCTION,POLY HELIX EPDM |

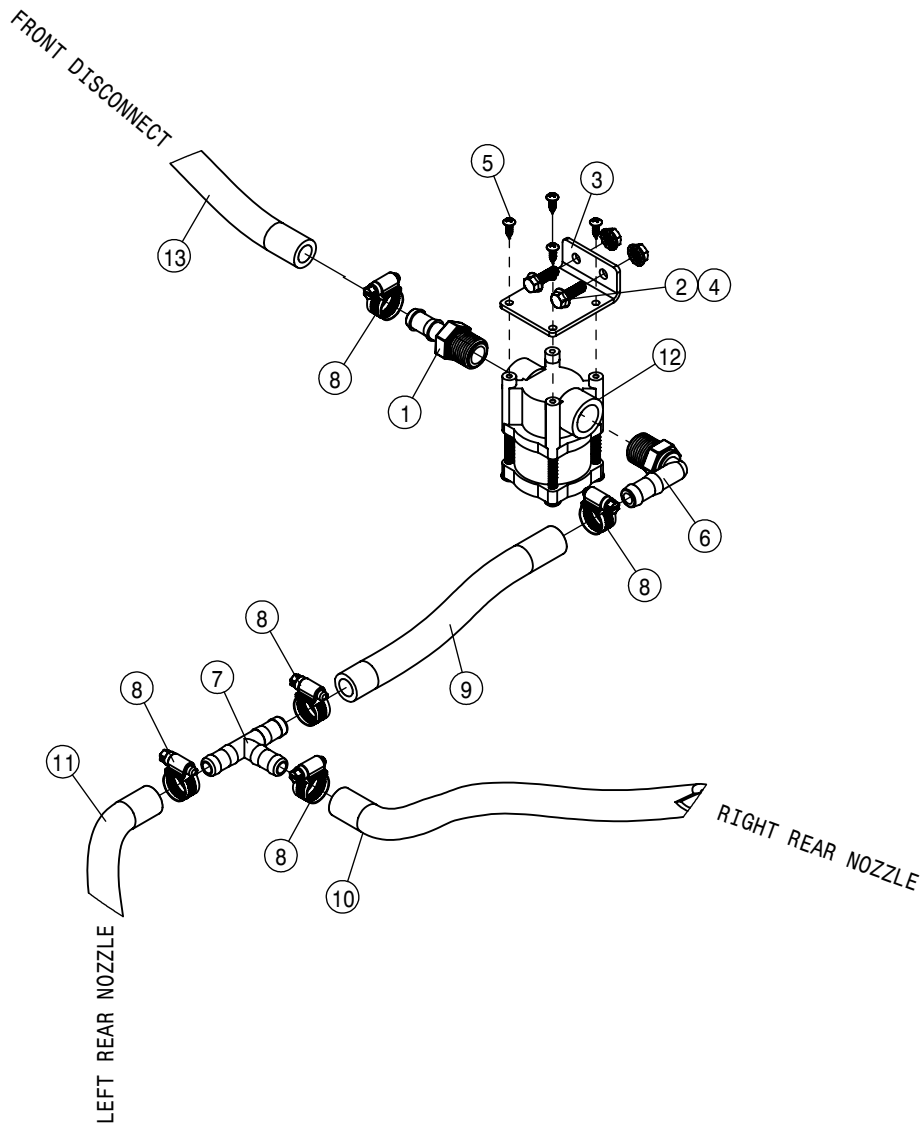
BULK HOSE
 197116-HOSE 1IN 1-FBR BR BLK EPDM



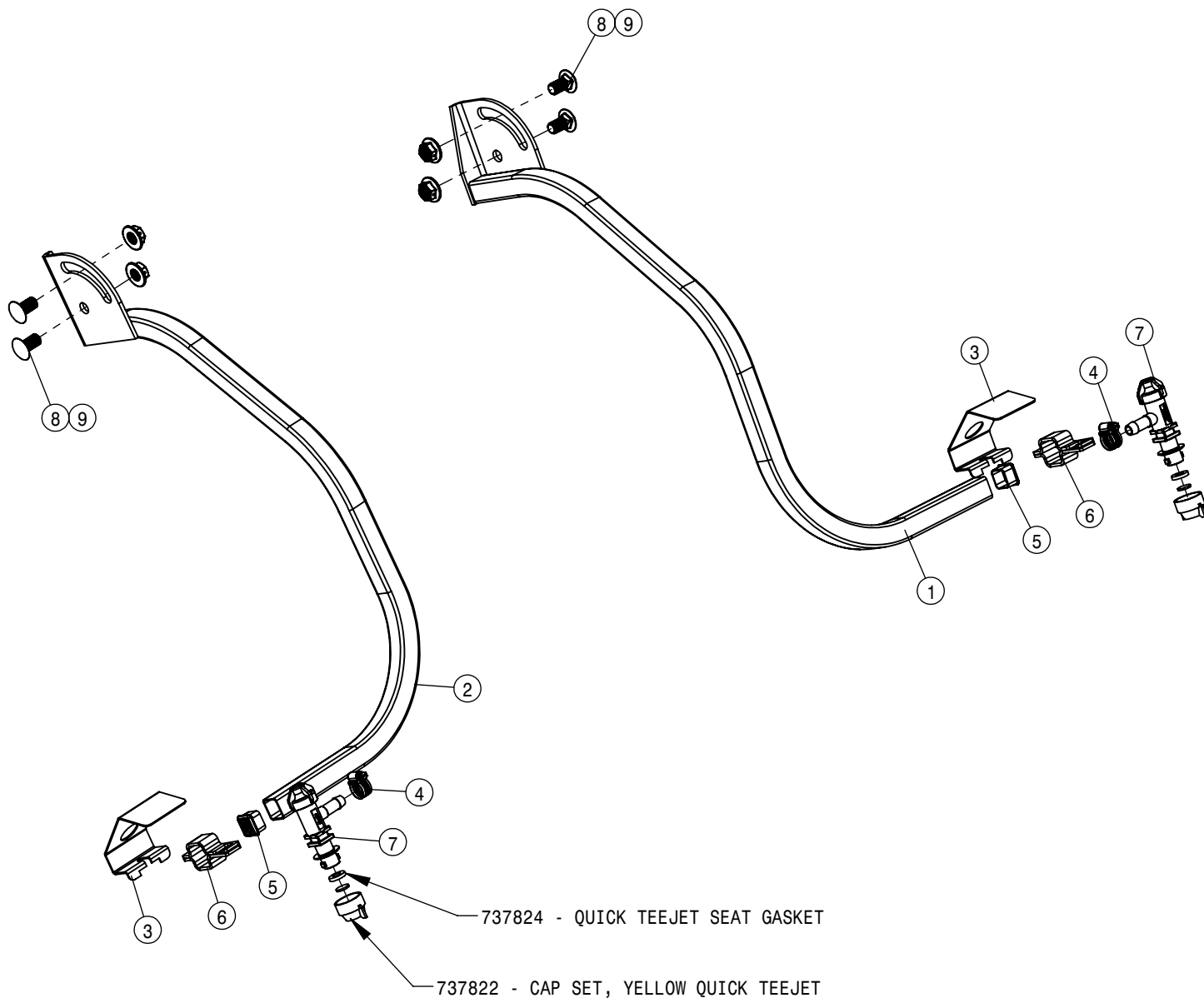
| FILL/RINSE HOSES FRONT/SIDE FILL ASSEMBLY | | | |
|-------------------------------------------|-----|------------|--------------------------------|
| DET | QTY | P/N | DESCRIPTION |
| 1 | 1 | 500105 | 1.00 HOSE BARB TEE, POLY |
| 2 | 4 | 520090 | HOSECLAMP NO 16 STAINLESS |
| 3 | 1 | 500173 | 1" FLANGE-90-1" HOSE BARB POLY |
| 4 | 1 | 197116-150 | HOSE 1IN 1-FBR BR BLK EPDM |
| 5 | 1 | 197116-109 | HOSE 1IN 1-FBR BR BLK EPDM |
| 6 | 1 | 197116-119 | HOSE 1IN 1-FBR BR BLK EPDM |



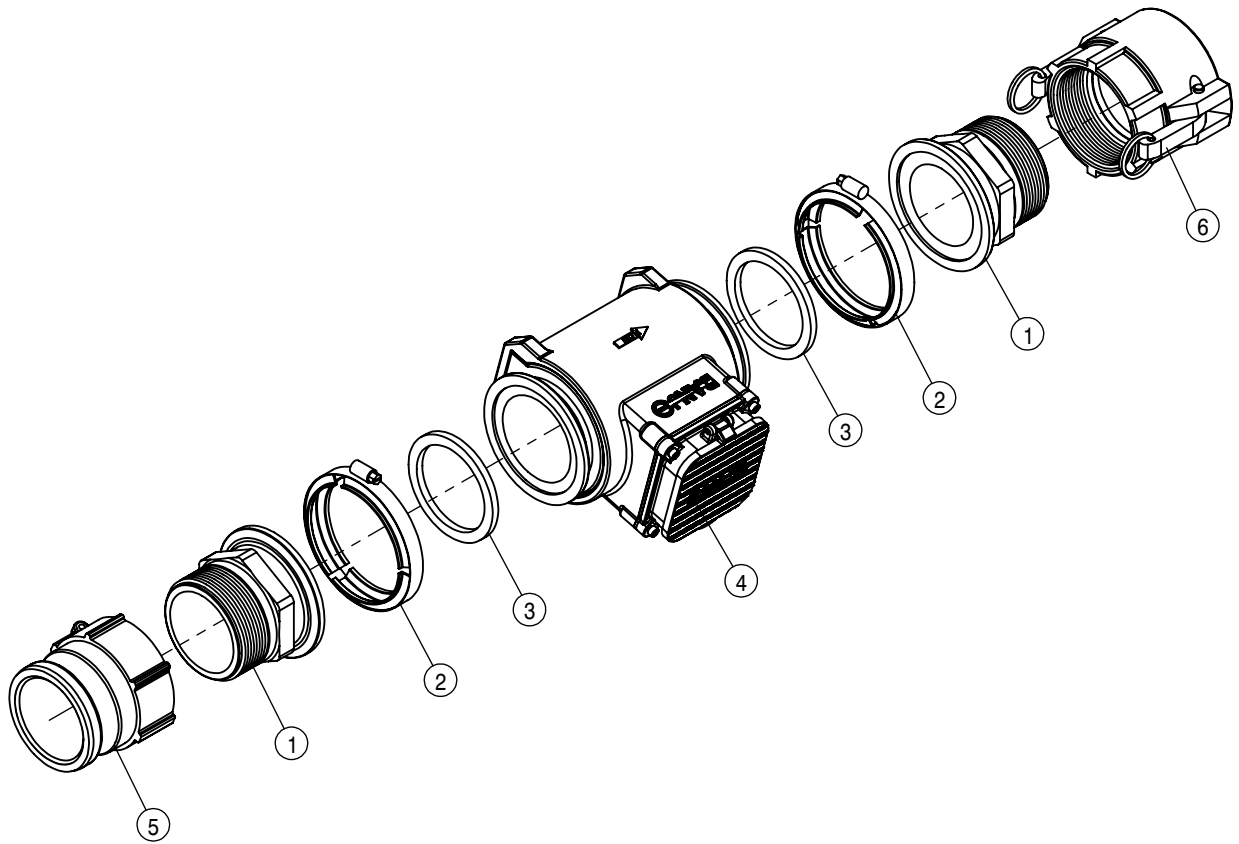
| REAR FILL ASSEMBLY | | | |
|--------------------|-----|------------|---------------------------------|
| DET | QTY | P/N | DESCRIPTION |
| 1 | 1 | 197116-167 | HOSE 1IN 1-FBR BR BLK EPDM |
| 2 | 1 | 197145-053 | HOSE 3" SUCTION,POLY HELIX EPDM |
| 3 | 1 | 197145-068 | HOSE 3" SUCTION,POLY HELIX EPDM |
| 4 | 1 | 197145-086 | HOSE 3" SUCTION,POLY HELIX EPDM |
| 5 | 3 | 470113 | 5/16UNC SERR FLG LOCK NUT |
| 6 | 3 | 470233 | 5/16UNC X 3/4 SERR FLG HEX BOLT |
| NS | 1 | 470352 | LANYARD, 11" POLY |
| 8 | 3 | 500142 | CHECK VALVE 3" FLANGE |
| 9 | 2 | 500157 | 1" FLANGE GASKET EPDM |
| 10 | 2 | 500159 | 1" FLANGE CLAMP S.S. |
| 11 | 1 | 500168 | 1" FLANGE-1" FNPT ADPTR POLY |
| 12 | 2 | 500171 | 1" FLANGE-1" HOSE BARB POLY |
| 13 | 13 | 500208 | 3' FLANGE CLAMP S.S. |
| 14 | 13 | 500209 | 3" FLANGE GASKET EPDM |
| 15 | 6 | 500210 | 3"FLANGE-3'HOSEBARB POLY |
| 16 | 1 | 500217 | 3"FLANGE TEE POLY |
| 17 | 3 | 500262 | 3"FLANGE-90-3"FLG SWEEP LBO |
| 18 | 2 | 520090 | HOSECLAMP NO 16 STAINLESS |
| 19 | 6 | 520145 | 3.56/3.88 T-BOLT HOSE CLAMP SS |
| 20 | 1 | 691426 | BRKT VLV MNT REAR FILL |
| 21 | 1 | 696147 | BALL VLV, 1" FLANGE |
| 22 | 1 | 696192 | 3"FLG STUBBY VALVE,3"M-ADPTR |
| 23 | 1 | 696218 | 1.00MNPT-MALE COUPLER POLY |
| 24 | 1 | 696219 | CAP FOR 1.00 MALE COUPLER |
| 25 | 1 | 696231 | CAP FOR 3" MALE COUPLER POLY |



| REAR WHEEL NOZZLE VALVE ASSEMBLY | | | |
|----------------------------------|-----|--------|-------------------------------|
| DET | QTY | P/N | DESCRIPTION |
| 1 | 1 | 713340 | 1/2NPT-1/2 HOSE BARB, POLY |
| 2 | 2 | 470118 | 1/4 UNC X 3/4 SER FLG BOLT |
| 3 | 1 | 345018 | REAR WHEEL SPRAY VLV MNT |
| 4 | 2 | 470121 | 1/4 UNC SERR FLG LOCK NUT |
| 5 | 4 | 473902 | #8 X 1/2 PHIL PAN HD MTL SCR |
| 6 | 1 | 500047 | 1/2NPT-90-1/2 HOSE BARB, POLY |
| 7 | 1 | 500120 | 1/2" HOSE BARB TEE |
| 8 | 5 | 520069 | HOSE CLAMP NO 6 STAINLESS |
| 9 | 1 | 601021 | HOSE, 1/2 X 9 1BR BLK EPDM |
| 10 | 1 | 601022 | HOSE, 1/2 X 222 1BR BLK EPDM |
| 11 | 1 | 601608 | HOSE, 1/2 X 235 1BR EPDM |
| 12 | 1 | 696238 | SOLU VLV, 1/2FNPT, 12V 150PSI |
| 13 | 1 | 601028 | HOSE, 1/2 X 203 1BR BLK EPDM |



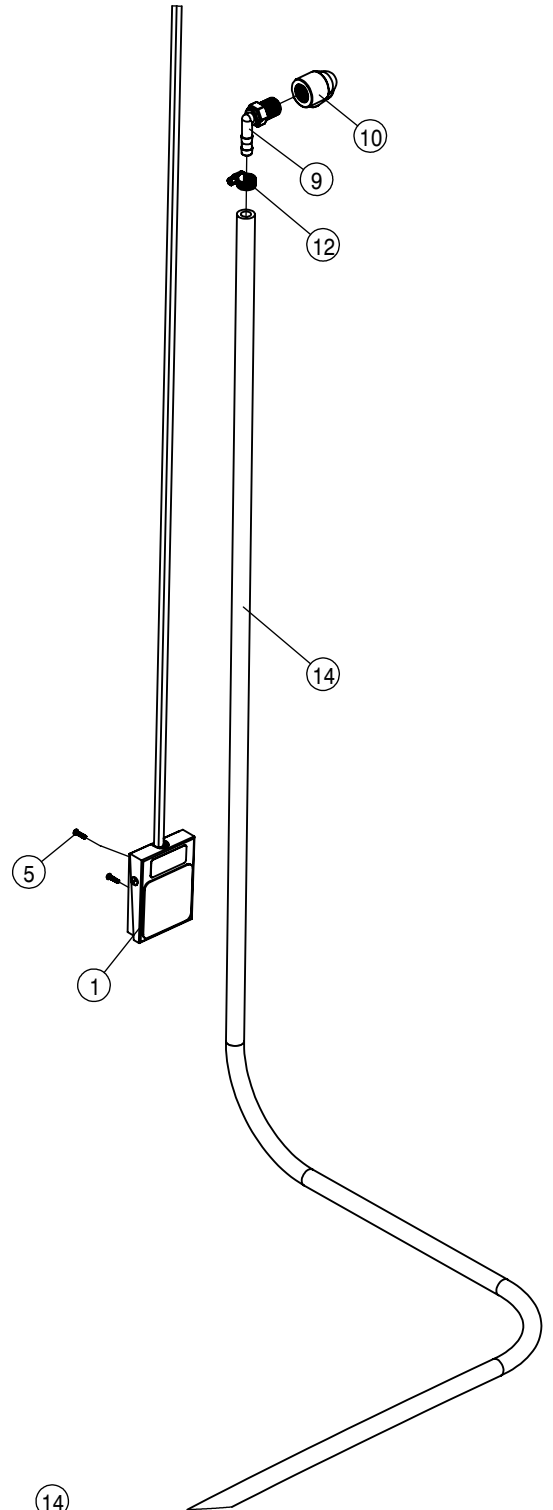
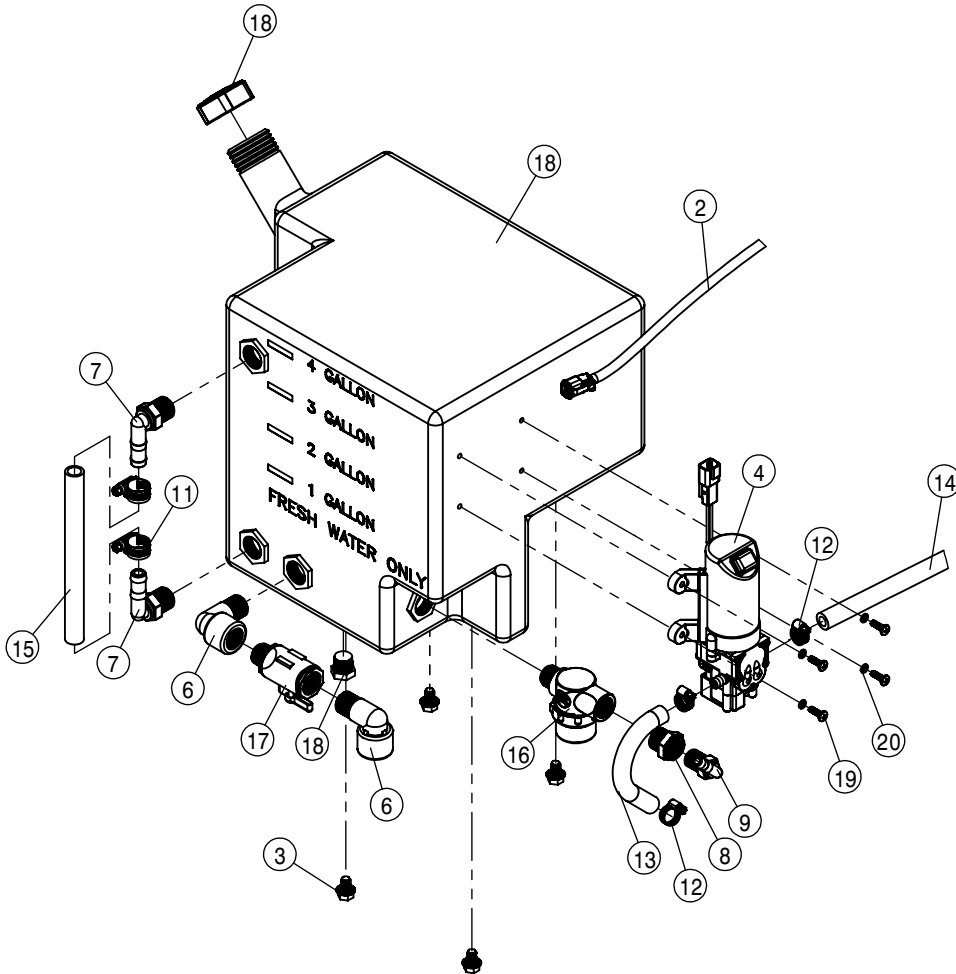
| REAR NOZZLE ASSEMBLY | | | |
|----------------------|-----|--------|--------------------------------|
| DET | QTY | P/N | DESCRIPTION |
| 1 | 1 | 164670 | RH REAR NOZL MT WLD STS12 |
| 2 | 1 | 164671 | LH REAR NOZL MT WLD STS12 |
| 3 | 2 | 164676 | NOZL SHIELD, REAR WHEEL 00 |
| 4 | 2 | 520069 | HOSE CLAMP NO 6 STAINLESS |
| 5 | 2 | 629727 | FINISH PLUG 1" SQ 16 GA |
| 6 | 2 | 737817 | NOZZLE BRACKET |
| 7 | 2 | 737827 | QUICK TJET LBO, 1-TIP BODY .50 |
| 8 | 4 | 901253 | 1/2UNC X 1" CARR BOLT |
| 9 | 4 | 914015 | 1/2UNC HEX CENTER-LOCK NUT |



| FILL FLOW METER ASSEMBLY | | | |
|--------------------------|-----|--------|---------------------------------|
| DET | QTY | P/N | DESCRIPTION |
| 1 | 2 | 500164 | 3" FLANGE- 3.00 MNPT ADPTR POLY |
| 2 | 2 | 500208 | 3' FLANGE CLAMP S.S. |
| 3 | 2 | 500209 | 3" FLANGE GASKET EPDM |
| 4 | 1 | 691242 | 3" MANIFOLD FLOWMETER, BANJO |
| 5 | 1 | 696225 | 3.00 FNPT-MALE COUPLER POLY |
| 6 | 1 | 696228 | 3.00FNPT-FEMALE COUPLER POLY |

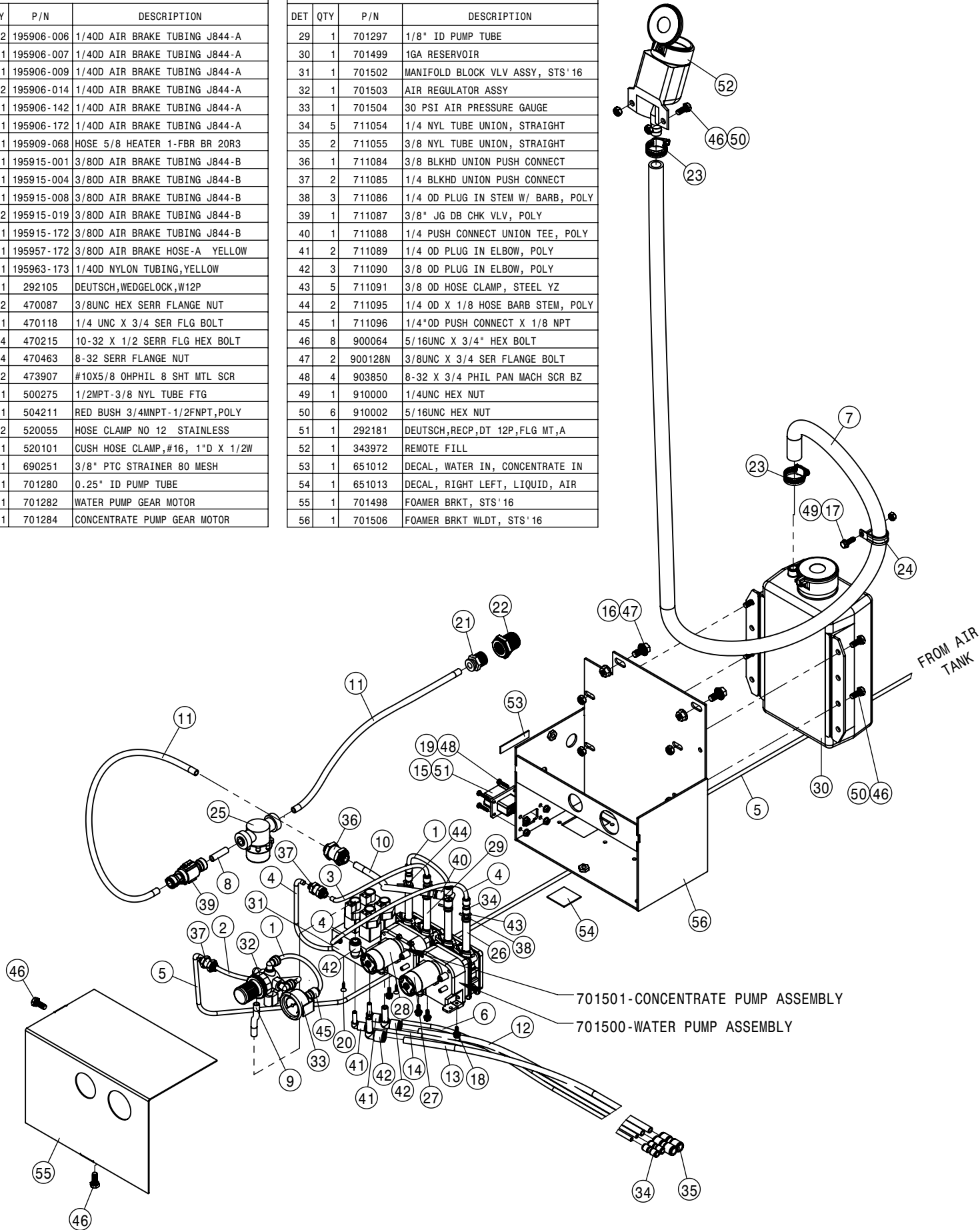
BULK HOSE
 195902-HOSE 1/2ID-3/32W CLEAR VINYL
 195923-HOSE 3/8 1-FBR BR BLK RLA

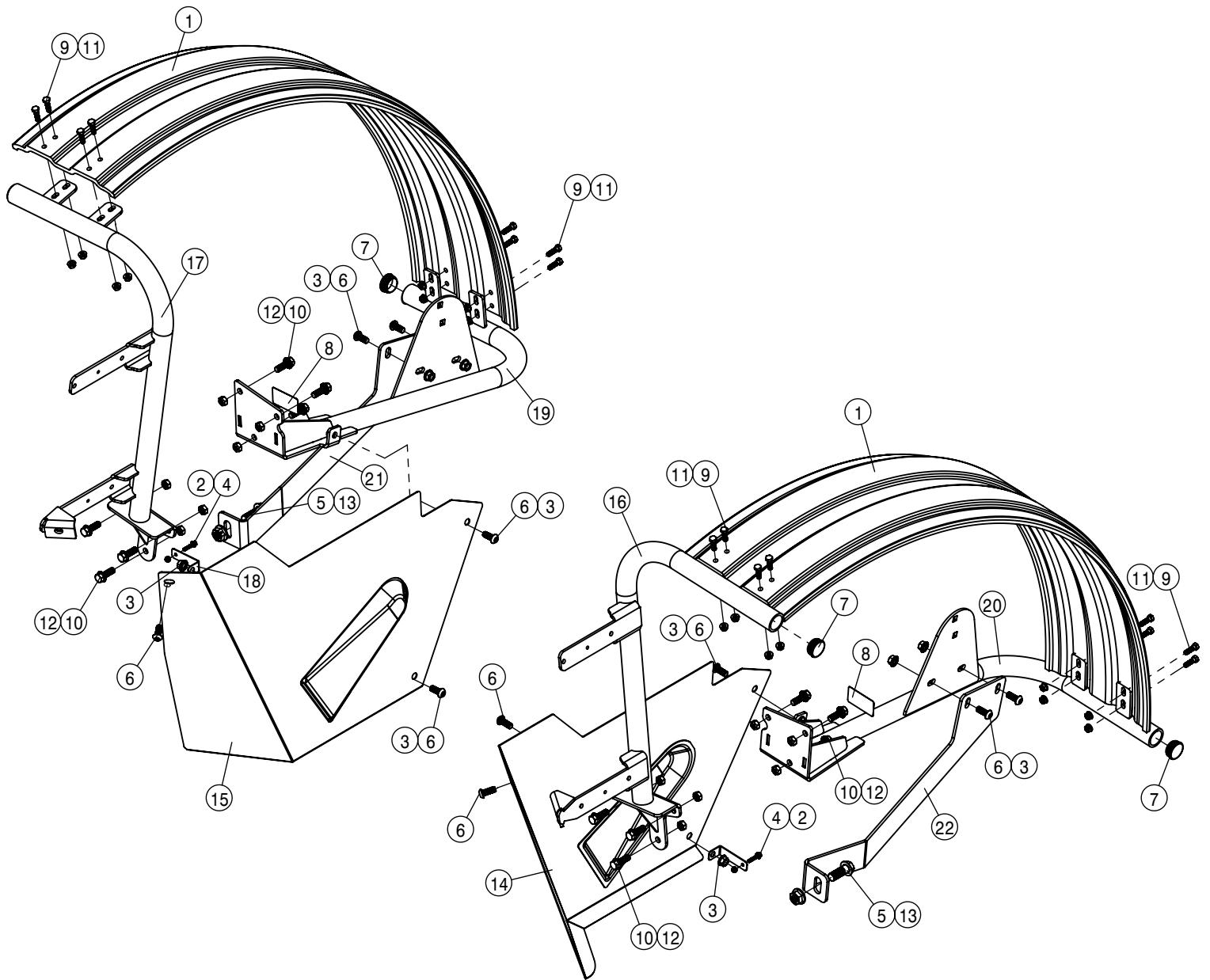
| HAND WASH TANK ASSEMBLY | | | |
|-------------------------|-----|---------|-----------------------------------|
| DET | QTY | P/N | DESCRIPTION |
| 1 | 1 | 294059 | footswitch assembly, 60" cord |
| 2 | 1 | 294252 | HANDWASH EXTENSION HARNESS |
| 3 | 4 | 470232N | 5/16UNC X 1/2 SERR FLG BOLT SS |
| 4 | 1 | 470596 | DIAPHRAM PUMP W/DEUTSCH CONNEC |
| 5 | 2 | 472351 | 4-40 X 1/2 PAN HD MTL SCR TYP F |
| 6 | 2 | 500044 | 1/2NPT-90 ST EL, POLY |
| 7 | 2 | 500047 | 1/2NPT-90-1/2 HOSE BARB, POLY |
| 8 | 1 | 500286 | 1/2"-3/8"NPT REDU BUSH, POLY |
| 9 | 2 | 500287 | 3/8NPT-90-3/8 HOSE BARB, POLY |
| 10 | 1 | 500288 | 3/8NPT-90 EL, POLY |
| 11 | 2 | 520069 | HOSE CLAMP NO 6 STAINLESS |
| 12 | 4 | 520120 | HOSE CLAMP NO 4 STAINLESS |
| 13 | 1 | 601076 | HOSE, 3/8 X 7.00 1FBR BR |
| 14 | 1 | 601077 | HOSE, 3/8 X 200.00 1FBR BR |
| 15 | 1 | 601078 | HOSE, 1/2 X 7.50" CLEAR VINYL |
| 16 | 1 | 690207 | IN-LINE STRAINER, 1/2 FNPT, HYPRO |
| 17 | 1 | 696195 | 1/2FNPT-1/2MNPT MICRO BALL VLV |
| 18 | 1 | 763831 | TANK-HAND WASH, 4.4 GALLON |
| 19 | 4 | 903710N | 10-32 X 5/8 PHIL PANHD MACH SCR |
| 20 | 4 | 920510N | #10 LOCK WASHER YZ |



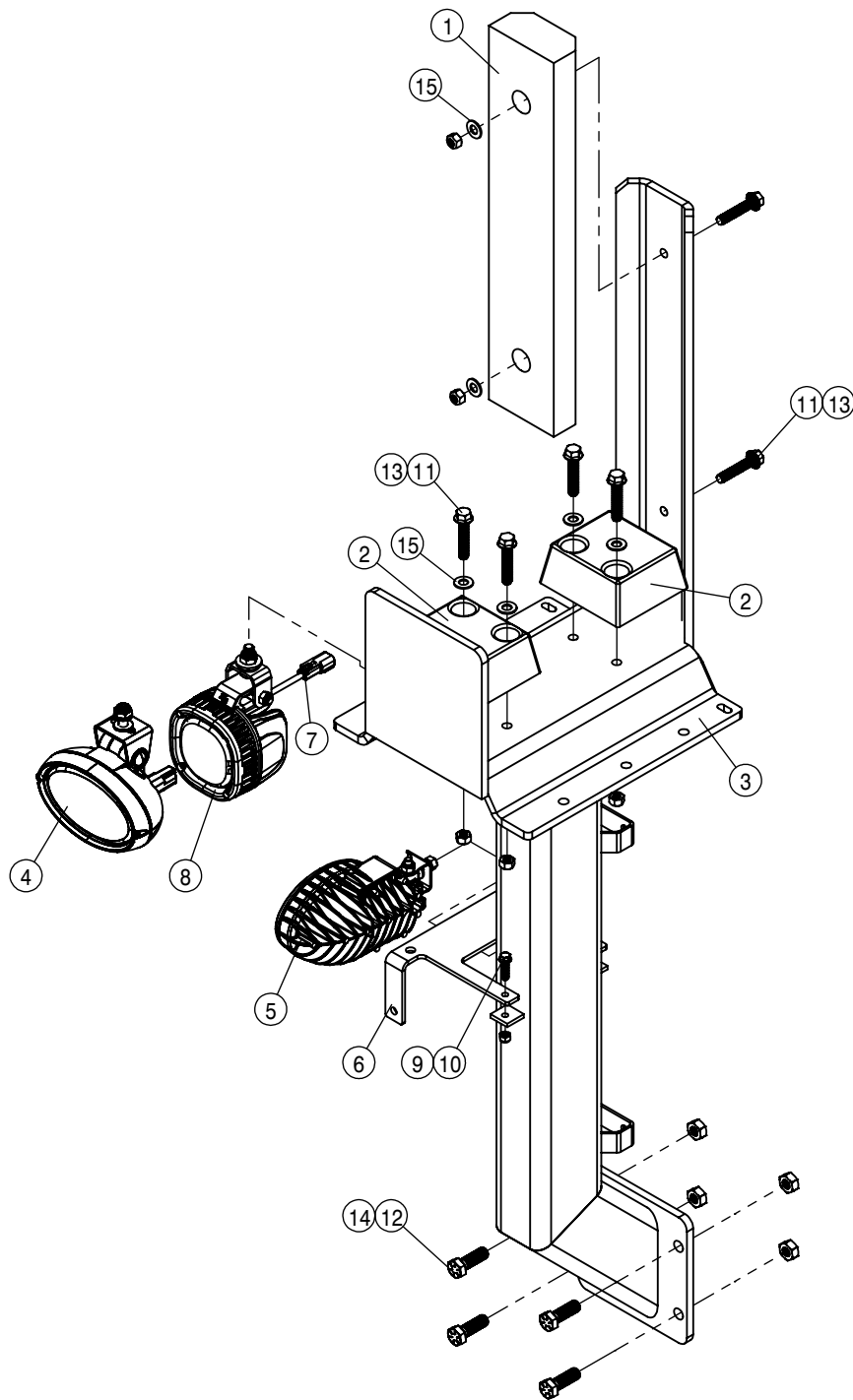
| FOAMER ASSEMBLY | | | |
|-----------------|-----|------------|---------------------------------|
| DET | QTY | P/N | DESCRIPTION |
| 1 | 2 | 195906-006 | 1/40D AIR BRAKE TUBING J844-A |
| 2 | 1 | 195906-007 | 1/40D AIR BRAKE TUBING J844-A |
| 3 | 1 | 195906-009 | 1/40D AIR BRAKE TUBING J844-A |
| 4 | 2 | 195906-014 | 1/40D AIR BRAKE TUBING J844-A |
| 5 | 1 | 195906-142 | 1/40D AIR BRAKE TUBING J844-A |
| 6 | 1 | 195906-172 | 1/40D AIR BRAKE TUBING J844-A |
| 7 | 1 | 195909-068 | HOSE 5/8 HEATER 1-FBR BR 20R3 |
| 8 | 1 | 195915-001 | 3/80D AIR BRAKE TUBING J844-B |
| 9 | 1 | 195915-004 | 3/80D AIR BRAKE TUBING J844-B |
| 10 | 1 | 195915-008 | 3/80D AIR BRAKE TUBING J844-B |
| 11 | 2 | 195915-019 | 3/80D AIR BRAKE TUBING J844-B |
| 12 | 1 | 195915-172 | 3/80D AIR BRAKE TUBING J844-B |
| 13 | 1 | 195957-172 | 3/80D AIR BRAKE HOSE-A YELLOW |
| 14 | 1 | 195963-173 | 1/40D NYLON TUBING,YELLOW |
| 15 | 1 | 292105 | DEUTSCH,WEDGELock,W12P |
| 16 | 2 | 470087 | 3/8UNC HEX SERR FLANGE NUT |
| 17 | 1 | 470118 | 1/4 UNC X 3/4 SER FLG BOLT |
| 18 | 4 | 470215 | 10-32 X 1/2 SERR FLG HEX BOLT |
| 19 | 4 | 470463 | 8-32 SERR FLANGE NUT |
| 20 | 2 | 473907 | #10X5/8 OHPHIL 8 SHT MTL SCR |
| 21 | 1 | 500275 | 1/2MPT-3/8 NYL TUBE FTG |
| 22 | 1 | 504211 | RED BUSH 3/4MNPT-1/2FNPT,POLY |
| 23 | 2 | 520055 | HOSE CLAMP NO 12 STAINLESS |
| 24 | 1 | 520101 | CUSH HOSE CLAMP,#16, 1"D X 1/2W |
| 25 | 1 | 690251 | 3/8" PTC STRAINER 80 MESH |
| 26 | 1 | 701280 | 0.25" ID PUMP TUBE |
| 27 | 1 | 701282 | WATER PUMP GEAR MOTOR |
| 28 | 1 | 701284 | CONCENTRATE PUMP GEAR MOTOR |

| FOAMER ASSEMBLY | | | |
|-----------------|-----|---------|-----------------------------------|
| DET | QTY | P/N | DESCRIPTION |
| 29 | 1 | 701297 | 1/8" ID PUMP TUBE |
| 30 | 1 | 701499 | 1GA RESERVOIR |
| 31 | 1 | 701502 | MANIFOLD BLOCK VLV ASSY, STS'16 |
| 32 | 1 | 701503 | AIR REGULATOR ASSY |
| 33 | 1 | 701504 | 30 PSI AIR PRESSURE GAUGE |
| 34 | 5 | 711054 | 1/4 NYL TUBE UNION, STRAIGHT |
| 35 | 2 | 711055 | 3/8 NYL TUBE UNION, STRAIGHT |
| 36 | 1 | 711084 | 3/8 BLKHD UNION PUSH CONNECT |
| 37 | 2 | 711085 | 1/4 BLKHD UNION PUSH CONNECT |
| 38 | 3 | 711086 | 1/4 OD PLUG IN STEM W/ BARB, POLY |
| 39 | 1 | 711087 | 3/8" JG DB CHK VLV, POLY |
| 40 | 1 | 711088 | 1/4 PUSH CONNECT UNION TEE, POLY |
| 41 | 2 | 711089 | 1/4 OD PLUG IN ELBOW, POLY |
| 42 | 3 | 711090 | 3/8 OD PLUG IN ELBOW, POLY |
| 43 | 5 | 711091 | 3/8 OD HOSE CLAMP, STEEL YZ |
| 44 | 2 | 711095 | 1/4 OD X 1/8 HOSE BARB STEM, POLY |
| 45 | 1 | 711096 | 1/4"OD PUSH CONNECT X 1/8 NPT |
| 46 | 8 | 900064 | 5/16UNC X 3/4" HEX BOLT |
| 47 | 2 | 900128N | 3/8UNC X 3/4 SER FLANGE BOLT |
| 48 | 4 | 903850 | 8-32 X 3/4 PHIL PAN MACH SCR BZ |
| 49 | 1 | 910000 | 1/4UNC HEX NUT |
| 50 | 6 | 910002 | 5/16UNC HEX NUT |
| 51 | 1 | 292181 | DEUTSCH,RECP,DT 12P,FLG MT,A |
| 52 | 1 | 343972 | REMOTE FILL |
| 53 | 1 | 651012 | DECAL, WATER IN, CONCENTRATE IN |
| 54 | 1 | 651013 | DECAL, RIGHT LEFT, LIQUID, AIR |
| 55 | 1 | 701498 | FOAMER BRKT, STS'16 |
| 56 | 1 | 701506 | FOAMER BRKT WLDT, STS'16 |

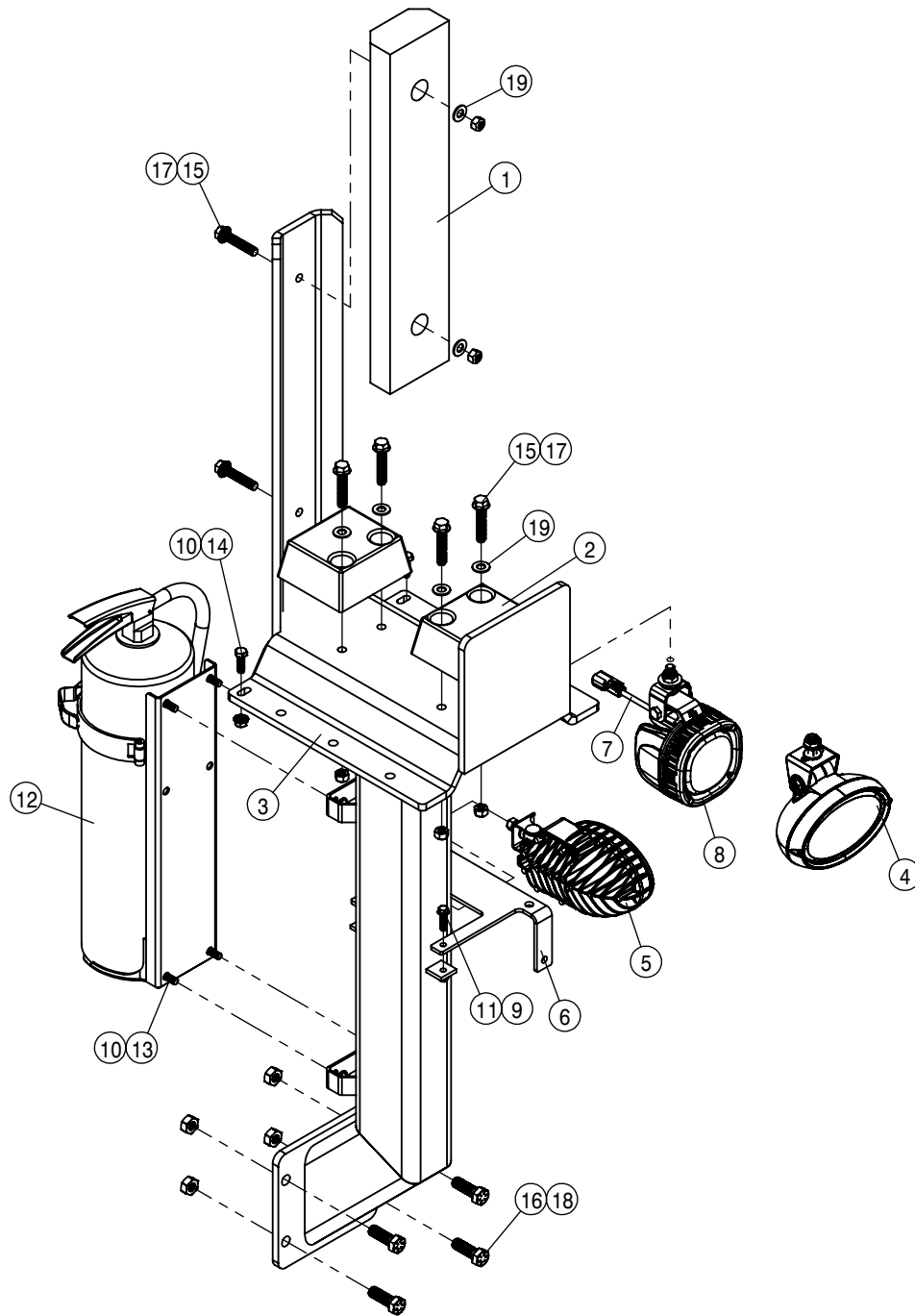




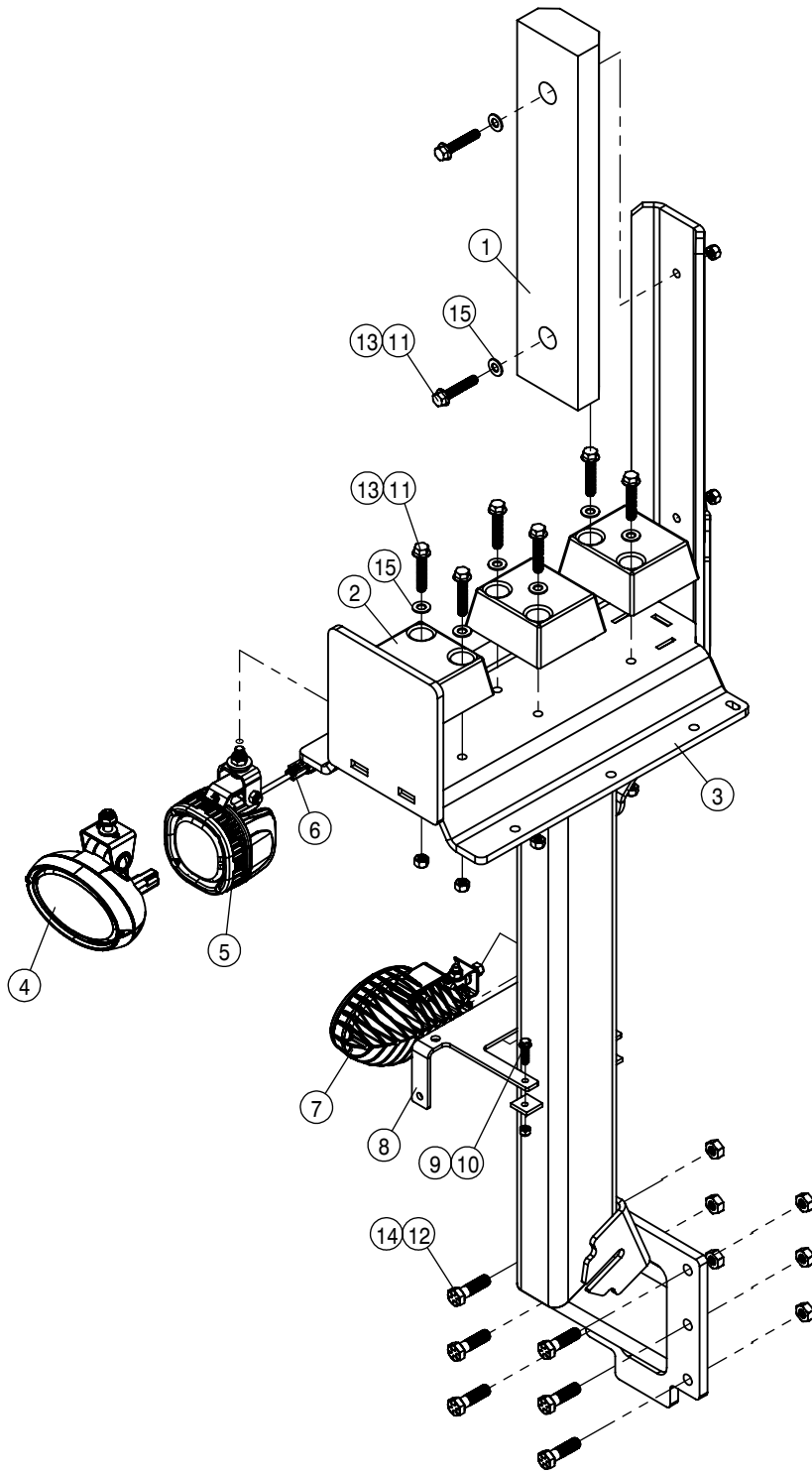
| FRONT/REAR FENDER ASSEMBLY (SEVERE DUTY LEG) | | | |
|----------------------------------------------|-----|---------|--------------------------------------|
| DET | QTY | P/N | DESCRIPTION |
| 1 | 2 | 359598 | FRONT FENDER, STS '10 |
| 2 | 2 | 470089 | 1/4UNC HEX NYL-LOC NUT |
| 3 | 8 | 470360 | 1/2-13UNC HEX FLG NUT SER MC GR5 |
| 4 | 2 | 470407 | 1/4UNC X 1 1/4 SERR FLG BOLT |
| 5 | 2 | 472367 | 3/4UNC X 2" SM FLG BOLT GR8 YZ |
| 6 | 10 | 473987 | 1/2UNC X 1 1/4BUT SKTHD SCR |
| 7 | 4 | 629772 | CAPPLUGS PLUG, 1 3/4" RD, BLACK POLY |
| 8 | 2 | 650851 | DECAL, NOTICE, SHIELD PROTECT |
| 9 | 16 | 900130 | 3/8UNC X 1 1/4 HEX BOLT |
| 10 | 12 | 900265N | 1/2UNC X 1 1/2 SERR FLANGE BOLT |
| 11 | 16 | 910004N | 3/8UNC FLANGE CNTR LOCK NUT |
| 12 | 12 | 914008 | 1/2 UNC HEX STOVER NUT |
| 13 | 2 | 914012N | 3/4UNC CNTLCK SM FLG HEX NUT |
| 14 | 1 | 360121 | CROP SHIELD WLD-LH SDS LEG |
| 15 | 1 | 360122 | CROP SHIELD WLD-RH SDS LEG |
| 16 | 1 | 360123 | FENDER BRKT-LH FRT, SDS LEG |
| 17 | 1 | 360124 | FENDER BRKT-RH FRT, SDS LEG |
| 18 | 2 | 360139 | MTG STRAP-CROP SHIELD SDS LEG |
| 19 | 1 | 362571 | SDS FENDER BRKT WLD RH, STS'16 |
| 20 | 1 | 362575 | SDS FENDER BRKT WLD LH, STS'16 |
| 21 | 1 | 362577 | RH FENDER BRKT LWR BRACE, STS'16 |
| 22 | 1 | 362578 | LH FENDER BRKT LWR BRACE, STS'16 |



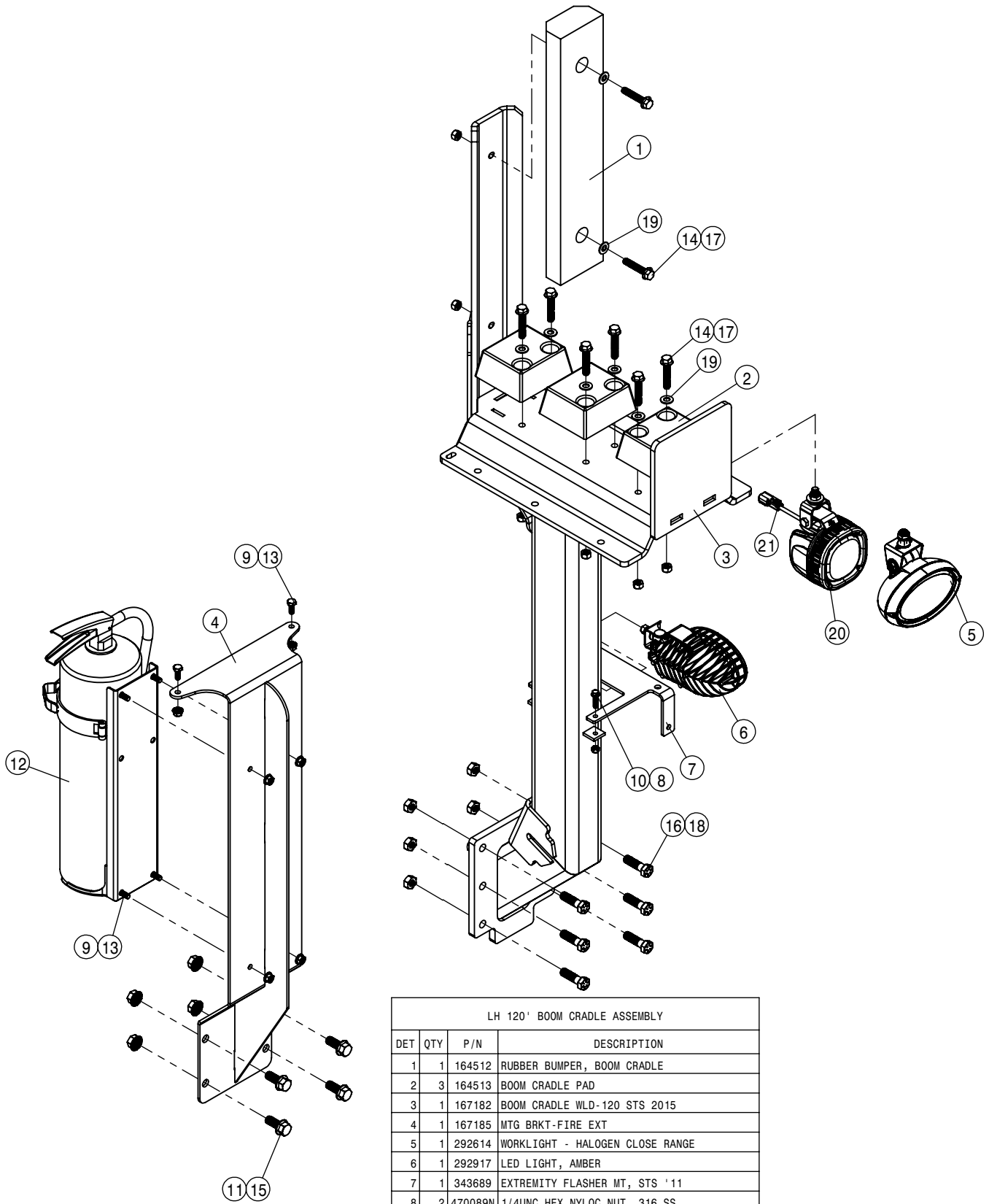
| RH 90/100' BOOM CRADLE ASSEMBLY | | | |
|---------------------------------|-----|---------|---------------------------------|
| DET | QTY | P/N | DESCRIPTION |
| 1 | 1 | 164512 | RUBBER BUMPER, BOOM CRADLE |
| 2 | 2 | 164513 | BOOM CRADLE PAD |
| 3 | 1 | 165041 | BOOM CRADLE WLD 07 |
| 4 | 1 | 292614 | WORKLIGHT - HALOGEN CLOSE RANGE |
| 5 | 1 | 292917 | LED LIGHT, AMBER |
| 6 | 1 | 343689 | EXTREMITY FLASHER MT, STS '11 |
| 7 | 1 | 294299 | TYRI JUMPER HARNESS |
| 8 | 1 | 292618 | WORKLIGHT-TYRI LED FLOOD |
| 9 | 2 | 470089N | 1/4UNC HEX NYLOC NUT, 316 SS |
| 10 | 2 | 470231N | 1/4UNC X 1" SERR FLG BOLT SS |
| 11 | 6 | 900133N | 3/8UNC X 2" SERR FLANGE BOLT |
| 12 | 4 | 900804 | 1/2UNC X 1 1/2 HEX BOLT GR8 YZ |
| 13 | 6 | 914004 | 3/8UNC HEX STOVER NUT |
| 14 | 4 | 914808 | 1/2UNC HEX STOVER NUT GR8 |
| 15 | 6 | 920002N | 3/8 SAE FLAT WASHER |



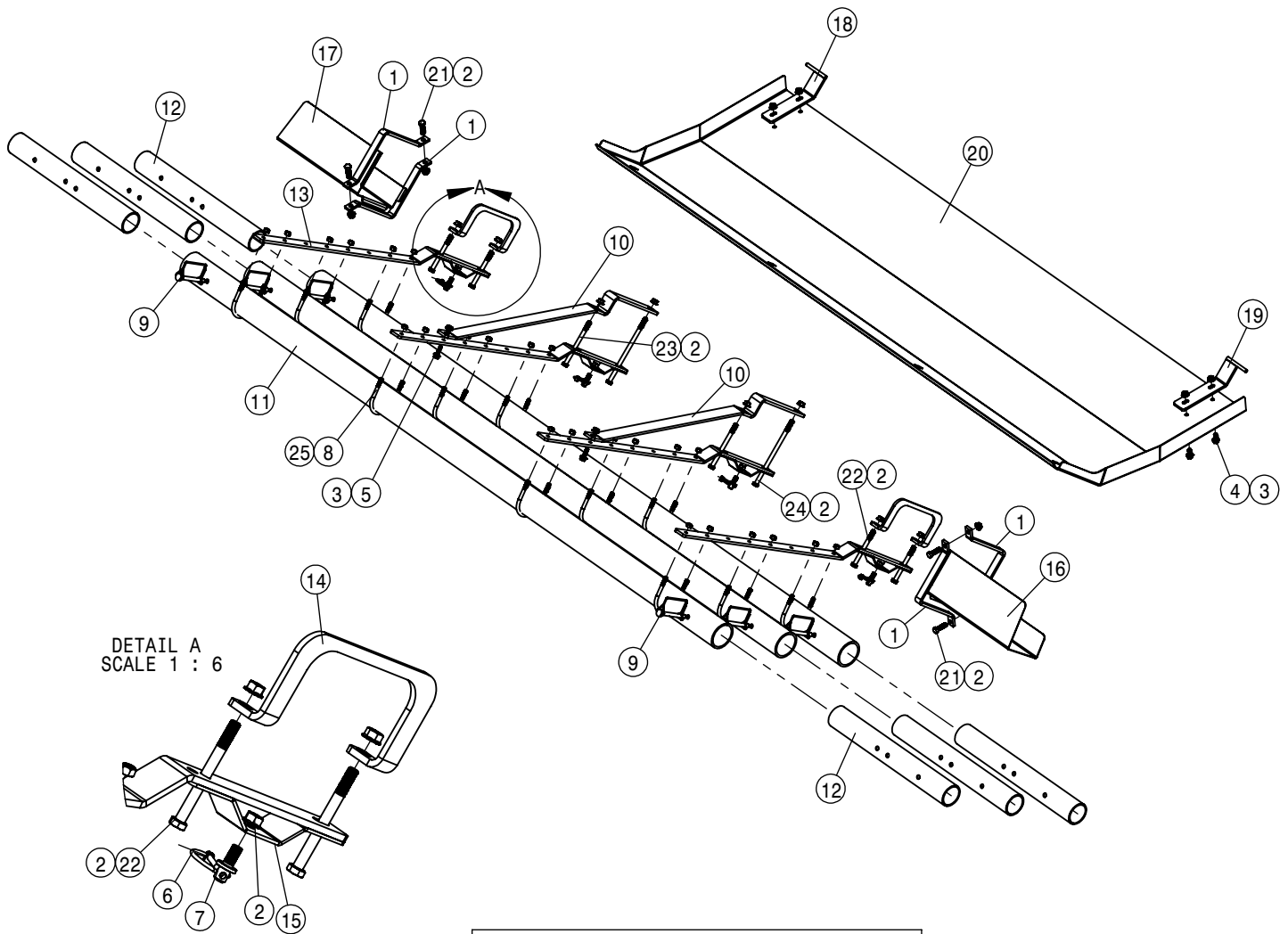
| LH 90/100' BOOM CRADLE ASSEMBLY | | | |
|---------------------------------|-----|---------|---------------------------------|
| DET | QTY | P/N | DESCRIPTION |
| 1 | 1 | 164512 | RUBBER BUMPER, BOOM CRADLE |
| 2 | 2 | 164513 | BOOM CRADLE PAD |
| 3 | 1 | 165041 | BOOM CRADLE WLD 07 |
| 4 | 1 | 292614 | WORKLIGHT - HALOGEN CLOSE RANGE |
| 5 | 1 | 292917 | LED LIGHT, AMBER |
| 6 | 1 | 343689 | EXTREMITY FLASHER MT, STS '11 |
| 7 | 1 | 294299 | TYRI JUMPER HARNESS |
| 8 | 1 | 292618 | WORKLIGHT-TYRI LED FLOOD |
| 9 | 2 | 470089N | 1/4UNC HEX NYLOC NUT, 316 SS |
| 10 | 6 | 470113 | 5/16UNC SERR FLG LOCK NUT |
| 11 | 2 | 470231N | 1/4UNC X 1" SERR FLG BOLT SS |
| 12 | 1 | 490508 | FIRE EXTINGUISHER |
| 13 | 4 | 900064 | 5/16UNC X 3/4" HEX BOLT |
| 14 | 2 | 900065N | 5/16UNC X 1" HEX BOLT SS |
| 15 | 6 | 900133N | 3/8UNC X 2" SERR FLANGE BOLT |
| 16 | 4 | 900804 | 1/2UNC X 1 1/2 HEX BOLT GR8 YZ |
| 17 | 6 | 914004 | 3/8UNC HEX STOVER NUT |
| 18 | 4 | 914808 | 1/2UNC HEX STOVER NUT GR8 |
| 19 | 6 | 920002N | 3/8 SAE FLAT WASHER |



| RH 120' BOOM CRADLE ASSEMBLY | | | |
|------------------------------|-----|---------|---------------------------------|
| DET | QTY | P/N | DESCRIPTION |
| 1 | 1 | 164512 | RUBBER BUMPER, BOOM CRADLE |
| 2 | 3 | 164513 | BOOM CRADLE PAD |
| 3 | 1 | 167182 | BOOM CRADLE WLD-120 STS 2015 |
| 4 | 1 | 292614 | WORKLIGHT - HALOGEN CLOSE RANGE |
| 5 | 1 | 292618 | WORKLIGHT-TYRI LED FLOOD |
| 6 | 1 | 294299 | TYRI JUMPER HARNESS |
| 7 | 1 | 292917 | LED LIGHT, AMBER |
| 8 | 1 | 343689 | EXTREMITY FLASHER MT, STS '11 |
| 9 | 2 | 470089N | 1/4UNC HEX NYLOC NUT, 316 SS |
| 10 | 2 | 470231N | 1/4UNC X 1" SERR FLG BOLT SS |
| 11 | 8 | 900133N | 3/8UNC X 2" SERR FLANGE BOLT |
| 12 | 6 | 900805 | 1/2UNC X 1 3/4 HEX BOLT GR8 YZ |
| 13 | 8 | 914004 | 3/8UNC HEX STOVER NUT |
| 14 | 6 | 914808 | 1/2UNC HEX STOVER NUT GR8 |
| 15 | 8 | 920002N | 3/8 SAE FLAT WASHER |

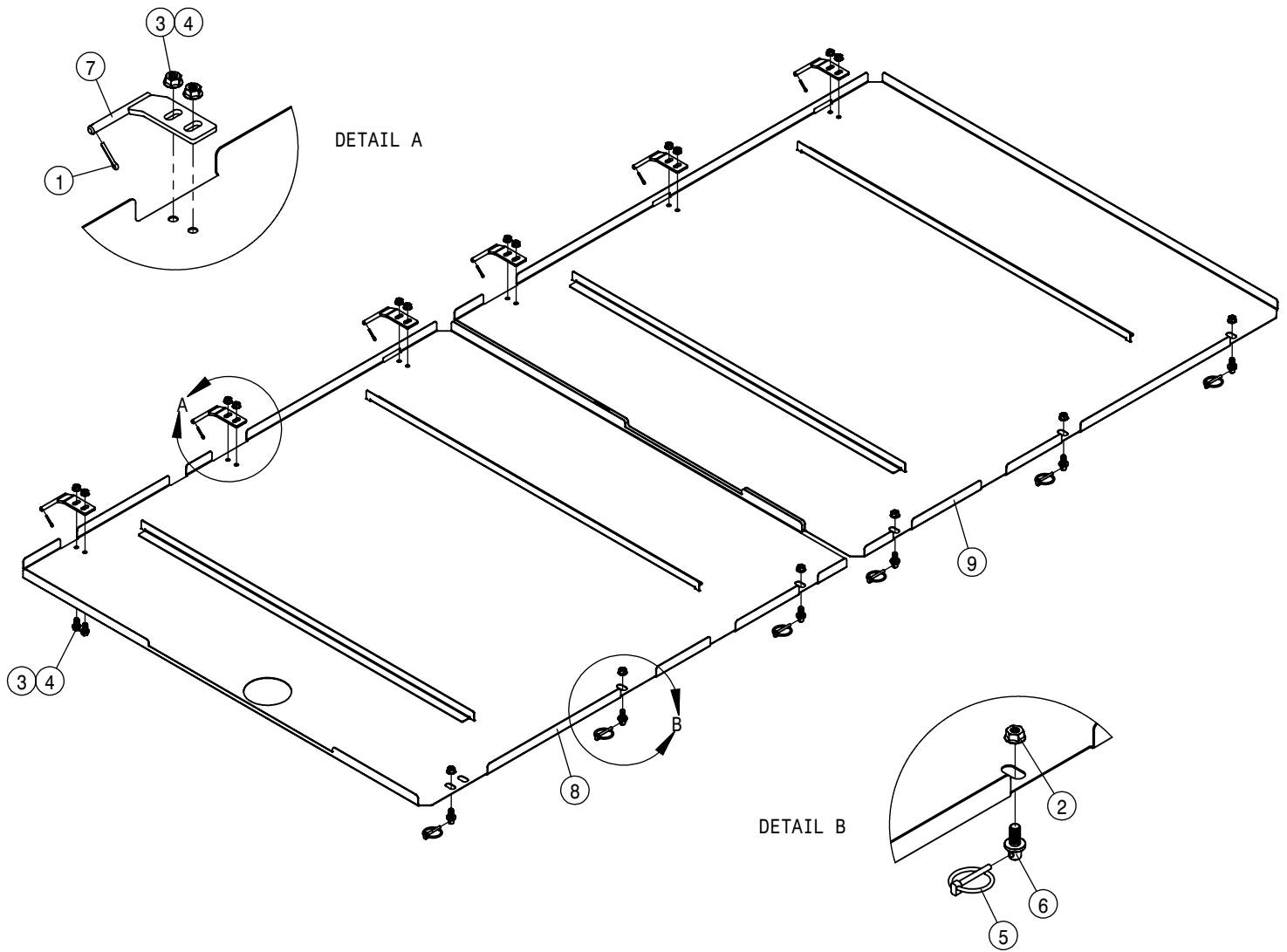


| LH 120' BOOM CRADLE ASSEMBLY | | | |
|------------------------------|-----|---------|---------------------------------|
| DET | QTY | P/N | DESCRIPTION |
| 1 | 1 | 164512 | RUBBER BUMPER, BOOM CRADLE |
| 2 | 3 | 164513 | BOOM CRADLE PAD |
| 3 | 1 | 167182 | BOOM CRADLE WLD-120 STS 2015 |
| 4 | 1 | 167185 | MTG BRKT-FIRE EXT |
| 5 | 1 | 292614 | WORKLIGHT - HALOGEN CLOSE RANGE |
| 6 | 1 | 292917 | LED LIGHT, AMBER |
| 7 | 1 | 343689 | EXTREMITY FLASHER MT, STS '11 |
| 8 | 2 | 470089N | 1/4UNC HEX NYLOC NUT, 316 SS |
| 9 | 6 | 470113 | 5/16UNC SERR FLG LOCK NUT |
| 10 | 2 | 470231N | 1/4UNC X 1" SERR FLG BOLT SS |
| 11 | 4 | 470360 | 1/2UNC SERR FLG HEX NUT |
| 12 | 1 | 490508 | FIRE EXTINGUISHER |
| 13 | 6 | 900064 | 5/16UNC X 3/4" HEX BOLT |
| 14 | 8 | 900133N | 3/8UNC X 2" SERR FLANGE BOLT |
| 15 | 4 | 900264N | 1/2UNC X 1 1/4 SER FLANGE BOLT |
| 16 | 6 | 900805 | 1/2UNC X 1 3/4 HEX BOLT GR8 YZ |
| 17 | 8 | 914004 | 3/8UNC HEX STOVER NUT |
| 18 | 6 | 914808 | 1/2UNC HEX STOVER NUT GR8 |
| 19 | 8 | 920002N | 3/8 SAE FLAT WASHER |
| 20 | 1 | 292618 | WORKLIGHT-TYRI LED FLOOD |
| 21 | 1 | 294299 | TYRI JUMPER HARNESS |

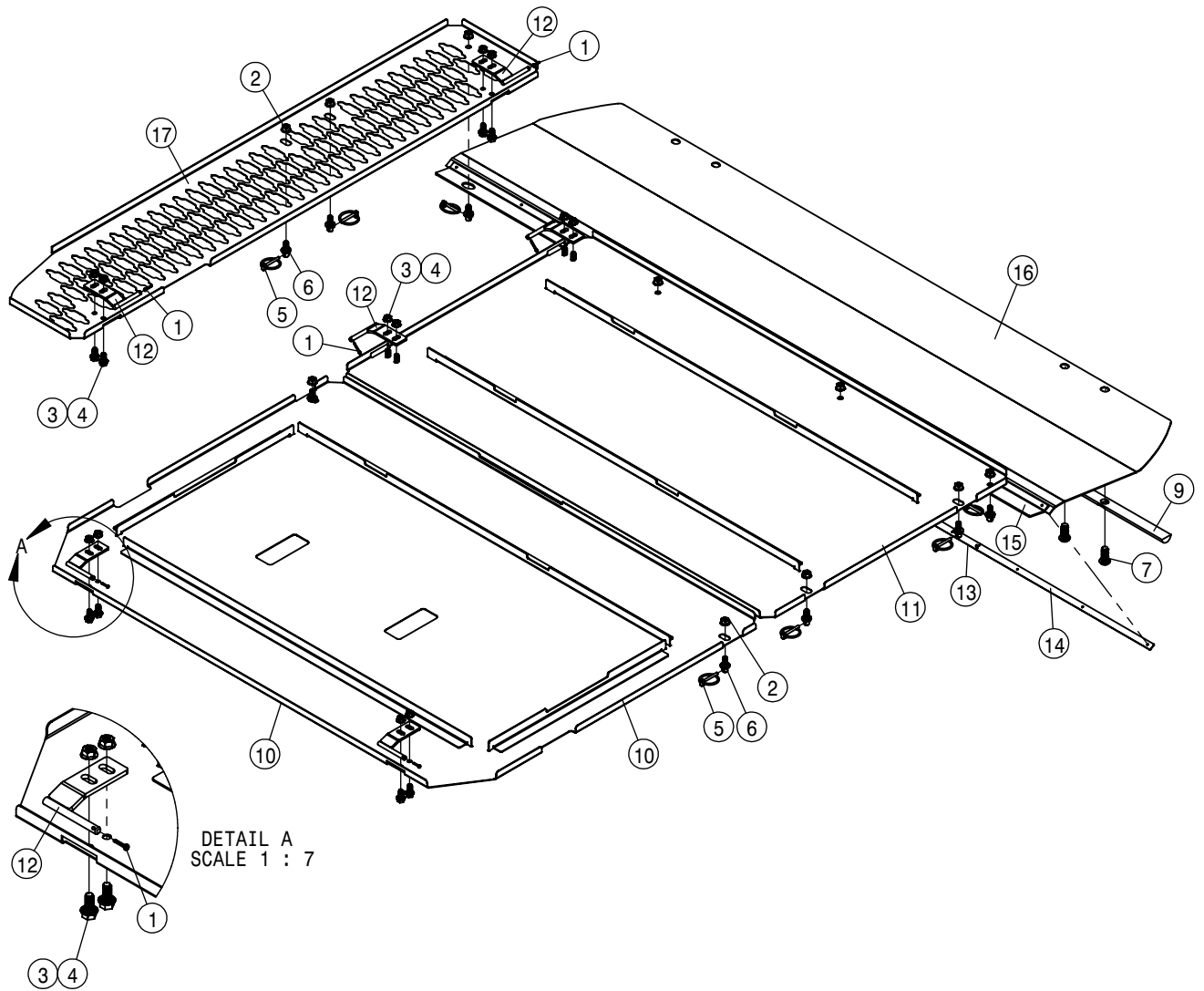


DETAIL A
SCALE 1 : 6

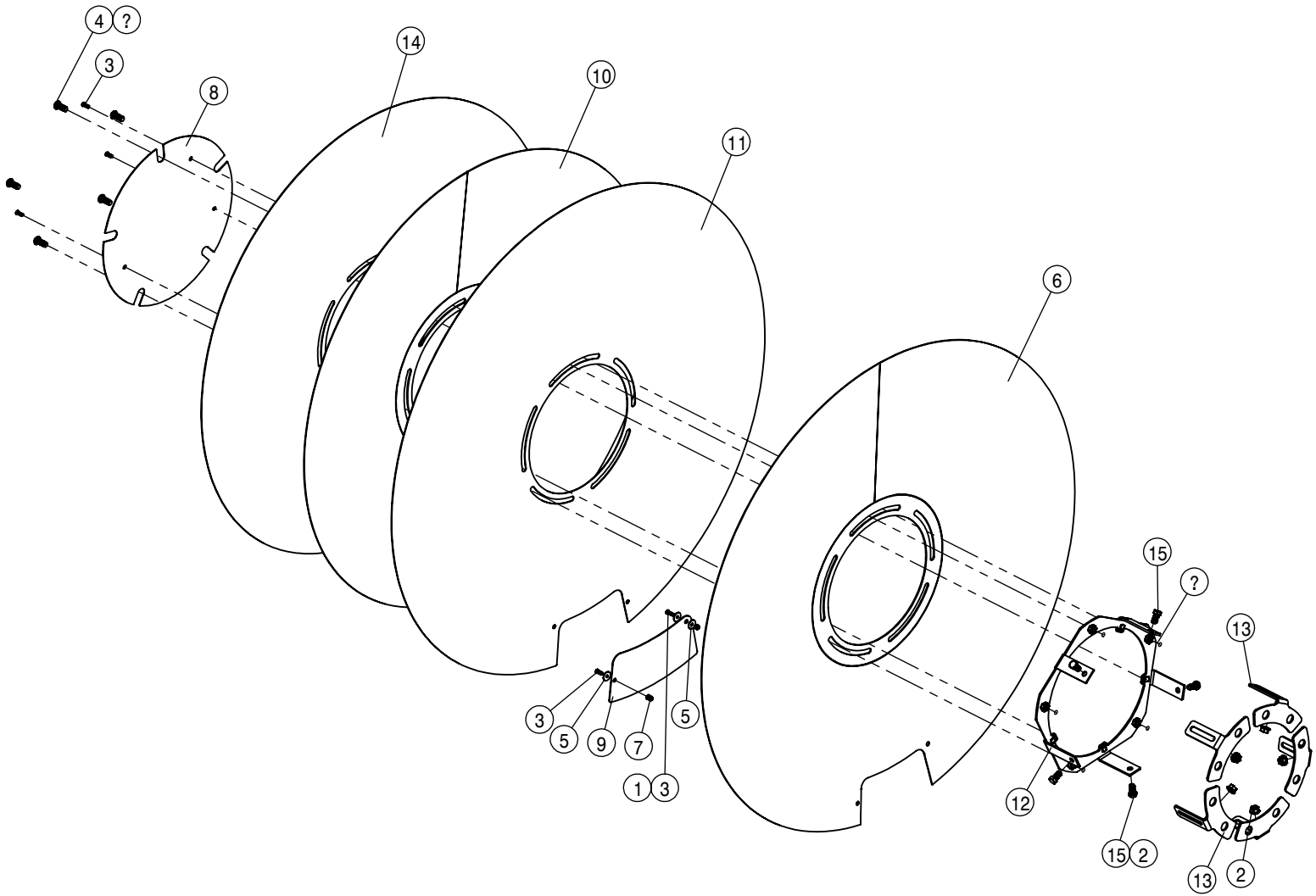
| FRONT TALL CROP SHIELD ASSEMBLY | | | |
|---------------------------------|-----|--------|---------------------------------|
| DET | QTY | P/N | DESCRIPTION |
| 1 | 4 | 003078 | RECEPT MTG BRKT, PAINTED STS 07 |
| 2 | 16 | 470087 | 3/8UNC HEX SERR FLANGE NUT |
| 3 | 6 | 470113 | 5/16UNC SERR FLG LOCK NUT |
| 4 | 4 | 470233 | 5/16UNC X 3/4 SERR FLG HEX BOLT |
| 5 | 2 | 470234 | 5/16UNC X 1" SERR FLG HEX BOLT |
| 6 | 4 | 470335 | LINCHPIN, 3/16 X 1 1/4 GRIP |
| 7 | 4 | 470520 | HANGER PIN,3/8UNC x.437Dx.500L |
| 8 | 12 | 472046 | 5/16UNC-3.00ID-3.687 U-BOLT,SS |
| 9 | 6 | 475016 | KLIK PIN 3/8 DIA x 3 x 1 1/2 |
| 10 | 2 | 660465 | BRUSH GUARD SUPPORT |
| 11 | 3 | 660466 | BRUSH GUARD PVC TUBE STS |
| 12 | 6 | 660467 | BRUSH GUARD PVC EXT STS |
| 13 | 4 | 660468 | BRUSH GUARD MT STS |
| 14 | 2 | 660470 | BRUSH GUARD MT SUPPORT STS |
| 15 | 4 | 660471 | FRNT BELLY SHLD RETAINER STS |
| 16 | 1 | 660474 | LH FRT TOOLBAR SHIELD STS |
| 17 | 1 | 660473 | RH FRT TOOLBAR SHIELD STS |
| 18 | 1 | 660475 | RH FRT SHLD HING WLD STS'14 |
| 19 | 1 | 660476 | LH FRT SHLD HING WLD STS'14 |
| 20 | 1 | 660472 | FRT BELLY SHIELD STS'14 |
| 21 | 4 | 900127 | 3/8UNC X 1 1/4 HEX BOLT |
| 22 | 4 | 900140 | 3/8UNC X 4" HEX BOLT |
| 23 | 2 | 900142 | 3/8 UNC X 5" HEX BOLT |
| 24 | 2 | 900151 | 3/8UNC X 7 1/2 HEX BOLT |
| 25 | 24 | 914002 | 5/16UNC HEX STOVER NUT |



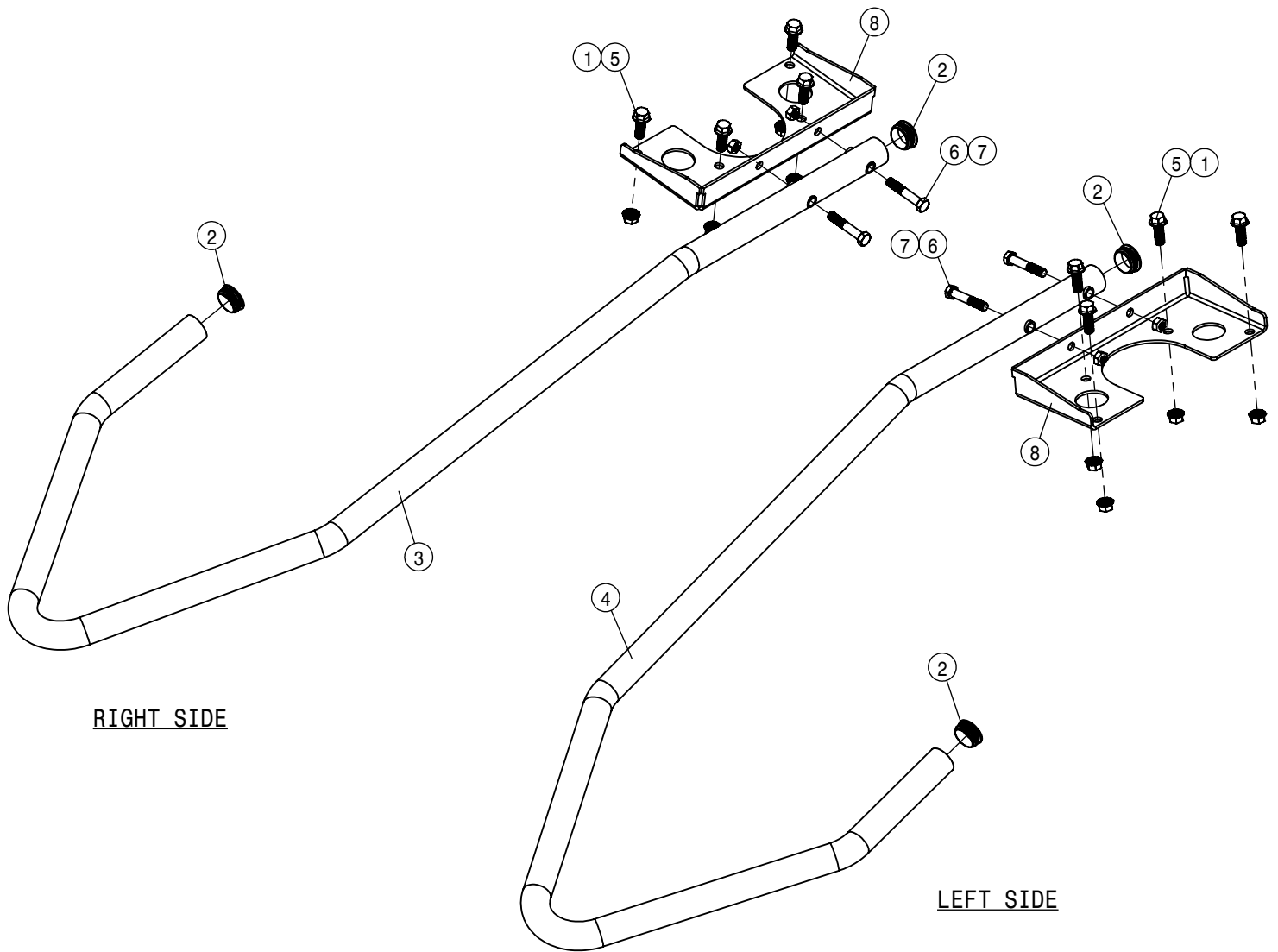
| CENTER TALL CROP SHIELD ASSEMBLY | | | |
|----------------------------------|-----|--------|-----------------------------------|
| DET | QTY | P/N | DESCRIPTION |
| 1 | 6 | 470075 | 1/8 X 3/4 COTTER PIN |
| 2 | 6 | 470087 | 3/8UNC HEX SERR FLANGE NUT |
| 3 | 12 | 470113 | 5/16UNC SERR FLG LOCK NUT |
| 4 | 12 | 470233 | 5/16UNC X 3/4 SERR FLG HEX BOLT |
| 5 | 6 | 470335 | LINCHPIN, 3/16 X 1 1/4 GRIP |
| 6 | 6 | 470520 | HANGER PIN, 3/8UNC x .437Dx .500L |
| 7 | 6 | 660578 | HINGE - BELLY PAN, WLD |
| 8 | 1 | 660582 | BELLY PAN - LF SOLU FRT, WLD |
| 9 | 1 | 660583 | BELLY PAN - LF SOLU REAR, WLD |



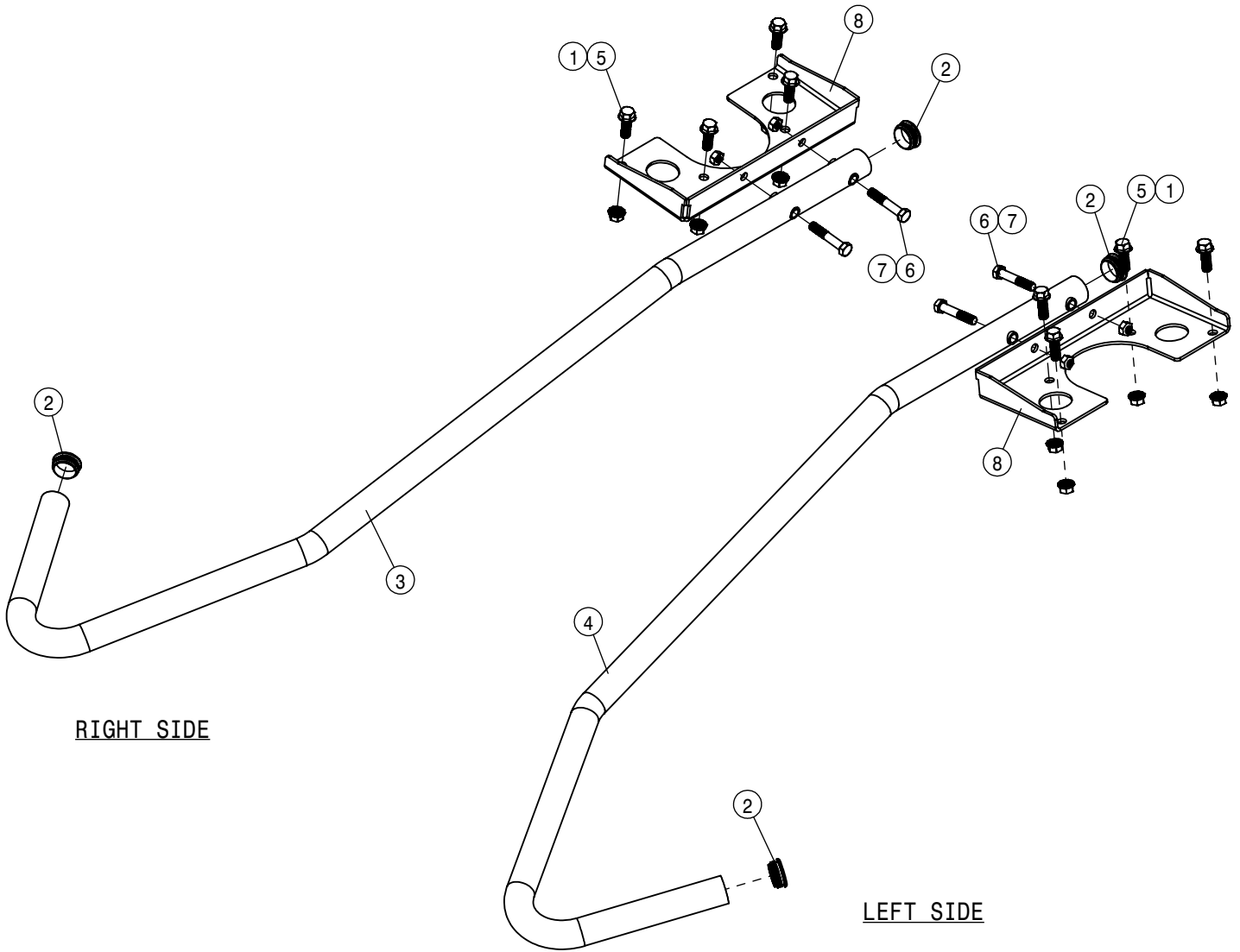
| REAR TALL CROP SHIELD ASSEMBLY | | | |
|--------------------------------|-----|--------|-----------------------------------|
| DET | QTY | P/N | DESCRIPTION |
| 1 | 6 | 470075 | 1/8 X 3/4 COTTER PIN |
| 2 | 10 | 470087 | 3/8UNC HEX SERR FLANGE NUT |
| 3 | 12 | 470113 | 5/16UNC SERR FLG LOCK NUT |
| 4 | 12 | 470233 | 5/16UNC X 3/4 SERR FLG HEX BOLT |
| 5 | 10 | 470335 | LINCHPIN, 3/16 X 1 1/4 GRIP |
| 6 | 10 | 470520 | HANGER PIN, 3/8UNC x .437Dx .500L |
| 7 | 4 | 473987 | 1/2UNC X 1 1/4BUT SKTHD SCR |
| NS | 10 | 485072 | POP RIVET, 1/8DIA X 1/4 GRIP SS |
| 9 | 1 | 660566 | BAR - CURTAIN |
| 10 | 1 | 660568 | BELLY PAN - ENGINE FRONT, WLD |
| 11 | 1 | 660569 | BELLY PAN - ENGINE REAR, WLD |
| 12 | 6 | 660578 | HINGE - BELLY PAN, WLD |
| 13 | 1 | 660595 | HOLDER - CURTAIN, OUTER SCT 1 |
| 14 | 1 | 660596 | HOLDER - CURTAIN, OUTER SCT 2 |
| 15 | 1 | 660586 | HOLDER - CURTAIN |
| 16 | 1 | 660574 | CURTAIN - HOOD |
| 17 | 1 | 660565 | BELLY PAN - HOOD, RH |



| TALL CROP WHEEL GUARD | | | |
|-----------------------|-----|---------|--------------------------------|
| DET | QTY | P/N | DESCRIPTION |
| 1 | 1 | 470089 | 1/4UNC HEX NYL-LOC NUT |
| 2 | 5 | 470360 | 1/2UNC SERR FLG HEX NUT |
| 3 | 5 | 472379 | 1/4UNC X 3/4 SKT HD LOC SCR SS |
| 4 | 5 | 473987N | 1/2UNC X 1 1/4BUT SKTHD SCR SS |
| 5 | 3 | 483067 | 1/4 X 1.00 OD FENDER WASHER |
| 6 | 1 | 662278 | 320 54" HUB CAP WLD |
| 7 | 1 | 470385 | 1/4-20 NUTSERT.027-.165BLK STL |
| 8 | 1 | 662283 | HUB CAP ACCESS DOOR |
| 9 | 1 | 662284 | HUB CAP VALVE STEM DOOR |
| 10 | 1 | 662291 | 320 50" HUB CAP WLD |
| 11 | 1 | 662282 | 380 54" WHEEL HUB CAP |
| 12 | 1 | 662307 | HUB CAP ADAPTER WLD |
| 13 | 5 | 662309 | HUB CAP ADAPTER PLATE |
| 14 | 1 | 662301 | 380 50" WHEEL HUB CAP |
| 15 | 5 | 900263 | 1/2UNC X 1" HEX BOLT |



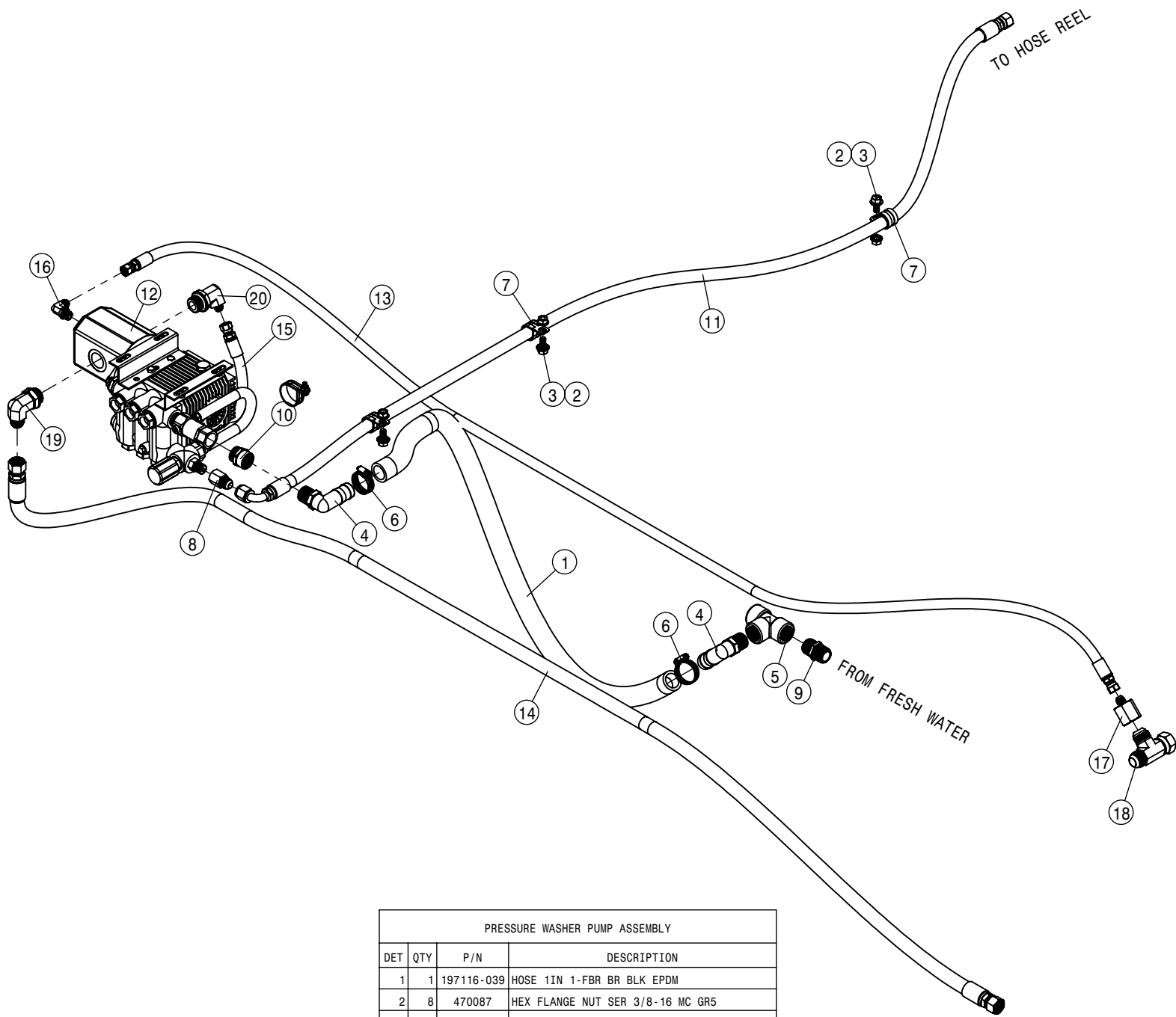
| 54" 380 WHEEL CROP DIVIDER ASSEMBLY (SEVERE DUTY LEG) | | | |
|-------------------------------------------------------|-----|---------|-------------------------------------|
| DET | QTY | P/N | DESCRIPTION |
| 1 | 8 | 470360N | 1/2UNC SERR FLG HEX NUT YZ |
| 2 | 4 | 629772 | CAPPLUGS PLUG,1 3/4" RD, BLACK POLY |
| 3 | 1 | 662271 | RH 380 CROP DIVIDER WLD |
| 4 | 1 | 662273 | LH 380 CROP DIVIDER WLD |
| 5 | 8 | 900265N | 1/2UNC X 1 1/2 SERR FLANGE BOLT |
| 6 | 4 | 900269 | 1/2UNC X 2 3/4 HEX BOLT |
| 7 | 4 | 914008 | 1/2 UNC HEX STOVER NUT |
| 8 | 2 | 662304 | MTG PLT-CROP DIVIDER WLD SD |



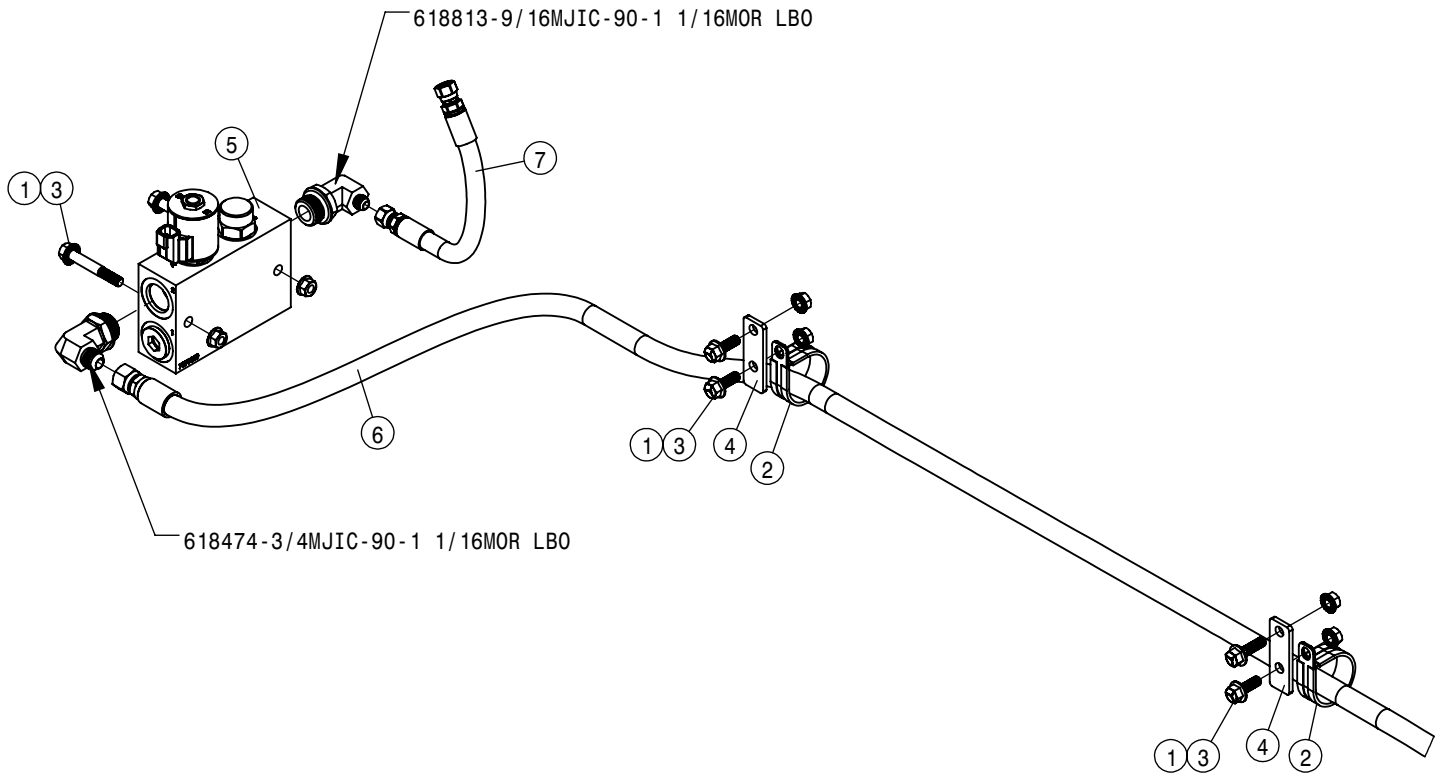
RIGHT SIDE

LEFT SIDE

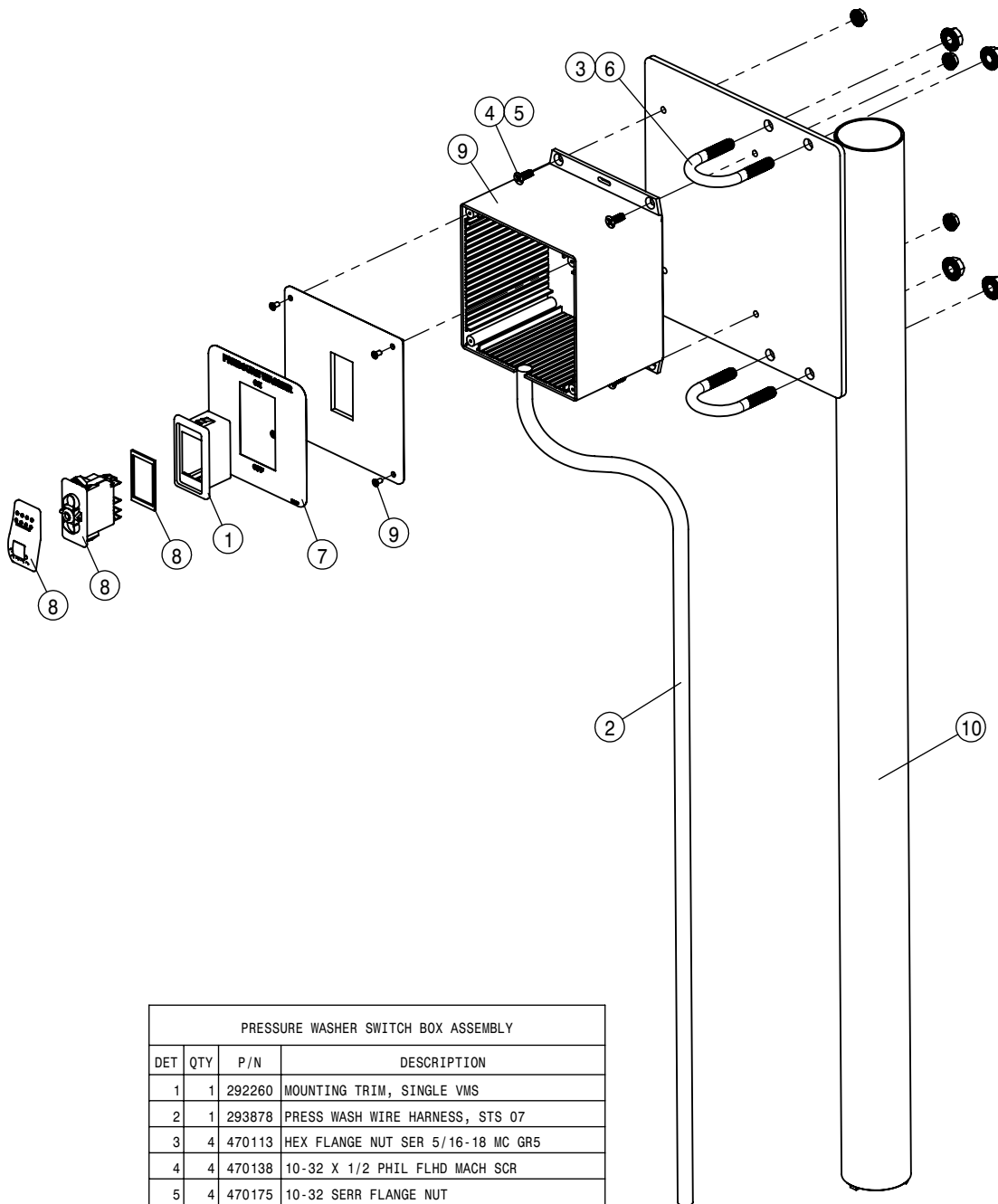
| 54" 320 WHEEL CROP DIVIDER ASSEMBLY (SEVERE DUTY LEG) | | | |
|-------------------------------------------------------|-----|---------|--------------------------------------|
| DET | QTY | P/N | DESCRIPTION |
| 1 | 8 | 470360N | 1/2UNC SERR FLG HEX NUT YZ |
| 2 | 4 | 629772 | CAPPLUGS PLUG, 1 3/4" RD, BLACK POLY |
| 3 | 1 | 662264 | RH 320 CROP DIVIDER WLD |
| 4 | 1 | 662268 | LH 320 CROP DIVIDER WLD |
| 5 | 8 | 900265N | 1/2UNC X 1 1/2 SERR FLANGE BOLT |
| 6 | 4 | 900269 | 1/2UNC X 2 3/4 HEX BOLT |
| 7 | 4 | 914008 | 1/2 UNC HEX STOVER NUT |
| 8 | 2 | 662304 | MTG PLT-CROP DIVIDER WLD SD |



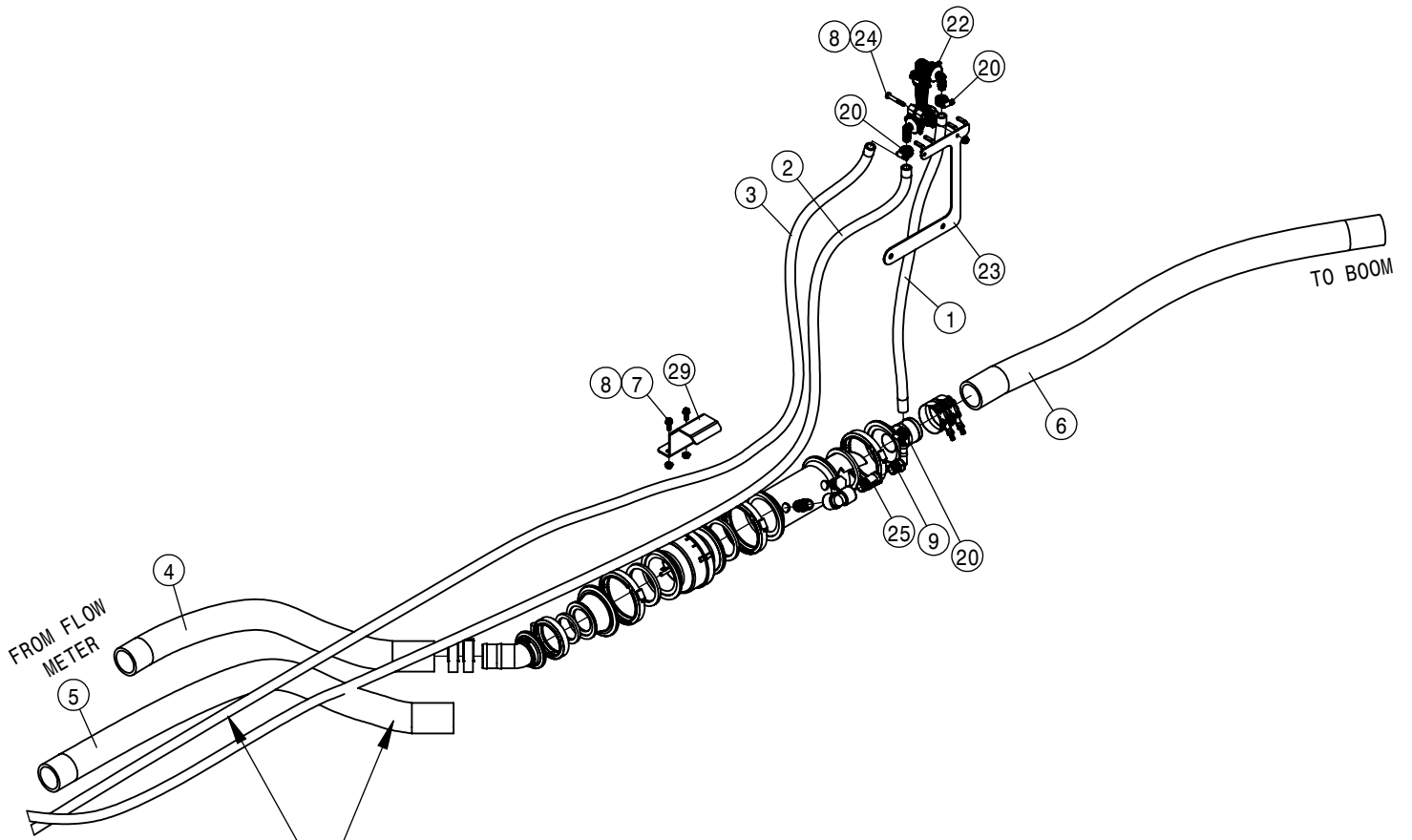
| PRESSURE WASHER PUMP ASSEMBLY | | | |
|-------------------------------|-----|------------|-------------------------------------|
| DET | QTY | P/N | DESCRIPTION |
| 1 | 1 | 197116-039 | HOSE 1IN 1-FBR BR BLK EPDM |
| 2 | 8 | 470087 | HEX FLANGE NUT SER 3/8-16 MC GR5 |
| 3 | 3 | 900507 | 3/8UNC X 2 1/2 HHSFB GR5 MC |
| 4 | 2 | 500026 | 3/4NPT-90-1"HOSE BARB, POLY |
| 5 | 1 | 505218 | 3/4 NPT PIPE TEE, POLY |
| 6 | 2 | 520090 | HOSECLAMP NO 16 STAINLESS |
| 7 | 3 | 520121 | CUSH CLAMP, #16 1IN X 3/4W |
| 8 | 1 | 618787 | 3/4MJIC-3/8FNPT ADPTR |
| 9 | 1 | 690098 | 3/4NPT CLOSE NIPPLE, POLY |
| 10 | 1 | 715449 | 3/4FNPT X 3/4MGHT ADPTR BRS |
| 11 | 1 | 617449 | 08-451TC-08FJX-08FJX90-85 H/A |
| 12 | 1 | 690672 | PRESSURE WASHER, PACE 320 HYD |
| 13 | 1 | 617446 | 06-451TC-06FJX-06FJX-84 |
| 14 | 1 | 617448 | 10-451TC-10FJX-10FJX-89 H/A |
| 15 | 1 | 617450 | 06-451TC-06FJX-06FJX-9 H/A |
| 16 | 1 | 618119 | 9/16MJIC-90-9/16MOR LBO |
| 17 | 1 | 618483 | 1 1/16FJIC-9/16MJIC ADPTR |
| 18 | 1 | 618487 | 1 1/16FJ SW RUN TEE-1 1/16MJ |
| 19 | 1 | 618535 | 7/8MJIC-90-1 1/16MOR LBO |
| 20 | 1 | 618813 | 9/16MJIC-90-1 1/16MOR LBO |
| 21 | 1 | 520100 | CUSH HOSE CLAMP, #24, 1 1/2D X 1/2W |
| 22 | 1 | 900002 | 1/4UNC X 3/4 HHCS GR5 MC |



| PRESSURE WASHER HYDRAULIC VALVE ASSEMBLY | | | |
|------------------------------------------|-----|--------|----------------------------------|
| DET | QTY | P/N | DESCRIPTION |
| 1 | 6 | 470087 | HEX FLANGE NUT SER 3/8-16 MC GR5 |
| 2 | 2 | 520161 | CUSH CLAMP,#32 2"D-3/4W LOOP |
| 3 | 6 | 900507 | 3/8UNC X 2 1/2 HHSFB GR5 MC |
| 4 | 2 | 344110 | STS BRCKT PRESSURE WASHER |
| 5 | 1 | 606543 | HYD VLV 7GPM PFC |
| 6 | 1 | 617447 | 08-451TC-08FJX-08FJX-95 H/A |
| 7 | 1 | 617450 | 06-451TC-06FJX-06FJX-9 H/A |

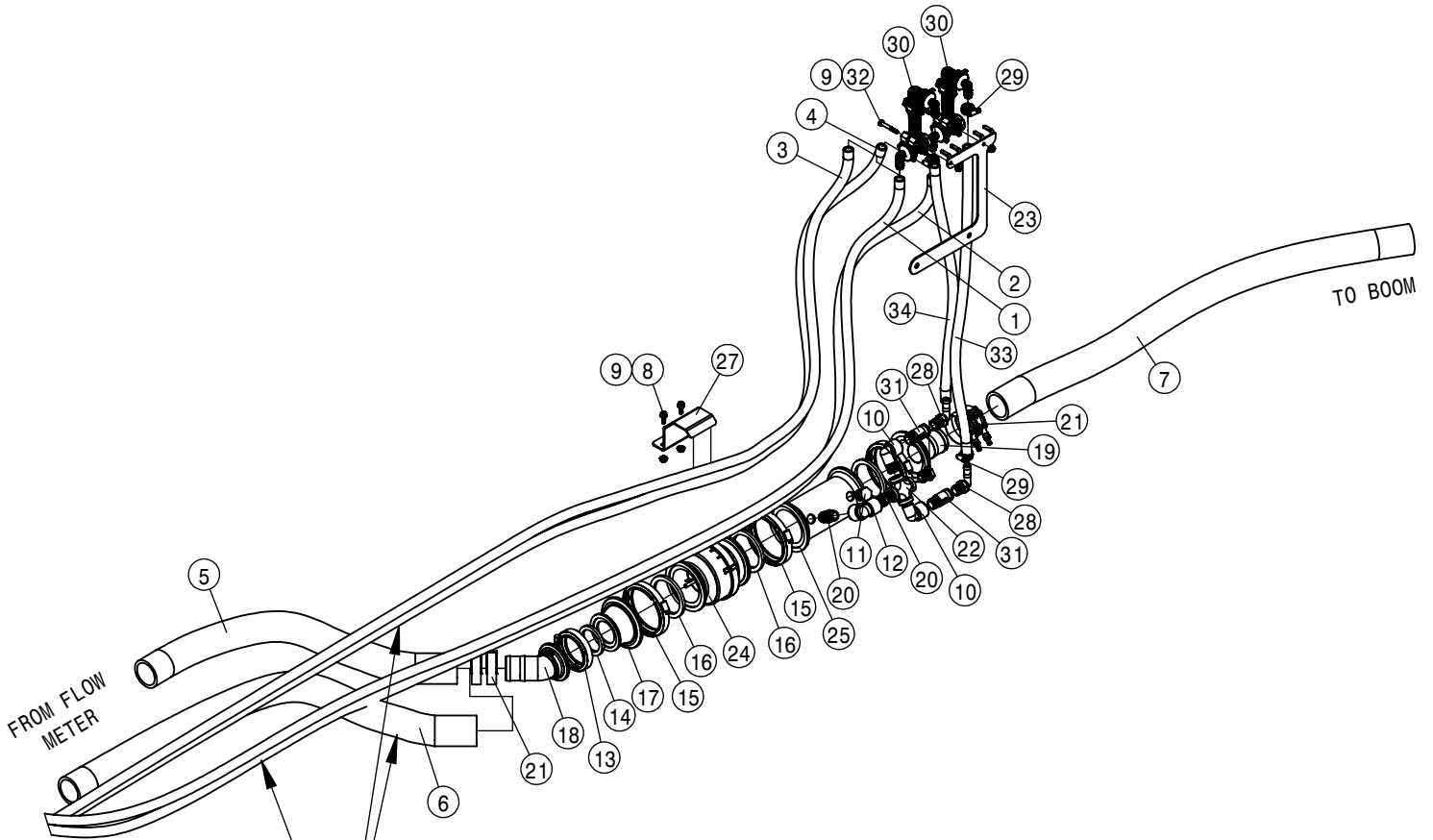


| PRESSURE WASHER SWITCH BOX ASSEMBLY | | | |
|-------------------------------------|-----|---------|-----------------------------------|
| DET | QTY | P/N | DESCRIPTION |
| 1 | 1 | 292260 | MOUNTING TRIM, SINGLE VMS |
| 2 | 1 | 293878 | PRESS WASH WIRE HARNESS, STS 07 |
| 3 | 4 | 470113 | HEX FLANGE NUT SER 5/16-18 MC GR5 |
| 4 | 4 | 470138 | 10-32 X 1/2 PHIL FLHD MACH SCR |
| 5 | 4 | 470175 | 10-32 SERR FLANGE NUT |
| 6 | 2 | 473911N | 5/16UNC-1.31ID-2.00 U-BOLT YZ |
| 7 | 1 | 650156 | DECAL, PRESS WASH CTRL STS 05 |
| 8 | 1 | 292218 | SWITCH,SIDE FILL PUMP/PRESWASH |
| 9 | 1 | 690975 | PRESS WASH SWTCH BOX, STS 05 |
| 10 | 1 | 691452 | BRACKET WELDMT-PRESS WASH WAND |



NOTE: LONG FRAME HOSE

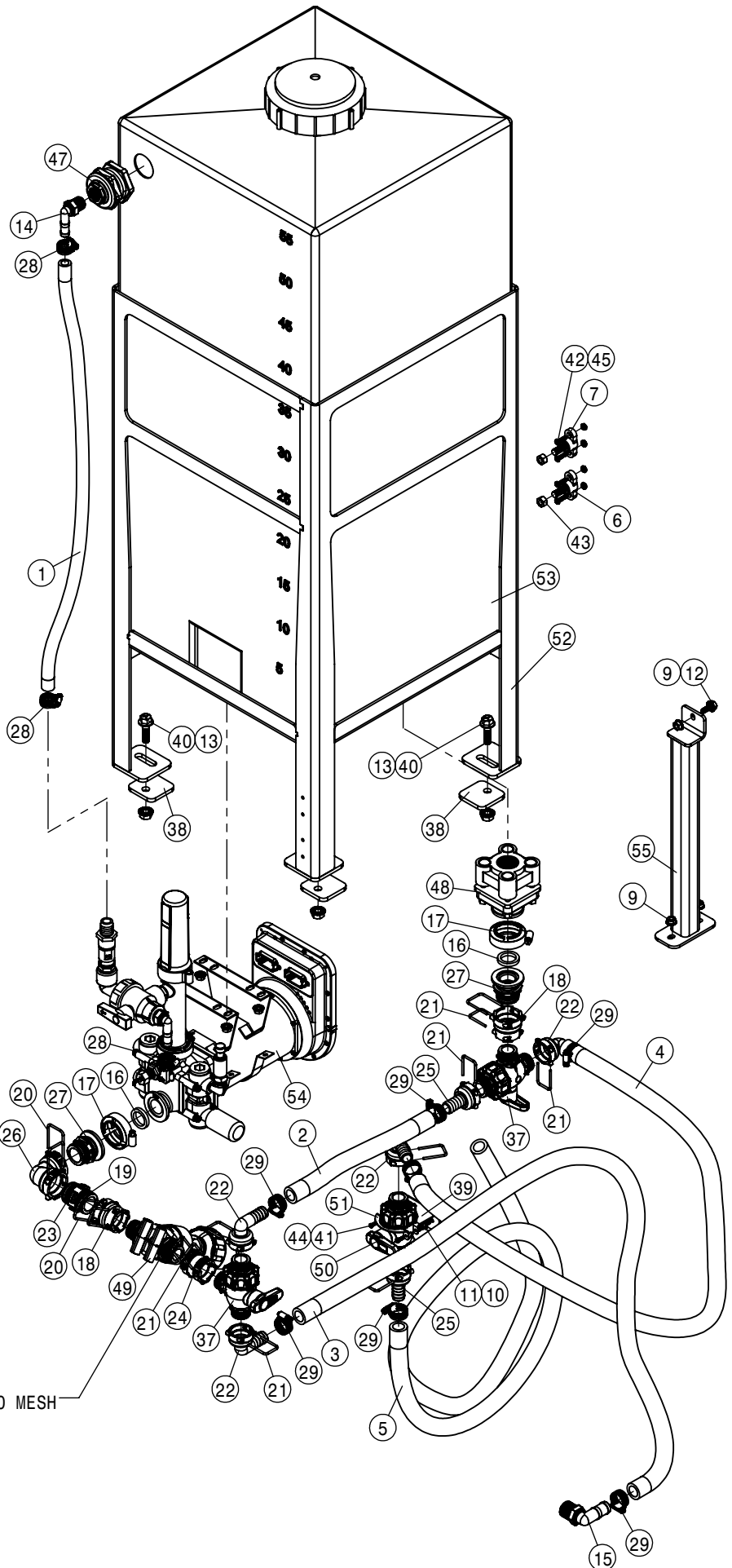
| MODULAR INJECTION MIXING VALVE (1-PUMP) | | | | |
|-----------------------------------------|-----|------------|------------------------------------|--|
| DET | QTY | P/N | DESCRIPTION | |
| 1 | 1 | 197008-031 | HOSE 1/2 1-FBR BR BLK EPDM | |
| 2 | 1 | 197008-180 | HOSE 1/2 1-FBR BR BLK EPDM | |
| 3 | 1 | 197008-211 | HOSE 1/2 1-FBR BR BLK EPDM | |
| 4 | 1 | 197133-029 | HOSE 2" SUCTION, 2F-1W EPDM | |
| 5 | 1 | 197133-040 | HOSE 2" SUCTION, 2F-1W EPDM | |
| 6 | 1 | 197133-041 | HOSE 2" SUCTION, 2F-1W EPDM | |
| 7 | 2 | 470118 | 1/4UNC X 3/4 HHSFB GR5 MC | |
| 8 | 3 | 470121 | 1/4-20UNC HEX FLG NUT SER MC GR5 | |
| 9 | 1 | 500047 | 1/2NPT-90-1/2 HOSE BARB, POLY | |
| 10 | 1 | 500062 | 1/2"NPT PLUG, POLY | |
| 11 | 1 | 500078 | 1/2NPT-90 EL, POLY | |
| 12 | 1 | 500194 | 2" FP FLANGE CLAMP S.S. | |
| 13 | 1 | 500195 | 2" FP FLANGE GASKET EPDM | |
| 14 | 3 | 500208 | 3" FLANGE CLAMP S.S. | |
| 15 | 3 | 500209 | 3" FLANGE GASKET EPDM | |
| 16 | 1 | 500212 | 3"FLANGE - 2" FP FLANGE ADTPTR | |
| 17 | 1 | 500255 | 2"FP FLANGE - 45- 2"HOSE BARB POLY | |
| 18 | 1 | 500346 | 3" FLANGE-2"HOSE BARB POLY | |
| 19 | 1 | 503101 | 1/2NPT CLOSE NIPPLE, POLY | |
| 20 | 3 | 520070 | HOSE CLAMP NO 8 STAINLESS | |
| 21 | 4 | 520141 | 2.31/2.62 T-BOLT HOSE CLAMP SS | |
| 22 | 1 | 701384 | FLOW VIEW MANIFOLD | |
| 23 | 1 | 701794 | WILGER FLOW VIEW BRKT | |
| 24 | 1 | 900006 | 1/4UNC X 1 3/4 HHCS GR5 MC | |
| 25 | 1 | 701619 | CHECK VALVE-RAVEN 333-0011-102 | |
| 26 | 1 | 500142 | CHECK VALVE 3" FLANGE | |
| 27 | 1 | 500345 | FLANGE COUPLER 3 X 7, 1/2 NPT | |
| 28 | 2 | 701492 | MIXER FIN | |
| 29 | 1 | 345023 | 3" MIXER CLAMP | |



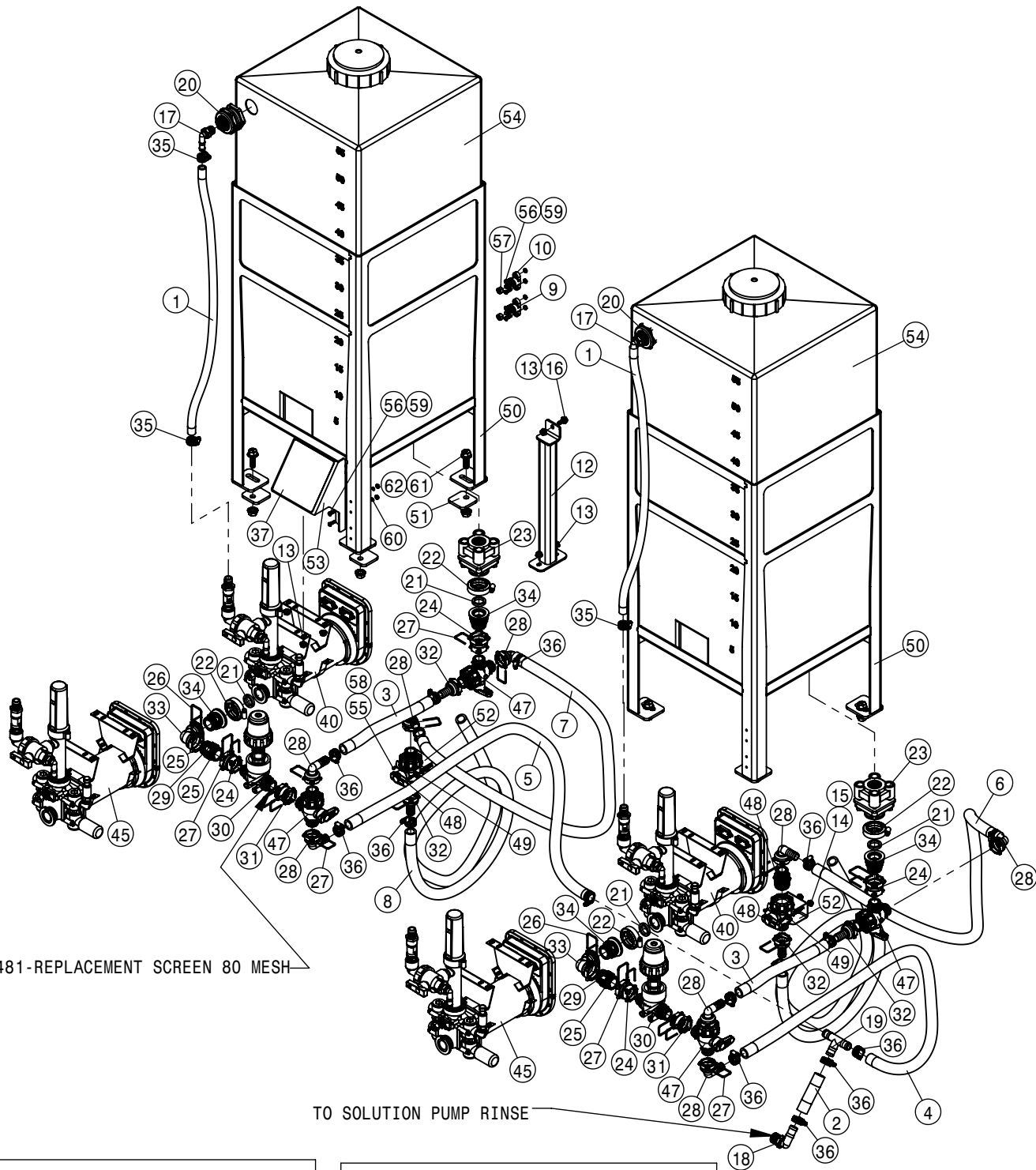
NOTE: LONG FRAME HOSES

| MODULAR INJECTION MIXING VALVE (2-PUMP) | | | |
|-----------------------------------------|-----|------------|------------------------------------|
| DET | QTY | P/N | DESCRIPTION |
| 1 | 1 | 197008-159 | HOSE 1/2 1-FBR BR BLK EPDM |
| 2 | 1 | 197008-180 | HOSE 1/2 1-FBR BR BLK EPDM |
| 3 | 1 | 197008-189 | HOSE 1/2 1-FBR BR BLK EPDM |
| 4 | 1 | 197008-211 | HOSE 1/2 1-FBR BR BLK EPDM |
| 5 | 1 | 197133-029 | HOSE 2" SUCTION, 2F-1W EPDM |
| 6 | 1 | 197133-040 | HOSE 2" SUCTION, 2F-1W EPDM |
| 7 | 1 | 197133-041 | HOSE 2" SUCTION, 2F-1W EPDM |
| 8 | 2 | 470118 | 1/4UNC X 3/4 HHSFB GR5 MC |
| 9 | 4 | 470121 | 1/4-20UNC HEX FLG NUT SER MC GR5 |
| 10 | 2 | 500044 | 1/2NPT-90 ST EL, POLY |
| 11 | 2 | 500062 | 1/2"NPT PLUG, POLY |
| 12 | 1 | 500078 | 1/2NPT-90 EL, POLY |
| 13 | 1 | 500194 | 2" FP FLANGE CLAMP S.S. |
| 14 | 1 | 500195 | 2" FP FLANGE GASKET EPDM |
| 15 | 3 | 500208 | 3" FLANGE CLAMP S.S. |
| 16 | 3 | 500209 | 3" FLANGE GASKET EPDM |
| 17 | 1 | 500212 | 3"FLANGE - 2" FP FLANGE ADTPTR |
| 18 | 1 | 500255 | 2"FP FLANGE - 45- 2"HOSE BARB POLY |
| 19 | 1 | 500346 | 3" FLANGE-2"HOSE BARB POLY |
| 20 | 2 | 503101 | 1/2NPT CLOSE NIPPLE, POLY |
| 21 | 4 | 520141 | 2.31/2.62 T-BOLT HOSE CLAMP SS |
| 22 | 1 | 701422 | PIPE CROSS-.50" NPT, POLY |
| 23 | 1 | 701794 | WILGER FLOW VIEW BRKT |
| 24 | 1 | 500142 | CHECK VALVE 3" FLANGE |
| 25 | 1 | 500345 | FLANGE COUPLER 3 X 7, 1/2 NPT |
| 26 | 2 | 701492 | MIXER FIN |
| 27 | 1 | 345023 | 3" MIXER CLAMP |
| 28 | 2 | 500047 | 1/2NPT-90-1/2 HOSE BARB, POLY |
| 29 | 3 | 520070 | HOSE CLAMP NO 8 STAINLESS |
| 30 | 2 | 701384 | FLOW VIEW MANIFOLD |
| 31 | 2 | 701619 | CHECK VALVE-RAVEN 333-0011-102 |
| 32 | 2 | 900006 | 1/4UNC X 1 3/4 HHCS GR5 MC |
| 33 | 1 | 197008-031 | HOSE 1/2 1-FBR BR BLK EPDM |
| 34 | 1 | 197008-027 | HOSE 1/2 1-FBR BR BLK EPDM |

| MODULAR INJECTION TANK ASSEMBLY (1-TANK) | | | |
|------------------------------------------|-----|------------|-----------------------------------|
| DET | QTY | P/N | DESCRIPTION |
| 1 | 1 | 197008-032 | HOSE 1/2 1-FBR BR BLK EPDM |
| 2 | 1 | 197112-014 | HOSE 3/4 1-FBR BR BLK EPDM |
| 3 | 1 | 197112-051 | HOSE 3/4 1-FBR BR BLK EPDM |
| 4 | 1 | 197112-055 | HOSE 3/4 1-FBR BR BLK EPDM |
| 5 | 1 | 197112-076 | HOSE 3/4 1-FBR BR BLK EPDM |
| 6 | 1 | 291792 | TERM BLOCK,RED,3/8-16 SINGLE |
| 7 | 1 | 291936 | TERM BLOCK,RED,3/8-16 SINGLE |
| NS | 1 | 294106 | HAGIE MODULAR INJ BATT CBL |
| 9 | 7 | 470113 | 5/16-18UNC HEX FLG NUT SER MC GR5 |
| 10 | 2 | 470121 | 1/4-20UNC HEX FLG NUT SER MC GR5 |
| 11 | 2 | 470122 | 1/4UNC X 1/2 HHSFB GR5 MC |
| 12 | 1 | 470233 | 5/16UNC X 3/4 HHSFB GR5 MC |
| 13 | 4 | 470325 | 7/16-14UNC HEX FLG NUT SER MC GR5 |
| 14 | 1 | 500047 | 1/2NPT-90-1/2 HOSE BARB, POLY |
| 15 | 1 | 500054 | 3/4NPT-90-3/4 HOSE BARB, POLY |
| 16 | 2 | 500157 | 1" FLANGE GASKET EPDM |
| 17 | 2 | 500159 | 1" FLANGE CLAMP S.S. |
| 18 | 2 | 500305 | T4 - T3 FEMALE REDUCER |
| 19 | 4 | 500308 | O-RING, -216 EPDM |
| 20 | 4 | 500310 | FORK D3 DIST 34.2 |
| 21 | 10 | 500311 | FORK D3 DIST 29 |
| 22 | 4 | 500327 | T3 TO 20MM HB 90 |
| 23 | 1 | 500341 | T4 NIPPLE |
| 24 | 1 | 500348 | T3 FEMALE COUPLER |
| 25 | 2 | 500349 | T3 FEMALE - .75 HB |
| 26 | 1 | 500356 | T4 FEMALE 90 |
| 27 | 2 | 500357 | 1" FLANGE - T4M ADAPTER |
| 28 | 3 | 520070 | HOSE CLAMP NO 8 STAINLESS |
| 29 | 7 | 520080 | HOSE CLAMP NO 10 STAINLESS |
| NS | 1 | 693367 | AG LDR MULTI PRODUCT UNLOCK |
| NS | 1 | 693392 | RVN INJ CAN/LOGIC EXT 18' |
| NS | 1 | 693955 | AG LDR ISO INJ INST INSTRUCT |
| NS | 1 | 693956 | AG LDR CBL ISO EXTEND 16' |
| NS | 1 | 693957 | AG LDR CBL ISO PUMP ADAPTOR |
| NS | 1 | 693981 | CABLE-POWER, MULTI MODULE, 3' |
| NS | 1 | 694174 | RAVEN CBL INJ NO AGIT |
| 37 | 2 | 696013 | 3 WAY T3 INTERRUPTED FLOW VLV |
| 38 | 4 | 701793 | MODULAR INJ BACKING PLT |
| 39 | 1 | 701795 | VLV MNT BRKT |
| 40 | 4 | 900512 | 7/16UNC X 1 1/2 HHSFB GR5 MC |
| 41 | 2 | 903812 | 6-32 X 1/2 PHIL PAN MACH SCR |
| 42 | 4 | 903888 | 10-24 X 3/4 PHIL PAN MACH SCR |
| 43 | 2 | 910004 | 3/8-16UNC HEX NUT MC GR5 |
| 44 | 2 | 910022 | #6-32UNC HEX NUT MC GR5 |
| 45 | 4 | 910026 | #10-24UNC HEX NUT MC GR5 |
| 46 | 4 | 920510 | HLOCK WASHER #10 MC |
| 47 | 1 | 500131 | 1/2"NPT TANK FLANGE POLY |
| 48 | 1 | 500178 | 1"FLG TANK FTG,BOTDRN BLT POLY |
| 49 | 1 | 500342 | STRAINER T3M 80 MESH |
| 50 | 1 | 696014 | T3 2 WAY BALL VLV |
| 51 | 1 | 701791 | INJ VLV BRKT |
| 52 | 1 | 701792 | INJECTION STAND WLD |
| 53 | 1 | 763745 | MODULAR INJ TANK W HOLES |
| 54 | 1 | 693879 | HAGIE SIDEKICK PRO HW/SW |
| 55 | 1 | 362564 | PLATFORM SUPP WLD |
| 56 | 1 | 693998 | RVN SPRO ISO PMP, 5-200, HW/SW |



691481-REPLACEMENT SCREEN 80 MESH



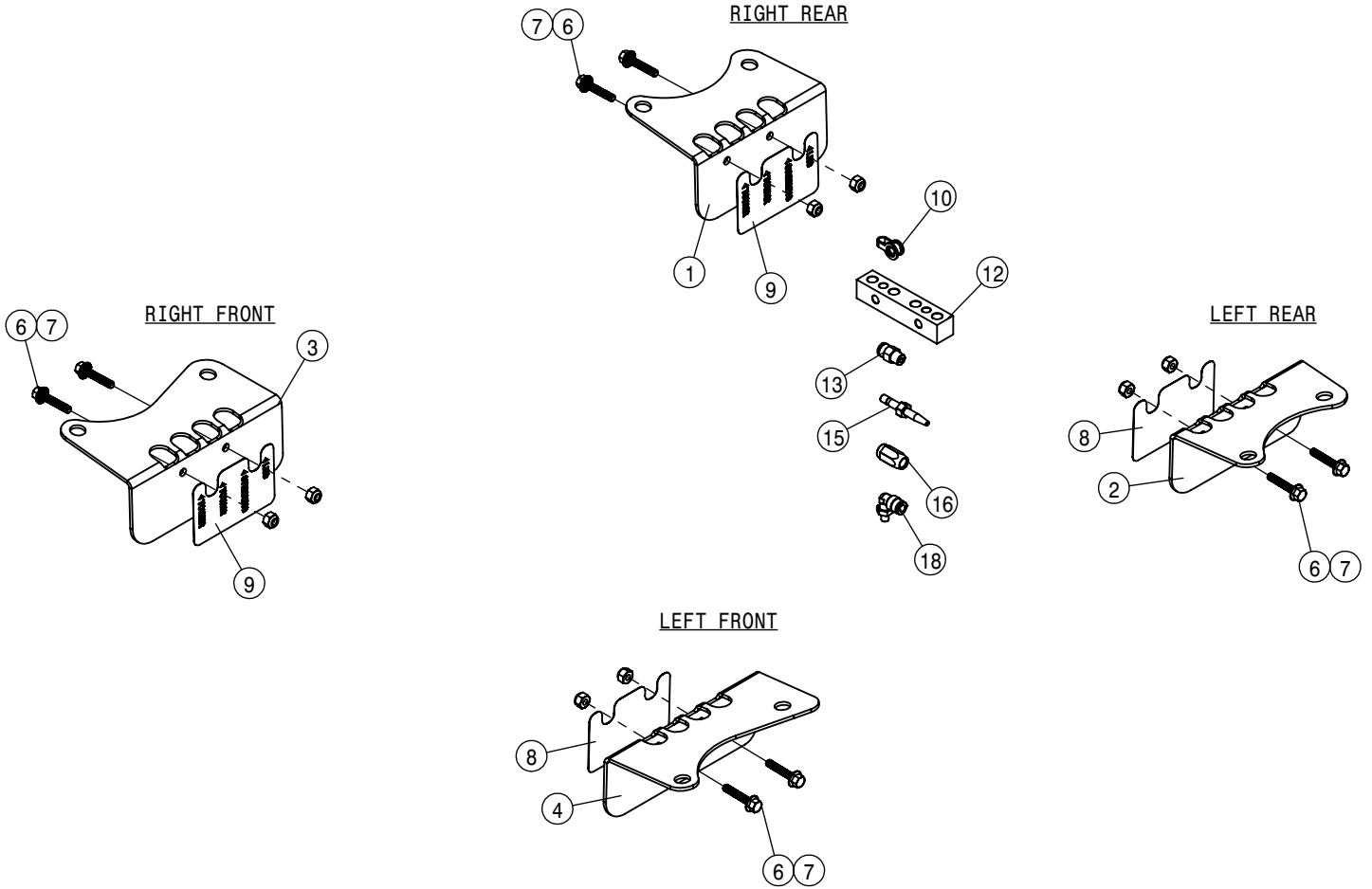
691481-REPLACEMENT SCREEN 80 MESH

TO SOLUTION PUMP RINSE

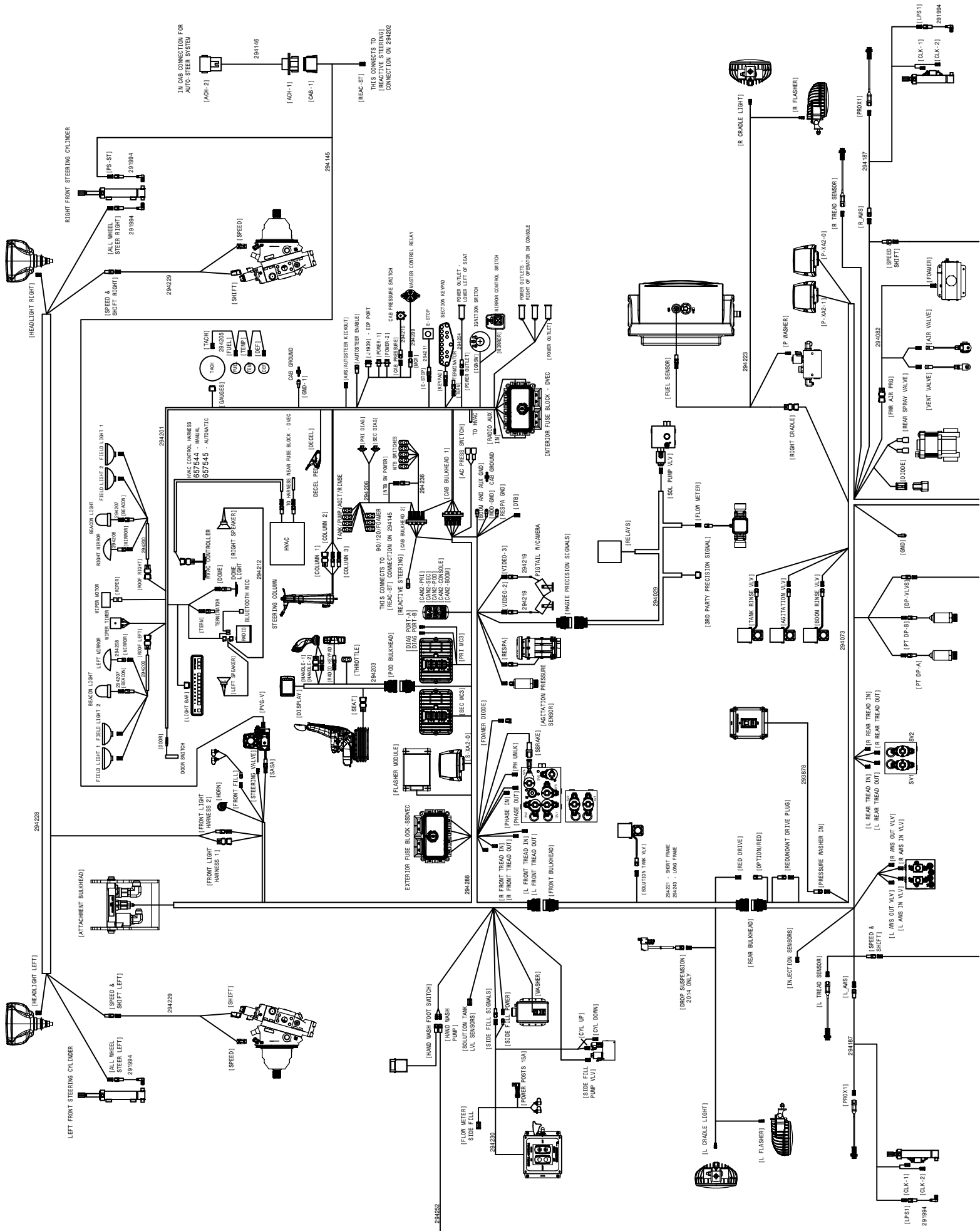
| MODULAR INJECTION TANK ASSEMBLY (2-TANKS) | | | |
|-------------------------------------------|-----|------------|-----------------------------------|
| DET | QTY | P/N | DESCRIPTION |
| 1 | 2 | 197008-032 | HOSE 1/2 1-FBR BR BLK EPDM |
| 2 | 1 | 197112-004 | HOSE 3/4 1-FBR BR BLK EPDM |
| 3 | 2 | 197112-014 | HOSE 3/4 1-FBR BR BLK EPDM |
| 4 | 1 | 197112-045 | HOSE 3/4 1-FBR BR BLK EPDM |
| 5 | 1 | 197112-047 | HOSE 3/4 1-FBR BR BLK EPDM |
| 6 | 1 | 197112-051 | HOSE 3/4 1-FBR BR BLK EPDM |
| 7 | 1 | 197112-055 | HOSE 3/4 1-FBR BR BLK EPDM |
| 8 | 2 | 197112-076 | HOSE 3/4 1-FBR BR BLK EPDM |
| 9 | 1 | 291792 | TERM BLOCK, BLACK, 3/8-16 SINGLE |
| 10 | 1 | 291936 | TERM BLOCK, RED, 3/8-16 SINGLE |
| NS | 1 | 294106 | HAGIE MODULAR INJ BATT CBL |
| 12 | 1 | 362564 | PLATFORM SUPP WLD |
| 13 | 7 | 470113 | 5/16-18UNC HEX FLG NUT SER MC GR5 |
| 14 | 4 | 470121 | 1/4-20UNC HEX FLG NUT SER MC GR5 |
| 15 | 4 | 470122 | 1/4UNC X 1/2 HHSFB GR5 MC |
| 16 | 1 | 470233 | 5/16UNC X 3/4 HHSFB GR5 MC |
| 17 | 2 | 500047 | 1/2NPT-90-1/2 HOSE BARB, POLY |
| 18 | 1 | 500054 | 3/4NPT-90-3/4 HOSE BARB, POLY |
| 19 | 1 | 500073 | 3/4 HOSE BARB TEE, POLY |
| 20 | 2 | 500131 | 1/2"NPT TANK FLANGE POLY |
| 21 | 4 | 500157 | 1" FLANGE GASKET EPDM |

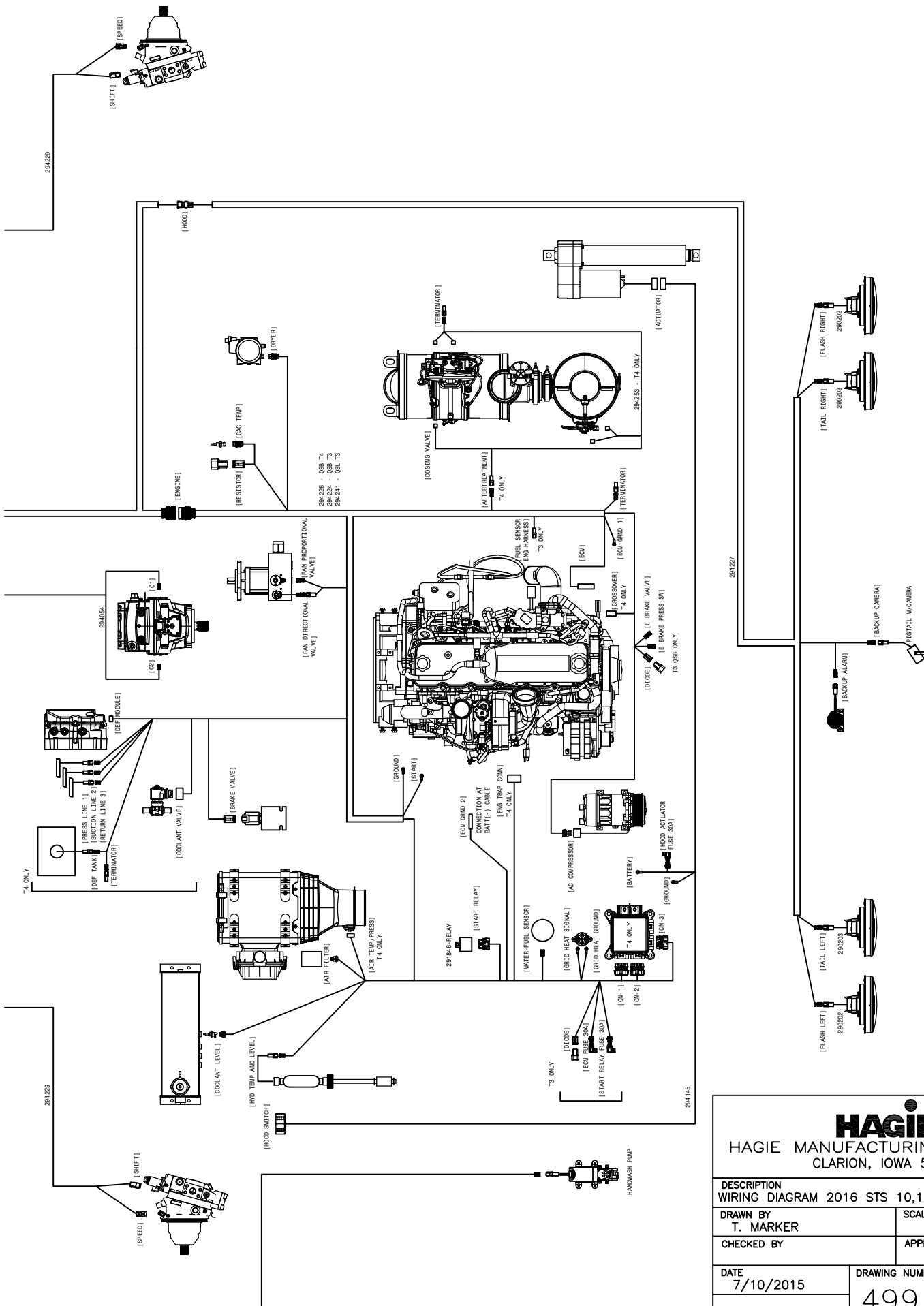
| MODULAR INJECTION TANK ASSEMBLY (2-TANKS) | | | |
|-------------------------------------------|-----|--------|----------------------------------|
| DET | QTY | P/N | DESCRIPTION |
| 22 | 4 | 500159 | 1" FLANGE CLAMP S.S. |
| 23 | 2 | 500178 | 1" FLG TANK FTG, BOTDRN BLT POLY |
| 24 | 4 | 500305 | T4 - T3 FEMALE REDUCER |
| 25 | 8 | 500308 | O-RING, -.216 EPDM |
| 26 | 8 | 500310 | FORK D3 DIST 34.2 |
| 27 | 20 | 500311 | FORK D3 DIST 29 |
| 28 | 8 | 500327 | T3 TO 20MM HB 90 |
| 29 | 2 | 500341 | T4 NIPPLE |
| 30 | 2 | 500342 | STRAINER T3M 80 MESH |
| 31 | 2 | 500348 | T3 FEMALE COUPLER |
| 32 | 4 | 500349 | T3 FEMALE - .75 HB |
| 33 | 2 | 500356 | T4 FEMALE 90 |
| 34 | 4 | 500357 | 1" FLANGE - T4M ADAPTER |
| 35 | 5 | 520070 | HOSE CLAMP NO 8 STAINLESS |
| 36 | 16 | 520080 | HOSE CLAMP NO 10 STAINLESS |
| 37 | 1 | 650515 | DECAL, INST MODULR CHEM INJECT |
| NS | 1 | 693367 | AG LDR MULTI PRODUCT UNLOCK |
| NS | 1 | 693392 | RVN INJ CAN/LOGIC EXT 18' |
| 40 | 2 | 693879 | HAGIE SIDEKICK PRO HW/SW |
| NS | 1 | 693955 | AG LDR ISO INJ INST INSTRUCT |
| NS | 1 | 693956 | AG LDR CBL ISO EXTEND 16' |

| MODULAR INJECTION TANK ASSEMBLY (2-TANKS) | | | |
|-------------------------------------------|-----|--------|----------------------------------|
| DET | QTY | P/N | DESCRIPTION |
| NS | 1 | 693957 | AG LDR CBL ISO PUMP ADAPTOR |
| NS | 1 | 693981 | CABLE-POWER, MULTI MODULE, 3' |
| 45 | 2 | 693998 | RVN SPRO ISO PMP, 5-200, HW/SW |
| NS | 1 | 694174 | RAVEN CBL INJ NO AGIT |
| 47 | 4 | 696013 | 3 WAY T3 INTERRUPTED FLOW VLV |
| 48 | 2 | 696014 | T3 2 WAY BALL VLV |
| 49 | 2 | 701791 | INJ VLV BRKT |
| 50 | 2 | 701792 | INJECTION STAND WLD |
| 51 | 4 | 701793 | MODULAR INJ BACKING PLT |
| 52 | 2 | 701795 | VLV MNT BRKT |
| 53 | 1 | 701796 | INSTRUCTION DECAL MT BRKT |
| 54 | 2 | 763745 | MODULAR INJ TANK W HOLES |
| 55 | 4 | 903812 | 6-32 X 1/2 PHIL PAN MACH SCR |
| 56 | 6 | 903888 | 10-24 X 3/4 PHIL PAN MACH SCR |
| 57 | 2 | 910004 | 3/8-16UNC HEX NUT MC GR5 |
| 58 | 3 | 910022 | #6-32UNC HEX NUT MC GR5 |
| 59 | 6 | 910026 | #10-24UNC HEX NUT MC GR5 |
| 60 | 6 | 920510 | HLOCK WASHER #10 MC |
| 61 | 8 | 470431 | 1/2UNC X 1 1/2 HHSFB GR5 MC |
| 62 | 8 | 470360 | 1/2-13UNC HEX FLG NUT SER MC GR5 |



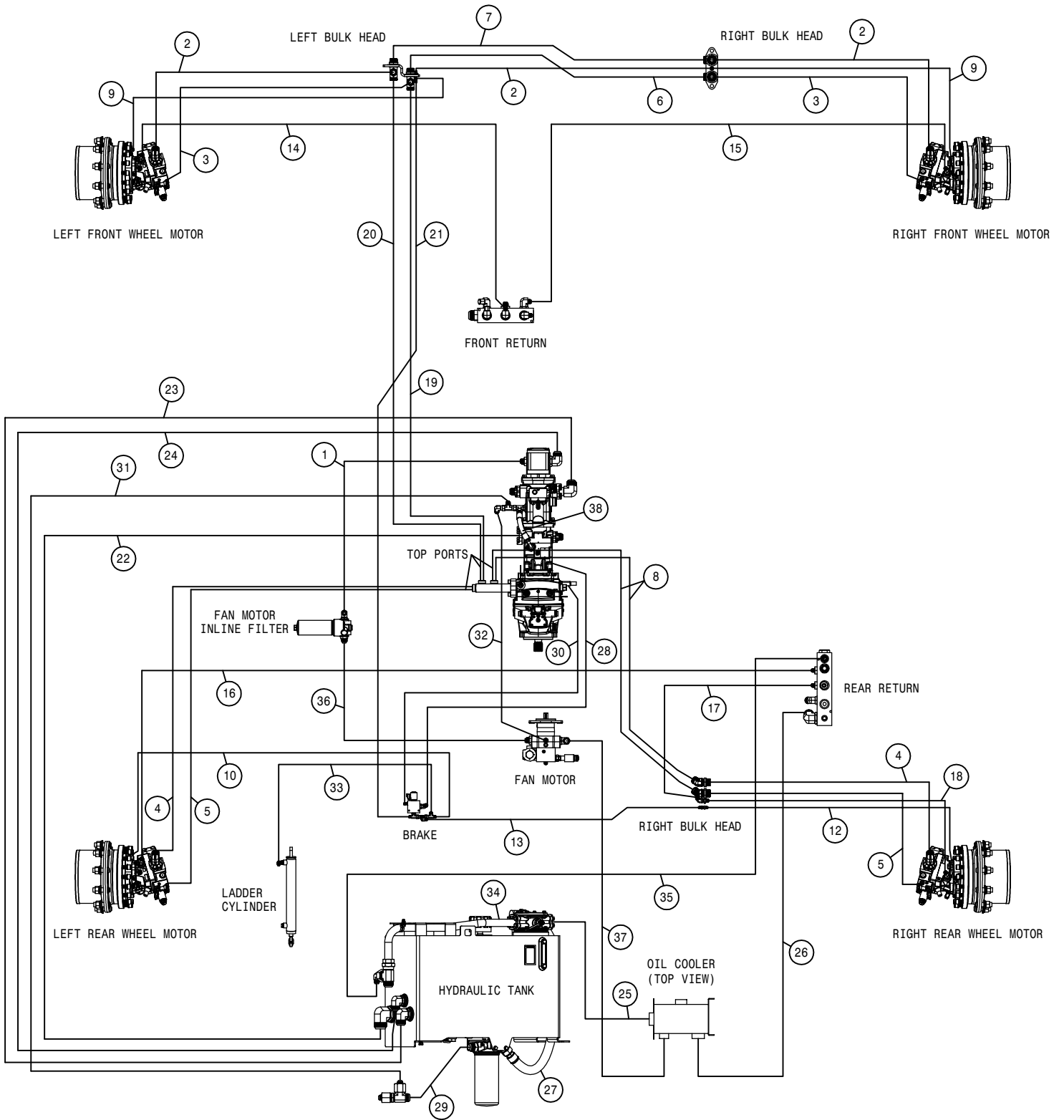
| REMOTE GREASE BANK ASSEMBLY | | | |
|-----------------------------|-----|--------|--------------------------------|
| DET | QTY | P/N | DESCRIPTION |
| 1 | 1 | 360424 | 2017 GREASE ZERK RHR BRKT |
| 2 | 1 | 360425 | 2017 GREASE ZERK LHR BRKT |
| 3 | 1 | 360902 | 2017 GREASE ZERK RHF BRKT |
| 4 | 1 | 360903 | 2017 GREASE ZERK LHF BRKT |
| NS | 16 | 470154 | CABLE TIE, 11.00" BLK NYLON |
| 6 | 8 | 473836 | 1/4UNC X 1 1/4 HHSFB SS FT |
| 7 | 8 | 910118 | 1/4-20UNC NYLOCK NUT SS |
| 8 | 2 | 650507 | 2017 GREASE ZERK LH DECAL |
| 9 | 2 | 650506 | 2017 GREASE ZERK RH DECAL |
| 10 | 16 | 470740 | PROTECTIVE ZERK CAP |
| NS | 16 | 470738 | LEAKLESS ZERK (1/8" - 27 PTF) |
| 12 | 4 | 606474 | MANIFOLD |
| 13 | 16 | 470741 | STR PUSH CON 1/4 X 1/8 NPT |
| NS | 32 | 470735 | PROTECTIVE RUBBER BOOT |
| 15 | 32 | 470736 | SHORT FIELD INSTALL |
| 16 | 32 | 470737 | FIELD INSTALL NUT |
| NS | 1 | 470745 | 5/16"OD HOSE 35' GREASE FILLED |
| 18 | 16 | 470744 | 90 SWIVEL PUSH CON 1/4 - 28 |





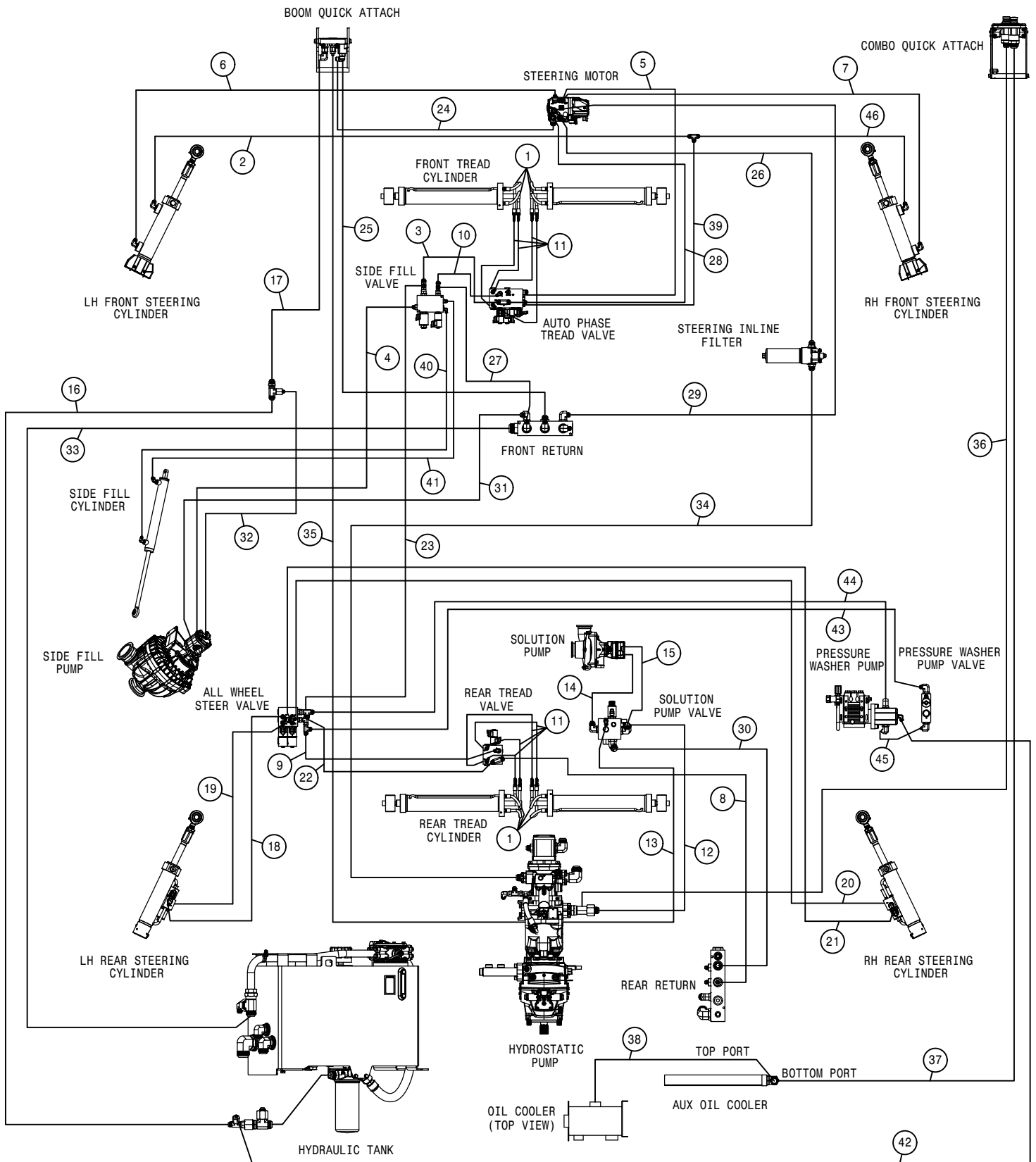
REFERENCE ONLY

| | | |
|------------------------------------------------------------------------|--------------------------|---------------|
| HAGIE HAGIE MANUFACTURING COMPANY CLARION, IOWA 50525 | | |
| DESCRIPTION WIRING DIAGRAM 2016 STS 10,12,14,16 | | |
| DRAWN BY T. MARKER | | SCALE NONE |
| CHECKED BY | | APPROVED BY |
| DATE 7/10/2015 | DRAWING NUMBER 499344 | REV A |
| SHEET 1 OF 1 | | |



STS 14/12i HYDRAULIC DIAGRAM 2016
REFERENCE DRAWING NO. 499349s1_RevA

| DET. | QTY | PART NO. | DESCRIPTION | DET. | QTY | PART NO. | DESCRIPTION |
|------|-----|----------|--------------------------------|------|-----|----------|--------------------------------|
| 1 | 1 | 616671 | 08-451TC-10FJX-12FJX-25 H/A | 20 | 1 | 617082 | 16-797TC-16FFOX-16FFOX45-217H/ |
| 2 | 2 | 617060 | 16-797TC-16FFOX-16FFOX45-110H/ | 21 | 1 | 617083 | 04-451TC-04FJX-06FJX90-208 H/A |
| 3 | 2 | 617061 | 16-797TC-16FFOX-16FFOX90-114H/ | 22 | 1 | 617089 | 32-811-32FJX-32FLG-25 H/A |
| 4 | 2 | 617062 | 16-797TC-16FFOX-16FFOX45-123H/ | 23 | 1 | 617091 | 24-811-24FJX-24FJX-71 H/A |
| 5 | 2 | 617063 | 16-797TC-16FFOX-16FFOX90-128H/ | 24 | 1 | 617092 | 20-811-20FJX-20FJX90-60 H/A |
| 6 | 1 | 617064 | 16-797TC-16FFOX-16FFOX90-61H/A | 25 | 1 | 617093 | 24-811-24FJX-24FLG90-48 H/A |
| 7 | 1 | 617065 | 16-797TC-16FFOX-16FFOX90-65H/A | 26 | 1 | 617094 | 24-811-24FJX-24FJX90-31 H/A |
| 8 | 2 | 617067 | 16-797TC-16FFOX-16FFOX90-31H/A | 27 | 1 | 617095 | 20-811-20FJX-20FJX45-47 H/A |
| 9 | 2 | 617068 | 04-451TC-04FJX-04FJX-126 H/A | 28 | 1 | 617096 | 06-451TC-08FJX-06FJX90-22 H/A |
| 10 | 1 | 617069 | 04-451TC-04FJX-06FJX90-139 H/A | 29 | 1 | 617120 | 20-811-20FJX-20FJX-37 H/A |
| 11 | 1 | 617070 | 04-451TC-04FJX-04FJX90-61 H/A | 30 | 1 | 617121 | 04-451TC-06FJX-04FJX90-34 H/A |
| 12 | 1 | 617071 | 04-451TC-04FJX-04FJX-138 H/A | 31 | 1 | 617122 | 12-451TC-10FJX-12FJX90-18 H/A |
| 13 | 1 | 617072 | 04-451TC-06FJX-04FJX45-43 H/A | 32 | 1 | 617124 | 06-451TC-10FJX-06FJX90-85 H/A |
| 14 | 1 | 617073 | 08-451TC-08FJX-08FJX90-173 H/A | 33 | 1 | 617127 | 06-451TC-06FJX-06FJX45-36 H/A |
| 15 | 1 | 617074 | 08-451TC-08FJX-08FJX90-190 H/A | 34 | 1 | 617151 | HYD TANK TUBE |
| 16 | 1 | 617075 | 08-451TC-08FJX-08FJX90-160 H/A | 35 | 1 | 617171 | 12-451TC-12FJX-12FJX90-43 H/A |
| 17 | 1 | 617077 | 08-451TC-08FJX-08FJX90-15 H/A | 36 | 1 | 617199 | 12-451TC-12FJX-12FJX-73 H/A |
| 18 | 1 | 617080 | 08-451TC-08FJX-08FJX90-133 H/A | 37 | 1 | 617214 | 16-811-16FJX-16FJX90-43 H/A |
| 19 | 1 | 617081 | 16-797TC-16FFOX-16FFOX45-213H/ | 38 | 1 | 617132 | 10-451TC-10FJX-10FJX90-11 H/A |



STS 14/12i HYDRAULIC DIAGRAM 2016
REFERENCE DRAWING NO. 499349s2_RevA

| DET. | QTY | PART NO. | DESCRIPTION | DET. | QTY | PART NO. | DESCRIPTION |
|------|-----|----------|--------------------------------|------|-----|----------|--------------------------------|
| 1 | 8 | 616070 | 04-451TC-04MJBH-06MOR-11.00H/A | 24 | 1 | 617129 | 10-451TC-10FJX-12FJX90-55 H/A |
| 2 | 1 | 616102 | 08-451TC-08FJX-08FJX-132 H/A | 25 | 1 | 617130 | 12-451TC-12FJX-12FJX90-78 H/A |
| 3 | 1 | 616138 | 06-482TC-06FJX-06FJX-9 H/A | 26 | 1 | 617131 | 12-451TC-12FJX-12FJX-44 H/A |
| 4 | 1 | 617108 | 08-451TC-08FJX-08FJX90-127 H/A | 27 | 1 | 617134 | 08-451TC-08FJX-08FJX-22 H/A |
| 5 | 1 | 616599 | 06-451TC-06FJX-08FJX90-62 H/A | 28 | 1 | 617136 | 10-451TC-10FJX-12FJX-53 H/A |
| 6 | 1 | 617078 | 08-451TC-08FJX-08FJX90-118 H/A | 29 | 1 | 617137 | 10-451TC-10FJX-10FJX-79 H/A |
| 7 | 1 | 617079 | 08-451TC-08FJX-08FJX-107 H/A | 30 | 1 | 617139 | 16-811-16FJX-16FJX-12 H/A |
| 8 | 1 | 617097 | 10-451TC-10FJX-10FJX-47 H/A | 31 | 1 | 617107 | 10-451TC-10FJX-10FJX-132 H/A |
| 9 | 1 | 617098 | 06-451TC-06FJX-08FJX90-13 H/A | 32 | 1 | 617109 | 06-451TC-06FJX-06FJX90-133 H/A |
| 10 | 1 | 617099 | 06-451TC-06FJX-08FJX-18 H/A | 33 | 1 | 617087 | 24-811-24FJX-24FJX90-177 H/A |
| 11 | 8 | 617100 | 04-451TC-04FJX-04FJX-24 H/A | 34 | 1 | 617133 | 12-451TC-12FJX-16FJX90-187 H/A |
| 12 | 1 | 617101 | 12-451TC-16FJX-12FJX90-23 H/A | 35 | 1 | 617112 | 04-451TC-04FJX-04FJX45-239 H/A |
| 13 | 1 | 617102 | 04-451TC-06FJX-04FJX90-29 H/A | 36 | 1 | 617113 | 16-451TC-16FJX-20FJX90-215 H/A |
| 14 | 1 | 617103 | 12-451TC-12FJX-12FJX90-22 H/A | 37 | 1 | 617114 | 20-811-20FJX-20FJX-229 H/A |
| 15 | 1 | 617104 | 16-811-16FJX-16FJX90-26 H/A | 38 | 1 | 617173 | 20-811-20FJX-20FJX-39 H/A |
| 16 | 1 | 617105 | 12-451TC-12FJX-12FJX-115 H/A | 39 | 1 | 617210 | 04-451TC-04FJX-08FJX-78 H/A |
| 17 | 1 | 617111 | 12-451TC-12FJX-12FJX-93 H/A | 40 | 1 | 617389 | 04-451TC-04FJX-04FJX-111 H/A |
| 18 | 1 | 617115 | 06-451TC-06FJX-06FJX45-101 H/A | 41 | 1 | 617390 | 04-451TC-06FJX-06FJX90-100 H/A |
| 19 | 1 | 617116 | 06-451TC-06FJX-06FJX-99 H/A | 42 | 1 | 617446 | 06-451TC-06FJX-06FJX-84 H/A |
| 20 | 1 | 617117 | 06-451TC-06FJX-06FJX-137 H/A | 43 | 1 | 617447 | 08-451TC-08FJX-08FJX-95 H/A |
| 21 | 1 | 617118 | 06-451TC-06FJX-06FJX90-137 H/A | 44 | 1 | 617448 | 10-451TC-10FJX-10FJX-89 H/A |
| 22 | 1 | 617119 | 10-451TC-10FJX-10FJX-18 H/A | 45 | 1 | 617450 | 06-451TC-06FJX-06FJX-9 H/A |
| 23 | 1 | 617128 | 08-451TC-08FJX-10FJX90-113 H/A | 46 | 1 | 616212 | 06-482TC-06FJX-06FJX-54 H/A |

ABBREVIATIONS

| | |
|------------------------------------|-------------------------------|
| A/C - AIR CONDITIONER | MT - MOUNT |
| ADPTR - ADAPTER | MTR - MOTOR |
| AGI - AGITATOR | P/N - PART NUMBER |
| ALT - ALTERNATOR | PLT - PLATE |
| ASSY - ASSEMBLY | QTY - QUANTITY |
| BRKT - BRACKET | RED - REDUCER |
| DET - DETAIL | REF - REFERENCE |
| DISPL - DISPLACEMENT | REST - RESTRICTOR |
| EL - ELBOW | REQ - REQUIRED |
| EXT - EXTENSION | SHFT - SHAFT |
| FLO - FLOW | SOL - SOLUTION |
| FNPT - FEMALE NATIONAL PIPE THREAD | STRG - STEERING |
| FOR - FEMALE O-RING | ST - STREET |
| FRT - FRONT | SV - STANDARD VOLUME |
| HV - HI-VOLUME | SWIV - SWIVEL |
| HYD - HYDRAULIC | UNC - UNIFIED NATIONAL COURSE |
| HYDRO - HYDROSTATIC | UNF - UNIFIED NATIONAL FINE |
| LG - LONG | V - VOLT |
| LWR - LOWER | W/ - WITH |
| MJIC - MALE J.I.C. | WHL - WHEEL |
| MOR - MALE O-RING | WLD - WELDMENT |

-A-

| | |
|-----------------------------|-----------|
| ABBREVIATIONS..... | 138 |
| AIR BAG..... | 56 |
| AIR CLEANER..... | 5,16 |
| AIR CONDITIONER | |
| BLOWER..... | 76,77 |
| COMPRESSOR..... | 19 |
| DRIER..... | 18 |
| HOSE..... | 18 |
| TUBES..... | 18 |
| AIR COOLER, CHARGE..... | 6,13 |
| AIR DRIER..... | 58 |
| AIR FILTER, CAB..... | 76,77 |
| AIR GOVERNOR..... | 58 |
| AIR LINES..... | 57,58,59 |
| AIR TANK..... | 57 |
| AIR VALVE..... | 56,57 |
| EXHAUST BRAKE..... | 8 |
| AGITATION..... | 92 |
| ALTERNATOR..... | 4,9,10,16 |
| ANTENNA..... | 72 |
| ARMREST..... | 78,79 |
| AUTO-PHASING HYD VALVE..... | 42 |
| AUX OIL COOLER..... | 30 |

-B-

| | |
|-------------------|-------------|
| BACKUP ALARM..... | 87 |
| BATTERY..... | 9,16 |
| CABLE..... | 9,16 |
| STAND..... | 8 |
| SWITCH..... | 9,16 |
| BEACON..... | 67 |
| BELLY SHIELD..... | 86 |
| BELT, DRIVE..... | 4 |
| BLOWER, A/C..... | 76,77 |
| BOOM CRADLE..... | 113,114,115 |
| BRAKE VALVE..... | 38 |
| BREATHER..... | 31 |
| BULKHEAD..... | 36,85 |
| BUSBAR..... | 9,16 |

-C-

| | |
|----------------------|-------|
| CAB..... | 67 |
| ELECTRICAL..... | 71 |
| MOUNTS..... | 67 |
| CAMERA..... | 88,89 |
| CIRCUIT BREAKER..... | 9,16 |
| CLAMP, TUBE..... | 18 |
| COMBO | |
| AUX COOLER..... | 30 |
| CONTROL BOX..... | 82 |
| COMPRESSOR, A/C..... | 19 |

| | |
|------------------------------|-----------------|
| CONDENSOR, A/C..... | 19 |
| CONSOLE..... | 74 |
| REAR..... | 73 |
| CONTROL VALVE, SOLUTION..... | 32 |
| COOLANT SENSOR..... | 6,13 |
| COOLER..... | 73 |
| CHARGE AIR..... | 6,13 |
| OIL..... | 6,13 |
| CRADLE, | |
| BOOM..... | 113,114,115,116 |
| FUEL TANK..... | 47 |
| CYLINDER, | |
| LADDER..... | 39 |
| SIDEFILL..... | 101 |
| STEERING..... | 50,51,52,53 |
| TREAD ADJUST..... | 64,65 |

-D-

| | |
|-----------------|------|
| DIAGRAM, | |
| ELECTRICAL..... | 132 |
| HYDRAULIC..... | 134 |
| DOOR..... | 69 |
| DRIVE BELT..... | 4,10 |

-E-

| | |
|--------------------------|-------|
| ELECTRICAL VALVE..... | 97,98 |
| ELECTRICAL, CAB..... | 73 |
| ELECTRICAL, CHASSIS..... | 17 |
| ENGINE..... | 4,10 |
| HOOD..... | 87 |
| SKID..... | 8,15 |
| EXHAUST | |
| BRAKE..... | 4 |
| PIPE..... | 8 |
| SUPPORT..... | 8 |

-F-

| | |
|------------------------|-----------|
| FAN | |
| SHROUD..... | 6,13 |
| FENDERS..... | 112 |
| FILTERS, | |
| AIR DRIER..... | 58 |
| FUEL..... | 47 |
| MINDER..... | 5,11 |
| OIL..... | 4,9,31,34 |
| FIRE EXTINGUISHER..... | 114,116 |
| FLASHER..... | 113,114 |
| FLOORMAT..... | 73 |
| FLOWMETER..... | 96,109 |
| FOAMER..... | 111 |
| FRONT FILL..... | 99 |
| FUEL SENSOR..... | 47 |

PM01270

| | |
|---------------------------|----------------|
| FUEL TANK..... | 47 |
| FUSE..... | 9,16 |
| -G- | |
| GAUGE..... | 73 |
| SIGHT..... | 93 |
| GLASS..... | 67,69 |
| -H- | |
| HANDRAIL..... | 90 |
| HANDWASH..... | 110 |
| HEAD LINER..... | 72 |
| HEAT SHIELD, BATTERY..... | 8,15 |
| HOOD, ENGINE..... | 87 |
| HOSE GUARD..... | 23,24 |
| HOSE SLEEVE..... | 20,21 |
| HOSING, HYDRAULIC..... | 20,21,22,23,24 |
| HUB, WHEEL..... | 28,29 |
| HYDRAULIC | |
| DIAGRAM..... | 134 |
| QUICK CONNNECT..... | 45,46 |
| OIL COOLER..... | 6,13 |
| TANK..... | 31 |
| HYDROSTATIC PUMP..... | 26,27 |
| -I- | |
| INSTRUCTINAL SEAT..... | 80,81 |
| INTAKE SCREEN..... | 6,13 |
| -J- | |
| JOYSTICK..... | 78,79 |
| -L- | |
| LADDER..... | 91 |
| CYLINDER..... | 39 |
| LATCH..... | 67,87 |
| LEG..... | 48,49 |
| LEVEL SENSOR..... | 31 |
| LIGHTS..... | 67,84,113,114 |
| LINE STRAINER..... | 92,96 |
| LS DISPLAY..... | 82 |
| -M- | |
| MANIFOLD, RETURN..... | 36,37 |
| MIRROR..... | 67 |
| MOTOR, | |
| STEERING..... | 33 |
| WHEEL..... | 28,29 |
| MOUNT, | |
| CAB..... | 67 |
| RUBBER..... | 8,15 |

| | |
|-------------------------------|-------------|
| MUFFLER..... | 8,15 |
| -O- | |
| OIL COOLER..... | 6,13 |
| OIL FILTER..... | 6,13,30 |
| -P- | |
| PLATFORM, SERVICE..... | 90 |
| PRESSURE SWITCH..... | 8,15 |
| PRESSURE WASHER..... | 123 |
| PUMP, HYROSTATIC..... | 26,27 |
| -Q- | |
| QUICK ATTACH, | |
| LIFTARM..... | 84 |
| SOLUTION..... | 95 |
| QUICK CONNECT, HYDRAULIC..... | 45,46 |
| -R- | |
| RADIATOR..... | 6,13 |
| RADIO..... | 71 |
| REMOTE FILL..... | 93 |
| RETURN MANIFOLD..... | 36,37 |
| RINSE TANK..... | 94 |
| ROOF..... | 67 |
| RUBBER MOUNT..... | 8,15 |
| -S- | |
| SCREEN, INTAKE..... | 6,13 |
| SEAT..... | 78,79,80,81 |
| SENSOR | |
| COOLANT..... | 7,14 |
| FUEL..... | 47 |
| LEVEL..... | 31 |
| SHIELD | |
| BELLY..... | 86 |
| TALL CORN..... | 117,118,119 |
| WHEEL MOTOR..... | 112 |
| SHROUD, FAN..... | 6,13 |
| SIDE FILL..... | 101 |
| CYLINDER..... | 101 |
| VALVE..... | 44 |
| SIGHT GUAGE..... | 93 |
| SKID, ENGINE..... | 8,15 |
| SMV SIGN..... | 87 |
| SOLUTION | |
| PUMP..... | 97 |
| TANK..... | 92 |
| SPEAKER, RADIO..... | 72 |
| STARTER..... | 4,10 |

STEERING

COLUMN.....73

CYLINDER.....50,51,52,53

MOTOR.....33

WHEEL.....73

STRAINER, LINE.....92,96

SURGE TANK.....7,14

SWITCH,

BATTERY.....9,16

BOX.....102

-T-

TANK

AIR.....57

DEF.....12

FUEL.....47

HYDRAULIC.....31

RINSE.....94

SOLUTION.....92

SURGE.....7,14

TIE ROD.....54

TIRE.....55

TOOLBOX.....83

TREAD ADJUST.....61,62,63,64,65

CYLINDER.....64,65

TREAD VALVE.....40,41,42

TUBE CLAMP.....18

-V-

VALVE,

ALL WHEEL STEER.....43

AUTO-PHASING HYDRAULIC.....42

BRAKE.....38

ELECTRIC.....94,97,98

REAR NOZZLE.....107

SIDE FILL.....44

TREAD.....40,41,42

-W-

WHEEL HUB.....28,29

WHEEL MOTOR.....28,29

WIPER.....68

WIRING DIAGRAM.....132

Notes: