



**PARTS MANUAL  
FOR  
HAGIE MODEL STS 12 HI-TRACTOR  
SPRAYER- DETASSELER**

**HAGIE MANUFACTURING COMPANY**

721 CENTRAL AVENUE WEST  
BOX 273  
CLARION, IOWA 50525

COVERS MACHINE SERIAL NUMBERS:U1651221001 thru U1651221100

12-11 493534

05-13, 05-15, 02-16, 03-17

To obtain the most current parts manual for your machine, please visit [www.hagiehelp.com](http://www.hagiehelp.com).

© 2011, 2013, 2015-17 Hagie Manufacturing Company, Clarion, Iowa USA

## SPRAYER IDENTIFICATION

Each Hagie sprayer is identified by means of a frame serial number.

This serial number denotes the model, the year in which it was built, and the number of the sprayer. As for further identification, the engine has a serial number and the planetary hubs have identification plates that describe the type of mount and gear ratio. To insure prompt, efficient service when ordering parts or requesting service repairs from Hagie Manufacturing Company, record the serial and identification numbers in the space provided below.

NOTE: Reference to left hand and right hand used throughout this manual refers to the position when seated in the operator's seat facing forward.

This manual is not intended to be a complete guide for machine maintenance and repairs. If you are not properly trained to perform service on this machine, contact Hagie Customer Support for assistance. Improper maintenance or repair may result in property damage, personal injury, or death.

SPRAYER SERIAL NUMBER

ENGINE SERIAL NUMBER

---

## PLANETARY HUB IDENTIFICATION NUMBERS

---

### FILTER QUICK REFERENCE

| <u>QTY.</u> | <u>PART NO.</u> | <u>DESCRIPTION</u>           |
|-------------|-----------------|------------------------------|
| 1           | 311543          | ENGINE AIR FILTER, PRIMARY   |
| 1           | 311544          | ENGINE AIR FILTER, SECONDARY |
| 1           | 316281          | FUEL STRAINER IN LINE        |
| 1           | 316372          | ENGINE OIL FILTER            |
| 1           | 316683          | FUEL FILTER                  |
| 1           | 316684          | REMOTE FUEL FILTER           |
| 1           | 605626          | HYDRAULIC OIL FILTER         |
| 1           | 657463          | CAB PAPER FILTER             |
| 1           | 657464          | CAB CHARCOAL FILTER          |

TABLE OF CONTENTS

ENGINE ASSEMBLY . . . . . 4-8

RADIATOR AND OIL COOLER ASSEMBLY . . . . . 9

AIR CLEANER AND EXHAUST ASSEMBLY . . . . . 10-11

FUEL AND OIL TANK ASSEMBLY . . . . . 12-13

BATTERY . . . . . 14

TIRE ASSEMBLY . . . . . 15

LEG ASSEMBLY . . . . . 16-27

  TREAD ADJUST ASSEMBLY . . . . . 28-33

  HYDRAULIC TUBING . . . . . 34-35

  HYDRAULIC MANIFOLDS . . . . . 36-39

  SOLUTION CONTROL AND QUICK COUPLER . . . . . 40-41

  PUMP RELIEF AND LIFT DUMP VALVE . . . . . 42-43

  COMBO QUICK ATTACH . . . . . 44

  LADDER AND BRAKE VALVE ASSEMBLY . . . . . 45

  LADDER ASSEMBLY . . . . . 46

  SERVICE PLATFORM . . . . . 47

  TOOL BOX . . . . . 48

  AIR DRIER AND AIR TANK ASSEMBLY . . . . . 49-51

  J1939 JUNCTION BOX . . . . . 52

  CAB ASSEMBLY . . . . . 53-68

  SWITCH BOX ASSEMBLY . . . . . 69

  RECEPTACLE PANEL . . . . . 70

  FLASHER AND LIGHT RELAY . . . . . 71

  REAR ELECTRICAL AND ENGINE BOX ASSEMBLY . . . . . 72-73

  BUMPER AND ENGINE HOOD . . . . . 74-76

  SOLUTION TANK . . . . . 77-79

  SOLUTION HOISING . . . . . 80-83

  REAR WHEEL NOZZLE . . . . . 84

  SOLUTION PUMP . . . . . 85-86

  QUICK ATTACH . . . . . 87

  BOOM CRADLE . . . . . 88-89

  FOAMER AND FRESH WATER TANK . . . . . 90-92

  PRESSURE WASHER OPTION . . . . . 93-95

  SIDE FILL/CHEMICAL INDUCTOR OPTION . . . . . 96-98

  FRONT FILL OPTION . . . . . 99

  FENDER OPTION . . . . . 100-101

  FLOW MAX 110 MONITOR . . . . . 102-103

  ALL WHEEL STEER OPTION . . . . . 104

  AUX OIL COOLER . . . . . 105

  DETASSELER OPTION . . . . . 106-119

  TOOLBAR STANDS . . . . . 120

  DECALS . . . . . 122-123

  AIR LINE DIAGRAM . . . . . 124-125

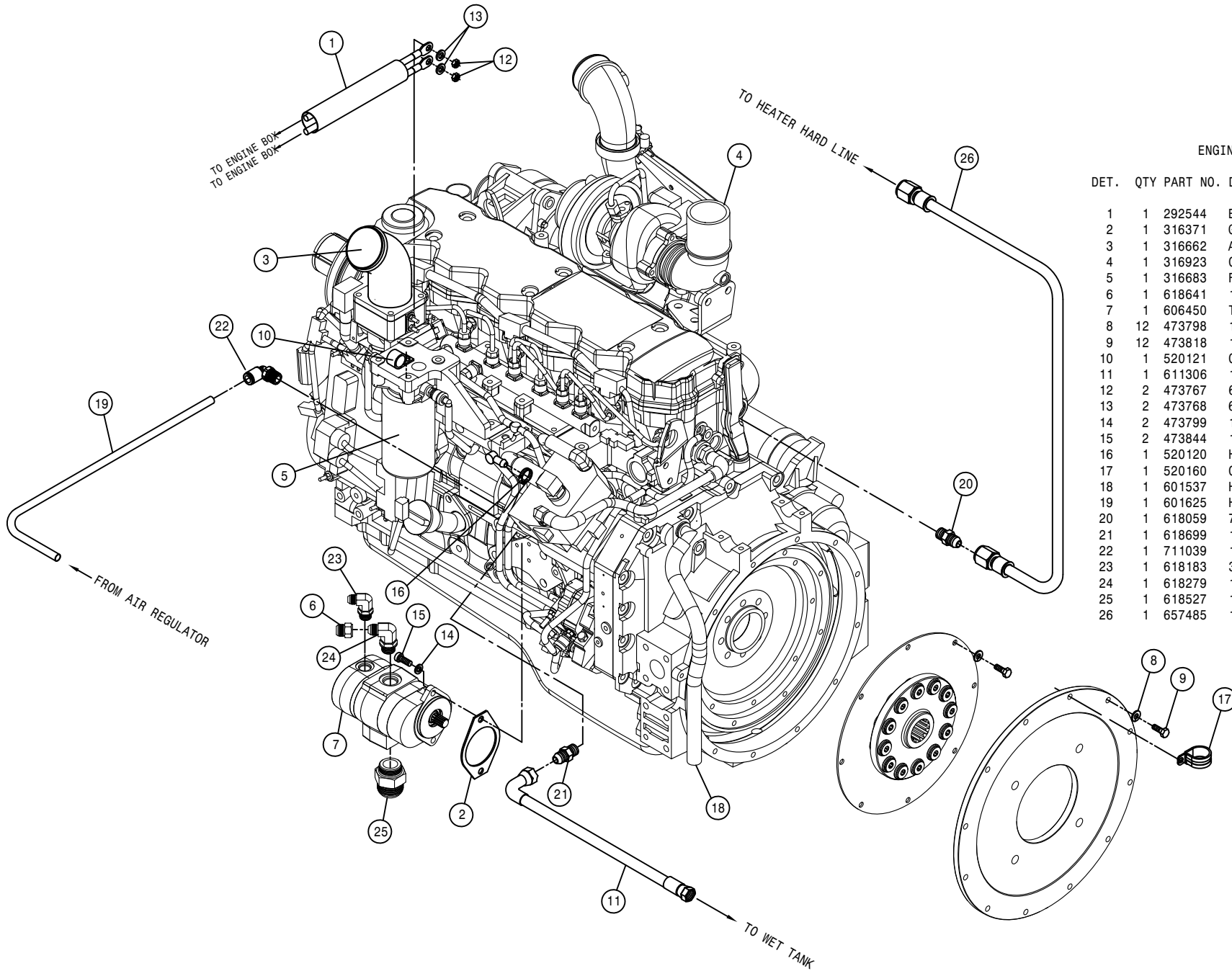
  HYDRAULIC DIAGRAM . . . . . 126-165

  ELECTRICAL DIAGRAM . . . . . 166-183

  ABBREVIATIONS . . . . . 184

  INDEX . . . . . 185

  PARTS ORDER FORM . . . . . 189

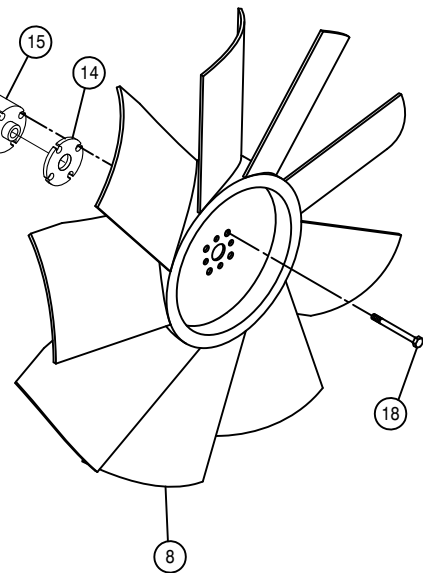
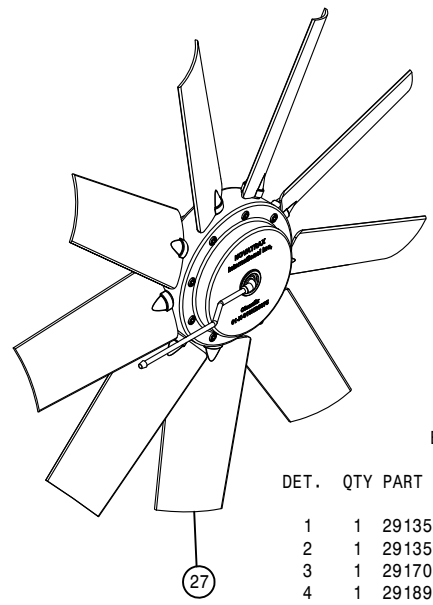
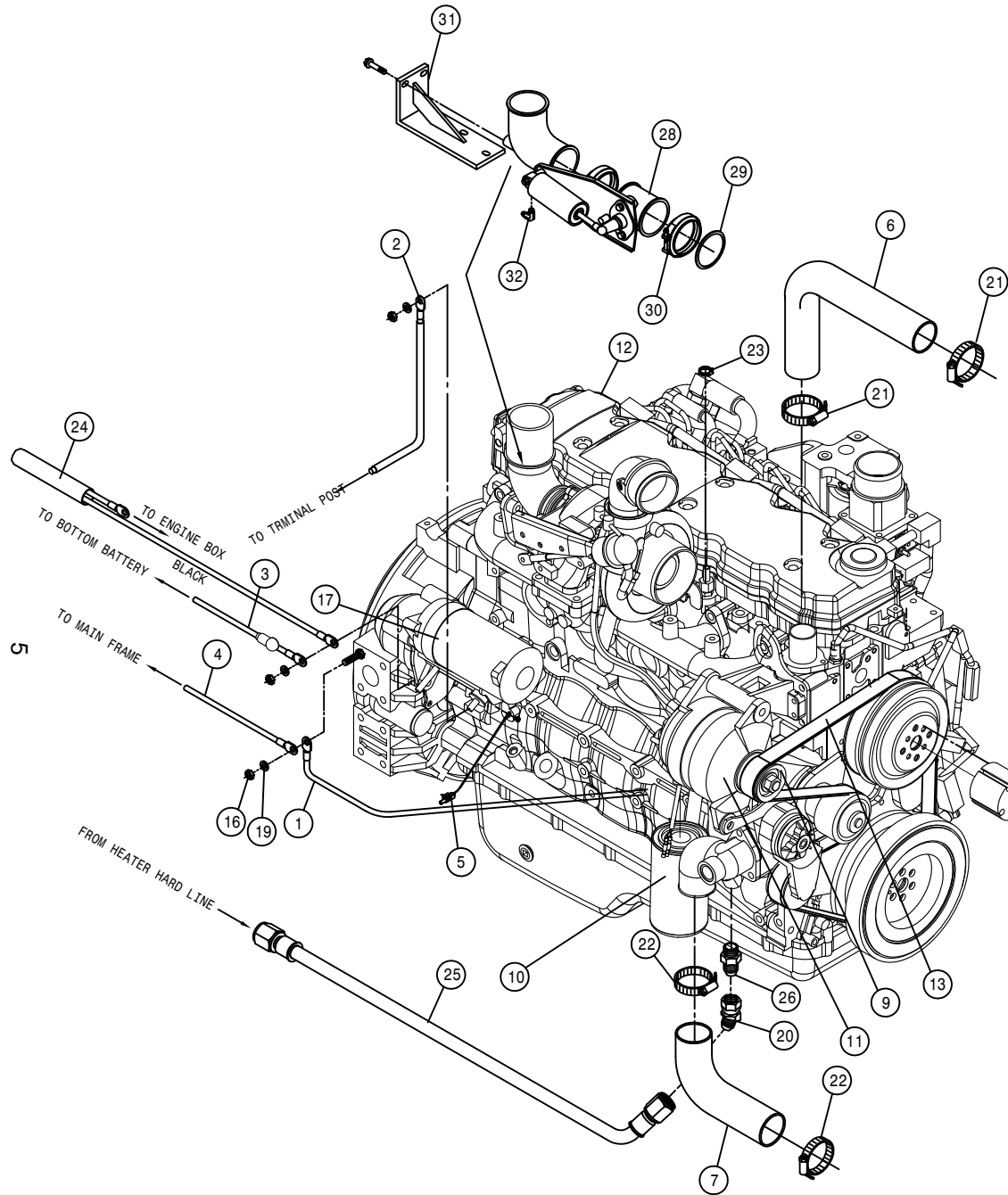


ENGINE ASSEMBLY

| DET. | QTY | PART NO. | DESCRIPTION                    |
|------|-----|----------|--------------------------------|
| 1    | 1   | 292544   | ENG HEATR CBL ASSY,RED 6GA '10 |
| 2    | 1   | 316371   | GASKET, AUX DRIVE CUMM 154916  |
| 3    | 1   | 316662   | AIR INTAKE PIPE W/FLG,T3 ENG   |
| 4    | 1   | 316923   | CUMM ENG, 275HP HI TORQ STS'12 |
| 5    | 1   | 316683   | FUEL FILTER, ENG, TIER 3 07    |
| 6    | 1   | 618641   | 1 1/16FJIC-1 5/16MJIC ADPTR    |
| 7    | 1   | 606450   | TANDEM PUMP,606451 & 606452    |
| 8    | 12  | 473798   | 10MM LOCK WASHER               |
| 9    | 12  | 473818   | 10MM-1.50 X 40MM HEX BOLT (H)  |
| 10   | 1   | 520121   | CUSH CLAMP,#16 1IN X 3/4W      |
| 11   | 1   | 611306   | 12-P919J-12FJX-12FJX90-42 H/A  |
| 12   | 2   | 473767   | 6MM-1.00 HEX NUT               |
| 13   | 2   | 473768   | 6MM LOCK WASHER                |
| 14   | 2   | 473799   | 10MM FLAT WASHER               |
| 15   | 2   | 473844   | 10MM-1.50 X 30 SOC HD CAP SCR  |
| 16   | 1   | 520120   | HOSE CLAMP NO 4 STAINLESS      |
| 17   | 1   | 520160   | CUSH CLAMP,#24 1 1/2D-3/4WLOOP |
| 18   | 1   | 601537   | HOSE, 3/4 X 24 CLEAR VINYL     |
| 19   | 1   | 601625   | HOSE, 1/4 X 14 AIR             |
| 20   | 1   | 618059   | 7/8MJIC-3/4MNPT ADPTR          |
| 21   | 1   | 618699   | 1 1/16MJIC-M27X2.0MOR ADPTR    |
| 22   | 1   | 711039   | 1/8MNPT-90-1/4 NYL TUBE LBO    |
| 23   | 1   | 618183   | 3/4MJIC-90-7/8MOR LBO          |
| 24   | 1   | 618279   | 1 1/16MJIC-90-7/8MOR LBO       |
| 25   | 1   | 618527   | 1 7/8MJIC-1 5/8MOR ADPTR       |
| 26   | 1   | 657485   | 10-213-10FJX-10FJX-62 H/A      |

4

534007



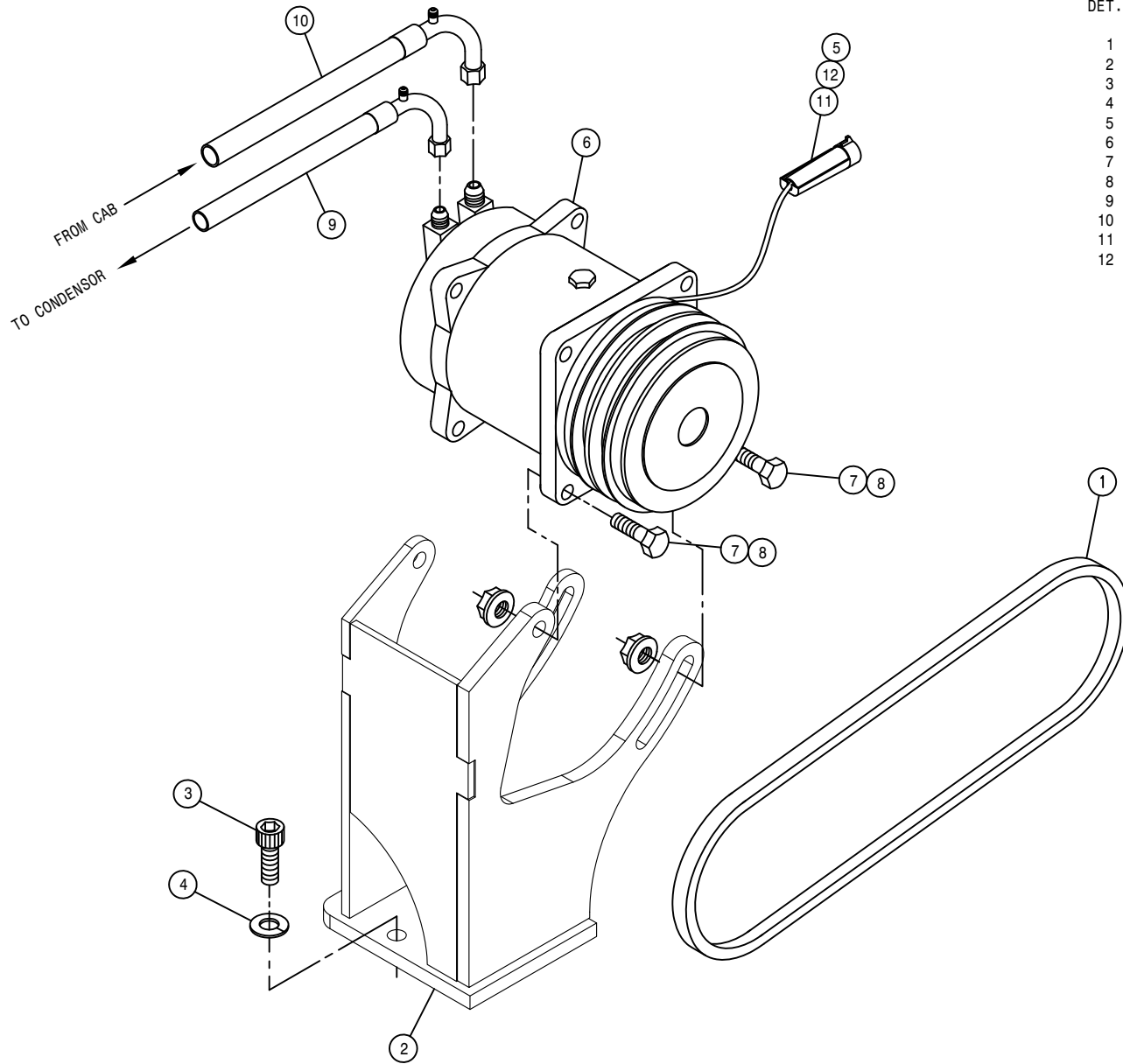
ENGINE ASSEMBLY

| DET. | QTY | PART NO. | DESCRIPTION                      |
|------|-----|----------|----------------------------------|
| 1    | 1   | 291358   | BATT CABLE, BLK 56"2GA.281- 8mm  |
| 2    | 1   | 291359   | BATT CABLE, RED 26"2/0 3/8-3/8   |
| 3    | 1   | 291708   | BATT CABLE, BLK 73"2/0 3/8-3/8   |
| 4    | 1   | 291892   | BATT CABLE, BLK 42"4GA.406-.406  |
| 5    | 1   | 293631   | STARTER WIRE HARNESS, STS        |
| 6    | 1   | 314832   | RADIATOR HOSE 1.75 X 19(52818)   |
| 7    | 1   | 314987   | LWR RADIATOR HOSE STS-12         |
| 8    | 1   | 316524   | FAN, 28" CUMM QSB5.9C, STS 02    |
| 9    | 1   | 316370   | ALT PULLEY, 2.76 OD, 8-GROOVE    |
| 10   | 1   | 316372   | LUBE FILTER (CUMM ENG 316360)    |
| 11   | 1   | 316391   | DELCO ALTERNATOR, 130 AMP 24SI   |
| 12   | 1   | 316923   | CUMM ENG, 275HP HI TORQ STS'12   |
| 13   | 1   | 316680   | FAN BELT, TIER 3 ENGINE 07       |
| 14   | 1   | 316681   | FAN SPACER, 6.4MM, TIER 3 ENG 07 |
| 15   | 1   | 316682   | FAN SPACER, 63.5MM, TIER3 ENG 07 |
| 16   | 1   | 473778   | 8MM-1.25 HEX NUT                 |
| 17   | 1   | 316686   | STARTER, CUMM R2.7 ST9383        |
| 18   | 4   | 473780   | 10MM-1.50 X 90MM FLANGE BOLT     |
| 19   | 1   | 473804   | 8MM LOCK WASHER                  |
| 20   | 1   | 618628   | 7/8MJIC-45-7/8FJIC SWIV LBO      |
| 21   | 2   | 520067   | HOSE CLAMP NO 28 STAINLESS       |
| 22   | 2   | 520099   | HOSE CLAMP NO 40 STAINLESS       |
| 23   | 1   | 520069   | HOSE CLAMP NO 6 STAINLESS        |
| 24   | 1   | 292542   | CAB PWR, GND CBLE ASSY STS10/12  |
| 25   | 1   | 657484   | 10-213-10FJX-10FJX-89 H/A        |
| 26   | 1   | 618325   | 7/8MJIC-1/2MNPT ADPTR            |
| 27   | 1   | 316810   | REVERSING FAN KIT, STS 6.7L 07-  |
| 28   | 1   | 316644   | EXHAUST BRAKE, CUMMINS 05        |
| 29   | 1   | 316645   | GASKET, EXHAUST BRAKE CUMMINS    |
| 30   | 1   | 316646   | V-CLAMP, EXHAUST BRAKE, CUMMINS  |
| 31   | 1   | 316801   | E-BRAKE MT WLD, T3 ENG GST20 06  |
| 32   | 1   | 711058   | 7/16MJIC-90-1/4MNPT LBO BRS      |

A/C COMPRESSOR PUMP ASSEMBLY

DET. QTY PART NO. DESCRIPTION

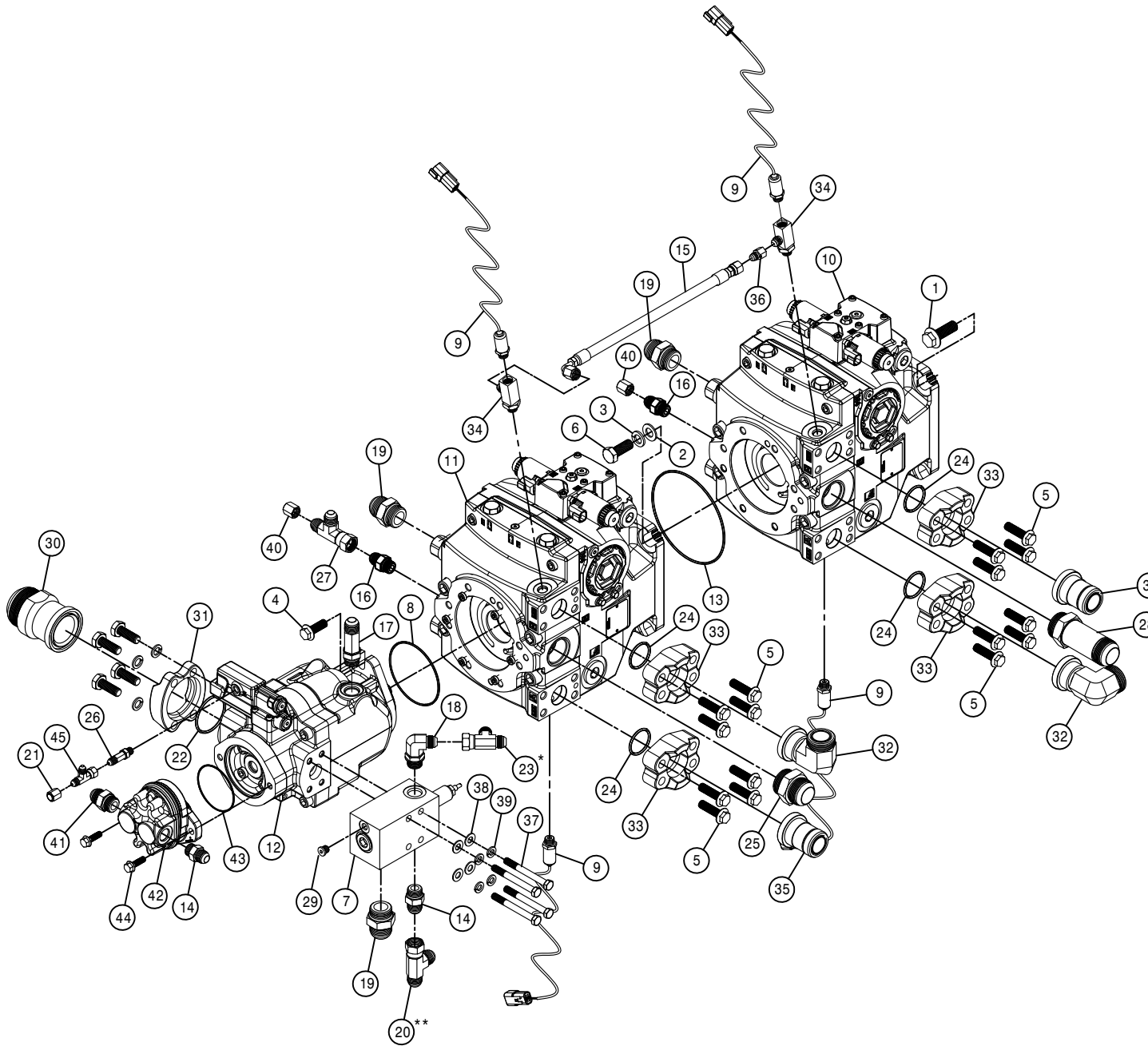
| DET. | QTY | PART NO. | DESCRIPTION                   |
|------|-----|----------|-------------------------------|
| 1    | 1   | 147052   | BELT, 9470 GATES              |
| 2    | 1   | 316591   | A/C MTG BRKT WLD, STS 2004    |
| 3    | 3   | 473844   | 10MM-1.50 X 30 SOC HD CAP SCR |
| 4    | 3   | 473798   | 10MM LOCK WASHER              |
| 5    | 1   | 291675   | PED,TERM,M,WP,16-14GA         |
| 6    | 1   | 657450   | A/C COMP SR,90D PORT TM15/12  |
| 7    | 4   | 900131   | 3/8UNC X 1 1/2 HEX BOLT       |
| 8    | 4   | 910004N  | 3/8UNC FLANGE CNTR LOCK NUT   |
| 9    | 1   | 657446   | A/C HOSE,08-08F90-08F90SV-65" |
| 10   | 1   | 657447   | A/C HOSE,10-10F90-10F90SV-92" |
| 11   | 1   | 291593   | PED,RECP,WP,1W                |
| 12   | 1   | 291620   | PED,SEAL, GREEN,18-16GA       |



HYDROSTATIC PUMP ASSEMBLY

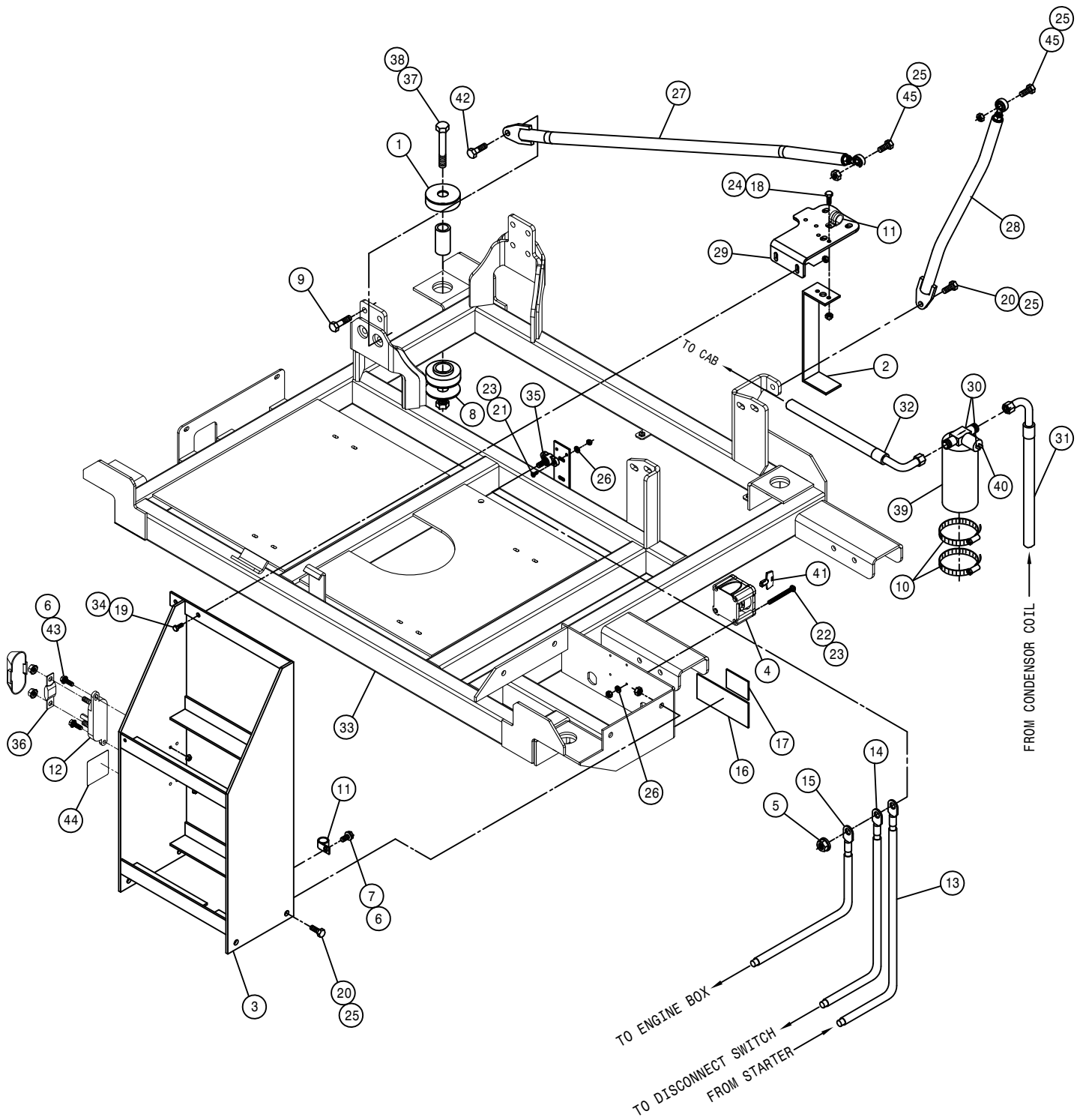
| DET. | QTY | PART NO. | DESCRIPTION                    |
|------|-----|----------|--------------------------------|
|      | 1   | 472367   | 3/4UNC X 2" SM FLANGE BOLT GR8 |
|      | 2   | 473839   | 20MM FLAT WASHER               |
|      | 3   | 473854   | 20MM LOCK WASHER               |
|      | 4   | 473855   | 12MM-1.75 X 35MM FLANGE BOLT   |
|      | 5   | 473857   | 12MM-1.75 X 45MM FLANGE BOLT   |
|      | 6   | 473860   | 20MM-2.50 X 50MM HEX BOLT      |
|      | 7   | 606258   | REFIEF, LS PUMP SAUER          |
|      | 8   | 606357   | O-RING,3.737ID-.103CS-3.94 BMT |
|      | 9   | 606196   | PRESS TRANSDUCER ASSY 9000PSI  |
|      | 10  | 606512   | H1-P-115CC PUMP,D/D-MT SAUER   |
|      | 11  | 606513   | H1-P-115CC PUMP,D/B-MT SAUER   |
|      | 12  | 607005   | SAUER PISTON PUMP JRR060B-LB   |
|      | 13  | 607026   | O-RING,5.905ID- 6.1410D DMT    |
|      | 14  | 611126   | 7/8MJIC-7/8MOR ADPTR           |
|      | 15  | 616038   | 04-471TC-06FJX-06FJX90-15 H/A  |
|      | 16  | 618126   | 9/16MJIC-9/16MOR ADPTR         |
|      | 17  | 618130   | 7/8MOR RUN TEE-7/8MJIC         |
|      | 18  | 618183   | 3/4MJIC-90-7/8MOR LBO          |
|      | 19  | 618186   | 1 5/16MJIC-1 5/16MOR ADPTR     |
|      | 20  | 618333   | 7/8FJIC SW RUN TEE-7/8MJIC     |
|      | 21  | 618363   | 7/16FJIC CAP NUT               |
|      | 22  | 618394   | O-RING FOR 2" FLANGE -32       |
|      | 23  | 618451   | 3/4FJIC SW RUN TEE-3/4MJIC     |
|      | 24  | 618465   | O-RING FOR 1 1/4" FLANGE, -20  |
|      | 25  | 618472   | 1 5/8MJIC-1 5/8MOR ADPTR       |
|      | 26  | 618509   | 7/16MOR RUN TEE-7/16MJIC       |
|      | 27  | 618618   | 9/16MJIC-90-9/16FJIC SWIV LBO  |
|      | 28  | 618724   | 1 5/8MJIC-1 5/8MOR LG ADPTR    |
|      | 29  | 618753   | 7/16MOR PLUG, HEX SOCKET       |
|      | 30  | 618765   | 2" FLANGE-2 1/2MJIC ADPTR #61  |
|      | 31  | 618766   | 2" SPLIT FLANGE KIT #61        |
|      | 32  | 618779   | 1 11/16FOR-90-1 1/4FLG C62LBO  |
|      | 33  | 618780   | 1 1/4 SPLIT FLANGE HALF, #62   |
|      | 34  | 618782   | 9/16MOR-9/16FOR-9/16MJIC BRNCH |
|      | 35  | 618897   | 1 1/4"FLANGE-1 11/16FOR ADPTR  |
|      | 36  | 618735   | 9/16JIC .062 ORIFICE ADPTR     |
|      | 37  | 900138   | 3/8UNC X 3 1/2 HEX BOLT        |
|      | 38  | 920002   | 3/8 SAE FLAT WASHER            |
|      | 39  | 920502   | 3/8 LOCK WASHER                |
|      | 40  | 618531   | 9/16FJIC CAP NUT               |
|      | 41  | 611127   | 1 1/16MJIC-1 1/16MOR ADPTR     |
|      | 42  | 606664   | GEAR PUMP,.40CI A-MT,RH        |
|      | 43  | 606924   | O-RING FOR SUND A-MT           |
|      | 44  | 470329   | 3/8UNC X 1 1/4 SER FLANGE BOLT |
|      | 45  | 618485   | 7/16FJIC SW RUN TEE-7/16MJIC   |

NOTE: 1. (\*) USED WITH THE TREAD ADJUST OPTION.  
 2. (\*\*) USED WITH THE PRESSURE WASHER OPTION.



7

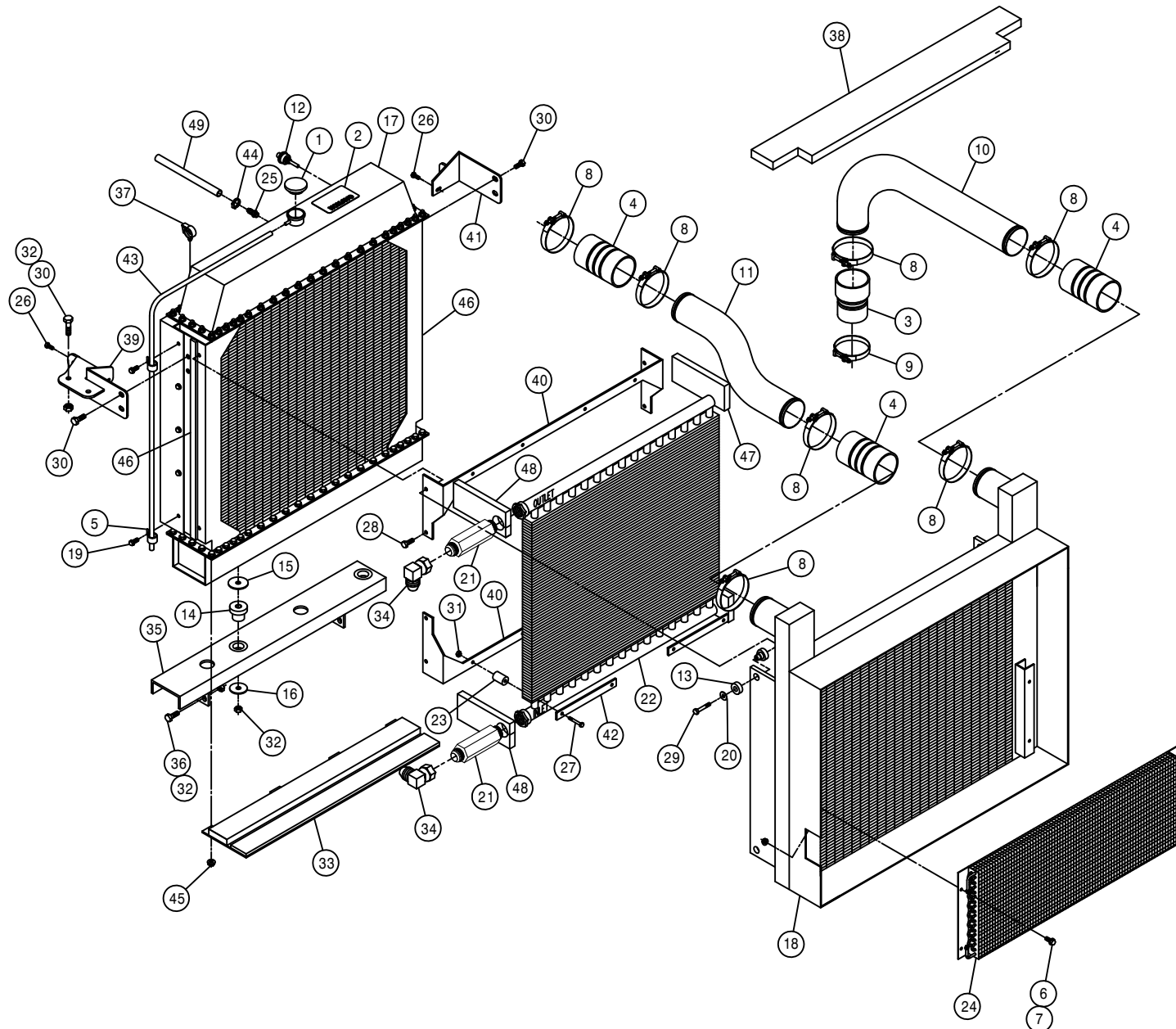
534007



ENGINE SKID ASSEMBLY

| DET. | QTY | PART NO. | DESCRIPTION                    |
|------|-----|----------|--------------------------------|
| 1    | 4   | 311057   | RUBBER MT SET,SSB33-1000-4     |
| 2    | 1   | 316432   | A/C DRIER MT                   |
| 3    | 1   | 316637   | BATTERY BOX WLD STS 05         |
| 4    | 1   | 291962   | BATTERY SWITCH,ON/OFF(KEY)6005 |
| 5    | 1   | 910004N  | 3/8UNC FLANGE CNTR LOCK NUT    |
| 6    | 3   | 470121   | 1/4UNC HEX FLANGE LOCK NUT     |
| 7    | 1   | 470122   | 1/4UNC X 1/2 FLANGE HEX BOLT   |
| 8    | 4   | 311091   | SNUBBING WASHER FOR 311090     |
| 9    | 11  | 473855   | 12MM-1.75 X 35MM FLANGE BOLT   |
| 10   | 2   | 520052   | HOSE CLAMP NO 52 STAINLESS     |
| 11   | 2   | 520121   | CUSH CLAMP,#16 1IN X 3/4W      |
| 12   | 1   | 292578   | HIGH AMP FUSE HOLDER W/COVER   |
| 13   | 1   | 291359   | BATT CABLE,RED 26"2/0 3/8-3/8  |
| 14   | 1   | 291997   | BATT CABLE,RED 40"2/0 3/8-3/8  |
| 15   | 1   | 292541   | BATT CABLE,RED 72"2/0 3/8-1/2  |
| 16   | 1   | 650107   | DECAL,CAUTION BOOSTER STS12    |
| 17   | 1   | 650372   | DECAL,MAIN ELECTRIC DISCONNECT |
| 18   | 2   | 900065   | 5/16UNC X 1" HEX BOLT          |
| 19   | 2   | 900129   | 3/8UNC X 1" SERR FLANGE BOLT   |
| 20   | 5   | 900264   | 1/2UNC X 1 1/4 HEX BOLT        |
| 21   | 2   | 903706   | 10-32X1/2 PHIL PAN MACH SCR    |
| 22   | 4   | 903897   | 10-32X2 1/2 PHIL PAN MACH SCR  |
| 23   | 6   | 910027   | 10-32 HEX NUT                  |
| 24   | 2   | 914002   | 5/16UNC HEX STOVER NUT         |
| 25   | 7   | 914008   | 1/2UNC HEX STOVER NUT          |
| 26   | 6   | 920510   | #10 LOCK WASHER                |
| 27   | 1   | 316828   | LH RAD BRACE ASSY,STS 10/12"10 |
| 28   | 1   | 316730   | RH RAD BRACE ASSY,STS 10/12 07 |
| 29   | 1   | 316729   | RAD MT PLT, STS T3 QSB 07      |
| 30   | 1   | 657438   | RECEIVER DRIER W/SWITCH        |
| 31   | 1   | 657443   | A/C HOSE,06-06F90-06F90-34"    |
| 32   | 1   | 657474   | A/C HOSE,06-06F-06F90-128"     |
| 33   | 1   | 316912   | ENG SKID WLD,STS10/12 POLY '12 |
| 34   | 2   | 470087   | 3/8UNC HEX FLANGE LOCK NUT     |
| 35   | 1   | 291936   | TERM BLOCK,RED, 3/8-16 SINGLE  |
| 36   | 1   | 291330   | FUSE, 200 AMP 32 VOLT DC       |
| 37   | 4   | 900408   | 3/4UNC X 3 1/2 HEX BOLT        |
| 38   | 4   | 914012   | 3/4UNC HEX STOVER NUT          |
| 39   | 1   | 657421   | A/C RECEIVER/DRIER             |
| 40   | 1   | 657422   | A/C BINARY SWITCH              |
| 41   | 1   | 291963   | KEY,BATTERY SWITCH 291962      |
| 42   | 1   | 473859   | 12MM-1.75 X 50MM FLANGE BOLT   |
| 43   | 2   | 470118   | 1/4UNC X 3/4 FLANGE HEX BOLT   |
| 44   | 1   | 650272   | DECAL ,200AMP ECM FUSE,STS '11 |
| 45   | 2   | 900267   | 1/2UNC X 2" HEX BOLT           |





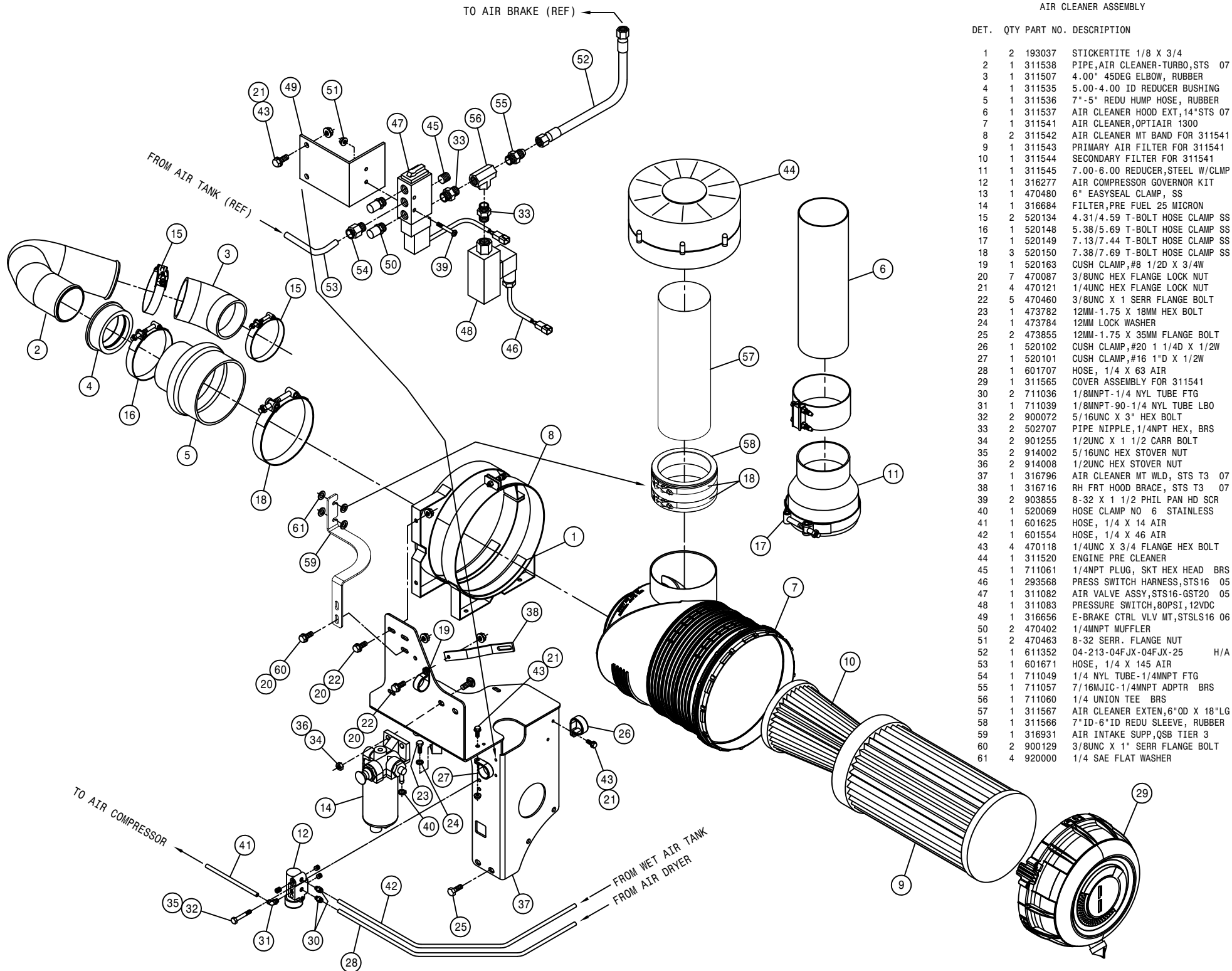
RADIATOR AND OIL COOLER ASSEMBLY

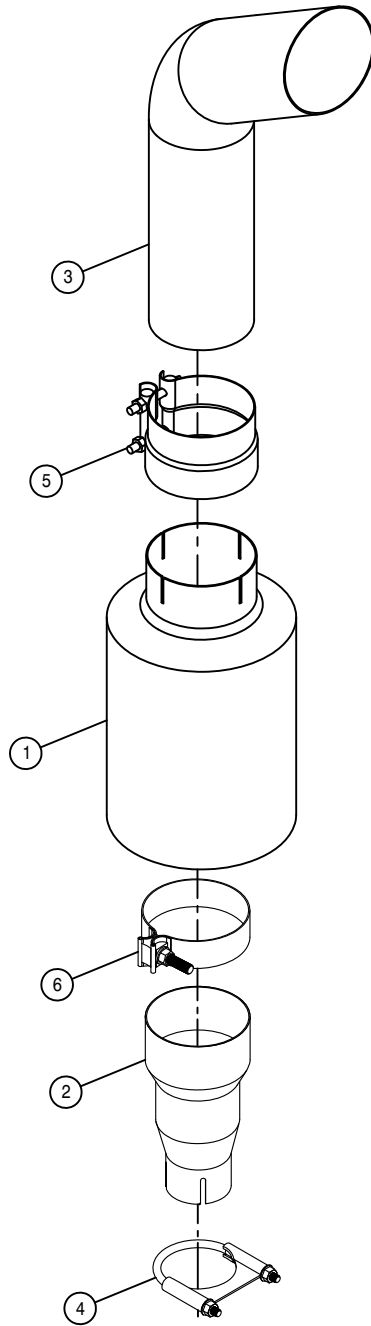
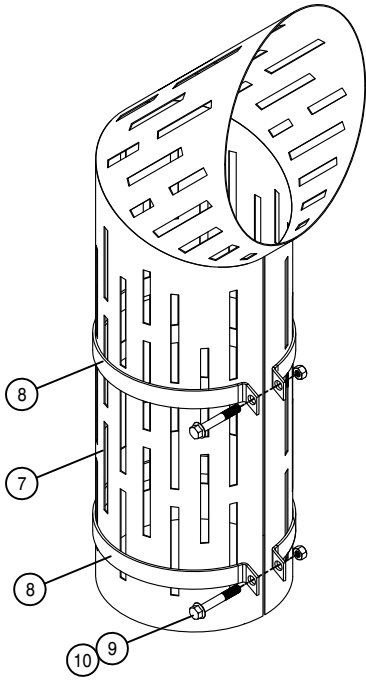
| DET. | QTY | PART NO. | DESCRIPTION                    |
|------|-----|----------|--------------------------------|
| 1    | 1   | 316377   | RAD CAP, 10LB 10237            |
| 2    | 1   | 650174   | DECAL ,CAUTION RADIATOR,STS 07 |
| 3    | 1   | 311500   | 3.50-3.00 X 6.40 REDU CAC HOSE |
| 4    | 3   | 311501   | 3.50 X 6.00 CAC HOSE           |
| 5    | 2   | 520128   | CUSH J CLAMP,#9 9/16D X 3/4W   |
| 6    | 4   | 470121   | 1/4UNC HEX FLANGE LOCK NUT     |
| 7    | 4   | 470122   | 1/4UNC X 1/2 FLANGE HEX BOLT   |
| 8    | 7   | 520145   | 3.56/3.88 T-BOLT HOSE CLAMP SS |
| 9    | 1   | 520146   | 3.06/3.38 T-BOLT HOSE CLAMP SS |
| 10   | 1   | 311540   | PIPE,CAC TO ENG, STS T3 07     |
| 11   | 1   | 311539   | PIPE,TURBO TO CAC, STS T3 07   |
| 12   | 1   | 291935   | RAD WATER LEVEL SENSOR,T3 ENG  |
| 13   | 4   | 311056   | RUBBER MOUNT SET,2-PC CB 2320  |
| 14   | 2   | 311060   | RUBBER MOUNT,1-PC CB-1122-2    |
| 15   | 2   | 311061   | HEAD WASHER FOR 311060         |
| 16   | 2   | 311062   | TAIL WASHER FOR 311060         |
| 17   | 1   | 316364   | RADIATOR, STS12 2000           |
| 18   | 1   | 316660   | CHARGE AIR COOLER,STS TIER3 06 |
| 19   | 10  | 470319   | 3/8UNC X 1/2 SERR FLANGE BOLT  |
| 20   | 4   | 483043   | 3/8 REGULAR FLAT WASHER        |
| 21   | 2   | 618830   | 1 5/16MJ-1 5/16MOR 6.0LG ADPTR |
| 22   | 1   | 618800   | OIL COOLER STS12 2000          |
| 23   | 8   | 618801   | MOUNTING KIT FOR 618800 COOLER |
| 24   | 1   | 657434   | A/C CONDENSER COIL 21-0302     |
| 25   | 1   | 783304   | 1/4 NPT X 3/8 HOSE BARB, BRS   |
| 26   | 2   | 470233   | 5/16UNC X 3/4 FLANGE HEX BOLT  |
| 27   | 8   | 900071   | 5/16UNC X 2 3/4 HEX BOLT       |
| 28   | 4   | 900128   | 3/8UNC X 3/4 HEX BOLT          |
| 29   | 4   | 900133   | 3/8UNC X 2" SERR FLANGE BOLT   |
| 30   | 10  | 900264   | 1/2UNC X 1 1/4 HEX BOLT        |
| 31   | 8   | 473001   | 5/16UNC HEX NUT,NYLOC 316 SS   |
| 32   | 8   | 914008   | 1/2UNC HEX STOVER NUT          |
| 33   | 1   | 316490   | LWR RADIATOR FILLER PANEL ASSY |
| 34   | 2   | 618640   | 1 5/16MJ-90-1 5/16FJ SWIV LBO  |
| 35   | 1   | 316594   | RADIATOR MT CHAN WLD, STS 04   |
| 36   | 1   | 601668   | HOSE, 3/8 X 30 HEATER          |
| 37   | 4   | 291008   | ROSEBUD CLIP FOR .350 CONDUIT  |
| 38   | 1   | 316588   | FOAM, STS 04                   |
| 39   | 1   | 316727   | UPPER LH RAD MT WLD,STS T3 07  |
| 40   | 2   | 316452   | RAD TO OIL COOLER MT           |
| 41   | 1   | 316446   | UPPER RH RAD MT WLD 2000       |
| 42   | 4   | 316453   | RAD TO OIL COOLER KEEPER       |
| 43   | 1   | 601614   | HOSE, 5/16 X 64 EPDM           |
| 44   | 1   | 520069   | HOSE CLAMP NO 6 STAINLESS      |
| 45   | 4   | 470113   | 5/16UNC HEX FLANGE LOCK NUT    |
| 46   | 2   | 316493   | SIDE FOAM,RAD/CAC              |
| 47   | 2   | 316494   | RH UPR/LWR FOAM,OIL CLR/RAD 00 |
| 48   | 2   | 316495   | LH UPR/LWR FOAM,OIL CLR/RAD 00 |

AIR CLEANER ASSEMBLY

DET. QTY PART NO. DESCRIPTION

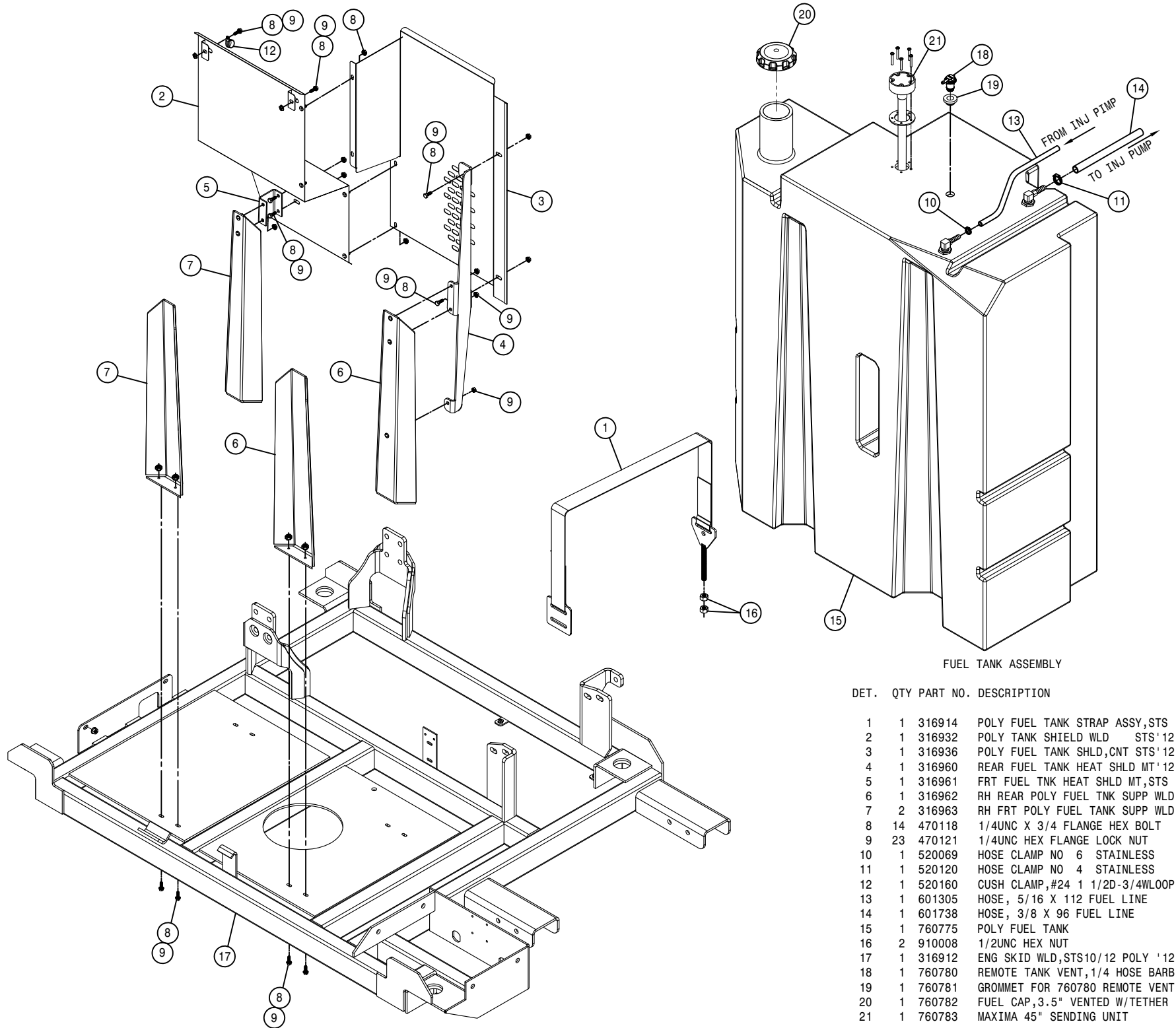
|    |   |        |                                |
|----|---|--------|--------------------------------|
| 1  | 2 | 193037 | STICKERTITE 1/8 X 3/4          |
| 2  | 1 | 311538 | PIPE,AIR CLEANER-TURBO,STS 07  |
| 3  | 1 | 311507 | 4.00" 45DEG ELBOW, RUBBER      |
| 4  | 1 | 311535 | 5.00-4.00 ID REDUCER BUSHING   |
| 5  | 1 | 311536 | 7"-5" REDU HUMP HOSE, RUBBER   |
| 6  | 1 | 311537 | AIR CLEANER HOOD EXT,14"STS 07 |
| 7  | 1 | 311541 | AIR CLEANER,OPTIAIR 1300       |
| 8  | 2 | 311542 | AIR CLEANER MT BAND FOR 311541 |
| 9  | 1 | 311543 | PRIMARY AIR FILTER FOR 311541  |
| 10 | 1 | 311544 | SECONDARY FILTER FOR 311541    |
| 11 | 1 | 311545 | 7.00-6.00 REDUCER,STEEL W/CLMP |
| 12 | 1 | 316277 | AIR COMPRESSOR GOVERNOR KIT    |
| 13 | 1 | 470480 | 6" EASYSEAL CLAMP, SS          |
| 14 | 1 | 316684 | FILTER,PRE FUEL 25 MICRON      |
| 15 | 2 | 520134 | 4.31/4.59 T-BOLT HOSE CLAMP SS |
| 16 | 1 | 520148 | 5.38/5.69 T-BOLT HOSE CLAMP SS |
| 17 | 1 | 520149 | 7.13/7.44 T-BOLT HOSE CLAMP SS |
| 18 | 3 | 520150 | 7.38/7.69 T-BOLT HOSE CLAMP SS |
| 19 | 1 | 520163 | CUSH CLAMP,#8 1/2D X 3/4W      |
| 20 | 7 | 470087 | 3/8UNC HEX FLANGE LOCK NUT     |
| 21 | 4 | 470121 | 1/4UNC HEX FLANGE LOCK NUT     |
| 22 | 5 | 470460 | 3/8UNC X 1 SERR FLANGE BOLT    |
| 23 | 1 | 473782 | 12MM-1.75 X 18MM HEX BOLT      |
| 24 | 1 | 473784 | 12MM LOCK WASHER               |
| 25 | 2 | 473855 | 12MM-1.75 X 35MM FLANGE BOLT   |
| 26 | 1 | 520102 | CUSH CLAMP,#20 1/4D X 1/2W     |
| 27 | 1 | 520101 | CUSH CLAMP,#16 1"D X 1/2W      |
| 28 | 1 | 601707 | HOSE, 1/4 X 63 AIR             |
| 29 | 1 | 311565 | COVER ASSEMBLY FOR 311541      |
| 30 | 2 | 711036 | 1/8MNPT-1/4 NYL TUBE FTG       |
| 31 | 1 | 711039 | 1/8MNPT-90-1/4 NYL TUBE LBO    |
| 32 | 2 | 900072 | 5/16UNC X 3" HEX BOLT          |
| 33 | 2 | 502707 | PIPE NIPPLE,1/4NPT HEX, BRS    |
| 34 | 2 | 901255 | 1/2UNC X 1 1/2 CARR BOLT       |
| 35 | 2 | 914002 | 5/16UNC HEX STOVER NUT         |
| 36 | 2 | 914008 | 1/2UNC HEX STOVER NUT          |
| 37 | 1 | 316796 | AIR CLEANER MT WLD, STS T3 07  |
| 38 | 1 | 316716 | RH FRT HOOD BRACE, STS T3 07   |
| 39 | 2 | 903855 | 8-32 X 1 1/2 PHIL PAN HD SCR   |
| 40 | 1 | 520069 | HOSE CLAMP NO 6 STAINLESS      |
| 41 | 1 | 601625 | HOSE, 1/4 X 14 AIR             |
| 42 | 1 | 601554 | HOSE, 1/4 X 46 AIR             |
| 43 | 4 | 470118 | 1/4UNC X 3/4 FLANGE HEX BOLT   |
| 44 | 1 | 311520 | ENGINE PRE CLEANER             |
| 45 | 1 | 711061 | 1/4NPT PLUG, SKT HEX HEAD BRS  |
| 46 | 1 | 293568 | PRESS SWITCH HARNESS,STS16 05  |
| 47 | 1 | 311082 | AIR VALVE ASSY,STS16-GST20 05  |
| 48 | 1 | 311083 | PRESSURE SWITCH,80PSI,12VDC    |
| 49 | 1 | 316656 | E-BRAKE CTRL VLV MT,STSL16 06  |
| 50 | 2 | 470402 | 1/4MNPT MUFFLER                |
| 51 | 2 | 470463 | 8-32 SERR. FLANGE NUT          |
| 52 | 1 | 611352 | 04-213-04FJX-04FJX-25 H/A      |
| 53 | 1 | 601671 | HOSE, 1/4 X 145 AIR            |
| 54 | 1 | 711049 | 1/4 NYL TUBE-1/4MNPT FTG       |
| 55 | 1 | 711057 | 7/16MJIC-1/4MNPT ADPTR BRS     |
| 56 | 1 | 711060 | 1/4 UNION TEE BRS              |
| 57 | 1 | 311567 | AIR CLEANER EXTEN,6"OD X 18"LG |
| 58 | 1 | 311566 | 7"ID-6"ID REDU SLEEVE, RUBBER  |
| 59 | 1 | 316931 | AIR INTAKE SUPP,QSB TIER 3     |
| 60 | 2 | 900129 | 3/8UNC X 1" SERR FLANGE BOLT   |
| 61 | 4 | 920000 | 1/4 SAE FLAT WASHER            |





MUFFLER ASSEMBLY

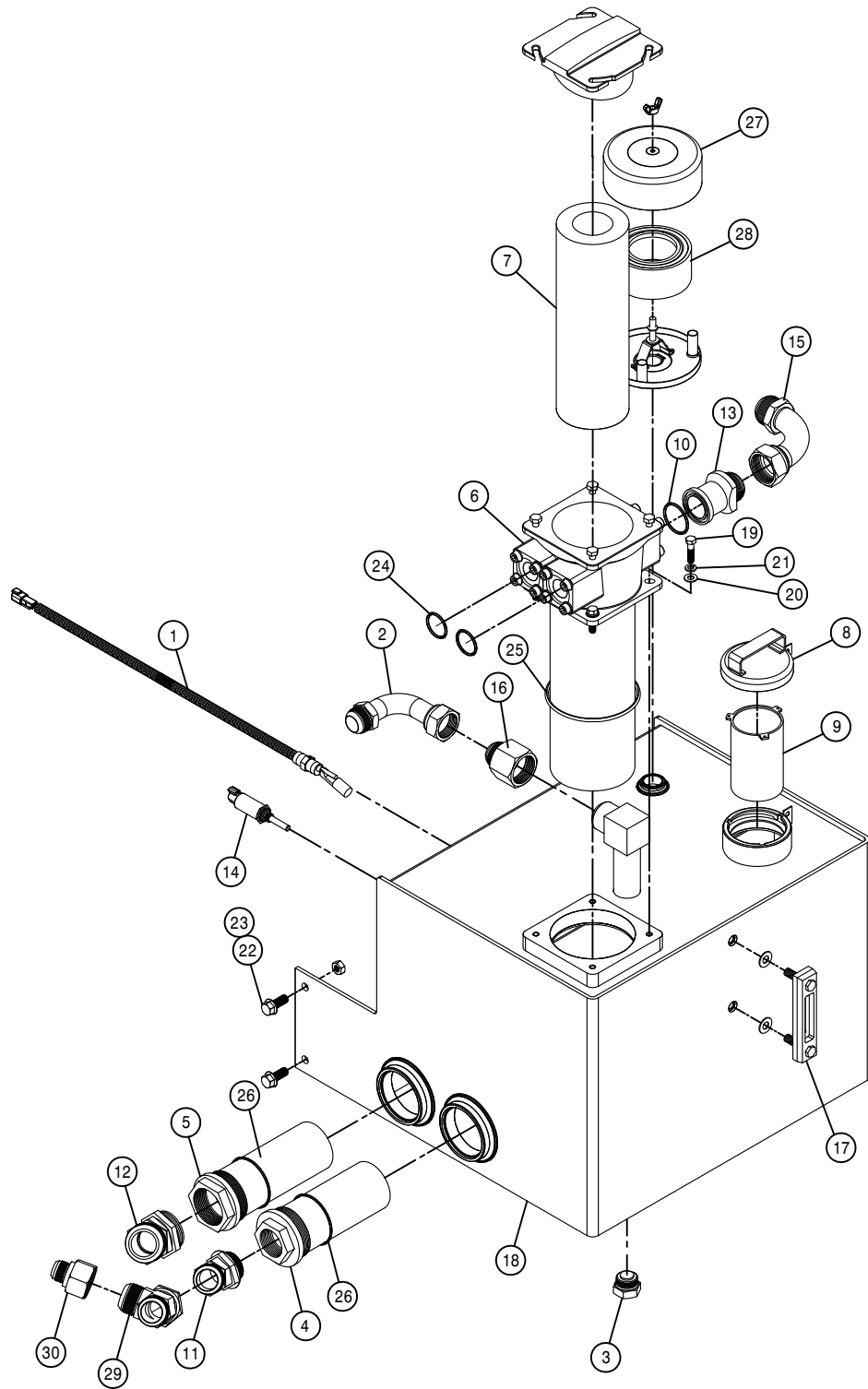
| DET. | QTY | PART NO. | DESCRIPTION                      |
|------|-----|----------|----------------------------------|
| 1    | 1   | 316657   | MUFFLER 5"                       |
| 2    | 1   | 316816   | EXH REDUCER CONNECTOR            |
| 3    | 1   | 316817   | EXHAUST STACK, ANGLED            |
| 4    | 1   | 470475   | 3" EXHAUST CLAMP                 |
| 5    | 1   | 470477   | 5" LAP EXHAUST CLAMP             |
| 6    | 1   | 470600   | MUFFLER CLAMP, 5.00 ACCUSEAL     |
| 7    | 1   | 343794   | MUFFLER GUARD WLD, STS '11       |
| 8    | 2   | 343796   | MUFFLER GUARD CLMP BAND, STS '11 |
| 9    | 2   | 900134   | 3/8UNC X 2 1/2 SER FLANGE BOLT   |
| 10   | 2   | 914004   | 3/8UNC HEX STOVER NUT            |



FUEL TANK ASSEMBLY

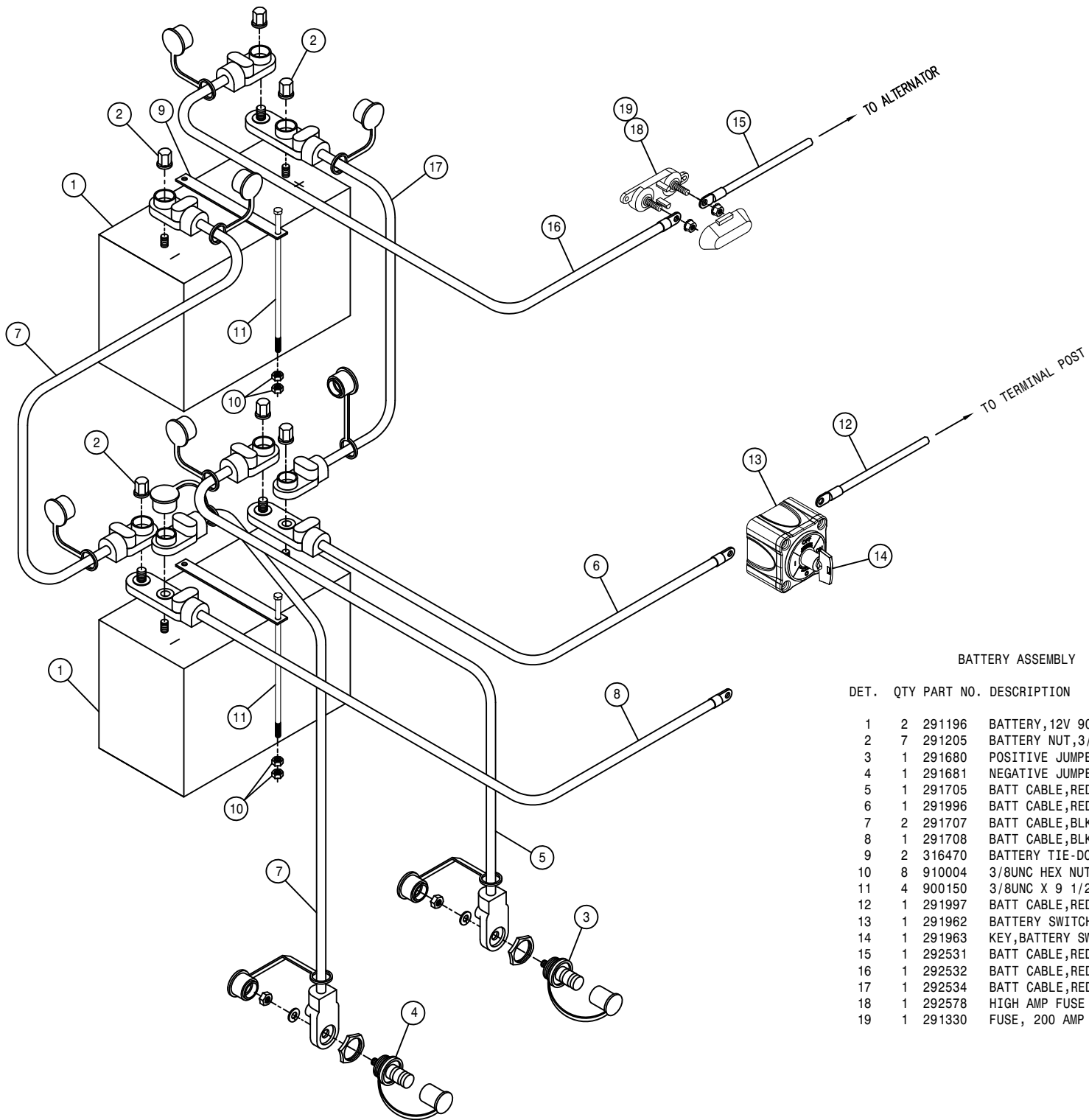
## DET. QTY PART NO. DESCRIPTION

| DET. | QTY | PART NO. | DESCRIPTION                      |
|------|-----|----------|----------------------------------|
| 1    | 1   | 316914   | POLY FUEL TANK STRAP ASSY, STS   |
| 2    | 1   | 316932   | POLY TANK SHIELD WLD STS' 12     |
| 3    | 1   | 316936   | POLY FUEL TANK SHLD, CNT STS' 12 |
| 4    | 1   | 316960   | REAR FUEL TANK HEAT SHLD MT' 12  |
| 5    | 1   | 316961   | FRT FUEL TNK HEAT SHLD MT, STS   |
| 6    | 1   | 316962   | RH REAR POLY FUEL TNK SUPP WLD   |
| 7    | 2   | 316963   | RH FRT POLY FUEL TANK SUPP WLD   |
| 8    | 14  | 470118   | 1/4UNC X 3/4 FLANGE HEX BOLT     |
| 9    | 23  | 470121   | 1/4UNC HEX FLANGE LOCK NUT       |
| 10   | 1   | 520069   | HOSE CLAMP NO 6 STAINLESS        |
| 11   | 1   | 520120   | HOSE CLAMP NO 4 STAINLESS        |
| 12   | 1   | 520160   | CUSH CLAMP, #24 1 1/2D-3/4W LOOP |
| 13   | 1   | 601305   | HOSE, 5/16 X 112 FUEL LINE       |
| 14   | 1   | 601738   | HOSE, 3/8 X 96 FUEL LINE         |
| 15   | 1   | 760775   | POLY FUEL TANK                   |
| 16   | 2   | 910008   | 1/2UNC HEX NUT                   |
| 17   | 1   | 316912   | ENG SKID WLD, STS10/12 POLY '12  |
| 18   | 1   | 760780   | REMOTE TANK VENT, 1/4 HOSE BARB  |
| 19   | 1   | 760781   | GROMMET FOR 760780 REMOTE VENT   |
| 20   | 1   | 760782   | FUEL CAP, 3.5" VENTED W/TETHER   |
| 21   | 1   | 760783   | MAXIMA 45" SENDING UNIT          |



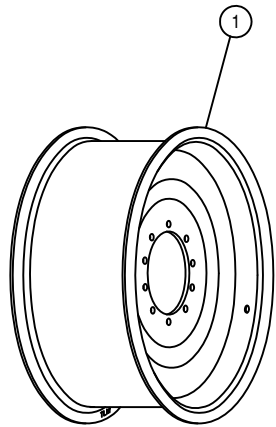
HYDRAULIC TANK ASSEMBLY

| DET. | QTY | PART NO. | DESCRIPTION                    |
|------|-----|----------|--------------------------------|
|      | 1   | 293815   | LIQUID LEV SWITCH ASSY,1/2NPO5 |
|      | 1   | 618768   | 1 5/8MJIC-90-1 5/8FJX TUBE     |
|      | 1   | 470471   | 1 5/16MOR PLUG, MAGNETIC       |
|      | 4   | 605622   | SUCTION STRAINER,21GPM 100M 24 |
|      | 5   | 605623   | SUCTION STRAINER,39GPM 100M 32 |
|      | 6   | 605625   | IN-TANK RETURN FILTER, 10M     |
|      | 7   | 605626   | FILTER ELEMENT FOR 605625 10M  |
|      | 8   | 605646   | FILL CAP-HYD RSRVR NON-VENTED  |
|      | 9   | 605645   | STRAINER-HYD RSRVR             |
|      | 10  | 618395   | O-RING FOR 1 1/2" FLANGE -24   |
|      | 11  | 618745   | 1 7/8MJIC-45-1 7/8MOR LBO      |
|      | 12  | 618746   | 2 1/2MJIC-45-2 1/2MOR LBO      |
|      | 13  | 618747   | 1 1/2 FLANGE-1 7/8MJIC ADPTR   |
|      | 14  | 291995   | TEMPERATURE TRANSDUCER,HYDAC   |
|      | 15  | 618764   | 1 7/8MJIC-90-1 7/8FJX TUBE LBO |
|      | 16  | 618767   | 1 7/8FJIC-1 5/8MJIC ADPTR      |
|      | 17  | 760177   | SIGHT GAUGE W/TEMP, HYD TANK   |
|      | 18  | 760732   | HYD TANK WLD,STS10/12/14 '10   |
|      | 19  | 900131   | 3/8UNC X 1 1/2 HEX BOLT        |
|      | 20  | 920002   | 3/8 SAE FLAT WASHER            |
|      | 21  | 920502   | 3/8 LOCK WASHER                |
|      | 22  | 900264   | 1/2UNC X 1 1/4 HEX BOLT        |
|      | 23  | 914008   | 1/2UNC HEX STOVER NUT          |
|      | 24  | 618465   | O-RING FOR 1 1/4" FLANGE, -20  |
|      | 25  | 605632   | O-RING,-357,FILTER HEAD 605625 |
|      | 26  | 605638   | O-RING,-48 3.228ID-.118W       |
|      | 27  | 605647   | BREATHER-HYD RSRVR             |
|      | 28  | 605648   | FOAM BREATHER, HYD RSRVR       |
|      | 29  | 618681   | 1 7/8FJ SW RUN TEE-1 7/8MJ     |
|      | 30  | 618680   | 1 7/8FJIC-1 5/16MJIC ADPTR     |

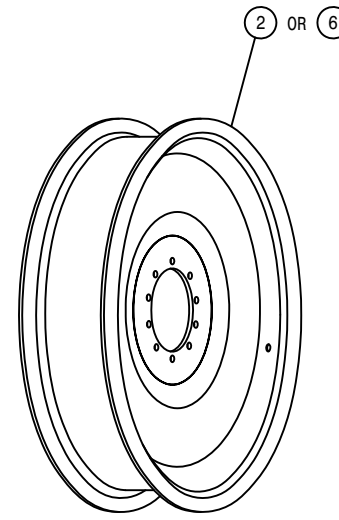
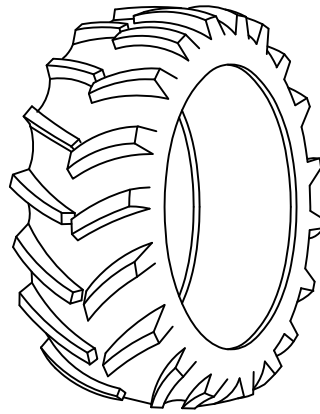


BATTERY ASSEMBLY

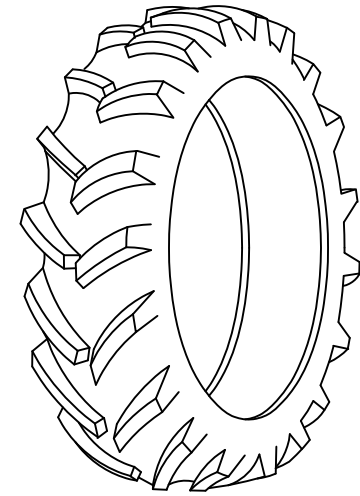
| DET. | QTY | PART NO. | DESCRIPTION                    |
|------|-----|----------|--------------------------------|
| 1    | 2   | 291196   | BATTERY,12V 900 CCA, SS STUD   |
| 2    | 7   | 291205   | BATTERY NUT,3/8-16 SS CLSD CAP |
| 3    | 1   | 291680   | POSITIVE JUMPER STUD, RED      |
| 4    | 1   | 291681   | NEGATIVE JUMPER STUD, BLACK    |
| 5    | 1   | 291705   | BATT CABLE,RED 26"2/0 3/8-3/8  |
| 6    | 1   | 291996   | BATT CABLE,RED 34"2/0 3/8-3/8  |
| 7    | 2   | 291707   | BATT CABLE,BLK 26"2/0 3/8-3/8  |
| 8    | 1   | 291708   | BATT CABLE,BLK 73"2/0 3/8-3/8  |
| 9    | 2   | 316470   | BATTERY TIE-DOWN               |
| 10   | 8   | 910004   | 3/8UNC HEX NUT                 |
| 11   | 4   | 900150   | 3/8UNC X 9 1/2 HEX BOLT        |
| 12   | 1   | 291997   | BATT CABLE,RED 40"2/0 3/8-3/8  |
| 13   | 1   | 291962   | BATTERY SWITCH,ON/OFF(KEY)6005 |
| 14   | 1   | 291963   | KEY,BATTERY SWITCH 291962      |
| 15   | 1   | 292531   | BATT CABLE,RED 41"1/0.312-.343 |
| 16   | 1   | 292532   | BATT CABLE,RED 25"1/0.312-.375 |
| 17   | 1   | 292534   | BATT CABLE,RED 26"2/0.375-.375 |
| 18   | 1   | 292578   | HIGH AMP FUSE HOLDER W/COVER   |
| 19   | 1   | 291330   | FUSE, 200 AMP 32 VOLT DC       |



580/70 R38 RADIAL TIRE



380/90 R46 RADIAL TIRE

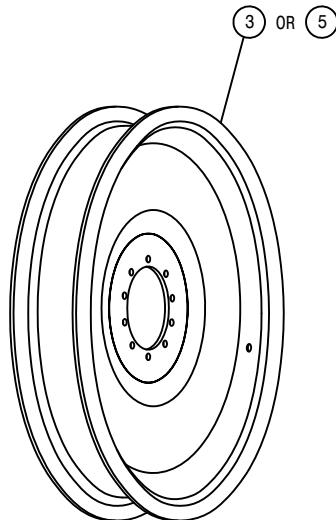


520/85 R46 RADIAL TIRE

TIRE AND RIM ASSEMBLY

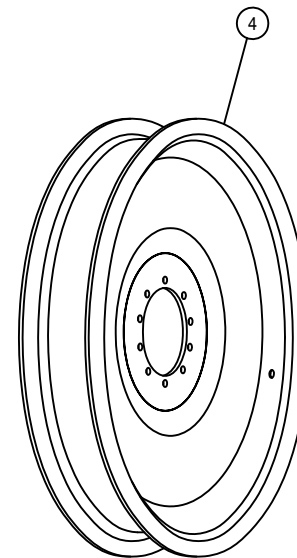
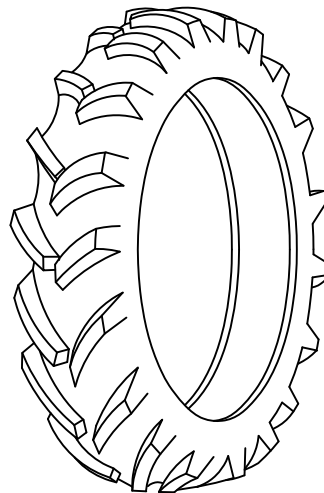
DET. QTY PART NO. DESCRIPTION

|   |   |        |                    |       |
|---|---|--------|--------------------|-------|
| 1 | 1 | 821055 | RIM WLD, 38 X W18A | STS12 |
| 2 | 1 | 821054 | RIM WLD, 46 X W13A | STS12 |
| 3 | 1 | 821053 | RIM WLD, 50 X DW10 | STS   |
| 4 | 1 | 821058 | RIM WLD, 54 X W10A |       |
| 5 | 1 | 821059 | RIM WLD, 54 X W12  |       |
| 6 | 1 | 821061 | RIM WLD, 46 X W16  |       |

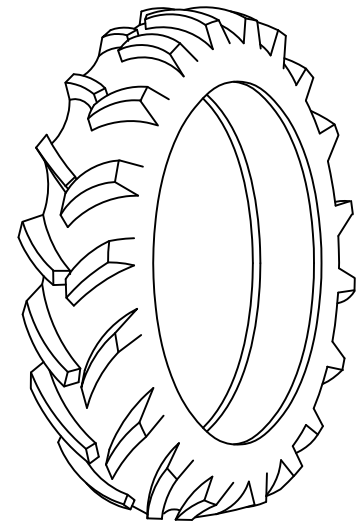


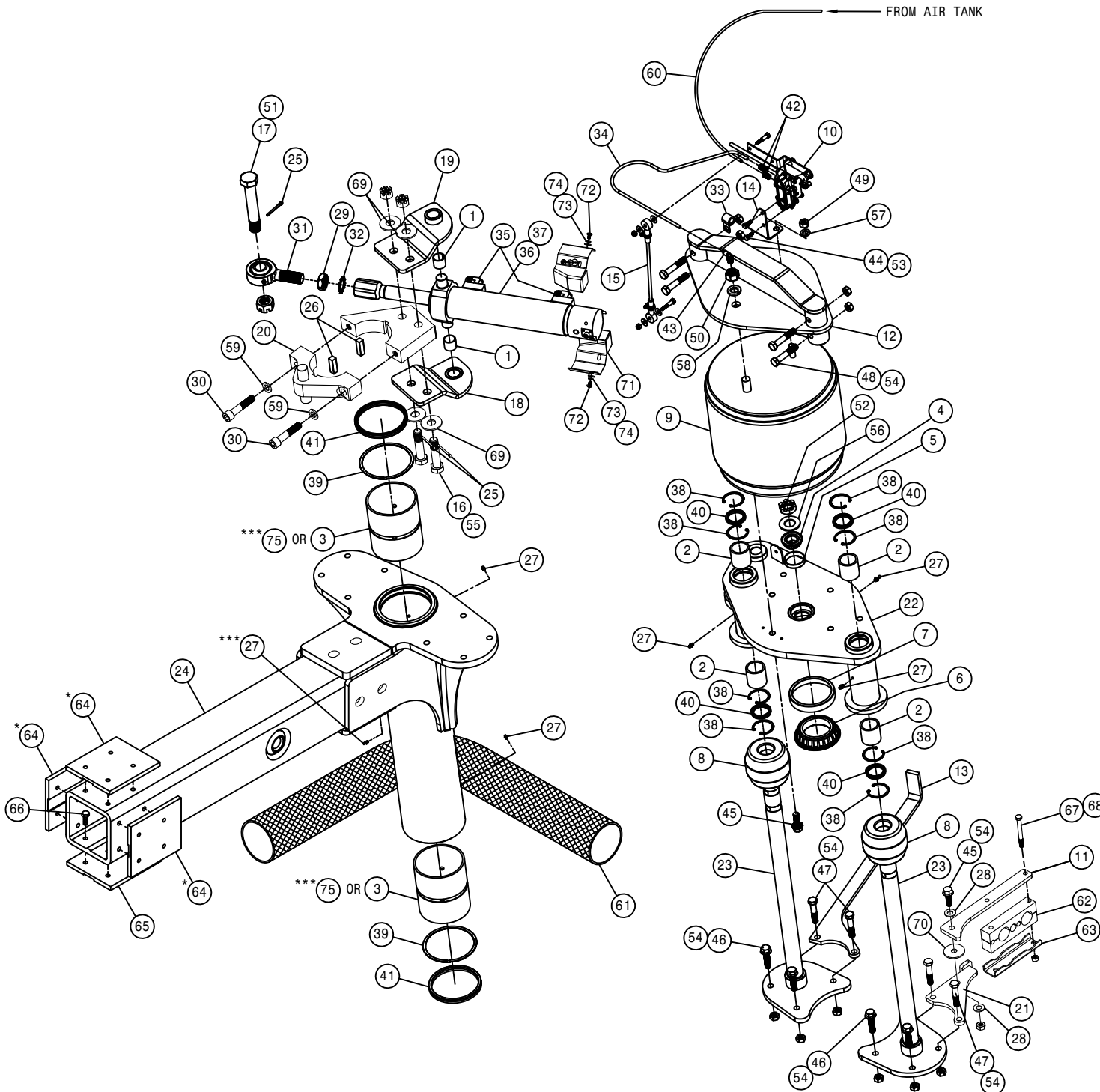
320/90 R50 RADIAL TIRE

380/90 R54 RADIAL TIRE



320/105 R54 RADIAL TIRE





| DET. | QTY | PART NO. | DESCRIPTION                     |
|------|-----|----------|---------------------------------|
| 1    | 2   | 121029   | JOURNAL BRG, 1.00 ID X 1.00 LG  |
| 2    | 4   | 121113   | BEARING, 1.50-1.81-1.86 POLYGON |
| 3    | 2   | 121120   | LEG SLEEVE BRG,AWS POLYGON      |
| 4    | 1   | 125050   | BRG CONE,1.00 ID W/FACE SEAL    |
| 5    | 1   | 125051   | BRG CUP FOR 125050              |
| 6    | 1   | 125052   | BRG CONE, 2.687 ID W/FACE SEAL  |
| 7    | 1   | 125053   | BRG CUP FOR 125052              |
| 8    | 2   | 311058   | RUBBER SPRING                   |
| 9    | 1   | 311080   | AIRIDE SPRING, 11.81 BASE       |
| 10   | 1   | 358832   | AIRIDE SPRING CTRL VALVE        |
| 11   | 1   | 359641   | HOSE SUPP SWIVEL PLT STS'12     |
| 12   | 1   | 359333   | AIRBAG TOWER TOP MT WLD,STS 05  |
| 13   | 1   | 359350   | RH EXTENDED HOSE SUPPORT, STS   |
| 14   | 1   | 359369   | RH LEG AIR VALVE MT, STS16 05   |
| 15   | 1   | 359544   | LEG HEIGHT CTRL LINK,AWS STS09  |
| 16   | 2   | 359545   | TRUNION MT BOLT, AWS STS 09     |
| 17   | 1   | 359546   | STRG CYL BOLT, AWS STS 09       |
| 18   | 1   | 359547   | TOP TRUNION MT WLD, AWS STS 09  |
| 19   | 1   | 359548   | BTM TRUNION MT WLD, AWS STS 09  |
| 20   | 1   | 359593   | STRG ARM CLAMP WLD,STS '10      |
| 21   | 1   | 359638   | HOSE SUPP SWIVEL WLD STS'12     |
| 22   | 1   | 359556   | RH AIR BAG LWR PLT WLD,AWS STS  |
| 23   | 2   | 359563   | NITRO TOWER WLD, AWS STS 09     |
| 24   | 1   | 359632   | OUTER LEG WLDMT,96D AWS STS'11  |
| 25   | 3   | 470117   | COTTER PIN 3/16 1 3/4 SQ CUT    |
| 26   | 2   | 470447   | KEY, .50 SQ X 1.69 LG           |
| 27   | 5   | 471005   | GREASE ZERK, 1/4-28 X 1/2       |
| 28   | 2   | 920004   | 1/2 SAE FLAT WASHER             |
| 29   | 1   | 472328   | 1" -12 HEX JAM NUT              |
| 30   | 2   | 472337   | 5/8 X 3" SOCKET HD CAP SCR      |
| 31   | 1   | 473975   | ROD END,1.00 BORE,1-12 RH MALE  |
| 32   | 1   | 920508   | 1" LOCK WASHER                  |
| 33   | 1   | 520164   | CUSH CLAMP,9/16D-3/4W-.531MT    |
| 34   | 1   | 601473   | HOSE, 1/4 X 18 AIR              |
| 35   | 2   | 618241   | 3/4MJIC-90-3/4MOR LBO           |
| 36   | 1   | 621614   | HYD CYL,2.50 X 8.81 PHASE/2SEN  |
| 37   | 1   | 621615   | REPAIR KIT,HYD CYL 621614       |
| 38   | 8   | 629537   | 187RRHOZ SNAP RING              |
| 39   | 2   | 629538   | 4.5 SPIROLOX RING               |
| 40   | 4   | 629620   | SEAL, 1.500 ROD DIA             |
| 41   | 2   | 629621   | SEAL, 4.500 ROD DIA             |
| 42   | 2   | 711036   | 1/8MNPT-1/4 NYL TUBE FTG        |
| 43   | 1   | 711040   | 1/4MNPT-90-1/4 NYL TUBE LBO     |
| 44   | 2   | 900002   | 1/4UNC X 3/4 HEX BOLT           |
| 45   | 5   | 900265   | 1/2UNC X 1 1/2 HEX BOLT         |
| 46   | 4   | 900267   | 1/2UNC X 2" HEX BOLT            |
| 47   | 4   | 900268   | 1/2UNC X 2 1/2 HEX BOLT         |
| 48   | 4   | 900269   | 1/2UNC X 2 3/4 HEX BOLT         |
| 49   | 1   | 910008   | 1/2UNC HEX NUT                  |
| 50   | 1   | 910013   | 3/4UNF HEX NUT                  |
| 51   | 1   | 910020   | 1-8 HEX SLOTTED NUT             |
| 52   | 1   | 910021   | 1-14 SLOT JAM NUT               |
| 53   | 2   | 914000   | 1/4UNC HEX STOVER NUT           |
| 54   | 13  | 914008   | 1/2UNC HEX STOVER NUT           |
| 55   | 2   | 910102   | 3/4UNC SLOT HEX NUT, GR8        |
| 56   | 1   | 920008   | 1" SAE FLAT WASHER              |
| 57   | 1   | 920504   | 1/2 LOCK WASHER                 |
| 58   | 1   | 920506   | 3/4 LOCK WASHER                 |
| 59   | 2   | 473841   | 16MM LOCK WASHER                |
| 60   | 1   | 601480   | HOSE, 1/4 X 230 AIR             |
| 61   | 1   | 470310   | SIDEWINDER SLEEVE,14.06 X 45"   |
| 62   | 1   | 470305   | HOSE CLAMP, 4-HOLE              |
| 63   | 1   | 359094   | HYD TUBE CLAMP KEEPER, 5.75     |
| 64   | 3   | 342917   | TREAD ADJ PLATE, STEEL, THD     |
| 65   | 4   | 342719   | TRD ADJ BRONZE BEARING,THD-GRV  |
| 66   | 16  | 900128   | 3/8UNC X 3/4 HEX BOLT           |
| 67   | 2   | 900138   | 3/8UNC X 3 1/2 HEX BOLT         |
| 68   | 2   | 914004   | 3/8UNC HEX STOVER NUT           |
| 69   | 4   | 483048   | 3/4 REG FLAT WASH,THRU-HARD     |
| 70   | 1   | 002815   | SENSOR ARM WASH, NYL            |
| 71   | 2   | 359645   | STRG CYL SENSOR GUARD STS'12    |
| 72   | 4   | 903726   | 1/4UNC X3/8PHIL PANHD MACH SCR  |
| 73   | 4   | 920000   | 1/4 SAE FLAT WASHER             |
| 74   | 4   | 920500   | 1/4 LOCK WASHER                 |
| 75   | 2   | 121112   | BEARING,4.51-4.85-5.74 POLYGON  |

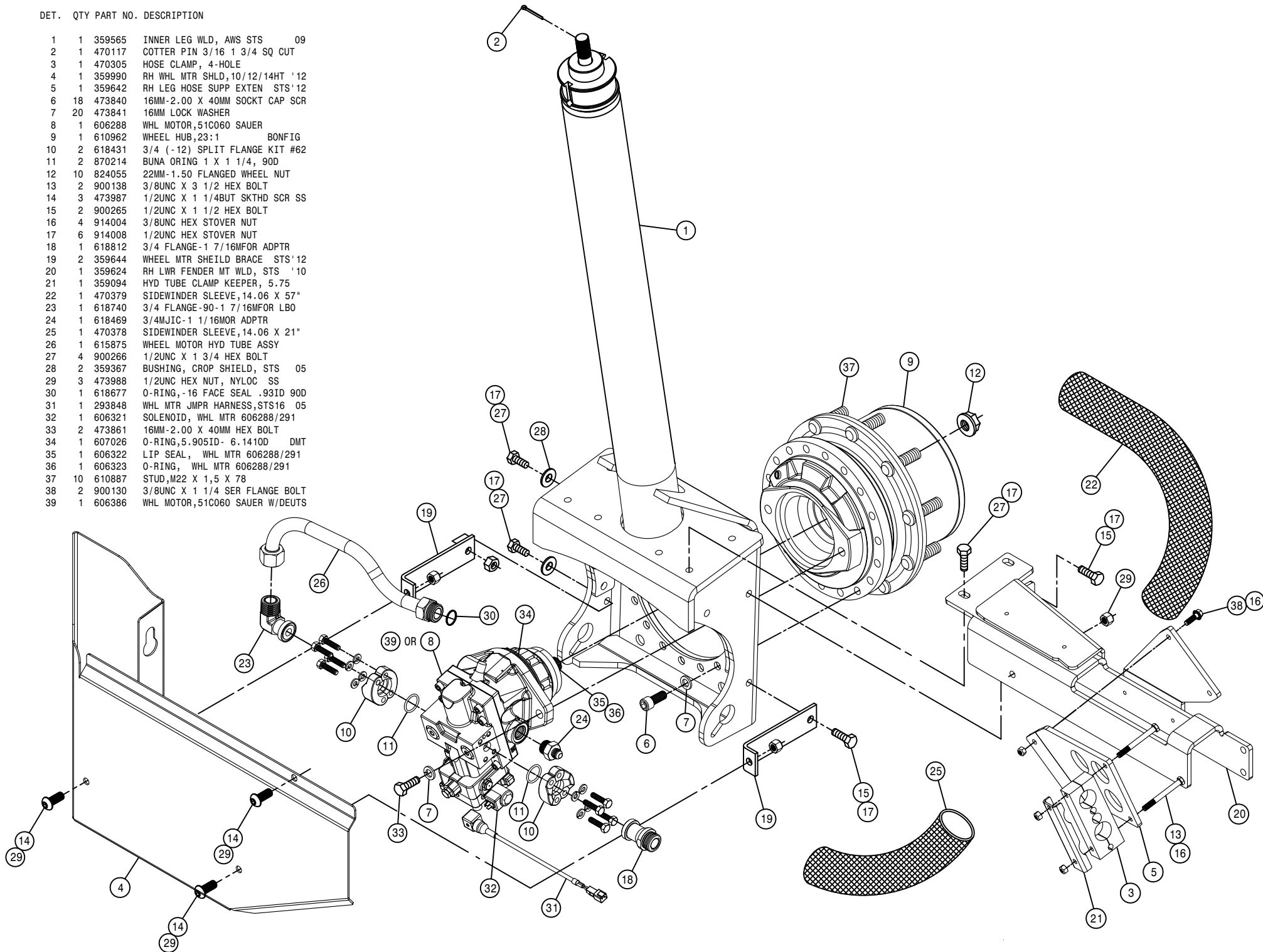
NOTE: (\*) FOR TREAD ADJUST OPTION REPLACE ITEM 64 WITH THREE OF ITEM 65.  
 (\*\*\*) ITEMS ARE A MID YEAR BEARING CHANGE.



RH FRONT INNER LEG ASSEMBLY (STANDARD TORQUE)

DET. QTY PART NO. DESCRIPTION

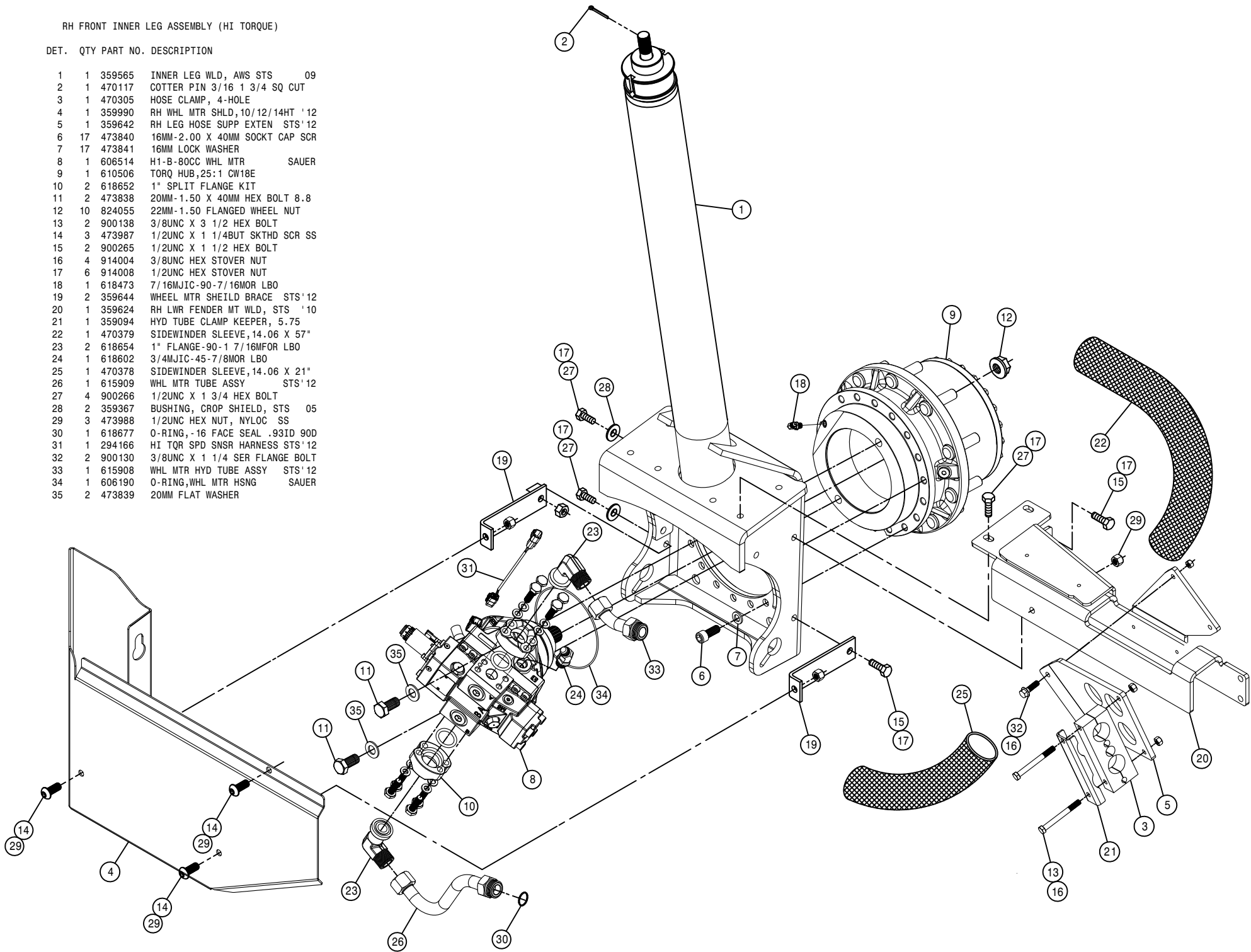
|    |    |        |                                 |    |
|----|----|--------|---------------------------------|----|
| 1  | 1  | 359565 | INNER LEG WLD, AWS STS          | 09 |
| 2  | 1  | 470117 | COTTER PIN 3/16 1 3/4 SQ CUT    |    |
| 3  | 1  | 470305 | HOSE CLAMP, 4-HOLE              |    |
| 4  | 1  | 359990 | RH WHL MTR SHLD,10/12/14HT '12  |    |
| 5  | 1  | 359642 | RH LEG HOSE SUPP EXTEN STS '12  |    |
| 6  | 18 | 473840 | 16MM-2.00 X 40MM SOCKET CAP SCR |    |
| 7  | 20 | 473841 | 16MM LOCK WASHER                |    |
| 8  | 1  | 606288 | WHL MOTOR,51C060 SAUER          |    |
| 9  | 1  | 610962 | WHEEL HUB,23:1 BONFIG           |    |
| 10 | 2  | 618431 | 3/4 (-12) SPLIT FLANGE KIT #62  |    |
| 11 | 2  | 870214 | BUNA ORING 1 X 1 1/4, 90D       |    |
| 12 | 10 | 824055 | 22MM-1.50 FLANGED WHEEL NUT     |    |
| 13 | 2  | 900138 | 3/8UNC X 3 1/2 HEX BOLT         |    |
| 14 | 3  | 473987 | 1/2UNC X 1 1/4BUT SKTHD SCR SS  |    |
| 15 | 2  | 900265 | 1/2UNC X 1 1/2 HEX BOLT         |    |
| 16 | 4  | 914004 | 3/8UNC HEX STOVER NUT           |    |
| 17 | 6  | 914008 | 1/2UNC HEX STOVER NUT           |    |
| 18 | 1  | 618812 | 3/4 FLANGE-1 7/16MFOR ADPTR     |    |
| 19 | 2  | 359644 | WHEEL MTR SHEILD BRACE STS '12  |    |
| 20 | 1  | 359624 | RH LWR FENDER MT WLD, STS '10   |    |
| 21 | 1  | 359094 | HYD TUBE CLAMP KEEPER, 5.75     |    |
| 22 | 1  | 470379 | SIDEWINDER SLEEVE,14.06 X 57"   |    |
| 23 | 1  | 618740 | 3/4 FLANGE-90-1 7/16MFOR LBO    |    |
| 24 | 1  | 618469 | 3/4MJIC-1 1/16MOR ADPTR         |    |
| 25 | 1  | 470378 | SIDEWINDER SLEEVE,14.06 X 21"   |    |
| 26 | 1  | 615875 | WHEEL MOTOR HYD TUBE ASSY       |    |
| 27 | 4  | 900266 | 1/2UNC X 1 3/4 HEX BOLT         |    |
| 28 | 2  | 359367 | BUSHING, CROP SHIELD, STS 05    |    |
| 29 | 3  | 473988 | 1/2UNC HEX NUT, NYLOC SS        |    |
| 30 | 1  | 618677 | O-RING, -16 FACE SEAL .93ID 90D |    |
| 31 | 1  | 293848 | WHL MTR JMPR HARNESS,STS16 05   |    |
| 32 | 1  | 606321 | SOLENOID, WHL MTR 606288/291    |    |
| 33 | 2  | 473861 | 16MM-2.00 X 40MM HEX BOLT       |    |
| 34 | 1  | 607026 | O-RING,5.905ID- 6.1410D DMT     |    |
| 35 | 1  | 606322 | LIP SEAL, WHL MTR 606288/291    |    |
| 36 | 1  | 606323 | O-RING, WHL MTR 606288/291      |    |
| 37 | 10 | 610887 | STUD,M22 X 1,5 X 78             |    |
| 38 | 2  | 900130 | 3/8UNC X 1 1/4 SER FLANGE BOLT  |    |
| 39 | 1  | 606386 | WHL MOTOR,51C060 SAUER W/DEUTS  |    |



RH FRONT INNER LEG ASSEMBLY (HI TORQUE)

DET. QTY PART NO. DESCRIPTION

|    |    |        |                                 |       |
|----|----|--------|---------------------------------|-------|
| 1  | 1  | 359565 | INNER LEG WLD, AWS STS          | 09    |
| 2  | 1  | 470117 | COTTER PIN 3/16 1 3/4 SQ CUT    |       |
| 3  | 1  | 470305 | HOSE CLAMP, 4-HOLE              |       |
| 4  | 1  | 359990 | RH WHL MTR SHLD, 10/12/14HT '12 |       |
| 5  | 1  | 359642 | RH LEG HOSE SUPP EXTEN STS'12   |       |
| 6  | 17 | 473840 | 16MM-2.00 X 40MM SOCKT CAP SCR  |       |
| 7  | 17 | 473841 | 16MM LOCK WASHER                |       |
| 8  | 1  | 606514 | H1-B-80CC WHL MTR               | SAUER |
| 9  | 1  | 610506 | TORQ HUB, 25:1 CW18E            |       |
| 10 | 2  | 618652 | 1" SPLIT FLANGE KIT             |       |
| 11 | 2  | 473838 | 20MM-1.50 X 40MM HEX BOLT 8.8   |       |
| 12 | 10 | 824055 | 22MM-1.50 FLANGED WHEEL NUT     |       |
| 13 | 2  | 900138 | 3/8UNC X 3 1/2 HEX BOLT         |       |
| 14 | 3  | 473987 | 1/2UNC X 1 1/4 BUT SKTHD SCR SS |       |
| 15 | 2  | 900265 | 1/2UNC X 1 1/2 HEX BOLT         |       |
| 16 | 4  | 914004 | 3/8UNC HEX STOVER NUT           |       |
| 17 | 6  | 914008 | 1/2UNC HEX STOVER NUT           |       |
| 18 | 1  | 618473 | 7/16MJIC-90-7/16MOR LBO         |       |
| 19 | 2  | 359644 | WHEEL MTR SHEILD BRACE STS'12   |       |
| 20 | 1  | 359624 | RH LWR FENDER MT WLD, STS '10   |       |
| 21 | 1  | 359094 | HYD TUBE CLAMP KEEPER, 5.75     |       |
| 22 | 1  | 470379 | SIDEWINDER SLEEVE, 14.06 X 57"  |       |
| 23 | 2  | 618654 | 1" FLANGE-90-1 7/16MFOR LBO     |       |
| 24 | 1  | 618602 | 3/4MJIC-45-7/8MOR LBO           |       |
| 25 | 1  | 470378 | SIDEWINDER SLEEVE, 14.06 X 21"  |       |
| 26 | 1  | 615909 | WHL MTR TUBE ASSY STS'12        |       |
| 27 | 4  | 900266 | 1/2UNC X 1 3/4 HEX BOLT         |       |
| 28 | 2  | 359367 | BUSHING, CROP SHIELD, STS 05    |       |
| 29 | 3  | 473988 | 1/2UNC HEX NUT, NYLOC SS        |       |
| 30 | 1  | 618677 | O-RING, -16 FACE SEAL .93ID 90D |       |
| 31 | 1  | 294166 | HI TOR SPD SNSR HARNESS STS'12  |       |
| 32 | 2  | 900130 | 3/8UNC X 1 1/4 SER FLANGE BOLT  |       |
| 33 | 1  | 615908 | WHL MTR HYD TUBE ASSY STS'12    |       |
| 34 | 1  | 606190 | O-RING, WHL MTR HSNB SAUER      |       |
| 35 | 2  | 473839 | 20MM FLAT WASHER                |       |



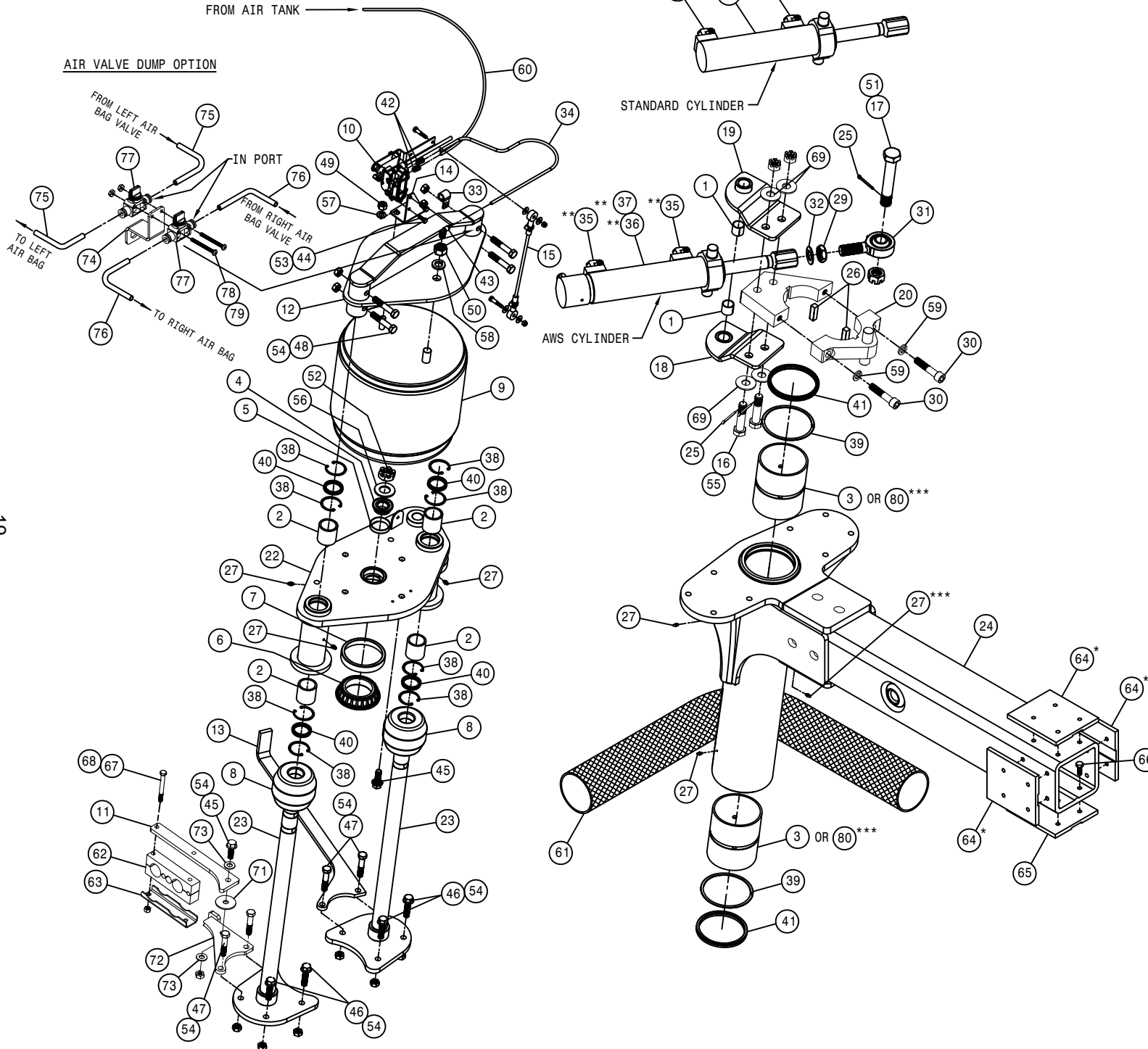
LEFT FRONT OUTER LEG ASSEMBLY

| DET. | QTY | PART NO. | DESCRIPTION                     |
|------|-----|----------|---------------------------------|
| 1    | 2   | 121029   | JOURNAL BRG, 1.00 ID X 1.00 LG  |
| 2    | 4   | 121113   | BEARING, 1.50-1.81-1.86 POLYGON |
| 3    | 2   | 121120   | LEG SLEEVE BRG,AWS POLYGON      |
| 4    | 1   | 125050   | BRG CONE, 1.00 ID W/FACE SEAL   |
| 5    | 1   | 125051   | BRG CUP FOR 125050              |
| 6    | 1   | 125052   | BRG CONE, 2.687 ID W/FACE SEAL  |
| 7    | 1   | 125053   | BRG CUP FOR 125052              |
| 8    | 2   | 311058   | RUBBER SPRING                   |
| 9    | 1   | 311080   | AIRIDE SPRING, 11.81 BASE       |
| 10   | 1   | 358832   | AIRIDE SPRING CTRL VALVE 98     |
| 11   | 1   | 359641   | HOSE SUPP SWIVEL PLT STS' 12    |
| 12   | 1   | 359333   | AIRBAG TOWER TOP MT WLD,STS 05  |
| 13   | 1   | 359351   | LH EXTENDED HOSE SUPPORT, STS   |
| 14   | 1   | 359370   | LH LEG AIR VALVE MT, STS16 05   |
| 15   | 1   | 359544   | LEG HEIGHT CTRL LINK,AWS STS09  |
| 16   | 2   | 359545   | TRUNION MT BOLT, AWS STS 09     |
| 17   | 1   | 359546   | STRG CYL BOLT, AWS STS 09       |
| 18   | 1   | 359547   | TOP TRUNION MT WLD, AWS STS 09  |
| 19   | 1   | 359548   | BTM TRUNION MT WLD, AWS STS 09  |
| 20   | 1   | 359593   | STRG ARM CLAMP WLD,STS '10      |
| 21   | 1   | 621551   | REPAIR KIT,HYD CYL,STRG 621550  |
| 22   | 1   | 359557   | LH AIR BAG LWR PLT WLD,AWS STS  |
| 23   | 2   | 359563   | NITRO TOWER WLD, AWS STS 09     |
| 24   | 1   | 359632   | OUTER LEG WLDMT,96D AWS STS' 11 |
| 25   | 3   | 470117   | COTTER PIN 3/16 1 3/4 SQ CUT    |
| 26   | 2   | 470447   | KEY, .50 SQ X 1.69 LG           |
| 27   | 5   | 471005   | GREASE ZERK, 1/4-28 X 1/2       |
| 28   | 2   | 618249   | 3/4MJIC-90-9/16MOR LBO          |
| 29   | 1   | 472328   | 1"-12 HEX JAM NUT               |
| 30   | 2   | 472337   | 5/8 X 3" SOCKET HD CAP SCR      |
| 31   | 1   | 473975   | ROD END,1.00 BORE,1-12 RH MALE  |
| 32   | 1   | 920508   | 1" LOCK WASHER                  |
| 33   | 1   | 520164   | CUSH CLAMP,9/16D-3/4W-.531MT    |
| 34   | 1   | 601473   | HOSE, 1/4 X 18 AIR              |
| 35   | 2   | 618241   | 3/4MJIC-90-3/4MOR LBO           |
| 36   | 1   | 621602   | HYD CYL,2.50 X 8.81 PHASE/1SEN  |
| 37   | 1   | 621604   | REPAIR KIT, HYD CYL 621602/603  |
| 38   | 8   | 629537   | 187RRHOOD SNAP RING             |
| 39   | 2   | 629538   | 4.5 SPIROLOX RING               |
| 40   | 4   | 629620   | SEAL, 1.500 ROD DIA             |
| 41   | 2   | 629621   | SEAL, 4.500 ROD DIA             |
| 42   | 2   | 711036   | 1/8MNPT-1/4 NYL TUBE FTG        |
| 43   | 1   | 711040   | 1/4MNPT-90-1/4 NYL TUBE LBO     |
| 44   | 2   | 900002   | 1/4UNC X 3/4 HEX BOLT           |
| 45   | 5   | 900265   | 1/2UNC X 1 1/2 HEX BOLT         |
| 46   | 4   | 900267   | 1/2UNC X 2" HEX BOLT            |
| 47   | 4   | 900268   | 1/2UNC X 2 1/2 HEX BOLT         |
| 48   | 4   | 900269   | 1/2UNC X 2 3/4 HEX BOLT         |
| 49   | 1   | 910008   | 1/2UNC HEX NUT                  |
| 50   | 1   | 910013   | 3/4UNF HEX NUT                  |
| 51   | 1   | 910020   | 1-8 HEX SLOTTED NUT             |
| 52   | 1   | 910021   | 1-14 SLOT JAM NUT               |
| 53   | 2   | 914000   | 1/4UNC HEX STOVER NUT           |
| 54   | 13  | 914008   | 1/2UNC HEX STOVER NUT           |
| 55   | 2   | 910102   | 3/4UNC SLOT HEX NUT, GR8        |
| 56   | 1   | 920008   | 1" SAE FLAT WASHER              |
| 57   | 1   | 920504   | 1/2 LOCK WASHER                 |
| 58   | 1   | 920506   | 3/4 LOCK WASHER                 |
| 59   | 2   | 473841   | 16MM LOCK WASHER                |
| 60   | 1   | 601479   | HOSE, 1/4 X 196 AIR             |
| 61   | 1   | 470310   | SIDEWINDER SLEEVE,14.06 X 45"   |
| 62   | 1   | 470305   | HOSE CLAMP, 4-HOLE              |
| 63   | 1   | 359094   | HYD TUBE CLAMP KEEPER, 5.75     |
| 64   | 3   | 342917   | TREAD ADJ PLATE, STEEL, THD     |
| 65   | 4   | 342719   | TRD ADJ BRONZE BEARING,THD-GRV  |
| 66   | 16  | 900128   | 3/8UNC X 3/4 HEX BOLT           |
| 67   | 2   | 900138   | 3/8UNC X 3 1/2 HEX BOLT         |
| 68   | 2   | 914004   | 3/8UNC HEX STOVER NUT           |
| 69   | 4   | 483048   | 3/4 REG FLAT WASH,THRU-HARD     |
| 70   | 1   | 621550   | HYD CYL, 2.50 X 8.81 X 1.250    |
| 71   | 1   | 002815   | SENSOR ARM WASH, NYL            |
| 72   | 1   | 359638   | HOSE SUPP SWIVEL WLD STS' 12    |
| 73   | 2   | 920004   | 1/2 SAE FLAT WASHER             |
| 74   | 1   | 359219   | AIR DUMP VLV BRKT,STS 04        |
| 75   | 2   | 601625   | HOSE, 1/4 X 14 AIR              |
| 76   | 2   | 601626   | HOSE, 1/4 X 254 AIR             |
| 77   | 2   | 711053   | AIR VALVE, 1/4 NYL TUBE         |
| 78   | 2   | 903854   | 8-32 X 1 3/4 PHIL HD MACH SCR   |
| 79   | 2   | 910024   | 8-32 HEX NUT                    |
| 80   | 2   | 121112   | BEARING,4.51-4.85-5.74 POLYGON  |

NOTE: (\*) FOR TREAD ADJUST OPTION REPLACE ITEM 64 WITH THREE OF ITEM 65.

(\*\*) ITEMS ARE FOR ALL WHEEL STEER OPTION.

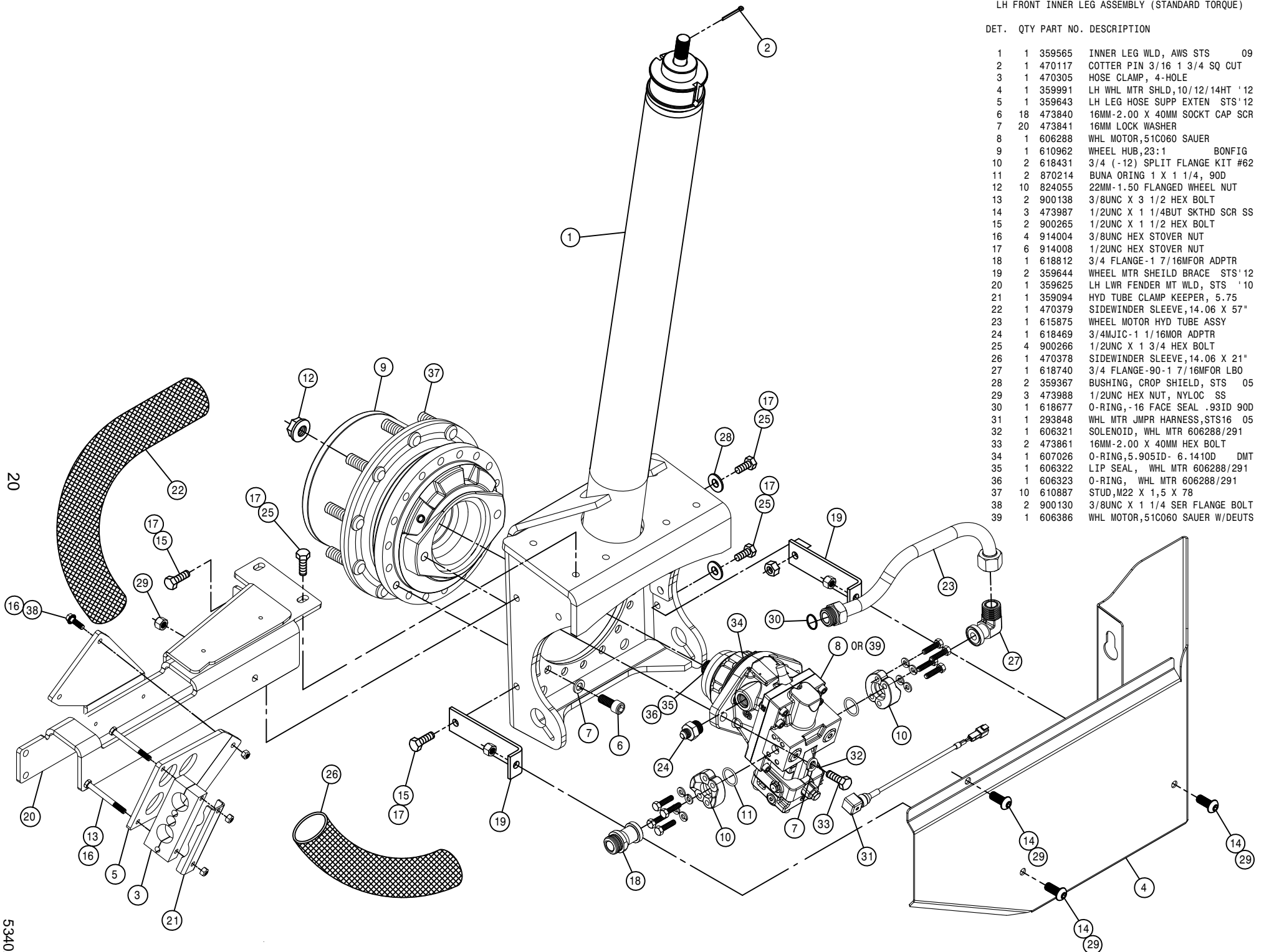
(\*\*\*) ITEMS ARE A MID YEAR BEARING CHANGE.



LH FRONT INNER LEG ASSEMBLY (STANDARD TORQUE)

DET. QTY PART NO. DESCRIPTION

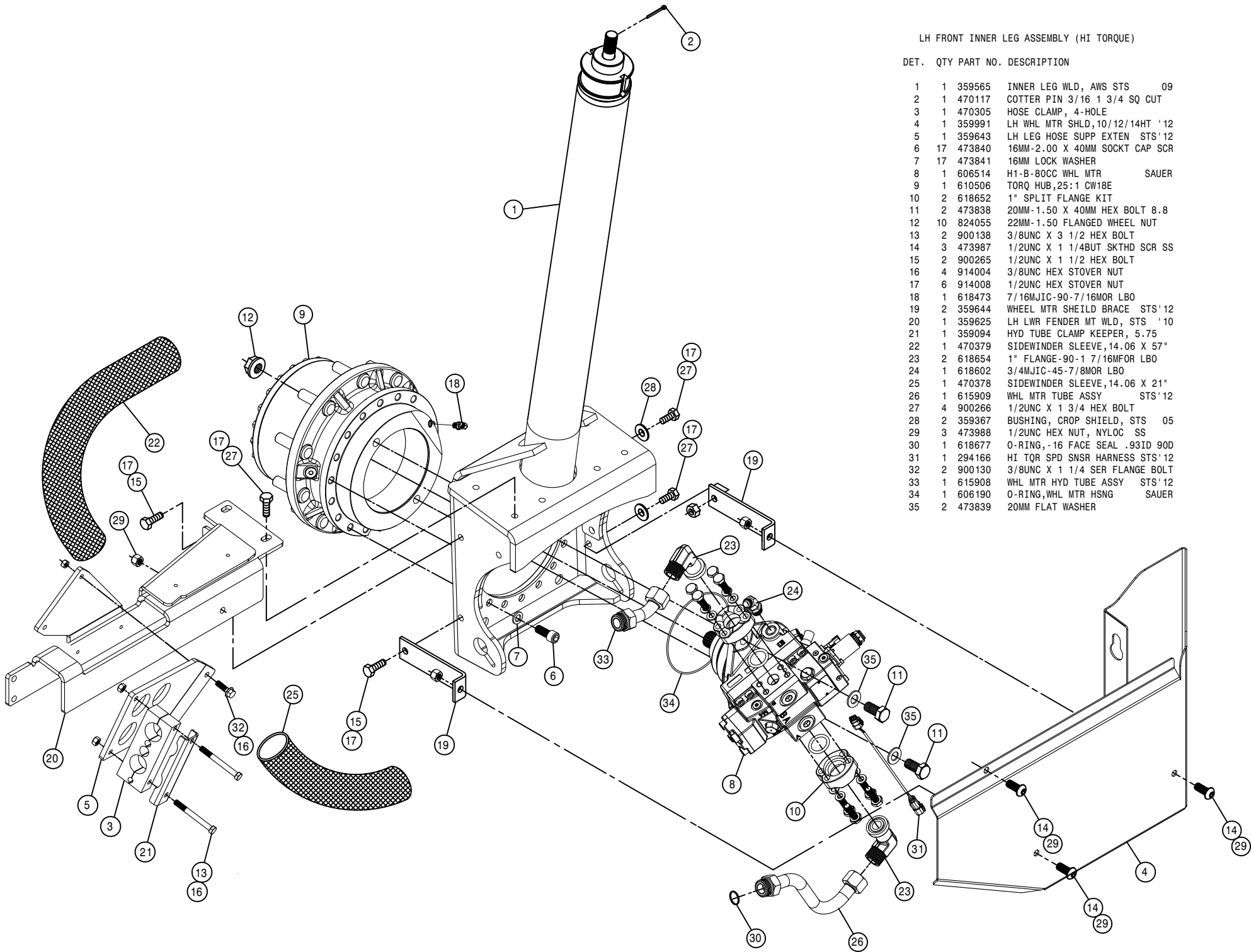
| DET. | QTY | PART NO. | DESCRIPTION                     |
|------|-----|----------|---------------------------------|
| 1    | 1   | 359565   | INNER LEG WLD, AWS STS 09       |
| 2    | 1   | 470117   | COTTER PIN 3/16 1 3/4 SQ CUT    |
| 3    | 1   | 470305   | HOSE CLAMP, 4-HOLE              |
| 4    | 1   | 359991   | LH WHL MTR SHLD,10/12/14HT '12  |
| 5    | 1   | 359643   | LH LEG HOSE SUPP EXTEN STS'12   |
| 6    | 18  | 473840   | 16MM-2.00 X 40MM SOCKET CAP SCR |
| 7    | 20  | 473841   | 16MM LOCK WASHER                |
| 8    | 1   | 606288   | WHL MOTOR,51C060 SAUER          |
| 9    | 1   | 610962   | WHEEL HUB,23:1 BONFIG           |
| 10   | 2   | 618431   | 3/4 (-12) SPLIT FLANGE KIT #62  |
| 11   | 2   | 870214   | BUNA ORING 1 X 1 1/4, 90D       |
| 12   | 10  | 824055   | 22MM-1.50 FLANGED WHEEL NUT     |
| 13   | 2   | 900138   | 3/8UNC X 3 1/2 HEX BOLT         |
| 14   | 3   | 473987   | 1/2UNC X 1 1/4BUT SKTHD SCR SS  |
| 15   | 2   | 900265   | 1/2UNC X 1 1/2 HEX BOLT         |
| 16   | 4   | 914004   | 3/8UNC HEX STOVER NUT           |
| 17   | 6   | 914008   | 1/2UNC HEX STOVER NUT           |
| 18   | 1   | 618812   | 3/4 FLANGE-1 7/16MFOR ADPTR     |
| 19   | 2   | 359644   | WHEEL MTR SHEILD BRACE STS'12   |
| 20   | 1   | 359625   | LH LWR FENDER MT WLD, STS '10   |
| 21   | 1   | 359094   | HYD TUBE CLAMP KEEPER, 5.75     |
| 22   | 1   | 470379   | SIDEWINDER SLEEVE,14.06 X 57"   |
| 23   | 1   | 615875   | WHEEL MOTOR HYD TUBE ASSY       |
| 24   | 1   | 618469   | 3/4MJIC-1 1/16MOR ADPTR         |
| 25   | 4   | 900266   | 1/2UNC X 1 3/4 HEX BOLT         |
| 26   | 1   | 470378   | SIDEWINDER SLEEVE,14.06 X 21"   |
| 27   | 1   | 618740   | 3/4 FLANGE-90-1 7/16MFOR LBO    |
| 28   | 2   | 359367   | BUSHING, CROP SHIELD, STS 05    |
| 29   | 3   | 473988   | 1/2UNC HEX NUT, NYLOC SS        |
| 30   | 1   | 618677   | O-RING,-16 FACE SEAL .93ID 90D  |
| 31   | 1   | 293848   | WHL MTR JMPR HARNESS,STS16 05   |
| 32   | 1   | 606321   | SOLENOID, WHL MTR 606288/291    |
| 33   | 2   | 473861   | 16MM-2.00 X 40MM HEX BOLT       |
| 34   | 1   | 607026   | O-RING,5.905ID- 6.1410D DMT     |
| 35   | 1   | 606322   | LIP SEAL, WHL MTR 606288/291    |
| 36   | 1   | 606323   | O-RING, WHL MTR 606288/291      |
| 37   | 10  | 610887   | STUD,M22 X 1,5 X 78             |
| 38   | 2   | 900130   | 3/8UNC X 1 1/4 SER FLANGE BOLT  |
| 39   | 1   | 606386   | WHL MOTOR,51C060 SAUER W/DEUTS  |

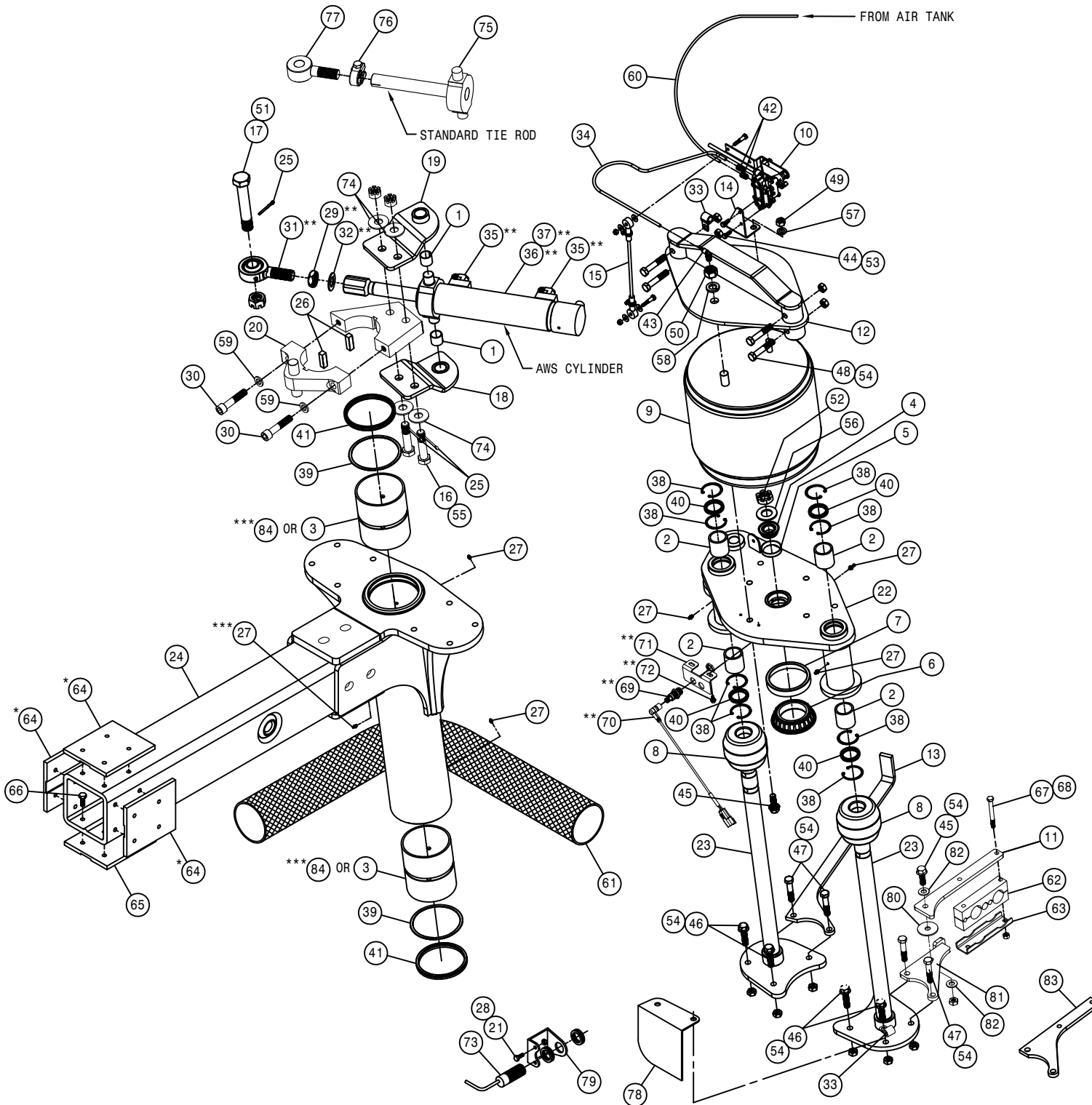


LH FRONT INNER LEG ASSEMBLY (HI TORQUE)

DET. QTY PART NO. DESCRIPTION

| DET. | QTY | PART NO. | DESCRIPTION                     |
|------|-----|----------|---------------------------------|
| 1    | 1   | 359565   | INNER LEG WLD, AWS STS 09       |
| 2    | 1   | 470117   | COTTER PIN 3/16 1 3/4 SQ CUT    |
| 3    | 1   | 470305   | HOSE CLAMP, 4-HOLE              |
| 4    | 1   | 359991   | LH WHL MTR SHLD,10/12/14HT '12  |
| 5    | 1   | 359643   | LH LEG HOSE SUPP EXTEN STS'12   |
| 6    | 17  | 473840   | 16MM-2.00 X 40MM SOCKT CAP SCR  |
| 7    | 17  | 473841   | 16MM LOCK WASHER                |
| 8    | 1   | 606514   | H1-B-80CC WHL MTR SAUER         |
| 9    | 1   | 610506   | TORQ HUB,25:1 CW18E             |
| 10   | 2   | 618652   | 1" SPLIT FLANGE KIT             |
| 11   | 2   | 473838   | 20MM-1.50 X 40MM HEX BOLT 8.8   |
| 12   | 10  | 824055   | 22MM-1.50 FLANGED WHEEL NUT     |
| 13   | 2   | 900138   | 3/8UNC X 3 1/2 HEX BOLT         |
| 14   | 3   | 473987   | 1/2UNC X 1 1/4BUT SKTHD SCR SS  |
| 15   | 2   | 900265   | 1/2UNC X 1 1/2 HEX BOLT         |
| 16   | 4   | 914004   | 3/8UNC HEX STOVER NUT           |
| 17   | 6   | 914008   | 1/2UNC HEX STOVER NUT           |
| 18   | 1   | 618473   | 7/16MJIC-90-7/16MOR LBO         |
| 19   | 2   | 359644   | WHEEL MTR SHEILD BRACE STS'12   |
| 20   | 1   | 359625   | LH LWR FENDER MT WLD, STS '10   |
| 21   | 1   | 359094   | HYD TUBE CLAMP KEEPER, 5.75     |
| 22   | 1   | 470379   | SIDEWINDER SLEEVE,14.06 X 57"   |
| 23   | 2   | 618654   | 1" FLANGE-90-1 7/16MFOR LBO     |
| 24   | 1   | 618602   | 3/4MJIC-45-7/8MOR LBO           |
| 25   | 1   | 470378   | SIDEWINDER SLEEVE,14.06 X 21"   |
| 26   | 1   | 615909   | WHL MTR TUBE ASSY STS'12        |
| 27   | 4   | 900266   | 1/2UNC X 1 3/4 HEX BOLT         |
| 28   | 2   | 359367   | BUSHING, CROP SHIELD, STS 05    |
| 29   | 3   | 473988   | 1/2UNC HEX NUT, NYLOC SS        |
| 30   | 1   | 618677   | O-RING, -16 FACE SEAL .93ID 90D |
| 31   | 1   | 294166   | HI TOR SPD SNSR HARNESS STS'12  |
| 32   | 2   | 900130   | 3/8UNC X 1 1/4 SER FLANGE BOLT  |
| 33   | 1   | 615908   | WHL MTR HYD TUBE ASSY STS'12    |
| 34   | 1   | 606190   | O-RING,WHL MTR HSNG SAUER       |
| 35   | 2   | 473839   | 20MM FLAT WASHER                |





| DET. | QTY | PART NO. | DESCRIPTION                     |
|------|-----|----------|---------------------------------|
| 1    | 2   | 121029   | JOURNAL BRG, 1.00 ID X 1.00 LG  |
| 2    | 4   | 121113   | BEARING, 1.50-1.81-1.86 POLYGON |
| 3    | 2   | 121120   | LEG SLEEVE BRG,AWS POLYGON      |
| 4    | 1   | 125050   | BRG CONE,1.00 ID W/FACE SEAL    |
| 5    | 1   | 125051   | BRG CUP FOR 125050              |
| 6    | 1   | 125052   | BRG CONE, 2.687 ID W/FACE SEAL  |
| 7    | 1   | 125053   | BRG CUP FOR 125052              |
| 8    | 2   | 311058   | RUBBER SPRING                   |
| 9    | 1   | 311080   | AIRIDE SPRING, 11.81 BASE       |
| 10   | 1   | 358832   | AIRIDE SPRING CTRL VALVE 98     |
| 11   | 1   | 359641   | HOSE SUPP SWIVEL PLT STS '12    |
| 12   | 1   | 359333   | AIRBAG TOWER TOP MT WLD,STS 05  |
| 13   | 1   | 359350   | RH EXTENDED HOSE SUPPORT, STS   |
| 14   | 1   | 359369   | RH LEG AIR VALVE MT, STS16 05   |
| 15   | 1   | 359544   | LEG HEIGHT CTRL LINK,AWS STS09  |
| 16   | 2   | 359545   | TRUNION MT BOLT, AWS STS 09     |
| 17   | 1   | 359546   | STRG CYL BOLT, AWS STS 09       |
| 18   | 1   | 359547   | TOP TRUNION MT WLD, AWS STS 09  |
| 19   | 1   | 359548   | BTM TRUNION MT WLD, AWS STS 09  |
| 20   | 1   | 359593   | STRG ARM CLAMP WLD,STS '10      |
| 21   | 2   | 900064   | 5/16UNC X 3/4 HEX BOLT          |
| 22   | 1   | 359556   | RH AIR BAG LWR PLT WLD,AWS STS  |
| 23   | 2   | 359563   | NITRO TOWER WLD, AWS STS 09     |
| 24   | 1   | 359632   | OUTER LEG WLDMT,96D AWS STS '11 |
| 25   | 3   | 470117   | COTTER PIN 3/16 1 3/4 SQ CUT    |
| 26   | 2   | 470447   | KEY, .50 SQ X 1.69 LG           |
| 27   | 5   | 471005   | GREASE ZERK, 1/4-28 X 1/2       |
| 28   | 2   | 914002   | 5/16UNC HEX STOVER NUT          |
| 29   | 1   | 472328   | 1" -12 HEX JAM NUT              |
| 30   | 2   | 472337   | 5/8 X 3" SOCKET HD CAP SCR      |
| 31   | 1   | 473975   | ROD END,1.00 BORE,1-12 RH MALE  |
| 32   | 1   | 920508   | 1" LOCK WASHER                  |
| 33   | 2   | 520164   | CUSH CLAMP,9/16D-3/4W-.531MT    |
| 34   | 1   | 601473   | HOSE, 1/4 X 18 AIR              |
| 35   | 2   | 618115   | 9/16MJIC-90-3/4MOR LBO          |
| 36   | 1   | 621603   | HYD CYL,2.50 X 8.81 W/SENSOR    |
| 37   | 1   | 621604   | REPAIR KIT, HYD CYL 621602/603  |
| 38   | 8   | 629537   | 187RRHOOD SNAP RING             |
| 39   | 2   | 629538   | 4.5 SPIROLOX RING               |
| 40   | 4   | 629620   | SEAL, 1.500 ROD DIA             |
| 41   | 2   | 629621   | SEAL, 4.500 ROD DIA             |
| 42   | 2   | 711036   | 1/8MNPT-1/4 NYL TUBE FTG        |
| 43   | 1   | 711040   | 1/4MNPT-90-1/4 NYL TUBE LBO     |
| 44   | 2   | 900002   | 1/4UNC X 3/4 HEX BOLT           |
| 45   | 5   | 900265   | 1/2UNC X 1 1/2 HEX BOLT         |
| 46   | 4   | 900267   | 1/2UNC X 2" HEX BOLT            |
| 47   | 4   | 900268   | 1/2UNC X 2 1/2 HEX BOLT         |
| 48   | 4   | 900269   | 1/2UNC X 2 3/4 HEX BOLT         |
| 49   | 1   | 910008   | 1/2UNC HEX NUT                  |
| 50   | 1   | 910013   | 3/4UNF HEX NUT                  |
| 51   | 1   | 910020   | 1-8 HEX SLOTTED NUT             |
| 52   | 1   | 910021   | 1-14 SLOT JAM NUT               |
| 53   | 2   | 914000   | 1/4UNC HEX STOVER NUT           |
| 54   | 13  | 914008   | 1/2UNC HEX STOVER NUT           |
| 55   | 2   | 910102   | 3/4UNC SLOT HEX NUT, GR8        |
| 56   | 1   | 920008   | 1" SAE FLAT WASHER              |
| 57   | 1   | 920504   | 1/2 LOCK WASHER                 |
| 58   | 1   | 920506   | 3/4 LOCK WASHER                 |
| 59   | 2   | 473841   | 16MM LOCK WASHER                |
| 60   | 1   | 601478   | HOSE, 1/4 X 175 AIR             |
| 61   | 1   | 470311   | SIDEWINDER SLEEVE,14.06 X 60"   |
| 62   | 1   | 470305   | HOSE CLAMP, 4-HOLE              |
| 63   | 1   | 359094   | HYD TUBE CLAMP KEEPER, 5.75     |
| 64   | 3   | 342917   | TREAD ADJ PLATE, STEEL, THD     |
| 65   | 4   | 342719   | TRD ADJ BRONZE BEARING, THD-GRV |
| 66   | 16  | 900128   | 3/8UNC X 3/4 HEX BOLT           |
| 67   | 2   | 900138   | 3/8UNC X 3 1/2 HEX BOLT         |
| 68   | 2   | 914004   | 3/8UNC HEX STOVER NUT           |
| 69   | 1   | 291919   | INDUCTIVE SENSOR                |
| 70   | 1   | 291994   | SENSOR HARNESS,MICRO-DEUTSCH    |
| 71   | 1   | 359555   | SENSOR BRKT, AWS STS 09         |
| 72   | 2   | 470122   | 1/4UNC X 1/2 FLANGE HEX BOLT    |
| 73   | 1   | 293827   | SENSOR W/DEUTSCH ASSY STS 05    |
| 74   | 4   | 483048   | 3/4 REG FLAT WASH, THRU-HARD    |
| 75   | 1   | 359086   | REAR TIE ROD SHAFT WLD          |
| 76   | 1   | 749322   | STEERING TUBE CLAMP & BOLT ASSY |
| 77   | 1   | 359089   | TIE ROD STUD WLD                |
| 78   | 1   | 359092   | RH SENSOR REFLECTOR             |
| 79   | 1   | 342856   | TREAD SENSOR MT                 |
| 80   | 1   | 002815   | SENSOR ARM WASH, NYL            |
| 81   | 1   | 359638   | HOSE SUPP SWIVEL WLD STS '12    |
| 82   | 2   | 920004   | 1/2 SAE FLAT WASHER             |
| 83   | 1   | 359619   | HOSE SUPPRT, 54" STS '10        |
| 84   | 2   | 121112   | BEARING,4.51-4.85-5.74 POLYGON  |

NOTE: (\*) FOR TREAD ADJUST OPTION REPLACE ITEM 64 WITH THREE OF ITEM 65.

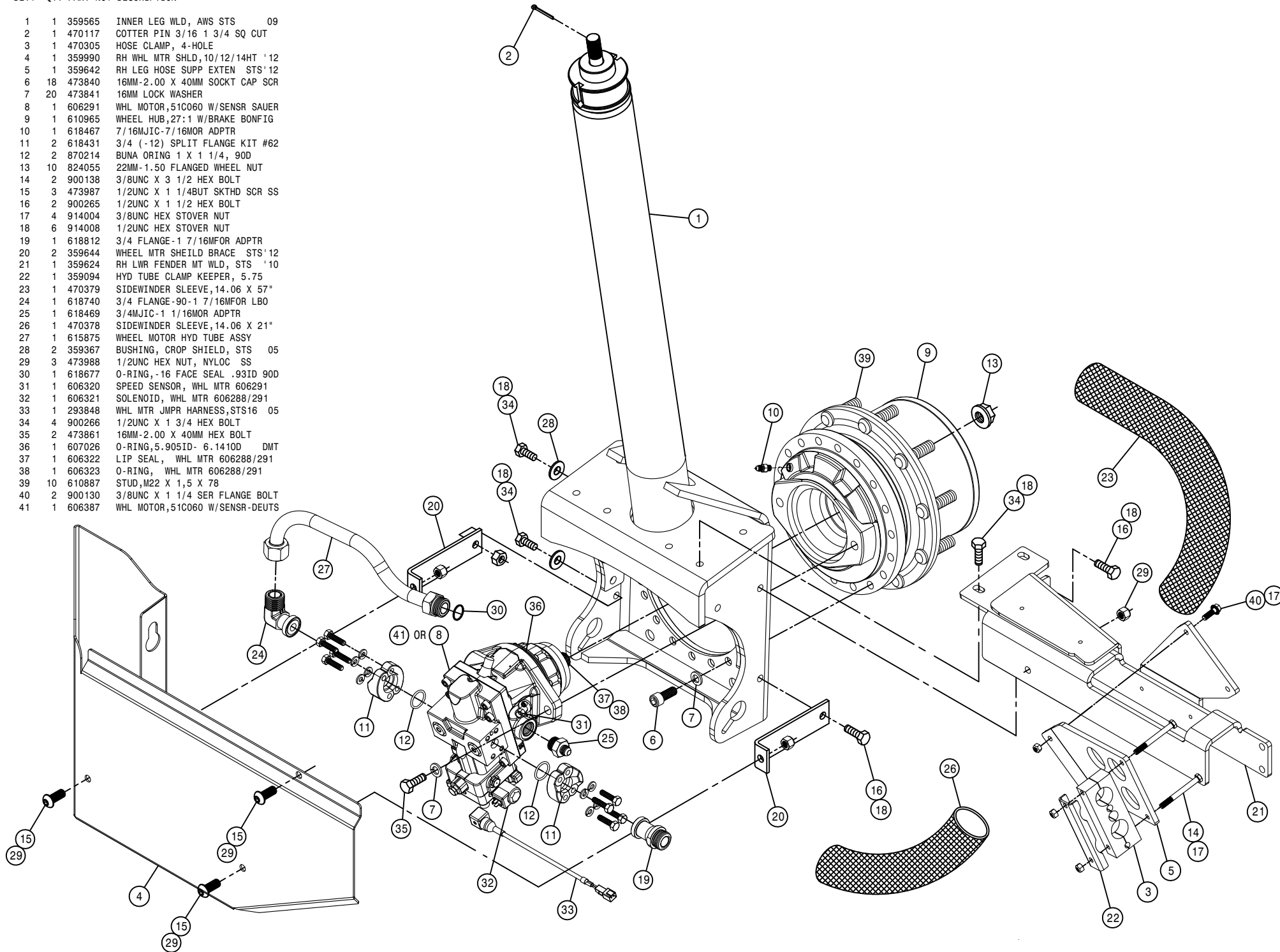
(\*\*) ITEMS ARE FOR ALL WHEEL STEER OPTION.

(\*\*\*) ITEMS ARE A MID YEAR BEARING CHANGE.

RH REAR INNER LEG ASSEMBLY (STANDARD TORQUE)

DET. QTY PART NO. DESCRIPTION

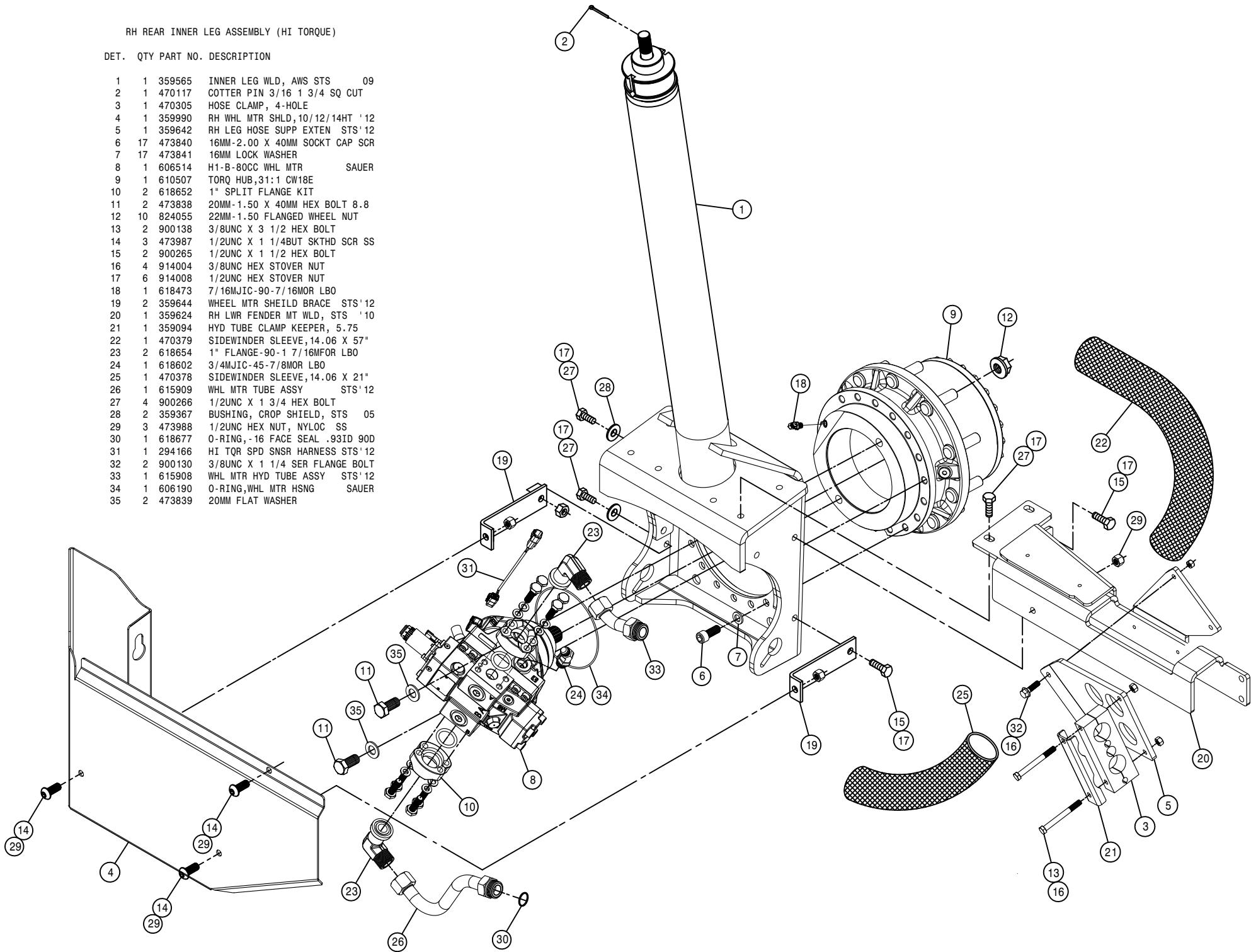
|    |    |        |                                |    |
|----|----|--------|--------------------------------|----|
| 1  | 1  | 359565 | INNER LEG WLD, AWS STS         | 09 |
| 2  | 1  | 470117 | COTTER PIN 3/16 1 3/4 SQ CUT   |    |
| 3  | 1  | 470305 | HOSE CLAMP, 4-HOLE             |    |
| 4  | 1  | 359990 | RH WHL MTR SHLD,10/12/14HT '12 |    |
| 5  | 1  | 359642 | RH LEG HOSE SUPP EXTEN STS '12 |    |
| 6  | 18 | 473840 | 16MM-2.00 X 40MM SOCKT CAP SCR |    |
| 7  | 20 | 473841 | 16MM LOCK WASHER               |    |
| 8  | 1  | 606291 | WHL MOTOR,51C060 W/SENSR SAUER |    |
| 9  | 1  | 610965 | WHEEL HUB,27:1 W/BRAKE BONFIG  |    |
| 10 | 1  | 618467 | 7/16MJIC-7/16MOR ADPTR         |    |
| 11 | 2  | 618431 | 3/4 (-12) SPLIT FLANGE KIT #62 |    |
| 12 | 2  | 870214 | BUNA ORING 1 X 1 1/4, 90D      |    |
| 13 | 10 | 824055 | 22MM-1.50 FLANGED WHEEL NUT    |    |
| 14 | 2  | 900138 | 3/8UNC X 3 1/2 HEX BOLT        |    |
| 15 | 3  | 473987 | 1/2UNC X 1 1/4BUT SKTHD SCR SS |    |
| 16 | 2  | 900265 | 1/2UNC X 1 1/2 HEX BOLT        |    |
| 17 | 4  | 914004 | 3/8UNC HEX STOVER NUT          |    |
| 18 | 6  | 914008 | 1/2UNC HEX STOVER NUT          |    |
| 19 | 1  | 618812 | 3/4 FLANGE-1 7/16MFOR ADPTR    |    |
| 20 | 2  | 359644 | WHEEL MTR SHEILD BRACE STS '12 |    |
| 21 | 1  | 359624 | RH LWR FENDER MT WLD, STS '10  |    |
| 22 | 1  | 359094 | HYD TUBE CLAMP KEEPER, 5.75    |    |
| 23 | 1  | 470379 | SIDEWINDER SLEEVE,14.06 X 57"  |    |
| 24 | 1  | 618740 | 3/4 FLANGE-90-1 7/16MFOR LBO   |    |
| 25 | 1  | 618469 | 3/4MJIC-1 1/16MOR ADPTR        |    |
| 26 | 1  | 470378 | SIDEWINDER SLEEVE,14.06 X 21"  |    |
| 27 | 1  | 615875 | WHEEL MOTOR HYD TUBE ASSY      |    |
| 28 | 2  | 359367 | BUSHING, CROP SHIELD, STS      | 05 |
| 29 | 3  | 473988 | 1/2UNC HEX NUT, NYLOC SS       |    |
| 30 | 1  | 618677 | O-RING,-16 FACE SEAL .93ID 90D |    |
| 31 | 1  | 606320 | SPEED SENSOR, WHL MTR 606291   |    |
| 32 | 1  | 606321 | SOLENOID, WHL MTR 606288/291   |    |
| 33 | 1  | 293848 | WHL MTR JMPR HARNESS,STS16     | 05 |
| 34 | 4  | 900266 | 1/2UNC X 1 3/4 HEX BOLT        |    |
| 35 | 2  | 473861 | 16MM-2.00 X 40MM HEX BOLT      |    |
| 36 | 1  | 607026 | O-RING,5.905ID- 6.1410D DMT    |    |
| 37 | 1  | 606322 | LIP SEAL, WHL MTR 606288/291   |    |
| 38 | 1  | 606323 | O-RING, WHL MTR 606288/291     |    |
| 39 | 10 | 610887 | STUD,M22 X 1,5 X 78            |    |
| 40 | 2  | 900130 | 3/8UNC X 1 1/4 SER FLANGE BOLT |    |
| 41 | 1  | 606387 | WHL MOTOR,51C060 W/SENSR-DEUTS |    |



RH REAR INNER LEG ASSEMBLY (HI TORQUE)

DET. QTY PART NO. DESCRIPTION

|    |    |        |                                 |        |
|----|----|--------|---------------------------------|--------|
| 1  | 1  | 359565 | INNER LEG WLD, AWS STS          | 09     |
| 2  | 1  | 470117 | COTTER PIN 3/16 1 3/4 SQ CUT    |        |
| 3  | 1  | 470305 | HOSE CLAMP, 4-HOLE              |        |
| 4  | 1  | 359990 | RH WHL MTR SHLD,10/12/14HT '12  |        |
| 5  | 1  | 359642 | RH LEG HOSE SUPP EXTEN STS'12   |        |
| 6  | 17 | 473840 | 16MM-2.00 X 40MM SOCKET CAP SCR |        |
| 7  | 17 | 473841 | 16MM LOCK WASHER                |        |
| 8  | 1  | 606514 | H1-B-80CC WHL MTR               | SAUER  |
| 9  | 1  | 610507 | TORQ HUB,31:1 CW18E             |        |
| 10 | 2  | 618652 | 1" SPLIT FLANGE KIT             |        |
| 11 | 2  | 473838 | 20MM-1.50 X 40MM HEX BOLT 8.8   |        |
| 12 | 10 | 824055 | 22MM-1.50 FLANGED WHEEL NUT     |        |
| 13 | 2  | 900138 | 3/8UNC X 3 1/2 HEX BOLT         |        |
| 14 | 3  | 473987 | 1/2UNC X 1 1/4BUT SKTHD SCR SS  |        |
| 15 | 2  | 900265 | 1/2UNC X 1 1/2 HEX BOLT         |        |
| 16 | 4  | 914004 | 3/8UNC HEX STOVER NUT           |        |
| 17 | 6  | 914008 | 1/2UNC HEX STOVER NUT           |        |
| 18 | 1  | 618473 | 7/16MJIC-90-7/16MOR LBO         |        |
| 19 | 2  | 359644 | WHEEL MTR SHEILD BRACE STS'12   |        |
| 20 | 1  | 359624 | RH LWR FENDER MT WLD, STS '10   |        |
| 21 | 1  | 359094 | HYD TUBE CLAMP KEEPER, 5.75     |        |
| 22 | 1  | 470379 | SIDEWINDER SLEEVE,14.06 X 57"   |        |
| 23 | 2  | 618654 | 1" FLANGE-90-1 7/16MFOR LBO     |        |
| 24 | 1  | 618602 | 3/4MJIC-45-7/8MOR LBO           |        |
| 25 | 1  | 470378 | SIDEWINDER SLEEVE,14.06 X 21"   |        |
| 26 | 1  | 615909 | WHL MTR TUBE ASSY               | STS'12 |
| 27 | 4  | 900266 | 1/2UNC X 1 3/4 HEX BOLT         |        |
| 28 | 2  | 359367 | BUSHING, CROP SHIELD, STS       | 05     |
| 29 | 3  | 473988 | 1/2UNC HEX NUT, NYLOC SS        |        |
| 30 | 1  | 618677 | O-RING,-16 FACE SEAL .93ID 90D  |        |
| 31 | 1  | 294166 | HI TOR SPD SNSR HARNESS STS'12  |        |
| 32 | 2  | 900130 | 3/8UNC X 1 1/4 SER FLANGE BOLT  |        |
| 33 | 1  | 615908 | WHL MTR HYD TUBE ASSY           | STS'12 |
| 34 | 1  | 606190 | O-RING,WHL MTR HSMG             | SAUER  |
| 35 | 2  | 473839 | 20MM FLAT WASHER                |        |

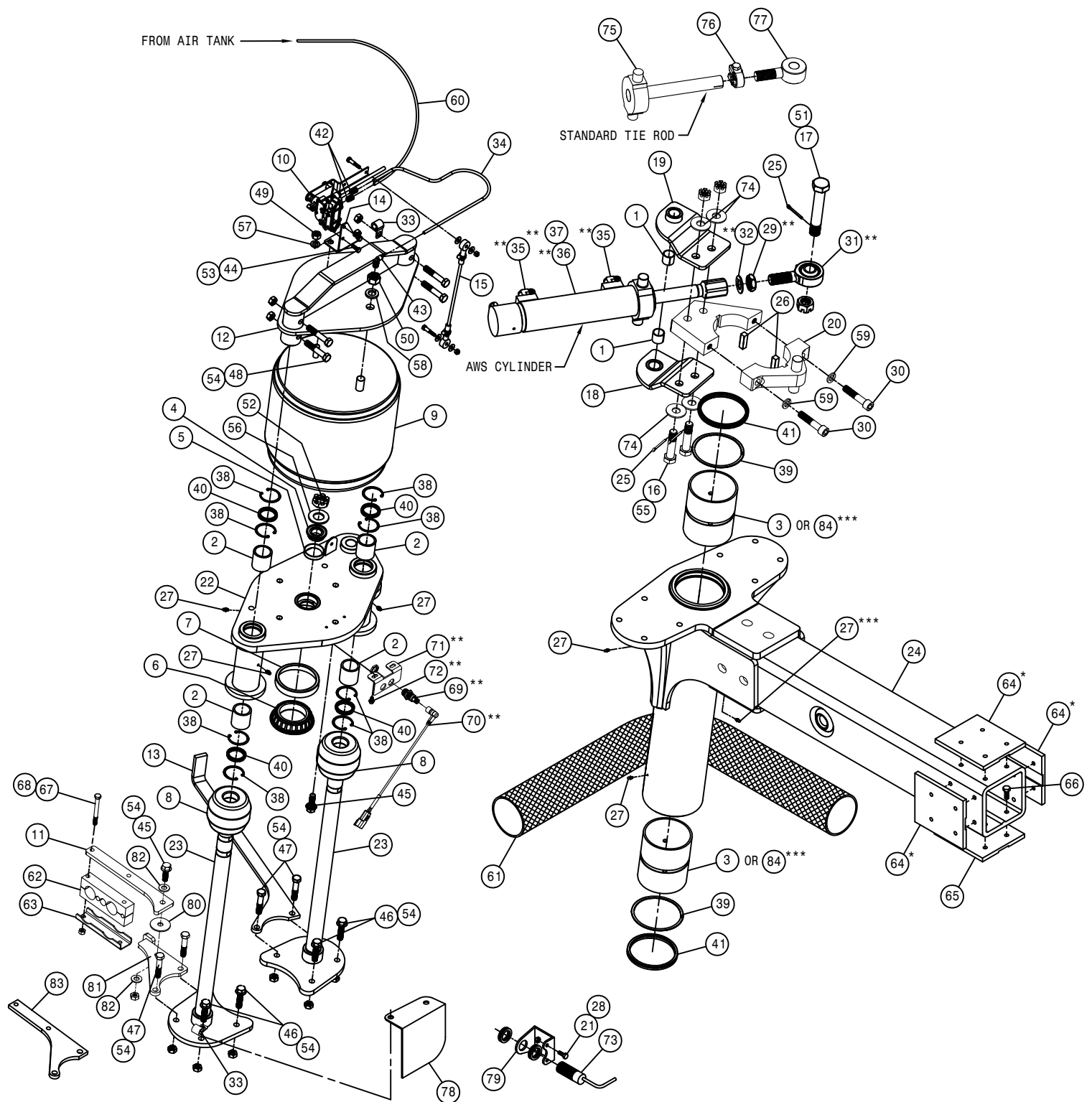




LEFT REAR OUTER LEG ASSEMBLY

| DET. | QTY | PART NO. | DESCRIPTION                     |
|------|-----|----------|---------------------------------|
| 1    | 2   | 121029   | JOURNAL BRG, 1.00 ID X 1.00 LG  |
| 2    | 4   | 121113   | BEARING, 1.50-1.81-1.86 POLYGON |
| 3    | 2   | 121120   | LEG SLEEVE BRG,AWS POLYGON      |
| 4    | 1   | 125050   | BRG CONE,1.00 ID W/FACE SEAL    |
| 5    | 1   | 125051   | BRG CUP FOR 125050              |
| 6    | 1   | 125052   | BRG CONE, 2.687 ID W/FACE SEAL  |
| 7    | 1   | 125053   | BRG CUP FOR 125052              |
| 8    | 2   | 311058   | RUBBER SPRING                   |
| 9    | 1   | 311080   | AIRIDE SPRING, 11.81 BASE       |
| 10   | 1   | 358832   | AIRIDE SPRING CTRL VALVE 98     |
| 11   | 1   | 359641   | HOSE SUPP SWIVEL PLT STS'12     |
| 12   | 1   | 359333   | AIRBAG TOWER TOP MT WLD,STS 05  |
| 13   | 1   | 359351   | LH EXTENDED HOSE SUPPORT, STS   |
| 14   | 1   | 359370   | LH LEG AIR VALVE MT, STS16 05   |
| 15   | 1   | 359544   | LEG HEIGHT CTRL LINK,AWS STS09  |
| 16   | 2   | 359545   | TRUNION MT BOLT, AWS STS 09     |
| 17   | 1   | 359546   | STRG CYL BOLT, AWS STS 09       |
| 18   | 1   | 359547   | TOP TRUNION MT WLD, AWS STS 09  |
| 19   | 1   | 359548   | BTM TRUNION MT WLD, AWS STS 09  |
| 20   | 1   | 359593   | STRG ARM CLAMP WLD,STS '10      |
| 21   | 2   | 900064   | 5/16UNC X 3/4 HEX BOLT          |
| 22   | 1   | 359557   | LH AIR BAG LWR PLT WLD,AWS STS  |
| 23   | 2   | 359563   | NITRO TOWER WLD, AWS STS 09     |
| 24   | 1   | 359632   | OUTER LEG WLDMT,96D AWS STS'11  |
| 25   | 3   | 470117   | COTTER PIN 3/16 1 3/4 SQ CUT    |
| 26   | 2   | 470447   | KEY, .50 SQ X 1.69 LG           |
| 27   | 5   | 471005   | GREASE ZERK, 1/4-28 X 1/2       |
| 28   | 2   | 914002   | 5/16UNC HEX STOVER NUT          |
| 29   | 1   | 472328   | 1" -12 HEX JAM NUT              |
| 30   | 2   | 472337   | 5/8 X 3" SOCKET HD CAP SCR      |
| 31   | 1   | 473975   | ROD END,1.00 BORE,1-12 RH MALE  |
| 32   | 1   | 920508   | 1" LOCK WASHER                  |
| 33   | 2   | 520164   | CUSH CLAMP,9/16D-3/4W-.531MT    |
| 34   | 1   | 601473   | HOSE, 1/4 X 18 AIR              |
| 35   | 2   | 618115   | 9/16MJIC-90-3/4MOR LBO          |
| 36   | 1   | 621603   | HYD CYL,2.50 X 8.81 W/SENSOR    |
| 37   | 1   | 621604   | REPAIR KIT, HYD CYL 621602/603  |
| 38   | 8   | 629537   | 187RRHOZ SNAP RING              |
| 39   | 2   | 629538   | 4.5 SPIROLOX RING               |
| 40   | 4   | 629620   | SEAL, 1.500 ROD DIA             |
| 41   | 2   | 629621   | SEAL, 4.500 ROD DIA             |
| 42   | 2   | 711036   | 1/8MNPT-1/4 NYL TUBE FTG        |
| 43   | 1   | 711040   | 1/4MNPT-90-1/4 NYL TUBE LBO     |
| 44   | 2   | 900002   | 1/4UNC X 3/4 HEX BOLT           |
| 45   | 5   | 900265   | 1/2UNC X 1 1/2 HEX BOLT         |
| 46   | 4   | 900267   | 1/2UNC X 2" HEX BOLT            |
| 47   | 4   | 900268   | 1/2UNC X 2 1/2 HEX BOLT         |
| 48   | 4   | 900269   | 1/2UNC X 2 3/4 HEX BOLT         |
| 49   | 1   | 910008   | 1/2UNC HEX NUT                  |
| 50   | 1   | 910013   | 3/4UNF HEX NUT                  |
| 51   | 1   | 910020   | 1-8 HEX SLOTTED NUT             |
| 52   | 1   | 910021   | 1-14 SLOT JAM NUT               |
| 53   | 2   | 914000   | 1/4UNC HEX STOVER NUT           |
| 54   | 13  | 914008   | 1/2UNC HEX STOVER NUT           |
| 55   | 2   | 910102   | 3/4UNC SLOT HEX NUT, GR8        |
| 56   | 1   | 920008   | 1" SAE FLAT WASHER              |
| 57   | 1   | 920504   | 1/2 LOCK WASHER                 |
| 58   | 1   | 920506   | 3/4 LOCK WASHER                 |
| 59   | 2   | 473841   | 16MM LOCK WASHER                |
| 60   | 1   | 601476   | HOSE, 1/4 X 120 AIR             |
| 61   | 1   | 470311   | SIDEWINDER SLEEVE,14.06 X 60"   |
| 62   | 1   | 470305   | HOSE CLAMP, 4-HOLE              |
| 63   | 1   | 359094   | HYD TUBE CLAMP KEEPER, 5.75     |
| 64   | 3   | 342917   | TREAD ADJ PLATE, STEEL, THD     |
| 65   | 4   | 342719   | TRD ADJ BRONZE BEARING,THD-GRV  |
| 66   | 16  | 900128   | 3/8UNC X 3/4 HEX BOLT           |
| 67   | 2   | 900138   | 3/8UNC X 3 1/2 HEX BOLT         |
| 68   | 2   | 914004   | 3/8UNC HEX STOVER NUT           |
| 69   | 1   | 291919   | INDUCTIVE SENSOR                |
| 70   | 1   | 291994   | SENSOR HARNESS,MICRO-DEUTSCH    |
| 71   | 1   | 359555   | SENSOR BRKT, AWS STS 09         |
| 72   | 2   | 470122   | 1/4UNC X 1/2 FLANGE HEX BOLT    |
| 73   | 1   | 293827   | SENSOR W/DEUTSCH ASSY STS 05    |
| 74   | 4   | 483048   | 3/4 REG FLAT WASH,THRU-HARD     |
| 75   | 1   | 359086   | REAR TIE ROD SHAFT WLD          |
| 76   | 1   | 749322   | STEERING TUBE CLAMP &BOLT ASSY  |
| 77   | 1   | 359089   | TIE ROD STUD WLD                |
| 78   | 1   | 359093   | LH SENSOR REFLECTOR             |
| 79   | 1   | 342856   | TREAD SENSOR MT                 |
| 80   | 1   | 002815   | SENSOR ARM WASH, NYL            |
| 81   | 1   | 359638   | HOSE SUPP SWIVEL WLD STS'12     |
| 82   | 2   | 920004   | 1/2 SAE FLAT WASHER             |
| 83   | 1   | 359619   | HOSE SUPPORT, 54" STS'10        |
| 84   | 2   | 121112   | BEARING,4.51-4.85-5.74 POLYGON  |

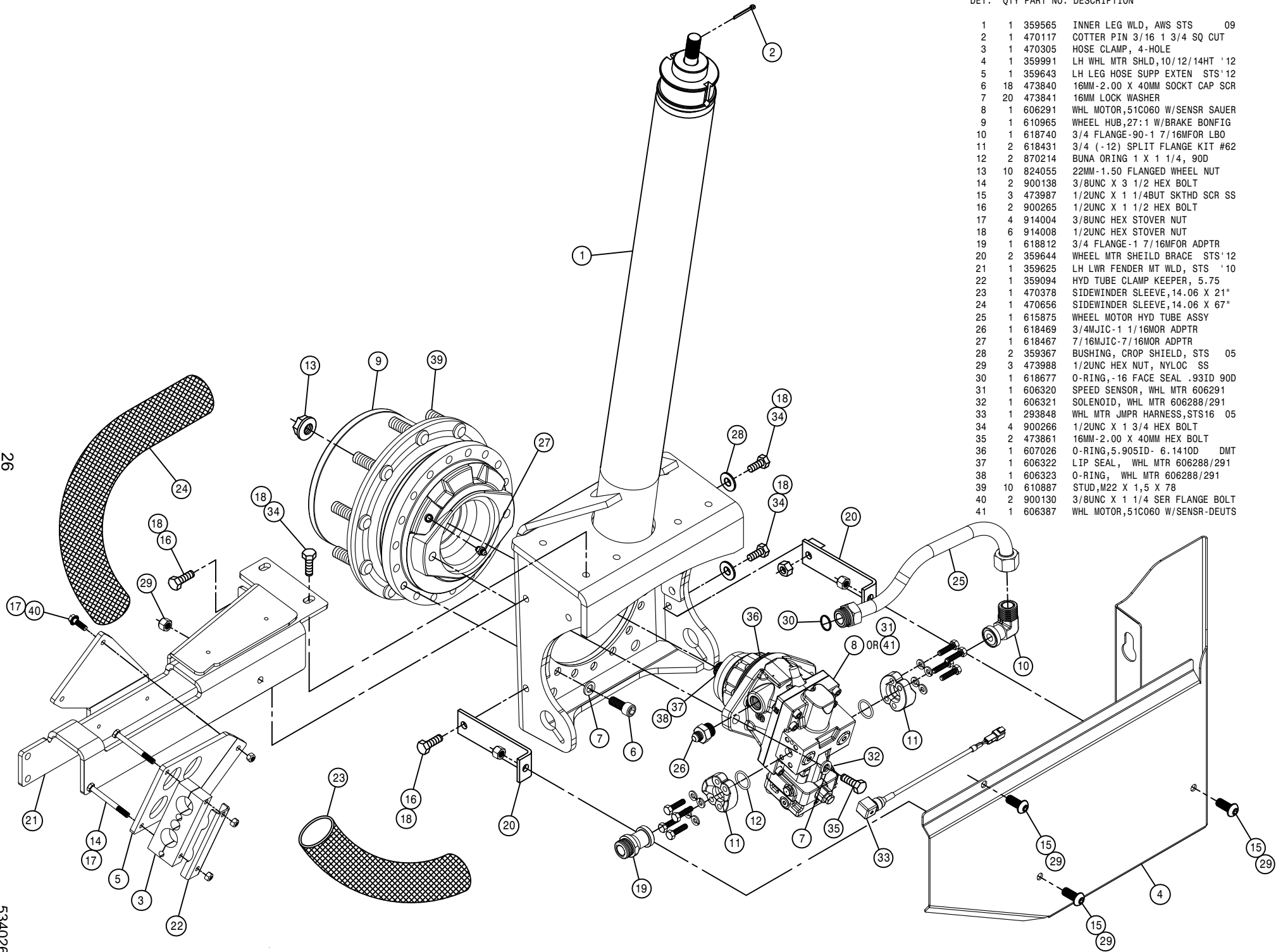
NOTE: (\*) FOR TREAD ADJUST OPTION REPLACE ITEM 64 WITH THREE OF ITEM 65.  
 (\*\*\*) ITEMS ARE FOR ALL WHEEL STEER OPTION.  
 (\*\*\*) ITEMS ARE A MID YEAR BEARING CHANGE.



LH REAR INNER LEG ASSEMBLY (STANDARD TORQUE)

DET. QTY PART NO. DESCRIPTION

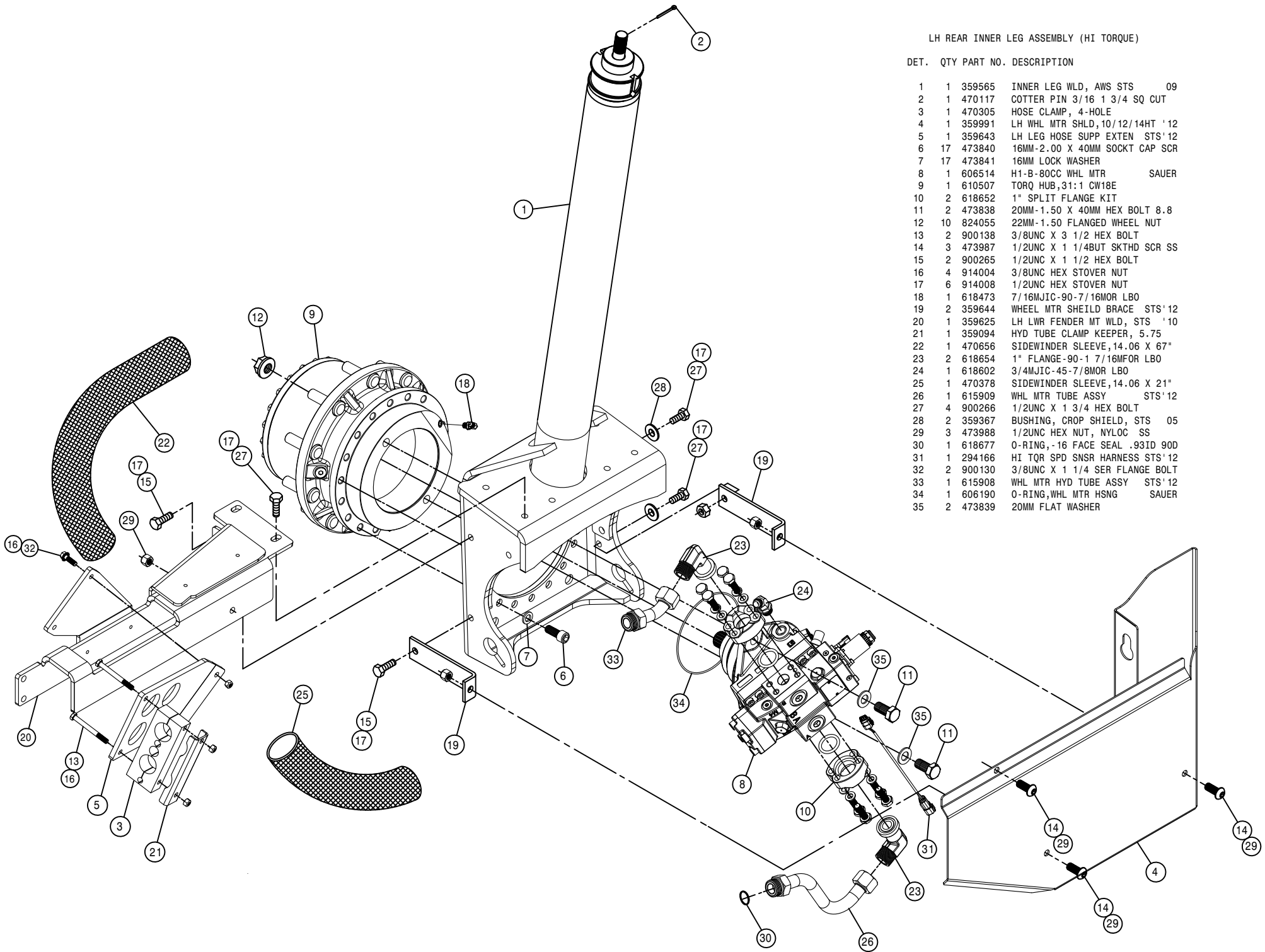
|    |    |        |                                 |    |
|----|----|--------|---------------------------------|----|
| 1  | 1  | 359565 | INNER LEG WLD, AWS STS          | 09 |
| 2  | 1  | 470117 | COTTER PIN 3/16 1 3/4 SQ CUT    |    |
| 3  | 1  | 470305 | HOSE CLAMP, 4-HOLE              |    |
| 4  | 1  | 359991 | LH WHL MTR SHLD,10/12/14HT '12  |    |
| 5  | 1  | 359643 | LH LEG HOSE SUPP EXTEN STS'12   |    |
| 6  | 18 | 473840 | 16MM-2.00 X 40MM SOCKET CAP SCR |    |
| 7  | 20 | 473841 | 16MM LOCK WASHER                |    |
| 8  | 1  | 606291 | WHL MOTOR,51C060 W/SENSR SAUER  |    |
| 9  | 1  | 610965 | WHEEL HUB,27:1 W/BRAKE BONFIG   |    |
| 10 | 1  | 618740 | 3/4 FLANGE-90-1 7/16MFOR LBO    |    |
| 11 | 2  | 618431 | 3/4 (-12) SPLIT FLANGE KIT #62  |    |
| 12 | 2  | 870214 | BUNA ORING 1 X 1 1/4, 90D       |    |
| 13 | 10 | 824055 | 22MM-1.50 FLANGED WHEEL NUT     |    |
| 14 | 2  | 900138 | 3/8UNC X 3 1/2 HEX BOLT         |    |
| 15 | 3  | 473987 | 1/2UNC X 1 1/4BUT SKTHD SCR SS  |    |
| 16 | 2  | 900265 | 1/2UNC X 1 1/2 HEX BOLT         |    |
| 17 | 4  | 914004 | 3/8UNC HEX STOVER NUT           |    |
| 18 | 6  | 914008 | 1/2UNC HEX STOVER NUT           |    |
| 19 | 1  | 618812 | 3/4 FLANGE-1 7/16MFOR ADPTR     |    |
| 20 | 2  | 359644 | WHEEL MTR SHEILD BRACE STS'12   |    |
| 21 | 1  | 359625 | LH LWR FENDER MT WLD, STS '10   |    |
| 22 | 1  | 359094 | HYD TUBE CLAMP KEEPER, 5.75     |    |
| 23 | 1  | 470378 | SIDEWINDER SLEEVE,14.06 X 21"   |    |
| 24 | 1  | 470656 | SIDEWINDER SLEEVE,14.06 X 67"   |    |
| 25 | 1  | 615875 | WHEEL MOTOR HYD TUBE ASSY       |    |
| 26 | 1  | 618469 | 3/4MJIC-1 1/16MOR ADPTR         |    |
| 27 | 1  | 618467 | 7/16MJIC-7/16MOR ADPTR          |    |
| 28 | 2  | 359367 | BUSHING, CROP SHIELD, STS       | 05 |
| 29 | 3  | 473988 | 1/2UNC HEX NUT, NYLOC SS        |    |
| 30 | 1  | 618677 | O-RING, -16 FACE SEAL .93ID 90D |    |
| 31 | 1  | 606320 | SPEED SENSOR, WHL MTR 606291    |    |
| 32 | 1  | 606321 | SOLENOID, WHL MTR 606288/291    |    |
| 33 | 1  | 293848 | WHL MTR JMPR HARNESS, STS16     | 05 |
| 34 | 4  | 900266 | 1/2UNC X 1 3/4 HEX BOLT         |    |
| 35 | 2  | 473861 | 16MM-2.00 X 40MM HEX BOLT       |    |
| 36 | 1  | 607026 | O-RING,5.905ID- 6.1410D DMT     |    |
| 37 | 1  | 606322 | LIP SEAL, WHL MTR 606288/291    |    |
| 38 | 1  | 606323 | O-RING, WHL MTR 606288/291      |    |
| 39 | 10 | 610887 | STUD,M22 X 1,5 X 78             |    |
| 40 | 2  | 900130 | 3/8UNC X 1 1/4 SER FLANGE BOLT  |    |
| 41 | 1  | 606387 | WHL MOTOR,51C060 W/SENSR-DEUTS  |    |



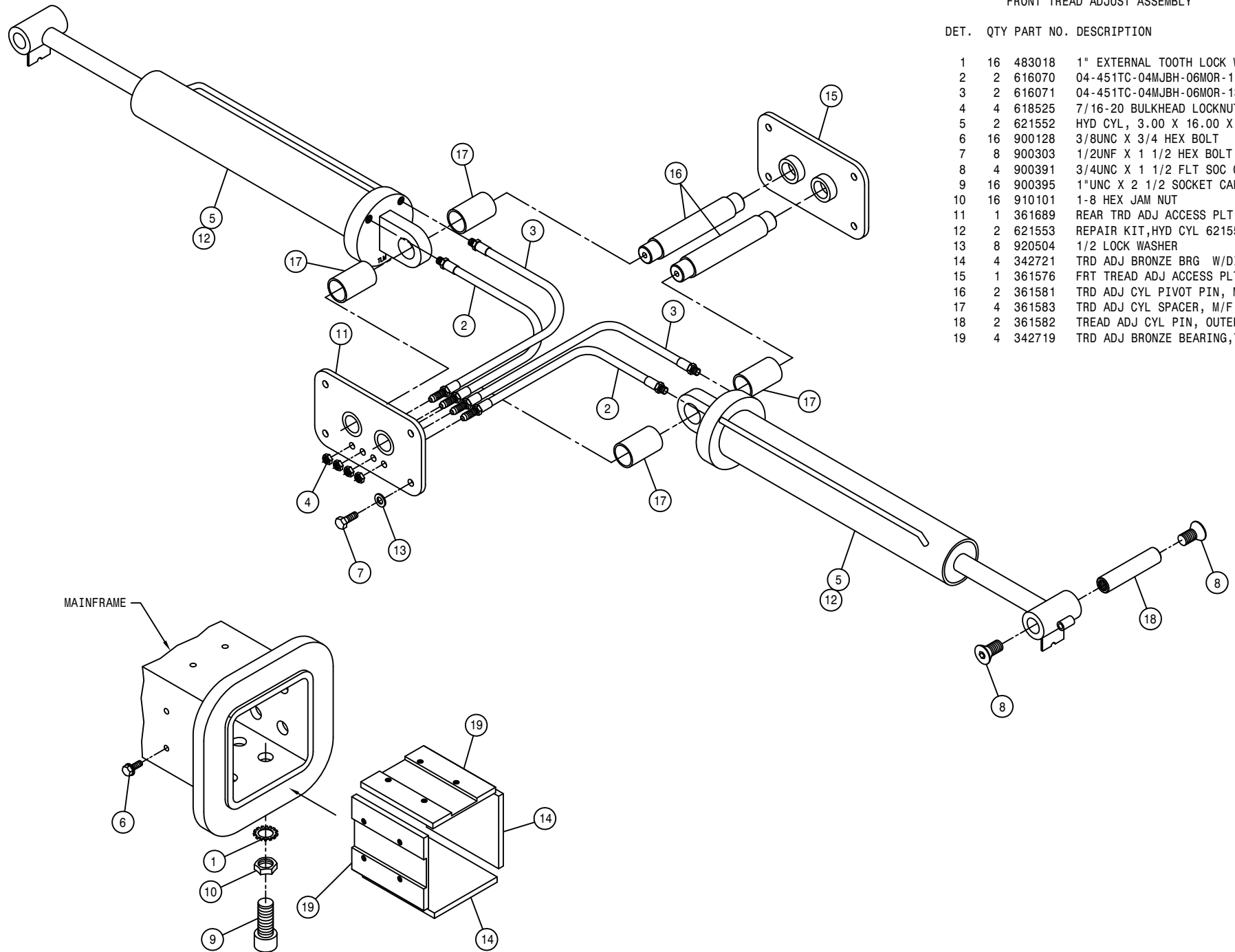
LH REAR INNER LEG ASSEMBLY (HI TORQUE)

DET. QTY PART NO. DESCRIPTION

|    |    |        |                                 |    |
|----|----|--------|---------------------------------|----|
| 1  | 1  | 359565 | INNER LEG WLD, AWS STS          | 09 |
| 2  | 1  | 470117 | COTTER PIN 3/16 1 3/4 SQ CUT    |    |
| 3  | 1  | 470305 | HOSE CLAMP, 4-HOLE              |    |
| 4  | 1  | 359991 | LH WHL MTR SHLD, 10/12/14HT '12 |    |
| 5  | 1  | 359643 | LH LEG HOSE SUPP EXTEN STS'12   |    |
| 6  | 17 | 473840 | 16MM-2.00 X 40MM SOCKT CAP SCR  |    |
| 7  | 17 | 473841 | 16MM LOCK WASHER                |    |
| 8  | 1  | 606514 | H1-B-80CC WHL MTR SAUER         |    |
| 9  | 1  | 610507 | TORQ HUB, 31:1 CW18E            |    |
| 10 | 2  | 618652 | 1" SPLIT FLANGE KIT             |    |
| 11 | 2  | 473838 | 20MM-1.50 X 40MM HEX BOLT 8.8   |    |
| 12 | 10 | 824055 | 22MM-1.50 FLANGED WHEEL NUT     |    |
| 13 | 2  | 900138 | 3/8UNC X 3 1/2 HEX BOLT         |    |
| 14 | 3  | 473987 | 1/2UNC X 1 1/4 BUT SKTHD SCR SS |    |
| 15 | 2  | 900265 | 1/2UNC X 1 1/2 HEX BOLT         |    |
| 16 | 4  | 914004 | 3/8UNC HEX STOVER NUT           |    |
| 17 | 6  | 914008 | 1/2UNC HEX STOVER NUT           |    |
| 18 | 1  | 618473 | 7/16MJIC-90-7/16MOR LBO         |    |
| 19 | 2  | 359644 | WHEEL MTR SHEILD BRACE STS'12   |    |
| 20 | 1  | 359625 | LH LWR FENDER MT WLD, STS '10   |    |
| 21 | 1  | 359094 | HYD TUBE CLAMP KEEPER, 5.75     |    |
| 22 | 1  | 470656 | SIDEWINDER SLEEVE, 14.06 X 67"  |    |
| 23 | 2  | 618654 | 1" FLANGE-90-1 7/16MFOR LBO     |    |
| 24 | 1  | 618602 | 3/4MJIC-45-7/8MOR LBO           |    |
| 25 | 1  | 470378 | SIDEWINDER SLEEVE, 14.06 X 21"  |    |
| 26 | 1  | 615909 | WHL MTR TUBE ASSY STS'12        |    |
| 27 | 4  | 900266 | 1/2UNC X 1 3/4 HEX BOLT         |    |
| 28 | 2  | 359367 | BUSHING, CROP SHIELD, STS 05    |    |
| 29 | 3  | 473988 | 1/2UNC HEX NUT, NYLOC SS        |    |
| 30 | 1  | 618677 | O-RING, -16 FACE SEAL .93ID 90D |    |
| 31 | 1  | 294166 | HI TOR SPD SNSR HARNESS STS'12  |    |
| 32 | 2  | 900130 | 3/8UNC X 1 1/4 SER FLANGE BOLT  |    |
| 33 | 1  | 615908 | WHL MTR HYD TUBE ASSY STS'12    |    |
| 34 | 1  | 606190 | O-RING, WHL MTR HSNQ SAUER      |    |
| 35 | 2  | 473839 | 20MM FLAT WASHER                |    |



FRONT TREAD ADJUST ASSEMBLY



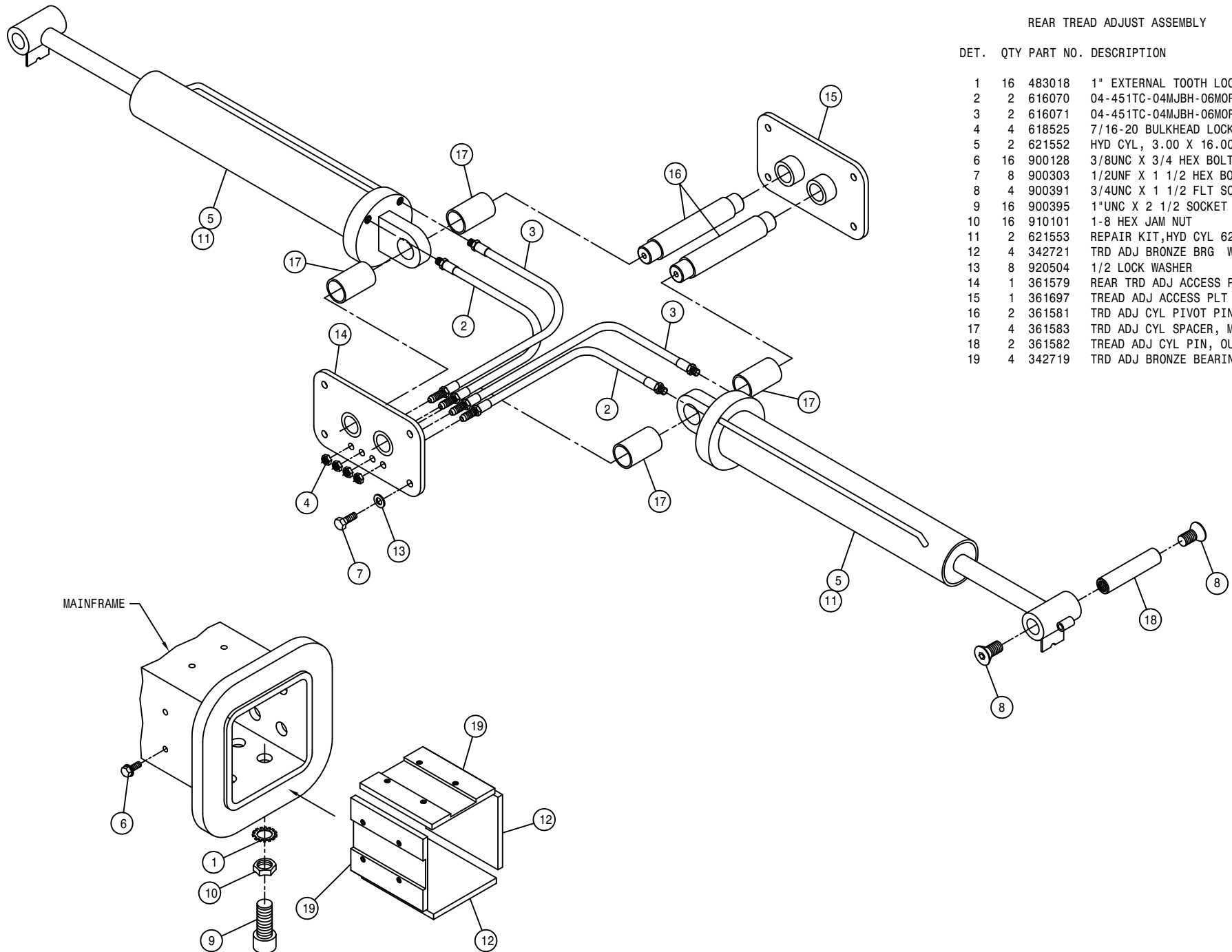
| DET. | QTY | PART NO. | DESCRIPTION                     |
|------|-----|----------|---------------------------------|
| 1    | 16  | 483018   | 1" EXTERNAL TOOTH LOCK WASHER   |
| 2    | 2   | 616070   | 04-451TC-04MJBH-06MOR-11.00H/A  |
| 3    | 2   | 616071   | 04-451TC-04MJBH-06MOR-13.00H/A  |
| 4    | 4   | 618525   | 7/16-20 BULKHEAD LOCKNUT        |
| 5    | 2   | 621552   | HYD CYL, 3.00 X 16.00 X 1.375   |
| 6    | 16  | 900128   | 3/8UNC X 3/4 HEX BOLT           |
| 7    | 8   | 900303   | 1/2UNF X 1 1/2 HEX BOLT         |
| 8    | 4   | 900391   | 3/4UNC X 1 1/2 FLT SOC CAP SCR  |
| 9    | 16  | 900395   | 1"UNC X 2 1/2 SOCKET CAP SCR    |
| 10   | 16  | 910101   | 1-8 HEX JAM NUT                 |
| 11   | 1   | 361689   | REAR TRD ADJ ACCESS PLT WLD 04  |
| 12   | 2   | 621553   | REPAIR KIT, HYD CYL 621552      |
| 13   | 8   | 920504   | 1/2 LOCK WASHER                 |
| 14   | 4   | 342721   | TRD ADJ BRONZE BRG W/DIMPLES    |
| 15   | 1   | 361576   | FRT TREAD ADJ ACCESS PLT WLD    |
| 16   | 2   | 361581   | TRD ADJ CYL PIVOT PIN, M/F      |
| 17   | 4   | 361583   | TRD ADJ CYL SPACER, M/F         |
| 18   | 2   | 361582   | TREAD ADJ CYL PIN, OUTER LEG    |
| 19   | 4   | 342719   | TRD ADJ BRONZE BEARING, THD-GRV |

MAINFRAME

REAR TREAD ADJUST ASSEMBLY

DET. QTY PART NO. DESCRIPTION

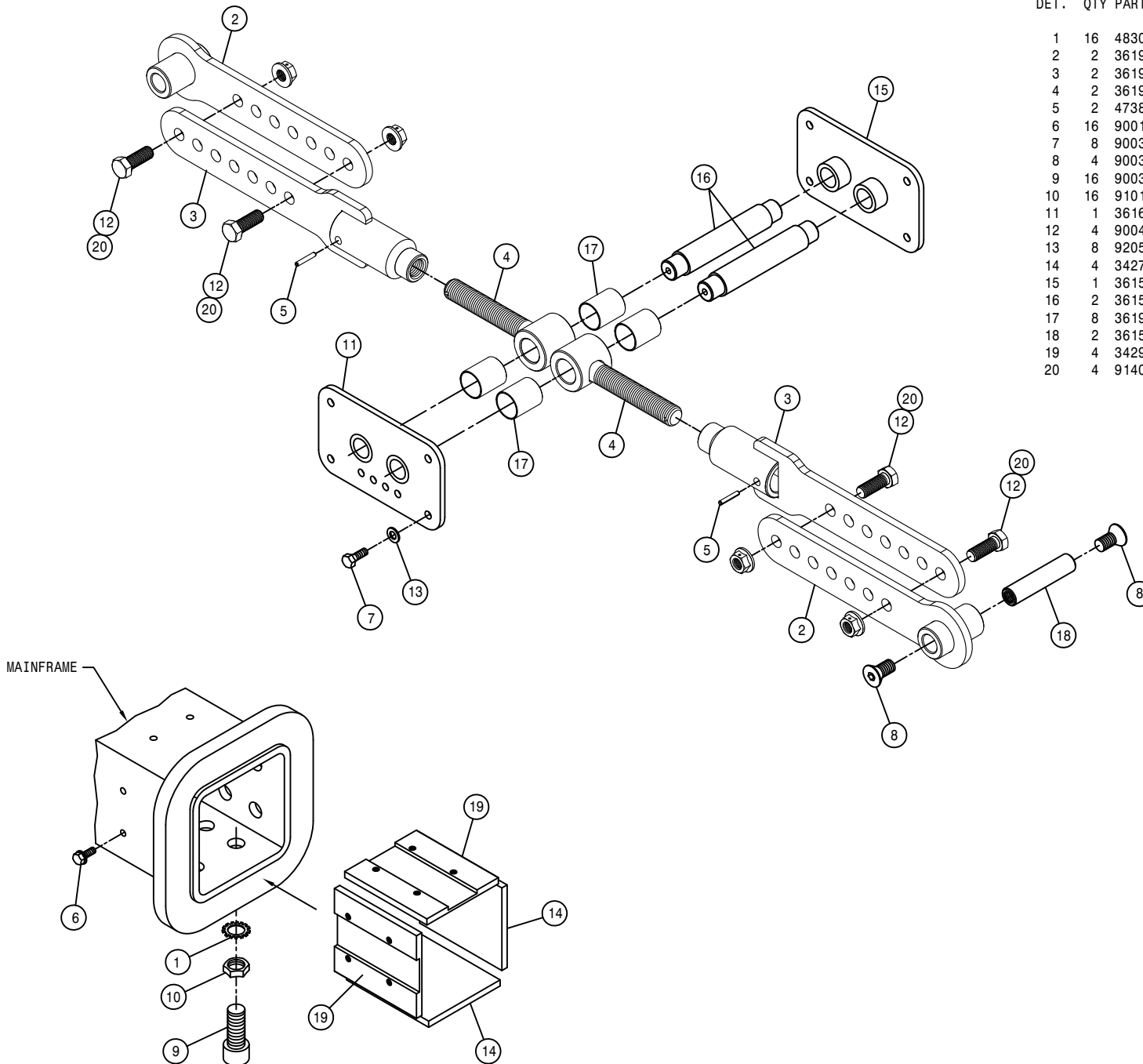
| DET. | QTY | PART NO. | DESCRIPTION                     |
|------|-----|----------|---------------------------------|
| 1    | 16  | 483018   | 1" EXTERNAL TOOTH LOCK WASHER   |
| 2    | 2   | 616070   | 04-451TC-04MJBH-06MOR-11.00H/A  |
| 3    | 2   | 616071   | 04-451TC-04MJBH-06MOR-13.00H/A  |
| 4    | 4   | 618525   | 7/16-20 BULKHEAD LOCKNUT        |
| 5    | 2   | 621552   | HYD CYL, 3.00 X 16.00 X 1.375   |
| 6    | 16  | 900128   | 3/8UNC X 3/4 HEX BOLT           |
| 7    | 8   | 900303   | 1/2UNC X 1 1/2 HEX BOLT         |
| 8    | 4   | 900391   | 3/4UNC X 1 1/2 FLT SOC CAP SCR  |
| 9    | 16  | 900395   | 1"UNC X 2 1/2 SOCKET CAP SCR    |
| 10   | 16  | 910101   | 1-8 HEX JAM NUT                 |
| 11   | 2   | 621553   | REPAIR KIT, HYD CYL 621552      |
| 12   | 4   | 342721   | TRD ADJ BRONZE BRG W/DIMPLES    |
| 13   | 8   | 920504   | 1/2 LOCK WASHER                 |
| 14   | 1   | 361579   | REAR TRD ADJ ACCESS PLT WLD 00  |
| 15   | 1   | 361697   | TREAD ADJ ACCESS PLT WLD 07     |
| 16   | 2   | 361581   | TRD ADJ CYL PIVOT PIN, M/F      |
| 17   | 4   | 361583   | TRD ADJ CYL SPACER, M/F         |
| 18   | 2   | 361582   | TREAD ADJ CYL PIN, OUTER LEG    |
| 19   | 4   | 342719   | TRD ADJ BRONZE BEARING, THD-GRV |



FRONT NO TREAD ADJUST ASSEMBLY

DET. QTY PART NO. DESCRIPTION

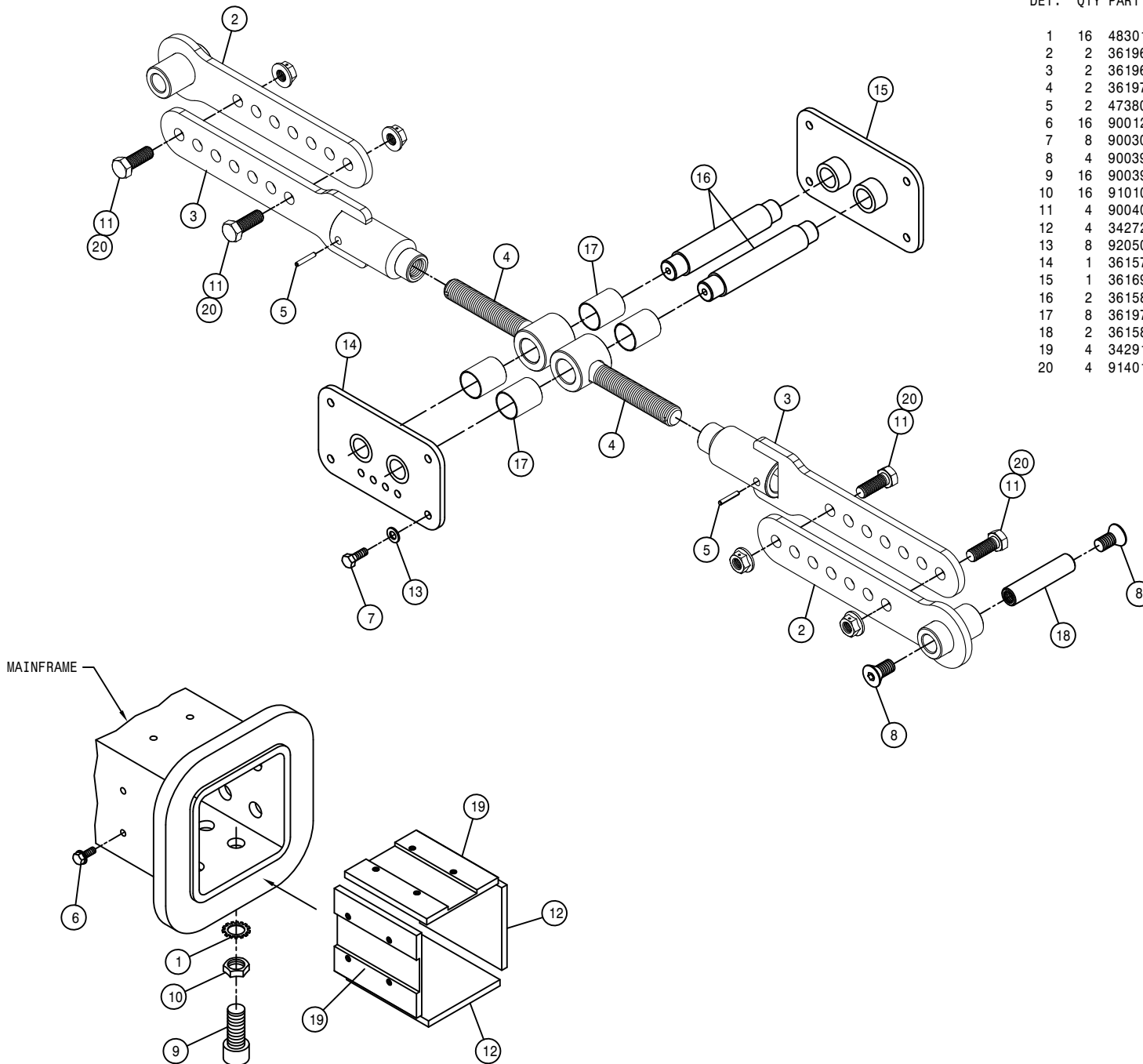
| DET. | QTY | PART NO. | DESCRIPTION                    |
|------|-----|----------|--------------------------------|
| 1    | 16  | 483018   | 1" EXTERNAL TOOTH LOCK WASHER  |
| 2    | 2   | 361964   | INNER TREAD ADJ PLT WLD,STS'11 |
| 3    | 2   | 361967   | OUTER TREAD ADJ PLT WLD,STS'11 |
| 4    | 2   | 361970   | TREAD ADJ TIE ROD WLD, STS'11  |
| 5    | 2   | 473805   | ROLL PIN, 1/4 X 1 1/2          |
| 6    | 16  | 900128   | 3/8UNC X 3/4 HEX BOLT          |
| 7    | 8   | 900303   | 1/2UNF X 1 1/2 HEX BOLT        |
| 8    | 4   | 900391   | 3/4UNC X 1 1/2 FLT SOC CAP SCR |
| 9    | 16  | 900395   | 1"UNC X 2 1/2 SOCKET CAP SCR   |
| 10   | 16  | 910101   | 1-8 HEX JAM NUT                |
| 11   | 1   | 361689   | REAR TRD ADJ ACCESS PLT WLD 04 |
| 12   | 4   | 900403   | 3/4UNC X 2" HEX BOLT           |
| 13   | 8   | 920504   | 1/2 LOCK WASHER                |
| 14   | 4   | 342721   | TRD ADJ BRONZE BRG W/DIMPLES   |
| 15   | 1   | 361576   | FRT TREAD ADJ ACCESS PLT WLD   |
| 16   | 2   | 361581   | TRD ADJ CYL PIVOT PIN, M/F     |
| 17   | 8   | 361973   | TREAD ADJ TIE ROD SPACR,STS'11 |
| 18   | 2   | 361582   | TREAD ADJ CYL PIN, OUTER LEG   |
| 19   | 4   | 342917   | TREAD ADJ PLATE, STEEL, THD    |
| 20   | 4   | 914012   | 3/4UNC HEX STOVER NUT          |

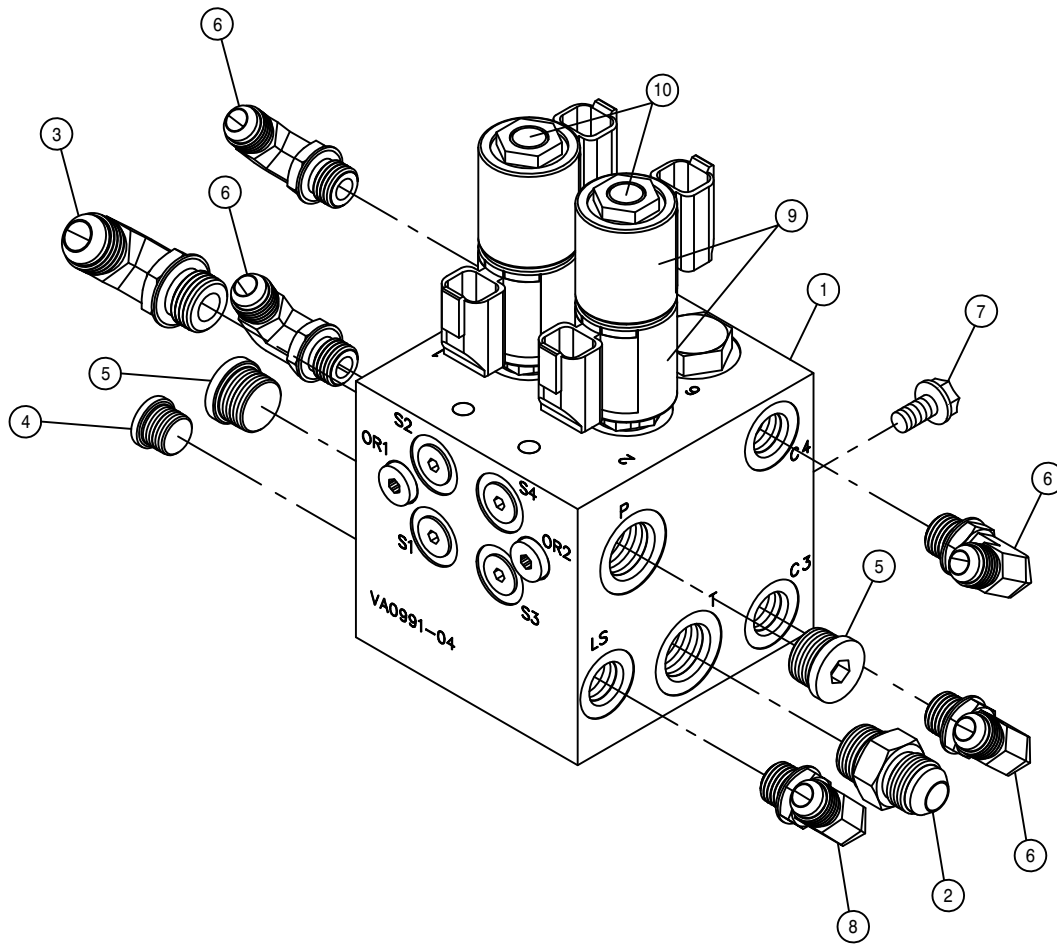


REAR NO TREAD ADJUST ASSEMBLY

DET. QTY PART NO. DESCRIPTION

|    |    |        |                                |
|----|----|--------|--------------------------------|
| 1  | 16 | 483018 | 1" EXTERNAL TOOTH LOCK WASHER  |
| 2  | 2  | 361964 | INNER TREAD ADJ PLT WLD,STS'11 |
| 3  | 2  | 361967 | OUTER TREAD ADJ PLT WLD,STS'11 |
| 4  | 2  | 361970 | TREAD ADJ TIE ROD WLD, STS'11  |
| 5  | 2  | 473805 | ROLL PIN, 1/4 X 1 1/2          |
| 6  | 16 | 900128 | 3/8UNC X 3/4 HEX BOLT          |
| 7  | 8  | 900303 | 1/2UNC X 1 1/2 HEX BOLT        |
| 8  | 4  | 900391 | 3/4UNC X 1 1/2 FLT SOC CAP SCR |
| 9  | 16 | 900395 | 1"UNC X 2 1/2 SOCKET CAP SCR   |
| 10 | 16 | 910101 | 1-8 HEX JAM NUT                |
| 11 | 4  | 900403 | 3/4UNC X 2" HEX BOLT           |
| 12 | 4  | 342721 | TRD ADJ BRONZE BRG W/DIMPLES   |
| 13 | 8  | 920504 | 1/2 LOCK WASHER                |
| 14 | 1  | 361579 | REAR TRD ADJ ACCESS PLT WLD 00 |
| 15 | 1  | 361697 | TREAD ADJ ACCESS PLT WLD 07    |
| 16 | 2  | 361581 | TRD ADJ CYL PIVOT PIN, M/F     |
| 17 | 8  | 361973 | TREAD ADJ TIE ROD SPACR,STS'11 |
| 18 | 2  | 361582 | TREAD ADJ CYL PIN, OUTER LEG   |
| 19 | 4  | 342917 | TREAD ADJ PLATE, STEEL, THD    |
| 20 | 4  | 914012 | 3/4UNC HEX STOVER NUT          |

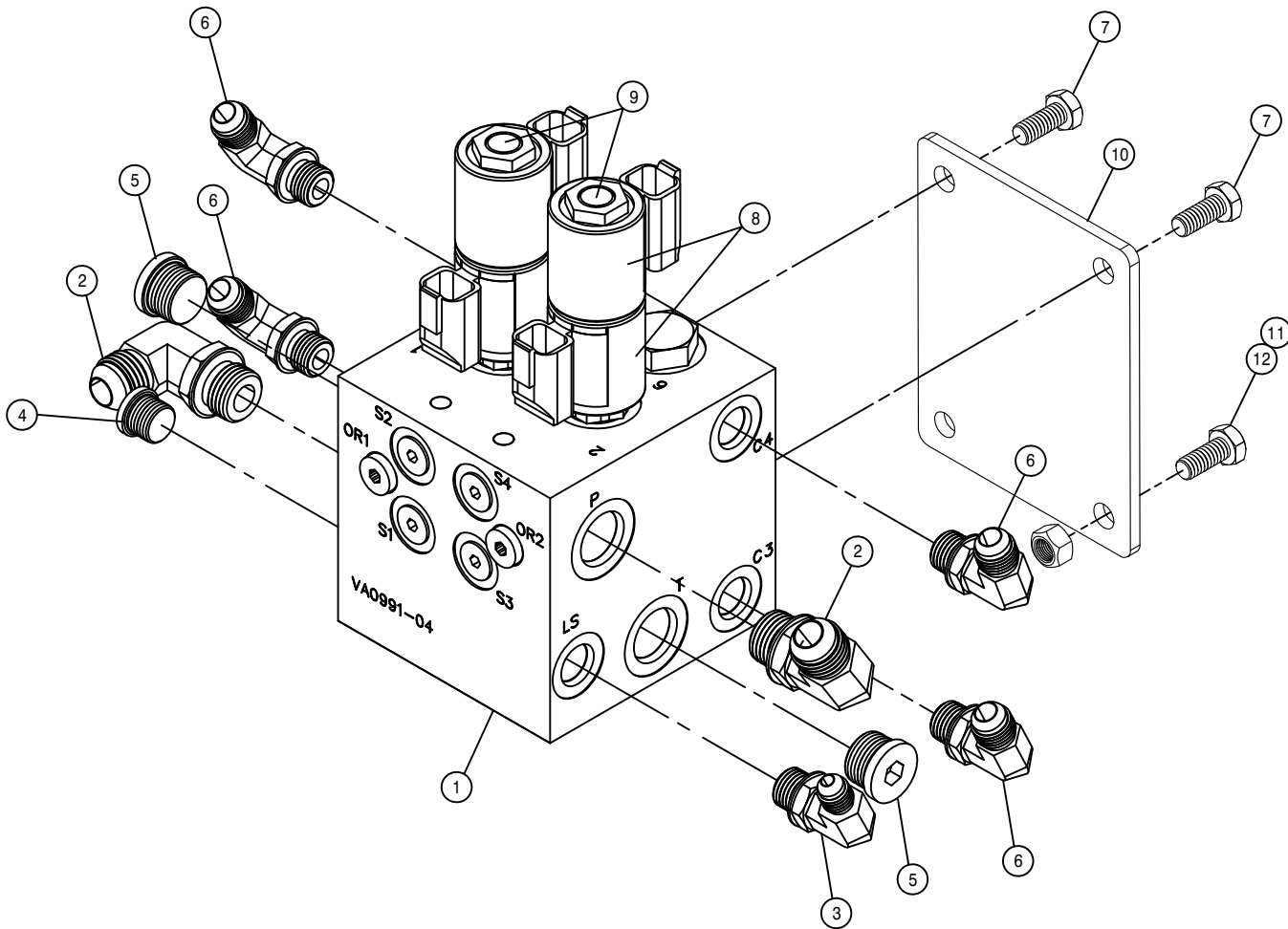




FRONT TREAD ADJUST VALVE ASSEMBLY

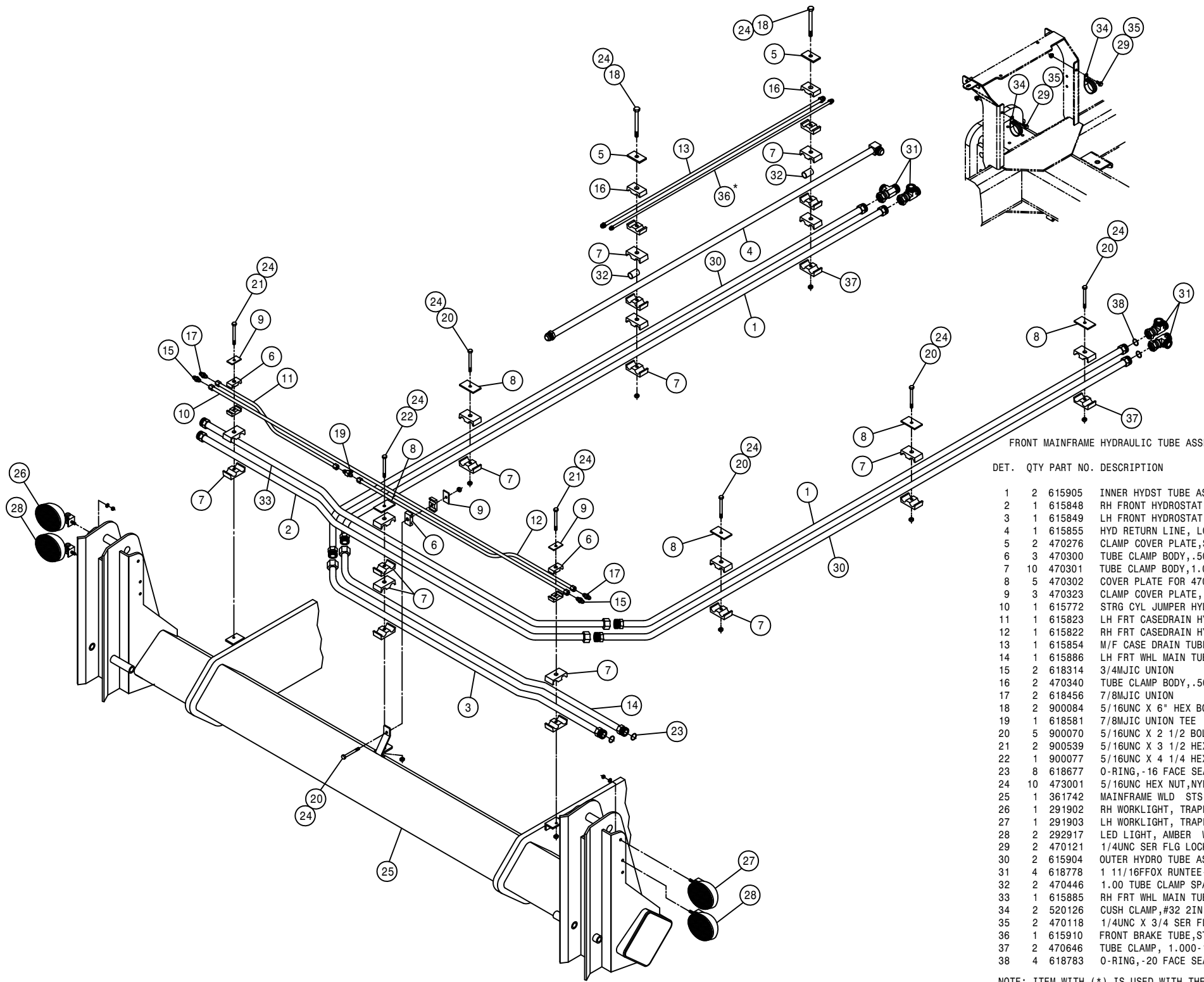
| DET. | QTY | PART NO. | DESCRIPTION                  | PWRSYS |
|------|-----|----------|------------------------------|--------|
| 1    | 1   | 606249   | MANIFOLD, TRD ADJ            | PWRSYS |
| 2    | 1   | 611125   | 3/4MJIC-3/4MOR ADPTR         |        |
| 3    | 1   | 618241   | 3/4MJIC-90-3/4MOR LBO        |        |
| 4    | 1   | 618754   | 9/16MOR PLUG, HEX SOCKET     |        |
| 5    | 2   | 618755   | 3/4MOR PLUG, HEX SOCKET      |        |
| 6    | 4   | 618119   | 9/16MJIC-90-9/16MOR LBO      |        |
| 7    | 2   | 900064   | 5/16UNC X 3/4 HEX BOLT       |        |
| 8    | 1   | 618499   | 7/16MJIC-90-9/16MOR LBO      |        |
| 9    | 4   | 606266   | #8 COIL W/DEUTSCH FOR 606210 |        |
| 10   | 2   | 606358   | CARTRIDGE SP08-47D,PROP,3POS |        |





REAR TREAD ADJUST VALVE ASSEMBLY

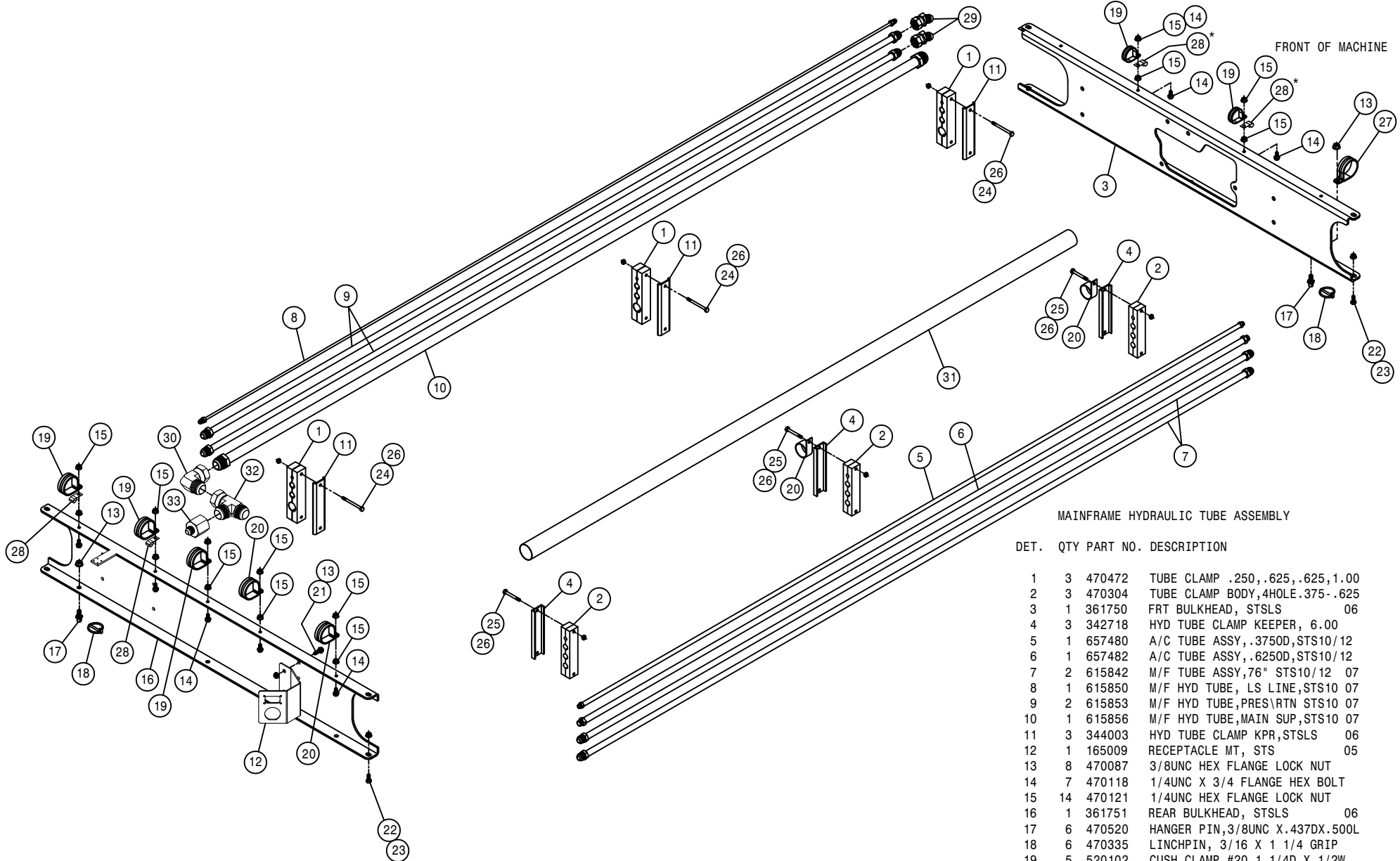
| DET. | QTY | PART NO. | DESCRIPTION                   | PWRSYS |
|------|-----|----------|-------------------------------|--------|
|      | 1   | 606249   | MANIFOLD,TRD ADJ              |        |
|      | 2   | 618241   | 3/4MJIC-90-3/4MOR LBO         |        |
|      | 3   | 618499   | 7/16MJIC-90-9/16MOR LBO       |        |
|      | 4   | 618754   | 9/16MOR PLUG, HEX SOCKET      |        |
|      | 5   | 618755   | 3/4MOR PLUG, HEX SOCKET       |        |
|      | 6   | 618119   | 9/16MJIC-90-9/16MOR LBO       |        |
|      | 7   | 900064   | 5/16UNC X 3/4 HEX BOLT        |        |
|      | 8   | 606266   | #8 COIL W/DEUTSCH FOR 606210  |        |
|      | 9   | 606358   | CARTRIDGE SP08-47D,PROP,3POS  |        |
|      | 10  | 361719   | TRD ADJ VLV EXT MT,M/F STS'12 |        |
|      | 11  | 470087   | 3/8UNC HEX FLANGE LOCK NUT    |        |
|      | 12  | 900129   | 3/8UNC X 1" SERR FLANGE BOLT  |        |



FRONT MAINFRAME HYDRAULIC TUBE ASSEMBLY

| DET. | QTY | PART NO. | DESCRIPTION                             |
|------|-----|----------|---|
|      | 1   | 2        | 615905 INNER HYDST TUBE ASSY, 10/12' 12 |
|      | 2   | 1        | 615848 RH FRONT HYDROSTAT TUBE ASSY     |
|      | 3   | 1        | 615849 LH FRONT HYDROSTAT TUBE ASSY     |
|      | 4   | 1        | 615855 HYD RETURN LINE, LONG, STS10 07  |
|      | 5   | 2        | 470276 CLAMP COVER PLATE, SNGL, 2.55LG  |
|      | 6   | 3        | 470300 TUBE CLAMP BODY, .500-.625       |
|      | 7   | 10       | 470301 TUBE CLAMP BODY, 1.00-1.00       |
|      | 8   | 5        | 470302 COVER PLATE FOR 470301           |
|      | 9   | 3        | 470323 CLAMP COVER PLATE, SNGL 2.04LG   |
|      | 10  | 1        | 615772 STRG CYL JUMPER HYD TUBE ASSY    |
|      | 11  | 1        | 615823 LH FRT CASE DRAIN HYD TUBE ASSY  |
|      | 12  | 1        | 615822 RH FRT CASE DRAIN HYD TUBE ASSY  |
|      | 13  | 1        | 615854 M/F CASE DRAIN TUBE, STS10 07    |
|      | 14  | 1        | 615886 LH FRT WHL MAIN TUBE ASY, STS09  |
|      | 15  | 2        | 618314 3/4MJIC UNION                    |
|      | 16  | 2        | 470340 TUBE CLAMP BODY, .500-.750       |
|      | 17  | 2        | 618456 7/8MJIC UNION                    |
|      | 18  | 2        | 900084 5/16UNC X 6" HEX BOLT            |
|      | 19  | 1        | 618581 7/8MJIC UNION TEE                |
|      | 20  | 5        | 900070 5/16UNC X 2 1/2 BOLT             |
|      | 21  | 2        | 900539 5/16UNC X 3 1/2 HEX BOLT         |
|      | 22  | 1        | 900077 5/16UNC X 4 1/4 HEX BOLT         |
|      | 23  | 8        | 618677 O-RING, -16 FACE SEAL .93ID 90D  |
|      | 24  | 10       | 473001 5/16UNC HEX NUT, NYLOC           |
|      | 25  | 1        | 361742 MAINFRAME WLD STS 10/12 07       |
|      | 26  | 1        | 291902 RH WORKLIGHT, TRAPEZOID GLASS    |
|      | 27  | 1        | 291903 LH WORKLIGHT, TRAPEZOID GLASS    |
|      | 28  | 2        | 292917 LED LIGHT, AMBER W/JUMPER        |
|      | 29  | 2        | 470121 1/4UNC SER FLG LOCK NUT          |
|      | 30  | 2        | 615904 OUTER HYDRO TUBE ASSY, 10/12' 12 |
|      | 31  | 4        | 618778 1 11/16FFOX RUNTEE-1 11/16MFOR   |
|      | 32  | 2        | 470446 1.00 TUBE CLAMP SPACER           |
|      | 33  | 1        | 615885 RH FRT WHL MAIN TUBE ASY, STS09  |
|      | 34  | 2        | 520126 CUSH CLAMP, #32 2IN X 5/8W       |
|      | 35  | 2        | 470118 1/4UNC X 3/4 SER FLG BOLT        |
|      | 36  | 1        | 615910 FRONT BRAKE TUBE, STS10/12 '12   |
|      | 37  | 2        | 470646 TUBE CLAMP, 1.000-1.000 (PAIR)   |
|      | 38  | 4        | 618783 O-RING, -20 FACE SEAL 1.18ID     |

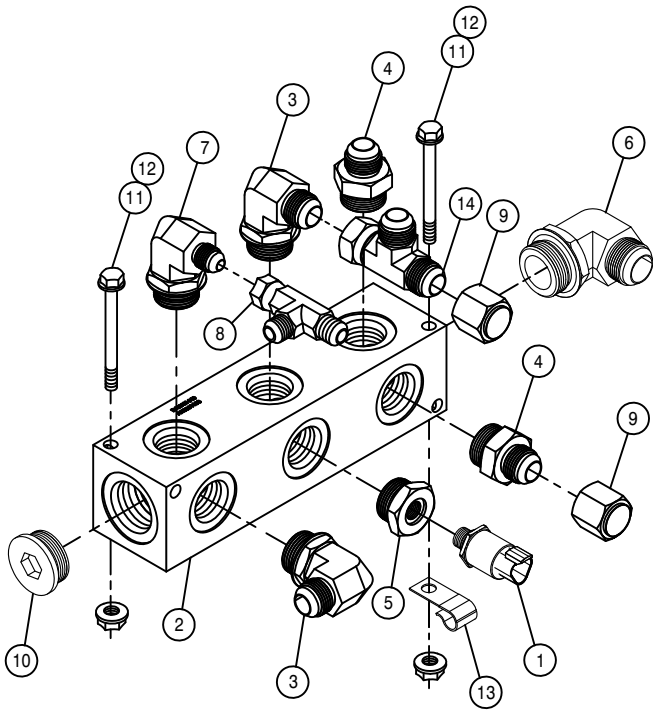
NOTE: ITEM WITH (\*) IS USED WITH THE HI-TORQUE OPTION.



MAINFRAME HYDRAULIC TUBE ASSEMBLY

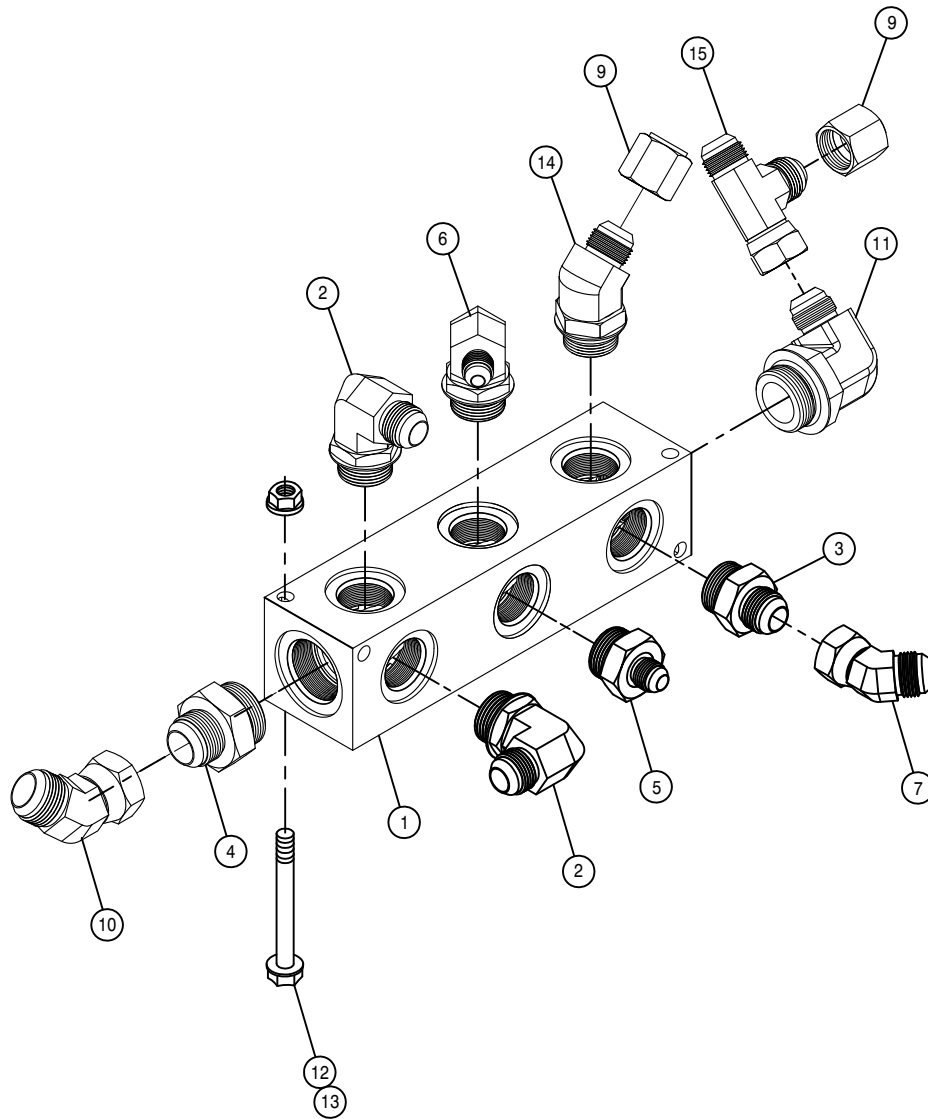
| DET. | QTY | PART NO. | DESCRIPTION                        |
|------|-----|----------|------------------------------------|
| 1    | 3   | 470472   | TUBE CLAMP .250, .625, .625, 1.00  |
| 2    | 3   | 470304   | TUBE CLAMP BODY, 4HOLE .375 - .625 |
| 3    | 1   | 361750   | FRT BULKHEAD, STSLS 06             |
| 4    | 3   | 342718   | HYD TUBE CLAMP KEEPER, 6.00        |
| 5    | 1   | 657480   | A/C TUBE ASSY, .3750D, STS10/12    |
| 6    | 1   | 657482   | A/C TUBE ASSY, .6250D, STS10/12    |
| 7    | 2   | 615842   | M/F TUBE ASSY, 76" STS10/12 07     |
| 8    | 1   | 615850   | M/F HYD TUBE, LS LINE, STS10 07    |
| 9    | 2   | 615853   | M/F HYD TUBE, PRES\RTN STS10 07    |
| 10   | 1   | 615856   | M/F HYD TUBE, MAIN SUP, STS10 07   |
| 11   | 3   | 344003   | HYD TUBE CLAMP KPR, STSLS 06       |
| 12   | 1   | 165009   | RECEPTACLE MT, STS 05              |
| 13   | 8   | 470087   | 3/8UNC HEX FLANGE LOCK NUT         |
| 14   | 7   | 470118   | 1/4UNC X 3/4 FLANGE HEX BOLT       |
| 15   | 14  | 470121   | 1/4UNC HEX FLANGE LOCK NUT         |
| 16   | 1   | 361751   | REAR BULKHEAD, STSLS 06            |
| 17   | 6   | 470520   | HANGER PIN, 3/8UNC X .437DX.500L   |
| 18   | 6   | 470335   | LINCHPIN, 3/16 X 1 1/4 GRIP        |
| 19   | 5   | 520102   | CUSH CLAMP, #20 1 1/4D X 1/2W      |
| 20   | 4   | 520126   | CUSH CLAMP, #32 2IN X 5/8W         |
| 21   | 2   | 900128   | 3/8UNC X 3/4 HEX BOLT              |
| 22   | 8   | 900129   | 3/8UNC X 1" SERR FLANGE BOLT       |
| 23   | 8   | 910004N  | 3/8UNC FLANGE CNTR LOCK NUT        |
| 24   | 6   | 900008   | 1/4UNC X 2 1/2 HEX BOLT            |
| 25   | 6   | 900007   | 1/4UNC X 2" HEX BOLT               |
| 26   | 12  | 470089   | 1/4UNC HEX NYLOC NUT, 316 SS       |
| 27   | 1   | 520161   | CUSH CLAMP, #32 2"D-3/4W LOOP      |
| 28   | 4   | 520128   | CUSH J CLAMP, #9 9/16D X 3/4W      |
| 29   | 2   | 618628   | 7/8MJIC-45-7/8FJIC SWIV LBO        |
| 30   | 1   | 618640   | 1 5/16MJ-90-1 5/16FJ SWIV LBO      |
| 31   | 1   | 470374   | SIDEWINDER SLEEVE, 8.50 X 80"      |
| 32   | 1   | 618619   | 1 5/16FJ SW RUN TEE-1 5/16MJ       |
| 33   | 1   | 618671   | 1 5/16FJIC-3/4MJIC ADPTR           |

NOTE: ITEMS WITH (\*) ARE USED WITH THE SIDE FILL OPTION.



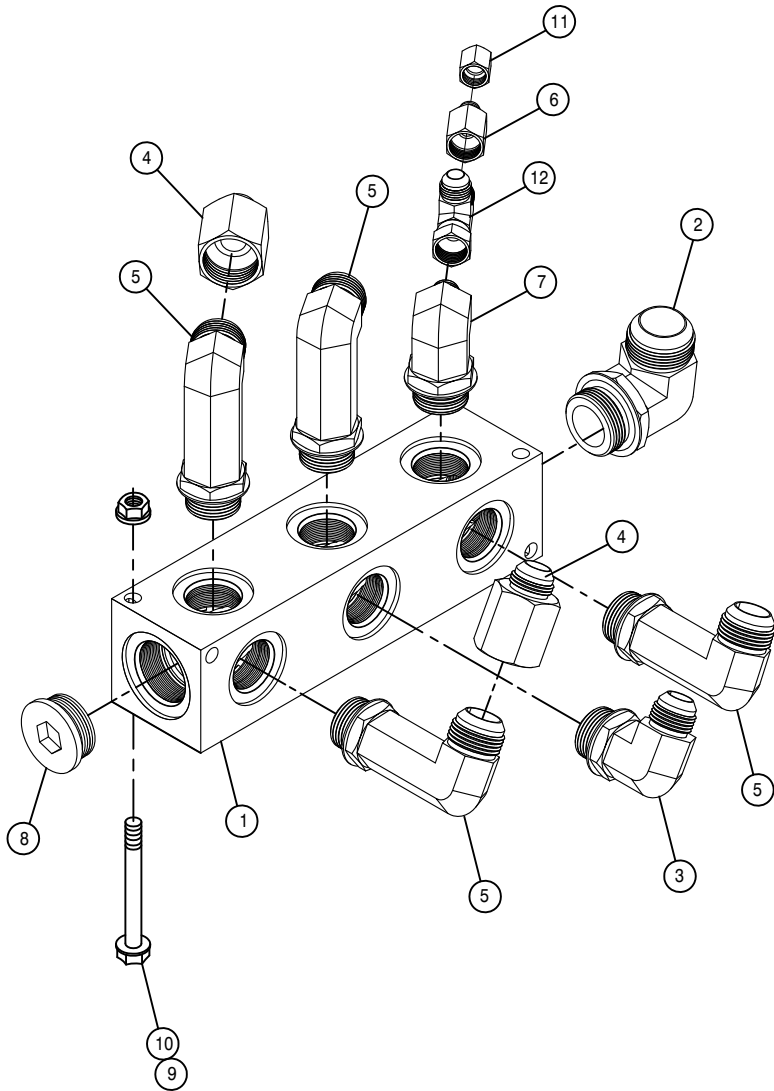
HYDRAULIC SUPPLY MANIFOLD ASSEMBLY

| DET. | QTY | PART NO. | DESCRIPTION                  |
|------|-----|----------|------------------------------|
|      | 1   | 606347   | PRESSURE TRANSDUCER,7500PSI  |
|      | 1   | 606246   | MANIFOLD, #16 3-STN 180      |
|      | 2   | 618302   | 1 1/16MJIC-90-1 5/16MOR LBO  |
|      | 4   | 618308   | 1 1/16MJIC-1 5/16MOR ADPTR   |
|      | 5   | 618397   | 1 5/16MOR-9/16FOR ADPTR      |
|      | 6   | 618883   | 1 5/16MJIC-90-1 5/8MOR LBO   |
|      | 7   | 618475   | 3/4MJIC-90-1 5/16MOR LBO     |
|      | 8   | 618451   | 3/4FJIC SW RUN TEE-3/4MJIC   |
|      | 9   | 618533   | 1 1/16FJIC CAP NUT           |
|      | 10  | 618759   | 1 5/8MOR PLUG, HEX SOCKET    |
|      | 11  | 900140   | 3/8UNC X 4" HEX BOLT         |
|      | 12  | 470087   | 3/8UNC HEX FLANGE LOCK NUT   |
|      | 13  | 520128   | CUSH J CLAMP,#9 9/16D X 3/4W |
|      | 14  | 618487   | 1 1/16FJ SW RUN TEE-1 1/16MJ |



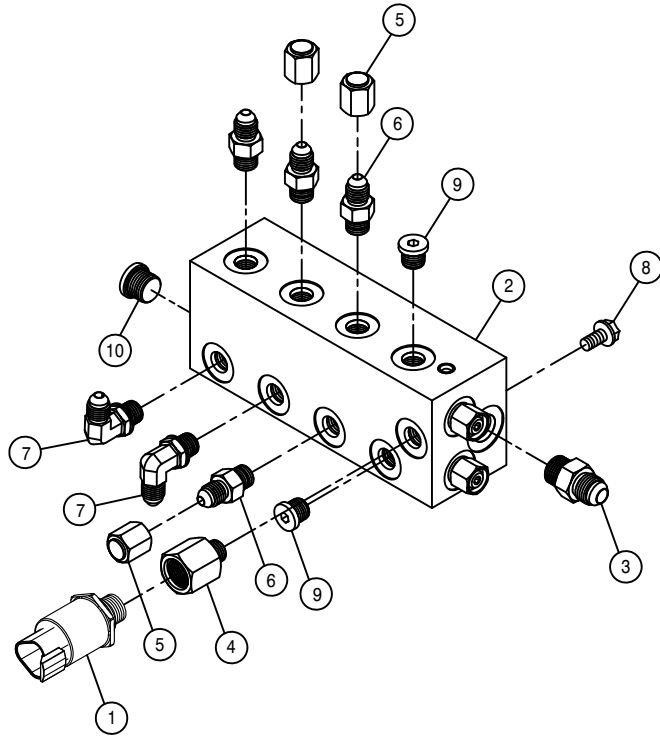
FRONT RETURN MANIFOLD ASSEMBLY

| DET. | QTY | PART NO. | DESCRIPTION                   |
|------|-----|----------|-------------------------------|
| 1    | 1   | 606246   | MANIFOLD, #16 3-STN 180       |
| 2    | 2   | 618302   | 1 1/16MJIC-90-1 5/16MOR LBO   |
| 3    | 1   | 618308   | 1 1/16MJIC-1 5/16MOR ADPTR    |
| 4    | 1   | 618455   | 1 5/16MJIC-1 5/8MOR ADPTR     |
| 5    | 1   | 618470   | 3/4MJIC-1 5/16MOR ADPTR       |
| 6    | 1   | 618475   | 3/4MJIC-90-1 5/16MOR LBO      |
| 7    | 1   | 618529   | 1 1/16MJ-45-1 1/16FJ SWIV LBO |
| 8    | 1   | 618532   | 3/4FJIC CAP NUT               |
| 9    | 2   | 618533   | 1 1/16FJIC CAP NUT            |
| 10   | 1   | 618630   | 1 5/16MJ-45-1 5/16FJ SWIV LBO |
| 11   | 1   | 618842   | 1 1/16MJIC-90-1 5/8MOR LBO    |
| 12   | 2   | 470087   | 3/8UNC HEX FLANGE LOCK NUT    |
| 13   | 2   | 900139   | 3/8UNC X 3 3/4 HEX BOLT       |
| 14   | 1   | 618831   | 1 1/16MJIC-45-1 5/16MOR LBO   |
| 15   | 1   | 618487   | 1 1/16FJ SW RUN TEE-1 1/16MJ  |



CASE DRAIN MANIFOLD ASSEMBLY

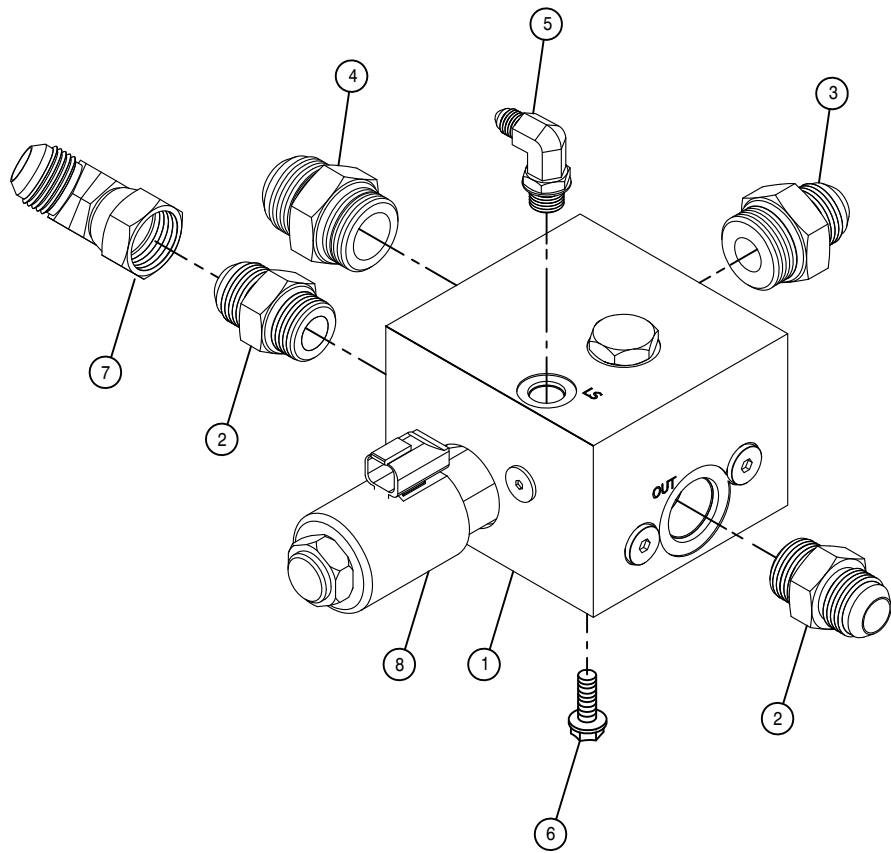
| DET. | QTY | PART NO. | DESCRIPTION                    |
|------|-----|----------|--------------------------------|
| 1    | 1   | 606246   | MANIFOLD, #16 3-STN 180        |
| 2    | 1   | 618477   | 1 5/8MJIC-90-1 5/8MOR LBO      |
| 3    | 1   | 618302   | 1 1/16MJIC-90-1 5/16MOR LBO    |
| 4    | 2   | 618541   | 1 5/16FJIC-1 1/16MJIC ADPTR    |
| 5    | 4   | 618463   | 1 5/16MJIC-90-1 5/16MOR XL LBO |
| 6    | 1   | 618482   | 3/4FJIC-9/16MJIC ADPTR         |
| 7    | 1   | 618475   | 3/4MJIC-90-1 5/16MOR LBO       |
| 8    | 1   | 618759   | 1 5/8MOR PLUG, HEX SOCKET      |
| 9    | 2   | 470087   | 3/8UNC HEX FLANGE LOCK NUT     |
| 10   | 2   | 900139   | 3/8UNC X 3 3/4 HEX BOLT        |
| 11   | 1   | 618531   | 9/16FJIC CAP NUT               |
| 12   | 1   | 618451   | 3/4FJIC SW RUN TEE-3/4MJIC     |



LS MANIFOLD ASSEMBLY

DET. QTY PART NO. DESCRIPTION

| DET. | QTY | PART NO. | DESCRIPTION                  |
|------|-----|----------|------------------------------|
| 1    | 1   | 606347   | PRESSURE TRANSDUCER, 7500PSI |
| 2    | 1   | 606247   | MANIFOLD W/CHK VLV SAUER     |
| 3    | 1   | 618126   | 9/16MJIC-9-16MOR ADPTR       |
| 4    | 1   | 618361   | 7/16MOR-9/16FOR ADPTR        |
| 5    | 3   | 618363   | 7/16FJIC CAP NUT             |
| 6    | 4   | 618467   | 7/16MJIC-7/16MOR ADPTR       |
| 7    | 2   | 618473   | 7/16MJIC-90-7/16MOR LBO      |
| 8    | 2   | 900128   | 3/8UNC X 3/4 HEX BOLT        |
| 9    | 2   | 618753   | 7/16MOR PLUG, HEX SOCKET     |
| 10   | 1   | 618754   | 9/16MOR PLUG, HEX SOCKET     |

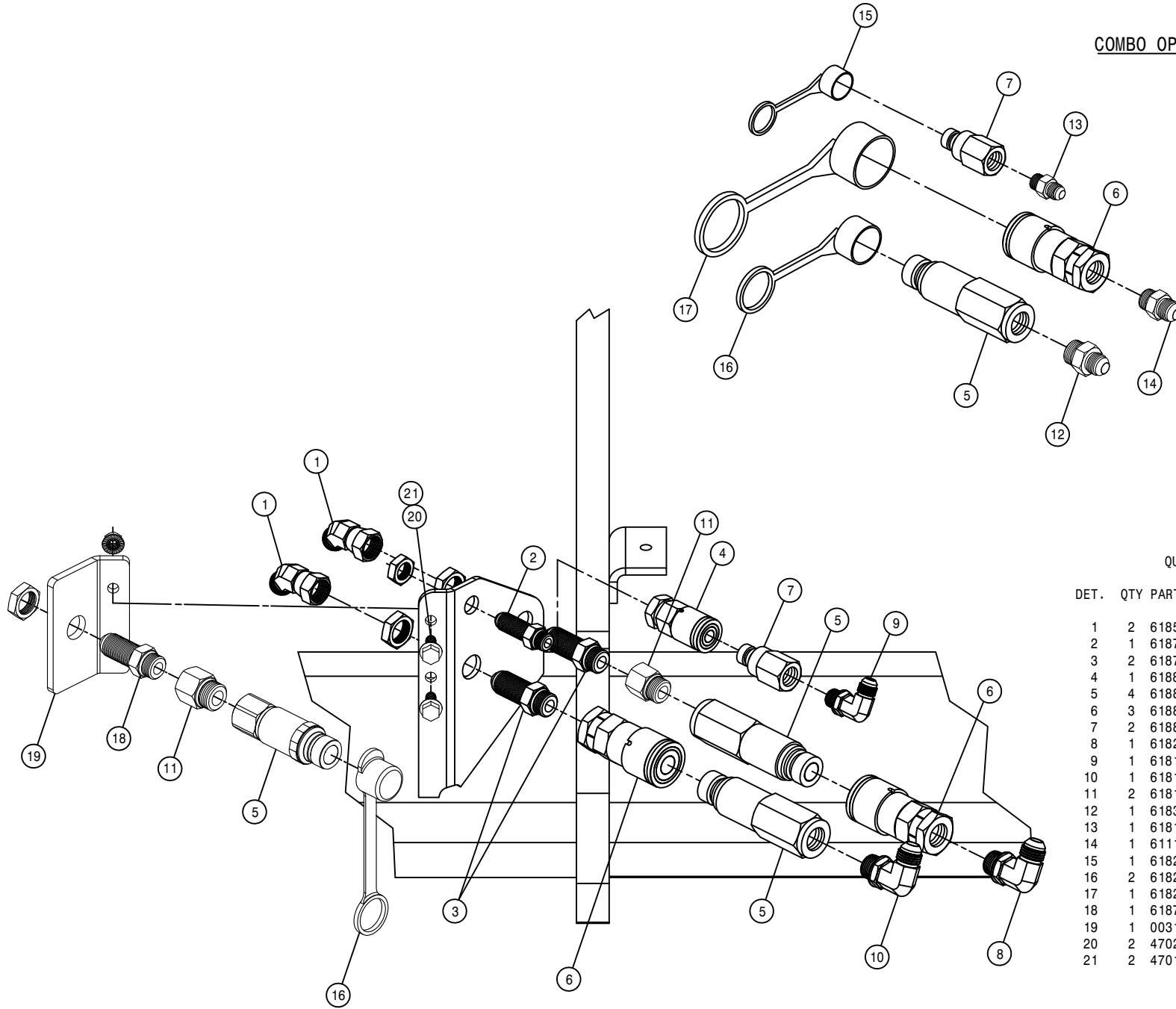


SOLUTION PUMP CONTROL VALVE ASSEMBLY

| DET. | QTY | PART NO. | DESCRIPTION                   |
|------|-----|----------|-------------------------------|
|      | 1   | 606253   | CTRL VALVE,SOLU PUMP SAUER    |
|      | 2   | 611127   | 1 1/16MJIC-1 1/16MOR ADPTR    |
|      | 3   | 618308   | 1 1/16MJIC-1 5/16MOR ADPTR    |
|      | 4   | 618186   | 1 5/16MJIC-1 5/16MOR ADPTR    |
|      | 5   | 618499   | 7/16MJIC-90-9/16MOR LBO       |
|      | 6   | 900129   | 3/8UNC X 1" SERR FLANGE BOLT  |
|      | 7   | 618529   | 1 1/16MJ-45-1 1/16FJ SWIV LBO |
|      | 8   | 606308   | COIL FOR VLV 606253           |

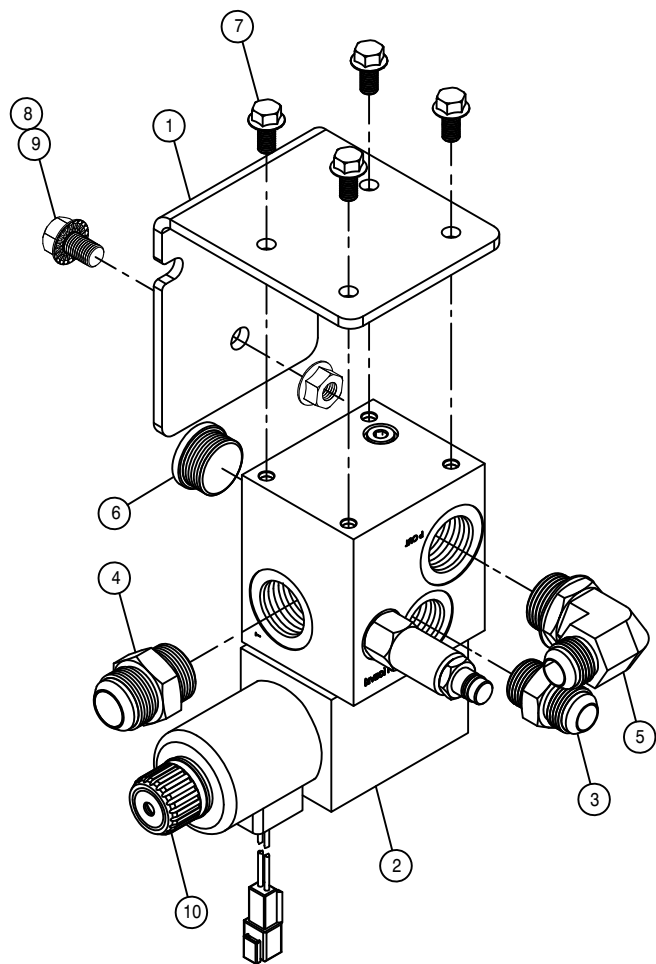


COMBO OPTION



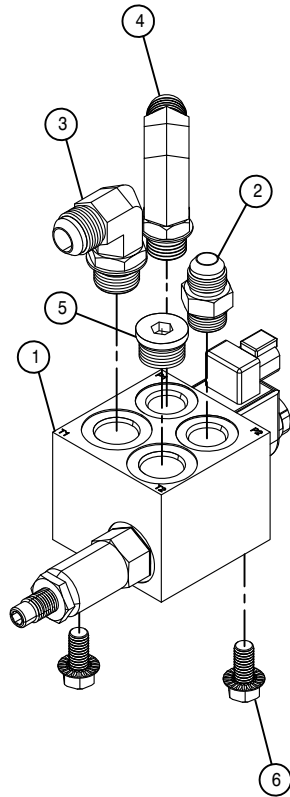
QUICK CONNECT ASSEMBLY

| DET. | QTY | PART NO. | DESCRIPTION                     |
|------|-----|----------|---------------------------------|
| 1    | 2   | 618590   | 3/4MJIC-45-3/4FJIC SWIV LBO     |
| 2    | 1   | 618769   | 9/16MJIC-9/16MOR BLKHD ADPT     |
| 3    | 2   | 618770   | 3/4MJIC-3/4MOR BLKHD ADPT       |
| 4    | 1   | 618805   | HYD CPLR, FEM #14,9/16FOR       |
| 5    | 4   | 618806   | HYD CPLR, MALE #12,7/8FOR       |
| 6    | 3   | 618807   | HYD CPLR, FEM #12,3/4FOR        |
| 7    | 2   | 618804   | HYD CPLR, MALE #14,9/16FOR      |
| 8    | 1   | 618241   | 3/4MJIC-90-3/4MOR LBO           |
| 9    | 1   | 618119   | 9/16MJIC-90-9/16MOR LBO         |
| 10   | 1   | 618183   | 3/4MJIC-90-7/8MOR LBO           |
| 11   | 2   | 618171   | 7/8MOR-3/4FOR ADPTR             |
| 12   | 1   | 618327   | 3/4MJIC-7/8MOR ADPTR            |
| 13   | 1   | 618126   | 9/16MJIC-9/16MOR ADPTR          |
| 14   | 1   | 611125   | 3/4MJIC-3/4MOR ADPTR            |
| 15   | 1   | 618255   | DUST CAP/PLUG FOR 618804/805    |
| 16   | 2   | 618256   | DUST CAP FOR 618806             |
| 17   | 1   | 618257   | DUST PLUG FOR 618807            |
| 18   | 1   | 618770   | 3/4MJIC-3/4MOR BLKHD ADPT       |
| 19   | 1   | 003119   | HYD QD RETURN MT, STS COMBO '11 |
| 20   | 2   | 470233   | 5/16UNC X 3/4 FLANGE HEX BOLT   |
| 21   | 2   | 470113   | 5/16UNC HEX FLANGE LOCK NUT     |



PUMP RELIEF CONTROL VALVE ASSEMBLY

| DET. | QTY | PART NO. | DESCRIPTION                   |
|------|-----|----------|-------------------------------|
|      | 1   | 003080   | GEAR PUMP RELF VLV MT,STSC 07 |
|      | 1   | 606284   | GEAR PUMP RELIEF CTRL,SAUER   |
|      | 1   | 611127   | 1 1/16MJIC-1 1/16MOR ADPTR    |
|      | 1   | 618186   | 1 5/16MJIC-1 5/16MOR ADPTR    |
|      | 1   | 618302   | 1 1/16MJIC-90-1 5/16MOR LBO   |
|      | 1   | 618758   | 1 5/16 MOR PLUG, HEX SOCKET   |
|      | 4   | 900128   | 3/8UNC X 3/4 HEX BOLT         |
|      | 3   | 470360   | 1/2UNC HEX FLANGE LOCK NUT    |
|      | 3   | 900262   | 1/2UNC X 3/4 HEX BOLT         |
|      | 1   | 606287   | COIL FOR 606284               |



## LIFT DUMP VALVE ASSY

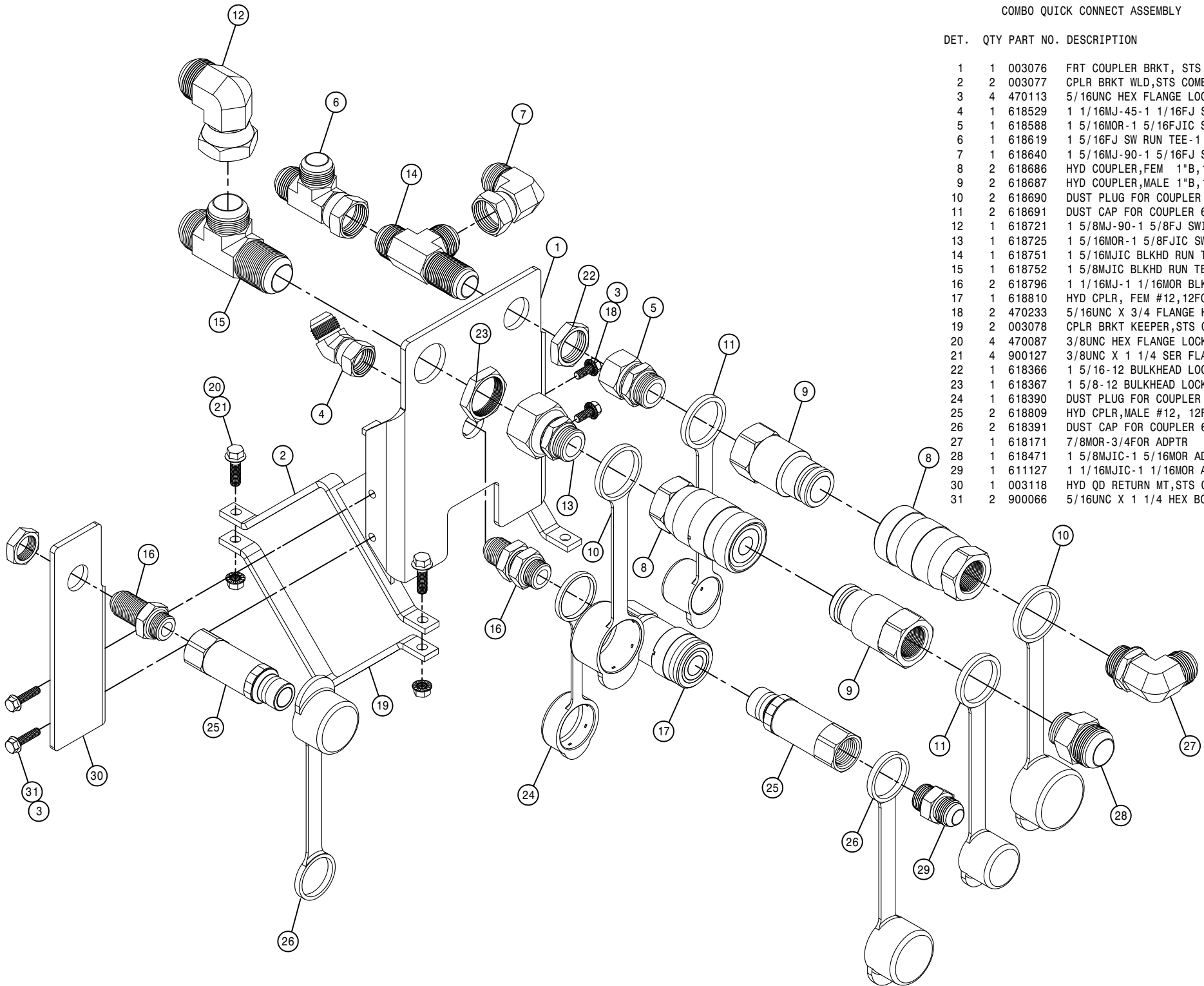
DET. QTY PART NO. DESCRIPTION

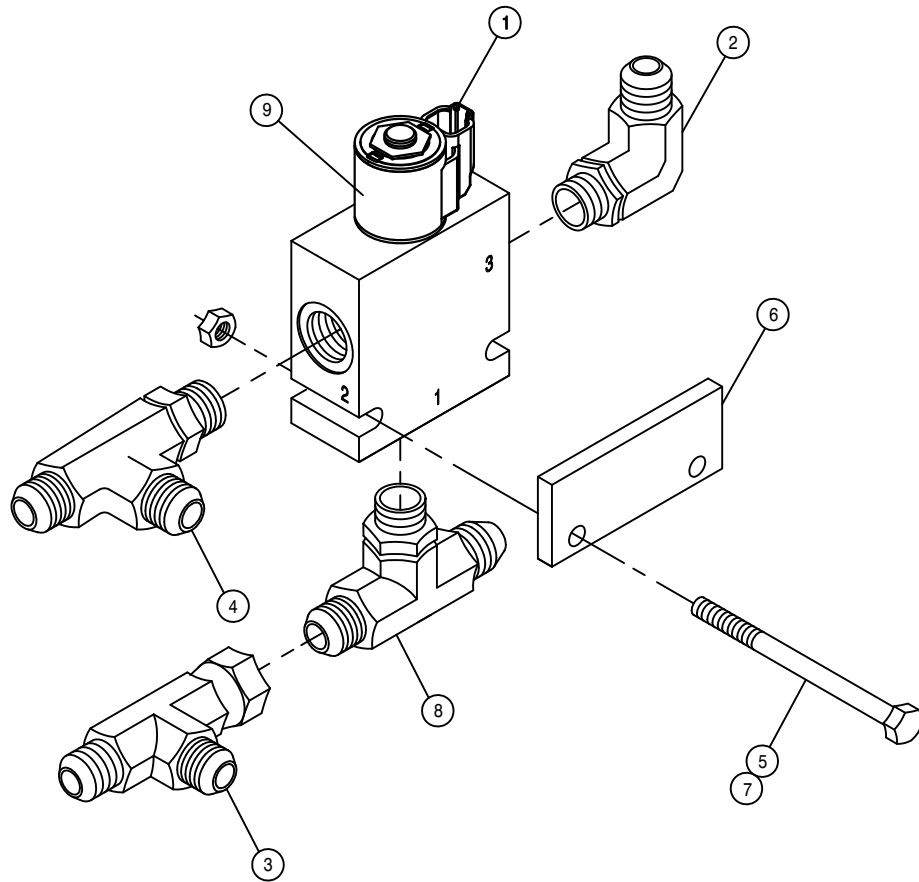
| DET. | QTY | PART NO. | DESCRIPTION                   |       |
|------|-----|----------|-------------------------------|-------|
| 1    | 1   | 606330   | DUMP MANIF VALVE              | SAUER |
| 2    | 1   | 611125   | 3/4MJC-3/4MOR ADPTR           |       |
| 3    | 1   | 611128   | 7/8MJC-90-7/8MOR LBO          |       |
| 4    | 1   | 618443   | 3/4MJC-90-3/4MOR EX LG LBO    |       |
| 5    | 1   | 618756   | 7/8MOR PLUG, HEX SOCKET       |       |
| 6    | 4   | 470409   | 3/8UNC X 3/4 SERR FLANGE BOLT |       |

COMBO QUICK CONNECT ASSEMBLY

DET. QTY PART NO. DESCRIPTION

| DET. | QTY | PART NO. | DESCRIPTION                      |
|------|-----|----------|----------------------------------|
| 1    | 1   | 003076   | FRT COUPLER BRKT, STS COMBO 07   |
| 2    | 2   | 003077   | CPLR BRKT WLD, STS COMBO 07      |
| 3    | 4   | 470113   | 5/16UNC HEX FLANGE LOCK NUT      |
| 4    | 1   | 618529   | 1 1/16MJ-45-1 1/16FJ SWIV LBO    |
| 5    | 1   | 618588   | 1 5/16MOR-1 5/16FJIC SWIV        |
| 6    | 1   | 618619   | 1 5/16FJ SW RUN TEE-1 5/16MJ     |
| 7    | 1   | 618640   | 1 5/16MJ-90-1 5/16FJ SWIV LBO    |
| 8    | 2   | 618686   | HYD COUPLER, FEM 1"B, 1 5/16FOR  |
| 9    | 2   | 618687   | HYD COUPLER, MALE 1"B, 1 5/16FOR |
| 10   | 2   | 618690   | DUST PLUG FOR COUPLER 618686     |
| 11   | 2   | 618691   | DUST CAP FOR COUPLER 618687      |
| 12   | 1   | 618721   | 1 5/8MJ-90-1 5/8FJ SWIV LBO      |
| 13   | 1   | 618725   | 1 5/16MOR-1 5/8FJIC SWIV         |
| 14   | 1   | 618751   | 1 5/16MJIC BLKHD RUN TEE         |
| 15   | 1   | 618752   | 1 5/8MJIC BLKHD RUN TEE          |
| 16   | 2   | 618796   | 1 1/16MJ-1 1/16MOR BLKHD ADPT    |
| 17   | 1   | 618810   | HYD CPLR, FEM #12, 12FOR         |
| 18   | 2   | 470233   | 5/16UNC X 3/4 FLANGE HEX BOLT    |
| 19   | 2   | 003078   | CPLR BRKT KEEPER, STS COMBO 07   |
| 20   | 4   | 470087   | 3/8UNC HEX FLANGE LOCK NUT       |
| 21   | 4   | 900127   | 3/8UNC X 1 1/4 SER FLANGE BOLT   |
| 22   | 1   | 618366   | 1 5/16-12 BULKHEAD LOCKNUT       |
| 23   | 1   | 618367   | 1 5/8-12 BULKHEAD LOCKNUT        |
| 24   | 1   | 618390   | DUST PLUG FOR COUPLER 618810     |
| 25   | 2   | 618809   | HYD CPLR, MALE #12, 12FOR        |
| 26   | 2   | 618391   | DUST CAP FOR COUPLER 618809      |
| 27   | 1   | 618171   | 7/8MOR-3/4FOR ADPTR              |
| 28   | 1   | 618471   | 1 5/8MJIC-1 5/16MOR ADPTR        |
| 29   | 1   | 611127   | 1 1/16MJIC-1 1/16MOR ADPTR       |
| 30   | 1   | 003118   | HYD QD RETURN MT, STS COMBO '11  |
| 31   | 2   | 900066   | 5/16UNC X 1 1/4 HEX BOLT         |

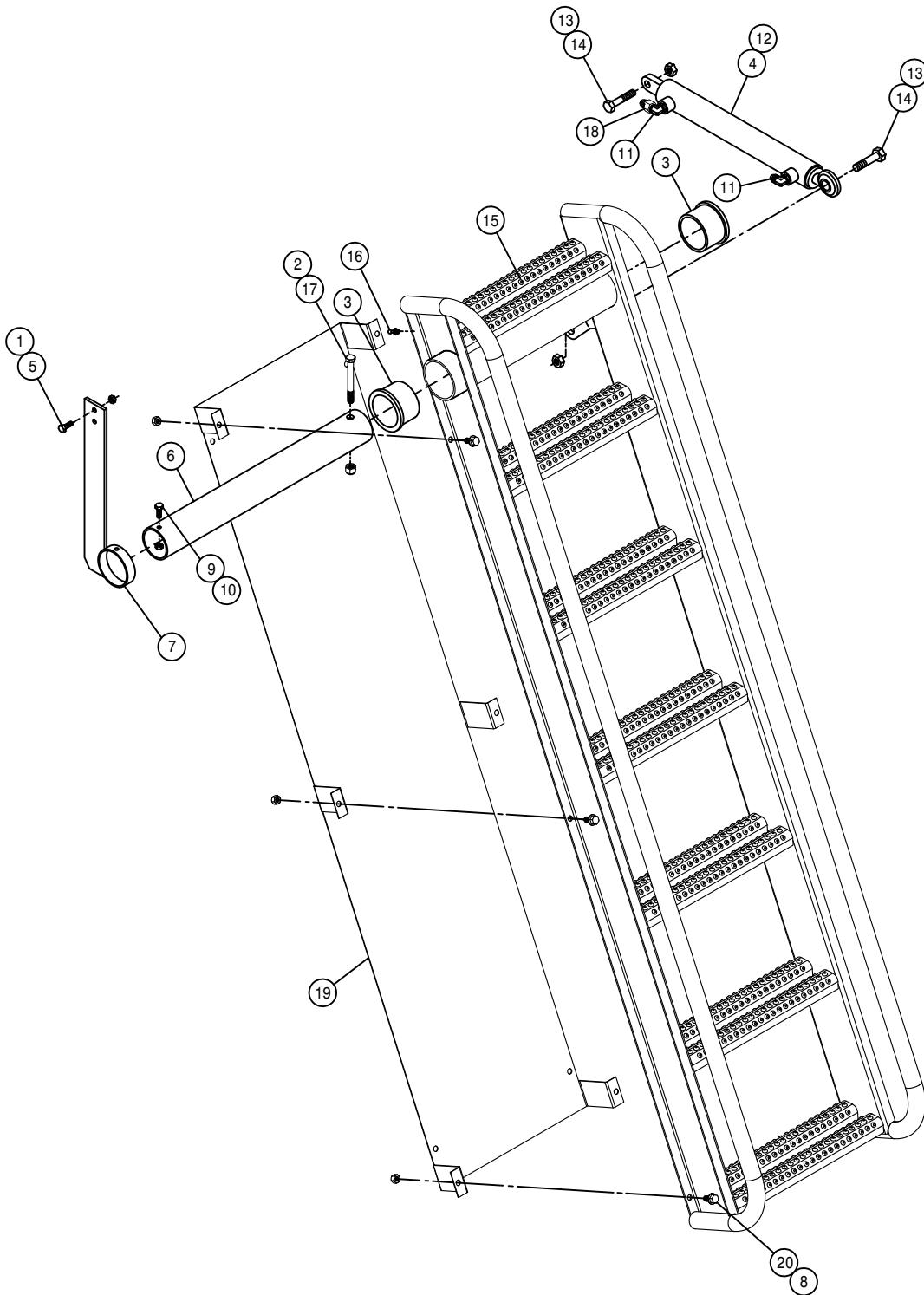




LADDER AND BRAKE ASSEMBLY

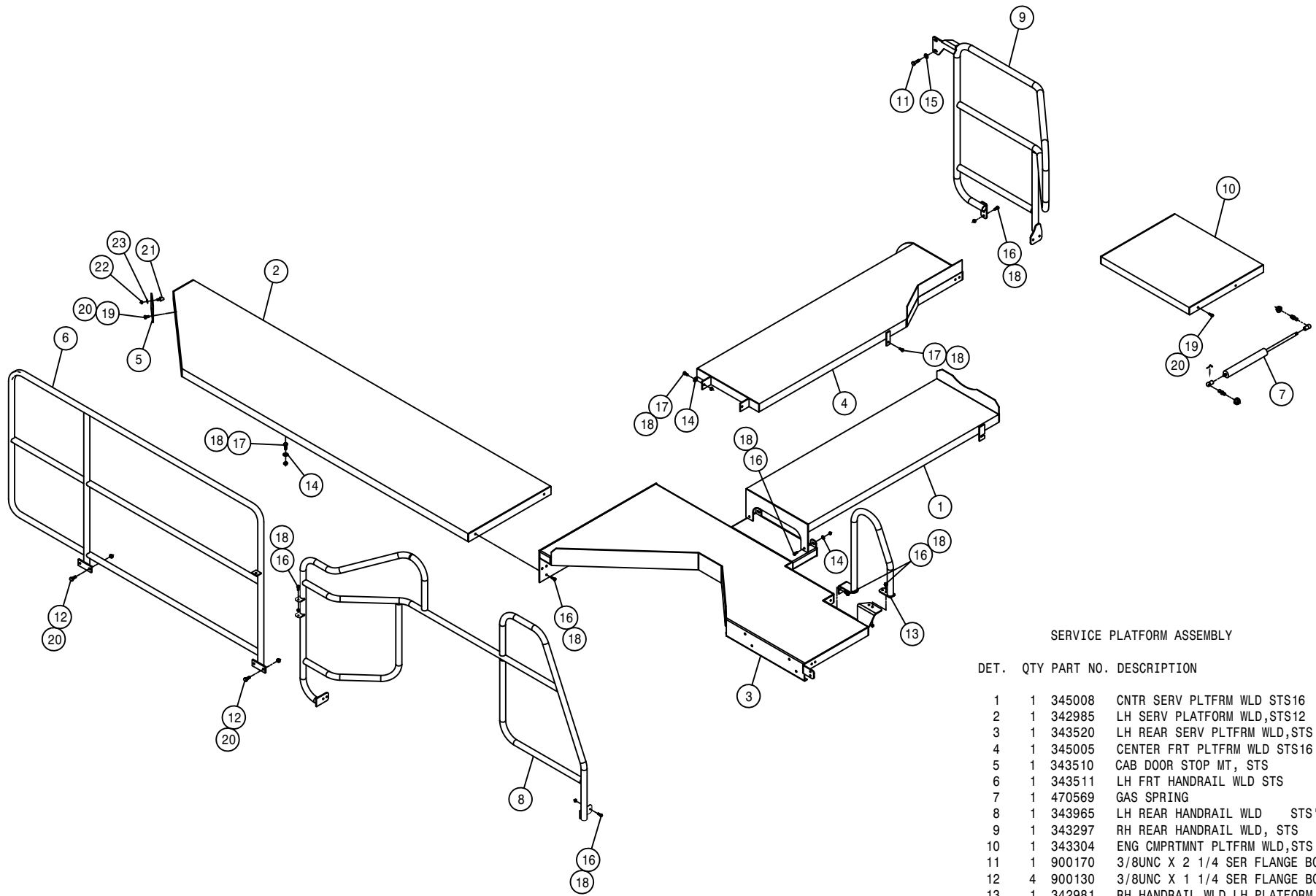
DET. QTY PART NO. DESCRIPTION

| DET. | QTY | PART NO. | DESCRIPTION                   |
|------|-----|----------|-------------------------------|
| 1    | 1   | 606213   | HYD SOLE VLV,2P-3W,9/16FOR 05 |
| 2    | 1   | 618119   | 9/16MJIC-90-9/16MOR LBO       |
| 3    | 1   | 618486   | 9/16FJIC SW RUN TEE-9/16MJIC  |
| 4    | 1   | 618444   | 9/16MOR RUN TEE-9/16MJIC      |
| 5    | 2   | 900007   | 1/4UNC X 2" HEX BOLT          |
| 6    | 1   | 342826   | SOLE VLV SPACER               |
| 7    | 2   | 914000   | 1/4UNC HEX STOVER NUT         |
| 8    | 1   | 618629   | 9/16MOR BRANCH TEE-9/16MJIC   |
| 9    | 1   | 606266   | #8 COIL W/DEUTSCH FOR 606210  |



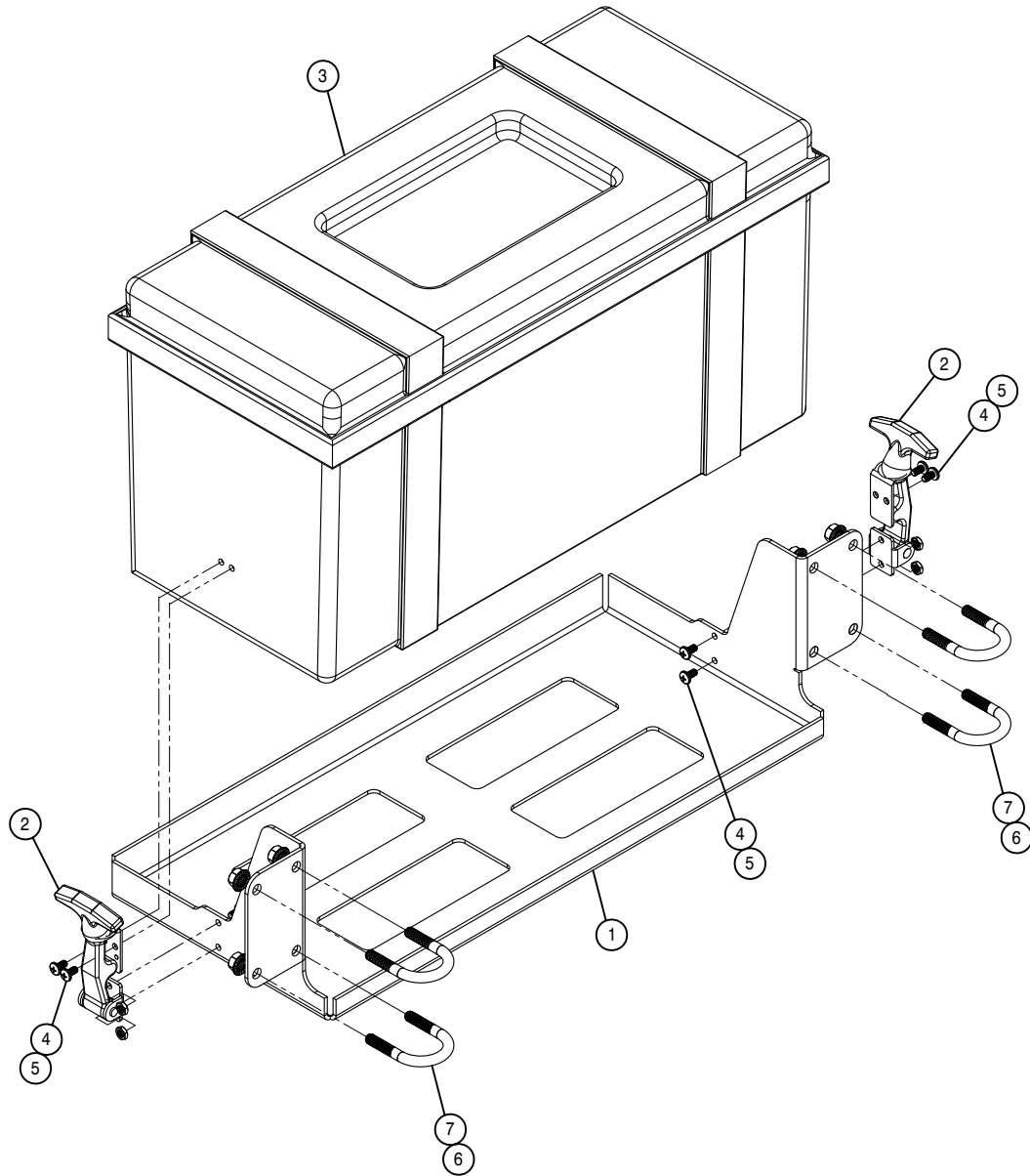
### LADDER ASSEMBLY

| DET. | QTY | PART NO. | DESCRIPTION                           |
|------|-----|----------|---------------------------------------|
|      | 1   | 2        | 914002 5/16UNC HEX STOVER NUT         |
|      | 2   | 1        | 473007 1/2UNC HEX NUT, NYLOC          |
|      | 3   | 2        | 121102 LADDER PIVOT BEARING POLYGON   |
|      | 4   | 1        | 621554 HYD CYL, 1.50 X 12.25 X .750   |
|      | 5   | 2        | 900065 5/16UNC X 1" HEX BOLT          |
|      | 6   | 1        | 342805 LADDER MT TUBE                 |
|      | 7   | 1        | 342806 LH PLTFRM SUPP BRKT WLD, STS12 |
|      | 8   | 6        | 914004 3/8UNC HEX STOVER NUT          |
|      | 9   | 1        | 914000 1/4UNC HEX STOVER NUT          |
|      | 10  | 1        | 900003 1/4UNC X 1" HEX BOLT           |
|      | 11  | 2        | 618119 9/16MJIC-90-9/16MOR LBO        |
|      | 12  | 1        | 621555 REPAIR KIT, HYD CYL 621554     |
|      | 13  | 2        | 914008 1/2UNC HEX STOVER NUT          |
|      | 14  | 2        | 900267 1/2UNC X 2" HEX BOLT           |
|      | 15  | 1        | 343808 LADDER WLDMNT, STS10/16 '11    |
|      | 16  | 1        | 471005 GREASE ZERK, 1/4-28 X 1/2      |
|      | 17  | 1        | 900275 1/2UNC X 4 1/2 HEX BOLT        |
|      | 18  | 1        | 618733 9/16JIC .042 ORIFICE ADPTR     |
|      | 19  | 1        | 344009 STEP BACKPLATE, STS CE '11     |
|      | 20  | 6        | 900128 3/8UNC X 3/4 HEX BOLT          |



SERVICE PLATFORM ASSEMBLY

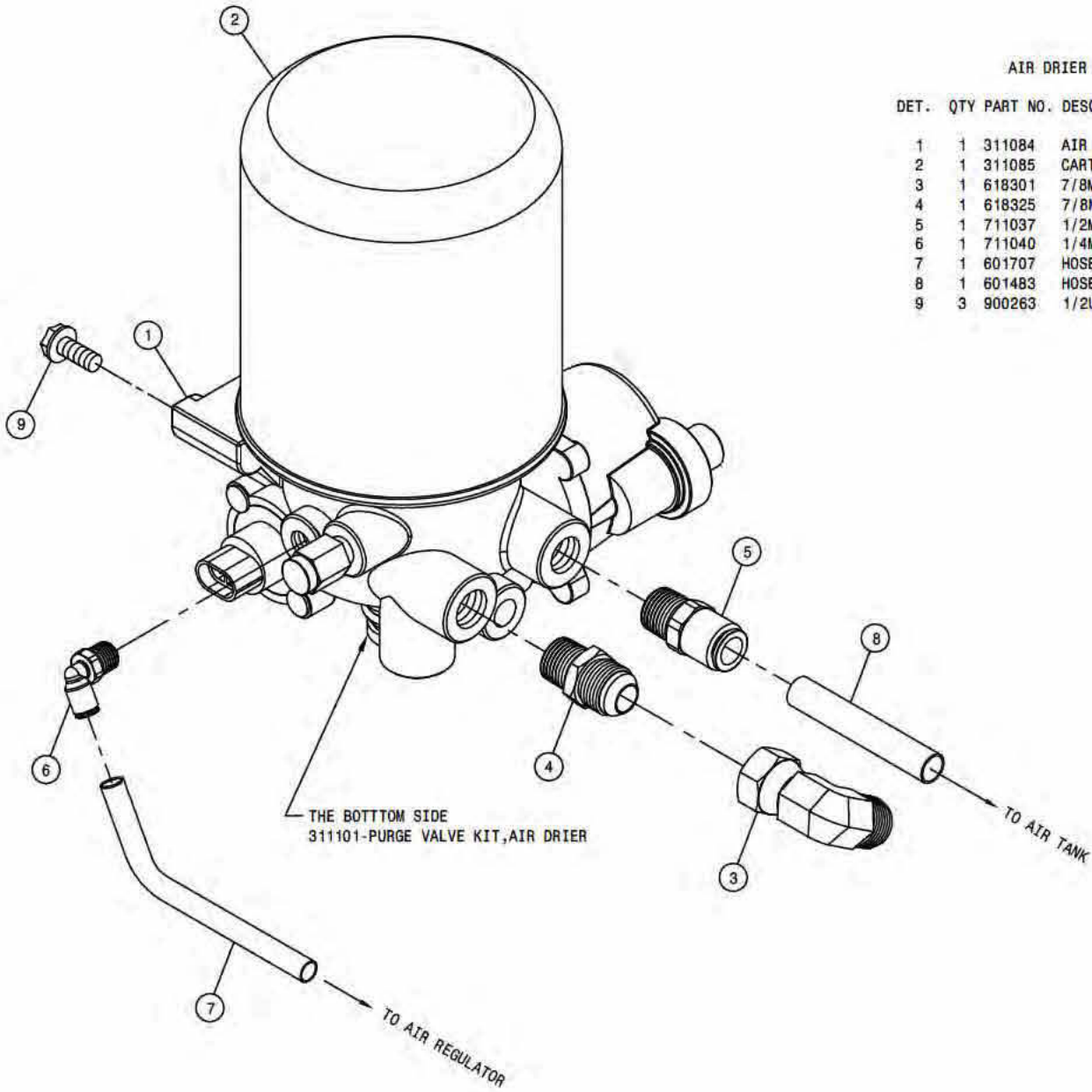
| DET. | QTY | PART NO. | DESCRIPTION                    |
|------|-----|----------|--------------------------------|
| 1    | 1   | 345008   | CNTR SERV PLTFRM WLD STS16 07  |
| 2    | 1   | 342985   | LH SERV PLATFORM WLD,STS12 05  |
| 3    | 1   | 343520   | LH REAR SERV PLTFRM WLD,STS 05 |
| 4    | 1   | 345005   | CENTER FRT PLTFRM WLD STS16 07 |
| 5    | 1   | 343510   | CAB DOOR STOP MT, STS 05       |
| 6    | 1   | 343511   | LH FRT HANDRAIL WLD STS 05     |
| 7    | 1   | 470569   | GAS SPRING                     |
| 8    | 1   | 343965   | LH REAR HANDRAIL WLD STS' 12   |
| 9    | 1   | 343297   | RH REAR HANDRAIL WLD, STS 04   |
| 10   | 1   | 343304   | ENG CMPRTMNT PLTFRM WLD,STS 04 |
| 11   | 1   | 900170   | 3/8UNC X 2 1/4 SER FLANGE BOLT |
| 12   | 4   | 900130   | 3/8UNC X 1 1/4 SER FLANGE BOLT |
| 13   | 1   | 342981   | RH HANDRAIL WLD,LH PLATFORM 05 |
| 14   | 12  | 920001   | 5/16 SAE FLAT WASHER           |
| 15   | 1   | 920002   | 3/8 SAE FLAT WASHER            |
| 16   | 22  | 900064   | 5/16UNC X 3/4 HEX BOLT         |
| 17   | 9   | 900065   | 5/16UNC X 1" HEX BOLT          |
| 18   | 29  | 914002   | 5/16UNC HEX STOVER NUT         |
| 19   | 6   | 900129   | 3/8UNC X 1" SERR FLANGE BOLT   |
| 20   | 8   | 914004   | 3/8UNC HEX STOVER NUT          |
| 21   | 1   | 470571   | BUMPER,MALE STUD 2.375 X 1.75  |
| 22   | 1   | 470087   | 3/8UNC HEX FLANGE LOCK NUT     |
| 23   | 1   | 920502   | 3/8 LOCK WASHER                |



TOOLBOX ASSEMBLY

| DET. | QTY | PART NO. | DESCRIPTION                   |
|------|-----|----------|-------------------------------|
|      |     |          | '12                           |
| 1    | 1   | 345042   | TOOLBOX MT BASE, STS          |
| 2    | 2   | 470643   | RUBBER DRAW LATCH             |
| 3    | 1   | 470841   | TOOLBOX                       |
| 4    | 8   | 903884   | 10-32X3/8 PHIL PANHD MACH SCR |
| 5    | 8   | 914027   | 10-32 HEX STOVER NUT          |
| 6    | 8   | 470113   | 5/16UNC HEX FLANGE LOCK NUT   |
| 7    | 4   | 473911   | 5/16UNC-1.31ID-2.00 U-BOLT    |

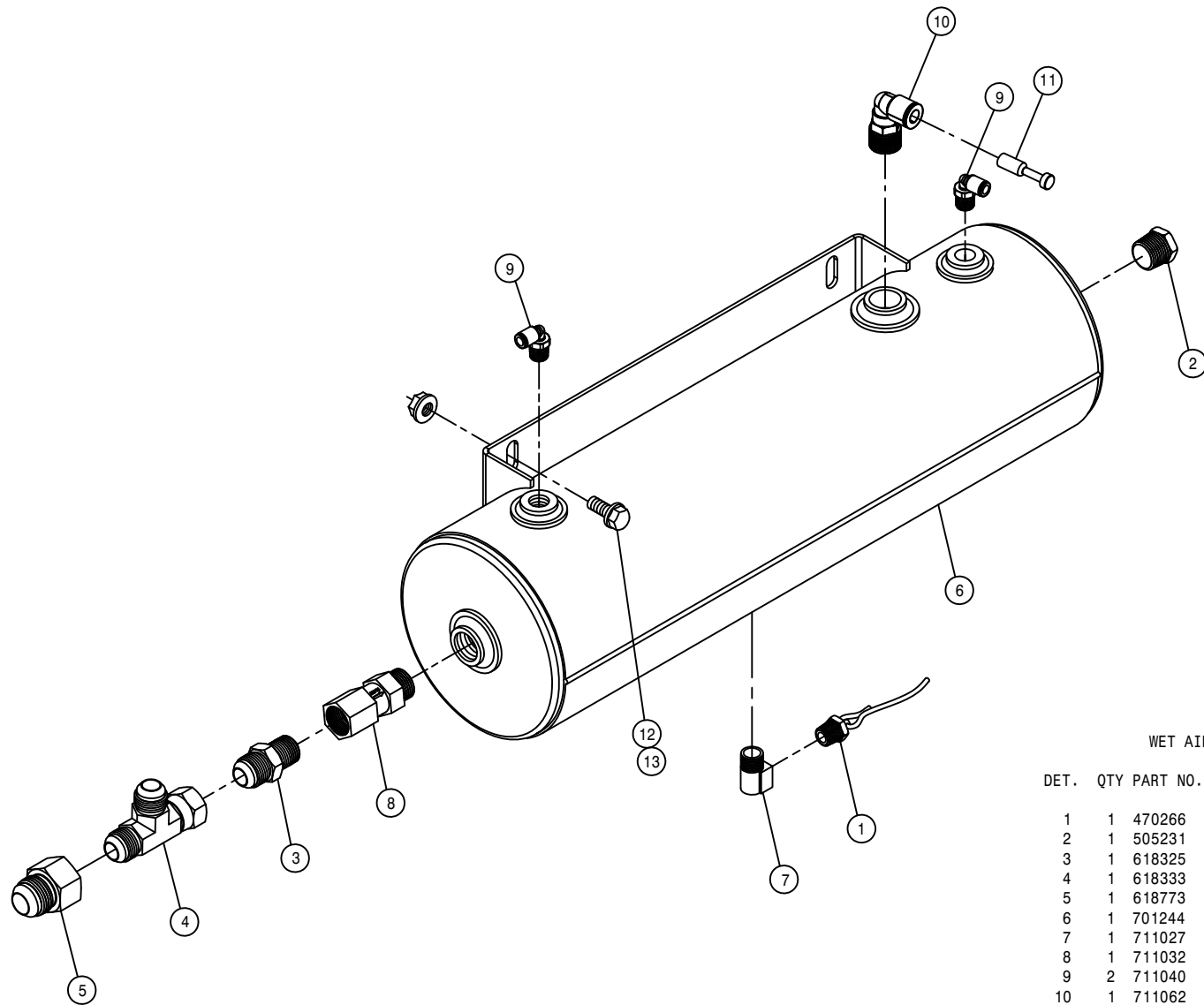




AIR DRIER ASSEMBLY

DET. QTY PART NO. DESCRIPTION

| DET. | QTY | PART NO. | DESCRIPTION                    |
|------|-----|----------|--------------------------------|
| 1    | 1   | 311084   | AIR DRIER,SYSTEM SAVER 1200    |
| 2    | 1   | 311085   | CARTRIDGE KIT FOR 311084 DRIER |
| 3    | 1   | 618301   | 7/8MJIC-90-7/8FJIC SWIV LBO    |
| 4    | 1   | 618325   | 7/8MJIC-1/2MNPT ADPTR          |
| 5    | 1   | 711037   | 1/2MNPT-1/2 NYL TUBE FTG       |
| 6    | 1   | 711040   | 1/4MNPT-90-1/4 NYL TUBE LBO    |
| 7    | 1   | 601707   | HOSE, 1/4 X 63 AIR             |
| 8    | 1   | 601483   | HOSE, 1/2 X 84 AIR             |
| 9    | 3   | 900263   | 1/2UNC X 1* HEX BOLT           |



## WET AIR TANK ASSEMBLY

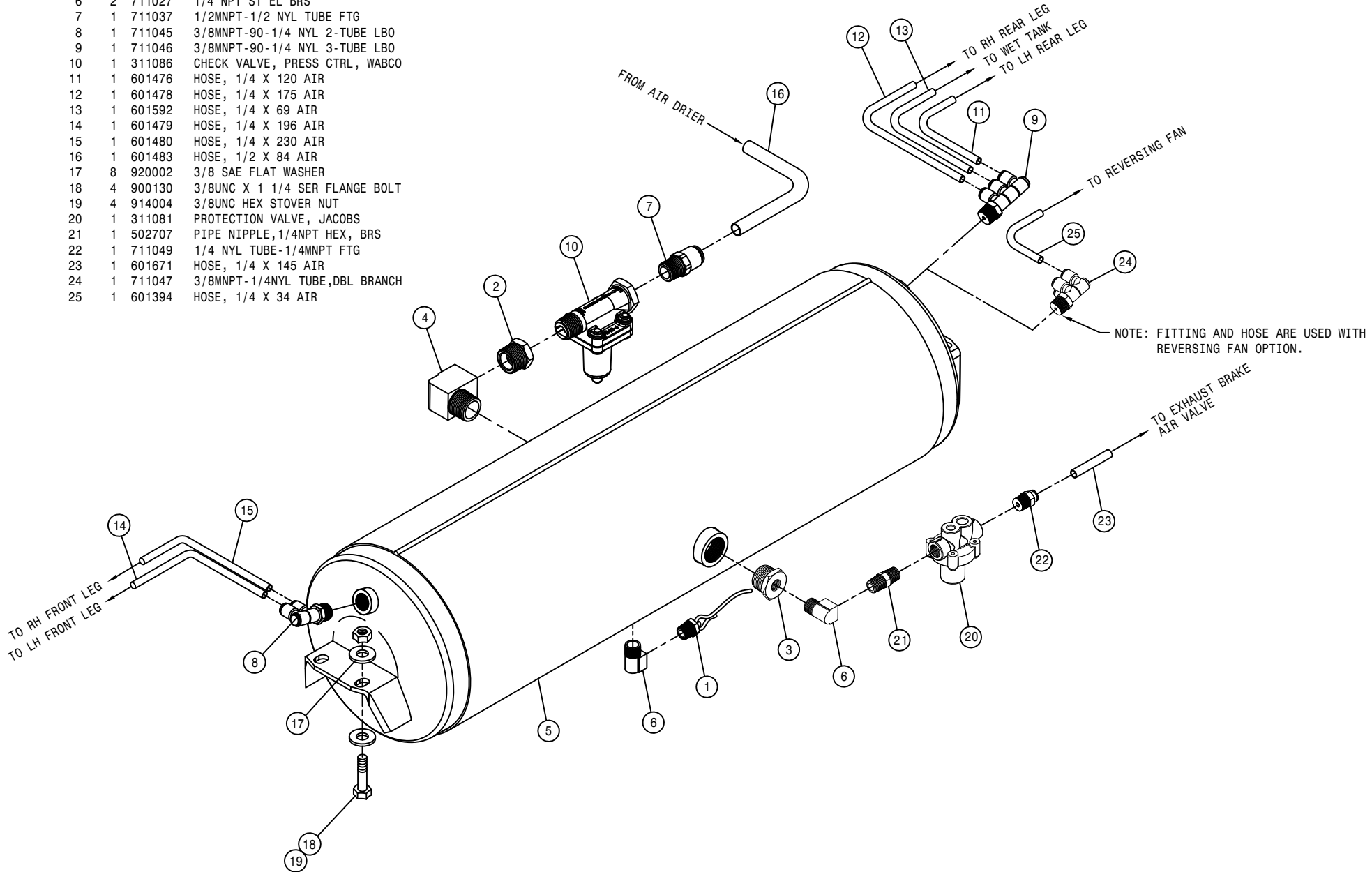
DET. QTY PART NO. DESCRIPTION

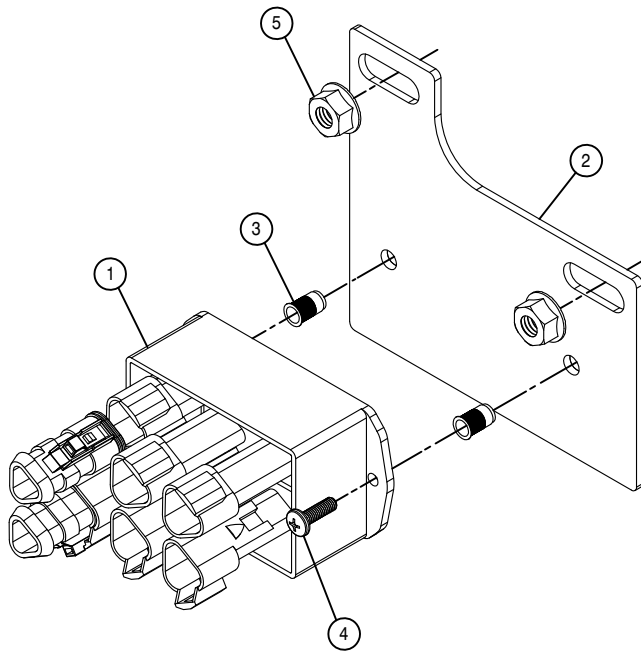
|    |   |        |                                |
|----|---|--------|--------------------------------|
| 1  | 1 | 470266 | DRAIN VALVE KIT, 1/4NPT        |
| 2  | 1 | 505231 | PIPE PLUG .50NPT HEX HD BRS    |
| 3  | 1 | 618325 | 7/8MJIC-1/2MNPT ADPTR          |
| 4  | 1 | 618333 | 7/8FJIC SW RUN TEE-7/8MJIC     |
| 5  | 1 | 618773 | 7/8FJIC-1 1/16MJIC ADPTR       |
| 6  | 1 | 701244 | WET AIR TANK STSLS 16 06       |
| 7  | 1 | 711027 | 1/4 NPT ST EL BRS              |
| 8  | 1 | 711032 | CHECK VALVE, 1/2"FNPT-1/2"MNPT |
| 9  | 2 | 711040 | 1/4MNPT-90-1/4 NYL TUBE LBO    |
| 10 | 1 | 711062 | 1/2MNPT-90-3/8 NYL 1-TUBE LBO  |
| 11 | 1 | 711064 | RUBBER PLUG FOR 3/8 PISCO CPLR |
| 12 | 2 | 900128 | 3/8UNC X 3/4 HEX BOLT          |
| 13 | 2 | 470087 | 3/8UNC HEX FLANGE LOCK NUT     |

AIR TANK ASSEMBLY

DET. QTY PART NO. DESCRIPTION

|    |   |        |                                 |
|----|---|--------|---------------------------------|
| 1  | 1 | 470266 | DRAIN VALVE KIT, 1/4NPT         |
| 2  | 1 | 505228 | RED BUSH 3/4MNPT-1/2FNPT, BRS   |
| 3  | 1 | 505232 | RED BUSH 3/4MNPT-1/4FNPT, BRS   |
| 4  | 1 | 505230 | 3/4 NPT ST EL BRS               |
| 5  | 1 | 701154 | AIR TANK                        |
| 6  | 2 | 711027 | 1/4 NPT ST EL BRS               |
| 7  | 1 | 711037 | 1/2MNPT-1/2 NYL TUBE FTG        |
| 8  | 1 | 711045 | 3/8MNPT-90-1/4 NYL 2-TUBE LBO   |
| 9  | 1 | 711046 | 3/8MNPT-90-1/4 NYL 3-TUBE LBO   |
| 10 | 1 | 311086 | CHECK VALVE, PRESS CTRL, WABCO  |
| 11 | 1 | 601476 | HOSE, 1/4 X 120 AIR             |
| 12 | 1 | 601478 | HOSE, 1/4 X 175 AIR             |
| 13 | 1 | 601592 | HOSE, 1/4 X 69 AIR              |
| 14 | 1 | 601479 | HOSE, 1/4 X 196 AIR             |
| 15 | 1 | 601480 | HOSE, 1/4 X 230 AIR             |
| 16 | 1 | 601483 | HOSE, 1/2 X 84 AIR              |
| 17 | 8 | 920002 | 3/8 SAE FLAT WASHER             |
| 18 | 4 | 900130 | 3/8UNC X 1 1/4 SER FLANGE BOLT  |
| 19 | 4 | 914004 | 3/8UNC HEX STOVER NUT           |
| 20 | 1 | 311081 | PROTECTION VALVE, JACOBS        |
| 21 | 1 | 502707 | PIPE NIPPLE,1/4NPT HEX, BRS     |
| 22 | 1 | 711049 | 1/4 NYL TUBE-1/4MNPT FTG        |
| 23 | 1 | 601671 | HOSE, 1/4 X 145 AIR             |
| 24 | 1 | 711047 | 3/8MNPT-1/4NYL TUBE, DBL BRANCH |
| 25 | 1 | 601394 | HOSE, 1/4 X 34 AIR              |





## J1939 JUNCTION MODULE ASSEMBLY

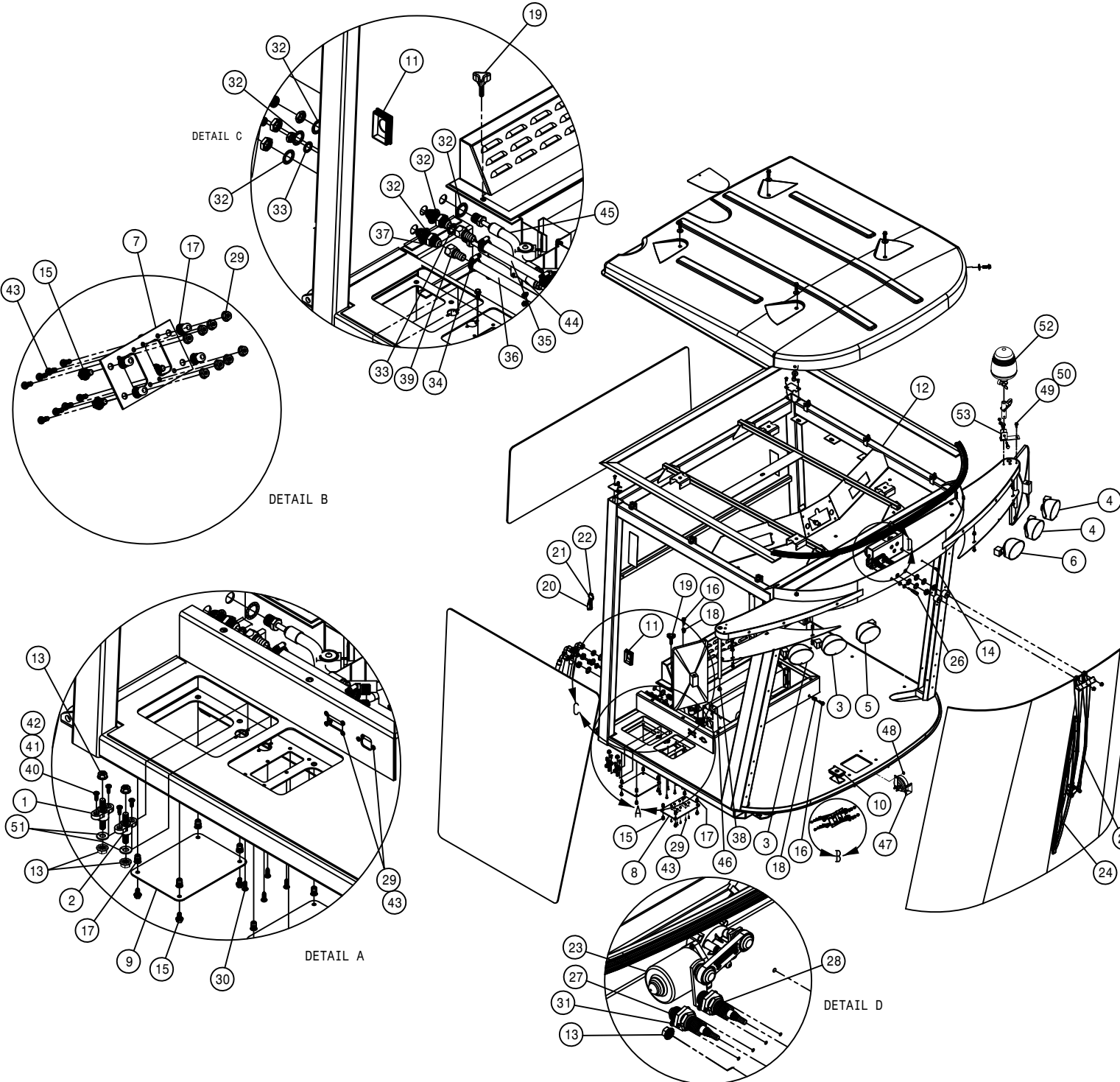
DET. QTY PART NO. DESCRIPTION

|   |   |        |                               |
|---|---|--------|-------------------------------|
| 1 | 1 | 292406 | DATA LINK MODULE 99-6DLM      |
| 2 | 1 | 343697 | J1939 MOUNTING BRKT STS'12    |
| 3 | 2 | 470384 | 10-32 NUTSERT .020-.130 STL   |
| 4 | 2 | 903710 | 10-32X5/8 PHIL PANHD MACH SCR |
| 5 | 2 | 470087 | 3/8UNC HEX FLANGE LOCK NUT    |

CAB ASSEMBLY (FRONT VIEW)

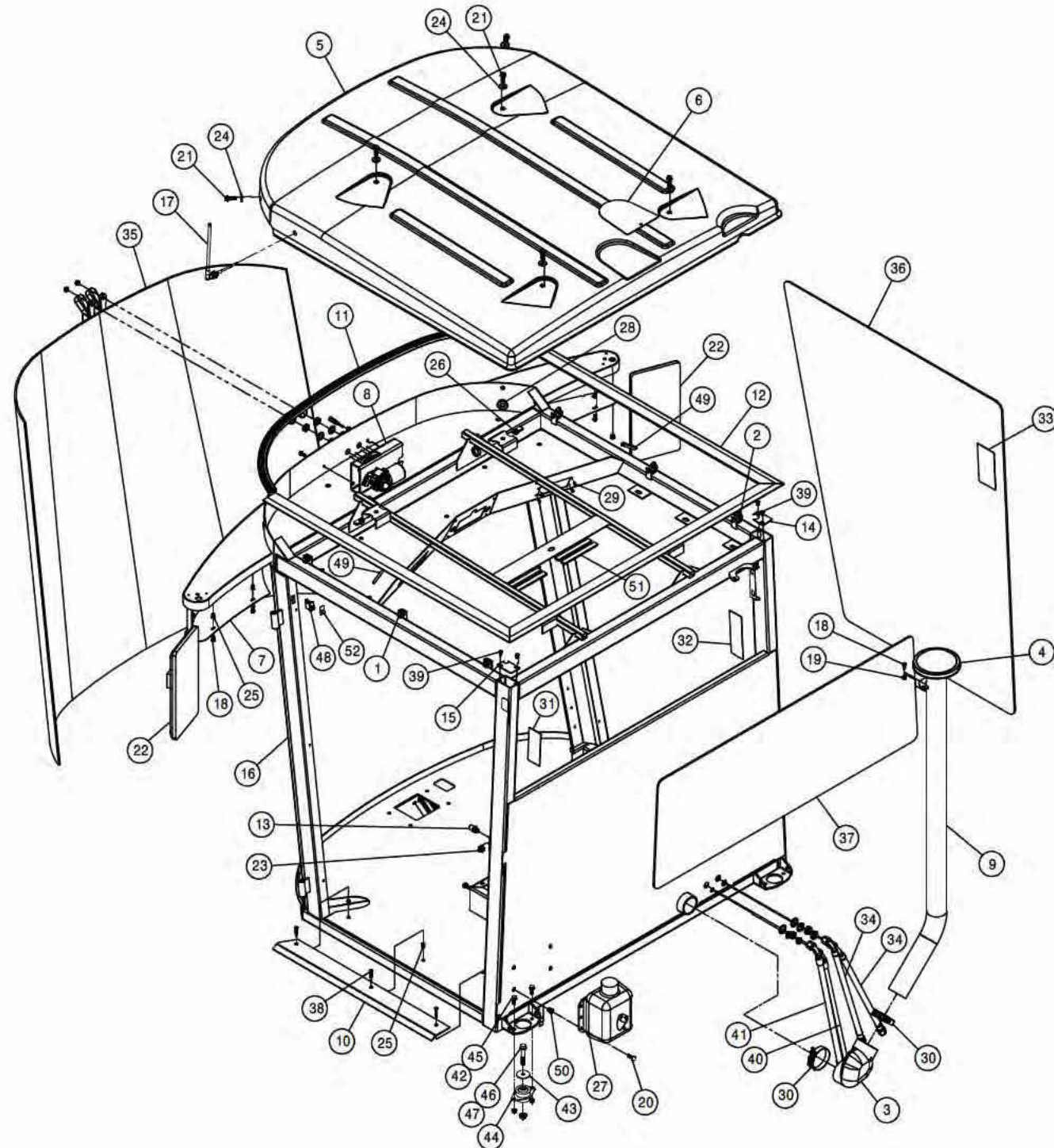
DET. QTY PART NO. DESCRIPTION

|    |    |        |                                   |
|----|----|--------|-----------------------------------|
| 1  | 1  | 291749 | TERM BLOCK, BLACK, 3/8-16 THRU    |
| 2  | 1  | 291750 | TERM BLOCK, RED, 3/8-16 THRU      |
| 3  | 2  | 291900 | RH WORKLIGHT, FLOOD GLASS         |
| 4  | 2  | 291901 | LH WORKLIGHT, FLOOD GLASS         |
| 5  | 1  | 291902 | RH WORKLIGHT, TRAPEZOID GLASS     |
| 6  | 1  | 291903 | LH WORKLIGHT, TRAPEZOID GLASS     |
| 7  | 1  | 343431 | STRG COLUMN ELECT PANEL, STS 05   |
| 8  | 1  | 343665 | AUX ACCESS COVER, 2-PORT STS 08   |
| 9  | 1  | 343433 | AUX ACCESS COVER, STS 05          |
| 10 | 1  | 343552 | CAPLUG, 2X3 W/.75 HOLE, STS 05    |
| 11 | 1  | 343553 | CAPLUG, 2X3 W/1.31 HOLE, STS 05   |
| 12 | 1  | 343855 | CAB WLD STS' 12                   |
| 13 | 5  | 470087 | 3/8UNC HEX FLANGE LOCK NUT        |
| 14 | 1  | 470118 | 1/4UNC X 3/4 FLANGE HEX BOLT      |
| 15 | 12 | 470122 | 1/4UNC X 1/2 FLANGE HEX BOLT      |
| 16 | 4  | 470234 | 5/16UNC X 1" FLANGE HEX BOLT      |
| 17 | 12 | 470380 | 1/4-20 NUTSERT .027-.165 STL      |
| 18 | 4  | 470381 | 5/16-18 NUTSERT .027-.150 STL     |
| 19 | 2  | 470393 | KNOB, 3-BLADE BLK, 5/16-18X1 1/2  |
| 20 | 1  | 470397 | RES-Q-ME TOOL                     |
| 21 | 1  | 470398 | BEAD CHAIN, #10 X 4" LONG         |
| 22 | 1  | 470400 | BEAD CHAIN CONNECTOR #10 WHITE    |
| 23 | 1  | 470426 | MOTOR, WINDSHIELD WIPER, STS 05   |
| 24 | 1  | 470427 | BLADE, WINDSHIELD WIPER, STS 05   |
| 25 | 1  | 470428 | ARM, WINDSHLD WIPER BLADE, STS 05 |
| 26 | 1  | 470429 | SPRAY JET, WINDSHLD WIPER, STS 05 |
| 27 | 1  | 470503 | SLAVE SHAFT, WINDSHIELD WIPER     |
| 28 | 1  | 470504 | PIVOT SHAFT, 2.337 BALL STUD      |
| 29 | 22 | 470463 | 8-32 SERR. FLANGE NUT             |
| 30 | 6  | 470465 | #12 X 3/4 PHIL PAN SHT MTL SCR    |
| 31 | 4  | 472238 | 12-24 X 1/2 PHIL PAN HD SCR       |
| 32 | 6  | 483019 | 7/8" INTERNAL TOOTH LOCK WASHER   |
| 33 | 2  | 483020 | 5/8" INTERNAL TOOTH LOCK WASHER   |
| 34 | 4  | 520080 | HOSE CLAMP NO 10 STAINLESS        |
| 35 | 1  | 601678 | HOSE, 5/8 X 8 HEATER              |
| 36 | 1  | 601679 | HOSE, 5/8 X 13 HEATER             |
| 37 | 2  | 618497 | 7/8MJIC-7/8MJIC BLKHD UNION       |
| 38 | 2  | 629762 | CAPPLUGS PLUG, 5/8" RD, BLK POLY  |
| 39 | 2  | 711101 | 5/8 HOSE BARB-7/8FJX ADPTR, BRS   |
| 40 | 4  | 903706 | 10-32X1/2 PHIL PAN MACH SCR       |
| 41 | 4  | 920510 | #10 LOCK WASHER                   |
| 42 | 4  | 910027 | 10-32 HEX NUT                     |
| 43 | 22 | 903844 | 8-32 X 1/2 PHIL PANHD MACH SCR    |
| 44 | 1  | 657475 | A/C HOSE ASSY, 5/16X12.50 BLKHD   |
| 45 | 1  | 657476 | A/C HOSE ASSY, 1/2X12.50 BLKHD    |
| 46 | 1  | 657500 | A/C & HEATER BLOWER SYS, STS 07   |
| 47 | 1  | 290062 | HORN, FREEWAY BLASTER 130 DB      |
| 48 | 1  | 470121 | 1/4UNC HEX FLANGE LOCK NUT        |
| 49 | 2  | 470113 | 5/16UNC HEX FLANGE LOCK NUT       |
| 50 | 2  | 470233 | 5/16UNC X 3/4 FLANGE HEX BOLT     |
| 51 | 2  | 920502 | 3/8 LOCK WASHER                   |
| 52 | 1  | 290059 | BEACON, 12V AMBER HALOGEN         |
| 53 | 1  | 290060 | BEACON TILT SURFACE MT, QK CHG    |



CAB ASSEMBLY (REAR VIEW)

DET. QTY PART NO. DESCRIPTION

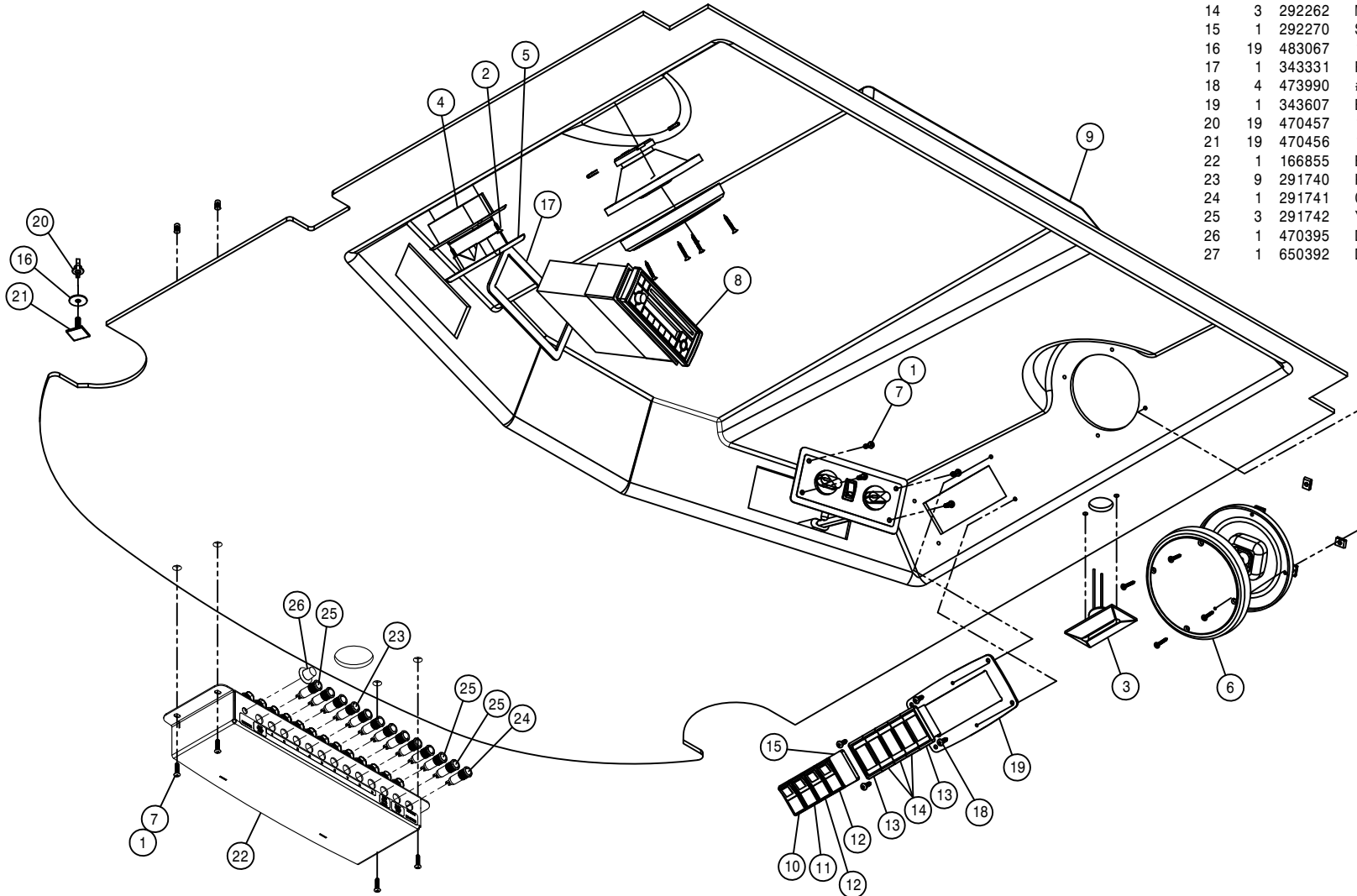


| DET. | QTY | PART NO. | DESCRIPTION                      |
|------|-----|----------|----------------------------------|
| 1    | 4   | 291009   | ROSEBUD CLIP FOR .625 CONDUIT    |
| 2    | 4   | 291010   | ROSEBUD CLIP FOR 1.000 CONDUIT   |
| 3    | 1   | 311533   | 3.00 90 DEG COBRA ELBOW RUBBER   |
| 4    | 1   | 311534   | RAIN CAP, 3.00 PLASTIC           |
| 5    | 1   | 343824   | CAB ROOF STS'11                  |
| 6    | 1   | 343351   | GPS MTG PLATE, STS CAB 05        |
| 7    | 2   | 343352   | LWR LIGHT MT COVER, STS CAB 05   |
| 8    | 1   | 343712   | WIPER MTR MT WLD, STS CAB '10    |
| 9    | 1   | 343422   | HVAC INTAKE TUBE WLD, STS CAB05  |
| 10   | 1   | 343434   | CAB ENTRY STEP PLATE, STS 05     |
| 11   | 1   | 343582   | FRT CAB ROOF SEAL, STS CAB 06    |
| 12   | 1   | 343583   | CAB ROOF SEAL, STS CAB 06        |
| 13   | 1   | 470417   | STRIKER PIN ASSY                 |
| 14   | 1   | 343605   | RH REAR CORNER POST CAP, STS 07  |
| 15   | 1   | 343606   | LH REAR CORNER POST CAP, STS 07  |
| 16   | 1   | 343855   | CAB WLD STS'12                   |
| 17   | 1   | 291214   | ANTENNA                          |
| 18   | 10  | 470118   | 1/4UNC X 3/4 HHSFB GR5 MC        |
| 19   | 2   | 470121   | 1/4UNC SER FLG LOCK NUT          |
| 20   | 4   | 470234   | 5/16UNC X 1" SER FLG HEX BOLT    |
| 21   | 6   | 470329   | 3/8UNC X 1 1/4 SER FLG HEX BOLT  |
| 22   | 2   | 470348   | MIRROR STS10 & STS12             |
| 23   | 1   | 473852   | 12MM-1.75 SERR FLANGE NUT, ZINC  |
| 24   | 6   | 470377   | 3/8 X 1 3/16 BONDED WASHER SS    |
| 25   | 11  | 910127   | 1/4-20 NUTSERT .027-.165YZ       |
| 26   | 4   | 470526   | 3/8UNC U-NUT, 1.125 CLIP ON      |
| 27   | 1   | 470440   | WINDSHIELD WASHER TANK ASSY 05   |
| 28   | 2   | 470491   | GROMMET, .75ID .125GW 1.25GD     |
| 29   | 1   | 910130   | 10-32 NUTSERT .020-.130 YZ       |
| 30   | 2   | 520130   | 3.31/3.59 T-BOLT HOSE CLAMP SS   |
| 31   | 1   | 650164   | DECAL, NO PASSNGR, NOT NEAR LEAK |
| 32   | 1   | 650165   | DECAL, PWR LINE/BM FOLD/GLASS    |
| 33   | 1   | 650176   | DECAL, CAUTION, CAB CHEM EXPOSUR |
| 34   | 2   | 657479   | 10-213-10FJX-10FJX90-22 H/A      |
| 35   | 1   | 658035   | WINDSHIELD, STS CAB 05           |
| 36   | 1   | 658036   | RH CAB GLASS, STS 05             |
| 37   | 1   | 658038   | REAR CAB GLASS, STS 05           |
| 38   | 3   | 900050   | 1/4UNC X 1 1/4 PH FLHD MAC SCR   |
| 39   | 4   | 903708   | 1/4UNCX1/2 PHL PNHD MCH SCR BZ   |
| 40   | 1   | 657477   | A/C HOSE ASSY, 5/16 X 24"        |
| 41   | 1   | 657478   | A/C HOSE, 10-10F-10F90-24        |
| 42   | 8   | 470087   | 3/8UNC HEX SER FLG NUT           |
| 43   | 4   | 311078   | SNUBBING WASHER FOR 311077 05    |
| 44   | 4   | 311077   | ISOLATION MOUNT, LF1.5 SER 05    |
| 45   | 8   | 470460   | 3/8UNC X 1 SER FLG BOLT          |
| 46   | 4   | 470461   | 1/2UNC X 3 SER FLG BOLT          |
| 47   | 4   | 470345   | 1/2UNC HEX SMTH FLG LOCK NUT     |
| 48   | 1   | 291915   | SWITCH, PANEL MT PUSH BUTTON     |
| 49   | 2   | 193016   | QUICKEDGE TRIM .060 TO .170      |
| 50   | 4   | 910128   | 5/16-18 NUTSERT .027-.150 YZ     |
| 51   | 4   | 193022   | STICKERTITE 1/4 X 3/4            |
| 52   | 1   | 291964   | SWITCH BOOT FOR 291915           |

HEADLINER ASSEMBLY

DET. QTY PART NO. DESCRIPTION

|    |    |        |                                |
|----|----|--------|--------------------------------|
| 1  | 8  | 470384 | 10-32 NUTSERT .020-.130 STL    |
| 2  | 2  | 473907 | #10X5/8 OHPHIL 8 SHT MTL SCR   |
| 3  | 1  | 291909 | L.E.D. COURTESY LIGHT W/LEADS  |
| 4  | 1  | 291912 | DOME LIGHT                     |
| 5  | 1  | 291913 | TRIM RING, DOME LIGHT 291912   |
| 6  | 2  | 291922 | SPEAKERS,PAIR                  |
| 7  | 8  | 472235 | 10-32 X 3/4 PHIL PAN MACH SCR  |
| 8  | 1  | 291932 | RADIO, AM/FM/WB/CD             |
| 9  | 1  | 658344 | HEADLINER, STS '11             |
| 10 | 1  | 292214 | SWITCH, WASHER, STS            |
| 11 | 1  | 292215 | SWITCH, WIPER, STS             |
| 12 | 2  | 292216 | SWITCH,WORK/FIELD LIGHTS, STS  |
| 13 | 2  | 292261 | MOUNTING TRIM,END VME          |
| 14 | 3  | 292262 | MOUNTING TRIM, MIDDLE VMM      |
| 15 | 1  | 292270 | SWITCH BLANK, VH2              |
| 16 | 19 | 483067 | 1/4 X 1.00 OD FENDER WASHER    |
| 17 | 1  | 343331 | RADIO BEZEL,CAB, BLK PLASIC 05 |
| 18 | 4  | 473990 | #8 X 3/4 PHIL PAN SHTMTL(A)SCR |
| 19 | 1  | 343607 | BEZEL,LIGHT/WIPER GST20 07     |
| 20 | 19 | 470457 | 1/4-20 WING NUT, NYLON         |
| 21 | 19 | 470456 | 1/4-20 X 1.00 STUD,SQ BASE,NYL |
| 22 | 1  | 166855 | BM SCT IND LIGHT WLD, 120'C'11 |
| 23 | 9  | 291740 | RED LED IND LIGHT,12V 10MM     |
| 24 | 1  | 291741 | GREEN LED IND LIGHT,12V 10MM   |
| 25 | 3  | 291742 | YELLOW LED IND LIGHT,12V 10MM  |
| 26 | 1  | 470395 | DIAL KNOB W/ARROW FOR .25 SHFT |
| 27 | 1  | 650392 | DECAL,BOOM 10 SCT IND LIGHT'11 |



330103-TRIGGERING MECHANISM(CTRL KIT)  
 330104-132146 SEAT AIR ADJ SWITCH  
 330105-COMPRESSOR KIT

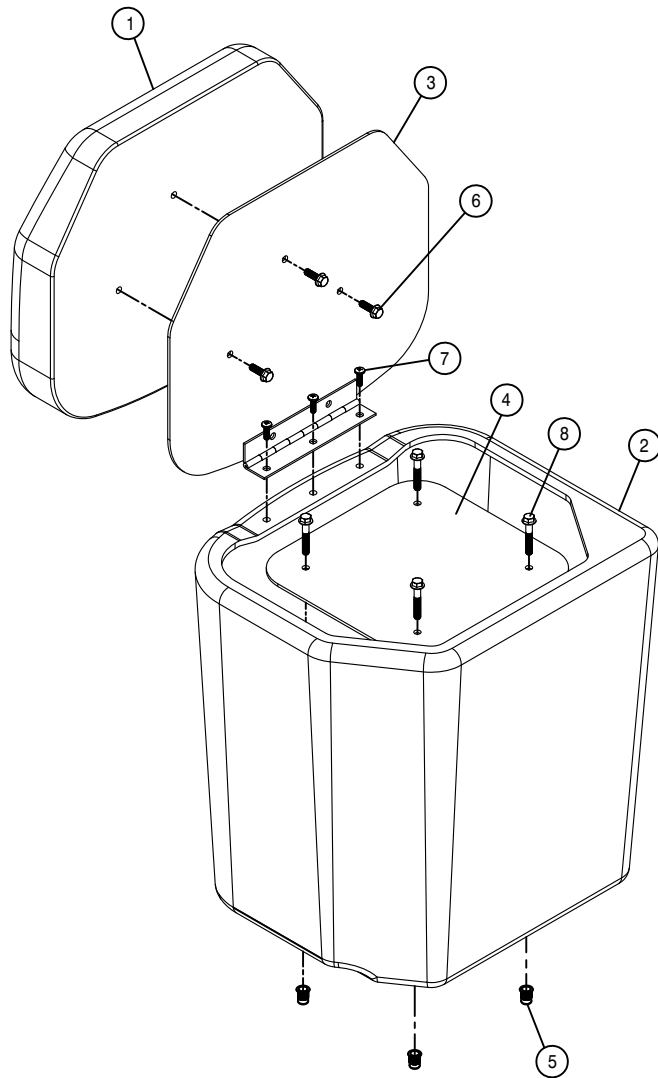
330050-HD SUSPENSION KIT,12V,KNOEDLER  
 330056-98 DUAL LOCK SLIDE KIT(LONG)  
 330057-SEAT BELT KIT,RETRACTABLE  
 330058-98 SEAT CUSHION,GREY W/OPS  
 330059-9400 LH HEIGHT ADJ VALVE,ELECT  
 330060-9400 LH LUMBAR VALVE,ELECT  
 330061-LH ARMREST,GREY LEATHER GH725  
 330062-98 HEADREST,GREY W/HAGIE LOGO  
 330063-98 BACKREST,GREY W/O HEADREST  
 330076-CHECK VALVE,KNOEDLER SEAT

SEAT ASSEMBLY

DET. QTY PART NO. DESCRIPTION

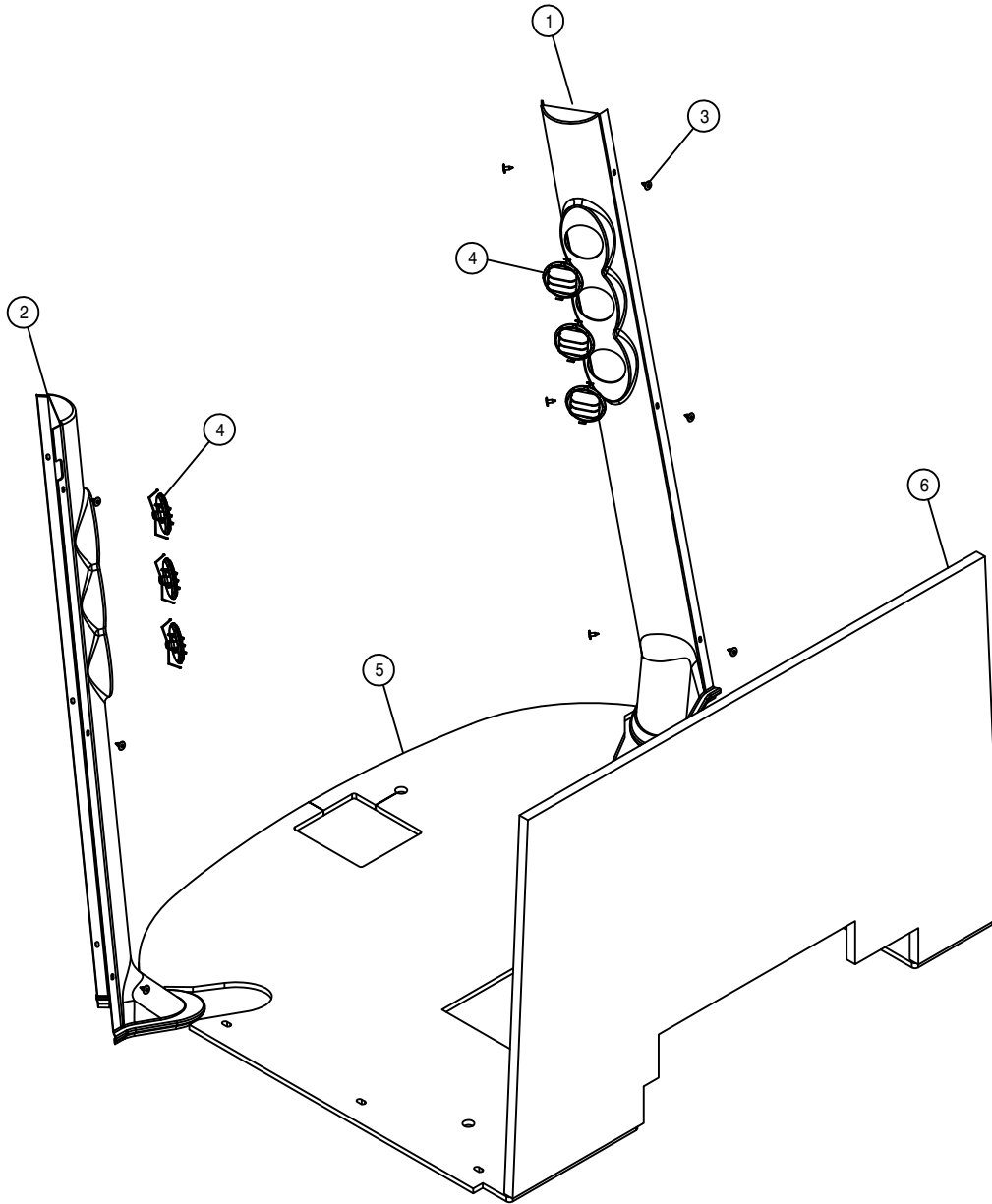
|    |    |        |                                |        |
|----|----|--------|--------------------------------|--------|
| 1  | 1  | 330047 | SEAT, STS GRAMMER              | '11    |
| 2  | 2  | 343429 | SEAT BASE STIFF, STS CAB       | 05     |
| 3  | 1  | 343430 | HVAC LID, STS CAB              | 05     |
| 4  | 1  | 343860 | SIDE CONSOLE ASSY              | STS'12 |
| 5  | 8  | 470233 | 5/16UNC X 3/4 FLANGE HEX BOLT  |        |
| 6  | 8  | 47381  | 5/16-18 NUTSERT .027-.150 STL  |        |
| 7  | 4  | 473827 | 8MM-1.25 X 20MM HEX BOLT       |        |
| 8  | 2  | 900346 | 5/8UNC X 6" HEX BOLT           |        |
| 9  | 2  | 920005 | 5/8 SAE FLAT WASHER            |        |
| 10 | 4  | 920501 | 5/16 LOCK WASHER               |        |
| 11 | 2  | 920505 | 5/8 LOCK WASHER                |        |
| 12 | 1  | 330048 | SEAT, STS KNOEDLER             | '11    |
| 13 | 5  | 920001 | 5/16 SAE FLAT WASHER           |        |
| 14 | 4  | 473858 | 8MM-1.25 SERR FLANGE NUT       |        |
| 15 | 1  | 193037 | STICKERTITE 1/8 X 3/4          |        |
| 16 | 1  | 343841 | LWR HVAC COVER WLD             | STS'12 |
| 17 | 1  | 343853 | HVAC ACCESS COVER              | STS'12 |
| 18 | 6  | 470118 | 1/4UNC X 3/4 FLANGE HEX BOLT   |        |
| 19 | 20 | 470122 | 1/4UNC X 1/2 FLANGE HEX BOLT   |        |
| 20 | 1  | 343852 | BRACKET                        | STS'12 |
| 21 | 1  | 343854 | HINGE PIN,CAB                  | STS'12 |
| 22 | 1  | 470029 | COTTER PIN 1/16 X 1/2          |        |
| 23 | 1  | 900008 | 1/4UNC X 2 1/2 HEX BOLT        |        |
| 24 | 1  | 914000 | 1/4UNC HEX STOVER NUT          |        |
| 25 | 1  | 003075 | CTRL BOX MTG PLT,STS COMBO     | 07     |
| 26 | 2  | 003081 | .750 OD X .187 X 1.63          | C/L    |
| 27 | 1  | 003082 | CTRL BOX SHRT CLMP WLD,STSC    | 08     |
| 28 | 1  | 003084 | CTRL BOX LONG CLMP WLD,STSC    | 08     |
| 29 | 1  | 003205 | ACCESS COVER,CAB,STS COMBO     | 05     |
| 30 | 1  | 291841 | AMP,RECP,SIZE 17-16THUR,SQ FLG |        |
| 31 | 1  | 293906 | TASSELTRC CABLE BOX ASSY 2008  |        |
| 32 | 2  | 470133 | 1.500 SHAFT SET COLLAR         |        |
| 33 | 4  | 470467 | 6-32 KEP NUT                   |        |
| 34 | 2  | 900086 | 5/16UNC X 2 1/4 HEX BOLT       |        |
| 35 | 2  | 900130 | 3/8UNC X 1 1/4 SER FLANGE BOLT |        |
| 36 | 4  | 903812 | 6-32 X 1/2 PHIL PAN MACH SCR   |        |





BUDDY SEAT ASSEMBLY

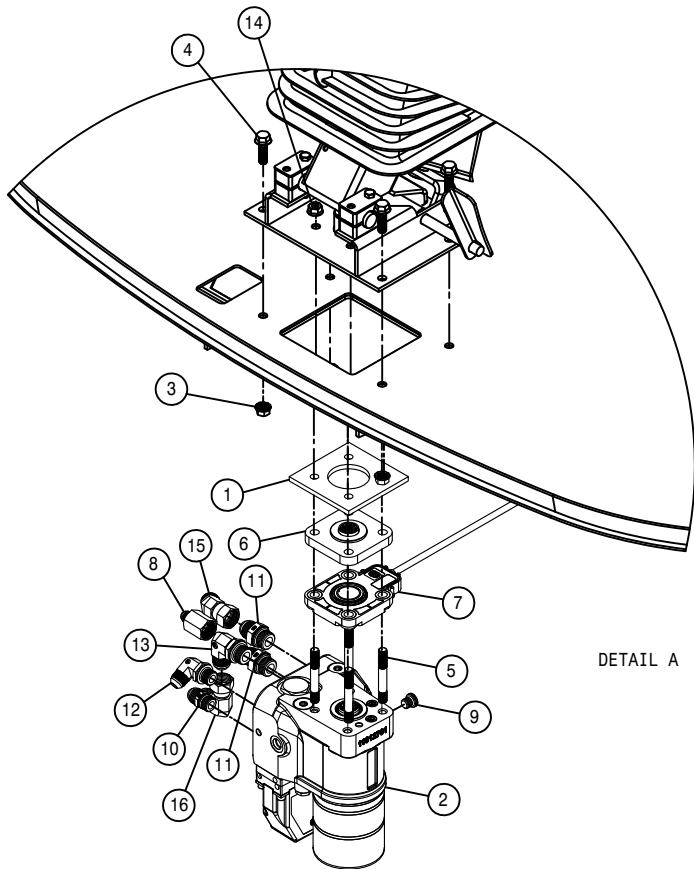
| DET. | QTY | PART NO. | DESCRIPTION                   |     |
|------|-----|----------|-------------------------------|-----|
| 1    | 1   | 330036   | BUDDY SEAT CUSHION            | 05  |
| 2    | 1   | 330037   | BUDDY SEAT BASE, POLY         | 05  |
| 3    | 1   | 343425   | BUDDY SEAT MT WLD, STS CAB    | 05  |
| 4    | 1   | 343428   | BUDDY SEAT MT PANEL, STS CAB  | 05  |
| 5    | 4   | 470380   | 1/4-20 NUTSERT .027-.165      | STL |
| 6    | 3   | 470118   | 1/4UNC X 3/4 FLANGE HEX BOLT  |     |
| 7    | 3   | 903710   | 10-32X5/8 PHIL PANHD MACH SCR |     |
| 8    | 4   | 900005   | 1/4UNC X 1 1/2 HEX BOLT       |     |



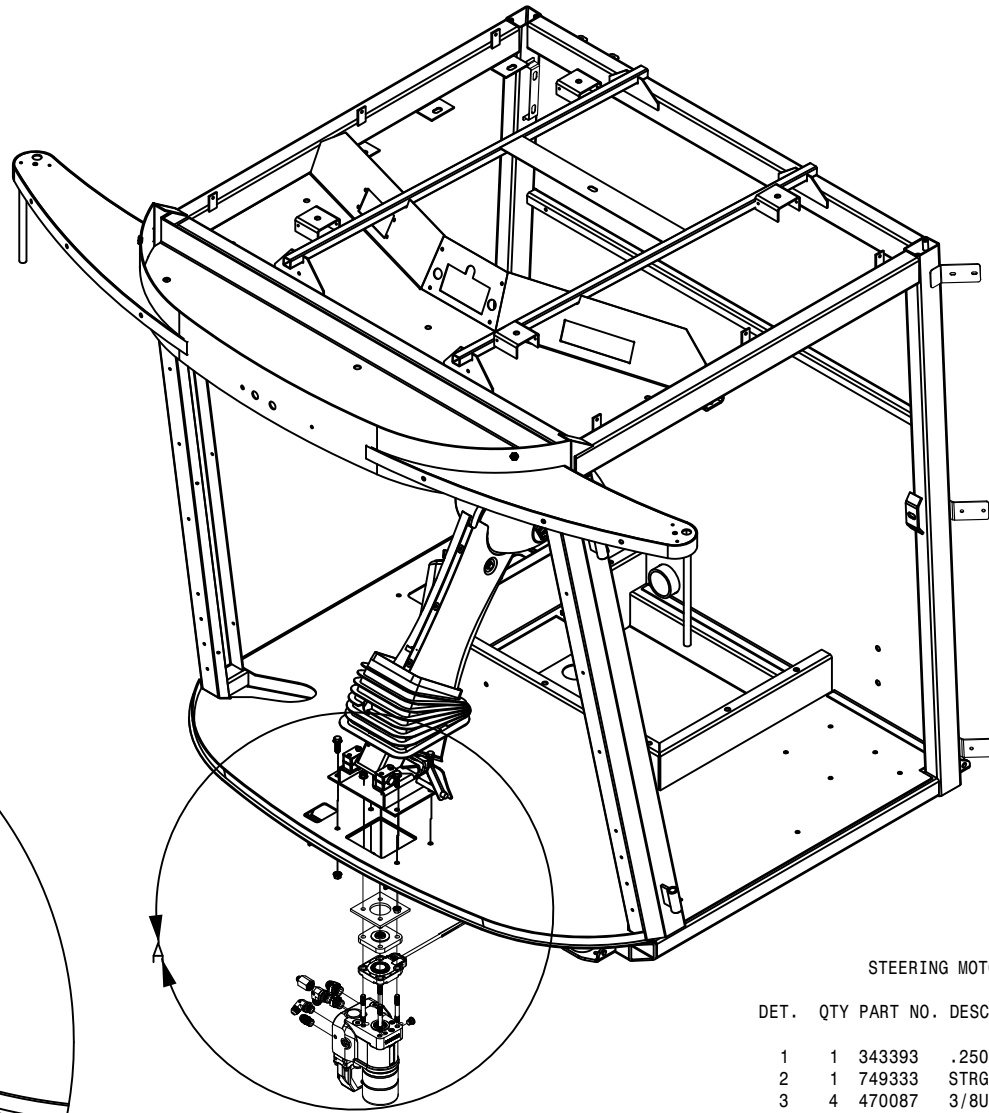
AIR DUCT AND FOAM ASSEMBLY

DET. QTY PART NO. DESCRIPTION

|   |    |        |                            |     |
|---|----|--------|----------------------------|-----|
| 1 | 1  | 343356 | RH AIR DUCT COVERS,STS CAB | 05  |
| 2 | 1  | 343357 | LH AIR DUCT COVERS,STS CAB | 05  |
| 3 | 12 | 470466 | 1/4 X 3/4 PLTG LCK RIVET   |     |
| 4 | 6  | 657469 | LOUVER, ROUND              |     |
| 5 | 1  | 658339 | FLOOR MAT, STS CAB         | '11 |
| 6 | 1  | 658333 | FOAM, REAR CAB STS         | 05  |



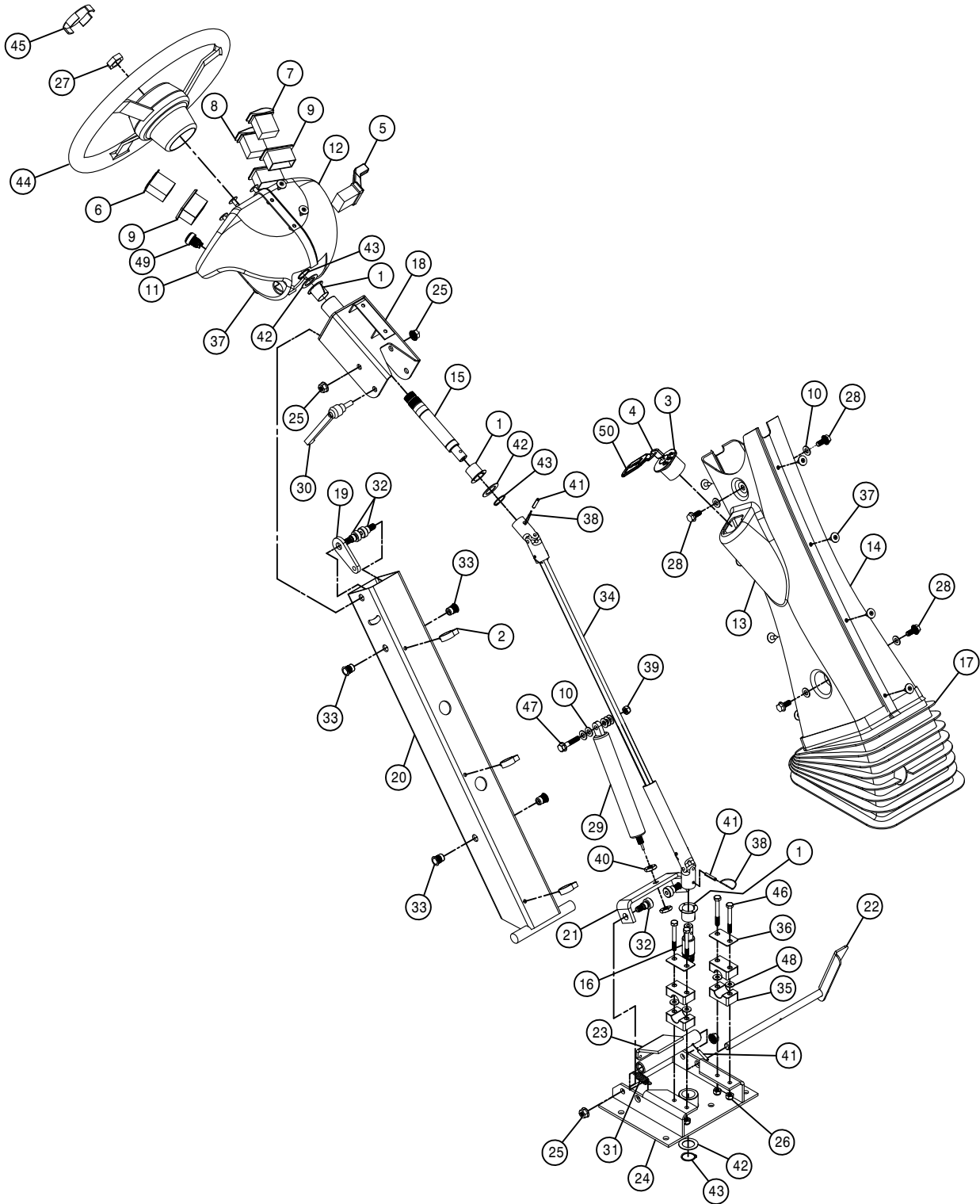
DETAIL A



STEERING MOTOR ASSEMBLY

DET. QTY PART NO. DESCRIPTION

|    |   |        |                                |
|----|---|--------|--------------------------------|
| 1  | 1 | 343393 | .250 STRG MTR SPCR,CAB STS'12  |
| 2  | 1 | 749333 | STRG CTRL VLV, OSPEDC 60/260   |
| 3  | 4 | 470087 | 3/8UNC HEX FLANGE LOCK NUT     |
| 4  | 4 | 470329 | 3/8UNC X 1 1/4 SER FLANGE BOLT |
| 5  | 4 | 472340 | M10-1.5 X 3" STUD BOLT,DBL END |
| 6  | 1 | 749336 | SAK SENSOR ADPTR KIT           |
| 7  | 1 | 749334 | SASA SENSOR ASSY,STRG VLV '12  |
| 8  | 1 | 618557 | 7/8FJIC-9/16MJIC ADPTR         |
| 9  | 1 | 618909 | M12 MOR PLUG, HEX SOCKET       |
| 10 | 1 | 618910 | 3/4MJIC-M18MOR ADPTR           |
| 11 | 2 | 618911 | 7/8MJIC-M22 MOR ADPTR          |
| 12 | 1 | 618912 | 3/4MJIC-90-M18MOR LBO          |
| 13 | 1 | 618913 | 7/8MJIC-90-M22MOR LBO          |
| 14 | 1 | 473866 | 10MM-1.50 SERR FLANGE NUT      |
| 15 | 1 | 618628 | 7/8MJIC-45-7/8FJIC SWIV LBO    |
| 16 | 1 | 618301 | 7/8MJIC-90-7/8FJIC SWIV LBO    |



STEERING COLUMN ASSEMBLY

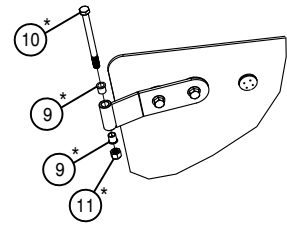
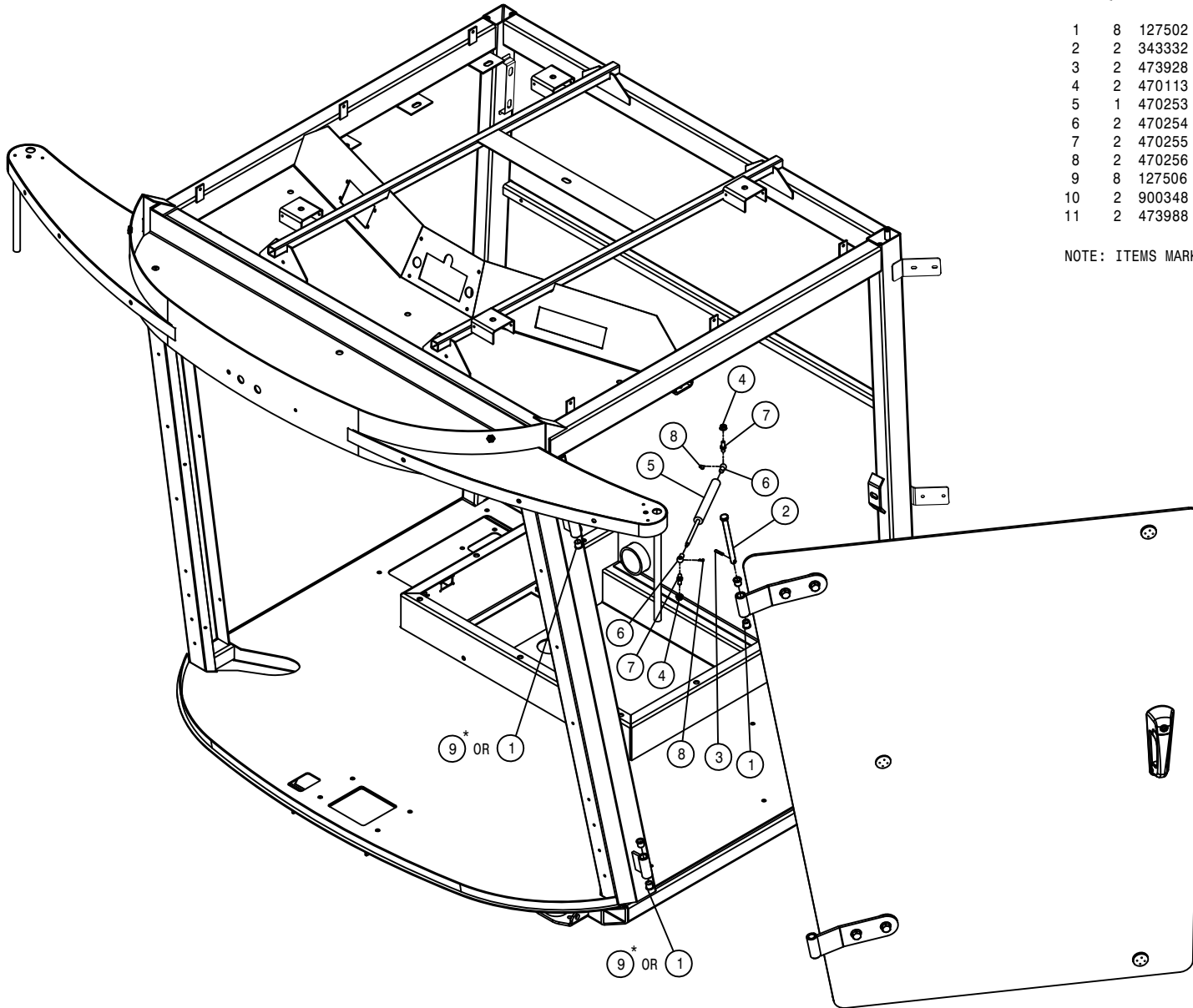
| DET. | QTY | PART NO. | DESCRIPTION                            |
|------|-----|----------|--|
|      | 1   | 3        | 127503 NYLINER FLG BRG, .875 ID        |
|      | 2   | 3        | 291006 ROSEBUD CLIP FOR .500 CONDUIT   |
|      | 3   | 1        | 291916 IGNITION SWITCH W/KEY           |
|      | 4   | 2        | 291917 IGNITION KEY FOR 291916         |
|      | 5   | 1        | 292210 SWITCH, TURN SIGNAL, STS        |
|      | 6   | 1        | 292211 TURN INDICATOR W/GREEN LED,STS  |
|      | 7   | 1        | 292212 SWITCH,HAZARD,STS               |
|      | 8   | 1        | 292213 SWITCH, HEADLIGHTS, STS         |
|      | 9   | 3        | 292260 MOUNTING TRIM, SINGLE VMS       |
|      | 10  | 9        | 920001 5/16 SAE FLAT WASHER            |
|      | 11  | 1        | 343359 RH UPR STRG CLMN COVERS,STS 05  |
|      | 12  | 1        | 343360 LH UPR STRG CLMN COVERS,STS 05  |
|      | 13  | 1        | 343361 RH LWR STRG CLMN COVERS,STS 05  |
|      | 14  | 1        | 343362 LH LWR STRG CLMN COVERS,STS 05  |
|      | 15  | 1        | 343364 STRG SHAFT,UPPER COLUMN,STS 05  |
|      | 16  | 1        | 343365 STRG SHAFT,LOWER COLUMN,STS 05  |
|      | 17  | 1        | 343366 BELLOWS,STEERING COLUMN,STS 05  |
|      | 18  | 1        | 343367 STEERING SUPP WELD, STS CAB 05  |
|      | 19  | 1        | 343372 STRG COLUMN TOP LOCK, STS CAB   |
|      | 20  | 1        | 343373 STEERING COLUMN WLD,STS CAB 05  |
|      | 21  | 1        | 343385 GAS SHOCK PIVOT MT,STS CAB 05   |
|      | 22  | 1        | 343386 TILT PEDAL WELD, STS CAB 05     |
|      | 23  | 1        | 343389 TILT RELEASE WLD, STS CAB 05    |
|      | 24  | 1        | 343614 STEERING BASE WELD,STS CAB 07   |
|      | 25  | 4        | 910004N 3/8UNC FLANGE CNTR LOCK NUT    |
|      | 26  | 4        | 470089 1/4UNC HEX NYLOC NUT, 316 SS    |
|      | 27  | 1        | 470157 13/16-20UNEF HEX NUT STRG WHL   |
|      | 28  | 4        | 470233 5/16UNC X 3/4 FLANGE HEX BOLT   |
|      | 29  | 1        | 470252 GAS SPRING,3.15 STROKE LOCKING  |
|      | 30  | 1        | 470257 ADJ HANDLE,3/8-16 STUD, BLACK   |
|      | 31  | 1        | 470268 SPRING, EXTENSION, .50 X 1.75   |
|      | 32  | 4        | 470283 3/8UNC 1/2 SCKT SHLDR BOLT      |
|      | 33  | 4        | 470381 5/16-18 NUTSERT .027-.150 STL   |
|      | 34  | 1        | 470401 DRIVE SHAFT ASSY, .625 U-JOINTS |
|      | 35  | 2        | 470405 CLAMP PAIR, 19MM SMOOTH BORE    |
|      | 36  | 2        | 470406 TOP CLAMP, SIZE #3 FOR 470405   |
|      | 37  | 16       | 470466 1/4 X 3/4 PLTC LCK RIVET        |
|      | 38  | 4        | 470479 5"SAFETY LOCK WIRE,304SS .051D  |
|      | 39  | 1        | 473001 5/16UNC HEX NUT,NYLOC 316 SS    |
|      | 40  | 2        | 473830 10MM-1.00 HEX JAM NUT           |
|      | 41  | 3        | 473928 ROLL PIN, 3/16 X 1              |
|      | 42  | 3        | 483031 1 3/8 X 7/8 X 18GA MACH WASHER  |
|      | 43  | 3        | 629533 SNAP RING, 7/8 EXTRN            |
|      | 44  | 1        | 749294 STEERING WHEEL, VIP 14"         |
|      | 45  | 1        | 749295 STRG WHL CAP WITH 'H' EMBLEM    |
|      | 46  | 4        | 900023 1/4UNC X 2 1/4 HEX BOLT         |
|      | 47  | 1        | 900067 5/16UNC X 1 1/2 HEX BOLT        |
|      | 48  | 4        | 920022 1/4 FLAT WASH, AN960-416 SS     |
|      | 49  | 1        | 292504 HORN SWITCH ASSY                |
|      | 50  | 1        | 470544 HAGIE KEY CHAIN                 |

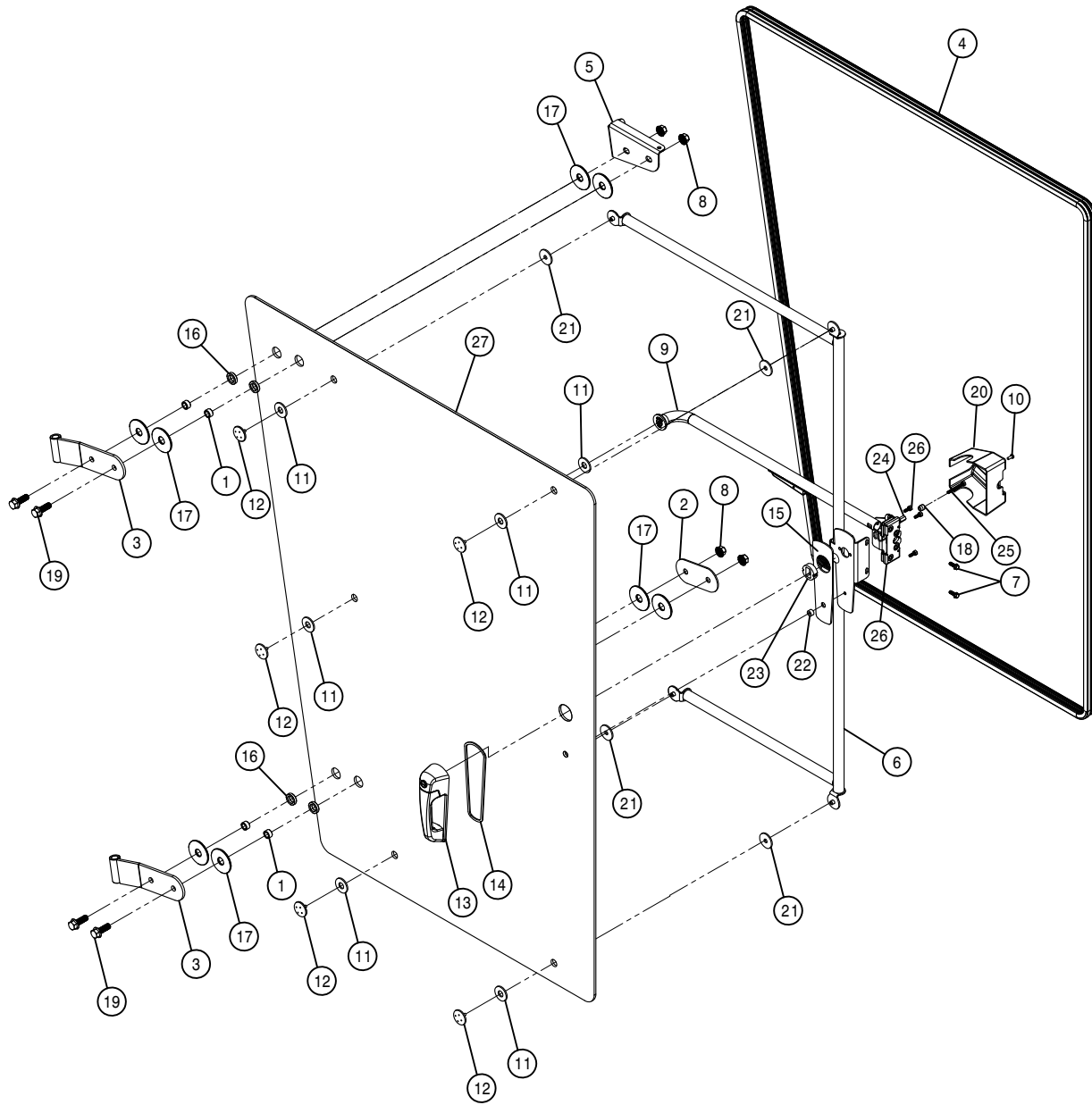
CAB DOOR ASSEMBLY

DET. QTY PART NO. DESCRIPTION

|    |   |        |                                |     |
|----|---|--------|--------------------------------|-----|
| 1  | 8 | 127502 | NYLON FLANGE BRG               |     |
| 2  | 2 | 343332 | CAB DOOR HINGE PIN,SS          | 05  |
| 3  | 2 | 473928 | ROLL PIN, 3/16 X 1             |     |
| 4  | 2 | 470113 | 5/16UNC HEX FLANGE LOCK NUT    |     |
| 5  | 1 | 470253 | HYD DAMPER,100LB,4"STROKE 1084 |     |
| 6  | 2 | 470254 | BALL SOCKET, M6 THD X 10MM     |     |
| 7  | 2 | 470255 | BALL STUD,5/16-18 THD X 10MM   |     |
| 8  | 2 | 470256 | SAFTY CLIP, 10MM BALL SOCKET   |     |
| 9  | 8 | 127506 | NYLON FLG BRG, STS             | '12 |
| 10 | 2 | 900348 | 1/2UNC X 6" HEX BOLT SS        |     |
| 11 | 2 | 473988 | 1/2UNC HEX NUT, NYLOC SS       |     |

NOTE: ITEMS MARKED WITH A (\*) ARE A MID YEAR CHANGE.

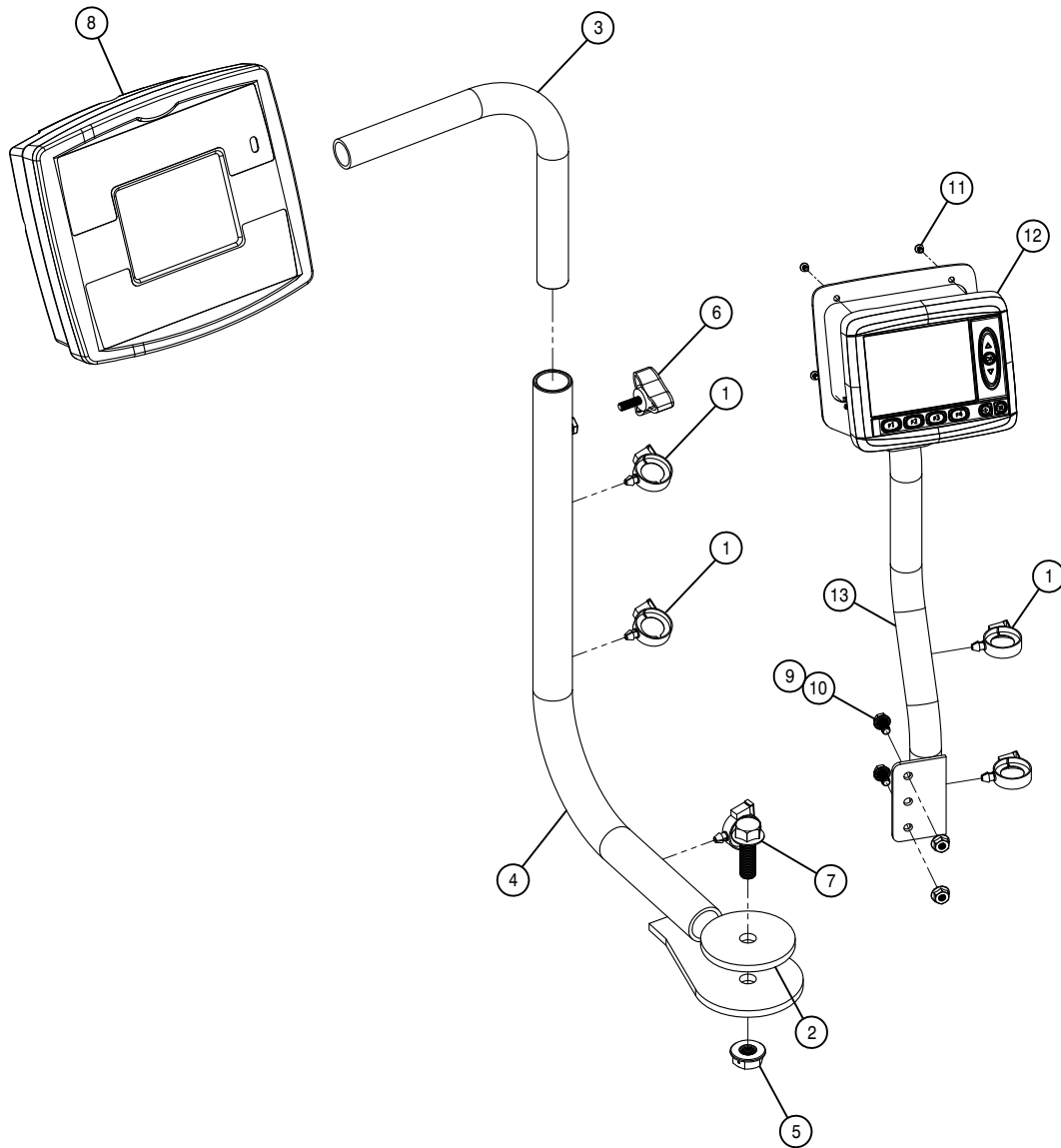




DOOR ASSEMBLY

DET. QTY PART NO. DESCRIPTION

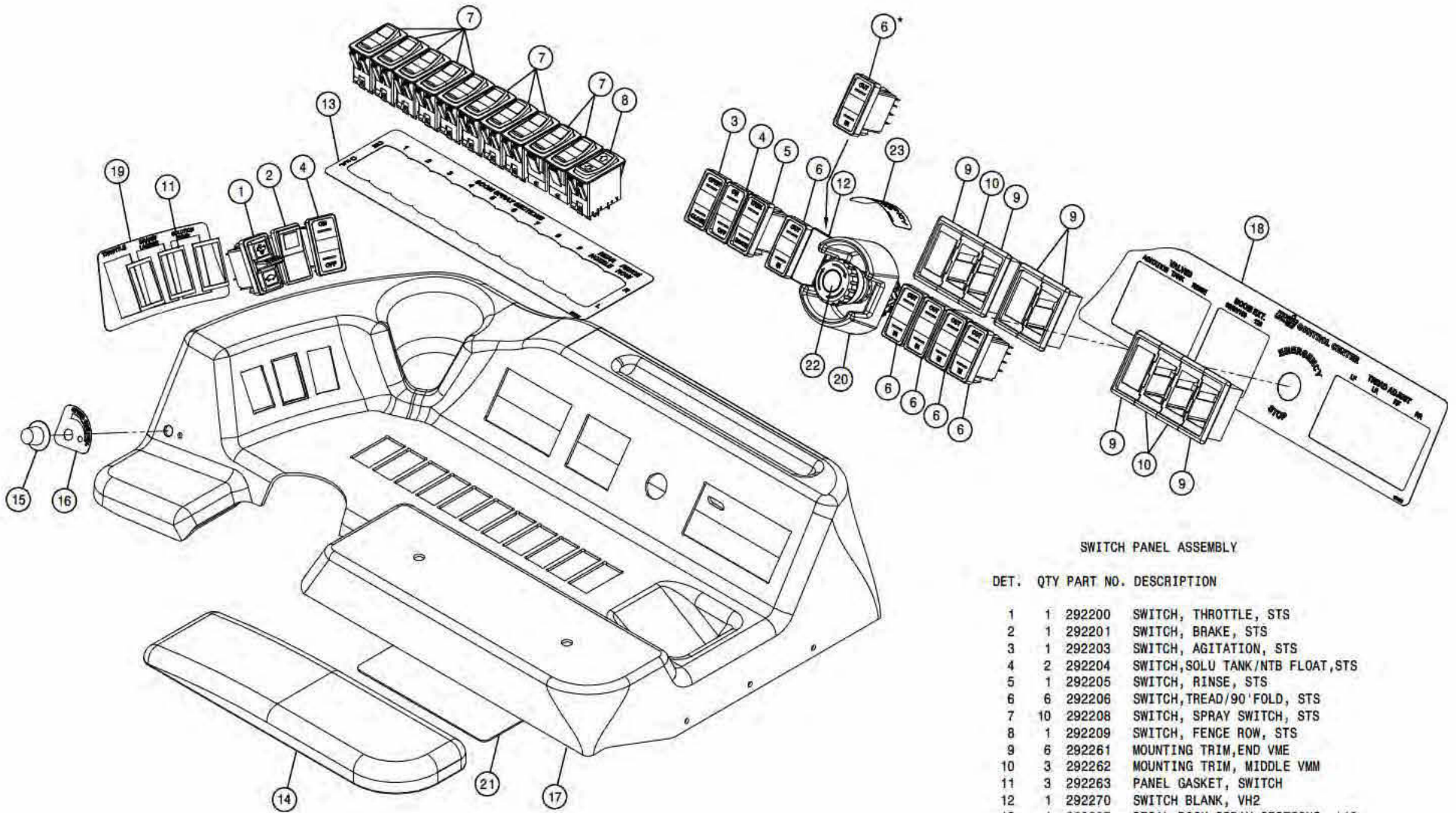
|    |   |        |                                |     |
|----|---|--------|--------------------------------|-----|
| 1  | 4 | 343335 | DOOR HINGE GLASS BUSH, CAB     | 05  |
| 2  | 1 | 343337 | LWR DOOR HINGE BACK PLT,       | 05  |
| 3  | 2 | 343338 | HINGE WELD,CAB                 | 05  |
| 4  | 1 | 343346 | DOOR SEAL, STS CAB             | 05  |
| 5  | 1 | 343421 | TOP DOOR HINGE PLT, STS        | 05  |
| 6  | 1 | 343814 | CAB DOOR STIFF WLD, STS        | '11 |
| 7  | 2 | 470118 | 1/4UNC X 3/4 FLANGE HEX BOLT   |     |
| 8  | 4 | 470360 | 1/2UNC HEX FLANGE LOCK NUT     |     |
| 9  | 1 | 470583 | INSIDE SQUEEZE LATCH ASY,1-POS |     |
| 10 | 1 | 470412 | INSIDE SQUEEZE LATCH SCREWS    |     |
| 11 | 6 | 470413 | INSIDE SQUEEZE LATCH GASKET    |     |
| 12 | 5 | 470414 | INSIDE SQUEEZE LATCH CAP       |     |
| 13 | 1 | 470415 | OUTSIDE PULL HANDLE ASSY       |     |
| 14 | 1 | 470416 | OUTSIDE PULL HANDLE GASKET     |     |
| 15 | 1 | 470418 | DOOR HANDLE MT GASKET,STS CAB  |     |
| 16 | 4 | 470419 | DOOR HINGE BUSH,RUBBER STS     | 05  |
| 17 | 8 | 470420 | DOOR HINGE WASH,RUBBER,STS     | 05  |
| 18 | 1 | 470421 | NYLON SPACER, SPHERICAL 6MMX12 |     |
| 19 | 4 | 470431 | 1/2UNC X 1 1/2 FLANGE BOLT     |     |
| 20 | 1 | 470485 | INSIDE SQUEEZE LATCH COVER     | 07  |
| 21 | 2 | 470489 | GASKET, DOOR HANDLE STIFFENER  |     |
| 22 | 1 | 470496 | SPACER,BTM,DOOR HANDLE 470415  |     |
| 23 | 1 | 470497 | SPACER,TOP,DOOR HANDLE 470415  |     |
| 24 | 1 | 473764 | 6MM-1.00 HEX HIGH NUT          |     |
| 25 | 1 | 473794 | 6MM-1.00 X 50MM HEX BOLT       |     |
| 26 | 3 | 473826 | 6MM-1.00 X 16MM HEX BOLT       |     |
| 27 | 1 | 658041 | DOOR GLASS, STS CAB            | '11 |



MONITOR ASSEMBLY

DET. QTY PART NO. DESCRIPTION

|    |   |        |                                |
|----|---|--------|--------------------------------|
| 1  | 6 | 291007 | ROSEBUD CLIP FOR .750 CONDUIT  |
| 2  | 1 | 343415 | WASHER,3.00 X .531 X .25T UHMW |
| 3  | 1 | 343416 | MONITOR MT TUBE, STS 05        |
| 4  | 1 | 343417 | MONITOR MT WELD, STS CAB 05    |
| 5  | 1 | 470345 | 1/2UNC HEX SMTH FLNG LOCK NUT  |
| 6  | 1 | 470392 | KNOB,3-BLADE BLK,1/4-20 X 3/4  |
| 7  | 1 | 470431 | 1/2UNC X 1 1/2 FLANGE LOCK     |
| 8  | 1 | 690986 | CONSOLE, RAVEN SCS 4600        |
| 9  | 2 | 470121 | 1/4UNC HEX FLANGE LOCK NUT     |
| 10 | 2 | 470122 | 1/4UNC X 1/2 FLANGE HEX BOLT   |
| 11 | 4 | 903836 | 8-32X1/4 PHIL PAN MACH SCR     |
| 12 | 1 | 292008 | MD3 MASTER MODULE & DISPLAY    |
| 13 | 1 | 343678 | MD3 DISPLAY MT WLD,STS '10     |



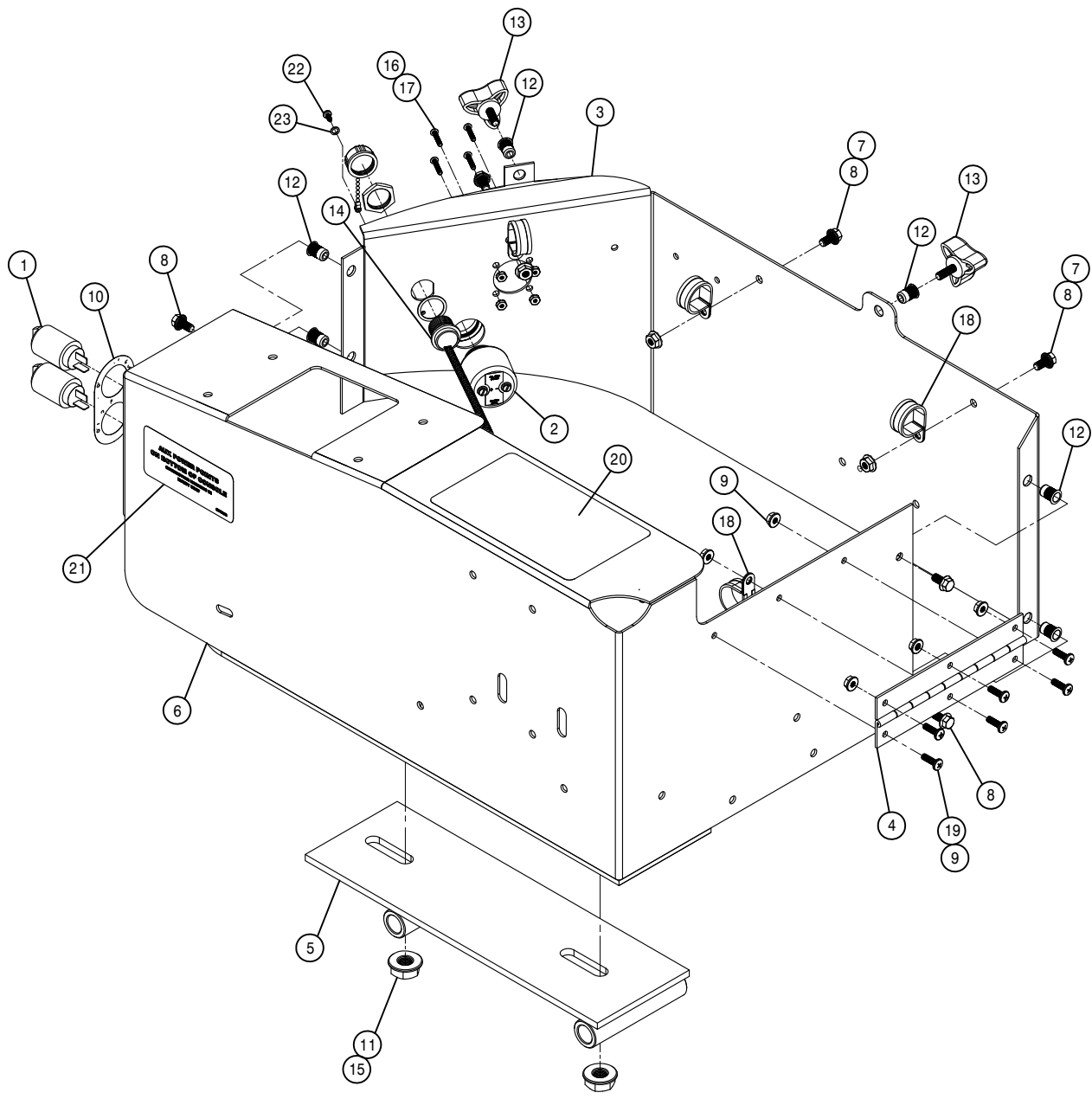
## SWITCH PANEL ASSEMBLY

DET. QTY PART NO. DESCRIPTION

| DET. | QTY | PART NO. | DESCRIPTION                      |
|------|-----|----------|----------------------------------|
|      | 1   | 292200   | SWITCH, THROTTLE, STS            |
|      | 1   | 292201   | SWITCH, BRAKE, STS               |
|      | 1   | 292203   | SWITCH, AGITATION, STS           |
|      | 2   | 292204   | SWITCH, SOLU TANK/NTB FLOAT, STS |
|      | 1   | 292205   | SWITCH, RINSE, STS               |
|      | 6   | 292206   | SWITCH, TREAD/90' FOLD, STS      |
|      | 10  | 292208   | SWITCH, SPRAY SWITCH, STS        |
|      | 1   | 292209   | SWITCH, FENCE ROW, STS           |
|      | 6   | 292261   | MOUNTING TRIM, END VME           |
|      | 3   | 292262   | MOUNTING TRIM, MIDDLE VMM        |
|      | 3   | 292263   | PANEL GASKET, SWITCH             |
|      | 1   | 292270   | SWITCH BLANK, VH2                |
|      | 1   | 650397   | DECAL, BOOM SPRAY SECTIONS '12   |
|      | 1   | 343397   | ARM REST W/MTS, STS CAB '05      |
|      | 1   | 470395   | DIAL KNOB W/ARROW FOR .25 SHFT   |
|      | 1   | 650158   | DECAL, SPEED CONTROL STS CAB '05 |
|      | 1   | 343823   | SIDE CONSOLE, CAB STS '11        |
|      | 1   | 650275   | DECAL, CONTROL CENTER, STS '11   |
|      | 1   | 650159   | DECAL, THRTL BRK PUMP STS '05    |
|      | 1   | 290089   | E-STOP SHROUD                    |
|      | 1   | 650398   | DECAL, CAB CONSOLE MODULES '12   |
|      | 1   | 290081   | E-STOP SWITCH, LED DPST-1NO/1NC  |
|      | 1   | 650278   | DECAL, E-STOP                    |

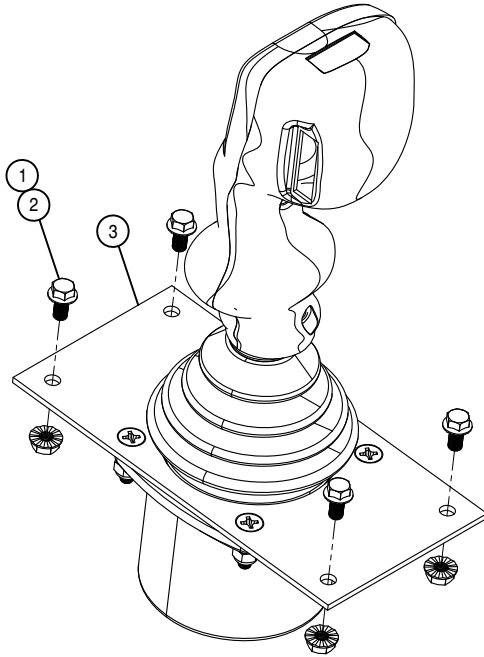
NOTE: SWITCHES WITH (\*) ARE USED WITH THE 120' BOOM OPTION.





CONSOLE ASSEMBLY

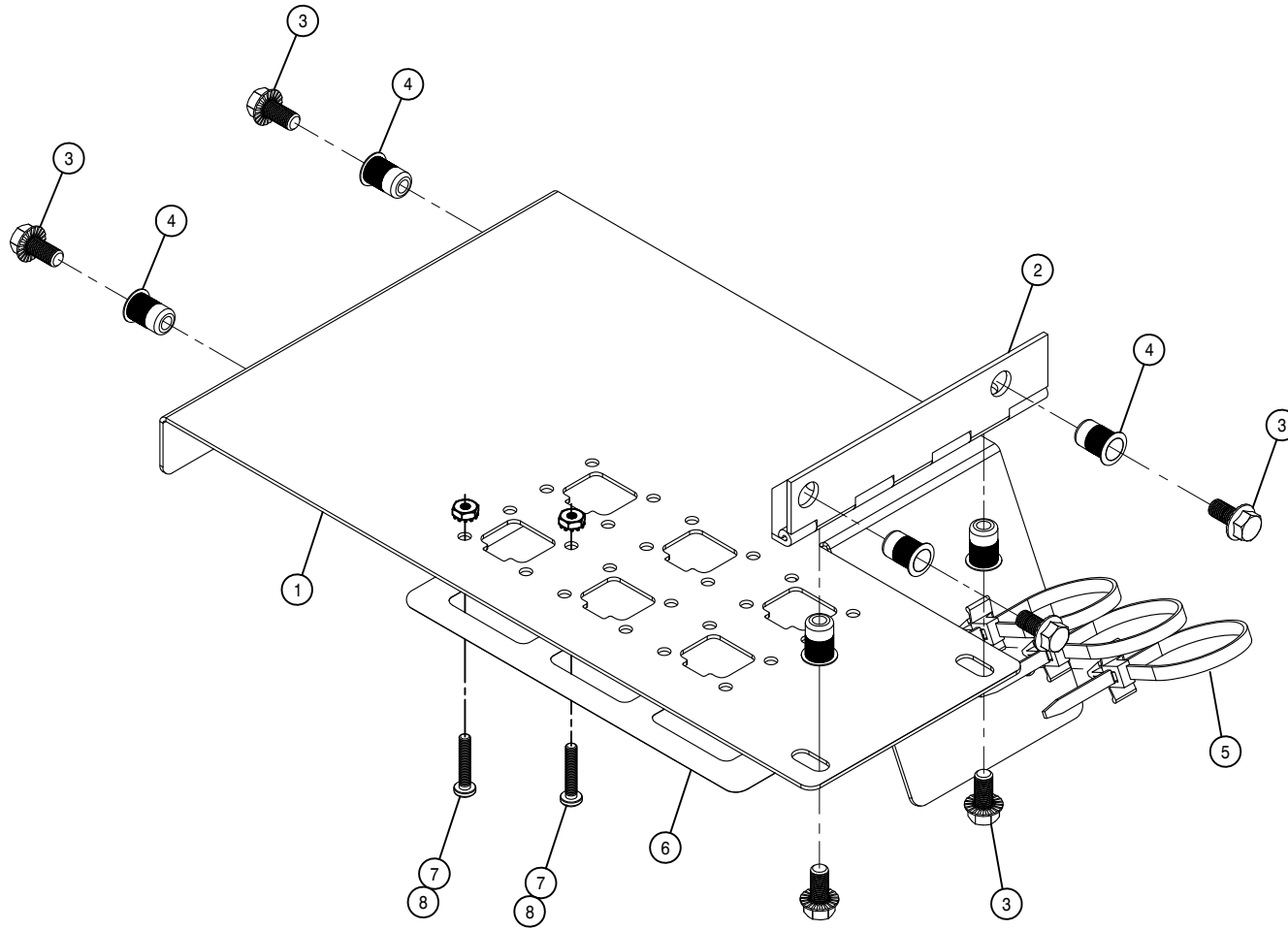
| DET. | QTY | PART NO. | DESCRIPTION                    |
|------|-----|----------|--------------------------------|
| 1    | 2   | 291648   | POWER POINT RECEPTACLE         |
| 2    | 1   | 292502   | WARNING BEEPER                 |
| 3    | 1   | 343685   | SIDE CONSOLE OUTER WRAP,STS'10 |
| 4    | 1   | 343405   | SIDE CONSOLE REAR HINGE,STS 05 |
| 5    | 1   | 343406   | CONSOLE SEAT BASE WLD,STS 05   |
| 6    | 1   | 343682   | CONSOLE WELD, STS CAB '10      |
| 7    | 3   | 470121   | 1/4UNC HEX FLANGE LOCK NUT     |
| 8    | 7   | 470122   | 1/4UNC X 1/2 FLANGE HEX BOLT   |
| 9    | 6   | 470175   | 10-32 HEX FLANGE LOCK NUT      |
| 10   | 1   | 650163   | DECAL,POWER POINT, STS CAB 05  |
| 11   | 2   | 470345   | 1/2UNC HEX SMTH FLNG LOCK NUT  |
| 12   | 6   | 470380   | 1/4-20 NUTSERT .027-.165 STL   |
| 13   | 2   | 470392   | KNOB,3-BLADE BLK,1/4-20 X 3/4  |
| 14   | 1   | 293903   | HARNESS, USB                   |
| 15   | 2   | 470431   | 1/2UNC X 1 1/2 FLANGE BOLT     |
| 16   | 4   | 470467   | 6-32 KEP NUT                   |
| 17   | 4   | 903814   | 6-32 X 3/4 PHIL PAN MACH SCR   |
| 18   | 4   | 520101   | CUSH CLAMP,#16 1"D X 1/2W      |
| 19   | 6   | 903710   | 10-32X5/8 PHIL PANHD MACH SCR  |
| 20   | 1   | 650396   | DECAL,CONSOLE FUSE-RELAY '12   |
| 21   | 1   | 650232   | DECAL,AUX PWR POINTS SIGN '10  |
| 22   | 1   | 473932   | 6-32 X 3/8 PAN SELF TAP SCR    |
| 23   | 1   | 470351   | #10 X 1/2 BONDED SEALING WASH  |



## HYDROSTATIC LEVER ASSEMBLY

DET. QTY PART NO. DESCRIPTION

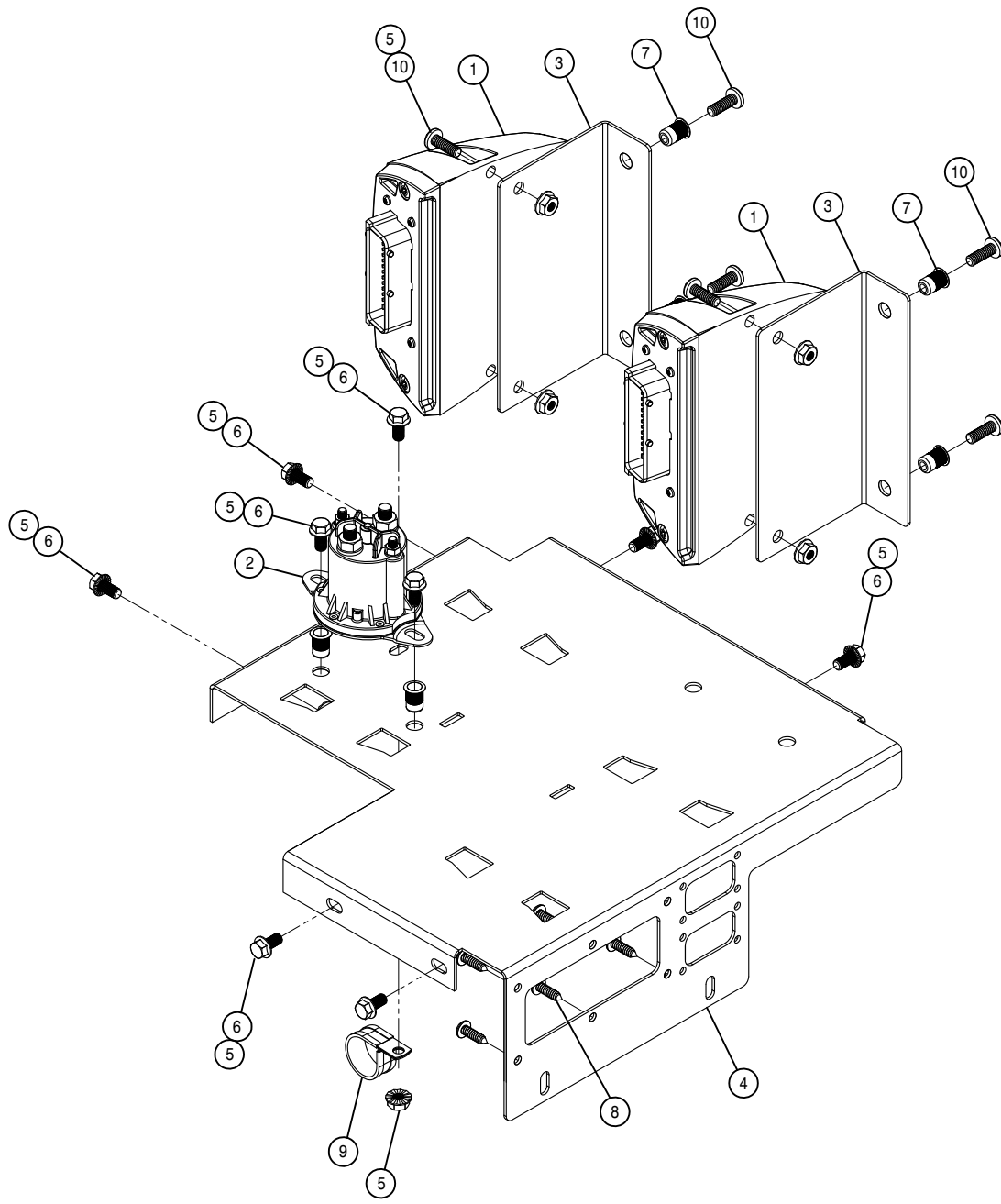
|   |   |        |                              |
|---|---|--------|------------------------------|
| 1 | 4 | 470121 | 1/4UNC HEX FLANGE LOCK NUT   |
| 2 | 4 | 470122 | 1/4UNC X 1/2 FLANGE HEX BOLT |
| 3 | 1 | 785092 | CONTROL HANDLE, STS '10      |



TERMINAL STRIP DOOR ASSEMBLY

DET. QTY PART NO. DESCRIPTION

|   |    |        |                                |
|---|----|--------|--------------------------------|
| 1 | 1  | 343688 | CONSOLE BOTTOM DOOR,CAB STS'10 |
| 2 | 1  | 343414 | CONSOLE BTM DOOR HINGE,CAB STS |
| 3 | 6  | 470122 | 1/4UNC X 1/2 FLANGE HEX BOLT   |
| 4 | 6  | 470380 | 1/4-20 NUTSERT .027-.165 STL   |
| 5 | 3  | 470445 | CABLE TIE,PUSH MT 7.8" BLK NYL |
| 6 | 1  | 650231 | DECAL,AUX POWER POINTS '10     |
| 7 | 12 | 903814 | 6-32 X 3/4 PHIL PAN MACH SCR   |
| 8 | 12 | 470467 | 6-32 KEP NUT                   |



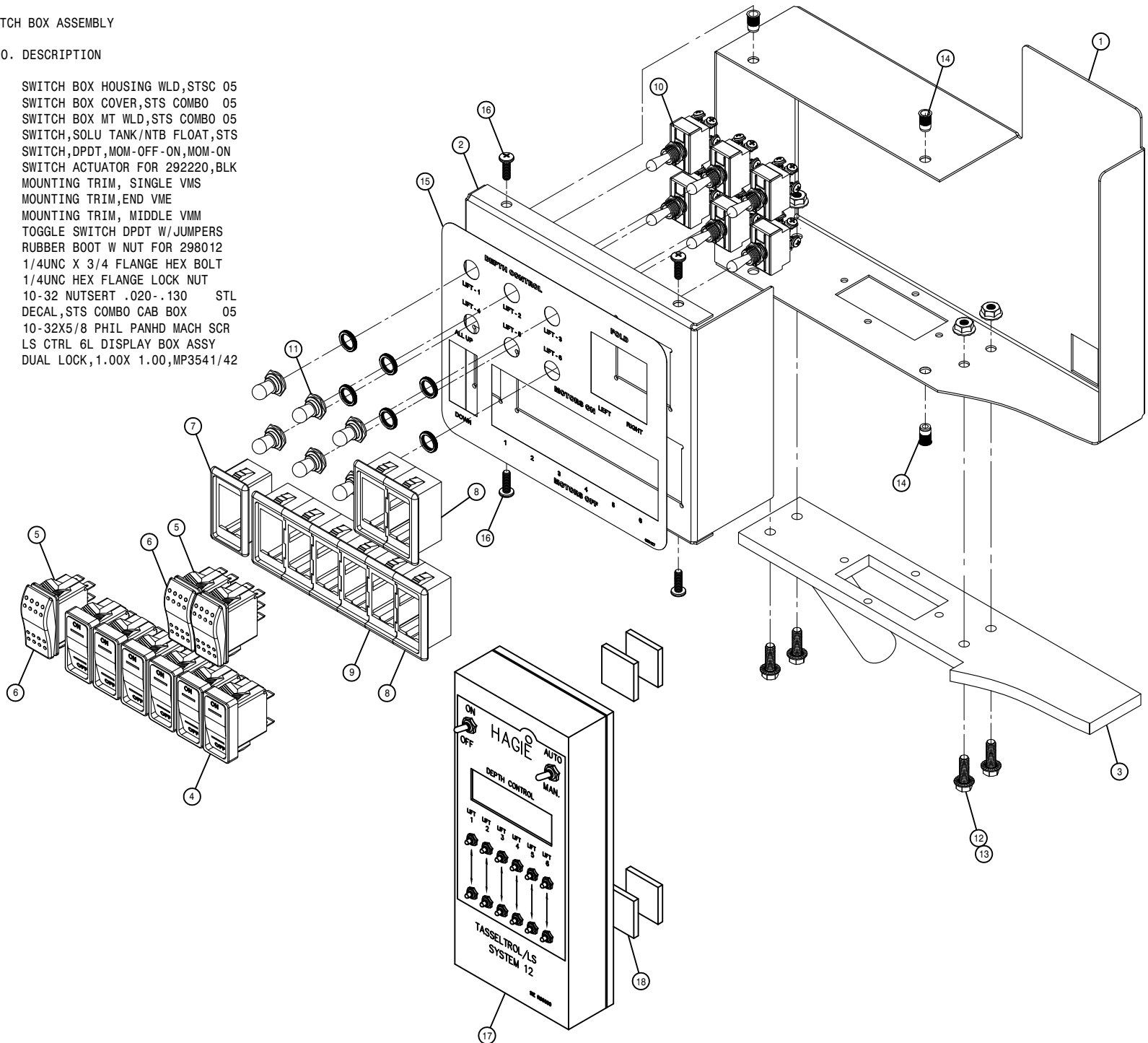
## MODULE MOUNT ASSEMBLY

DET. QTY PART NO. DESCRIPTION

|    |    |        |                                |
|----|----|--------|--------------------------------|
| 1  | 2  | 292017 | IQAN-XS2 MODULE                |
| 2  | 1  | 292505 | MASTER CONTROL RELAY           |
| 3  | 2  | 343686 | MODULE MT BRKT, STS '10        |
| 4  | 1  | 343687 | MODULE MT, CAB CONSOLE STS '10 |
| 5  | 11 | 470121 | 1/4UNC HEX FLANGE LOCK NUT     |
| 6  | 9  | 470122 | 1/4UNC X 1/2 FLANGE HEX BOLT   |
| 7  | 6  | 470380 | 1/4-20 NUTSERT .027-.165 STL   |
| 8  | 6  | 470465 | #12 X 3/4 PHIL PAN SHT MTL SCR |
| 9  | 1  | 520101 | CUSH CLAMP,#16 1"D X 1/2W      |
| 10 | 8  | 903700 | 1/4UNC X 3/4 PHIL PAN MACH SCR |

SWITCH BOX ASSEMBLY

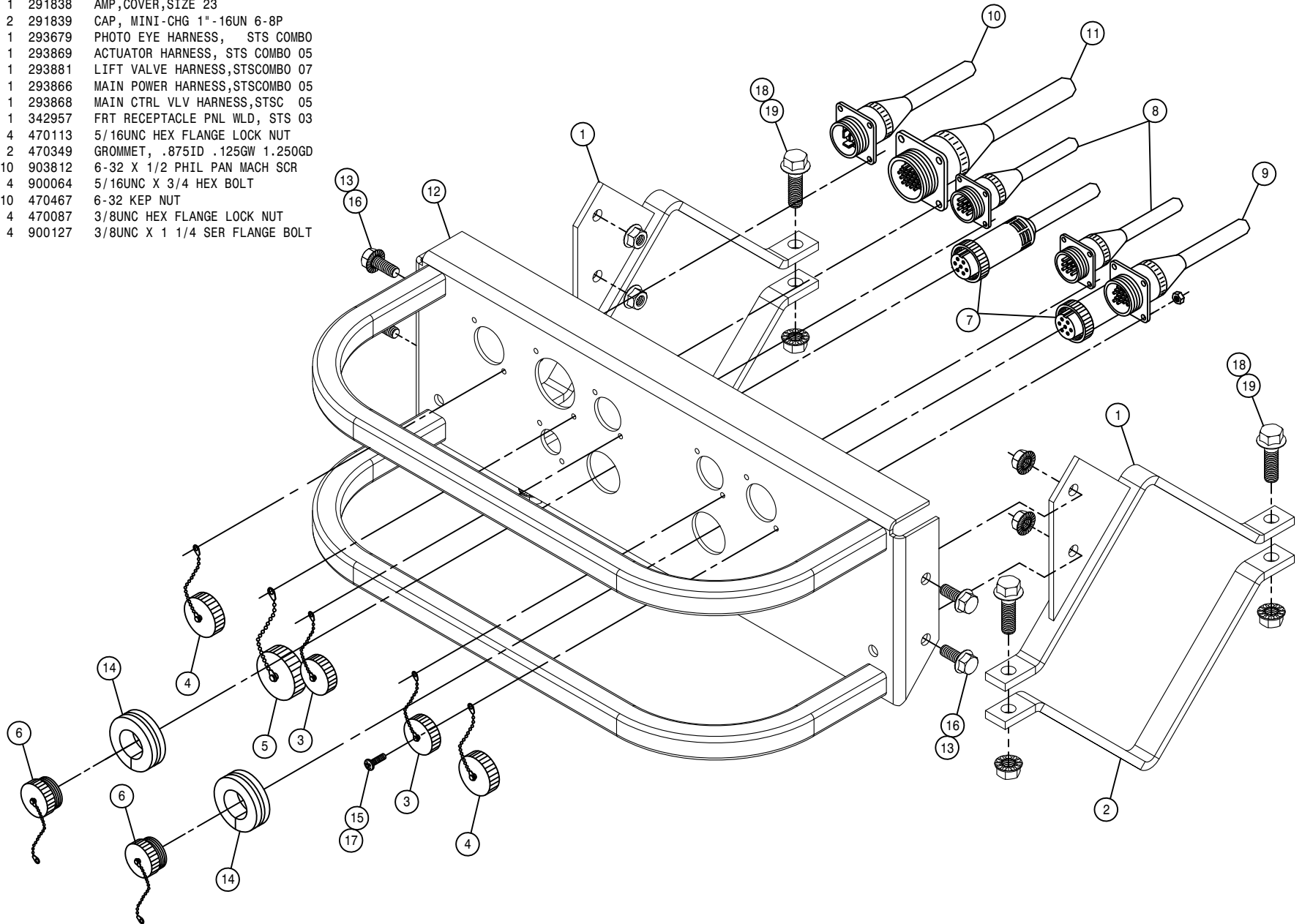
| DET. | QTY | PART NO. | DESCRIPTION                    |
|------|-----|----------|--------------------------------|
| 1    | 1   | 003200   | SWITCH BOX HOUSING WLD,STSC 05 |
| 2    | 1   | 003201   | SWITCH BOX COVER,STS COMBO 05  |
| 3    | 1   | 003202   | SWITCH BOX MT WLD,STS COMBO 05 |
| 4    | 6   | 292204   | SWITCH,SOLU TANK/NTB FLOAT,STS |
| 5    | 3   | 292220   | SWITCH,DPDT,MOM-OFF-ON,MOM-ON  |
| 6    | 3   | 292221   | SWITCH ACTUATOR FOR 292220,BLK |
| 7    | 1   | 292260   | MOUNTING TRIM, SINGLE VMS      |
| 8    | 4   | 292261   | MOUNTING TRIM,END VME          |
| 9    | 4   | 292262   | MOUNTING TRIM, MIDDLE VMM      |
| 10   | 6   | 293172   | TOGGLE SWITCH DPDT W/JUMPERS   |
| 11   | 6   | 470001   | RUBBER BOOT W NUT FOR 298012   |
| 12   | 4   | 470118   | 1/4UNC X 3/4 FLANGE HEX BOLT   |
| 13   | 4   | 470121   | 1/4UNC HEX FLANGE LOCK NUT     |
| 14   | 4   | 470384   | 10-32 NUTSERT .020-.130 STL    |
| 15   | 1   | 650127   | DECAL,STS COMBO CAB BOX 05     |
| 16   | 4   | 903710   | 10-32X5/8 PHIL PANHD MACH SCR  |
| 17   | 1   | 293373   | LS CTRL 6L DISPLAY BOX ASSY    |
| 18   | 2   | 471100   | DUAL LOCK,1.00X 1.00,MP3541/42 |

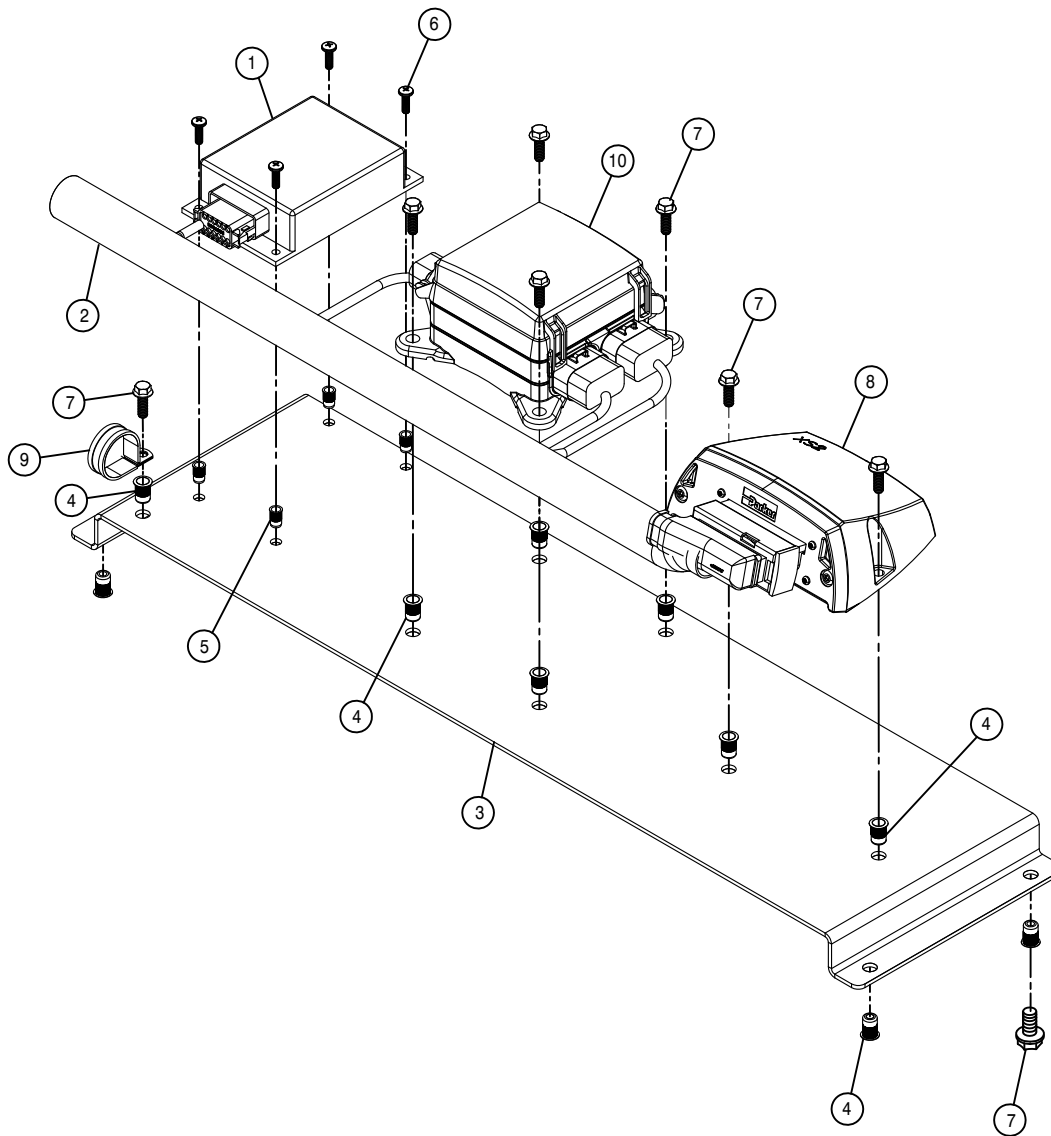


RECEPTACLE PANEL ASSEMBLY

DET. QTY PART NO. DESCRIPTION

|    |    |        |                                |    |
|----|----|--------|--------------------------------|----|
| 1  | 2  | 003077 | CPLR BRKT WLD,STS COMBO        | 07 |
| 2  | 2  | 003078 | CPLR BRKT KEEPER,STS COMBO     | 07 |
| 3  | 2  | 291688 | AMP,COVER,SIZE 13              |    |
| 4  | 2  | 291754 | AMP RECEPTACLE CAP, 17-SHELL   |    |
| 5  | 1  | 291838 | AMP,COVER,SIZE 23              |    |
| 6  | 2  | 291839 | CAP, MINI-CHG 1"-16UN 6-8P     |    |
| 7  | 1  | 293679 | PHOTO EYE HARNESS, STS COMBO   |    |
| 8  | 1  | 293869 | ACTUATOR HARNESS, STS COMBO 05 |    |
| 9  | 1  | 293881 | LIFT VALVE HARNESS,STSCOMBO 07 |    |
| 10 | 1  | 293866 | MAIN POWER HARNESS,STSCOMBO 05 |    |
| 11 | 1  | 293868 | MAIN CTRL VLV HARNESS,STSC 05  |    |
| 12 | 1  | 342957 | FRT RECEPTACLE PNL WLD, STS 03 |    |
| 13 | 4  | 470113 | 5/16UNC HEX FLANGE LOCK NUT    |    |
| 14 | 2  | 470349 | GROMMET, .875ID .125GW 1.250GD |    |
| 15 | 10 | 903812 | 6-32 X 1/2 PHIL PAN MACH SCR   |    |
| 16 | 4  | 900064 | 5/16UNC X 3/4 HEX BOLT         |    |
| 17 | 10 | 470467 | 6-32 KEP NUT                   |    |
| 18 | 4  | 470087 | 3/8UNC HEX FLANGE LOCK NUT     |    |
| 19 | 4  | 900127 | 3/8UNC X 1 1/4 SER FLANGE BOLT |    |

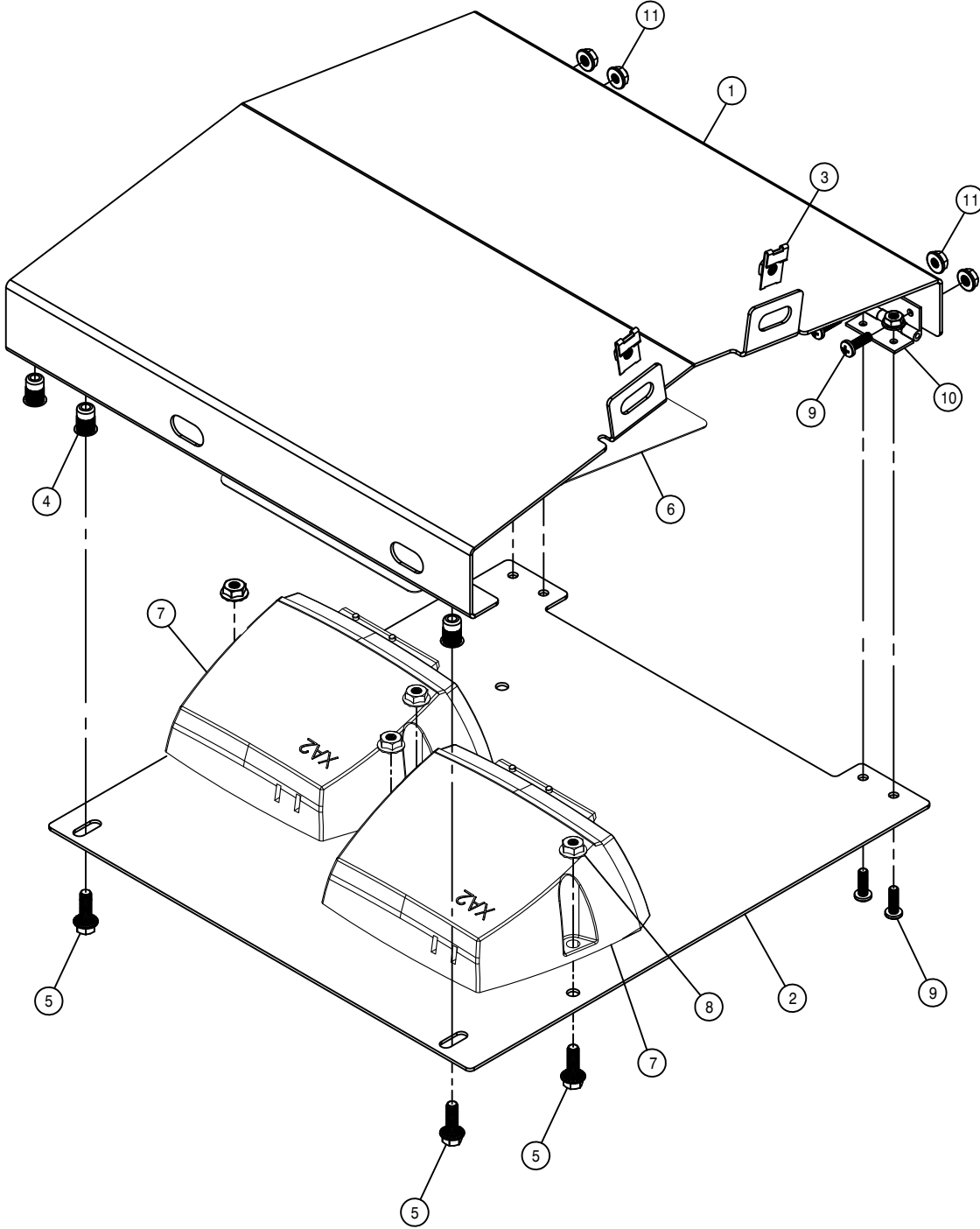




FLASHER AND LIGHT RELAY PANEL

DET. QTY PART NO. DESCRIPTION

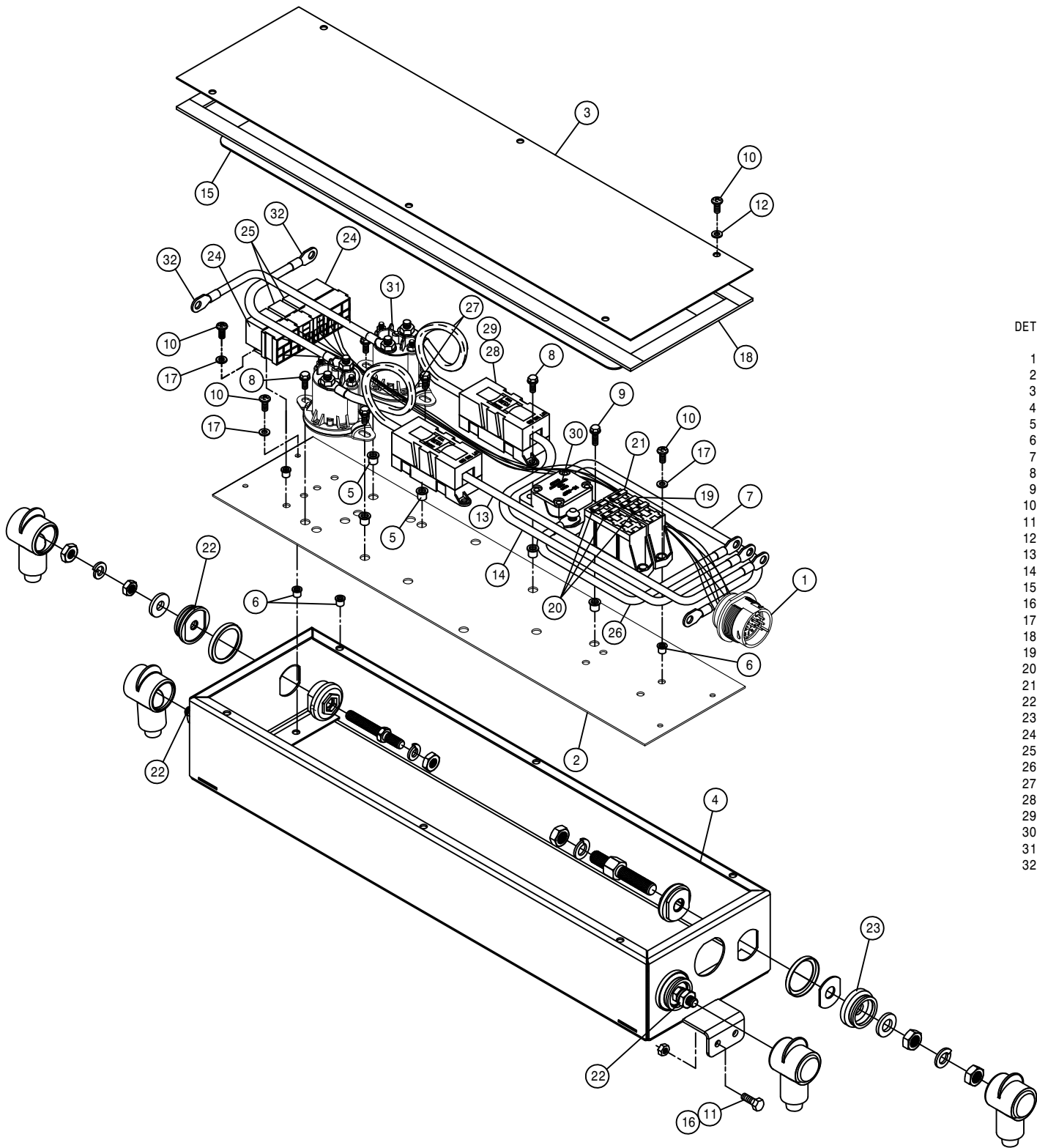
|    |    |        |                                  |
|----|----|--------|----------------------------------|
| 1  | 1  | 291910 | FLASHER, SOLID STATE, 12V        |
| 2  | 1  | 294155 | LIGHT FLASHER HARNESS STS' 12    |
| 3  | 1  | 343693 | FLASHER/LIGHT RELAY PLT, STS' 12 |
| 4  | 4  | 470380 | 1/4-20 NUTSERT .027-.165 STL     |
| 5  | 4  | 470384 | 10-32 NUTSERT .020-.130 STL      |
| 6  | 4  | 903710 | 10-32X5/8 PHIL PANHD MACH SCR    |
| 7  | 12 | 470118 | 1/4UNC X 3/4 FLANGE HEX BOLT     |
| 8  | 1  | 292016 | IQAN-XA2 MODULE                  |
| 9  | 2  | 520102 | CUSH CLAMP, #20 1 1/4D X 1/2W    |
| 10 | 1  | 290093 | FUSE/RELAY MODULE, BUSS1717-0S   |



REAR ELECTRICAL BOX ASSEMBLY

| DET. | QTY | PART NO. | DESCRIPTION                   |
|------|-----|----------|-------------------------------|
|      | 1   | 343577   | TOP LH REAR ELECT BOX, STS 06 |
|      | 1   | 343578   | BOT LH REAR ELECT BOX, STS 06 |
|      | 2   | 470218   | 1/4UNC NUT J-TYPE CAGE CLIP   |
|      | 4   | 470380   | 1/4-20 NUTSERT .027-.165 STL  |
|      | 6   | 470118   | 1/4UNC X 3/4 FLANGE HEX BOLT  |
|      | 1   | 650402   | DECAL,REAR CHASSIS MODULE '12 |
|      | 2   | 292016   | IQAN-XA2 MODULE               |
|      | 4   | 470121   | 1/4UNC HEX FLANGE LOCK NUT    |
|      | 8   | 903710   | 10-32X5/8 PHIL PANHD MACH SCR |
|      | 2   | 470198   | HINGE 146-035                 |
|      | 8   | 470175   | 10-32 HEX FLANGE LOCK NUT     |

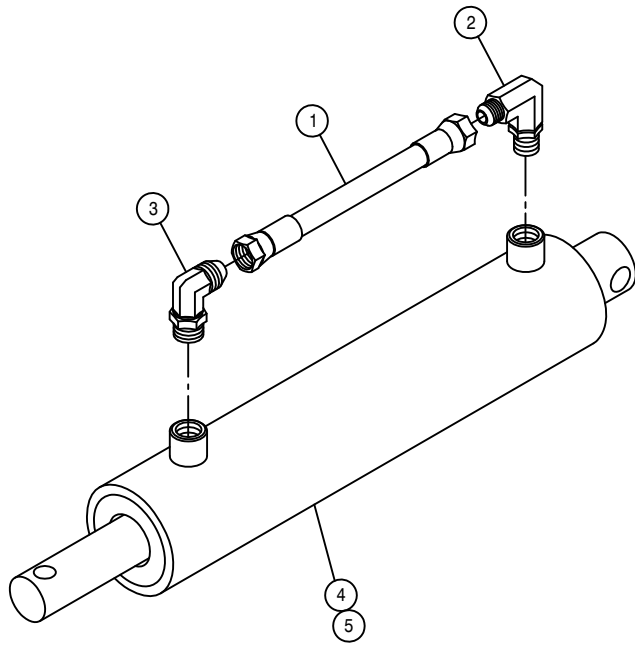




ENGINE ELECTRICAL BOX ASSEMBLY

DET. QTY PART NO. DESCRIPTION

|    |     |        |                                |
|----|-----|--------|--------------------------------|
| 1  | 1   | 293936 | ENG ELECT BOX HARNESS,STS '10  |
| 2  | 1   | 342960 | ENG BOX MT PANEL, STS '04      |
| 3  | 1   | 342961 | ENG BOX COVER, STS '04         |
| 4  | 1   | 343703 | ENG BOX WLD, STS '11           |
| 5  | 10  | 470380 | 1/4-20 NUTSERT .027-.165 STL   |
| 6  | 18  | 470384 | 10-32 NUTSERT .020-.130 STL    |
| 7  | 1   | 292538 | BATT CABLE,RED 15*6GA 281-406  |
| 8  | 8   | 470122 | 1/4UNC X 1/2 FLANGE HEX BOLT   |
| 9  | 2   | 470118 | 1/4UNC X 3/4 FLANGE HEX BOLT   |
| 10 | 18  | 903710 | 10-32X5/8 PHIL PANHD MACH SCR  |
| 11 | 4   | 900002 | 1/4UNC X 3/4 HEX BOLT          |
| 12 | 6   | 470351 | #10 X 1/2 BONDED SEALING WASH  |
| 13 | 1   | 292539 | BATT CABLE,RED 15*6GA 343-531  |
| 14 | 1   | 292540 | BATT CABLE,RED 19*6GA 343-531  |
| 15 | 1   | 650234 | DECAL,ENG ELECTRIC BOX,STS '10 |
| 16 | 4   | 914000 | 1/4UNC HEX STOVER NUT          |
| 17 | 12  | 920510 | #10 LOCK WASHER                |
| 18 | 5.5 | 193037 | STICKERTITE 1/8 X 3/4          |
| 19 | 1   | 291549 | 30 AMP FUSE,LED 1/4"BLADE,ATC  |
| 20 | 3   | 291546 | 15 AMP FUSE,LED 1/4"BLADE,ATC  |
| 21 | 1   | 291547 | 20 AMP FUSE,LED 1/4"BLADE,ATC  |
| 22 | 3   | 291343 | POWER BUSHING,3/8" RED WTHRPRF |
| 23 | 1   | 291344 | POWER BUSHING,1/2" RED WTHRPRF |
| 24 | 2   | 291751 | RELAY,SPDT,BKT MT,DIODE,5T     |
| 25 | 2   | 291781 | MICRO RELAY, BOSCH 12V SPDT    |
| 26 | 1   | 292537 | BATT CABLE,RED 12*6GA 281-531  |
| 27 | 2   | 291806 | BATT CABLE,RED 11*6GA.343-.343 |
| 28 | 2   | 291813 | FUSE, 125 AMP 32V DC           |
| 29 | 2   | 291814 | FUSE HOLDER, HIGH AMP          |
| 30 | 1   | 292501 | CIRCUIT BREAKER,120 AMP, BUSS  |
| 31 | 2   | 292505 | MASTER CONTROL RELAY           |
| 32 | 2   | 292536 | BATT CABLE,RED 10*6GA 343-406  |

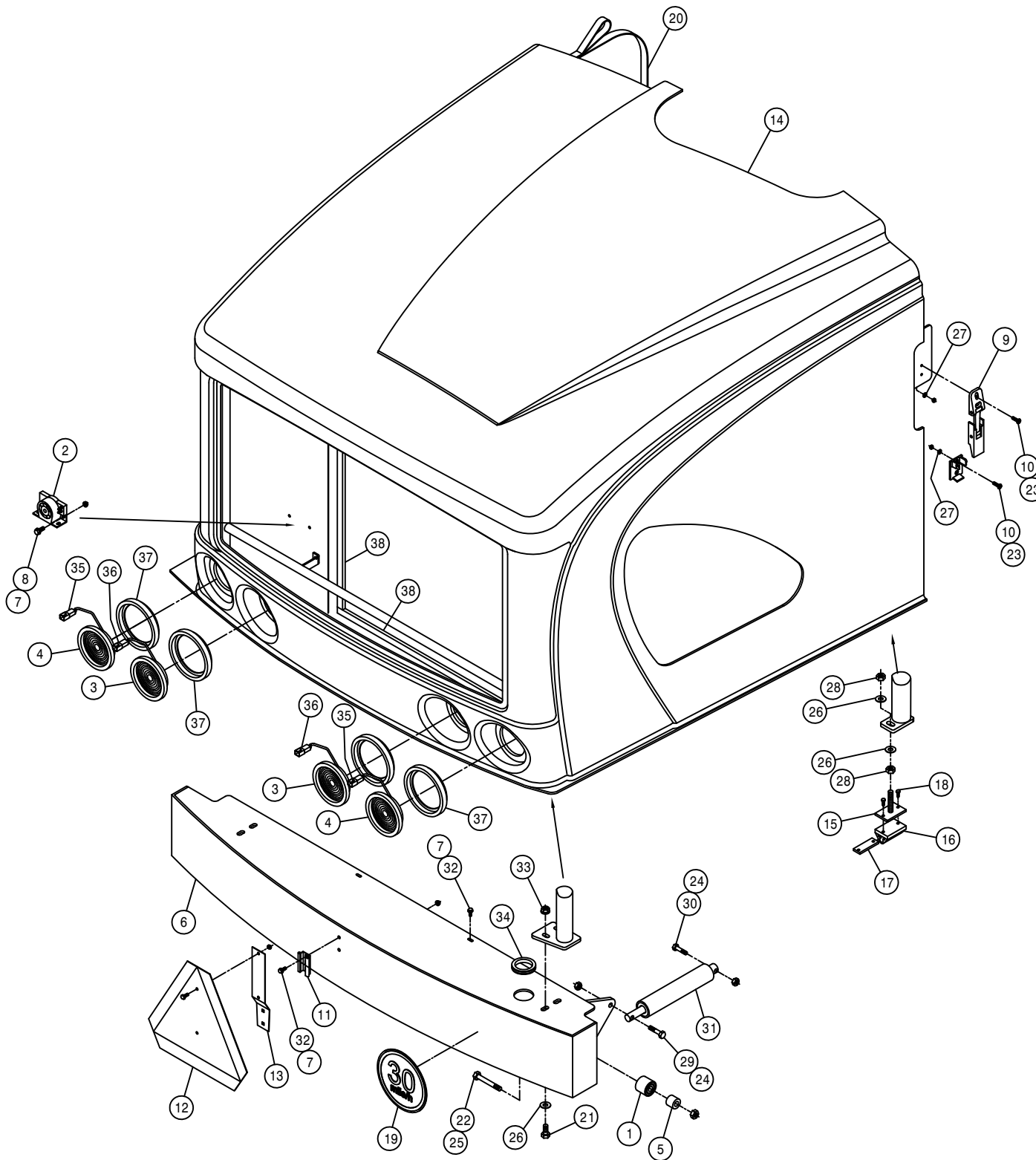


HOOD HYDRAULIC CYLINDER ASSEMBLY

DET. QTY PART NO. DESCRIPTION

|   |   |        |                                |     |
|---|---|--------|--------------------------------|-----|
| 1 | 1 | 616246 | 04-451TC-06FJX-06FJX-10        | H/A |
| 2 | 1 | 618119 | 9/16MJIC-90-9/16MOR LBO        |     |
| 3 | 1 | 618689 | 9/16MJ-90-9/16MOR .042 CHK VLV |     |
| 4 | 1 | 621530 | HYD CYL, 2.00 X 6.00 X 1.000   |     |
| 5 | 1 | 621531 | SUB>621521:KIT, HYD CYL 621530 |     |

NOTE: 1. 621077 - HOOD HYDRAULIC CYLINDER ASSEMBLY



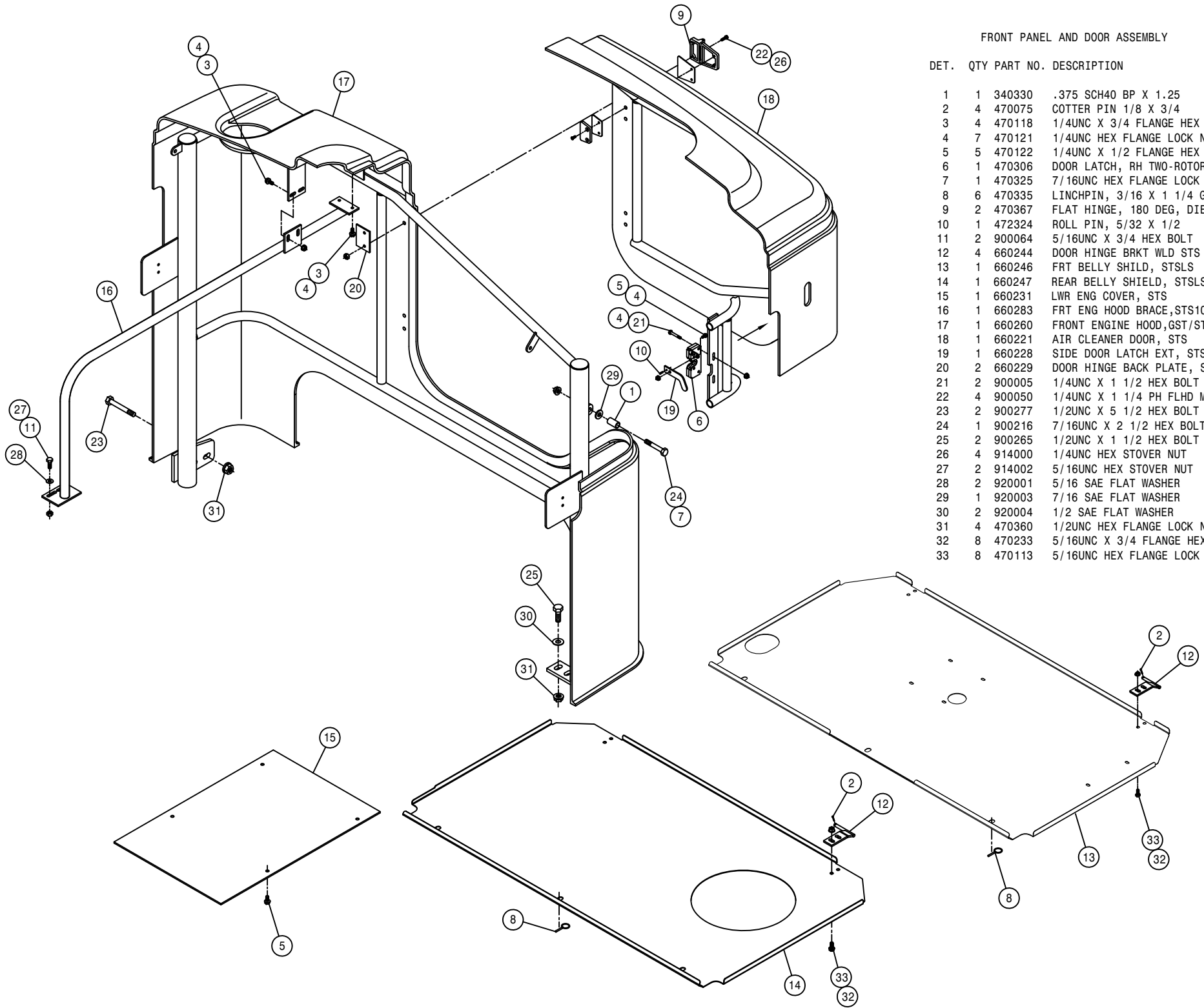
BUMPER AND REAR HOOD ASSEMBLY

| DET. | QTY | PART NO. | DESCRIPTION                            |
|------|-----|----------|--|
|      | 1   | 2        | 125056 TRACK ROLLER,2.00 OD, .625 BORE |
|      | 2   | 1        | 290061 ALARM,BACKUP 107DBA LT DUTY     |
|      | 3   | 2        | 290201 RED LED STT 3 DIODE LAMP        |
|      | 4   | 2        | 290200 AMBER LED STT 3 DIODE LAMP      |
|      | 5   | 2        | 361679 BUMPER PIVOT BRG SPACER,STS 04  |
|      | 6   | 1        | 361680 REAR BUMPER WLD, STS 04         |
|      | 7   | 6        | 470121 1/4UNC HEX FLANGE LOCK NUT      |
|      | 8   | 2        | 470122 1/4UNC X 1/2 FLANGE HEX BOLT    |
|      | 9   | 2        | 470368 LATCH W/KEEPER, FLEXIBLE LEVER  |
|      | 10  | 8        | 903710 10-32X5/8 PHIL PANHD MACH SCR   |
|      | 11  | 1        | 472251 MTG SOCKET FOR 472249 SMV SIGN  |
|      | 12  | 1        | 472249 SLOW MOVING VEHICLE SIGN, SMV   |
|      | 13  | 1        | 472250 SPADE MTG BRKT FOR 472249 SMV   |
|      | 14  | 1        | 660222 REAR ENGINE HOOD, STS 04        |
|      | 15  | 2        | 660224 ENG HOOD BUMPER WLD, STS 04     |
|      | 16  | 2        | 660226 ENG HOOD BUMPER, STS 04         |
|      | 17  | 2        | 660227 ENG HOOD BUMPER KEEPER, STS 04  |
|      | 18  | 4        | 900003 1/4UNC X 1" HEX BOLT            |
|      | 19  | 1        | 650223 DECAL,30MPH ID SYMBOL, VINYL    |
|      | 20  | 1        | 660230 ENG HOOD PULL STRAP ASSY,STS04  |
|      | 21  | 4        | 900265 1/2UNC X 1 1/2 HEX BOLT         |
|      | 22  | 2        | 900341 5/8UNC X 3 3/4 HEX BOLT         |
|      | 23  | 8        | 910027 10-32 HEX NUT                   |
|      | 24  | 2        | 473007 1/2UNC HEX NUT, NYLOC           |
|      | 25  | 2        | 914010 5/8UNC HEX STOVER NUT           |
|      | 26  | 8        | 920004 1/2 SAE FLAT WASHER             |
|      | 27  | 8        | 920510 #10 LOCK WASHER                 |
|      | 28  | 4        | 910008 1/2UNC HEX NUT                  |
|      | 29  | 1        | 900267 1/2UNC X 2" HEX BOLT            |
|      | 30  | 1        | 900268 1/2UNC X 2 1/2 HEX BOLT         |
|      | 31  | 1        | 621077 HOOD HYD CYL ASSY, STS 04       |
|      | 32  | 4        | 470118 1/4UNC X 3/4 FLANGE HEX BOLT    |
|      | 33  | 4        | 470360 1/2UNC HEX FLANGE LOCK NUT      |
|      | 34  | 1        | 470441 GROMMET, .500ID .250GW 2.190GD  |
|      | 35  | 2        | 290202 2-WIRE PIGTAIL FOR 290200AMBER  |
|      | 36  | 2        | 290203 3-WIRE PIGTAIL FOR 290201 RED   |
|      | 37  | 4        | 290204 4" GROMMET FOR 290200 & 290201  |
|      | 38  | 2        | 193066 FOAM,1" X 1.5 X 81"ADHVE STRIP  |

FRONT PANEL AND DOOR ASSEMBLY

DET. QTY PART NO. DESCRIPTION

| DET. | QTY | PART NO. | DESCRIPTION                     |     |
|------|-----|----------|---------------------------------|-----|
| 1    | 1   | 340330   | .375 SCH40 BP X 1.25            | C/L |
| 2    | 4   | 470075   | COTTER PIN 1/8 X 3/4            |     |
| 3    | 4   | 470118   | 1/4UNC X 3/4 FLANGE HEX BOLT    |     |
| 4    | 7   | 470121   | 1/4UNC HEX FLANGE LOCK NUT      |     |
| 5    | 5   | 470122   | 1/4UNC X 1/2 FLANGE HEX BOLT    |     |
| 6    | 1   | 470306   | DOOR LATCH, RH TWO-ROTOR        |     |
| 7    | 1   | 470325   | 7/16UNC HEX FLANGE LOCK NUT     |     |
| 8    | 6   | 470335   | LINCHPIN, 3/16 X 1 1/4 GRIP     |     |
| 9    | 2   | 470367   | FLAT HINGE, 180 DEG, DIECAST    |     |
| 10   | 1   | 472324   | ROLL PIN, 5/32 X 1/2            |     |
| 11   | 2   | 900064   | 5/16UNC X 3/4 HEX BOLT          |     |
| 12   | 4   | 660244   | DOOR HINGE BRKT WLD STS LS      | 06  |
| 13   | 1   | 660246   | FRT BELLY SHILD, STSLS          | 06  |
| 14   | 1   | 660247   | REAR BELLY SHIELD, STSLS        | 06  |
| 15   | 1   | 660231   | LWR ENG COVER, STS              | 04  |
| 16   | 1   | 660283   | FRT ENG HOOD BRACE, STS10/12'12 |     |
| 17   | 1   | 660260   | FRONT ENGINE HOOD, GST/STS      | 09  |
| 18   | 1   | 660221   | AIR CLEANER DOOR, STS           | 04  |
| 19   | 1   | 660228   | SIDE DOOR LATCH EXT, STS        | 04  |
| 20   | 2   | 660229   | DOOR HINGE BACK PLATE, STS      | 04  |
| 21   | 2   | 900005   | 1/4UNC X 1 1/2 HEX BOLT         |     |
| 22   | 4   | 900050   | 1/4UNC X 1 1/4 PH FLHD MAC SCR  |     |
| 23   | 2   | 900277   | 1/2UNC X 5 1/2 HEX BOLT         |     |
| 24   | 1   | 900216   | 7/16UNC X 2 1/2 HEX BOLT        |     |
| 25   | 2   | 900265   | 1/2UNC X 1 1/2 HEX BOLT         |     |
| 26   | 4   | 914000   | 1/4UNC HEX STOVER NUT           |     |
| 27   | 2   | 914002   | 5/16UNC HEX STOVER NUT          |     |
| 28   | 2   | 920001   | 5/16 SAE FLAT WASHER            |     |
| 29   | 1   | 920003   | 7/16 SAE FLAT WASHER            |     |
| 30   | 2   | 920004   | 1/2 SAE FLAT WASHER             |     |
| 31   | 4   | 470360   | 1/2UNC HEX FLANGE LOCK NUT      |     |
| 32   | 8   | 470233   | 5/16UNC X 3/4 FLANGE HEX BOLT   |     |
| 33   | 8   | 470113   | 5/16UNC HEX FLANGE LOCK NUT     |     |

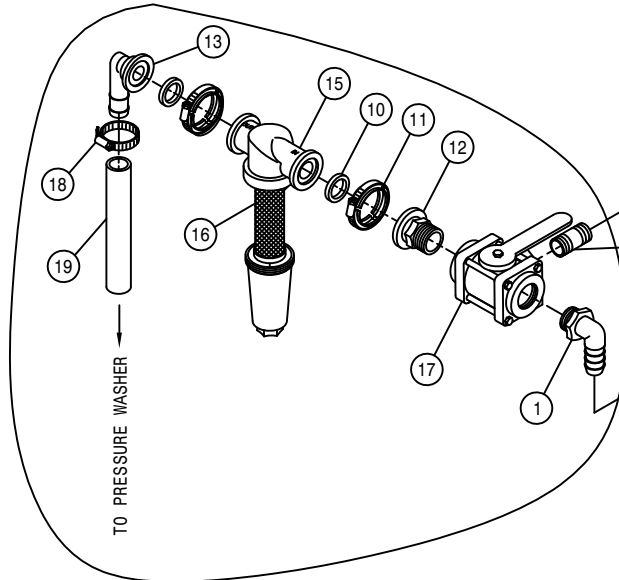


POLY RINSE TANK ASSEMBLY

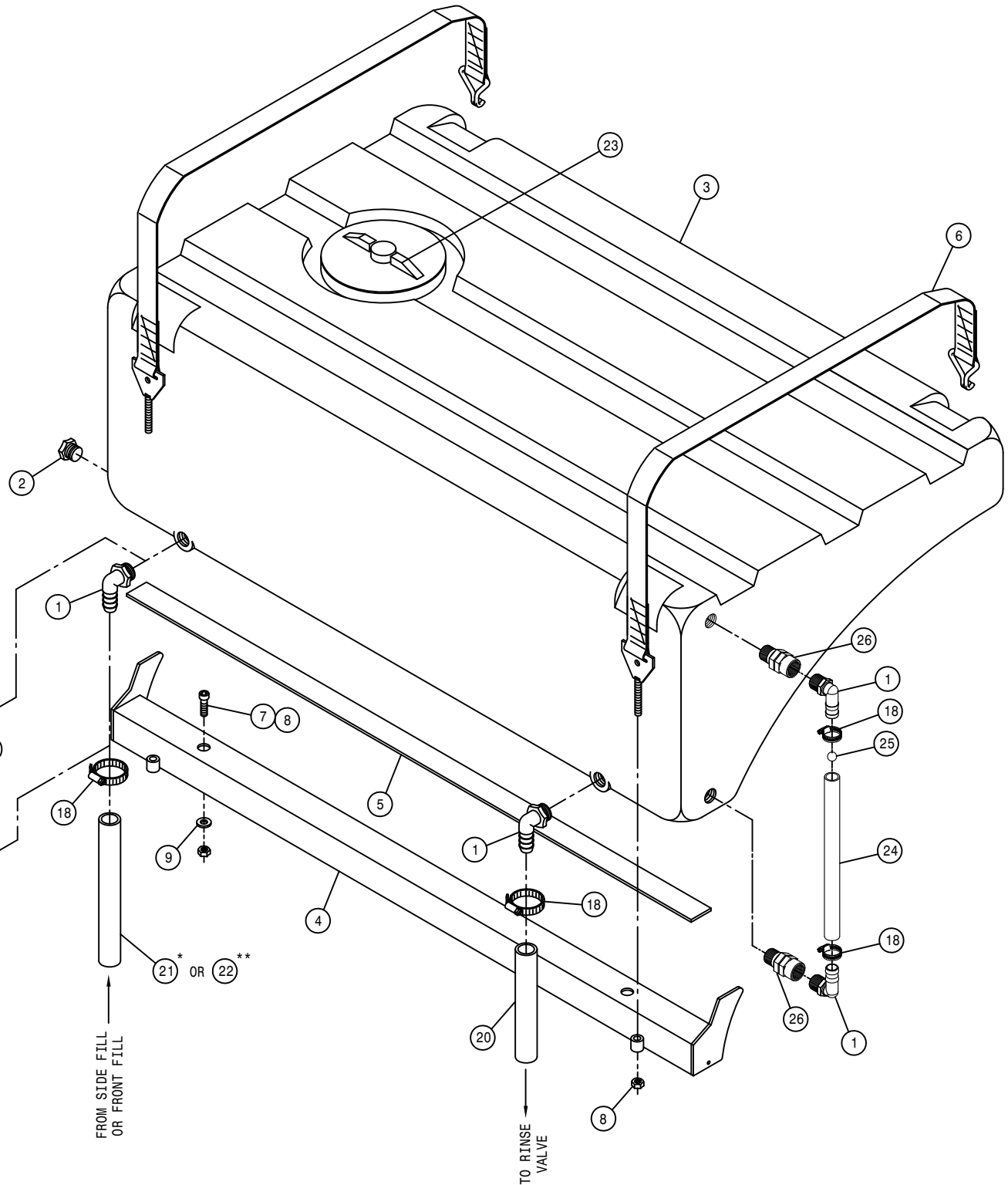
DET. QTY PART NO. DESCRIPTION

|    |   |        |                                |
|----|---|--------|--------------------------------|
| 1  | 5 | 500024 | 1"NPT-90-1"HOSE BARB, POLY     |
| 2  | 1 | 500063 | 1"NPT PIPE PLUG, POLY          |
| 3  | 1 | 763740 | 100 GAL POLY TANK, GRAY '11    |
| 4  | 1 | 763590 | POLY RINSE TANK MT WLD STS12   |
| 5  | 1 | 763594 | POLY RINSE TANK MT PAD STS12   |
| 6  | 2 | 763595 | POLY RINSE TNK STRAP ASSY STS  |
| 7  | 2 | 900392 | 1/2UNC X 1 1/2 SOCKET CAP SCR  |
| 8  | 4 | 914008 | 1/2UNC HEX STOVER NUT          |
| 9  | 2 | 920004 | 1/2 SAE FLAT WASHER            |
| 10 | 2 | 500157 | 1" FLANGE GASKET EPDM          |
| 11 | 2 | 500159 | 1" FLANGE CLAMP, S.S.          |
| 12 | 1 | 500163 | 1" FLANGE-1" MNPT ADPTR POLY   |
| 13 | 1 | 500173 | 1" FLANGE-90-1" HOSE BARB POLY |
| 14 | 1 | 505198 | SS PIPE NIPPLE 1.00NPT-3.00    |
| 15 | 1 | 690660 | LINE T-STRAINER,1"FLG,W/O SCR  |
| 16 | 1 | 690669 | 100 MESH SCREEN FOR 690660     |
| 17 | 1 | 696004 | BALL VLV,1.00NP 3WAY-SIDE POLY |
| 18 | 5 | 520090 | HOSE CLAMP NO 16 STAINLESS     |
| 19 | 1 | 601522 | HOSE, 1 X 204 1BR BLK EPDM     |
| 20 | 1 | 601492 | HOSE, 1 X 37 1BR BLK EPDM      |
| 21 | 1 | 601497 | HOSE, 1 X 206 1BR BLK EPDM     |
| 22 | 1 | 601318 | HOSE, 1 X 254 1BR BLK EPDM     |
| 23 | 1 | 701155 | 8" LID FOR 5 GAL TANK 701085   |
| 24 | 1 | 601742 | HOSE, 1" X 16 CLEAR VINYL      |
| 25 | 1 | 763623 | GREEN POLYPROPYLENE BALL .750" |
| 26 | 2 | 500107 | 1"NPT SWIVEL POLY              |

NOTE \* FRONT FILL OPTION  
\*\* SIDE FILL OPTION



PRESSURE WASHER OPTION

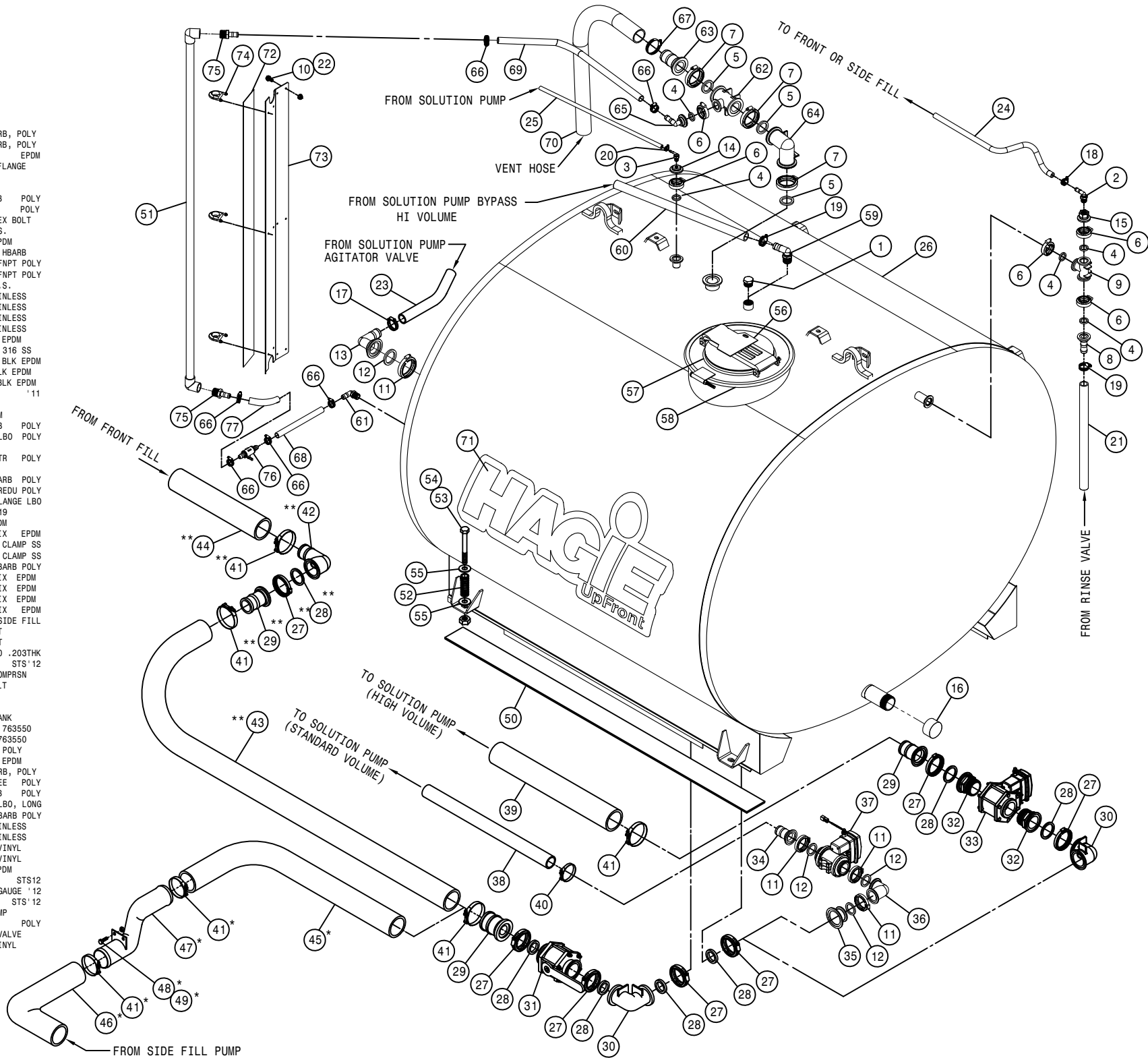


1200 GALLON SS TANK ASSEMBLY

DET. QTY PART NO. DESCRIPTION

|    |   |        |                                  |
|----|---|--------|----------------------------------|
| 1  | 1 | 500063 | 1" NPT PIPE PLUG, POLY           |
| 2  | 1 | 500047 | 1/2 NPT-90-1/2 HOSE BARB, POLY   |
| 3  | 1 | 500104 | 1/4 NPT-90-1/4 HOSE BARB, POLY   |
| 4  | 6 | 500157 | 1" FLANGE GASKET EPDM            |
| 5  | 3 | 500158 | 1 1/2" GASKET FOR 2" FLANGE      |
| 6  | 6 | 500159 | 1" FLANGE CLAMP, S.S.            |
| 7  | 3 | 500160 | 2" FLANGE CLAMP, S.S.            |
| 8  | 1 | 500171 | 1" FLANGE-1" HOSE BARB POLY      |
| 9  | 1 | 500175 | 1" FLANGE TEE POLY               |
| 10 | 3 | 470118 | 1/4 UNC X 3/4 FLANGE HEX BOLT    |
| 11 | 4 | 500194 | 2" FP FLANGE CLAMP, S.S.         |
| 12 | 4 | 500195 | 2" FP FLANGE GASKET EPDM         |
| 13 | 1 | 500197 | 2" FP FLANGE-90-1 1/2 HBARB      |
| 14 | 1 | 500226 | 1" FLANGE PLUG W/1/4" FNPT POLY  |
| 15 | 1 | 500238 | 1" FLANGE PLUG W/1/2" FNPT POLY  |
| 16 | 1 | 507103 | PIPE CAP, 2.00 FNPT S.S.         |
| 17 | 1 | 520067 | HOSE CLAMP NO 28 STAINLESS       |
| 18 | 1 | 520070 | HOSE CLAMP NO 8 STAINLESS        |
| 19 | 2 | 520090 | HOSE CLAMP NO 16 STAINLESS       |
| 20 | 1 | 520120 | HOSE CLAMP NO 4 STAINLESS        |
| 21 | 1 | 601704 | HOSE, 1 X 140 1BR BLK EPDM       |
| 22 | 3 | 470089 | 1/4 UNC HEX NYLOC NUT, 316 SS    |
| 23 | 1 | 601591 | HOSE, 1 1/2 X 53 2BR BLK EPDM    |
| 24 | 1 | 601676 | HOSE, 1/2 X 270 1BR BLK EPDM     |
| 25 | 1 | 601674 | HOSE, 1/4 X 120 1 BR BLK EPDM    |
| 26 | 1 | 763726 | 1200 GAL SS TANK '11             |
| 27 | 7 | 500208 | 3" FLANGE CLAMP, S.S.            |
| 28 | 7 | 500209 | 3" FLANGE GASKET EPDM            |
| 29 | 3 | 500210 | 3" FLANGE-3" HOSE BARB POLY      |
| 30 | 2 | 500213 | 3" FLANGE-90-3" FLANGE LBO POLY  |
| 31 | 1 | 696149 | BALL VLV, 3" FLANGE              |
| 32 | 2 | 500164 | 3" FLANGE-3" MNPT ADPTR POLY     |
| 33 | 1 | 696268 | VALVE, 3" KZCO                   |
| 34 | 1 | 500196 | 2" FP FLANGE-2" HOSE BARB POLY   |
| 35 | 1 | 500212 | 3" FLANGE-2" FP FLANGE REDU POLY |
| 36 | 1 | 500219 | 2" FP FLANGE-90-2" FP FLANGE LBO |
| 37 | 1 | 696258 | VALVE, KZCO C21-60B-Y19          |
| 38 | 1 | 601573 | HOSE, 2 X 48 2F-1W EPDM          |
| 39 | 1 | 601663 | HOSE, 3 X 50 POLY HELIX EPDM     |
| 40 | 1 | 520141 | 2.31/2.62 T-BOLT HOSE CLAMP SS   |
| 41 | 6 | 520145 | 3.56/3.88 T-BOLT HOSE CLAMP SS   |
| 42 | 1 | 500211 | 3" FLANGE-90-3" HOSE BARB POLY   |
| 43 | 1 | 601508 | HOSE, 3 X 64 POLY HELIX EPDM     |
| 44 | 1 | 601680 | HOSE, 3 X 91 POLY HELIX EPDM     |
| 45 | 1 | 601574 | HOSE, 3 X 36 POLY HELIX EPDM     |
| 46 | 1 | 601664 | HOSE, 3 X 55 POLY HELIX EPDM     |
| 47 | 1 | 690731 | SOLU TUBE, 3.00 S.S. SIDE FILL   |
| 48 | 2 | 900064 | 5/16 UNC X 3/4 HEX BOLT          |
| 49 | 2 | 914002 | 5/16 UNC HEX STOVER NUT          |
| 50 | 2 | 470321 | IND BELT, 4.00 X 67.00 .203THK   |
| 51 | 1 | 763811 | SIGHT GAUGE TUBE ASSY STS' 12    |
| 52 | 4 | 482016 | SPRING, 1.40 X 3.00 COMPRSN      |
| 53 | 4 | 900416 | 3/4 UNC X 6 1/2 HEX BOLT         |
| 54 | 4 | 914012 | 3/4 UNC HEX STOVER NUT           |
| 55 | 8 | 920006 | 3/4 SAE FLAT WASHER              |
| 56 | 1 | 763561 | LID ASSY FOR 763550 TANK         |
| 57 | 1 | 763562 | 10" FILL LID SEAL FOR 763550     |
| 58 | 1 | 763563 | 16" MANHOLE SEAL FOR 763550      |
| 59 | 1 | 500024 | 1" NPT-90-1" HOSE BARB, POLY     |
| 60 | 1 | 601682 | HOSE, 1 X 111 2BR BLK EPDM       |
| 61 | 1 | 500054 | 3/4 NPT-90-3/4 HOSE BARB, POLY   |
| 62 | 1 | 500150 | 2" FLANGE-1" BRANCH TEE POLY     |
| 63 | 1 | 500154 | 2" FLANGE-2" HOSE BARB POLY      |
| 64 | 1 | 500180 | 2" FLANGE-90-2" FLANGE LBO, LONG |
| 65 | 1 | 500185 | 1" FLANGE-90-3/4" HOSE BARB POLY |
| 66 | 6 | 520055 | HOSE CLAMP NO 12 STAINLESS       |
| 67 | 1 | 520068 | HOSE CLAMP NO 32 STAINLESS       |
| 68 | 1 | 601767 | HOSE, 3/4 X 16 CLEAR VINYL       |
| 69 | 1 | 601728 | HOSE, 3/4 X 60 CLEAR VINYL       |
| 70 | 1 | 601743 | HOSE, 2 X 113 2F-1W EPDM         |
| 71 | 2 | 650144 | DECAL, LOGO, SOLU TANK STS' 12   |
| 72 | 1 | 650406 | DECAL, 1200G SS SIGHT GAUGE '12  |
| 73 | 1 | 763808 | SIGHT GAUGE SUPPORT STS' 12      |
| 74 | 3 | 470572 | 1.31 ID U-BOLT HUB CLAMP         |
| 75 | 2 | 500108 | 1" NPT-3/4" HOSE BARB POLY       |
| 76 | 1 | 696193 | 3/4" HOSE BARB MICRO VALVE       |
| 77 | 1 | 601766 | HOSE, 3/4 X 4 CLEAR VINYL        |

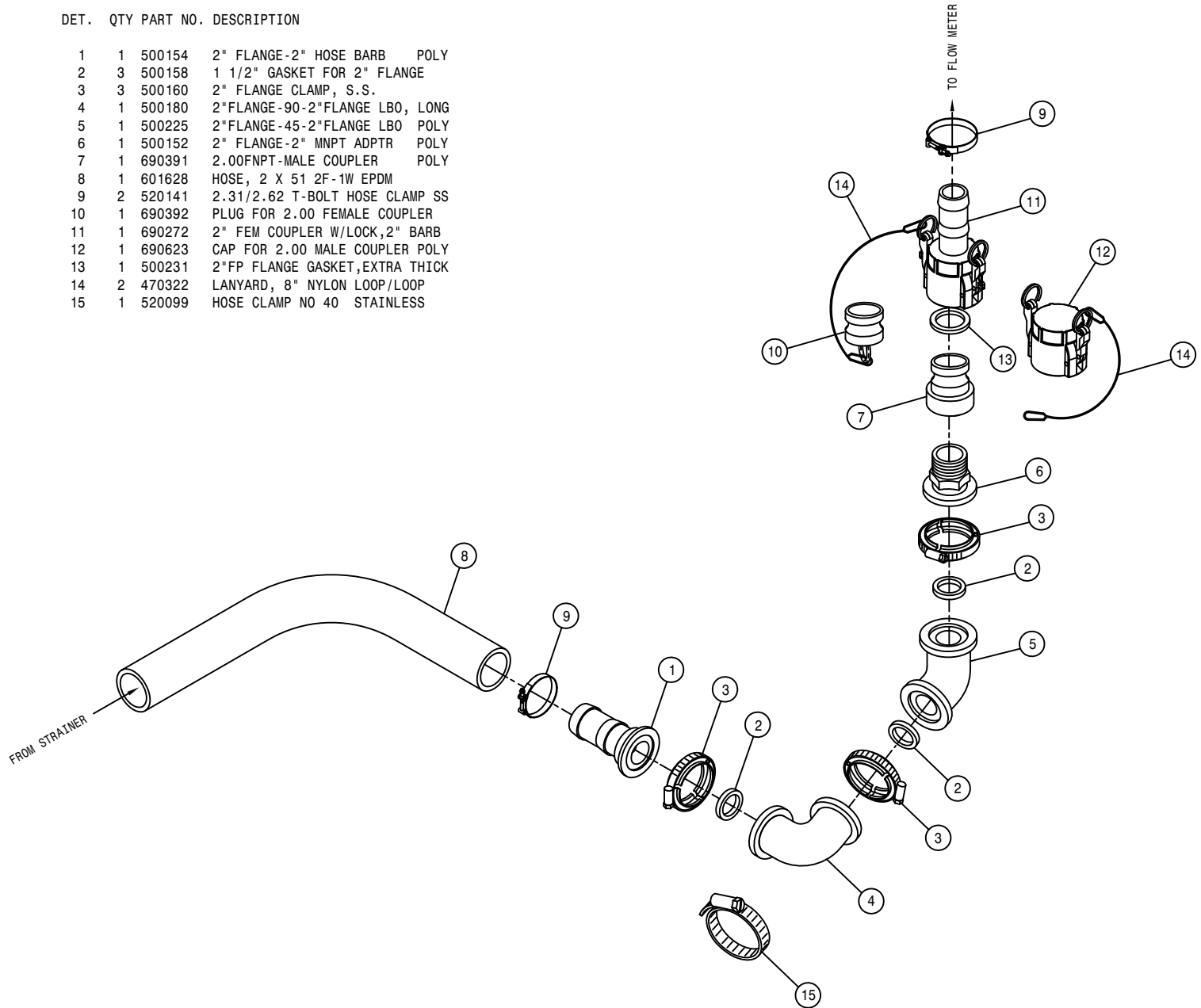
NOTE: ITEMS (\*) ARE USED WITH THE SIDE FILL OPTION  
ITEMS (\*\*) ARE USED WITH THE FRONT FILL OPTION

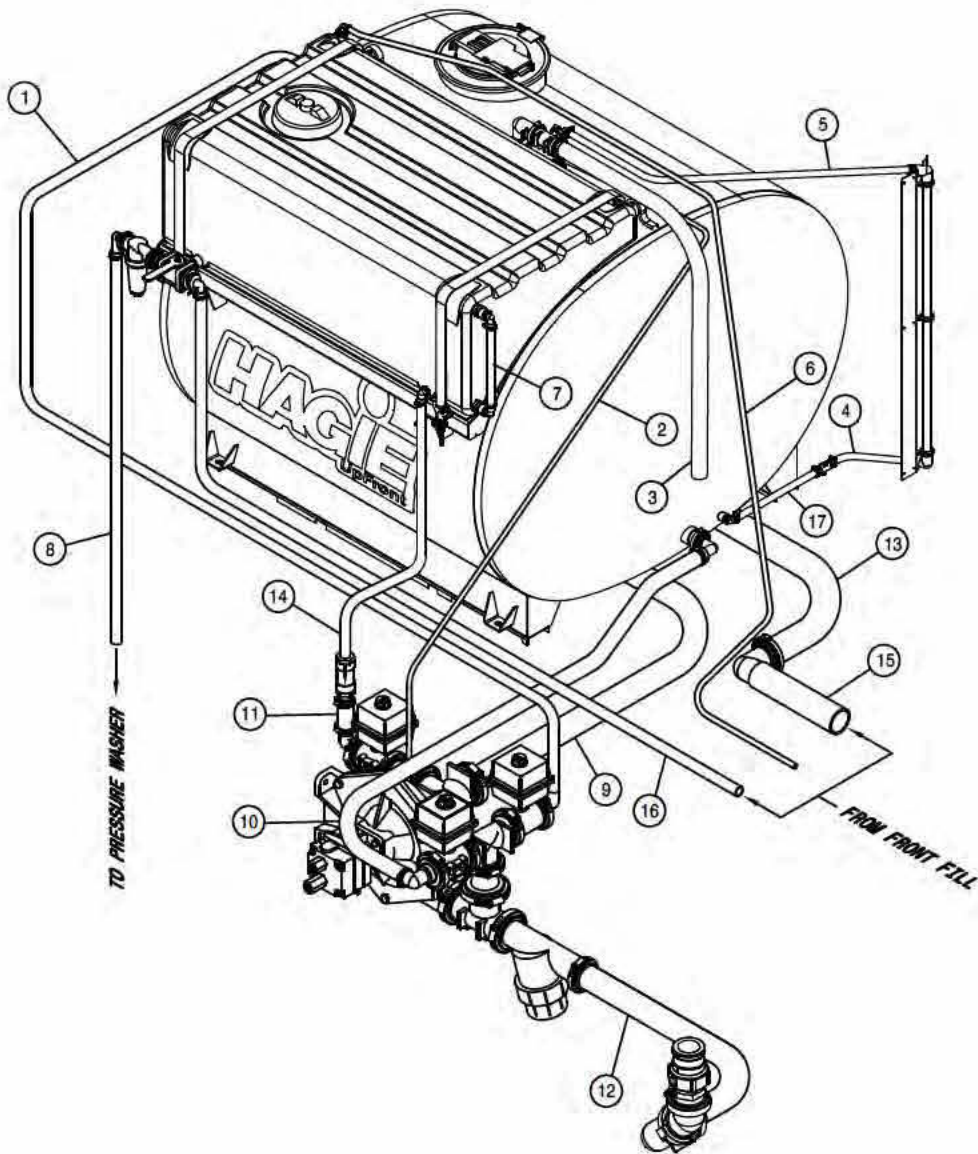


QUICK COUPLER ASSEMBLY

DET. QTY PART NO. DESCRIPTION

|    |   |        |                                |      |
|----|---|--------|--------------------------------|------|
| 1  | 1 | 500154 | 2" FLANGE-2" HOSE BARB         | POLY |
| 2  | 3 | 500158 | 1 1/2" GASKET FOR 2" FLANGE    |      |
| 3  | 3 | 500160 | 2" FLANGE CLAMP, S.S.          |      |
| 4  | 1 | 500180 | 2"FLANGE-90-2"FLANGE LBO, LONG |      |
| 5  | 1 | 500225 | 2"FLANGE-45-2"FLANGE LBO       | POLY |
| 6  | 1 | 500152 | 2" FLANGE-2" MNPT ADPTR        | POLY |
| 7  | 1 | 690391 | 2.00FNPT-MALE COUPLER          | POLY |
| 8  | 1 | 601628 | HOSE, 2 X 51 2F-1W EPDM        |      |
| 9  | 2 | 520141 | 2.31/2.62 T-BOLT HOSE CLAMP SS |      |
| 10 | 1 | 690392 | PLUG FOR 2.00 FEMALE COUPLER   |      |
| 11 | 1 | 690272 | 2" FEM COUPLER W/LOCK,2" BARB  |      |
| 12 | 1 | 690623 | CAP FOR 2.00 MALE COUPLER POLY |      |
| 13 | 1 | 500231 | 2"FP FLANGE GASKET,EXTRA THICK |      |
| 14 | 2 | 470322 | LANYARD, 8" NYLON LOOP/LOOP    |      |
| 15 | 1 | 520099 | HOSE CLAMP NO 40 STAINLESS     |      |



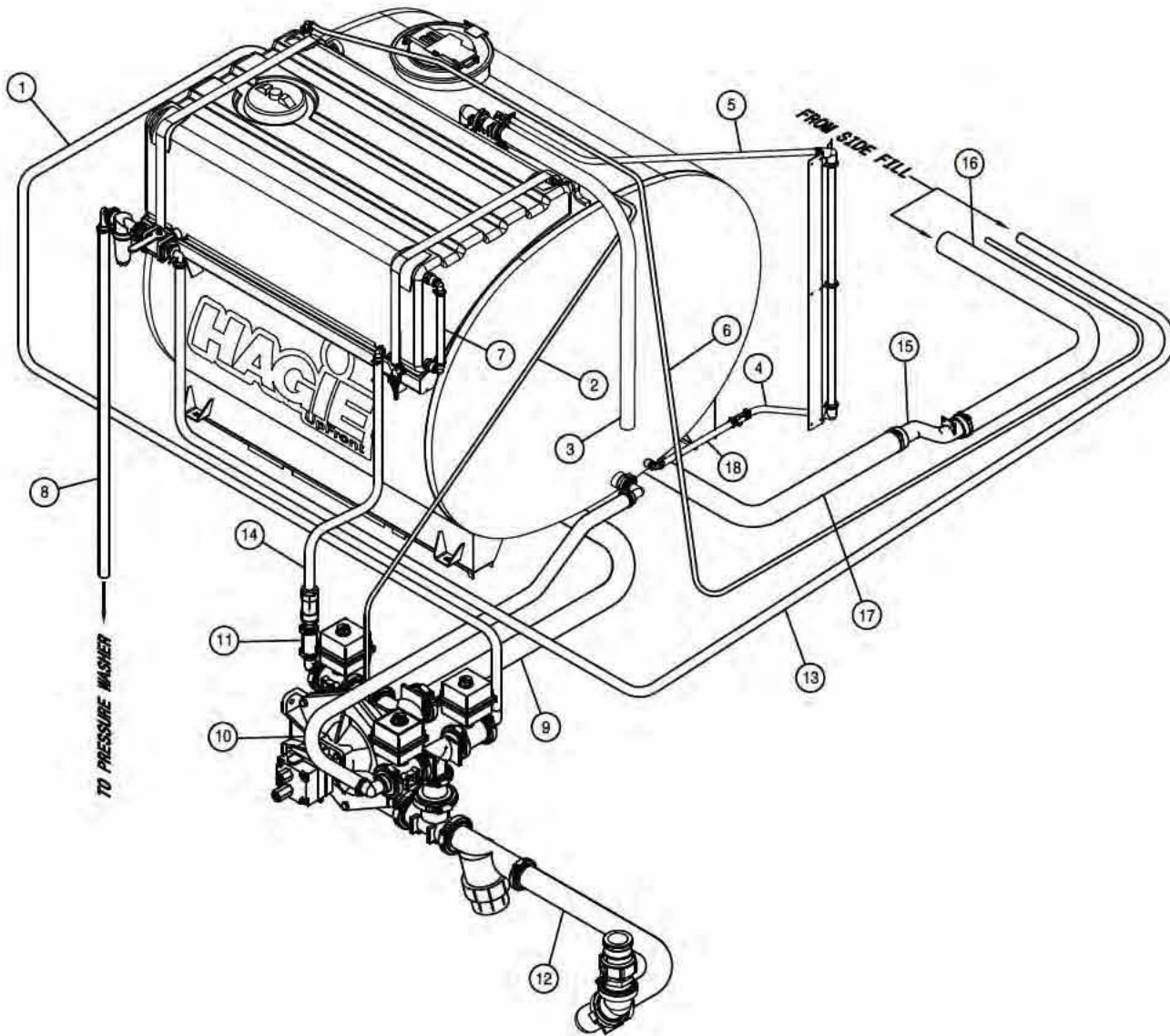


FRONT FILL SOLUTION HOISING (STD-VOLUME)

DET. QTY PART NO. DESCRIPTION

| DET. | QTY | PART NO. | DESCRIPTION                   |
|------|-----|----------|-------------------------------|
| 1    | 1   | 601704   | HOSE, 1 X 140 1BR BLK EPDM    |
| 2    | 1   | 601674   | HOSE, 1/4 X 120 1 BR BLK EPDM |
| 3    | 1   | 601743   | HOSE, 2 X 113 2F-1W EPDM      |
| 4    | 1   | 601766   | HOSE, 3/4 X 4 CLEAR VINYL     |
| 5    | 1   | 601728   | HOSE, 3/4 X 60 CLEAR VINYL    |
| 6    | 1   | 601676   | HOSE, 1/2 X 270 1BR BLK EPDM  |
| 7    | 1   | 601742   | HOSE, 1" X 16 CLEAR VINYL     |
| 8    | 1   | 601522   | HOSE, 1 X 204 1BR BLK EPDM    |
| 9    | 1   | 601573   | HOSE, 2 X 48 2F-1W EPDM       |
| 10   | 1   | 601591   | HOSE, 1 1/2 X 53 2BR BLK EPDM |
| 11   | 1   | 601590   | HOSE, 1 X 6 1BR BLK EPDM      |
| 12   | 1   | 601628   | HOSE, 2 X 51 2F-1W EPDM       |
| 13   | 1   | 601508   | HOSE, 3 X 64 POLY HELIX EPDM  |
| 14   | 1   | 601492   | HOSE, 1 X 37 1BR BLK EPDM     |
| 15   | 1   | 601680   | HOSE, 3 X 91 POLY HELIX EPDM  |
| 16   | 1   | 601497   | HOSE, 1 X 206 1BR BLK EPDM    |
| 17   | 1   | 601767   | HOSE, 3/4 X 16 CLEAR VINYL    |

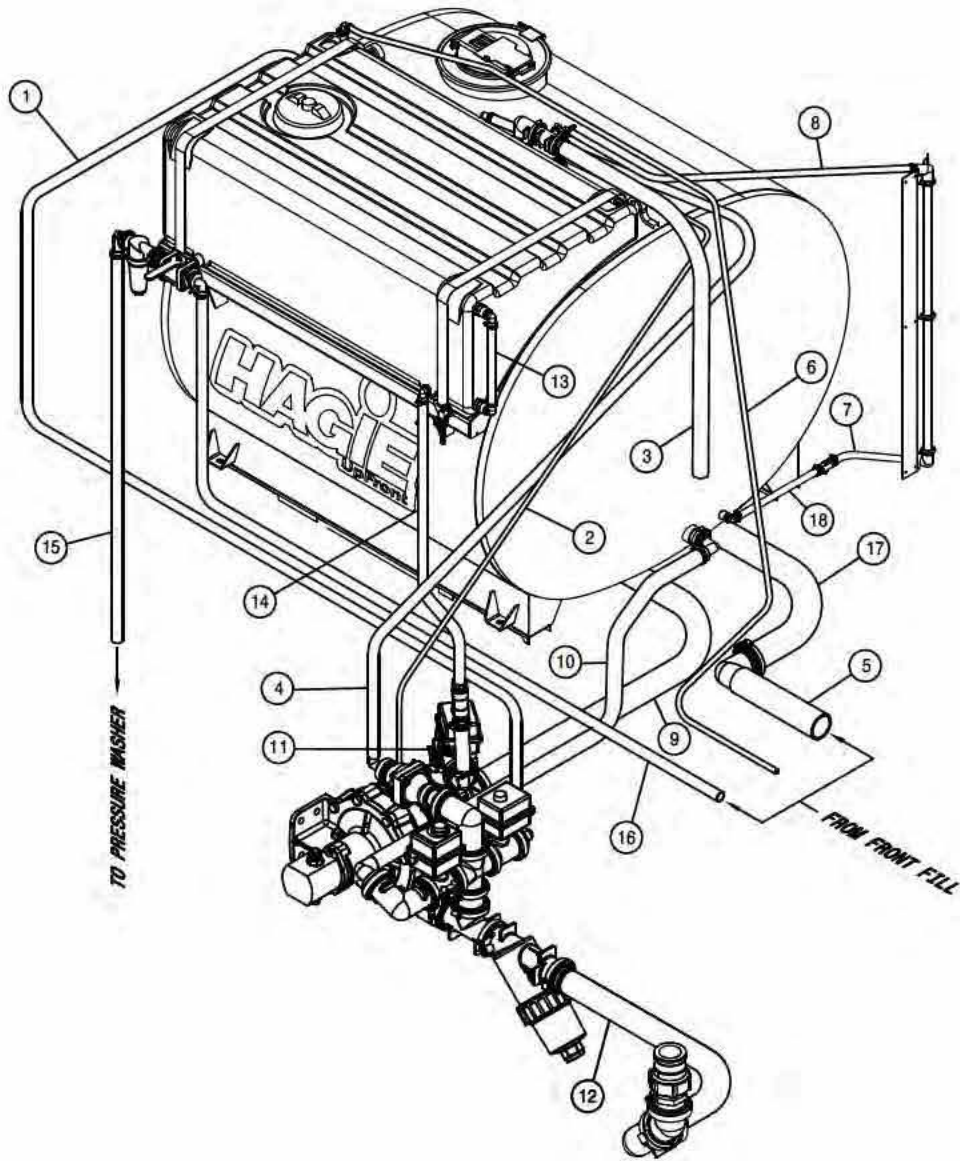




SIDE FILL SOLUTION HOISING (STD-VOLUME)

DET. QTY PART NO. DESCRIPTION

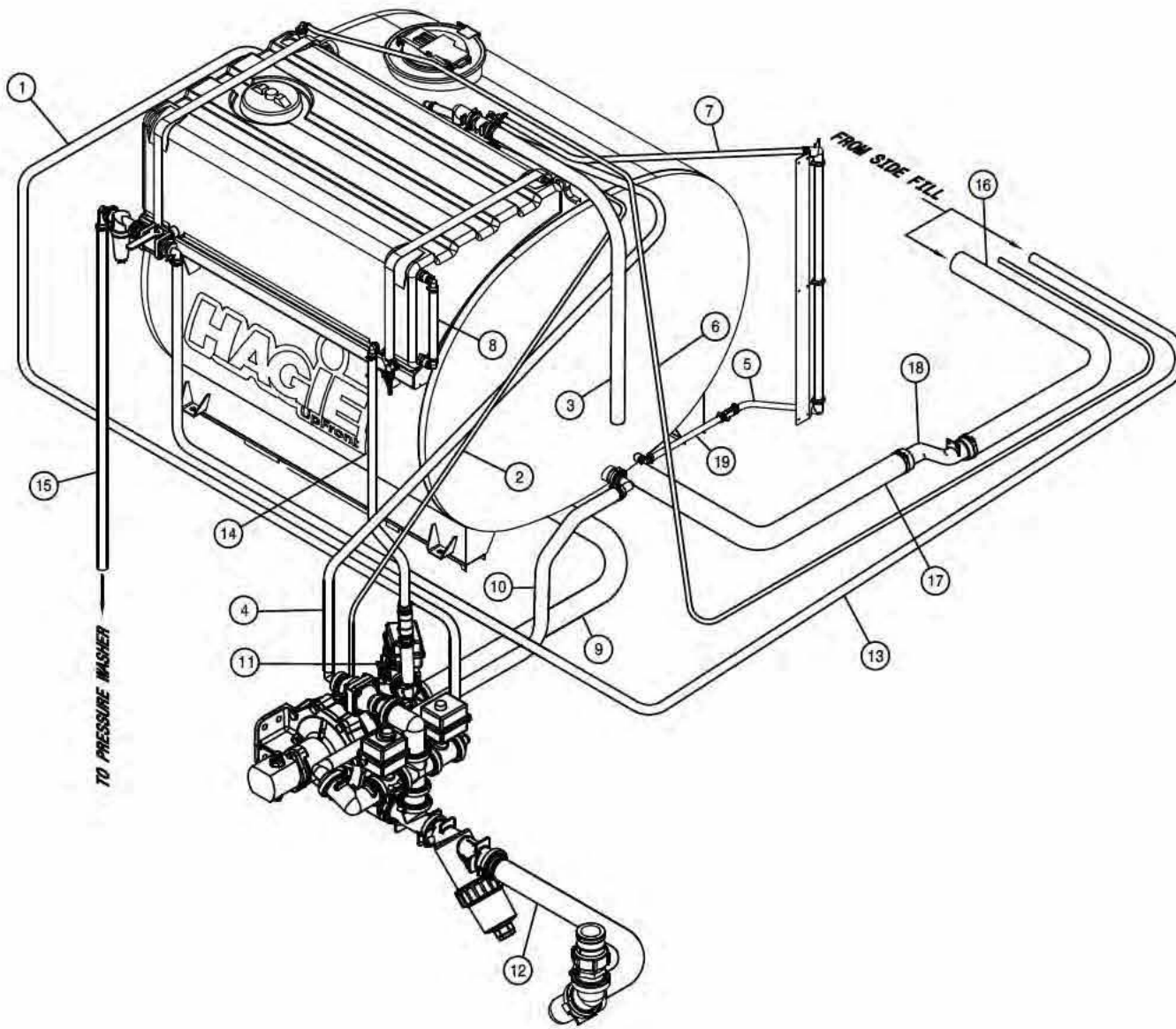
|    |   |        |                                |
|----|---|--------|--------------------------------|
| 1  | 1 | 601704 | HOSE, 1 X 140 1BR BLK EPDM     |
| 2  | 1 | 601674 | HOSE, 1/4 X 120 1 BR BLK EPDM  |
| 3  | 1 | 601743 | HOSE, 2 X 113 2F-1W EPDM       |
| 4  | 1 | 601766 | HOSE, 3/4 X 4 CLEAR VINYL      |
| 5  | 1 | 601728 | HOSE, 3/4 X 60 CLEAR VINYL     |
| 6  | 1 | 601676 | HOSE, 1/2 X 270 1BR BLK EPDM   |
| 7  | 1 | 601742 | HOSE, 1" X 16 CLEAR VINYL      |
| 8  | 1 | 601522 | HOSE, 1 X 204 1BR BLK EPDM     |
| 9  | 1 | 601573 | HOSE, 2 X 48 2F-1W EPDM        |
| 10 | 1 | 601591 | HOSE, 1 1/2 X 53 2BR BLK EPDM  |
| 11 | 1 | 601590 | HOSE, 1 X 6 1BR BLK EPDM       |
| 12 | 1 | 601628 | HOSE, 2 X 51 2F-1W EPDM        |
| 13 | 1 | 601318 | HOSE, 1 X 254 1BR BLK EPDM     |
| 14 | 1 | 601492 | HOSE, 1 X 37 1BR BLK EPDM      |
| 15 | 1 | 690731 | SOLU TUBE, 3.00 S.S. SIDE FILL |
| 16 | 1 | 601664 | HOSE, 3 X 55 POLY HELIX EPDM   |
| 17 | 1 | 601574 | HOSE, 3 X 36 POLY HELIX EPDM   |
| 18 | 1 | 601767 | HOSE, 3/4 X 16 CLEAR VINYL     |



FRONT FILL SOLUTION TANK HOSEING (HI-VOLUME)

DET. QTY PART NO. DESCRIPTION

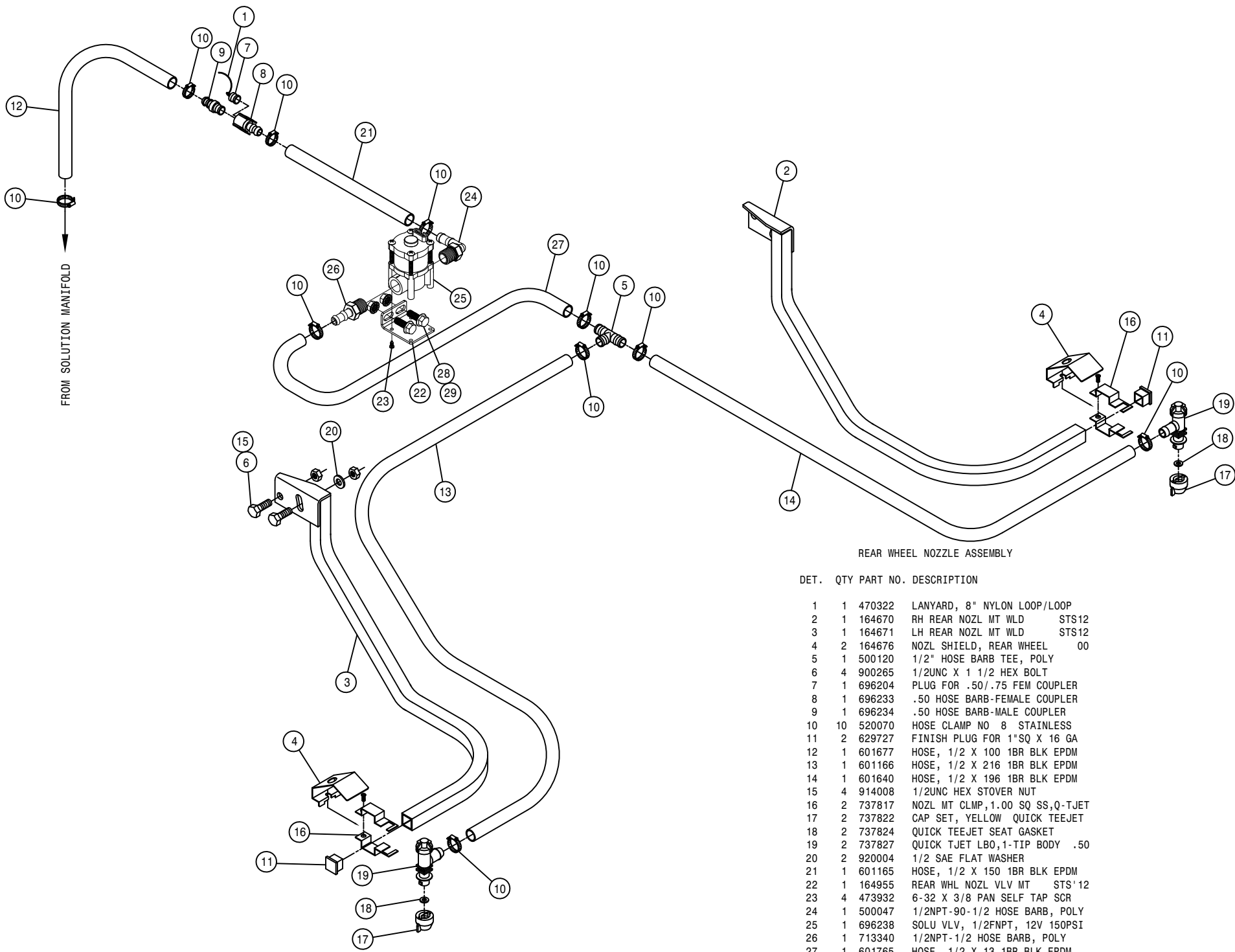
|    |   |        |                               |
|----|---|--------|-------------------------------|
| 1  | 1 | 601704 | HOSE, 1 X 140 1BR BLK EPDM    |
| 2  | 1 | 601674 | HOSE, 1/4 X 120 1 BR BLK EPDM |
| 3  | 1 | 601743 | HOSE, 2 X 113 2F-1W EPDM      |
| 4  | 1 | 601682 | HOSE, 1 X 111 2BR BLK EPDM    |
| 5  | 1 | 601680 | HOSE, 3 X 91 POLY HELIX EPDM  |
| 6  | 1 | 601676 | HOSE, 1/2 X 270 1BR BLK EPDM  |
| 7  | 1 | 601766 | HOSE, 3/4 X 4 CLEAR VINYL     |
| 8  | 1 | 601728 | HOSE, 3/4 X 60 CLEAR VINYL    |
| 9  | 1 | 601663 | HOSE, 3 X 50 POLY HELIX EPDM  |
| 10 | 1 | 601591 | HOSE, 1 1/2 X 53 2BR BLK EPDM |
| 11 | 1 | 601590 | HOSE, 1 X 6 1BR BLK EPDM      |
| 12 | 1 | 601628 | HOSE, 2 X 51 2F-1W EPDM       |
| 13 | 1 | 601742 | HOSE, 1" X 16 CLEAR VINYL     |
| 14 | 1 | 601492 | HOSE, 1 X 37 1BR BLK EPDM     |
| 15 | 1 | 601522 | HOSE, 1 X 204 1BR BLK EPDM    |
| 16 | 1 | 601497 | HOSE, 1 X 206 1BR BLK EPDM    |
| 17 | 1 | 601508 | HOSE, 3 X 64 POLY HELIX EPDM  |
| 18 | 1 | 601767 | HOSE, 3/4 X 16 CLEAR VINYL    |



SIDE FILL SOLUTION HOSEING (HI-VOLUME)

DET. QTY PART NO. DESCRIPTION

|    |   |        |                                |
|----|---|--------|--------------------------------|
| 1  | 1 | 601704 | HOSE, 1 X 140 1BR BLK EPDM     |
| 2  | 1 | 601674 | HOSE, 1/4 X 120 1 BR BLK EPDM  |
| 3  | 1 | 601743 | HOSE, 2 X 113 2F-1W EPDM       |
| 4  | 1 | 601682 | HOSE, 1 X 111 2BR BLK EPDM     |
| 5  | 1 | 601766 | HOSE, 3/4 X 4 CLEAR VINYL      |
| 6  | 1 | 601676 | HOSE, 1/2 X 270 1BR BLK EPDM   |
| 7  | 1 | 601728 | HOSE, 3/4 X 60 CLEAR VINYL     |
| 8  | 1 | 601742 | HOSE, 1" X 16 CLEAR VINYL      |
| 9  | 1 | 601663 | HOSE, 3 X 50 POLY HELIX EPDM   |
| 10 | 1 | 601591 | HOSE, 1 1/2 X 53 2BR BLK EPDM  |
| 11 | 1 | 601590 | HOSE, 1 X 6 1BR BLK EPDM       |
| 12 | 1 | 601628 | HOSE, 2 X 51 2F-1W EPDM        |
| 13 | 1 | 601318 | HOSE, 1 X 254 1BR BLK EPDM     |
| 14 | 1 | 601492 | HOSE, 1 X 37 1BR BLK EPDM      |
| 15 | 1 | 601522 | HOSE, 1 X 204 1BR BLK EPDM     |
| 16 | 1 | 601664 | HOSE, 3 X 55 POLY HELIX EPDM   |
| 17 | 1 | 601574 | HOSE, 3 X 36 POLY HELIX EPDM   |
| 18 | 1 | 690731 | SOLU TUBE, 3.00 S.S. SIDE FILL |
| 19 | 1 | 601767 | HOSE, 3/4 X 16 CLEAR VINYL     |

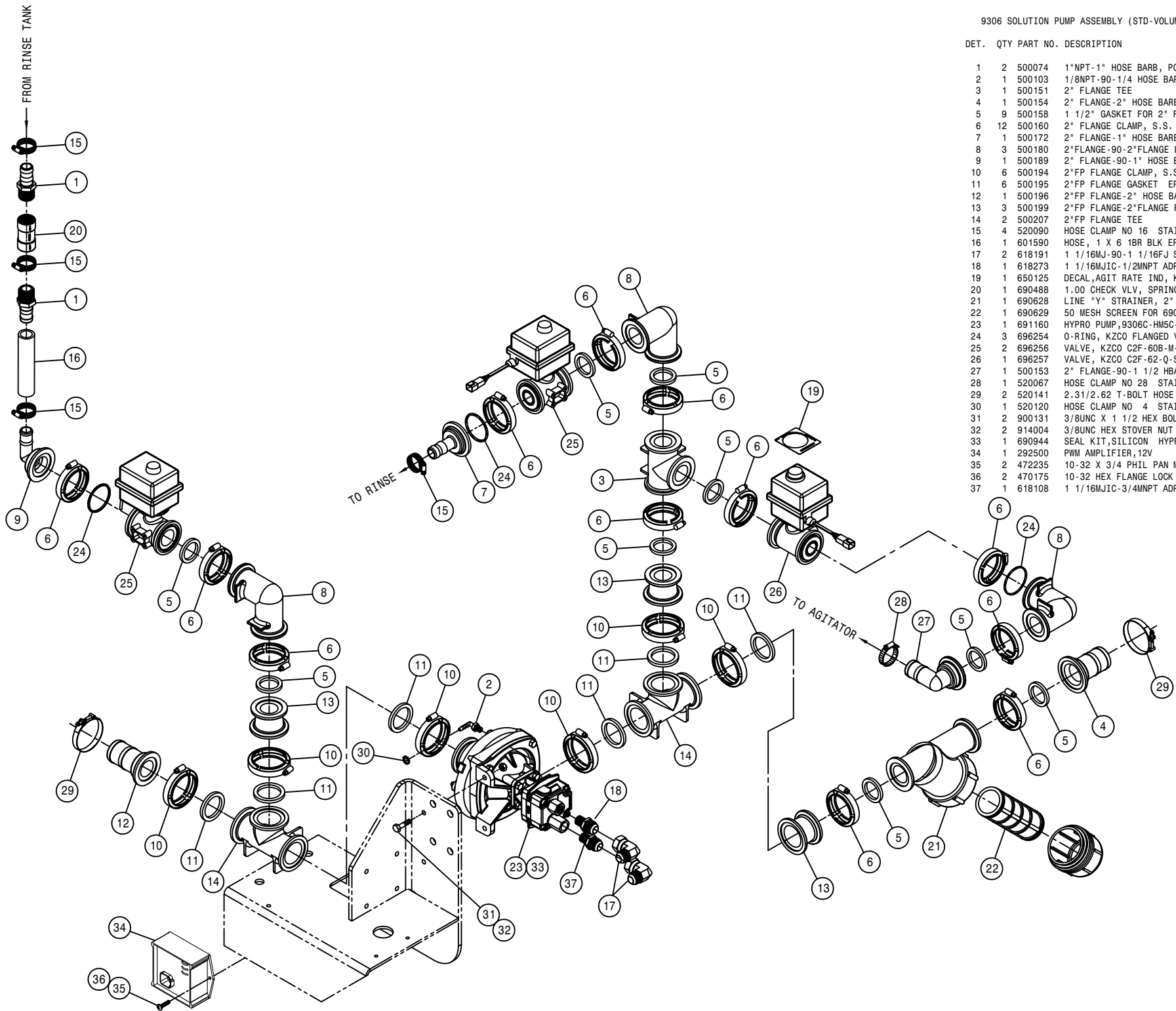


REAR WHEEL NOZZLE ASSEMBLY

| DET. | QTY | PART NO. | DESCRIPTION                    |
|------|-----|----------|--------------------------------|
|      | 1   | 470322   | LANYARD, 8" NYLON LOOP/LOOP    |
|      | 2   | 164670   | RH REAR NOZL MT WLD STS12      |
|      | 3   | 164671   | LH REAR NOZL MT WLD STS12      |
|      | 4   | 164676   | NOZL SHIELD, REAR WHEEL 00     |
|      | 5   | 500120   | 1/2" HOSE BARB TEE, POLY       |
|      | 6   | 900265   | 1/2UNC X 1 1/2 HEX BOLT        |
|      | 7   | 696204   | PLUG FOR .50/.75 FEM COUPLER   |
|      | 8   | 696233   | .50 HOSE BARB-FEMALE COUPLER   |
|      | 9   | 696234   | .50 HOSE BARB-MALE COUPLER     |
|      | 10  | 520070   | HOSE CLAMP NO 8 STAINLESS      |
|      | 11  | 629727   | FINISH PLUG FOR 1"SQ X 16 GA   |
|      | 12  | 601677   | HOSE, 1/2 X 100 1BR BLK EPDM   |
|      | 13  | 601166   | HOSE, 1/2 X 216 1BR BLK EPDM   |
|      | 14  | 601640   | HOSE, 1/2 X 196 1BR BLK EPDM   |
|      | 15  | 914008   | 1/2UNC HEX STOVER NUT          |
|      | 16  | 737817   | NOZL MT CLMP,1.00 SQ SS,Q-TJET |
|      | 17  | 737822   | CAP SET, YELLOW QUICK TEEJET   |
|      | 18  | 737824   | QUICK TEEJET SEAT GASKET       |
|      | 19  | 737827   | QUICK TJET LBO,1-TIP BODY .50  |
|      | 20  | 920004   | 1/2 SAE FLAT WASHER            |
|      | 21  | 601165   | HOSE, 1/2 X 150 1BR BLK EPDM   |
|      | 22  | 164955   | REAR WHL NOZL VLV MT STS'12    |
|      | 23  | 473932   | 6-32 X 3/8 PAN SELF TAP SCR    |
|      | 24  | 500047   | 1/2NPT-90-1/2 HOSE BARB, POLY  |
|      | 25  | 696238   | SOLU VLV, 1/2FNPT, 12V 150PSI  |
|      | 26  | 713340   | 1/2NPT-1/2 HOSE BARB, POLY     |
|      | 27  | 601765   | HOSE, 1/2 X 13 1BR BLK EPDM    |
|      | 28  | 900128   | 3/8UNC X 3/4 HEX BOLT          |
|      | 29  | 470087   | 3/8UNC HEX FLANGE LOCK NUT     |

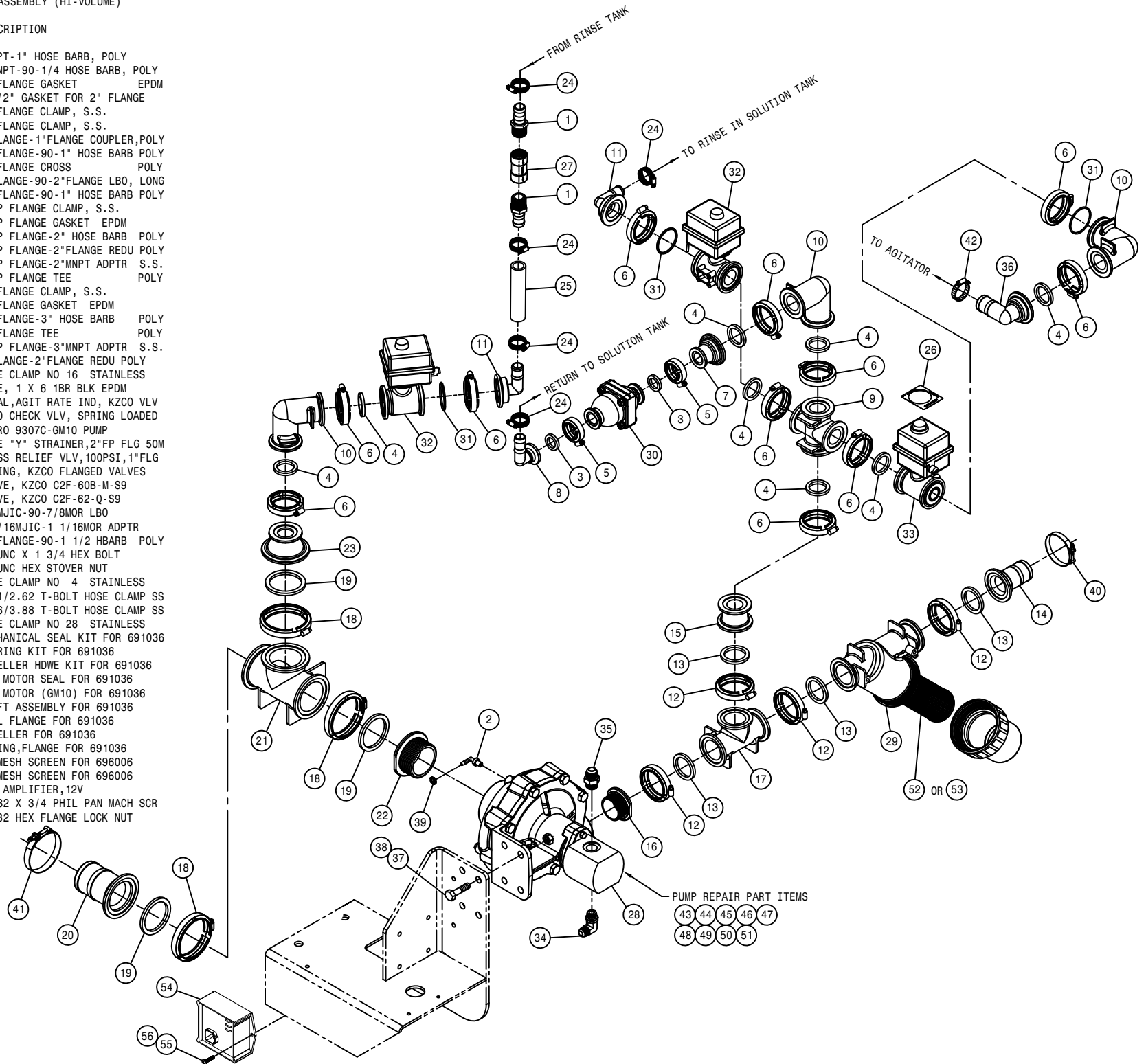
DET. QTY PART NO. DESCRIPTION

| DET. | QTY | PART NO. | DESCRIPTION                    |
|------|-----|----------|--------------------------------|
| 1    | 2   | 500074   | 1"NPT-1" HOSE BARB, POLY       |
| 2    | 1   | 500103   | 1/8NPT-90-1/4 HOSE BARB, NYLON |
| 3    | 1   | 500151   | 2" FLANGE TEE POLY             |
| 4    | 1   | 500154   | 2" FLANGE-2" HOSE BARB POLY    |
| 5    | 9   | 500158   | 1 1/2" GASKET FOR 2" FLANGE    |
| 6    | 12  | 500160   | 2" FLANGE CLAMP, S.S.          |
| 7    | 1   | 500172   | 2" FLANGE-1" HOSE BARB POLY    |
| 8    | 3   | 500180   | 2"FLANGE-90-2"FLANGE LBO, LONG |
| 9    | 1   | 500189   | 2" FLANGE-90-1" HOSE BARB POLY |
| 10   | 6   | 500194   | 2"FP FLANGE CLAMP, S.S.        |
| 11   | 6   | 500195   | 2"FP FLANGE GASKET EPDM        |
| 12   | 1   | 500196   | 2"FP FLANGE-2" HOSE BARB POLY  |
| 13   | 3   | 500199   | 2"FP FLANGE-2"FLANGE REDU POLY |
| 14   | 2   | 500207   | 2"FP FLANGE TEE POLY           |
| 15   | 4   | 520090   | HOSE CLAMP NO 16 STAINLESS     |
| 16   | 1   | 601590   | HOSE, 1 X 6 1BR BLK EPDM       |
| 17   | 2   | 618191   | 1 1/16MJ-90-1 1/16FJ SWIV LBO  |
| 18   | 1   | 618273   | 1 1/16MJIC-1/2MNPT ADPTR       |
| 19   | 1   | 650125   | DECAL, AGIT RATE IND, KZCO VLV |
| 20   | 1   | 690488   | 1.00 CHECK VLV, SPRING LOADED  |
| 21   | 1   | 690628   | LINE "Y" STRAINER, 2" FLANGE   |
| 22   | 1   | 690629   | 50 MESH SCREEN FOR 690628      |
| 23   | 1   | 691160   | HYPRO PUMP, 9306C-HMSC-BU, FLG |
| 24   | 3   | 696254   | O-RING, KZCO FLANGED VALVES    |
| 25   | 2   | 696256   | VALVE, KZCO C2F-60B-M-S9       |
| 26   | 1   | 696257   | VALVE, KZCO C2F-62-0-S9        |
| 27   | 1   | 500153   | 2" FLANGE-90-1 1/2 HBARB POLY  |
| 28   | 1   | 520067   | HOSE CLAMP NO 28 STAINLESS     |
| 29   | 2   | 520141   | 2.31/2.62 T-BOLT HOSE CLAMP SS |
| 30   | 1   | 520120   | HOSE CLAMP NO 4 STAINLESS      |
| 31   | 2   | 900131   | 3/8UNC X 1 1/2 HEX BOLT        |
| 32   | 2   | 914004   | 3/8UNC HEX STOVER NUT          |
| 33   | 1   | 690944   | SEAL KIT, SILICON HYPRO 690906 |
| 34   | 1   | 292500   | PWM AMPLIFIER, 12V             |
| 35   | 2   | 472235   | 10-32 X 3/4 PHIL PAN MACH SCR  |
| 36   | 2   | 470175   | 10-32 HEX FLANGE LOCK NUT      |
| 37   | 1   | 618108   | 1 1/16MJIC-3/4MNPT ADPTR       |



DET. QTY PART NO. DESCRIPTION

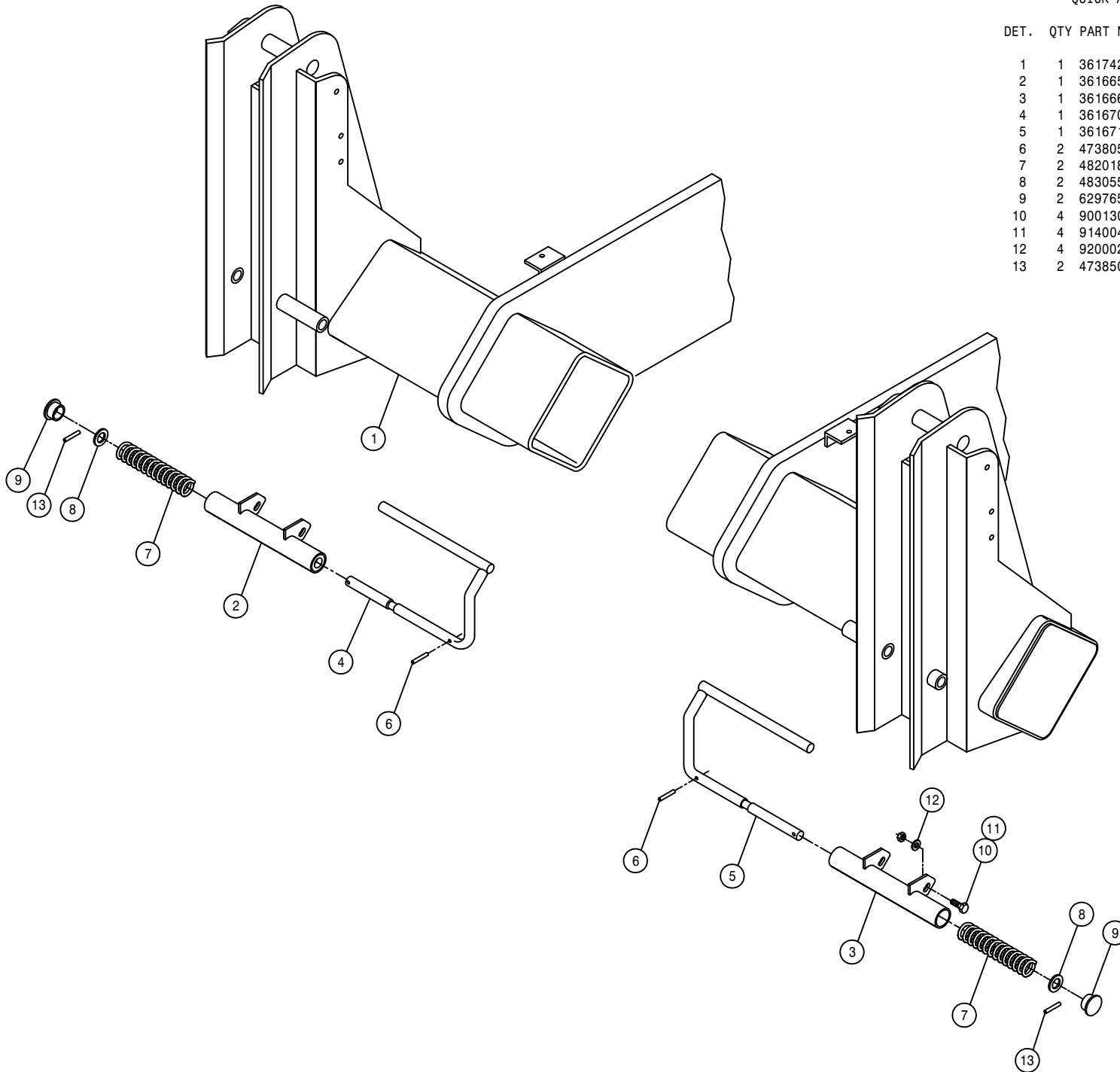
|    |    |        |                                |
|----|----|--------|--------------------------------|
| 1  | 2  | 500074 | 1"NPT-1" HOSE BARB, POLY       |
| 2  | 1  | 500104 | 1/4NPT-90-1/4 HOSE BARB, POLY  |
| 3  | 2  | 500157 | 1" FLANGE GASKET EPDM          |
| 4  | 8  | 500158 | 1 1/2" GASKET FOR 2" FLANGE    |
| 5  | 2  | 500159 | 1" FLANGE CLAMP, S.S.          |
| 6  | 11 | 500160 | 2" FLANGE CLAMP, S.S.          |
| 7  | 1  | 500161 | 2"FLANGE-1"FLANGE COUPLER,POLY |
| 8  | 1  | 500173 | 1" FLANGE-90-1" HOSE BARB POLY |
| 9  | 1  | 500176 | 2" FLANGE CROSS POLY           |
| 10 | 3  | 500180 | 2"FLANGE-90-2"FLANGE LBO, LONG |
| 11 | 2  | 500189 | 2" FLANGE-90-1" HOSE BARB POLY |
| 12 | 4  | 500194 | 2"FP FLANGE CLAMP, S.S.        |
| 13 | 4  | 500195 | 2"FP FLANGE GASKET EPDM        |
| 14 | 1  | 500196 | 2"FP FLANGE-2" HOSE BARB POLY  |
| 15 | 1  | 500199 | 2"FP FLANGE-2"FLANGE REDU POLY |
| 16 | 1  | 500205 | 2"FP FLANGE-2"MNPT ADPTR S.S.  |
| 17 | 1  | 500207 | 2"FP FLANGE TEE POLY           |
| 18 | 3  | 500208 | 3" FLANGE CLAMP, S.S.          |
| 19 | 3  | 500209 | 3" FLANGE GASKET EPDM          |
| 20 | 1  | 500210 | 3" FLANGE-3" HOSE BARB POLY    |
| 21 | 1  | 500217 | 3" FLANGE TEE POLY             |
| 22 | 1  | 500234 | 3"FP FLANGE-3"MNPT ADPTR S.S.  |
| 23 | 1  | 500237 | 3"FLANGE-2"FLANGE REDU POLY    |
| 24 | 5  | 520090 | HOSE CLAMP NO 16 STAINLESS     |
| 25 | 1  | 601590 | HOSE, 1 X 6 1BR BLK EPDM       |
| 26 | 1  | 650125 | DECAL,AGIT RATE IND, KZCO VLV  |
| 27 | 1  | 690488 | 1.00 CHECK VLV, SPRING LOADED  |
| 28 | 1  | 691036 | HYPRO 9307C-GM10 PUMP          |
| 29 | 1  | 696006 | LINE "Y" STRAINER,2"FP FLG 50M |
| 30 | 1  | 696008 | PRESS RELIEF VLV,100PSI,1"FLG  |
| 31 | 3  | 696254 | O-RING, KZCO FLANGED VALVES    |
| 32 | 2  | 696256 | VALVE, KZCO C2F-60B-M-S9       |
| 33 | 1  | 696257 | VALVE, KZCO C2F-62-Q-S9        |
| 34 | 1  | 611128 | 7/8MJIC-90-7/8MOR LBO          |
| 35 | 1  | 611127 | 1 1/16MJIC-1 1/16MOR ADPTR     |
| 36 | 1  | 500153 | 2" FLANGE-90-1 1/2 HBARB POLY  |
| 37 | 4  | 900334 | 5/8UNC X 1 3/4 HEX BOLT        |
| 38 | 4  | 914010 | 5/8UNC HEX STOVER NUT          |
| 39 | 1  | 520120 | HOSE CLAMP NO 4 STAINLESS      |
| 40 | 1  | 520141 | 2.31/2.62 T-BOLT HOSE CLAMP SS |
| 41 | 1  | 520145 | 3.56/3.88 T-BOLT HOSE CLAMP SS |
| 42 | 1  | 520067 | HOSE CLAMP NO 28 STAINLESS     |
| 43 | 1  | 691068 | MECHANICAL SEAL KIT FOR 691036 |
| 44 | 1  | 691069 | BEARING KIT FOR 691036         |
| 45 | 1  | 691070 | IMPELLER HDWE KIT FOR 691036   |
| 46 | 1  | 691071 | HYD MOTOR SEAL FOR 691036      |
| 47 | 1  | 691072 | HYD MOTOR (GM10) FOR 691036    |
| 48 | 1  | 691073 | SHAFT ASSEMBLY FOR 691036      |
| 49 | 1  | 691074 | SEAL FLANGE FOR 691036         |
| 50 | 1  | 691075 | IMPELLER FOR 691036            |
| 51 | 1  | 691076 | O-RING,FLANGE FOR 691036       |
| 52 | 1  | 696007 | 50 MESH SCREEN FOR 696006      |
| 53 | 1  | 696009 | 80 MESH SCREEN FOR 696006      |
| 54 | 1  | 292500 | PWM AMPLIFIER,12V              |
| 55 | 2  | 472235 | 10-32 X 3/4 PHIL PAN MACH SCR  |
| 56 | 2  | 470175 | 10-32 HEX FLANGE LOCK NUT      |

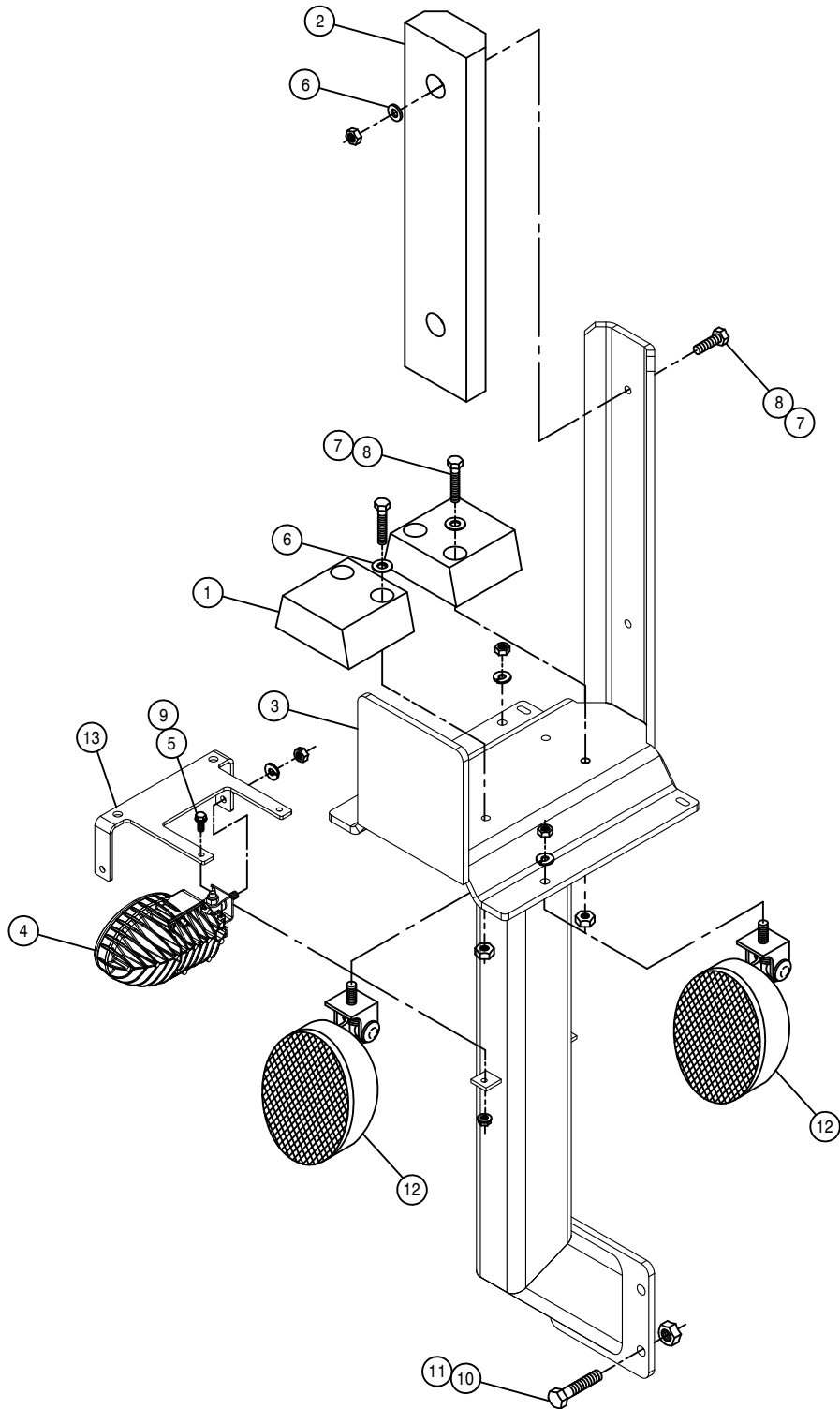


QUICK ATTACH LEVER ASSEMBLY

DET. QTY PART NO. DESCRIPTION

| DET. | QTY | PART NO. | DESCRIPTION                       |
|------|-----|----------|-----------------------------------|
| 1    | 1   | 361742   | MAINFRAME WLD STS 10/12 07        |
| 2    | 1   | 361665   | RH Q-ATTACH LOCK WLD, STS 04      |
| 3    | 1   | 361666   | LH Q-ATTACH LOCK WLD, STS 04      |
| 4    | 1   | 361670   | RH Q-ATTACH LOCK PIN WLD, STS04   |
| 5    | 1   | 361671   | LH Q-ATTACH LOCK PIN WLD, STS04   |
| 6    | 2   | 473805   | ROLL PIN, 1/4 X 1 1/2             |
| 7    | 2   | 482018   | SPRING, 1.00 X 12.00 COMPRSN      |
| 8    | 2   | 483055   | .771ID-1.2500D-.135T MACH WASH    |
| 9    | 2   | 629765   | CAPPLUGS PLUG, 1 1/2"RD, BLK POLY |
| 10   | 4   | 900130   | 3/8UNC X 1 1/4 SER FLANGE BOLT    |
| 11   | 4   | 914004   | 3/8UNC HEX STOVER NUT             |
| 12   | 4   | 920002   | 3/8 SAE FLAT WASHER               |
| 13   | 2   | 473850   | ROLL PIN, 1/4 X 1"                |

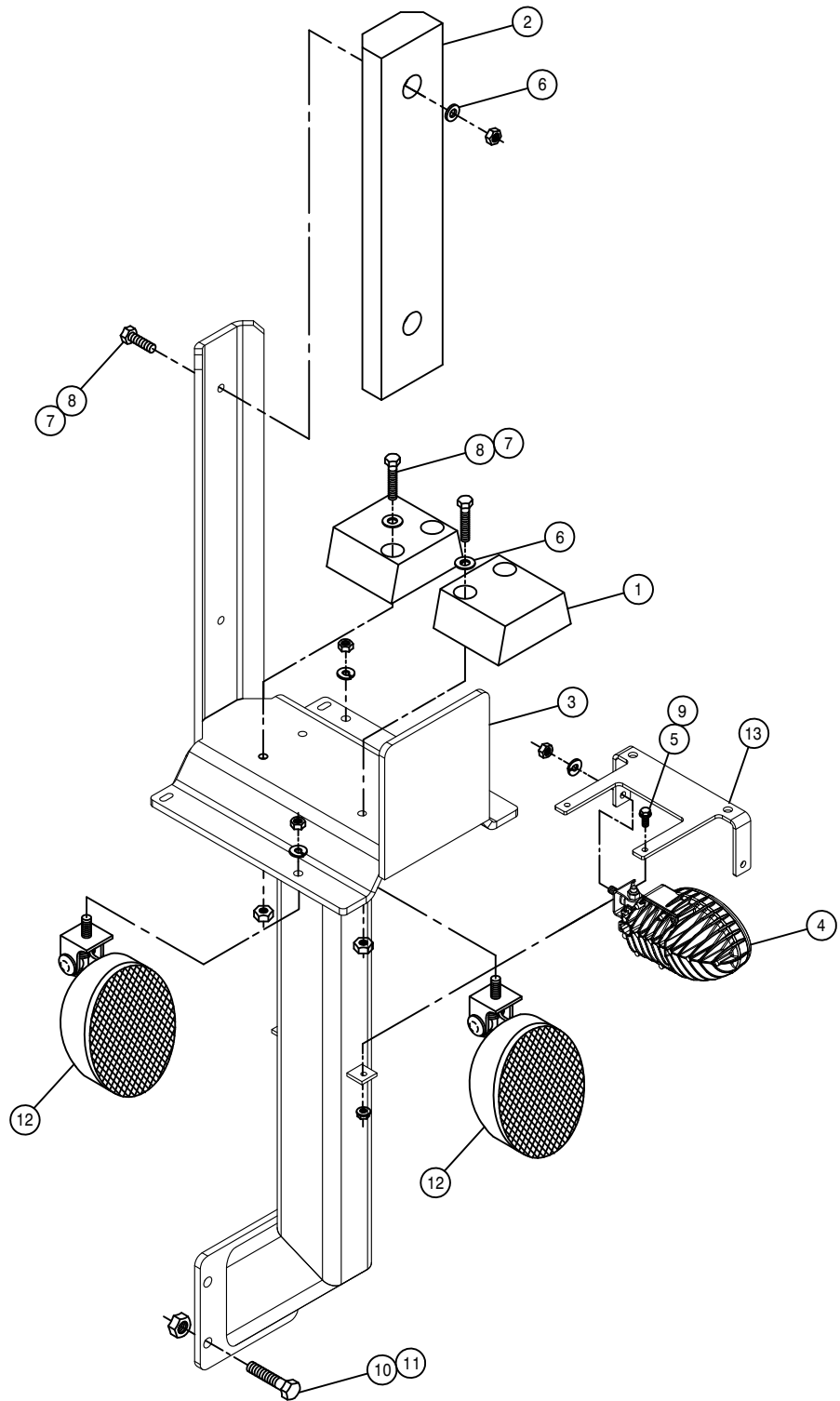




RH BOOM CRADLE ASSEMBLY

| DET. | QTY | PART NO. | DESCRIPTION |                                |    |
|------|-----|----------|-------------|--------------------------------|----|
|      | 1   | 2        | 164513      | BOOM CRADLE PAD                | 00 |
|      | 2   | 1        | 164512      | RUBBER BUMPER, BOOM CRADLE     | 00 |
|      | 3   | 1        | 165041      | BOOM CRADLE WLD                | 07 |
|      | 4   | 1        | 292917      | LED LIGHT, AMBER W/JUMPER      |    |
|      | 5   | 2        | 470118      | 1/4UNC X 3/4 FLANGE HEX BOLT   |    |
|      | 6   | 6        | 920002      | 3/8 SAE FLAT WASHER            |    |
|      | 7   | 6        | 914004      | 3/8UNC HEX STOVER NUT          |    |
|      | 8   | 6        | 900133      | 3/8UNC X 2" SERR FLANGE BOLT   |    |
|      | 9   | 2        | 470121      | 1/4UNC HEX FLANGE LOCK NUT     |    |
|      | 10  | 4        | 900804      | 1/2UNC X 1 1/2 HEX BOLT GR8    |    |
|      | 11  | 4        | 914808      | 1/2UNC HEX STOVER NUT GR8      |    |
|      | 12  | 2        | 291904      | WORKLIGHT, VERTICAL FLOOD PLAS |    |
|      | 13  | 1        | 343689      | EXTREMITY FLASHER MT, STS '11  |    |





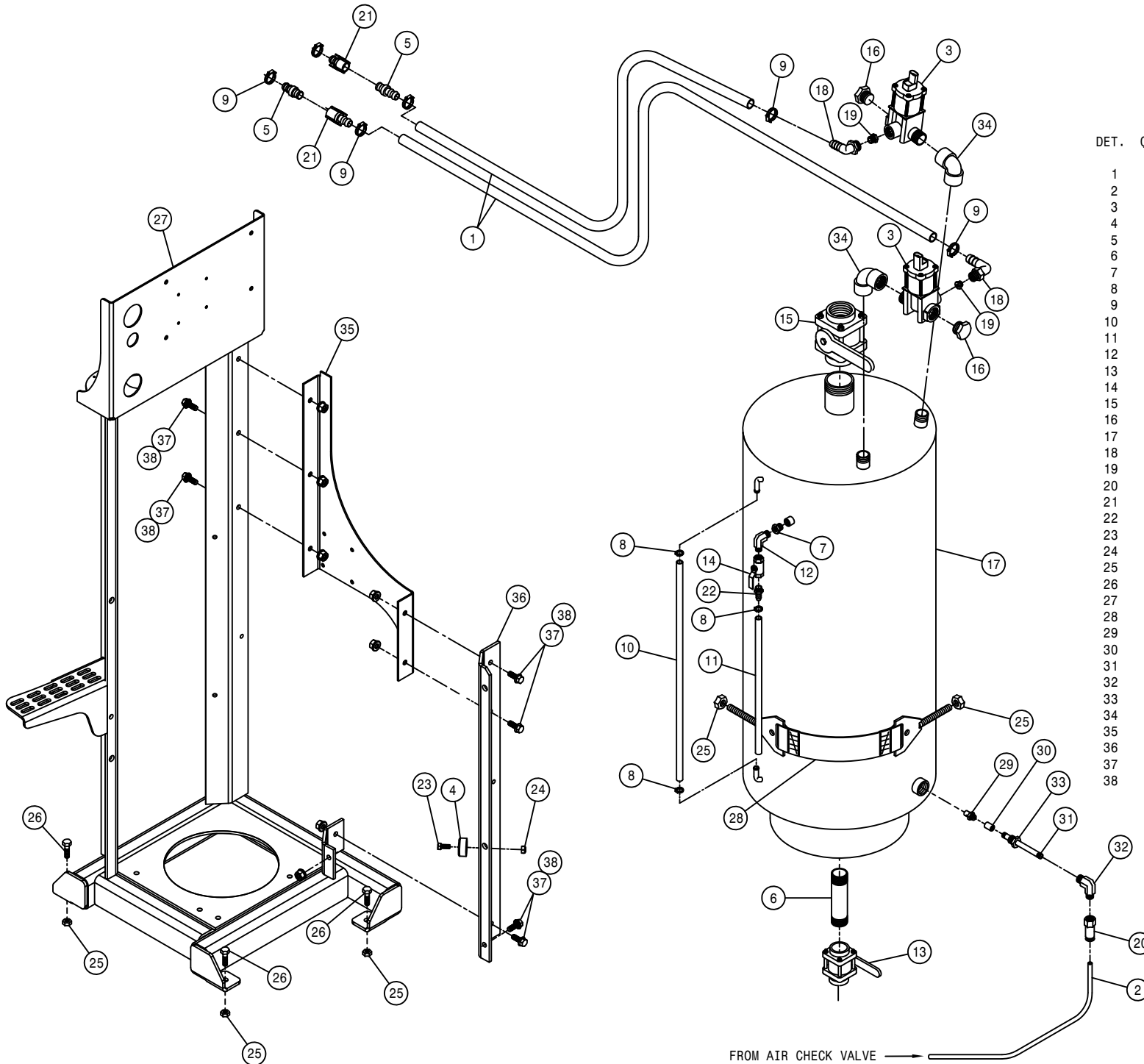
LH BOOM CRADLE ASSEMBLY

DET. QTY PART NO. DESCRIPTION

|    |   |        |                                |    |
|----|---|--------|--------------------------------|----|
| 1  | 2 | 164513 | BOOM CRADLE PAD                | 00 |
| 2  | 1 | 164512 | RUBBER BUMPER, BOOM CRADLE     | 00 |
| 3  | 1 | 165041 | BOOM CRADLE WLD                | 07 |
| 4  | 1 | 292917 | LED LIGHT, AMBER W/JUMPER      |    |
| 5  | 2 | 470118 | 1/4UNC X 3/4 FLANGE HEX BOLT   |    |
| 6  | 6 | 920002 | 3/8 SAE FLAT WASHER            |    |
| 7  | 6 | 914004 | 3/8UNC HEX STOVER NUT          |    |
| 8  | 6 | 900133 | 3/8UNC X 2" SERR FLANGE BOLT   |    |
| 9  | 2 | 470121 | 1/4UNC HEX FLANGE LOCK NUT     |    |
| 10 | 4 | 900804 | 1/2UNC X 1 1/2 HEX BOLT GR8    |    |
| 11 | 4 | 914808 | 1/2UNC HEX STOVER NUT GR8      |    |
| 12 | 2 | 291904 | WORKLIGHT, VERTICAL FLOOD PLAS |    |
| 13 | 1 | 343689 | EXTREMITY FLASHER MT, STS '11  |    |

FOAMER TANK ASSEMBLY

| DET. | QTY | PART NO. | DESCRIPTION                                 |
|------|-----|----------|---|
|      | 1   | 2        | 195908 HOSE 3/4ID-1/8W CLEAR VINYL X 206.00 |
|      | 2   | 1        | 601624 HOSE, 3/8 X 60 AIR                   |
|      | 3   | 2        | 696181 3/4" ELECT SOLU SOLE VALVE 02        |
|      | 4   | 6        | 470294 RUBBER BUMPER, RECESS, .63H-1.5D     |
|      | 5   | 2        | 696208 .75 HOSE BARB-MALE COUPLER           |
|      | 6   | 1        | 505205 BLK PIPE NIPPLE 1.00NPT-5.00         |
|      | 7   | 1        | 505211 3/8-1/4NPT REDU BUSH, BRS            |
|      | 8   | 3        | 520120 HOSE CLAMP NO 4 STAINLESS            |
|      | 9   | 6        | 520055 HOSE CLAMP NO 12 STAINLESS           |
|      | 10  | 1        | 601419 HOSE, 3/8 X 30 CLEAR VINYL           |
|      | 11  | 1        | 601420 HOSE, 3/8 X 48 CLEAR VINYL           |
|      | 12  | 1        | 618571 1/4MNPT-90-1/4MNPT LBO               |
|      | 13  | 1        | 695900 BALL VALVE 1IN FNPT POLY             |
|      | 14  | 1        | 696120 BALL VALVE, 1/4NPT, STEEL            |
|      | 15  | 1        | 696134 BALL VALVE 2IN FNPT POLY             |
|      | 16  | 2        | 500043 3/4NPT PIPE PLUG, POLY               |
|      | 17  | 1        | 701112 FOAM MARKER TANK, 36 GAL SS          |
|      | 18  | 2        | 701214 1/2NPT-90-3/4HBARB, 1/4TAP, POLY     |
|      | 19  | 2        | 701215 1/4PIPE PLUG, .187 ORIFICE, POLY     |
|      | 20  | 1        | 711051 1/4FNPT-3/8 NYL TUBE, SNGL           |
|      | 21  | 2        | 696207 .75 HOSE BARB-FEMALE COUPLER         |
|      | 22  | 1        | 783304 1/4 NPT X 3/8 HOSE BARB, BRS         |
|      | 23  | 6        | 900064 5/16UNC X 3/4 HEX BOLT               |
|      | 24  | 6        | 914002 5/16UNC HEX STOVER NUT               |
|      | 25  | 7        | 914008 1/2UNC HEX STOVER NUT                |
|      | 26  | 3        | 900264 1/2UNC X 1 1/4 HEX BOLT              |
|      | 27  | 1        | 701257 FMR TANK MT WELD STS 07              |
|      | 28  | 2        | 701170 FOAMER TANK STRAP ASSY               |
|      | 29  | 1        | 701144 FOAMER AIR NOZZLE                    |
|      | 30  | 1        | 500223 SS PIPE CPLG, 1/8NPT                 |
|      | 31  | 1        | 507021 SS PIPE NIPPLE, 1/8NPT X 6"          |
|      | 32  | 1        | 701143 FOAMER AIR TUBE FTG                  |
|      | 33  | 1        | 507728 REDU BUSH 1/2MNPT X 1/4FNPT, SS      |
|      | 34  | 2        | 500079 3/4NPT-90 EL, POLY                   |
|      | 35  | 1        | 701269 LH FMR TANK SUPP CHAN, LG STS07      |
|      | 36  | 1        | 701270 FMR TANK CROSS BRACE STS 07          |
|      | 37  | 7        | 470460 3/8UNC X 1 SERR FLANGE BOLT          |
|      | 38  | 7        | 470087 3/8UNC HEX FLANGE LOCK NUT           |

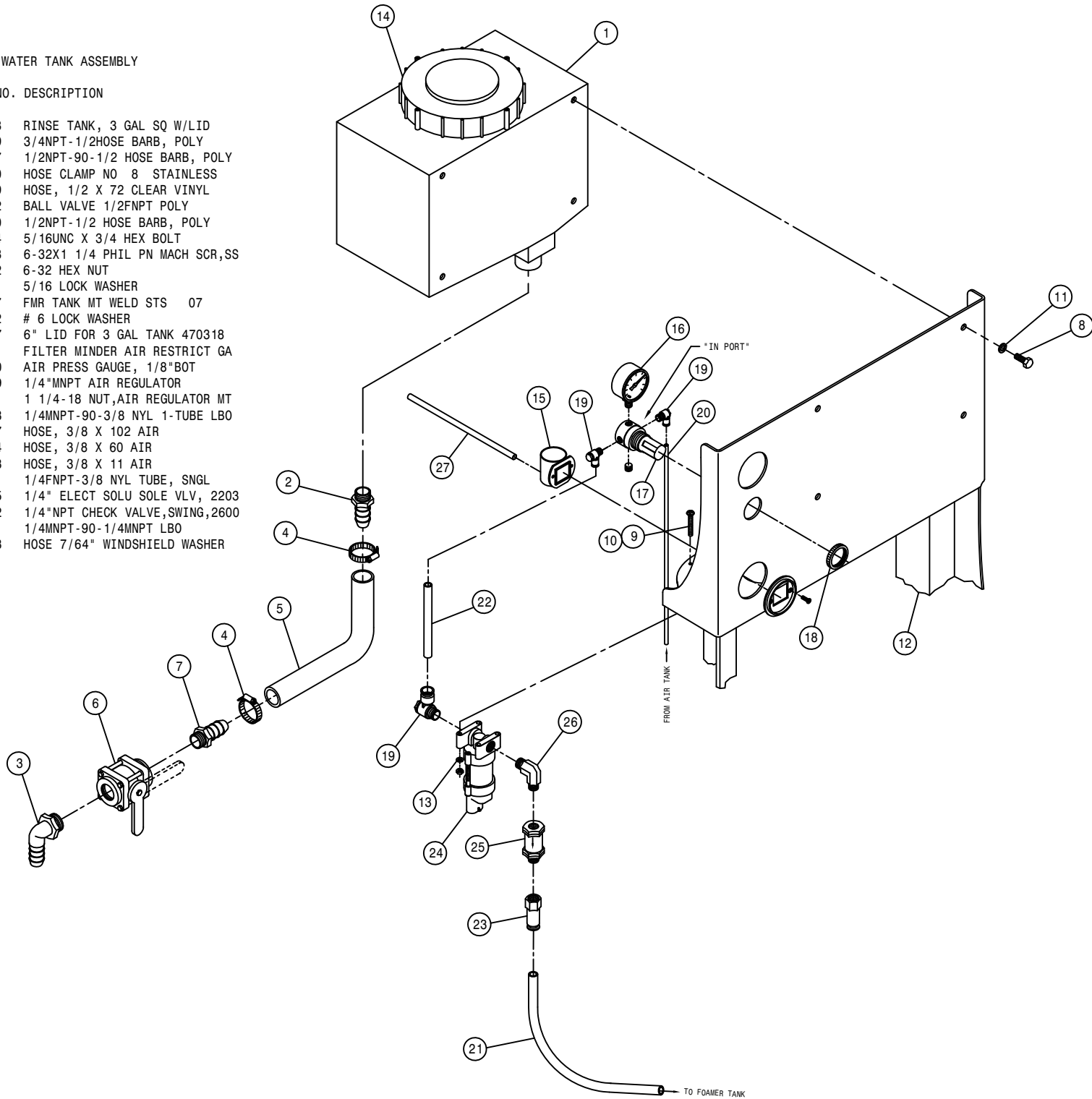


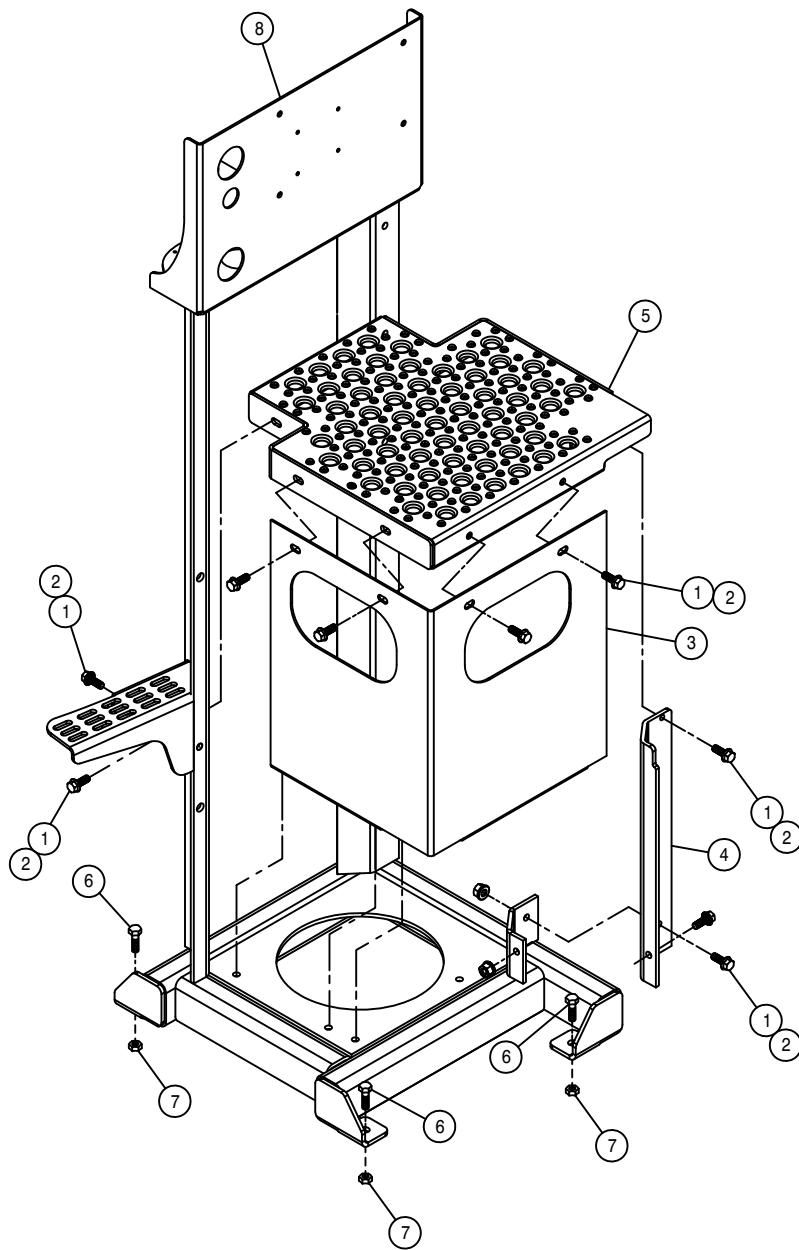
FROM AIR CHECK VALVE →

FRESH WATER TANK ASSEMBLY

DET. QTY PART NO. DESCRIPTION

|    |   |        |                                |
|----|---|--------|--------------------------------|
| 1  | 1 | 470318 | RINSE TANK, 3 GAL SQ W/LID     |
| 2  | 1 | 500019 | 3/4NPT-1/2HOSE BARB, POLY      |
| 3  | 1 | 500047 | 1/2NPT-90-1/2 HOSE BARB, POLY  |
| 4  | 2 | 520070 | HOSE CLAMP NO 8 STAINLESS      |
| 5  | 1 | 601489 | HOSE, 1/2 X 72 CLEAR VINYL     |
| 6  | 1 | 696082 | BALL VALVE 1/2FNPT POLY        |
| 7  | 1 | 713340 | 1/2NPT-1/2 HOSE BARB, POLY     |
| 8  | 4 | 900064 | 5/16UNC X 3/4 HEX BOLT         |
| 9  | 2 | 903853 | 6-32X1 1/4 PHIL PN MACH SCR,SS |
| 10 | 2 | 910022 | 6-32 HEX NUT                   |
| 11 | 4 | 920501 | 5/16 LOCK WASHER               |
| 12 | 1 | 701257 | FMR TANK MT WELD STS 07        |
| 13 | 2 | 920512 | # 6 LOCK WASHER                |
| 14 | 1 | 470337 | 6" LID FOR 3 GAL TANK 470318   |
| 15 | 1 | 314901 | FILTER MINDER AIR RESTRICT GA  |
| 16 | 1 | 701310 | AIR PRESS GAUGE, 1/8"BOT       |
| 17 | 1 | 711019 | 1/4"MNPT AIR REGULATOR         |
| 18 | 1 | 711021 | 1 1/4-18 NUT,AIR REGULATOR MT  |
| 19 | 3 | 711043 | 1/4MNPT-90-3/8 NYL 1-TUBE LBO  |
| 20 | 1 | 601587 | HOSE, 3/8 X 102 AIR            |
| 21 | 1 | 601624 | HOSE, 3/8 X 60 AIR             |
| 22 | 1 | 601633 | HOSE, 3/8 X 11 AIR             |
| 23 | 1 | 711051 | 1/4FNPT-3/8 NYL TUBE, SNGL     |
| 24 | 1 | 696235 | 1/4" ELECT SOLU SOLE VLV, 2203 |
| 25 | 1 | 711052 | 1/4"NPT CHECK VALVE,SWING,2600 |
| 26 | 1 | 618571 | 1/4MNPT-90-1/4MNPT LBO         |
| 27 | 1 | 195913 | HOSE 7/64" WINDSHIELD WASHER   |

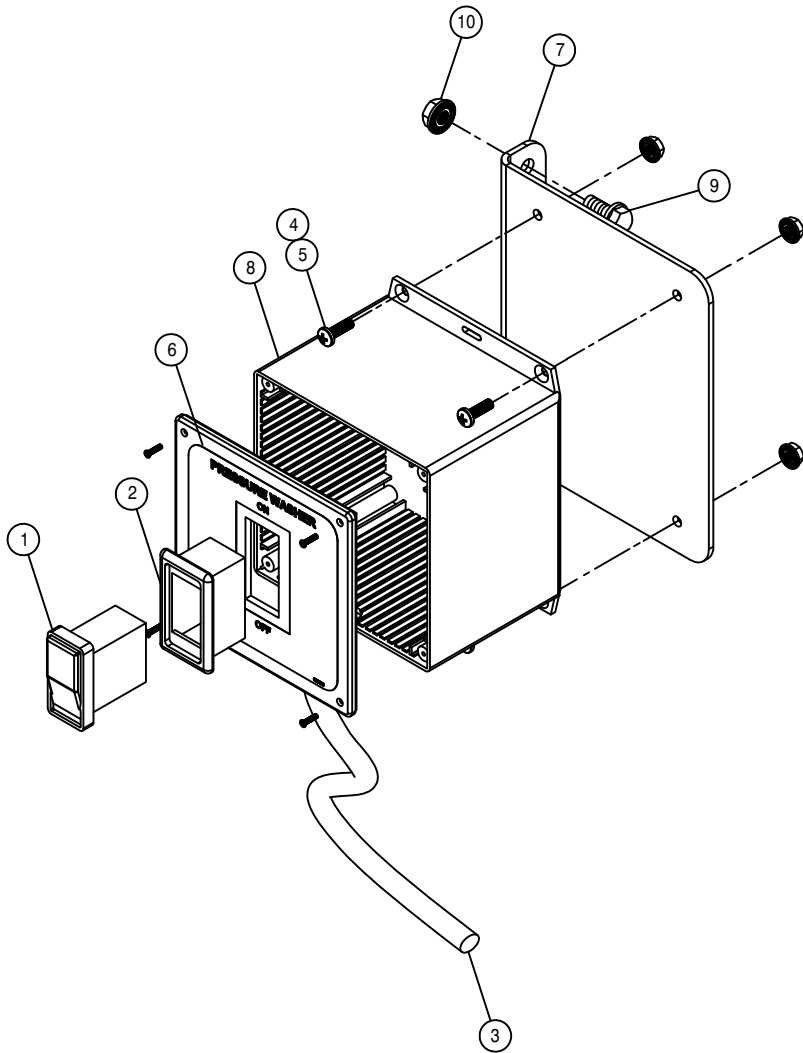




FRESH WATER TANK MT W/O FOAMER ASSEMBLY

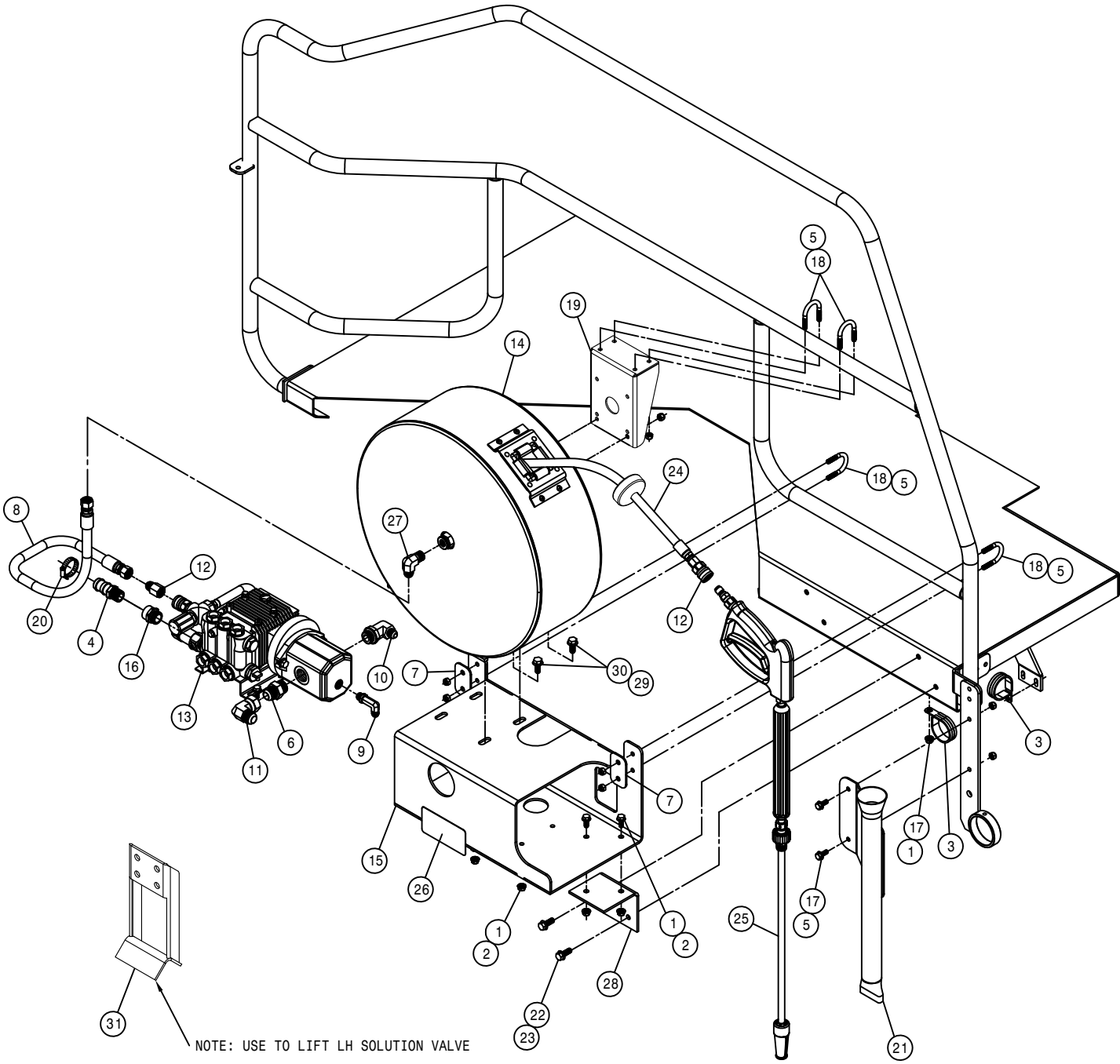
DET. QTY PART NO. DESCRIPTION

|   |    |        |                              |
|---|----|--------|------------------------------|
| 1 | 12 | 470087 | 3/8UNC HEX FLANGE LOCK NUT   |
| 2 | 12 | 470460 | 3/8UNC X 1 SERR FLANGE BOLT  |
| 3 | 1  | 701268 | FOAMER SERV PLTFRM WRAP      |
| 4 | 1  | 701263 | LH FMR TANK SUPP CHAN STS 07 |
| 5 | 1  | 701264 | FMR SERV PLATFRM WELD        |
| 6 | 3  | 900264 | 1/2UNC X 1 1/4 HEX BOLT      |
| 7 | 3  | 914008 | 1/2UNC HEX STOVER NUT        |
| 8 | 1  | 701257 | FMR TANK MT WELD STS 07      |



PRESSURE WASHER SWITCH BOX ASSEMBLY

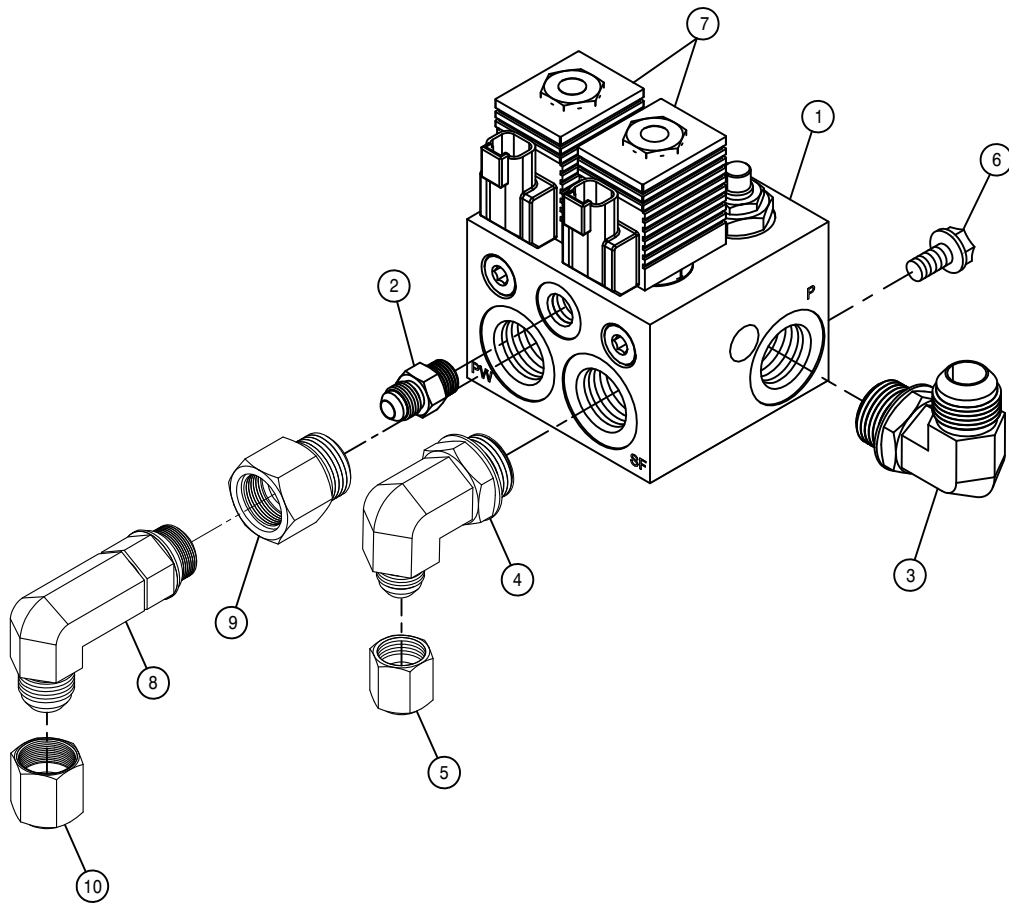
| DET. | QTY | PART NO. | DESCRIPTION                    |
|------|-----|----------|--------------------------------|
|      | 1   | 292218   | SWITCH,SIDE FILL PUMP/PRESWASH |
|      | 1   | 292260   | MOUNTING TRIM, SINGLE VMS      |
|      | 1   | 293878   | PRESS WASH WIRE HARNESS STS 07 |
|      | 4   | 470175   | 10-32 HEX FLANGE LOCK NUT      |
|      | 4   | 903710   | 10-32X5/8 PHIL PANHD MACH SCR  |
|      | 1   | 650156   | DECAL,PRESS WASH CTRL STS 05   |
|      | 1   | 691112   | PRESS WASH SWITCH BX MT,STS 09 |
|      | 1   | 690975   | PRESS WASH SWITCH BOX, STS 05  |
|      | 2   | 900064   | 5/16UNC X 3/4 HEX BOLT         |
|      | 2   | 470113   | 5/16UNC HEX FLANGE LOCK NUT    |



PRESSURE WASHER OPTION

| DET. | QTY | PART NO. | DESCRIPTION                    |
|------|-----|----------|--------------------------------|
| 1    | 9   | 470113   | 5/16UNC HEX FLANGE LOCK NUT    |
| 2    | 8   | 470233   | 5/16UNC X 3/4 FLANGE HEX BOLT  |
| 3    | 2   | 520126   | CUSH CLAMP,#32 2IN X 5/8W      |
| 4    | 1   | 500123   | 3/4NPT-1"HOSE BARB, POLY       |
| 5    | 10  | 473001   | 5/16UNC HEX NUT,NYLOC 316 SS   |
| 6    | 1   | 611127   | 1 1/16MJIC-1 1/16MOR ADPTR     |
| 7    | 2   | 691119   | PRESS WASHER SUPP PLT, STS 09  |
| 8    | 1   | 616459   | 08-451TC-08FJX-08FJX-26 H/A    |
| 9    | 1   | 618440   | 9/16MJIC-90-9/16MOR EX LG LBO  |
| 10   | 1   | 618474   | 3/4MJIC-90-1 1/16MOR LBO       |
| 11   | 1   | 618191   | 1 1/16MJ-90-1 1/16FJ SWIV LBO  |
| 12   | 1   | 618787   | 3/4MJIC-3/8FNPT ADPTR          |
| 13   | 1   | 690672   | HMC 320 SPECIAL/MINUS HOSE     |
| 14   | 1   | 690931   | HOSE REEL,ENCLOSED PRESS WASH  |
| 15   | 1   | 691114   | PRESSURE WASHER MT WLD,STS 09  |
| 16   | 1   | 715449   | 3/4FNPT X 3/4MGT ADPTR BRS     |
| 17   | 3   | 900064   | 5/16UNC X 3/4 HEX BOLT         |
| 18   | 4   | 473911   | 5/16UNC-1.31ID-2.00 U-BOLT     |
| 19   | 1   | 691118   | PRESS WASH REEL SUPP WLD,STS09 |
| 20   | 1   | 520090   | HOSE CLAMP NO 16 STAINLESS     |
| 21   | 1   | 691120   | PRESSURE WASHER WAND MT WLD 09 |
| 22   | 4   | 900129   | 3/8UNC X 1" SERR FLANGE BOLT   |
| 23   | 4   | 472029   | 3/8UNC HEX FLANGE NUT SERR SS  |
| 24   | 1   | 690941   | REEL HOSE,3/8"ID X 50' 3000PSI |
| 25   | 1   | 690673   | TRIGGER GUN ASSY FOR 690672    |
| 26   | 1   | 650217   | DECAL, CAUTION,CHECK OIL LEVEL |
| 27   | 1   | 618184   | 3/4MJIC-90-3/8MNPT LBO         |
| 28   | 2   | 691117   | PRESSURE WASHER MT ANGL,STS 09 |
| 29   | 4   | 470325   | 7/16UNC HEX FLANGE LOCK NUT    |
| 30   | 4   | 900195   | 7/16UNC X 1" HEX BOLT          |
| 31   | 1   | 691092   | 80/90 BOOM VLV MT WLD,WASHER09 |
| 32   | 1   | 690799   | FEM CPLR FNPT FOR 690672       |

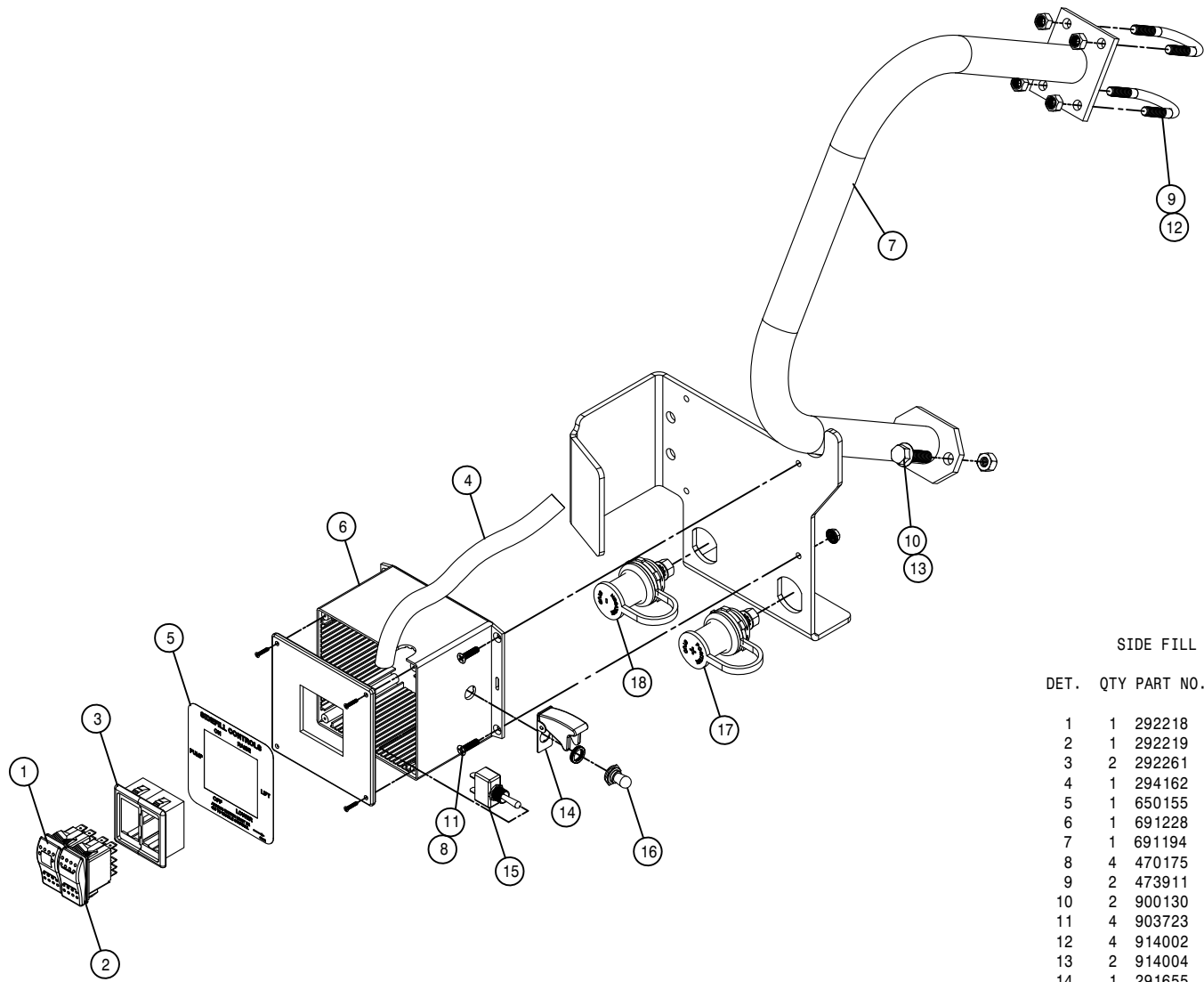
NOTE: USE TO LIFT LH SOLUTION VALVE



SIDEFILL/PRESSURE WASHER VALVE ASSEMBLY

DET. QTY PART NO. DESCRIPTION

| DET. | QTY | PART NO. | DESCRIPTION                 |    |
|------|-----|----------|-----------------------------|----|
| 1    | 1   | 606259   | DIVERSION VLV,STS LS        | 07 |
| 2    | 1   | 618126   | 9/16MJIC-9/16MOR ADPTR      |    |
| 3    | 1   | 618248   | 1 1/16MJIC-90-1 1/16MOR LBO |    |
| 4    | 1   | 618474   | 3/4MJIC-90-1 1/16MOR LBO    |    |
| 5    | 1   | 618532   | 3/4FJIC CAP NUT             |    |
| 6    | 2   | 900064   | 5/16UNC X 3/4 HEX BOLT      |    |
| 7    | 2   | 606309   | COIL FOR VLV 606259         |    |
| 8    | 1   | 618774   | 7/8MJIC-90-7/8MOR LG LBO    |    |
| 9    | 1   | 618132   | 1 1/16MOR-7/8FOR ADPTR      |    |
| 10   | 1   | 618328   | 7/8FJIC CAP NUT             |    |

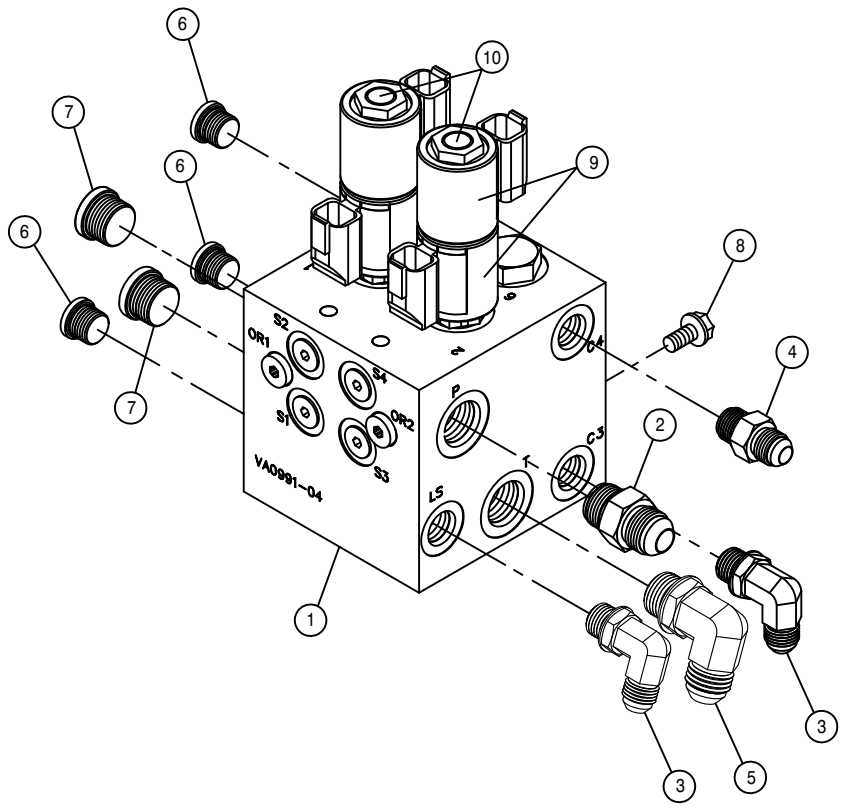


SIDE FILL SWITCH BOX ASSEMBLY

DET. QTY PART NO. DESCRIPTION

| DET. | QTY | PART NO. | DESCRIPTION                     |
|------|-----|----------|---------------------------------|
| 1    | 1   | 292218   | SWITCH, SIDE FILL PUMP/PRESWASH |
| 2    | 1   | 292219   | SWITCH, SIDE FILL LIFT, STS     |
| 3    | 2   | 292261   | MOUNTING TRIM, END VME          |
| 4    | 1   | 294162   | SIDE FILL WIRE HARNESS STS' 12  |
| 5    | 1   | 650155   | DECAL, SIDE FILL CTRL STS 05    |
| 6    | 1   | 691228   | SIDE FILL SWITCH BOX STS' 12    |
| 7    | 1   | 691194   | CHEM IND GUARD WLD '12          |
| 8    | 4   | 470175   | 10-32 HEX FLANGE LOCK NUT       |
| 9    | 2   | 473911   | 5/16UNC-1.31ID-2.00 U-BOLT      |
| 10   | 2   | 900130   | 3/8UNC X 1 1/4 SER FLANGE BOLT  |
| 11   | 4   | 903723   | 10-32 x 3/4 PHIL FLHD MACH SCR  |
| 12   | 4   | 914002   | 5/16UNC HEX STOVER NUT          |
| 13   | 2   | 914004   | 3/8UNC HEX STOVER NUT           |
| 14   | 1   | 291655   | AIRCRAFT TOGGLE SWITCH GUARD    |
| 15   | 1   | 291937   | TOGGLE SWITCH, SPST             |
| 16   | 1   | 470001   | RUBBER BOOT W NUT FOR 298012    |
| 17   | 1   | 291680   | POSITIVE JUMPER STUD, RED       |
| 18   | 1   | 291681   | NEGATIVE JUMPER STUD, BLACK     |

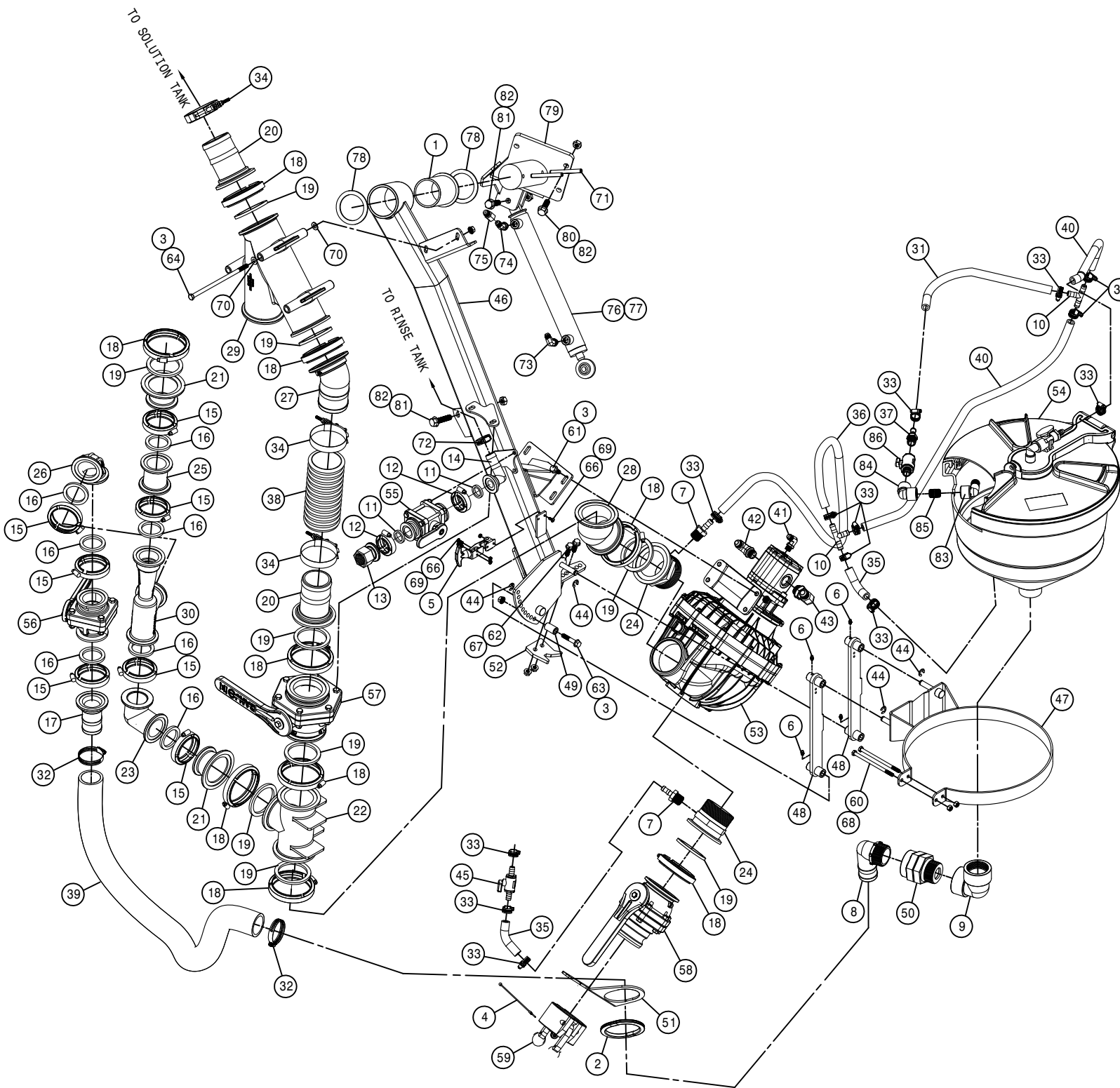




SIDEFILL LIFT VALVE ASSEMBLY

| DET. | QTY | PART NO. | DESCRIPTION                    | PWRSYS |
|------|-----|----------|--------------------------------|--------|
| 1    | 1   | 606249   | MANIFOLD, TRD ADJ              | PWRSYS |
| 2    | 1   | 611125   | 3/4MJIC-3/4MOR ADPTR           |        |
| 3    | 2   | 618119   | 9/16MJIC-90-9/16MOR LBO        |        |
| 4    | 1   | 618126   | 9/16MJIC-9/16MOR ADPTR         |        |
| 5    | 1   | 618241   | 3/4MJIC-90-3/4MOR LBO          |        |
| 6    | 3   | 618754   | 9/16MOR PLUG, HEX SOCKET       |        |
| 7    | 2   | 618755   | 3/4MOR PLUG, HEX SOCKET        |        |
| 8    | 2   | 900064   | 5/16UNC X 3/4 HEX BOLT         |        |
| 9    | 4   | 606266   | #8 COIL W/DEUTSCH              |        |
| 10   | 2   | 606358   | CARTRIDGE SP08-47D, PROP, 3POS |        |

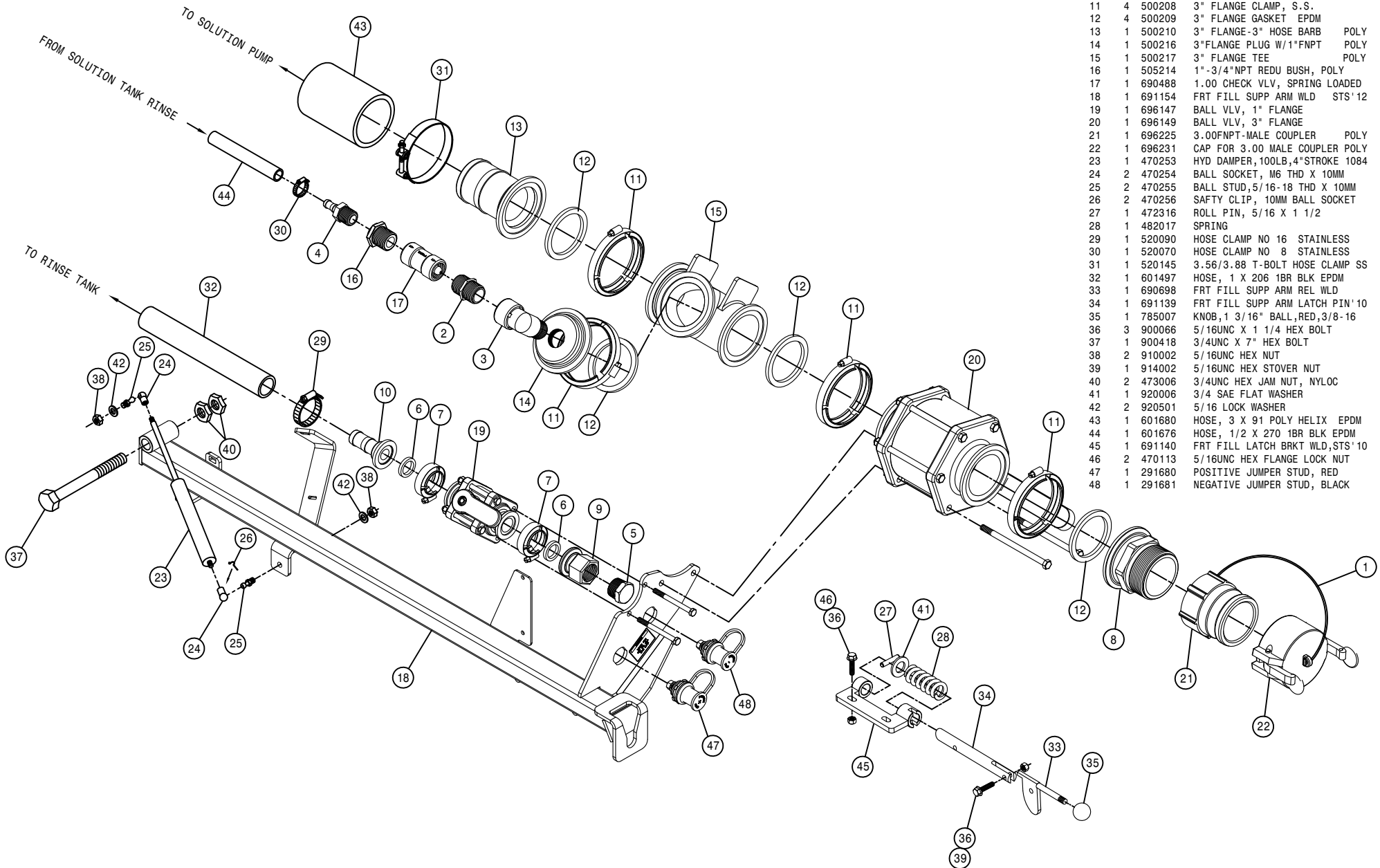
| DET. | QTY | PART NO. | DESCRIPTION                     |
|------|-----|----------|---------------------------------|
| 1    | 1   | 121101   | TRANSOM PIVOT BRG, TOP POLYGON  |
| 2    | 1   | 193016   | QUICKEDGE TRIM .060 TO .170     |
| 3    | 7   | 470087   | 3/8UNC HEX FLANGE LOCK NUT      |
| 4    | 1   | 470352   | LANYARD, 11" POLY               |
| 5    | 1   | 470643   | RUBBER DRAW LATCH               |
| 6    | 4   | 471005   | GREASE ZERK, 1/4-28 X 1/2       |
| 7    | 2   | 500019   | 3/4NPT-1/2HOSE BARB, POLY       |
| 8    | 1   | 500141   | 2"MNPT-90-2" HOSE BARB, POLY    |
| 9    | 1   | 500083   | 2"NPT-90 EL, POLY               |
| 10   | 2   | 500120   | 1/2" HOSE BARB TEE, POLY        |
| 11   | 2   | 500157   | 1" FLANGE GASKET EPDM           |
| 12   | 2   | 500159   | 1" FLANGE CLAMP, S.S.           |
| 13   | 1   | 500168   | 1" FLANGE-1" FNPT ADPTR POLY    |
| 14   | 1   | 500173   | 1" FLANGE-90-1" HOSE BARB POLY  |
| 15   | 7   | 500194   | 2"FP FLANGE CLAMP, S.S.         |
| 16   | 7   | 500195   | 2"FP FLANGE GASKET EPDM         |
| 17   | 1   | 500196   | 2"FP FLANGE-2" HOSE BARB POLY   |
| 18   | 9   | 500208   | 3" FLANGE CLAMP, S.S.           |
| 19   | 9   | 500209   | 3" FLANGE GASKET EPDM           |
| 20   | 2   | 500210   | 3" FLANGE-3" HOSE BARB POLY     |
| 21   | 2   | 500212   | 3"FLANGE-2"FP FLANGE REDU POLY  |
| 22   | 1   | 500217   | 3" FLANGE TEE POLY              |
| 23   | 1   | 500219   | 2"FP FLANGE-90-2"FP FLANGE LBO  |
| 24   | 2   | 500263   | 3"FLANGE-3"MNPT W/3/4"FNPTPOLY  |
| 25   | 1   | 500249   | 2"FP FLANGE COUPLING            |
| 26   | 1   | 500254   | 2"FP FLANGE-90-2"FP SWEEP LBO   |
| 27   | 1   | 500258   | 3" FLANGE-45-3" HOSE BARB POLY  |
| 28   | 1   | 500259   | 3"FP-45-3"FP FLANGE LBO POLY    |
| 29   | 1   | 500260   | 3"FP-45-Y FLANGE COUPLER POLY   |
| 30   | 1   | 500261   | 2"FP FLANGE VENTURI POLY        |
| 31   | 1   | 601765   | HOSE, 1/2 X 13 1BR BLK EPDM     |
| 32   | 2   | 520068   | HOSE CLAMP NO 32 STAINLESS      |
| 33   | 13  | 520070   | HOSE CLAMP NO 8 STAINLESS       |
| 34   | 3   | 520145   | 3.56/3.88 T-BOLT HOSE CLAMP SS  |
| 35   | 2   | 601160   | HOSE, 1/2 X 3 1/2 1BR BLK EPDM  |
| 36   | 1   | 601259   | HOSE, 1/2 X 30 1BR EPDM         |
| 37   | 1   | 713340   | 1/2NPT-1/2 HOSE BARB, POLY      |
| 38   | 1   | 601503   | HOSE, 3 X 8 POLY HELIX EPDM     |
| 39   | 1   | 601573   | HOSE, 2 X 48 2F-1W EPDM         |
| 40   | 2   | 601791   | HOSE, 1/2 X 12 1BR BLK EPDM     |
| 41   | 1   | 618119   | 9/16MJIC-90-9/16MOR LBO         |
| 42   | 1   | 618183   | 3/4MJIC-90-7/8MOR LBO           |
| 43   | 1   | 618535   | 7/8MJIC-90-1 1/16MOR LBO        |
| 44   | 4   | 629541   | SNAP RING, 1/2"EXTERNAL E-STYLE |
| 45   | 1   | 696194   | 1/2" HOSE BARB MICRO VALVE      |
| 46   | 1   | 691191   | SIDE FILL ARM WLD STS'12        |
| 47   | 1   | 691192   | HOPPER BAND WLD, SIDE FILL '12  |
| 48   | 2   | 691193   | HOPPER PARAL ARM WLD, SIDE FILL |
| 49   | 1   | 691197   | BUSHING, .750D X 1.31LG         |
| 50   | 1   | 500084   | 2"FNPT-2"MNPT SWIV, POLY        |
| 51   | 1   | 691225   | HOSE SUPP BRKT SIDE FILL '12    |
| 52   | 1   | 691231   | ADJ SIDE FILL CRADLE STS'12     |
| 53   | 1   | 691236   | 3" TRANSFER PUMP, HYPRO         |
| 54   | 1   | 691273   | 7 GAL RD TANK WITH HOLE         |
| 55   | 1   | 696147   | BALL VLV, 1" FLANGE             |
| 56   | 1   | 696150   | BALL VLV, 2"FP FLANGE STUBBY    |
| 57   | 1   | 696190   | 3"FP FLANGE STUBBY VALVE POLY   |
| 58   | 1   | 696192   | 3"FLG STUBBY VALVE, 3"MNPT      |
| 59   | 1   | 696231   | CAP FOR 3.00 MALE COUPLER POLY  |
| 60   | 2   | 900080   | 5/16UNC X 5" HEX BOLT           |
| 61   | 4   | 900129   | 3/8UNC X 1" SERR FLANGE BOLT    |
| 62   | 2   | 900130   | 3/8UNC X 1 1/4 SER FLANGE BOLT  |
| 63   | 1   | 900133   | 3/8UNC X 2" SERR FLANGE BOLT    |
| 64   | 2   | 900148   | 3/8UNC X 8 HEX BOLT             |
| 65   | 2   | 903706   | 10-32X1/2 PHIL PAN MACH SCR     |
| 66   | 2   | 903710   | 10-32X5/8 PHIL PANHD MACH SCR   |
| 67   | 2   | 910004N  | 3/8UNC FLANGE CNTR LOCK NUT     |
| 68   | 2   | 914002   | 5/16UNC HEX STOVER NUT          |
| 69   | 4   | 914027   | 10-32 HEX STOVER NUT            |
| 70   | 4   | 920002   | 3/8 SAE FLAT WASHER             |
| 71   | 2   | 473963   | ROLL PIN, 3/8 X 3 1/2           |
| 72   | 1   | 520090   | HOSE CLAMP NO 16 STAINLESS      |
| 73   | 1   | 618119   | 9/16MJIC-90-9/16MOR LBO         |
| 74   | 1   | 618425   | 9/16MJIC-45-9/16MOR LBO         |
| 75   | 1   | 618731   | 9/16JIC .025 ORIFICE ADPTR      |
| 76   | 1   | 621554   | HYD CYL, 1.50 X 12.25 X .750    |
| 77   | 1   | 621555   | REPAIR KIT, HYD CYL 621554      |
| 78   | 2   | 690729   | WASH: 11GA X 2.69 X 3.50        |
| 79   | 1   | 691195   | CYL MT WLD, SIDE FILL '12       |
| 80   | 4   | 900265   | 1/2UNC X 1 1/2 HEX BOLT         |
| 81   | 2   | 900267   | 1/2UNC X 2" HEX BOLT            |
| 82   | 6   | 914008   | 1/2UNC HEX STOVER NUT           |
| 83   | 1   | 500044   | 1/2NPT-90 ST EL, POLY           |
| 84   | 1   | 500078   | 1/2NPT-90 EL, POLY              |
| 85   | 1   | 507031   | SS PIPE NIPPLE .50NPT-1.13      |
| 86   | 1   | 696195   | 1/2FNPT-1/2MNPT MICRO BALL VLV  |

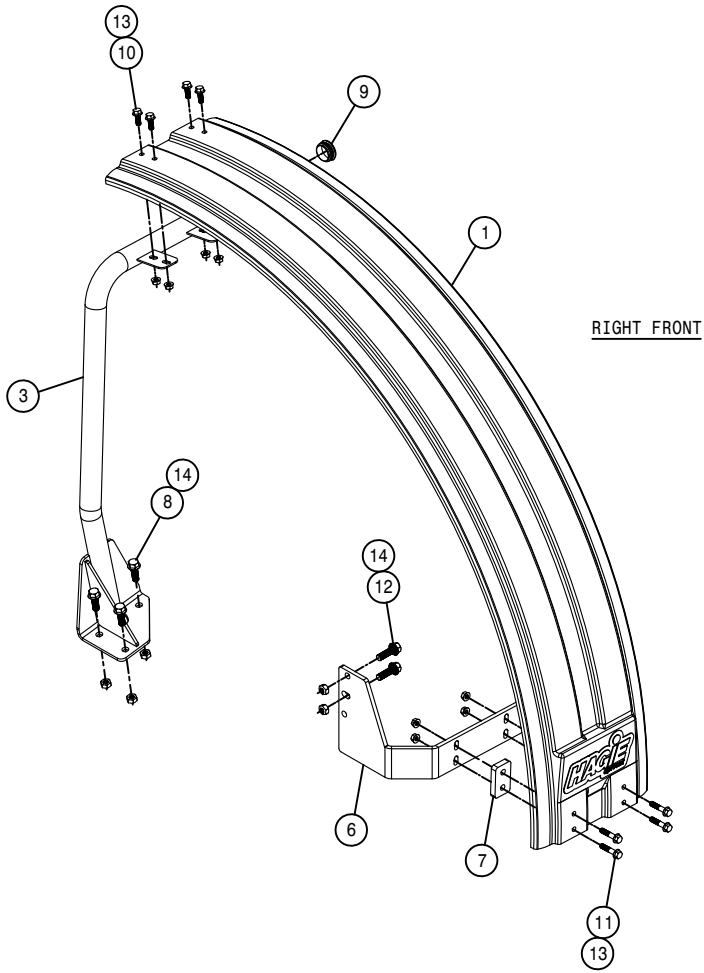


FRONT FILL ASSEMBLY

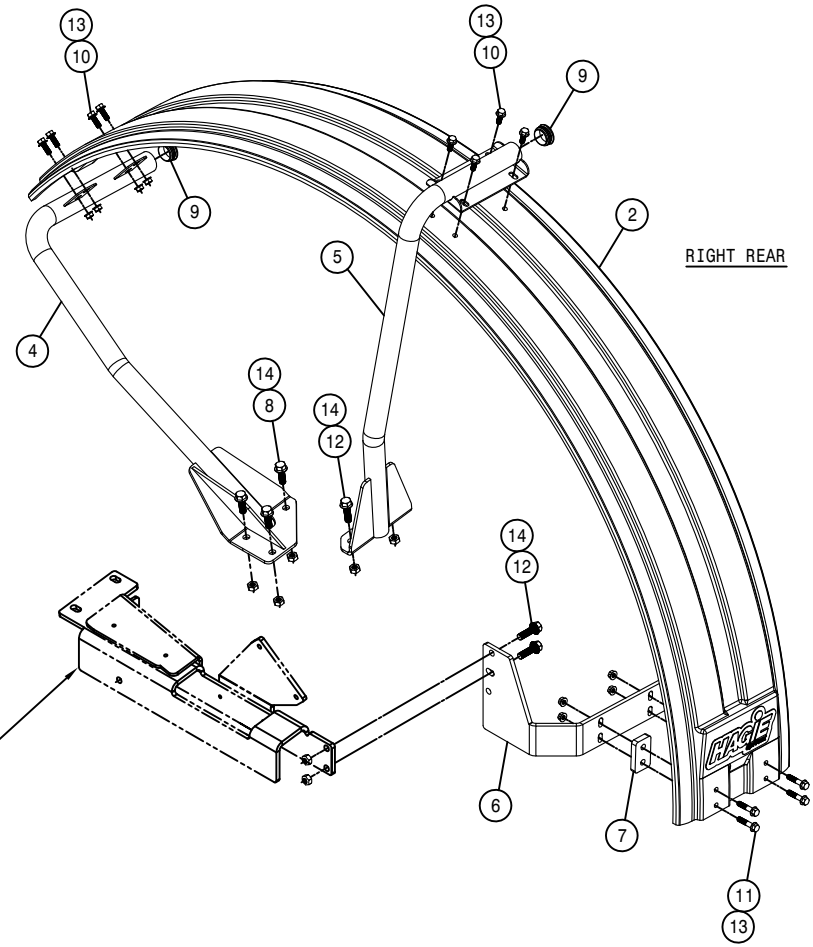
DET. QTY PART NO. DESCRIPTION

|    |   |        |                                  |
|----|---|--------|----------------------------------|
| 1  | 1 | 470352 | LANYARD, 11" POLY                |
| 2  | 1 | 500013 | 1"NPT HEX PIPE NIPPLE, POLY      |
| 3  | 1 | 500014 | 1"NPT-90 ST EL, POLY             |
| 4  | 1 | 500019 | 3/4NPT-1/2HOSE BARB, POLY        |
| 5  | 1 | 500063 | 1"NPT PIPE PLUG, POLY            |
| 6  | 2 | 500157 | 1" FLANGE GASKET EPDM            |
| 7  | 2 | 500159 | 1" FLANGE CLAMP, S.S.            |
| 8  | 1 | 500164 | 3" FLANGE-3" MNPT ADPTR POLY     |
| 9  | 1 | 500168 | 1" FLANGE-1" FNPT ADPTR POLY     |
| 10 | 1 | 500171 | 1" FLANGE-1" HOSE BARB POLY      |
| 11 | 4 | 500208 | 3" FLANGE CLAMP, S.S.            |
| 12 | 4 | 500209 | 3" FLANGE GASKET EPDM            |
| 13 | 1 | 500210 | 3" FLANGE-3" HOSE BARB POLY      |
| 14 | 1 | 500216 | 3"FLANGE PLUG W/1"FNPT POLY      |
| 15 | 1 | 500217 | 3" FLANGE TEE POLY               |
| 16 | 1 | 505214 | 1"-3/4"NPT REDU BUSH, POLY       |
| 17 | 1 | 690488 | 1.00 CHECK VLV, SPRING LOADED    |
| 18 | 1 | 691154 | FRT FILL SUPP ARM WLD STS' 12    |
| 19 | 1 | 696147 | BALL VLV, 1" FLANGE              |
| 20 | 1 | 696149 | BALL VLV, 3" FLANGE              |
| 21 | 1 | 696225 | 3.00FNPT-MALE COUPLER POLY       |
| 22 | 1 | 696231 | CAP FOR 3.00 MALE COUPLER POLY   |
| 23 | 1 | 470253 | HYD DAMPER, 100LB, 4"STROKE 1084 |
| 24 | 2 | 470254 | BALL SOCKET, M6 THD X 10MM       |
| 25 | 2 | 470255 | BALL STUD, 5/16-18 THD X 10MM    |
| 26 | 2 | 470256 | SAFTY CLIP, 10MM BALL SOCKET     |
| 27 | 1 | 472316 | ROLL PIN, 5/16 X 1 1/2           |
| 28 | 1 | 482017 | SPRING                           |
| 29 | 1 | 520090 | HOSE CLAMP NO 16 STAINLESS       |
| 30 | 1 | 520070 | HOSE CLAMP NO 8 STAINLESS        |
| 31 | 1 | 520145 | 3.56/3.88 T-BOLT HOSE CLAMP SS   |
| 32 | 1 | 601497 | HOSE, 1 X 206 1BR BLK EPDM       |
| 33 | 1 | 690698 | FRT FILL SUPP ARM REL WLD        |
| 34 | 1 | 691139 | FRT FILL SUPP ARM LATCH PIN' 10  |
| 35 | 1 | 785007 | KNOB, 1 3/16" BALL, RED, 3/8-16  |
| 36 | 3 | 900066 | 5/16UNC X 1 1/4 HEX BOLT         |
| 37 | 1 | 900418 | 3/4UNC X 7" HEX BOLT             |
| 38 | 2 | 910002 | 5/16UNC HEX NUT                  |
| 39 | 1 | 914002 | 5/16UNC HEX STOVER NUT           |
| 40 | 2 | 473006 | 3/4UNC HEX JAM NUT, NYLOC        |
| 41 | 1 | 920006 | 3/4 SAE FLAT WASHER              |
| 42 | 2 | 920501 | 5/16 LOCK WASHER                 |
| 43 | 1 | 601680 | HOSE, 3 X 91 POLY HELIX EPDM     |
| 44 | 1 | 601676 | HOSE, 1/2 X 270 1BR BLK EPDM     |
| 45 | 1 | 691140 | FRT FILL LATCH BRKT WLD, STS' 10 |
| 46 | 2 | 470113 | 5/16UNC HEX FLANGE LOCK NUT      |
| 47 | 1 | 291680 | POSITIVE JUMPER STUD, RED        |
| 48 | 1 | 291681 | NEGATIVE JUMPER STUD, BLACK      |





RIGHT FRONT



RIGHT REAR

RIGHT FENDER ASSEMBLY

| DET. | QTY | PART NO. | DESCRIPTION                       |     |
|------|-----|----------|-----------------------------------|-----|
| 1    | 1   | 359598   | FRONT FENDER, STS                 | '10 |
| 2    | 1   | 359599   | REAR FENDER, STS                  | '10 |
| 3    | 1   | 359600   | RH FRT FENDER BRKT WLD, STS       | '10 |
| 4    | 1   | 359607   | RH REAR FENDER BRKT WLD, STS      | '10 |
| 5    | 1   | 359614   | RH REAR UPR FENDER SUPP WLD       | '10 |
| 6    | 2   | 359620   | RH LWR FENDER SUPP, STS 54"       | '10 |
| 7    | 4   | 359622   | LWR FENDER SUPP SPACER, 54"       | '10 |
| 8    | 6   | 470431   | 1/2UNC X 1 1/2 FLANGE BOLT        |     |
| 9    | 3   | 629772   | CAPPLUGS PLUG, 1 3/4"RD, BLK POLY |     |
| 10   | 12  | 900129   | 3/8UNC X 1" SERR FLANGE BOLT      |     |
| 11   | 8   | 900132   | 3/8UNC X 1 3/4 SER FLANGE BOLT    |     |
| 12   | 6   | 900266   | 1/2UNC X 1 3/4 HEX BOLT           |     |
| 13   | 20  | 910004N  | 3/8UNC FLANGE CNTR LOCK NUT       |     |
| 14   | 12  | 914008   | 1/2UNC HEX STOVER NUT             |     |

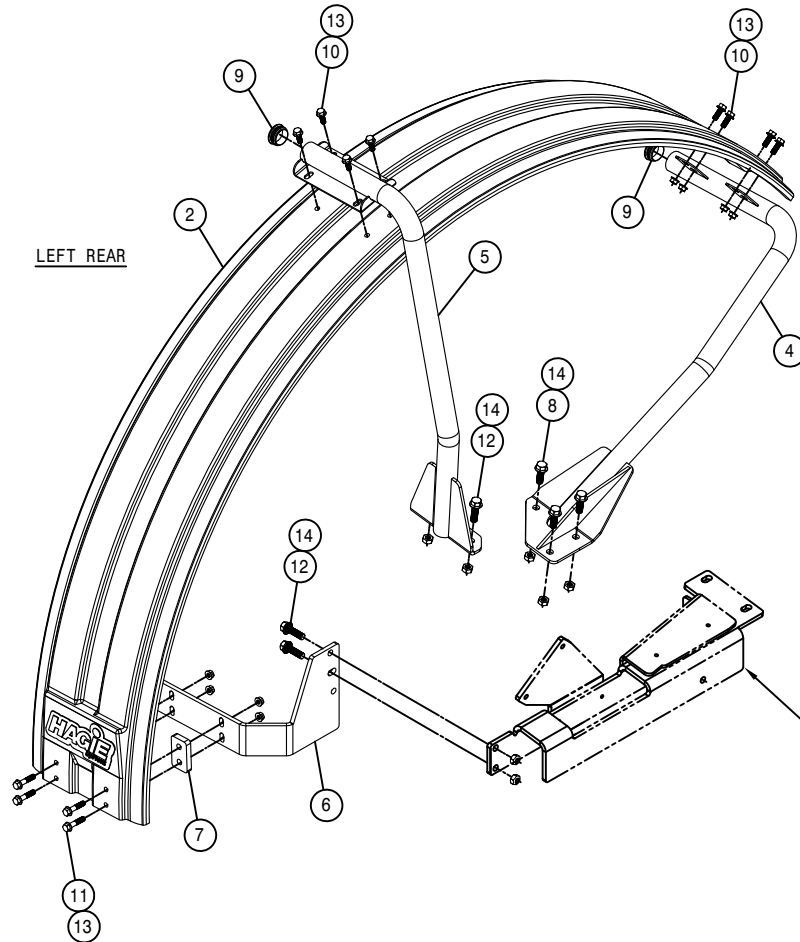
NOTE: 359624 SHOWN FOR REFERENCE  
SEE LEG ASSEMBLY

LEFT FENDER ASSEMBLY

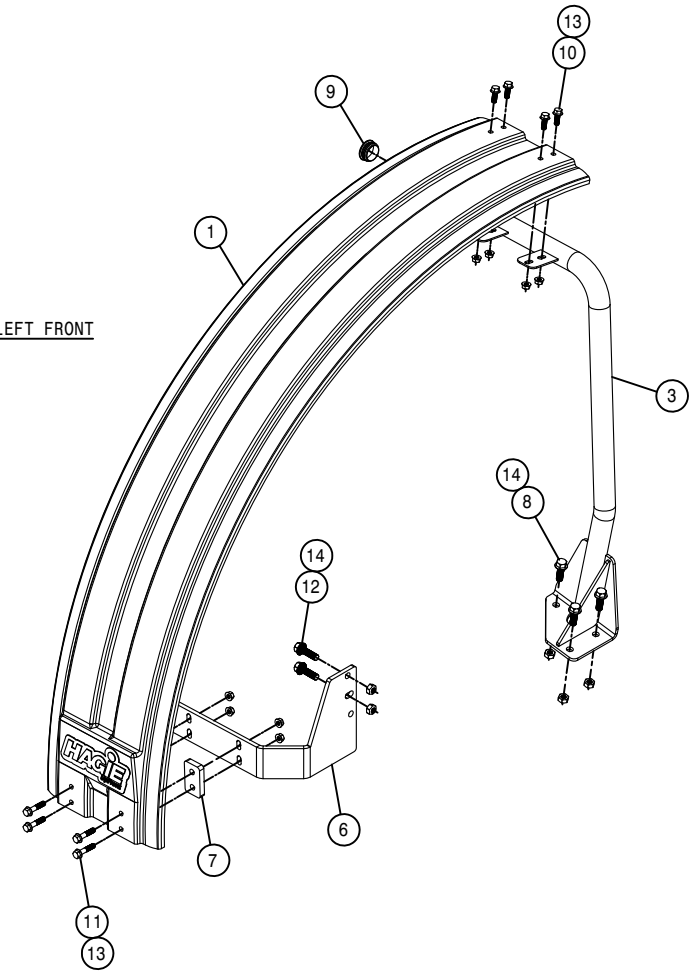
DET. QTY PART NO. DESCRIPTION

|    |    |         |                                   |     |
|----|----|---------|-----------------------------------|-----|
| 1  | 1  | 359598  | FRONT FENDER, STS                 | '10 |
| 2  | 1  | 359599  | REAR FENDER, STS                  | '10 |
| 3  | 1  | 359601  | LH FRT FENDER BRKT WLD, STS       | '10 |
| 4  | 1  | 359608  | LH REAR FENDER BRKT WLD, STS      | '10 |
| 5  | 1  | 359615  | LH REAR UPR FENDER SUPP WLD       | '10 |
| 6  | 1  | 359621  | LH LWR FENDER SUPP, STS 54"       | '10 |
| 7  | 4  | 359622  | LWR FENDER SUPP SPACER, 54"       | '10 |
| 8  | 6  | 470431  | 1/2UNC X 1 1/2 FLANGE BOLT        |     |
| 9  | 3  | 629772  | CAPPLUGS PLUG, 1 3/4"RD, BLK POLY |     |
| 10 | 12 | 900129  | 3/8UNC X 1" SERR FLANGE BOLT      |     |
| 11 | 8  | 900132  | 3/8UNC X 1 3/4 SER FLANGE BOLT    |     |
| 12 | 6  | 900266  | 1/2UNC X 1 3/4 HEX BOLT           |     |
| 13 | 20 | 910004N | 3/8UNC FLANGE CNTR LOCK NUT       |     |
| 14 | 12 | 914008  | 1/2UNC HEX STOVER NUT             |     |

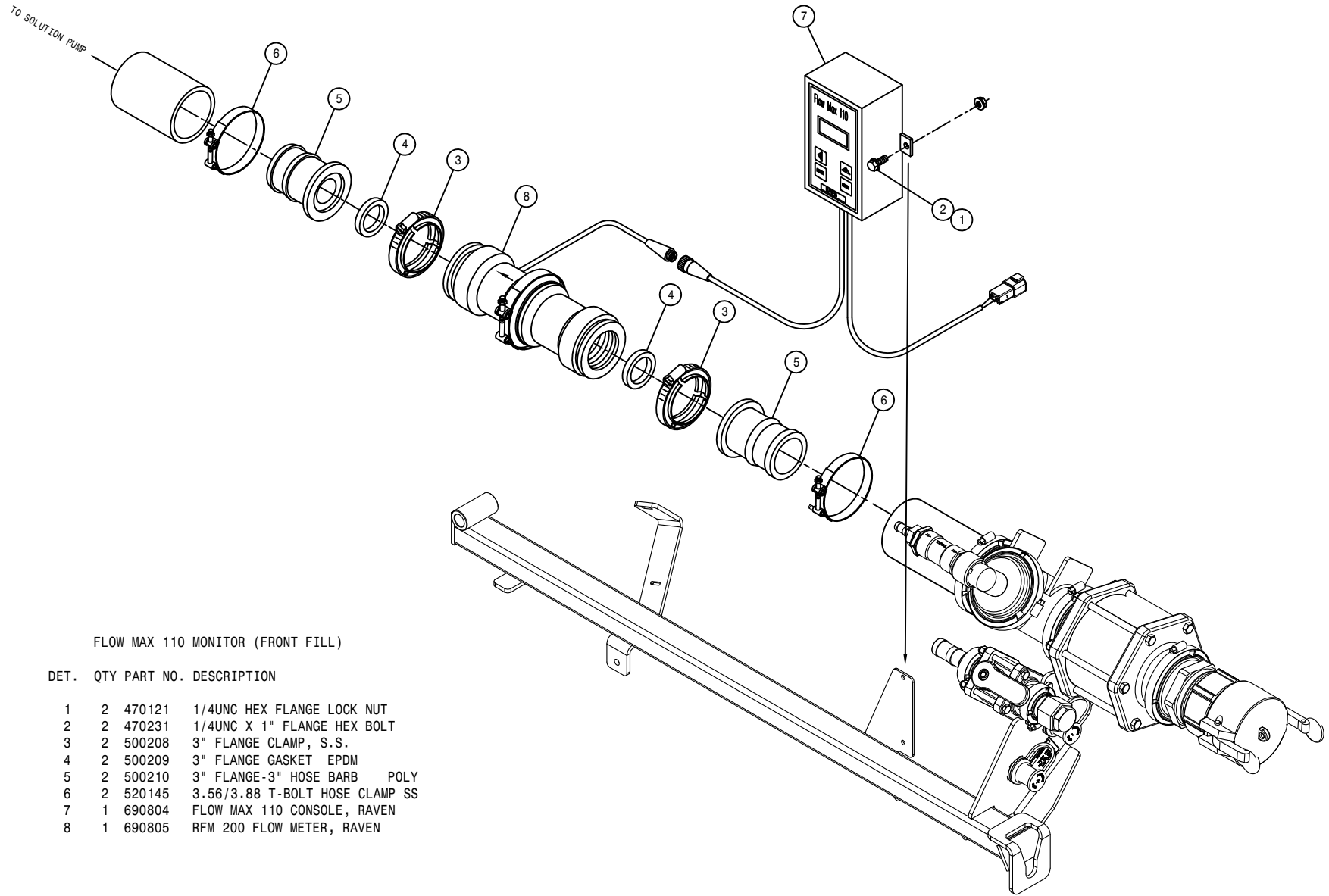
LEFT REAR



LEFT FRONT

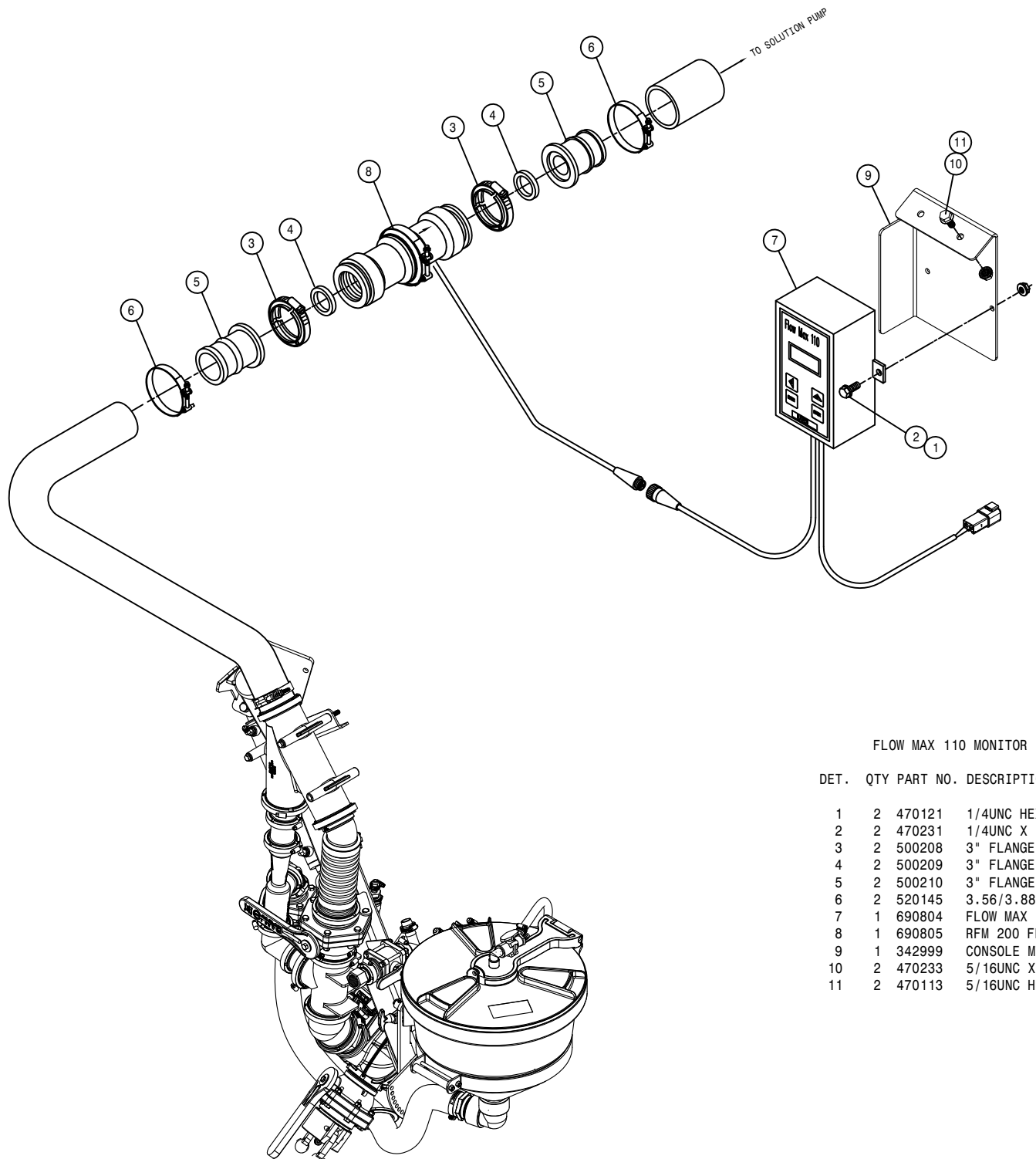


NOTE: 359625 SHOWN FOR REFERENCE  
SEE LEG ASSEMBLY



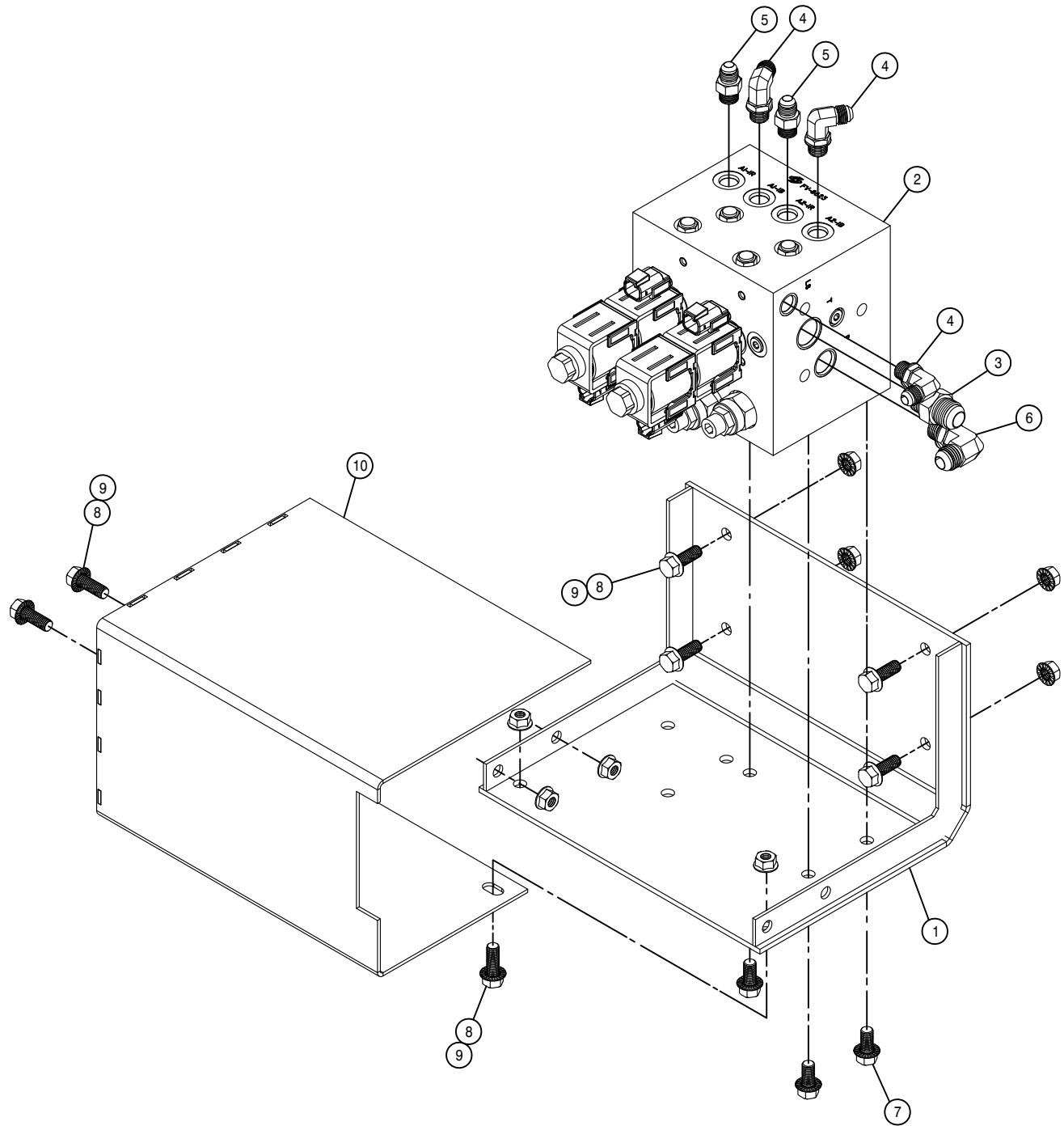
FLOW MAX 110 MONITOR (FRONT FILL)

| DET. | QTY | PART NO. | DESCRIPTION                    |
|------|-----|----------|--------------------------------|
|      | 2   | 470121   | 1/4UNC HEX FLANGE LOCK NUT     |
|      | 2   | 470231   | 1/4UNC X 1" FLANGE HEX BOLT    |
|      | 2   | 500208   | 3" FLANGE CLAMP, S.S.          |
|      | 2   | 500209   | 3" FLANGE GASKET EPDM          |
|      | 2   | 500210   | 3" FLANGE-3" HOSE BARB POLY    |
|      | 2   | 520145   | 3.56/3.88 T-BOLT HOSE CLAMP SS |
|      | 1   | 690804   | FLOW MAX 110 CONSOLE, RAVEN    |
|      | 1   | 690805   | RFM 200 FLOW METER, RAVEN      |



FLOW MAX 110 MONITOR (SIDE FILL)

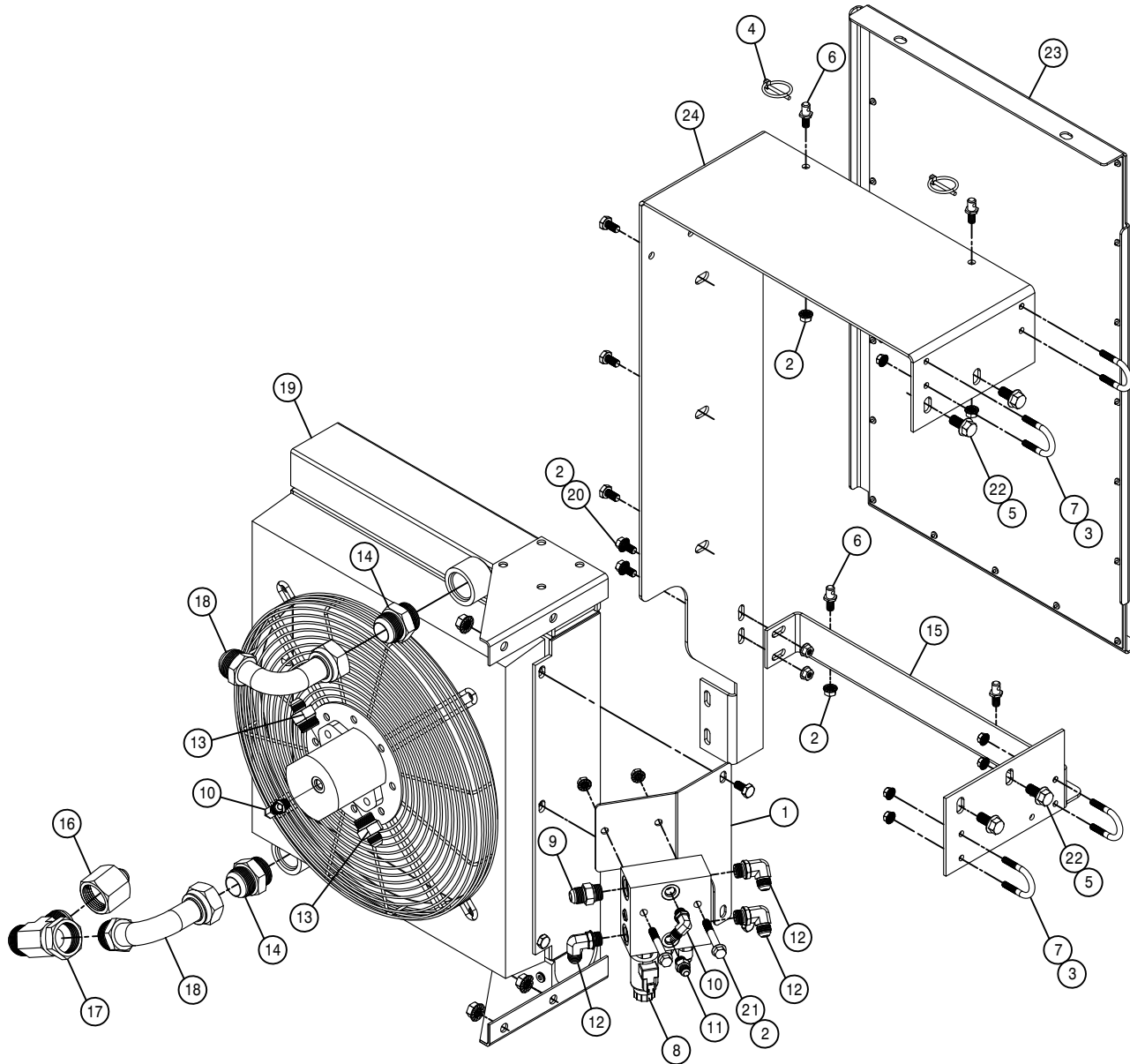
| DET. | QTY | PART NO. | DESCRIPTION                    |
|------|-----|----------|--------------------------------|
| 1    | 2   | 470121   | 1/4UNC HEX FLANGE LOCK NUT     |
| 2    | 2   | 470231   | 1/4UNC X 1" FLANGE HEX BOLT    |
| 3    | 2   | 500208   | 3" FLANGE CLAMP, S.S.          |
| 4    | 2   | 500209   | 3" FLANGE GASKET EPDM          |
| 5    | 2   | 500210   | 3" FLANGE-3" HOSE BARB POLY    |
| 6    | 2   | 520145   | 3.56/3.88 T-BOLT HOSE CLAMP SS |
| 7    | 1   | 690804   | FLOW MAX 110 CONSOLE, RAVEN    |
| 8    | 1   | 690805   | RFM 200 FLOW METER, RAVEN      |
| 9    | 1   | 342999   | CONSOLE MT,SIDE,FLOMAX 110 '12 |
| 10   | 2   | 470233   | 5/16UNC X 3/4 FLANGE HEX BOLT  |
| 11   | 2   | 470113   | 5/16UNC HEX FLANGE LOCK NUT    |



AWS HYDRAULIC VALVE ASSEMBLY

| DET. | QTY | PART NO. | DESCRIPTION                  |    |
|------|-----|----------|------------------------------|----|
| 1    | 1   | 361872   | AWS VALVE MT WLDMT, STS      | 09 |
| 2    | 1   | 606370   | VALVE, FV8623 V1 SUNSOURCE   |    |
| 3    | 1   | 611126   | 7/8MJIC-7/8MOR ADPTR         |    |
| 4    | 3   | 618119   | 9/16MJIC-90-9/16MOR LBO      |    |
| 5    | 2   | 618126   | 9/16MJIC-9/16MOR ADPTR       |    |
| 6    | 1   | 618241   | 3/4MJIC-90-3/4MOR LBO        |    |
| 7    | 3   | 900128   | 3/8UNC X 3/4 HEX BOLT        |    |
| 8    | 8   | 900129   | 3/8UNC X 1" SERR FLANGE BOLT |    |
| 9    | 8   | 470087   | 3/8UNC HEX FLANGE LOCK NUT   |    |
| 10   | 1   | 361908   | AWS MANIF COVER WLD          |    |

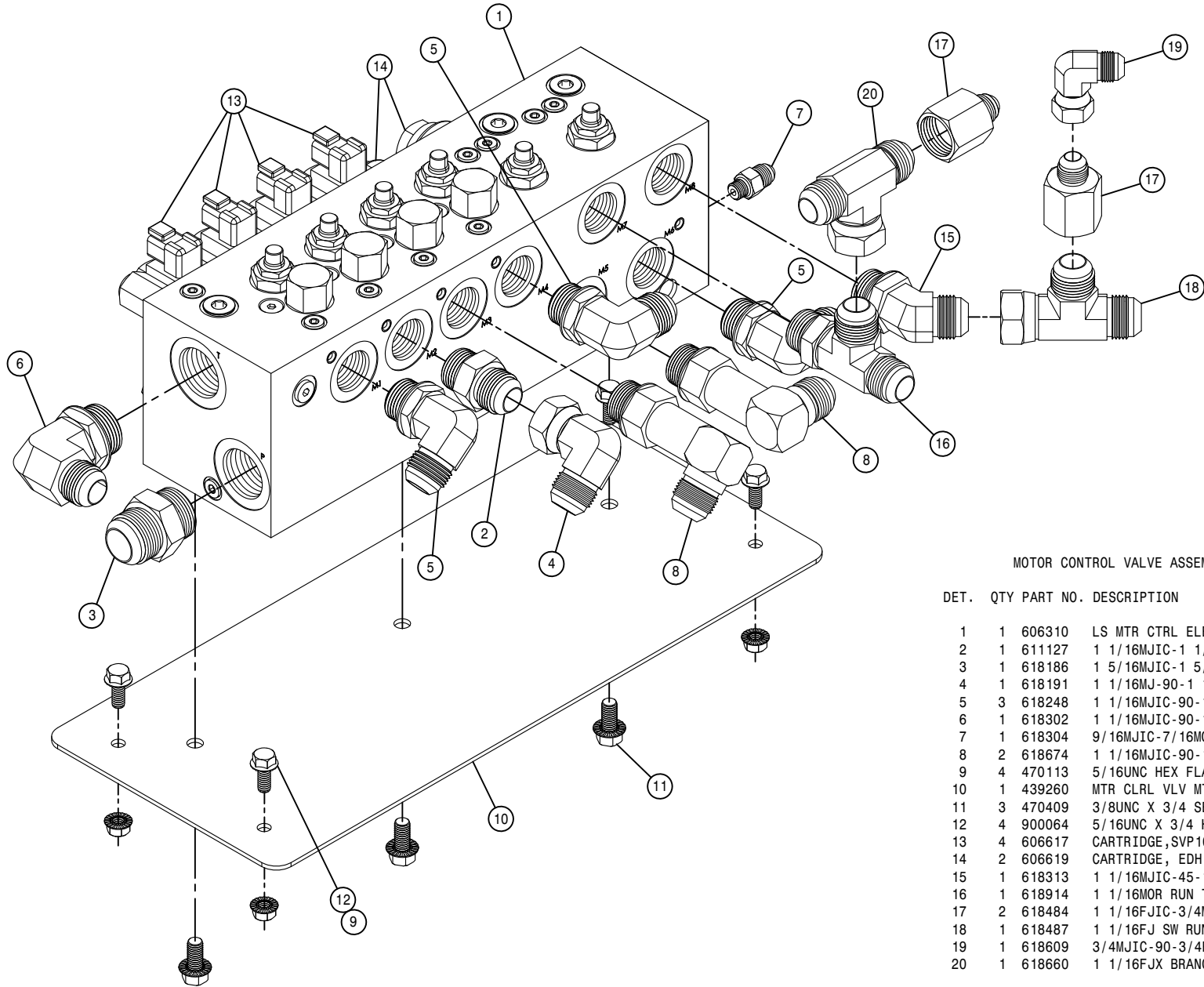




AUX OIL COOLER ASSEMBLY

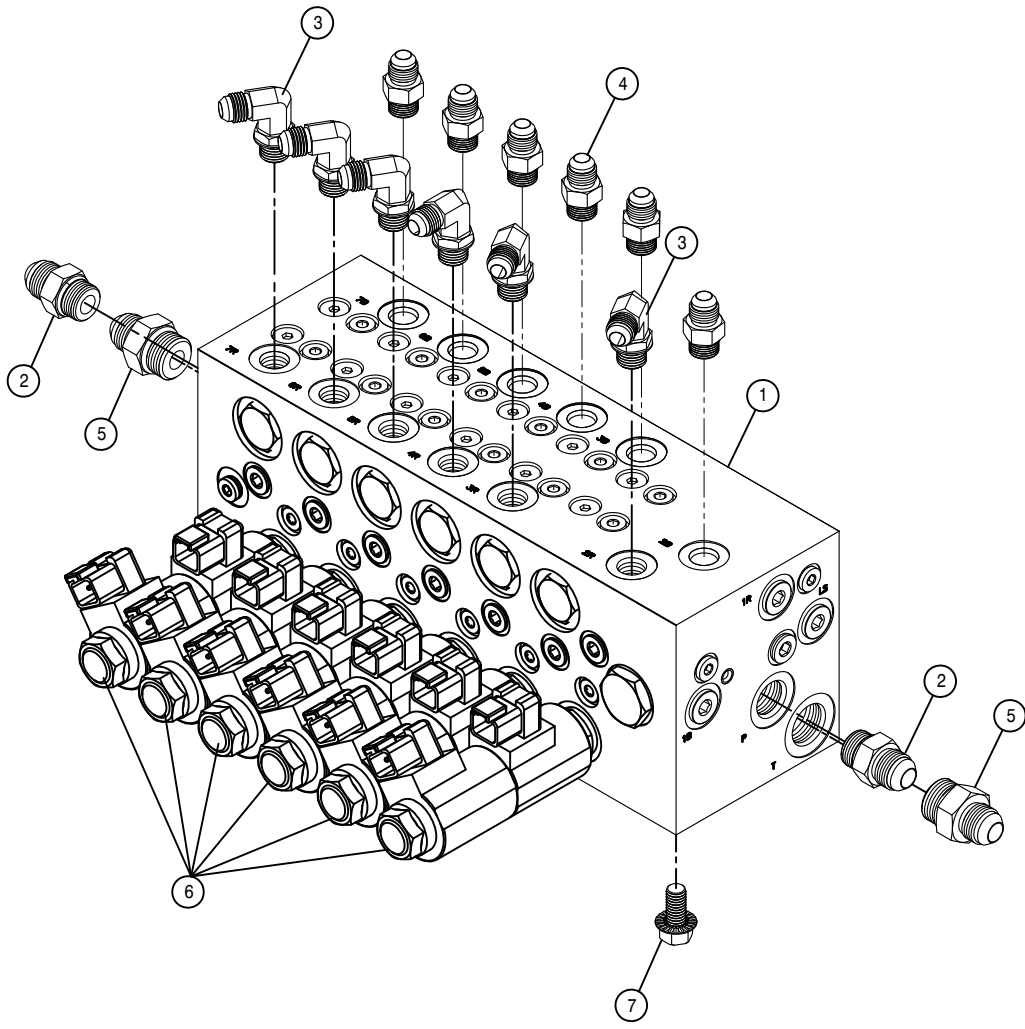
DET. QTY PART NO. DESCRIPTION

|    |   |        |                                |
|----|---|--------|--------------------------------|
| 1  | 1 | 316946 | PLATE-MOUNT,MANIFOLD           |
| 2  | 8 | 470087 | 3/8UNC HEX FLANGE LOCK NUT     |
| 3  | 8 | 470113 | 5/16UNC HEX FLANGE LOCK NUT    |
| 4  | 2 | 470335 | LINCHPIN, 3/16 X 1 1/4 GRIP    |
| 5  | 4 | 470360 | 1/2UNC HEX FLANGE LOCK NUT     |
| 6  | 4 | 470520 | HANGER PIN,3/8UNC X.437DX.500L |
| 7  | 4 | 473911 | 5/16UNC-1.31ID-2.00 U-BOLT     |
| 8  | 1 | 606448 | AUX COOLER MANIFOLD, GST       |
| 9  | 1 | 611126 | 7/8MJIC-7/8MOR ADPTR           |
| 10 | 2 | 618119 | 9/16MJIC-90-9/16MOR LBO        |
| 11 | 1 | 618126 | 9/16MJIC-9/16MOR ADPTR         |
| 12 | 3 | 618241 | 3/4MJIC-90-3/4MOR LBO          |
| 13 | 2 | 618469 | 3/4MJIC-1 1/16MOR ADPTR        |
| 14 | 2 | 618472 | 1 5/8MJIC-1 5/8MOR ADPTR       |
| 15 | 1 | A52996 | AUX COOLER BOTM BRKT,STS16 07  |
| 16 | 1 | 618655 | 1 7/16FFOX RUN TEE-1 7/16MFOR  |
| 17 | 1 | 618726 | 1 5/8FJ SW RUN TEE-1 5/8MJ     |
| 18 | 2 | 618768 | 1 5/8MJIC-90-1 5/8FJX TUBE     |
| 19 | 1 | 618808 | OIL COOLER STS16 07            |
| 20 | 2 | 900128 | 3/8UNC X 3/4 HEX BOLT          |
| 21 | 2 | 900135 | 3/8UNC X 2 3/4 HEX BOLT        |
| 22 | 4 | 900263 | 1/2UNC X 1" HEX BOLT           |
| 23 | 1 | A06731 | AUX COOLR SCREEN ASSY,STS16 07 |
| 24 | 1 | A52995 | AUX COOLER MT,STS16 07         |



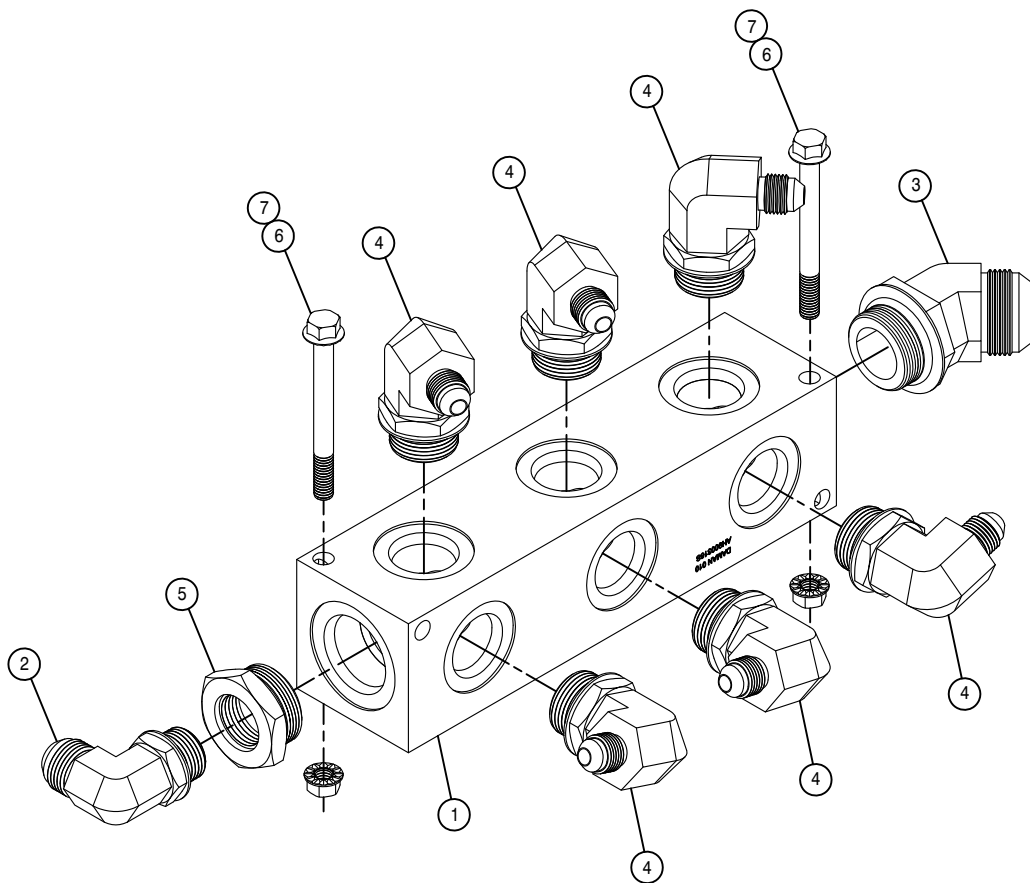
MOTOR CONTROL VALVE ASSEMBLY

| DET. | QTY | PART NO. | DESCRIPTION                      |
|------|-----|----------|----------------------------------|
|      | 1   | 606310   | LS MTR CTRL ELEC VLV STS, SAUER  |
|      | 2   | 611127   | 1 1/16MJIC-1 1/16MOR ADPTR       |
|      | 3   | 618186   | 1 5/16MJIC-1 5/16MOR ADPTR       |
|      | 4   | 618191   | 1 1/16MJ-90-1 1/16FJ SWIV LBO    |
|      | 5   | 618248   | 1 1/16MJIC-90-1 1/16MOR LBO      |
|      | 6   | 618302   | 1 1/16MJIC-90-1 5/16MOR LBO      |
|      | 7   | 618304   | 9/16MJIC-7/16MOR ADPTR           |
|      | 8   | 618674   | 1 1/16MJIC-90-1 1/16MOR XL LBO   |
|      | 9   | 470113   | 5/16UNC HEX FLANGE LOCK NUT      |
|      | 10  | 439260   | MTR CLRL VLV MT, STS COMBO 07    |
|      | 11  | 470409   | 3/8UNC X 3/4 SERR FLANGE BOLT    |
|      | 12  | 900064   | 5/16UNC X 3/4 HEX BOLT           |
|      | 13  | 606617   | CARTRIDGE, SVP10, FOR VLV 606262 |
|      | 14  | 606619   | CARTRIDGE, EDH FOR VLV 606262    |
|      | 15  | 618313   | 1 1/16MJIC-45-1 1/16MOR LBO      |
|      | 16  | 618914   | 1 1/16MOR RUN TEE-1 1/16MJIC     |
|      | 17  | 618484   | 1 1/16FJIC-3/4MJIC ADPTR         |
|      | 18  | 618487   | 1 1/16FJ SW RUN TEE-1 1/16MJ     |
|      | 19  | 618609   | 3/4MJIC-90-3/4FJIC SWIV LBO      |
|      | 20  | 618660   | 1 1/16FJX BRANCH TEE-1 1/16MJ    |



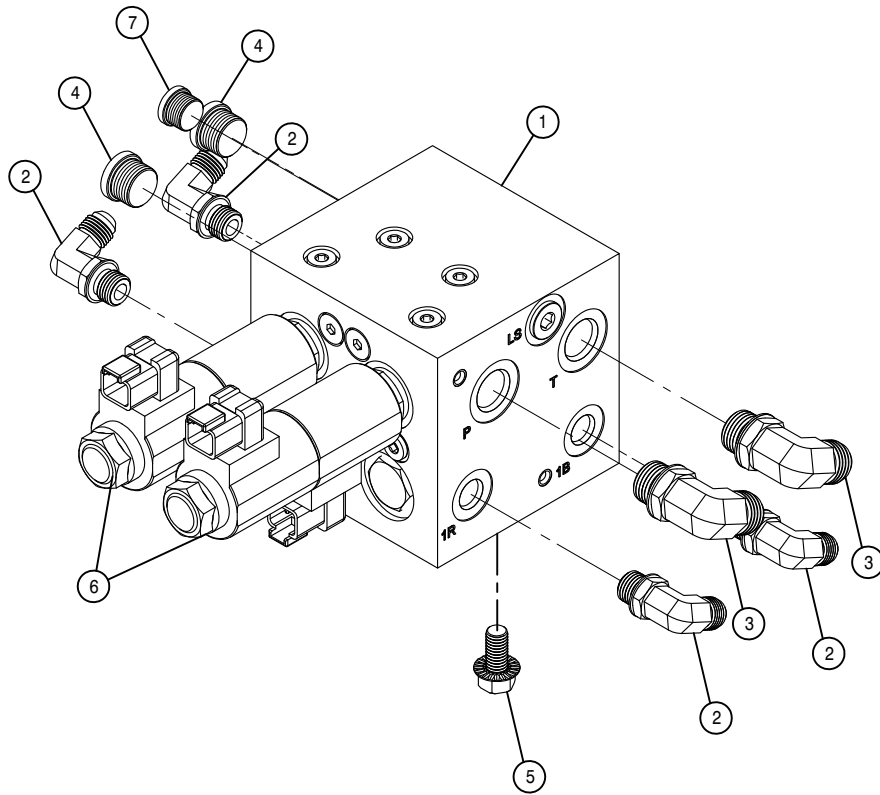
LIFT VALVE ASSEMBLY

| DET. | QTY | PART NO. | DESCRIPTION                   |
|------|-----|----------|-------------------------------|
| 1    | 1   | 606285   | LIFT VALVE,STS COMBO,SAUER    |
| 2    | 2   | 611125   | 3/4MJIC-3/4MOR ADPTR          |
| 3    | 6   | 618119   | 9/16MJIC-90-9/16MOR LBO       |
| 4    | 6   | 618126   | 9/16MJIC-9/16MOR ADPTR        |
| 5    | 2   | 618327   | 3/4MJIC-7/8MOR ADPTR          |
| 6    | 12  | 606345   | COIL FOR SV10 CART,VLV 606272 |
| 7    | 4   | 470409   | 3/8UNC X 3/4 SERR FLANGE BOLT |



RETURN MANIFOLD ASSEMBLY

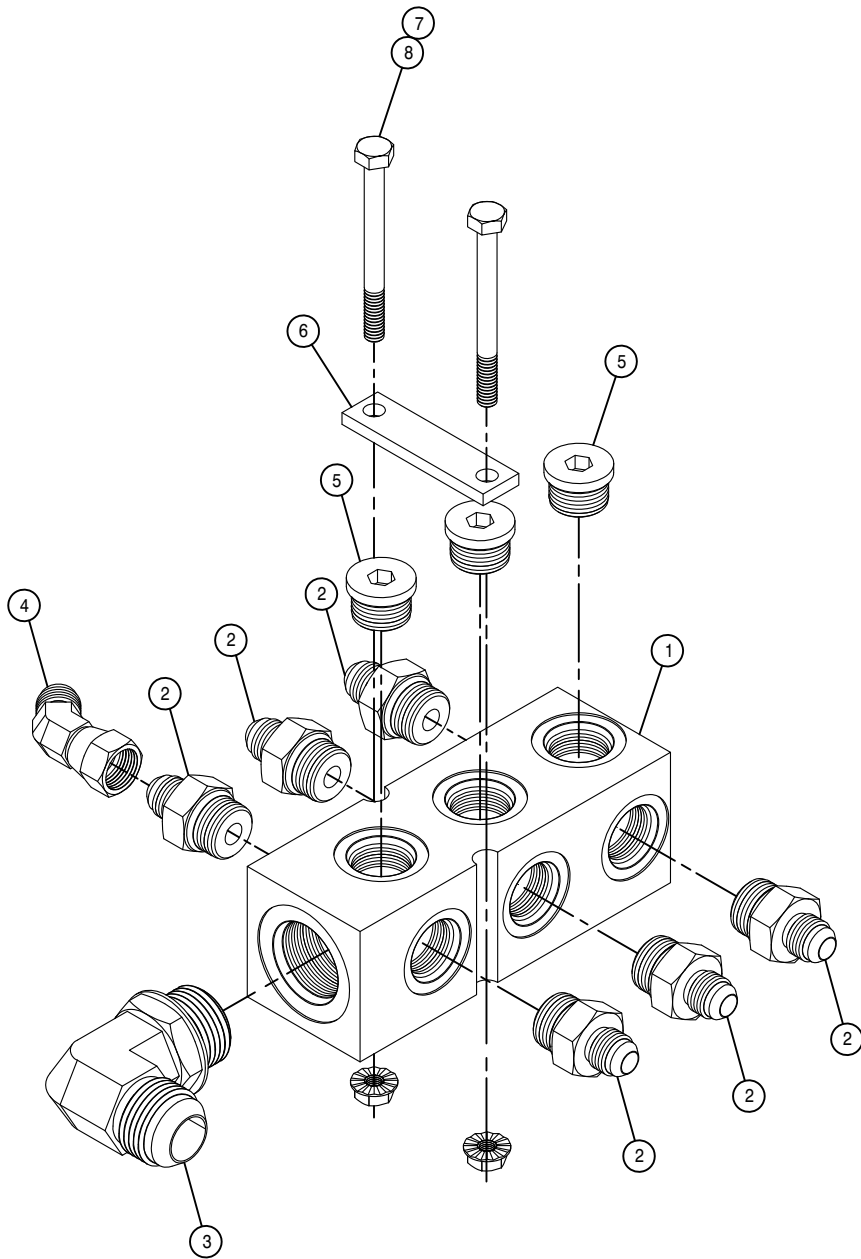
| DET. | QTY | PART NO. | DESCRIPTION                 |
|------|-----|----------|-----------------------------|
|      | 1   | 606246   | MANIFOLD, #16 3-STN 180     |
|      | 2   | 618248   | 1 1/16MJIC-90-1 1/16MOR LBO |
|      | 3   | 618396   | 1 5/8MJIC-45-1 5/8MOR LBO   |
|      | 4   | 618475   | 3/4MJIC-90-1 5/16MOR LBO    |
|      | 5   | 618595   | 1 5/8MOR-1 1/16FOR ADPTR    |
|      | 6   | 900139   | 3/8UNC X 3 3/4 HEX BOLT     |
|      | 7   | 470087   | 3/8UNC HEX FLANGE LOCK NUT  |



## FOLD VALVE ASSEMBLY

DET. QTY PART NO. DESCRIPTION

|   |   |        |                                  |
|---|---|--------|----------------------------------|
| 1 | 1 | 606286 | FOLD VALVE, STS COMBO, SAUER     |
| 2 | 4 | 618119 | 9/16MJC-90-9/16MOR LBO           |
| 3 | 2 | 618241 | 3/4MJC-90-3/4MOR LBO             |
| 4 | 2 | 618755 | 3/4MOR PLUG, HEX SOCKET          |
| 5 | 2 | 470409 | 3/8UNC X 3/4 SERR FLANGE BOLT    |
| 6 | 2 | 606304 | CARTRIDGE, PSV10, FOR VLV 606272 |
| 7 | 1 | 618754 | 9/16MOR PLUG, HEX SOCKET         |



CASE DRAIN MANIFOLD ASSEMBLY

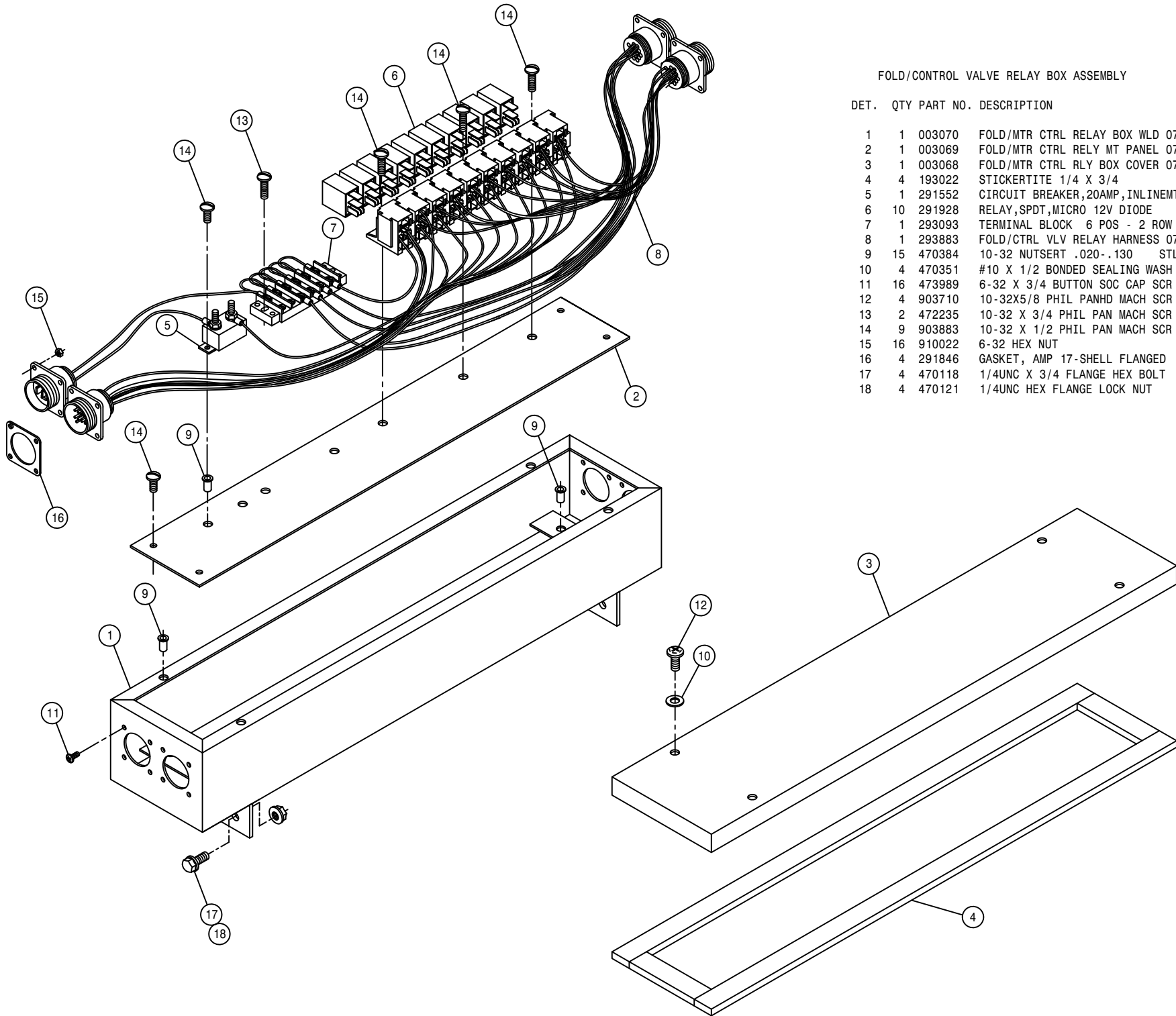
DET. QTY PART NO. DESCRIPTION

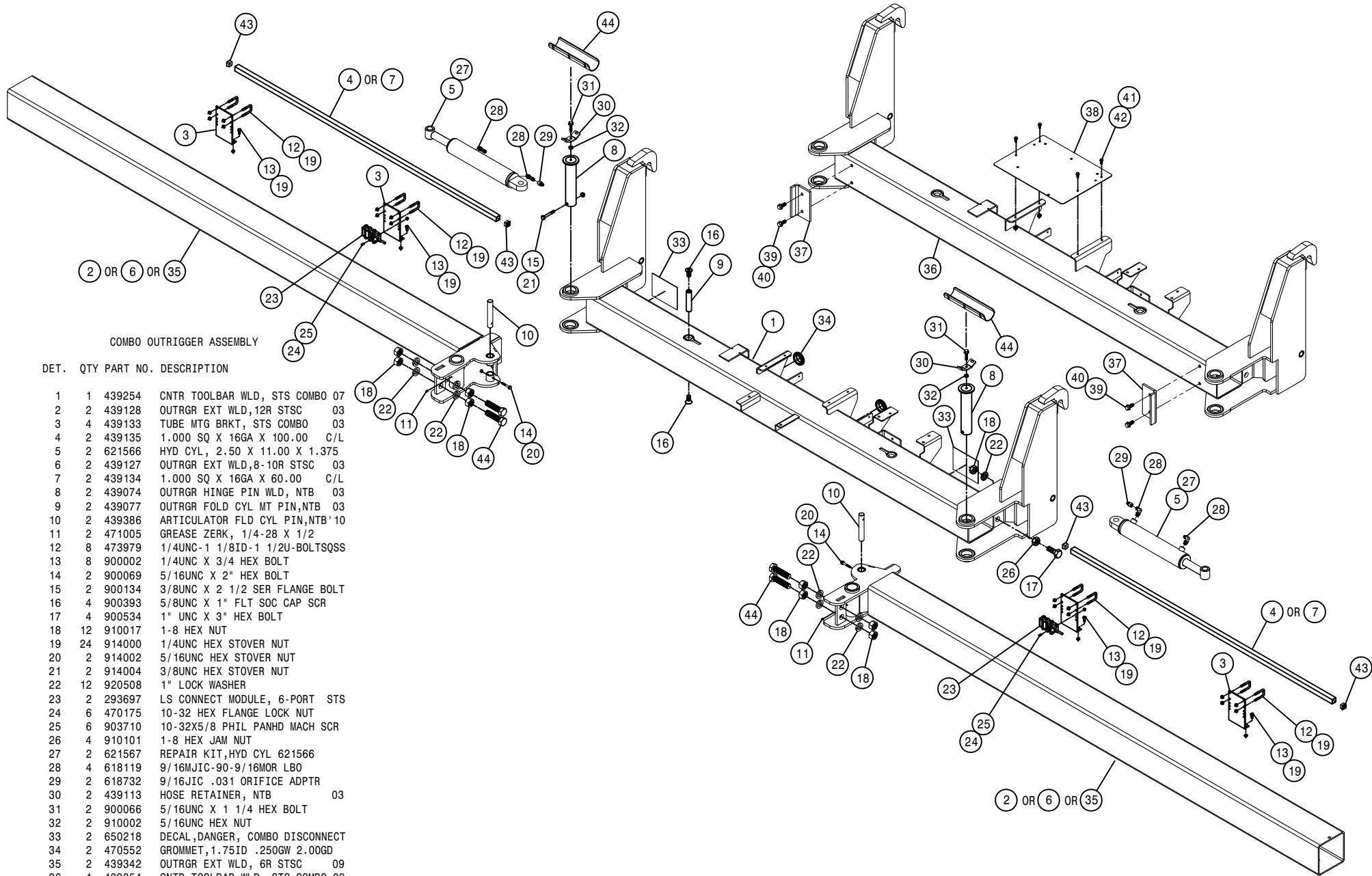
|   |   |        |                                  |
|---|---|--------|----------------------------------|
| 1 | 1 | 606021 | HYD RETURN MANIF, 3/4FOR, 9-PORT |
| 2 | 6 | 618109 | 9/16MJC-3/4MOR ADPTR             |
| 3 | 1 | 618248 | 1 1/16MJC-90-1 1/16MOR LBO       |
| 4 | 1 | 618634 | 9/16MJC-45-9/16FJC SWIV LBO      |
| 5 | 3 | 618755 | 3/4MOR PLUG, HEX SOCKET          |
| 6 | 1 | 438729 | CUTTER RETURN MANIF MT KEEPER    |
| 7 | 2 | 470121 | 1/4UNC HEX FLANGE LOCK NUT       |
| 8 | 2 | 900009 | 1/4UNC X 2 3/4 HEX BOLT          |

FOLD/CONTROL VALVE RELAY BOX ASSEMBLY

DET. QTY PART NO. DESCRIPTION

| DET. | QTY | PART NO. | DESCRIPTION                      |
|------|-----|----------|----------------------------------|
| 1    | 1   | 003070   | FOLD/MTR CTRL RELAY BOX WLD 07   |
| 2    | 1   | 003069   | FOLD/MTR CTRL RELY MT PANEL 07   |
| 3    | 1   | 003068   | FOLD/MTR CTRL RLY BOX COVER 07   |
| 4    | 4   | 193022   | STICKERTITE 1/4 X 3/4            |
| 5    | 1   | 291552   | CIRCUIT BREAKER, 20AMP, INLINEMT |
| 6    | 10  | 291928   | RELAY, SPDT, MICRO 12V DIODE     |
| 7    | 1   | 293093   | TERMINAL BLOCK 6 POS - 2 ROW     |
| 8    | 1   | 293883   | FOLD/CTRL VLV RELAY HARNESS 07   |
| 9    | 15  | 470384   | 10-32 NUTSERT .020-.130 STL      |
| 10   | 4   | 470351   | #10 X 1/2 BONDED SEALING WASH    |
| 11   | 16  | 473989   | 6-32 X 3/4 BUTTON SOC CAP SCR    |
| 12   | 4   | 903710   | 10-32X5/8 PHIL PANHD MACH SCR    |
| 13   | 2   | 472235   | 10-32 X 3/4 PHIL PAN MACH SCR    |
| 14   | 9   | 903883   | 10-32 X 1/2 PHIL PAN MACH SCR    |
| 15   | 16  | 910022   | 6-32 HEX NUT                     |
| 16   | 4   | 291846   | GASKET, AMP 17-SHELL FLANGED     |
| 17   | 4   | 470118   | 1/4UNC X 3/4 FLANGE HEX BOLT     |
| 18   | 4   | 470121   | 1/4UNC HEX FLANGE LOCK NUT       |

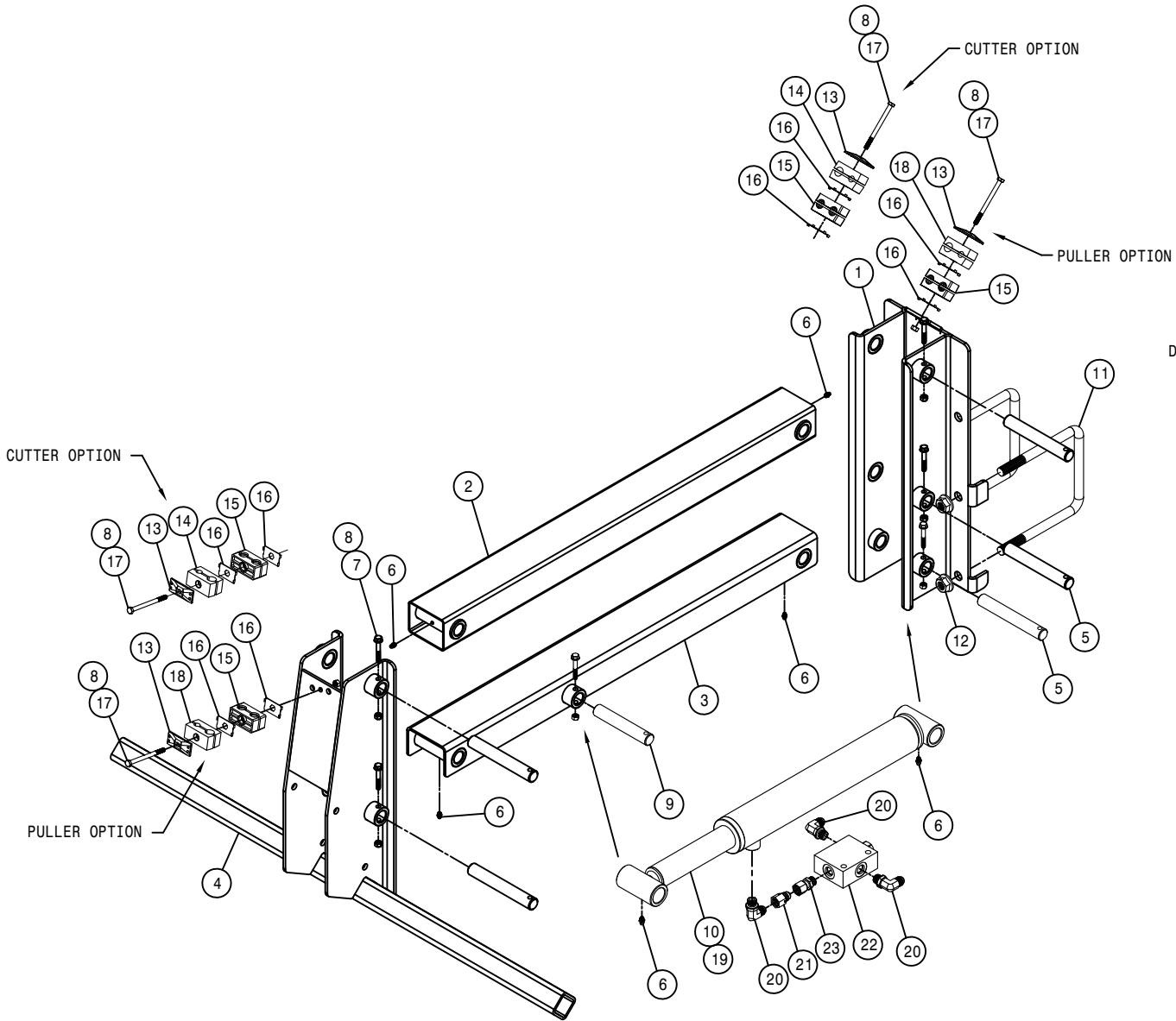




COMBO OUTRIGGER ASSEMBLY

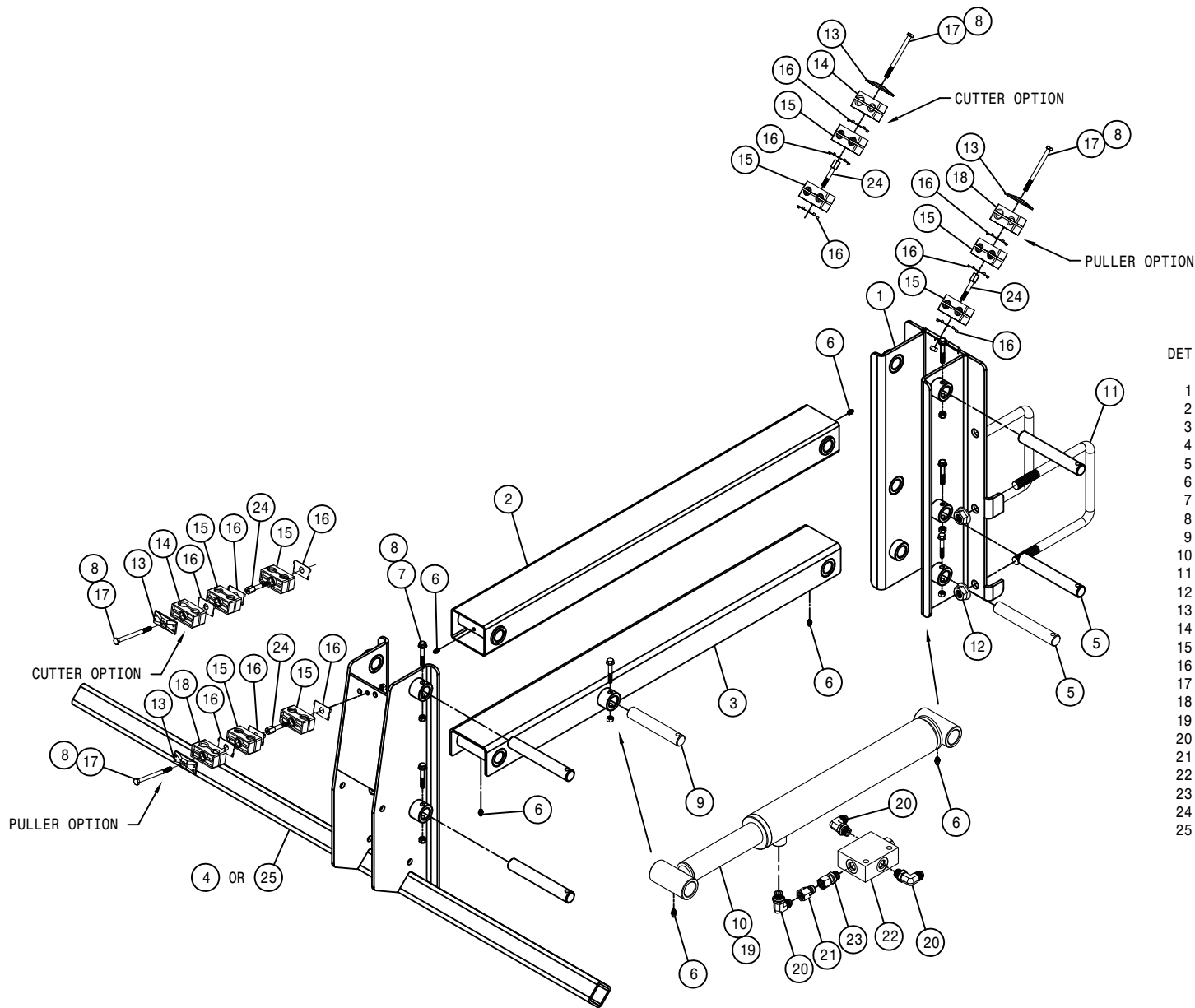
| DET. | QTY | PART NO. | DESCRIPTION                    |
|------|-----|----------|--------------------------------|
| 1    | 1   | 439254   | CNTR TOOLBAR WLD, STS COMBO 07 |
| 2    | 2   | 439128   | OUTRGR EXT WLD,12R STSC 03     |
| 3    | 4   | 439133   | TUBE MTG BRKT, STS COMBO 03    |
| 4    | 2   | 439135   | 1.000 SQ X 16GA X 100.00 C/L   |
| 5    | 2   | 621566   | HYD CYL, 2.50 X 11.00 X 1.375  |
| 6    | 2   | 439127   | OUTRGR EXT WLD,8-10R STSC 03   |
| 7    | 2   | 439134   | 1.000 SQ X 16GA X 60.00 C/L    |
| 8    | 2   | 439074   | OUTRGR HINGE PIN WLD, NTB 03   |
| 9    | 2   | 439077   | OUTRGR FOLD CYL MT PIN,NTB 03  |
| 10   | 2   | 439386   | ARTICULATOR FLD CYL PIN,NTB'10 |
| 11   | 2   | 471005   | GREASE ZERK, 1/4-28 X 1/2      |
| 12   | 8   | 473979   | 1/4UNC-1 1/8ID-1 1/2U-BOLTSQSS |
| 13   | 8   | 900002   | 1/4UNC X 3/4 HEX BOLT          |
| 14   | 2   | 900069   | 5/16UNC X 2" HEX BOLT          |
| 15   | 2   | 900134   | 3/8UNC X 2 1/2 SER FLANGE BOLT |
| 16   | 4   | 900393   | 5/8UNC X 1" FLT SOC CAP SCR    |
| 17   | 4   | 900534   | 1" UNC X 3" HEX BOLT           |
| 18   | 12  | 910017   | 1-8 HEX NUT                    |
| 19   | 24  | 914000   | 1/4UNC HEX STOVER NUT          |
| 20   | 2   | 914002   | 5/16UNC HEX STOVER NUT         |
| 21   | 2   | 914004   | 3/8UNC HEX STOVER NUT          |
| 22   | 12  | 920508   | 1" LOCK WASHER                 |
| 23   | 2   | 293697   | LS CONNECT MODULE, 6-PORT STS  |
| 24   | 6   | 470175   | 10-32 HEX FLANGE LOCK NUT      |
| 25   | 6   | 903710   | 10-32X5/8 PHIL PANHD MACH SCR  |
| 26   | 4   | 910101   | 1-8 HEX JAM NUT                |
| 27   | 2   | 621567   | REPAIR KIT,HYD CYL 621566      |
| 28   | 4   | 618119   | 9/16MJIC-90-9/16MOR LBO        |
| 29   | 2   | 618732   | 9/16JIC .031 ORIFICE ADPTR     |
| 30   | 2   | 439113   | HOSE RETAINER, NTB 03          |
| 31   | 2   | 900066   | 5/16UNC X 1 1/4 HEX BOLT       |
| 32   | 2   | 910002   | 5/16UNC HEX NUT                |
| 33   | 2   | 650218   | DECAL,DANGER, COMBO DISCONNECT |
| 34   | 2   | 470552   | GROMMET,1.75ID .250GW 2.00GD   |
| 35   | 2   | 439342   | OUTRGR EXT WLD, 6R STSC 09     |
| 36   | 1   | 439354   | CNTR TOOLBAR WLD, STS COMBO 09 |
| 37   | 2   | 439344   | OUTRGR SPACER PLATE STS 6R3L   |
| 38   | 1   | 439358   | MTR CNTL VLV MT STS COMBO 09   |
| 39   | 4   | 900264   | 1/2UNC X 1 1/4 HEX BOLT        |
| 40   | 4   | 470360   | 1/2UNC HEX FLANGE LOCK NUT     |
| 41   | 4   | 470113   | 5/16UNC HEX FLANGE LOCK NUT    |
| 42   | 4   | 470233   | 5/16UNC X 3/4 FLANGE HEX BOLT  |
| 43   | 4   | 629727   | FINISH PLUG FOR 1"SQ X 16 GA   |
| 44   | 4   | 900536   | 1" UNC X 4" HEX BOLT,FULL THD  |





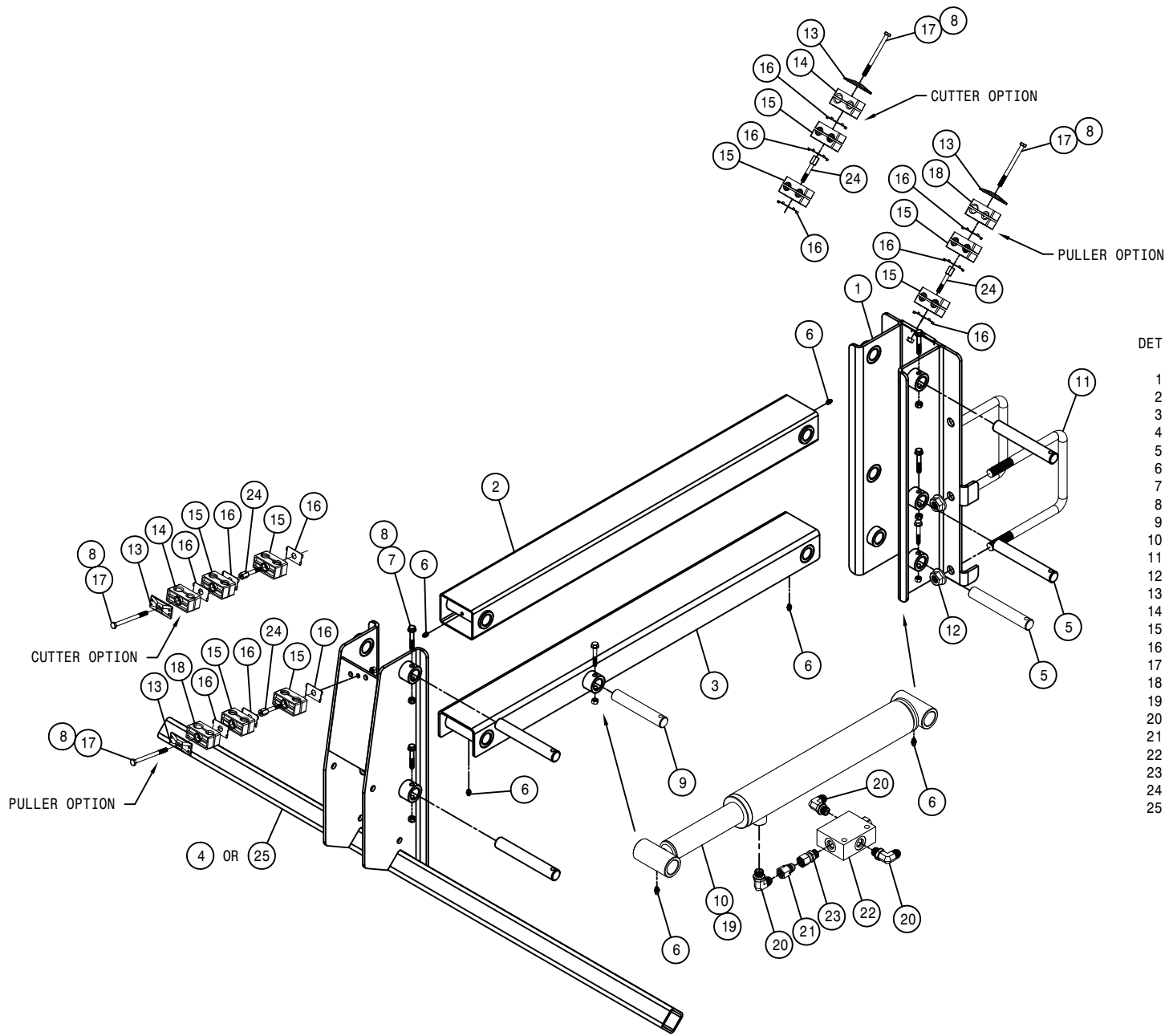
2-HEAD LIFT ASSEMBLY

| DET. | QTY | PART NO. | DESCRIPTION                     |    |
|------|-----|----------|---------------------------------|----|
| 1    | 1   | 439136   | TOOLBAR MT BRKT WLD, STSC       | 03 |
| 2    | 1   | 439143   | UPPER LIFTARM WLD, STS COMBO    | 03 |
| 3    | 1   | 439146   | LWR LIFTARM WLD, STS COMBO      | 03 |
| 4    | 1   | 439151   | 50" HEAD TOOLBAR WLD, STSC      | 03 |
| 5    | 5   | 439158   | LIFT ARM PIVOT PIN, STSC        | 03 |
| 6    | 6   | 471005   | GREASE ZERK, 1/4-28 X 1/2       |    |
| 7    | 6   | 900069   | 5/16UNC X 2" HEX BOLT           |    |
| 8    | 8   | 914002   | 5/16UNC HEX STOVER NUT          |    |
| 9    | 1   | 439156   | LWR CYL MT PIN, STS COMBO       | 03 |
| 10   | 1   | 621564   | HYD CYL, 2.00 X 11.00 X 1.50 1W |    |
| 11   | 2   | 473981   | .750UNC-7.00ID-8.50 U-BOLT SQ   |    |
| 12   | 4   | 914012   | 3/4UNC HEX STOVER NUT           |    |
| 13   | 2   | 470276   | CLAMP COVER PLATE, SNGL, 2.55LG |    |
| 14   | 2   | 470340   | TUBE CLAMP BODY, .500-.750      |    |
| 15   | 2   | 470274   | TUBE CLAMP BODY, .750-.750      |    |
| 16   | 4   | 470281   | STACK BOLT SAFETY LOCK PLATE    |    |
| 17   | 2   | 900076   | 5/16UNC X 4" HEX BOLT           |    |
| 18   | 2   | 470270   | HOSE CLAMP BODY, .530-.680      |    |
| 19   | 1   | 621507   | REPAIR KIT, HYD CYL 621506      |    |
| 20   | 3   | 618119   | 9/16MJIC-90-9/16MOR LBO         |    |
| 21   | 1   | 618733   | 9/16JIC .042 ORIFICE ADPTR      |    |
| 22   | 1   | 607565   | CHECK VLV, PILOT TO OPEN, SUN   |    |
| 23   | 1   | 618668   | 9/16FJIC SWIV-9/16MOR ADPTR     |    |



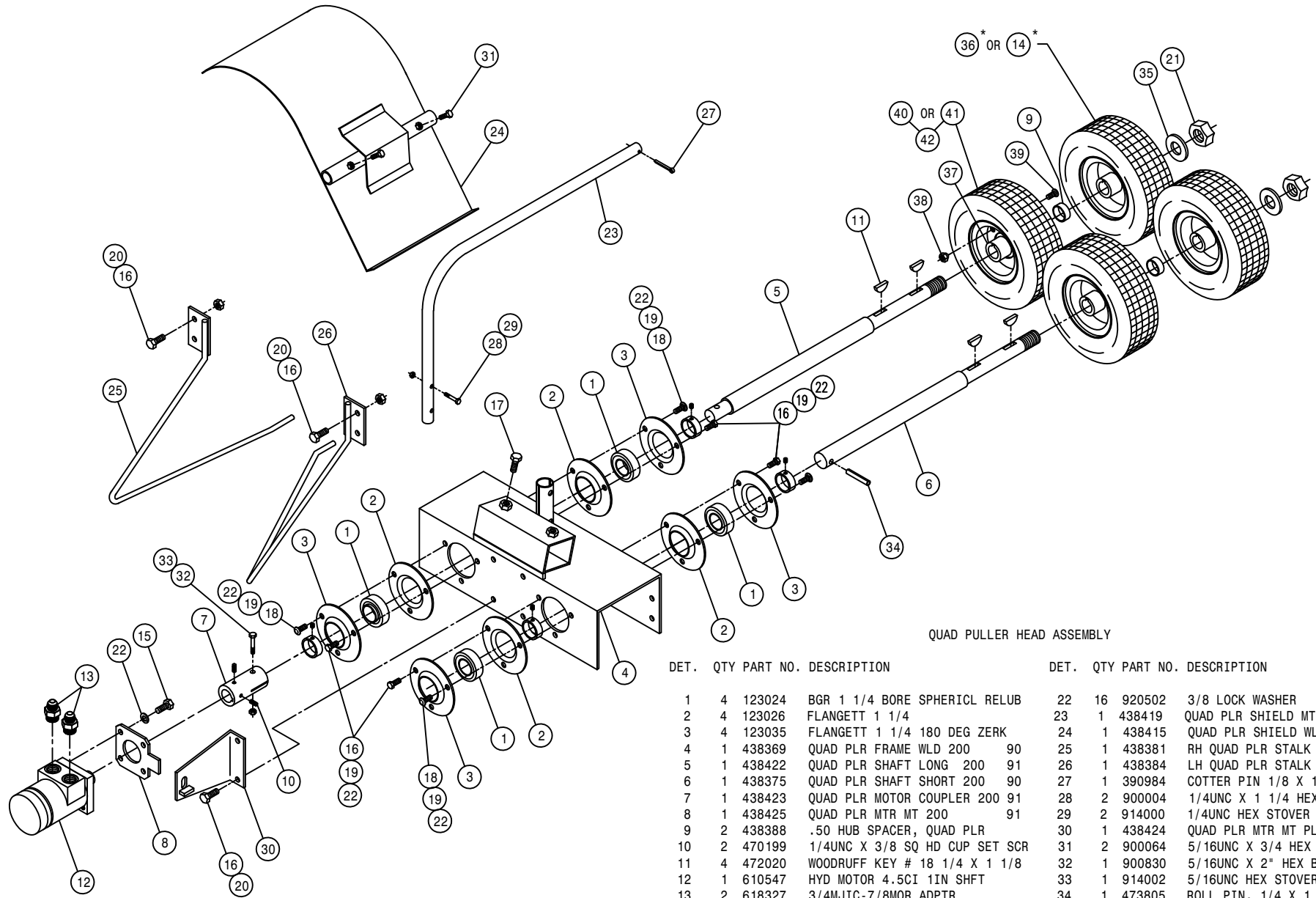
RH 3-HEAD LIFT ASSEMBLY

| DET. | QTY | PART NO. | DESCRIPTION                     |
|------|-----|----------|---------------------------------|
| 1    | 1   | 439136   | TOOLBAR MT BRKT WLD, STSC 03    |
| 2    | 1   | 439143   | UPPER LIFTARM WLD, STS COMBO 03 |
| 3    | 1   | 439146   | LWR LIFTARM WLD, STS COMBO 03   |
| 4    | 1   | 439163   | 80"RH HEAD TOOLBAR WLD, STSC 03 |
| 5    | 5   | 439158   | LIFT ARM PIVOT PIN, STSC 03     |
| 6    | 6   | 471005   | GREASE ZERK, 1/4-28 X 1/2       |
| 7    | 6   | 900069   | 5/16UNC X 2" HEX BOLT           |
| 8    | 8   | 914002   | 5/16UNC HEX STOVER NUT          |
| 9    | 1   | 439156   | LWR CYL MT PIN, STS COMBO 03    |
| 10   | 1   | 621564   | HYD CYL, 2.00 X 11.00 X 1.50 1W |
| 11   | 2   | 473981   | .750UNC-7.00ID-8.50 U-BOLT SQ   |
| 12   | 4   | 914012   | 3/4UNC HEX STOVER NUT           |
| 13   | 2   | 470276   | CLAMP COVER PLATE, SNGL, 2.55LG |
| 14   | 2   | 470300   | TUBE CLAMP BODY, .500-.625      |
| 15   | 4   | 470274   | TUBE CLAMP BODY, .750-.750      |
| 16   | 6   | 470281   | STACK BOLT SAFETY LOCK PLATE    |
| 17   | 2   | 900076   | 5/16UNC X 4" HEX BOLT           |
| 18   | 2   | 470270   | HOSE CLAMP BODY, .530-.680      |
| 19   | 1   | 621507   | REPAIR KIT, HYD CYL 621506      |
| 20   | 3   | 618119   | 9/16MJIC-90-9/16MOR LBO         |
| 21   | 1   | 618733   | 9/16JIC .042 ORIFICE ADPTR      |
| 22   | 1   | 607565   | CHECK VLV, PILOT TO OPEN, SUN   |
| 23   | 1   | 618668   | 9/16FJIC SWIV-9/16MOR ADPTR     |
| 24   | 2   | 470280   | STACK BOLT, 5/16UNC X 1 3/4     |
| 25   | 1   | 439182   | 57"RH HEAD TOOLBAR WLD, 20"R 05 |



LH 3-HEAD LIFT ASSEMBLY

| DET. | QTY | PART NO. | DESCRIPTION                     |
|------|-----|----------|---------------------------------|
| 1    | 1   | 439136   | TOOLBAR MT BRKT WLD, STSC 03    |
| 2    | 1   | 439143   | UPPER LIFTARM WLD, STS COMBO 03 |
| 3    | 1   | 439146   | LWR LIFTARM WLD, STS COMBO 03   |
| 4    | 1   | 439164   | 80"LH HEAD TOOLBAR WLD, STSC 03 |
| 5    | 5   | 439158   | LIFT ARM PIVOT PIN, STSC 03     |
| 6    | 6   | 471005   | GREASE ZERK, 1/4-28 X 1/2       |
| 7    | 6   | 900069   | 5/16UNC X 2" HEX BOLT           |
| 8    | 8   | 914002   | 5/16UNC HEX STOVER NUT          |
| 9    | 1   | 439156   | LWR CYL MT PIN, STS COMBO 03    |
| 10   | 1   | 621564   | HYD CYL, 2.00 X 11.00 X 1.50 1W |
| 11   | 2   | 473981   | .750UNC-7.00ID-8.50 U-BOLT SQ   |
| 12   | 4   | 914012   | 3/4UNC HEX STOVER NUT           |
| 13   | 2   | 470276   | CLAMP COVER PLATE, SNGL, 2.55LG |
| 14   | 2   | 470300   | TUBE CLAMP BODY, .500-.625      |
| 15   | 4   | 470274   | TUBE CLAMP BODY, .750-.750      |
| 16   | 6   | 470281   | STACK BOLT SAFETY LOCK PLATE    |
| 17   | 2   | 900076   | 5/16UNC X 4" HEX BOLT           |
| 18   | 2   | 470270   | HOSE CLAMP BODY, .530-.680      |
| 19   | 1   | 621507   | REPAIR KIT, HYD CYL 621506      |
| 20   | 3   | 618119   | 9/16MJIC-90-9/16MOR LBO         |
| 21   | 1   | 618733   | 9/16JIC .042 ORIFICE ADPTR      |
| 22   | 1   | 607565   | CHECK VLV, PILOT TO OPEN, SUN   |
| 23   | 1   | 618668   | 9/16FJIC SWIV-9/16MOR ADPTR     |
| 24   | 2   | 470280   | STACK BOLT, 5/16UNC X 1 3/4     |
| 25   | 1   | 439183   | 57"LH HEAD TOOLBAR WLD, 20"R 05 |

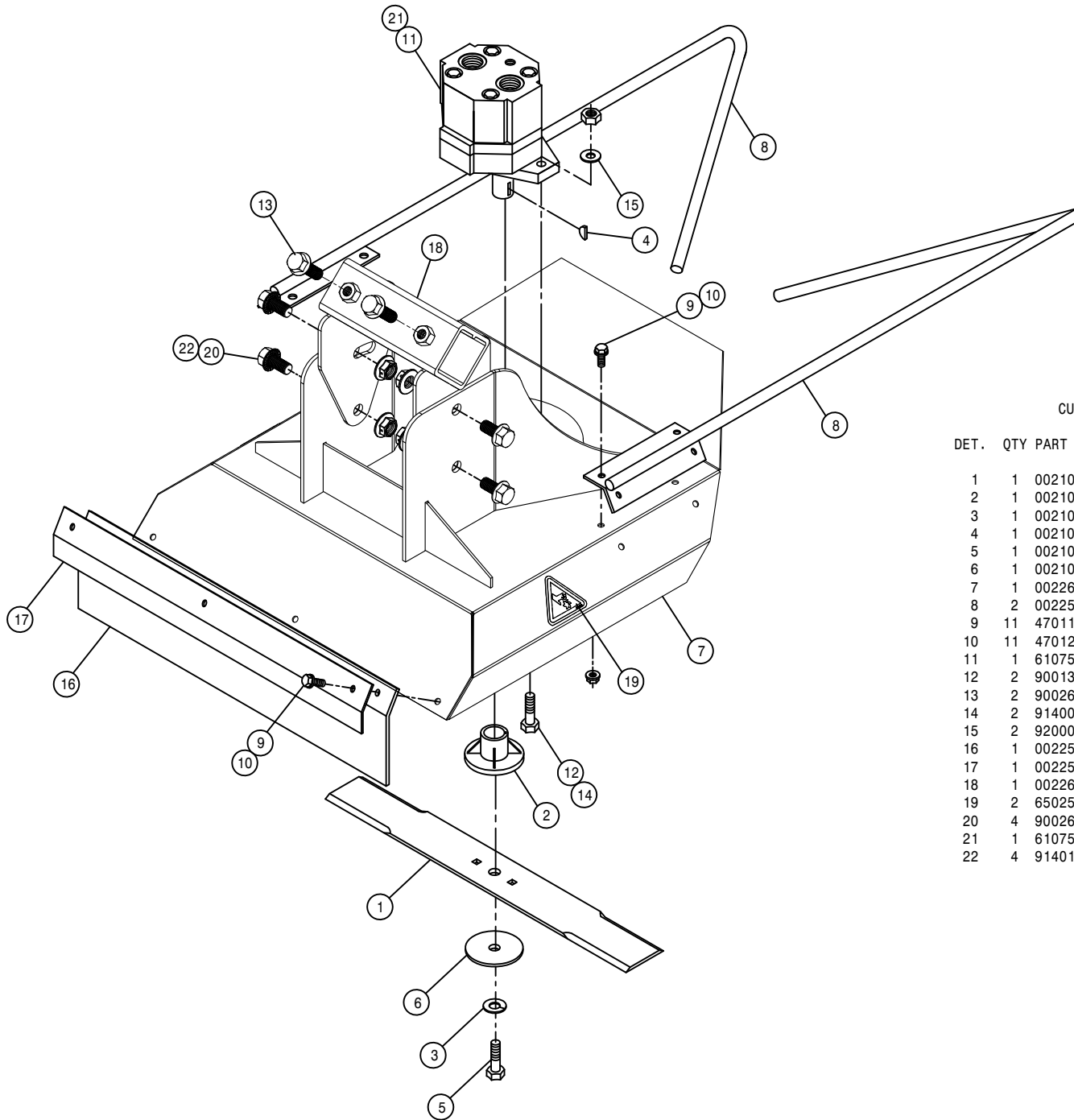


QUAD PULLER HEAD ASSEMBLY

\* NOTE: 1. DETAIL 14 CONSISTS OF:  
 824525 - 2-PC RIM, HUB, STUDS & NUTS  
 824509 - RIB TIRE, 824510 - TUBE  
 824513 - STUD, 824514 - WHEEL NUT

2. DETAIL 36 CONSISTS OF:  
 824525 - 2-PC RIM, HUB, STUDS & NUTS  
 824516 - STUD TIRE, 824510 - TUBE  
 824513 - STUD, 824514 - WHEEL NUT

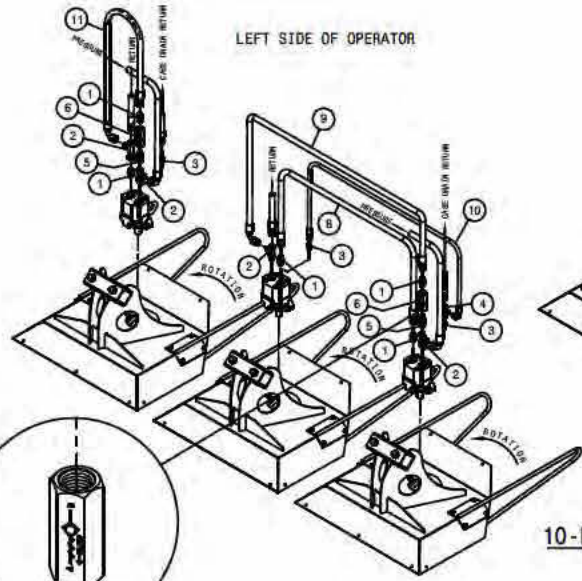
| DET. | QTY | PART NO. | DESCRIPTION                    | DET. | QTY | PART NO. | DESCRIPTION                   |
|------|-----|----------|--------------------------------|------|-----|----------|-------------------------------|
| 1    | 4   | 123024   | BGR 1 1/4 BORE SPHERICL RELUB  | 22   | 16  | 920502   | 3/8 LOCK WASHER               |
| 2    | 4   | 123026   | FLANGETT 1 1/4                 | 23   | 1   | 438419   | QUAD PLR SHIELD MT TUBE 91    |
| 3    | 4   | 123035   | FLANGETT 1 1/4 180 DEG ZERK    | 24   | 1   | 438415   | QUAD PLR SHIELD WLD 200 91    |
| 4    | 1   | 438369   | QUAD PLR FRAME WLD 200 90      | 25   | 1   | 438381   | RH QUAD PLR STALK GUIDE WLD90 |
| 5    | 1   | 438422   | QUAD PLR SHAFT LONG 200 91     | 26   | 1   | 438384   | LH QUAD PLR STALK GUIDE WLD90 |
| 6    | 1   | 438375   | QUAD PLR SHAFT SHORT 200 90    | 27   | 1   | 390984   | COTTER PIN 1/8 X 1 1/4        |
| 7    | 1   | 438423   | QUAD PLR MOTOR COUPLER 200 91  | 28   | 2   | 900004   | 1/4UNC X 1 1/4 HEX BOLT       |
| 8    | 1   | 438425   | QUAD PLR MTR MT 200 91         | 29   | 2   | 914000   | 1/4UNC HEX STOVER NUT         |
| 9    | 2   | 438388   | .50 HUB SPACER, QUAD PLR       | 30   | 1   | 438424   | QUAD PLR MTR MT PLT WLD       |
| 10   | 2   | 470199   | 1/4UNC X 3/8 SQ HD CUP SET SCR | 31   | 2   | 900064   | 5/16UNC X 3/4 HEX BOLT        |
| 11   | 4   | 472020   | WOODRUFF KEY # 18 1/4 X 1 1/8  | 32   | 1   | 900830   | 5/16UNC X 2" HEX BOLT GR8     |
| 12   | 1   | 610547   | HYD MOTOR 4.5CI 1IN SHFT       | 33   | 1   | 914002   | 5/16UNC HEX STOVER NUT        |
| 13   | 2   | 618327   | 3/4MJIC-7/8MOR ADPTR           | 34   | 1   | 473805   | ROLL PIN, 1/4 X 1 1/2         |
| 14   | 4   | 824508   | 410-4 WHL ASSY, 2P STUD        | 35   | 2   | 483032   | 1 1/2 X 1" X .134TH MACH WASH |
| 15   | 4   | 900128   | 3/8UNC X 3/4 HEX BOLT          | 36   | 4   | 824515   | 410-4 WHL ASSY, 2P SAWTOOTH   |
| 16   | 10  | 900129   | 3/8UNC X 1" SERR FLANGE BOLT   | 37   | 4   | 824525   | 4 X 2.25 WHEEL & HUB          |
| 17   | 2   | 900263   | 1/2UNC X 1" HEX BOLT           | 38   | 16  | 824514   | WHL NUT, 4-BOLT HUB           |
| 18   | 8   | 901129   | 3/8UNC X 1" CARR BOLT          | 39   | 16  | 824513   | STUD, 4-BOLT HUB 824512       |
| 19   | 12  | 910004   | 3/8UNC HEX NUT                 | 40   | 4   | 824509   | 4.10/3.50-4 2PLY STUD TIRE    |
| 20   | 6   | 914004   | 3/8UNC HEX STOVER NUT          | 41   | 4   | 824516   | 4.10/3.50 2P SAWTOOTH TIRE    |
| 21   | 2   | 914016   | 1-8 HEX STOVER NUT             | 42   | 4   | 824510   | 4.10/3.50-4 BENT STEM TUBE    |



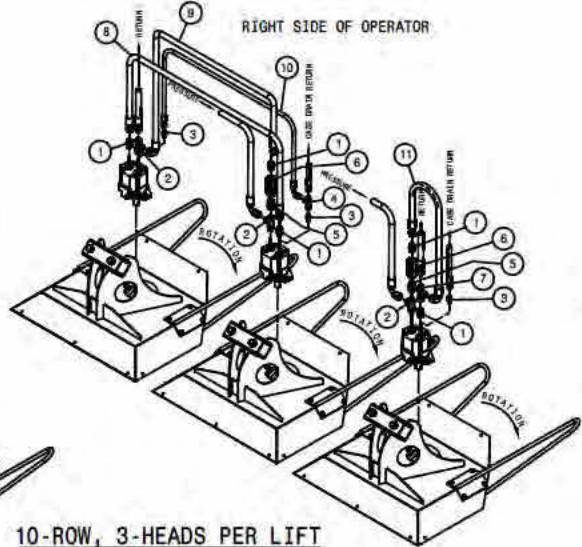
CUTTER HEAD ASSEMBLY

DET. QTY PART NO. DESCRIPTION

|    |    |        |                                |
|----|----|--------|--------------------------------|
| 1  | 1  | 002103 | CUTR BLADE 18 IN               |
| 2  | 1  | 002104 | CUTTER BLADE ADAPTER,RD LUG    |
| 3  | 1  | 002105 | 3/8 LOCK WASHER ZINC PLT       |
| 4  | 1  | 002106 | WOODRUFF KEY # 6, .156 X .625  |
| 5  | 1  | 002107 | 3/8UNF X 1 1/2 HEX BOLT CUTR   |
| 6  | 1  | 002108 | STEEL WASHER CUTTER BLADE      |
| 7  | 1  | 002265 | 19" ADJ CUTTER HEAD WLD 08     |
| 8  | 2  | 002258 | 19" CUTR STALK GUIDE WLD 04    |
| 9  | 11 | 470118 | 1/4UNC X 3/4 FLANGE HEX BOLT   |
| 10 | 11 | 470121 | 1/4UNC HEX FLANGE LOCK NUT     |
| 11 | 1  | 610755 | BARNES HYD MOTOR, D-SERIES 01  |
| 12 | 2  | 900130 | 3/8UNC X 1 1/4 SER FLANGE BOLT |
| 13 | 2  | 900265 | 1/2UNC X 1 1/2 HEX BOLT        |
| 14 | 2  | 914004 | 3/8UNC HEX STOVER NUT          |
| 15 | 2  | 920002 | 3/8 SAE FLAT WASHER            |
| 16 | 1  | 002256 | 19" REAR CUTR DECK EXT FLAP 04 |
| 17 | 1  | 002257 | 19" REAR CUTR DECK FLAP KPR 04 |
| 18 | 1  | 002269 | 19" ADJ CUTR HEAD MT WLD 08    |
| 19 | 2  | 650258 | DECAL,CUT FINGERS-ROTATE BLADE |
| 20 | 4  | 900263 | 1/2UNC X 1" HEX BOLT           |
| 21 | 1  | 610756 | SEAL, OUTER FOR 610755         |
| 22 | 4  | 914015 | 1/2UNC HEX CENTER-LOCK NUT     |

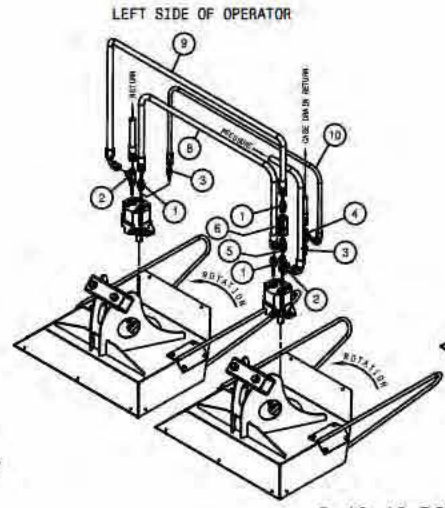


LEFT SIDE OF OPERATOR

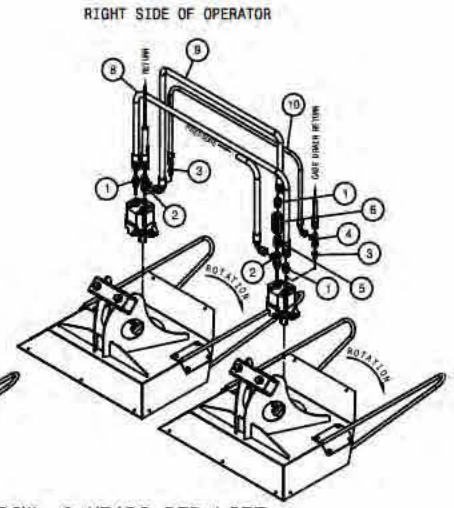


RIGHT SIDE OF OPERATOR

10-ROW, 3-HEADS PER LIFT



LEFT SIDE OF OPERATOR

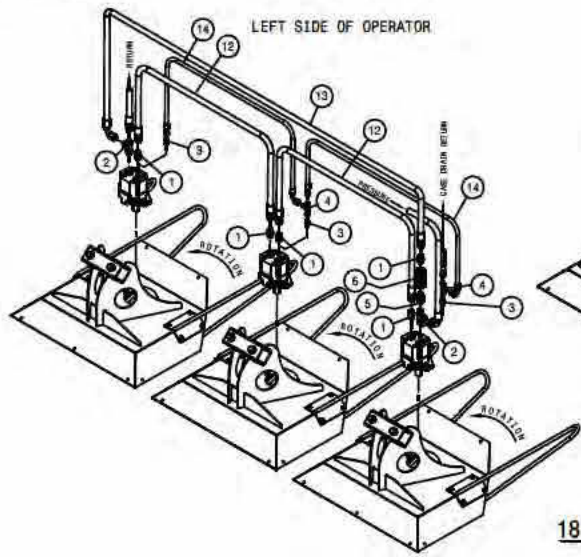


RIGHT SIDE OF OPERATOR

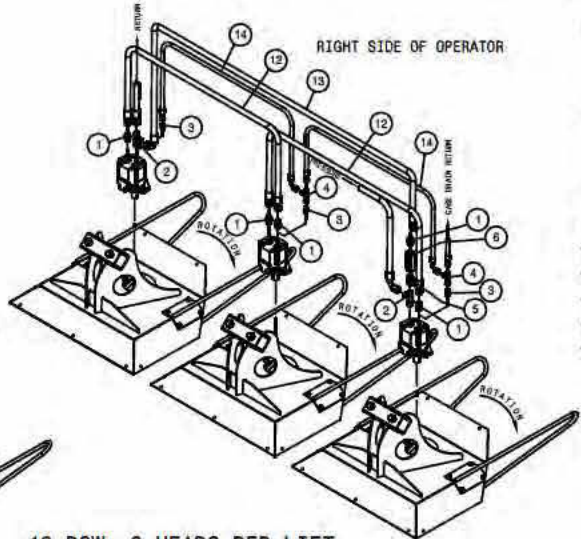
8-10-12 ROW, 2-HEADS PER LIFT

HYD DIAG,CUTR CHK VLV STS'11

| DET. | PART NO. | DESCRIPTION                   |
|------|----------|-------------------------------|
| 1    | 611125   | 3/4MJIC-3/4MOR ADPTR          |
| 2    | 618494   | 3/4MOR RUN TEE-3/4MJIC        |
| 3    | 618530   | 9/16MJIC-1/8MNPT ADPTR        |
| 4    | 618486   | 9/16FJIC SW RUN TEE-9/16MJIC  |
| 5    | 618669   | 3/4FJIC SWIV-3/4MOR ADPTR     |
| 6    | 618292   | CHECK VALVE,3/4FOR INLINE     |
| 7    | 618451   | 3/4FJIC SW RUN TEE-3/4MJIC    |
| 8    | 616531   | 08-451TC-08FJX-08FJX-55 H/A   |
| 9    | 616537   | 08-451TC-08FJX-08FJX90-52 H/A |
| 10   | 616521   | 04-451TC-06FJX-06FJX90-54 H/A |
| 11   | 616530   | 08-451TC-08FJX-08FJX90-27 H/A |
| 12   | 616025   | 08-482TC-08FJX-08FJX-50 H/A   |
| 13   | 614562   | 08-451TC-08FJX-08FJX90-66 H/A |
| 14   | 616422   | 04-482TC-06FJX-06FJX90-50 H/A |



LEFT SIDE OF OPERATOR

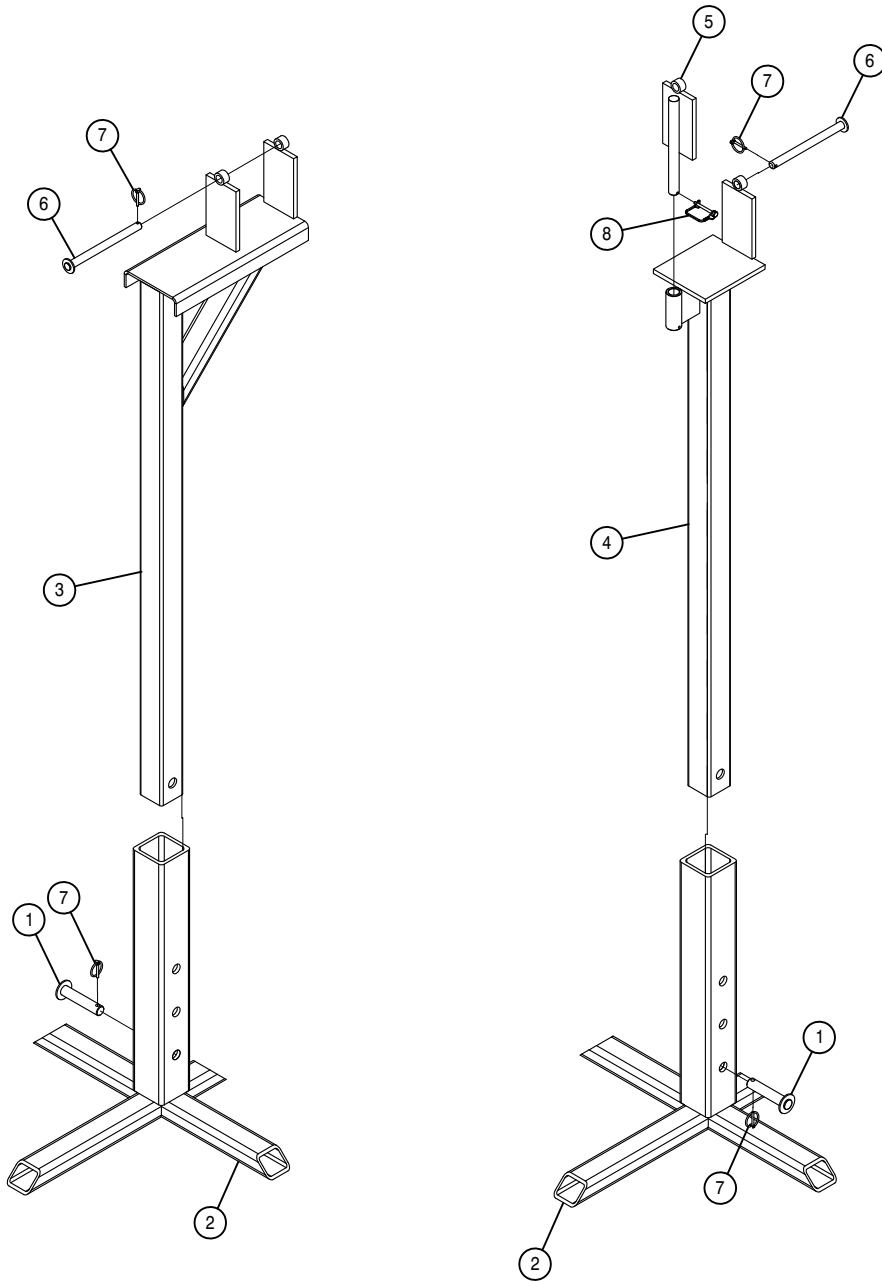


RIGHT SIDE OF OPERATOR

18-ROW, 3-HEADS PER LIFT

|  |                          |
|--|--------------------------|
| DET REQ  | DESCRIPTION              |
| <b>HAGIE</b>                                       |                          |
| HAGIE MANUFACTURING COMPANY<br>CLARION, IOWA 50525 |                          |
| REMOVE ALL SHARP CORNERS & BURRS                   |                          |
| TOLERANCE UNLESS OTHERWISE SPECIFIED               |                          |
| FRACTION ±1/32                                     | DECIMALS ±.03            |
| ANGLES ±1°   | ANGLES ±.005             |
| DESCRIPTION<br>HYD DIAG,CUTR CHK VLV STS'11        |                          |
| DRAWN BY<br>T. MARKER                              | SCALE<br>FULL            |
| CHECKED BY   | APPROVED BY              |
| DATE<br>02-05-13                                   | DRAWING NUMBER<br>499179 |
| SHEET  | OF                       |





TOOLBAR STAND ASSEMBLY

DET. QTY PART NO. DESCRIPTION

|   |   |        |                                |    |
|---|---|--------|--------------------------------|----|
| 1 | 4 | 164522 | BOOM FOLD CYL PIN WLD          | 00 |
| 2 | 4 | 439265 | TOOL BAR STAND BASE,WLDMT      |    |
| 3 | 2 | 439270 | FRT TOOL BAR STAND,UPPER WLDMT |    |
| 4 | 2 | 439276 | REAR TOOL BAR STAND, TOP WLDMT |    |
| 5 | 2 | 439281 | TOOL BAR STAND,PIN MT WLDMT    |    |
| 6 | 4 | 439282 | TOOL BAR STAND PIN WLD         |    |
| 7 | 8 | 470335 | LINCHPIN, 3/16 X 1 1/4 GRIP    |    |
| 8 | 2 | 473895 | 1/4 X 1 3/4 LINCHPIN           |    |



This Page Intentionally Blank

# NOTICE

---

The following page contains decals for the model STS 12.

These decals can be obtained from Hagie Mfg. Co. and should be used whenever your machine is repainted or when the decals become worn, weathered, or faded.

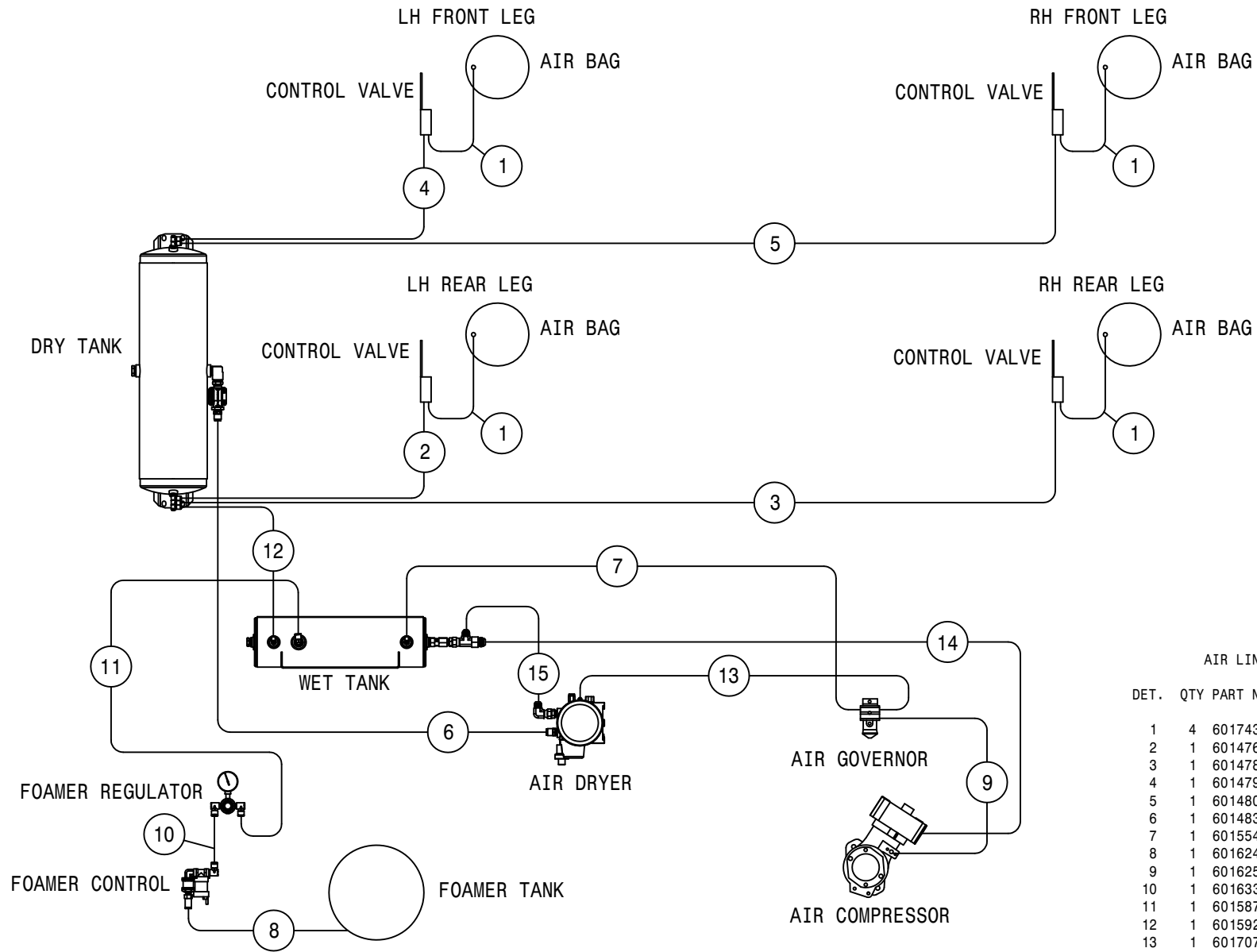
Special attention should be paid to decals involving personal safety. They have been attached for your protection.

**KEEP THEM IN PLACE.**

**Contact: Hagie Manufacturing Co.  
721 Central Ave West  
Box 273  
Clarion, Iowa 50525-0273**

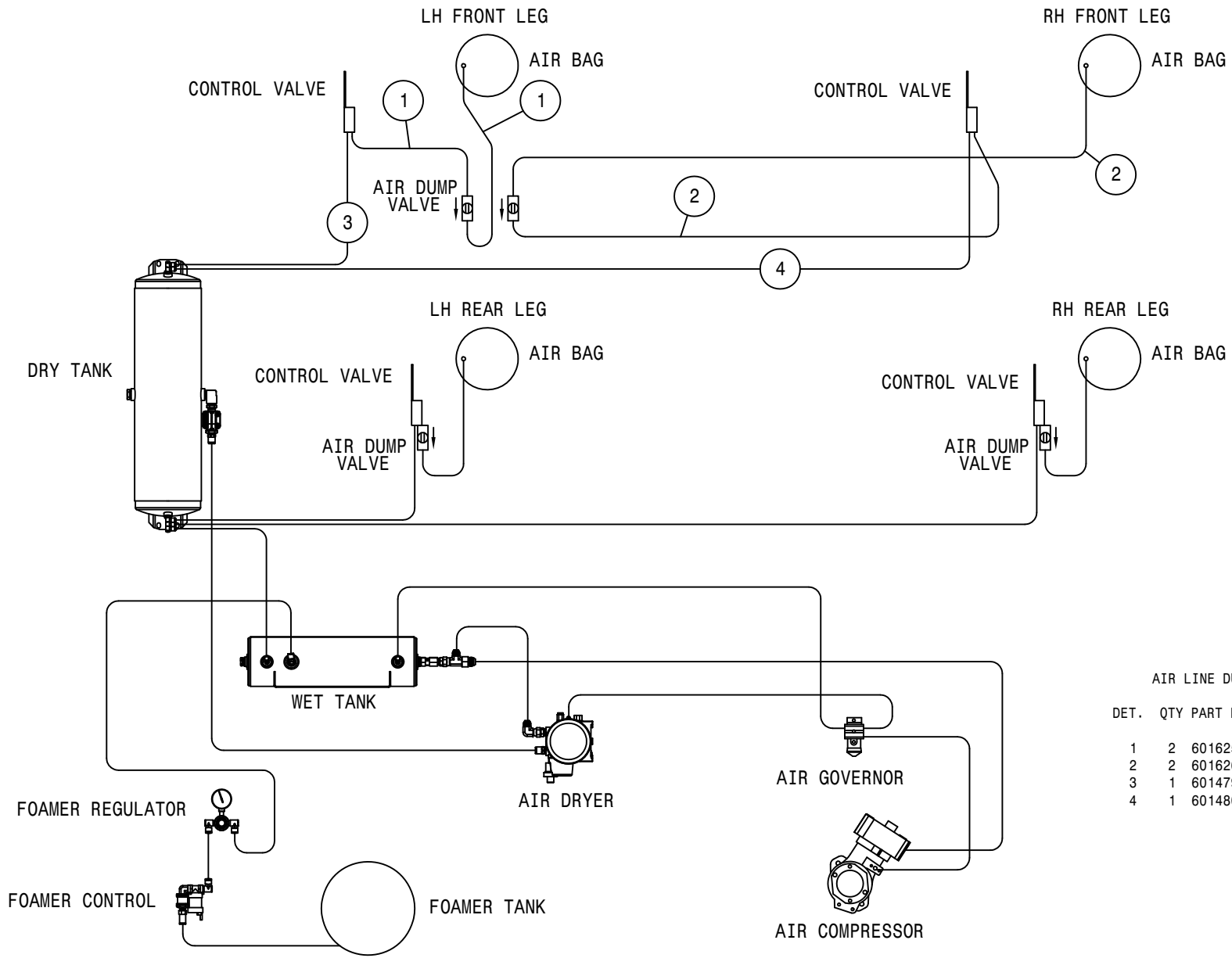
STS12 COMBO DECALS

| QTY | PART NO. | DESCRIPTION                      | LOCATION   |
|-----|----------|----------------------------------|--|
| 4   | 650103   | TREAD ADJUST INDICATOR DECAL     | 1-ON EACH LEG SLIDE TUBE                                       |
| 1   | 650107   | CAUTION BOOSTER DECAL            | NEAR BOOSTER POSTS   |
| 1   | 650114   | FILL WITH FRESH WATER DECAL      | ON FRESH WATER TANK  |
| 1   | 650115   | HAND WASH ONLY DECAL             | NEAR HAND WASH VALVE   |
| 1   | 650116   | INDUCTOR FILL INSTRUCTION DECAL  | ON SIDE OF FILL ARM  |
| 1   | 650118   | DO NOT USE EITHER DECAL          | NEAR AIR INTAKE ON SHEET METAL                                 |
| 1   | 650125   | AGITATOR RATE IND DECAL          | ON K200 AGITATION VALVE  |
| 1   | 650127   | COMBO CAB BOX DECAL              | ON SWITCH BOX  |
| 1   | 650132   | CUMMINS POWER DECAL              | LOCATED ON ENGINE HOOD   |
| 1   | 650140   | ENGINE COMPARTMENT DECAL SET     | ON ENGINE HOOD   |
| 2   | 650144   | LOGO, SOLUTION TANK DECAL        | ON EACH SIDE SOLUTION TANK                                     |
| 1   | 650154   | PATENTS,HAGIE UP-FRONT DECAL     | ON LOWER LEFT REAR OF MAINFRAME                                |
| 1   | 650155   | SIDE FILL CONTROL DECAL          | ON SIDE FILL SWITCH BOX  |
| 1   | 650156   | PRESS WASH CONTROL DECAL         | ON PRESS WASHER SWITCH BOX                                     |
| 1   | 650158   | SPEED CONTROL STS CAB DECAL      | ON CONSOLE   |
| 1   | 650159   | THROTTLE BRAKE PUMP DECAL        | ON CONSOLE   |
| 1   | 650163   | POWER POINT DECAL                | ON CONSOLE   |
| 1   | 650164   | NO PASSNGR/NOT NEAR LEAK DECAL   | ON LEFT UPPER REAR POST  |
| 1   | 650165   | PAR LINE/BM FOLD/GLASS DECAL     | ON RIGHT REAR UPPER CAB POST                                   |
| 1   | 650174   | RADIATOR CAUTION DECAL           | ON TOP OF RADIATOR   |
| 1   | 650176   | CAUTION, CAB CHEM EXPOSER DECAL  | ON UPPER RIGHT SIDE WINDOW                                     |
| 2   | 650178   | CAUTION QUICK ATTACK PIN DECAL   | 1-EA ON FRONT CROSSMEMBER BY Q-ATTACH                          |
| 1   | 650217   | CAUTION, CHECK OIL DECAL         | ON PRESSURE WASHER MOUNT                                       |
| 1   | 650218   | DANGER, COMBO DISCONNECT DECAL   | 2-1 EA END OF TOOLBAR  |
| 1   | 650223   | 30MPH ID SYMBOL DECAL            | ON REAR BUMPER   |
| 1   | 650231   | AUX POWER DECAL                  | ON THE BOTTOM OF CONSOLE                                       |
| 1   | 650232   | AUX POWER LOCATION DECAL         | ON CONSOLE   |
| 1   | 650234   | ENGINE ELECTRICAL BOX DECAL      | INSIDE ENGINE ELECTRICAL BOX                                   |
| 1   | 650256   | EXPLOSION/RELEASE POWER DECAL    | NEAR RADIATOR CAP  |
| 1   | 650258   | CUT FINGERS-ROTATE BLADE DECAL   | ON CUTTER HEAD   |
| 1   | 650259   | HAND ENTANGLEMENT/ROLLER DECAL   | ON PULLER HEADS  |
| 1   | 650272   | 200 AMP ECM SUSE DECAL           | NEAR AIR CLEANER MOUNT   |
| 1   | 650275   | CONTROL CENTER DECAL             | ON CONSOLE   |
| 1   | 650278   | E-STOP DECAL                     | ON CONSOLE   |
| 1   | 650303   | CUTTER ROTATION DECAL            | IN CAB NEAR SWITCHES   |
| 2   | 650339   | WARNING, HYD OIL IND DECAL       | 1-ON SIDE OF OIL TANK  |
| 1   | 650348   | NOTICE DRAIN AIR TANK DECAL      | ON AIR TANK  |
| 1   | 650363   | FRT RECEPTACLE PANL,STSC DECAL   | ON PANEL ASSEMBLY  |
| 1   | 650367   | AIR FILTER INSTRUCTION DECAL     | ON ENGINE AIR FILTER END CAP                                   |
| 1   | 650372   | MAIN ELECTRICAL DISCONNECT DECAL | NEAR BOOSTER POSTS   |
| 1   | 650377   | NOTICE-R134A 3LB DECAL           | 1-NEAR ELECTIC VALVE ON TRANSMON<br>RH SIDE OF ENGINE ON FRAME |
| 1   | 650379   | ENGAGE DET HD HYD MOTORS DECAL   | IN CAB NEAR SWITCHES   |
| 1   | 650396   | CONSOLE FUSE-RELAY DECAL         | ON CONSOLE   |
| 1   | 650397   | BOOM SPRAY SECTIONS DECAL        | ON CONSOLE   |
| 1   | 650398   | CAB CONSOLE MODULES DECAL        | IN CONSOLE   |
| 1   | 650399   | FLASHER/LIGHT MODULE DECAL       | ON BELLY PAN   |
| 1   | 650400   | BELLY PAN MODULE DECAL           | ON BELLY PAN   |
| 2   | 650401   | AUX POWER PORT DECAL             | 1-UNDER SIDE FILL SWITCH BOX<br>1-ON FRONT FILL ARM            |
| 1   | 650402   | REAR CHASSIS MODULE DECAL        | INSIDE REAR ELECTRICAL BOX                                     |
| 1   | 650406   | SIGHT GAUGE DECAL                | ON THE LEFT REAR OF CAB  |
| 1   | 650410   | FUSE/RELAY MODULE STS DECAL      | ON BELLY PAN   |
| 1   | 650820   | MOVING PARTS DECAL               | ON EACH QUAD HEAD  |
| 1   | 650848   | CAUTION, SLIP OR FALL DECAL      | ON LADDER PIVOT TUBE   |
| 1   | 650849   | CAUTION, ENGINE FUEL DECAL       | NEAR FUEL TANK NECK  |
| 1   | 650850   | DANGEROUS CHEM DECAL             | SOLUTION TANK FILLER NECK                                      |
| 1   | 650851   | SHIELDS DECAL                    | ON LOWER LH REAR MAINFRAME TUBE                                |
| 1   | 650931   | HAGIE DECAL 1 3/4 X 4            | ON EACH QUAD HEAD  |
| 1   | 650954   | DIESEL DECAL                     | NEAR FUEL TANK NECK  |
| 1   | 650982   | ELECTRICAL DECAL                 | ON RH CAB DOOR   |
| 4   | 650985   | WHEEL BOLT TORQUE DECAL          | ON EACH WHEEL RIM  |



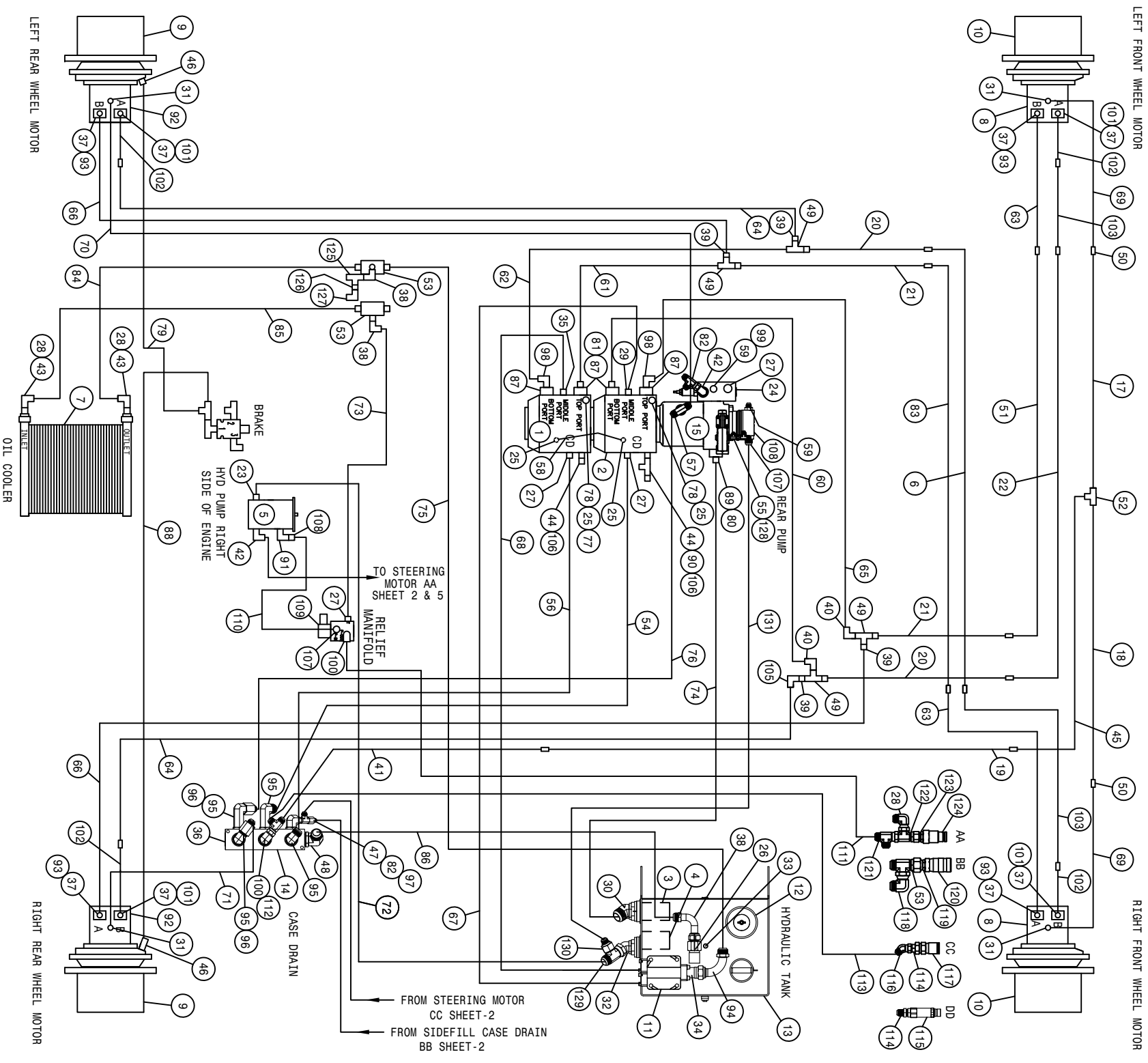
AIR LINE DIAGRAM STS 10/12

| DET. | QTY | PART NO. | DESCRIPTION               |
|------|-----|----------|---------------------------|
| 1    | 4   | 601743   | HOSE, 1/4 X 18 AIR        |
| 2    | 1   | 601476   | HOSE, 1/4 X 120 AIR       |
| 3    | 1   | 601478   | HOSE, 1/4 X 175 AIR       |
| 4    | 1   | 601479   | HOSE, 1/4 X 196 AIR       |
| 5    | 1   | 601480   | HOSE, 1/4 X 230 AIR       |
| 6    | 1   | 601483   | HOSE, 1/2 X 84 AIR        |
| 7    | 1   | 601554   | HOSE, 1/4 X 46 AIR        |
| 8    | 1   | 601624   | HOSE, 3/8 X 60 AIR        |
| 9    | 1   | 601625   | HOSE, 1/4 X 14 AIR        |
| 10   | 1   | 601633   | HOSE, 3/8 X 11 AIR        |
| 11   | 1   | 601587   | HOSE, 3/8 X 102 AIR       |
| 12   | 1   | 601592   | HOSE, 1/4 X 69 AIR        |
| 13   | 1   | 601707   | HOSE, 1/4 X 63 AIR        |
| 14   | 1   | 611306   | 12-P919J-12FJX-12FJX90-42 |
| 15   | 1   | 611307   | 10-P919J-10FJX-10FJX-40   |



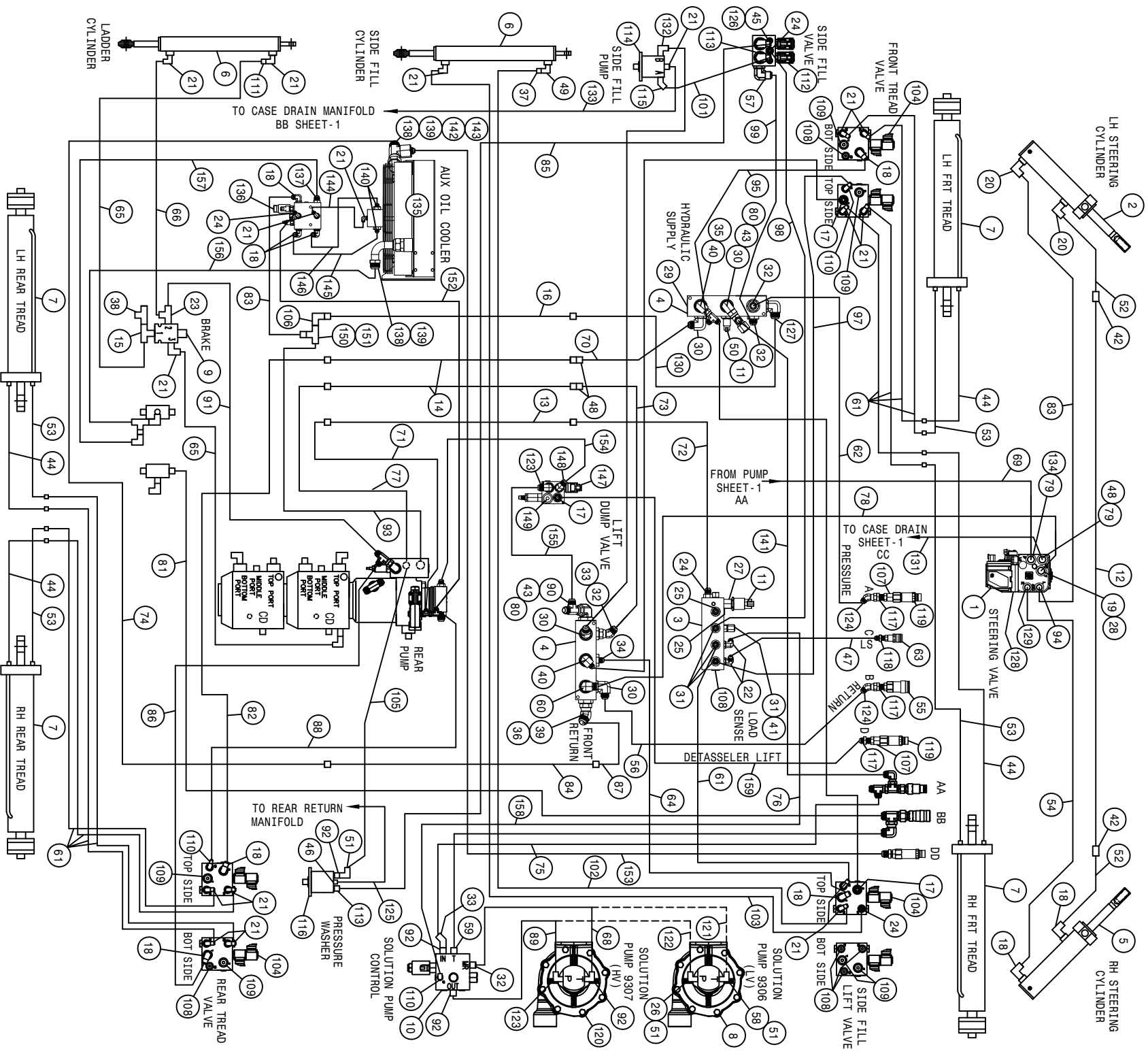
AIR LINE DUMP VALVE DIAGRAM

| DET. | QTY | PART NO. | DESCRIPTION         |
|------|-----|----------|---------------------|
| 1    | 2   | 601625   | HOSE, 1/4 X 14 AIR  |
| 2    | 2   | 601626   | HOSE, 1/4 X 254 AIR |
| 3    | 1   | 601479   | HOSE, 1/4 X 196 AIR |
| 4    | 1   | 601480   | HOSE, 1/4 X 230 AIR |



STS 10/12 COMBO STANDARD HYD DIAGRAM 2012  
REFERENCE DRAWING NO. 499246S1

| DET. | QTY | PART NO. | DESCRIPTION                     | DET. | QTY | PART NO. | DESCRIPTION                      |
|------|-----|----------|---------------------------------|------|-----|----------|----------------------------------|
| 1    | 1   | 606512   | H1-P-115CC PUMP,D/D-MT SAUER    | 67   | 1   | 616989   | 20-881-20FLG-20FCJX90-83 H/A     |
| 2    | 1   | 606513   | H1-P-115CC PUMP,D/B-MT SAUER    | 68   | 1   | 616990   | 20-881-20FLG-20FCJX90-96 H/A     |
| 3    | 1   | 605623   | SUCTION STRAINER,39GPM 100M 32  | 69   | 2   | 617050   | 08-451TC-10FCJX-08FCJX45-142 H/A |
| 4    | 1   | 605622   | SUCTION STRAINER,21GPM 100M 24  | 70   | 1   | 616373   | 08-451TC-10FCJX-08FCJX45-212 H/A |
| 5    | 1   | 606450   | TANDEM PUMP,606451 & 606452     | 71   | 1   | 616265   | 08-451TC-12FCJX-08FCJX45-175 H/A |
| 6    | 1   | 615848   | RH FRONT HYDROSTAT TUBE ASSY    | 72   | 1   | 616346   | 24-881-24FCJX-24FCJX90-103 H/A   |
| 7    | 1   | 618800   | OIL COOLER STS12 2000           | 73   | 1   | 616550   | 16-881-20FCJX-16FCJX90-68 SL H/A |
| 8    | 2   | 606386   | WHL MOTOR,51C060 SAUER W/DEUTS  | 74   | 1   | 616343   | 32-881-32FCJX-32FCJX-55 H/A      |
| 9    | 2   | 610965   | WHEEL HUB,27:1 W/BRAKE BONFIG   | 75   | 1   | 616399   | 24-881-20FCJX-24FCJX90-105 H/A   |
| 10   | 2   | 610962   | WHEEL HUB,23:1 BONFIG           | 76   | 1   | 616982   | 10-451TC-12FCJX-10FCJX90-25 H/A  |
| 11   | 1   | 605625   | IN-TANK RETURN FILTER, 10M      | 77   | 1   | 618735   | 9/16JIC .062 ORIFICE ADPTR       |
| 12   | 1   | 605647   | BREATHER-HYD RSRVR              | 78   | 2   | 616073   | 9/16MOR-9/16FOR-9/16MJC BRNCH    |
| 13   | 1   | 760732   | HYD TANK WLD,STS10/12/14 '10    | 79   | 1   | 616782   | 04-451TC-06FCJX-04FCJX45-202 H/A |
| 14   | 1   | 606246   | MANIFOLD, #16 3-STN 180         | 80   | 1   | 618765   | 2" FLANGE-2 1/2MJC ADPTR #61     |
| 15   | 1   | 607005   | SAUER PISTON PUMP JRR060B-LB    | 81   | 2   | 618897   | 1 1/4"FLANGE-1 11/16MFOR ADPTR   |
| 16   | 1   | 606258   | REFIEF, LS PUMP SAUER           | 82   | 2   | 618451   | 3/4FCJIC SW RUN TEE-3/4MJC       |
| 17   | 1   | 615823   | LH FRT CASEDRAIN HYD TUBE ASSY  | 83   | 1   | 615885   | RH FRT WHL MAIN TUBE ASY,ST509   |
| 18   | 1   | 615822   | RH FRT CASEDRAIN HYD TUBE ASSY  | 84   | 1   | 616398   | 20-881-16FCJX-20FCJX-83 H/A      |
| 19   | 1   | 615854   | M/F CASE DRAIN TUBE,STS10 07    | 85   | 1   | 616397   | 20-881-16FCJX-20FCJX-77 H/A      |
| 20   | 2   | 615904   | OUTER HYDRO TUBE ASSY,10/12'12  | 86   | 1   | 616396   | 20-881-20FCJX-20FCJX90-70 H/A    |
| 21   | 2   | 615905   | INNER HYDST TUBE ASSY,10/12'12  | 87   | 8   | 618780   | 1 1/4 SPLIT FLANGE HALF, #62     |
| 22   | 1   | 615849   | LH FRONT HYDROSTAT TUBE ASSY    | 88   | 1   | 616372   | 04-451TC-06FCJX-04FCJX45-222 H/A |
| 23   | 1   | 618527   | 1 7/8MJC-1 5/8MOR ADPTR         | 89   | 1   | 618766   | 2" SPLIT FLANGE KIT #61          |
| 24   | 1   | 618753   | 7/16MOR PLUG, HEX SOCKET        | 90   | 1   | 618486   | 9/16FCJIC SW RUN TEE-9/16MJC     |
| 25   | 4   | 606196   | PRESS TRANSDUCER ASSY 9000PSI   | 91   | 1   | 618279   | 1 1/16MJC-90-7/8MOR LBO          |
| 26   | 1   | 618767   | 1 7/8FCJIC-1 5/8MJC ADPTR       | 92   | 2   | 606387   | WHL MOTOR,51C060 W/SENSOR-DEUTS  |
| 27   | 4   | 618186   | 1 5/16MJC-1 5/16MOR ADPTR       | 93   | 4   | 618812   | 3/4 FLANGE-1 7/16MFOR ADPTR      |
| 28   | 3   | 618640   | 1 5/16M3-90-1 5/16FJ SWIV LBO   | 94   | 1   | 618764   | 1 7/8MJC-90-1 7/8FCJX TUBE LBO   |
| 29   | 1   | 618472   | 1 5/8MJC-1 5/8MOR ADPTR         | 95   | 4   | 618463   | 1 5/16MJC-90-1 5/16MOR XL LBO    |
| 30   | 1   | 618746   | 2 1/2MJC-45-2 1/2MOR LBO        | 96   | 2   | 618541   | 1 5/16FCJIC-1 1/16MJC ADPTR      |
| 31   | 4   | 618469   | 3/4MJC-1 1/16MOR ADPTR          | 97   | 1   | 618482   | 3/4FCJIC-9/16MJC ADPTR           |
| 32   | 1   | 618745   | 1 7/8MJC-45-1 7/8MOR LBO        | 98   | 2   | 618779   | 1 11/16MFOR-90-1 1/4FLG C62LBO   |
| 33   | 1   | 470471   | 1 5/16MOR PLUG, MAGNETIC        | 99   | 1   | 618333   | 7/8FCJIC SW RUN TEE-7/8MJC       |
| 34   | 1   | 618747   | 1 1/2 FLANGE-1 7/8MJC ADPTR     | 100  | 2   | 618302   | 1 1/16MJC-90-1 5/16MOR LBO       |
| 35   | 1   | 618724   | 1 5/8MJC-1 5/8MOR LG ADPTR      | 101  | 4   | 618740   | 3/4 FLANGE-90-1 7/16MFOR LBO     |
| 36   | 1   | 618759   | 1 5/8MOR PLUG, HEX SOCKET       | 102  | 4   | 615875   | WHEEL MOTOR HYD TUBE ASSY        |
| 37   | 8   | 618431   | 3/4 (-12) SPLIT FLANGE KIT #62  | 103  | 2   | 616338   | 16-7922TC-16FFOX-16FFOX-127 H/A  |
| 38   | 3   | 618768   | 1 5/8MJC-90-1 5/8FCJX TUBE      | 104  | 1   | 618641   | 1 1/16FCJIC-1 5/16MJC ADPTR      |
| 39   | 4   | 618785   | 1 11/16FFOR-1 7/16MFOR ADPTR    | 105  | 1   | 618362   | 1 7/16MFOR-90-1 7/16FFOR LBO     |
| 40   | 2   | 618895   | 1 11/16MFOR-90-1 11/16FFOX ADP  | 106  | 2   | 618531   | 9/16FCJIC CAP NUT                |
| 41   | 1   | 616444   | 10-451TC-12FCX-12FCX90-48 H/A   | 107  | 1   | 611127   | 1 1/16MJC-1 1/16MOR ADPTR        |
| 42   | 2   | 618183   | 3/4MJC-90-7/8MOR LBO            | 108  | 1   | 606664   | GEAR PUMP,40CI A-MT, RH          |
| 43   | 2   | 618830   | 1 5/16M3-1 5/16MOR 6.0LG ADPTR  | 109  | 1   | 606284   | GEAR PUMP RELIEF CTRL, SAUER     |
| 44   | 2   | 618126   | 9/16MJC-9/16MOR ADPTR           | 110  | 1   | 616544   | 12-451TC-12FCX-16FCJX90-94 H/A   |
| 45   | 1   | 616388   | 10-451TC-12FCX-10FCX90-91 H/A   | 111  | 1   | 616546   | 12-451TC-12FCX-16FCJX-148SL H/A  |
| 46   | 2   | 618467   | 7/16MJC-7/16MOR ADPTR           | 112  | 1   | 618487   | 1 1/16FJ SW RUN TEE-1 1/16M3     |
| 47   | 1   | 618475   | 3/4MJC-90-1 5/16MOR LBO         | 113  | 1   | 616547   | 12-451TC-12FCX-12FCJX90-182 H/A  |
| 48   | 1   | 618477   | 1 5/8MJC-90-1 5/8MOR LBO        | 114  | 2   | 618796   | 1 1/16M3-1 1/16MOR BLKHD ADPT    |
| 49   | 4   | 618778   | 1 11/16FFOX RUNTEE-1 11/16MFOR  | 115  | 1   | 618809   | HYD CPLR,MALE #12, 12FOR         |
| 50   | 2   | 618456   | 7/8MJC UNION                    | 116  | 1   | 618529   | 1 1/16M3-45-1 1/16FJ SWIV LBO    |
| 51   | 1   | 615886   | LH FRT WHL MAIN TUBE ASY,ST509  | 117  | 1   | 618810   | HYD CPLR, FEM #12,12FOR          |
| 52   | 1   | 618581   | 7/8MJC UNION TEE                | 118  | 1   | 618721   | 1 5/8M3-90-1 5/8FCJ SWIV LBO     |
| 53   | 3   | 618752   | 1 5/8MJC BLKHD RUN TEE          | 119  | 1   | 618725   | 1 5/16MOR-1 5/8FCJIC SWIV        |
| 54   | 1   | 616984   | 16-451TC-16FCX-16FCX90-45 H/A   | 120  | 1   | 618686   | HYD COUPLER,FEM 1"8,1 5/16FOR    |
| 55   | 1   | 618509   | 7/16MOR RUN TEE-7/16MJC         | 121  | 1   | 618619   | 1 5/16FJ SW RUN TEE-1 5/16M3     |
| 56   | 1   | 616983   | 16-451TC-16FCX-16FCX90L-41 H/A  | 122  | 1   | 618751   | 1 5/16MJC BLKHD RUN TEE          |
| 57   | 1   | 618130   | 7/8MOR RUN TEE-7/8MJC           | 123  | 1   | 618588   | 1 5/16MOR-1 5/16FCJIC SWIV       |
| 58   | 1   | 616038   | 04-471TC-06FCX-06FCX90-15 H/A   | 124  | 1   | 618687   | HYD COUPLER,MALE 1"8,1 5/16FOR   |
| 59   | 2   | 611126   | 7/8MJC-7/8MOR ADPTR             | 125  | 1   | 618726   | 1 5/8FJ SW RUN TEE-1 5/8M3       |
| 60   | 1   | 616987   | 20-791TC-20FFOX-20FFOX90-47H/A  | 126  | 1   | 618665   | 1 5/8FCJIC-1 1/16MJC ADPTR       |
| 61   | 1   | 616985   | 20-791TC-20FFOX-20FFOX-54 H/A   | 127  | 1   | 618191   | 1 1/16M3-90-1 1/16FJ SWIV LBO    |
| 62   | 1   | 616988   | 20-791TC-20FFOX-20FFOX90-68H/A  | 128  | 1   | 618485   | 7/16FCJIC SW RUN TEE-7/16MJC     |
| 63   | 2   | 616565   | 16-7922TC-16FFOX-16FFOX-129 H/A | 129  | 1   | 618681   | 1 7/8FJ SW RUN TEE-1 7/8M3       |
| 64   | 2   | 616339   | 16-7922TC-16FFOX-16FFOX-146 H/A | 130  | 1   | 618680   | 1 7/8FCJIC-1 5/16MJC ADPTR       |
| 65   | 1   | 616986   | 20-791TC-20FFOX-20FFOX90-26H/A  | 131  | 1   | 617036   | 16-881-12FCJX-16FCJX90-60 H/A    |
| 66   | 2   | 616566   | 16-7922TC-16FFOX-16FFOX90-151H/ |      |     |          |                                  |

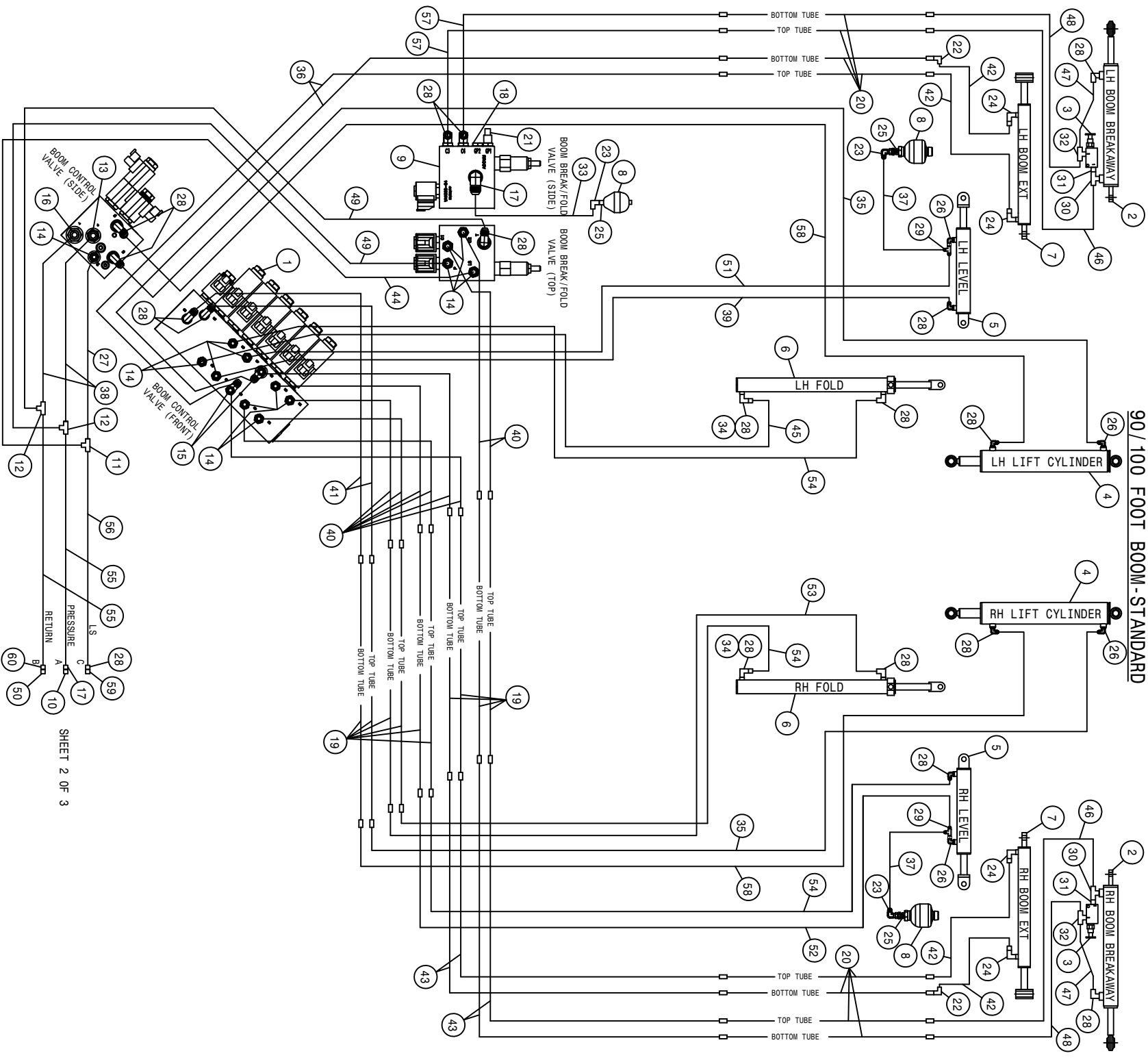




STS 10/12 COMBO STANDARD HYD DIAGRAM 2012  
REFERENCE DRAWING NO. 499246S2

| DET. | QTY | PART NO. | DESCRIPTION                      | DET. | QTY | PART NO. | DESCRIPTION                     |
|------|-----|----------|----------------------------------|------|-----|----------|---------------------------------|
| 1    | 1   | 749333   | STRG CTRL VLV, OSPEDC 60/260     | 81   | 1   | 616553   | 20-881-20FCX-20FCX-184 SL H/A   |
| 2    | 1   | 621550   | HYD CYL, 2.50 X 8.81 X 1.250     | 82   | 1   | 616526   | 08-451TC-08FCX-10FCX90-48 H/A   |
| 3    | 1   | 606247   | MANIFOLD W/CHK VLV SAUER         | 83   | 2   | 616730   | 08-451TC-08FCX-08FCX90-108 H/A  |
| 4    | 2   | 606246   | MANIFOLD, #16 3-STN 180          | 84   | 1   | 615855   | HYD RETURN LINE, LONG,ST150 07  |
| 5    | 1   | 621614   | HYD CYL, 2.50 X 8.81 PHASE2/2SEN | 85   | 1   | 616641   | 08-451TC-10FCX-08FCX90-178H/A   |
| 6    | 2   | 621554   | HYD CYL, 1.50 X 12.25 X .750     | 86   | 1   | 616507   | 08-451TC-08FCX-08FCX-23 H/A     |
| 7    | 4   | 621552   | HYD CYL, 3.00 X 16.00 X 1.375    | 87   | 1   | 616395   | 16-881-16FCX-16FCX90-25 H/A     |
| 8    | 1   | 691160   | HYPRO PUMP,9306C-HM5C-BU,FLG     | 88   | 1   | 616319   | 06-451TC-04FCX-04FCX90-32 H/A   |
| 9    | 1   | 606213   | HYD SOLE VLV,2P-3W,9/16FOR 05    | 89   | 1   | 616476   | 10-451TC-10FCX-12FCX90-24 H/A   |
| 10   | 1   | 606253   | CTRL VALVE,SOLU PUMP SAUER       | 90   | 1   | 618842   | 1 1/16MJC-90-1 5/8MOR LBO       |
| 11   | 2   | 606347   | PRESSURE TRANSDUCER,7500PSI      | 91   | 1   | 617004   | 06-451TC-08FCX-06FCX90-24 H/A   |
| 12   | 1   | 615772   | STRG CYL JUMPER HYD TUBE ASSY    | 92   | 4   | 611127   | 1 1/16MJC-1 1/16MOR ADPTR       |
| 13   | 1   | 615850   | M/F HYD TUBE, LS LINE,ST10 07    | 93   | 1   | 616404   | 16-451TC-16FCX-16FCX45-40 H/A   |
| 14   | 2   | 615853   | M/F HYD TUBE,PRESVRN ST10 07     | 94   | 1   | 618912   | 3/4MJC-90-M18MOR LBO            |
| 15   | 1   | 618629   | 9/16MOR BRANCH TEE-9/16MJC       | 95   | 1   | 616522   | 06-451TC-08FCX-08FCX90-21 H/A   |
| 16   | 1   | 615856   | M/F HYD TUBE,MAIN SUP,ST10 07    | 96   | 1   | 616443   | 08-451TC-08FCX-08FCX90-76 H/A   |
| 17   | 3   | 611125   | 3/4MJC-3/4MOR ADPTR              | 97   | 1   | 616315   | 04-451TC-04FCX-04FCX45-74 H/A   |
| 18   | 9   | 618241   | 3/4MJC-90-3/4MOR LBO             | 98   | 1   | 616437   | 04-451TC-04FCX-06FCX90-28 H/A   |
| 19   | 1   | 618913   | 7/8MJC-90-M22MOR LBO             | 99   | 1   | 616416   | 10-451TC-12FCX-12FCX-25 H/A     |
| 20   | 2   | 618249   | 3/4MJC-90-9/16MOR LBO            | 100  | 1   | 616445   | 10-451TC-10FCX-12FCX-127 H/A    |
| 21   | 17  | 618119   | 9/16MJC-90-9/16MOR LBO           | 101  | 1   | 616442   | 06-451TC-08FCX-08FCX90-114 H/A  |
| 22   | 2   | 618473   | 7/16MJC-90-7/16MOR LBO           | 102  | 1   | 616439   | 04-451TC-06FCX-06FCX-98 H/A     |
| 23   | 1   | 618444   | 9/16MOR RUN TEE-9/16MJC          | 103  | 1   | 616440   | 04-451TC-06FCX-06FCX90-114 H/A  |
| 24   | 4   | 618126   | 9/16MJC-9/16MOR ADPTR            | 104  | 3   | 606249   | MANIFOLD,TRD ADJ PWRSS          |
| 25   | 2   | 618753   | 7/16MOR PLUG, HEX SOCKET         | 105  | 1   | 616732   | 10-451TC-10FCX-12FCX90-121 H/A  |
| 26   | 1   | 618108   | 1 1/16MJC-3/4MNP ADPTR           | 106  | 1   | 618640   | 1 5/16MJC-90-1 5/16FCJ SWIV LBO |
| 27   | 1   | 618361   | 7/16MOR-9/16FOR ADPTR            | 107  | 2   | 618171   | 7/8MOR-3/4FOR ADPTR             |
| 28   | 1   | 618301   | 7/8MJC-90-7/8FCJ SWIV LBO        | 108  | 6   | 618754   | 9/16MOR PLUG, HEX SOCKET        |
| 29   | 1   | 618759   | 1 5/8MOR PLUG, HEX SOCKET        | 109  | 6   | 618755   | 3/4MOR PLUG, HEX SOCKET         |
| 30   | 4   | 618302   | 1 1/16MJC-90-1 5/16MOR LBO       | 110  | 3   | 618439   | 7/16MJC-90-9/16MOR LBO          |
| 31   | 4   | 618467   | 7/16MJC-7/16MOR ADPTR            | 111  | 1   | 618733   | 9/16FCJ .042 ORIFICE ADPTR      |
| 32   | 4   | 618308   | 1 1/16MJC-1 5/16MOR ADPTR        | 112  | 1   | 606259   | DIVERSION VLV,STS LS 07         |
| 33   | 2   | 618529   | 1 1/16MJC-45-1 1/16FCJ SWIV LBO  | 113  | 2   | 618474   | 3/4MJC-90-1 1/16MOR LBO         |
| 34   | 1   | 618470   | 3/4MJC-1 5/16MOR ADPTR           | 114  | 1   | 6191236  | 3" TRANSFER PUMP,HYPRO          |
| 35   | 1   | 618451   | 3/4FCJ SW RUN TEE-3/4MJC         | 115  | 1   | 618183   | 3/4MJC-90-7/8MOR LBO            |
| 36   | 1   | 618630   | 1 5/16MJC-45-1 5/16FCJ SWIV LBO  | 116  | 1   | 690672   | HMC 320 SPECIAL/MINUS HOSE      |
| 37   | 1   | 618731   | 9/16FCJ .025 ORIFICE ADPTR       | 117  | 3   | 618770   | 3/4MJC-3/4MOR BLKHD ADPT        |
| 38   | 1   | 618486   | 9/16FCJ SW RUN TEE-9/16MJC       | 118  | 1   | 618769   | 9/16MJC-9/16MOR BLKHD ADPT      |
| 39   | 1   | 618455   | 1 5/16MJC-1 5/8MOR ADPTR         | 119  | 2   | 618806   | HYD OPLR,MALE #12,7/8FOR        |
| 40   | 2   | 618475   | 3/4MJC-90-1 5/16MOR LBO          | 120  | 1   | 691036   | HYPRO 9307C-GM10 PUMP           |
| 41   | 1   | 618363   | 7/16FCJ CAP NUT                  | 121  | 1   | 616450   | 12-451TC-12FCX-12FCX90-34 H/A   |
| 42   | 2   | 618314   | 3/4MJC UNION                     | 122  | 1   | 616451   | 10-451TC-12FCX-12FCX90-22 H/A   |
| 43   | 2   | 618487   | 1 1/16FCJ SW RUN TEE-1 1/16MJC   | 123  | 2   | 611128   | 7/8MJC-90-7/8MOR LBO            |
| 44   | 4   | 616070   | 04-451TC-04M3BH-06MOR-11.00H/A   | 124  | 2   | 618590   | 3/4MJC-45-3/4FCJ SWIV LBO       |
| 45   | 1   | 618132   | 1 1/16MOR-7/8FOR ADPTR           | 125  | 1   | 616617   | 06-451TC-06FCX-06FCX-168 H/A    |
| 46   | 1   | 618440   | 9/16MJC-90-9/16MOR EX LG LBO     | 126  | 1   | 618774   | 7/8MJC-90-7/8MOR LG LBO         |
| 47   | 1   | 616446   | 04-451ST-06FCX-04FCX90-131 H/A   | 127  | 1   | 618883   | 1 5/16MJC-90-1 5/8MOR LBO       |
| 48   | 3   | 618628   | 7/8MJC-45-7/8FCJ SWIV LBO        | 128  | 1   | 618909   | M12 MOR PLUG, HEX SOCKET        |
| 49   | 1   | 618425   | 9/16MJC-45-9/16MOR LBO           | 129  | 1   | 618910   | 3/4MJC-M18MOR ADPTR             |
| 50   | 1   | 618397   | 1 5/16MOR-9/16FOR ADPTR          | 130  | 1   | 617018   | 16-451TC-16FCX-16FCX90-24 H/A   |
| 51   | 3   | 618191   | 1 1/16MJC-90-1 1/16FCJ SWIV LBO  | 131  | 1   | 617015   | 10-451TC-08FCX-10FCX-177 H/A    |
| 52   | 2   | 616531   | 08-451TC-08FCX-08FCX-55 H/A      | 132  | 1   | 618535   | 7/8MJC-90-1 1/16MOR LBO         |
| 53   | 4   | 616071   | 04-451TC-04M3BH-06MOR-13.00H/A   | 133  | 1   | 617019   | 06-451TC-06FCX-06FCX-285 H/A    |
| 54   | 1   | 616504   | 08-451TC-08FCX-08FCX-98 H/A      | 134  | 1   | 618557   | 7/8FCJ-9/16MJC ADPTR            |
| 55   | 1   | 618807   | HYD CPLR, FEM #12, 3/4FOR        | 135  | 1   | 618808   | OIL COOLER STS16 07             |
| 56   | 1   | 616448   | 10-451ST-08FCX-12FCX-119 H/A     | 136  | 1   | 606448   | AUX COOLER MANIFOLD, GST        |
| 57   | 1   | 618248   | 1 1/16MJC-90-1 1/16MOR LBO       | 137  | 1   | 611126   | 7/8MJC-7/8MOR ADPTR             |
| 58   | 1   | 618273   | 1 1/16MJC-1/2MNP ADPTR           | 138  | 2   | 618472   | 1 5/8MJC-1 5/8MOR ADPTR         |
| 59   | 1   | 618186   | 1 5/16MJC-1 5/16MOR ADPTR        | 139  | 2   | 618768   | 1 5/8MJC-90-1 5/8FCJ TUBE       |
| 60   | 1   | 618831   | 1 1/16MJC-45-1 5/16MOR LBO       | 140  | 2   | 618469   | 3/4MJC-1 1/16MOR ADPTR          |
| 61   | 9   | 616301   | 04-451TC-04FCX-06FCX-21 H/A      | 141  | 1   | 616545   | 12-451TC-16FCX-12FCX90-126 H/A  |
| 62   | 1   | 616447   | 10-451ST-08FCX-12FCX90-44 H/A    | 142  | 1   | 618726   | 1 5/8FCJ SW RUN TEE-1 5/8MJC    |
| 63   | 1   | 618805   | HYD CPLR, FEM #14, 9/16FOR       | 143  | 1   | 618665   | 1 5/8FCJ-1 1/16MJC ADPTR        |
| 64   | 1   | 616306   | 08-451TC-08FCX-08FCX-11 H/A      | 144  | 1   | 616117   | 06-451TC-06FCX-06FCX-17 H/A     |
| 65   | 2   | 616377   | 04-451TC-06FCX-06FCX90-44 H/A    | 145  | 1   | 616627   | 08-451TC-08FCX-08FCX90-31 H/A   |
| 66   | 1   | 616088   | 04-451TC-06FCX-06FCX-56 H/A      | 146  | 1   | 617032   | 08-451TC-08FCX-08FCX45-17 H/A   |
| 67   | 1   | 616441   | 06-451TC-08FCX-08FCX90-40 H/A    | 147  | 1   | 606330   | DUMP MANIF VALVE SAUER          |
| 68   | 1   | 616477   | 12-451TC-12FCX-12FCX-34 H/A      | 148  | 1   | 618443   | 3/4MJC-90-3/4MOR EX LG LBO      |
| 69   | 1   | 617012   | 06-451TC-06FCX-08FCX90-212 H/A   | 149  | 1   | 618756   | 7/8MOR PLUG, HEX SOCKET         |
| 70   | 1   | 616308   | 10-451TC-10FCX-12FCX-12 H/A      | 150  | 1   | 618619   | 1 5/16FCJ SW RUN TEE-1 5/16MJC  |
| 71   | 1   | 616320   | 04-451TC-06FCX-04FCX45-20 H/A    | 151  | 1   | 618671   | 04-451TC-04FCX-06FCX90-84 H/A   |
| 72   | 1   | 616435   | 10-451TC-10FCX-12FCX-24 H/A      | 152  | 1   | 617035   | 12-451TC-12FCX-12FCX-160 H/A    |
| 73   | 1   | 616310   | 10-451TC-10FCX-12FCX-24 H/A      | 153  | 1   | 616790   | 08-451TC-08FCX-08FCX-34 H/A     |
| 74   | 1   | 617025   | 16-881-16FCX90-20FCX90-50 H/A    | 154  | 1   | 617029   | 08-451TC-10FCX-12FCX90-106 H/A  |
| 75   | 1   | 616543   | 12-451TC-12FCX-16FCX90-69 H/A    | 155  | 1   | 617026   | 16-881-20FCX-20FCX90-96 H/A     |
| 76   | 1   | 616438   | 04-451TC-04FCX-04FCX45-51 H/A    | 156  | 1   | 617024   | 10-451TC-12FCX-10FCX90-103 H/A  |
| 77   | 1   | 616327   | 10-451TC-10FCX-10FCX90-44 H/A    | 157  | 1   | 616551   | 16-451TC-16FCX-20FCX-70 H/A     |
| 78   | 1   | 617017   | 10-451TC-10FCX-12FCX90-82 H/A    | 158  | 1   | 617028   | 06-451TC-08FCX-08FCX90-160 H/A  |
| 79   | 2   | 618911   | 7/8MJC-M22 MOR ADPTR             | 159  | 1   | 617028   |                                 |
| 80   | 2   | 618533   | 1 1/16FCJ CAP NUT                |      |     |          |                                 |

90/100 FOOT BOOM-STANDARD



SHEET 2 OF 3

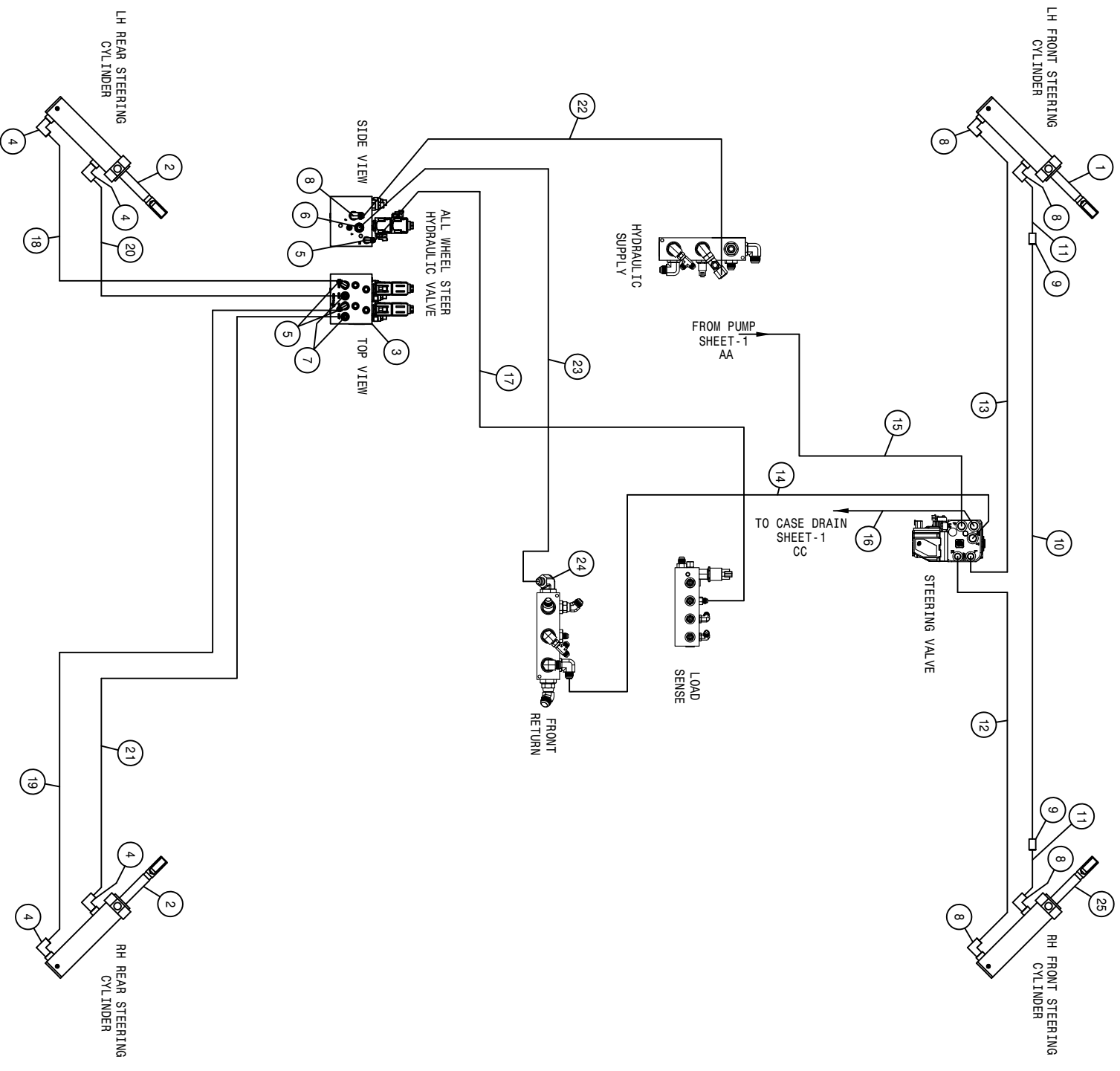
STS 10/12 COMBO STANDARD HYD DIAGRAM 2012  
REFERENCE DRAWING NO. 499246S3

| DET. | QTY | PART NO. | DESCRIPTION                    | DET. | QTY | PART NO. | DESCRIPTION                     |
|------|-----|----------|--------------------------------|------|-----|----------|---------------------------------|
| 1    | 1   | 606272   | VALVE, LOAD SENSE BOOM SAUER   | 31   | 2   | 618668   | 9/16FJIC SWIV-9/16MOR ADPTR     |
| 2    | 2   | 621554   | HYD CYL, 1.50 X 12.25 X .750   | 32   | 2   | 614752   | RESTRICTOR BR TEE ASSY, .042DIA |
| 3    | 2   | 607540   | KICK-DOWN RELIEF VALVE, 800PSI | 33   | 1   | 616384   | 08-451TC-08FJX-08FJX-43 H/A     |
| 4    | 2   | 621556   | HYD CYL, 2.50 X 18.00 X 1.500  | 34   | 2   | 618733   | 9/16JIC .042 ORIFICE ADPTR      |
| 5    | 2   | 621558   | HYD CYL, 3.00 X 11.00 X 1.380  | 35   | 2   | 616358   | 06-451TC-06FJX-06FJX-56 H/A     |
| 6    | 2   | 621560   | HYD CYL, 2.50 X 21.00 X 1.380  | 36   | 2   | 616357   | 06-451TC-06FJX-06FJX90-79 H/A   |
| 7    | 2   | 621562   | HYD CYL, 2.25 X 21.00 X 1.380  | 37   | 2   | 616365   | 06-451TC-08FJX-06FJX90-30 H/A   |
| 8    | 3   | 470444   | ACCUMULATOR, 30CI 1508 PSI     | 38   | 2   | 616366   | 08-451TC-08FJX-08FJX90-18 H/A   |
| 9    | 1   | 606248   | 90'BREAKAWAY VLV,STS PWRSYS    | 39   | 1   | 616403   | 06-451TC-06FJX-06FJX-65 H/A     |
| 10   | 1   | 618807   | HYD CPLR, FEM #12,3/4FOR       | 40   | 8   | 616316   | 06-451TC-06FJX-06FJX45-18 H/A   |
| 11   | 1   | 618748   | 7/16MJIC BLKHD RUN TEE         | 41   | 2   | 616304   | 06-451TC-06FJX-06FJX-36 H/A     |
| 12   | 2   | 618749   | 3/4MJIC BLKHD RUN TEE          | 42   | 4   | 616356   | 06-451TC-06FJX-06FJX90-27 H/A   |
| 13   | 1   | 611125   | 3/4MJIC-3/4MOR ADPTR           | 43   | 4   | 616353   | 06-451TC-06FJX-06FJX-71 H/A     |
| 14   | 13  | 618126   | 9/16MJIC-9/16MOR ADPTR         | 44   | 1   | 616362   | 04-451TC-04FJX-06FJX90-35 H/A   |
| 15   | 2   | 618444   | 9/16MOR RUN TEE-9/16MJIC       | 45   | 1   | 616352   | 06-451TC-06FJX-06FJX-62 H/A     |
| 16   | 1   | 618327   | 3/4MJIC-7/8MOR ADPTR           | 46   | 2   | 616360   | 06-451TC-06FJX-06FJX-84 H/A     |
| 17   | 2   | 618241   | 9/16MJIC-90-3/4MOR LBO         | 47   | 2   | 616075   | 04-451TC-06FJX-06FJX-9 H/A      |
| 18   | 1   | 618754   | 3/4MOR PLUG, HEX SOCKET        | 48   | 2   | 616361   | 06-451TC-06FJX-06FJX-86 H/A     |
| 19   | 10  | 615852   | LIFTARM HYD TUBE ASSY,STLS 07  | 49   | 2   | 616364   | 06-451TC-08FJX-06FJX90-31 H/A   |
| 20   | 8   | 615851   | HYD TUBE,MAIN BOOM,STS         | 50   | 1   | 618806   | HYD CPLR,MALE #12,7/8FOR        |
| 21   | 1   | 606347   | PRESSURE TRANSDUCER,7500PSI    | 51   | 1   | 616349   | 06-451TC-06FJX-06FJX-47 H/A     |
| 22   | 2   | 618618   | 9/16MJIC-90-9/16FJIC SWIV LBO  | 52   | 1   | 616348   | 06-451TC-06FJX-06FJX-42 H/A     |
| 23   | 3   | 618609   | 3/4MJIC-90-3/4FJIC SWIV LBO    | 53   | 1   | 616350   | 06-451TC-06FJX-06FJX-58 H/A     |
| 24   | 4   | 618688   | 9/16MJ-90-9/16MOR .025 CHK VLV | 54   | 3   | 616351   | 06-451TC-06FJX-06FJX-60 H/A     |
| 25   | 3   | 618743   | 3/4MOR-3/4MJIC BLKHD, .040MFM0 | 55   | 2   | 616135   | 08-451TC-08FJX-08FJX-50 H/A     |
| 26   | 4   | 618689   | 9/16MJ-90-9/16MOR .042 CHK VLV | 56   | 1   | 616431   | 04-451TC-04FJX-06FJX-51 H/A     |
| 27   | 1   | 616430   | 04-451TC-06FJX-04FJX90-19 H/A  | 57   | 2   | 616359   | 06-451TC-06FJX-06FJX-78 H/A     |
| 28   | 18  | 618119   | 9/16MJIC-90-9/16MOR LBO        | 58   | 2   | 616371   | 06-451TC-06FJX-06FJX-38 H/A     |
| 29   | 2   | 618486   | 9/16FJIC SW RUN TEE-9/16MJIC   | 59   | 1   | 618804   | HYD CPLR,MALE #14,9/16FOR       |
| 30   | 2   | 618629   | 9/16MOR BRANCH TEE-9/16MJIC    | 60   | 1   | 618183   | 3/4MJIC-90-7/8MOR LBO           |



STS 10/12 COMBO STANDARD HYD DIAGRAM 2012  
REFERENCE DRAWING NO. 499246S4

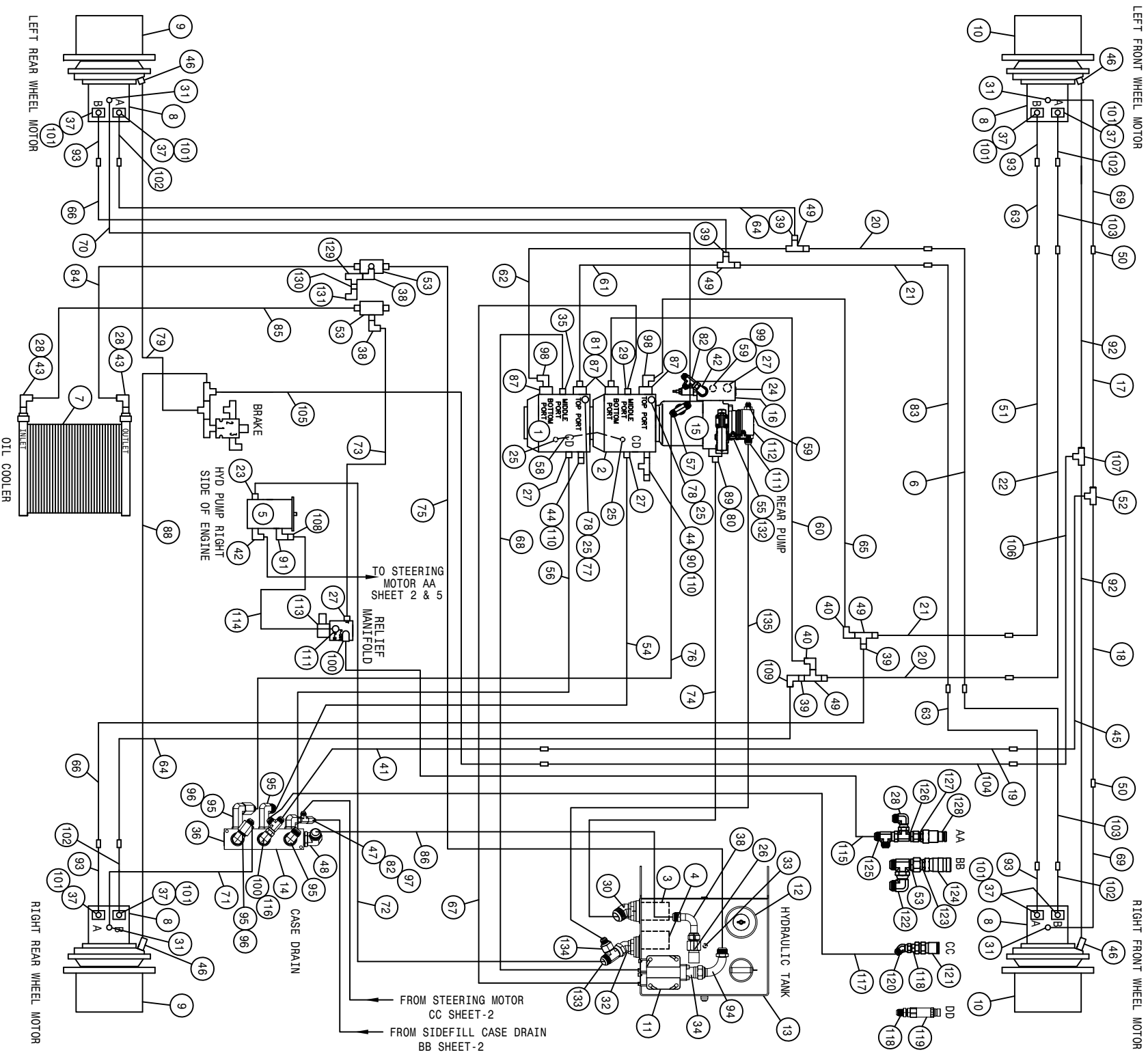
| DET. | QTY | PART NO. | DESCRIPTION                    | DET. | QTY | PART NO. | DESCRIPTION                   |
|------|-----|----------|--------------------------------|------|-----|----------|-------------------------------|
| 1    | 1   | 606272   | VALVE, LOAD SENSE BOOM SAUER   | 36   | 2   | 616357   | 06-451TC-06FJX-06FJX90-79     |
| 2    | 2   | 621554   | HYD CYL, 1.50 X 12.25 X .750   | 37   | 2   | 616365   | 06-451TC-08FJX-06FJX90-30     |
| 3    | 2   | 607540   | KICK-DOWN RELIEF VALVE, 800PSI | 38   | 2   | 616366   | 08-451TC-08FJX-08FJX90-18     |
| 4    | 2   | 621556   | HYD CYL, 2.50 X 18.00 X 1.500  | 39   | 1   | 616403   | 06-451TC-06FJX-06FJX-65       |
| 5    | 2   | 621558   | HYD CYL, 3.00 X 11.00 X 1.380  | 40   | 8   | 616316   | 06-451TC-06FJX-06FJX45-18     |
| 6    | 2   | 621560   | HYD CYL, 2.50 X 21.00 X 1.380  | 41   | 2   | 616304   | 06-451TC-06FJX-06FJX-36       |
| 7    | 2   | 621562   | HYD CYL, 2.25 X 21.00 X 1.380  | 42   | 4   | 616356   | 06-451TC-06FJX-06FJX90-27     |
| 8    | 3   | 470444   | ACCUMULATOR, 30CI 1508 PSI     | 43   | 4   | 616353   | 06-451TC-06FJX-06FJX-71       |
| 9    | 1   | 606248   | 90°BREAKAWAY VLV,STS PMSYS     | 44   | 1   | 616352   | 04-451TC-04FJX-06FJX90-35     |
| 10   | 1   | 618807   | HYD CPLR, FEM #12,3/4FOR       | 45   | 1   | 616352   | 06-451TC-06FJX-06FJX-62       |
| 11   | 1   | 618748   | 7/16MJIC BLKHD RUN TEE         | 46   | 2   | 616360   | 06-451TC-06FJX-06FJX-84       |
| 12   | 2   | 618749   | 3/4MJIC BLKHD RUN TEE          | 47   | 2   | 616075   | 04-451TC-06FJX-06FJX-9        |
| 13   | 2   | 611125   | 3/4MJIC-3/4MOR ADPTR           | 48   | 2   | 616361   | 06-451TC-06FJX-06FJX-86       |
| 14   | 16  | 618126   | 9/16MJIC-9/16MOR ADPTR         | 49   | 2   | 616364   | 06-451TC-08FJX-06FJX90-31     |
| 15   | 6   | 618444   | 9/16MOR RUN TEE-9/16MJIC       | 50   | 1   | 618806   | HYD CPLR, MALE #12, 7/8FOR    |
| 16   | 2   | 618327   | 3/4MJIC-7/8MOR ADPTR           | 51   | 1   | 616349   | 06-451TC-06FJX-06FJX-47       |
| 17   | 2   | 618241   | 3/4MJIC-90-3/4MOR LBO          | 52   | 1   | 616348   | 06-451TC-06FJX-06FJX-42       |
| 18   | 1   | 618754   | 9/16MOR PLUG, HEX SOCKET       | 53   | 1   | 616350   | 06-451TC-06FJX-06FJX-58       |
| 19   | 10  | 615852   | LIFTARM HYD TUBE ASSY,STLS 07  | 54   | 3   | 616351   | 06-451TC-06FJX-06FJX-60       |
| 20   | 8   | 615851   | HYD TUBE,MAIN BOOM,STS         | 55   | 2   | 616135   | 08-451TC-08FJX-08FJX-50       |
| 21   | 1   | 606347   | PRESSURE TRANSDUCER,7500PSI    | 56   | 1   | 616431   | 04-451TC-04FJX-06FJX-51       |
| 22   | 2   | 618618   | 9/16MJIC-90-9/16FJIC SWIV LBO  | 57   | 2   | 616359   | 06-451TC-06FJX-06FJX-78       |
| 23   | 3   | 618609   | 3/4MJIC-90-3/4FJIC SWIV LBO    | 58   | 2   | 616371   | 06-451TC-06FJX-06FJX-38       |
| 24   | 4   | 618688   | 9/16MJ-90-9/16MOR .025 CHK VLV | 59   | 1   | 618804   | HYD CPLR,MALE #14, 9/16FOR    |
| 25   | 3   | 618743   | 3/4MOR-3/4MJIC BLKHD,.040MFM0  | 60   | 1   | 618183   | 3/4MJIC-90-7/8MOR LBO         |
| 26   | 4   | 618689   | 9/16MJ-90-9/16MOR .042 CHK VLV | 61   | 1   | 606455   | NORAC HYD VALVE (44963D)      |
| 27   | 1   | 616430   | 04-451TC-06FJX-04FJX90-19 H/A  | 62   | 2   | 616555   | 06-451TC-06FJX-06FJX90-31     |
| 28   | 20  | 618119   | 9/16MJIC-90-9/16MOR LBO        | 63   | 2   | 616557   | 06-451TC-06FJX-06FJX90L-31    |
| 29   | 2   | 618486   | 9/16FJIC SW RUN TEE-9/16MJIC   | 64   | 1   | 616554   | 04-451TC-04FJX-06FJX90-30     |
| 30   | 2   | 618629   | 9/16MOR BRANCH TEE-9/16MJIC    | 65   | 2   | 616556   | 08-451TC-06FJX-08FJX90-31     |
| 31   | 5   | 618668   | 9/16FJIC SWIV-9/16MOR ADPTR    | 66   | 1   | 606256   | CHECK VALVE, IN LINE          |
| 32   | 2   | 614752   | RESTRICTOR BR TEE ASSY,.042DIA | 67   | 1   | 618473   | 7/16MJIC-90-7/16MOR LBO       |
| 33   | 1   | 616384   | 08-451TC-08FJX-08FJX-43 H/A    | 68   | 1   | 618440   | 9/16MJIC-90-9/16MOR EX LG LBO |
| 34   | 2   | 618733   | 9/16JIC .042 ORIFICE ADPTR     | 69   | 2   | 696131   | BALL VALVE,9/16FOR,7250PSI    |
| 35   | 2   | 616358   | 06-451TC-06FJX-06FJX-56 H/A    |      |     |          |                               |



ALL WHEEL STEER DIAGRAM

STS 10/12 COMBO STANDARD HYD DIAGRAM 2012  
REFERENCE DRAWING NO. 499246S5

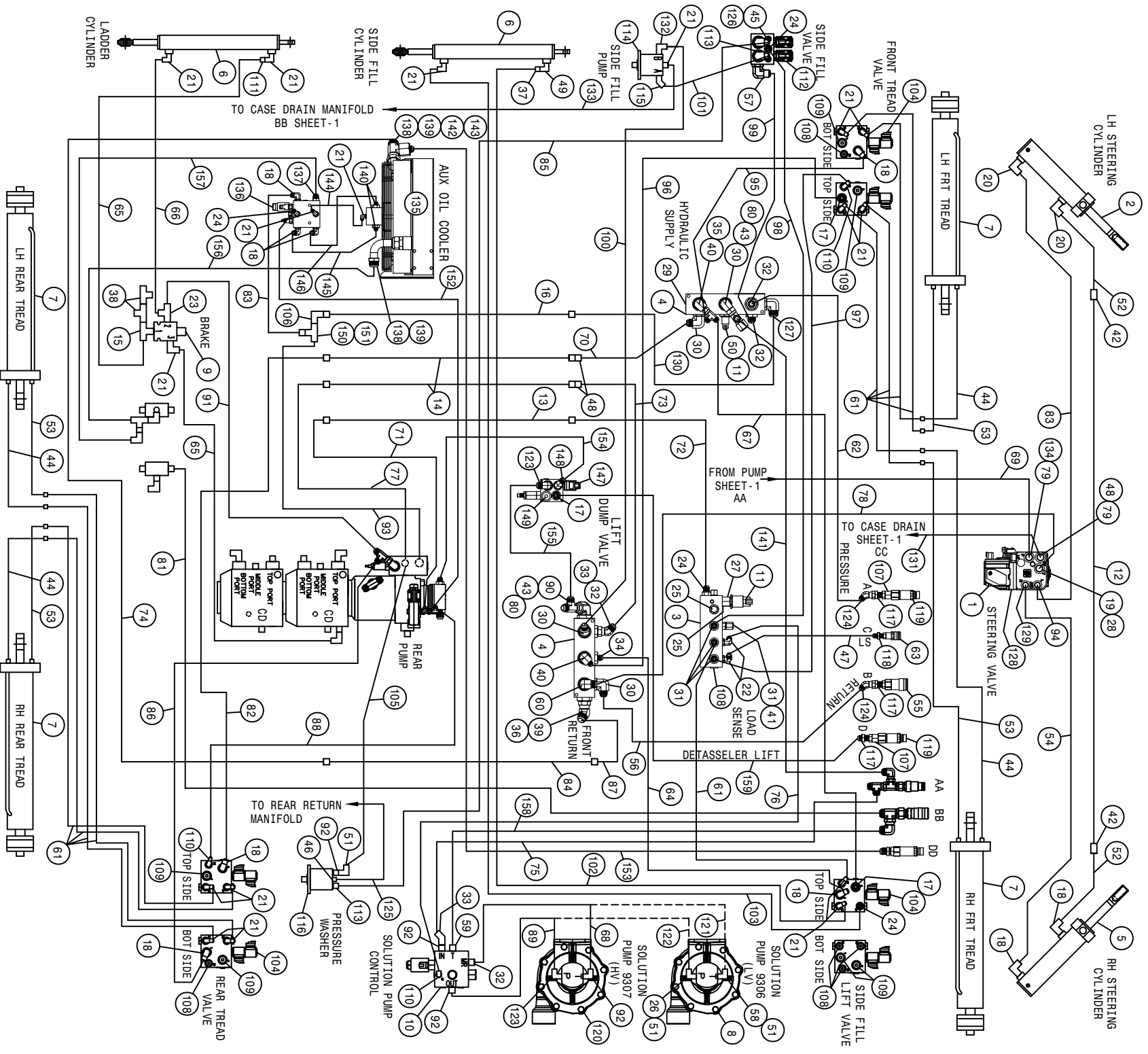
| DET. | QTY | PART NO. | DESCRIPTION                    | DET. | QTY | PART NO. | DESCRIPTION                    |
|------|-----|----------|--------------------------------|------|-----|----------|--------------------------------|
| 1    | 1   | 621602   | HYD CYL,2.50 X 8.81 PHASE/1SEN | 14   | 1   | 617017   | 10-451TC-10FJX-12FJX90-82 H/A  |
| 2    | 2   | 621603   | HYD CYL,2.50 X 8.81 W/SENSOR   | 15   | 1   | 617012   | 06-451TC-06FJX-08FJX90-212 H/A |
| 3    | 1   | 606370   | VALVE, FV8623 V1 SUNSOURCE     | 16   | 1   | 617015   | 10-451TC-08FJX-10FJX-177 H/A   |
| 4    | 4   | 618115   | 9/16MJIC-90-3/4MOR LBO         | 17   | 1   | 616709   | 04-451TC-06FJX-04FJX90-93 H/A  |
| 5    | 3   | 618119   | 9/16MJIC-90-9/16MOR LBO        | 18   | 1   | 616710   | 08-451TC-06FJX-06FJX-95 H/A    |
| 6    | 1   | 611126   | 7/8MJIC-7/8MOR ADPTR           | 19   | 1   | 616711   | 08-451TC-06FJX-06FJX-129 H/A   |
| 7    | 2   | 618126   | 9/16MJIC-9/16MOR ADPTR         | 20   | 1   | 616712   | 08-451TC-06FJX-06FJX90-91 H/A  |
| 8    | 5   | 618241   | 3/4MJIC-90-3/4MOR LBO          | 21   | 1   | 616713   | 08-451TC-06FJX-06FJX90-119 H/A |
| 9    | 2   | 618314   | 3/4MJIC UNION                  | 22   | 1   | 616714   | 08-451TC-08FJX-12FJX90-92 H/A  |
| 10   | 1   | 615772   | STRG CYL JUMPER HYD TUBE ASSY  | 23   | 1   | 616715   | 10-451TC-12FJX-10FJX90-82 H/A  |
| 11   | 2   | 616531   | 08-451TC-08FJX-08FJX-55 H/A    | 24   | 1   | 618842   | 1 1/16MJIC-90-1 5/8MOR LBO     |
| 12   | 1   | 616504   | 08-451TC-08FJX-08FJX-98 H/A    | 25   | 1   | 621614   | HYD CYL,2.50 X 8.81 PHASE/2SEN |
| 13   | 1   | 616730   | 08-451TC-08FJX-08FJX90-108 H/A |      |     |          |                                |





STS 10/12 COMBO HI TORQUE HYD DIAGRAM 2012  
REFERENCE DRAWING NO. 49924751

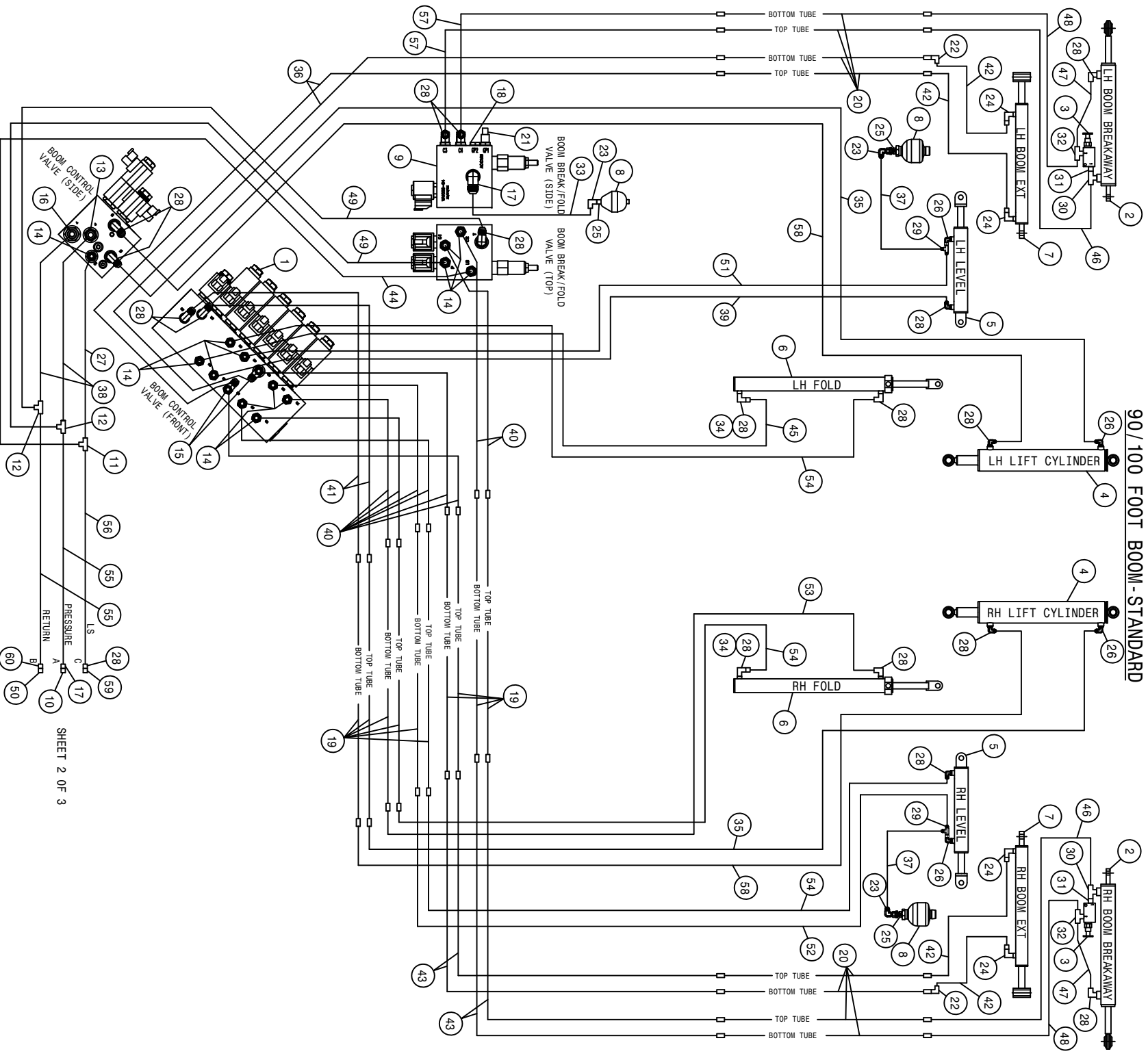
| DET. | QTY | PART NO. | DESCRIPTION                    | DET. | QTY | PART NO. | DESCRIPTION                     |
|------|-----|----------|--------------------------------|------|-----|----------|---------------------------------|
| 1    | 1   | 606512   | H1-P-115CC PUMP,D/D-MT         | 69   | 2   | 617050   | 08-451TC-10FJX-08F3X45-142 H/A  |
| 2    | 1   | 606513   | H1-P-115CC PUMP,D/B-MT         | 70   | 1   | 616373   | 08-451TC-10FJX-08F3X45-212 H/A  |
| 3    | 1   | 605623   | SUCTION STRAINER,39GPM 100M    | 71   | 1   | 616265   | 08-451TC-12FJX-08F3X45-175 H/A  |
| 4    | 1   | 605622   | SUCTION STRAINER,21GPM 100M    | 72   | 1   | 616346   | 24-881-24FJX-24F3X90-103 H/A    |
| 5    | 1   | 606450   | TANDEM PUMP,606451 & 606452    | 73   | 1   | 616550   | 16-881-20FJX-16F3X90-68 SL H/A  |
| 6    | 1   | 615848   | RH FRONT HYDROSTAT TUBE ASSY   | 74   | 1   | 616543   | 32-881-32FJX-32F3X-53 H/A       |
| 7    | 4   | 618800   | OIL COOLER STS12               | 75   | 1   | 616399   | 24-881-20FJX-24F3X90-105 H/A    |
| 8    | 4   | 606514   | H1-B-80CC WHL MTR              | 76   | 1   | 616982   | 10-451TC-12FJX-10F3X90-25 H/A   |
| 9    | 2   | 610507   | TORQ HUB,31:1 CW18E            | 77   | 1   | 618735   | 9/16MOR-.062 ORIFICE ADPTR      |
| 10   | 2   | 610506   | TORQ HUB,.25:1 CW18E           | 78   | 2   | 618782   | 9/16MOR-9/16FOR-9/16MJC BRNCH   |
| 11   | 1   | 605625   | IN-TANK RETURN FILTER, 10M     | 79   | 1   | 616073   | 04-451TC-06FJX-04F3X45-202 H/A  |
| 12   | 1   | 605647   | BREATHER-HYD RSRVR             | 80   | 1   | 618765   | 2" FLANGE-2 1/2MJC ADPTR #61    |
| 13   | 1   | 760732   | HYD TANK WLD,STS10/12/14       | 81   | 2   | 618897   | 1 1/4"FLANGE-1 11/16MFOR ADPTR  |
| 14   | 1   | 606246   | MANIFOLD, #16 3-STN 180        | 82   | 2   | 618451   | 3/4FJIC SW RUN TEE-3/4MJC       |
| 15   | 1   | 607005   | SAUER PISTON PUMP JRR060B-LB   | 83   | 1   | 615885   | RH FRT WHL MAIN TUBE ASY,STS09  |
| 16   | 1   | 606258   | REFITEF, LS PUMP SAUER         | 84   | 1   | 616398   | 20-881-16FJX-20F3X-83 H/A       |
| 17   | 1   | 615823   | LH FRT CASEDRAIN HYD TUBE ASSY | 85   | 1   | 616397   | 20-881-16FJX-20F3X-77 H/A       |
| 18   | 1   | 615822   | RH FRT CASEDRAIN HYD TUBE ASSY | 86   | 1   | 616396   | 20-881-20FJX-20F3X90-70 H/A     |
| 19   | 1   | 615854   | M/F CASE DRAIN TUBE,STS10      | 87   | 8   | 618780   | 1 1/4 SPLIT FLANGE HALF, #62    |
| 20   | 2   | 615904   | OUTER HYDRO TUBE ASSY,10/12'12 | 88   | 1   | 616372   | 04-451TC-06FJX-04F3X45-222 H/A  |
| 21   | 2   | 615905   | INNER HYDST TUBE ASSY,10/12'12 | 89   | 1   | 618766   | 2" SPLIT FLANGE KIT #61         |
| 22   | 1   | 615849   | LH FRONT HYDROSTAT TUBE ASSY   | 90   | 1   | 618486   | 9/16FJIC SW RUN TEE-9/16MJC     |
| 23   | 1   | 618527   | 1 7/8MJC-1 5/8MOR ADPTR        | 91   | 1   | 618279   | 1 1/16MJC-90-7/8MOR LBO         |
| 24   | 1   | 618753   | 7/16MOR PLUG, HEX SOCKET       | 92   | 2   | 616072   | 04-451TC-06FJX-04F3X45-195 H/A  |
| 25   | 4   | 606196   | PRESS TRANSDUCER ASSY 9000PSI  | 93   | 4   | 615908   | WHL MTR HYD TUBE ASSY STS'12    |
| 26   | 1   | 618767   | 1 7/8FJIC-1 5/8MJC ADPTR       | 94   | 1   | 618764   | 1 7/8MJC-90-1 7/8FJX TUBE LBO   |
| 27   | 4   | 618186   | 1 5/16MJC-1 5/16MOR ADPTR      | 95   | 4   | 618463   | 1 5/16MJC-90-1 5/16MOR XL LBO   |
| 28   | 3   | 618640   | 1 5/16MJ-90-1 5/16F3 SWIV LBO  | 96   | 2   | 618541   | 1 5/16FJIC-1 1/16MJC ADPTR      |
| 29   | 1   | 618472   | 1 5/8MJC-1 5/8MOR ADPTR        | 97   | 1   | 618482   | 3/4FJIC-9/16MJC ADPTR           |
| 30   | 1   | 618746   | 2 1/2MJC-45-2 1/2MOR LBO       | 98   | 2   | 618779   | 1 11/16MFOR-90-1 1/4FLG C62LBO  |
| 31   | 4   | 618602   | 3/4MJC-45-7/8MOR LBO           | 99   | 1   | 618333   | 7/8FJIC SW RUN TEE-7/8MJC       |
| 32   | 1   | 618745   | 1 7/8MJC-45-1 7/8MOR LBO       | 100  | 2   | 618302   | 1 1/16MJC-90-1 5/16MOR LBO      |
| 33   | 1   | 470471   | 1 5/16MOR PLUG, MAGNETIC       | 101  | 8   | 618654   | 1" FLANGE-90-1 7/16MFOR LBO     |
| 34   | 1   | 618747   | 1 1/2 FLANGE-1 7/8MJC ADPTR    | 102  | 4   | 615909   | WHL MTR TUBE ASSY STS'12        |
| 35   | 1   | 618724   | 1 5/8MJC-1 5/8MOR LG ADPTR     | 103  | 2   | 616338   | 16-792TC-16FFOX-16FFOX-127 H/A  |
| 36   | 1   | 618759   | 1 5/8MOR PLUG, HEX SOCKET      | 104  | 1   | 615910   | FRONT BRAKE TUBE,STS10/12 '12   |
| 37   | 8   | 618652   | 1" SPLIT FLANGE KIT            | 105  | 1   | 616375   | 04-451TC-06FJX-08F3X-68 H/A     |
| 38   | 3   | 618768   | 1 5/8MJC-90-1 5/8FJX TUBE      | 106  | 1   | 616380   | 04-451TC-08FJX-06F3X90-85 H/A   |
| 39   | 4   | 618785   | 1 11/16FOR-1 7/16MFOR ADPTR    | 107  | 1   | 618019   | 1 1/16FJIC-1 5/16MJC ADPTR      |
| 40   | 2   | 618895   | 1 11/16MFOR-90-1 11/16FFOX ADP | 108  | 1   | 618641   | 1 1/16FJIC-1 5/16MJC ADPTR      |
| 41   | 1   | 616444   | 10-451TC-12FJX-12F3X90-48 H/A  | 109  | 1   | 618362   | 1 7/16MFOR-90-1 7/16FFOR LBO    |
| 42   | 2   | 618183   | 3/4MJC-90-7/8MOR LBO           | 110  | 2   | 618531   | 9/16FJIC CAP NUT                |
| 43   | 2   | 618830   | 1 5/16MJ-1 5/16MOR 6-OLG ADPTR | 111  | 2   | 611127   | 1 1/16MJC-1 1/16MOR ADPTR       |
| 44   | 2   | 618126   | 9/16MJC-9/16MOR ADPTR          | 112  | 1   | 606664   | GEAR PUMP,40CI A-MT,RH          |
| 45   | 1   | 616388   | 10-451TC-12FJX-10F3X90-91 H/A  | 113  | 1   | 606284   | GEAR PUMP RELIEF CTRL,SAUER     |
| 46   | 4   | 618473   | 7/16MJC-90-7/16MOR LBO         | 114  | 1   | 616544   | 12-451TC-12FJX-16F3X90-94 H/A   |
| 47   | 1   | 618475   | 3/4MJC-90-1 5/16MOR LBO        | 115  | 1   | 616546   | 12-451TC-12FJX-16F3X-148SL H/A  |
| 48   | 1   | 618477   | 1 5/8MJC-90-1 5/8MOR LBO       | 116  | 1   | 618487   | 1 1/16FJ SW RUN TEE-1 1/16MJ    |
| 49   | 4   | 618778   | 1 11/16FFOX RUNTEE-1 11/16MFOR | 117  | 1   | 616547   | 12-451TC-12FJX-12F3X90-182 H/A  |
| 50   | 2   | 618456   | 7/8MJC UNION                   | 118  | 2   | 618796   | 1 1/16MJ-1 1/16MOR BLKHD ADPT   |
| 51   | 1   | 615886   | LH FRT WHL MAIN TUBE ASY,STS09 | 119  | 1   | 618809   | HYD CPLR,MALE #12, 12FOR        |
| 52   | 1   | 618581   | 7/8MJC UNION TEE               | 120  | 1   | 618529   | 1 1/16MJ-45-1 1/16F3 SWIV LBO   |
| 53   | 3   | 618752   | 1 5/8MJC BLKHD RUN TEE         | 121  | 1   | 618810   | HYD CPLR, FEM #12, 12FOR        |
| 54   | 1   | 616984   | 16-451TC-16FJX-16F3X90-45 H/A  | 122  | 1   | 618721   | 1 5/8MJ-90-1 5/8FJ SWIV LBO     |
| 55   | 1   | 618509   | 7/16MOR RUN TEE-7/16MJC        | 123  | 1   | 618725   | 1 5/16MOR-1 5/8FJIC SWIV        |
| 56   | 1   | 616983   | 16-451TC-16FJX-16F3X90L-41 H/A | 124  | 1   | 618686   | HYD COUPLER,FEM 1"RB,1 5/16FOR  |
| 57   | 1   | 618130   | 7/8MOR RUN TEE-7/8MJC          | 125  | 1   | 618619   | 1 5/16FJ SW RUN TEE-1 5/16MJ    |
| 58   | 1   | 616038   | 04-471TC-06FJX-06F3X90-15 H/A  | 126  | 1   | 618751   | 1 5/16MJC BLKHD RUN TEE         |
| 59   | 2   | 611126   | 7/8MJC-7/8MOR ADPTR            | 127  | 1   | 618588   | 1 5/16MOR-1 5/16FJIC SWIV       |
| 60   | 1   | 616987   | 20-791TC-20FFOX-20FFOX90-47H/A | 128  | 1   | 618687   | HYD COUPLER,MALE 1"RB,1 5/16FOR |
| 61   | 1   | 616985   | 20-791TC-20FFOX-20FFOX-54 H/A  | 129  | 1   | 618726   | 1 5/8FJ SW RUN TEE-1 5/8MJ      |
| 62   | 1   | 616988   | 20-791TC-20FFOX-20FFOX90-68H/A | 130  | 1   | 618665   | 1 5/8FJIC-1 1/16MJC ADPTR       |
| 63   | 2   | 616565   | 16-792TC-16FFOX-16FFOX-129 H/A | 131  | 1   | 618191   | 1 1/16MJ-90-1 1/16F3 SWIV LBO   |
| 64   | 2   | 616339   | 16-792TC-16FFOX-16FFOX-146 H/A | 132  | 1   | 618485   | 7/16FJIC SW RUN TEE-7/16MJC     |
| 65   | 1   | 616986   | 20-791TC-20FFOX-20FFOX90-26H/A | 133  | 1   | 618681   | 1 7/8FJ SW RUN TEE-1 7/8MJ      |
| 66   | 2   | 616566   | 16-792TC-16FFOX-16FFOX90-151H/ | 134  | 1   | 618680   | 1 7/8FJIC-1 5/16MJC ADPTR       |
| 67   | 1   | 616989   | 20-881-20FLG-20F3X90-83 H/A    | 135  | 1   | 617036   | 16-881-12FJX-16F3X90-60 H/A     |
| 68   | 1   | 616990   | 20-881-20FLG-20F3X90-96 H/A    |      |     |          |                                 |



STS 10/12 COMBO HI TORQUE HYD DIAGRAM 2012  
 REFERENCE DRAWING NO. 499247S2

| DET. | QTY | PART NO. | DESCRIPTION                     | DET. | QTY | PART NO. | DESCRIPTION                     |
|------|-----|----------|---------------------------------|------|-----|----------|---------------------------------|
| 1    | 1   | 749333   | STRG CTRL VLV, OSPEDC 60/260    | 81   | 1   | 616553   | 20-881-20F3X-20F3X-184 SL H/A   |
| 2    | 1   | 621550   | HYD CYL, 2.50 X 8.81 X 1.250    | 82   | 1   | 616326   | 08-451TC-08F3X-10F3X90-48 H/A   |
| 3    | 1   | 606247   | MANIFOLD W/CHK VLV SAUER        | 2    | 1   | 616730   | 08-451TC-08F3X-08F3X90-108 H/A  |
| 4    | 2   | 606246   | MANIFOLD, #16 3-STN 180         | 83   | 2   | 615855   | HYD RETURN LINE, LONG-STIS10 07 |
| 5    | 1   | 621614   | HYD CYL,2.50 X 8.81 PHASE/2SEN  | 84   | 1   | 615855   | 08-451TC-10F3X-08F3X90L-178H/A  |
| 6    | 4   | 621552   | HYD CYL, 1.50 X 12.25 X 1.375   | 85   | 1   | 616641   | 08-451TC-08F3X-08F3X-23 H/A     |
| 7    | 2   | 621554   | HYD CYL, 3.00 X 16.00 X 1.375   | 86   | 1   | 616307   | 16-881-16F3X-16F3X90-25 H/A     |
| 8    | 1   | 691160   | HYPRO PUMP,9306C-1H50C-BU,FLG   | 87   | 1   | 616395   | 08-451TC-08F3X-08F3X90-32 H/A   |
| 9    | 1   | 606213   | HYD SOLE VLV,2P-3M,9/16FOR 05   | 88   | 1   | 616319   | 04-451TC-10F3X-12F3X90-24 H/A   |
| 10   | 1   | 606253   | CTRL VALVE,SOLU PUMP SAUER      | 89   | 1   | 616476   | 10-451TC-10F3X-12F3X90-24 H/A   |
| 11   | 2   | 606347   | PRESSURE TRANSDUCER, 7500PSI    | 90   | 1   | 618842   | 1/16M3JIC-90-1 5/8MOR LBO       |
| 12   | 1   | 615772   | STRG CYL JUMPER HYD TUBE ASSY   | 91   | 1   | 617004   | 06-451TC-08F3X-06F3X90-24 H/A   |
| 13   | 1   | 615850   | M/F HYD TUBE, LS LINE,STS10 07  | 92   | 4   | 611127   | 1/16M3JIC-1 1/16MOR ADPTR       |
| 14   | 2   | 615853   | M/F HYD TUBE,PRESRN,STS10 07    | 93   | 1   | 616404   | 16-451TC-16F3X-16F3X45-40 H/A   |
| 15   | 1   | 618629   | 9/16MOR BRANCH TEE-9/16M3JIC    | 94   | 1   | 618912   | 3/4M3JC-90-M18MOR LBO           |
| 16   | 1   | 615856   | M/F HYD TUBE,MAIN SUP,STS10 07  | 95   | 1   | 616322   | 06-451TC-08F3X-08F3X90-21 H/A   |
| 17   | 3   | 611125   | 3/4M3JIC-3/4MOR ADPTR           | 96   | 1   | 616443   | 04-451TC-08F3X-08F3X45-74 H/A   |
| 18   | 9   | 618241   | 3/4M3JIC-90-3/4MOR LBO          | 97   | 1   | 616315   | 04-451TC-04F3X-06F3X90-28 H/A   |
| 19   | 1   | 618913   | 7/8M3JIC-90-M22MOR LBO          | 98   | 1   | 616437   | 10-451TC-12F3X-12F3X-25 H/A     |
| 20   | 2   | 618249   | 3/4M3JIC-90-9/16MOR LBO         | 99   | 1   | 616416   | 10-451TC-10F3X-12F3X-127 H/A    |
| 21   | 17  | 618119   | 9/16M3JIC-90-9/16MOR LBO        | 100  | 1   | 616445   | 06-451TC-08F3X-08F3X90-114 H/A  |
| 22   | 2   | 618473   | 7/16M3JIC-90-7/16MOR LBO        | 101  | 1   | 616442   | 04-451TC-08F3X-08F3X90-114 H/A  |
| 23   | 1   | 618444   | 9/16MOR RUN TEE-9/16M3JIC       | 102  | 1   | 616439   | 04-451TC-06F3X-06F3X-98 H/A     |
| 24   | 4   | 618126   | 9/16M3JIC-9/16MOR ADPTR         | 103  | 1   | 616440   | 04-451TC-06F3X-06F3X90-114 H/A  |
| 25   | 2   | 618126   | 7/16MOR PLUG, HEX SOCKET        | 104  | 3   | 606249   | MANIFOLD,TRD ADJ PMSYS          |
| 26   | 2   | 618108   | 1/16M3JIC-3/4M3MPT ADPTR        | 105  | 1   | 616733   | 10-451TC-10F3X-12F3X90-121 H/A  |
| 27   | 1   | 618361   | 7/16MOR-9/16FOR ADPTR           | 106  | 1   | 618640   | 1 5/16M3J-90-1 5/16F3J SWIV LBO |
| 28   | 1   | 618301   | 7/8M3JIC-90-7/8F3JIC SWIV LBO   | 107  | 2   | 618171   | 7/8MOR-3/4FOR ADPTR             |
| 29   | 1   | 618759   | 1 5/8MOR PLUG, HEX SOCKET       | 108  | 6   | 618754   | 9/16MOR PLUG, HEX SOCKET        |
| 30   | 1   | 618759   | 1 5/8MOR PLUG, HEX SOCKET       | 109  | 3   | 618755   | 3/4MOR PLUG, HEX SOCKET         |
| 31   | 4   | 618467   | 7/16M3JIC-7/16MOR ADPTR         | 110  | 6   | 618499   | 7/16M3JIC-90-9/16MOR LBO        |
| 32   | 4   | 618308   | 1 1/16M3JIC-1 5/16MOR ADPTR     | 111  | 1   | 618733   | 9/163JIC .042 ORIFICE ADPTR     |
| 33   | 2   | 618529   | 1 1/16M3J-45-1 1/16F3J SWIV LBO | 112  | 2   | 618625   | DIVERSION VLV,STS LS 07         |
| 34   | 1   | 618470   | 3/4M3JIC-1 5/16MOR ADPTR        | 113  | 2   | 618474   | 3/4M3JIC-90-1 1/16MOR LBO       |
| 35   | 1   | 618451   | 3/4F3JIC SW RUN TEE-3/4M3JIC    | 114  | 1   | 691236   | 3" TRANSFER PUMP, HYPRO         |
| 36   | 1   | 618630   | 1 5/16M3J-45-1 5/16F3J SWIV LBO | 115  | 1   | 618183   | 3/4M3JIC-90-7/8MOR LBO          |
| 37   | 1   | 618731   | 9/163JIC .025 ORIFICE ADPTR     | 116  | 1   | 690672   | HMC 320 SPECIAL/MINUS HOSE      |
| 38   | 2   | 618486   | 9/16F3JIC SW RUN TEE-9/16M3JIC  | 117  | 3   | 618770   | 3/4M3JIC-3/4MOR BLKHD ADPT      |
| 39   | 1   | 618455   | 1 5/16M3JIC-1 5/8MOR ADPTR      | 118  | 1   | 618769   | 9/16M3JIC-9/16MOR BLKHD ADPT    |
| 40   | 2   | 618475   | 3/4M3JIC-90-1 5/16MOR LBO       | 119  | 2   | 618806   | HYD CPLR,MALE #12,7/8FOR        |
| 41   | 2   | 618363   | 7/16F3JIC CAP NUT               | 120  | 1   | 691036   | HYPRO 9307C-GM10 PUMP           |
| 42   | 2   | 618314   | 3/4M3JIC UNION                  | 121  | 1   | 616451   | 12-451TC-12F3X-12F3X90-34 H/A   |
| 43   | 2   | 618487   | 1 1/16F3J SW RUN TEE-1 1/16M3J  | 122  | 1   | 616450   | 10-451TC-12F3X-12F3X90-22 H/A   |
| 44   | 4   | 616070   | 04-451TC-04M3BH-06MOR-11.00H/A  | 123  | 2   | 611128   | 7/8M3JIC-90-7/8MOR LBO          |
| 45   | 1   | 618132   | 1 1/16MOR-7/8FOR ADPTR          | 124  | 1   | 618590   | 3/4M3JIC-45-3/4F3JIC SWIV LBO   |
| 46   | 1   | 618440   | 9/16M3JIC-90-9/16MOR EX LG LBO  | 125  | 1   | 616617   | 06-451TC-06F3X-06F3X-168 H/A    |
| 47   | 1   | 616446   | 04-451TC-06F3X-04F3X90-131 H/A  | 126  | 1   | 618774   | 7/8M3JIC-90-7/8MOR LG LBO       |
| 48   | 3   | 618628   | 7/8M3JIC-45-7/8F3JIC SWIV LBO   | 127  | 1   | 618883   | 1 5/16M3JIC-90-1 5/8MOR LBO     |
| 49   | 1   | 618425   | 9/16M3JIC-45-9/16MOR LBO        | 128  | 1   | 618909   | M12 MOR PLUG, HEX SOCKET        |
| 50   | 1   | 618397   | 1 5/16MOR-9/16FOR ADPTR         | 129  | 1   | 618910   | 3/4M3JIC-M18MOR ADPTR           |
| 51   | 3   | 618191   | 1 1/16M3J-90-1 1/16F3J SWIV LBO | 130  | 1   | 617018   | 16-451TC-16F3X-16F3X90-24 H/A   |
| 52   | 2   | 616551   | 08-451TC-08F3X-08F3X-55 H/A     | 131  | 1   | 617015   | 10-451TC-08F3X-10F3X-177 H/A    |
| 53   | 4   | 616071   | 04-451TC-04M3BH-06MOR-13.00H/A  | 132  | 1   | 618535   | 7/8M3JIC-90-1 1/16MOR LBO       |
| 54   | 1   | 616504   | 08-451TC-08F3X-08F3X-98 H/A     | 133  | 1   | 617019   | 06-451TC-06F3X-06F3X-285 H/A    |
| 55   | 1   | 618807   | HYD CPLR, FEM #12,3/4FOR        | 134  | 1   | 618557   | 7/8F3JIC-9/16M3JIC ADPTR        |
| 56   | 1   | 616448   | 10-451ST-08F3X-12F3X-119 H/A    | 135  | 1   | 618448   | OIL COOLER STS16 07             |
| 57   | 1   | 618248   | 1 1/16M3JIC-90-1 1/16MOR LBO    | 136  | 1   | 606408   | AUX COOLER MANIFOLD, GST        |
| 58   | 1   | 618273   | 1 1/16M3JIC-1/2M3MPT ADPTR      | 137  | 1   | 611126   | 7/8M3JIC-7/8MOR ADPTR           |
| 59   | 1   | 618186   | 1 5/16M3JIC-1 5/16MOR ADPTR     | 138  | 2   | 618472   | 1 5/8M3JIC-1 5/8MOR ADPTR       |
| 60   | 1   | 618831   | 1 1/16M3JIC-45-1 5/16MOR LBO    | 139  | 2   | 618768   | 1 5/8M3JIC-90-1 5/8F3X TUBE     |
| 61   | 9   | 616301   | 04-451TC-04F3X-06F3X-21 H/A     | 140  | 2   | 618469   | 3/4M3JIC-1 1/16MOR ADPTR        |
| 62   | 1   | 616447   | 10-451ST-08F3X-12F3X90-44 H/A   | 141  | 1   | 616545   | 12-451TC-16F3X-12F3X90-126 H/A  |
| 63   | 1   | 618805   | HYD CPLR, FEM #14,9/16FOR       | 142  | 1   | 618726   | 1 5/8F3J SW RUN TEE-1 5/8M3J    |
| 64   | 1   | 616306   | 08-451TC-08F3X-08F3X-11 H/A     | 143  | 1   | 618665   | 1 5/8F3JIC-1 1/16M3JIC ADPTR    |
| 65   | 2   | 616377   | 04-451TC-06F3X-06F3X90-44 H/A   | 144  | 1   | 616117   | 06-451TC-06F3X-06F3X-17 H/A     |
| 66   | 1   | 616088   | 06-451TC-06F3X-06F3X-56 H/A     | 145  | 1   | 616627   | 08-451TC-08F3X-08F3X90-31 H/A   |
| 67   | 1   | 616441   | 04-451TC-08F3X-08F3X90-40 H/A   | 146  | 1   | 617032   | 08-451TC-08F3X-08F3X45-17 H/A   |
| 68   | 1   | 616477   | 12-451TC-12F3X-12F3X-34 H/A     | 147  | 1   | 606330   | DUMP MANIF VALVE SAUER          |
| 69   | 1   | 617012   | 06-451TC-06F3X-08F3X90-212 H/A  | 148  | 1   | 618443   | 3/4M3JIC-90-3/4MOR EX LG LBO    |
| 70   | 1   | 616308   | 10-451TC-10F3X-12F3X-12 H/A     | 149  | 1   | 618756   | 7/8MOR PLUG, HEX SOCKET         |
| 71   | 1   | 616320   | 04-451TC-04F3X-04F3X90-47 H/A   | 150  | 1   | 618671   | 1 5/16F3J SW RUN TEE-1 5/16M3J  |
| 72   | 1   | 616435   | 04-451TC-06F3X-04F3X45-20 H/A   | 151  | 1   | 618619   | 1 5/16F3JIC-3/4M3JIC ADPTR      |
| 73   | 1   | 616310   | 10-451TC-10F3X-12F3X-24 H/A     | 152  | 1   | 616669   | 04-451TC-04F3X-06F3X90-84 H/A   |
| 74   | 1   | 617025   | 16-881-16F3X90-20F3X90-30 H/A   | 153  | 1   | 617035   | 12-451TC-12F3X-12F3X-160 H/A    |
| 75   | 1   | 616543   | 12-451TC-12F3X-16F3X90-69 H/A   | 154  | 1   | 616790   | 08-451TC-08F3X-08F3X-34 H/A     |
| 76   | 1   | 616438   | 04-451TC-04F3X-04F3X45-51 H/A   | 155  | 1   | 617029   | 08-451TC-10F3X-12F3X90-106 H/A  |
| 77   | 1   | 616327   | 10-451TC-10F3X-10F3X90-44 H/A   | 156  | 1   | 617026   | 16-881-20F3X-20F3X90-96 H/A     |
| 78   | 1   | 617017   | 10-451TC-10F3X-12F3X90-82 H/A   | 157  | 1   | 617024   | 10-451TC-12F3X-10F3X90-103 H/A  |
| 79   | 2   | 618911   | 7/8M3JIC-M22 MOR ADPTR          | 158  | 1   | 616551   | 16-451TC-16F3X-20F3X-70 H/A     |
| 80   | 2   | 618533   | 1 1/16F3JIC CAP NUT             | 159  | 1   | 617028   | 06-451TC-08F3X-08F3X90-160 H/A  |

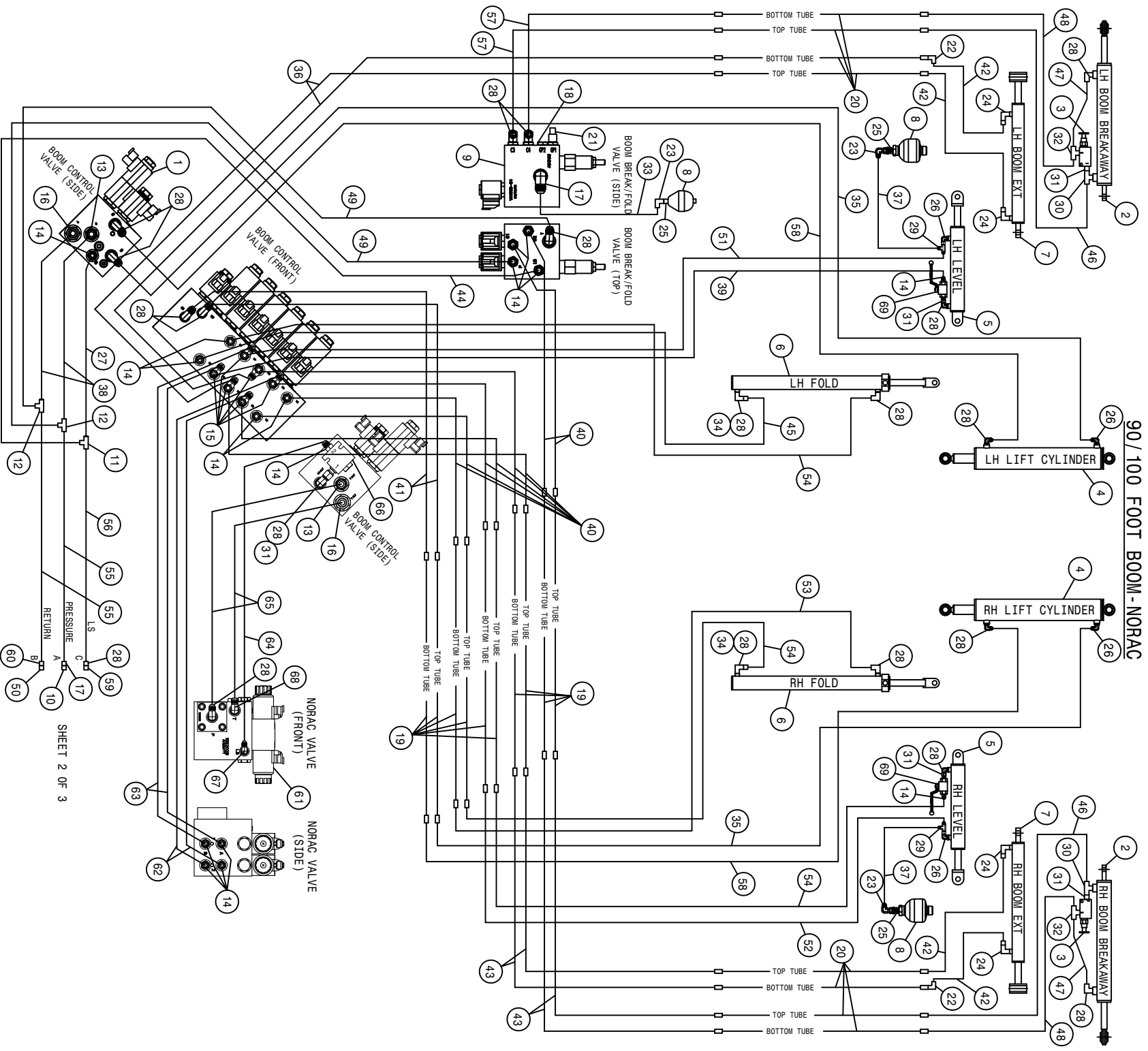
90/100 FOOT BOOM - STANDARD



SHEET 2 OF 3

STS 10/12 COMBO HI TORQUE HYD DIAGRAM 2012  
REFERENCE DRAWING NO. 49924753

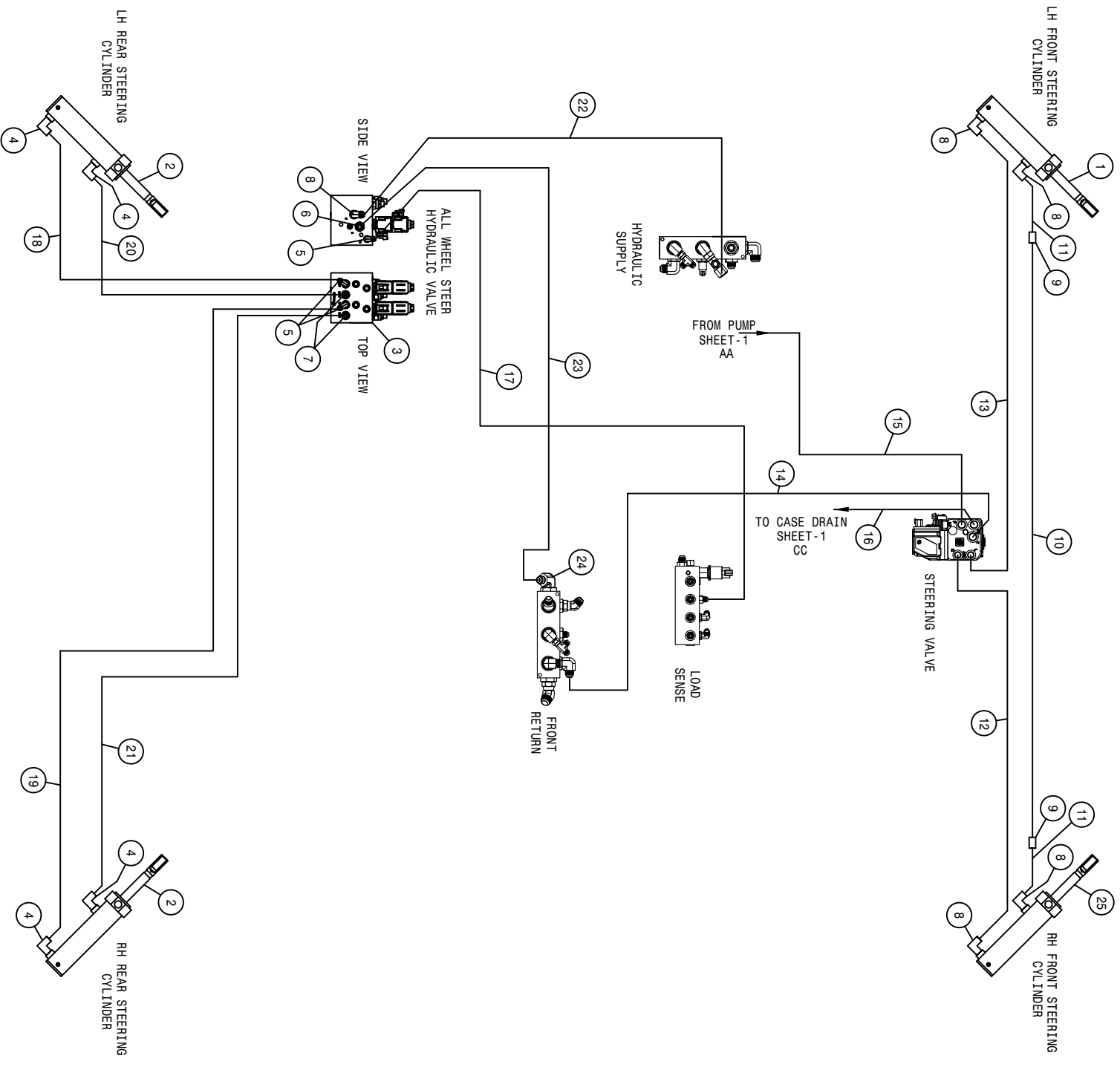
| DET. | QTY | PART NO. | DESCRIPTION                    | DET. | QTY | PART NO. | DESCRIPTION                     |
|------|-----|----------|--------------------------------|------|-----|----------|---------------------------------|
| 1    | 1   | 606272   | VALVE, LOAD SENSE BOOM SAUER   | 31   | 2   | 618668   | 9/16FJIC SWIV-9/16MOR ADPTR     |
| 2    | 2   | 621554   | HYD CYL, 1.50 X 12.25 X .750   | 32   | 2   | 614752   | RESTRICTOR BR TEE ASSY, .042DIA |
| 3    | 2   | 607540   | KICK-DOWN RELIEF VALVE, 800PSI | 33   | 1   | 616384   | 08-451TC-08FJX-08FJX-43         |
| 4    | 2   | 621556   | HYD CYL, 2.50 X 18.00 X 1.500  | 34   | 2   | 618733   | 9/16MJIC .042 ORIFICE ADPTR     |
| 5    | 2   | 621558   | HYD CYL, 3.00 X 11.00 X 1.380  | 35   | 2   | 616358   | 06-451TC-06FJX-06FJX-56         |
| 6    | 2   | 621560   | HYD CYL, 2.50 X 21.00 X 1.380  | 36   | 2   | 616357   | 06-451TC-06FJX-06FJX90-79       |
| 7    | 2   | 621562   | HYD CYL, 2.25 X 21.00 X 1.380  | 37   | 2   | 616365   | 06-451TC-08FJX-06FJX90-30       |
| 8    | 3   | 470444   | ACCUMULATOR, 30CI 1508 PSI     | 38   | 2   | 616366   | 08-451TC-08FJX-08FJX90-18       |
| 9    | 1   | 606248   | 90°BREAKAWAY VLV,STS PWRSYS    | 39   | 1   | 616403   | 06-451TC-06FJX-06FJX-65         |
| 10   | 1   | 618807   | HYD CPLR, FEM #12,3/4FOR       | 40   | 8   | 616316   | 06-451TC-06FJX-06FJX45-18       |
| 11   | 1   | 618748   | 7/16MJIC BLKHD RUN TEE         | 41   | 2   | 616304   | 06-451TC-06FJX-06FJX-36         |
| 12   | 2   | 618749   | 3/4MJIC BLKHD RUN TEE          | 42   | 4   | 616356   | 06-451TC-06FJX-06FJX90-27       |
| 13   | 1   | 611125   | 3/4MJIC-3/4MOR ADPTR           | 43   | 4   | 616353   | 06-451TC-06FJX-06FJX-71         |
| 14   | 13  | 618126   | 9/16MJIC-9/16MOR ADPTR         | 44   | 1   | 616362   | 04-451TC-04FJX-06FJX90-35       |
| 15   | 2   | 618444   | 9/16MOR RUN TEE-9/16MJIC       | 45   | 1   | 616352   | 06-451TC-06FJX-06FJX-62         |
| 16   | 1   | 618327   | 3/4MJIC-7/8MOR ADPTR           | 46   | 2   | 616360   | 06-451TC-06FJX-06FJX-84         |
| 17   | 2   | 618241   | 3/4MJIC-90-3/4MOR LBO          | 47   | 2   | 616075   | 04-451TC-06FJX-06FJX-9          |
| 18   | 1   | 618754   | 9/16MOR PLUG, HEX SOCKET       | 48   | 2   | 616361   | 06-451TC-06FJX-06FJX-86         |
| 19   | 10  | 615852   | LIFTARM HYD TUBE ASSY,STLS 07  | 49   | 2   | 616364   | 06-451TC-08FJX-06FJX90-31       |
| 20   | 8   | 615851   | HYD TUBE,MAIN BOOM,STS         | 50   | 1   | 618806   | HYD CPLR,MALE #12,7/8FOR        |
| 21   | 1   | 606347   | PRESSURE TRANSDUCER,7500PSI    | 51   | 1   | 616349   | 06-451TC-06FJX-06FJX-47         |
| 22   | 2   | 618618   | 9/16MJIC-90-9/16FJIC SWIV LBO  | 52   | 1   | 616348   | 06-451TC-06FJX-06FJX-42         |
| 23   | 3   | 618609   | 3/4MJIC-90-3/4FJIC SWIV LBO    | 53   | 1   | 616350   | 06-451TC-06FJX-06FJX-58         |
| 24   | 4   | 618688   | 9/16MJ-90-9/16MOR .025 CHK VLV | 54   | 3   | 616351   | 06-451TC-06FJX-06FJX-60         |
| 25   | 3   | 618743   | 3/4MOR-3/4MJIC BLKHD,.040MFM0  | 55   | 2   | 616135   | 08-451TC-08FJX-08FJX-50         |
| 26   | 4   | 618689   | 9/16MJ-90-9/16MOR .042 CHK VLV | 56   | 1   | 616431   | 04-451TC-04FJX-06FJX-51         |
| 27   | 1   | 616430   | 04-451TC-06FJX-04FJX90-19 H/A  | 57   | 2   | 616359   | 06-451TC-06FJX-06FJX-78         |
| 28   | 18  | 618119   | 9/16MJIC-90-9/16MOR LBO        | 58   | 2   | 616371   | 06-451TC-06FJX-06FJX-38         |
| 29   | 2   | 618486   | 9/16FJIC SW RUN TEE-9/16MJIC   | 59   | 1   | 618804   | HYD CPLR,MALE #14,9/16FOR       |
| 30   | 2   | 618629   | 9/16MOR BRANCH TEE-9/16MJIC    | 60   | 1   | 618183   | 3/4MJIC-90-7/8MOR LBO           |



SHEET 2 OF 3

STS 10/12 COMBO HI TORQUE HYD DIAGRAM 2012  
REFERENCE DRAWING NO. 49924754

| DET. | QTY | PART NO. | DESCRIPTION                    | DET. | QTY | PART NO. | DESCRIPTION                    |
|------|-----|----------|--------------------------------|------|-----|----------|--------------------------------|
| 1    | 1   | 606272   | VALVE, LOAD SENSE BOOM SAUER   | 36   | 2   | 616357   | 06-451TC-06FJX-06FJX90-79 H/A  |
| 2    | 2   | 621554   | HYD CYL, 1.50 X 12.25 X .750   | 37   | 2   | 616365   | 06-451TC-08FJX-06FJX90-30 H/A  |
| 3    | 2   | 607540   | KICK-DOWN RELIEF VALVE, 800PSI | 38   | 2   | 616366   | 08-451TC-08FJX-08FJX90-18 H/A  |
| 4    | 2   | 621556   | HYD CYL, 2.50 X 18.00 X 1.500  | 39   | 1   | 616403   | 06-451TC-06FJX-06FJX-65 H/A    |
| 5    | 2   | 621558   | HYD CYL, 3.00 X 11.00 X 1.380  | 40   | 8   | 616316   | 06-451TC-06FJX-06FJX45-18 H/A  |
| 6    | 2   | 621560   | HYD CYL, 2.50 X 21.00 X 1.380  | 41   | 2   | 616304   | 06-451TC-06FJX-06FJX-36 H/A    |
| 7    | 2   | 621562   | HYD CYL, 2.25 X 21.00 X 1.380  | 42   | 4   | 616356   | 06-451TC-06FJX-06FJX90-27 H/A  |
| 8    | 3   | 470444   | ACCUMULATOR, 30CI 1508 PSI     | 43   | 4   | 616353   | 06-451TC-06FJX-06FJX-71 H/A    |
| 9    | 1   | 606248   | 90'BREAKAWAY VLV,STS PWRSYS    | 44   | 1   | 616362   | 04-451TC-04FJX-06FJX90-35 H/A  |
| 10   | 1   | 618807   | HYD CPLR, FEM #12,3/4FOR       | 45   | 1   | 616352   | 06-451TC-06FJX-06FJX-62 H/A    |
| 11   | 1   | 618748   | 7/16MJIC BLKHD RUN TEE         | 46   | 2   | 616360   | 06-451TC-06FJX-06FJX-84 H/A    |
| 12   | 2   | 618749   | 3/4MJIC BLKHD RUN TEE          | 47   | 2   | 616075   | 04-451TC-06FJX-06FJX-9 H/A     |
| 13   | 2   | 611125   | 3/4MJIC-3/4MOR ADPTR           | 48   | 2   | 616361   | 06-451TC-06FJX-06FJX-86 H/A    |
| 14   | 16  | 618126   | 9/16MJIC-9/16MOR ADPTR         | 49   | 2   | 616364   | 06-451TC-08FJX-06FJX90-31 H/A  |
| 15   | 6   | 618444   | 9/16MOR RUN TEE-9/16MJIC       | 50   | 1   | 618806   | HYD CPLR,MALE #12,7/8FOR       |
| 16   | 2   | 618327   | 3/4MJIC-7/8MOR ADPTR           | 51   | 1   | 616349   | 06-451TC-06FJX-06FJX-47 H/A    |
| 17   | 2   | 618241   | 3/4MJIC-90-3/4MOR LBO          | 52   | 1   | 616348   | 06-451TC-06FJX-06FJX-42 H/A    |
| 18   | 1   | 618754   | 9/16MOR PLUG, HEX SOCKET       | 53   | 1   | 616350   | 06-451TC-06FJX-06FJX-58 H/A    |
| 19   | 10  | 615852   | LIFTARM HYD TUBE ASSY,STSL5 07 | 54   | 3   | 616351   | 06-451TC-06FJX-06FJX-60 H/A    |
| 20   | 8   | 615851   | HYD TUBE,MAIN BOOM,STS         | 55   | 2   | 616135   | 08-451TC-08FJX-08FJX-50 H/A    |
| 21   | 1   | 606347   | PRESSURE TRANSDUCER,7500PSI    | 56   | 1   | 616431   | 04-451TC-04FJX-06FJX-51 H/A    |
| 22   | 2   | 618618   | 9/16MJIC-90-9/16FJIC SWIV LBO  | 57   | 2   | 616359   | 06-451TC-06FJX-06FJX-78 H/A    |
| 23   | 3   | 618609   | 3/4MJIC-90-3/4FJIC SWIV LBO    | 58   | 2   | 616371   | 06-451TC-06FJX-06FJX-38 H/A    |
| 24   | 4   | 618688   | 9/16MJ-90-9/16MOR .025 CHK VLV | 59   | 1   | 618804   | HYD CPLR,MALE #14,9/16FOR      |
| 25   | 3   | 618743   | 3/4MOR-3/4MJIC BLKHD,.040MFM0  | 60   | 1   | 618183   | 3/4MJIC-90-7/8MOR LBO          |
| 26   | 4   | 618689   | 9/16MJ-90-9/16MOR .042 CHK VLV | 61   | 1   | 606455   | NDRAC HYD VALVE (44963D)       |
| 27   | 1   | 616430   | 04-451TC-06FJX-04FJX90-19 H/A  | 62   | 2   | 616555   | 06-451TC-06FJX-06FJX90-31 H/A  |
| 28   | 20  | 618119   | 9/16MJIC-90-9/16MOR LBO        | 63   | 2   | 616557   | 06-451TC-06FJX-06FJX90L-31 H/A |
| 29   | 2   | 618486   | 9/16FJIC SW RUN TEE-9/16MJIC   | 64   | 1   | 616554   | 04-451TC-04FJX-06FJX90-30 H/A  |
| 30   | 2   | 618629   | 9/16MOR BRANCH TEE-9/16MJIC    | 65   | 2   | 616556   | 08-451TC-06FJX-08FJX90-31 H/A  |
| 31   | 5   | 618668   | 9/16FJIC SWIV-9/16MOR ADPTR    | 66   | 1   | 606256   | CHECK VALVE, IN LINE SAUER     |
| 32   | 2   | 614752   | RESTRICTOR BR TEE ASSY,.042DIA | 67   | 1   | 618473   | 7/16MJIC-90-7/16MOR LBO        |
| 33   | 1   | 616384   | 08-451TC-08FJX-08FJX-43 H/A    | 68   | 1   | 618440   | 9/16MJIC-90-9/16MOR EX LG LBO  |
| 34   | 2   | 618733   | 9/16JIC .042 ORIFICE ADPTR     | 69   | 2   | 696131   | BALL VALVE,9/16FOR,7250PSI     |
| 35   | 2   | 616358   | 06-451TC-06FJX-06FJX-56 H/A    |      |     |          |                                |

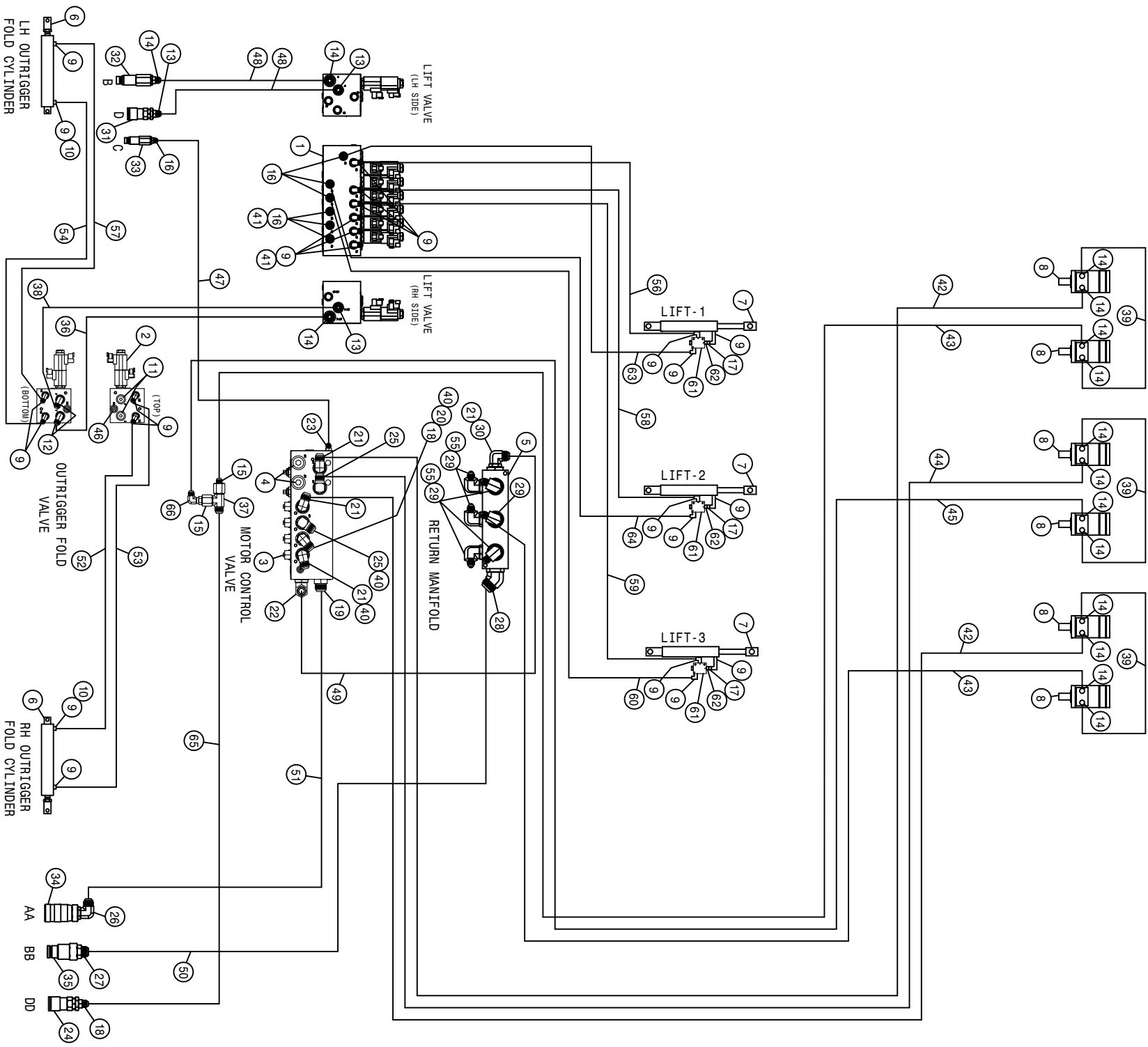


ALL WHEEL STEER DIAGRAM



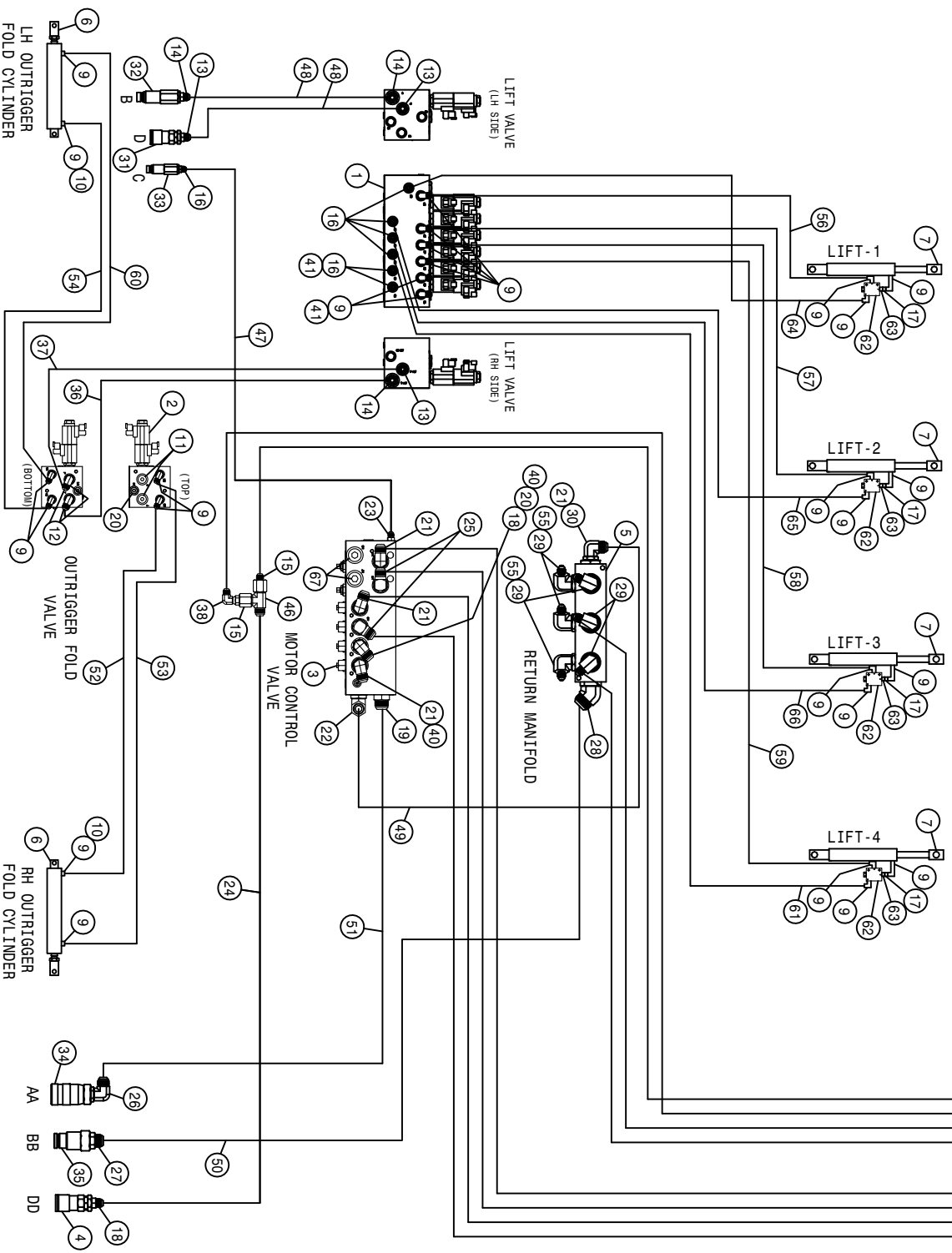
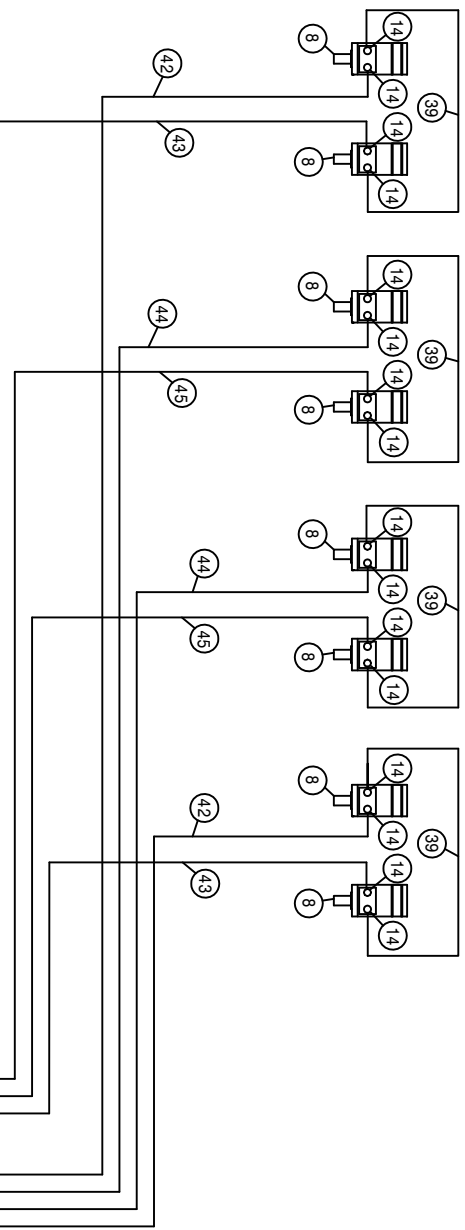
STS 10/12 COMBO HI TORQUE HYD DIAGRAM 2012  
REFERENCE DRAWING NO. 499247S5

| DET. | QTY | PART NO. | DESCRIPTION                    | DET. | QTY | PART NO. | DESCRIPTION                    |
|------|-----|----------|--------------------------------|------|-----|----------|--------------------------------|
| 1    | 1   | 621602   | HYD CYL,2.50 X 8.81 PHASE/1SEN | 14   | 1   | 617017   | 10-451TC-10FJX-12FJX90-82 H/A  |
| 2    | 2   | 621603   | HYD CYL,2.50 X 8.81 W/SENSOR   | 15   | 1   | 617012   | 06-451TC-06FJX-08FJX90-212 H/A |
| 3    | 1   | 606370   | VALVE, FV8623 V1 SUNSOURCE     | 16   | 1   | 617015   | 10-451TC-08FJX-10FJX-177 H/A   |
| 4    | 4   | 618115   | 9/16MJIC-90-3/4MOR LBO         | 17   | 1   | 616709   | 04-451TC-06FJX-04FJX90-93 H/A  |
| 5    | 3   | 618119   | 9/16MJIC-90-9/16MOR LBO        | 18   | 1   | 616710   | 08-451TC-06FJX-06FJX-95 H/A    |
| 6    | 1   | 611126   | 7/8MJIC-7/8MOR ADPTR           | 19   | 1   | 616711   | 08-451TC-06FJX-06FJX-129 H/A   |
| 7    | 2   | 618126   | 9/16MJIC-9/16MOR ADPTR         | 20   | 1   | 616712   | 08-451TC-06FJX-06FJX90-91 H/A  |
| 8    | 5   | 618241   | 3/4MJIC-90-3/4MOR LBO          | 21   | 1   | 616713   | 08-451TC-06FJX-06FJX90-119 H/A |
| 9    | 2   | 618314   | 3/4MJIC UNION                  | 22   | 1   | 616714   | 08-451TC-08FJX-12FJX90-92 H/A  |
| 10   | 1   | 615772   | STRG CYL JUMPER HYD TUBE ASSY  | 23   | 1   | 616715   | 10-451TC-12FJX-10FJX90-82 H/A  |
| 11   | 2   | 616531   | 08-451TC-08FJX-08FJX-55 H/A    | 24   | 1   | 618842   | 1 1/16MJIC-90-1 5/8MOR LBO     |
| 12   | 1   | 616504   | 08-451TC-08FJX-08FJX-98 H/A    | 25   | 1   | 621614   | HYD CYL,2.50 X 8.81 PHASE/2SEN |
| 13   | 1   | 616730   | 08-451TC-08FJX-08FJX90-108 H/A |      |     |          |                                |



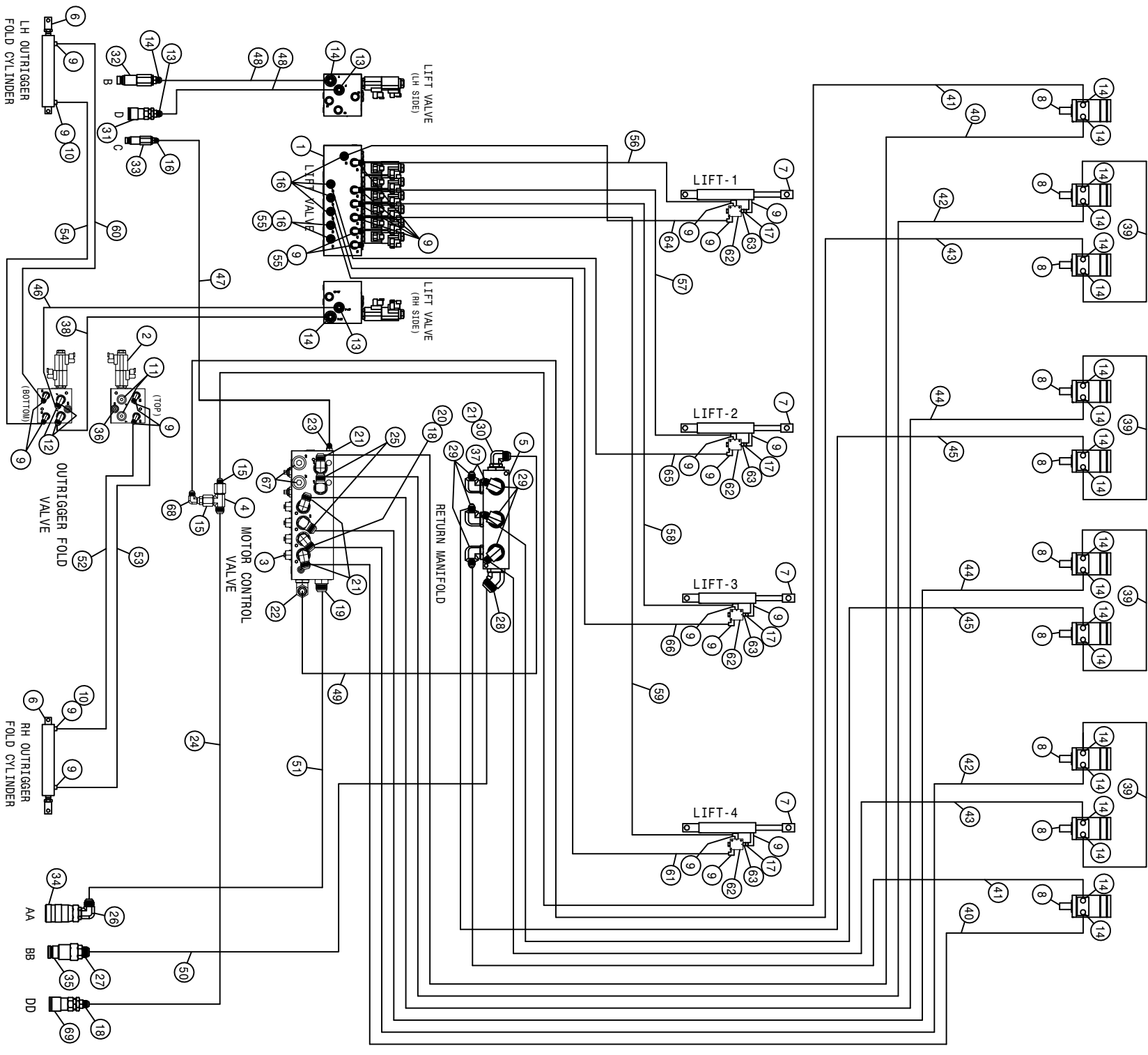
STS COMBO 6R QUAD HYD SCHEM 2011  
REFERENCE DRAWING NO. 499087

| DET. | QTY | PART NO. | DESCRIPTION                     | DET. | QTY | PART NO. | DESCRIPTION                    |
|------|-----|----------|---------------------------------|------|-----|----------|--------------------------------|
| 1    | 1   | 606285   | LIFT VALVE,STS COMBO,SAUER      | 34   | 1   | 618686   | HYD COUPLER,FEM 1"B,1 5/16FOR  |
| 2    | 1   | 606286   | FOLD VALVE,STS COMBO,SAUER      | 35   | 1   | 618687   | HYD COUPLER,MALE 1"B,1 5/16FOR |
| 3    | 1   | 606310   | LS MTR CTRL ELEC VLV STS,SAUER  | 36   | 1   | 616528   | 06-451TC-08FJX-08FJX90-13 H/A  |
| 4    | 2   | 618757   | 1 1/16MOR PLUG, HEX SOCKET      | 37   | 1   | 618489   | 1 1/16MJC UNION TEE            |
| 5    | 1   | 606246   | MANIFOLD, #16 3-STN 180         | 38   | 1   | 616529   | 06-451TC-08FJX-08FJX90-16 H/A  |
| 6    | 2   | 621566   | HYD CYL, 2.50 X 11.00 X 1.375   | 39   | 3   | 618135   | 08-451TC-08FJX-08FJX-50 H/A    |
| 7    | 3   | 621564   | HYD CYL,2.00 X 11.00 X 1.50 1W  | 40   | 3   | 618533   | 1 1/16FJIC CAP NUT             |
| 8    | 6   | 610547   | HYD MOTOR 4.5CI 1IN SHFT        | 41   | 6   | 618531   | 9/16FJIC CAP NUT               |
| 9    | 23  | 618119   | 9/16MJCIC-90-9/16MOR LBO        | 42   | 2   | 616539   | 08-451TC-12FJX-08FJX90-220 H/A |
| 10   | 2   | 618732   | 9/16JIC .031 ORIFICE ADPTR      | 43   | 2   | 616533   | 08-451TC-08FJX-08FJX-218 H/A   |
| 11   | 2   | 618755   | 3/4MOR PLUG, HEX SOCKET         | 44   | 1   | 616538   | 08-451TC-12FJX-08FJX90-125 H/A |
| 12   | 2   | 618241   | 3/4MJCIC-90-3/4MOR LBO          | 45   | 1   | 616532   | 08-451TC-08FJX-08FJX-125 H/A   |
| 13   | 3   | 611125   | 3/4MJCIC-3/4MOR ADPTR           | 46   | 1   | 618754   | 9/16MOR PLUG, HEX SOCKET       |
| 14   | 15  | 618327   | 3/4MJCIC-7/8MOR ADPTR           | 47   | 1   | 616607   | 04-451TC-06FJX-06FJX45-46 H/A  |
| 15   | 2   | 618484   | 1 1/16FJIC-3/4MJCIC ADPTR       | 48   | 2   | 616536   | 08-451TC-08FJX-08FJX90-26 H/A  |
| 16   | 7   | 618126   | 9/16MJCIC-9/16MOR ADPTR         | 49   | 1   | 616542   | 10-451TC-12FJX-12FJX90-30 H/A  |
| 17   | 3   | 618733   | 9/16JIC .042 ORIFICE ADPTR      | 50   | 1   | 616552   | 20-881-20FJX-20FJX90-45 H/A    |
| 18   | 2   | 611127   | 1 1/16MJCIC-1 1/16MOR ADPTR     | 51   | 1   | 616549   | 16-451TC-16FJX-16FJX45-28 H/A  |
| 19   | 1   | 618186   | 1 5/16MJCIC-1 5/16MOR ADPTR     | 52   | 1   | 616089   | 04-451TC-06FJX-06FJX-60 H/A    |
| 20   | 1   | 618191   | 1 1/16MJ-90-1 1/16FJ SWIV LBO   | 53   | 1   | 616177   | 04-451TC-06FJX-06FJX-74 H/A    |
| 21   | 4   | 618248   | 1 1/16MJCIC-90-1 1/16MOR LBO    | 54   | 1   | 616511   | 04-451TC-06FJX-06FJX-33 H/A    |
| 22   | 1   | 618302   | 1 1/16MJCIC-90-1 5/16MOR LBO    | 55   | 5   | 618532   | 3/4FJIC CAP NUT                |
| 23   | 1   | 618304   | 9/16MJCIC-7/16MOR ADPTR         | 56   | 1   | 616525   | 06-451TC-06FJX-06FJX45-124 H/A |
| 24   | 1   | 618810   | HYD CPLR, FEM #12,12FOR         | 57   | 1   | 616512   | 04-451TC-06FJX-06FJX-49 H/A    |
| 25   | 2   | 618674   | 1 1/16MJCIC-90-1 1/16MOR XL LBO | 58   | 1   | 616523   | 06-451TC-06FJX-06FJX45-80 H/A  |
| 26   | 1   | 618178   | 1 5/16MJCIC-90-1 5/16MOR LBO    | 59   | 1   | 616526   | 06-451TC-06FJX-06FJX45-171 H/A |
| 27   | 1   | 618471   | 1 5/8MJCIC-1 5/16MOR ADPTR      | 60   | 1   | 616626   | 06-451TC-06FJX-06FJX90-175 H/A |
| 28   | 1   | 618396   | 1 5/8MJCIC-45-1 5/8MOR LBO      | 61   | 3   | 607565   | CHECK VLV,PILOT TO OPEN, SUN   |
| 29   | 6   | 618475   | 3/4MJCIC-90-1 5/16MOR LBO       | 62   | 3   | 618668   | 9/16FJIC SWIV-9/16MOR ADPTR    |
| 30   | 1   | 618595   | 1 5/8MOR-1 1/16FOR ADPTR        | 63   | 1   | 616873   | 06-451TC-06FJX-06FJX90-128 H/A |
| 31   | 1   | 618807   | HYD CPLR, FEM #12,3/4FOR        | 64   | 1   | 616723   | 06-451TC-06FJX-06FJX90-85 H/A  |
| 32   | 1   | 618806   | HYD CPLR,MALE #12,7/8FOR        | 65   | 1   | 617030   | 12-451TC-12FJX-12FJX90-50 H/A  |
| 33   | 1   | 618804   | HYD CPLR,MALE #14,9/16FOR       | 66   | 1   | 618609   | 3/4MJCIC-90-3/4FJIC SWIV LBO   |



STS COMBO 8R QUAD HYD SCHEM 2011  
REFERENCE DRAWING NO. 499088

| DET. | QTY | PART NO. | DESCRIPTION                      | DET. | QTY | PART NO. | DESCRIPTION                        |
|------|-----|----------|----------------------------------|------|-----|----------|------------------------------------|
| 1    | 1   | 606285   | LIFT VALVE, STS COMBO, SAUER     | 35   | 1   | 618687   | HYD COUPLER, MALE 1" B, 1 5/16 FOR |
| 2    | 1   | 606286   | FOLD VALVE, STS COMBO, SAUER     | 36   | 1   | 618528   | 3/4 FOR-3/4 MNPT ADPTR             |
| 3    | 1   | 606310   | LS MTR CTRL ELEC VLV STS, SAUER  | 37   | 1   | 618659   | 06-451TC-08FJX-08FJX90-16 H/A      |
| 4    | 1   | 608810   | HYD CPLR, FEM #12, 12FOR         | 38   | 1   | 616629   | 3/4MJIC-90-3/4FJIC SWIV LBO        |
| 5    | 1   | 606246   | MANIFOLD, #16 3-STN 180          | 39   | 4   | 616135   | 08-451TC-08FJX-08FJX-50 H/A        |
| 6    | 2   | 621566   | HYD CYL, 2.50 X 11.00 X 1.375    | 40   | 2   | 618533   | 1 1/16FJIC CAP NUT                 |
| 7    | 4   | 621564   | HYD CYL, 2.00 X 11.00 X 1.50 1W  | 41   | 4   | 618531   | 9/16FJIC CAP NUT                   |
| 8    | 8   | 610547   | HYD MOTOR 4.5CI 1IN SHFT         | 42   | 2   | 616539   | 08-451TC-12FJX-08FJX90-220 H/A     |
| 9    | 26  | 618119   | 9/16MJIC-90-9/16MOR LBO          | 43   | 2   | 616533   | 08-451TC-08FJX-08FJX-218 H/A       |
| 10   | 2   | 618732   | 9/16JIC .031 ORIFICE ADPTR       | 44   | 2   | 616538   | 08-451TC-12FJX-08FJX90-125 H/A     |
| 11   | 2   | 618755   | 3/4MOR PLUG, HEX SOCKET          | 45   | 2   | 616532   | 08-451TC-08FJX-08FJX-125 H/A       |
| 12   | 2   | 618241   | 3/4MJIC-90-3/4MOR LBO            | 46   | 1   | 618489   | 1 1/16MJIC UNION TEE               |
| 13   | 3   | 611125   | 3/4MJIC-3/4MOR ADPTR             | 47   | 1   | 616607   | 04-451TC-06FJX-06FJX45-46 H/A      |
| 14   | 19  | 618327   | 3/4MJIC-7/8MOR ADPTR             | 48   | 2   | 616536   | 08-451TC-08FJX-08FJX90-26 H/A      |
| 15   | 2   | 618484   | 1 1/16FJIC-3/4MJIC ADPTR         | 49   | 1   | 616542   | 10-451TC-12FJX-12FJX90-30 H/A      |
| 16   | 7   | 618126   | 9/16MJIC-9/16MOR ADPTR           | 50   | 1   | 616552   | 20-881-20FJX-20FJX90-45 H/A        |
| 17   | 4   | 618733   | 9/16JIC .042 ORIFICE ADPTR       | 51   | 1   | 616549   | 16-451TC-16FJX-16FJX45-28 H/A      |
| 18   | 2   | 611127   | 1 1/16MJIC-1 1/16MOR ADPTR       | 52   | 1   | 616089   | 04-451TC-06FJX-06FJX-60 H/A        |
| 19   | 2   | 618186   | 1 5/16MJIC-1 5/16MOR ADPTR       | 53   | 1   | 616177   | 04-451TC-06FJX-06FJX-74 H/A        |
| 20   | 1   | 618754   | 9/16MOR PLUG, HEX SOCKET         | 54   | 1   | 616511   | 04-451TC-06FJX-06FJX-33 H/A        |
| 21   | 4   | 618248   | 1 1/16MJIC-90-1 1/16MOR LBO      | 55   | 4   | 618532   | 3/4FJIC CAP NUT                    |
| 22   | 1   | 618302   | 1 1/16MJIC-90-1 5/16MOR LBO      | 56   | 1   | 616525   | 06-451TC-06FJX-06FJX45-124 H/A     |
| 23   | 1   | 618304   | 9/16MJIC-7/16MOR ADPTR           | 57   | 1   | 616644   | 06-451TC-06FJX-06FJX45-36 H/A      |
| 24   | 1   | 617030   | 12-451TC-12FJX-12FJX90-50 H/A    | 58   | 1   | 616523   | 06-451TC-06FJX-06FJX45-80 H/A      |
| 25   | 2   | 618674   | 1 1/16MJIC-90-1 1/16MOR XL LBO   | 59   | 1   | 616526   | 06-451TC-06FJX-06FJX45-171 H/A     |
| 26   | 1   | 618178   | 1 5/16MJIC-90-1 5/16MOR LBO      | 60   | 1   | 616512   | 04-451TC-06FJX-06FJX-49 H/A        |
| 27   | 1   | 618471   | 1 5/8MJIC-1 5/16MOR ADPTR        | 61   | 1   | 616626   | 06-451TC-06FJX-06FJX90-175 H/A     |
| 28   | 1   | 618396   | 1 5/8MJIC-45-1 5/8MOR LBO        | 62   | 4   | 607565   | CHECK VLV, PILOT TO OPEN, SUN      |
| 29   | 6   | 618475   | 3/4MJIC-90-1 5/16MOR LBO         | 63   | 4   | 618668   | 9/16FJIC SWIV-9/16MOR ADPTR        |
| 30   | 1   | 618595   | 1 5/8MOR-1 1/16FOR ADPTR         | 64   | 1   | 616873   | 06-451TC-06FJX-06FJX90-128 H/A     |
| 31   | 1   | 618807   | HYD CPLR, FEM #12, 3/4FOR        | 65   | 1   | 616581   | 06-451TC-06FJX-06FJX90-40 H/A      |
| 32   | 1   | 618806   | HYD CPLR, MALE #12, 7/8FOR       | 66   | 1   | 616723   | 06-451TC-06FJX-06FJX90-85 H/A      |
| 33   | 1   | 618804   | HYD CPLR, MALE #14, 9/16FOR      | 67   | 2   | 618757   | 1 1/16MOR PLUG, HEX SOCKET         |
| 34   | 1   | 618686   | HYD COUPLER, FEM 1" B, 1 5/16FOR |      |     |          |                                    |



STS COMBO 10R QUAD HYD SCHEM 2011  
REFERENCE DRAWING NO. 499089

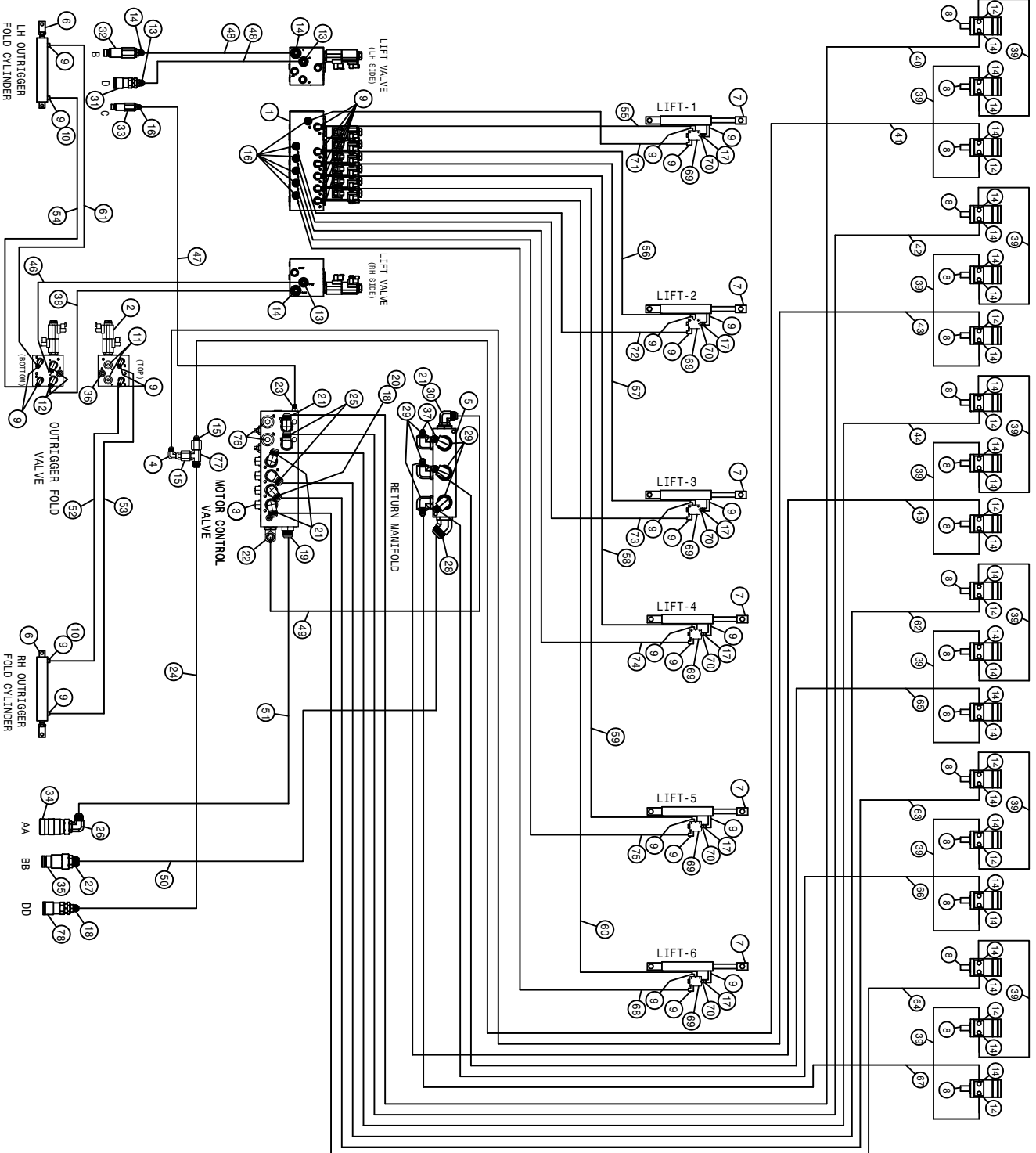
| DET. | QTY | PART NO. | DESCRIPTION                       | DET. | QTY | PART NO. | DESCRIPTION                    |
|------|-----|----------|-----------------------------------|------|-----|----------|--------------------------------|
| 1    | 1   | 606285   | LIFT VALVE, STS COMBO, SAUER      | 36   | 1   | 618754   | 9/16MOR PLUG, HEX SOCKET       |
| 2    | 1   | 606286   | FOLD VALVE, STS COMBO, SAUER      | 37   | 2   | 618532   | 3/4FJIC CAP NUT                |
| 3    | 1   | 606310   | LS MTR CTRL ELEC VLV STS, SAUER   | 38   | 1   | 616528   | 06-451TC-08FJX-08FJX90-13 H/A  |
| 4    | 1   | 618489   | 1 1/16MJIC UNION TEE              | 39   | 4   | 616135   | 08-451TC-08FJX-08FJX-50 H/A    |
| 5    | 1   | 606246   | MANIFOLD, #16 3-STN 180           | 40   | 2   | 616540   | 08-451TC-12FJX-08FJX90-252 H/A |
| 6    | 2   | 621566   | HYD CYL, 2.50 X 11.00 X 1.375     | 41   | 2   | 616535   | 08-451TC-08FJX-08FJX-252 H/A   |
| 7    | 4   | 621564   | HYD CYL, 2.00 X 11.00 X 1.50 1W   | 42   | 2   | 616539   | 08-451TC-12FJX-08FJX90-220 H/A |
| 8    | 10  | 610547   | HYD MOTOR 4.5CI 1IN SHFT          | 43   | 2   | 616533   | 08-451TC-08FJX-08FJX-218 H/A   |
| 9    | 26  | 618119   | 9/16MJIC-90-9/16MOR LBO           | 44   | 2   | 616538   | 08-451TC-12FJX-08FJX90-125 H/A |
| 10   | 2   | 618732   | 9/16JIC .031 ORIFICE ADPTR        | 45   | 2   | 616532   | 08-451TC-08FJX-08FJX-125 H/A   |
| 11   | 2   | 618755   | 3/4MOR PLUG, HEX SOCKET           | 46   | 1   | 616529   | 06-451TC-08FJX-08FJX90-16 H/A  |
| 12   | 2   | 618241   | 3/4MJIC-90-3/4MOR LBO             | 47   | 1   | 616607   | 04-451TC-06FJX-06FJX45-46 H/A  |
| 13   | 3   | 611125   | 3/4MJIC-3/4MOR ADPTR              | 48   | 2   | 616536   | 08-451TC-08FJX-08FJX90-26 H/A  |
| 14   | 23  | 618327   | 3/4MJIC-7/8MOR ADPTR              | 49   | 1   | 616542   | 10-451TC-12FJX-12FJX90-30 H/A  |
| 15   | 2   | 618484   | 1 1/16FJIC-3/4MJIC ADPTR          | 50   | 1   | 616552   | 20-881-20FJX-20FJX90-45 H/A    |
| 16   | 7   | 618126   | 9/16MJIC-9/16MOR ADPTR            | 51   | 1   | 616549   | 16-451TC-16FJX-16FJX45-28 H/A  |
| 17   | 4   | 618733   | 9/16JIC .042 ORIFICE ADPTR        | 52   | 1   | 616089   | 04-451TC-06FJX-06FJX-60 H/A    |
| 18   | 2   | 611127   | 1 1/16MJIC-1 1/16MOR ADPTR        | 53   | 1   | 616177   | 04-451TC-06FJX-06FJX-74 H/A    |
| 19   | 1   | 618186   | 1 5/16MJIC-1 5/16MOR ADPTR        | 54   | 1   | 616511   | 04-451TC-06FJX-06FJX-33 H/A    |
| 20   | 1   | 618191   | 1 1/16MJ-90-1 1/16FJ SWIV LBO     | 55   | 4   | 618531   | 9/16FJIC CAP NUT               |
| 21   | 4   | 618248   | 1 1/16MJIC-90-1 1/16MOR LBO       | 56   | 1   | 616525   | 06-451TC-06FJX-06FJX45-124 H/A |
| 22   | 1   | 618302   | 1 1/16MJIC-90-1 5/16MOR LBO       | 57   | 1   | 616644   | 06-451TC-06FJX-06FJX45-36 H/A  |
| 23   | 1   | 618304   | 9/16MJIC-7/16MOR ADPTR            | 58   | 1   | 616523   | 06-451TC-06FJX-06FJX45-80 H/A  |
| 24   | 1   | 617030   | 12-451TC-12FJX-12FJX90-50 H/A     | 59   | 1   | 616526   | 06-451TC-06FJX-06FJX45-171 H/A |
| 25   | 2   | 618674   | 1 1/16MJIC-90-1 1/16MOR XL LBO    | 60   | 1   | 616512   | 04-451TC-06FJX-06FJX-49 H/A    |
| 26   | 1   | 618178   | 1 5/16MJIC-90-1 5/16MOR LBO       | 61   | 1   | 616626   | 06-451TC-06FJX-06FJX90-175 H/A |
| 27   | 1   | 618471   | 1 5/8MJIC-1 5/16MOR ADPTR         | 62   | 4   | 607565   | CHECK VLV, PILOT TO OPEN, SUN  |
| 28   | 1   | 618396   | 1 5/8MJIC-45-1 5/8MOR LBO         | 63   | 4   | 618668   | 9/16FJIC SWIV-9/16MOR ADPTR    |
| 29   | 6   | 618475   | 3/4MJIC-90-1 5/16MOR LBO          | 64   | 1   | 616873   | 06-451TC-06FJX-06FJX90-128 H/A |
| 30   | 1   | 618595   | 1 5/8MOR-1 1/16FOR ADPTR          | 65   | 1   | 616581   | 06-451TC-06FJX-06FJX90-40 H/A  |
| 31   | 1   | 618807   | HYD CPLR, FEM #12, 3/4FOR         | 66   | 1   | 616723   | 06-451TC-06FJX-06FJX90-85 H/A  |
| 32   | 1   | 618806   | HYD CPLR, MALE #12, 7/8FOR        | 67   | 2   | 618757   | 1 1/16MOR PLUG, HEX SOCKET     |
| 33   | 1   | 618804   | HYD CPLR, MALE #14, 9/16FOR       | 68   | 1   | 618609   | 3/4MJIC-90-3/4FJIC SWIV LBO    |
| 34   | 1   | 618686   | HYD COUPLER, FEM 1" B, 1 5/16FOR  | 69   | 1   | 618810   | HYD CPLR, FEM #12, 12FOR       |
| 35   | 1   | 618687   | HYD COUPLER, MALE 1" B, 1 5/16FOR |      |     |          |                                |





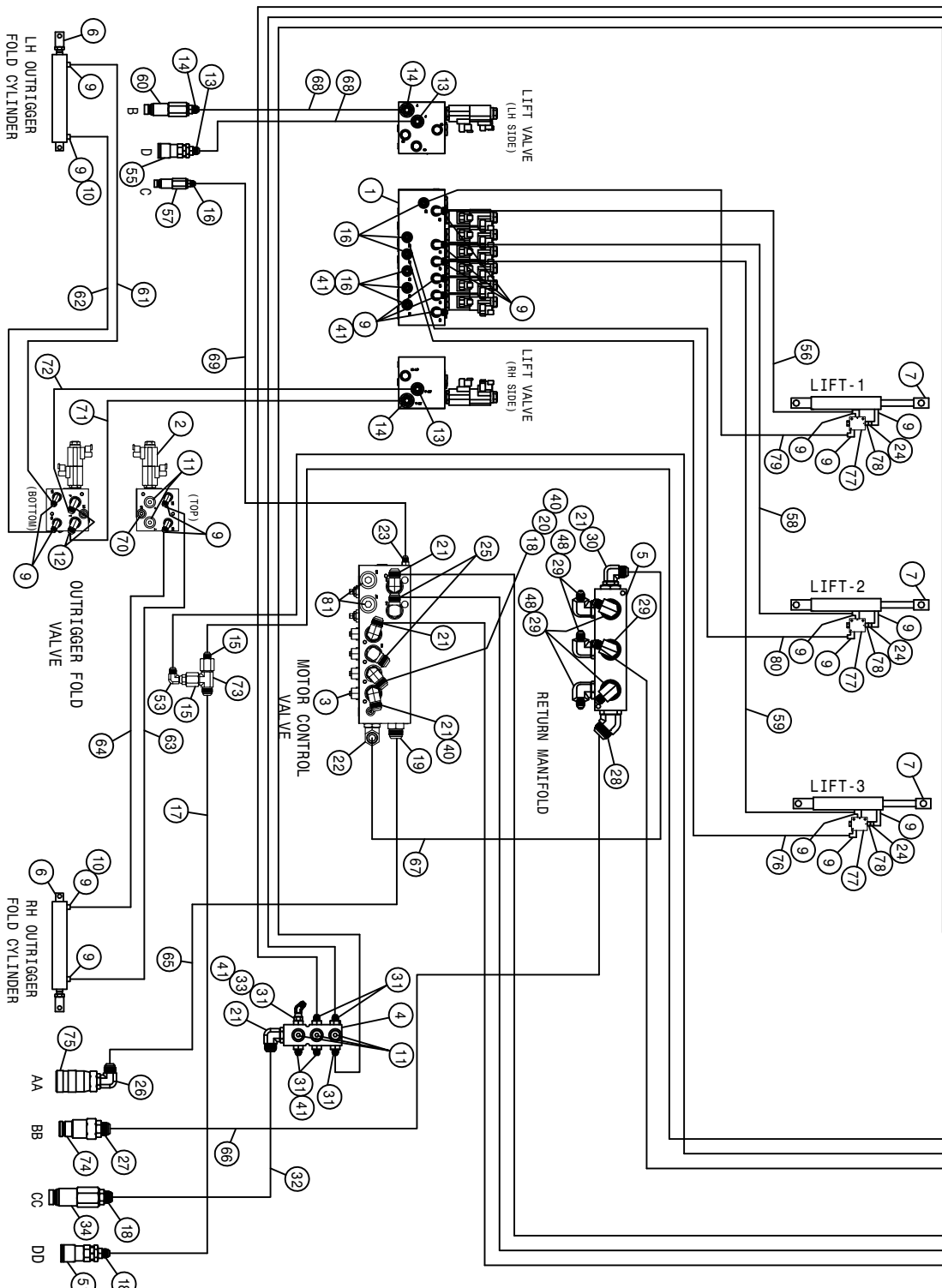
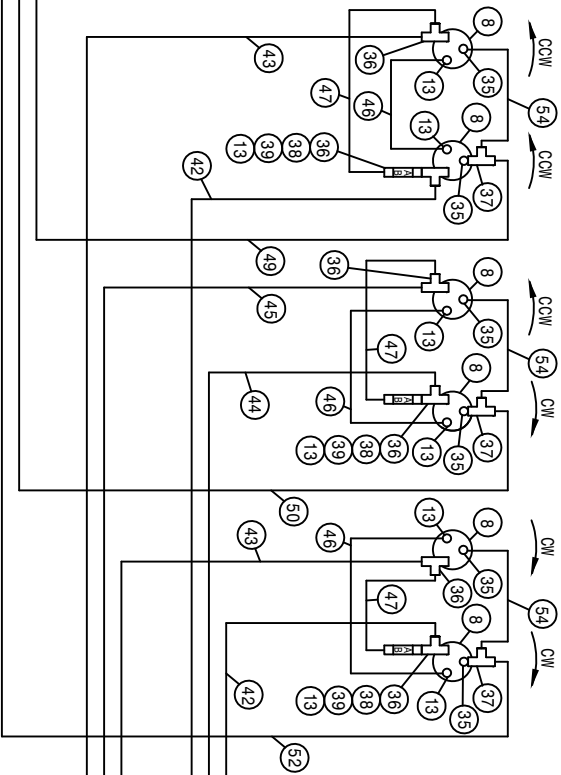
STS COMBO 12R QUAD HYD SCHEM 2011  
REFERENCE DRAWING NO. 499090

| DET. | QTY | PART NO. | DESCRIPTION                       | DET. | QTY | PART NO. | DESCRIPTION                    |
|------|-----|----------|-----------------------------------|------|-----|----------|--------------------------------|
| 1    | 1   | 606285   | LIFT VALVE, STS COMBO, SAUER      | 37   | 2   | 618532   | 3/4FJIC CAP NUT                |
| 2    | 1   | 606286   | FOLD VALVE, STS COMBO, SAUER      | 38   | 1   | 616528   | 06-451TC-08FJX-08FJX90-13 H/A  |
| 3    | 1   | 606310   | LS MTR CTRL ELEC VLV STS, SAUER   | 39   | 6   | 616135   | 08-451TC-08FJX-08FJX-50 H/A    |
| 4    | 2   | 618757   | 1 1/16MOR PLUG, HEX SOCKET        | 40   | 2   | 616541   | 08-451TC-12FJX-08FJX90-280 H/A |
| 5    | 1   | 606246   | MANIFOLD, #16 3-STN 180           | 41   | 2   | 616534   | 08-451TC-08FJX-08FJX-278 H/A   |
| 6    | 2   | 621566   | HYD CYL, 2.50 X 11.00 X 1.375     | 42   | 2   | 616539   | 08-451TC-12FJX-08FJX90-220 H/A |
| 7    | 6   | 621564   | HYD CYL, 2.00 X 11.00 X 1.50 1W   | 43   | 2   | 616533   | 08-451TC-08FJX-08FJX-218 H/A   |
| 8    | 12  | 610547   | HYD MOTOR 4.5CI 1IN SHFT          | 44   | 2   | 616538   | 08-451TC-12FJX-08FJX90-125 H/A |
| 9    | 32  | 618119   | 9/16MJIC-90-9/16MOR LBO           | 45   | 2   | 616532   | 08-451TC-08FJX-08FJX-125 H/A   |
| 10   | 2   | 614757   | .032 ELBOW ASSY, 9/16MOR 90D      | 46   | 1   | 616529   | 06-451TC-08FJX-08FJX90-16 H/A  |
| 11   | 2   | 618755   | 3/4MOR PLUG, HEX SOCKET           | 47   | 1   | 616607   | 04-451TC-06FJX-06FJX45-46 H/A  |
| 12   | 2   | 618241   | 3/4MJIC-90-3/4MOR LBO             | 48   | 2   | 616536   | 08-451TC-08FJX-08FJX90-26 H/A  |
| 13   | 3   | 611125   | 3/4MJIC-3/4MOR ADPTR              | 49   | 1   | 616542   | 10-451TC-12FJX-12FJX90-30 H/A  |
| 14   | 27  | 618327   | 3/4MJIC-7/8MOR ADPTR              | 50   | 1   | 616552   | 20-881-20FJX-20FJX90-45 H/A    |
| 15   | 2   | 618484   | 1 1/16FJIC-3/4MJIC ADPTR          | 51   | 1   | 616549   | 16-451TC-16FJX-16FJX45-28 H/A  |
| 16   | 7   | 618126   | 9/16MJIC-9/16MOR ADPTR            | 52   | 1   | 616089   | 04-451TC-06FJX-06FJX-60 H/A    |
| 17   | 6   | 618733   | 9/16JIC .042 ORIFICE ADPTR        | 53   | 1   | 616177   | 04-451TC-06FJX-06FJX-74 H/A    |
| 18   | 2   | 611127   | 1 1/16MJIC-1 1/16MOR ADPTR        | 54   | 1   | 616511   | 06-451TC-06FJX-06FJX-35 H/A    |
| 19   | 1   | 618186   | 1 5/16MJIC-1 5/16MOR ADPTR        | 55   | 1   | 616524   | 06-451TC-06FJX-06FJX45-185 H/A |
| 20   | 1   | 618191   | 1 1/16MJ-90-1 1/16FJ SWIV LBO     | 56   | 1   | 616525   | 06-451TC-06FJX-06FJX45-124 H/A |
| 21   | 4   | 618248   | 1 1/16MJIC-90-1 1/16MOR LBO       | 57   | 1   | 616644   | 06-451TC-06FJX-06FJX45-36 H/A  |
| 22   | 1   | 618302   | 1 1/16MJIC-90-1 5/16MOR LBO       | 58   | 1   | 616523   | 06-451TC-06FJX-06FJX45-80 H/A  |
| 23   | 1   | 618304   | 9/16MJIC-7/16MOR ADPTR            | 59   | 1   | 616526   | 06-451TC-06FJX-06FJX45-171 H/A |
| 24   | 1   | 617030   | 12-451TC-12FJX-12FJX90-50 H/A     | 60   | 1   | 616527   | 06-451TC-06FJX-06FJX45-229 H/A |
| 25   | 2   | 618674   | 1 1/16MJIC-90-1 1/16MOR XL LBO    | 61   | 1   | 616512   | 04-451TC-06FJX-06FJX-49 H/A    |
| 26   | 1   | 618178   | 1 5/16MJIC-90-1 5/16MOR LBO       | 62   | 1   | 616878   | 06-451TC-06FJX-06FJX90-233 H/A |
| 27   | 1   | 618471   | 1 5/8MJIC-1 5/16MOR ADPTR         | 63   | 6   | 607565   | CHECK VLV, PILOT TO OPEN, SUN  |
| 28   | 1   | 618396   | 1 5/8MJIC-45-1 5/8MOR LBO         | 64   | 6   | 618668   | 9/16FJIC SWIV-9/16MOR ADPTR    |
| 29   | 6   | 618475   | 3/4MJIC-90-1 5/16MOR LBO          | 65   | 1   | 616876   | 06-451TC-06FJX-06FJX90-189 H/A |
| 30   | 1   | 618595   | 1 5/8MOR-1 1/16FOR ADPTR          | 66   | 1   | 616873   | 06-451TC-06FJX-06FJX90-128 H/A |
| 31   | 1   | 618807   | HYD CPLR, FEM #12, 3/4FOR         | 67   | 1   | 616581   | 06-451TC-06FJX-06FJX90-40 H/A  |
| 32   | 1   | 618806   | HYD CPLR, MALE #12, 7/8FOR        | 68   | 1   | 616723   | 06-451TC-06FJX-06FJX90-85 H/A  |
| 33   | 1   | 618804   | HYD CPLR, MALE #14, 9/16FOR       | 69   | 1   | 616626   | 06-451TC-06FJX-06FJX90-175 H/A |
| 34   | 1   | 618686   | HYD COUPLER, FEM 1" B, 1 5/16FOR  | 70   | 1   | 618489   | 1 1/16MJIC UNION TEE           |
| 35   | 1   | 618687   | HYD COUPLER, MALE 1" B, 1 5/16FOR | 71   | 1   | 618609   | 3/4MJIC-90-3/4FJIC SWIV LBO    |
| 36   | 1   | 618754   | 9/16MOR PLUG, HEX SOCKET          | 72   | 1   | 618810   | HYD CPLR, FEM #12, 12FOR       |



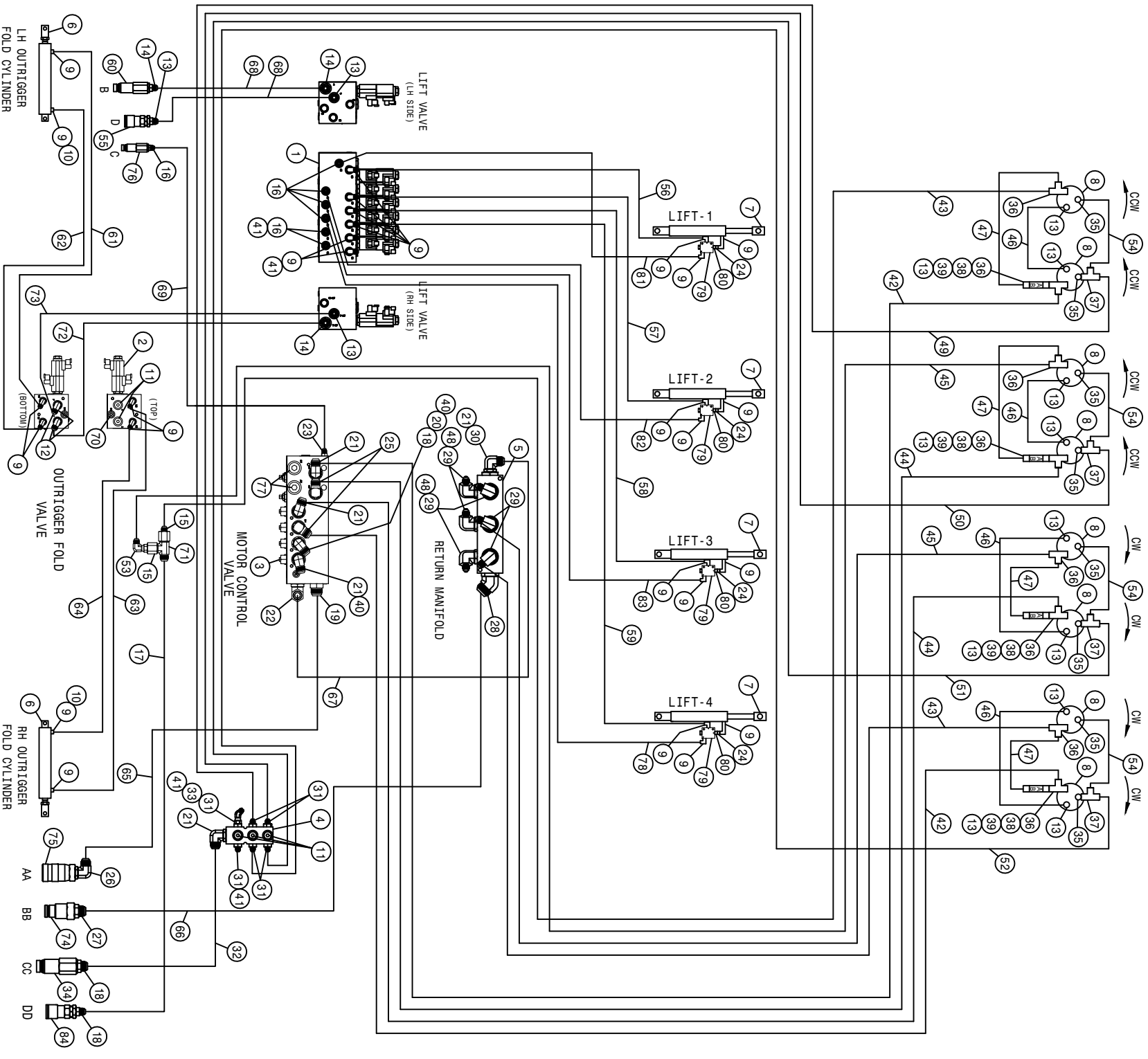
STS COMBO 18R QUAD HYD SCHEM 2011  
REFERENCE DRAWING NO. 499091

| DET. | QTY | PART NO. | DESCRIPTION                       | DET. | QTY | PART NO. | DESCRIPTION                    |
|------|-----|----------|-----------------------------------|------|-----|----------|--------------------------------|
| 1    | 1   | 606285   | LIFT VALVE, STS COMBO, SAUER      | 40   | 1   | 616654   | 08-451TC-12FJX-08FJX90-264 H/A |
| 2    | 1   | 606286   | FOLD VALVE, STS COMBO, SAUER      | 41   | 1   | 616659   | 08-451TC-08FJX-08FJX-255 H/A   |
| 3    | 1   | 606310   | LS MTR CTRL ELEC VLV STS, SAUER   | 42   | 1   | 616653   | 08-451TC-12FJX-08FJX90-204 H/A |
| 4    | 1   | 618609   | 3/4MJIC-90-3/4FJIC SWIV LBO       | 43   | 1   | 616658   | 08-451TC-08FJX-08FJX-195 H/A   |
| 5    | 1   | 606246   | MANIFOLD, #16 3-STN 180           | 44   | 1   | 616651   | 08-451TC-12FJX-08FJX90-119 H/A |
| 6    | 2   | 621566   | HYD CYL, 2.50 X 11.00 X 1.375     | 45   | 1   | 616656   | 08-451TC-08FJX-08FJX-112 H/A   |
| 7    | 6   | 621564   | HYD CYL, 2.00 X 11.00 X 1.50 1W   | 46   | 1   | 616529   | 06-451TC-08FJX-08FJX90-16 H/A  |
| 8    | 18  | 610547   | HYD MOTOR 4.5CI 1IN SHFT          | 47   | 1   | 616607   | 04-451TC-06FJX-06FJX45-46 H/A  |
| 9    | 32  | 618119   | 9/16MJIC-90-9/16MOR LBO           | 48   | 2   | 616536   | 08-451TC-08FJX-08FJX90-26 H/A  |
| 10   | 2   | 614757   | .032 ELBOW ASSY, 9/16MOR 90D      | 49   | 1   | 616542   | 10-451TC-12FJX-12FJX90-30 H/A  |
| 11   | 2   | 618755   | 3/4MOR PLUG, HEX SOCKET           | 50   | 1   | 616552   | 20-881-20FJX-20FJX90-45 H/A    |
| 12   | 2   | 618241   | 3/4MJIC-90-3/4MOR LBO             | 51   | 1   | 616549   | 16-451TC-16FJX-16FJX45-28 H/A  |
| 13   | 3   | 611125   | 3/4MJIC-3/4MOR ADPTR              | 52   | 1   | 616089   | 04-451TC-06FJX-06FJX-60 H/A    |
| 14   | 39  | 618327   | 3/4MJIC-7/8MOR ADPTR              | 53   | 1   | 616177   | 04-451TC-06FJX-06FJX-74 H/A    |
| 15   | 2   | 618484   | 1 1/16FJIC-3/4MJIC ADPTR          | 54   | 1   | 616511   | 06-451TC-06FJX-06FJX-33 H/A    |
| 16   | 7   | 618126   | 9/16MJIC-9/16MOR ADPTR            | 55   | 1   | 616648   | 06-451TC-06FJX-06FJX45-167 H/A |
| 17   | 6   | 618733   | 9/16JIC .042 ORIFICE ADPTR        | 56   | 1   | 616646   | 06-451TC-06FJX-06FJX45-106 H/A |
| 18   | 2   | 611127   | 1 1/16MJIC-1 1/16MOR ADPTR        | 57   | 1   | 616644   | 06-451TC-06FJX-06FJX45-36 H/A  |
| 19   | 1   | 618186   | 1 5/16MJIC-1 5/16MOR ADPTR        | 58   | 1   | 616645   | 06-451TC-06FJX-06FJX45-72 H/A  |
| 20   | 1   | 618191   | 1 1/16MJ-90-1 1/16FJ SWIV LBO     | 59   | 1   | 616647   | 06-451TC-06FJX-06FJX45-153 H/A |
| 21   | 4   | 618248   | 1 1/16MJIC-90-1 1/16MOR LBO       | 60   | 1   | 616649   | 06-451TC-06FJX-06FJX45-211 H/A |
| 22   | 1   | 618302   | 1 1/16MJIC-90-1 5/16MOR LBO       | 61   | 1   | 616512   | 04-451TC-06FJX-06FJX-49 H/A    |
| 23   | 1   | 618304   | 9/16MJIC-7/16MOR ADPTR            | 62   | 1   | 616650   | 08-451TC-12FJX-08FJX90-114 H/A |
| 24   | 1   | 617030   | 12-451TC-12FJX-12FJX90-50 H/A     | 63   | 1   | 616652   | 08-451TC-12FJX-08FJX90-197 H/A |
| 25   | 2   | 618674   | 1 1/16MJIC-90-1 1/16MOR XL LBO    | 64   | 1   | 616655   | 08-451TC-12FJX-08FJX90-257 H/A |
| 26   | 1   | 618178   | 1 5/16MJIC-90-1 5/16MOR LBO       | 65   | 1   | 616102   | 08-451TC-08FJX-08FJX-132 H/A   |
| 27   | 1   | 618471   | 1 5/8MJIC-1 5/16MOR ADPTR         | 66   | 1   | 616657   | 08-451TC-08FJX-08FJX-215 H/A   |
| 28   | 1   | 618396   | 1 5/8MJIC-45-1 5/8MOR LBO         | 67   | 1   | 616660   | 08-451TC-08FJX-08FJX-275 H/A   |
| 29   | 6   | 618475   | 3/4MJIC-90-1 5/16MOR LBO          | 68   | 1   | 616877   | 06-451TC-06FJX-06FJX90-215 H/A |
| 30   | 1   | 618595   | 1 5/8MOR-1 1/16FOR ADPTR          | 69   | 6   | 607565   | CHECK VLV, PILOT TO OPEN, SUN  |
| 31   | 1   | 618807   | HYD CPLR, FEM #12, 3/4FOR         | 70   | 6   | 618668   | 9/16FJIC SWIV-9/16MOR ADPTR    |
| 32   | 1   | 618806   | HYD CPLR, MALE #12, 7/8FOR        | 71   | 1   | 616875   | 06-451TC-06FJX-06FJX90-171 H/A |
| 33   | 1   | 618804   | HYD CPLR, MALE #14, 9/16FOR       | 72   | 1   | 616746   | 06-451TC-06FJX-06FJX90-110 H/A |
| 34   | 1   | 618686   | HYD COUPLER, FEM 1" B, 1 5/16FOR  | 73   | 1   | 616581   | 06-451TC-06FJX-06FJX90-40 H/A  |
| 35   | 1   | 618687   | HYD COUPLER, MALE 1" B, 1 5/16FOR | 74   | 1   | 616872   | 06-451TC-06FJX-06FJX90-76 H/A  |
| 36   | 1   | 618754   | 9/16MOR PLUG, HEX SOCKET          | 75   | 1   | 616874   | 06-451TC-06FJX-06FJX90-157 H/A |
| 37   | 2   | 618532   | 3/4FJIC CAP NUT                   | 76   | 2   | 618757   | 1 1/16MOR PLUG, HEX SOCKET     |
| 38   | 1   | 616528   | 06-451TC-08FJX-08FJX90-13 H/A     | 77   | 1   | 618489   | 1 1/16MJIC UNION TEE           |
| 39   | 12  | 616298   | 08-451TC-08FJX-08FJX-44 H/A       | 78   | 1   | 618810   | HYD CPLR, FEM #12, 12FOR       |



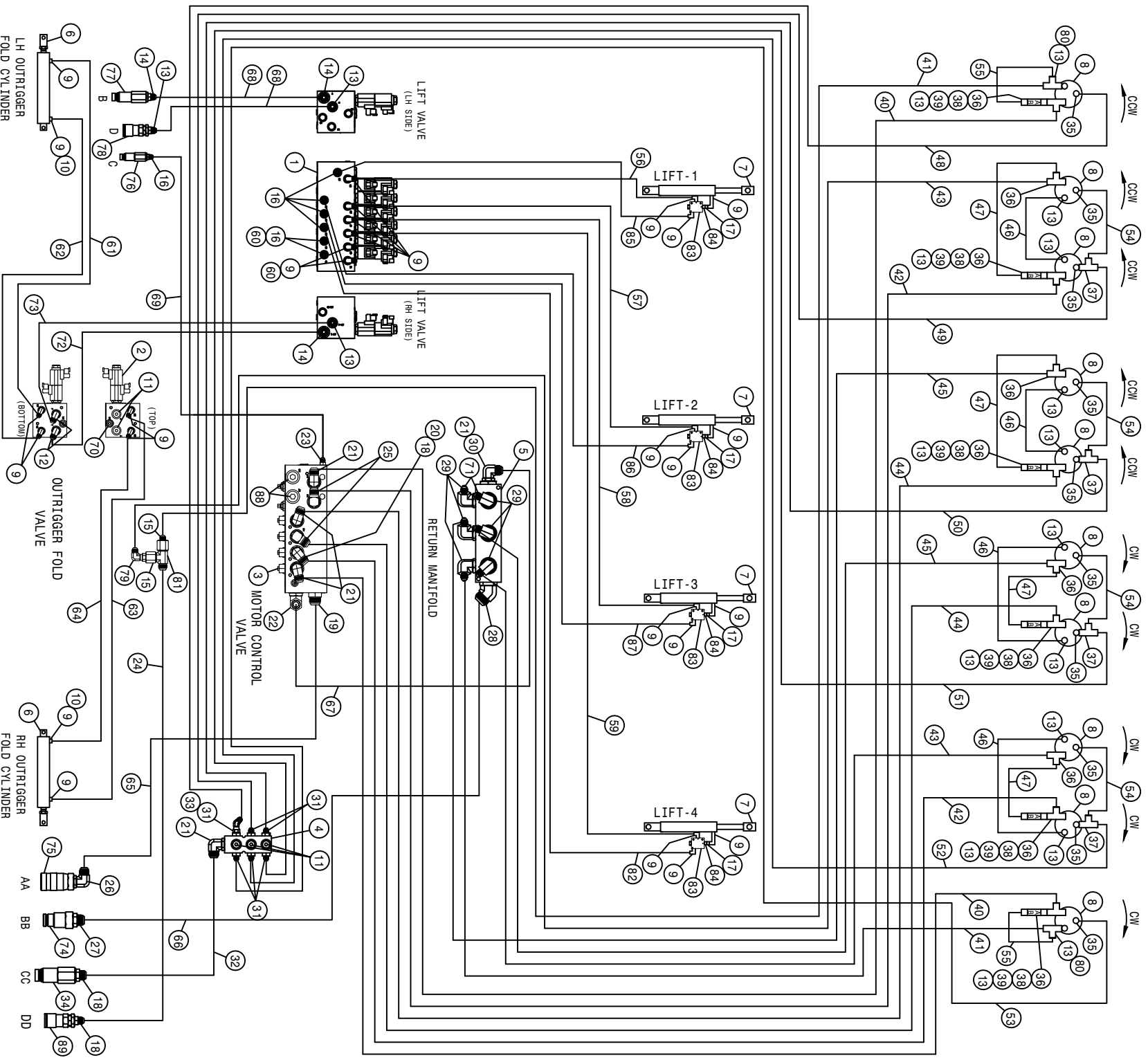
STS COMBO 6R CUTR HYD SCHEM 2011  
REFERENCE DRAWING NO. 499092

| DET. | QTY | PART NO. | DESCRIPTION                      | DET. | QTY | PART NO. | DESCRIPTION                       |
|------|-----|----------|----------------------------------|------|-----|----------|-----------------------------------|
| 1    | 1   | 606285   | LIFT VALVE, STS COMBO, SAUER     | 42   | 2   | 616539   | 08-451TC-12FCJX-08FCJX90-220 H/A  |
| 2    | 1   | 606286   | FOLD VALVE, STS COMBO, SAUER     | 43   | 2   | 616533   | 08-451TC-08FCJX-08FCJX-218 H/A    |
| 3    | 1   | 606310   | LS MTR CTRL ELEC VLV STS, SAUER  | 44   | 1   | 616538   | 08-451TC-12FCJX-08FCJX90-125 H/A  |
| 4    | 1   | 606021   | HYD RETURN MANIF, 3/4FOR, 9-PORT | 45   | 1   | 616532   | 08-451TC-08FCJX-08FCJX-125 H/A    |
| 5    | 1   | 606246   | MANIFOLD, #16 3-STN 180          | 46   | 3   | 616531   | 08-451TC-08FCJX-08FCJX-55 H/A     |
| 6    | 2   | 621566   | HYD CYL, 2.50 X 11.00 X 1.375    | 47   | 3   | 616537   | 08-451TC-08FCJX-08FCJX90-52 H/A   |
| 7    | 3   | 621564   | HYD CYL, 2.00 X 11.00 X 1.50 1W  | 48   | 5   | 618532   | 3/4FJIC CAP NUT                   |
| 8    | 6   | 610755   | BARNES HYD MOTOR, D-SERIES 01    | 49   | 1   | 616515   | 04-451TC-06FCJX-06FCJX-238 H/A    |
| 9    | 20  | 618119   | 9/16MJIC-90-9/16MOR LBO          | 50   | 1   | 616180   | 04-451TC-06FCJX-06FCJX-143 H/A    |
| 10   | 2   | 618752   | 9/16JIC .031 ORIFICE ADPTR       | 51   | 1   | 618810   | HYD CPLR, FEM #12, 12FOR          |
| 11   | 5   | 618755   | 3/4MOR PLUG, HEX SOCKET          | 52   | 1   | 616514   | 04-451TC-06FCJX-06FCJX-208 H/A    |
| 12   | 2   | 618241   | 3/4MJIC-90-3/4MOR LBO            | 53   | 1   | 618609   | 3/4MJIC-90-3/4FJIC SWIV LBO       |
| 13   | 12  | 611125   | 3/4MJIC-3/4MOR ADPTR             | 54   | 3   | 616521   | 04-451TC-06FCJX-06FCJX90-54 H/A   |
| 14   | 3   | 618327   | 3/4MJIC-7/8MOR ADPTR             | 55   | 1   | 618807   | HYD CPLR, FEM #12, 3/4FOR         |
| 15   | 2   | 618484   | 1 1/16FJIC-3/4MJIC ADPTR         | 56   | 1   | 616525   | 06-451TC-06FCJX-06FCJX45-124 H/A  |
| 16   | 8   | 618126   | 9/16MJIC-9/16MOR ADPTR           | 57   | 1   | 618804   | HYD CPLR, MALE #14, 9/16FOR       |
| 17   | 1   | 617030   | 12-451TC-12FCJX-12FCJX90-50 H/A  | 58   | 1   | 616523   | 06-451TC-06FCJX-06FCJX45-80 H/A   |
| 18   | 1   | 611127   | 1 1/16MJIC-1 1/16MOR ADPTR       | 59   | 1   | 616526   | 06-451TC-06FCJX-06FCJX45-171 H/A  |
| 19   | 3   | 618186   | 1 5/16MJIC-1 5/16MOR ADPTR       | 60   | 1   | 618512   | HYD CPLR, MALE #12, 7/8FOR        |
| 20   | 1   | 618191   | 1 1/16MJ-90-1 1/16FJ SWIV LBO    | 61   | 1   | 616516   | 04-451TC-06FCJX-06FCJX-49 H/A     |
| 21   | 5   | 618248   | 1 1/16MJIC-90-1 1/16MOR LBO      | 62   | 1   | 616511   | 04-451TC-06FCJX-06FCJX-33 H/A     |
| 22   | 1   | 618302   | 1 1/16MJIC-90-1 5/16MOR LBO      | 63   | 1   | 616177   | 04-451TC-06FCJX-06FCJX-74 H/A     |
| 23   | 1   | 618304   | 9/16MJIC-7/16MOR ADPTR           | 64   | 1   | 616089   | 04-451TC-06FCJX-06FCJX-60 H/A     |
| 24   | 3   | 618733   | 9/16JIC .042 ORIFICE ADPTR       | 65   | 1   | 616549   | 16-451TC-16FCJX-16FCJX45-28 H/A   |
| 25   | 2   | 618674   | 1 1/16MJIC-90-1 1/16MOR XL LBO   | 66   | 1   | 616552   | 20-881-20FCJX-20FCJX90-45 H/A     |
| 26   | 1   | 618178   | 1 5/16MJIC-90-1 5/16MOR LBO      | 67   | 1   | 616542   | 10-451TC-12FCJX-12FCJX90-30 H/A   |
| 27   | 1   | 618471   | 1 5/8MJIC-1 5/16MOR ADPTR        | 68   | 2   | 616536   | 08-451TC-08FCJX-08FCJX90-26 H/A   |
| 28   | 1   | 618396   | 1 5/8MJIC-45-1 5/8MOR LBO        | 69   | 1   | 616607   | 04-451TC-06FCJX-06FCJX45-46 H/A   |
| 29   | 6   | 618475   | 3/4MJIC-90-1 5/16MOR LBO         | 70   | 1   | 618754   | 9/16MOR PLUG, HEX SOCKET          |
| 30   | 1   | 618595   | 1 5/8MOR-1 1/16FOR ADPTR         | 71   | 1   | 616528   | 06-451TC-08FCJX-08FCJX90-13 H/A   |
| 31   | 6   | 618109   | 9/16MJIC-3/4MOR ADPTR            | 72   | 1   | 616529   | 06-451TC-08FCJX-08FCJX90-16 H/A   |
| 32   | 1   | 616559   | 12-451TC-12FCJX-12FCJX90-20 H/A  | 73   | 1   | 618489   | 1 1/16MJIC UNION TEE              |
| 33   | 1   | 618634   | 9/16MJIC-45-9/16FJIC SWIV LBO    | 74   | 1   | 618687   | HYD COUPLER, MALE 1" B, 1 5/16FOR |
| 34   | 1   | 618809   | HYD CPLR, MALE #12, 12FOR        | 75   | 1   | 618686   | HYD COUPLER, FEM 1" B, 1 5/16FOR  |
| 35   | 6   | 618530   | 9/16MJIC-1/8MNP ADPTR            | 76   | 1   | 616626   | 06-451TC-06FCJX-06FCJX90-175 H/A  |
| 36   | 6   | 618494   | 3/4MOR RUN TEE-3/4MJIC           | 77   | 3   | 607565   | CHECK VLV, PILOT TO OPEN, SUN     |
| 37   | 3   | 618486   | 9/16FJIC SW RUN TEE-9/16MJIC     | 78   | 3   | 618668   | 9/16FJIC SWIV-9/16MOR ADPTR       |
| 38   | 3   | 618669   | 3/4FJIC SWIV-3/4MOR ADPTR        | 79   | 1   | 616873   | 06-451TC-06FCJX-06FCJX90-128 H/A  |
| 39   | 3   | 618292   | CHECK VALVE, 3/4FOR INLINE       | 80   | 1   | 616723   | 06-451TC-06FCJX-06FCJX90-85 H/A   |
| 40   | 3   | 618533   | 1 1/16FJIC CAP NUT               | 81   | 2   | 618757   | 1 1/16MOR PLUG, HEX SOCKET        |
| 41   | 9   | 618531   | 9/16FJIC CAP NUT                 |      |     |          |                                   |



STS COMBO 8R CUTR HYD SCHEM 2011  
REFERENCE DRAWING NO. 499093

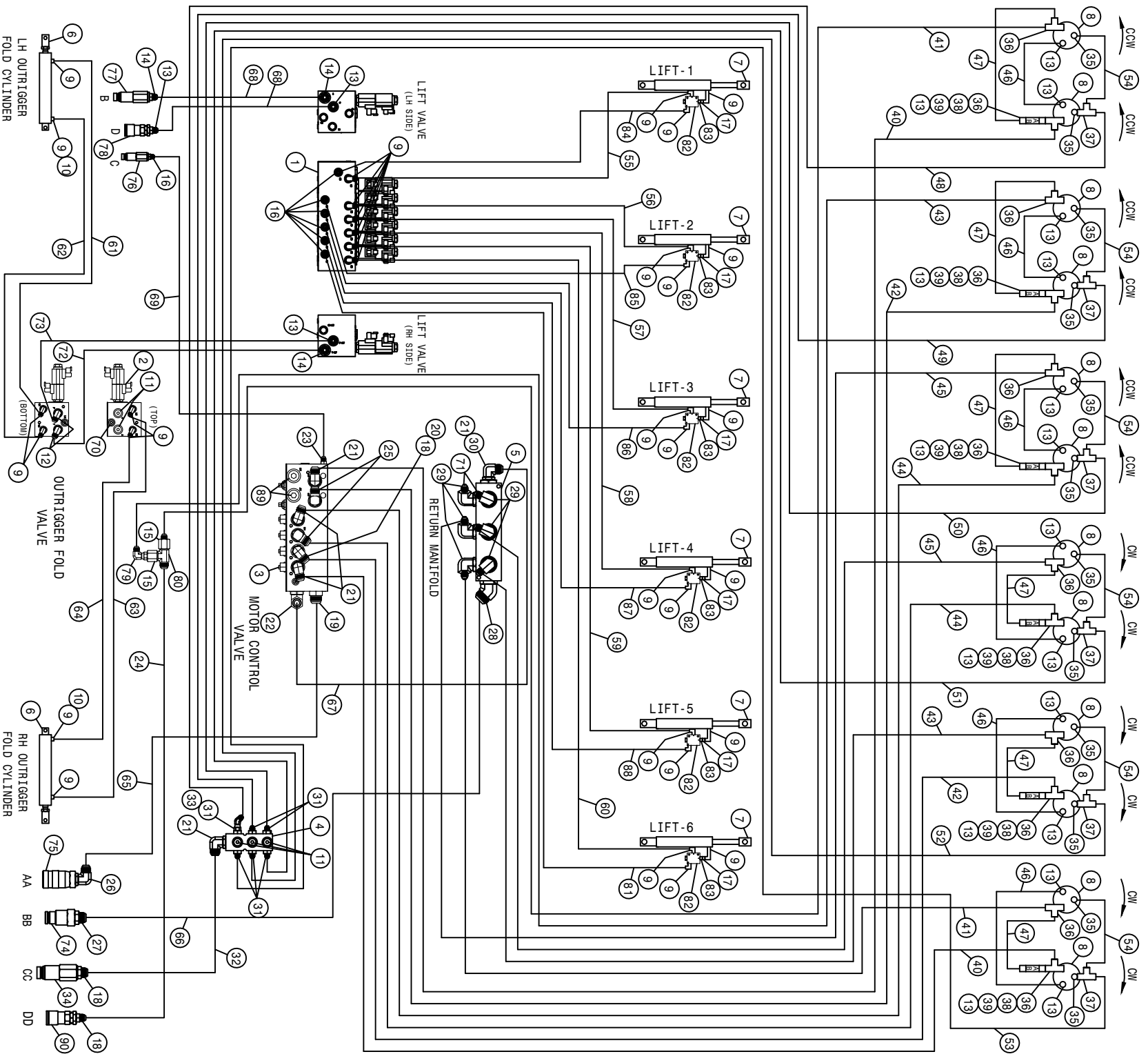
| DET. | QTY | PART NO. | DESCRIPTION                      | DET. | QTY | PART NO. | DESCRIPTION                       |
|------|-----|----------|----------------------------------|------|-----|----------|-----------------------------------|
| 1    | 1   | 606285   | LIFT VALVE, STS COMBO, SAUER     | 44   | 2   | 616538   | 08-451TC-12FJX-08FJX90-125 H/A    |
| 2    | 1   | 606286   | FOLD VALVE, STS COMBO, SAUER     | 45   | 2   | 616532   | 08-451TC-08FJX-08FJX-125 H/A      |
| 3    | 1   | 606310   | LS MTR CTRL ELEC VLV STS, SAUER  | 46   | 4   | 616531   | 08-451TC-08FJX-08FJX-55 H/A       |
| 4    | 1   | 606021   | HYD RETURN MANIF, 3/4FOR, 9-PORT | 47   | 4   | 616537   | 08-451TC-08FJX-08FJX90-52 H/A     |
| 5    | 1   | 606246   | MANIFOLD, #16 3-STN 180          | 48   | 4   | 618532   | 3/4FJIC CAP NUT                   |
| 6    | 2   | 621566   | HYD CYL, 2.50 X 11.00 X 1.375    | 49   | 1   | 616515   | 04-451TC-06FJX-06FJX-238 H/A      |
| 7    | 4   | 621564   | HYD CYL, 2.00 X 11.00 X 1.50 1M  | 50   | 1   | 616180   | 04-451TC-06FJX-06FJX-143 H/A      |
| 8    | 8   | 610755   | BARNES HYD MOTOR, D-SERIES 01    | 51   | 1   | 616513   | 04-451TC-06FJX-06FJX-112 H/A      |
| 9    | 26  | 618119   | 9/16MJIC-90-9/16MOR LBO          | 52   | 1   | 616514   | 04-451TC-06FJX-06FJX-208 H/A      |
| 10   | 2   | 618732   | 9/16JIC .031 ORFICE ADPTR        | 53   | 1   | 618609   | 3/4MJIC-90-3/4FJIC SWIV LBO       |
| 11   | 5   | 618755   | 3/4MOR PLUG, HEX SOCKET          | 54   | 4   | 616521   | 04-451TC-06FJX-06FJX90-54 H/A     |
| 12   | 2   | 618241   | 3/4MJIC-90-3/4MOR LBO            | 55   | 1   | 618807   | HYD CPLR, FEM #12, 3/4FOR         |
| 13   | 15  | 611125   | 3/4MJIC-3/4MOR ADPTR             | 56   | 1   | 616525   | 06-451TC-06FJX-06FJX45-124 H/A    |
| 14   | 3   | 618327   | 3/4MJIC-7/8MOR ADPTR             | 57   | 1   | 616644   | 06-451TC-06FJX-06FJX45-36 H/A     |
| 15   | 2   | 618484   | 1 1/16FJIC-3/4MJIC ADPTR         | 58   | 1   | 616523   | 06-451TC-06FJX-06FJX45-80 H/A     |
| 16   | 7   | 618126   | 9/16MJIC-9/16MOR ADPTR           | 59   | 1   | 616526   | 06-451TC-06FJX-06FJX45-171 H/A    |
| 17   | 1   | 617030   | 12-451TC-12FJX-12FJX90-50 H/A    | 60   | 1   | 618806   | HYD CPLR, MALE #12, 7/8FOR        |
| 18   | 3   | 611127   | 1 1/16MJIC-1 1/16MOR ADPTR       | 61   | 1   | 616512   | 04-451TC-06FJX-06FJX-49 H/A       |
| 19   | 1   | 618186   | 1 5/16MJIC-1 5/16MOR ADPTR       | 62   | 1   | 616511   | 04-451TC-06FJX-06FJX-33 H/A       |
| 20   | 1   | 618191   | 1 1/16MJ-90-1 1/16FJ SWIV LBO    | 63   | 1   | 616177   | 04-451TC-06FJX-06FJX-74 H/A       |
| 21   | 5   | 618248   | 1 1/16MJIC-90-1 1/16MOR LBO      | 64   | 1   | 616089   | 04-451TC-06FJX-06FJX-60 H/A       |
| 22   | 1   | 618302   | 1 1/16MJIC-90-1 5/16MOR LBO      | 65   | 1   | 616549   | 16-451TC-16FJX-16FJX45-28 H/A     |
| 23   | 1   | 618304   | 9/16MJIC-7/16MOR ADPTR           | 66   | 1   | 616552   | 20-881-20FJX-20FJX90-45 H/A       |
| 24   | 4   | 618733   | 9/16JIC .042 ORFICE ADPTR        | 67   | 1   | 616542   | 10-451TC-12FJX-12FJX90-30 H/A     |
| 25   | 2   | 618674   | 1 1/16MJIC-90-1 1/16MOR XL LBO   | 68   | 2   | 616536   | 08-451TC-08FJX-08FJX90-26 H/A     |
| 26   | 1   | 618178   | 1 5/16MJIC-90-1 5/16MOR LBO      | 69   | 1   | 616607   | 04-451TC-06FJX-06FJX45-46 H/A     |
| 27   | 1   | 618471   | 1 5/8MJIC-1 5/16MOR ADPTR        | 70   | 1   | 618754   | 9/16MOR PLUG, HEX SOCKET          |
| 28   | 1   | 618396   | 1 5/8MJIC-45-1 5/8MOR LBO        | 71   | 1   | 618489   | 1 1/16MJIC UNION TEE              |
| 29   | 6   | 618475   | 3/4MJIC-90-1 5/16MOR LBO         | 72   | 1   | 616528   | 06-451TC-08FJX-08FJX90-13 H/A     |
| 30   | 1   | 618595   | 1 5/8MOR-1 1/16FOR ADPTR         | 73   | 1   | 616529   | 06-451TC-08FJX-08FJX90-16 H/A     |
| 31   | 6   | 618109   | 9/16MJIC-3/4MOR ADPTR            | 74   | 1   | 618687   | HYD COUPLER, MALE 1" B, 1 5/16FOR |
| 32   | 1   | 616559   | 12-451TC-12FJX-12FJX90-20 H/A    | 75   | 1   | 618686   | HYD COUPLER, FEM 1" B, 1 5/16FOR  |
| 33   | 1   | 618634   | 9/16MJIC-45-9/16FJIC SWIV LBO    | 76   | 1   | 618804   | HYD CPLR, MALE #14, 9/16FOR       |
| 34   | 1   | 618809   | HYD CPLR, MALE #12, 12FOR        | 77   | 2   | 618757   | 1 1/16MOR PLUG, HEX SOCKET        |
| 35   | 8   | 618530   | 9/16MJIC-1/8MNP ADPTR            | 78   | 1   | 616626   | 06-451TC-06FJX-06FJX90-175 H/A    |
| 36   | 8   | 618494   | 3/4MOR RUN TEE-3/4MJIC           | 79   | 4   | 607565   | CHECK VLV, PILOT TO OPEN, SUN     |
| 37   | 4   | 618486   | 9/16FJIC SW RUN TEE-9/16MJIC     | 80   | 4   | 618668   | 9/16FJIC SWIV-9/16MOR ADPTR       |
| 38   | 4   | 618669   | 3/4FJIC SWIV-3/4MOR ADPTR        | 81   | 1   | 616873   | 06-451TC-06FJX-06FJX90-128 H/A    |
| 39   | 4   | 618292   | CHECK VALVE, 3/4FOR INLINE       | 82   | 1   | 616581   | 06-451TC-06FJX-06FJX90-40 H/A     |
| 40   | 2   | 618533   | 1 1/16FJIC CAP NUT               | 83   | 1   | 616723   | 06-451TC-06FJX-06FJX90-85 H/A     |
| 41   | 6   | 618531   | 9/16FJIC CAP NUT                 | 84   | 1   | 618810   | HYD CPLR, FEM #12, 12FOR          |
| 42   | 2   | 616539   | 08-451TC-12FJX-08FJX90-220 H/A   | 85   | 1   | 618914   | 1 1/16MOR RUN TEE-1 1/16MJIC      |
| 43   | 2   | 616533   | 08-451TC-08FJX-08FJX-218 H/A     |      |     |          |                                   |





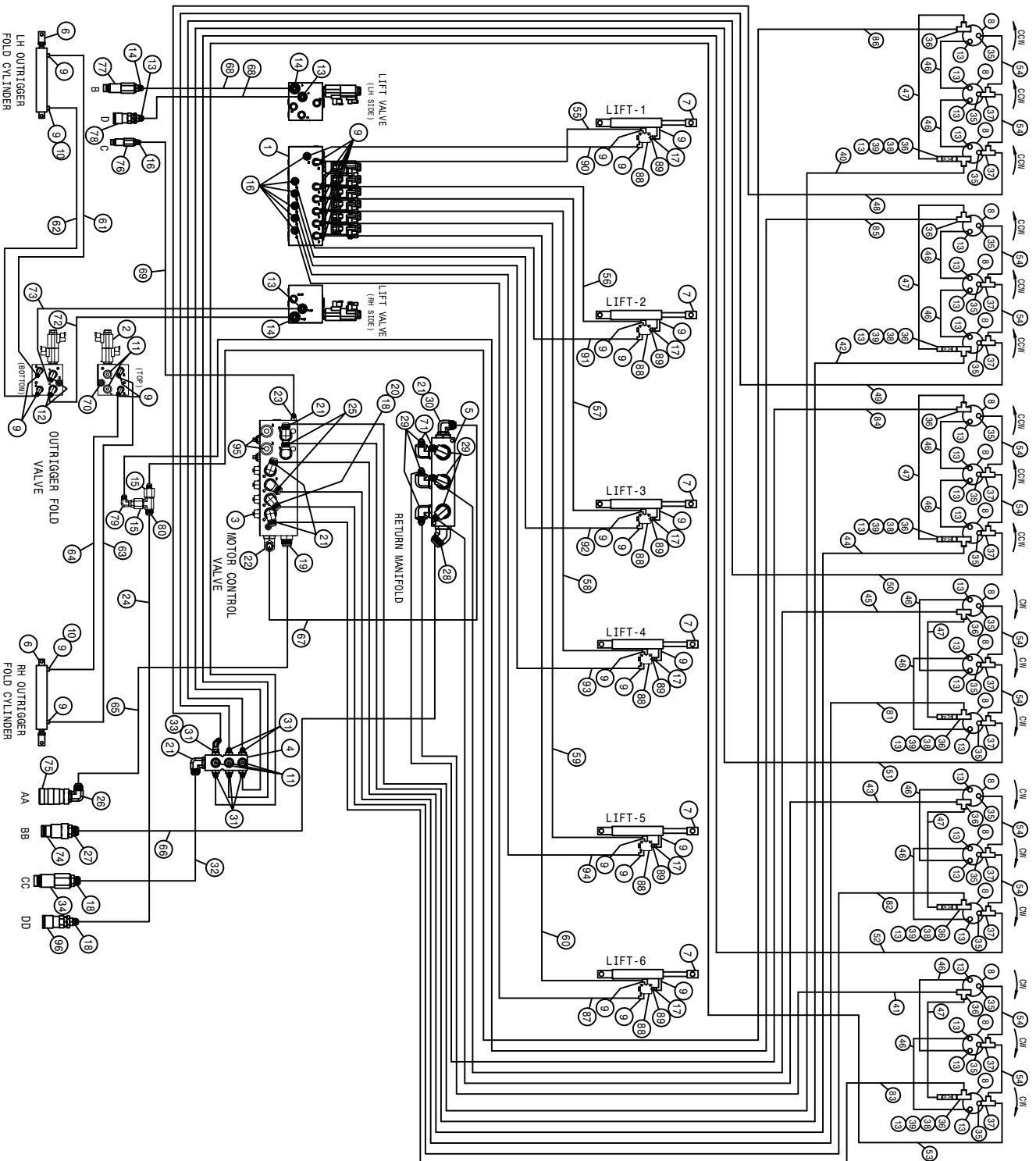
STS COMBO 10R CUTR HYD SCHEM 2011  
REFERENCE DRAWING NO. 499094

| DET. | QTY | PART NO. | DESCRIPTION                      | DET. | QTY | PART NO. | DESCRIPTION                       |
|------|-----|----------|----------------------------------|------|-----|----------|-----------------------------------|
| 1    | 1   | 606285   | LIFT VALVE, STS COMBO, SAUER     | 46   | 4   | 616531   | 08-451TC-08FJX-08FJX-55 H/A       |
| 2    | 1   | 606286   | FOLD VALVE, STS COMBO, SAUER     | 47   | 4   | 616537   | 08-451TC-08FJX-08FJX90-52 H/A     |
| 3    | 1   | 606310   | LS MTR CTRL ELEC VLV STS, SAUER  | 48   | 1   | 618517   | 1 5/16MJ-90-1 5/16FJX TUBETRN     |
| 4    | 1   | 606021   | HYD RETURN MANIF, 3/4FOR, 9-PORT | 49   | 1   | 616515   | 04-451TC-06FJX-06FJX-238 H/A      |
| 5    | 1   | 606246   | MANIFOLD, #16 3-STN 180          | 50   | 1   | 616180   | 04-451TC-06FJX-06FJX-143 H/A      |
| 6    | 2   | 621566   | HYD CYL, 2.50 X 11.00 X 1.375    | 51   | 1   | 616513   | 04-451TC-06FJX-06FJX-112 H/A      |
| 7    | 4   | 621564   | HYD CYL, 2.00 X 11.00 X 1.50 1W  | 52   | 1   | 616514   | 04-451TC-06FJX-06FJX-208 H/A      |
| 8    | 10  | 610755   | BARNES HYD MOTOR, D-SERIES 01    | 53   | 1   | 616516   | 04-451TC-06FJX-06FJX-246 H/A      |
| 9    | 26  | 618119   | 9/16MJIC-90-9/16MOR LBO          | 54   | 4   | 616521   | 04-451TC-06FJX-06FJX90-54 H/A     |
| 10   | 2   | 618732   | 9/16JIC .031 ORIFICE ADPTR       | 55   | 2   | 616530   | 08-451TC-08FJX-08FJX90-27 H/A     |
| 11   | 5   | 618755   | 3/4MOR PLUG, HEX SOCKET          | 56   | 1   | 616525   | 06-451TC-06FJX-06FJX45-124 H/A    |
| 12   | 2   | 618241   | 3/4MJIC-90-3/4MOR LBO            | 57   | 1   | 616644   | 06-451TC-06FJX-06FJX45-36 H/A     |
| 13   | 19  | 611125   | 3/4MJIC-3/4MOR ADPTR             | 58   | 1   | 616523   | 06-451TC-06FJX-06FJX45-80 H/A     |
| 14   | 3   | 618327   | 3/4MJIC-7/8MOR ADPTR             | 59   | 1   | 616526   | 06-451TC-06FJX-06FJX45-171 H/A    |
| 15   | 2   | 618484   | 1 1/16FJIC-3/4MJIC ADPTR         | 60   | 4   | 618531   | 9/16FJIC CAP NUT                  |
| 16   | 7   | 618126   | 9/16MJIC-9/16MOR ADPTR           | 61   | 1   | 616512   | 04-451TC-06FJX-06FJX-49 H/A       |
| 17   | 4   | 618733   | 9/16JIC .042 ORIFICE ADPTR       | 62   | 1   | 616511   | 04-451TC-06FJX-06FJX-33 H/A       |
| 18   | 3   | 611127   | 1 1/16MJIC-1 1/16MOR ADPTR       | 63   | 1   | 616177   | 04-451TC-06FJX-06FJX-74 H/A       |
| 19   | 1   | 618186   | 1 5/16MJIC-1 5/16MOR ADPTR       | 64   | 1   | 616089   | 04-451TC-06FJX-06FJX-60 H/A       |
| 20   | 1   | 618191   | 1 1/16MJ-90-1 1/16FJ SWIV LBO    | 65   | 1   | 616549   | 16-451TC-16FJX-16FJX45-28 H/A     |
| 21   | 5   | 618248   | 1 1/16MJIC-90-1 1/16MOR LBO      | 66   | 1   | 616552   | 20-881-20FJX-20FJX90-45 H/A       |
| 22   | 1   | 618302   | 1 1/16MJIC-90-1 5/16MOR LBO      | 67   | 1   | 616542   | 10-451TC-12FJX-12FJX90-30 H/A     |
| 23   | 1   | 618304   | 9/16MJIC-7/16MOR ADPTR           | 68   | 2   | 616536   | 08-451TC-08FJX-08FJX90-26 H/A     |
| 24   | 1   | 617030   | 12-451TC-12FJX-12FJX90-50 H/A    | 69   | 1   | 616607   | 04-451TC-06FJX-06FJX45-46 H/A     |
| 25   | 2   | 618674   | 1 1/16MJIC-90-1 1/16MOR XL LBO   | 70   | 1   | 618754   | 9/16MOR PLUG, HEX SOCKET          |
| 26   | 1   | 618178   | 1 5/16MJIC-90-1 5/16MOR LBO      | 71   | 2   | 618532   | 3/4FJIC CAP NUT                   |
| 27   | 1   | 618471   | 1 5/8MJIC-1 5/16MOR ADPTR        | 72   | 1   | 616528   | 06-451TC-08FJX-08FJX90-13 H/A     |
| 28   | 1   | 618396   | 1 5/8MJIC-45-1 5/8MOR LBO        | 73   | 1   | 616529   | 06-451TC-08FJX-08FJX90-16 H/A     |
| 29   | 6   | 618475   | 3/4MJIC-90-1 5/16MOR LBO         | 74   | 1   | 618687   | HYD COUPLER, MALE 1" B, 1 5/16FOR |
| 30   | 1   | 618595   | 1 5/8MOR-1 1/16FOR ADPTR         | 75   | 1   | 618686   | HYD COUPLER, FEM 1" B, 1 5/16FOR  |
| 31   | 6   | 618109   | 9/16MJIC-3/4MOR ADPTR            | 76   | 1   | 618804   | HYD CPLR, MALE #14, 9/16FOR       |
| 32   | 1   | 616559   | 12-451TC-12FJX-12FJX90-20 H/A    | 77   | 1   | 618806   | HYD CPLR, MALE #12, 7/8FOR        |
| 33   | 1   | 618634   | 9/16MJIC-45-9/16FJIC SWIV LBO    | 78   | 1   | 618807   | HYD CPLR, FEM #12, 3/4FOR         |
| 34   | 1   | 618809   | HYD CPLR, MALE #12, 12FOR        | 79   | 1   | 618609   | 3/4MJIC-90-3/4FJIC SWIV LBO       |
| 35   | 10  | 618530   | 9/16MJIC-1/8MNP ADPTR            | 80   | 2   | 618451   | 3/4FJIC SW RUN TEE-3/4MJIC        |
| 36   | 10  | 618494   | 3/4MOR RUN TEE-3/4MJIC           | 81   | 1   | 618409   | 1/4 FERRULE GATES 4PCIFS          |
| 37   | 4   | 618486   | 9/16FJIC SW RUN TEE-9/16MJIC     | 82   | 1   | 616626   | 06-451TC-06FJX-06FJX90-175 H/A    |
| 38   | 6   | 618669   | 3/4FJIC SWIV-3/4MOR ADPTR        | 83   | 4   | 607565   | CHECK VLV, PILOT TO OPEN, SUN     |
| 39   | 6   | 618292   | CHECK VALVE, 3/4FOR INLINE       | 84   | 4   | 618668   | 9/16FJIC SWIV-9/16MOR ADPTR       |
| 40   | 2   | 618540   | 08-451TC-12FJX-08FJX90-252 H/A   | 85   | 1   | 616873   | 06-451TC-06FJX-06FJX90-128 H/A    |
| 41   | 2   | 616535   | 08-451TC-08FJX-08FJX-252 H/A     | 86   | 1   | 616581   | 06-451TC-06FJX-06FJX90-40 H/A     |
| 42   | 2   | 616539   | 08-451TC-12FJX-08FJX90-220 H/A   | 87   | 1   | 616723   | 06-451TC-06FJX-06FJX90-85 H/A     |
| 43   | 2   | 616533   | 08-451TC-08FJX-08FJX-218 H/A     | 88   | 2   | 618757   | 1 1/16MOR PLUG, HEX SOCKET        |
| 44   | 2   | 616538   | 08-451TC-12FJX-08FJX90-125 H/A   | 89   | 1   | 618810   | HYD CPLR, FEM #12, 12FOR          |
| 45   | 2   | 616532   | 08-451TC-08FJX-08FJX-125 H/A     |      |     |          |                                   |



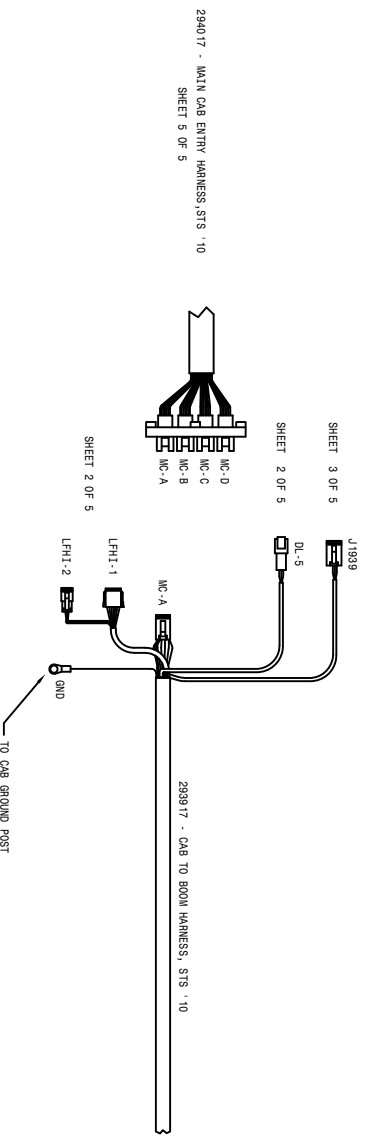
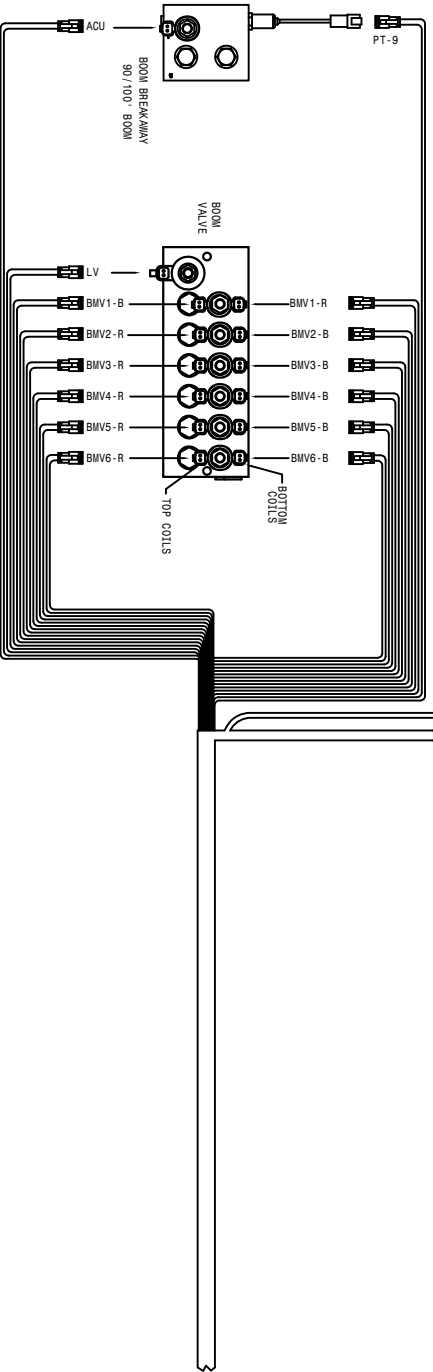
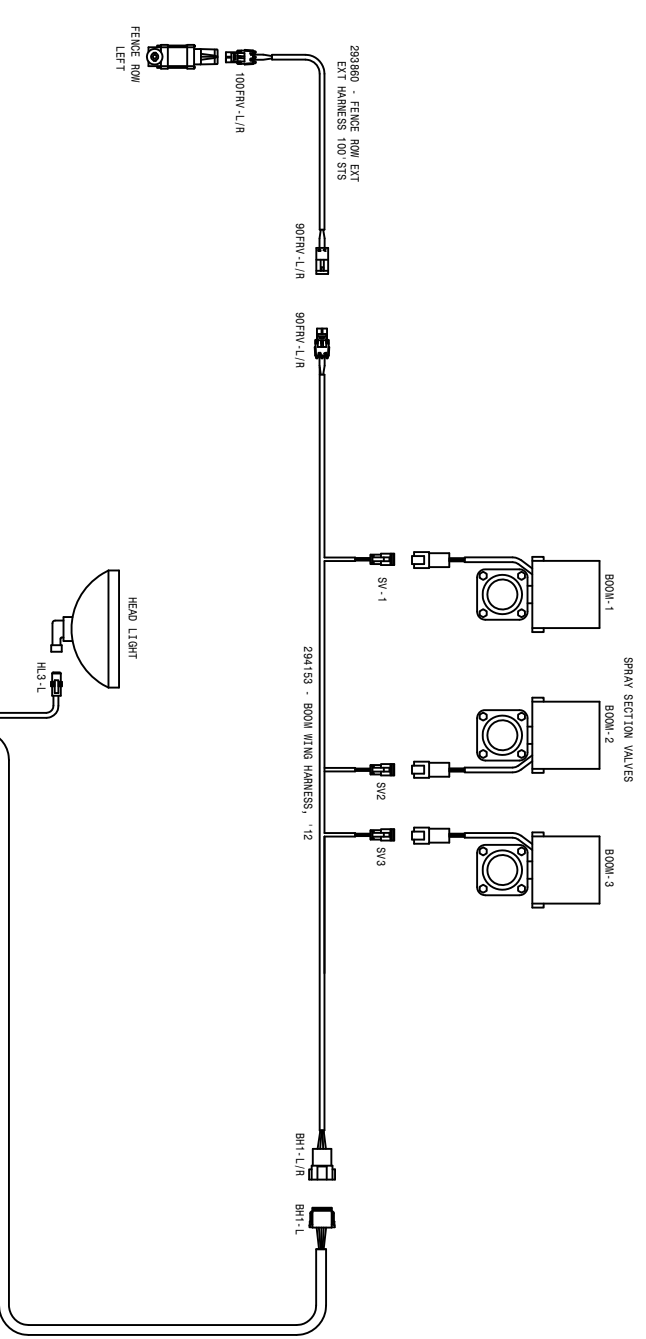
STS COMBO 12R HYD SCHEM 2011  
REFERENCE DRAWING NO. 499095

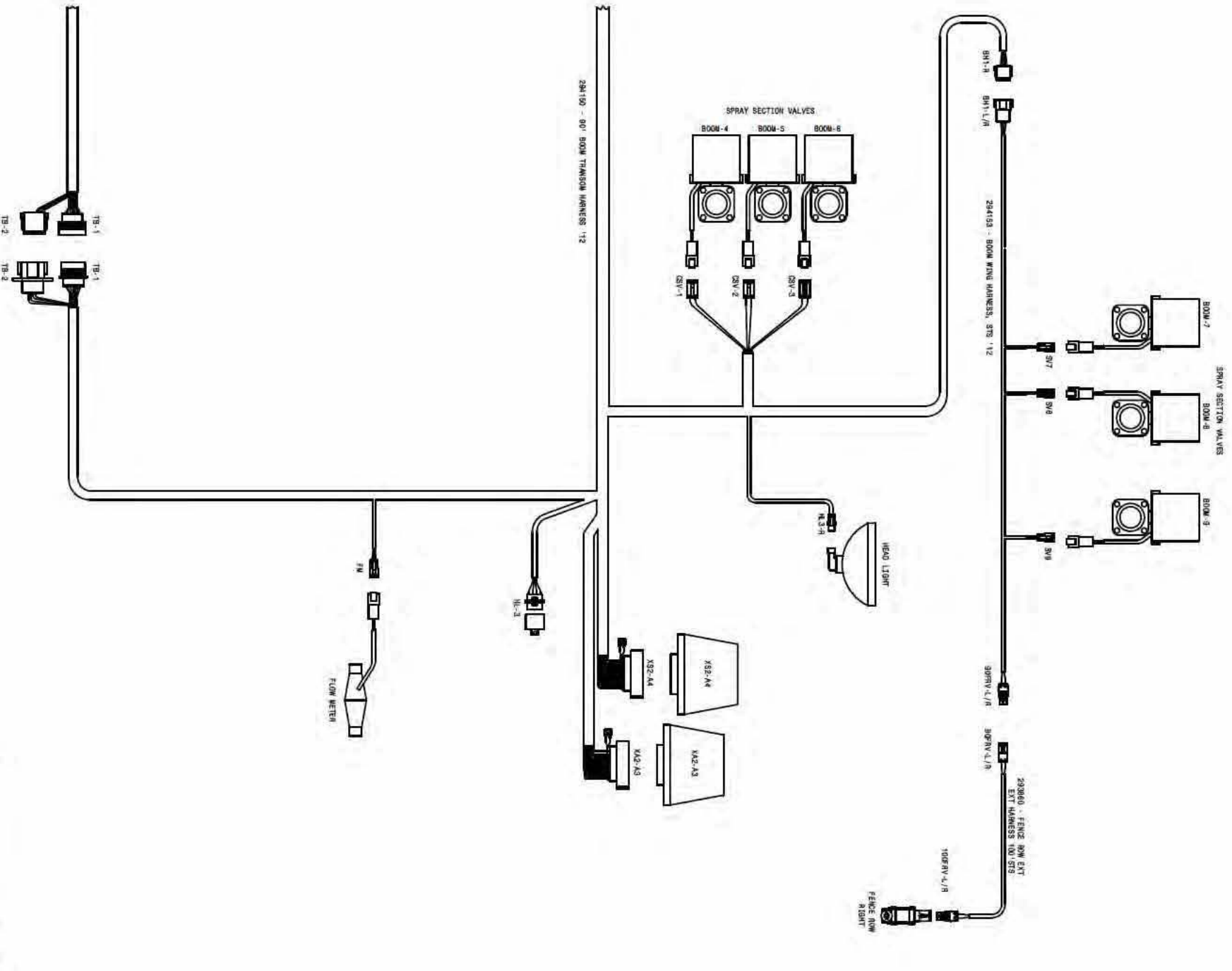
| DET. | QTY | PART NO. | DESCRIPTION                      | DET. | QTY | PART NO. | DESCRIPTION                       |
|------|-----|----------|----------------------------------|------|-----|----------|-----------------------------------|
| 1    | 1   | 606285   | LIFT VALVE, STS COMBO, SAUER     | 46   | 6   | 616531   | 08-451TC-08FJX-08FJX-55 H/A       |
| 2    | 1   | 606286   | FOLD VALVE, STS COMBO, SAUER     | 47   | 6   | 616537   | 08-451TC-08FJX-08FJX90-52 H/A     |
| 3    | 1   | 606310   | LS MTR CTRL ELEC VLV STS, SAUER  | 48   | 1   | 616518   | 04-451TC-06FJX-06FJX-298 H/A      |
| 4    | 1   | 606021   | HYD RETURN MANIF. 3/4FOR, 9-PORT | 49   | 1   | 616515   | 04-451TC-06FJX-06FJX-238 H/A      |
| 5    | 1   | 606246   | MANIFOLD, #16 3-STN 180          | 50   | 1   | 616180   | 04-451TC-06FJX-06FJX-143 H/A      |
| 6    | 2   | 621566   | HYD CYL, 2.50 X 11.00 X 1.375    | 51   | 1   | 616513   | 04-451TC-06FJX-06FJX-112 H/A      |
| 7    | 6   | 621564   | HYD CYL, 2.00 X 11.00 X 1.50 1W  | 52   | 1   | 616514   | 04-451TC-06FJX-06FJX-208 H/A      |
| 8    | 6   | 610755   | BARNES HYD MOTOR, D-SERIES 01    | 53   | 1   | 616517   | 04-451TC-06FJX-06FJX-272 H/A      |
| 9    | 12  | 610755   | BARNES HYD MOTOR, D-SERIES 01    | 54   | 6   | 616521   | 04-451TC-06FJX-06FJX90-54 H/A     |
| 10   | 32  | 618119   | 9/16MJIC-90-9/16MOR LBO          | 55   | 1   | 616524   | 06-451TC-06FJX-06FJX45-185 H/A    |
| 11   | 2   | 614757   | .032 ELBOW ASSY, 9/16MOR 90D     | 55   | 1   | 616524   | 06-451TC-06FJX-06FJX45-185 H/A    |
| 11   | 5   | 618755   | 3/4MOR PLUG, HEX SOCKET          | 56   | 1   | 616525   | 06-451TC-06FJX-06FJX45-124 H/A    |
| 12   | 2   | 618241   | 3/4MJIC-90-3/4MOR LBO            | 57   | 1   | 616644   | 06-451TC-06FJX-06FJX45-36 H/A     |
| 13   | 21  | 611125   | 3/4MJIC-3/4MOR ADPTR             | 58   | 1   | 616523   | 06-451TC-06FJX-06FJX45-80 H/A     |
| 14   | 3   | 618327   | 3/4MJIC-7/8MOR ADPTR             | 59   | 1   | 616526   | 06-451TC-06FJX-06FJX45-171 H/A    |
| 15   | 2   | 618484   | 1 1/16FJIC-3/4MJIC ADPTR         | 60   | 1   | 616512   | 06-451TC-06FJX-06FJX45-229 H/A    |
| 16   | 7   | 618126   | 9/16MJIC-9/16MOR ADPTR           | 61   | 1   | 616527   | 04-451TC-06FJX-06FJX-49 H/A       |
| 17   | 2   | 618733   | 9/16JIC .042 ORIFICE ADPTR       | 62   | 1   | 616511   | 04-451TC-06FJX-06FJX-33 H/A       |
| 18   | 3   | 611127   | 1 1/16MJIC-1 1/16MOR ADPTR       | 63   | 1   | 616177   | 04-451TC-06FJX-06FJX-74 H/A       |
| 19   | 1   | 618186   | 1 5/16MJIC-1 5/16MOR ADPTR       | 64   | 1   | 616089   | 04-451TC-06FJX-06FJX-60 H/A       |
| 20   | 1   | 618191   | 1 1/16MJ-90-1 1/16FJ SWIV LBO    | 65   | 1   | 616549   | 16-451TC-16FJX-16FJX45-28 H/A     |
| 21   | 5   | 618248   | 1 1/16MJIC-90-1 1/16MOR LBO      | 66   | 1   | 616552   | 20-881-20FJX-20FJX90-45 H/A       |
| 22   | 1   | 618302   | 1 1/16MJIC-90-1 5/16MOR LBO      | 67   | 1   | 616542   | 10-451TC-12FJX-12FJX90-30 H/A     |
| 23   | 1   | 618304   | 9/16MJIC-7/16MOR ADPTR           | 68   | 2   | 616536   | 08-451TC-08FJX-08FJX90-26 H/A     |
| 24   | 1   | 617030   | 12-451TC-12FJX-12FJX90-50 H/A    | 69   | 1   | 616607   | 04-451TC-06FJX-06FJX45-46 H/A     |
| 25   | 2   | 618674   | 1 1/16MJIC-90-1 1/16MOR XL LBO   | 70   | 1   | 618754   | 9/16MOR PLUG, HEX SOCKET          |
| 26   | 1   | 618178   | 1 5/16MJIC-90-1 5/16MOR LBO      | 71   | 2   | 618532   | 3/4FJIC CAP NUT                   |
| 27   | 1   | 618471   | 1 5/8MJIC-1 5/16MOR ADPTR        | 72   | 1   | 616528   | 06-451TC-08FJX-08FJX90-13 H/A     |
| 28   | 1   | 618396   | 1 5/8MJIC-45-1 5/8MOR LBO        | 73   | 1   | 618529   | 1 1/16MJ-45-1 1/16FJ SWIV LBO     |
| 29   | 6   | 618475   | 3/4MJIC-90-1 5/16MOR LBO         | 74   | 1   | 618687   | HYD COUPLER, MALE 1" B, 1 5/16FOR |
| 30   | 1   | 618595   | 1 5/8MOR-1 1/16FOR ADPTR         | 75   | 1   | 618686   | HYD COUPLER, FEM 1" B, 1 5/16FOR  |
| 31   | 6   | 618109   | 9/16MJIC-3/4MOR ADPTR            | 76   | 1   | 618804   | HYD CPLR, MALE #14, 9/16FOR       |
| 32   | 1   | 616559   | 12-451TC-12FJX-12FJX90-20 H/A    | 77   | 1   | 618806   | HYD CPLR, MALE #12, 7/8FOR        |
| 33   | 1   | 618634   | 9/16MJIC-45-9/16FJIC SWIV LBO    | 78   | 1   | 618807   | HYD CPLR, FEM #12, 3/4FOR         |
| 34   | 1   | 618809   | HYD CPLR, MALE #12, 12FOR        | 79   | 1   | 618609   | 3/4MJIC-90-3/4FJIC SWIV LBO       |
| 35   | 12  | 618530   | 9/16MJIC-1/8MNP ADPTR            | 80   | 1   | 618489   | 1 1/16MJIC UNION TEE              |
| 36   | 12  | 618494   | 3/4MOR RUN TEE-3/4MJIC           | 81   | 1   | 616878   | 06-451TC-06FJX-06FJX90-233 H/A    |
| 37   | 6   | 618486   | 9/16FJIC SW RUN TEE-9/16MJIC     | 82   | 6   | 607565   | CHECK VLV, PILOT TO OPEN, SUN     |
| 38   | 6   | 618669   | 3/4FJIC SWIV-3/4MOR ADPTR        | 83   | 6   | 618668   | 9/16FJIC SWIV-9/16MOR ADPTR       |
| 39   | 6   | 618292   | CHECK VALVE, 3/4FOR INLINE       | 84   | 1   | 616876   | 06-451TC-06FJX-06FJX90-189 H/A    |
| 40   | 2   | 616541   | 08-451TC-12FJX-08FJX90-280 H/A   | 85   | 1   | 616873   | 06-451TC-06FJX-06FJX90-128 H/A    |
| 41   | 2   | 616534   | 08-451TC-08FJX-08FJX-278 H/A     | 86   | 1   | 616581   | 06-451TC-06FJX-06FJX90-40 H/A     |
| 42   | 2   | 616539   | 08-451TC-12FJX-08FJX90-220 H/A   | 87   | 1   | 616723   | 06-451TC-06FJX-06FJX90-85 H/A     |
| 43   | 2   | 616533   | 08-451TC-08FJX-08FJX-218 H/A     | 88   | 1   | 616626   | 06-451TC-06FJX-06FJX90-175 H/A    |
| 44   | 2   | 616538   | 08-451TC-12FJX-08FJX90-125 H/A   | 89   | 2   | 618757   | 1 1/16MOR PLUG, HEX SOCKET        |
| 45   | 2   | 616532   | 08-451TC-08FJX-08FJX-125 H/A     | 90   | 1   | 618810   | HYD CPLR, FEM #12, 12FOR          |



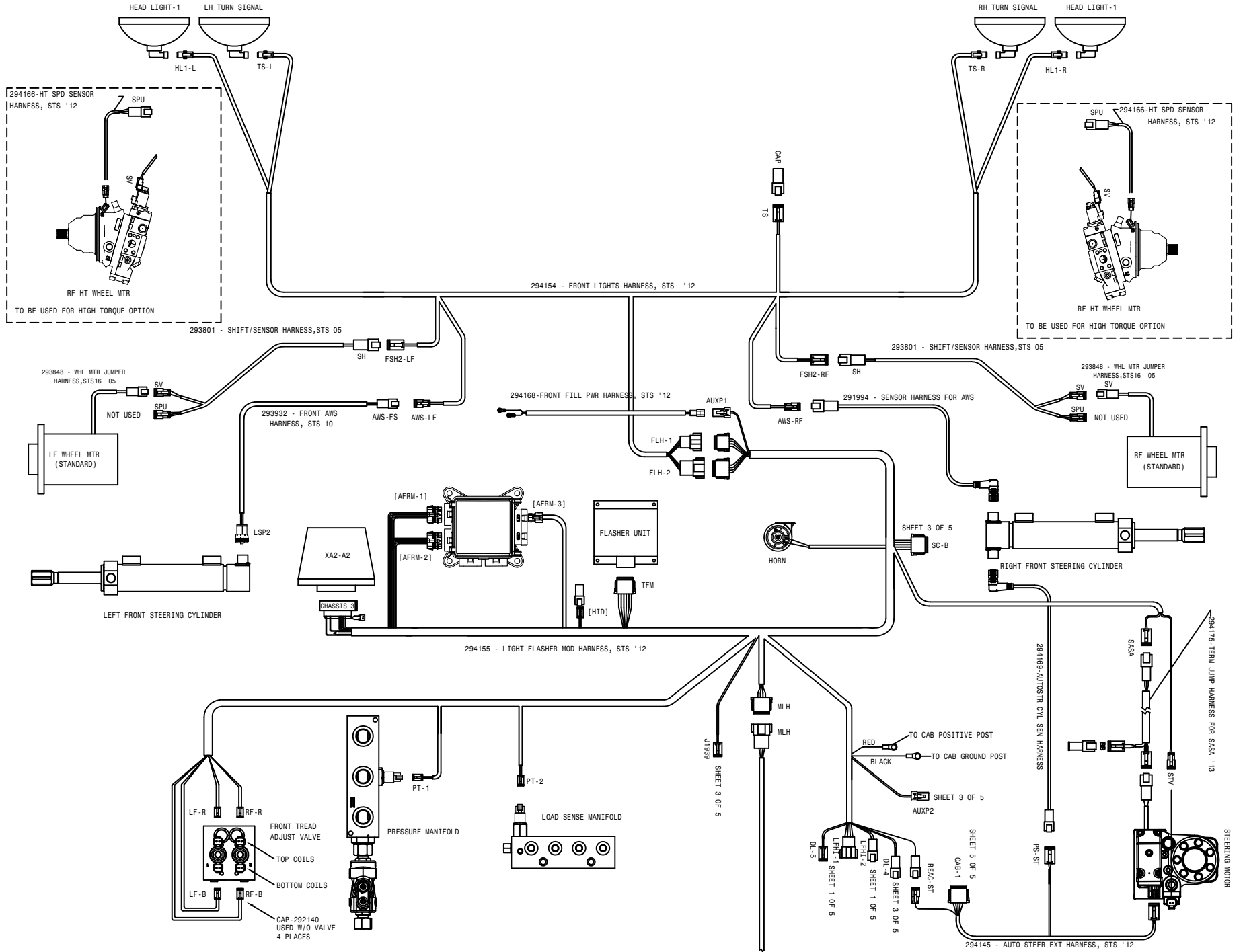
STS COMBO 18R CUTR HYD SCHEM 2011  
REFERENCE DRAWING NO. 499096

| DET. | QTY | PART NO. | DESCRIPTION                      | DET. | QTY | PART NO. | DESCRIPTION                       |
|------|-----|----------|----------------------------------|------|-----|----------|-----------------------------------|
| 1    | 1   | 606285   | LIFT VALVE, STS COMBO, SAUER     | 49   | 1   | 616664   | 04-451TC-06FJX-06FJX-222          |
| 2    | 1   | 606286   | FOLD VALVE, STS COMBO, SAUER     | 50   | 1   | 616662   | 04-451TC-06FJX-06FJX-137          |
| 3    | 1   | 606310   | LS MFR CTRL ELEC VLV, STS, SAUER | 51   | 1   | 616513   | 04-451TC-06FJX-06FJX-112          |
| 4    | 1   | 606021   | HYD RETURN MANIF, 3/4FOR, 9-PORT | 52   | 1   | 616260   | 04-451TC-06FJX-06FJX-200          |
| 5    | 1   | 606246   | MANIFOLD, #16 3-STN 180          | 53   | 1   | 616665   | 04-451TC-06FJX-06FJX-249          |
| 6    | 2   | 621566   | HYD CYL, 2.50 X 11.00 X 1.375    | 54   | 12  | 616422   | 04-482TC-06FJX-06FJX90-50         |
| 7    | 6   | 621564   | HYD CYL, 2.00 X 11.00 X 1.50 1W  | 55   | 1   | 616648   | 06-451TC-06FJX-06FJX45-167        |
| 8    | 18  | 610755   | BARNES HYD MOTOR, D-SERIES 01    | 56   | 1   | 616646   | 06-451TC-06FJX-06FJX45-106        |
| 9    | 32  | 618119   | 9/16MJIC-90-9/16MOR LBO          | 57   | 1   | 616644   | 06-451TC-06FJX-06FJX45-36         |
| 10   | 2   | 614757   | .032 ELBOW ASSY, 9/16MOR 90D     | 58   | 1   | 616645   | 06-451TC-06FJX-06FJX45-72         |
| 11   | 5   | 618755   | 3/4MOR PLUG, HEX SOCKET          | 59   | 1   | 616647   | 06-451TC-06FJX-06FJX45-153        |
| 12   | 2   | 618241   | 3/4MJIC-90-3/4MOR LBO            | 60   | 1   | 616649   | 06-451TC-06FJX-06FJX45-211        |
| 13   | 33  | 611125   | 3/4MJIC-3/4MOR ADPTR             | 61   | 1   | 616512   | 04-451TC-06FJX-06FJX-49           |
| 14   | 3   | 618327   | 3/4MJIC-7/8MOR ADPTR             | 62   | 1   | 616511   | 04-451TC-06FJX-06FJX-33           |
| 15   | 2   | 618484   | 1 1/16FJIC-3/4MJIC ADPTR         | 63   | 1   | 616177   | 04-451TC-06FJX-06FJX-74           |
| 16   | 7   | 618126   | 9/16MJIC-9/16MOR ADPTR           | 64   | 1   | 616089   | 04-451TC-06FJX-06FJX-60           |
| 17   | 6   | 618733   | 9/16JIC .042 ORIFICE ADPTR       | 65   | 1   | 616549   | 16-451TC-16FJX-16FJX45-28         |
| 18   | 3   | 611127   | 1 1/16MJIC-1 1/16MOR ADPTR       | 66   | 1   | 616552   | 20-881-20FJX-20FJX90-45           |
| 19   | 1   | 618186   | 1 5/16MJIC-1 5/16MOR ADPTR       | 67   | 1   | 616542   | 10-451TC-12FJX-12FJX90-30         |
| 20   | 1   | 618191   | 1 1/16MJ-90-1 1/16FJ SWIV LBO    | 68   | 2   | 616536   | 08-451TC-08FJX-08FJX90-26         |
| 21   | 5   | 618248   | 1 1/16MJIC-90-1 1/16MOR LBO      | 69   | 1   | 616607   | 04-451TC-06FJX-06FJX45-46         |
| 22   | 1   | 618302   | 1 1/16MJIC-90-1 5/16MOR LBO      | 70   | 1   | 618754   | 9/16MOR PLUG, HEX SOCKET          |
| 23   | 1   | 618304   | 9/16MJIC-7/16MOR ADPTR           | 71   | 2   | 618532   | 3/4FJIC CAP NUT                   |
| 24   | 1   | 617030   | 12-451TC-12FJX-12FJX90-50        | 72   | 1   | 616528   | 06-451TC-08FJX-08FJX90-13         |
| 25   | 2   | 618674   | 1 1/16MJIC-90-1 1/16MOR XL LBO   | 73   | 1   | 616529   | 06-451TC-08FJX-08FJX90-16         |
| 26   | 1   | 618178   | 1 5/16MJIC-90-1 5/16MOR LBO      | 74   | 1   | 618687   | HYD COUPLER, MALE 1" B, 1 5/16FOR |
| 27   | 1   | 618471   | 1 5/8MJIC-1 5/16MOR ADPTR        | 75   | 1   | 618686   | HYD COUPLER, FEM 1" B, 1 5/16FOR  |
| 28   | 1   | 618396   | 1 5/8MJIC-45-1 5/8MOR LBO        | 76   | 1   | 618804   | HYD CPLR, MALE #14, 9/16FOR       |
| 29   | 6   | 618475   | 3/4MJIC-90-1 5/16MOR LBO         | 77   | 1   | 618806   | HYD CPLR, MALE #12, 7/8FOR        |
| 30   | 1   | 618595   | 1 5/8MOR-1 1/16FOR ADPTR         | 78   | 1   | 618807   | HYD CPLR, FEM #12, 3/4FOR         |
| 31   | 6   | 618109   | 9/16MJIC-3/4MOR ADPTR            | 79   | 1   | 618609   | 3/4MJIC-90-3/4FJIC SWIV LBO       |
| 32   | 1   | 616559   | 12-451TC-12FJX-12FJX90-20        | 80   | 1   | 618487   | 1 1/16FJ SW RUN TEE-1 1/16MJ      |
| 33   | 1   | 618634   | 9/16MJIC-45-9/16FJIC SWIV LBO    | 81   | 1   | 616650   | 08-451TC-12FJX-08FJX90-114        |
| 34   | 1   | 618809   | HYD CPLR, MALE #12, 12FOR        | 82   | 1   | 616652   | 08-451TC-12FJX-08FJX90-197        |
| 35   | 18  | 618530   | 9/16MJIC-1/8MNPT ADPTR           | 83   | 1   | 616655   | 08-451TC-12FJX-08FJX90-257        |
| 36   | 12  | 618494   | 3/4MOR RUN TEE-3/4MJIC           | 84   | 1   | 616102   | 08-451TC-08FJX-08FJX-132          |
| 37   | 12  | 618486   | 9/16FJIC SW RUN TEE-9/16MJIC     | 85   | 1   | 616657   | 08-451TC-08FJX-08FJX-215          |
| 38   | 6   | 618669   | 3/4FJIC SWIV-3/4MOR ADPTR        | 86   | 1   | 616660   | 08-451TC-08FJX-08FJX-275          |
| 39   | 6   | 618292   | CHECK VALVE, 3/4FOR INLINE       | 87   | 1   | 616877   | 06-451TC-06FJX-06FJX90-215        |
| 40   | 1   | 616654   | 08-451TC-12FJX-08FJX90-264       | 88   | 6   | 607565   | CHECK VLV, PILOT TO OPEN, SUN     |
| 41   | 1   | 616659   | 08-451TC-08FJX-08FJX-255         | 89   | 6   | 618668   | 9/16FJIC SWIV-9/16MOR ADPTR       |
| 42   | 1   | 616653   | 08-451TC-12FJX-08FJX90-204       | 90   | 1   | 616875   | 06-451TC-06FJX-06FJX90-171        |
| 43   | 1   | 616658   | 08-451TC-08FJX-08FJX-195         | 91   | 1   | 616746   | 06-451TC-06FJX-06FJX90-110        |
| 44   | 1   | 616651   | 08-451TC-12FJX-08FJX90-119       | 92   | 1   | 616581   | 06-451TC-06FJX-06FJX90-40         |
| 45   | 1   | 616656   | 08-451TC-08FJX-08FJX-112         | 93   | 1   | 616872   | 06-451TC-06FJX-06FJX90-76         |
| 46   | 12  | 616025   | 08-482TC-08FJX-08FJX-50          | 94   | 1   | 616874   | 06-451TC-06FJX-06FJX90-157        |
| 47   | 6   | 616562   | 08-451TC-08FJX-08FJX90-66        | 95   | 2   | 618757   | 1 1/16MOR PLUG, HEX SOCKET        |
| 48   | 1   | 616666   | 04-451TC-06FJX-06FJX-282         | 96   | 1   | 618810   | HYD CPLR, FEM #12, 12FOR          |

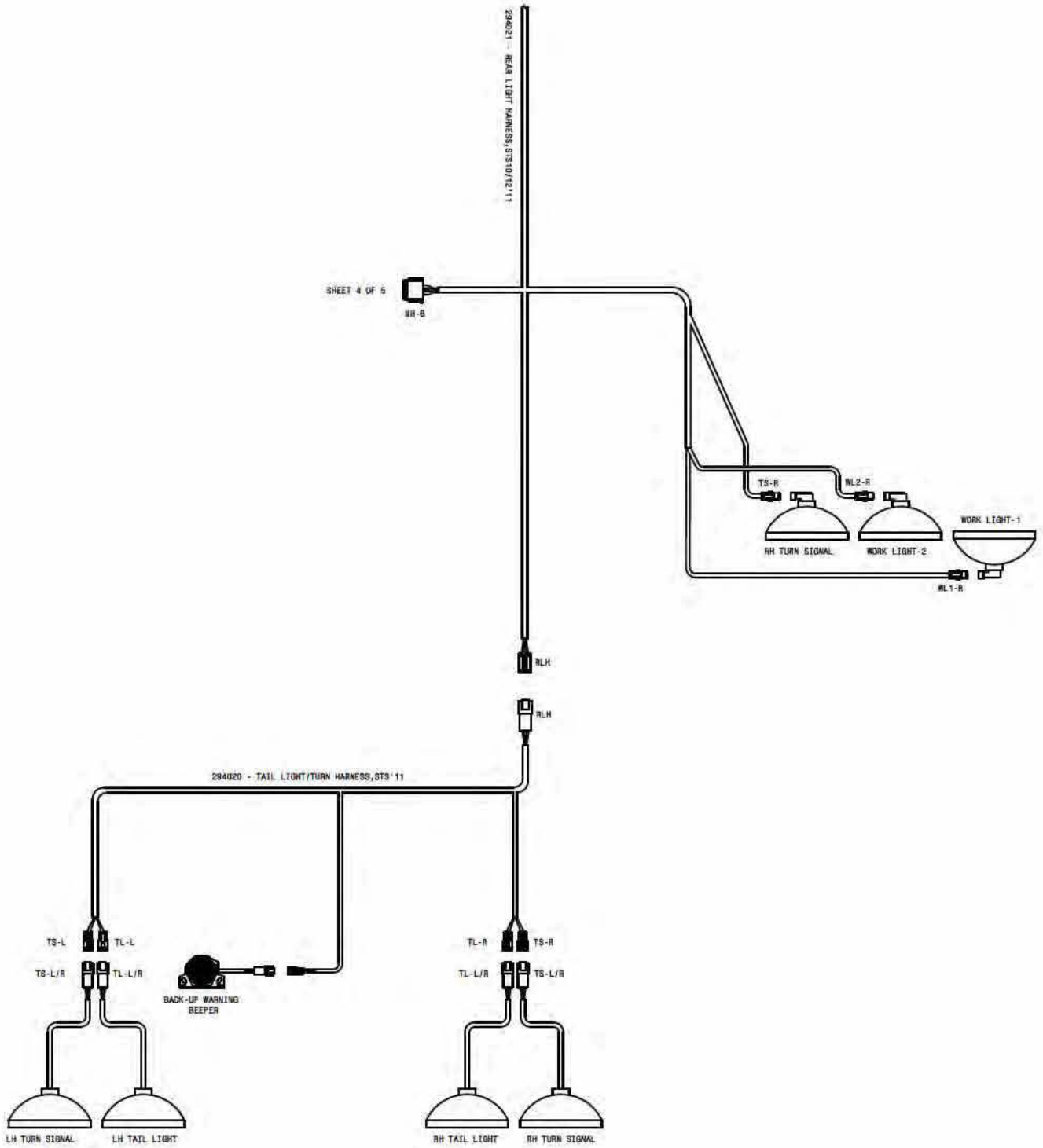


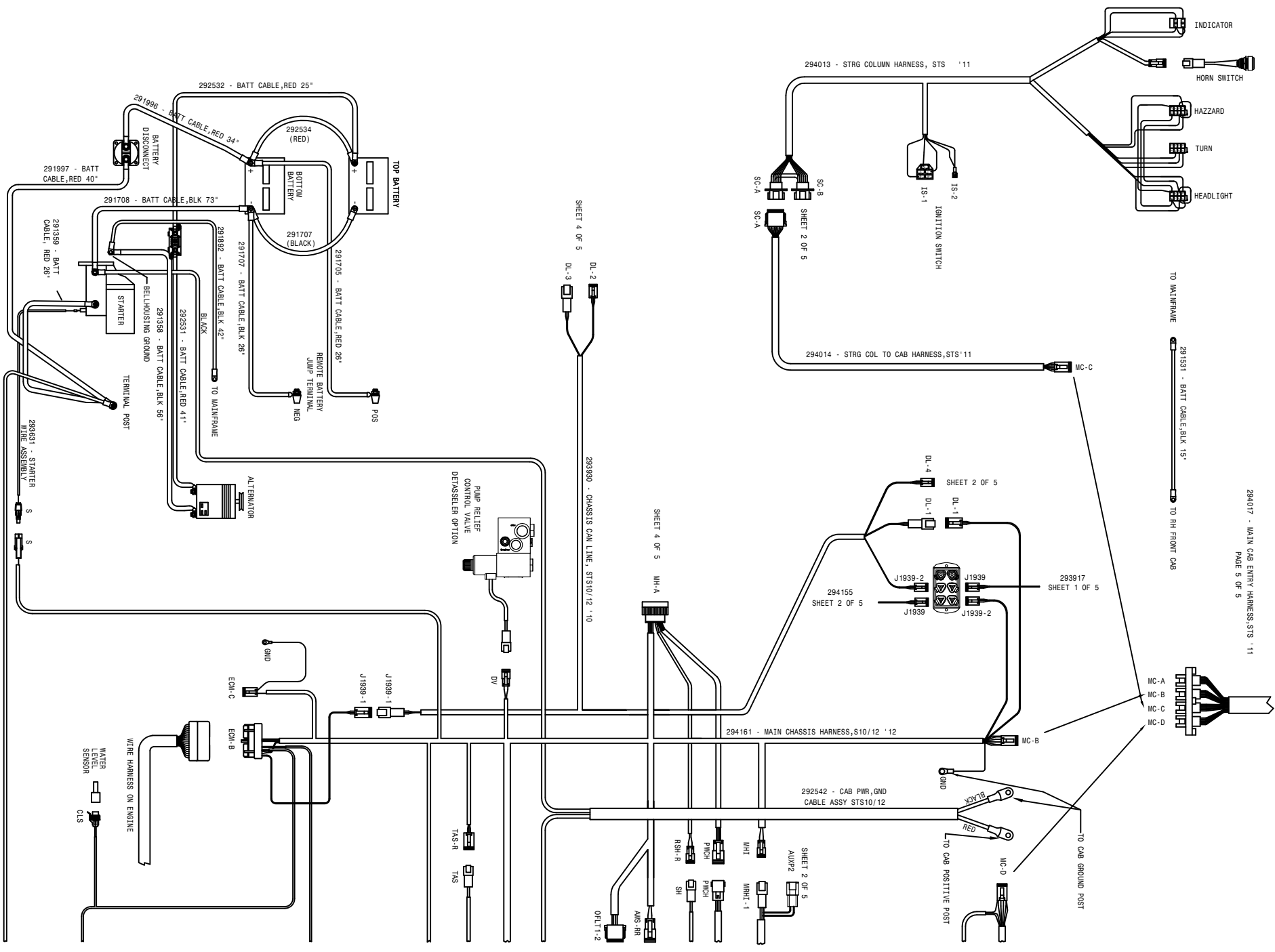


STS 10/12 WIRING DIAGRAM '12  
 SHEET 1 OF 2  
 REVISION DATE: 06-07-11  
 499240

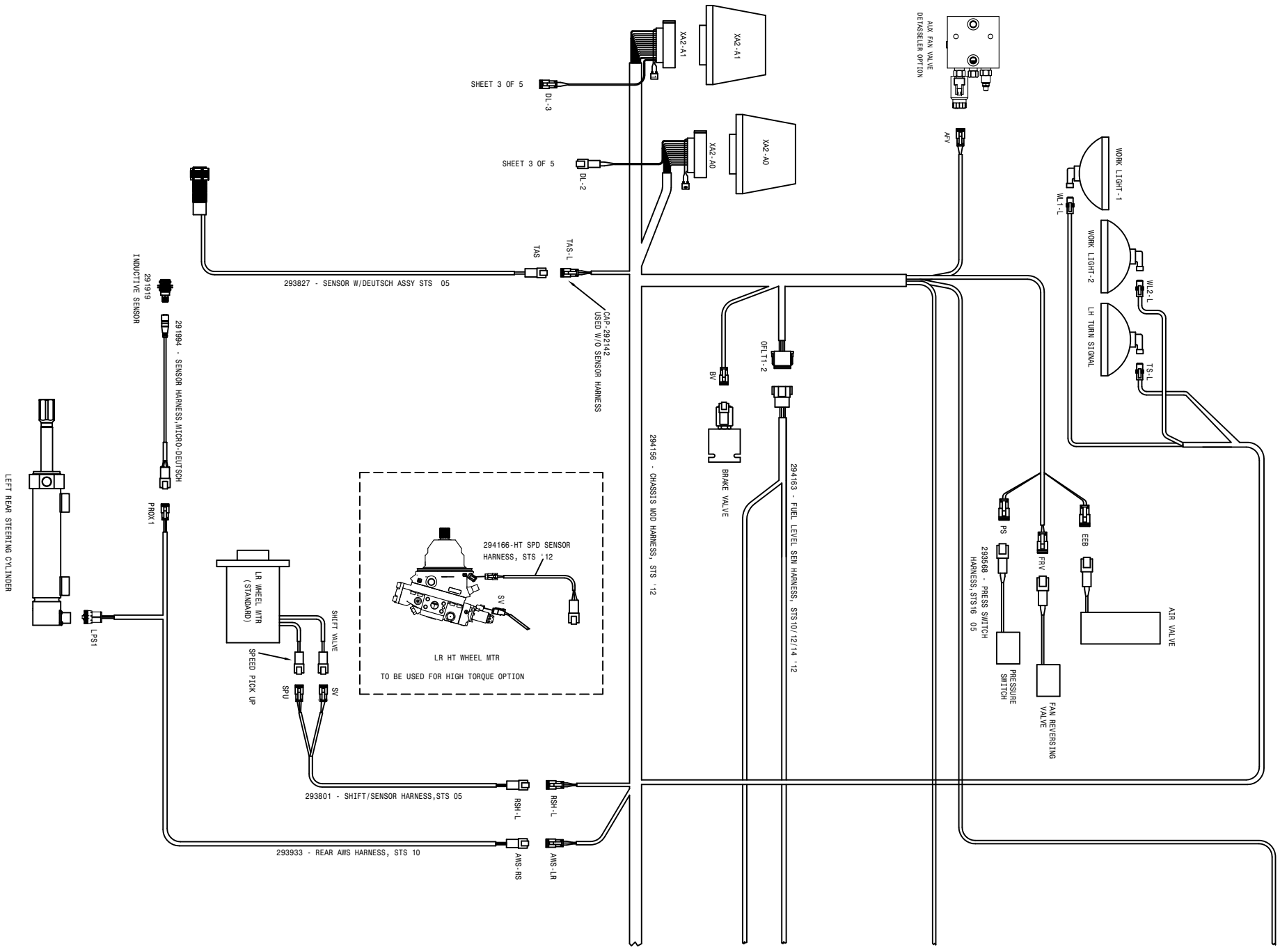


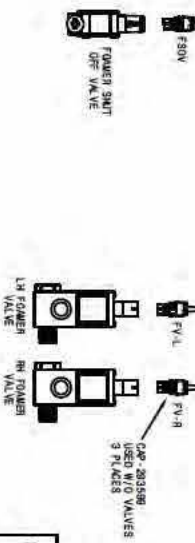
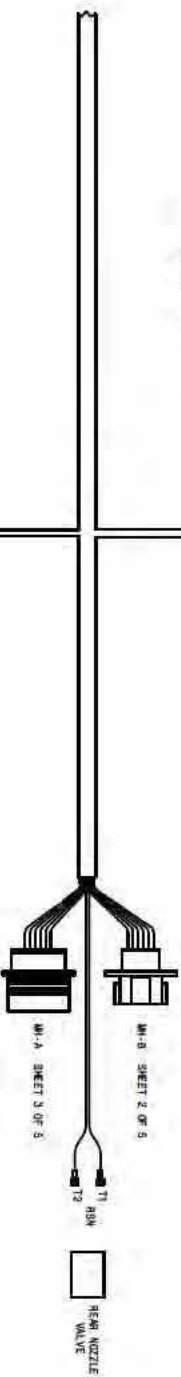
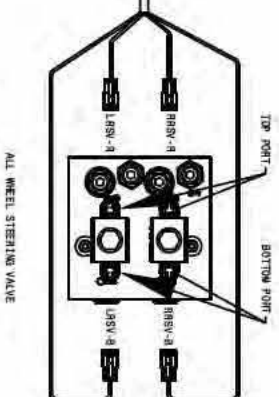
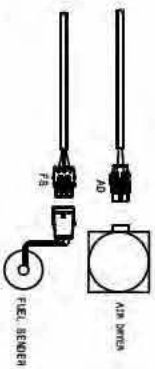
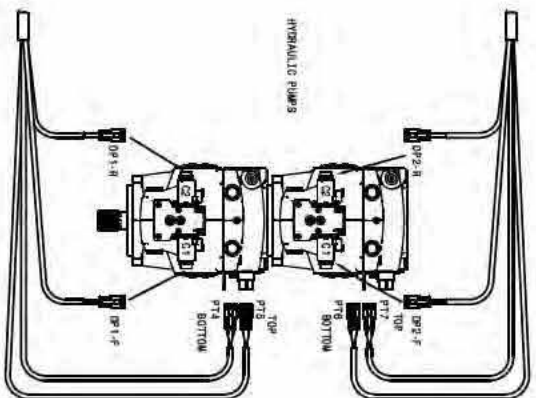




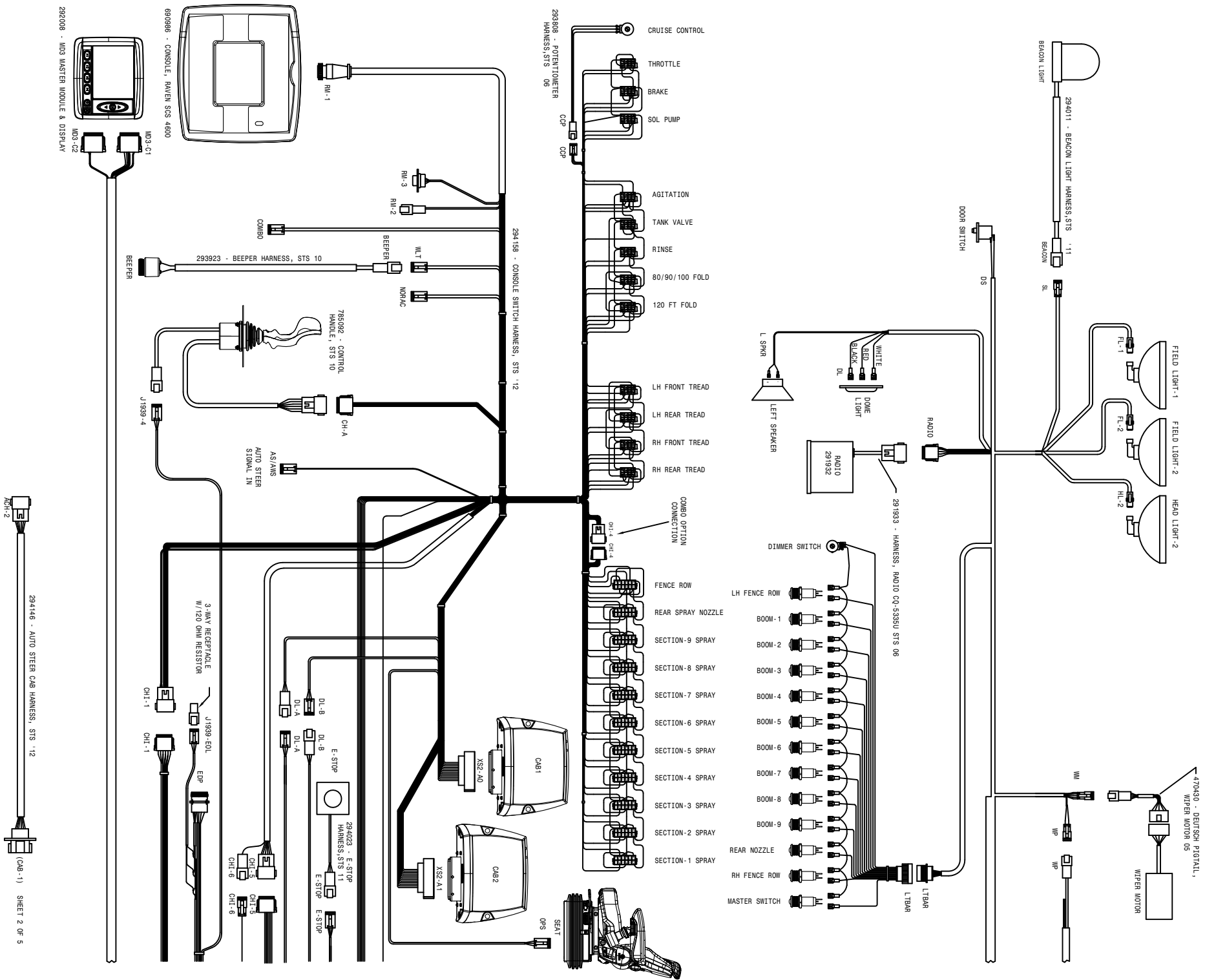




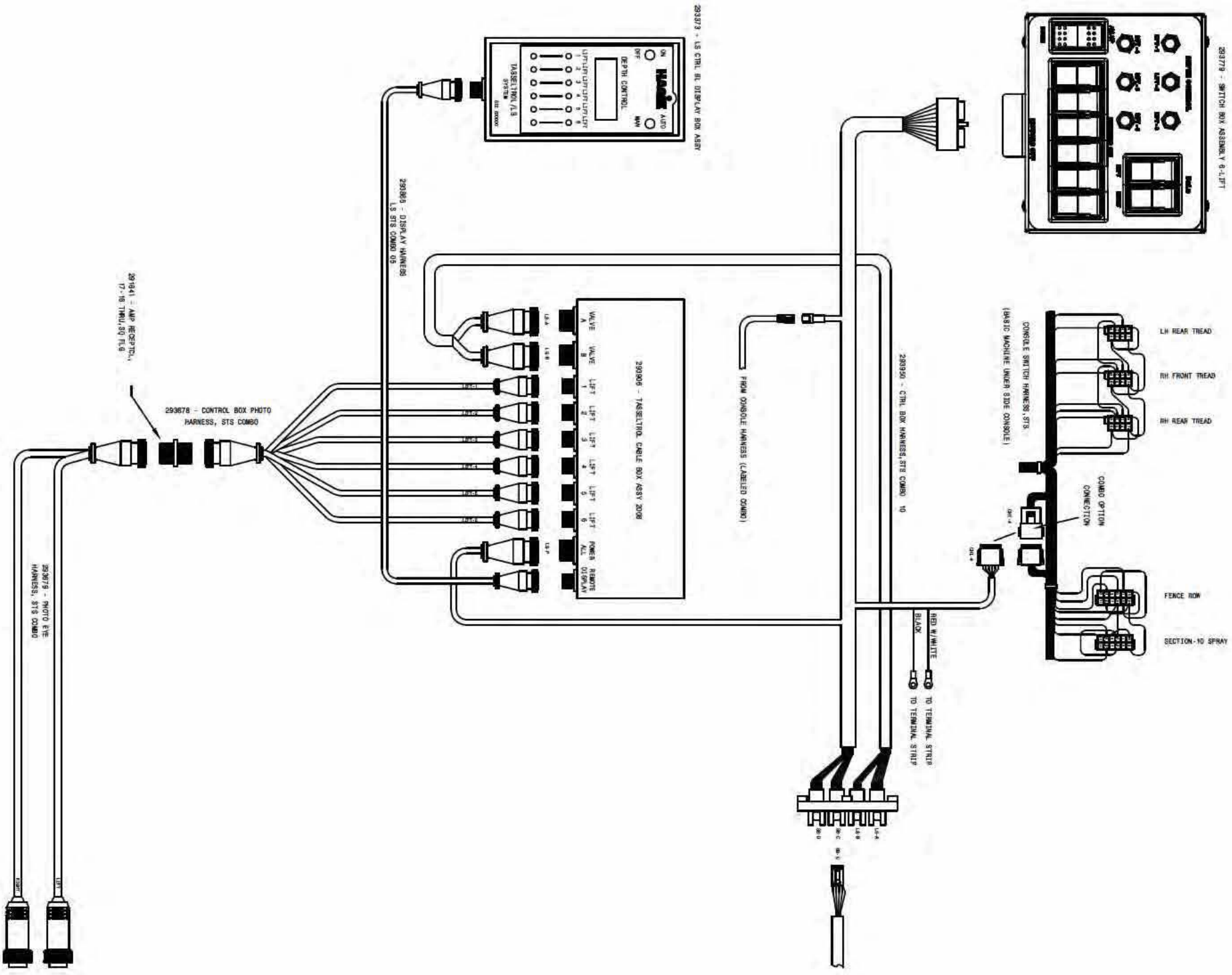




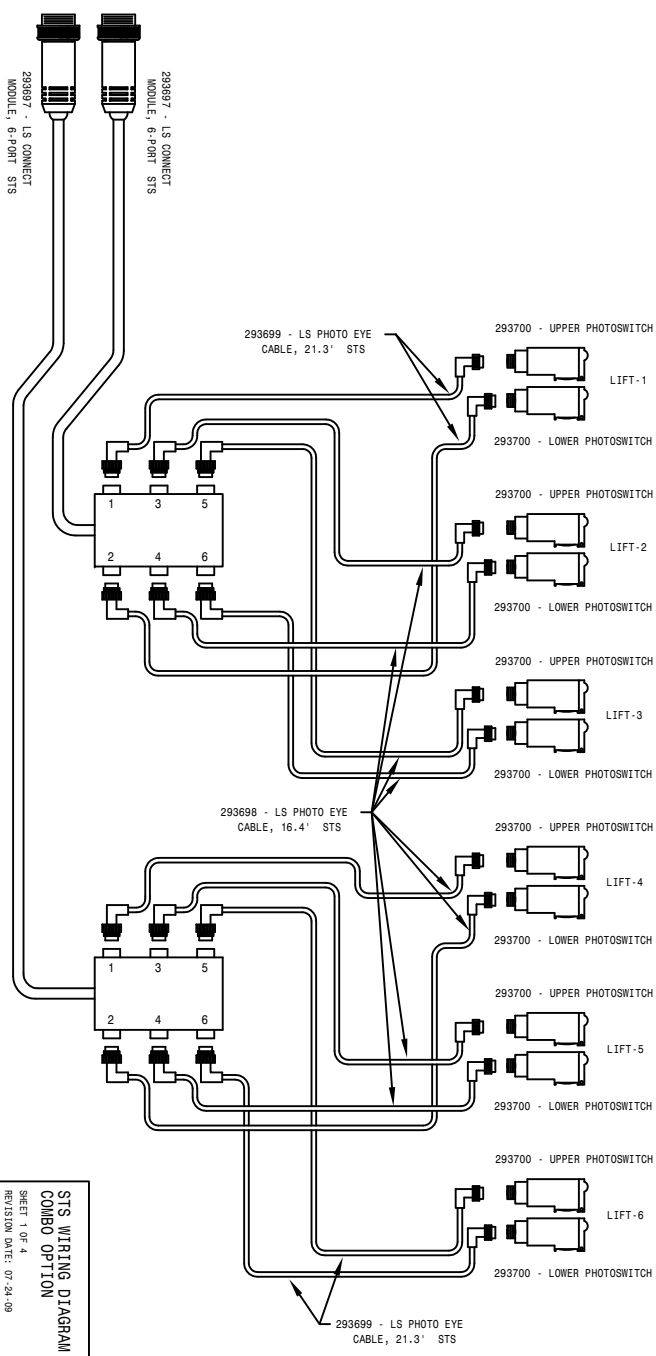
878 10/12 WIRING DIAGRAM 12  
 SHEET 4 OF 5  
 REVISION DATE: 06-07-11  
 499240



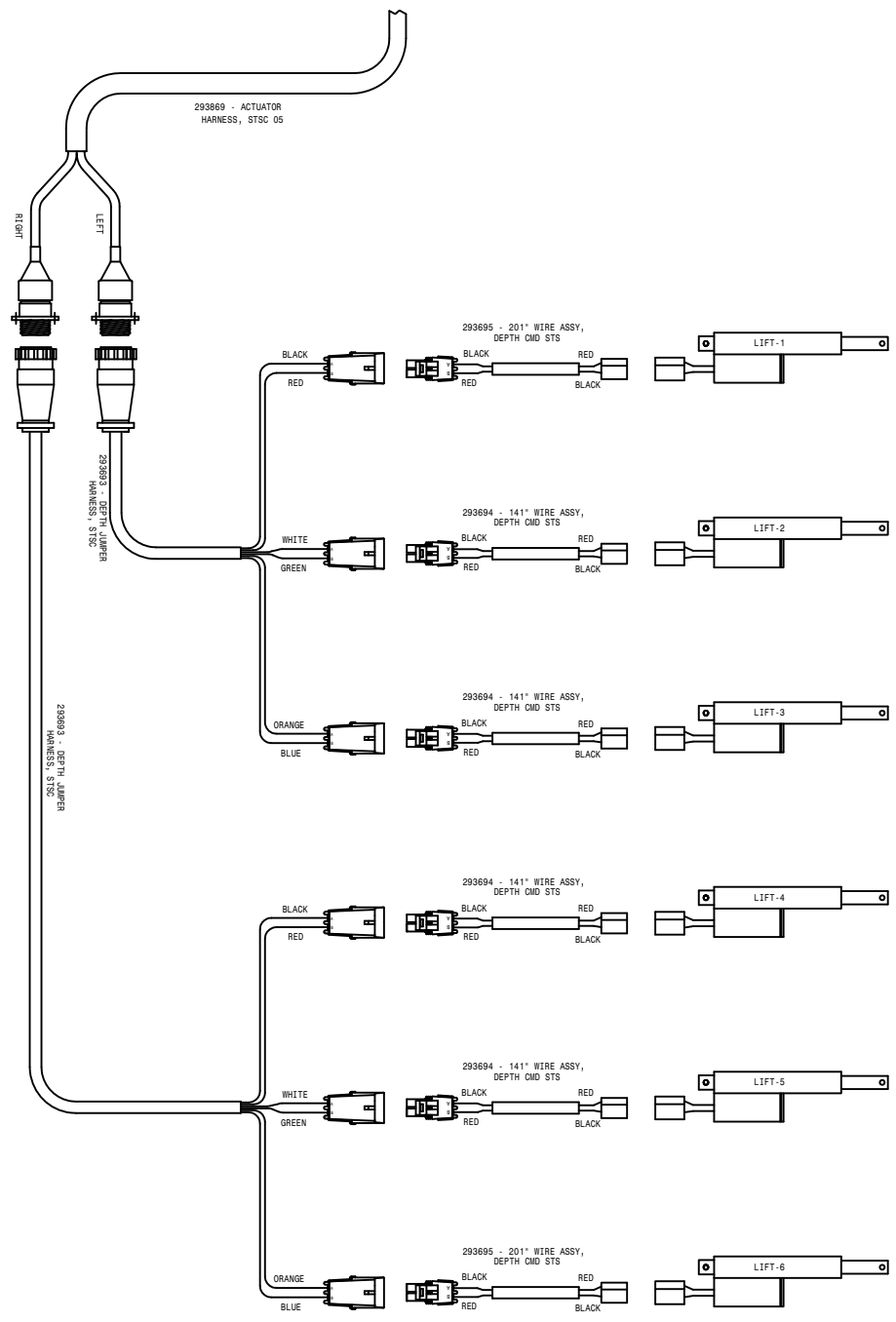






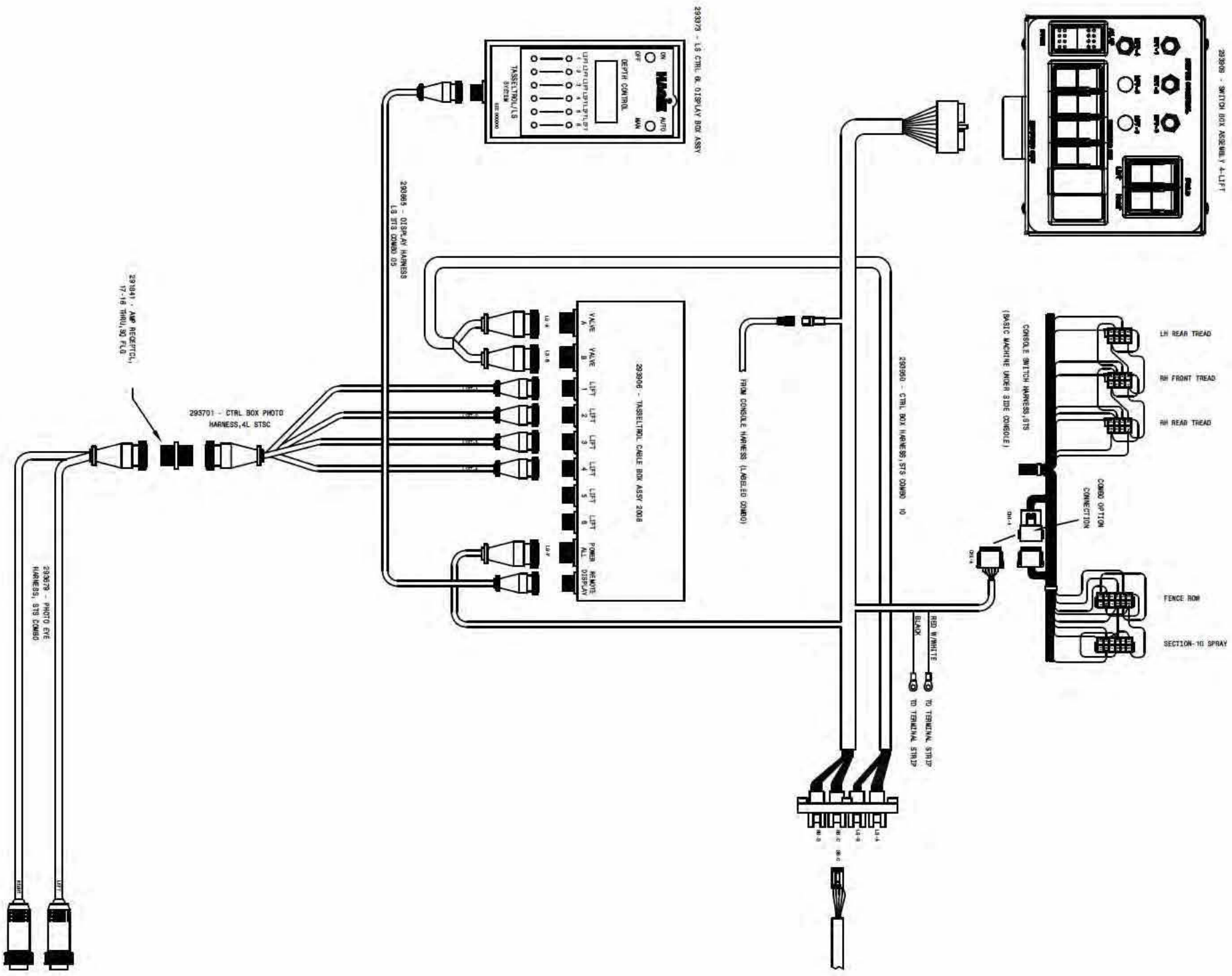


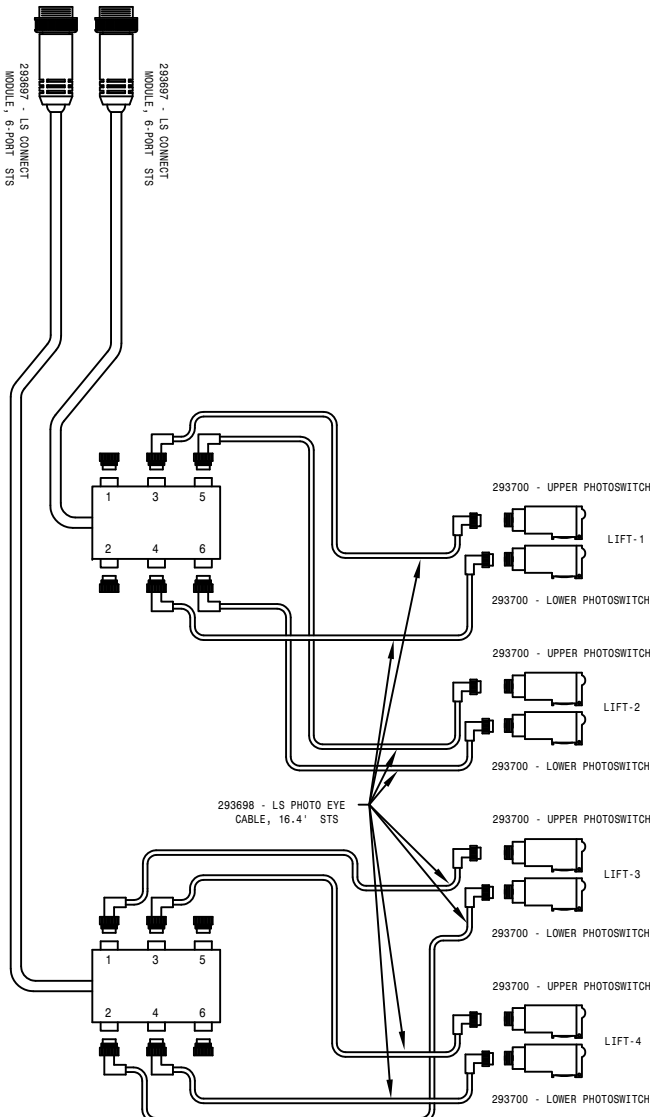
6-LIFT OPTION



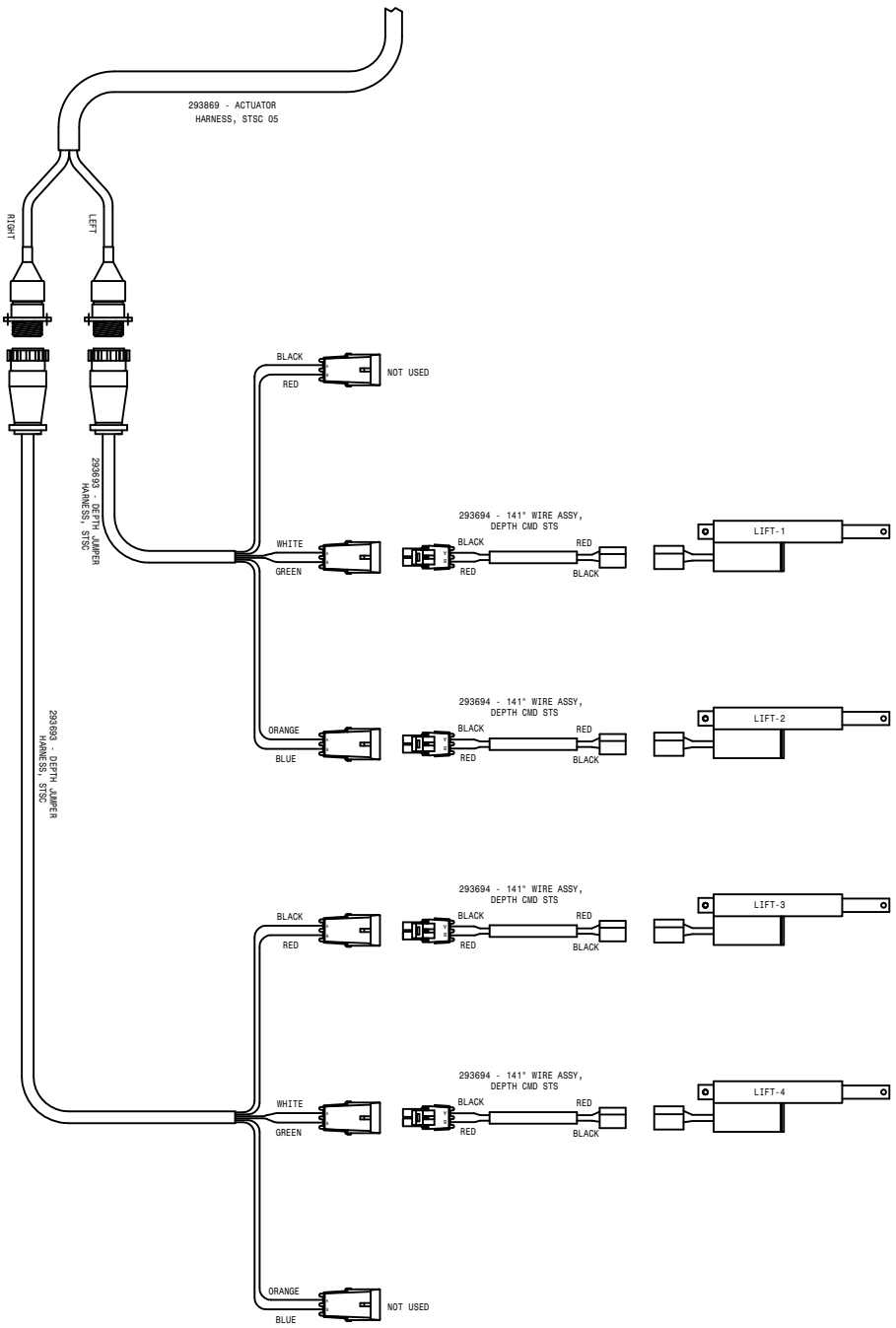
6-LIFT OPTION

ST5 WIRING DIAGRAM 10  
 COMBO OPTION  
 SHEET 1 OF 4  
 REVISION DATE: 07-24-09  
 499029  
 07-01-09 TLM





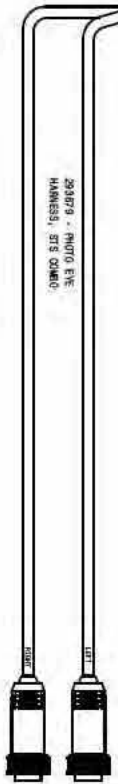
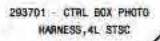
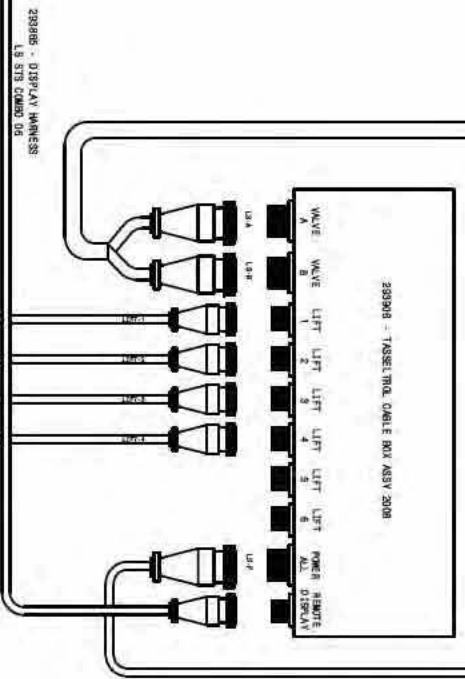
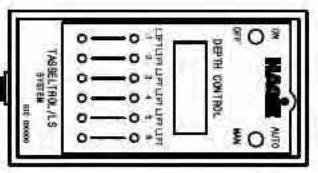
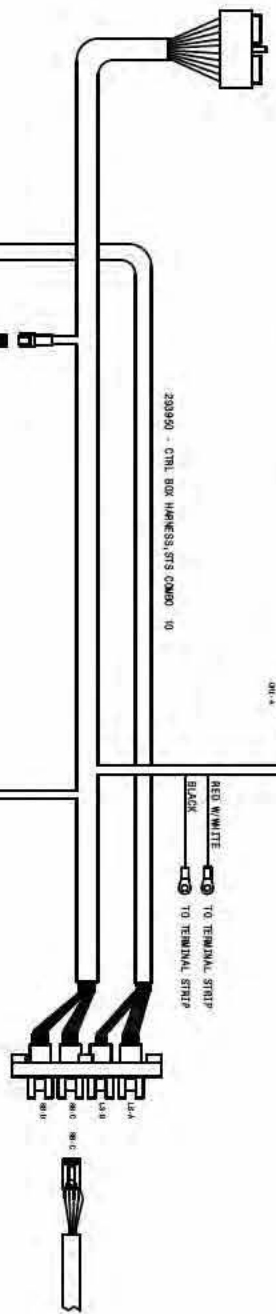
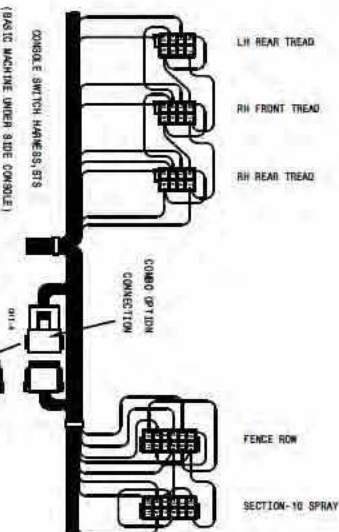
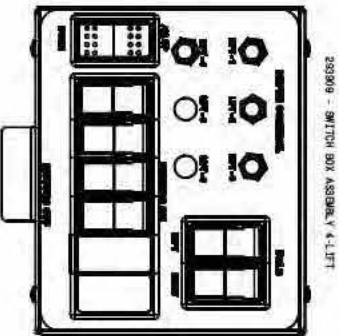
**4-LIFT OPTION**

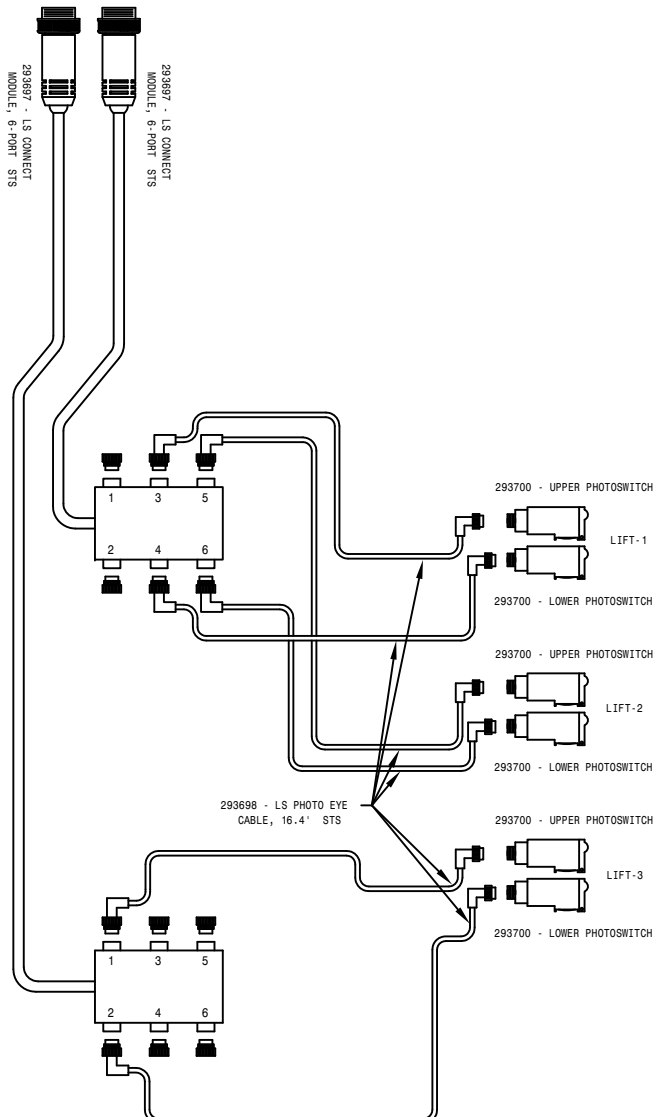


**4-LIFT OPTION**

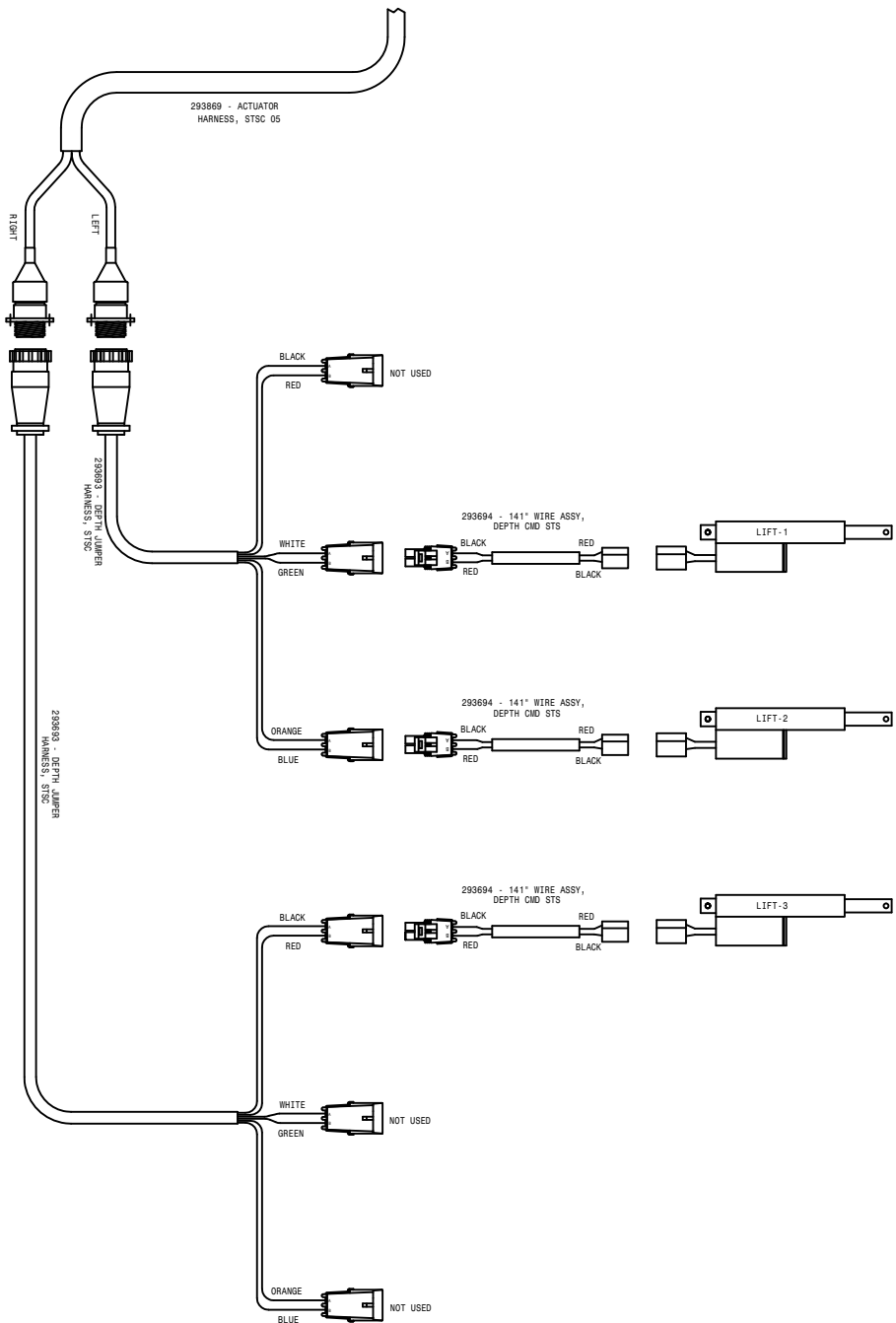
STS WIRING DIAGRAM 10  
 COMBO OPTION  
 SHEET 2 OF 4  
 REVISION DATE: 07-24-09  
 499029

07-01-09 TLM





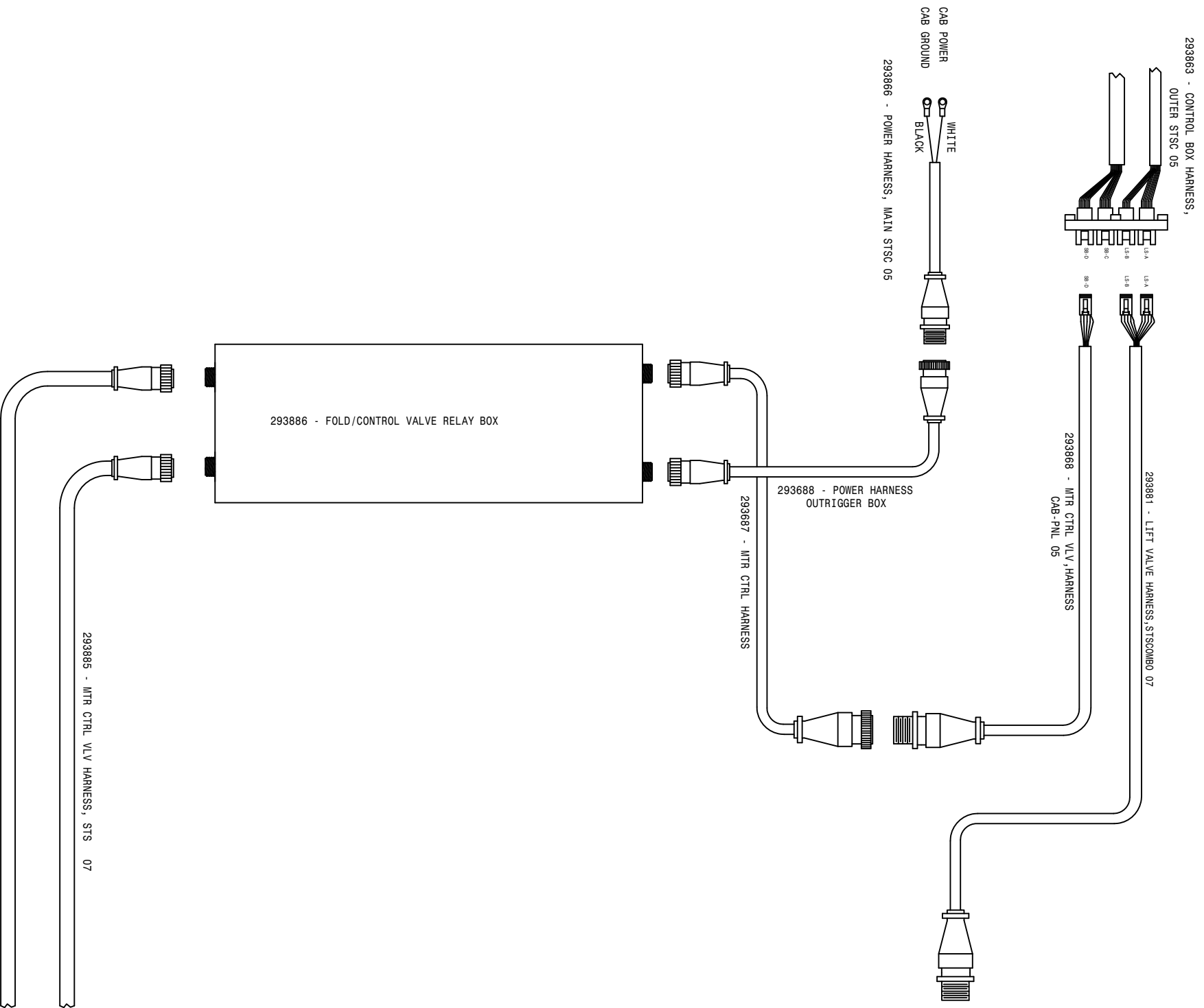
**3-LIFT OPTION**

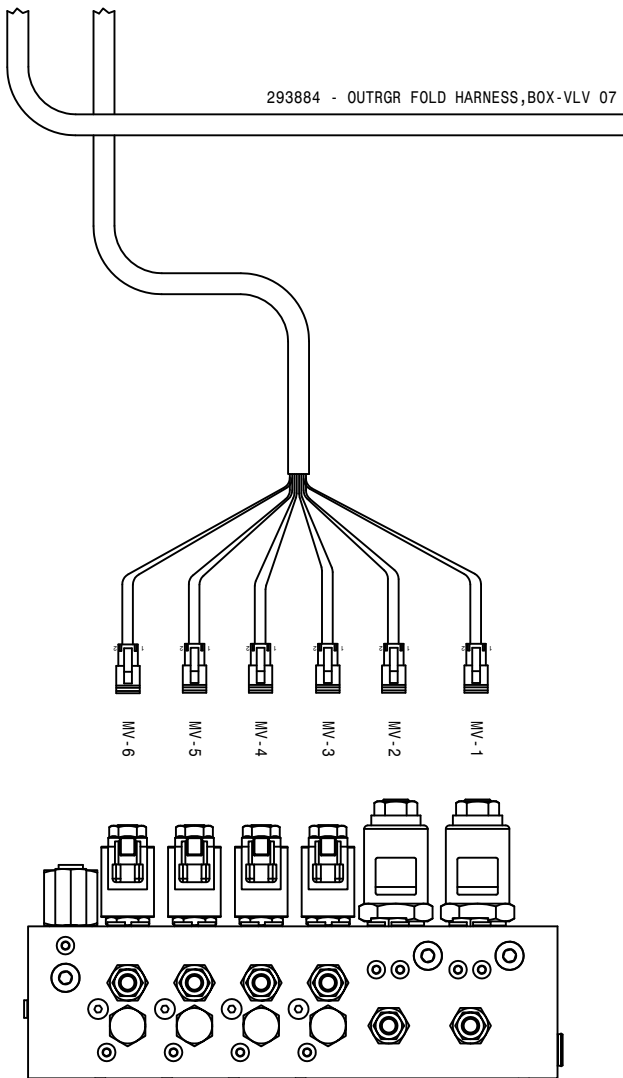
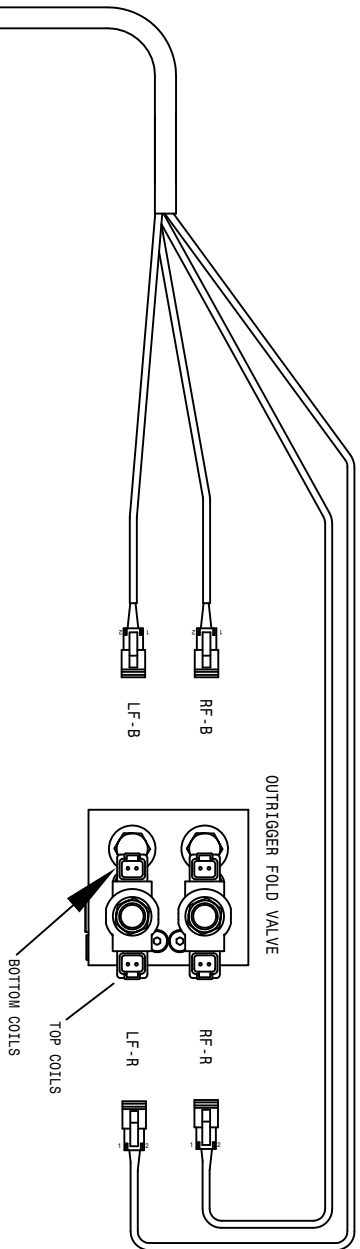
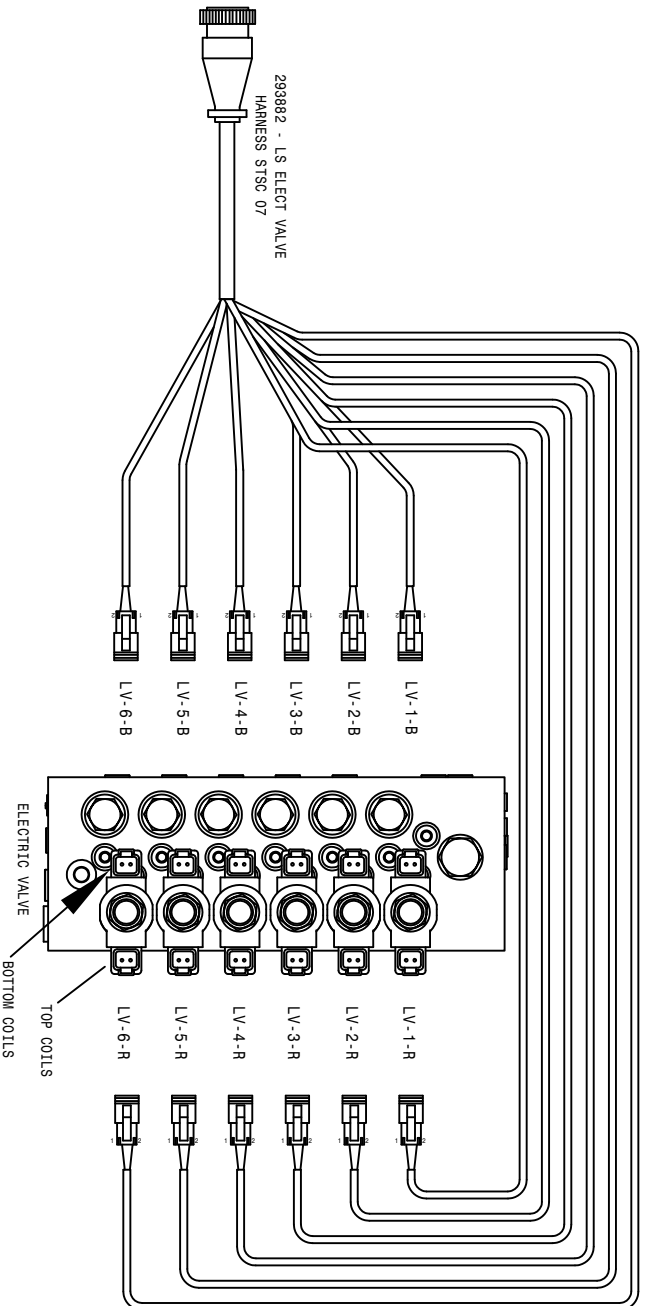


**3-LIFT OPTION**

STS WIRING DIAGRAM 10  
 COMBO OPTION  
 SHEET 3 OF 4  
 REVISION DATE: 07-24-09

07-01-09 TLU  
 499029





MOTOR CONTROL VALVE

ST5 WIRING DIAGRAM 10  
COMBO OPTION  
SHEET 4 OF 4  
REVISION DATE: 07-01-09 TLJ  
499029

ABBREVIATIONS

|                                    |                               |
|------------------------------------|-------------------------------|
| A/C - AIR CONDITIONER              | MT - MOUNT                    |
| ADPTR - ADAPTER                    | MTR - MOTOR                   |
| AGI - AGITATOR                     | P/N - PART NUMBER             |
| ALT - ALTERNATOR                   | PLT - PLATE                   |
| ASSY - ASSEMBLY                    | QTY - QUANTITY                |
| BRKT - BRACKET                     | RED - REDUCER                 |
| DET - DETAIL                       | REF - REFERENCE               |
| DISPL - DISPLACEMENT               | REST - RESTRICTOR             |
| EL - ELBOW                         | REQ - REQUIRED                |
| EXT - EXTENSION                    | SHFT - SHAFT                  |
| FLO - FLOW                         | SOL - SOLUTION                |
| FNPT - FEMALE NATIONAL PIPE THREAD | STRG - STEERING               |
| FOR - FEMALE O-RING                | ST - STREET                   |
| FRT - FRONT                        | SV - STANDARD VOLUME          |
| HV - HI-VOLUME                     | SWIV - SWIVEL                 |
| HYD - HYDRAULIC                    | UNC - UNIFIED NATIONAL COURSE |
| HYDRO - HYDROSTATIC                | UNF - UNIFIED NATIONAL FINE   |
| LG - LONG                          | V - VOLT                      |
| LWR - LOWER                        | W/ - WITH                     |
| MJIC - MALE J.I.C.                 | WHL - WHEEL                   |
| MOR - MALE O-RING                  | WLD - WELDMENT                |



INDEX

-A-

ABBREVIATIONS.....184  
 AIR DRYER.....49  
 AIR CLEANER.....10  
     FILTER.....10  
 AIR COMPRESSOR GOVERNOR.....10  
 AIR CONDITIONER  
     BINARY SWITCH.....8  
     COMPRESSOR.....6  
     CONDENSOR COIL.....9  
     CONTROLLER.....55  
     HOSE.....8,9  
     RECEIVER/DRYER.....8  
     TUBE.....39  
 AIR COOLER, CHARGE.....9  
 AIR PRESSURE GAUGE.....91  
 AIR REGULATOR, FOAMER.....91  
 AIRRIDE SPRING.....16,19,22,25  
 AIR VALVE.....16,18,22,25  
 ALTERNATOR.....5  
 ARM, STEERING.....16,19,22,25  
 ALL WHEEL STEER,  
     LEG.....16,19,22,25  
     VALVE.....104  
 AUX OIL COOLER.....105

-B-

BACK-UP BEEPER.....9  
 BATTERY.....14  
     CABLE.....4,5,10,14  
     BOX PANEL.....9  
 BEARING,  
     BRONZE LEG.....16,19,22,25,28  
     ORKOT.....16,19,22,25  
 BELT,  
     AIR CONDITIONER.....6  
     DRIVE.....5  
 BLOCK, TERMINAL.....67  
 BOX,  
     ELECTRICAL.....73  
     PRESSURE WASHER.....93  
     RELAY.....111  
     SIDE FILL.....96  
     SWITCH.....69  
 BRACE, RADIATOR.....8  
 BUMPER, REAR.....75

-C-

CAB.....53,54  
     ROOF.....53,54  
 CABLE BATTERY.....4,5,10,14

CAP, FUEL.....12

RADIATOR.....9  
 CHARGE AIR COOLER.....9  
 CHEMICAL INDUCTOR.....97  
 COMPRESSOR, A/C.....6  
 CONDENSOR COIL, A/C.....9  
 CONSOLE.....65  
 COOLER, OIL.....9,105  
 CUTTER HEAD.....117  
 CYLINDER,  
     LADDER.....43  
     SIDE FILL.....97  
     STEERING.....16,19  
     TREAD ADJUST.....28,29

-D-

DECALS.....122,123  
 DIAGRAMS,  
     AIR LINE.....124,125  
     WIRING.....166  
 DOOR.....61,62  
     LATCH.....62,75,76  
 DRAIN COCK, AIR.....50,51  
 DRIVE  
     BELT.....5  
     DISK.....4  
     DUMP VALVE.....42,43

-E-

ELECTRICAL BOX.....72  
 ENGINE.....73  
     ENGINE.....4,5  
     HOOD.....75,76  
     SKID.....8

-F-

FAN.....5  
     SPACER.....5  
 FILTER,  
     AIR CLEANER.....10  
     CAB.....53  
     FUEL.....4  
     HYDRAULIC.....13  
     MINDER.....91  
     OIL.....5,13  
 FLASHER.....71,88,89  
 FLOW METER.....102,103

FOAMER  
 AIR REGULATOR.....91  
 TANK.....90  
 THREE-WAY VALVE.....90  
 VALVE.....90  
 FOLD VALVE.....109  
 FRESH WATER.....91  
 FRONT FILL.....99  
 FUEL,  
 CAP.....12  
 SENDER.....12  
 TANK.....12

-G-

GLASS.....53,54

-H-

HANDBRATL.....47  
 HEADLINER.....55  
 HEATER TUBE.....35  
 HOOD, ENGINE.....75,76  
 HOSE, A/C.....8  
 HOSING,  
 SOLUTION.....80,81,82,83  
 HUB, TORQUE.....17,20,23,26  
 HYDRAULIC,  
 FILTER.....13  
 LEVER.....66  
 MANIFOLD...36,37,38,39,108,110  
 QUICK CONNECT.....44  
 SCHEMATIC.....126  
 TANK.....13  
 TUBE.....34,35  
 VALVE.....40,42  
 HYDROSTATIC PUMP.....7

-I-

IGNITION SWITCH.....60

-L-

LADDER.....46  
 CYLINDER.....46  
 PIVOT ARM.....46  
 LEG.....16,19,22,25  
 ALL WHEEL STEER...16,18,22,25  
 LEVER,  
 HYDROSTATIC.....66  
 QUICK ATTACH.....87  
 LIFT VALVE.....107  
 LIGHT.....53,54  
 LINE STRAINER.....77  
 LIQUID LEVEL SWITCH.....13

-M-

MDM DISPLAY.....55  
 MIRROR.....53,54  
 MONITOR, SPRAYER.....63  
 MOTOR,  
 CONTROL VALVE.....106  
 STEERING.....59  
 WHEEL.....17,20,23,26  
 MOUNT, RUBBER.....8,54  
 MUFFLER.....11

-N-

NOZZLE,  
 MOUNT TUBE.....84  
 REAR WHEEL.....84

-O-

OIL COOLER.....9  
 OIL FILTER.....5,13

-P-

PANEL,  
 BATTERY BOX.....9  
 SWITCH.....64  
 PLATFORM, SERVICE.....49  
 PRESSURE TRANSDUCER.....36,39  
 PRESSURE WASHER.....94  
 BOX.....93  
 VALVE.....93  
 PULLER, QUAD.....116  
 PUMP,  
 HYDRAULIC.....4  
 HYDROSTATIC.....7  
 SIDE FILL.....97  
 SOLUTION.....85

-Q-

QUICK CONNECT, HYDRAULIC.....44

-R-

RADIATOR.....9  
 BRACE.....8  
 CAP.....9  
 HOSE.....5  
 RADIO.....55  
 REAR WHEEL NOZZLE.....84  
 RECEPTACLE PANEL.....70  
 RINSE TANK.....77

RUBBER  
MOUNT.....8,9,54  
SPRING.....16,19,22,25

-S-

SCHEMATIC, HYDRAULIC.....126  
SEAT.....56,57  
SENDER, FUEL.....12  
SENDER, WATER LEVEL.....9  
SEVICE PLATFORM.....32  
SHEET METAL.....76  
SHIELD, WHEEL MOTOR..17,20,23,26  
SIDFILL.....99  
BOX.....96  
CYLINDER.....99  
SIGHT GAUGE, OIL.....13  
SKID, ENGINE.....8  
SMV SIGN.....75  
SOLUTION  
HOSING.....80,81,82,83  
PUMP.....85  
TANK.....78  
VALVE.....40  
SPACER, FAN.....5  
SPEAKER.....52  
SPRAY MONITOR.....63  
SPRING,  
AIRRIDE.....16,19,22,25  
SOLUTION TANK.....78  
STANDS.....120  
STARTER.....5  
STEERING,  
ARM.....16,19,22,25  
COLUMN.....60  
CYLINDER.....16,19  
MOTOR.....59  
STRAINER, LINE.....85  
SWITCH,  
A/C BINARY.....8  
BOX.....69  
IGNITION.....57  
LIQUID LEVEL.....13  
PANEL.....64

-T-

TAILLIGHT.....75  
TANK  
AIR.....50,51  
FOAMER.....90  
FRESHWATER.....91  
FUEL.....12  
HYDRAULIC.....13  
RINSE.....72  
SOLUTION.....78

TERMINAL BLOCK.....67  
TIRE.....15  
TOOLBAR.....112  
TORQUE HUB.....17,20,23,26  
TREAD ADJUST  
CYLINDER.....28,29  
VALVE.....32,33  
TUBE,  
A/C.....25  
HEATER.....25  
HYDRAULIC.....24,25

-V-

VALVE,  
AIR.....16,19,22,25  
ALL WHEEL STEER.....104  
BALL.....68,78  
DUMP.....42,43  
ELECTRIC BALL.....77,78  
FOAMER.....90  
FOLD.....109  
HYDRAULIC.....40,42  
LIFT.....107  
PRESSURE WASHER.....94  
SIDE FILL.....97  
SOLUTION.....40  
TREAD ADJUST.....32,33

-W-

WASHER, PRESSURE.....94  
WATER LEVEL SENSOR.....9  
WHEELMOTOR.....17,20,23,26  
SHIELD.....17,20,23,26  
WIRING DIAGRAM.....166

# Notes: