

PARTS MANUAL
FOR
HAGIE MODEL STS 12 HI-TRACTOR
SPRAYER – DETASSELER

HAGIE MANUFACTURING COMPANY

BOX 273 CLARION, IOWA 50525

(515) 532-2861

COVERS MACHINE SERIAL NUMBERS: U1650440001 thru U1650440100

12-03 493312
02-08

SPRAYER IDENTIFICATION

Each Hagie sprayer is identified by means of a frame serial number. This serial number denotes the model, the year in which it was built, and the number of the sprayer. As for further identification, the engine has a serial number and the planetary hubs have identification plates that describe the type of mount and gear ratio. To insure prompt, efficient service when ordering parts or requesting service repairs from Hagie Manufacturing Company, record the serial and identification numbers in the space provided below.

NOTE: Reference to left hand and right hand used throughout this manual refers to the position when seated in the operator's seat facing forward.

SPRAYER SERIAL NUMBER

ENGINE SERIAL NUMBER

PLANETARY HUB IDENTIFICATION NUMBERS

TABLE OF CONTENTS

ENGINE ASSEMBLY 4-11

RADIATOR AND OIL COOLER ASSEMBLY. 12

AIR DRYER ASSEMBLY. 13

FUEL AND OIL TANK ASSEMBLY. 14-15

BATTERY. 16

STEERING CYLINDER. 17

LEG ASSEMBLY 18-25

TIRE ASSEMBLY 26

AIR TANK ASSEMBLY 27

HYDRAULIC TUBING 28-29

TREAD ADJUST ASSEMBLY 30-32

LADDER ASSEMBLY. 33-35

SERVICE PLATFORM. 36

ELECTRICAL BOXES 37-39

CAB ASSEMBLY. 40-44

SWITCH PANEL ASSEMBLY 45

ATI CONTROLER BOX ASSEMBLY 46

LS CONTROL DISPLAY AND DEPTH COMMAND BOX ASSEMBLY 47-50

MIRROR BRACKETS 51-52

BOOM CRADLE 53

ENGINE HOOD 54-56

SOLUTION TANK 57-59

SOLUTION PUMP AND ELECTRIC VALVES 60-74

REAR WHEEL NOZZLE. 75

SOLUTION HOISING 76-79

FOAMER TANK ASSEMBLY. 80-85

TRANSOM, BOOM, AND LIFT COMPONENTS. 86-102

PRESSURE WASHER OPTION. 103-107

SIDE FILL/CHEMICAL INDUCTOR OPTION. 108-110

FRONT FILL OPTION. 111

RADAR OPTION. 112

FLOW MAX 110 MONITOR ASSEMBLY 113

FENDER OPTION 114-115

MANIFOLD AND RELAY BOX ASSEMBLY 116-117

FOLD AND LIFT VALVE ASSEMBLY 118-121

MOTOR CONTROL VALVE ASSEMBLY 122

OUTRIGGER ASSEMBLY 123-128

QUAD AND CUTTER HEAD ASSEMBLY 129-131

DECALS. 132-133

HYDRAULIC SCHEMATIC 134-153

ELECTRICAL SCHEMATIC 154-175

ABBREVIATIONS 176

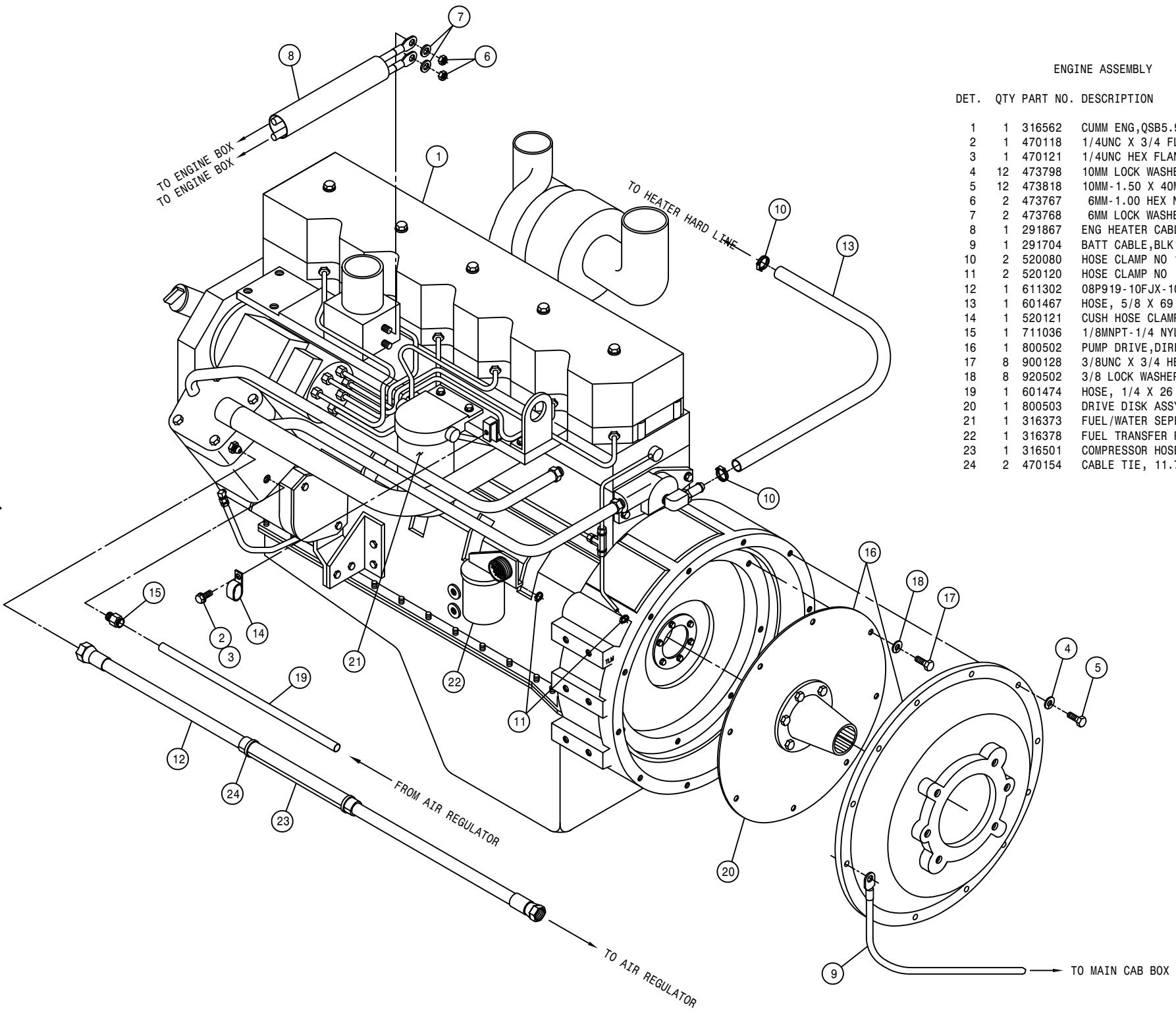
INDEX. 177

PARTS ORDER FORM. 180

ENGINE ASSEMBLY

DET. QTY PART NO. DESCRIPTION

DET.	QTY	PART NO.	DESCRIPTION
1	1	316562	CUMM ENG, QSB5.9C, 275@2500CMPSR
2	1	470118	1/4UNC X 3/4 FLANGE HEX BOLT
3	1	470121	1/4UNC HEX FLANGE LOCK NUT
4	12	473798	10MM LOCK WASHER
5	12	473818	10MM-1.50 X 40MM HEX BOLT
6	2	473767	6MM-1.00 HEX NUT
7	2	473768	6MM LOCK WASHER
8	1	291867	ENG HEATER CABLE ASSY, RED 6GA
9	1	291704	BATT CABLE, BLK 172" 6GA 3/8-3/8
10	2	520080	HOSE CLAMP NO 10 STAINLESS
11	2	520120	HOSE CLAMP NO 4 STAINLESS
12	1	611302	08P919-10FJX-10FJX-69 H/A
13	1	601467	HOSE, 5/8 X 69 HEATER
14	1	520121	CUSH HOSE CLAMP 1IN X 3/4W
15	1	711036	1/8MNPT-1/4 NYL TUBE FTG
16	1	800502	PUMP DRIVE, DIRECT SAE#3/C 23T
17	8	900128	3/8UNC X 3/4 HEX BOLT
18	8	920502	3/8 LOCK WASHER
19	1	601474	HOSE, 1/4 X 26 AIR
20	1	800503	DRIVE DISK ASSY, 11.5" 23T SPL
21	1	316373	FUEL/WATER SEPERATOR (316360)
22	1	316378	FUEL TRANSFER PUMP FOR 316360
23	1	316501	COMPRESSOR HOSE GUARD STS
24	2	470154	CABLE TIE, 11.75" BLK PLASTIC

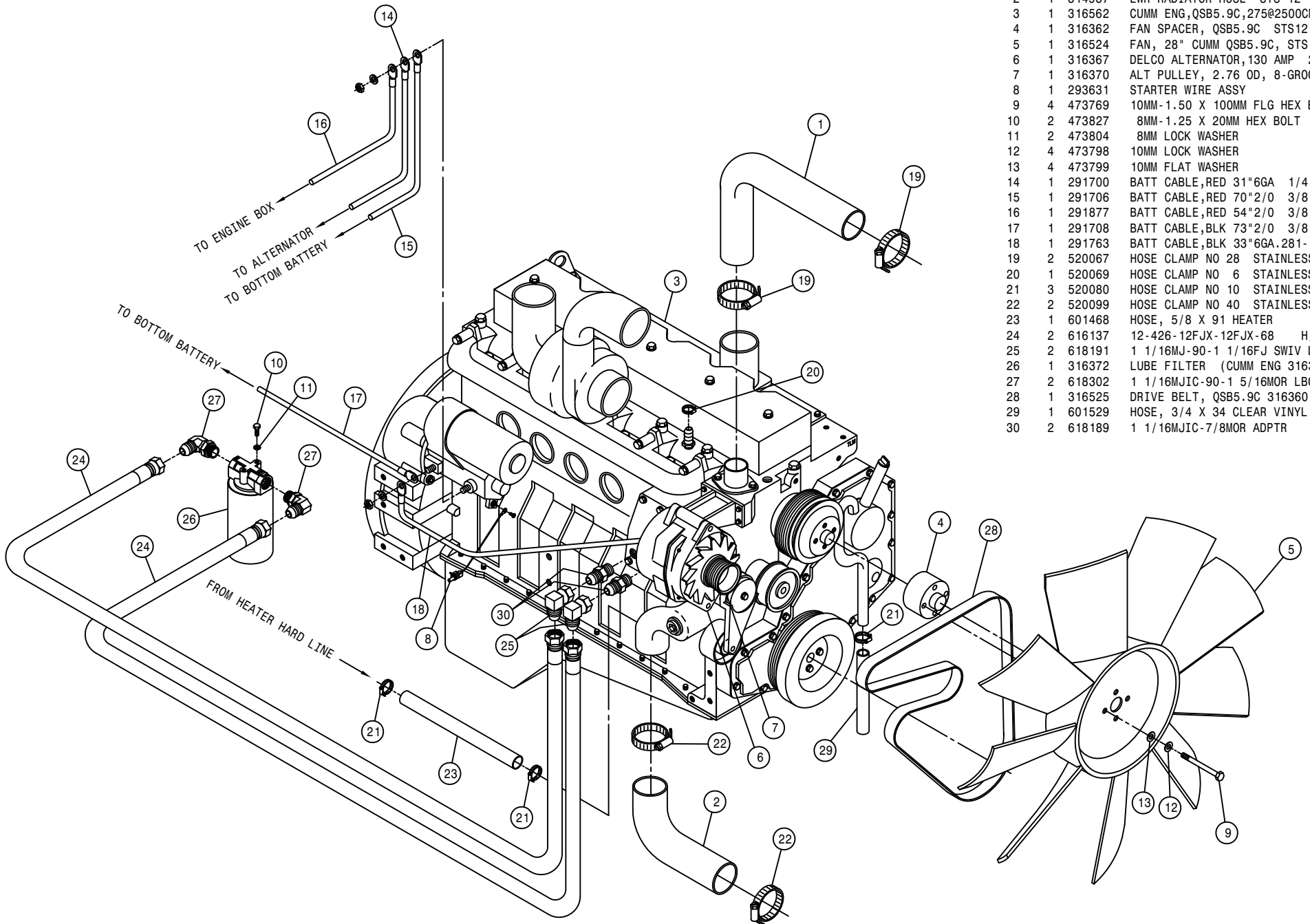


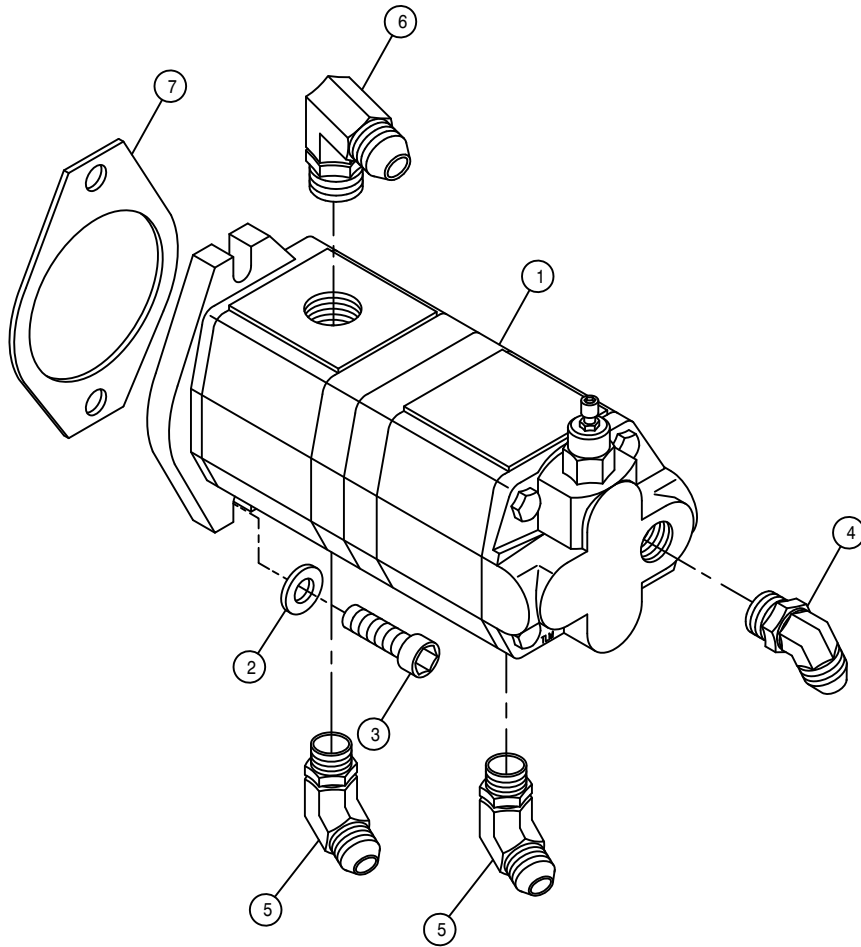
4

ENGINE ASSEMBLY

DET. QTY PART NO. DESCRIPTION

1	1	314832	RADIATOR HOSE 1.75 X 19(52423)
2	1	314987	LWR RADIATOR HOSE STS-12
3	1	316562	CUMM ENG,QSB5.9C,275@2500CMPSR
4	1	316362	FAN SPACER, QSB5.9C STS12 00
5	1	316524	FAN, 28" CUMM QSB5.9C, STS 02
6	1	316367	DELCO ALTERNATOR,130 AMP 22SI
7	1	316370	ALT PULLEY, 2.76 OD, 8-GROOVE
8	1	293631	STARTER WIRE ASSY
9	4	473769	10MM-1.50 X 100MM FLG HEX BOLT
10	2	473827	8MM-1.25 X 20MM HEX BOLT
11	2	473804	8MM LOCK WASHER
12	4	473798	10MM LOCK WASHER
13	4	473799	10MM FLAT WASHER
14	1	291700	BATT CABLE,RED 31"6GA 1/4-3/8
15	1	291706	BATT CABLE,RED 70"2/0 3/8-3/8
16	1	291877	BATT CABLE,RED 54"2/0 3/8-3/8
17	1	291708	BATT CABLE,BLK 73"2/0 3/8-3/8
18	1	291763	BATT CABLE,BLK 33"6GA.281-.406
19	2	520067	HOSE CLAMP NO 28 STAINLESS
20	1	520069	HOSE CLAMP NO 6 STAINLESS
21	3	520080	HOSE CLAMP NO 10 STAINLESS
22	2	520099	HOSE CLAMP NO 40 STAINLESS
23	1	601468	HOSE, 5/8 X 91 HEATER
24	2	616137	12-426-12FJX-12FJX-68 H/A
25	2	618191	1 1/16MJ-90-1 1/16FJ SWIV LBO
26	1	316372	LUBE FILTER (CUMM ENG 316360)
27	2	618302	1 1/16MJIC-90-1 5/16MOR LBO
28	1	316525	DRIVE BELT, QSB5.9C 316360 02
29	1	601529	HOSE, 3/4 X 34 CLEAR VINYL
30	2	618189	1 1/16MJIC-7/8MOR ADPTR





STEERING AND TREAD ADJUST PUMP ASSEMBLY

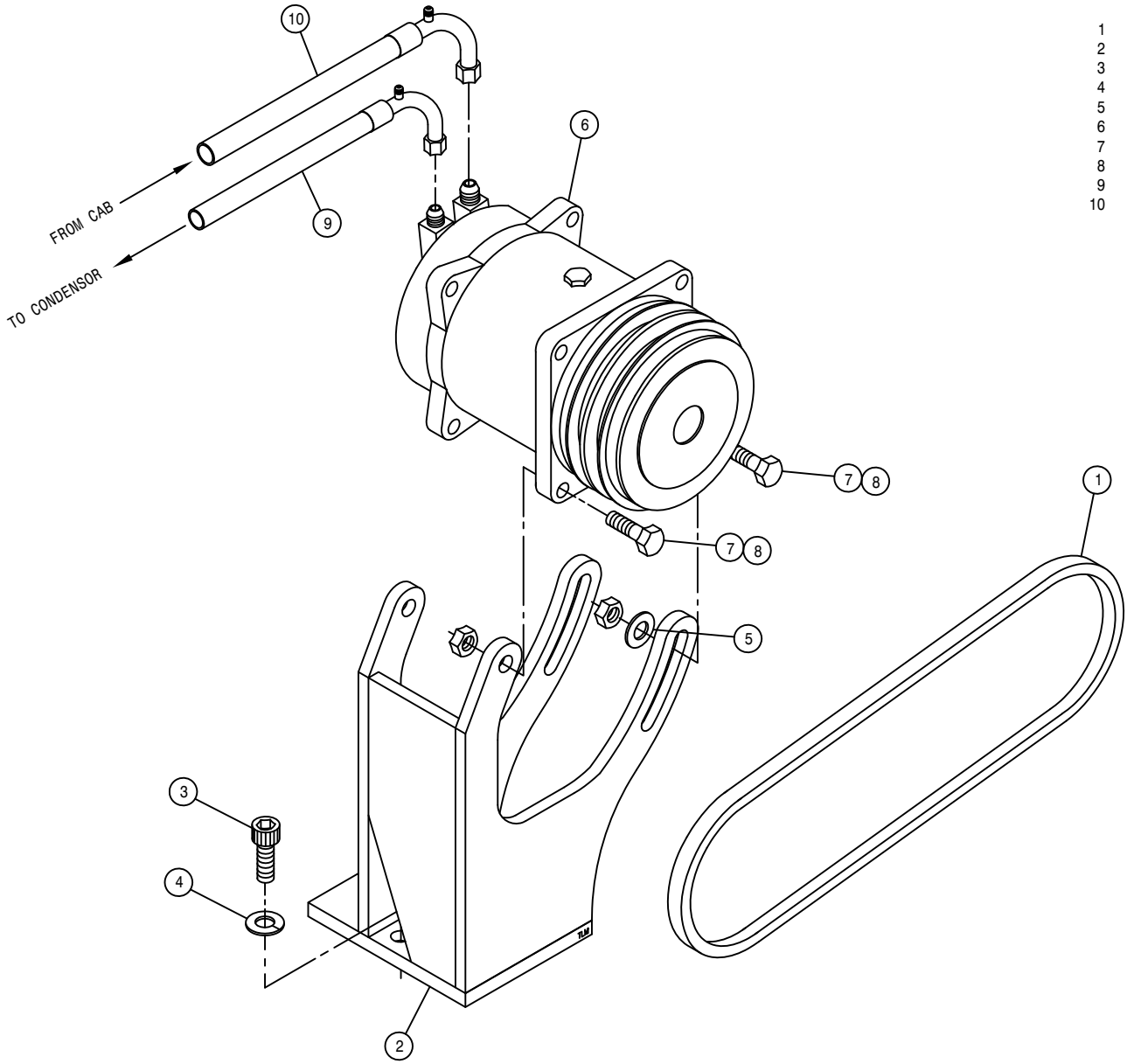
DET. QTY PART NO. DESCRIPTION

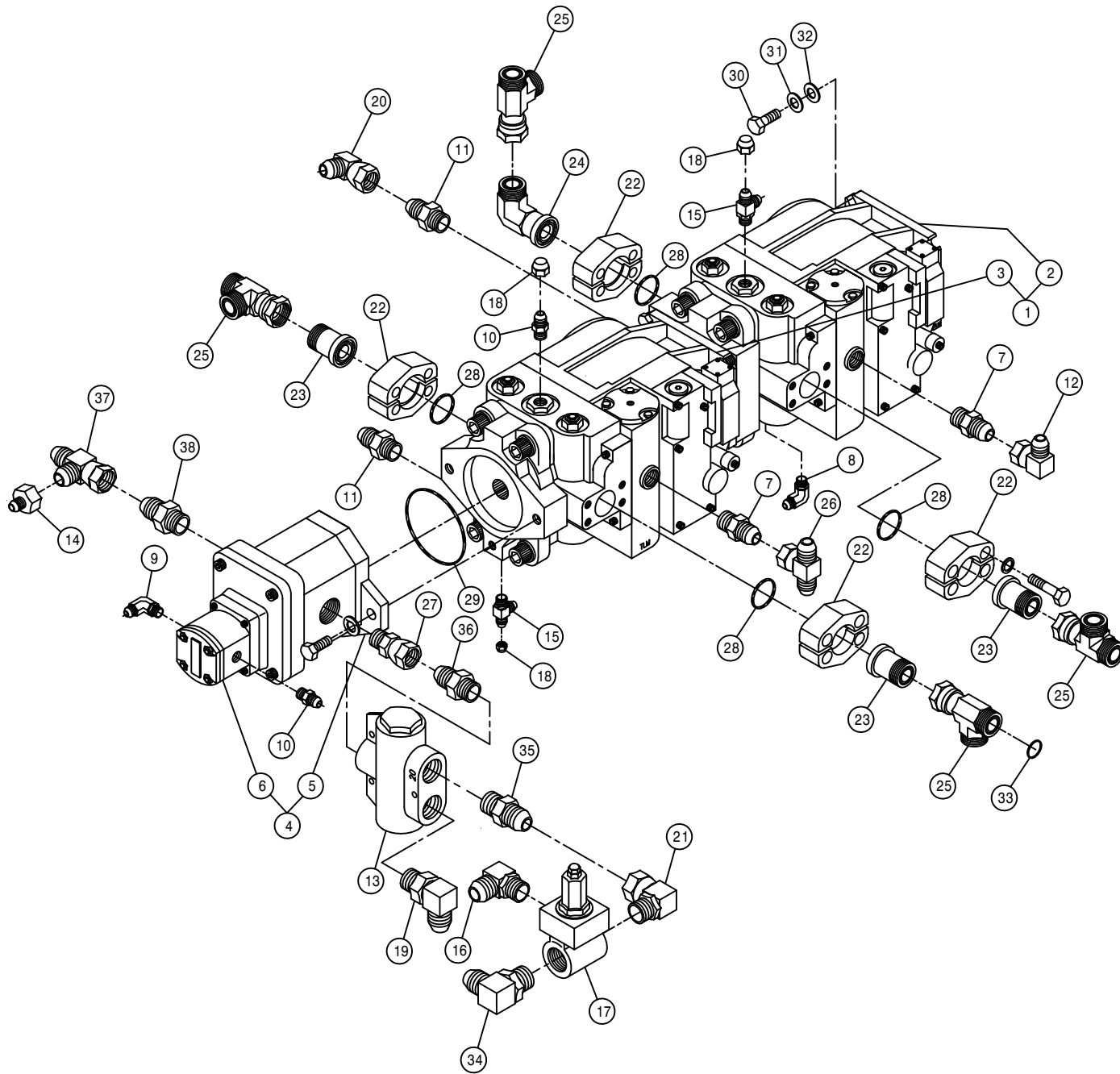
1	1	606990	TANDEM PUMP, .66CI/.51CI
2	2	473799	10MM FLAT WASHER
3	2	473844	10MM-1.50 X 30 SOC HD CAP SCR
4	1	618315	3/4MJIC-45-3/4MOR LBO
5	2	618183	3/4MJIC-90-7/8MOR LBO
6	1	618248	1 1/16MJIC-90-1 1/16MOR LBO
7	1	316371	GASKET, AUX DRIVE CUMM 154916

A/C COMPRESSOR PUMP ASSEMBLY

DET. QTY PART NO. DESCRIPTION

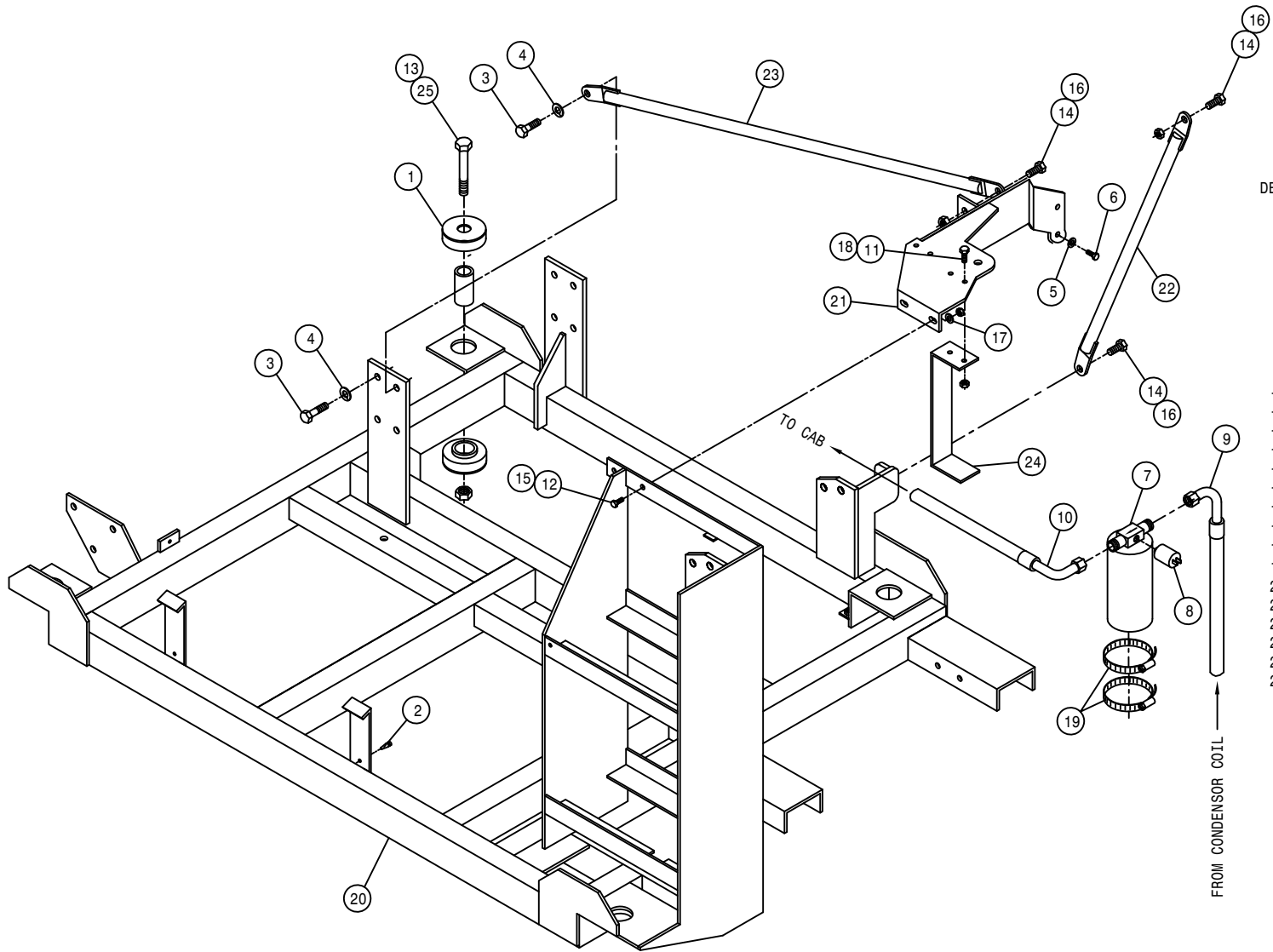
1	1	147052	BELT, 17470 GOODYEAR
2	1	316591	A/C MTG BRKT WLD, STS 2004
3	3	473844	10MM-1.50 X 30 SOC HD CAP SCR
4	3	473798	10MM LOCK WASHER
5	2	483043	3/8 REGULAR FLAT WASHER
6	1	657450	A/C COMP SR,90D PORT TM15/12
7	4	900131	3/8UNC X 1 1/2 HEX BOLT
8	4	914004	3/8UNC HEX STOVER NUT
9	1	657446	A/C HOSE,08-08F90-08F90SV-65"
10	1	657447	A/C HOSE,10-10F90-10F90SV-92"





HYDROSTATIC PUMP ASSEMBLY

DET.	QTY	PART NO.	DESCRIPTION
	1	606150	TANDEM PUMP, 606153 & 606156
	2	606153	SAUER 75CC PUMP,C/C-MT
	3	606156	SAUER 75CC PUMP,C/B-MT
	4	606084	TANDEM PUMP, 606087 & 606987
	5	606087	SAUER GEAR PUMP,3.87CI GRP3
	6	606987	SUND GEAR PUMP,.128CI GRP3
	7	2	611127 1 1/16MJIC-1 1/16MOR ADPTR
	8	1	614754 .050 ELBOW ASSY,9/16MOR 90D
	9	1	618241 3/4MJIC-90-3/4MOR LBO
	10	2	618126 9/16MJIC-9/16MOR ADPTR
	11	2	618186 1 5/16MJIC-1 5/16MOR ADPTR
	12	1	618191 1 1/16MJ-90-1 1/16FJ SWIV LBO
	13	1	606074 FLO DIV BG420 20GPM PRI 16FOR
	14	1	618720 1 7/8FJIC-3/4MJIC ADPTR
	15	2	618444 9/16MOR RUN TEE-9/16MJIC
	16	1	618279 1 1/16MJIC-90-7/8MOR LBO
	17	1	607550 IN-LINE RELIEF VALVE, 2600 PSI
	18	3	618531 9/16FJIC CAP NUT
	19	1	618178 1 5/16MJIC-90-1 5/16MOR LBO
	20	1	618640 1 5/16MJ-90-1 5/16FJ SWIV LBO
	21	1	618684 1 1/16MOR-90-1 1/16FJIC SWIV
	22	4	618652 1" SPLIT FLANGE KIT
	23	3	618653 1" FLANGE-1 7/16MFOR ADPTR
	24	1	618654 1" FLANGE-90-1 7/16MFOR LBO
	25	4	618655 1 7/16FFOX RUN TEE-1 7/16MFOR
	26	1	618660 1 1/16FJX BRANCH TEE-1 1/16MJ
	27	1	618683 1 5/8MOR-1 5/8FJIC SWIV ADPTR
	28	4	618676 O-RING FOR 1" SPL FLG 618652
	29	1	606870 O-RING FOR 606865 SUND B-MT
	30	4	900265 1/2UNC X 1 1/2 HEX BOLT
	31	4	920504 1/2 LOCK WASHER
	32	4	920004 1/2 SAE FLAT WASHER
	33	12	618677 O-RING,-16 FACE SEAL .93ID 90D
	34	1	618248 1 1/16MJIC-90-1 1/16MOR LBO
	35	1	618308 1 1/16MJIC-1 5/16MOR ADPTR
	36	1	618471 1 5/8MJIC-1 5/16MOR ADPTR
	37	1	618681 1 7/8FJ SW RUN TEE-1 7/8MJ
	38	1	618682 1 7/8MOR-1 7/8MJIC ADPTR

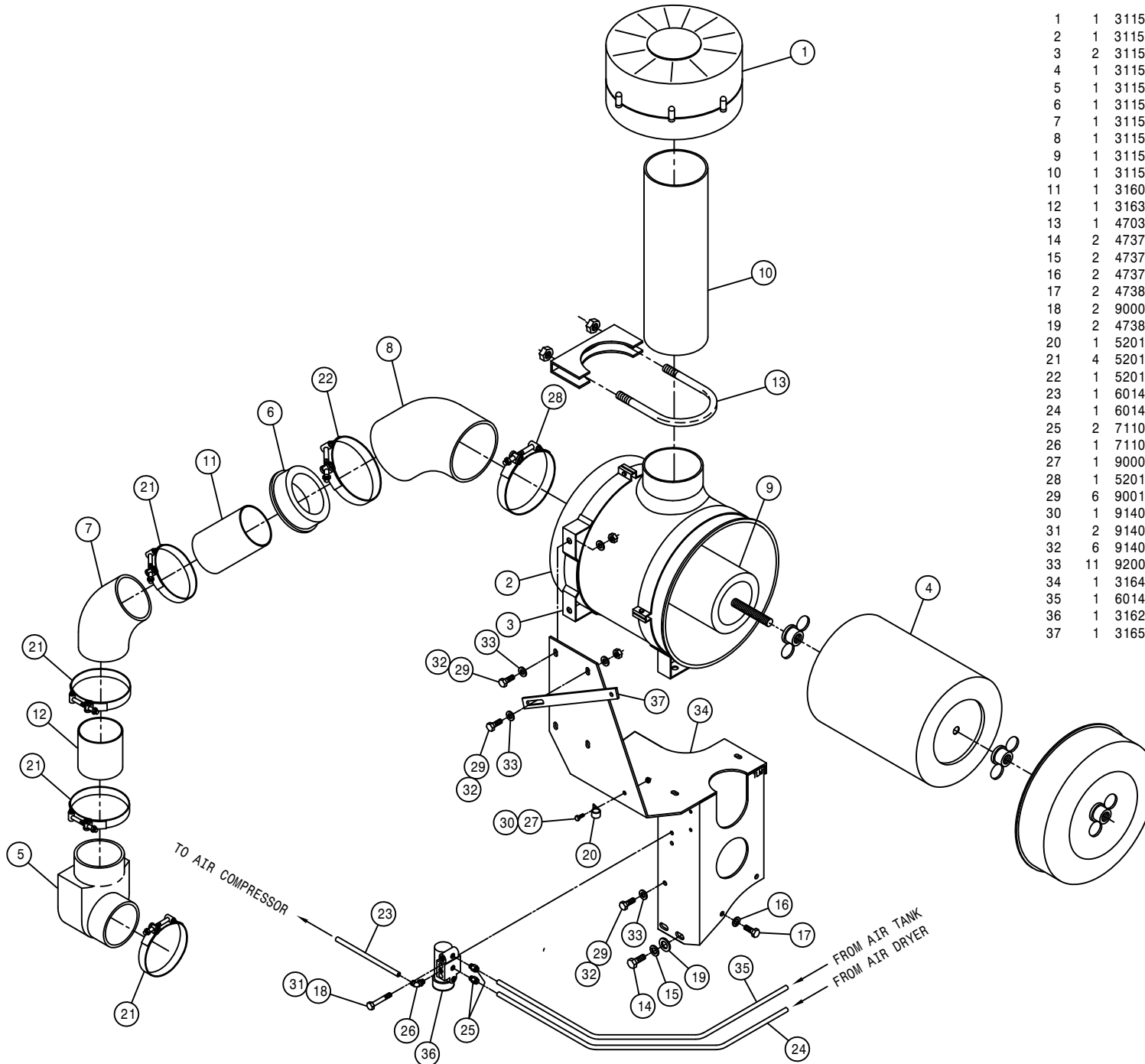


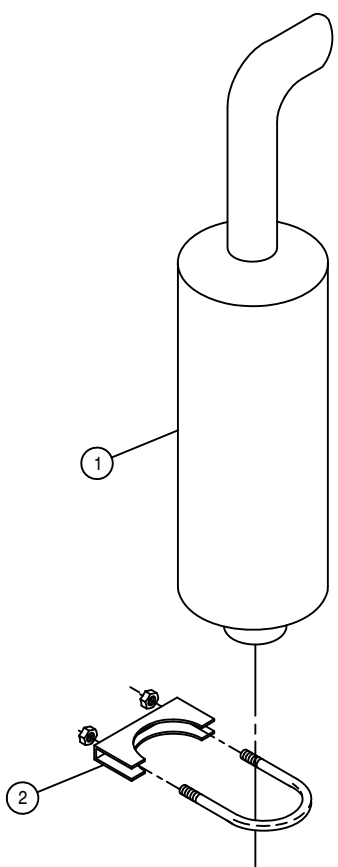
ENGINE SKID ASSEMBLY

DET.	QTY	PART NO.	DESCRIPTION	
1	4	311057	RUBBER MT SET,SSB33-1000-4	
2	4	470313	GROMMET BUMPER,1/4T X 1/4D MT	
3	12	473775	12MM-1.75 X 30MM HEX BOLT	
4	12	473784	12MM LOCK WASHER	
5	2	473804	8MM LOCK WASHER	
6	2	473827	8MM-1.25 X 20MM HEX BOLT	
7	1	657421	A/C RECEIVER/DRIER	
8	1	657422	A/C BINARY SWITCH	
9	1	657443	A/C HOSE,06-06F90-06F90-34"	
10	1	657444	A/C HOSE,06-06F90-06F90-115"	
11	2	900065	5/16UNC X 1" HEX BOLT	
12	2	900129	3/8UNC X 1" HEX BOLT	
13	4	914012	3/4UNC HEX STOVER NUT	
14	3	900264	1/2UNC X 1 1/4 HEX BOLT	
15	2	914004	3/8UNC HEX STOVER NUT	
16	3	914008	1/2UNC HEX STOVER NUT	
17	2	920002	3/8 SAE FLAT WASHER	
18	2	914002	5/16UNC HEX STOVER NUT	
19	2	520052	HOSE CLAMP NO 52 STAINLESS	
20	1	316574	SKID WLD, STS	04
21	1	316581	RAD MT PLT WLD, STS	04
22	1	316433	RH RAD BRACE WLD	
23	1	316434	LH RAD BRACE WLD	
24	1	316432	A/C DRYER MT	
25	4	900408	3/4UNC X 3 1/2 HEX BOLT	

AIR CLEANER ASSEMBLY

DET.	QTY	PART NO.	DESCRIPTION
1	1	311520	ENGINE PRE CLEANER
2	1	311514	AIR CLEANER, 14" STS 03
3	2	311517	AIR CLEANER MT BAND, 14" STS 03
4	1	311515	PRIMARY AIR FILTER FOR 311514
5	1	311505	4.00 90 DEG COBRA ELBOW, RUBBER
6	1	311506	5.50-4.00 ID REDUCER BUSHING
7	1	311507	4.00" 45DEG ELBOW, RUBBER
8	1	311521	6.00 - 5.50 45DEG ELBOW, RUBBER
9	1	311516	SAFETY ELEMENT FOR 311514
10	1	311526	AIR CLEANER HOOD EXT, 6" X 16" LG
11	1	316068	4" X 6.00" AIR INTAKE TUBE
12	1	316344	4" X 4.00" AIR INTAKE TUBE 98
13	1	470354	MUFFLER CLAMP, 6.00 STD U-BOLT
14	2	473775	12MM-1.75 X 30MM HEX BOLT
15	2	473784	12MM LOCK WASHER
16	2	473798	10MM LOCK WASHER
17	2	473818	10MM-1.50 X 40MM HEX BOLT
18	2	900072	5/16UNC X 3" HEX BOLT
19	2	473843	12MM FLAT WASHER
20	1	520117	CUSH HOSE CLAMP 5/8D X 1/2W
21	4	520134	4.31/4.59 T-BOLT HOSE CLAMP SS
22	1	520144	5.94/6.21 T-BOLT HOSE CLAMP SS
23	1	601474	HOSE, 1/4 X 26 AIR
24	1	601475	HOSE, 1/4 X 47 AIR
25	2	711036	1/8MNPT-1/4 NYL TUBE FTG
26	1	711039	1/8MNPT-1/4 NYL TUBE LBO
27	1	900000	1/4UNC X 1/2 HEX BOLT
28	1	520147	6.38/6.69 T-BOLT HOSE CLAMP
29	6	900129	3/8UNC X 1" HEX BOLT
30	1	914000	1/4UNC HEX STOVER NUT
31	2	914002	5/16UNC HEX STOVER NUT
32	6	914004	3/8UNC HEX STOVER NUT
33	11	920002	3/8 SAE FLAT WASHER
34	1	316464	AIR CLEANER MT WLD
35	1	601478	HOSE, 1/4 X 175 AIR
36	1	316277	AIR COMPRESSOR GOVERNOR KIT
37	1	316583	RH FRT HOOD BRACE, STS 04



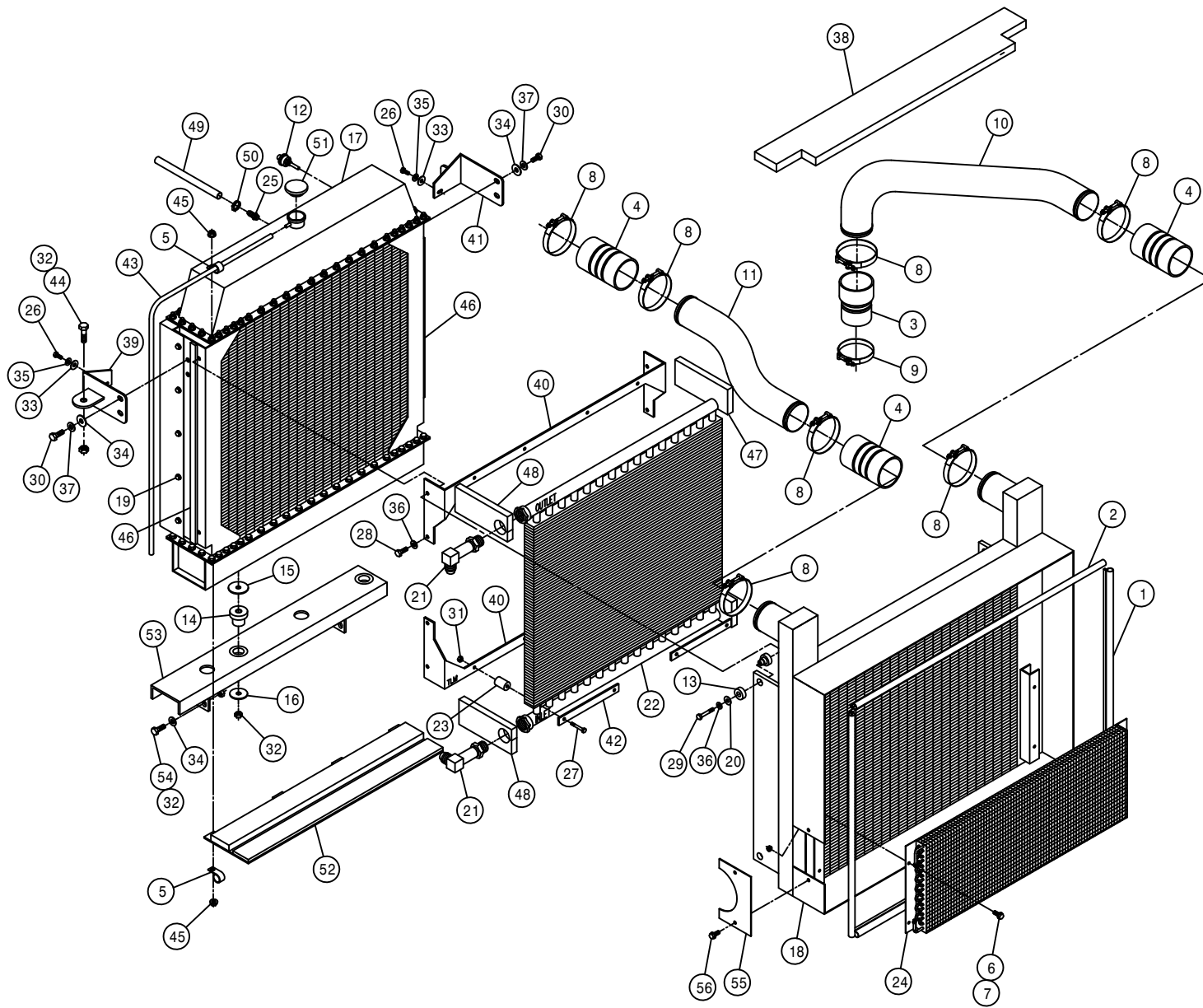


MUFFLER ASSEMBLY

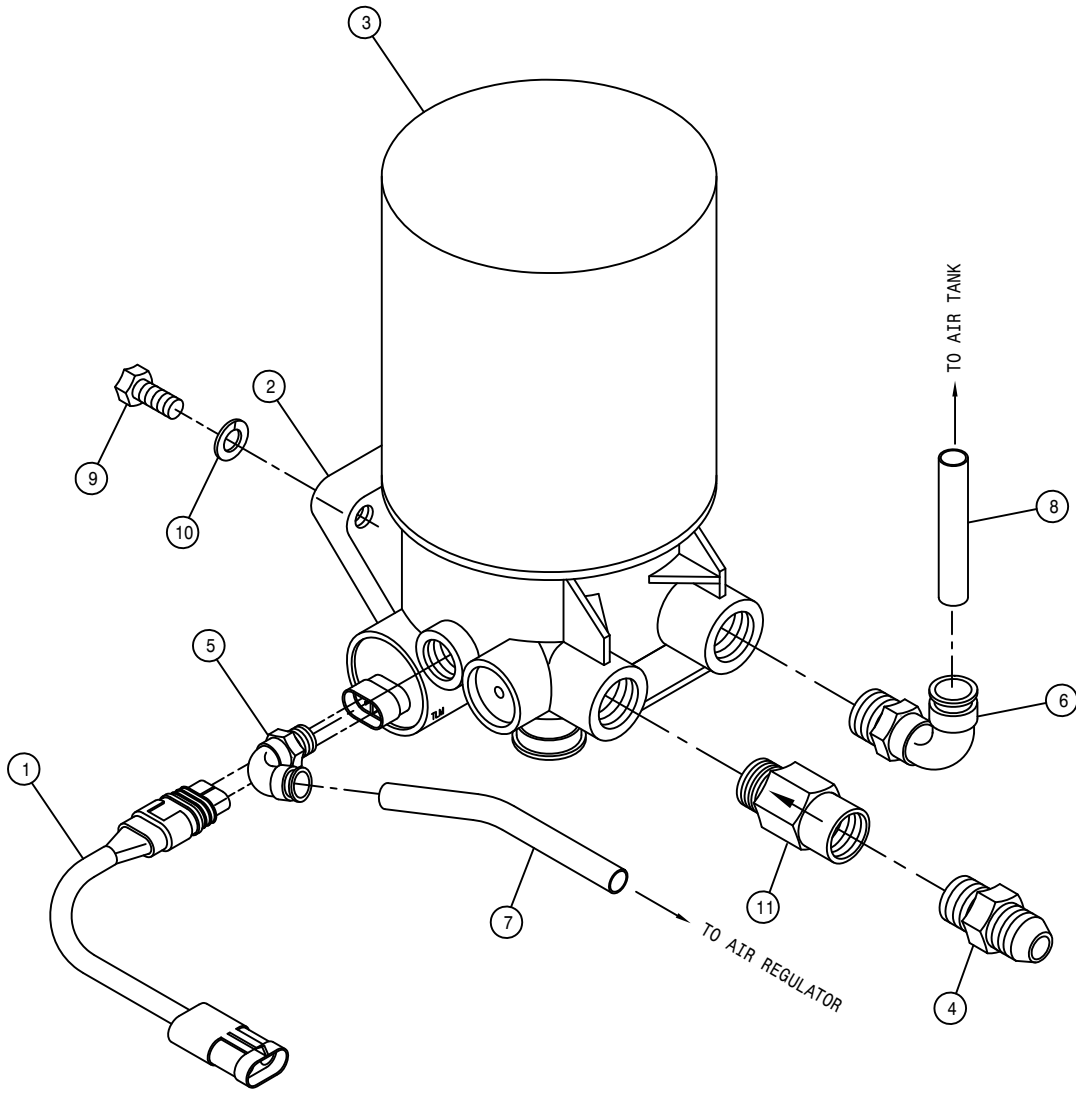
DET.	QTY	PART NO.	DESCRIPTION
1	1	316366	MUFFLER, 2100/STS10/STS12
2	1	470160	MUFFLER CLAMP 3.00 IN

RADIATOR AND OIL COOLER ASSEMBLY

DET. QTY PART NO. DESCRIPTION



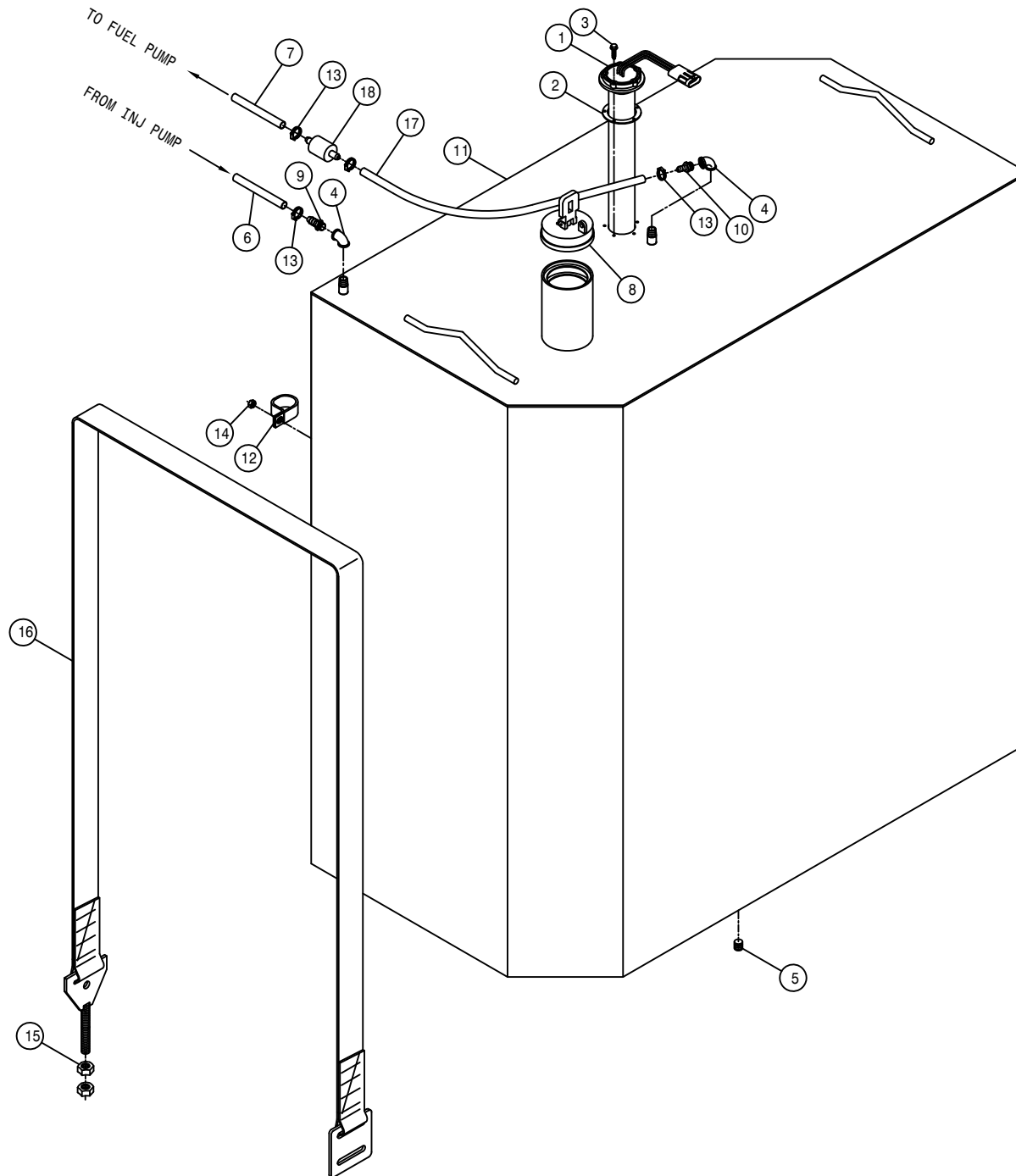
1	2	316589	VERTICAL CAC LIP SEAL, STS	04
2	2	316590	HORIZONTAL CAC LIP SEAL, STS	04
3	1	311500	3.00-3.50 CAC HOSE, AIR INTAKE	
4	3	311501	3.50 CAC HOSE, AIR INTAKE	
5	2	520128	CUSH HOSE CLAMP 9/16D X 3/4W	
6	4	470121	1/4UNC HEX FLANGE LOCK NUT	
7	4	470122	1/4UNC X 1/2 FLANGE HEX BOLT	
8	7	520145	356 T-BOLT HOSE CLAMP SS	
9	1	520146	306 T-BOLT HOSE CLAMP SS	
10	1	316459	RIGHT CHARGE AIR COOLER PIPE	
11	1	316460	LEFT CHARGE AIR COOLER PIPE	
12	1	291714	WATER LEVEL SENSOR	
13	4	311056	RUBBER MOUNT SET, 2-PC CB 2320	
14	2	311060	RUBBER MOUNT, 1-PC CB-1122-2	
15	2	311061	HEAD WASHER FOR 311060	
16	2	311062	TAIL WASHER FOR 311060	
17	1	316364	RADIATOR, STS12	2000
18	1	316585	CHARGE AIR COOLER, STS	2004
19	10	470319	3/8UNC X 1/2 FLANGE HEX BOLT	
20	4	483043	3/8 REGULAR FLAT WASHER	
21	2	618463	1 5/16MJIC-90-1 5/16MOR XL LBO	
22	1	618800	OIL COOLER STS12	2000
23	8	618801	MOUNTING KIT FOR 618800 COOLER	
24	1	657434	A/C CONDENSER COIL 21-0302	
25	1	783304	1/4 NPT X 3/8 HOSE BARB, BRS	
26	2	900064	5/16UNC X 3/4 HEX BOLT	
27	8	900071	5/16UNC X 2 3/4 HEX BOLT	
28	4	900128	3/8UNC X 3/4 HEX BOLT	
29	4	900133	3/8UNC X 2" HEX BOLT	
30	4	900264	1/2UNC X 1 1/4 HEX BOLT	
31	8	914002	5/16UNC HEX STOVER NUT	
32	7	914008	1/2UNC HEX STOVER NUT	
33	2	920001	5/16 SAE FLAT WASHER	
34	8	920004	1/2 SAE FLAT WASHER	
35	2	920501	5/16 LOCK WASHER	
36	8	920502	3/8 LOCK WASHER	
37	4	920504	1/2 LOCK WASHER	
38	1	316588	FOAM, STS	04
39	1	316586	UPPER LH RAD MT WLD, STS	04
40	2	316452	RAD TO OIL COOLER MT	
41	1	316446	UPPER RH RAD MT WLD	2000
42	4	316453	RAD TO OIL COOLER KEEPER	
43	1	601614	HOSE, 5/16 X 64 EPDM	
44	1	900264	1/2UNC X 1 1/4 HEX BOLT	
45	5	470113	5/16UNC HEX FLANGE LOCK NUT	
46	2	316493	SIDE FOAM, RAD/CAC	
47	2	316494	RH UPR/LWR FOAM, OIL CLR/RAD 00	
48	2	316495	LH UPR/LWR FOAM, OIL CLR/RAD 00	
49	1	601472	HOSE, 3/8 X 24 HEATER	
50	1	520069	HOSE CLAMP NO 6 STAINLESS	
51	1	316377	RAD CAP, 10LB 10237	
52	1	316490	LWR RADIATOR FILLER PANEL ASSY	
53	1	316594	RADIATOR MT CHAN WLD, STS	04
54	4	900265	1/2UNC X 1 1/2 HEX BOLT	
55	1	316599	CHARGE AIR ACCESS COVER, STS	04
56	2	470232	5/16UNC X 1/2 FLANGE HEX BOLT	



AIR DRYER ASSEMBLY

DET. QTY PART NO. DESCRIPTION

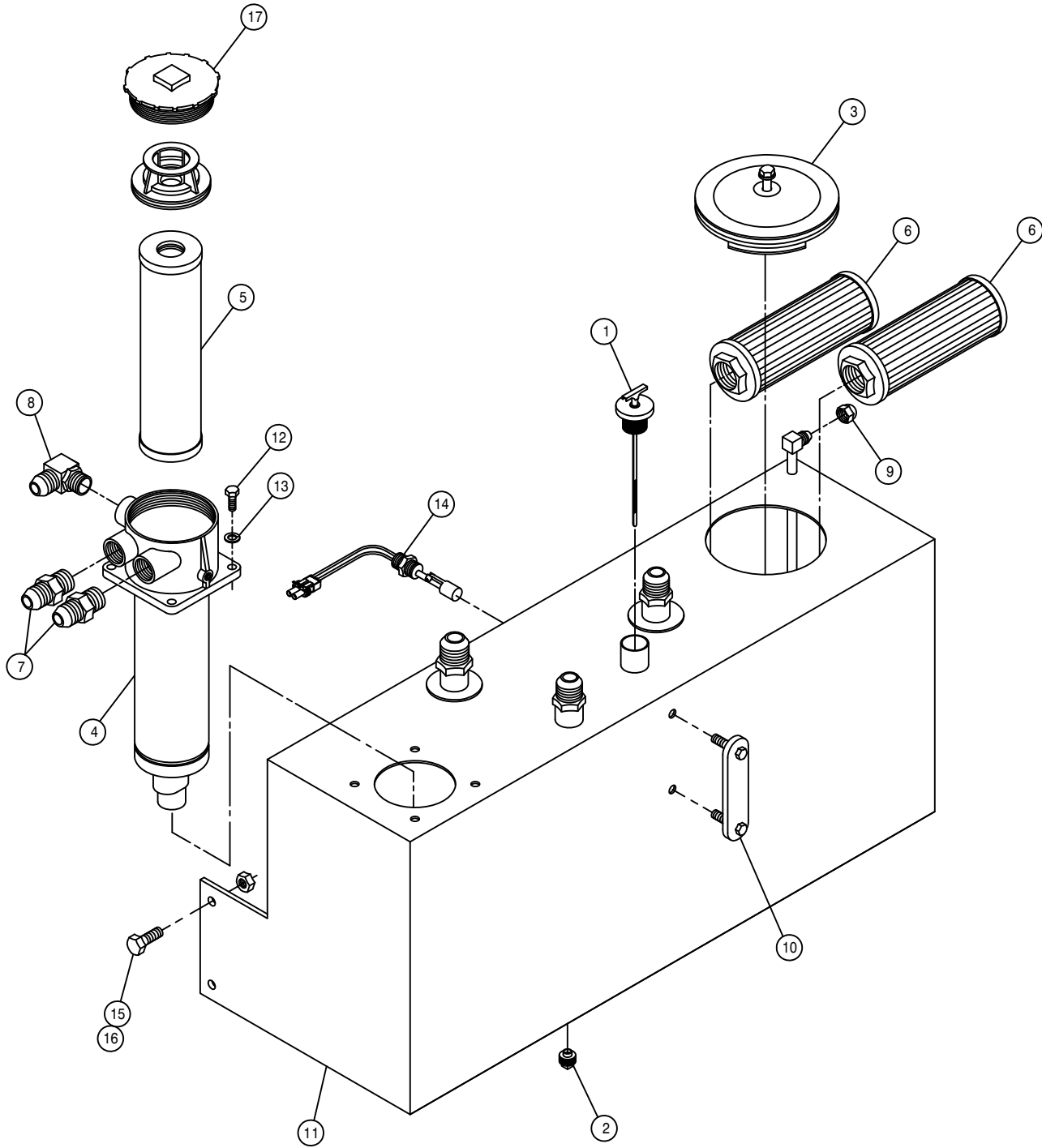
1	1	293517	AIR DRYER HARNESS
2	1	311072	AIR DRYER, AD-SP SYSTEM PURGE
3	1	311073	CARTRIDGE FOR AIR DRYER 311072
4	1	618325	7/8MJIC-1/2MNPT ADPTR
5	1	711040	1/4MNPT-90-1/4 NYL TUBE LBO
6	1	711042	1/2MNPT-1/2 NYL TUBE LBO
7	1	601475	HOSE, 1/4 X 47 AIR
8	1	601483	HOSE, 1/2 X 84 AIR
9	3	900265	1/2UNC X 1 1/2 HEX BOLT
10	3	920504	1/2 LOCK WASHER
11	1	711032	CHECK VALVE, 1/2"FNPT-1/2"MNPT



FUEL TANK ASSEMBLY

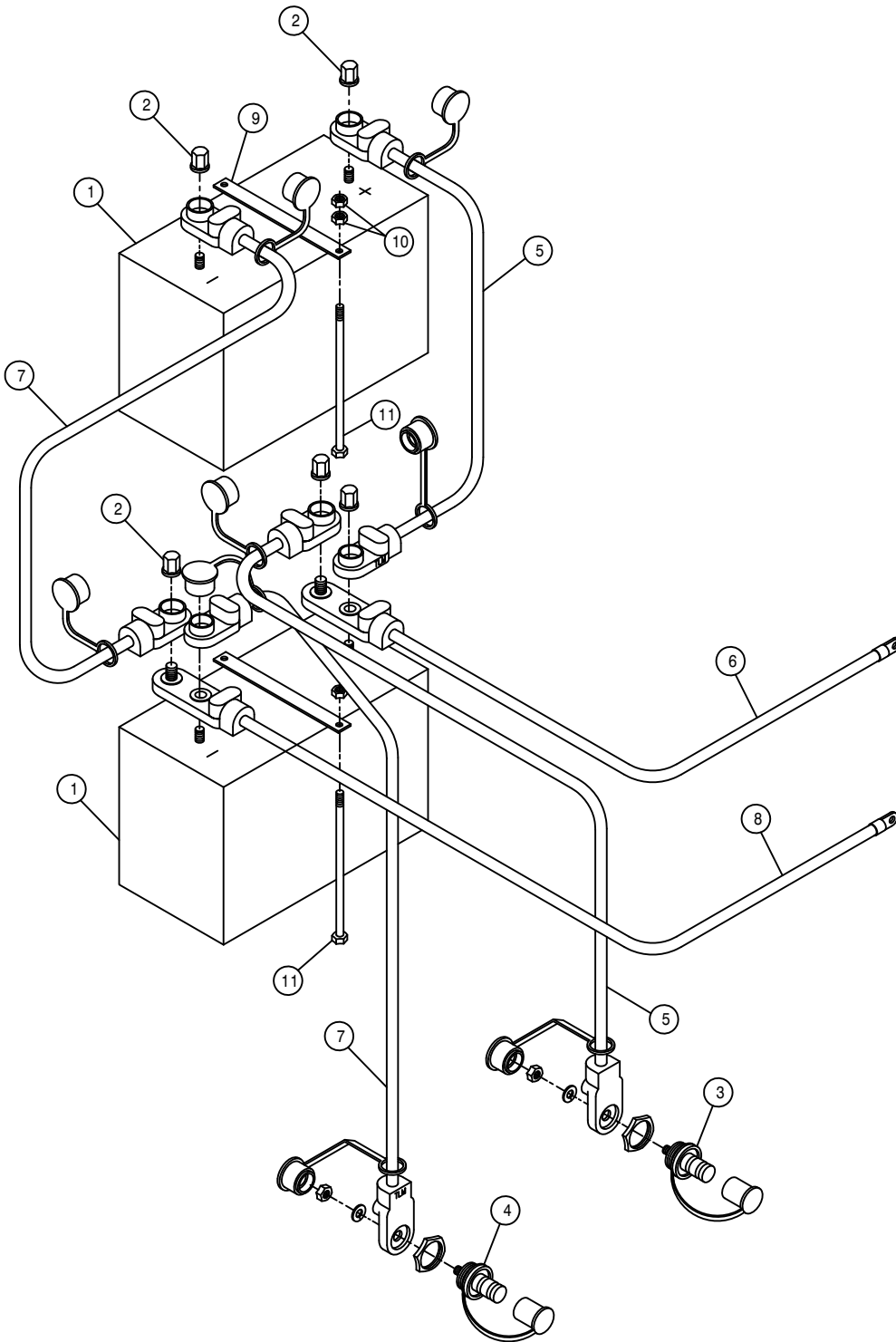
DET. QTY PART NO. DESCRIPTION

1	1	291353	FUEL LEVEL SENDER, 45"
2	1	291789	GASKET FOR FUEL SENDER 291788
3	5	472347	#10 X 1 1/4 SELF DRILL/TAP SCR
4	2	501451	BLK PIPE EL 90DEG .25NPT
5	1	503703	PIPE PLUG .50NPT SKT HD
6	1	601300	HOSE, 5/16 X 60 FUEL LINE
7	1	601550	HOSE, 3/8 X 22 FUEL LINE
8	1	760469	FUEL TANK CAP, 3.50" VENTED
9	1	783303	1/4 NPT X 5/16 HOSE BARB, BRS
10	1	783304	1/4 NPT X 3/8 HOSE BARB, BRS
11	1	760461	FUEL TANK WLD, STS 04
12	1	520100	CUSH HOSE CLAMP, 1 1/2D X 1/2W
13	4	520120	HOSE CLAMP NO 4 STAINLESS
14	1	914000	1/4UNC HEX STOVER NUT
15	4	910008	1/2UNC HEX NUT
16	2	316575	FUEL TANK STRAP ASSY, STS 04
17	1	601551	HOSE, 3/8 X 38 FUEL LINE
18	1	316281	FUEL STRAINER, IN-LINE, DIESEL



HYDRAULIC TANK ASSEMBLY

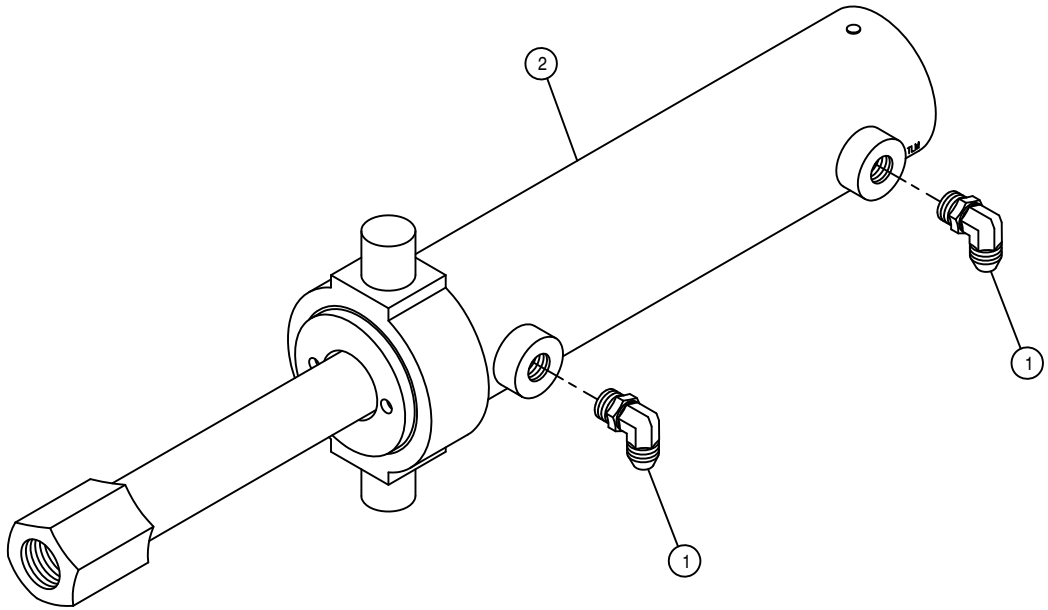
DET.	QTY	PART NO.	DESCRIPTION
1	1	470293	DIPSTICK, VENTED
2	1	470308	1/2MNPT DRAIN PLUG,AL HD,MAG
3	1	470362	6" HOLE COVER
4	1	605618	HYD TANK FILTER, 10M HYDAC
5	1	605619	FILTER ELEMENT FOR 605618
6	2	605620	SUMP STRAINER,50GPM,100M,1.5NP
7	2	618186	1 5/16MJIC-1 5/16MOR ADPTR
8	1	618477	1 5/8MJIC-90-1 5/8MOR LBO
9	1	618532	3/4FJIC CAP NUT
10	1	760177	SIGHT GAUGE W/TEMP, HYD TANK
11	1	760288	HYD TANK WLD, STS 04
12	4	900130	3/8UNC X 1 1/4 HEX BOLT
13	4	920502	3/8 LOCK WASHER
14	1	470350	LIQUID LEVEL SWITCH ASSY,1/2NP
15	4	900264	1/2UNC X 1 1/4 HEX BOLT
16	4	914008	1/2UNC HEX STOVER NUT
17	1	605621	CAP, HYD TANK FILTER 605618



BATTERY ASSEMBLY

DET. QTY PART NO. DESCRIPTION

1	2	291196	BATTERY, 12V 950CCA, SS STUD
2	6	291205	BATTERY NUT, 3/8-16 SS CLSD CAP
3	1	291680	POSITIVE JUMPER STUD, RED
4	1	291681	NEGATIVE JUMPER STUD, BLACK
5	2	291705	BATT CABLE, RED 26"2/0 3/8-3/8
6	1	291706	BATT CABLE, RED 70"2/0 3/8-3/8
7	2	291707	BATT CABLE, BLK 26"2/0 3/8-3/8
8	1	291708	BATT CABLE, BLK 73"2/0 3/8-3/8
9	2	316470	BATTERY TIE-DOWN
10	8	910004	3/8UNC HEX NUT
11	4	900150	3/8UNC X 9 1/2 HEX BOLT



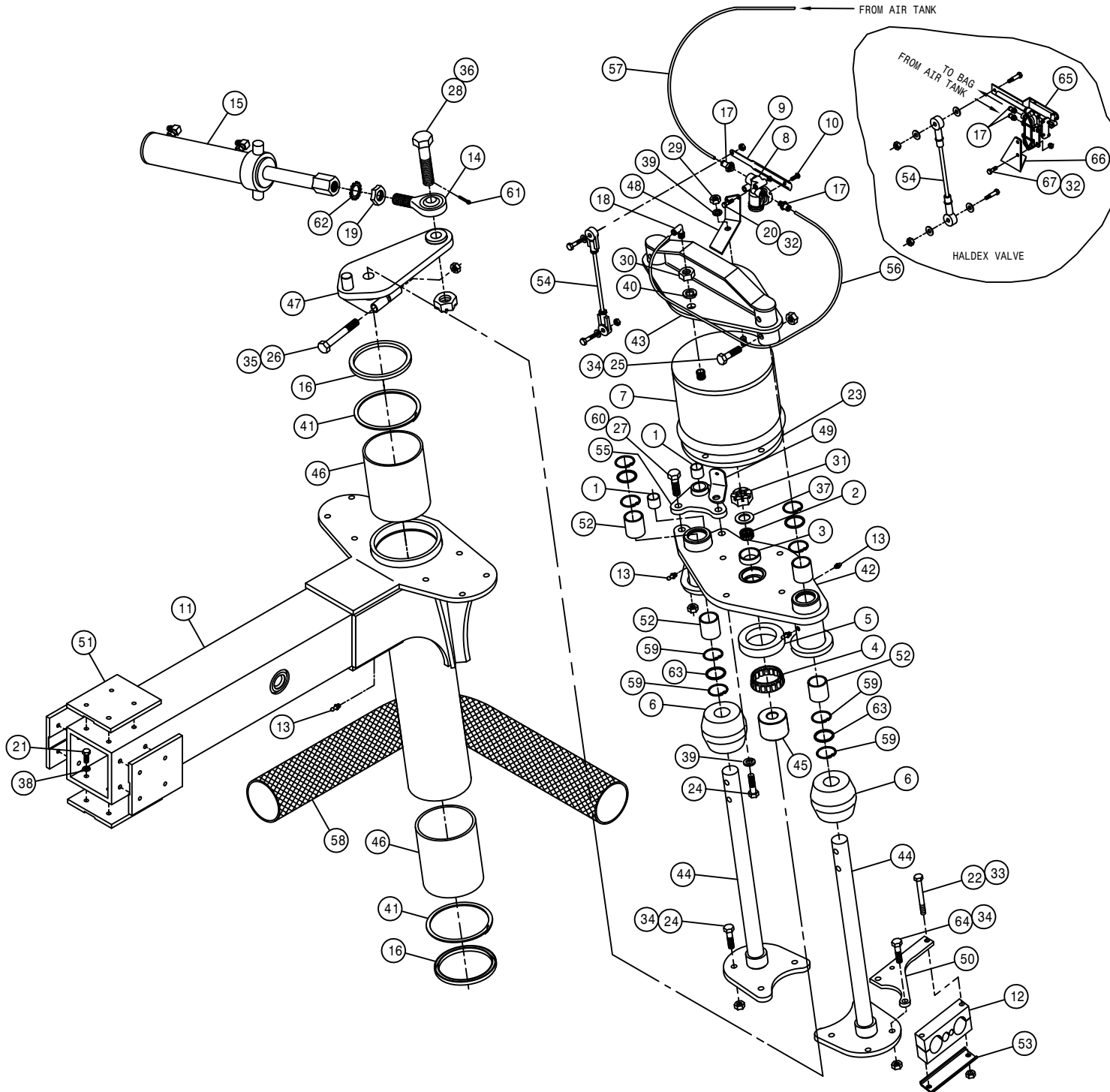
STEERING CYLINDER ASSEMBLY

DET.	QTY	PART NO.	DESCRIPTION
	1	2	618249 3/4MJIC-90-9/16MOR LBO
	2	1	621550 STEERING CYL,2.50 X 8.81 STS
	NS	1	621551 REPAIR KIT,HYD CYL,STRG 621550

NOTE: 621063 - STEERING CYLINDER ASSEMBLY WITH FITTINGS

RIGHT FRONT OUTER LEG ASSEMBLY

DET. QTY PART NO. DESCRIPTION

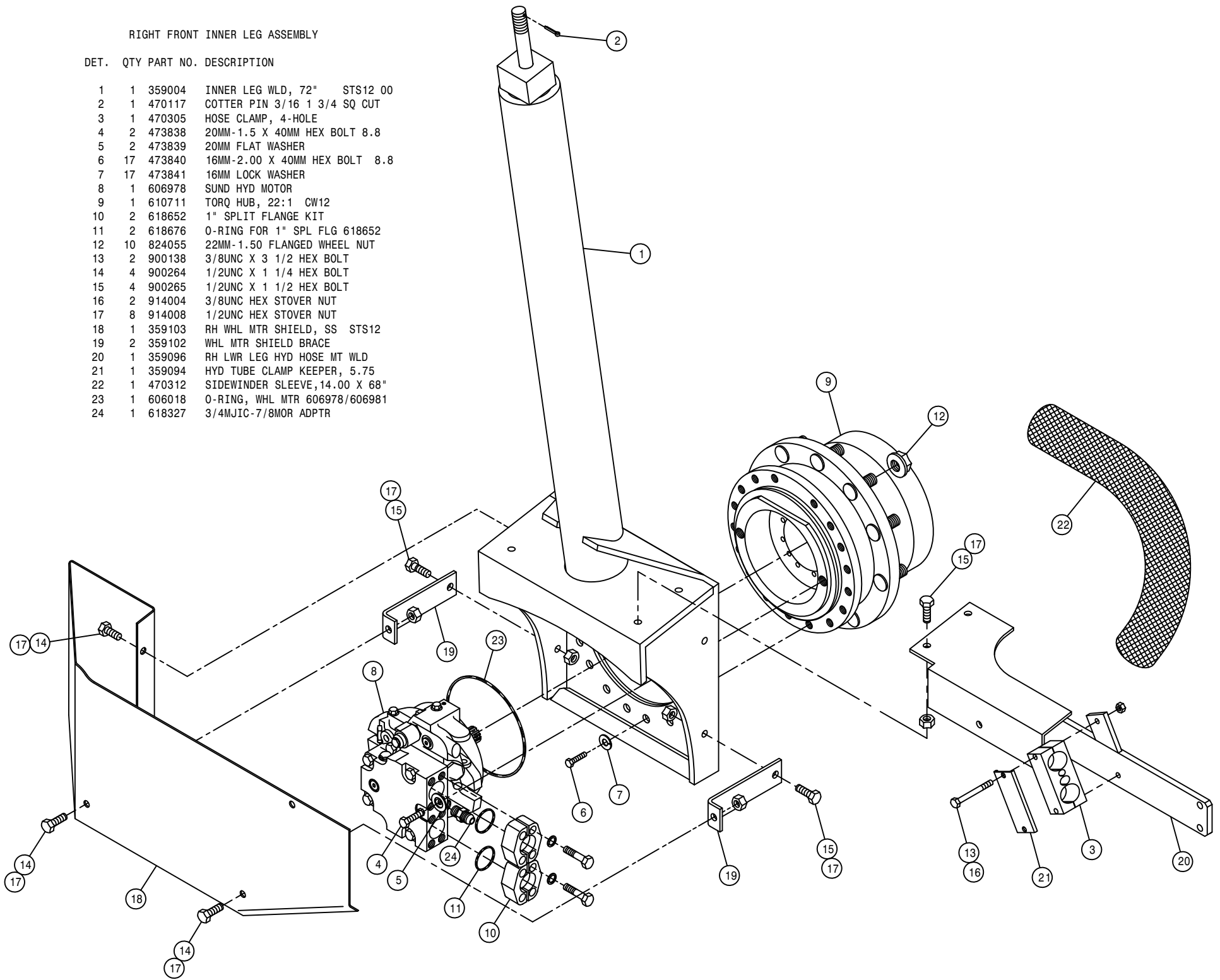


DET.	QTY	PART NO.	DESCRIPTION
1	2	121029	JOURNAL BRG, 1.00 ID X 1.00 LG
2	1	125050	BRG CONE, 1.00 ID W/FACE SEAL
3	1	125051	BRG CUP FOR 125050
4	1	125052	BRG CONE, 2.687 ID W/FACE SEAL
5	1	125053	BRG CUP FOR 125052
6	2	311058	RUBBER SPRING
7	1	311066	AIRIDE SPRING, STS12
8	1	311067	HEIGHT CONTROL AIR VALVE
9	1	311069	7.00 LEVER, CTRL AIR VLV 311067
10	1	311070	LEVER SCREW, CTRL AIR VLV311067
11	1	359278	OUTER LEG WLD, 72" STS10/12 04
12	1	470305	HOSE CLAMP, 4-HOLE
13	4	471005	1/4 28 X 1/2 GREASE ZERK
14	1	473975	ROD END, 1.00 BORE, 1-12 RH MALE
15	1	621063	STEERING CYL ASSY STS 03
16	2	629621	SEAL, 4.500 ROD DIA
17	4	711036	1/8MNPT-1/4 NYL TUBE FTG
18	1	711040	1/4MNPT-90-1/4 NYL TUBE LBO
19	1	472328	1"-12 HEX JAM NUT
20	2	900006	1/4UNC X 1 3/4 HEX BOLT
21	16	900129	3/8UNC X 1" HEX BOLT
22	2	900138	3/8UNC X 3 1/2 HEX BOLT
23	1	359269	STS AIR SPRING SPACER PLATE,04
24	10	900267	1/2UNC X 2" HEX BOLT
25	4	900269	1/2UNC X 2 3/4 HEX BOLT
26	1	900343	5/8UNC X 4 1/2 HEX BOLT
27	2	900352P	5/8UNC X 2 1/4 HEX BOLT
28	1	359085	STEERING ARM BOLT, 1"-8THD STS
29	1	910008	1/2UNC HEX NUT
30	1	910013	3/4UNF HEX NUT
31	1	910021	1"-14 SLOT JAM NUT
32	4	914000	1/4UNC HEX STOVER NUT
33	2	914004	3/8UNC HEX STOVER NUT
34	12	914008	1/2UNC HEX STOVER NUT
35	1	914010	5/8UNC HEX STOVER NUT
36	1	910020	1" UNC HEX SLOTTED NUT
37	1	920008	1" SAE FLAT WASHER
38	16	920502	3/8 LOCK WASHER
39	5	920504	1/2 LOCK WASHER
40	1	920506	3/4 LOCK WASHER
41	2	629538	4.5 SPIROLOX RING
42	1	359281	RH AIR BAG LWR PLT WLD STS 04
43	1	359052	AIR BAG TOWER TOP MT WLD
44	2	359077	NITRO TOWER SHAFT WLD STS
45	1	359082	STEERING ARM BRG SPACER
46	2	121112	LEG SLEEVE BEARING (POLYGON)
47	1	359070	RH STEERING ARM WLD
48	1	359049	RH LEG AIR VALVE MT
49	1	359051	LWR AIR VALVE ARM MT
50	1	359081	UPPER LEG HOSE MT PLT
51	4	342719	TRD ADJ BRONZE BEARING, TAPPED
52	4	121111	TOWER SLEEVE BEARING (POLYGON)
53	1	359094	HYD TUBE CLAMP KEEPER, 5.75
54	2	359095	LEG HEIGHT CTRL LINKAGE, STS12
55	1	359068	UPPER TRUNNION MT PLT WLD
56	1	601473	HOSE, 1/4 X 22 AIR
57	1	601480	HOSE, 1/4 X 230 AIR
58	1	470310	SIDEWINDER SLEEVE, 13.50 X 45"
59	8	629537	187RRHOZ SNAP RING
60	2	914010P	5/8UNC HEX STOVER NUT
61	1	470117	COTTER PIN 3/16 1 3/4 SQ CUT
62	1	483018	1" EXTERNAL TOOTH LOCK WASHER
63	4	629620	SEAL, 1.500 ROD DIA
64	2	900268	1/2UNC X 2 1/2 HEX BOLT
65	1	358832	AIRIDE SPRING CTRL VALVE 98
66	1	359288	RH LEG AIR VALVE MT, STS 04
67	2	900002	1/4UNC X 3/4 HEX BOLT

RIGHT FRONT INNER LEG ASSEMBLY

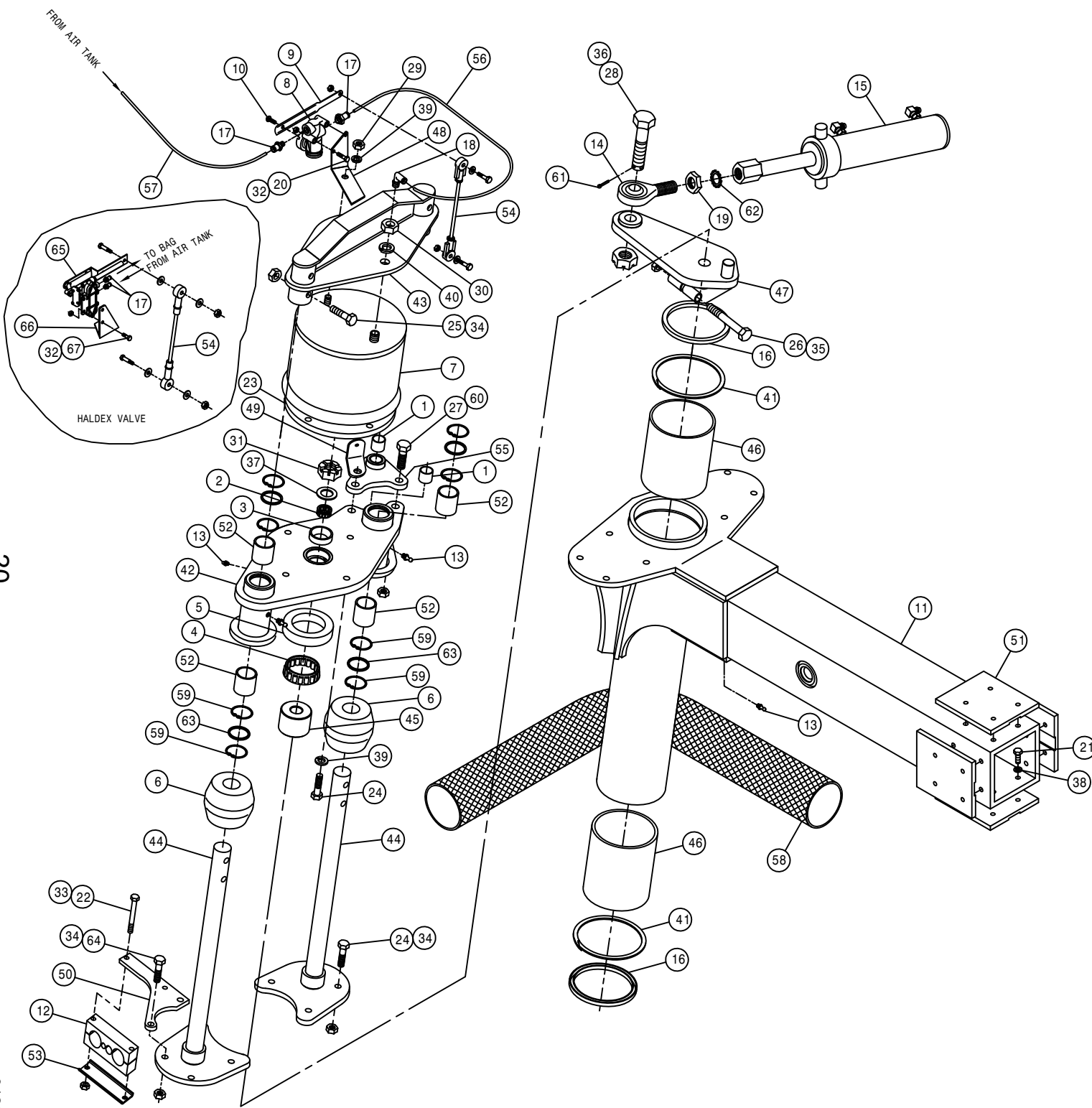
DET. QTY PART NO. DESCRIPTION

1	1	359004	INNER LEG WLD, 72" STS12 00
2	1	470117	COTTER PIN 3/16 1 3/4 SQ CUT
3	1	470305	HOSE CLAMP, 4-HOLE
4	2	473838	20MM-1.5 X 40MM HEX BOLT 8.8
5	2	473839	20MM FLAT WASHER
6	17	473840	16MM-2.00 X 40MM HEX BOLT 8.8
7	17	473841	16MM LOCK WASHER
8	1	606978	SUND HYD MOTOR
9	1	610711	TORQ HUB, 22:1 CW12
10	2	618652	1" SPLIT FLANGE KIT
11	2	618676	O-RING FOR 1" SPL FLG 618652
12	10	824055	22MM-1.50 FLANGED WHEEL NUT
13	2	900138	3/8UNC X 3 1/2 HEX BOLT
14	4	900264	1/2UNC X 1 1/4 HEX BOLT
15	4	900265	1/2UNC X 1 1/2 HEX BOLT
16	2	914004	3/8UNC HEX STOVER NUT
17	8	914008	1/2UNC HEX STOVER NUT
18	1	359103	RH WHL MTR SHIELD, SS STS12
19	2	359102	WHL MTR SHIELD BRACE
20	1	359096	RH LWR LEG HYD HOSE MT WLD
21	1	359094	HYD TUBE CLAMP KEEPER, 5.75
22	1	470312	SIDEWINDER SLEEVE, 14.00 X 68"
23	1	606018	O-RING, WHL MTR 606978/606981
24	1	618327	3/4MJIC-7/8MOR ADPTR



LEFT FRONT OUTER LEG ASSEMBLY

DET.	QTY	PART NO.	DESCRIPTION
1	2	121029	JOURNAL BRG, 1.00 ID X 1.00 LG
2	1	125050	BRG CONE, 1.00 ID W/FACE SEAL
3	1	125051	BRG CUP FOR 125050
4	1	125052	BRG CONE, 2.687 ID W/FACE SEAL
5	1	125053	BRG CUP FOR 125052
6	2	311058	RUBBER SPRING
7	1	311066	AIRIDE SPRING, STS12
8	1	311067	HEIGHT CONTROL AIR VALVE
9	1	311069	7.00 LEVER, CTRL AIR VLV 311067
10	1	311070	LEVER SCREW, CTRL AIR VLV311067
11	1	359278	OUTER LEG WLD, 72° STS10/12 04
12	1	470305	HOSE CLAMP, 4-HOLE
13	4	471005	1/4 28 X 1/2 GREASE ZERK
14	1	473975	ROD END, 1.00 BORE, 1-12 RH MALE
15	1	621063	STEERING CYL ASSY STS 03
16	2	629621	SEAL, 4.500 ROD DIA
17	4	711036	1/8MNPT-1/4 NYL TUBE FTG
18	1	711040	1/4MNPT-90-1/4 NYL TUBE LBO
19	1	472328	1"-12 HEX JAM NUT
20	2	900006	1/4UNC X 1 3/4 HEX BOLT
21	16	900129	3/8UNC X 1" HEX BOLT
22	2	900138	3/8UNC X 3 1/2 HEX BOLT
23	1	359269	STS AIR SPRING SPACER PLATE, 04
24	10	900267	1/2UNC X 2" HEX BOLT
25	4	900269	1/2UNC X 2 3/4 HEX BOLT
26	1	900343	5/8UNC X 4 1/2 HEX BOLT
27	2	900352P	5/8UNC X 2 1/4 HEX BOLT
28	1	359085	STEERING ARM BOLT, 1"-8THD STS
29	1	910008	1/2UNC HEX NUT
30	1	910013	3/4UNF HEX NUT
31	1	910021	1"-14 SLOT JAM NUT
32	4	914000	1/4UNC HEX STOVER NUT
33	2	914004	3/8UNC HEX STOVER NUT
34	12	914008	1/2UNC HEX STOVER NUT
35	1	914010	5/8UNC HEX STOVER NUT
36	1	910020	1" UNC HEX SLOTTED NUT
37	1	920008	1" SAE FLAT WASHER
38	16	920502	3/8 LOCK WASHER
39	5	920504	1/2 LOCK WASHER
40	1	920506	3/4 LOCK WASHER
41	2	659538	LH FRT NOSE COVER EXT
42	1	359282	LH AIR BAG LWR PLT WLD STS 04
43	1	359052	AIR BAG TOWER TOP MT WLD
44	2	359077	NITRO TOWER SHAFT WLD STS
45	1	359082	STEERING ARM BRG SPACER
46	2	121112	LEG SLEEVE BEARING (POLYGON)
47	1	359071	LH STEERING ARM WLD
48	1	359050	LH LEG AIR VALVE MT
49	1	359051	LWR AIR VALVE ARM MT
50	1	359081	UPPER LEG HOSE MT PLT
51	4	342719	TRD ADJ BRONZE BEARING, TAPPED
52	4	121111	TOWER SLEEVE BEARING (POLYGON)
53	1	359094	HYD TUBE CLAMP KEEPER, 5.75
54	2	359095	LEG HEIGHT CTRL LINKAGE, STS12
55	1	359068	UPPER TRUNNION MT PLT WLD
56	1	601473	HOSE, 1/4 X 22 AIR
57	1	601479	HOSE, 1/4 X 196 AIR
58	1	470310	SIDEWINDER SLEEVE, 13.50 X 45"
59	8	629537	187RRHO0Z SNAP RING
60	2	914010P	5/8UNC HEX STOVER NUT
61	1	470117	COTTER PIN 3/16 1 3/4 SQ CUT
62	1	483018	1" EXTERNAL TOOTH LOCK WASHER
63	4	629620	SEAL, 1.500 ROD DIA
64	2	900268	1/2UNC X 2 1/2 HEX BOLT
65	1	358832	AIRIDE SPRING CTRL VALVE 98
66	1	359289	LH LEG AIR VALVE MT, STS 04
67	2	900002	1/4UNC X 3/4 HEX BOLT

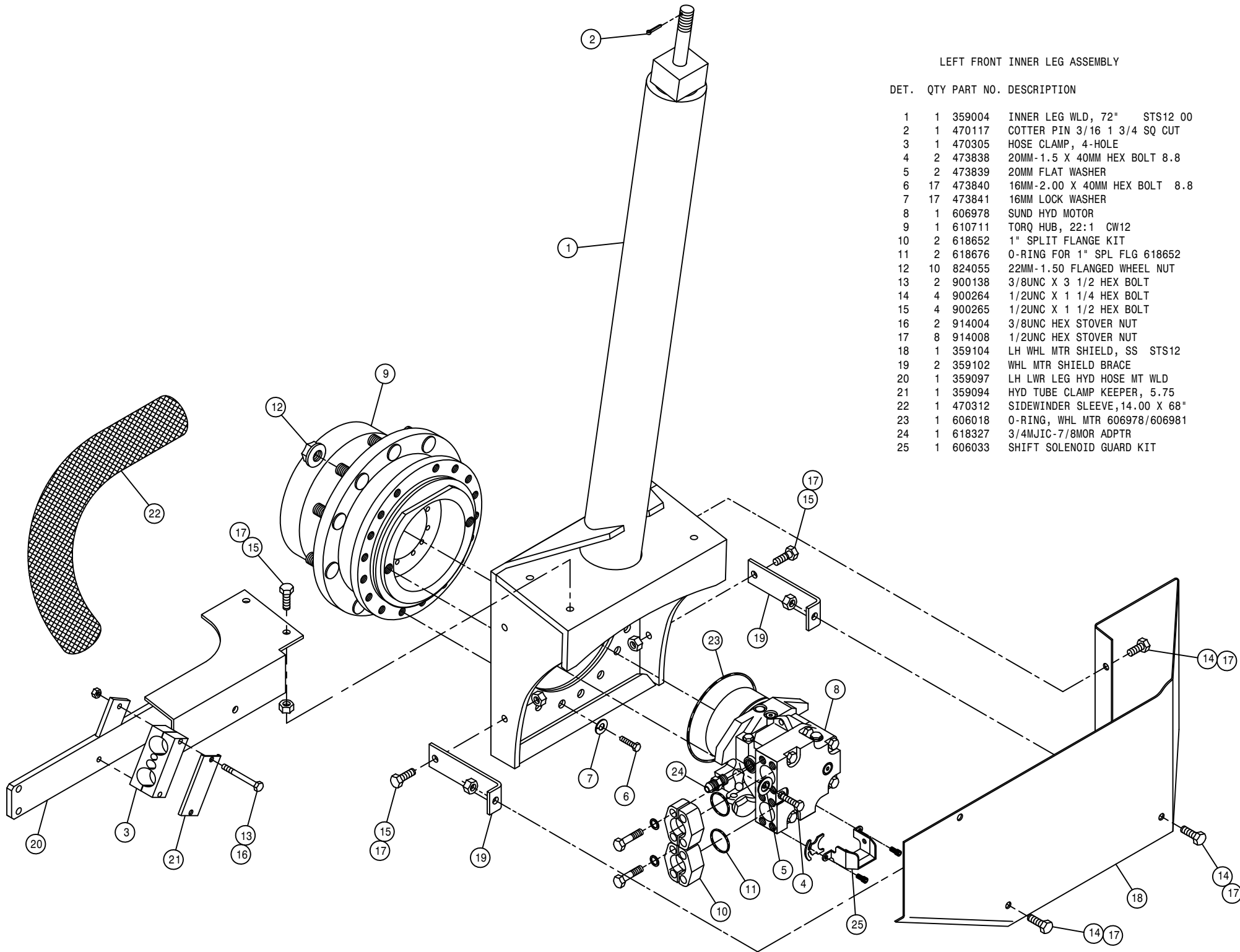


20

312020

LEFT FRONT INNER LEG ASSEMBLY

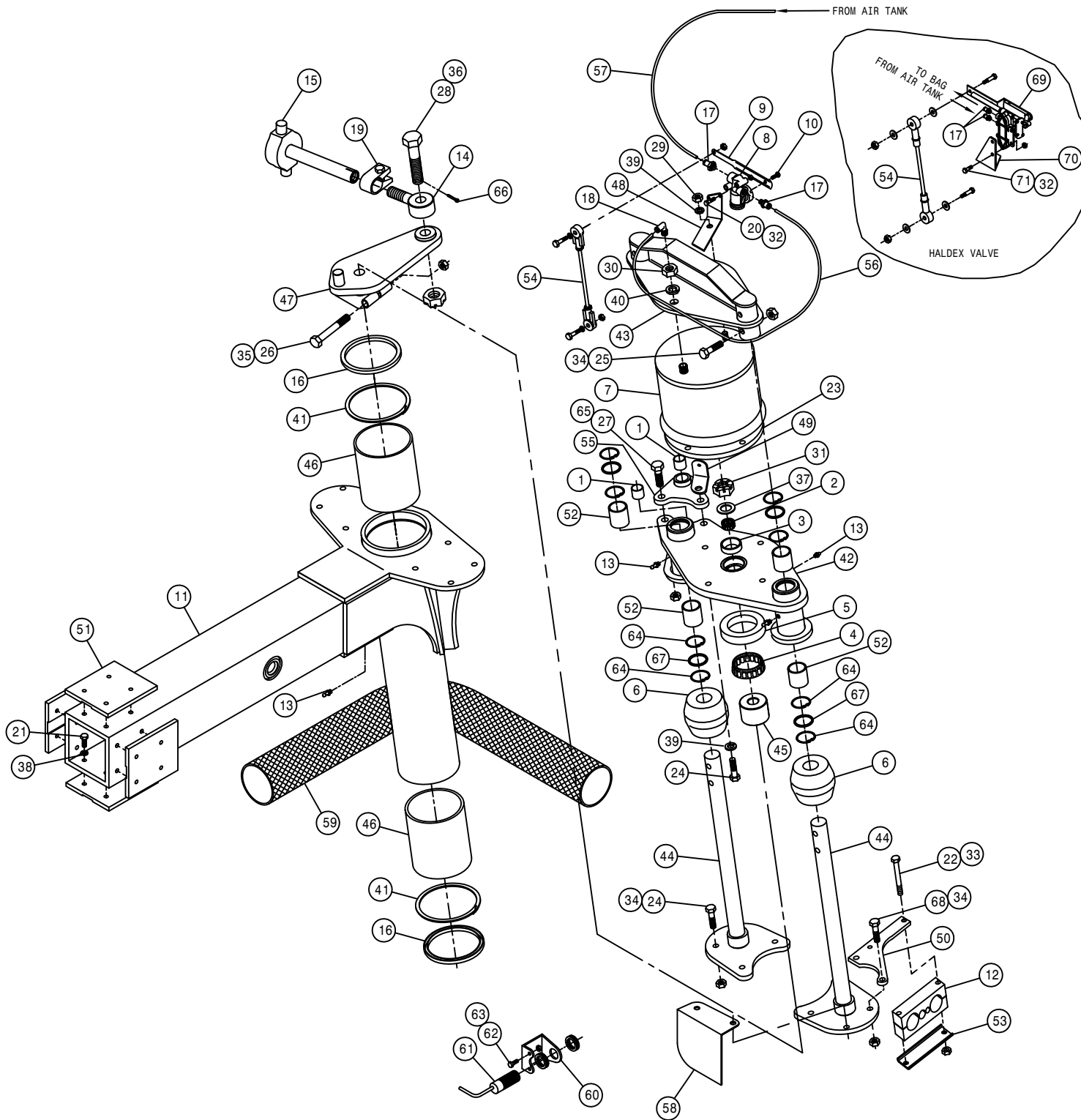
DET.	QTY	PART NO.	DESCRIPTION
1	1	359004	INNER LEG WLD, 72" STS12 00
2	1	470117	COTTER PIN 3/16 1 3/4 SQ CUT
3	1	470305	HOSE CLAMP, 4-HOLE
4	2	473838	20MM-1.5 X 40MM HEX BOLT 8.8
5	2	473839	20MM FLAT WASHER
6	17	473840	16MM-2.00 X 40MM HEX BOLT 8.8
7	17	473841	16MM LOCK WASHER
8	1	606978	SUND HYD MOTOR
9	1	610711	TORQ HUB, 22:1 CW12
10	2	618652	1" SPLIT FLANGE KIT
11	2	618676	O-RING FOR 1" SPL FLG 618652
12	10	824055	22MM-1.50 FLANGED WHEEL NUT
13	2	900138	3/8UNC X 3 1/2 HEX BOLT
14	4	900264	1/2UNC X 1 1/4 HEX BOLT
15	4	900265	1/2UNC X 1 1/2 HEX BOLT
16	2	914004	3/8UNC HEX STOVER NUT
17	8	914008	1/2UNC HEX STOVER NUT
18	1	359104	LH WHL MTR SHIELD, SS STS12
19	2	359102	WHL MTR SHIELD BRACE
20	1	359097	LH LWR LEG HYD HOSE MT WLD
21	1	359094	HYD TUBE CLAMP KEEPER, 5.75
22	1	470312	SIDEWINDER SLEEVE, 14.00 X 68"
23	1	606018	O-RING, WHL MTR 606978/606981
24	1	618327	3/4MJIC-7/8MOR ADPTR
25	1	606033	SHIFT SOLENOID GUARD KIT



RIGHT REAR OUTER LEG ASSEMBLY

DET. QTY PART NO. DESCRIPTION

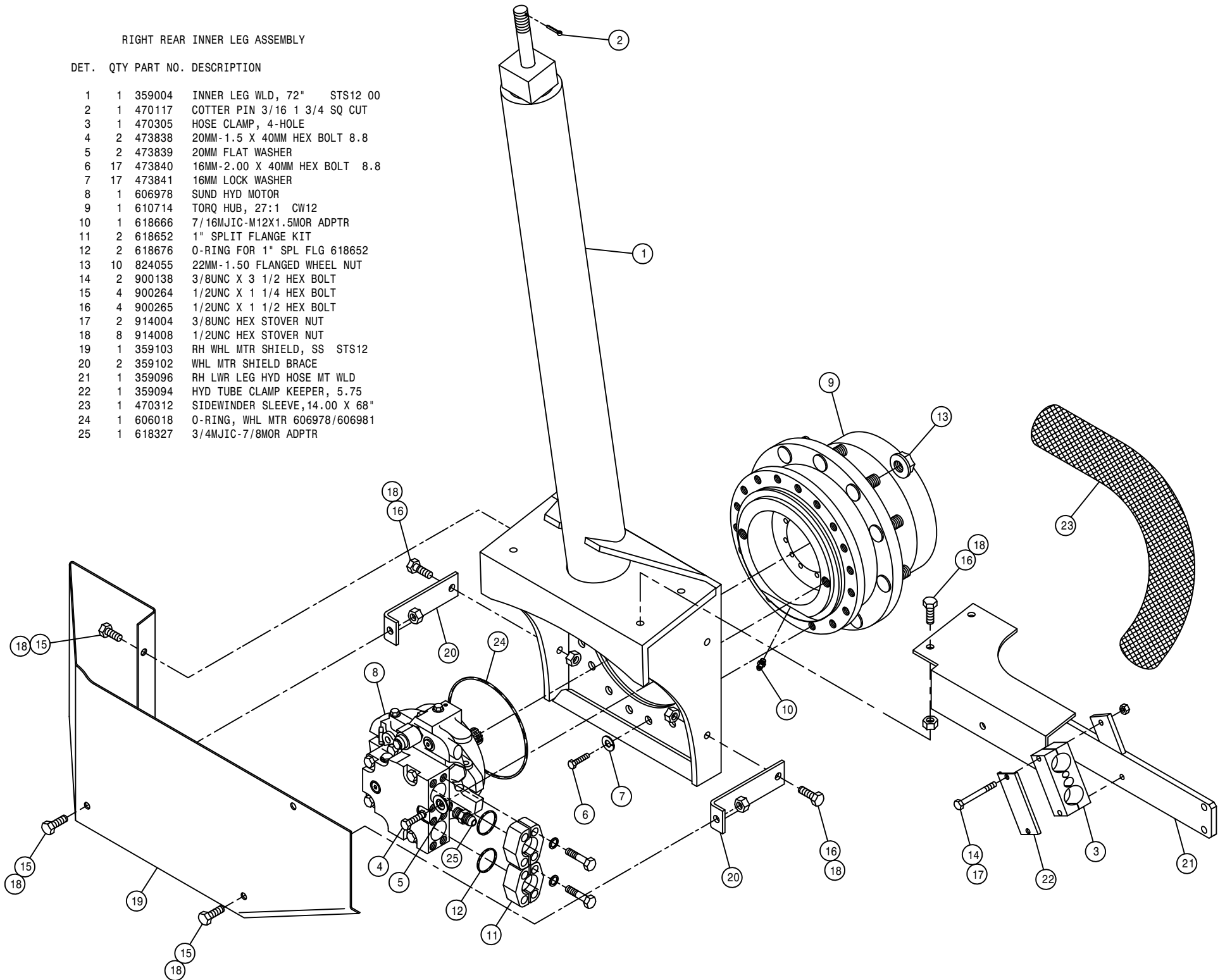
DET.	QTY	PART NO.	DESCRIPTION
1	2	121029	JOURNAL BRG, 1.00 ID X 1.00 LG
2	1	125050	BRG CONE, 1.00 ID W/FACE SEAL
3	1	125051	BRG CUP FOR 125050
4	1	125052	BRG CONE, 2.687 ID W/FACE SEAL
5	1	125053	BRG CUP FOR 125052
6	2	311058	RUBBER SPRING
7	1	311066	AIRIDE SPRING, STS12
8	1	311067	HEIGHT CONTROL AIR VALVE
9	1	311069	7.00 LEVER, CTRL AIR VLV 311067
10	1	311070	LEVER SCREW, CTRL AIR VLV311067
11	1	359278	OUTER LEG WLD, 72" STS10/12 04
12	1	470305	HOSE CLAMP, 4-HOLE
13	4	471005	1/4 28 X 1/2 GREASE ZERK
14	1	359089	TIE ROD STUD WLD
15	1	359086	REAR TIE ROD SHAFT WLD
16	2	629621	SEAL, 4.500 ROD DIA
17	4	711036	1/8MNPT-1/4 NYL TUBE FTG
18	1	711040	1/4MNPT-90-1/4 NYL TUBE LBO
19	1	749322	STEERING TUBE CLAMP & BOLT ASSY
20	2	900006	1/4UNC X 1 3/4 HEX BOLT
21	16	900129	3/8UNC X 1" HEX BOLT
22	2	900138	3/8UNC X 3 1/2 HEX BOLT
23	1	359269	STS AIR SPRING SPACER PLATE, 04
24	10	900267	1/2UNC X 2" HEX BOLT
25	4	900269	1/2UNC X 2 3/4 HEX BOLT
26	1	900343	5/8UNC X 4 1/2 HEX BOLT
27	2	900352P	5/8UNC X 2 1/4 HEX BOLT
28	1	359085	STEERING ARM BOLT, 1"-8THD STS
29	1	910008	1/2UNC HEX NUT
30	1	910013	3/4UNF HEX NUT
31	1	910021	1"-14 SLOT JAM NUT
32	4	914000	1/4UNC HEX STOVER NUT
33	2	914004	3/8UNC HEX STOVER NUT
34	12	914008	1/2UNC HEX STOVER NUT
35	1	914010	5/8UNC HEX STOVER NUT
36	1	910020	1" UNC HEX SLOTTED NUT
37	1	920008	1" SAE FLAT WASHER
38	16	920502	3/8 LOCK WASHER
39	5	920504	1/2 LOCK WASHER
40	1	920506	3/4 LOCK WASHER
41	2	629538	4.5 SPIROLOX RING
42	1	359281	RH AIR BAG LWR PLT WLD STS 04
43	1	359052	AIR BAG TOWER TOP MT WLD
44	2	359077	NITRO TOWER SHAFT WLD STS
45	1	359082	STEERING ARM BRG SPACER
46	2	121112	LEG SLEEVE BEARING (POLYGON)
47	1	359070	RH STEERING ARM WLD
48	1	359049	RH LEG AIR VALVE MT
49	1	359051	LWR AIR VALVE ARM MT
50	1	359081	UPPER LEG HOSE MT PLT
51	4	342719	TRD ADJ BRONZE BEARING, TAPPED
52	4	121111	TOWER SLEEVE BEARING (POLYGON)
53	1	359094	HYD TUBE CLAMP KEEPER, 5.75
54	2	359095	LEG HEIGHT CTRL LINKAGE, STS12
55	1	359068	UPPER TRUNNION MT PLT WLD
56	1	601473	HOSE, 1/4 X 22 AIR
57	1	601477	HOSE, 1/4 X 160 AIR
58	1	359092	RH SENSOR REFLECTOR
59	1	470311	SIDEWINDER SLEEVE, 14.00 X 60"
60	1	342856	TREAD SENSOR MT
61	1	293637	SENSOR W/SHROUD ASSY (SERV)
62	2	900064	5/16UNC X 3/4 HEX BOLT
63	2	914002	5/16UNC HEX STOVER NUT
64	8	629537	187RRH00Z SNAP RING
65	2	914010P	5/8UNC HEX STOVER NUT
66	1	470117	COTTER PIN 3/16 1 3/4 SQ CUT
67	4	629620	SEAL, 1.500 ROD DIA
68	2	900268	1/2UNC X 2 1/2 HEX BOLT
69	1	358832	AIRIDE SPRING CTRL VALVE 98
70	1	359288	RH LEG AIR VALVE MT, STS 04
71	2	900002	1/4UNC X 3/4 HEX BOLT



RIGHT REAR INNER LEG ASSEMBLY

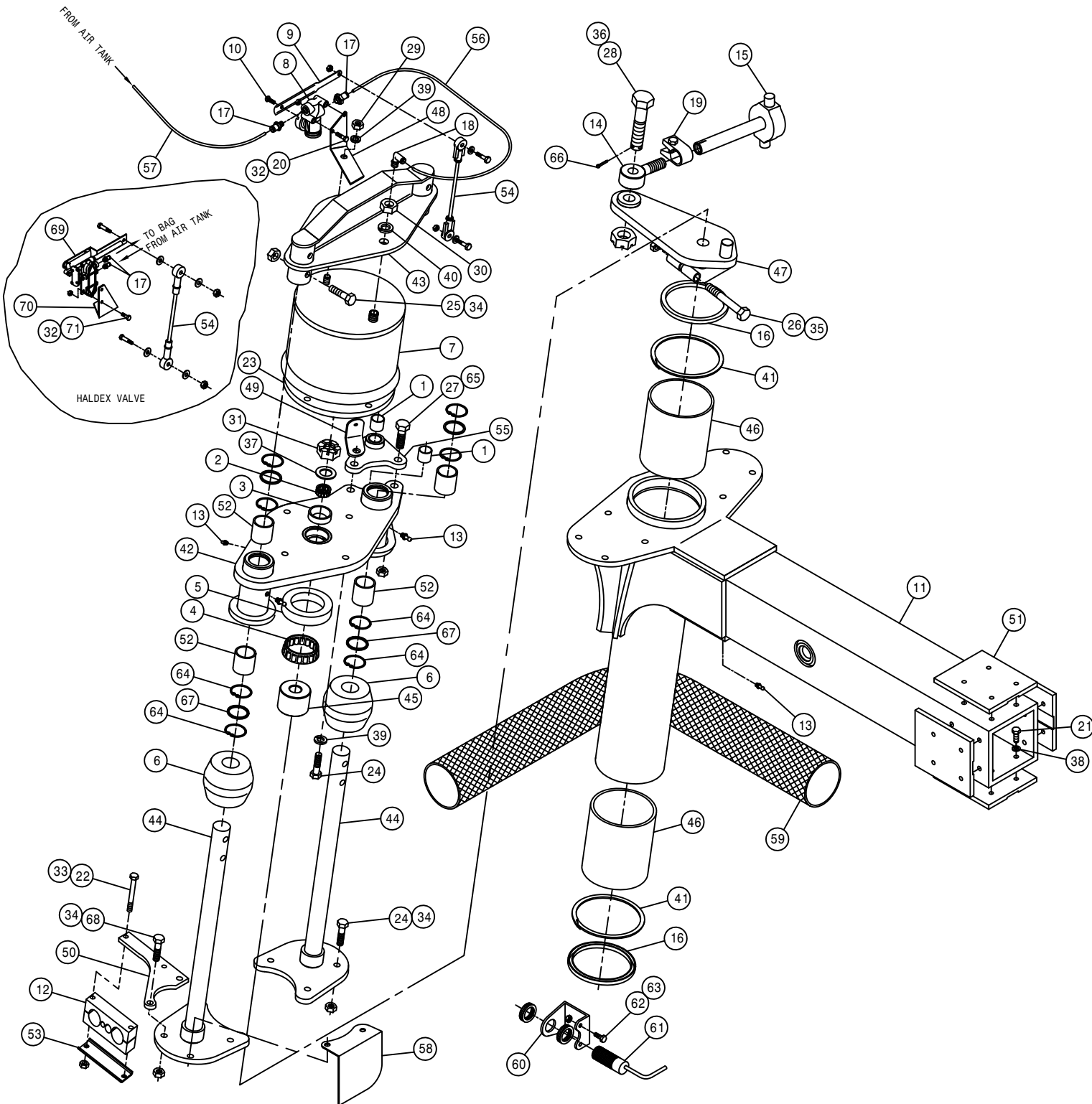
DET. QTY PART NO. DESCRIPTION

1	1	359004	INNER LEG WLD, 72" STS12 00
2	1	470117	COTTER PIN 3/16 1 3/4 SQ CUT
3	1	470305	HOSE CLAMP, 4-HOLE
4	2	473838	20MM-1.5 X 40MM HEX BOLT 8.8
5	2	473839	20MM FLAT WASHER
6	17	473840	16MM-2.00 X 40MM HEX BOLT 8.8
7	17	473841	16MM LOCK WASHER
8	1	606978	SUND HYD MOTOR
9	1	610714	TORQ HUB, 27:1 CW12
10	1	618666	7/16MJIC-M12X1.5MOR ADPTR
11	2	618652	1" SPLIT FLANGE KIT
12	2	618676	O-RING FOR 1" SPL FLG 618652
13	10	824055	22MM-1.50 FLANGED WHEEL NUT
14	2	900138	3/8UNC X 3 1/2 HEX BOLT
15	4	900264	1/2UNC X 1 1/4 HEX BOLT
16	4	900265	1/2UNC X 1 1/2 HEX BOLT
17	2	914004	3/8UNC HEX STOVER NUT
18	8	914008	1/2UNC HEX STOVER NUT
19	1	359103	RH WHL MTR SHIELD, SS STS12
20	2	359102	WHL MTR SHIELD BRACE
21	1	359096	RH LWR LEG HYD HOSE MT WLD
22	1	359094	HYD TUBE CLAMP KEEPER, 5.75
23	1	470312	SIDEWINDER SLEEVE, 14.00 X 68"
24	1	606018	O-RING, WHL MTR 606978/606981
25	1	618327	3/4MJIC-7/8MOR ADPTR



LEFT REAR OUTER LEG ASSEMBLY

DET. QTY PART NO. DESCRIPTION

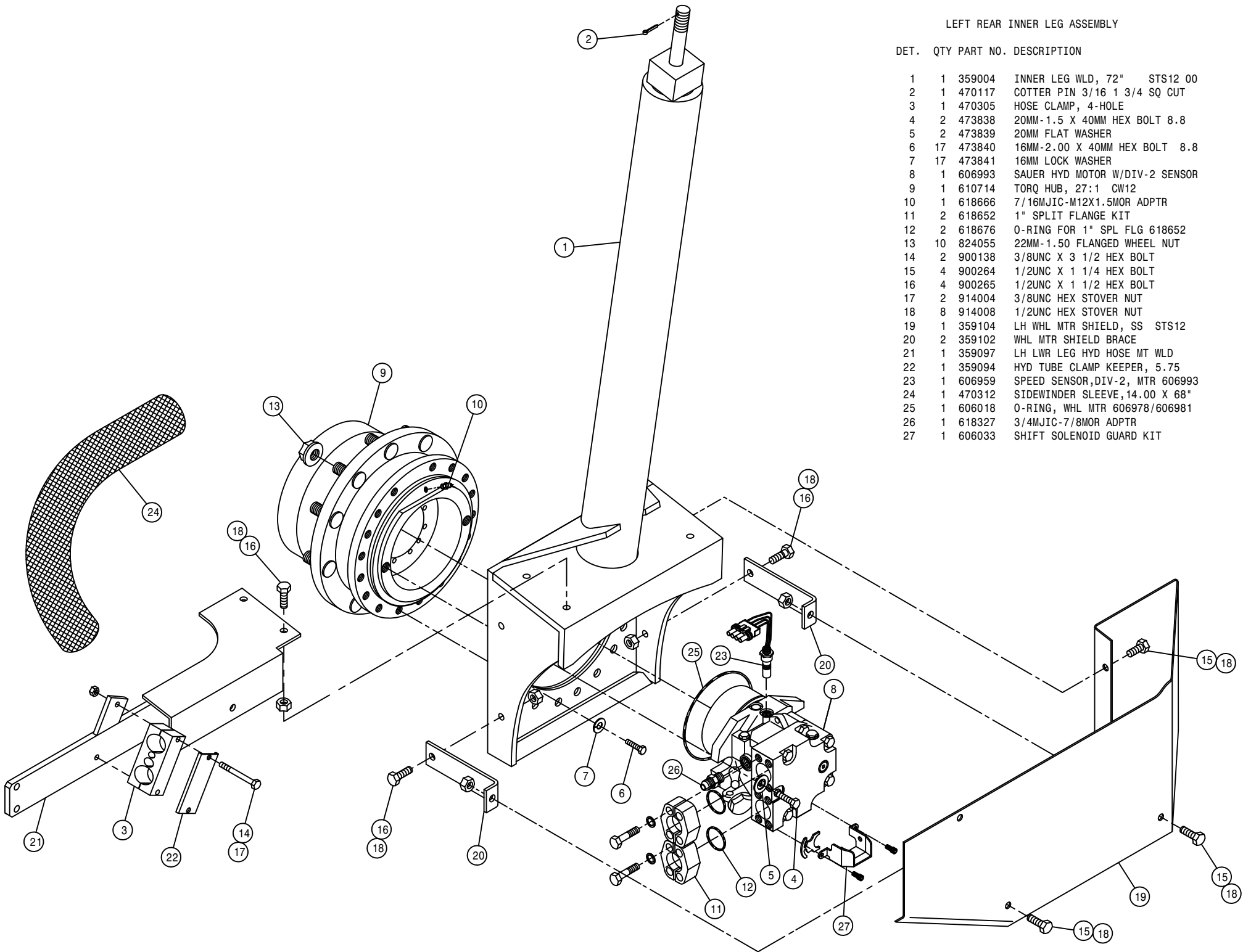


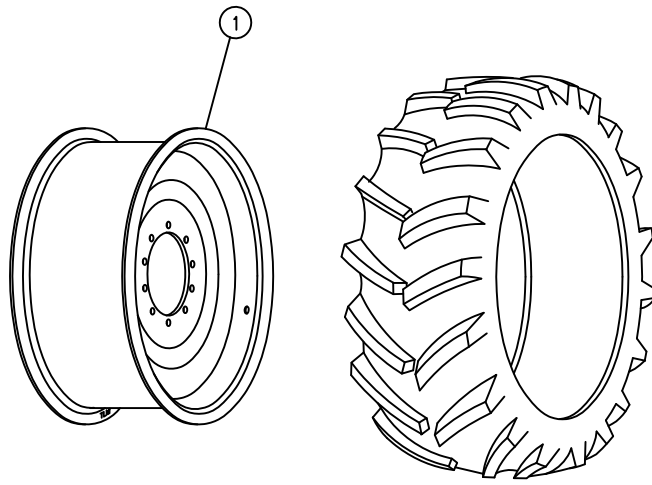
DET.	QTY	PART NO.	DESCRIPTION
1	2	121029	JOURNAL BRG, 1.00 ID X 1.00 LG
2	1	125050	BRG CONE, 1.00 ID W/FACE SEAL
3	1	125051	BRG CUP FOR 125050
4	1	125052	BRG CONE, 2.687 ID W/FACE SEAL
5	1	125053	BRG CUP FOR 125052
6	2	311058	RUBBER SPRING
7	1	311066	AIRIDE SPRING, STS12
8	1	311067	HEIGHT CONTROL AIR VALVE
9	1	311069	7.00 LEVER, CTRL AIR VLV 311067
10	1	311070	LEVER SCREW, CTRL AIR VLV311067
11	1	359278	OUTER LEG WLD, 72" STS10/12 04
12	1	470305	HOSE CLAMP, 4-HOLE
13	4	471005	1/4 28 X 1/2 GREASE ZERK
14	1	359089	TIE ROD STUD WLD
15	1	359086	REAR TIE ROD SHAFT WLD
16	2	629621	SEAL, 4.500 ROD DIA
17	4	711036	1/8MNPT-1/4 NYL TUBE FTG
18	1	711040	1/4MNPT-90-1/4 NYL TUBE LBO
19	1	749322	STEERING TUBE CLAMP & BOLT ASSY
20	2	900006	1/4UNC X 1 3/4 HEX BOLT
21	16	900129	3/8UNC X 1" HEX BOLT
22	2	900138	3/8UNC X 3 1/2 HEX BOLT
23	1	359269	STS AIR SPRING SPACER PLATE, 04
24	10	900267	1/2UNC X 2" HEX BOLT
25	4	900269	1/2UNC X 2 3/4 HEX BOLT
26	1	900343	5/8UNC X 4 1/2 HEX BOLT
27	2	900352P	5/8UNC X 2 1/4 HEX BOLT
28	1	359085	STEERING ARM BOLT, 1"-8THD STS
29	1	910008	1/2UNC HEX NUT
30	1	910013	3/4UNF HEX NUT
31	1	910021	1"-14 SLOT JAM NUT
32	4	914000	1/4UNC HEX STOVER NUT
33	2	914004	3/8UNC HEX STOVER NUT
34	12	914008	1/2UNC HEX STOVER NUT
35	1	914010	5/8UNC HEX STOVER NUT
36	1	910020	1" UNC HEX SLOTTED NUT
37	1	920008	1" SAE FLAT WASHER
38	16	920502	3/8 LOCK WASHER
39	5	920504	1/2 LOCK WASHER
40	1	920506	3/4 LOCK WASHER
41	2	629538	4.5 SPIROLOX RING
42	1	359282	LH AIR BAG LWR PLT WLD STS 04
43	1	359052	AIR BAG TOWER TOP MT WLD
44	2	359077	NITRO TOWER SHAFT WLD STS
45	1	359082	STEERING ARM BRG SPACER
46	2	121112	LEG SLEEVE BEARING (POLYGON)
47	1	359071	LH STEERING ARM WLD
48	1	359050	LH LEG AIR VALVE MT
49	1	359051	LWR AIR VALVE ARM MT
50	1	359081	UPPER LEG HOSE MT PLT
51	4	342719	TRD ADJ BRONZE BEARING, TAPPED
52	4	121111	TOWER SLEEVE BEARING (POLYGON)
53	1	359094	HYD TUBE CLAMP KEEPER, 5.75
54	2	359095	LEG HEIGHT CTRL LINKAGE, STS12
55	1	359068	UPPER TRUNNION MT PLT WLD
56	1	601473	HOSE, 1/4 X 22 AIR
57	1	601476	HOSE, 1/4 X 120 AIR
58	1	359093	LH SENSOR REFLECTOR
59	1	470311	SIDEWINDER SLEEVE, 14.00 X 60"
60	1	342856	TREAD SENSOR MT
61	1	293637	SENSOR W/SHROUD ASSY (SERV)
62	2	900064	5/16UNC X 3/4 HEX BOLT
63	2	914002	5/16UNC HEX STOVER NUT
64	8	629537	187RRHOZ SNAP RING
65	2	914010P	5/8UNC HEX STOVER NUT
66	1	470117	COTTER PIN 3/16 1 3/4 SQ CUT
67	4	629620	SEAL, 1.500 ROD DIA
68	2	900268	1/2UNC X 2 1/2 HEX BOLT
69	1	358832	AIRIDE SPRING CTRL VALVE
70	1	359289	LH LEG AIR VALVE MT, STS 04
71	2	900002	1/4UNC X 3/4 HEX BOLT

LEFT REAR INNER LEG ASSEMBLY

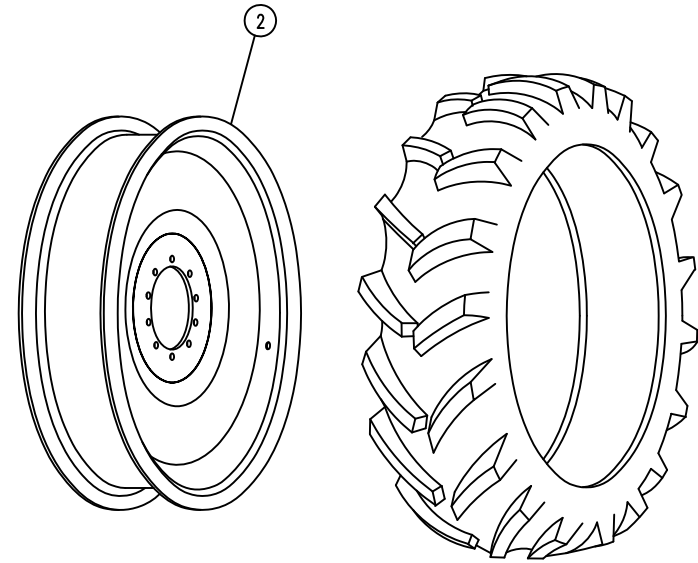
DET. QTY PART NO. DESCRIPTION

1	1	359004	INNER LEG WLD, 72" STS12 00
2	1	470117	COTTER PIN 3/16 1 3/4 SQ CUT
3	1	470305	HOSE CLAMP, 4-HOLE
4	2	473838	20MM-1.5 X 40MM HEX BOLT 8.8
5	2	473839	20MM FLAT WASHER
6	17	473840	16MM-2.00 X 40MM HEX BOLT 8.8
7	17	473841	16MM LOCK WASHER
8	1	606993	SAUER HYD MOTOR W/DIV-2 SENSOR
9	1	610714	TORQ HUB, 27:1 CW12
10	1	618666	7/16MJIC-M12X1.5MOR ADPTR
11	2	618652	1" SPLIT FLANGE KIT
12	2	618676	O-RING FOR 1" SPL FLG 618652
13	10	824055	22MM-1.50 FLANGED WHEEL NUT
14	2	900138	3/8UNC X 3 1/2 HEX BOLT
15	4	900264	1/2UNC X 1 1/4 HEX BOLT
16	4	900265	1/2UNC X 1 1/2 HEX BOLT
17	2	914004	3/8UNC HEX STOVER NUT
18	8	914008	1/2UNC HEX STOVER NUT
19	1	359104	LH WHL MTR SHIELD, SS STS12
20	2	359102	WHL MTR SHIELD BRACE
21	1	359097	LH LWR LEG HYD HOSE MT WLD
22	1	359094	HYD TUBE CLAMP KEEPER, 5.75
23	1	606959	SPEED SENSOR, DIV-2, MTR 606993
24	1	470312	SIDEWINDER SLEEVE, 14.00 X 68"
25	1	606018	O-RING, WHL MTR 606978/606981
26	1	618327	3/4MJIC-7/8MOR ADPTR
27	1	606033	SHIFT SOLENOID GUARD KIT

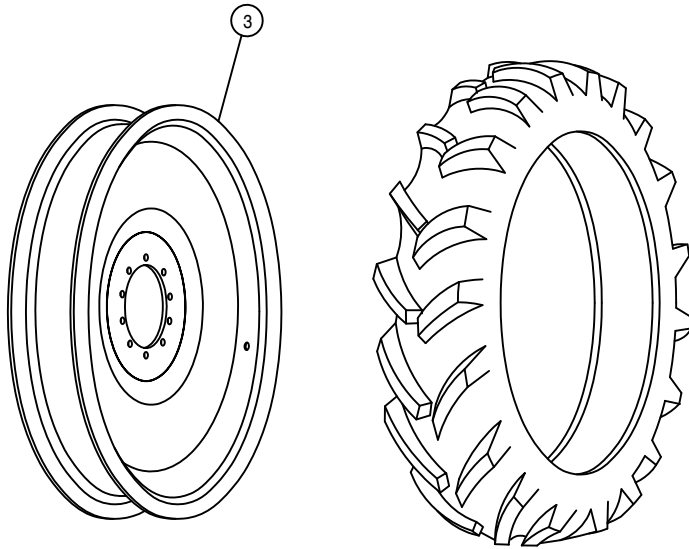




580/70 R38 RADIAL TIRE



380/85 R46 RADIAL TIRE



320/90 R50 RADIAL TIRE

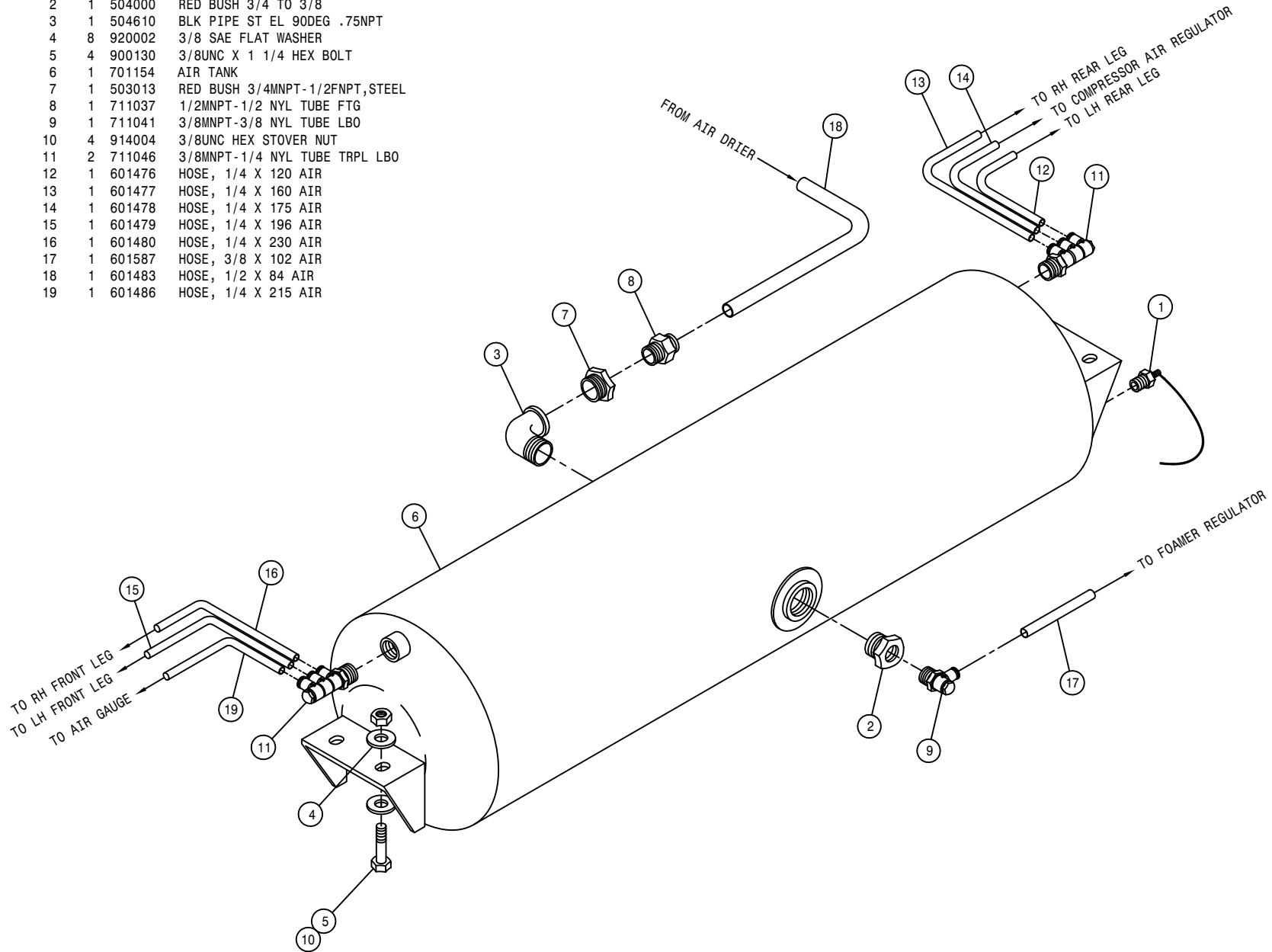
TIRE AND RIM ASSEMBLY

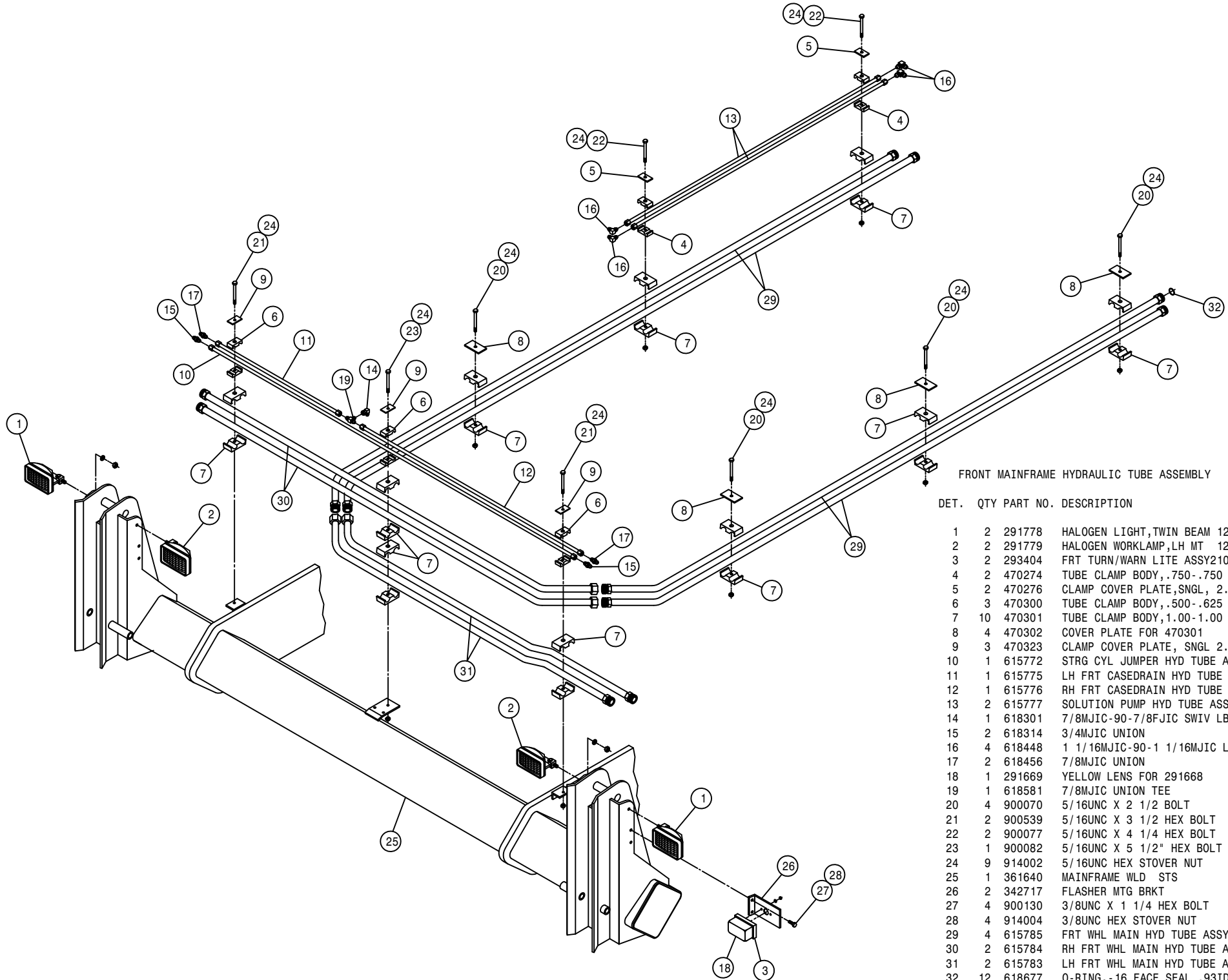
DET.	QTY	PART NO.	DESCRIPTION	
1	1	821055	RIM WLD, 38 X W18A	STS12
2	1	821054	RIM WLD, 46 X W13A	STS12
3	1	821056	RIM WLD, 50 X 10 TITAN	

AIR TANK ASSEMBLY

DET. QTY PART NO. DESCRIPTION

1	1	470266	DRAIN VALVE KIT, 1/4NPT
2	1	504000	RED BUSH 3/4 TO 3/8
3	1	504610	BLK PIPE ST EL 90DEG .75NPT
4	8	920002	3/8 SAE FLAT WASHER
5	4	900130	3/8UNC X 1 1/4 HEX BOLT
6	1	701154	AIR TANK
7	1	503013	RED BUSH 3/4MNPT-1/2FNPT,STEEL
8	1	711037	1/2MNPT-1/2 NYL TUBE FTG
9	1	711041	3/8MNPT-3/8 NYL TUBE LBO
10	4	914004	3/8UNC HEX STOVER NUT
11	2	711046	3/8MNPT-1/4 NYL TUBE TRPL LBO
12	1	601476	HOSE, 1/4 X 120 AIR
13	1	601477	HOSE, 1/4 X 160 AIR
14	1	601478	HOSE, 1/4 X 175 AIR
15	1	601479	HOSE, 1/4 X 196 AIR
16	1	601480	HOSE, 1/4 X 230 AIR
17	1	601587	HOSE, 3/8 X 102 AIR
18	1	601483	HOSE, 1/2 X 84 AIR
19	1	601486	HOSE, 1/4 X 215 AIR

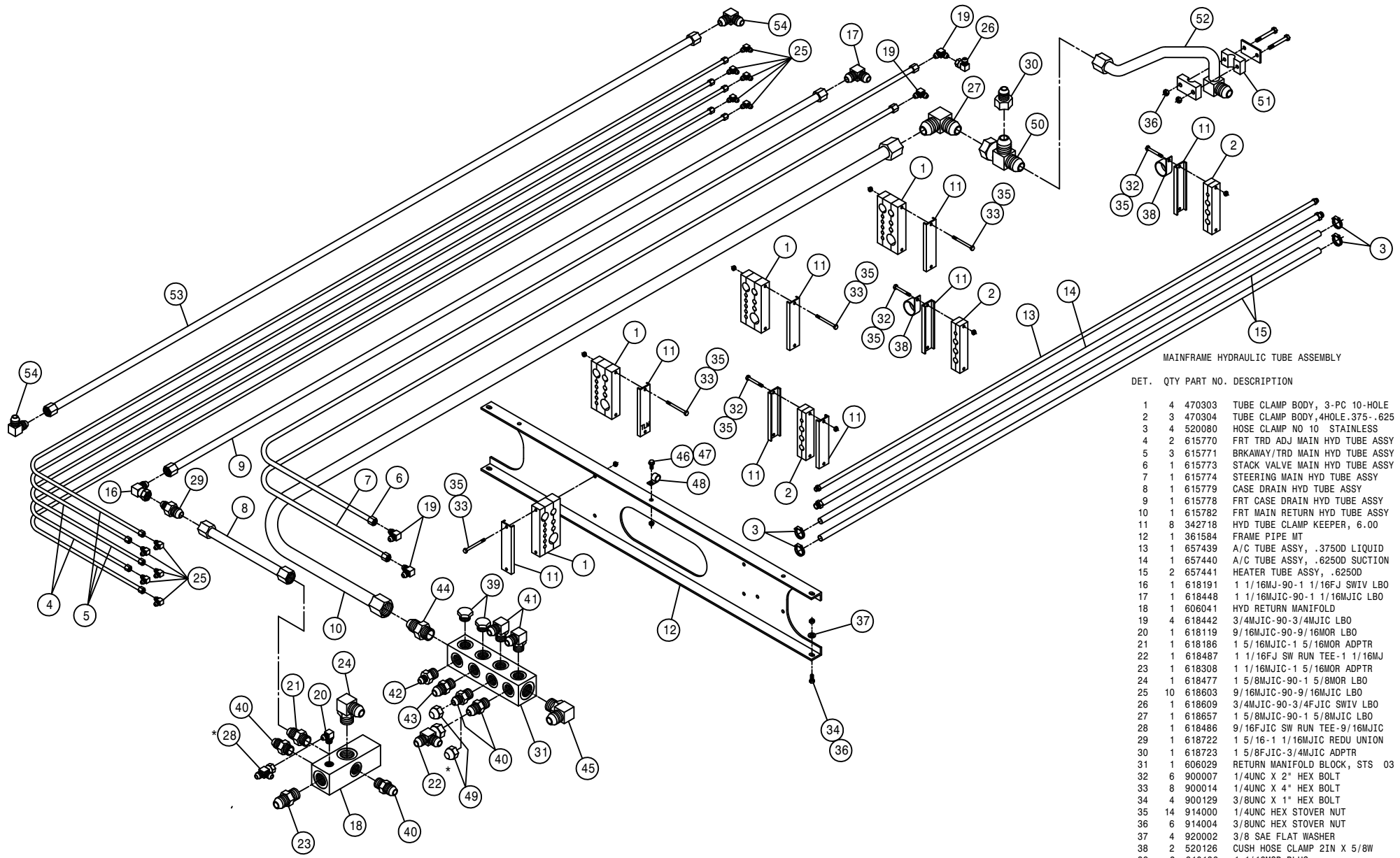




FRONT MAINFRAME HYDRAULIC TUBE ASSEMBLY

DET.	QTY	PART NO.	DESCRIPTION
1	2	291778	HALOGEN LIGHT,TWIN BEAM 12V55W
2	2	291779	HALOGEN WORKLAMP,LH MT 12V55W
3	2	293404	FRT TURN/WARN LITE ASSY2100 98
4	2	470274	TUBE CLAMP BODY, .750-.750
5	2	470276	CLAMP COVER PLATE,SNGL, 2.55LG
6	3	470300	TUBE CLAMP BODY, .500-.625
7	10	470301	TUBE CLAMP BODY,1.00-1.00
8	4	470302	COVER PLATE FOR 470301
9	3	470323	CLAMP COVER PLATE, SNGL 2.04LG
10	1	615772	STRG CYL JUMPER HYD TUBE ASSY
11	1	615775	LH FRT CASEDRAIN HYD TUBE ASSY
12	1	615776	RH FRT CASEDRAIN HYD TUBE ASSY
13	2	615777	SOLUTION PUMP HYD TUBE ASSY
14	1	618301	7/8MJIC-90-7/8FJIC SWIV LBO
15	2	618314	3/4MJIC UNION
16	4	618448	1 1/16MJIC-90-1 1/16MJIC LBO
17	2	618456	7/8MJIC UNION
18	1	291669	YELLOW LENS FOR 291668
19	1	618581	7/8MJIC UNION TEE
20	4	900070	5/16UNC X 2 1/2 BOLT
21	2	900539	5/16UNC X 3 1/2 HEX BOLT
22	2	900077	5/16UNC X 4 1/4 HEX BOLT
23	1	900082	5/16UNC X 5 1/2" HEX BOLT
24	9	914002	5/16UNC HEX STOVER NUT
25	1	361640	MAINFRAME WLD STS
26	2	342717	FLASHER MTG BRKT
27	4	900130	3/8UNC X 1 1/4 HEX BOLT
28	4	914004	3/8UNC HEX STOVER NUT
29	4	615785	FRT WHL MAIN HYD TUBE ASSY
30	2	615784	RH FRT WHL MAIN HYD TUBE ASSY
31	2	615783	LH FRT WHL MAIN HYD TUBE ASSY
32	12	618677	O-RING, -16 FACE SEAL .93ID 90D

04



MAINFRAME HYDRAULIC TUBE ASSEMBLY

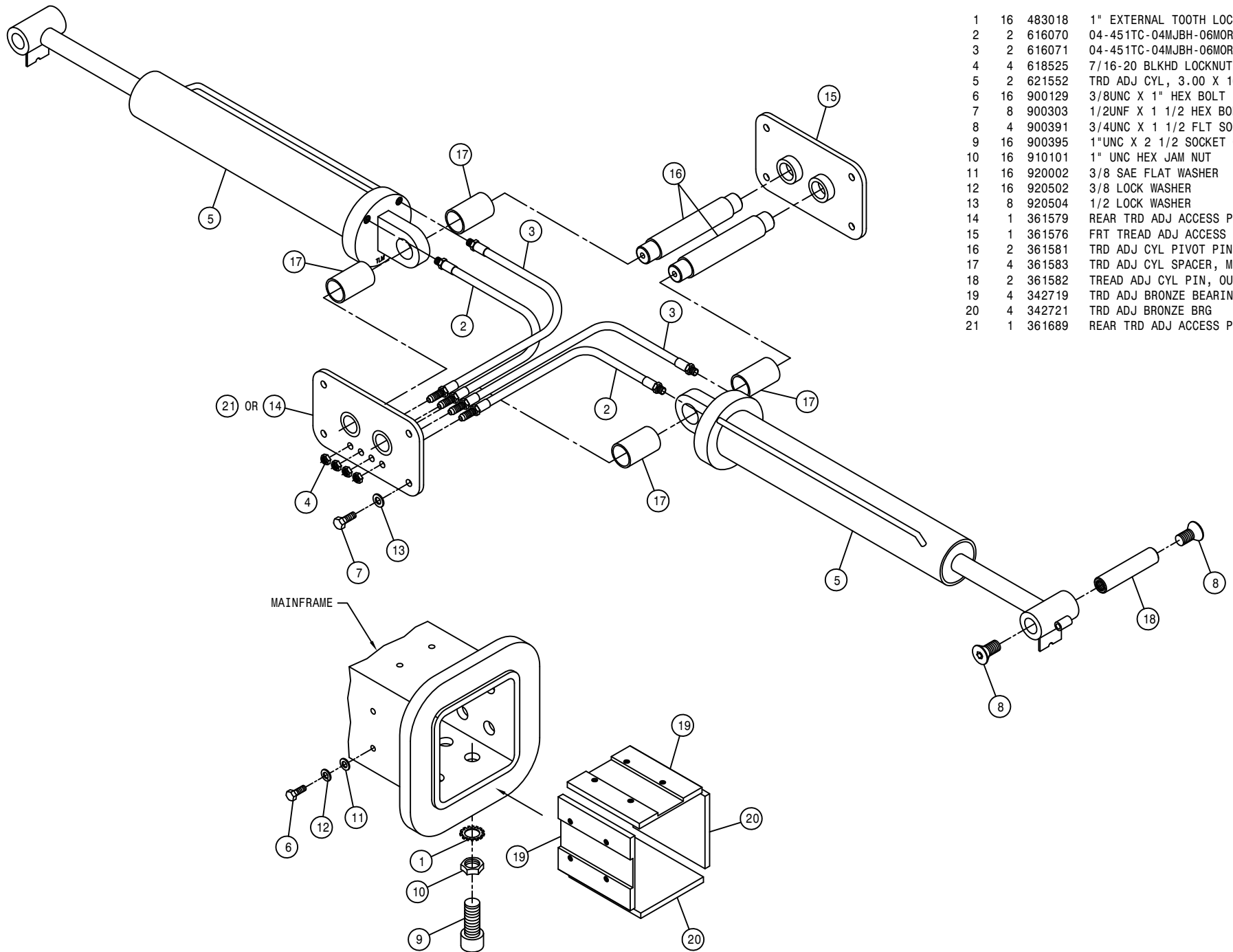
DET.	QTY	PART NO.	DESCRIPTION
1	4	470303	TUBE CLAMP BODY, 3-PC 10-HOLE
2	3	470304	TUBE CLAMP BODY, 4-HOLE, .375-.625
3	4	520080	HOSE CLAMP NO 10 STAINLESS
4	2	615770	FRT TRD ADJ MAIN HYD TUBE ASSY
5	3	615771	BRKAWAY/TRD MAIN HYD TUBE ASSY
6	1	615773	STACK VALVE MAIN HYD TUBE ASSY
7	1	615774	STEERING MAIN HYD TUBE ASSY
8	1	615779	CASE DRAIN HYD TUBE ASSY
9	1	615778	FRT CASE DRAIN HYD TUBE ASSY
10	1	615782	FRT MAIN RETURN HYD TUBE ASSY
11	8	342718	HYD TUBE CLAMP KEEPER, 6.00
12	1	361584	FRAME PIPE MT
13	1	657439	A/C TUBE ASSY, .37500 LIQUID
14	1	657440	A/C TUBE ASSY, .62500 SUCTION
15	2	657441	HEATER TUBE ASSY, .62500
16	1	618191	1 1/16MJ-90-1 1/16FJ SWIV LBO
17	1	618448	1 1/16MJIC-90-1 1/16MJIC LBO
18	1	606041	HYD RETURN MANIFOLD
19	4	618442	3/4MJIC-90-3/4MJIC LBO
20	1	618119	9/16MJIC-90-9/16MOR LBO
21	1	618186	1 5/16MJIC-1 5/16MOR ADPTR
22	1	618487	1 1/16FJ SW RUN TEE-1 1/16MJ
23	1	618308	1 1/16MJIC-1 5/16MOR ADPTR
24	1	618477	1 5/8MJIC-90-1 5/8MOR LBO
25	10	618603	9/16MJIC-90-9/16MJIC LBO
26	1	618609	3/4MJIC-90-3/4FJIC SWIV LBO
27	1	618657	1 5/8MJIC-90-1 5/8MJIC LBO
28	1	618486	9/16FJIC SW RUN TEE-9/16MJIC
29	1	618722	1 5/16-1 1/16MJIC REDU UNION
30	1	618723	1 5/8FJIC-3/4MJIC ADPTR
31	1	606029	RETURN MANIFOLD BLOCK, STS 03
32	6	900007	1/4UNC X 2" HEX BOLT
33	8	900014	1/4UNC X 4" HEX BOLT
34	4	900129	3/8UNC X 1" HEX BOLT
35	14	914000	1/4UNC HEX STOVER NUT
36	6	914004	3/8UNC HEX STOVER NUT
37	4	920002	3/8 SAE FLAT WASHER
38	2	520126	CUSH HOSE CLAMP 2IN X 5/8W
39	2	610186	1 1/16MOR PLUG
40	4	611127	1 1/16MJIC-1 1/16MOR ADPTR
41	2	618248	1 1/16MJIC-90-1 1/16MOR LBO
42	1	618344	9/16MJIC-1 1/16MOR ADPTR
43	1	618469	3/4MJIC-1 1/16MOR ADPTR
44	1	618471	1 5/8MJIC-1 5/16MOR ADPTR
45	1	618476	1 5/8MJIC-90-1 5/16MOR LBO
46	3	470118	1/4UNC X 3/4 FLANGE HEX BOLT
47	3	470121	1/4UNC HEX FLANGE LOCK NUT
48	3	520100	CUSH HOSE CLAMP, 1 1/2D X 1/2W
49	2	618533	1 1/16FJIC CAP NUT
50	1	618726	1 5/8FJ SW RUN TEE-1 5/8MJ
51	1	470363	TUBE CLAMP, 1.25
52	1	615811	RETURN HYD TUBE ASSY, STSC
53	1	615807	PRESS HYD TUBE ASSY, STS12COMBO
54	2	618441	1 5/16MJIC-90-1 5/16MJIC LBO

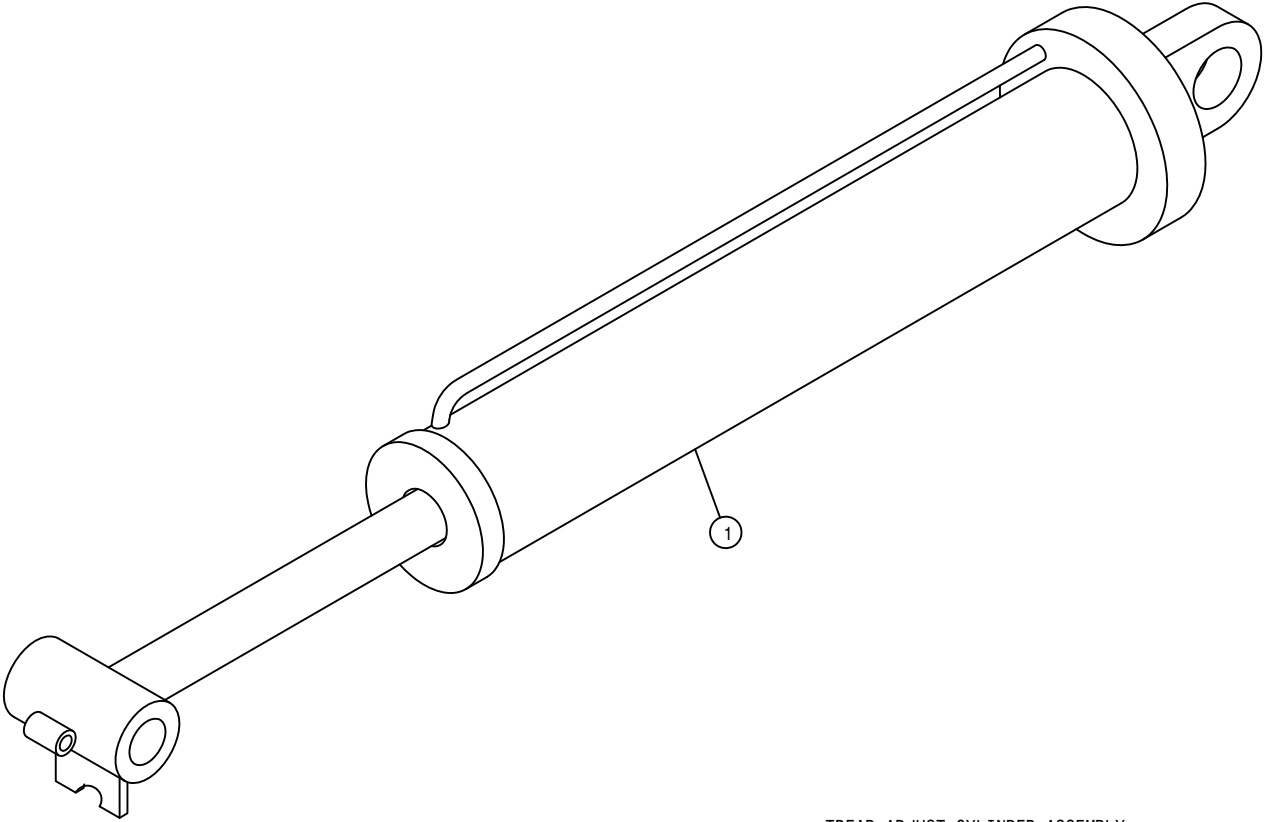
NOTE: ITEMS MARKED WITH A (*) ARE USED WITH THE SIDE FILL OPTION AND PRESSURE WASHER OPTION.

TREAD ADJUST ASSEMBLY

DET. QTY PART NO. DESCRIPTION

DET.	QTY	PART NO.	DESCRIPTION
1	16	483018	1" EXTERNAL TOOTH LOCK WASHER
2	2	616070	04-451TC-04MJBH-06MOR-11.00H/A
3	2	616071	04-451TC-04MJBH-06MOR-13.00H/A
4	4	618525	7/16-20 BLKHD LOCKNUT
5	2	621552	TRD ADJ CYL, 3.00 X 16.00 STS
6	16	900129	3/8UNC X 1" HEX BOLT
7	8	900303	1/2UNF X 1 1/2 HEX BOLT
8	4	900391	3/4UNC X 1 1/2 FLT SOC CAP SCR
9	16	900395	1"UNC X 2 1/2 SOCKET CAP SCR
10	16	910101	1" UNC HEX JAM NUT
11	16	920002	3/8 SAE FLAT WASHER
12	16	920502	3/8 LOCK WASHER
13	8	920504	1/2 LOCK WASHER
14	1	361579	REAR TRD ADJ ACCESS PLT WLD 00
15	1	361576	FRT TREAD ADJ ACCESS PLT WLD
16	2	361581	TRD ADJ CYL PIVOT PIN, M/F
17	4	361583	TRD ADJ CYL SPACER, M/F
18	2	361582	TREAD ADJ CYL PIN, OUTER LEG
19	4	342719	TRD ADJ BRONZE BEARING, TAPPED
20	4	342721	TRD ADJ BRONZE BRG
21	1	361689	REAR TRD ADJ ACCESS PLT WLD 04

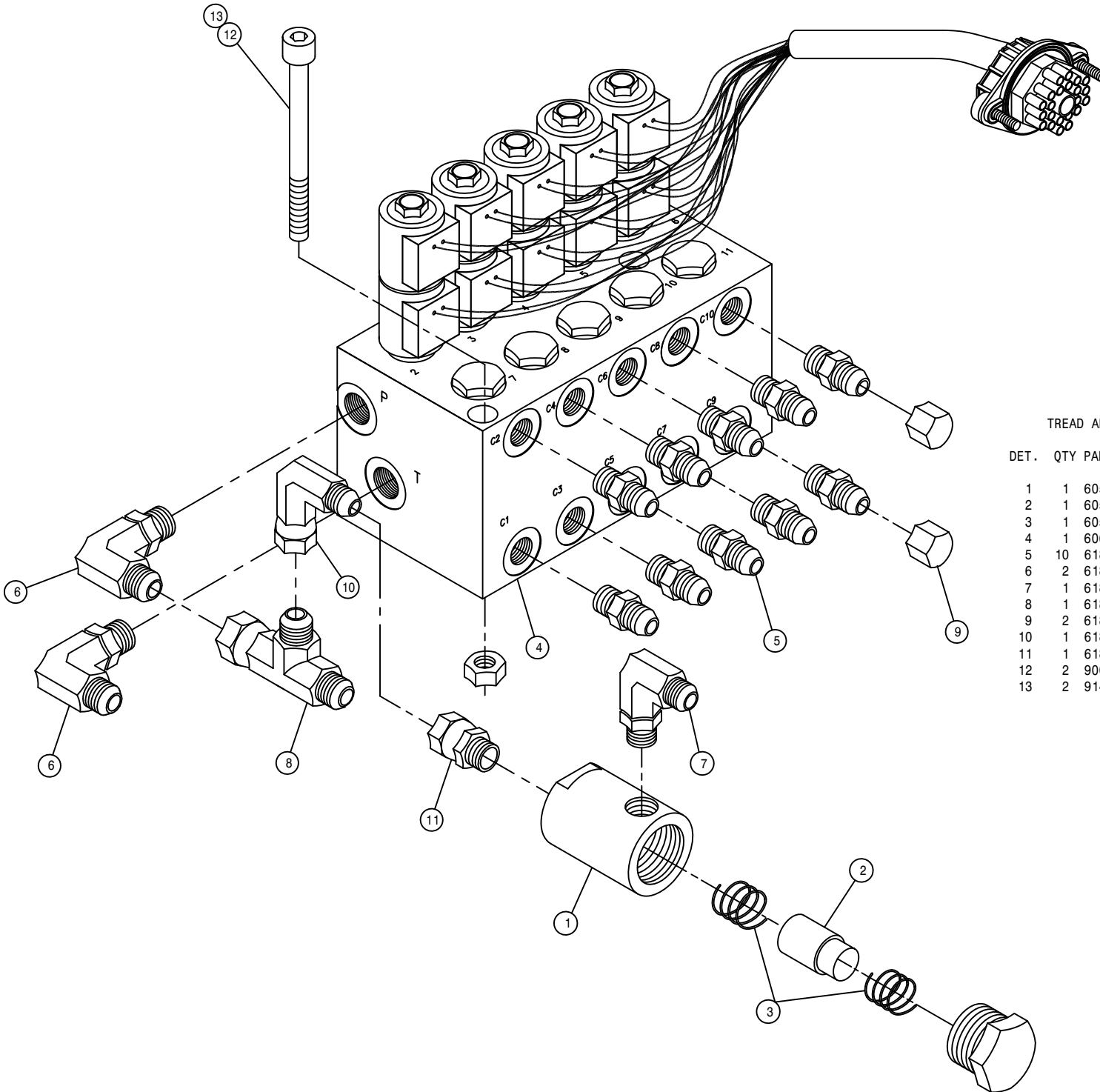




TREAD ADJUST CYLINDER ASSEMBLY

DET. QTY PART NO. DESCRIPTION

1	1	621552	TRD ADJ CYL, 3.00 X 16.00	STS
NS	1	621553	REPAIR KIT, HYD CYL 621552	



TREAD ADJUST HYD MANIFOLD ASSEMBLY

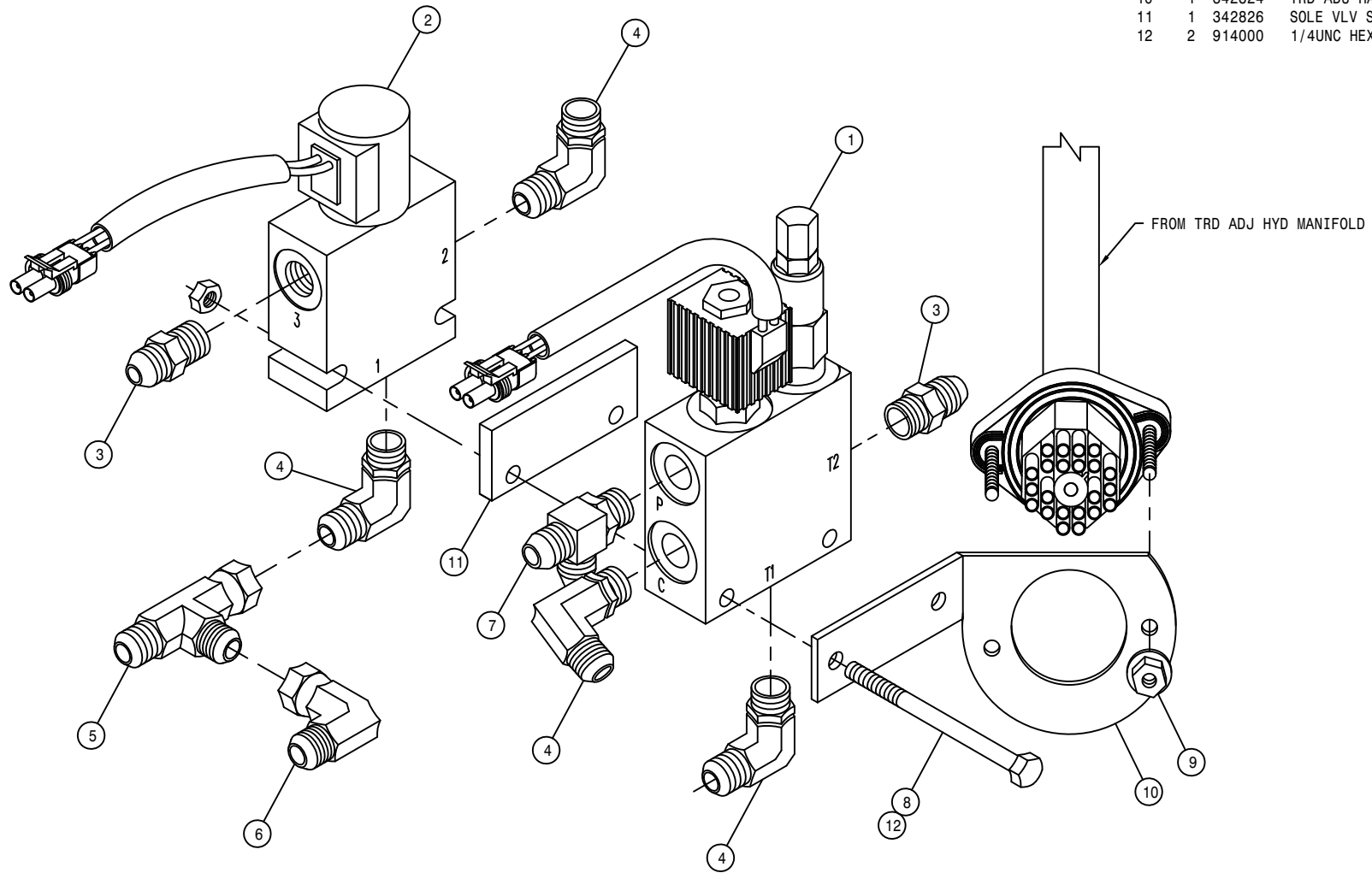
DET. QTY PART NO. DESCRIPTION

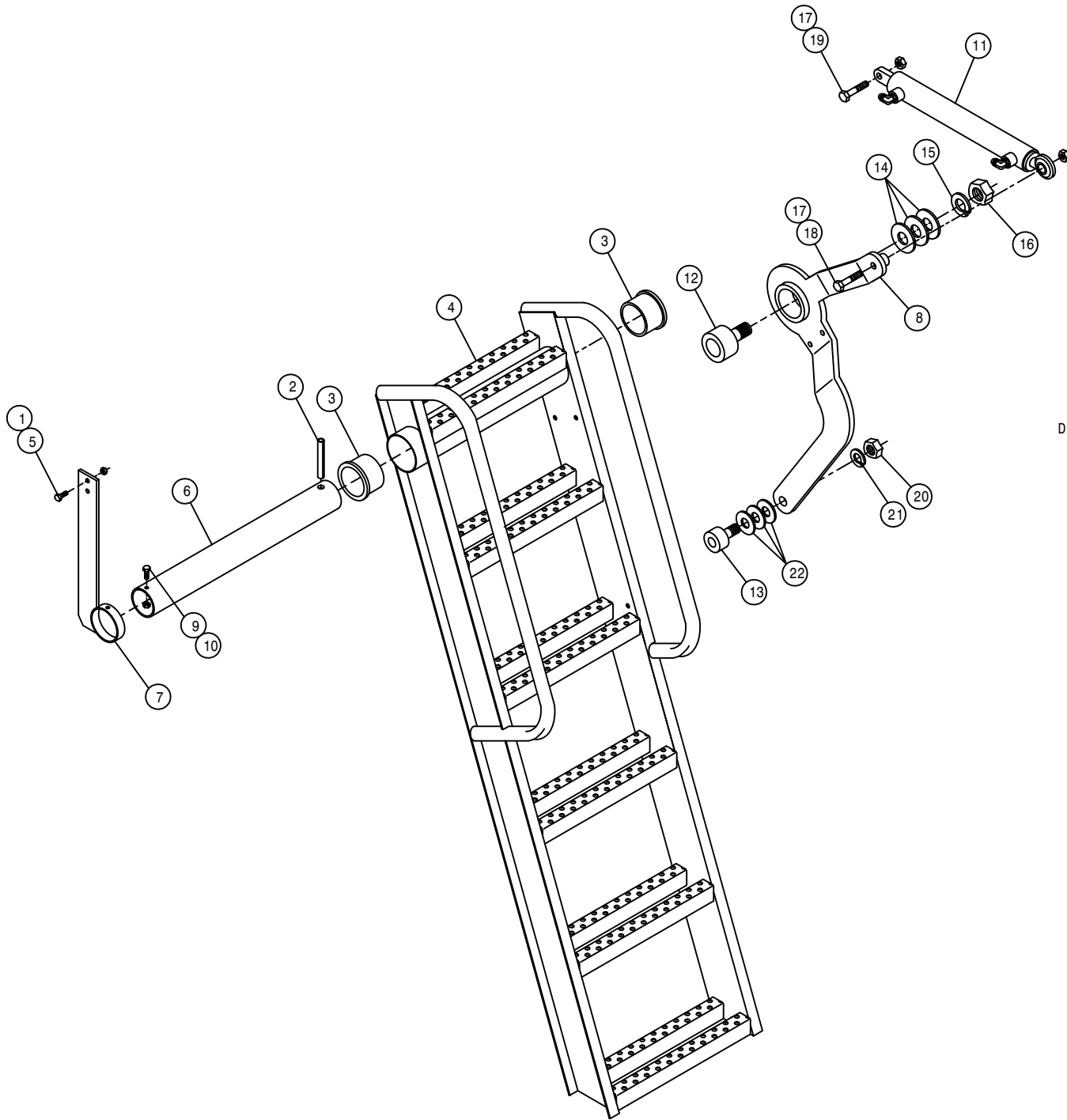
1	1	605615	HYD FILTER, INLINE 25M 9/16FOR
2	1	605616	ELEMENT, 25M HYD FILTER 605615
3	1	605617	SPRING KIT, HYD FILTER 605615
4	1	606103	TREAD ADJ VLV, STS PWRSYS 03
5	10	618126	9/16MJIC-9/16MOR ADPTR
6	2	618241	3/4MJIC-90-3/4MOR LBO
7	1	618249	3/4MJIC-90-9/16MOR LBO
8	1	618451	3/4FJIC SW RUN TEE-3/4MJIC
9	2	618531	9/16FJIC CAP NUT
10	1	618609	3/4MJIC-90-3/4FJIC SWIV LBO
11	1	618692	3/4FJIC SWIV-9/16MOR ADPTR
12	2	900145	3/8UNC X 5 SOCKET HD CAP SCR
13	2	914004	3/8UNC HEX STOVER NUT

LADDER AND BRAKE VALVE ASSEMBLY

DET. QTY PART NO. DESCRIPTION

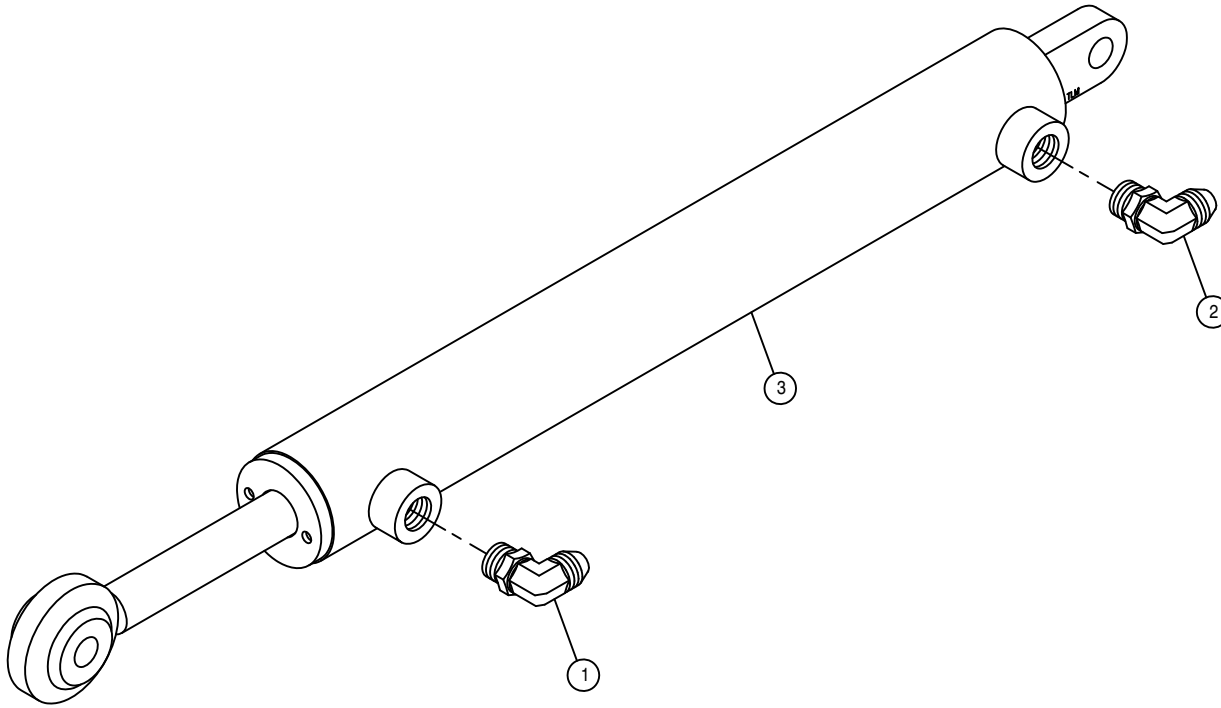
DET.	QTY	PART NO.	DESCRIPTION
1	1	606011	LADDER/BRKWAY VLV W/TOWER ASSY
2	1	606013	BRAKE VLV W/TOWER ASSY
3	2	618126	9/16MJIC-9/16MOR ADPTR
4	4	618119	9/16MJIC-90-9/16MOR LBO
5	1	618486	9/16FJIC SW RUN TEE-9/16MJIC
6	1	618618	9/16MJIC-90-9/16FJIC SWIV LBO
7	1	618444	9/16MOR RUN TEE-9/16MJIC
8	2	900012	1/4UNC X 3 1/2 HEX BOLT
9	2	470121	1/4UNC HEX FLANGE LOCK NUT
10	1	342824	TRD ADJ HARNESS CONNECTOR BRKT
11	1	342826	SOLE VLV SPACER
12	2	914000	1/4UNC HEX STOVER NUT





LADDER ASSEMBLY

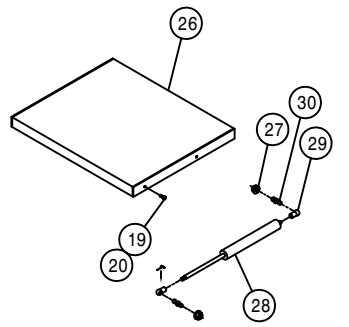
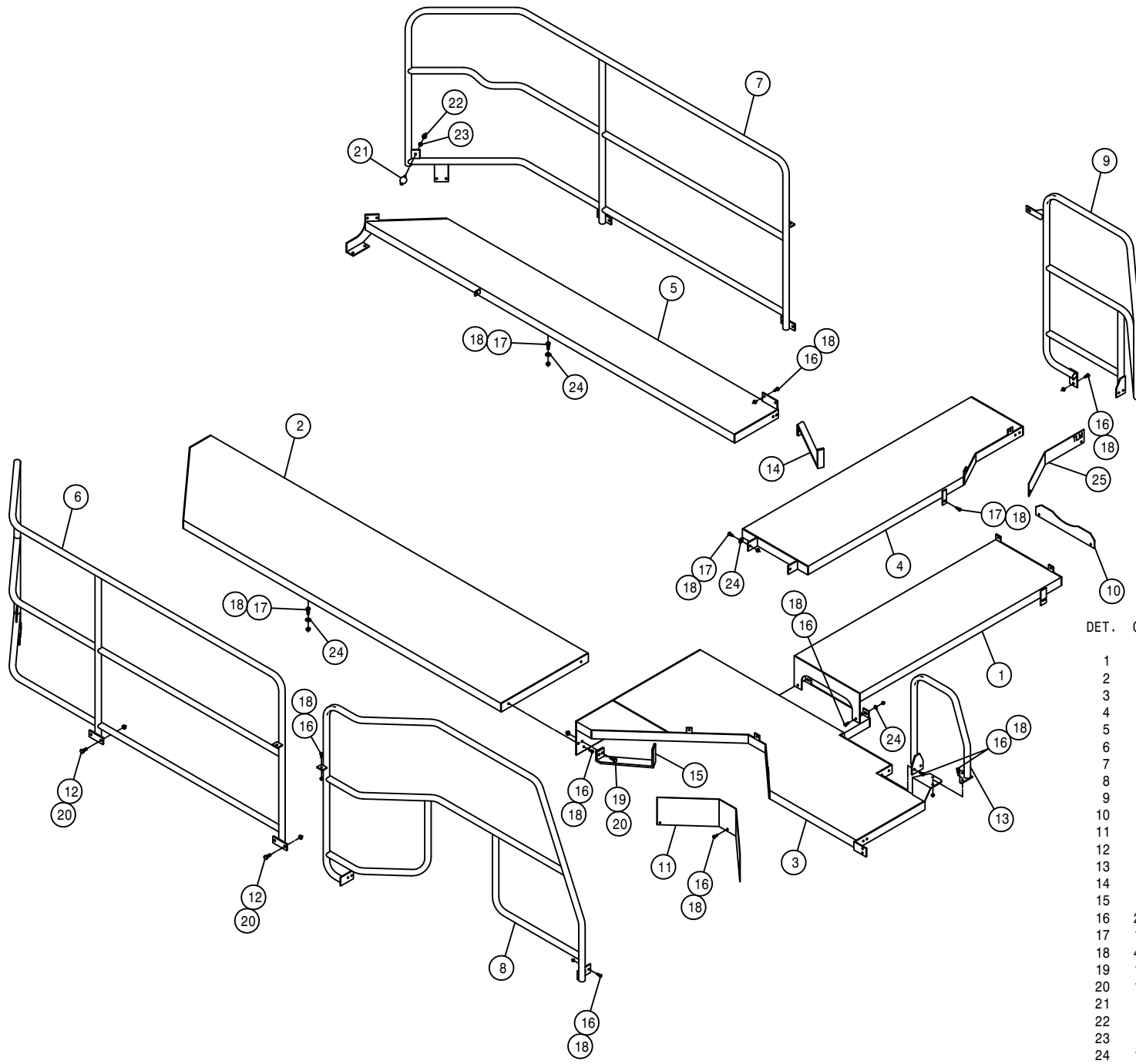
DET.	QTY	PART NO.	DESCRIPTION
1	2	914002	5/16UNC HEX STOVER NUT
2	1	473978	ROLL PIN, 1/2 X 3 1/2 LG
3	2	121102	LADDER PIVOT BEARING, POLYGON
4	1	342817	LADDER WLD
5	2	900065	5/16UNC X 1" HEX BOLT
6	1	342805	LADDER MT TUBE
7	1	342806	LH PLTFRM SUPP BRKT WLD, STS12
8	1	342813	LADDER PIVOT ARM WLD
9	1	914000	1/4UNC HEX STOVER NUT
10	1	900003	1/4UNC X 1" HEX BOLT
11	1	621065	LADDER, SIDE FILL CYL ASSYSTS03
12	1	125055	TRACK ROLLER, 2.500D, 1.00-16THD
13	1	125054	TRACK ROLLER, 1.750D, .75-16THD
14	3	920008	1" SAE FLAT WASHER
15	1	920508	1" LOCK WASHER
16	1	910016	1" UNF HEX NUT
17	2	914008	1/2UNC HEX STOVER NUT
18	1	900271	1/2UNC X 3 1/4 HEX BOLT
19	1	900267	1/2UNC X 2" HEX BOLT
20	1	910013	3/4UNF HEX NUT
21	1	920506	3/4 LOCK WASHER
22	3	920006	3/4 SAE FLAT WASHER



LADDER AND SIDE FILL CYLINDER ASSEMBLY

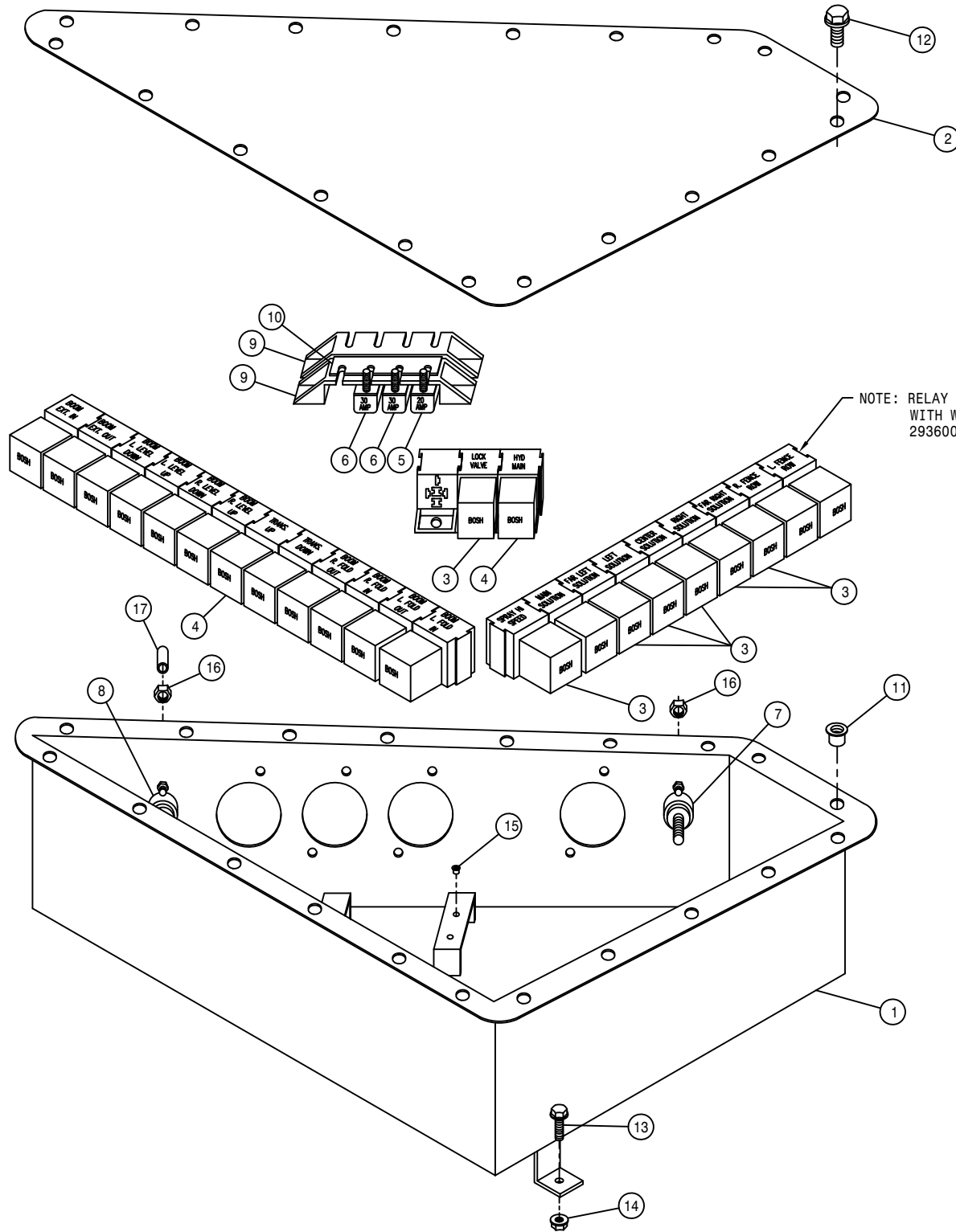
DET.	QTY	PART NO.	DESCRIPTION
1	1	614750	.042 ELBOW ASSY,9/16MOR 90D
2	1	618119	9/16MJIC-90-9/16MOR LBO
3	1	621554	LADR/SF/BRKWAY CYL,1.50 X12.25
NS	1	621555	REPAIR KIT,HYD CYL 621554

NOTE: 621065 - LADDER & SIDE FILL CYLINDER ASSEMBLY WITH FITTINGS



SERVICE PLATFORM ASSEMBLY

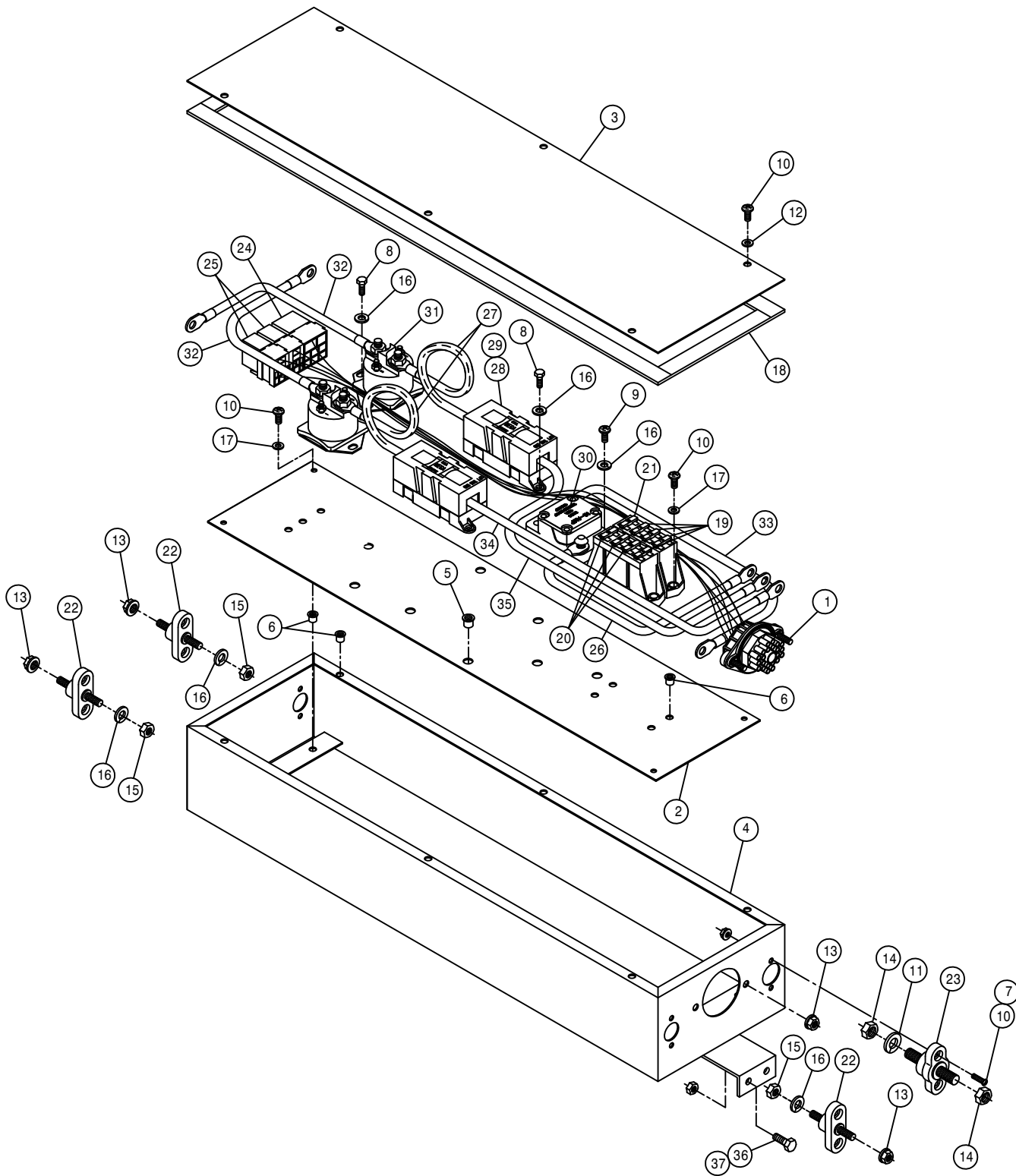
DET.	QTY	PART NO.	DESCRIPTION
1	1	343293	CNTR SERV PLATFORM WLD,STS 04
2	1	342752	LH SERV PLATFORM WLD
3	1	342769	LH REAR SERV PLATFORM WLD
4	1	343292	CENTER FRT PLATFORM WLD,STS 04
5	1	342955	RH SERV PLATFORM WLD STS 03
6	1	342724	LH FRT HANDRAIL WLD STS 00
7	1	342723	RH FRT HANDRAIL WLD
8	1	342738	LH REAR HANDRAIL WLD
9	1	343297	RH REAR HANDRAIL WLD, STS 04
10	1	343296	RH REAR SERV PLTFRM SHLD,STS04
11	1	342802	LH SERV PLATFORM SHIELD
12	8	900130	3/8UNC X 1 1/4 HEX BOLT
13	1	342747	RH HANDRAIL WLD, LH PLATFORM
14	1	342803	RH REAR LEG HOSE SUPPORT
15	1	342804	LH REAR LEG HOSE SUPPORT
16	29	900064	5/16UNC X 3/4 HEX BOLT
17	17	900065	5/16UNC X 1" HEX BOLT
18	44	914002	5/16UNC HEX STOVER NUT
19	10	900129	3/8UNC X 1" HEX BOLT
20	18	914004	3/8UNC HEX STOVER NUT
21	2	470314	RUBBER BUMPER,BULLET W/3/8-24S
22	2	910005	3/8UNF HEX NUT
23	2	920502	3/8 LOCK WASHER
24	18	920001	5/16 SAE FLAT WASHER
25	1	343295	RH SERV PLTFRM SHIELD, STS 04
26	1	343304	ENG CMPRTMNT PLTFRM WLD,STS 04
27	2	470113	5/16UNC HEX FLANGE LOCK NUT
28	1	470364	GAS SPRING, 90LB, 3.5 STROKE
29	2	470365	BALL STUD,5/16-18, FOR 470364
30	2	470366	CLIP FOR 470364



NOTE: RELAY BASES COME WITH WIRE HARNESS 293600 - BOOM CONTROL BOX HARNESS

BOOM ELECTRICAL BOX ASSEMBLY

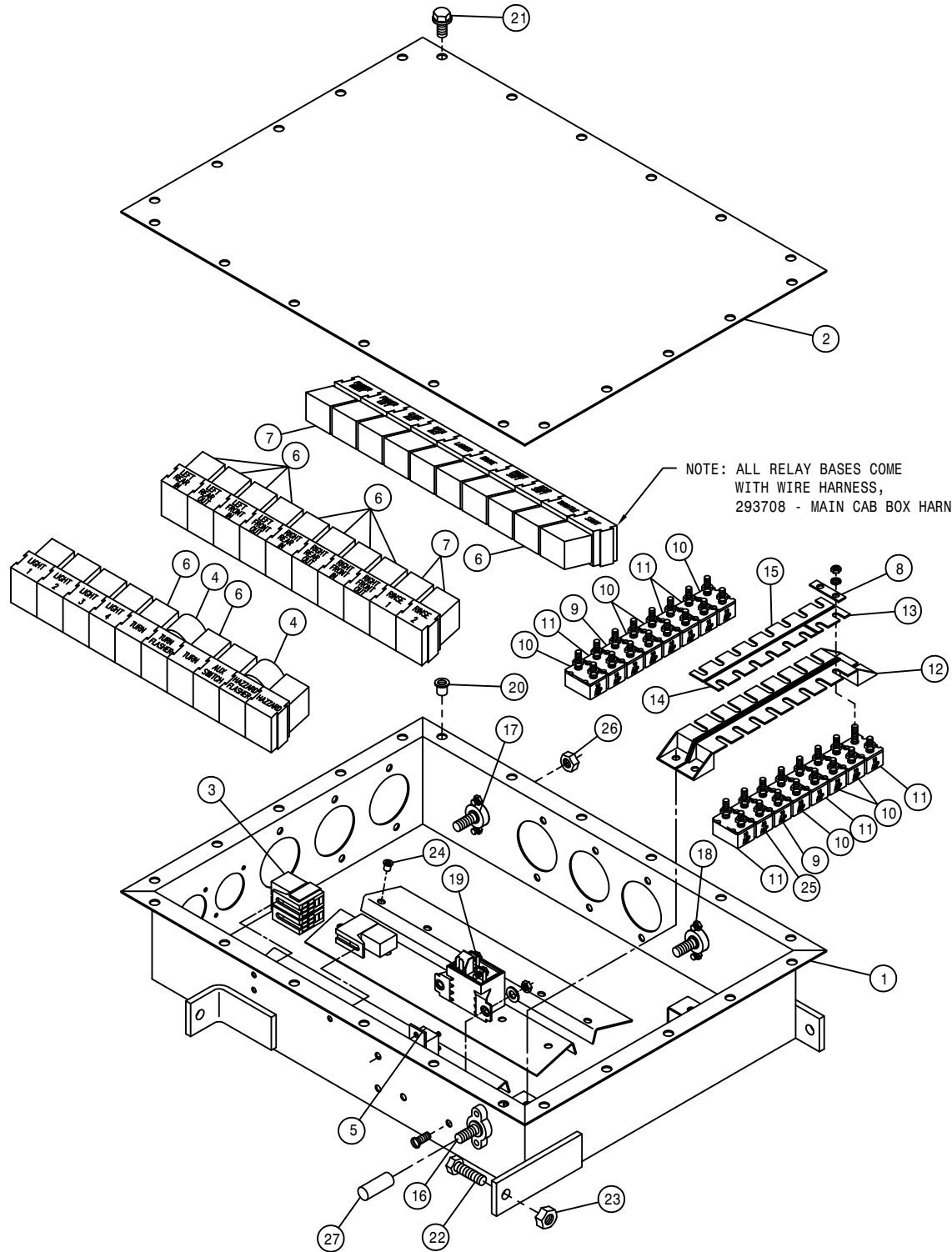
DET.	QTY	PART NO.	DESCRIPTION
1	1	342830	BOOM ELECTRICAL BOX WLD
2	1	342837	BOOM ELECTRICAL BOX COVER
3	7	291752	RELAY, SPDT 12V 50A-NO 5-TERM
4	16	291751	RELAY, SPST 12V 40A-NO, DIODE
5	1	291573	CIRCUIT BREAKER,20AMP W/O MT
6	2	291574	CIRCUIT BREAKER,30AMP W/O MT
7	1	291750	TERM BLOCK,RED,3/8-16 THRU
8	1	291749	TERM BLOCK,BLACK,3/8-16 THRU
9	2	291755	BREAKER MTG BRKT, 4-GANG NYLON
10	1	291756	BUS BAR,4-GANG FOR 291755
11	20	470086	1/4UNC NUTSERT .020-.100MATL
12	20	470122	1/4UNC X 1/2 FLANGE HEX BOLT
13	3	470118	1/4UNC X 3/4 FLANGE HEX BOLT
14	3	470121	1/4UNC HEX FLANGE LOCK NUT
15	14	470165	10-32 NUTSERT .020-.100 MATL
16	2	910004	3/8UNC HEX NUT
17	2	629764	CAPPLUGS CAP, .375 X 1.00 VINYL



ENGINE ELECTRICAL BOX ASSEMBLY

DET. QTY PART NO. DESCRIPTION

1	1	293763	ENGINE BOX HARNESS, STS	04
2	1	342960	ENG BOX MT PANEL, STS	04
3	1	342961	ENG BOX COVER, STS	04
4	1	342962	ENG BOX WLD, STS	04
5	10	470086	1/4UNC NUTSERT .020-.100MATL	
6	17	470165	10-32 NUTSERT .020-.100 MATL	
7	8	470175	10-32 HEX FLANGE LOCK NUT	
8	8	900000	1/4UNC X 1/2 HEX BOLT	
9	2	903722	1/4UNC X3/4 PHIL PNHD MACHSCR	
10	25	903710	10-32X5/8 PHIL PANHD MACH SCR	
11	1	920502	3/8 LOCK WASHER	
12	6	470351	#10 X 1/2 BONDED SEALING WASH	
13	5	470121	1/4UNC HEX FLANGE LOCK NUT	
14	2	910004	3/8UNC HEX NUT	
15	3	910000	1/4UNC HEX NUT	
16	13	920500	1/4 LOCK WASHER	
17	11	920510	#10 LOCK WASHER	
18	6	193037	STICKERTITE 1/8 X 3/4	
19	4	291027	7.5 AMP FUSE,1/4"BLADE ATO/ATC	
20	3	291545	10 AMP FUSE,1/4"BLADE ATO/ATC	
21	1	291547	20 AMP FUSE,1/4"BLADE ATO/ATC	
22	3	291748	TERM BLOCK,BLACK,1/4-20 THRU	
23	1	291750	TERM BLOCK,RED,3/8-16 THRU	
24	1	291751	RELAY, SPST 12V 40A-NO, DIODE	
25	2	291781	MICRO RELAY, BOSCH 12V SPDT	
26	1	291805	BATT CABLE,RED 12"6GA.281-.406	
27	2	291806	BATT CABLE,RED 11"6GA.343-.343	
28	2	291813	FUSE, 125 AMP 32V DC	
29	2	291814	FUSE HOLDER, HIGH AMP	
30	1	291815	CIRCUIT BREAKER,100 AMP BUSS	
31	2	291816	SOLENOID, STS	00
32	2	291872	BATT CABLE,RED 10"6GA.281-.343	
33	1	291873	BATT CABLE,RED 15"6GA.281-.281	
34	1	291874	BATT CABLE,RED 15"6GA.343-.406	
35	1	291875	BATT CABLE,RED 19"6GA.343-.406	
36	4	900002	1/4UNC X 3/4 HEX BOLT	
37	4	914000	1/4UNC HEX STOVER NUT	



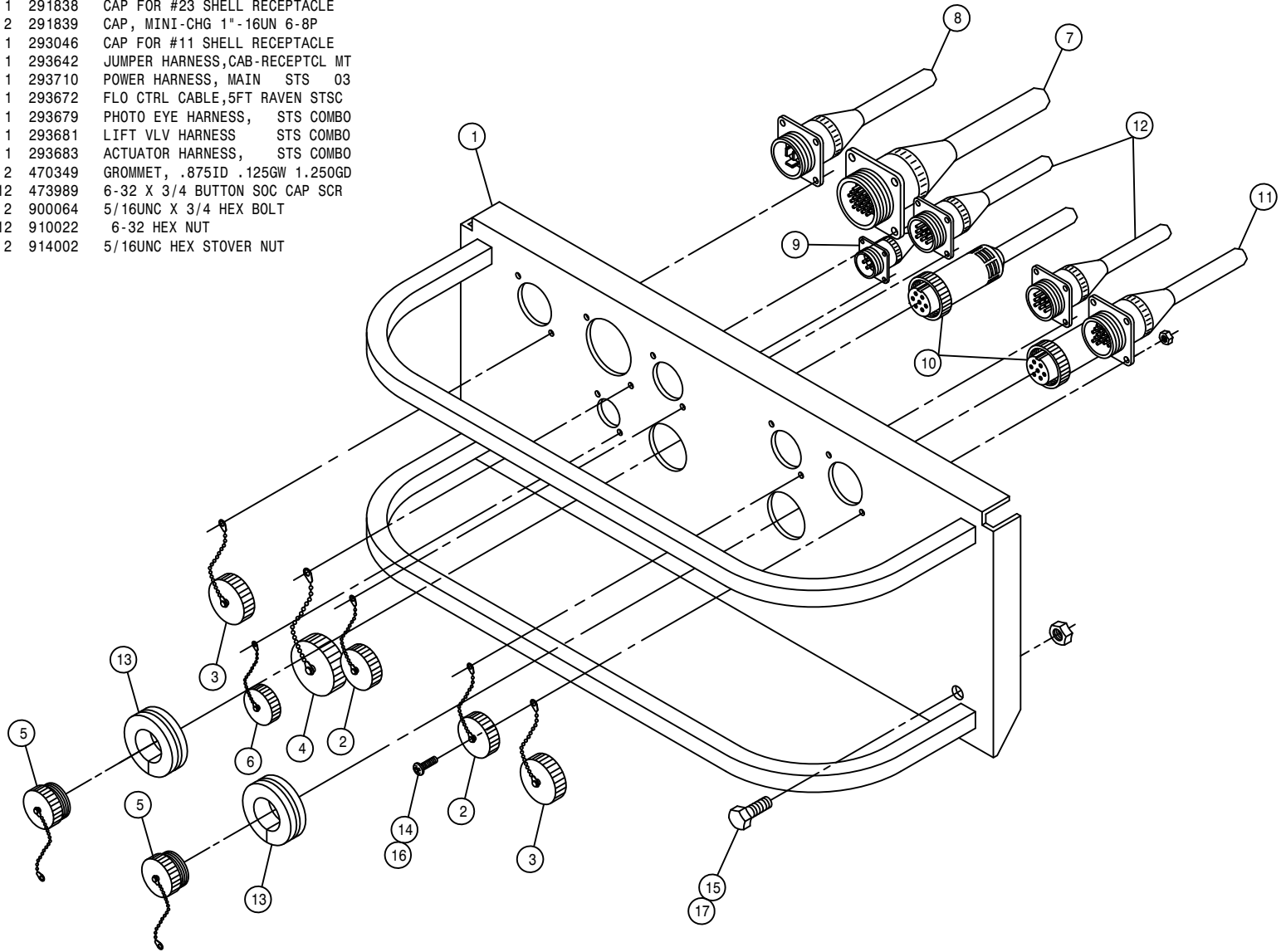
CAB ELECTRICAL BOX ASSEMBLY

DET.	QTY	PART NO.	DESCRIPTION
	1	342841	CAB ELECTRICAL BOX WLD
	1	342847	CAB ELECTRICAL BOX COVER
	3	291781	MICRO RELAY, BOSCH 12V SPDT
	2	291564	FLASHER, 12V 3-PIN ELECTRONIC
	1	291197	CIRCUIT BREAKER,30AMP,INLINEMT
	11	291752	RELAY, SPDT 12V 50A-NO 5-TERM
	17	291751	RELAY, SPST 12V 40A-NO, DIODE
	8	291683	BUSS BAR,2 GANG CIRCUIT BREAKR
	9	291574	CIRCUIT BREAKER,30AMP W/O MT
	10	291573	CIRCUIT BREAKER,20AMP W/O MT
	11	291575	CIRCUIT BREAKER,10AMP W/O MT
	12	291757	BREAKER MTG BRKT, 8-GANG NYLON
	13	291796	BUSS BAR,2-GANG FOR 291757
	14	291797	BUSS BAR, 6-GANG FOR 291757
	15	291758	BUS BAR,8-GANG FOR 291757
	16	291748	TERM BLOCK,BLACK,1/4-20 THRU
	17	291749	TERM BLOCK,BLACK,3/8-16 THRU
	18	291750	TERM BLOCK,RED,3/8-16 THRU
	19	657371	RELAY, 12 VOLT 75 AMP
	20	470086	1/4UNC NUTSERT .020-.100MATL
	21	470122	1/4UNC X 1/2 FLANGE HEX BOLT
	22	900129	3/8UNC X 1" HEX BOLT
	23	914004	3/8UNC HEX STOVER NUT
	24	470165	10-32 NUTSERT .020-.100 MATL
	25	291584	CIRCUIT BREAKER,40AMP W/O MT
	26	910004	3/8UNC HEX NUT
	27	629763	CAPLUGS CAP,.250 X 1.00 VINYL

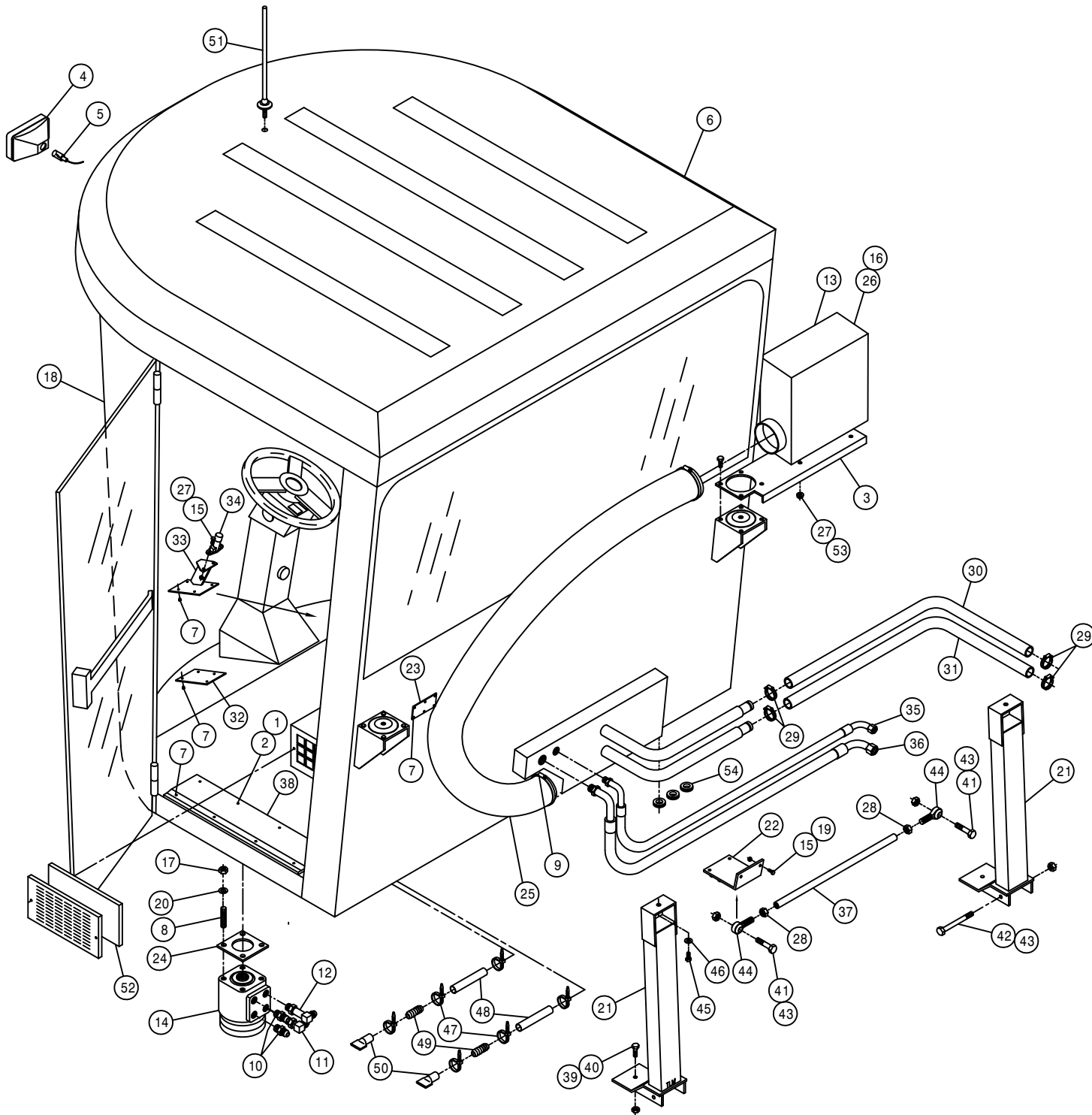
RECEPTACLE PANEL ASSEMBLY

DET. QTY PART NO. DESCRIPTION

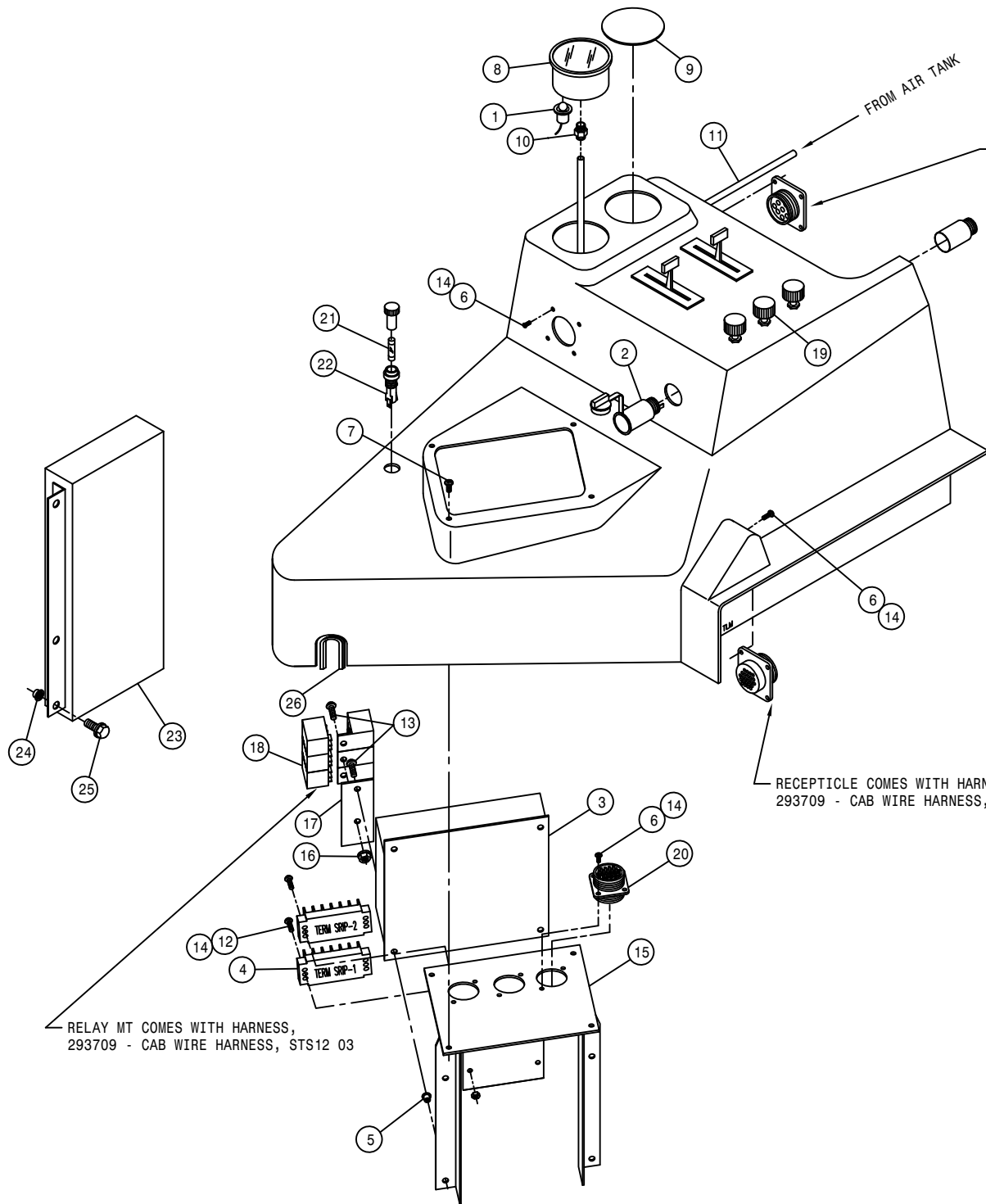
1	1	342957	FRT RECEPTACLE PNL WLD, STS 03
2	2	291688	CAP FOR #13 SHELL RECEPTACLE
3	2	291754	AMP RECEPTACLE CAP, 17-SHELL
4	1	291838	CAP FOR #23 SHELL RECEPTACLE
5	2	291839	CAP, MINI-CHG 1"-16UN 6-8P
6	1	293046	CAP FOR #11 SHELL RECEPTACLE
7	1	293642	JUMPER HARNESS,CAB-RECEPTCL MT
8	1	293710	POWER HARNESS, MAIN STS 03
9	1	293672	FLO CTRL CABLE,5FT RAVEN STSC
10	1	293679	PHOTO EYE HARNESS, STS COMBO
11	1	293681	LIFT VLV HARNESS, STS COMBO
12	1	293683	ACTUATOR HARNESS, STS COMBO
13	2	470349	GROMMET, .875ID .125GW 1.250GD
14	12	473989	6-32 X 3/4 BUTON SOC CAP SCR
15	2	900064	5/16UNC X 3/4 HEX BOLT
16	12	910022	6-32 HEX NUT
17	2	914002	5/16UNC HEX STOVER NUT



CAB ASSEMBLY



DET.	QTY	PART NO.	DESCRIPTION
	1	470175	10-32 HEX FLANGE LOCK NUT
	2	903905	10-32X1 1/2 SLT RD HD MACH SCR
	3	343153	CAB AIR FILTER BOX MT, STS 03
	4	291828	WORKLIGHT W/O BULB, CAB, STS12
	5	291829	WORKLIGHT BULB FOR 291828, STS
	6	343000	CAB, NEW HOLLAND FX DISCOVERY
	7	485053	POP RIVET 3/16 X 3/8
	8	472335	3/8UNC X 2" STUD BOLT
	9	520064	HOSE CLAMP NO 64 STAINLESS
	10	611125	3/4MJIC-3/4MOR ADPTR
	11	618241	3/4MJIC-90-3/4MOR LBO
	12	618443	3/4MJIC-90-3/4MOR EX LG LBO
	13	657435	FILTER BOX W/FILTERS STS12
	14	749321	STEERING CONTROL MTR 14.1CI
	15	900002	1/4UNC X 3/4 HEX BOLT
	16	657437	CHARCOAL FILTER FOR 657435
	17	910004	3/8UNC HEX NUT
	18	343004	WINDSHIELD, STS12 CAB 2000
	19	914000	1/4UNC HEX STOVER NUT
	20	920502	3/8 LOCK WASHER
	21	343134	REAR CAB MT WLD, STS10
	22	343019	CAB STABILIZER MT WLD
	23	343022	REAR CAB COVER PLATE
	24	343023	STEERING MTR SPACER STS12
	25	343154	AIR DUCT HOSE, 4" X 60" LG
	26	657436	PANEL FILTER FOR 657435
	27	470121	1/4UNC HEX FLANGE LOCK NUT
	28	910009	1/2UNF HEX NUT
	29	4520080	HOSE CLAMP NO 10 STAINLESS
	30	601465	HOSE, 5/8 X 19 HEATER
	31	601466	HOSE, 5/8 X 21 HEATER
	32	343027	DIMMER SWITCH MT PLT
	33	343026	DIMMER SWITCH MT WLD
	34	290412	DIMMER SWITCH
	35	657442	A/C HOSE,06-06F90-06M90-33"
	36	657445	A/C HOSE,08-10F90-10M90-35"
	37	343072	CAB STABILIZER ROD
	38	343025	CAB STEP PLATE
	39	914004	3/8UNC HEX STOVER NUT
	40	900129	3/8UNC X 1" HEX BOLT
	41	900267	1/2UNC X 2" HEX BOLT
	42	900274	1/2UNC X 4" HEX BOLT
	43	914008	1/2UNC HEX STOVER NUT
	44	473976	ROD END, .50B, .50-20UNF RH MALE
	45	473775	12MM-1.75 X 30MM HEX BOLT
	46	473784	12MM LOCK WASHER
	47	470154	CABLE TIE, 11.75" BLK PLASTIC
	48	601552	HOSE, 1/2 X 4 CLEAR VINYL
	49	619014	1/2" HOSE MENDER
	50	657451	A/C KAZOO, 1/2" X 2" LONG
	51	291214	ANTENNA
	52	343118	A/C FILTER ELEMENT, CAB STS12
	53	470122	1/4UNC X 1/2 FLANGE HEX BOLT
	54	470349	GROMMET, .875ID .125GW 1.250GD



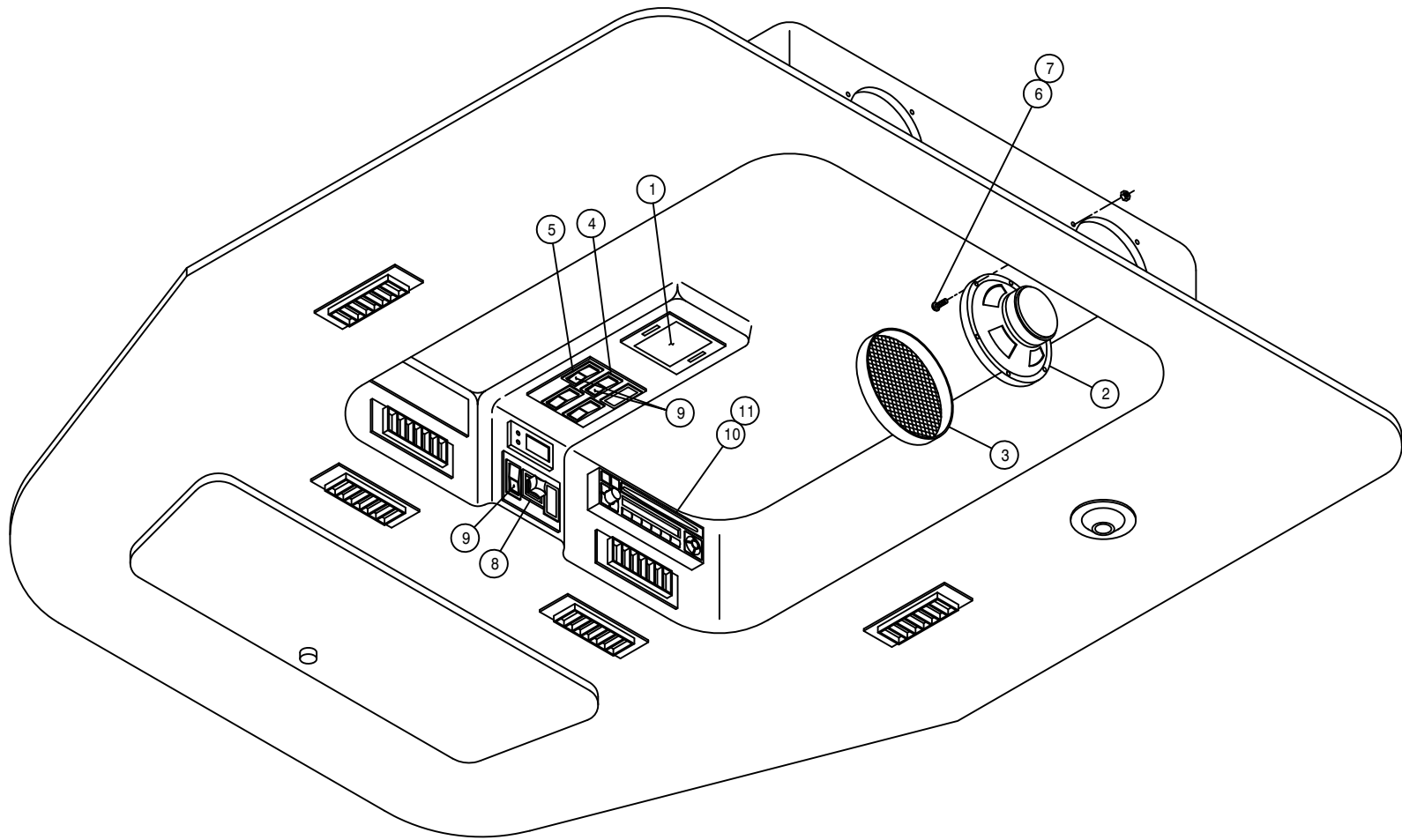
RECEPTACLE COMES WITH HARNESS,
293610 - DIAGNOSTIC READ HARNESS

RECEPTACLE COMES WITH HARNESS,
293709 - CAB WIRE HARNESS, STS12 03

RELAY MT COMES WITH HARNESS,
293709 - CAB WIRE HARNESS, STS12 03

HEATER CONTROL PANEL ASSEMBLY

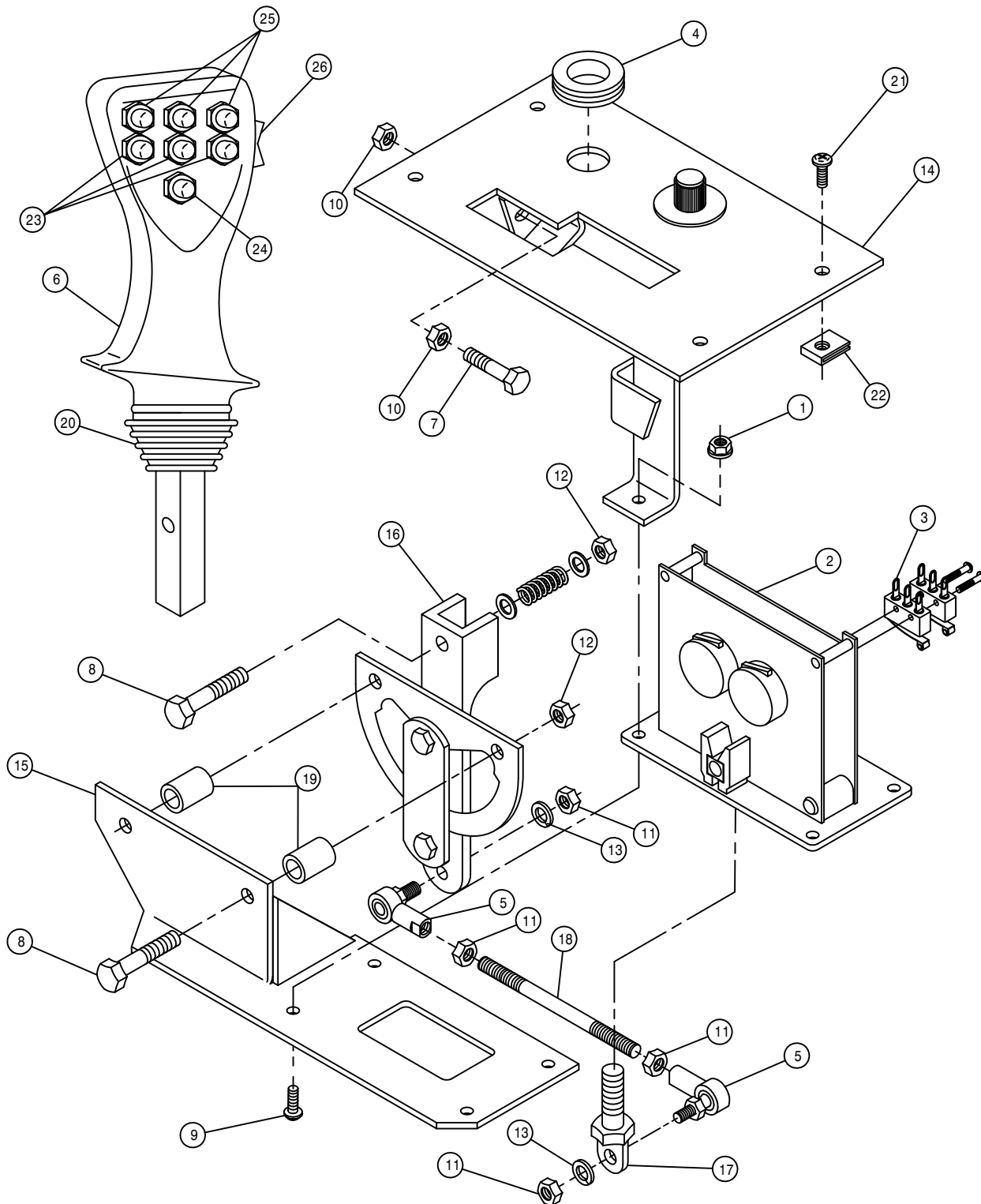
DET.	QTY	PART NO.	DESCRIPTION
	1	291612	LIGHT KIT FOR 2" GAUGE
	2	291648	POWER POINT RECEPTACLE
	3	291787	INPUT MODULE, ATI
	4	293093	TERMINAL BLOCK 6 POS - 2 ROW
	5	470165	10-32 NUTSERT .020-.100 MATL
	6	14	473989 6-32 X 3/4 BUTTON SOC CAP SCR
	7	4	473990 8-15 X 3/4 PHIL PAN SMS TY-A
	8	1	701311 AIR PRESS GAUGE,150PSI, PNL MT
	9	1	701312 GAUGE BLANK
	10	1	711038 1/8FNPT-1/4 NYL TUBE FTG
	11	1	601486 HOSE, 1/4 X 215 AIR
	12	4	903814 6-32 X 3/4 SLT RD HD MACH SCR
	13	5	903883 10-32 X 1/2 SLT RDHD MACH SCR
	14	18	910022 6-32 HEX NUT
	15	1	343142 CONSOLE COVER WLD, CAB STSC
	16	1	470175 10-32 HEX FLANGE LOCK NUT
	17	1	343067 RELAY BRKT
	18	3	291781 MICRO RELAY, BOSCH 12V SPDT
	19	1	343114 SWITCH, CAB FAN STS12 2000
	20	3	291841 AMP RECEPTCL,17-16 THRU,SQ FLG
	21	1	291602 FUSE 10 AMP
	22	1	298011 FUSE HOLDER
	23	1	293374 LS CTRL 6L CABLE BOX ASSY
	24	2	470086 1/4UNC NUTSERT .020-.100MATL
	25	2	470122 1/4UNC X 1/2 FLANGE HEX BOLT
	26	5	193011 EDGE GUARD, BLK



HEADLINER ASSEMBLY

DET. QTY PART NO. DESCRIPTION

1	1	343123	DOME LIGHT, CAB STS
2	2	291219	SPEAKER, 5 1/4"RD
3	2	291319	SPEAKER GRILLE, ROUND SNAP ON
4	1	291627	SWITCH, 2P(ON)OFF(ON) 511-058
5	1	291775	SWITCH, LOCK OFF/ON 511-172
6	6	903812	6-32 X 1/2 SLT RD HD MACH SCR
7	6	910022	6-32 HEX NUT
8	1	291798	MIRROR SWITCH FOR 470316
9	3	291628	LENS, GREEN 596-650
10	1	291835	RADIO, AM/FM/CD/WB CRC-5320
11	1	291836	WIRE HARNESS FOR 291835 RADIO



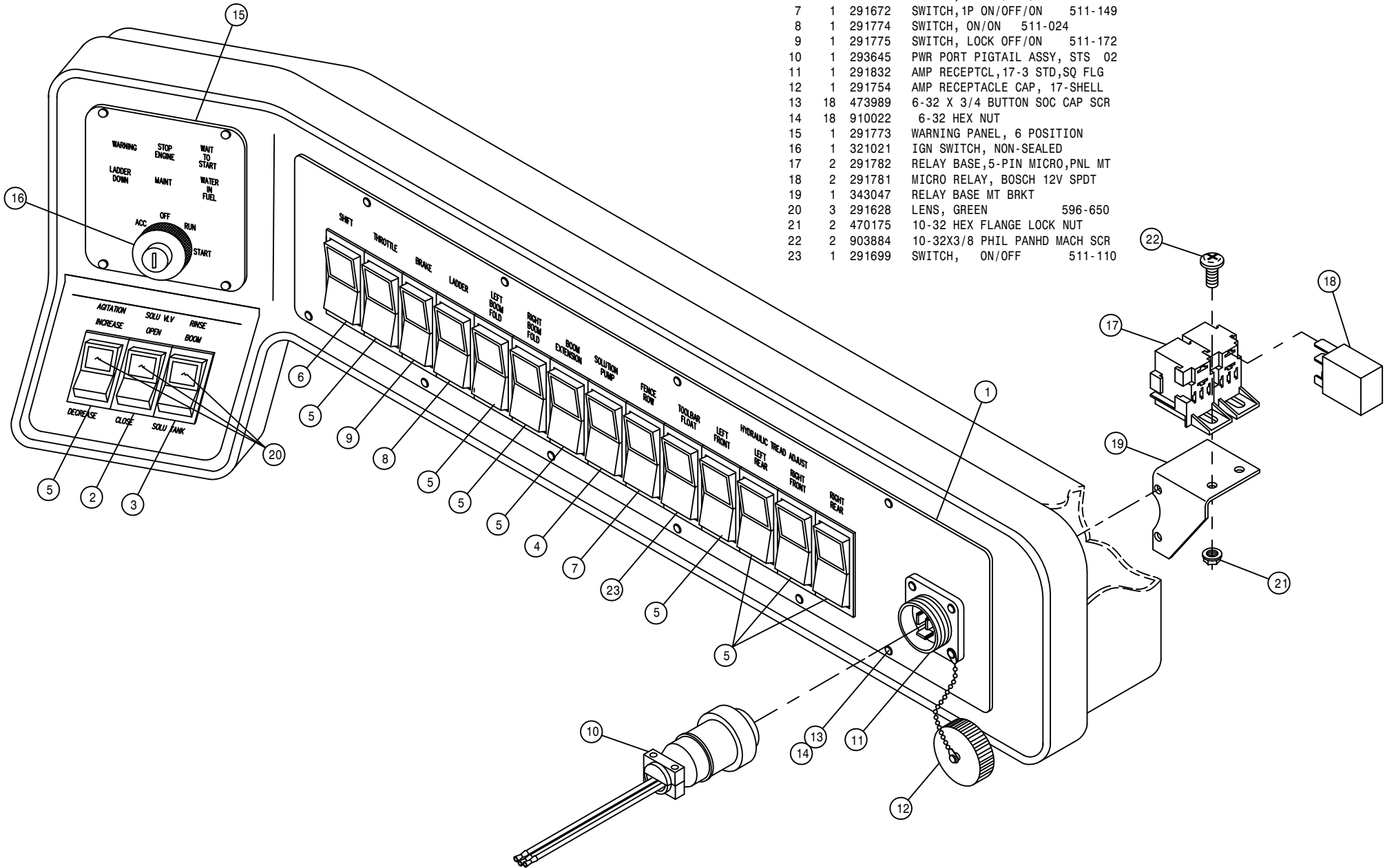
HYDROSTATIC CONTROL LEVER ASSEMBLY

DET.	QTY	PART NO.	DESCRIPTION
1	4	169028	10-24 HEX FLANGE LOCK NUT
2	1	291760	CONTROL HANDLE & POTENTIOMETER
3	4	291827	MICRO SWITCH FOR 291760
4	1	470296	GROMMET, .750ID .062GW 1.062GD
5	2	473918	BALL JOINT 1/4-28 FEM STUDED
6	1	785085	FASSE CTRL HANDLE, C15L4'14TRM
7	2	900003	1/4UNC X 1" HEX BOLT
8	3	900005	1/4UNC X 1 1/2 HEX BOLT
9	4	903888	10-24 X 3/4 SLT RDHD MACH SCR
10	4	910000	1/4UNC HEX NUT
11	4	910001	1/4UNF HEX NUT
12	3	914000	1/4UNC HEX STOVER NUT
13	2	920500	1/4 LOCK WASHER
14	1	343031	HYDRO LEVER MT PLT WLD
15	1	343037	HYDRO LEVER MT WLD
16	1	343040	HYDST CTRL LEVER STS12
17	1	343041	HYDRO LINKAGE BOLT WLD
18	1	343043	HYDRO LINKAGE ROD
19	2	343044	HYDRO LEVER SPACER
20	1	785081	BELLOW,FASSE CTRL HANDLE785080
21	4	473990	8-15 X 3/4 PHIL PAN SMS TY-A
22	4	470172	# 8 SPEED NUT
23	3	291883	SWITCH,PB 3TRM MOM 0, RED
24	1	291882	SWITCH,PB SPDT STAT 0, GREEN
25	3	291884	SWITCH,PB 3TRM MOM 0, GRAY
26	1	291885	SWITCH,ROCKER SPDT STAT

SWITCH PANEL ASSEMBLY
 REFERENCE DRAWING NO. 312045

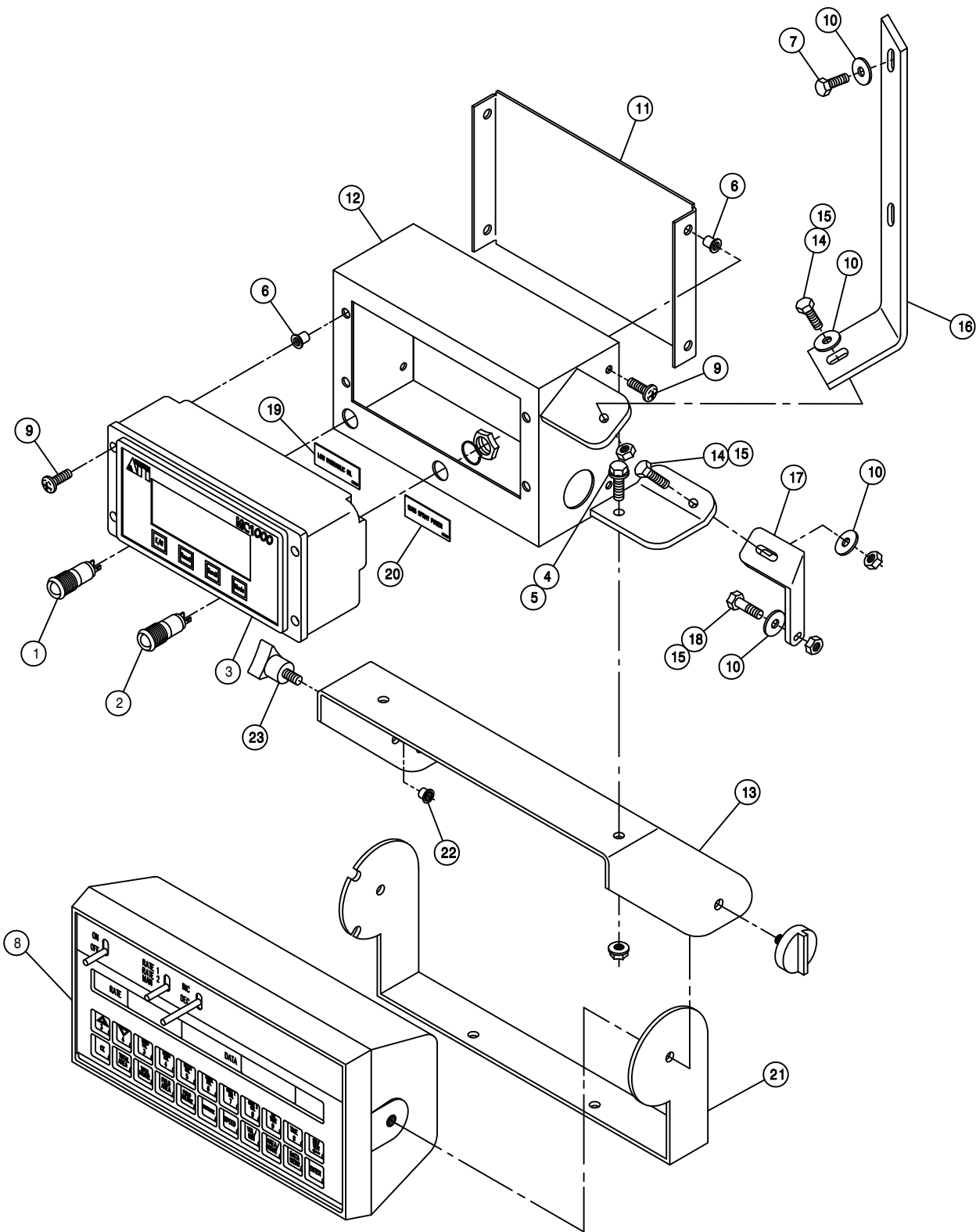
DET. QTY PART NO. DESCRIPTION

1	1	291851	SWITCH PANEL,W/SWITCH STS12 03
2	1	291622	SWITCH,1P ON/OFF 511-003
3	1	291626	SWITCH,2P ON/OFF/ON 511-053
4	1	291625	SWITCH,2P ON/ON 511-108
5	9	291627	SWITCH,2P(ON)OFF(ON) 511-058
6	1	291671	SWITCH,2P OFF/ONA/ONAB 511-138
7	1	291672	SWITCH,1P ON/OFF/ON 511-149
8	1	291774	SWITCH, ON/ON 511-024
9	1	291775	SWITCH, LOCK OFF/ON 511-172
10	1	293645	PWR PORT PIGTAIL ASSY, STS 02
11	1	291832	AMP RECEPTCL,17-3 STD,SQ FLG
12	1	291754	AMP RECEPTACLE CAP, 17-SHELL
13	18	473989	6-32 X 3/4 BUTTION SOC CAP SCR
14	18	910022	6-32 HEX NUT
15	1	291773	WARNING PANEL, 6 POSITION
16	1	321021	IGN SWITCH, NON-SEALED
17	2	291782	RELAY BASE,5-PIN MICRO,PNL MT
18	2	291781	MICRO RELAY, BOSCH 12V SPDT
19	1	343047	RELAY BASE MT BRKT
20	3	291628	LENS, GREEN 596-650
21	2	470175	10-32 HEX FLANGE LOCK NUT
22	2	903884	10-32X3/8 PHIL PANHD MACH SCR
23	1	291699	SWITCH, ON/OFF 511-110



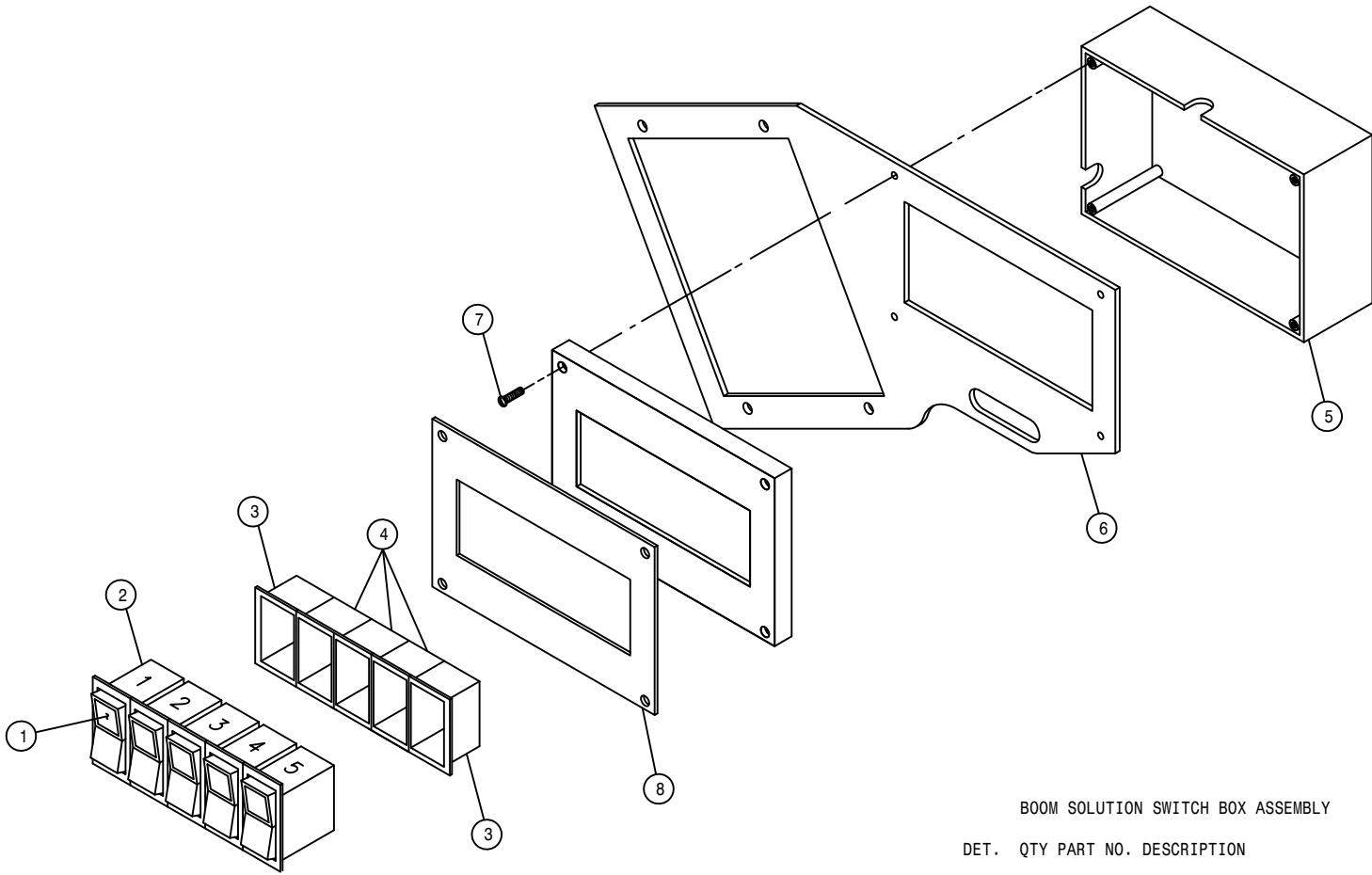
45

312045



ATI MC1000 CONTROL BOX ASSEMBLY

DET.	QTY	PART NO.	DESCRIPTION
1	1	291740	RED LED IND LIGHT,12V 10MM
2	1	291741	GREEN LED IND LIGHT,12V 10MM
3	1	291761	MESSAGE CENTER, ATI MC1000
4	2	470118	1/4UNC X 3/4 FLANGE HEX BOLT
5	2	470121	1/4UNC HEX FLANGE LOCK NUT
6	8	470165	10-32 NUTSERT .020-.100 MATL
7	2	473787	6MM-1.00 X 25MM HEX BOLT
8	1	690618	CONSOLE, RAVEN 460 W/GPS PORT
9	8	903710	10-32X5/8 PHIL PANHD MACH SCR
10	5	920000	1/4 SAE FLAT WASHER
11	1	343058	ATI MC1000 CTRL BOX COVER
12	1	343053	ATI MC1000 CTRL BOX WLD
13	1	343144	MONITOR MT BRKT, STS COMBO
14	2	900003	1/4UNC X 1" HEX BOLT
15	3	914000	1/4UNC HEX STOVER NUT
16	1	343060	ATI MC1000 CTRL BOX UPR SUPP
17	1	343061	ATI MC1000 CTRL BOX LWR SUPP
18	1	900004	1/4UNC X 1 1/4 HEX BOLT
19	1	650109	DECAL, LOW HYDRAULIC OIL
20	1	650108	DECAL, MAIN SPRAY POWER
21	1	343145	DEPTH CMD BOX BRKT, STS COMBO
22	1	470086	1/4UNC NUTSERT .020-.100MATL
23	1	470353	KNOB,3-ARM,1/4-20 X 1/2, BLACK



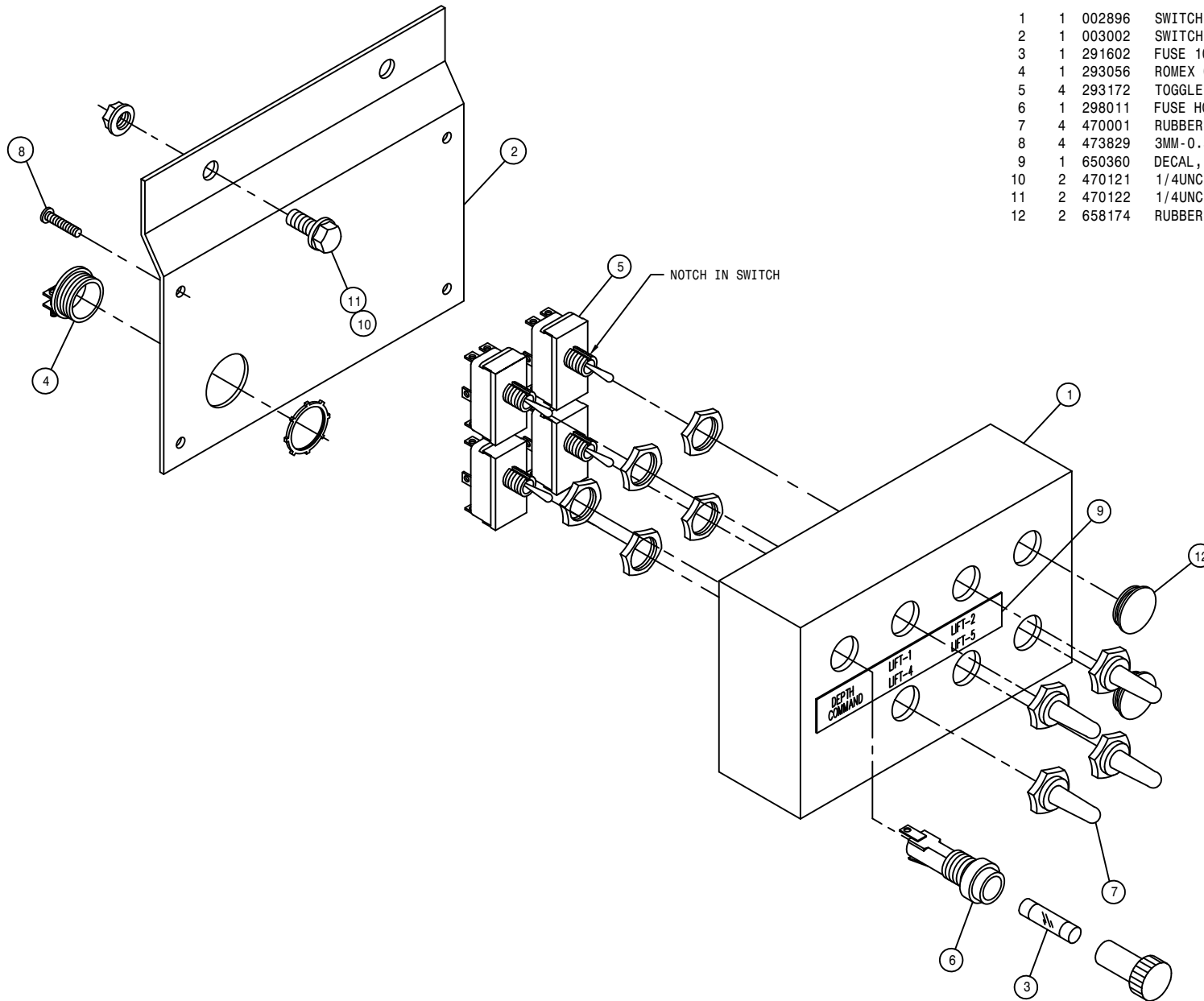
BOOM SOLUTION SWITCH BOX ASSEMBLY

DET.	QTY	PART NO.	DESCRIPTION
1	5	291628	LENS, GREEN 596-650
2	5	291699	SWITCH, ON/OFF 511-110
3	2	293246	END BEZEL, 594-802
4	3	293247	CENTER BEZEL, 594-801
5	1	343049	BOOM SWITCH BOX
6	1	343165	BOOM SOLU SWITCH BOX MT PLT 03
7	4	473848	3MM-0.50 X 25MM PHILHD SCREW
8	1	650101	DECAL, BOOM SPRAY VALVE SWITCH

4-LIFT DEPTH COMMAND BOX ASSEMBLY

DET. QTY PART NO. DESCRIPTION

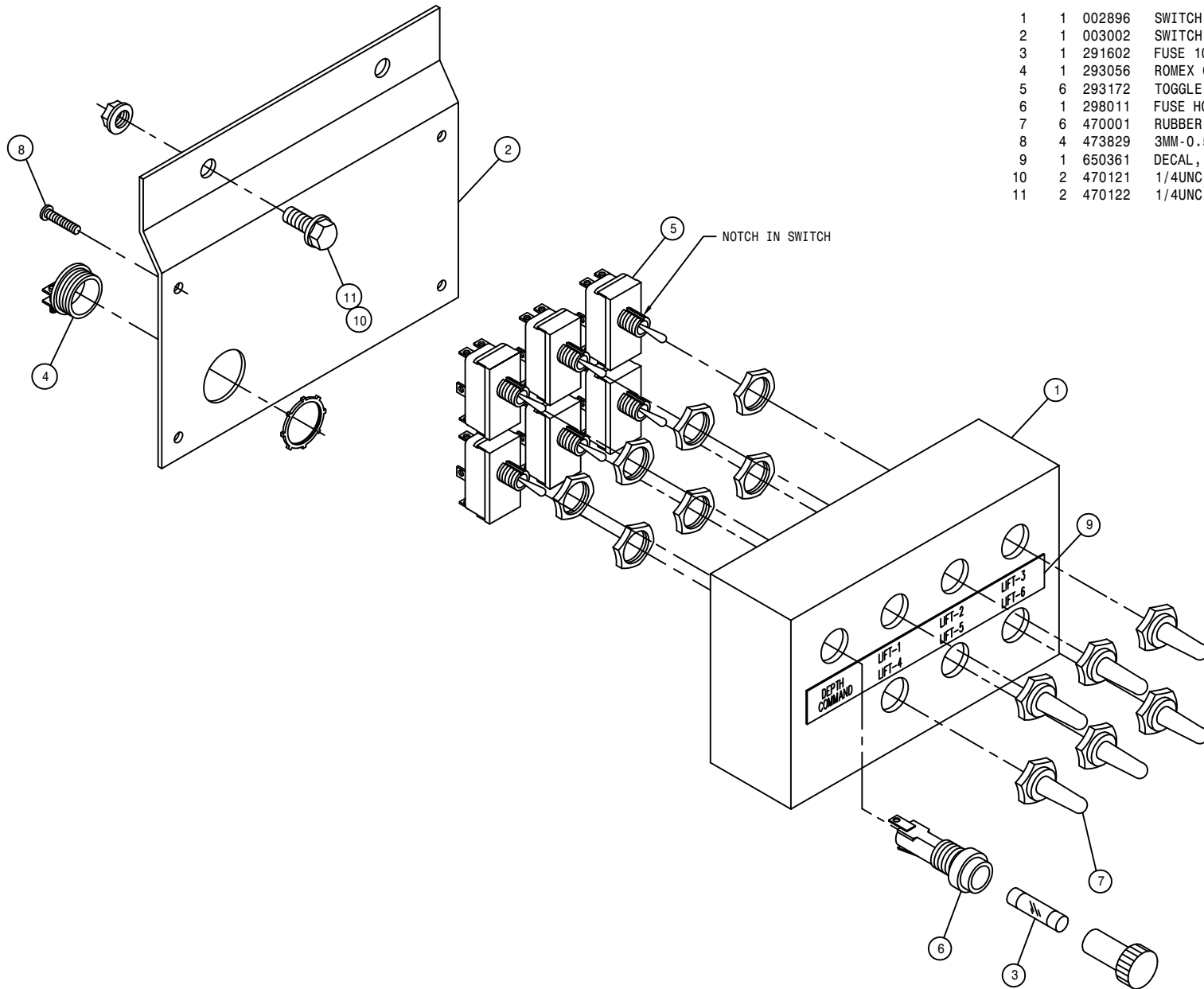
DET.	QTY	PART NO.	DESCRIPTION
1	1	002896	SWITCH BOX, 5/6L DEPTH CMD 96
2	1	003002	SWITCH BOX MT, DEPTH CMD STSC
3	1	291602	FUSE 10 AMP
4	1	293056	ROMEX CONNECTOR .50IN 2-SCR
5	4	293172	TOGGLE SWITCH DPDT W/JUMPERS
6	1	298011	FUSE HOLDER
7	4	470001	RUBBER BOOT W NUT FOR 298012
8	4	473829	3MM-0.50 X 16MM PANHEAD SCREW
9	1	650360	DECAL, DEPTH CMD 4-LIFT STSC
10	2	470121	1/4UNC HEX FLANGE LOCK NUT
11	2	470122	1/4UNC X 1/2 FLANGE HEX BOLT
12	2	658174	RUBBER BUMPER, 1.0000D .500GD

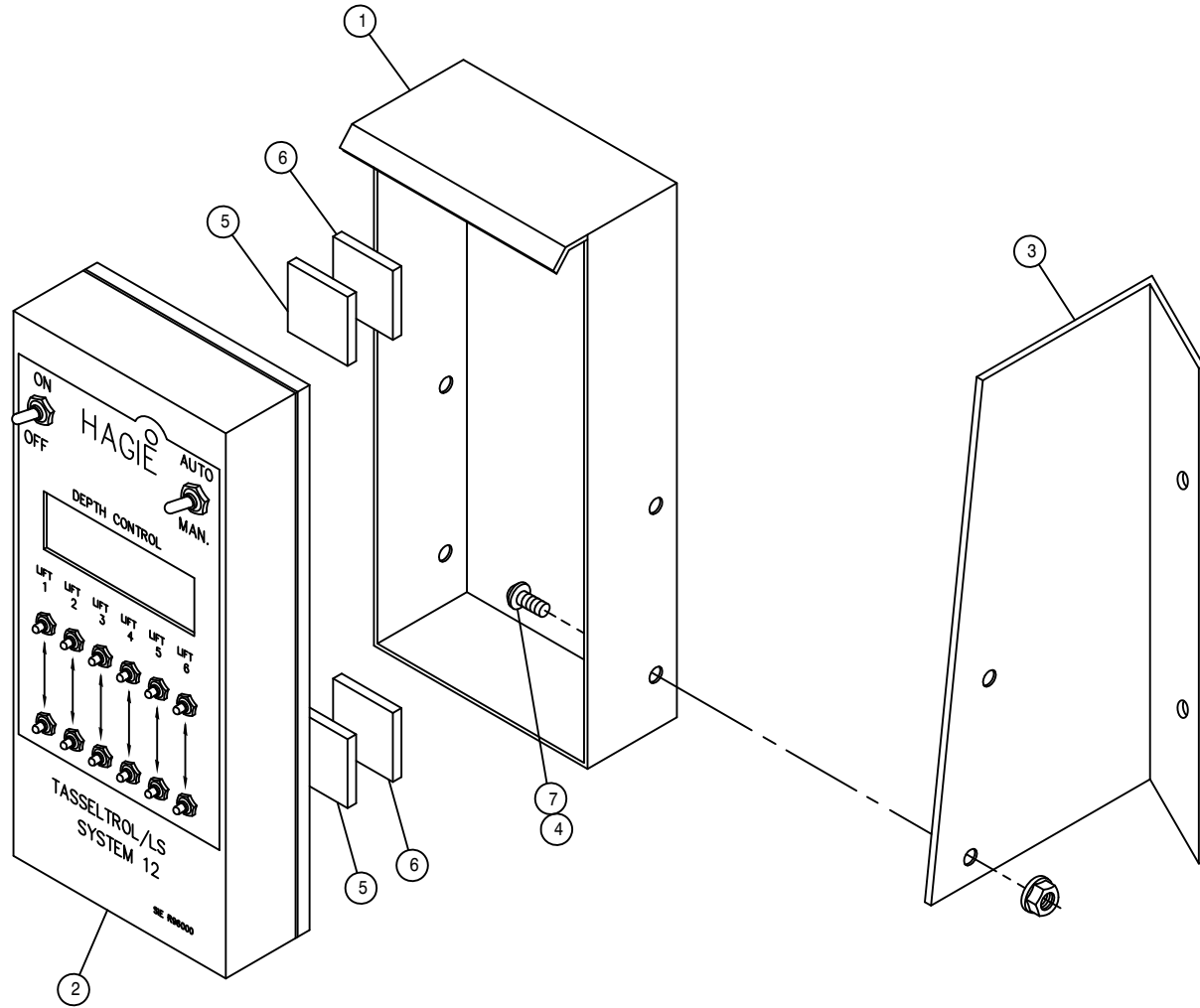


6-LIFT DEPTH COMMAND BOX ASSEMBLY

DET. QTY PART NO. DESCRIPTION

DET.	QTY	PART NO.	DESCRIPTION
1	1	002896	SWITCH BOX, 5/6L DEPTH CMD 96
2	1	003002	SWITCH BOX MT, DEPTH CMD STSC
3	1	291602	FUSE 10 AMP
4	1	293056	ROMEX CONNECTOR .50IN 2-SCR
5	6	293172	TOGGLE SWITCH DPDT W/JUMPERS
6	1	298011	FUSE HOLDER
7	6	470001	RUBBER BOOT W NUT FOR 298012
8	4	473829	3MM-0.50 X 16MM PANHEAD SCREW
9	1	650361	DECAL, DEPTH CMD 6-LIFT STSC
10	2	470121	1/4UNC HEX FLANGE LOCK NUT
11	2	470122	1/4UNC X 1/2 FLANGE HEX BOLT

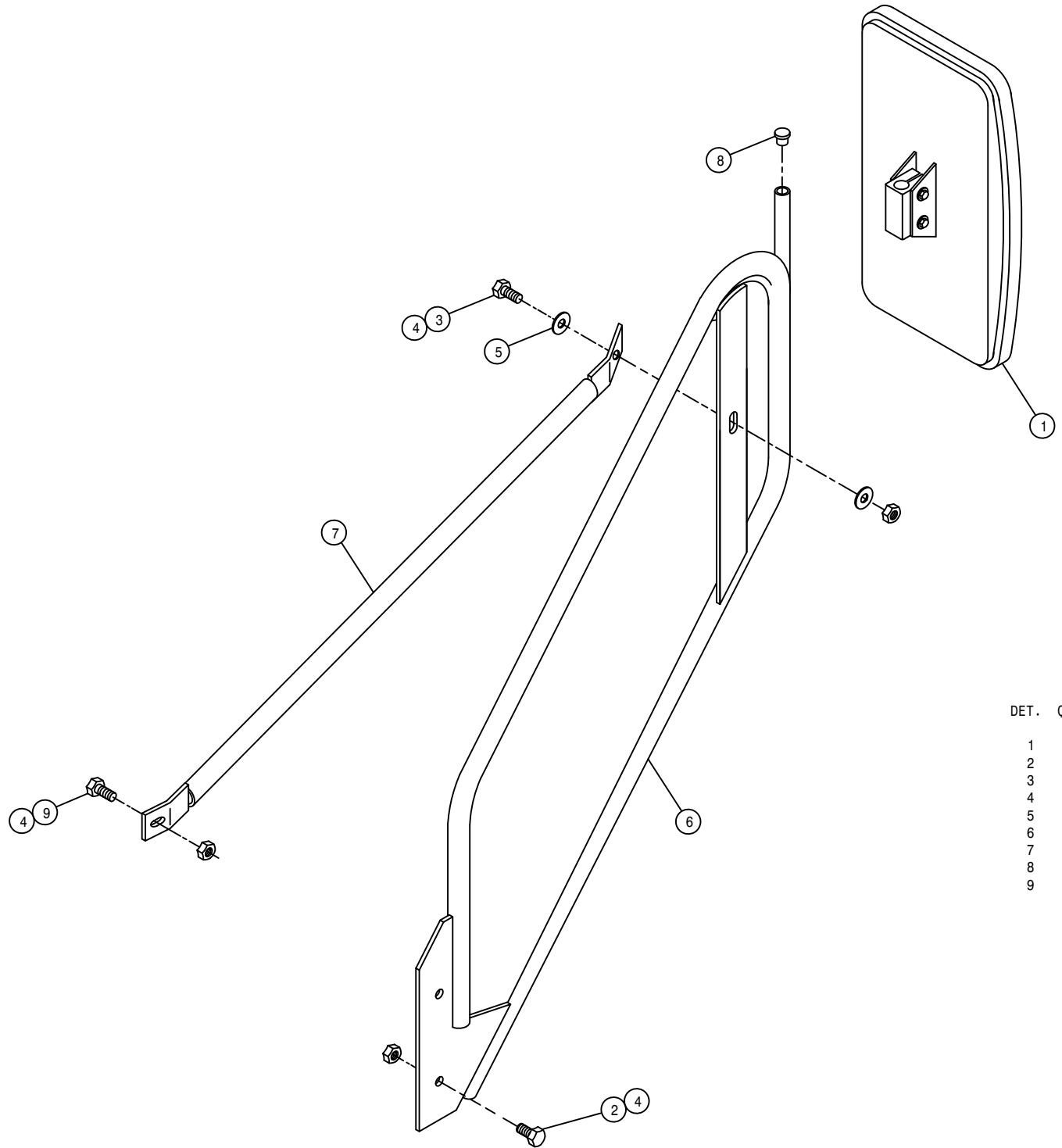




LS CONTROL DISPLAY ASSEMBLY

DET. QTY PART NO. DESCRIPTION

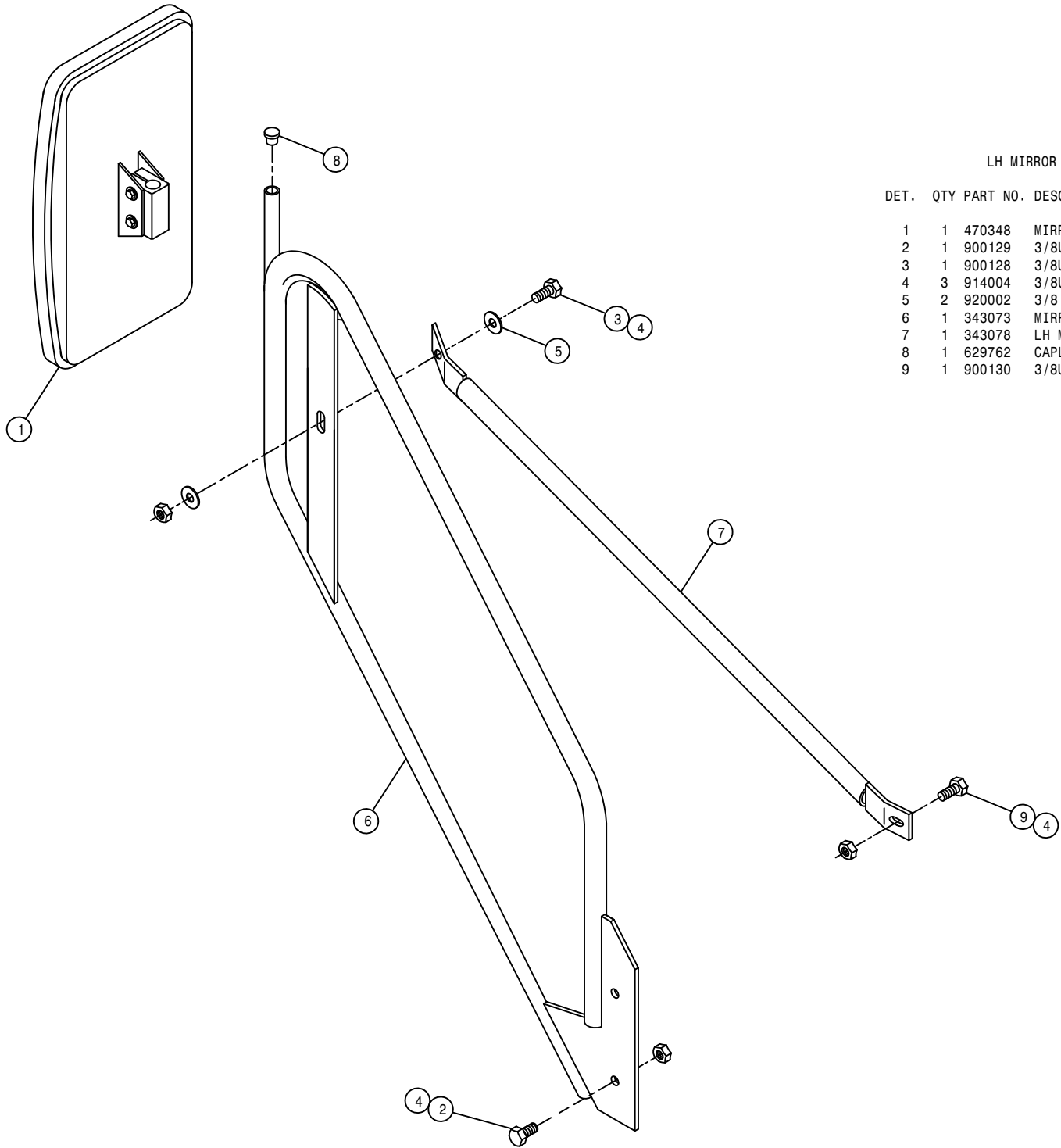
1	1	002903	LS CTRL 6L DISPLAY MT
2	1	293373	LS CTRL 6L DISPLAY BOX ASSY
3	1	343146	DETASSELER CTRL BOX MT, STSC
4	2	470121	1/4UNC HEX FLANGE LOCK NUT
5	2	471100	DUAL LOCK, 1.00 X 1.00 SJ3541
6	2	471101	DUAL LOCK, 1.00 X 1.00 SJ3542
7	2	903708	1/4UNC X1/2 PHIL PNHD MACHSCR



RH MIRROR ASSEMBLY

DET. QTY PART NO. DESCRIPTION

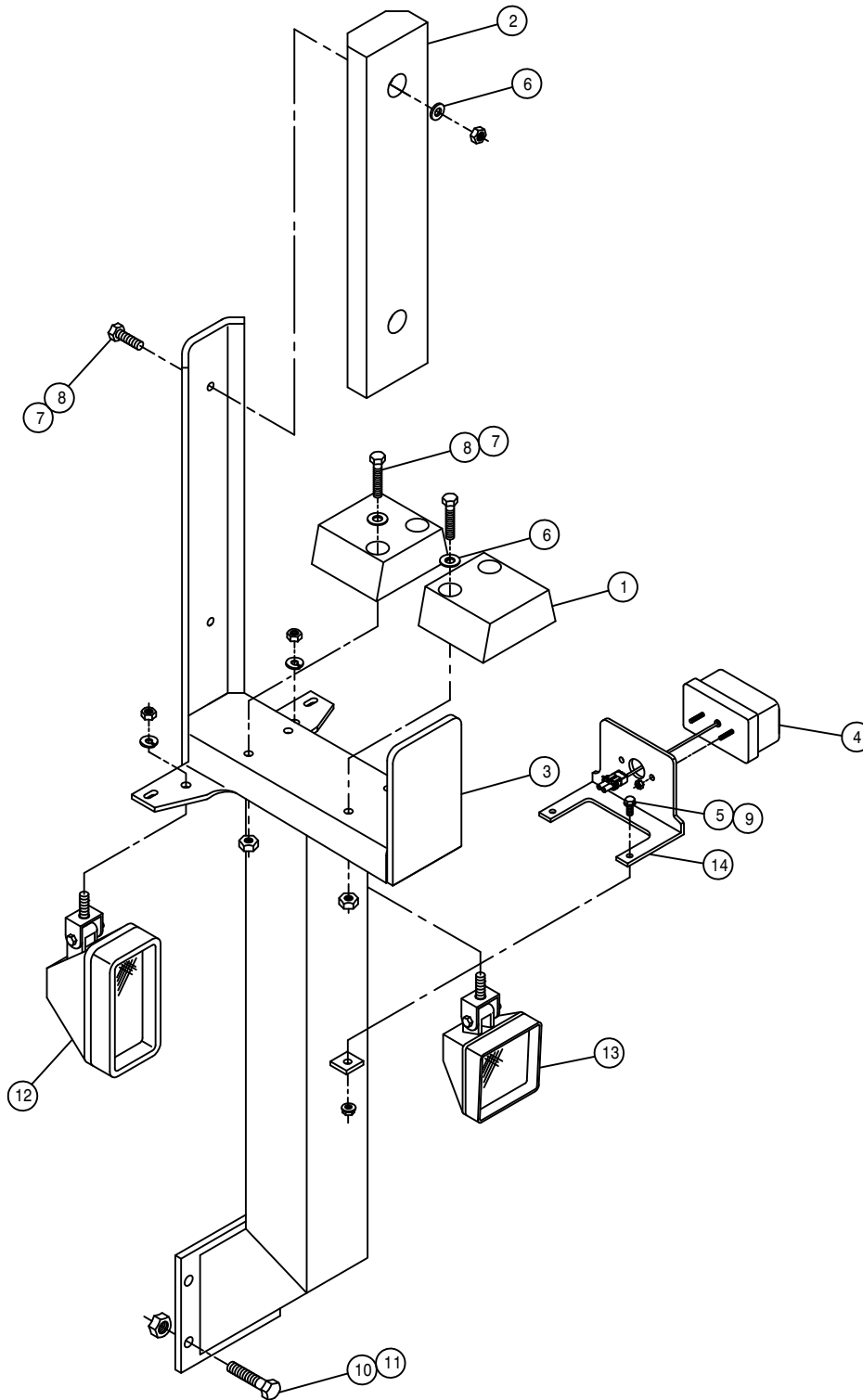
1	1	470348	MIRROR STS10 & STS12
2	1	900129	3/8UNC X 1" HEX BOLT
3	1	900128	3/8UNC X 3/4 HEX BOLT
4	3	914004	3/8UNC HEX STOVER NUT
5	2	920002	3/8 SAE FLAT WASHER
6	1	343073	MIRROR MT TUBE WLD
7	1	343077	RH MIRROR BRACE TUBE BRKT WLD
8	1	629762	CAPLUG, 5/8" RD, BLACK POLY
9	1	900130	3/8UNC X 1 1/4 HEX BOLT



LH MIRROR ASSEMBLY

DET. QTY PART NO. DESCRIPTION

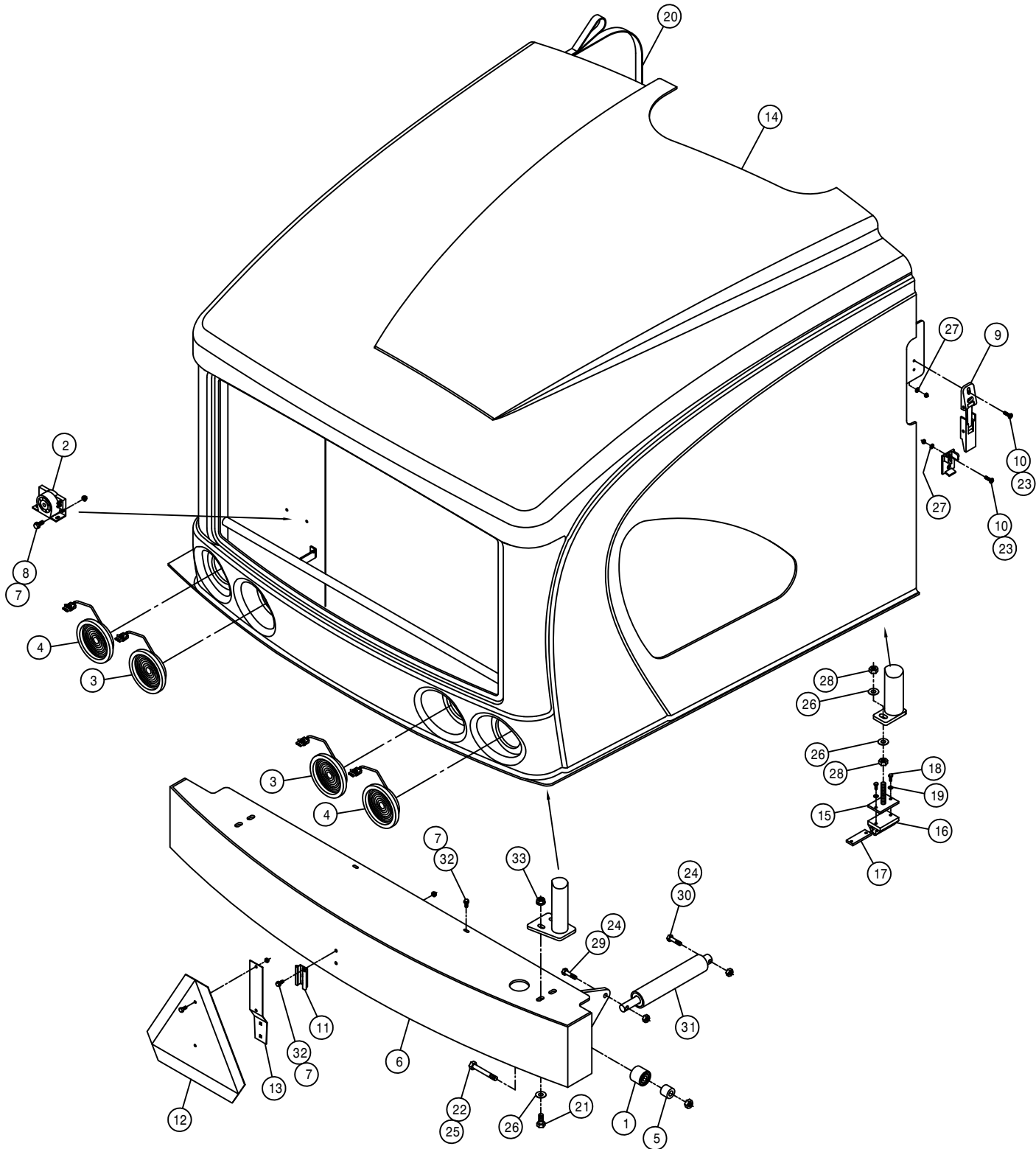
DET.	QTY	PART NO.	DESCRIPTION
1	1	470348	MIRROR STS10 & STS12
2	1	900129	3/8UNC X 1" HEX BOLT
3	1	900128	3/8UNC X 3/4 HEX BOLT
4	3	914004	3/8UNC HEX STOVER NUT
5	2	920002	3/8 SAE FLAT WASHER
6	1	343073	MIRROR MT TUBE WLD
7	1	343078	LH MIRROR BRACE TUBE BRKT WLD
8	1	629762	CAPLUG, 5/8" RD, BLACK POLY
9	1	900130	3/8UNC X 1 1/4 HEX BOLT



BOOM CRADLE ASSEMBLY

DET.	QTY	PART NO.	DESCRIPTION
1	4	164513	BOOM CRADLE PAD
2	2	164512	RUBBER BUMPER, BOOM CRADLE
3	2	164505	BOOM CRADLE WLD
4	2	293404	FRT TURN/WARN LITE ASSY2100 98
5	4	470118	1/4UNC X 3/4 FLANGE HEX BOLT
6	12	920002	3/8 SAE FLAT WASHER
7	12	914004	3/8UNC HEX STOVER NUT
8	12	900133	3/8UNC X 2" HEX BOLT
9	4	470121	1/4UNC HEX FLANGE LOCK NUT
10	8	900265	1/2UNC X 1 1/2 HEX BOLT
11	4	914008	1/2UNC HEX STOVER NUT
12	2	291779	HALOGEN WORKLAMP,LH MT 12V55W
13	2	291780	HALOGEN WORKLAMP,CNTR MT12V55W
14	2	342799	EXTREMITY FLASHER MT, STS 03

*NOTE: QUANTITY LISTED IS FOR ONE MACHINE.



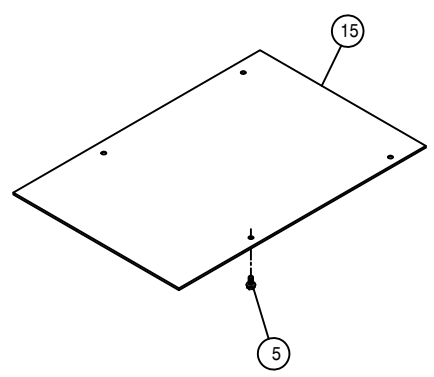
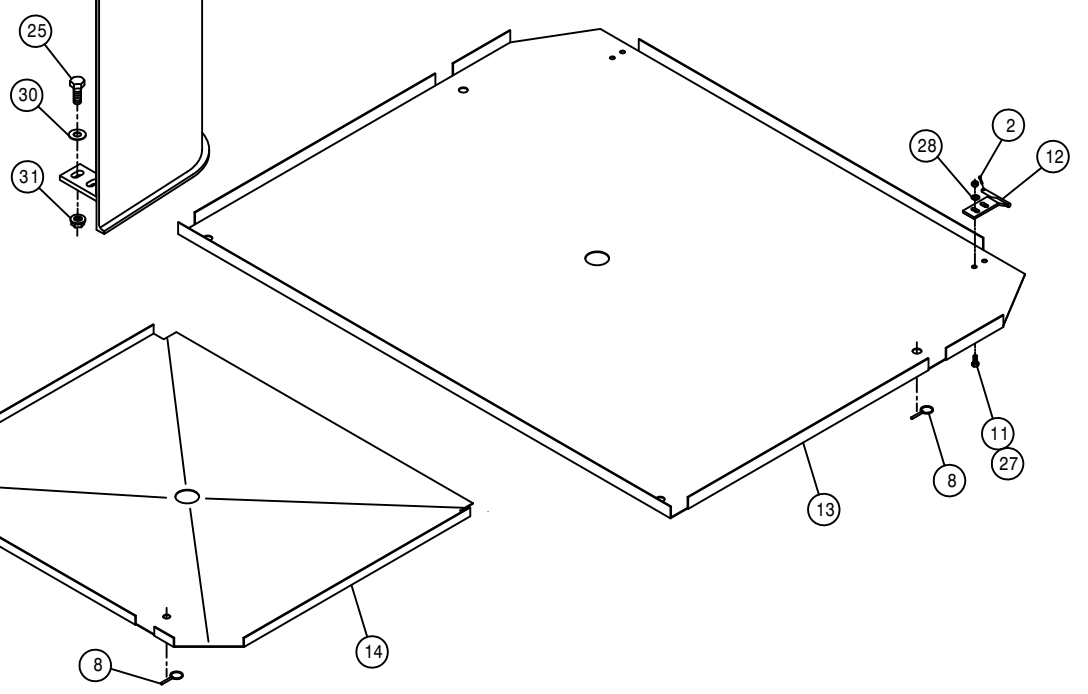
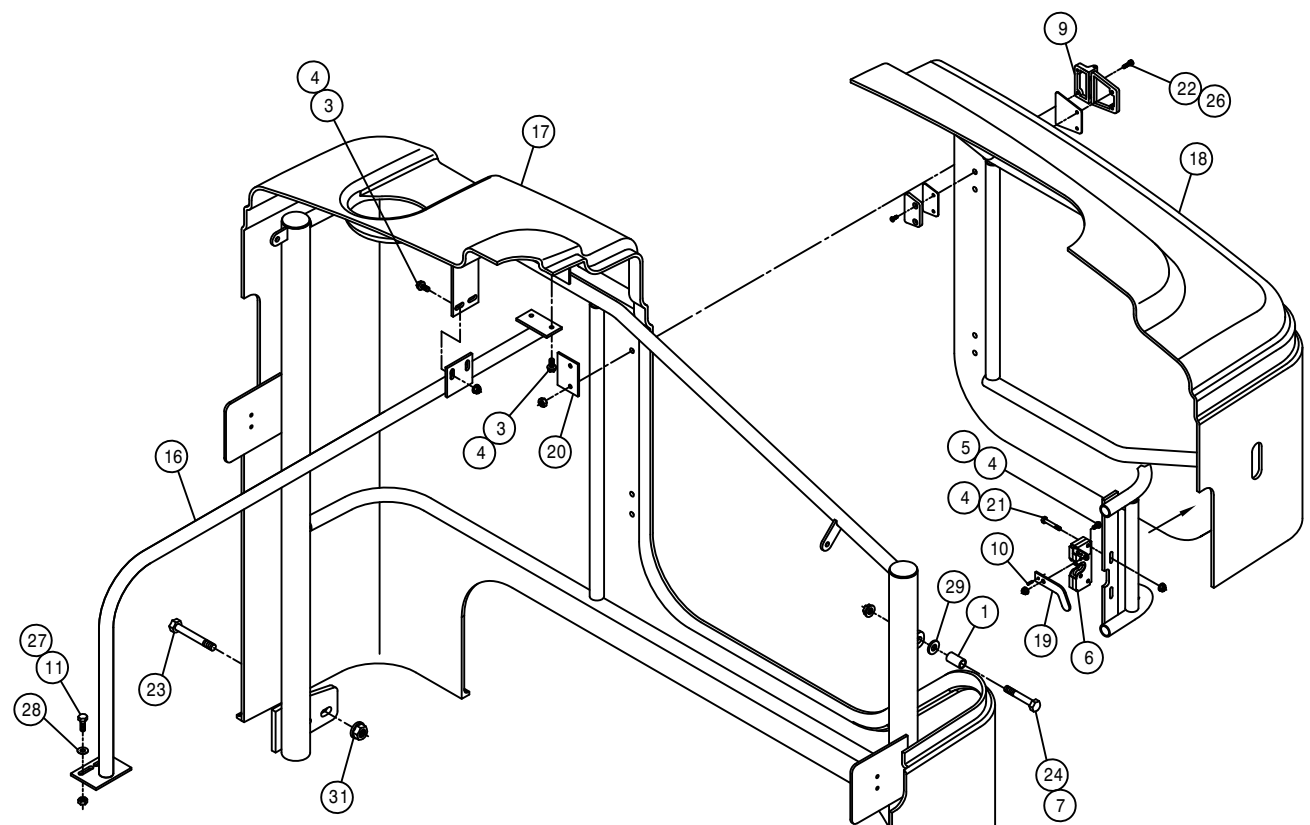
BUMPER AND REAR HOOD ASSEMBLY

DET.	QTY	PART NO.	DESCRIPTION
	1	2	125056 TRACK ROLLER,2.00 OD,.625 BORE
	1	291759	BACK-UP WARNING BEEPER, 112DB
	2	293768	RED LIGHT ASSY, STS 04
	2	293769	AMBER LIGHT ASSY, STS 04
	2	361679	BUMPER PIVOT BRG SPACER,STS 04
	1	361680	REAR BUMPER WLD, STS 04
	6	470121	1/4UNC HEX FLANGE LOCK NUT
	2	470122	1/4UNC X 1/2 FLANGE HEX BOLT
	2	470368	LATCH, FLEXIBLE LEVER DRAW
	8	472236	10-32 X 1/2 PHIL HD MACH SCR
	1	472251	MTG SOCKET
	1	472249	SLOW MOVING VEHICLE SIGN
	1	472250	SPADE MTG BRKT
	1	660222	REAR ENGINE HOOD, STS 04
	2	660224	ENG HOOD BUMPER WLD, STS 04
	2	660226	ENG HOOD BUMPER, STS 04
	2	660227	ENG HOOD BUMPER KEEPER, STS 04
	2	900003	1/4UNC X 1" HEX BOLT
	2	920500	1/4 LOCK WASHER
	1	660230	ENG HOOD PULL STRAP ASSY,STS04
	4	900265	1/2UNC X 1 1/2 HEX BOLT
	2	900341	5/8UNC X 3 3/4 HEX BOLT
	8	910027	10-32 HEX NUT
	2	914008	1/2UNC HEX STOVER NUT
	2	914010	5/8UNC HEX STOVER NUT
	8	920004	1/2 SAE FLAT WASHER
	8	920510	#10 LOCK WASHER
	4	910008	1/2UNC HEX NUT
	1	900267	1/2UNC X 2" HEX BOLT
	1	900268	1/2UNC X 2 1/2 HEX BOLT
	1	621077	HOOD HYD CYL ASSY, STS 04
	4	470118	1/4UNC X 3/4 FLANGE HEX BOLT
	4	470360	1/2UNC HEX FLANGE LOCK NUT

FRONT PANEL AND DOOR ASSEMBLY

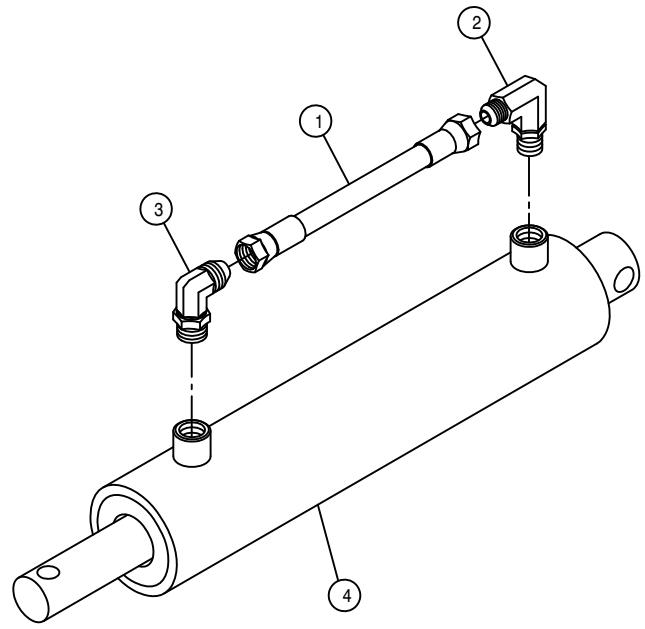
DET. QTY PART NO. DESCRIPTION

DET.	QTY	PART NO.	DESCRIPTION
1	1	340330	BUSH, .38 SCH 40 BP X 1.25 LG
2	2	470075	COTTER PIN 1/8 X 3/4
3	4	470118	1/4UNC X 3/4 FLANGE HEX BOLT
4	7	470121	1/4UNC HEX FLANGE LOCK NUT
5	5	470122	1/4UNC X 1/2 FLANGE HEX BOLT
6	1	470306	DOOR LATCH, RH TWO-ROTOR
7	1	470325	7/16UNC HEX FLANGE LOCK NUT
8	6	470335	LINCH PIN, 3/16 X 1 1/4 GRIP
9	2	470367	FLAT HINGE, 180 DEG, DIECAST
10	1	472324	ROLL PIN, 5/32 X 1/2 LG
11	6	900064	5/16UNC X 3/4 HEX BOLT
12	2	660180	DOOR HINGE BRKT WLD STS12 2001
13	1	660207	LWR FRONT COVER, STS 03
14	1	660210	LWR CENTER PANEL, STS 04
15	1	660231	LWR ENG COVER, STS 04
16	1	660219	FRONT ENGINE HOOD BRACE, STS 04
17	1	660220	FRONT ENGINE HOOD, STS 04
18	1	660221	AIR CLEANER DOOR, STS 04
19	1	660228	SIDE DOOR LATCH EXT, STS 04
20	2	660229	DOOR HINGE BACK PLATE, STS 04
21	2	900005	1/4UNC X 1 1/2 HEX BOLT
22	4	900050	1/4UNC X 1 1/4 FL SOC CAP SCR
23	2	900277	1/2UNC X 5 1/2 HEX BOLT
24	1	900216	7/16UNC X 2 1/2 HEX BOLT
25	2	900265	1/2UNC X 1 1/2 HEX BOLT
26	4	914000	1/4UNC HEX STOVER NUT
27	6	914002	5/16UNC HEX STOVER NUT
28	6	920001	5/16 SAE FLAT WASHER
29	1	920003	7/16 SAE FLAT WASHER
30	2	920004	1/2 SAE FLAT WASHER
31	4	470360	1/2UNC HEX FLANGE LOCK NUT



55

312055



HOOD HYDRAULIC CYLINDER ASSEMBLY

DET. QTY PART NO. DESCRIPTION

1	1	616246	04-451TC-06FJX-06FJX-10	H/A
2	1	618119	9/16MJIC-90-9/16MOR LBO	
3	1	618689	9/16MOR-90-9/16MJ .042 CHK VLV	
4	1	621530	LEG CYL ASSY, RH TREAD ADJ,284	
NS	1	621531	REPAIR KIT, HYD CYL 621530	

NOTE: 1. 621077 - HOOD HYDRAULIC CYLINDER ASSEMBLY

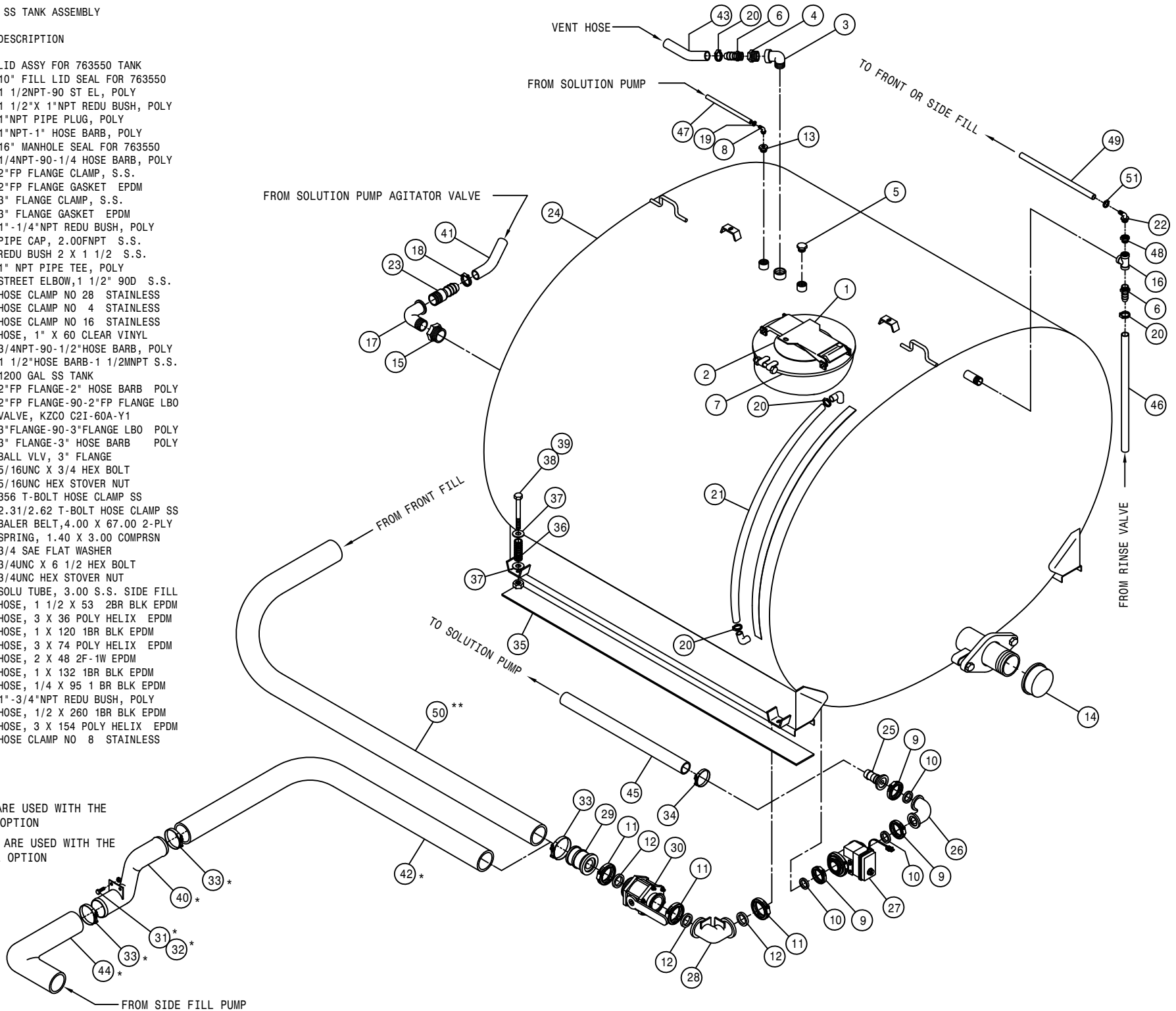
1200 GALLON SS TANK ASSEMBLY

DET. QTY PART NO. DESCRIPTION

1	1	763561	LID ASSY FOR 763550 TANK
2	1	763562	10" FILL LID SEAL FOR 763550
3	1	500034	1 1/2NPT-90 ST EL, POLY
4	1	500036	1 1/2" X 1" NPT REDU BUSH, POLY
5	1	500063	1" NPT PIPE PLUG, POLY
6	2	500074	1" NPT-1" HOSE BARB, POLY
7	1	763563	16" MANHOLE SEAL FOR 763550
8	1	500104	1/4NPT-90-1/4 HOSE BARB, POLY
9	3	500194	2"FP FLANGE CLAMP, S.S.
10	3	500195	2"FP FLANGE GASKET EPDM
11	3	500208	3" FLANGE CLAMP, S.S.
12	3	500209	3" FLANGE GASKET EPDM
13	1	505225	1"-1/4" NPT REDU BUSH, POLY
14	1	507103	PIPE CAP, 2.00FNPT S.S.
15	1	507725	REDU BUSH 2 X 1 1/2 S.S.
16	1	500075	1" NPT PIPE TEE, POLY
17	1	507727	STREET ELBOW, 1 1/2" 90D S.S.
18	1	520067	HOSE CLAMP NO 28 STAINLESS
19	1	520120	HOSE CLAMP NO 4 STAINLESS
20	4	520090	HOSE CLAMP NO 16 STAINLESS
21	1	601471	HOSE, 1" X 60 CLEAR VINYL
22	1	500041	3/4NPT-90-1/2" HOSE BARB, POLY
23	1	716106	1 1/2" HOSE BARB-1 1/2MNPT S.S.
24	1	763550	1200 GAL SS TANK
25	1	500196	2"FP FLANGE-2" HOSE BARB POLY
26	1	500219	2"FP FLANGE-90-2"FP FLANGE LBO
27	1	696252	VALVE, KZCO C2I-60A-Y1
28	1	500213	3"FLANGE-90-3"FLANGE LBO POLY
29	1	500210	3" FLANGE-3" HOSE BARB POLY
30	1	696149	BALL VLV, 3" FLANGE
31	2	900064	5/16UNC X 3/4 HEX BOLT
32	2	914002	5/16UNC HEX STOVER NUT
33	3	520145	356 T-BOLT HOSE CLAMP SS
34	1	520141	2.31/2.62 T-BOLT HOSE CLAMP SS
35	2	470321	BALER BELT, 4.00 X 67.00 2-PLY
36	4	482016	SPRING, 1.40 X 3.00 COMPRSN
37	8	920006	3/4 SAE FLAT WASHER
38	4	900416	3/4UNC X 6 1/2 HEX BOLT
39	4	914012	3/4UNC HEX STOVER NUT
40	1	690731	SOLU TUBE, 3.00 S.S. SIDE FILL
41	1	601591	HOSE, 1 1/2 X 53 2BR BLK EPDM
42	1	601574	HOSE, 3 X 36 POLY HELIX EPDM
43	1	601496	HOSE, 1 X 120 1BR BLK EPDM
44	1	601506	HOSE, 3 X 74 POLY HELIX EPDM
45	1	601573	HOSE, 2 X 48 2F-1W EPDM
46	1	601273	HOSE, 1 X 132 1BR BLK EPDM
47	1	601490	HOSE, 1/4 X 95 1 BR BLK EPDM
48	1	505214	1"-3/4" NPT REDU BUSH, POLY
49	1	601567	HOSE, 1/2 X 260 1BR BLK EPDM
50	1	601621	HOSE, 3 X 154 POLY HELIX EPDM
51	1	520070	HOSE CLAMP NO 8 STAINLESS

NOTE: ITEMS (*) ARE USED WITH THE SIDE FILL OPTION

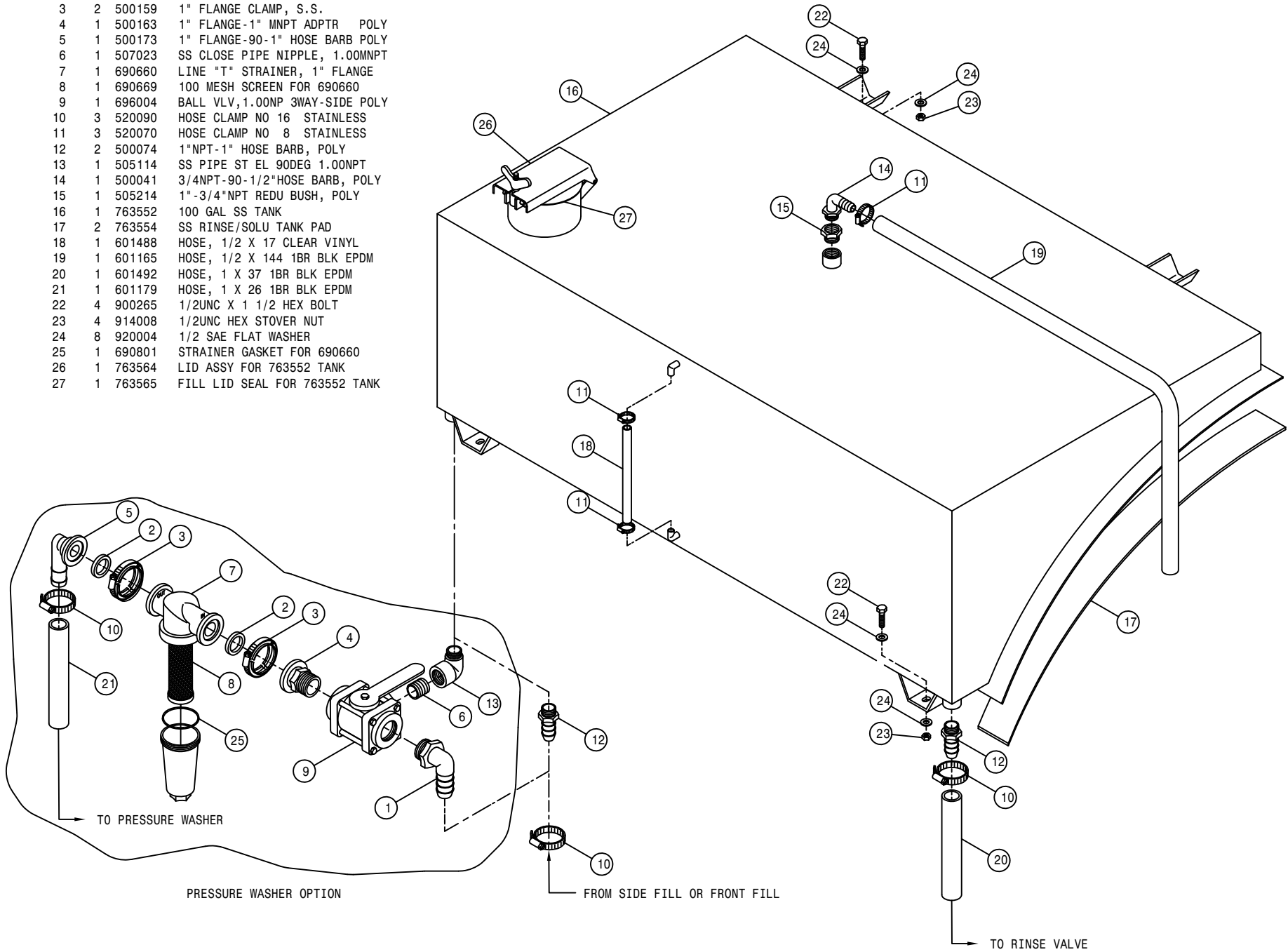
ITEMS (**) ARE USED WITH THE FRONT FILL OPTION



RINSE TANK ASSEMBLY

DET. QTY PART NO. DESCRIPTION

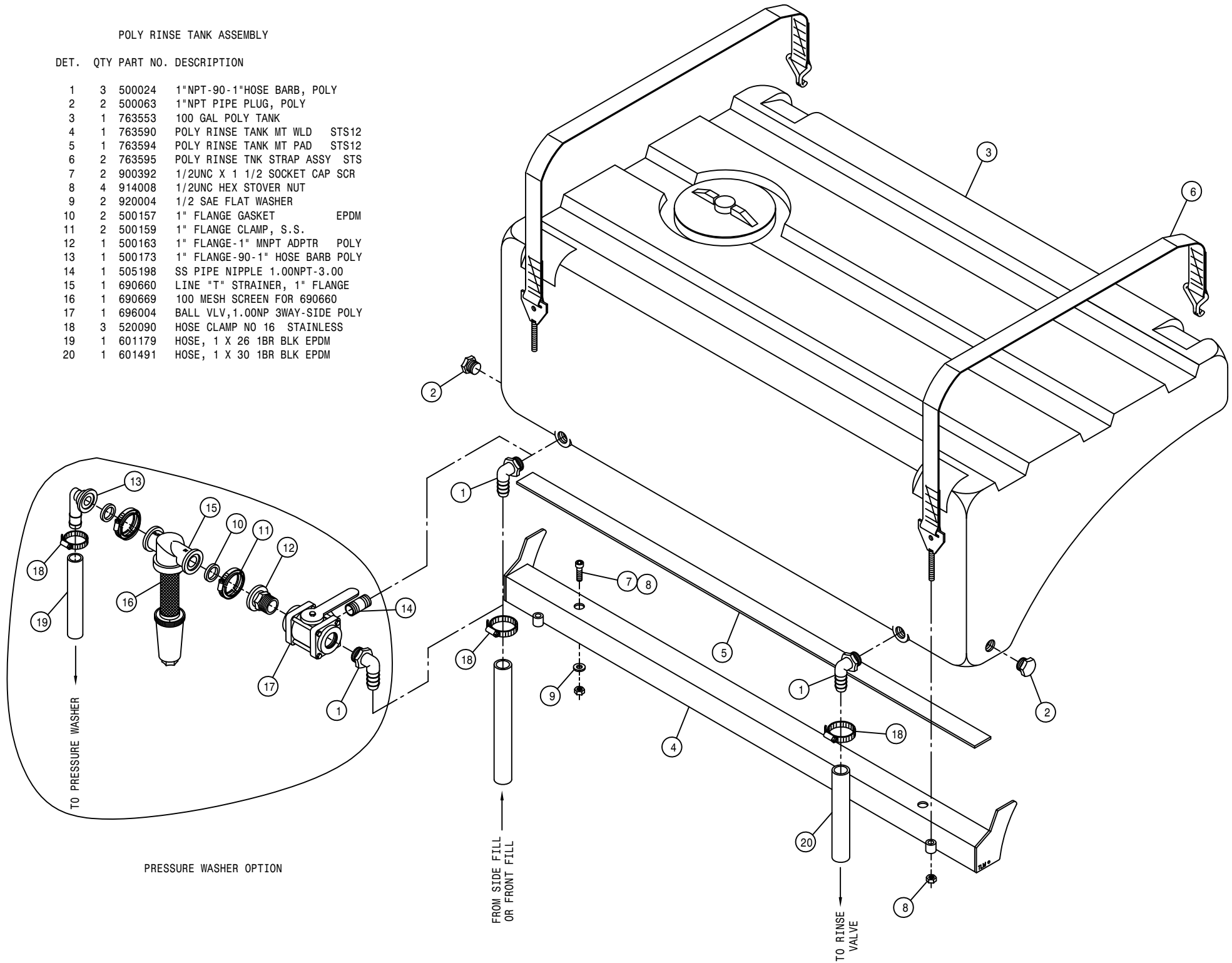
1	1	500024	1"NPT-90-1"HOSE BARB, POLY
2	2	500157	1" FLANGE GASKET EPDM
3	2	500159	1" FLANGE CLAMP, S.S.
4	1	500163	1" FLANGE-1" MNPT ADPTR POLY
5	1	500173	1" FLANGE-90-1" HOSE BARB POLY
6	1	507023	SS CLOSE PIPE NIPPLE, 1.00MNPT
7	1	690660	LINE "T" STRAINER, 1" FLANGE
8	1	690669	100 MESH SCREEN FOR 690660
9	1	696004	BALL VLV,1.00NP 3WAY-SIDE POLY
10	3	520090	HOSE CLAMP NO 16 STAINLESS
11	3	520070	HOSE CLAMP NO 8 STAINLESS
12	2	500074	1"NPT-1" HOSE BARB, POLY
13	1	505114	SS PIPE ST EL 90DEG 1.00NPT
14	1	500041	3/4NPT-90-1/2"HOSE BARB, POLY
15	1	505214	1"-3/4"NPT REDU BUSH, POLY
16	1	763552	100 GAL SS TANK
17	2	763554	SS RINSE/SOLU TANK PAD
18	1	601488	HOSE, 1/2 X 17 CLEAR VINYL
19	1	601165	HOSE, 1/2 X 144 1BR BLK EPDM
20	1	601492	HOSE, 1 X 37 1BR BLK EPDM
21	1	601179	HOSE, 1 X 26 1BR BLK EPDM
22	4	900265	1/2UNC X 1 1/2 HEX BOLT
23	4	914008	1/2UNC HEX STOVER NUT
24	8	920004	1/2 SAE FLAT WASHER
25	1	690801	STRAINER GASKET FOR 690660
26	1	763564	LID ASSY FOR 763552 TANK
27	1	763565	FILL LID SEAL FOR 763552 TANK



POLY RINSE TANK ASSEMBLY

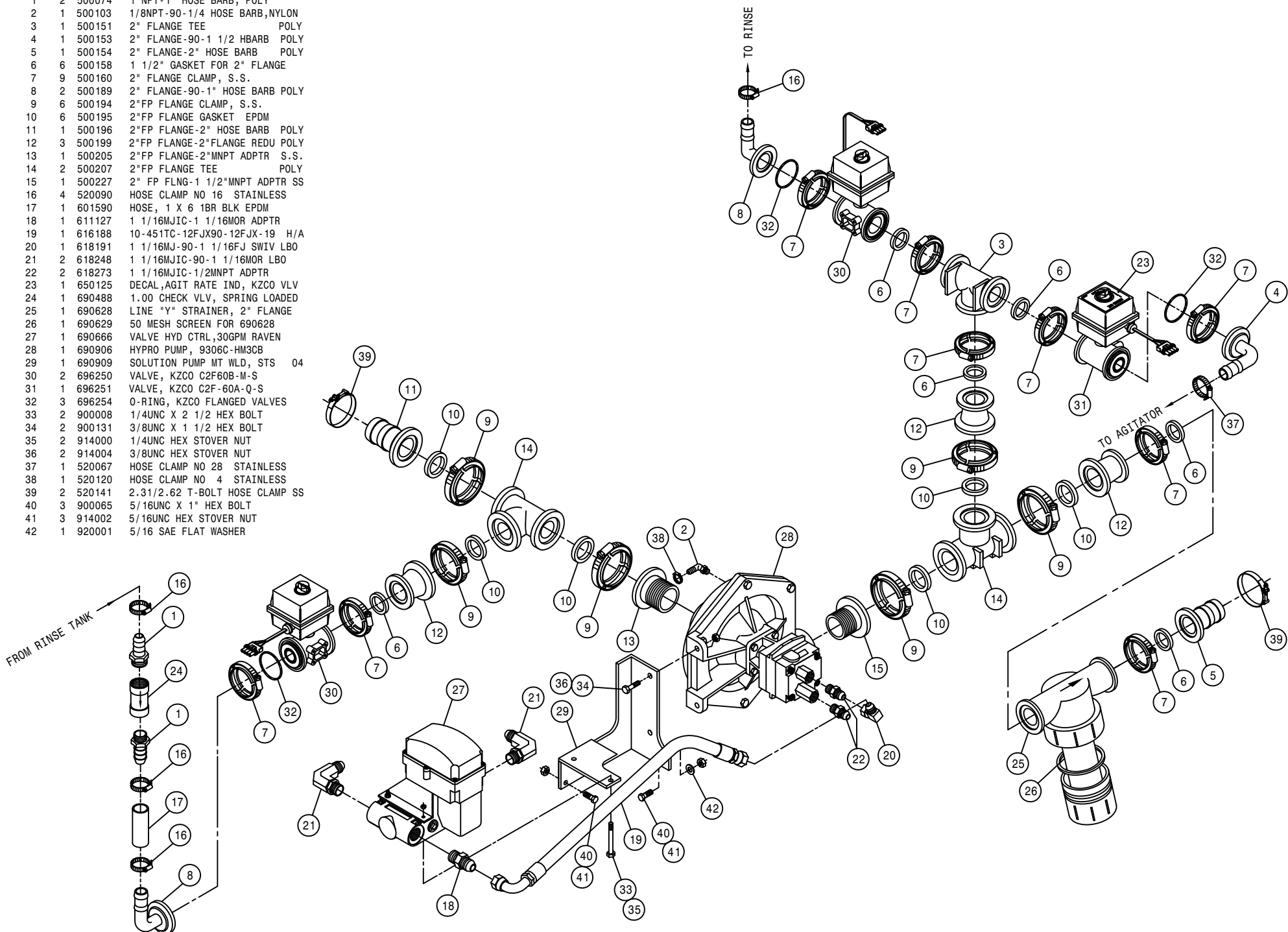
DET. QTY PART NO. DESCRIPTION

1	3	500024	1"NPT-90-1"HOSE BARB, POLY
2	2	500063	1"NPT PIPE PLUG, POLY
3	1	763553	100 GAL POLY TANK
4	1	763590	POLY RINSE TANK MT WLD STS12
5	1	763594	POLY RINSE TANK MT PAD STS12
6	2	763595	POLY RINSE TNK STRAP ASSY STS
7	2	900392	1/2UNC X 1 1/2 SOCKET CAP SCR
8	4	914008	1/2UNC HEX STOVER NUT
9	2	920004	1/2 SAE FLAT WASHER
10	2	500157	1" FLANGE GASKET EPDM
11	2	500159	1" FLANGE CLAMP, S.S.
12	1	500163	1" FLANGE-1" MNPT ADPTR POLY
13	1	500173	1" FLANGE-90-1" HOSE BARB POLY
14	1	505198	SS PIPE NIPPLE 1.00NPT-3.00
15	1	690660	LINE "T" STRAINER, 1" FLANGE
16	1	690669	100 MESH SCREEN FOR 690660
17	1	696004	BALL VLV,1.00NP 3WAY-SIDE POLY
18	3	520090	HOSE CLAMP NO 16 STAINLESS
19	1	601179	HOSE, 1 X 26 1BR BLK EPDM
20	1	601491	HOSE, 1 X 30 1BR BLK EPDM



SOLUTION PUMP ASSEMBLY

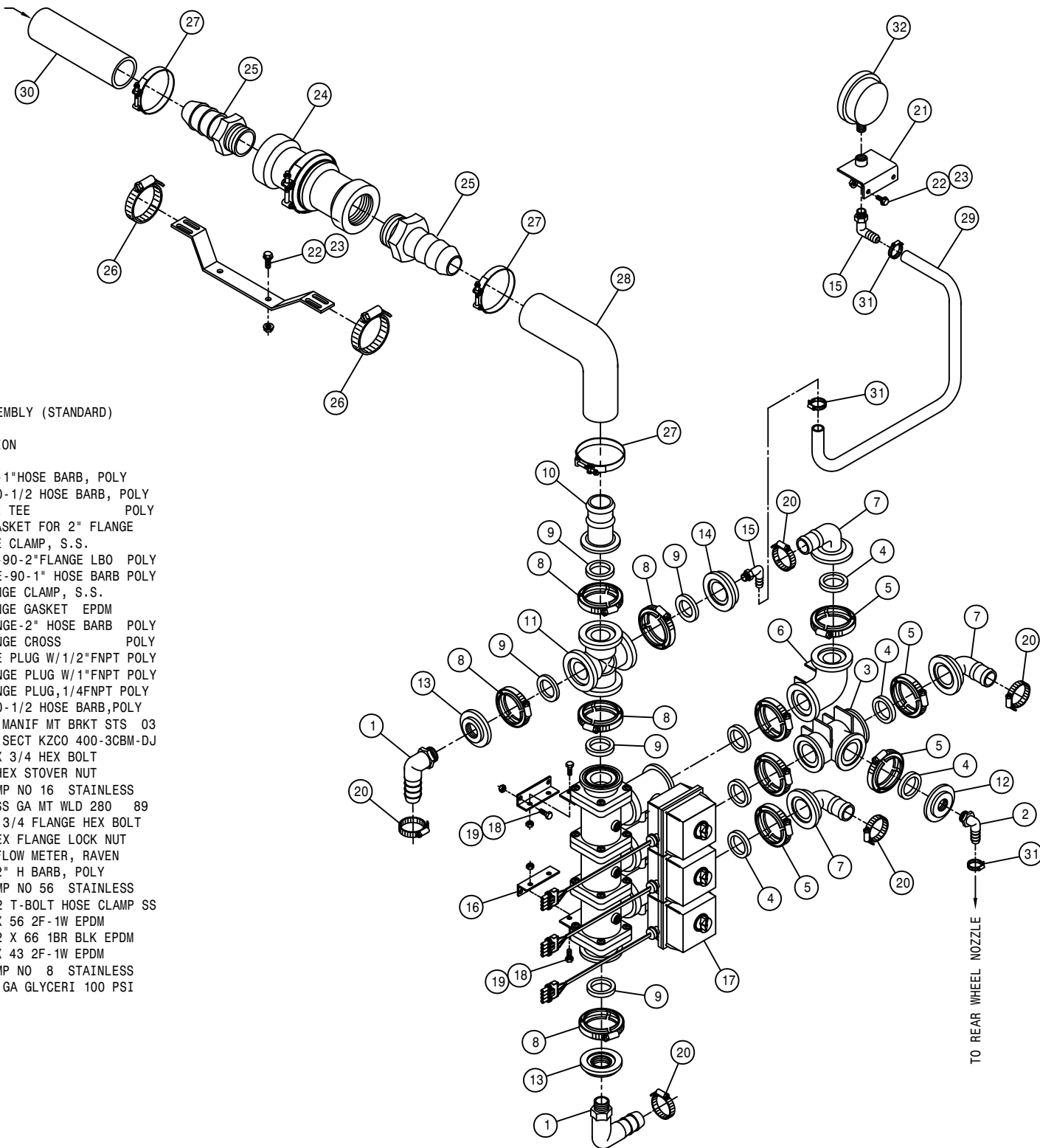
DET.	QTY	PART NO.	DESCRIPTION
1	2	500074	1"NPT-1" HOSE BARB, POLY
2	1	500103	1/8NPT-90-1/4 HOSE BARB,NYLON
3	1	500151	2" FLANGE TEE POLY
4	1	500153	2" FLANGE-90-1 1/2 HBARB POLY
5	1	500154	2" FLANGE-2" HOSE BARB POLY
6	6	500158	1 1/2" GASKET FOR 2" FLANGE
7	9	500160	2" FLANGE CLAMP, S.S.
8	2	500189	2" FLANGE-90-1" HOSE BARB POLY
9	6	500194	2"FP FLANGE CLAMP, S.S.
10	6	500195	2"FP FLANGE GASKET EPDM
11	1	500196	2"FP FLANGE-2" HOSE BARB POLY
12	3	500199	2"FP FLANGE-2"FLANGE REDU POLY
13	1	500205	2"FP FLANGE-2"MNPT ADPTR S.S.
14	2	500207	2"FP FLANGE TEE POLY
15	1	500227	2" FP FLNG-1 1/2"MNPT ADPTR SS
16	4	520090	HOSE CLAMP NO 16 STAINLESS
17	1	601590	HOSE, 1 X 6 1BR BLK EPDM
18	1	611127	1 1/16MJIC-1 1/16MOR ADPTR
19	1	616188	10-451TC-12FJX90-12FJX-19 H/A
20	1	618191	1 1/16MJ-90-1 1/16FJ SWIV LBO
21	2	618248	1 1/16MJIC-90-1 1/16MOR LBO
22	2	618273	1 1/16MJIC-1/2MNPT ADPTR
23	1	650125	DECAL,AGIT RATE IND, KZCO VLV
24	1	690488	1.00 CHECK VLV, SPRING LOADED
25	1	690628	LINE "Y" STRAINER, 2" FLANGE
26	1	690629	50 MESH SCREEN FOR 690628
27	1	690666	VALVE HYD CTRL,30GPM RAVEN
28	1	690906	HYPRO PUMP, 9306C-HM3CB
29	1	690909	SOLUTION PUMP MT WLD, STS 04
30	2	696250	VALVE, KZCO C2F60B-M-S
31	1	696251	VALVE, KZCO C2F-60A-Q-S
32	3	696254	O-RING, KZCO FLANGED VALVES
33	2	900008	1/4UNC X 2 1/2 HEX BOLT
34	2	900131	3/8UNC X 1 1/2 HEX BOLT
35	2	914000	1/4UNC HEX STOVER NUT
36	2	914004	3/8UNC HEX STOVER NUT
37	1	520067	HOSE CLAMP NO 28 STAINLESS
38	1	520120	HOSE CLAMP NO 4 STAINLESS
39	2	520141	2.31/2.62 T-BOLT HOSE CLAMP SS
40	3	900065	5/16UNC X 1" HEX BOLT
41	3	914002	5/16UNC HEX STOVER NUT
42	1	920001	5/16 SAE FLAT WASHER



60

312060

FROM STRAINER



SOLUTION CONTROL VALVE ASSEMBLY (STANDARD)

DET. QTY PART NO. DESCRIPTION

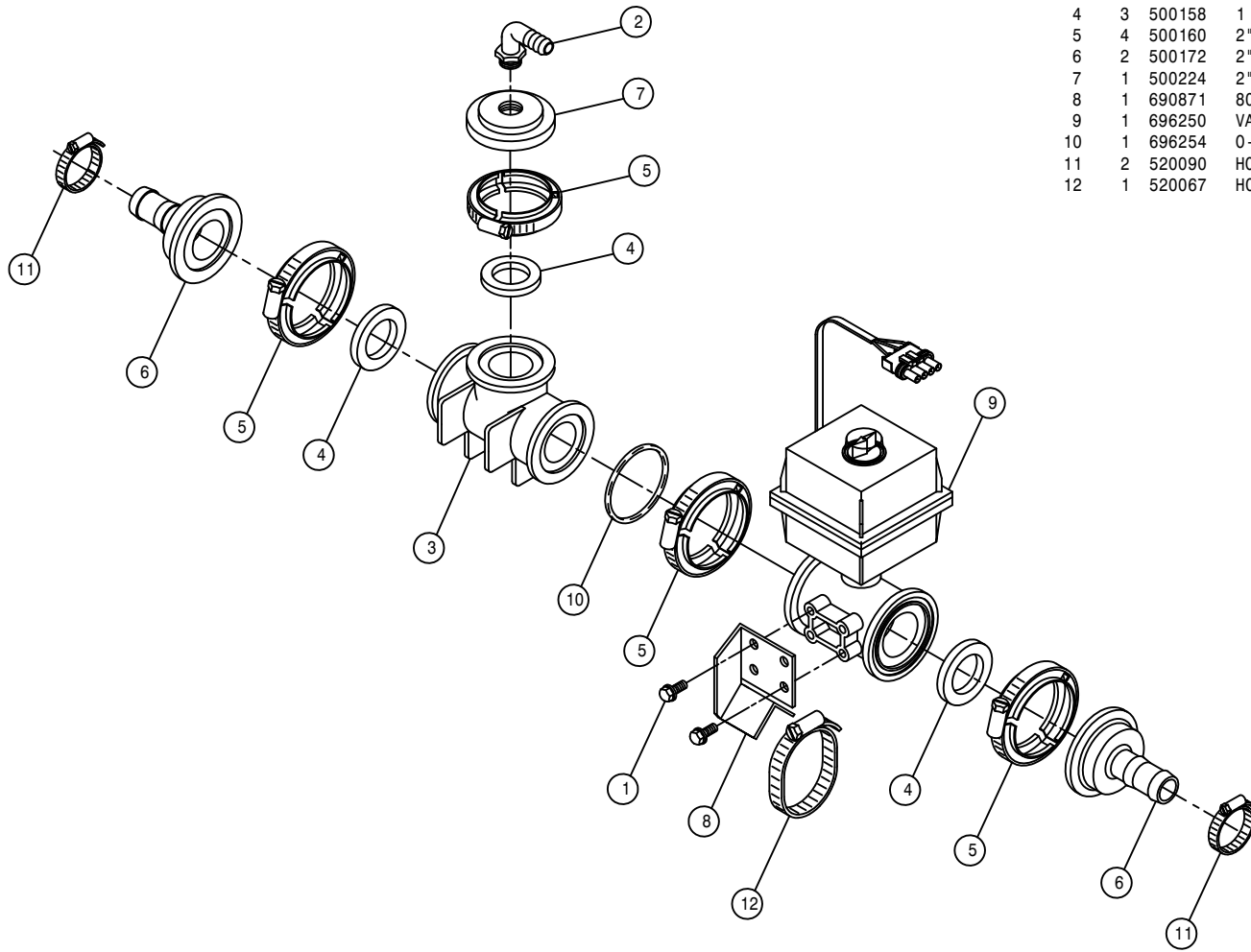
1	2	500024	1"NPT-90-1"HOSE BARB, POLY
2	1	500047	1/2NPT-90-1/2 HOSE BARB, POLY
3	1	500151	2" FLANGE TEE POLY
4	6	500158	1 1/2" GASKET FOR 2" FLANGE
5	6	500160	2" FLANGE CLAMP, S.S.
6	1	500180	2"FLANGE-90-2"FLANGE LBO POLY
7	3	500189	2" FLANGE-90-1" HOSE BARB POLY
8	5	500194	2"FP FLANGE CLAMP, S.S.
9	5	500195	2"FP FLANGE GASKET EPDM
10	1	500196	2"FP FLANGE-2" HOSE BARB POLY
11	1	500203	2"FP FLANGE CROSS POLY
12	1	500224	2" FLANGE PLUG W/1/2"FNPT POLY
13	2	500228	2"FP FLANGE PLUG W/1"FNPT POLY
14	1	500229	2"FP FLANGE PLUG,1/4FNPT POLY
15	2	618556	1/4NPT-90-1/2 HOSE BARB,POLY
16	2	690870	SOLU VLV MANIF MT BRKT STS 03
17	1	696253	VALVE, 3 SECT KZCO 400-3CBM-DJ
18	8	900064	5/16UNC X 3/4 HEX BOLT
19	8	914002	5/16UNC HEX STOVER NUT
20	5	520090	HOSE CLAMP NO 16 STAINLESS
21	1	160010	SOLU PRESS GA MT WLD 280 89
22	4	470118	1/4UNC X 3/4 FLANGE HEX BOLT
23	4	470121	1/4UNC HEX FLANGE LOCK NUT
24	1	690529	RFM 100 FLOW METER, RAVEN
25	2	500058	2"NPT X 2" H BARB, POLY
26	2	520056	HOSE CLAMP NO 56 STAINLESS
27	3	520141	2.31/2.62 T-BOLT HOSE CLAMP SS
28	1	601502	HOSE, 2 X 56 2F-1W EPDM
29	1	601514	HOSE, 1/2 X 66 1BR BLK EPDM
30	1	601613	HOSE, 2 X 43 2F-1W EPDM
31	3	520070	HOSE CLAMP NO 8 STAINLESS
32	1	690359	PRESSURE GA GLYCERI 100 PSI

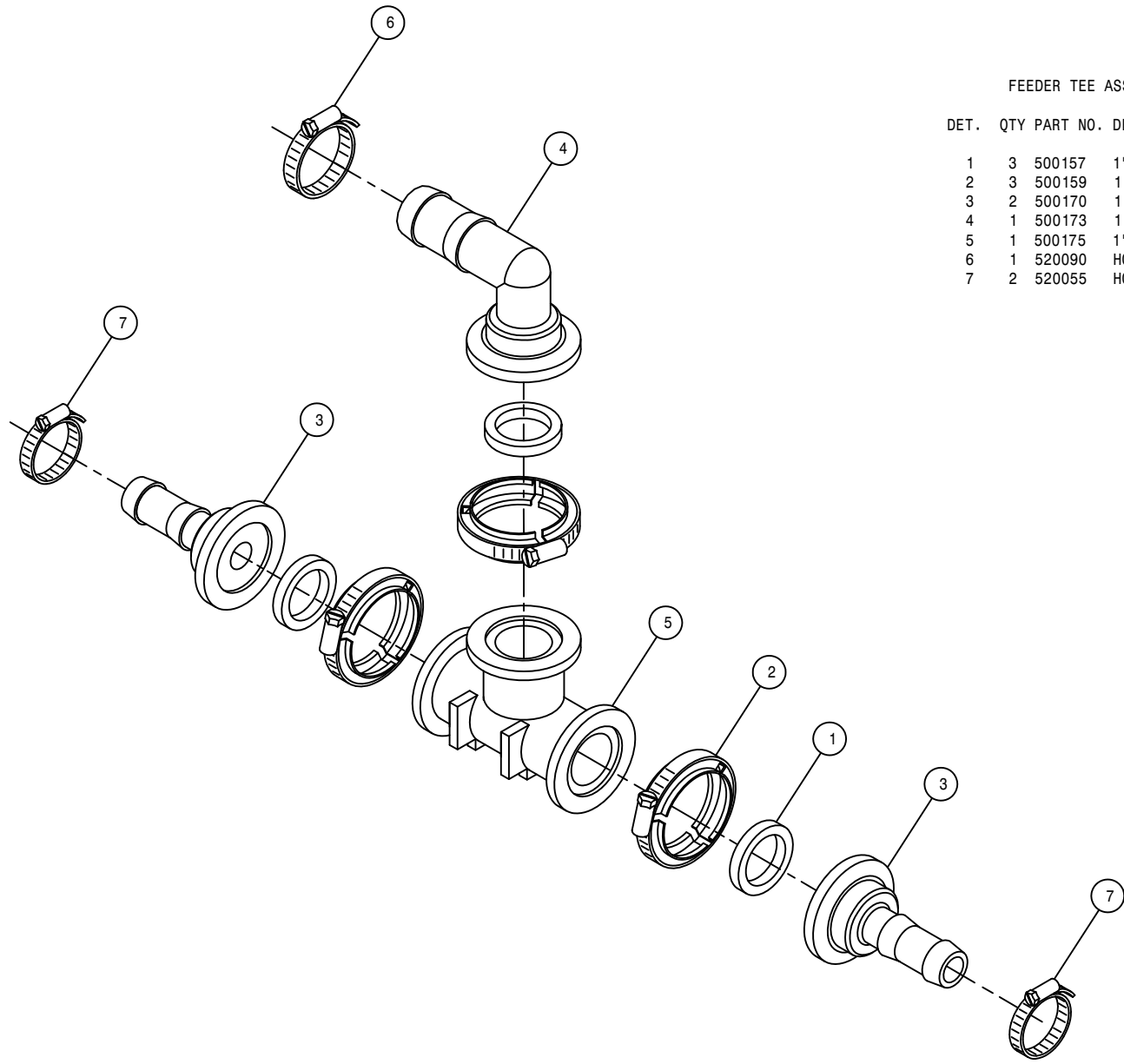
TO REAR WHEEL NOZZLE

80' -90' SOLUTION VALVE ASSEMBLY (STANDARD)

DET. QTY PART NO. DESCRIPTION

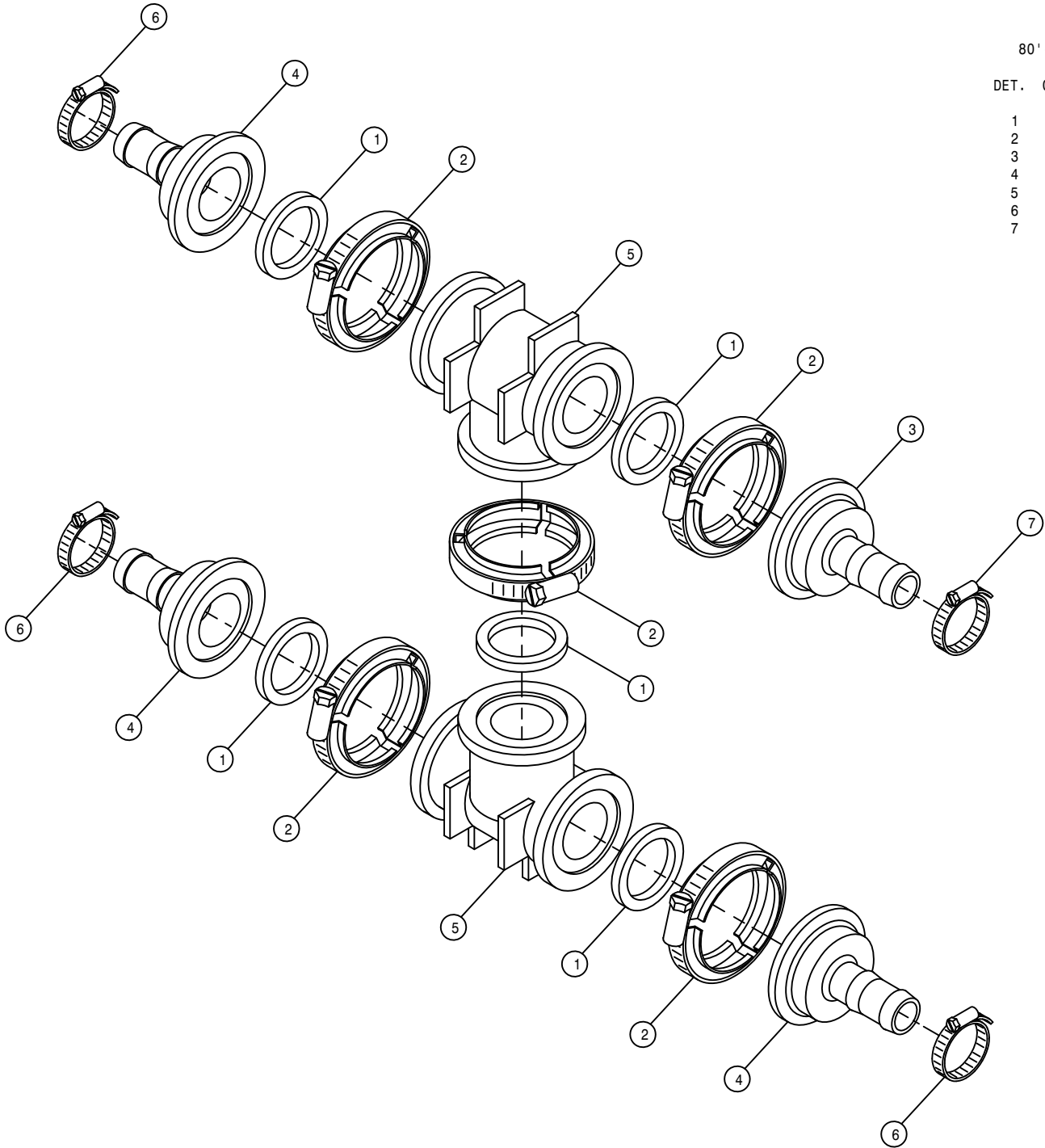
1	2	470122	1/4UNC X 1/2 FLANGE HEX BOLT
2	1	500047	1/2NPT-90-1/2 HOSE BARB, POLY
3	1	500151	2" FLANGE TEE POLY
4	3	500158	1 1/2" GASKET FOR 2" FLANGE
5	4	500160	2" FLANGE CLAMP, S.S.
6	2	500172	2" FLANGE-1" HOSE BARB POLY
7	1	500224	2" FLANGE PLUG W/1/2"FNPT POLY
8	1	690871	80/90 BOOM VLV MT WLD 03
9	1	696250	VALVE, KZCO C2F60B-M-S
10	1	696254	O-RING, KZCO FLANGED VALVES
11	2	520090	HOSE CLAMP NO 16 STAINLESS
12	1	520067	HOSE CLAMP NO 28 STAINLESS





FEEDER TEE ASSEMBLY (STANDARD)

DET.	QTY	PART NO.	DESCRIPTION	
1	3	500157	1" FLANGE GASKET	EPDM
2	3	500159	1" FLANGE CLAMP, S.S.	
3	2	500170	1" FLANGE-3/4" HOSE BARB	POLY
4	1	500173	1" FLANGE-90-1" HOSE BARB	POLY
5	1	500175	1" FLANGE TEE	POLY
6	1	520090	HOSE CLAMP NO 16	STAINLESS
7	2	520055	HOSE CLAMP NO 12	STAINLESS



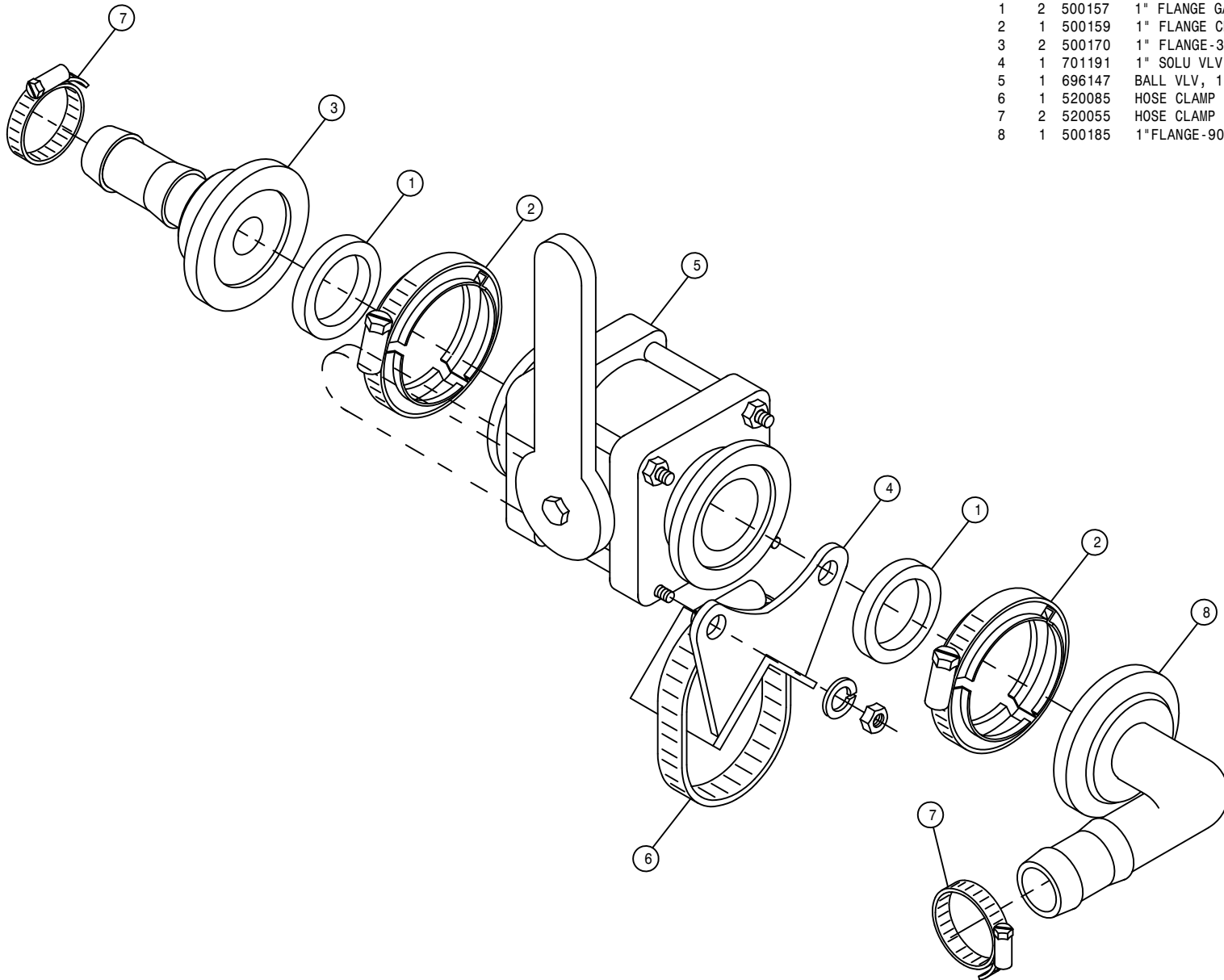
80'-90' FEEDER TEE ASSEMBLY (STANDARD)

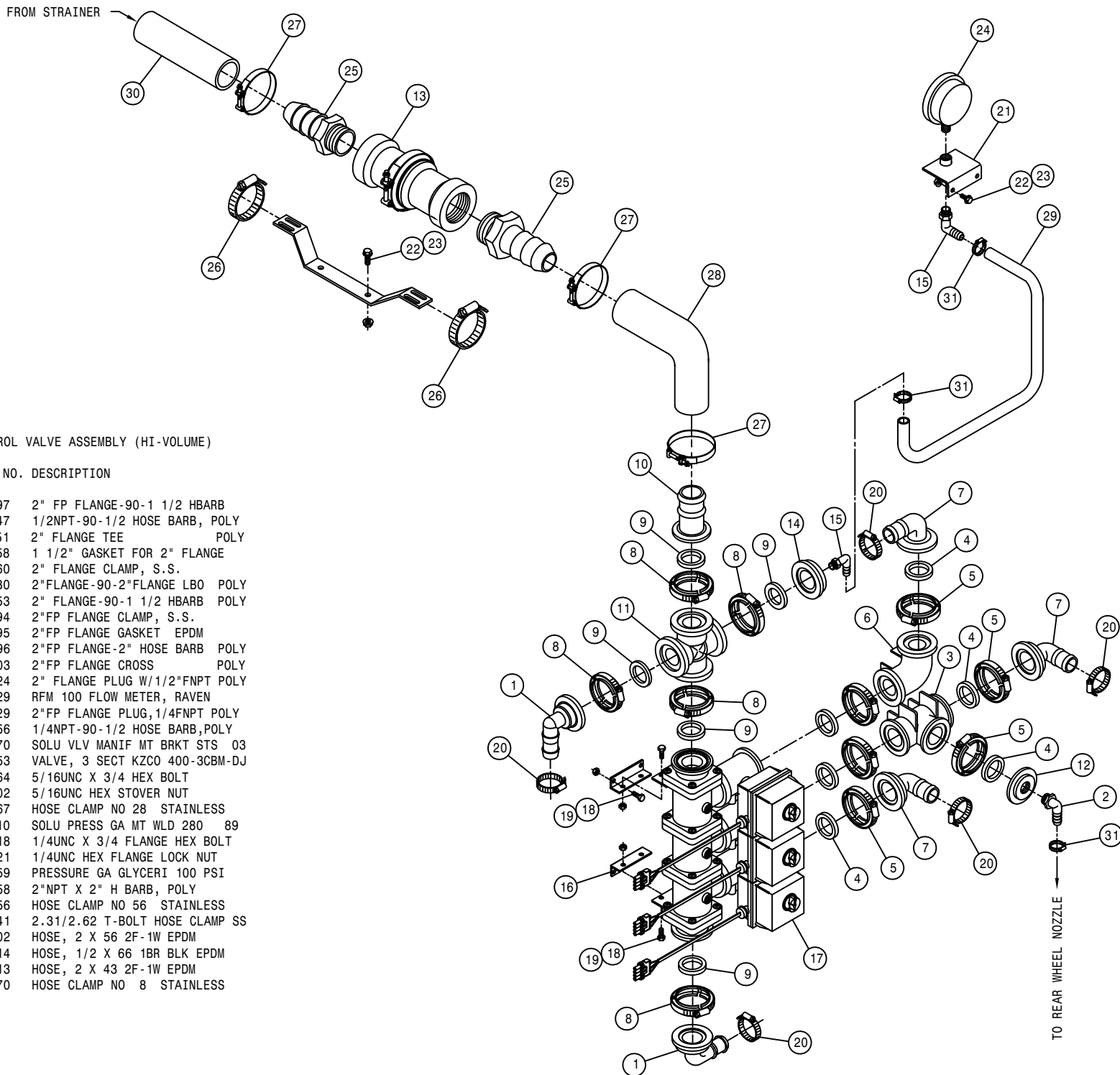
DET.	QTY	PART NO.	DESCRIPTION	
1	5	500157	1" FLANGE GASKET	EPDM
2	5	500159	1" FLANGE CLAMP, S.S.	
3	1	500171	1" FLANGE-1" HOSE BARB	POLY
4	3	500170	1" FLANGE-3/4" HOSE BARB	POLY
5	2	500175	1" FLANGE TEE	POLY
6	3	520055	HOSE CLAMP NO 12	STAINLESS
7	1	520090	HOSE CLAMP NO 16	STAINLESS

90° BALL VALVE ASSEMBLY (STANDARD)

DET. QTY PART NO. DESCRIPTION

1	2	500157	1" FLANGE GASKET	EPDM
2	1	500159	1" FLANGE CLAMP, S.S.	
3	2	500170	1" FLANGE-3/4" HOSE BARB	POLY
4	1	701191	1" SOLU VLV MT WLD	
5	1	696147	BALL VLV, 1" FLANGE	
6	1	520085	HOSE CLAMP NO 24	STAINLESS
7	2	520055	HOSE CLAMP NO 12	STAINLESS
8	1	500185	1" FLANGE-90-3/4" HOSE BARB	POLY





SOLUTION CONTROL VALVE ASSEMBLY (HI-VOLUME)

DET. QTY PART NO. DESCRIPTION

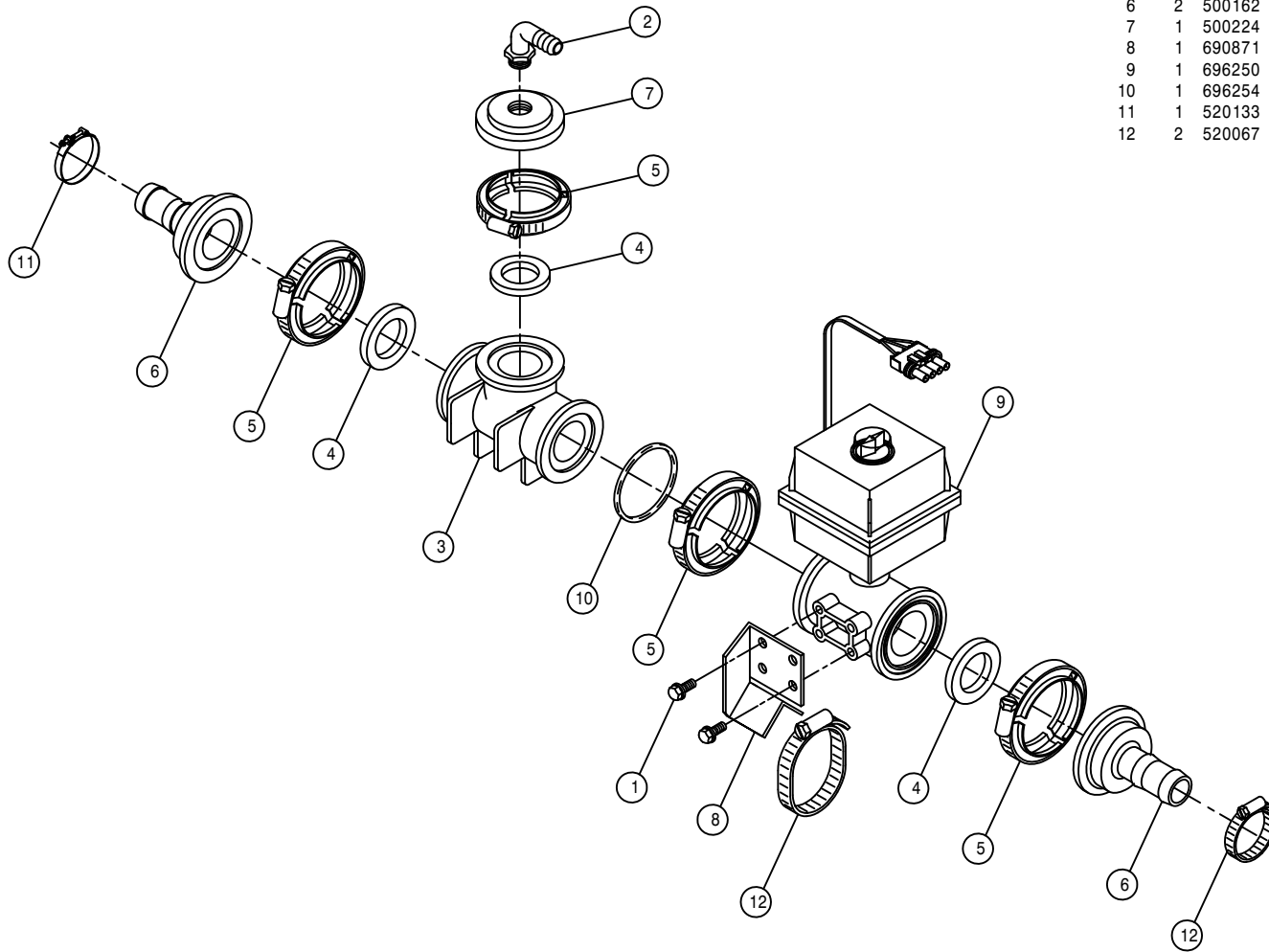
1	2	500197	2" FP FLANGE-90-1 1/2 HBARB
2	1	500047	1/2NPT-90-1/2 HOSE BARB, POLY
3	1	500151	2" FLANGE TEE POLY
4	6	500158	1 1/2" GASKET FOR 2" FLANGE
5	6	500160	2" FLANGE CLAMP, S.S.
6	1	500180	2"FLANGE-90-2"FLANGE LBO POLY
7	3	500153	2" FLANGE-90-1 1/2 HBARB POLY
8	5	500194	2"FP FLANGE CLAMP, S.S.
9	5	500195	2"FP FLANGE GASKET EPDM
10	1	500196	2"FP FLANGE-2" HOSE BARB POLY
11	1	500203	2"FP FLANGE CROSS POLY
12	1	500224	2" FLANGE PLUG W/1/2"FNPT POLY
13	1	690529	RFM 100 FLOW METER, RAVEN
14	1	500229	2"FP FLANGE PLUG, 1/4FNPT POLY
15	2	618556	1/4NPT-90-1/2 HOSE BARB,POLY
16	2	690870	SOLU VLV MANIF MT BRKT STS 03
17	1	696253	VALVE, 3 SECT KZCO 400-3CBM-DJ
18	8	900064	5/16UNC X 3/4 HEX BOLT
19	8	914002	5/16UNC HEX STOVER NUT
20	5	520067	HOSE CLAMP NO 28 STAINLESS
21	1	160010	SOLU PRESS GA MT WLD 280 89
22	4	470118	1/4UNC X 3/4 FLANGE HEX BOLT
23	4	470121	1/4UNC HEX FLANGE LOCK NUT
24	1	690359	PRESSURE GA GLYCERI 100 PSI
25	2	500058	2"NPT X 2" H BARB, POLY
26	2	520056	HOSE CLAMP NO 56 STAINLESS
27	3	520141	2.31/2.62 T-BOLT HOSE CLAMP SS
28	1	601502	HOSE, 2 X 56 2F-1W EPDM
29	1	601514	HOSE, 1/2 X 66 1BR BLK EPDM
30	1	601613	HOSE, 2 X 43 2F-1W EPDM
31	3	520070	HOSE CLAMP NO 8 STAINLESS

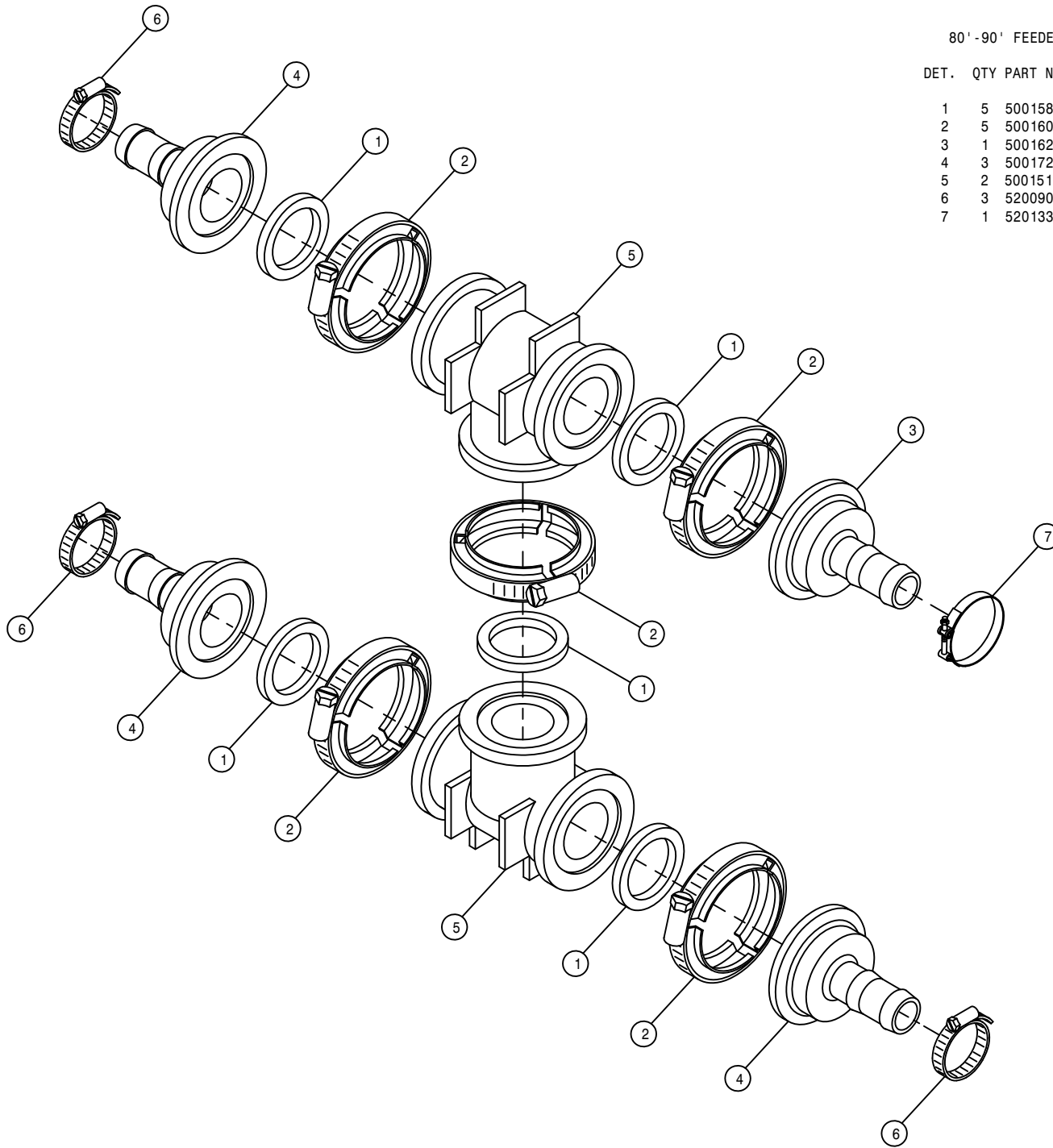
TO REAR WHEEL NOZZLE

80' -90' SOLUTION VALVE ASSEMBLY (HI-VOLUME)

DET. QTY PART NO. DESCRIPTION

DET.	QTY	PART NO.	DESCRIPTION
1	2	470122	1/4UNC X 1/2 FLANGE HEX BOLT
2	1	500047	1/2NPT-90-1/2 HOSE BARB, POLY
3	1	500151	2" FLANGE TEE POLY
4	3	500158	1 1/2" GASKET FOR 2" FLANGE
5	4	500160	2" FLANGE CLAMP, S.S.
6	2	500162	2" FLANGE-1 1/2 HOSE BARB POLY
7	1	500224	2" FLANGE PLUG W/1/2"FNPT POLY
8	1	690871	80/90 BOOM VLV MT WLD 03
9	1	696250	VALVE, KZCO C2F60B-M-S
10	1	696254	O-RING, KZCO FLANGED VALVES
11	1	520133	1.81/2.06 T-BOLT HOSE CLAMP SS
12	2	520067	HOSE CLAMP NO 28 STAINLESS

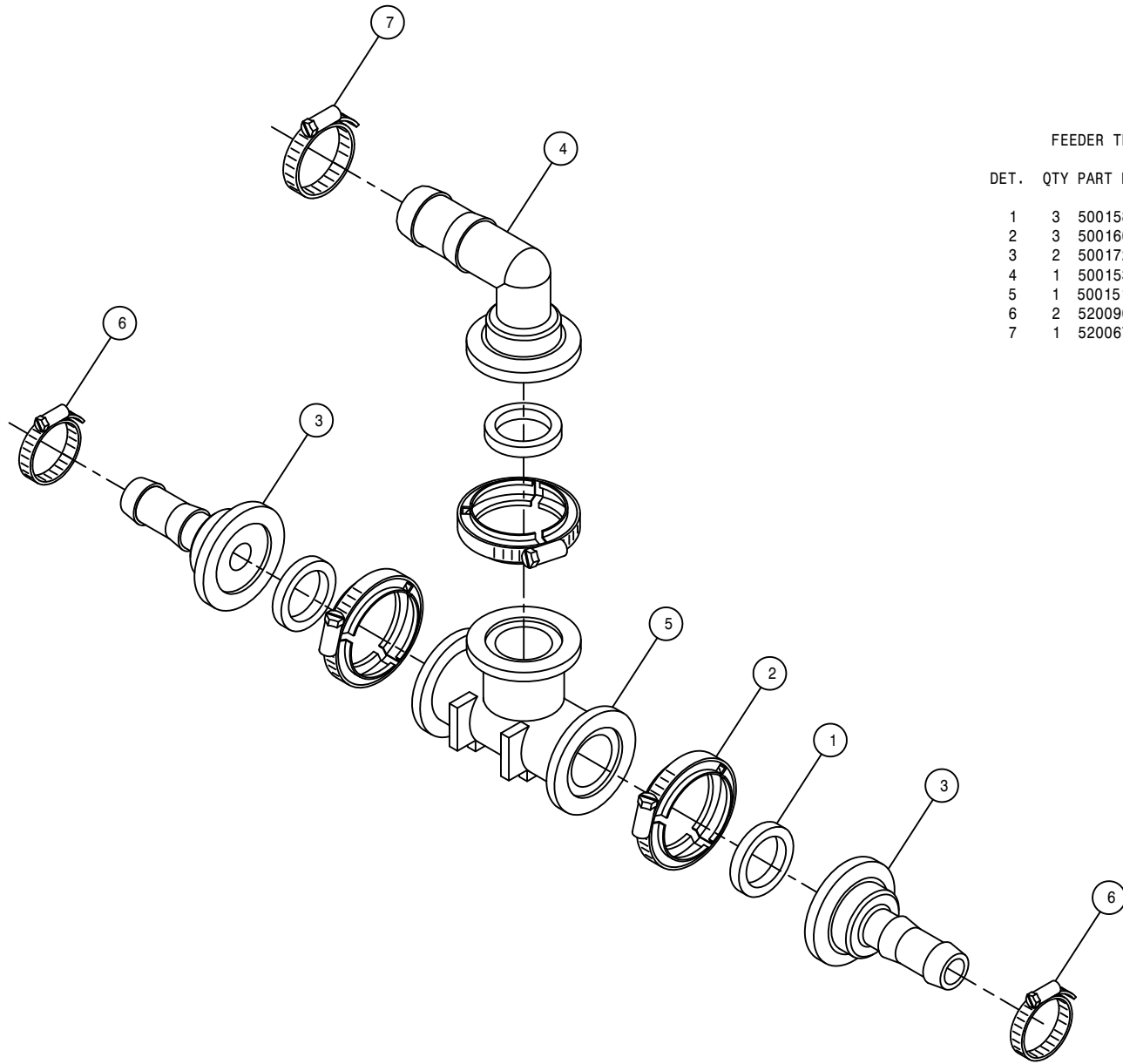




80' -90' FEEDER TEE ASSEMBLY (HI-VOLUME)

DET. QTY PART NO. DESCRIPTION

1	5	500158	1 1/2" GASKET FOR 2" FLANGE
2	5	500160	2" FLANGE CLAMP, S.S.
3	1	500162	2" FLANGE-1 1/2 HOSE BARB POLY
4	3	500172	2" FLANGE-1" HOSE BARB POLY
5	2	500151	2" FLANGE TEE POLY
6	3	520090	HOSE CLAMP NO 16 STAINLESS
7	1	520133	1.81/2.06 T-BOLT HOSE CLAMP SS



FEEDER TEE ASSEMBLY (HI-VOLUME)

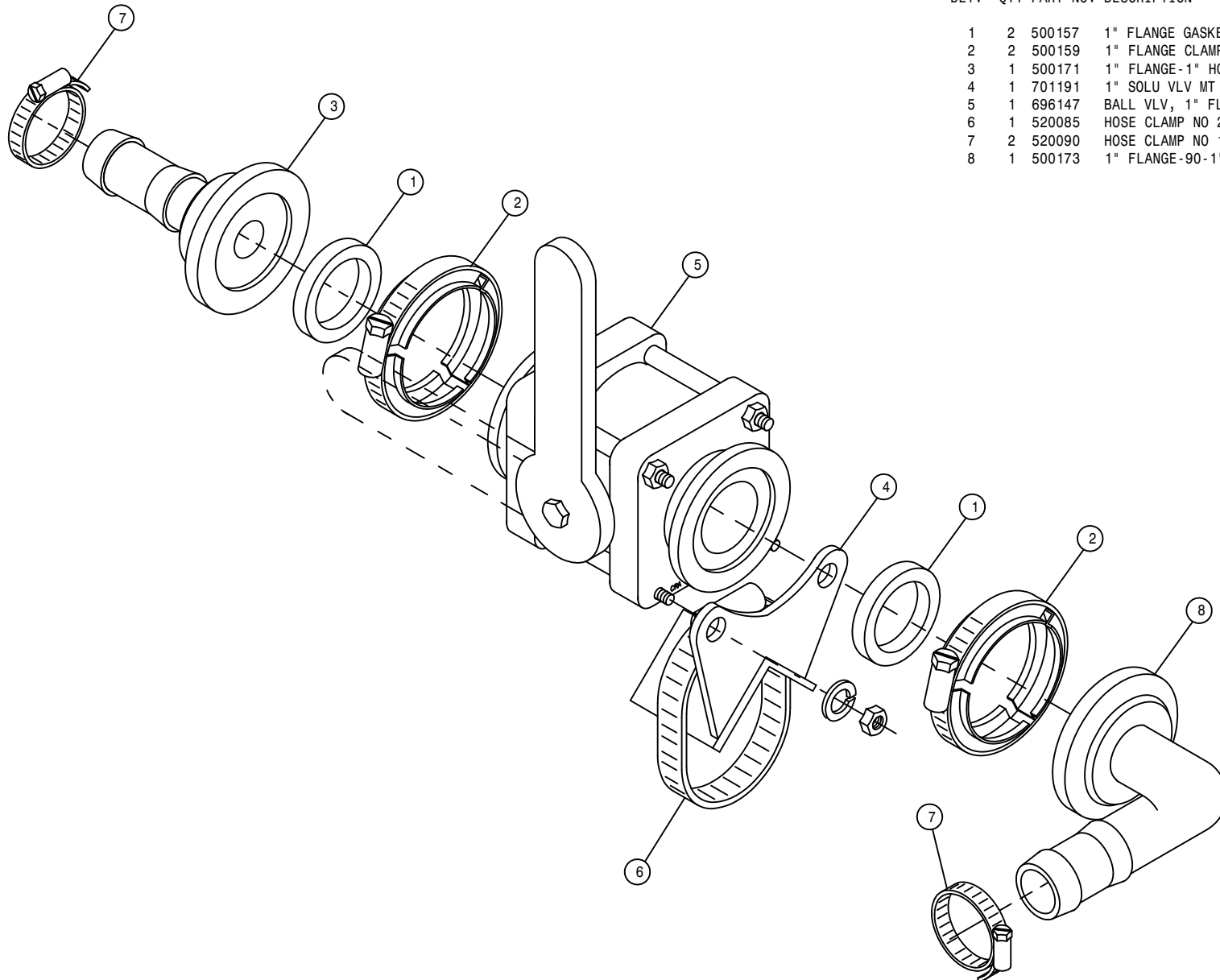
DET. QTY PART NO. DESCRIPTION

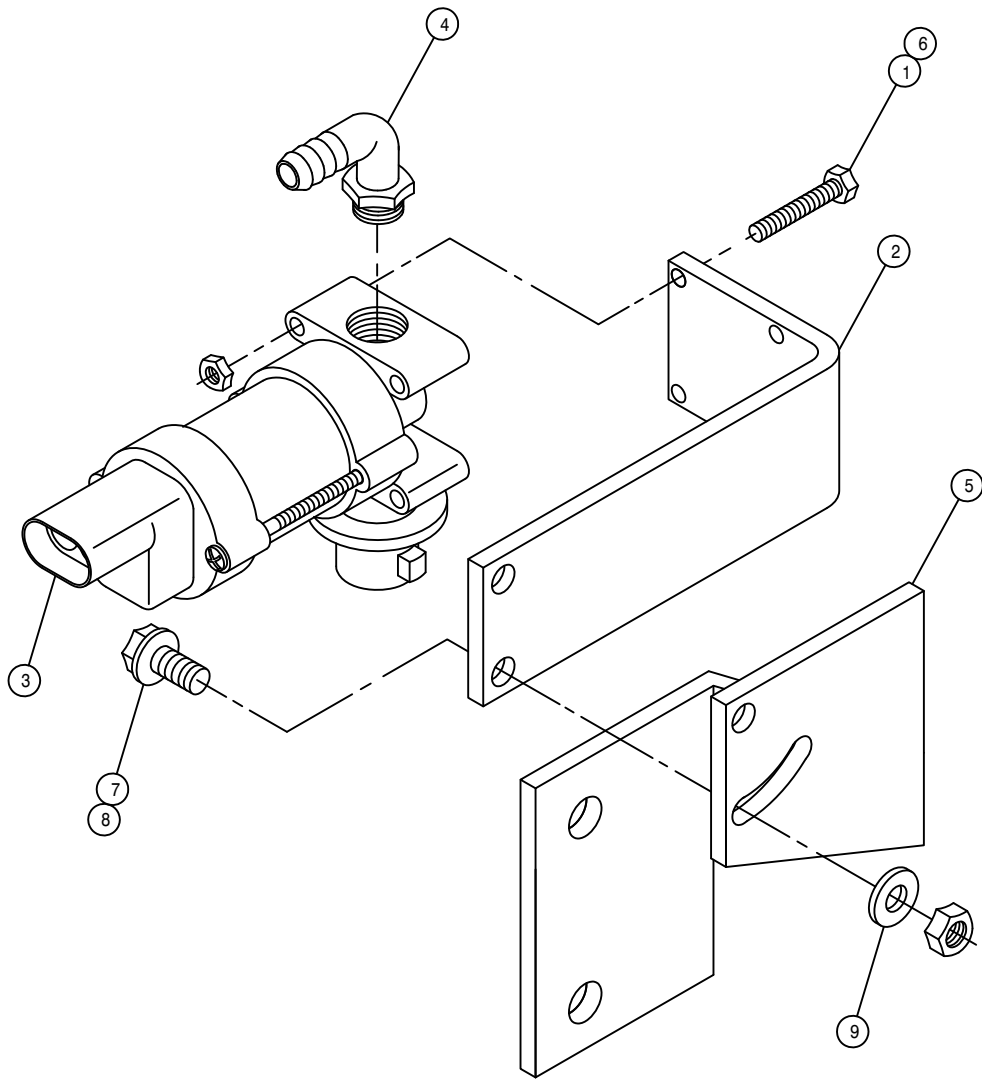
1	3	500158	1 1/2" GASKET FOR 2" FLANGE
2	3	500160	2" FLANGE CLAMP, S.S.
3	2	500172	2" FLANGE-1" HOSE BARB POLY
4	1	500153	2" FLANGE-90-1 1/2 HBARB POLY
5	1	500151	2" FLANGE TEE POLY
6	2	520090	HOSE CLAMP NO 16 STAINLESS
7	1	520067	HOSE CLAMP NO 28 STAINLESS

90° BALL VALVE ASSEMBLY (HI-VOLUME)

DET. QTY PART NO. DESCRIPTION

1	2	500157	1" FLANGE GASKET	EPDM
2	2	500159	1" FLANGE CLAMP, S.S.	
3	1	500171	1" FLANGE-1" HOSE BARB	POLY
4	1	701191	1" SOLU VLV MT WLD	
5	1	696147	BALL VLV, 1" FLANGE	
6	1	520085	HOSE CLAMP NO 24	STAINLESS
7	2	520090	HOSE CLAMP NO 16	STAINLESS
8	1	500173	1" FLANGE-90-1" HOSE BARB	POLY

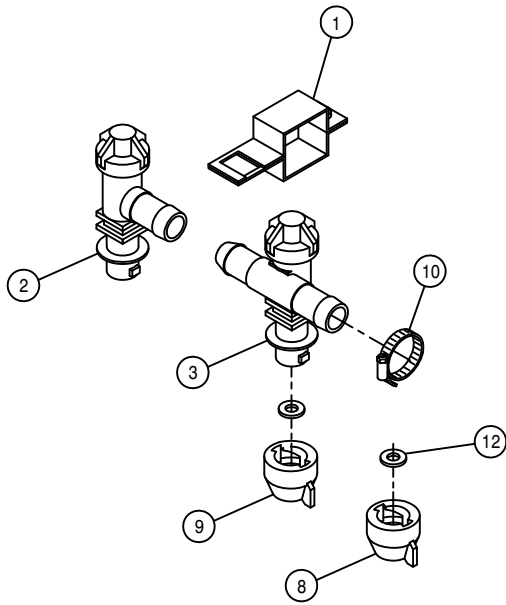




RH FENCE ROW NOZZLE ASSEMBLY

DET. QTY PART NO. DESCRIPTION

1	4	473993	6-32 X 1 1/4 HH MACH SCR
2	1	737906	FENCE ROW NOZL BRKT
3	1	737875	NOZZLE BODY VALVE, 12VDC
4	1	618556	1/4NPT-90-1/2 HOSE BARB,POLY
5	1	737907	RH FENCE ROW TIP BRKT MT
6	4	910022	6-32 HEX NUT
7	2	470118	1/4UNC X 3/4 FLANGE HEX BOLT
8	2	914000	1/4UNC HEX STOVER NUT
9	1	920000	1/4 SAE FLAT WASHER

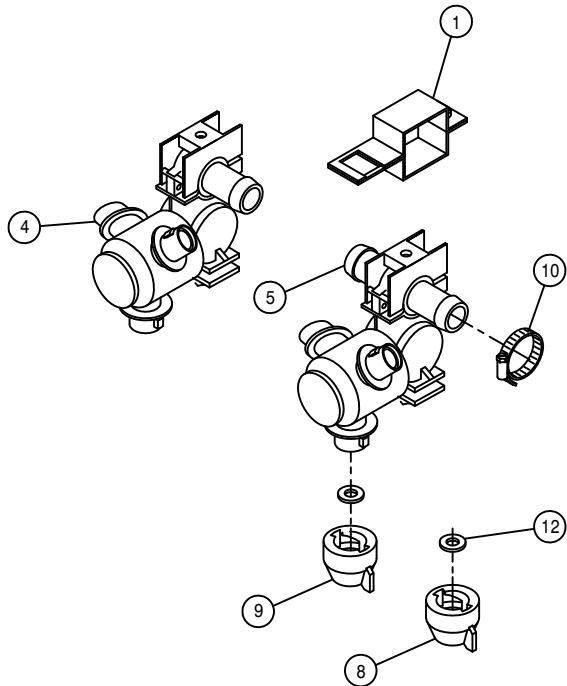


STANDARD SINGLE TIP SPACING

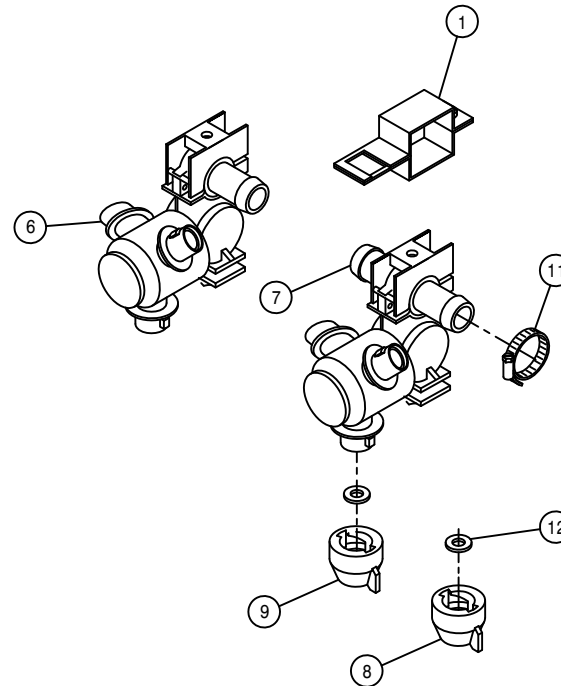
BOOM NOZZLE BODY

DET. QTY PART NO. DESCRIPTION

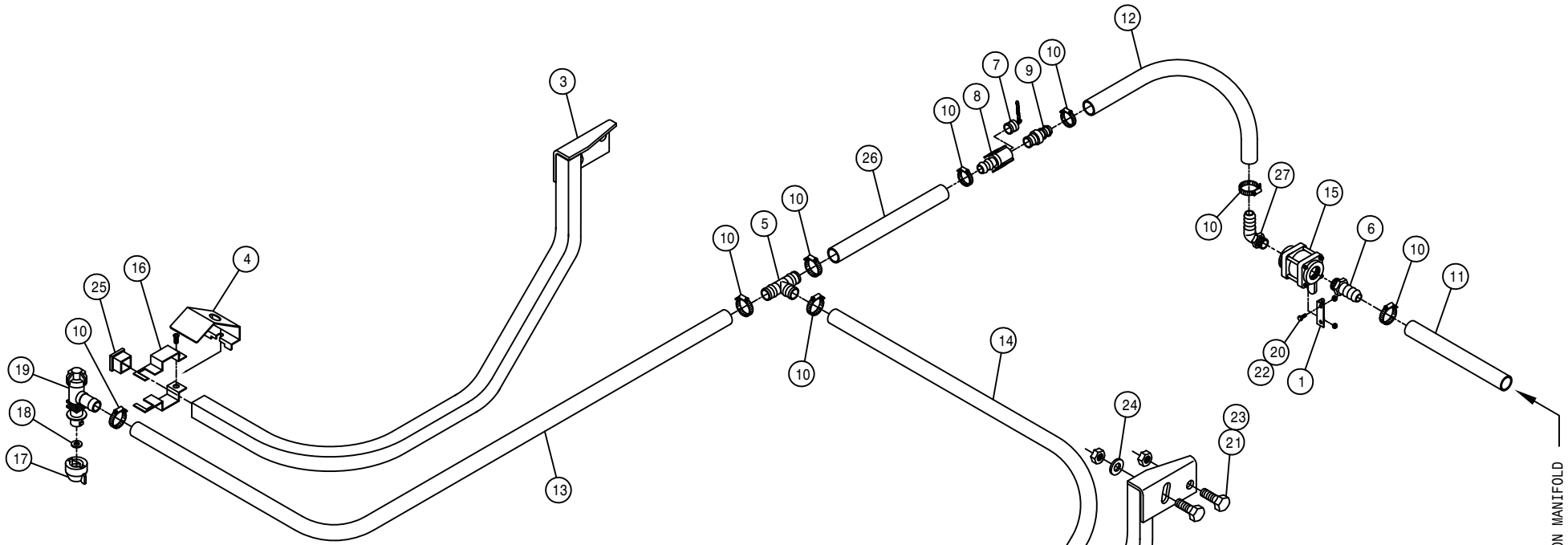
DET.	QTY	PART NO.	DESCRIPTION
1	3	737817	NOZL MT CLMP, 1.00 SQ SS, Q-TJET
2	1	737829	QUICK TJET LBO, 1-TIP BODY .75
3	1	737830	QUICK TJET TEE, 1-TIP BODY .75
4	1	737833	QUICK TJET LBO, 3-TIP BODY .75
5	1	737834	QUICK TJET TEE, 3-TIP BODY .75
6	1	737900	QUICK TJET LBO, 3-TIP BODY 1.00
7	1	737901	QUICK TJET TEE, 3-TIP BODY 1.00
8	3	737825	QUICK SHUT-OFF CAP
9	3	737822	CAP SET, YELLOW QUICK TEEJET
10	2	520055	HOSE CLAMP NO 12 STAINLESS
11	1	520090	HOSE CLAMP NO 16 STAINLESS
12	6	737824	QUICK TEEJET SEAT GASKET



STANDARD TRIPLE TIP SPACING



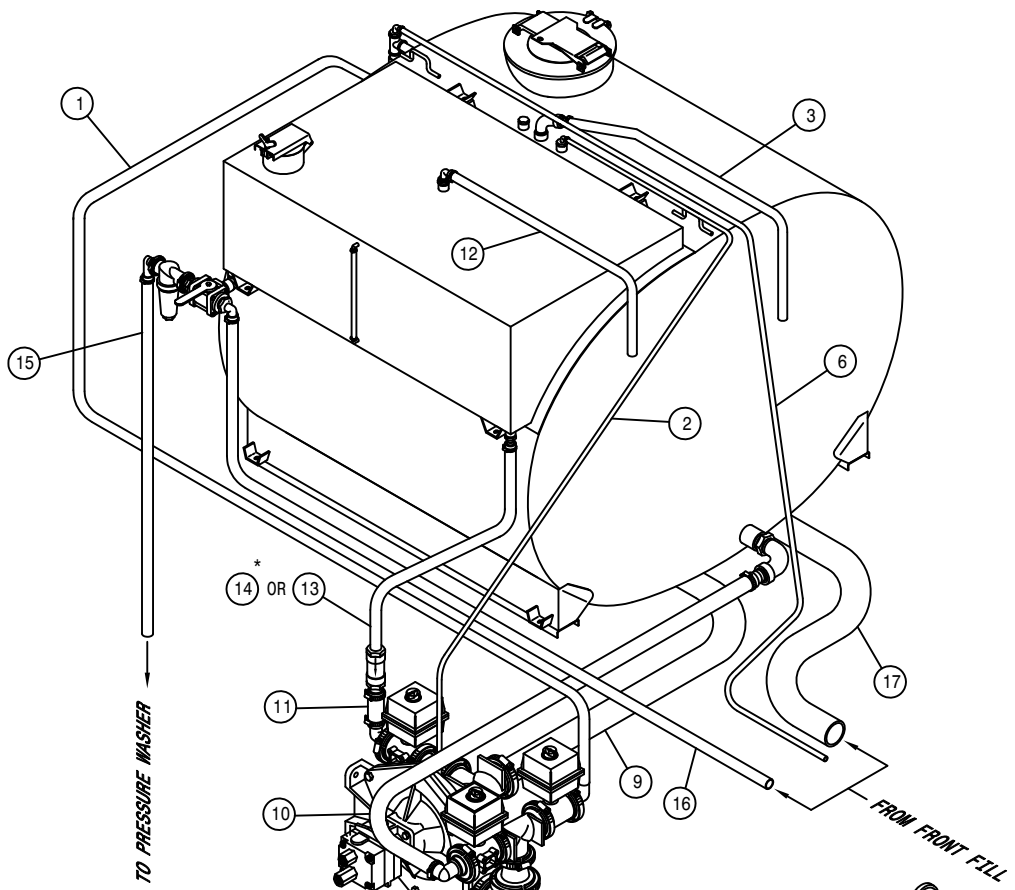
HI-VOLUME TRIPLE TIP SPACING



REAR WHEEL NOZZLE ASSEMBLY

DET.	QTY	PART NO.	DESCRIPTION
	1	164724	VALVE MT, REAR NOZL STS 03
	1	164670	RH REAR NOZL MT WLD STS12
	1	164671	LH REAR NOZL MT WLD STS12
	2	164676	NOZL SHIELD, REAR WHEEL 00
	1	500120	1/2" HOSE BARB TEE, POLY
	1	713340	1/2NPT-1/2 HOSE BARB, POLY
	1	696204	PLUG FOR .50/.75 FEM COUPLER
	1	696233	.50 HOSE BARB-FEMALE COUPLER
	1	696234	.50 HOSE BARB-MALE COUPLER
	9	520070	HOSE CLAMP NO 8 STAINLESS
	1	601562	HOSE, 1/2 X 140 1BR BLK EPDM
	1	601563	HOSE, 1/2 X 120 1BR BLK EPDM
	1	601565	HOSE, 1/2 X 223 1BR BLK EPDM
	1	601567	HOSE, 1/2 X 260 1BR BLK EPDM
	1	696082	BALL VALVE 1/2FNPT POLY
	2	737817	NOZL MT CLMP,1.00 SQ SS,Q-TJET
	2	737822	CAP SET, YELLOW QUICK TEEJET
	2	737824	QUICK TEEJET SEAT GASKET
	2	737827	QUICK TJET LBO,1-TIP BODY .50
	2	900065	5/16UNC X 1" HEX BOLT
	4	900265	1/2UNC X 1 1/2 HEX BOLT
	2	914002	5/16UNC HEX STOVER NUT
	4	914008	1/2UNC HEX STOVER NUT
	2	920004	1/2 SAE FLAT WASHER
	2	629727	FINISH PLUG FOR 1"SQ X 16 GA
	1	601572	HOSE, 1/2 X 95 1BR BLK EPDM
	1	500047	1/2NPT-90-1/2 HOSE BARB, POLY

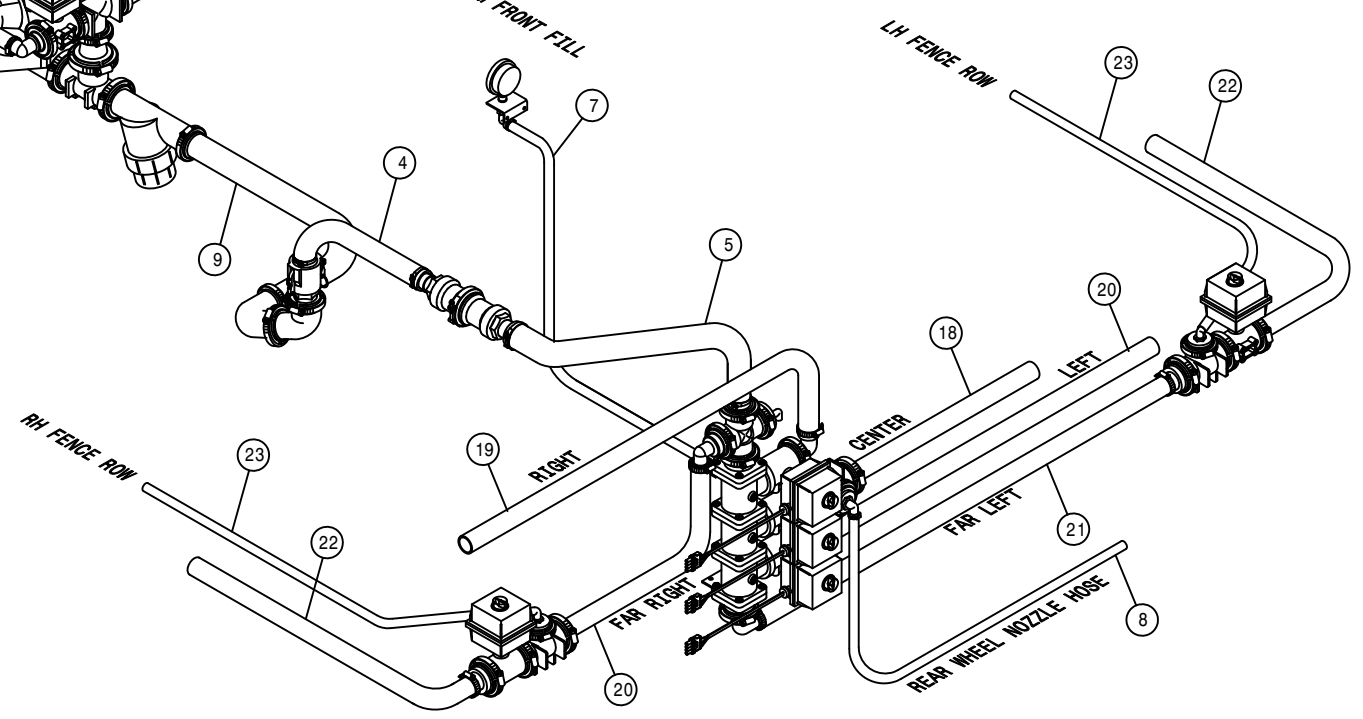
FROM SOLUTION MANIFOLD



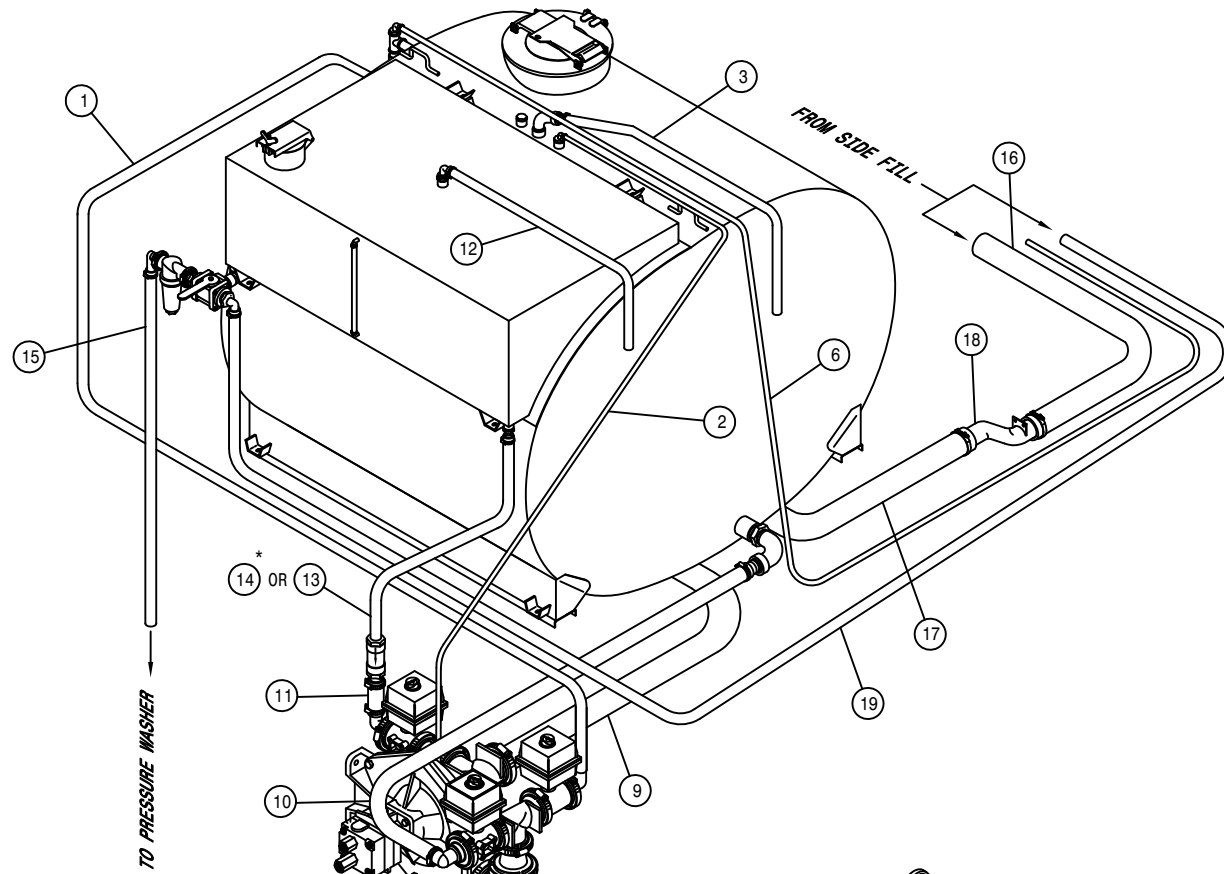
FRONT FILL SOLUTION HOISING (STANDARD)

DET.	QTY	PART NO.	DESCRIPTION
1	1	601273	HOSE, 1 X 132 1BR BLK EPDM
2	1	601490	HOSE, 1/4 X 95 1 BR BLK EPDM
3	1	601496	HOSE, 1 X 120 1BR BLK EPDM
4	1	601613	HOSE, 2 X 43 2F-1W EPDM
5	1	601502	HOSE, 2 X 56 2F-1W EPDM
6	1	601567	HOSE, 1/2 X 260 1BR BLK EPDM
7	1	601514	HOSE, 1/2 X 66 1BR BLK EPDM
8	1	601562	HOSE, 1/2 X 140 1BR BLK EPDM
9	2	601573	HOSE, 2 X 48 2F-1W EPDM
10	1	601591	HOSE, 1 1/2 X 53 2BR BLK EPDM
11	1	601590	HOSE, 1 X 6 1BR BLK EPDM
12	1	601165	HOSE, 1/2 X 144 1BR BLK EPDM
13	1	601492	HOSE, 1 X 37 1BR BLK EPDM
14	1	601491	HOSE, 1 X 30 1BR BLK EPDM
15	1	601179	HOSE, 1 X 26 1BR BLK EPDM
16	1	601497	HOSE, 1 X 200 1BR BLK EPDM
17	1	601621	HOSE, 3 X 154 POLY HELIX EPDM
18	1	601521	HOSE, 1 X 72 1BR BLK EPDM
19	1	601522	HOSE, 1 X 204 1BR BLK EPDM
20	2	601523	HOSE, 1 X 300 1BR BLK EPDM
21	1	601524	HOSE, 1 X 396 1BR BLK EPDM
22	2	601525	HOSE, 1 X 84 1BR BLK EPDM
23	2	601566	HOSE, 1/2 X 252 1BR BLK EPDM

*NOTE: THE SS RINSE TANK IS SHOWN, FOR THE POLY RINSE TANK USE DETAIL 14.



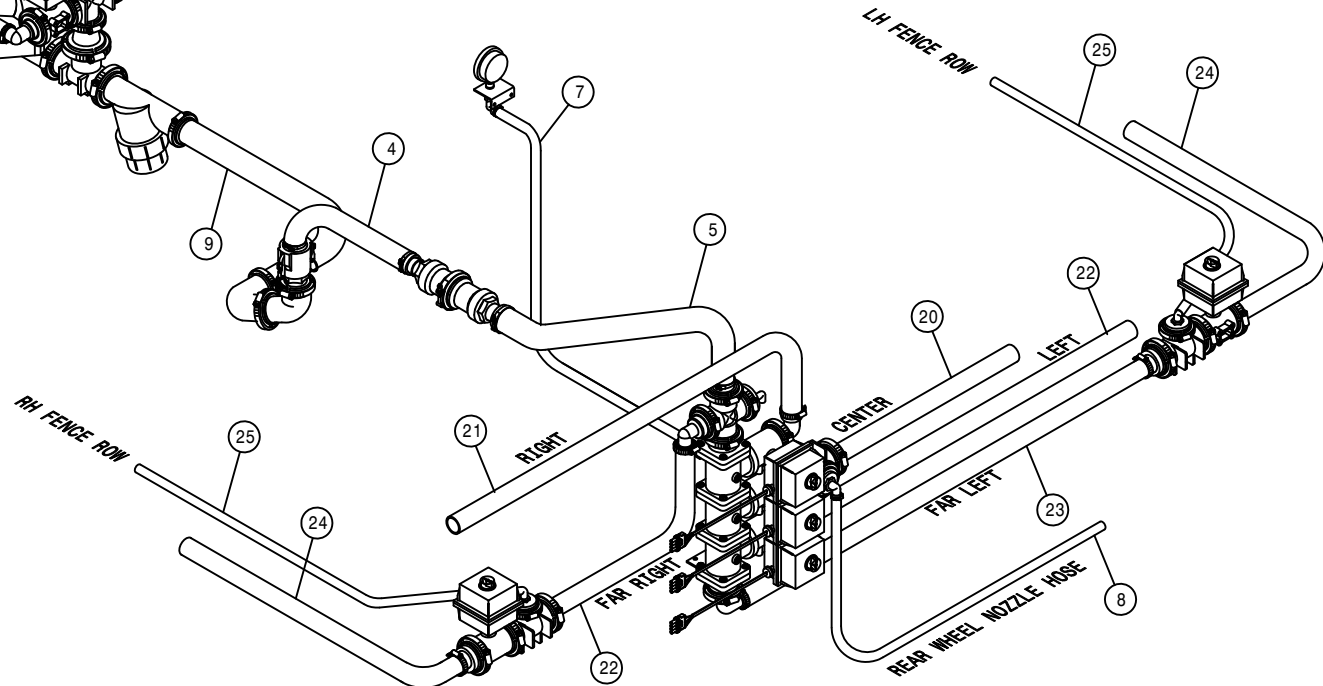
SIDE FILL SOLUTION HOISING (STANDARD)



DET. QTY PART NO. DESCRIPTION

DET.	QTY	PART NO.	DESCRIPTION
1	1	601273	HOSE, 1 X 132 1BR BLK EPDM
2	1	601490	HOSE, 1/4 X 95 1 BR BLK EPDM
3	1	601496	HOSE, 1 X 120 1BR BLK EPDM
4	1	601613	HOSE, 2 X 43 2F-1W EPDM
5	1	601502	HOSE, 2 X 56 2F-1W EPDM
6	1	601567	HOSE, 1/2 X 260 1BR BLK EPDM
7	1	601514	HOSE, 1/2 X 66 1BR BLK EPDM
8	1	601562	HOSE, 1/2 X 140 1BR BLK EPDM
9	2	601573	HOSE, 2 X 48 2F-1W EPDM
10	1	601591	HOSE, 1 1/2 X 53 2BR BLK EPDM
11	1	601590	HOSE, 1 X 6 1BR BLK EPDM
12	1	601165	HOSE, 1/2 X 144 1BR BLK EPDM
13	1	601492	HOSE, 1 X 37 1BR BLK EPDM
14	1	601491	HOSE, 1 X 30 1BR BLK EPDM
15	1	601179	HOSE, 1 X 26 1BR BLK EPDM
16	1	601506	HOSE, 3 X 74 POLY HELIX EPDM
17	1	601574	HOSE, 3 X 36 POLY HELIX EPDM
18	1	690731	SOLU TUBE, 3.00 S.S. SIDE FILL
19	1	601459	HOSE, 1 X 245 1BR BLK EPDM
20	1	601521	HOSE, 1 X 72 1BR BLK EPDM
21	1	601522	HOSE, 1 X 204 1BR BLK EPDM
22	2	601523	HOSE, 1 X 300 1BR BLK EPDM
23	1	601524	HOSE, 1 X 396 1BR BLK EPDM
24	2	601525	HOSE, 1 X 84 1BR BLK EPDM
25	2	601566	HOSE, 1/2 X 252 1BR BLK EPDM

*NOTE: THE SS RINSE TANK IS SHOWN, FOR THE POLY RINSE TANK USE DETAIL 14.

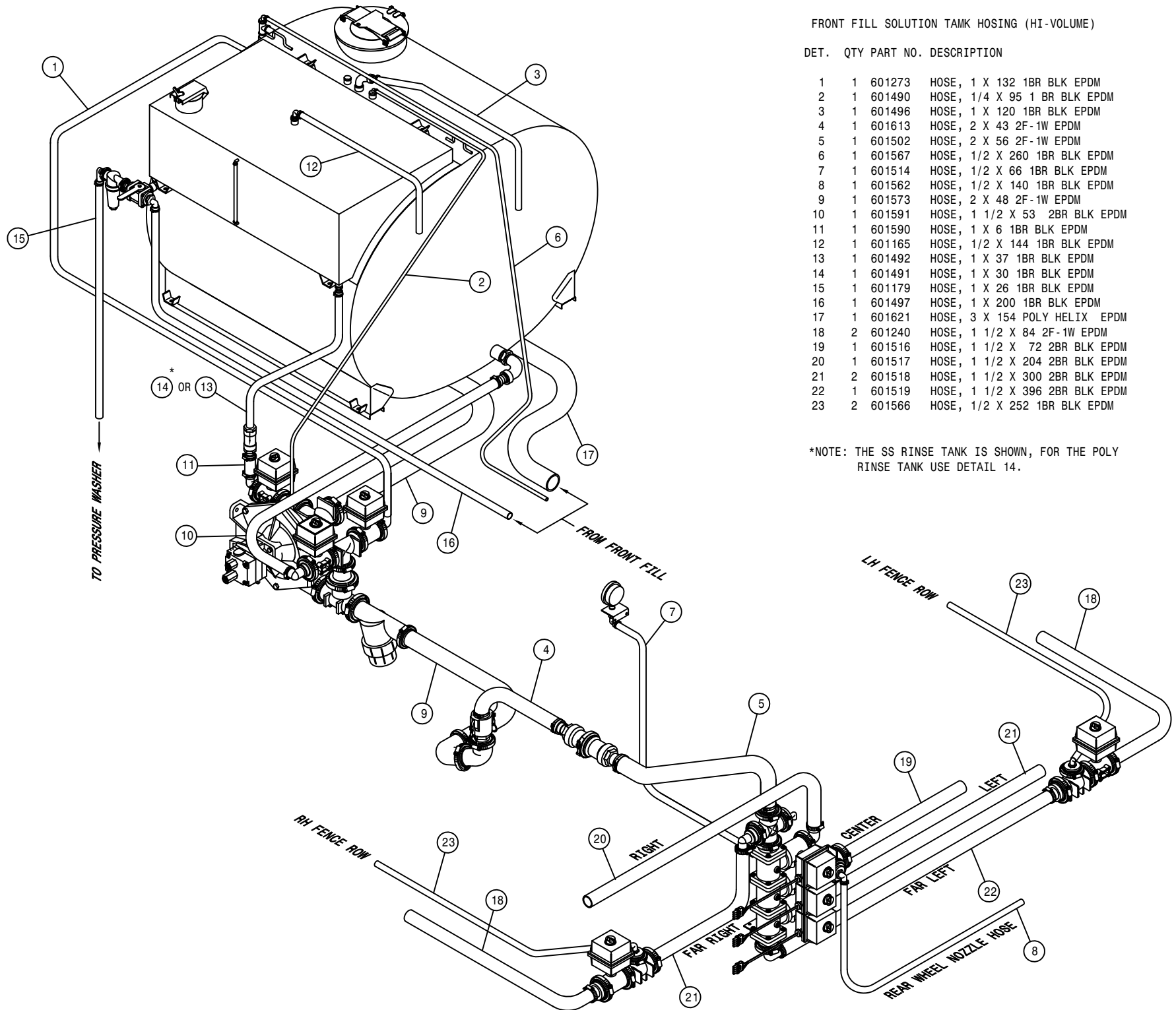


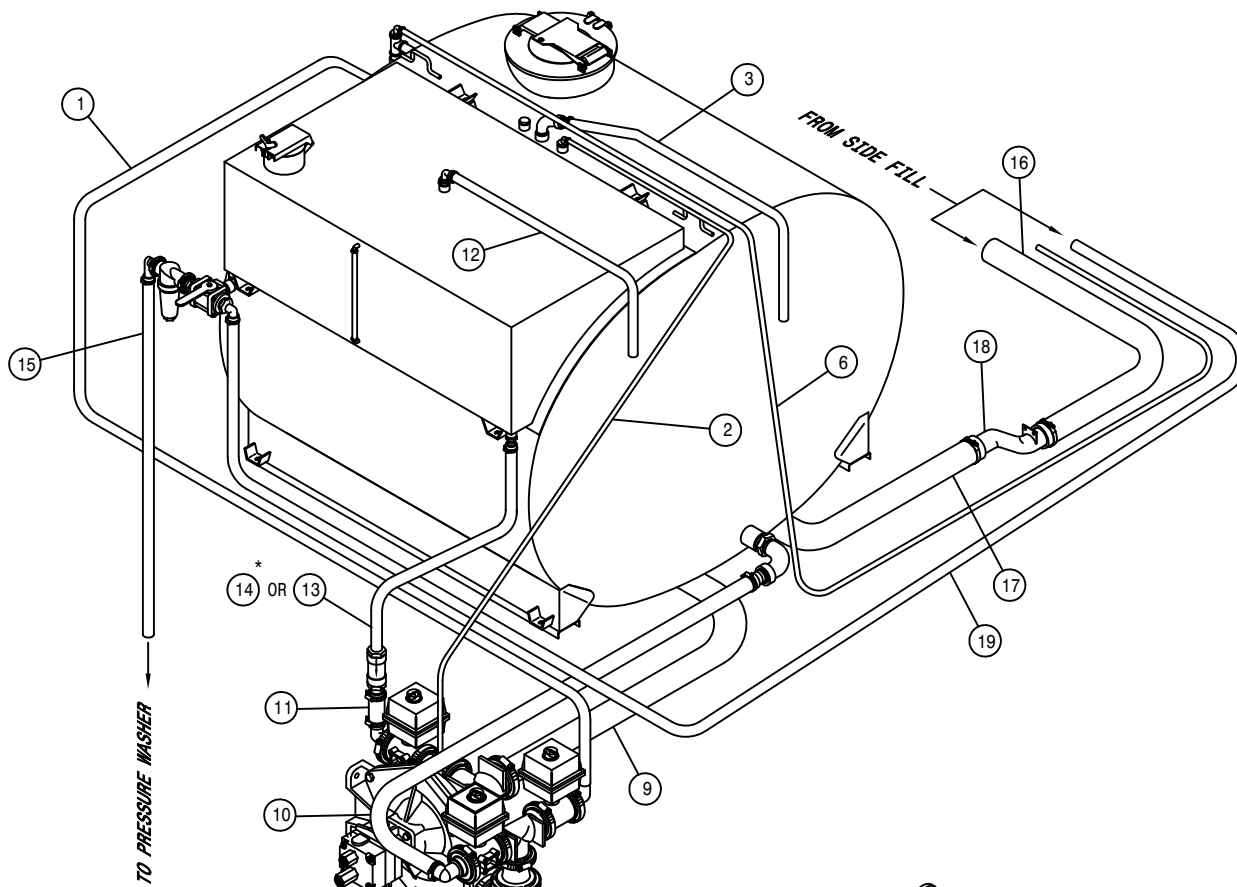
FRONT FILL SOLUTION TANK HOISING (HI-VOLUME)

DET. QTY PART NO. DESCRIPTION

DET.	QTY	PART NO.	DESCRIPTION
1	1	601273	HOSE, 1 X 132 1BR BLK EPDM
2	1	601490	HOSE, 1/4 X 95 1 BR BLK EPDM
3	1	601496	HOSE, 1 X 120 1BR BLK EPDM
4	1	601613	HOSE, 2 X 43 2F-1W EPDM
5	1	601502	HOSE, 2 X 56 2F-1W EPDM
6	1	601567	HOSE, 1/2 X 260 1BR BLK EPDM
7	1	601514	HOSE, 1/2 X 66 1BR BLK EPDM
8	1	601562	HOSE, 1/2 X 140 1BR BLK EPDM
9	1	601573	HOSE, 2 X 48 2F-1W EPDM
10	1	601591	HOSE, 1 1/2 X 53 2BR BLK EPDM
11	1	601590	HOSE, 1 X 6 1BR BLK EPDM
12	1	601165	HOSE, 1/2 X 144 1BR BLK EPDM
13	1	601492	HOSE, 1 X 37 1BR BLK EPDM
14	1	601491	HOSE, 1 X 30 1BR BLK EPDM
15	1	601179	HOSE, 1 X 26 1BR BLK EPDM
16	1	601497	HOSE, 1 X 200 1BR BLK EPDM
17	1	601621	HOSE, 3 X 154 POLY HELIX EPDM
18	2	601240	HOSE, 1 1/2 X 84 2F-1W EPDM
19	1	601516	HOSE, 1 1/2 X 72 2BR BLK EPDM
20	1	601517	HOSE, 1 1/2 X 204 2BR BLK EPDM
21	2	601518	HOSE, 1 1/2 X 300 2BR BLK EPDM
22	1	601519	HOSE, 1 1/2 X 396 2BR BLK EPDM
23	2	601566	HOSE, 1/2 X 252 1BR BLK EPDM

*NOTE: THE SS RINSE TANK IS SHOWN, FOR THE POLY RINSE TANK USE DETAIL 14.

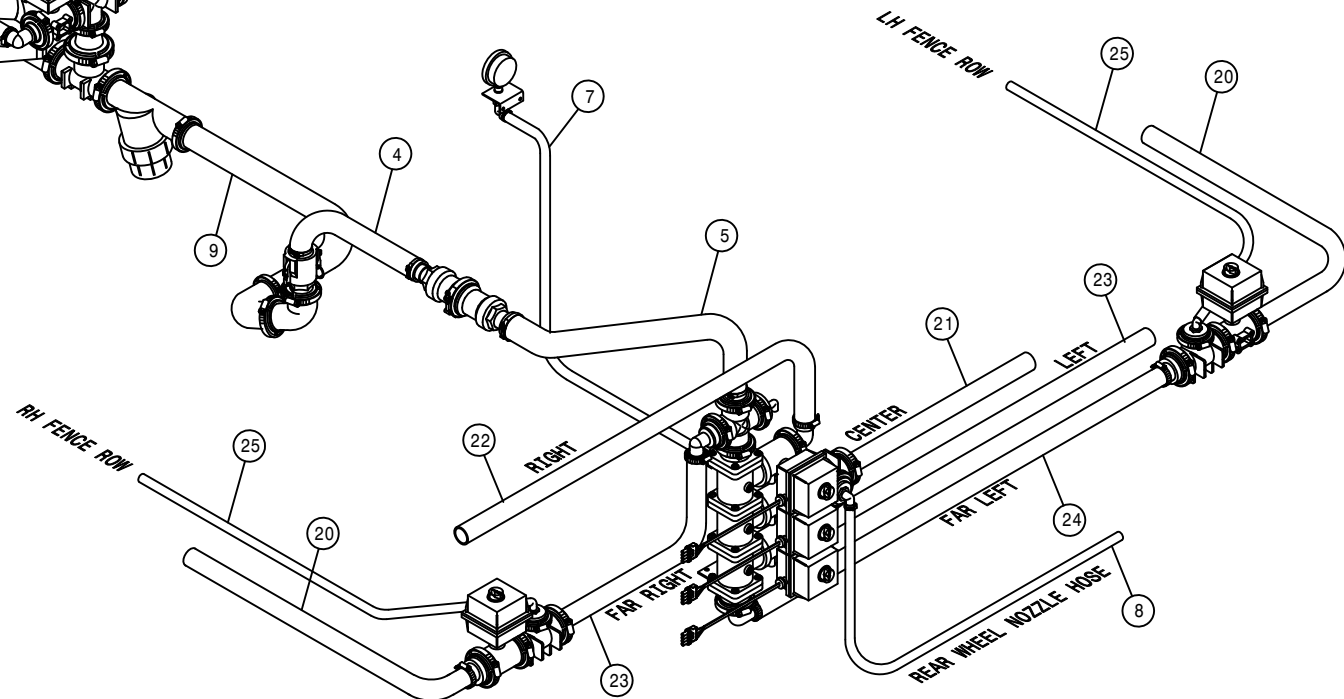


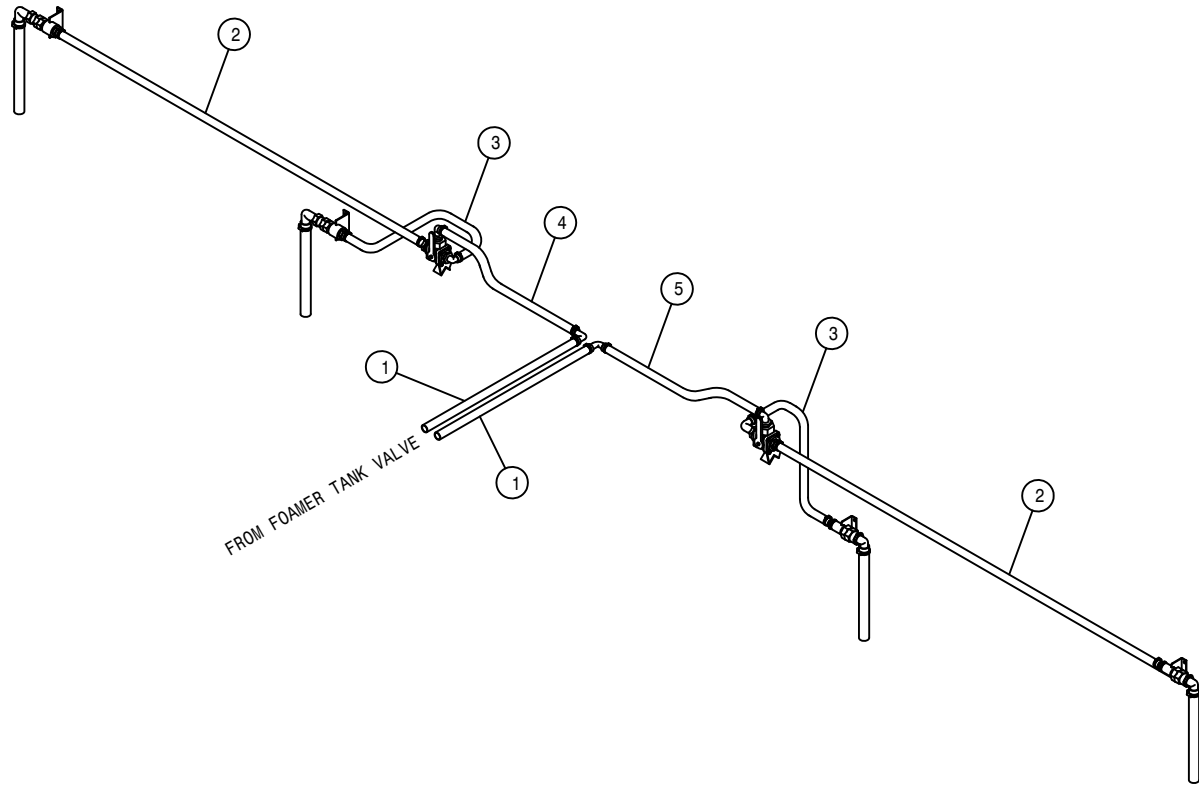


SIDE FILL SOLUTION HOSEING (HI-VOLUME)

DET.	QTY	PART NO.	DESCRIPTION
1	1	601273	HOSE, 1 X 132 1BR BLK EPDM
2	1	601490	HOSE, 1/4 X 95 1 BR BLK EPDM
3	1	601496	HOSE, 1 X 120 1BR BLK EPDM
4	1	601613	HOSE, 2 X 43 2F-1W EPDM
5	1	601502	HOSE, 2 X 56 2F-1W EPDM
6	1	601567	HOSE, 1/2 X 260 1BR BLK EPDM
7	1	601514	HOSE, 1/2 X 66 1BR BLK EPDM
8	1	601562	HOSE, 1/2 X 140 1BR BLK EPDM
9	2	601573	HOSE, 2 X 48 2F-1W EPDM
10	1	601591	HOSE, 1 1/2 X 53 2BR BLK EPDM
11	1	601590	HOSE, 1 X 6 1BR BLK EPDM
12	1	601165	HOSE, 1/2 X 144 1BR BLK EPDM
13	1	601492	HOSE, 1 X 37 1BR BLK EPDM
14	1	601491	HOSE, 1 X 30 1BR BLK EPDM
15	1	601179	HOSE, 1 X 26 1BR BLK EPDM
16	1	601506	HOSE, 3 X 74 POLY HELIX EPDM
17	1	601574	HOSE, 3 X 36 POLY HELIX EPDM
18	1	690731	SOLU TUBE, 3.00 S.S. SIDE FILL
19	1	601459	HOSE, 1 X 245 1BR BLK EPDM
20	2	601240	HOSE, 1 1/2 X 84 2F-1W EPDM
21	1	601516	HOSE, 1 1/2 X 72 2BR BLK EPDM
22	1	601517	HOSE, 1 1/2 X 204 2BR BLK EPDM
23	2	601518	HOSE, 1 1/2 X 300 2BR BLK EPDM
24	1	601519	HOSE, 1 1/2 X 396 2BR BLK EPDM
25	2	601566	HOSE, 1/2 X 252 1BR BLK EPDM

*NOTE: THE SS RINSE TANK IS SHOWN, FOR THE POLY RINSE TANK USE DETAIL 14.





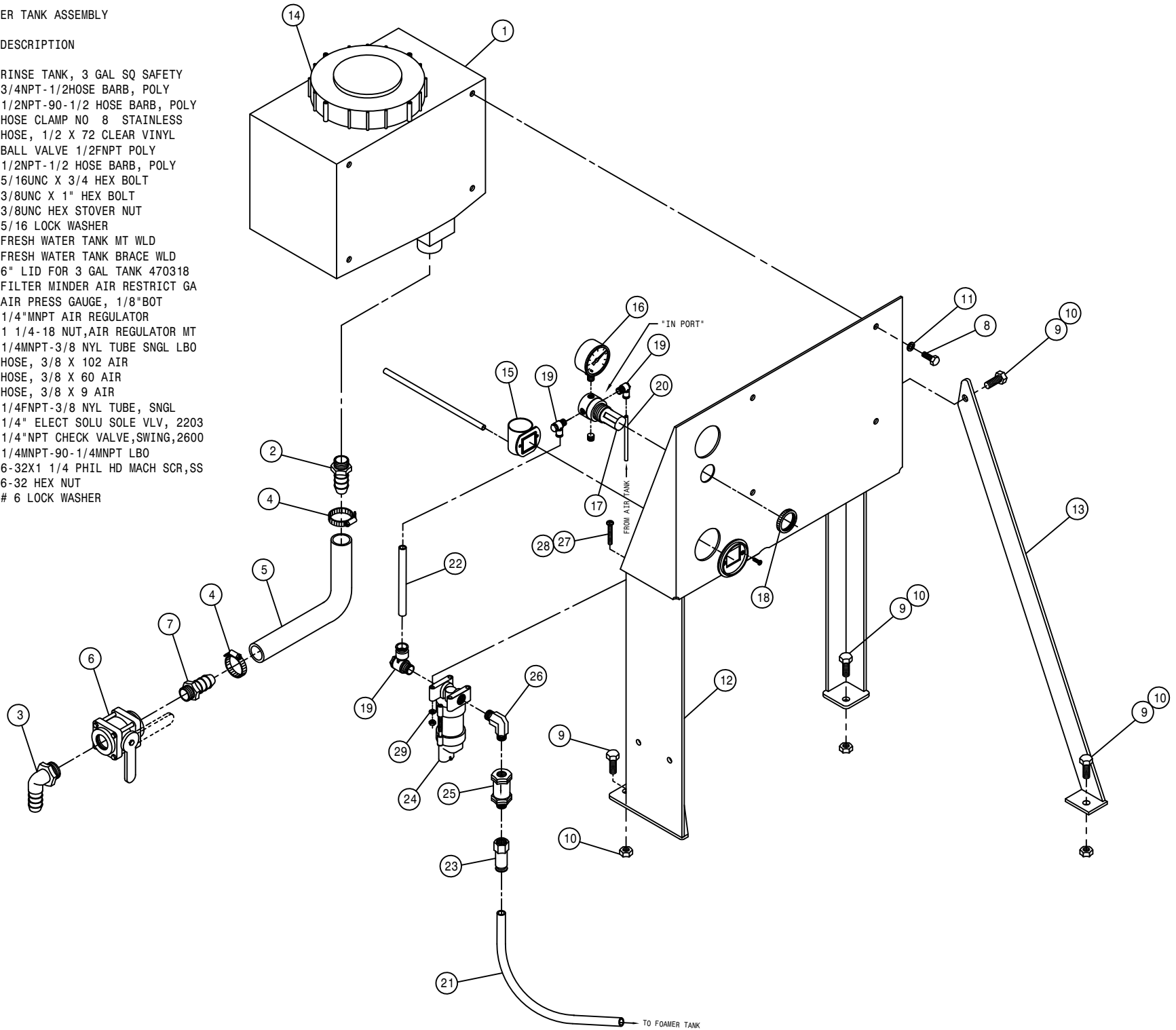
90' BOOM FOAMER HOISING

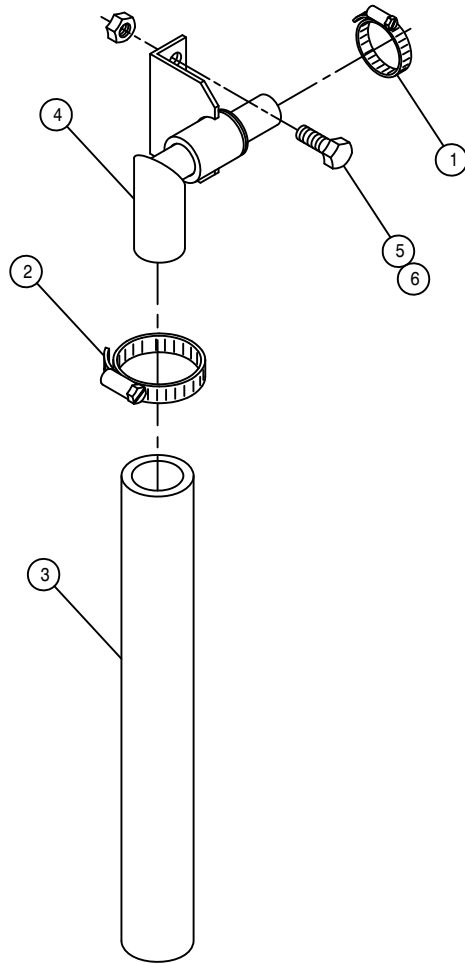
DET.	QTY	PART NO.	DESCRIPTION
1	2	195908	HOSE, 3/4ID-1/8W CLEAR VINYL X 206"
2	2	195908	HOSE, 3/4ID-1/8W CLEAR VINYL X 205"
3	2	195908	HOSE, 3/4ID-1/8W CLEAR VINYL X 24"
4	1	195908	HOSE, 3/4ID-1/8W CLEAR VINYL X 584"
5	1	195908	HOSE, 3/4ID-1/8W CLEAR VINYL X 420"

FRESH WATER TANK ASSEMBLY

DET. QTY PART NO. DESCRIPTION

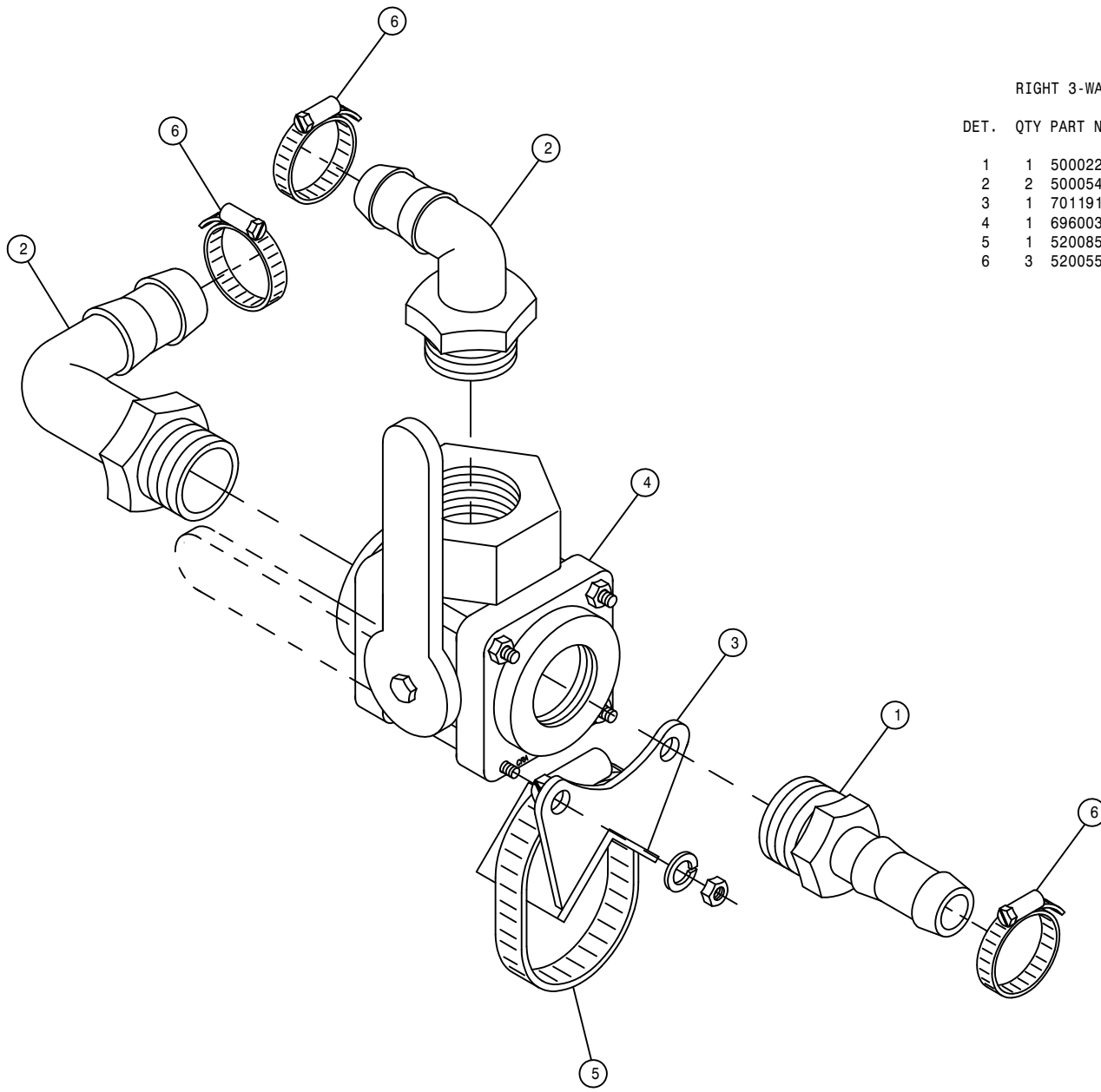
1	1	470318	RINSE TANK, 3 GAL SQ SAFETY
2	1	500019	3/4NPT-1/2HOSE BARB, POLY
3	1	500047	1/2NPT-90-1/2 HOSE BARB, POLY
4	2	520070	HOSE CLAMP NO 8 STAINLESS
5	1	601489	HOSE, 1/2 X 72 CLEAR VINYL
6	1	696082	BALL VALVE 1/2FNPT POLY
7	1	713340	1/2NPT-1/2 HOSE BARB, POLY
8	4	900064	5/16UNC X 3/4 HEX BOLT
9	5	900129	3/8UNC X 1" HEX BOLT
10	5	914004	3/8UNC HEX STOVER NUT
11	4	920501	5/16 LOCK WASHER
12	1	701174	FRESH WATER TANK MT WLD
13	1	701180	FRESH WATER TANK BRACE WLD
14	1	470337	6" LID FOR 3 GAL TANK 470318
15	1	314901	FILTER MINDER AIR RESTRICT GA
16	1	701310	AIR PRESS GAUGE, 1/8"BOT
17	1	711019	1/4"MNPT AIR REGULATOR
18	1	711021	1 1/4-18 NUT,AIR REGULATOR MT
19	3	711043	1/4MNPT-3/8 NYL TUBE SNGL LBO
20	1	601587	HOSE, 3/8 X 102 AIR
21	1	601624	HOSE, 3/8 X 60 AIR
22	1	601623	HOSE, 3/8 X 9 AIR
23	1	711051	1/4FNPT-3/8 NYL TUBE, SNGL
24	1	696235	1/4" ELECT SOLU SOLE VLV, 2203
25	1	711052	1/4" NPT CHECK VALVE, SWING, 2600
26	1	618571	1/4MNPT-90-1/4MNPT LBO
27	2	903853	6-32X1 1/4 PHIL HD MACH SCR, SS
28	2	910022	6-32 HEX NUT
29	2	920512	# 6 LOCK WASHER





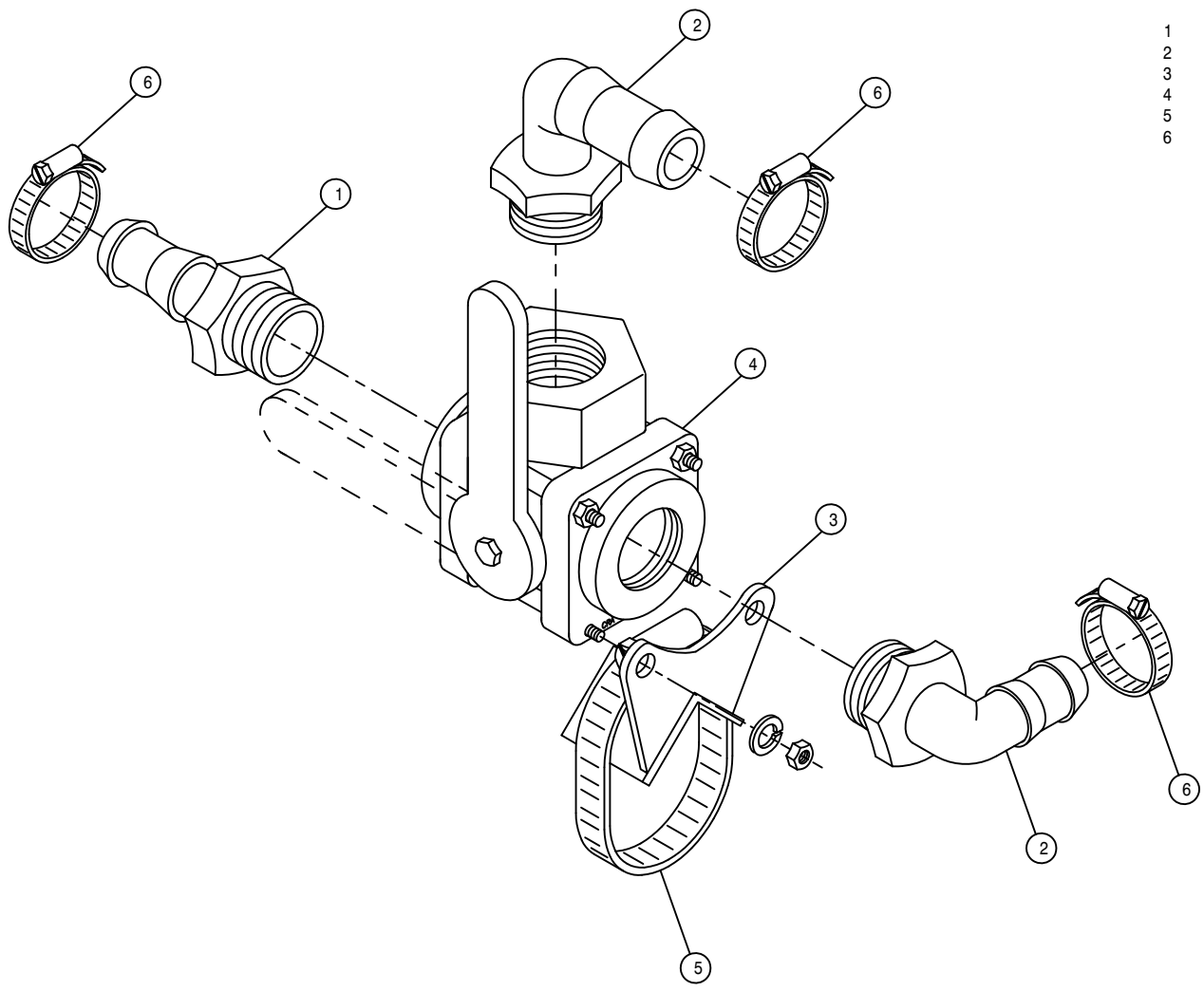
FOAMER DROP HOSE ASSEMBLY

DET.	QTY	PART NO.	DESCRIPTION
1	1	520055	HOSE CLAMP NO 12 STAINLESS
2	1	520085	HOSE CLAMP NO 24 STAINLESS
3	1	601367	HOSE, 1 1/4 X 24 2BR BLK EPDM
4	1	701194	FOAMER DROP HOSE SWIVEL WLD
5	2	900129	3/8UNC X 1" HEX BOLT
6	2	914004	3/8UNC HEX STOVER NUT



RIGHT 3-WAY FOAMER VALVE ASSEMBLY

DET.	QTY	PART NO.	DESCRIPTION
	1	500022	3/4NPT-3/4HOSE BARB, POLY
	2	500054	3/4NPT-90-3/4 HOSE BARB, POLY
	3	701191	1" SOLU VLV MT WLD
	4	696003	BALL VLV,3/4NPT 3WAY-SIDE POLY
	5	520085	HOSE CLAMP NO 24 STAINLESS
	6	520055	HOSE CLAMP NO 12 STAINLESS



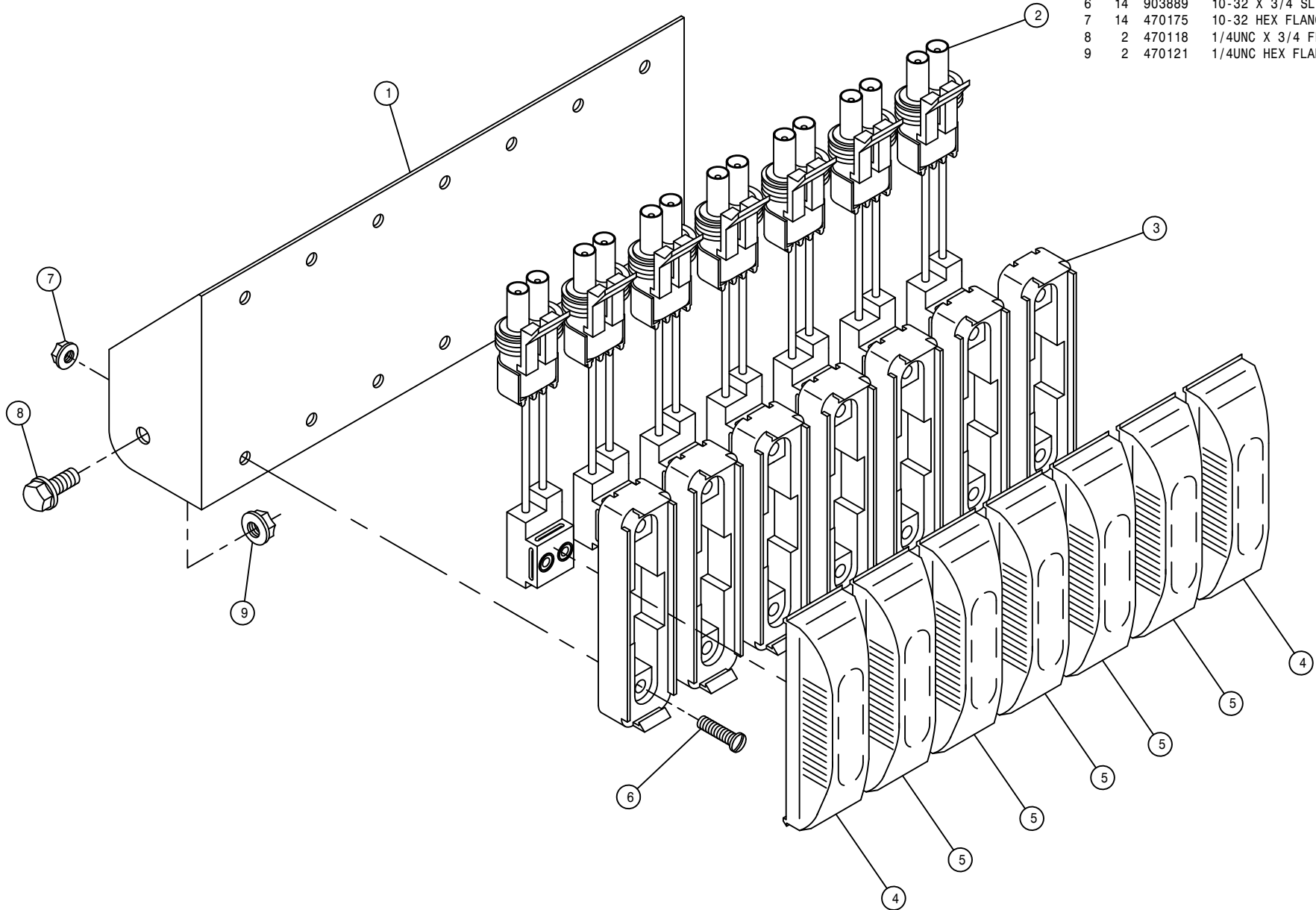
LEFT 3-WAY FOAMER VALVE ASSEMBLY

DET.	QTY	PART NO.	DESCRIPTION
1	1	500022	3/4NPT-3/4HOSE BARB, POLY
2	2	500054	3/4NPT-90-3/4 HOSE BARB, POLY
3	1	701191	1" SOLU VLV MT WLD
4	1	696003	BALL VLV,3/4NPT 3WAY-SIDE POLY
5	1	520085	HOSE CLAMP NO 24 STAINLESS
6	3	520055	HOSE CLAMP NO 12 STAINLESS

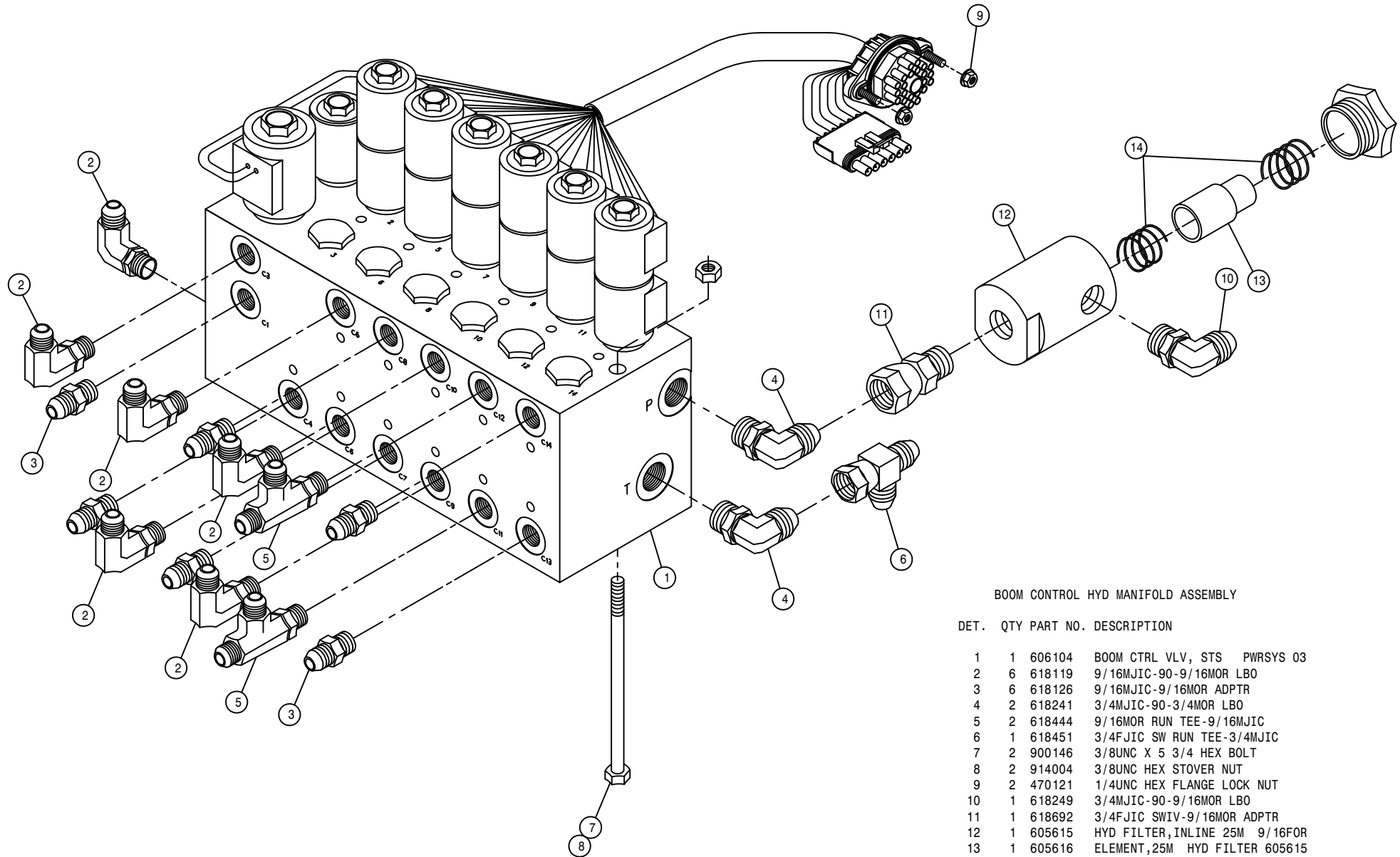
BOOM INDICATOR LIGHT ASSEMBLY

DET. QTY PART NO. DESCRIPTION

DET.	QTY	PART NO.	DESCRIPTION
1	1	164503	BOOM INDICATOR LIGHT MT
2	7	293516	2-WIRE PIGTAIL ASSY
3	7	291713	MTG BRKT FOR 291710/291711
4	2	291711	YELLOW LAMP, 3 3/8" OVAL 12.8V
5	5	291710	RED LAMP, 3 3/8" OVAL 12.8V
6	14	903889	10-32 X 3/4 SLT RDHD MACH SCR
7	14	470175	10-32 HEX FLANGE LOCK NUT
8	2	470118	1/4UNC X 3/4 FLANGE HEX BOLT
9	2	470121	1/4UNC HEX FLANGE LOCK NUT



86



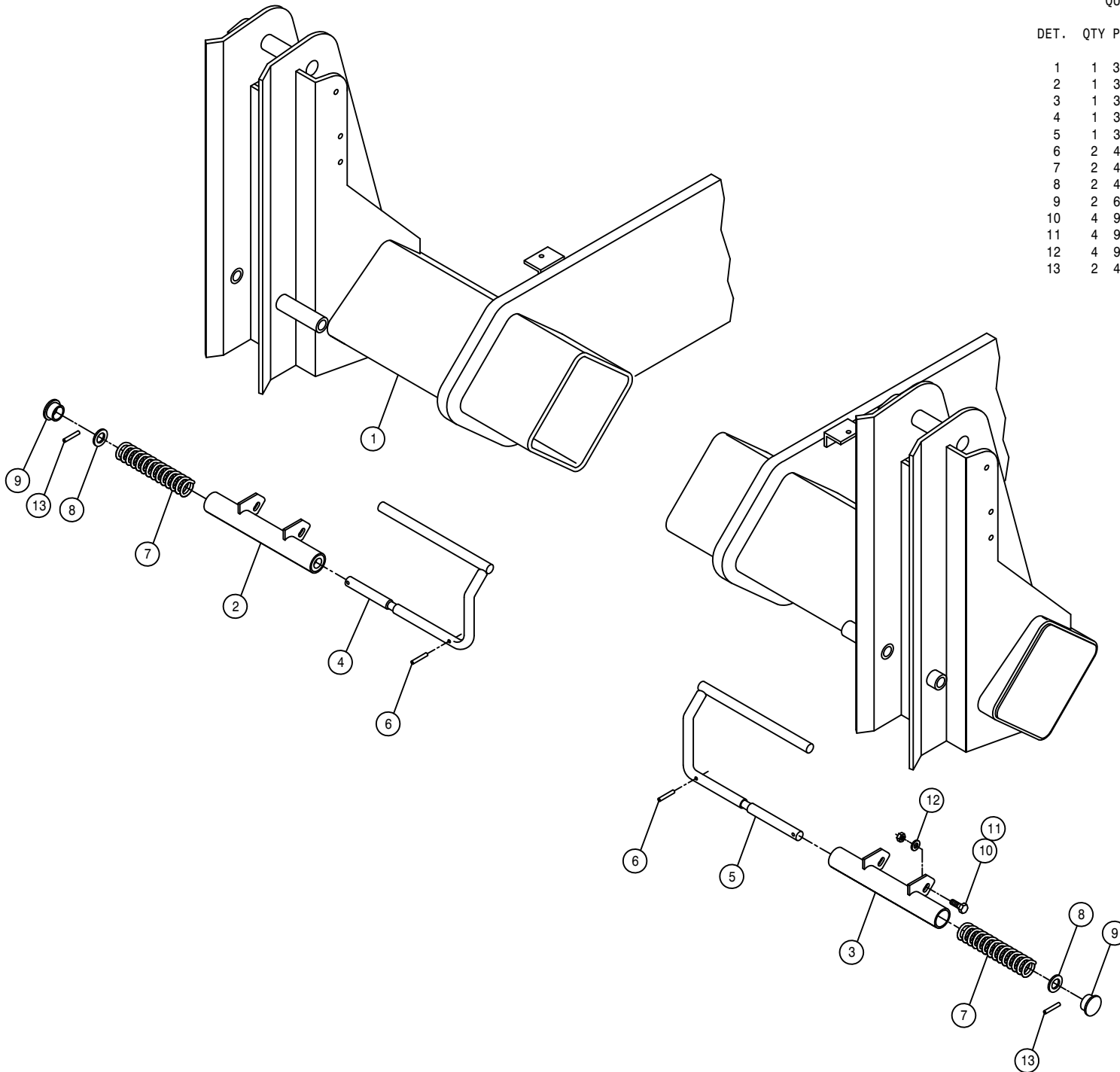
BOOM CONTROL HYD MANIFOLD ASSEMBLY

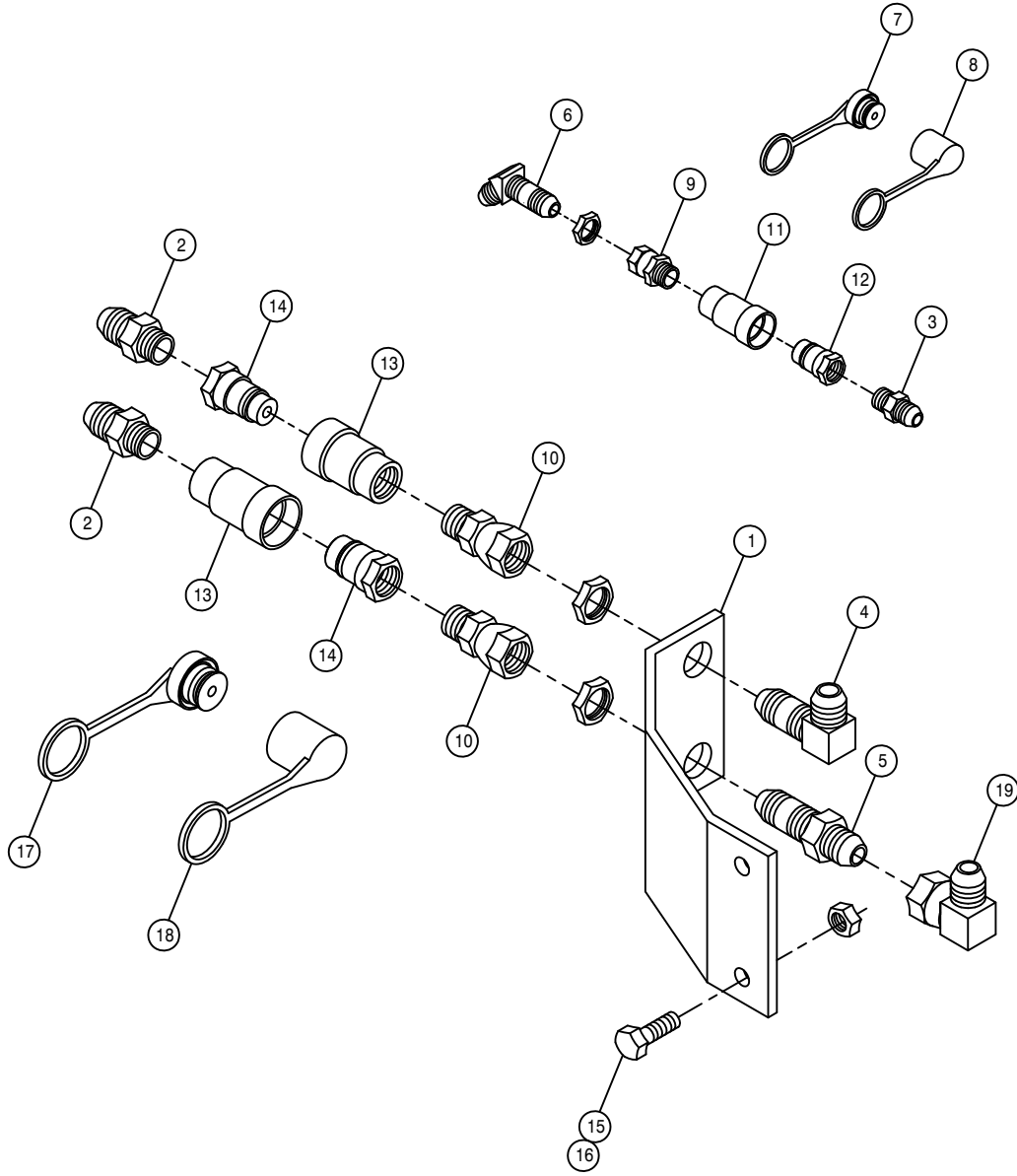
DET.	QTY	PART NO.	DESCRIPTION
1	1	606104	BOOM CTRL VLV, STS PWRSYS 03
2	6	618119	9/16MJIC-90-9/16MOR LBO
3	6	618126	9/16MJIC-9/16MOR ADPTR
4	2	618241	3/4MJIC-90-3/4MOR LBO
5	2	618444	9/16MOR RUN TEE-9/16MJIC
6	1	618451	3/4FJIC SW RUN TEE-3/4MJIC
7	2	900146	3/8UNC X 5 3/4 HEX BOLT
8	2	914004	3/8UNC HEX STOVER NUT
9	2	470121	1/4UNC HEX FLANGE LOCK NUT
10	1	618249	3/4MJIC-90-9/16MOR LBO
11	1	618692	3/4FJIC SWIV-9/16MOR ADPTR
12	1	605615	HYD FILTER, INLINE 25M 9/16FOR
13	1	605616	ELEMENT, 25M HYD FILTER 605615
14	1	605617	SPRING KIT, HYD FILTER 605615

QUICK ATTACH LEVER ASSEMBLY

DET. QTY PART NO. DESCRIPTION

DET.	QTY	PART NO.	DESCRIPTION	
1	1	361640	MAINFRAME WLD STS	04
2	1	361665	RH Q-ATTACH LOCK WLD, STS	04
3	1	361666	LH Q-ATTACH LOCK WLD, STS	04
4	1	361670	RH Q-ATTACH LOCK PIN WLD, STS04	
5	1	361671	LH Q-ATTACH LOCK PIN WLD, STS04	
6	2	473805	ROLL PIN, 1/4 X 1 1/2	
7	2	482018	SPRING, 1.00 X 12.00 COMPRSN	
8	2	483055	.771ID-1.2500D-.135T MACH WASH	
9	2	629765	CAPLUG, 1 1/2" RD, BLACK POLY	
10	4	900130	3/8UNC X 1 1/4 HEX BOLT	
11	4	914004	3/8UNC HEX STOVER NUT	
12	4	920002	3/8 SAE FLAT WASHER	
13	2	473850	ROLL PIN, 1/4 X 1"	





QUICK ATTACH FITTING ASSEMBLY

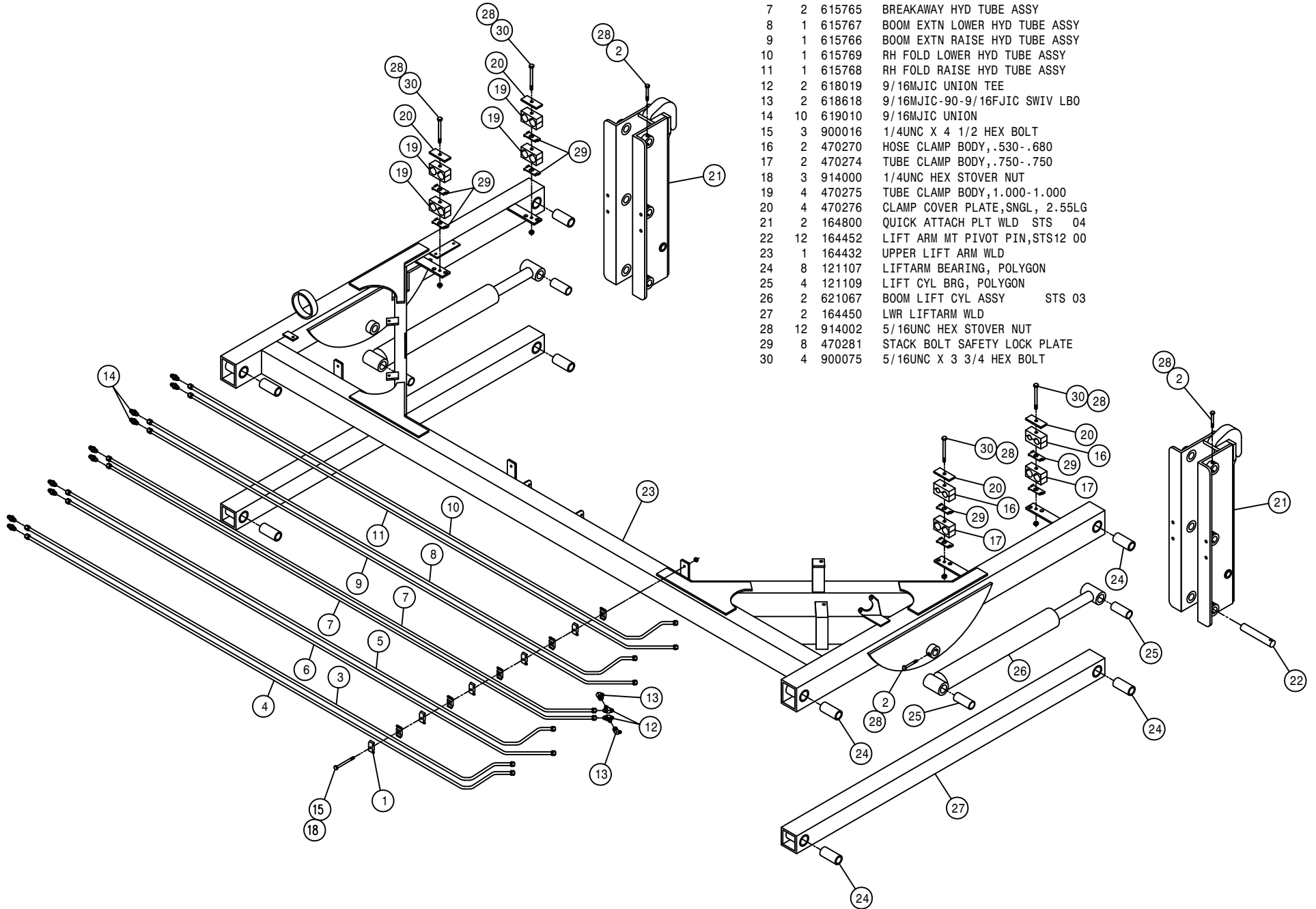
DET. QTY PART NO. DESCRIPTION

1	1	164773	QUICK ATTACH HOSE BRKT,STS 04
2	2	611125	3/4MJIC-3/4MOR ADPTR
3	1	618126	9/16MJIC-9/16MOR ADPTR
4	1	618010	3/4MJIC-90-BLKHD UNION LBO
5	1	618349	3/4MJIC-3/4MJIC BLKHD UNION
6	1	618350	9/16MJIC-45-BLKHD UNION LBO
7	1	618649	RUBBER DUST PLUG, 618559/694
8	1	618650	RUBBER DUST CAP, 618560/695
9	1	618668	9/16FJIC SWIV-9/16MOR ADPTR
10	2	618669	3/4FJIC SWIV-3/4MOR ADPTR
11	1	618694	HYD COUPLER,FEM 1/4B, 9/16FOR
12	1	618695	HYD COUPLER,MALE 1/4B, 9/16FOR
13	2	618696	HYD COUPLER,FEM 1/2B, 3/4FOR
14	2	618697	HYD COUPLER,MALE 1/2B, 3/4FOR
15	2	900129	3/8UNC X 1" HEX BOLT
16	2	914004	3/8UNC HEX STOVER NUT
17	1	618635	RUBBER DUST PLUG, 618621/696
18	1	618636	RUBBER DUST CAP, 618622/697
19	1	618609	3/4MJIC-90-3/4FJIC SWIV LBO

LIFTARM ASSEMBLY

DET. QTY PART NO. DESCRIPTION

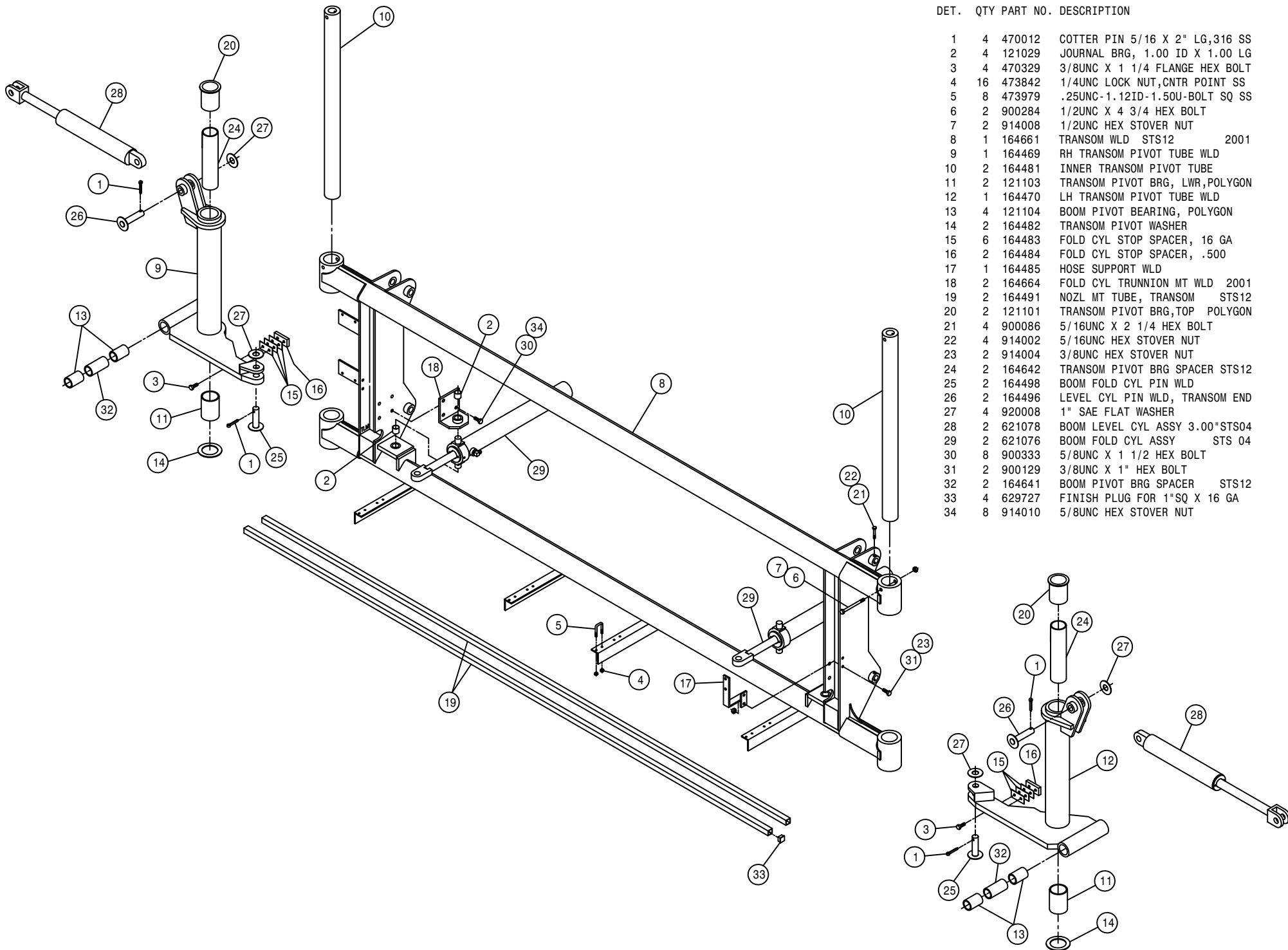
1	15	470287	TUBE CLAMP, .375-.375 (PAIR)
2	8	900086	5/16UNC X 2 1/4 HEX BOLT
3	1	615761	LIFT RAISE HYD TUBE ASSY
4	1	615762	LIFT LOWER HYD TUBE ASSY
5	1	615764	LEVEL LOWER HYD TUBE ASSY
6	1	615763	LEVEL RAISE HYD TUBE ASSY
7	2	615765	BREAKAWAY HYD TUBE ASSY
8	1	615767	BOOM EXTN LOWER HYD TUBE ASSY
9	1	615766	BOOM EXTN RAISE HYD TUBE ASSY
10	1	615769	RH FOLD LOWER HYD TUBE ASSY
11	1	615768	RH FOLD RAISE HYD TUBE ASSY
12	2	618019	9/16MJIC UNION TEE
13	2	618618	9/16MJIC-90-9/16FJIC SWIV LBO
14	10	619010	9/16MJIC UNION
15	3	900016	1/4UNC X 4 1/2 HEX BOLT
16	2	470270	HOSE CLAMP BODY, .530-.680
17	2	470274	TUBE CLAMP BODY, .750-.750
18	3	914000	1/4UNC HEX STOVER NUT
19	4	470275	TUBE CLAMP BODY, 1.000-1.000
20	4	470276	CLAMP COVER PLATE, SNGL, 2.55LG
21	2	164800	QUICK ATTACH PLT WLD STS 04
22	12	164452	LIFT ARM MT PIVOT PIN, STS12 00
23	1	164432	UPPER LIFT ARM WLD
24	8	121107	LIFTARM BEARING, POLYGON
25	4	121109	LIFT CYL BRG, POLYGON
26	2	621067	BOOM LIFT CYL ASSY STS 03
27	2	164450	LWR LIFTARM WLD
28	12	914002	5/16UNC HEX STOVER NUT
29	8	470281	STACK BOLT SAFETY LOCK PLATE
30	4	900075	5/16UNC X 3 3/4 HEX BOLT



TRANSOM ASSEMBLY

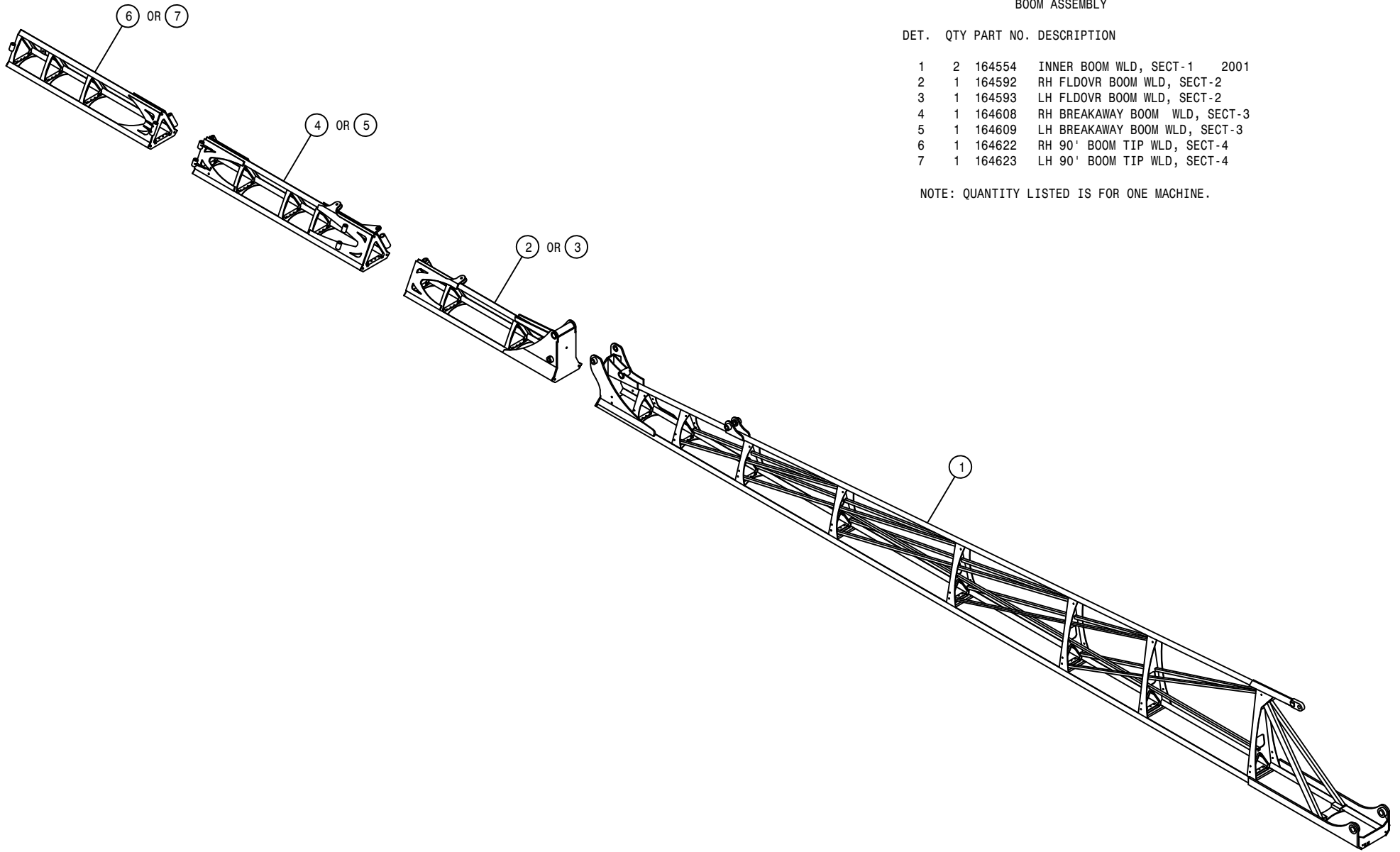
DET. QTY PART NO. DESCRIPTION

DET.	QTY	PART NO.	DESCRIPTION
1	4	470012	COTTER PIN 5/16 X 2" LG,316 SS
2	4	121029	JOURNAL BRG, 1.00 ID X 1.00 LG
3	4	470329	3/8UNC X 1 1/4 FLANGE HEX BOLT
4	16	473842	1/4UNC LOCK NUT,CNTR POINT SS
5	8	473979	.25UNC-1.12ID-1.50U-BOLT SQ SS
6	2	900284	1/2UNC X 4 3/4 HEX BOLT
7	2	914008	1/2UNC HEX STOVER NUT
8	1	164661	TRANSOM WLD STS12 2001
9	1	164469	RH TRANSOM PIVOT TUBE WLD
10	2	164481	INNER TRANSOM PIVOT TUBE
11	2	121103	TRANSOM PIVOT BRG, LWR,POLYGON
12	1	164470	LH TRANSOM PIVOT TUBE WLD
13	4	121104	BOOM PIVOT BEARING, POLYGON
14	2	164482	TRANSOM PIVOT WASHER
15	6	164483	FOLD CYL STOP SPACER, 16 GA
16	2	164484	FOLD CYL STOP SPACER, .500
17	1	164485	HOSE SUPPORT WLD
18	2	164664	FOLD CYL TRUNNION MT WLD 2001
19	2	164491	NOZL MT TUBE, TRANSOM STS12
20	2	121101	TRANSOM PIVOT BRG,TOP POLYGON
21	4	900086	5/16UNC X 2 1/4 HEX BOLT
22	4	914002	5/16UNC HEX STOVER NUT
23	2	914004	3/8UNC HEX STOVER NUT
24	2	164642	TRANSOM PIVOT BRG SPACER STS12
25	2	164498	BOOM FOLD CYL PIN WLD
26	2	164496	LEVEL CYL PIN WLD, TRANSOM END
27	4	920008	1" SAE FLAT WASHER
28	2	621078	BOOM LEVEL CYL ASSY 3.00"STS04
29	2	621076	BOOM FOLD CYL ASSY STS 04
30	8	900333	5/8UNC X 1 1/2 HEX BOLT
31	2	900129	3/8UNC X 1" HEX BOLT
32	2	164641	BOOM PIVOT BRG SPACER STS12
33	4	629727	FINISH PLUG FOR 1" SQ X 16 GA
34	8	914010	5/8UNC HEX STOVER NUT



91

312091



BOOM ASSEMBLY

DET. QTY PART NO. DESCRIPTION

1	2	164554	INNER BOOM WLD, SECT-1	2001
2	1	164592	RH FLDOVR BOOM WLD, SECT-2	
3	1	164593	LH FLDOVR BOOM WLD, SECT-2	
4	1	164608	RH BREAKAWAY BOOM WLD, SECT-3	
5	1	164609	LH BREAKAWAY BOOM WLD, SECT-3	
6	1	164622	RH 90' BOOM TIP WLD, SECT-4	
7	1	164623	LH 90' BOOM TIP WLD, SECT-4	

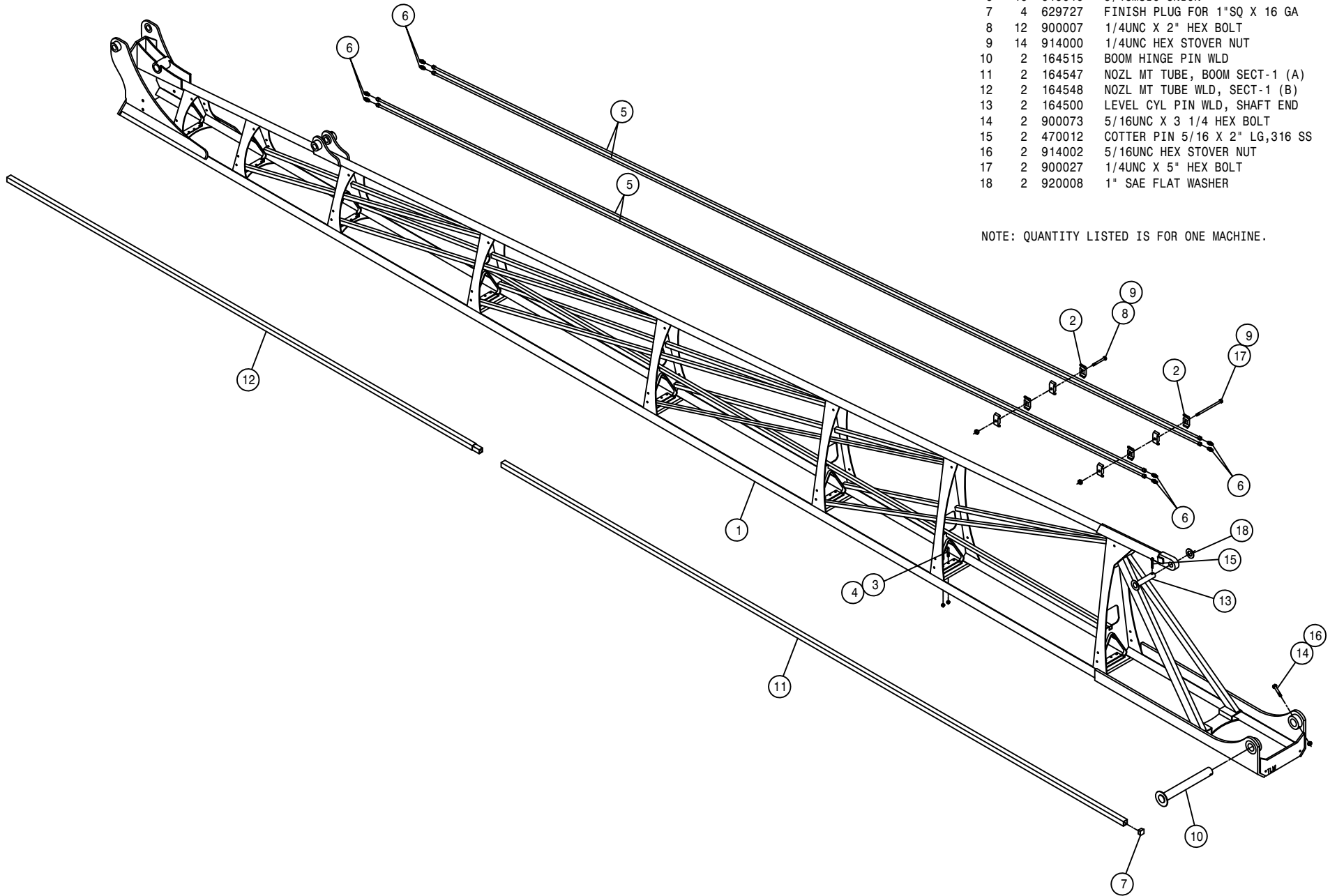
NOTE: QUANTITY LISTED IS FOR ONE MACHINE.

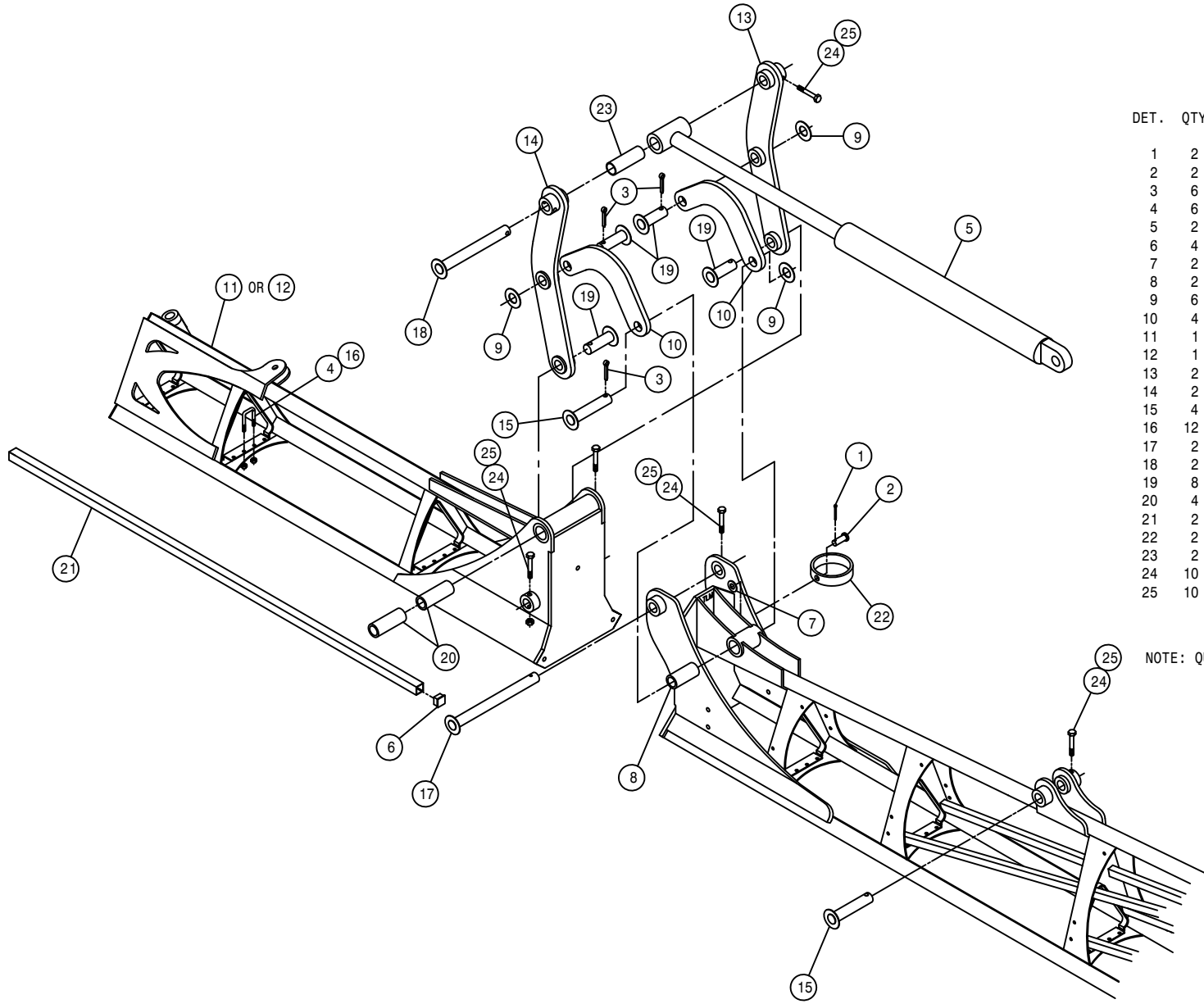
INNER BOOM ASSEMBLY

DET. QTY PART NO. DESCRIPTION

DET.	QTY	PART NO.	DESCRIPTION
1	2	164554	INNER BOOM WLD, SECT-1 2001
2	28	470287	TUBE CLAMP, .375-.375 (PAIR)
3	36	473842	1/4UNC LOCK NUT,CNTR POINT SS
4	18	473979	.25UNC-1.12ID-1.50U-BOLT SQ SS
5	8	615760	BOOM HYD TUBE ASSY
6	16	619010	9/16MJIC UNION
7	4	629727	FINISH PLUG FOR 1"SQ X 16 GA
8	12	900007	1/4UNC X 2" HEX BOLT
9	14	914000	1/4UNC HEX STOVER NUT
10	2	164515	BOOM HINGE PIN WLD
11	2	164547	NOZL MT TUBE, BOOM SECT-1 (A)
12	2	164548	NOZL MT TUBE WLD, SECT-1 (B)
13	2	164500	LEVEL CYL PIN WLD, SHAFT END
14	2	900073	5/16UNC X 3 1/4 HEX BOLT
15	2	470012	COTTER PIN 5/16 X 2" LG,316 SS
16	2	914002	5/16UNC HEX STOVER NUT
17	2	900027	1/4UNC X 5" HEX BOLT
18	2	920008	1" SAE FLAT WASHER

NOTE: QUANTITY LISTED IS FOR ONE MACHINE.





80' -90' BOOM HINGE ASSEMBLY

DET.	QTY	PART NO.	DESCRIPTION
1	2	390984	COTTER PIN 1/8 X 1 1/4
2	2	472277	CLEVIS PIN, .50 X 1.25LG PLT
3	6	470012	COTTER PIN 5/16 X 2" LG,316 SS
4	6	473979	.25UNC-1.12ID-1.50U-BOLT SQ SS
5	2	621070	OUTR BOOM FOLD CYL ASSY STS 03
6	4	629727	FINISH PLUG FOR 1"SQ X 16 GA
7	2	920004	1/2 SAE FLAT WASHER
8	2	121107	LIFTARM BEARING, POLYGON
9	6	920008	1" SAE FLAT WASHER
10	4	164643	XK402 TOP ARM(LEFT) 10.35 CNTR
11	1	164592	RH FLDOVR BOOM WLD, SECT-2
12	1	164593	LH FLDOVR BOOM WLD, SECT-2
13	2	164528	RH FOLD-OVER BOOMERANG WLD
14	2	164529	LH FOLD-OVER BOOMERANG WLD
15	4	164522	BOOM FOLD CYL PIN WLD
16	12	473842	1/4UNC LOCK NUT,CNTR POINT SS
17	2	164518	BOOM FOLD PIVOT PIN WLD
18	2	164520	BOOM CYL PIVOT PIN WLD
19	8	164524	BOOMERANG CNTR PIVOT PIN WLD
20	4	121106	BOOM FOLD BRG, POLYGON
21	2	164551	NOZL MT TUBE, BOOM SECT-2
22	2	164517	HOSE SUPPORT RING
23	2	121108	OUTR BOOM FOLD CYL BRG,POLYGON
24	10	900086	5/16UNC X 2 1/4 HEX BOLT
25	10	914002	5/16UNC HEX STOVER NUT

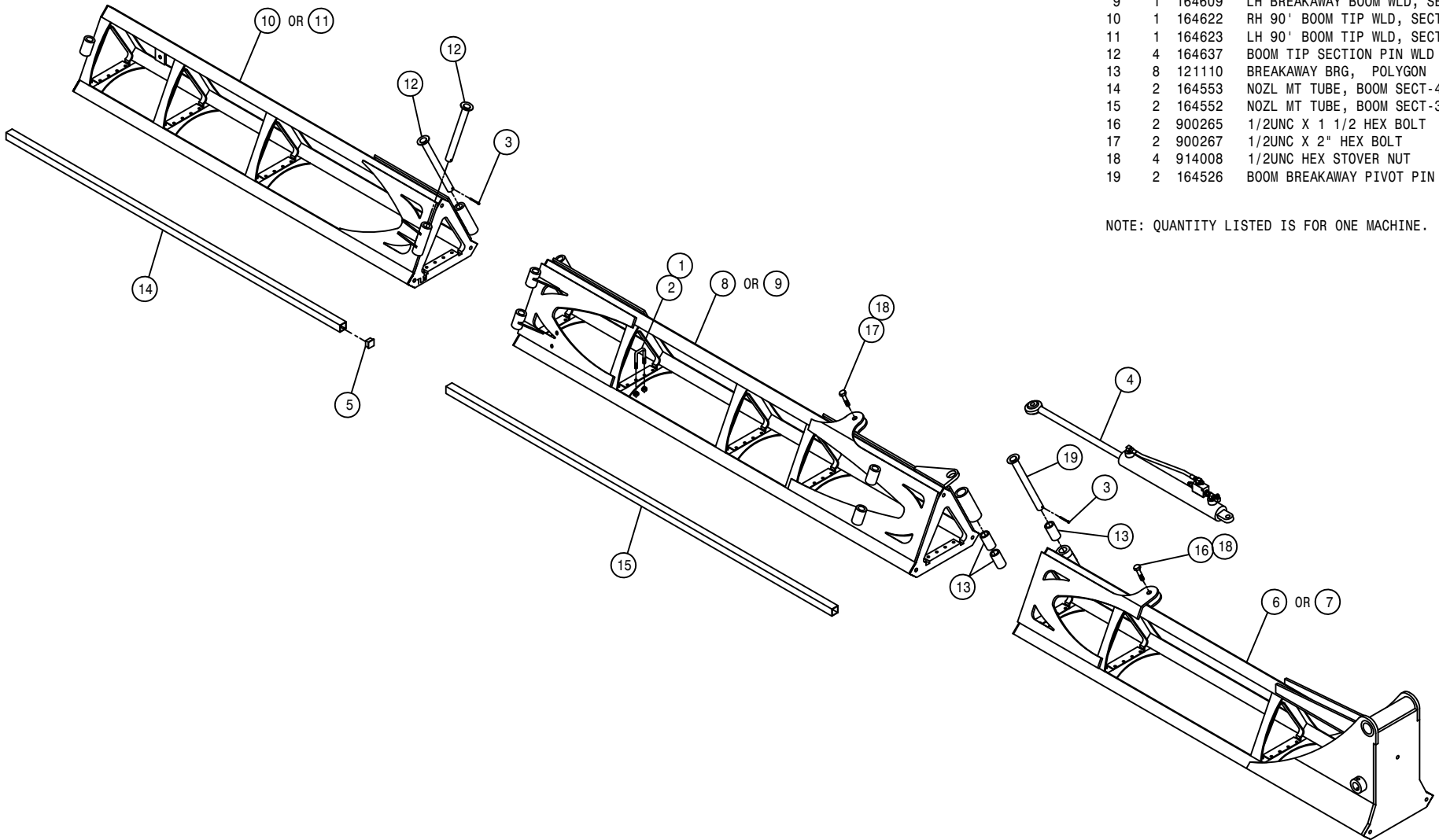
NOTE: QUANTITY LISTED IS FOR ONE MACHINE.

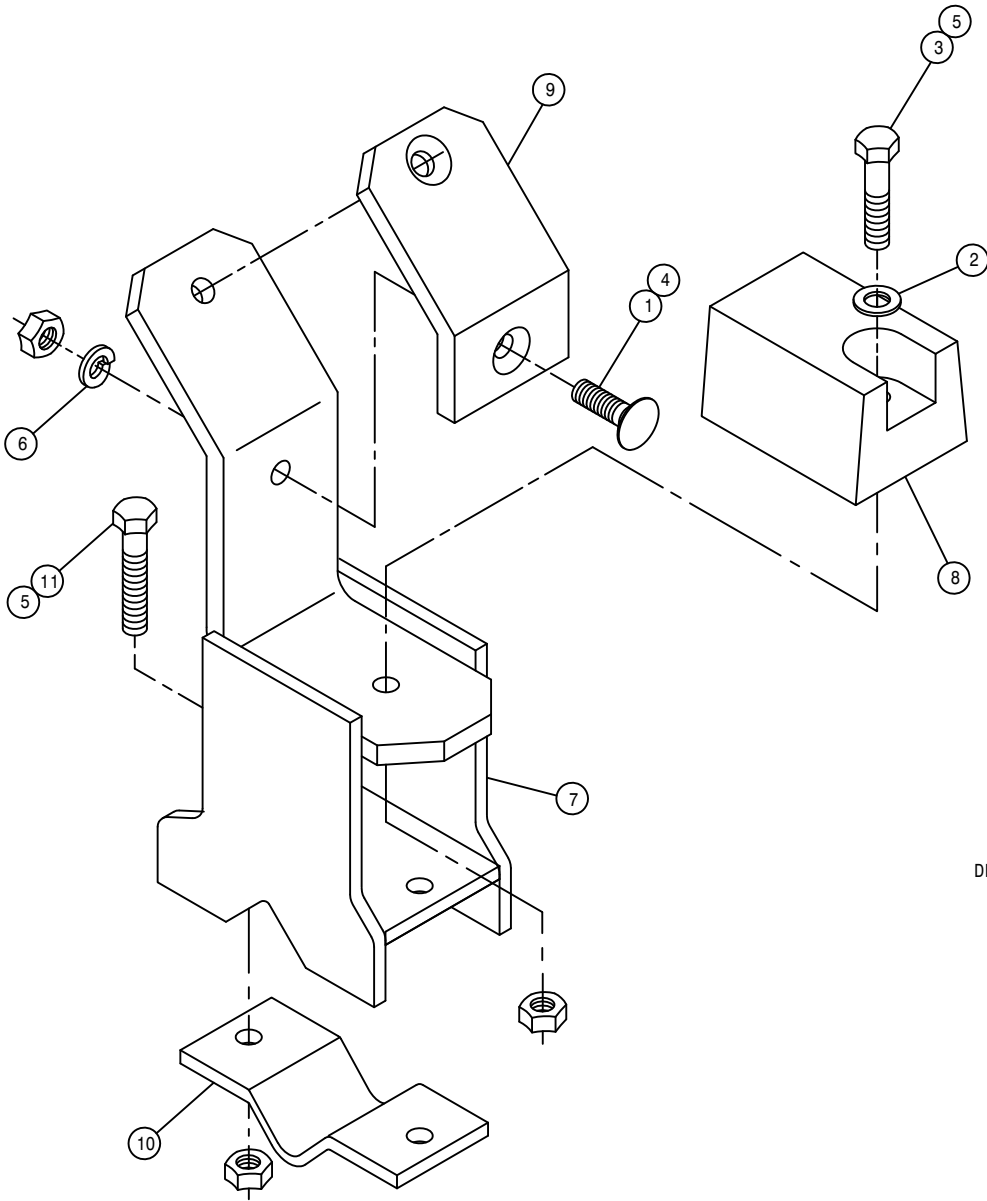
BOOM BREAKAWAY ASSEMBLY

DET. QTY PART NO. DESCRIPTION

DET.	QTY	PART NO.	DESCRIPTION
1	36	473842	1/4UNC LOCK NUT,CNTR POINT SS
2	18	473979	.25UNC-1.12ID-1.50U-BOLT SQ SS
3	6	470011	COTTER PIN 5/32 X 1 1/2,316 SS
4	2	621066	BOOM BREAKAWAY CYL ASSY STS 03
5	8	629727	FINISH PLUG FOR 1"SQ X 16 GA
6	1	164592	RH FLDOVR BOOM WLD, SECT-2
7	1	164593	LH FLDOVR BOOM WLD, SECT-2
8	1	164608	RH BREAKAWAY BOOM WLD, SECT-3
9	1	164609	LH BREAKAWAY BOOM WLD, SECT-3
10	1	164622	RH 90' BOOM TIP WLD, SECT-4
11	1	164623	LH 90' BOOM TIP WLD, SECT-4
12	4	164637	BOOM TIP SECTION PIN WLD
13	8	121110	BREAKAWAY BRG, POLYGON
14	2	164553	NOZL MT TUBE, BOOM SECT-4
15	2	164552	NOZL MT TUBE, BOOM SECT-3
16	2	900265	1/2UNC X 1 1/2 HEX BOLT
17	2	900267	1/2UNC X 2" HEX BOLT
18	4	914008	1/2UNC HEX STOVER NUT
19	2	164526	BOOM BREAKAWAY PIVOT PIN WLD

NOTE: QUANTITY LISTED IS FOR ONE MACHINE.

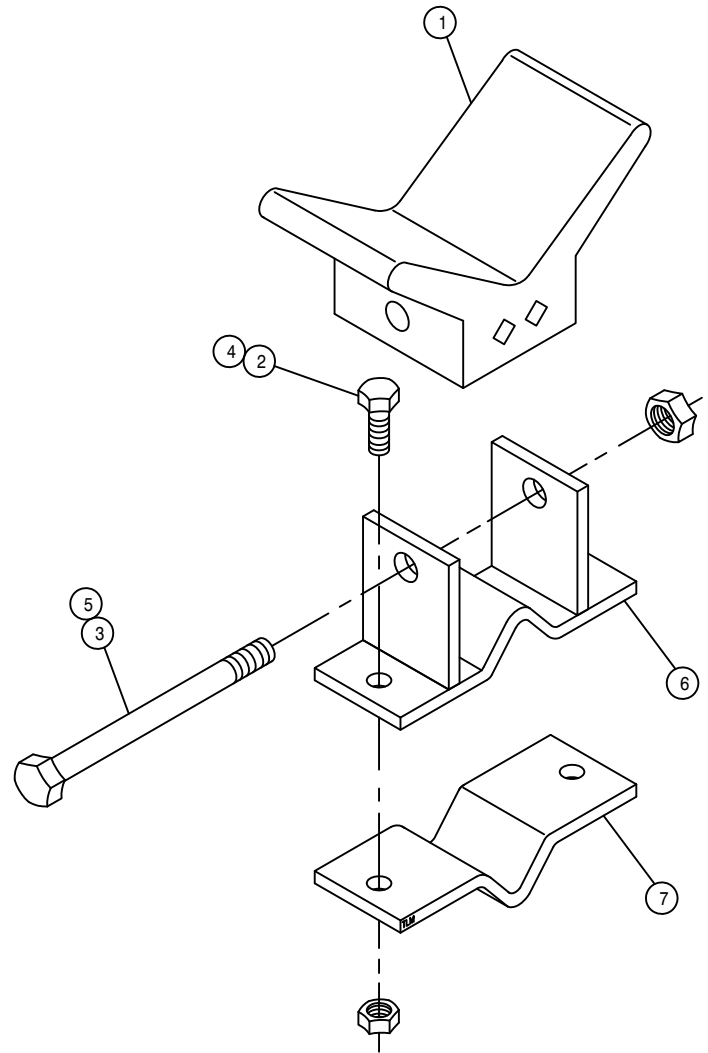




BOOM SUPPORT CRADLE ASSEMBLY, 80'-90'

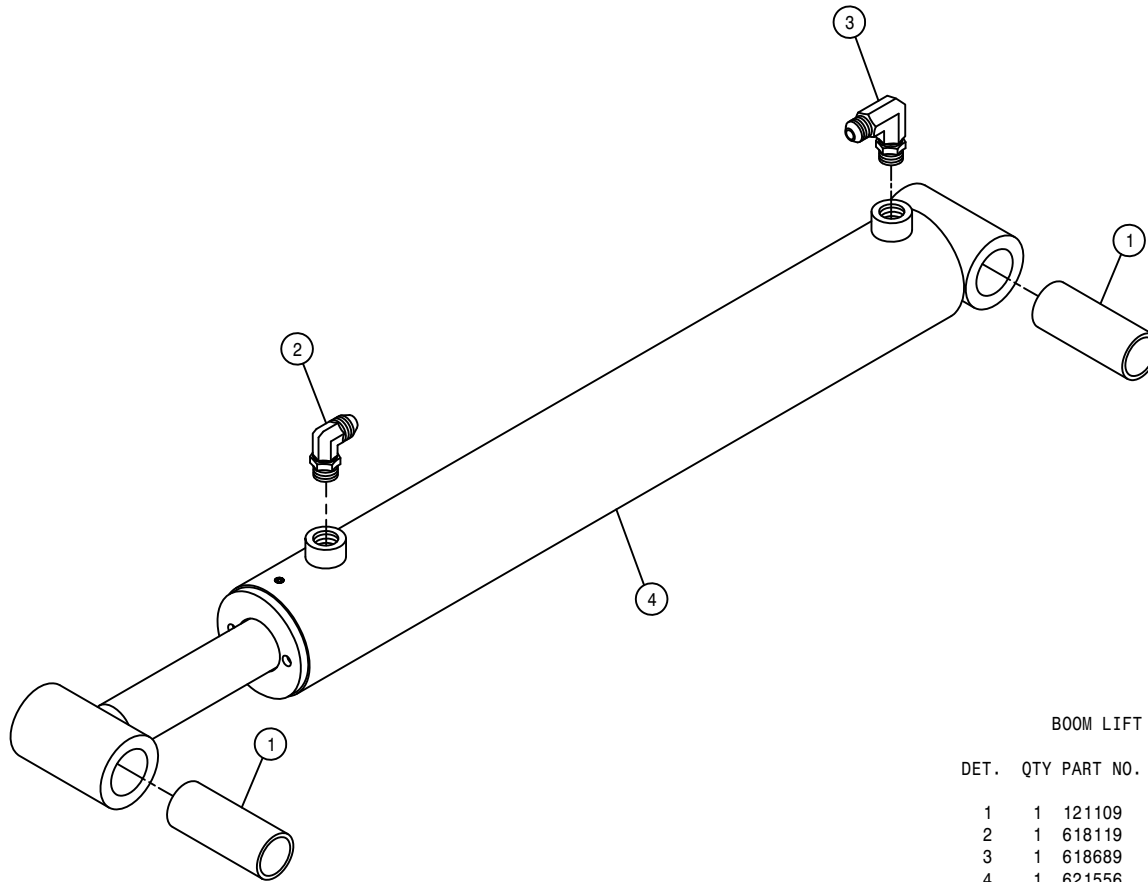
DET. QTY PART NO. DESCRIPTION

1	2	470328	3/8UNC X 1 1/4 #3HD PLOW BOLT
2	1	483043	3/8 REGULAR FLAT WASHER
3	1	900133	3/8UNC X 2" HEX BOLT
4	2	910004	3/8UNC HEX NUT
5	3	914004	3/8UNC HEX STOVER NUT
6	2	920502	3/8 LOCK WASHER
7	1	164811	BOOM SUPP CRADLE WLD,80/90' 04
8	1	164541	BOOM SUPPORT PAD
9	1	164542	BOOM SUPPORT CRADLE PAD
10	1	164543	BOOM SUPPORT KEEPER
11	2	900170	3/8UNC X 2 1/4 HEX BOLT



90° BOOM SUPPORT ASSEMBLY

DET.	QTY	PART NO.	DESCRIPTION
1	1	470324	3" RUBBER BOW GUARD
2	2	900130	3/8UNC X 1 1/4 HEX BOLT
3	1	900273	1/2UNC X 3 3/4 HEX BOLT
4	2	914004	3/8UNC HEX STOVER NUT
5	1	914008	1/2UNC HEX STOVER NUT
6	1	164544	FRT BOOM SUPPORT WLD, 90' BOOM
7	1	164545	FRT BOOM SUPPORT MT

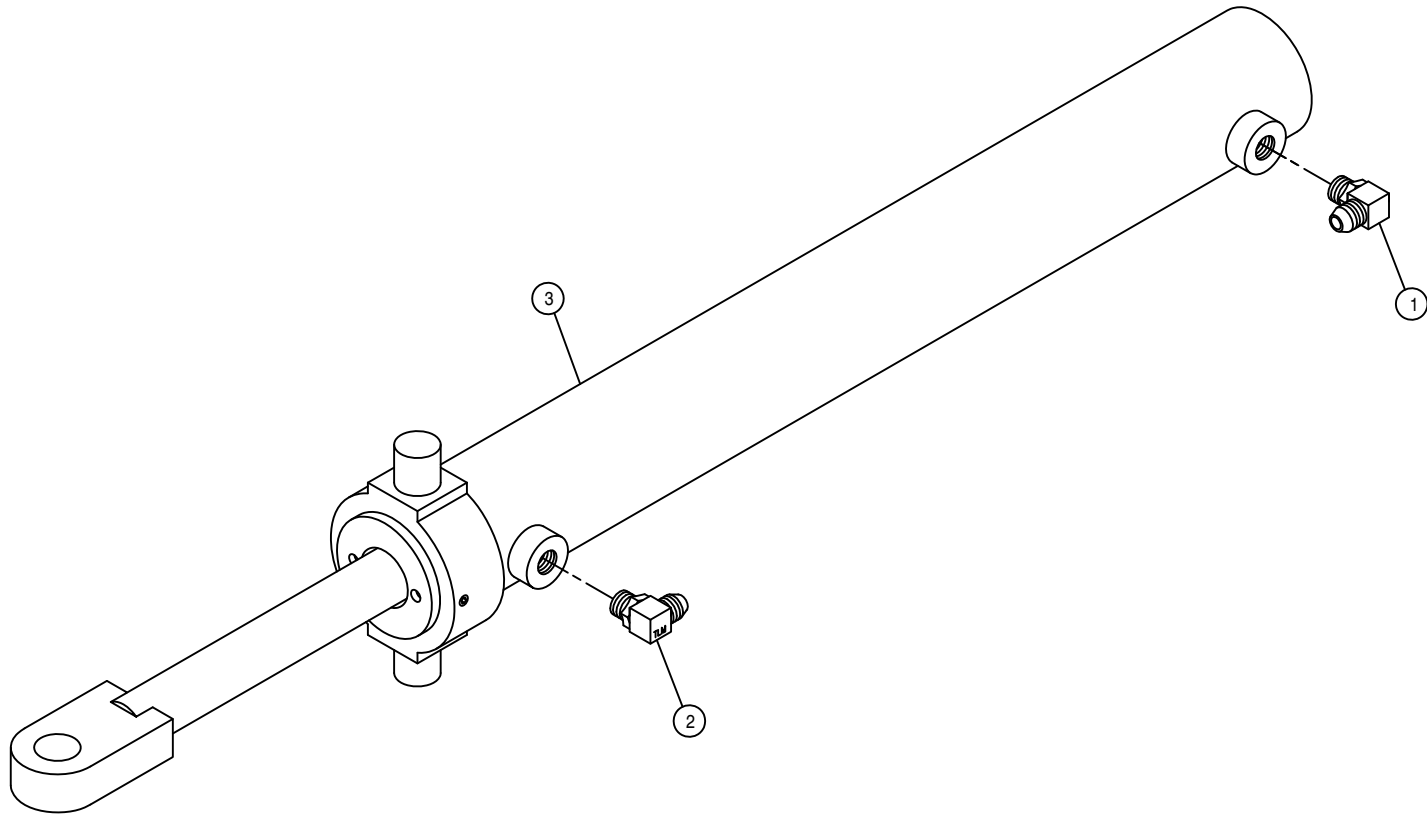


BOOM LIFT CYLINDER ASSEMBLY

DET. QTY PART NO. DESCRIPTION

1	1	121109	LIFT CYL BRG, POLYGON
2	1	618119	9/16MJIC-90-9/16MOR LBO
3	1	618689	9/16MOR-90-9/16MJ .042 CHK VLV
4	1	621556	LIFT CYL, 2.50 X 18.00 STS
NS	1	621557	REPAIR KIT, HYD CYL 621556

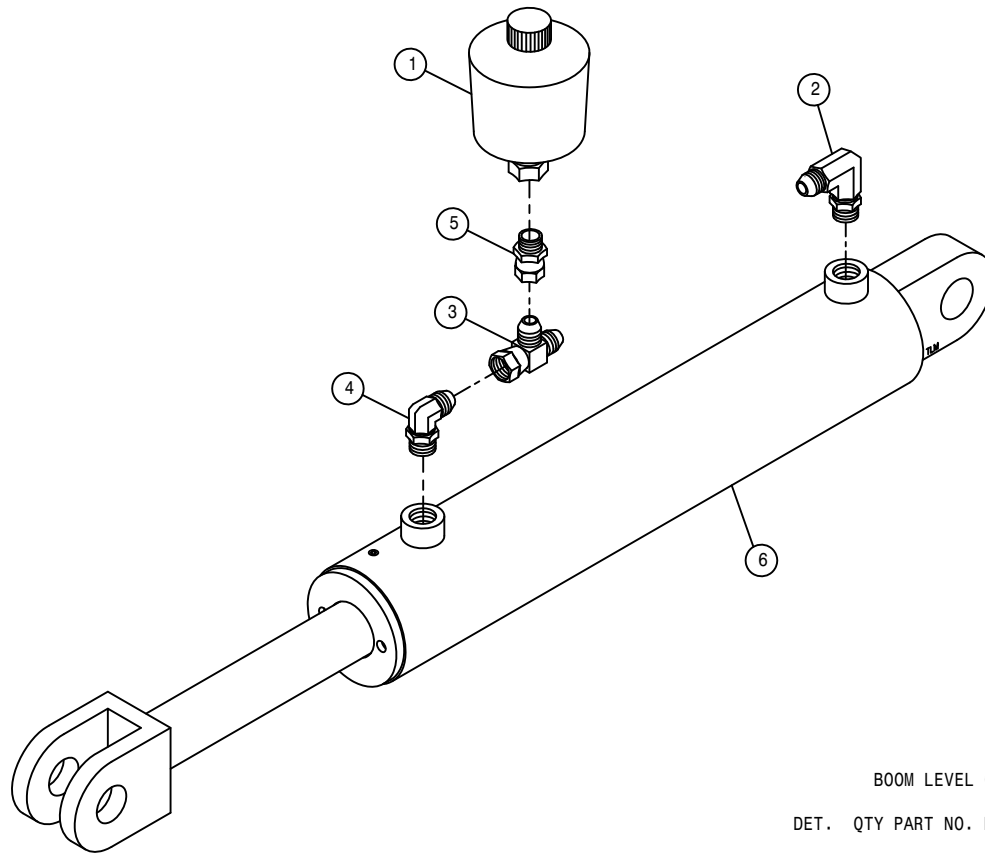
NOTE: 621067 - BOOM LIFTARM CYLINDER ASSEMBLY WITH FITTINGS



BOOM FOLD CYLINDER ASSEMBLY

DET.	QTY	PART NO.	DESCRIPTION
1	1	614750	.042 ELBOW ASSY,9/16MOR 90D
2	1	618119	9/16MJIC-90-9/16MOR LBO
3	1	621560	FOLD CYL, 2.50 X 21.000 STS
NS	1	621561	REPAIR KIT,HYD CYL 621560

NOTE: 621076 - BOOM FOLD CYLINDER ASSEMBLY WITH FITTINGS

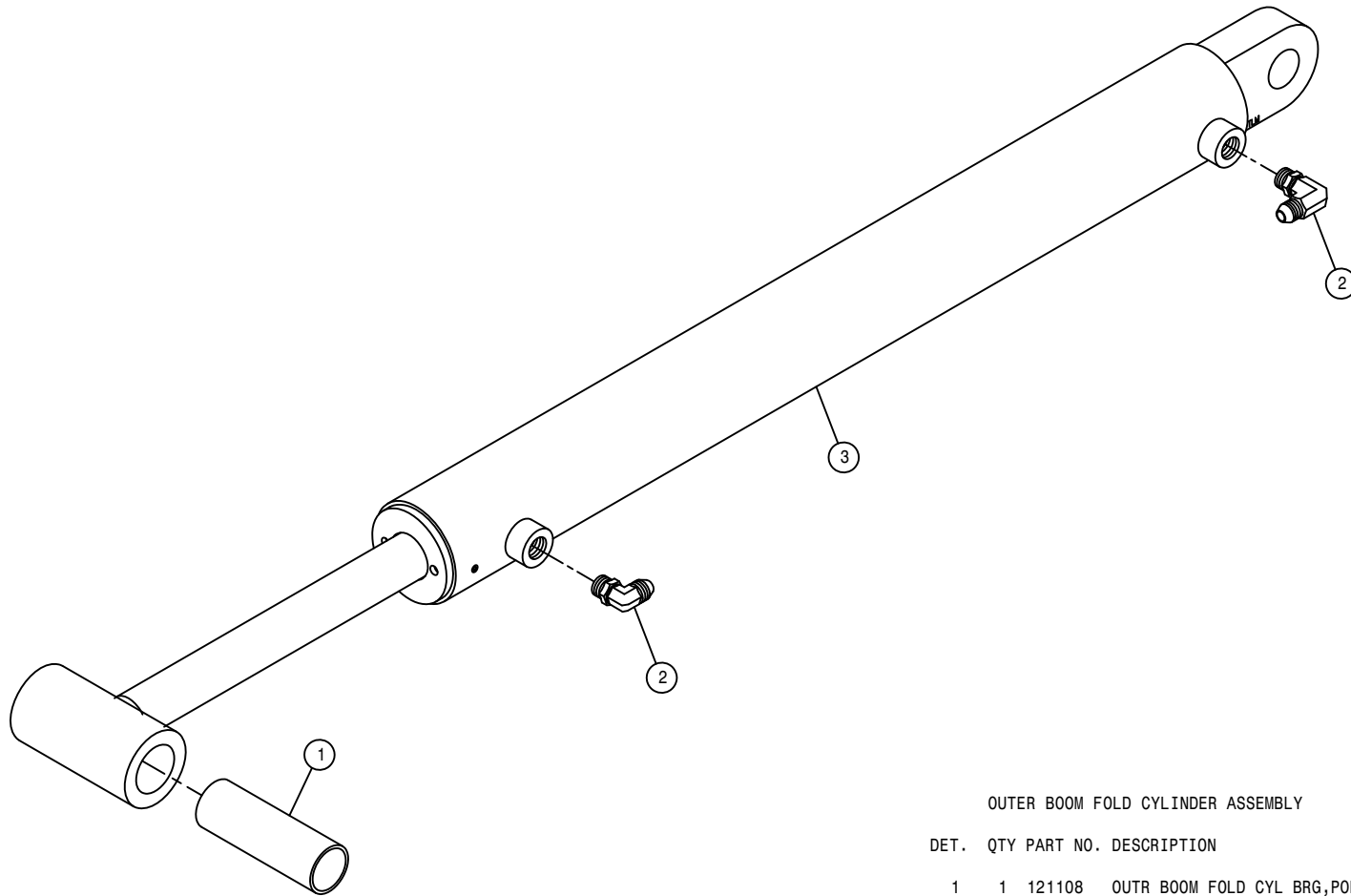


BOOM LEVEL CYLINDER ASSEMBLY

DET. QTY PART NO. DESCRIPTION

1	1	470326	ACCUMULATOR, DIAPHRAGM
2	1	618119	9/16MJIC-90-9/16MOR LBO
3	1	618486	9/16FJIC SW RUN TEE-9/16MJIC
4	1	618689	9/16MOR-90-9/16MJ .042 CHK VLV
5	1	618719	9/16FJIC SWIV-3/4MOR ADPTR
6	1	621558	LEVEL CYL, 3.00 X 11.00 STS
NS	1	621559	REPAIR KIT, HYD CYL 621558

NOTE: 621078 - BOOM LEVEL CYLINDER ASSEMBLY WITH FITTINGS

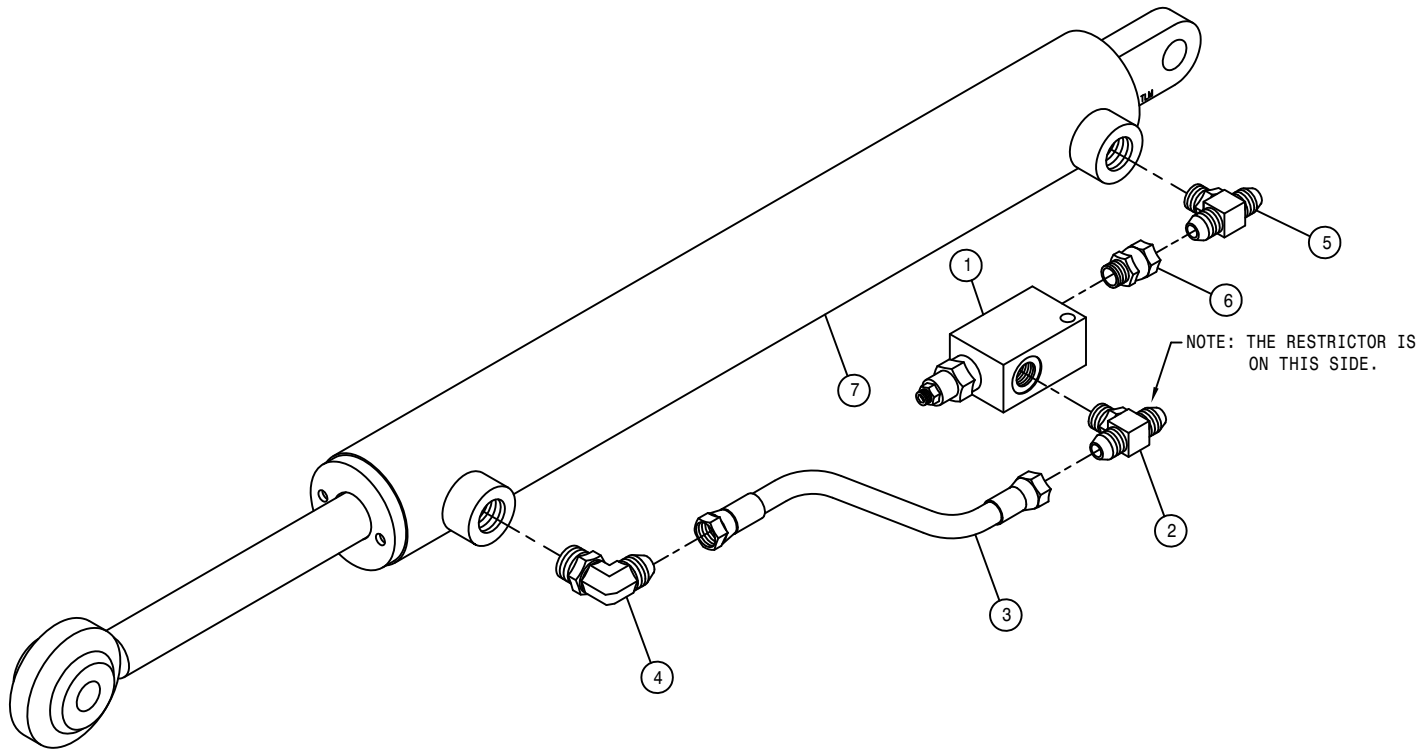


OUTER BOOM FOLD CYLINDER ASSEMBLY

DET. QTY PART NO. DESCRIPTION

1	1	121108	OUTR BOOM FOLD CYL BRG,POLYGON
2	2	614750	.042 ELBOW ASSY,9/16MOR 90D
3	1	621562	OUTR FOLD CYL,2.25 X 21.00 STS
NS	1	621563	REPAIR KIT,HYD CYL 621562

NOTE: 621070 - OUTER BOOM FOLD CYLINDER ASSEMBLY WITH FITTINGS

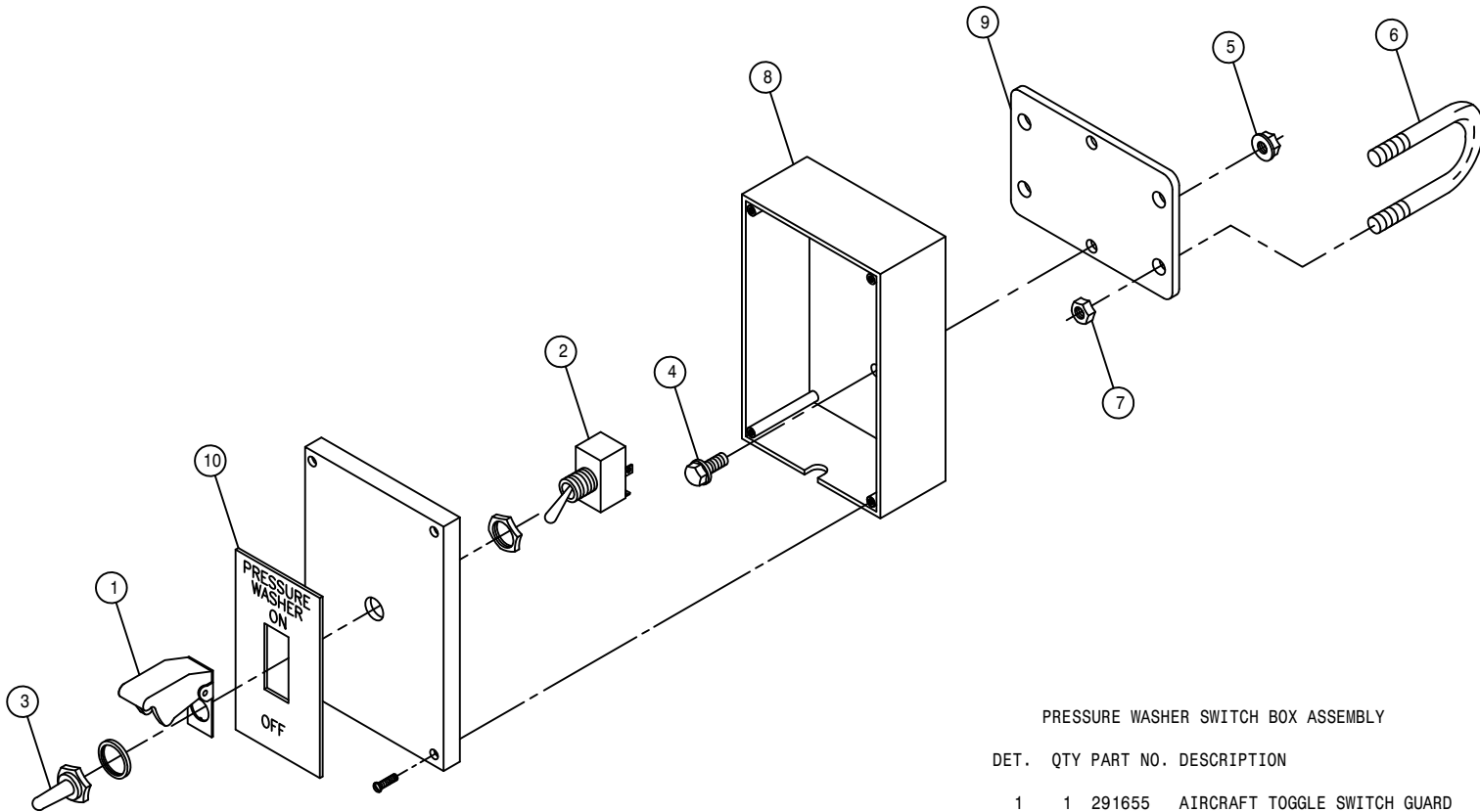


BOOM BREAKAWAY CYLINDER ASSEMBLY

DET. QTY PART NO. DESCRIPTION

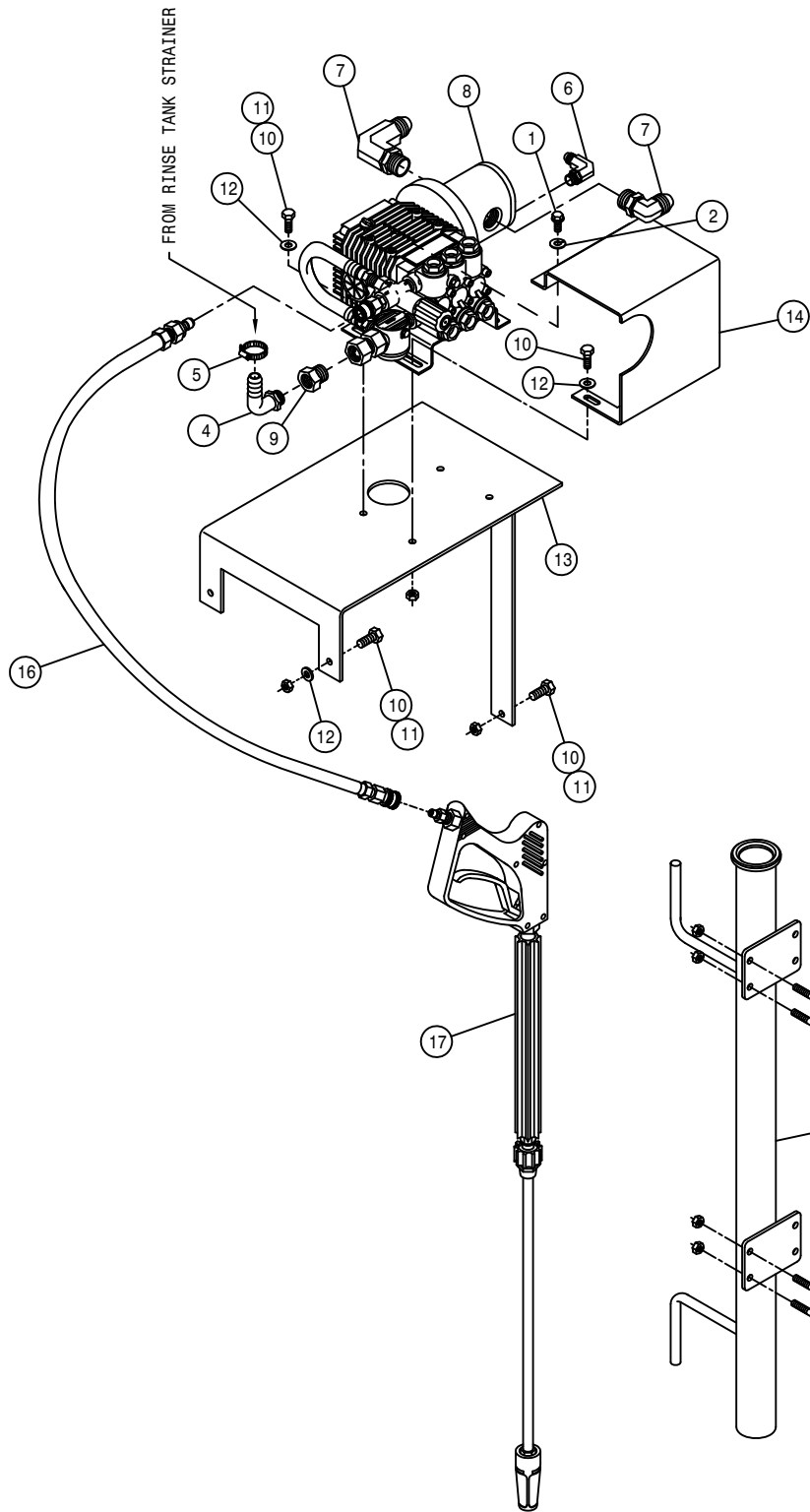
1	1	607540	KICK-DOWN RELIEF VALVE, 800PSI
2	1	614752	RESTRICTOR BR TEE ASSY, .042DIA
3	1	616075	04-451TC-06FJX-06FJX-9 H/A
4	1	618119	9/16MJIC-90-9/16MOR LBO
5	1	618629	9/16MOR BRANCH TEE-9/16MJIC
6	1	618668	9/16FJIC SWIV-9/16MOR ADPTR
7	1	621554	LADR/SF/BRKWAY CYL, 1.50 X12.25
NS	1	621555	REPAIR KIT, HYD CYL 621554

NOTE: 621066 - BOOM BREAKAWAY CYLINDER ASSEMBLY WITH FITTINGS



PRESSURE WASHER SWITCH BOX ASSEMBLY

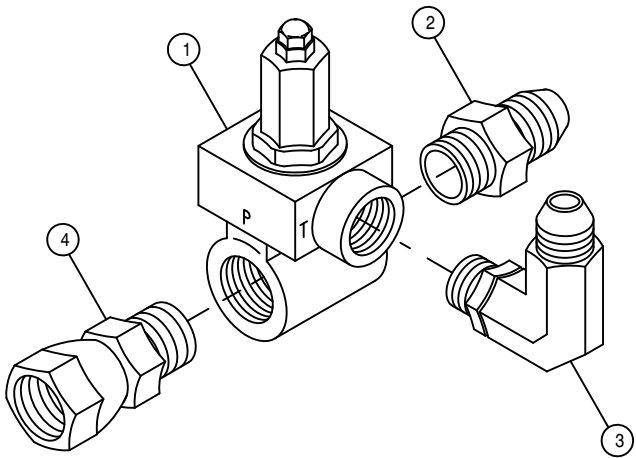
DET.	QTY	PART NO.	DESCRIPTION
1	1	291655	AIRCRAFT TOGGLE SWITCH GUARD
2	1	291790	TOGGLE SWITCH, ON-OFF DPDT
3	1	470001	RUBBER BOOT W NUT FOR 298012
4	2	470118	1/4UNC X 3/4 FLANGE HEX BOLT
5	2	470121	1/4UNC HEX FLANGE LOCK NUT
6	2	473911	5/16UNC-1.31ID-2.00 U-BOLT
7	4	910002	5/16UNC HEX NUT
8	1	690738	PRESSURE WASHER SWITCH BOX
9	1	690739	PRESSURE WASHER SWITCH BOX MT
10	1	650110	DECAL,PRESSURE WASH CTRL,STS12



PRESSURE WASHER ASSEMBLY

DET. QTY PART NO. DESCRIPTION

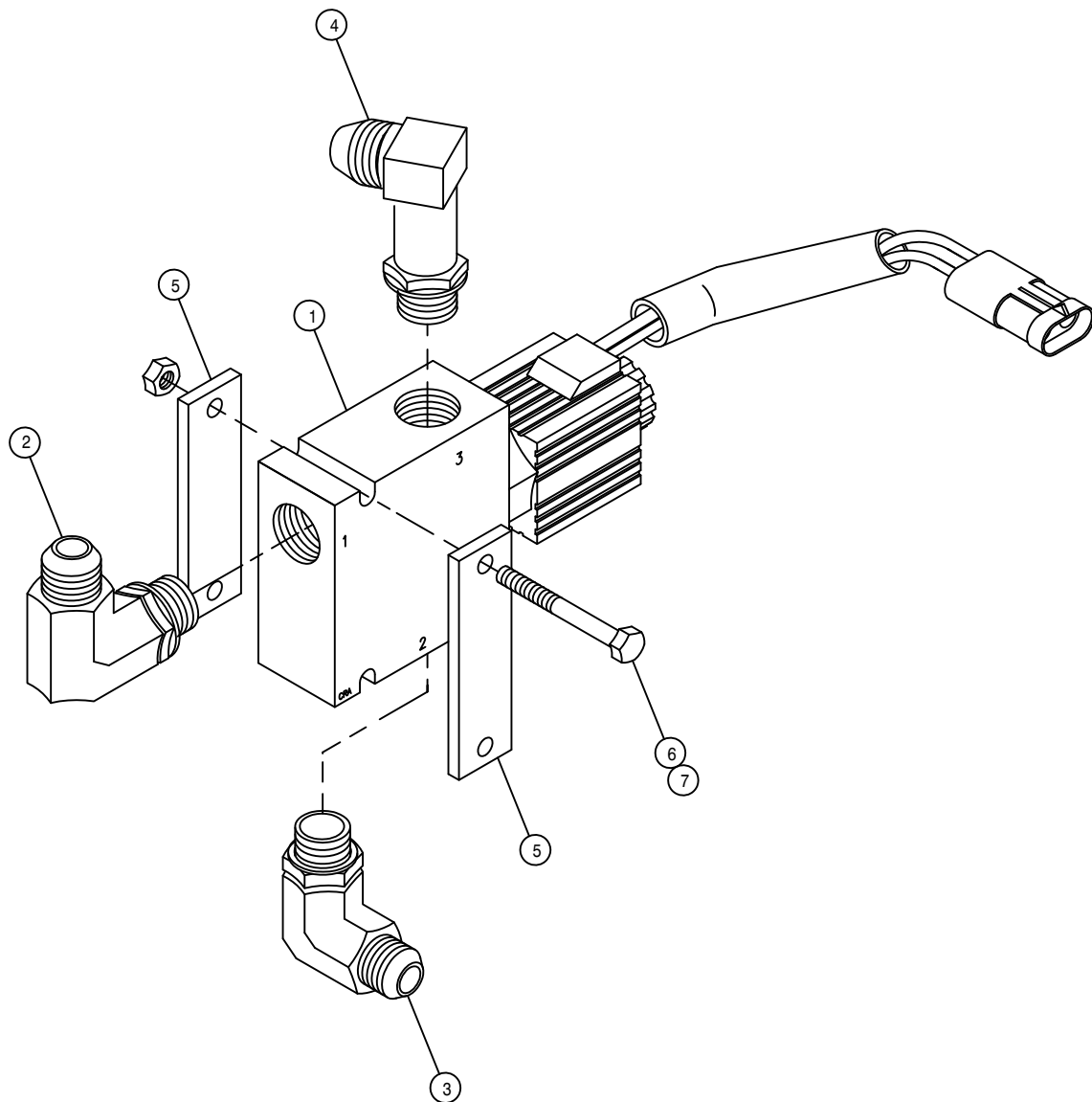
1	2	473803	8MM-1.25 X 16MM HEX BOLT
2	2	473804	8MM LOCK WASHER
3	4	473911	5/16UNC-1.31ID-2.00 U-BOLT
4	1	500026	3/4NPT-90-1"HOSE BARB, POLY
5	1	520090	HOSE CLAMP NO 16 STAINLESS
6	1	618119	9/16MJIC-90-9/16MOR LBO
7	2	618474	3/4MJIC-90-1 1/16MOR LBO
8	1	690672	PRESSURE WASHER,PACE 320 HYD
9	1	715449	3/4FNPT X 3/4MGHT ADPTR BRS
10	7	900064	5/16UNC X 3/4 HEX BOLT
11	15	914002	5/16UNC HEX STOVER NUT
12	6	920001	5/16 SAE FLAT WASHER
13	1	690877	PRESSURE WASHER MT WLD, STS 03
14	1	690879	PRESSURE WASHER SHIELD, STS 03
15	1	690732	PRESSURE WASHER WAND MT WLD
16	1	690791	HOSE, PRESSURE WASHER 690672
17	1	690673	TRIGGER GUN ASSY FOR 690672



IN-LINE HYD RELIEF VALVE ASSEMBLY

DET. QTY PART NO. DESCRIPTION

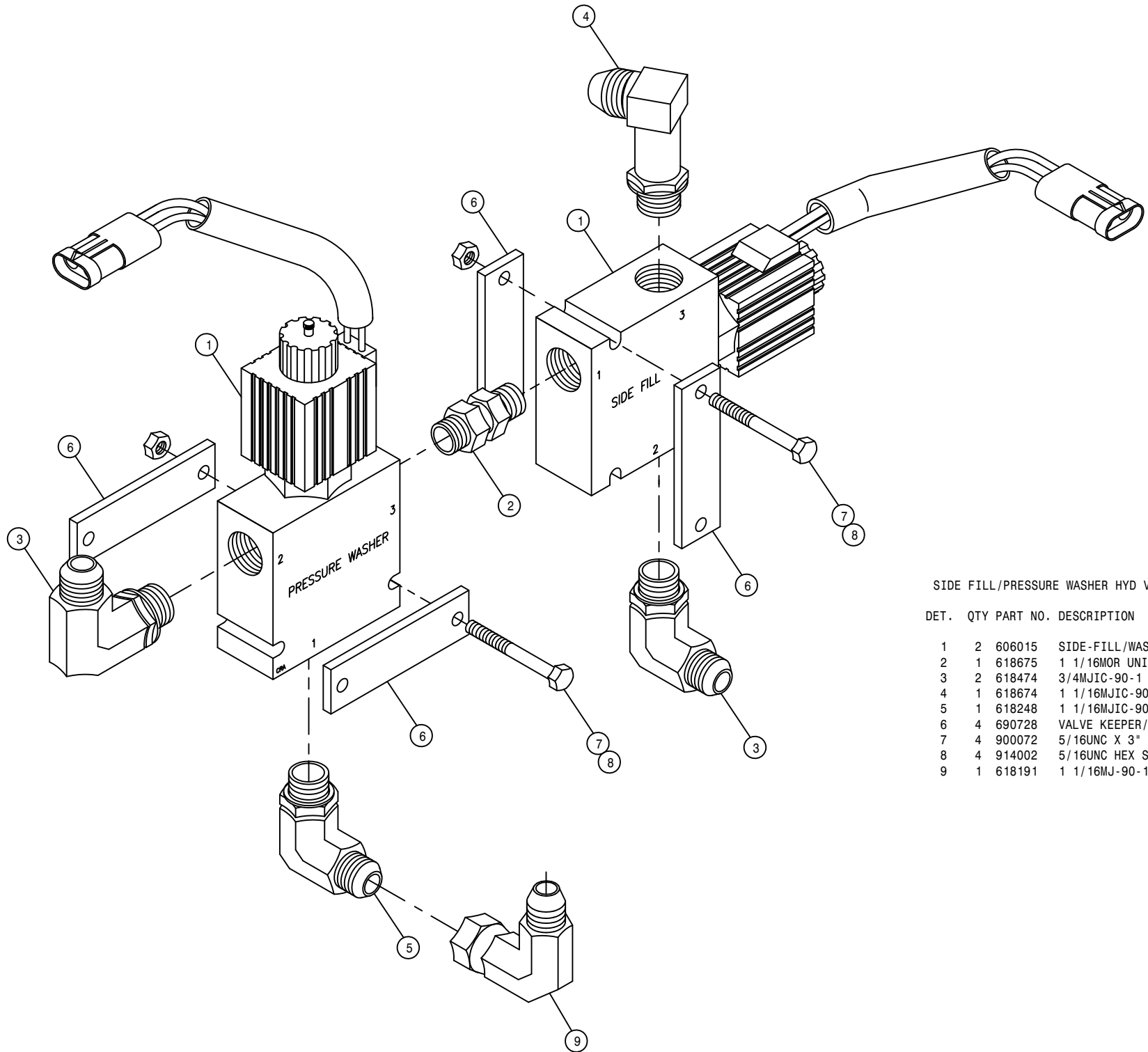
1	1	607550	IN-LINE RELIEF VALVE, 2600 PSI
2	1	611127	1 1/16MJIC-1 1/16MOR ADPTR
3	1	618279	1 1/16MJIC-90-7/8MOR LBO
4	1	618578	1 1/16FJIC SWIV-1 1/16MOR



PRESSURE WASHER HYDRAULIC VALVE ASSEMBLY

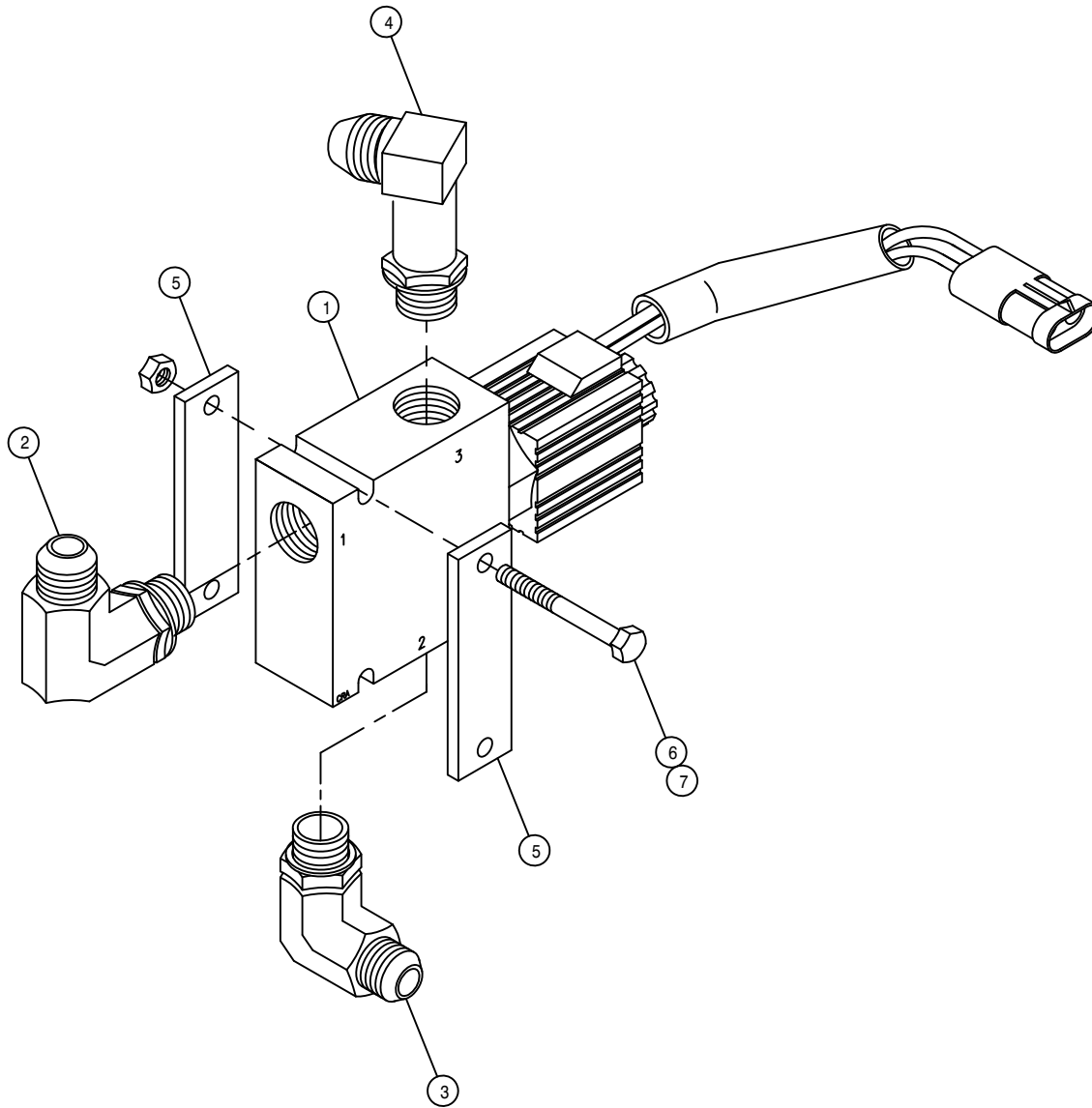
DET. QTY PART NO. DESCRIPTION

1	1	606015	SIDE-FILL/WASH VLV W/SHRD ASSY
2	1	618248	1 1/16MJIC-90-1 1/16MOR LBO
3	1	618474	3/4MJIC-90-1 1/16MOR LBO
4	1	618674	1 1/16MJIC-90-1 1/16MOR XL LBO
5	2	690728	VALVE KEEPER/SPACER
6	2	900072	5/16UNC X 3" HEX BOLT
7	2	914002	5/16UNC HEX STOVER NUT



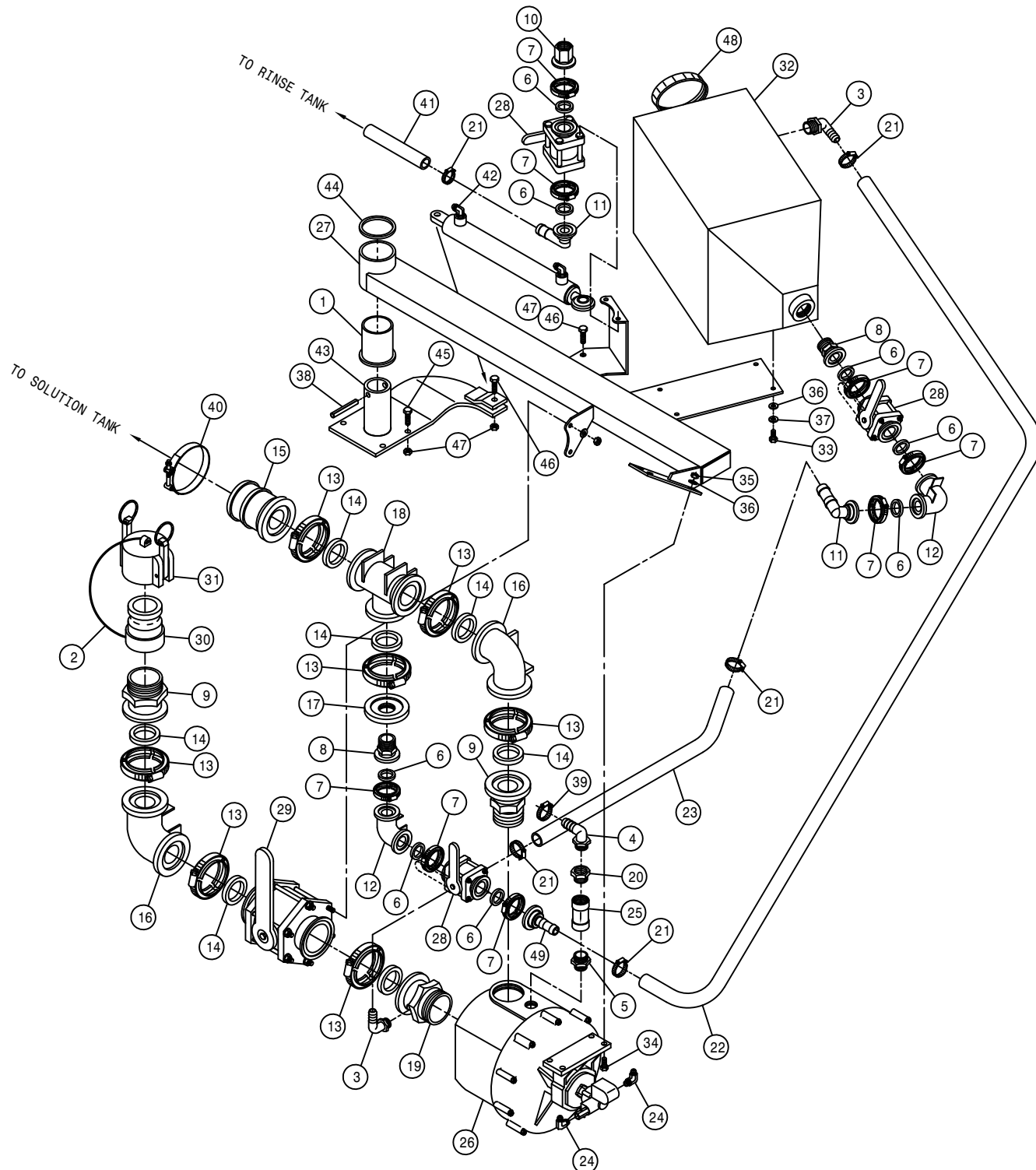
SIDE FILL/PRESSURE WASHER HYD VALVE ASSEMBLY

DET.	QTY	PART NO.	DESCRIPTION
1	2	606015	SIDE-FILL/WASH VLV W/SHRD ASSY
2	1	618675	1 1/16MOR UNION
3	2	618474	3/4MJIC-90-1 1/16MOR LBO
4	1	618674	1 1/16MJIC-90-1 1/16MOR XL LBO
5	1	618248	1 1/16MJIC-90-1 1/16MOR LBO
6	4	690728	VALVE KEEPER/SPACER
7	4	900072	5/16UNC X 3" HEX BOLT
8	4	914002	5/16UNC HEX STOVER NUT
9	1	618191	1 1/16MJ-90-1 1/16FJ SWIV LBO



SIDE FILL HYDRAULIC VALVE ASSEMBLY

DET.	QTY	PART NO.	DESCRIPTION
1	1	606015	SIDE-FILL/WASH VLV W/SHRD ASSY
2	1	618248	1 1/16MJIC-90-1 1/16MOR LBO
3	1	618474	3/4MJIC-90-1 1/16MOR LBO
4	1	618674	1 1/16MJIC-90-1 1/16MOR XL LBO
5	2	690728	VALVE KEEPER/SPACER
6	2	900072	5/16UNC X 3" HEX BOLT
7	2	914002	5/16UNC HEX STOVER NUT

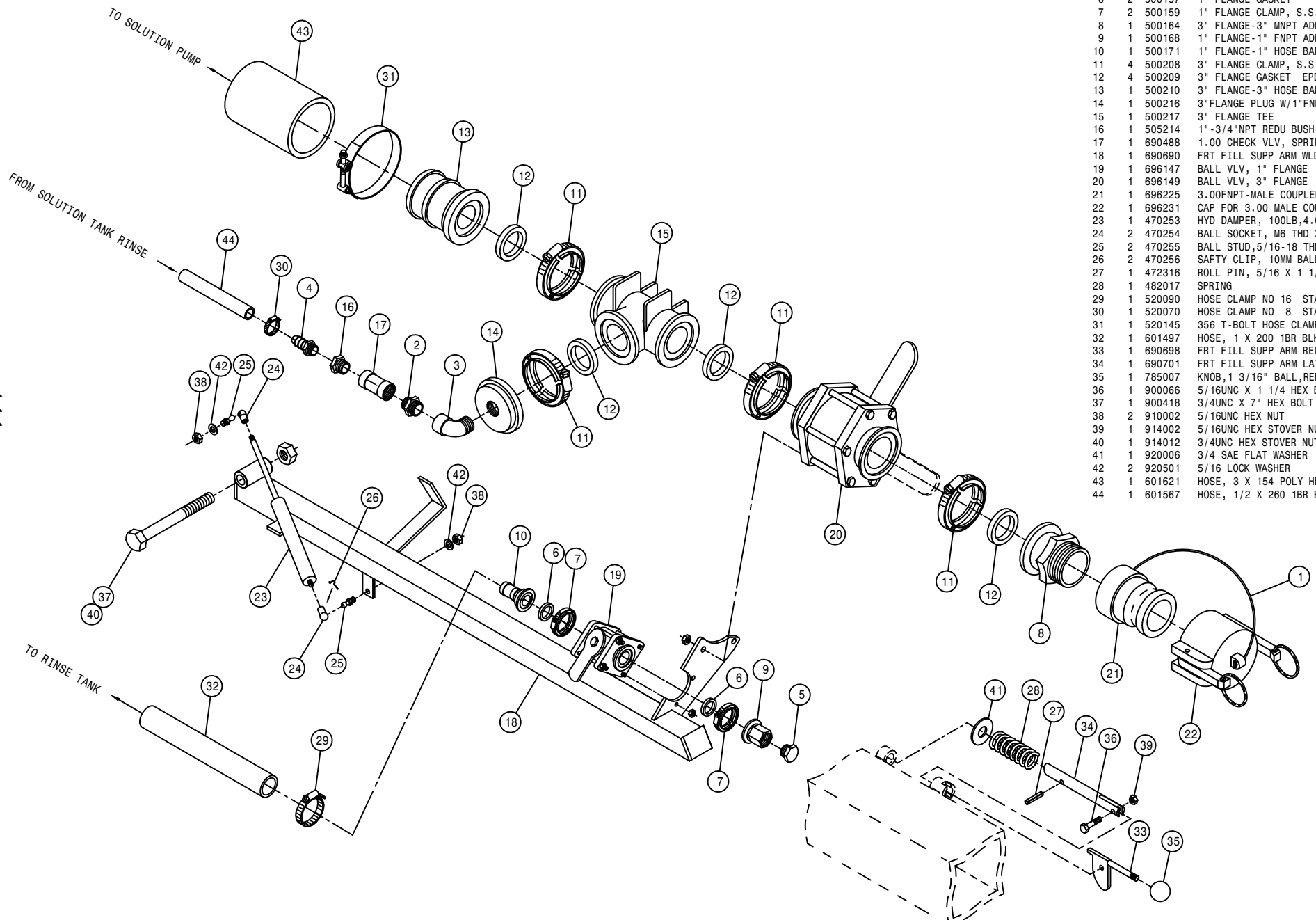


SIDE FILL/CHEMICAL INDUCTOR ASSEMBLY

DET.	QTY	PART NO.	DESCRIPTION	
1	1	121101	TRANSOM PIVOT BRG,TOP	POLYGON
2	1	470352	LANYARD, 11"	POLY
3	2	500024	1"NPT-90-1"HOSE BARB, POLY	
4	1	500041	3/4NPT-90-1/2"HOSE BARB, POLY	
5	1	500085	1" X 3/4NPT REDU NIPPLE, POLY	
6	8	500157	1" FLANGE GASKET	EPDM
7	8	500159	1" FLANGE CLAMP, S.S.	
8	2	500163	1" FLANGE-1" MNPT ADPTR	POLY
9	2	500164	3" FLANGE-3" MNPT ADPTR	POLY
10	1	500168	1" FLANGE-1" FNPT ADPTR	POLY
11	2	500173	1" FLANGE-90-1" HOSE BARB	POLY
12	2	500174	1" FLANGE-90-1" FLANGE LBOPOLY	
13	7	500208	3" FLANGE CLAMP, S.S.	
14	7	500209	3" FLANGE GASKET	EPDM
15	1	500210	3" FLANGE-3" HOSE BARB	POLY
16	2	500213	3"FLANGE-90-3"FLANGE LBO	POLY
17	1	500216	3"FLANGE PLUG W/1"FNPT	POLY
18	1	500217	3" FLANGE TEE	POLY
19	1	500220	3"FLANGE-3"MNPT W/1"FNPT	POLY
20	1	505214	1"-3/4"NPT REDU BUSH, POLY	
21	5	520090	HOSE CLAMP NO 16	STAINLESS
22	1	601609	HOSE, 1 X 30 1BR BLK EPDM	
23	1	601611	HOSE, 1 X 30 2F-1W EPDM	
24	2	618183	3/4MJIC-90-7/8MOR LBO	
25	1	690488	1.00 CHECK VLV, SPRING LOADED	
26	1	690760	BANJO PUMP,3" SIDE FILL	STS12
27	1	690916	SIDE FILL ARM WLD, STS	2004
28	3	696147	BALL VLV, 1" FLANGE	
29	1	696149	BALL VLV, 3" FLANGE	
30	1	696225	3.00FNPT-MALE COUPLER	POLY
31	1	696231	CAP FOR 3.00 MALE COUPLER	POLY
32	1	701085	TANK, 5 GAL, SQ WHITE	
33	4	900064	5/16UNC X 3/4 HEX BOLT	
34	4	900066	5/16UNC X 1 1/4 HEX BOLT	
35	4	914002	5/16UNC HEX STOVER NUT	
36	8	920001	5/16 SAE FLAT WASHER	
37	4	920501	5/16 LOCK WASHER	
38	1	473978	ROLL PIN, 1/2 X 3 1/2 LG	
39	1	520070	HOSE CLAMP NO 8	STAINLESS
40	1	520145	356 T-BOLT HOSE CLAMP SS	
41	1	601459	HOSE, 1 X 245 1BR BLK EPDM	
42	1	621065	LADDER,SIDE FILL CYL ASSYSTS03	
43	1	690717	CHEM IND CYL MT WLD	
44	1	690729	3.50 OD X 2.68 ID X 11 GA WASH	
45	4	900265	1/2UNC X 1 1/2 HEX BOLT	
46	2	900267	1/2UNC X 2" HEX BOLT	
47	6	914008	1/2UNC HEX STOVER NUT	
48	1	701155	8" LID FOR 5 GAL TANK 701085	
49	1	500171	1" FLANGE-1" HOSE BARB	POLY

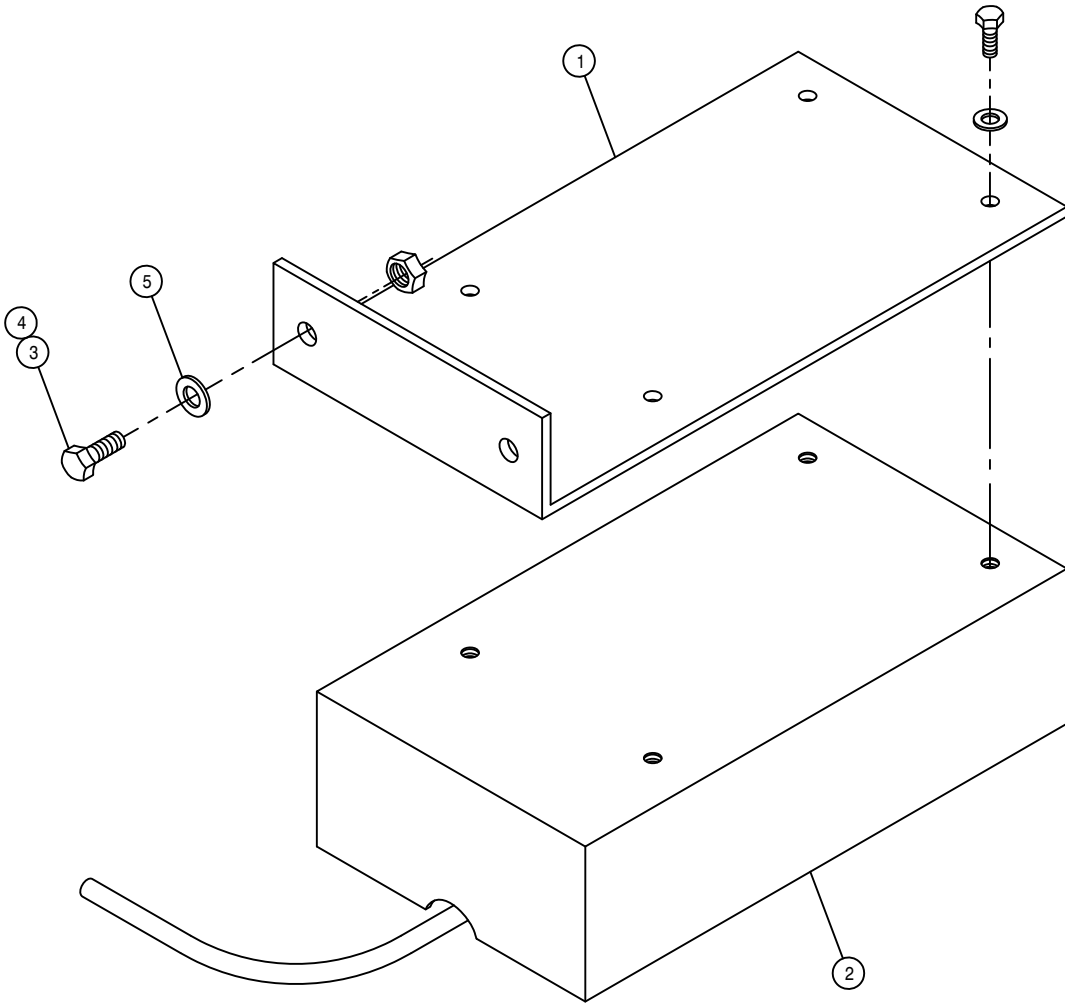
FRONT FILL ASSEMBLY

DET.	QTY	PART NO.	DESCRIPTION
1	1	470352	LANYARD, 11" POLY
2	1	500013	1"NPT HEX PIPE NIPPLE, POLY
3	1	500014	1"NPT-90 ST EL, POLY
4	1	500019	3/4NPT-1/2HOSE BARB, POLY
5	1	500063	1"NPT PIPE PLUG, POLY
6	2	500157	1" FLANGE GASKET EPDM
7	2	500159	1" FLANGE CLAMP, S.S.
8	1	500164	3" FLANGE-3" MNPT ADPTR POLY
9	1	500168	1" FLANGE-1" FNPT ADPTR POLY
10	1	500171	1" FLANGE-1" HOSE BARB POLY
11	4	500208	3" FLANGE CLAMP, S.S.
12	4	500209	3" FLANGE GASKET EPDM
13	1	500210	3" FLANGE-3" HOSE BARB POLY
14	1	500216	3"FLANGE PLUG W/1"FNPT POLY
15	1	500217	3" FLANGE TEE POLY
16	1	505214	1"-3/4"NPT REDU BUSH, POLY
17	1	690488	1.00 CHECK VLV, SPRING LOADED
18	1	690690	FRT FILL SUPP ARM WLD
19	1	696147	BALL VLV, 1" FLANGE
20	1	696149	BALL VLV, 3" FLANGE
21	1	696225	3.00FNPT-MALE COUPLER POLY
22	1	696231	CAP FOR 3.00 MALE COUPLER POLY
23	1	470253	HYD DAMPER, 100LB,4.0 STROKE
24	2	470254	BALL SOCKET, M6 THD X 10MM
25	2	470255	BALL STUD,5/16-18 THD X 10MM
26	2	470256	SAFTY CLIP, 10MM BALL SOCKET
27	1	472316	ROLL PIN, 5/16 X 1 1/2
28	1	482017	SPRING
29	1	520090	HOSE CLAMP NO 16 STAINLESS
30	1	520070	HOSE CLAMP NO 8 STAINLESS
31	1	520145	356 T-BOLT HOSE CLAMP SS
32	1	601497	HOSE, 1 X 200 1BR BLK EPDM
33	1	690698	FRT FILL SUPP ARM REL WLD
34	1	690701	FRT FILL SUPP ARM LATCH PIN
35	1	785007	KNOB,1 3/16" BALL,RED,3/8-16
36	1	900066	5/16UNC X 1 1/4 HEX BOLT
37	1	900418	3/4UNC X 7" HEX BOLT
38	2	910002	5/16UNC HEX NUT
39	1	914002	5/16UNC HEX STOVER NUT
40	1	914012	3/4UNC HEX STOVER NUT
41	1	920006	3/4 SAE FLAT WASHER
42	2	920501	5/16 LOCK WASHER
43	1	601621	HOSE, 3 X 154 POLY HELIX EPDM
44	1	601567	HOSE, 1/2 X 260 1BR BLK EPDM



111

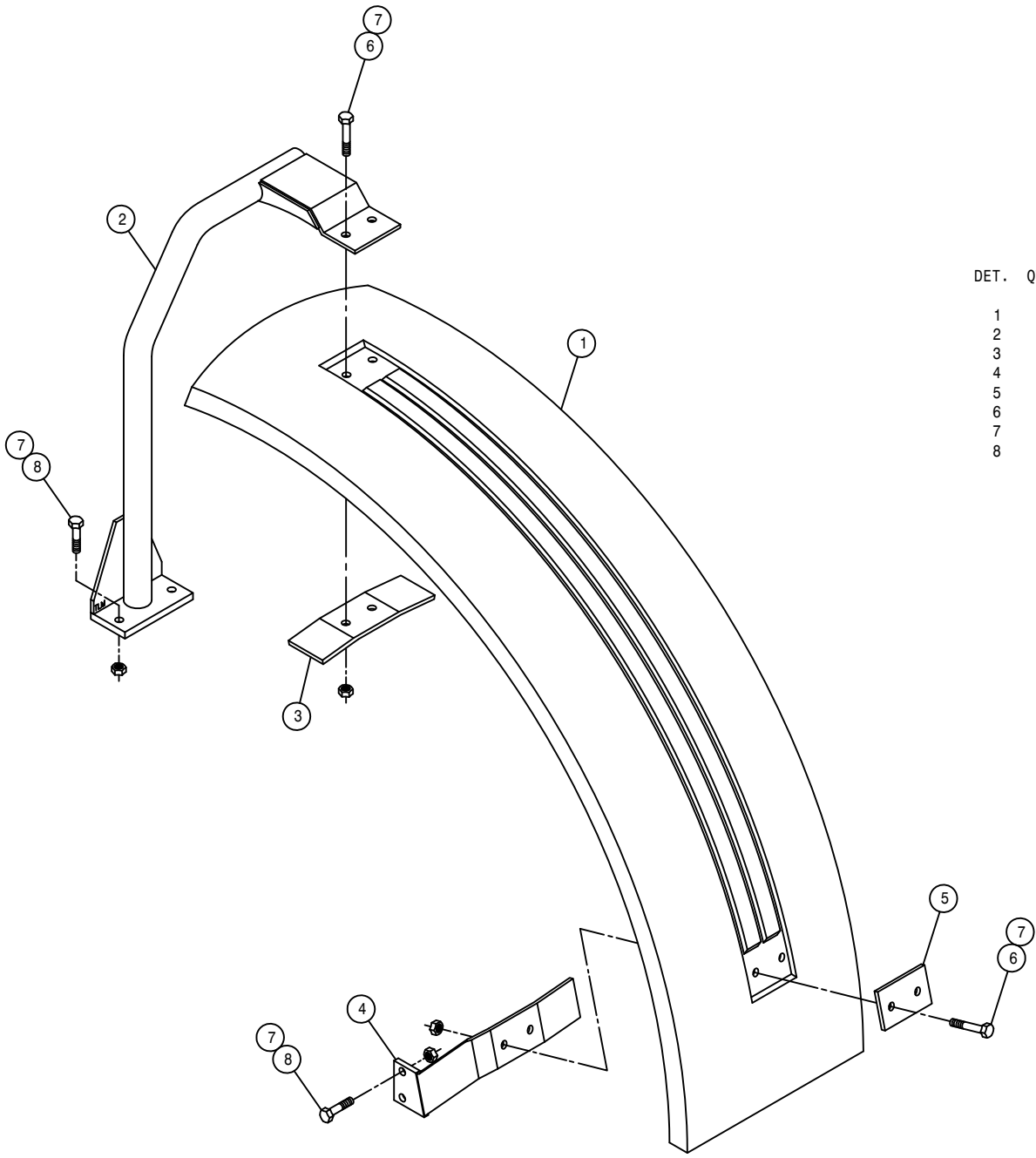
312111



RADAR OPTION

DET. QTY PART NO. DESCRIPTION

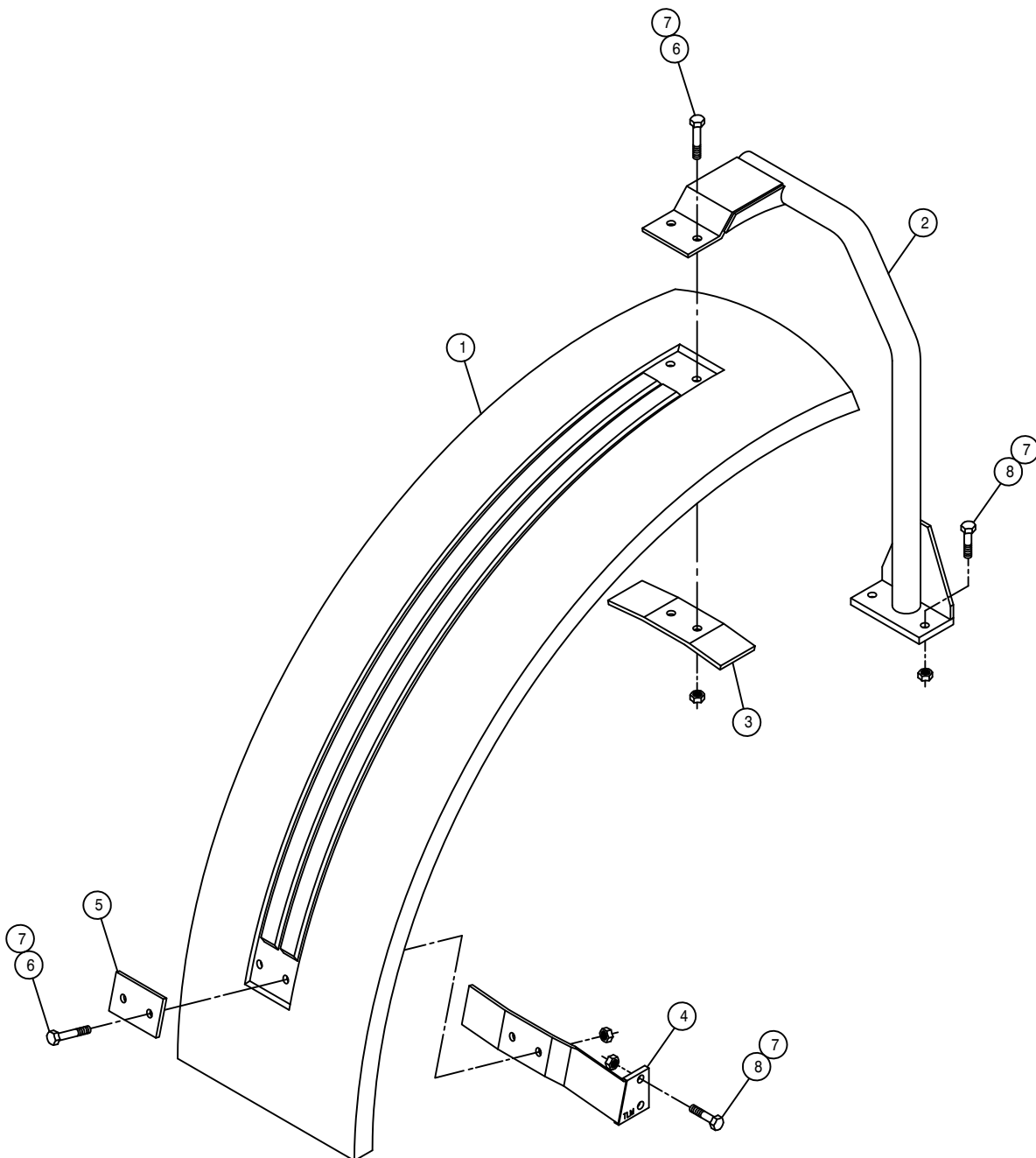
1	1	342857	RADAR MTG BRKT
2	1	690599	RAVEN RADAR UNIT W/CABLE
3	2	900129	3/8UNC X 1" HEX BOLT
4	2	914004	3/8UNC HEX STOVER NUT
5	2	920002	3/8 SAE FLAT WASHER



RIGHT FENDER ASSEMBLY

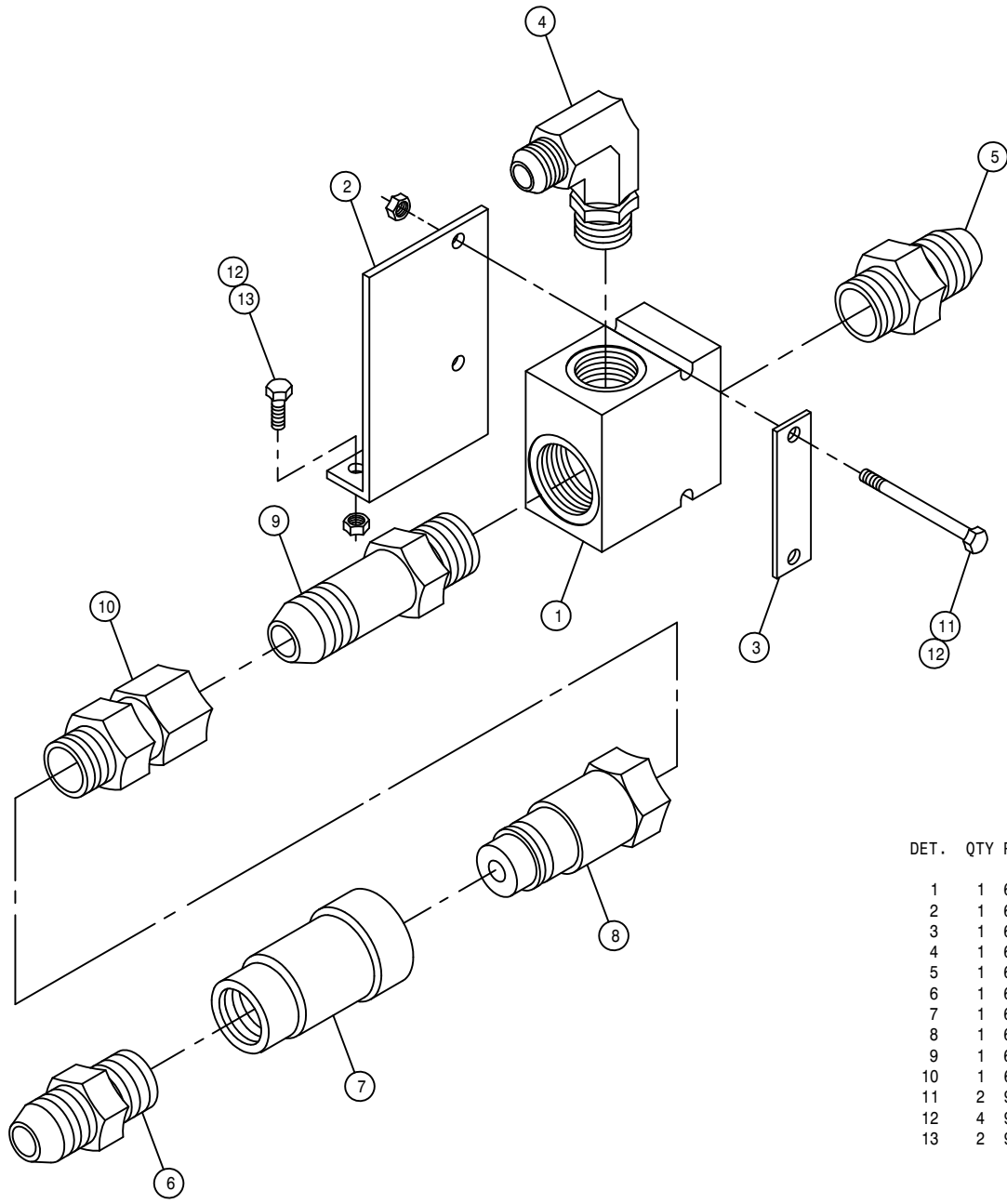
DET. QTY PART NO. DESCRIPTION

1	1	359151	FENDER, STS12	2000
2	1	359205	RH FENDER MT WLD STS	03
3	1	359160	FENDER MT KEEPER	STS12
4	1	359208	RH FENDER SUPP BRKT WLD STS	03
5	1	359167	FENDER SUPPORT KEEPER	STS12
6	4	900268	1/2UNC X 2 1/2 HEX BOLT	
7	8	914008	1/2UNC HEX STOVER NUT	
8	4	900266	1/2UNC X 1 3/4 HEX BOLT	



LEFT FENDER ASSEMBLY

DET.	QTY	PART NO.	DESCRIPTION	
1	1	359151	FENDER, STS12	2000
2	1	359206	LH FENDER MT WLD STS12	03
3	1	359160	FENDER MT KEEPER	STS12
4	1	359209	LH FENDER SUPP BRKT WLD STS 03	
5	1	359167	FENDER SUPPORT KEEPER	STS12
6	4	900268	1/2UNC X 2 1/2 HEX BOLT	
7	8	914008	1/2UNC HEX STOVER NUT	
8	4	900266	1/2UNC X 1 3/4 HEX BOLT	



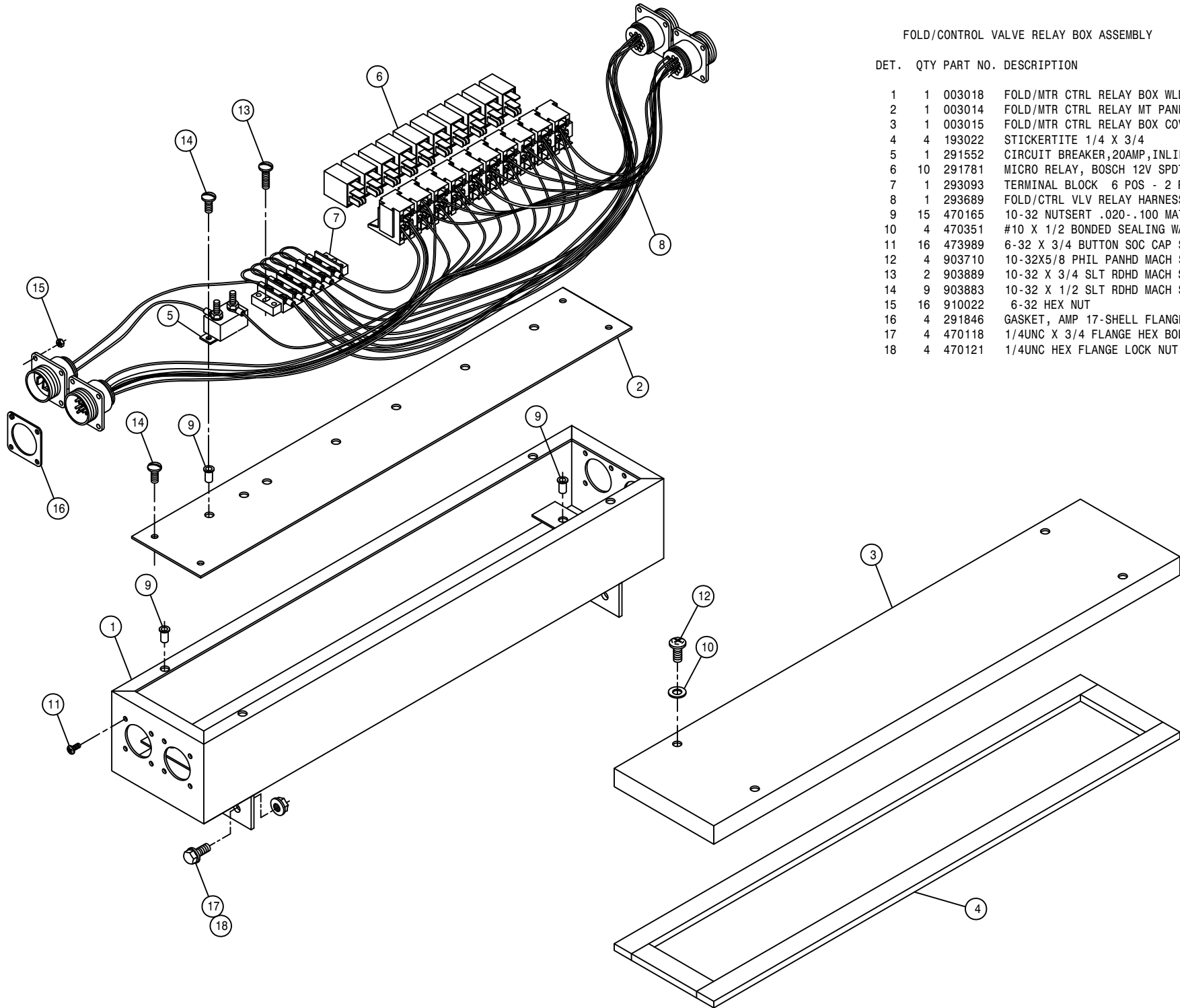
MANIFOLD ASSEMBLY

DET.	QTY	PART NO.	DESCRIPTION
	1	606075	MANIFOLD, 1 5/16FOR & 1 5/8FOR
	1	606081	MANIFOLD MT PLT, STS12 COMBO
	1	606082	MANIFOLD MT KEEPER, STS12 COMBO
	1	618178	1 5/16MJIC-90-1 5/16MOR LBO
	1	618186	1 5/16MJIC-1 5/16MOR ADPTR
	1	618471	1 5/8MJIC-1 5/16MOR ADPTR
	1	618686	HYD COUPLER, FEM 1"B, 1 5/16FOR
	1	618687	HYD COUPLER, MALE 1"B, 1 5/16FOR
	1	618724	1 5/8MJIC-1 5/8MOR LG ADPTR
	1	618725	1 5/16MOR-1 5/8FJIC SWIV
	2	900072	5/16UNC X 3" HEX BOLT
	4	914002	5/16UNC HEX STOVER NUT
	2	900065	5/16UNC X 1" HEX BOLT

FOLD/CONTROL VALVE RELAY BOX ASSEMBLY

DET. QTY PART NO. DESCRIPTION

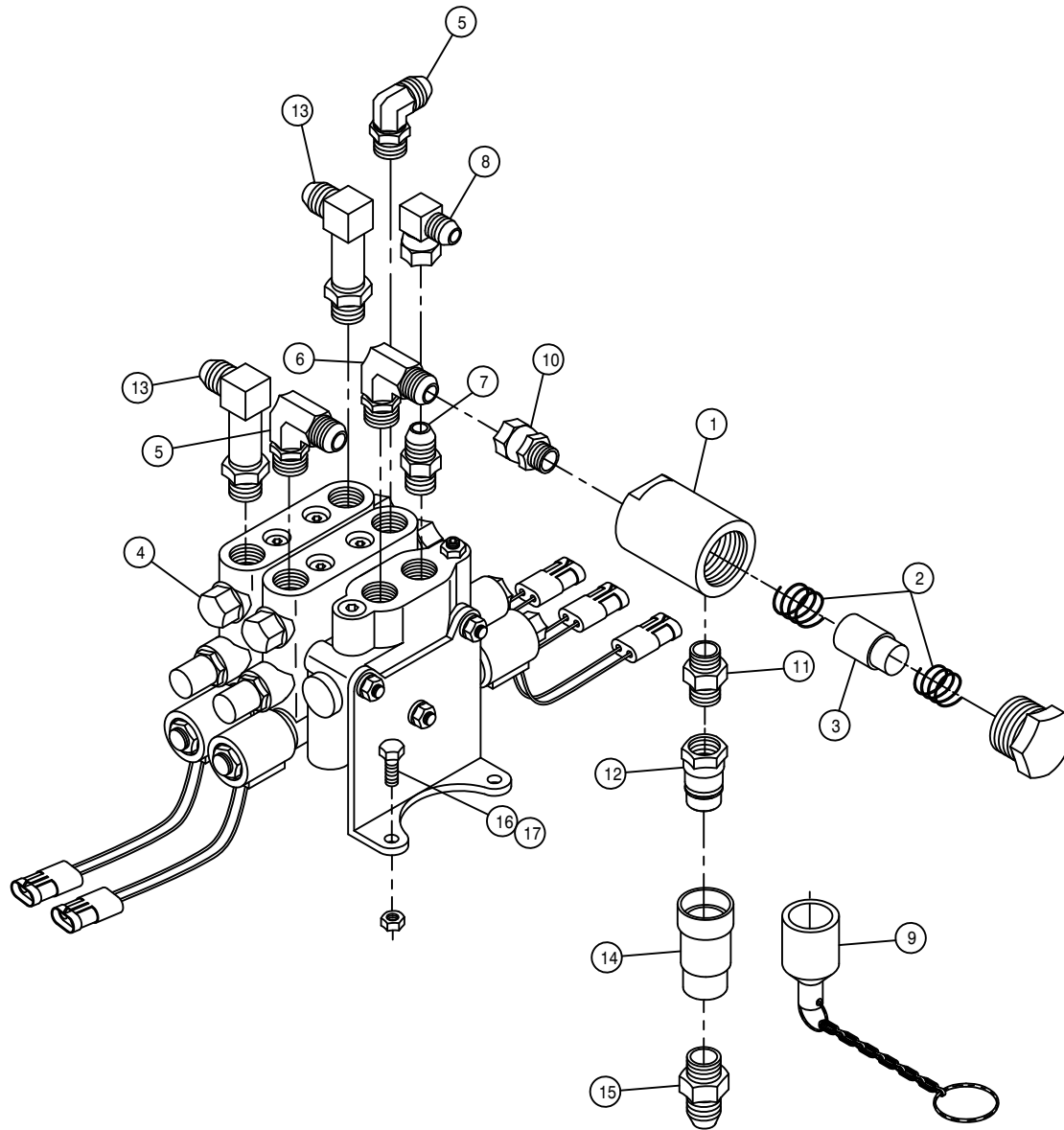
DET.	QTY	PART NO.	DESCRIPTION
1	1	003018	FOLD/MTR CTRL RELAY BOX WLD 03
2	1	003014	FOLD/MTR CTRL RELAY MT PANEL
3	1	003015	FOLD/MTR CTRL RELAY BOX COVER
4	4	193022	STICKERTITE 1/4 X 3/4
5	1	291552	CIRCUIT BREAKER, 20AMP, INLINEMT
6	10	291781	MICRO RELAY, BOSCH 12V SPDT
7	1	293093	TERMINAL BLOCK 6 POS - 2 ROW
8	1	293689	FOLD/CTRL VLV RELAY HARNESS
9	15	470165	10-32 NUTSERT .020-.100 MATL
10	4	470351	#10 X 1/2 BONDED SEALING WASH
11	16	473989	6-32 X 3/4 BUTTON SOC CAP SCR
12	4	903710	10-32X5/8 PHIL PANHD MACH SCR
13	2	903889	10-32 X 3/4 SLT RDHD MACH SCR
14	9	903883	10-32 X 1/2 SLT RDHD MACH SCR
15	16	910022	6-32 HEX NUT
16	4	291846	GASKET, AMP 17-SHELL FLANGED
17	4	470118	1/4UNC X 3/4 FLANGE HEX BOLT
18	4	470121	1/4UNC HEX FLANGE LOCK NUT

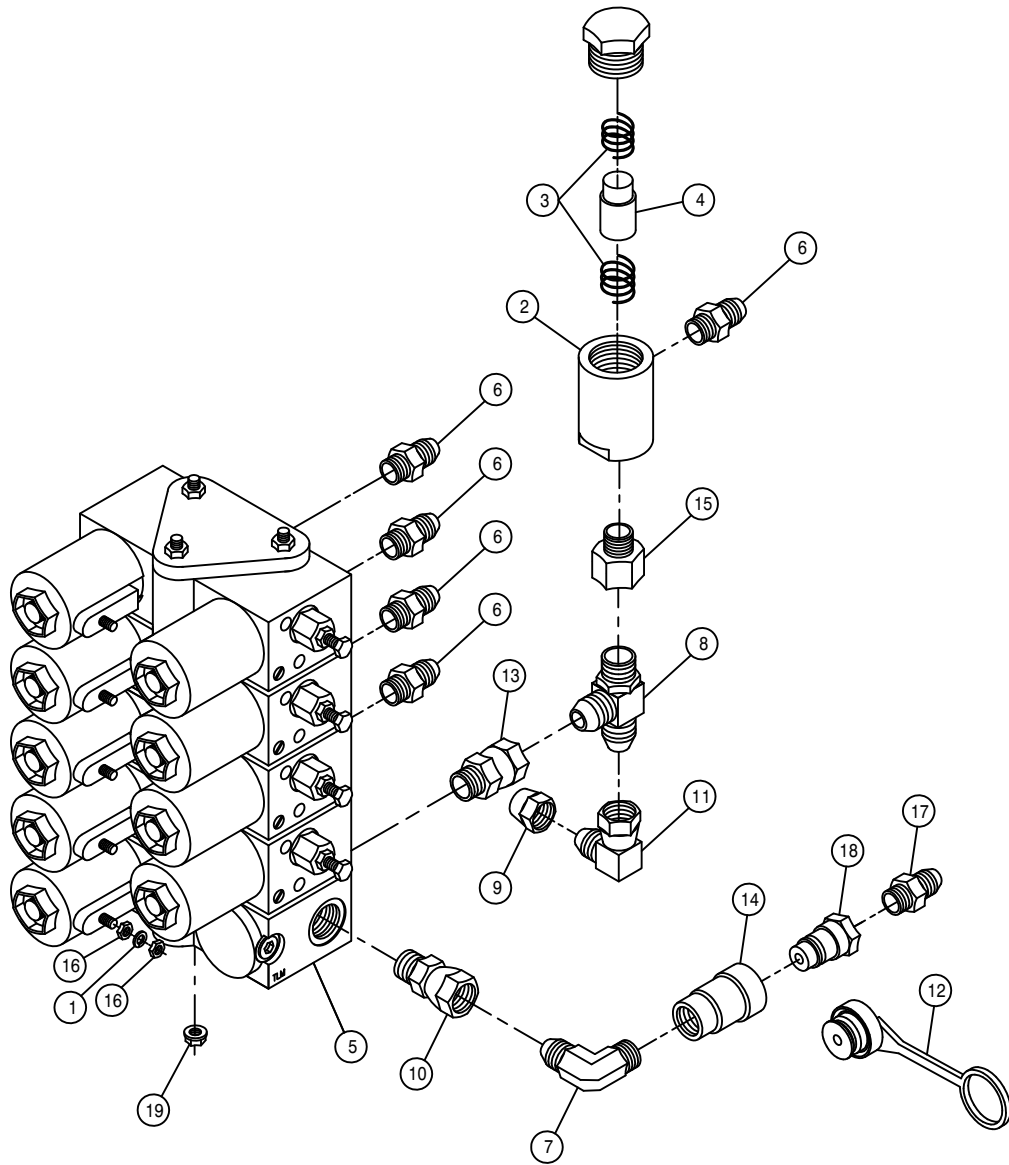


OUTRIGGER FOLD VALVE ASSEMBLY

DET. QTY PART NO. DESCRIPTION

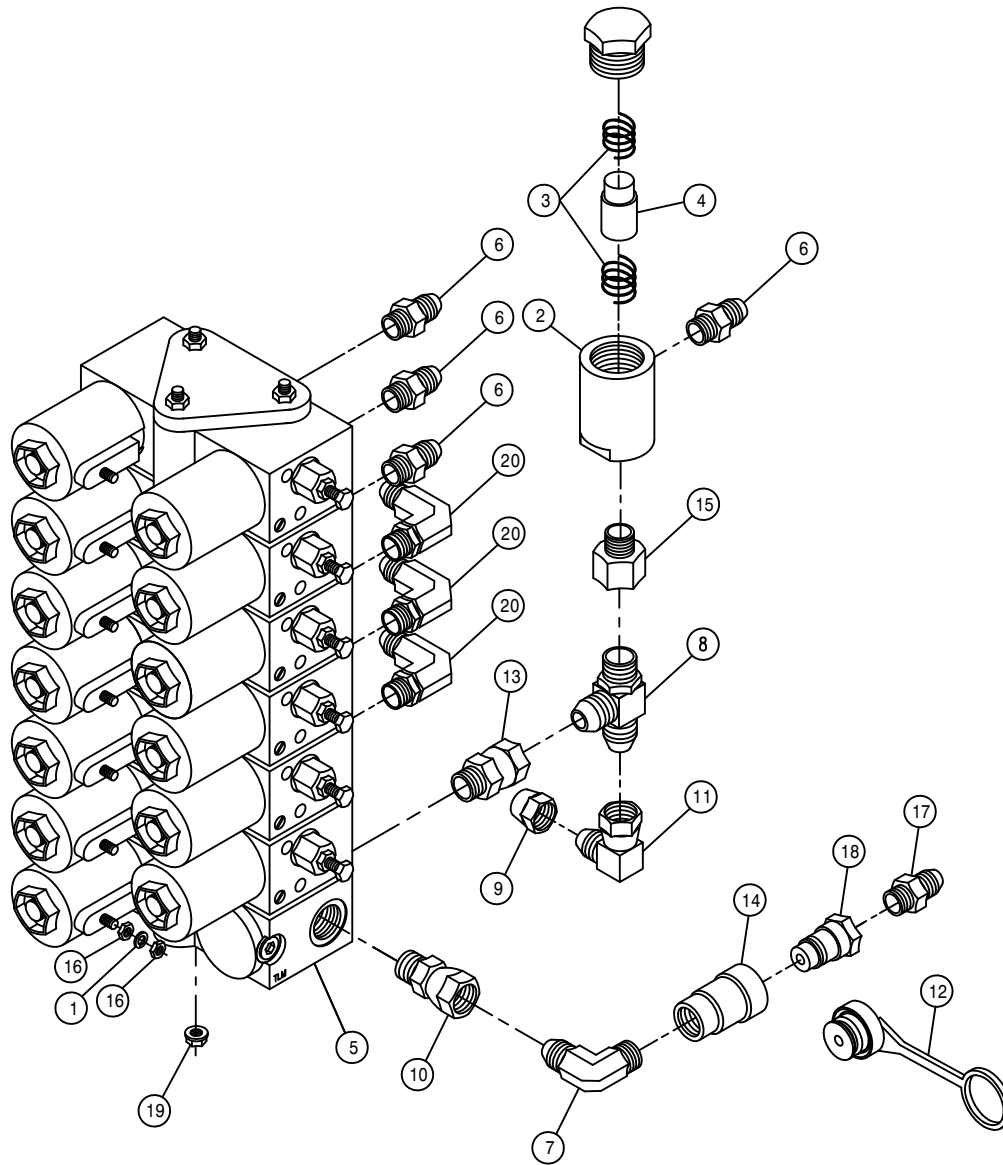
DET.	QTY	PART NO.	DESCRIPTION
1	1	605615	HYD FILTER, INLINE 25M 9/16FOR
2	1	605617	SPRING KIT, HYD FILTER 605615
3	1	605616	ELEMENT, 25M HYD FILTER 605615
4	1	606090	BRAND HYD VALVE, 2-SECT SER 36
5	2	618115	9/16MJIC-90-3/4MOR LBO
6	1	618183	3/4MJIC-90-7/8MOR LBO
7	1	618310	9/16MJIC-7/8MOR ADPTR
8	1	618618	9/16MJIC-90-9/16FJIC SWIV LBO
9	1	618636	RUBBER DUST CAP, 618622/697
10	1	618692	3/4FJIC SWIV-9/16MOR ADPTR
11	1	618693	3/4MOR-9/16MOR REDU UNION
12	1	618697	HYD COUPLER, MALE 1/2B, 3/4FOR
13	2	618709	9/16MJIC-90-3/4MOR EX LG LBO
14	1	618696	HYD COUPLER, FEM 1/2B, 3/4FOR
15	1	611125	3/4MJIC-3/4MOR ADPTR
16	4	900065	5/16UNC X 1" HEX BOLT
17	4	914002	5/16UNC HEX STOVER NUT





4-LIFT ELECTRIC VALVE ASSEMBLY

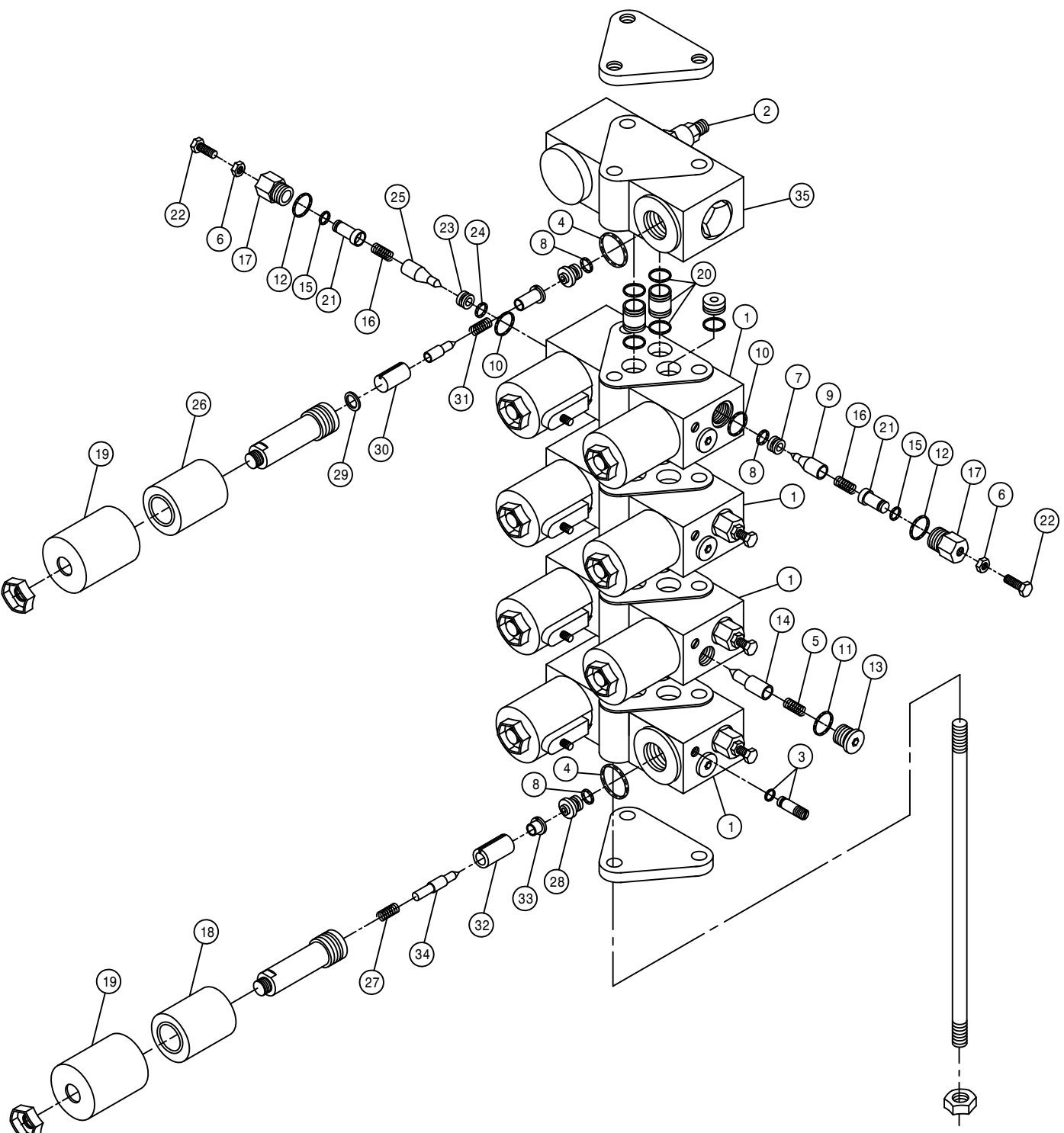
DET.	QTY	PART NO.	DESCRIPTION
1	9	473821	#10 INT TOOTH WASHER
2	1	605615	HYD FILTER, INLINE 25M 9/16FOR
3	1	605617	SPRING KIT, HYD FILTER 605615
4	1	605616	ELEMENT, 25M HYD FILTER 605615
5	1	610613	ELECT HYD STACT VLV, 4 SECT
6	5	618126	9/16MJIC-9/16MOR ADPTR
7	1	618173	7/8MJIC-90-3/4MOR LBO
8	1	618494	3/4MOR RUN TEE-3/4MJIC
9	1	618532	3/4FJIC CAP NUT
10	1	618594	7/8FJIC SWIV-7/8MOR ADPTR
11	1	618609	3/4MJIC-90-3/4FJIC SWIV LBO
12	1	618635	RUBBER DUST PLUG, 618621/696
13	1	618669	3/4FJIC SWIV-3/4MOR ADPTR
14	1	618696	HYD COUPLER, FEM 1/2B, 3/4FOR
15	1	618706	9/16MOR-3/4FOR ADPTR
16	18	910027	10-32 HEX NUT
17	1	611125	3/4MJIC-3/4MOR ADPTR
18	1	618697	HYD COUPLER, MALE 1/2B, 3/4FOR
19	3	470121	1/4UNC HEX FLANGE LOCK NUT



6-LIFT ELECTRIC VALVE ASSEMBLY

DET.	QTY	PART NO.	DESCRIPTION
	13	473821	#10 INT TOOTH WASHER
2	1	605615	HYD FILTER, INLINE 25M 9/16FOR
3	1	605617	SPRING KIT, HYD FILTER 605615
4	1	605616	ELEMENT, 25M HYD FILTER 605615
5	1	610615	ELECT HYD STACT VLV, 6 SECT
6	4	618126	9/16MJIC-9/16MOR ADPTR
7	1	618173	7/8MJIC-90-3/4MOR LBO
8	1	618494	3/4MOR RUN TEE-3/4MJIC
9	1	618532	3/4FJIC CAP NUT
10	1	618594	7/8FJIC SWIV-7/8MOR ADPTR
11	1	618609	3/4MJIC-90-3/4FJIC SWIV LBO
12	1	618635	RUBBER DUST PLUG, 618621/696
13	1	618669	3/4FJIC SWIV-3/4MOR ADPTR
14	1	618696	HYD COUPLER, FEM 1/2B, 3/4FOR
15	1	618706	9/16MOR-3/4FOR ADPTR
16	26	910027	10-32 HEX NUT
17	1	611125	3/4MJIC-3/4MOR ADPTR
18	1	618697	HYD COUPLER, MALE 1/2B, 3/4FOR
19	3	470121	1/4UNC HEX FLANGE LOCK NUT
20	3	618119	9/16MJIC-90-9/16MOR LBO

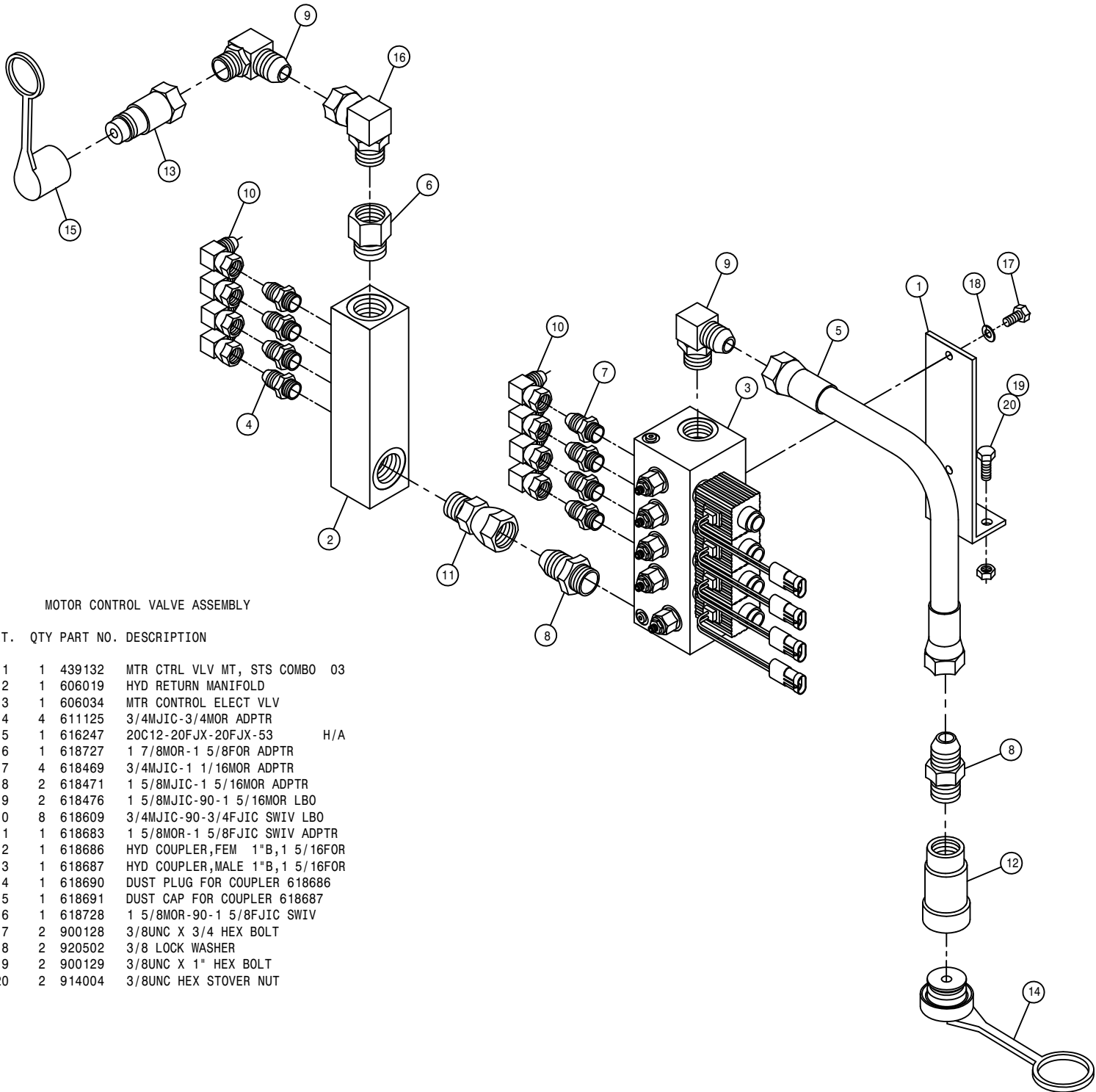
121



ELECTROHYDRAULIC VALVE

DET.	QTY	PART NO.	DESCRIPTION	
1	4	610533	UNBALANCED LOAD VALVE	89
2	1	610551	R.V. CARTRIDGE FOR 610532	90
3	8	610267	SEAL PLUG ASSY FOR 610257	
4	9	871019	ORING, 13/16 X 15/16 NEO 90D	
5	4	610491	SPRING AM-501-3-035 FOR610485	
6	8	910000	1/4UNC HEX NUT	
7	4	610488	ORIFICE PRESSED IN BLACK	
8	13	871010	ORING 1/4 X 3/8 VITON 90D	
9	4	610129	POPPET,ELECT VALVE,UNBAL LOAD	
10	8	870013	ORING, 7/16 X 9/16 NEO 70D	
11	4	871904	ORING, .351 X .072CS NEO 90D	
12	8	871906	ORING,.468ID X .078CS NEO 90D	
13	4	610130	PLUG, SAE4,ELECT VALVE,UNBAL	
14	4	610489	CHECK VLV POPPET	
15	8	871008	O-RING 3/16 X 5/16 90D	
16	8	610492	SPRING AM-570-3-126 FOR610485	
17	8	610453	VLV CAP	
18	8	610493	COIL FOR 610485	86
19	9	610113	COVER, ELECT VALVE, NON ADJ	
20	8	610534	THRU TUBE ASSY ELEC VLV	89
21	8	610452	ADJ VLV STOP	
22	8	900003	1/4UNC X 1" HEX BOLT	
23	4	610494	ORIFICE FOR 610485	
24	4	871056	O-RING	90D
25	4	610495	POPPET FOR 610485AM-570-3-654	
26	1	610076	COIL, ELECT STACK VALVE	
27	8	610127	SPRING,ELECT VALVE,UNBAL LOAD	
28	8	610108	ORIFICE 040, ELECT VALVE	
29	1	610084	WASHER, ELECT-HYD VALVE	
30	1	610112	ARMATURE, ELECT VALVE	
31	1	610110	SPRING, ELECT VALVE, NON ADJ	
32	8	610126	ARMATURE, ELECT VALVE, UNBAL	
33	8	610133	POLE PIECE,ELECT VALVE, UNBAL	
34	8	610490	POPPET FOR 610485AM-501-3-033	
35	1	610679	UNLOAD RELIEF VALVE	

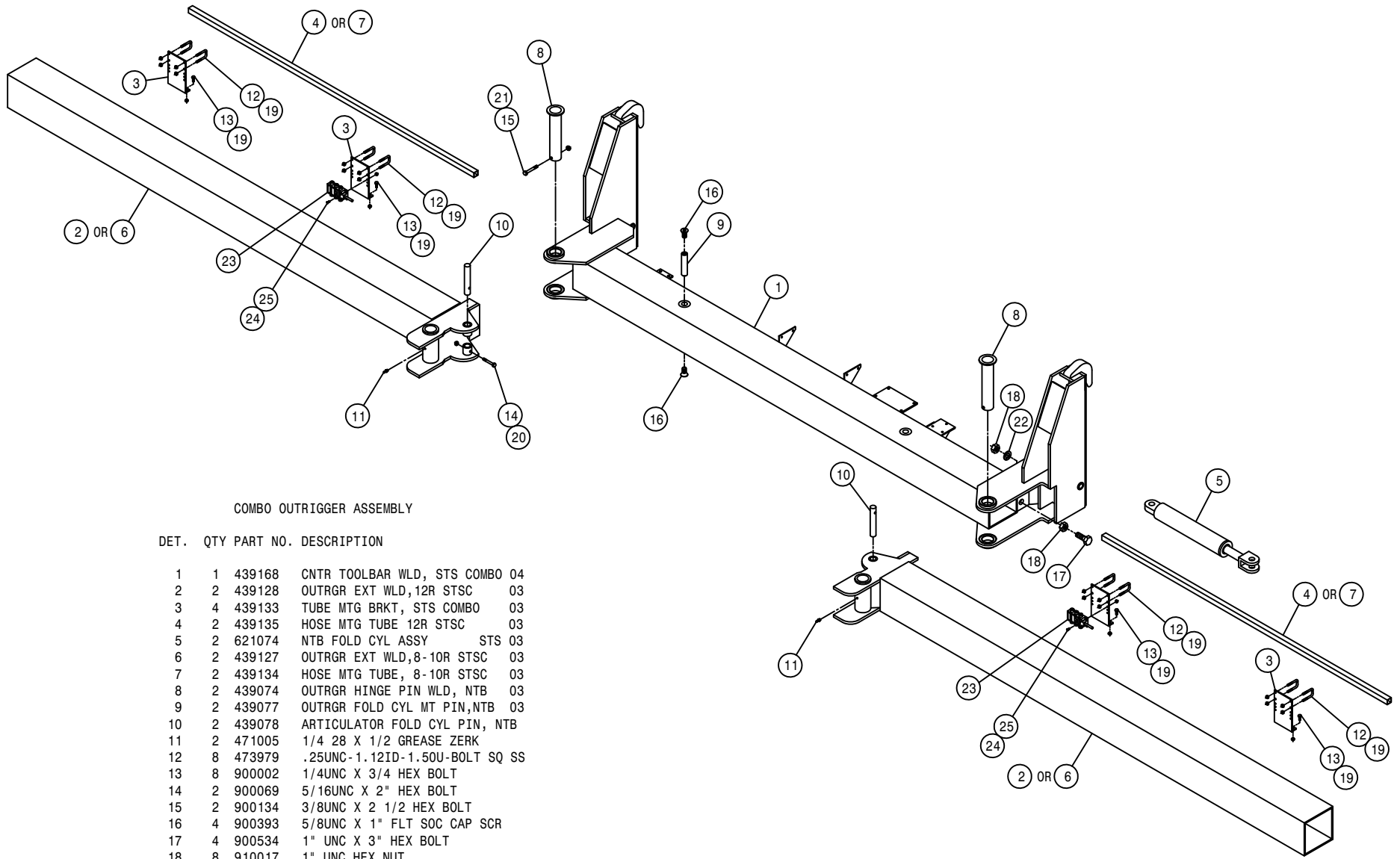
312121



MOTOR CONTROL VALVE ASSEMBLY

DET. QTY PART NO. DESCRIPTION

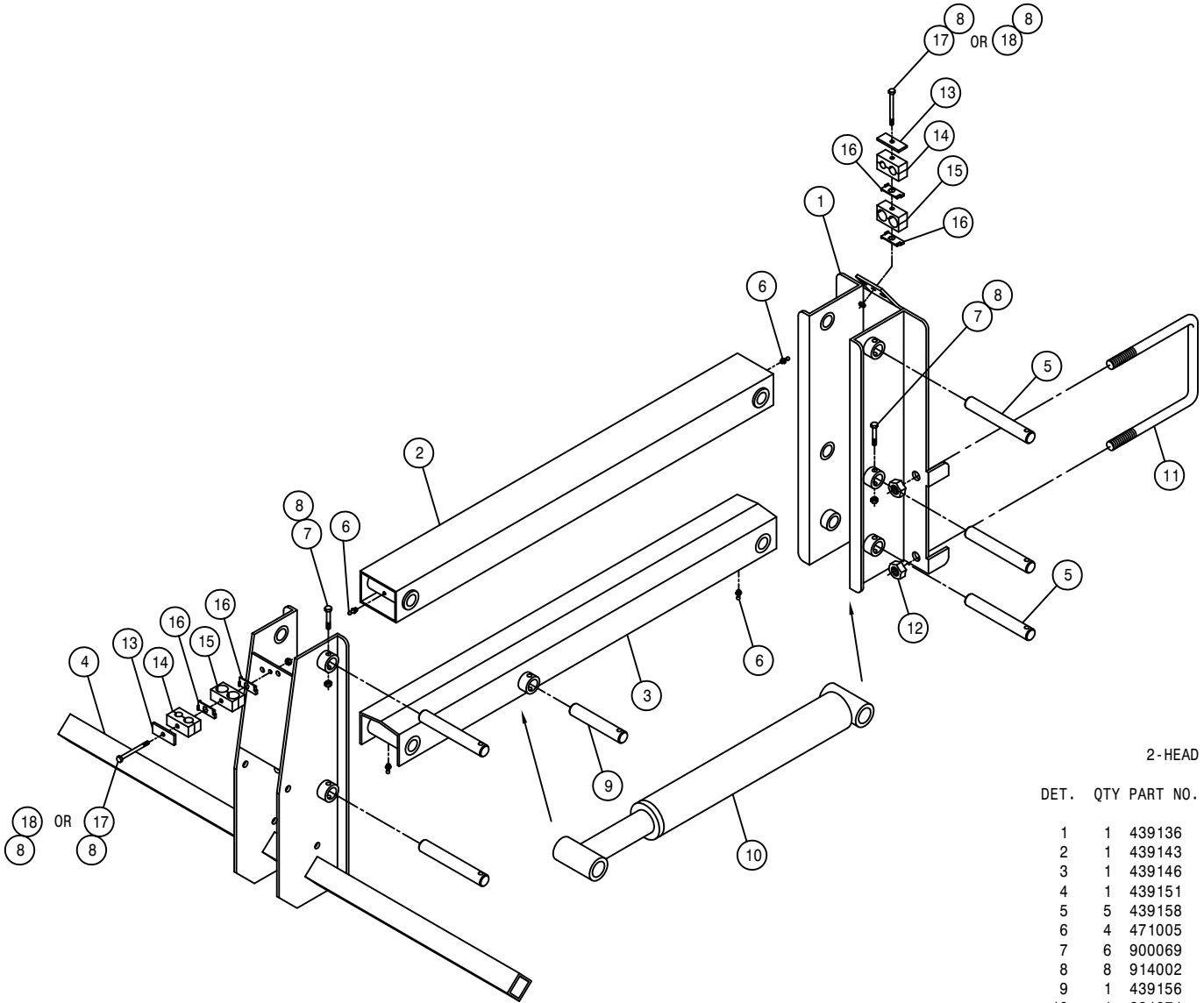
1	1	439132	MTR CTRL VLV MT, STS COMBO 03	
2	1	606019	HYD RETURN MANIFOLD	
3	1	606034	MTR CONTROL ELECT VLV	
4	4	611125	3/4MJIC-3/4MOR ADPTR	
5	1	616247	20C12-20FJX-20FJX-53	H/A
6	1	618727	1 7/8MOR-1 5/8FOR ADPTR	
7	4	618469	3/4MJIC-1 1/16MOR ADPTR	
8	2	618471	1 5/8MJIC-1 5/16MOR ADPTR	
9	2	618476	1 5/8MJIC-90-1 5/16MOR LBO	
10	8	618609	3/4MJIC-90-3/4FJIC SWIV LBO	
11	1	618683	1 5/8MOR-1 5/8FJIC SWIV ADPTR	
12	1	618686	HYD COUPLER,FEM 1"B,1 5/16FOR	
13	1	618687	HYD COUPLER,MALE 1"B,1 5/16FOR	
14	1	618690	DUST PLUG FOR COUPLER 618686	
15	1	618691	DUST CAP FOR COUPLER 618687	
16	1	618728	1 5/8MOR-90-1 5/8FJIC SWIV	
17	2	900128	3/8UNC X 3/4 HEX BOLT	
18	2	920502	3/8 LOCK WASHER	
19	2	900129	3/8UNC X 1" HEX BOLT	
20	2	914004	3/8UNC HEX STOVER NUT	



COMBO OUTRIGGER ASSEMBLY

DET. QTY PART NO. DESCRIPTION

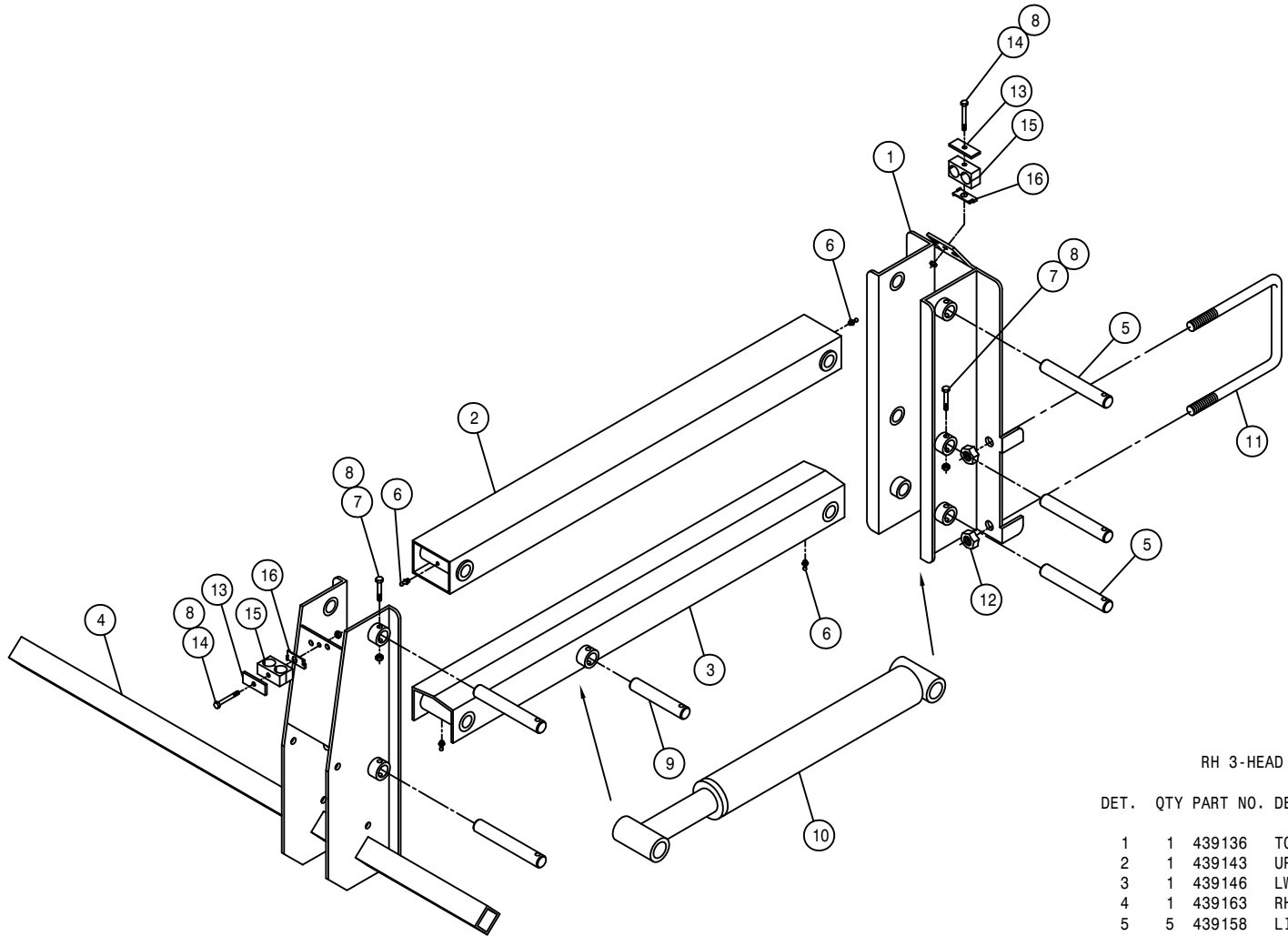
1	1	439168	CNTR TOOLBAR WLD, STS COMBO 04
2	2	439128	OUTRGR EXT WLD, 12R STSC 03
3	4	439133	TUBE MTG BRKT, STS COMBO 03
4	2	439135	HOSE MTG TUBE 12R STSC 03
5	2	621074	NTB FOLD CYL ASSY STS 03
6	2	439127	OUTRGR EXT WLD, 8-10R STSC 03
7	2	439134	HOSE MTG TUBE, 8-10R STSC 03
8	2	439074	OUTRGR HINGE PIN WLD, NTB 03
9	2	439077	OUTRGR FOLD CYL MT PIN, NTB 03
10	2	439078	ARTICULATOR FOLD CYL PIN, NTB
11	2	471005	1/4 28 X 1/2 GREASE ZERK
12	8	473979	.25UNC-1.12ID-1.50U-BOLT SQ SS
13	8	900002	1/4UNC X 3/4 HEX BOLT
14	2	900069	5/16UNC X 2" HEX BOLT
15	2	900134	3/8UNC X 2 1/2 HEX BOLT
16	4	900393	5/8UNC X 1" FLT SOC CAP SCR
17	4	900534	1" UNC X 3" HEX BOLT
18	8	910017	1" UNC HEX NUT
19	24	914000	1/4UNC HEX STOVER NUT
20	2	914002	5/16UNC HEX STOVER NUT
21	2	914004	3/8UNC HEX STOVER NUT
22	4	920508	1" LOCK WASHER
23	2	293697	LS CONNECT MODULE, 6-PORT STS
24	6	470175	10-32 HEX FLANGE LOCK NUT
25	6	903710	10-32X5/8 PHIL PANHD MACH SCR



2-HEAD LIFT ASSEMBLY

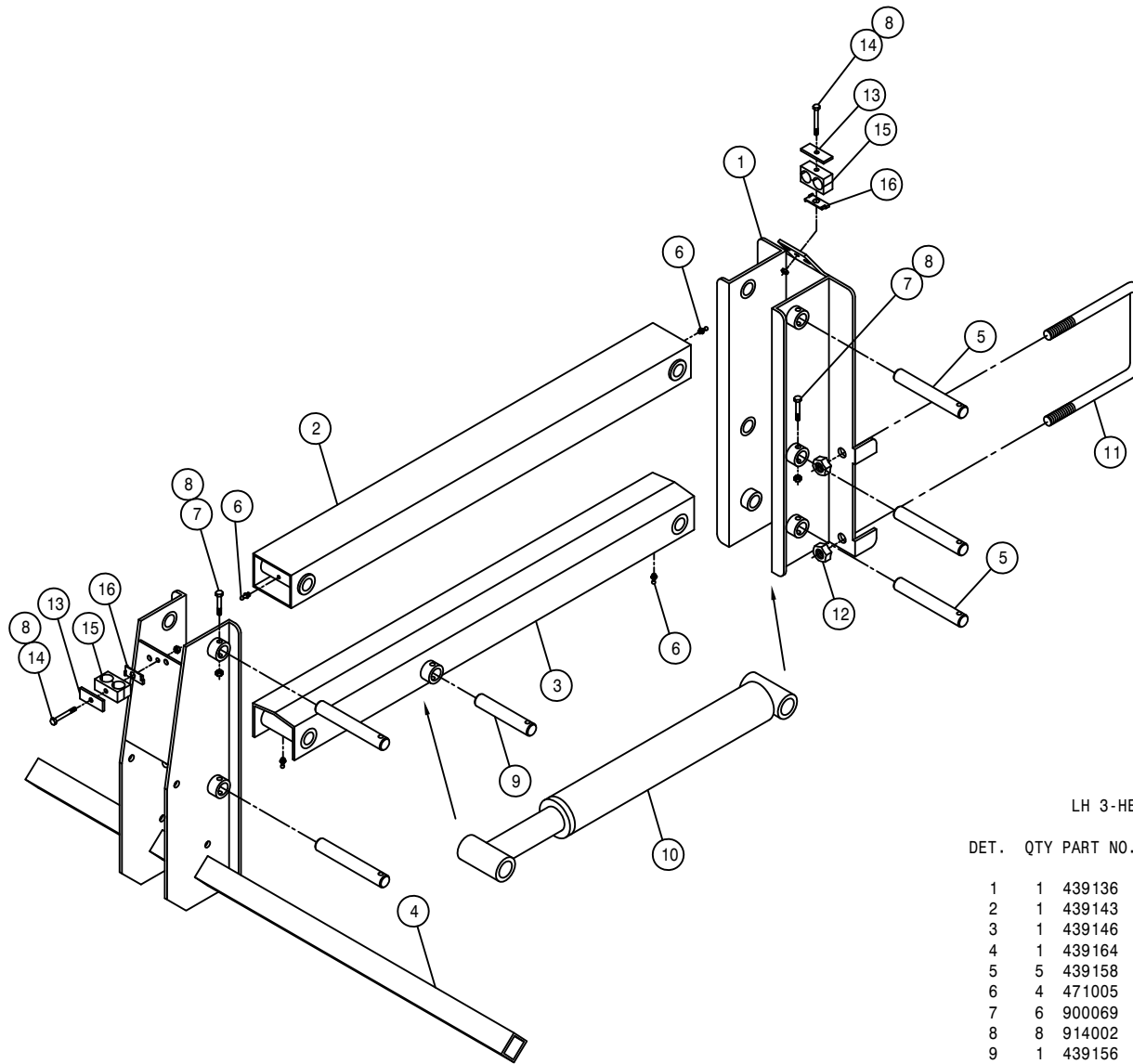
DET. QTY PART NO. DESCRIPTION

1	1	439136	TOOLBAR MT BRKT WLD, STSC	03
2	1	439143	UPPER LIFTARM WLD, STS COMBO	03
3	1	439146	LWR LIFTARM WLD, STS COMBO	03
4	1	439151	HEAD TOOLBAR WLD, STS COMBO	03
5	5	439158	LIFT ARM PIVOT PIN, STSC	03
6	4	471005	1/4 28 X 1/2 GREASE ZERK	
7	6	900069	5/16UNC X 2" HEX BOLT	
8	8	914002	5/16UNC HEX STOVER NUT	
9	1	439156	LWR CYL MT PIN, STS COMBO	03
10	1	621071	LIFT CYL ASSY, DETASSELER STS03	
11	2	473981	.750UNC-7.00ID-8.50 U-BOLT SQ	
12	4	914012	3/4UNC HEX STOVER NUT	
13	2	470276	CLAMP COVER PLATE, SNGL, 2.55LG	
14	2	470270	HOSE CLAMP BODY, .530-.680	
15	2	470274	TUBE CLAMP BODY, .750-.750	
16	4	470281	STACK BOLT SAFETY LOCK PLATE	
17	2	900075	5/16UNC X 3 3/4 HEX BOLT	
18	2	900086	5/16UNC X 2 1/4 HEX BOLT	



RH 3-HEAD LIFT ASSEMBLY

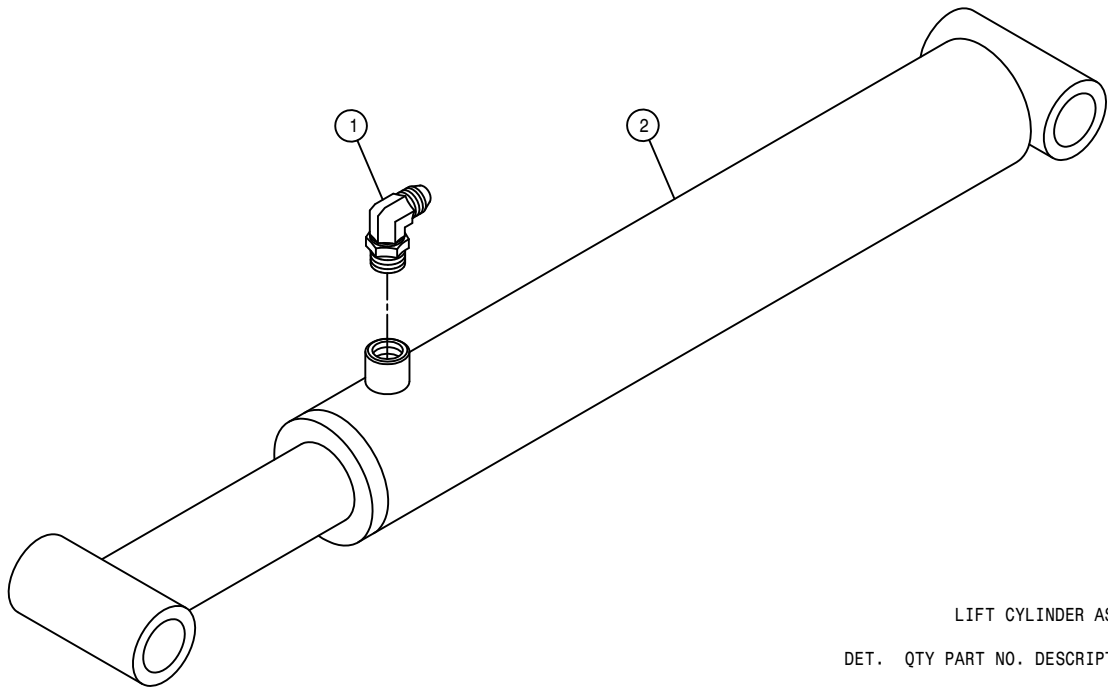
DET.	QTY	PART NO.	DESCRIPTION
1	1	439136	TOOLBAR MT BRKT WLD, STSC 03
2	1	439143	UPPER LIFTARM WLD,STS COMBO 03
3	1	439146	LWR LIFTARM WLD, STS COMBO 03
4	1	439163	RH HEAD TOOLBAR WLD, STSC 03
5	5	439158	LIFT ARM PIVOT PIN, STSC 03
6	4	471005	1/4 28 X 1/2 GREASE ZERK
7	6	900069	5/16UNC X 2" HEX BOLT
8	8	914002	5/16UNC HEX STOVER NUT
9	1	439156	LWR CYL MT PIN, STS COMBO 03
10	1	621071	LIFT CYL ASSY,DETASSELER STS03
11	2	473981	.750UNC-7.00ID-8.50 U-BOLT SQ
12	4	914012	3/4UNC HEX STOVER NUT
13	2	470276	CLAMP COVER PLATE,SNGL, 2.55LG
14	2	900086	5/16UNC X 2 1/4 HEX BOLT
15	2	470274	TUBE CLAMP BODY,.750-.750
16	2	470281	STACK BOLT SAFETY LOCK PLATE



LH 3-HEAD LIFT ASSEMBLY

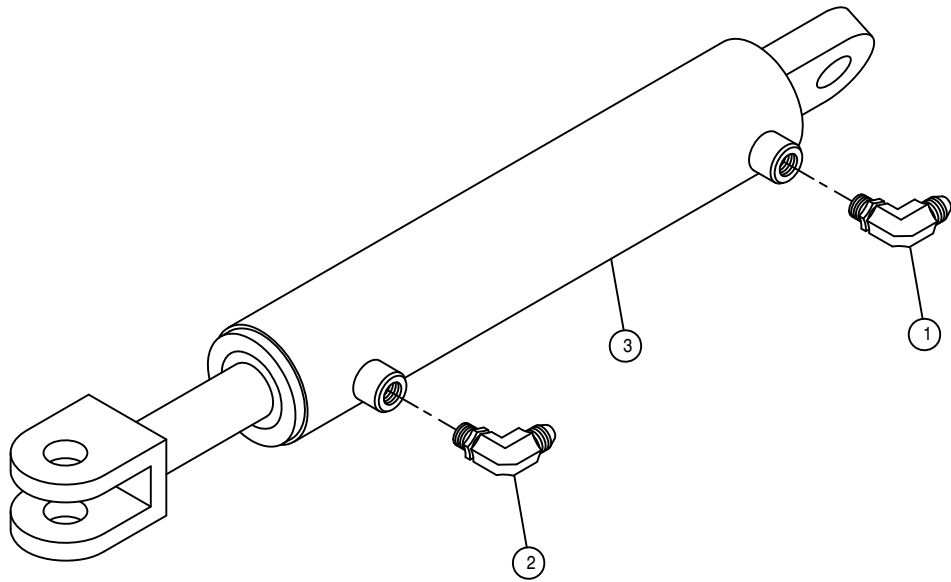
DET. QTY PART NO. DESCRIPTION

1	1	439136	TOOLBAR MT BRKT WLD, STSC	03
2	1	439143	UPPER LIFTARM WLD, STS COMBO	03
3	1	439146	LWR LIFTARM WLD, STS COMBO	03
4	1	439164	LH HEAD TOOLBAR WLD, STSC	03
5	5	439158	LIFT ARM PIVOT PIN, STSC	03
6	4	471005	1/4 28 X 1/2 GREASE ZERK	
7	6	900069	5/16UNC X 2" HEX BOLT	
8	8	914002	5/16UNC HEX STOVER NUT	
9	1	439156	LWR CYL MT PIN, STS COMBO	03
10	1	621071	LIFT CYL ASSY, DETASSELER STS03	
11	2	473981	.750UNC-7.00ID-8.50 U-BOLT SQ	
12	4	914012	3/4UNC HEX STOVER NUT	
13	2	470276	CLAMP COVER PLATE, SNGL, 2.55LG	
14	2	900086	5/16UNC X 2 1/4 HEX BOLT	
15	2	470274	TUBE CLAMP BODY, .750-.750	
16	2	470281	STACK BOLT SAFETY LOCK PLATE	



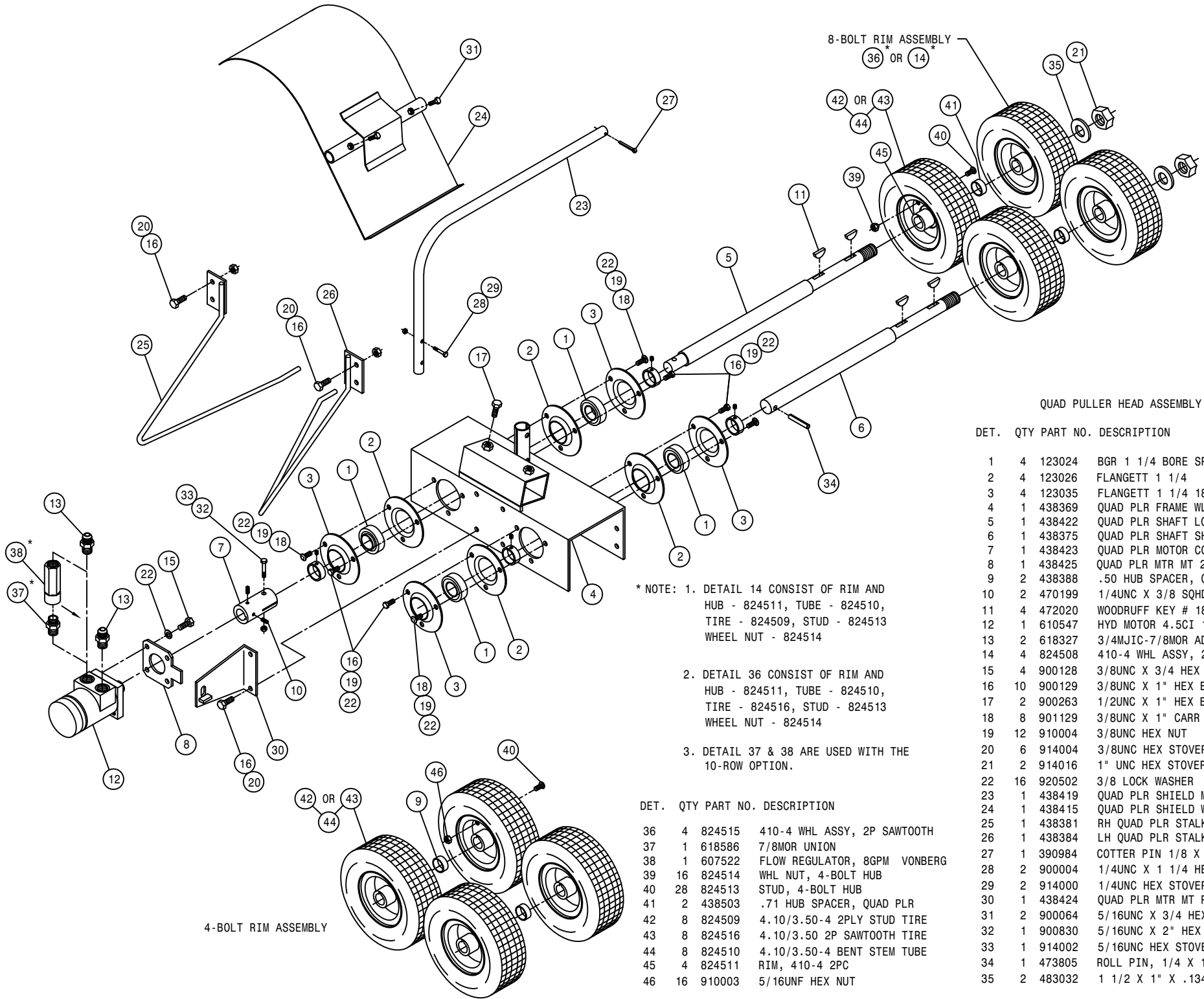
LIFT CYLINDER ASSEMBLY

DET.	QTY	PART NO.	DESCRIPTION
	1	618119	9/16MJIC-90-9/16MOR LBO
	1	621564	DETAS LIFT CYL,2.00 X 11.00STS
	1	621565	REPAIR KIT, HYD CYL 621564



FOLD CYLINDER ASSEMBLY

DET.	QTY	PART NO.	DESCRIPTION
1	1	614757	.032 ELBOW ASSY,9/16MOR 90D
2	1	618119	9/16MJIC-90-9/16MOR LBO
3	1	621566	OUTRGR FOLD CYL, 2.50 X 11.00
NS	1	621567	REPAIR KIT,HYD CYL 621566



QUAD PULLER HEAD ASSEMBLY

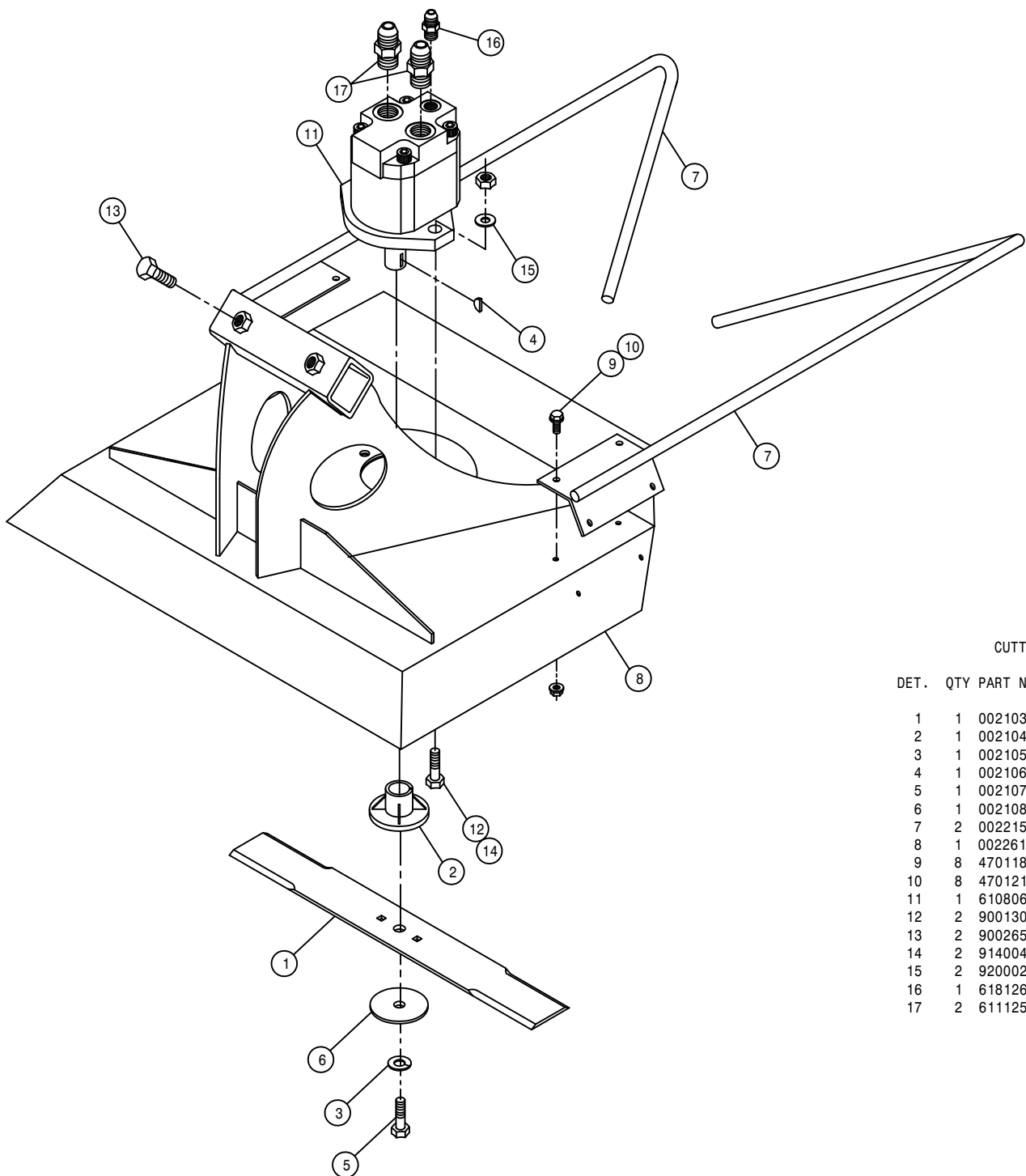
DET.	QTY	PART NO.	DESCRIPTION
1	4	123024	BGR 1 1/4 BORE SPHERICL RELUB
2	4	123026	FLANGETT 1 1/4
3	4	123035	FLANGETT 1 1/4 180 DEG ZERK
4	1	438369	QUAD PLR FRAME WLD 200 90
5	1	438422	QUAD PLR SHAFT LONG 200 91
6	1	438375	QUAD PLR SHAFT SHORT 200 90
7	1	438423	QUAD PLR MOTOR COUPLER 200 91
8	1	438425	QUAD PLR MTR MT 200 91
9	2	438388	.50 HUB SPACER, QUAD PLR
10	2	470199	1/4UNC X 3/8 SQHD CUP SET SCR
11	4	472020	WOODRUFF KEY # 18 1/4 X 1 1/8
12	1	610547	HYD MOTOR 4.5GI 1IN SHFT
13	2	618327	3/4MJIC-7/8MOR ADPTR
14	4	824508	410-4 WHL ASSY, 2P STUD
15	4	900128	3/8UNC X 3/4 HEX BOLT
16	10	900129	3/8UNC X 1" HEX BOLT
17	2	900263	1/2UNC X 1" HEX BOLT
18	8	901129	3/8UNC X 1" CARR BOLT
19	12	910004	3/8UNC HEX NUT
20	6	914004	3/8UNC HEX STOVER NUT
21	2	914016	1" UNC HEX STOVER NUT
22	16	920502	3/8 LOCK WASHER
23	1	438419	QUAD PLR SHIELD MT TUBE 91
24	1	438415	QUAD PLR SHIELD WLD 200 91
25	1	438381	RH QUAD PLR STALK GUIDE WLD90
26	1	438384	LH QUAD PLR STALK GUIDE WLD90
27	1	390984	COTTER PIN 1/8 X 1 1/4
28	2	900004	1/4UNC X 1 1/4 HEX BOLT
29	2	914000	1/4UNC HEX STOVER NUT
30	1	438424	QUAD PLR MTR MT PLT WLD
31	2	900064	5/16UNC X 3/4 HEX BOLT
32	1	900830	5/16UNC X 2" HEX BOLT GR8
33	1	914002	5/16UNC HEX STOVER NUT
34	1	473805	ROLL PIN, 1/4 X 1 1/2
35	2	483032	1 1/2 X 1" X .134TH MACH WASH
36	4	824515	410-4 WHL ASSY, 2P SAWTOOTH
37	1	618586	7/8MOR UNION
38	1	607522	FLOW REGULATOR, 8GPM VONBERG
39	16	824514	WHL NUT, 4-BOLT HUB
40	28	824513	STUD, 4-BOLT HUB
41	2	438503	.71 HUB SPACER, QUAD PLR
42	8	824509	4.10/3.50-4 2PLY STUD TIRE
43	8	824516	4.10/3.50 2P SAWTOOTH TIRE
44	8	824510	4.10/3.50-4 BENT STEM TUBE
45	4	824511	RIM, 410-4 2PC
46	16	910003	5/16UNF HEX NUT

* NOTE: 1. DETAIL 14 CONSIST OF RIM AND HUB - 824511, TUBE - 824510, TIRE - 824509, STUD - 824513 WHEEL NUT - 824514

2. DETAIL 36 CONSIST OF RIM AND HUB - 824511, TUBE - 824510, TIRE - 824516, STUD - 824513 WHEEL NUT - 824514

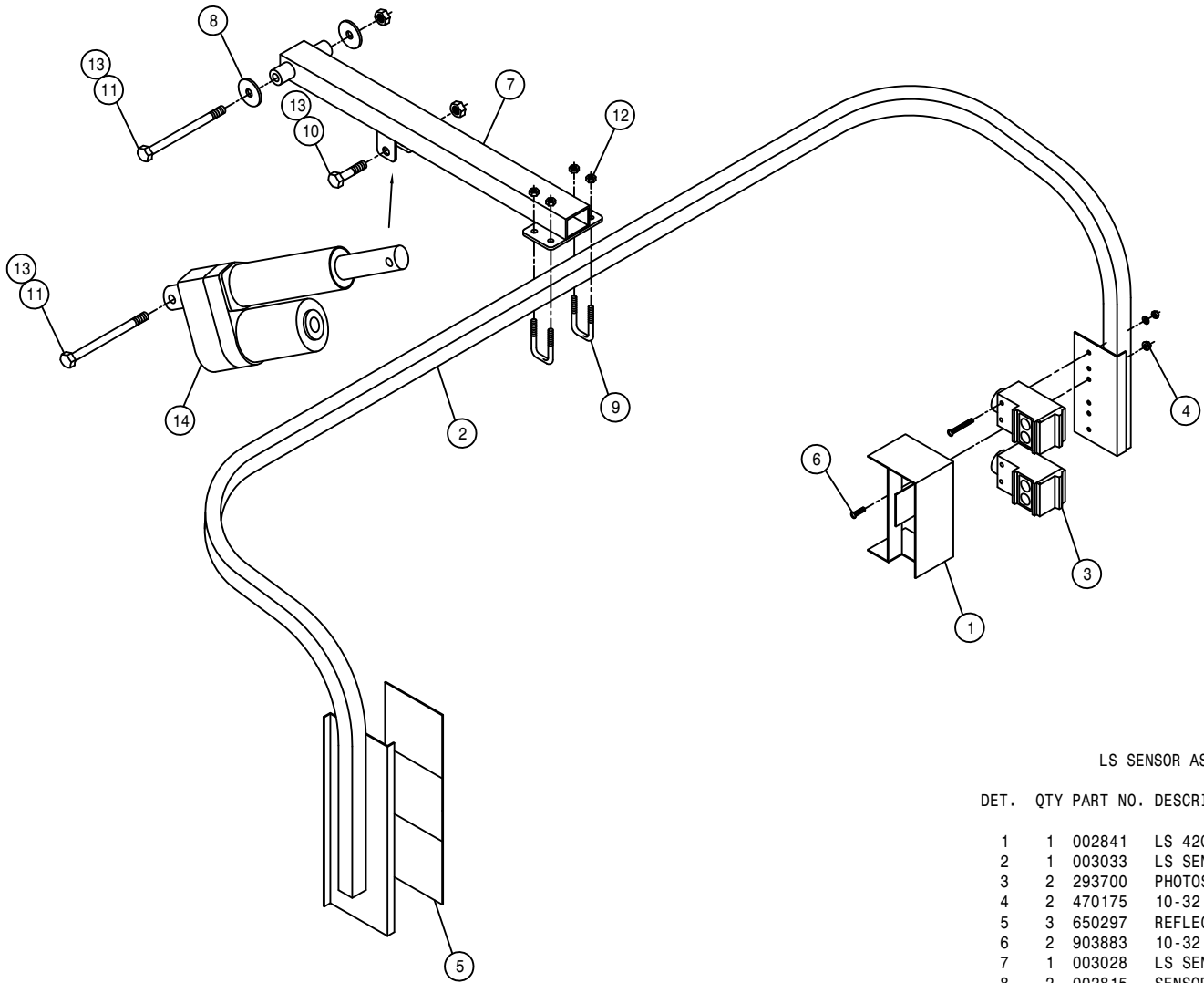
3. DETAIL 37 & 38 ARE USED WITH THE 10-ROW OPTION.

4-BOLT RIM ASSEMBLY



CUTTER HEAD ASSEMBLY

DET.	QTY	PART NO.	DESCRIPTION
	1	002103	CUTR BLADE 18 IN
	1	002104	CLUTCH BODY BLADE
	1	002105	3/8 LOCK WASHER ZINC PLT
	1	002106	WOODRUFF KEY #6 .156 X .625
	1	002107	3/8UNF X 1 1/2 HEX BOLT CUTR
	1	002108	STEEL WASHER CUTTER BLADE
	2	002215	CUTR STALK GUIDE WLD 8200 85
	1	002261	26" CUTTER DECK WLD 04
	8	470118	1/4UNC X 3/4 FLANGE HEX BOLT
	8	470121	1/4UNC HEX FLANGE LOCK NUT
	1	610806	HYD MOTOR, .55CI CASAPPA
	2	900130	3/8UNC X 1 1/4 HEX BOLT
	2	900265	1/2UNC X 1 1/2 HEX BOLT
	2	914004	3/8UNC HEX STOVER NUT
	2	920002	3/8 SAE FLAT WASHER
	1	618126	9/16MJIC-9/16MOR ADPTR
	2	611125	3/4MJIC-3/4MOR ADPTR



LS SENSOR ASSEMBLY

DET.	QTY	PART NO.	DESCRIPTION
1	1	002841	LS 42GRU SENSOR SHIELD WLD
2	1	003033	LS SENSOR MT WLD, STS COMBO 03
3	2	293700	PHOTOSWITCH, 42GRU-9200-QD
4	2	470175	10-32 HEX FLANGE LOCK NUT
5	3	650297	REFLECTIVE TAPE, 4 X 4, RTC4-4P
6	2	903883	10-32 X 1/2 SLT RDHD MACH SCR
7	1	003028	LS SENSOR MT SUPP WLD, STSC 03
8	2	002815	SENSOR ARM WASH, NYL
9	2	473980	.31UNC-1.06ID-1.75SQ U-BOLT SS
10	1	900267	1/2UNC X 2" HEX BOLT
11	2	900278	1/2UNC X 6" HEX BOLT
12	4	914002	5/16UNC HEX STOVER NUT
13	3	914008	1/2UNC HEX STOVER NUT
14	1	291634	LINEAR ACTUATOR, ELECTRAK 2

NOTICE

The following page contains decals for the model STS 12.

These decals can be obtained from Hagie Mfg. Co. and should be used whenever your machine is repainted or when the decals become worn, weathered, or faded.

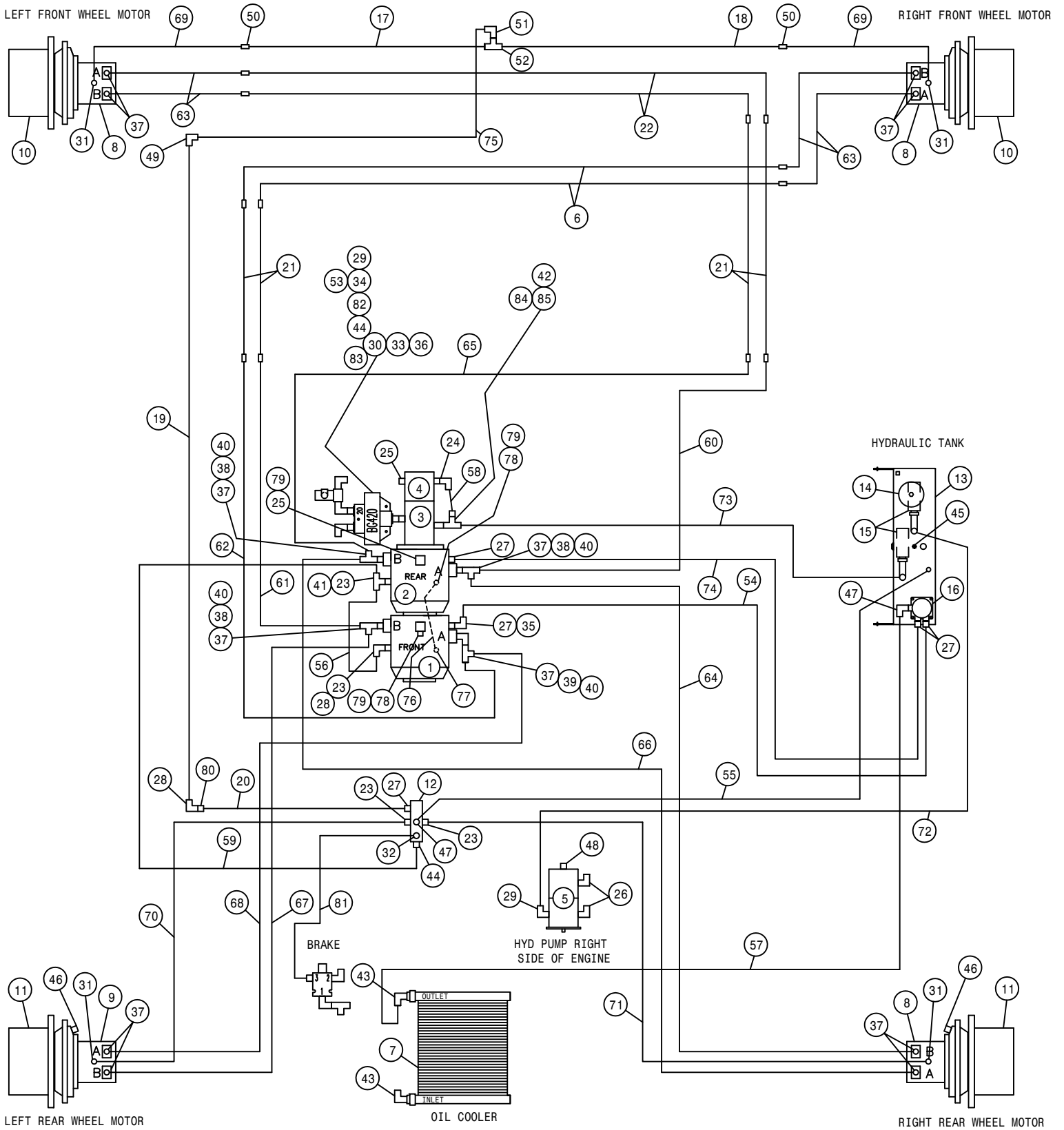
Special attention should be paid to decals involving personal safety. They have been attached for your protection.

KEEP THEM IN PLACE.

**Contact: Hagie Manufacturing Co.
Box 273
Clarion, Iowa 50525**

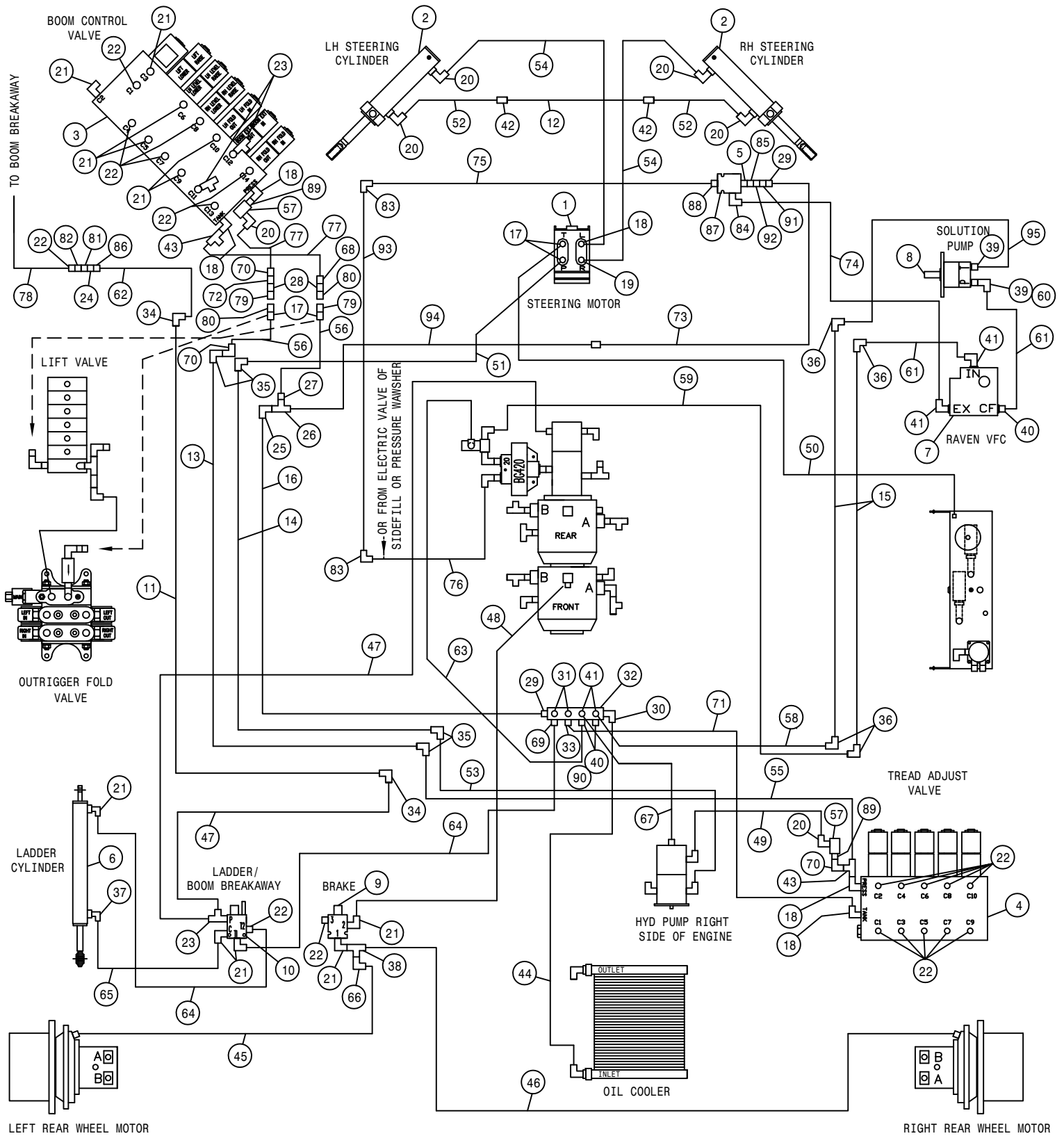
STS12 DECALS

<u>QTY.</u>	<u>PART NO.</u>	<u>DESCRIPTION</u>	<u>LOCATION</u>
1	650101	BOOM SPRAY DECAL	ON BOOM SWITCH BOX
1	650102	HYDROSTATIC CONTROL PANEL DECAL	ON HYDRO LEVER MOUNT
4	650103	TREAD ADJUST INDICATOR DECAL	1-ON EACH LEG SLIDE TUBE
1	650105	SOLUTION TANK DECAL SET	ON SOLUTION TANK
1	650107	CAUTION BOOSTER DECAL	NEAR BOOSTER POSTS
1	650108	MAIN SPRAY POWER DECAL	ON ATI CONTROL BOX
1	650109	LOW HYDRAULIC OIL DECAL	ON ATI CONTROL BOX
1	650110	PRESSURE WASHER DECAL	ON PRESSURE WASHER SWITCH BOX
1	650111	CHEMICAL INDUCTOR CONTROL DECAL	ON CHEM INDUCTOR CONTROL BOX
1	650112	HAGIE UPFRONT STRG WHEEL DECAL	ON STEERING WHEEL
1	650113	EMERGENCY EXIT DECAL	ON RH SIDE WINDOW HANDLE
1	650114	FILL WITH FRESH WATER DECAL	ON FRESH WATER TANK
1	650115	HAND WASH ONLY DECAL	NEAR HAND WASH VALVE
1	650116	INDUCTOR FILL INSTRUCTION DECAL	ON SIDE OF FILL ARM
1	650118	DO NOT USE EITHER DECAL	NEAR AIR INTAKE ON SHEET METAL
1	650124	RINSE CONTROL PANEL DECAL	ON SWITCH PANEL
1	650125	AGITATION VALVE DECAL	ON AGITATION ELECT VALVE
1	650135	ENGINE COMPARTMENT DECAL SET	ON ENGINE HOOD
1	650337	ELECTROCUTION HAZARD DECAL	ON RH SIDE WINDOW
2	650339	WARNING, HYD OIL INJ DECAL	1-ON SIDE OF OIL TANK 1-NEAR ELECTIC VALVE ON TRANSOM
1	650340	CAUTION, PARKING BRAKE DECAL	ON RH SIDE WINDOW
1	650347	NOTICE-R134 DECAL	RH SIDE OF ENGINE ON FRAME
1	650820	MOVING PARTS DECAL	1-ON EACH QUAD HEAD
1	650848	CAUTION, SLIP OR FALL DECAL	ON LADDER PIVOT TUBE
1	650849	CAUTION, ENGINE FUEL DECAL	NEAR FUEL TANK NECK
1	650850	DANGEROUS CHEM DECAL	SOLUTION TANK FILLER NECK
1	650851	SHIELDS DECAL	ON LOWER LH REAR MAINFRAME TUBE
1	650852	READ MANUAL DECAL	ON LEFT SIDE WINDOW
1	650931	HAGIE 1 3/4 X 4 DECAL	ON EACH QUAD HEAD
1	650954	DIESEL DECAL	NEAR FUEL TANK NECK
1	650955	SLOW ENG TO IDLE DECAL	ON LEFT SIDE WINDOW
1	650981	COOLING SYSTEM DECAL	NEAR RADIATOR CAP
1	650982	ELECTRICAL DECAL	ON RH CAB DOOR
4	650985	WHEEL BOLT TORQUE DECAL	ON EACH WHEEL RIM
1	650363	FRONT RECEPTACLE PANEL DECAL	ON FRONT RECEPTACLE PANEL
1	650367	AIR FILTER INSTRUCTION DECAL	ON ENGINE AIR FILTER END CAP
2	650819	DANGER, CUTTING BLADES DECAL	2-ON EACH CUTTER HEAD



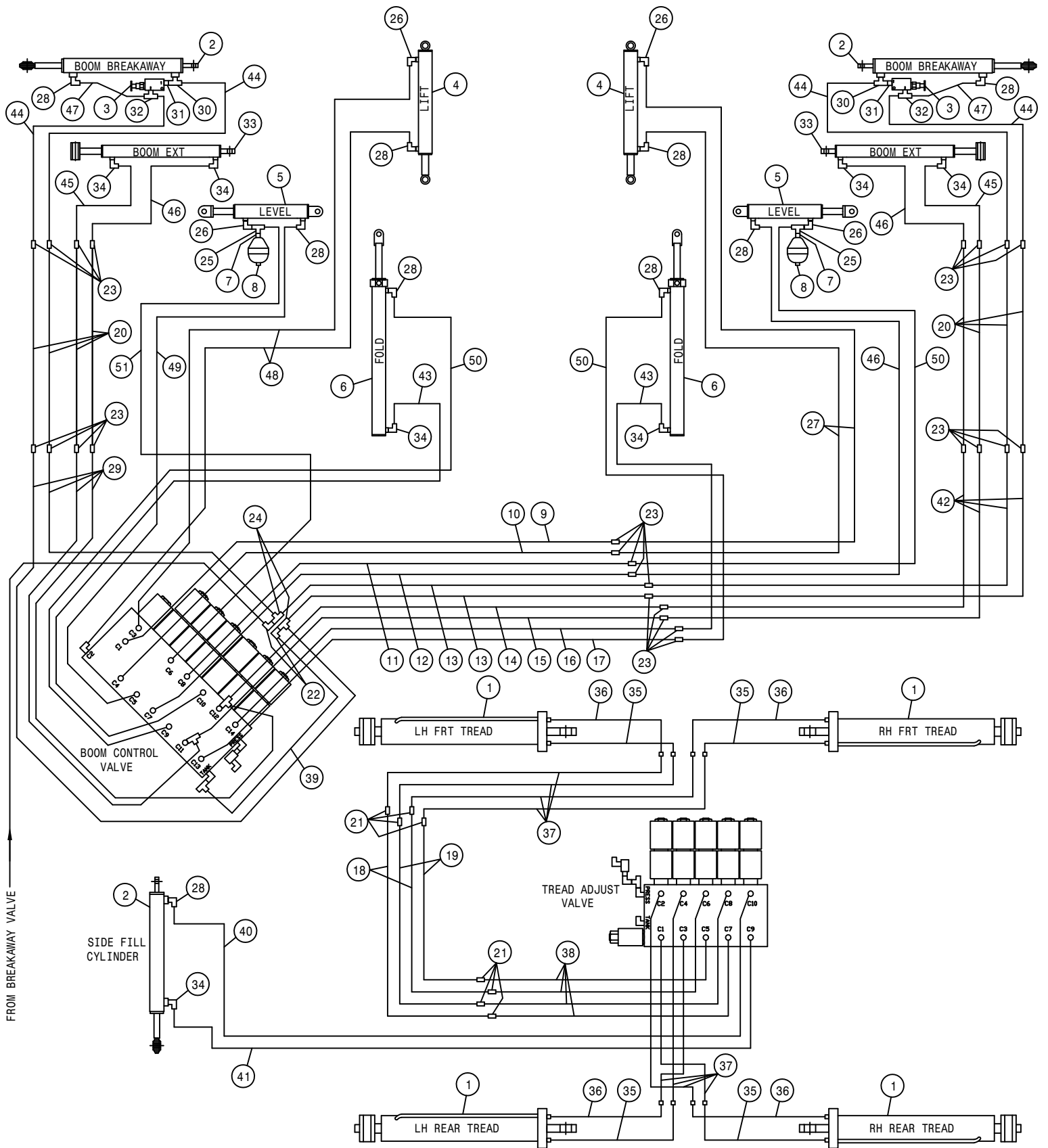
STS12 COMBO HYDRAULIC SCHEMATIC 2004
 REFERENCE DRAWING NO. 498823S1

DET.	QTY	PART NO.	DESCRIPTION	DET.	QTY	PART NO.	DESCRIPTION
1	1	606153	SAUER 75CC PUMP,C/C-MT	44	2	618308	1 1/16MJIC-1 5/16MOR ADPTR
2	1	606156	SAUER 75CC PUMP,C/B-MT	45	1	470308	1/2MNPT DRAIN PLUG,AL HD,MAG
3	1	606087	SAUER GEAR PUMP,3.87CI GRP3	46	2	618666	7/16MJIC-M12X1.5MOR ADPTR
4	1	606987	SUND GEAR PUMP,.128CI GRP3	47	2	618477	1 5/8MJIC-90-1 5/8MOR LBO
5	1	606990	TANDEM PUMP,.66CI/.51CI	48	1	618315	3/4MJIC-45-3/4MOR LBO
6	2	615784	RH FRT WHL MAIN HYD TUBE ASSY	49	1	618448	1 1/16MJIC-90-1 1/16MJIC LBO
7	1	618800	OIL COOLER STS12 2000	50	2	618456	7/8MJIC UNION
8	3	606978	SUND HYD MOTOR	51	1	618301	7/8MJIC-90-7/8FJIC SWIV LBO
9	1	606993	SAUER HYD MOTOR W/DIV-2 SENSOR	52	1	618581	7/8MJIC UNION TEE
10	2	610711	TORQ HUB, 22:1 CW12	53	1	618279	1 1/16MJIC-90-7/8MOR LBO
11	2	610714	TORQ HUB, 27:1 CW12	54	1	616236	16-451TC-16FJX-16FJX-56 H/A
12	1	606041	HYD RETURN MANIFOLD	55	1	616239	20-421-20FJX-20FJX90-70 H/A
13	1	760288	HYD TANK WLD, STS 04	56	1	616107	08-451TC-12FJX-12FJX-17 H/A
14	1	470362	6" HOLE COVER	57	1	616241	20-421-16FJX-20FJX-160 H/A
15	2	605620	SUMP STRAINER,50GPM,100M,1.5NP	58	1	616243	06-451TC-08FJX-08FJX-17 H/A
16	1	605618	HYD TANK FILTER, 10M HYDAC	59	1	616238	12-421-12FJX-12FJX-19 H/A
17	1	615775	LH FRT CASEDRAIN HYD TUBE ASSY	60	1	616061	16C15-16FFOX-16FFOX-30 H/A
18	1	615776	RH FRT CASEDRAIN HYD TUBE ASSY	61	1	616062	16C15-16FFOX-16FFOX-58 H/A
19	1	615778	FRT CASE DRAIN HYD TUBE ASSY	62	1	616063	16C15-16FFOX-16FFOX90-81 H/A
20	1	615779	CASE DRAIN HYD TUBE ASSY	63	4	616064	16C15-16FFOX-16FLG-132 H/A
21	4	615785	FRT WHL MAIN HYD TUBE ASSY	64	1	616065	16C15-16FFOX-16FLG-165 H/A
22	2	615783	LH FRT WHL MAIN HYD TUBE ASSY	65	1	616066	16C15-16FFOX90-16FFOX90-38 H/A
23	4	611127	1 1/16MJIC-1 1/16MOR ADPTR	66	1	616067	16C15-16FFOX90-16FLG-193 H/A
24	1	618241	3/4MJIC-90-3/4MOR LBO	67	1	616068	16C15-16FFOX90-16FLG-203 H/A
25	2	618126	9/16MJIC-9/16MOR ADPTR	68	1	616069	16C15-16FFOX90-16FLG-223 H/A
26	2	618183	3/4MJIC-90-7/8MOR LBO	69	2	616103	08-451TC-08FJX-10FJX-136 H/A
27	5	618186	1 5/16MJIC-1 5/16MOR ADPTR	70	1	616245	08-451TC-08FJX-12FJX-178 H/A
28	2	618191	1 1/16MJ-90-1 1/16FJ SWIV LBO	71	1	616106	08-451TC-08FJX-12FJX-175 H/A
29	2	618248	1 1/16MJIC-90-1 1/16MOR LBO	72	1	616237	16-451TC-12FJX-20FJX90-119 H/A
30	1	606074	FLO DIV BG420 20GPM PRI 16FOR	73	1	616242	24-881-24FJX-24FJX90-55 H/A
31	4	618327	3/4MJIC-7/8MOR ADPTR	74	1	616235	16-451TC-16FJX-16FJX-50 H/A
32	1	618119	9/16MJIC-90-9/16MOR LBO	75	1	616113	10-421-10FJX-12FJX-55 H/A
33	1	618471	1 5/8MJIC-1 5/16MOR ADPTR	76	1	616038	04C2AT-06FJX-06FJX90-15 H/A
34	1	607550	IN-LINE RELIEF VALVE, 2600 PSI	77	1	614754	.050 ELBOW ASSY,9/16MOR 90D
35	1	618640	1 5/16MJ-90-1 5/16FJ SWIV LBO	78	2	618444	9/16MOR RUN TEE-9/16MJIC
36	1	618683	1 5/8MOR-1 5/8FJIC SWIV ADPTR	79	3	618531	9/16FJIC CAP NUT
37	12	618652	1" SPLIT FLANGE KIT	80	1	618722	1 5/16-1 1/16MJIC REDU UNION
38	3	618653	1" FLANGE-1 7/16MFOR ADPTR	81	1	616244	04-451TC-06FJX-06FJX-24 H/A
39	1	618654	1" FLANGE-90-1 7/16MFOR LBO	82	1	618684	1 1/16MOR-90-1 1/16FJIC SWIV
40	4	618655	1 7/16FFOX RUN TEE-1 7/16MFOR	83	1	618178	1 5/16MJIC-90-1 5/16MOR LBO
41	1	618660	1 1/16FJX BRANCH TEE-1 1/16MJ	84	1	618682	1 7/8MOR-1 7/8MJIC ADPTR
42	1	618720	1 7/8FJIC-3/4MJIC ADPTR	85	1	618681	1 7/8FJ SW RUN TEE-1 7/8MJ
43	2	618463	1 5/16MJIC-90-1 5/16MOR XL LBO				



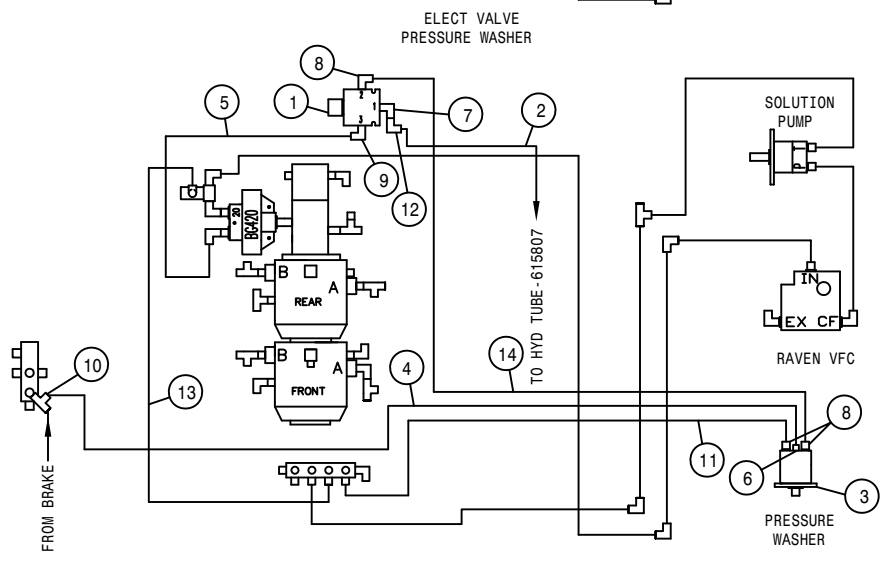
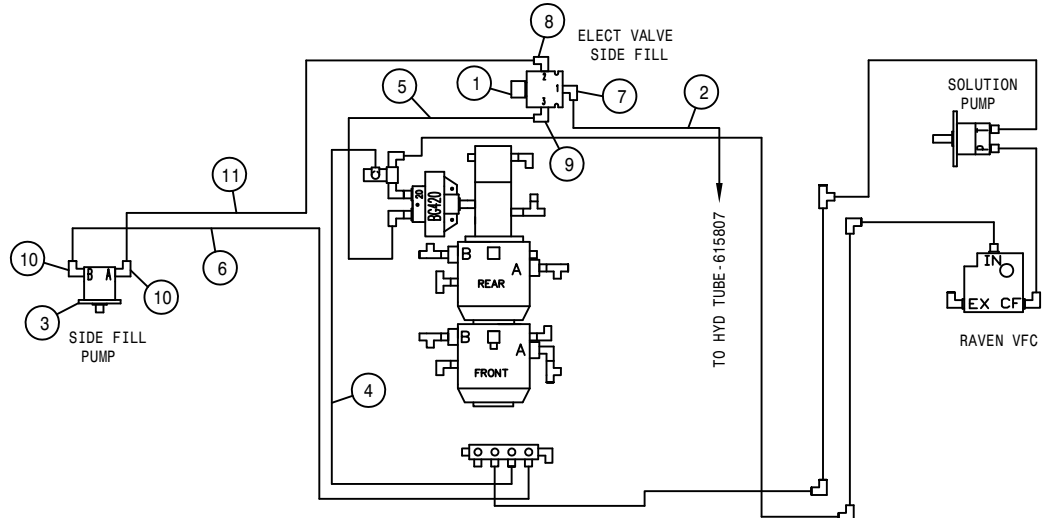
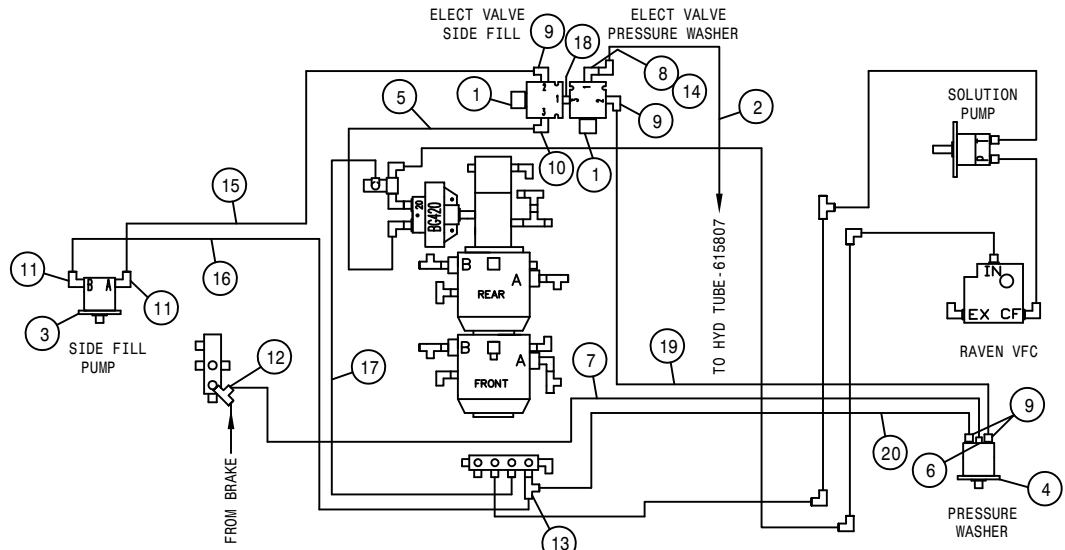
STS12 COMBO HYDRAULIC SCHEMATIC 2004
 REFERENCE DRAWING NO. 498823S2

DET.	QTY	PART NO.	DESCRIPTION	DET.	QTY	PART NO.	DESCRIPTION
1	1	749321	STEERING CONTROL MTR 14.1CI	49	1	616093	08-451TC-08FJX-08FJX-86 H/A
2	2	621550	STEERING CYL,2.50 X 8.81 STS	50	1	616232	06-451TC-08FJX-08FJX-104 H/A
3	1	606104	BOOM CTRL VLV, STS PWRSYS 03	51	1	616095	06-451TC-08FJX-08FJX-33 H/A
4	1	606103	TREAD ADJ VLV, STS PWRSYS 03	52	2	616096	06-451TC-08FJX-08FJX-37 H/A
5	1	618724	1 5/8MJIC-1 5/8MOR LG ADPTR	53	1	616097	08-451TC-08FJX-08FJX-90 H/A
6	1	621554	LADR/SF/BRKWAY CYL,1.50 X12.25	54	2	616098	06-451TC-08FJX-08FJX-94 H/A
7	1	690666	VALVE HYD CTRL,30GPM RAVEN	55	1	616101	08-451TC-08FJX-08FJX-31 H/A
8	1	690670	HYPRO PUMP, 9305C-HM3CB	56	2	616234	08-451TC-08FJX-08FJX-66 H/A
9	1	606013	BRAKE VLV W/TOWER ASSY	57	2	605615	HYD FILTER,INLINE 25M 9/16FOR
10	1	606011	LADDER/BRKWAY VLV W/TOWER ASSY	58	1	616108	10-451TC-12FJX-12FJX-28 H/A
11	1	615771	BRKAWAY/TRD MAIN HYD TUBE ASSY	59	1	616109	10-451TC-12FJX-12FJX-32 H/A
12	1	615772	STRG CYL JUMPER HYD TUBE ASSY	60	1	618191	1 1/16MJ-90-1 1/16FJ SWIV LBO
13	1	615773	STACK VALVE MAIN HYD TUBE ASSY	61	2	616188	10-451TC-12FJX90-12FJX-19 H/A
14	1	615774	STEERING MAIN HYD TUBE ASSY	62	1	616089	04-451TC-06FJX-06FJX-60 H/A
15	2	615777	SOLUTION PUMP HYD TUBE ASSY	63	1	616132	08-451TC-12FJX-12FJX-18 H/A
16	1	615782	FRT MAIN RETURN HYD TUBE ASSY	64	2	616083	04-451TC-06FJX-06FJX-36 H/A
17	4	611125	3/4MJIC-3/4MOR ADPTR	65	1	616086	04-451TC-06FJX-06FJX-45 H/A
18	5	618241	3/4MJIC-90-3/4MOR LBO	66	1	618618	9/16MJIC-90-9/16FJIC SWIV LBO
19	1	618443	3/4MJIC-90-3/4MOR EX LG LBO	67	1	616136	08-451TC-08FJX-12FJX-72 H/A
20	6	618249	3/4MJIC-90-9/16MOR LBO	68	1	618010	3/4MJIC-90-BLKHD UNION LBO
21	11	618119	9/16MJIC-90-9/16MOR LBO	69	1	618344	9/16MJIC-1 1/16MOR ADPTR
22	19	618126	9/16MJIC-9/16MOR ADPTR	70	3	618609	3/4MJIC-90-3/4FJIC SWIV LBO
23	3	618444	9/16MOR RUN TEE-9/16MJIC	71	1	616139	08-451TC-08FJX-08FJX-36 H/A
24	1	618668	9/16FJIC SWIV-9/16MOR ADPTR	72	1	618349	3/4MJIC-3/4MJIC BLKHD UNION
25	1	618657	1 5/8MJIC-90-1 5/8MJIC LBO	73	1	616250	20C12-20FJX-20FJX-46 H/A
26	1	618726	1 5/8FJ SW RUN TEE-1 5/8MJ	74	1	616149	12-451TC-12FJX-16FJX-105 H/A
27	1	618723	1 5/8FJIC-3/4MJIC ADPTR	75	1	616152	12-451TC-16FJX-16FJX90-50 H/A
28	2	618669	3/4FJIC SWIV-3/4MOR ADPTR	76	1	616153	12-451TC-16FJX-16FJX90-35 H/A
29	2	618471	1 5/8MJIC-1 5/16MOR ADPTR	77	2	616233	08-451TC-08FJX-08FJX-53 H/A
30	1	618476	1 5/8MJIC-90-1 5/16MOR LBO	78	1	616231	04-451TC-06FJX-06FJX-81 H/A
31	2	610186	1 1/16MOR PLUG	79	2	618697	HYD COUPLER,MALE 1/2B, 3/4FOR
32	1	606029	RETURN MANIFOLD BLOCK, STS 03	80	2	618696	HYD COUPLER,FEM 1/2B, 3/4FOR
33	1	618469	3/4MJIC-1 1/16MOR ADPTR	81	1	618694	HYD COUPLER,FEM 1/4B, 9/16FOR
34	2	618603	9/16MJIC-90-9/16MJIC LBO	82	1	618695	HYD COUPLER,MALE 1/4B, 9/16FOR
35	4	618442	3/4MJIC-90-3/4MJIC LBO	83	2	618441	1 5/16MJIC-90-1 5/16MJIC LBO
36	4	618448	1 1/16MJIC-90-1 1/16MJIC LBO	84	1	618178	1 5/16MJIC-90-1 5/16MOR LBO
37	1	614750	.042 ELBOW ASSY,9/16MOR 90D	85	1	618725	1 5/16MOR-1 5/8FJIC SWIV
38	1	618486	9/16FJIC SW RUN TEE-9/16MJIC	86	1	618350	9/16MJIC-45-BLKHD UNION LBO
39	2	618273	1 1/16MJIC-1/2MNPT ADPTR	87	1	606075	MANIFOLD, 1 5/16FOR & 1 5/8FOR
40	3	611127	1 1/16MJIC-1 1/16MOR ADPTR	88	1	618186	1 5/16MJIC-1 5/16MOR ADPTR
41	4	618248	1 1/16MJIC-90-1 1/16MOR LBO	89	2	618692	3/4FJIC SWIV-9/16MOR ADPTR
42	2	618314	3/4MJIC UNION	90	1	618533	1 1/16FJIC CAP NUT
43	2	618451	3/4FJIC SW RUN TEE-3/4MJIC	91	1	618686	HYD COUPLER,FEM 1"B,1 5/16FOR
44	1	616240	20-421-16FJX-20FJX-103 H/A	92	1	618687	HYD COUPLER,MALE 1"B,1 5/16FOR
45	1	616072	04-451TC-04FJX45-06FJX-195 H/A	93	1	615807	PRESS HYD TUBE ASSY,STS12COMBO
46	1	616073	04-451TC-04FJX45-06FJX-202 H/A	94	1	615811	RETURN HYD TUBE ASSY, STSC
47	2	616080	04-451TC-06FJX-06FJX-30 H/A	95	1	616189	10-451TC-12FJX90-12FJX-29 H/A
48	1	616081	04-451TC-06FJX-06FJX-31 H/A				



STS12 COMBO HYDRAULIC SCHEMATIC 2004
REFERENCE DRAWING NO. 498823S3

DET.	QTY	PART NO.	DESCRIPTION	DET.	QTY	PART NO.	DESCRIPTION	
1	4	621552	TRD ADJ CYL, 3.00 X 16.00	STS 27	2	616088	04-451TC-06FJX-06FJX-56	H/A
2	3	621554	LADR/SF/BRKWAY CYL,1.50 X12.25	28	9	618119	9/16MJIC-90-9/16MOR LBO	
3	2	607540	KICK-DOWN RELIEF VALVE, 800PSI	29	4	616133	04-451TC-06FJX-06FJX-72	H/A
4	2	621556	LIFT CYL, 2.50 X 18.00	STS 30	2	618629	9/16MOR BRANCH TEE-9/16MJIC	
5	2	621558	LEVEL CYL, 3.00 X 11.00	STS 31	2	618668	9/16FJIC SWIV-9/16MOR ADPTR	
6	2	621560	FOLD CYL, 2.50 X 21.000	STS 32	2	614752	RESTRICTOR BR TEE ASSY, .042DIA	
7	2	618719	9/16FJIC SWIV-3/4MOR ADPTR	33	2	621562	OUTR FOLD CYL,2.25 X 21.00	STS
8	2	470326	ACCUMULATOR, DIAPHRAGM	34	7	614750	.042 ELBOW ASSY,9/16MOR 90D	
9	1	615761	LIFT RAISE HYD TUBE ASSY	35	4	616070	04-451TC-04MJBH-06MOR-11.00H/A	
10	1	615762	LIFT LOWER HYD TUBE ASSY	36	4	616071	04-451TC-04MJBH-06MOR-13.00H/A	
11	1	615763	LEVEL RAISE HYD TUBE ASSY	37	8	616074	04-451TC-04FJX90-06FJX-26	H/A
12	1	615764	LEVEL LOWER HYD TUBE ASSY	38	4	616079	04-451TC-06FJX-06FJX-29	H/A
13	2	615765	BREAKAWAY HYD TUBE ASSY	39	1	616124	04-451TC-06FJX-08FJX-24	H/A
14	1	615766	BOOM EXTN RAISE HYD TUBE ASSY	40	1	616118	04-451TC-06FJX-06FJX-165	H/A
15	1	615767	BOOM EXTN LOWER HYD TUBE ASSY	41	1	616119	04-451TC-06FJX-06FJX-175	H/A
16	1	615768	RH FOLD RAISE HYD TUBE ASSY	42	4	616089	04-451TC-06FJX-06FJX-60	H/A
17	1	615769	RH FOLD LOWER HYD TUBE ASSY	43	2	616230	04-451TC-06FJX-06FJX-62	H/A
18	2	615770	FRT TRD ADJ MAIN HYD TUBE ASSY	44	4	616090	04-451TC-06FJX-06FJX-85	H/A
19	2	615771	BRKAWAY/TRD MAIN HYD TUBE ASSY	45	2	616077	04-451TC-06FJX-06FJX-18	H/A
20	8	615760	BOOM HYD TUBE ASSY	46	3	616083	04-451TC-06FJX-06FJX-36	H/A
21	8	618603	9/16MJIC-90-9/16MJIC LBO	47	2	616075	04-451TC-06FJX-06FJX-9	H/A
22	2	618618	9/16MJIC-90-9/16FJIC SWIV LBO	48	2	616084	04-451TC-06FJX-06FJX-46	H/A
23	26	619010	9/16MJIC UNION	49	1	616085	04-451TC-06FJX-06FJX-43	H/A
24	2	618019	9/16MJIC UNION TEE	50	3	616086	04-451TC-06FJX-06FJX-45	H/A
25	2	618486	9/16FJIC SW RUN TEE-9/16MJIC	51	1	616087	04-451TC-06FJX-06FJX-52	H/A
26	4	618689	9/16MOR-90-9/16MJ .042 CHK VLV					



SIDE FILL AND PRESSURE WASHER OPTION
REFERENCE DRAWING NO. 498823S4

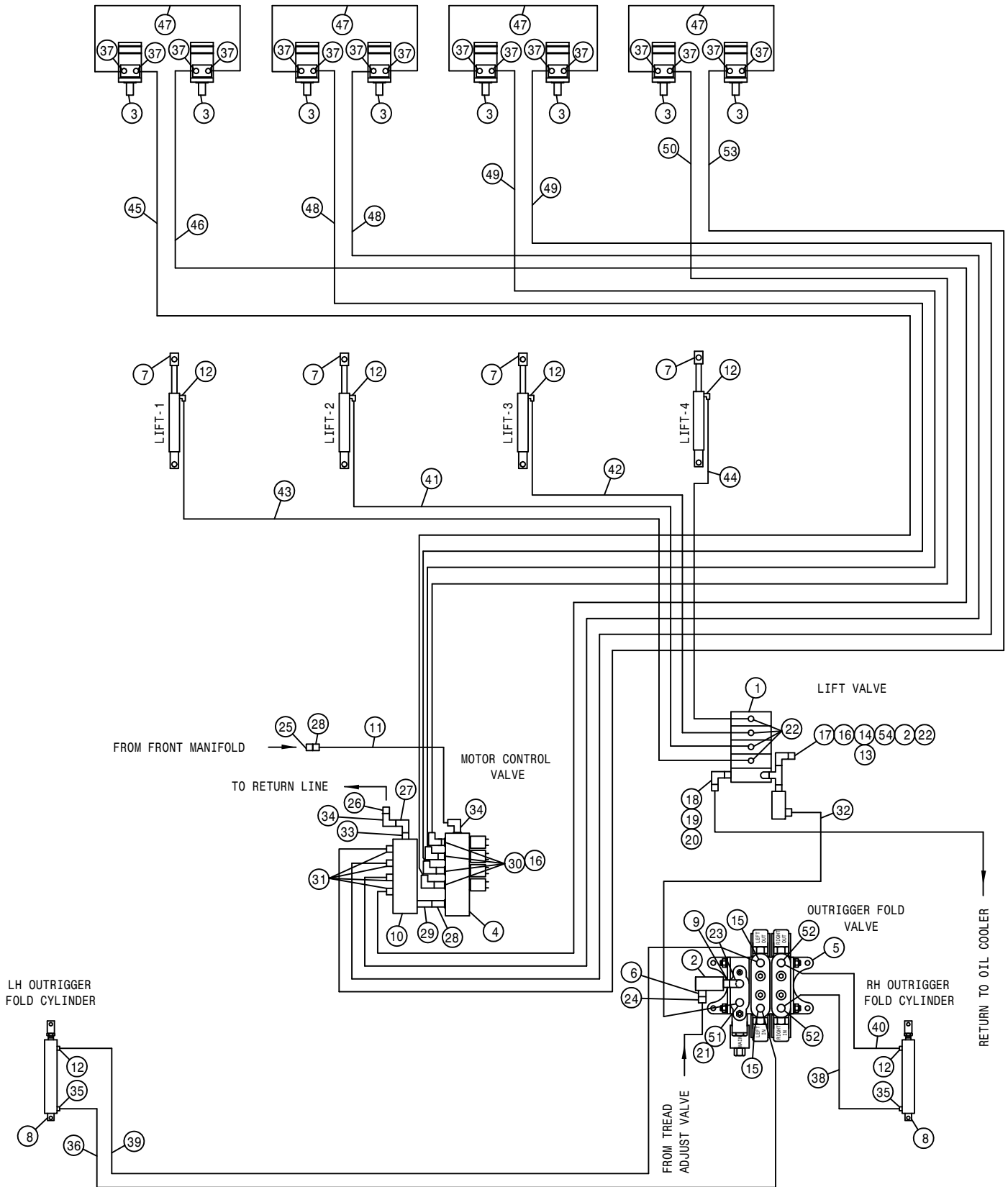
DET.	QTY	PART NO.	DESCRIPTION
1	2	606015	SIDE-FILL/WASH VLV W/SHRD ASSY
2	1	616150	12-451TC-12FJX-16FJX90-40 H/A
3	1	690760	BANJO PUMP,3" SIDE FILL STS12
4	1	690672	PRESSURE WASHER,PACE 320 HYD
5	1	616148	12-451TC-12FJX-16FJX-22 H/A
6	1	618119	9/16MJIC-90-9/16MOR LBO
7	1	616089	04-451TC-06FJX-06FJX-60 H/A
8	1	618248	1 1/16MJIC-90-1 1/16MOR LBO
9	4	618474	3/4MJIC-90-1 1/16MOR LBO
10	1	618674	1 1/16MJIC-90-1 1/16MOR XL LBO
11	2	618183	3/4MJIC-90-7/8MOR LBO
12	1	618486	9/16FJIC SW RUN TEE-9/16MJIC
13	1	618487	1 1/16FJ SW RUN TEE-1 1/16MJ
14	1	618191	1 1/16MJ-90-1 1/16FJ SWIV LBO
15	1	616129	08-451TC-08FJX-08FJX-204 H/A
16	1	616130	08-451TC-08FJX-12FJX-204 H/A
17	1	616132	08-451TC-12FJX-12FJX-18 H/A
18	1	618675	1 1/16MOR UNION
19	1	616135	08-451TC-08FJX-08FJX-50 H/A
20	1	616134	08-451TC-08FJX-12FJX-60 H/A

SIDE FILL OPTION

DET.	QTY	PART NO.	DESCRIPTION
1	1	606015	SIDE-FILL/WASH VLV W/SHRD ASSY
2	1	616150	12-451TC-12FJX-16FJX90-40 H/A
3	1	690760	BANJO PUMP,3" SIDE FILL STS12
4	1	616132	08-451TC-12FJX-12FJX-18 H/A
5	1	616148	12-451TC-12FJX-16FJX-22 H/A
6	1	616130	08-451TC-08FJX-12FJX-204 H/A
7	1	618248	1 1/16MJIC-90-1 1/16MOR LBO
8	1	618474	3/4MJIC-90-1 1/16MOR LBO
9	1	618674	1 1/16MJIC-90-1 1/16MOR XL LBO
10	2	618183	3/4MJIC-90-7/8MOR LBO
11	1	616129	08-451TC-08FJX-08FJX-204 H/A

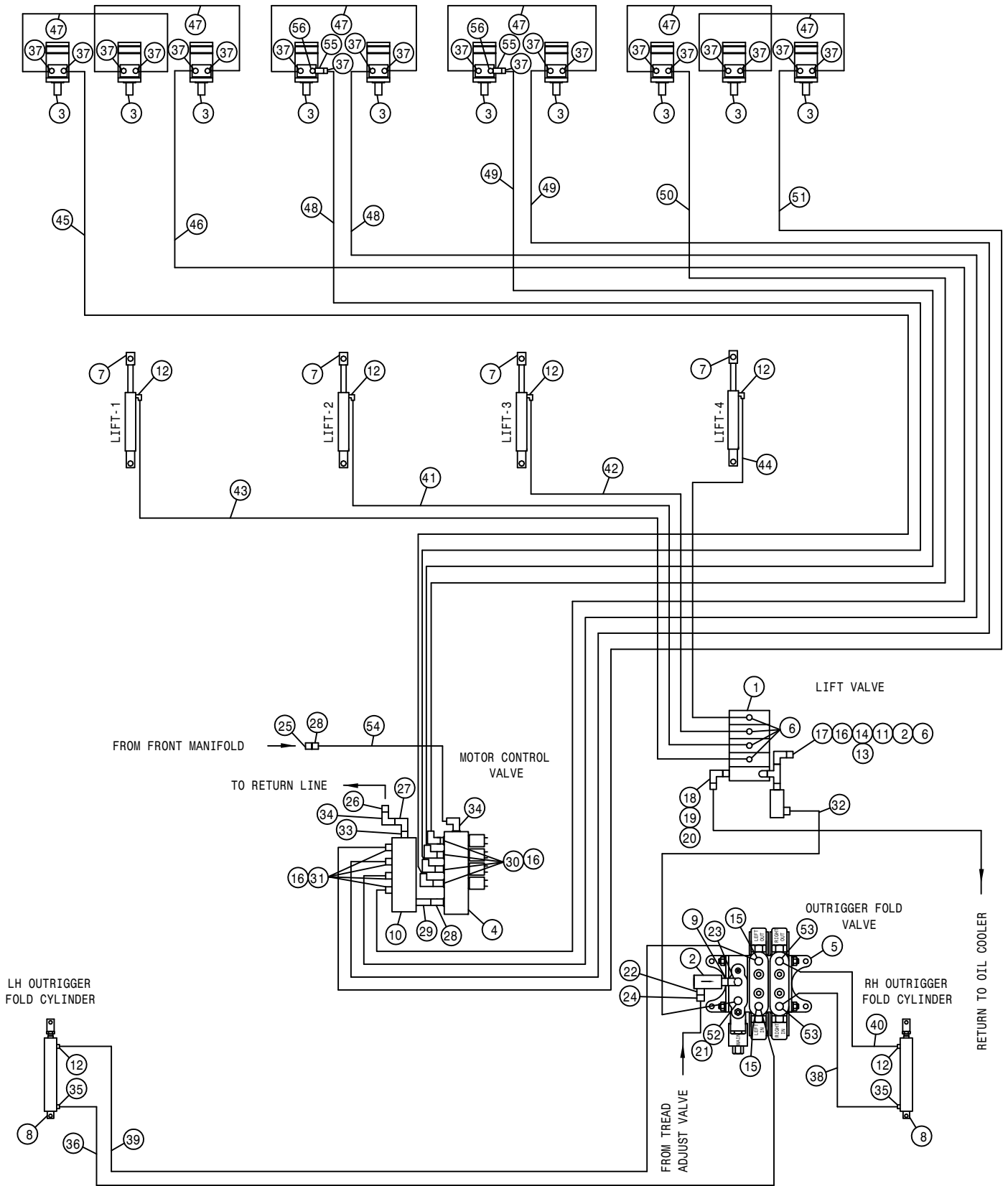
PRESSURE WASHER OPTION

DET.	QTY	PART NO.	DESCRIPTION
1	1	606015	SIDE-FILL/WASH VLV W/SHRD ASSY
2	1	616150	12-451TC-12FJX-16FJX90-40 H/A
3	1	690672	PRESSURE WASHER,PACE 320 HYD
4	1	616089	04-451TC-06FJX-06FJX-60 H/A
5	1	616148	12-451TC-12FJX-16FJX-22 H/A
6	1	618119	9/16MJIC-90-9/16MOR LBO
7	1	618248	1 1/16MJIC-90-1 1/16MOR LBO
8	3	618474	3/4MJIC-90-1 1/16MOR LBO
9	1	618674	1 1/16MJIC-90-1 1/16MOR XL LBO
10	1	618486	9/16FJIC SW RUN TEE-9/16MJIC
11	1	616134	08-451TC-08FJX-12FJX-60 H/A
12	1	618191	1 1/16MJ-90-1 1/16FJ SWIV LBO
13	1	616132	08-451TC-12FJX-12FJX-18 H/A
14	1	616135	08-451TC-08FJX-08FJX-50 H/A



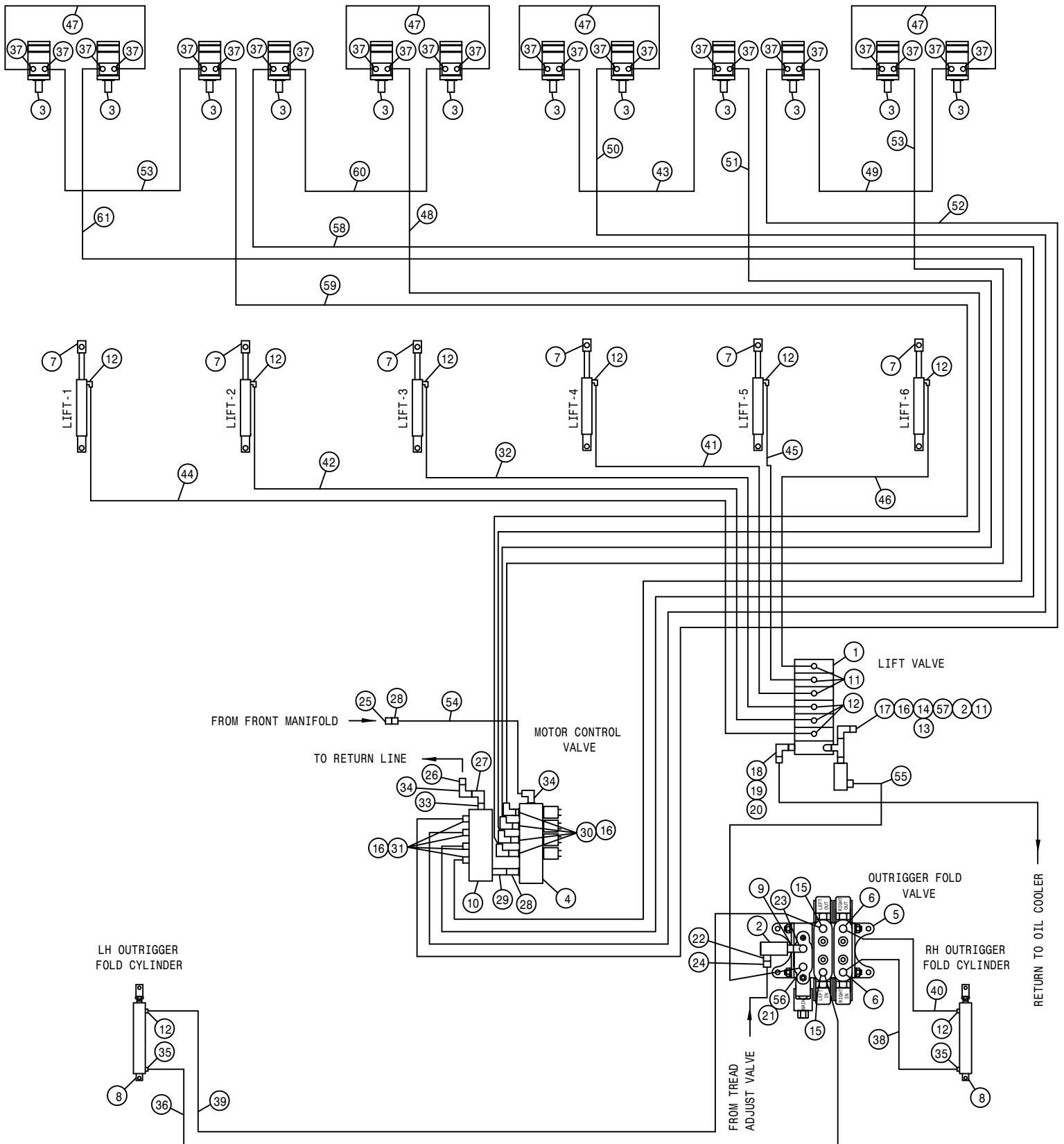
STS COMBO 8R QUAD HYD SCHEM 04
REFERENCE DRAWING NO. 498824

DET.	QTY	PART NO.	DESCRIPTION	DET.	QTY	PART NO.	DESCRIPTION
1	1	610613	ELECT HYD STACT VLV, 4 SECT	28	2	618471	1 5/8MJIC-1 5/16MOR ADPTR
2	2	605615	HYD FILTER, INLINE 25M 9/16FOR	29	1	618683	1 5/8MOR-1 5/8FJIC SWIV ADPTR
3	8	610547	HYD MOTOR 4.5CI 1IN SHFT	30	4	618469	3/4MJIC-1 1/16MOR ADPTR
4	1	606034	MTR CONTROL ELECT VLV	31	4	611125	3/4MJIC-3/4MOR ADPTR
5	1	606090	BRAND HYD VALVE, 2-SECT SER 36	32	1	615621	06C1T-06FJX-06FJX-24 H/A
6	1	618693	3/4MOR-9/16MOR REDU UNION	33	1	618727	1 7/8MOR-1 5/8FOR ADPTR
7	4	621564	DETAS LIFT CYL, 2.00 X 11.00STS	34	2	618476	1 5/8MJIC-90-1 5/16MOR LBO
8	2	621566	OUTRGR FOLD CYL, 2.50 X 11.00	35	2	614757	.032 ELBOW ASSY, 9/16MOR 90D
9	1	618692	3/4FJIC SWIV-9/16MOR ADPTR	36	1	615314	04C1T-06FJX-06FJX-50 H/A
10	1	606019	HYD RETURN MANIFOLD	37	16	618327	3/4MJIC-7/8MOR ADPTR
11	1	616247	20C12-20FJX-20FJX-53 H/A	38	1	615442	04C1T-06FJX-06FJX-55 H/A
12	6	618119	9/16MJIC-90-9/16MOR LBO	39	1	616207	04C1T-06FJX-06FJX-62 H/A
13	1	618669	3/4FJIC SWIV-3/4MOR ADPTR	40	1	616040	04C1T-06FJX-06FJX-67 H/A
14	1	618494	3/4MOR RUN TEE-3/4MJIC	41	1	616210	06C1T-06FJX-06FJX-32 H/A
15	2	618115	9/16MJIC-90-3/4MOR LBO	42	1	616215	06C1T-06FJX-06FJX-85 H/A
16	9	618609	3/4MJIC-90-3/4FJIC SWIV LBO	43	1	616216	06C1T-06FJX-06FJX-115 H/A
17	1	618532	3/4FJIC CAP NUT	44	1	616218	06C1T-06FJX-06FJX-177 H/A
18	1	618594	7/8FJIC SWIV-7/8MOR ADPTR	45	1	614386	08C1T-08FJX-08FJX-285 H/A
19	1	618173	7/8MJIC-90-3/4MOR LBO	46	1	616226	08C1T-08FJX-08FJX-253 H/A
20	1	618696	HYD COUPLER, FEM 1/2B, 3/4FOR	47	4	616025	08C1T-08FJX-08FJX-50 H/A
21	1	618618	9/16MJIC-90-9/16FJIC SWIV LBO	48	2	616173	08C1T-08FJX-08FJX-157 H/A
22	5	618126	9/16MJIC-9/16MOR ADPTR	49	2	616220	08C1T-08FJX-08FJX-98 H/A
23	1	618183	3/4MJIC-90-7/8MOR LBO	50	1	614375	08C1T-08FJX-08FJX-177 H/A
24	1	618697	HYD COUPLER, MALE 1/2B, 3/4FOR	51	1	618310	9/16MJIC-7/8MOR ADPTR
25	1	618686	HYD COUPLER, FEM 1"B, 1 5/16FOR	52	2	618709	9/16MJIC-90-3/4MOR EX LG LBO
26	1	618687	HYD COUPLER, MALE 1"B, 1 5/16FOR	53	1	614691	08C1T-08FJX-08FJX-220 H/A
27	1	618728	1 5/8MOR-90-1 5/8FJIC SWIV	54	1	618706	9/16MOR-3/4FOR ADPTR



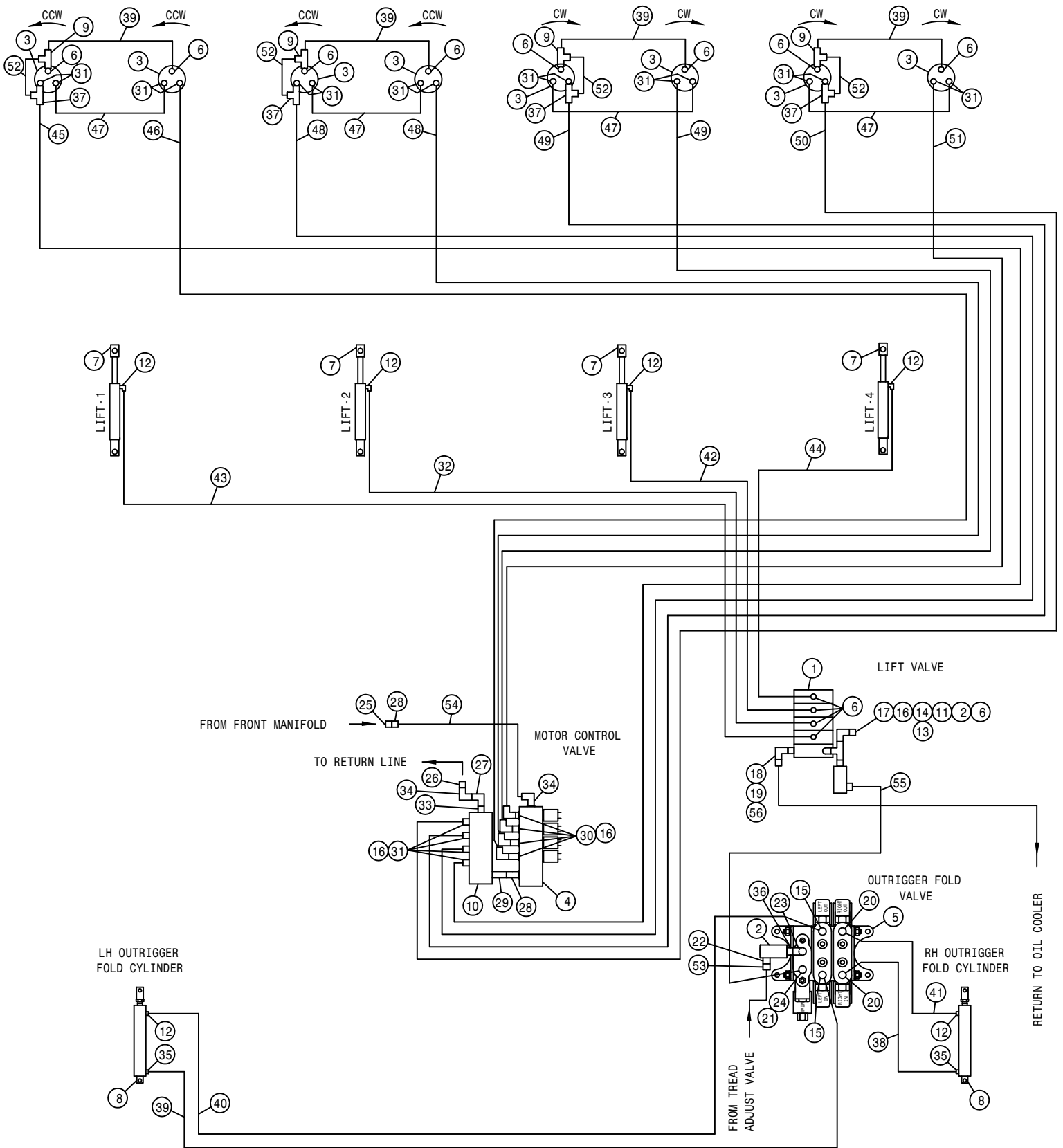
STS COMBO 10R QUAD HYD SCHEM 04
REFERENCE DRAWING NO. 498825

DET.	QTY	PART NO.	DESCRIPTION	DET.	QTY	PART NO.	DESCRIPTION
1	1	610613	ELECT HYD STACT VLV, 4 SECT	29	1	618683	1 5/8MOR-1 5/8FJIC SWIV ADPTR
2	2	605615	HYD FILTER,INLINE 25M 9/16FOR	30	4	618469	3/4MJIC-1 1/16MOR ADPTR
3	10	610547	HYD MOTOR 4.5CI 1IN SHFT	31	4	611125	3/4MJIC-3/4MOR ADPTR
4	1	606034	MTR CONTROL ELECT VLV	32	1	615621	06C1T-06FJX-06FJX-24 H/A
5	1	606090	BRAND HYD VALVE, 2-SECT SER 36	33	1	618727	1 7/8MOR-1 5/8FOR ADPTR
6	5	618126	9/16MJIC-9/16MOR ADPTR	34	2	618476	1 5/8MJIC-90-1 5/16MOR LBO
7	4	621564	DETAS LIFT CYL,2.00 X 11.00STS	35	2	614757	.032 ELBOW ASSY,9/16MOR 90D
8	2	621566	OUTRGR FOLD CYL, 2.50 X 11.00	36	1	615314	04C1T-06FJX-06FJX-50 H/A
9	1	618692	3/4FJIC SWIV-9/16MOR ADPTR	37	20	618327	3/4MJIC-7/8MOR ADPTR
10	1	606019	HYD RETURN MANIFOLD	38	1	615442	04C1T-06FJX-06FJX-55 H/A
11	1	618706	9/16MOR-3/4FOR ADPTR	39	1	616207	04C1T-06FJX-06FJX-62 H/A
12	6	618119	9/16MJIC-90-9/16MOR LBO	40	1	616040	04C1T-06FJX-06FJX-67 H/A
13	1	618669	3/4FJIC SWIV-3/4MOR ADPTR	41	1	616210	06C1T-06FJX-06FJX-32 H/A
14	1	618494	3/4MOR RUN TEE-3/4MJIC	42	1	616215	06C1T-06FJX-06FJX-85 H/A
15	2	618115	9/16MJIC-90-3/4MOR LBO	43	1	616216	06C1T-06FJX-06FJX-115 H/A
16	9	618609	3/4MJIC-90-3/4FJIC SWIV LBO	44	1	616218	06C1T-06FJX-06FJX-177 H/A
17	1	618532	3/4FJIC CAP NUT	45	1	614386	08C1T-08FJX-08FJX-285 H/A
18	1	618594	7/8FJIC SWIV-7/8MOR ADPTR	46	1	616226	08C1T-08FJX-08FJX-253 H/A
19	1	618173	7/8MJIC-90-3/4MOR LBO	47	6	616025	08C1T-08FJX-08FJX-50 H/A
20	1	618696	HYD COUPLER,FEM 1/2B, 3/4FOR	48	2	616173	08C1T-08FJX-08FJX-157 H/A
21	1	618618	9/16MJIC-90-9/16FJIC SWIV LBO	49	2	616220	08C1T-08FJX-08FJX-98 H/A
22	1	618693	3/4MOR-9/16MOR REDU UNION	50	1	614375	08C1T-08FJX-08FJX-177 H/A
23	1	618183	3/4MJIC-90-7/8MOR LBO	51	1	614691	08C1T-08FJX-08FJX-220 H/A
24	1	618697	HYD COUPLER,MALE 1/2B, 3/4FOR	52	1	618310	9/16MJIC-7/8MOR ADPTR
25	1	618686	HYD COUPLER,FEM 1"B,1 5/16FOR	53	2	618709	9/16MJIC-90-3/4MOR EX LG LBO
26	1	618687	HYD COUPLER,MALE 1"B,1 5/16FOR	54	1	616247	20C12-20FJX-20FJX-53 H/A
27	1	618728	1 5/8MOR-90-1 5/8FJIC SWIV	55	2	607522	FLOW REGULATOR, 8GPM VONBERG
28	2	618471	1 5/8MJIC-1 5/16MOR ADPTR	56	2	618586	7/8MOR UNION



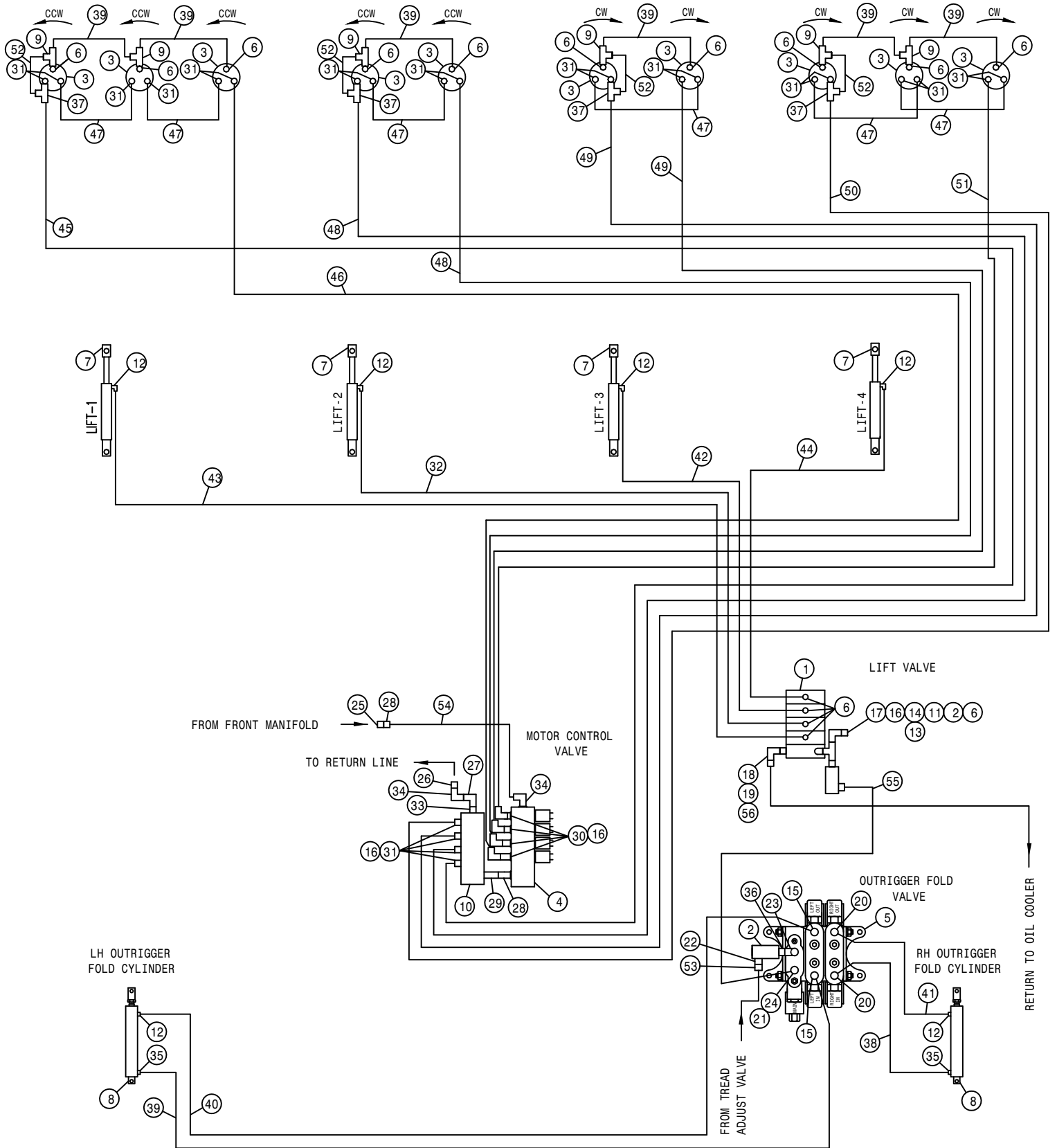
STS COMBO 12R QUAD HYD SCHEM 04
REFERENCE DRAWING NO. 498826

DET.	QTY	PART NO.	DESCRIPTION	DET.	QTY	PART NO.	DESCRIPTION	
1	1	610615	ELECT HYD STACT VLV, 6 SECT	32	1	616210	06C1T-06FJX-06FJX-32	H/A
2	2	605615	HYD FILTER, INLINE 25M 9/16FOR	33	1	618727	1 7/8MOR-1 5/8FOR ADPTR	
3	12	610547	HYD MOTOR 4.5CI 1IN SHFT	34	2	618476	1 5/8MJIC-90-1 5/16MOR LBO	
4	1	606034	MTR CONTROL ELECT VLV	35	4	614757	.032 ELBOW ASSY, 9/16MOR 90D	
5	1	606090	BRAND HYD VALVE, 2-SECT SER 36	36	1	615314	04C1T-06FJX-06FJX-50	H/A
6	2	618709	9/16MJIC-90-3/4MOR EX LG LBO	37	24	618327	3/4MJIC-7/8MOR ADPTR	
7	6	621564	DETAS LIFT CYL, 2.00 X 11.00STS	38	1	615442	04C1T-06FJX-06FJX-55	H/A
8	2	621566	OUTRGR FOLD CYL, 2.50 X 11.00	39	1	616207	04C1T-06FJX-06FJX-62	H/A
9	1	618692	3/4FJIC SWIV-9/16MOR ADPTR	40	1	616040	04C1T-06FJX-06FJX-67	H/A
10	1	606019	HYD RETURN MANIFOLD	41	1	616215	06C1T-06FJX-06FJX-85	H/A
11	4	618126	9/16MJIC-9/16MOR ADPTR	42	1	616216	06C1T-06FJX-06FJX-115	H/A
12	12	618119	9/16MJIC-90-9/16MOR LBO	43	1	616227	08C1T-08FJX-08FJX-255	H/A
13	1	618669	3/4FJIC SWIV-3/4MOR ADPTR	44	1	616217	06C1T-06FJX-06FJX-172	H/A
14	1	618494	3/4MOR RUN TEE-3/4MJIC	45	1	616218	06C1T-06FJX-06FJX-177	H/A
15	2	618115	9/16MJIC-90-3/4MOR LBO	46	1	616219	06C1T-06FJX-06FJX-237	H/A
16	9	618609	3/4MJIC-90-3/4FJIC SWIV LBO	47	4	616025	08C1T-08FJX-08FJX-50	H/A
17	1	618532	3/4FJIC CAP NUT	48	1	616173	08C1T-08FJX-08FJX-157	H/A
18	1	618594	7/8FJIC SWIV-7/8MOR ADPTR	49	1	616224	08C1T-08FJX-08FJX-243	H/A
19	1	618173	7/8MJIC-90-3/4MOR LBO	50	1	616220	08C1T-08FJX-08FJX-98	H/A
20	1	618696	HYD COUPLER, FEM 1/2B, 3/4FOR	51	1	616221	08C1T-08FJX-08FJX-171	H/A
21	1	618618	9/16MJIC-90-9/16FJIC SWIV LBO	52	1	616222	08C1T-08FJX-08FJX-190	H/A
22	1	618693	3/4MOR-9/16MOR REDU UNION	53	2	616223	08C1T-08FJX-08FJX-232	H/A
23	1	618183	3/4MJIC-90-7/8MOR LBO	54	1	616247	20C12-20FJX-20FJX-53	H/A
24	1	618697	HYD COUPLER, MALE 1/2B, 3/4FOR	55	1	615621	06C1T-06FJX-06FJX-24	H/A
25	1	618686	HYD COUPLER, FEM 1"B, 1 5/16FOR	56	1	618310	9/16MJIC-7/8MOR ADPTR	
26	1	618687	HYD COUPLER, MALE 1"B, 1 5/16FOR	57	1	618706	9/16MOR-3/4FOR ADPTR	
27	1	618728	1 5/8MOR-90-1 5/8FJIC SWIV	58	1	616225	08C1T-08FJX-08FJX-248	H/A
28	2	618471	1 5/8MJIC-1 5/16MOR ADPTR	59	1	616226	08C1T-08FJX-08FJX-253	H/A
29	1	618683	1 5/8MOR-1 5/8FJIC SWIV ADPTR	60	1	616228	08C1T-08FJX-08FJX-273	H/A
30	4	618469	3/4MJIC-1 1/16MOR ADPTR	61	1	616229	08C1T-08FJX-08FJX-310	H/A
31	4	611125	3/4MJIC-3/4MOR ADPTR					



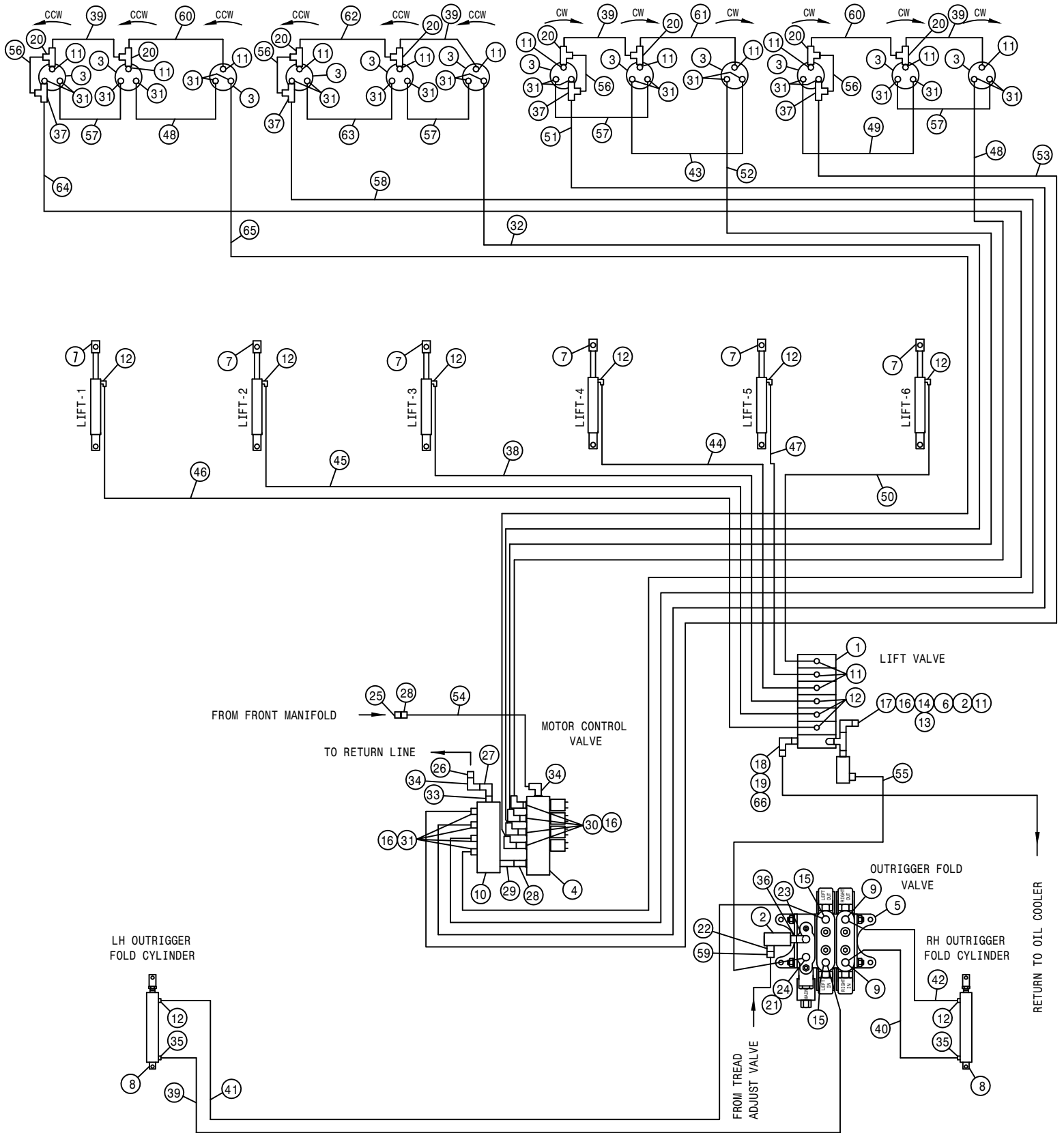
STS COMBO 8R CUTR HYD SCHEM 04
REFERENCE DRAWING NO. 498827

DET.	QTY	PART NO.	DESCRIPTION	DET.	QTY	PART NO.	DESCRIPTION
1	1	610613	ELECT HYD STACT VLV, 4 SECT	29	1	618683	1 5/8MOR-1 5/8FJIC SWIV ADPTR
2	2	605615	HYD FILTER, INLINE 25M 9/16FOR	30	4	618469	3/4MJIC-1 1/16MOR ADPTR
3	8	610806	HYD MOTOR, .55CI CASAPPA	31	20	611125	3/4MJIC-3/4MOR ADPTR
4	1	606034	MTR CONTROL ELECT VLV	32	1	616210	06C1T-06FJX-06FJX-32 H/A
5	1	606090	BRAND HYD VALVE, 2-SECT SER 36	33	1	618727	1 7/8MOR-1 5/8FOR ADPTR
6	13	618126	9/16MJIC-9/16MOR ADPTR	34	2	618476	1 5/8MJIC-90-1 5/16MOR LBO
7	4	621564	DETAS LIFT CYL, 2.00 X 11.00STS	35	2	614757	.032 ELBOW ASSY, 9/16MOR 90D
8	2	621566	OUTRGR FOLD CYL, 2.50 X 11.00	36	1	618692	3/4FJIC SWIV-9/16MOR ADPTR
9	4	618486	9/16FJIC SW RUN TEE-9/16MJIC	37	4	618451	3/4FJIC SW RUN TEE-3/4MJIC
10	1	606019	HYD RETURN MANIFOLD	38	1	615442	04C1T-06FJX-06FJX-55 H/A
11	1	618706	9/16MOR-3/4FOR ADPTR	39	5	615314	04C1T-06FJX-06FJX-50 H/A
12	6	618119	9/16MJIC-90-9/16MOR LBO	40	1	616207	04C1T-06FJX-06FJX-62 H/A
13	1	618669	3/4FJIC SWIV-3/4MOR ADPTR	41	1	616040	04C1T-06FJX-06FJX-67 H/A
14	1	618494	3/4MOR RUN TEE-3/4MJIC	42	1	616215	06C1T-06FJX-06FJX-85 H/A
15	2	618115	9/16MJIC-90-3/4MOR LBO	43	1	616216	06C1T-06FJX-06FJX-115 H/A
16	9	618609	3/4MJIC-90-3/4FJIC SWIV LBO	44	1	616218	06C1T-06FJX-06FJX-177 H/A
17	1	618532	3/4FJIC CAP NUT	45	1	614386	08C1T-08FJX-08FJX-285 H/A
18	1	618594	7/8FJIC SWIV-7/8MOR ADPTR	46	1	616226	08C1T-08FJX-08FJX-253 H/A
19	1	618173	7/8MJIC-90-3/4MOR LBO	47	4	616025	08C1T-08FJX-08FJX-50 H/A
20	2	618709	9/16MJIC-90-3/4MOR EX LG LBO	48	2	616173	08C1T-08FJX-08FJX-157 H/A
21	1	618618	9/16MJIC-90-9/16FJIC SWIV LBO	49	2	616220	08C1T-08FJX-08FJX-98 H/A
22	1	618693	3/4MOR-9/16MOR REDU UNION	50	1	614375	08C1T-08FJX-08FJX-177 H/A
23	1	618183	3/4MJIC-90-7/8MOR LBO	51	1	614691	08C1T-08FJX-08FJX-220 H/A
24	1	618310	9/16MJIC-7/8MOR ADPTR	52	4	616248	06C1T-06FJX-08FJX-15 H/A
25	1	618686	HYD COUPLER, FEM 1" B, 1 5/16FOR	53	1	618697	HYD COUPLER, MALE 1/2B, 3/4FOR
26	1	618687	HYD COUPLER, MALE 1" B, 1 5/16FOR	54	1	616247	20C12-20FJX-20FJX-53 H/A
27	1	618728	1 5/8MOR-90-1 5/8FJIC SWIV	55	1	615621	06C1T-06FJX-06FJX-24 H/A
28	2	618471	1 5/8MJIC-1 5/16MOR ADPTR	56	1	618696	HYD COUPLER, FEM 1/2B, 3/4FOR



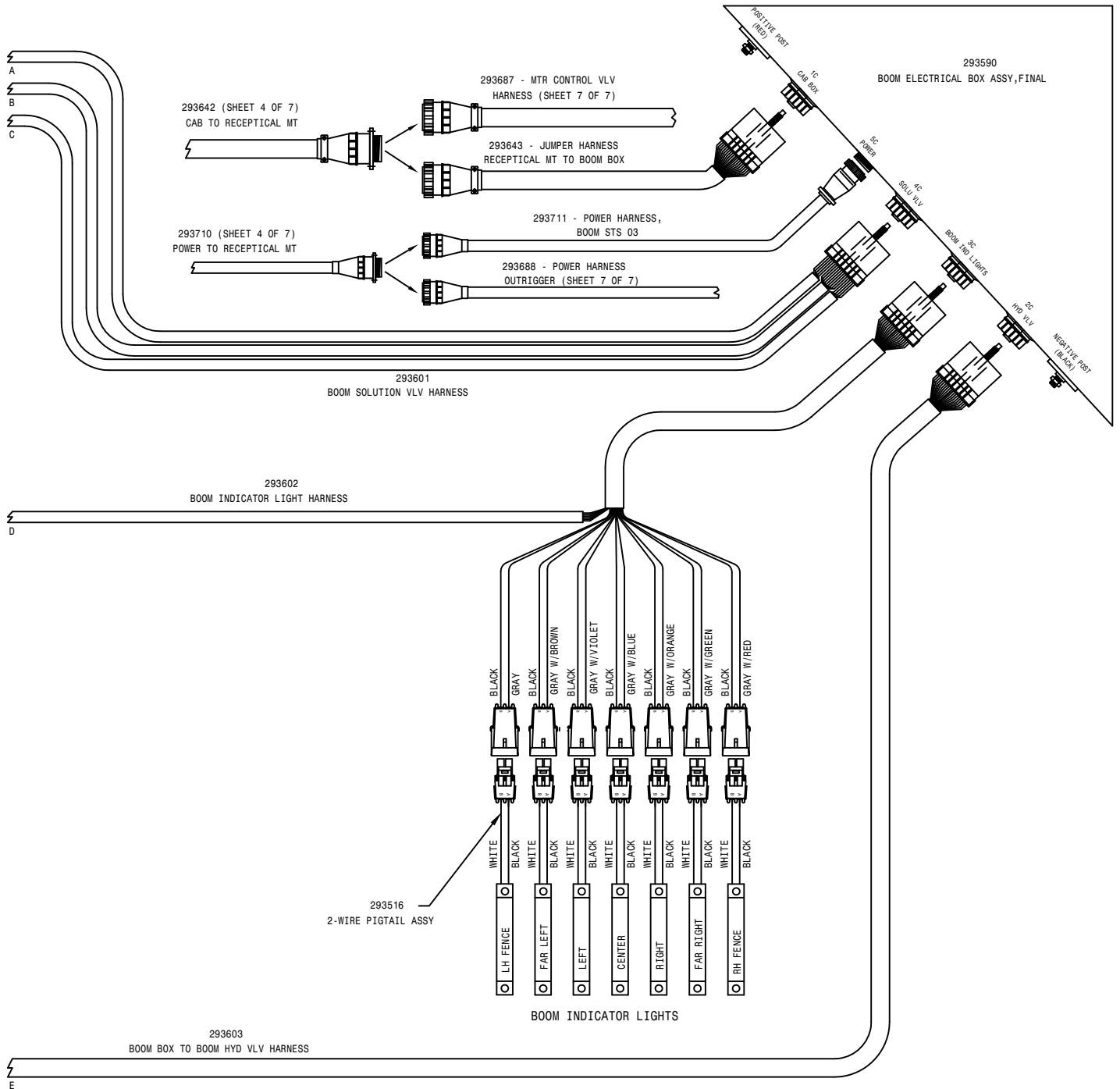
STS COMBO 10R CUTR HYD SCHEM 04
REFERENCE DRAWING NO. 498828

DET.	QTY	PART NO.	DESCRIPTION	DET.	QTY	PART NO.	DESCRIPTION
1	1	610613	ELECT HYD STACT VLV, 4 SECT	29	1	618683	1 5/8MOR-1 5/8FJIC SWIV ADPTR
2	2	615615	FWD SELECT VLV ASSY 280 89	30	4	618469	3/4MJIC-1 1/16MOR ADPTR
3	10	610806	HYD MOTOR, .55CI CASAPPA	31	24	611125	3/4MJIC-3/4MOR ADPTR
4	1	606034	MTR CONTROL ELECT VLV	32	1	616210	06C1T-06FJX-06FJX-32 H/A
5	1	606090	BRAND HYD VALVE, 2-SECT SER 36	33	1	618727	1 7/8MOR-1 5/8FOR ADPTR
6	15	618126	9/16MJIC-9/16MOR ADPTR	34	2	618476	1 5/8MJIC-90-1 5/16MOR LBO
7	4	621564	DETA LIFT CYL,2.00 X 11.00STS	35	2	614757	.032 ELBOW ASSY,9/16MOR 90D
8	2	621566	OUTGR FOLD CYL, 2.50 X 11.00	36	1	618692	3/4FJIC SWIV-9/16MOR ADPTR
9	6	618486	9/16FJIC SW RUN TEE-9/16MJIC	37	4	618451	3/4FJIC SW RUN TEE-3/4MJIC
10	1	606019	HYD RETURN MANIFOLD	38	1	615442	04C1T-06FJX-06FJX-55 H/A
11	1	618706	9/16MOR-3/4FOR ADPTR	39	7	615314	04C1T-06FJX-06FJX-50 H/A
12	6	618119	9/16MJIC-90-9/16MOR LBO	40	1	616207	04C1T-06FJX-06FJX-62 H/A
13	1	618669	3/4FJIC SWIV-3/4MOR ADPTR	41	1	616040	04C1T-06FJX-06FJX-67 H/A
14	1	618494	3/4MOR RUN TEE-3/4MJIC	42	1	616215	06C1T-06FJX-06FJX-85 H/A
15	2	618115	9/16MJIC-90-3/4MOR LBO	43	1	616216	06C1T-06FJX-06FJX-115 H/A
16	9	618609	3/4MJIC-90-3/4FJIC SWIV LBO	44	1	616218	06C1T-06FJX-06FJX-177 H/A
17	1	618532	3/4FJIC CAP NUT	45	1	614386	08C1T-08FJX-08FJX-285 H/A
18	1	618594	7/8FJIC SWIV-7/8MOR ADPTR	46	1	616226	08C1T-08FJX-08FJX-253 H/A
19	1	618173	7/8MJIC-90-3/4MOR LBO	47	6	616025	08C1T-08FJX-08FJX-50 H/A
20	2	618709	9/16MJIC-90-3/4MOR EX LG LBO	48	2	616173	08C1T-08FJX-08FJX-157 H/A
21	1	618618	9/16MJIC-90-9/16FJIC SWIV LBO	49	2	616220	08C1T-08FJX-08FJX-98 H/A
22	1	618693	3/4MOR-9/16MOR REDU UNION	50	1	614375	08C1T-08FJX-08FJX-177 H/A
23	1	618183	3/4MJIC-90-7/8MOR LBO	51	1	614691	08C1T-08FJX-08FJX-220 H/A
24	1	618310	9/16MJIC-7/8MOR ADPTR	52	4	616248	06C1T-06FJX-08FJX-15 H/A
25	1	618686	HYD COUPLER,FEM 1"B,1 5/16FOR	53	1	618697	HYD COUPLER,MALE 1/2B, 3/4FOR
26	1	618687	HYD COUPLER,MALE 1"B,1 5/16FOR	54	1	616247	20C12-20FJX-20FJX-53 H/A
27	1	618728	1 5/8MOR-90-1 5/8FJIC SWIV	55	1	615621	06C1T-06FJX-06FJX-24 H/A
28	2	618471	1 5/8MJIC-1 5/16MOR ADPTR	56	1	618696	HYD COUPLER,FEM 1/2B, 3/4FOR

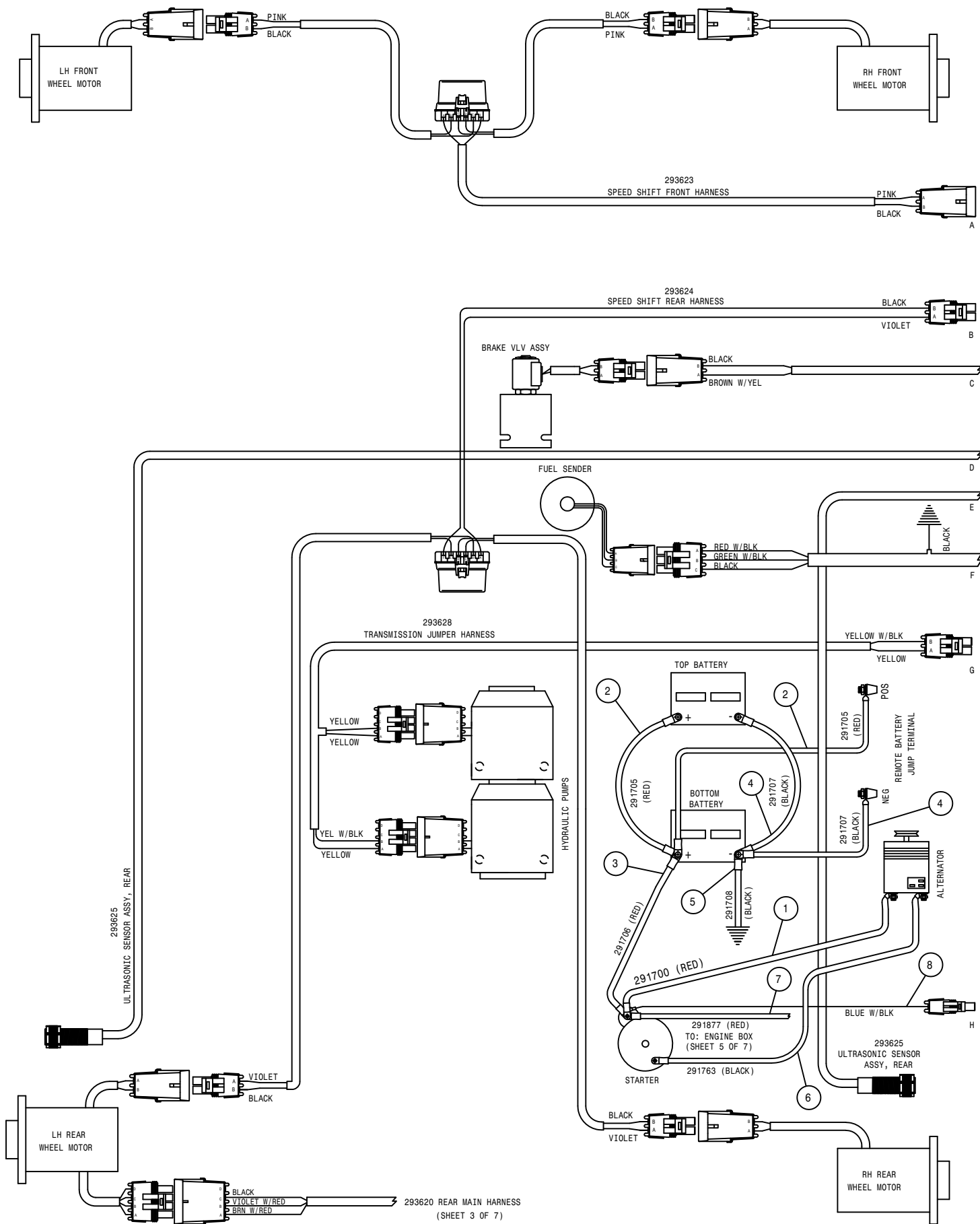


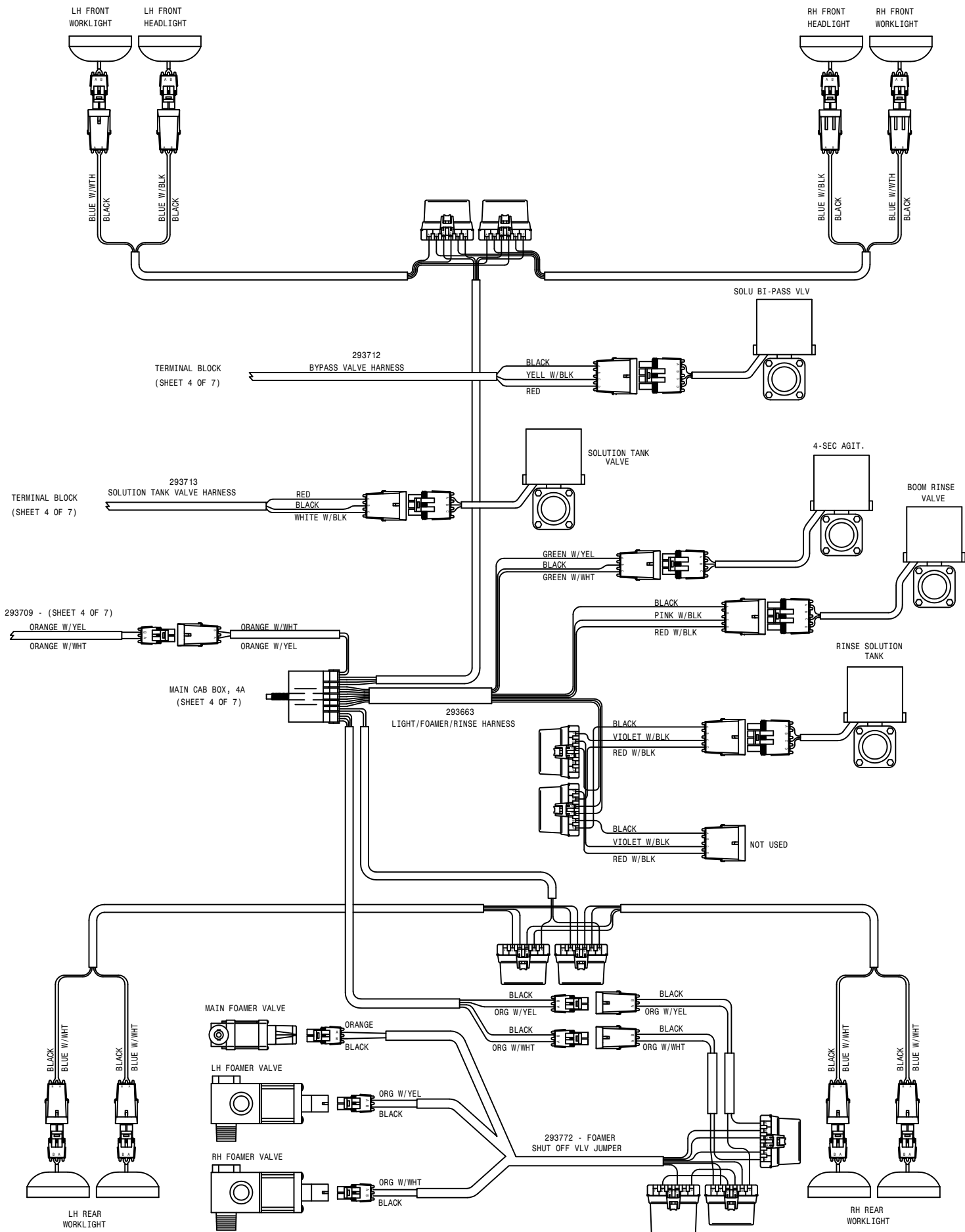
STS COMBO 12R CUTR HYD SCHEM 04
REFERENCE DRAWING NO. 498829

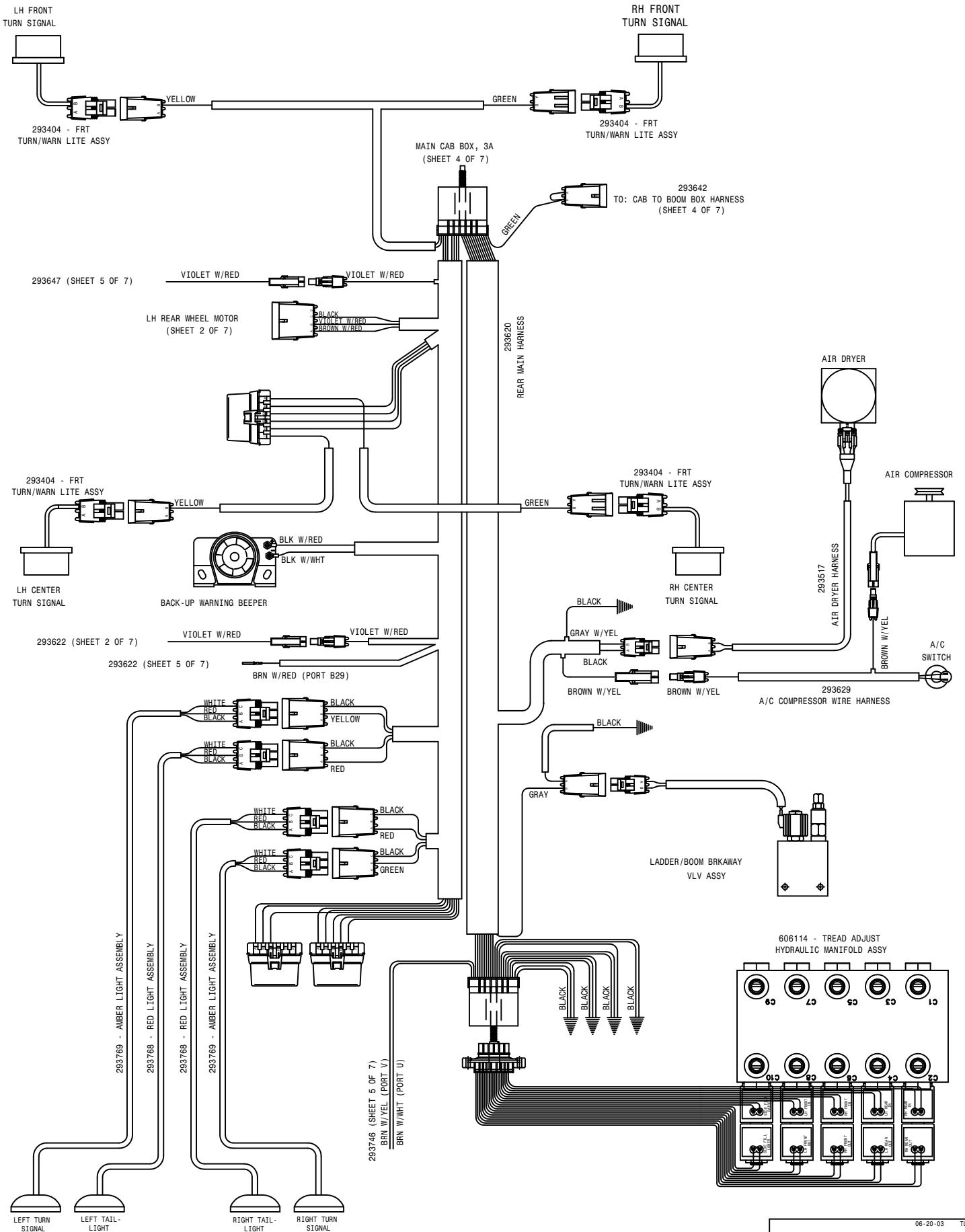
DET.	QTY	PART NO.	DESCRIPTION	DET.	QTY	PART NO.	DESCRIPTION
1	1	610615	ELECT HYD STACT VLV, 6 SECT	34	2	618476	1 5/8MJIC-90-1 5/16MOR LBO
2	2	605615	HYD FILTER, INLINE 25M 9/16FOR	35	2	614757	.032 ELBOW ASSY, 9/16MOR 90D
3	12	610806	HYD MOTOR, .55CI CASAPPA	36	1	618692	3/4FJIC SWIV-9/16MOR ADPTR
4	1	606034	MTR CONTROL ELECT VLV	37	4	618451	3/4FJIC SW RUN TEE-3/4MJIC
5	1	606090	BRAND HYD VALVE, 2-SECT SER 36	38	1	616210	06C1T-06FJX-06FJX-32 H/A
6	1	618706	9/16MOR-3/4FOR ADPTR	39	5	615314	04C1T-06FJX-06FJX-50 H/A
7	6	621564	DETAS LIFT CYL, 2.00 X 11.00STS	40	1	615442	04C1T-06FJX-06FJX-55 H/A
8	2	621566	OUTGR FOLD CYL, 2.50 X 11.00	41	1	616207	04C1T-06FJX-06FJX-62 H/A
9	2	618709	9/16MJIC-90-3/4MOR EX LG LBO	42	1	616040	04C1T-06FJX-06FJX-67 H/A
10	1	606019	HYD RETURN MANIFOLD	43	1	616227	08C1T-08FJX-08FJX-255 H/A
11	16	618126	9/16MJIC-9/16MOR ADPTR	44	1	616215	06C1T-06FJX-06FJX-85 H/A
12	11	618119	9/16MJIC-90-9/16MOR LBO	45	1	616216	06C1T-06FJX-06FJX-115 H/A
13	1	618669	3/4FJIC SWIV-3/4MOR ADPTR	46	1	616217	06C1T-06FJX-06FJX-172 H/A
14	1	618494	3/4MOR RUN TEE-3/4MJIC	47	1	616218	06C1T-06FJX-06FJX-177 H/A
15	2	618115	9/16MJIC-90-3/4MOR LBO	48	2	616223	08C1T-08FJX-08FJX-232 H/A
16	9	618609	3/4MJIC-90-3/4FJIC SWIV LBO	49	1	616224	08C1T-08FJX-08FJX-243 H/A
17	1	618532	3/4FJIC CAP NUT	50	1	616219	06C1T-06FJX-06FJX-237 H/A
18	1	618594	7/8FJIC SWIV-7/8MOR ADPTR	51	1	616220	08C1T-08FJX-08FJX-98 H/A
19	1	618173	7/8MJIC-90-3/4MOR LBO	52	1	616221	08C1T-08FJX-08FJX-171 H/A
20	8	618486	9/16FJIC SW RUN TEE-9/16MJIC	53	1	616222	08C1T-08FJX-08FJX-190 H/A
21	1	618618	9/16MJIC-90-9/16FJIC SWIV LBO	54	1	616247	20C12-20FJX-20FJX-53 H/A
22	1	618693	3/4MOR-9/16MOR REDU UNION	55	1	615621	06C1T-06FJX-06FJX-24 H/A
23	1	618183	3/4MJIC-90-7/8MOR LBO	56	4	616248	06C1T-06FJX-08FJX-15 H/A
24	1	618310	9/16MJIC-7/8MOR ADPTR	57	4	616025	08C1T-08FJX-08FJX-50 H/A
25	1	618686	HYD COUPLER, FEM 1"B, 1 5/16FOR	58	1	616225	08C1T-08FJX-08FJX-248 H/A
26	1	618687	HYD COUPLER, MALE 1"B, 1 5/16FOR	59	1	618697	HYD COUPLER, MALE 1/2B, 3/4FOR
27	1	618728	1 5/8MOR-90-1 5/8FJIC SWIV	60	2	614554	04C1T-06FJX-06FJX-240 H/A
28	2	618471	1 5/8MJIC-1 5/16MOR ADPTR	61	1	614377	04C1T-06FJX-06FJX-258 H/A
29	1	618683	1 5/8MOR-1 5/8FJIC SWIV ADPTR	62	1	616249	04C1T-06FJX-06FJX-273 H/A
30	4	618469	3/4MJIC-1 1/16MOR ADPTR	63	1	616228	08C1T-08FJX-08FJX-273 H/A
31	28	611125	3/4MJIC-3/4MOR ADPTR	64	1	616229	08C1T-08FJX-08FJX-310 H/A
32	1	616173	08C1T-08FJX-08FJX-157 H/A	65	1	616226	08C1T-08FJX-08FJX-253 H/A
33	1	618727	1 7/8MOR-1 5/8FOR ADPTR	66	1	618696	HYD COUPLER, FEM 1/2B, 3/4FOR



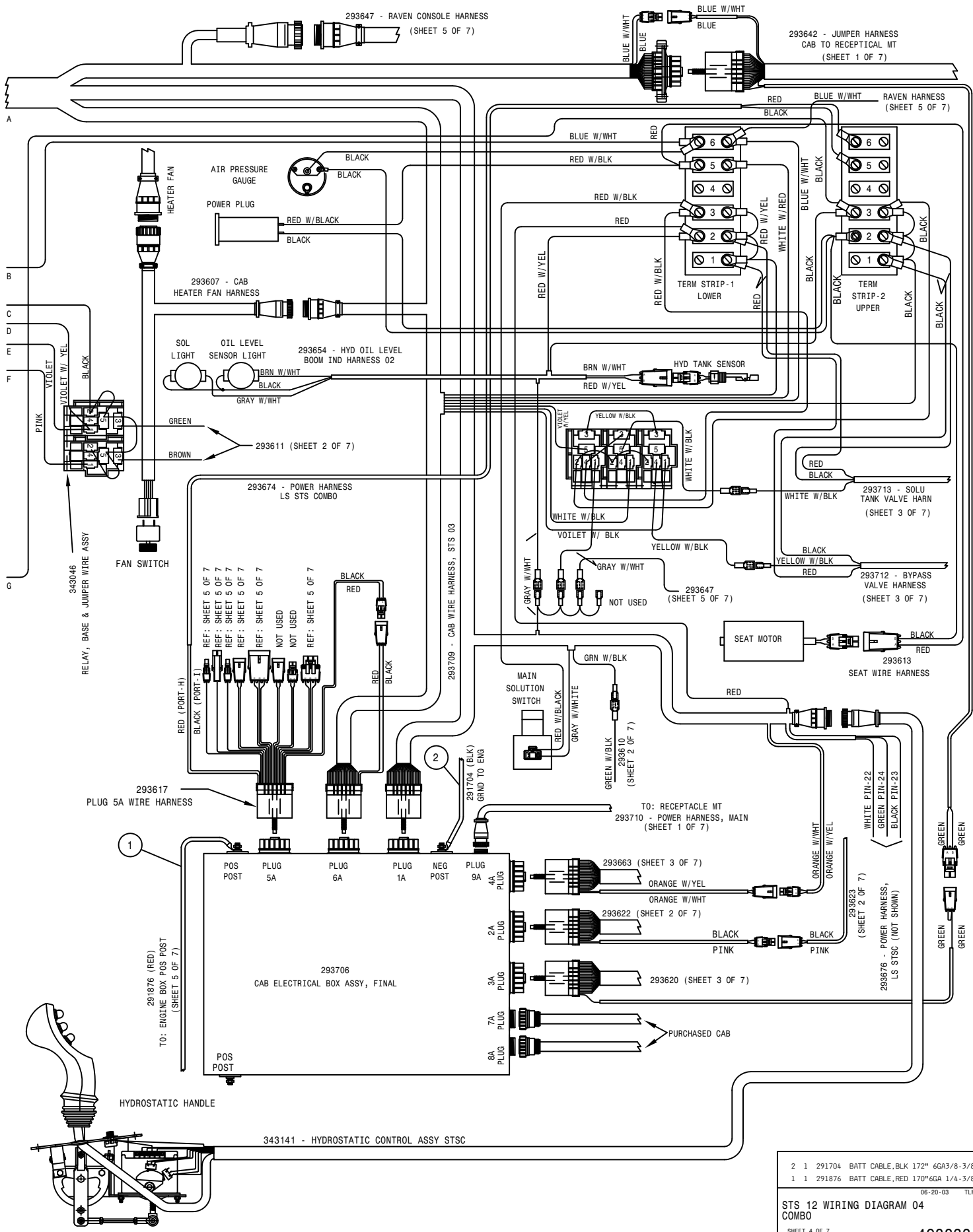
06-20-03 TLM
 STS 12 WIRING DIAGRAM 04
 COMBO
 SHEET 1 OF 7
 REVISION DATE: 498833



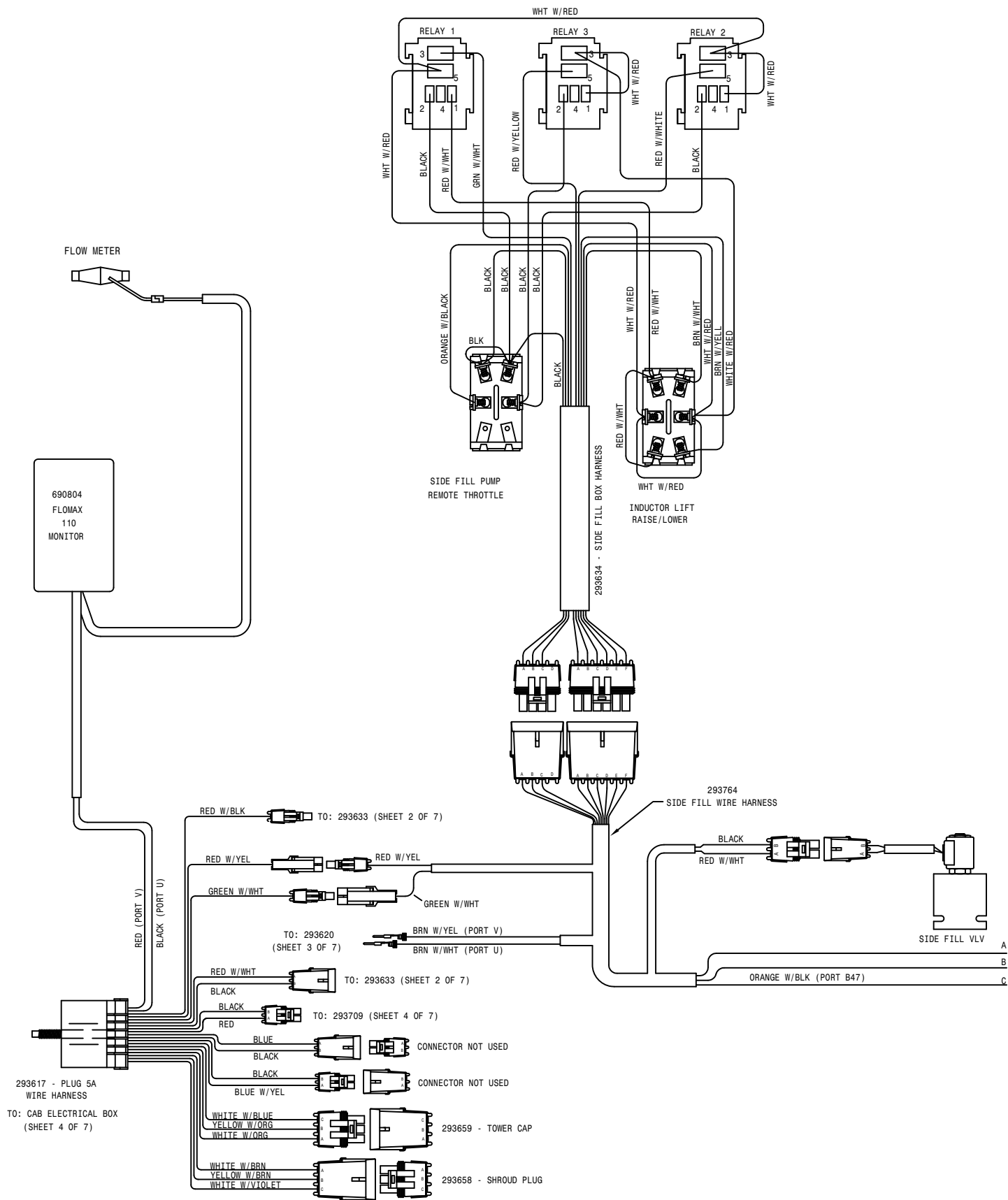


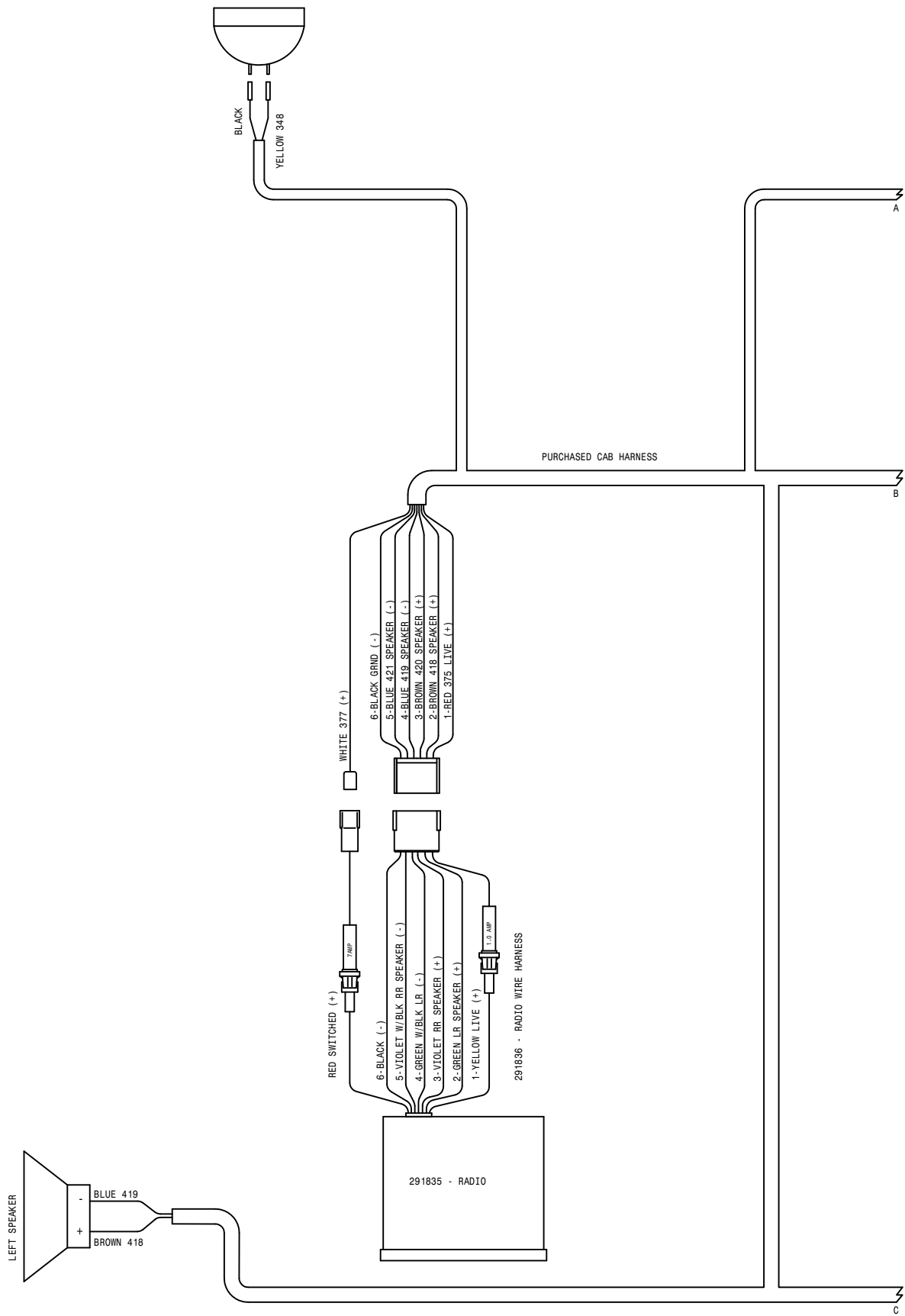


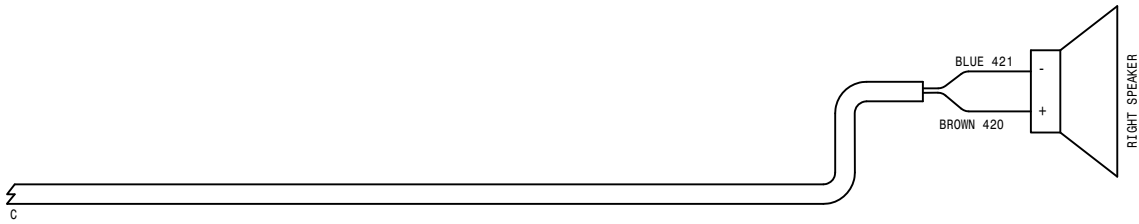
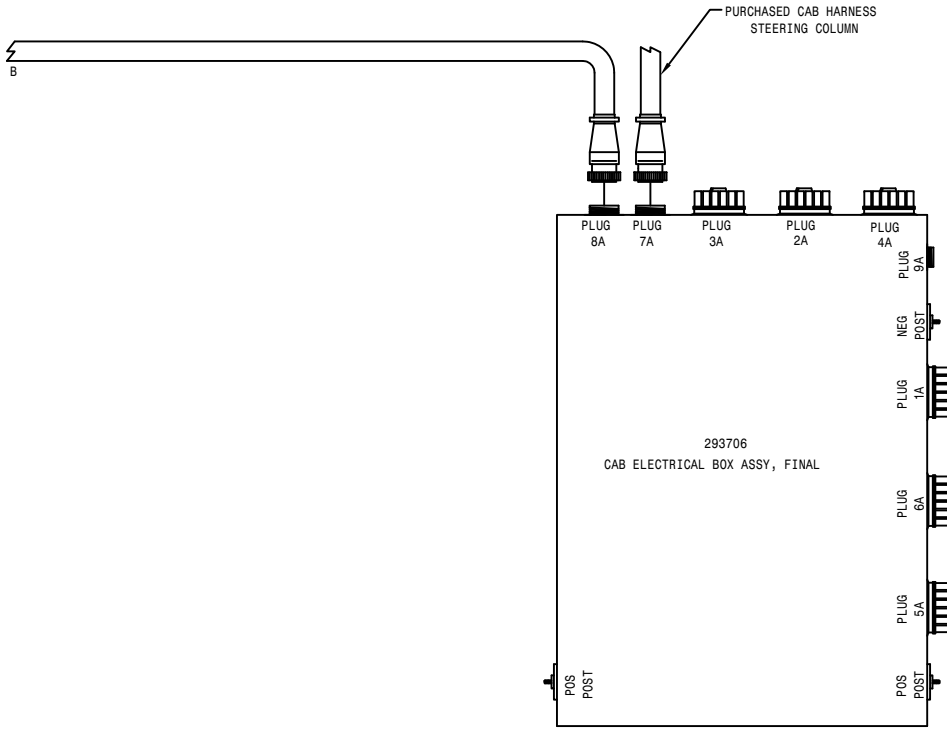
06-20-03 TLM
STS 12 WIRING DIAGRAM 04 COMBO
 SHEET 3 OF 7
 REVISION DATE: 12-24-03
498833



2	1	291704	BATT CABLE, BLK 172" 6GA/3-8-3/8
1	1	291876	BATT CABLE, RED 170" 6GA 1/4-3-8
06-20-03 TLM			
STS 12 WIRING DIAGRAM 04			
COMBO			
SHEET 4 OF 7			
REVISION DATE:			
			498833

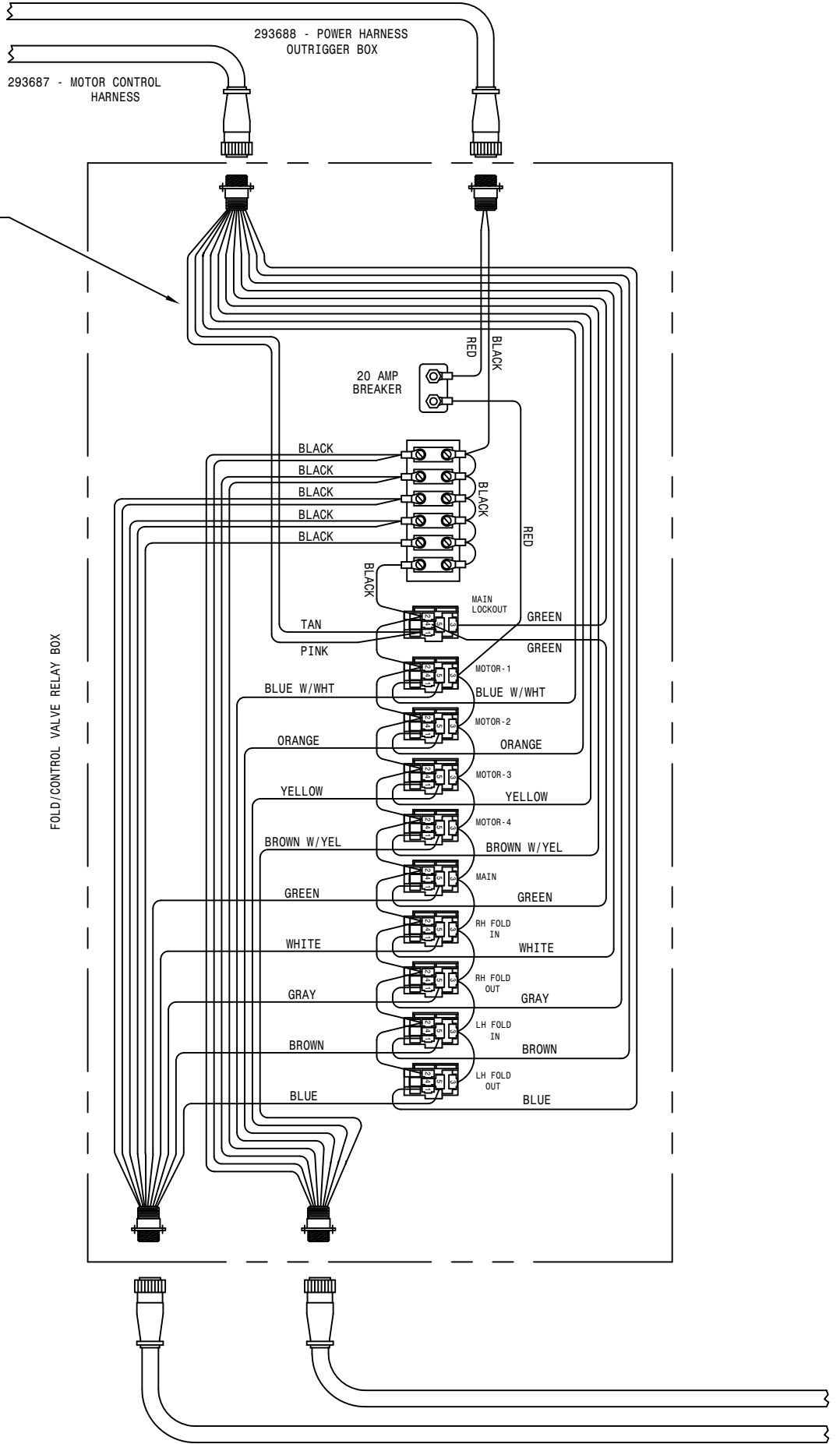


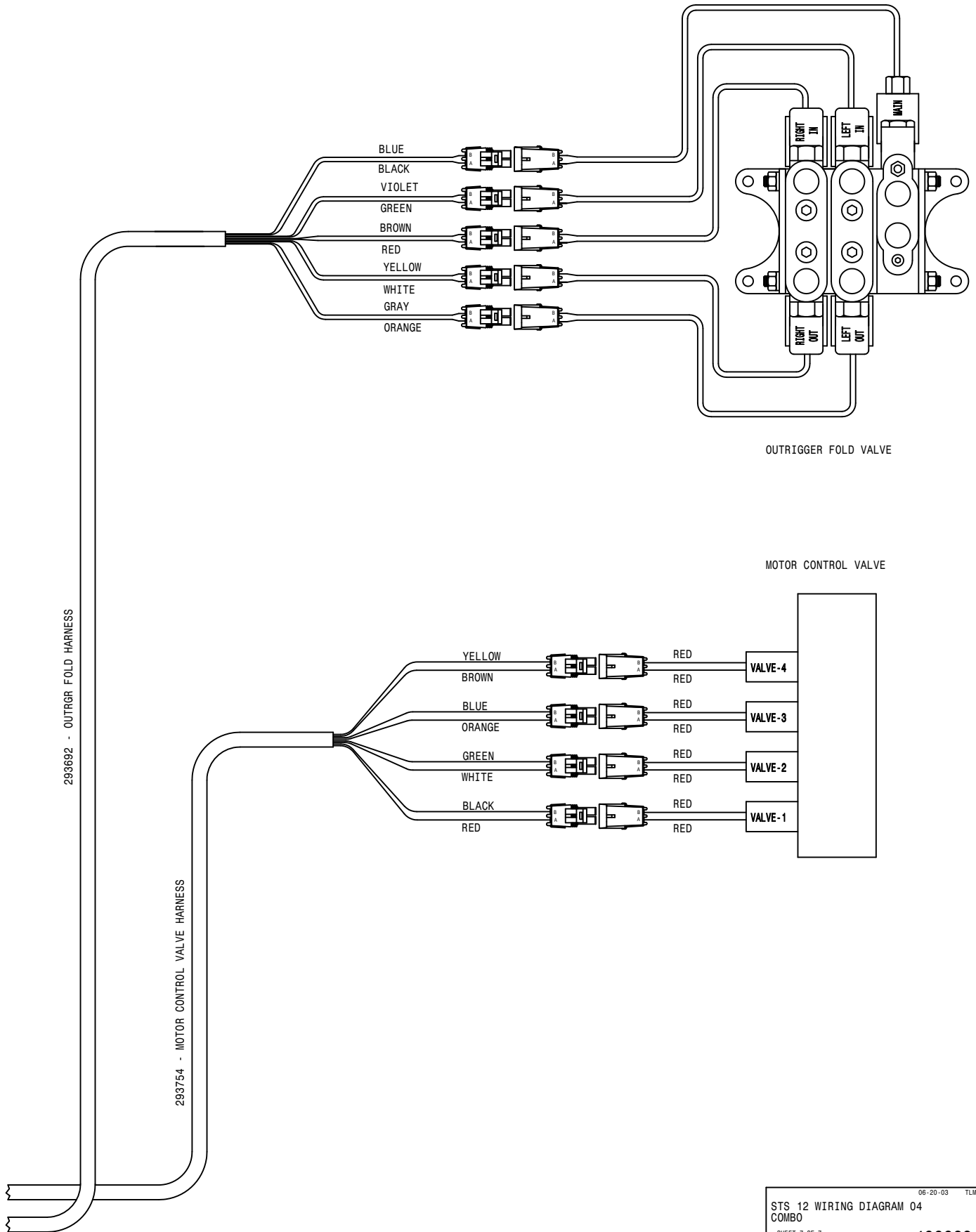




06-20-03 TLM
 STS 12 WIRING DIAGRAM 04
 COMBO
 SHEET 6 OF 7
 REVISION DATE: 498833

293710 - POWER HARNESS
 MAIN STS COMBO (SHEET 1 OF 7)
 293642 - JUMPER HARNESS
 CAB TO RECEPTICAL (SHEET 1 OF 7)

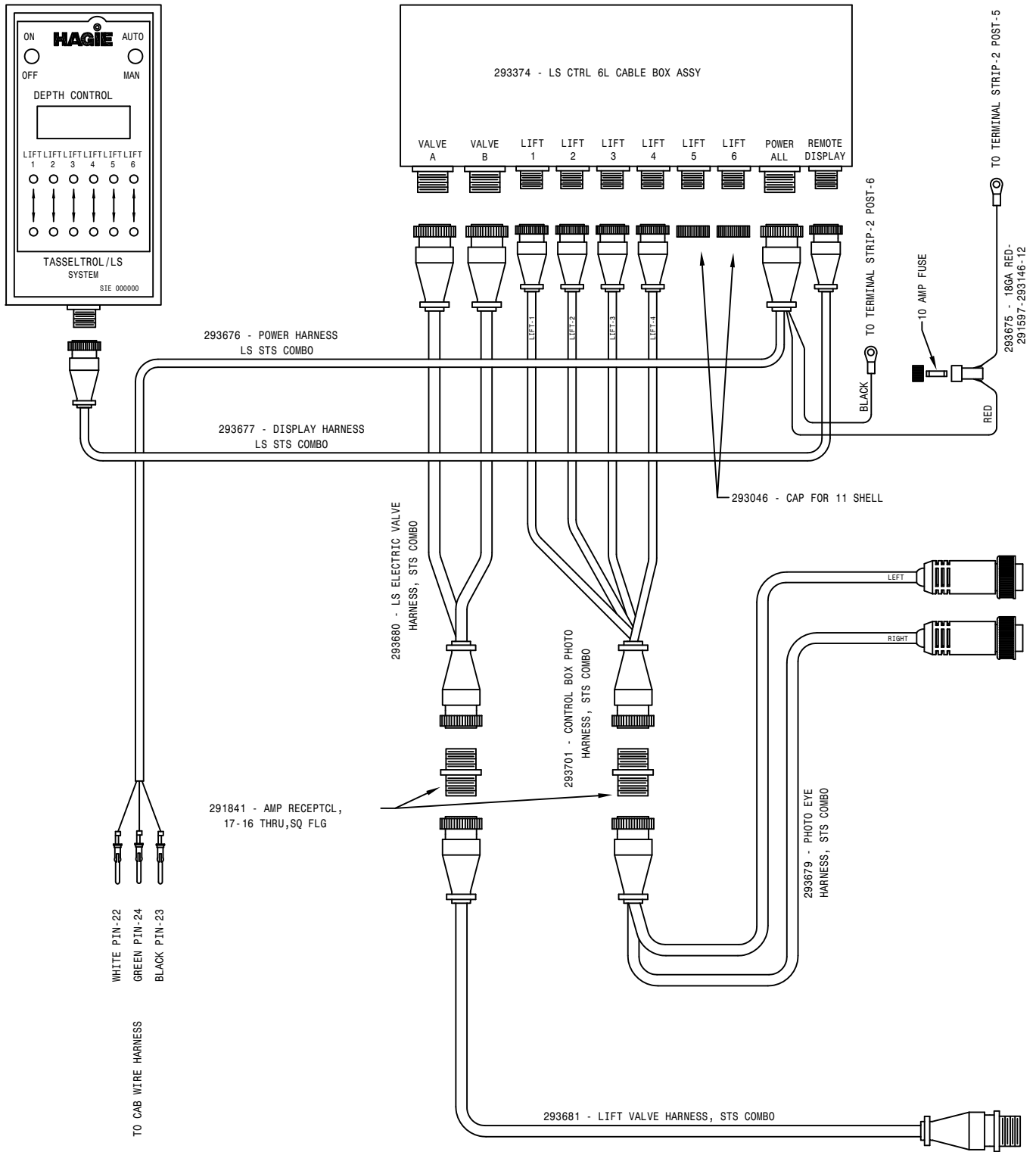


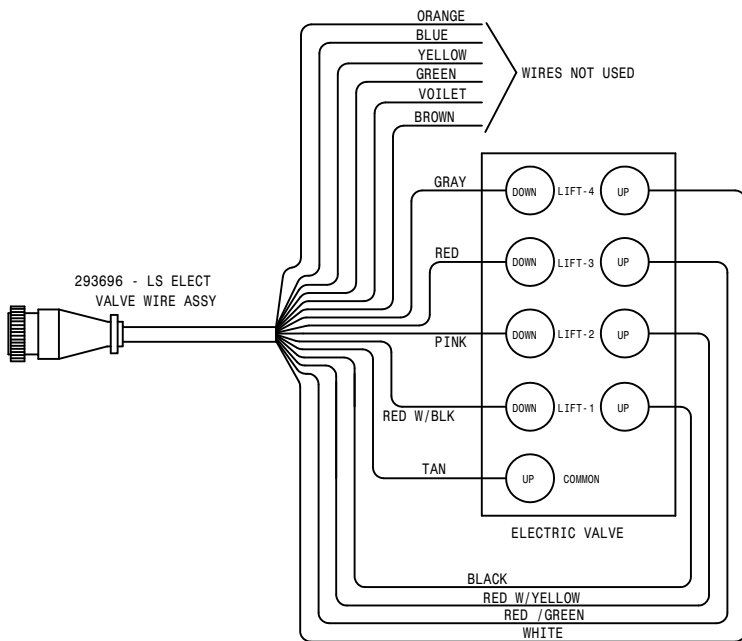
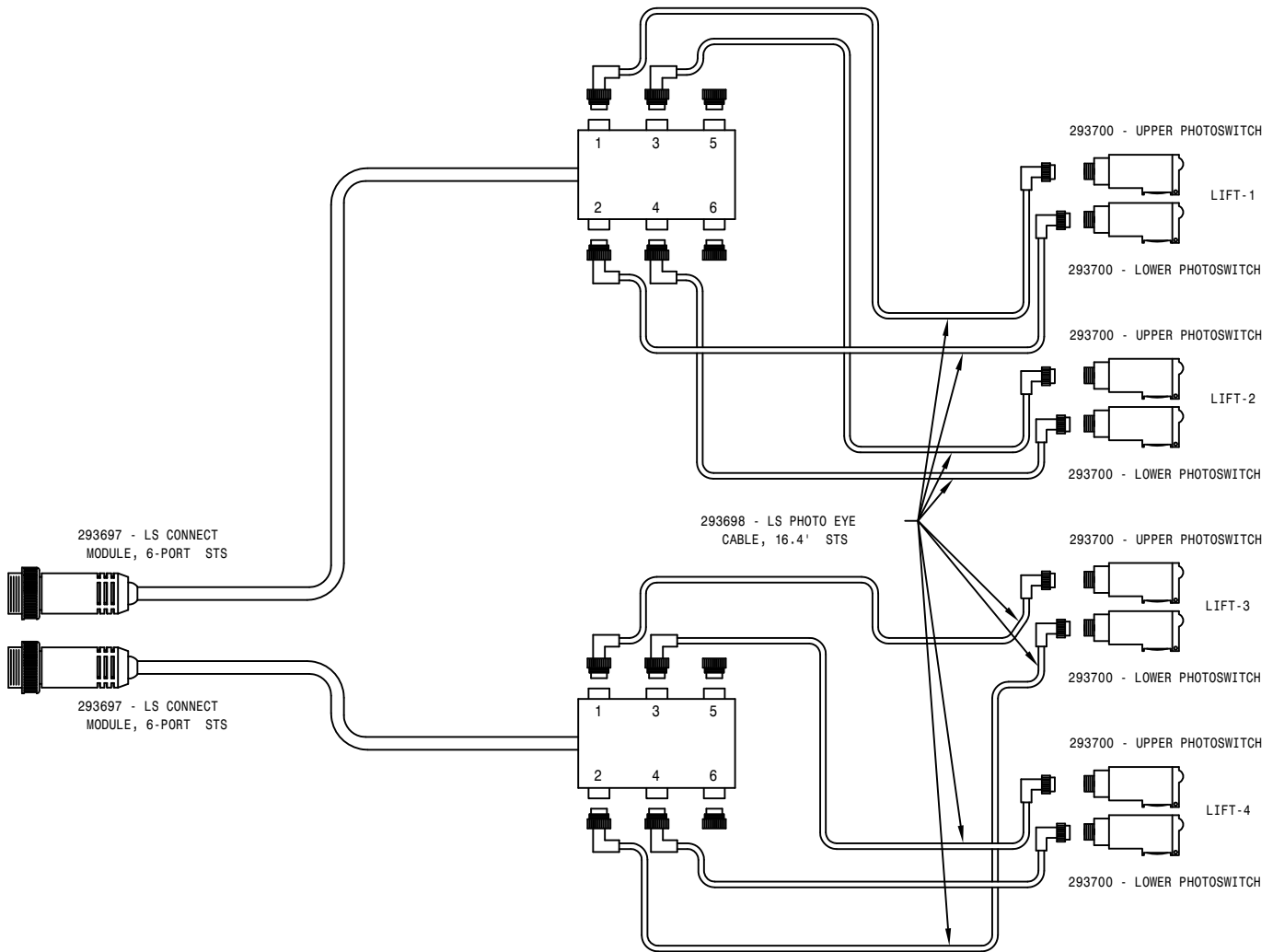


OUTRIGGER FOLD VALVE

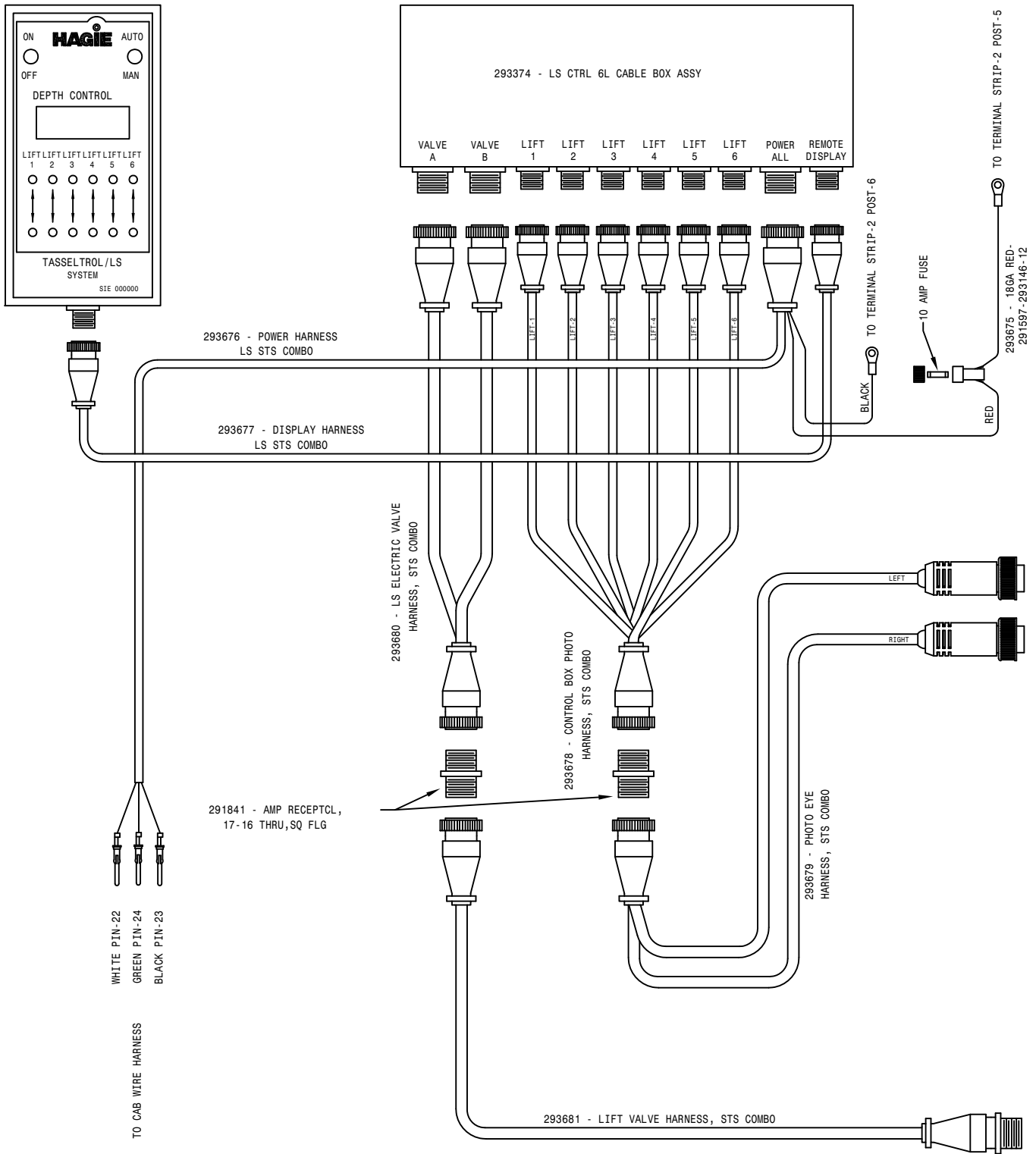
MOTOR CONTROL VALVE

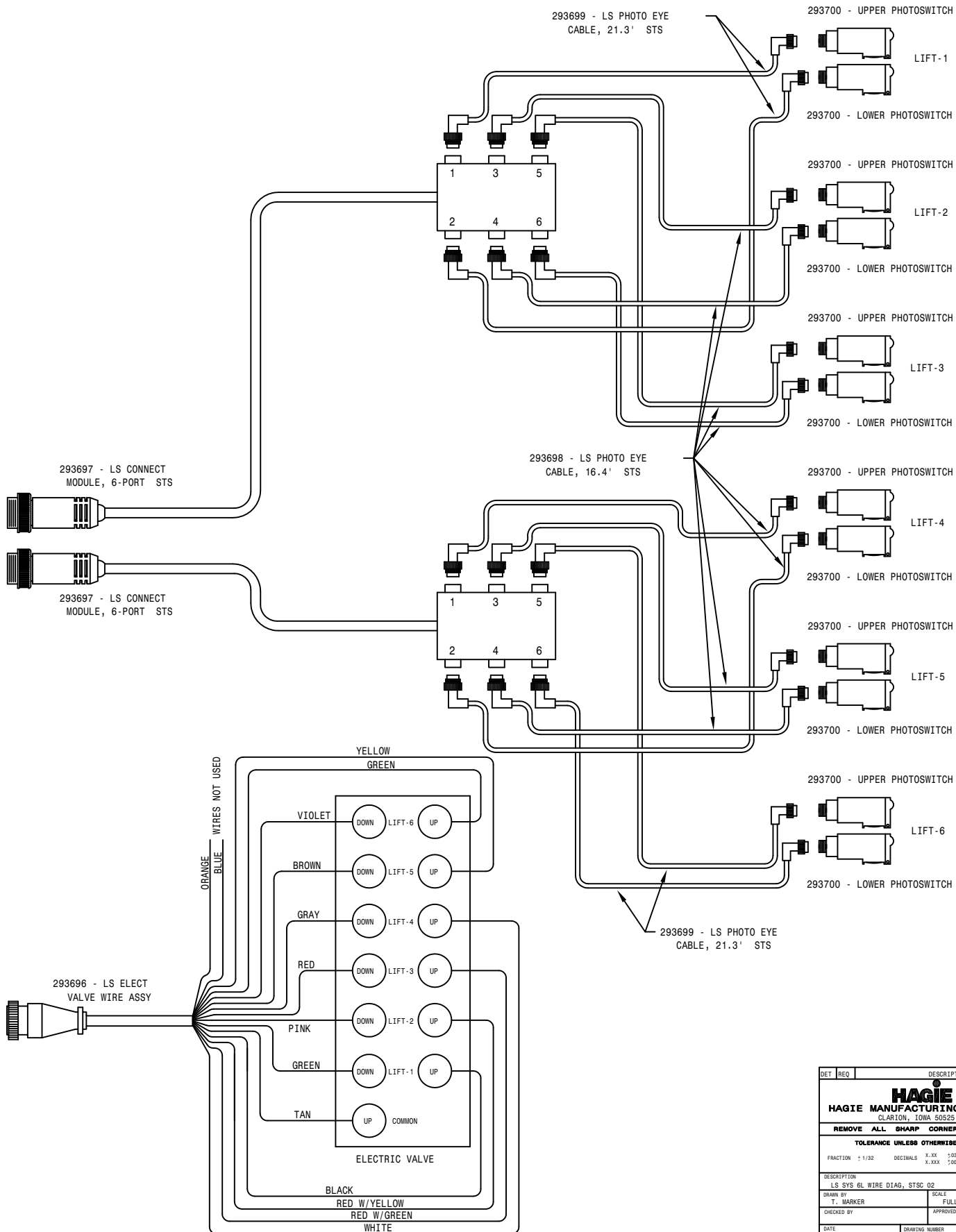
06-20-03 TLM
 STS 12 WIRING DIAGRAM 04
 COMBO
 SHEET 7 OF 7
 REVISION DATE: 498833



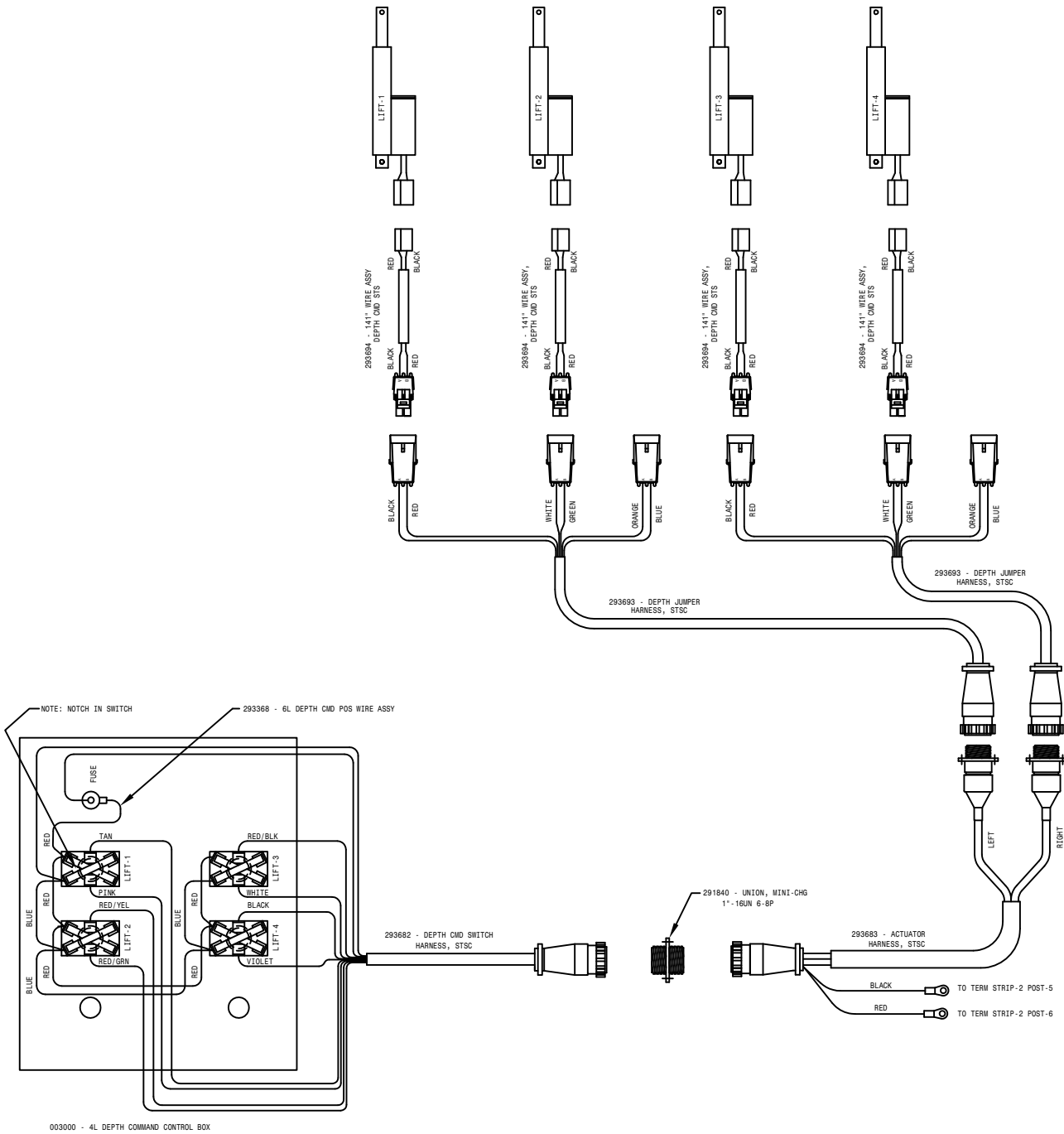


DET	REQ	DESCRIPTION
HAGIE HAGIE MANUFACTURING COMPANY CLARION, IOWA 50525		
REMOVE ALL SHARP CORNERS & BURRS		
TOLERANCE UNLESS OTHERWISE SPECIFIED		
FRACTION	± 1/32	DECIMALS X.XX ±.03 X.XXX ±.005
DESCRIPTION LS SYS 4L WIRE DIAG, STSC 02		
DRAWN BY T. MARKER	SCALE FULL	
CHECKED BY	APPROVED BY	
DATE 01-17-02	DRAWING NUMBER 498705	
SHEET	OF	

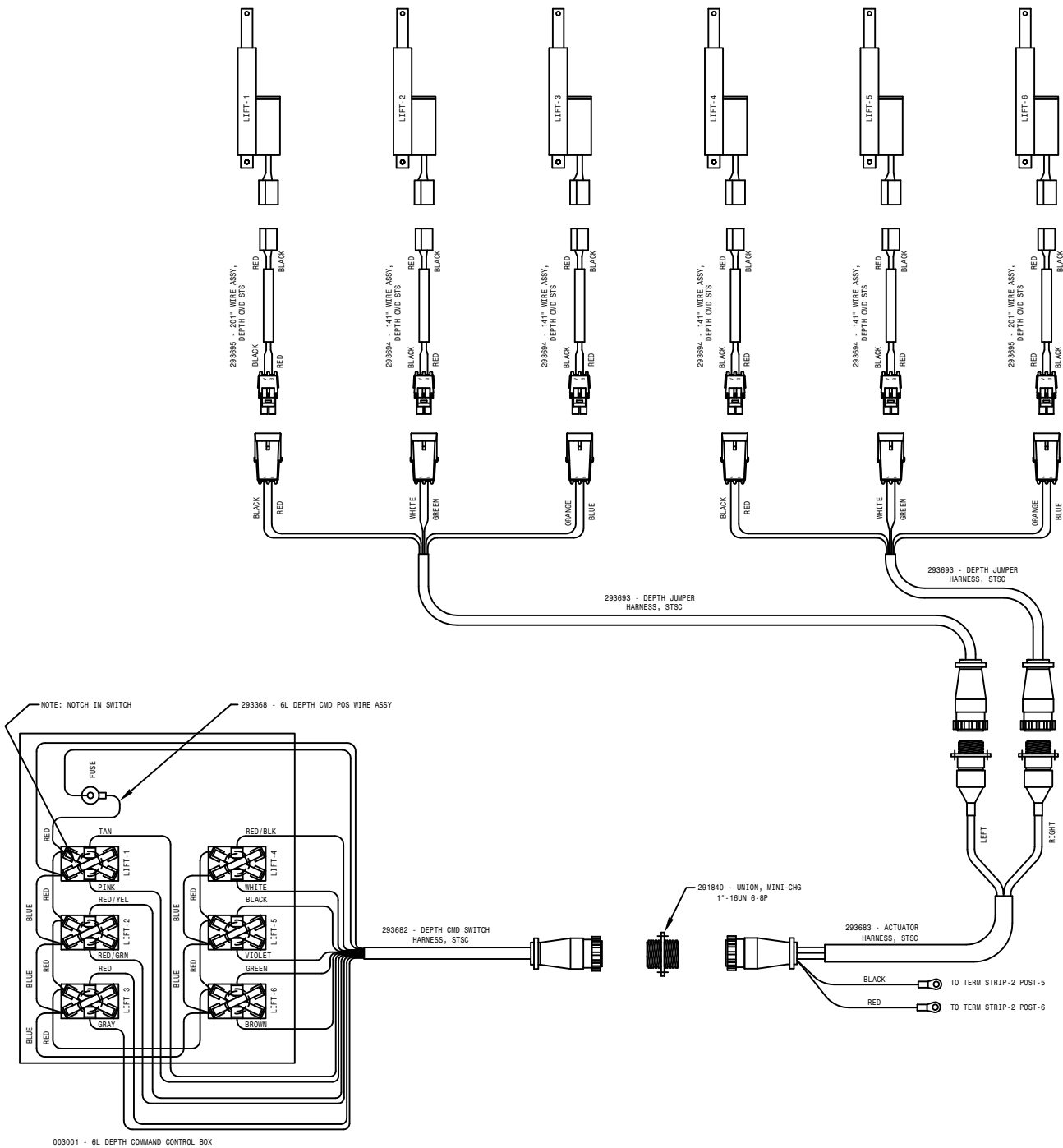




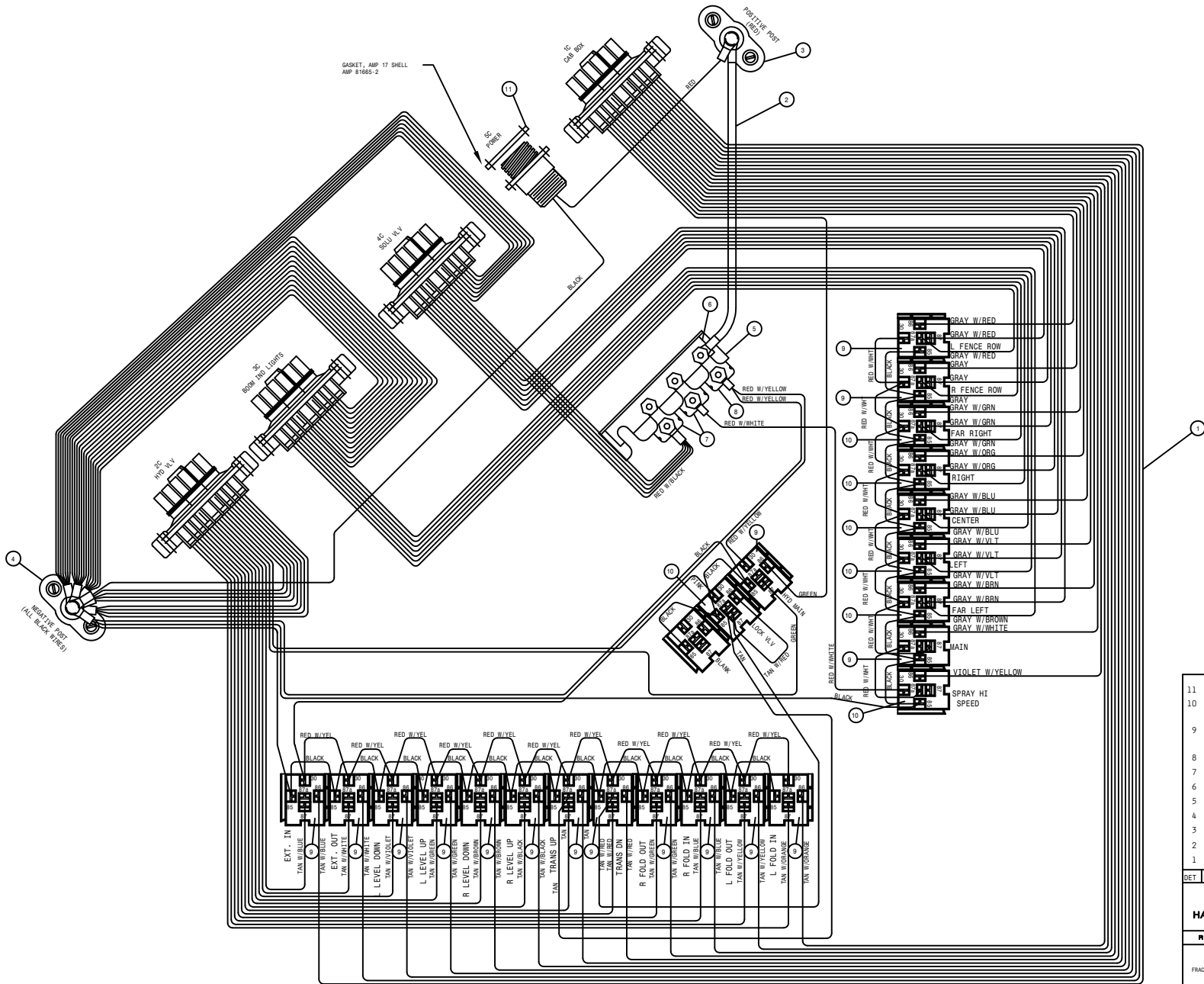
DET	REQ	DESCRIPTION
HAGIE HAGIE MANUFACTURING COMPANY CLARION, IOWA 50525		
REMOVE ALL SHARP CORNERS & BURRS		
TOLERANCE UNLESS OTHERWISE SPECIFIED		
FRACTION	+ 1/32	DECIMALS X.XX 1/32 X.XXX 1/1000
ANGLES	°	'
DESCRIPTION LS SYS 6L WIRE DIAG, STCS 02		
DRAWN BY T. MARKER	SCALE FULL	APPROVED BY
CHECKED BY		
DATE 01-17-02	DRAWING NUMBER 498706	
SHEET	OF	



DET	REQ	DESCRIPTION
HAGIE HAGIE MANUFACTURING COMPANY CLARION, IOWA 50525		
REMOVE ALL SHARP CORNERS & BURRS		
TOLERANCE UNLESS OTHERWISE SPECIFIED		
FRACTION	1/32	DECIMALS X.XX 5/32 ANGLES : °
		X.XXX 1/32
DESCRIPTION DEPTH CMD 4L WIRE DIAG, STSC 02		
DRAWN BY T. MARKER		SCALE NONE (1)
CHECKED BY		APPROVED BY
DATE 01-18-02	DRAWING NUMBER 498707	
SHEET	OF	

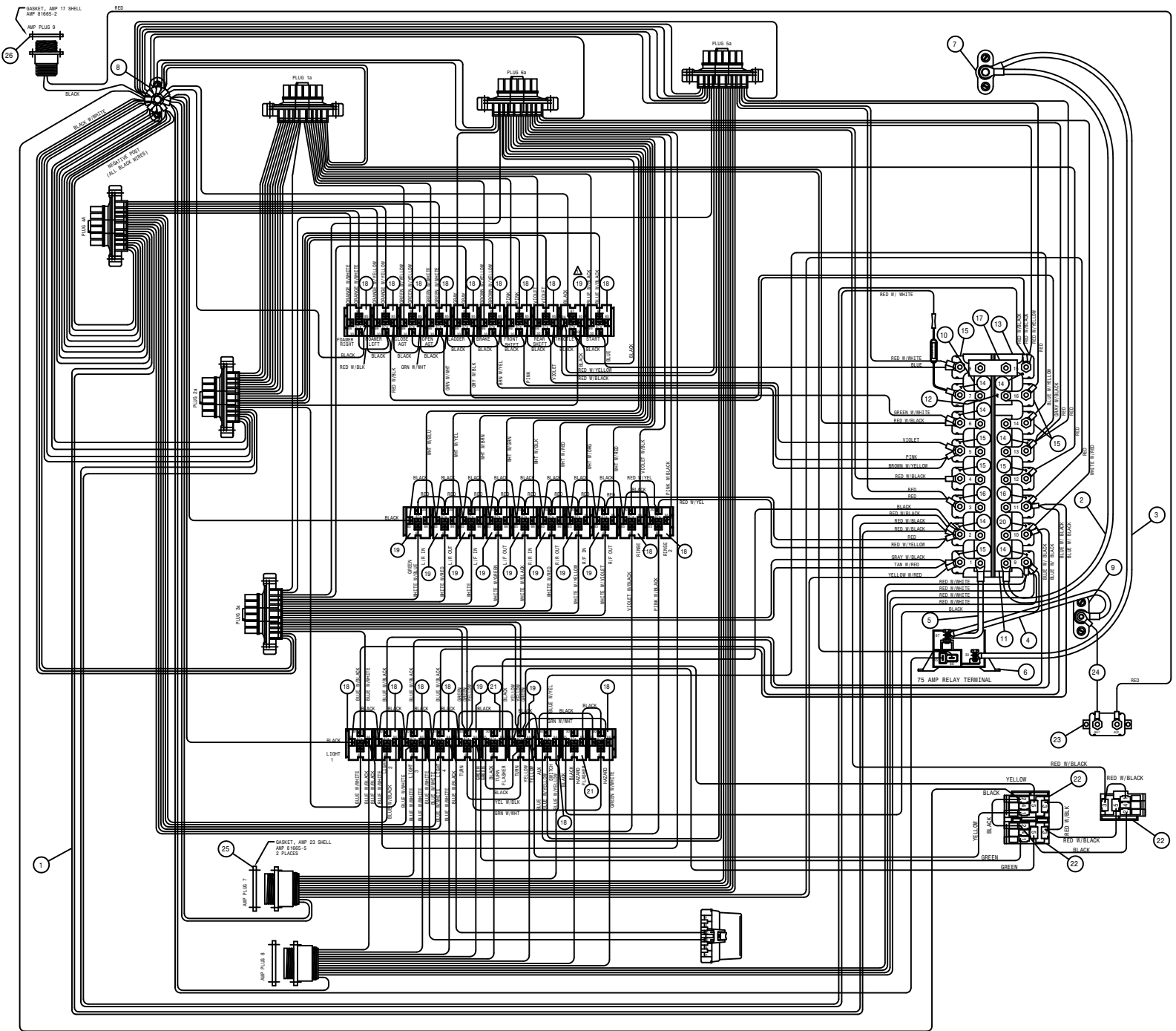


DET	REQ	DESCRIPTION
HAGIE		
HAGIE MANUFACTURING COMPANY		
CLARION, IOWA 50525		
REMOVE ALL SHARP CORNERS & BURRS		
TOLERANCE UNLESS OTHERWISE SPECIFIED		
FRACTION : 1/32	DECIMALS X.XX	°03
	X.XXX	°005
DESCRIPTION		
DEPTH CMD 6L WIRE DIAG, STSC 02		
DRAWN BY T. MARKER	SCALE NONE (1)	
CHECKED BY	APPROVED BY	
DATE 01-18-02	DRAWING NUMBER 498708	
SHEET	OF	



11	1	291846	GASKET, AMP 17 SHELL
10	7	291752	RELAY, SPST 12V 50A-NO 5-TERM BOSH 0352 209 137
9	16	291751	RELAY, SPST 12V 40A-NO, DIODE BOSH 0352 019 155
8	1	291573	CIRCUIT BREAKER, 20AMP W/O MT
7	2	291574	CIRCUIT BREAKER, 30AMP W/O MT
6	1	291756	BUS BAR, 4-GANG FOR 291755
5	2	291755	BREAKER MTG BRKT, 4-GANG NYLON
4	1	291749	TERM BLOCK, BLACK, 3/8-16 THRU
3	1	291750	TERM BLOCK, RED, 3/8-16 THRU
2	1	291803	BATT CABLE, RED 9*6GA, 218-.250
1	1	293600	BOOM CTRL BOX HARNESS (342829)

DET	REQ	DESCRIPTION
HAGIE HAGIE MANUFACTURING COMPANY CLARION, IOWA 50525		
REMOVE ALL SHARP CORNERS & BURRS		
TOLERANCE UNLESS OTHERWISE SPECIFIED		
FRACTION	+1/32	DECIMALS .X.XX .503 X.XXX 5.005
DESCRIPTION OFF-SITE PARTS/ASSY FOR 293590		
DRAWN BY C. ADAMS	SCALE NONE (1)	
CHECKED BY	APPROVED BY	
DATE 01-18-00	DRAWING NUMBER	293591
SHEET OF		



26	1	291846	GASKET, AMP 17 SHELL
25	2	291847	GASKET, AMP 23 SHELL
24	1	293714	12GA RED-291561-291587-9
23	1	291197	CIRCUIT BREAKER, 30AMP, IN-LINE
22	3	291781	MICRO RELAY, BOSCH 12V SPDT
21	2	291564	FLASHER, 12V 3-PIN ELECTRONIC
20	1	291584	CIRCUIT BREAKER, 40AMP W/O MT
19	11	291752	RELAY, SPDT 12V 50A-ND 5-TERM
18	17	291751	RELAY, SPST 12V 40A-ND 5-TERM
17	1	291683	BUSS BAR, 2-GANG CIRCUIT BREAKER
16	2	291574	CIRCUIT BREAKER, 30AMP W/O MT
15	7	291573	CIRCUIT BREAKER, 20AMP W/O MT
14	6	291575	CIRCUIT BREAKER, 10AMP W/O MT
13	2	291757	BREAKER MTG BRKT, 8-GANG NYLON
12	1	291796	BUSS BAR, 2-GANG FOR 291757
11	1	291797	BUSS BAR, 6-GANG FOR 291757
10	1	291758	BUSS BAR, 8-GANG FOR 291757
9	1	291748	TERM BLOCK, BLACK, 1/4-20 THRU
8	1	291749	TERM BLOCK, BLACK, 3/8-16 THRU
7	1	291750	TERM BLOCK, RED, 3/8-16 THRU
6	1	657371	RELAY, 12 VOLT 75 AMP
5	1	291801	BATT CABLE, RED 7*6GA, 218-.218
4	1	291803	BATT CABLE, RED 9*6GA, 218-.250
3	1	291809	BATT CABLE, RED 20*6GA, 218-.375
2	1	291808	BATT CABLE, RED 18*6GA, 218-.375
1	1	293708	MAIN CAB BOX HARNESS (293707)

DET	REQ	DESCRIPTION
HAGIE		
HAGIE MANUFACTURING COMPANY		
CLARION, IOWA 50525		
REMOVE ALL SHARP CORNERS & BURRS		
TOLERANCE UNLESS OTHERWISE SPECIFIED		
FRACTION	± 1/32	DECIMALS
		X.XX
		.50
		X.XXX
		.5005
		ANGLES
		± °
DESCRIPTION		
OFF-SITE PARTS/ASSY Q3 FOR 293706		
DRAWN BY	SCALE	
T. MARKER	NONE (1)	
CHECKED BY	APPROVED BY	
DATE	DRAWING NUMBER	
07-26-02	293707	
SHEET	OF	

ABBREVIATIONS

A/C - AIR CONDITIONER	MT - MOUNT
ADPTR - ADAPTER	MTR - MOTOR
AGI - AGITATOR	P/N - PART NUMBER
ALT - ALTERNATOR	PLT - PLATE
ASSY - ASSEMBLY	QTY - QUANTITY
BRKT - BRACKET	RED - REDUCER
DET - DETAIL	REF - REFERENCE
DISPL - DISPLACEMENT	REST - RESTRICTOR
EL - ELBOW	REQ - REQUIRED
EXT - EXTENSION	SHFT - SHAFT
FLO - FLOW	SOL - SOLUTION
FNPT - FEMALE NATIONAL PIPE THREAD	STRG - STEERING
FOR - FEMALE O-RING	ST - STREET
FRT - FRONT	SWIV - SWIVEL
HYD - HYDRAULIC	UNC - UNIFIED NATIONAL COURSE
HYDRO - HYDROSTATIC	UNF - UNIFIED NATIONAL FINE
LG - LONG	V - VOLT
LWR - LOWER	W/ - WITH
MJIC - MALE J.I.C.	WHL - WHEEL
MOR - MALE O-RING	WLD - WELDMENT

INDEX

-A-

ABBREVIATIONS.....176
ACCUMULATOR.....100
AIR DRYER.....13
AIR CLEANER.....10
 FILTER.....10
AIR COMPRESSOR GOVERNOR.....10
AIR CONDITIONER
 BINARY SWITCH.....9
 COMPRESSOR.....7
 CONDENSOR COIL.....12
 HOSE.....9,12
 RECEIVER/DRYER.....9
 TUBE.....29
AIR COOLER, CHARGE.....12
AIR PRESSURE GAUGE.....42,82
AIR REGULATOR, FOAMER.....82
AIRRIDE SPRING.....18,20,22,24
AIR VALVE.....18,20,22,24
ALTERNATOR.....5
ARM, STEERING.....18,20,22,24
ATI CONTROLER.....46

-B-

BACK-UP BEEPER.....54
BALL VALVE.....57,66,71
 ELECTRIC.....60,62,63,67,68
BATTERY.....16
 CABLE.....4,5,10,16
BEARING,
 BRONZE LEG.....18,20,22,24,30
 POLYGON.....18,20,22,24
BELT,
 AIR CONDITIONER.....7
 DRIVE.....5
BLOCK, TERMINAL.....42
BOOM.....92,93,94,95
 CRADLE.....53,96,97
 INDICATOR LIGHT.....86
 PIN.....94,95,93
 SWITCH.....47
 VALVE.....87
BOX,
 DEPTH COMMAND.....48,49
 ELECTRICAL.....37,38,39
 FOLD/CONTOL VALVE BOX.....117
 PRESSURE WASHER.....103
 SIDE FILL.....109
 SOLUTION SWITCH.....47
BRACE, RADIATOR.....9
BREAKAWAY CYLINDER.....95,102
BUMPER, REAR.....54

-C-

CAB.....41
 FILTER.....41
 STABILIZER.....41
CABLE BATTERY.....4,5,10,16
CAP,
 FUEL.....14
 RADIATOR.....12
CHARGE AIR COOLER.....12
CHEMICAL INDUCTOR.....110
COMPRESSOR, A/C.....7
CONDENSOR COIL, A/C.....12
CONTROLER, ATI.....46
COOLER, OIL.....12
CRADLE, BOOM.....53,96,97
CUTTER HEAD.....130
CYLINDER,
 BREAKAWAY.....95,102
 FOLD.....91,94,99,101,123,128
 HOOD.....54,56
 LEVEL.....91,100
 LADDER.....34,35
 LIFT.....90,98,127
 SIDE FILL.....110
 STEERING.....17,18,20
 TREAD ADJUST.....30,31

-D-

DECALS.....132,133
DEPTH COMMAND BOX.....48,49
DIAGRAMS, WIRING.....154
DIPSTICK, HYDRAULIC.....15
DOOR LATCH.....54
DRAIN COCK, AIR.....27
DRIVE
 BELT.....5
 DISK.....4

-E-

ELECTRIC BALL VALVE...60,62,63,67
ELECTRICAL BOX,
 BOOM.....37
 CAB.....39
 ENGINE.....38
ENGINE.....4,5
 HOOD.....54,55
 SKID.....9

-F-

FAN.....5
 SPACER.....5

FEEDER TEE.....64,65,69,70
 FENCE ROW NOZZLE.....72,73
 FENDER.....114,115
 FILTER,
 AIR CLEANER.....10
 CAB.....41
 FUEL.....4
 HYDRAULIC.....32,118,119
 MINDER.....82
 OIL.....5,15
 FLASHER.....28,54
 FLOW METER.....62,67,113
 FOAMER
 AIR REGULATOR.....82
 DROP HOSE.....83
 HOSING.....80
 TANK.....81
 THREE-WAY VALVE.....81
 VALVE.....81
 FOLD CYLINDER...91,94,99,123,128
 FRESH WATER.....82
 FRONT FILL.....111
 FUEL,
 CAP.....14
 SENDER.....14
 TANK.....14

-G-

GAUGE,
 AIR PRESSURE.....42,82
 SOLUTION.....62,67

-H-

HANDRAIL.....36
 HEAD,
 CUTTER.....130
 PULLER.....129
 HEATER TUBE.....29
 HOOD, ENGINE.....54,55
 HOSE, A/C.....9
 HOSING,
 FOAMER.....80
 SOLUTION.....76,77,78,79
 HUB, TORQUE.....19,21,23,25
 HYDRAULIC,
 FILTER.....15
 LEVER.....44
 SCHEMATIC.....134
 TANK.....15
 TUBE.....28,29,90,93
 VALVE.....33,119,120,121
 HYDROSTATIC PUMP.....8

-I-

IGNITION SWITCH.....45
 INDICATOR LIGHT, BOOM.....86
 INLINE, HYDRAULIC FILTER.....32

-L-

LADDER.....34
 CYLINDER.....34,35
 PIVOT ARM.....34
 LEG.....18,20,22,24
 LEVEL CYLINDER.....91,100
 LEVER, HYDROSTATIC.....44
 LIFT CYLINDER.....90,98,127
 LIFTARM.....90
 LIGHT.....28,53
 LINE STRAINER.....57,58,60
 LIQUID LEVEL SWITCH.....15

-M-

MIRROR.....51,52
 MONITOR,
 FLOMAX 110.....113
 SPRAYER.....46
 MOTOR,
 CONTROL VALVE.....122
 STEERING.....41
 WHEEL.....19,21,23,25
 MOUNT, RUBBER.....9,12
 MUFFLER.....11

-N-

NOZZLE,
 BODY.....74
 FENCE ROW.....72,73
 MOUNT TUBE.....93,94,95
 REAR WHEEL.....75

-O-

OIL COOLER.....12
 OIL FILTER.....5,15

-P-

PANEL,
 SWITCH.....45
 PLATFORM, SERVICE.....36
 PRESSURE GAUGE.....62,67
 PRESSURE WASHER.....104
 BOX.....103
 VALVE.....106,107

PULLER, QUAD.....129
PUMP,
HYDRAULIC.....6
HYDROSTATIC.....8
SIDE FILL.....110
SOLUTION.....60

-Q-

QUAD PULLER.....129
QUICK ATTACH.....88,89

-R-

RADIATOR.....12
BRACE.....9
CAP.....12
HOSE.....5
RADIO.....43
REAR WHEEL NOZZLE.....75
RECEPTICLE PANEL.....40
RETURN MANIFOLD.....122
RINSE TANK.....58,59
RUBBER
MOUNT.....9,12
SPRING.....18,20,22,24

-S-

SCHEMATIC, HYDRAULIC.....134
SENDER, FUEL.....14
SENDER, WATER LEVEL.....12
SEVICE PLATFORM.....36
SHIELD, WHEEL MOTOR...19,21,23,25
SIDFILL.....110
BOX.....109
CYLINDER.....110
SIGHT GAUGE, OIL.....15
SKID, ENGINE.....9
SMV SIGN.....54
SOLUTION
HOSING.....76,77,78,79
PUMP.....60
SWITCH BOX.....47
TANK.....57
VALVE.....62,63,67,68
SPACER, FAN.....5
SPEAKER.....43
SPRAY MONITOR.....46
SPRING,
AIRRIDE.....18,20,22,24
SOLUTION TANK.....57
STABILIZER, CAB.....41
STARTER.....5

STEERING,
ARM.....18,20,22,24
CYLINDER.....17,18,20
MOTOR.....41
STRAINER, LINE.....58,59,60
SWITCH,
A/C BINARY.....9
IGNITION.....45
LIQUID LEVEL.....15
PANEL.....45

-T-

TAILLIGHT.....54
TANK
AIR.....27
FOAMER.....81
FRESHWATER.....82
FUEL.....14
HYDRAULIC.....15
RINSE.....58,59
SOLUTION.....57
TERMINAL BLOCK.....42
TIRE.....26
TOOLBAR.....123
TORQUE HUB.....19,21,23,25
TRANSOM.....91
TREAD ADJUST
CYLINDER.....30,31
VALVE.....32
TUBE,
A/C.....29
HEATER.....29
HYDRAULIC.....28,29,90,93

-V-

VALVE,
AIR.....18,20,22,24
BALL.....58,66,71
BOOM.....87
ELECTRIC BALL.....60,62,67
FOAMER.....81,84,85
HYDRAULIC.....33,118,119,120
PRESSURE WASHER.....106,107
SIDE FILL.....107,108
SOLUTION.....62,63,67,68
TREAD ADJUST.....32

-W-

WASHER, PRESSURE.....104
WATER LEVEL SENSOR.....12
WHELMOTOR.....19,21,23,25
SHIELD.....19,21,23,25
WIRING DIAGRAM.....154

Notes:



PARTS ORDER FAX

Fax
24 hours
a day
7 days
a week*

Ph. 1 (800) 247-4885

Fx. 1 (515) 532-3553

Photocopy and fax to Hagie Customer Support Department

ORDERED BY/BILL TO:

Name _____
 Co. Name _____
 Street _____
 City, St, Zip _____
 Ph. _____ Fx. _____

SHIP TO:

Name _____
 Co. Name _____
 Street _____
 City, St, Zip _____
 Ph. _____ Fx. _____

HOW SHIP: UPS Ground Next Day 2 Day 3 Day Other _____

If "HOW SHIP" is left blank, parts will be sent UPS ground service. If part is over 150 pounds, an independent motor freight company will be used.

PAYMENT: Hagie Account #** _____
 C.O.D

American Express Discover Visa Master Card

Signature: _____
 name as appears on card: _____
 card no. _____ exp. date _____

Year and Model No. _____

Serial No. _____

Item Serial No. (if necessary):

Engine (include type) _____

Hydrostatic Pump (s) _____

Torque Hub _____ LF RF LR RR

Wheel Motor _____ LF RF LR RR

HAGIE Part No.	Qty.	Description

Check here if you want phone confirmation of parts order.

* Orders received before 3:00 p.m., CST will be processed the same business day.
 Regular business hours are Monday through Friday, 7:00 a.m. through 5:00 p.m..

** If you do not have a Hagie account number, contact the Hagie Customer Support Department and you will be issued one.



PARTS ORDER FAX

Fax
24 hours
a day
7 days
a week*

Ph. 1 (800) 247-4885

Fx. 1 (515) 532-3553

Photocopy and fax to Hagie Customer Support Department

ORDERED BY/BILL TO:

Name _____
 Co. Name _____
 Street _____
 City, St, Zip _____
 Ph. _____ Fx. _____

SHIP TO:

Name _____
 Co. Name _____
 Street _____
 City, St, Zip _____
 Ph. _____ Fx. _____

HOW SHIP: UPS Ground Next Day 2 Day 3 Day Other _____

If "HOW SHIP" is left blank, parts will be sent UPS ground service. If part is over 150 pounds, an independent motor freight company will be used.

PAYMENT: Hagie Account #** _____
 C.O.D

American Express Discover Visa Master Card

Signature: _____
 name as appears on card: _____
 card no. _____ exp. date _____

Year and Model No. _____

Serial No. _____

Item Serial No. (if necessary):

Engine (include type) _____

Hydrostatic Pump (s) _____

Torque Hub _____ LF RF LR RR

Wheel Motor _____ LF RF LR RR

HAGIE Part No.	Qty.	Description

Check here if you want phone confirmation of parts order.

* Orders received before 3:00 p.m., CST will be processed the same business day.
 Regular business hours are Monday through Friday, 7:00 a.m. through 5:00 p.m..

** If you do not have a Hagie account number, contact the Hagie Customer Support Department and you will be issued one.