

**PARTS MANUAL**  
**FOR**  
**HAGIE MODEL STS 12 HI-TRACTOR**

**HAGIE MANUFACTURING COMPANY**

BOX 273 CLARION, IOWA 50525

(515) 532-2861

COVERS MACHINE SERIAL NUMBERS: U1600110001 thru U1600110100  
U1650110001 thru U1650110100

01-01 493229  
02-08

## SPRAYER IDENTIFICATION

Each Hagie sprayer is identified by means of a frame serial number. This serial number denotes the model, the year in which it was built, and the number of the sprayer. As for further identification, the engine has a serial number and the planetary hubs have identification plates that describe the type of mount and gear ratio. To insure prompt, efficient service when ordering parts or requesting service repairs from Hagie Manufacturing Company, record the serial and identification numbers in the space provided below.

NOTE: Reference to left hand and right hand used throughout this manual refers to the position when seated in the operator's seat facing forward.

SPRAYER SERIAL NUMBER

---

ENGINE SERIAL NUMBER

---

PLANETARY HUB IDENTIFICATION NUMBERS

---

TABLE OF CONTENTS

ENGINE ASSEMBLY . . . . . 4-11

RADIATOR AND OIL COOLER ASSEMBLY. . . . . 12

AIR DRYER ASSEMBLY. . . . . 13

FUEL AND OIL TANK ASSEMBLY. . . . . 14-15

BATTERY. . . . . 16

LADDER AND BRAKE VALVE ASSEMBLY . . . . . 18-19

LEG ASSEMBLY . . . . . 20-27

STEERING CYLINDER. . . . . 28

TIRE ASSEMBLY . . . . . 29

HYDRAULIC TUBING . . . . . 30-31

TREAD ADJUST ASSEMBLY . . . . . 32-35

LADDER ASSEMBLY. . . . . 36-37

AIR TANK ASSEMBLY . . . . . 38

ELECTRICAL BOXES . . . . . 39-41

CAB ASSEMBLY. . . . . 42-45

SWITCH PANEL ASSEMBLY . . . . . 46

BOOM SWITCH BOX . . . . . 47

ATI CONTROLER BOX ASSEMBLY . . . . . 48

BOOM CRADLE . . . . . 49

MIRROR BRACKETS . . . . . 50-51

SHEET METAL . . . . . 52-53

SERVICE PLATFORM. . . . . 54

SOLUTION TANK . . . . . 55-57

SOLUTION PUMP AND ELECTRIC VALVES . . . . . 58-75

SOLUTION HOISING . . . . . 76-79

FOAMER TANK ASSEMBLY. . . . . 80-86

TRANSOM, BOOM, AND LIFT COMPONENTS. . . . . 87-102

PRESSURE WASHER OPTION. . . . . 103-106

SIDE FILL/CHEMICAL INDUCTOR OPTION. . . . . 107-111

FRONT FILL OPTION. . . . . 112

RADAR OPTION. . . . . 113

FENDER OPTION . . . . . 114-115

DECALS. . . . . 116-117

HYDRAULIC SCHEMATIC . . . . . 118-125

ELECTRICAL SCHEMATIC . . . . . 126-140

ABBREVIATIONS . . . . . 141

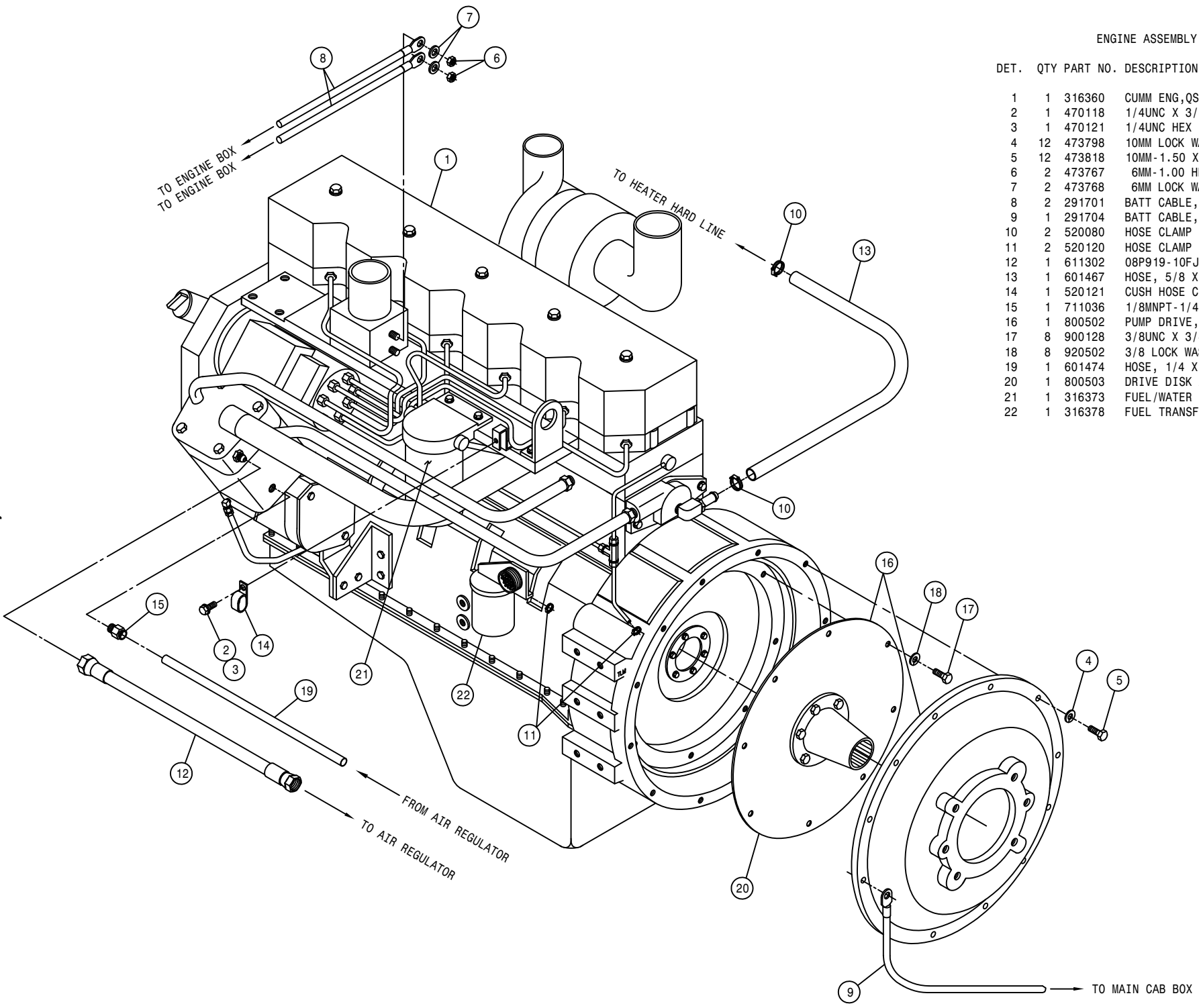
INDEX. . . . . 142

PARTS ORDER FORM. . . . . 145

ENGINE ASSEMBLY

DET. QTY PART NO. DESCRIPTION

| DET. | QTY | PART NO. | DESCRIPTION                      |
|------|-----|----------|----------------------------------|
| 1    | 1   | 316360   | CUMM ENG, QSB5.9C, 275@2500CMPSR |
| 2    | 1   | 470118   | 1/4UNC X 3/4 FLANGE HEX BOLT     |
| 3    | 1   | 470121   | 1/4UNC HEX FLANGE LOCK NUT       |
| 4    | 12  | 473798   | 10MM LOCK WASHER                 |
| 5    | 12  | 473818   | 10MM-1.50 X 40MM HEX BOLT        |
| 6    | 2   | 473767   | 6MM-1.00 HEX NUT                 |
| 7    | 2   | 473768   | 6MM LOCK WASHER                  |
| 8    | 2   | 291701   | BATT CABLE, RED 40" 6GA 1/4-1/4  |
| 9    | 1   | 291704   | BATT CABLE, BLK 172" 6GA3/8-3/8  |
| 10   | 2   | 520080   | HOSE CLAMP NO 10 STAINLESS       |
| 11   | 2   | 520120   | HOSE CLAMP NO 4 STAINLESS        |
| 12   | 1   | 611302   | 08P919-10FJX-10FJX-69 H/A        |
| 13   | 1   | 601467   | HOSE, 5/8 X 69 HEATER            |
| 14   | 1   | 520121   | CUSH HOSE CLAMP 1IN X 3/4W       |
| 15   | 1   | 711036   | 1/8MNPT-1/4 NYL TUBE FTG         |
| 16   | 1   | 800502   | PUMP DRIVE, DIRECT SAE#3/C 23T   |
| 17   | 8   | 900128   | 3/8UNC X 3/4 HEX BOLT            |
| 18   | 8   | 920502   | 3/8 LOCK WASHER                  |
| 19   | 1   | 601474   | HOSE, 1/4 X 26 AIR               |
| 20   | 1   | 800503   | DRIVE DISK ASSY, 11.5" 23T SPL   |
| 21   | 1   | 316373   | FUEL/WATER SEPERATOR (316360)    |
| 22   | 1   | 316378   | FUEL TRANSFER PUMP FOR 316360    |

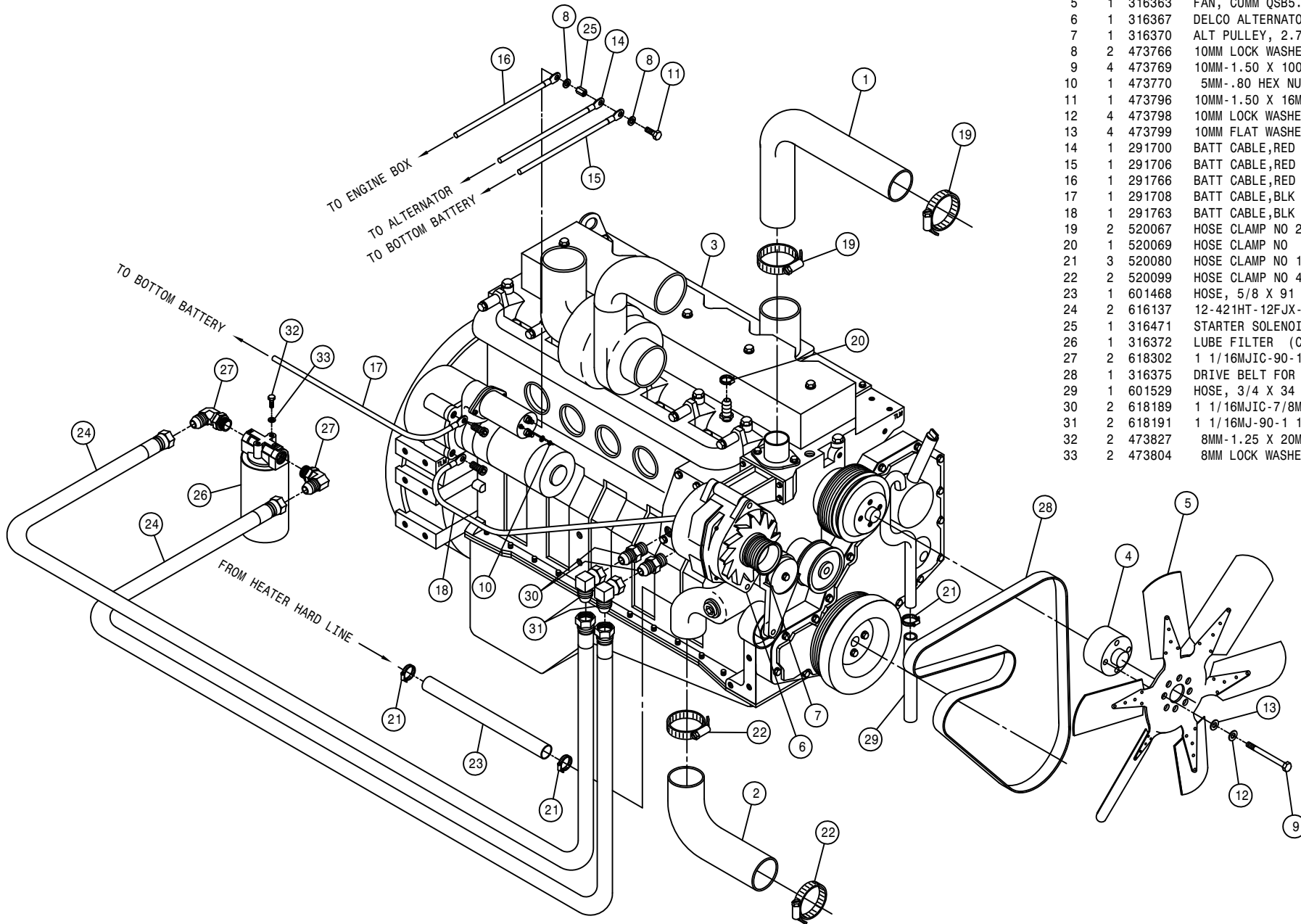


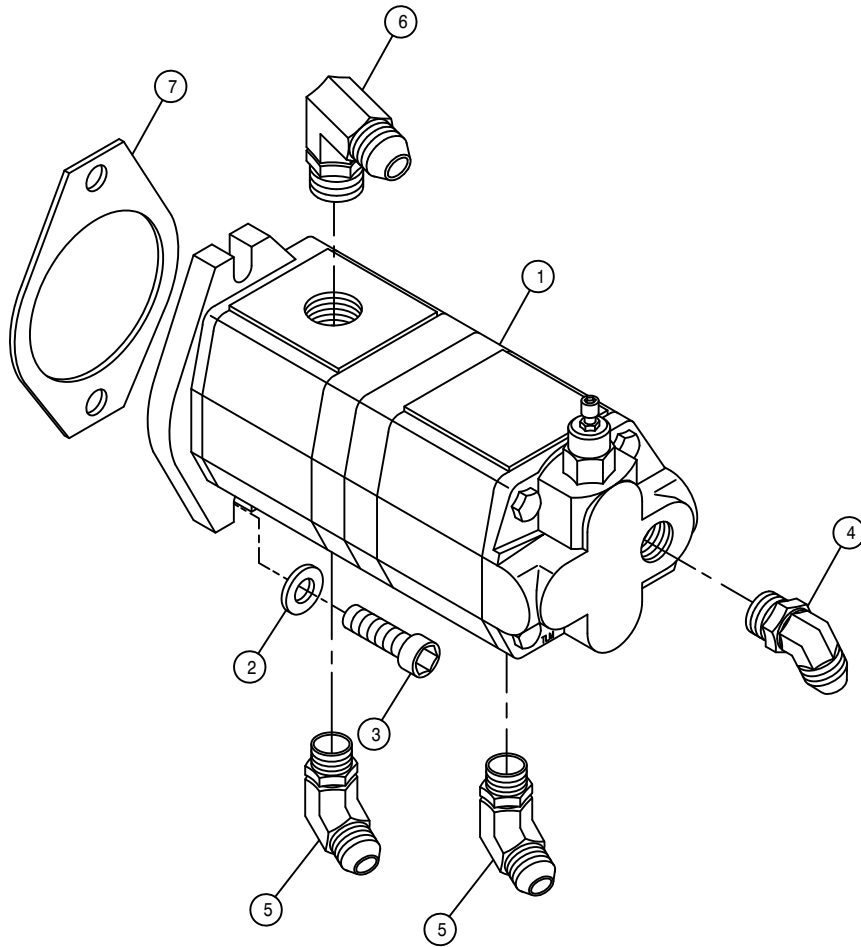
4

ENGINE ASSEMBLY

DET. QTY PART NO. DESCRIPTION

| DET. | QTY | PART NO. | DESCRIPTION                    |
|------|-----|----------|--------------------------------|
| 1    | 1   | 314832   | RADIATOR HOSE 1.75 X 19        |
| 2    | 1   | 314987   | LWR RADIATOR HOSE STS-12       |
| 3    | 1   | 316360   | CUMM ENG,QSB5.9C,275@2500CMPSR |
| 4    | 1   | 316362   | FAN SPACER, QSB5.9C STS12 00   |
| 5    | 1   | 316363   | FAN, CUMM QSB5.9C, STS12 2000  |
| 6    | 1   | 316367   | DELCO ALTERNATOR,130 AMP 22SI  |
| 7    | 1   | 316370   | ALT PULLEY, 2.76 OD, 8-GROOVE  |
| 8    | 2   | 473766   | 10MM LOCK WASHER,INT TOOTH     |
| 9    | 4   | 473769   | 10MM-1.50 X 100MM FLG HEX BOLT |
| 10   | 1   | 473770   | 5MM-.80 HEX NUT                |
| 11   | 1   | 473796   | 10MM-1.50 X 16MM HEX BOLT      |
| 12   | 4   | 473798   | 10MM LOCK WASHER               |
| 13   | 4   | 473799   | 10MM FLAT WASHER               |
| 14   | 1   | 291700   | BATT CABLE,RED 31" 6GA 1/4-3/8 |
| 15   | 1   | 291706   | BATT CABLE,RED 70" 2/0 3/8-3/8 |
| 16   | 1   | 291766   | BATT CABLE,RED 48" 2/0 3/8-3/8 |
| 17   | 1   | 291708   | BATT CABLE,BLK 73" 2/0 3/8-3/8 |
| 18   | 1   | 291763   | BATT CABLE,BLK 33" 6GA 3/8-3/8 |
| 19   | 2   | 520067   | HOSE CLAMP NO 28 STAINLESS     |
| 20   | 1   | 520069   | HOSE CLAMP NO 6 STAINLESS      |
| 21   | 3   | 520080   | HOSE CLAMP NO 10 STAINLESS     |
| 22   | 2   | 520099   | HOSE CLAMP NO 40 STAINLESS     |
| 23   | 1   | 601468   | HOSE, 5/8 X 91 HEATER          |
| 24   | 2   | 616137   | 12-421HT-12FJX-12FJX-68 H/A    |
| 25   | 1   | 316471   | STARTER SOLENOID NUT ASSY      |
| 26   | 1   | 316372   | LUBE FILTER (CUMM ENG 316360)  |
| 27   | 2   | 618302   | 1 1/16MJIC-90-1 5/16MOR LBO    |
| 28   | 1   | 316375   | DRIVE BELT FOR QSB5.9C 316360  |
| 29   | 1   | 601529   | HOSE, 3/4 X 34 CLEAR VINYL     |
| 30   | 2   | 618189   | 1 1/16MJIC-7/8MOR ADPTR        |
| 31   | 2   | 618191   | 1 1/16MJ-90-1 1/16FJ SWIV LBO  |
| 32   | 2   | 473827   | 8MM-1.25 X 20MM HEX BOLT       |
| 33   | 2   | 473804   | 8MM LOCK WASHER                |





STEERING AND TREAD ADJUST PUMP ASSEMBLY

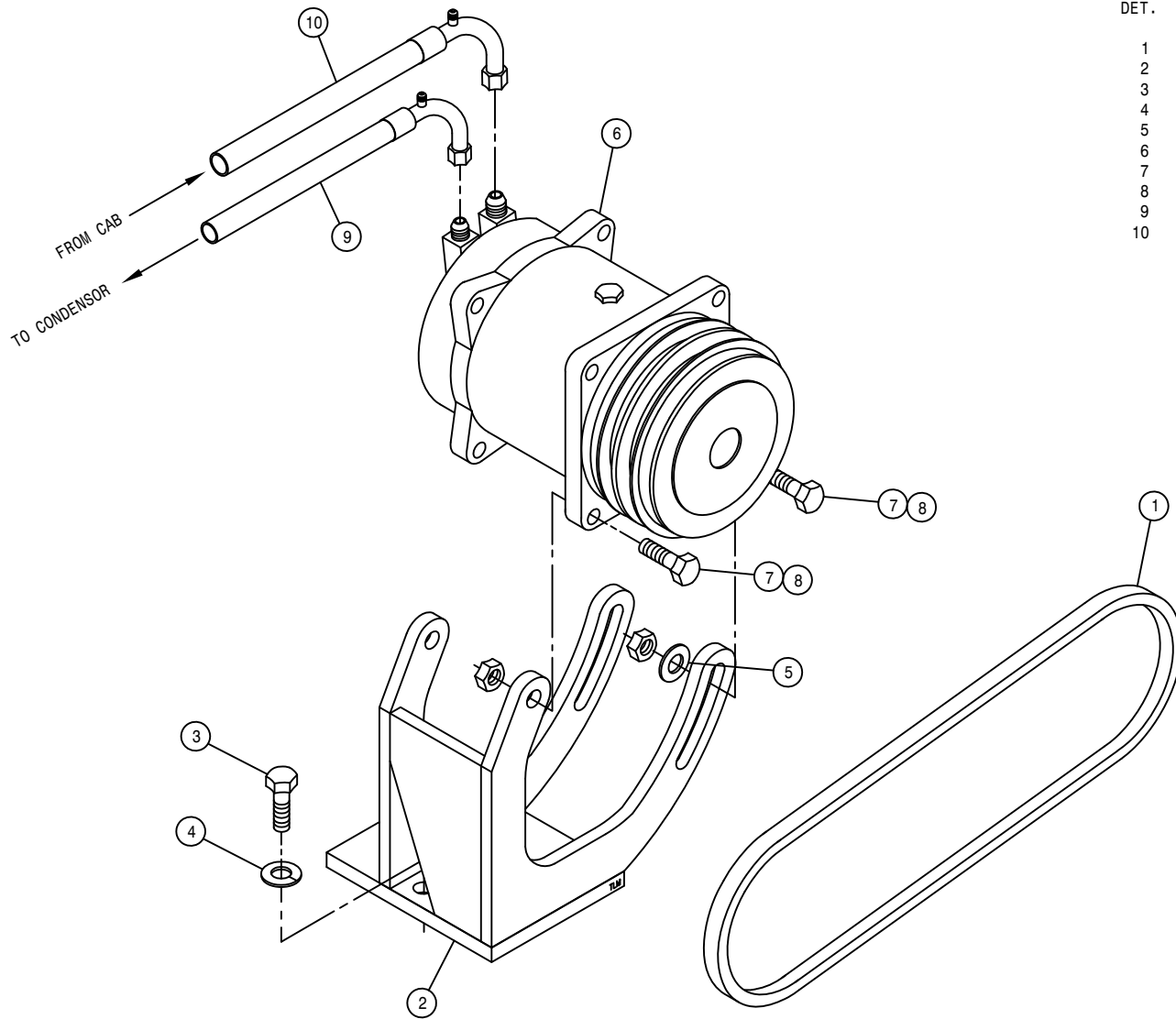
DET. QTY PART NO. DESCRIPTION

|   |   |        |                               |
|---|---|--------|-------------------------------|
| 1 | 1 | 606990 | TANDEM PUMP, .66CI/.51CI      |
| 2 | 2 | 473799 | 10MM FLAT WASHER              |
| 3 | 2 | 473844 | 10MM-1.50 X 30 SOC HD CAP SCR |
| 4 | 1 | 618315 | 3/4MJIC-45-3/4MOR LBO         |
| 5 | 2 | 618183 | 3/4MJIC-90-7/8MOR LBO         |
| 6 | 1 | 618248 | 1 1/16MJIC-90-1 1/16MOR LBO   |
| 7 | 1 | 316371 | GASKET, AUX DRIVE CUMM 154916 |

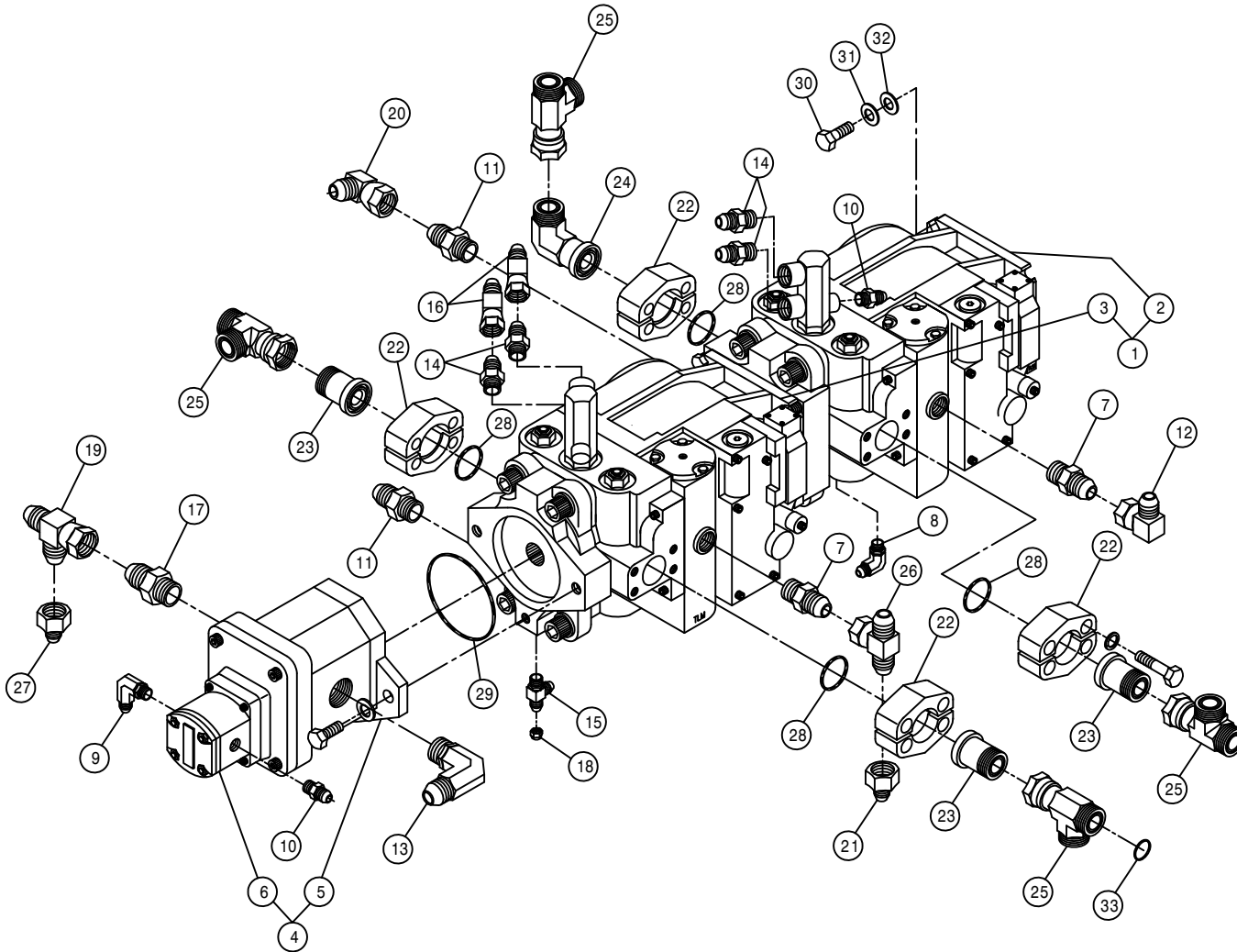
A/C COMPRESSOR PUMP ASSEMBLY

DET. QTY PART NO. DESCRIPTION

|    |   |        |                               |
|----|---|--------|-------------------------------|
| 1  | 1 | 147049 | BELT, 9425 GATES              |
| 2  | 1 | 316461 | A/C MTG BRKT WLD STS12 2000   |
| 3  | 3 | 473792 | 10MM-1.50 X 30MM HEX BOLT     |
| 4  | 3 | 473798 | 10MM LOCK WASHER              |
| 5  | 2 | 483043 | 3/8 REGULAR FLAT WASHER       |
| 6  | 1 | 657450 | A/C COMP SR,90D PORT TM15/12  |
| 7  | 4 | 900131 | 3/8UNC X 1 1/2 HEX BOLT       |
| 8  | 4 | 914004 | 3/8UNC HEX STOVER NUT         |
| 9  | 1 | 657446 | A/C HOSE,08-08F90-08F90SV-65" |
| 10 | 1 | 657447 | A/C HOSE,10-10F90-10F90SV-92" |

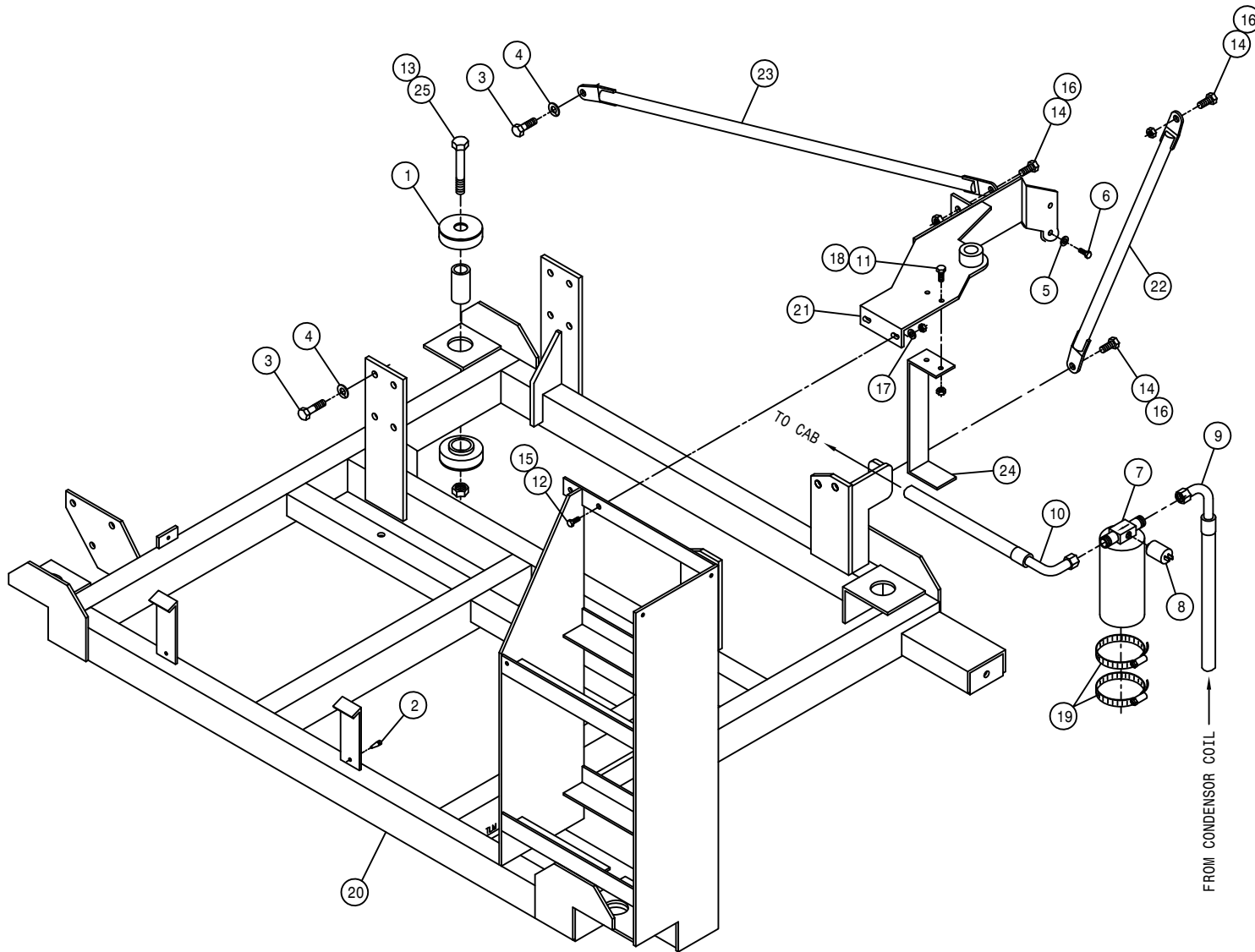


HYDROSTATIC PUMP ASSEMBLY



| DET. | QTY | PART NO. | DESCRIPTION                    |
|------|-----|----------|--------------------------------|
| 1    | 1   | 606965   | TANDEM PUMP, 606966 & 606969   |
| 2    | 1   | 606966   | SUND 75CC PUMP,C/C-MT          |
| 3    | 1   | 606969   | SUND 75CC PUMP,C/B-MT          |
| 4    | 1   | 606972   | TANDEM PUMP, 606984 & 606987   |
| 5    | 1   | 606984   | SUND GEAR PUMP,2.02CI GRP3     |
| 6    | 1   | 606987   | SUND GEAR PUMP, .128CI GRP3    |
| 7    | 2   | 611127   | 1 1/16MJIC-1 1/16MOR ADPTR     |
| 8    | 1   | 614754   | .050 ELBOW ASSY,9/16MOR 90D    |
| 9    | 1   | 618115   | 9/16MJIC-90-3/4MOR LBO         |
| 10   | 2   | 618126   | 9/16MJIC-9/16MOR ADPTR         |
| 11   | 2   | 618186   | 1 5/16MJIC-1 5/16MOR ADPTR     |
| 12   | 1   | 618191   | 1 1/16MJ-90-1 1/16FJ SWIV LBO  |
| 13   | 1   | 618302   | 1 1/16MJIC-90-1 5/16MOR LBO    |
| 14   | 4   | 618327   | 3/4MJIC-7/8MOR ADPTR           |
| 15   | 1   | 618444   | 9/16MOR RUN TEE-9/16MJIC       |
| 16   | 2   | 618451   | 3/4FJIC SW RUN TEE-3/4MJIC     |
| 17   | 1   | 618455   | 1 5/16MJIC-1 5/8MOR ADPTR      |
| 18   | 1   | 618531   | 9/16FJIC CAP NUT               |
| 19   | 1   | 618619   | 1 5/16FJ SW RUN TEE-1 5/16MJ   |
| 20   | 1   | 618640   | 1 5/16MJ-90-1 5/16FJ SWIV LBO  |
| 21   | 1   | 618641   | 1 1/16FJIC-1 5/16MJIC ADPTR    |
| 22   | 4   | 618652   | 1" SPLIT FLANGE KIT            |
| 23   | 3   | 618653   | 1" FLANGE-1 7/16MFOR ADPTR     |
| 24   | 1   | 618654   | 1" FLANGE-90-1 7/16MFOR LBO    |
| 25   | 4   | 618655   | 1 7/16FFOX RUN TEE-1 7/16MFOR  |
| 26   | 1   | 618660   | 1 1/16FJX BRANCH TEE-1 1/16MJ  |
| 27   | 1   | 618661   | 1 5/16FJIC-9/16MJIC ADPTR      |
| 28   | 4   | 618676   | O-RING FOR 1" SPL FLG 618652   |
| 29   | 1   | 606870   | O-RING FOR 606865 SUND B-MT    |
| 30   | 4   | 900265   | 1/2UNC X 1 1/2 HEX BOLT        |
| 31   | 4   | 920504   | 1/2 LOCK WASHER                |
| 32   | 4   | 920004   | 1/2 SAE FLAT WASHER            |
| 33   | 12  | 618677   | O-RING,-16 FACE SEAL .93ID 90D |



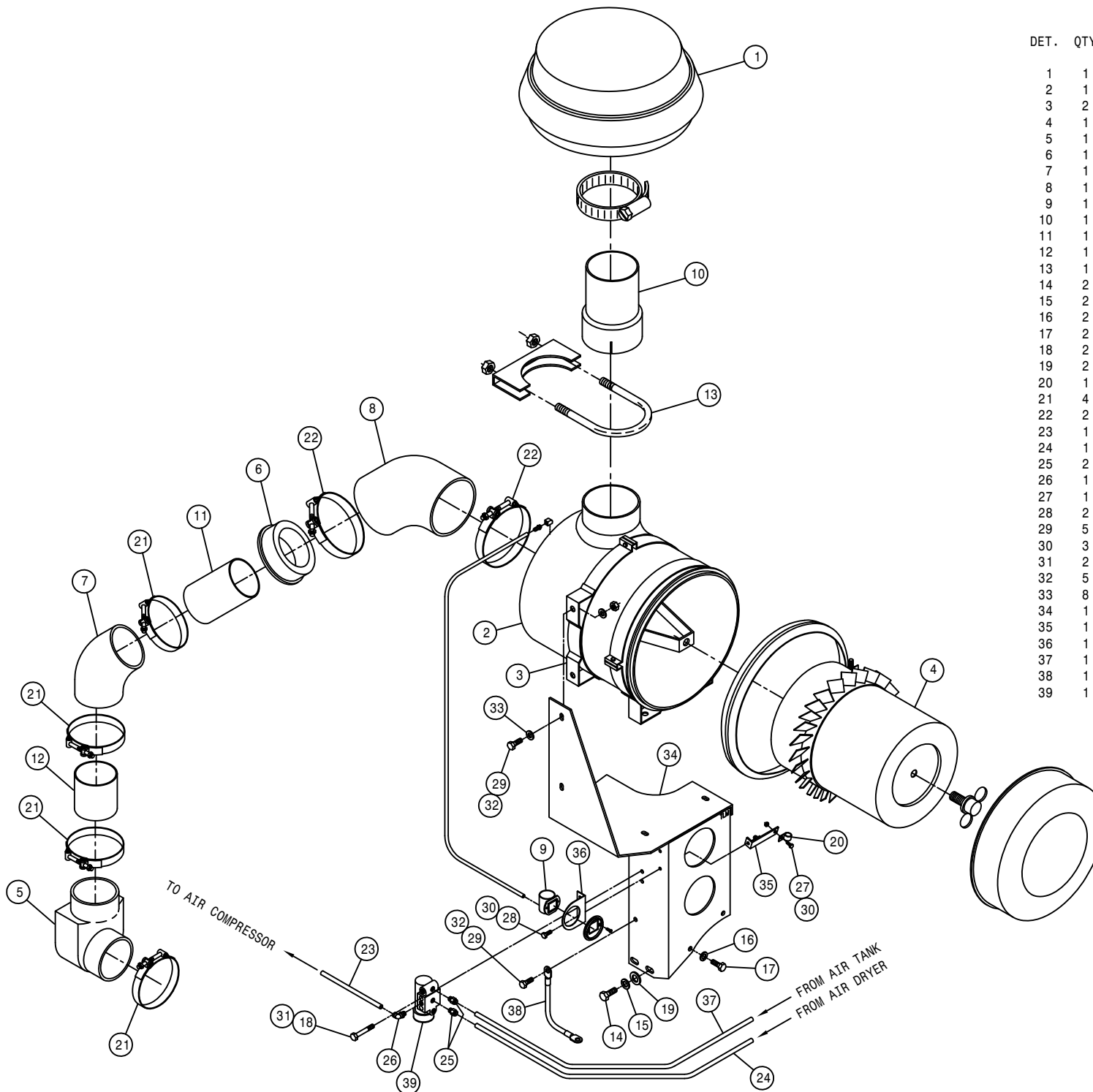


ENGINE SKID ASSEMBLY

| DET. | QTY | PART NO. | DESCRIPTION                   |
|------|-----|----------|-------------------------------|
| 1    | 4   | 311057   | RUBBER MT SET,SSB33-1000-4    |
| 2    | 4   | 470313   | GROMMET BUMPER,1/4T X 1/4D MT |
| 3    | 13  | 473775   | 12MM-1.75 X 30MM HEX BOLT     |
| 4    | 13  | 473784   | 12MM LOCK WASHER              |
| 5    | 2   | 473804   | 8MM LOCK WASHER               |
| 6    | 2   | 473827   | 8MM-1.25 X 20MM HEX BOLT      |
| 7    | 1   | 657421   | A/C RECEIVER/DRYER            |
| 8    | 1   | 657422   | A/C BINARY SWITCH             |
| 9    | 1   | 657443   | A/C HOSE,06-06F90-06F90-34"   |
| 10   | 1   | 657444   | A/C HOSE,06-06F90-06F90-115"  |
| 11   | 2   | 900065   | 5/16UNC X 1" HEX BOLT         |
| 12   | 2   | 900129   | 3/8UNC X 1" HEX BOLT          |
| 13   | 4   | 914012   | 3/4UNC HEX STOVER NUT         |
| 14   | 3   | 900264   | 1/2UNC X 1 1/4 HEX BOLT       |
| 15   | 2   | 914004   | 3/8UNC HEX STOVER NUT         |
| 16   | 3   | 914008   | 1/2UNC HEX STOVER NUT         |
| 17   | 2   | 920002   | 3/8 SAE FLAT WASHER           |
| 18   | 2   | 914002   | 5/16UNC HEX STOVER NUT        |
| 19   | 2   | 520052   | HOSE CLAMP NO 52 STAINLESS    |
| 20   | 1   | 316380   | SKID WLD                      |
| 21   | 1   | 316426   | RAD MT PLT WLD                |
| 22   | 1   | 316433   | RH RAD BRACE WLD              |
| 23   | 1   | 316434   | LH RAD BRACE WLD              |
| 24   | 1   | 316432   | A/C DRYER MT                  |
| 25   | 4   | 900408   | 3/4UNC X 3 1/2 HEX BOLT       |

AIR CLEANER ASSEMBLY

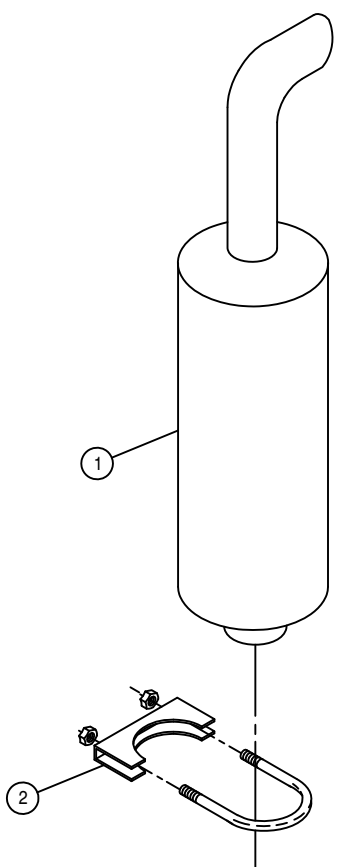
DET. QTY PART NO. DESCRIPTION



| DET. | QTY | PART NO. | DESCRIPTION                        |
|------|-----|----------|------------------------------------|
| 1    | 1   | 314971   | AIR CLEANER HOOD FOR 314970        |
| 2    | 1   | 311502   | AIR CLEANER, 14"                   |
| 3    | 2   | 311503   | AIR CLEANER MT BAND FOR 311502     |
| 4    | 1   | 311504   | AIR FILTER FOR 311502              |
| 5    | 1   | 311505   | 4.00 90 DEG COBRA ELBOW, RUBBER    |
| 6    | 1   | 311506   | 5.50-4.00 ID REDUCER BUSHING       |
| 7    | 1   | 311507   | 4.00" 45DEG ELBOW, RUBBER          |
| 8    | 1   | 311508   | 5.50" 45DEG ELBOW, RUBBER          |
| 9    | 1   | 314901   | FILTER MINDER AIR RESTRICT GA      |
| 10   | 1   | 314986   | AIR CLEANER HOOD EXTEN, 5" X 8" LG |
| 11   | 1   | 316068   | 4" X 6.00" AIR INTAKE TUBE         |
| 12   | 1   | 316344   | 4" X 4.00" AIR INTAKE TUBE 98      |
| 13   | 1   | 470260   | MUFFLER CLAMP, 5.00                |
| 14   | 2   | 473775   | 12MM-1.75 X 30MM HEX BOLT          |
| 15   | 2   | 473784   | 12MM LOCK WASHER                   |
| 16   | 2   | 473798   | 10MM LOCK WASHER                   |
| 17   | 2   | 473818   | 10MM-1.50 X 40MM HEX BOLT          |
| 18   | 2   | 900072   | 5/16UNC X 3" HEX BOLT              |
| 19   | 2   | 473843   | 12MM FLAT WASHER                   |
| 20   | 1   | 520117   | CUSH HOSE CLAMP 5/8D X 1/2W        |
| 21   | 4   | 520134   | 4.31/4.59 T-BOLT HOSE CLAMP SS     |
| 22   | 2   | 520144   | 5.94/6.21 T-BOLT HOSE CLAMP SS     |
| 23   | 1   | 601474   | HOSE, 1/4 X 26 AIR                 |
| 24   | 1   | 601475   | HOSE, 1/4 X 47 AIR                 |
| 25   | 2   | 711036   | 1/8MNPT-1/4 NYL TUBE FTG           |
| 26   | 1   | 711039   | 1/8MNPT-1/4 NYL TUBE LBO           |
| 27   | 1   | 900000   | 1/4UNC X 1/2 HEX BOLT              |
| 28   | 2   | 900002   | 1/4UNC X 3/4 HEX BOLT              |
| 29   | 5   | 900129   | 3/8UNC X 1" HEX BOLT               |
| 30   | 3   | 914000   | 1/4UNC HEX STOVER NUT              |
| 31   | 2   | 914002   | 5/16UNC HEX STOVER NUT             |
| 32   | 5   | 914004   | 3/8UNC HEX STOVER NUT              |
| 33   | 8   | 920002   | 3/8 SAE FLAT WASHER                |
| 34   | 1   | 316464   | AIR CLEANER MT WLD                 |
| 35   | 1   | 316468   | DIPSTICK MTG BRKT                  |
| 36   | 1   | 316469   | FILTER MINDER GAUGE MT             |
| 37   | 1   | 601478   | HOSE, 1/4 X 175 AIR                |
| 38   | 1   | 291703   | BATT CABLE, BLK 12" 6GA 3/8-3/8    |
| 39   | 1   | 316277   | AIR COMPRESSOR GOVERNOR KIT        |

10

229010



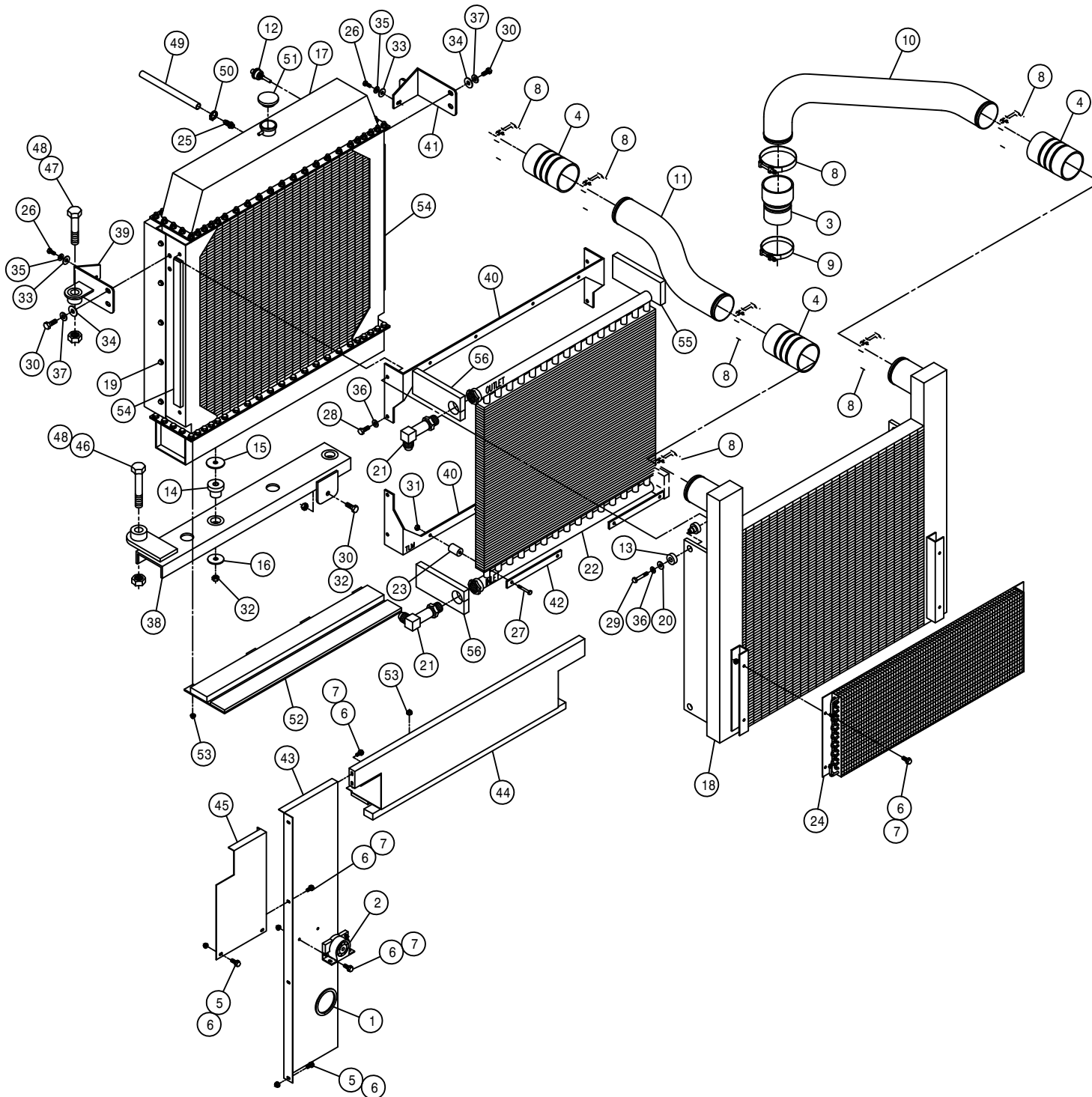
MUFFLER ASSEMBLY

DET. QTY PART NO. DESCRIPTION

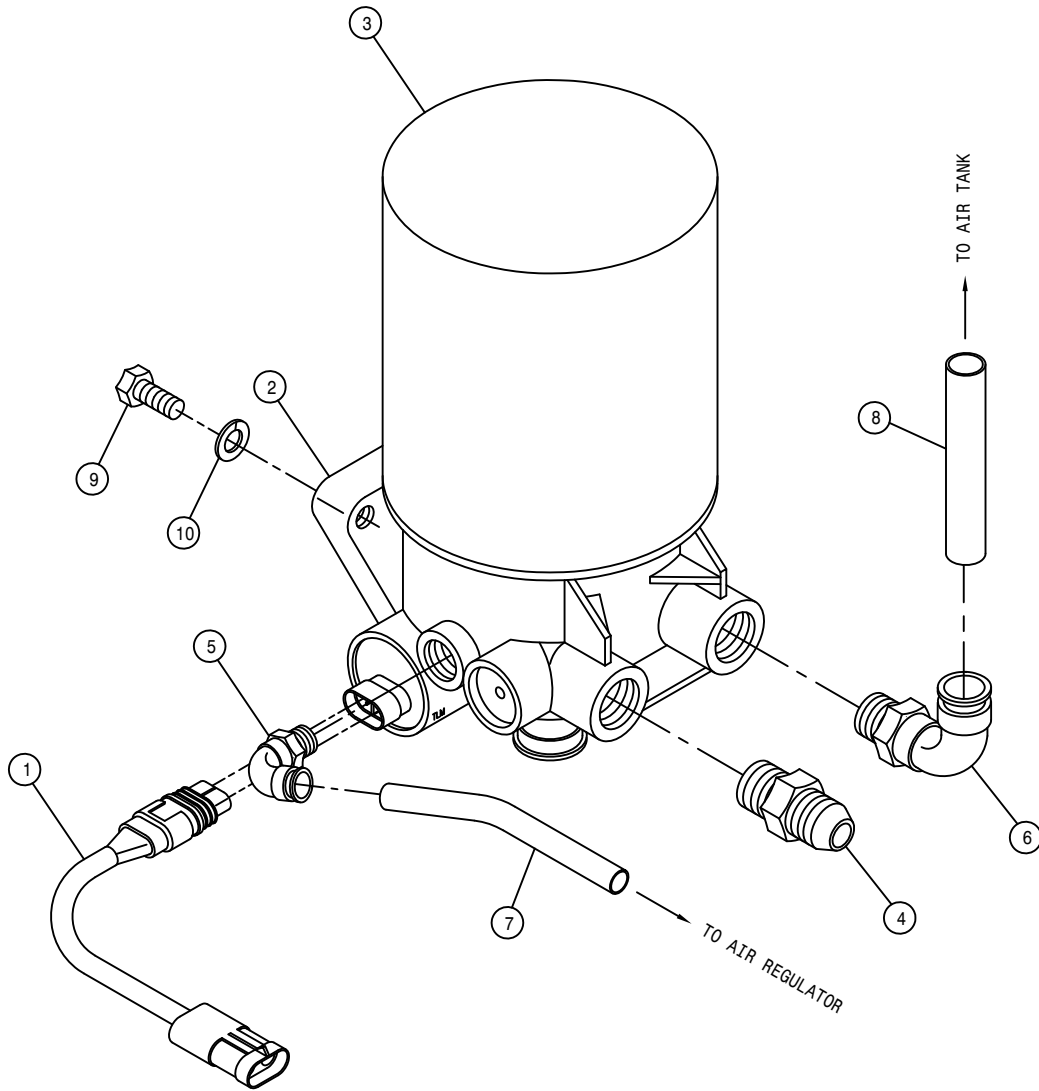
|   |   |        |                       |
|---|---|--------|-----------------------|
| 1 | 1 | 316366 | MUFFLER, STS12        |
| 2 | 1 | 470160 | MUFFLER CLAMP 3.00 IN |

RADIATOR AND OIL COOLER ASSEMBLY

DET. QTY PART NO. DESCRIPTION

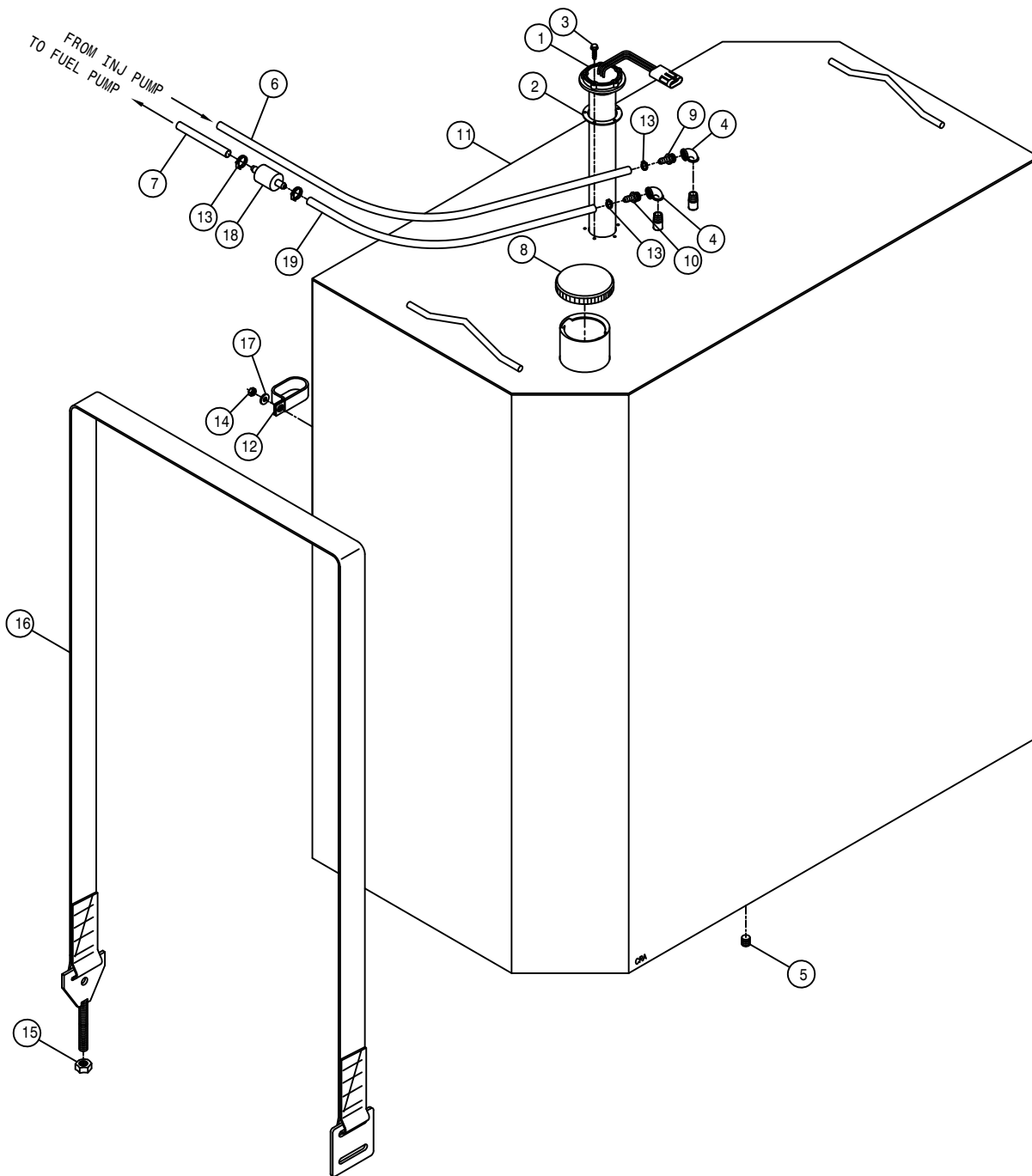


| DET. | QTY | PART NO. | DESCRIPTION                    |
|------|-----|----------|--------------------------------|
| 1    | 1   | 193012   | QUICKEDGE TRIM .135 TO .250    |
| 2    | 1   | 291759   | BACK-UP WARNING BEEPER, 112DB  |
| 3    | 1   | 311500   | 3.00-3.50 CAC HOSE, AIR INTAKE |
| 4    | 3   | 311501   | 3.50 CAC HOSE, AIR INTAKE      |
| 5    | 4   | 470118   | 1/4UNC X 3/4 FLANGE HEX BOLT   |
| 6    | 14  | 470121   | 1/4UNC HEX FLANGE LOCK NUT     |
| 7    | 10  | 470122   | 1/4UNC X 1/2 FLANGE HEX BOLT   |
| 8    | 7   | 520145   | 356 T-BOLT HOSE CLAMP SS       |
| 9    | 1   | 520146   | 306 T-BOLT HOSE CLAMP SS       |
| 10   | 1   | 316459   | RIGHT CHARGE AIR COOLER PIPE   |
| 11   | 1   | 316460   | LEFT CHARGE AIR COOLER PIPE    |
| 12   | 1   | 291714   | WATER LEVEL SENSOR             |
| 13   | 4   | 311056   | RUBBER MOUNT SET,2-PC CB 2320  |
| 14   | 2   | 311060   | RUBBER MOUNT,1-PC CB-1122-2    |
| 15   | 2   | 311061   | HEAD WASHER FOR 311060         |
| 16   | 2   | 311062   | TAIL WASHER FOR 311060         |
| 17   | 1   | 316364   | RADIATOR, STS12 2000           |
| 18   | 1   | 316365   | CHARGE AIR COOLER, STS12 2000  |
| 19   | 10  | 470319   | 3/8UNC X 1/2 FLANGE HEX BOLT   |
| 20   | 4   | 483043   | 3/8 REGULAR FLAT WASHER        |
| 21   | 2   | 618463   | 1 5/16MJIC-90-1 5/16MOR XL LBO |
| 22   | 1   | 618800   | OIL COOLER STS12 2000          |
| 23   | 8   | 618801   | MOUNTING KIT FOR 618800 COOLER |
| 24   | 1   | 657434   | A/C CONDENSER COIL 21-0302     |
| 25   | 1   | 783304   | 1/4 NPT X 3/8 HOSE BARB, BRS   |
| 26   | 2   | 900064   | 5/16UNC X 3/4 HEX BOLT         |
| 27   | 8   | 900071   | 5/16UNC X 2 3/4 HEX BOLT       |
| 28   | 4   | 900128   | 3/8UNC X 3/4 HEX BOLT          |
| 29   | 4   | 900133   | 3/8UNC X 2" HEX BOLT           |
| 30   | 5   | 900264   | 1/2UNC X 1 1/4 HEX BOLT        |
| 31   | 8   | 914002   | 5/16UNC HEX STOVER NUT         |
| 32   | 3   | 914008   | 1/2UNC HEX STOVER NUT          |
| 33   | 2   | 920001   | 5/16 SAE FLAT WASHER           |
| 34   | 4   | 920004   | 1/2 SAE FLAT WASHER            |
| 35   | 2   | 920501   | 5/16 LOCK WASHER               |
| 36   | 8   | 920502   | 3/8 LOCK WASHER                |
| 37   | 4   | 920504   | 1/2 LOCK WASHER                |
| 38   | 1   | 316439   | RAD MT WLD                     |
| 39   | 1   | 316447   | UPPER LH RAD MT WLD            |
| 40   | 2   | 316452   | RAD TO OIL COOLER MT           |
| 41   | 1   | 316446   | UPPER RH RAD MT WLD 2000       |
| 42   | 4   | 316453   | RAD TO OIL COOLER KEEPER       |
| 43   | 1   | 316457   | BATTERY BOX FILLER PANEL       |
| 44   | 1   | 316487   | UPR RADIATOR FILLER PANEL ASSY |
| 45   | 1   | 316458   | UPPER BATTERY BOX FILLER       |
| 46   | 1   | 900540   | 1" UNC X 7" HEX BOLT           |
| 47   | 1   | 900541   | 1" UNC X 3 3/4" HEX BOLT       |
| 48   | 2   | 914016   | 1" UNC HEX STOVER NUT          |
| 49   | 1   | 601472   | HOSE, 3/8 X 24 HEATER          |
| 50   | 1   | 520069   | HOSE CLAMP NO 6 STAINLESS      |
| 51   | 1   | 316377   | RAD CAP, 10LB 10237            |
| 52   | 1   | 316490   | LWR RADIATOR FILLER PANEL ASSY |
| 53   | 8   | 470113   | 5/16UNC HEX FLANGE LOCK NUT    |
| 54   | 2   | 316493   | SIDE FOAM,RAD/CAC              |
| 55   | 2   | 316494   | RH UPR/LWR FOAM,OIL CLR/RAD 00 |
| 56   | 2   | 316495   | LH UPR/LWR FOAM,OIL CLR/RAD 00 |



### AIR DRYER ASSEMBLY

| DET. | QTY | PART NO. | DESCRIPTION                    |
|------|-----|----------|--------------------------------|
|      | 1   | 293517   | AIR DRYER HARNESS              |
|      | 1   | 311072   | AIR DRYER, AD-SP SYSTEM PURGE  |
|      | 1   | 311073   | CARTRIDGE FOR AIR DRYER 311072 |
|      | 1   | 618325   | 7/8MJIC-1/2MNPT ADPTR          |
|      | 1   | 711040   | 1/4MNPT-1/4 NYL TUBE LBO       |
|      | 1   | 711042   | 1/2MNPT-1/2 NYL TUBE LBO       |
|      | 1   | 601475   | HOSE, 1/4 X 47 AIR             |
|      | 1   | 601483   | HOSE, 1/2 X 84 AIR             |
|      | 3   | 900265   | 1/2UNC X 1 1/2 HEX BOLT        |
|      | 3   | 920504   | 1/2 LOCK WASHER                |



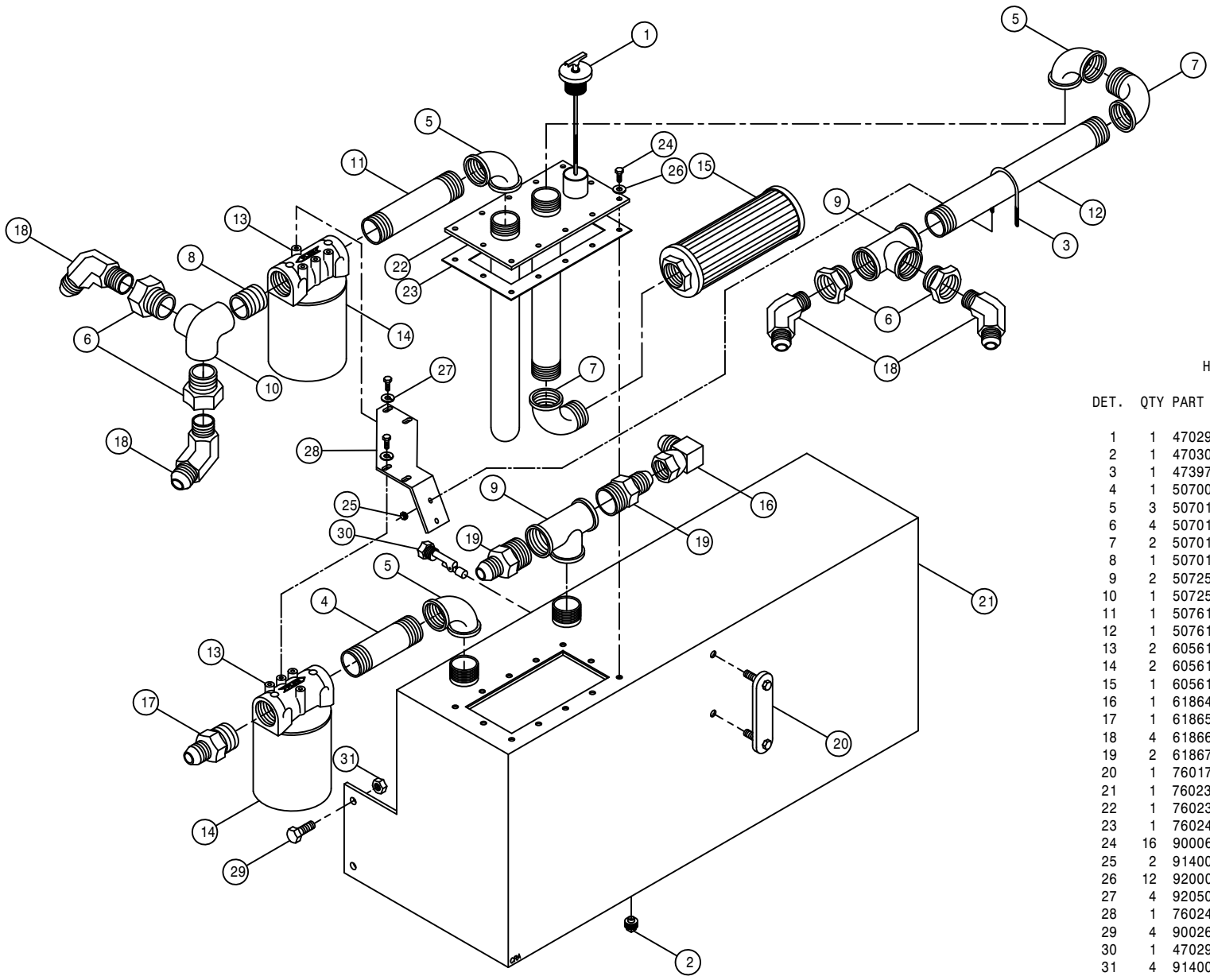
FUEL TANK ASSEMBLY

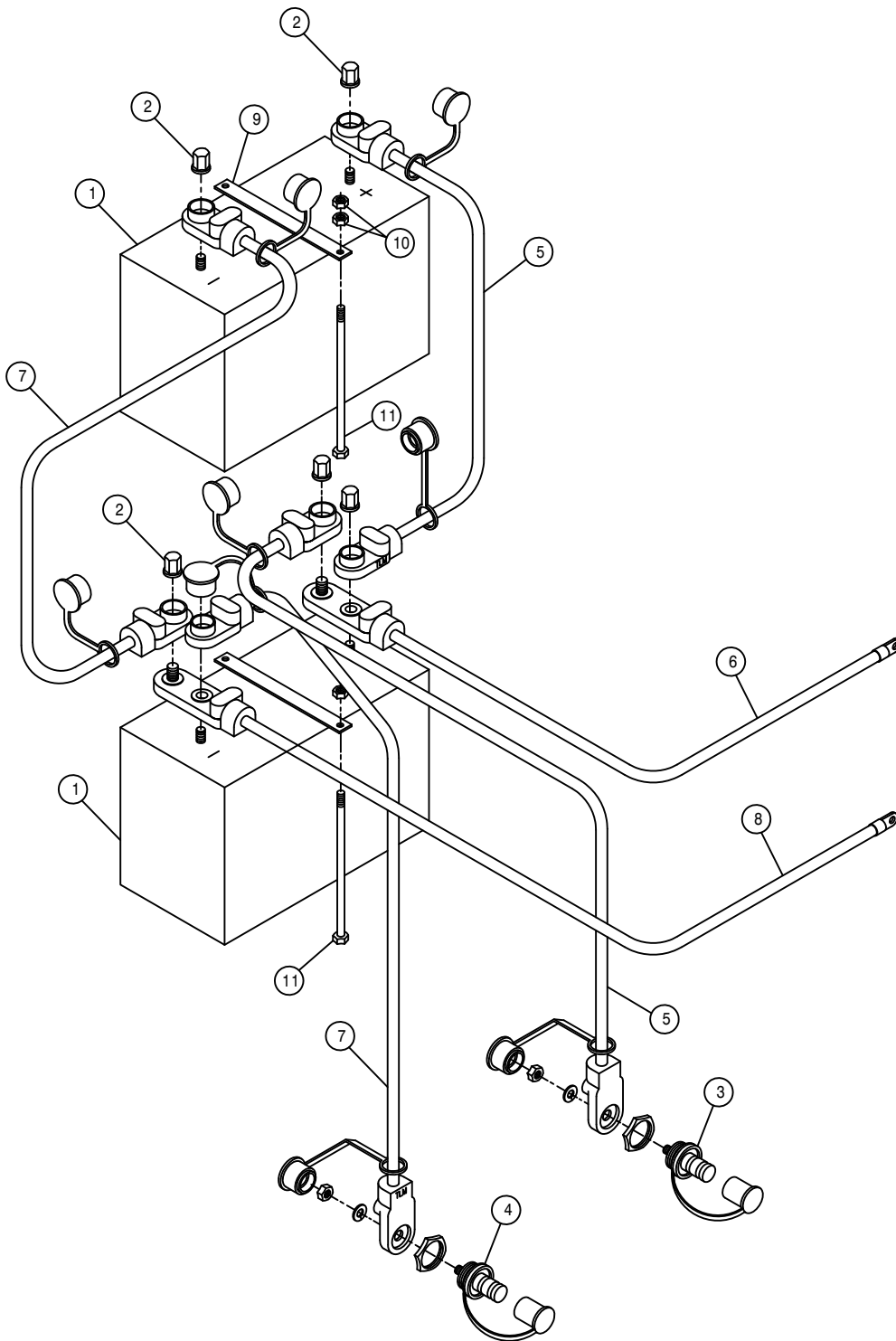
| DET. | QTY | PART NO. | DESCRIPTION                      |
|------|-----|----------|----------------------------------|
|      | 1   | 291788   | FUEL SENDER                      |
|      | 1   | 291789   | GASKET FOR FUEL SENDER 291788    |
|      | 5   | 472347   | #10 X 1 1/4 SELF DRILL/TAP SCR   |
|      | 2   | 501451   | BLK PIPE EL 90DEG .25NPT         |
|      | 1   | 503703   | PIPE PLUG .50NPT SKT HD          |
|      | 1   | 601300   | HOSE, 5/16 X 60 FUEL LINE        |
|      | 1   | 601550   | HOSE, 3/8 X 22 FUEL LINE         |
|      | 1   | 761202   | FUEL TANK CAP, 3" VENTED, ZINCPL |
|      | 1   | 783303   | 1/4 NPT X 5/16 HOSE BARB, BRS    |
|      | 1   | 783304   | 1/4 NPT X 3/8 HOSE BARB, BRS     |
|      | 1   | 760251   | FUEL TANK WLD                    |
|      | 1   | 520116   | CUSH HOSE CLAMP 1IN DBL TUBE     |
|      | 4   | 520120   | HOSE CLAMP NO 4 STAINLESS        |
|      | 1   | 914000   | 1/4UNC HEX STOVER NUT            |
|      | 2   | 914008   | 1/2UNC HEX STOVER NUT            |
|      | 2   | 316473   | FUEL TANK HOLD-DOWN STRAP ASSY   |
|      | 1   | 920000   | 1/4 SAE FLAT WASHER              |
|      | 1   | 316281   | FUEL STRAINER, IN-LINE, DIESEL   |
|      | 1   | 601551   | HOSE, 3/8 X 38 FUEL LINE         |

HYD TANK ASSEMBLY

DET. QTY PART NO. DESCRIPTION

|    |    |        |                                |       |
|----|----|--------|--------------------------------|-------|
| 1  | 1  | 470293 | DIPSTICK, VENTED               |       |
| 2  | 1  | 470308 | 1/2MNPT DRAIN PLUG,AL HD,MAG   |       |
| 3  | 1  | 473971 | 1/4UNC-2" ID-3"RD U-BOLT       |       |
| 4  | 1  | 507009 | BLK PIPE NIPPLE 1.50NPT-6.00   |       |
| 5  | 3  | 507014 | BLK PIPE EL 90DEG 1.50NPT      |       |
| 6  | 4  | 507015 | RED BUSH 1.50NPT - 1.25FNPT    |       |
| 7  | 2  | 507018 | BLK PIPE ST EL 90DEG 1.50NPT   |       |
| 8  | 1  | 507019 | CLOSE NIPPLE 1.50NPT           |       |
| 9  | 2  | 507250 | BLK PIPE TEE 1.50NPT           |       |
| 10 | 1  | 507252 | SIDE OUTLET EL 90DEG 1.50NPT   |       |
| 11 | 1  | 507610 | BLK PIPE NIPPLE 1.50NPT-8.00   |       |
| 12 | 1  | 507617 | BLK PIPE NIPPLE 1.50NPT-16.00  |       |
| 13 | 2  | 605611 | FILTER HEAD, 1 1/2FNPTF ZINGA  |       |
| 14 | 2  | 605612 | FILTER, 10 MICRON ZINGA        |       |
| 15 | 1  | 605613 | TANK FILTER,100 MESH,1 1/2FNPT |       |
| 16 | 1  | 618640 | 1 5/16MJ-90-1 5/16FJ SWIV LBO  |       |
| 17 | 1  | 618656 | 1 5/8MJIC-1 1/2MNPT ADPTR      |       |
| 18 | 4  | 618667 | 1 5/16MJIC-45-1 1/4MNPT LBO    |       |
| 19 | 2  | 618672 | 1 5/16MJIC-1 1/2MNPT ADPTR     |       |
| 20 | 1  | 760177 | SIGHT GAUGE, HYD TANK          |       |
| 21 | 1  | 760231 | HYD TANK WLD                   | STS12 |
| 22 | 1  | 760239 | RECEIVER PLATE WLD             | STS12 |
| 23 | 1  | 760243 | GASKET, RECEIVER PLATE         | STS12 |
| 24 | 16 | 900064 | 5/16UNC X 3/4 HEX BOLT         |       |
| 25 | 2  | 914000 | 1/4UNC HEX STOVER NUT          |       |
| 26 | 12 | 920001 | 5/16 SAE FLAT WASHER           |       |
| 27 | 4  | 920501 | 5/16 LOCK WASHER               |       |
| 28 | 1  | 760245 | HYD FILTER KEEPER              |       |
| 29 | 4  | 900264 | 1/2UNC X 1 1/4 HEX BOLT        |       |
| 30 | 1  | 470290 | LIQUID LEVEL SWITCH, 1/2MNPT   |       |
| 31 | 4  | 914008 | 1/2UNC HEX STOVER NUT          |       |



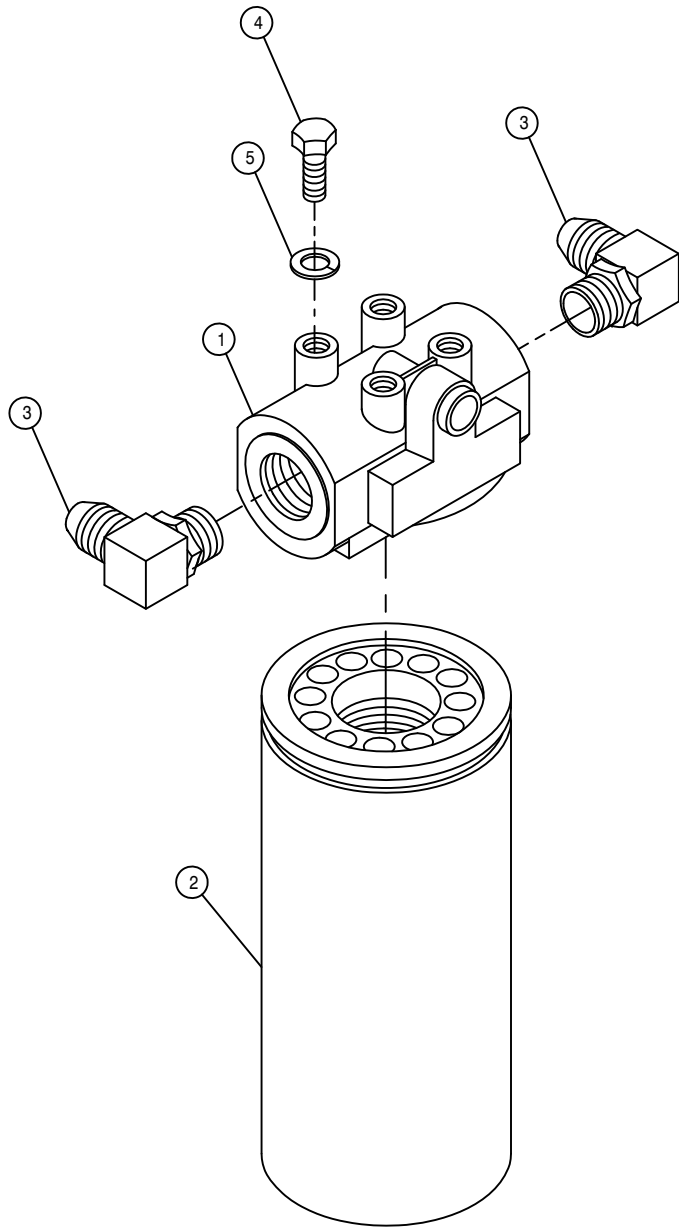


BATTERY ASSEMBLY

DET. QTY PART NO. DESCRIPTION

|    |   |        |                                |
|----|---|--------|--------------------------------|
| 1  | 2 | 291196 | BATTERY,12V 950CCA, SS STUD    |
| 2  | 6 | 291205 | BATTERY NUT,3/8-16 SS CLSD CAP |
| 3  | 1 | 291680 | POSITIVE JUMPER STUD, RED      |
| 4  | 1 | 291681 | NEGATIVE JUMPER STUD, BLACK    |
| 5  | 2 | 291705 | BATT CABLE,RED 26" 2/0 3/8-3/8 |
| 6  | 1 | 291706 | BATT CABLE,RED 70" 2/0 3/8-3/8 |
| 7  | 2 | 291707 | BATT CABLE,BLK 26" 2/0 3/8-3/8 |
| 8  | 1 | 291708 | BATT CABLE,BLK 73" 2/0 3/8-3/8 |
| 9  | 2 | 316470 | BATTERY TIE-DOWN               |
| 10 | 8 | 910004 | 3/8UNC HEX NUT                 |
| 11 | 4 | 900150 | 3/8UNC X 9 1/2 HEX BOLT        |





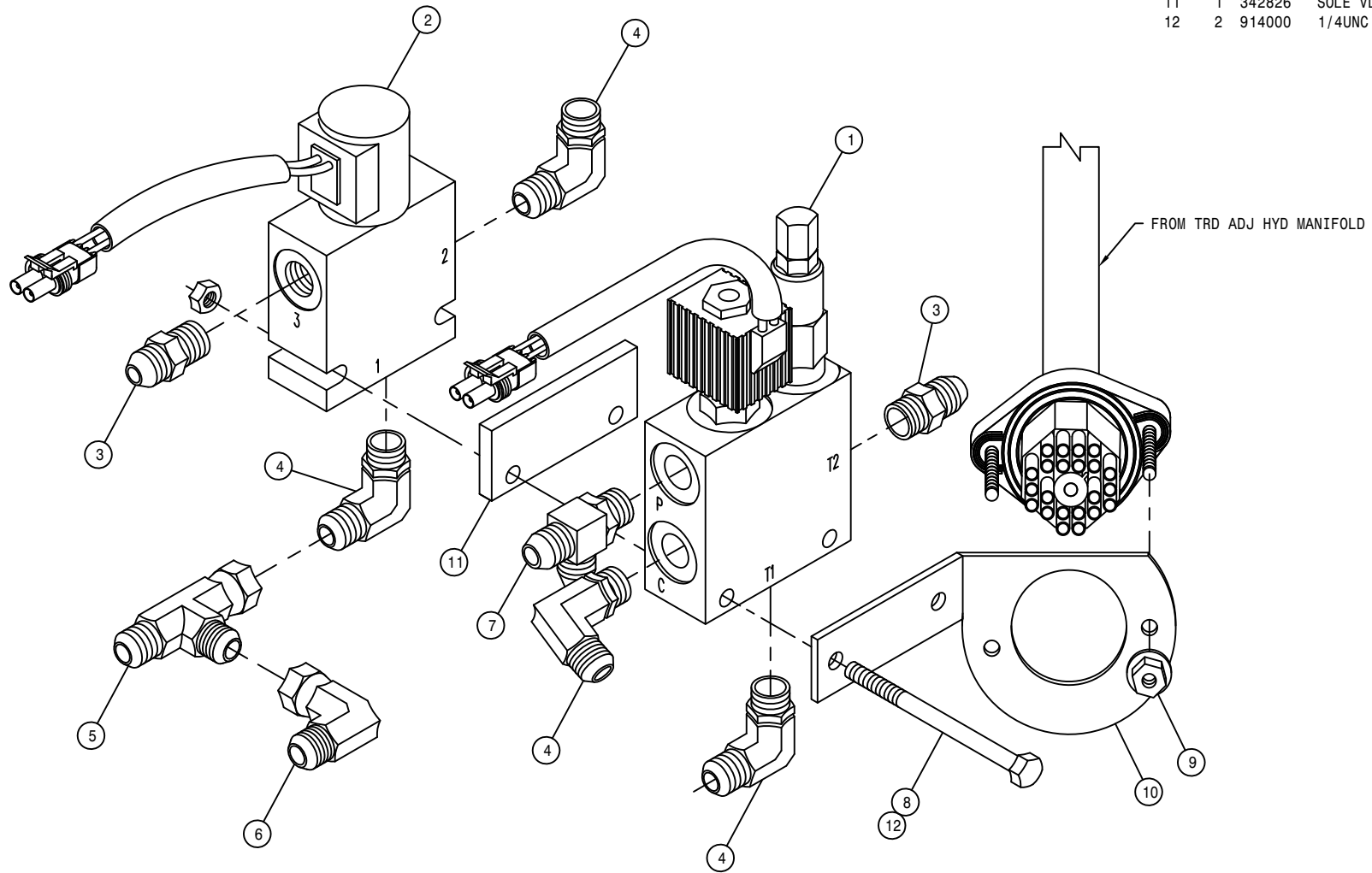
HI-PRESS FILTER ASSEMBLY

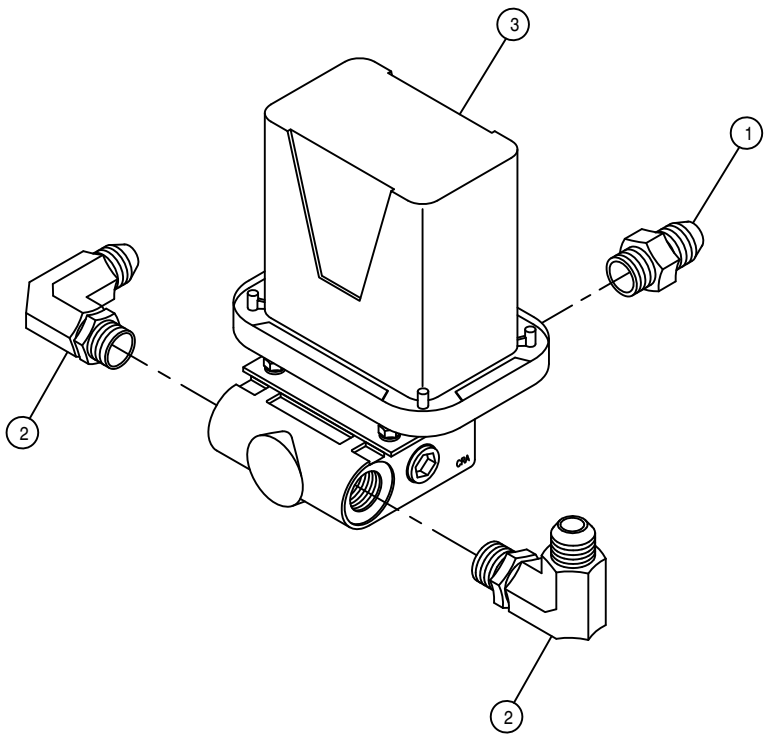
| DET. | QTY | PART NO. | DESCRIPTION                   |
|------|-----|----------|-------------------------------|
|      | 1   | 605608   | HYD FILTER HEAD, DONALDSON    |
|      | 1   | 605609   | HYD FILTER ELEMENT, DONALDSON |
|      | 2   | 618474   | 3/4MJC-90-1 1/16MOR LBO       |
|      | 4   | 900128   | 3/8UNC X 3/4 HEX BOLT         |
|      | 4   | 920502   | 3/8 LOCK WASHER               |

LADDER AND BRAKE VALVE ASSEMBLY

DET. QTY PART NO. DESCRIPTION

| DET. | QTY | PART NO. | DESCRIPTION                    |
|------|-----|----------|--------------------------------|
| 1    | 1   | 606011   | LADDER/BRKWAY VLV W/TOWER ASSY |
| 2    | 1   | 606013   | BRAKE VLV W/TOWER ASSY         |
| 3    | 2   | 618126   | 9/16MJIC-9/16MOR ADPTR         |
| 4    | 4   | 618119   | 9/16MJIC-90-9/16MOR LBO        |
| 5    | 1   | 618486   | 9/16FJIC SW RUN TEE-9/16MJIC   |
| 6    | 1   | 618618   | 9/16MJIC-90-9/16FJIC SWIV LBO  |
| 7    | 1   | 618444   | 9/16MOR RUN TEE-9/16MJIC       |
| 8    | 2   | 900012   | 1/4UNC X 3 1/2 HEX BOLT        |
| 9    | 2   | 470121   | 1/4UNC HEX FLANGE LOCK NUT     |
| 10   | 1   | 342824   | TRD ADJ HARNESS CONNECTOR BRKT |
| 11   | 1   | 342826   | SOLE VLV SPACER                |
| 12   | 2   | 914000   | 1/4UNC HEX STOVER NUT          |



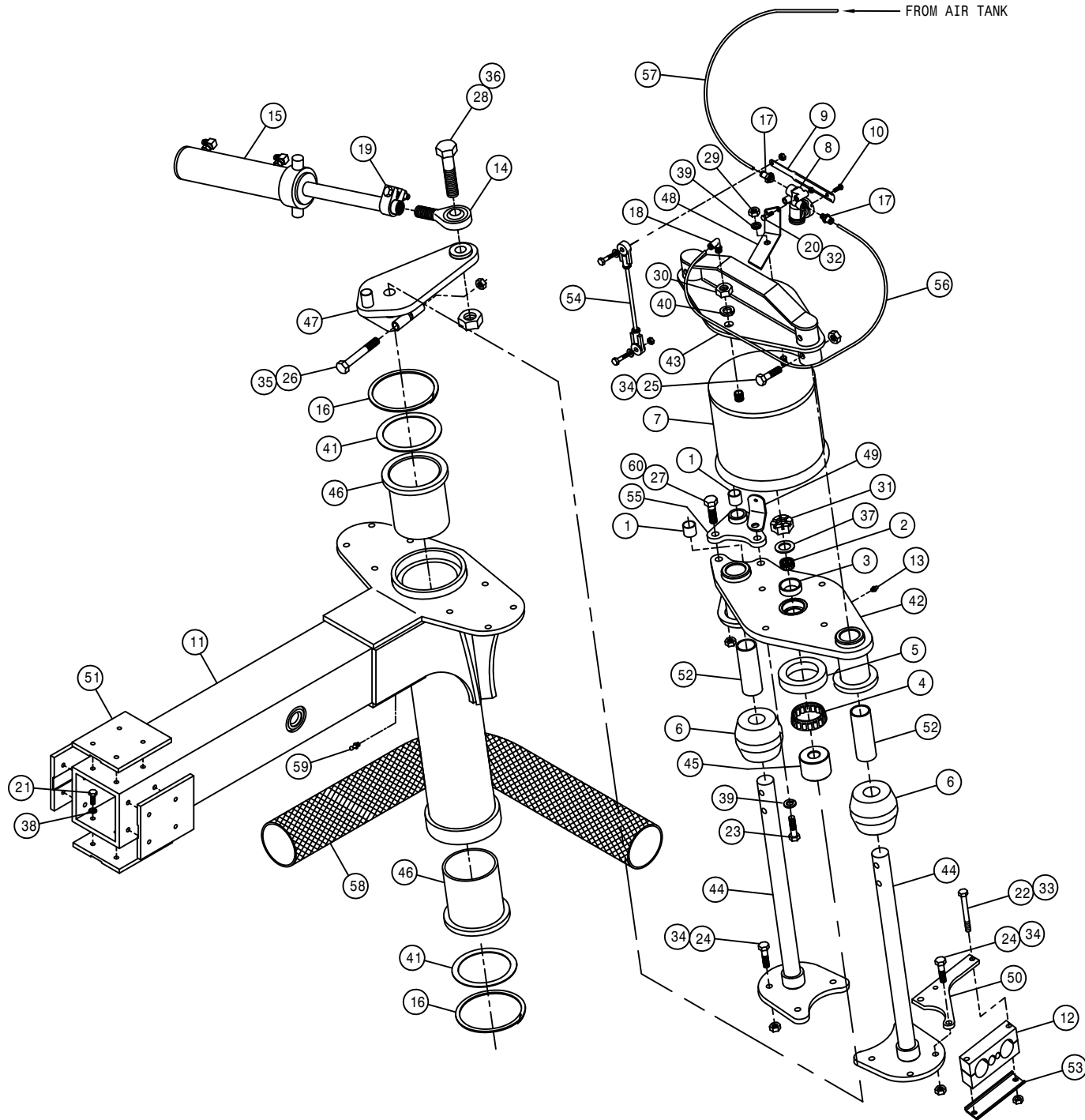


RAVEN HYD CTRL VLV ASSEMBLY

| DET. | QTY | PART NO. | DESCRIPTION                 |
|------|-----|----------|-----------------------------|
| 1    | 1   | 611127   | 1 1/16MJIC-1 1/16MOR ADPTR  |
| 2    | 2   | 618248   | 1 1/16MJIC-90-1 1/16MOR LBO |
| 3    | 1   | 690666   | VALVE HYD CTRL,30GPM RAVEN  |

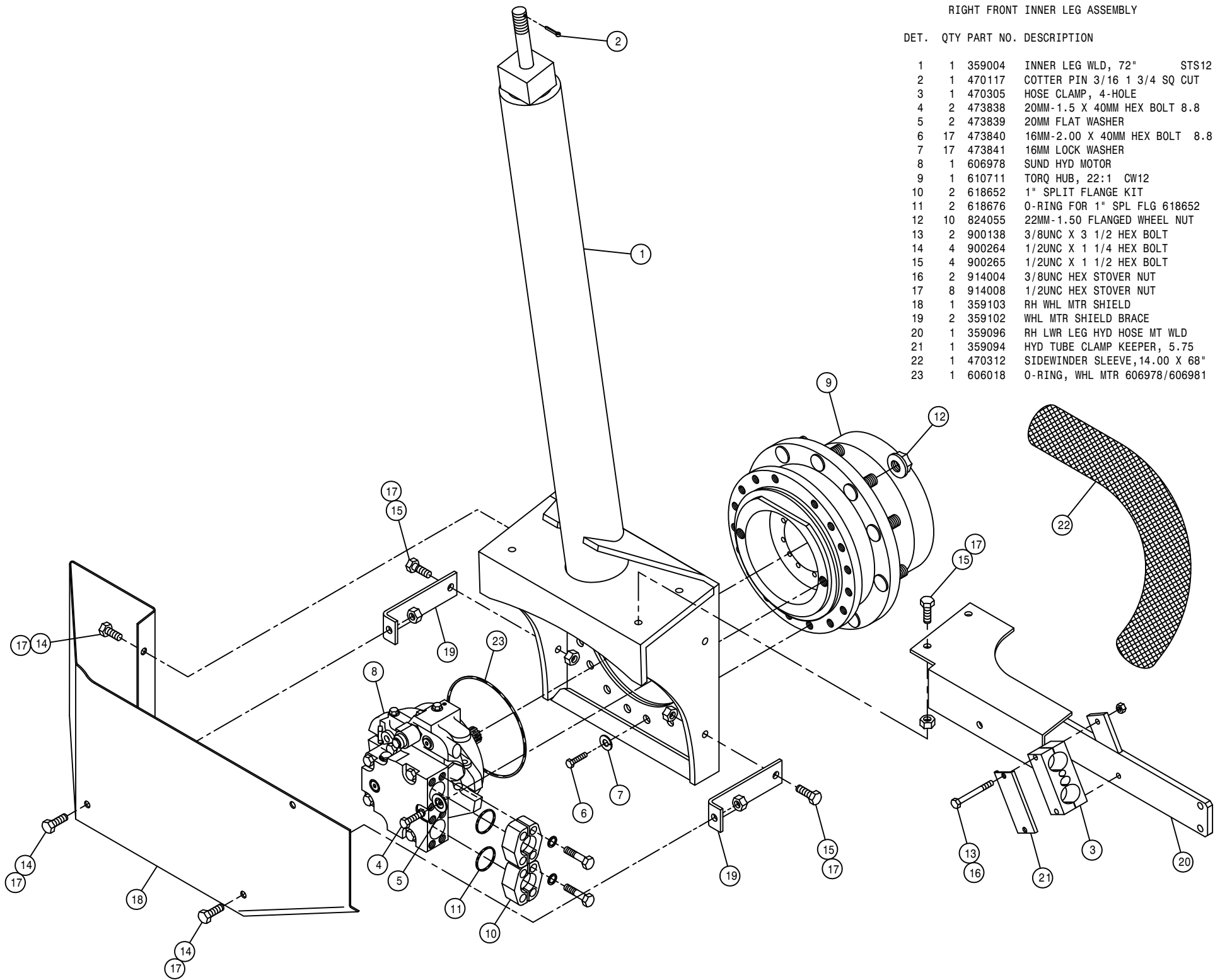
RIGHT FRONT OUTER LEG ASSEMBLY

| DET. | QTY | PART NO. | DESCRIPTION                     |
|------|-----|----------|---------------------------------|
| 1    | 2   | 121029   | JOURNAL BRG, 1.00 ID X 1.00 LG  |
| 2    | 1   | 125050   | BRG CONE,1.00 ID W/FACE SEAL    |
| 3    | 1   | 125051   | BRG CUP FOR 125050              |
| 4    | 1   | 125052   | BRG CONE, 2.687 ID W/FACE SEAL  |
| 5    | 1   | 125053   | BRG CUP FOR 125052              |
| 6    | 2   | 311058   | RUBBER SPRING                   |
| 7    | 1   | 311066   | AIRIDE SPRING, STS12            |
| 8    | 1   | 311067   | HEIGHT CONTROL AIR VALVE        |
| 9    | 1   | 311069   | 7.00 LEVER,CTRL AIR VLV 311067  |
| 10   | 1   | 311070   | LEVER SCREW,CTRL AIR VLV311067  |
| 11   | 1   | 359005   | OUTER LEG WLD, 72" STS12        |
| 12   | 1   | 470305   | HOSE CLAMP, 4-HOLE              |
| 13   | 1   | 471005   | 1/4 28 X 1/2 GREASE ZERK        |
| 14   | 1   | 473975   | ROD END,1"-12 RH MALE           |
| 15   | 1   | 621050   | STEERING CYL ASSY STS12         |
| 16   | 2   | 629536   | RETAINING RING,6.00 INT SPIRAL  |
| 17   | 2   | 711036   | 1/8MNPT-1/4 NYL TUBE FTG        |
| 18   | 1   | 711040   | 1/4MNPT-1/4 NYL TUBE LBO        |
| 19   | 1   | 749322   | STEERING TUBE CLAMP & BOLT ASSY |
| 20   | 2   | 900006   | 1/4UNC X 1 3/4 HEX BOLT         |
| 21   | 16  | 900129   | 3/8UNC X 1" HEX BOLT            |
| 22   | 2   | 900138   | 3/8UNC X 3 1/2 HEX BOLT         |
| 23   | 4   | 900265   | 1/2UNC X 1 1/2 HEX BOLT         |
| 24   | 8   | 900267   | 1/2UNC X 2" HEX BOLT            |
| 25   | 4   | 900269   | 1/2UNC X 2 3/4 HEX BOLT         |
| 26   | 1   | 900343   | 5/8UNC X 4 1/2 HEX BOLT         |
| 27   | 2   | 900352P  | 5/8UNC X 2 1/4 HEX BOLT         |
| 28   | 1   | 900850   | 1" UNC X 5 HEX BOLT GR8         |
| 29   | 1   | 910008   | 1/2UNC HEX NUT                  |
| 30   | 1   | 910013   | 3/4UNF HEX NUT                  |
| 31   | 1   | 910021   | 1"-14 SLOT JAM NUT              |
| 32   | 2   | 914000   | 1/4UNC HEX STOVER NUT           |
| 33   | 2   | 914004   | 3/8UNC HEX STOVER NUT           |
| 34   | 12  | 914008   | 1/2UNC HEX STOVER NUT           |
| 35   | 1   | 914010   | 5/8UNC HEX STOVER NUT           |
| 36   | 1   | 914016   | 1" UNC HEX STOVER NUT           |
| 37   | 1   | 920008   | 1" SAE FLAT WASHER              |
| 38   | 16  | 920502   | 3/8 LOCK WASHER                 |
| 39   | 5   | 920504   | 1/2 LOCK WASHER                 |
| 40   | 1   | 920506   | 3/4 LOCK WASHER                 |
| 41   | 2   | 359084   | WASH,14GA X 4.75ID X 5.875OD    |
| 42   | 1   | 359057   | RH AIR BAG LOWER PLT WLD        |
| 43   | 1   | 359052   | AIR BAG TOWER TOP MT WLD        |
| 44   | 2   | 359077   | TOWER SHAFT WLD                 |
| 45   | 1   | 359082   | STEERING ARM BRG SPACER         |
| 46   | 2   | 121100   | LEG SLEEVE BEARING, ORKOT       |
| 47   | 1   | 359070   | RH STEERING ARM WLD             |
| 48   | 1   | 359049   | RH LEG AIR VALVE MT             |
| 49   | 1   | 359051   | LWR AIR VALVE ARM MT            |
| 50   | 1   | 359081   | UPPER LEG HOSE MT PLT           |
| 51   | 4   | 342719   | TRD ADJ BRONZE BEARING, TAPPED  |
| 52   | 2   | 121105   | LEG TOWER SLIDE BEARING, ORKOT  |
| 53   | 1   | 359094   | HYD TUBE CLAMP KEEPER, 5.75     |
| 54   | 1   | 359095   | LEG HEIGHT CTRL LINKAGE, STS12  |
| 55   | 1   | 359068   | UPPER TRUNION MT PLT WLD        |
| 56   | 1   | 601473   | HOSE, 1/4 X 22 AIR              |
| 57   | 1   | 601480   | HOSE, 1/4 X 230 AIR             |
| 58   | 1   | 470310   | SIDEWINDER SLEEVE,13.50 X 45"   |
| 59   | 1   | 471021   | GREASE ZERK 1/8 NPT STRAIGHT    |
| 60   | 2   | 914010P  | 5/8UNC HEX STOVER NUT           |

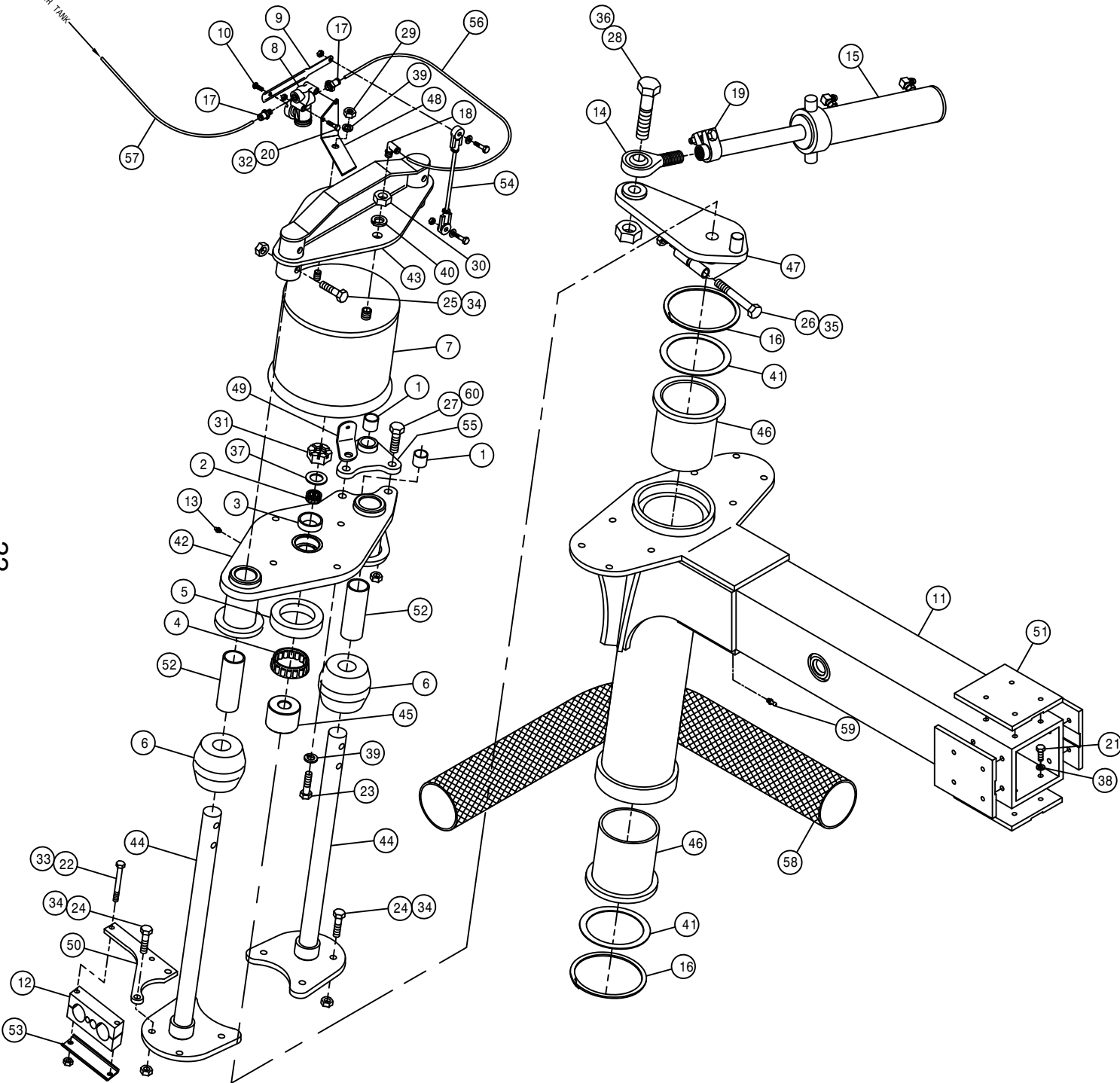


RIGHT FRONT INNER LEG ASSEMBLY

| DET. | QTY | PART NO. | DESCRIPTION                    |
|------|-----|----------|--------------------------------|
| 1    | 1   | 359004   | INNER LEG WLD, 72" STS12       |
| 2    | 1   | 470117   | COTTER PIN 3/16 1 3/4 SQ CUT   |
| 3    | 1   | 470305   | HOSE CLAMP, 4-HOLE             |
| 4    | 2   | 473838   | 20MM-1.5 X 40MM HEX BOLT 8.8   |
| 5    | 2   | 473839   | 20MM FLAT WASHER               |
| 6    | 17  | 473840   | 16MM-2.00 X 40MM HEX BOLT 8.8  |
| 7    | 17  | 473841   | 16MM LOCK WASHER               |
| 8    | 1   | 606978   | SUND HYD MOTOR                 |
| 9    | 1   | 610711   | TORQ HUB, 22:1 CW12            |
| 10   | 2   | 618652   | 1" SPLIT FLANGE KIT            |
| 11   | 2   | 618676   | O-RING FOR 1" SPL FLG 618652   |
| 12   | 10  | 824055   | 22MM-1.50 FLANGED WHEEL NUT    |
| 13   | 2   | 900138   | 3/8UNC X 3 1/2 HEX BOLT        |
| 14   | 4   | 900264   | 1/2UNC X 1 1/4 HEX BOLT        |
| 15   | 4   | 900265   | 1/2UNC X 1 1/2 HEX BOLT        |
| 16   | 2   | 914004   | 3/8UNC HEX STOVER NUT          |
| 17   | 8   | 914008   | 1/2UNC HEX STOVER NUT          |
| 18   | 1   | 359103   | RH WHL MTR SHIELD              |
| 19   | 2   | 359102   | WHL MTR SHIELD BRACE           |
| 20   | 1   | 359096   | RH LWR LEG HYD HOSE MT WLD     |
| 21   | 1   | 359094   | HYD TUBE CLAMP KEEPER, 5.75    |
| 22   | 1   | 470312   | SIDEWINDER SLEEVE, 14.00 X 68" |
| 23   | 1   | 606018   | O-RING, WHL MTR 606978/606981  |



FROM AIR TANK



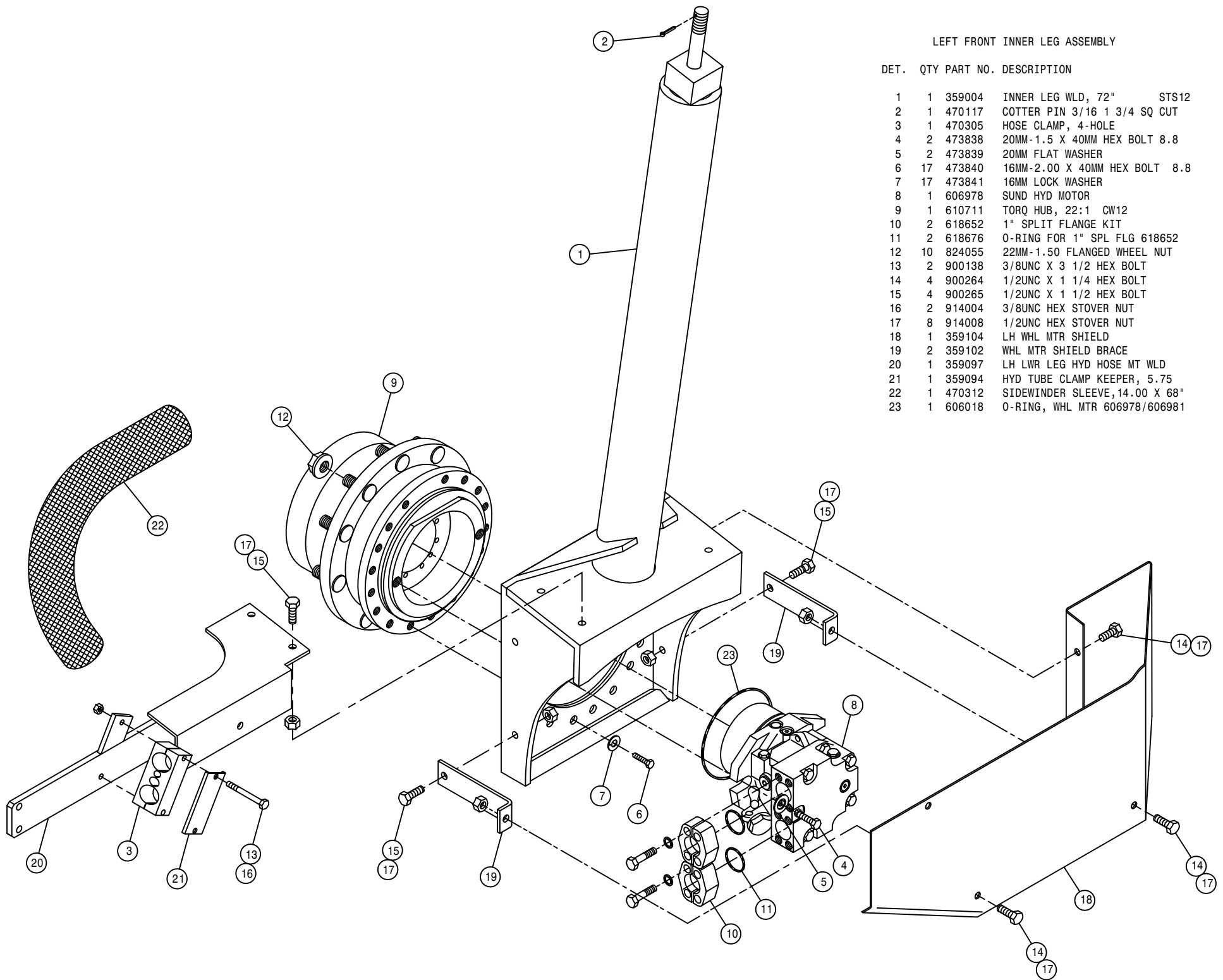
LEFT FRONT OUTER LEG ASSEMBLY

| DET. | QTY | PART NO. | DESCRIPTION                      |
|------|-----|----------|----------------------------------|
| 1    | 2   | 121029   | JOURNAL BRG, 1.00 ID X 1.00 LG   |
| 2    | 1   | 125050   | BRG CONE, 1.00 ID W/FACE SEAL    |
| 3    | 1   | 125051   | BRG CUP FOR 125050               |
| 4    | 1   | 125052   | BRG CONE, 2.687 ID W/FACE SEAL   |
| 5    | 1   | 125053   | BRG CUP FOR 125052               |
| 6    | 2   | 311058   | RUBBER SPRING                    |
| 7    | 1   | 311066   | AIRIDE SPRING, STS12             |
| 8    | 1   | 311067   | HEIGHT CONTROL AIR VALVE         |
| 9    | 1   | 311069   | 7.00 LEVER, CTRL AIR VLV 311067  |
| 10   | 1   | 311070   | LEVER SCREW, CTRL AIR VLV 311067 |
| 11   | 1   | 359005   | OUTER LEG WLD, 72" STS12         |
| 12   | 1   | 470305   | HOSE CLAMP, 4-HOLE               |
| 13   | 1   | 471005   | 1/4 28 X 1/2 GREASE ZERK         |
| 14   | 1   | 473975   | ROD END, 1"-12 RH MALE           |
| 15   | 1   | 621050   | STEERING CYL ASSY STS12          |
| 16   | 2   | 629536   | RETAINING RING, 6.00 INT SPIRAL  |
| 17   | 2   | 711036   | 1/8MNPT-1/4 NYL TUBE FTG         |
| 18   | 1   | 711040   | 1/4MNPT-1/4 NYL TUBE LBO         |
| 19   | 1   | 749322   | STEERING TUBE CLAMP & BOLT ASSY  |
| 20   | 2   | 900006   | 1/4UNC X 1 3/4 HEX BOLT          |
| 21   | 16  | 900129   | 3/8UNC X 1" HEX BOLT             |
| 22   | 2   | 900138   | 3/8UNC X 3 1/2 HEX BOLT          |
| 23   | 4   | 900265   | 1/2UNC X 1 1/2 HEX BOLT          |
| 24   | 8   | 900267   | 1/2UNC X 2" HEX BOLT             |
| 25   | 4   | 900269   | 1/2UNC X 2 3/4 HEX BOLT          |
| 26   | 1   | 900343   | 5/8UNC X 4 1/2 HEX BOLT          |
| 27   | 2   | 900352P  | 5/8UNC X 2 1/4 HEX BOLT          |
| 28   | 1   | 900850   | 1" UNC X 5 HEX BOLT GR8          |
| 29   | 1   | 910008   | 1/2UNC HEX NUT                   |
| 30   | 1   | 910013   | 3/4UNF HEX NUT                   |
| 31   | 1   | 910021   | 1"-14 SLOT JAM NUT               |
| 32   | 2   | 914000   | 1/4UNC HEX STOVER NUT            |
| 33   | 2   | 914004   | 3/8UNC HEX STOVER NUT            |
| 34   | 12  | 914008   | 1/2UNC HEX STOVER NUT            |
| 35   | 1   | 914010   | 5/8UNC HEX STOVER NUT            |
| 36   | 1   | 914016   | 1" UNC HEX STOVER NUT            |
| 37   | 1   | 920008   | 1" SAE FLAT WASHER               |
| 38   | 16  | 920502   | 3/8 LOCK WASHER                  |
| 39   | 5   | 920504   | 1/2 LOCK WASHER                  |
| 40   | 1   | 920506   | 3/4 LOCK WASHER                  |
| 41   | 2   | 359084   | WASH, 14GA X 4.75ID X 5.875OD    |
| 42   | 1   | 359058   | LH AIR BAG LOWER PLT WLD         |
| 43   | 1   | 359052   | AIR BAG TOWER TOP MT WLD         |
| 44   | 2   | 359077   | TOWER SHAFT WLD                  |
| 45   | 1   | 359082   | STEERING ARM BRG SPACER          |
| 46   | 2   | 121100   | LEG SLEEVE BEARING, ORKOT        |
| 47   | 1   | 359071   | LH STEERING ARM WLD              |
| 48   | 1   | 359050   | LH LEG AIR VALVE MT              |
| 49   | 1   | 359051   | LWR AIR VALVE ARM MT             |
| 50   | 1   | 359081   | UPPER LEG HOSE MT PLT            |
| 51   | 4   | 342719   | TRD ADJ BRONZE BEARING, TAPPED   |
| 52   | 2   | 121105   | LEG TOWER SLIDE BEARING, ORKOT   |
| 53   | 1   | 359094   | HYD TUBE CLAMP KEEPER, 5.75      |
| 54   | 1   | 359095   | LEG HEIGHT CTRL LINKAGE, STS12   |
| 55   | 1   | 359068   | UPPER TRUNION MT PLT WLD         |
| 56   | 1   | 601473   | HOSE, 1/4 X 22 AIR               |
| 57   | 1   | 601479   | HOSE, 1/4 X 196 AIR              |
| 58   | 1   | 470310   | SIDEWINDER SLEEVE, 13.50 X 45"   |
| 59   | 1   | 471021   | GREASE ZERK 1/8 NPT STRAIGHT     |
| 60   | 2   | 914010P  | 5/8UNC HEX STOVER NUT            |

LEFT FRONT INNER LEG ASSEMBLY

DET. QTY PART NO. DESCRIPTION

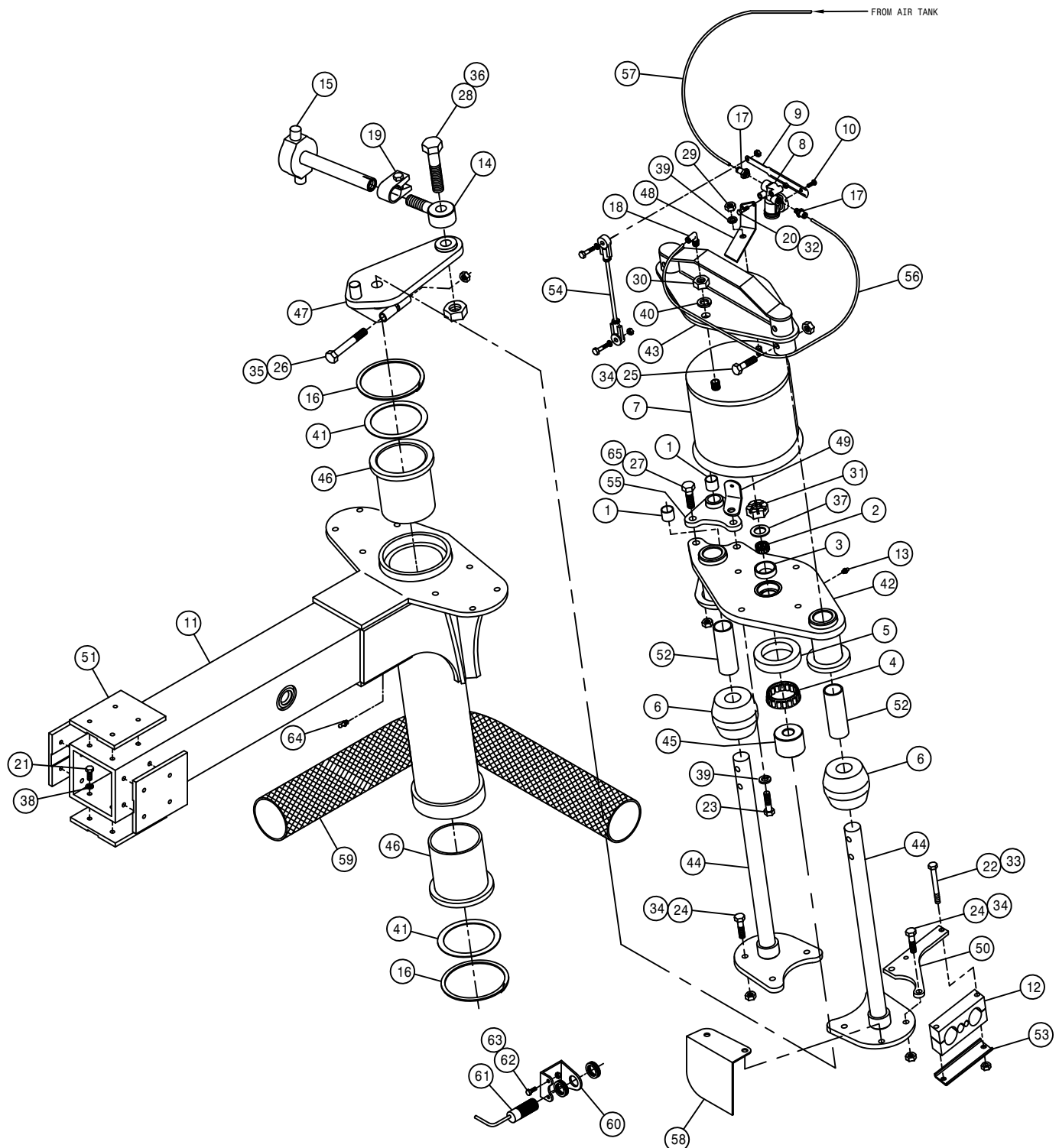
| DET. | QTY | PART NO. | DESCRIPTION                    |       |
|------|-----|----------|--------------------------------|-------|
| 1    | 1   | 359004   | INNER LEG WLD, 72"             | STS12 |
| 2    | 1   | 470117   | COTTER PIN 3/16 1 3/4 SQ CUT   |       |
| 3    | 1   | 470305   | HOSE CLAMP, 4-HOLE             |       |
| 4    | 2   | 473838   | 20MM-1.5 X 40MM HEX BOLT 8.8   |       |
| 5    | 2   | 473839   | 20MM FLAT WASHER               |       |
| 6    | 17  | 473840   | 16MM-2.00 X 40MM HEX BOLT 8.8  |       |
| 7    | 17  | 473841   | 16MM LOCK WASHER               |       |
| 8    | 1   | 606978   | SUND HYD MOTOR                 |       |
| 9    | 1   | 610711   | TORQ HUB, 22:1 CW12            |       |
| 10   | 2   | 618652   | 1" SPLIT FLANGE KIT            |       |
| 11   | 2   | 618676   | O-RING FOR 1" SPL FLG 618652   |       |
| 12   | 10  | 824055   | 22MM-1.50 FLANGED WHEEL NUT    |       |
| 13   | 2   | 900138   | 3/8UNC X 3 1/2 HEX BOLT        |       |
| 14   | 4   | 900264   | 1/2UNC X 1 1/4 HEX BOLT        |       |
| 15   | 4   | 900265   | 1/2UNC X 1 1/2 HEX BOLT        |       |
| 16   | 2   | 914004   | 3/8UNC HEX STOVER NUT          |       |
| 17   | 8   | 914008   | 1/2UNC HEX STOVER NUT          |       |
| 18   | 1   | 359104   | LH WHL MTR SHIELD              |       |
| 19   | 2   | 359102   | WHL MTR SHIELD BRACE           |       |
| 20   | 1   | 359097   | LH LWR LEG HYD HOSE MT WLD     |       |
| 21   | 1   | 359094   | HYD TUBE CLAMP KEEPER, 5.75    |       |
| 22   | 1   | 470312   | SIDEWINDER SLEEVE, 14.00 X 68" |       |
| 23   | 1   | 606018   | O-RING, WHL MTR 606978/606981  |       |



RIGHT REAR OUTER LEG ASSEMBLY

DET. QTY PART NO. DESCRIPTION

| DET. | QTY | PART NO. | DESCRIPTION                     |
|------|-----|----------|---------------------------------|
| 1    | 2   | 121029   | JOURNAL BRG, 1.00 ID X 1.00 LG  |
| 2    | 1   | 125050   | BRG CONE, 1.00 ID W/FACE SEAL   |
| 3    | 1   | 125051   | BRG CUP FOR 125050              |
| 4    | 1   | 125052   | BRG CONE, 2.687 ID W/FACE SEAL  |
| 5    | 1   | 125053   | BRG CUP FOR 125052              |
| 6    | 2   | 311058   | RUBBER SPRING                   |
| 7    | 1   | 311066   | AIRIDE SPRING, STS12            |
| 8    | 1   | 311067   | HEIGHT CONTROL AIR VALVE        |
| 9    | 1   | 311069   | 7.00 LEVER, CTRL AIR VLV 311067 |
| 10   | 1   | 311070   | LEVER SCREW, CTRL AIR VLV311067 |
| 11   | 1   | 359005   | OUTER LEG WLD, 72" STS12        |
| 12   | 1   | 470305   | HOSE CLAMP, 4-HOLE              |
| 13   | 1   | 471005   | 1/4 28 X 1 1/2 GREASE ZERK      |
| 14   | 1   | 359089   | TIE ROD STUD WLD                |
| 15   | 1   | 359086   | REAR TIE ROD SHAFT WLD          |
| 16   | 2   | 629536   | RETAINING RING, 6.00 INT SPIRAL |
| 17   | 2   | 711036   | 1/8MNPT-1/4 NYL TUBE FTG        |
| 18   | 1   | 711040   | 1/4MNPT-1/4 NYL TUBE LBO        |
| 19   | 1   | 749322   | STEERING TUBE CLAMP & BOLT ASSY |
| 20   | 2   | 900006   | 1/4UNC X 1 3/4 HEX BOLT         |
| 21   | 16  | 900129   | 3/8UNC X 1" HEX BOLT            |
| 22   | 2   | 900138   | 3/8UNC X 3 1/2 HEX BOLT         |
| 23   | 4   | 900265   | 1/2UNC X 1 1/2 HEX BOLT         |
| 24   | 8   | 900267   | 1/2UNC X 2" HEX BOLT            |
| 25   | 4   | 900269   | 1/2UNC X 2 3/4 HEX BOLT         |
| 26   | 1   | 900343   | 5/8UNC X 4 1/2 HEX BOLT         |
| 27   | 2   | 900352P  | 5/8UNC X 2 1/4 HEX BOLT         |
| 28   | 1   | 900850   | 1" UNC X 5 HEX BOLT GR8         |
| 29   | 1   | 910008   | 1/2UNC HEX NUT                  |
| 30   | 1   | 910013   | 3/4UNF HEX NUT                  |
| 31   | 1   | 910021   | 1" -14 SLOT JAM NUT             |
| 32   | 2   | 914000   | 1/4UNC HEX STOVER NUT           |
| 33   | 2   | 914004   | 3/8UNC HEX STOVER NUT           |
| 34   | 12  | 914008   | 1/2UNC HEX STOVER NUT           |
| 35   | 1   | 914010   | 5/8UNC HEX STOVER NUT           |
| 36   | 1   | 914016   | 1" UNC HEX STOVER NUT           |
| 37   | 1   | 920008   | 1" SAE FLAT WASHER              |
| 38   | 16  | 920502   | 3/8 LOCK WASHER                 |
| 39   | 5   | 920504   | 1/2 LOCK WASHER                 |
| 40   | 1   | 920506   | 3/4 LOCK WASHER                 |
| 41   | 2   | 359084   | WASH, 14GA X 4.75ID X 5.8750D   |
| 42   | 1   | 359057   | RH AIR BAG LOWER PLT WLD        |
| 43   | 1   | 359052   | AIR BAG TOWER TOP MT WLD        |
| 44   | 2   | 359077   | TOWER SHAFT WLD                 |
| 45   | 1   | 359082   | STEERING ARM BRG SPACER         |
| 46   | 2   | 121100   | LEG SLEEVE BEARING, ORKOT       |
| 47   | 1   | 359070   | RH STEERING ARM WLD             |
| 48   | 1   | 359049   | RH LEG AIR VALVE MT             |
| 49   | 1   | 359051   | LWR AIR VALVE ARM MT            |
| 50   | 1   | 359081   | UPPER LEG HOSE MT PLT           |
| 51   | 4   | 342719   | TRD ADJ BRONZE BEARING, TAPPED  |
| 52   | 2   | 121105   | LEG TOWER SLIDE BEARING, ORKOT  |
| 53   | 1   | 359094   | HYD TUBE CLAMP KEEPER, 5.75     |
| 54   | 1   | 359095   | LEG HEIGHT CTRL LINKAGE, STS12  |
| 55   | 1   | 359068   | UPPER TRUNION MT PLT WLD        |
| 56   | 1   | 601473   | HOSE, 1/4 X 22 AIR              |
| 57   | 1   | 601477   | HOSE, 1/4 X 160 AIR             |
| 58   | 1   | 359092   | RH SENSOR REFLECTOR             |
| 59   | 1   | 470311   | SIDEWINDER SLEEVE, 14.00 X 60"  |
| 60   | 1   | 342856   | TREAD SENSOR MT                 |
| 61   | 1   | 293637   | SENSOR W/SHROUD ASSY (SERV)     |
| 62   | 2   | 900064   | 5/16UNC X 3/4 HEX BOLT          |
| 63   | 2   | 914002   | 5/16UNC HEX STOVER NUT          |
| 64   | 1   | 471021   | GREASE ZERK 1/8 NPT STRAIGHT    |
| 65   | 2   | 914010P  | 5/8UNC HEX STOVER NUT           |



24

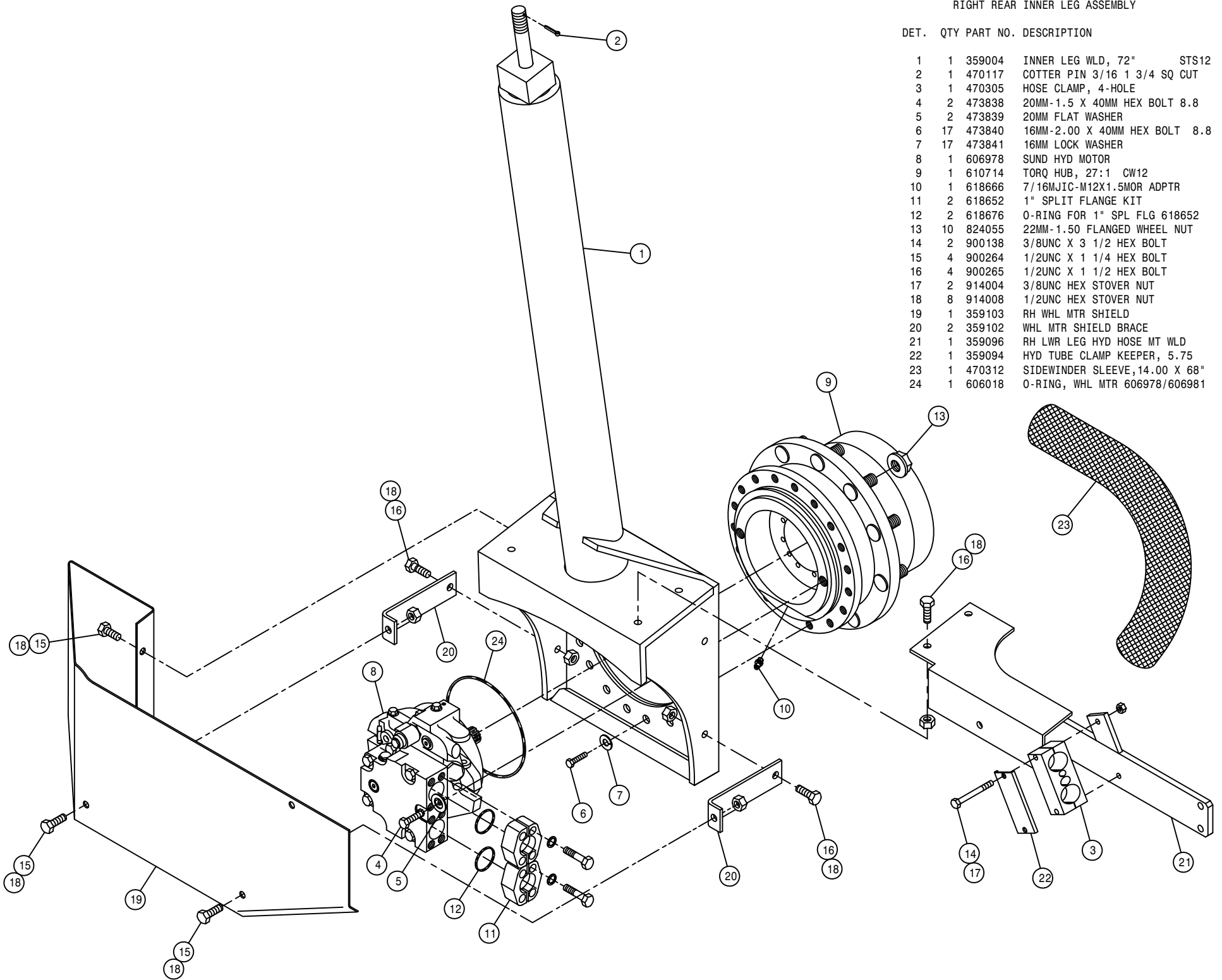
229024



RIGHT REAR INNER LEG ASSEMBLY

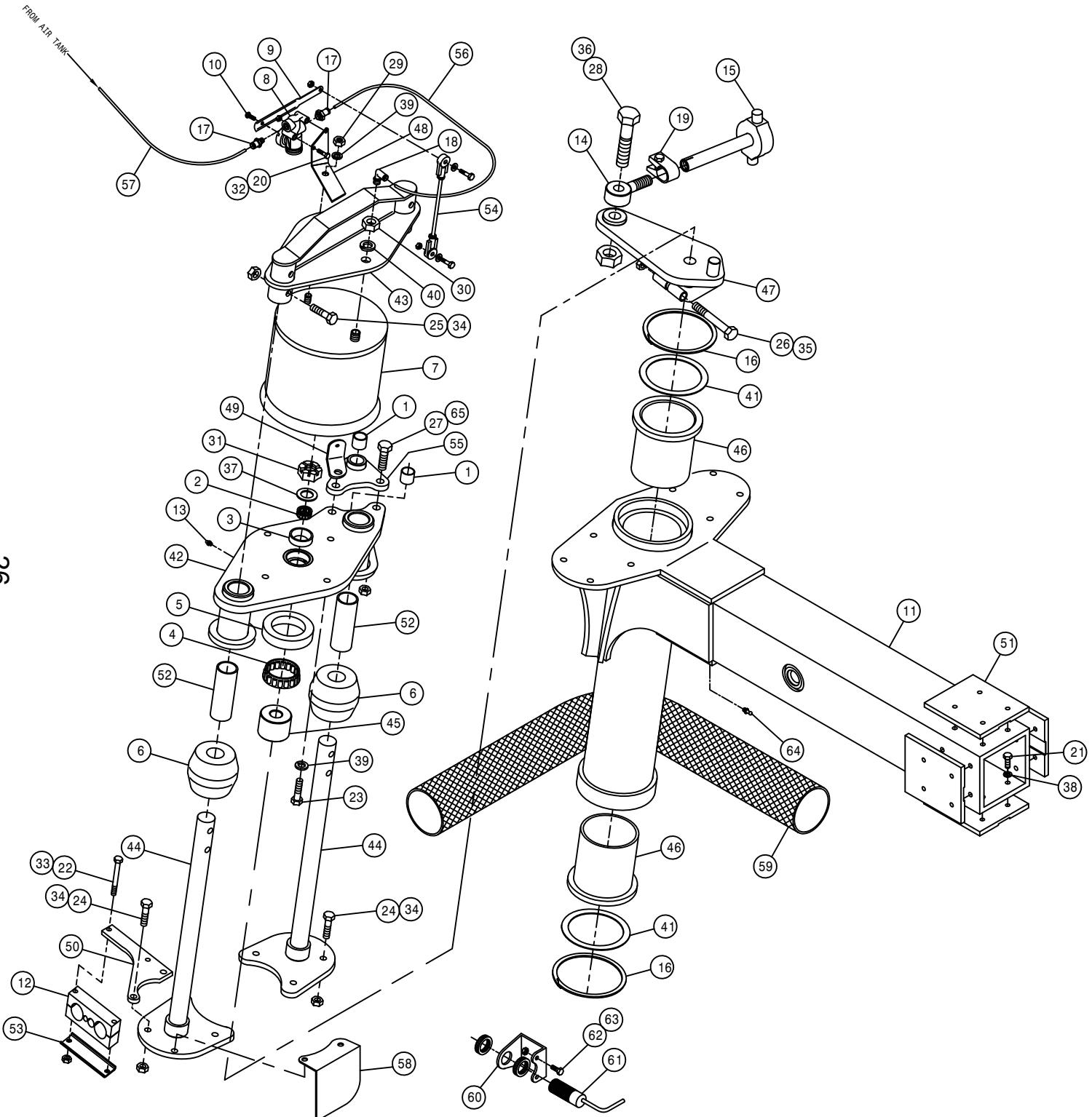
DET. QTY PART NO. DESCRIPTION

| DET. | QTY | PART NO. | DESCRIPTION                    |
|------|-----|----------|--------------------------------|
| 1    | 1   | 359004   | INNER LEG WLD, 72" STS12       |
| 2    | 1   | 470117   | COTTER PIN 3/16 1 3/4 SQ CUT   |
| 3    | 1   | 470305   | HOSE CLAMP, 4-HOLE             |
| 4    | 2   | 473838   | 20MM-1.5 X 40MM HEX BOLT 8.8   |
| 5    | 2   | 473839   | 20MM FLAT WASHER               |
| 6    | 17  | 473840   | 16MM-2.00 X 40MM HEX BOLT 8.8  |
| 7    | 17  | 473841   | 16MM LOCK WASHER               |
| 8    | 1   | 606978   | SUND HYD MOTOR                 |
| 9    | 1   | 610714   | TORQ HUB, 27:1 CW12            |
| 10   | 1   | 618666   | 7/16MJIC-M12X1.5MOR ADPTR      |
| 11   | 2   | 618652   | 1" SPLIT FLANGE KIT            |
| 12   | 2   | 618676   | O-RING FOR 1" SPL FLG 618652   |
| 13   | 10  | 824055   | 22MM-1.50 FLANGED WHEEL NUT    |
| 14   | 2   | 900138   | 3/8UNC X 3 1/2 HEX BOLT        |
| 15   | 4   | 900264   | 1/2UNC X 1 1/4 HEX BOLT        |
| 16   | 4   | 900265   | 1/2UNC X 1 1/2 HEX BOLT        |
| 17   | 2   | 914004   | 3/8UNC HEX STOVER NUT          |
| 18   | 8   | 914008   | 1/2UNC HEX STOVER NUT          |
| 19   | 1   | 359103   | RH WHL MTR SHIELD              |
| 20   | 2   | 359102   | WHL MTR SHIELD BRACE           |
| 21   | 1   | 359096   | RH LWR LEG HYD HOSE MT WLD     |
| 22   | 1   | 359094   | HYD TUBE CLAMP KEEPER, 5.75    |
| 23   | 1   | 470312   | SIDEWINDER SLEEVE, 14.00 X 68" |
| 24   | 1   | 606018   | O-RING, WHL MTR 606978/606981  |



LEFT REAR OUTER LEG ASSEMBLY

| DET. | QTY | PART NO. | DESCRIPTION                      |
|------|-----|----------|----------------------------------|
| 1    | 2   | 121029   | JOURNAL BRG, 1.00 ID X 1.00 LG   |
| 2    | 1   | 125050   | BRG CONE, 1.00 ID W/FACE SEAL    |
| 3    | 1   | 125051   | BRG CUP FOR 125050               |
| 4    | 1   | 125052   | BRG CONE, 2.687 ID W/FACE SEAL   |
| 5    | 1   | 125053   | BRG CUP FOR 125052               |
| 6    | 2   | 311058   | RUBBER SPRING                    |
| 7    | 1   | 311066   | AIRIDE SPRING, STS12             |
| 8    | 1   | 311067   | HEIGHT CONTROL AIR VALVE         |
| 9    | 1   | 311069   | 7.00 LEVER, CTRL AIR VLV 311067  |
| 10   | 1   | 311070   | LEVER SCREW, CTRL AIR VLV 311067 |
| 11   | 1   | 359005   | OUTER LEG WLD, 72" STS12         |
| 12   | 1   | 470305   | HOSE CLAMP, 4-HOLE               |
| 13   | 1   | 471005   | 1/4 28 X 1/2 GREASE ZERK         |
| 14   | 1   | 359086   | REAR TIE ROD SHAFT WLD           |
| 15   | 1   | 359088   | STEERING TUBE CLAMP & BOLT ASSY  |
| 16   | 2   | 629536   | RETAINING RING, 6.00 INT SPIRAL  |
| 17   | 2   | 711036   | 1/8MNPT-1/4 NYL TUBE FTG         |
| 18   | 1   | 711040   | 1/4MNPT-1/4 NYL TUBE LBO         |
| 19   | 1   | 749322   | STEERING TUBE CLAMP & BOLT ASSY  |
| 20   | 2   | 900006   | 1/4UNC X 1 3/4 HEX BOLT          |
| 21   | 16  | 900129   | 3/8UNC X 1" HEX BOLT             |
| 22   | 2   | 900138   | 3/8UNC X 3 1/2 HEX BOLT          |
| 23   | 4   | 900265   | 1/2UNC X 1 1/2 HEX BOLT          |
| 24   | 8   | 900267   | 1/2UNC X 2" HEX BOLT             |
| 25   | 4   | 900269   | 1/2UNC X 2 3/4 HEX BOLT          |
| 26   | 1   | 900343   | 5/8UNC X 4 1/2 HEX BOLT          |
| 27   | 2   | 900352P  | 5/8UNC X 2 1/4 HEX BOLT          |
| 28   | 1   | 900850   | 1" UNC X 5 HEX BOLT GR8          |
| 29   | 1   | 910008   | 1/2UNC HEX NUT                   |
| 30   | 1   | 910013   | 3/4UNF HEX NUT                   |
| 31   | 1   | 910021   | 1" -14 SLOT JAM NUT              |
| 32   | 2   | 914000   | 1/4UNC HEX STOVER NUT            |
| 33   | 2   | 914004   | 3/8UNC HEX STOVER NUT            |
| 34   | 12  | 914008   | 1/2UNC HEX STOVER NUT            |
| 35   | 1   | 914010   | 5/8UNC HEX STOVER NUT            |
| 36   | 1   | 914016   | 1" UNC HEX STOVER NUT            |
| 37   | 1   | 920008   | 1" SAE FLAT WASHER               |
| 38   | 16  | 920502   | 3/8 LOCK WASHER                  |
| 39   | 5   | 920504   | 1/2 LOCK WASHER                  |
| 40   | 1   | 920506   | 3/4 LOCK WASHER                  |
| 41   | 2   | 359084   | WASH, 14GA X 4.75ID X 5.875OD    |
| 42   | 1   | 359058   | LH AIR BAG LOWER PLT WLD         |
| 43   | 1   | 359052   | AIR BAG TOWER TOP MT WLD         |
| 44   | 2   | 359077   | TOWER SHAFT WLD                  |
| 45   | 1   | 359082   | STEERING ARM BRG SPACER          |
| 46   | 2   | 121100   | LEG SLEEVE BEARING, ORKOT        |
| 47   | 1   | 359071   | LH STEERING ARM WLD              |
| 48   | 1   | 359050   | LH LEG AIR VALVE MT              |
| 49   | 1   | 359051   | LWR AIR VALVE ARM MT             |
| 50   | 1   | 359081   | UPPER LEG HOSE MT PLT            |
| 51   | 4   | 342719   | TRD ADJ BRONZE BEARING, TAPPED   |
| 52   | 2   | 121105   | LEG TOWER SLIDE BEARING, ORKOT   |
| 53   | 1   | 359094   | HYD TUBE CLAMP KEEPER, 5.75      |
| 54   | 1   | 359095   | LEG HEIGHT CTRL LINKAGE, STS12   |
| 55   | 1   | 359068   | UPPER TRUNION MT PLT WLD         |
| 56   | 1   | 601473   | HOSE, 1/4 X 22 AIR               |
| 57   | 1   | 601476   | HOSE, 1/4 X 120 AIR              |
| 58   | 1   | 359093   | LH SENSOR REFLECTOR              |
| 59   | 1   | 470311   | SIDEWINDER SLEEVE, 14.00 X 60"   |
| 60   | 1   | 342856   | TREAD SENSOR MT                  |
| 61   | 1   | 293637   | SENSOR W/SHROUD ASSY (SERV)      |
| 62   | 2   | 900064   | 5/16UNC X 3/4 HEX BOLT           |
| 63   | 2   | 914002   | 5/16UNC HEX STOVER NUT           |
| 64   | 1   | 471021   | GREASE ZERK 1/8 NPT STRAIGHT     |
| 65   | 2   | 914010P  | 5/8UNC HEX STOVER NUT            |



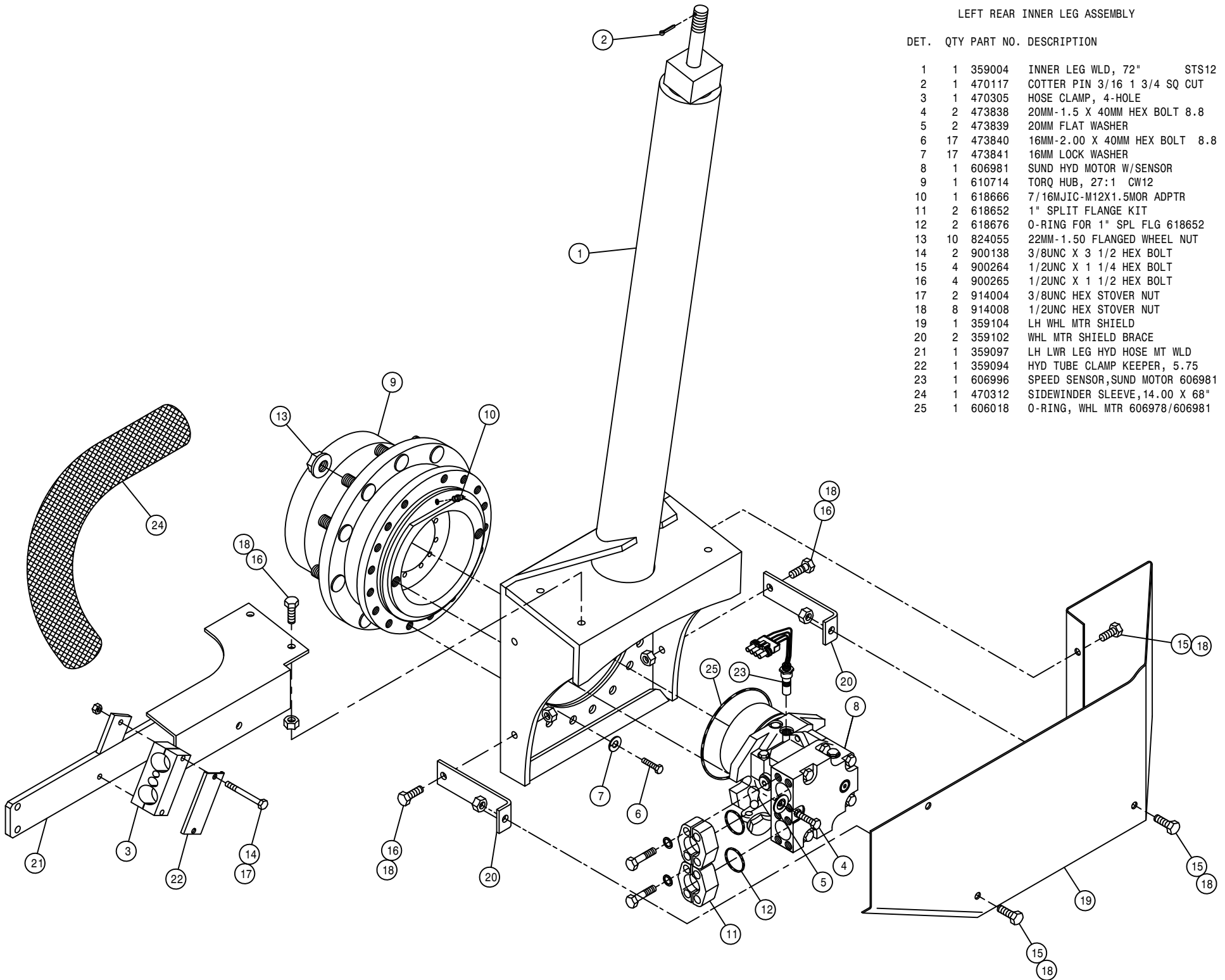
26

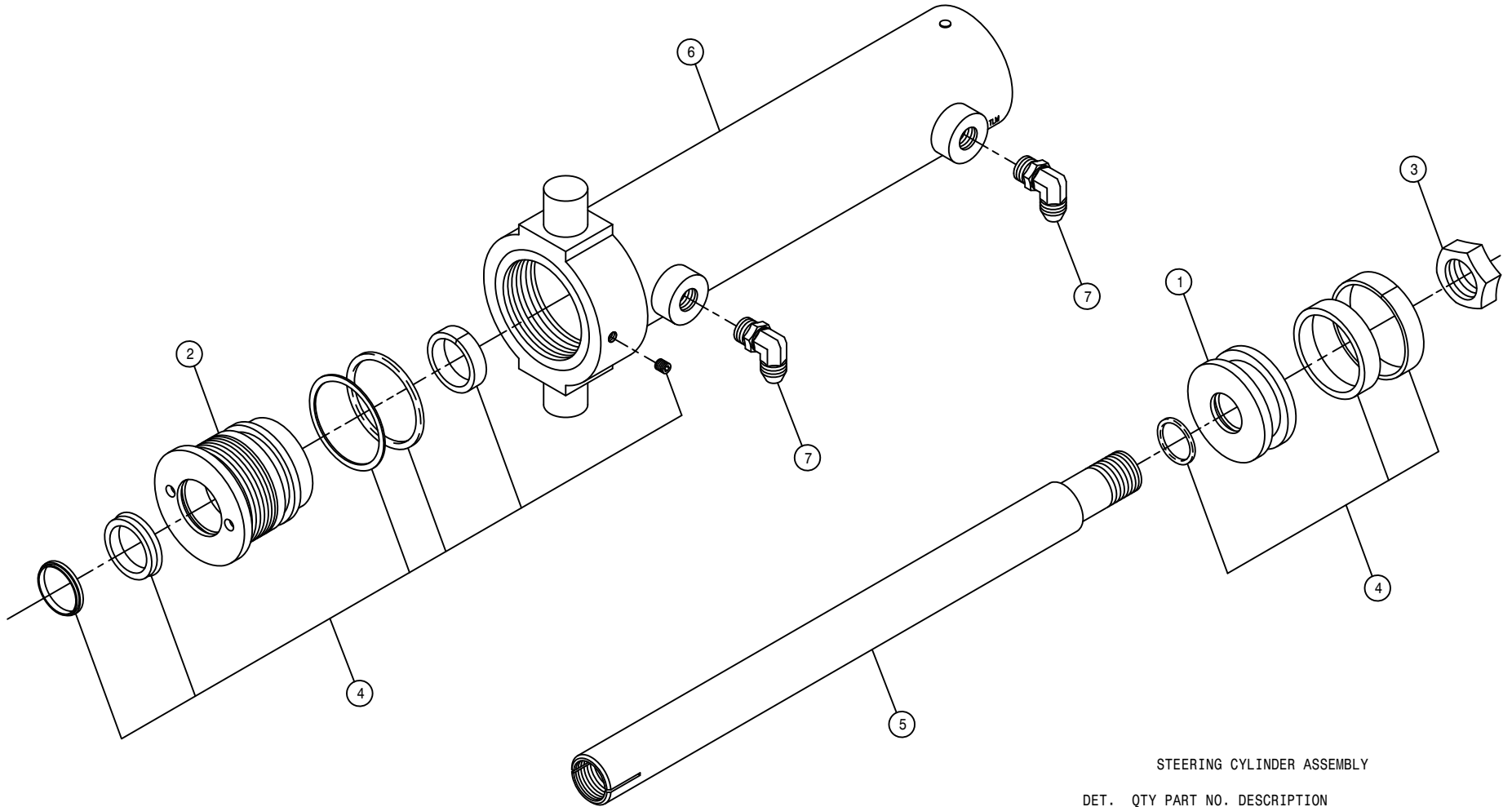
229026

LEFT REAR INNER LEG ASSEMBLY

DET. QTY PART NO. DESCRIPTION

|    |    |        |                                |
|----|----|--------|--------------------------------|
| 1  | 1  | 359004 | INNER LEG WLD, 72" STS12       |
| 2  | 1  | 470117 | COTTER PIN 3/16 1 3/4 SQ CUT   |
| 3  | 1  | 470305 | HOSE CLAMP, 4-HOLE             |
| 4  | 2  | 473838 | 20MM-1.5 X 40MM HEX BOLT 8.8   |
| 5  | 2  | 473839 | 20MM FLAT WASHER               |
| 6  | 17 | 473840 | 16MM-2.00 X 40MM HEX BOLT 8.8  |
| 7  | 17 | 473841 | 16MM LOCK WASHER               |
| 8  | 1  | 606981 | SUND HYD MOTOR W/SENSOR        |
| 9  | 1  | 610714 | TORQ HUB, 27:1 CW12            |
| 10 | 1  | 618666 | 7/16MJIC-M12X1.5MOR ADPTR      |
| 11 | 2  | 618652 | 1" SPLIT FLANGE KIT            |
| 12 | 2  | 618676 | O-RING FOR 1" SPL FLG 618652   |
| 13 | 10 | 824055 | 22MM-1.50 FLANGED WHEEL NUT    |
| 14 | 2  | 900138 | 3/8UNC X 3 1/2 HEX BOLT        |
| 15 | 4  | 900264 | 1/2UNC X 1 1/4 HEX BOLT        |
| 16 | 4  | 900265 | 1/2UNC X 1 1/2 HEX BOLT        |
| 17 | 2  | 914004 | 3/8UNC HEX STOVER NUT          |
| 18 | 8  | 914008 | 1/2UNC HEX STOVER NUT          |
| 19 | 1  | 359104 | LH WHL MTR SHIELD              |
| 20 | 2  | 359102 | WHL MTR SHIELD BRACE           |
| 21 | 1  | 359097 | LH LWR LEG HYD HOSE MT WLD     |
| 22 | 1  | 359094 | HYD TUBE CLAMP KEEPER, 5.75    |
| 23 | 1  | 606996 | SPEED SENSOR,SUND MOTOR 606981 |
| 24 | 1  | 470312 | SIDEWINDER SLEEVE,14.00 X 68"  |
| 25 | 1  | 606018 | O-RING, WHL MTR 606978/606981  |

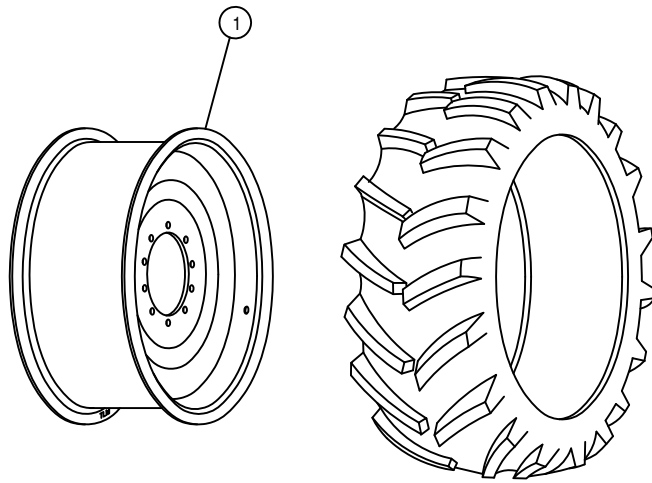




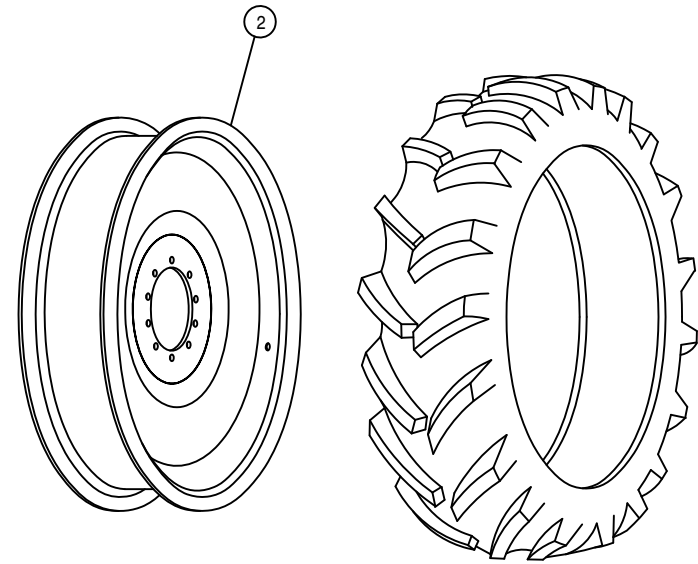
STEERING CYLINDER ASSEMBLY

| DET. | QTY | PART NO. | DESCRIPTION                      |
|------|-----|----------|----------------------------------|
|      | 1   | 620733   | PISTON, P-2.50-109               |
|      | 2   | 620748   | HEAD, H-2.50-350                 |
|      | 3   | 620765   | NUT,N-1.00-01                    |
|      | 4   | 620788   | REPAIR KIT, HYD CYL, RK-2.50-803 |
|      | 5   | 620913   | SHAFT WLD, STRG CYL 620910       |
|      | 6   | 620914   | BARREL WLD, STRG CYL 620910      |
|      | 7   | 2        | 618249 3/4MJIC-90-9/16MOR LBO    |

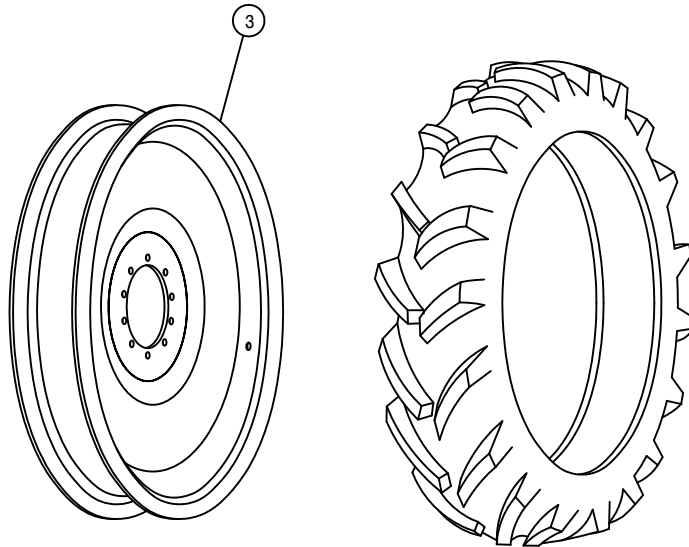
NOTE: 1. 620910 - STEERING CYLINDER ASSEMBLY ITEMS 1-6  
 2. 621050 - STEERING CYLINDER ASSEMBLY WITH FITTINGS



580/70 R38 RADIAL TIRE



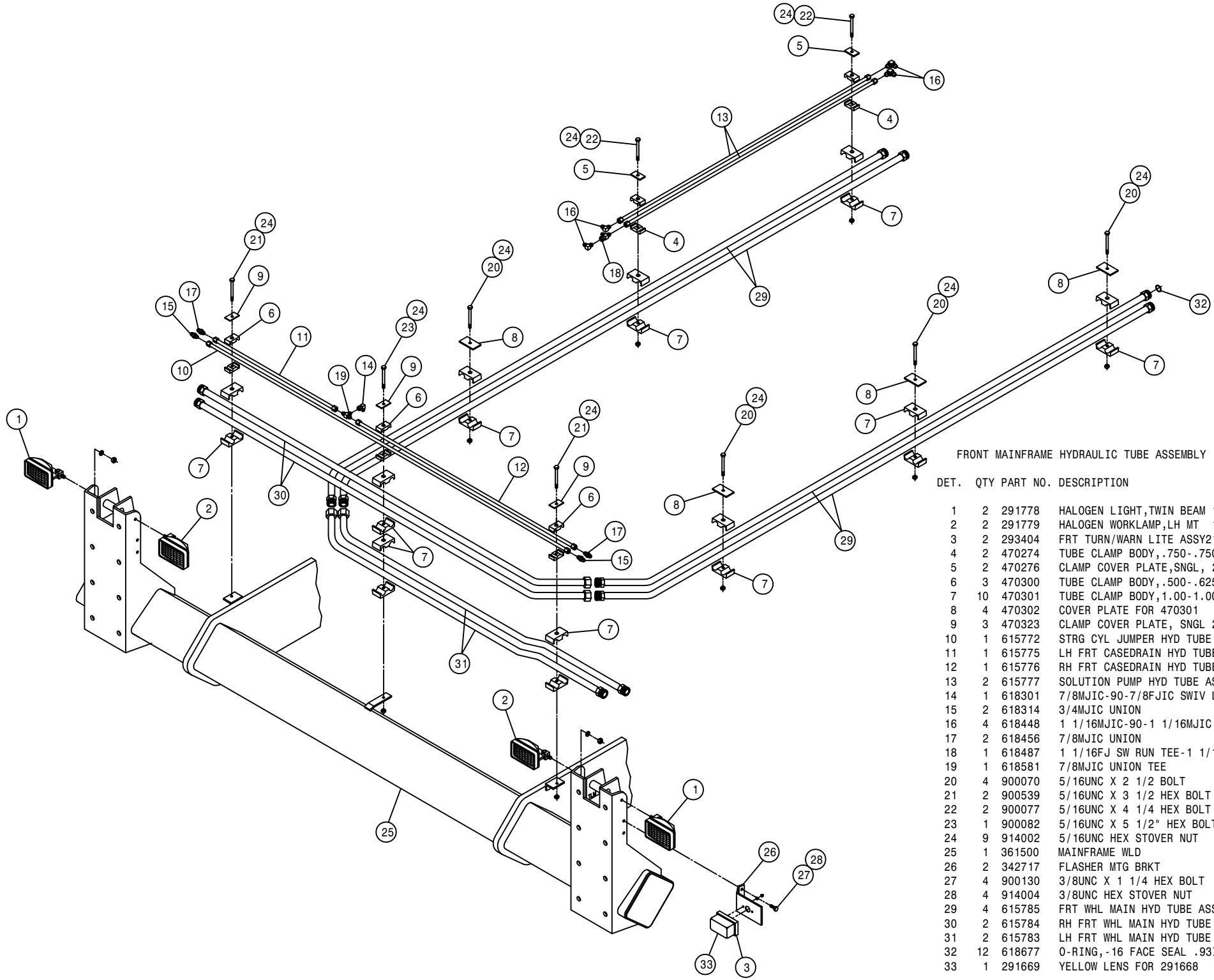
380/90 R46 RADIAL TIRE



320/90 R50 RADIAL TIRE

TIRE AND RIM ASSEMBLY

| DET. | QTY | PART NO. | DESCRIPTION        |       |
|------|-----|----------|--------------------|-------|
| 1    | 1   | 821055   | RIM WLD, 38 X W18A | STS12 |
| 2    | 1   | 821054   | RIM WLD, 46 X W13A | STS12 |
| 3    | 1   | 821053   | RIM WLD, 50 X DW10 | STS12 |

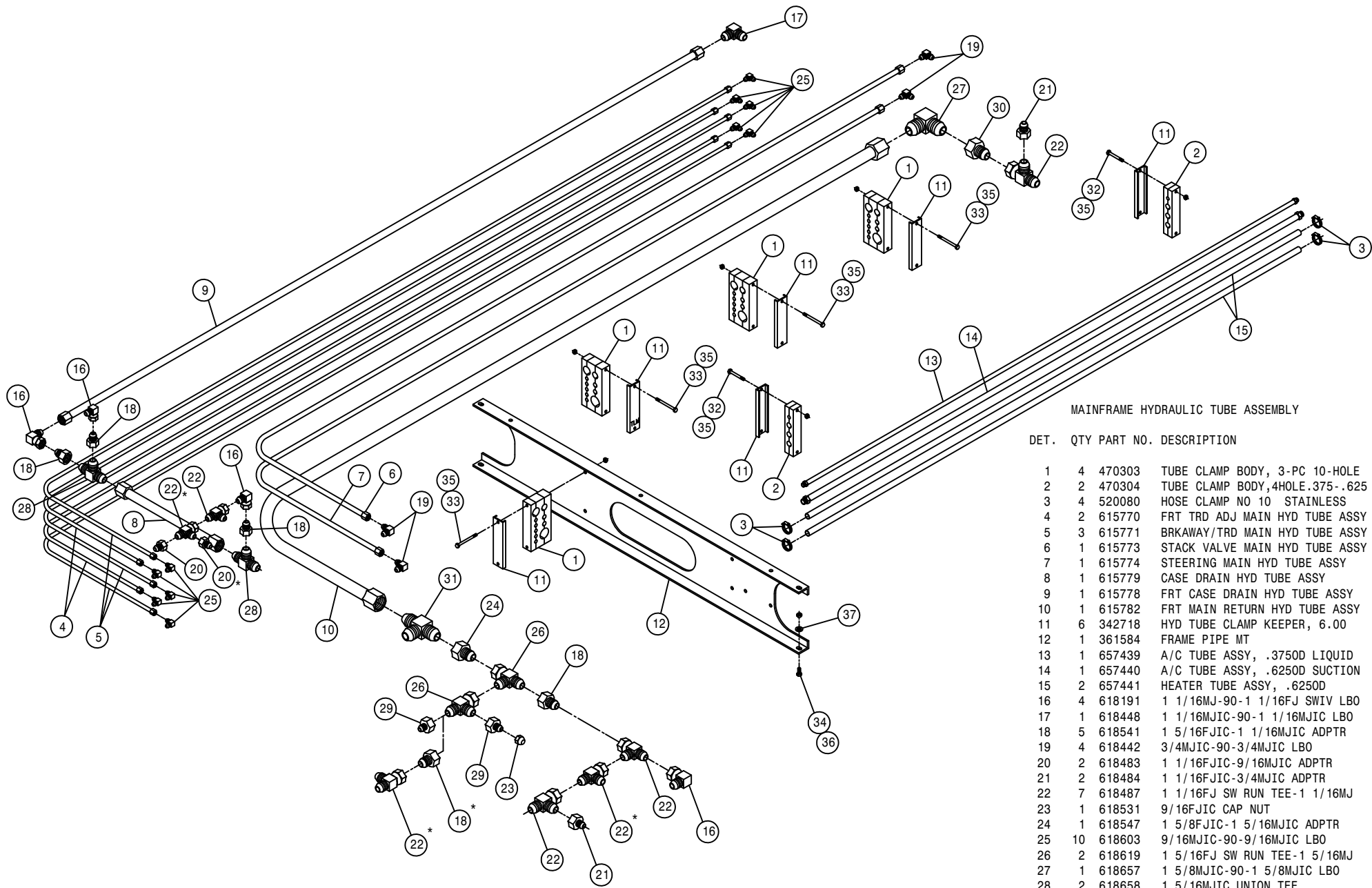


FRONT MAINFRAME HYDRAULIC TUBE ASSEMBLY

| DET. | QTY | PART NO. | DESCRIPTION                     |
|------|-----|----------|---------------------------------|
| 1    | 2   | 291778   | HALOGEN LIGHT,TWIN BEAM 12V55W  |
| 2    | 2   | 291779   | HALOGEN WORKLAMP,LH MT 12V55W   |
| 3    | 2   | 293404   | FRT TURN/WARN LITE ASSY2100 98  |
| 4    | 2   | 470274   | TUBE CLAMP BODY, .750-.750      |
| 5    | 2   | 470276   | CLAMP COVER PLATE,SNGL, 2.55LG  |
| 6    | 3   | 470300   | TUBE CLAMP BODY, .500-.625      |
| 7    | 10  | 470301   | TUBE CLAMP BODY,1.00-1.00       |
| 8    | 4   | 470302   | COVER PLATE FOR 470301          |
| 9    | 3   | 470323   | CLAMP COVER PLATE, SNGL 2.04LG  |
| 10   | 1   | 615772   | STRG CYL JUMPER HYD TUBE ASSY   |
| 11   | 1   | 615775   | LH FRT CASEDRAIN HYD TUBE ASSY  |
| 12   | 1   | 615776   | RH FRT CASEDRAIN HYD TUBE ASSY  |
| 13   | 2   | 615777   | SOLUTION PUMP HYD TUBE ASSY     |
| 14   | 1   | 618301   | 7/8MJIC-90-7/8FJIC SWIV LBO     |
| 15   | 2   | 618314   | 3/4MJIC UNION                   |
| 16   | 4   | 618448   | 1 1/16MJIC-90-1 1/16MJIC LBO    |
| 17   | 2   | 618456   | 7/8MJIC UNION                   |
| 18   | 1   | 618487   | 1 1/16FJ SW RUN TEE-1 1/16MJ    |
| 19   | 1   | 618581   | 7/8MJIC UNION TEE               |
| 20   | 4   | 900070   | 5/16UNC X 2 1/2 BOLT            |
| 21   | 2   | 900539   | 5/16UNC X 3 1/2 HEX BOLT        |
| 22   | 2   | 900077   | 5/16UNC X 4 1/4 HEX BOLT        |
| 23   | 1   | 900082   | 5/16UNC X 5 1/2" HEX BOLT       |
| 24   | 9   | 914002   | 5/16UNC HEX STOVER NUT          |
| 25   | 1   | 361500   | MAINFRAME WLD STS12             |
| 26   | 2   | 342717   | FLASHER MTG BRKT                |
| 27   | 4   | 900130   | 3/8UNC X 1 1/4 HEX BOLT         |
| 28   | 4   | 914004   | 3/8UNC HEX STOVER NUT           |
| 29   | 4   | 615785   | FRT WHL MAIN HYD TUBE ASSY      |
| 30   | 2   | 615784   | RH FRT WHL MAIN HYD TUBE ASSY   |
| 31   | 2   | 615783   | LH FRT WHL MAIN HYD TUBE ASSY   |
| 32   | 12  | 618677   | O-RING, -16 FACE SEAL .93ID 90D |
| 33   | 1   | 291669   | YELLOW LENS FOR 291668          |

30

229030



MAINFRAME HYDRAULIC TUBE ASSEMBLY

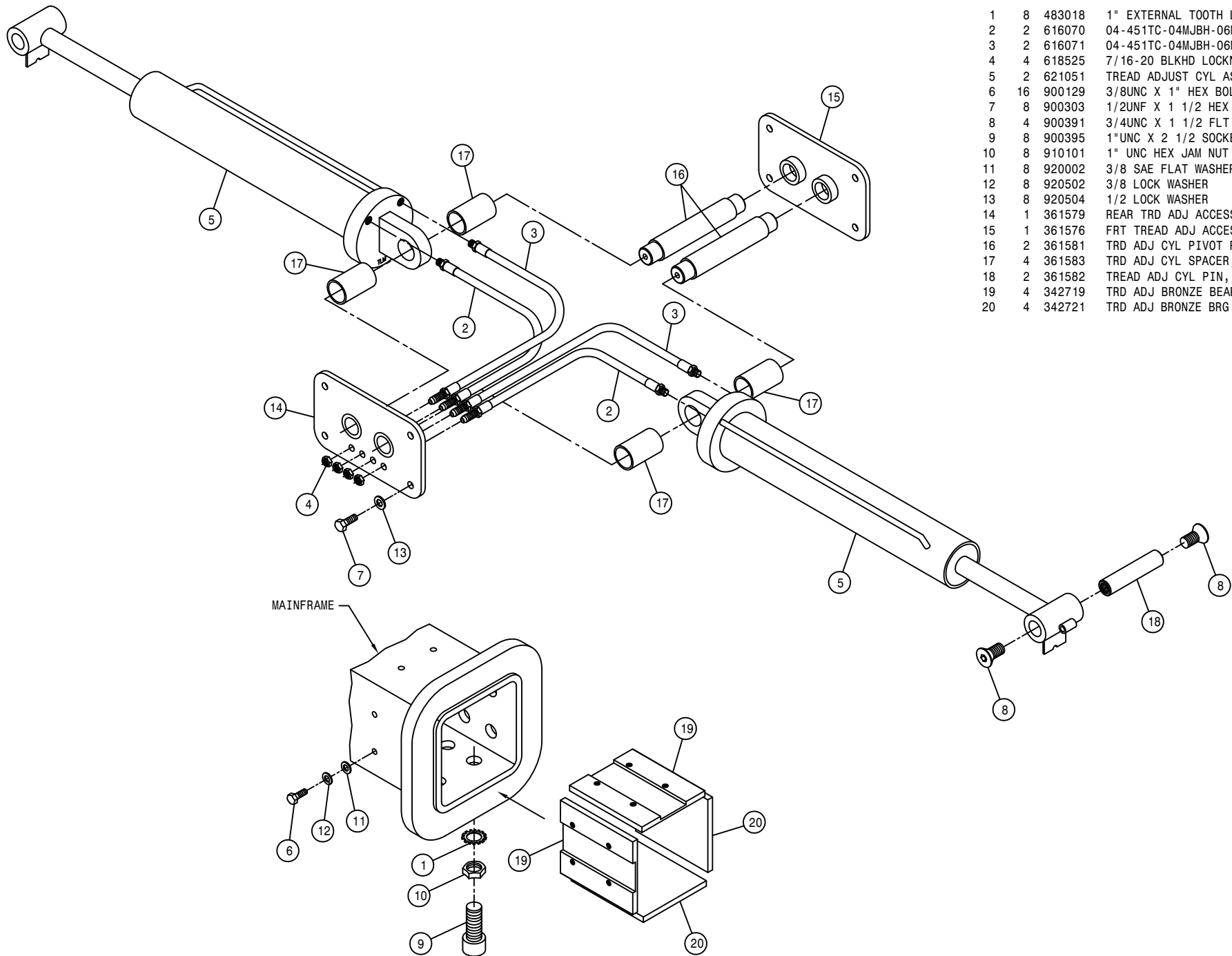
| DET. | QTY | PART NO. | DESCRIPTION                     |
|------|-----|----------|---------------------------------|
| 1    | 4   | 470303   | TUBE CLAMP BODY, 3-PC 10-HOLE   |
| 2    | 2   | 470304   | TUBE CLAMP BODY, 4HOLE.375-.625 |
| 3    | 4   | 520080   | HOSE CLAMP NO 10 STAINLESS      |
| 4    | 2   | 615770   | FRT TRD ADJ MAIN HYD TUBE ASSY  |
| 5    | 3   | 615771   | BRKAWAY/TRD MAIN HYD TUBE ASSY  |
| 6    | 1   | 615773   | STACK VALVE MAIN HYD TUBE ASSY  |
| 7    | 1   | 615774   | STEERING MAIN HYD TUBE ASSY     |
| 8    | 1   | 615779   | CASE DRAIN HYD TUBE ASSY        |
| 9    | 1   | 615778   | FRT CASE DRAIN HYD TUBE ASSY    |
| 10   | 1   | 615782   | FRT MAIN RETURN HYD TUBE ASSY   |
| 11   | 6   | 342718   | HYD TUBE CLAMP KEEPER, 6.00     |
| 12   | 1   | 361584   | FRAME PIPE MT                   |
| 13   | 1   | 657439   | A/C TUBE ASSY, .3750D LIQUID    |
| 14   | 1   | 657440   | A/C TUBE ASSY, .6250D SUCTION   |
| 15   | 2   | 657441   | HEATER TUBE ASSY, .6250D        |
| 16   | 4   | 618191   | 1 1/16MJ-90-1 1/16FJ SWIV LBO   |
| 17   | 1   | 618448   | 1 1/16MJIC-90-1 1/16MJIC LBO    |
| 18   | 5   | 618541   | 1 5/16FJIC-1 1/16MJIC ADPTR     |
| 19   | 4   | 618442   | 3/4MJIC-90-3/4MJIC LBO          |
| 20   | 2   | 618483   | 1 1/16FJIC-9/16MJIC ADPTR       |
| 21   | 2   | 618484   | 1 1/16FJIC-3/4MJIC ADPTR        |
| 22   | 7   | 618487   | 1 1/16FJ SW RUN TEE-1 1/16MJ    |
| 23   | 1   | 618531   | 9/16FJIC CAP NUT                |
| 24   | 1   | 618547   | 1 5/8FJIC-1 5/16MJIC ADPTR      |
| 25   | 10  | 618603   | 9/16MJIC-90-9/16MJIC LBO        |
| 26   | 2   | 618619   | 1 5/16FJ SW RUN TEE-1 5/16MJ    |
| 27   | 1   | 618657   | 1 5/8MJIC-90-1 5/8MJIC LBO      |
| 28   | 2   | 618658   | 1 5/16MJIC UNION TEE            |
| 29   | 2   | 618661   | 1 5/16FJIC-9/16MJIC ADPTR       |
| 30   | 1   | 618665   | 1 5/8FJIC-1 1/16MJIC ADPTR      |
| 31   | 1   | 618659   | 1 5/8MJIC UNION TEE             |
| 32   | 4   | 900007   | 1/4UNC X 2" HEX BOLT            |
| 33   | 8   | 900014   | 1/4UNC X 4" HEX BOLT            |
| 34   | 4   | 900129   | 3/8UNC X 1" HEX BOLT            |
| 35   | 12  | 914000   | 1/4UNC HEX STOVER NUT           |
| 36   | 4   | 914004   | 3/8UNC HEX STOVER NUT           |
| 37   | 4   | 920002   | 3/8 SAE FLAT WASHER             |

NOTE: ITEMS MARKED WITH A (\*) ARE USED WITH THE SIDE FILL OPTION AND PRESSURE WASHER OPTION.

TREAD ADJUST ASSEMBLY

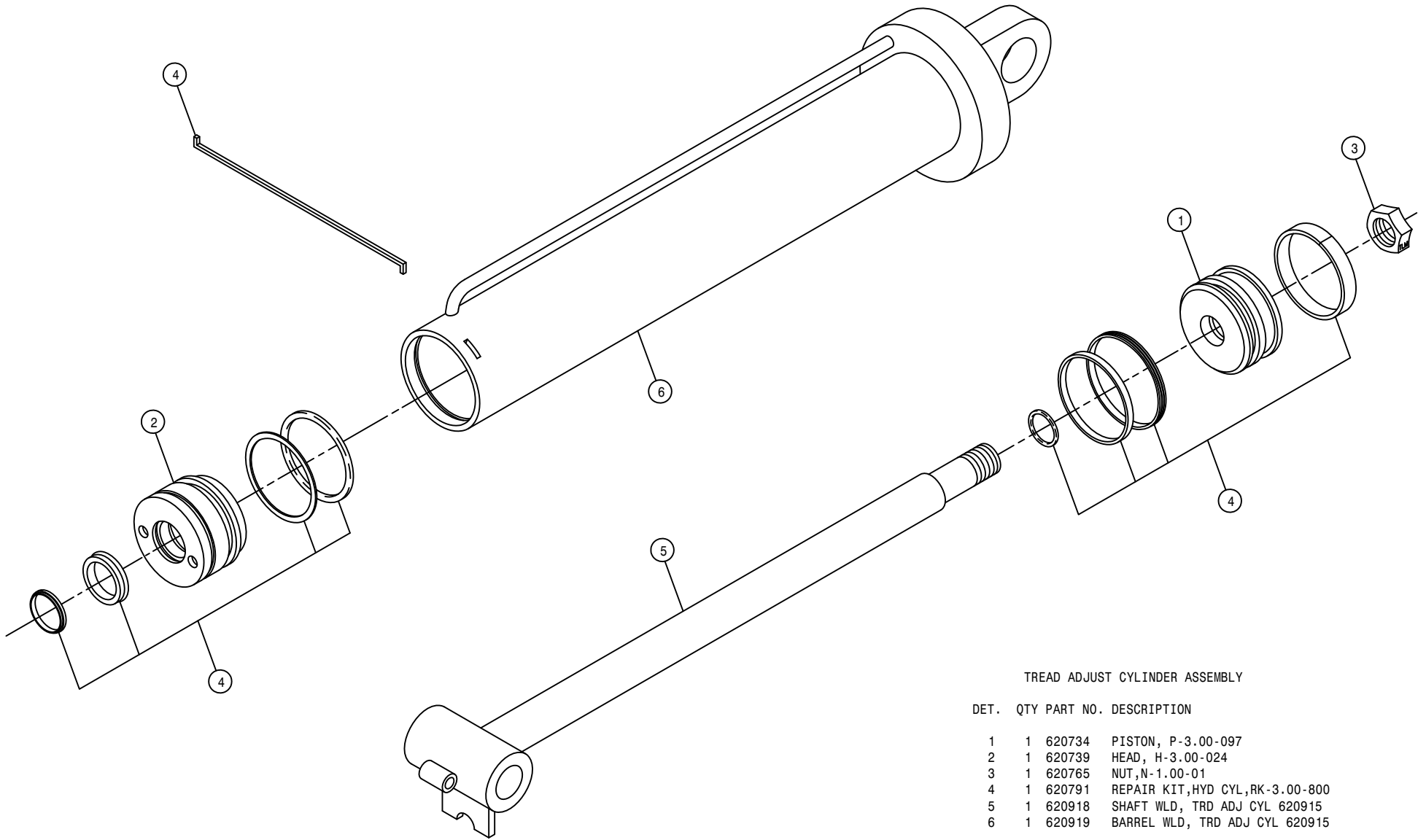
DET. QTY PART NO. DESCRIPTION

|    |    |        |                                |
|----|----|--------|--------------------------------|
| 1  | 8  | 483018 | 1" EXTERNAL TOOTH LOCK WASHER  |
| 2  | 2  | 616070 | 04-451TC-04MJBH-06MOR-11.00H/A |
| 3  | 2  | 616071 | 04-451TC-04MJBH-06MOR-13.00H/A |
| 4  | 4  | 618525 | 7/16-20 BLKHD LOCKNUT          |
| 5  | 2  | 621051 | TREAD ADJUST CYL ASSY STS12    |
| 6  | 16 | 900129 | 3/8UNC X 1" HEX BOLT           |
| 7  | 8  | 900303 | 1/2UNF X 1 1/2 HEX BOLT        |
| 8  | 4  | 900391 | 3/4UNC X 1 1/2 FLT SOC CAP SCR |
| 9  | 8  | 900395 | 1"UNC X 2 1/2 SOCKET CAP SCR   |
| 10 | 8  | 910101 | 1" UNC HEX JAM NUT             |
| 11 | 8  | 920002 | 3/8 SAE FLAT WASHER            |
| 12 | 8  | 920502 | 3/8 LOCK WASHER                |
| 13 | 8  | 920504 | 1/2 LOCK WASHER                |
| 14 | 1  | 361579 | REAR TRD ADJ ACCESS PLT WLD    |
| 15 | 1  | 361576 | FRT TREAD ADJ ACCESS PLT WLD   |
| 16 | 2  | 361581 | TRD ADJ CYL PIVOT PIN, M/F     |
| 17 | 4  | 361583 | TRD ADJ CYL SPACER, M/F        |
| 18 | 2  | 361582 | TREAD ADJ CYL PIN, OUTER LEG   |
| 19 | 4  | 342719 | TRD ADJ BRONZE BEARING, TAPPED |
| 20 | 4  | 342721 | TRD ADJ BRONZE BRG             |



MAINFRAME

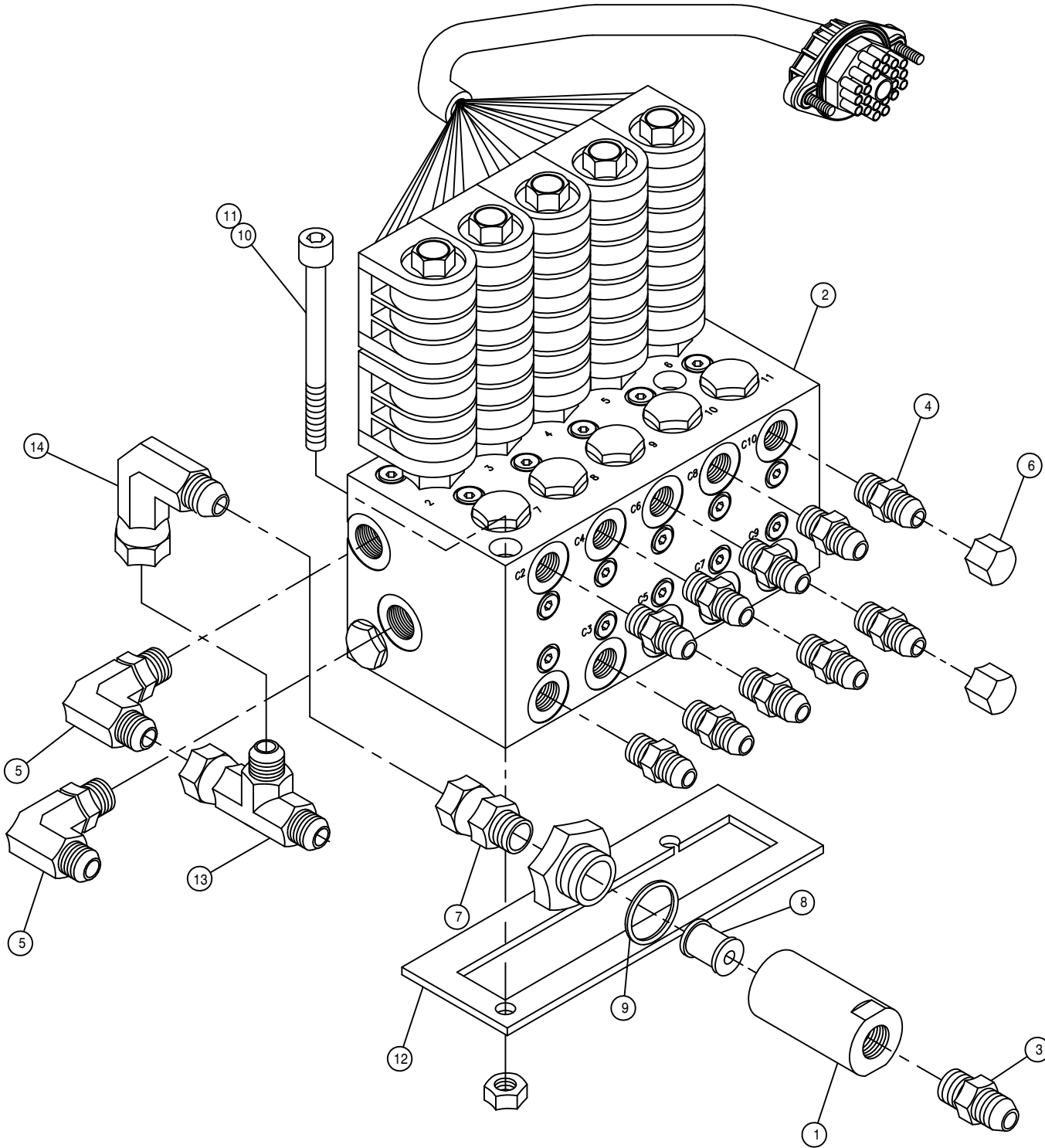




TREAD ADJUST CYLINDER ASSEMBLY

| DET. | QTY | PART NO. | DESCRIPTION                      |
|------|-----|----------|----------------------------------|
|      | 1   | 620734   | PISTON, P-3.00-097               |
|      | 1   | 620739   | HEAD, H-3.00-024                 |
|      | 1   | 620765   | NUT, N-1.00-01                   |
|      | 1   | 620791   | REPAIR KIT, HYD CYL, RK-3.00-800 |
|      | 1   | 620918   | SHAFT WLD, TRD ADJ CYL 620915    |
|      | 1   | 620919   | BARREL WLD, TRD ADJ CYL 620915   |

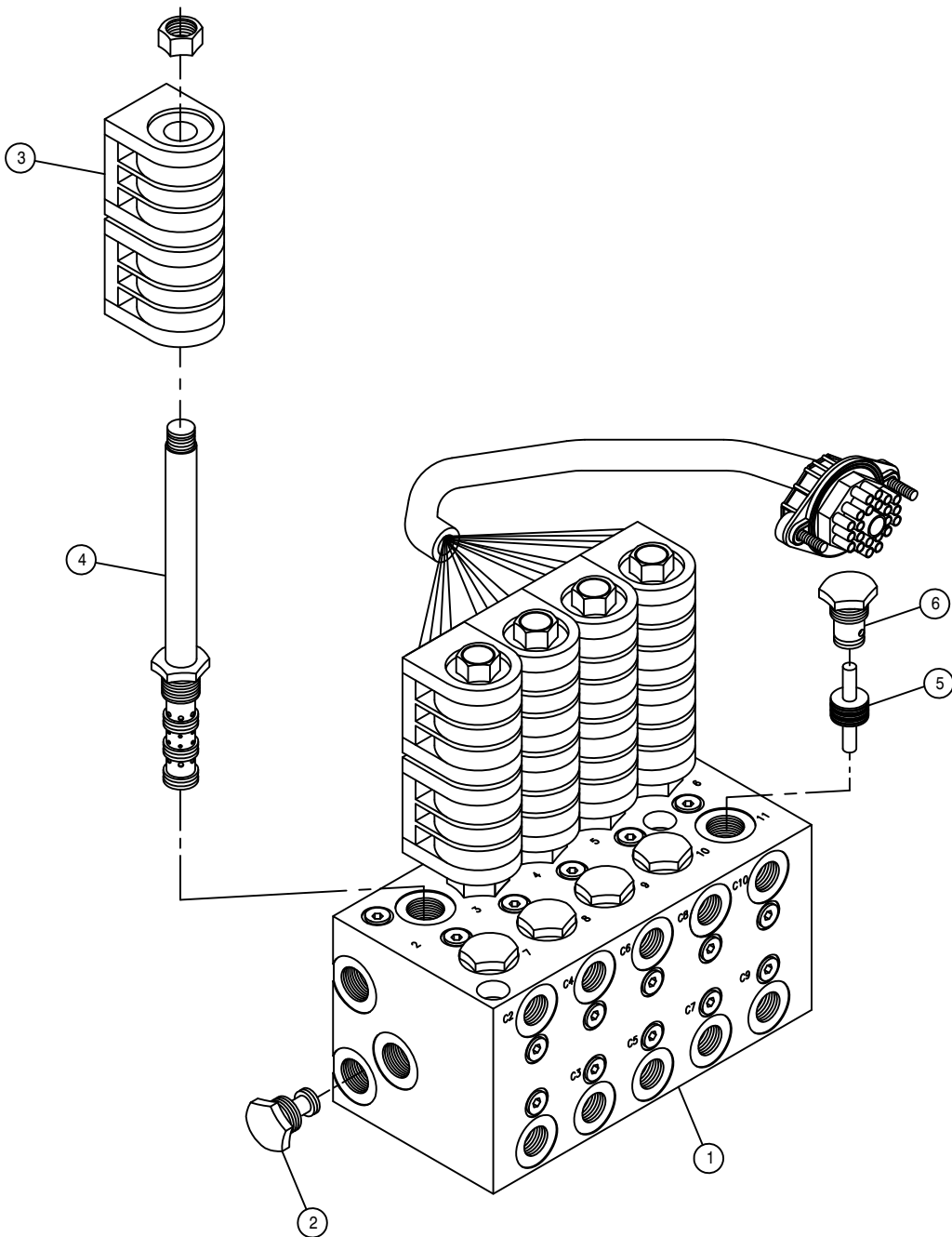
NOTE: 1. 620915 - TREAD ADJUST CYLINDER ASSEMBLY ITEMS 1-6  
 2. 621051 - TREAD ADJUST CYLINDER ASSEMBLY



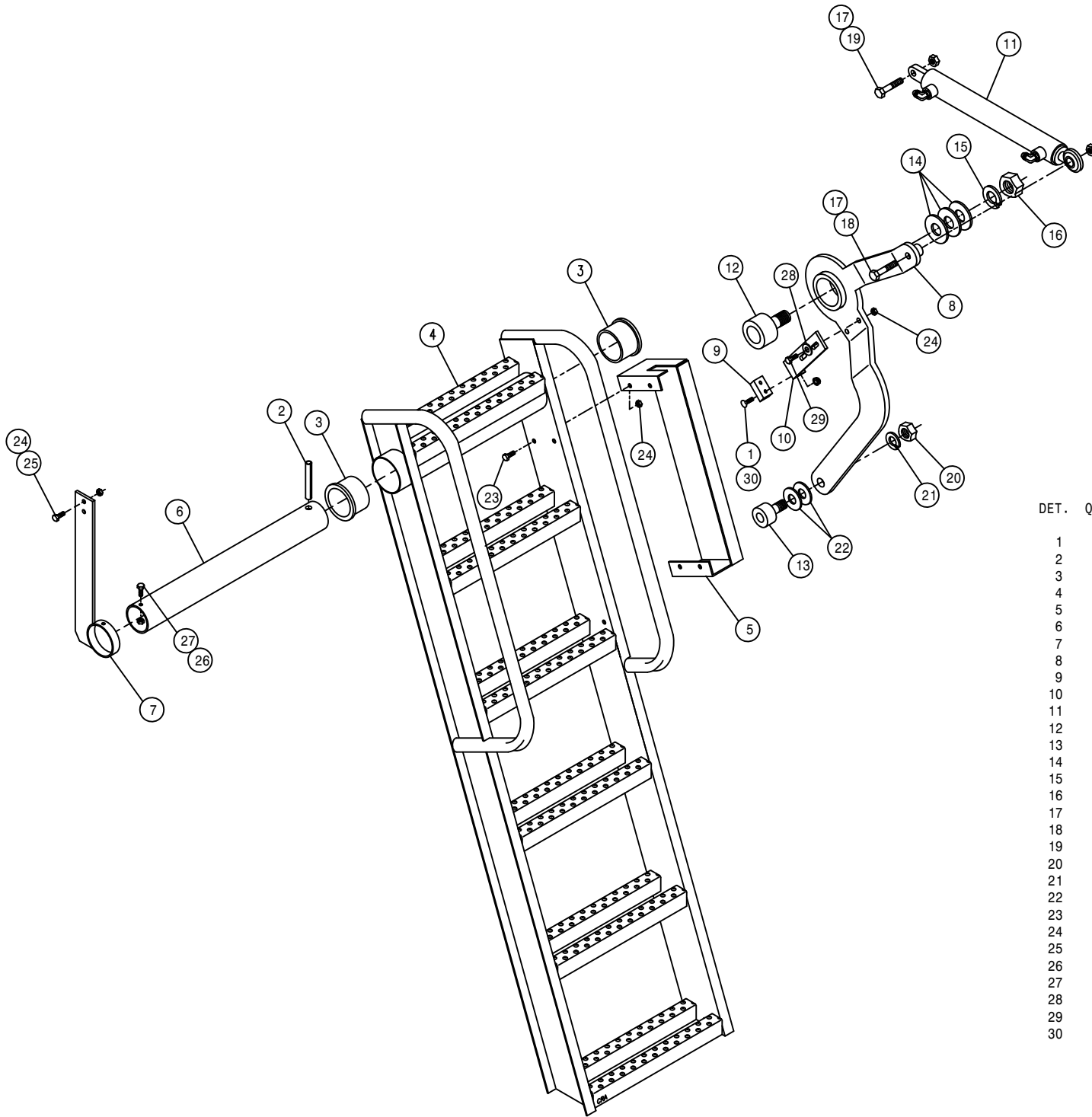
TREAD ADJ HYD MANIFOLD ASSEMBLY

DET. QTY PART NO. DESCRIPTION

| DET. | QTY | PART NO. | DESCRIPTION                   |
|------|-----|----------|-------------------------------|
| 1    | 1   | 605610   | HYD FILTER, INLINE 90M 3/4FOR |
| 2    | 1   | 606050   | DELTA HYD MANIFOLD ASSY, 2704 |
| 3    | 1   | 611125   | 3/4MJIC-3/4MOR ADPTR          |
| 4    | 10  | 618126   | 9/16MJIC-9/16MOR ADPTR        |
| 5    | 2   | 618241   | 3/4MJIC-90-3/4MOR LBO         |
| 6    | 2   | 618531   | 9/16FJIC CAP NUT              |
| 7    | 1   | 618669   | 3/4FJIC SWIV-3/4MOR ADPTR     |
| 8    | 1   | 610459   | 90M FILTER & GASKET FOR610447 |
| 9    | 1   | 610462   | GASKET FOR 610447 ARROW FILT  |
| 10   | 2   | 900145   | 3/8UNC X 5 SOCKET HD CAP SCR  |
| 11   | 2   | 914004   | 3/8UNC HEX STOVER NUT         |
| 12   | 1   | 342825   | TREAD ADJ VLV SPACER          |
| 13   | 1   | 618451   | 3/4FJIC SW RUN TEE-3/4MJIC    |
| 14   | 1   | 618609   | 3/4MJIC-90-3/4FJIC SWIV LBO   |

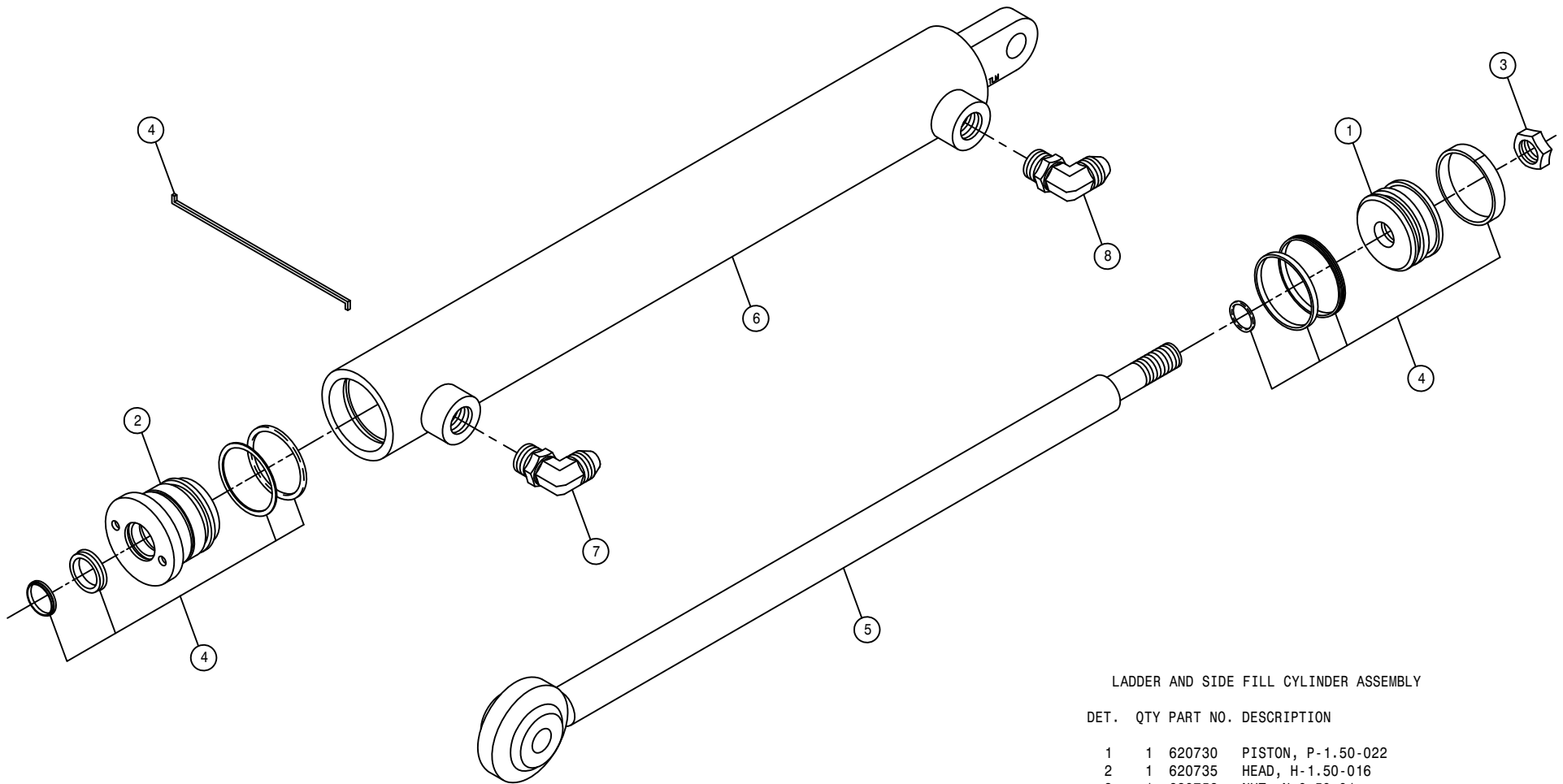


| DET. | QTY | PART NO. | DESCRIPTION                    |
|------|-----|----------|--------------------------------|
| 1    | 1   | 606050   | DELTA HYD MANIFOLD ASSY, 2704  |
| 2    | 1   | 606073   | CAVITY PLUG, DELTA VALVE       |
| 3    | 10  | 606056   | COIL (63900502) FOR 606050/051 |
| 4    | 5   | 606057   | SOLE VLV(DGS4M00)FOR 606050/5  |
| 5    | 5   | 606058   | PISTON ASSY FOR 606050         |
| 6    | 10  | 606059   | CHECK VALVE FOR 606050         |



LADDER ASSEMBLY

| DET. | QTY | PART NO. | DESCRIPTION                    |
|------|-----|----------|--------------------------------|
| 1    | 2   | 472017   | 1/4UNC X 1" SLOT FLT HD SCR    |
| 2    | 1   | 473978   | ROLL PIN, 1/2 X 3 1/2 LG       |
| 3    | 2   | 121102   | LADDER PIVOT BEARING, ORKOT    |
| 4    | 1   | 342817   | LADDER WLD                     |
| 5    | 1   | 342811   | LADDER HINGE GUARD             |
| 6    | 1   | 342805   | LADDER MT TUBE                 |
| 7    | 1   | 342806   | LH SERV PLTFRM SUPP BRKT WLD   |
| 8    | 1   | 342813   | LADDER PIVOT ARM WLD           |
| 9    | 1   | 342810   | LADDER BUMPER STOP, POLY       |
| 10   | 1   | 342809   | LADDER BUMPER MT               |
| 11   | 1   | 621052   | LADDER,SIDE FILL CYL ASSYSTS12 |
| 12   | 1   | 125055   | TRACK ROLLER,2.500D,1.00-16THD |
| 13   | 1   | 125054   | TRACK ROLLER,1.750D,.75-16THD  |
| 14   | 3   | 920008   | 1" SAE FLAT WASHER             |
| 15   | 1   | 920508   | 1" LOCK WASHER                 |
| 16   | 1   | 910016   | 1" UNF HEX NUT                 |
| 17   | 2   | 914008   | 1/2UNC HEX STOVER NUT          |
| 18   | 1   | 900271   | 1/2UNC X 3 1/4 HEX BOLT        |
| 19   | 1   | 900267   | 1/2UNC X 2" HEX BOLT           |
| 20   | 1   | 910013   | 3/4UNF HEX NUT                 |
| 21   | 1   | 920506   | 3/4 LOCK WASHER                |
| 22   | 2   | 920006   | 3/4 SAE FLAT WASHER            |
| 23   | 4   | 900064   | 5/16UNC X 3/4 HEX BOLT         |
| 24   | 8   | 914002   | 5/16UNC HEX STOVER NUT         |
| 25   | 2   | 900065   | 5/16UNC X 1" HEX BOLT          |
| 26   | 1   | 914000   | 1/4UNC HEX STOVER NUT          |
| 27   | 1   | 900003   | 1/4UNC X 1" HEX BOLT           |
| 28   | 2   | 920001   | 5/16 SAE FLAT WASHER           |
| 29   | 2   | 900066   | 5/16UNC X 1 1/4 HEX BOLT       |
| 30   | 2   | 470121   | 1/4UNC HEX FLANGE LOCK NUT     |



LADDER AND SIDE FILL CYLINDER ASSEMBLY

| DET. | QTY | PART NO. | DESCRIPTION                      |
|------|-----|----------|----------------------------------|
|      | 1   | 620730   | PISTON, P-1.50-022               |
|      | 1   | 620735   | HEAD, H-1.50-016                 |
|      | 1   | 620752   | NUT, N-0.50-01                   |
|      | 1   | 620786   | REPAIR KIT, HYD CYL, RK-1.50-801 |
|      | 1   | 620923   | SHAFT WLD, LADDER CYL 620920     |
|      | 1   | 620924   | BARREL WLD, LADDER CYL 620920    |
|      | 1   | 614750   | .042 ELBOW ASSY, 9/16MOR 90D     |
|      | 1   | 618119   | 9/16MJC-90-9/16MOR LBO           |

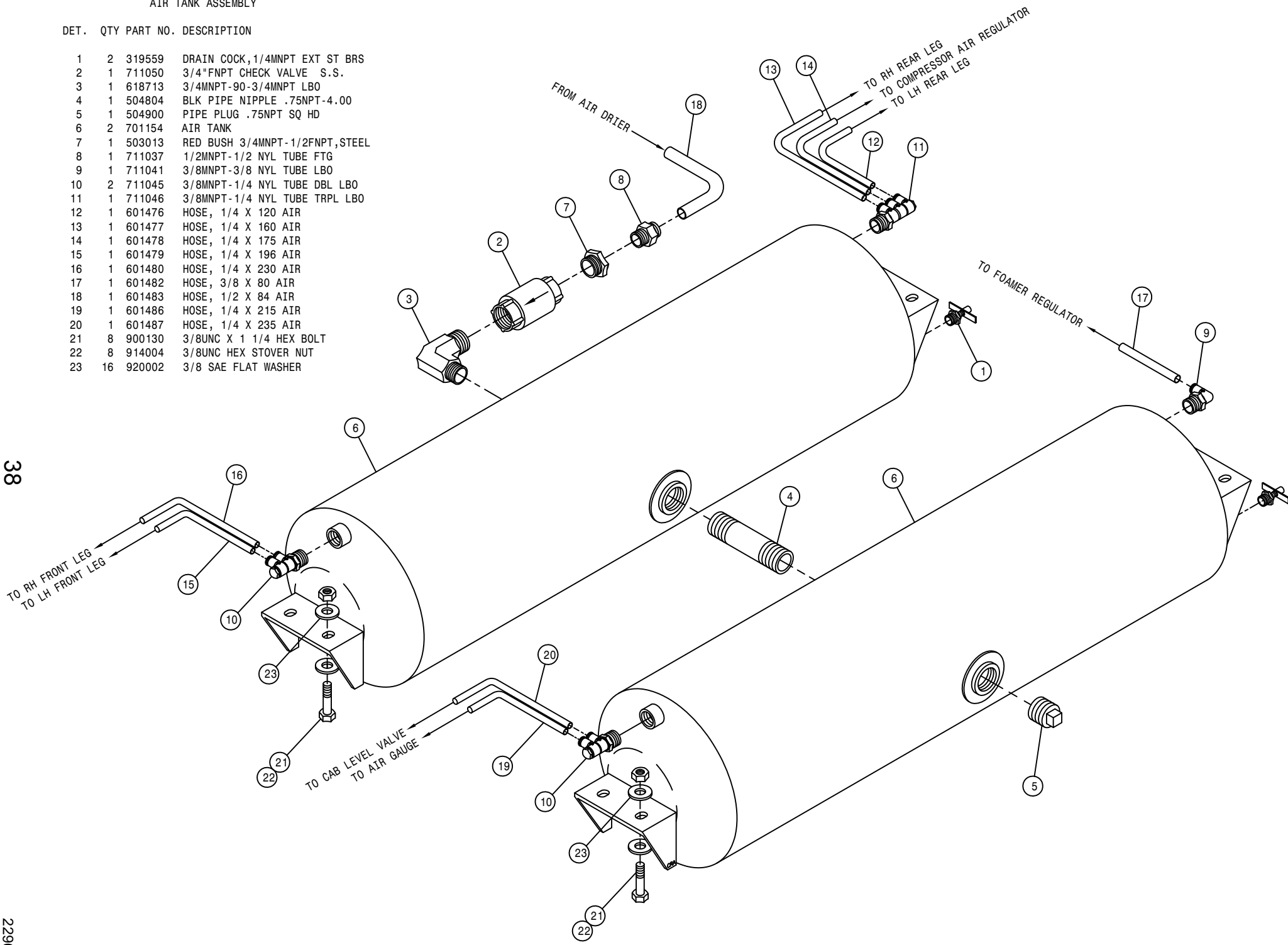
NOTE: 1. 620920 - LADDER & SIDE FILL CYLINDER ASSEMBLY ITEMS 1-6  
 2. 621052 - LADDER & SIDE FILL CYLINDER ASSEMBLY WITH FITTINGS

AIR TANK ASSEMBLY

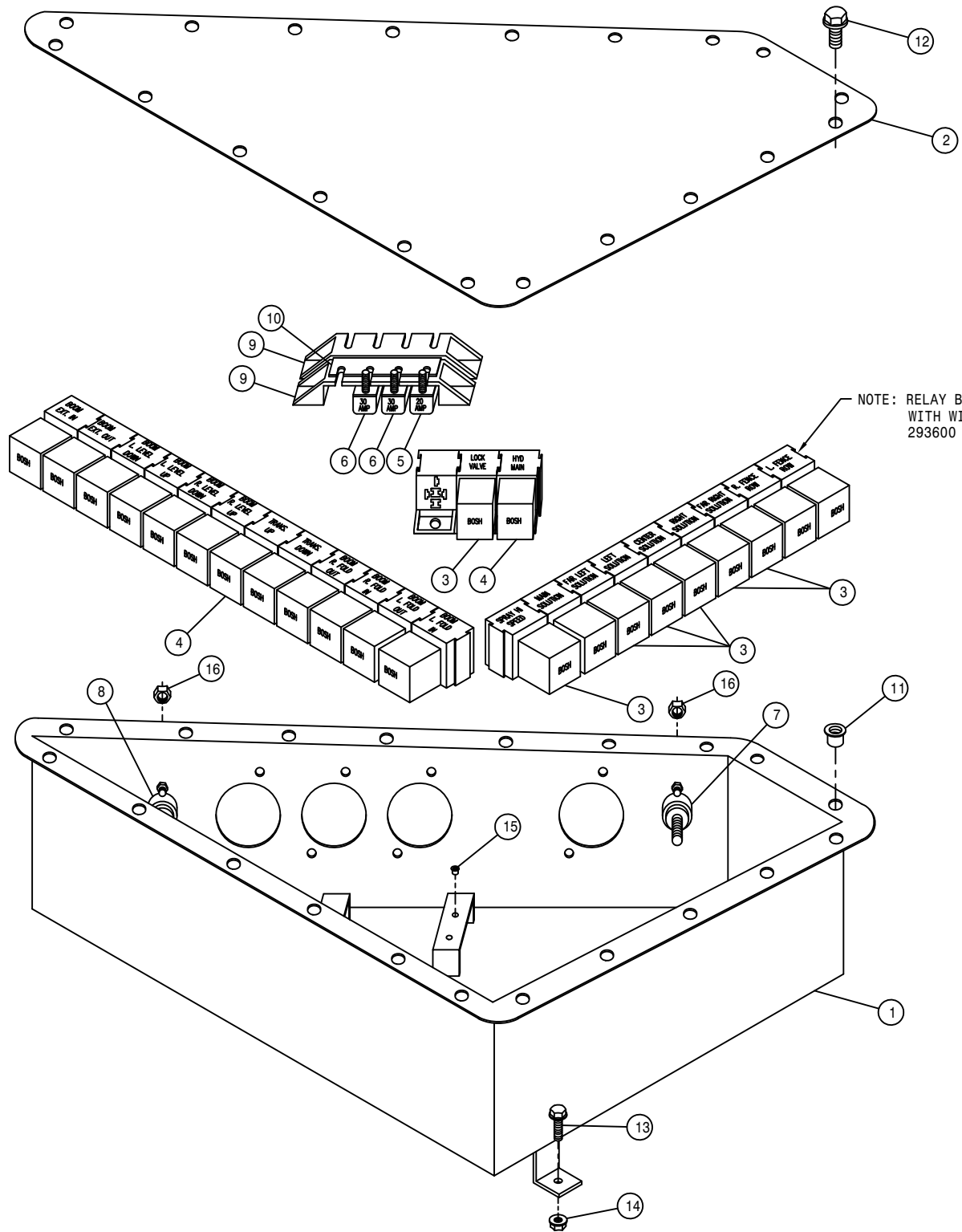
DET. QTY PART NO. DESCRIPTION

|    |    |        |                                 |
|----|----|--------|---------------------------------|
| 1  | 2  | 319559 | DRAIN COCK, 1/4MNPT EXT ST BRS  |
| 2  | 1  | 711050 | 3/4"FNPT CHECK VALVE S.S.       |
| 3  | 1  | 618713 | 3/4MNPT-90-3/4MNPT LBO          |
| 4  | 1  | 504804 | BLK PIPE NIPPLE .75NPT-4.00     |
| 5  | 1  | 504900 | PIPE PLUG .75NPT SQ HD          |
| 6  | 2  | 701154 | AIR TANK                        |
| 7  | 1  | 503013 | RED BUSH 3/4MNPT-1/2FNPT, STEEL |
| 8  | 1  | 711037 | 1/2MNPT-1/2 NYL TUBE FTG        |
| 9  | 1  | 711041 | 3/8MNPT-3/8 NYL TUBE LBO        |
| 10 | 2  | 711045 | 3/8MNPT-1/4 NYL TUBE DBL LBO    |
| 11 | 1  | 711046 | 3/8MNPT-1/4 NYL TUBE TRPL LBO   |
| 12 | 1  | 601476 | HOSE, 1/4 X 120 AIR             |
| 13 | 1  | 601477 | HOSE, 1/4 X 160 AIR             |
| 14 | 1  | 601478 | HOSE, 1/4 X 175 AIR             |
| 15 | 1  | 601479 | HOSE, 1/4 X 196 AIR             |
| 16 | 1  | 601480 | HOSE, 1/4 X 230 AIR             |
| 17 | 1  | 601482 | HOSE, 3/8 X 80 AIR              |
| 18 | 1  | 601483 | HOSE, 1/2 X 84 AIR              |
| 19 | 1  | 601486 | HOSE, 1/4 X 215 AIR             |
| 20 | 1  | 601487 | HOSE, 1/4 X 235 AIR             |
| 21 | 8  | 900130 | 3/8UNC X 1 1/4 HEX BOLT         |
| 22 | 8  | 914004 | 3/8UNC HEX STOVER NUT           |
| 23 | 16 | 920002 | 3/8 SAE FLAT WASHER             |

38

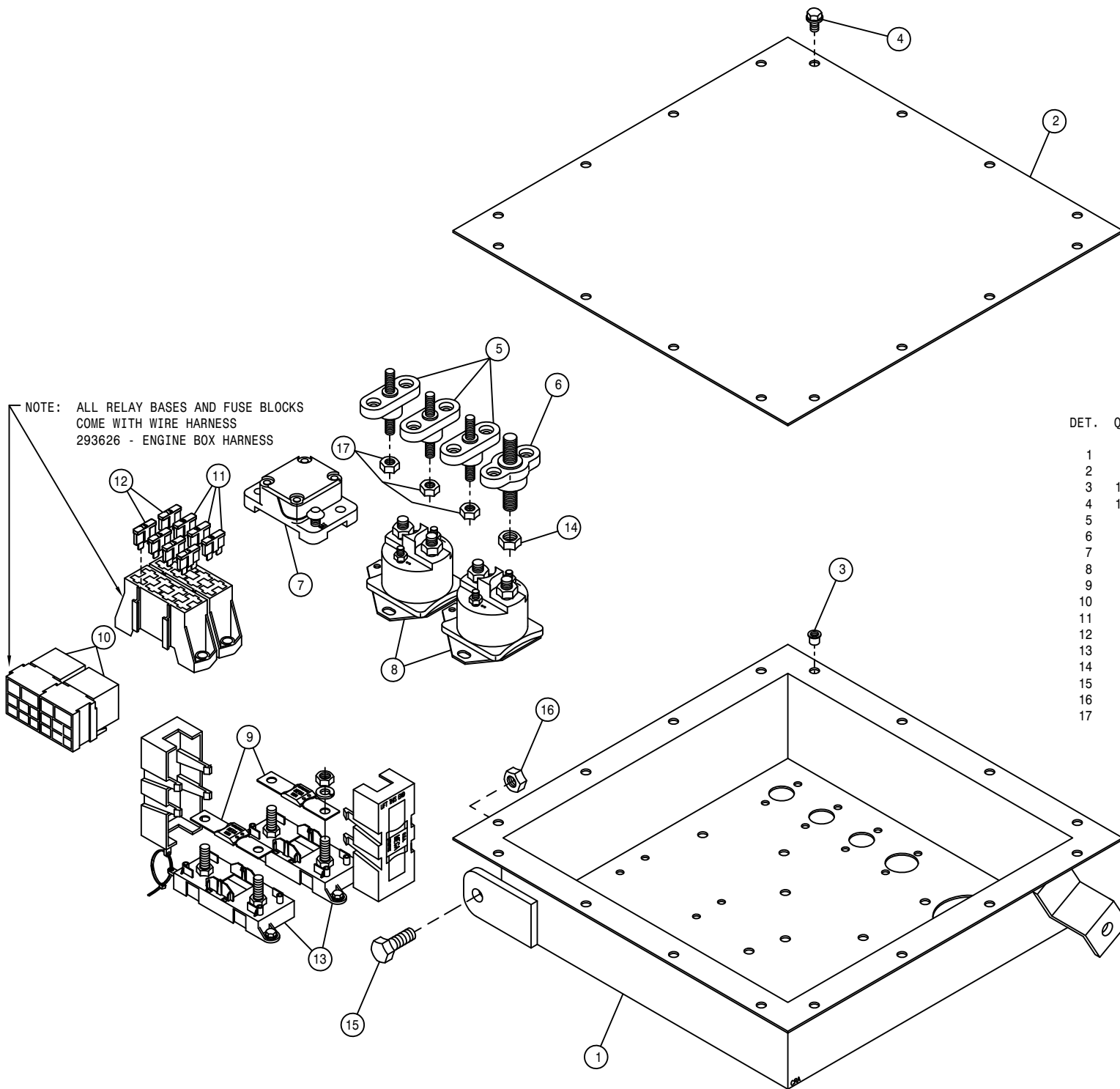


229038



BOOM ELECTRICAL BOX ASSEMBLY

| DET. | QTY | PART NO. | DESCRIPTION                    |
|------|-----|----------|--------------------------------|
| 1    | 1   | 342830   | BOOM ELECTRICAL BOX WLD        |
| 2    | 1   | 342837   | BOOM ELECTRICAL BOX COVER      |
| 3    | 7   | 291752   | RELAY, SPDT 12V 50A-NO 5-TERM  |
| 4    | 16  | 291751   | RELAY, SPST 12V 40A-NO 5-TERM  |
| 5    | 1   | 291573   | CIRCUIT BREAKER,20AMP W/O MT   |
| 6    | 2   | 291574   | CIRCUIT BREAKER,30AMP W/O MT   |
| 7    | 1   | 291750   | TERM BLOCK,RED,3/8-16 THRU     |
| 8    | 1   | 291749   | TERM BLOCK,BLACK,3/8-16 THRU   |
| 9    | 2   | 291755   | BREAKER MTG BRKT, 4-GANG NYLON |
| 10   | 1   | 291756   | BUS BAR,4-GANG FOR 291755      |
| 11   | 20  | 470086   | 1/4UNC NUTSERT .020-.100MATL   |
| 12   | 20  | 470122   | 1/4UNC X 1/2 FLANGE HEX BOLT   |
| 13   | 3   | 470118   | 1/4UNC X 3/4 FLANGE HEX BOLT   |
| 14   | 3   | 470121   | 1/4UNC HEX FLANGE LOCK NUT     |
| 15   | 14  | 470165   | 10-32 NUTSERT .020-.100 MATL   |
| 16   | 2   | 910004   | 3/8UNC HEX NUT                 |

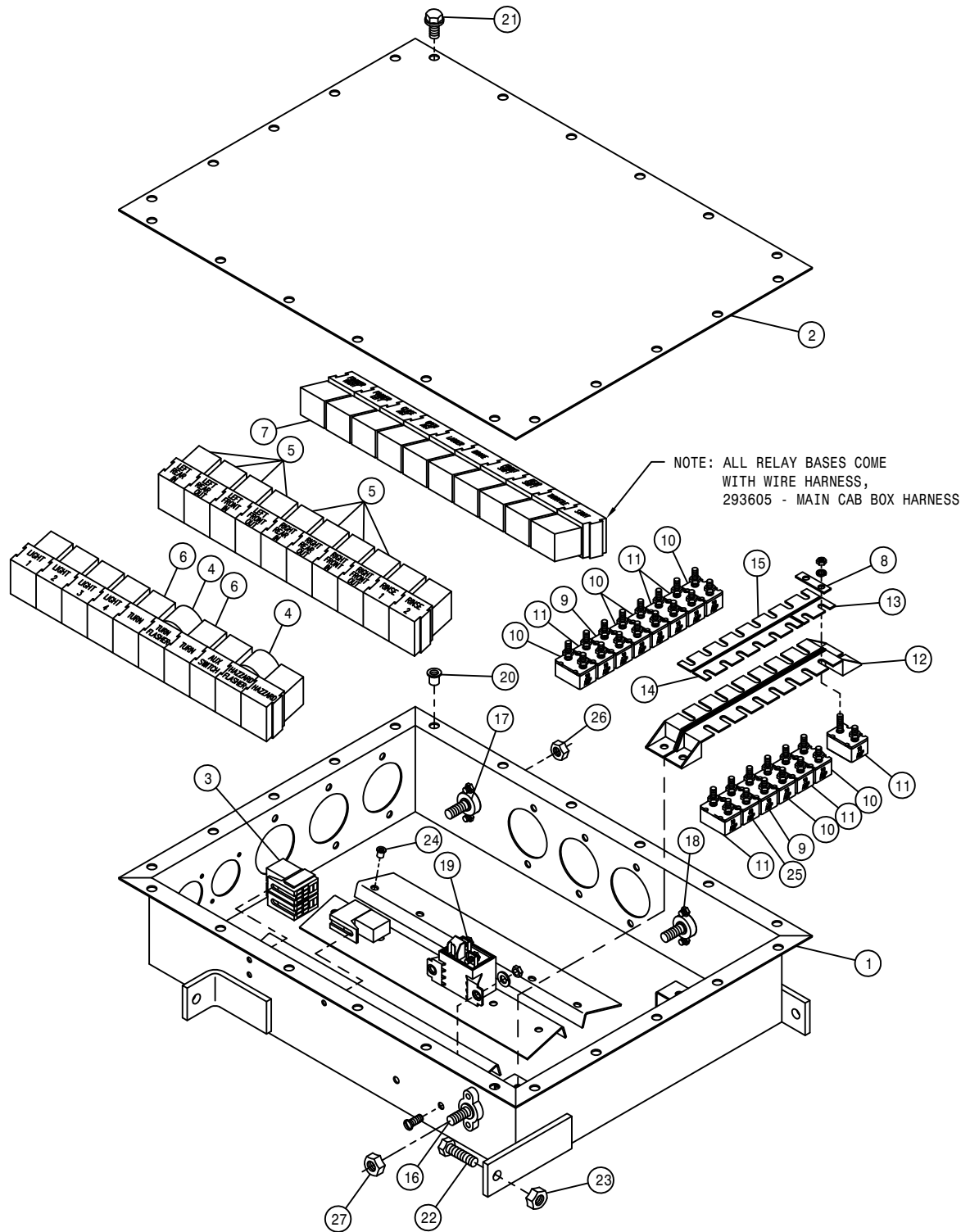


ENGINE ELECTRICAL BOX ASSEMBLY

| DET. | QTY | PART NO. | DESCRIPTION                      |
|------|-----|----------|----------------------------------|
|      | 1   | 342851   | ENG ELECTRICAL BOX WLD           |
|      | 1   | 342855   | ENG ELECTRICAL BOX COVER         |
|      | 16  | 470086   | 1/4UNC NUTSERT .020-.100MATL     |
|      | 4   | 470122   | 1/4UNC X 1/2 FLANGE HEX BOLT     |
|      | 3   | 291748   | TERM BLOCK, BLACK, 1/4-20 THRU   |
|      | 1   | 291750   | TERM BLOCK, RED, 3/8-16 THRU     |
|      | 1   | 291815   | CIRCUIT BREAKER, 100 AMP BUSS    |
|      | 2   | 291816   | SOLENOID                         |
|      | 2   | 291813   | 125 AMP FUSE                     |
|      | 2   | 291751   | RELAY, SPST 12V 40A-NO 5-TERM    |
|      | 3   | 291545   | 10 AMP FUSE, 1/4" BLADE TYPE     |
|      | 5   | 291027   | 7.5 AMP FUSE, 1/4" BLADE ATO/ATC |
|      | 2   | 291814   | FUSE HOLDER, HIGH AMP            |
|      | 1   | 910004   | 3/8UNC HEX NUT                   |
|      | 2   | 900129   | 3/8UNC X 1" HEX BOLT             |
|      | 2   | 914004   | 3/8UNC HEX STOVER NUT            |
|      | 3   | 470121   | 1/4UNC HEX FLANGE LOCK NUT       |

40



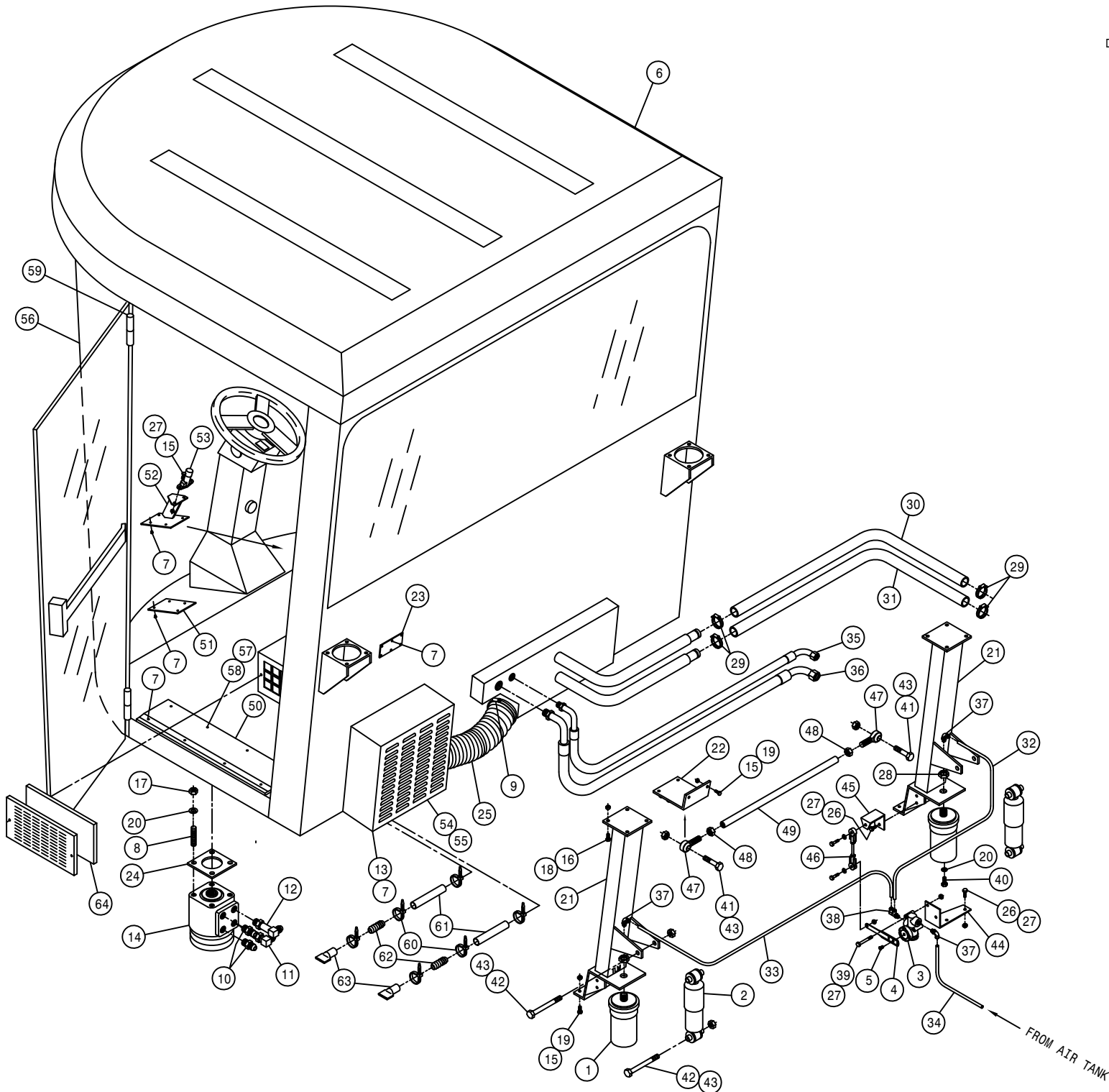


CAB ELECTRICAL BOX ASSEMBLY

| DET. | QTY | PART NO. | DESCRIPTION                     |
|------|-----|----------|---------------------------------|
| 1    | 1   | 342841   | CAB ELECTRICAL BOX WLD          |
| 2    | 1   | 342847   | CAB ELECTRICAL BOX COVER        |
| 3    | 3   | 291781   | MICRO RELAY, BOSCH 12V SPDT     |
| 4    | 2   | 291564   | FLASHER, 12V 3-PIN ELECTRONIC   |
| 5    | 8   | 291698   | RELAY, TYPE V4 12VDC 30A        |
| 6    | 2   | 291752   | RELAY, SPDT 12V 50A-NO 5-TERM   |
| 7    | 18  | 291751   | RELAY, SPST 12V 40A-NO 5-TERM   |
| 8    | 1   | 291683   | BUSS BAR, 2 GANG CIRCUIT BREAKR |
| 9    | 2   | 291574   | CIRCUIT BREAKER, 30AMP W/O MT   |
| 10   | 6   | 291573   | CIRCUIT BREAKER, 20AMP W/O MT   |
| 11   | 6   | 291575   | CIRCUIT BREAKER, 10AMP W/O MT   |
| 12   | 2   | 291757   | BREAKER MTG BRKT, 8-GANG NYLON  |
| 13   | 1   | 291796   | BUSS BAR, 2-GANG FOR 291757     |
| 14   | 1   | 291797   | BUSS BAR, 6-GANG FOR 291757     |
| 15   | 1   | 291758   | BUS BAR, 8-GANG FOR 291757      |
| 16   | 1   | 291748   | TERM BLOCK, BLACK, 1/4-20 THRU  |
| 17   | 1   | 291749   | TERM BLOCK, BLACK, 3/8-16 THRU  |
| 18   | 1   | 291750   | TERM BLOCK, RED, 3/8-16 THRU    |
| 19   | 1   | 657371   | RELAY, 12 VOLT 75 AMP           |
| 20   | 22  | 470086   | 1/4UNC NUTSERT .020-.100MATL    |
| 21   | 22  | 470122   | 1/4UNC X 1/2 FLANGE HEX BOLT    |
| 22   | 3   | 900129   | 3/8UNC X 1" HEX BOLT            |
| 23   | 3   | 914004   | 3/8UNC HEX STOVER NUT           |
| 24   | 16  | 470165   | 10-32 NUTSERT .020-.100 MATL    |
| 25   | 1   | 291584   | CIRCUIT BREAKER, 40AMP W/O MT   |
| 26   | 2   | 910004   | 3/8UNC HEX NUT                  |
| 27   | 1   | 470121   | 1/4UNC HEX FLANGE LOCK NUT      |

CAB AIR BAG ASSEMBLY

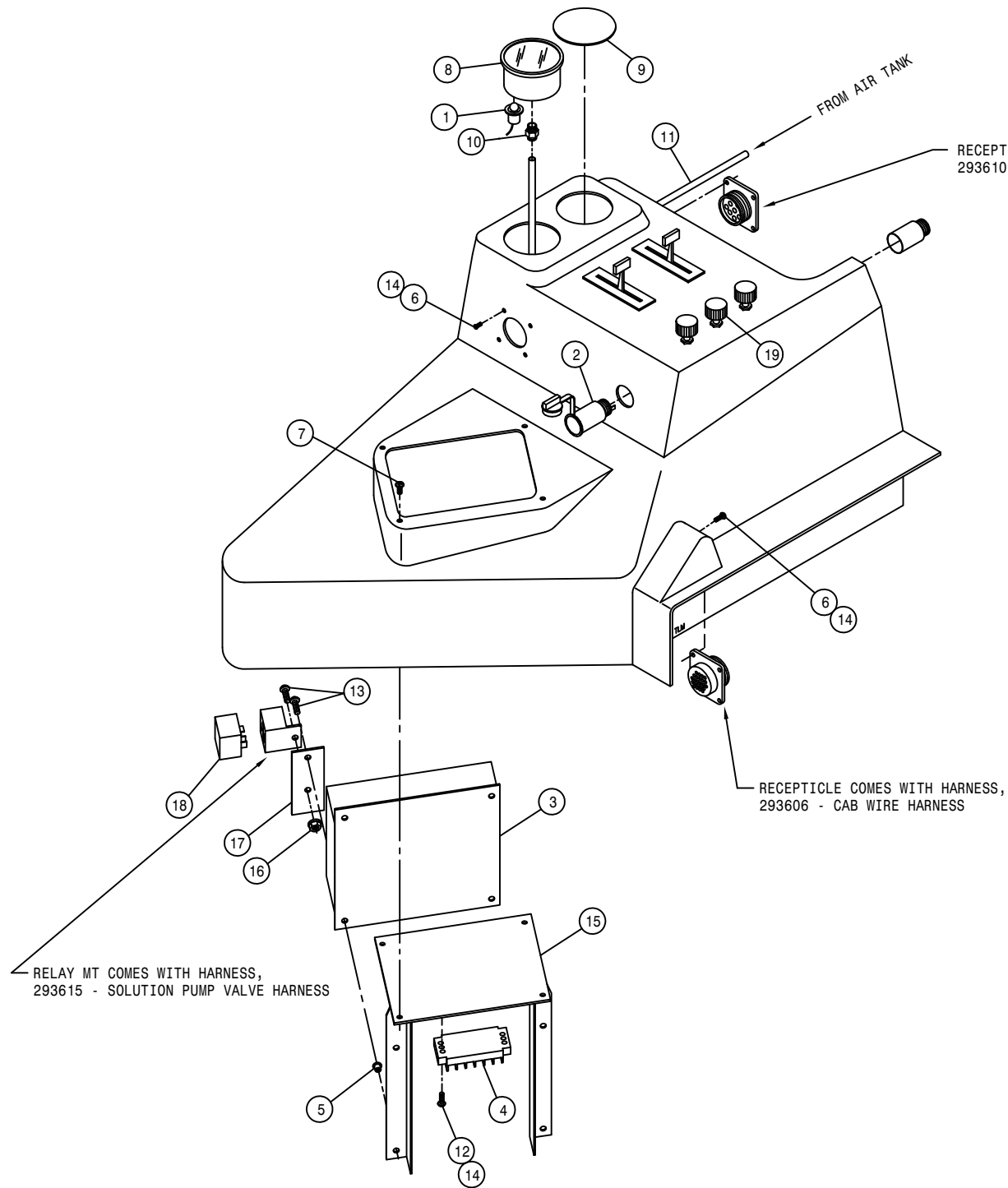
DET. QTY PART NO. DESCRIPTION



|    |    |        |                                  |
|----|----|--------|----------------------------------|
| 1  | 2  | 311064 | AIRIDE SPRING, 358-7002          |
| 2  | 2  | 311065 | SHOCK ABSORBER                   |
| 3  | 1  | 311067 | HEIGHT CONTROL AIR VALVE         |
| 4  | 1  | 311068 | 4.00 LEVER, CTRL AIR VLV 311067  |
| 5  | 1  | 311070 | LEVER SCREW, CTRL AIR VLV311067  |
| 6  | 1  | 343000 | CAB, NEW HOLLAND FX DISCOVERY    |
| 7  | 32 | 485053 | POP RIVET 3/16 X 3/8             |
| 8  | 4  | 472335 | 3/8UNC X 2" STUD BOLT            |
| 9  | 2  | 520064 | HOSE CLAMP NO 64 STAINLESS       |
| 10 | 2  | 611125 | 3/4MJIC-3/4MOR ADPTR             |
| 11 | 1  | 618241 | 3/4MJIC-90-3/4MOR LBO            |
| 12 | 1  | 618443 | 3/4MJIC-90-3/4MOR EX LG LBO      |
| 13 | 1  | 657435 | FILTER BOX W/FILTERS STS12       |
| 14 | 1  | 749321 | STEERING CONTROL MTR 14.1CI      |
| 15 | 12 | 900002 | 1/4UNC X 3/4 HEX BOLT            |
| 16 | 8  | 900065 | 5/16UNC X 1" HEX BOLT            |
| 17 | 4  | 910004 | 3/8UNC HEX NUT                   |
| 18 | 8  | 914002 | 5/16UNC HEX STOVER NUT           |
| 19 | 10 | 914000 | 1/4UNC HEX STOVER NUT            |
| 20 | 6  | 920502 | 3/8 LOCK WASHER                  |
| 21 | 2  | 343013 | REAR CAB AIR-RIDE MT WLD         |
| 22 | 1  | 343019 | CAB STABILIZER MT WLD            |
| 23 | 1  | 343022 | REAR CAB COVER PLATE             |
| 24 | 1  | 343023 | STEERING MTR SPACER STS12        |
| 25 | 1  | 343024 | AIR DUCT HOSE, 4"X 5" LG CLLPSD  |
| 26 | 4  | 470118 | 1/4UNC X 3/4 FLANGE HEX BOLT     |
| 27 | 8  | 470121 | 1/4UNC HEX FLANGE LOCK NUT       |
| 28 | 2  | 472330 | 3/4UNF HEX JAM NUT               |
| 29 | 4  | 520080 | HOSE CLAMP NO 10 STAINLESS       |
| 30 | 1  | 601465 | HOSE, 5/8 X 19 HEATER            |
| 31 | 1  | 601466 | HOSE, 5/8 X 21 HEATER            |
| 32 | 1  | 601484 | HOSE, 1/4 X 10 AIR               |
| 33 | 1  | 601485 | HOSE, 1/4 X 55 AIR               |
| 34 | 1  | 601487 | HOSE, 1/4 X 235 AIR              |
| 35 | 1  | 657442 | A/C HOSE, 06-06F90-06M90-33"     |
| 36 | 1  | 657445 | A/C HOSE, 08-10F90-10M90-35"     |
| 37 | 3  | 711039 | 1/8MNPT-1/4 NYL TUBE LBO         |
| 38 | 1  | 711044 | 1/8MNPT-1/4 NYL TUBE DBL LBO     |
| 39 | 2  | 900007 | 1/4UNC X 2" HEX BOLT             |
| 40 | 2  | 900128 | 3/8UNC X 3/4 HEX BOLT            |
| 41 | 2  | 900267 | 1/2UNC X 2" HEX BOLT             |
| 42 | 4  | 900272 | 1/2UNC X 3 1/2 HEX BOLT          |
| 43 | 6  | 914008 | 1/2UNC HEX STOVER NUT            |
| 44 | 1  | 343068 | CAB AIR VALVE MT                 |
| 45 | 1  | 343069 | AIR VALVE ARM MT, CAB            |
| 46 | 1  | 343070 | CAB HEIGHT CTRL LINKAGE, STS12   |
| 47 | 2  | 473976 | ROD END, .50B, .50-20UNF RH MALE |
| 48 | 2  | 910009 | 1/2UNF HEX NUT                   |
| 49 | 1  | 343072 | CAB STABILIZER ROD               |
| 50 | 1  | 343025 | CAB STEP PLATE                   |
| 51 | 3  | 343027 | DIMMER SWITCH MT PLT             |
| 52 | 1  | 343026 | DIMMER SWITCH MT WLD             |
| 53 | 1  | 290412 | DIMMER SWITCH                    |
| 54 | 1  | 657436 | PANEL FILTER FOR 657435          |
| 55 | 1  | 657437 | CHARCOAL FILTER FOR 657435       |
| 56 | 1  | 343004 | WINDSHIELD, STS12 CAB 2000       |
| 57 | 4  | 470175 | 10-32 HEX FLANGE LOCK NUT        |
| 58 | 4  | 903905 | 10-32X1 1/2 SLT RD HD MACH SCR   |
| 59 | 2  | 343101 | CAB HINGE PIN, DRILLED STS12     |
| 60 | 6  | 470154 | CABLE TIE, 11.75" BLK PLASTIC    |
| 61 | 2  | 601552 | HOSE, 1/2 X 4 CLEAR VINYL        |
| 62 | 2  | 619014 | 1/2" HOSE MENDER                 |
| 63 | 2  | 657451 | A/C KAZOO, 1/2" X 2" LONG        |
| 64 | 1  | 343118 | A/C FILTER ELEMENT, CAB STS12    |

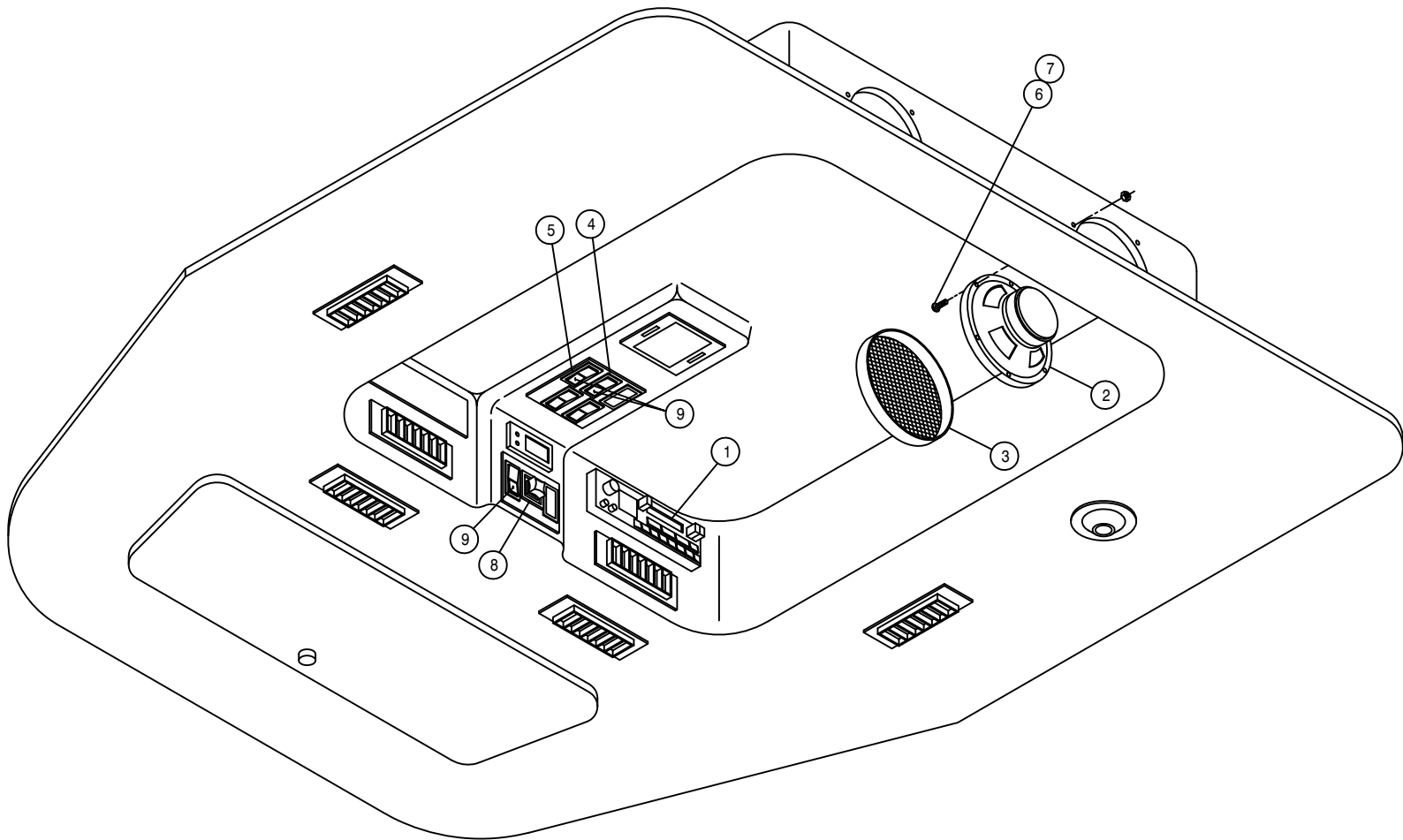
42

229042



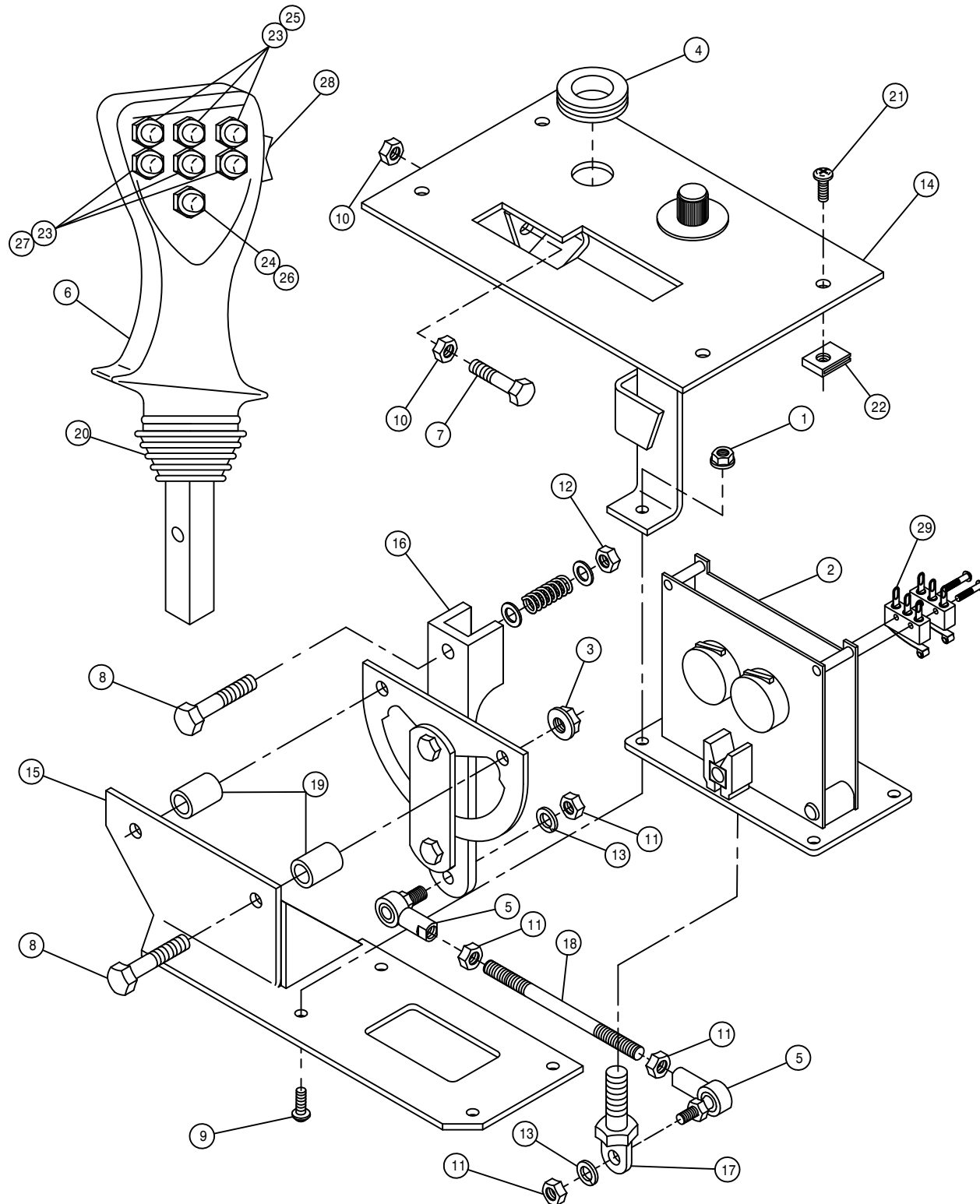
HEATER CONTROL PANEL ASSEMBLY

| DET. | QTY | PART NO. | DESCRIPTION                     |
|------|-----|----------|---------------------------------|
|      | 1   | 291612   | LIGHT KIT FOR 2" GAUGE          |
|      | 2   | 291648   | POWER POINT RECEPTACLE          |
|      | 3   | 291787   | INPUT MODULE, ATI               |
|      | 4   | 293093   | TERMINAL BLOCK 6 POS - 2 ROW    |
|      | 5   | 470165   | 10-32 NUTSERT .020-.100 MATL    |
|      | 6   | 473989   | 6-32 X 3/4 BUTTON SOC CAP SCR   |
|      | 7   | 473990   | 8-15 X 3/4 PHIL PAN SMS TY-A    |
|      | 8   | 701311   | AIR PRESS GAUGE, 150PSI, PNL MT |
|      | 9   | 701312   | GAUGE BLANK                     |
|      | 10  | 711038   | 1/8FNPT-1/4 NYL TUBE FTG        |
|      | 11  | 601486   | HOSE, 1/4 X 215 AIR             |
|      | 12  | 903814   | 6-32 X 3/4 SLT RD HD MACH SCR   |
|      | 13  | 903883   | 10-32 X 1/2 SLT RDHD MACH SCR   |
|      | 14  | 910022   | 6-32 HEX NUT                    |
|      | 15  | 343062   | CONSOLE COVER WLD, CAB          |
|      | 16  | 470175   | 10-32 HEX FLANGE LOCK NUT       |
|      | 17  | 343067   | RELAY BRKT                      |
|      | 18  | 291752   | RELAY, SPDT 12V 50A-NO 5-TERM   |
|      | 19  | 343114   | SWITCH, CAB FAN STS12 2000      |



HEADLINER ASSEMBLY

| DET. | QTY | PART NO. | DESCRIPTION                   |    |
|------|-----|----------|-------------------------------|----|
|      | 1   | 291212   | RADIO                         | 94 |
|      | 2   | 291219   | SPEAKER, 5 1/4"RD             |    |
|      | 2   | 291319   | SPEAKER GRILLE, ROUND SNAP ON |    |
|      | 4   | 291627   | SWITCH,2P(ON)OFF(ON) 511-058  |    |
|      | 5   | 291775   | SWITCH, 511-172               |    |
|      | 6   | 903812   | 6-32 X 1/2 SLT RD HD MACH SCR |    |
|      | 7   | 910022   | 6-32 HEX NUT                  |    |
|      | 8   | 291798   | MIRROR SWITCH FOR 470316      |    |
|      | 9   | 291628   | LENS, GREEN                   |    |



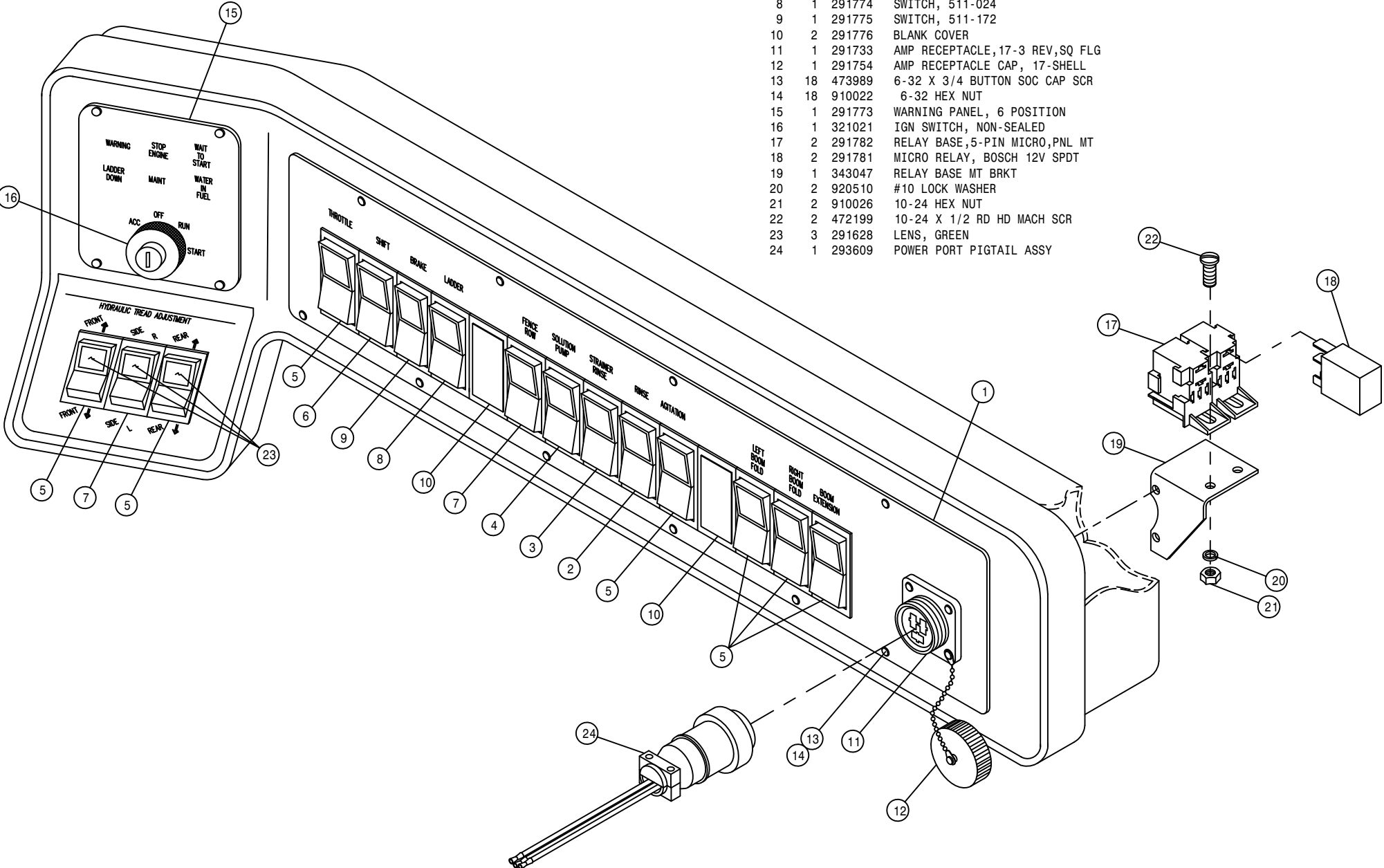
HYDROSTATIC CONTROL LEVER ASSEMBLY

| DET. | QTY | PART NO. | DESCRIPTION                    |
|------|-----|----------|--------------------------------|
| 1    | 4   | 169028   | 10-24 HEX FLANGE LOCK NUT      |
| 2    | 1   | 291760   | CONTROL HANDLE & POTENTIOMETER |
| 3    | 2   | 470121   | 1/4UNC HEX FLANGE LOCK NUT     |
| 4    | 1   | 470296   | RUBBER GROMMET, .75ID-1.06GD   |
| 5    | 2   | 473918   | BALL JOINT 1/4 28 FEM STUDED   |
| 6    | 1   | 785080   | FASSE CTRL HANDLE, SCOOP GRIP  |
| 7    | 2   | 900003   | 1/4UNC X 1" HEX BOLT           |
| 8    | 3   | 900005   | 1/4UNC X 1 1/2 HEX BOLT        |
| 9    | 4   | 903888   | 10-24 X 3/4 SLT RDHD MACH SCR  |
| 10   | 4   | 910000   | 1/4UNC HEX NUT                 |
| 11   | 4   | 910001   | 1/4UNF HEX NUT                 |
| 12   | 1   | 914000   | 1/4UNC HEX STOVER NUT          |
| 13   | 2   | 920500   | 1/4 LOCK WASHER                |
| 14   | 1   | 343031   | HYDRO LEVER MT PLT WLD         |
| 15   | 1   | 343037   | HYDRO LEVER MT WLD             |
| 16   | 1   | 343040   | HYDST CTRL LEVER               |
| 17   | 1   | 343041   | HYDRO LINKAGE BOLT WLD         |
| 18   | 1   | 343043   | HYDRO LINKAGE ROD              |
| 19   | 2   | 343044   | HYDRO LEVER SPACER             |
| 20   | 1   | 785081   | BELLOW,FASSE CTRL HANDLE785080 |
| 21   | 4   | 473990   | 8-15 X 3/4 PHIL PAN SMS TY-A   |
| 22   | 4   | 470172   | # 8 SPEED NUT                  |
| 23   | 6   | 291793   | SWITCH,PB DPDT MOM MICRO       |
| 24   | 1   | 291794   | SWITCH,PB SPDT STAT MICRO      |
| 25   | 3   | 291651   | SWITCH BOOT, GRAY -FOR 291650  |
| 26   | 1   | 291818   | SWITCH BOOT 15/32 GREEN        |
| 27   | 3   | 291652   | SWITCH BOOT, RED -FOR 291650   |
| 28   | 1   | 291826   | SWITCH, SPDT RCKR 3P STAT      |
| 29   | 4   | 291827   | MICRO SWITCH FOR 291760        |

STS12

SWITCH PANEL ASSEMBLY

| DET. | QTY | PART NO. | DESCRIPTION                      |
|------|-----|----------|----------------------------------|
| 1    | 1   | 291772   | SWITCH PANEL, 14 POS W/SW STS12  |
| 2    | 1   | 291622   | SWITCH, 1P ON/OFF 511-003        |
| 3    | 1   | 291624   | SWITCH, 2P (ON)/OFF 511-130      |
| 4    | 1   | 291625   | SWITCH, 2P ON/ON 511-108         |
| 5    | 7   | 291627   | SWITCH, 2P (ON)OFF (ON) 511-058  |
| 6    | 1   | 291671   | SWITCH, 2P OFF/ONA/ONAB 511-138  |
| 7    | 2   | 291672   | SWITCH, 1P ON/OFF/ON 511-149     |
| 8    | 1   | 291774   | SWITCH, 511-024                  |
| 9    | 1   | 291775   | SWITCH, 511-172                  |
| 10   | 2   | 291776   | BLANK COVER                      |
| 11   | 1   | 291733   | AMP RECEPTACLE, 17-3 REV, SQ FLG |
| 12   | 1   | 291754   | AMP RECEPTACLE CAP, 17-SHELL     |
| 13   | 18  | 473989   | 6-32 X 3/4 BUTTON SOC CAP SCR    |
| 14   | 18  | 910022   | 6-32 HEX NUT                     |
| 15   | 1   | 291773   | WARNING PANEL, 6 POSITION        |
| 16   | 1   | 321021   | IGN SWITCH, NON-SEALED           |
| 17   | 2   | 291782   | RELAY BASE, 5-PIN MICRO, PNL MT  |
| 18   | 2   | 291781   | MICRO RELAY, BOSCH 12V SPDT      |
| 19   | 1   | 343047   | RELAY BASE MT BRKT               |
| 20   | 2   | 920510   | #10 LOCK WASHER                  |
| 21   | 2   | 910026   | 10-24 HEX NUT                    |
| 22   | 2   | 472199   | 10-24 X 1/2 RD HD MACH SCR       |
| 23   | 3   | 291628   | LENS, GREEN                      |
| 24   | 1   | 293609   | POWER PORT PIGTAIL ASSY          |

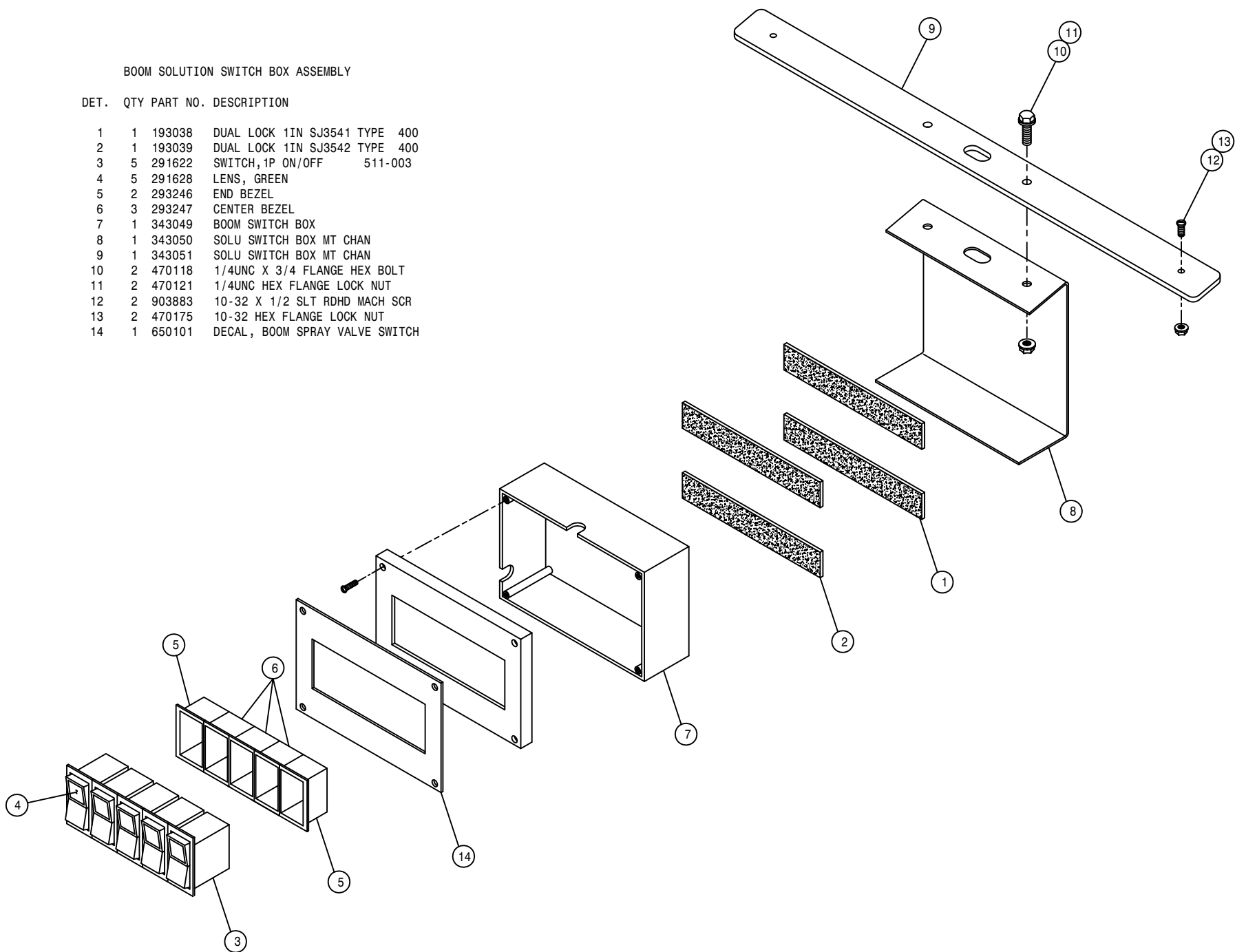


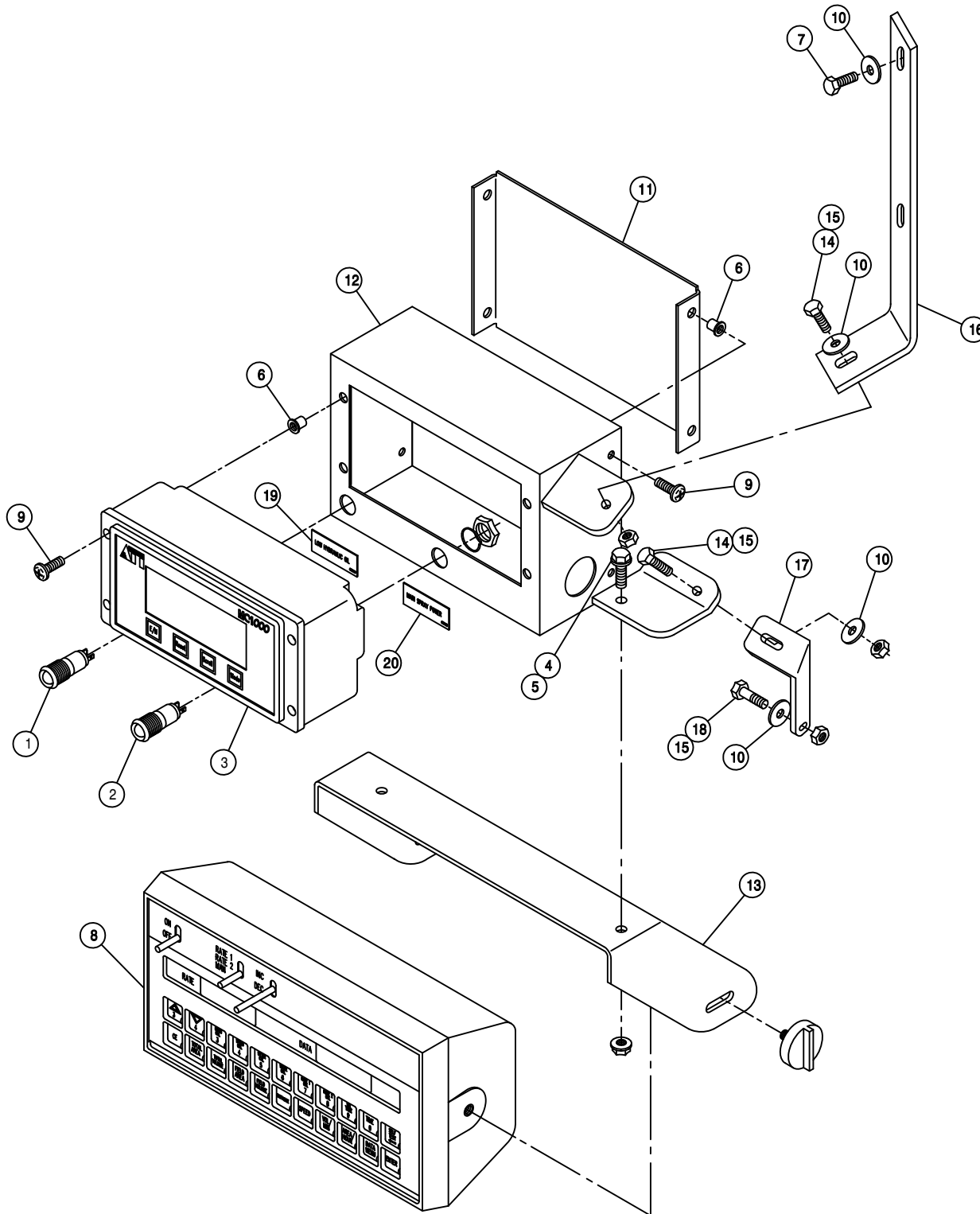
46

BOOM SOLUTION SWITCH BOX ASSEMBLY

DET. QTY PART NO. DESCRIPTION

|    |   |        |                                |
|----|---|--------|--------------------------------|
| 1  | 1 | 193038 | DUAL LOCK 1IN SJ3541 TYPE 400  |
| 2  | 1 | 193039 | DUAL LOCK 1IN SJ3542 TYPE 400  |
| 3  | 5 | 291622 | SWITCH, 1P ON/OFF 511-003      |
| 4  | 5 | 291628 | LENS, GREEN                    |
| 5  | 2 | 293246 | END BEZEL                      |
| 6  | 3 | 293247 | CENTER BEZEL                   |
| 7  | 1 | 343049 | BOOM SWITCH BOX                |
| 8  | 1 | 343050 | SOLU SWITCH BOX MT CHAN        |
| 9  | 1 | 343051 | SOLU SWITCH BOX MT CHAN        |
| 10 | 2 | 470118 | 1/4UNC X 3/4 FLANGE HEX BOLT   |
| 11 | 2 | 470121 | 1/4UNC HEX FLANGE LOCK NUT     |
| 12 | 2 | 903883 | 10-32 X 1/2 SLT RDHD MACH SCR  |
| 13 | 2 | 470175 | 10-32 HEX FLANGE LOCK NUT      |
| 14 | 1 | 650101 | DECAL, BOOM SPRAY VALVE SWITCH |

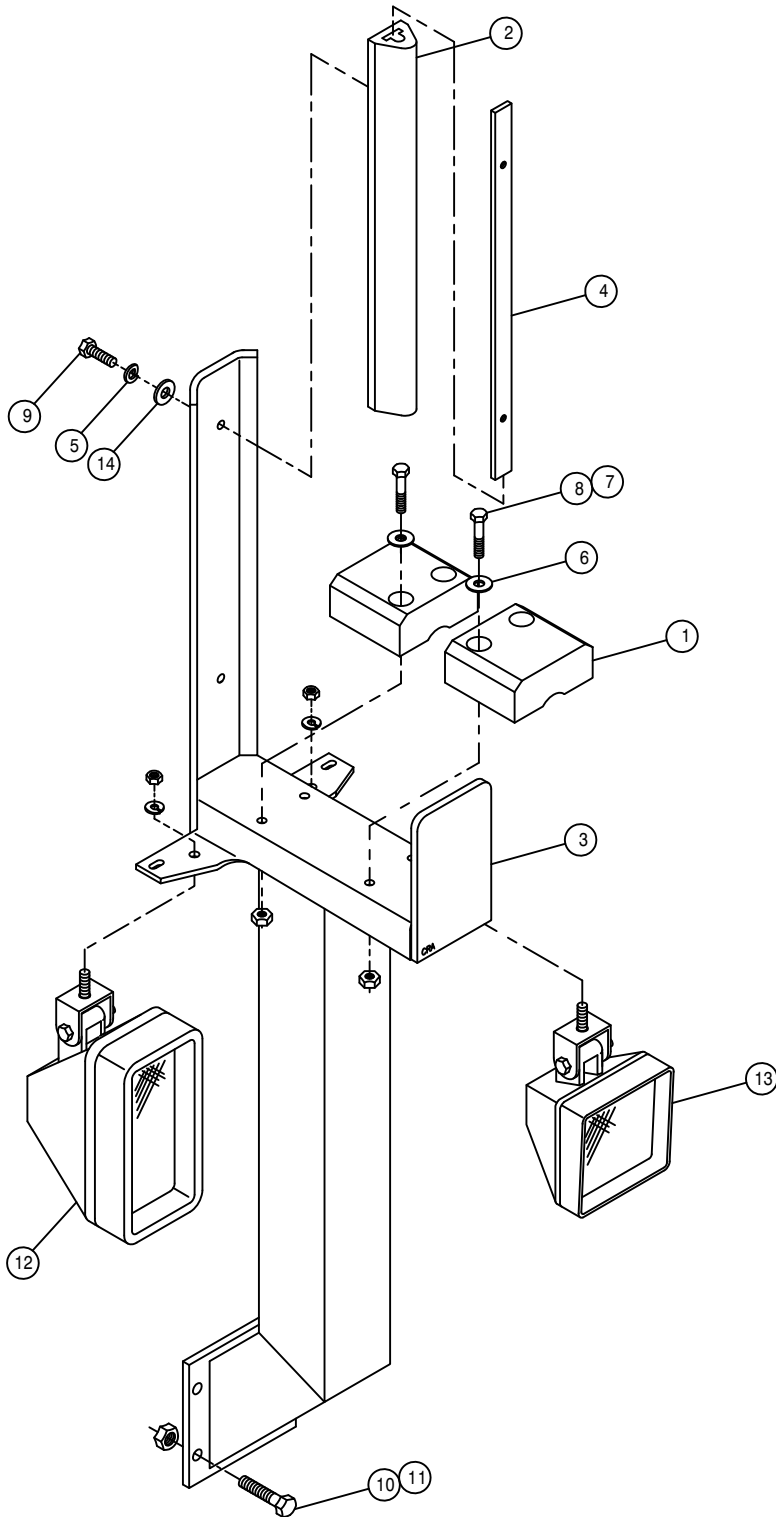




ATI CONTROL BOX ASSEMBLY

| DET. | QTY | PART NO. | DESCRIPTION                   |
|------|-----|----------|-------------------------------|
|      | 1   | 291740   | RED LED IND LIGHT,12V 10MM    |
|      | 1   | 291741   | GREEN LED IND LIGHT,12V 10MM  |
|      | 1   | 291761   | MESSAGE CENTER, ATI MC1000    |
|      | 2   | 470118   | 1/4UNC X 3/4 FLANGE HEX BOLT  |
|      | 2   | 470121   | 1/4UNC HEX FLANGE LOCK NUT    |
|      | 8   | 470165   | 10-32 NUTSERT .020-.100 MATL  |
|      | 2   | 473787   | 6MM-1.00 X 25MM HEX BOLT      |
|      | 1   | 690618   | CONSOLE, RAVEN 460 W/GPS PORT |
|      | 8   | 903710   | 10-32X5/8 PHIL PANHD MACH SCR |
|      | 5   | 920000   | 1/4 SAE FLAT WASHER           |
|      | 1   | 343058   | ATI MC1000 CTRL BOX COVER     |
|      | 1   | 343053   | ATI MC1000 CTRL BOX WLD       |
|      | 1   | 343059   | MONITOR MT BRKT               |
|      | 2   | 900003   | 1/4UNC X 1" HEX BOLT          |
|      | 3   | 914000   | 1/4UNC HEX STOVER NUT         |
|      | 1   | 343060   | ATI MC1000 CTRL BOX UPR SUPP  |
|      | 1   | 343061   | ATI MC1000 CTRL BOX LWR SUPP  |
|      | 1   | 900004   | 1/4UNC X 1 1/4 HEX BOLT       |
|      | 1   | 650109   | DECAL, LOW HYDRAULIC OIL      |
|      | 1   | 650108   | DECAL, MAIN SPRAY POWER       |

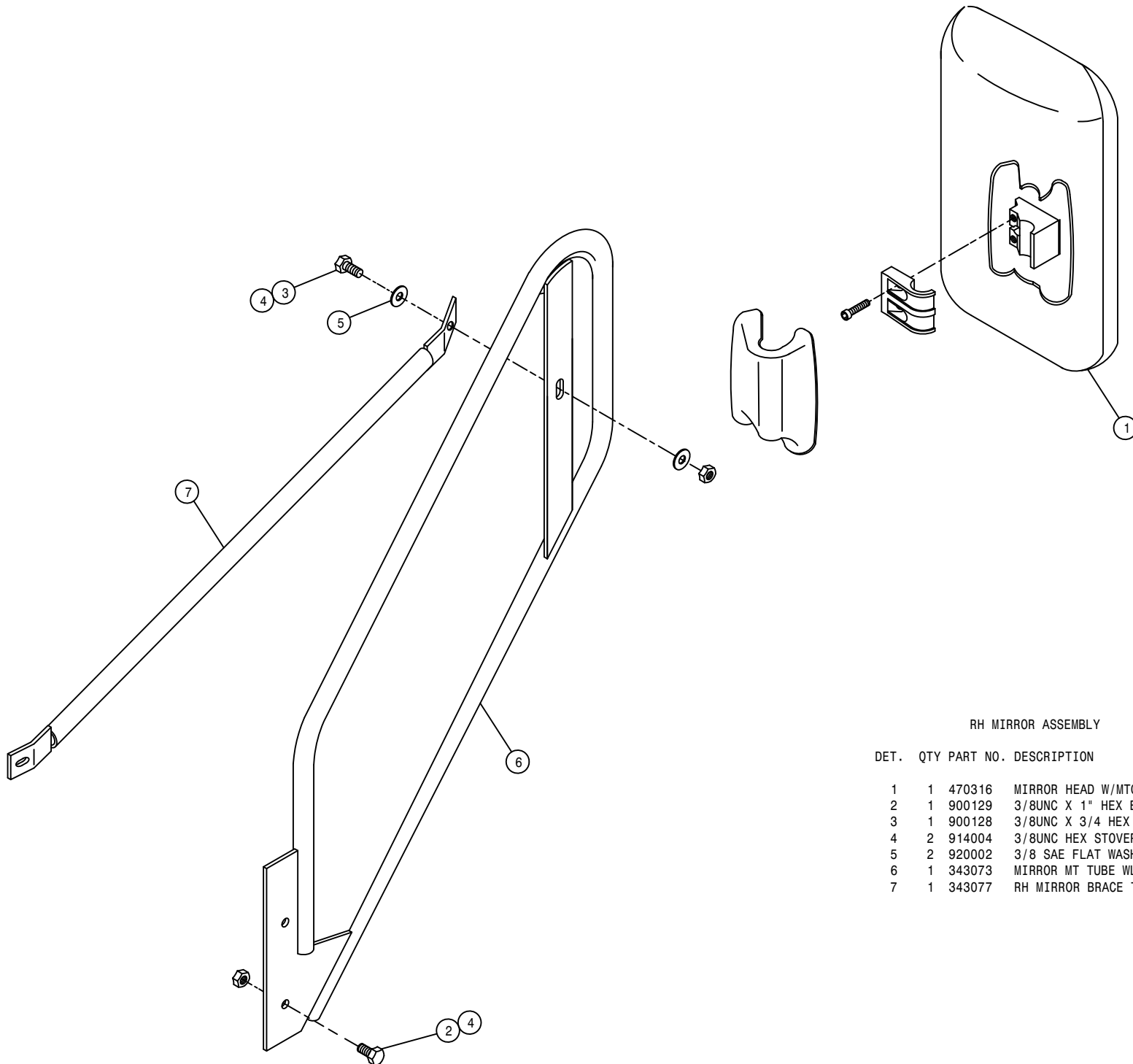




BOOM CRADLE ASSEMBLY

DET. QTY PART NO. DESCRIPTION

|    |   |        |                                 |
|----|---|--------|---------------------------------|
| 1  | 2 | 164513 | BOOM CRADLE PAD                 |
| 2  | 2 | 164512 | RUBBER BUMPER, BOOM CRADLE      |
| 3  | 2 | 164505 | BOOM CRADLE WLD                 |
| 4  | 2 | 164514 | RUBBER BUMPER KEEPER PLT        |
| 5  | 2 | 920501 | 5/16 LOCK WASHER                |
| 6  | 4 | 920002 | 3/8 SAE FLAT WASHER             |
| 7  | 4 | 914004 | 3/8UNC HEX STOVER NUT           |
| 8  | 4 | 900133 | 3/8UNC X 2" HEX BOLT            |
| 9  | 2 | 900066 | 5/16UNC X 1 1/4 HEX BOLT        |
| 10 | 4 | 900265 | 1/2UNC X 1 1/2 HEX BOLT         |
| 11 | 4 | 914008 | 1/2UNC HEX STOVER NUT           |
| 12 | 1 | 291779 | HALOGEN WORKLAMP, LH MT 12V55W  |
| 13 | 1 | 291780 | HALOGEN WORKLAMP, CNTR MT12V55W |
| 14 | 2 | 920001 | 5/16 SAE FLAT WASHER            |



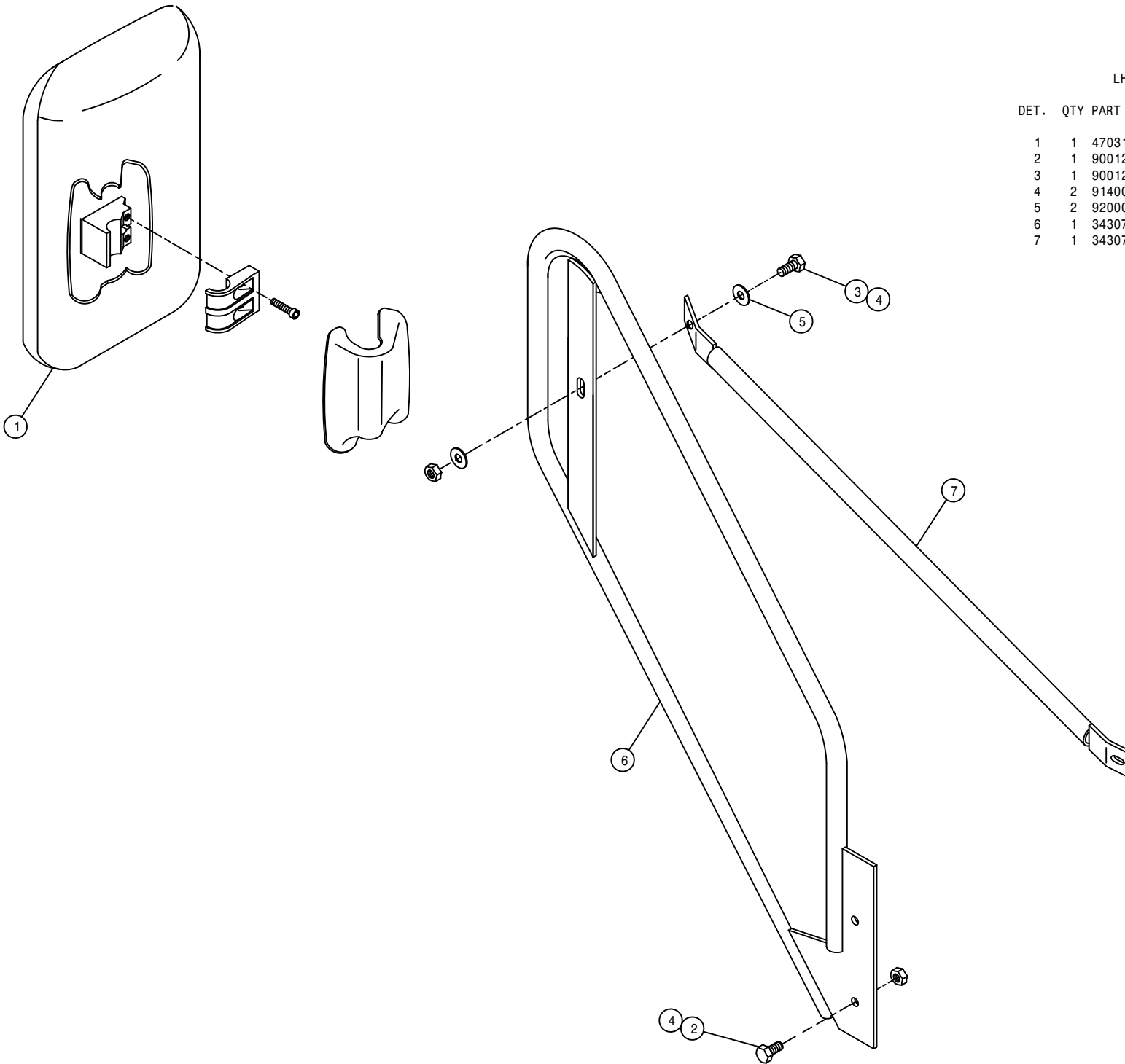
## RH MIRROR ASSEMBLY

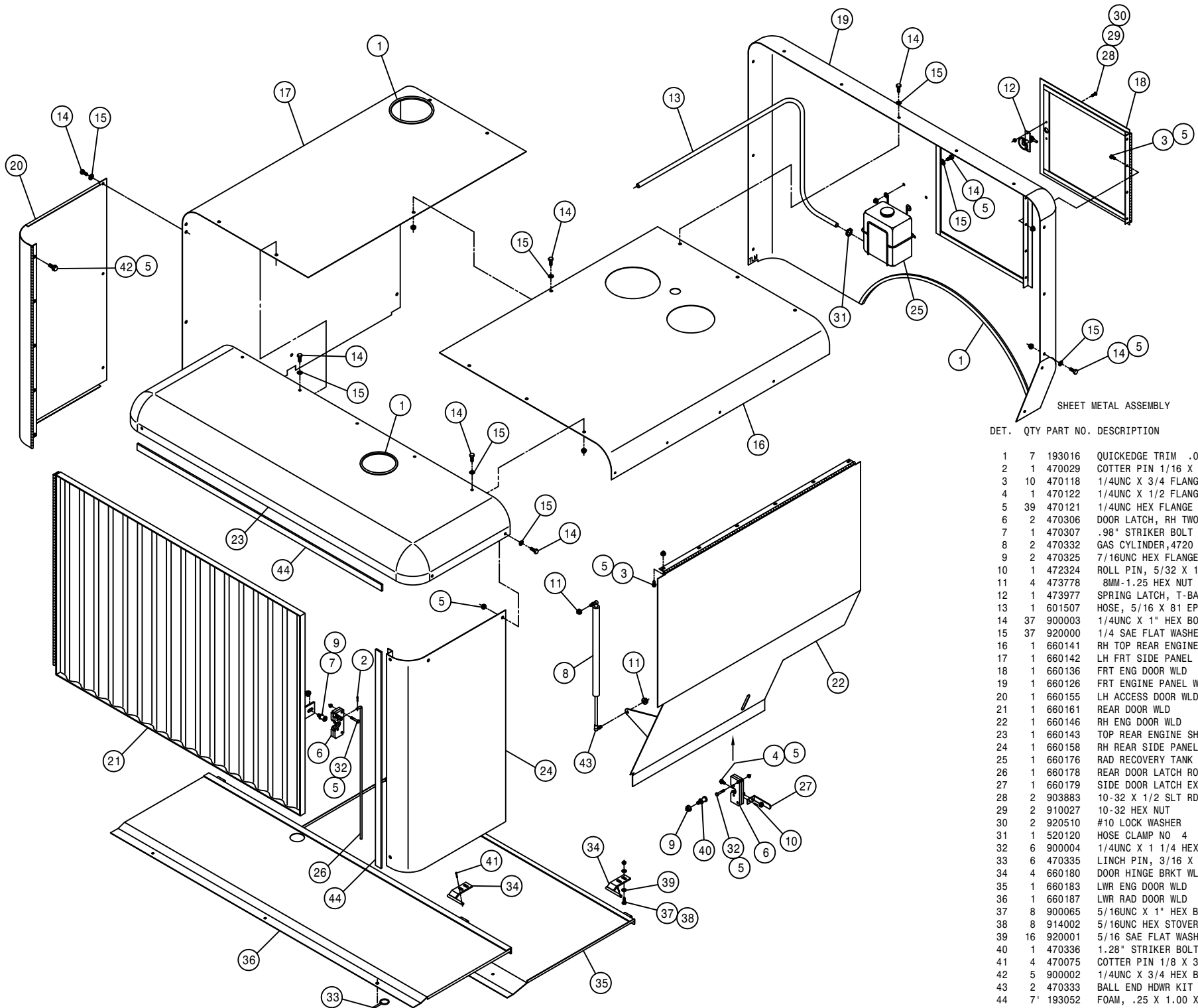
| DET. | QTY | PART NO. | DESCRIPTION                   |
|------|-----|----------|-------------------------------|
|      | 1   | 470316   | MIRROR HEAD W/MTG HARDWARE    |
|      | 1   | 900129   | 3/8UNC X 1" HEX BOLT          |
|      | 1   | 900128   | 3/8UNC X 3/4 HEX BOLT         |
|      | 2   | 914004   | 3/8UNC HEX STOVER NUT         |
|      | 2   | 920002   | 3/8 SAE FLAT WASHER           |
|      | 1   | 343073   | MIRROR MT TUBE WLD            |
|      | 1   | 343077   | RH MIRROR BRACE TUBE BRKT WLD |

LH MIRROR ASSEMBLY

DET. QTY PART NO. DESCRIPTION

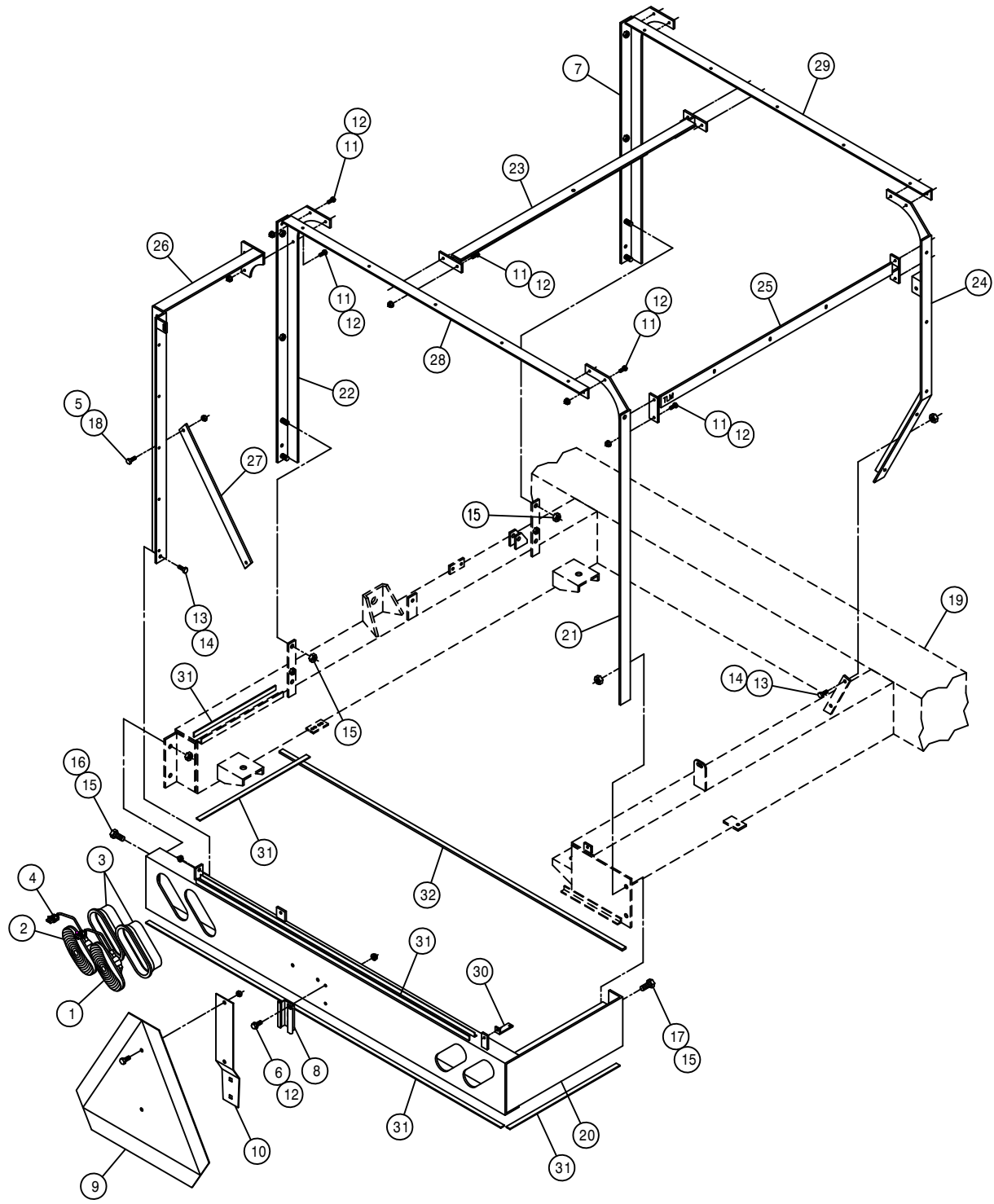
| DET. | QTY | PART NO. | DESCRIPTION                   |
|------|-----|----------|-------------------------------|
| 1    | 1   | 470316   | MIRROR HEAD W/MTG HARDWARE    |
| 2    | 1   | 900129   | 3/8UNC X 1" HEX BOLT          |
| 3    | 1   | 900128   | 3/8UNC X 3/4 HEX BOLT         |
| 4    | 2   | 914004   | 3/8UNC HEX STOVER NUT         |
| 5    | 2   | 920002   | 3/8 SAE FLAT WASHER           |
| 6    | 1   | 343073   | MIRROR MT TUBE WLD            |
| 7    | 1   | 343078   | LH MIRROR BRACE TUBE BRKT WLD |





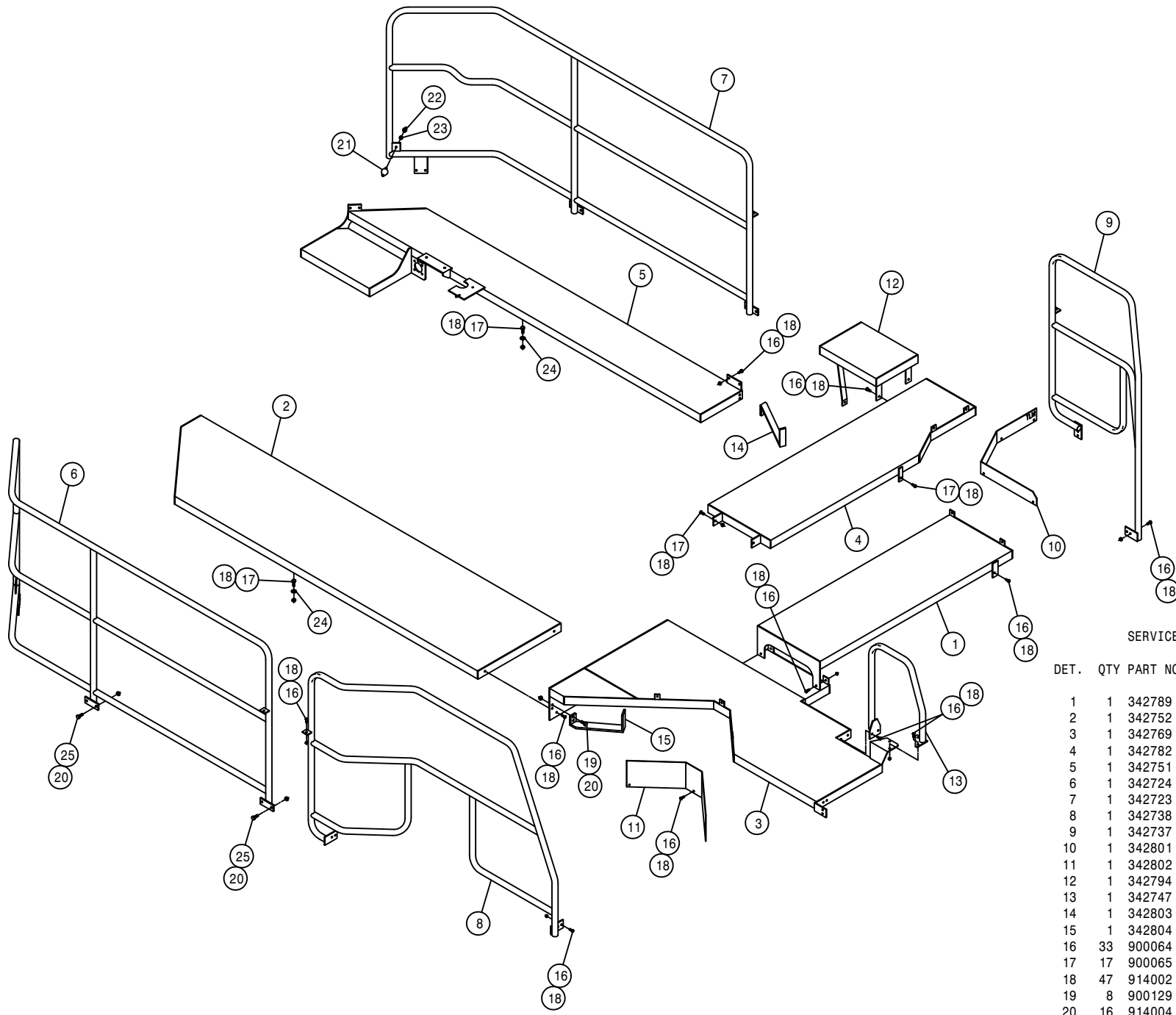
DET. QTY PART NO. DESCRIPTION

|    |    |        |                                |
|----|----|--------|--------------------------------|
| 1  | 7  | 193016 | QUICKEDGE TRIM .060 TO .170    |
| 2  | 1  | 470029 | COTTER PIN 1/16 X 1/2          |
| 3  | 10 | 470118 | 1/4UNC X 3/4 FLANGE HEX BOLT   |
| 4  | 1  | 470122 | 1/4UNC X 1/2 FLANGE HEX BOLT   |
| 5  | 39 | 470121 | 1/4UNC HEX FLANGE LOCK NUT     |
| 6  | 2  | 470306 | DOOR LATCH, RH TWO-ROTOR       |
| 7  | 1  | 470307 | .98" STRIKER BOLT FOR 470306   |
| 8  | 2  | 470332 | GAS CYLINDER,4720 9.23 STROKE  |
| 9  | 2  | 470325 | 7/16UNC HEX FLANGE LOCK NUT    |
| 10 | 1  | 472324 | ROLL PIN, 5/32 X 1/2 LG        |
| 11 | 4  | 473778 | 8MM-1.25 HEX NUT               |
| 12 | 1  | 473977 | SPRING LATCH, T-BAR            |
| 13 | 1  | 601507 | HOSE, 5/16 X 81 EPDM           |
| 14 | 37 | 900003 | 1/4UNC X 1" HEX BOLT           |
| 15 | 37 | 920000 | 1/4 SAE FLAT WASHER            |
| 16 | 1  | 660141 | RH TOP REAR ENGINE SHIELD      |
| 17 | 1  | 660142 | LH FRT SIDE PANEL              |
| 18 | 1  | 660136 | FRT ENG DOOR WLD               |
| 19 | 1  | 660126 | FRT ENGINE PANEL WLD           |
| 20 | 1  | 660155 | LH ACCESS DOOR WLD             |
| 21 | 1  | 660161 | REAR DOOR WLD                  |
| 22 | 1  | 660146 | RH ENG DOOR WLD                |
| 23 | 1  | 660143 | TOP REAR ENGINE SHIELD WLD     |
| 24 | 1  | 660158 | RH REAR SIDE PANEL WLD         |
| 25 | 1  | 660176 | RAD RECOVERY TANK AND MTG WLD  |
| 26 | 1  | 660178 | REAR DOOR LATCH ROD            |
| 27 | 1  | 660179 | SIDE DOOR LATCH EXT            |
| 28 | 2  | 903883 | 10-32 X 1/2 SLT RDHD MACH SCR  |
| 29 | 2  | 910027 | 10-32 HEX NUT                  |
| 30 | 2  | 920510 | #10 LOCK WASHER                |
| 31 | 1  | 520120 | HOSE CLAMP NO 4 STAINLESS      |
| 32 | 6  | 900004 | 1/4UNC X 1 1/4 HEX BOLT        |
| 33 | 6  | 470335 | LINCH PIN, 3/16 X 1 1/4 GRIP   |
| 34 | 4  | 660180 | DOOR HINGE BRKT WLD STS12 2001 |
| 35 | 1  | 660183 | LWR ENG DOOR WLD STS12 2001    |
| 36 | 1  | 660187 | LWR RAD DOOR WLD STS12 2001    |
| 37 | 8  | 900065 | 5/16UNC X 1" HEX BOLT          |
| 38 | 8  | 914002 | 5/16UNC HEX STOVER NUT         |
| 39 | 16 | 920001 | 5/16 SAE FLAT WASHER           |
| 40 | 1  | 470336 | 1.28" STRIKER BOLT FOR 470306  |
| 41 | 4  | 470075 | COTTER PIN 1/8 X 3/4           |
| 42 | 5  | 900002 | 1/4UNC X 3/4 HEX BOLT          |
| 43 | 2  | 470333 | BALL END HDWR KIT FOR 470332   |
| 44 | 7' | 193052 | FOAM, .25 X 1.00 X 50 FT W/PS  |



SHEET METAL FRAME ASSEMBLY

| DET. | QTY | PART NO. | DESCRIPTION                           |
|------|-----|----------|---------------------------------------|
|      | 1   | 2        | 291694 RED LAMP, 6 1/2" OVAL 12.8V    |
|      | 2   | 2        | 291695 YELLOW LAMP, 6 1/2" OVAL 12.8V |
|      | 3   | 4        | 291697 RUBBER MT FOR 6 1/2" OVAL LAMP |
|      | 4   | 4        | 293515 3-WIRE PIGTAIL ASSY            |
|      | 5   | 2        | 914002 5/16UNC HEX STOVER NUT         |
|      | 6   | 2        | 470118 1/4UNC X 3/4 FLANGE HEX BOLT   |
|      | 7   | 1        | 660101 LH FRT POST WLD                |
|      | 8   | 1        | 472251 MTG SOCKET                     |
|      | 9   | 1        | 472249 SLOW MOVING VEHICLE SIGN       |
|      | 10  | 1        | 472250 SPADE MTG BRKT                 |
|      | 11  | 16       | 900003 1/4UNC X 1" HEX BOLT           |
|      | 12  | 18       | 470121 1/4UNC HEX FLANGE LOCK NUT     |
|      | 13  | 3        | 900129 3/8UNC X 1" HEX BOLT           |
|      | 14  | 3        | 914004 3/8UNC HEX STOVER NUT          |
|      | 15  | 8        | 914008 1/2UNC HEX STOVER NUT          |
|      | 16  | 2        | 900264 1/2UNC X 1 1/4 HEX BOLT        |
|      | 17  | 2        | 900265 1/2UNC X 1 1/2 HEX BOLT        |
|      | 18  | 2        | 900065 5/16UNC X 1" HEX BOLT          |
|      | 19  | 1        | 361500 MAINFRAME WLD STS12            |
|      | 20  | 1        | 361585 BUMPER WLD                     |
|      | 21  | 1        | 660106 RH REAR SUPPORT WLD            |
|      | 22  | 1        | 660107 LH CNTR POST WLD               |
|      | 23  | 1        | 660114 TOP CNTR BRACE ANGLE WLD       |
|      | 24  | 1        | 660100 RH FRT DOOR SUPP WLD           |
|      | 25  | 1        | 660117 RH TOP DOOR SUPPORT WLD        |
|      | 26  | 1        | 660120 LH REAR SUPPORT POST           |
|      | 27  | 1        | 660125 ENG COMPARTMENT BRACE          |
|      | 28  | 1        | 660112 REAR CNTR SUPPORT WLD          |
|      | 29  | 1        | 660110 FRONT CNTR SUPPORT WLD         |
|      | 30  | 1        | 660190 REAR DOOR LATCH ROD GUIDE 01   |
|      | 31  | 14'      | 193052 FOAM, .25 X 1.00 X 50 FT W/PSA |
|      | 32  | 5'       | 193053 FOAM, .50 X 1.00 X 50 FT W/PSA |



SERVICE PLATFORM ASSEMBLY

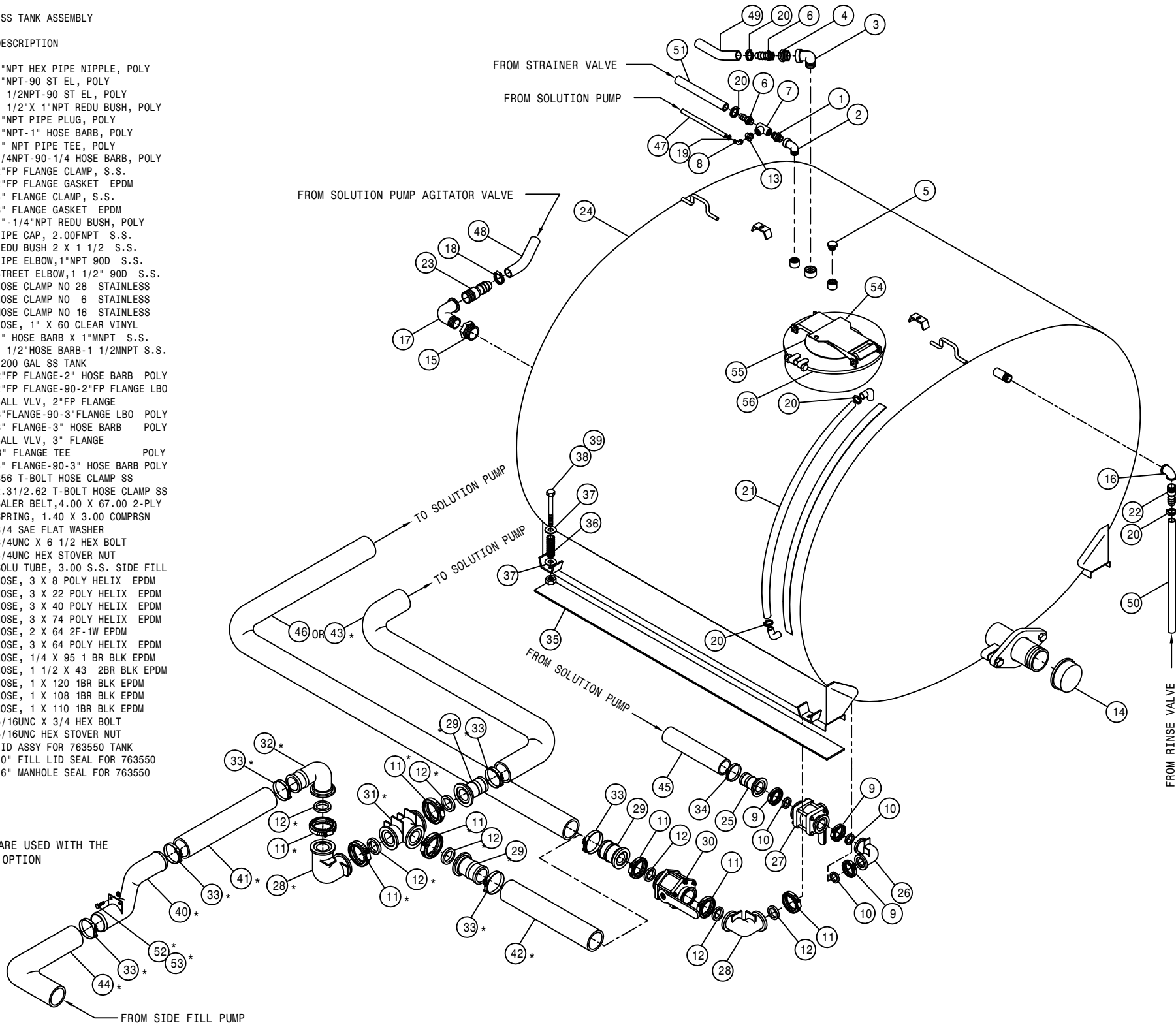
| DET. | QTY | PART NO. | DESCRIPTION                     |
|------|-----|----------|---------------------------------|
| 1    | 1   | 342789   | CENTER SERV PLATFORM WLD        |
| 2    | 1   | 342752   | LH SERV PLATFORM WLD            |
| 3    | 1   | 342769   | LH REAR SERV PLATFORM WLD       |
| 4    | 1   | 342782   | CENTER FRT PLATFORM WLD         |
| 5    | 1   | 342751   | RH SERV PLATFORM WLD            |
| 6    | 1   | 342724   | LH FRT HANDRAIL WLD             |
| 7    | 1   | 342723   | RH FRT HANDRAIL WLD             |
| 8    | 1   | 342738   | LH REAR HANDRAIL WLD            |
| 9    | 1   | 342737   | RH REAR HANDRAIL WLD            |
| 10   | 1   | 342801   | RH SERV PLATFORM SHIELD         |
| 11   | 1   | 342802   | LH SERV PLATFORM SHIELD         |
| 12   | 1   | 342794   | RH STEP WLD                     |
| 13   | 1   | 342747   | RH HANDRAIL WLD, LH PLATFORM    |
| 14   | 1   | 342803   | RH REAR LEG HOSE SUPPORT        |
| 15   | 1   | 342804   | LH REAR LEG HOSE SUPPORT        |
| 16   | 33  | 900064   | 5/16UNC X 3/4 HEX BOLT          |
| 17   | 17  | 900065   | 5/16UNC X 1" HEX BOLT           |
| 18   | 47  | 914002   | 5/16UNC HEX STOVER NUT          |
| 19   | 8   | 900129   | 3/8UNC X 1" HEX BOLT            |
| 20   | 16  | 914004   | 3/8UNC HEX STOVER NUT           |
| 21   | 2   | 470314   | RUBBER BUMPER, BULLET W/3/8-24S |
| 22   | 2   | 920502   | 3/8 LOCK WASHER                 |
| 23   | 2   | 920001   | 5/16 SAE FLAT WASHER            |
| 24   | 12  | 920001   | 5/16 SAE FLAT WASHER            |
| 25   | 8   | 900130   | 3/8UNC X 1 1/4 HEX BOLT         |

1200 GALLON SS TANK ASSEMBLY

DET. QTY PART NO. DESCRIPTION

|    |   |        |                                |
|----|---|--------|--------------------------------|
| 1  | 1 | 500013 | 1"NPT HEX PIPE NIPPLE, POLY    |
| 2  | 1 | 500014 | 1"NPT-90 ST EL, POLY           |
| 3  | 1 | 500034 | 1 1/2"NPT-90 ST EL, POLY       |
| 4  | 1 | 500036 | 1 1/2"X 1"NPT REDU BUSH, POLY  |
| 5  | 1 | 500063 | 1"NPT PIPE PLUG, POLY          |
| 6  | 2 | 500074 | 1"NPT-1" HOSE BARB, POLY       |
| 7  | 1 | 500075 | 1" NPT PIPE TEE, POLY          |
| 8  | 1 | 500104 | 1/4NPT-90-1/4 HOSE BARB, POLY  |
| 9  | 3 | 500194 | 2"FP FLANGE CLAMP, S.S.        |
| 10 | 3 | 500195 | 2"FP FLANGE GASKET EPDM        |
| 11 | 7 | 500208 | 3" FLANGE CLAMP, S.S.          |
| 12 | 7 | 500209 | 3" FLANGE GASKET EPDM          |
| 13 | 1 | 505225 | 1"-1/4"NPT REDU BUSH, POLY     |
| 14 | 1 | 507103 | PIPE CAP, 2.00FNPT S.S.        |
| 15 | 1 | 507725 | REDU BUSH 2 X 1 1/2 S.S.       |
| 16 | 1 | 507726 | PIPE ELBOW, 1"NPT 90D S.S.     |
| 17 | 1 | 507727 | STREET ELBOW, 1 1/2" 90D S.S.  |
| 18 | 1 | 520067 | HOSE CLAMP NO 28 STAINLESS     |
| 19 | 1 | 520069 | HOSE CLAMP NO 6 STAINLESS      |
| 20 | 5 | 520090 | HOSE CLAMP NO 16 STAINLESS     |
| 21 | 1 | 601471 | HOSE, 1" X 60 CLEAR VINYL      |
| 22 | 1 | 716100 | 1" HOSE BARB X 1"MNPT S.S.     |
| 23 | 1 | 716106 | 1 1/2"HOSE BARB-1 1/2MNPT S.S. |
| 24 | 1 | 763550 | 1200 GAL SS TANK               |
| 25 | 1 | 500196 | 2"FP FLANGE-2" HOSE BARB POLY  |
| 26 | 1 | 500219 | 2"FP FLANGE-90-2"FP FLANGE LBO |
| 27 | 1 | 696148 | BALL VLV, 2"FP FLANGE          |
| 28 | 2 | 500213 | 3"FLANGE-90-3"FLANGE LBO POLY  |
| 29 | 3 | 500210 | 3" FLANGE-3" HOSE BARB POLY    |
| 30 | 1 | 696149 | BALL VLV, 3" FLANGE            |
| 31 | 1 | 500217 | 3" FLANGE TEE POLY             |
| 32 | 1 | 500211 | 3" FLANGE-90-3" HOSE BARB POLY |
| 33 | 6 | 520145 | 356 T-BOLT HOSE CLAMP SS       |
| 34 | 1 | 520141 | 2.31/2.62 T-BOLT HOSE CLAMP SS |
| 35 | 2 | 470321 | BALER BELT, 4.00 X 67.00 2-PLY |
| 36 | 4 | 482016 | SPRING, 1.40 X 3.00 COMPRNS    |
| 37 | 8 | 920006 | 3/4 SAE FLAT WASHER            |
| 38 | 4 | 900416 | 3/4UNC X 6 1/2 HEX BOLT        |
| 39 | 4 | 914012 | 3/4UNC HEX STOVER NUT          |
| 40 | 1 | 690731 | SOLU TUBE, 3.00 S.S. SIDE FILL |
| 41 | 1 | 601503 | HOSE, 3 X 8 POLY HELIX EPDM    |
| 42 | 1 | 601504 | HOSE, 3 X 22 POLY HELIX EPDM   |
| 43 | 1 | 601505 | HOSE, 3 X 40 POLY HELIX EPDM   |
| 44 | 1 | 601506 | HOSE, 3 X 74 POLY HELIX EPDM   |
| 45 | 1 | 601520 | HOSE, 2 X 64 2F-1W EPDM        |
| 46 | 1 | 601508 | HOSE, 3 X 64 POLY HELIX EPDM   |
| 47 | 1 | 601490 | HOSE, 1/4 X 95 1 BR BLK EPDM   |
| 48 | 1 | 601500 | HOSE, 1 1/2 X 43 2BR BLK EPDM  |
| 49 | 1 | 601496 | HOSE, 1 X 120 1BR BLK EPDM     |
| 50 | 1 | 601494 | HOSE, 1 X 108 1BR BLK EPDM     |
| 51 | 1 | 601495 | HOSE, 1 X 110 1BR BLK EPDM     |
| 52 | 2 | 900064 | 5/16UNC X 3/4 HEX BOLT         |
| 53 | 2 | 914002 | 5/16UNC HEX STOVER NUT         |
| 54 | 1 | 763561 | LID ASSY FOR 763550 TANK       |
| 55 | 1 | 763562 | 10" FILL LID SEAL FOR 763550   |
| 56 | 1 | 763563 | 16" MANHOLE SEAL FOR 763550    |

NOTE: ITEMS (\*) ARE USED WITH THE SIDE FILL OPTION

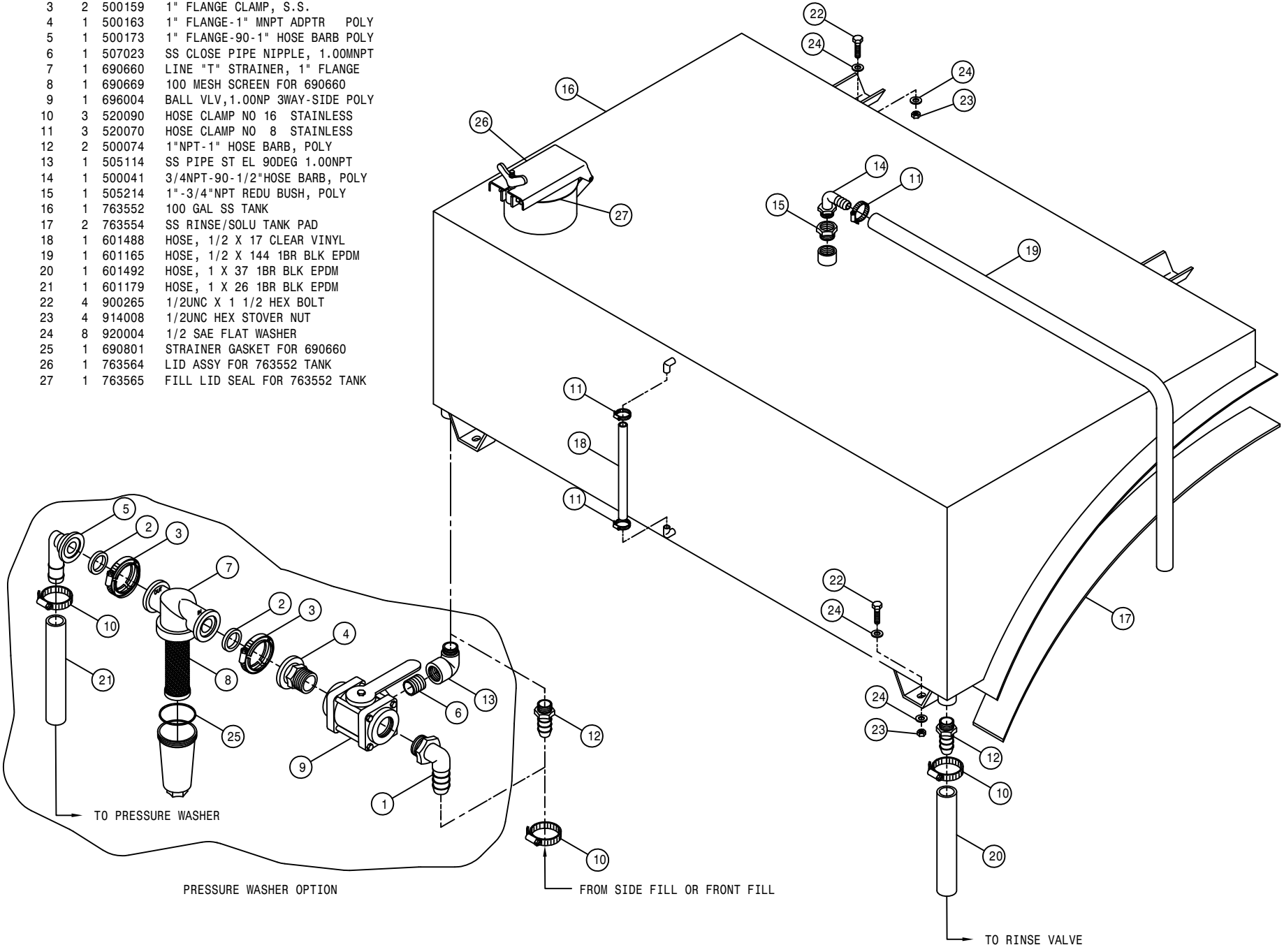


55

229055

RINSE TANK ASSEMBLY

| DET. | QTY | PART NO. | DESCRIPTION                    |
|------|-----|----------|--------------------------------|
| 1    | 1   | 500024   | 1"NPT-90-1"HOSE BARB, POLY     |
| 2    | 2   | 500157   | 1" FLANGE GASKET EPDM          |
| 3    | 2   | 500159   | 1" FLANGE CLAMP, S.S.          |
| 4    | 1   | 500163   | 1" FLANGE-1" MNPT ADPTR POLY   |
| 5    | 1   | 500173   | 1" FLANGE-90-1" HOSE BARB POLY |
| 6    | 1   | 507023   | SS CLOSE PIPE NIPPLE, 1.00MNPT |
| 7    | 1   | 690660   | LINE "T" STRAINER, 1" FLANGE   |
| 8    | 1   | 690669   | 100 MESH SCREEN FOR 690660     |
| 9    | 1   | 696004   | BALL VLV,1.00NP 3WAY-SIDE POLY |
| 10   | 3   | 520090   | HOSE CLAMP NO 16 STAINLESS     |
| 11   | 3   | 520070   | HOSE CLAMP NO 8 STAINLESS      |
| 12   | 2   | 500074   | 1"NPT-1" HOSE BARB, POLY       |
| 13   | 1   | 505114   | SS PIPE ST EL 90DEG 1.00NPT    |
| 14   | 1   | 500041   | 3/4NPT-90-1/2"HOSE BARB, POLY  |
| 15   | 1   | 505214   | 1"-3/4"NPT REDU BUSH, POLY     |
| 16   | 1   | 763552   | 100 GAL SS TANK                |
| 17   | 2   | 763554   | SS RINSE/SOLU TANK PAD         |
| 18   | 1   | 601488   | HOSE, 1/2 X 17 CLEAR VINYL     |
| 19   | 1   | 601165   | HOSE, 1/2 X 144 1BR BLK EPDM   |
| 20   | 1   | 601492   | HOSE, 1 X 37 1BR BLK EPDM      |
| 21   | 1   | 601179   | HOSE, 1 X 26 1BR BLK EPDM      |
| 22   | 4   | 900265   | 1/2UNC X 1 1/2 HEX BOLT        |
| 23   | 4   | 914008   | 1/2UNC HEX STOVER NUT          |
| 24   | 8   | 920004   | 1/2 SAE FLAT WASHER            |
| 25   | 1   | 690801   | STRAINER GASKET FOR 690660     |
| 26   | 1   | 763564   | LID ASSY FOR 763552 TANK       |
| 27   | 1   | 763565   | FILL LID SEAL FOR 763552 TANK  |



56

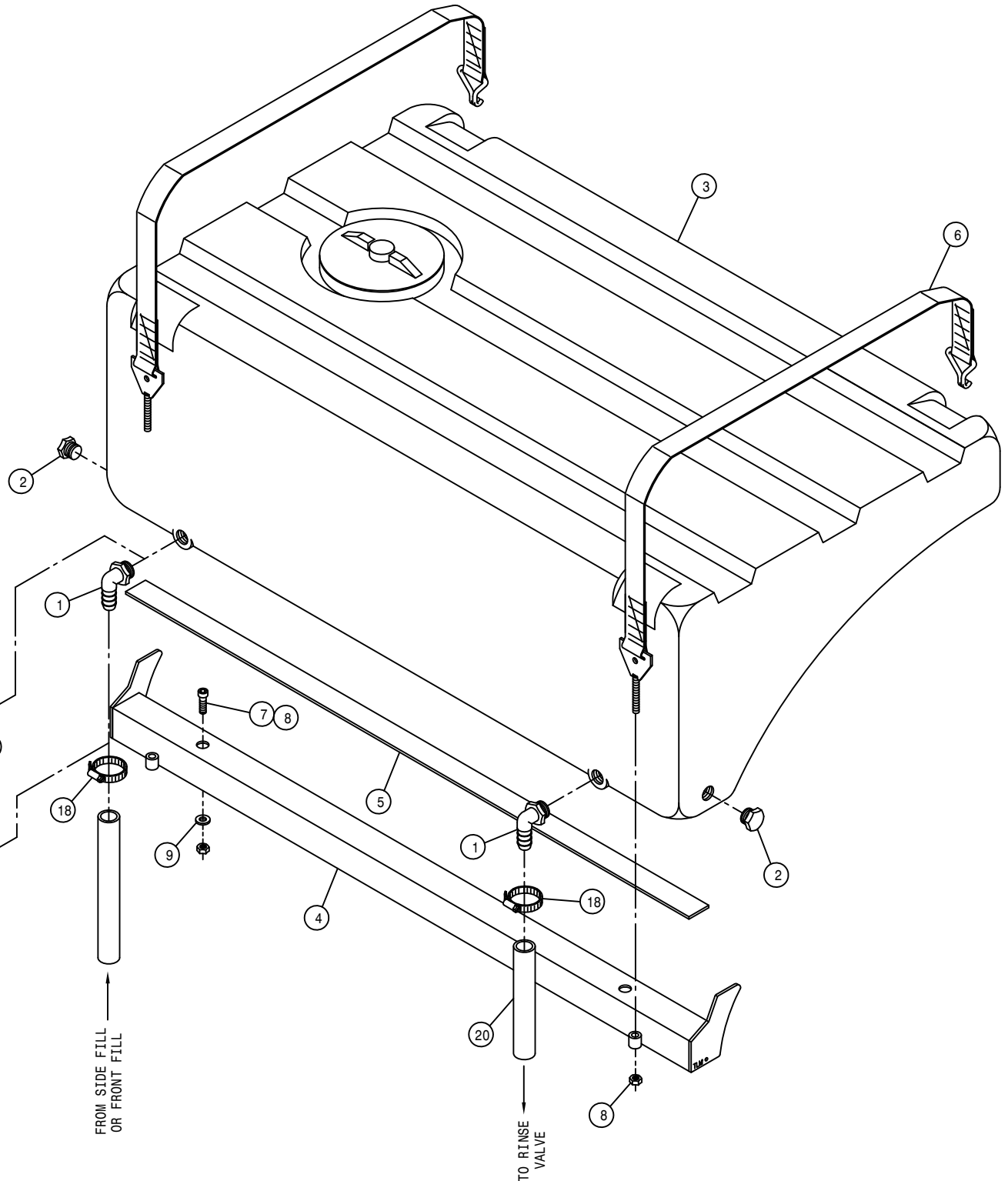
229056



POLY RINSE TANK ASSEMBLY

DET. QTY PART NO. DESCRIPTION

|    |   |        |                                |
|----|---|--------|--------------------------------|
| 1  | 3 | 500024 | 1"NPT-90-1"HOSE BARB, POLY     |
| 2  | 2 | 500063 | 1"NPT PIPE PLUG, POLY          |
| 3  | 1 | 763553 | 100 GAL POLY TANK              |
| 4  | 1 | 763590 | POLY RINSE TANK MT WLD STS12   |
| 5  | 1 | 763594 | POLY RINSE TANK MT PAD STS12   |
| 6  | 2 | 763595 | POLY RINSE TNK STRAP ASSY STS  |
| 7  | 2 | 900392 | 1/2UNC X 1 1/2 SOCKET CAP SCR  |
| 8  | 4 | 914008 | 1/2UNC HEX STOVER NUT          |
| 9  | 2 | 920004 | 1/2 SAE FLAT WASHER            |
| 10 | 2 | 500157 | 1" FLANGE GASKET EPDM          |
| 11 | 2 | 500159 | 1" FLANGE CLAMP, S.S.          |
| 12 | 1 | 500163 | 1" FLANGE-1" MNPT ADPTR POLY   |
| 13 | 1 | 500173 | 1" FLANGE-90-1" HOSE BARB POLY |
| 14 | 1 | 505198 | SS PIPE NIPPLE 1.00NPT-3.00    |
| 15 | 1 | 690660 | LINE "T" STRAINER, 1" FLANGE   |
| 16 | 1 | 690669 | 100 MESH SCREEN FOR 690660     |
| 17 | 1 | 696004 | BALL VLV,1.00NP 3WAY-SIDE POLY |
| 18 | 3 | 520090 | HOSE CLAMP NO 16 STAINLESS     |
| 19 | 1 | 601179 | HOSE, 1 X 26 1BR BLK EPDM      |
| 20 | 1 | 601535 | HOSE, 1 X 46 1BR BLK EPDM      |



PRESSURE WASHER OPTION

FROM SIDE FILL  
OR FRONT FILL

TO RINSE  
VALVE

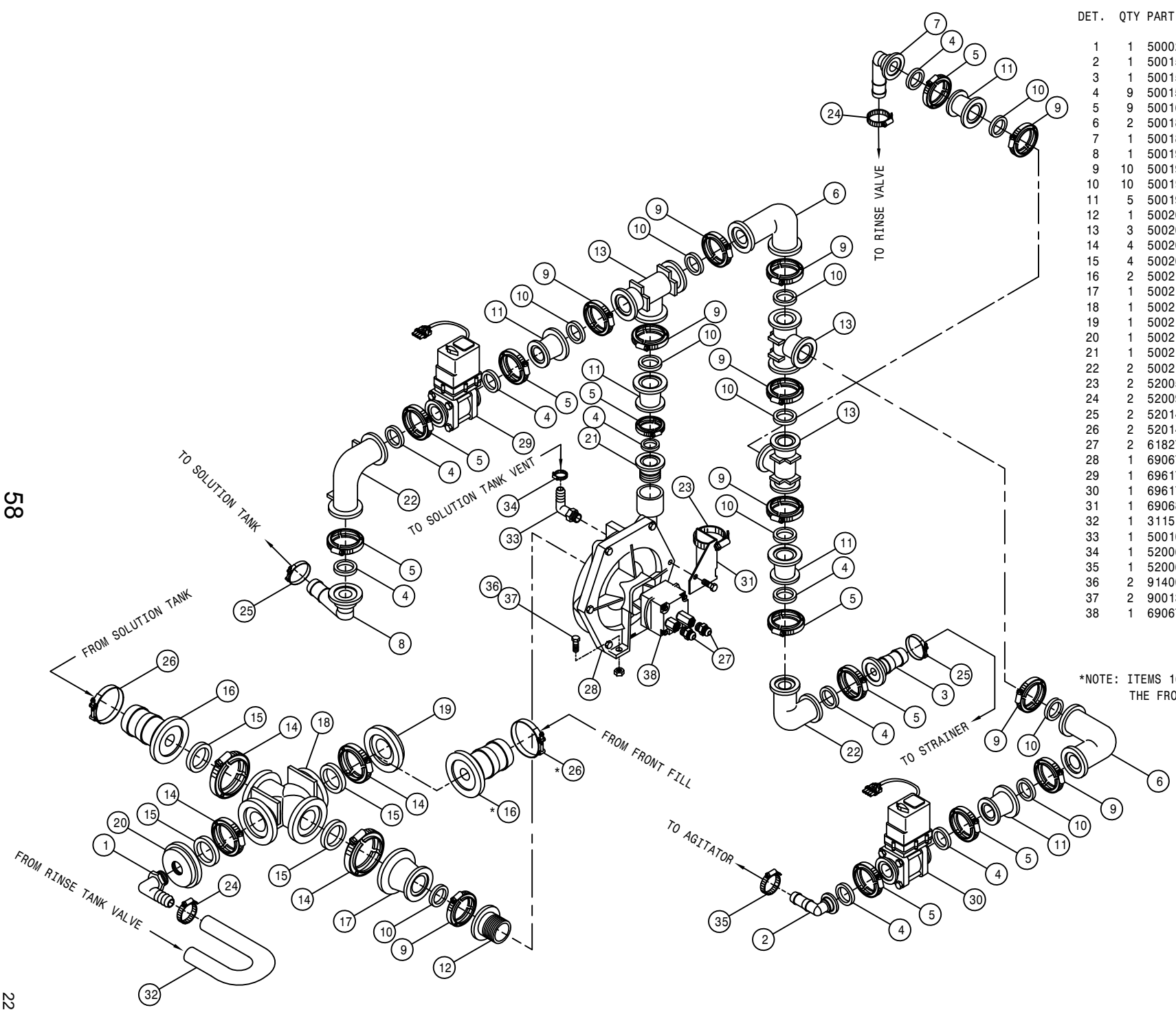
SOLUTION PUMP ASSEMBLY

DET. QTY PART NO. DESCRIPTION

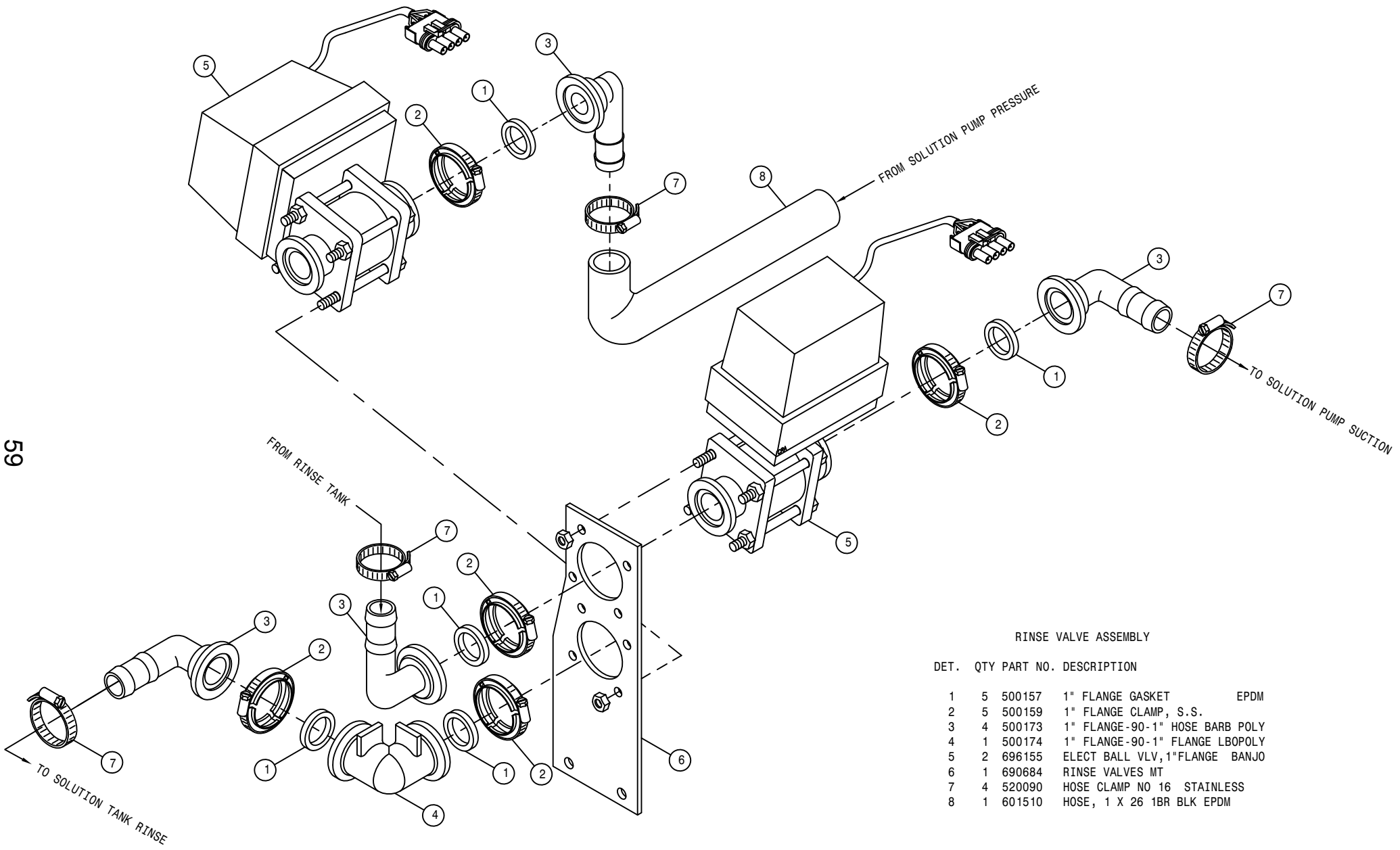
| DET. | QTY | PART NO. | DESCRIPTION                      |
|------|-----|----------|----------------------------------|
| 1    | 1   | 500024   | 1" NPT-90-1" HOSE BARB, POLY     |
| 2    | 1   | 500153   | 2" FLANGE-90-1 1/2 HBARB POLY    |
| 3    | 1   | 500154   | 2" FLANGE-2" HOSE BARB POLY      |
| 4    | 9   | 500158   | 1 1/2" GASKET FOR 2" FLANGE      |
| 5    | 9   | 500160   | 2" FLANGE CLAMP, S.S.            |
| 6    | 2   | 500180   | 2" FLANGE-90-2" FLANGE LBO POLY  |
| 7    | 1   | 500189   | 2" FLANGE-90-1" HOSE BARB POLY   |
| 8    | 1   | 500191   | 2" FLANGE-90-2" HOSE BARB POLY   |
| 9    | 10  | 500194   | 2" FP FLANGE CLAMP, S.S.         |
| 10   | 10  | 500195   | 2" FP FLANGE GASKET EPDM         |
| 11   | 5   | 500199   | 2" FP FLANGE-2" FLANGE REDU POLY |
| 12   | 1   | 500205   | 2" FP FLANGE-2" MNPT ADPTR S.S.  |
| 13   | 3   | 500207   | 2" FP FLANGE TEE POLY            |
| 14   | 4   | 500208   | 3" FLANGE CLAMP, S.S.            |
| 15   | 4   | 500209   | 3" FLANGE GASKET EPDM            |
| 16   | 2   | 500210   | 3" FLANGE-3" HOSE BARB POLY      |
| 17   | 1   | 500212   | 3" FLANGE-2" FP FLANGE REDU POLY |
| 18   | 1   | 500214   | 3" FP FLANGE CROSS               |
| 19   | 1   | 500215   | 3" FLANGE CAP PLUG POLY          |
| 20   | 1   | 500216   | 3" FLANGE PLUG W/1" FNPT POLY    |
| 21   | 1   | 500218   | 2" FLANGE-1 1/2" MNPT ADPTR S.S. |
| 22   | 2   | 500219   | 2" FP FLANGE-90-2" FP FLANGE LBO |
| 23   | 2   | 520052   | HOSE CLAMP NO 52 STAINLESS       |
| 24   | 2   | 520090   | HOSE CLAMP NO 16 STAINLESS       |
| 25   | 2   | 520141   | 2.31/2.62 T-BOLT HOSE CLAMP SS   |
| 26   | 2   | 520145   | 356 T-BOLT HOSE CLAMP SS         |
| 27   | 2   | 618273   | 1 1/16 M JIC-1/2 MNPT ADPTR      |
| 28   | 1   | 690670   | HYPRO PUMP, 9305C-HM3CB          |
| 29   | 1   | 696176   | ELECT BALL VLV, 2" FLANGE BANJO  |
| 30   | 1   | 696179   | ELECT BALL VLV, 2" FLANGE 4-5SEC |
| 31   | 1   | 690682   | SOLU PUMP TEE FTG SUPP BRKT      |
| 32   | 1   | 311511   | 1.00 'U' HOSE, DAYCO 70564       |
| 33   | 1   | 500103   | 1/8 NPT-90-1/4 HOSE BARB, NYLON  |
| 34   | 1   | 520069   | HOSE CLAMP NO 6 STAINLESS        |
| 35   | 1   | 520067   | HOSE CLAMP NO 28 STAINLESS       |
| 36   | 2   | 914004   | 3/8 UNC HEX STOVER NUT           |
| 37   | 2   | 900131   | 3/8 UNC X 1 1/2 HEX BOLT         |
| 38   | 1   | 690675   | HYD MOTOR, SOLU PUMP 690670      |

\*NOTE: ITEMS 16 & 26 ARE USED WITH THE FRONT FILL OPTION.

58

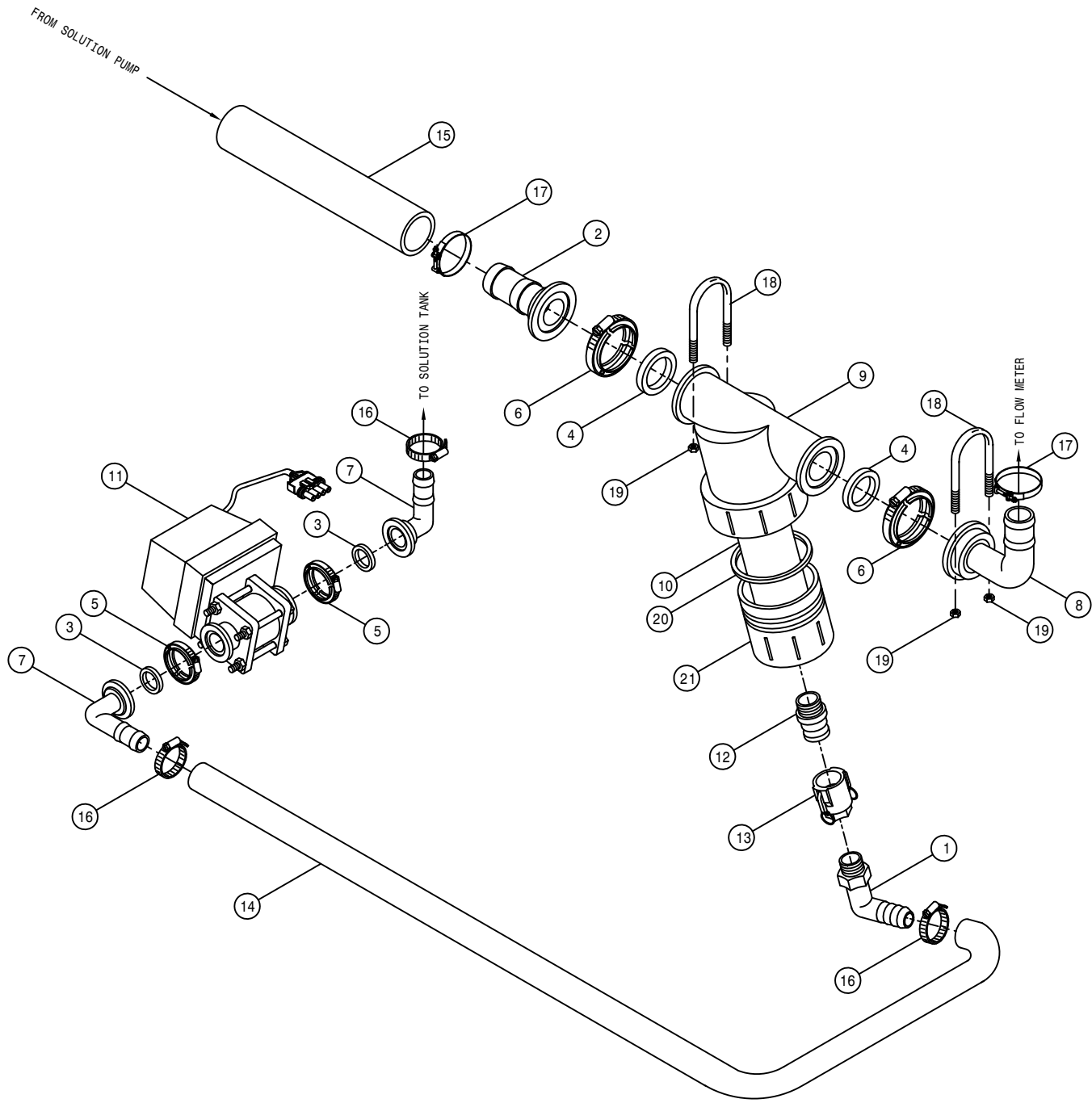


229058



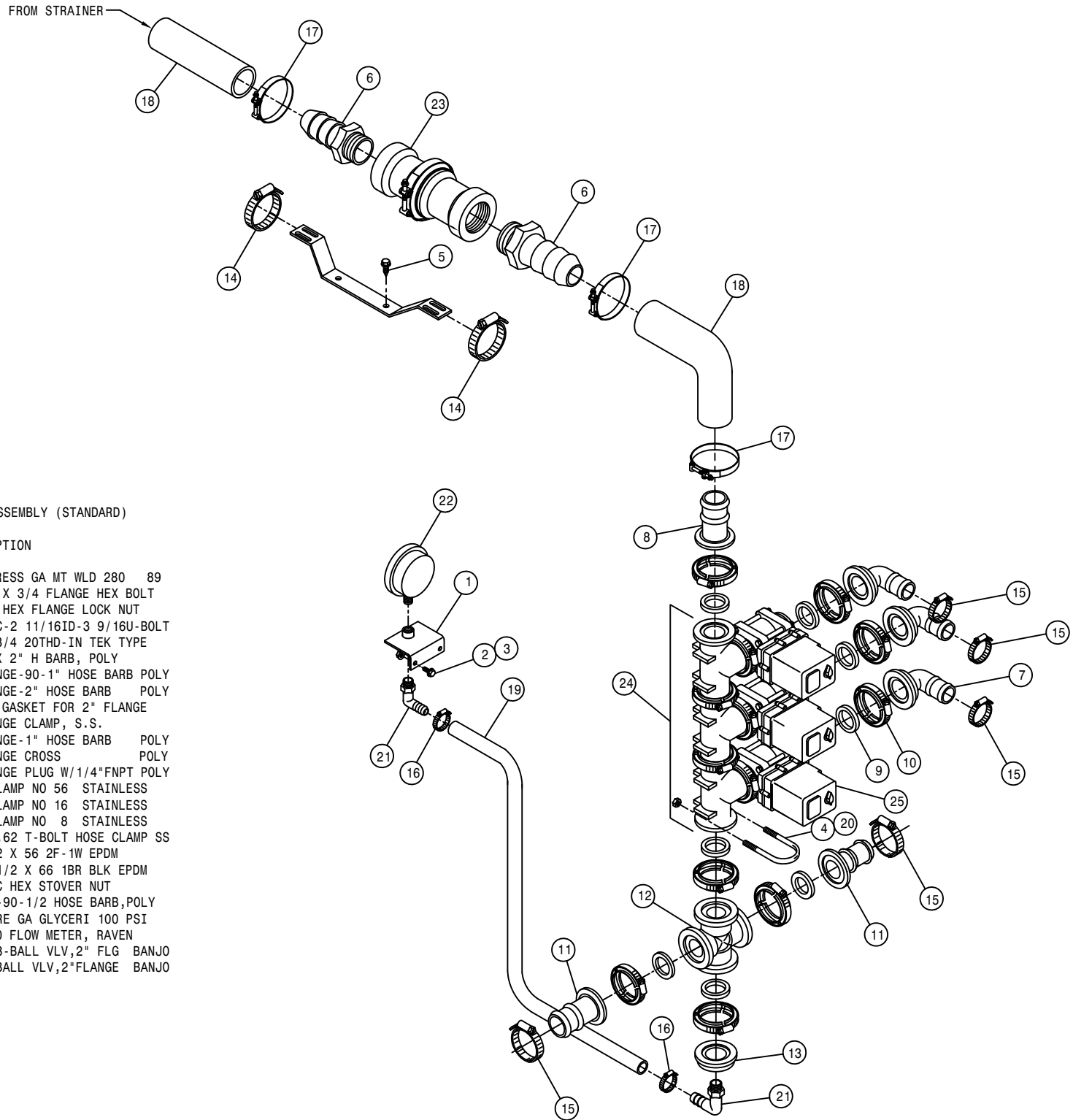
RINSE VALVE ASSEMBLY

| DET. | QTY | PART NO. | DESCRIPTION                     |
|------|-----|----------|---------------------------------|
| 1    | 5   | 500157   | 1" FLANGE GASKET EPDM           |
| 2    | 5   | 500159   | 1" FLANGE CLAMP, S.S.           |
| 3    | 4   | 500173   | 1" FLANGE-90-1" HOSE BARB POLY  |
| 4    | 1   | 500174   | 1" FLANGE-90-1" FLANGE LBOPOLY  |
| 5    | 2   | 696155   | ELECT BALL VLV, 1" FLANGE BANJO |
| 6    | 1   | 690684   | RINSE VALVES MT                 |
| 7    | 4   | 520090   | HOSE CLAMP NO 16 STAINLESS      |
| 8    | 1   | 601510   | HOSE, 1 X 26 1BR BLK EPDM       |



LINE STRAINER AND ELECTRIC VALVE ASSEMBLY

| DET. | QTY | PART NO. | DESCRIPTION                    |
|------|-----|----------|--------------------------------|
| 1    | 1   | 500024   | 1"NPT-90-1"HOSE BARB, POLY     |
| 2    | 1   | 500154   | 2" FLANGE-2" HOSE BARB POLY    |
| 3    | 2   | 500157   | 1" FLANGE GASKET EPDM          |
| 4    | 2   | 500158   | 1 1/2" GASKET FOR 2" FLANGE    |
| 5    | 2   | 500159   | 1" FLANGE CLAMP, S.S.          |
| 6    | 2   | 500160   | 2" FLANGE CLAMP, S.S.          |
| 7    | 2   | 500173   | 1" FLANGE-90-1" HOSE BARB POLY |
| 8    | 1   | 500191   | 2" FLANGE-90-2" HOSE BARB POLY |
| 9    | 1   | 690628   | LINE "Y" STRAINER, 2" FLANGE   |
| 10   | 1   | 690629   | 50 MESH SCREEN FOR 690628      |
| 11   | 1   | 696155   | ELECT BALL VLV, 1"FLANGE BANJO |
| 12   | 1   | 696216   | 1.00FNPT-FEMALE COUPLER POLY   |
| 13   | 1   | 696218   | 1.00MNPT-MALE COUPLER POLY     |
| 14   | 1   | 601493   | HOSE, 1 X 66 1BR BLK EPDM      |
| 15   | 1   | 601501   | HOSE, 2 X 27 2F-1W EPDM        |
| 16   | 3   | 520090   | HOSE CLAMP NO 16 STAINLESS     |
| 17   | 2   | 520141   | 2.31/2.62 T-BOLT HOSE CLAMP SS |
| 18   | 2   | 473974   | .31UNC-2.56ID-3.5 U-BOLT SS    |
| 19   | 4   | 914002   | 5/16UNC HEX STOVER NUT         |
| 20   | 1   | 690630   | GASKET FOR 690628              |
| 21   | 1   | 690631   | END CAP FOR 690628             |



SOLUTION CONTROL VALVE ASSEMBLY (STANDARD)

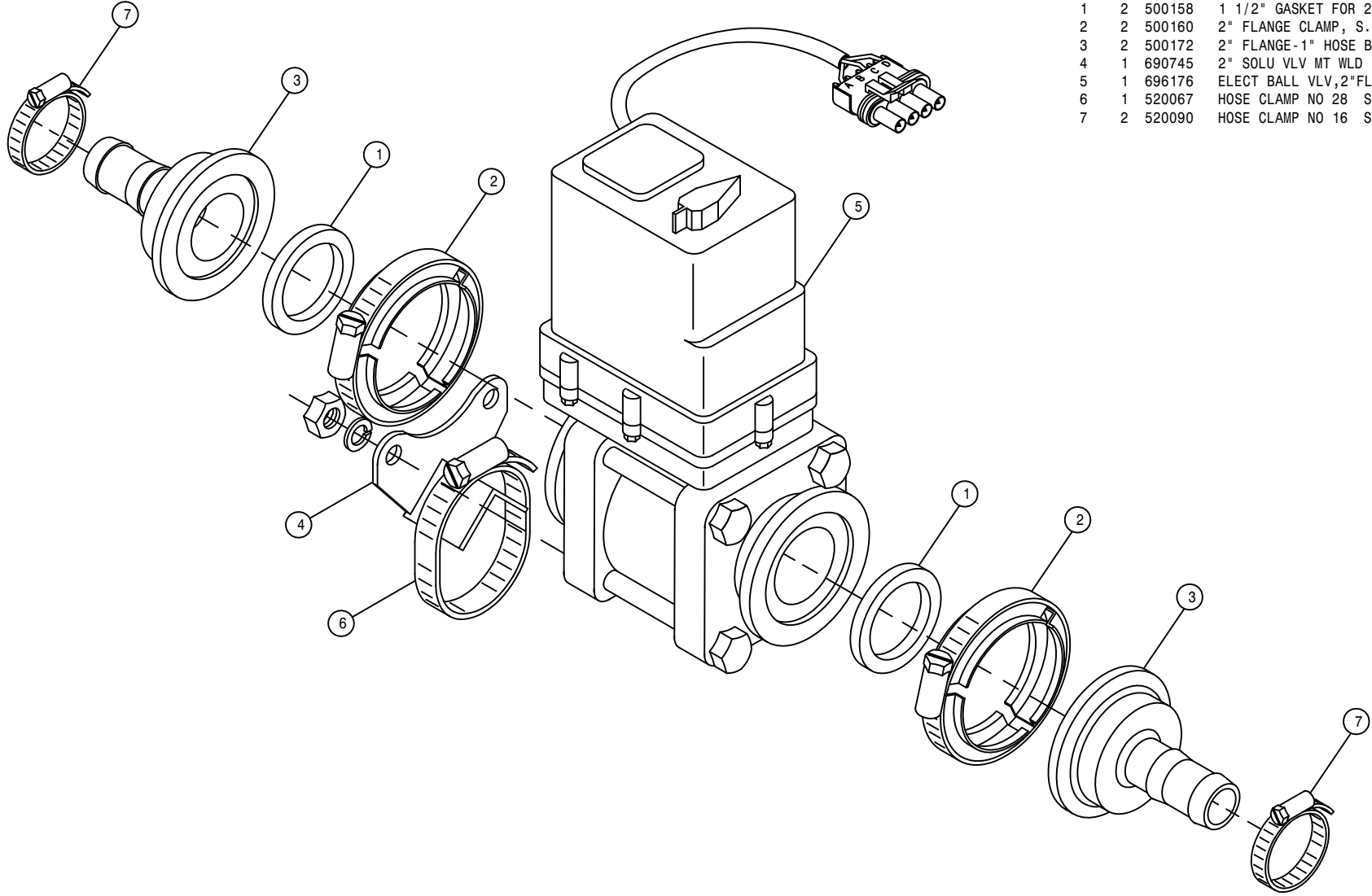
DET. QTY PART NO. DESCRIPTION

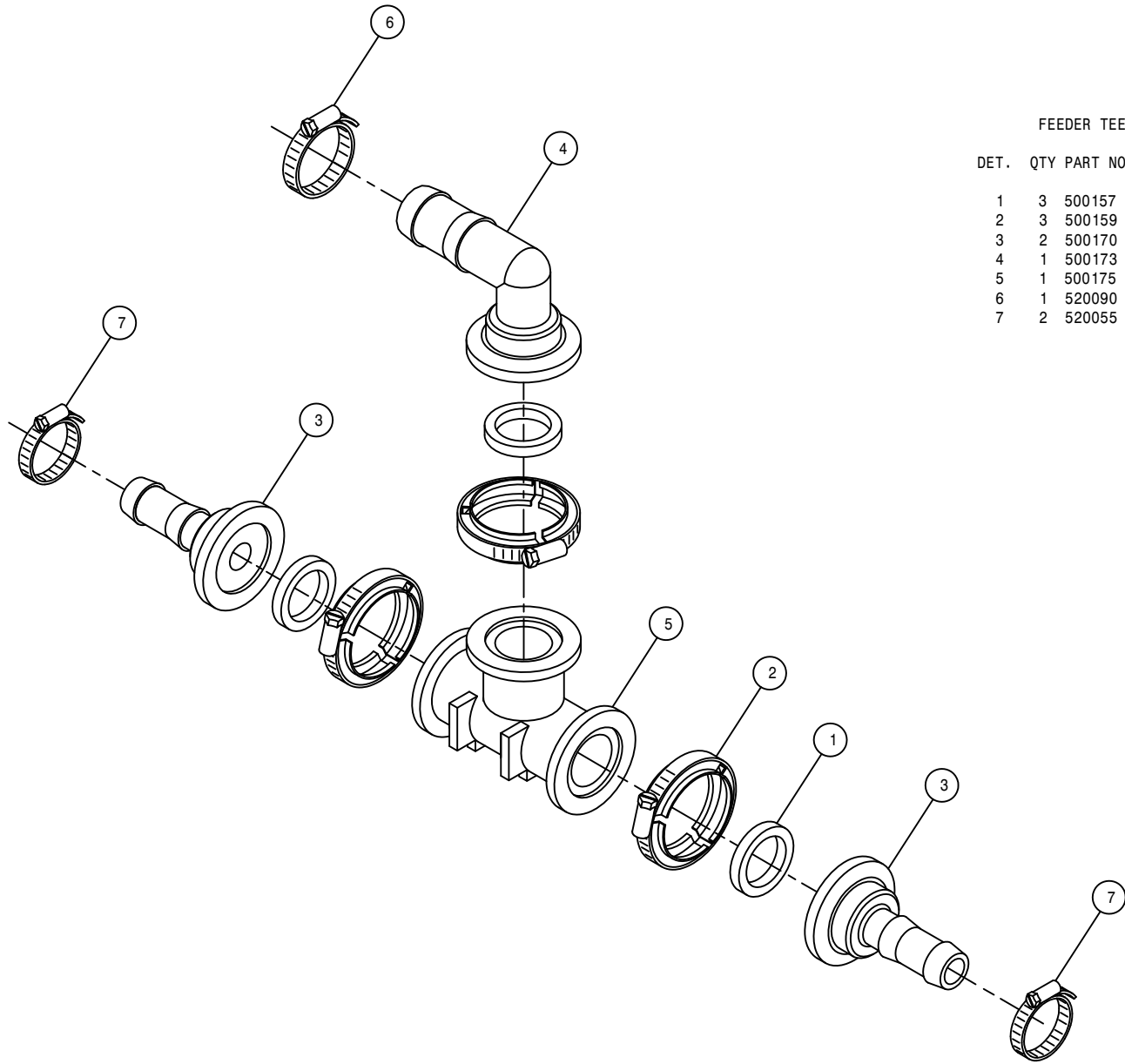
|    |   |        |                                |
|----|---|--------|--------------------------------|
| 1  | 1 | 160010 | SOLU PRESS GA MT WLD 280 89    |
| 2  | 2 | 470118 | 1/4UNC X 3/4 FLANGE HEX BOLT   |
| 3  | 2 | 470121 | 1/4UNC HEX FLANGE LOCK NUT     |
| 4  | 2 | 472195 | 5/16UNC-2 11/16ID-3 9/16U-BOLT |
| 5  | 2 | 472349 | 1/4 X 3/4 20THD-IN TEK TYPE    |
| 6  | 2 | 500058 | 2"NPT X 2" H BARB, POLY        |
| 7  | 3 | 500189 | 2" FLANGE-90-1" HOSE BARB POLY |
| 8  | 1 | 500154 | 2" FLANGE-2" HOSE BARB POLY    |
| 9  | 8 | 500158 | 1 1/2" GASKET FOR 2" FLANGE    |
| 10 | 8 | 500160 | 2" FLANGE CLAMP, S.S.          |
| 11 | 2 | 500172 | 2" FLANGE-1" HOSE BARB POLY    |
| 12 | 1 | 500176 | 2" FLANGE CROSS POLY           |
| 13 | 1 | 500181 | 2" FLANGE PLUG W/1/4"FNPT POLY |
| 14 | 2 | 520056 | HOSE CLAMP NO 56 STAINLESS     |
| 15 | 2 | 520090 | HOSE CLAMP NO 16 STAINLESS     |
| 16 | 2 | 520070 | HOSE CLAMP NO 8 STAINLESS      |
| 17 | 3 | 520141 | 2.31/2.62 T-BOLT HOSE CLAMP SS |
| 18 | 2 | 601502 | HOSE, 2 X 56 2F-1W EPDM        |
| 19 | 1 | 601514 | HOSE, 1/2 X 66 1BR BLK EPDM    |
| 20 | 4 | 914002 | 5/16UNC HEX STOVER NUT         |
| 21 | 2 | 618556 | 1/4NPT-90-1/2 HOSE BARB,POLY   |
| 22 | 1 | 690359 | PRESSURE GA GLYCERI 100 PSI    |
| 23 | 1 | 690529 | RFM 100 FLOW METER, RAVEN      |
| 24 | 1 | 696180 | ELECT 3-BALL VLV,2" FLG BANJO  |
| 25 | 3 | 696176 | ELECT BALL VLV,2"FLANGE BANJO  |

80' -90' SOLUTION VALVE ASSEMBLY (STANDARD)

DET. QTY PART NO. DESCRIPTION

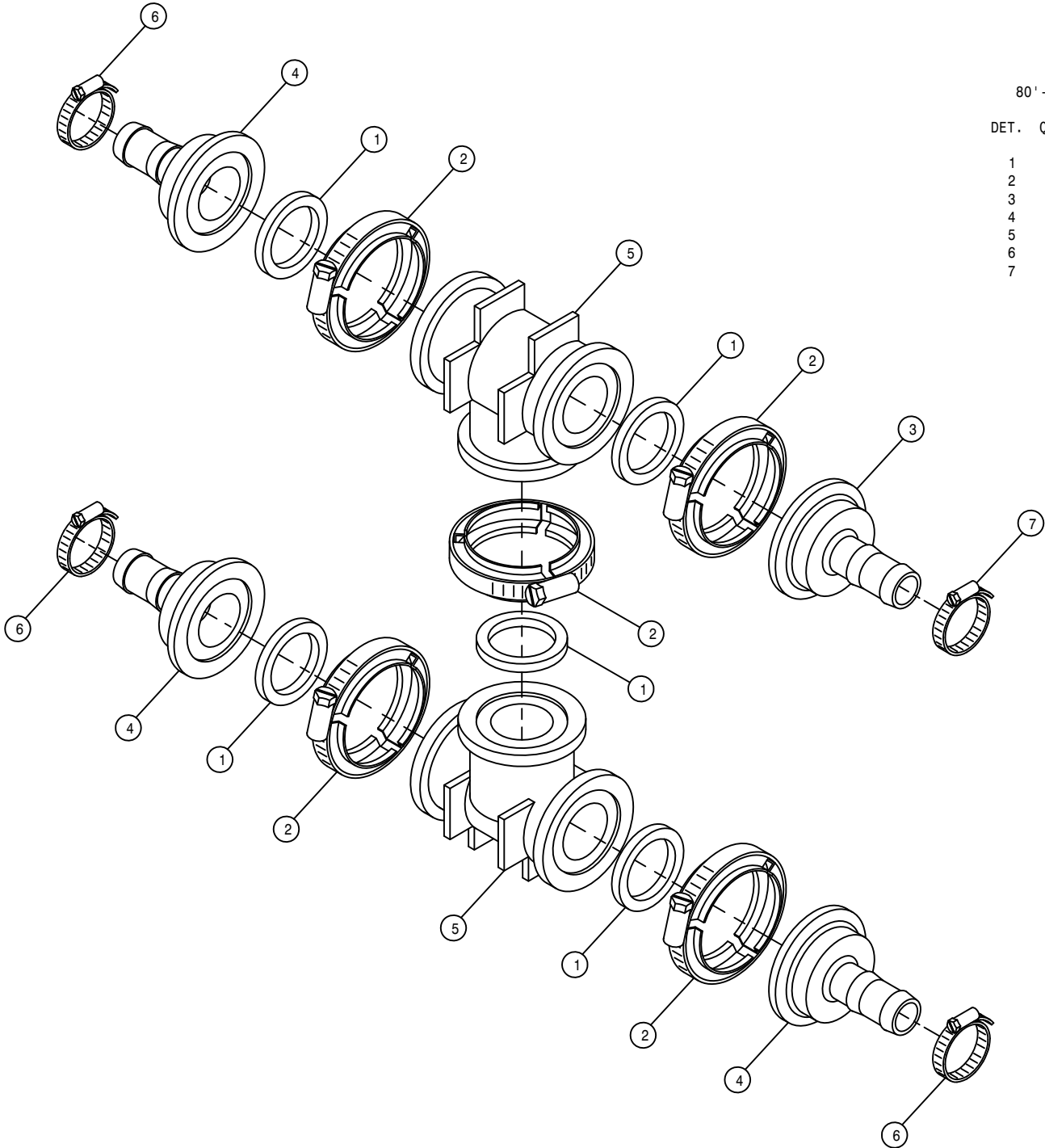
|   |   |        |                               |
|---|---|--------|-------------------------------|
| 1 | 2 | 500158 | 1 1/2" GASKET FOR 2" FLANGE   |
| 2 | 2 | 500160 | 2" FLANGE CLAMP, S.S.         |
| 3 | 2 | 500172 | 2" FLANGE-1" HOSE BARB POLY   |
| 4 | 1 | 690745 | 2" SOLU VLV MT WLD            |
| 5 | 1 | 696176 | ELECT BALL VLV,2"FLANGE BANJO |
| 6 | 1 | 520067 | HOSE CLAMP NO 28 STAINLESS    |
| 7 | 2 | 520090 | HOSE CLAMP NO 16 STAINLESS    |





FEEDER TEE ASSEMBLY (STANDARD)

| DET. | QTY | PART NO. | DESCRIPTION               |           |
|------|-----|----------|---------------------------|-----------|
| 1    | 3   | 500157   | 1" FLANGE GASKET          | EPDM      |
| 2    | 3   | 500159   | 1" FLANGE CLAMP, S.S.     |           |
| 3    | 2   | 500170   | 1" FLANGE-3/4" HOSE BARB  | POLY      |
| 4    | 1   | 500173   | 1" FLANGE-90-1" HOSE BARB | POLY      |
| 5    | 1   | 500175   | 1" FLANGE TEE             | POLY      |
| 6    | 1   | 520090   | HOSE CLAMP NO 16          | STAINLESS |
| 7    | 2   | 520055   | HOSE CLAMP NO 12          | STAINLESS |



80'-90' FEEDER TEE ASSEMBLY (STANDARD)

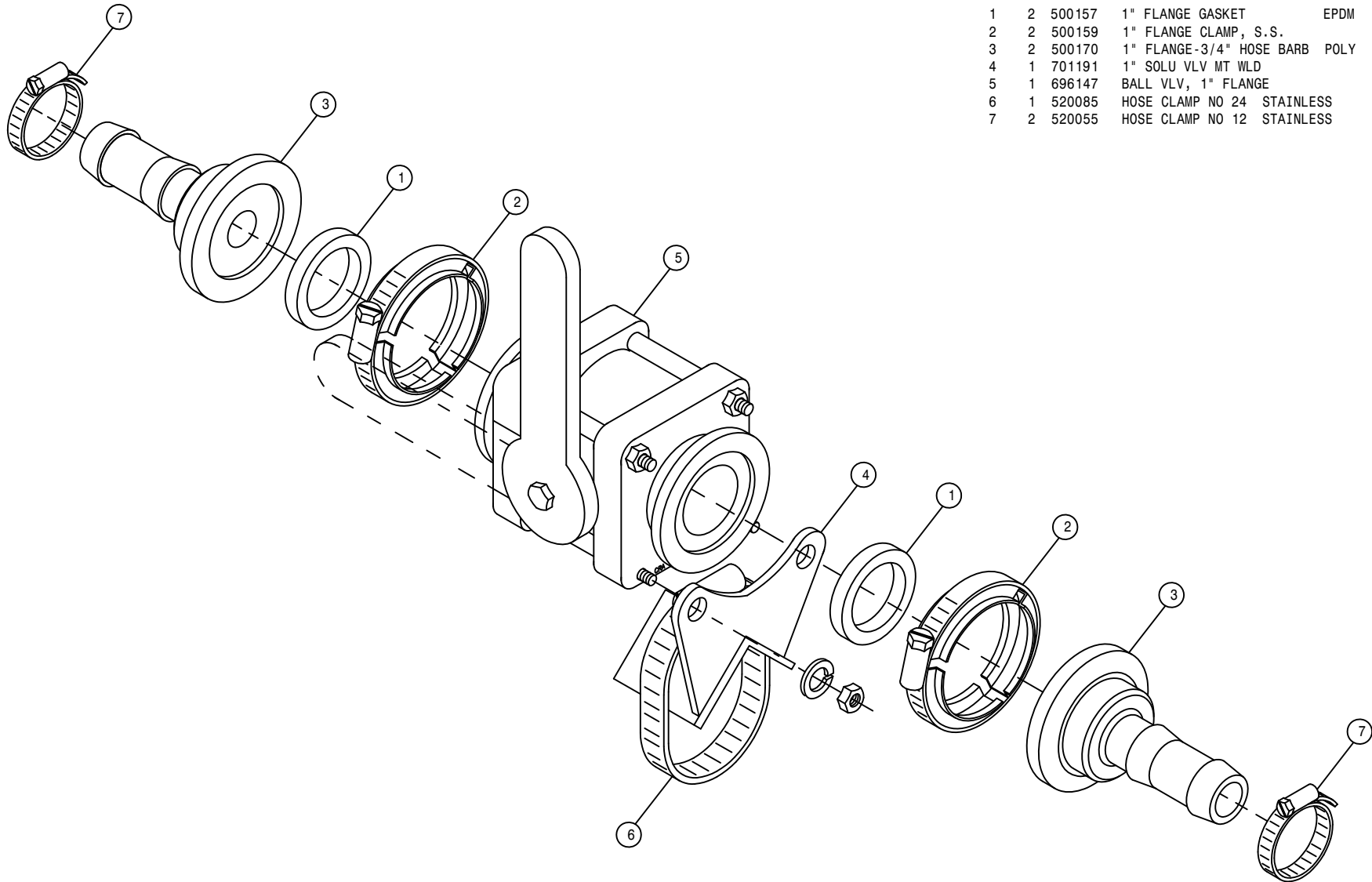
| DET. | QTY | PART NO. | DESCRIPTION              |           |
|------|-----|----------|--------------------------|-----------|
| 1    | 5   | 500157   | 1" FLANGE GASKET         | EPDM      |
| 2    | 5   | 500159   | 1" FLANGE CLAMP, S.S.    |           |
| 3    | 1   | 500171   | 1" FLANGE-1" HOSE BARB   | POLY      |
| 4    | 3   | 500170   | 1" FLANGE-3/4" HOSE BARB | POLY      |
| 5    | 2   | 500175   | 1" FLANGE TEE            | POLY      |
| 6    | 3   | 520055   | HOSE CLAMP NO 12         | STAINLESS |
| 7    | 1   | 520090   | HOSE CLAMP NO 16         | STAINLESS |

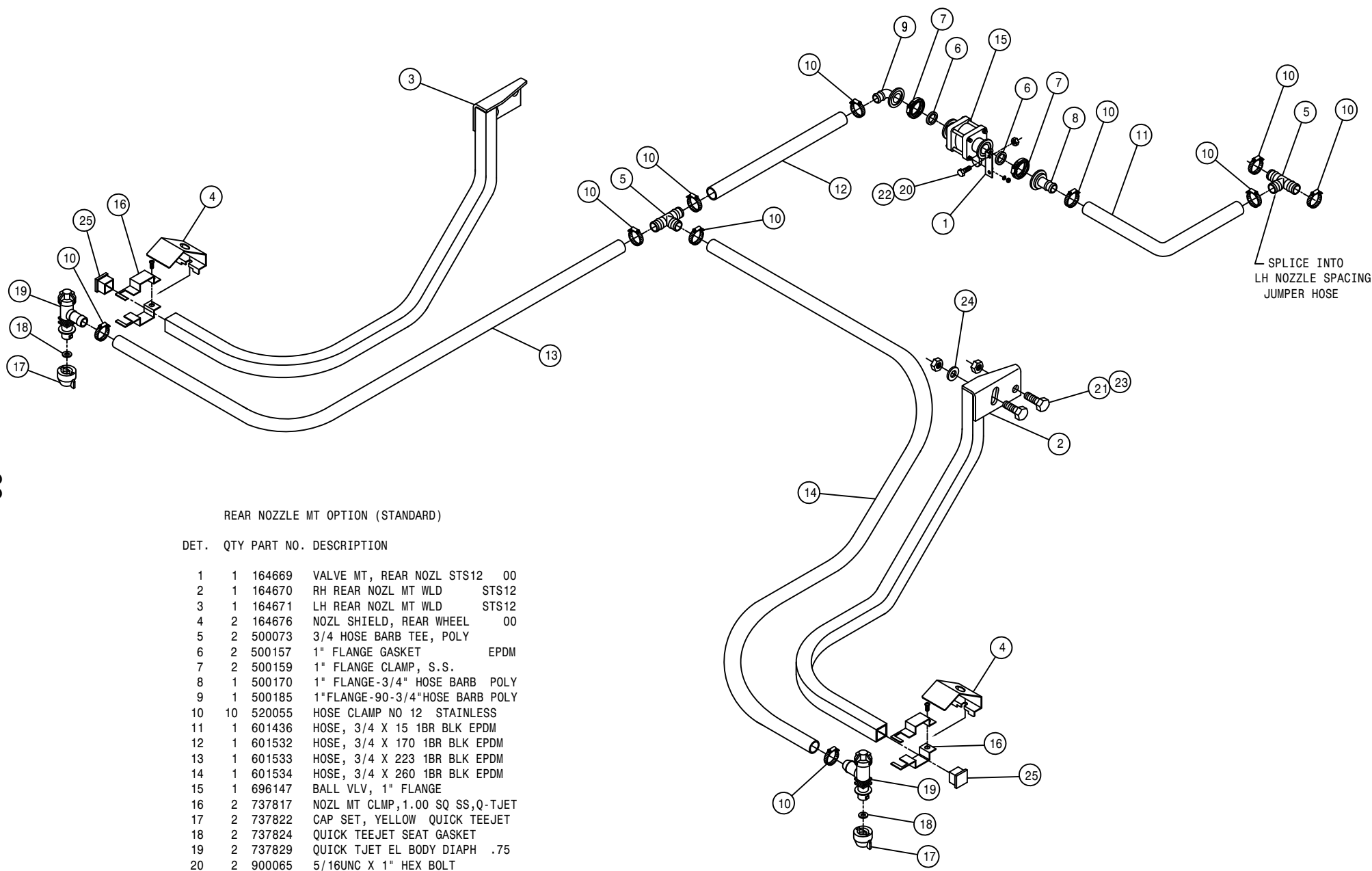


90' BALL VALVE ASSEMBLY (STANDARD)

DET. QTY PART NO. DESCRIPTION

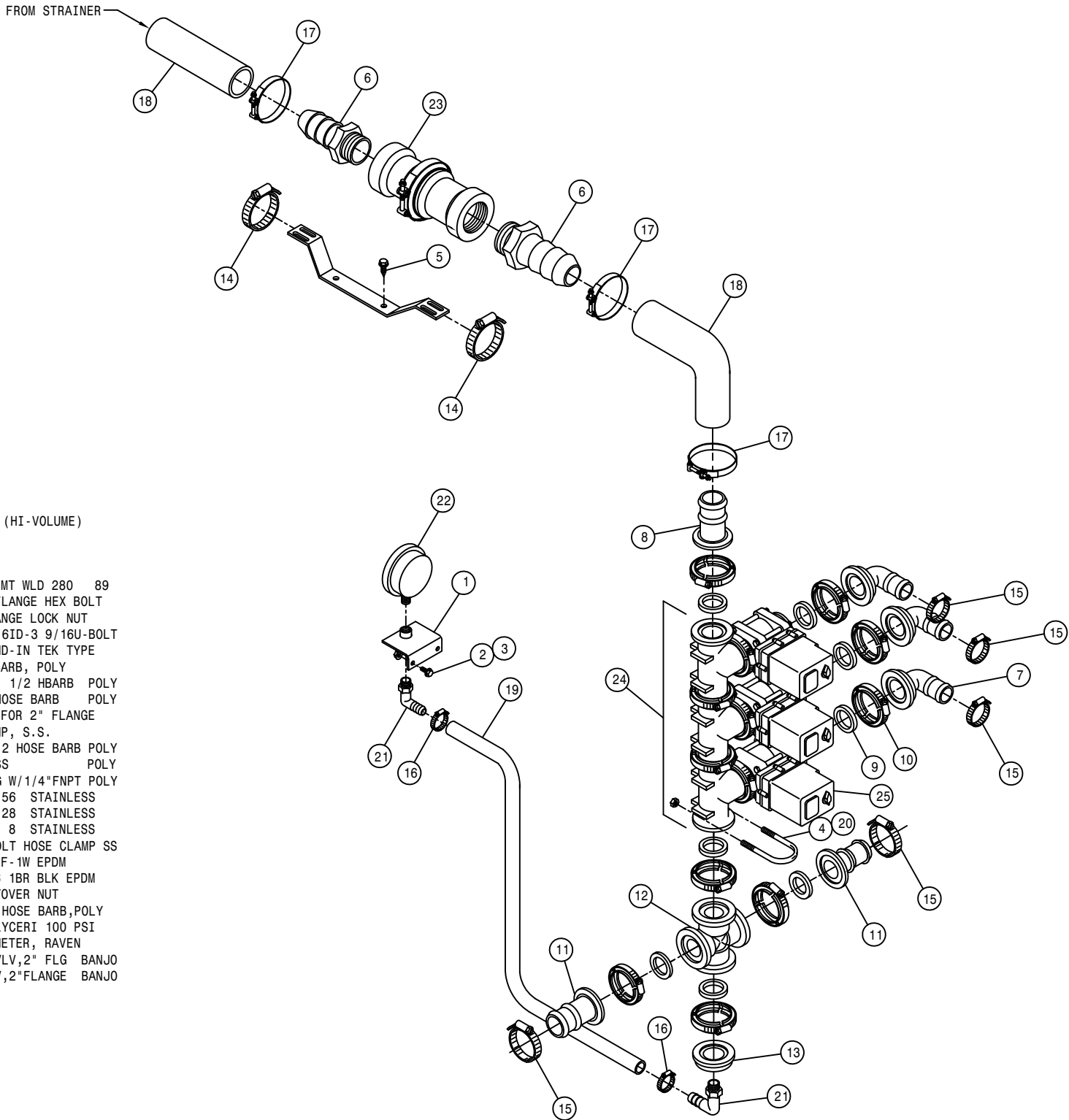
|   |   |        |                               |      |
|---|---|--------|-------------------------------|------|
| 1 | 2 | 500157 | 1" FLANGE GASKET              | EPDM |
| 2 | 2 | 500159 | 1" FLANGE CLAMP, S.S.         |      |
| 3 | 2 | 500170 | 1" FLANGE-3/4" HOSE BARB POLY |      |
| 4 | 1 | 701191 | 1" SOLU VLV MT WLD            |      |
| 5 | 1 | 696147 | BALL VLV, 1" FLANGE           |      |
| 6 | 1 | 520085 | HOSE CLAMP NO 24 STAINLESS    |      |
| 7 | 2 | 520055 | HOSE CLAMP NO 12 STAINLESS    |      |





REAR NOZZLE MT OPTION (STANDARD)

| DET. | QTY | PART NO. | DESCRIPTION                      |
|------|-----|----------|----------------------------------|
| 1    | 1   | 164669   | VALVE MT, REAR NOZL STS12 00     |
| 2    | 1   | 164670   | RH REAR NOZL MT WLD STS12        |
| 3    | 1   | 164671   | LH REAR NOZL MT WLD STS12        |
| 4    | 2   | 164676   | NOZL SHIELD, REAR WHEEL 00       |
| 5    | 2   | 500073   | 3/4 HOSE BARB TEE, POLY          |
| 6    | 2   | 500157   | 1" FLANGE GASKET EPDM            |
| 7    | 2   | 500159   | 1" FLANGE CLAMP, S.S.            |
| 8    | 1   | 500170   | 1" FLANGE-3/4" HOSE BARB POLY    |
| 9    | 1   | 500185   | 1"FLANGE-90-3/4"HOSE BARB POLY   |
| 10   | 10  | 520055   | HOSE CLAMP NO 12 STAINLESS       |
| 11   | 1   | 601436   | HOSE, 3/4 X 15 1BR BLK EPDM      |
| 12   | 1   | 601532   | HOSE, 3/4 X 170 1BR BLK EPDM     |
| 13   | 1   | 601533   | HOSE, 3/4 X 223 1BR BLK EPDM     |
| 14   | 1   | 601534   | HOSE, 3/4 X 260 1BR BLK EPDM     |
| 15   | 1   | 696147   | BALL VLV, 1" FLANGE              |
| 16   | 2   | 737817   | NOZL MT CLMP, 1.00 SQ SS, Q-TJET |
| 17   | 2   | 737822   | CAP SET, YELLOW QUICK TEEJET     |
| 18   | 2   | 737824   | QUICK TEEJET SEAT GASKET         |
| 19   | 2   | 737829   | QUICK TJET EL BODY DIAPH .75     |
| 20   | 2   | 900065   | 5/16UNC X 1" HEX BOLT            |
| 21   | 4   | 900265   | 1/2UNC X 1 1/2 HEX BOLT          |
| 22   | 2   | 914002   | 5/16UNC HEX STOVER NUT           |
| 23   | 4   | 914008   | 1/2UNC HEX STOVER NUT            |
| 24   | 2   | 920004   | 1/2 SAE FLAT WASHER              |
| 25   | 2   | 629727   | FINISH PLUG FOR 1 IN X 16 GA     |



SOLUTION CONTROL VALVE ASSEMBLY (HI-VOLUME)

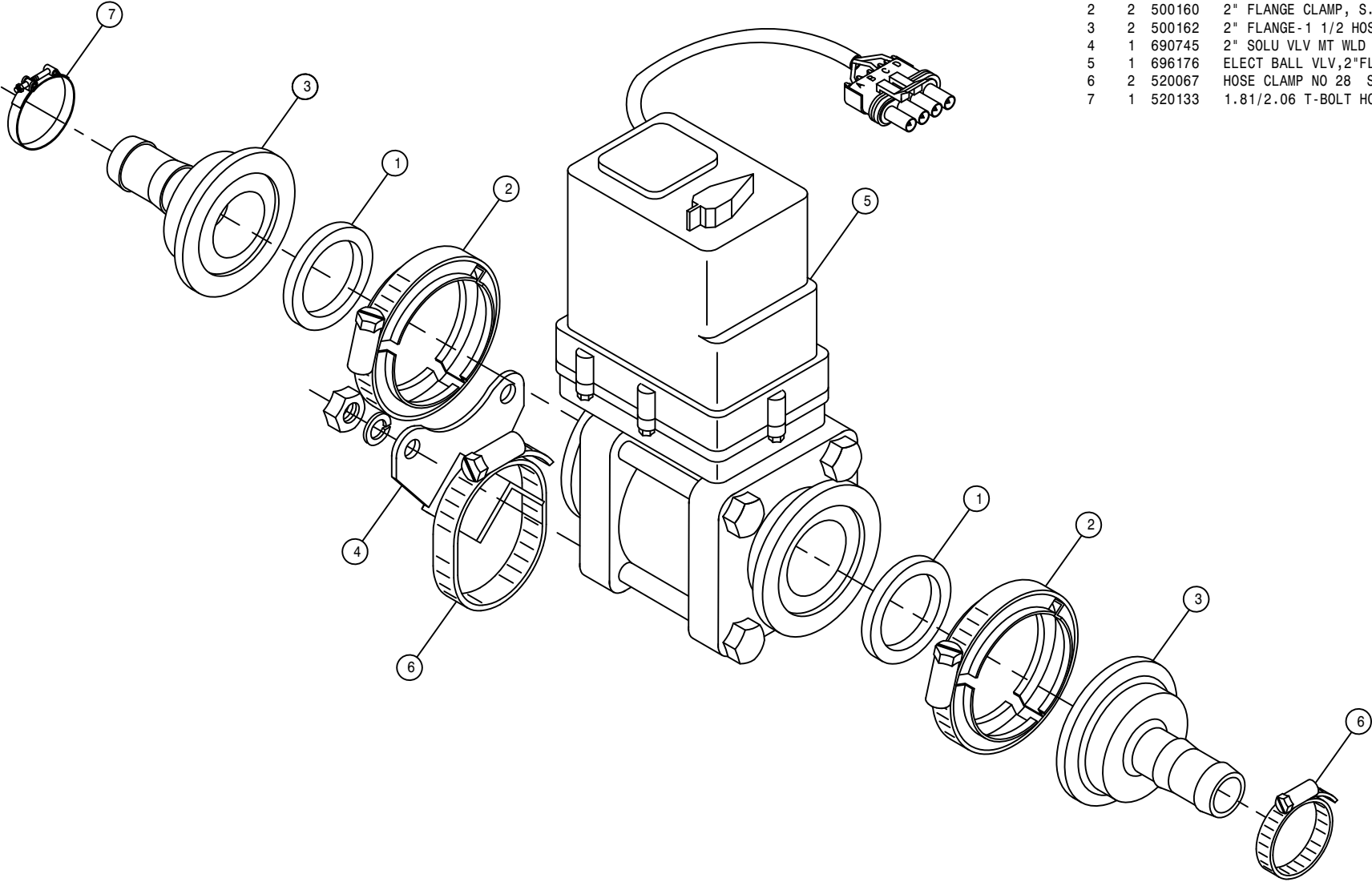
DET. QTY PART NO. DESCRIPTION

|    |   |        |                                |
|----|---|--------|--------------------------------|
| 1  | 1 | 160010 | SOLU PRESS GA MT WLD 280 89    |
| 2  | 2 | 470118 | 1/4UNC X 3/4 FLANGE HEX BOLT   |
| 3  | 2 | 470121 | 1/4UNC HEX FLANGE LOCK NUT     |
| 4  | 2 | 472195 | 5/16UNC-2 11/16ID-3 9/16U-BOLT |
| 5  | 2 | 472349 | 1/4 X 3/4 20THD-IN TEK TYPE    |
| 6  | 2 | 500058 | 2"NPT X 2" H BARB, POLY        |
| 7  | 3 | 500153 | 2" FLANGE-90-1 1/2 HBARB POLY  |
| 8  | 1 | 500154 | 2" FLANGE-2" HOSE BARB POLY    |
| 9  | 8 | 500158 | 1 1/2" GASKET FOR 2" FLANGE    |
| 10 | 8 | 500160 | 2" FLANGE CLAMP, S.S.          |
| 11 | 2 | 500162 | 2" FLANGE-1 1/2 HOSE BARB POLY |
| 12 | 1 | 500176 | 2" FLANGE CROSS POLY           |
| 13 | 1 | 500181 | 2" FLANGE PLUG W/1/4"FNPT POLY |
| 14 | 2 | 520056 | HOSE CLAMP NO 56 STAINLESS     |
| 15 | 5 | 520067 | HOSE CLAMP NO 28 STAINLESS     |
| 16 | 2 | 520070 | HOSE CLAMP NO 8 STAINLESS      |
| 17 | 3 | 520141 | 2.31/2.62 T-BOLT HOSE CLAMP SS |
| 18 | 2 | 601502 | HOSE, 2 X 56 2F-1W EPDM        |
| 19 | 1 | 601514 | HOSE, 1/2 X 66 1BR BLK EPDM    |
| 20 | 4 | 914002 | 5/16UNC HEX STOVER NUT         |
| 21 | 2 | 618556 | 1/4NPT-90-1/2 HOSE BARB,POLY   |
| 22 | 1 | 690359 | PRESSURE GA GLYCERI 100 PSI    |
| 23 | 1 | 690529 | RFM 100 FLOW METER, RAVEN      |
| 24 | 1 | 696180 | ELECT 3-BALL VLV,2" FLG BANJO  |
| 25 | 3 | 696176 | ELECT BALL VLV,2"FLANGE BANJO  |

80' -90' SOLUTION VALVE ASSEMBLY (HI-VOLUME)

DET. QTY PART NO. DESCRIPTION

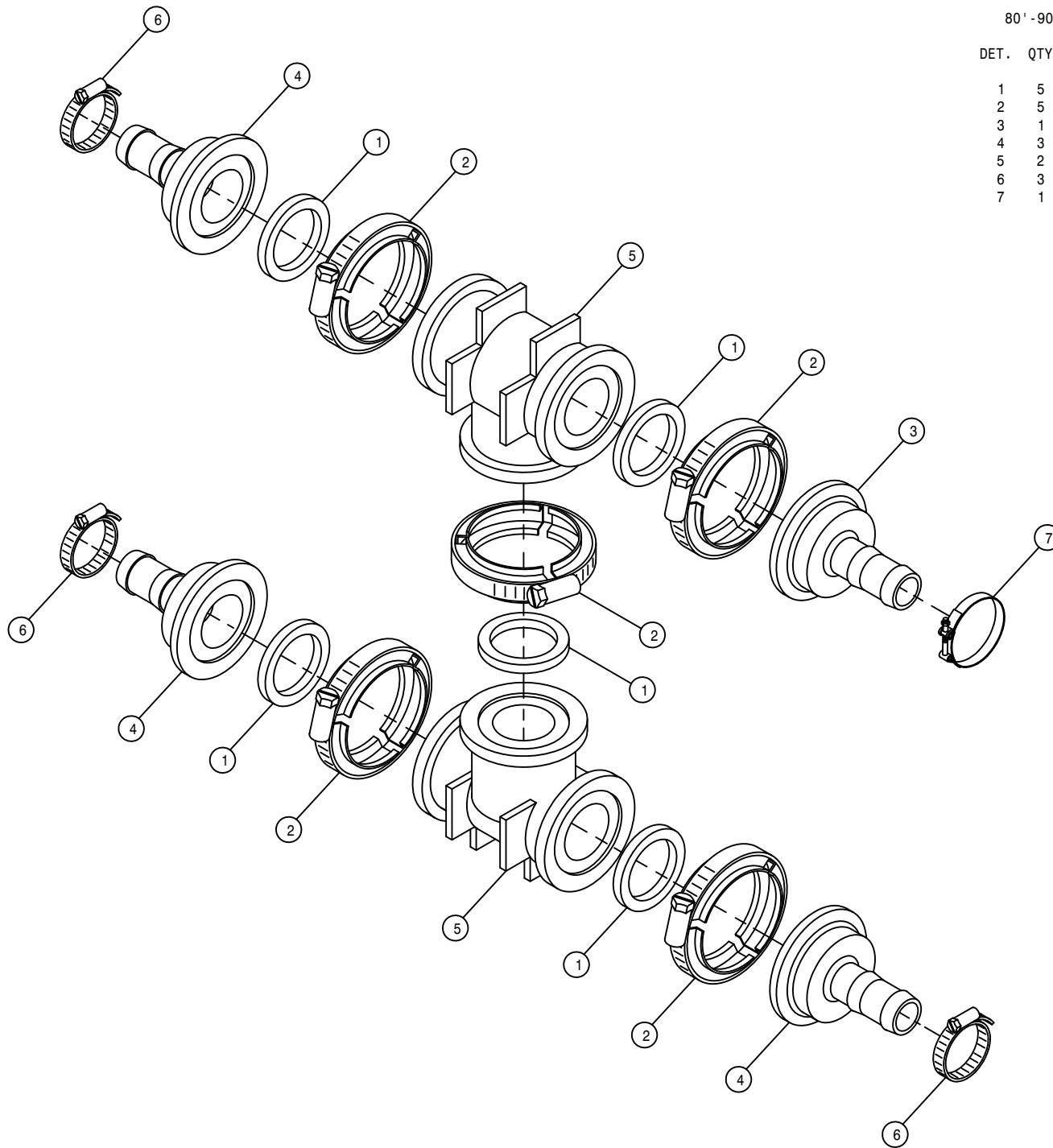
|   |   |        |                                |
|---|---|--------|--------------------------------|
| 1 | 2 | 500158 | 1 1/2" GASKET FOR 2" FLANGE    |
| 2 | 2 | 500160 | 2" FLANGE CLAMP, S.S.          |
| 3 | 2 | 500162 | 2" FLANGE-1 1/2 HOSE BARB POLY |
| 4 | 1 | 690745 | 2" SOLU VLV MT WLD             |
| 5 | 1 | 696176 | ELECT BALL VLV,2" FLANGE BANJO |
| 6 | 2 | 520067 | HOSE CLAMP NO 28 STAINLESS     |
| 7 | 1 | 520133 | 1.81/2.06 T-BOLT HOSE CLAMP SS |

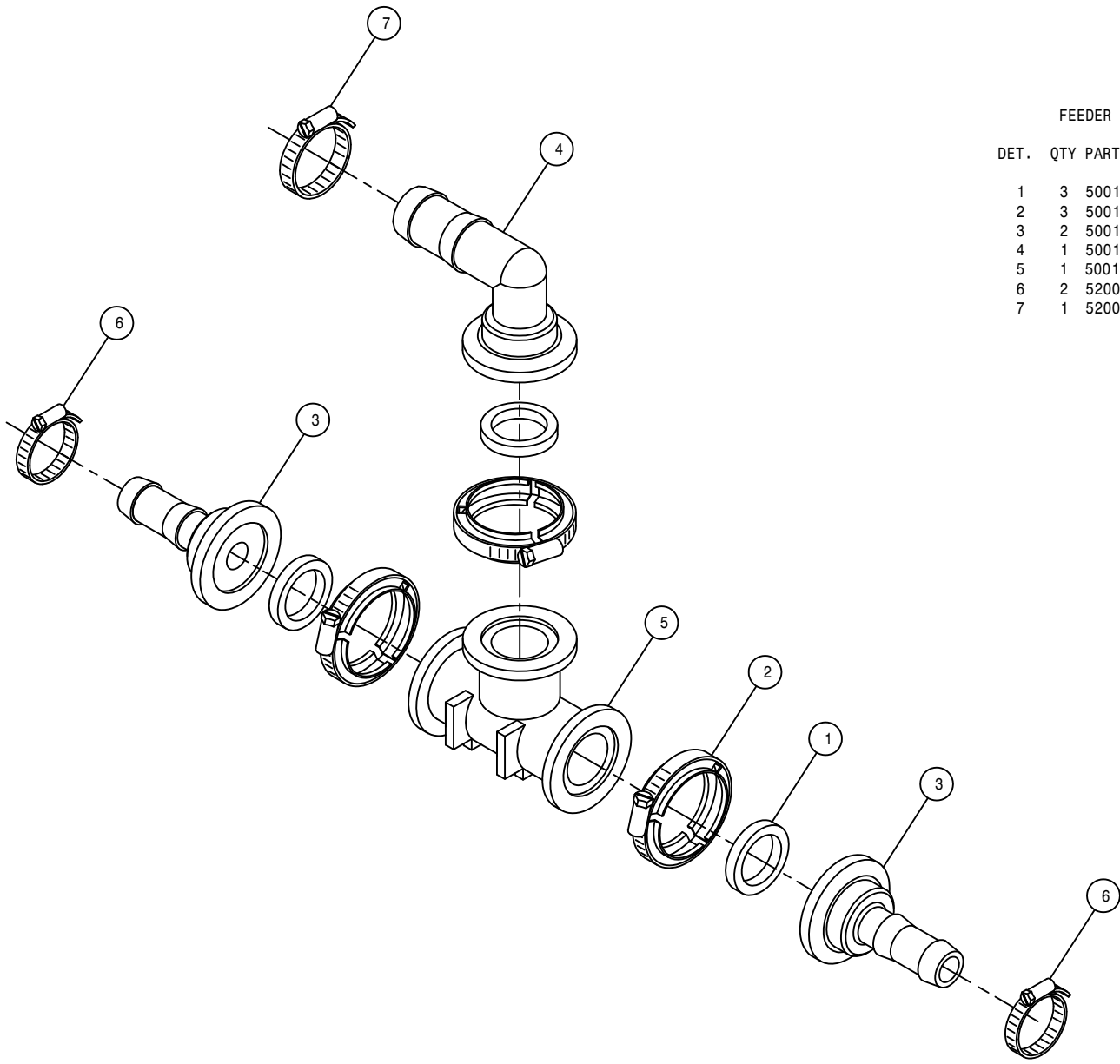


80'-90' FEEDER TEE ASSEMBLY (HI-VOLUME)

DET. QTY PART NO. DESCRIPTION

|   |   |        |                                |
|---|---|--------|--------------------------------|
| 1 | 5 | 500158 | 1 1/2" GASKET FOR 2" FLANGE    |
| 2 | 5 | 500160 | 2" FLANGE CLAMP, S.S.          |
| 3 | 1 | 500162 | 2" FLANGE-1 1/2 HOSE BARB POLY |
| 4 | 3 | 500172 | 2" FLANGE-1" HOSE BARB POLY    |
| 5 | 2 | 500151 | 2" FLANGE TEE POLY             |
| 6 | 3 | 520090 | HOSE CLAMP NO 16 STAINLESS     |
| 7 | 1 | 520133 | 1.81/2.06 T-BOLT HOSE CLAMP SS |





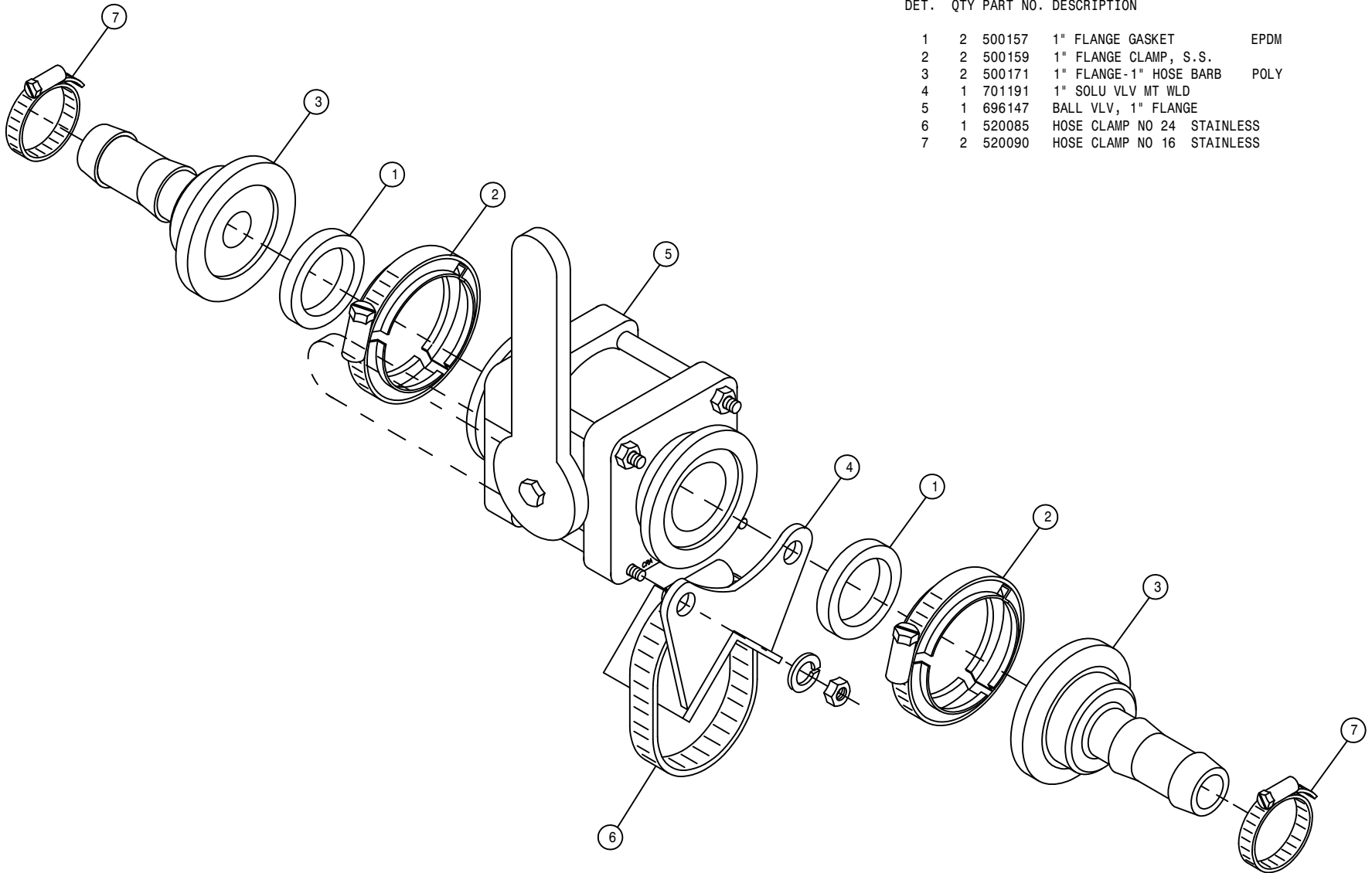
FEEDER TEE ASSEMBLY (HI-VOLUME)

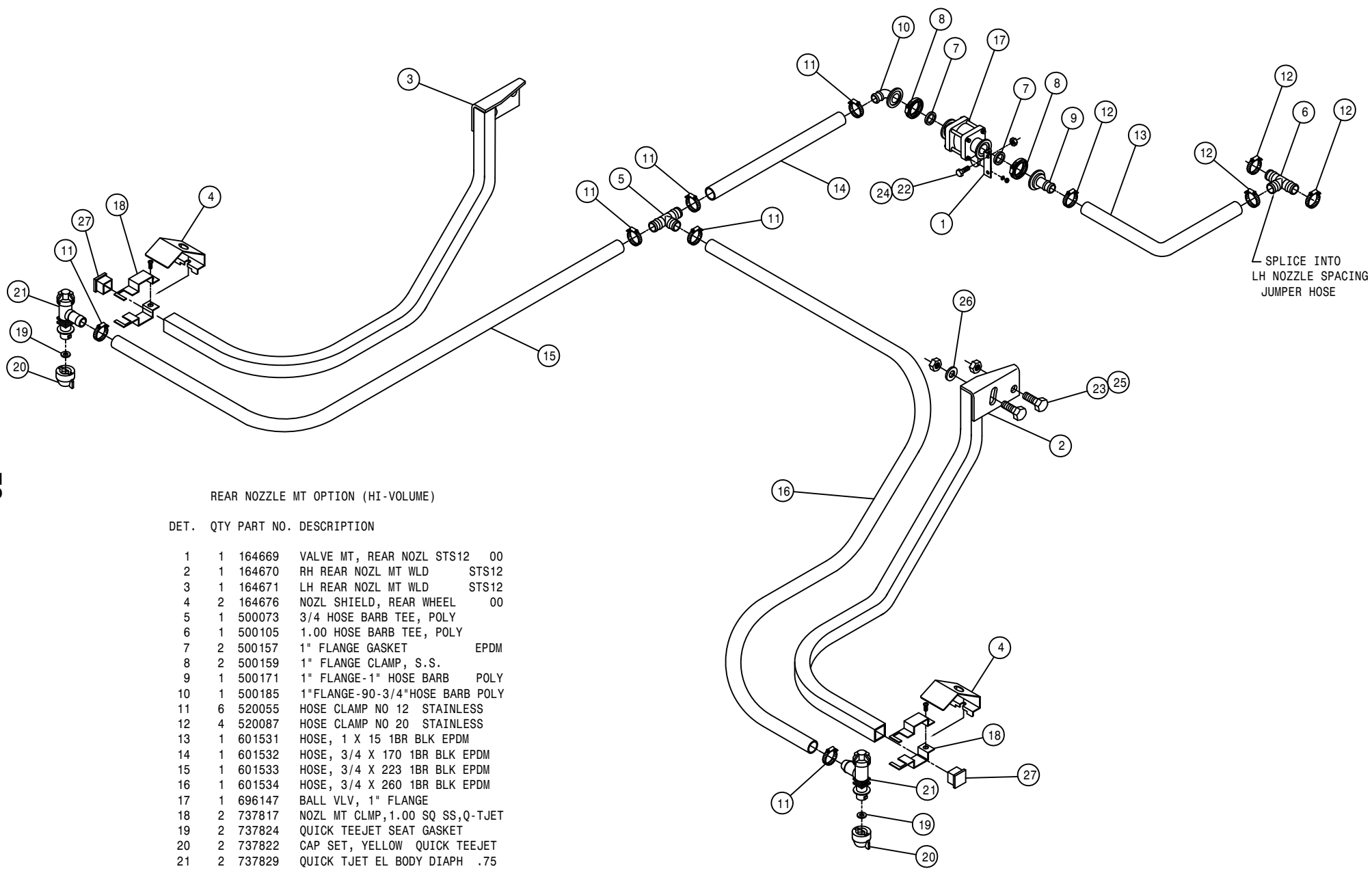
| DET. | QTY | PART NO. | DESCRIPTION                   |
|------|-----|----------|-------------------------------|
| 1    | 3   | 500158   | 1 1/2" GASKET FOR 2" FLANGE   |
| 2    | 3   | 500160   | 2" FLANGE CLAMP, S.S.         |
| 3    | 2   | 500172   | 2" FLANGE-1" HOSE BARB POLY   |
| 4    | 1   | 500153   | 2" FLANGE-90-1 1/2 HBARB POLY |
| 5    | 1   | 500151   | 2" FLANGE TEE POLY            |
| 6    | 2   | 520090   | HOSE CLAMP NO 16 STAINLESS    |
| 7    | 1   | 520067   | HOSE CLAMP NO 28 STAINLESS    |

90' BALL VALVE ASSEMBLY (HI-VOLUME)

DET. QTY PART NO. DESCRIPTION

|   |   |        |                        |           |
|---|---|--------|------------------------|-----------|
| 1 | 2 | 500157 | 1" FLANGE GASKET       | EPDM      |
| 2 | 2 | 500159 | 1" FLANGE CLAMP, S.S.  |           |
| 3 | 2 | 500171 | 1" FLANGE-1" HOSE BARB | POLY      |
| 4 | 1 | 701191 | 1" SOLU VLV MT WLD     |           |
| 5 | 1 | 696147 | BALL VLV, 1" FLANGE    |           |
| 6 | 1 | 520085 | HOSE CLAMP NO 24       | STAINLESS |
| 7 | 2 | 520090 | HOSE CLAMP NO 16       | STAINLESS |



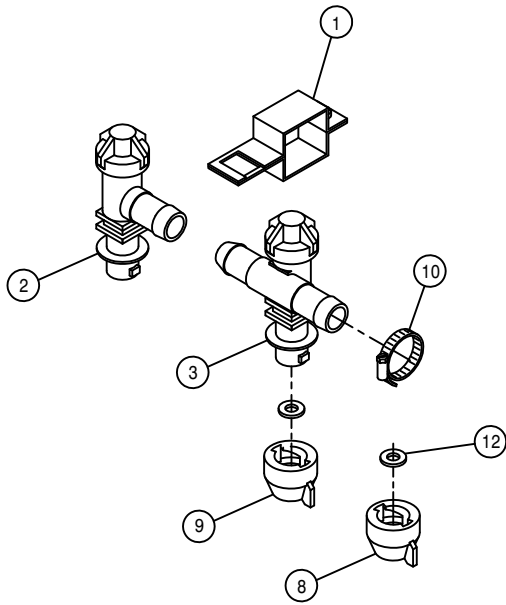


REAR NOZZLE MT OPTION (HI-VOLUME)

DET. QTY PART NO. DESCRIPTION

| DET. | QTY | PART NO. | DESCRIPTION                      |
|------|-----|----------|----------------------------------|
| 1    | 1   | 164669   | VALVE MT, REAR NOZL STS12 00     |
| 2    | 1   | 164670   | RH REAR NOZL MT WLD STS12        |
| 3    | 1   | 164671   | LH REAR NOZL MT WLD STS12        |
| 4    | 2   | 164676   | NOZL SHIELD, REAR WHEEL 00       |
| 5    | 1   | 500073   | 3/4 HOSE BARB TEE, POLY          |
| 6    | 1   | 500105   | 1.00 HOSE BARB TEE, POLY         |
| 7    | 2   | 500157   | 1" FLANGE GASKET EPDM            |
| 8    | 2   | 500159   | 1" FLANGE CLAMP, S.S.            |
| 9    | 1   | 500171   | 1" FLANGE-1" HOSE BARB POLY      |
| 10   | 1   | 500185   | 1"FLANGE-90-3/4"HOSE BARB POLY   |
| 11   | 6   | 520055   | HOSE CLAMP NO 12 STAINLESS       |
| 12   | 4   | 520087   | HOSE CLAMP NO 20 STAINLESS       |
| 13   | 1   | 601531   | HOSE, 1 X 15 1BR BLK EPDM        |
| 14   | 1   | 601532   | HOSE, 3/4 X 170 1BR BLK EPDM     |
| 15   | 1   | 601533   | HOSE, 3/4 X 223 1BR BLK EPDM     |
| 16   | 1   | 601534   | HOSE, 3/4 X 260 1BR BLK EPDM     |
| 17   | 1   | 696147   | BALL VLV, 1" FLANGE              |
| 18   | 2   | 737817   | NOZL MT CLMP, 1.00 SQ SS, Q-TJET |
| 19   | 2   | 737824   | QUICK TEEJET SEAT GASKET         |
| 20   | 2   | 737822   | CAP SET, YELLOW QUICK TEEJET     |
| 21   | 2   | 737829   | QUICK TJET EL BODY DIAPH .75     |
| 22   | 2   | 900065   | 5/16UNC X 1" HEX BOLT            |
| 23   | 4   | 900265   | 1/2UNC X 1 1/2 HEX BOLT          |
| 24   | 2   | 914002   | 5/16UNC HEX STOVER NUT           |
| 25   | 4   | 914008   | 1/2UNC HEX STOVER NUT            |
| 26   | 2   | 920004   | 1/2 SAE FLAT WASHER              |
| 27   | 2   | 629727   | FINISH PLUG FOR 1 IN X 16 GA     |



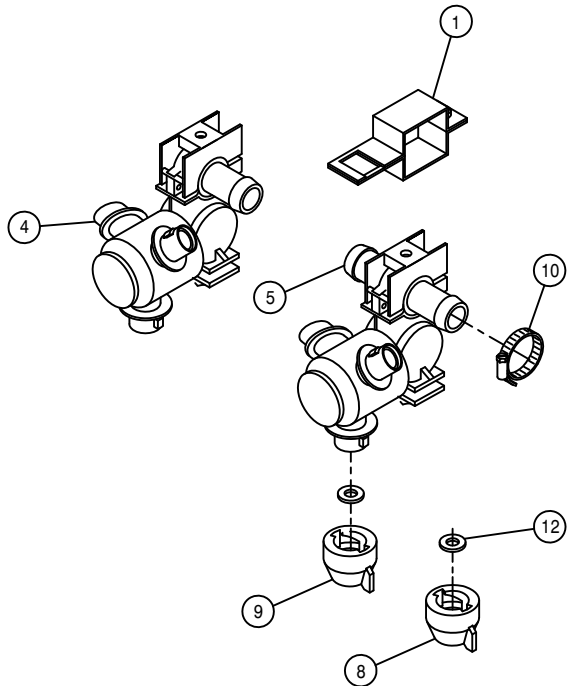


STANDARD SINGLE TIP SPACING

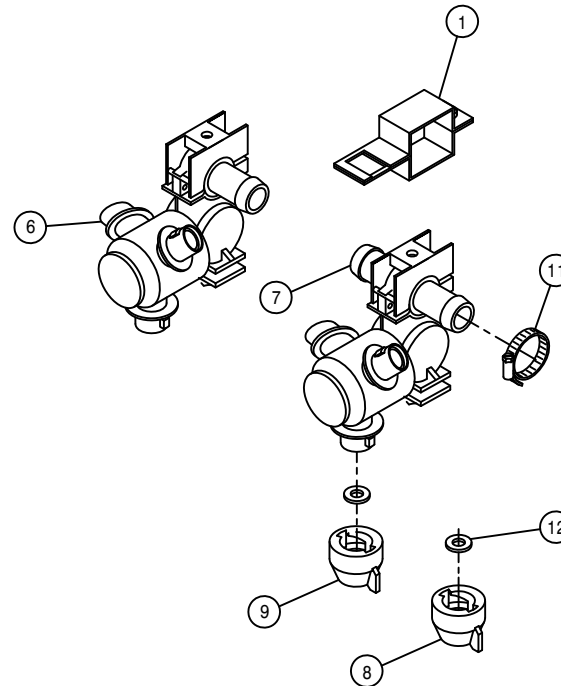
BOOM NOZZLE BODY

DET. QTY PART NO. DESCRIPTION

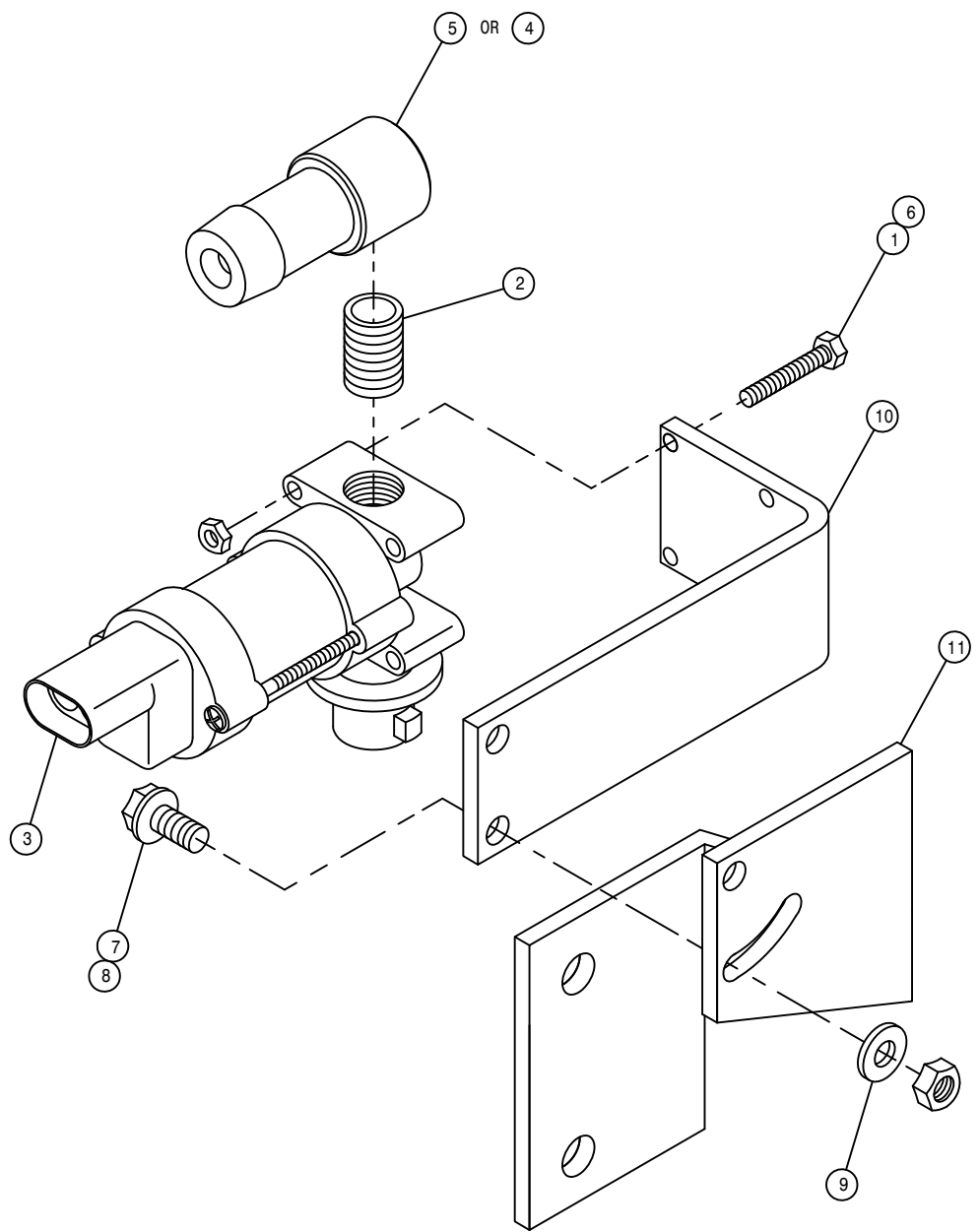
|    |   |        |                                |
|----|---|--------|--------------------------------|
| 1  | 3 | 737817 | NOZL MT CLMP,1.00 SQ SS,Q-TJE  |
| 2  | 1 | 737829 | QUICK TJET EL BODY DIAPH .75   |
| 3  | 1 | 737830 | QUICK TJET TEE BODY DIAPH .75  |
| 4  | 1 | 737833 | QUICK TJET LBO,3-TIP BODY .75  |
| 5  | 1 | 737834 | QUICK TJET TEE,3-TIP BODY .75  |
| 6  | 1 | 737900 | QUICK TJET LBO,3-TIP BODY 1.0  |
| 7  | 1 | 737901 | QUICK TJET TEE,3-TIP BODY 1.00 |
| 8  | 3 | 737825 | QUICK TEEJET SHUT-OFF CAP      |
| 9  | 3 | 737822 | CAP SET, YELLOW QUICK TEEJET   |
| 10 | 2 | 520055 | HOSE CLAMP NO 12 STAINLESS     |
| 11 | 1 | 520090 | HOSE CLAMP NO 16 STAINLESS     |
| 12 | 6 | 737824 | QUICK TEEJET SEAT GASKET       |



STANDARD TRIPLE TIP SPACING

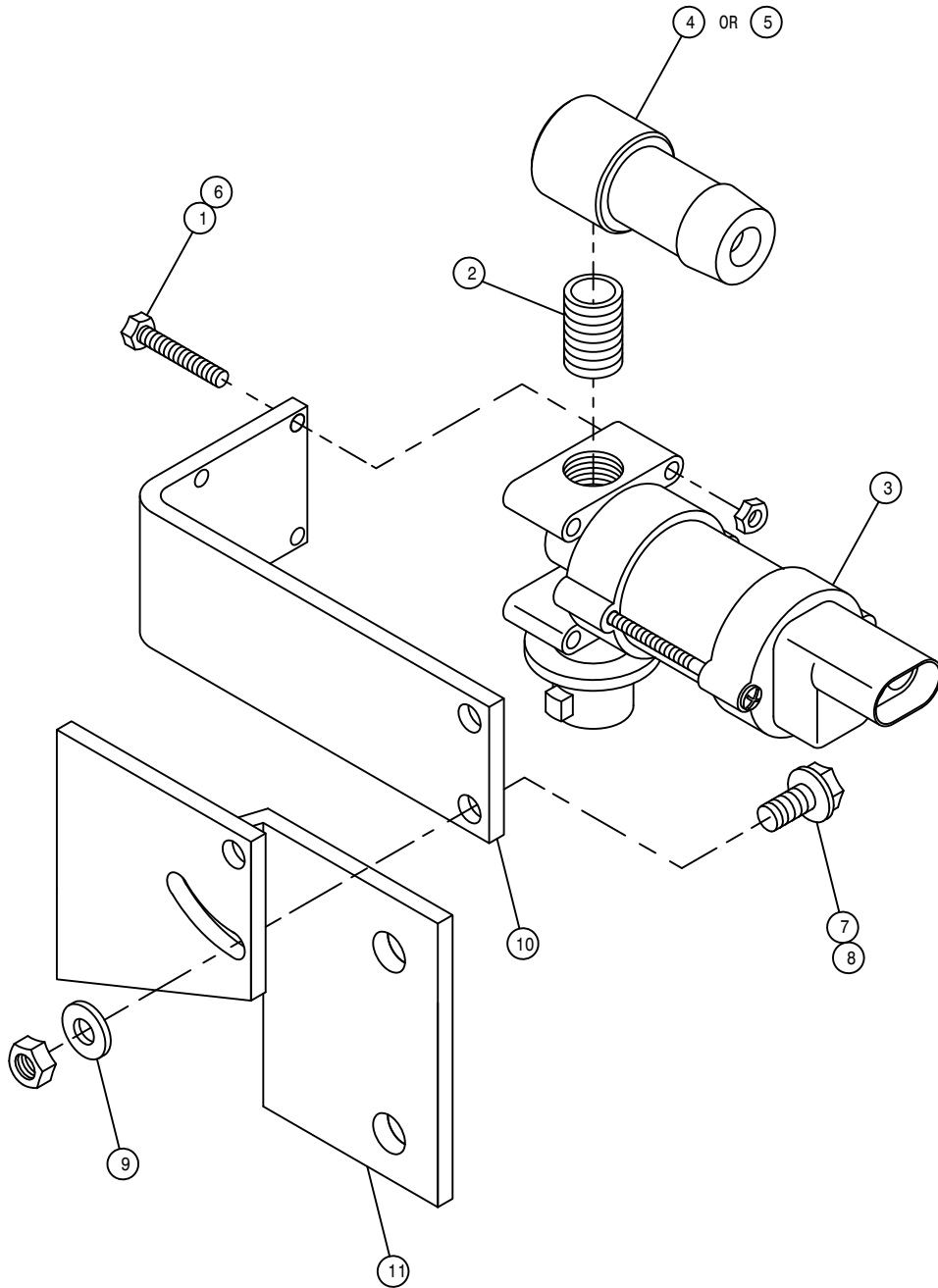


HI-VOLUME TRIPLE TIP SPACING



RH FENCE ROW NOZZLE ASSEMBLY

| DET. | QTY | PART NO. | DESCRIPTION                    |
|------|-----|----------|--------------------------------|
| 1    | 4   | 473993   | 6-32 X 1 1/8 HH MACH SCR       |
| 2    | 1   | 507022   | SS CLOSE PIPE NIPPLE, .25MNPT  |
| 3    | 1   | 737875   | NOZZLE BODY VALVE, 12VDC       |
| 4    | 1   | 737876   | 1.00 FENCE ROW NOZZLE HOSEBARB |
| 5    | 1   | 737878   | .75 FENCE ROW NOZZLE HOSEBARB  |
| 6    | 4   | 910022   | 6-32 HEX NUT                   |
| 7    | 2   | 470118   | 1/4UNC X 3/4 FLANGE HEX BOLT   |
| 8    | 2   | 914000   | 1/4UNC HEX STOVER NUT          |
| 9    | 1   | 920000   | 1/4 SAE FLAT WASHER            |
| 10   | 1   | 737906   | FENCE ROW NOZL BRKT            |
| 11   | 1   | 737907   | RH FENCE ROW TIP BRKT MT       |



LH FENCE ROW NOZZLE ASSEMBLY

DET. QTY PART NO. DESCRIPTION

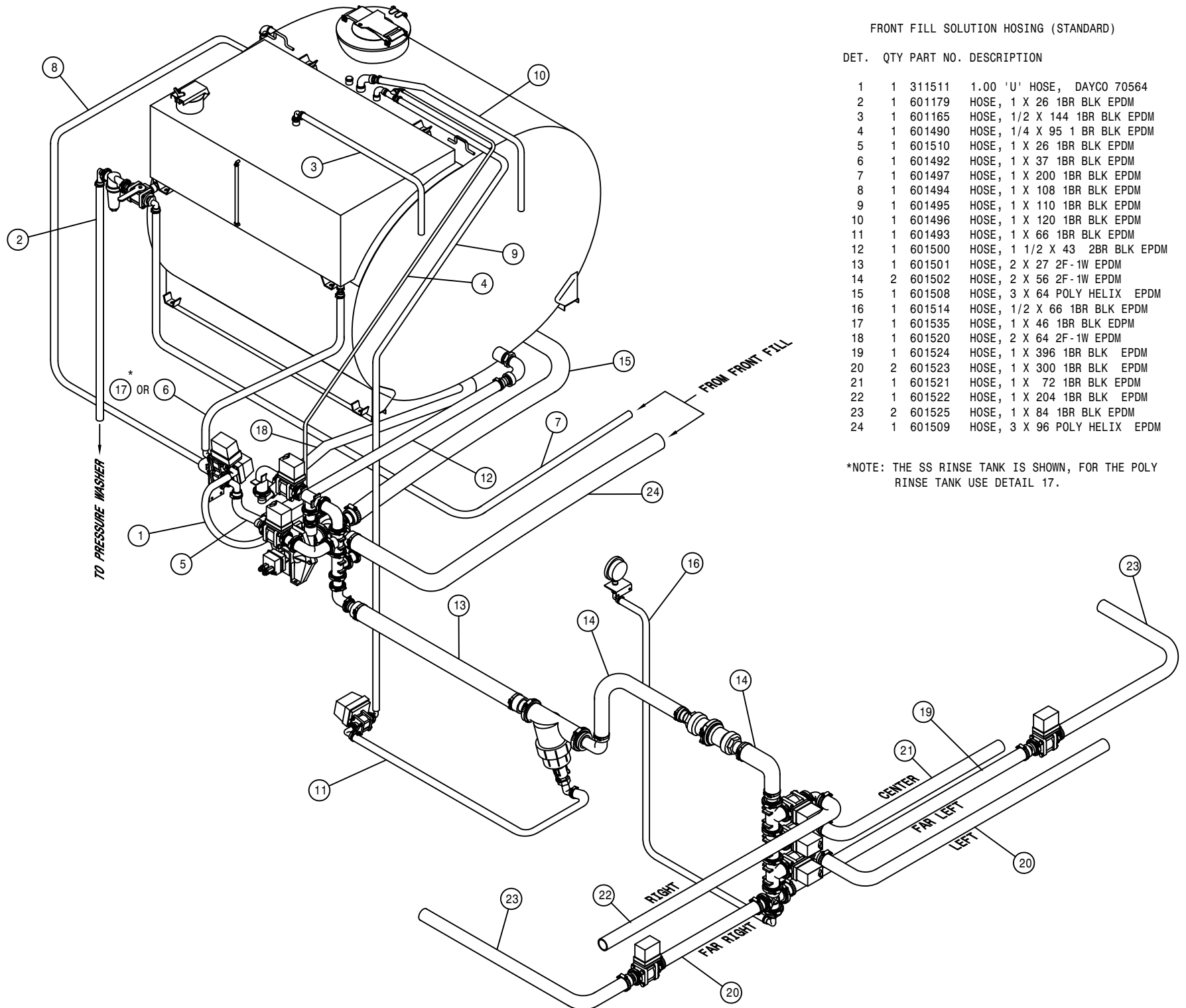
| DET. | QTY | PART NO. | DESCRIPTION                    |
|------|-----|----------|--------------------------------|
| 1    | 4   | 473993   | 6-32 X 1 1/8 HH MACH SCR       |
| 2    | 1   | 507022   | SS CLOSE PIPE NIPPLE, .25MNPT  |
| 3    | 1   | 737875   | NOZZLE BODY VALVE, 12VDC       |
| 4    | 1   | 737876   | 1.00 FENCE ROW NOZZLE HOSEBARB |
| 5    | 1   | 737878   | .75 FENCE ROW NOZZLE HOSEBARB  |
| 6    | 4   | 910022   | 6-32 HEX NUT                   |
| 7    | 2   | 470118   | 1/4UNC X 3/4 FLANGE HEX BOLT   |
| 8    | 2   | 914000   | 1/4UNC HEX STOVER NUT          |
| 9    | 1   | 920000   | 1/4 SAE FLAT WASHER            |
| 10   | 1   | 737906   | FENCE ROW NOZL BRKT            |
| 11   | 1   | 737908   | LH FENCE ROW TIP BRKT MT       |

FRONT FILL SOLUTION HOISING (STANDARD)

DET. QTY PART NO. DESCRIPTION

|    |   |        |                               |
|----|---|--------|-------------------------------|
| 1  | 1 | 311511 | 1.00 'U' HOSE, DAYCO 70564    |
| 2  | 1 | 601179 | HOSE, 1 X 26 1BR BLK EPDM     |
| 3  | 1 | 601165 | HOSE, 1/2 X 144 1BR BLK EPDM  |
| 4  | 1 | 601490 | HOSE, 1/4 X 95 1 BR BLK EPDM  |
| 5  | 1 | 601510 | HOSE, 1 X 26 1BR BLK EPDM     |
| 6  | 1 | 601492 | HOSE, 1 X 37 1BR BLK EPDM     |
| 7  | 1 | 601497 | HOSE, 1 X 200 1BR BLK EPDM    |
| 8  | 1 | 601494 | HOSE, 1 X 108 1BR BLK EPDM    |
| 9  | 1 | 601495 | HOSE, 1 X 110 1BR BLK EPDM    |
| 10 | 1 | 601496 | HOSE, 1 X 120 1BR BLK EPDM    |
| 11 | 1 | 601493 | HOSE, 1 X 66 1BR BLK EPDM     |
| 12 | 1 | 601500 | HOSE, 1 1/2 X 43 2BR BLK EPDM |
| 13 | 1 | 601501 | HOSE, 2 X 27 2F-1W EPDM       |
| 14 | 2 | 601502 | HOSE, 2 X 56 2F-1W EPDM       |
| 15 | 1 | 601508 | HOSE, 3 X 64 POLY HELIX EPDM  |
| 16 | 1 | 601514 | HOSE, 1/2 X 66 1BR BLK EPDM   |
| 17 | 1 | 601535 | HOSE, 1 X 46 1BR BLK EPDM     |
| 18 | 1 | 601520 | HOSE, 2 X 64 2F-1W EPDM       |
| 19 | 1 | 601524 | HOSE, 1 X 396 1BR BLK EPDM    |
| 20 | 2 | 601523 | HOSE, 1 X 300 1BR BLK EPDM    |
| 21 | 1 | 601521 | HOSE, 1 X 72 1BR BLK EPDM     |
| 22 | 1 | 601522 | HOSE, 1 X 204 1BR BLK EPDM    |
| 23 | 2 | 601525 | HOSE, 1 X 84 1BR BLK EPDM     |
| 24 | 1 | 601509 | HOSE, 3 X 96 POLY HELIX EPDM  |

\*NOTE: THE SS RINSE TANK IS SHOWN, FOR THE POLY RINSE TANK USE DETAIL 17.

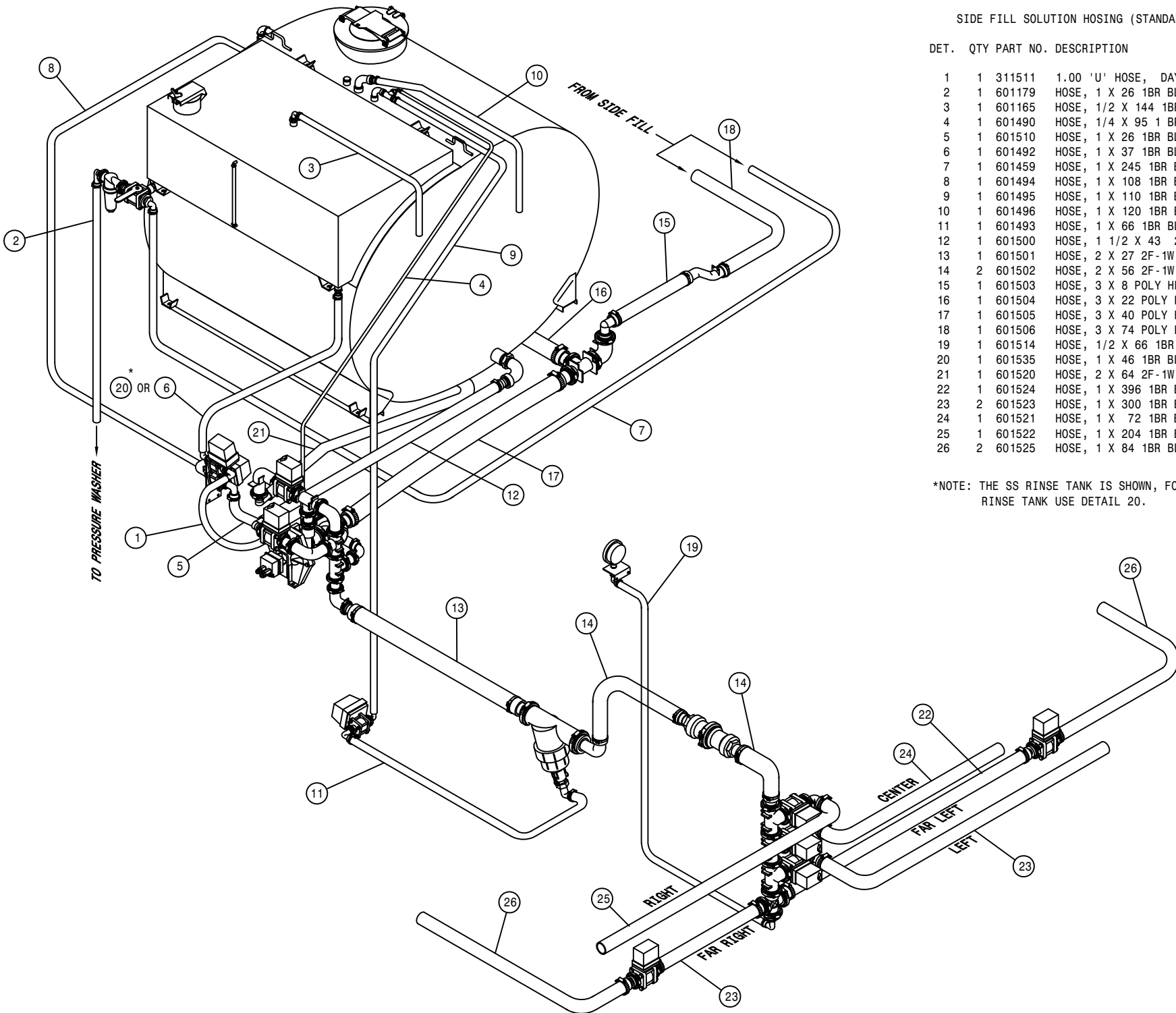


SIDE FILL SOLUTION HOISING (STANDARD)

DET. QTY PART NO. DESCRIPTION

|    |   |        |                               |
|----|---|--------|-------------------------------|
| 1  | 1 | 311511 | 1.00 'U' HOSE, DAYCO 70564    |
| 2  | 1 | 601179 | HOSE, 1 X 26 1BR BLK EPDM     |
| 3  | 1 | 601165 | HOSE, 1/2 X 144 1BR BLK EPDM  |
| 4  | 1 | 601490 | HOSE, 1/4 X 95 1 BR BLK EPDM  |
| 5  | 1 | 601510 | HOSE, 1 X 26 1BR BLK EPDM     |
| 6  | 1 | 601492 | HOSE, 1 X 37 1BR BLK EPDM     |
| 7  | 1 | 601459 | HOSE, 1 X 245 1BR BLK EPDM    |
| 8  | 1 | 601494 | HOSE, 1 X 108 1BR BLK EPDM    |
| 9  | 1 | 601495 | HOSE, 1 X 110 1BR BLK EPDM    |
| 10 | 1 | 601496 | HOSE, 1 X 120 1BR BLK EPDM    |
| 11 | 1 | 601493 | HOSE, 1 X 66 1BR BLK EPDM     |
| 12 | 1 | 601500 | HOSE, 1 1/2 X 43 2BR BLK EPDM |
| 13 | 1 | 601501 | HOSE, 2 X 27 2F-1W EPDM       |
| 14 | 2 | 601502 | HOSE, 2 X 56 2F-1W EPDM       |
| 15 | 1 | 601503 | HOSE, 3 X 8 POLY HELIX EPDM   |
| 16 | 1 | 601504 | HOSE, 3 X 22 POLY HELIX EPDM  |
| 17 | 1 | 601505 | HOSE, 3 X 40 POLY HELIX EPDM  |
| 18 | 1 | 601506 | HOSE, 3 X 74 POLY HELIX EPDM  |
| 19 | 1 | 601514 | HOSE, 1/2 X 66 1BR BLK EPDM   |
| 20 | 1 | 601535 | HOSE, 1 X 46 1BR BLK EPDM     |
| 21 | 1 | 601520 | HOSE, 2 X 64 2F-1W EPDM       |
| 22 | 1 | 601524 | HOSE, 1 X 396 1BR BLK EPDM    |
| 23 | 2 | 601523 | HOSE, 1 X 300 1BR BLK EPDM    |
| 24 | 1 | 601521 | HOSE, 1 X 72 1BR BLK EPDM     |
| 25 | 1 | 601522 | HOSE, 1 X 204 1BR BLK EPDM    |
| 26 | 2 | 601525 | HOSE, 1 X 84 1BR BLK EPDM     |

\*NOTE: THE SS RINSE TANK IS SHOWN, FOR THE POLY RINSE TANK USE DETAIL 20.

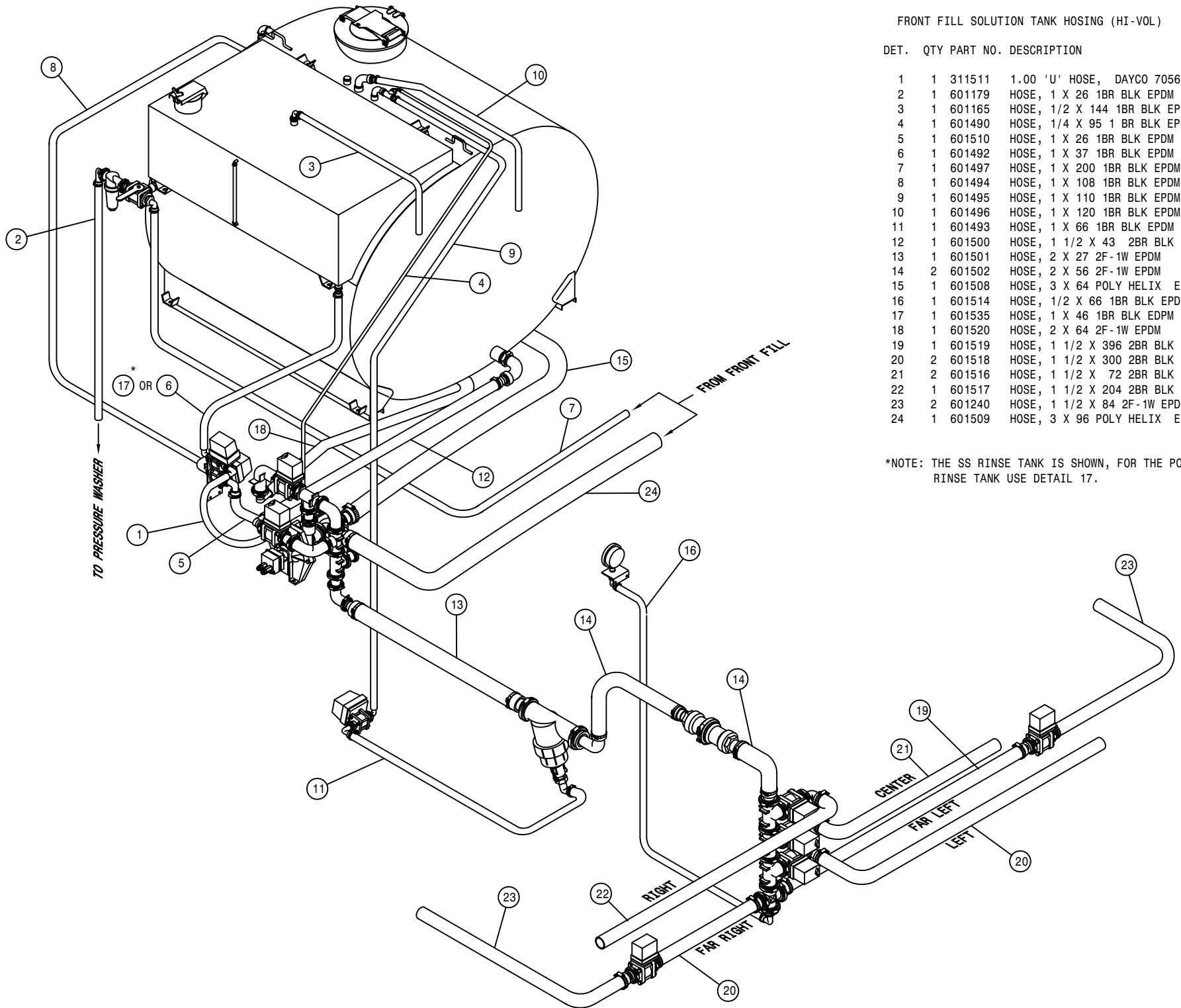


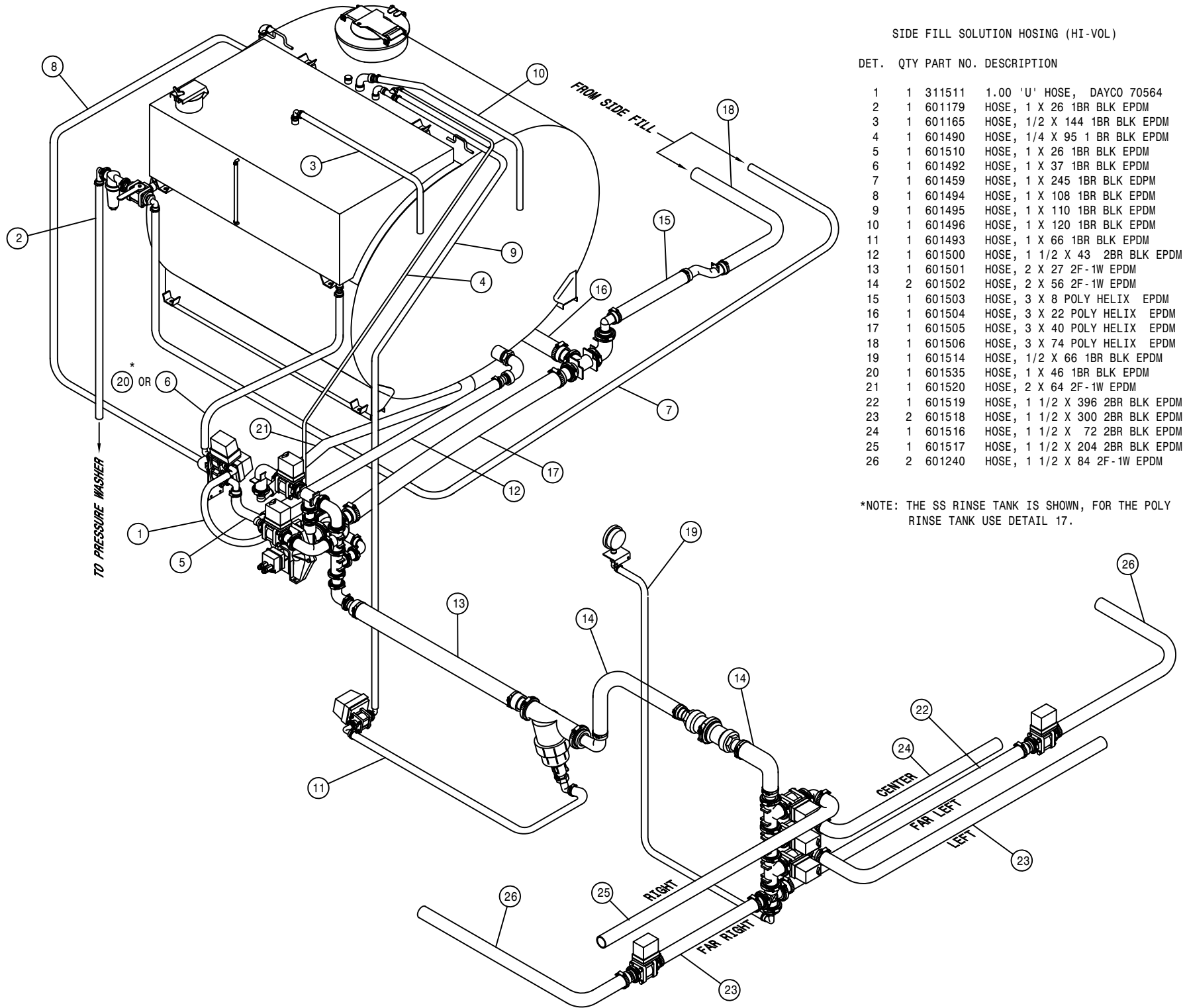
FRONT FILL SOLUTION TANK HOISING (HI-VOL)

DET. QTY PART NO. DESCRIPTION

|    |   |        |                                |
|----|---|--------|--------------------------------|
| 1  | 1 | 311511 | 1.00 'U' HOSE, DAYCO 70564     |
| 2  | 1 | 601179 | HOSE, 1 X 26 1BR BLK EPDM      |
| 3  | 1 | 601165 | HOSE, 1/2 X 144 1BR BLK EPDM   |
| 4  | 1 | 601490 | HOSE, 1/4 X 95 1 BR BLK EPDM   |
| 5  | 1 | 601510 | HOSE, 1 X 26 1BR BLK EPDM      |
| 6  | 1 | 601492 | HOSE, 1 X 37 1BR BLK EPDM      |
| 7  | 1 | 601497 | HOSE, 1 X 200 1BR BLK EPDM     |
| 8  | 1 | 601494 | HOSE, 1 X 108 1BR BLK EPDM     |
| 9  | 1 | 601495 | HOSE, 1 X 110 1BR BLK EPDM     |
| 10 | 1 | 601496 | HOSE, 1 X 120 1BR BLK EPDM     |
| 11 | 1 | 601493 | HOSE, 1 X 66 1BR BLK EPDM      |
| 12 | 1 | 601500 | HOSE, 1 1/2 X 43 2BR BLK EPDM  |
| 13 | 1 | 601501 | HOSE, 2 X 27 2F-1W EPDM        |
| 14 | 2 | 601502 | HOSE, 2 X 56 2F-1W EPDM        |
| 15 | 1 | 601508 | HOSE, 3 X 64 POLY HELIX EPDM   |
| 16 | 1 | 601514 | HOSE, 1/2 X 66 1BR BLK EPDM    |
| 17 | 1 | 601535 | HOSE, 1 X 46 1BR BLK EPDM      |
| 18 | 1 | 601520 | HOSE, 2 X 64 2F-1W EPDM        |
| 19 | 1 | 601519 | HOSE, 1 1/2 X 396 2BR BLK EPDM |
| 20 | 2 | 601518 | HOSE, 1 1/2 X 300 2BR BLK EPDM |
| 21 | 2 | 601516 | HOSE, 1 1/2 X 72 2BR BLK EPDM  |
| 22 | 1 | 601517 | HOSE, 1 1/2 X 204 2BR BLK EPDM |
| 23 | 2 | 601240 | HOSE, 1 1/2 X 84 2F-1W EPDM    |
| 24 | 1 | 601509 | HOSE, 3 X 96 POLY HELIX EPDM   |

\*NOTE: THE SS RINSE TANK IS SHOWN, FOR THE POLY RINSE TANK USE DETAIL 17.





SIDE FILL SOLUTION HOISING (HI-VOL)

| DET. | QTY | PART NO. | DESCRIPTION                    |
|------|-----|----------|--------------------------------|
| 1    | 1   | 311511   | 1.00 'U' HOSE, DAYCO 70564     |
| 2    | 1   | 601179   | HOSE, 1 X 26 1BR BLK EPDM      |
| 3    | 1   | 601165   | HOSE, 1/2 X 144 1BR BLK EPDM   |
| 4    | 1   | 601490   | HOSE, 1/4 X 95 1 BR BLK EPDM   |
| 5    | 1   | 601510   | HOSE, 1 X 26 1BR BLK EPDM      |
| 6    | 1   | 601492   | HOSE, 1 X 37 1BR BLK EPDM      |
| 7    | 1   | 601459   | HOSE, 1 X 245 1BR BLK EPDM     |
| 8    | 1   | 601494   | HOSE, 1 X 108 1BR BLK EPDM     |
| 9    | 1   | 601495   | HOSE, 1 X 110 1BR BLK EPDM     |
| 10   | 1   | 601496   | HOSE, 1 X 120 1BR BLK EPDM     |
| 11   | 1   | 601493   | HOSE, 1 X 66 1BR BLK EPDM      |
| 12   | 1   | 601500   | HOSE, 1 1/2 X 43 2BR BLK EPDM  |
| 13   | 1   | 601501   | HOSE, 2 X 27 2F-1W EPDM        |
| 14   | 2   | 601502   | HOSE, 2 X 56 2F-1W EPDM        |
| 15   | 1   | 601503   | HOSE, 3 X 8 POLY HELIX EPDM    |
| 16   | 1   | 601504   | HOSE, 3 X 22 POLY HELIX EPDM   |
| 17   | 1   | 601505   | HOSE, 3 X 40 POLY HELIX EPDM   |
| 18   | 1   | 601506   | HOSE, 3 X 74 POLY HELIX EPDM   |
| 19   | 1   | 601514   | HOSE, 1/2 X 66 1BR BLK EPDM    |
| 20   | 1   | 601535   | HOSE, 1 X 46 1BR BLK EPDM      |
| 21   | 1   | 601520   | HOSE, 2 X 64 2F-1W EPDM        |
| 22   | 1   | 601519   | HOSE, 1 1/2 X 396 2BR BLK EPDM |
| 23   | 2   | 601518   | HOSE, 1 1/2 X 300 2BR BLK EPDM |
| 24   | 1   | 601516   | HOSE, 1 1/2 X 72 2BR BLK EPDM  |
| 25   | 1   | 601517   | HOSE, 1 1/2 X 204 2BR BLK EPDM |
| 26   | 2   | 601240   | HOSE, 1 1/2 X 84 2F-1W EPDM    |

\*NOTE: THE SS RINSE TANK IS SHOWN, FOR THE POLY RINSE TANK USE DETAIL 17.

60' FOAMER HOISING

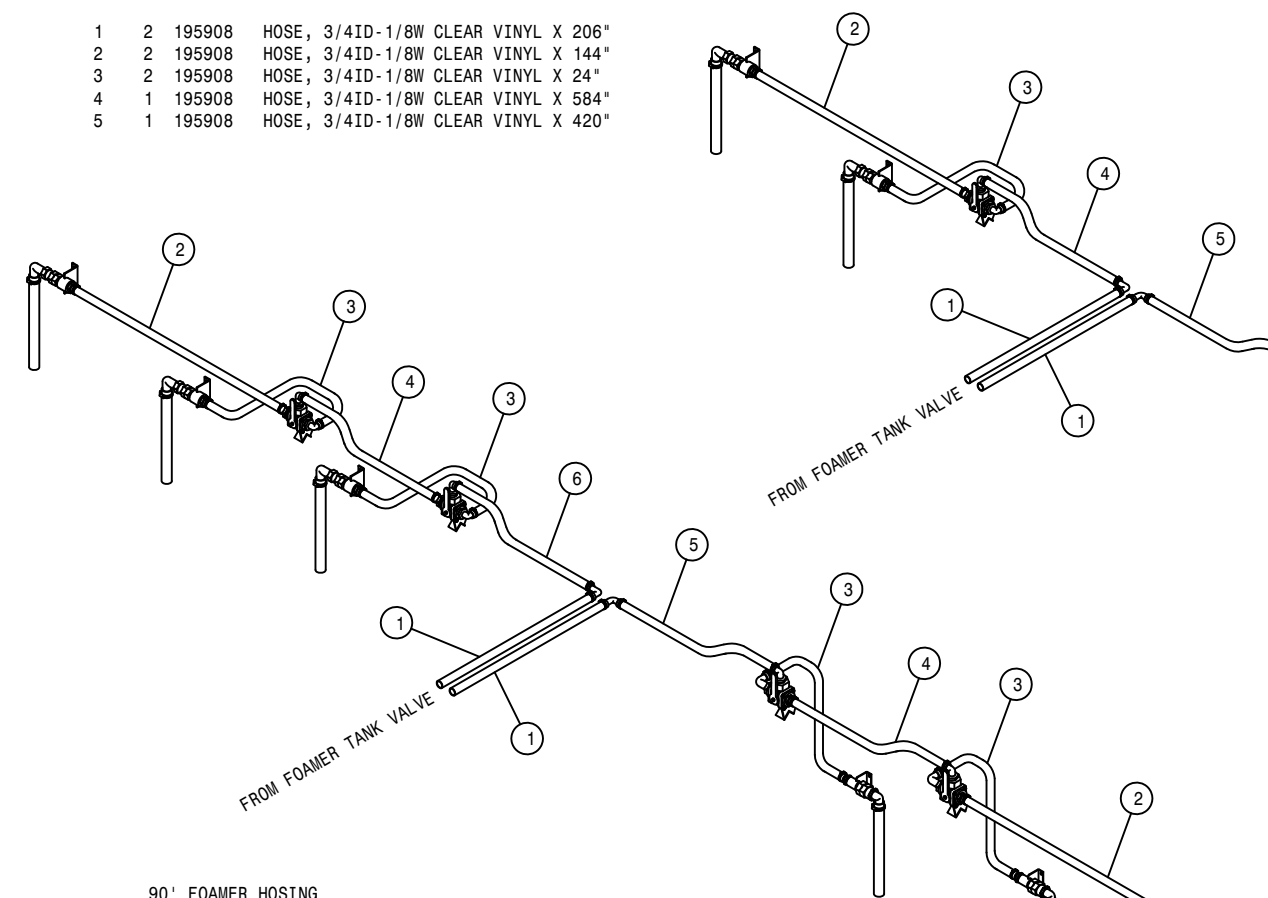
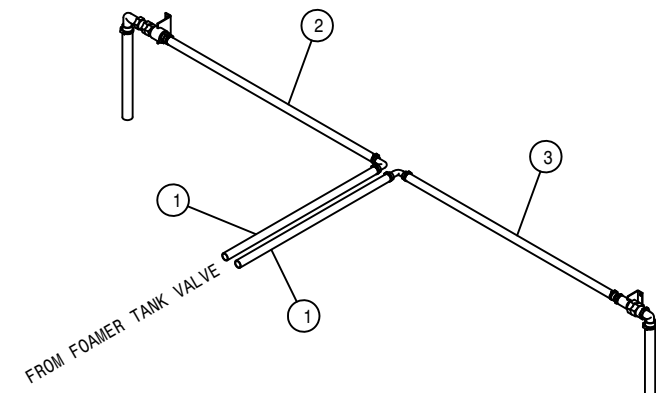
DET. QTY PART NO. DESCRIPTION

|   |   |        |                                     |
|---|---|--------|-------------------------------------|
| 1 | 2 | 195908 | HOSE, 3/4ID-1/8W CLEAR VINYL X 206" |
| 2 | 1 | 195908 | HOSE, 3/4ID-1/8W CLEAR VINYL X 600" |
| 3 | 1 | 195908 | HOSE, 3/4ID-1/8W CLEAR VINYL X 436" |

80' FOAMER HOISING

DET. QTY PART NO. DESCRIPTION

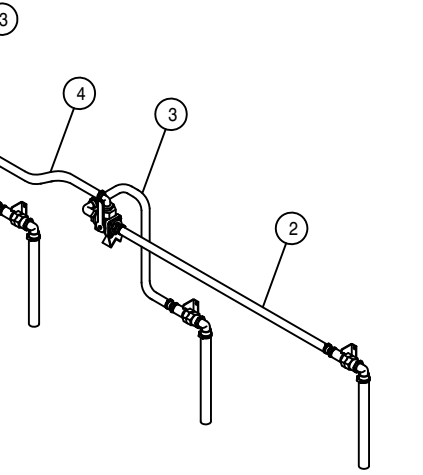
|   |   |        |                                     |
|---|---|--------|-------------------------------------|
| 1 | 2 | 195908 | HOSE, 3/4ID-1/8W CLEAR VINYL X 206" |
| 2 | 2 | 195908 | HOSE, 3/4ID-1/8W CLEAR VINYL X 144" |
| 3 | 2 | 195908 | HOSE, 3/4ID-1/8W CLEAR VINYL X 24"  |
| 4 | 1 | 195908 | HOSE, 3/4ID-1/8W CLEAR VINYL X 584" |
| 5 | 1 | 195908 | HOSE, 3/4ID-1/8W CLEAR VINYL X 420" |



90' FOAMER HOISING

DET. QTY PART NO. DESCRIPTION

|   |   |        |                                     |
|---|---|--------|-------------------------------------|
| 1 | 2 | 195908 | HOSE, 3/4ID-1/8W CLEAR VINYL X 206" |
| 2 | 2 | 195908 | HOSE, 3/4ID-1/8W CLEAR VINYL X 77"  |
| 3 | 4 | 195908 | HOSE, 3/4ID-1/8W CLEAR VINYL X 24"  |
| 4 | 2 | 195908 | HOSE, 3/4ID-1/8W CLEAR VINYL X 128" |
| 5 | 1 | 195908 | HOSE, 3/4ID-1/8W CLEAR VINYL X 420" |
| 6 | 1 | 195908 | HOSE, 3/4ID-1/8W CLEAR VINYL X 584" |



80

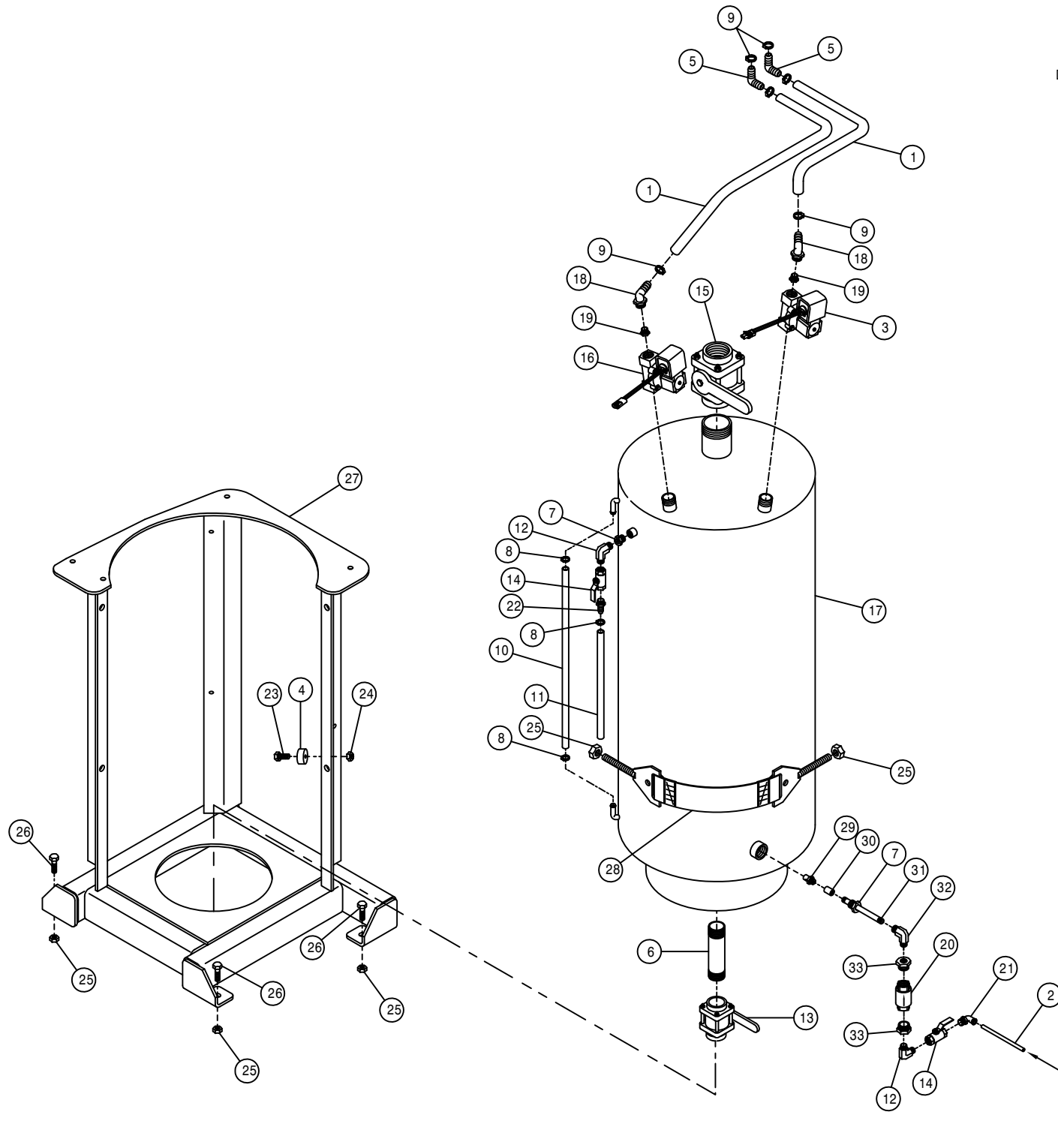
229080

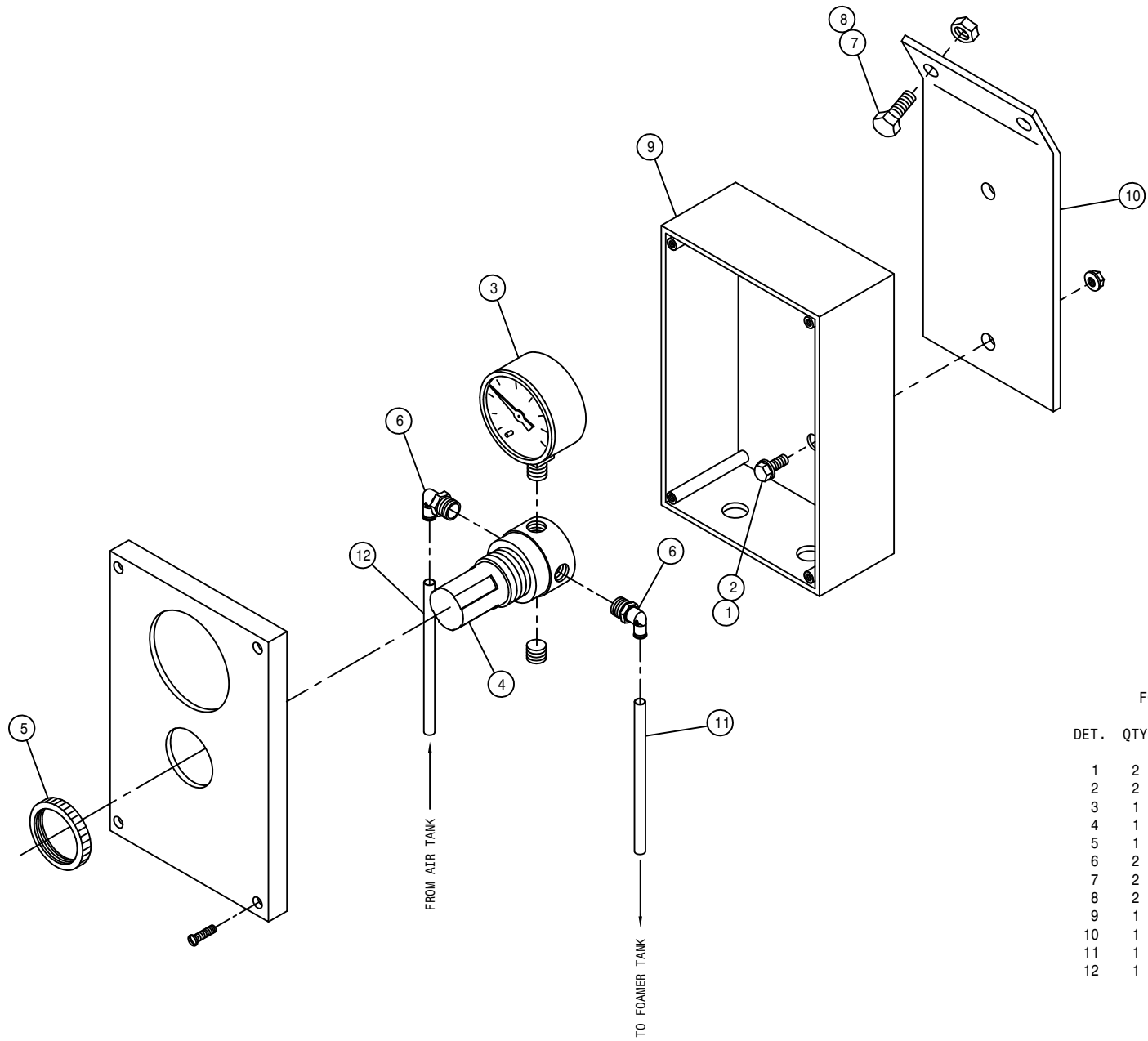


FOAMER TANK ASSEMBLY

DET. QTY PART NO. DESCRIPTION

| DET. | QTY | PART NO. | DESCRIPTION                           |
|------|-----|----------|---------------------------------------|
| 1    | 2   | 195908   | HOSE, 3/4ID-1/8W CLEAR VINYL X 206.00 |
| 2    | 1   | 601481   | HOSE, 3/8 X 68 AIR                    |
| 3    | 1   | 701173   | LH FOAMER VLV ASSY                    |
| 4    | 6   | 470294   | RUBBER BUMPER, RECESS, .63H-1.5D      |
| 5    | 2   | 500069   | 3/4-90-3/4 HOSE BARB, POLY            |
| 6    | 1   | 505205   | BLK PIPE NIPPLE 1.00NPT-5.00          |
| 7    | 2   | 505211   | 3/8-1/4NPT REDU BUSH, BRS             |
| 8    | 3   | 520120   | HOSE CLAMP NO 4 STAINLESS             |
| 9    | 6   | 520055   | HOSE CLAMP NO 12 STAINLESS            |
| 10   | 1   | 601419   | HOSE, 3/8 X 30 CLEAR VINYL            |
| 11   | 1   | 601420   | HOSE, 3/8 X 48 CLEAR VINYL            |
| 12   | 2   | 618571   | 1/4MNPT-90-1/4MNPT LBO                |
| 13   | 1   | 695900   | BALL VALVE 1IN FNPT POLY              |
| 14   | 2   | 696120   | BALL VALVE, 1/4NPT, STEEL             |
| 15   | 1   | 696134   | BALL VALVE 2IN FNPT POLY              |
| 16   | 1   | 701172   | RH FOAMER VLV ASSY                    |
| 17   | 1   | 701112   | FOAM MARKER TANK, 36 GAL SS           |
| 18   | 2   | 701150   | 3/4NPT-90-3/4HBARB, TAPPED, POLY      |
| 19   | 2   | 701151   | 3/8PIPE PLUG, .187 ORIFICE, POLY      |
| 20   | 1   | 711050   | 3/4"FNPT CHECK VALVE S.S.             |
| 21   | 1   | 711043   | 1/4MNPT-3/8 NYL TUBE SNGL LBO         |
| 22   | 1   | 783304   | 1/4 NPT X 3/8 HOSE BARB, BRS          |
| 23   | 6   | 900064   | 5/16UNC X 3/4 HEX BOLT                |
| 24   | 6   | 914002   | 5/16UNC HEX STOVER NUT                |
| 25   | 7   | 914008   | 1/2UNC HEX STOVER NUT                 |
| 26   | 3   | 900264   | 1/2UNC X 1 1/4 HEX BOLT               |
| 27   | 1   | 701158   | FOAMER TANK MT WLD STS12 2000         |
| 28   | 2   | 701170   | FOAMER TANK STRAP ASSY                |
| 29   | 1   | 701144   | FOAMER AIR NOZZLE                     |
| 30   | 1   | 500202   | SS PIPE CPLG, 1/8NPT .563 OD          |
| 31   | 1   | 507021   | SS PIPE NIPPLE, 1/8NPT X 6"           |
| 32   | 1   | 701143   | FOAMER AIR TUBE FTG                   |
| 33   | 2   | 507724   | REDU BUSH 3/4MNPT X 1/4FNPT, SS       |





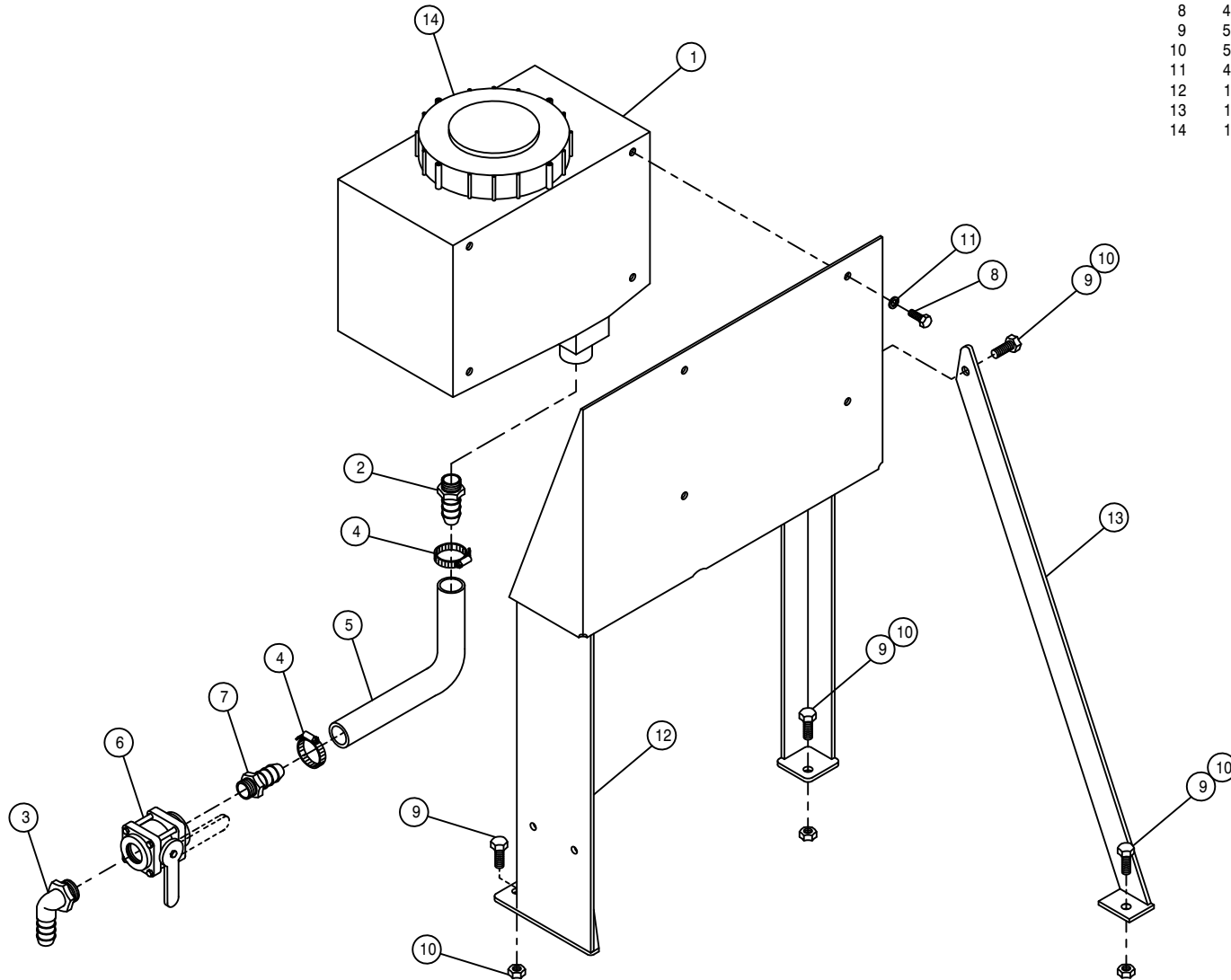
FOAMER AIR REGULATOR ASSEMBLY

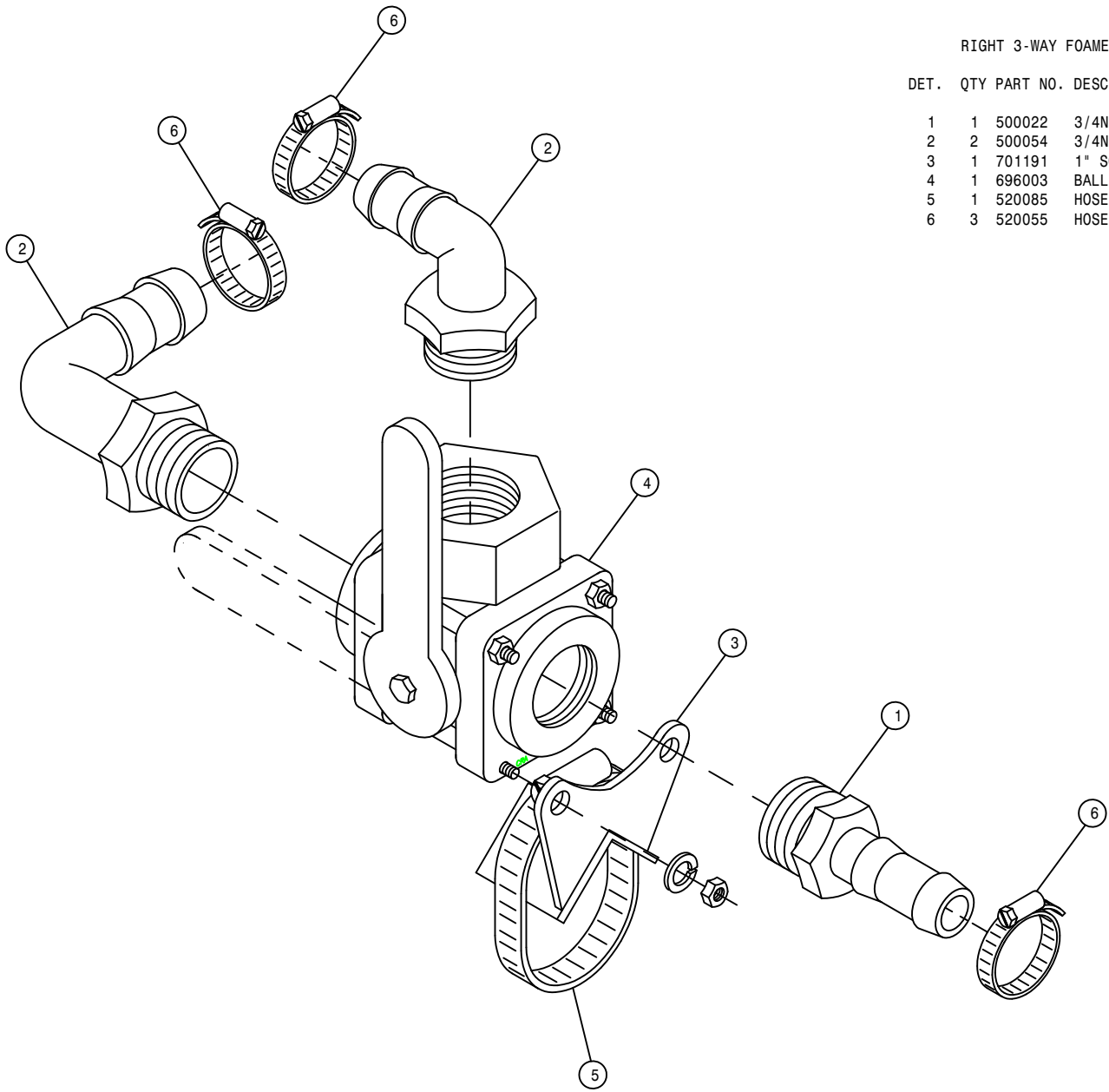
| DET. | QTY | PART NO. | DESCRIPTION                   |                                |
|------|-----|----------|-------------------------------|--------------------------------|
|      | 1   | 2        | 470113                        | 5/16UNC HEX FLANGE LOCK NUT    |
|      | 2   | 470232   | 5/16UNC X 1/2 FLANGE HEX BOLT |                                |
|      | 3   | 1        | 701310                        | AIR PRESS GAUGE, 1/8"BOT       |
|      | 4   | 1        | 711019                        | 1/4"MNPT AIR REGULATOR         |
|      | 5   | 1        | 711021                        | 1 1/4-18 NUT,AIR REGULATOR MT  |
|      | 6   | 2        | 711043                        | 1/4MNPT-3/8 NYL TUBE SNGL LBO  |
|      | 7   | 2        | 900064                        | 5/16UNC X 3/4 HEX BOLT         |
|      | 8   | 2        | 914002                        | 5/16UNC HEX STOVER NUT         |
|      | 9   | 1        | 701184                        | FOAMER AIR REG MT BOX, STS12   |
|      | 10  | 1        | 701183                        | FOAMER AIR REG MT BOX MT,STS12 |
|      | 11  | 1        | 601481                        | HOSE, 3/8 X 68 AIR             |
|      | 12  | 1        | 601482                        | HOSE, 3/8 X 80 AIR             |

FRESH WATER TANK ASSEMBLY

DET. QTY PART NO. DESCRIPTION

|    |   |        |                               |
|----|---|--------|-------------------------------|
| 1  | 1 | 470318 | RINSE TANK, 3 GAL SQ SAFETY   |
| 2  | 1 | 500019 | 3/4NPT-1/2HOSE BARB, POLY     |
| 3  | 1 | 500047 | 1/2NPT-90-1/2 HOSE BARB, POLY |
| 4  | 2 | 520070 | HOSE CLAMP NO 8 STAINLESS     |
| 5  | 1 | 601489 | HOSE, 1/2 X 72 CLEAR VINYL    |
| 6  | 1 | 696082 | BALL VALVE 1/2FNPT POLY       |
| 7  | 1 | 713340 | 1/2NPT-1/2 HOSE BARB, POLY    |
| 8  | 4 | 900064 | 5/16UNC X 3/4 HEX BOLT        |
| 9  | 5 | 900129 | 3/8UNC X 1" HEX BOLT          |
| 10 | 5 | 914004 | 3/8UNC HEX STOVER NUT         |
| 11 | 4 | 920501 | 5/16 LOCK WASHER              |
| 12 | 1 | 701174 | FRESH WATER TANK MT WLD       |
| 13 | 1 | 701180 | FRESH WATER TANK BRACE WLD    |
| 14 | 1 | 470337 | 6" LID FOR 3 GAL TANK 470318  |





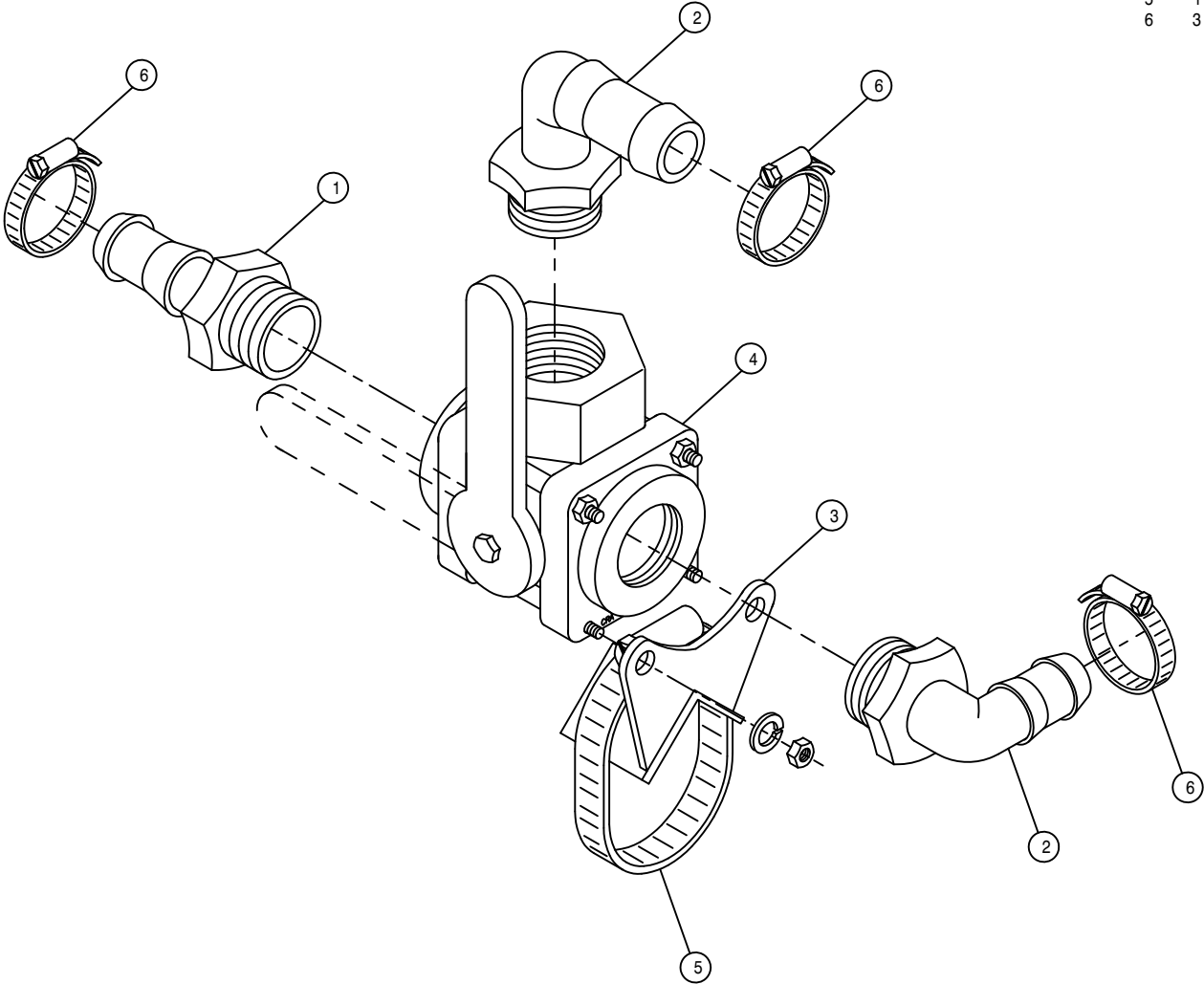
RIGHT 3-WAY FOAMER VALVE ASSEMBLY

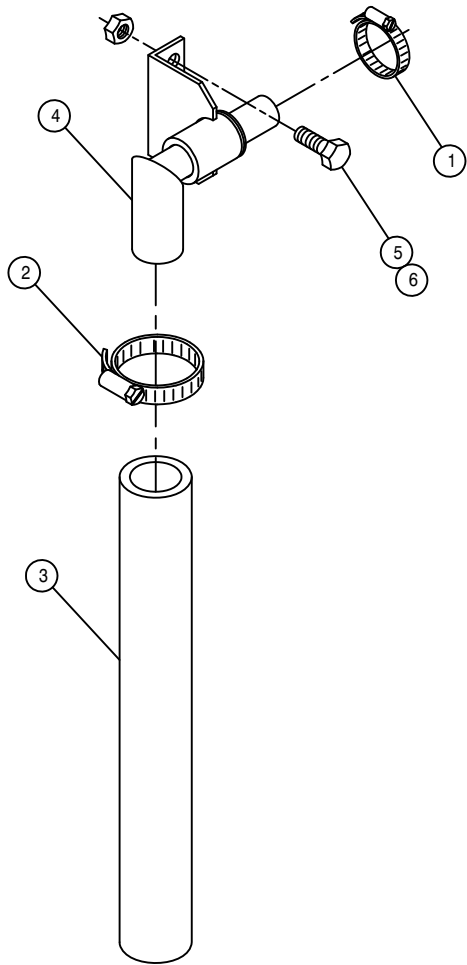
| DET. | QTY | PART NO. | DESCRIPTION                    |
|------|-----|----------|--------------------------------|
|      | 1   | 500022   | 3/4NPT-3/4HOSE BARB, POLY      |
|      | 2   | 500054   | 3/4NPT-90-3/4 HOSE BARB, POLY  |
|      | 3   | 701191   | 1" SOLU VLV MT WLD             |
|      | 4   | 696003   | BALL VLV,3/4NPT 3WAY-SIDE POLY |
|      | 5   | 520085   | HOSE CLAMP NO 24 STAINLESS     |
|      | 6   | 520055   | HOSE CLAMP NO 12 STAINLESS     |

LEFT 3-WAY FOAMER VALVE ASSEMBLY

DET. QTY PART NO. DESCRIPTION

|   |   |        |                                |
|---|---|--------|--------------------------------|
| 1 | 1 | 500022 | 3/4NPT-3/4HOSE BARB, POLY      |
| 2 | 2 | 500054 | 3/4NPT-90-3/4 HOSE BARB, POLY  |
| 3 | 1 | 701191 | 1" SOLU VLV MT WLD             |
| 4 | 1 | 696003 | BALL VLV,3/4NPT 3WAY-SIDE POLY |
| 5 | 1 | 520085 | HOSE CLAMP NO 24 STAINLESS     |
| 6 | 3 | 520055 | HOSE CLAMP NO 12 STAINLESS     |





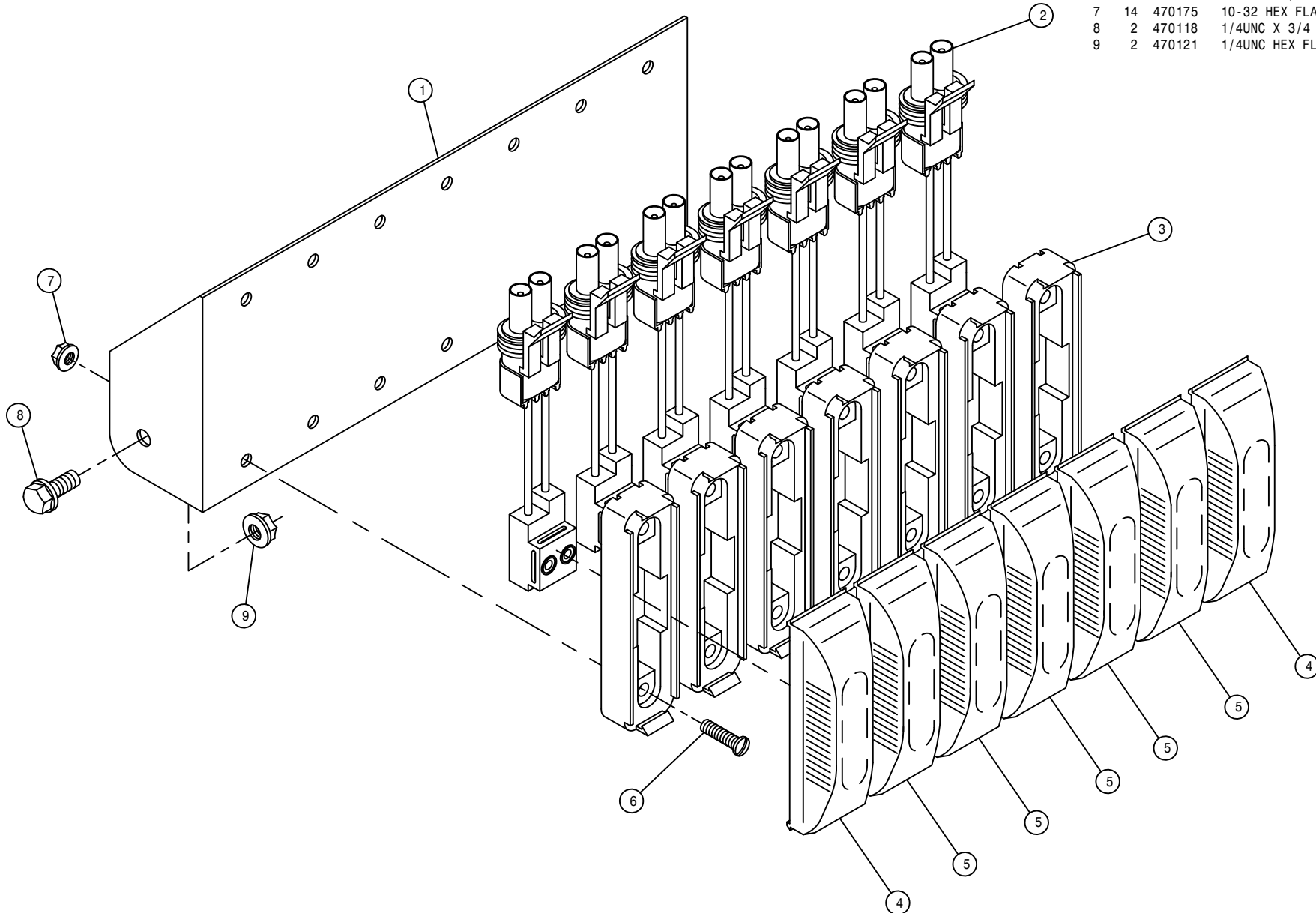
FOAMER DROP HOSE ASSEMBLY

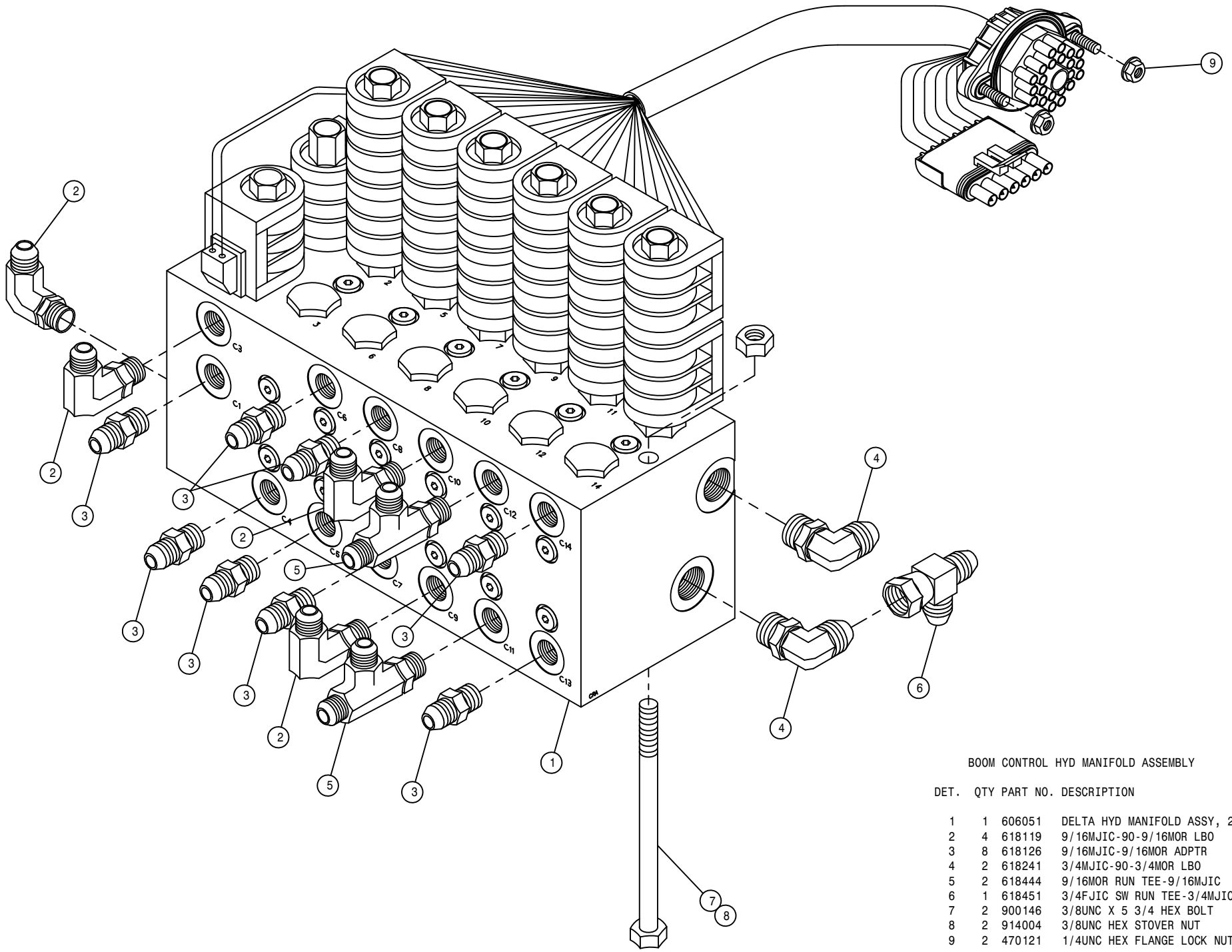
| DET. | QTY | PART NO. | DESCRIPTION                   |
|------|-----|----------|-------------------------------|
| 1    | 1   | 520055   | HOSE CLAMP NO 12 STAINLESS    |
| 2    | 1   | 520085   | HOSE CLAMP NO 24 STAINLESS    |
| 3    | 1   | 601367   | HOSE, 1 1/4 X 24 2BR BLK EPDM |
| 4    | 1   | 701194   | FOAMER DROP HOSE SWIVEL WLD   |
| 5    | 2   | 900129   | 3/8UNC X 1" HEX BOLT          |
| 6    | 2   | 914004   | 3/8UNC HEX STOVER NUT         |

BOOM INDICATOR LIGHT ASSEMBLY

DET. QTY PART NO. DESCRIPTION

|   |    |        |                                |
|---|----|--------|--------------------------------|
| 1 | 1  | 164503 | BOOM INDICATOR LIGHT MT        |
| 2 | 7  | 293516 | 2-WIRE PIGTAIL ASSY            |
| 3 | 7  | 291713 | MTG BRKT FOR 291710/291711     |
| 4 | 2  | 291711 | YELLOW LAMP, 3 3/8" OVAL 12.8V |
| 5 | 5  | 291710 | RED LAMP, 3 3/8" OVAL 12.8V    |
| 6 | 14 | 903889 | 10-32 X 3/4 SLT RDHD MACH SCR  |
| 7 | 14 | 470175 | 10-32 HEX FLANGE LOCK NUT      |
| 8 | 2  | 470118 | 1/4UNC X 3/4 FLANGE HEX BOLT   |
| 9 | 2  | 470121 | 1/4UNC HEX FLANGE LOCK NUT     |

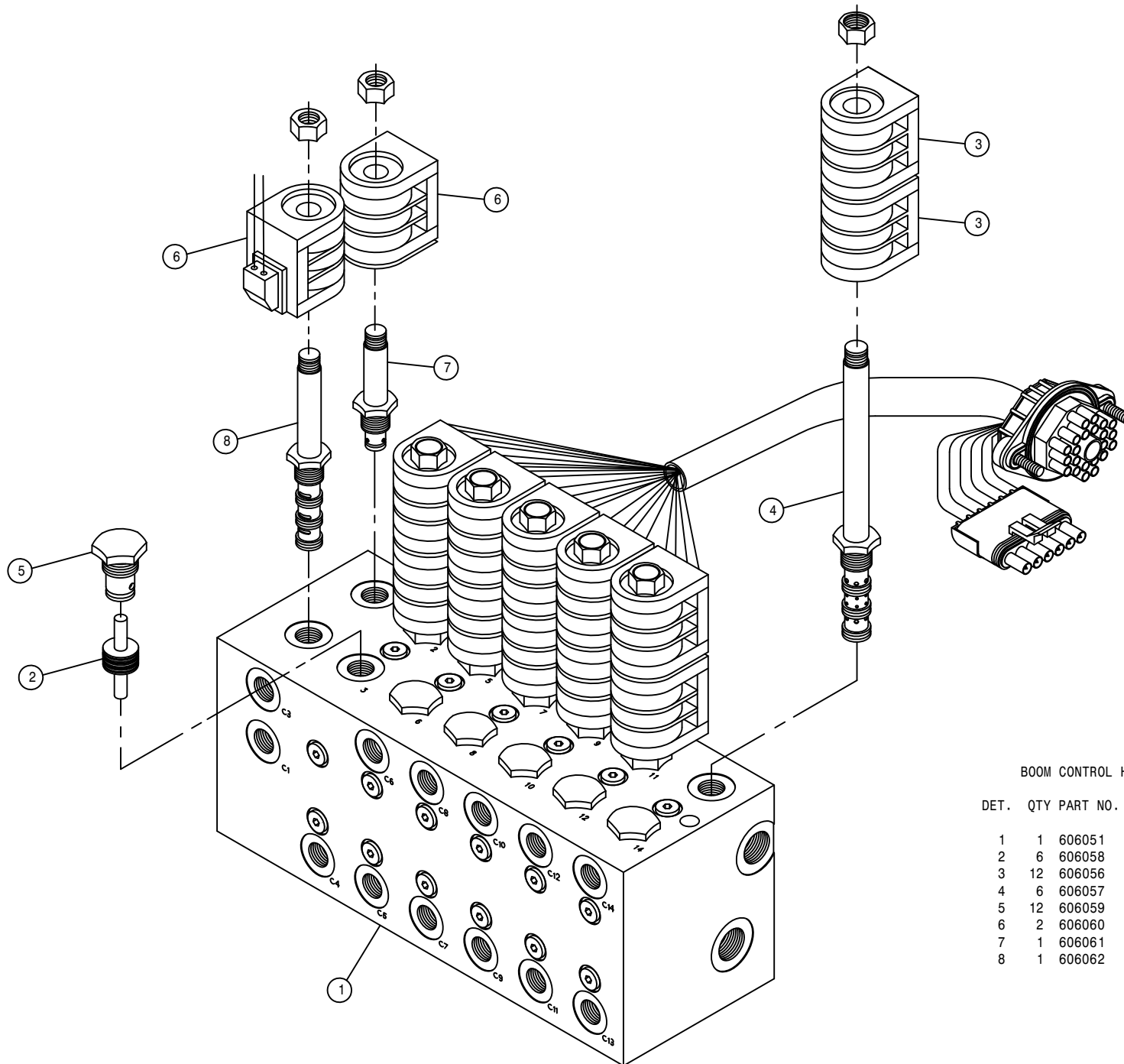




BOOM CONTROL HYD MANIFOLD ASSEMBLY

| DET. | QTY | PART NO. | DESCRIPTION                   |
|------|-----|----------|-------------------------------|
| 1    | 1   | 606051   | DELTA HYD MANIFOLD ASSY, 2703 |
| 2    | 4   | 618119   | 9/16MJIC-90-9/16MOR LBO       |
| 3    | 8   | 618126   | 9/16MJIC-9/16MOR ADPTR        |
| 4    | 2   | 618241   | 3/4MJIC-90-3/4MOR LBO         |
| 5    | 2   | 618444   | 9/16MOR RUN TEE-9/16MJIC      |
| 6    | 1   | 618451   | 3/4FJIC SW RUN TEE-3/4MJIC    |
| 7    | 2   | 900146   | 3/8UNC X 5 3/4 HEX BOLT       |
| 8    | 2   | 914004   | 3/8UNC HEX STOVER NUT         |
| 9    | 2   | 470121   | 1/4UNC HEX FLANGE LOCK NUT    |





## BOOM CONTROL HYD MANIFOLD ASSEMBLY

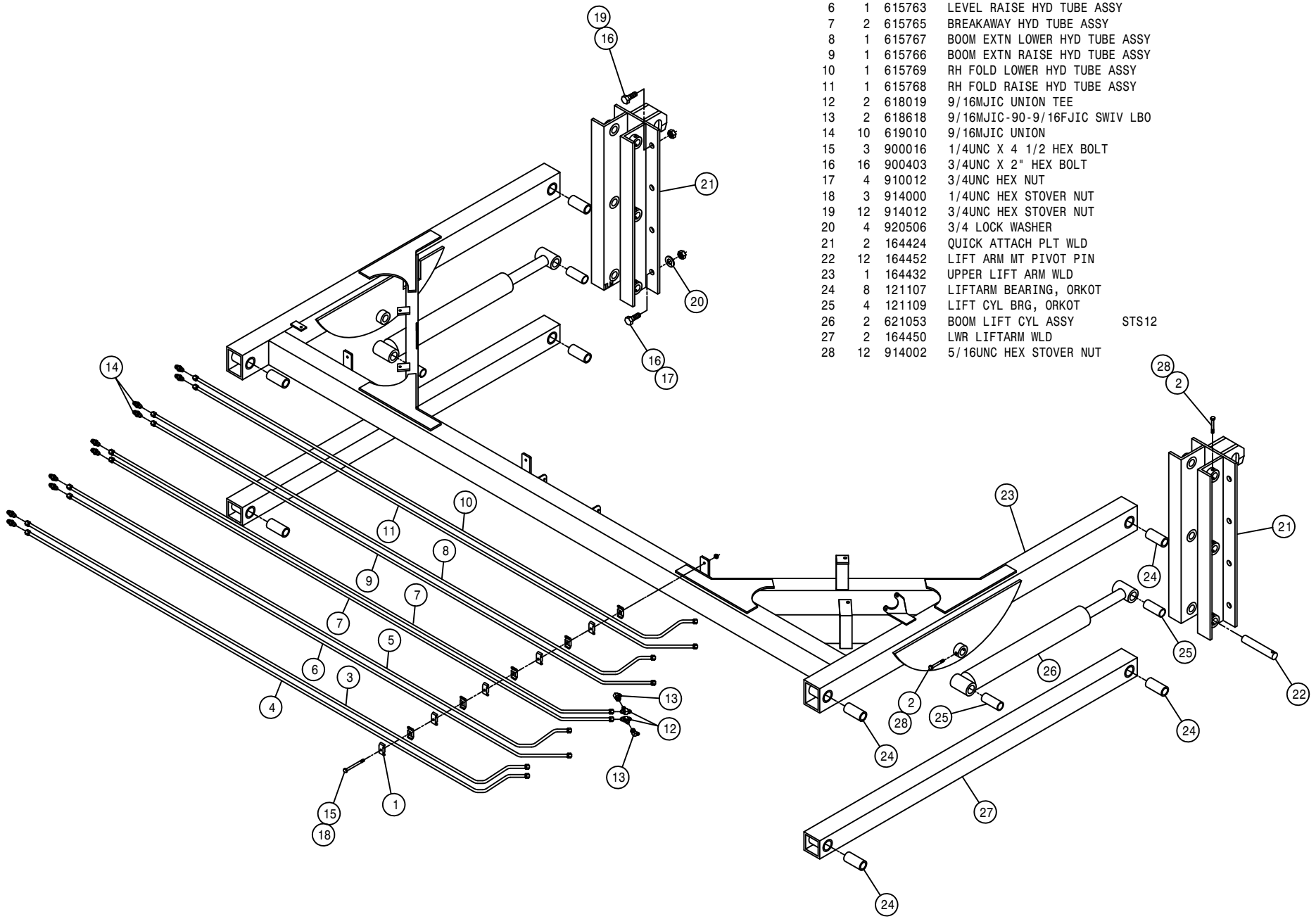
DET. QTY PART NO. DESCRIPTION

|   |    |        |                                |
|---|----|--------|--------------------------------|
| 1 | 1  | 606051 | DELTA HYD MANIFOLD ASSY, 2703  |
| 2 | 6  | 606058 | PISTON ASSY FOR 606050         |
| 3 | 12 | 606056 | COIL(63900502) FOR 606050/051  |
| 4 | 6  | 606057 | SOLE VLV(DGS4M00)FOR 606050/51 |
| 5 | 12 | 606059 | CHECK VALVE FOR 606050         |
| 6 | 2  | 606060 | COIL(80028) FOR 606051         |
| 7 | 1  | 606061 | SOLE VLV(DES2C00) FOR 606051   |
| 8 | 1  | 606062 | SOLE VLV(DGS4B00) FOR 606051   |

LIFTARM ASSEMBLY

| DET. | QTY | PART NO. | DESCRIPTION                   |
|------|-----|----------|-------------------------------|
| 1    | 15  | 470287   | TUBE CLAMP, .375-.375 (PAIR)  |
| 2    | 12  | 900086   | 5/16UNC X 2 1/4 HEX BOLT      |
| 3    | 1   | 615761   | LIFT RAISE HYD TUBE ASSY      |
| 4    | 1   | 615762   | LIFT LOWER HYD TUBE ASSY      |
| 5    | 1   | 615764   | LEVEL LOWER HYD TUBE ASSY     |
| 6    | 1   | 615763   | LEVEL RAISE HYD TUBE ASSY     |
| 7    | 2   | 615765   | BREAKAWAY HYD TUBE ASSY       |
| 8    | 1   | 615767   | BOOM EXTN LOWER HYD TUBE ASSY |
| 9    | 1   | 615766   | BOOM EXTN RAISE HYD TUBE ASSY |
| 10   | 1   | 615769   | RH FOLD LOWER HYD TUBE ASSY   |
| 11   | 1   | 615768   | RH FOLD RAISE HYD TUBE ASSY   |
| 12   | 2   | 618019   | 9/16MJIC UNION TEE            |
| 13   | 2   | 618618   | 9/16MJIC-90-9/16FJIC SWIV LBO |
| 14   | 10  | 619010   | 9/16MJIC UNION                |
| 15   | 3   | 900016   | 1/4UNC X 4 1/2 HEX BOLT       |
| 16   | 16  | 900403   | 3/4UNC X 2" HEX BOLT          |
| 17   | 4   | 910012   | 3/4UNC HEX NUT                |
| 18   | 3   | 914000   | 1/4UNC HEX STOVER NUT         |
| 19   | 12  | 914012   | 3/4UNC HEX STOVER NUT         |
| 20   | 4   | 920506   | 3/4 LOCK WASHER               |
| 21   | 2   | 164424   | QUICK ATTACH PLT WLD          |
| 22   | 12  | 164452   | LIFT ARM MT PIVOT PIN         |
| 23   | 1   | 164432   | UPPER LIFT ARM WLD            |
| 24   | 8   | 121107   | LIFTARM BEARING, ORKOT        |
| 25   | 4   | 121109   | LIFT CYL BRG, ORKOT           |
| 26   | 2   | 621053   | BOOM LIFT CYL ASSY            |
| 27   | 2   | 164450   | LWR LIFTARM WLD               |
| 28   | 12  | 914002   | 5/16UNC HEX STOVER NUT        |

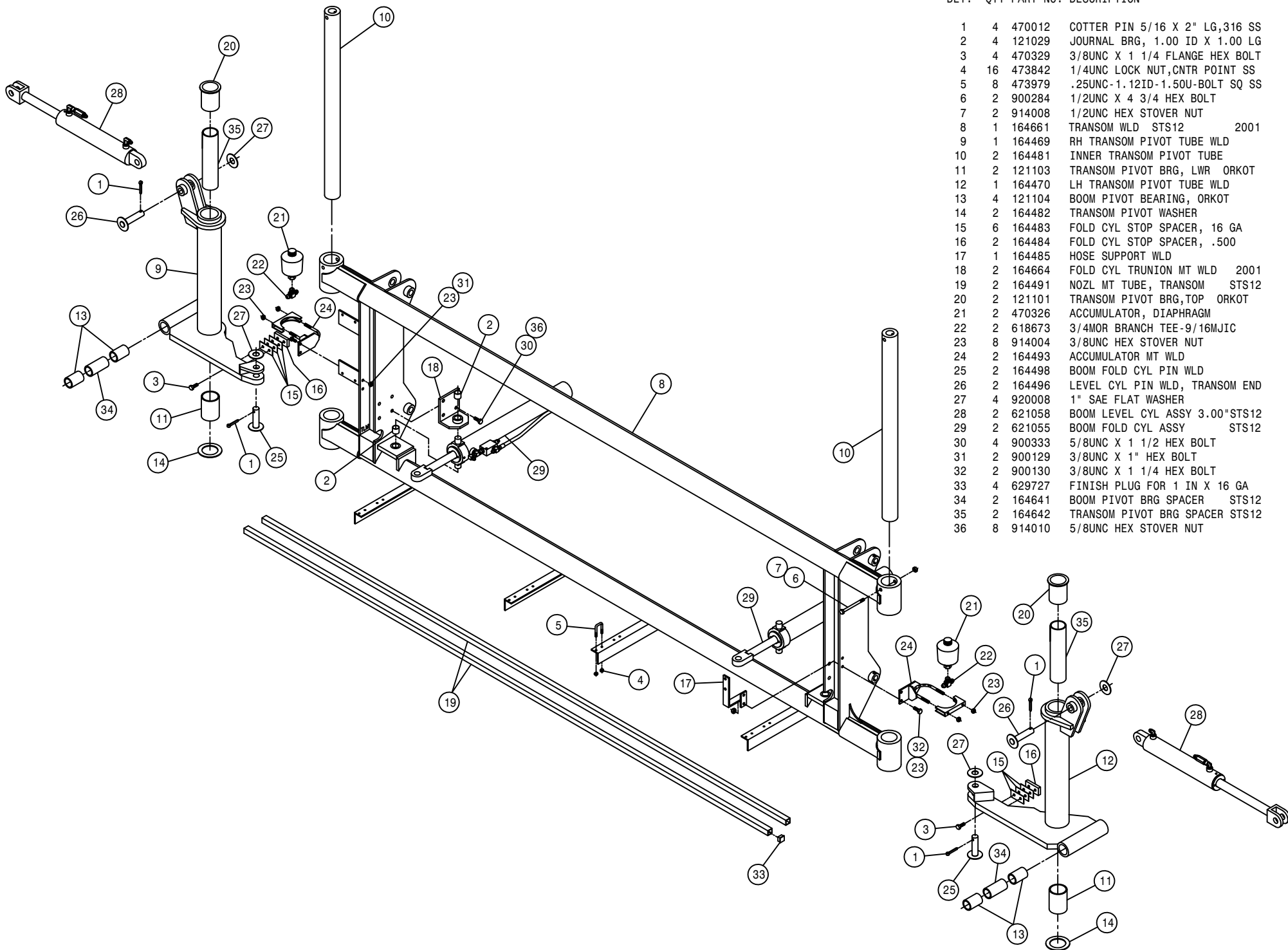
STS12

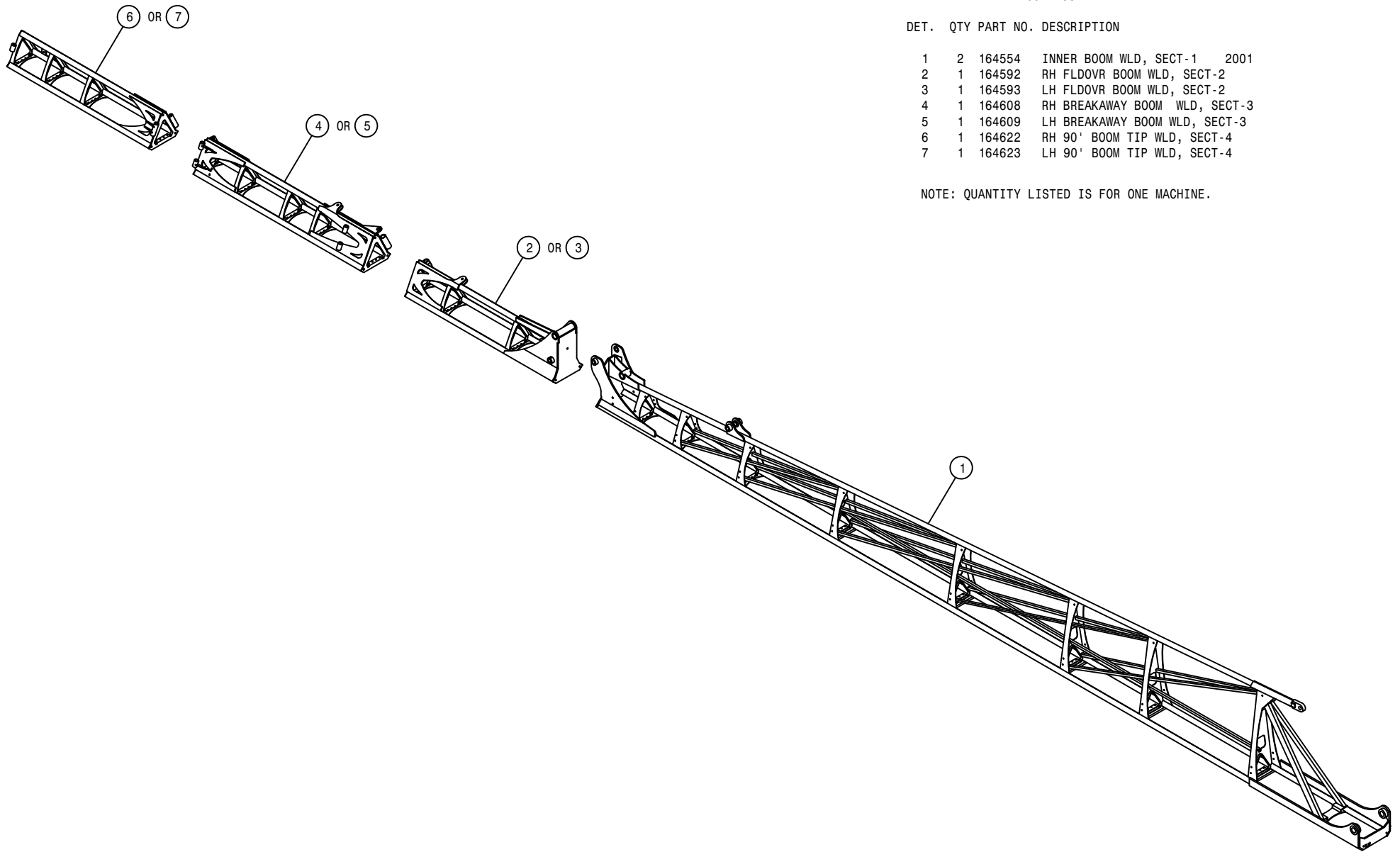


TRANSOM ASSEMBLY

DET. QTY PART NO. DESCRIPTION

| DET. | QTY | PART NO. | DESCRIPTION                    |
|------|-----|----------|--------------------------------|
| 1    | 4   | 470012   | COTTER PIN 5/16 X 2" LG,316 SS |
| 2    | 4   | 121029   | JOURNAL BRG, 1.00 ID X 1.00 LG |
| 3    | 4   | 470329   | 3/8UNC X 1 1/4 FLANGE HEX BOLT |
| 4    | 16  | 473842   | 1/4UNC LOCK NUT,CNTR POINT SS  |
| 5    | 8   | 473979   | .25UNC-1.12ID-1.50U-BOLT SQ SS |
| 6    | 2   | 900284   | 1/2UNC X 4 3/4 HEX BOLT        |
| 7    | 2   | 914008   | 1/2UNC HEX STOVER NUT          |
| 8    | 1   | 164661   | TRANSOM WLD STS12 2001         |
| 9    | 1   | 164469   | RH TRANSOM PIVOT TUBE WLD      |
| 10   | 2   | 164481   | INNER TRANSOM PIVOT TUBE       |
| 11   | 2   | 121103   | TRANSOM PIVOT BRG, LWR ORKOT   |
| 12   | 1   | 164470   | LH TRANSOM PIVOT TUBE WLD      |
| 13   | 4   | 121104   | BOOM PIVOT BEARING, ORKOT      |
| 14   | 2   | 164482   | TRANSOM PIVOT WASHER           |
| 15   | 6   | 164483   | FOLD CYL STOP SPACER, 16 GA    |
| 16   | 2   | 164484   | FOLD CYL STOP SPACER, .500     |
| 17   | 1   | 164485   | HOSE SUPPORT WLD               |
| 18   | 2   | 164664   | FOLD CYL TRUNION MT WLD 2001   |
| 19   | 2   | 164491   | NOZL MT TUBE, TRANSOM STS12    |
| 20   | 2   | 121101   | TRANSOM PIVOT BRG,TOP ORKOT    |
| 21   | 2   | 470326   | ACCUMULATOR, DIAPHRAGM         |
| 22   | 2   | 618673   | 3/4MOR BRANCH TEE-9/16MJIC     |
| 23   | 8   | 914004   | 3/8UNC HEX STOVER NUT          |
| 24   | 2   | 164493   | ACCUMULATOR MT WLD             |
| 25   | 2   | 164498   | BOOM FOLD CYL PIN WLD          |
| 26   | 2   | 164496   | LEVEL CYL PIN WLD, TRANSOM END |
| 27   | 4   | 920008   | 1" SAE FLAT WASHER             |
| 28   | 2   | 621058   | BOOM LEVEL CYL ASSY 3.00"STS12 |
| 29   | 2   | 621055   | BOOM FOLD CYL ASSY STS12       |
| 30   | 4   | 900333   | 5/8UNC X 1 1/2 HEX BOLT        |
| 31   | 2   | 900129   | 3/8UNC X 1" HEX BOLT           |
| 32   | 2   | 900130   | 3/8UNC X 1 1/4 HEX BOLT        |
| 33   | 4   | 629727   | FINISH PLUG FOR 1 IN X 16 GA   |
| 34   | 2   | 164641   | BOOM PIVOT BRG SPACER STS12    |
| 35   | 2   | 164642   | TRANSOM PIVOT BRG SPACER STS12 |
| 36   | 8   | 914010   | 5/8UNC HEX STOVER NUT          |





BOOM ASSEMBLY

DET. QTY PART NO. DESCRIPTION

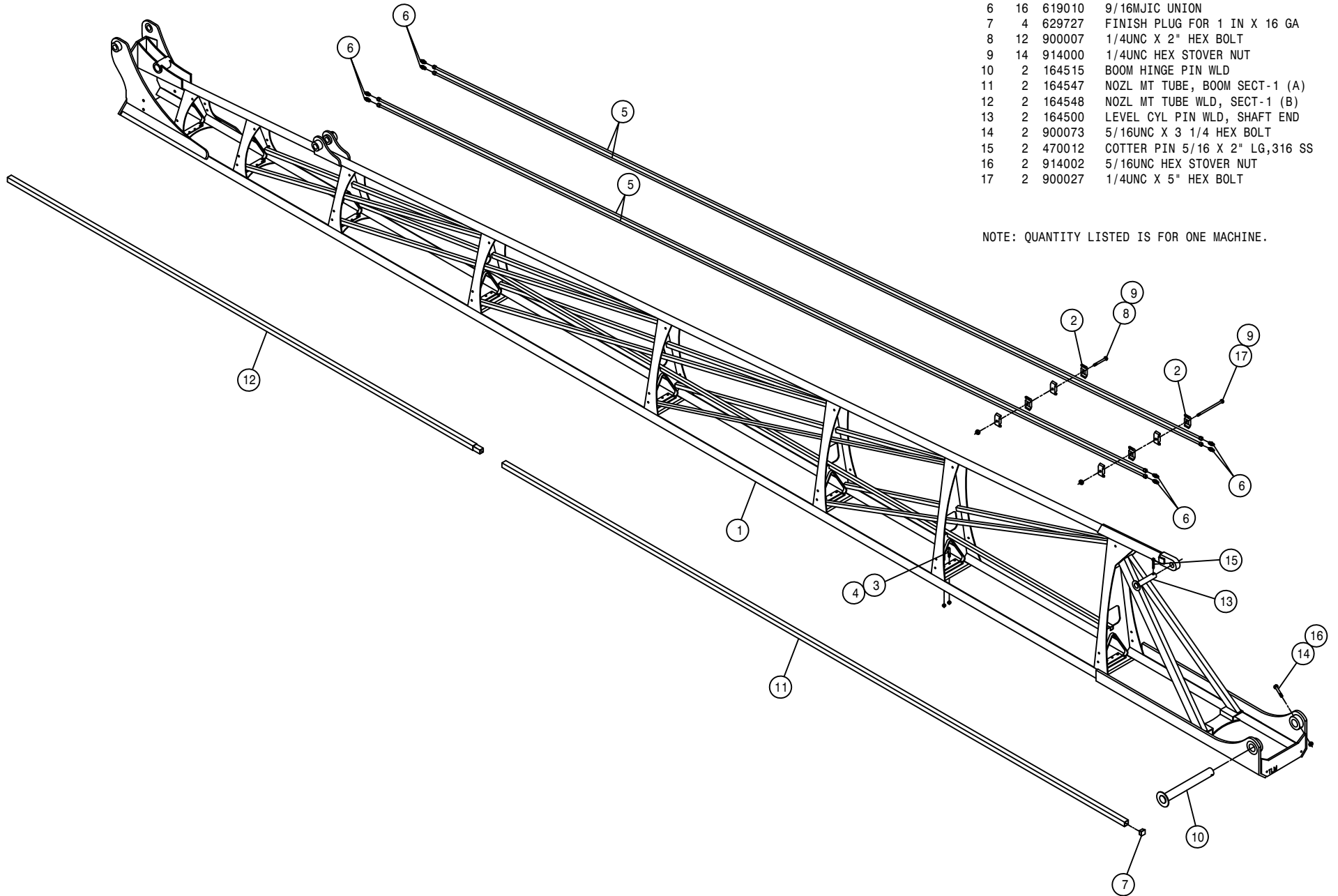
|   |   |        |                               |      |
|---|---|--------|-------------------------------|------|
| 1 | 2 | 164554 | INNER BOOM WLD, SECT-1        | 2001 |
| 2 | 1 | 164592 | RH FLDOVR BOOM WLD, SECT-2    |      |
| 3 | 1 | 164593 | LH FLDOVR BOOM WLD, SECT-2    |      |
| 4 | 1 | 164608 | RH BREAKAWAY BOOM WLD, SECT-3 |      |
| 5 | 1 | 164609 | LH BREAKAWAY BOOM WLD, SECT-3 |      |
| 6 | 1 | 164622 | RH 90' BOOM TIP WLD, SECT-4   |      |
| 7 | 1 | 164623 | LH 90' BOOM TIP WLD, SECT-4   |      |

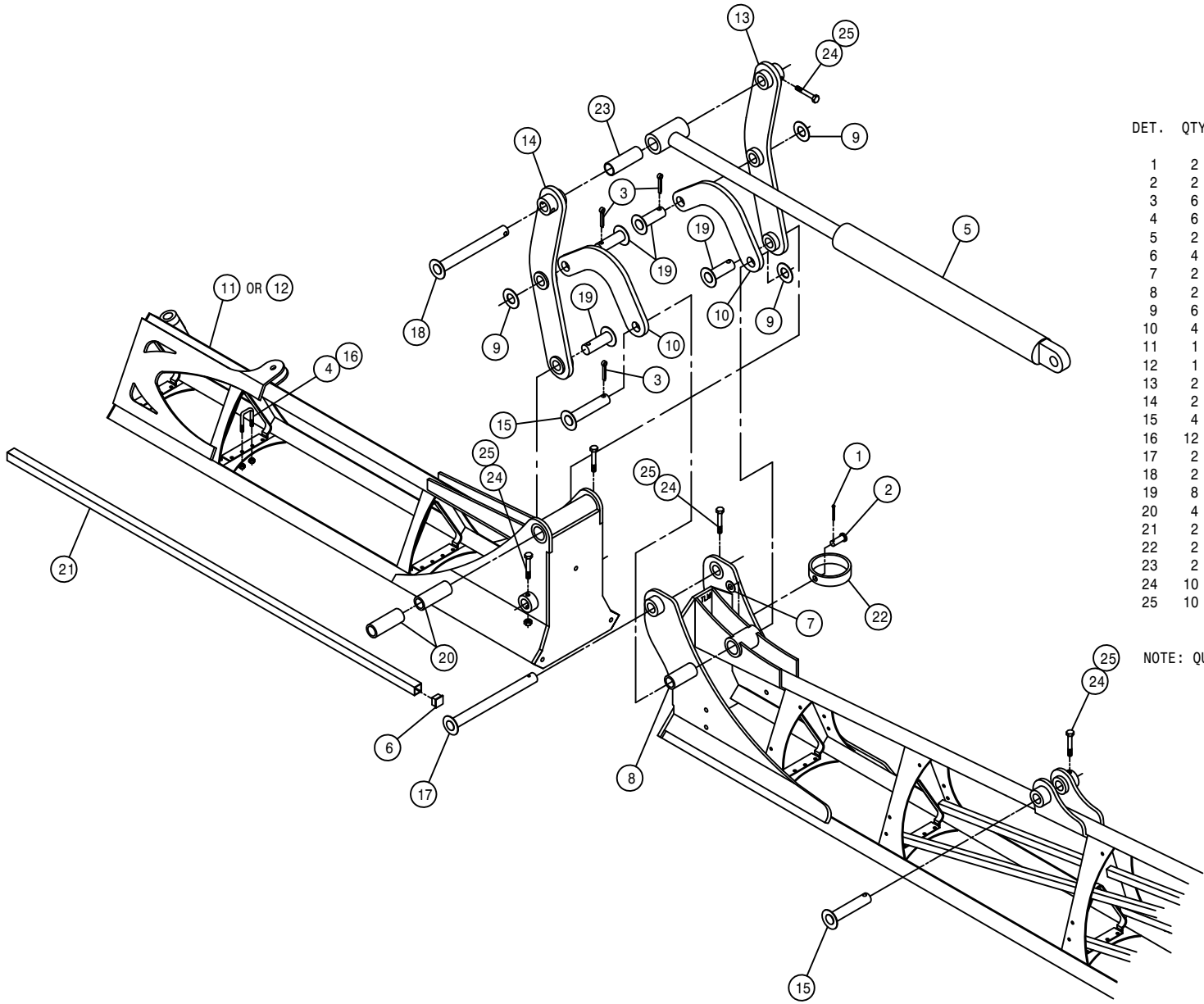
NOTE: QUANTITY LISTED IS FOR ONE MACHINE.

INNER BOOM ASSEMBLY

| DET. | QTY | PART NO. | DESCRIPTION                    |
|------|-----|----------|--------------------------------|
| 1    | 2   | 164554   | INNER BOOM WLD, SECT-1 2001    |
| 2    | 28  | 470287   | TUBE CLAMP, .375-.375 (PAIR)   |
| 3    | 36  | 473842   | 1/4UNC LOCK NUT,CNTR POINT SS  |
| 4    | 18  | 473979   | .25UNC-1.12ID-1.50U-BOLT SQ SS |
| 5    | 8   | 615760   | BOOM HYD TUBE ASSY             |
| 6    | 16  | 619010   | 9/16MJIC UNION                 |
| 7    | 4   | 629727   | FINISH PLUG FOR 1 IN X 16 GA   |
| 8    | 12  | 900007   | 1/4UNC X 2" HEX BOLT           |
| 9    | 14  | 914000   | 1/4UNC HEX STOVER NUT          |
| 10   | 2   | 164515   | BOOM HINGE PIN WLD             |
| 11   | 2   | 164547   | NOZL MT TUBE, BOOM SECT-1 (A)  |
| 12   | 2   | 164548   | NOZL MT TUBE WLD, SECT-1 (B)   |
| 13   | 2   | 164500   | LEVEL CYL PIN WLD, SHAFT END   |
| 14   | 2   | 900073   | 5/16UNC X 3 1/4 HEX BOLT       |
| 15   | 2   | 470012   | COTTER PIN 5/16 X 2" LG,316 SS |
| 16   | 2   | 914002   | 5/16UNC HEX STOVER NUT         |
| 17   | 2   | 900027   | 1/4UNC X 5" HEX BOLT           |

NOTE: QUANTITY LISTED IS FOR ONE MACHINE.





80'-90' BOOM HINGE ASSEMBLY

| DET. | QTY | PART NO. | DESCRIPTION                    |
|------|-----|----------|--------------------------------|
| 1    | 2   | 390984   | COTTER PIN 1/8 X 1 1/4         |
| 2    | 2   | 472277   | CLEVIS PIN, .50 X 1.25LG PLT   |
| 3    | 6   | 470012   | COTTER PIN 5/16 X 2" LG,316 SS |
| 4    | 6   | 473979   | .25UNC-1.12ID-1.50U-BOLT SQ SS |
| 5    | 2   | 621056   | OUTR BOOM FOLD CYL ASSY STS12  |
| 6    | 4   | 629727   | FINISH PLUG FOR 1 IN X 16 GA   |
| 7    | 2   | 920004   | 1/2 SAE FLAT WASHER            |
| 8    | 2   | 121107   | LIFTARM BEARING, ORKOT         |
| 9    | 6   | 920008   | 1" SAE FLAT WASHER             |
| 10   | 4   | 164643   | XK402 TOP ARM(LEFT) 10.35 CNTR |
| 11   | 1   | 164592   | RH FLDOVR BOOM WLD, SECT-2     |
| 12   | 1   | 164593   | LH FLDOVR BOOM WLD, SECT-2     |
| 13   | 2   | 164528   | RH FOLD-OVER BOOMERANG WLD     |
| 14   | 2   | 164529   | LH FOLD-OVER BOOMERANG WLD     |
| 15   | 4   | 164522   | BOOM FOLD CYL PIN WLD          |
| 16   | 12  | 473842   | 1/4UNC LOCK NUT,CNTR POINT SS  |
| 17   | 2   | 164518   | BOOM FOLD PIVOT PIN WLD        |
| 18   | 2   | 164520   | BOOM CYL PIVOT PIN WLD         |
| 19   | 8   | 164524   | BOOMERANG CNTR PIVOT PIN WLD   |
| 20   | 4   | 121106   | BOOM FOLD BRG, ORKOT           |
| 21   | 2   | 164551   | NOZL MT TUBE, BOOM SECT-2      |
| 22   | 2   | 164517   | HOSE SUPPORT RING              |
| 23   | 2   | 121108   | OUTR BOOM FOLD CYL BRG, ORKOT  |
| 24   | 10  | 900086   | 5/16UNC X 2 1/4 HEX BOLT       |
| 25   | 10  | 914002   | 5/16UNC HEX STOVER NUT         |

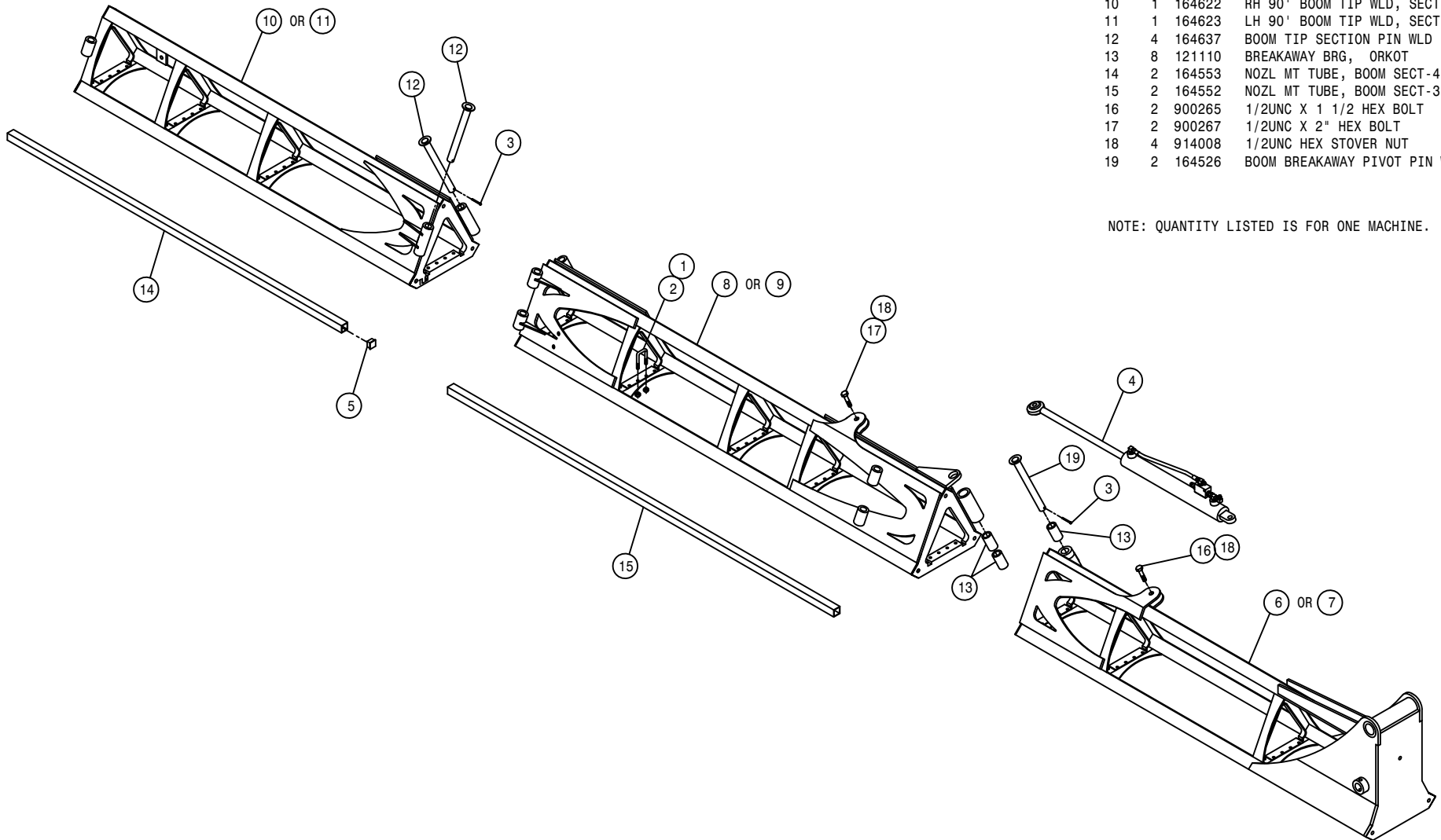
NOTE: QUANTITY LISTED IS FOR ONE MACHINE.

BOOM BREAKAWAY ASSEMBLY

DET. QTY PART NO. DESCRIPTION

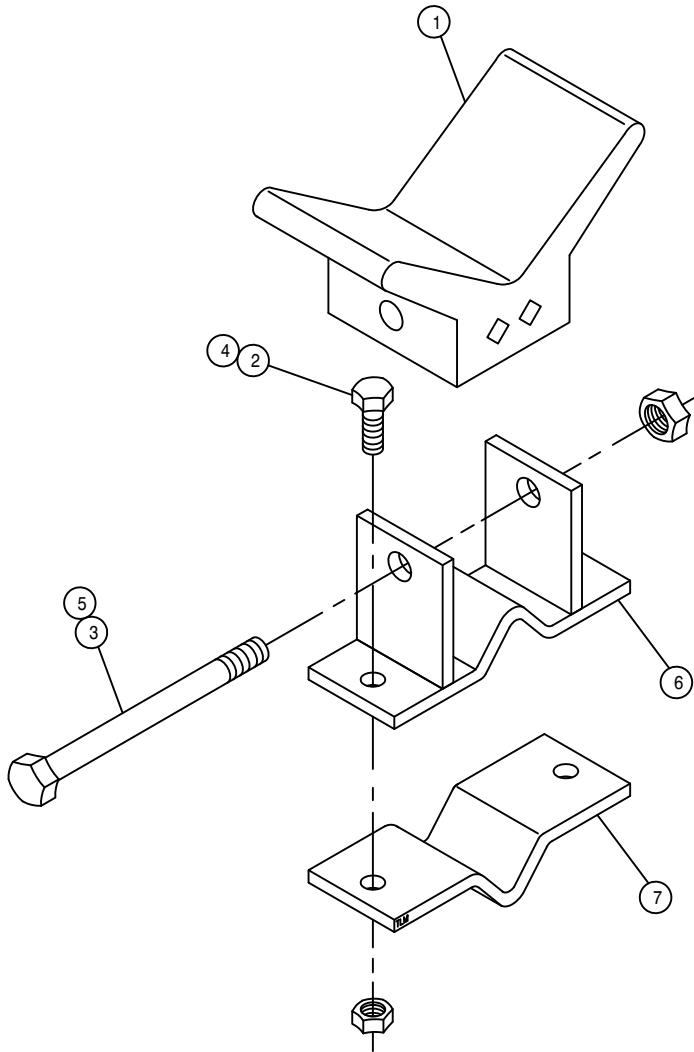
| DET. | QTY | PART NO. | DESCRIPTION                    |
|------|-----|----------|--------------------------------|
| 1    | 36  | 473842   | 1/4UNC LOCK NUT,CNTR POINT SS  |
| 2    | 18  | 473979   | .25UNC-1.12ID-1.50U-BOLT SQ SS |
| 3    | 6   | 470011   | COTTER PIN 5/32 X 1 1/2,316 SS |
| 4    | 2   | 621057   | BOOM BREAKAWAY CYL ASSY STS12  |
| 5    | 8   | 629727   | FINISH PLUG FOR 1 IN X 16 GA   |
| 6    | 1   | 164592   | RH FLDOVR BOOM WLD, SECT-2     |
| 7    | 1   | 164593   | LH FLDOVR BOOM WLD, SECT-2     |
| 8    | 1   | 164608   | RH BREAKAWAY BOOM WLD, SECT-3  |
| 9    | 1   | 164609   | LH BREAKAWAY BOOM WLD, SECT-3  |
| 10   | 1   | 164622   | RH 90' BOOM TIP WLD, SECT-4    |
| 11   | 1   | 164623   | LH 90' BOOM TIP WLD, SECT-4    |
| 12   | 4   | 164637   | BOOM TIP SECTION PIN WLD       |
| 13   | 8   | 121110   | BREAKAWAY BRG, ORKOT           |
| 14   | 2   | 164553   | NOZL MT TUBE, BOOM SECT-4      |
| 15   | 2   | 164552   | NOZL MT TUBE, BOOM SECT-3      |
| 16   | 2   | 900265   | 1/2UNC X 1 1/2 HEX BOLT        |
| 17   | 2   | 900267   | 1/2UNC X 2" HEX BOLT           |
| 18   | 4   | 914008   | 1/2UNC HEX STOVER NUT          |
| 19   | 2   | 164526   | BOOM BREAKAWAY PIVOT PIN WLD   |

NOTE: QUANTITY LISTED IS FOR ONE MACHINE.





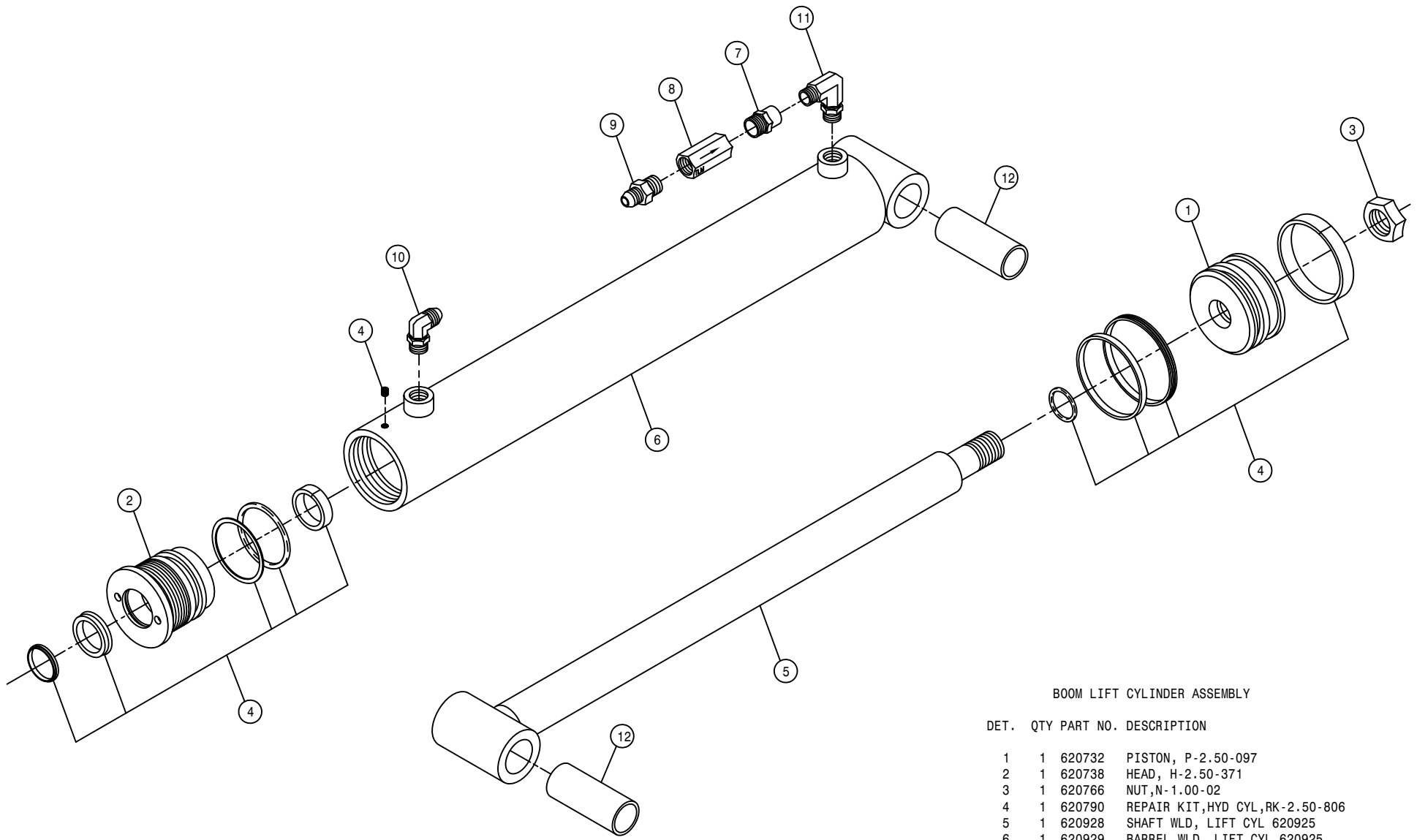




90' BOOM SUPPORT ASSEMBLY

DET. QTY PART NO. DESCRIPTION

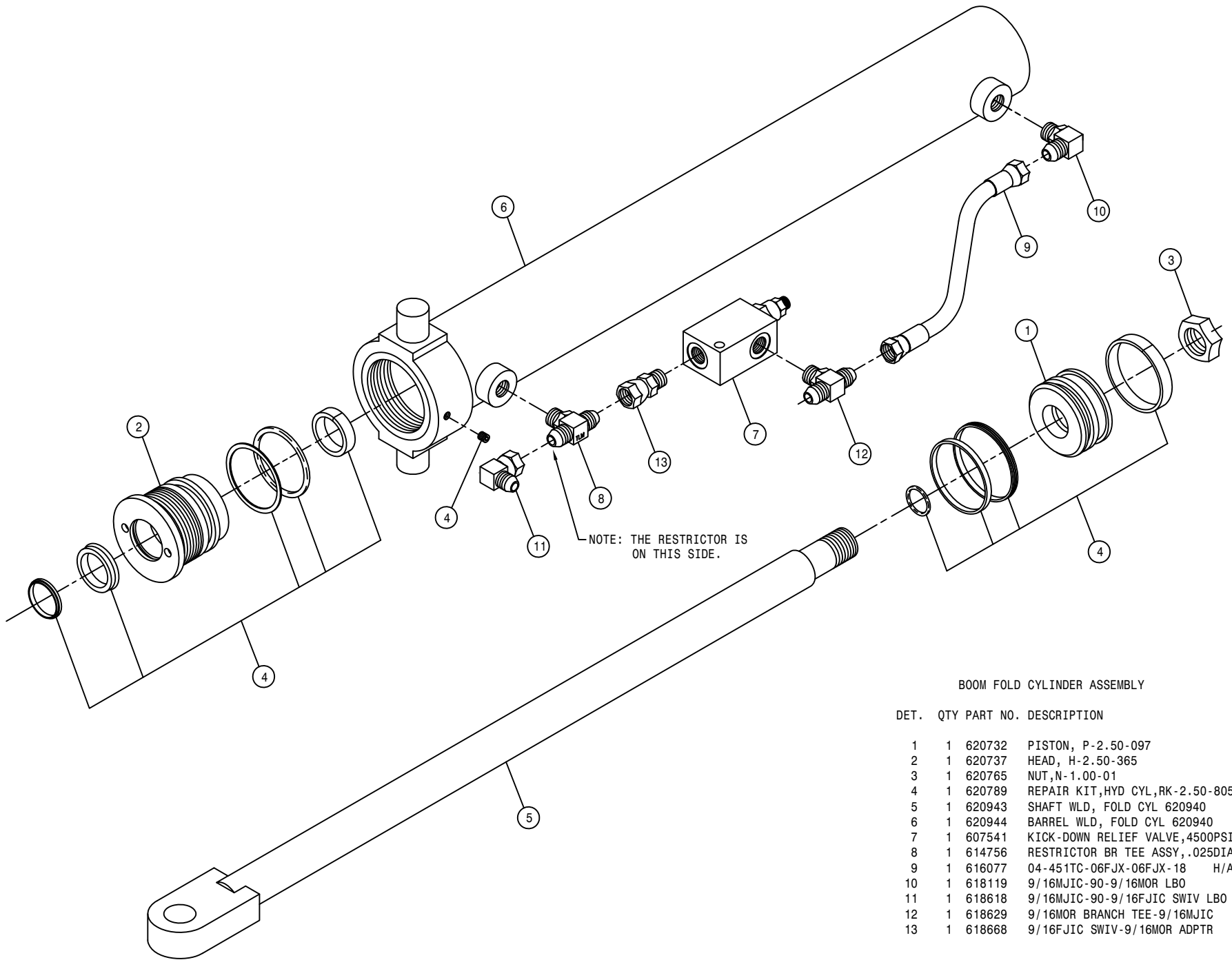
|   |   |        |                                |
|---|---|--------|--------------------------------|
| 1 | 1 | 470324 | 3" RUBBER BOW GUARD            |
| 2 | 2 | 900130 | 3/8UNC X 1 1/4 HEX BOLT        |
| 3 | 1 | 900273 | 1/2UNC X 3 3/4 HEX BOLT        |
| 4 | 2 | 914004 | 3/8UNC HEX STOVER NUT          |
| 5 | 1 | 914008 | 1/2UNC HEX STOVER NUT          |
| 6 | 1 | 164544 | FRT BOOM SUPPORT WLD, 90' BOOM |
| 7 | 1 | 164545 | FRT BOOM SUPPORT MT            |



BOOM LIFT CYLINDER ASSEMBLY

| DET. | QTY | PART NO. | DESCRIPTION                      |
|------|-----|----------|----------------------------------|
|      | 1   | 620732   | PISTON, P-2.50-097               |
|      | 1   | 620738   | HEAD, H-2.50-371                 |
|      | 1   | 620766   | NUT, N-1.00-02                   |
|      | 1   | 620790   | REPAIR KIT, HYD CYL, RK-2.50-806 |
|      | 1   | 620928   | SHAFT WLD, LIFT CYL 620925       |
|      | 1   | 620929   | BARREL WLD, LIFT CYL 620925      |
|      | 1   | 503009   | RED BUSH, 1/2MNPT-1/4FNPT, STEEL |
|      | 1   | 610675   | RESTRICTOR, .042 1-WAY, 1/2FNPT  |
|      | 1   | 618018   | 9/16MJIC-1/2MNPT ADPTR           |
|      | 1   | 618119   | 9/16MJIC-90-9/16MOR LBO          |
|      | 1   | 618562   | 9/16MOR-90-1/4MNPT LBO           |
|      | 2   | 121109   | LIFT CYL BRG, ORKOT              |

NOTE: 1. 620925 - BOOM LIFTARM CYLINDER ASSEMBLY ITEMS 1-6  
 2. 621053 - BOOM LIFTARM CYLINDER ASSEMBLY WITH FITTINGS

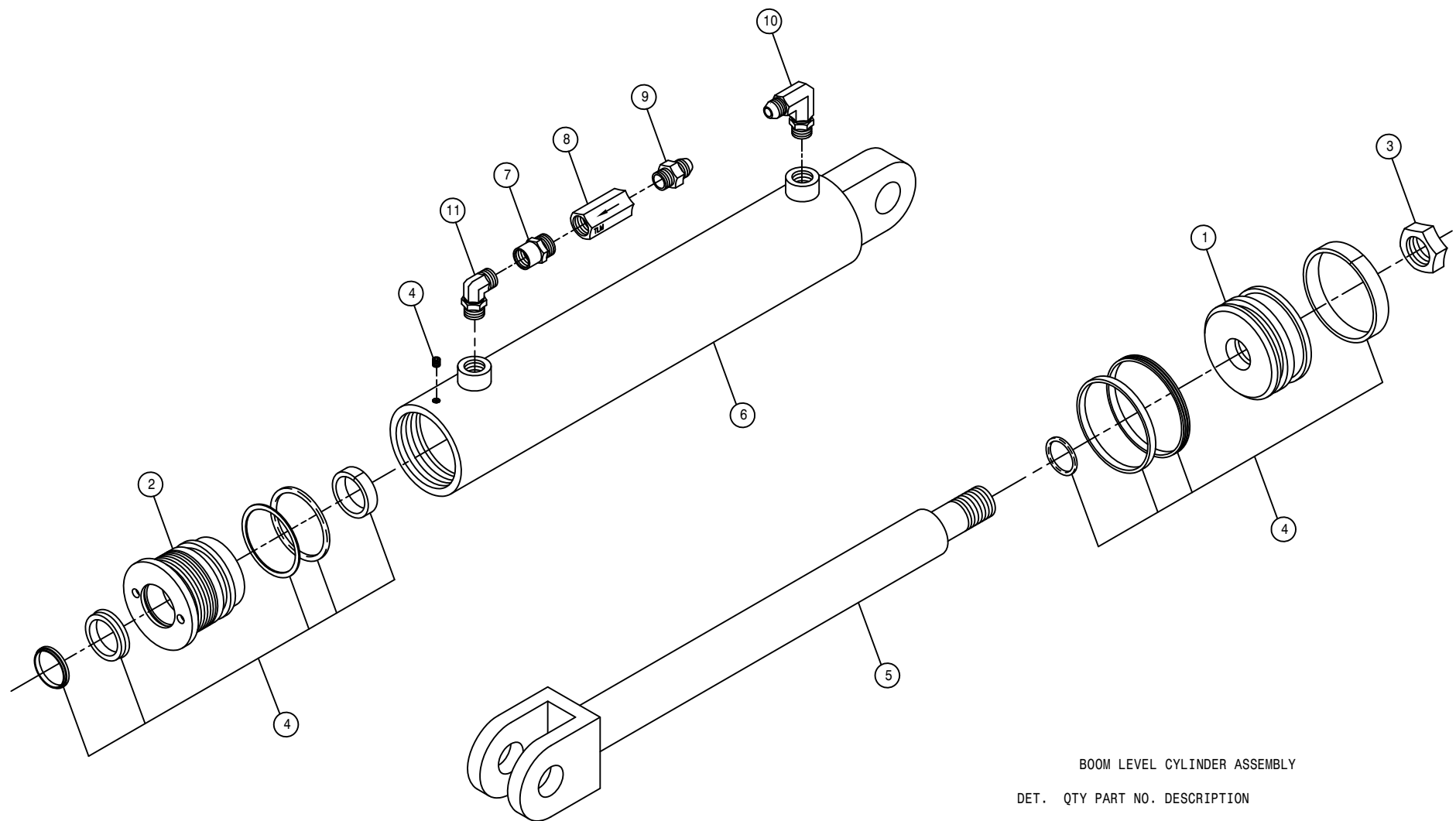


BOOM FOLD CYLINDER ASSEMBLY

DET. QTY PART NO. DESCRIPTION

| DET. | QTY | PART NO. | DESCRIPTION                     |
|------|-----|----------|---------------------------------|
| 1    | 1   | 620732   | PISTON, P-2.50-097              |
| 2    | 1   | 620737   | HEAD, H-2.50-365                |
| 3    | 1   | 620765   | NUT,N-1.00-01                   |
| 4    | 1   | 620789   | REPAIR KIT,HYD CYL,RK-2.50-805  |
| 5    | 1   | 620943   | SHAFT WLD, FOLD CYL 620940      |
| 6    | 1   | 620944   | BARREL WLD, FOLD CYL 620940     |
| 7    | 1   | 607541   | KICK-DOWN RELIEF VALVE,4500PSI  |
| 8    | 1   | 614756   | RESTRICTOR BR TEE ASSY, .025DIA |
| 9    | 1   | 616077   | 04-451TC-06FJX-06FJX-18 H/A     |
| 10   | 1   | 618119   | 9/16MJIC-90-9/16MOR LBO         |
| 11   | 1   | 618618   | 9/16MJIC-90-9/16FJIC SWIV LBO   |
| 12   | 1   | 618629   | 9/16MOR BRANCH TEE-9/16MJIC     |
| 13   | 1   | 618668   | 9/16FJIC SWIV-9/16MOR ADPTR     |

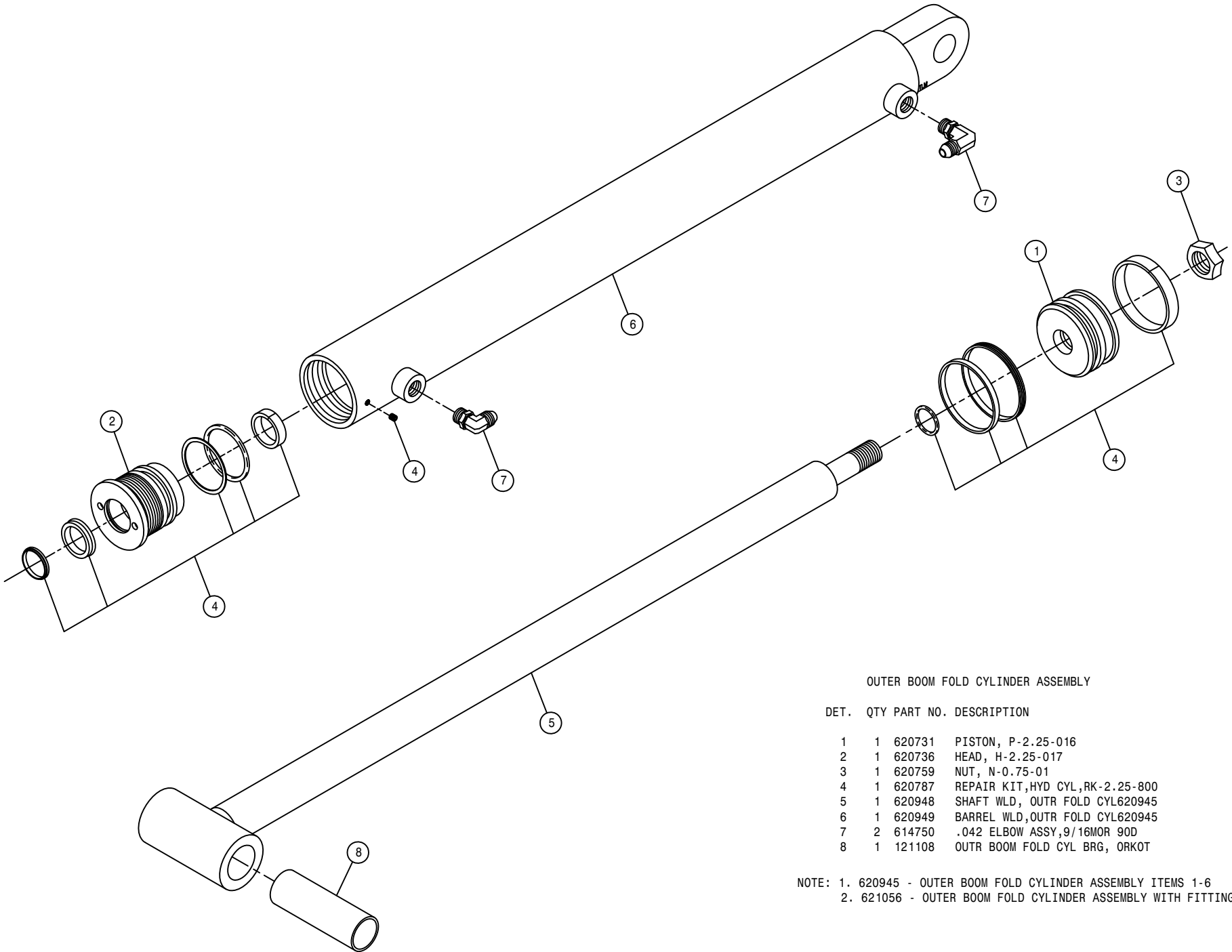
NOTE: 1. 620940 - BOOM FOLD CYLINDER ASSEMBLY ITEMS 1-6  
 2. 621055 - BOOM FOLD CYLINDER ASSEMBLY WITH FITTINGS



BOOM LEVEL CYLINDER ASSEMBLY

| DET. | QTY | PART NO. | DESCRIPTION                      |
|------|-----|----------|----------------------------------|
|      | 1   | 620734   | PISTON, P-3.00-097               |
|      | 1   | 620740   | HEAD, H-3.00-325                 |
|      | 1   | 620765   | NUT, N-1.00-01                   |
|      | 1   | 620792   | REPAIR KIT, HYD CYL, RK-3.00-801 |
|      | 1   | 620953   | SHAFT WLD, LEV CYL 620950        |
|      | 1   | 620954   | BARREL WLD, LEV CYL 620950       |
|      | 1   | 503009   | RED BUSH, 1/2MNPT-1/4FNPT, STEEL |
|      | 1   | 610675   | RESTRICTOR, .042 1-WAY, 1/2FNPT  |
|      | 1   | 618018   | 9/16MJIC-1/2MNPT ADPTR           |
|      | 1   | 618119   | 9/16MJIC-90-9/16MOR LBO          |
|      | 1   | 618562   | 9/16MOR-90-1/4MNPT LBO           |

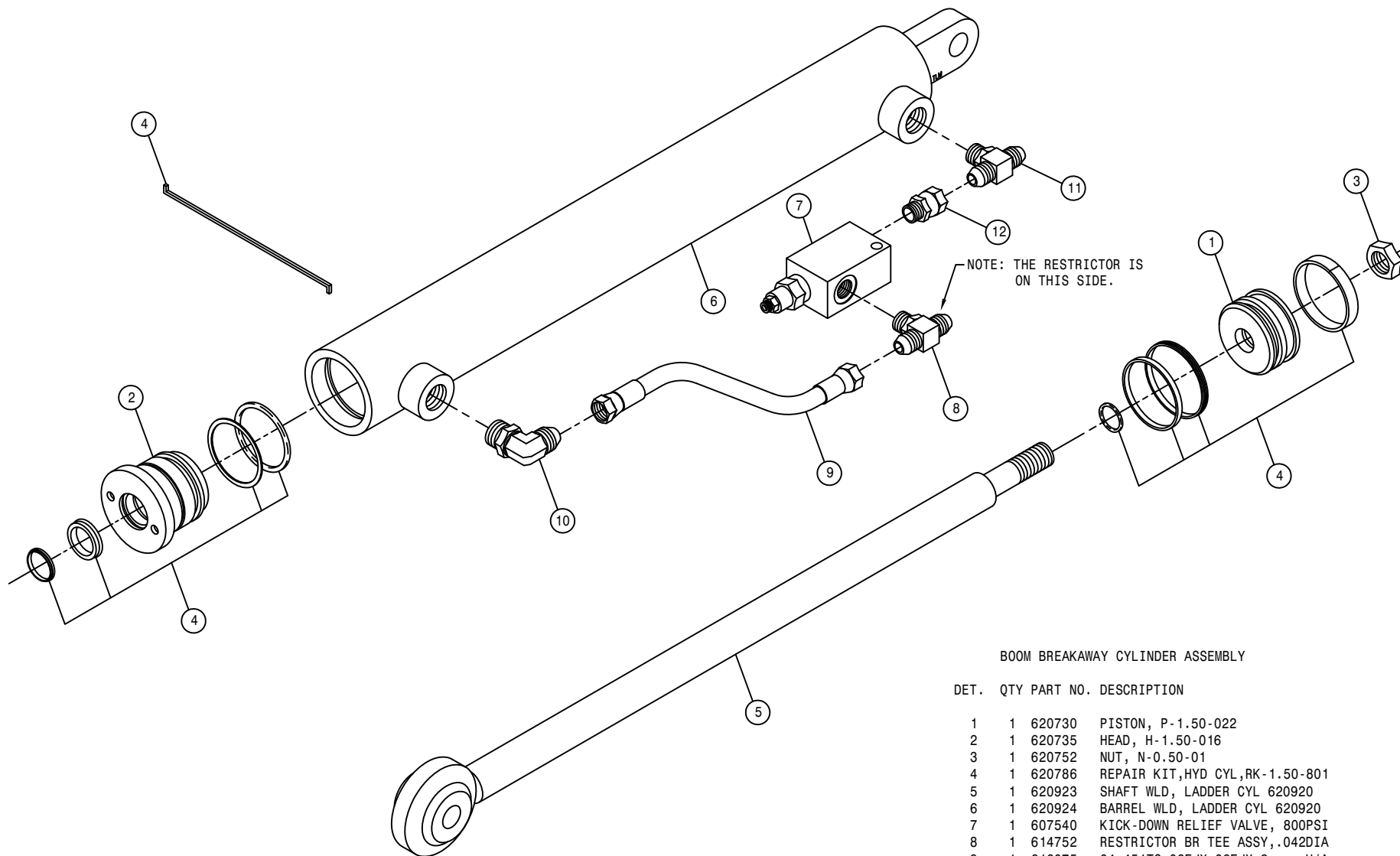
NOTE: 1. 620950 - BOOM LEVEL CYLINDER ASSEMBLY ITEMS 1-6  
 2. 621058 - BOOM LEVEL CYLINDER ASSEMBLY WITH FITTINGS



OUTER BOOM FOLD CYLINDER ASSEMBLY

| DET. | QTY | PART NO. | DESCRIPTION                      |
|------|-----|----------|----------------------------------|
|      | 1   | 620731   | PISTON, P-2.25-016               |
|      | 1   | 620736   | HEAD, H-2.25-017                 |
|      | 1   | 620759   | NUT, N-0.75-01                   |
|      | 1   | 620787   | REPAIR KIT, HYD CYL, RK-2.25-800 |
|      | 1   | 620948   | SHAFT WLD, OTR FOLD CYL 620945   |
|      | 1   | 620949   | BARREL WLD, OTR FOLD CYL 620945  |
|      | 2   | 614750   | .042 ELBOW ASSY, 9/16 MOR 90D    |
|      | 1   | 121108   | OUTR BOOM FOLD CYL BRG, ORKOT    |

NOTE: 1. 620945 - OUTER BOOM FOLD CYLINDER ASSEMBLY ITEMS 1-6  
 2. 621056 - OUTER BOOM FOLD CYLINDER ASSEMBLY WITH FITTINGS

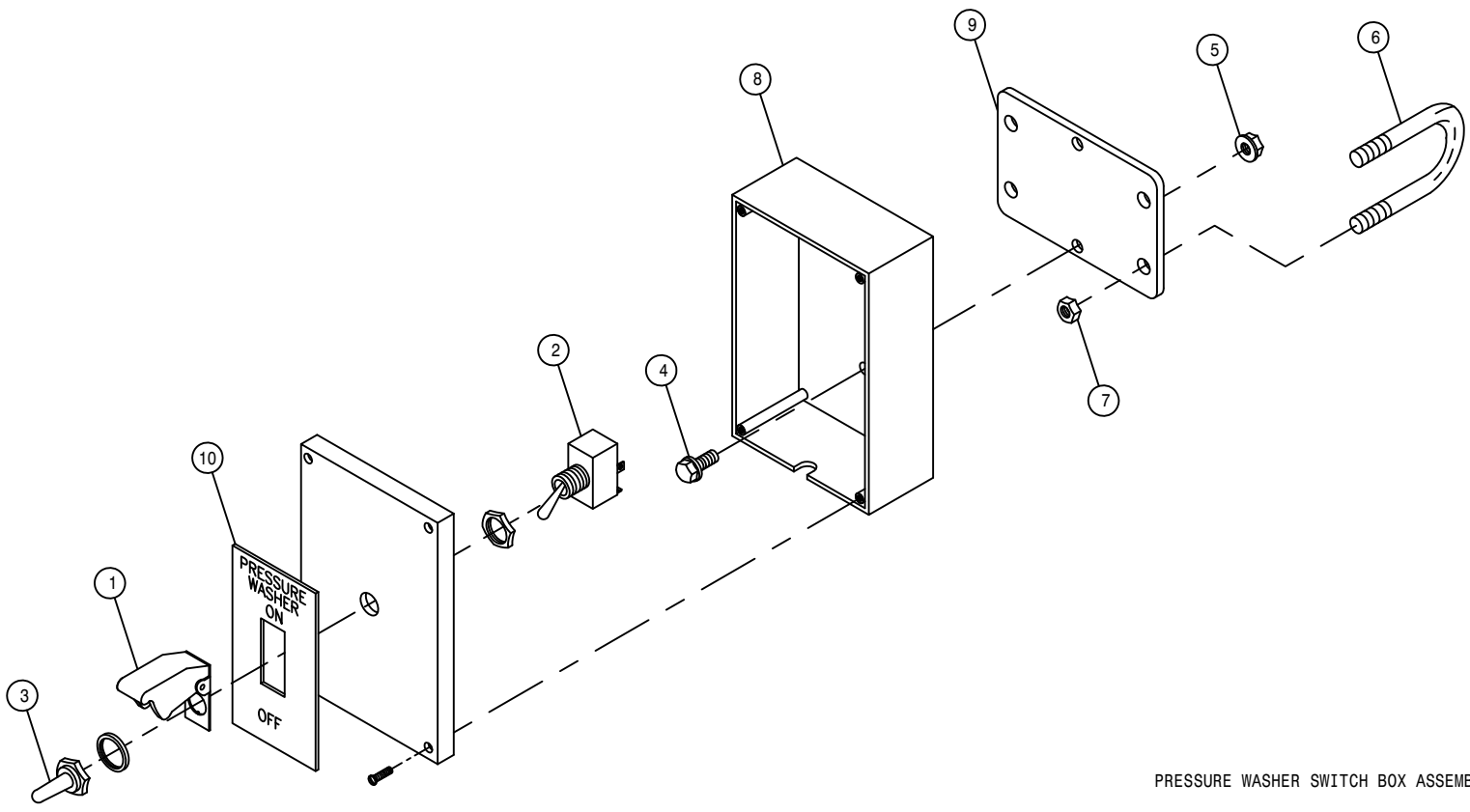


## BOOM BREAKAWAY CYLINDER ASSEMBLY

DET. QTY PART NO. DESCRIPTION

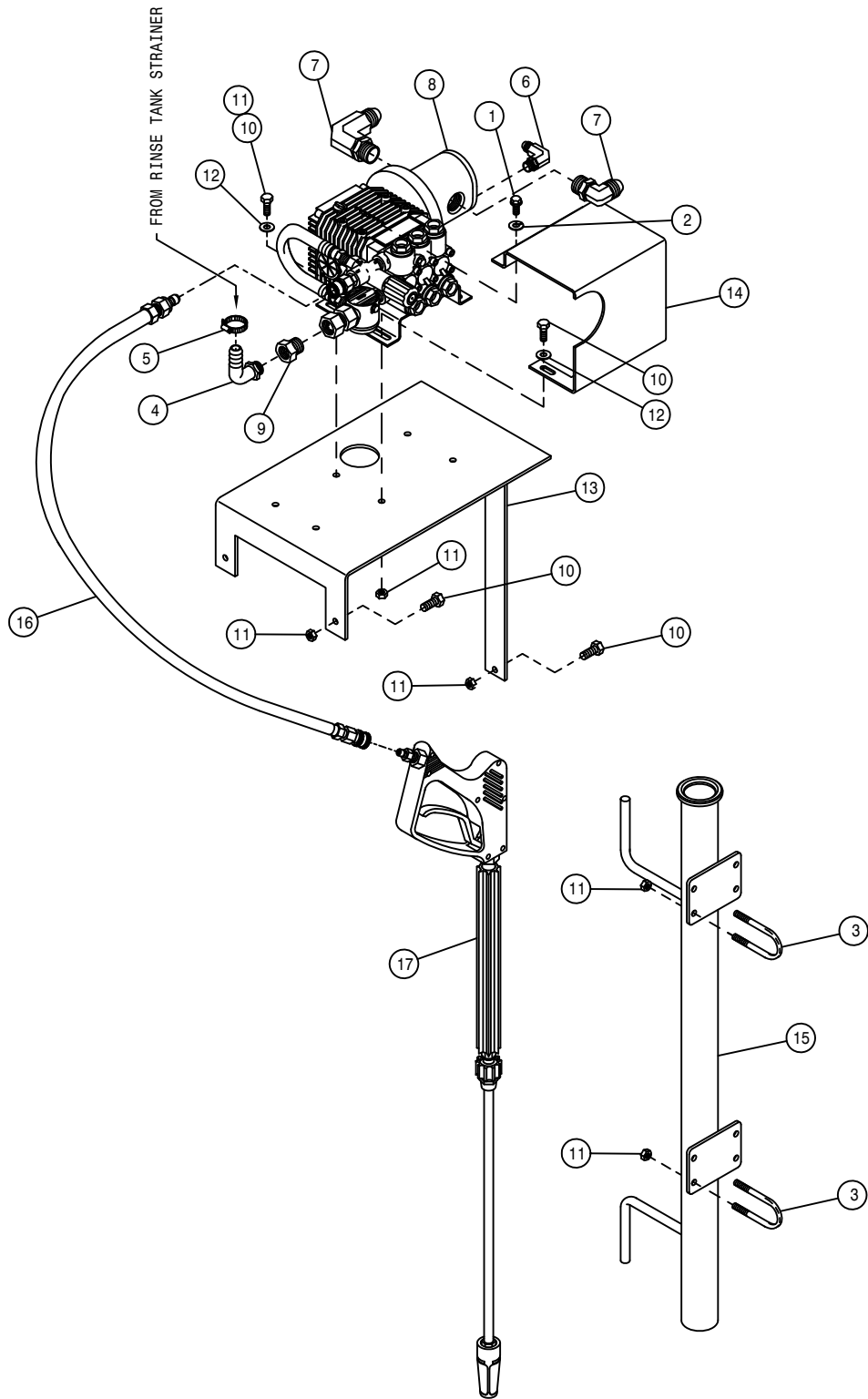
| DET. | QTY | PART NO. | DESCRIPTION                      |
|------|-----|----------|----------------------------------|
| 1    | 1   | 620730   | PISTON, P-1.50-022               |
| 2    | 1   | 620735   | HEAD, H-1.50-016                 |
| 3    | 1   | 620752   | NUT, N-0.50-01                   |
| 4    | 1   | 620786   | REPAIR KIT, HYD CYL, RK-1.50-801 |
| 5    | 1   | 620923   | SHAFT WLD, LADDER CYL 620920     |
| 6    | 1   | 620924   | BARREL WLD, LADDER CYL 620920    |
| 7    | 1   | 607540   | KICK-DOWN RELIEF VALVE, 800PSI   |
| 8    | 1   | 614752   | RESTRICTOR BR TEE ASSY, .042DIA  |
| 9    | 1   | 616075   | 04-451TC-06FJX-06FJX-9 H/A       |
| 10   | 1   | 618119   | 9/16MJIC-90-9/16MOR LBO          |
| 11   | 1   | 618629   | 9/16MOR BRANCH TEE-9/16MJIC      |
| 12   | 1   | 618668   | 9/16FJIC SWIV-9/16MOR ADPTR      |

NOTE: 1. 620920 - BOOM BREAKAWAY CYLINDER ASSEMBLY ITEMS 1-6  
 2. 621057 - BOOM BREAKAWAY CYLINDER ASSEMBLY WITH FITTINGS



PRESSURE WASHER SWITCH BOX ASSEMBLY

| DET. | QTY | PART NO. | DESCRIPTION                    |
|------|-----|----------|--------------------------------|
|      | 1   | 291655   | AIRCRAFT TOGGLE SWITCH GUARD   |
|      | 1   | 291790   | TOGGLE SWITCH, ON-OFF DPDT     |
|      | 1   | 470001   | RUBBER BOOT W NUT FOR 298012   |
|      | 2   | 470118   | 1/4UNC X 3/4 FLANGE HEX BOLT   |
|      | 2   | 470121   | 1/4UNC HEX FLANGE LOCK NUT     |
|      | 2   | 473911   | 5/16UNC-1.31ID-2.00 U-BOLT     |
|      | 4   | 910002   | 5/16UNC HEX NUT                |
|      | 1   | 690738   | PRESSURE WASHER SWITCH BOX     |
|      | 1   | 690739   | PRESSURE WASHER SWITCH BOX MT  |
|      | 1   | 650110   | DECAL,PRESSURE WASH CTRL,STS12 |

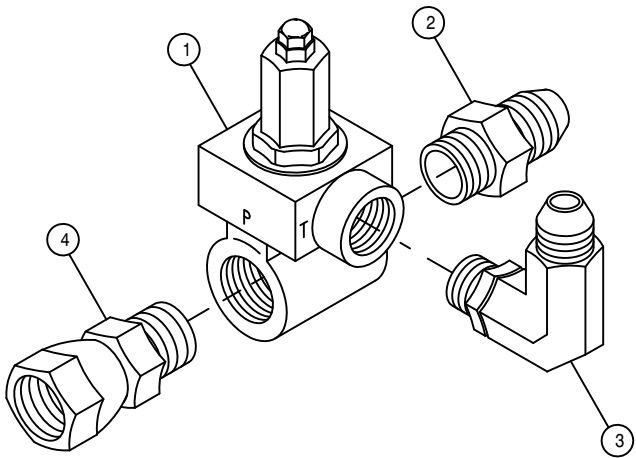


PRESSURE WASHER ASSEMBLY

DET. QTY PART NO. DESCRIPTION

|    |    |        |                              |
|----|----|--------|------------------------------|
| 1  | 2  | 473803 | 8MM-1.25 X 16MM HEX BOLT     |
| 2  | 2  | 473804 | 8MM LOCK WASHER              |
| 3  | 4  | 473911 | 5/16UNC-1.31ID-2.00 U-BOLT   |
| 4  | 1  | 500026 | 3/4NPT-90-1"HOSE BARB, POLY  |
| 5  | 1  | 520090 | HOSE CLAMP NO 16 STAINLESS   |
| 6  | 1  | 618119 | 9/16MJIC-90-9/16MOR LBO      |
| 7  | 2  | 618474 | 3/4MJIC-90-1 1/16MOR LBO     |
| 8  | 1  | 690672 | PRESSURE WASHER,PACE 320 HYD |
| 9  | 1  | 715449 | 3/4FNPT X 3/4MGHT ADPTR BRS  |
| 10 | 7  | 900064 | 5/16UNC X 3/4 HEX BOLT       |
| 11 | 15 | 914002 | 5/16UNC HEX STOVER NUT       |
| 12 | 4  | 920001 | 5/16 SAE FLAT WASHER         |
| 13 | 1  | 690747 | PRESSURE WASHER MT WLD       |
| 14 | 1  | 690736 | PRESSURE WASHER SHIELD       |
| 15 | 1  | 690732 | PRESSURE WASHER WAND MT WLD  |
| 16 | 1  | 690791 | HOSE, PRESSURE WASHER 690672 |
| 17 | 1  | 690673 | TRIGGER GUN ASSY FOR 690672  |

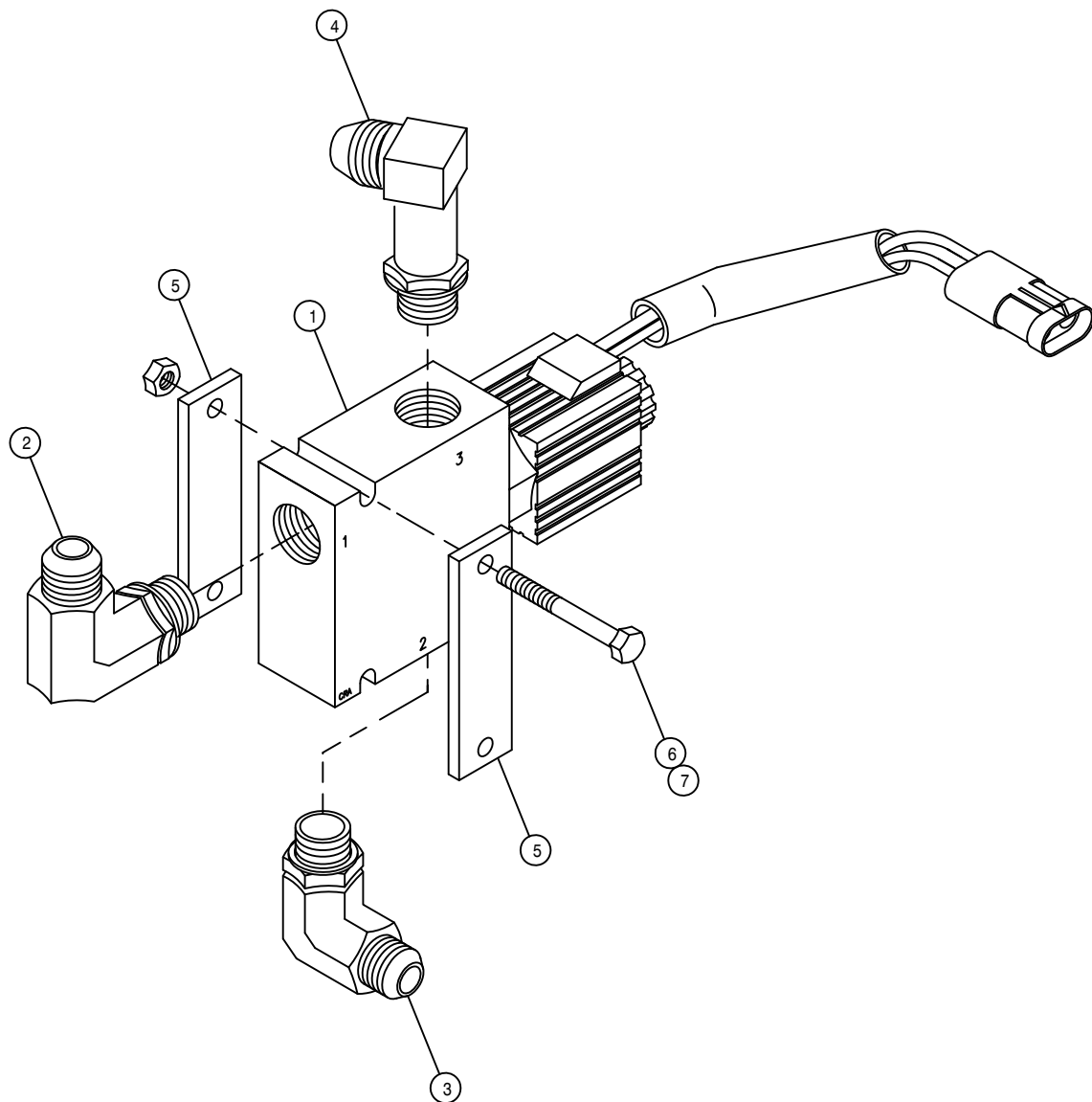




## IN-LINE HYD RELIEF VALVE ASSEMBLY

DET. QTY PART NO. DESCRIPTION

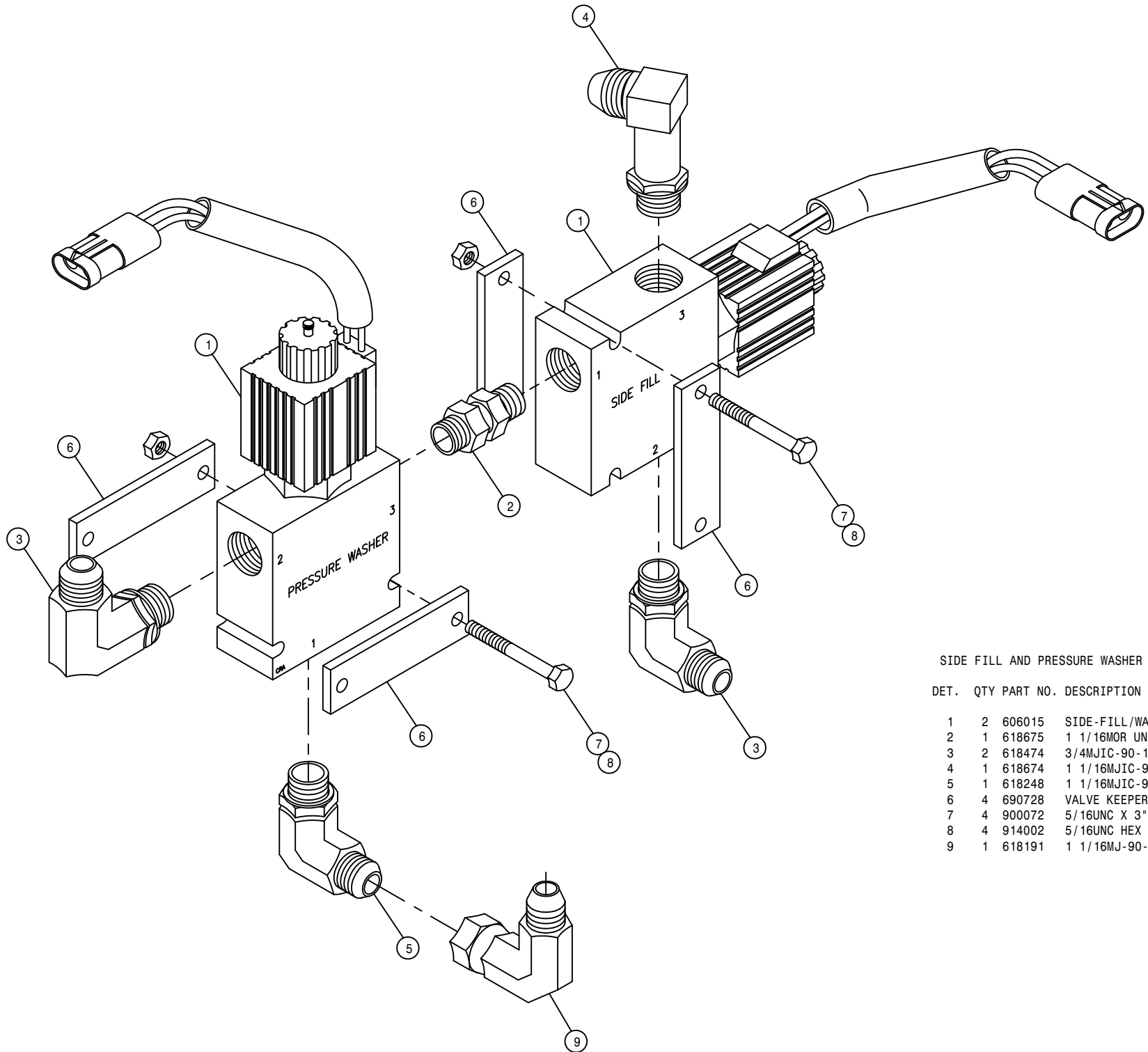
|   |   |        |                           |
|---|---|--------|---------------------------|
| 1 | 1 | 607550 | IN-LINE RELIEF VALVE      |
| 2 | 1 | 611127 | 1 1/16MJC-1 1/16MOR ADPTR |
| 3 | 1 | 618279 | 1 1/16MJC-90-7/8MOR LBO   |
| 4 | 1 | 618578 | 1 1/16FJIC SWIV-1 1/16MOR |



PRESSURE WASHER HYDRAULIC VALVE ASSEMBLY

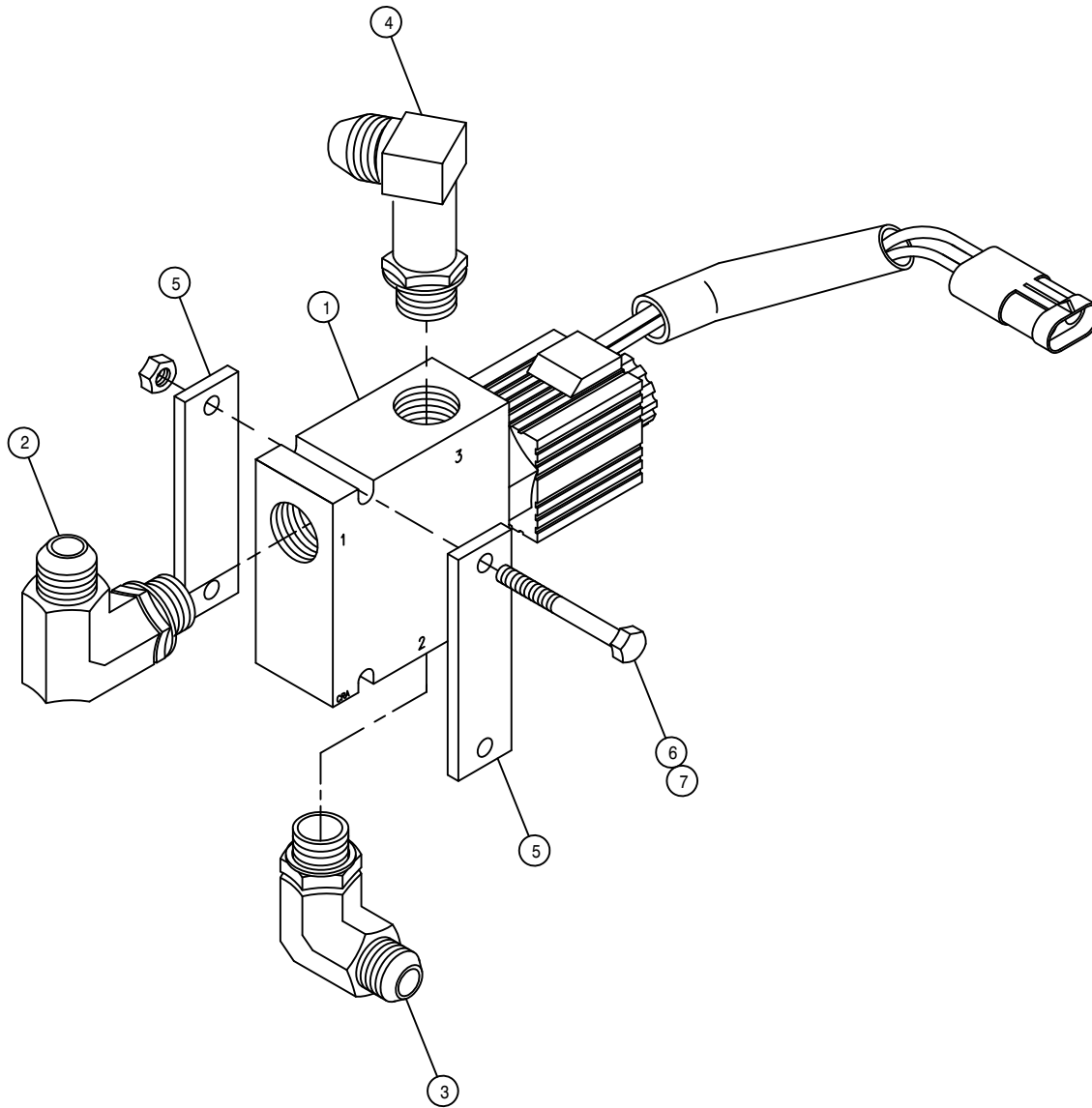
DET. QTY PART NO. DESCRIPTION

|   |   |        |                                 |
|---|---|--------|---------------------------------|
| 1 | 1 | 606015 | SIDE-FILL/WASH VLV W/SHRD ASSY  |
| 2 | 1 | 618248 | 1 1/16MJCIC-90-1 1/16MOR LBO    |
| 3 | 1 | 618474 | 3/4MJCIC-90-1 1/16MOR LBO       |
| 4 | 1 | 618674 | 1 1/16MJCIC-90-1 1/16MOR XL LBO |
| 5 | 2 | 690728 | VALVE KEEPER/SPACER             |
| 6 | 2 | 900072 | 5/16UNC X 3" HEX BOLT           |
| 7 | 2 | 914002 | 5/16UNC HEX STOVER NUT          |



SIDE FILL AND PRESSURE WASHER HYD VALVE ASSEMBLY

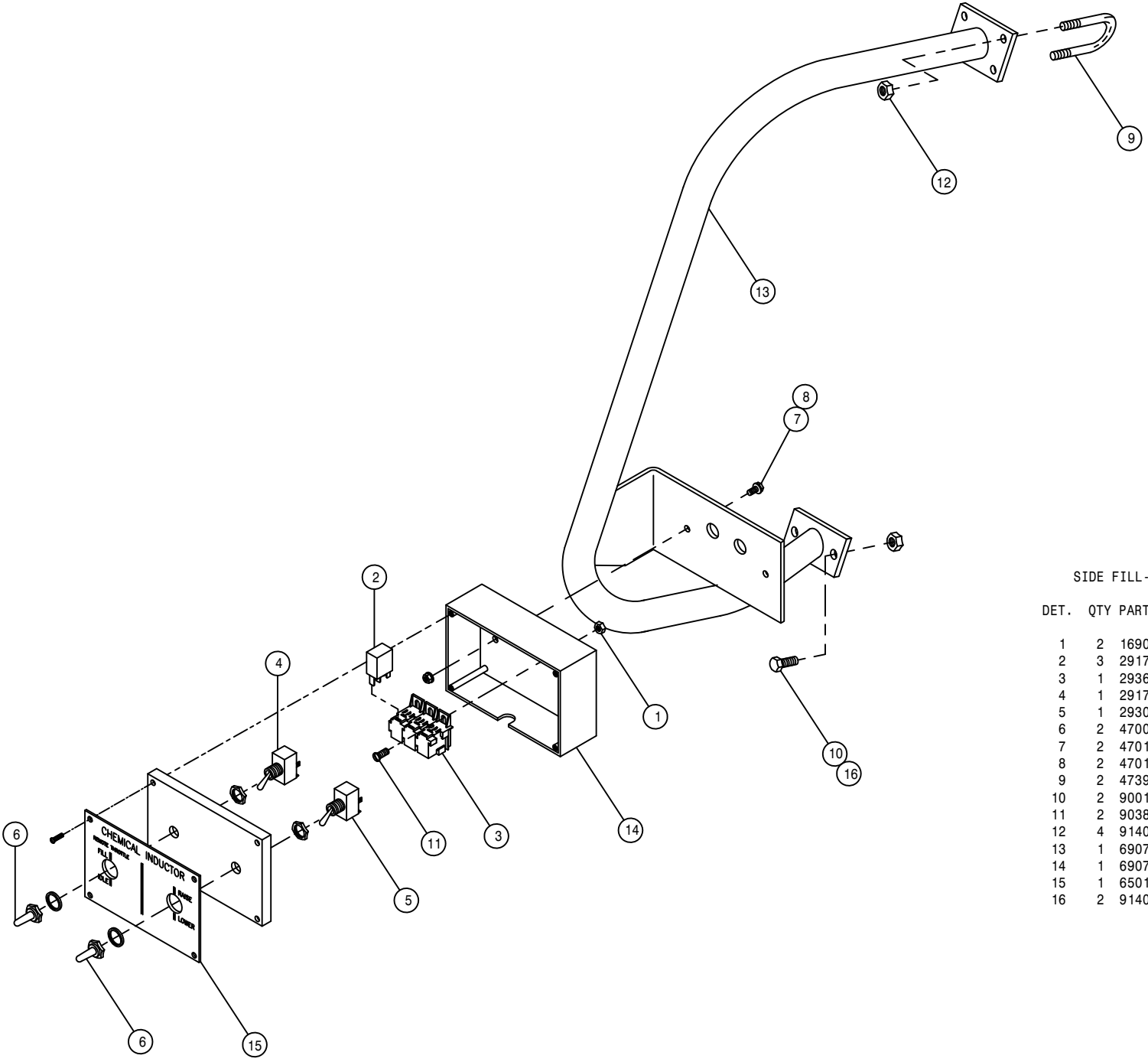
| DET. | QTY | PART NO. | DESCRIPTION                    |
|------|-----|----------|--------------------------------|
| 1    | 2   | 606015   | SIDE-FILL/WASH VLV W/SHRD ASSY |
| 2    | 1   | 618675   | 1 1/16MOR UNION                |
| 3    | 2   | 618474   | 3/4MJIC-90-1 1/16MOR LBO       |
| 4    | 1   | 618674   | 1 1/16MJIC-90-1 1/16MOR XL LBO |
| 5    | 1   | 618248   | 1 1/16MJIC-90-1 1/16MOR LBO    |
| 6    | 4   | 690728   | VALVE KEEPER/SPACER            |
| 7    | 4   | 900072   | 5/16UNC X 3" HEX BOLT          |
| 8    | 4   | 914002   | 5/16UNC HEX STOVER NUT         |
| 9    | 1   | 618191   | 1 1/16MJ-90-1 1/16FJ SWIV LBO  |



SIDE FILL HYDRAULIC VALVE ASSEMBLY

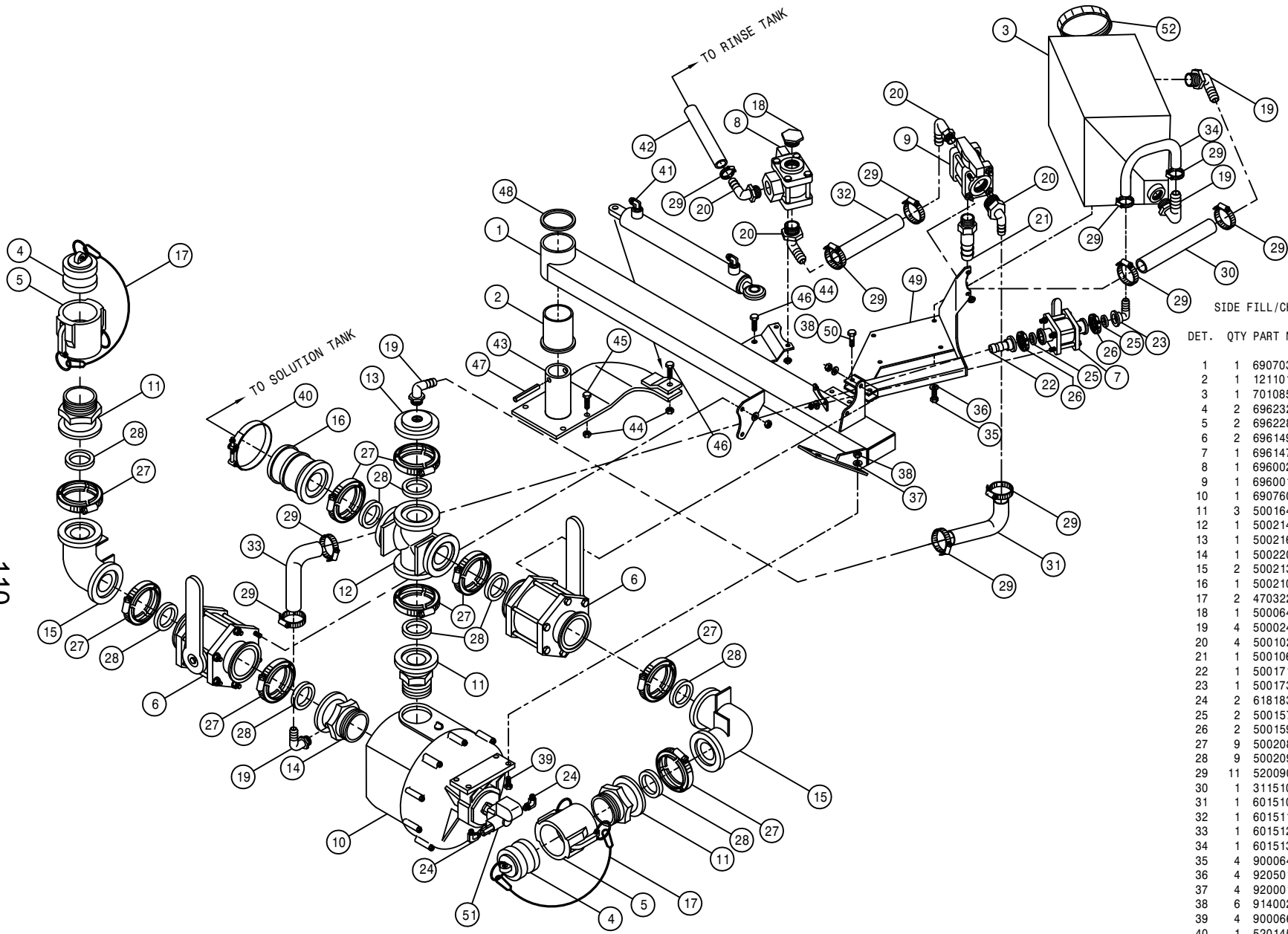
DET. QTY PART NO. DESCRIPTION

|   |   |        |                                |
|---|---|--------|--------------------------------|
| 1 | 1 | 606015 | SIDE-FILL/WASH VLV W/SHRD ASSY |
| 2 | 1 | 618248 | 1 1/16MJC-90-1 1/16MOR LBO     |
| 3 | 1 | 618474 | 3/4MJC-90-1 1/16MOR LBO        |
| 4 | 1 | 618674 | 1 1/16MJC-90-1 1/16MOR XL LBO  |
| 5 | 2 | 690728 | VALVE KEEPER/SPACER            |
| 6 | 2 | 900072 | 5/16UNC X 3" HEX BOLT          |
| 7 | 2 | 914002 | 5/16UNC HEX STOVER NUT         |



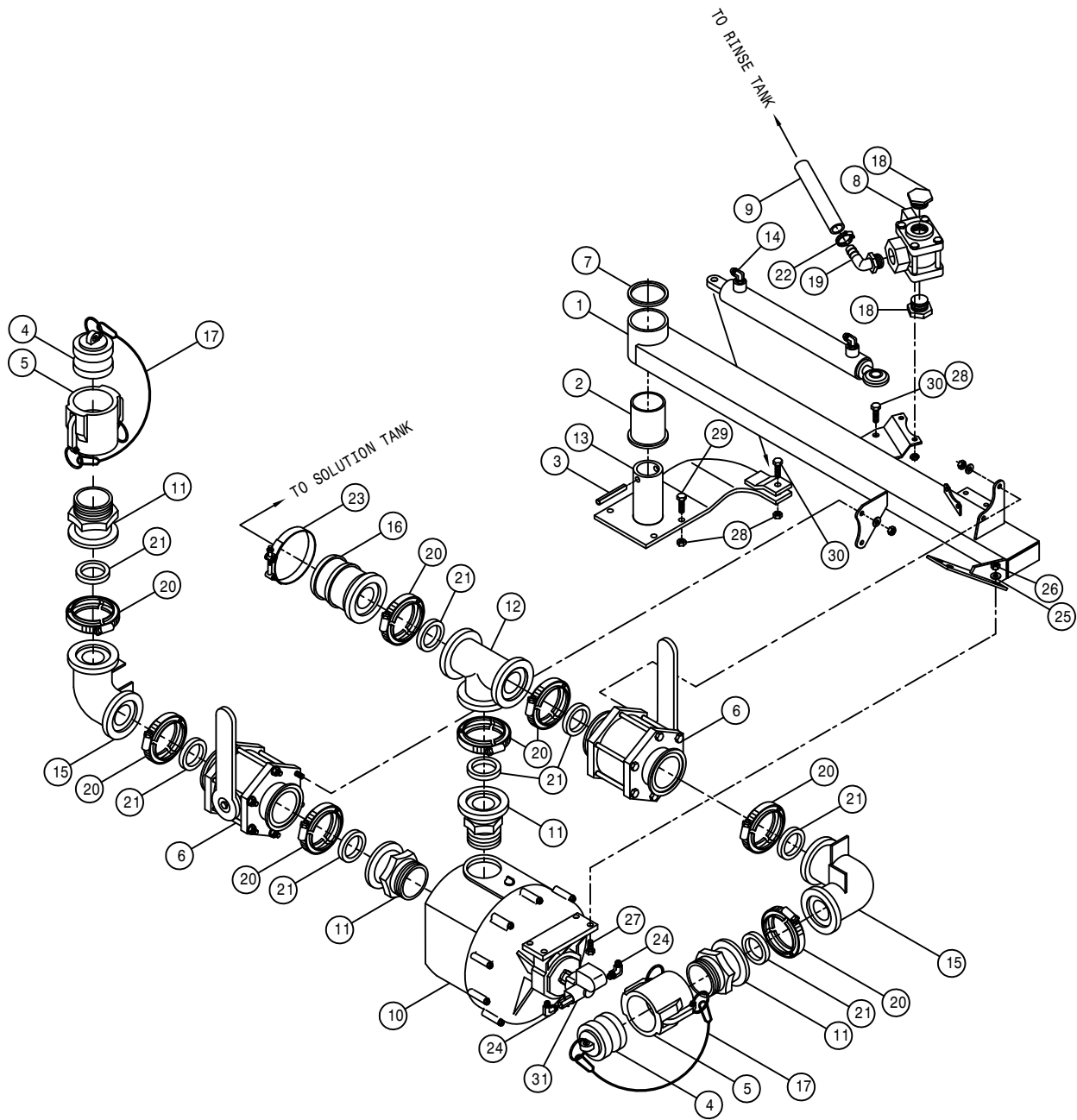
SIDE FILL-CHEMICAL INDUCTOR ASSEMBLY

| DET. | QTY | PART NO. | DESCRIPTION                           |
|------|-----|----------|---------------------------------------|
|      | 1   | 2        | 169028 10-24 HEX FLANGE LOCK NUT      |
|      | 2   | 3        | 291781 MICRO RELAY, BOSCH 12V SPDT    |
|      | 3   | 1        | 293634 SIDE FILL BOX HARNESS          |
|      | 4   | 1        | 291790 TOGGLE SWITCH, ON-OFF DPDT     |
|      | 5   | 1        | 293038 TOGGLE SWITCH DPDT 15 AMP      |
|      | 6   | 2        | 470001 RUBBER BOOT W NUT FOR 298012   |
|      | 7   | 2        | 470118 1/4UNC X 3/4 FLANGE HEX BOLT   |
|      | 8   | 2        | 470121 1/4UNC HEX FLANGE LOCK NUT     |
|      | 9   | 2        | 473911 5/16UNC-1.31ID-2.00 U-BOLT     |
|      | 10  | 2        | 900130 3/8UNC X 1 1/4 HEX BOLT        |
|      | 11  | 2        | 903882 10-24 X 1/2 SLT RDHD MACH SCR  |
|      | 12  | 4        | 914002 5/16UNC HEX STOVER NUT         |
|      | 13  | 1        | 690723 CHEM IND GUARD WLD             |
|      | 14  | 1        | 690722 SIDE FILL SWITCH BOX           |
|      | 15  | 1        | 650111 DECAL,CHEM INDUCTOR CTRL.STS12 |
|      | 16  | 2        | 914004 3/8UNC HEX STOVER NUT          |



SIDE FILL/CHEMICAL INDUCTOR ASSEMBLY

| DET. | QTY | PART NO. | DESCRIPTION                       |
|------|-----|----------|-----------------------------------|
| 1    | 1   | 690703   | CHEM IND ARM WLD                  |
| 2    | 1   | 121101   | TRANSOM PIVOT BRG, TOP ORKOT      |
| 3    | 1   | 701085   | TANK, 5 GAL, SQ WHITE             |
| 4    | 2   | 696232   | PLUG FOR 3.00 FEMALE COUPLER      |
| 5    | 2   | 696228   | 3.00FNPT-FEMALE COUPLER POLY      |
| 6    | 2   | 696149   | BALL VLV, 3" FLANGE               |
| 7    | 1   | 696147   | BALL VLV, 1" FLANGE               |
| 8    | 1   | 696002   | BALL VLV, 1.25NP 3WAY-SIDE POLY   |
| 9    | 1   | 696001   | BALL VLV, 1.25NP 3WAY-BOTT POLY   |
| 10   | 1   | 690760   | BANJO PMP, 3" SIDE FILL STS12     |
| 11   | 3   | 500164   | 3" FLANGE-3" MNPT ADPTR POLY      |
| 12   | 1   | 500214   | 3"FP FLANGE CROSS                 |
| 13   | 1   | 500216   | 3"FLANGE PLUG W/1"FNPT POLY       |
| 14   | 1   | 500220   | 3"FLANGE-3"MNPT W/1"FNPT POLY     |
| 15   | 2   | 500213   | 3"FLANGE-90-3"FLANGE LBO POLY     |
| 16   | 1   | 500210   | 3" FLANGE-3" HOSE BARB POLY       |
| 17   | 2   | 470322   | LANYARD, 8" NYLON LOOP/LOOP       |
| 18   | 1   | 500064   | 1 1/4"NPT PIPE PLUG, POLY         |
| 19   | 4   | 500024   | 1"NPT-90-1"HOSE BARB, POLY        |
| 20   | 4   | 500102   | 1 1/4NPT-90-1" HOSE BARB POLY     |
| 21   | 1   | 500106   | 1 1/4NPT-1" HOSE BARB POLY        |
| 22   | 1   | 500171   | 1" FLANGE-1" HOSE BARB POLY       |
| 23   | 1   | 500173   | 1" FLANGE-90-1" HOSE BARB POLY    |
| 24   | 2   | 618183   | 3/4MJIC-90-7/8MOR LBO             |
| 25   | 2   | 500157   | 1" FLANGE GASKET EPDM             |
| 26   | 2   | 500159   | 1" FLANGE CLAMP, S.S.             |
| 27   | 9   | 500208   | 3" FLANGE CLAMP, S.S.             |
| 28   | 9   | 500209   | 3" FLANGE GASKET EPDM             |
| 29   | 11  | 520090   | HOSE CLAMP NO 16 STAINLESS        |
| 30   | 1   | 311510   | 1.00 'L' HOSE, CHEM IND TANK      |
| 31   | 1   | 601510   | HOSE, 1 X 26 1BR BLK EPDM         |
| 32   | 1   | 601511   | HOSE, 1 X 38 1BR BLK EPDM         |
| 33   | 1   | 601512   | HOSE, 1 X 8 2F-1W EPDM            |
| 34   | 1   | 601513   | HOSE, 1 X 13 2F-1W EPDM           |
| 35   | 4   | 900064   | 5/16UNC X 3/4 HEX BOLT            |
| 36   | 4   | 920501   | 5/16 LOCK WASHER                  |
| 37   | 4   | 920001   | 5/16 SAE FLAT WASHER              |
| 38   | 6   | 914002   | 5/16UNC HEX STOVER NUT            |
| 39   | 4   | 900066   | 5/16UNC X 1 1/4 HEX BOLT          |
| 40   | 1   | 520145   | 356 T-BOLT HOSE CLAMP SS          |
| 41   | 1   | 621052   | LADDER, SIDE FILL CYL ASSYSTS12   |
| 42   | 1   | 601459   | HOSE, 1 X 245 1BR BLK EPDM        |
| 43   | 1   | 690717   | CHEM IND CYL MT WLD               |
| 44   | 6   | 914008   | 1/2UNC HEX STOVER NUT             |
| 45   | 4   | 900265   | 1/2UNC X 1 1/2 HEX BOLT           |
| 46   | 2   | 900267   | 1/2UNC X 2" HEX BOLT              |
| 47   | 1   | 473978   | ROLL PIN, 1/2 X 3 1/2 LG          |
| 48   | 1   | 690729   | 3.50 OD X 2.68 ID X 11 GA WASH    |
| 49   | 1   | 690773   | CHEM IND TANK MT WLD 2001         |
| 50   | 2   | 900067   | 5/16UNC X 1 1/2 HEX BOLT          |
| 51   | 1   | 690767   | HYD MTR, BANJO PMP 3" POLY 690760 |
| 52   | 1   | 701155   | 8" LID FOR 5 GAL TANK 701085      |



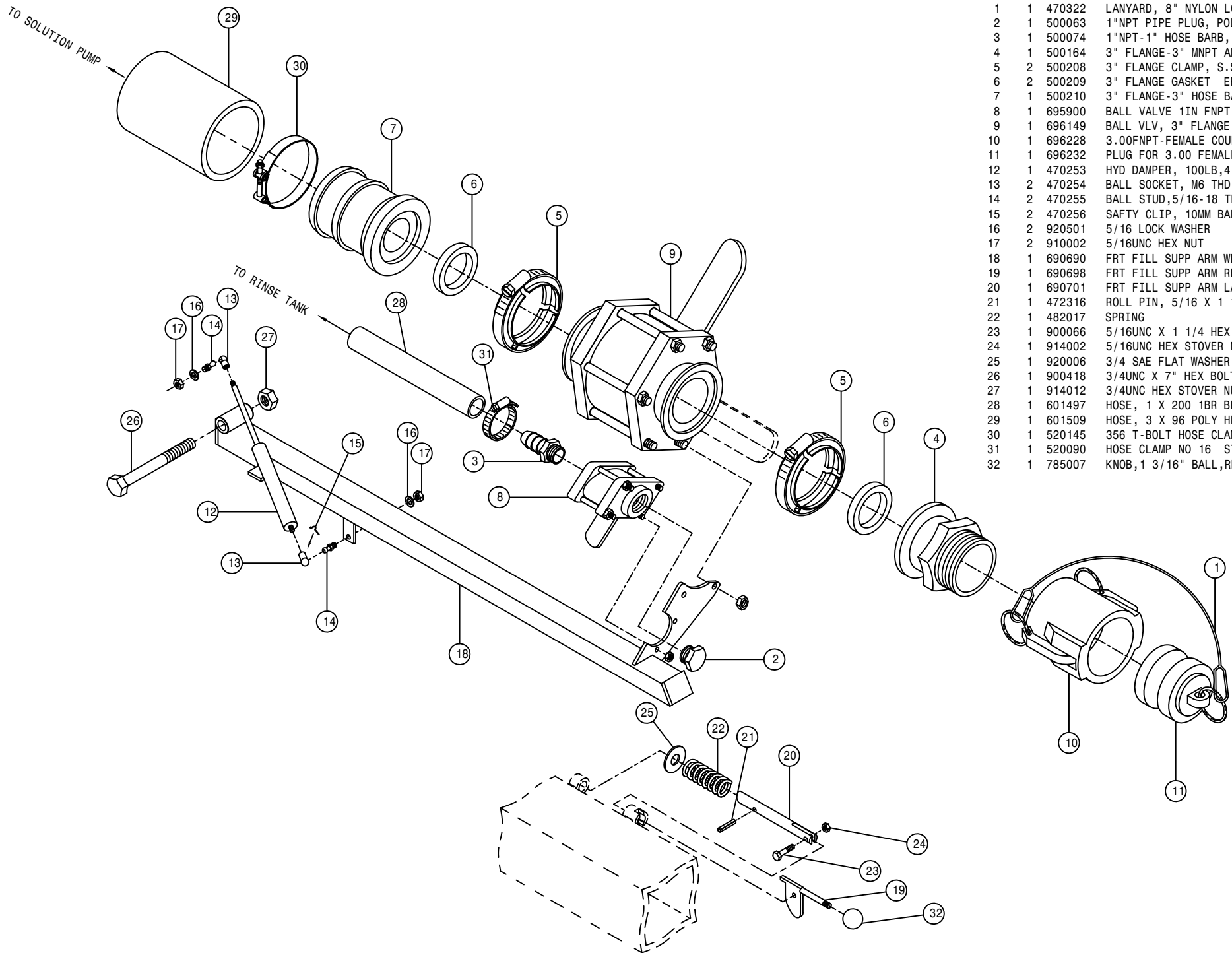
SIDE FILL ASSEMBLY

| DET. | QTY | PART NO. | DESCRIPTION                      |
|------|-----|----------|----------------------------------|
|      | 1   | 690703   | CHEM IND ARM WLD                 |
|      | 1   | 121101   | TRANSOM PIVOT BRG, TOP ORKOT     |
|      | 1   | 473978   | ROLL PIN, 1/2 X 3 1/2 LG         |
|      | 2   | 696232   | PLUG FOR 3.00 FEMALE COUPLER     |
|      | 2   | 696228   | 3.00FNPT-FEMALE COUPLER POLY     |
|      | 2   | 696149   | BALL VLV, 3" FLANGE              |
|      | 1   | 690729   | 3.50 OD X 2.68 ID X 11 GA WASH   |
|      | 1   | 696002   | BALL VLV, 1.25NP 3WAY-SIDE POLY  |
|      | 1   | 601459   | HOSE, 1 X 245 1BR BLK EDPM       |
|      | 1   | 690760   | BANJO PUMP, 3" SIDE FILL STS12   |
|      | 4   | 500164   | 3" FLANGE-3" MNPT ADPTR POLY     |
|      | 1   | 500217   | 3" FLANGE TEE POLY               |
|      | 1   | 690717   | CHEM IND CYL MT WLD              |
|      | 1   | 621052   | LADDER, SIDE FILL CYL ASSYSTS12  |
|      | 2   | 500213   | 3" FLANGE-90-3" FLANGE LBO POLY  |
|      | 1   | 500210   | 3" FLANGE-3" HOSE BARB POLY      |
|      | 2   | 470322   | LANYARD, 8" NYLON LOOP/LOOP      |
|      | 2   | 500064   | 1 1/4" NPT PIPE PLUG, POLY       |
|      | 1   | 500102   | 1 1/4" NPT-90-1" HOSE BARB POLY  |
|      | 8   | 500208   | 3" FLANGE CLAMP, S.S.            |
|      | 8   | 500209   | 3" FLANGE GASKET EPDM            |
|      | 1   | 520090   | HOSE CLAMP NO 16 STAINLESS       |
|      | 1   | 520145   | 356 T-BOLT HOSE CLAMP SS         |
|      | 2   | 618183   | 3/4MJIC-90-7/8MOR LBO            |
|      | 4   | 920001   | 5/16 SAE FLAT WASHER             |
|      | 4   | 914002   | 5/16UNC HEX STOVER NUT           |
|      | 4   | 900066   | 5/16UNC X 1 1/4 HEX BOLT         |
|      | 6   | 914008   | 1/2UNC HEX STOVER NUT            |
|      | 4   | 900265   | 1/2UNC X 1 1/2 HEX BOLT          |
|      | 2   | 900267   | 1/2UNC X 2" HEX BOLT             |
|      | 1   | 690767   | HYD MTR, BANJO PMP 3" POLY690760 |

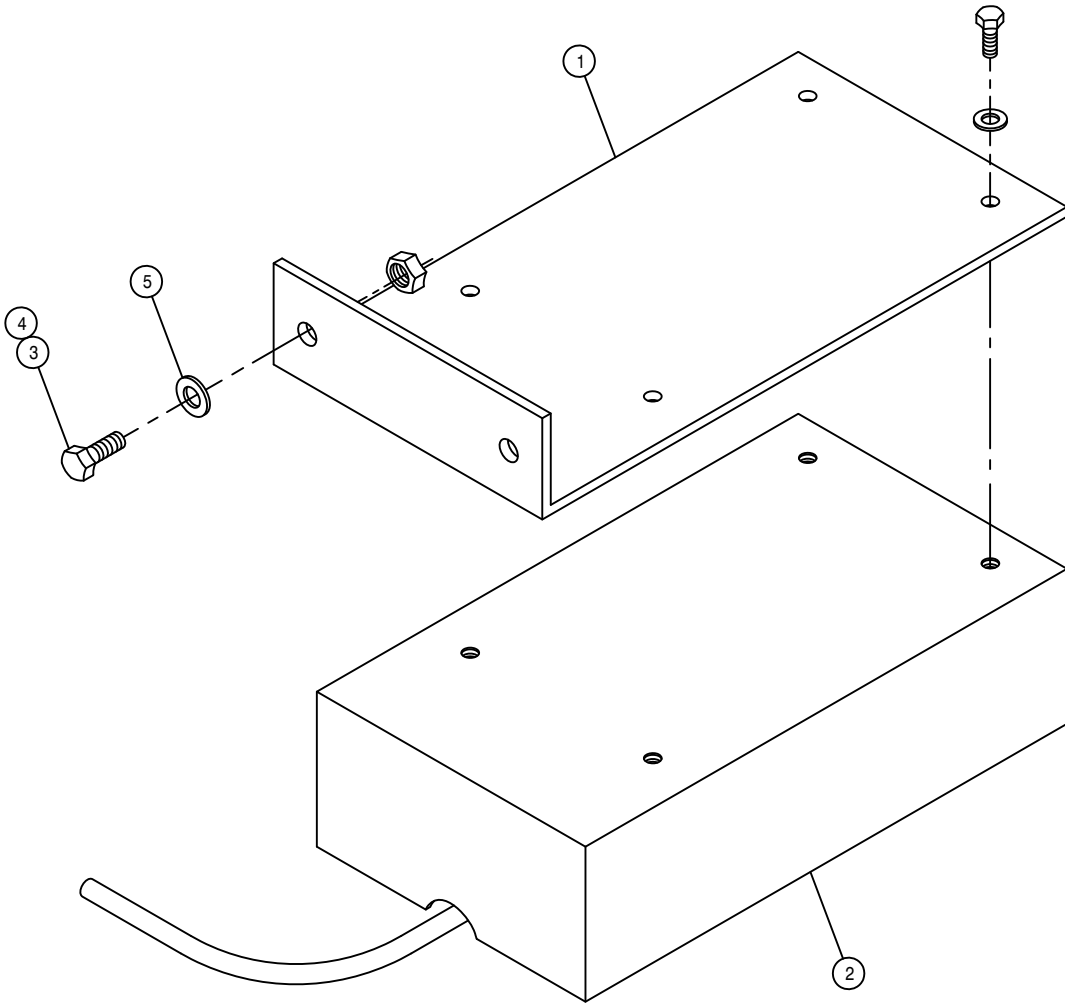
FRONT FILL ASSEMBLY

DET. QTY PART NO. DESCRIPTION

|    |   |        |                              |
|----|---|--------|------------------------------|
| 1  | 1 | 470322 | LANYARD, 8" NYLON LOOP/LOOP  |
| 2  | 1 | 500063 | 1"NPT PIPE PLUG, POLY        |
| 3  | 1 | 500074 | 1"NPT-1" HOSE BARB, POLY     |
| 4  | 1 | 500164 | 3" FLANGE-3" MNPT ADPTR POLY |
| 5  | 2 | 500208 | 3" FLANGE CLAMP, S.S.        |
| 6  | 2 | 500209 | 3" FLANGE GASKET EPDM        |
| 7  | 1 | 500210 | 3" FLANGE-3" HOSE BARB POLY  |
| 8  | 1 | 695900 | BALL VALVE 1IN FNPT POLY     |
| 9  | 1 | 696149 | BALL VLV, 3" FLANGE          |
| 10 | 1 | 696228 | 3.00FNPT-FEMALE COUPLER POLY |
| 11 | 1 | 696232 | PLUG FOR 3.00 FEMALE COUPLER |
| 12 | 1 | 470253 | HYD DAMPER, 100LB,4.0 STROKE |
| 13 | 2 | 470254 | BALL SOCKET, M6 THD X 10MM   |
| 14 | 2 | 470255 | BALL STUD,5/16-18 THD X 10MM |
| 15 | 2 | 470256 | SAFTY CLIP, 10MM BALL SOCKET |
| 16 | 2 | 920501 | 5/16 LOCK WASHER             |
| 17 | 2 | 910002 | 5/16UNC HEX NUT              |
| 18 | 1 | 690690 | FRT FILL SUPP ARM WLD        |
| 19 | 1 | 690698 | FRT FILL SUPP ARM REL WLD    |
| 20 | 1 | 690701 | FRT FILL SUPP ARM LATCH PIN  |
| 21 | 1 | 472316 | ROLL PIN, 5/16 X 1 1/2       |
| 22 | 1 | 482017 | SPRING                       |
| 23 | 1 | 900066 | 5/16UNC X 1 1/4 HEX BOLT     |
| 24 | 1 | 914002 | 5/16UNC HEX STOVER NUT       |
| 25 | 1 | 920006 | 3/4 SAE FLAT WASHER          |
| 26 | 1 | 900418 | 3/4UNC X 7" HEX BOLT         |
| 27 | 1 | 914012 | 3/4UNC HEX STOVER NUT        |
| 28 | 1 | 601497 | HOSE, 1 X 200 1BR BLK EPDM   |
| 29 | 1 | 601509 | HOSE, 3 X 96 POLY HELIX EPDM |
| 30 | 1 | 520145 | 356 T-BOLT HOSE CLAMP SS     |
| 31 | 1 | 520090 | HOSE CLAMP NO 16 STAINLESS   |
| 32 | 1 | 785007 | KNOB,1 3/16" BALL,RED,3/8-16 |

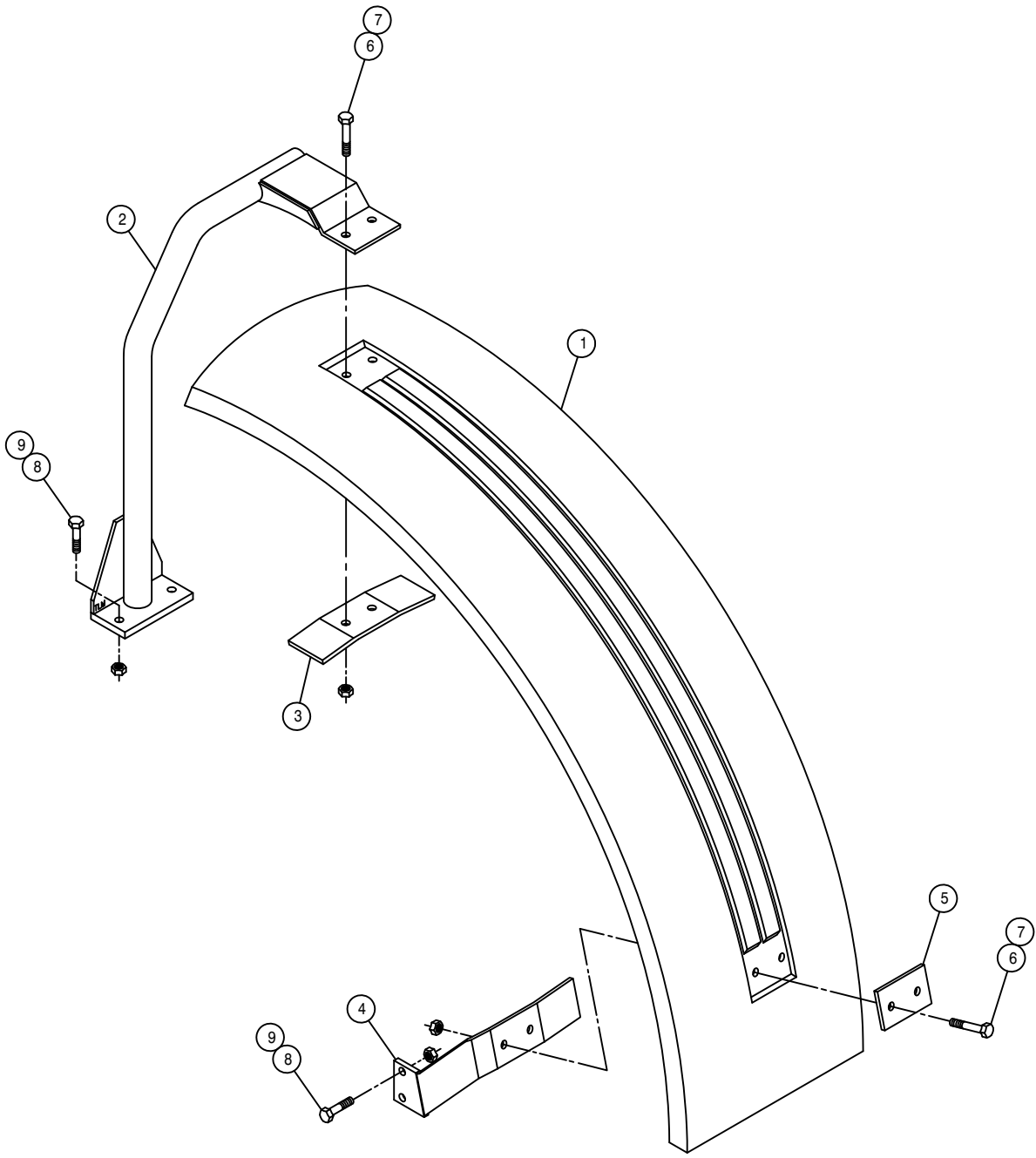






RADAR OPTION

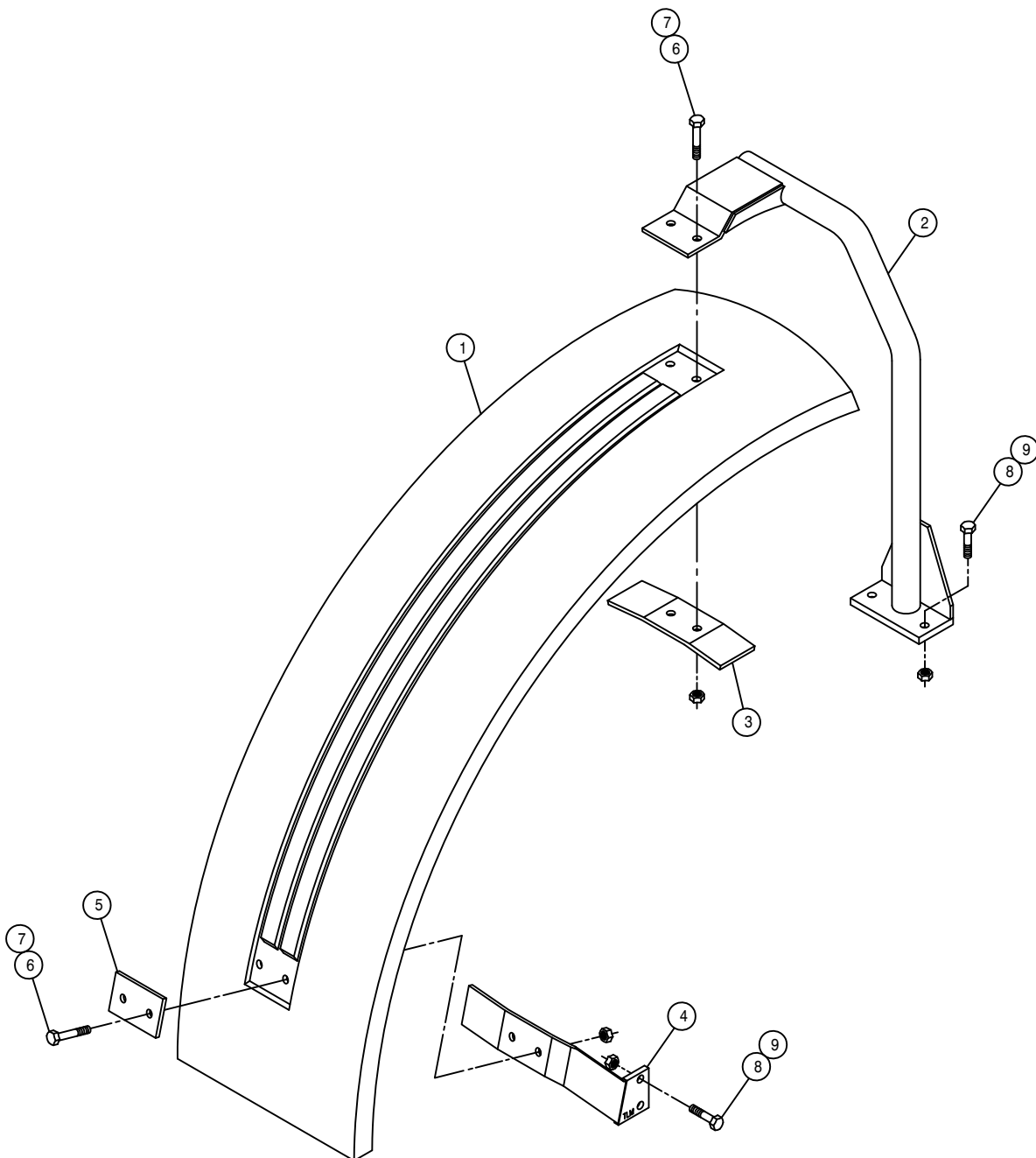
| DET. | QTY | PART NO. | DESCRIPTION              |
|------|-----|----------|--------------------------|
| 1    | 1   | 342857   | RADAR MTG BRKT           |
| 2    | 1   | 690599   | RAVEN RADAR UNIT W/CABLE |
| 3    | 2   | 900129   | 3/8UNC X 1" HEX BOLT     |
| 4    | 2   | 914004   | 3/8UNC HEX STOVER NUT    |
| 5    | 2   | 920002   | 3/8 SAE FLAT WASHER      |



RIGHT FENDER ASSEMBLY

DET. QTY PART NO. DESCRIPTION

| DET. | QTY | PART NO. | DESCRIPTION               |       |
|------|-----|----------|---------------------------|-------|
| 1    | 1   | 359151   | FENDER, STS12             | 2000  |
| 2    | 1   | 359152   | RH FENDER MT WLD          | STS12 |
| 3    | 1   | 359160   | FENDER MT KEEPER          | STS12 |
| 4    | 1   | 359162   | RH FENDER SUPP BRKT WLD   | STS12 |
| 5    | 1   | 359167   | FENDER SUPPORT KEEPER     | STS12 |
| 6    | 4   | 473845   | 12MM-1.75 X 65MM HEX BOLT |       |
| 7    | 4   | 473846   | 12MM-1.75 HEX STOVER NUT  |       |
| 8    | 4   | 900266   | 1/2UNC X 1 3/4 HEX BOLT   |       |
| 9    | 4   | 914008   | 1/2UNC HEX STOVER NUT     |       |



LEFT FENDER ASSEMBLY

| DET. | QTY | PART NO. | DESCRIPTION               |       |
|------|-----|----------|---------------------------|-------|
| 1    | 1   | 359151   | FENDER, STS12             | 2000  |
| 2    | 1   | 359153   | LH FENDER MT WLD          | STS12 |
| 3    | 1   | 359160   | FENDER MT KEEPER          | STS12 |
| 4    | 1   | 359163   | LH FENDER SUPP BRKT WLD   | STS12 |
| 5    | 1   | 359167   | FENDER SUPPORT KEEPER     | STS12 |
| 6    | 4   | 473845   | 12MM-1.75 X 65MM HEX BOLT |       |
| 7    | 4   | 473846   | 12MM-1.75 HEX STOVER NUT  |       |
| 8    | 4   | 900266   | 1/2UNC X 1 3/4 HEX BOLT   |       |
| 9    | 4   | 914008   | 1/2UNC HEX STOVER NUT     |       |

# NOTICE

---

**The following page contains decals for the model STS 12.**

**These decals can be obtained from Hagie Mfg. Co. and should be used whenever your machine is repainted or when the decals become worn, weathered, or faded.**

**Special attention should be paid to decals involving personal safety. They have been attached for your protection.**

**KEEP THEM IN PLACE.**

**Contact: Hagie Manufacturing Co.  
Box 273  
Clarion, Iowa 50525**

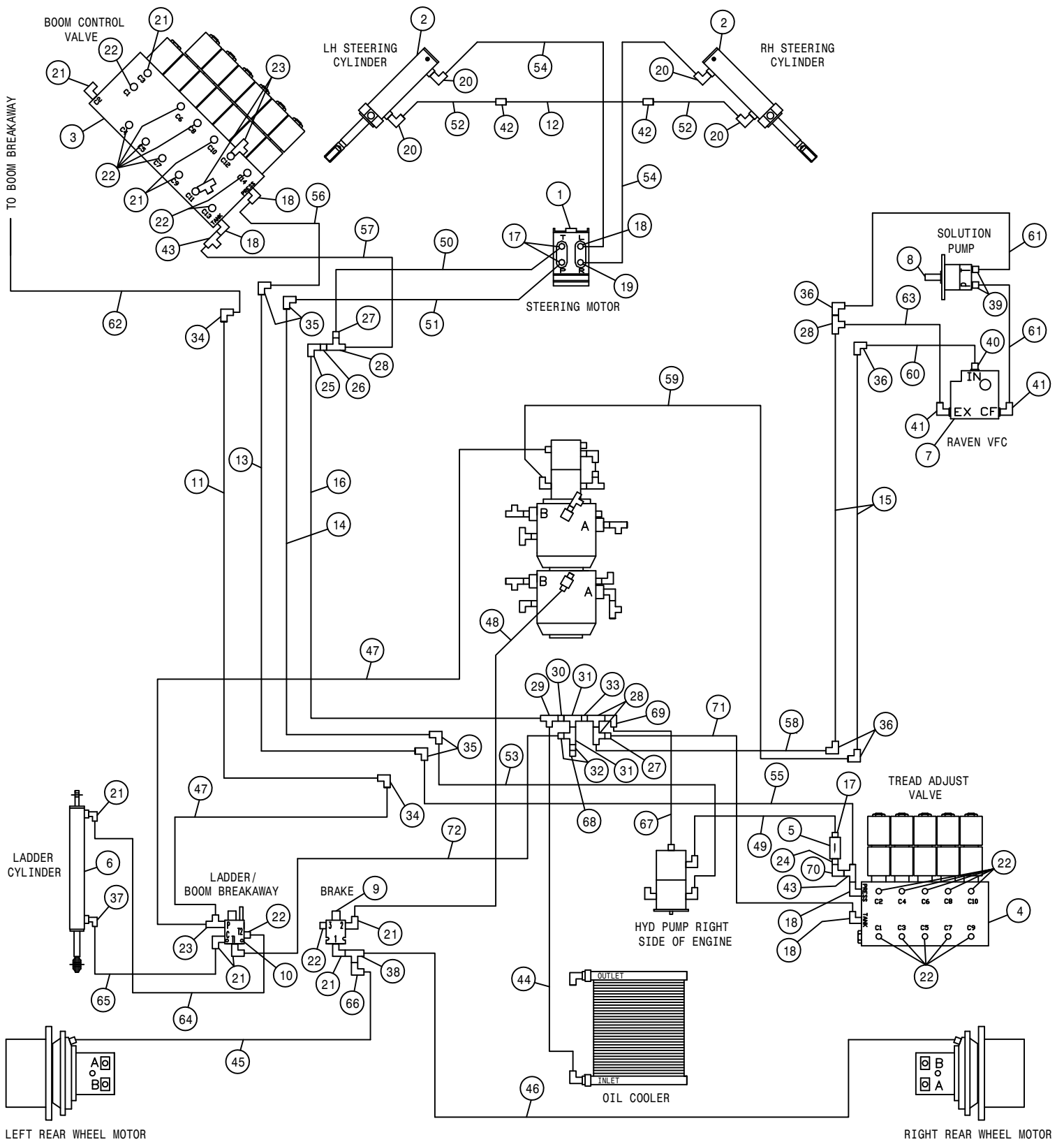
STS12 DECALS

| <u>QTY.</u> | <u>PART NO.</u> | <u>DESCRIPTION</u>              | <u>LOCATION</u>  |
|-------------|-----------------|---------------------------------|--|
| 1           | 650100          | TREAD ADJ SWITCH PANEL DECAL    | ON THE SWITCH PANEL                                      |
| 1           | 650101          | BOOM SPRAY VALVE SWITCH DECAL   | ON BOOM SWITCH BOX                                       |
| 1           | 650102          | HYDROSTATIC CONTROL PANEL DECAL | ON HYDRO LEVER MOUNT                                     |
| 4           | 650103          | TREAD ADJUST INDICATOR DECAL    | 1-ON EACH LEG SLIDE TUBE                                 |
| 1           | 650104          | ENGINE COMPARTMENT DECAL SET    | ON ENGINE SHEET METAL                                    |
| 1           | 650105          | SOLUTION TANK DECAL SET         | ON SOLUTION TANK   |
| 1           | 650106          | AGITATION VALVE DECAL           | ON AGITATION ELECT VALVE                                 |
| 1           | 650107          | CAUTION BOOSTER DECAL           | NEAR BOOSTER POSTS                                       |
| 1           | 650108          | MAIN SPRAY POWER DECAL          | ON ATI CONTROL BOX                                       |
| 1           | 650109          | LOW HYDRAULIC OIL DECAL         | ON ATI CONTROL BOX                                       |
| 1           | 650110          | PRESSURE WASHER DECAL           | ON PRESSURE WASHER SWITCH BOX                            |
| 1           | 650111          | CHEMICAL INDUCTOR CONTROL DECAL | ON CHEM INDUCTOR CONTORL BOX                             |
| 1           | 650112          | HAGIE UPFRONT STRG WHEEL DECAL  | ON STEERING WHEEL  |
| 1           | 650113          | EMERGENCY EXIT DECAL            | ON RH SIDE WINDOW HANDLE                                 |
| 1           | 650114          | FILL WITH FRESH WATER DECAL     | ON FRESH WATER TANK                                      |
| 1           | 650115          | HAND WASH ONLY DECAL            | NEAR HAND WASH VALVE                                     |
| 1           | 650116          | INDUCTOR FILL INSTRUCTION DECAL | ON SIDE OF FILL ARM                                      |
| 1           | 650117          | LATCH RELEASE DECAL             | 1-REAR RAD GRILLE DOOR                                   |
| 1           | 650118          | DO NOT USE EITHER DECAL         | NEAR AIR INTAKE ON SHEET METAL                           |
| 1           | 650120          | LATCH RELEASE W/ARROW DECAL     | 1-ENGINE SIDE DOOR                                       |
| 1           | 650337          | ELECTROCUTION HAZARD DECAL      | ON RH SIDE WINDOW  |
| 2           | 650339          | WARNING, HYD OIL INJ DECAL      | 1-ON SIDE OF OIL TANK<br>1-NEAR ELECTIC VALVE ON TRANSOM |
| 1           | 650340          | CAUTION, PARKING BRAKE DECAL    | ON RH SIDE WINDOW  |
| 1           | 650347          | NOTICE-R134 DECAL               | RH SIDE OF ENGINE ON FRAME                               |
| 1           | 650848          | CAUTION, SLIP OR FALL DECAL     | ON LADDER PIVOT TUBE                                     |
| 1           | 650849          | CAUTION, ENGINE FUEL DECAL      | NEAR FUEL TANK NECK                                      |
| 1           | 650850          | DANGEROUS CHEM DECAL            | SOLUTION TANK FILLER NECK                                |
| 1           | 650851          | SHIELDS DECAL                   | ON LOWER LH REAR MAINFRAME TUBE                          |
| 1           | 650852          | READ MANUAL DECAL               | ON LEFT SIDE WINDOW                                      |
| 1           | 650954          | DIESEL DECAL                    | NEAR FUEL TANK NECK                                      |
| 1           | 650981          | COOLING SYSTEM DECAL            | NEAR RADIATOR CAP  |
| 1           | 650982          | ELECTRICAL DECAL                | ON RH CAB DOOR   |
| 4           | 650985          | WHEEL BOLT TORQUE DECAL         | ON EACH WHEEL RIM  |



STS12 HYDRAULIC SCHEMATIC 2001  
REFERENCE DRAWING NO. 498610S1

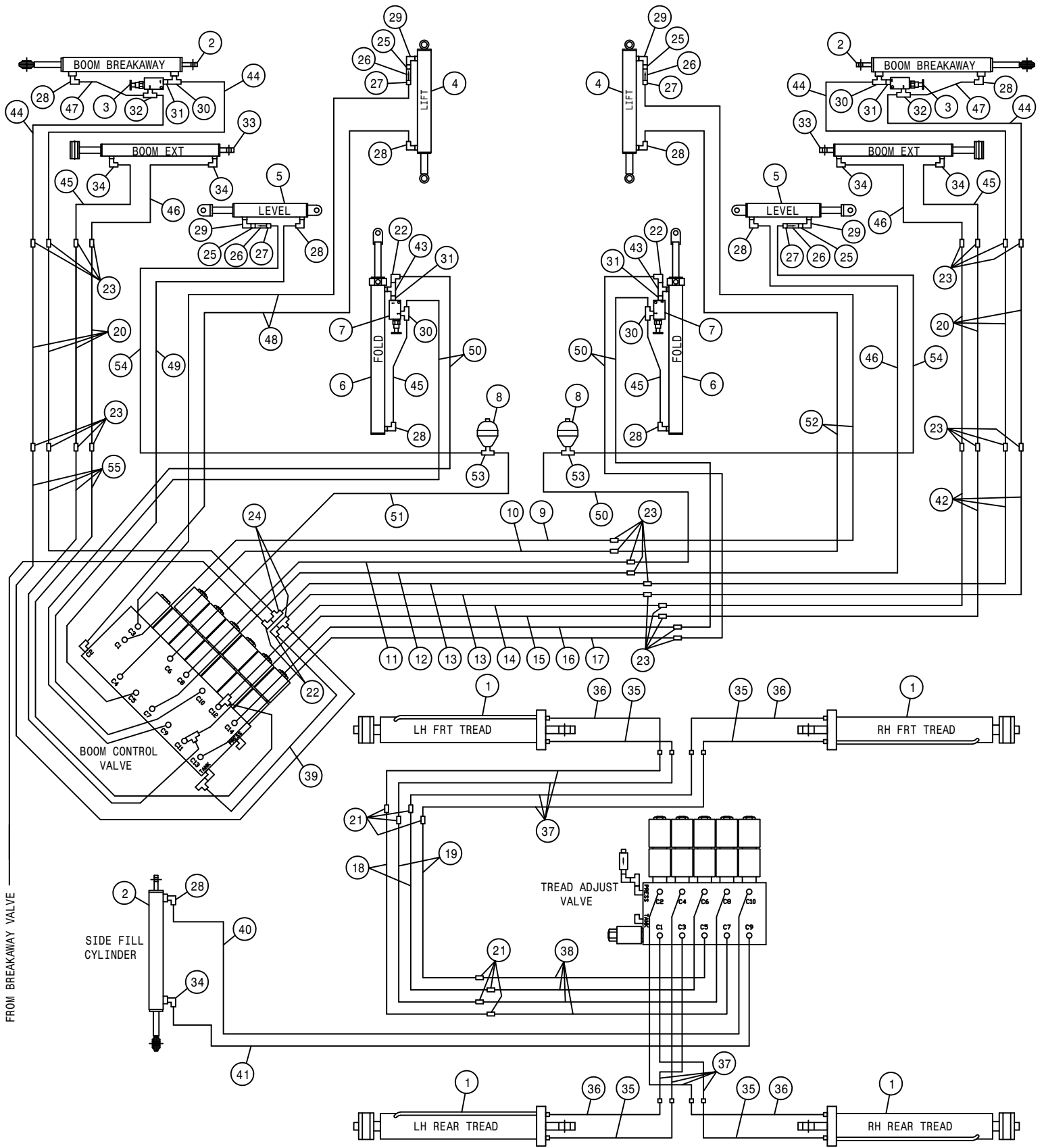
| DET. | QTY | PART NO. | DESCRIPTION                    | DET. | QTY | PART NO. | DESCRIPTION                    |
|------|-----|----------|--------------------------------|------|-----|----------|--------------------------------|
| 1    | 1   | 606966   | SUND 75CC PUMP,C/C-MT          | 50   | 2   | 618456   | 7/8MJIC UNION                  |
| 2    | 1   | 606969   | SUND 75CC PUMP,C/B-MT          | 51   | 1   | 618301   | 7/8MJIC-90-7/8FJIC SWIV LBO    |
| 3    | 1   | 606984   | SUND GEAR PUMP,2.02CI GRP3     | 52   | 1   | 618581   | 7/8MJIC UNION TEE              |
| 4    | 1   | 606987   | SUND GEAR PUMP, .128CI GRP3    | 53   | 1   | 616127   | 16-421HT-16FJX-16FJX90-73 H/A  |
| 5    | 1   | 606990   | TANDEM PUMP, .66CI/.51CI       | 54   | 2   | 616099   | 08-451TC-08FJX-08FJX-16 H/A    |
| 6    | 2   | 615784   | RH FRT WHL MAIN HYD TUBE ASSY  | 55   | 2   | 616100   | 08-451TC-08FJX-08FJX-19 H/A    |
| 7    | 1   | 618800   | OIL COOLER STS12 2000          | 56   | 1   | 616107   | 08-451TC-12FJX-12FJX-17 H/A    |
| 8    | 3   | 606978   | SUND HYD MOTOR                 | 57   | 1   | 616116   | 16-421HT-16FJX-20FJX-154 H/A   |
| 9    | 1   | 606981   | SUND HYD MOTOR W/SENSOR        | 58   | 1   | 616117   | 06-451TC-06FJX-06FJX-17 H/A    |
| 10   | 2   | 610711   | TORQ HUB, 22:1 CW12            | 59   | 1   | 616126   | 16-421HT-16FJX-16FJX-73 H/A    |
| 11   | 2   | 610714   | TORQ HUB, 27:1 CW12            | 60   | 1   | 616061   | 16C15-16FFOX-16FFOX-30 H/A     |
| 12   | 1   | 605608   | HYD FILTER HEAD, DONALDSON     | 61   | 1   | 616062   | 16C15-16FFOX-16FFOX-58 H/A     |
| 13   | 1   | 605609   | HYD FILTER ELEMENT, DONALDSON  | 62   | 1   | 616063   | 16C15-16FFOX-16FFOX90-81 H/A   |
| 14   | 2   | 605611   | FILTER HEAD, 1 1/2FNPTF ZINGA  | 63   | 4   | 616064   | 16C15-16FFOX-16FLG-132 H/A     |
| 15   | 1   | 760231   | HYD TANK WLD STS12             | 64   | 1   | 616065   | 16C15-16FFOX-16FLG-165 H/A     |
| 16   | 1   | 760239   | RECEIVER PLATE WLD STS12       | 65   | 1   | 616066   | 16C15-16FFOX90-16FFOX90-38 H/A |
| 17   | 1   | 615775   | LH FRT CASEDRAIN HYD TUBE ASSY | 66   | 1   | 616067   | 16C15-16FFOX90-16FLG-193 H/A   |
| 18   | 1   | 615776   | RH FRT CASEDRAIN HYD TUBE ASSY | 67   | 1   | 616068   | 16C15-16FFOX90-16FLG-203 H/A   |
| 19   | 1   | 615778   | FRT CASE DRAIN HYD TUBE ASSY   | 68   | 1   | 616069   | 16C15-16FFOX90-16FLG-223 H/A   |
| 20   | 1   | 615779   | CASE DRAIN HYD TUBE ASSY       | 69   | 2   | 616103   | 08-451TC-08FJX-10FJX-136 H/A   |
| 21   | 4   | 615785   | FRT WHL MAIN HYD TUBE ASSY     | 70   | 1   | 616104   | 08-451TC-08FJX-12FJX-160 H/A   |
| 22   | 2   | 615783   | LH FRT WHL MAIN HYD TUBE ASSY  | 71   | 1   | 616106   | 08-451TC-08FJX-12FJX-175 H/A   |
| 23   | 2   | 611127   | 1 1/16MJIC-1 1/16MOR ADPTR     | 72   | 1   | 616110   | 16-451TC-12FJX-16FJX-84 H/A    |
| 24   | 1   | 618115   | 9/16MJIC-90-3/4MOR LBO         | 73   | 1   | 616111   | 16-451TC-16FJX-16FJX-32 H/A    |
| 25   | 2   | 618126   | 9/16MJIC-9/16MOR ADPTR         | 74   | 2   | 616112   | 16-451TC-16FJX-16FJX-42 H/A    |
| 26   | 2   | 618183   | 3/4MJIC-90-7/8MOR LBO          | 75   | 1   | 616113   | 10-421HT-10FJX-12FJX-55 H/A    |
| 27   | 2   | 618186   | 1 5/16MJIC-1 5/16MOR ADPTR     | 76   | 1   | 616038   | 04C2AT-06FJX-06FJX90-15 H/A    |
| 28   | 4   | 618191   | 1 1/16MJ-90-1 1/16FJ SWIV LBO  | 77   | 1   | 614754   | .050 ELBOW ASSY,9/16MOR 90D    |
| 29   | 1   | 618248   | 1 1/16MJIC-90-1 1/16MOR LBO    | 78   | 1   | 618444   | 9/16MOR RUN TEE-9/16MJIC       |
| 30   | 1   | 618302   | 1 1/16MJIC-90-1 5/16MOR LBO    | 79   | 1   | 618531   | 9/16FJIC CAP NUT               |
| 31   | 8   | 618327   | 3/4MJIC-7/8MOR ADPTR           | 80   | 1   | 507009   | BLK PIPE NIPPLE 1.50NPT-6.00   |
| 32   | 2   | 618451   | 3/4FJIC SW RUN TEE-3/4MJIC     | 81   | 3   | 507014   | BLK PIPE EL 90DEG 1.50NPT      |
| 33   | 1   | 618455   | 1 5/16MJIC-1 5/8MOR ADPTR      | 82   | 4   | 507015   | RED BUSH 1.50NPT - 1.25FNPT    |
| 34   | 1   | 618619   | 1 5/16FJ SW RUN TEE-1 5/16MJ   | 83   | 2   | 507018   | BLK PIPE ST EL 90DEG 1.50NPT   |
| 35   | 2   | 618640   | 1 5/16MJ-90-1 5/16FJ SWIV LBO  | 84   | 1   | 507019   | CLOSE NIPPLE 1.50NPT           |
| 36   | 1   | 618641   | 1 1/16FJIC-1 5/16MJIC ADPTR    | 85   | 2   | 507250   | BLK PIPE TEE 1.50NPT           |
| 37   | 12  | 618652   | 1" SPLIT FLANGE KIT            | 86   | 1   | 507610   | BLK PIPE NIPPLE 1.50NPT-8.00   |
| 38   | 3   | 618653   | 1" FLANGE-1 7/16MFOR ADPTR     | 87   | 1   | 507617   | BLK PIPE NIPPLE 1.50NPT-16.00  |
| 39   | 1   | 618654   | 1" FLANGE-90-1 7/16MFOR LBO    | 88   | 2   | 605612   | FILTER, 10 MICRON ZINGA        |
| 40   | 4   | 618655   | 1 7/16FFOX RUN TEE-1 7/16MFOR  | 89   | 1   | 605613   | TANK FILTER,100 MESH,1 1/2FNPT |
| 41   | 1   | 618660   | 1 1/16FJX BRANCH TEE-1 1/16MJ  | 90   | 1   | 507252   | SIDE OUTLET EL 90DEG 1.50NPT   |
| 42   | 1   | 618661   | 1 5/16FJIC-9/16MJIC ADPTR      | 91   | 1   | 616083   | 04-451TC-06FJX-06FJX-36 H/A    |
| 43   | 2   | 618463   | 1 5/16MJIC-90-1 5/16MOR XL LBO | 92   | 1   | 618656   | 1 5/8MJIC-1 1/2MNPT ADPTR      |
| 44   | 1   | 470308   | 1/2MNPT DRAIN PLUG,AL HD,MAG   | 93   | 4   | 618667   | 1 5/16MJIC-45-1 1/4MNPT LBO    |
| 45   | 2   | 618474   | 3/4MJIC-90-1 1/16MOR LBO       | 94   | 2   | 618672   | 1 5/16MJIC-1 1/2MNPT ADPTR     |
| 46   | 2   | 618666   | 7/16MJIC-M12X1.5MOR ADPTR      | 95   | 1   | 618315   | 3/4MJIC-45-3/4MOR LBO          |
| 47   | 3   | 618541   | 1 5/16FJIC-1 1/16MJIC ADPTR    | 96   | 1   | 618487   | 1 1/16FJ SW RUN TEE-1 1/16MJ   |
| 48   | 2   | 618658   | 1 5/16MJIC UNION TEE           | 97   | 1   | 618483   | 1 1/16FJIC-9/16MJIC ADPTR      |
| 49   | 1   | 618448   | 1 1/16MJIC-90-1 1/16MJIC LBO   |      |     |          |                                |





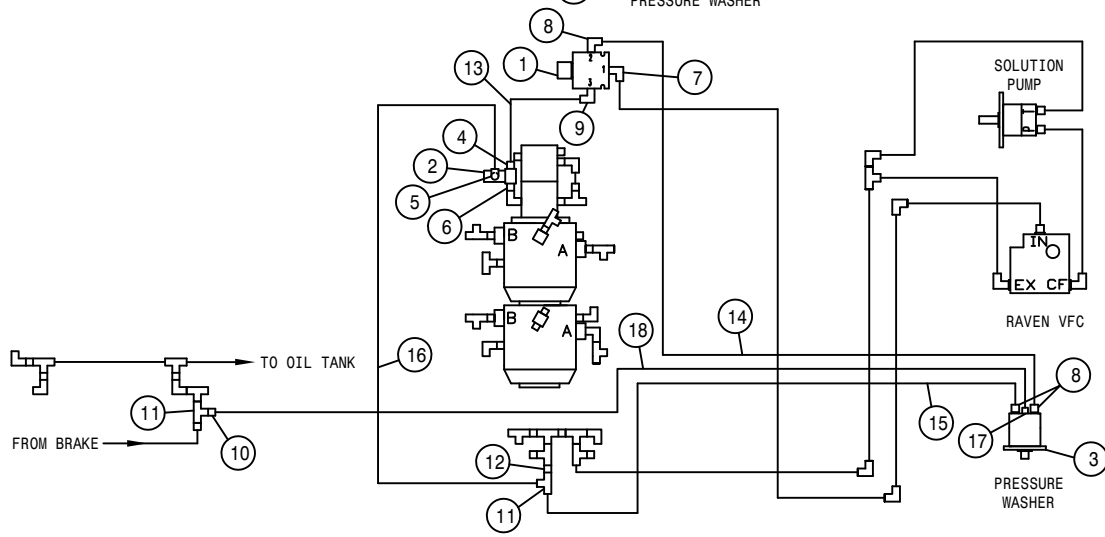
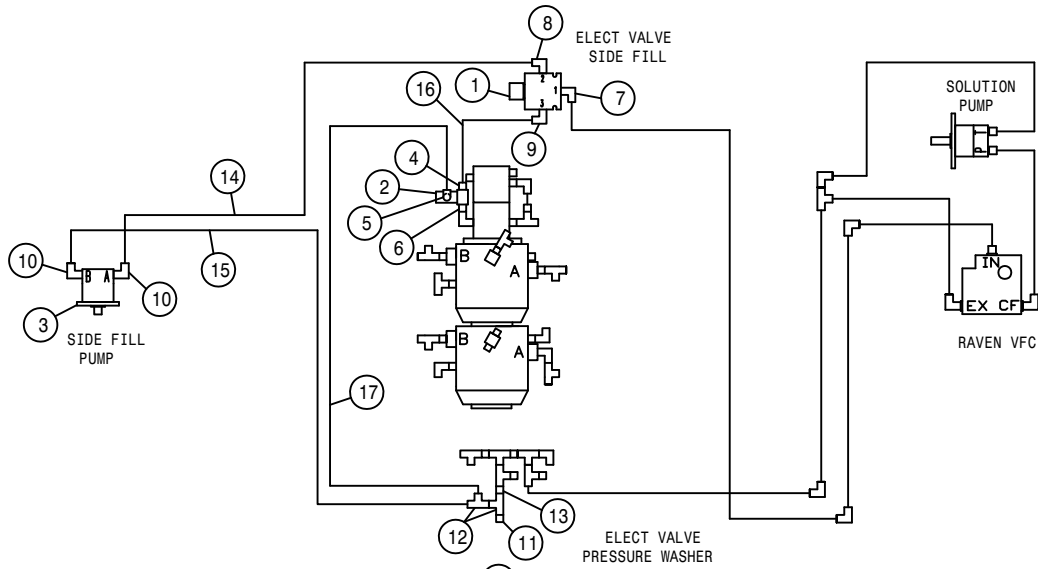
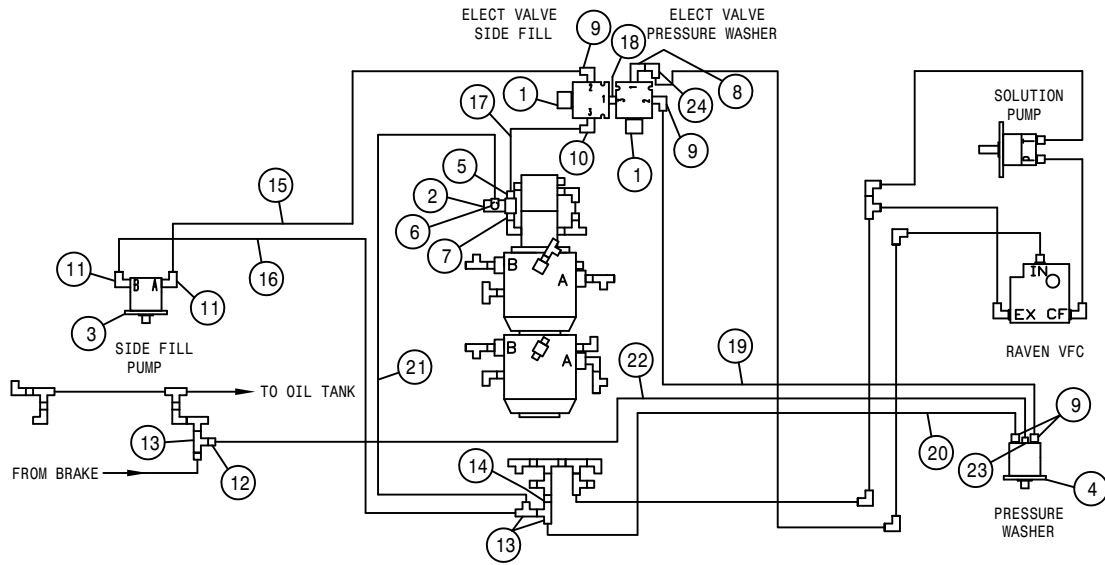
STS12 HYDRAULIC SCHEMATIC 2001  
REFERENCE DRAWING NO. 498610S2

| DET. | QTY | PART NO. | DESCRIPTION                    | DET. | QTY | PART NO. | DESCRIPTION                    |
|------|-----|----------|--------------------------------|------|-----|----------|--------------------------------|
| 1    | 1   | 749321   | STEERING CONTROL MTR 14.1CI    | 37   | 1   | 614750   | .042 ELBOW ASSY,9/16MOR 90D    |
| 2    | 2   | 620910   | STEERING CYL,2.50 X 8.81       | 38   | 1   | 618486   | 9/16FJIC SW RUN TEE-9/16MJIC   |
| 3    | 1   | 606051   | DELTA HYD MANIFOLD ASSY, 2703  | 39   | 2   | 618273   | 1 1/16MJIC-1/2MNPT ADPTR       |
| 4    | 1   | 606050   | DELTA HYD MANIFOLD ASSY, 2704  | 40   | 1   | 611127   | 1 1/16MJIC-1 1/16MOR ADPTR     |
| 5    | 1   | 605610   | HYD FILTER, INLINE 90M 3/4FOR  | 41   | 2   | 618248   | 1 1/16MJIC-90-1 1/16MOR LBO    |
| 6    | 1   | 620920   | LADDER CYL, 1.50 X 12.25       | 42   | 2   | 618314   | 3/4MJIC UNION                  |
| 7    | 1   | 690666   | VALVE HYD CTRL,30GPM RAVEN     | 43   | 2   | 618451   | 3/4FJIC SW RUN TEE-3/4MJIC     |
| 8    | 1   | 690670   | HYPRO PUMP, 9305C-HM3CB        | 44   | 1   | 616115   | 16-421HT-16FJX-20FJX-100 H/A   |
| 9    | 1   | 606013   | BRAKE VLV W/TOWER ASSY         | 45   | 1   | 616072   | 04-451TC-04FJX45-06FJX-195 H/A |
| 10   | 1   | 606011   | LADDER/BRKWAY VLV W/TOWER ASSY | 46   | 1   | 616073   | 04-451TC-04FJX45-06FJX-202 H/A |
| 11   | 1   | 615771   | BRKAWAY/TRD MAIN HYD TUBE ASSY | 47   | 2   | 616080   | 04-451TC-06FJX-06FJX-30 H/A    |
| 12   | 1   | 615772   | STRG CYL JUMPER HYD TUBE ASSY  | 48   | 1   | 616081   | 04-451TC-06FJX-06FJX-31 H/A    |
| 13   | 1   | 615773   | STACK VALVE MAIN HYD TUBE ASSY | 49   | 1   | 616093   | 08-451TC-08FJX-08FJX-86 H/A    |
| 14   | 1   | 615774   | STEERING MAIN HYD TUBE ASSY    | 50   | 1   | 616094   | 06-451TC-08FJX-08FJX-31 H/A    |
| 15   | 2   | 615777   | SOLUTION PUMP HYD TUBE ASSY    | 51   | 1   | 616095   | 06-451TC-08FJX-08FJX-33 H/A    |
| 16   | 1   | 615782   | FRT MAIN RETURN HYD TUBE ASSY  | 52   | 2   | 616096   | 06-451TC-08FJX-08FJX-37 H/A    |
| 17   | 3   | 611125   | 3/4MJIC-3/4MOR ADPTR           | 53   | 1   | 616097   | 08-451TC-08FJX-08FJX-90 H/A    |
| 18   | 5   | 618241   | 3/4MJIC-90-3/4MOR LBO          | 54   | 2   | 616098   | 06-451TC-08FJX-08FJX-94 H/A    |
| 19   | 1   | 618443   | 3/4MJIC-90-3/4MOR EX LG LBO    | 55   | 1   | 616101   | 08-451TC-08FJX-08FJX-31 H/A    |
| 20   | 4   | 618249   | 3/4MJIC-90-9/16MOR LBO         | 56   | 1   | 616102   | 08-451TC-08FJX-08FJX-132 H/A   |
| 21   | 9   | 618119   | 9/16MJIC-90-9/16MOR LBO        | 57   | 1   | 616105   | 08-451TC-08FJX-12FJX-132 H/A   |
| 22   | 20  | 618126   | 9/16MJIC-9/16MOR ADPTR         | 58   | 1   | 616108   | 10-451TC-12FJX-12FJX-28 H/A    |
| 23   | 3   | 618444   | 9/16MOR RUN TEE-9/16MJIC       | 59   | 1   | 616109   | 10-451TC-12FJX-12FJX-32 H/A    |
| 24   | 1   | 618669   | 3/4FJIC SWIV-3/4MOR ADPTR      | 60   | 1   | 616120   | 10-451TC-12FJX-12FJX-16 H/A    |
| 25   | 1   | 618657   | 1 5/8MJIC-90-1 5/8MJIC LBO     | 61   | 2   | 616121   | 10-451TC-12FJX90-12FJX-32 H/A  |
| 26   | 1   | 618665   | 1 5/8FJIC-1 1/16MJIC ADPTR     | 62   | 1   | 616123   | 04-451TC-06FJX-06FJX-142 H/A   |
| 27   | 2   | 618484   | 1 1/16FJIC-3/4MJIC ADPTR       | 63   | 1   | 616125   | 10-451TC-12FJX-12FJX-22 H/A    |
| 28   | 4   | 618487   | 1 1/16FJ SW RUN TEE-1 1/16MJ   | 64   | 1   | 616083   | 04-451TC-06FJX-06FJX-36 H/A    |
| 29   | 1   | 618659   | 1 5/8MJIC UNION TEE            | 65   | 1   | 616086   | 04-451TC-06FJX-06FJX-45 H/A    |
| 30   | 1   | 618547   | 1 5/8FJIC-1 5/16MJIC ADPTR     | 66   | 1   | 618618   | 9/16MJIC-90-9/16FJIC SWIV LBO  |
| 31   | 2   | 618619   | 1 5/16FJ SW RUN TEE-1 5/16MJ   | 67   | 1   | 616136   | 08-451TC-08FJX-12FJX-72 H/A    |
| 32   | 2   | 618661   | 1 5/16FJIC-9/16MJIC ADPTR      | 68   | 1   | 618531   | 9/16FJIC CAP NUT               |
| 33   | 1   | 618541   | 1 5/16FJIC-1 1/16MJIC ADPTR    | 69   | 1   | 618191   | 1 1/16MJ-90-1 1/16FJ SWIV LBO  |
| 34   | 2   | 618603   | 9/16MJIC-90-9/16MJIC LBO       | 70   | 1   | 618609   | 3/4MJIC-90-3/4FJIC SWIV LBO    |
| 35   | 4   | 618442   | 3/4MJIC-90-3/4MJIC LBO         | 71   | 1   | 616139   | 08-451TC-08FJX-08FJX-36 H/A    |
| 36   | 4   | 618448   | 1 1/16MJIC-90-1 1/16MJIC LBO   | 72   | 1   | 616082   | 04-451TC-06FJX-06FJX-32 H/A    |



STS12 HYDRAULIC SCHEMATIC 2001  
REFERENCE DRAWING NO. 498610S3

| DET. | QTY | PART NO. | DESCRIPTION                     | DET. | QTY | PART NO. | DESCRIPTION                     |
|------|-----|----------|---------------------------------|------|-----|----------|---------------------------------|
| 1    | 4   | 620915   | TRD ADJ CYL, 3.00 X 16.00       | 29   | 4   | 618562   | 9/16MOR-90-1/4MNPT LBO          |
| 2    | 3   | 620920   | LADDER CYL, 1.50 X 12.25        | 30   | 4   | 618629   | 9/16MOR BRANCH TEE-9/16MJIC     |
| 3    | 2   | 607540   | KICK-DOWN RELIEF VALVE, 800PSI  | 31   | 4   | 618668   | 9/16FJIC SWIV-9/16MOR ADPTR     |
| 4    | 2   | 620925   | LIFT CYL, 2.50 X 18.00          | 32   | 2   | 614752   | RESTRICTOR BR TEE ASSY, .042DIA |
| 5    | 2   | 620950   | LEVEL CYL, 3.00 X 11.00         | 33   | 2   | 620945   | OUTR FOLD CYL, 2.25 X 21.00     |
| 6    | 2   | 620940   | FOLD CYL, 2.50 X 21.00          | 34   | 5   | 614750   | .042 ELBOW ASSY,9/16MOR 90D     |
| 7    | 2   | 607541   | KICK-DOWN RELIEF VALVE,4500PSI  | 35   | 4   | 616070   | 04-451TC-04MJBH-06MOR-11.00H/A  |
| 8    | 2   | 470326   | ACCUMULATOR, DIAPHRAGM          | 36   | 4   | 616071   | 04-451TC-04MJBH-06MOR-13.00H/A  |
| 9    | 1   | 615761   | LIFT RAISE HYD TUBE ASSY        | 37   | 8   | 616074   | 04-451TC-04FJX90-06FJX-26 H/A   |
| 10   | 1   | 615762   | LIFT LOWER HYD TUBE ASSY        | 38   | 4   | 616079   | 04-451TC-06FJX-06FJX-29 H/A     |
| 11   | 1   | 615763   | LEVEL RAISE HYD TUBE ASSY       | 39   | 1   | 616124   | 04-451TC-06FJX-08FJX-24 H/A     |
| 12   | 1   | 615764   | LEVEL LOWER HYD TUBE ASSY       | 40   | 1   | 616118   | 04-451TC-06FJX-06FJX-165 H/A    |
| 13   | 2   | 615765   | BREAKAWAY HYD TUBE ASSY         | 41   | 1   | 616119   | 04-451TC-06FJX-06FJX-175 H/A    |
| 14   | 1   | 615766   | BOOM EXTN RAISE HYD TUBE ASSY   | 42   | 4   | 616089   | 04-451TC-06FJX-06FJX-60 H/A     |
| 15   | 1   | 615767   | BOOM EXTN LOWER HYD TUBE ASSY   | 43   | 2   | 614756   | RESTRICTOR BR TEE ASSY, .025DIA |
| 16   | 1   | 615768   | RH FOLD RAISE HYD TUBE ASSY     | 44   | 4   | 616090   | 04-451TC-06FJX-06FJX-85 H/A     |
| 17   | 1   | 615769   | RH FOLD LOWER HYD TUBE ASSY     | 45   | 4   | 616077   | 04-451TC-06FJX-06FJX-18 H/A     |
| 18   | 2   | 615770   | FRT TRD ADJ MAIN HYD TUBE ASSY  | 46   | 3   | 616083   | 04-451TC-06FJX-06FJX-36 H/A     |
| 19   | 2   | 615771   | BRKAWAY/TRD MAIN HYD TUBE ASSY  | 47   | 2   | 616075   | 04-451TC-06FJX-06FJX-9 H/A      |
| 20   | 8   | 615760   | BOOM HYD TUBE ASSY              | 48   | 2   | 616084   | 04-451TC-06FJX-06FJX-46 H/A     |
| 21   | 8   | 618603   | 9/16MJIC-90-9/16MJIC LBO        | 49   | 1   | 616085   | 04-451TC-06FJX-06FJX-43 H/A     |
| 22   | 4   | 618618   | 9/16MJIC-90-9/16FJIC SWIV LBO   | 50   | 5   | 616086   | 04-451TC-06FJX-06FJX-45 H/A     |
| 23   | 26  | 619010   | 9/16MJIC UNION                  | 51   | 1   | 616087   | 04-451TC-06FJX-06FJX-52 H/A     |
| 24   | 2   | 618019   | 9/16MJIC UNION TEE              | 52   | 2   | 616088   | 04-451TC-06FJX-06FJX-56 H/A     |
| 25   | 4   | 503009   | RED BUSH,1/2MNPT-1/4FNPT,STEEL  | 53   | 2   | 618673   | 3/4MOR BRANCH TEE-9/16MJIC      |
| 26   | 4   | 610675   | RESTRICTOR, .042 1-WAY, 1/2FNPT | 54   | 2   | 616128   | 06-451TC-06FJX-06FJX-48 H/A     |
| 27   | 4   | 618018   | 9/16MJIC-1/2MNPT ADPTR          | 55   | 4   | 616133   | 04-451TC-06FJX-06FJX-72 H/A     |
| 28   | 9   | 618119   | 9/16MJIC-90-9/16MOR LBO         |      |     |          |                                 |



SIDE FILL AND PRESSURE WASHER OPTION  
REFERENCE DRAWING NO. 498610S4

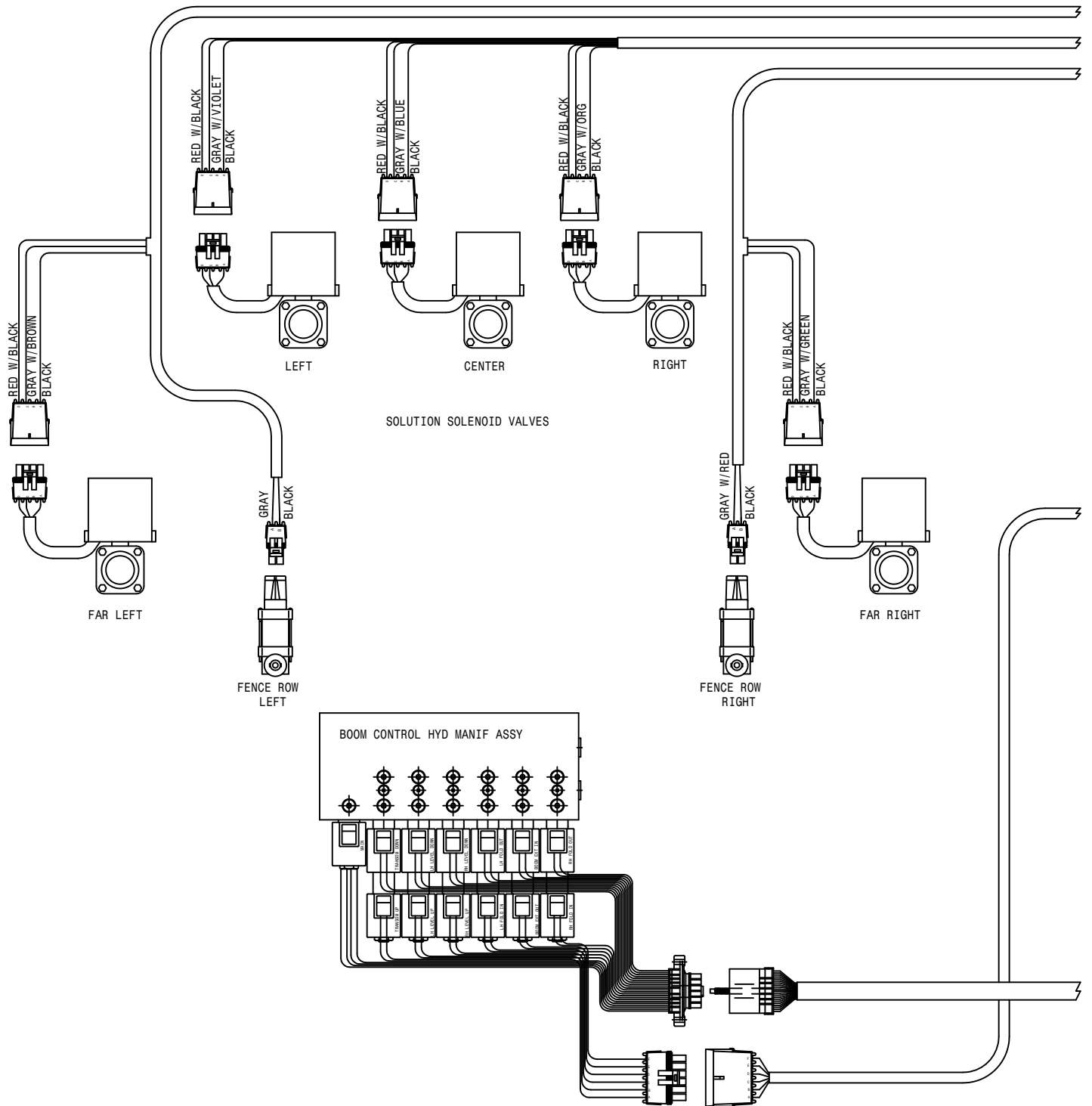
| DET. | QTY | PART NO. | DESCRIPTION                    | DET. | QTY | PART NO. | DESCRIPTION                   |
|------|-----|----------|--------------------------------|------|-----|----------|-------------------------------|
| 1    | 2   | 606015   | SIDE-FILL/WASH VLV W/SHRD ASSY | 13   | 3   | 618487   | 1 1/16FJ SW RUN TEE-1 1/16MJ  |
| 2    | 1   | 607550   | IN-LINE RELIEF VALVE           | 14   | 1   | 618541   | 1 5/16FJIC-1 1/16MJIC ADPTR   |
| 3    | 1   | 690760   | BANJO PUMP,3" SIDE FILL STS12  | 15   | 1   | 616129   | 08-451TC-08FJX-08FJX-204 H/A  |
| 4    | 1   | 690672   | PRESSURE WASHER,PACE 320 HYD   | 16   | 1   | 616130   | 08-451TC-08FJX-12FJX-204 H/A  |
| 5    | 1   | 611127   | 1 1/16MJIC-1 1/16MOR ADPTR     | 17   | 1   | 616131   | 10-451TC-12FJX-12FJX-14 H/A   |
| 6    | 1   | 618279   | 1 1/16MJIC-90-7/8MOR LBO       | 18   | 1   | 618675   | 1 1/16MOR UNION               |
| 7    | 1   | 618578   | 1 1/16FJIC SWIV-1 1/16MOR      | 19   | 1   | 616135   | 08-451TC-08FJX-08FJX-50 H/A   |
| 8    | 1   | 618248   | 1 1/16MJIC-90-1 1/16MOR LBO    | 20   | 1   | 616134   | 08-451TC-08FJX-12FJX-60 H/A   |
| 9    | 4   | 618474   | 3/4MJIC-90-1 1/16MOR LBO       | 21   | 1   | 616132   | 08-451TC-12FJX-12FJX-18 H/A   |
| 10   | 1   | 618674   | 1 1/16MJIC-90-1 1/16MOR XL LBO | 22   | 1   | 616089   | 04-451TC-06FJX-06FJX-60 H/A   |
| 11   | 2   | 618183   | 3/4MJIC-90-7/8MOR LBO          | 23   | 1   | 618119   | 9/16MJIC-90-9/16MOR LBO       |
| 12   | 1   | 618483   | 1 1/16FJIC-9/16MJIC ADPTR      | 24   | 1   | 618191   | 1 1/16MJ-90-1 1/16FJ SWIV LBO |

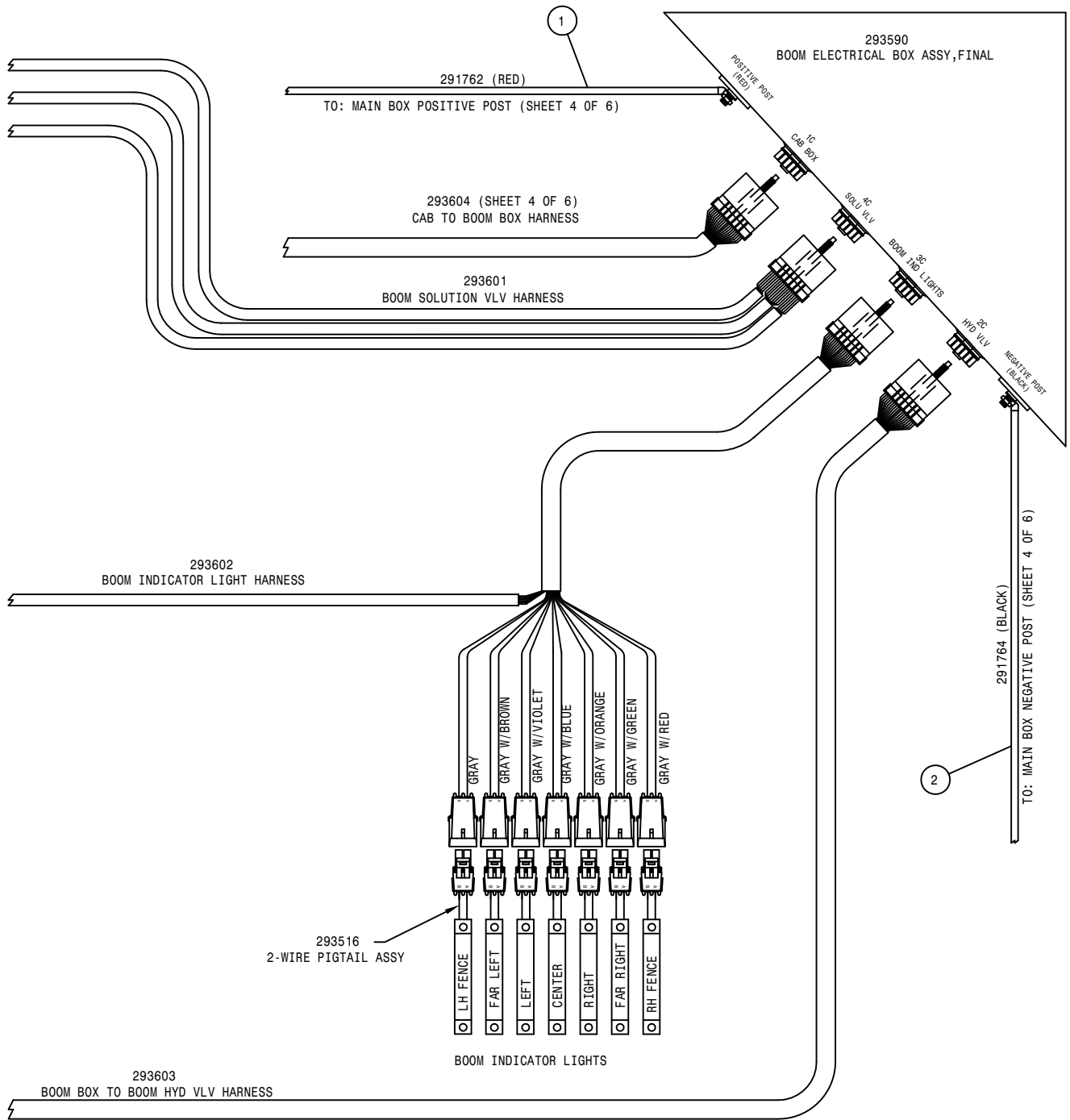
SIDE FILL OPTION

| DET. | QTY | PART NO. | DESCRIPTION                    | DET. | QTY | PART NO. | DESCRIPTION                  |
|------|-----|----------|--------------------------------|------|-----|----------|------------------------------|
| 1    | 1   | 606015   | SIDE-FILL/WASH VLV W/SHRD ASSY | 10   | 2   | 618183   | 3/4MJIC-90-7/8MOR LBO        |
| 2    | 1   | 607550   | IN-LINE RELIEF VALVE           | 11   | 1   | 618483   | 1 1/16FJIC-9/16MJIC ADPTR    |
| 3    | 1   | 690760   | BANJO PUMP,3" SIDE FILL STS12  | 12   | 2   | 618487   | 1 1/16FJ SW RUN TEE-1 1/16MJ |
| 4    | 1   | 611127   | 1 1/16MJIC-1 1/16MOR ADPTR     | 13   | 1   | 618541   | 1 5/16FJIC-1 1/16MJIC ADPTR  |
| 5    | 1   | 618279   | 1 1/16MJIC-90-7/8MOR LBO       | 14   | 1   | 616129   | 08-451TC-08FJX-08FJX-204 H/A |
| 6    | 1   | 618578   | 1 1/16FJIC SWIV-1 1/16MOR      | 15   | 1   | 616130   | 08-451TC-08FJX-12FJX-204 H/A |
| 7    | 1   | 618248   | 1 1/16MJIC-90-1 1/16MOR LBO    | 16   | 1   | 616131   | 10-451TC-12FJX-12FJX-14 H/A  |
| 8    | 1   | 618474   | 3/4MJIC-90-1 1/16MOR LBO       | 17   | 1   | 616132   | 08-451TC-12FJX-12FJX-18 H/A  |
| 9    | 1   | 618674   | 1 1/16MJIC-90-1 1/16MOR XL LBO |      |     |          |                              |

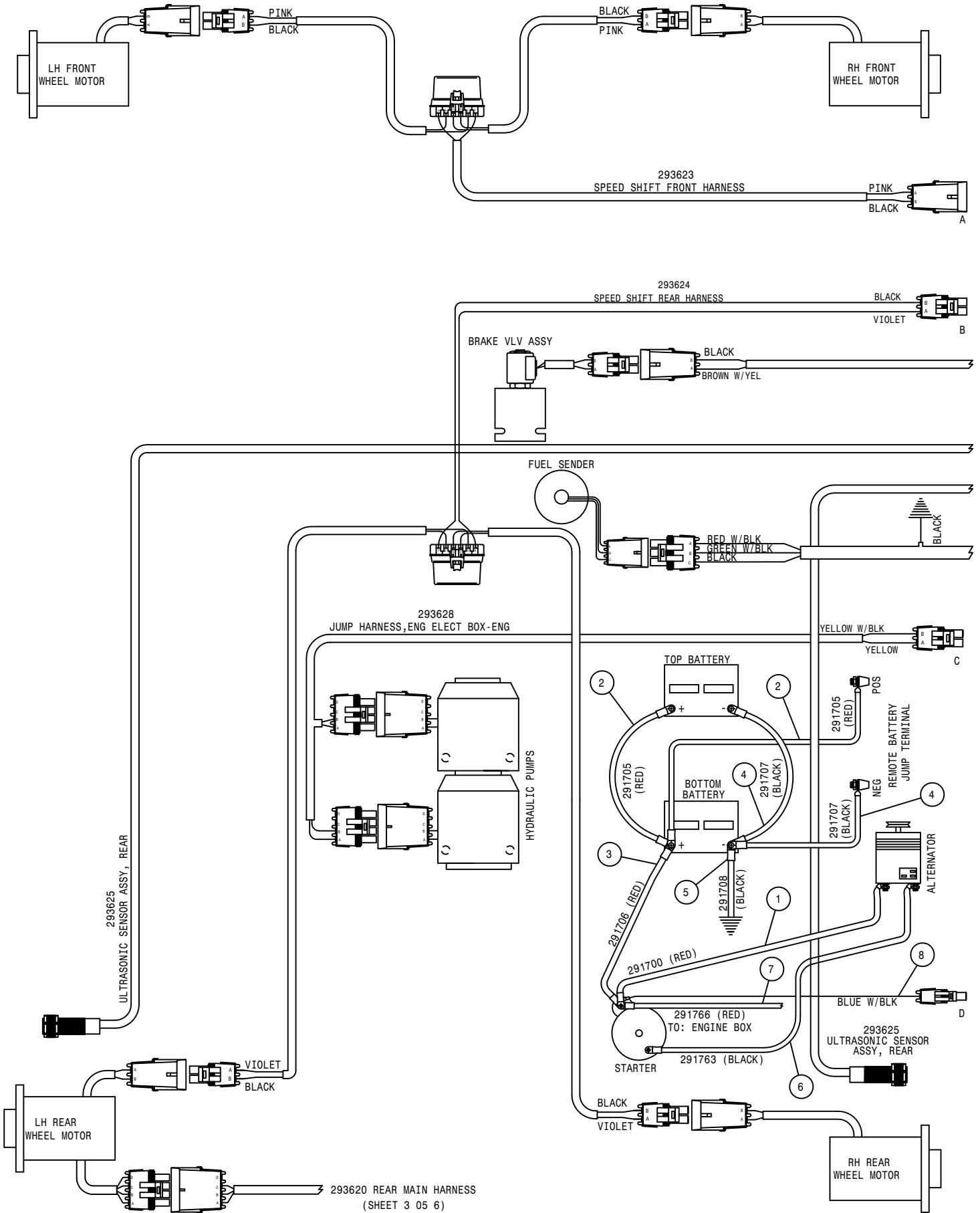
PRESSURE WASHER OPTION

| DET. | QTY | PART NO. | DESCRIPTION                    | DET. | QTY | PART NO. | DESCRIPTION                  |
|------|-----|----------|--------------------------------|------|-----|----------|------------------------------|
| 1    | 1   | 606015   | SIDE-FILL/WASH VLV W/SHRD ASSY | 10   | 1   | 618483   | 1 1/16FJIC-9/16MJIC ADPTR    |
| 2    | 1   | 607550   | IN-LINE RELIEF VALVE           | 11   | 2   | 618487   | 1 1/16FJ SW RUN TEE-1 1/16MJ |
| 3    | 1   | 690672   | PRESSURE WASHER,PACE 320 HYD   | 12   | 1   | 618541   | 1 5/16FJIC-1 1/16MJIC ADPTR  |
| 4    | 1   | 611127   | 1 1/16MJIC-1 1/16MOR ADPTR     | 13   | 1   | 616131   | 10-451TC-12FJX-12FJX-14 H/A  |
| 5    | 1   | 618279   | 1 1/16MJIC-90-7/8MOR LBO       | 14   | 1   | 616135   | 08-451TC-08FJX-08FJX-50 H/A  |
| 6    | 1   | 618578   | 1 1/16FJIC SWIV-1 1/16MOR      | 15   | 1   | 616134   | 08-451TC-08FJX-12FJX-60 H/A  |
| 7    | 1   | 618248   | 1 1/16MJIC-90-1 1/16MOR LBO    | 16   | 1   | 616132   | 08-451TC-12FJX-12FJX-18 H/A  |
| 8    | 3   | 618474   | 3/4MJIC-90-1 1/16MOR LBO       | 17   | 1   | 618119   | 9/16MJIC-90-9/16MOR LBO      |
| 9    | 1   | 618674   | 1 1/16MJIC-90-1 1/16MOR XL LBO | 18   | 1   | 616089   | 04-451TC-06FJX-06FJX-60 H/A  |



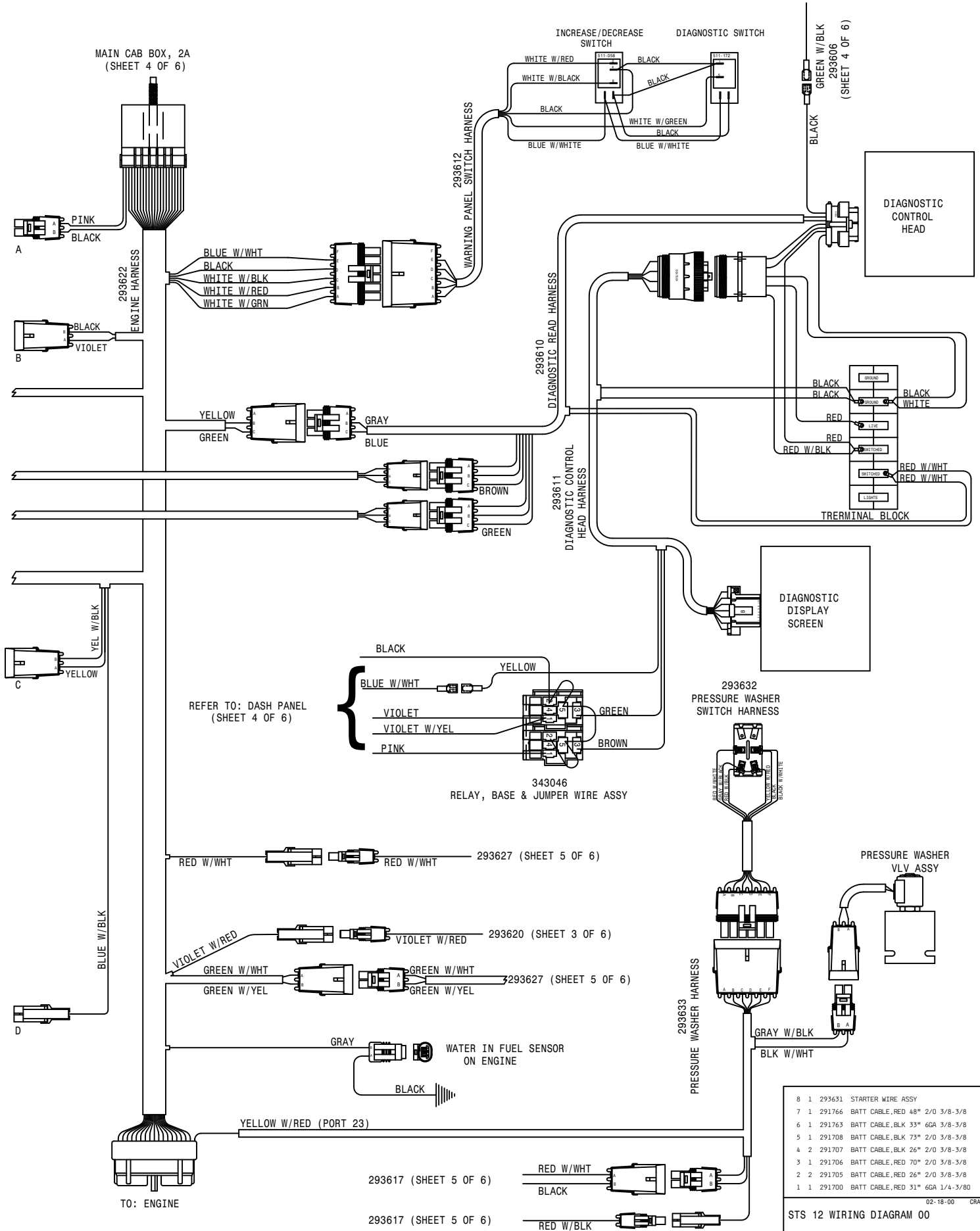


|                                 |   |        |                                 |
|---------------------------------|---|--------|---------------------------------|
| 2                               | 1 | 291764 | BATT CABLE, BLK 144" 6GA3/8-3/8 |
| 1                               | 1 | 291762 | BATT CABLE, RED 107"6GA 1/4-3/8 |
| 02-18-00 CRA                    |   |        |                                 |
| <b>STS 12 WIRING DIAGRAM 00</b> |   |        |                                 |
| SHEET 1 OF 6                    |   |        | <b>498584</b>                   |
| REVISION DATE: 10-24-00         |   |        |                                 |



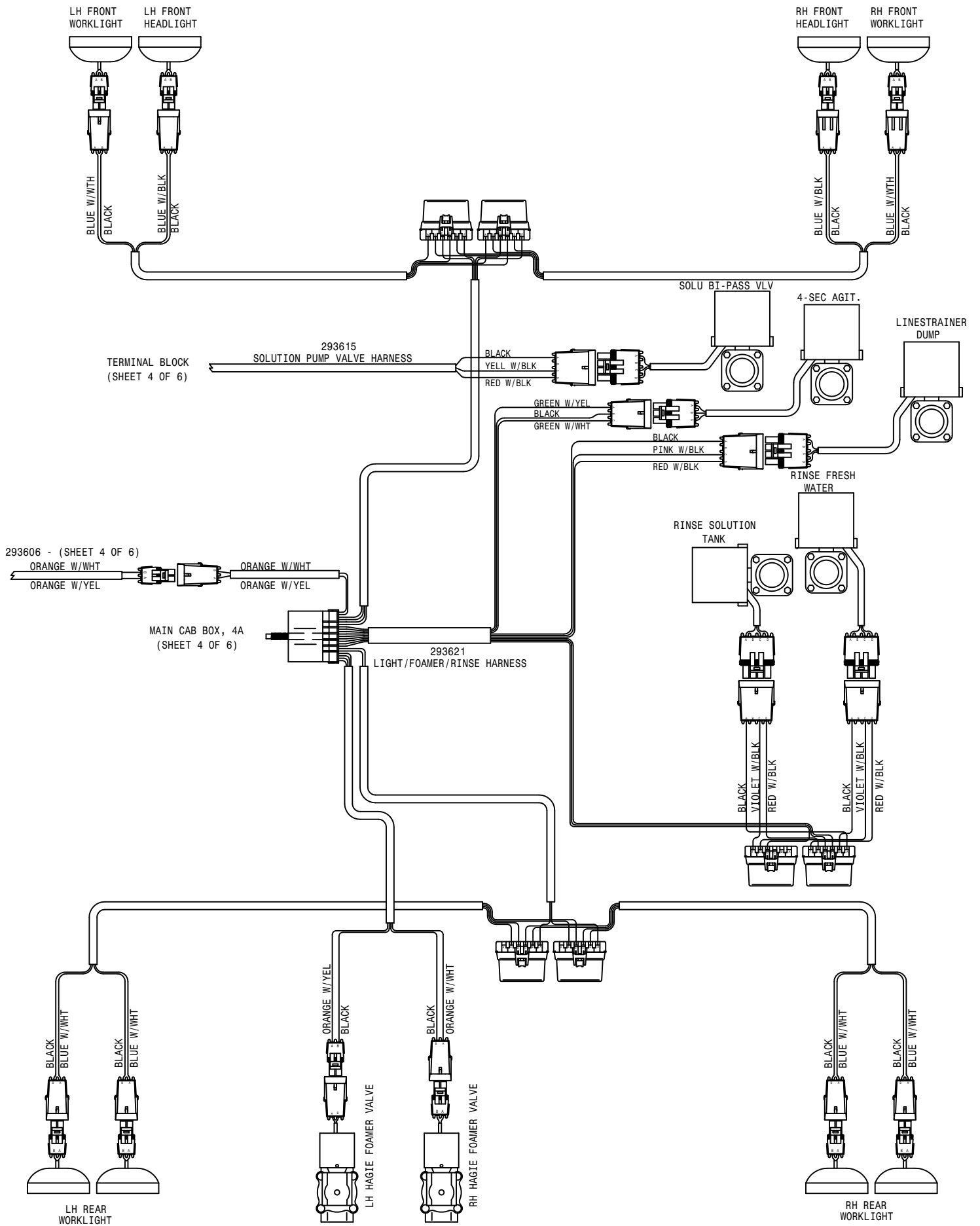


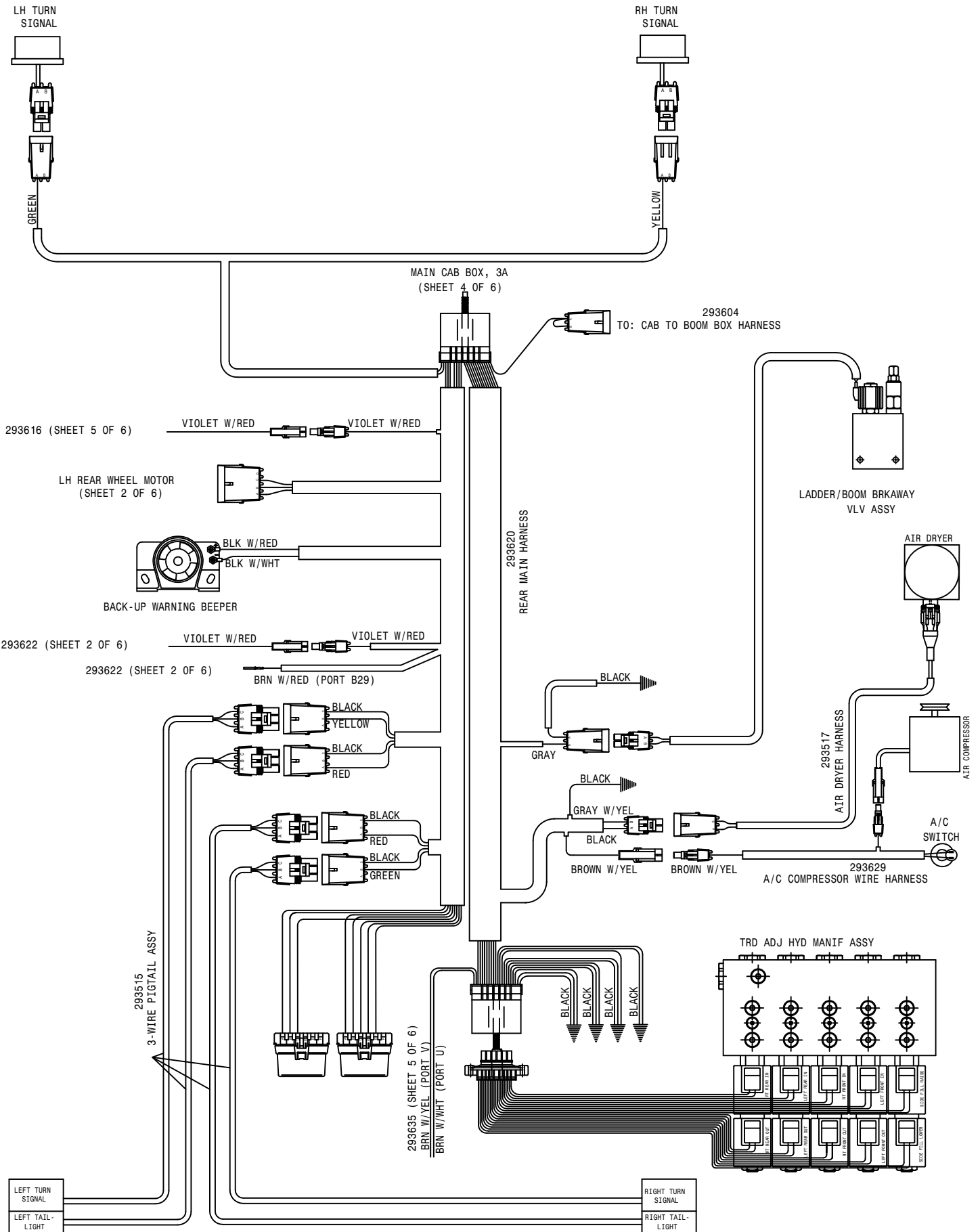
MAIN CAB BOX, 2A  
(SHEET 4 OF 6)



|   |   |        |                                  |
|---|---|--------|----------------------------------|
| 8 | 1 | 293631 | STARTER WIRE ASSY                |
| 7 | 1 | 291766 | BATT CABLE, RED 48" 2/0 3/8-3/8  |
| 6 | 1 | 291763 | BATT CABLE, BLK 33" 6GA 3/8-3/8  |
| 5 | 1 | 291708 | BATT CABLE, BLK 73" 2/0 3/8-3/8  |
| 4 | 2 | 291707 | BATT CABLE, BLK 26" 2/0 3/8-3/8  |
| 3 | 1 | 291706 | BATT CABLE, RED 70" 2/0 3/8-3/8  |
| 2 | 2 | 291705 | BATT CABLE, RED 26" 2/0 3/8-3/8  |
| 1 | 1 | 291700 | BATT CABLE, RED 31" 6GA 1/4-3/80 |

02-18-00 CRA  
STS 12 WIRING DIAGRAM 00  
SHEET 2 OF 6  
REVISION DATE: 07-29-02  
498584

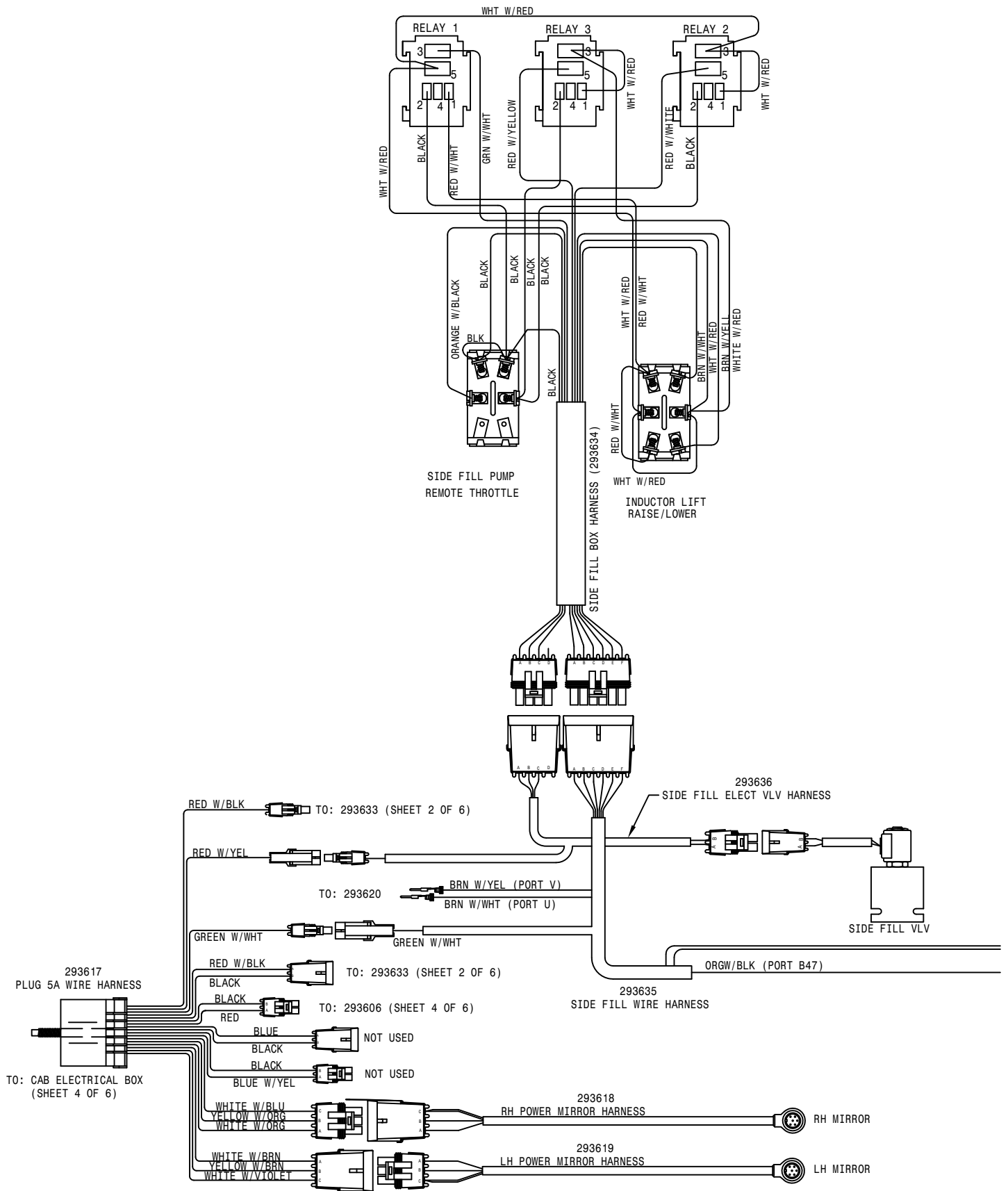


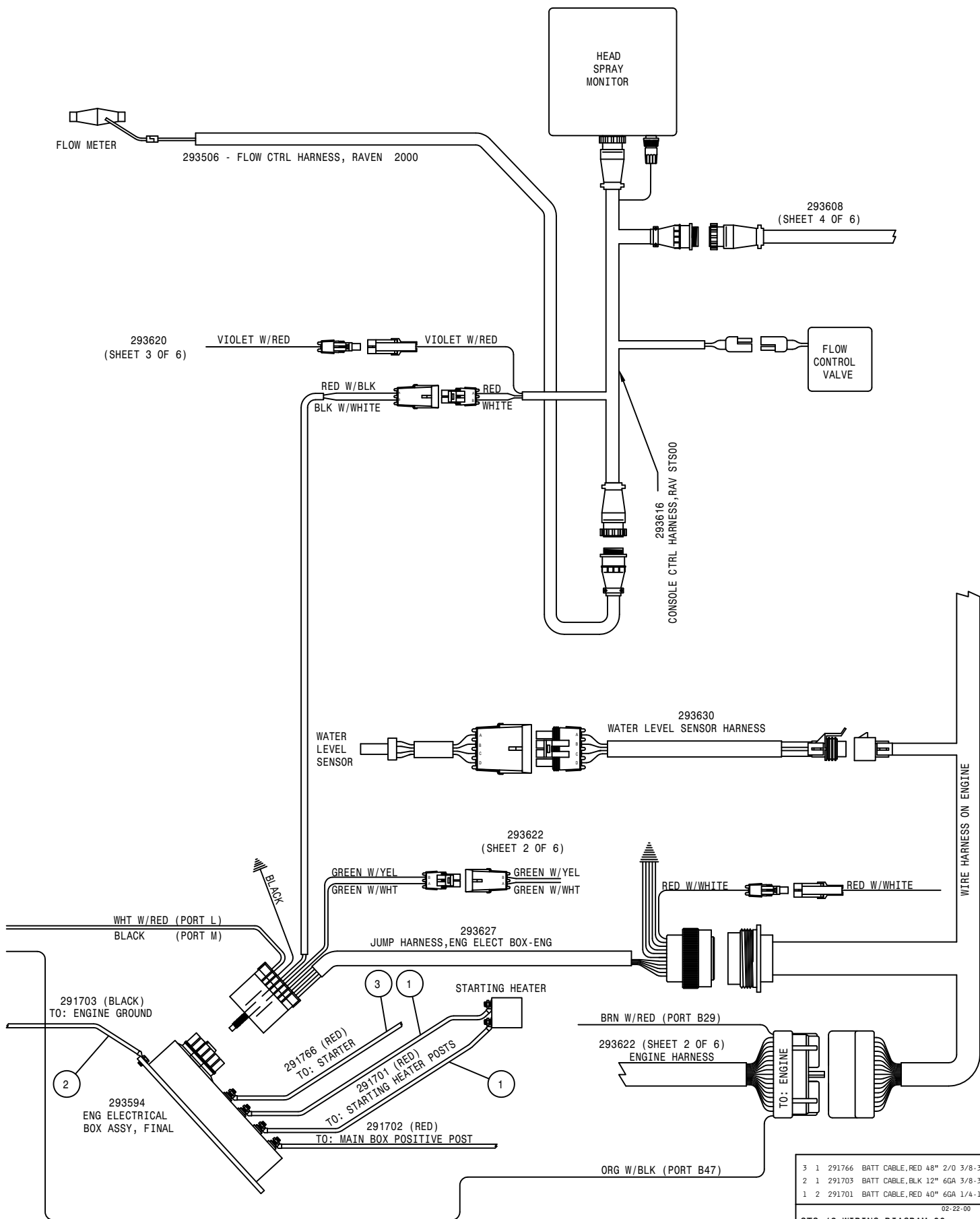


02-18-00 CRA  
**STS 12 WIRING DIAGRAM 00**  
 SHEET 3 OF 6  
 REVISION DATE: 10-19-00  
**498584**

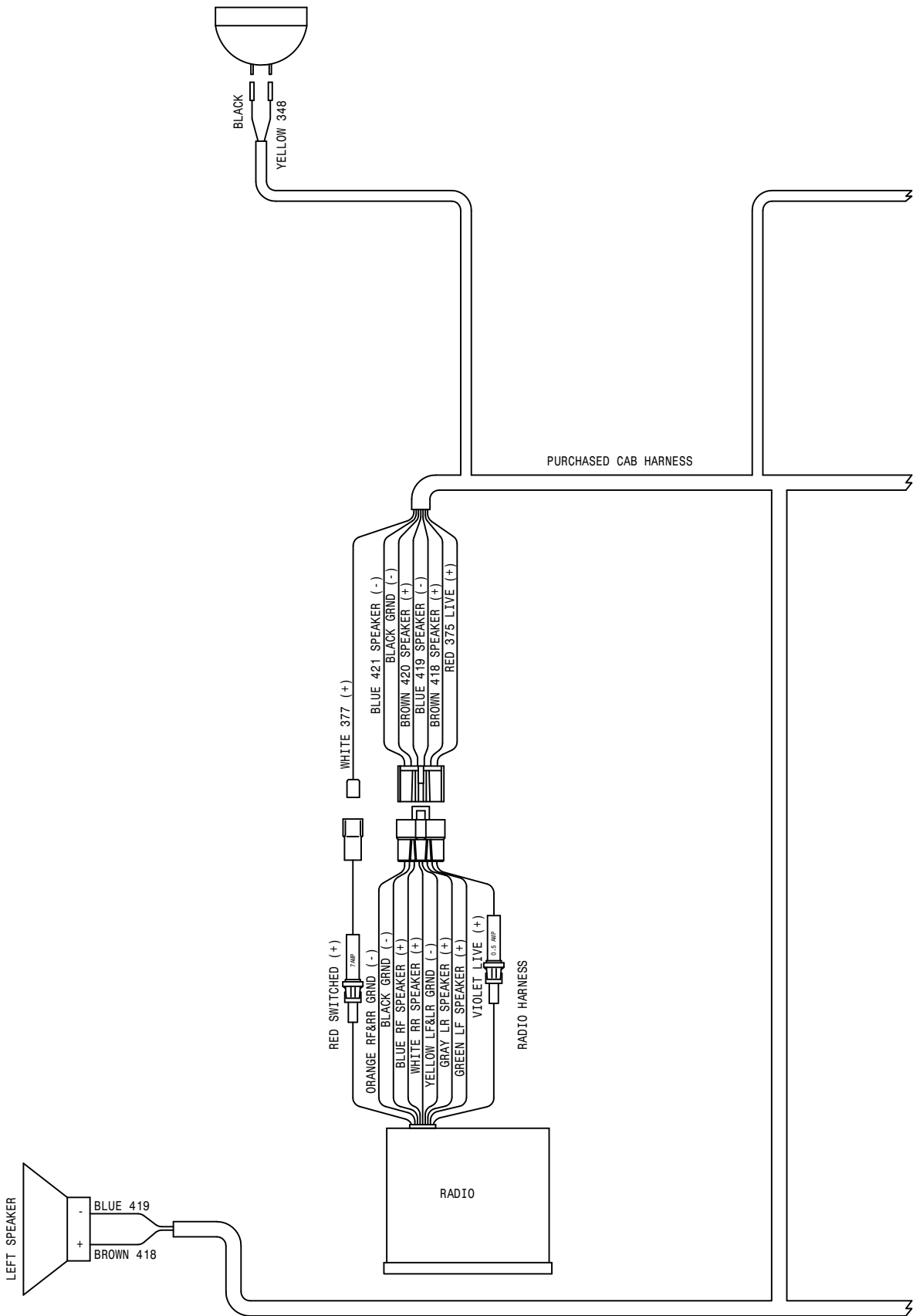




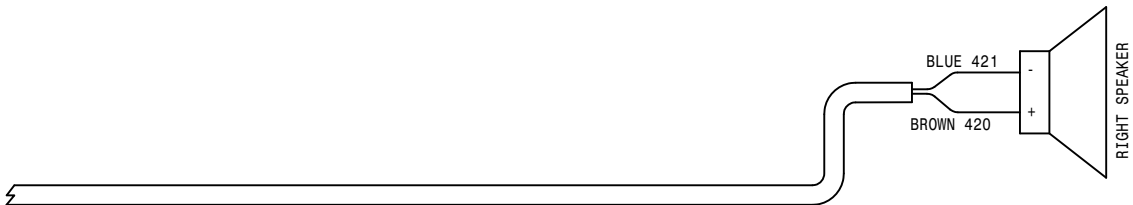
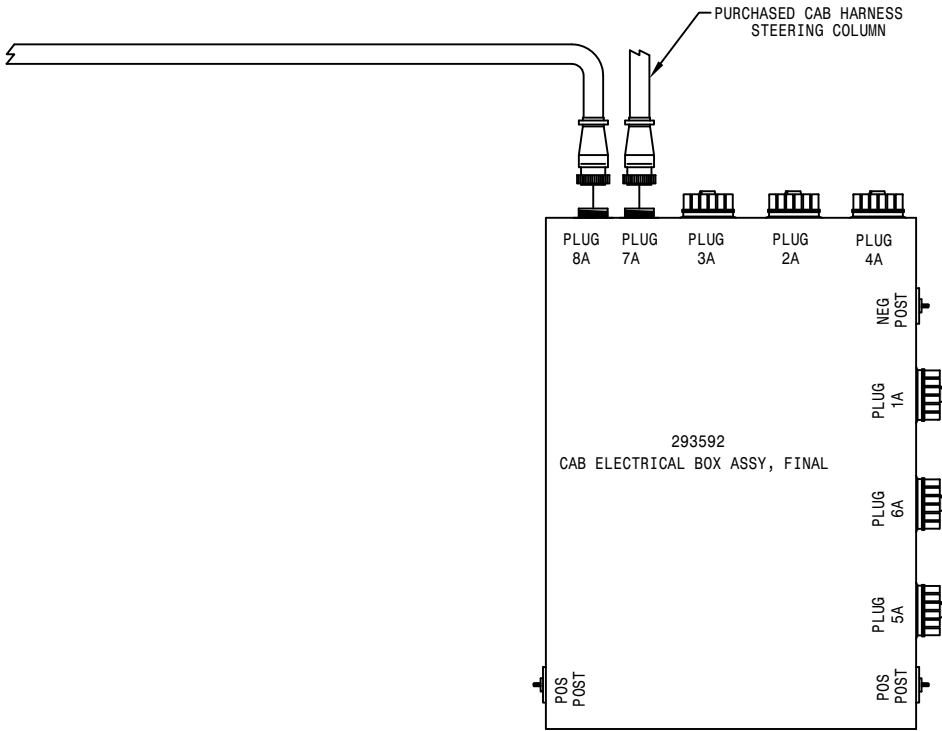




|   |   |        |                                 |
|---|---|--------|---------------------------------|
| 3                                       | 1 | 291766 | BATT CABLE, RED 48" 2/0 3/8-3/8 |
| 2                                       | 1 | 291703 | BATT CABLE, BLK 12" 6GA 3/8-3/8 |
| 1                                       | 2 | 291701 | BATT CABLE, RED 40" 6GA 1/4-1/4 |
| 02-22-00 CRA                            |   |        |                                 |
| STS 12 WIRING DIAGRAM 00                |   |        |                                 |
| SHEET 5 OF 6<br>REVISION DATE: 08-29-00 |   |        | <b>498584</b>                   |

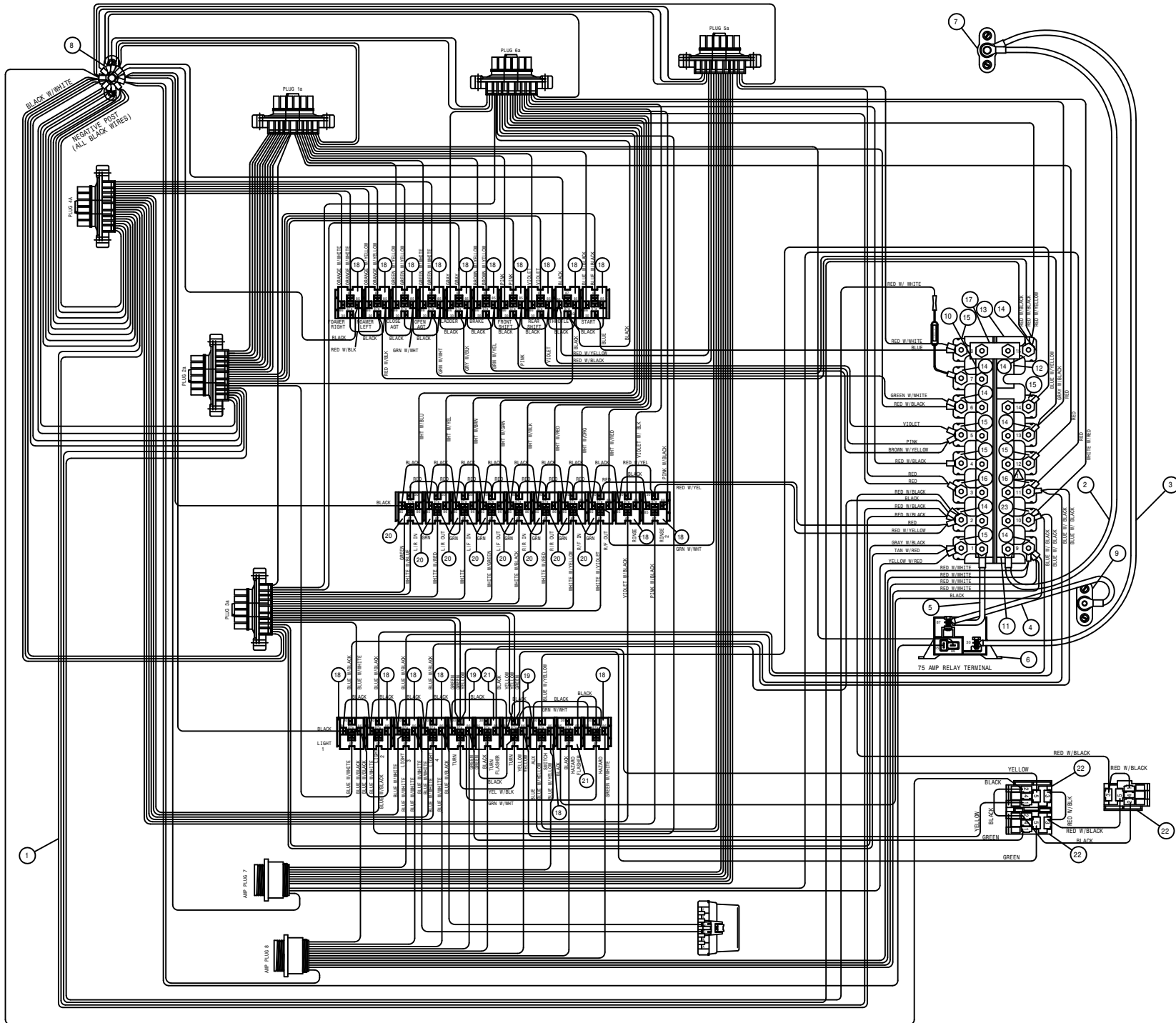






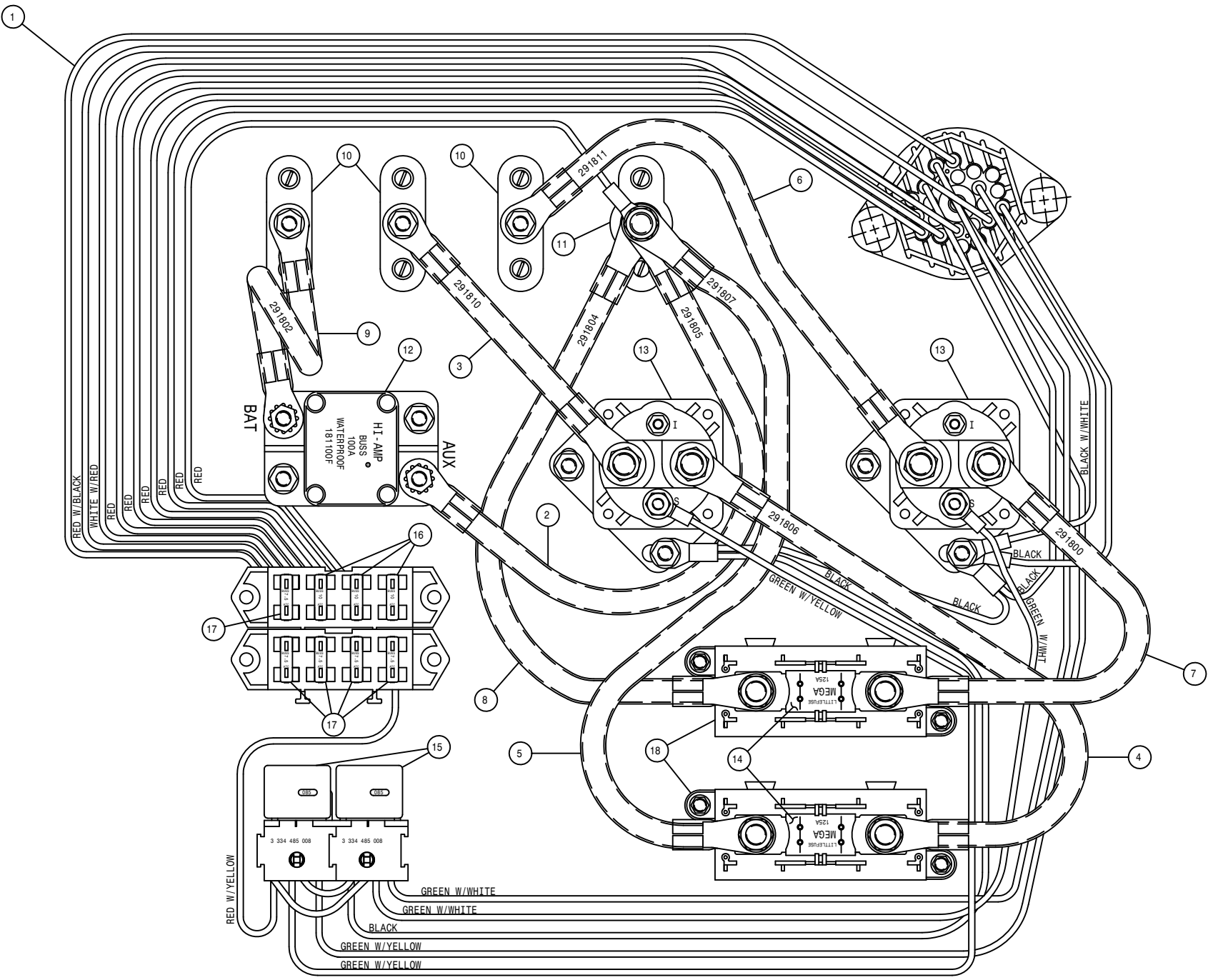
02-22-00 CRA  
 STS 12 WIRING DIAGRAM 00  
 SHEET 6 OF 6  
 REVISION DATE: 11-28-01  
 498584





| DET | REQ | DESCRIPTION                             |
|-----|-----|---|
| 23  | 1   | 291584 CIRCUIT BREAKER, 40AMP W/O MT    |
| 22  | 3   | 291781 MICRO RELAY, BOSCH 12V SPDT      |
| 21  | 2   | 291564 FLASHER, 12V 3-PIN ELECTRONIC    |
| 20  | 8   | 291698 RELAY, TYPE 4V 12V DC 30A        |
| 19  | 2   | 291752 RELAY, SPDT 12V 50A-NO 5-TERM    |
| 18  | 18  | 291751 RELAY, SPST 12V 40A-NO 5-TERM    |
| 17  | 1   | 291683 BUSS BAR, 2-GANG CIRCUIT BREAKER |
| 16  | 2   | 291574 CIRCUIT BREAKER, 30AMP W/O MT    |
| 15  | 6   | 291573 CIRCUIT BREAKER, 20AMP W/O MT    |
| 14  | 6   | 291575 CIRCUIT BREAKER, 10AMP W/O MT    |
| 13  | 2   | 291757 BREAKER MTG BRKT, 8-GANG NYLON   |
| 12  | 1   | 291796 BUSS BAR, 2-GANG FOR 291757      |
| 11  | 1   | 291797 BUSS BAR, 6-GANG FOR 291757      |
| 10  | 1   | 291758 BUSS BAR, 8-GANG FOR 291757      |
| 9   | 1   | 291748 TERM BLOCK, BLACK, 1/4-20 THRU   |
| 8   | 1   | 291749 TERM BLOCK, BLACK, 3/8-16 THRU   |
| 7   | 1   | 291750 TERM BLOCK, RED, 3/8-16 THRU     |
| 6   | 1   | 657371 RELAY, 12 VOLT 75 AMP            |
| 5   | 1   | 291801 BATT CABLE, RED 7*6GA. 218-.218  |
| 4   | 1   | 291803 BATT CABLE, RED 9*6GA. 218-.250  |
| 3   | 1   | 291809 BATT CABLE, RED 20*6GA. 218-.375 |
| 2   | 1   | 291808 BATT CABLE, RED 18*6GA. 218-.375 |
| 1   | 1   | 293605 MAIN CAB BOX HARNESS (342840)    |

| DET   | REQ      | DESCRIPTION    |
|---|----------|----------------|
| <b>HAGIE</b>                                |          |                |
| <b>HAGIE MANUFACTURING COMPANY</b>          |          |                |
| CLARION, IOWA 50525                         |          |                |
| <b>REMOVE ALL SHARP CORNERS &amp; BURRS</b> |          |                |
| <b>TOLERANCE UNLESS OTHERWISE SPECIFIED</b> |          |                |
| FRACTION                                    | 1/32     | DECIMALS       |
|   |          | X.XX :03       |
|   |          | X.XXX :005     |
| DESCRIPTION                                 |          |                |
| OFF-SITE PARTS/ASSY FOR 293592              |          |                |
| DRAWN BY                                    | C. ADAMS | SCALE          |
|   |          | NONE (1)       |
| CHECKED BY                                  |          | APPROVED BY    |
|   |          |                |
| DATE  | 01-10-00 | DRAWING NUMBER |
|   |          | 293592         |
| SHEET                                       | OF       |                |



|    |   |        |                                   |
|----|---|--------|-----------------------------------|
| 18 | 2 | 291814 | FUSE HOLDER, HIGH AMP             |
| 17 | 5 | 291027 | 7.5 AMP FUSE, 1/4" BLADE ATD/ATC  |
| 16 | 3 | 291545 | 10 AMP FUSE, 1/4" BLADE ATD/ATC   |
| 15 | 2 | 291751 | RELAY, SPST 12V 40A-ND 5-TERM     |
| 14 | 2 | 291813 | 125 AMP FUSE                      |
| 13 | 2 | 291816 | SOLENOID                          |
| 12 | 1 | 291815 | CIRCUIT BREAKER, 100 AMP BUSS     |
| 11 | 1 | 291750 | TERM BLOCK, RED, 3/8-16 THRU      |
| 10 | 3 | 291748 | TERM BLOCK, BLACK, 1/4-20 THRU    |
| 9  | 1 | 291802 | BATT CABLE, RED 8" 6GA. 281-.281  |
| 8  | 1 | 291804 | BATT CABLE, RED 9" 6GA. 343-.406  |
| 7  | 1 | 291800 | BATT CABLE, RED 6" 6GA. 343-.343  |
| 6  | 1 | 291811 | BATT CABLE, BLK 8" 6GA. 281-.343  |
| 5  | 1 | 291807 | BATT CABLE, RED 12" 6GA. 343-.406 |
| 4  | 1 | 291806 | BATT CABLE, RED 11" 6GA. 343-.343 |
| 3  | 1 | 291810 | BATT CABLE, BLK 5" 6GA. 281-.343  |
| 2  | 1 | 291805 | BATT CABLE, RED 11" 6GA. 281-.406 |
| 1  | 1 | 293626 | ENGINE BOX HARNESS (342850)       |

|  |                          |                                     |
|--|--------------------------|-------------------------------------|
| DET  | REQ                      | DESCRIPTION                         |
| <b>HAGIE</b>   |                          |                                     |
| <b>HAGIE MANUFACTURING COMPANY</b>   |                          |                                     |
| CLARION, IOWA 50525  |                          |                                     |
| REMOVE ALL SHARP CORNERS & BURRS   |                          |                                     |
| TOLERANCE UNLESS OTHERWISE SPECIFIED   |                          |                                     |
| FRACTION   | ± 1/32                   | DECIMALS X.XX ± .03<br>X.XXX ± .005 |
| ANGLES   | ± °                      |                                     |
| DESCRIPTION<br>OFF-SITE PARTS/ASSEMBLY FOR 293594 <span style="float: right;">▲</span> |                          |                                     |
| DRAWN BY<br>C. ADAMS   | SCALE<br>NONE (1)        |                                     |
| CHECKED BY   | APPROVED BY              |                                     |
| DATE<br>01-20-00   | DRAWING NUMBER<br>293595 |                                     |
| SHEET  | OF                       |                                     |

## ABBREVIATIONS

|                                    |                               |
|------------------------------------|-------------------------------|
| A/C - AIR CONDITIONER              | MT - MOUNT                    |
| ADPTR - ADAPTER                    | MTR - MOTOR                   |
| AGI - AGITATOR                     | P/N - PART NUMBER             |
| ALT - ALTERNATOR                   | PLT - PLATE                   |
| ASSY - ASSEMBLY                    | QTY - QUANTITY                |
| BRKT - BRACKET                     | RED - REDUCER                 |
| DET - DETAIL                       | REF - REFERENCE               |
| DISPL - DISPLACEMENT               | REST - RESTRICTOR             |
| EL - ELBOW                         | REQ - REQUIRED                |
| EXT - EXTENSION                    | SHFT - SHAFT                  |
| FLO - FLOW                         | SOL - SOLUTION                |
| FNPT - FEMALE NATIONAL PIPE THREAD | STRG - STEERING               |
| FOR - FEMALE O-RING                | ST - STREET                   |
| FRT - FRONT                        | SWIV - SWIVEL                 |
| HYD - HYDRAULIC                    | UNC - UNIFIED NATIONAL COURSE |
| HYDRO - HYDROSTATIC                | UNF - UNIFIED NATIONAL FINE   |
| LG - LONG                          | V - VOLT                      |
| LWR - LOWER                        | W/ - WITH                     |
| MJIC - MALE J.I.C.                 | WHL - WHEEL                   |
| MOR - MALE O-RING                  | WLD - WELDMENT                |

INDEX

-A-

ABBREVIATIONS.....141  
ABSORBER, SHOCK.....42  
ACCUMULATOR.....91  
AIR DRYER.....13  
AIR CLEANER.....10  
    FILTER.....10  
AIR COMPRESSOR GOVERNOR.....10  
AIR CONDITIONER  
    BINARY SWITCH.....9  
    COMPRESSOR.....7  
    CONDENSOR COIL.....12  
    HOSE.....9,12  
    RECEIVER/DRYER.....9  
    TUBE.....31  
AIR COOLER, CHARGE.....12  
AIR PRESSURE GAUGE.....43,82  
AIR REGULATOR, FOAMER.....82  
AIRRIDE SPRING.....20,22,24,26,42  
AIR VALVE.....20,22,24,26,42,  
ALTERNATOR.....5  
ARM, STEERING.....20,22,24,26  
ATI CONTROLER.....48

-B-

BACK-UP BEEPER.....12  
BALL VALVE.....55,65  
    ELECTRIC..57,58,59,60,61,62,67  
BATTERY.....16  
    CABLE.....4,5,10,16  
    BOX PANEL.....12  
BEARING,  
    BRONZE LEG.....20,22,24,26,32  
    ORKOT.....20,22,24,26  
BELT,  
    AIR CONDITIONER.....7  
    DRIVE.....5  
BLOCK, TERMINAL.....43  
BOOM.....92,93,94,95  
    CRADLE.....49,96,97  
    INDICATOR LIGHT.....87  
    PIN.....94,95,96  
    SWITCH.....47  
    VALVE.....88,89  
BOX,  
    ELECTRICAL.....39,40,41  
    PRESSURE WASHER.....103  
    SIDE FILL.....109  
BRACE, RADIATOR.....9  
BREAKAWAY CYLINDER.....95,102  
BUMPER, REAR.....53

-C-

CAB.....42  
    FILTER.....42  
    STABILIZER.....42  
CABLE BATTERY.....4,5,10,16  
CAP,  
    FUEL.....14  
    RADIATOR.....12  
CHARGE AIR COOLER.....12  
CHEMICAL INDUCTOR.....110  
COMPRESSOR, A/C.....7  
CONDENSOR COIL, A/C.....12  
CONTROLER, ATI.....48  
COOLER, OIL.....12  
CRADLE, BOOM.....49,96,97  
CYLINDER,  
    BREAKAWAY.....95,102  
    FOLD.....91,94,99,101  
    GAS.....52  
    LEVEL.....91,100  
    LADDER.....36,37  
    LIFT.....90,98  
    SIDE FILL.....110  
    STEERING.....20,22,28  
    TREAD ADJUST.....32,33

-D-

DECALS.....116,117  
DIAGRAMS, WIRING.....126  
DIPSTICK, HYDRAULIC.....15  
DOOR LATCH.....52  
DRAIN COCK, AIR.....38  
DRIVE  
    BELT.....5  
    DISK.....4

-E-

ELECTRIC BALL VALVE...58,59,60,61  
ELECTRICAL BOX,  
    BOOM.....39  
    CAB.....41  
    ENGINE.....40  
ENGINE.....4,5  
    SKID.....9

-F-

FAN.....5  
    SPACER.....5

FEEDER TEE.....63,64,69,70  
 FENCE ROW NOZZLE.....74,75  
 FENDER.....114,115  
 FILTER,  
   AIR CLEANER.....10  
   CAB.....42  
   FUEL.....4  
   HYDRAULIC.....17,34  
   MINDER.....10  
   OIL.....5,15  
 FLASHER.....30,53  
 FLOW METER.....61,67  
 FOAMER  
   AIR REGULATOR.....82  
   DROP HOSE.....86  
   HOSING.....80  
   TANK.....81  
   THREE-WAY VALVE.....81  
   VALVE.....81  
 FOLD CYLINDER.....91,94,99  
 FRAME, SHEETMETAL.....53  
 FRESH WATER.....83  
 FRONT FILL.....112  
 FUEL,  
   CAP.....14  
   SENDER.....14  
   TANK.....14

-G-

GAS CYLINDER.....52  
 GAUGE,  
   AIR PRESSURE.....43,82  
   SOLUTION.....61,67

-H-

HANDRAIL.....54  
 HEATER TUBE.....31  
 HOSE, A/C.....9  
 HOSING,  
   FOAMER.....80  
   SOLUTION.....76,77,78,79  
 HUB, TORQUE.....21,23,25,27  
 HYDRAULIC,  
   FILTER.....17  
   LEVER.....45  
   SCHEMATIC.....118  
   TANK.....15  
   TUBE.....30,31,90,93  
   VALVE.....18,19  
 HYDROSTATIC PUMP.....8

-I-

IGNITION SWITCH.....46  
 INDICATOR LIGHT, BOOM.....87  
 INLINE, HYDRAULIC FILTER.....34

-L-

LADDER.....36  
   CYLINDER.....36,37  
   PIVOT ARM.....36  
 LEG.....20,22,24,26  
 LEVEL CYLINDER.....91,100  
 LEVER, HYDROSTATIC.....45  
 LIFT CYLINDER.....90,98  
 LIFTARM.....90  
 LIGHT.....30,49  
 LINE STRAINER.....56,57,60  
 LIQUID LEVEL SWITCH.....15

-M-

MIRROR.....50,51  
 MONITOR, SPRAYER.....48  
 MOTOR,  
   STEERING.....42  
   WHEEL.....21,23,25,27  
 MOUNT, RUBBER.....9,12  
 MUFFLER.....11

-N-

NOZZLE,  
   BODY.....73  
   FENCE ROW.....74,75  
   MOUNT TUBE.....93,94,95

-O-

OIL COOLER.....12  
 OIL FILTER.....5,15

-P-

PANEL,  
   BATTERY BOX.....12  
   SWITCH.....46  
 PLATFORM, SERVICE.....54  
 PRESSURE GAUGE.....61,67  
 PRESSURE WASHER.....104  
   BOX.....103  
   VALVE.....106,107  
 PUMP,  
   HYDRAULIC.....6  
   HYDROSTATIC.....8  
   SIDE FILL.....110,111  
   SOLUTION.....58

-R-

RADIATOR.....12  
   BRACE.....9  
   CAP.....12  
   HOSE.....5

RADIO.....44  
 RECOVERY TANK.....52  
 RINSE TANK.....56,57  
 RUBBER  
 MOUNT.....9,12  
 SPRING.....20,22,24,26

-S-

SCHEMATIC, HYDRAULIC.....118  
 SENDER, FUEL.....14  
 SENDER, WATER LEVEL.....12  
 SEVICE PLATFORM.....54  
 SHEET METAL.....52,53  
 SHIELD, WHEEL MOTOR...21,23,25,27  
 SHOCK ABSORBER.....42  
 SIDFILL.....110,111  
 BOX.....109  
 CYLINDER.....110,111  
 SIGHT GAUGE, OIL.....15  
 SKID, ENGINE.....9  
 SMV SIGN.....53  
 SOLUTION  
 HOSING.....76,77,78,79  
 PUMP.....58  
 TANK.....55  
 VALVE.....61,62,67  
 SPACER, FAN.....5  
 SPEAKER.....44  
 SPRAY MONITOR.....48  
 SPRING,  
 AIRRIDE.....20,22,42  
 SOLUTION TANK.....55  
 STABILIZER, CAB.....42  
 STARTER.....5  
 STEERING,  
 ARM.....20,22,24,26  
 CYLINDER.....20,22,28  
 MOTOR.....42  
 STRAINER, LINE.....56,57,60  
 SWITCH,  
 A/C BINARY.....9  
 BOOM.....47  
 IGNITION.....46  
 LIQUID LEVEL.....15  
 PANEL.....46

-T-

TAILLIGHT.....53  
 TANK  
 AIR.....38  
 FOAMER.....81  
 FRESHWATER.....83  
 FUEL.....14

HYDRAULIC.....15  
 RECOVERY.....52  
 RINSE.....56,57  
 SOLUTION.....55  
 TERMINAL BLOCK.....43  
 TIRE.....29  
 TORQUE HUB.....21,23,25,27  
 TRANSOM.....91  
 TREAD ADJUST  
 CYLINDER.....32,33  
 VALVE.....34,35  
 TUBE,  
 A/C.....31  
 HEATER.....31  
 HYDRAULIC.....30,31,90,93

-V-

VALVE,  
 AIR.....20,22,24,26,42  
 BALL.....55,65  
 BOOM.....88,89  
 ELECTRIC BALL...57,58,59,61,67  
 FOAMER.....81,84,85  
 HYDRAULIC.....9,18  
 PRESSURE WASHER.....106,107  
 SIDE FILL.....101,108  
 SOLUTION.....61,62,65  
 TREAD ADJUST.....34,35

-W-

WASHER, PRESSURE.....104  
 WATER LEVEL SENSOR.....12  
 WHEELMOTOR.....21,23,25,27  
 SHIELD.....21,23,25,27  
 WIRING DIAGRAM.....126





# PARTS ORDER FAX

**Fax**  
**24 hours**  
**a day**  
**7 days**  
**a week\***

Ph. 1 (800) 247-4885

Fx. 1 (515) 532-3553

Photocopy and fax to Hagie Customer Support Department

**ORDERED BY/BILL TO:**

Name \_\_\_\_\_  
 Co. Name \_\_\_\_\_  
 Street \_\_\_\_\_  
 City, St, Zip \_\_\_\_\_  
 Ph. \_\_\_\_\_ Fx. \_\_\_\_\_

**SHIP TO:**

Name \_\_\_\_\_  
 Co. Name \_\_\_\_\_  
 Street \_\_\_\_\_  
 City, St, Zip \_\_\_\_\_  
 Ph. \_\_\_\_\_ Fx. \_\_\_\_\_

HOW SHIP:  UPS Ground  Next Day  2 Day  3 Day  Other \_\_\_\_\_

If "HOW SHIP" is left blank, parts will be sent UPS ground service. If part is over 150 pounds, an independent motor freight company will be used.

**PAYMENT:**  Hagie Account #\*\* \_\_\_\_\_  
 C.O.D

American Express  Discover  Visa  Master Card

Signature: \_\_\_\_\_  
 name as appears on card: \_\_\_\_\_  
 card no. \_\_\_\_\_ exp. date \_\_\_\_\_

Year and Model No. \_\_\_\_\_

Serial No. \_\_\_\_\_

Item Serial No. (if necessary):

Engine (include type) \_\_\_\_\_

Hydrostatic Pump (s) \_\_\_\_\_

Torque Hub \_\_\_\_\_  LF  RF  LR  RR

Wheel Motor \_\_\_\_\_  LF  RF  LR  RR

| HAGIE Part No. | Qty. | Description |
|----------------|------|-------------|
|                |      |             |
|                |      |             |
|                |      |             |
|                |      |             |
|                |      |             |
|                |      |             |
|                |      |             |
|                |      |             |
|                |      |             |

Check here if you want phone confirmation of parts order.

\* Orders received before 3:00 p.m., CST will be processed the same business day.  
 Regular business hours are Monday through Friday, 7:00 a.m. through 5:00 p.m..

\*\* If you do not have a Hagie account number, contact the Hagie Customer Support Department and you will be issued one.



# PARTS ORDER FAX

**Fax**  
**24 hours**  
**a day**  
**7 days**  
**a week\***

Ph. 1 (800) 247-4885

Fx. 1 (515) 532-3553

Photocopy and fax to Hagie Customer Support Department

**ORDERED BY/BILL TO:**

Name \_\_\_\_\_  
 Co. Name \_\_\_\_\_  
 Street \_\_\_\_\_  
 City, St, Zip \_\_\_\_\_  
 Ph. \_\_\_\_\_ Fx. \_\_\_\_\_

**SHIP TO:**

Name \_\_\_\_\_  
 Co. Name \_\_\_\_\_  
 Street \_\_\_\_\_  
 City, St, Zip \_\_\_\_\_  
 Ph. \_\_\_\_\_ Fx. \_\_\_\_\_

HOW SHIP:  UPS Ground  Next Day  2 Day  3 Day  Other \_\_\_\_\_

If "HOW SHIP" is left blank, parts will be sent UPS ground service. If part is over 150 pounds, an independent motor freight company will be used.

**PAYMENT:**  Hagie Account #\*\* \_\_\_\_\_  
 C.O.D

American Express  Discover  Visa  Master Card

Signature: \_\_\_\_\_  
 name as appears on card: \_\_\_\_\_  
 card no. \_\_\_\_\_ exp. date \_\_\_\_\_

Year and Model No. \_\_\_\_\_

Serial No. \_\_\_\_\_

Item Serial No. (if necessary):

Engine (include type) \_\_\_\_\_

Hydrostatic Pump (s) \_\_\_\_\_

Torque Hub \_\_\_\_\_  LF  RF  LR  RR

Wheel Motor \_\_\_\_\_  LF  RF  LR  RR

| HAGIE Part No. | Qty. | Description |
|----------------|------|-------------|
|                |      |             |
|                |      |             |
|                |      |             |
|                |      |             |
|                |      |             |
|                |      |             |
|                |      |             |
|                |      |             |
|                |      |             |

Check here if you want phone confirmation of parts order.

\* Orders received before 3:00 p.m., CST will be processed the same business day.  
 Regular business hours are Monday through Friday, 7:00 a.m. through 5:00 p.m..

\*\* If you do not have a Hagie account number, contact the Hagie Customer Support Department and you will be issued one.