



**PARTS MANUAL  
FOR  
HAGIE MODEL STS 10 HI-TRACTOR**

**HAGIE MANUFACTURING COMPANY**

721 CENTRAL AVENUE WEST  
BOX 273  
CLARION, IOWA 50525-0273

COVERS MACHINE SERIAL NUMBERS:U1611331001 thru U1611331100

08-12 493544  
05-13, 02-14, 02-15, 05-15, 02-16, 03-17

To obtain the most current parts manual for your machine, please visit [www.hagiehelp.com](http://www.hagiehelp.com).

© 2012-17 Hagie Manufacturing Company. Clarion, Iowa USA

## SPRAYER IDENTIFICATION

Each Hagie sprayer is identified by means of a frame serial number. This serial number denotes the model, the year in which it was built, and the number of the sprayer. As for further identification, the engine has a serial number and the planetary hubs have identification plates that describe the type of mount and gear ratio. To insure prompt, efficient service when ordering parts or requesting service repairs from Hagie Manufacturing Company, record the serial and identification numbers in the space provided below.

NOTE: Reference to left hand and right hand used throughout this manual refers to the position when seated in the operator's seat facing forward.

This manual is not intended to be a complete guide for machine maintenance and repairs. If you are not properly trained to perform service on this machine, contact Hagie Customer Support for assistance. Improper maintenance or repair may result in property damage, personal injury, or death.

SPRAYER SERIAL NUMBER

ENGINE SERIAL NUMBER

\_\_\_\_\_

\_\_\_\_\_

PLANETARY HUB IDENTIFICATION NUMBERS

\_\_\_\_\_

---

---

### FILTER QUICK REFERENCE

<u>QTY.</u>	<u>PART NO.</u>	<u>DESCRIPTION</u>
1	311543	ENGINE AIR FILTER, PRIMARY T3
1	311544	ENGINE AIR FILTER, SECONDARY T3
1	316372	ENGINE OIL FILTER T3,T4I
1	316683	FUEL FILTER T3
1	316684	REMOTE FUEL FILTER T3
1	317154	ENGINE AIR FILTER, PRIMARY T4I
1	317155	ENGINE AIR FILTER, SECONDARY T4I
1	317159	FUEL FILTER, PRIMARY T4I
1	317160	FUEL FILTER, SECONDARY T4I
1	605626	HYDRAULIC OIL FILTER
1	657463	CAB PAPER FILTER
1	657464	CAB CHARCOAL FILTER

TABLE OF CONTENTS

ENGINE ASSEMBLY T3 . . . . .4-8

RADIATOR AND OIL COOLER ASSEMBLY T3 . . . . .9

AIR CLEANER AND EXHAUST ASSEMBLY T3 . . . . .10-11

FUEL AND BATTERY ASSEMBLY T3. . . . .12-13

ENGINE ELECTRICAL BOX ASSEMBLY T3 . . . . .14

AIR DRIER AND AIR TANK ASSEMBLY T3. . . . .15-17

ENGINE ASSEMBLY T4I . . . . .18-19

RADIATOR AND OIL COOLER ASSEMBLY T4I. . . . .20

FUEL TANK AND BATTERY ASSEMBLY T4I. . . . .21-22

AIR DRIER AND AIR TANK ASSEMBLY T4I . . . . .23-24

HYDRAULIC TANK ASSEMBLY . . . . .25

TIRE ASSEMBLY . . . . .26

LEG ASSEMBLY. . . . .27-38

TREAD ADJUST ASSEMBLY . . . . .39-44

HYDRAULIC TUBING . . . . .45-46

HYDRAULIC MANIFOLDS . . . . .47-50

SOLUTION CONTOL AND QUICK COUPLER . . . . .51-52

LADDER AND BRAKE VALVE ASSEMBLY . . . . .53-54

SERVICE PLATFORM. . . . .55

TOOL BOX. . . . .56

J1939 JUNCTION BOX. . . . .57

CAB ASSEMBLY. . . . .58-73

FLASHER AND LIGHT RELAY . . . . .74

REAR ELECTRICAL . . . . .75

BUMPER AND ENGINE HOOD. . . . .76-78

SOLUTION TANK . . . . .79-84

SOLUTION HOISING . . . . .85-96

REAR WHEEL NOZZLE . . . . .97

SOLUTION PUMP . . . . .98-99

QUICK ATTACH. . . . .100

BOOM CRADLE . . . . .101-102

FOAMER AND FRESH WATER TANK . . . . .103-104

PRESSURE WASHER OPTION. . . . .105-106

SIDE FILL/CHEMICAL INDUCTOR OPTION. . . . .107-110

FRONT FILL OPTION . . . . .111

FENDER OPTION . . . . .112-113

ALL WHEEL STEER OPTION. . . . .114

AIR LINE DIAGRAM. . . . .115-116

DECALS . . . . .118-119

HYDRAULIC DIAGRAM. . . . .120-139

ELECTRICAL DIAGRAM . . . . .140-159

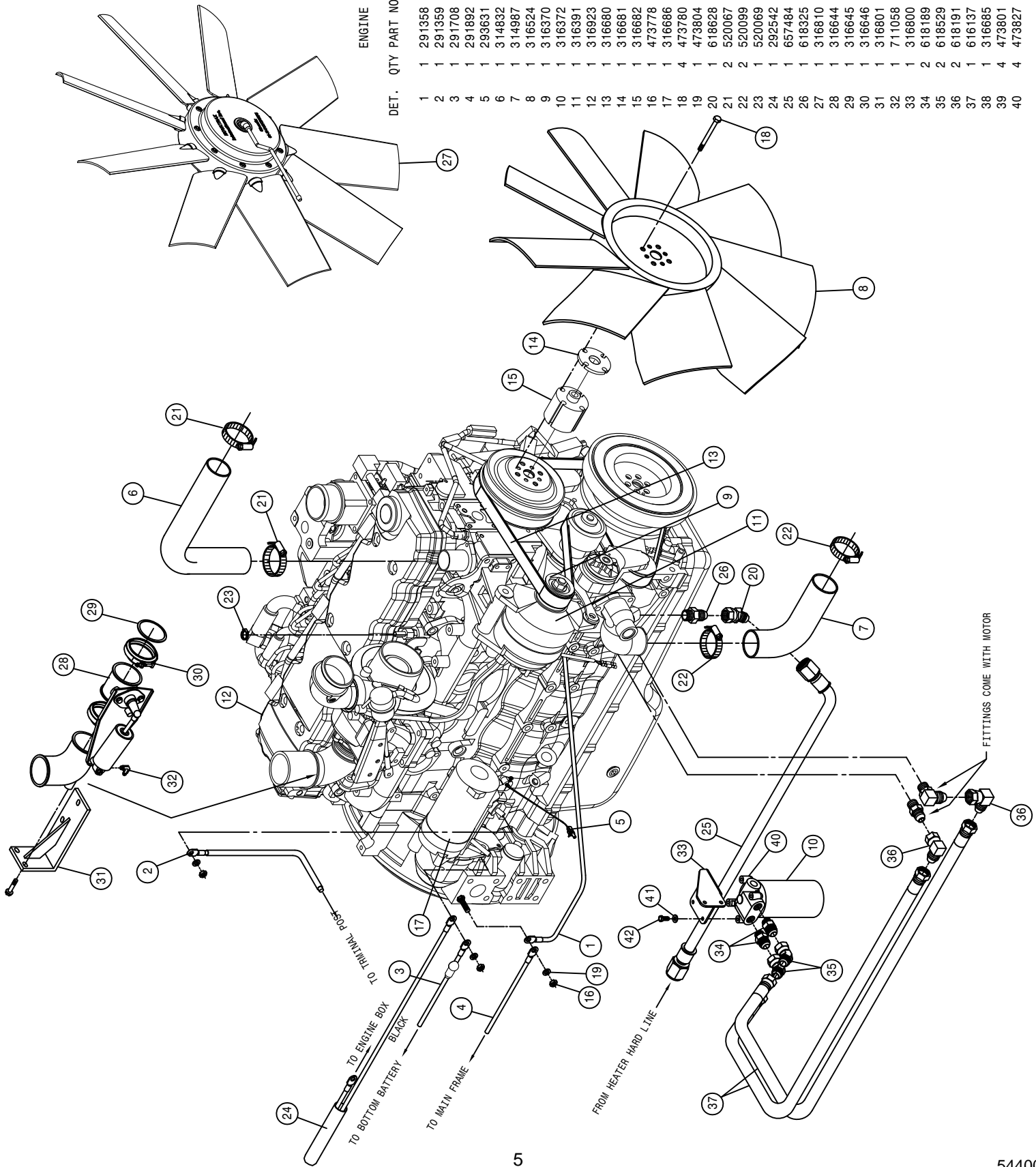
ABBREVIATIONS . . . . .160

INDEX . . . . .161

PARTS ORDER FORM. . . . .165







ENGINE ASSEMBLY, T3 EXPORT

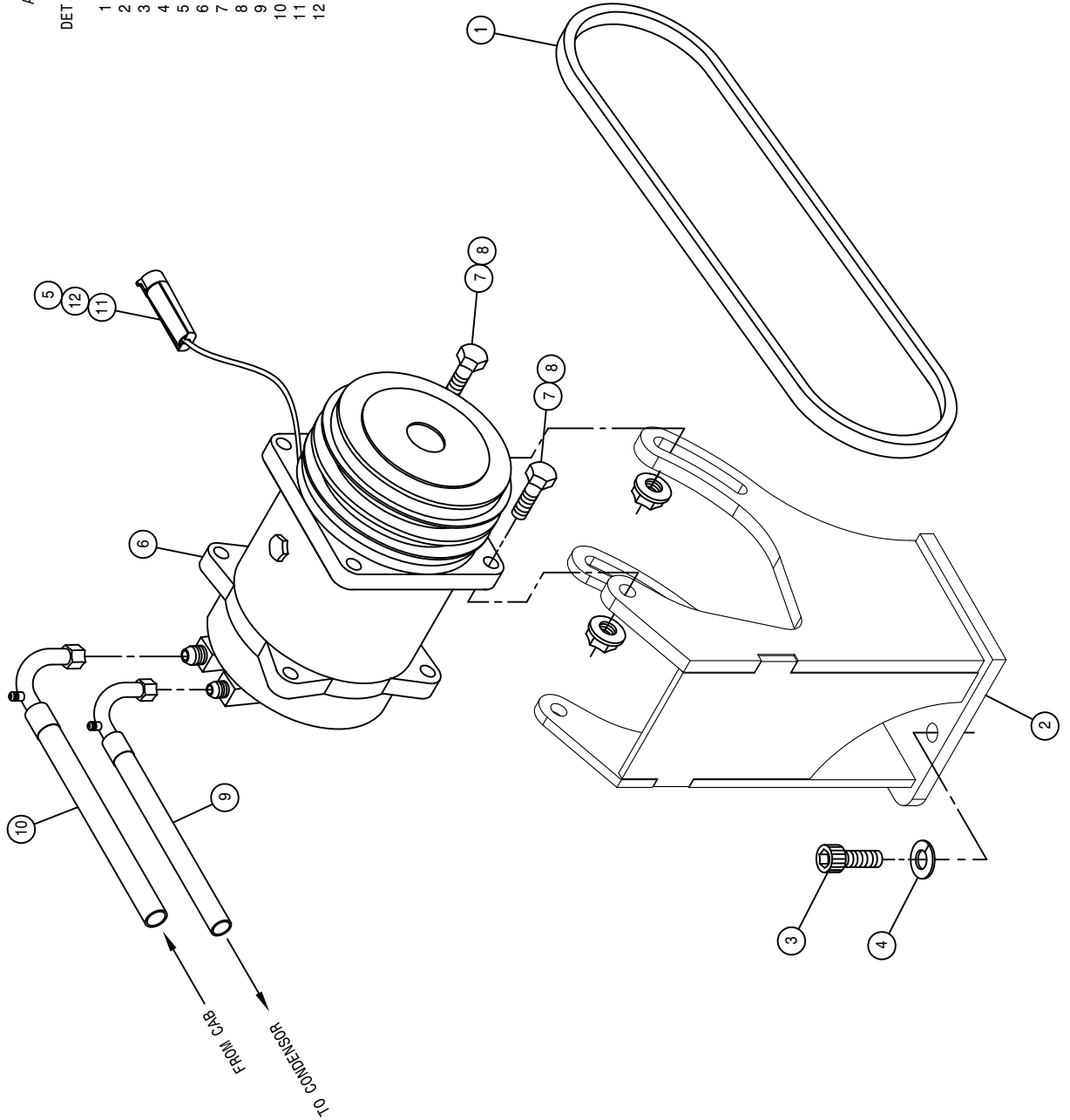
DET. QTY PART NO. DESCRIPTION

1	291358	BATT CABLE, BLK 56"2GA.281- 8mm
2	291359	BATT CABLE, RED 26"2/0 3/8-3/8
3	291708	BATT CABLE, BLK 73"2/0 3/8-3/8
4	291892	BATT CABLE, BLK 42"4GA.406-.406
5	293631	STARTER WIRE HARNESS, STS
6	314832	RADIATOR HOSE 1.75 X 19(52818)
7	314987	LWR RADIATOR HOSE STS-12
8	316524	FAN, 28" CUMM QSB5.9C, STS 02
9	316370	ALT PULLEY, 2.76 OD, 8-GROOVE
10	316372	LUBE FILTER (CUMM ENG 316360)
11	316391	DELCO ALTERNATOR, 130 AMP 24SI
12	316923	CUMM ENG, 275HP T3 STS'12
13	316680	FAN BELT, TIER 3 ENGINE 07
14	316681	FAN SPACER, 6.4MM, TIER 3 ENG 07
15	316682	FAN SPACER, 63.5MM, TIER3 ENG 07
16	473778	8MM-1.25 HEX NUT
17	316686	STARTER, CUMM R2.7 ST9383
18	473780	10MM-1.50 X 90MM FLANGE BOLT
19	473804	8MM LOCK WASHER
20	618628	7/8MJIC-45-7/8FJIC SWIV LBO
21	520067	HOSE CLAMP NO 28 STAINLESS
22	520099	HOSE CLAMP NO 40 STAINLESS
23	520069	HOSE CLAMP NO 6 STAINLESS
24	292542	CAB PWR, GND CABL ASSY STS10/12
25	657484	10-213-10FJX-10FJX-89 H/A
26	618325	7/8MJIC-1/2MMPT ADPTR
27	316810	REVERSING FAN KIT STS 6.7L 07-
28	316644	EXHAUST BRAKE, CUMMINS 05
29	316645	GASKET, EXHAUST BRAKE CUMMINS
30	316646	V-CLAMP, EXHAUST BRAKE CUMMINS
31	316801	E-BRAKE MT WLD, T3 ENG GST20 06
32	711058	7/16MJIC-90-1/4MMPT LBO BR5
33	316800	REMOTE FILTER HEAD BRKT, T3
34	618189	1 1/16MJIC-7/8MOR ADPTR
35	618529	1 1/16MJ-45-1 1/16FJ SWIV LBO
36	618191	1 1/16MJ-90-1 1/16FJ SWIV LBO
37	616137	12-426-12FJX-12FJX-68 H/A
38	316685	REMOTE OIL FILTER HEAD, T3 07
39	473801	3/8UNC WING NUT
40	473827	8MM-1.25 X 20MM HEX BOLT

A/C COMPRESSOR PUMP ASSEMBLY, T3 EXPORT

DET. QTY PART NO. DESCRIPTION

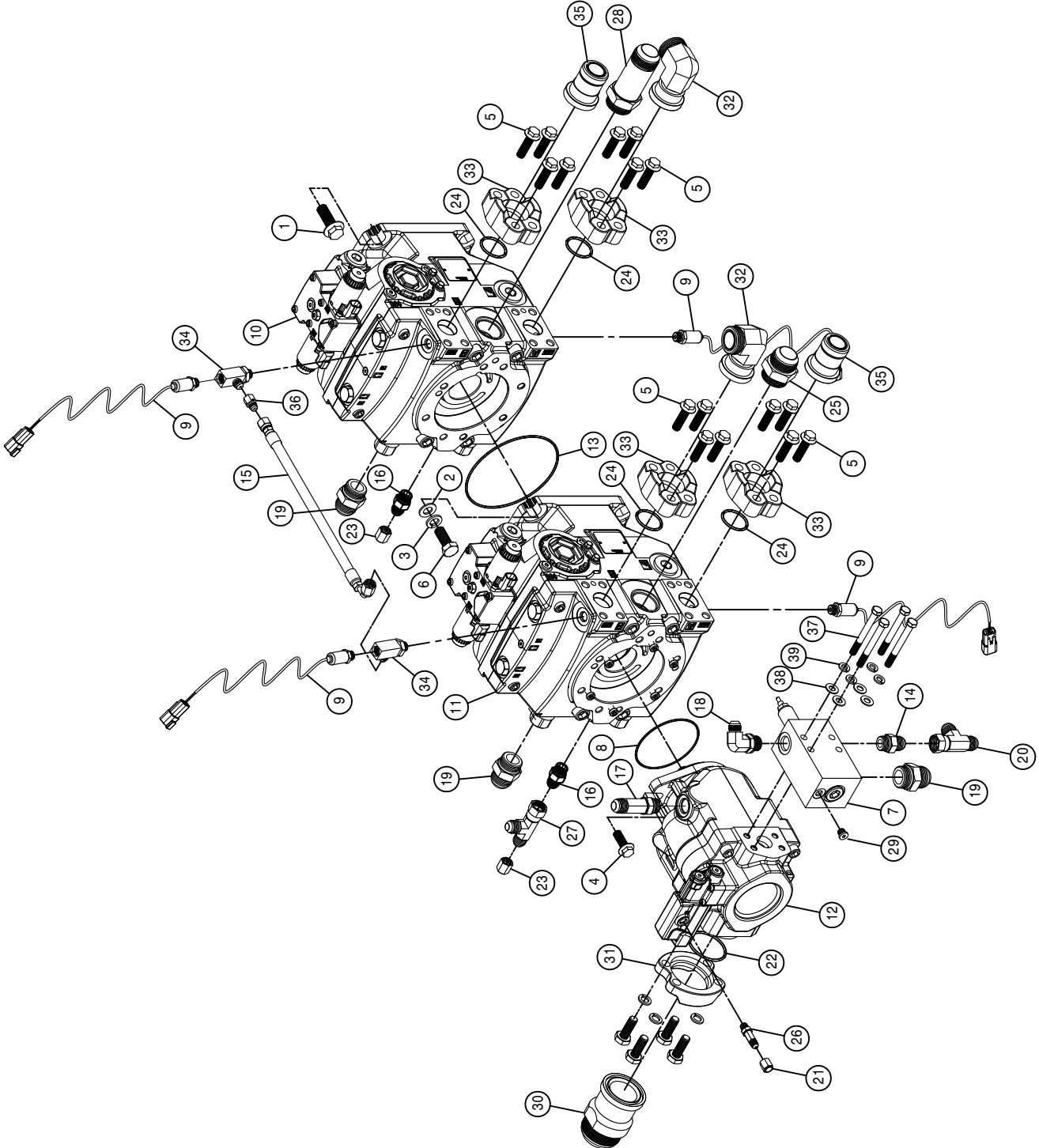
1	1	147052	BELT, 9470 GATES
2	1	316591	A/C MTG BRKT WLD, STS 2004
3	3	473844	10MM-1.50 X 30 SOC HD CAP SCR
4	3	473798	10MM LOCK WASHER
5	1	291675	PED, TERM, W, WP, 16-14GA
6	1	657450	A/C COMP SR, 90D PORT TM15/12
7	4	900131	3/8UNC X 1 1/2 HEX BOLT
8	4	910004N	3/8UNC FLANGE CNTR LOCK NUT
9	1	657446	A/C HOSE, 08-08F90-08F90SV-65"
10	1	657447	A/C HOSE, 10-10F90-10F90SV-92"
11	1	291593	PED, RECP, WP, 1W
12	1	291620	PED, SEAL, GREEN, 18-16GA



HYDROSTATIC PUMP ASSEMBLY, T3 & T4

DET. QTY PART NO. DESCRIPTION

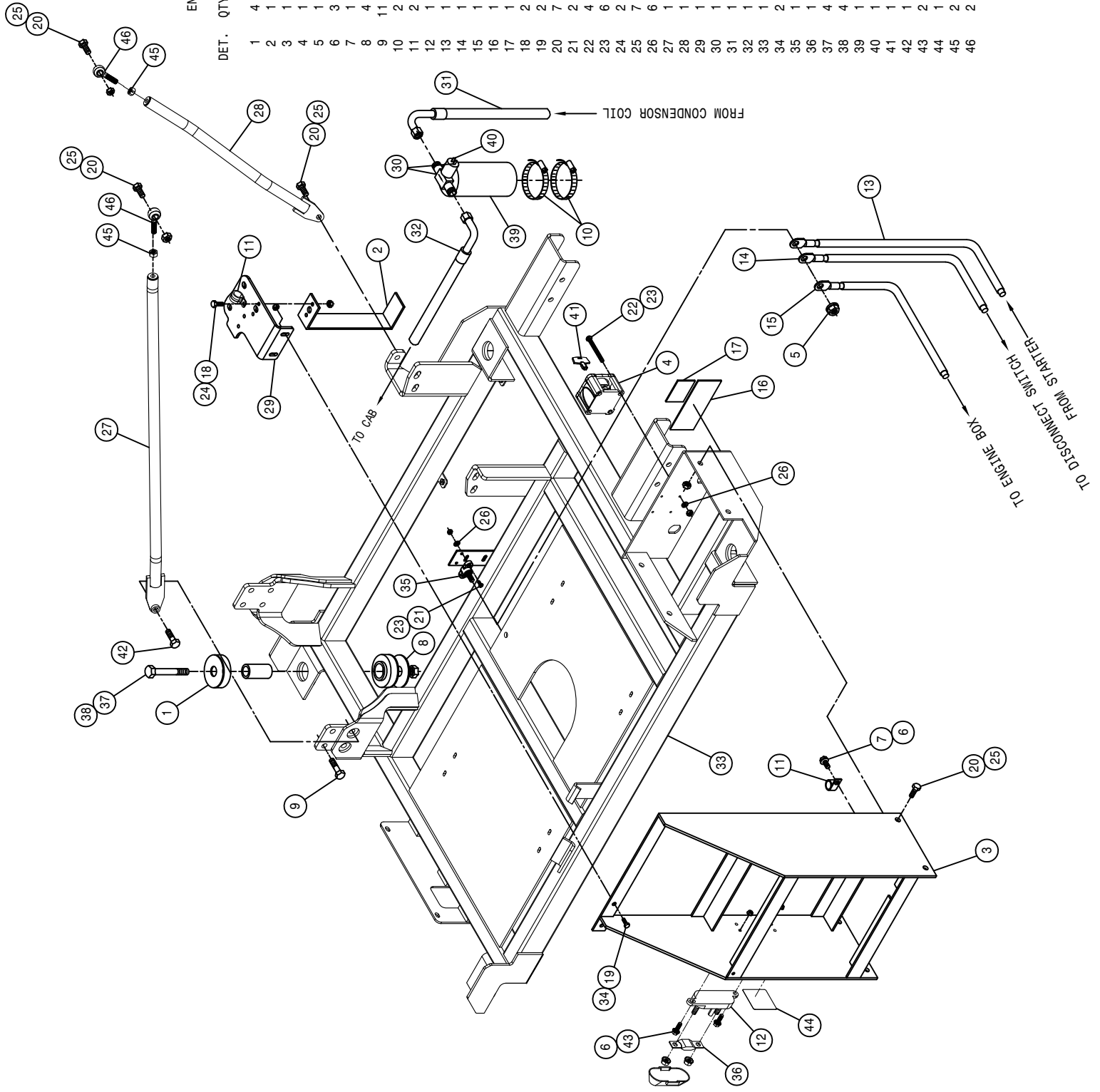
DET.	QTY	PART NO.	DESCRIPTION
1	4	472367	3/4UNC X 2" SM FLANGE BOLT GR8
2	4	473839	20MM FLAT WASHER
3	4	473854	20MM LOCK WASHER
4	2	473855	12MM-1.75 X 35MM FLANGE BOLT
5	16	473857	12MM-1.75 X 45MM FLANGE BOLT
6	4	473860	20MM-2.50 X 50MM HEX BOLT
7	1	608258	REFIEF, LS PUMP SAUER
8	1	608357	O-RING,3.737ID-.103CS-3.94 BMT
9	4	606196	PRESS TRANSDUCER ASSY 9000PSI
10	1	606512	H1-P-115CC PUMP,D/D-MT SAUER
11	1	606513	H1-P-115CC PUMP,D/B-MT SAUER
12	1	607004	SAUER PISTON PUMP JRR060B
13	1	607026	O-RING,5.905ID- 6.141OD DMT
14	1	611126	7/8MJIC-7/8MOR ADPTR
15	1	616038	04-471TC-06FJX-06FJX90-15 H/A
16	2	618126	9/16MJIC-9/16MOR ADPTR
17	1	618130	7/8MOR RUN TEE-7/8MJIC
18	1	618183	3/4MJIC-90-7/8MOR LBO
19	3	618186	1 5/16MJIC-1 5/16MOR ADPTR
20	1	618333	7/8FJIC SW RUN TEE-7/8MJIC
21	1	618363	7/16FJIC CAP NUT
22	1	618394	O-RING FOR 2" FLANGE -32
23	2	618531	9/16FJIC CAP NUT
24	4	618465	O-RING FOR 1 1/4" FLANGE, -20
25	1	618472	1 5/8MJIC-1 5/8MOR ADPTR
26	1	618509	7/16MOR RUN TEE-7/16MJIC
27	1	618486	9/16FJIC SW RUN TEE-9/16MJIC
28	1	618724	1 5/8MJIC-1 5/8MOR LG ADPTR
29	1	618753	7/16MOR PLUG, HEX SOCKET
30	1	618765	2" FLANGE-2 1/2MJIC ADPTR #61
31	1	618766	2" SPLIT FLANGE KIT #61
32	2	618779	1 11/16MOR-90-1 1/4FLG C62LBO
33	8	618780	1 1/4 SPLIT FLANGE HALF, #62
34	2	618782	9/16MOR-9/16FOR-9/16MJIC BRNCH
35	2	618897	1 1/4-FLANGE-1 11/16MOR ADPTR
36	1	618735	9/16JIC .062 ORIFICE ADPTR
37	4	900138	3/8UNC X 3 1/2 HEX BOLT
38	4	920002	3/8 SAE FLAT WASHER
39	4	920502	3/8 LOCK WASHER



ENGINE SKID ASSEMBLY, T3 EXPORT

DET. QTY PART NO. DESCRIPTION

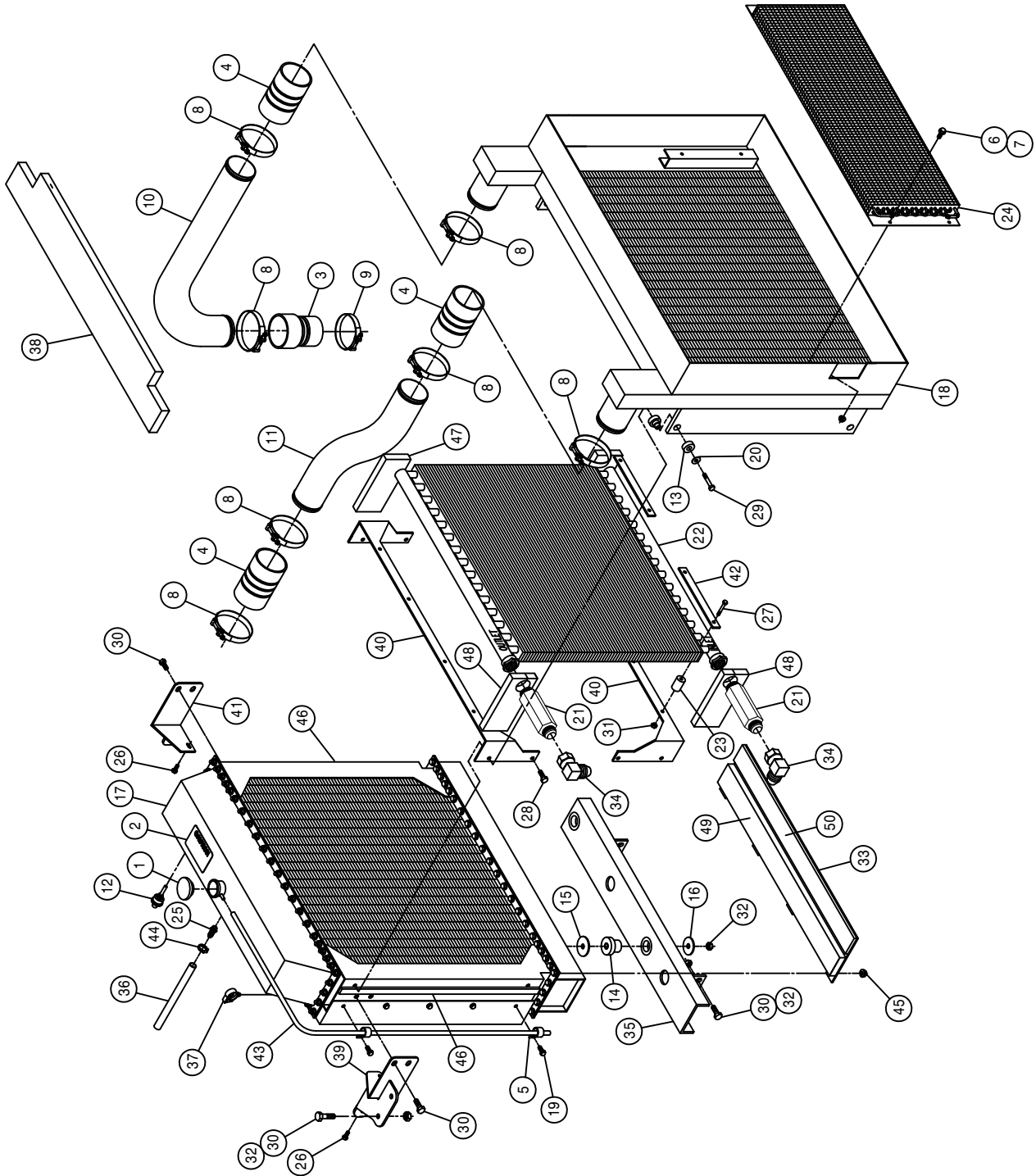
1	4	311057	RUBBER MT SET, SSB33-1000-4
2	1	316432	A/C DRIER MT
3	1	316637	BATTERY BOX WLD STS 05
4	1	291962	BATTERY SWITCH, ON/OFF (KEY) 6005
5	1	910004N	3/8UNC FLANGE CNTR LOCK NUT
6	3	470121	1/4UNC HEX FLANGE LOCK NUT
7	1	470122	1/4UNC X 1/2 FLANGE HEX BOLT
8	4	311091	SNUBBING WASHER FOR 311090
9	11	473855	12MM-1.75 X 35MM FLANGE BOLT
10	2	520052	HOSE CLAMP NO 52 STAINLESS
11	2	520121	CUSH CLAMP, #16 1TN X 3/4W
12	1	292578	HIGH AMP FUSE HOLDER W/COVER
13	1	291359	BATT CABLE, RED 26"2/0 3/8-3/8
14	1	291997	BATT CABLE, RED 40"2/0 3/8-3/8
15	1	292541	BATT CABLE, RED 72"2/0 3/8-1/2
16	1	650107	DECAL, CAUTION BOOSTER STS12
17	1	650372	DECAL, MAIN ELECTRIC DISCONNECT
18	2	900065	5/16UNC X 1" HEX BOLT
19	2	900129	3/8UNC X 1" SERR FLANGE BOLT
20	7	900264	1/2UNC X 1 1/4 HEX BOLT
21	2	903706	10-32X1/2 PHIL PAN MACH SCR
22	4	903897	10-32X2 1/2 PHIL PAN MACH SCR
23	6	910027	10-32 HEX NUT
24	2	914002	5/16UNC HEX STOVER NUT
25	7	914008	1/2UNC HEX STOVER NUT
26	6	920510	#10 LOCK WASHER
27	1	316829	LH RAD BRACE WLD, STS 10/12 '10
28	1	316732	RH RAD BRACE WLD, STS T3 07
29	1	316729	RAD MT PLT, STS T3 QSB 07
30	1	657438	RECEIVER DRIER W/SWITCH
31	1	657443	A/C HOSE, .06-.06F90-.06F90-.34"
32	1	657474	A/C HOSE, .06-.06F90-.06F90-.128"
33	1	316912	ENG SKID WLD, STS10/12 POLY '12
34	2	470087	3/8UNC HEX FLANGE LOCK NUT
35	1	291936	TERM BLOCK, RED, 3/8-16 SINGLE
36	1	291330	FUSE, 200 AMP 32 VOLT DC
37	4	900408	3/4UNC X 3 1/2 HEX BOLT
38	4	914012	3/4UNC HEX STOVER NUT
39	1	657421	A/C RECEIVER/DRIER
40	1	657422	A/C BINARY SWITCH
41	1	291963	KEY, BATTERY SWITCH 291962
42	1	473859	12MM-1.75 X 50MM FLANGE BOLT
43	2	470118	1/4UNC X 3/4 FLANGE HEX BOLT
44	1	650272	DECAL, 200AMP ECM FUSE, STS '11
45	2	910009	1/2UNF HEX NUT
46	2	473976	ROD END, .50B, .50-20UNF RH MALE



RADIATOR AND OIL COOLER ASSEMBLY, T3 EXPORT

DET. QTY PART NO. DESCRIPTION

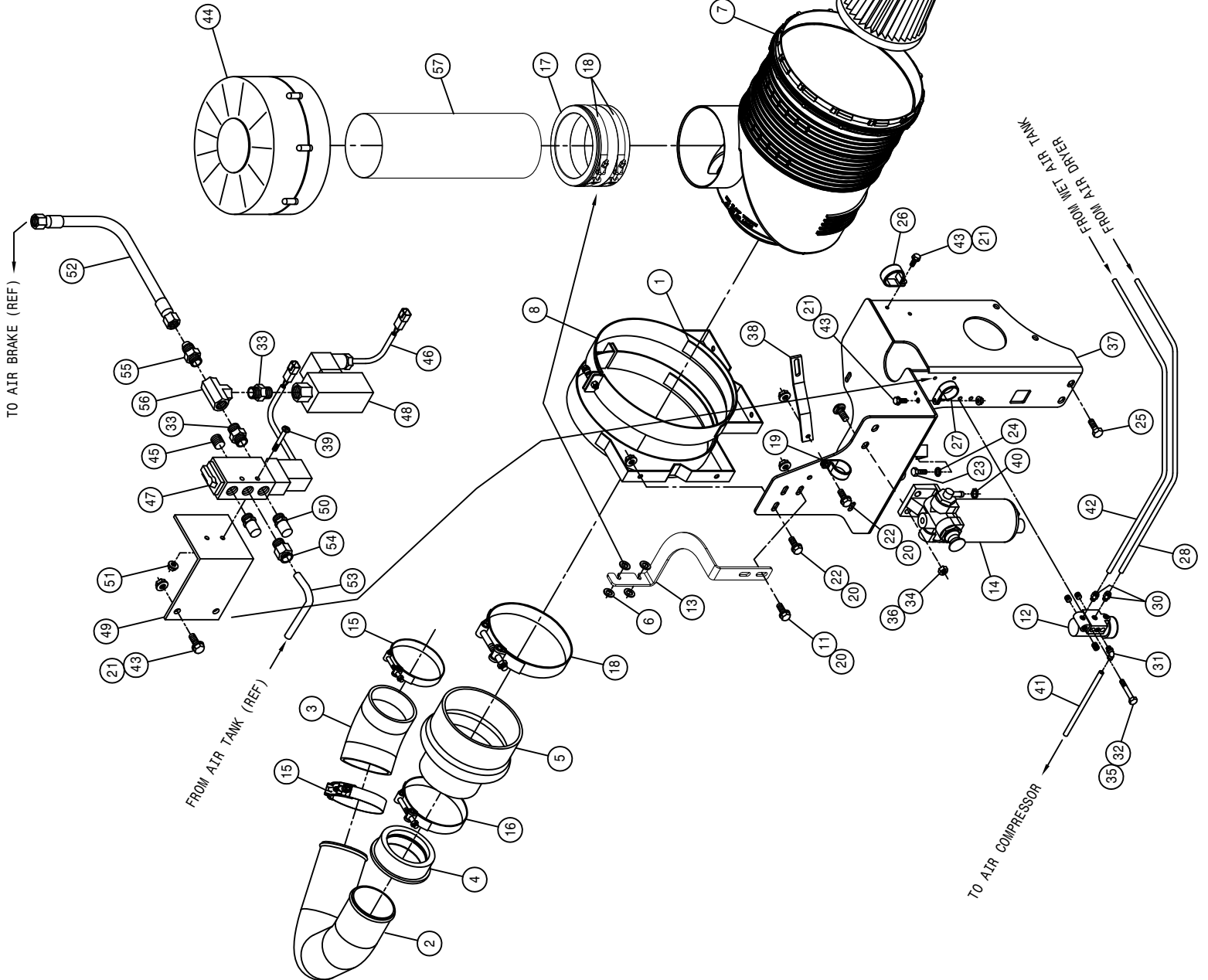
1	1	316377	RAD CAP, 10LB 10237
2	1	650174	DECAL, CAUTION RADIATOR, STS 07
3	1	311500	3.50-3.00 X 6.90 REDU CAC HOSE
4	3	311501	3.50 X 6.00 CAC HOSE
5	2	520128	CUSH J CLAMP, #9 9/16D X 3/4W
6	4	470121	1/4UNC HEX FLANGE LOCK NUT
7	4	470122	1/4UNC X 1/2 FLANGE HEX BOLT
8	7	520145	3.56/3.88 T-BOLT HOSE CLAMP SS
9	1	520146	3.06/3.38 T-BOLT HOSE CLAMP SS
10	1	311540	PIPE, CAC TO ENG, STS T3 07
11	1	311539	PIPE, TURBO TO CAC, STS T3 07
12	1	291935	RAD WATER LEVEL SENSOR, T3 ENG
13	4	311056	RUBBER MOUNT SET, 2-PC CB 2320
14	2	311060	RUBBER MOUNT, 1-PC CB-1122-2
15	2	311061	HEAD WASHER FOR 311060
16	2	311062	TAIL WASHER FOR 311060
17	1	316364	RADIATOR, STS12 2000
18	1	316660	CHARGE AIR COOLER, STS TIER3 06
19	10	470319	3/8UNC X 1/2 SERR FLANGE BOLT
20	4	483043	3/8 REGULAR FLAT WASHER
21	2	618830	1 5/16MJ-1 5/16MOR 6.0LG ADPTR
22	1	618800	OIL COOLER STS12 2000
23	8	618801	MOUNTING KIT FOR 618800 COOLER
24	1	657434	A/C CONDENSER COIL 21-0302
25	1	783304	1/4 NPT X 3/8 HOSE BARB, BRS
26	2	470233	5/16UNC X 3/4 FLANGE HEX BOLT
27	8	900071	5/16UNC X 2 3/4 HEX BOLT
28	4	900128	3/8UNC X 3/4 HEX BOLT
29	4	900133	3/8UNC X 2" SERR FLANGE BOLT
30	10	900264	1/2UNC X 1 1/4 HEX BOLT
31	8	473001	5/16UNC HEX NUT, NYLOC 316 SS
32	8	914008	1/2UNC HEX STOVER NUT
33	1	316486	LOWER RADIATOR FILLER PANEL
34	2	616640	1 5/16MJ-90-1 5/16FJ SWIV LBO
35	1	316594	RADIATOR MT CHAN WLD, STS 04
36	1	601668	HOSE, 3/8 X 30 HEATER
37	4	291008	ROSEBUD CLIP FOR .350 CONDUIT
38	1	316588	FOAM, STS 04
39	1	316727	UPPER LH RAD MT WLD, STS T3 07
40	2	316452	RAD TO OIL COOLER MT
41	1	316446	UPPER RH RAD MT WLD 2000
42	4	316453	RAD TO OIL COOLER KEEPER
43	1	601614	HOSE, 5/16 X 64 EPDM
44	1	520069	HOSE CLAMP NO 6 STAINLESS
45	4	470113	5/16UNC HEX FLANGE LOCK NUT
46	2	316493	SIDE FOAM, RAD/CAC
47	2	316494	RH UPR/LWR FOAM, OIL CLR/RAD 00
48	2	316495	LH UPR/LWR FOAM, OIL CLR/RAD 00
49	1	316491	FRT FOAM, LWR RAD FILLER PANEL
50	1	316492	REAR FOAM, LWR RAD FILLER PANEL



AIR CLEANER ASSEMBLY, T3 EXPORT

DET. QTY PART NO. DESCRIPTION

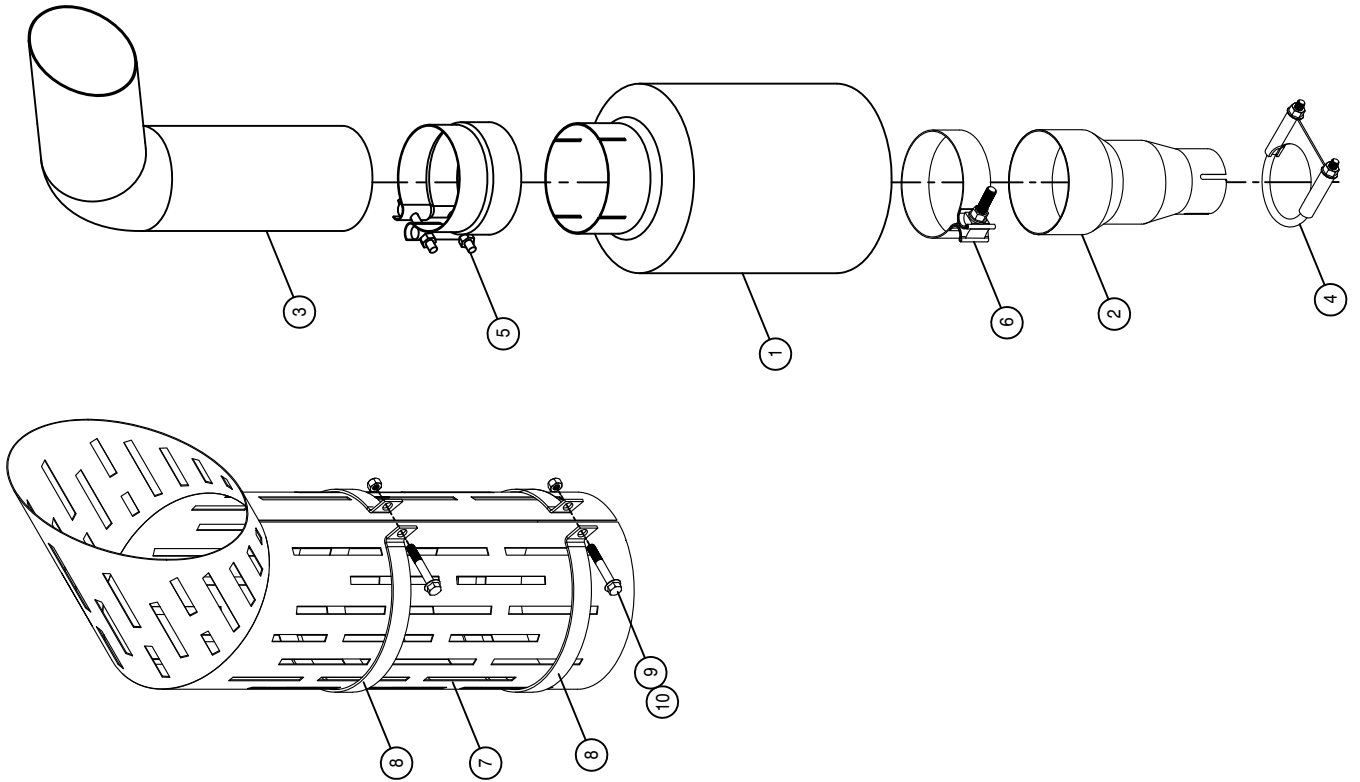
1	2	193037	STICKERTITE 1/8 X 3/4
2	1	311538	PIPE-AIR CLEANER-TURBO, STS 07
3	1	311507	4.00" 45DEG ELBOW, RUBBER
4	1	311535	5.00-4.00 ID REDUCER BUSHING
5	1	311536	7"-5" REDU HUMP HOSE, RUBBER
6	4	920000	1/4 SAE FLAT WASHER
7	1	311541	AIR CLEANER,OPTIAIR 1300
8	2	311542	AIR CLEANER MT BAND FOR 311541
9	1	311543	PRIMARY AIR FILTER FOR 311541
10	1	311544	SECONDARY FILTER FOR 311541
11	2	900129	3/8UNC X 1" SERR FLANGE BOLT
12	1	316277	AIR COMPRESSOR GOVERNOR KIT
13	1	316931	AIR INTAKE SUPP,QSB TIER 3 '12
14	1	316684	FILTER,PRE FUEL 25 MICRON
15	2	520134	4.31/4.59 T-BOLT HOSE CLAMP SS
16	1	520148	5.38/5.69 T-BOLT HOSE CLAMP SS
17	1	311566	7"ID-.6" ID REDU SLEEVE, RUBBER
18	3	520150	7.38/7.69 T-BOLT HOSE CLAMP SS
19	1	520163	CUSH CLAMP,#8 1/2D X 3/4W
20	7	470087	3/8UNC HEX FLANGE LOCK NUT
21	4	470121	1/4UNC HEX FLANGE LOCK NUT
22	5	470460	3/8UNC X 1" SERR FLANGE BOLT
23	1	473782	12MM-1.75 X 18MM HEX BOLT
24	1	473784	12MM LOCK WASHER
25	2	473855	12MM-1.75 X 35MM FLANGE BOLT
26	1	520102	CUSH CLAMP,#20 1/4D X 1/2W
27	1	520101	CUSH CLAMP,#16 1"D X 1/2W
28	1	601707	HOSE, 1/4 X 63 AIR
29	1	311565	COVER ASSEMBLY FOR 311541
30	2	711036	1/8INPT-1/4 NYL TUBE FTG
31	1	711039	1/8INPT-90-1/4 NYL TUBE LBO
32	2	900072	5/16UNC X 3" HEX BOLT
33	2	502707	PIPE NIPPLE,1/4NPT HEX, BRS
34	2	901255	1/2UNC X 1 1/2 CARR BOLT
35	2	914002	5/16UNC HEX STOVER NUT
36	2	914008	1/2UNC HEX STOVER NUT
37	1	316796	AIR CLEANER MT WLD, STS T3 07
38	1	316716	RH FRT HOOD BRACE, STS T3 07
39	2	903855	8-32 X 1 1/2 PHIL PAN HD SCR
40	1	520069	HOSE CLAMP NO 6 STAINLESS
41	1	601625	HOSE, 1/4 X 14 AIR
42	1	601554	HOSE, 1/4 X 46 AIR
43	4	470118	1/4UNC X 3/4 FLANGE HEX BOLT
44	1	311520	ENGINE PRE CLEANER
45	1	711061	1/4NPT PLUG, SKT HEX HEAD BRS
46	1	293568	PRESS SWITCH HARNESS,ST516 05
47	1	311082	AIR VALVE ASSY,ST516-GST20 05
48	1	311083	PRESSURE SWITCH,80PSI,12VDC
49	1	316656	E-BRAKE CTRL VLV MT,ST516 06
50	2	470402	1/4INPT MUFFLER
51	2	470463	8-32 SERR. FLANGE NUT
52	1	611352	04-213-04FLX-04FLX-25 H/A
53	1	601671	HOSE, 1/4 X 145 AIR
54	1	711049	1/4 NYL TUBE-1/4INPT FTG
55	1	711057	7/16UNJIC-1/4INPT ADPTR BRS
56	1	711060	1/4 UNION TEE BRS
57	1	311567	AIR CLEANER EXTEN,6"00 X 18"LG



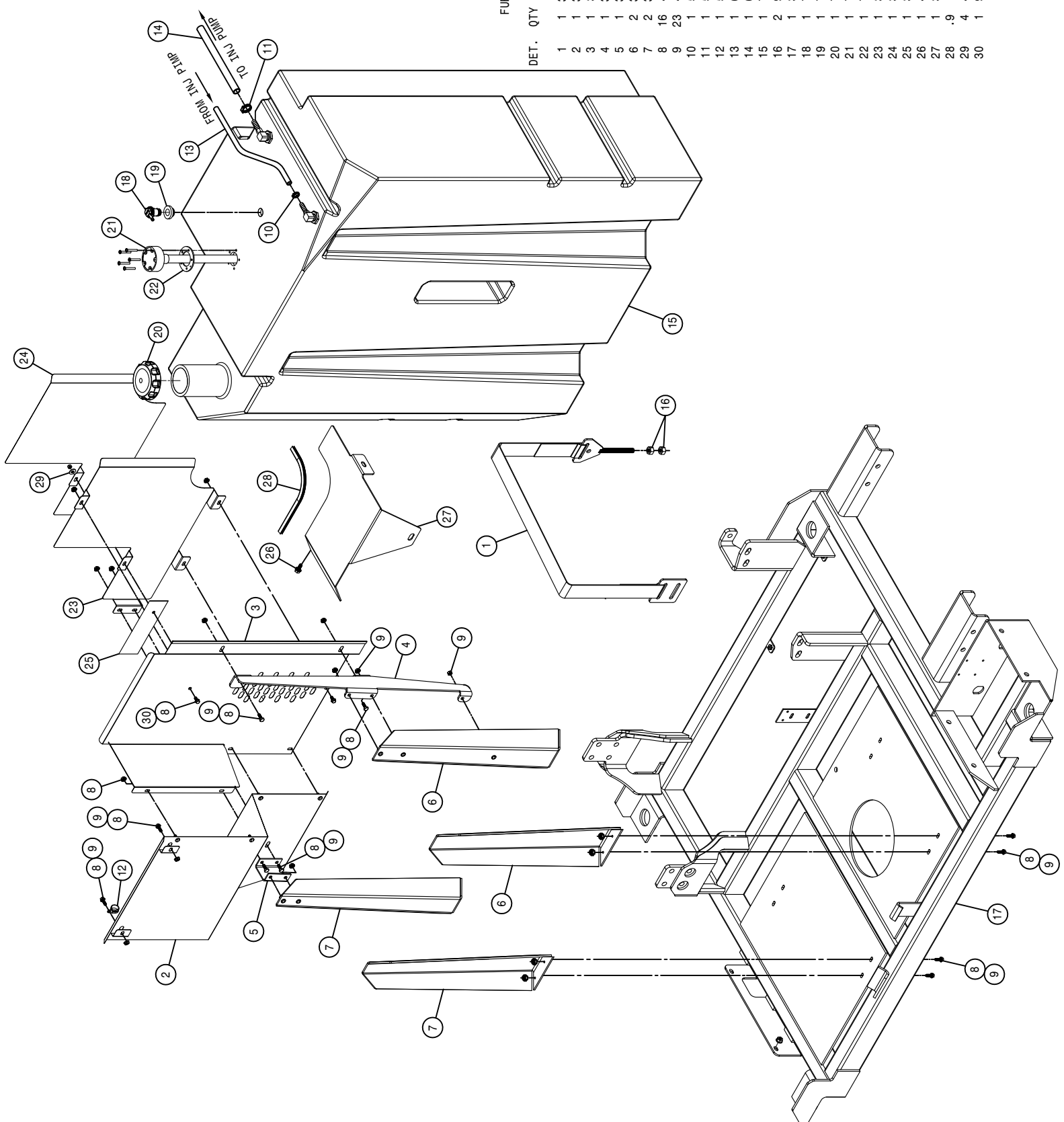
MUFFLER ASSEMBLY, T3 EXPORT

DET. QTY PART NO. DESCRIPTION

1	316657	MUFFLER 5"
2	316816	EXH REDUCER CONNECTOR
3	316817	EXHAUST STACK, ANGLED
4	470475	3" EXHAUST CLAMP
5	470477	5" LAP EXHAUST CLAMP
6	470600	MUFFLER CLAMP, 5.00, ACCUSEAL
7	343794	MUFFLER GUARD WLD, STS '11
8	343796	MUFFLER GUARD CLMP BAND, STS '11
9	900134	3/8UNC X 2 1/2 SER FLANGE BOLT
10	914004	3/8UNC HEX STOVER NUT

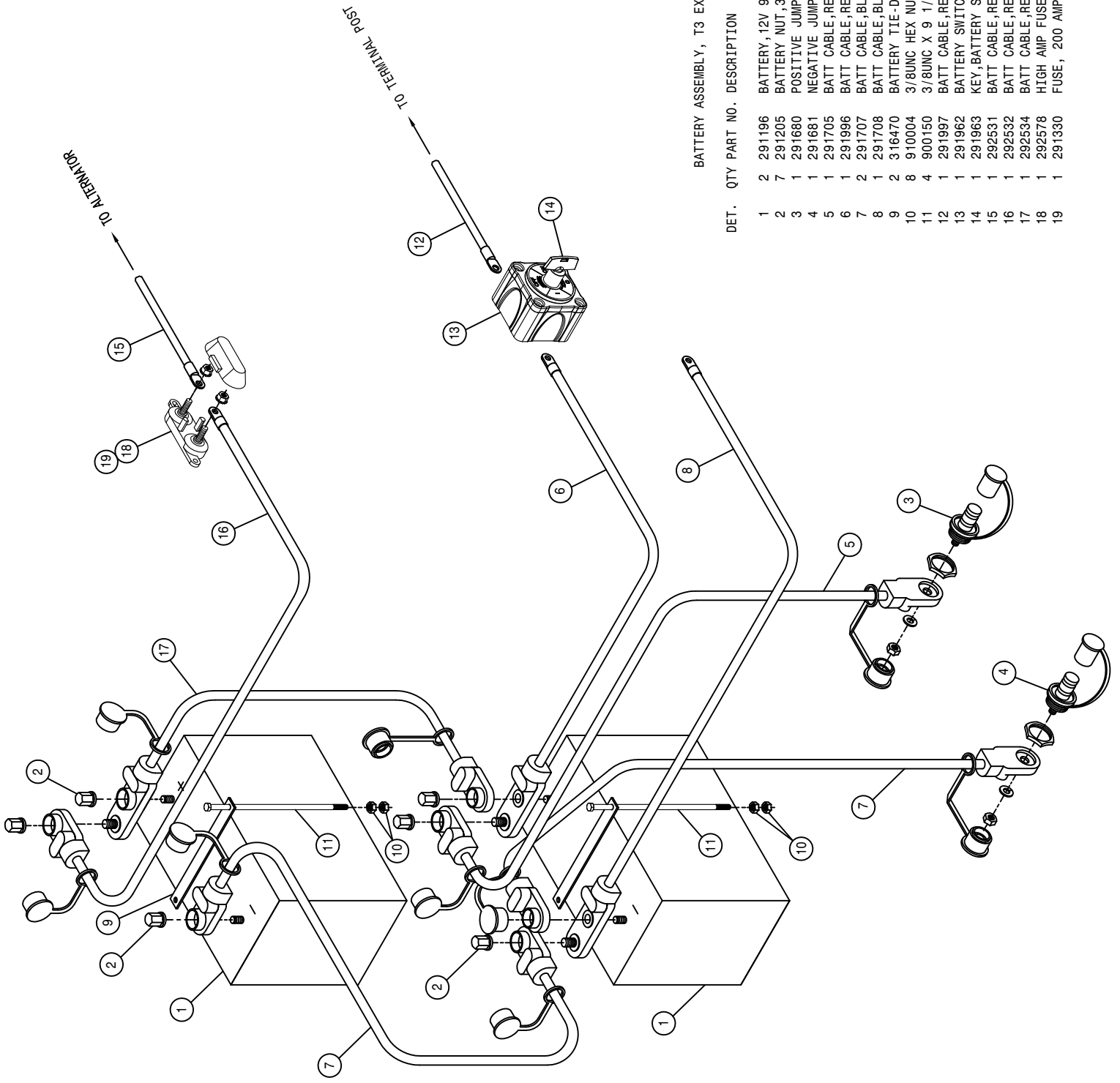






FUEL TANK ASSEMBLY, T3 EXPORT

DET.	QTY	PART NO.	DESCRIPTION
1	1	316914	POLY FUEL TANK STRAP ASSY,STS
2	1	316932	POLY TANK SHIELD WLD STS '12
3	1	316936	POLY FUEL TANK SHLD,CNT STS '12
4	1	316960	REAR FUEL TANK HEAT SHLD MT '12
5	1	316961	FRT FUEL TANK HEAT SHLD MT,STS
6	2	316962	RH REAR POLY FUEL TANK SUPP WLD
7	2	316963	RH FRT POLY FUEL TANK SUPP WLD
8	16	470118	1/4UNC X 3/4 FLANGE HEX BOLT
9	23	470121	1/4UNC HEX FLANGE LOCK NUT
10	1	520069	HOSE CLAMP NO 6 STAINLESS
11	1	520120	HOSE CLAMP NO 4 STAINLESS
12	1	520160	CUSH CLAMP,#24 1 1/2D-3/4WLOOP
13	1	601305	HOSE, 5/16 X 112 FUEL LINE
14	1	601738	HOSE, 3/8 X 96 FUEL LINE
15	1	760775	POLY FUEL TANK
16	2	910008	1/2UNC HEX NUT
17	1	316912	ENG SKID WLD,STS10/12 POLY '12
18	1	760780	REMOTE TANK VENT,1/4 HOSE BARB
19	1	760781	GROMMET FOR 760780 REMOTE VENT
20	1	760782	FUEL CAP,3.5" VENTED W/TETHER
21	1	760783	MAXIMA 45" SENDING UNIT
22	1	760784	GASKET FOR 760783 FUEL SENDER
23	1	316998	SECONDARY HEAT SHLD T3 STS '12
24	1	316999	HEAT TAPE TIER 3 STS '12
25	1	317016	SECONDARY HEAT TAPE,TIER 3
26	1	470233	5/16UNC X 3/4 FLANGE HEX BOLT
27	1	316997	AIR DEFLECTOR TIER 3 STS '12
28	9	193016	QUICKEDGE TRIM .060 TO .170
29	4	483038	1/4 REGULAR FLAT WASHER
30	1	914000	1/4UNC HEX STOVER NUT



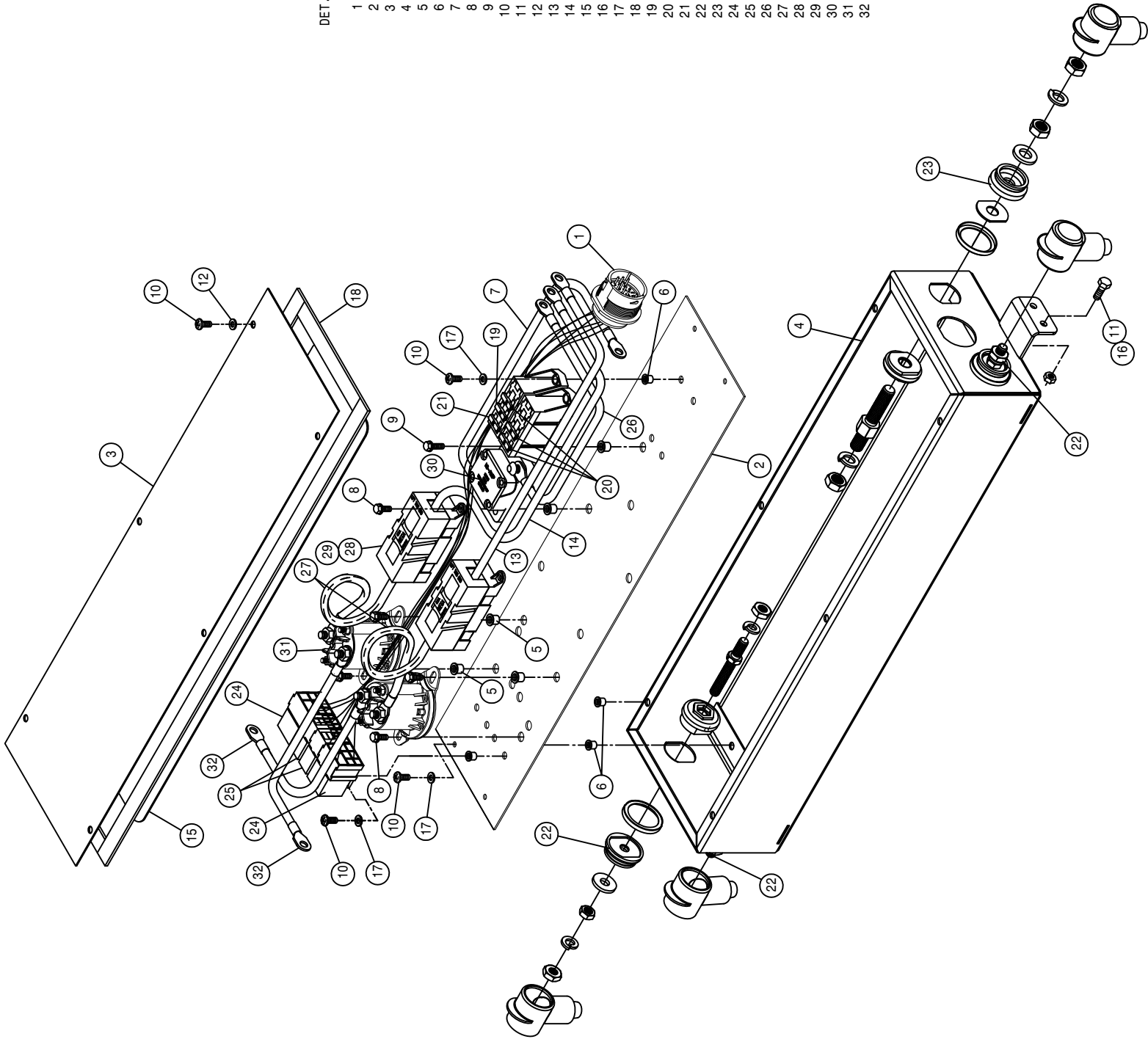
BATTERY ASSEMBLY, T3 EXPORT

DET. QTY PART NO. DESCRIPTION

1	2	291196	BATTERY, 12V 900 CCA, SS STUD
2	7	291205	BATTERY NUT, 3/8-16 SS CLSD CAP
3	1	291680	POSITIVE JUMPER STUD, RED
4	1	291681	NEGATIVE JUMPER STUD, BLACK
5	1	291705	BATT CABLE, RED 26"2/0 3/8-3/8
6	1	291996	BATT CABLE, RED 34"2/0 3/8-3/8
7	2	291707	BATT CABLE, BLK 26"2/0 3/8-3/8
8	2	291708	BATT CABLE, BLK 73"2/0 3/8-3/8
9	2	316470	BATTERY TIE-DOWN
10	8	910004	3/8UNC HEX NUT
11	4	900150	3/8UNC X 9 1/2 HEX BOLT
12	1	291997	BATT CABLE, RED 40"2/0 3/8-3/8
13	1	291962	BATTERY SWITCH, ON/OFF (KEY) 6005
14	1	291963	KEY, BATTERY SWITCH 291962
15	1	292531	BATT CABLE, RED 41"1/0-.312-.343
16	1	292532	BATT CABLE, RED 25"1/0-.312-.375
17	1	292534	BATT CABLE, RED 26"2/0-.375-.375
18	1	292578	HIGH AMP FUSE HOLDER W/COVER
19	1	291330	FUSE, 200 AMP 32 VOLT DC

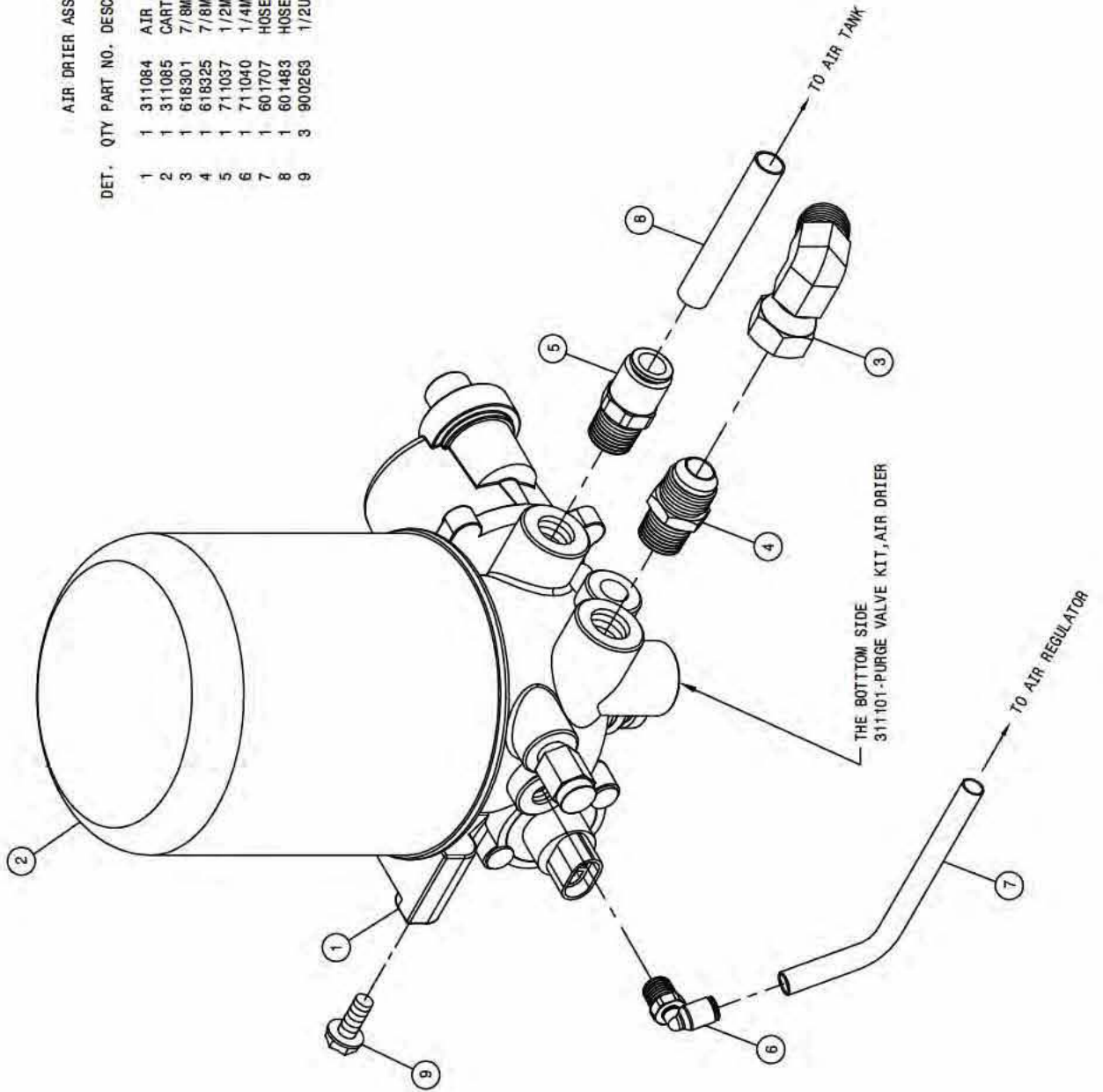
ENGINE ELECTRICAL BOX ASSEMBLY, T3 EXPORT

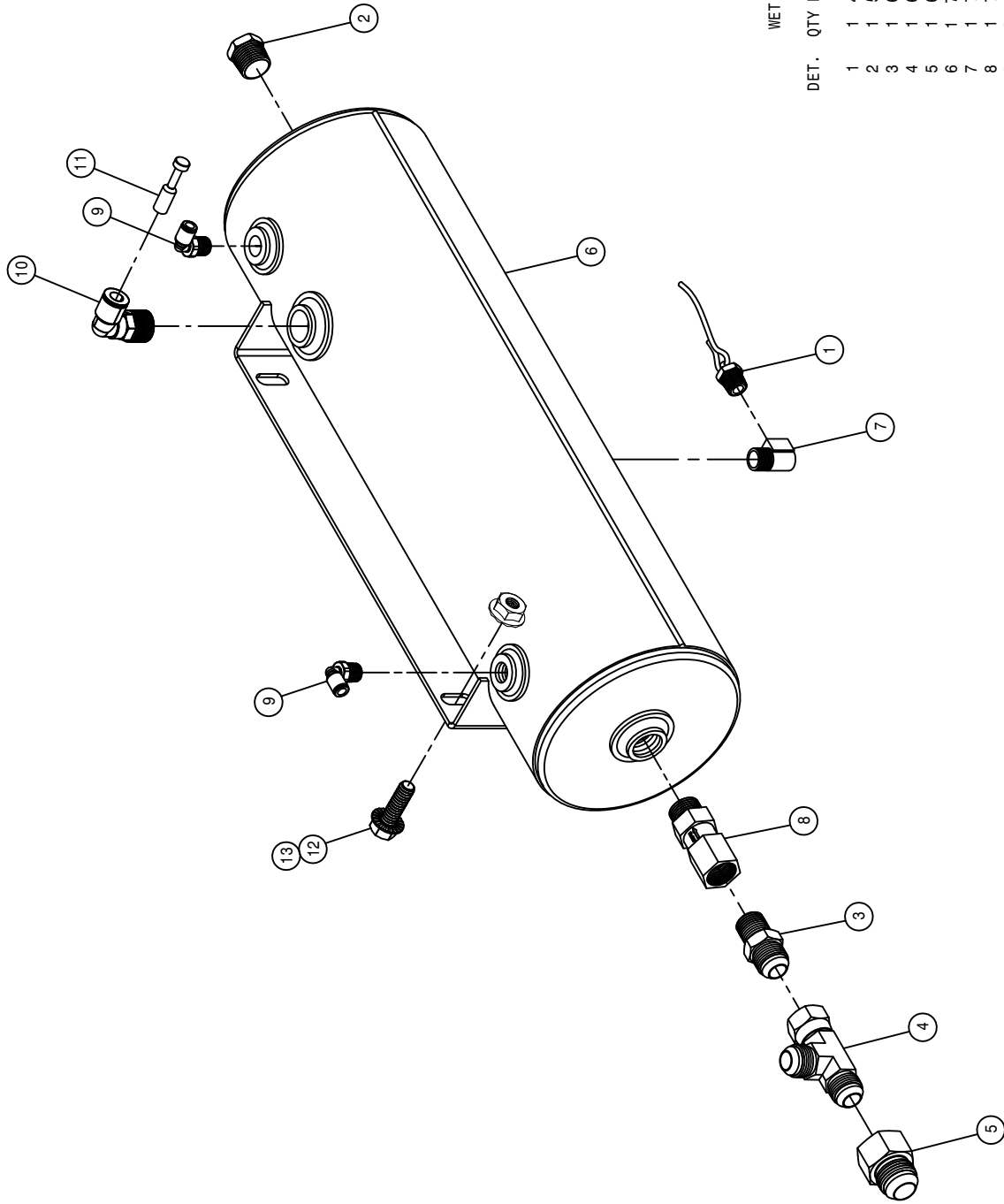
DET.	QTY	PART NO.	DESCRIPTION
1	1	293936	ENG ELECT BOX HARNESS, STS '10
2	1	342960	ENG BOX MT PANEL, STS 04
3	1	342961	ENG BOX COVER, STS 04
4	1	343703	ENG BOX WLD, STS '11
5	10	470380	1/4-20 NUTSERT .027-.165 STL
6	18	470384	10-32 NUTSERT .020-.130 STL
7	1	292538	BATT CABLE, RED 15"6GA 281-406
8	8	470122	1/4UNC X 1/2 FLANGE HEX BOLT
9	2	470118	1/4UNC X 3/4 FLANGE HEX BOLT
10	18	903710	10-32X5/8 PHIL PANHD MACH SCR
11	4	900002	1/4UNC X 3/4 HEX BOLT
12	6	470351	#10 X 1/2 BONDED SEALING WASH
13	1	292539	BATT CABLE, RED 15"6GA 343-531
14	1	292540	BATT CABLE, RED 19"6GA 343-531
15	1	650234	DECAL, ENG ELECTRIC BOX, STS '10
16	4	914000	1/4UNC HEX STOVER NUT
17	12	920510	#10 LOCK WASHER
18	5.5	193037	STICKERTITE 1/8 X 3/4
19	1	291549	30 AMP FUSE, LED 1/4"BLADE, ATC
20	3	291546	15 AMP FUSE, LED 1/4"BLADE, ATC
21	1	291547	20 AMP FUSE, LED 1/4"BLADE, ATC
22	3	291343	POWER BUSHING, 3/8" RED WTHRRPF
23	1	291344	POWER BUSHING, 1/2" RED WTHRRPF
24	2	291751	RELAY, SPDT, BKT MT, DIODE, 5T
25	2	291781	MICRO RELAY, BOSCH 12V SPDT
26	1	292537	BATT CABLE, RED 12"6GA 281-531
27	2	291806	BATT CABLE, RED 11"6GA. 343-.343
28	2	291813	FUSE, 125 AMP 32V DC
29	2	291814	FUSE HOLDER, HIGH AMP
30	1	292501	CIRCUIT BREAKER, 120 AMP, BUSS
31	2	292505	MASTER CONTROL RELAY
32	2	292536	BATT CABLE, RED 10"6GA 343-406



AIR DRIER ASSEMBLY, T3 EXPORT

DET.	QTY	PART NO.	DESCRIPTION
1	1	311084	AIR DRIER, SYSTEM SAVER 1200
2	1	311085	CARTRIDGE KIT FOR 311084 DRIER
3	1	618301	7/8MJIC-90-7/8FJIC SWIV LBO
4	1	618325	7/8MJIC-1/2MNPT ADPTR
5	1	711037	1/2MNPT-1/2 NYL TUBE FTG
6	1	711040	1/4MNPT-90-1/4 NYL TUBE LBO
7	1	601707	HOSE, 1/4 X 63 AIR
8	1	601483	HOSE, 1/2 X 84 AIR
9	3	900263	1/2UNC X 1" HEX BOLT





WET AIR TANK ASSEMBLY, T3 EXPORT

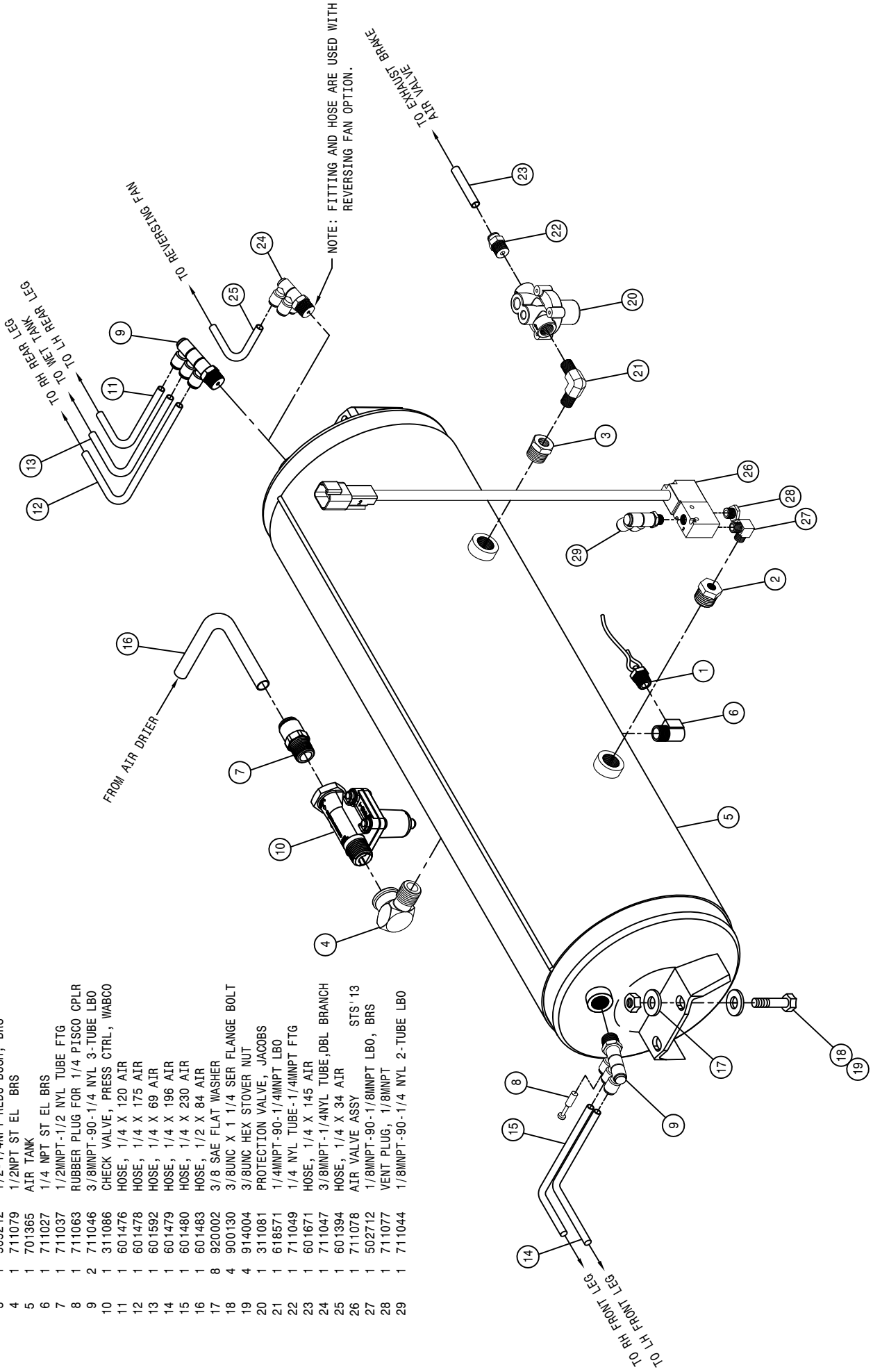
DET. QTY PART NO. DESCRIPTION

DET.	QTY	PART NO.	DESCRIPTION
1	1	470266	DRAIN VALVE KIT, 1/4NPT
2	1	505231	PIPE PLUG .50NPT HEX HD BRS
3	1	618325	7/8MJIC-1/2MNPT ADPTR
4	1	618333	7/8FJIC SW RUN TEE-7/8MJIC
5	1	618773	7/8FJIC-1-1/16MJIC ADPTR
6	1	701244	WET AIR TANK STSLS 16 06
7	1	711027	1/4 NPT ST EL BRS
8	1	711032	CHECK VALVE, 1/2"FNPT-1/2"MNPT
9	2	711040	1/4MNPT-90-1/4 NYL TUBE LBO
10	1	711062	1/2MNPT-90-3/8 NYL 1-TUBE LBO
11	1	711064	RUBBER PLUG FOR 3/8 PISCO CPLR
12	2	900128	3/8UNC X 3/4 HEX BOLT
13	2	470087	3/8UNC HEX FLANGE LOCK NUT

AIR TANK ASSEMBLY, T3 EXPORT

DET. QTY PART NO. DESCRIPTION

- 1 470266 DRAIN VALVE KIT, 1/4NPT
- 2 505234 RED BUSH 1/2MNPT-1/8FNPT, BRS
- 3 505212 1/2-1/4NPT REDU BUSH, BRS
- 4 711079 1/2NPT ST EL BRS
- 5 701365 AIR TANK
- 6 711027 1/4 NPT ST EL BRS
- 7 711037 1/2MNPT-1/2 NYL TUBE FTG
- 8 711063 RUBBER PLUG FOR 1/4 PISCO CPLR
- 9 711046 3/8MNPT-90-1/4 NYL 3-TUBE LBO
- 10 311086 CHECK VALVE, PRESS CTRL, WABCO
- 11 601476 HOSE, 1/4 X 120 AIR
- 12 601478 HOSE, 1/4 X 175 AIR
- 13 601592 HOSE, 1/4 X 69 AIR
- 14 601479 HOSE, 1/4 X 196 AIR
- 15 601480 HOSE, 1/4 X 230 AIR
- 16 601483 HOSE, 1/2 X 84 AIR
- 17 920002 3/8 SAE FLAT WASHER
- 18 900130 3/8UNC X 1 1/4 SER FLANGE BOLT
- 19 914004 3/8UNC HEX STOVER NUT
- 20 311081 PROTECTION VALVE, JACOBS
- 21 618571 1/4MNPT-90-1/4MNPT LBO
- 22 711049 1/4 NYL TUBE-1/4MNPT FTG
- 23 601671 HOSE, 1/4 X 145 AIR
- 24 711047 3/8MNPT-1/4NYL TUBE, DBL BRANCH
- 25 601394 HOSE, 1/4 X 34 AIR
- 26 711078 AIR VALVE ASSY STS'13
- 27 502712 1/8MNPT-90-1/8MNPT LBO, BRS
- 28 711077 VENT PLUG, 1/8MNPT
- 29 711044 1/8MNPT-90-1/4 NYL 2-TUBE LBO

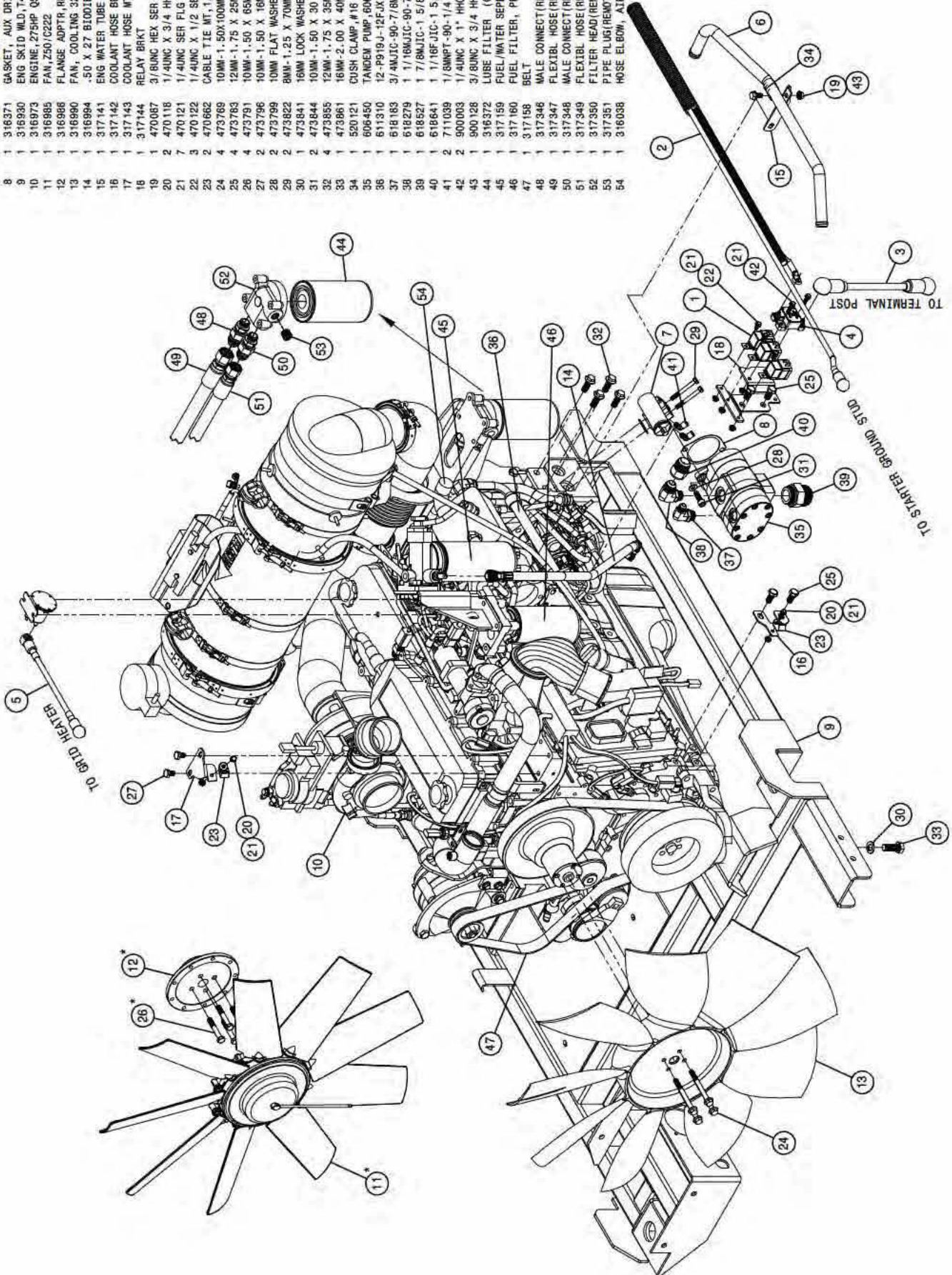




DET. QTY PART NO. DESCRIPTION

1	3	291852	RELAY, SPDT, W/THROOF W/BKT, 40A
2	1	292598	CAB PHR, GRD, CABLE, ASY, STS10/12
3	1	292600	BATT CABLE, RED 90" 1/0 3/8-1/4
4	1	292642	CIRCUIT BREAKER, 150 AMP BUSS
5	1	292644	BATT CABLE, RED 12" 2GA, 281-.343
6	1	311597	TUBE, FORMED T41 STS '13
7	1	316277	AIR COMPRESSOR GOVERNOR KIT
8	1	316371	GASKET, AUX DRIVE CUMM 154916
9	1	316930	ENG SKID WLD, T41 POLY STS '13
10	1	316973	ENGINE, 275HP Q986-7 T41 STS '13
11	1	316985	FAN, Z50/C222 T41 STS '13
12	1	316986	FLANGE ADPTR, REV FAN, T41 STS '13
13	1	316990	FAN, COOLING 32" T41 STS '13
14	1	316994	.50 X 27 BIODIESEL HOSE ASSY
15	1	317141	ENG WATER TUBE BRKT, T41 STS '13
16	1	317142	COOLANT HOSE BRKT T41 STS '13
17	1	317143	COOLANT HOSE MT T41 STS '13
18	1	317144	RELAY BRKT T41 STS '13
19	1	470067	3/8UNC HEX SER FLG NUT
20	2	470116	1/4UNC X 3/4 HHSEFB GR5 MC
21	2	470121	1/4UNC SER FLG LOCK NUT
22	3	470122	1/4UNC X 1/2 SER FLG BOLT
23	2	470662	CABLE TIE MT, 1/4 MT HOLE, NYL
24	4	473769	10MM-1.50X100MM FLG HEX BLT GB
25	4	473763	12MM-1.75 X 25MM HEX BOLT GRB
26	4	473791	10MM-1.50 X 65MM HEX BOLT
27	2	473796	10MM-1.50 X 18MM HEX BOLT GRB
28	2	473799	10MM FLAT WASHER
29	2	473822	8MM-1.25 X 70MM HEX BOLT GRB
30	1	473841	16MM LOCK WASHER
31	2	473844	10MM-1.50 X 30 SOC HD CAP SCR
32	4	473855	12MM-1.75 X 35MM SN FLG BOLT YZ
33	1	473861	16MM-2.00 X 40MM HEX BOLT YZ
34	1	520121	CUSH CLAMP, #16 1IN X 3/4W
35	1	606450	TANDEM PUMP, 606451 & 606452
36	1	611310	12-P919J-12FJX-12FJX90LG-66H/A
37	1	618163	3/4UNC X 1" HHCS GR 5
38	1	618279	1/16UNC-90-7/RMOR LBO
39	1	618527	1/8UNC X 1" HHCS GR 5
40	1	618641	1/16UNC-1 5/16UNC ADPTR
41	2	711039	1/8NPT-90-1/4 NYL TUBE LBO
42	2	900003	1/4UNC X 1" HHCS GR 5
43	1	900128	3/8UNC X 3/4 HHCS GR 5
44	1	316372	LUBE FILTER (CUMM ENG 316360)
45	1	317159	FUEL WATER SEPARATOR T41 '13
46	1	317160	FUEL FILTER, PRIMARY T41 '13
47	1	317158	BELT T41 STS '13
48	1	317346	MALE CONNECT (REMOTE LUBE FLTR)
49	1	317347	FLEXIBL HOSE (REMOTE LUBE FLTR)
50	1	317348	MALE CONNECT (REMOTE LUBE FLTR)
51	1	317349	FLEXIBL HOSE (REMOTE LUBE FLTR)
52	1	317350	FILTER HEAD (REMOTE LUBE FLTR)
53	1	317351	PIPE PLUG (REMOTE LUBE FLTR)
54	1	316038	HOSE ELBOW, AIR COMPRESS, STS

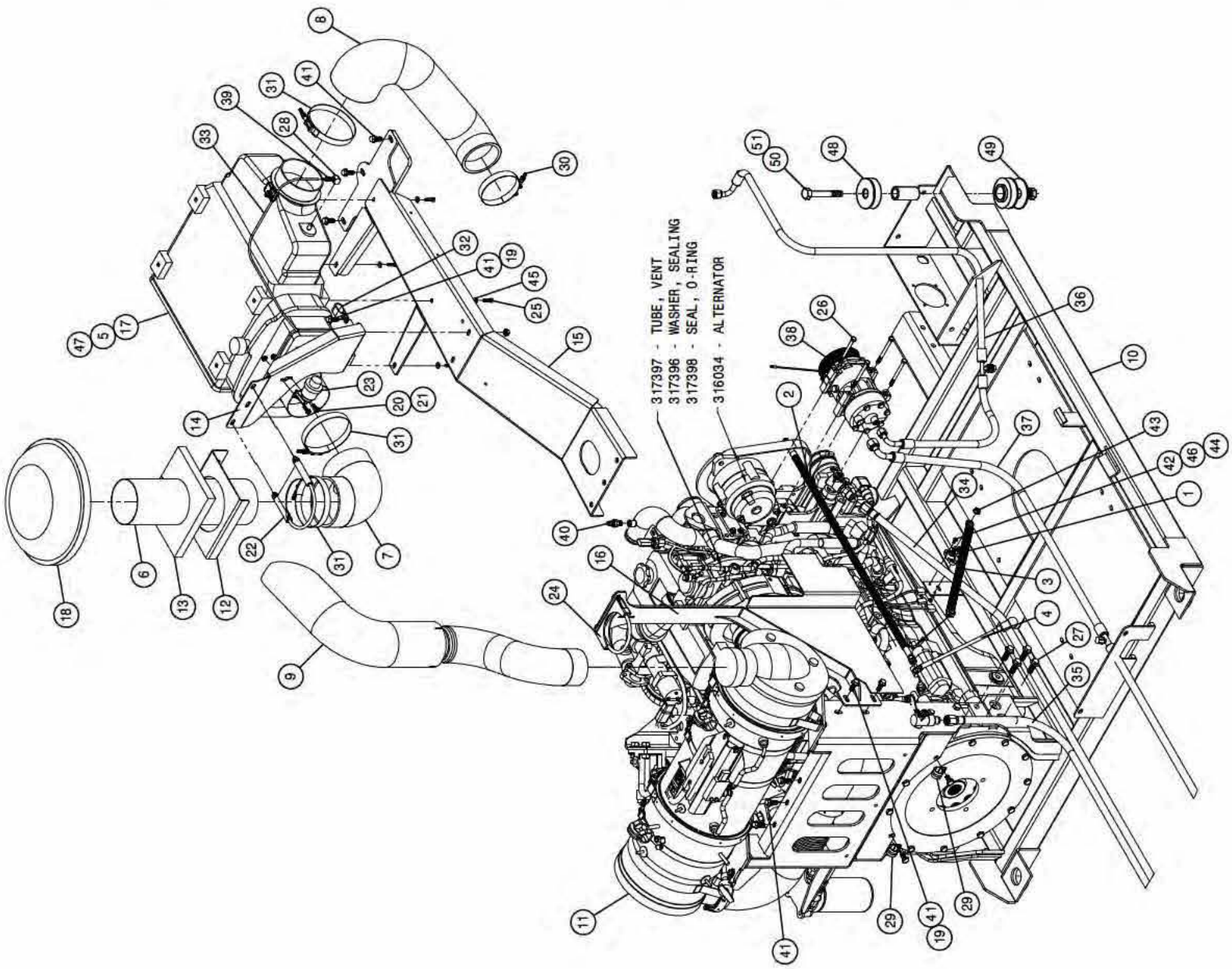
NOTE: ITEMS WITH AN (\*) ARE USED WITH REVERSING FAN OPTION.

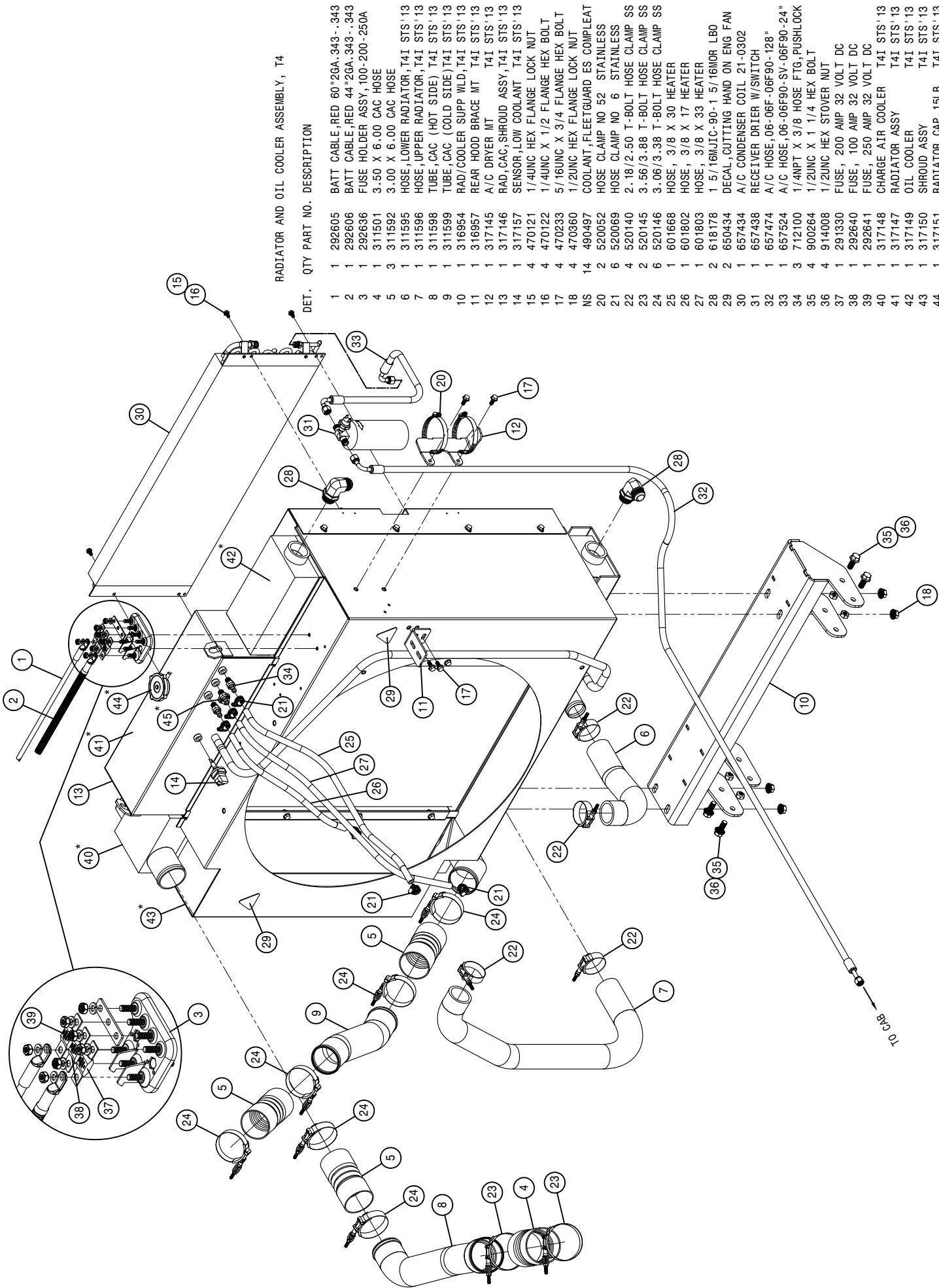




ENGINE ASSEMBLY, T41

DET.	QTY	PART NO.	DESCRIPTION
1	1	291936	TERM BLOCK, RED, 3/8-16 SINGLE
2	1	292607	BATT CABLE, BLK 34"2GA.281-.531
3	1	292608	BATT CABLE, RED 18"2/O.404-.531
4	1	292643	BATT CABLE, BLK 42"4GA.406-.531
5	1	317154	PRI ELEMENT-AIR CLEANER 317153
6	1	311568	5" X 16"INTAKE TUBE, T41 STS'13
7	1	311593	5" 90DEG ELBOW, RUBBER
8	1	311594	HOSE, AIR INTAKE T41 STS'13
9	1	316818	EXHAUST STACK T41 STS'13
10	1	316930	ENG SKID WLD, T41 POLY STS'13
11	1	316937	ENGINE, 300HP Q886.7 T41 '13
12	1	316958	INTAKE SEAL PLT T41 STS'13
13	1	316959	INTAKE SEAL T41 STS'13
14	1	317130	INTAKE BRKT T41 STS'13
15	1	317131	AIR CLEANER MT WLD T41 STS'13
16	1	317138	EXHUST BRKT WLD T41 STS'13
17	1	317153	AIR CLEANER, DIRECT FLOW STS'13
18	1	317156	HOOD, WEATHER T41 STS'13
19	4	470087	3/8UNC HEX SER FLG NUT
20	2	470118	1/4UNC X 3/4 SER FLG BOLT
21	2	470121	1/4UNC SER FLG LOCK NUT
22	1	470476	5" EXHAUST CLAMP
23	1	470663	AIR INTAKE RESTRICTION GAUGE
24	1	472217	4" MUFFLER CLAMP 3/8UNC
25	4	473787	6MM-1.00 X 25MM HEX BOLT GR8
26	4	473868	8MM-1.25X100MM HEX HD BLT GR8
27	4	473855	12MM-1.75 X 35MM FLANGE BOLT
28	1	502713	1/8FNPT-90-1/8FNPT LBO, BR8
29	2	520121	CUSH CLAMP, #16 1IN X 3/4W
30	1	520173	4.43/4.75 CONT TEN CLAMP SS
31	3	520148	5.38/5.69 T-BOLT HOSE CLAMP SS
32	1	520165	CUSH CLAMP, #12 3/4D DBL TUBE
33	1	601753	HOSE, 7/64 X 27 AIR/WATER
34	1	657484	10-213-10FJK-10FJK-89 H/A
35	1	657485	10-213-10FJK-10FJK-62 H/A
36	1	657522	A/C HOSE, 08-08F90-SV-08F90-59*
37	1	657523	A/C HOSE, 10-10F90-SV-10F90-92*
38	1	657532	A/C COMPRESSOR T41 STS'13
39	1	711105	1/8NPT X .170 HOSE BARB BR8
40	1	712100	1/4NPT X 3/8 HOSE FTG, PUSHLOCK
41	10	900129	3/8UNC X 1" HEX CAP BOLT
42	2	903706	10-32X1/2 PHIL PAN MACH SCR
43	1	910004N	3/8UNC FLANGE CNTR LOCK NUT YZ
44	2	910027	10-32 HEX NUT
45	4	920000	1/4 SAE FLAT WASHER
46	2	920510	#10 LOCK WASHER
47	1	317155	SEC ELEMENT-AIR CLEANER 317153
48	4	311057	RUBBER MT SET, SSB33-1000-4
49	4	311091	SNUBBING WASHER FOR 311090
50	4	900408	3/4UNC X 3 1/2 HEX BOLT
51	4	914012	3/4UNC HEX STOVER NUT





RADIATOR AND OIL COOLER ASSEMBLY, T4

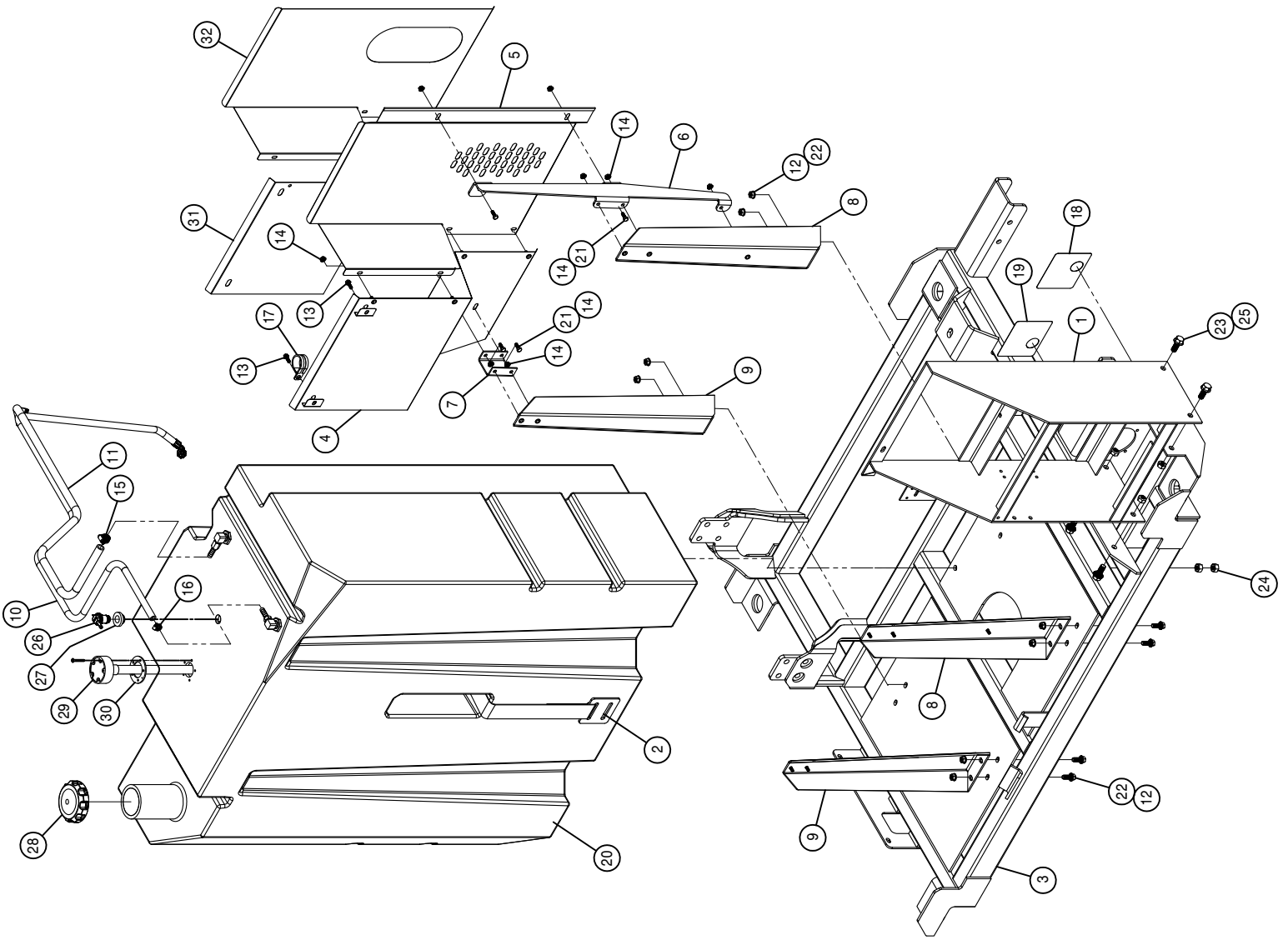
DET. QTY PART NO. DESCRIPTION

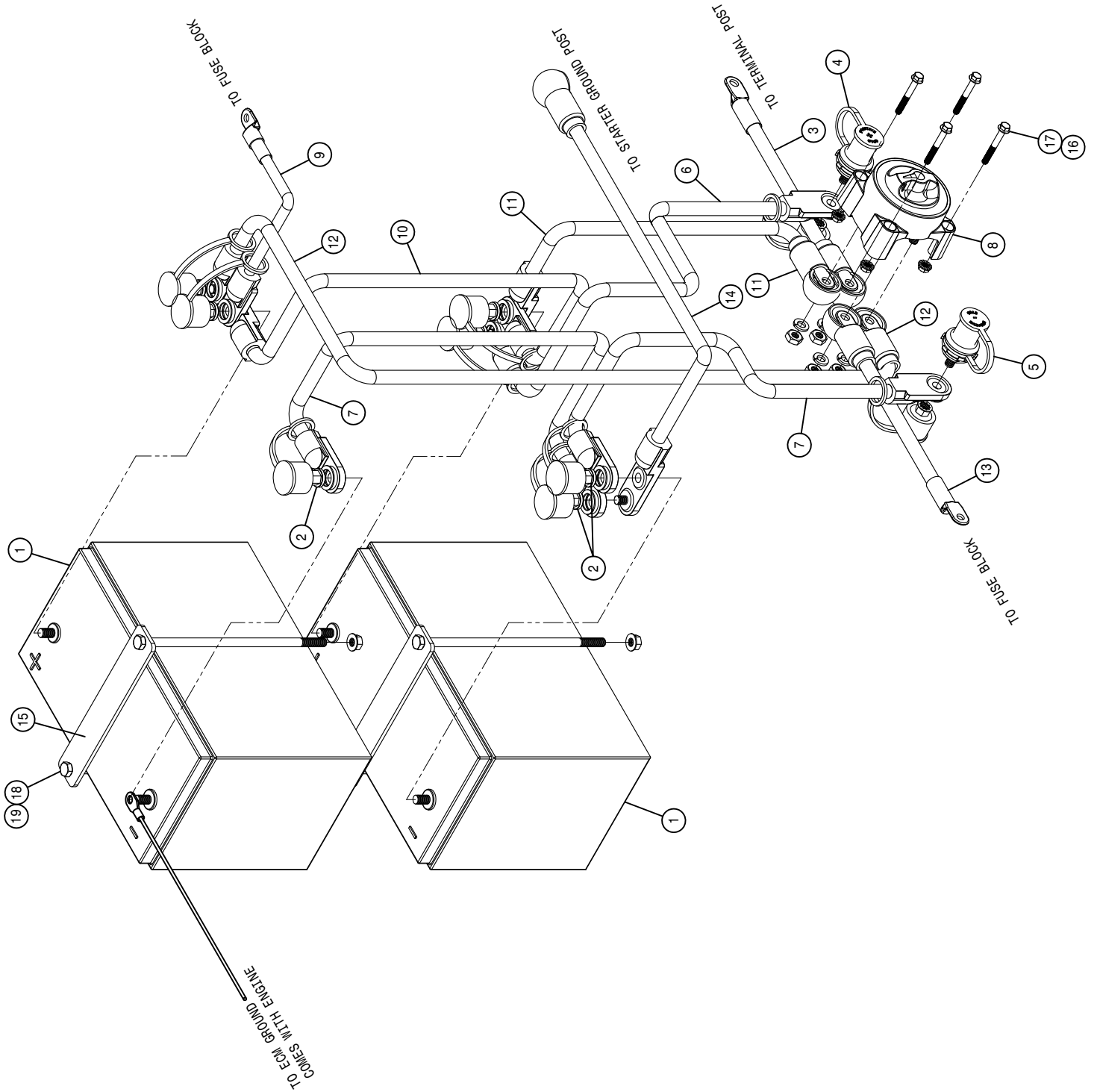
1	292605	BATT CABLE, RED 60"26A, 343-.343
2	292606	BATT CABLE, RED 44"26A, 343-.343
3	292636	FUSE HOLDER ASSY, 100-200-250A
4	311501	3.50 X 6.00 CAC HOSE
5	311592	3.00 X 6.00 CAC HOSE
6	311595	HOSE, LOWER RADIATOR, T4I STS'13
7	311596	HOSE, UPPER RADIATOR, T4I STS'13
8	311598	TUBE, CAC (HOT SIDE) T4I STS'13
9	311599	TUBE, CAC (COLD SIDE) T4I STS'13
10	316954	RAD/OIL COOLER SUPP WLD, T4I STS'13
11	316957	REAR HOOD BRACE MT T4I STS'13
12	317145	A/C DRYER MT T4I STS'13
13	317146	RAD, CAC, SHROUD ASSY, T4I STS'13
14	317157	SENSOR, LOW COOLANT T4I STS'13
15	470121	1/4UNC HEX FLANGE LOCK NUT
16	470122	1/4UNC X 1/2 FLANGE HEX BOLT
17	470233	5/16UNC X 3/4 FLANGE HEX BOLT
18	470360	1/2UNC HEX FLANGE LOCK NUT
19	490497	COOLANT, FLEETGUARD ES COMPLEAT
20	520052	HOSE CLAMP NO 52 STAINLESS
21	520069	HOSE CLAMP NO 6 STAINLESS
22	520140	2.18/2.50 T-BOLT HOSE CLAMP SS
23	520145	3.56/3.88 T-BOLT HOSE CLAMP SS
24	520146	3.06/3.38 T-BOLT HOSE CLAMP SS
25	601668	HOSE, 3/8 X 30 HEATER
26	601802	HOSE, 3/8 X 17 HEATER
27	601803	HOSE, 3/8 X 33 HEATER
28	618178	1 5/16M/JIC-90-1 5/16MOR LBO
29	650434	DECAL, CUTTING HAND ON ENG FAN
30	657434	A/C CONDENSER COIL 21-0302
31	657438	RECEIVER DRIER W/SWITCH
32	657474	A/C HOSE, 06-06F-06F90-128"
33	657524	A/C HOSE, 06-06F90-SV-06F90-24"
34	712100	1/4NPT X 3/8 HOSE FTG, PUSH-LOCK
35	900264	1/2UNC X 1 1/4 HEX BOLT
36	914008	1/2UNC HEX STOVER NUT
37	292630	FUSE, 200 AMP 32 VOLT DC
38	292640	FUSE, 100 AMP 32 VOLT DC
39	292641	FUSE, 250 AMP 32 VOLT DC
40	317148	CHARGE AIR COOLER T4I STS'13
41	317147	RADIATOR ASSY T4I STS'13
42	317149	OIL COOLER T4I STS'13
43	317150	SHROUD ASSY T4I STS'13
44	317151	RADIATOR CAP, 15LB T4I STS'13
45	317152	SIGHT GLASS, RAD T4I STS'13

NOTE: ITEMS WITH AN (\*) COME WITH 317146.

FUEL TANK ASSEMBLY, T41

DET.	QTY	PART NO.	DESCRIPTION
1	1	316637	BATTERY BOX WLD STS 05
2	1	316914	POLY FUEL TANK STRAP ASSY, STS
3	1	316930	ENG SKID WLD, T41 POLY STS '13
4	1	316932	POLY TANK SHIELD WLD STS '12
5	1	316936	POLY FUEL TANK SHLD, CNT STS '12
6	1	316960	REAR FUEL TANK HEAT SHLD MT '12
7	1	316961	FRT FUEL TANK HEAT SHLD MT, STS
8	2	316962	RH REAR POLY FUEL TANK SUPP WLD
9	2	316963	RH FRT POLY FUEL TANK SUPP WLD
10	1	316993	.38 X 96 BIODIESEL HOSE ASSY
11	1	316995	.50 X 72 BIODIESEL HOSE ASSY
12	8	470087	3/8UNC HEX FLANGE LOCK NUT
13	2	470118	1/4UNC X 3/4 FLANGE HEX BOLT
14	13	470121	1/4UNC HEX FLANGE LOCK NUT
15	1	520069	HOSE CLAMP NO 6 STAINLESS
16	1	520120	HOSE CLAMP NO 4 STAINLESS
17	1	520160	CUSH CLAMP, #24 1 1/2D-3/4W/LOOP
18	1	650432	DECAL, IMPORTANT - NEG
19	1	650433	DECAL, CAUTION - POS
20	1	760775	POLY FUEL TANK
21	4	900002	1/4UNC X 3/4 HEX BOLT
22	8	900129	3/8UNC X 1" SERR FLANGE BOLT
23	4	900264	1/2UNC X 1 1/4 HEX BOLT
24	2	910008	1/2UNC HEX NUT
25	4	914008	1/2UNC HEX STOVER NUT
26	1	760780	REMOTE TANK VENT, 1/4 HOSE BARB
27	1	760781	GROMMET FOR 760780 REMOTE VENT
28	1	760782	FUEL CAP, 3.5" VENTED W/TETHER
29	1	760783	MAXIMA 45" SENDING UNIT
30	1	760784	GASKET FOR 760783 FUEL SENDER
31	1	317017	FUEL TANK HEAT SHIELD T41 '13
32	1	317018	FUEL TANK HEAT SHLD, CNTR, T41 '13





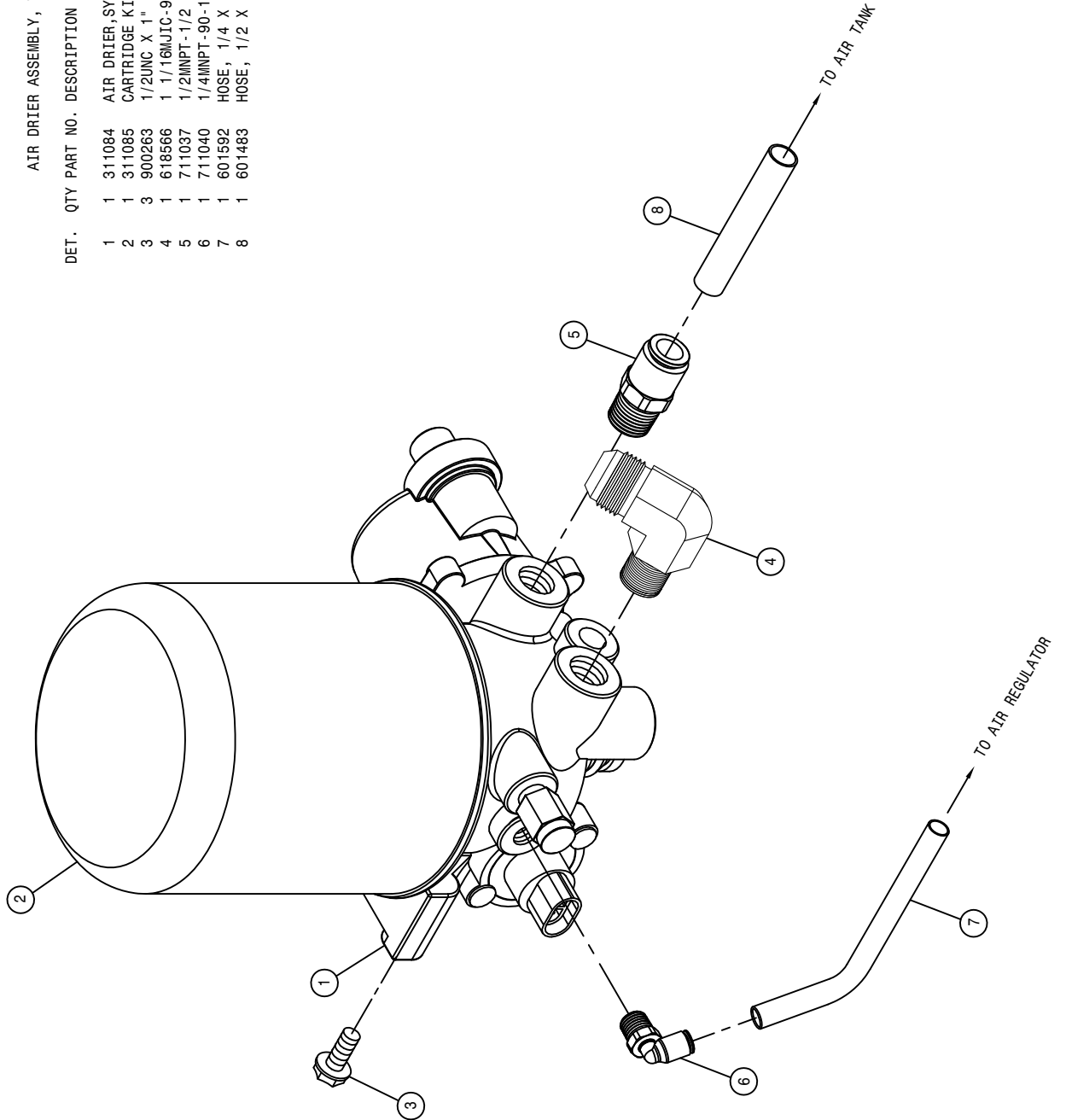
BATTERY ASSEMBLY, T41

DET. QTY PART NO. DESCRIPTION

1	2	291196	BATTERY, 12V 900 CCA, SS STUD
2	7	291205	BATTERY NUT, 3/8-16 SS CLSD CAP
3	1	291360	BATT CABLE, RED 40"2/0 3/8-3/8
4	1	291680	POSITIVE JUMPER STUD, RED
5	1	291681	NEGATIVE JUMPER STUD, BLACK
6	1	291705	BATT CABLE, RED 26"2/0 3/8-3/8
7	2	291707	BATT CABLE, BLK 26"2/0 3/8-3/8
8	1	291957	BATTERY SWITCH, DUAL CIRCUIT
9	1	292532	BATT CABLE, RED 25"1/0.312-.375
10	1	292601	BATT CABLE, RED 26"2/0 3/8-3/8
11	1	292602	BATT CABLE, RED 34"2/0 3/8-3/8
12	1	292603	BATT CABLE, RED 45"2/0 3/8-3/8
13	1	292604	BATT CABLE, RED 55"2/0 3/8-5/16
14	1	292635	BATT CABLE, BLK 73"2/0 3/8-1/2
15	2	316470	BATTERY TIE-DOWN
16	4	470121	1/4UNC HEX FLANGE LOCK NUT
17	4	900007	1/4UNC X 2" HEX BOLT
18	4	900150	3/8UNC X 9 1/2 HEX BOLT
19	4	910004N	3/8UNC FLANGE CNTR LOCK NUT

AIR DRIER ASSEMBLY, T4I

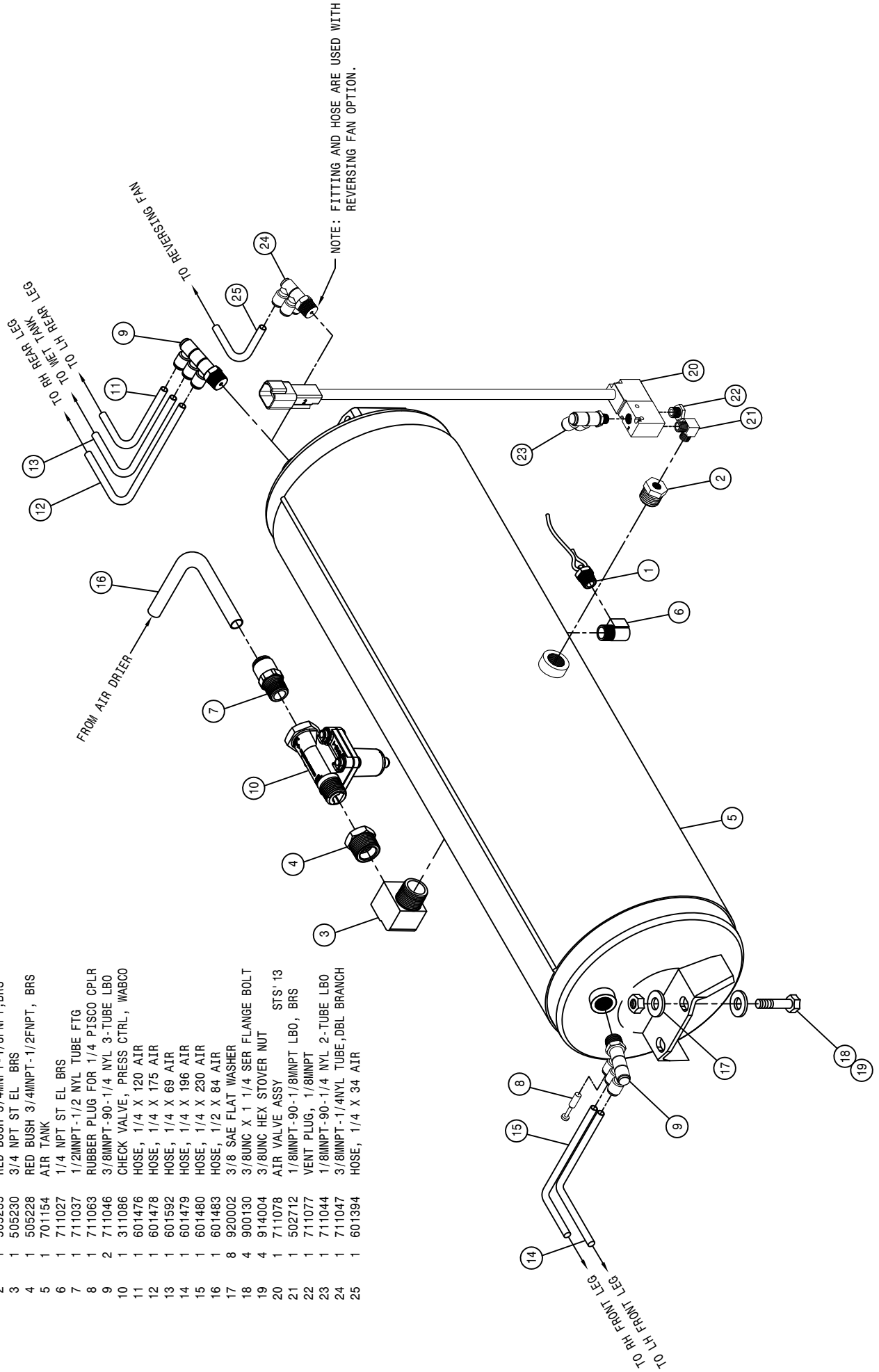
DET.	QTY	PART NO.	DESCRIPTION
1	1	311084	AIR DRIER, SYSTEM SAVER 1200
2	1	311085	CARTRIDGE KIT FOR 311084 DRIER
3	3	900263	1/2UNC X 1" HEX BOLT
4	1	618566	1/16NPT-90-1/2MNPT LBO
5	1	711037	1/2MNPT-1/2 NYL TUBE FTG
6	1	711040	1/4MNPT-90-1/4 NYL TUBE LBO
7	1	601592	HOSE, 1/4 X 69 AIR
8	1	601483	HOSE, 1/2 X 84 AIR

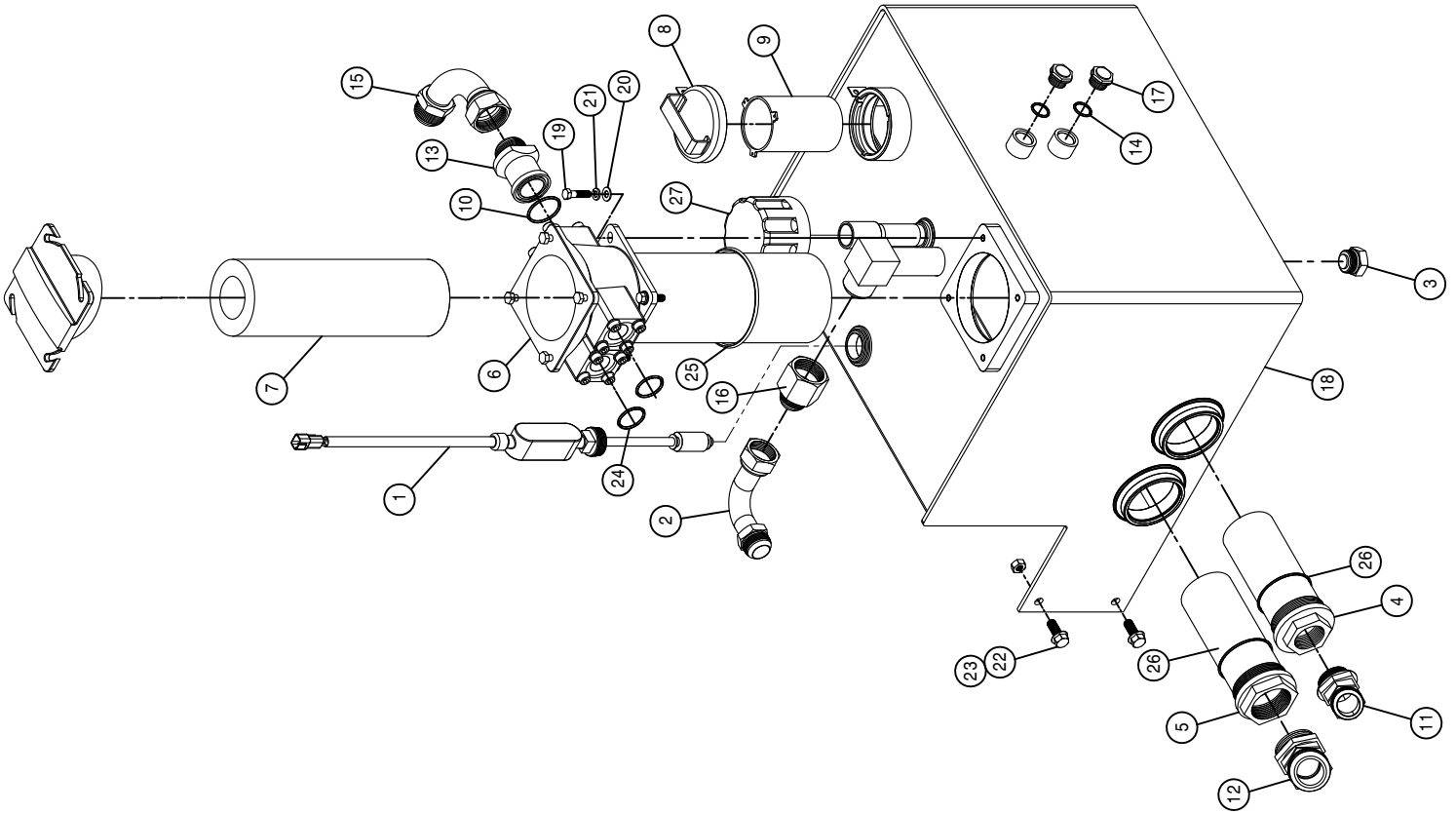


AIR TANK ASSEMBLY, T4I

DET. QTY PART NO. DESCRIPTION

1	1	470266	DRAIN VALVE KIT, 1/4NPT
2	1	505235	RED BUSH 3/4MNPT-1/8FNPT,BRS
3	1	505230	3/4 NPT ST EL BRS
4	1	505228	RED BUSH 3/4MNPT-1/2FNPT, BRS
5	1	701154	AIR TANK
6	1	711027	1/4 NPT ST EL BRS
7	1	711037	1/2MNPT-1/2 NYL TUBE FTG
8	1	711063	RUBBER PLUG FOR 1/4 PISCO CPLR
9	2	711046	3/8MNPT-90-1/4 NYL 3-TUBE LBO
10	1	311086	CHECK VALVE, PRESS CTRL, WABCO
11	1	601476	HOSE, 1/4 X 120 AIR
12	1	601478	HOSE, 1/4 X 175 AIR
13	1	601592	HOSE, 1/4 X 69 AIR
14	1	601479	HOSE, 1/4 X 196 AIR
15	1	601480	HOSE, 1/4 X 230 AIR
16	1	601483	HOSE, 1/2 X 84 AIR
17	8	920002	3/8 SAE FLAT WASHER
18	4	900130	3/8UNC X 1 1/4 SER FLANGE BOLT
19	4	914004	3/8UNC HEX STOVER NUT STS' 13
20	1	711078	AIR VALVE ASSY
21	1	502712	1/8MNPT-90-1/8MNPT LBO, BRS
22	1	711077	VENT PLUG, 1/8MNPT
23	1	711044	1/8MNPT-90-1/4 NYL 2-TUBE LBO
24	1	711047	3/8MNPT-1/4NYL TUBE,DBL BRANCH
25	1	601394	HOSE, 1/4 X 34 AIR



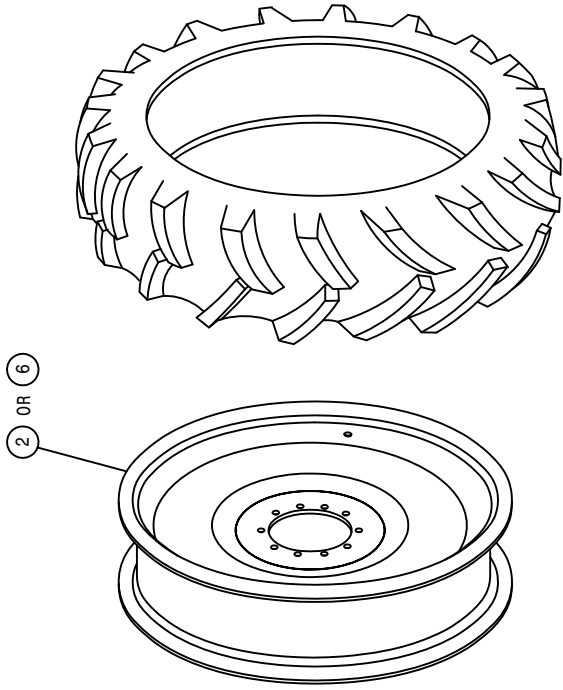


HYDRAULIC TANK ASSEMBLY

DET. QTY PART NO. DESCRIPTION

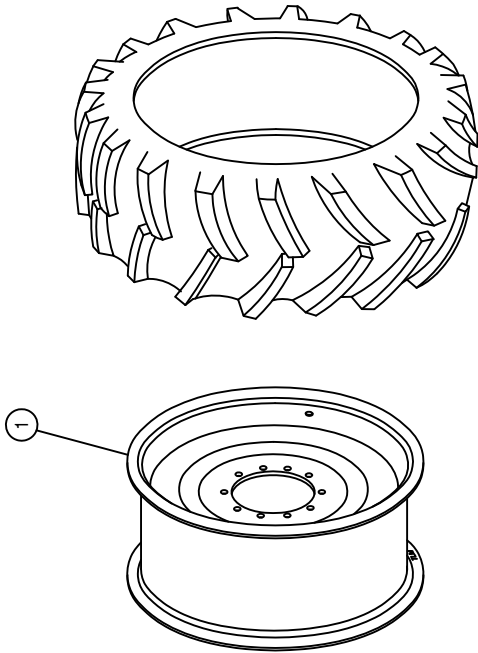
1	294025	LIQUID LEVEL SENSOR
2	618768	1 5/8MJIC-90-1 7/8FJX TUBE
3	470471	1 5/16MOR PLUG, MAGNETIC
4	605622	SUCTION STRAINER, 21GPM 100M 24
5	605623	SUCTION STRAINER, 39GPM 100M 32
6	605625	IN-TANK RETURN FILTER, 10M
7	605626	FILTER ELEMENT FOR 605625 10M
8	605646	FILL CAP-HYD RSRVR NON-VENTED
9	605645	STRAINER-HYD RSRVR
10	618395	O-RING FOR 1 1/2" FLANGE -24
11	618745	1 7/8MJIC-45-1 7/8MOR LBO
12	618746	2 1/2MJIC-45-2 1/2MOR LBO
13	618747	1 1/2 FLANGE-1 7/8MJIC ADPTR
14	870912	ORING 3XX .924ID X .116CS
15	618764	1 7/8MJIC-90-1 7/8FJX TUBE LBO
16	618767	1 7/8FJIC-1 5/8MJIC ADPTR
17	470647	FLUID LEV SIGHT WINDOW, 3/4NPT
18	760786	HYD TANK WLD, STS10/12/14 '13
19	900131	3/8UNC X 1 1/2 HEX BOLT
20	920002	3/8 SAE FLAT WASHER
21	920502	3/8 LOCK WASHER
22	900264	1/2UNC X 1 1/4 HEX BOLT
23	914008	1/2UNC HEX STOVER NUT
24	618465	O-RING FOR 1 1/4" FLANGE, -20
25	605632	O-RING, -357, FILTER HEAD 605625
26	605638	O-RING, -48 3.228ID-.118W
27	605656	TRAP BREATHER, 1"NPT DONALDSON





380/90 R46 RADIAL TIRE

520/85 R46 RADIAL TIRE



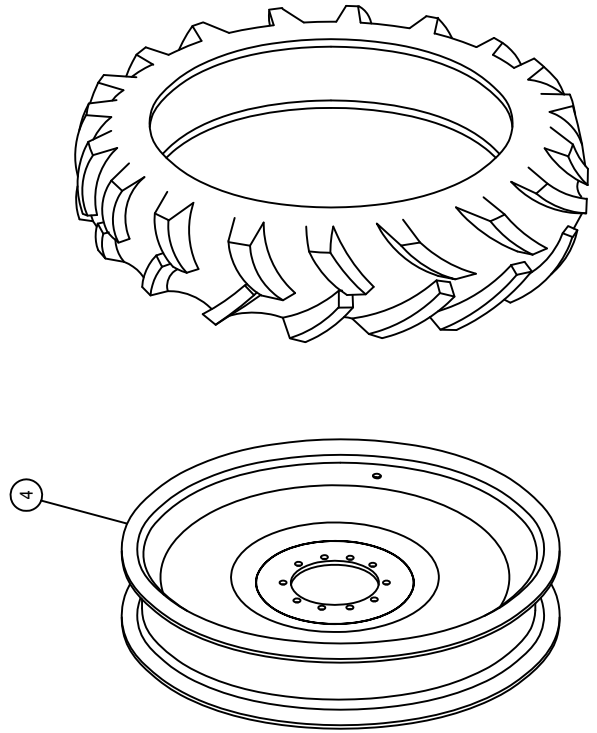
580/70 R38 RADIAL TIRE

TIRE AND RIM ASSEMBLY

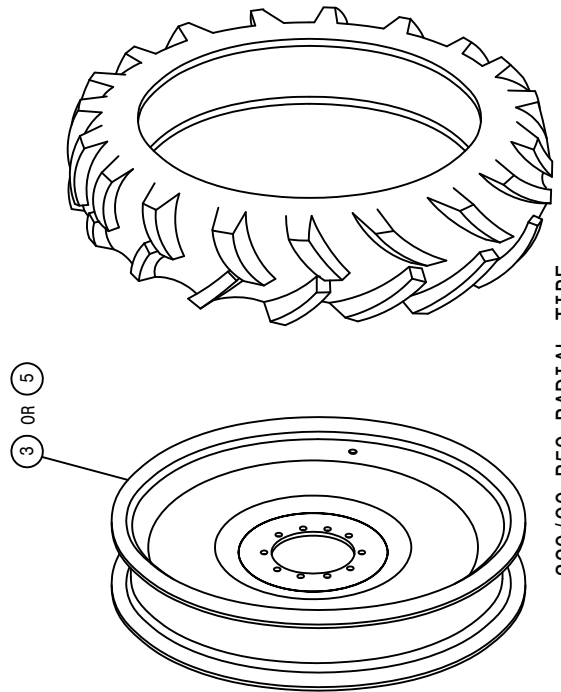
DET. QTY PART NO. DESCRIPTION

1	1	821055	RIM WLD, 38 X W18A
2	1	821054	RIM WLD, 46 X W13A
3	1	821053	RIM WLD, 50 X DW10
4	1	821058	RIM WLD, 54 X W10A
5	1	821059	RIM WLD, 54 X W12
6	1	821061	RIM WLD, 46 X W16

STS12  
STS



320/105 R54 RADIAL TIRE



320/90 R50 RADIAL TIRE

380/90 R54 RADIAL TIRE

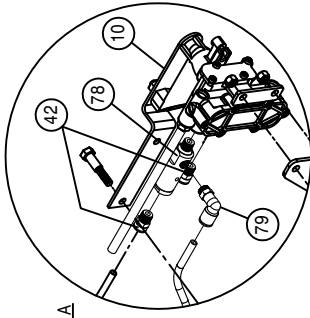
FROM AIR TANK

RIGHT FRONT OUTER LEG ASSEMBLY

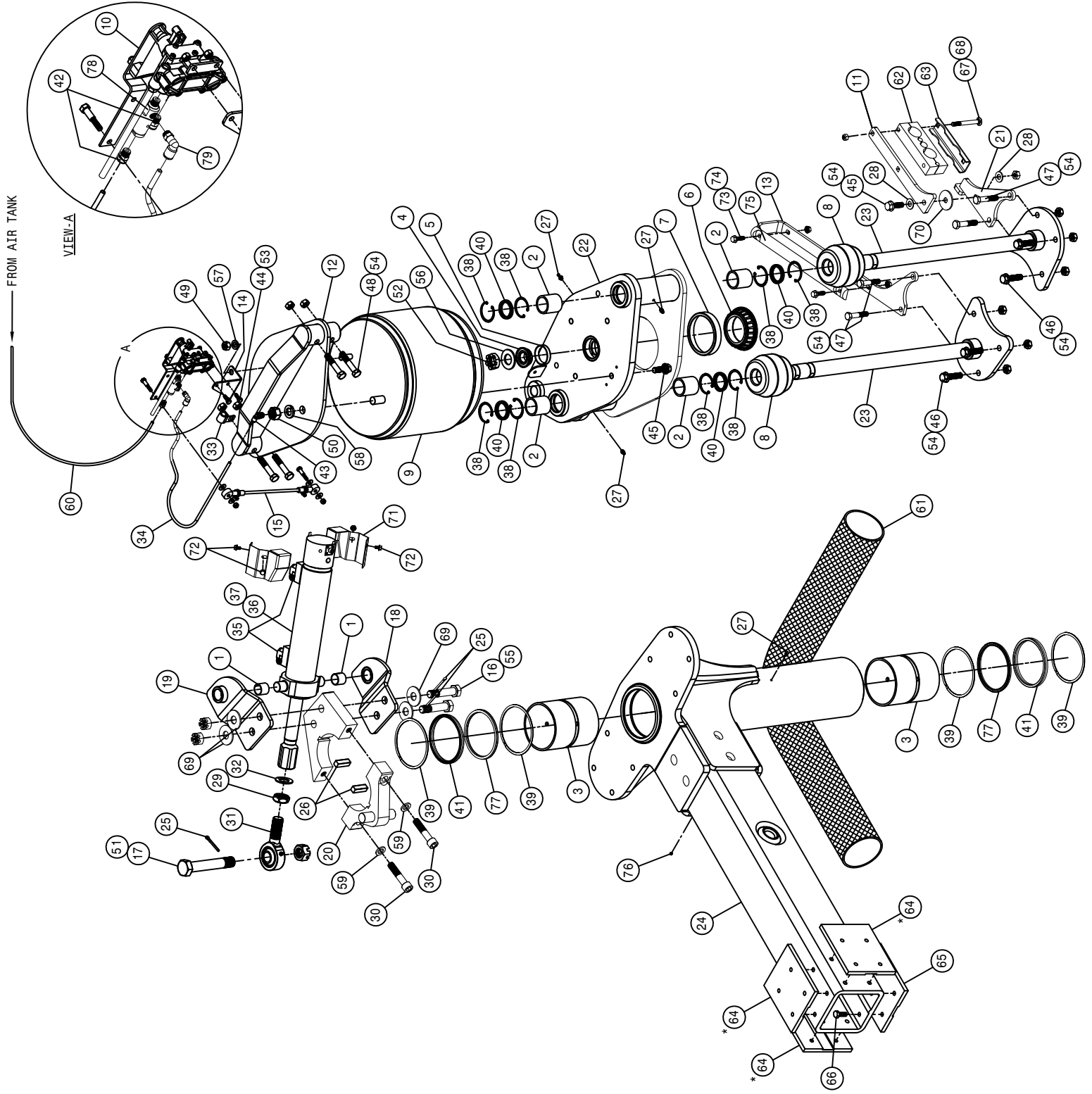
DET. QTY PART NO. DESCRIPTION

1	2	121029	JOURNAL BRG, 1.00 ID X 1.00 LG	
2	4	121113	BEARING, 1.50-1.81-1.86 POLYGON	
3	1	121125	BRG CONE, 1.00 ID W/FACE SEAL	
4	1	125050	BRG CUP FOR 125050	
5	1	125051	BRG CONE, 2.687 ID W/FACE SEAL	
6	1	125052	BRG CUP FOR 125052	
7	1	125053	RUBBER SPRING	
8	2	311058	AIRIDE SPRING, 11.81 BASE	
9	1	358832	HOSE SUPP SWIVEL PLT STS 12	
10	1	359641	HOSE SUPP SWIVEL PLT STS 12	
11	1	359333	RH EXTENDED HOSE SUPPORT STS	
12	1	359360	RH LEG AIR VALVE MT, STS 16 05	
13	1	359369	LEG HEIGHT CTRL LINK ANS STS09	
14	1	359644	TRUNION MT BOLT, ANS STS 09	
15	2	359545	STRG CYL BOLT, ANS STS 09	
16	1	359546	TOP TRUNION MT MLD, ANS STS 09	
17	1	359547	STRG ARM CLAMP MLD, STS 10	
18	1	359548	HOSE SUPP SWIVEL WLD STS 12	
19	1	359593	RH AIR BAG LWR PLT WLD STS 13	
20	1	360020	NITRO TOWER SHAFT WLD STS 13	
21	2	359654	OUTTER LEG WLD STS 13	
22	2	360024	COTTER PIN 3/16 1 3/4 90 CUT	
23	2	470117	KEY, -50 SQ X 1.69 LG	
24	2	470447	GREASE ZERK, 1/4-28 X 1/2	
25	2	471005	1/2 SAE FLAT WASHER	
26	2	472328	1*-12 HEX JAM NUT, GR5	
27	2	920004	5/8 X 3" SOCKET HD CAP SCR	
28	1	472337	ROD END, 1.00 BORE, 1-12 RH MALE	
29	1	473975	1" LOCK WASHER	
30	1	920508	CUSH CLAMP, 9/160-3/4W-.531MT	
31	1	520164	HOSE, 1/4 X 18 AIR	
32	1	601473	3/4MUNC-90-3/4MOR LBO	
33	2	618241	HYD CYL, 2.50 X 8.81 PHASE /2SEN	
34	1	621614	REPAIR KIT, HYD CYL 621614	
35	1	621615	187RRHOOD SWAP RING	
36	8	629537	4.5 SPIROLOX RING	
37	4	629538	SEAL, 1.500 ROD DIA	
38	4	629620	SEAL, 4.500 ROD DIA	
39	2	629621	1/8MNP-1/4 NYL TUBE FTG	
40	2	711036	1/4MUNC X 3/4 HEX BOLT	
41	2	711040	1/2UNC X 2 1/2 HEX BOLT	
42	4	900002	1/2UNC X 2 1/2 HEX BOLT	
43	4	900267	1/2UNC X 2 3/4 HEX BOLT	
44	4	900268	1/2UNC X 2 3/4 HEX BOLT	
45	4	900269	1/2UNC X 2 3/4 HEX BOLT	
46	4	910008	3/4UNC HEX NUT	
47	1	910020	1-8 HEX SLOTTED NUT	
48	1	910021	1-14 SLOT JAM NUT	
49	1	914000	1/4UNC HEX STOVER NUT	
50	13	914008	1/2UNC HEX STOVER NUT	
51	2	910102	3/4UNC SLOT HEX NUT, GR8	
52	1	920008	1" SAE FLAT WASHER	
53	1	920504	1/2 LOCK WASHER	
54	1	920506	3/4 LOCK WASHER	
55	2	473841	16MM LOCK WASHER	
56	1	601480	HOSE, 1/4 X 230 AIR	
57	1	470310	SIDEWINDER SLEEVE, 14.06 X .45"	
58	1	359004	HOSE CLAMP, 5-HOLE	
59	1	342917	HYD TUBE CLAMP KEEPER, 6.25	
60	3	342919	TREAD ADJ PLATE, STEEL, THD	
61	16	800128	TREAD ADJ BRONZE BEARING, THD-GRV	
62	2	801138	3/8UNC X 3 1/2 CARR BOLT	
63	2	914004	3/8UNC HEX STOVER NUT	
64	4	463048	3/4 REG FLAT WASH, THRU-HARD	
65	4	002815	SENSOR ARM WASH, NYL	
66	71	359645	STRG CYL SENSOR GUARD STS 12	
67	2	470883	1/4UNC X 3/8 FLANGE HEX BOLT	
68	2	900127	3/8UNC X 1 1/4 SER FLANGE BOLT	
69	74	2	470087	3/8UNC HEX FLANGE LOCK NUT
70	75	1	359653	HYD BRKT HOSE SHLD, UHMW STS 12
71	76	1	470062	1/4UNF X 1/4 AL HD CUP SET SCR
72	2	629625	SEAL, 4.500 ROD DIA	
73	77	1	711076	DUMP VALVE
74	78	1	711039	1/8MNP-90-1/4 NYL TUBE LBO

NOTE: (\*) FOR TREAD ADJUST OPTION REPLACE ITEM 64 WITH THREE OF ITEM 65.



VIEW-A

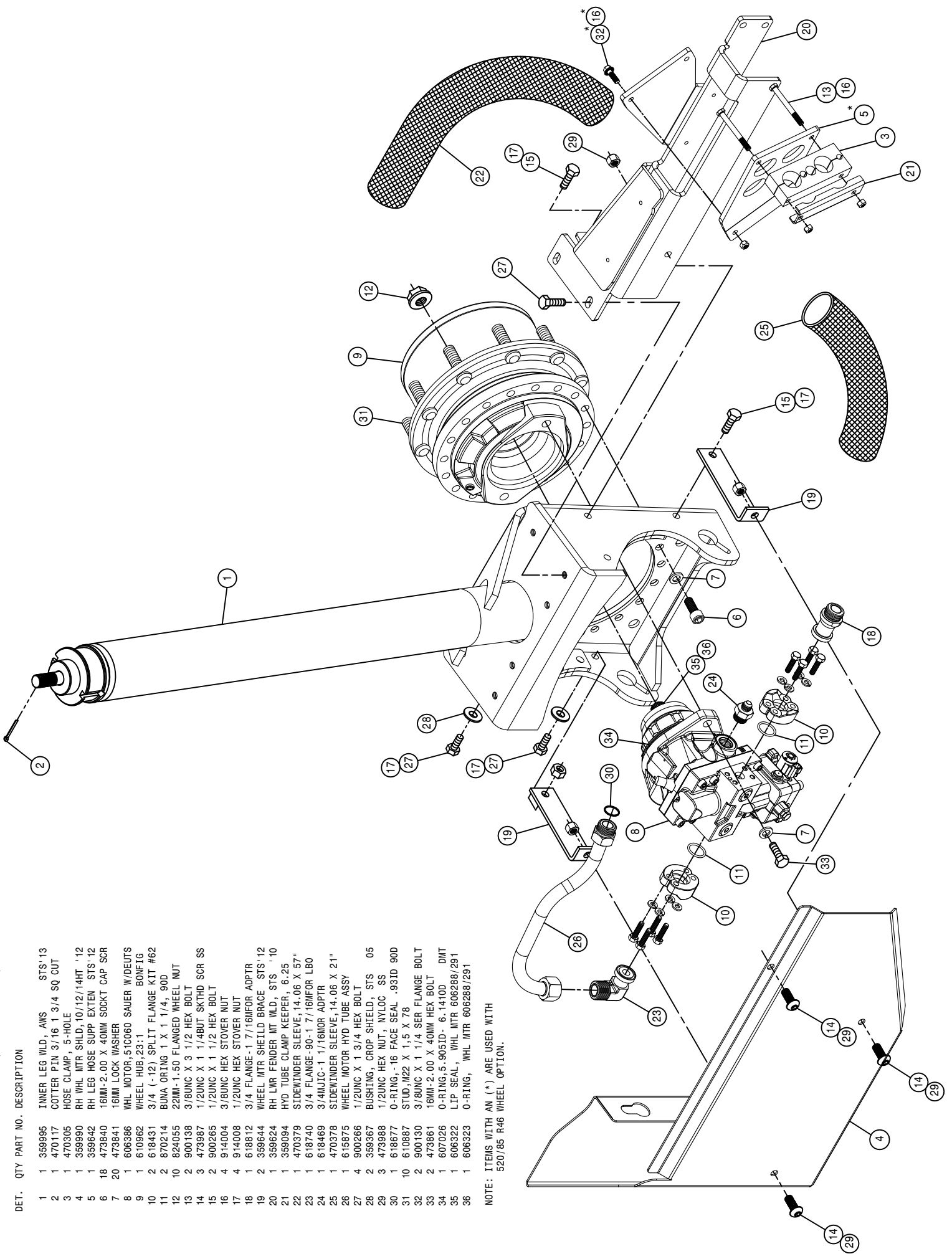


RH FRONT INNER LEG ASSEMBLY (STANDARD TORQUE)

DET. QTY PART NO. DESCRIPTION

1	1	359995	INNER LEG WLD, AWS	STS '13
2	1	470117	COTTER PIN 3/16 1 3/4 SQ CUT	
3	1	470305	HOSE CLAMP, 5-HOLE	
4	1	359990	RH WHL MTR SHLD, 10/12/14HT '12	
5	1	359642	RH LEG HOSE SUPP EXTEN STS '12	
6	18	473840	16MM-2.00 X 40MM SOCKET CAP SCR	
7	20	473841	16MM LOCK WASHER	
8	1	606386	WHL MOTOR, 51C060 SAUER W/DEUTS	
9	1	610962	WHEEL HUB, 23:1	
10	2	618431	3/4 (-12) SPLIT FLANGE KIT #62	
11	2	870214	BUNA ORING 1 X 1 1/4, 90D	
12	10	824055	22MM-1.50 FLANGED WHEEL NUT	
13	2	900138	3/8UNC X 3 1/2 HEX BOLT	
14	3	473987	1/2UNC X 1 1/4 BUT SKTHD SCR SS	
15	2	900265	1/2UNC X 1 1/2 HEX BOLT	
16	4	914004	3/8UNC HEX STOVER NUT	
17	4	914008	1/2UNC HEX STOVER NUT	
18	1	618812	3/4 FLANGE-1 7/16MFOR ADPTR	
19	2	359644	WHEEL MTR SHEILD BRACE STS '12	
20	1	359624	RH LWR FENDER MT WLD, STS '10	
21	1	359094	HYD TUBE CLAMP KEEPER, 6.25	
22	1	470379	SIDEWINDER SLEEVE, 14.06 X 57"	
23	1	618740	3/4 FLANGE-90-1 7/16MFOR LBO	
24	1	618469	3/4MJC-1 1/16MOR ADPTR	
25	1	470378	SIDEWINDER SLEEVE, 14.06 X 21"	
26	1	615875	WHEEL MOTOR HYD TUBE ASSY	
27	4	900266	1/2UNC X 1 3/4 HEX BOLT	
28	2	359367	BUSHING, CROP SHIELD, STS 05	
29	3	473988	1/2UNC HEX NUT, NYLOC SS	
30	1	618677	O-RING, -16 FACE SEAL -93ID 90D	
31	10	610887	STUD, M22 X 1.5 X 78	
32	2	900130	3/8UNC X 1 1/4 SER FLANGE BOLT	
33	2	473861	16MM-2.00 X 40MM HEX BOLT	
34	1	607026	O-RING, 5.905ID - 6.1410D DMIT	
35	1	606322	LIP SEAL, WHL MTR 606288/291	
36	1	606323	O-RING, WHL MTR 606288/291	

NOTE: ITEMS WITH AN (\*) ARE USED WITH 520/85 R46 WHEEL OPTION.

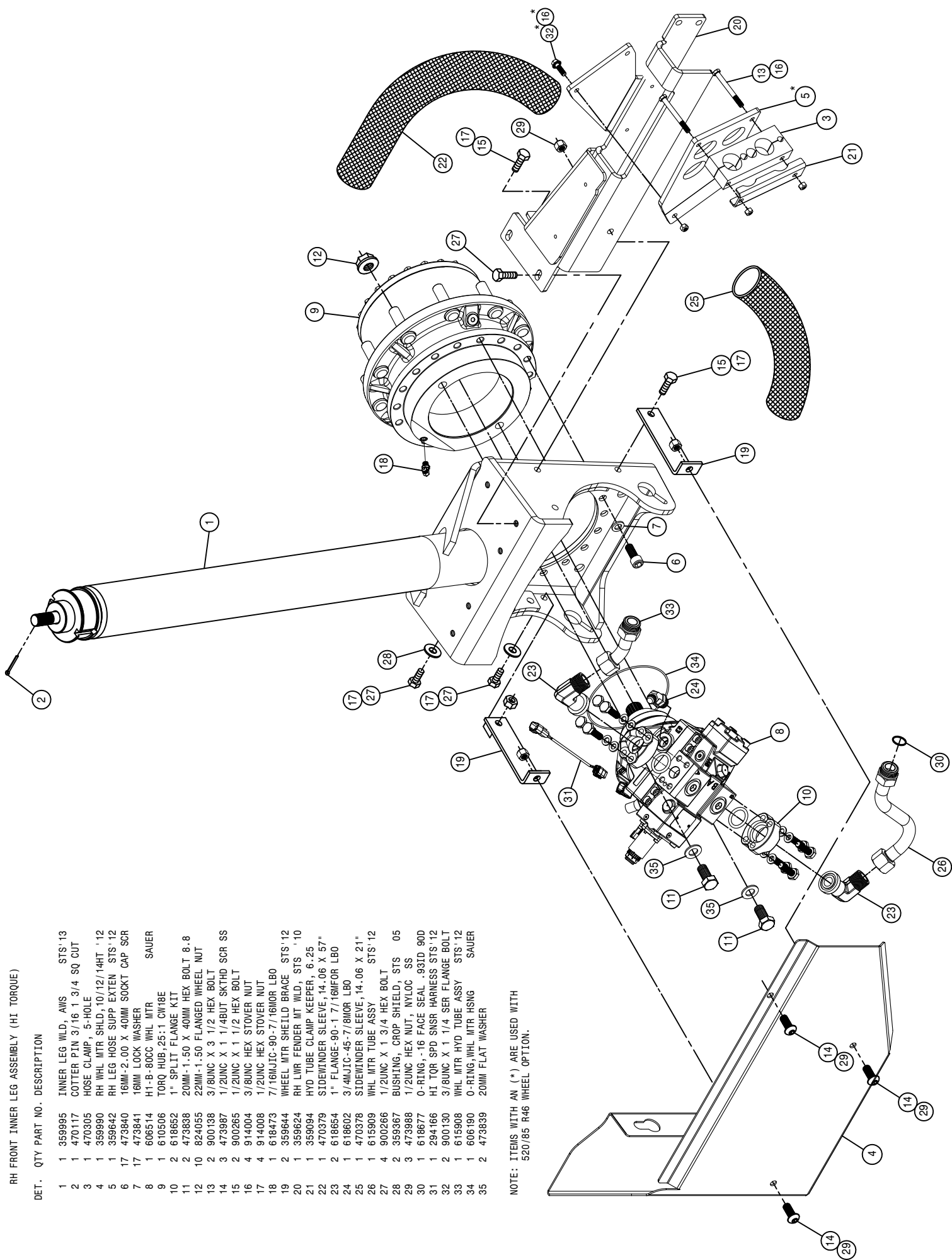


RH FRONT INNER LEG ASSEMBLY (HI TORQUE)

DET. QTY PART NO. DESCRIPTION

1	1	359995	INNER LEG WLD, AWS STS'13
2	1	470117	COTTER PIN 3/16 1 3/4 SQ CUT
3	1	470305	HOSE CLAMP, 5-HOLE
4	1	359990	RH WHL MTR SHLD, 10/12/14HT '12
5	1	359642	RH LEG HOSE SUPP EXTEN STS'12
6	17	473840	16MM-2.00 X 40MM SOCKET CAP SCR
7	17	473841	16MM LOCK WASHER
8	1	606514	H1-B-80CC WHL MTR SAUER
9	1	610506	TORQ HUB, 25:1 CW18E
10	2	618652	1" SPLIT FLANGE KIT
11	2	473888	20MM-1.50 X 40MM HEX BOLT, 8.8
12	10	824055	22MM-1.50 FLANGED WHEEL NUT
13	2	900138	3/8UNC X 3 1/2 HEX BOLT
14	3	473987	1/2UNC X 1 1/4 BUT SKTHD SCR SS
15	2	900265	1/2UNC X 1 1/2 HEX BOLT
16	4	914004	3/8UNC HEX STOVER NUT
17	4	914008	1/2UNC HEX STOVER NUT
18	1	618473	7/16MJC-90-7/16MOR LBO
19	2	359644	WHEEL MTR SHEILD BRACE STS'12
20	1	359624	RH LWR FENDER MT WLD, STS '10
21	1	359094	HYD TUBE CLAMP KEEPER, 6.25
22	1	470379	SIDEWINDER SLEEVE, 14.06 X 57"
23	2	618654	1" FLANGE-90-1 7/16MFOR LBO
24	1	618602	3/4MJC-45-7/8MOR LBO
25	1	470378	SIDEWINDER SLEEVE, 14.06 X 21"
26	1	615909	WHL MTR TUBE ASSY STS'12
27	4	900266	1/2UNC X 1 3/4 HEX BOLT
28	2	359367	BUSHING, CROP SHIELD, STS 05
29	3	473988	1/2UNC HEX NUT, NYLOC SS
30	1	618677	O-RING, -16 FACE SEAL .93ID 90D
31	1	294166	HI TOR SPD SNR HARNESS STS'12
32	2	900130	3/8UNC X 1 1/4 SER FLANGE BOLT
33	1	615908	WHL MTR HYD TUBE ASSY STS'12
34	1	606190	O-RING, WHL MTR HSG SAUER
35	2	473839	20MM FLAT WASHER

NOTE: ITEMS WITH AN (\*) ARE USED WITH 520/85 R46 WHEEL OPTION.



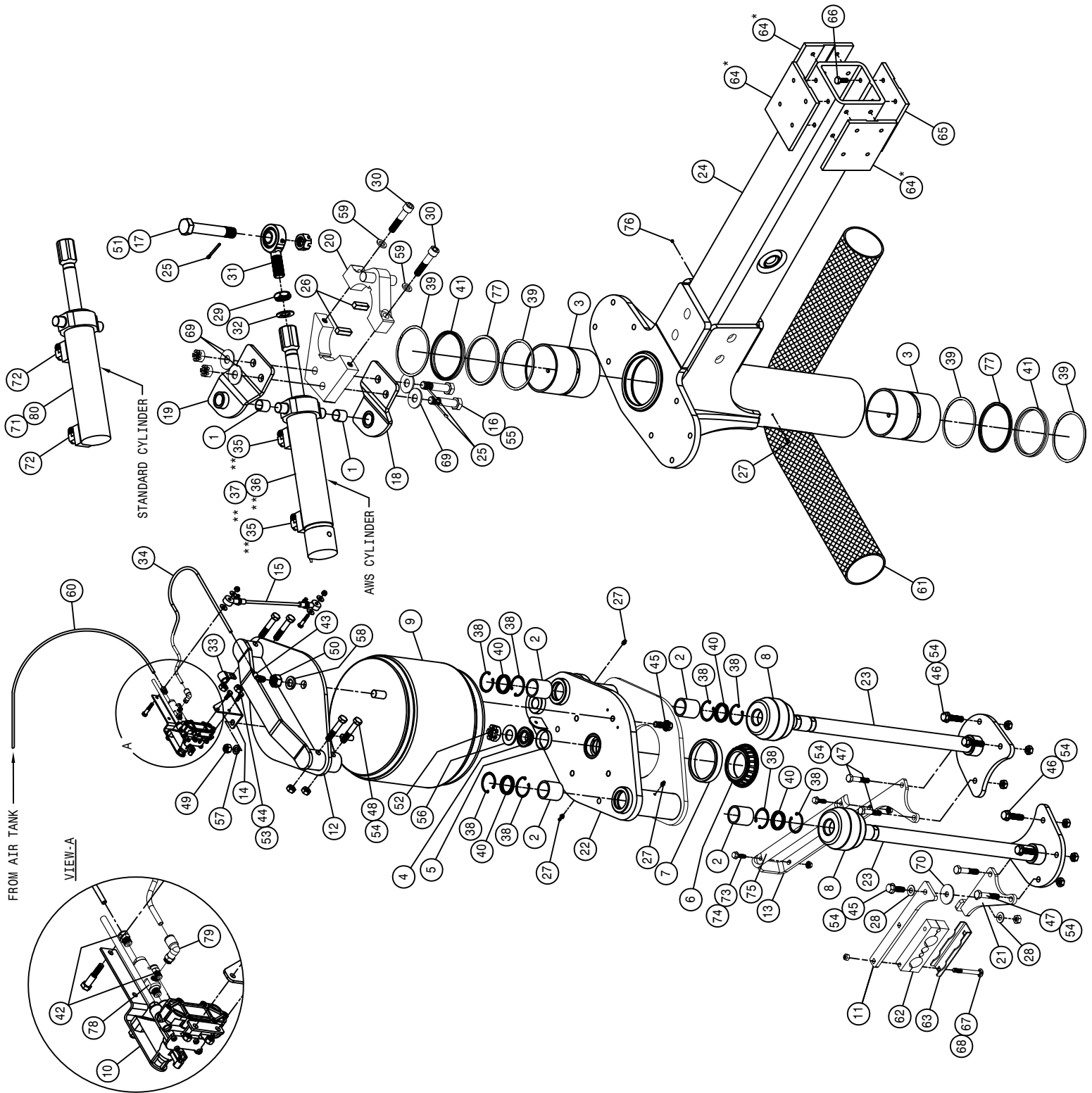
LEFT FRONT OUTER LEG ASSEMBLY

DET. QTY PART NO. DESCRIPTION

1	121029	JOURNAL BRG, 1.00 ID X 1.00 LG
2	121113	BEARING, 1.50-1.81-1.86 POLYGON
3	121125	BEARING, 4.51-4.86-5.74 POLYGON
4	125050	BRG CONE, 1.00 ID W/FACE SEAL
5	125051	BRG CUP FOR 125050
6	125052	BRG CONE, 2.687 ID W/FACE SEAL
7	125053	BRG CUP FOR 125052
8	311058	RUBBER SPRING
9	311080	ALFIDE SPRING, 11.81 BASE
10	358832	HOSE SUPP SWIVEL VALVE
11	359641	HOSE SUPP SWIVEL PLT
12	359333	ATRBAG TOWER TOP MT WLD, STS'12
13	359351	LH EXTENDED HOSE SUPPORT, STS
14	359370	LH LEG AIR VALVE MT, STS'16 05
15	359644	LEG HEIGHT CTRL LINK, AMS STS09
16	359546	TRUNION MT BOLT, AMS STS 09
17	359547	STRG CYL BOLT, AMS STS 09
18	359548	TOP TRUNION MT WLD, AMS STS 09
19	359549	BTM TRUNION MT WLD, AMS STS 09
20	359538	STRG ARM CLAMP WLD, STS '10
21	359633	HOSE SUPP SWIVEL WLD
22	360021	LH AIR BAG LWR PLT WLD
23	359654	NITRO TONER SHAFT WLD
24	360024	OUTER LEG WLD
25	3470117	COTTER PIN 3/16 1 3/4 SQ CUT
26	470447	KEY, .50 SQ X 1.69 LG
27	471005	GREASE ZERK, 1/4-28 X 1/2
28	920004	1/2 SAE FLAT WASHER
29	472328	1"-12 HEX JAM NUT
30	472337	5/8 X 3" SOCKET HD CAP SCR
31	473975	ROD END, 1.00 BORE, 1"-12 RH MALE
32	920506	1" LOCK WASHER
33	520764	CUSH CLAMP, 9/16D-3/4W - .53MT
34	601473	HOSE, 1/4 X 18 AIR
35	618241	3/4MJTC-90-3/4NOR LBO
36	621602	HYD CYL, 2.50 X 8.81 PHASE/ISEN
37	621604	REPAIR KIT, HYD CYL 621602/603
38	629537	187RRHOZ SNAP RING
39	629538	4.5 SPIROLOX RING
40	629620	SEAL, 1.500 ROD DIA
41	629621	SEAL, 4.500 ROD DIA
42	711036	1/8MNPT-1/4 NYL TUBE FTG
43	711040	1/4MNPT-90-1/4 NYL TUBE LBO
44	900002	1/4UNC X 3/4 HEX BOLT
45	900265	1/2UNC X 1 1/2 HEX BOLT
46	900267	1/2UNC X 2" HEX BOLT
47	900268	1/2UNC X 2 1/2 HEX BOLT
48	900269	1/2UNC X 2 3/4 HEX BOLT
49	910008	1/2UNC HEX NUT
50	910013	3/4UNF HEX NUT
51	910020	1-8 HEX SLOTTED NUT
52	910021	1-14 SLOT JAM NUT
53	914000	1/4UNC HEX STOVER NUT
54	914008	1/2UNC HEX STOVER NUT
55	910102	3/4UNC SLOT HEX NUT, GR8
56	920008	1" SAE FLAT WASHER
57	920504	1/2 LOCK WASHER
58	920506	3/4 LOCK WASHER
59	473841	16MM LOCK WASHER
60	601479	HOSE, 1/4 X 196 AIR
61	470310	SIDEWINDER SLEEVE, 14.06 X 45"
62	470305	HOSE CLAMP, 5-HOLE
63	359094	HYD TUBE CLAMP KEEPER, 6.25
64	342917	TREAD ADJ PLATE, STEEL, THD
65	342719	TRD ADJ BRONZE BEARING, THD, GRV
66	900128	3/8UNC X 3/4 HEX BOLT
67	901138	3/8UNC X 3 1/2 CARR BOLT
68	914004	3/8UNC HEX STOVER NUT
69	483048	3/4 REG FLAT WASH, THRU-HARD
70	002815	SENSOR ARM WASH, NYL
71	621551	REPAIR KIT, HYD CYL, STRG 621550
72	618249	3/4MJTC-90-9/16NOR LBO
73	900127	3/8UNC X 1 1/4 SER FLANGE BOLT
74	470087	3/8UNC HEX FLANGE LOCK NUT
75	359653	HYD BRKT HOSE SHLD, UHW STS'12
76	470062	1/4UNC X 1/4 AL HD CUP SET SCR
77	629625	SEAL, 4.500 ROD DIA
78	711076	DUMP VALVE
79	711039	1/8MNPT-90-1/4 NYL TUBE LBO
80	621550	HYD CYL, 2.50 X 8.81 X 1.250

NOTE: (\*) FOR TREAD ADJUST OPTION REPLACE ITEM 64 WITH THREE OF ITEM 65.

(\*\*) ITEMS ARE FOR ALL WHEEL STEER OPTION.

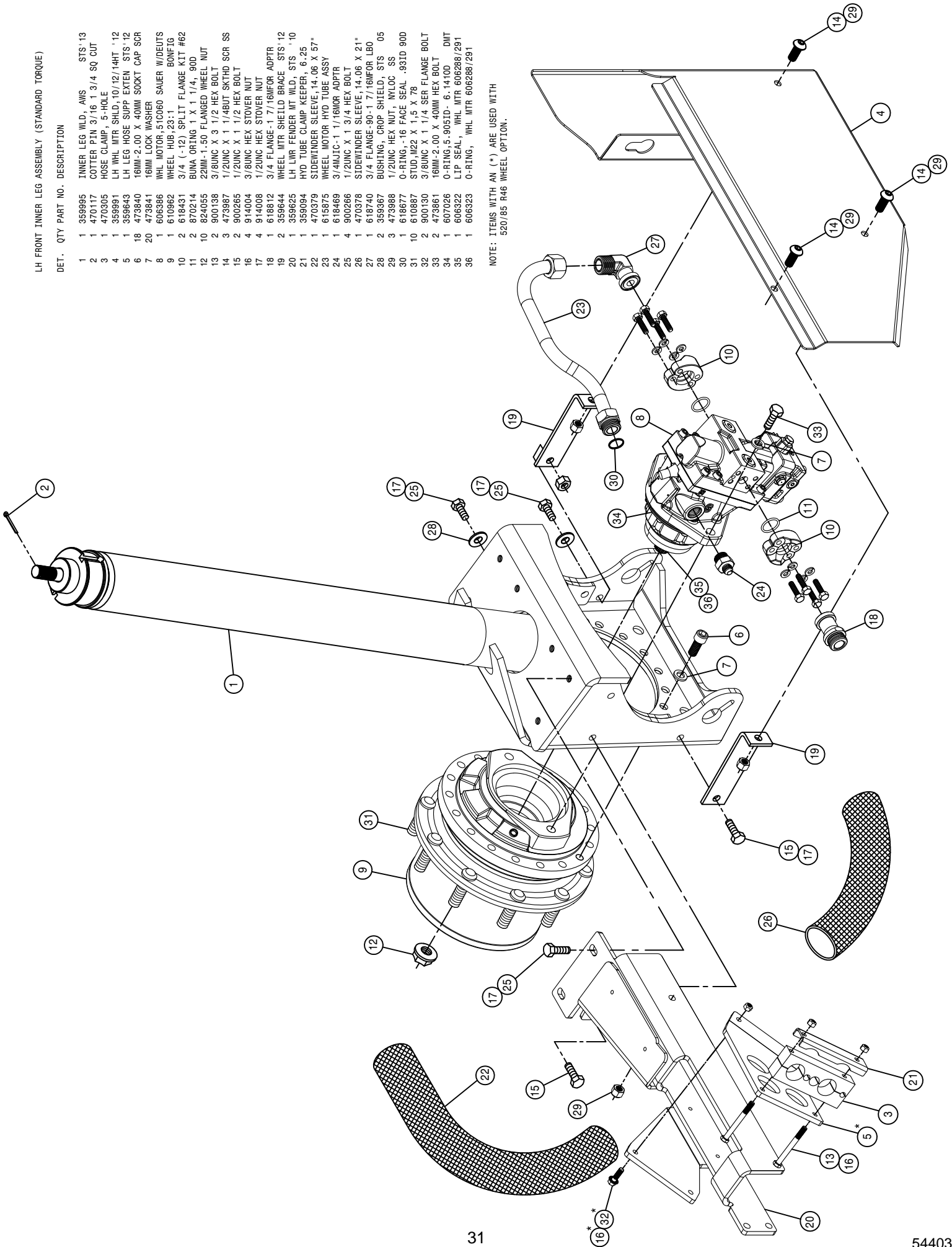


LH FRONT INNER LEG ASSEMBLY (STANDARD TORQUE)

DET. QTY PART NO. DESCRIPTION

1	1	359995	INNER LEG WLD, AWS	STS '13
2	1	470117	COTTER PIN 3/16 1 3/4 SQ CUT	
3	1	470305	HOSE CLAMP, 5-HOLE	
4	1	359991	LH WHL MTR SHLD, 10/12/14HT '12	
5	1	359643	LH LEG HOSE SUPP EXTN STS '12	
6	18	473840	16MM-2.00 X 40MM SOCKET CAP SCR	
7	20	473841	16MM LOCK WASHER	
8	1	606386	WHL MOTOR, 51C060 SAUER W/DEUTS	
9	1	610962	WHEEL HUB, 23:1	
10	2	618431	3/4 (-12) SPLIT FLANGE KIT #62	BONFIG
11	2	870214	BUNA ORING 1 X 1 1/4, 90D	
12	10	824055	22MM-1.50 FLANGED WHEEL NUT	
13	2	900138	3/8UNC X 3 1/2 HEX BOLT	
14	3	473987	1/2UNC X 1 1/4 BUT SKTHD SCR SS	
15	2	900265	1/2UNC X 1 1/2 HEX BOLT	
16	4	914004	3/8UNC HEX STOVER NUT	
17	4	914008	1/2UNC HEX STOVER NUT	
18	1	618812	3/4 FLANGE-1 7/16MFOR ADPTR	
19	2	359644	WHEEL MTR SHIELD BRACE STS '12	
20	1	359625	LH LWR FENDER MT WLD, STS '10	
21	1	359094	HYD TUBE CLAMP KEEPER, 6.25	
22	1	470379	SIDEWINDER SLEEVE, 14.06 X 57"	
23	1	615875	WHEEL MOTOR HYD TUBE ASSY	
24	1	618469	3/4MJC-1 1/16MOR ADPTR	
25	4	900266	1/2UNC X 1 3/4 HEX BOLT	
26	1	470378	SIDEWINDER SLEEVE, 14.06 X 21"	
27	1	618740	3/4 FLANGE-90-1 7/16MFOR LBO	
28	2	359367	BUSHING, CROP SHIELD, STS '05	
29	3	473988	1/2UNC HEX NUT, NYLOC SS	
30	1	618677	O-RING, -16 FACE SEAL .93ID 90D	
31	10	610887	STUD, M22 X 1.5 X 78	
32	2	900130	3/8UNC X 1 1/4 SER FLANGE BOLT	
33	2	473861	16MM-2.00 X 40MM HEX BOLT	
34	1	607026	O-RING, 5.905ID - 6.141OD	DMT
35	1	606322	LIP SEAL, WHL MTR 606288/291	
36	1	606323	O-RING, WHL MTR 606288/291	

NOTE: ITEMS WITH AN (\*) ARE USED WITH 520/85 R46 WHEEL OPTION.

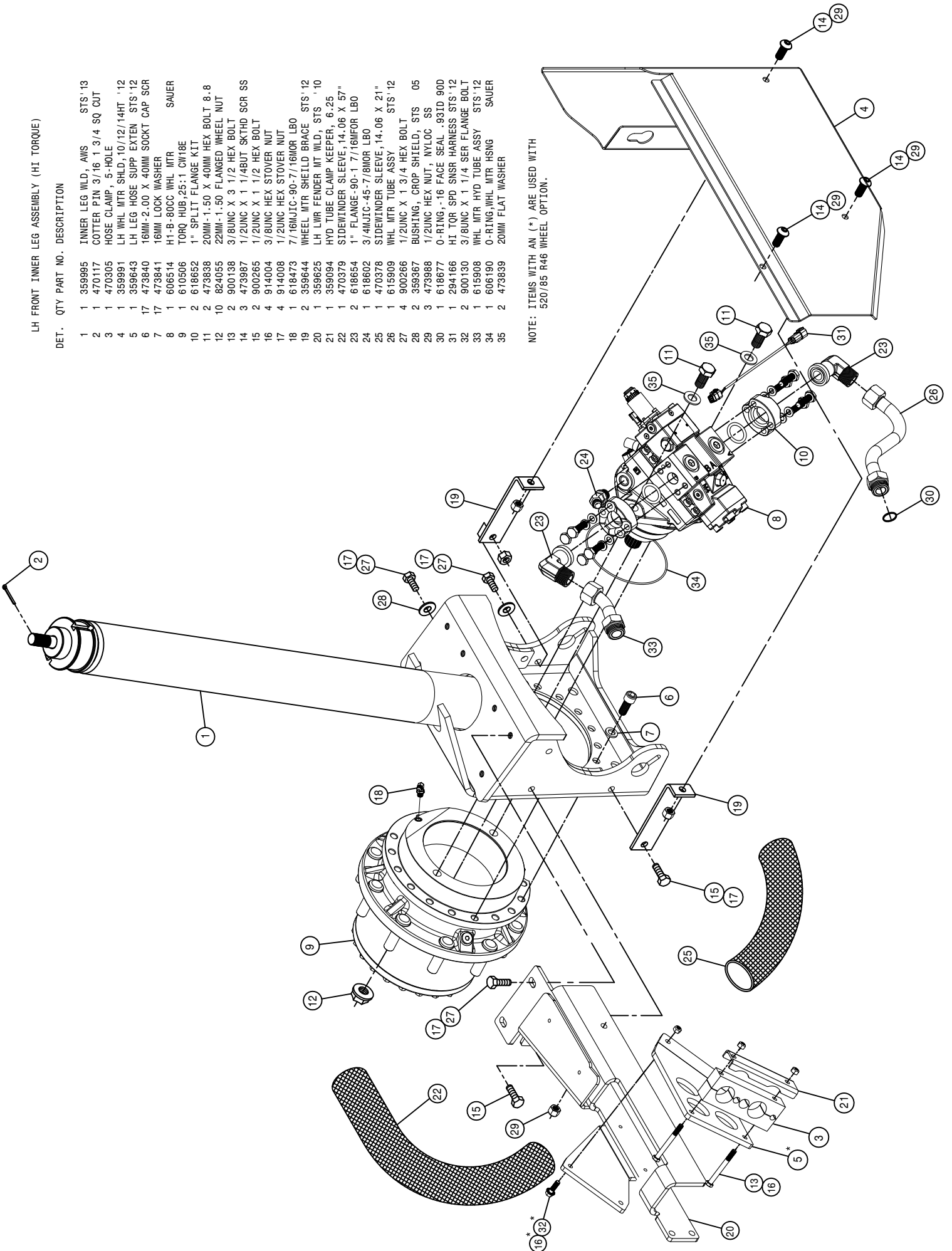


LH FRONT INNER LEG ASSEMBLY (HI TORQUE)

DET. QTY PART NO. DESCRIPTION

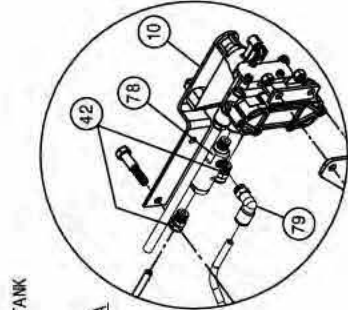
1	1	359995	INNER LEG WLD, AWS	STS '13
2	1	470117	COTTER PIN 3/16 1 3/4 SQ CUT	
3	1	470305	HOSE CLAMP, 5-HOLE	
4	1	359991	LH WHL MTR SHLD, 10/12/14HT '12	
5	1	359643	LH LEG HOSE SUPP EXTEN	STS '12
6	17	473840	16MM-2.00 X 40MM SOCKET CAP SCR	
7	17	473841	16MM LOCK WASHER	
8	1	606514	H1-B-80CC WHL MTR	SAUER
9	1	610506	TORQ HUB, 25:1 CW18E	
10	2	618652	1" SPLIT FLANGE KIT	
11	2	473838	20MM-1.50 X 40MM HEX BOLT 8.8	
12	10	824055	22MM-1.50 FLANGED WHEEL NUT	
13	2	900138	3/8UNC X 3 1/2 HEX BOLT	
14	3	473987	1/2UNC X 1 1/4 BUT SKTHD SCR SS	
15	2	900265	1/2UNC X 1 1/2 HEX BOLT	
16	4	914004	3/8UNC HEX STOVER NUT	
17	4	914008	1/2UNC HEX STOVER NUT	
18	1	618473	7/16MJIC-90-7/16MOR LBO	
19	2	359644	WHEEL MTR SHIELD BRACE	STS '12
20	1	359625	LH LWR FENDER MT WLD, STS '10	
21	1	359094	HYD TUBE CLAMP KEEPER, 6.25	
22	1	470379	SIDEWINDER SLEEVE, 14.06 X 57"	
23	2	618654	1" FLANGE-90-1 7/16MFOR LBO	
24	1	618602	3/4MJIC-45-7/8MOR LBO	
25	1	470378	SIDEWINDER SLEEVE, 14.06 X 21"	
26	1	615909	WHL MTR TUBE ASSY	STS '12
27	4	900266	1/2UNC X 1 3/4 HEX BOLT	
28	2	359367	BUSHING, CROP SHIELD, STS 05	
29	3	473988	1/2UNC HEX NUT, NYLOC SS	
30	1	616677	O-RING, -16 FACE SEAL -93ID 90D	
31	1	294166	HI TOR SPD SNRS HARNESS	STS '12
32	2	900130	3/8UNC X 1 1/4 SER FLANGE BOLT	
33	1	615908	WHL MTR HYD TUBE ASSY	STS '12
34	1	606190	O-RING, WHL MTR HSNG	SAUER
35	2	473839	20MM FLAT WASHER	

NOTE: ITEMS WITH AN (\*) ARE USED WITH 520/85 R46 WHEEL OPTION.

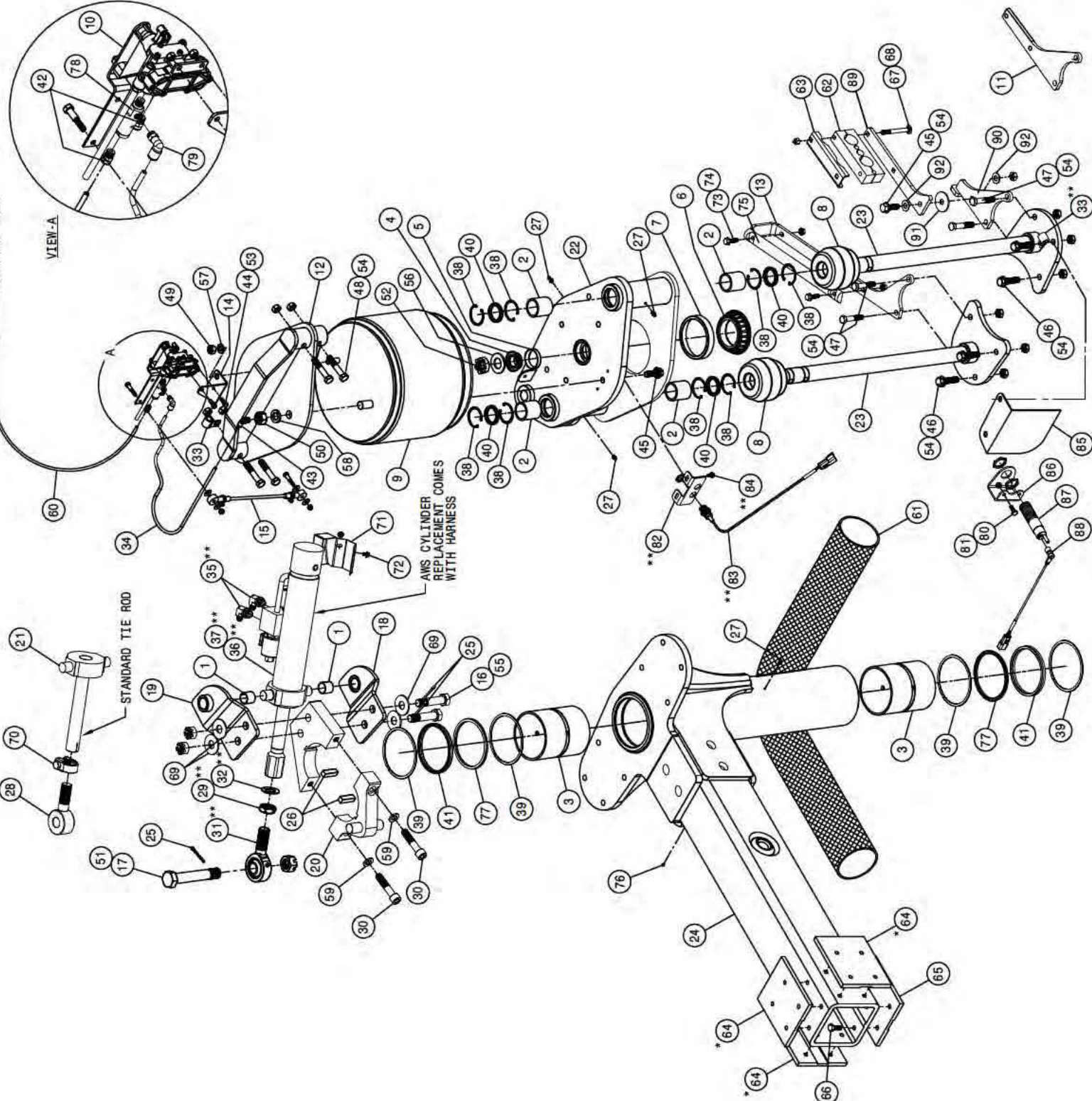




RIGHT REAR OUTER LEG ASSEMBLY



FROM AIR TANK



QTY	PART NO.	DESCRIPTION
2	121029	JOURNAL BRG, 1.00 ID X 1.00 LG
2	12113	BEARING, 1.50-1.81-1.86 POLYGON
2	12125	BEARING, 4.52-4.86-5.72 POLYGON
4	125050	BRG CONE, 1.00 ID W/FACE SEAL
5	125051	BRG CUP FOR 125050
6	125052	BRG CONE, 2.67 ID W/FACE SEAL
7	125053	BRG CUP FOR 125052
8	311058	RUBBER SPRING
9	311060	AIRIDE SPRING, 11.81 BASE
10	358832	AIRIDE SPRING CTRL VALVE
11	359619	HOSE SUPPORT, 54"
12	359333	AIRBAG TOWER TOP MT WLD, STS 06
13	359350	RH EXTENDED HOSE SUPPORT, STS
14	359369	RH LEG AIR VALVE MT, STS 16 05
15	359544	LEG HEIGHT CTRL LINK/AMS STS09
16	359545	STRG CN BOLT, AMS STS 09
17	359547	STRG CN BUSH, AMS STS 09
18	359548	STRG TRUNION MT WLD, AMS STS 09
19	359549	STRG ARM CLAMP WLD, STS 10
20	359553	STRG ARM CLAMP WLD, STS 10
21	359086	RH AIR BAG LWR PLY WLD, STS 13
22	359020	NITRO TOWER SHAFT WLD, STS 13
23	359024	OUTER LEG WLD, STS 13
24	359024	OUTER LEG WLD, STS 13
25	470117	COTTER PIN 3/16 X 1 3/4
26	470447	KEY, .50 SQ X 1.69 LG
27	471005	GREASE ZERK, 1/4-28 X 1/2
28	359089	TIE ROD STUD WLD
29	472328	1-12 HEX JAM NUT GR2
30	472337	5/8 X 3" SOCKET HD CAP SCR GRB
31	473975	ROD END, 1.00 BORE, 1-12 RH MALE
32	520508	1" LOCK WASHER
33	520764	CUSH CLAMP, 9/160-3/4H, .531MT
34	601473	HOSE, 1/4 X 1/8 AIR
35	621615	9/16M1C-90-3/4MMR LBO
36	621644	BEAM STEER LNK KIT 2013
37	621645	BEAM KIT STD STK, 621644
38	621645	15/16M1C-90-3/4MMR LBO
39	621645	15/16M1C-90-3/4MMR LBO
40	621645	15/16M1C-90-3/4MMR LBO
41	621645	15/16M1C-90-3/4MMR LBO
42	621645	15/16M1C-90-3/4MMR LBO
43	711040	1/8MPT-1/4 NYL TUBE FTG
44	800002	1/40NC X 3/4 HHCS GR 5
45	900285	1/20NC X 1 1/2 HHCS GR 5
46	900287	1/20NC X 2" HHCS GR 5
47	900288	1/20NC X 2 1/2 HHCS GR 5
48	900289	1/20NC X 3 1/4 HHCS GR 5
49	910008	1/20NC HEX NUT
50	910013	3/4UNF HEX NUT
51	910020	1-8 HEX SLOTTED NUT
52	910021	1-14 SLOT JAM NUT
53	914000	1/40NC HEX STOVER NUT
54	914008	1/20NC HEX STOVER NUT
55	910102	1-8 HEX SLOTTED NUT
56	920006	1-5/8 FLAT WASHER
57	920006	1-5/8 FLAT WASHER
58	920006	1-5/8 FLAT WASHER
59	920006	1-5/8 FLAT WASHER
60	920006	1-5/8 FLAT WASHER
61	920006	1-5/8 FLAT WASHER
62	920006	1-5/8 FLAT WASHER
63	920006	1-5/8 FLAT WASHER
64	920006	1-5/8 FLAT WASHER
65	920006	1-5/8 FLAT WASHER
66	920006	1-5/8 FLAT WASHER
67	920006	1-5/8 FLAT WASHER
68	920006	1-5/8 FLAT WASHER
69	920006	1-5/8 FLAT WASHER
70	920006	1-5/8 FLAT WASHER
71	920006	1-5/8 FLAT WASHER
72	920006	1-5/8 FLAT WASHER
73	920006	1-5/8 FLAT WASHER
74	920006	1-5/8 FLAT WASHER
75	920006	1-5/8 FLAT WASHER
76	920006	1-5/8 FLAT WASHER
77	920006	1-5/8 FLAT WASHER
78	920006	1-5/8 FLAT WASHER
79	920006	1-5/8 FLAT WASHER
80	920006	1-5/8 FLAT WASHER
81	920006	1-5/8 FLAT WASHER
82	920006	1-5/8 FLAT WASHER
83	920006	1-5/8 FLAT WASHER
84	920006	1-5/8 FLAT WASHER
85	920006	1-5/8 FLAT WASHER
86	920006	1-5/8 FLAT WASHER
87	920006	1-5/8 FLAT WASHER
88	920006	1-5/8 FLAT WASHER
89	920006	1-5/8 FLAT WASHER
90	920006	1-5/8 FLAT WASHER
91	920006	1-5/8 FLAT WASHER
92	920006	1-5/8 FLAT WASHER

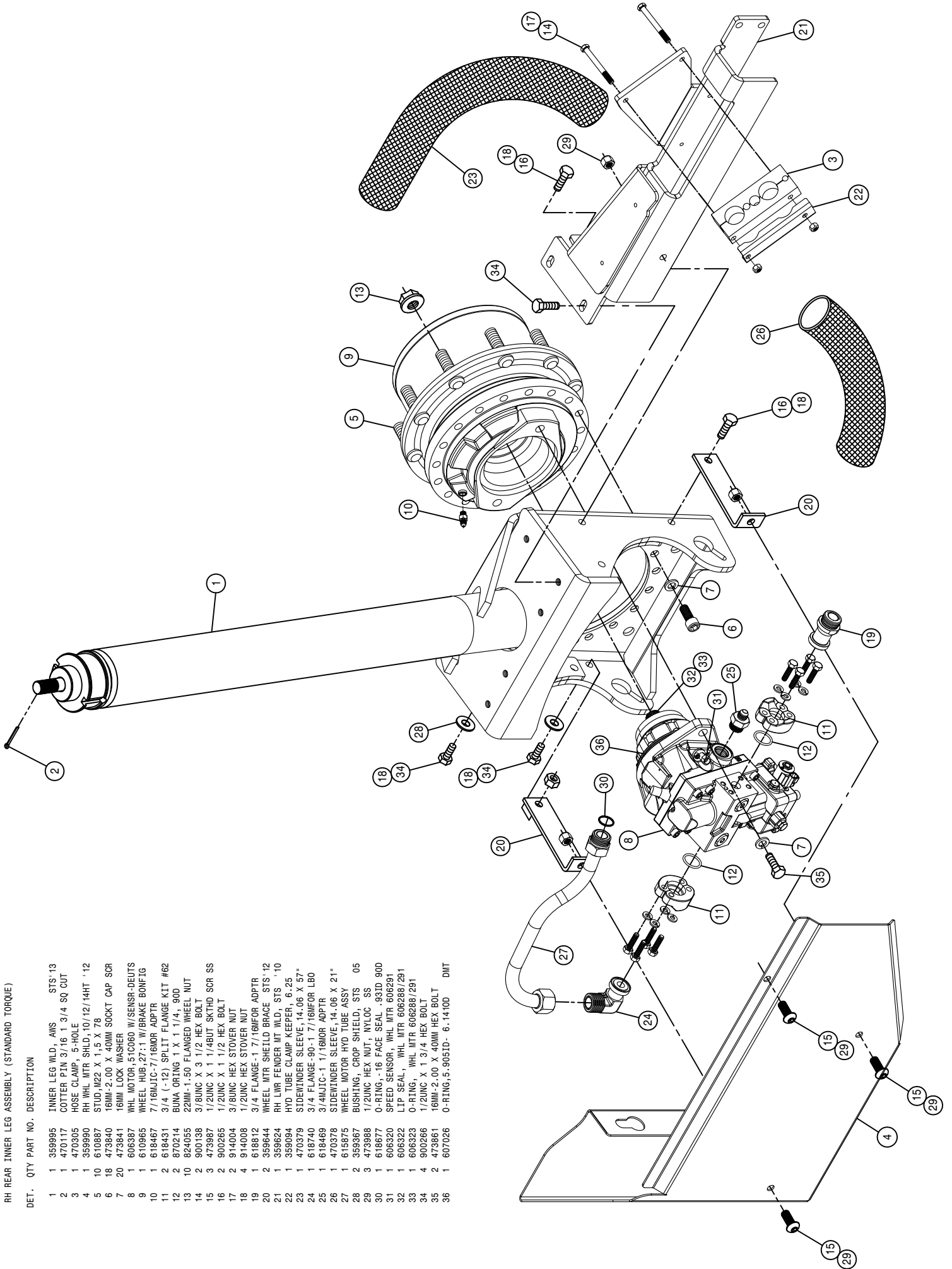
NOTE: (\*) FOR TREAD ADJUST OPTION REPLACE ITEM 64 WITH THREE OF ITEM 65.  
(\*\*) ITEMS ARE FOR ALL WHEEL STEER OPTION.



RH REAR INNER LEG ASSEMBLY (STANDARD TORQUE)

DET. QTY PART NO. DESCRIPTION

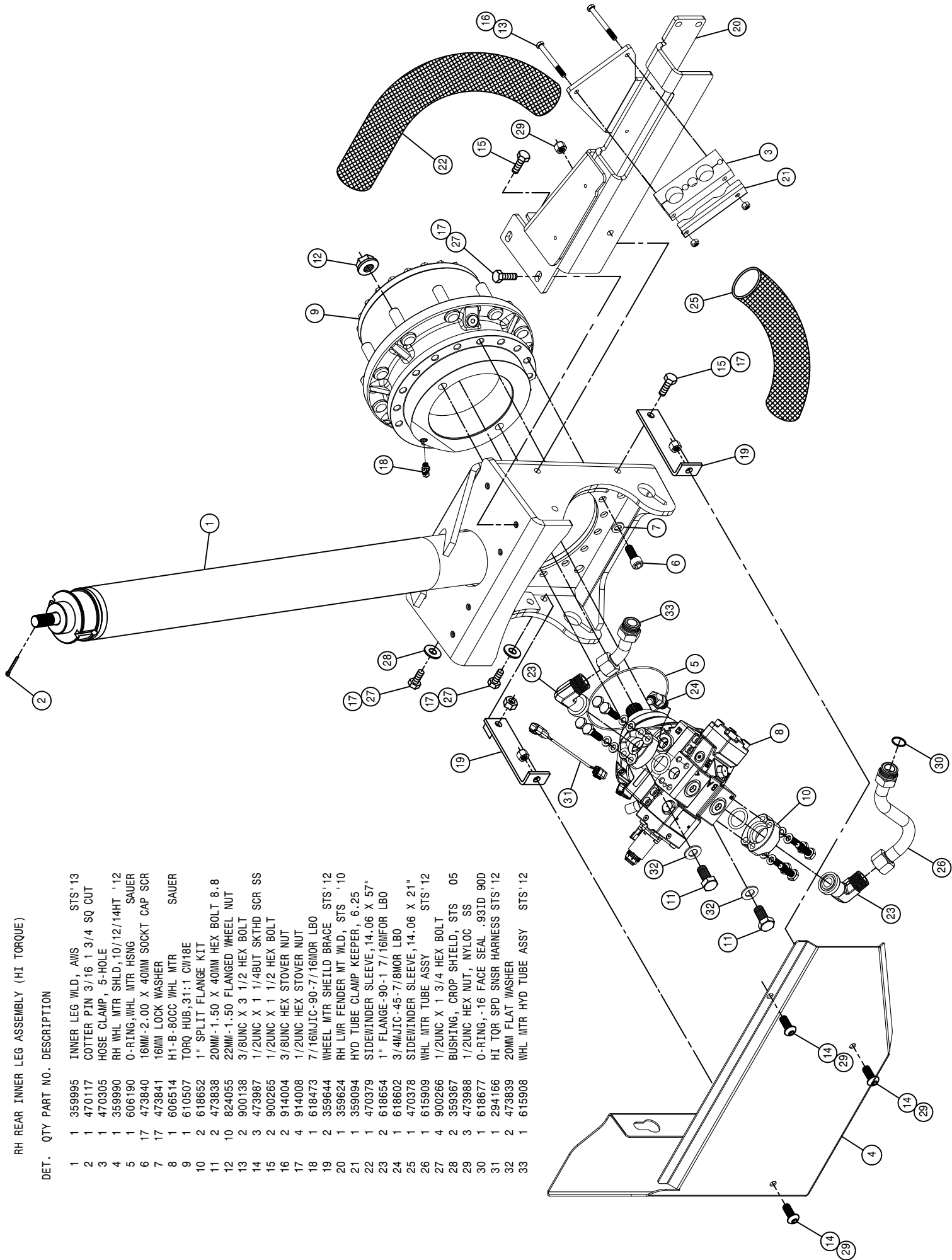
1	1	359995	INNER LEG WLD., AWS	STS-'13
2	1	470117	COTTER PIN 3/16 X 3/4 SQ CUT	
3	1	470305	HOSE CLAMP, 5-HOLE	
4	1	359990	RH WHL MTR SHLD, 10/12/14HT '12	
5	10	610867	STUD, M22 X 1.5 X 78	
6	18	473840	16MM-2.00 X 40MM SOCKET CAP SCR	
7	20	473841	16MM LOCK WASHER	
8	1	606387	WHL MOTOR, 51C060 W/SENSOR-DEUTS	
9	1	610965	WHEEL HUB, 27:1 W/BRAKE BONFIG	
10	1	618467	7/16MJIC-7/16MOR ADPTR	
11	2	618431	3/4 (-12) SPLIT FLANGE KIT #62	
12	2	870214	BUINA ORING 1 X 1 1/4, 90D	
13	10	824055	22MM 1.50 FLANGED WHEEL NUT	
14	2	900138	3/8UNC X 3 1/2 HEX BOLT	
15	3	473987	1/2UNC X 1 1/4 BUT SKTHD SCR SS	
16	2	900265	1/2UNC X 1 1/2 HEX BOLT	
17	2	914004	3/8UNC HEX STOVER NUT	
18	4	914008	1/2UNC HEX STOVER NUT	
19	2	618812	3/4 FLANGE-1 7/16MOR ADPTR	
20	2	359644	WHEEL MTR SHIELD BRACE	STS-'12
21	1	359624	RH LWR FENDER MT. WLD.	STS-'10
22	1	359094	HYD TUBE CLAMP KEEPER, 6.25	
23	1	470379	SIDEWINDER SLEEVE, 14.06 X 57"	
24	1	618740	3/4 FLANGE-90-1 7/16MOR LBO	
25	1	618469	3/4MJIC-1 7/16MOR ADPTR	
26	1	470378	SIDEWINDER SLEEVE, 14.06 X 21"	
27	1	615875	WHEEL MOTOR HYD TUBE ASSY	
28	2	359367	BUSHING, CROP SHIELD, STS 05	
29	3	473988	1/2UNC HEX NUT, NYLOC SS	
30	1	618677	O-RING -16 FACE SEAL 93TD, 90D	
31	1	606320	SPEED SENSOR, WHL MTR 606281	
32	1	606322	LIP SEAL, WHL MTR 606288/291	
33	1	606323	O-RING, WHL MTR 606288/291	
34	4	900266	1/2UNC X 1 3/4 HEX BOLT	
35	2	473861	16MM-2.00 X 40MM HEX BOLT	
36	1	607026	O-RING, 5.905ID - 6.1410D	DMT



RH REAR INNER LEG ASSEMBLY (HI TORQUE)

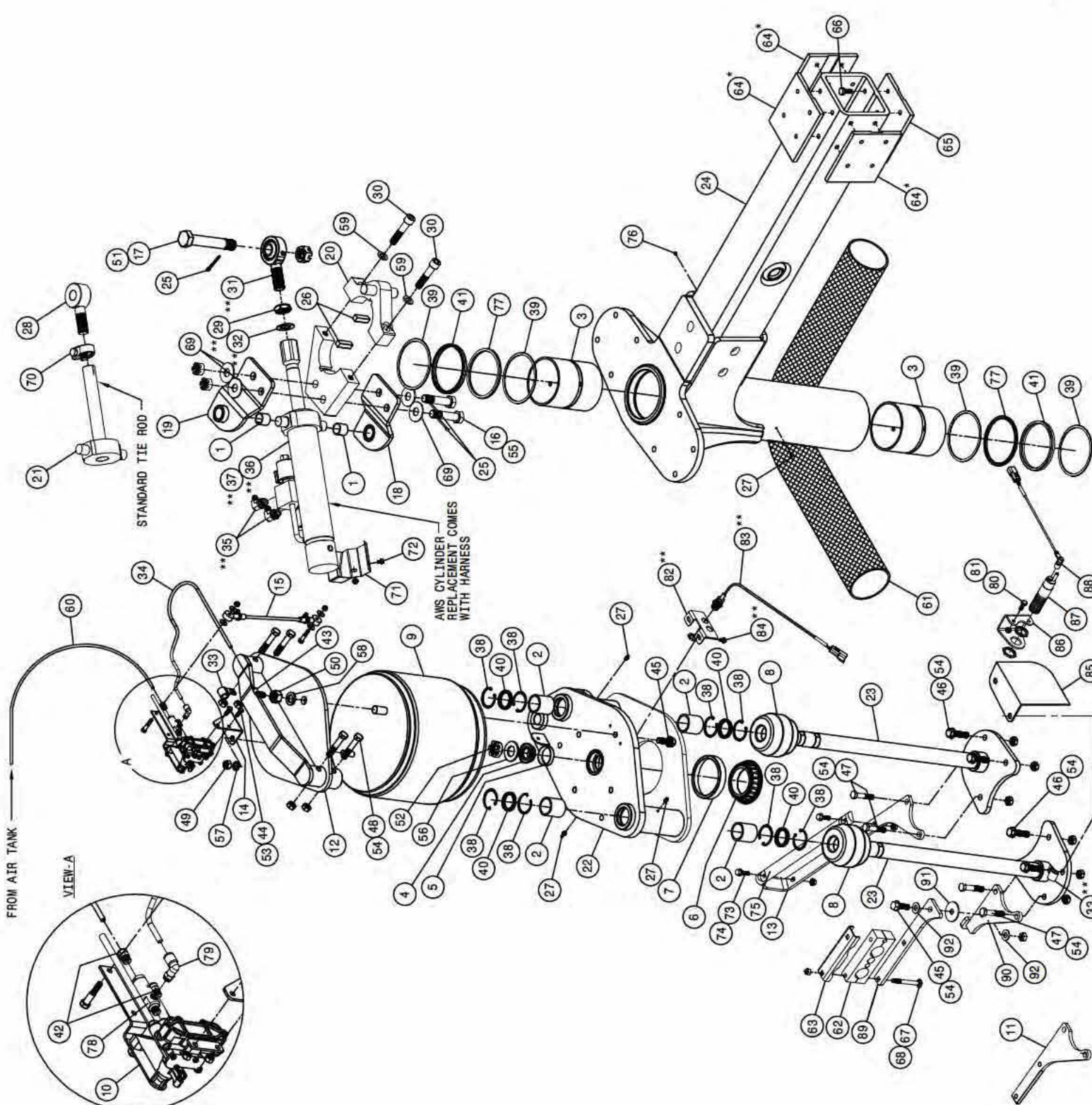
DET. QTY PART NO. DESCRIPTION

1	359995	INNER LEG WLD, AMS	STS:13
2	470117	COTTER PIN 3/16 1 3/4 SQ CUT	
3	470305	HOSE CLAMP, 5-HOLE	
4	359990	RH WHL MTR SHLD, 10/12/14HT '12	
5	606190	O-RING, WHL MTR HSNQ SAUER	
6	473840	16MM-2.00 X 40MM SOCKET CAP SCR	
7	473841	16MM LOCK WASHER	
8	606514	H1-B-80CC WHL MTR SAUER	
9	610507	TORQ HUB, 31:1 CW18E	
10	618652	1" SPLIT FLANGE KIT	
11	473838	20MM-1.50 X 40MM HEX BOLT 8.8	
12	824055	22MM-1.50 FLANGED WHEEL NUT	
13	900138	3/8UNC X 3 1/2 HEX BOLT	
14	473987	1/2UNC X 1 1/4 BUT SKTHD SCR SS	
15	900265	1/2UNC X 1 1/2 HEX BOLT	
16	914004	3/8UNC HEX STOVER NUT	
17	914008	1/2UNC HEX STOVER NUT	
18	618473	7/16MJIC-90-7/16MOR LBO	
19	359644	WHEEL MTR SHIELD BRACE STS:12	
20	359624	RH LWR FENDER MT WLD, STS '10	
21	359094	HYD TUBE CLAMP KEEPER, 6.25	
22	470379	SIDEWINDER SLEEVE, 14.06 X 57"	
23	618654	1" FLANGE-90-1 7/16MFOR LBO	
24	618602	3/4MJIC-45-7/8MOR LBO	
25	470378	SIDEWINDER SLEEVE, 14.06 X 21"	
26	615909	WHL MTR TUBE ASSY STS:12	
27	900266	1/2UNC X 1 3/4 HEX BOLT	
28	359367	BUSHING, CROP SHIELD, STS 05	
29	473988	1/2UNC HEX NUT, NYLOC SS	
30	618677	O-RING, -16 FACE SEAL .93ID 90D	
31	294166	HI TOR SPD SNR HARNSS STS:12	
32	473839	20MM FLAT WASHER	
33	615908	WHL MTR HYD TUBE ASSY STS:12	



DET. QTY PART NO. DESCRIPTION

- 1 2 121029 JOURNAL, 1.00 ID X 1.00 LG
- 2 4 121113 BEARING, 1.50-1.81-1.96 POLYGON
- 3 2 121255 BEARING, 4.52-4.86-5.72 POLYGON
- 4 1 125050 BRG CONE, 1.00 ID W/FACE SEAL
- 5 1 125051 BRG CUP FOR 125050
- 6 1 125052 BRG CONE, 2.687 ID W/FACE SEAL
- 7 1 125053 BRG CUP FOR 125052
- 8 2 311058 RUBBER SPRING
- 9 1 311060 AIRIDE SPRING, 11-.81 BASE
- 10 1 358332 AIRIDE SPRING CTRL VALVE 58
- 11 1 359619 HOSE SUPPORT, 54\*
- 12 1 359333 AIRBAG TOWER TOP MT WLD, STS'10
- 13 1 359331 LH EXTENDED HOSE SUPPORT, STS
- 14 1 359370 LH LEG AIR VALVE MT, STS'16 05
- 15 1 359644 LEG HEIGHT CTRL LINK, AMS STS'09
- 16 2 359545 FRONTION MT BOLT, AMS STS 08
- 17 1 359546 TYP TRIMMING WLD, AMS STS 08
- 18 1 359548 TYP TRIMMING WLD, AMS STS 08
- 19 1 359548 TYP TRIMMING WLD, AMS STS 08
- 20 1 359593 STRG ARM CLAMP WLD, STS 10
- 21 1 359596 REAR TIE ROD SHAFT WLD
- 22 1 360021 LH AIR BAG LWR FLT WLD, STS'13
- 23 2 360024 MTRD TOWER SHAFT WLD, STS'13
- 24 1 360024 OUTER LEG WLD
- 25 3 470117 COTTER PIN 3/16 X 1 3/4
- 26 4 470447 KEY, .50 SQ X 1.69 LG
- 27 4 471005 GREASE ZERK, 1/4-28 X 1/2
- 28 1 359089 TIE ROD STD WLD
- 29 2 472328 1"-12 HEX AM NUT GR2
- 30 2 472327 5/8 X 3" SOCKET HD CAP SCR GR8
- 31 1 473975 RHD END, 1.00 BORE, 1-12 RH MALE
- 32 1 520508 1" LOCK WASHER
- 33 2 520164 CUSH CLAMP 19/160-3/4H-.551MT
- 34 1 601473 HOSE, 1/4 X 1/8 AIR
- 35 1 618115 9718MJC-90-3/4MMR L60
- 36 1 621644 REAR STEER LNS KIT 2613
- 37 1 621645 KIT TYP STD 621644
- 38 8 621645 REFRIGRAC SV RING
- 39 4 628538 4-5 SPRINGS SV RING
- 40 4 628538 SEAL, 1.500 ROD DIA
- 41 2 629821 SEAL, 4.500 ROD DIA
- 42 2 711036 1/8MPT-1/4 NYL TUBE FTG
- 43 1 711040 1/4MPT-90-1/4 NYL TUBE LBO
- 44 4 800002 1/4MNC X 3/4 HHCS GR 5
- 45 5 900255 1/2MNC X 1 1/2 HHCS GR 5
- 46 4 900267 1/2MNC X 2" HHCS GR 5
- 47 4 900266 1/2MNC X 2 1/2 HHCS GR 5
- 48 4 900269 1/2MNC X 3 1/4 HHCS GR 5
- 49 1 910008 1/2MNC HEX NUT
- 50 1 910013 3/4MNC HEX NUT
- 51 1 910020 1-8 HEX SLOTTED NUT
- 52 1 910021 1-14 SLOT JAM NUT
- 53 2 914000 1/4MNC HEX STOVER NUT
- 54 13 914008 1/2MNC HEX STOVER NUT
- 55 2 910102 3/4MNC SLOT HEX NUT GR8
- 56 1 920006 1" SAE FLAT WASHER
- 57 1 920504 1/2 LOCK WASHER
- 58 2 472184 1" LOCK WASHER
- 59 1 601476 HOSE, 1/4 X 1/20 AIR
- 60 1 470379 STEER/TURNER SLEEVE, 14.06 X .57\*
- 61 1 470395 HYD CLAMP, 5-HSE
- 62 1 359094 HYD TUBE CLAMP KEEPER, 6.25
- 63 3 342317 TREAD ADJ PLATE, STEEL, THD
- 64 16 900128 TRD ADJ BRONZE BEARING, THD-GRV
- 65 2 901138 3/8MNC X 3 1/2 CARR BOLT
- 66 2 914004 3/8MNC HEX STOVER NUT
- 67 1 483048 3/4 REG FLAT WASH, THRU-HARD YZ
- 68 70 749322 STEERING TUBE CLAMP ASBLT ASSY
- 69 1 359845 STRG CYL SENSOR GUARD, STS'12
- 70 2 470853 1/4MNC X 3/8 SER FLG BOLT SS
- 71 2 900127 3/8MNC X 1 1/4 HHCS GR 5
- 72 1 470087 HYD BRKT HEX SER FLG NUT
- 73 1 359653 HYD BRKT HEX SLD, UHMW STS'12
- 74 2 470062 1/4MNC X 1/4 AL HD CUP SET SCR
- 75 2 470625 SEAL, 4.500 ROD DIA
- 76 1 711036 1/8MPT-1/4 NYL TUBE LBO
- 77 1 711036 1/4MPT-90-3/4 NYL TUBE LBO
- 78 2 920094 5/16MNC X 3/4 HHCS GR 5
- 79 2 914002 5/16MNC HEX STOVER NUT
- 80 1 359555 SENSOR BRKT, AMS STS 09
- 81 1 282826 INDUCTIVE PROX SENSOR, 18MM
- 82 2 470122 1/4MNC X 1/2 SER FLG BOLT
- 83 1 359093 LH SENSOR REFLECTOR
- 84 1 342656 TREAD SENSOR MT
- 85 1 282822 ULTRASONIC SENSOR, UC500-30GM
- 86 1 282823 CORD-SET, V11-W-BK0-28M-FURADT04
- 87 1 359641 HOSE SUPP SWIVEL FLT, STS'12
- 88 1 359638 HOSE SUPP SWIVEL WLD, STS'12
- 89 1 002815 SENSOR ARM WASH, NYL
- 90 1 920004 1/2 SAE FLAT WASHER
- 91 1 920004 1/2 SAE FLAT WASHER
- 92 1 920004 1/2 SAE FLAT WASHER



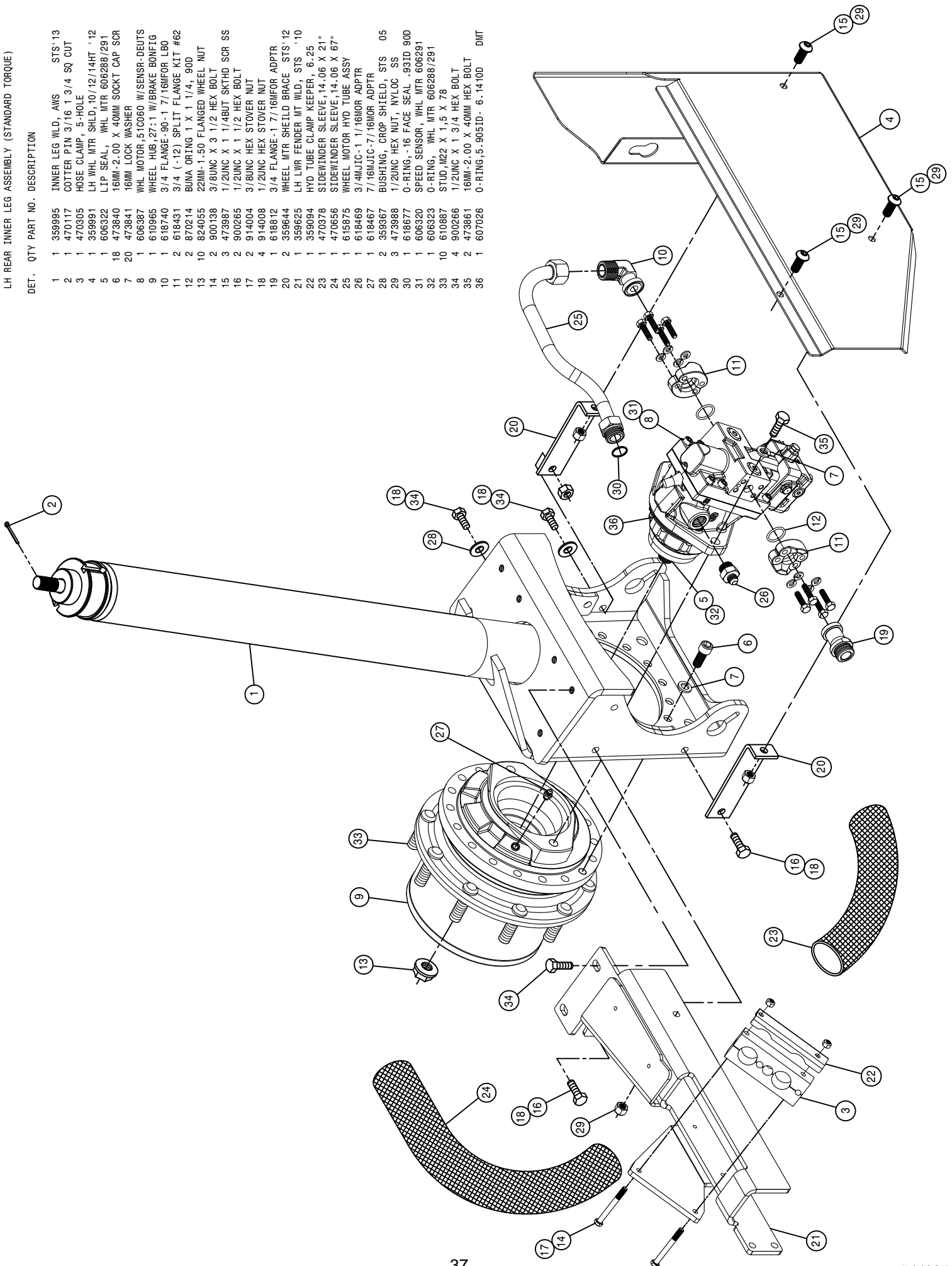
NOTE: (\*) FOR TREAD ADJUST OPTION REPLACE ITEM 64 WITH THREE OF ITEM 65.

(\*\*) ITEMS ARE FOR ALL WHEEL STEER OPTION.

LH REAR INNER LEG ASSEMBLY (STANDARD TORQUE)

DET. QTY PART NO. DESCRIPTION

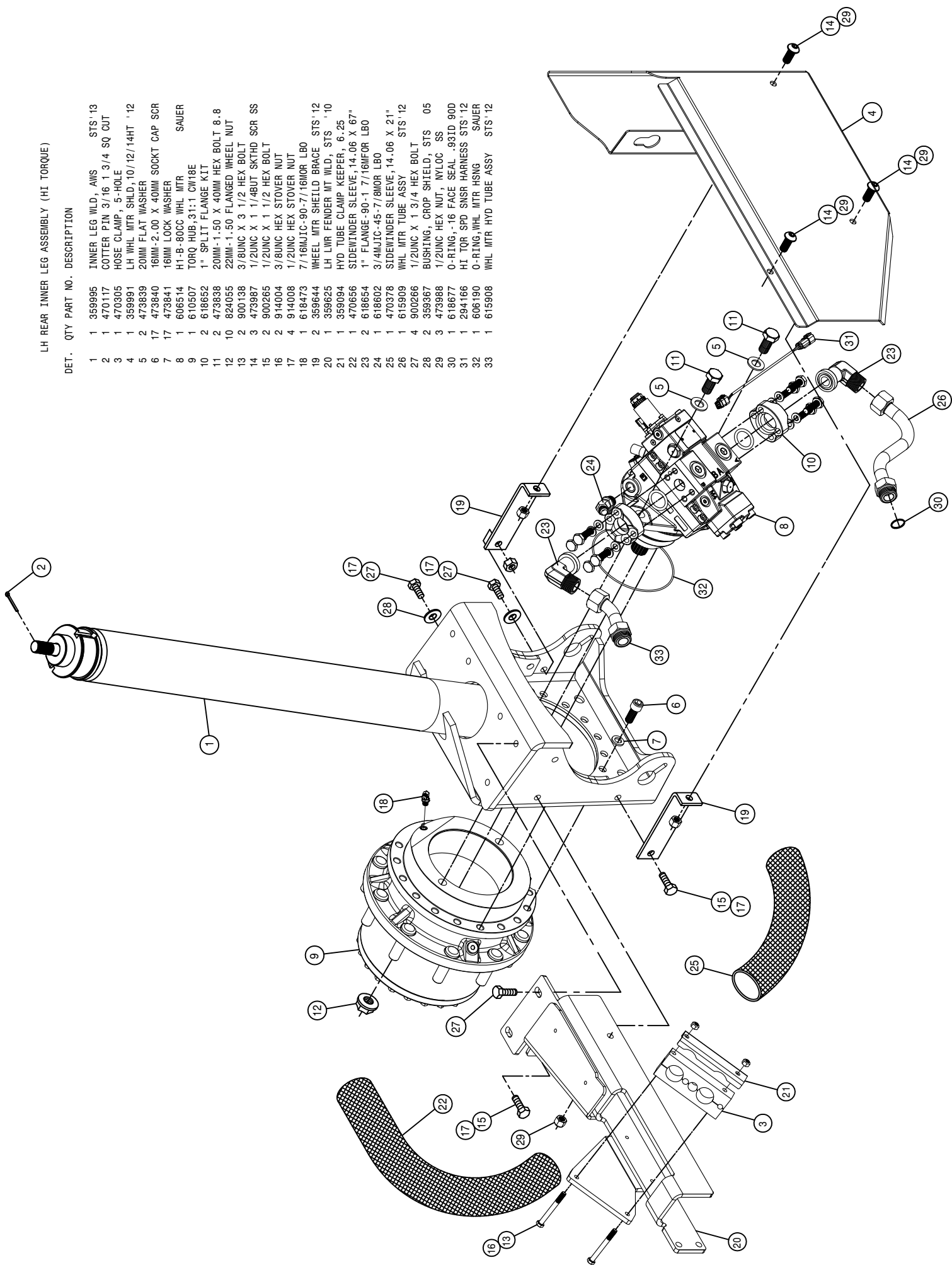
1	359995	INNER LEG WLD, AWS	STS:13
2	470117	COTTER PIN 3/16 I 3/4 SQ CUT	
3	470305	HOSE CLAMP, 5-HOLE	
4	359991	LH WHL MTR SHLD, 10/12/14HT *12	
5	606322	LIP SEAL, WHL MTR 606288/291	
6	473840	16MM-2.00 X 40MM SOCKT CAP SCR	
7	473841	16MM LOCK WASHER	
8	606387	WHL MOTOR,510060 W/SENSR-DEUTS	
9	610965	WHEEL HUB,27:1 W/BRAKE BONFIG	
10	618740	3/4 FLANGE-90-1 7/16MFOR LBO	
11	618431	3/4 (-12), SPLIT FLANGE KIT #62	
12	870214	BUNA ORING 1 X 1 1/4, 90D	
13	824055	22MM-1.50 FLANGED WHEEL NUT	
14	900138	3/8UNC X 3 1/2 HEX BOLT	
15	473987	1/2UNC X 1 1/4 BUT SKTHD SCR SS	
16	900265	1/2UNC X 1 1/2 HEX BOLT	
17	914004	3/8UNC HEX STOVER NUT	
18	914008	1/2UNC HEX STOVER NUT	
19	618812	3/4 FLANGE-1 7/16MFOR ADPTR	
20	359644	WHEEL MTR SHIELD BRACE	STS:12
21	359625	LH LWR FENDER MT WLD, STS *10	
22	359094	HYD TUBE CLAMP KEEPER, 6.25	
23	470378	SIDEWINDER SLEEVE,14.06 X 21"	
24	470656	SIDEWINDER SLEEVE,14.06 X 67"	
25	615875	WHEEL MOTOR HYD TUBE ASSY	
26	618469	3/4MUTIC-1 1/16MOR ADPTR	
27	618467	7/16MUTIC-7/16MOR ADPTR	
28	359367	BUSHING, CROP SHIELD, STS 05	
29	473988	1/2UNC HEX NUT, NYLOC SS	
30	618677	O-RING, -16 FACE SEAL .93ID 90D	
31	606320	SPEED SENSOR, WHL MTR 606291	
32	606323	O-RING, WHL MTR 606288/291	
33	610887	STUD, M22 X 1.5 X 78	
34	900266	1/2UNC X 1 3/4 HEX BOLT	
35	473861	16MM-2.00 X 40MM HEX BOLT	
36	607026	O-RING,5.905ID- 6.1410D	DMT



LH REAR INNER LEG ASSEMBLY (HI TORQUE)

DET. QTY PART NO. DESCRIPTION

1	1	359986	INNER LEG WLD, AWS	STS'13
2	1	470117	COTTER PIN 3/16 1 3/4 SQ CUT	
3	1	470305	HOSE CLAMP, 5-HOLE	
4	1	359991	LH WHL MTR SHLD, 10/12/14HT '12	
5	2	473839	20MM FLAT WASHER	
6	17	473840	16MM-2.00 X 40MM SOCKET CAP SCR	
7	17	473841	16MM LOCK WASHER	
8	1	606514	H1-B-80CC WHL MTR	SAUER
9	1	610507	TORQ HUB,31:1 CW18E	
10	2	618652	1" SPLIT FLANGE KIT	
11	2	473838	20MM-1.50 X 40MM HEX BOLT 8.8	
12	10	824055	22MM-1.50 FLANGED WHEEL NUT	
13	2	900138	3/8UNC X 3 1/2 HEX BOLT	
14	3	473987	1/2UNC X 1 1/4 BUT SKTHD SCR SS	
15	2	900265	1/2UNC X 1 1/2 HEX BOLT	
16	2	914004	3/8UNC HEX STOVER NUT	
17	4	914008	1/2UNC HEX STOVER NUT	
18	1	618473	7/16MJIC-90-7/16MOR LBO	
19	2	359644	WHEEL MTR SHIELD BRACE	STS'12
20	1	359625	LH LWR FENDER MT WLD, STS '10	
21	1	359094	HYD TUBE CLAMP KEEPER, 6.25	
22	1	470656	SIDEWINDER SLEEVE, 14.06 X 67"	
23	2	618654	1" FLANGE-90-1 7/16MFOR LBO	
24	1	618602	3/4MJIC-45-7/8MOR LBO	
25	1	470378	SIDEWINDER SLEEVE, 14.06 X 21"	
26	1	615909	WHL MTR TUBE ASSY	STS'12
27	4	900266	1/2UNC X 1 3/4 HEX BOLT	
28	2	359367	BUSHING, CROP SHIELD, STS 05	
29	3	473988	1/2UNC HEX NUT, NYLOC SS	
30	1	618677	O-RING, -16 FACE SEAL .93ID 90D	
31	1	294166	HI TOR SPD SNSR HARNESS	STS'12
32	1	606190	O-RING, WHL MTR HSNG	SAUER
33	1	615908	WHL MTR HYD TUBE ASSY	STS'12

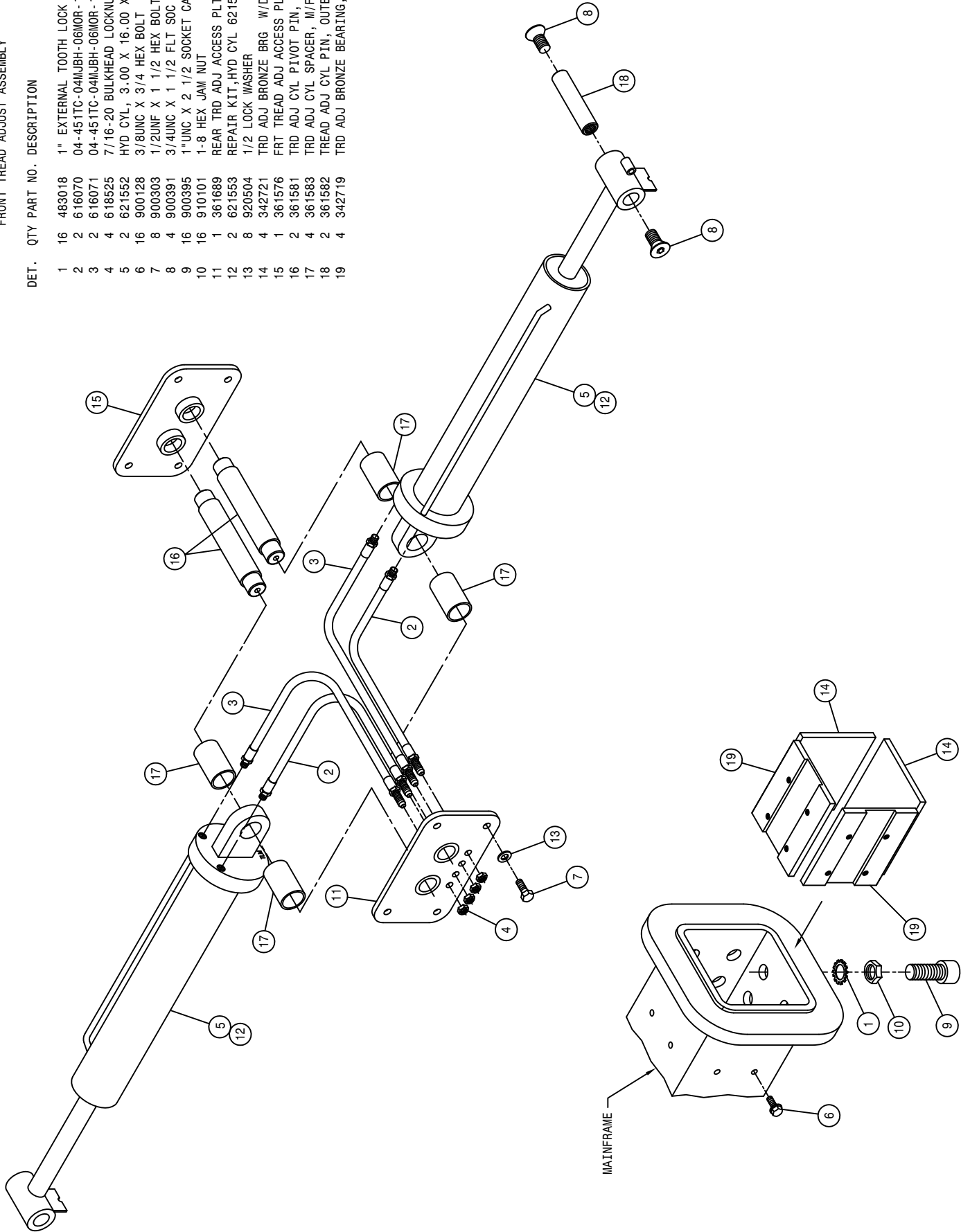




FRONT TREAD ADJUST ASSEMBLY

DET. QTY PART NO. DESCRIPTION

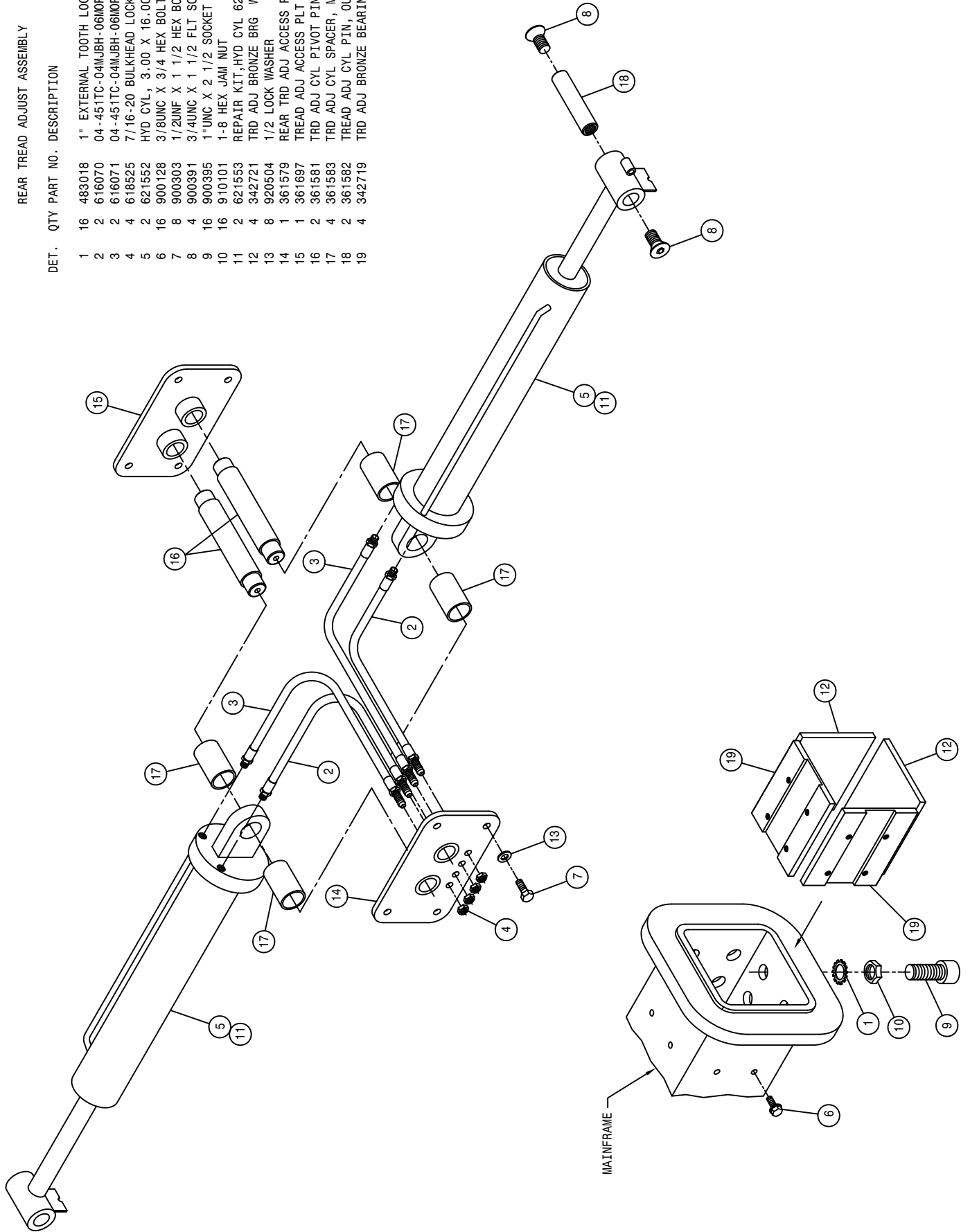
1	16	483018	1" EXTERNAL TOOTH LOCK WASHER
2	2	616070	04-451TC-04MJBH-06MOR-11.00H/A
3	2	616071	04-451TC-04MJBH-06MOR-13.00H/A
4	4	618525	7/16-20 BULKHEAD LOCKNUT
5	2	621552	HYD CYL, 3.00 X 16.00 X 1.375
6	16	900128	3/8UNC X 3/4 HEX BOLT
7	8	900303	1/2UNF X 1 1/2 HEX BOLT
8	4	900391	3/4UNC X 1 1/2 FLT SOC CAP SCR
9	16	900395	1-UNC X 2 1/2 SOCKET CAP SCR
10	16	910101	1-8 HEX JAM NUT
11	1	361689	REAR TRD ADJ ACCESS PLT WLD 04
12	2	621553	REPAIR KIT, HYD CYL 621552
13	8	920504	1/2 LOCK WASHER
14	4	342721	TRD ADJ BRONZE BRG W/DIMPLES
15	1	361576	FRT TREAD ADJ ACCESS PLT WLD
16	2	361581	TRD ADJ CYL PIVOT PIN, M/F
17	4	361583	TRD ADJ CYL SPACER, M/F
18	2	361582	TREAD ADJ CYL PIN, OUTER LEG
19	4	342719	TRD ADJ BRONZE BEARING, THD-GRV



REAR TREAD ADJUST ASSEMBLY

DET. QTY PART NO. DESCRIPTION

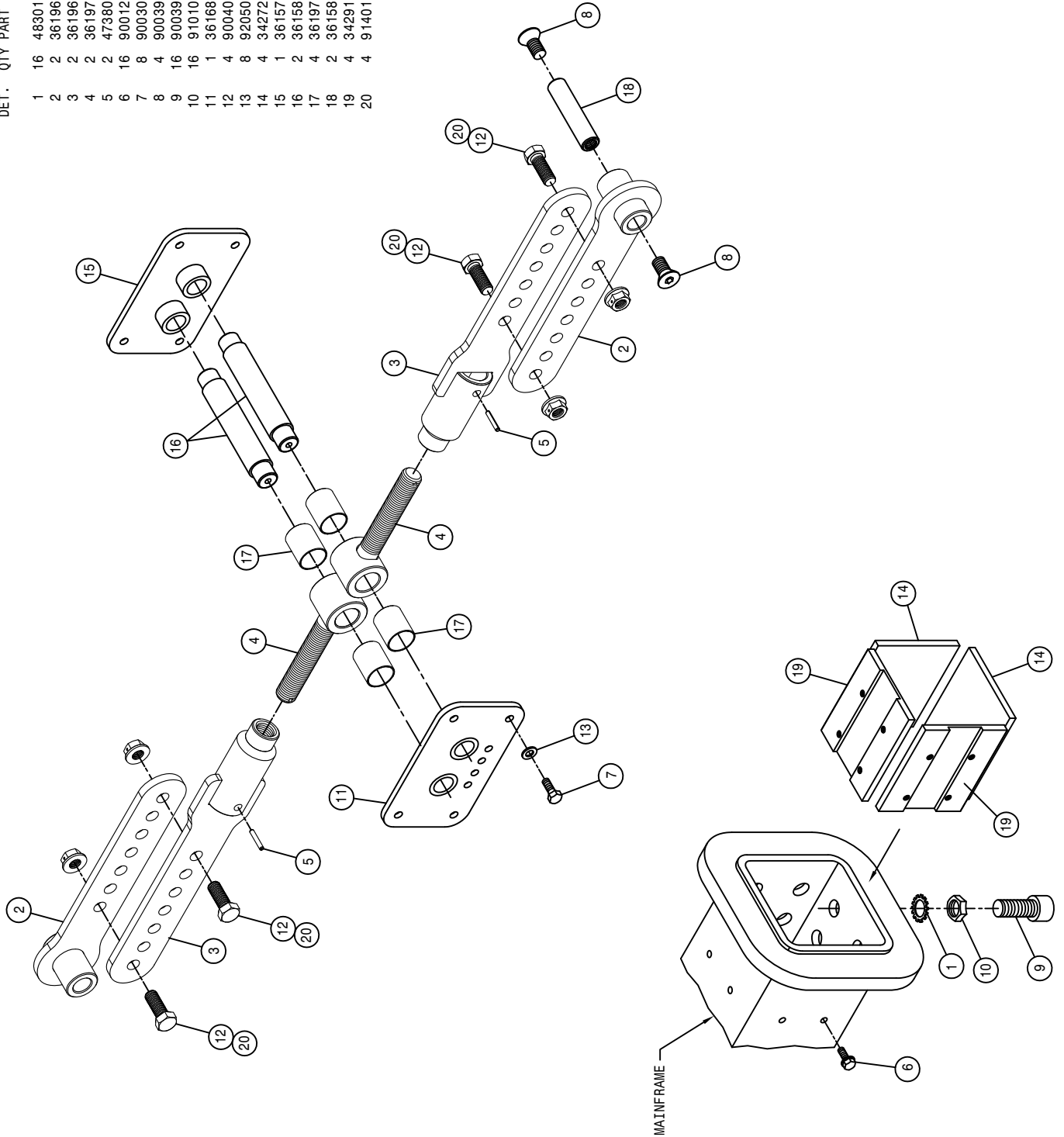
1	16	483018	1" EXTERNAL TOOTH LOCK WASHER
2	2	616070	04-451TC-04MJBH-06MOR-11.00H/A
3	2	616071	04-451TC-04MJBH-06MOR-13.00H/A
4	4	618525	7/16-20 BULKHEAD LOCKNUT
5	2	621552	HYD CYL, 3.00 X 16.00 X 1.375
6	16	900128	3/8UNC X 3/4 HEX BOLT
7	8	900303	1/2UNC X 1 1/2 HEX BOLT
8	4	900391	3/4UNC X 1 1/2 FLT SOC CAP SCR
9	16	900395	1"UNC X 2 1/2 SOCKET CAP SCR
10	16	910101	1-8 HEX JAM NUT
11	2	621553	REPAIR KIT, HYD CYL 621552
12	4	342721	TRD ADJ BRONZE BRG W/DIMPLES
13	8	920504	1/2 LOCK WASHER
14	1	361579	REAR TRD ADJ ACCESS PLT WLD 00
15	1	361697	TREAD ADJ ACCESS PLT WLD 07
16	2	361581	TRD ADJ CYL PIVOT PIN, M/F
17	4	361583	TRD ADJ CYL SPACER, M/F
18	2	361582	TREAD ADJ CYL PIN, OUTER LEG
19	4	342719	TRD ADJ BRONZE BEARING, THD-GRV



FRONT NO TREAD ADJUST ASSEMBLY

DET. QTY PART NO. DESCRIPTION

DET.	QTY	PART NO.	DESCRIPTION
1	16	483018	1" EXTERNAL TOOTH LOCK WASHER
2	2	361964	INNER TREAD ADJ PLT WLD,STS'11
3	2	361967	OUTER TREAD ADJ PLT WLD,STS'11
4	2	361970	TREAD ADJ TIE ROD WLD, STS'11
5	2	473805	ROLL PIN, 1/4 X 1 1/2
6	16	900128	3/8UNC X 3/4 HEX BOLT
7	8	900303	1/2UNF X 1 1/2 HEX BOLT
8	4	900391	3/4UNC X 1 1/2 FLT SOC CAP SCR
9	16	900395	1"UNC X 2 1/2 SOCKET CAP SCR
10	16	910101	1-8 HEX JAM NUT
11	1	361689	REAR TRD ADJ ACCESS PLT WLD 04
12	4	900403	3/4UNC X 2" HEX BOLT
13	8	920504	1/2 LOCK WASHER
14	4	342721	TRD ADJ BRONZE BRG W/DIMPLES
15	1	361576	FRT TREAD ADJ ACCESS PLT WLD
16	2	361581	TRD ADJ CYL PIVOT PIN, M/F
17	4	361973	TREAD ADJ TIE ROD SPACR,STS'11
18	2	361582	TREAD ADJ CYL PIN, OUTER LEG
19	4	342917	TREAD ADJ PLATE, STEEL, THD
20	4	914012	3/4UNC HEX STOVER NUT

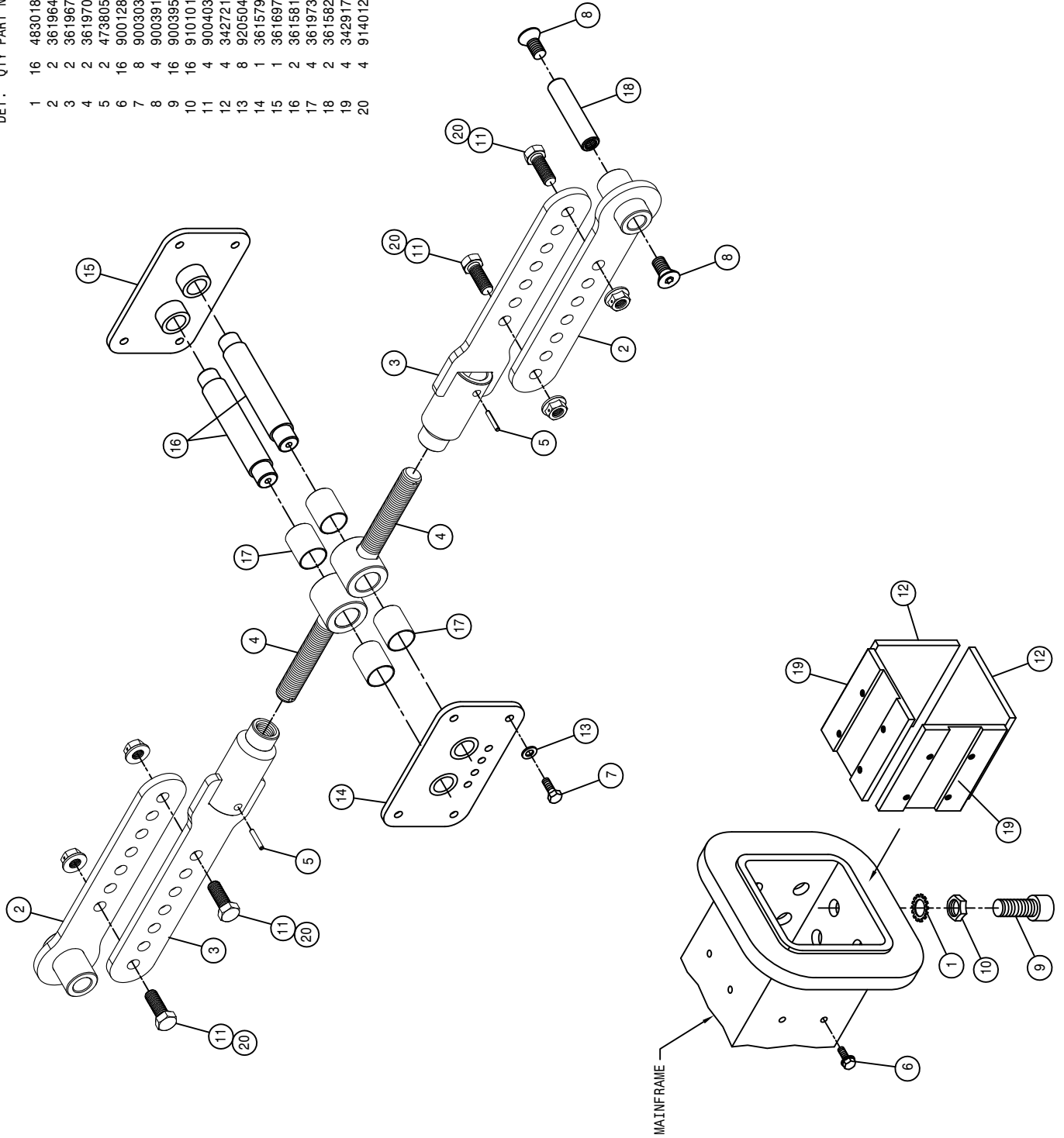




REAR NO TREAD ADJUST ASSEMBLY

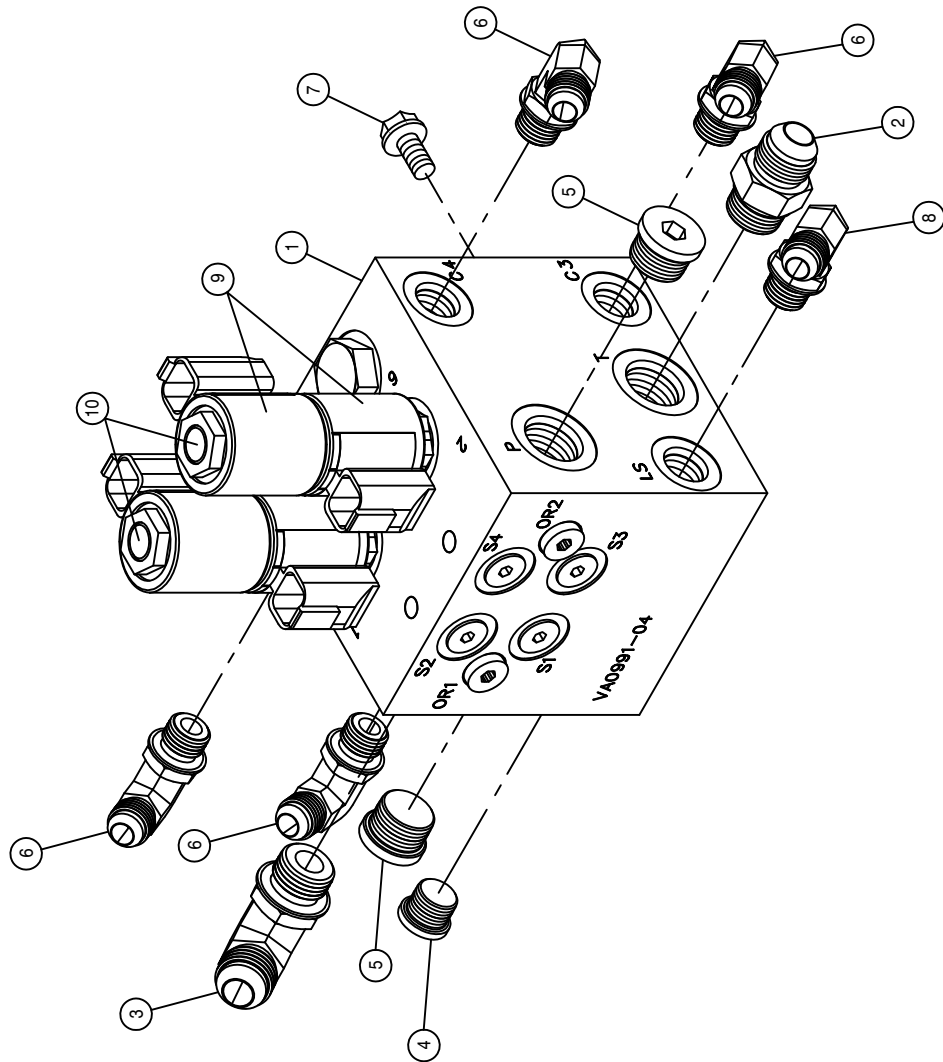
DET. QTY PART NO. DESCRIPTION

1	16	483018	1" EXTERNAL TOOTH LOCK WASHER
2	2	361964	INNER TREAD ADJ PLT WLD,STS'11
3	2	361967	OUTER TREAD ADJ PLT WLD,STS'11
4	2	361970	TREAD ADJ TIE ROD WLD, STS'11
5	2	473805	ROLL PIN, 1/4 X 1 1/2
6	16	900128	3/8UNC X 3/4 HEX BOLT
7	8	900303	1/2UNF X 1 1/2 HEX BOLT
8	4	900391	3/4UNC X 1 1/2 FLT SOC CAP SCR
9	16	900395	1"UNC X 2 1/2 SOCKET CAP SCR
10	16	910101	1-8 HEX JAM NUT
11	4	900403	3/4UNC X 2" HEX BOLT
12	4	342721	TRD ADJ BRONZE BRG W/DIMPLES
13	8	920504	1/2 LOCK WASHER
14	1	361579	REAR TRD ADJ ACCESS PLT WLD 00
15	1	361697	TREAD ADJ ACCESS PLT WLD 07
16	2	361581	TRD ADJ CYL PIVOT PIN, W/F
17	4	361973	TREAD ADJ TIE ROD SPACR,STS'11
18	2	361582	TREAD ADJ CYL PIN, OUTER LEG
19	4	342917	TREAD ADJ PLATE, STEEL, THD
20	4	914012	3/4UNC HEX STOVER NUT



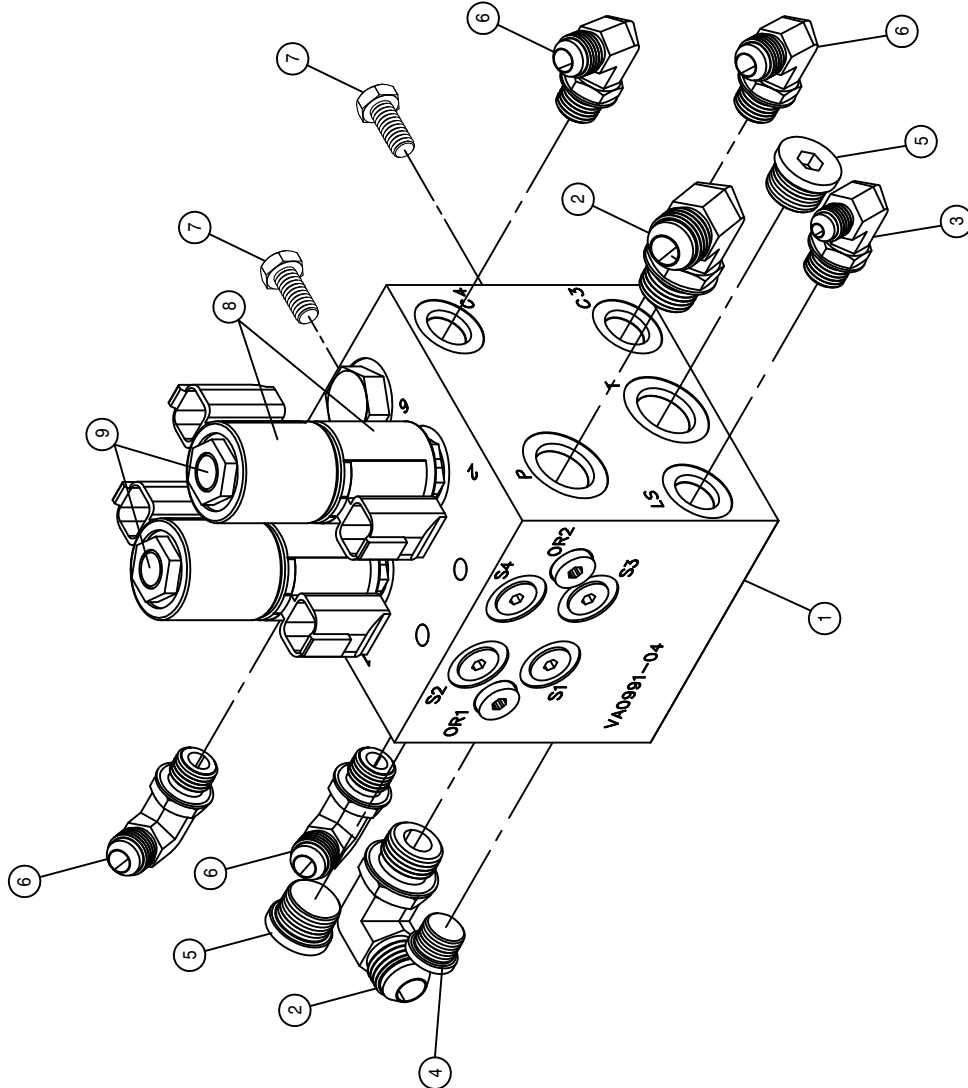
FRONT TREAD ADJUST VALVE ASSEMBLY

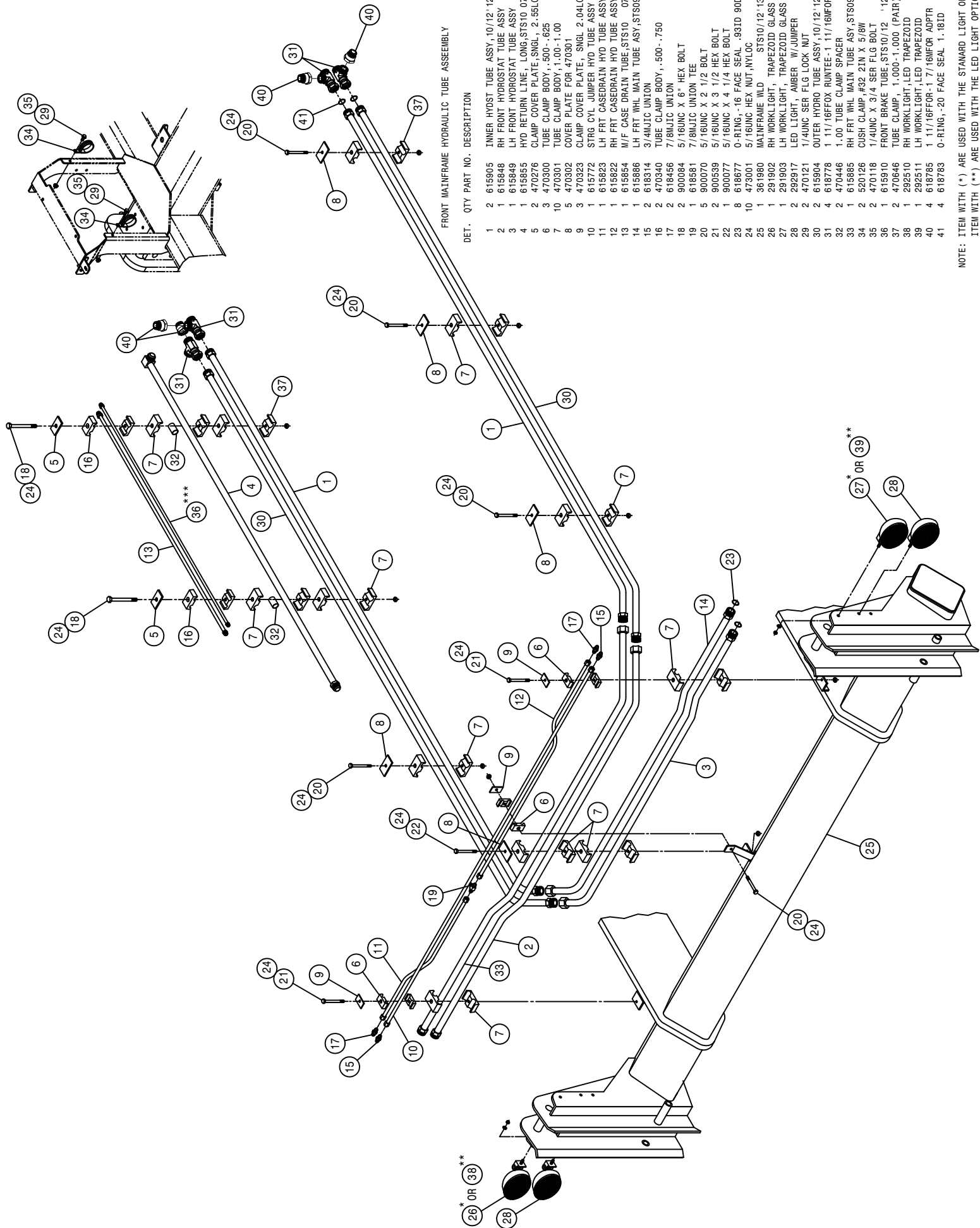
DET.	QTY	PART NO.	DESCRIPTION	PMSYS
1	1	606249	MANIFOLD, TRD ADJ	PMSYS
2	1	611125	3/4MJIC-3/4MOR ADPTR	
3	1	618241	3/4MJIC-90-3/4MOR LBO	
4	1	618754	9/16MOR PLUG, HEX SOCKET	
5	2	618755	3/4MOR PLUG, HEX SOCKET	
6	4	618119	9/16MJIC-90-9/16MOR LBO	
7	2	900064	5/16UNC X 3/4 HEX BOLT	
8	1	618499	7/16MJIC-90-9/16MOR LBO	
9	4	606266	#8 COIL W/DEUTSCH FOR 606210	
10	2	606358	CARTRIDGE SP08-47D, PROP, 3POS	



REAR TREAD ADJUST VALVE ASSEMBLY

DET.	QTY	PART NO.	DESCRIPTION	PMRSYS
1	1	606249	MANIFOLD, TRD ADJ	PMRSYS
2	2	618241	3/4MJIC-90-3/4MOR LBO	
3	1	618499	7/16MJIC-90-9/16MOR LBO	
4	1	618754	9/16MOR PLUG, HEX SOCKET	
5	2	618755	3/4MOR PLUG, HEX SOCKET	
6	4	618119	9/16MJIC-90-9/16MOR LBO	
7	2	900064	5/16UNC X 3/4 HEX BOLT	
8	4	606266	#8 COIL W/DEUTSCH FOR 606210	
9	2	606358	CARTRIDGE SP08-47D, PROP, 3POS	



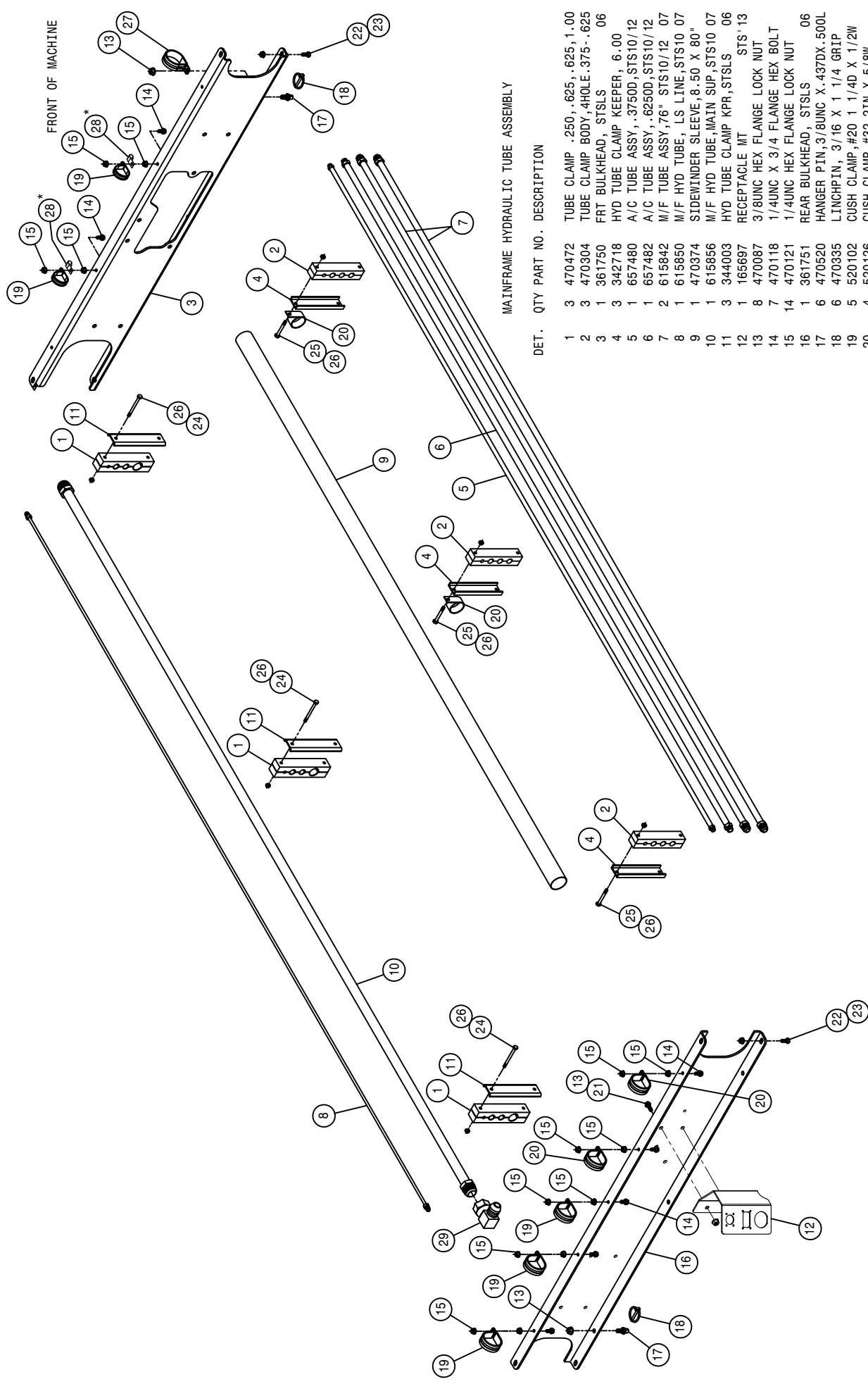


FRONT MAINFRAME HYDRAULIC TUBE ASSEMBLY

DET. QTY PART NO. DESCRIPTION

DET.	QTY	PART NO.	DESCRIPTION
1	2	615905	INNER HYDOST TUBE ASSY, 10/12" 12
2	1	615848	RH FRONT HYDROSTAT TUBE ASSY
3	1	615849	LH FRONT HYDROSTAT TUBE ASSY
4	1	615855	HYD RETURN LINE, LONG, STS10 07
5	2	470276	CLAMP COVER PLATE, SINGL, 2.55LG
6	3	470300	TUBE CLAMP BODY, .500-.625
7	10	470301	TUBE CLAMP BODY, 1.00-1.00
8	5	470302	COVER PLATE FOR 470301
9	3	470323	CLAMP COVER PLATE, SINGL, 2.04LG
10	1	615772	STRG CYL JUMPER HYD TUBE ASSY
11	1	615823	LH FRT CASEDRAIN HYD TUBE ASSY
12	1	615822	RH FRT CASEDRAIN HYD TUBE ASSY
13	1	615854	M/F CASE DRAIN TUBE, STS10 07
14	1	615886	LH FRT WHL MAIN TUBE ASSY, STS09 3/4MUJIC UNION
15	2	618314	TUBE CLAMP BODY, .500-.750
16	2	470340	TUBE CLAMP BODY, .500-.750
17	2	618456	7/8MUJIC UNION
18	2	900084	5/16UNC X 6" HEX BOLT
19	1	618581	7/8MUJIC UNION TEE
20	5	900070	5/16UNC X 2 1/2 BOLT
21	2	900539	5/16UNC X 3 1/2 HEX BOLT
22	1	900077	5/16UNC X 4 1/4 HEX BOLT
23	8	618677	O-RING, -16 FACE SEAL .931D 90D
24	10	473001	5/16UNC HEX NUT, NYLOC
25	1	361980	MAINFRAME WLD STS10/12 13
26	1	291902	RH WORKLIGHT, TRAPEZOID GLASS
27	1	291903	LH WORKLIGHT, TRAPEZOID GLASS
28	2	292917	LED LIGHT, AMBER, W/JUMPER
29	2	470121	1/4UNC SER FLG LOCK NUT
30	2	615904	OUTER HYDRO TUBE ASSY, 10/12" 12
31	4	618778	1 11/16FFX RUNTEE-1 11/16MFOR
32	2	470446	1.00 TUBE CLAMP SPACER
33	1	615885	RH FRT WHL MAIN TUBE ASSY, STS09 3/4SER FLG BOLT
34	2	520126	CUSH CLAMP, #32 2IN X 5/8W
35	2	470118	1/4UNC X 3/4 SER FLG BOLT
36	1	615910	FRONT BRAKE TUBE, STS10/12 12
37	2	470646	TUBE CLAMP, 1.000-1.000 (PAIR)
38	1	292510	RH WORKLIGHT, LED TRAPEZOID
39	1	292511	LH WORKLIGHT, LED TRAPEZOID
40	4	618785	1 11/16FFOR-1 7/16MFOR ADPTR
41	4	618783	O-RING, -20 FACE SEAL 1.181D

NOTE: ITEM WITH (\*) ARE USED WITH THE STANARD LIGHT OPTION.  
 ITEM WITH (\*\*) ARE USED WITH THE LED LIGHT OPTION.  
 ITEM WITH (\*\*\*) IS USED WITH THE HI-TORQUE OPTION.



MAINFRAME HYDRAULIC TUBE ASSEMBLY

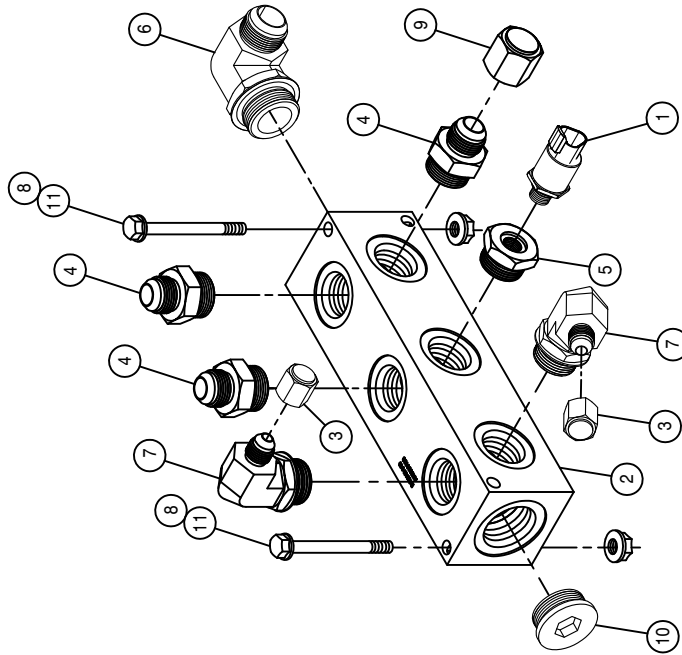
DET. QTY PART NO. DESCRIPTION

DET.	QTY	PART NO.	DESCRIPTION
1	3	470472	TUBE CLAMP .250, .625, .625, 1.00
2	3	470304	TUBE CLAMP BODY, 4HOLE, .375, .625
3	1	361750	FRT BULKHEAD, STSLS 06
4	3	342718	HYD TUBE CLAMP KEEPER, 6.00
5	1	657480	A/C TUBE ASSY, .3750D, STS10/12
6	1	657482	A/C TUBE ASSY, .6250D, STS10/12
7	2	615842	M/F TUBE ASSY, 76" STS10/12 07
8	1	615850	M/F HYD TUBE, LS LINE, STS10 07
9	1	470374	SIDEWINDER SLEEVE, 8.50 X 80"
10	1	615856	M/F HYD TUBE, MAIN SUP, STS10 07
11	3	344003	HYD TUBE CLAMP KPR, STSLS 06
12	1	165697	RECEPTACLE MT STS' 13
13	8	470087	3/8UNC HEX FLANGE LOCK NUT
14	7	470118	1/4UNC X 3/4 FLANGE HEX BOLT
15	14	470121	1/4UNC HEX FLANGE LOCK NUT
16	1	361751	REAR BULKHEAD, STSLS 06
17	6	470520	HANGER PIN, 3/8UNC X .437DX .500L
18	6	470335	LINCHPIN, 3/16 X 1 1/4 GRIP
19	5	520102	CUSH CLAMP, #20 1 1/4 X 1/2W
20	4	520126	CUSH CLAMP, #32 2IN X 5/8W
21	2	900128	3/8UNC X 3/4 HEX BOLT
22	8	900129	3/8UNC X 1" SERR FLANGE BOLT
23	8	910004N	3/8UNC FLANGE CNTR LOCK NUT
24	6	900008	1/4UNC X 2 1/2 HEX BOLT
25	6	900007	1/4UNC X 2" HEX BOLT
26	12	470089	1/4UNC HEX NYLOC NUT, 316 SS
27	1	520161	CUSH CLAMP, #32 2"-D-3/4W LOOP
28	2	520128	CUSH J CLAMP, #9 9/16D X 3/4W
29	1	618640	1 5/16MJ-90-1 5/16FJ SWIV LBO

NOTE: ITEMS WITH (\*) ARE USED WITH THE SIDE FILL OPTION.

HYDRAULIC SUPPLY MANIFOLD ASSEMBLY

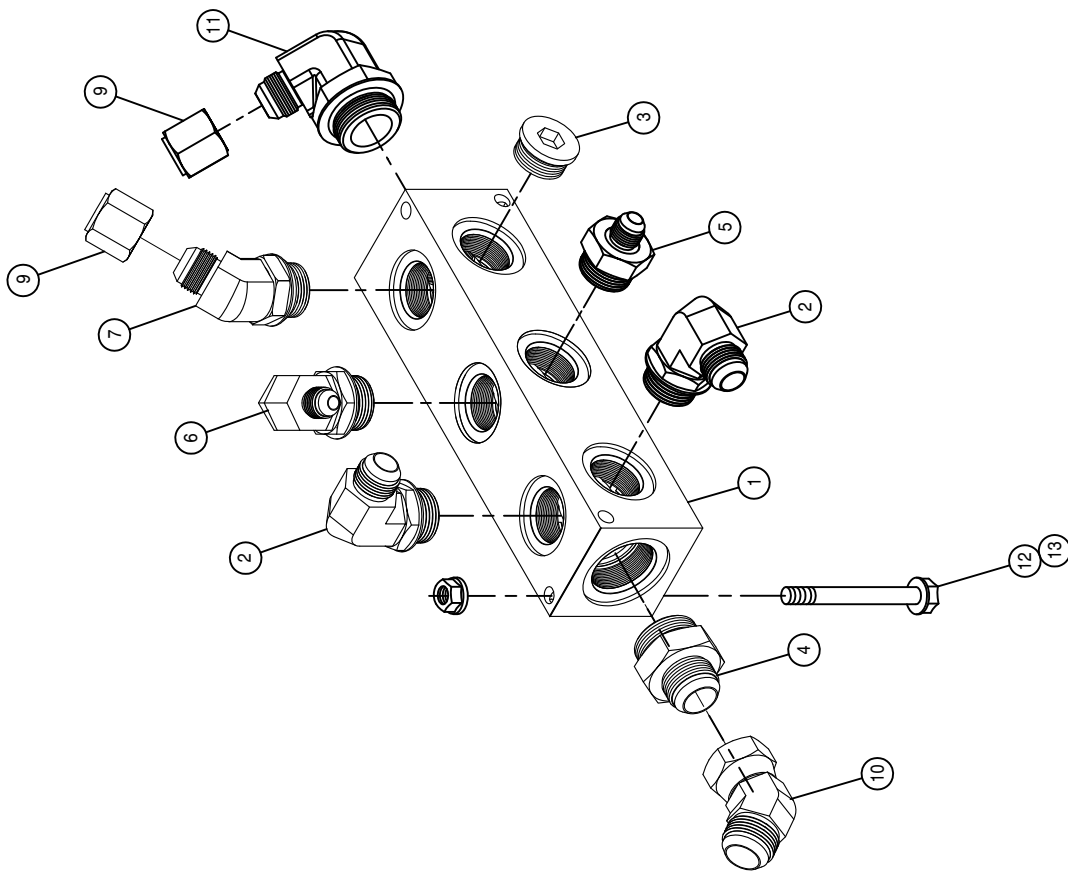
DET.	QTY	PART NO.	DESCRIPTION
1	1	606347	PRESSURE TRANSDUCER, 7500PSI
2	1	606246	MANIFOLD, #16 3-STN 180
3	2	618532	3/4FJIC CAP NUT
4	3	618308	1 1/16MJIC-1 5/16MOR ADPTR
5	1	618397	1 5/16MOR-9/16FOR ADPTR
6	1	618883	1 5/16MJIC-90-1 5/8MOR LBO
7	2	618475	3/4MJIC-90-1 5/16MOR LBO
8	2	470087	3/8UNC HEX FLANGE LOCK NUT
9	1	618533	1 1/16FJIC CAP NUT
10	1	618759	1 5/8MOR PLUG, HEX SOCKET
11	2	900140	3/8UNC X 4" HEX BOLT



FRONT RETURN MANIFOLD ASSEMBLY

DET. QTY PART NO. DESCRIPTION

1	606246	MANIFOLD, #16 3-STN 180
2	618302	1 1/16MJIC-90-1 5/16MOR LBO
3	618758	1 5/16 MOR PLUG, HEX SOCKET
4	618455	1 5/16MJIC-1 5/8MOR ADPTR
5	618470	3/4MJIC-1 5/16MOR ADPTR
6	618475	3/4MJIC-90-1 5/16MOR LBO
7	618831	1 1/16MJIC-45-1 5/16MOR LBO
8	618532	3/4FJIC CAP NUT
9	618533	1 1/16FJIC CAP NUT
10	618630	1 5/16MJ-45-1 5/16FJ SWIV LBO
11	618842	1 1/16MJIC-90-1 5/8MOR LBO
12	470087	3/8UNC HEX FLANGE LOCK NUT
13	900139	3/8UNC X 3 3/4 HEX BOLT

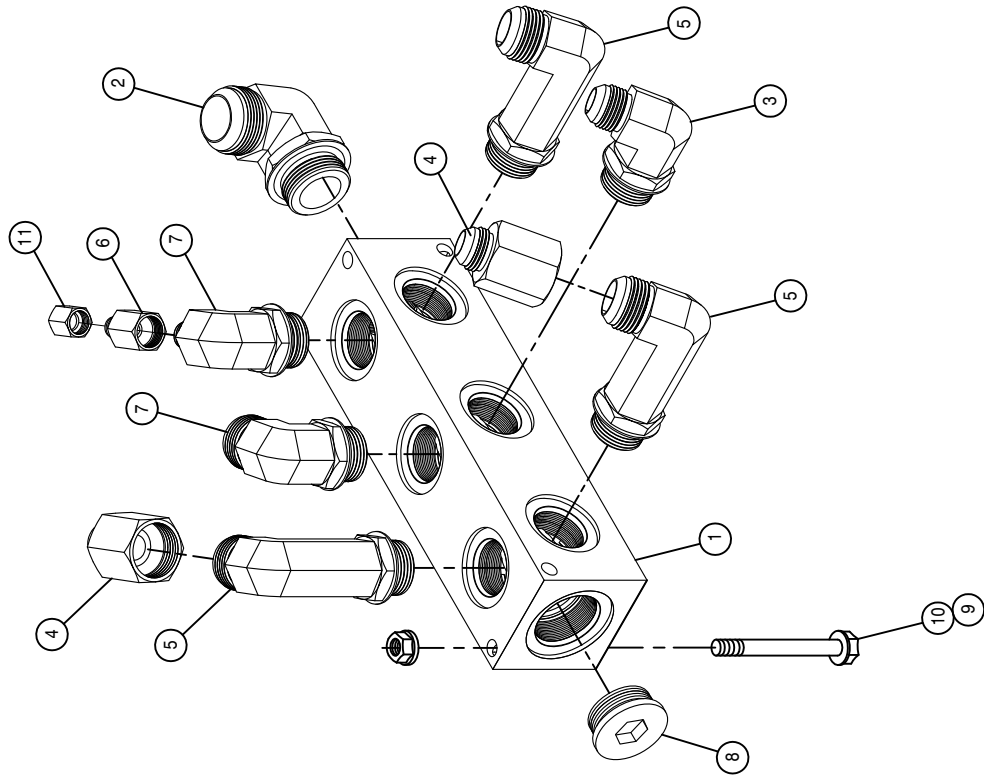




CASE DRAIN MANIFOLD ASSEMBLY

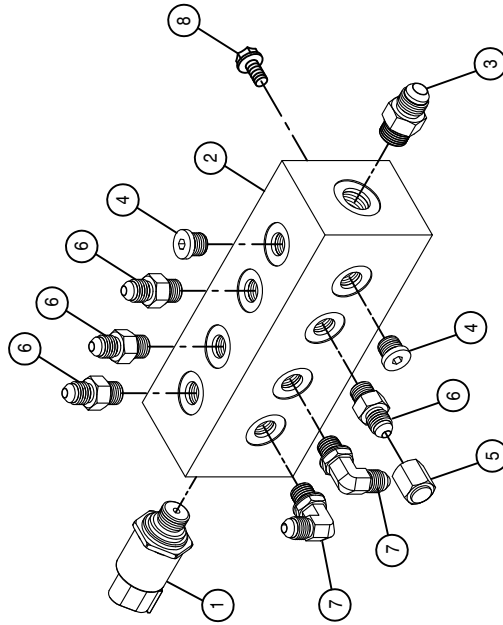
DET. QTY PART NO. DESCRIPTION

DET.	QTY	PART NO.	DESCRIPTION
1	1	606246	MANIFOLD, #16 3-STN 180
2	1	618477	1 5/8MJIC-90-1 5/8MOR LBO
3	1	618302	1 1/16MJIC-90-1 5/16MOR LBO
4	2	618541	1 5/16FJIC-1 1/16MJIC ADPTR
5	3	618463	1 5/16MJIC-90-1 5/16MOR XL LBO
6	1	618482	3/4FJIC-9/16MJIC ADPTR
7	2	618475	3/4MJIC-90-1 5/16MOR LBO
8	1	618759	1 5/8MOR PLUG, HEX SOCKET
9	2	470087	3/8UNC HEX FLANGE LOCK NUT
10	2	900139	3/8UNC X 3 3/4 HEX BOLT
11	1	618531	9/16FJIC CAP NUT



LS MANIFOLD ASSEMBLY

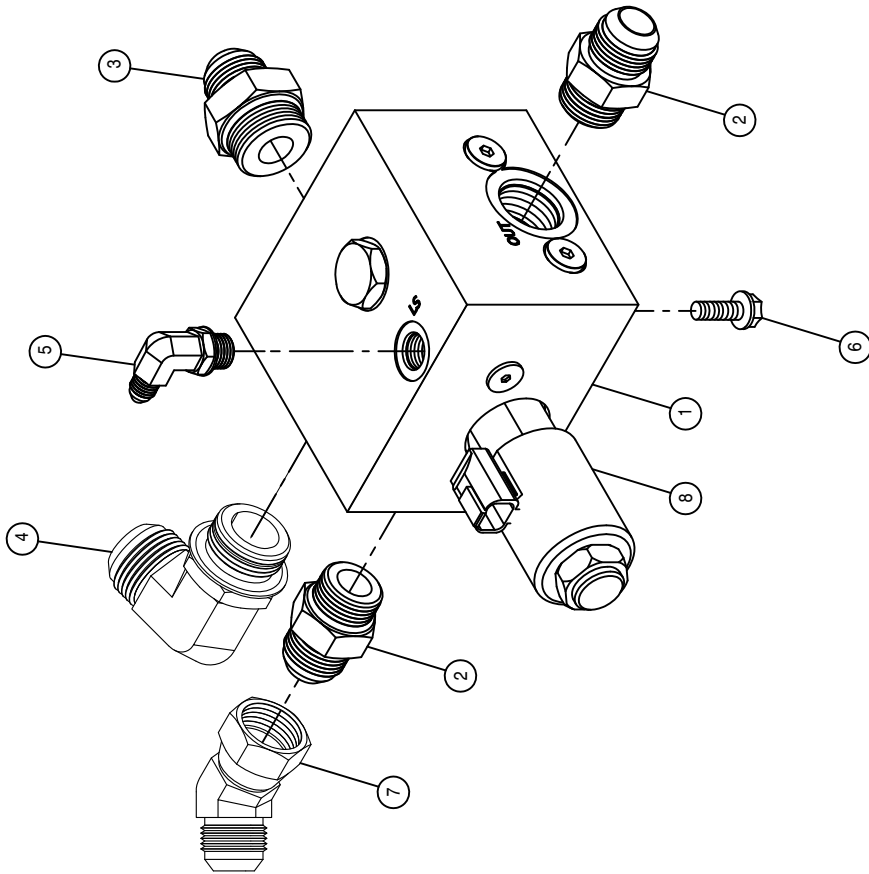
DET.	QTY	PART NO.	DESCRIPTION
1	1	606347	PRESSURE TRANSDUCER, 7500PSI
2	1	606517	LS MANIFOLD
3	1	618126	9/16MJIC-9/16MOR ADPTR
4	2	618753	7/16MOR PLUG, HEX SOCKET
5	1	618363	7/16FJIC CAP NUT
6	4	618467	7/16MJIC-7/16MOR ADPTR
7	2	618473	7/16MJIC-90-7/16MOR LBO
8	2	900128	3/8UNC X 3/4 HEX BOLT



SOLUTION PUMP CONTROL VALVE ASSEMBLY

DET. QTY PART NO. DESCRIPTION

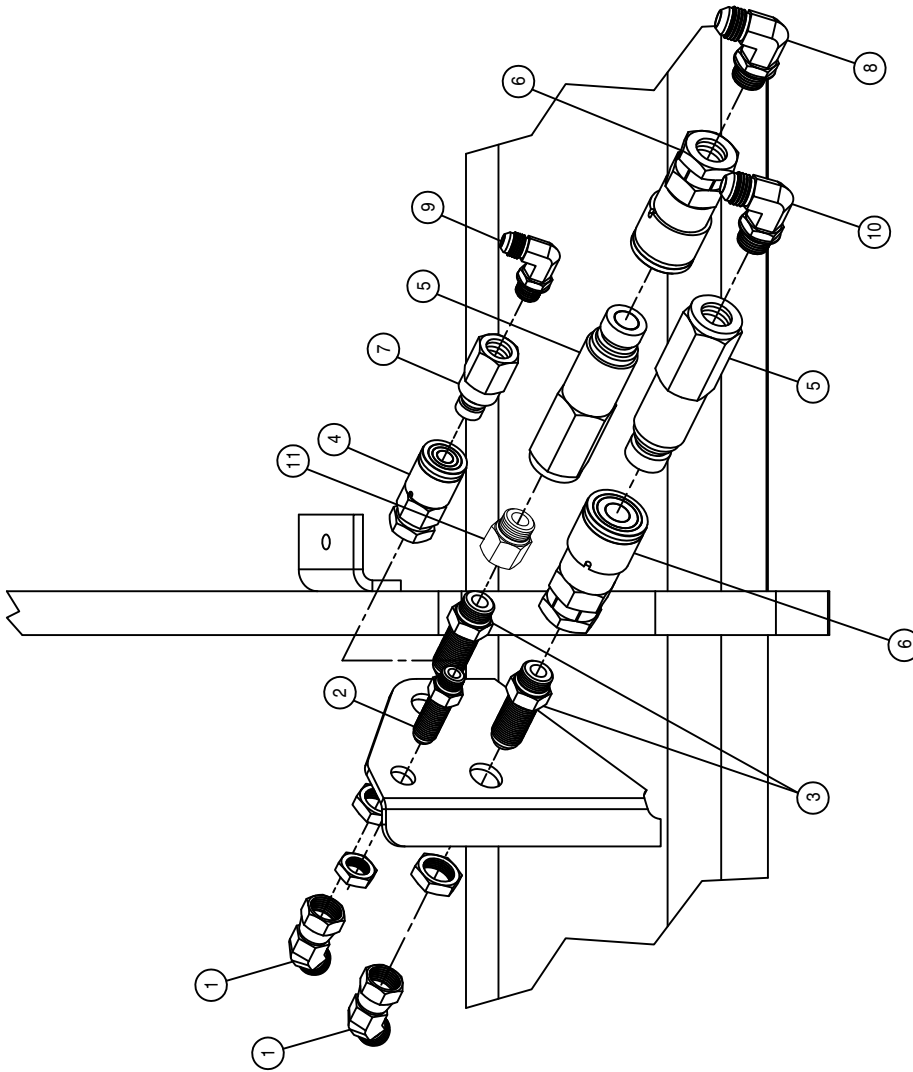
1	1	606253	CTRL VALVE,SOLU PUMP	SAUER
2	2	611127	1 1/16MJIC-1 1/16MOR ADPTR	
3	1	618308	1 1/16MJIC-1 5/16MOR ADPTR	
4	1	618178	1 5/16MJIC-90-1 5/16MOR LBO	
5	1	618499	7/16MJIC-90-9/16MOR LBO	
6	4	900129	3/8UNC X 1" SERR FLANGE BOLT	
7	1	618529	1 1/16MJ-45-1 1/16FJ SWIV LBO	
8	1	606308	COIL FOR VLV 606253	



QUICK CONNECT ASSEMBLY

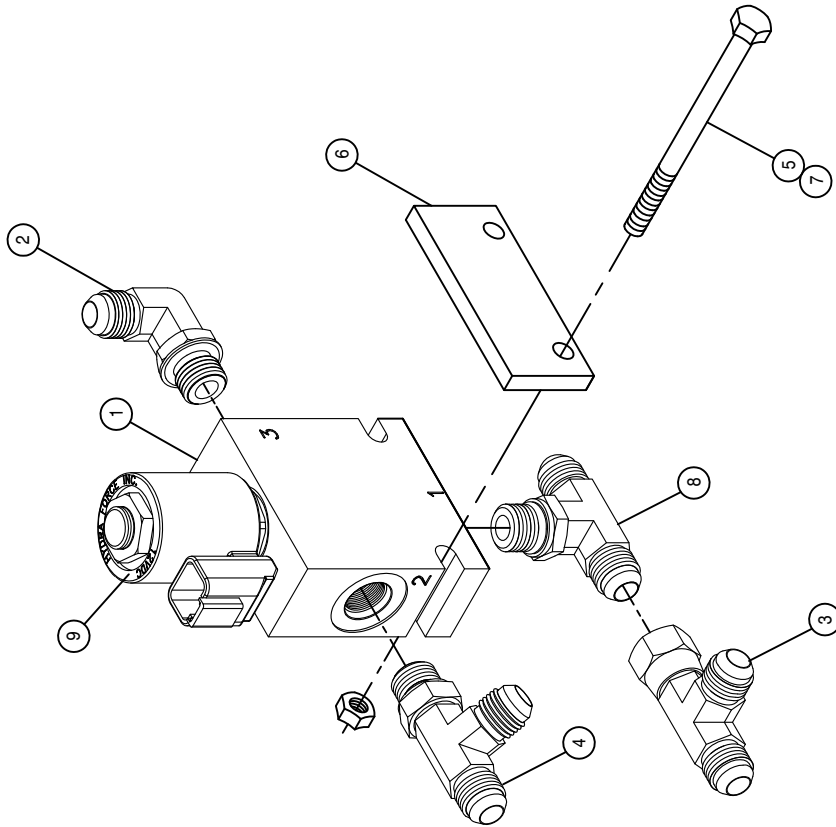
DET. QTY PART NO. DESCRIPTION

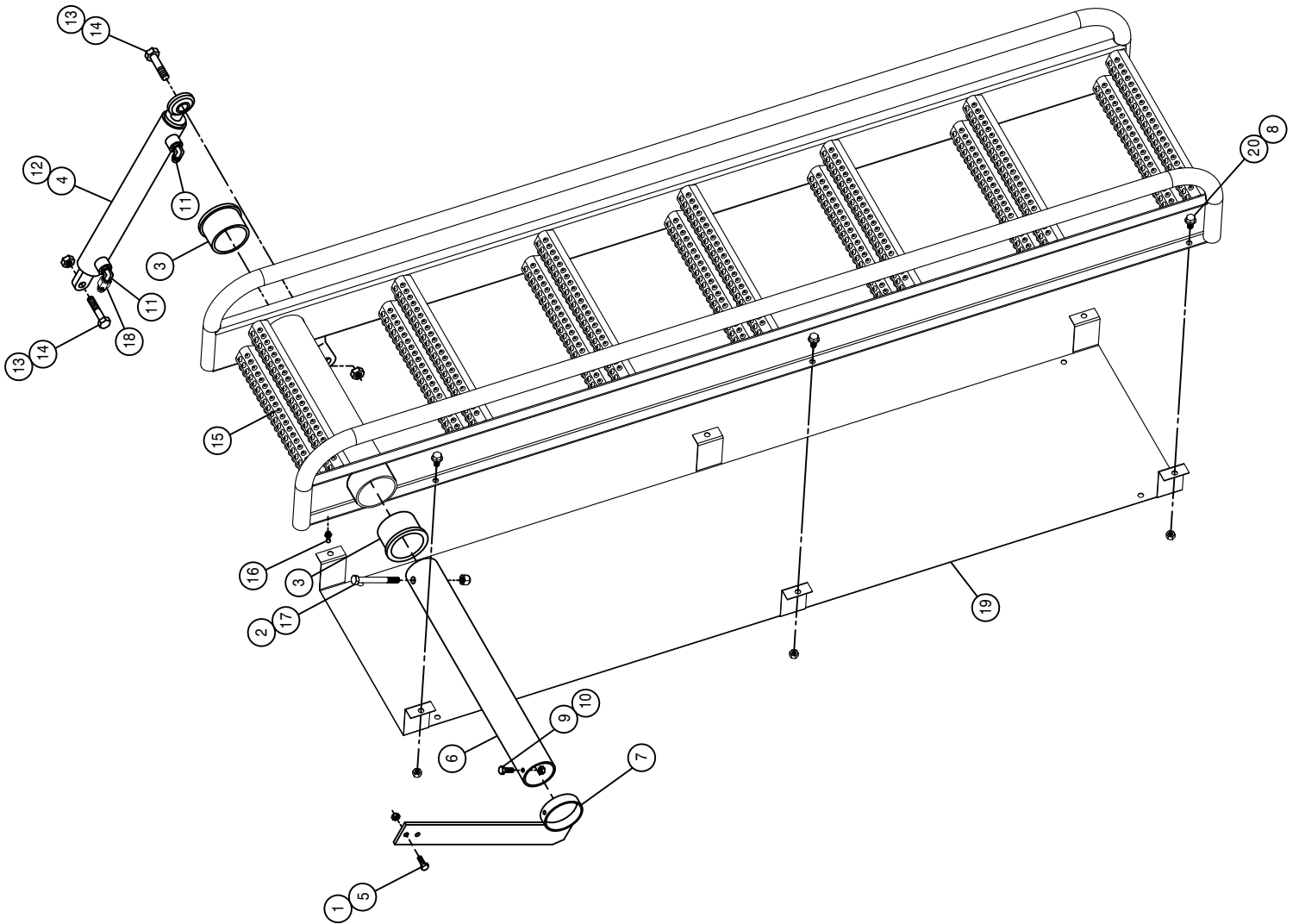
1	2	618590	3/4MJIC-45-3/4FJIC SWIV LBO
2	1	618769	9/16MJIC-9/16MOR BLKHD ADPT
3	2	618770	3/4MJIC-3/4MOR BLKHD ADPT
4	1	618805	HYD CPLR, FEM #14, 9/16FOR
5	2	618806	HYD CPLR, FEM #12, 7/8FOR
6	2	618807	HYD CPLR, FEM #12, 3/4FOR
7	1	618804	HYD CPLR, MALE #14, 9/16FOR
8	1	618241	3/4MJIC-90-3/4MOR LBO
9	1	618119	9/16MJIC-90-9/16MOR LBO
10	1	618183	3/4MJIC-90-7/8MOR LBO
11	1	618171	7/8MOR-3/4FOR ADPTR



LADDER AND BRAKE ASSEMBLY

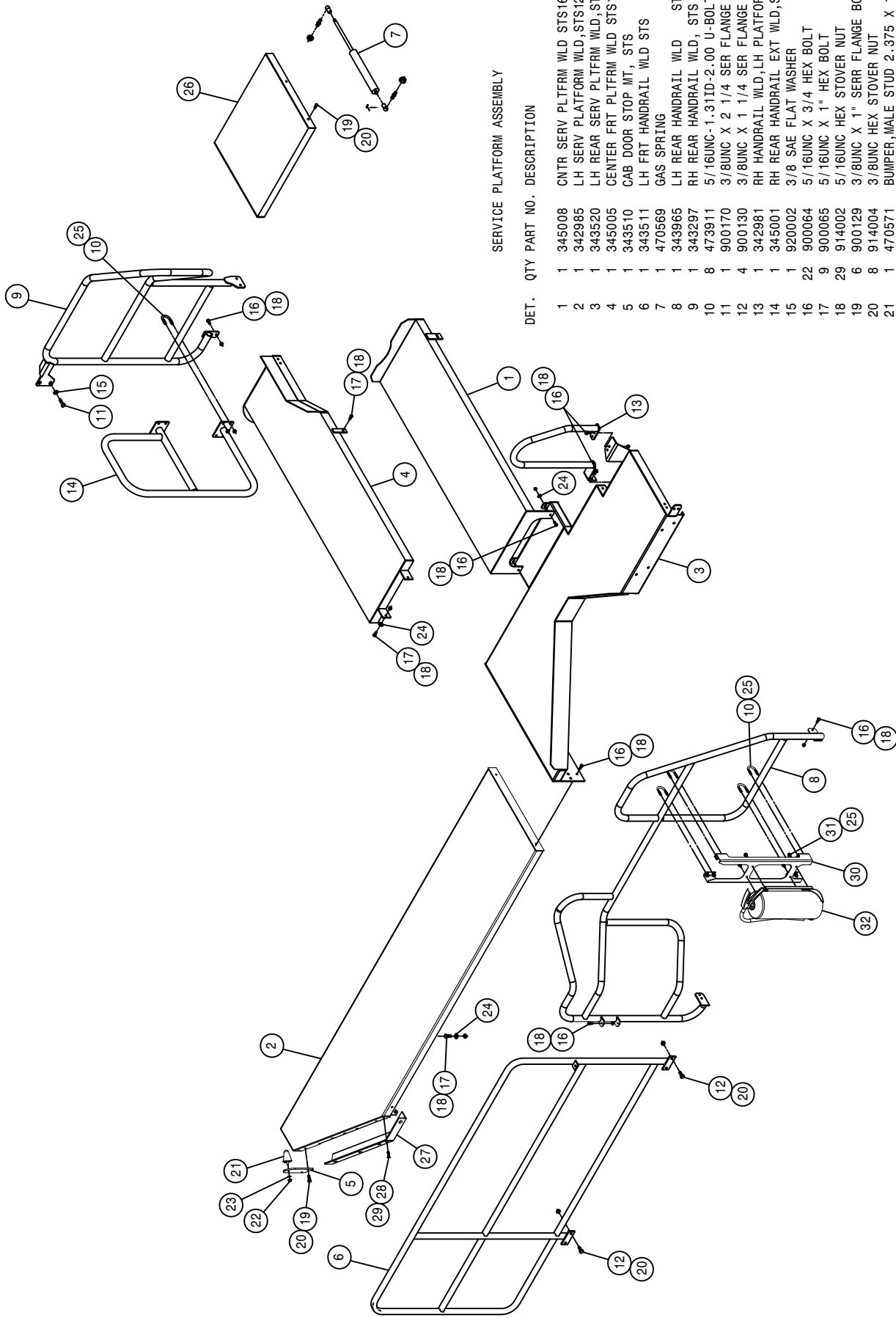
DET.	QTY	PART NO.	DESCRIPTION
1	1	606213	HYD SOLE VLV.2P.-3W,9/16FOR 05
2	1	618119	9/16MJIC-90-9/16MOR LBO
3	1	618486	9/16FJIC SW RUN TEE-9/16MJIC
4	1	618444	9/16MOR RUN TEE-9/16MJIC
5	2	900007	1/4UNC X 2" HEX BOLT
6	1	342826	SOLE VLV SPACER
7	2	914000	1/4UNC HEX STOVER NUT
8	1	618629	9/16MOR BRANCH TEE-9/16MJIC
9	1	606266	#8 COIL W/DEUTSCH FOR 606210





LADDER ASSEMBLY

DET.	QTY	PART NO.	DESCRIPTION
1	2	914002	5/16UNC HEX STOVER NUT
2	1	473007	1/2UNC HEX NUT, NYLOC
3	2	121102	LADDER PIVOT BEARING POLYGON
4	1	621554	HYD CYL, 1.50 X 12.25 X .750
5	2	900065	5/16UNC X 1" HEX BOLT
6	1	342805	LADDER MT TUBE
7	1	342806	LH PLTRM SUPP BRKT WILD, STS12
8	6	914004	3/8UNC HEX STOVER NUT
9	1	914000	1/4UNC HEX STOVER NUT
10	1	900003	1/4UNC X 1" HEX BOLT
11	2	618119	9/16INJIC-90-9/16MOR LBO
12	1	621555	REPAIR KIT, HYD CYL 621554
13	2	914008	1/2UNC HEX STOVER NUT
14	2	900267	1/2UNC X 2" HEX BOLT
15	1	343808	LADDER WLDMNT, STS10/16 '11
16	1	471005	GREASE ZERK, 1/4-28 X 1/2
17	1	900275	1/2UNC X 4 1/2 HEX BOLT
18	1	618733	9/16JIC .042 ORIFICE ADPTR
19	1	344009	STEP BACKPLATE, STS CE '11
20	6	900128	3/8UNC X 3/4 HEX BOLT

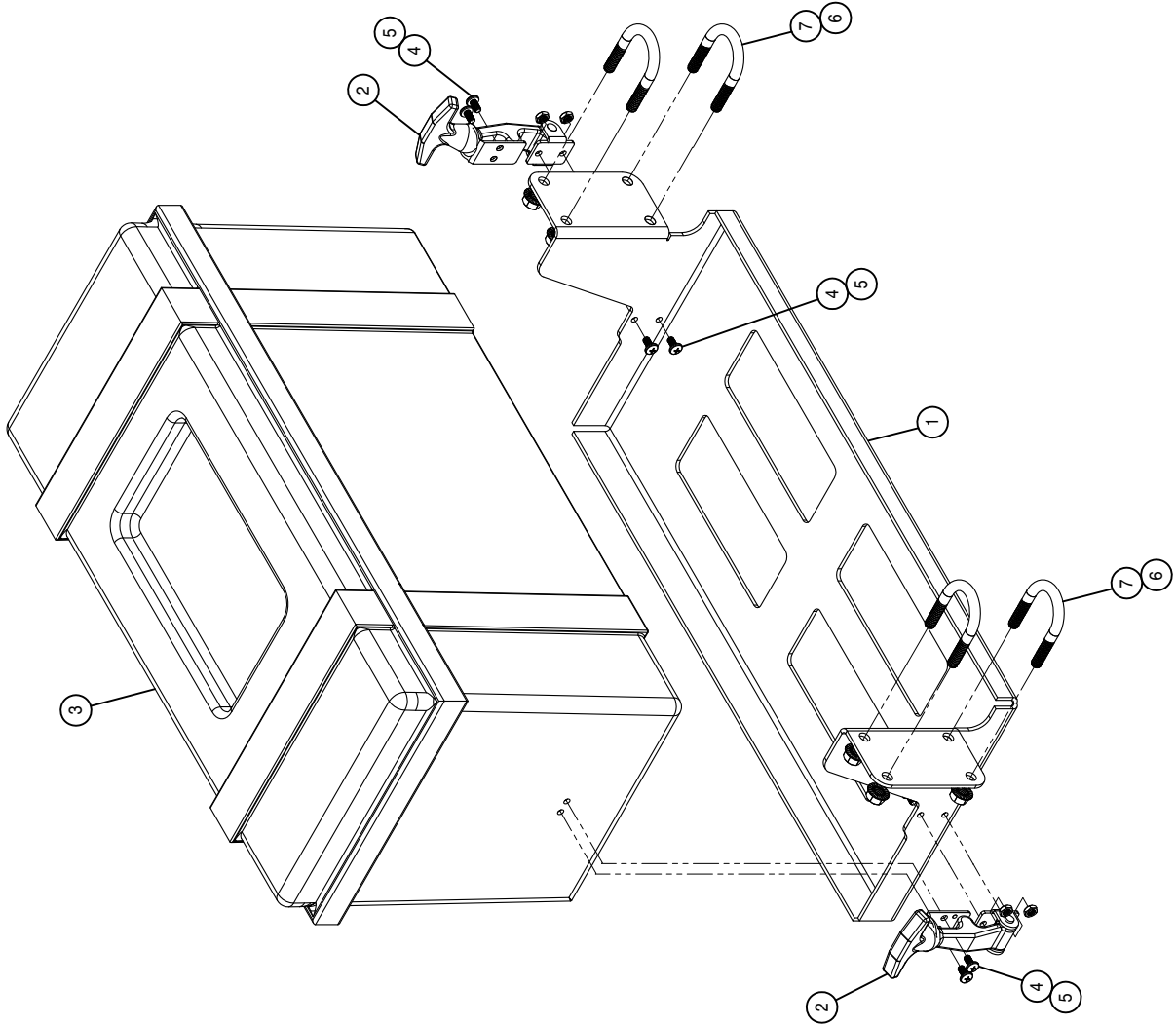


SERVICE PLATFORM ASSEMBLY

DET.	QTY	PART NO.	DESCRIPTION
1	1	345008	CNTR SERV PLTFRM WLD STS'16 07
2	1	342985	LH SERV PLTFRM WLD,STS'12 05
3	1	343520	LH REAR SERV PLTFRM WLD,STS 05
4	1	345005	CENTER FRT PLTFRM WLD,STS'16 07
5	1	343510	CAB DOOR STOP MT, STS 05
6	1	343511	LH FRT HANDRAIL WLD STS 05
7	1	470569	GAS SPRING
8	1	343965	LH REAR HANDRAIL WLD STS'12
9	1	343297	RH REAR HANDRAIL WLD, STS 04
10	8	473911	5/16UNC-1.31ID-2.00 U-BOLT
11	1	900170	3/8UNC X 2 1/4 SER FLANGE BOLT
12	4	900130	3/8UNC X 1 1/4 SER FLANGE BOLT
13	1	342981	RH HANDRAIL WLD,LH PLTFORM 05
14	1	345001	RH REAR HANDRAIL EXT WLD,STS06
15	1	920002	3/8 SAE FLAT WASHER
16	22	900064	5/16UNC X 3/4 HEX BOLT
17	9	900065	5/16UNC X 1" HEX BOLT
18	29	914002	5/16UNC HEX STOVER NUT
19	6	900129	3/8UNC X 1" SERR FLANGE BOLT
20	8	914004	3/8UNC HEX STOVER NUT
21	1	470571	BUMPER,MALE STUD 2.375 X 1.75
22	1	470087	3/8UNC HEX FLANGE LOCK NUT
23	1	920502	3/8 LOCK WASHER
24	12	920001	5/16 SAE FLAT WASHER
25	20	470113	5/16UNC HEX FLANGE LOCK NUT
26	1	343304	ENG CMPRTMNT PLTFRM WLD,STS 04
27	1	343993	CATWALK HOSE GUARD,UHMM
28	5	472286	3/8UNC-1 1/4-SKT FLTHD CAP SCR
29	5	910004N	3/8UNC FLANGE CNTR LOCK NUT
30	1	343199	FIRE EXTINGUISHER MT STS'12
31	4	900062	5/16UNC X 1/2 HEX BOLT
32	1	490508	FIRE EXTINGUISHER 10LB ABC

TOOLBOX ASSEMBLY

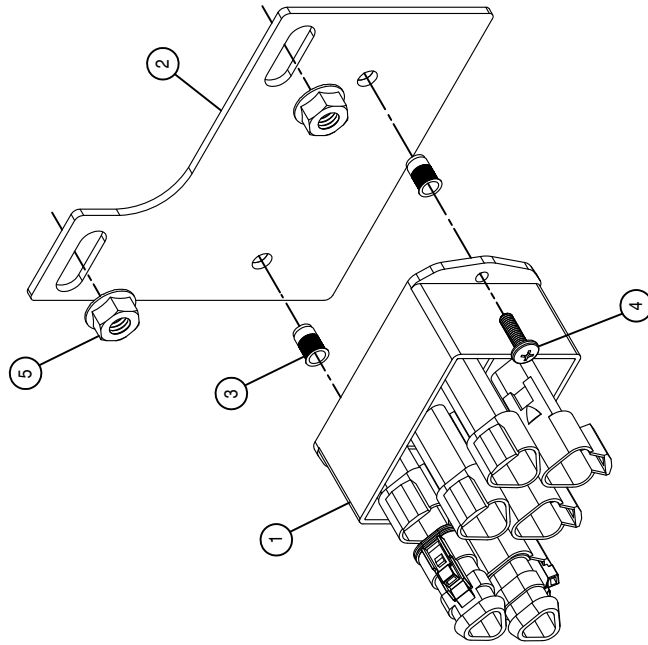
DET.	QTY	PART NO.	DESCRIPTION	'12
1	1	345042	TOOLBOX MT BASE, STS	
2	2	470643	RUBBER DRAW LATCH	
3	1	470841	TOOLBOX	
4	8	903884	10-32X3/8 PHIL PANHD MACH SCR	
5	8	914027	10-32 HEX STOVER NUT	
6	8	470113	5/16UNC HEX FLANGE LOCK NUT	
7	4	473911	5/16UNC-1.31ID-2.00 U-BOLT	





J1939 JUNCTION MODULE ASSEMBLY

DET.	QTY	PART NO.	DESCRIPTION
1	1	292406	DATA LINK MODULE 99-6DLM
2	1	343697	J1939 MOUNTING BRKT STS '12
3	2	470384	10-32 NUTSERT .020-.130 STL
4	2	903710	10-32X5/8 PHIL PANHD MACH SCR
5	2	470087	3/8UNC HEX FLANGE LOCK NUT



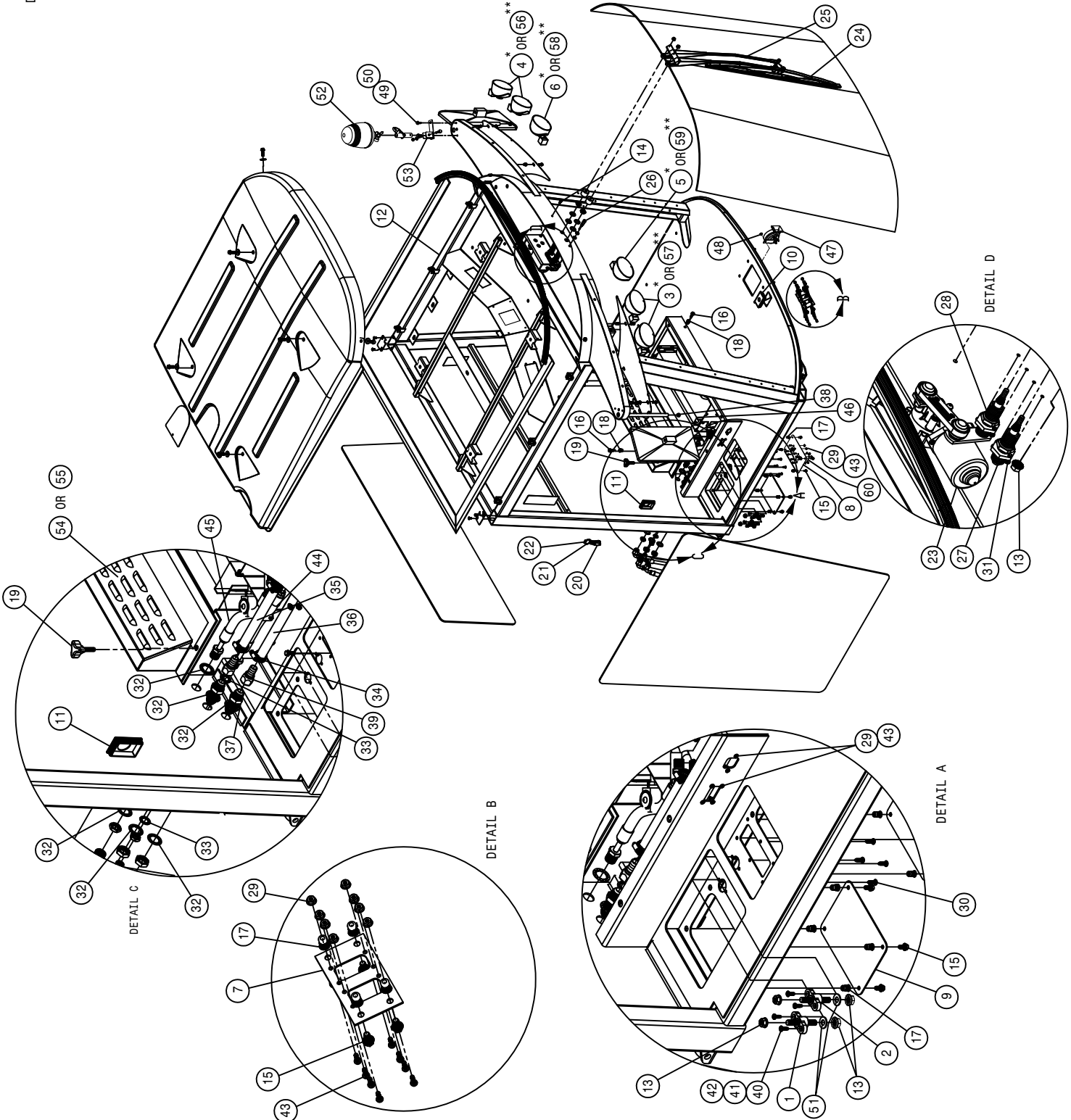
CAB ASSEMBLY (FRONT VIEW)

DET. QTY PART NO. DESCRIPTION

1	291749	TERM BLOCK, BLACK, 3/8-16 THRU
2	291750	TERM BLOCK, RED, 3/8-16 THRU
3	291900	RH WORKLIGHT, FLOOD GLASS
4	291901	LH WORKLIGHT, FLOOD GLASS
5	291902	RH WORKLIGHT, TRAPEZOID GLASS
6	291903	LH WORKLIGHT, TRAPEZOID GLASS
7	343431	STRG COLUMN ELECT PANEL, STS 05
8	343665	AUX ACCESS COVER, 2-PORT STS 08
9	343433	AUX ACCESS COVER, STS 05
10	343552	CAPLUG, 2X3 W/.75 HOLE, STS 05
11	343553	CAPLUG, 2X3 W/1.31 HOLE, STS 05
12	343985	CAB WLD STS '13
13	470087	3/8UNC HEX FLANGE LOCK NUT
14	470118	1/4UNC X 3/4 FLANGE HEX BOLT
15	470122	1/4UNC X 1/2 FLANGE HEX BOLT
16	470234	5/16UNC X 1" FLANGE HEX BOLT
17	470380	1/4-20 NUTSERT .027-.165 STL
18	470381	5/16-18 NUTSERT .027-.150 STL
19	470393	KNOB, 3-BLADE BLK, 5/16-18X1 1/2
20	470397	RES-Q-ME TOOL
21	470398	BEAD CHAIN, #10 X 4" LONG
22	470400	BEAD CHAIN CONNECTOR #10 WHITE
23	470426	MOTOR, WINDSHIELD WIPER, STS 05
24	470427	BLADE, WINDSHIELD WIPER, STS 05
25	470428	ARM, WINDSHLD WIPER BLADE, STS 05
26	470429	SPRAY JET, WINDSHLD WIPER, STS 05
27	470503	SLAVE SHAFT, WINDSHIELD WIPER
28	470504	PIVOT SHAFT, 2.337 BALL STUD
29	470463	8-32 SERR. FLANGE NUT
30	470465	#12 X 3/4 PHIL PAN SHT MTL SCR
31	472238	12-24 X 1/2 PHIL PAN HD SCR
32	483019	7/8" INTERNAL TOOTH LOCK WASHER
33	483020	5/8" INTERNAL TOOTH LOCK WASHER
34	520080	HOSE CLAMP NO 10 STAINLESS
35	601678	HOSE, 5/8 X 8 HEATER
36	601679	HOSE, 5/8 X 13 HEATER
37	618497	7/8UNJIC-7/8UNJIC BLKHD UNION
38	629762	CAPPLUGS PLUG, 5/8" RD, BLK POLY
39	711101	5/8 HOSE BARB-7/8FJX ADPTR, BRN
40	903706	10-32X1/2 PHIL PAN MACH SCR
41	920510	#10 LOCK WASHER
42	910027	10-32 HEX NUT
43	903844	8-32 X 1/2 PHIL PANHD MACH SCR
44	657475	A/C HOSE ASSY, 5/16X12.50 BLKHD
45	657476	A/C HOSE ASSY, 1/2X12.50 BLKHD
46	657500	A/C & HEATER BLOWER SYS, STS 07
47	290062	HORN, FREEWAY BLASTER 130 DB
48	470121	1/4UNC HEX FLANGE LOCK NUT
49	470113	5/16UNC HEX FLANGE LOCK NUT
50	470233	3/8 LOCK WASHER
51	920502	1/4UNC X 3/4 FLANGE HEX BOLT
52	290059	BEACON, 12V AMBER HALOGEN
53	290060	A/C PAPER AIR FILTER
54	657463	A/C PAPER AIR FILTER
55	657464	A/C CHARCOAL AIR FILTER
56	292506	RH WORKLIGHT, LED FLOOD, HMC MT
57	292507	LH WORKLIGHT, LED FLOOD, HMC MT
58	292513	LH WORKLIGHT, LED TRAP, HMC MT
59	292512	RH WORKLIGHT, LED TRAP, HMC MT
60	343658	COVER PLT, AUX ACCESS STS '12

NOTE: ITEMS WITH A (\*) ARE USED WITH THE STANDARD LIGHT OPTION.

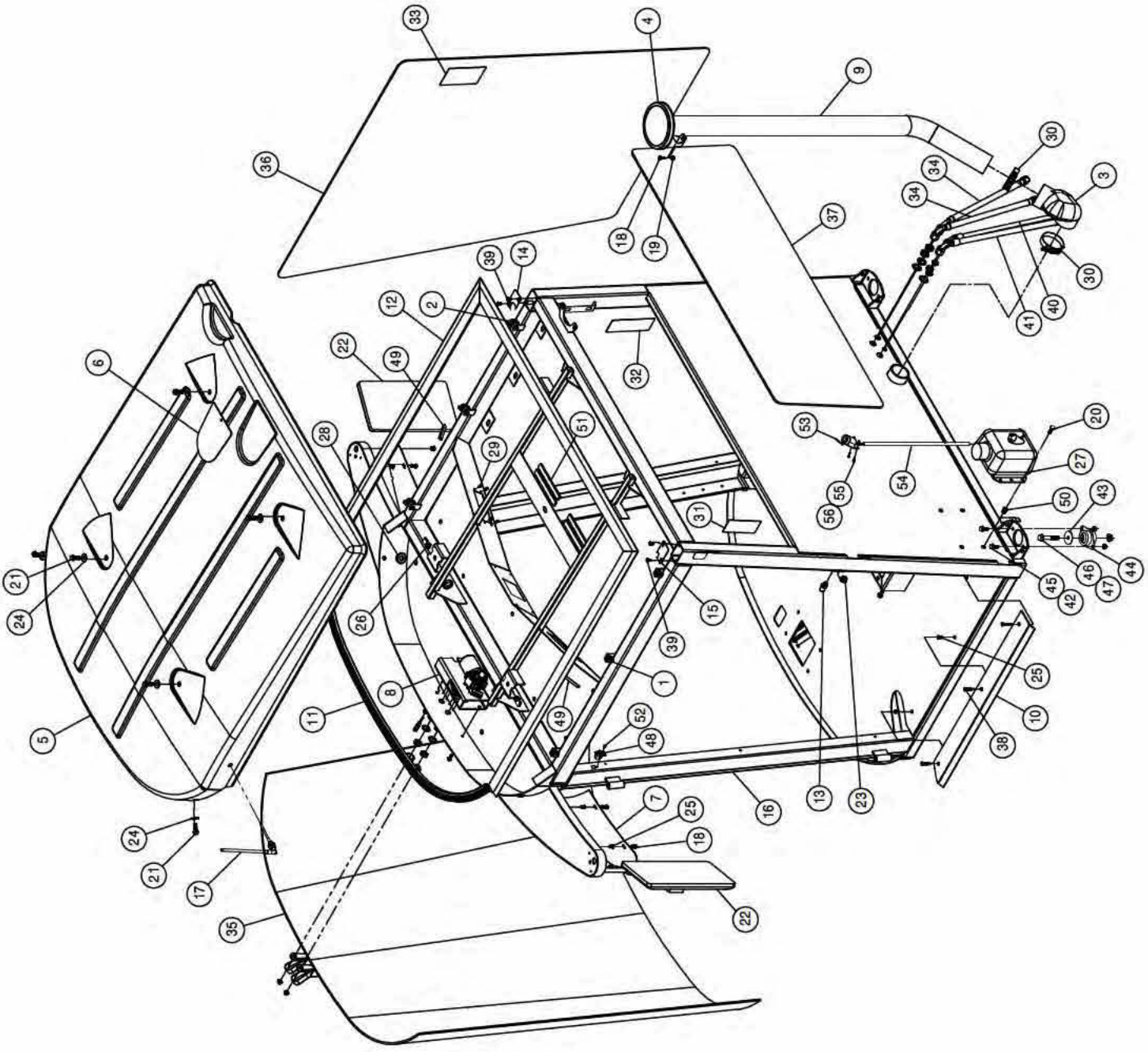
ITEMS WITH (\*\*) ARE USED WITH THE LED LIGHT OPTION.



CAB ASSEMBLY (REAR VIEW)

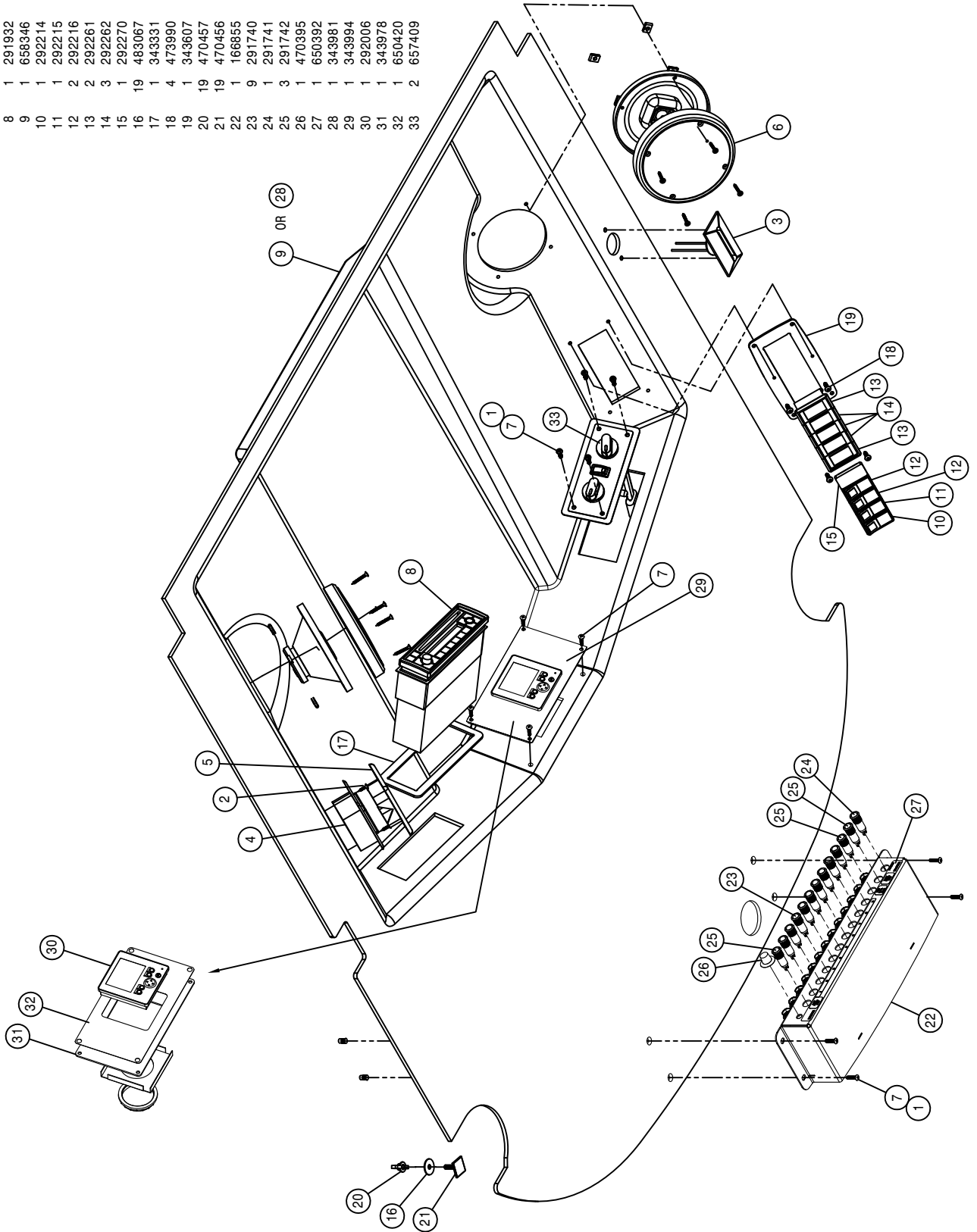
DET. QTY PART NO. DESCRIPTION

1	4	291009	ROSEBUD CLIP FOR .625 CONDUIT
2	4	291010	ROSEBUD CLIP FOR 1.000 CONDUIT
3	1	311533	3.00 90 DEG COBRA ELBOW RUBBER
4	1	311534	RAIN CAP, 3.00 PLASTIC
5	1	343824	CAB ROOF
6	1	343351	GFS MTG PLATE, STS CAB
7	2	343352	LWR LIGHT MT COVER, STS CAB
8	1	343712	WIPER MTR MT WLD, STS CAB
9	1	343422	HVAC INTAKE TUBE WLD, STS CAB
10	1	343434	CAB ENTRY STEP PLATE, STS
11	1	343582	FRT CAB ROOF SEAL, STS CAB
12	1	343583	CAB ROOF SEAL, STS CAB
13	1	470417	STRIKER PIN ASSY
14	1	343605	RH REAR CORNER POST CAP, STS
15	1	343606	LH REAR CORNER POST CAP, STS
16	1	343985	CAB WLD
17	1	291214	ANTENNA
18	10	470118	1/4UNC X 3/4 HHSFB GR5 MC
19	2	470121	1/4UNC SER FLG LOCK NUT
20	4	470234	5/16UNC X 1" SER FLG HEX BOLT
21	6	470329	3/8UNC X 1 1/4 SER FLG HEX BOLT
22	2	470348	MIRROR STS10 & STS12
23	1	473852	12MM-1.75 SERR FLANGE NUT, ZINC
24	6	470377	3/8 X 1 3/16 BONDED WASHER SS
25	11	910127	1/4-20 NUTSERT .027-.165YZ
26	4	470526	3/8UNC U-NUT, 1.125 CLIP ON
27	1	470440	WINDSHIELD WASHER TANK ASSY
28	2	470491	GROMMET, .75ID .125GW 1.25GD
29	4	910130	10-32 NUTSERT .020-.130 YZ
30	2	520130	3.31/3.59 T-BOLT HOSE CLAMP SS
31	1	650164	DECAL, NO PASSNGR, NOT NEAR LEAK
32	1	650165	DECAL, PWR LINE/BM FOLD/GLASS
33	1	650176	DECAL, CAUTION, CAB CHEM EXPOSUR
34	2	657479	10-213-10FJX-10FJX90-22 H/A
35	1	658035	WINDSHIELD, STS CAB
36	1	658036	RH CAB GLASS, STS
37	1	658038	REAR CAB GLASS, STS
38	3	900050	1/4UNC X 1 1/4 PH FLHD MAC SCR
39	4	903708	1/4UNCX1/2 PHL PNHD MCH SCR BZ
40	1	657477	A/C HOSE ASSY, 5/16 X 24"
41	1	657478	A/C HOSE, 10-10F-10F90-24
42	8	470087	3/8UNC HEX SER FLG NUT
43	4	311078	SNUBBING WASHER FOR 311077
44	4	311077	ISOLATION MOUNT, LFI.5 SER
45	8	470460	3/8UNC X 1 SER FLG BOLT
46	4	470461	1/2UNC X 3 SER FLG BOLT
47	4	470345	1/2UNC HEX SMTH FLG LOCK NUT
48	1	292609	SWITCH
49	2	193016	QUICKEDGE TRIM .060 TO .170
50	4	910128	5/16-18 NUTSERT .027-.150 YZ
51	4	193022	STICKERITE 1/4 X 3/4
52	1	472227	#10X1/2 PHIL PANHD SHT MTL SCR
53	1	343972	REMOTE FILL RESERVOIR, PLASTIC
54	1	601770	HOSE, 5/8 X 37 HEATER
55	2	900065	5/16UNC X 1" HHCS GR 5
56	2	473001	5/16UNC HEX NUT, NYLOC



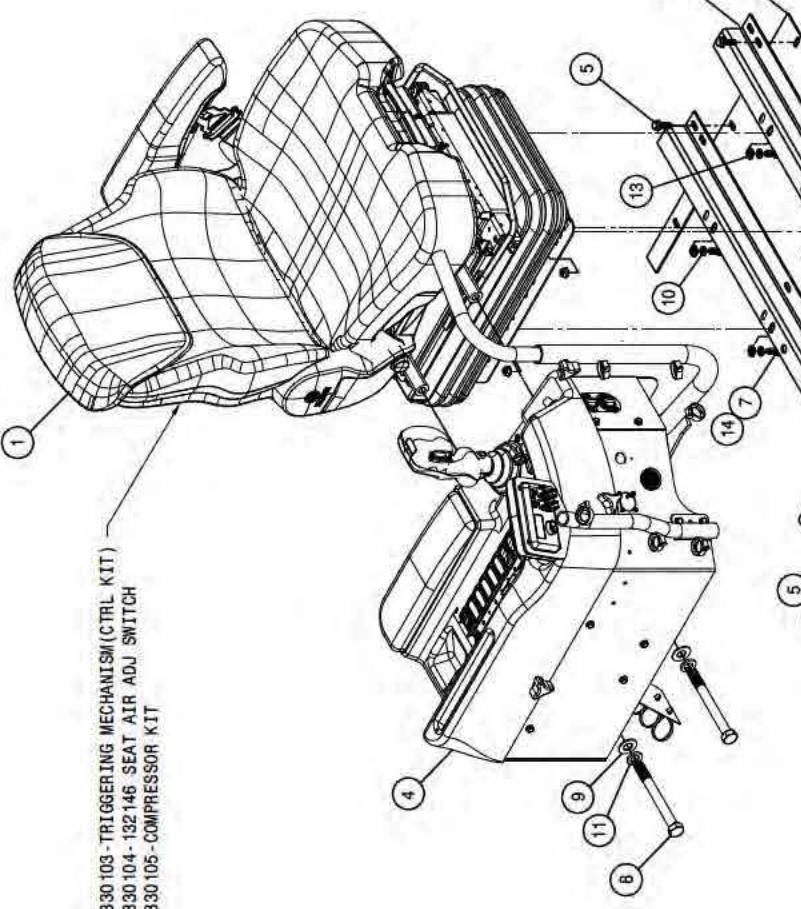
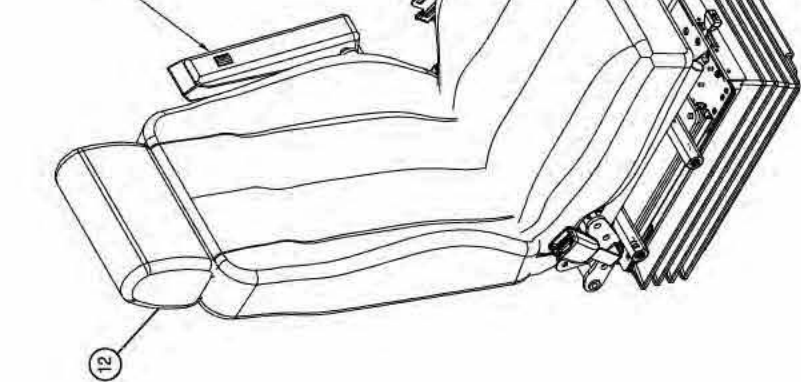
HEADLINER ASSEMBLY

DET.	QTY	PART NO.	DESCRIPTION
1	8	470384	10-32 NUTSERT .020-.130 STL
2	2	473907	#10X5/8 ORPHIL 8 SHT MTL SCR
3	1	291909	L.E.D. COURTESY LIGHT W/LEADS
4	1	291912	DOME LIGHT
5	1	291913	TRIM RING, DOME LIGHT 291912
6	2	291922	SPEAKERS,PAIR
7	12	472235	10-32 X 3/4 PHIL PAN MACH SCR
8	1	291932	RADIO, AM/FM/WB/CD STS '13
9	1	658346	HEADLINER
10	1	292214	SWITCH, WASHER, STS
11	1	292215	SWITCH, WIPER, STS
12	2	292216	SWITCH,WORK/FIELD LIGHTS, STS
13	2	292261	MOUNTING TRIM,END VME
14	3	292262	MOUNTING TRIM, MIDDLE VMM
15	1	292270	SWITCH BLANK, VHZ
16	19	483067	1/4 X 1.00 OD FENDER WASHER
17	1	343331	RADIO BEZEL,CAB, BLK PLASIC 05
18	4	473990	#8 X 3/4 PHIL PAN SHTMTL(A)SCR
19	1	343607	BEZEL,LIGHT/WIPER GST20 07
20	19	470457	1/4-20 WING NUT, NYLON
21	19	470456	1/4-20 X 1.00 STUD,SO BASE,NYL
22	1	166855	BM SCT IND LIGHT WLD, 120'C-11
23	9	291740	RED LED IND LIGHT,12V 10MM
24	1	291741	GREEN LED IND LIGHT,12V 10MM
25	3	291742	YELLOW LED IND LIGHT,12V 10MM
26	1	470395	DIAL KNOB W/ARROW FOR .25 SHFT
27	1	650392	DECAL,BOOM 10 SCT IND LIGHT-11
28	1	343981	COVER PLT,CAB HEADLINER STS-13
29	1	343994	INF CTRL ASSY STS-13
30	1	292006	INF CTRL SYS W/SOFTWARE STS-13
31	1	343978	CR0451 FRT DISPLAY MT STS-13
32	1	650420	DECAL,TIER 4 STATUS STS-13
33	2	657409	A/C CONTROL KNOB





- 330050-HD SUSPENSION KIT, 12V, KNOEDLER
- 330056-98 DUAL LOCK SLIDE KIT(LONG)
- 330057-SEAT BELT KIT, RETRACTABLE
- 330058-98 SEAT CUSHION, GREY W/OPS
- 330059-9400 LH HEIGHT ADJ VALVE,ELECT
- 330060-9400 LH LUMBAR VALVE,ELECT
- 330061-LH ARMREST, GREY LEATHER GH725
- 330062-98 HEADREST, GREY W/HAGIE LOGO
- 330063-98 BACKREST, GREY W/O HEADREST
- 330076-CHECK VALVE, KNOEDLER SEAT

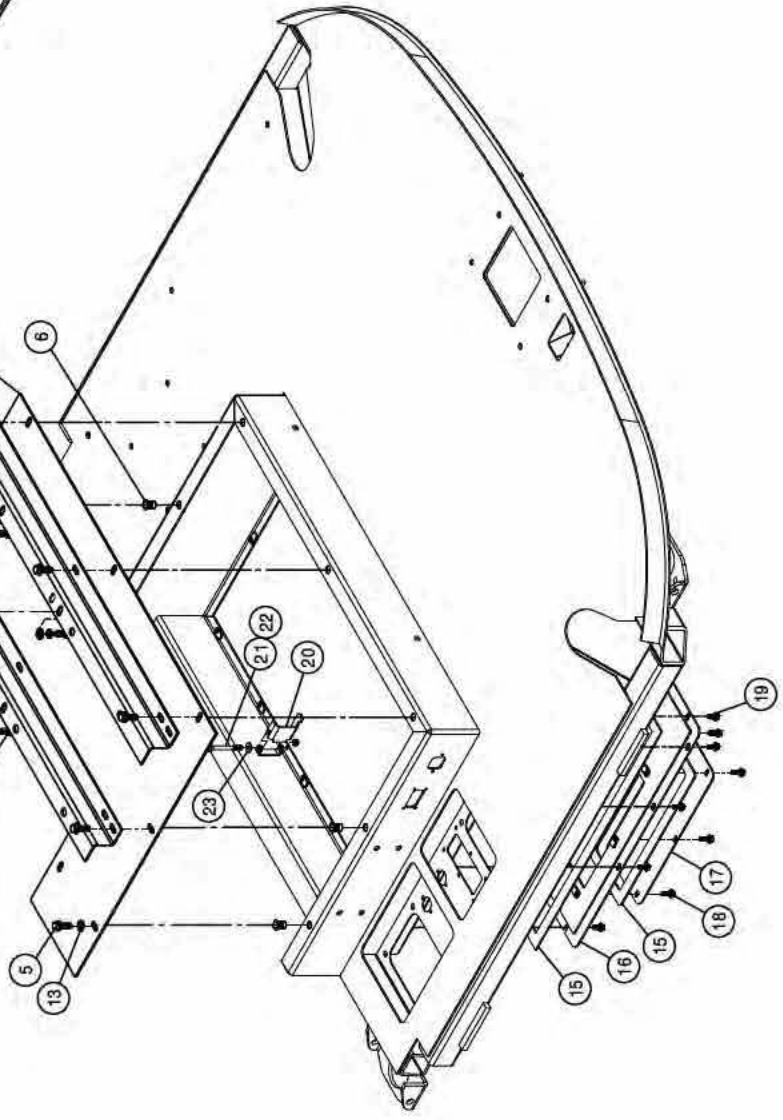


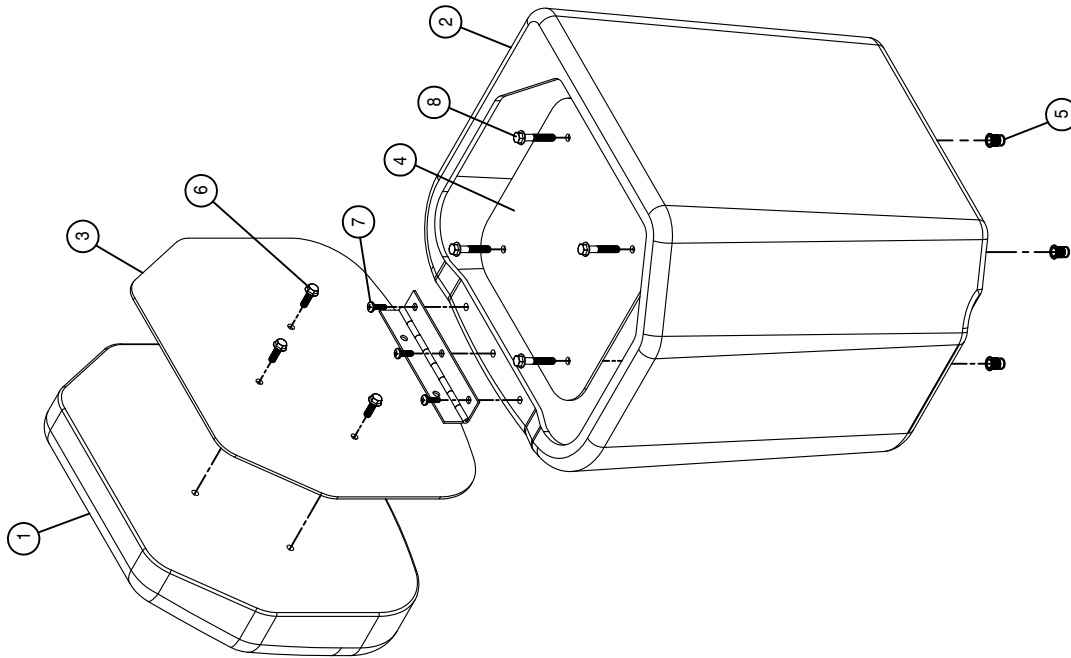
- 330103-TRIGGERING MECHANISM(CTRL KIT)
- 330104-132146 SEAT AIR ADJ SWITCH
- 330105-COMPRESSOR KIT

SEAT ASSEMBLY

DET. QTY PART NO. DESCRIPTION

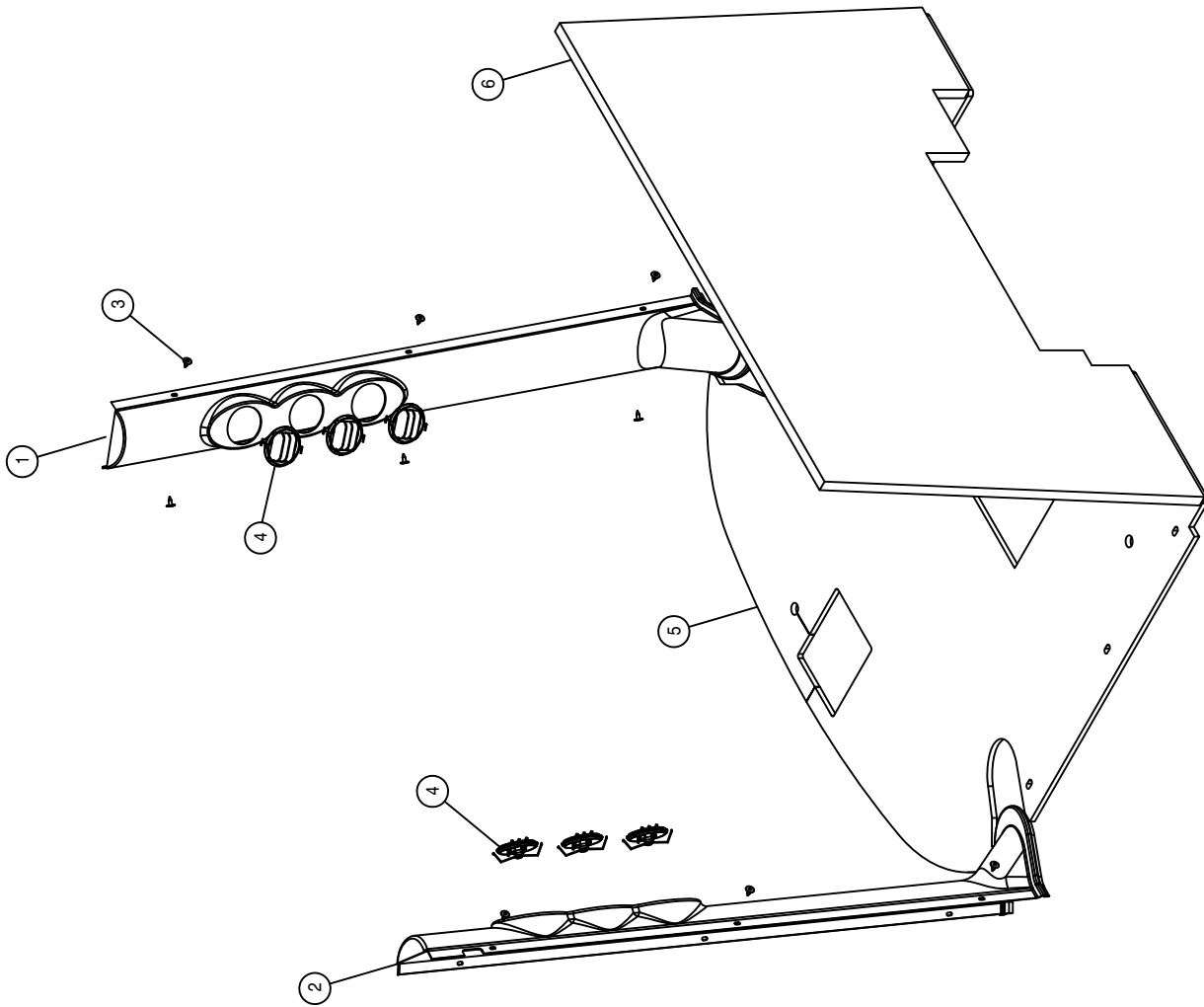
1	330047	SEAT, STS GRAMMER	'11
2	343429	SEAT BASE STIFF, STS CAB	05
3	343430	HVAC LID, STS CAB	05
4	343987	SIDE CONSOLE ASSY	STS'13
5	470233	5/16UNC X 3/4 FLANGE HEX BOLT	STS'13
6	470381	5/16-18 NUTSERT .027-.150 STL	
7	473827	8MM-1.25 X 20MM HEX BOLT	
8	900346	5/8UNC X 6" HEX BOLT	
9	920005	5/8 SAE FLAT WASHER	
10	920501	5/16 LOCK WASHER	
11	920505	5/8 LOCK WASHER	
12	330048	SEAT, STS KNOEDLER	'11
13	920001	5/16 SAE FLAT WASHER	
14	473858	8MM-1.25 SERR FLANGE NUT	
15	2193037	STICKERITE 1/8 X 3/4	
16	343841	LWR HVAC COVER WLD	STS'12
17	343853	HVAC ACCESS COVER	STS'12
18	470118	1/4UNC X 3/4 FLANGE HEX BOLT	
19	470122	1/4UNC X 1/2 FLANGE HEX BOLT	
20	343852	BRACKET	STS'12
21	900008	1/4UNC X 2 1/2 HEX BOLT	
22	914000	1/4UNC HEX STOVER NUT	
23	920000	1/4 SAE FLAT WASHER	





BUDDY SEAT ASSEMBLY

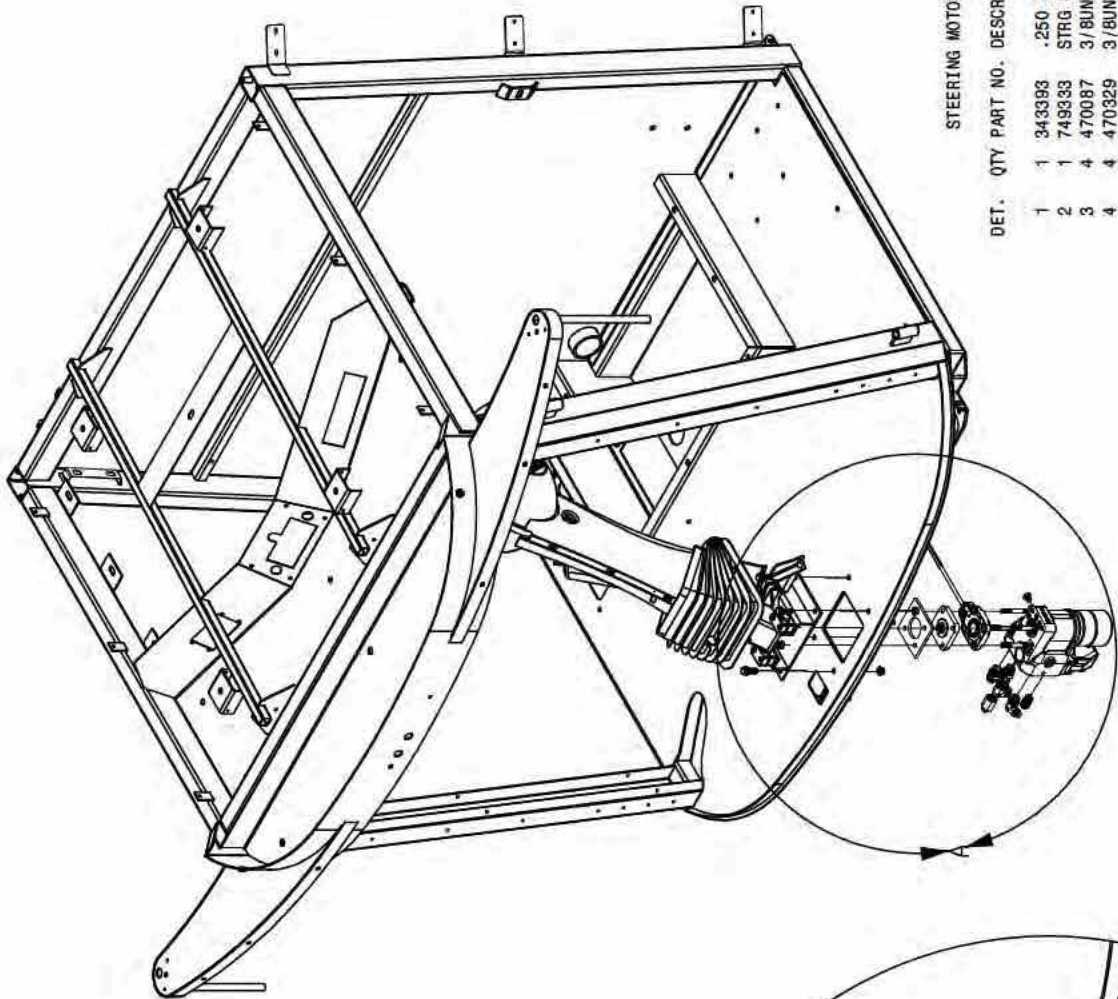
DET.	QTY	PART NO.	DESCRIPTION
1	1	330036	BUDDY SEAT CUSHION 05
2	1	330037	BUDDY SEAT BASE, POLY 05
3	1	343425	BUDDY SEAT MT WLD, STS CAB 05
4	1	343428	BUDDY SEAT MT PANEL, STS CAB 05
5	4	470380	1/4-20 NUTSERT .027-.165 STL
6	3	470118	1/4UNC X 3/4 FLANGE HEX BOLT
7	3	903710	10-32X5/8 PHIL PANHD IMACH SCR
8	4	900005	1/4UNC X 1 1/2 HEX BOLT



AIR DUCT AND FOAM ASSEMBLY

DET. QTY PART NO. DESCRIPTION

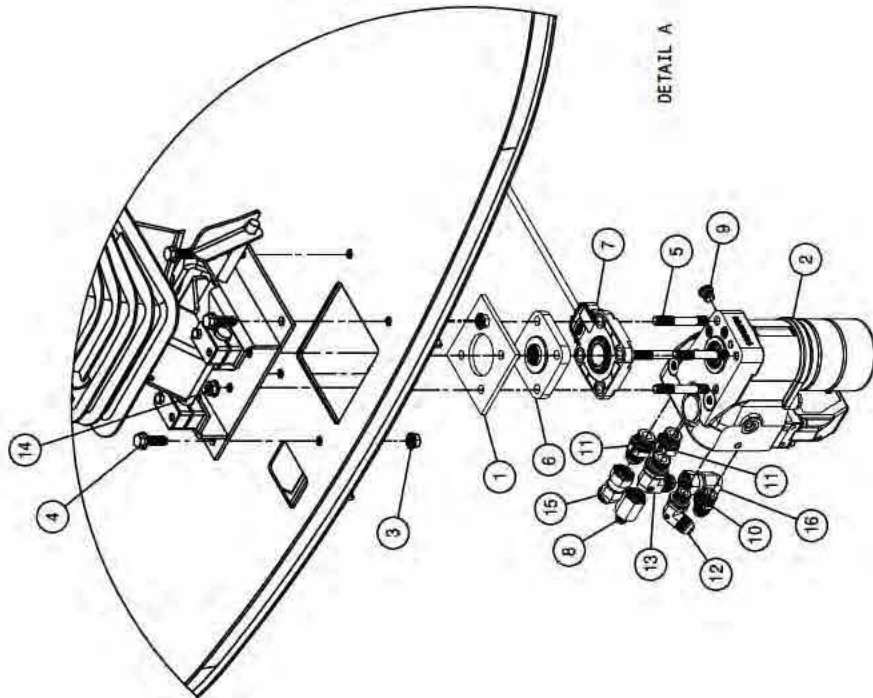
1	1	343356	RH AIR DUCT COVERS,STS CAB	05
2	1	343357	LH AIR DUCT COVERS,STS CAB	05
3	12	470466	1/4 X 3/4 PLTC LCK RIVET	
4	6	657469	LOUVER, ROUND	
5	1	658339	FLOOR MAT, STS CAB	'11
6	1	658333	FOAM, REAR CAB	STS 05



STEERING MOTOR ASSEMBLY

DET. QTY PART NO. DESCRIPTION

1	1	343393	.250 STRG MTR SPCR,CAB STS'12
2	1	749333	STRG CTRL VLV, OSPEDC 60/280
3	4	470087	3/8UNC HEX SER FLG NUT
4	4	470329	3/8UNC X1 1/4 SER FLG HEX BOLT
5	4	472340	M10-1.5 X 3" STUD BOLT,DBL END
6	1	749336	SAK SENSOR ADPTR KIT
7	1	749334	SASA SENSOR ASSY,STRG VLV '12
8	1	618557	7/8FJIC-9/16MJIC ADPTR
9	1	618909	M12 MOR PLUG, HEX SOCKET
10	1	618910	3/4MJIC-M18MOR ADPTR
11	2	618911	7/8MJIC-M22 MOR ADPTR
12	1	618912	3/4MJIC-90-M18MOR LBO
13	1	618913	7/8MJIC-90-M22MOR LBO
14	1	473866	10MM-1.50 SERR FLANGE NUT
15	1	618628	7/8MJIC-45-7/8FJIC SWIV LBO
16	1	618301	7/8MJIC-90-7/8FJIC SWIV LBO

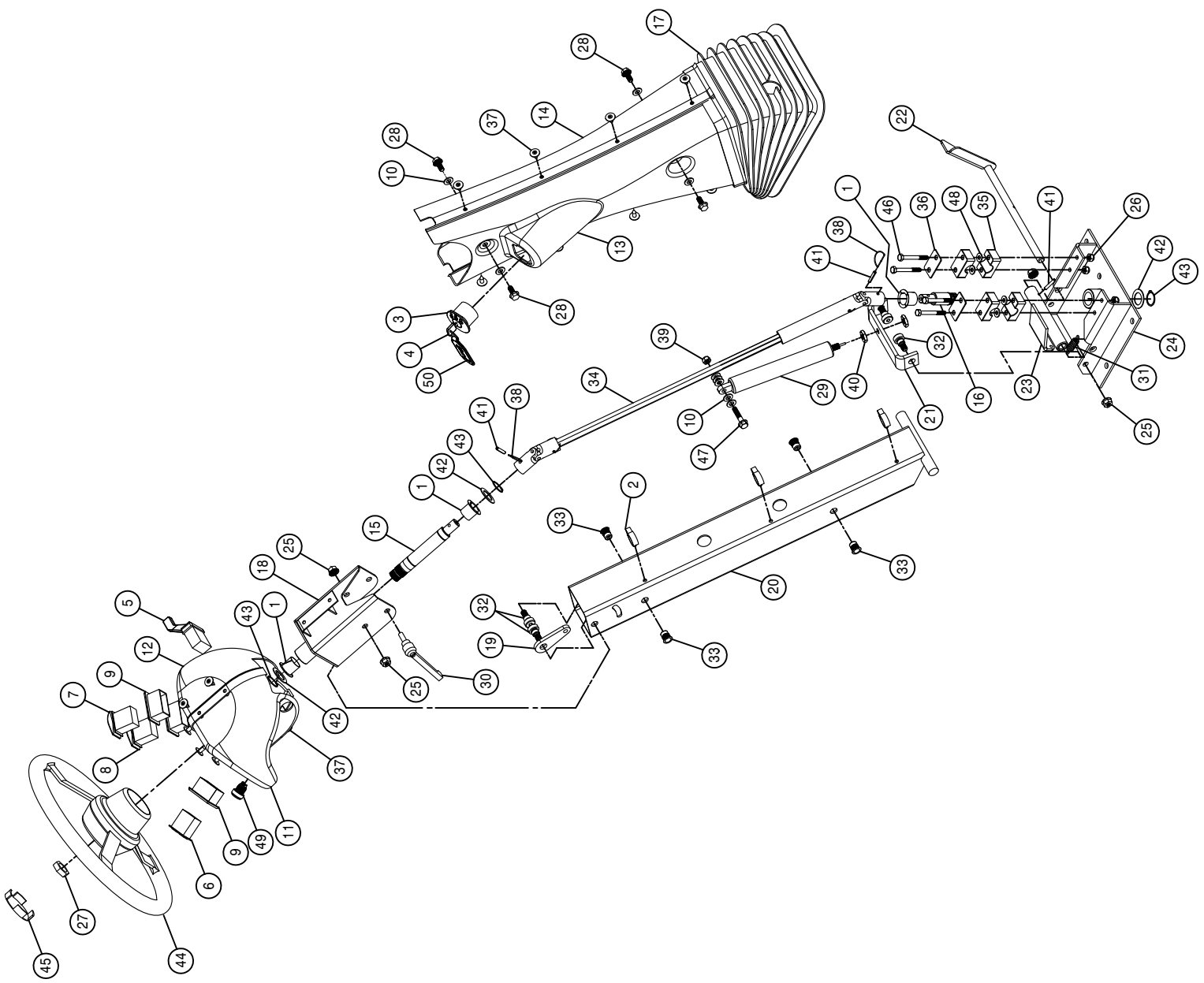


DETAIL A



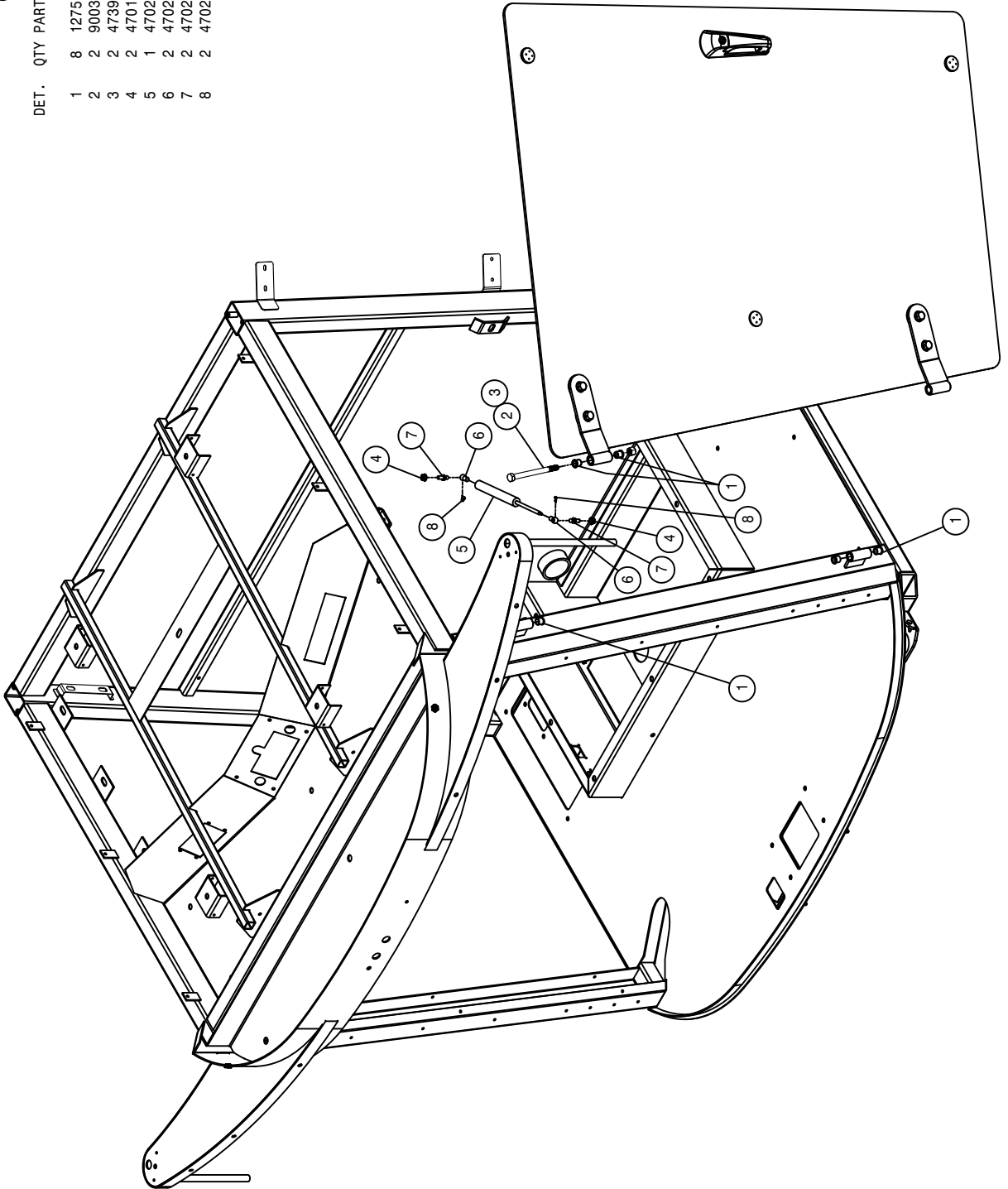
STEERING COLUMN ASSEMBLY

DET.	QTY	PART NO.	DESCRIPTION
1	3	127503	NYLINER FLG BRG, .875 ID
2	3	291006	ROSEBUD CLIP FOR .500 CONDUIT
3	1	291916	IGNITION SWITCH W/KEY
4	2	291917	IGNITION KEY FOR 291916
5	1	292210	SWITCH, TURN SIGNAL, STS
6	1	292211	TURN INDICATOR W/GREEN LED, STS
7	1	292212	SWITCH, HAZARD, STS
8	1	292213	SWITCH, HEADLIGHTS, STS
9	3	292260	MOUNTING TRIM, SINGLE VMS
10	9	920001	5/16 SAE FLAT WASHER
11	1	343359	RH UPR STRG CLMN COVERS, STS 05
12	1	343360	LH UPR STRG CLMN COVERS, STS 05
13	1	343361	RH LWR STRG CLMN COVERS, STS 05
14	1	343362	LH LWR STRG CLMN COVERS, STS 05
15	1	343364	STRG SHAFT, UPPER COLUMN, STS 05
16	1	343365	STRG SHAFT, LOWER COLUMN, STS 05
17	1	343366	BELLOWS, STEERING COLUMN, STS 05
18	1	343367	STEERING SUPP WELD, STS CAB 05
19	1	343372	STRG COLUMN TOP LOCK, STS CAB
20	1	343373	STEERING COLUMN WLD, STS CAB 05
21	1	343385	GAS SHOCK PIVOT MT, STS CAB 05
22	1	343386	TILT PEDAL WELD, STS CAB 05
23	1	343389	TILT RELEASE WLD, STS CAB 05
24	1	343614	STEERING BASE WELD, STS CAB 07
25	4	910004N	3/8UNC FLANGE CNTR LOCK NUT
26	4	470089	1/4UNC HEX NYLOC NUT, 316 SS
27	1	470157	13/16-20UNEF HEX NUT STRG WHL
28	4	470233	5/16UNC X 3/4 FLANGE HEX BOLT
29	1	470252	GAS SPRING, 3.15 STROKE LOCKING
30	1	470257	ADJ HANDLE, 3/8-16 STUD, BLACK
31	1	470268	SPRING, EXTENSION, .50 X 1.75
32	4	470283	3/8UNC 1/2 SCKT SHLDR BOLT
33	4	470381	5/16-18 NUTSERT .027-.150 STL
34	1	470401	DRIVE SHAFT ASSY, .625 U-JOINTS
35	2	470405	CLAMP PAIR, 19MM SMOOTH BORE
36	2	470406	TOP CLAMP, SIZE #3 FOR 470405
37	16	470466	1/4 X 3/4 PLTC LCK RIVET
38	4	470479	5"SAFETY LOCK WIRE, 304SS .051D
39	1	473001	5/16UNC HEX NUT, NYLOC 316 SS
40	2	473830	10MM-1.00 HEX JAM NUT
41	3	473928	ROLL PIN, 3/16 X 1
42	3	483031	1 3/8 X 7/8 X 18GA MACH WASHER
43	3	629533	SNAP RING, 7/8 EXTRN
44	1	749294	STEERING WHEEL, VIP 14"
45	4	749295	STRG WHL CAP WITH 'H' EMBLEM
46	4	900023	1/4UNC X 2 1/4 HEX BOLT
47	1	900067	5/16UNC X 1 1/2 HEX BOLT
48	4	920022	1/4 FLAT WASH, AN860-416 SS
49	1	292504	HORN SWITCH ASSY
50	1	470544	HAGIE KEY CHAIN



CAB DOOR ASSEMBLY

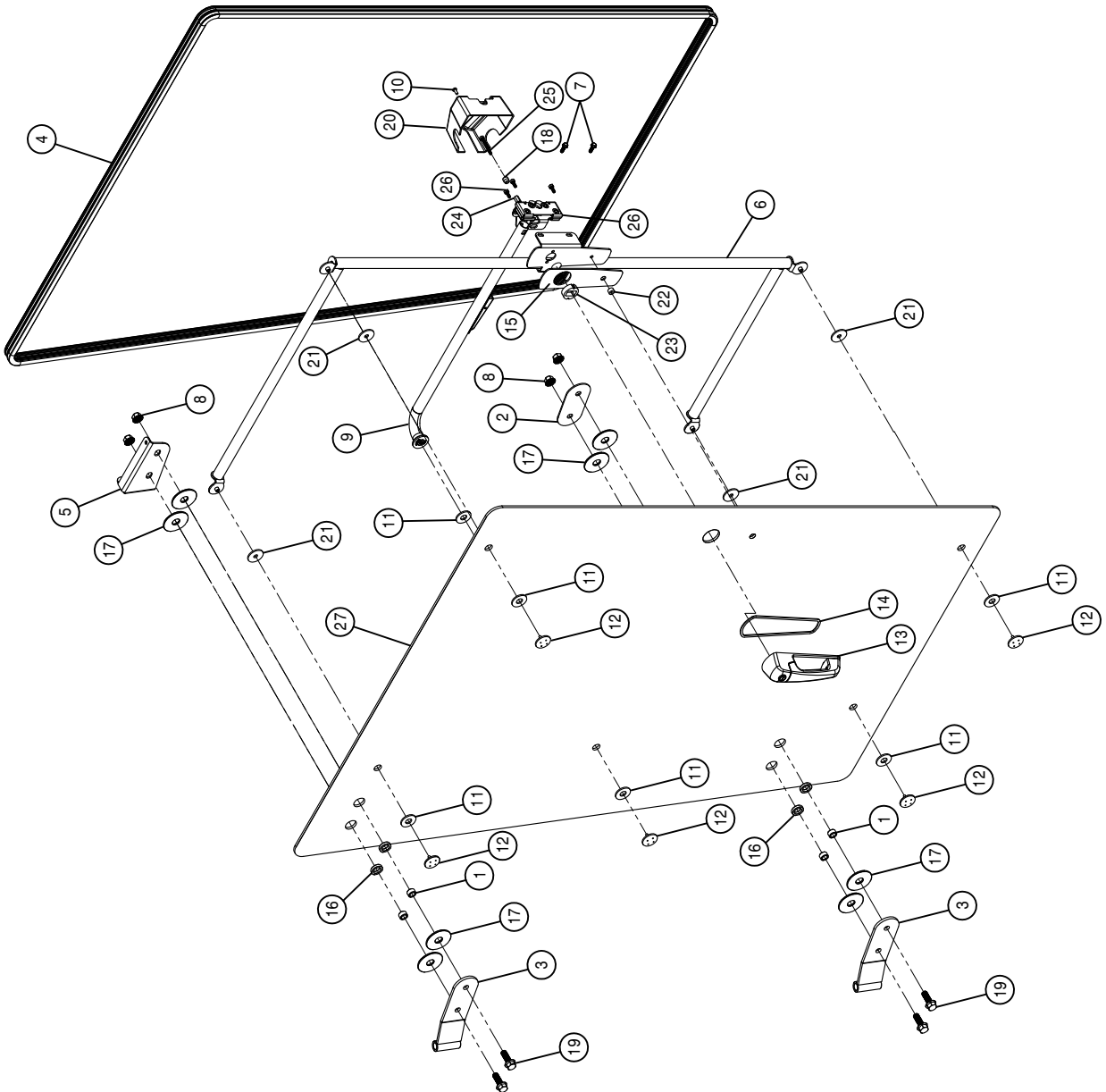
DET.	QTY	PART NO.	DESCRIPTION
1	8	127506	NYLON FLG BRG, STS '12
2	2	900348	1/2UNC X 6" HEX BOLT SS
3	2	473988	1/2UNC HEX NUT, NYLOC SS
4	2	470113	5/16UNC HEX FLANGE LOCK NUT
5	1	470253	HYD DAMPER,100LB,4"STROKE 1084
6	2	470254	BALL SOCKET, M6 THD X 10MM
7	2	470255	BALL STUD,5/16-18 THD X 10MM
8	2	470256	SAFTY CLIP, 10MM BALL SOCKET

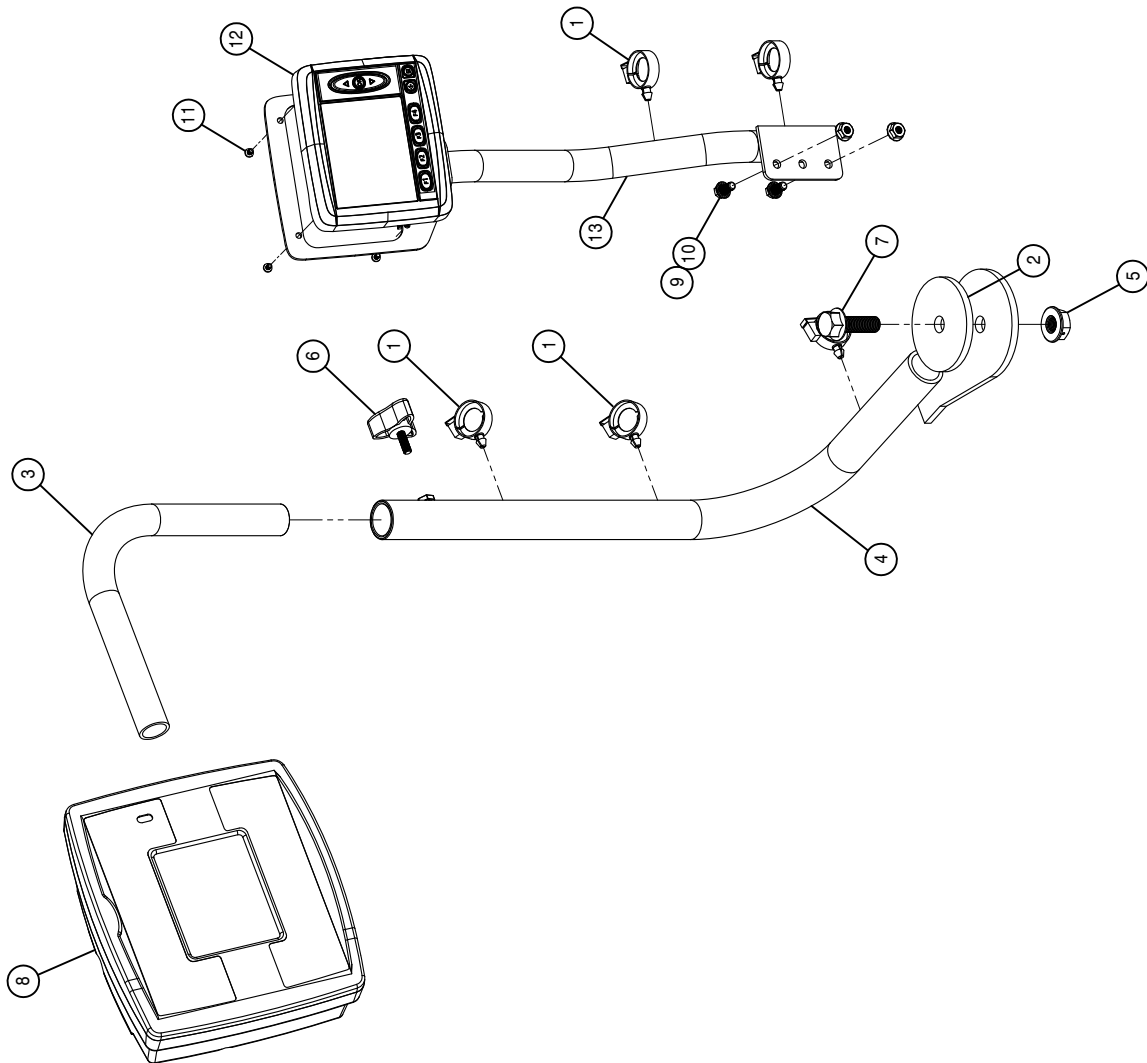


DOOR ASSEMBLY

DET. QTY PART NO. DESCRIPTION

1	4	343335	DOOR HINGE GLASS BUSH, CAB	05
2	1	343337	LWR DOOR HINGE BACK PLT,	05
3	2	343338	HINGE WELD, CAB	05
4	1	343346	DOOR SEAL, STS CAB	05
5	1	343421	TOP DOOR HINGE PLT, STS	05
6	1	343814	CAB DOOR STIFF WLD, STS	'11
7	2	470118	1/4UNC X 3/4 FLANGE HEX BOLT	
8	4	470360	1/2UNC HEX FLANGE LOCK NUT	
9	1	470583	INSIDE SQUEEZE LATCH ASSY, 1-POS	
10	1	470412	INSIDE SQUEEZE LATCH SCREWS	
11	6	470413	INSIDE SQUEEZE LATCH GASKET	
12	5	470414	INSIDE SQUEEZE LATCH CAP	
13	1	470415	OUTSIDE PULL HANDLE ASSY	
14	1	470416	OUTSIDE PULL HANDLE GASKET	
15	1	470418	DOOR HANDLE MT GASKET, STS CAB	
16	4	470419	DOOR HINGE BUSH, RUBBER STS	05
17	8	470420	DOOR HINGE WASH, RUBBER, STS	05
18	1	470421	NYLON SPACER, SPHERICAL 6MMX12	
19	4	470431	1/2UNC X 1 1/2 FLANGE BOLT	
20	1	470485	INSIDE SQUEEZE LATCH COVER	07
21	4	470489	GASKET, DOOR HANDLE STIFFENER	
22	1	470496	SPACER, BTM, DOOR HANDLE 470415	
23	1	470497	SPACER, TOP, DOOR HANDLE 470415	
24	1	473764	6MM-1.00 HEX HIGH NUT	
25	1	473794	6MM-1.00 X 50MM HEX BOLT	
26	3	473826	6MM-1.00 X 16MM HEX BOLT	
27	1	658041	DOOR GLASS, STS CAB	'11





MONITOR ASSEMBLY

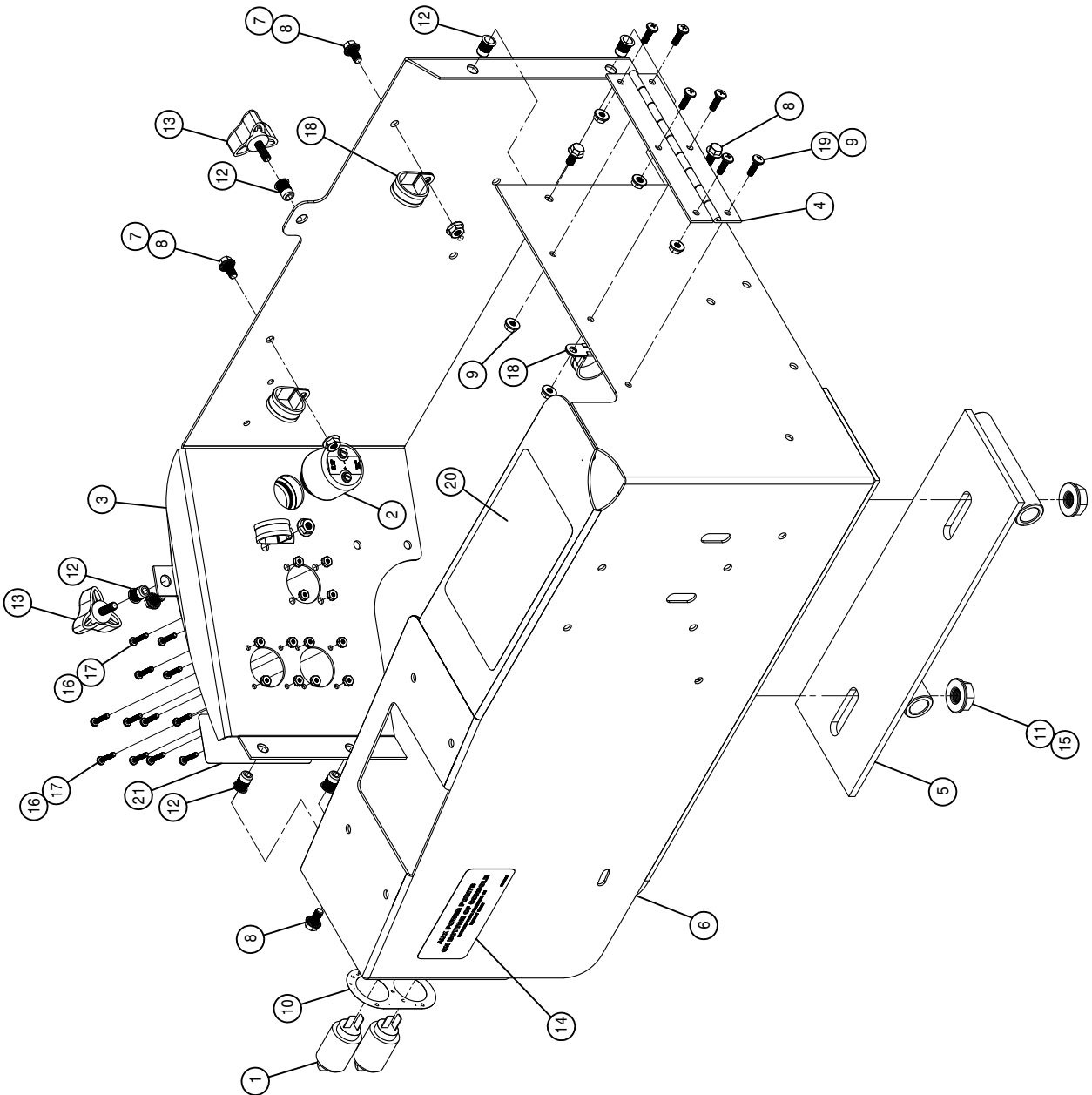
DET. QTY PART NO. DESCRIPTION

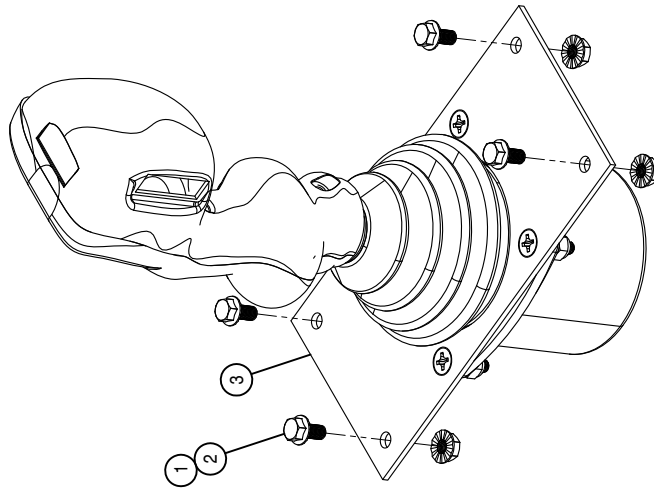
1	6	291007	ROSEBUD CLIP FOR .750 CONDUIT
2	1	343415	WASHER,3.00 X .531 X .25T UHMW
3	1	343416	MONITOR MT TUBE, STS 05
4	1	343417	MONITOR MT WELD, STS CAB 05
5	1	470345	1/2UNC HEX SMTH FLNG LOCK NUT
6	1	470392	KNOB,3-BLADE BLK,1/4-20 X 3/4
7	1	470431	1/2UNC X 1 1/2 FLANGE BOLT
8	1	690986	CONSOLE, RAVEN SCS 4600
9	2	470121	1/4UNC HEX FLANGE LOCK NUT
10	2	470122	1/4UNC X 1/2 FLANGE HEX BOLT
11	4	903836	8-32X1/4 PHIL PAN MACH SCR
12	1	292008	MD3 MASTER MODULE & DISPLAY
13	1	343678	MD3 DISPLAY MT WLD,STS '10



CONSOLE ASSEMBLY

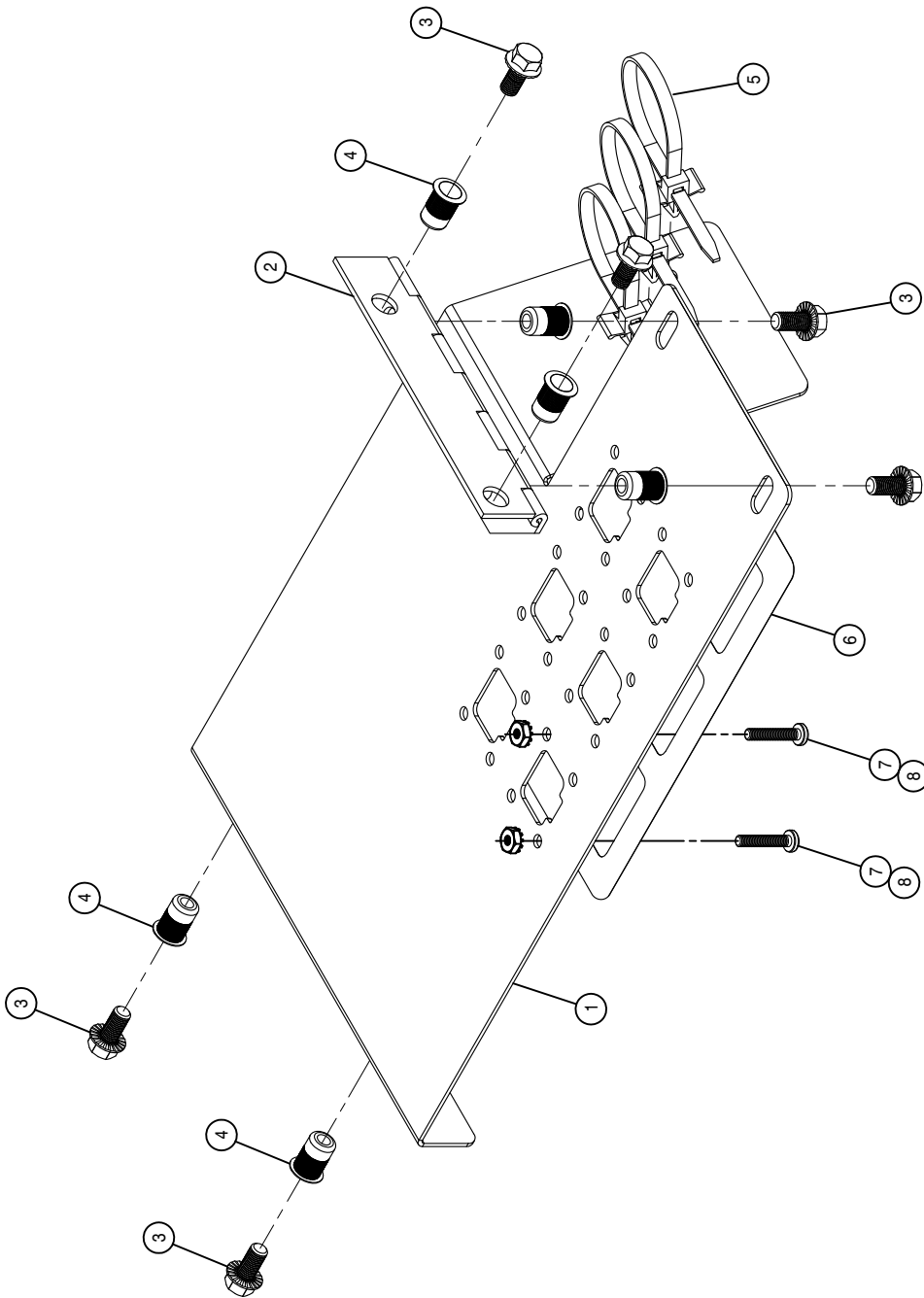
DET.	QTY	PART NO.	DESCRIPTION
1	2	291648	POWER POINT RECEPTACLE
2	1	292502	WARNING BEEPER
3	1	343988	SIDE CONSOLE OUTER WRAP, STS '13
4	1	343405	SIDE CONSOLE REAR HINGE, STS 05
5	1	343406	CONSOLE SEAT BASE WLD, STS 05
6	1	343682	CONSOLE WELD, STS CAB '10
7	3	470121	1/4UNC HEX FLANGE LOCK NUT
8	7	470122	1/4UNC X 1/2 FLANGE HEX BOLT
9	6	470175	10-32 HEX FLANGE LOCK NUT
10	1	650163	DECAL, POWER POINT, STS CAB 05
11	2	470345	1/2UNC HEX SMITH FLNG LOCK NUT
12	6	470380	1/4-20 NUTSERT, .027-.165 STL
13	2	470392	KNOB, 3-BLADE BLK, 1/4-20 X 3/4
14	1	650232	DECAL, AUX PWR POINTS SIGN '10
15	2	470431	1/2UNC X 1 1/2 FLANGE BOLT
16	4	470467	6-32 KEP NUT
17	12	903814	6-32 X 3/4 PHIL PAN MACH SCR
18	4	520101	CUSH CLAMP, #16 1"D X 1/2W
19	6	903710	10-32X5/8 PHIL PANHD MACH SCR
20	1	650418	DECAL, CONSOLE FUSE/RELAY, STS
21	1	650419	DECAL, COM PORTS 1 & 2 STS '13





HYDROSTATIC LEVER ASSEMBLY

DET.	QTY	PART NO.	DESCRIPTION
1	4	470121	1/4UNC HEX FLANGE LOCK NUT
2	4	470122	1/4UNC X 1/2 FLANGE HEX BOLT
3	1	785092	CONTROL HANDLE, STS '10



TERMINAL STRIP DOOR ASSEMBLY

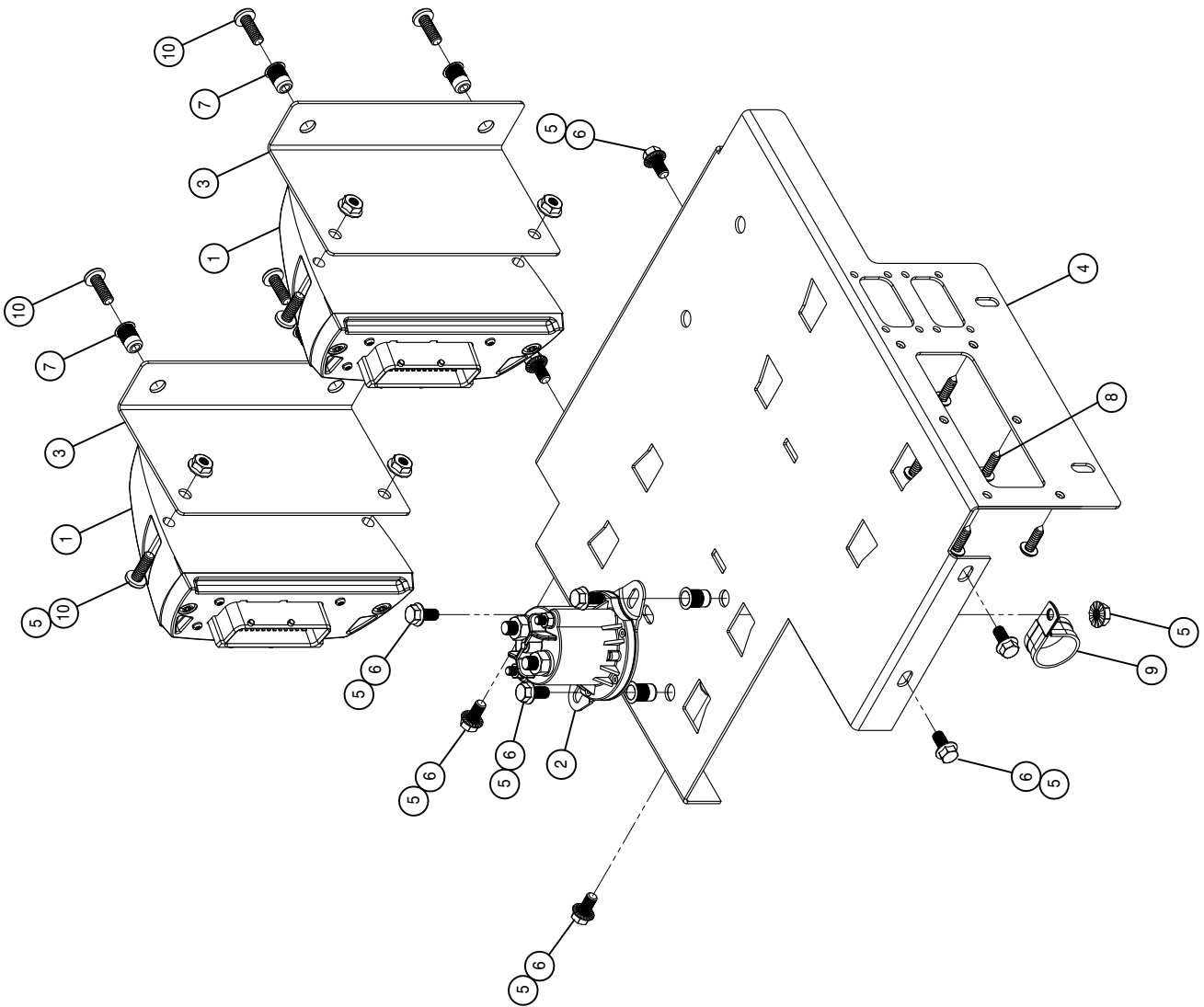
DET. QTY PART NO. DESCRIPTION

DET.	QTY	PART NO.	DESCRIPTION
1	1	343688	CONSOLE BOTTOM DOOR, CAB STS '10
2	1	343414	CONSOLE BTM DOOR HINGE, CAB STS
3	6	470122	1/4UNC X 1/2 FLANGE HEX BOLT
4	6	470380	1/4-20 NUTSERT .027-.165 STL
5	3	470445	CABLE TIE, PUSH MT 7.8" BLK NYL
6	1	650231	DECAL, AUX POWER POINTS '10
7	12	903814	6-32 X 3/4 PHIL PAN MACH SCR
8	12	470467	6-32 KEP NUT



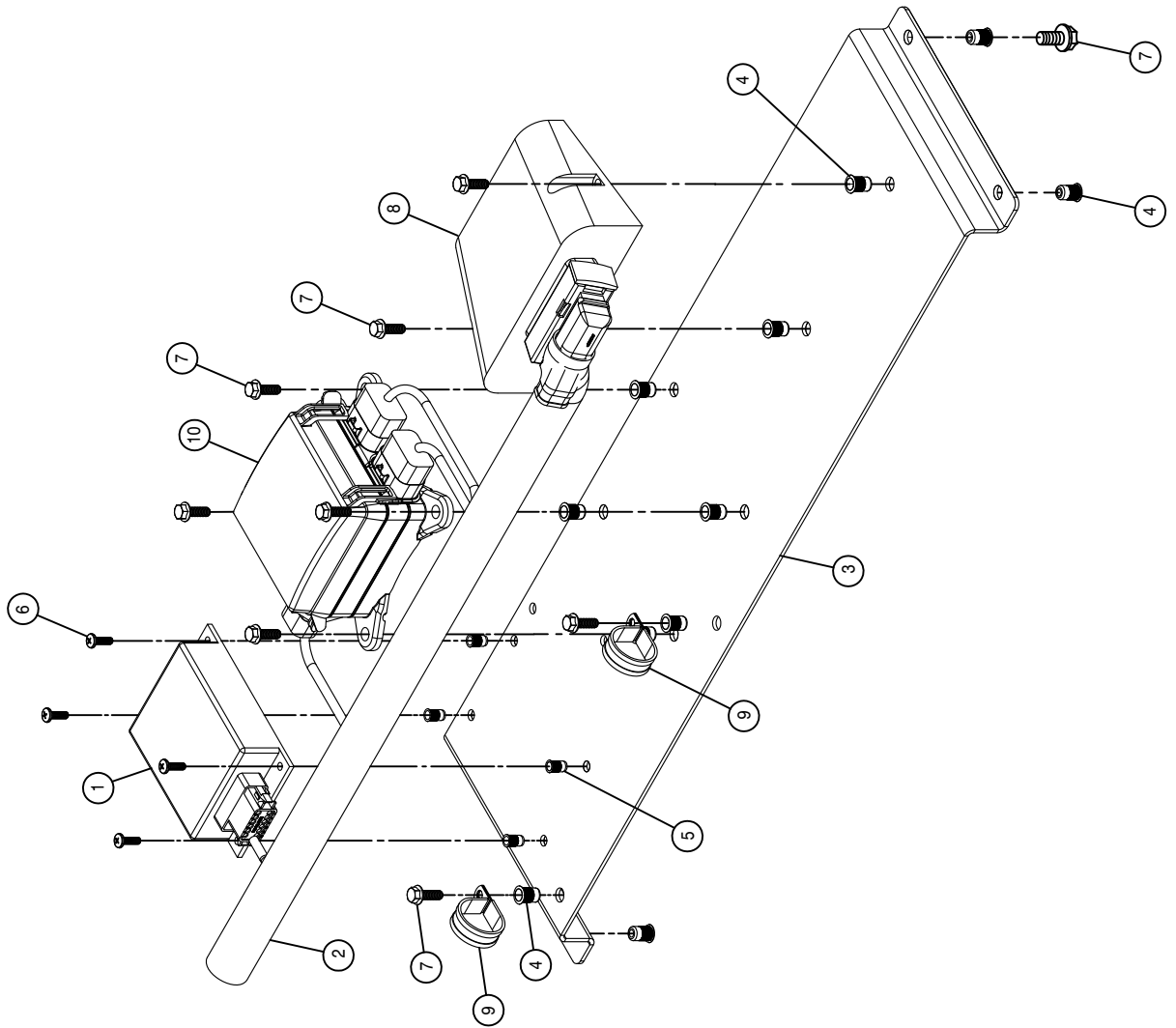
MODULE MOUNT ASSEMBLY

DET.	QTY	PART NO.	DESCRIPTION
1	2	292017	IQAN-XS2 MODULE
2	1	292505	MASTER CONTROL RELAY
3	2	343686	MODULE MT BRKT, STS '10
4	1	343687	MODULE MT, CAB CONSOLE STS '10
5	11	470121	1/4UNC HEX FLANGE LOCK NUT
6	9	470122	1/4UNC X 1/2 FLANGE HEX BOLT
7	6	470380	1/4-20 NUTSERT .027-.165 STL
8	6	470465	#12 X 3/4 PHIL PAN SHT MTL SCR
9	1	520101	CUSH CLAMP,#16 1"D X 1/2W
10	8	903700	1/4UNC X 3/4 PHIL PAN MACH SCR



FLASHER AND LIGHT RELAY PANEL

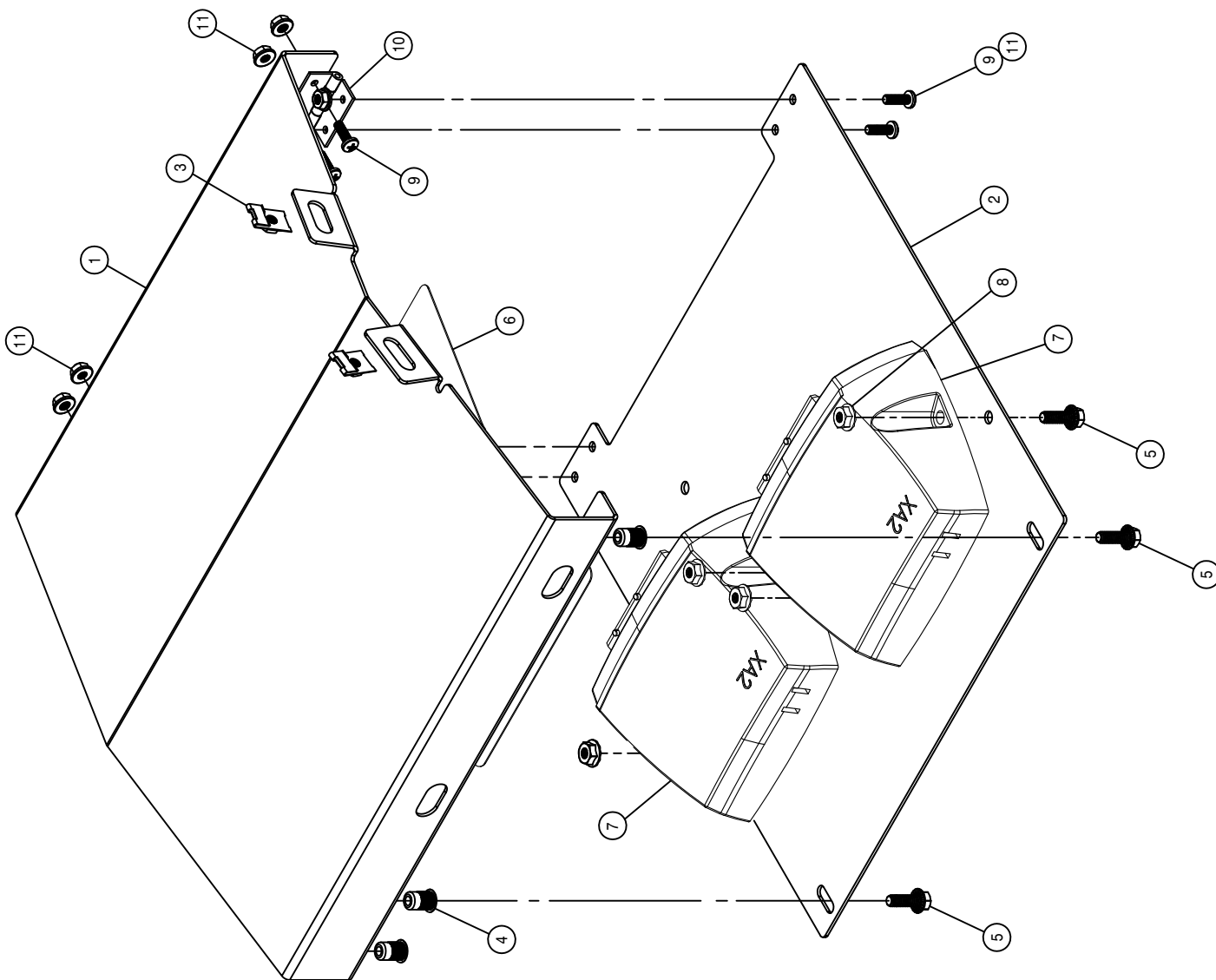
DET.	QTY	PART NO.	DESCRIPTION
1	1	291910	FLASHER, SOLID STATE, 12V
2	1	294180	FUSE/RELAY/FLASHER HARNESS '13
3	1	343693	FLASHER/LIGHT RELAY PLT, STS '12
4	12	470380	1/4-20 NUTSERT .027-.165 STL
5	4	470384	10-32 NUTSERT .020-.130 STL
6	4	903710	10-32X5/8 PHIL PANHD MACH SCR
7	12	470118	1/4UNC X 3/4 FLANGE HEX BOLT
8	1	292015	IQAN-MC2 MODULE
9	2	520102	CUSH CLAMP, #20 1 1/4D X 1/2W
10	1	290093	FUSE/RELAY MODULE, BUSS1717-0S

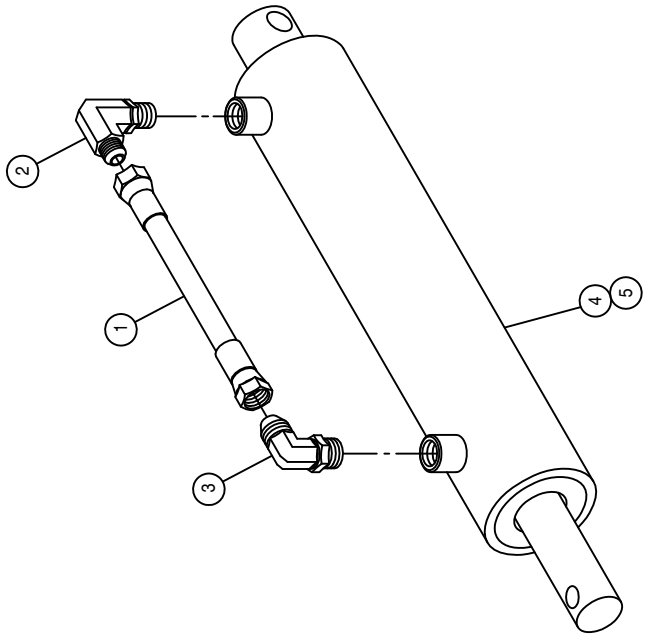


REAR ELECTRICAL BOX ASSEMBLY

DET. QTY PART NO. DESCRIPTION

1	1	343577	TOP LH REAR ELECT BOX, STS 06
2	1	343578	BOT LH REAR ELECT BOX, STS 06
3	2	470218	1/4UNC NUT J-TYPE CAGE CLIP
4	4	470380	1/4-20 NUTSERT .027-.165 STL
5	6	470118	1/4UNC X 3/4 FLANGE HEX BOLT
6	1	650423	DECAL-REAR CHASS MODULE,STS'13
7	2	292016	IQAN-XA2 MODULE
8	4	470121	1/4UNC HEX FLANGE LOCK NUT
9	8	903710	10-32X5/8 PHIL PANHD MACH SCR
10	2	470198	HINGE 146-035
11	8	470175	10-32 HEX FLANGE LOCK NUT





HOOD HYDRAULIC CYLINDER ASSEMBLY

DET. QTY PART NO. DESCRIPTION

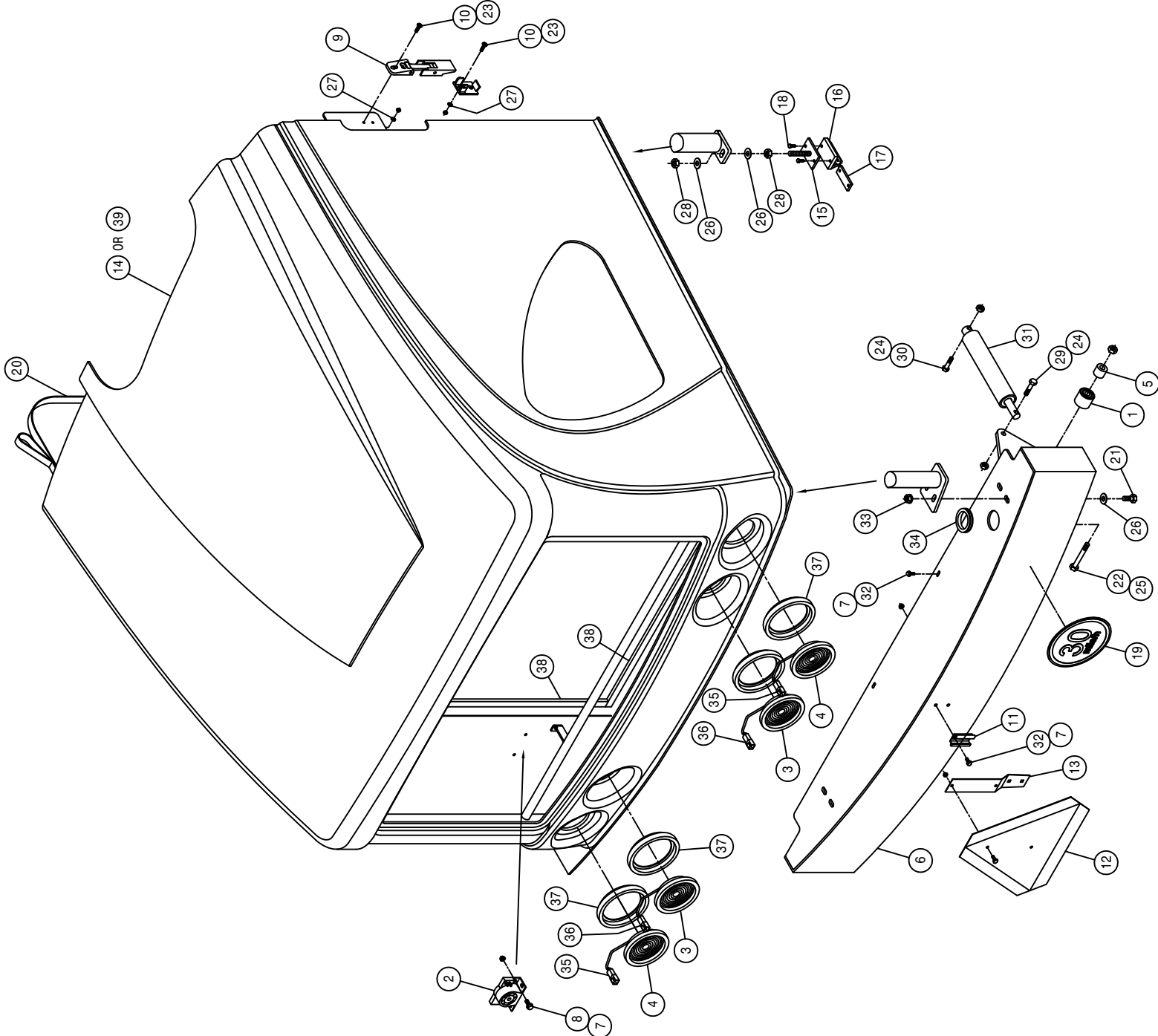
1	1	616246	04-451TC-06FJX-10	H/A
2	1	618119	9/16MJIC-90-9/16MOR LBO	
3	1	618689	9/16MJ-90-9/16MOR .042 CHK VLV	
4	1	621530	HYD CYL, 2.00 X 6.00 X 1.000	
5	1	621521	REPAIR KIT, HYD CYL 621520	

NOTE: 1. 621077 - HOOD HYDRAULIC CYLINDER ASSEMBLY

BUMPER AND REAR HOOD ASSEMBLY

DET. QTY PART NO. DESCRIPTION

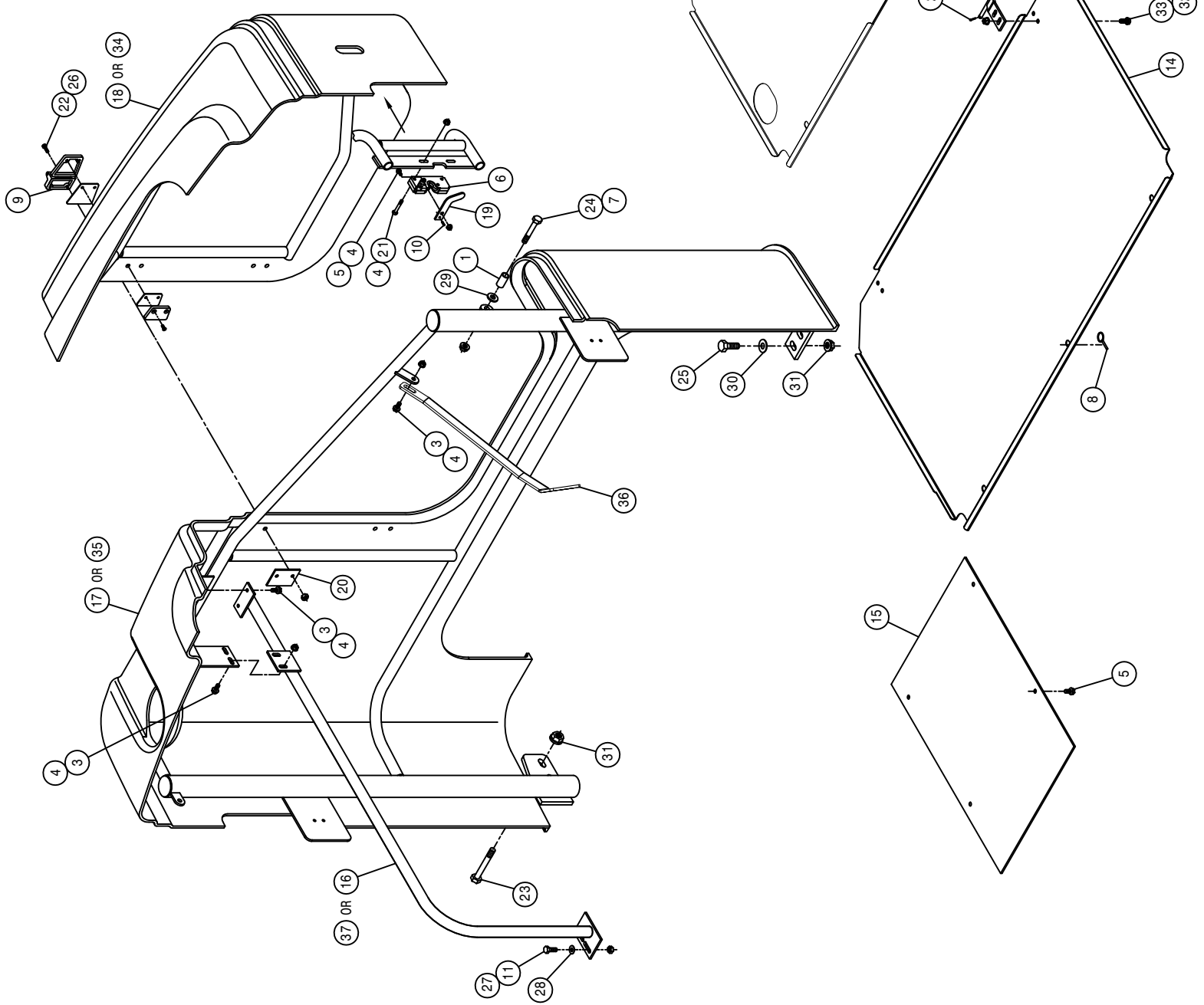
1	2	125056	TRACK ROLLER, 2.00 OD, .625 BORE
2	1	290061	ALARM, BACKUP 107DBA LT DUTY
3	2	290201	RED LED STT 3 DIODE LAMP
4	2	290200	AMBER LED STT 3 DIODE LAMP
5	2	361679	BUMPER PIVOT BRG SPACER, STS 04
6	1	361680	REAR BUMPER WLD, STS 04
7	6	470121	1/4UNC HEX FLANGE LOCK NUT
8	2	470122	1/4UNC X 1/2 FLANGE HEX BOLT
9	2	470368	LATCH W/KEEPER, FLEXIBLE LEVER
10	8	903710	10-32X5/8 PHIL PANHD MACH SCR
11	1	472251	MTG SOCKET FOR 472249 SIMV SIGN
12	1	472249	SLOW MOVING VEHICLE SIGN, SIMV
13	1	472250	SPADE MTG BRKT FOR 472249 SIMV
14	1	660222	REAR ENGINE HOOD, STS 04
15	2	660224	ENG HOOD BUMPER WLD, STS 04
16	2	660226	ENG HOOD BUMPER, STS 04
17	2	660227	ENG HOOD BUMPER KEEPER, STS 04
18	4	900003	1/4UNC X 1" HEX BOLT
19	1	650223	DECAL, 30MPH ID SYMBOL, VINYL
20	1	660230	ENG HOOD PULL STRAP ASSY, STS04
21	4	900265	1/2UNC X 1 1/2 HEX BOLT
22	2	900341	5/8UNC X 3 3/4 HEX BOLT
23	8	910027	10-32 HEX NUT
24	2	473007	1/2UNC HEX NUT, NYLOC
25	2	914010	5/8UNC HEX STOVER NUT
26	8	920004	1/2 SAE FLAT WASHER
27	8	920510	#10 LOCK WASHER
28	4	910008	1/2UNC HEX NUT
29	1	900267	1/2UNC X 2" HEX BOLT
30	1	900268	1/2UNC X 2 1/2 HEX BOLT
31	1	621077	HOOD HYD CYL ASSY, STS 04
32	4	470118	1/4UNC X 3/4 FLANGE HEX BOLT
33	4	470360	1/2UNC HEX FLANGE LOCK NUT
34	1	470441	GROMMET, .500ID .250GW 2.190GD
35	2	290202	2-WIRE PIGTAIL FOR 290200AMBER
36	2	290203	3-WIRE PIGTAIL FOR 290201 RED
37	4	290204	4" GROMMET FOR 290200 & 290201
38	2	193066	FOAM, 1" X 1.5" X 81"ADHVE STRIP
39	1	660461	REAR ENGINE HOOD, T4I STS 13



FRONT PANEL AND DOOR ASSEMBLY

DET. QTY PART NO. DESCRIPTION

DET.	QTY	PART NO.	DESCRIPTION	C/L
1	1	340330	.375 SCH40 BP X 1.25	
2	4	470075	COTTER PIN 1/8 X 3/4	
3	5	470118	1/4UNC X 3/4 FLANGE HEX BOLT	
4	8	470121	1/4UNC HEX FLANGE LOCK NUT	
5	5	470122	1/4UNC X 1/2 FLANGE HEX BOLT	
6	1	470306	DOOR LATCH, RH TWO-ROTOR	
7	1	470325	7/16UNC HEX FLANGE LOCK NUT	
8	6	470335	LINCHPIN, 3/16 X 1 1/4 GRIP	
9	2	470367	FLAT HINGE, 180 DEG, DIECAST	
10	1	472324	ROLL PIN, 5/32 X 1/2	
11	2	900064	5/16UNC X 3/4 HEX BOLT	
12	4	660244	DOOR HINGE BRKT WLD STS LS	06
13	1	660246	FRT BELLY SHIELD, STSLS	06
14	1	660289	REAR BELLY SHIELD, STSLS	13
15	1	660231	LWR ENG COVER, STS	04
16	1	660283	FRT ENG HOOD BRACE, STS10/12	12
17	1	660260	FRONT ENGINE HOOD, GST/STS	09
18	1	660221	AIR CLEANER DOOR, STS	04
19	1	660228	SIDE DOOR LATCH EXT, STS	04
20	2	660229	DOOR HINGE BACK PLATE, STS	04
21	2	900005	1/4UNC X 1 1/2 HEX BOLT	
22	4	900050	1/4UNC X 1 1/4 PH FLHD MAC SCR	
23	2	900277	1/2UNC X 5 1/2 HEX BOLT	
24	1	900216	7/16UNC X 2 1/2 HEX BOLT	
25	2	900265	1/2UNC X 1 1/2 HEX BOLT	
26	4	914000	1/4UNC HEX STOVER NUT	
27	2	914002	5/16UNC HEX STOVER NUT	
28	2	920001	5/16 SAE FLAT WASHER	
29	1	920003	7/16 SAE FLAT WASHER	
30	2	920004	1/2 SAE FLAT WASHER	
31	4	470360	1/2UNC HEX FLANGE LOCK NUT	
32	8	470233	5/16UNC X 3/4 FLANGE HEX BOLT	
33	8	470113	5/16UNC HEX FLANGE LOCK NUT	
34	1	660458	AIR CLEANER DOOR, T4I STS'13	
35	1	660460	FRONT ENGINE HOOD, T4I STS'13	
36	1	316992	HOOD BRACE, T4I STS10'13	
37	1	660494	FRT ENG HOOD BRACE T4I STS'13	



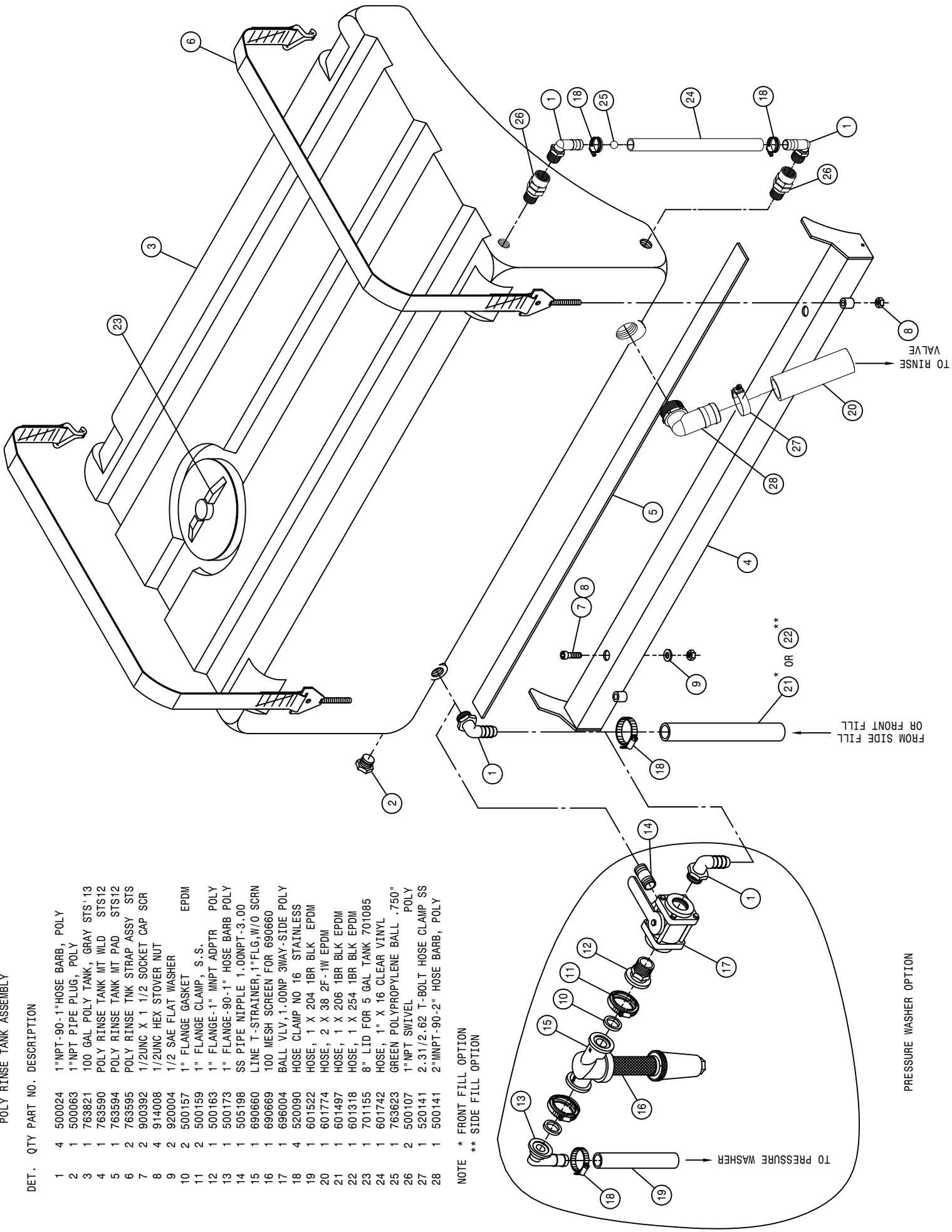
POLY RINSE TANK ASSEMBLY

DET. QTY PART NO. DESCRIPTION

1	4	500024	1" NPT-90-1" HOSE BARB, POLY
2	1	500063	1" NPT PIPE PLUG, POLY
3	1	763821	100 GAL POLY TANK, GRAY STS'13
4	1	763590	POLY RINSE TANK MT WILD STS12
5	1	763594	POLY RINSE TANK MT PAD STS12
6	2	763595	POLY RINSE TANK STRAP ASSY STS
7	2	900392	1/2UNC X 1 1/2 SOCKET CAP SCR
8	4	914008	1/2UNC HEX STOVER NUT
9	2	920004	1/2 SAE FLAT WASHER
10	2	500157	1" FLANGE GASKET EPDM
11	2	500159	1" FLANGE CLAMP, S.S.
12	1	500163	1" FLANGE-1" MNPT ADPTR POLY
13	1	500173	1" FLANGE-90-1" HOSE BARB POLY
14	1	505198	SS PIPE NIPPLE 1.00NPT-3.00
15	1	690660	100 MESH STRAINER, 1" FLG, W/O SCR
16	1	690669	LINE T-STRAINER, 1" FLG, W/O SCR
17	1	696004	BALL VLV, 1.00NP 3WAY-SIDE POLY
18	4	520090	HOSE CLAMP NO 16 STAINLESS
19	1	601522	HOSE, 1 X 204 1BR BLK EPDM
20	1	601774	HOSE, 2 X 38 2F-1W EPDM
21	1	601497	HOSE, 1 X 206 1BR BLK EPDM
22	1	601318	HOSE, 1 X 254 1BR BLK EPDM
23	1	701155	8" LID FOR 5 GAL TANK 701085
24	1	601742	HOSE, 1" X 16 CLEAR VINYL
25	1	763623	GREEN POLYPROPYLENE BALL .750" POLY
26	2	500107	1" NPT SWIVEL
27	1	520141	2.31/2.62 T-BOLT HOSE CLAMP SS
28	1	500141	2" MNPT-90-2" HOSE BARB, POLY

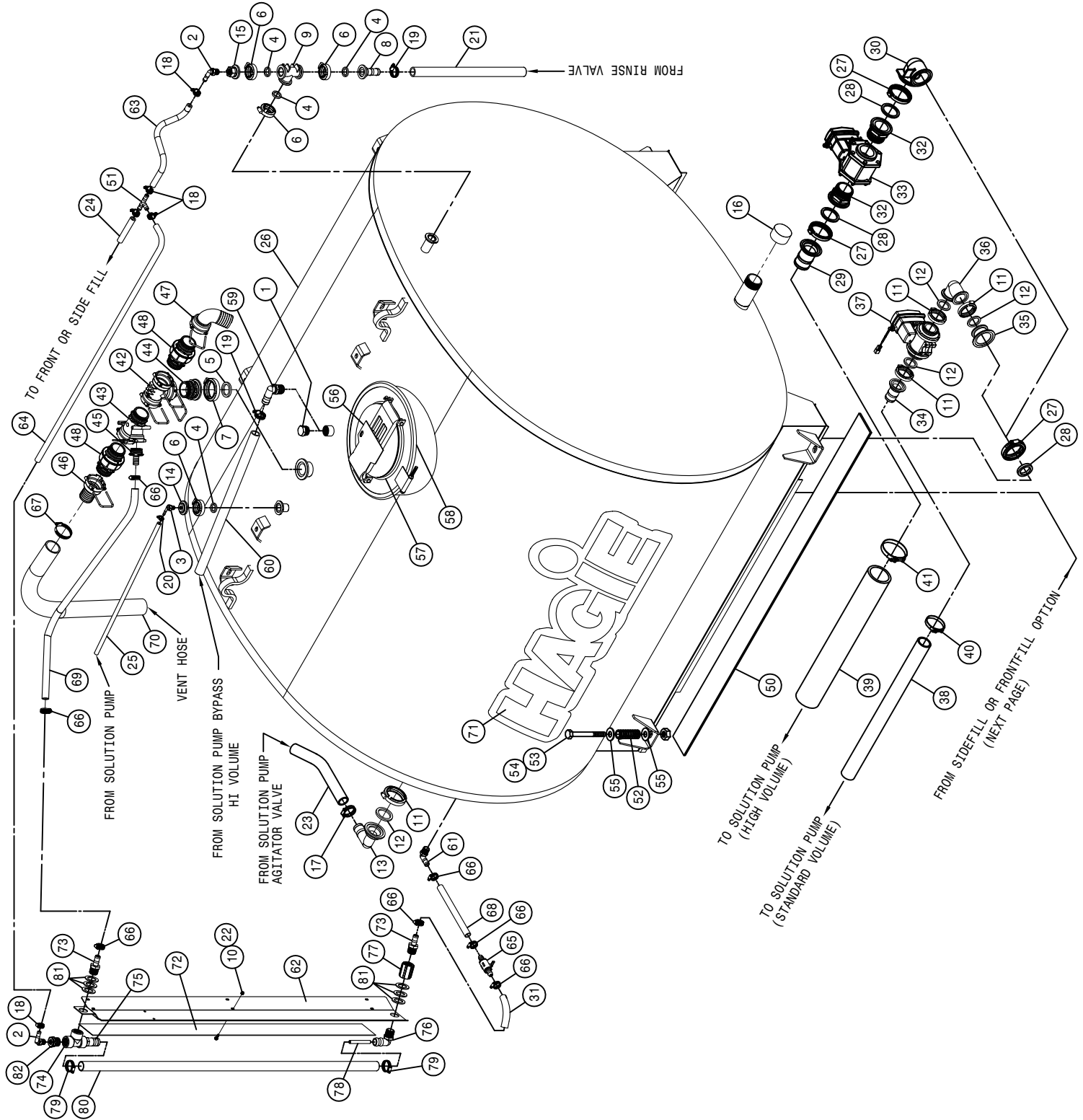
NOTE \* FRONT FILL OPTION

\*\* SIDE FILL OPTION



PRESSURE WASHER OPTION

1000 GALLON SS TANK ASSEMBLY



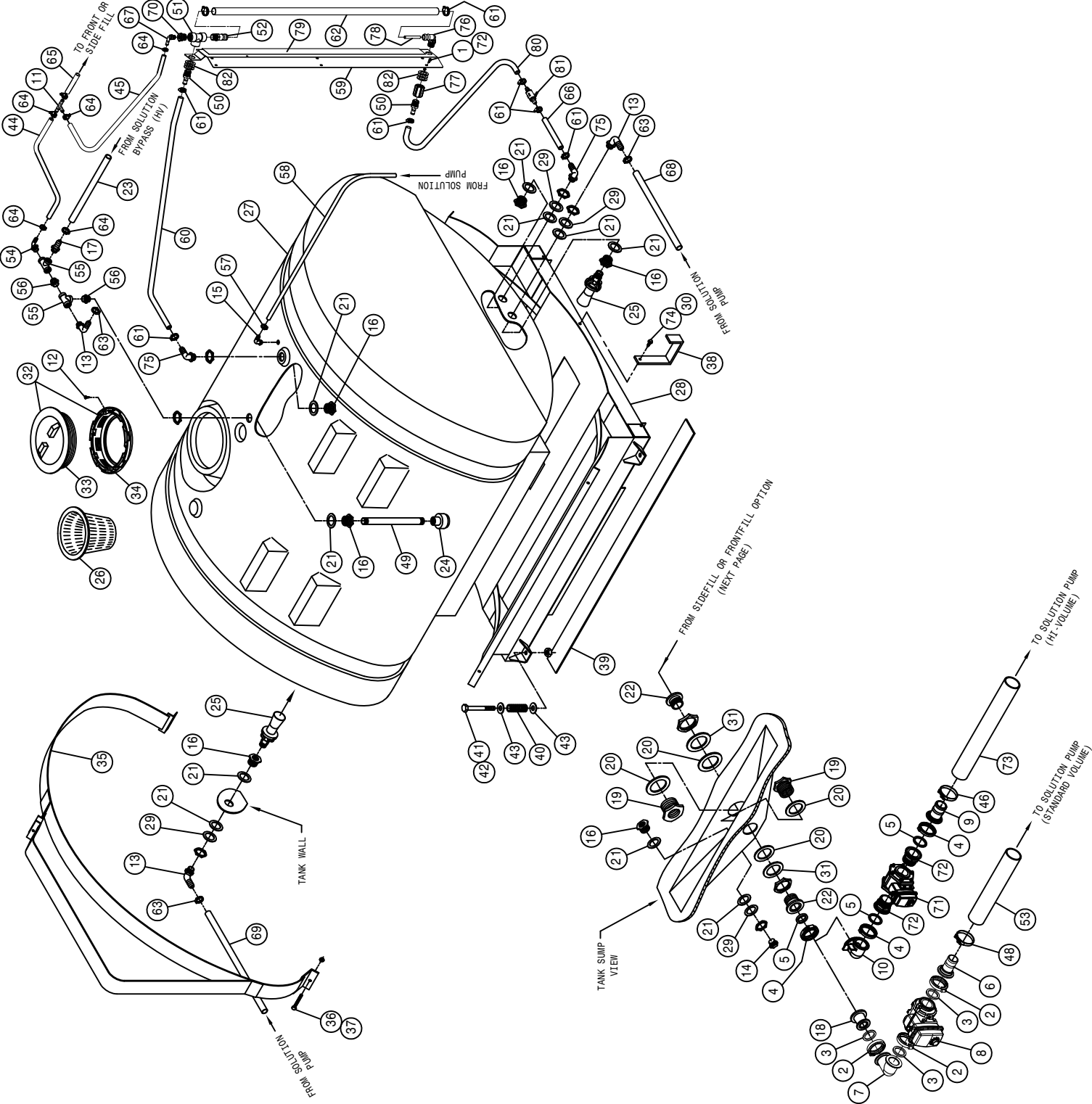
DET.	QTY	PART NO.	DESCRIPTION
1	1	500063	1" NPT PIPE PLUG, POLY
2	2	500047	1/2 NPT-90-1/2 HOSE BARB, POLY
3	1	500104	1/4 NPT-90-1/4 HOSE BARB, POLY
4	4	500157	1" FLANGE GASKET EPDM
5	4	500158	1 1/2" GASKET FOR 2" FLANGE
6	4	500159	1" FLANGE CLAMP, S.S.
7	3	500160	2" FLANGE CLAMP, S.S.
8	1	500171	1" FLANGE-1" HOSE BARB POLY
9	1	500175	1" FLANGE TEE POLY
10	3	470118	1/4 UNC X 3/4 FLANGE HEX BOLT
11	4	500194	2" FP FLANGE CLAMP, S.S.
12	4	500195	2" FP FLANGE GASKET EPDM
13	4	500197	2" FP FLANGE-90-1 1/2 HBARB
14	1	500226	1" FLANGE PLUG W/1/4" FNPT POLY
15	1	500238	1" FLANGE PLUG W/1/2" FNPT POLY
16	1	507103	PIPE CAP, 2.00 FNPT, S.S.
17	1	520067	HOSE CLAMP NO 28 STAINLESS
18	5	520070	HOSE CLAMP NO 8 STAINLESS
19	2	520090	HOSE CLAMP NO 16 STAINLESS
20	1	520120	HOSE CLAMP NO 4 STAINLESS
21	1	601704	HOSE, 1 X 140 1BR BLK EPDM
22	3	470089	1/4 UNC HEX NYLOC NUT, 316 SS
23	1	601591	HOSE, 1 1/2 X 53 2BR BLK EPDM
24	1	601607	HOSE, 1/2 X 190 1BR BLK EPDM
25	1	601674	HOSE, 1/4 X 120 1 BR BLK EPDM
26	1	763725	1000 GAL SS TANK **11
27	3	500208	3" FLANGE CLAMP, S.S.
28	3	500209	3" FLANGE GASKET EPDM
29	1	500210	3" FLANGE-3" HOSE BARB POLY
30	1	500213	3" FLANGE-90-3" FLANGE LBO POLY
31	1	601766	HOSE, 3/4 X 4 CLEAR VINYL
32	2	500164	3" FLANGE-3" FNPT ADPTR POLY
33	1	696268	VALVE, 3" KZCO
34	1	500196	2" FP FLANGE-2" HOSE BARB POLY
35	1	500212	3" FLANGE-2" FP FLANGE REDU POLY
36	1	500219	2" FP FLANGE-90-2" FP FLANGE LBO
37	1	696258	VALVE, KZCO C21-60B-Y19
38	1	601573	HOSE, 2 X 48 2F-1W EPDM
39	1	601663	HOSE, 3 X 50 POLY HELIX EPDM
40	1	520141	2.31/2.62 T-BOLT HOSE CLAMP SS
41	3	520145	3.56/3.88 T-BOLT HOSE CLAMP SS
42	1	737754	2" FEM T-CONNECTOR POLY
43	1	737755	2"-1 1/4" 3-WAY MANIF POLY
44	1	737757	2"-2" FLANGE ADPTR POLY
45	1	737758	1 1/4" M-3/4" HOSE BARB POLY
46	1	737759	2" F-2" HOSE BARB POLY
47	1	737760	2" F-90-2" HOSE BARB POLY
48	1	737761	2" M CHECK VALVE POLY
49	1	737738	FORK, D.3 DIST.42 (737731)
50	2	470321	IND BELT, 4.00 X 67.00 .203THK
51	1	500120	1/2" HOSE BARB TEE, POLY
52	4	482016	SPRING, 1.40 X 3.00 COMPRESN
53	4	900416	3/4 UNC X 6 1/2 HEX BOLT
54	4	914012	3/4 UNC HEX STOVER NUT
55	8	920006	3/4 SAE FLAT WASHER
56	1	763561	LID ASSY FOR 763550 TANK
57	1	763562	10" FILL LID SEAL FOR 763550
58	1	763563	16" MANHOLE SEAL FOR 763550
59	1	500024	1" NPT-90-1" HOSE BARB, POLY
60	1	601682	HOSE, 1 X 111 2BR BLK EPDM
61	1	500054	3/4 NPT-90-3/4 HOSE BARB, POLY
62	1	701449	SIGHT GAUGE SUPPORT STS'13
63	1	601634	HOSE, 1/2 X 78 1BR BLK EPDM
64	1	601800	HOSE, 1/2 X 39 1BR BLK EPDM
65	1	696193	3/4" HOSE BARB MICRO VALVE
66	6	520055	HOSE CLAMP NO 12 STAINLESS
67	1	520068	HOSE CLAMP NO 32 STAINLESS
68	1	601767	HOSE, 3/4 X 16 CLEAR VINYL
69	1	601728	HOSE, 3/4 X 60 CLEAR VINYL
70	1	601743	HOSE, 2 X 113 2F-1W EPDM
71	2	650143	DECAL, LOGO, SOLU TANK STS'10
72	1	650045	DECAL, 1000G SS SIGHT GAUGE '12
73	2	500108	1" NPT-3/4" HOSE BARB POLY
74	1	500075	1" NPT PIPE TEE, POLY
75	1	500021	1 NPT X 1 1/4 HOSE BARB, POLY
76	1	500051	1" NPT-90-1 1/4 HOSE BARB, POLY
77	1	500147	1" NPT PIPE COUPLING POLY
78	1	701448	FLOAT, SIGHT GAUGE STS'13
79	2	520087	HOSE CLAMP NO 20 STAINLESS
80	1	601793	HOSE, 1 1/4 X 57.25 CLEAR VINYL
81	6	483022	1.375 X 2.125 X .134 MACH WASH
82	1	505233	1"-1/2" NPT REDU BUSH, POLY

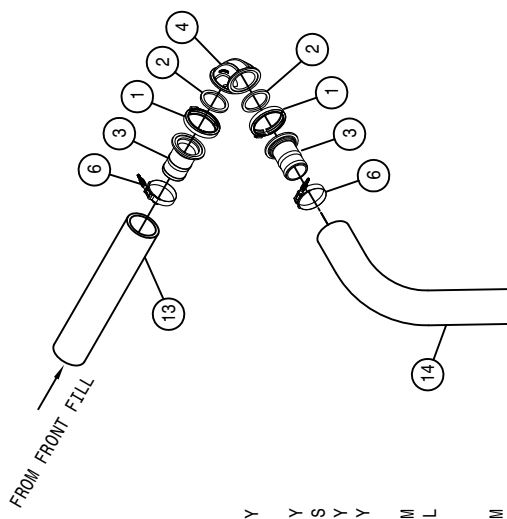


1000 GALLON POLY TANK ASSEMBLY

DET. QTY PART NO. DESCRIPTION

1	6	470118	1/4UNC X 3/4 FLANGE HEX BOLT
2	3	500194	2"FP FLANGE CLAMP, S.S.
3	3	500195	2"FP FLANGE GASKET EPDM
4	3	500208	3" FLANGE CLAMP, S.S.
5	3	500209	3" FLANGE GASKET EPDM
6	1	500196	2"FP FLANGE-2" HOSE BARB POLY
7	1	500219	2"FP FLANGE-90-2"FP FLANGE LBO
8	1	696258	VALVE, KZCO C21-60B-Y19
9	1	500210	3" FLANGE-3" HOSE BARB POLY
10	1	500213	3" FLANGE-90-3" FLANGE LBO POLY
11	1	500120	1/2" HOSE BARB TEE, POLY
12	8	473847	10-12 X 1 PHIL FLAT HD SCR SS
13	3	500026	3/4NPT PIPE PLUG, POLY
14	1	500043	3/4NPT-90-1"HOSE BARB, POLY
15	1	500104	3/4NPT BLKHD TANK FITTING POLY
16	6	500110	3/4NPT-1"HOSE BARB, POLY
17	1	500123	3" FLANGE-2"FP FLANGE REDU POLY
18	1	500212	3" TANK FITTING W/.50 FLG POLY
19	2	500127	3"NPT BLKHD FITTING GASKET
20	4	500115	1 1/2" GASKET FOR 2" FLANGE
21	10	500158	3" FLANGE-3" NMPT ADPTR. POLY
22	2	500164	HOSE, 1 X 1 1/2 2BR BLK EPDM
23	1	601682	ROTARY NOZZLE, TEFLON
24	1	737879	8" STRAINER BASKET, SOLU TANK
25	2	737879	EDUCTOR NOZZLE, 3/4NMPT TEEJET
26	1	763431	1000 GAL POLY TANK
27	27	763571	POLY TANK GRADLE WELDMT STS10
28	29	763601	WASH: 16GA X 1.63 X 2.38
29	4	763612	WASH: 16GA X 1.63 X 2.38
30	1	900064	5/16UNC X 3/4 HEX BOLT
31	31	763614	WASH: 16GA X 4.50 X 5.50
32	32	763624	10" TANK LID W/RING ASSY, POLY
33	33	763625	10" TANK LID, POLY
34	1	763626	10" TANK LID RING, POLY
35	2	763630	POLY TANK STRAP ASSY. STS10
36	6	900558	1/2UNC X 3 1/2 HEX BOLT FULL
37	6	914008	1/2UNC HEX STOVER NUT
38	1	763621	SOLU HOSE SUPP. POLY TANK STS10
39	2	470321	IND BELT, 4.00 X 67.00 .203THK
40	4	482016	SPRING, 1.40 X 3.00 COMPRESSN
41	4	900416	3/4UNC X 6 1/2 HEX BOLT
42	4	914012	3/4UNC HEX STOVER NUT
43	8	920006	3/4 SAE FLAT WASHER
44	1	601161	HOSE, 1/2 X 36 1BR BLK EPDM
45	1	601800	HOSE, 1/2 X 39 1BR BLK EPDM
46	1	520145	3.56/3.88 T-BOLT HOSE CLAMP SS
47	1	690731	SOLU TUBE, 3.00 S.S. SIDE FILL
48	1	520141	2-3/12-62 T-BOLT HOSE CLAMP SS
49	1	504850	CPVC PIPE NIPPLE .75NPT-24.00
50	2	500108	1"NPT-3/4" HOSE BARB POLY
51	1	500075	1" NPT PIPE TEE, POLY
52	1	500021	1 NPT X 1 1/4 HOSE BARB, POLY
53	1	500041	HOSE, 2 X 48 2F-1W EPDM
54	1	500041	3/4NPT-90-1/2"HOSE BARB, POLY
55	2	505218	3/4 NPT PIPE TEE, POLY
56	6	690098	3/4NPT CLOSE NIPPLE, POLY
57	1	520120	HOSE CLAMP NO. 4 STAINLESS
58	1	601674	HOSE, 1/4 X 120 1 BR BLK EPDM
59	1	701449	SIGHT GAUGE SUPPORT STS'13
60	1	601729	HOSE, 3/4 X 49 CLEAR VINYL
61	6	520055	HOSE CLAMP NO 12 STAINLESS
62	1	601793	HOSE, 1 1/4 X 57.25 CLEAR VINYL
63	3	520090	HOSE CLAMP NO 16 STAINLESS
64	5	520070	HOSE CLAMP NO 8 STAINLESS
65	1	601260	HOSE, 1/2 X 180 1BR BLK EPDM
66	1	601768	HOSE, 3/4 X 22 CLEAR VINYL
67	1	500047	1/2NPT-90-1/2 HOSE BARB, POLY
68	1	601577	HOSE, 1 X 53 1BR BLK EPDM
69	1	601578	HOSE, 1 X 125 1BR BLK EPDM
70	1	505233	1"-1/2"NPT REDU BUSH, POLY
71	1	696268	VALVE, 3" KZCO
72	6	470089	1/4UNC HEX NYLOC NUT, 316 SS
73	1	601663	HOSE, 3 X 50 POLY HELIX EPDM
74	1	470381	5/16-18 NUTSERT .027-.150 STL
75	2	500054	3/4NPT-90-3/4 HOSE BARB, POLY
76	1	500051	1"NPT-90-1 1/4"HOSE BARB, POLY
77	1	500147	1"NPT PIPE COUPLING, POLY
78	1	701448	FLOAT, SIGHT GAUGE STS'13
79	1	650404	DECAL, 1000G PLY SIGHT GAUGE 12
80	1	601766	HOSE, 3/4 X 4 CLEAR VINYL
81	1	696193	3/4" HOSE BARB MICRO VALVE
82	6	483022	1.375 X 2.125 X .134 MACH WASH





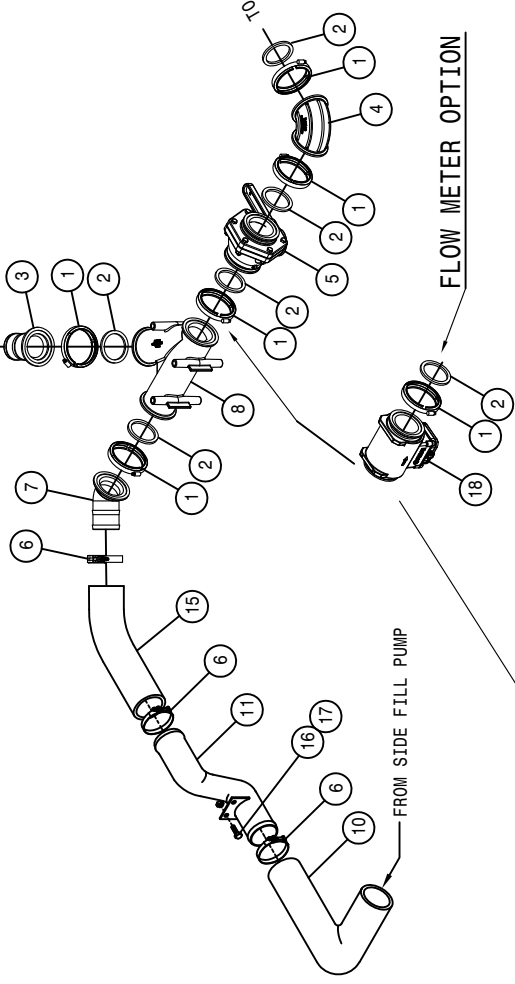
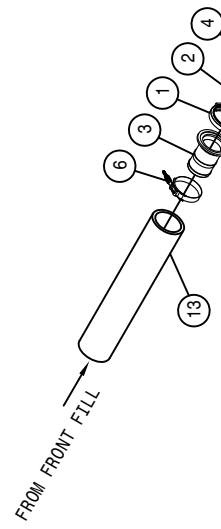
FRONT & SIDE FILL OPTION

FRONT AND SIDE FILL TANK VALVE ASSEMBLY

DET. QTY PART NO. DESCRIPTION

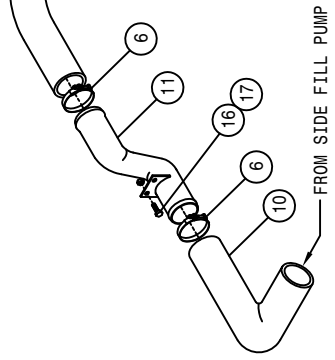
1	10	500208	3" FLANGE CLAMP, S.S.
2	10	500209	3" FLANGE GASKET EPDM
3	6	500210	3" FLANGE-3" HOSE BARB POLY
4	4	500262	3" FLANGE-90-3" FLG SWEEP LBO
5	2	696190	3" FP FLANGE STUBBY VALVE POLY
6	6	520145	3.56/3.88 T-BOLT HOSE CLAMP SS
7	1	500258	3" FLANGE-45-3" HOSE BARB POLY
8	1	500260	3" FP-45-Y FLANGE COUPLER POLY
9	1	601574	HOSE, 3 X 36 POLY HELIX EPDM
10	2	601664	HOSE, 3 X 55 POLY HELIX EPDM
11	1	690731	SOLU TUBE, 3.00 S.S. SIDE FILL
12	1	601508	HOSE, 3 X 64 POLY HELIX EPDM
13	2	601680	HOSE, 3 X 91 POLY HELIX EPDM
14	1	601663	HOSE, 3 X 50 POLY HELIX EPDM
15	1	601771	HOSE, 3 X 26 POLY HELIX EPDM
16	4	900064	5/16UNC X 3/4 HEX BOLT
17	4	914002	5/16UNC HEX STOVER NUT
18	1	691242	3" MANIFOLD FLOWMETER, BANJO

FRONT FILL OPTION



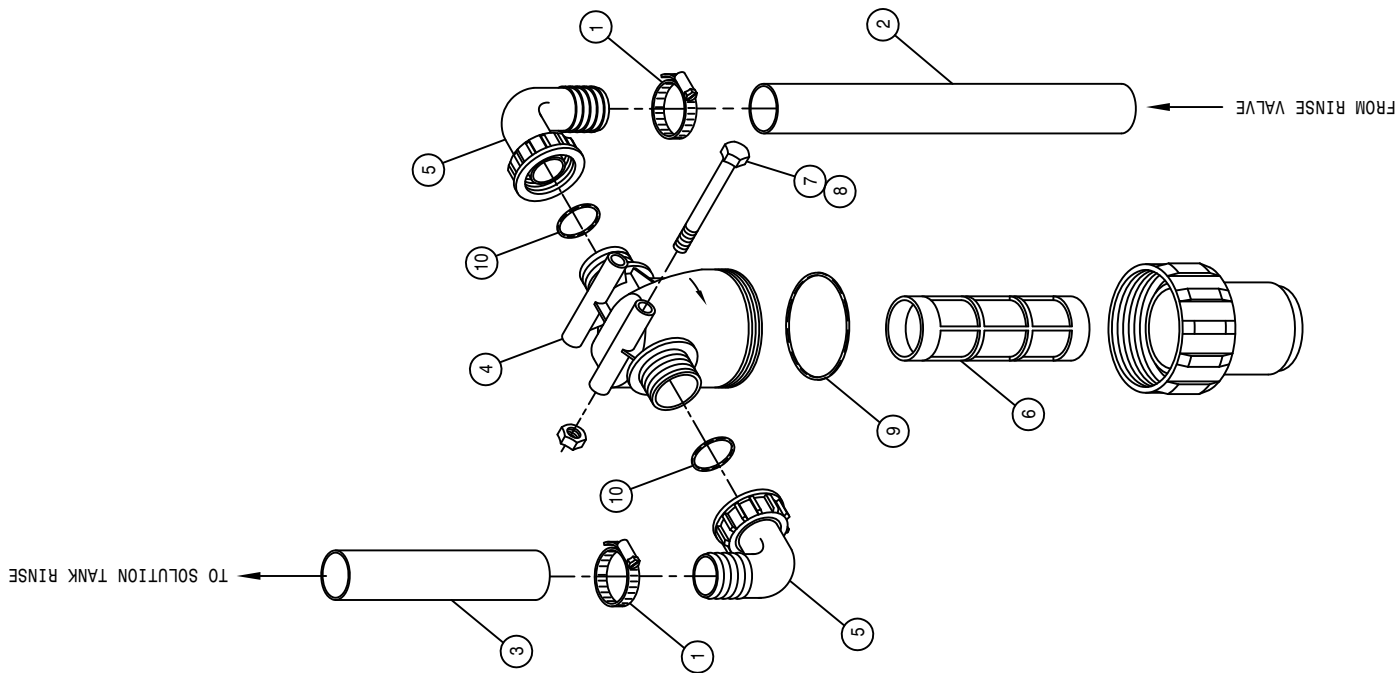
FLOW METER OPTION

SIDE FILL OPTION



RINSE STRAINER ASSEMBLY

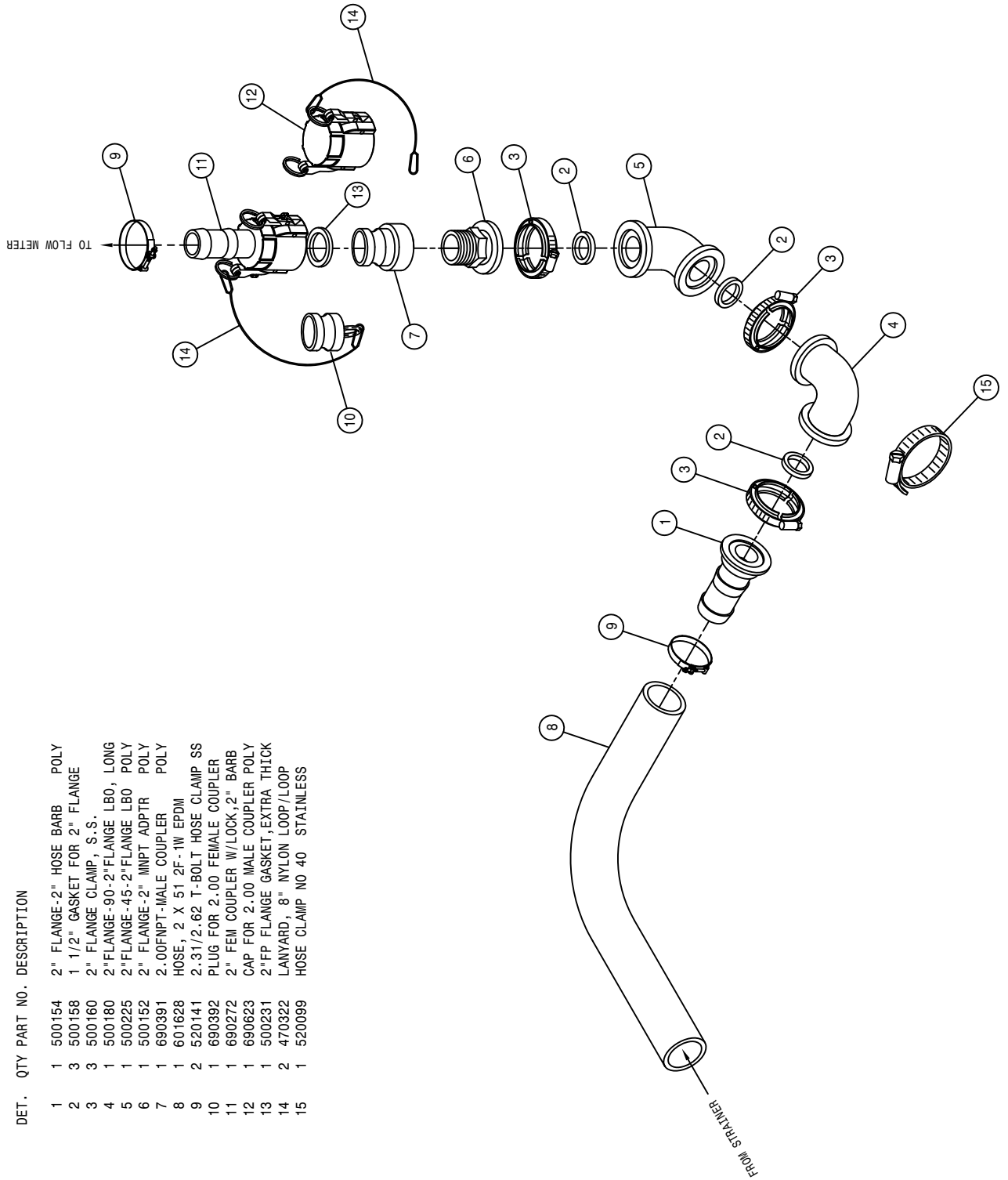
DET.	QTY	PART NO.	DESCRIPTION
1	2	520090	HOSE CLAMP NO 16 STAINLESS
2	1	601635	HOSE, 1 X 35 1BR BLK EPDM
3	1	601636	HOSE, 1 X 100 1BR BLK EPDM
4	1	690071	LINE STRAINER,32 MESH, 150PSI
5	2	690072	1"-90D HOSE BARB KIT,STRAINER
6	1	690073	SCREEN,32 MESH,STRANER 690071
7	2	900073	5/16UNC X 3 1/4 HEX BOLT
8	2	470113	5/16UNC HEX FLANGE LOCK NUT
9	1	690006	O-RING FOR STRAINER 690071
10	2	690007	O-RING FOR STRAINER FTG 690072

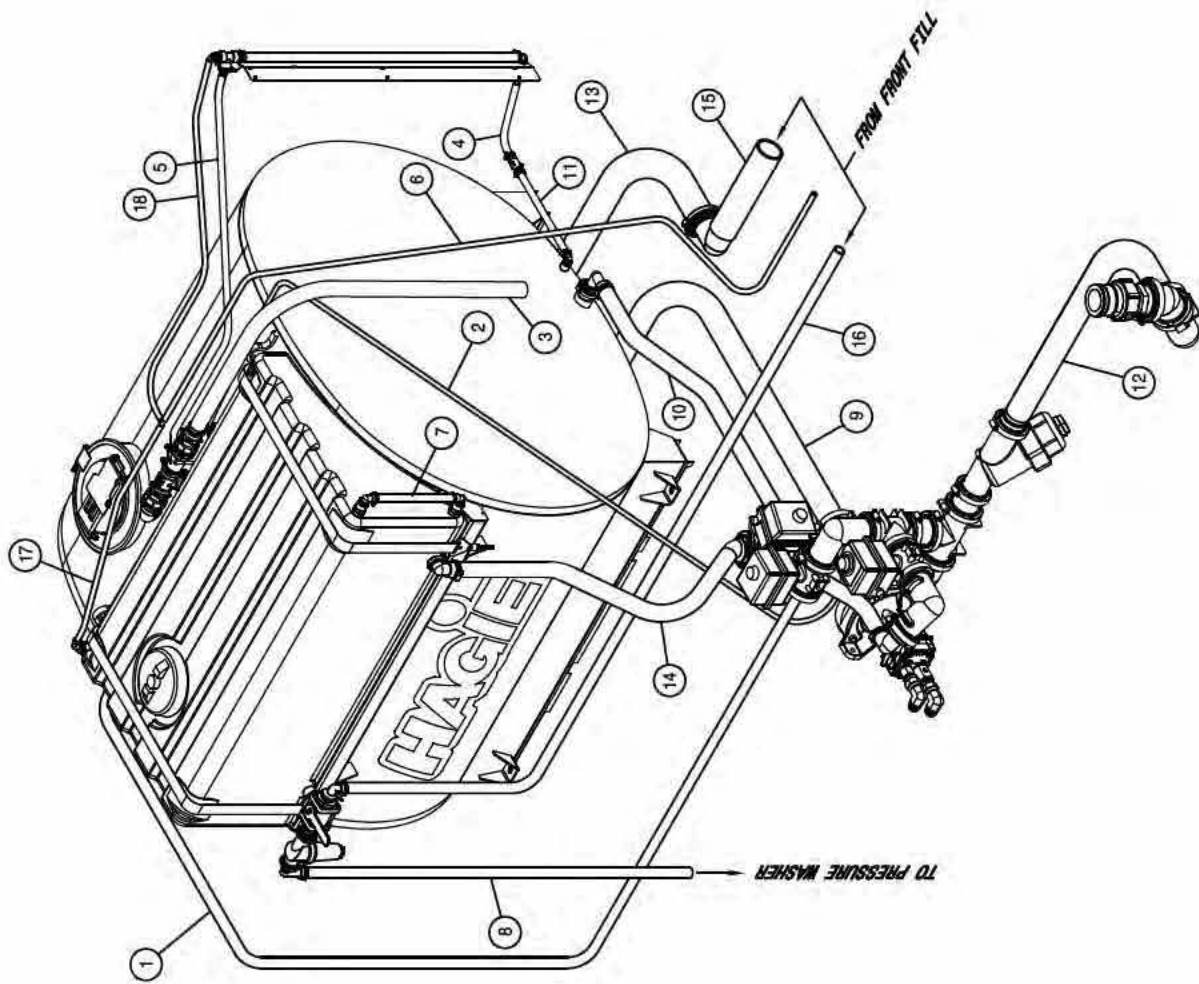


QUICK COUPLER ASSEMBLY

DET. QTY PART NO. DESCRIPTION

1	1	500154	2" FLANGE-2" HOSE BARB	POLY
2	3	500158	1 1/2" GASKET FOR 2" FLANGE	
3	3	500160	2" FLANGE CLAMP, S.S.	
4	1	500180	2" FLANGE-90-2" FLANGE LBO, LONG	
5	1	500225	2" FLANGE-45-2" FLANGE LBO	POLY
6	1	500152	2" FLANGE-2" MNPT ADPTR	POLY
7	1	690391	2.00FPT-MALE COUPLER	POLY
8	1	601628	HOSE, 2 X 51 2F-1W EPDM	
9	2	520141	2.31/2.62 T-BOLT HOSE CLAMP SS	
10	1	690392	PLUG FOR 2.00 FEMALE COUPLER	
11	1	690272	2" FEM COUPLER W/LOCK, 2" BARB	
12	1	690623	CAP FOR 2.00 MALE COUPLER POLY	
13	1	500231	2" FP FLANGE GASKET, EXTRA THICK	
14	2	470322	LANYARD, 8" NYLON LOOP/LOOP	
15	1	520099	HOSE CLAMP NO 40 STAINLESS	

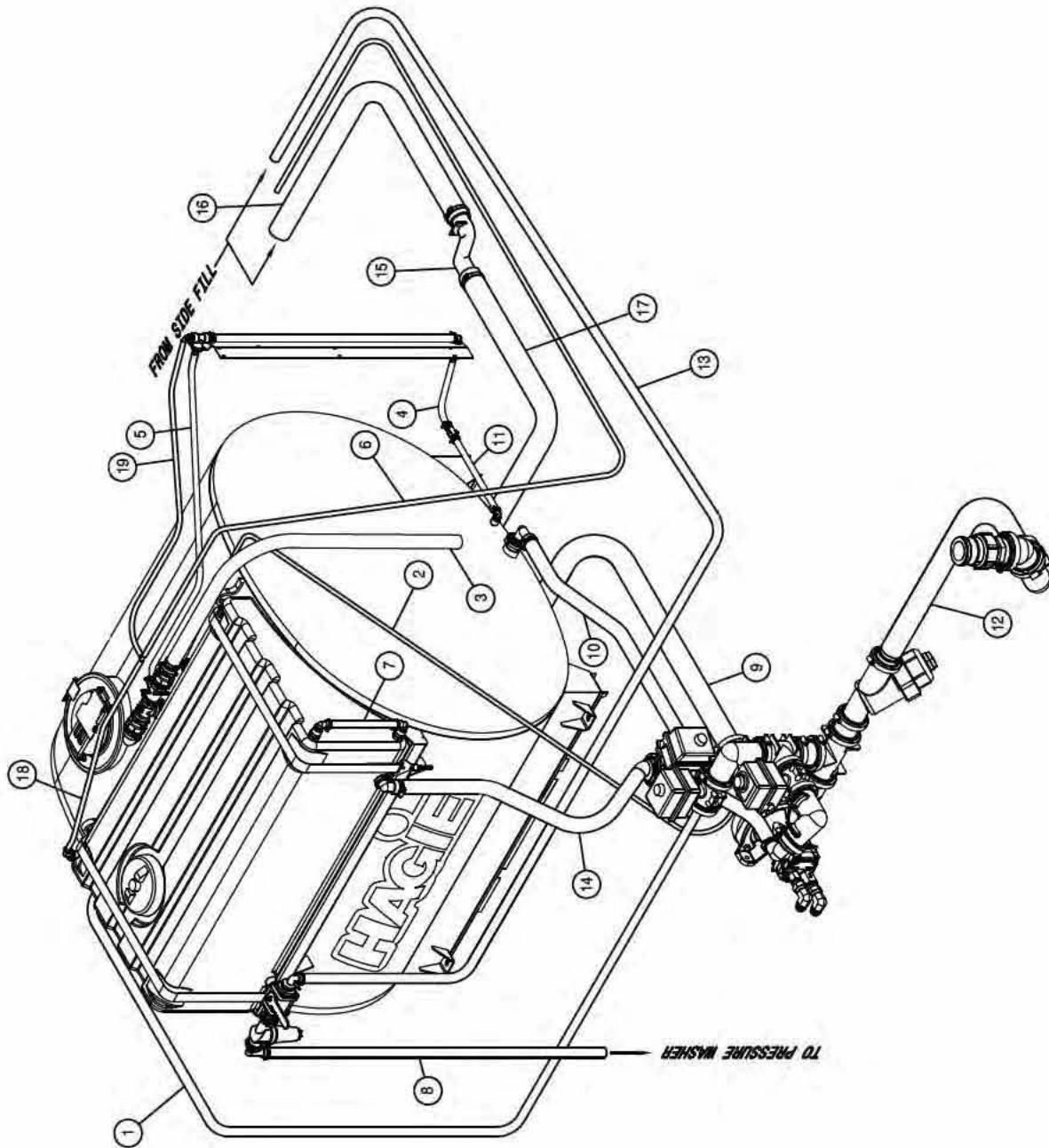




FRONT FILL SOLUTION HOISING (STD-VOLUME)

DET. QTY PART NO. DESCRIPTION

1	1	601704	HOSE, 1 X 140 1BR BLK EPDM
2	1	601674	HOSE, 1/4 X 120 1 BR BLK EPDM
3	1	601743	HOSE, 2 X 113 2F-1W EPDM
4	1	601766	HOSE, 3/4 X 4 CLEAR VINYL
5	1	601728	HOSE, 3/4 X 60 CLEAR VINYL
6	1	601607	HOSE, 1/2 X 190 1BR BLK EPDM
7	1	601742	HOSE, 1" X 16 CLEAR VINYL
8	1	601522	HOSE, 1 X 204 1BR BLK EPDM
9	1	601573	HOSE, 2 X 48 2F-1W EPDM
10	1	601591	HOSE, 1 1/2 X 53 2BR BLK EPDM
11	1	601767	HOSE, 3/4 X 16 CLEAR VINYL
12	1	601628	HOSE, 2 X 51 2F-1W EPDM
13	1	601508	HOSE, 3 X 64 POLY HELIX EPDM
14	1	601774	HOSE, 2 X 38 2F-1W EPDM
15	1	601680	HOSE, 3 X 91 POLY HELIX EPDM
16	1	601497	HOSE, 1 X 206 1BR BLK EPDM
17	1	601634	HOSE, 1/2 X 78 1BR BLK EPDM
18	1	601800	HOSE, 1/2 X 39 1BR BLK EPDM



SIDE FILL SOLUTION HOISING (STD-VOLUME)

DET. QTY PART NO. DESCRIPTION

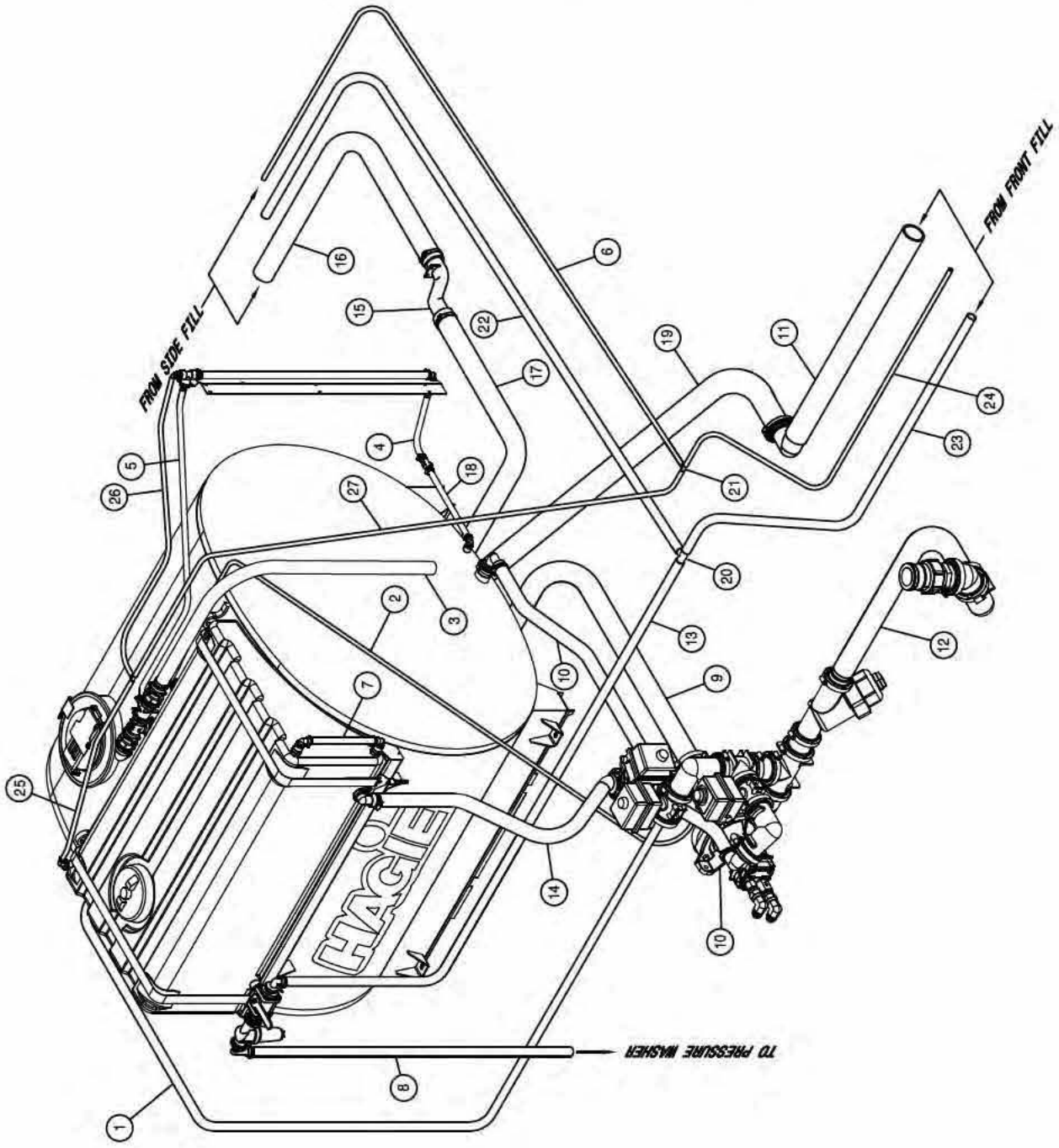
DET.	QTY	PART NO.	DESCRIPTION
1	1	601704	HOSE, 1 X 140 1BR BLK EPDM
2	1	601674	HOSE, 1/4 X 120 1 BR BLK EPDM
3	1	601743	HOSE, 2 X 113 2F-1W EPDM
4	1	601529	HOSE, 3/4 X 94 CLEAR VINYL
5	1	601728	HOSE, 3/4 X 60 CLEAR VINYL
6	1	601607	HOSE, 1/2 X 190 1BR BLK EPDM
7	1	601742	HOSE, 1" X 16 CLEAR VINYL
8	1	601522	HOSE, 1 X 204 1BR BLK EPDM
9	1	601573	HOSE, 2 X 48 2F-1W EPDM
10	1	601591	HOSE, 1 1/2 X 53 2BR BLK EPDM
11	1	601767	HOSE, 3/4 X 16 CLEAR VINYL
12	1	601628	HOSE, 2 X 51 2F-1W EPDM
13	1	601318	HOSE, 1 X 254 1BR BLK EPDM
14	1	601774	HOSE, 2 X 38 2F-1W EPDM
15	1	690731	SOLU TUBE, 3.00 S.S. SIDE FILL
16	1	601664	HOSE, 3 X 55 POLY HELIX EPDM
17	1	601574	HOSE, 3 X 36 POLY HELIX EPDM
18	1	601634	HOSE, 1/2 X 78 1BR BLK EPDM
19	1	601800	HOSE, 1/2 X 39 1BR BLK EPDM

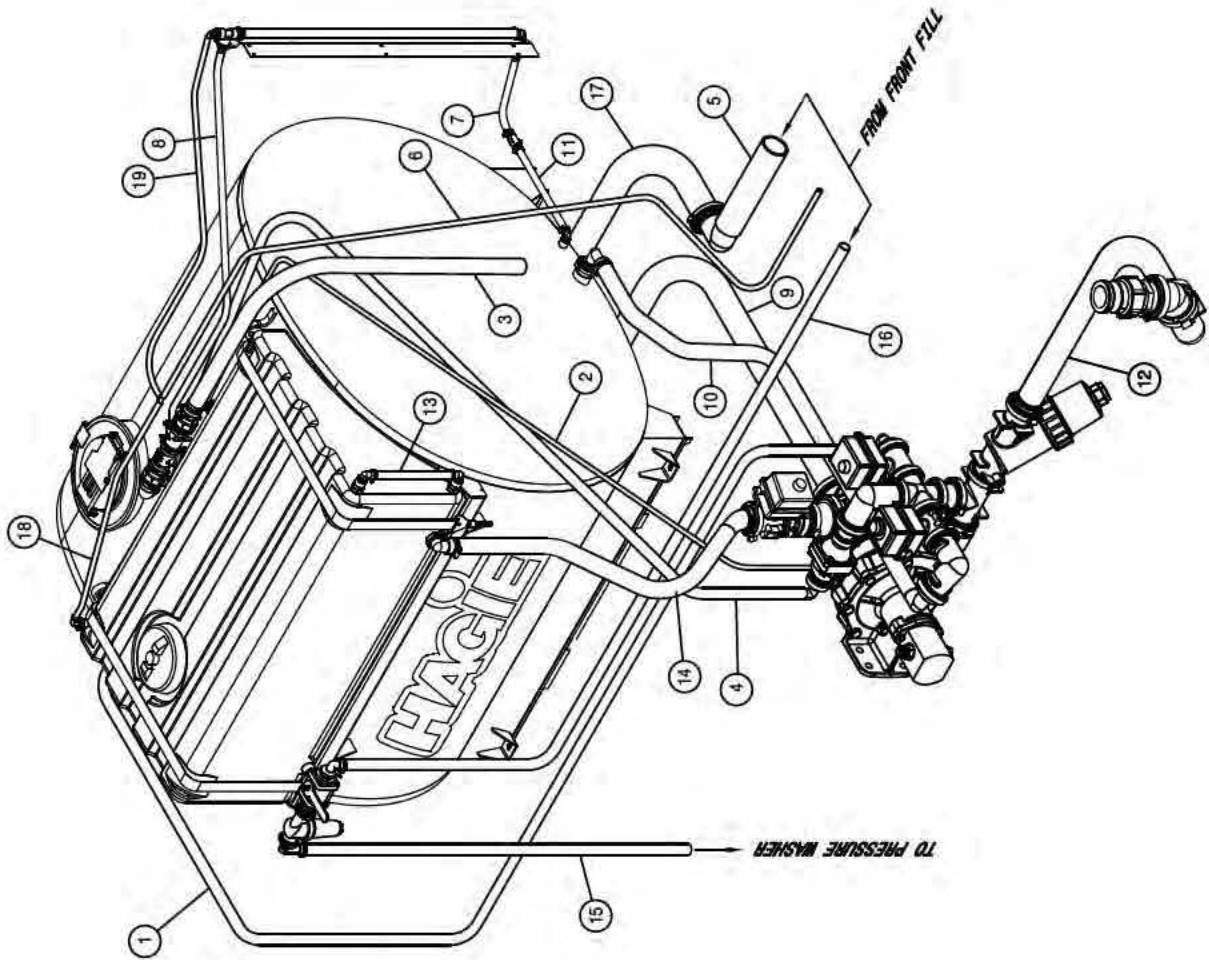


FRONT AND SIDE FILL SOLUTION HOSEING (STD-VOLUME)

DET. QTY PART NO. DESCRIPTION

1	1	601704	HOSE, 1 X 140 1BR BLK EPDM
2	1	601674	HOSE, 1/4 X 120 1 BR BLK EPDM
3	1	601743	HOSE, 2 X 113 2F-1W EPDM
4	1	601529	HOSE, 3/4 X 34 CLEAR VINYL
5	1	601728	HOSE, 3/4 X 60 CLEAR VINYL
6	1	601639	HOSE, 1/2 X 170 1BR BLK EPDM
7	1	601742	HOSE, 1" X 16 CLEAR VINYL
8	1	601522	HOSE, 1 X 204 1BR BLK EPDM
9	1	601573	HOSE, 2 X 48 2F-1W EPDM
10	1	601591	HOSE, 1 1/2 X 53 2BR BLK EPDM
11	1	601680	HOSE, 3 X 91 POLY HELIX EPDM
12	1	601628	HOSE, 2 X 51 2F-1W EPDM
13	1	601390	HOSE, 1 X 160 1BR BLK EPDM
14	1	601774	HOSE, 2 X 38 2F-1W EPDM
15	1	690731	SOLU TUBE, 3.00 S.S. SIDE FILL
16	1	601664	HOSE, 3 X 55 POLY HELIX EPDM
17	1	601771	HOSE, 3 X 26 POLY HELIX EPDM
18	1	601767	HOSE, 3/4 X 16 CLEAR VINYL
19	1	601663	HOSE, 3 X 50 POLY HELIX EPDM
20	1	500105	1.00 HOSE BARB TEE, POLY
21	1	500120	1/2" HOSE BARB TEE, POLY
22	1	601705	HOSE, 1 X 170 1BR BLK EPDM
23	1	601494	HOSE, 1 X 108 1BR BLK EPDM
24	1	601677	HOSE, 1/2 X 100 1BR BLK EPDM
25	1	601634	HOSE, 1/2 X 78 1BR BLK EPDM
26	1	601800	HOSE, 1/2 X 39 1BR BLK EPDM
27	1	601572	HOSE, 1/2 X 95 1BR BLK EPDM



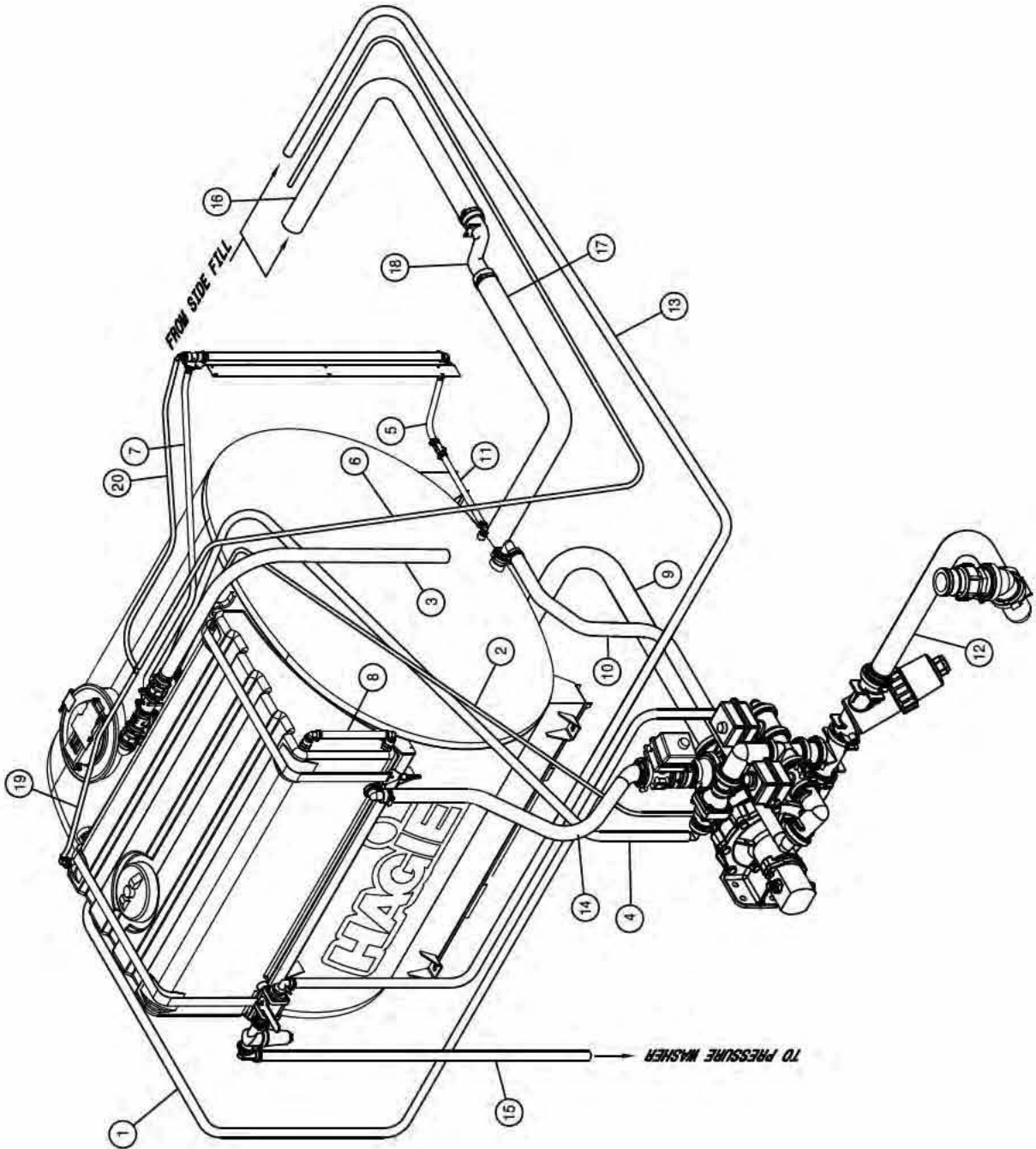


FRONT FILL SOLUTION TANK HOISING (HI-VOLUME)

DET. QTY PART NO. DESCRIPTION

1	1	601704	HOSE, 1 X 140 1BR BLK EPDM
2	1	601674	HOSE, 1/4 X 120 1 BR BLK EPDM
3	1	601743	HOSE, 2 X 113 2F-1W EPDM
4	1	601882	HOSE, 1 X 111 2BR BLK EPDM
5	1	601880	HOSE, 3 X 91 POLY HELIX EPDM
6	1	601607	HOSE, 1/2 X 190 1BR BLK EPDM
7	1	601529	HOSE, 3/4 X 34 CLEAR VINYL
8	1	601728	HOSE, 3/4 X 60 CLEAR VINYL
9	1	601663	HOSE, 3 X 50 POLY HELIX EPDM
10	1	601591	HOSE, 1 1/2 X 53 2BR BLK EPDM
11	1	601767	HOSE, 3/4 X 16 CLEAR VINYL
12	1	601628	HOSE, 2 X 51 2F-1W EPDM
13	1	601742	HOSE, 1" X 16 CLEAR VINYL
14	1	601774	HOSE, 2 X 38 2F-1W EPDM
15	1	601522	HOSE, 1 X 204 1BR BLK EPDM
16	1	601497	HOSE, 1 X 206 1BR BLK EPDM
17	1	601508	HOSE, 3 X 64 POLY HELIX EPDM
18	1	601634	HOSE, 1/2 X 78 1BR BLK EPDM
19	1	601800	HOSE, 1/2 X 39 1BR BLK EPDM





SIDE FILL SOLUTION HOISING (HI-VOLUME)

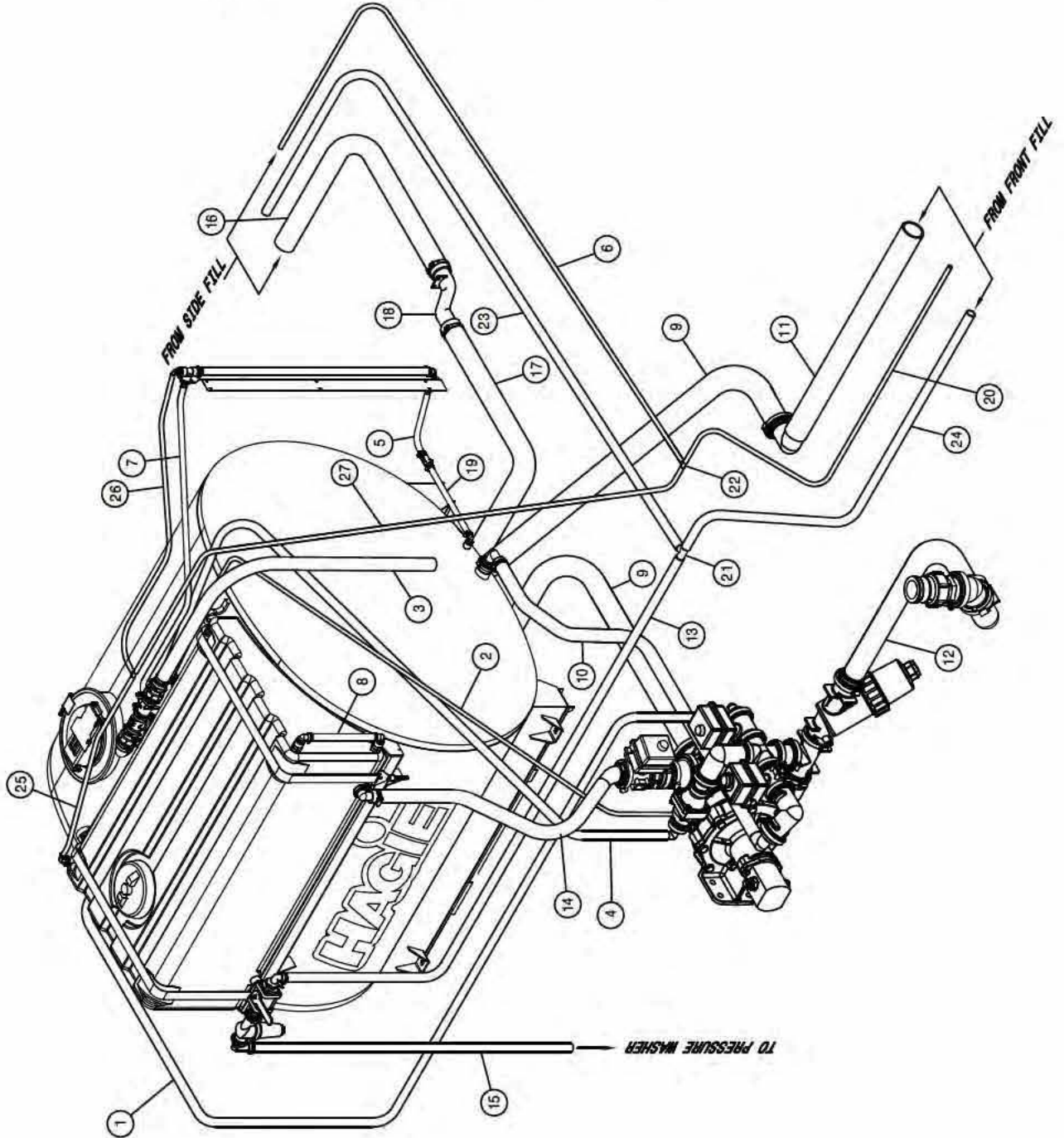
DET. QTY PART NO. DESCRIPTION

1	1	601704	HOSE, 1 X 1/4 140 1BR BLK EPDM
2	1	601674	HOSE, 1/4 X 120 1 BR BLK EPDM
3	1	601743	HOSE, 2 X 113 2F-1W EPDM
4	1	601682	HOSE, 1 X 111 2BR BLK EPDM
5	1	601529	HOSE, 3/4 X 34 CLEAR VINYL
6	1	601607	HOSE, 1/2 X 190 1BR BLK EPDM
7	1	601728	HOSE, 3/4 X 60 CLEAR VINYL
8	1	601742	HOSE, 1" X 16 CLEAR VINYL
9	1	601663	HOSE, 3 X 50 POLY HELIX EPDM
10	1	601591	HOSE, 1 1/2 X 53 2BR BLK EPDM
11	1	601767	HOSE, 3/4 X 16 CLEAR VINYL
12	1	601628	HOSE, 2 X 51 2F-1W EPDM
13	1	601318	HOSE, 1 X 254 1BR BLK EPDM
14	1	601774	HOSE, 2 X 38 2F-1W EPDM
15	1	601522	HOSE, 1 X 204 1BR BLK EPDM
16	1	601684	HOSE, 3 X 55 POLY HELIX EPDM
17	1	601574	HOSE, 3 X 36 POLY HELIX EPDM
18	1	690731	SOLU TUBE, 3.00 S.S., SIDE FILL
19	1	601634	HOSE, 1/2 X 78 1BR BLK EPDM
20	1	601800	HOSE, 1/2 X 39 1BR BLK EPDM

FRONT AND SIDE FILL SOLUTION HOISING (HI-VOLUME)

DET. QTY PART NO. DESCRIPTION

1	1	601704	HOSE, 1 X 140 1BR BLK EPDM
2	1	601674	HOSE, 1/4 X 120 1 BR BLK EPDM
3	1	601743	HOSE, 2 X 113 2F-1W EPDM
4	1	601662	HOSE, 1 X 111 2BR BLK EPDM
5	1	601529	HOSE, 3/4 X 34 CLEAR VINYL
6	1	601639	HOSE, 1/2 X 170 1BR BLK EPDM
7	1	601728	HOSE, 3/4 X 60 CLEAR VINYL
8	1	601742	HOSE, 1" X 16 CLEAR VINYL
9	2	601663	HOSE, 3 X 50 POLY HELIX EPDM
10	1	601591	HOSE, 1 1/2 X 53 2BR BLK EPDM
11	1	601680	HOSE, 3 X 91 POLY HELIX EPDM
12	1	601628	HOSE, 2 X 51 2F-1W EPDM
13	1	601390	HOSE, 1 X 160 1BR BLK EPDM
14	1	601774	HOSE, 2 X 38 2F-1W EPDM
15	1	601522	HOSE, 1 X 204 1BR BLK EPDM
16	1	601664	HOSE, 3 X 55 POLY HELIX EPDM
17	1	601771	HOSE, 3 X 26 POLY HELIX EPDM
18	1	690731	SOLU TUBE, 3.00 S.S. SIDE FILL
19	1	601767	HOSE, 3/4 X 16 CLEAR VINYL
20	1	601677	HOSE, 1/2 X 100 1BR BLK EPDM
21	1	500105	1.00 HOSE BARB TEE, POLY
22	1	500120	1/2" HOSE BARB TEE, POLY
23	1	601705	HOSE, 1 X 170 1BR BLK EPDM
24	1	601494	HOSE, 1 X 108 1BR BLK EPDM
25	1	601634	HOSE, 1/2 X 78 1BR BLK EPDM
26	1	601800	HOSE, 1/2 X 39 1BR BLK EPDM
27	1	601572	HOSE, 1/2 X 95 1BR BLK EPDM

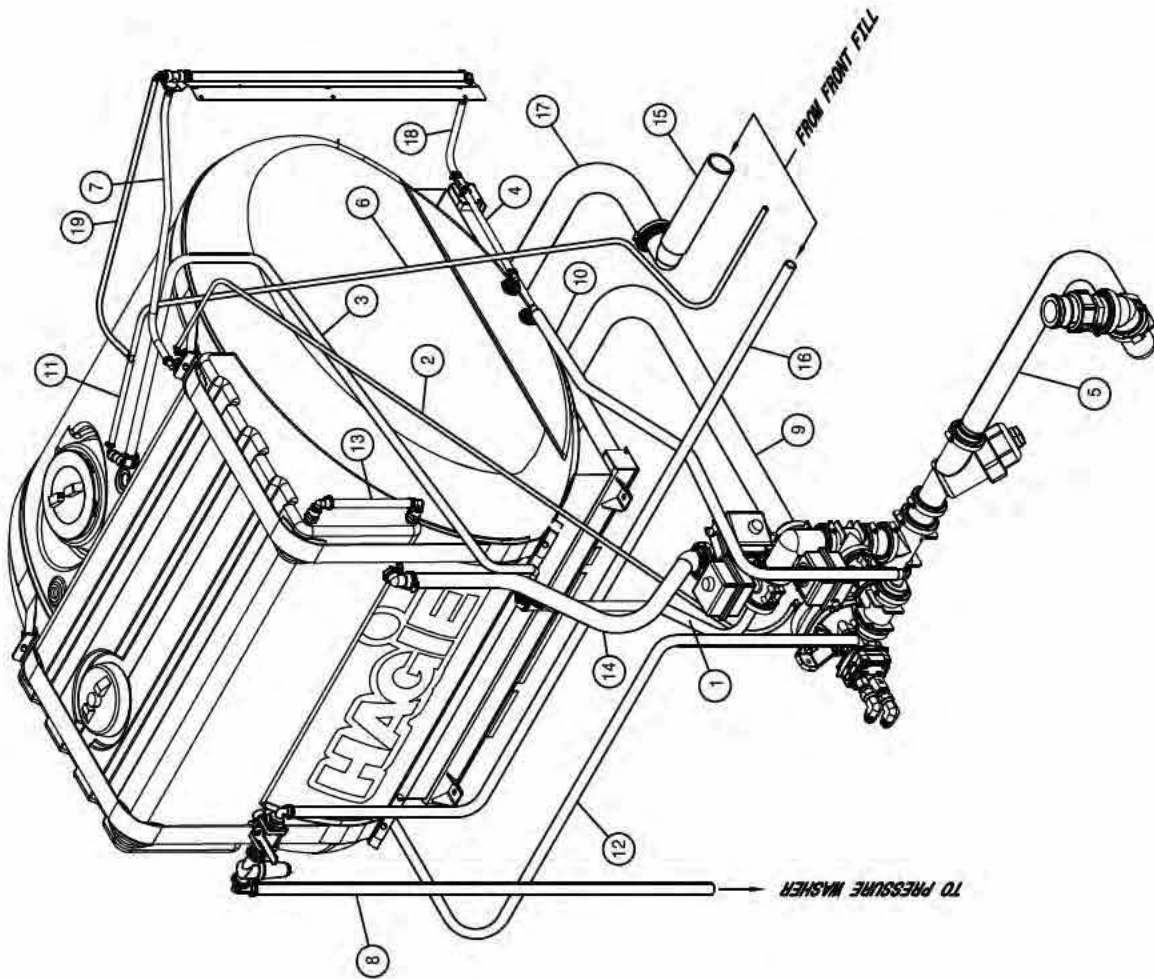


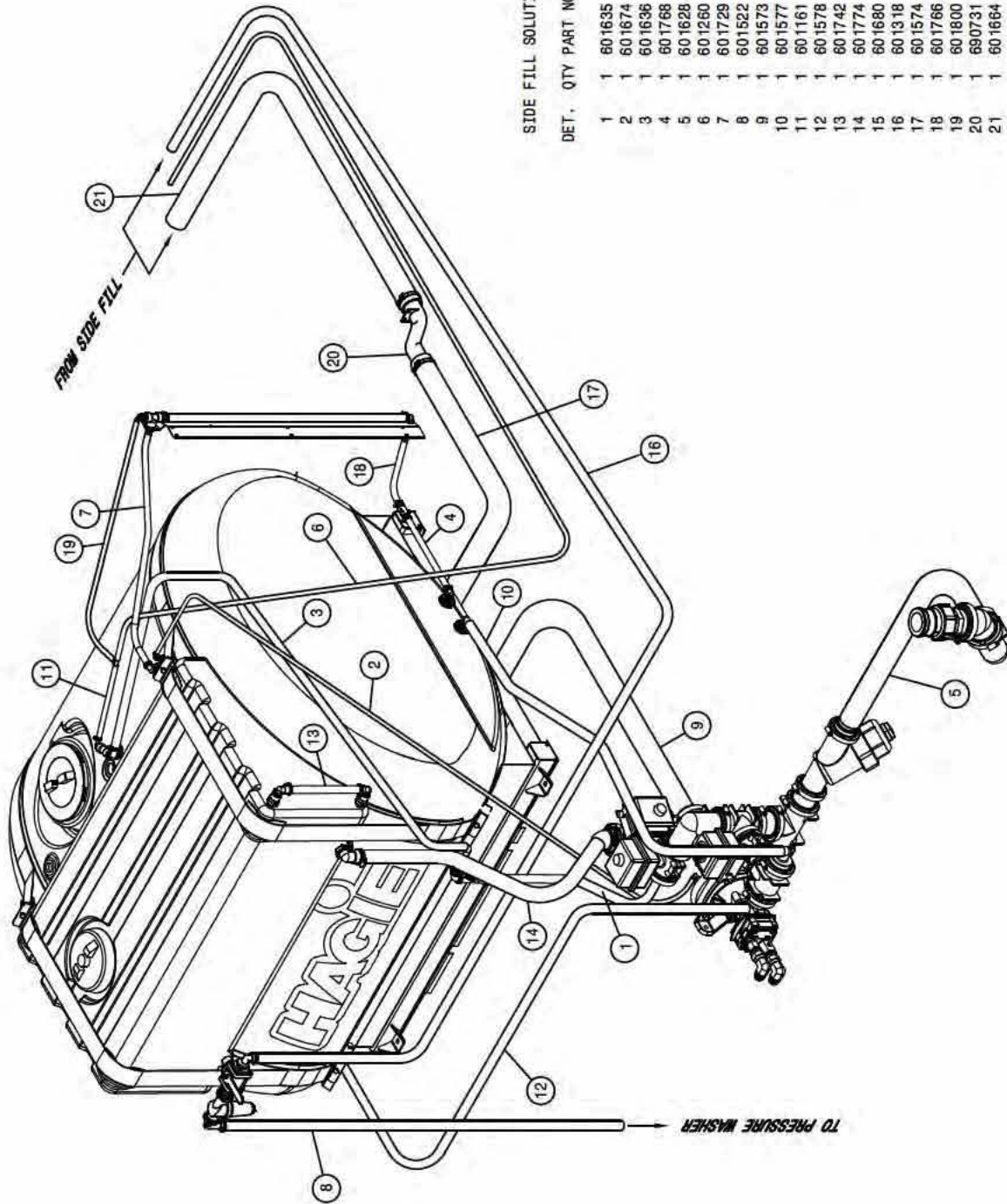


FRONT FILL SOLUTION HOISING POLY (STD-VOLUME)

DET. QTY PART NO. DESCRIPTION

1	1	601635	HOSE, 1 X 35 1BR BLK EPDM
2	1	601674	HOSE, 1/4 X 120 1 BR BLK EPDM
3	1	601636	HOSE, 1 X 100 1BR BLK EPDM
4	1	601768	HOSE, 3/4 X 22 CLEAR VINYL
5	1	601628	HOSE, 2 X 51 2F-1W EPDM
6	1	601260	HOSE, 1/2 X 180 1BR BLK EPDM
7	1	601729	HOSE, 3/4 X 49 CLEAR VINYL
8	1	601522	HOSE, 1 X 204 1BR BLK EPDM
9	1	601573	HOSE, 2 X 48 2F-1W EPDM
10	1	601577	HOSE, 1 X 53 1BR BLK EPDM
11	1	601161	HOSE, 1/2 X 36 1BR BLK EPDM
12	1	601578	HOSE, 1 X 125 1BR BLK EPDM
13	1	601742	HOSE, 1" X 16 CLEAR VINYL
14	1	601774	HOSE, 2 X 38 2F-1W EPDM
15	1	601680	HOSE, 3 X 91 POLY HELIX EPDM
16	1	601497	HOSE, 1 X 206 1BR BLK EPDM
17	1	601508	HOSE, 3 X 64 POLY HELIX EPDM
18	1	601766	HOSE, 3/4 X 4 CLEAR VINYL
19	1	601800	HOSE, 1/2 X 39 1BR BLK EPDM



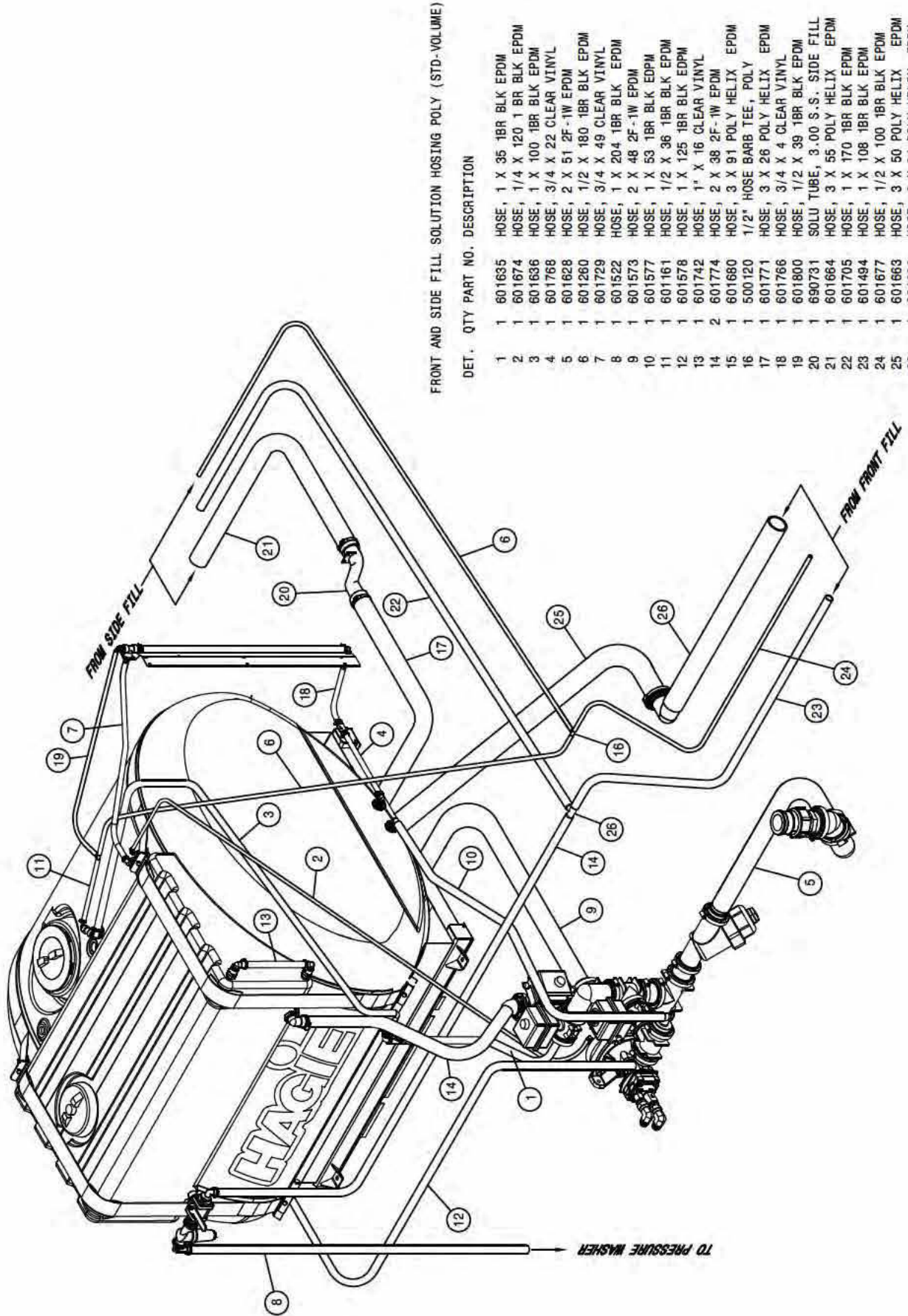


SIDE FILL SOLUTION HOISING POLY (STD-VOLUME)

DET. QTY PART NO. DESCRIPTION

1	1	601635	HOSE, 1 X 35 1BR BLK EPDM
2	1	601674	HOSE, 1/4 X 120 1 BR BLK EPDM
3	1	601636	HOSE, 1 X 100 1BR BLK EPDM
4	1	601768	HOSE, 3/4 X 22 CLEAR VINYL
5	1	601628	HOSE, 2 X 51 2F-1W EPDM
6	1	601260	HOSE, 1/2 X 180 1BR BLK EPDM
7	1	601729	HOSE, 3/4 X 49 CLEAR VINYL
8	1	601522	HOSE, 1 X 204 1BR BLK EPDM
9	1	601573	HOSE, 2 X 48 2F-1W EPDM
10	1	601577	HOSE, 1 X 53 1BR BLK EPDM
11	1	601161	HOSE, 1/2 X 36 1BR BLK EPDM
12	1	601578	HOSE, 1 X 125 1BR BLK EPDM
13	1	601742	HOSE, 1" X 16 CLEAR VINYL
14	1	601774	HOSE, 2 X 38 2F-1W EPDM
15	1	601680	HOSE, 3 X 91 POLY HELIX EPDM
16	1	601318	HOSE, 1 X 254 1BR BLK EPDM
17	1	601574	HOSE, 3 X 36 POLY HELIX EPDM
18	1	601786	HOSE, 3/4 X 4 CLEAR VINYL
19	1	601800	HOSE, 1/2 X 39 1BR BLK EPDM
20	1	690731	SOLU TUBE, 3.00 S.S. SIDE FILL
21	1	601664	HOSE, 3 X 55 POLY HELIX EPDM





FRONT AND SIDE FILL SOLUTION HOSEING POLY (STD-VOLUME)

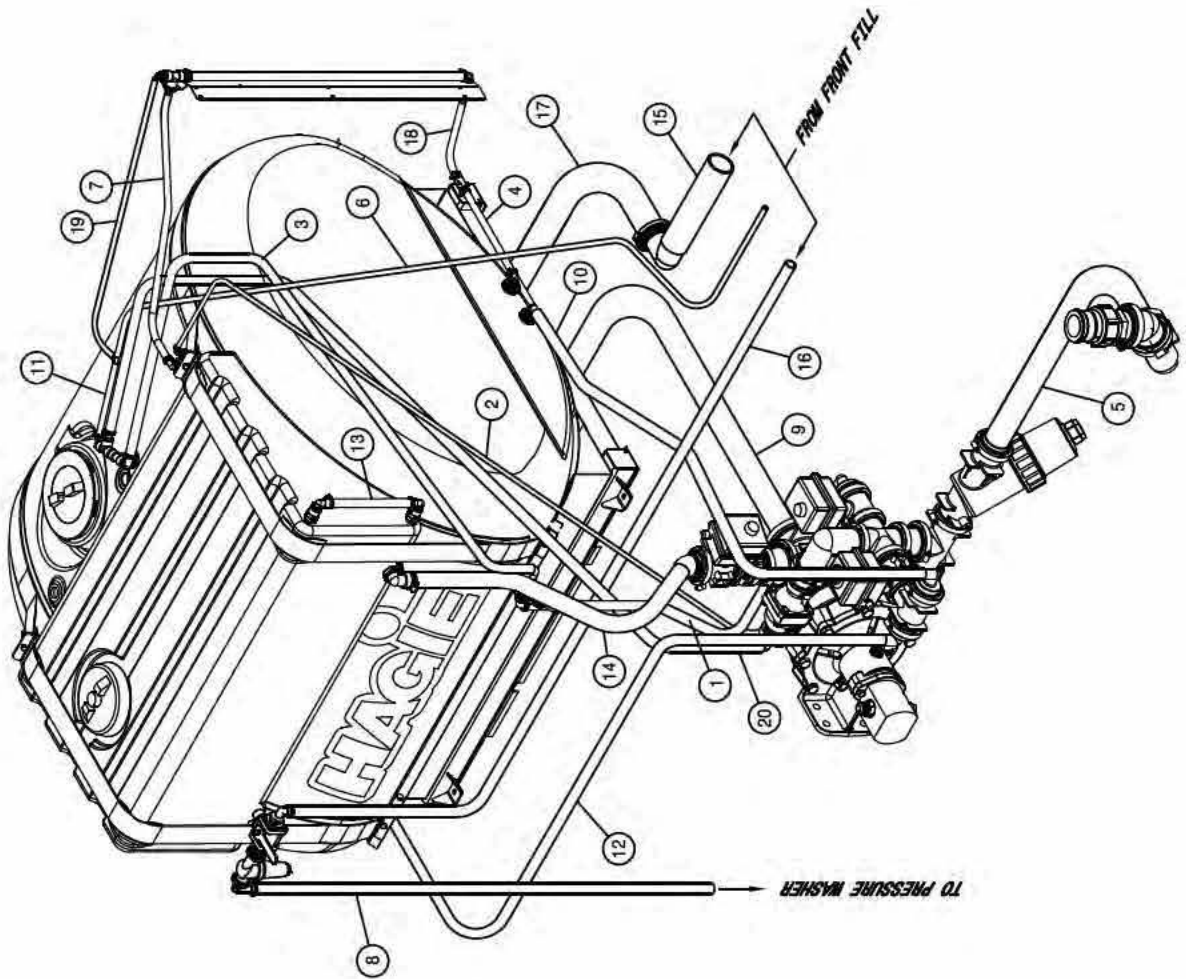
DET. QTY PART NO. DESCRIPTION

1	1	601635	HOSE, 1 X 35 1BR BLK EPDM
2	1	601674	HOSE, 1/4 X 120 1 BR BLK EPDM
3	1	601636	HOSE, 1 X 100 1BR BLK EPDM
4	1	601768	HOSE, 3/4 X 22 CLEAR VINYL
5	1	601628	HOSE, 2 X 51 2F-1W EPDM
6	1	601260	HOSE, 1/2 X 180 1BR BLK EPDM
7	1	601729	HOSE, 3/4 X 49 CLEAR VINYL
8	1	601522	HOSE, 1 X 204 1BR BLK EPDM
9	1	601573	HOSE, 2 X 48 2F-1W EPDM
10	1	601577	HOSE, 1 X 53 1BR BLK EPDM
11	1	601161	HOSE, 1/2 X 36 1BR BLK EPDM
12	1	601578	HOSE, 1 X 125 1BR BLK EPDM
13	1	601742	HOSE, 1" X 16 CLEAR VINYL
14	2	601774	HOSE, 2 X 38 2F-1W EPDM
15	1	601680	HOSE, 3 X 91 POLY HELIX EPDM
16	1	500120	1/2" HOSE BARB TEE, POLY
17	1	601771	HOSE, 3 X 26 POLY HELIX EPDM
18	1	601766	HOSE, 3/4 X 4 CLEAR VINYL
19	1	601800	HOSE, 1/2 X 39 1BR BLK EPDM
20	1	690731	SOLU TUBE, 3.00 S.S. SIDE FILL
21	1	601664	HOSE, 3 X 55 POLY HELIX EPDM
22	1	601705	HOSE, 1 X 170 1BR BLK EPDM
23	1	601494	HOSE, 1 X 108 1BR BLK EPDM
24	1	601677	HOSE, 1/2 X 100 1BR BLK EPDM
25	1	601663	HOSE, 3 X 50 POLY HELIX EPDM
26	1	601680	HOSE, 3 X 91 POLY HELIX EPDM
27	1	500105	1.00 HOSE BARB TEE, POLY

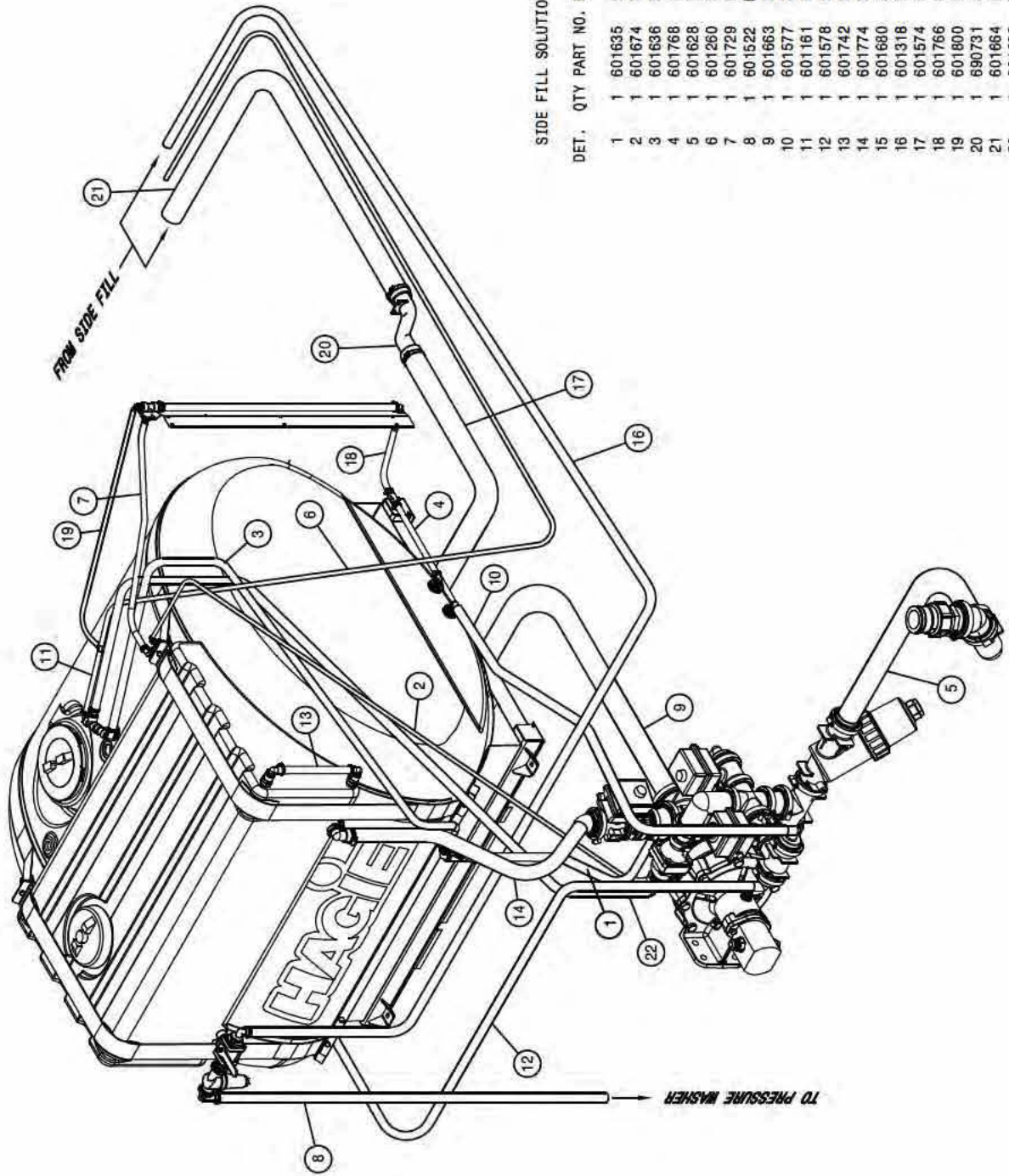
FRONT FILL SOLUTION HOISING POLY (HI-VOLUME)

DET. QTY PART NO. DESCRIPTION

1	1	601635	HOSE, 1 X 35 1BR BLK EPDM
2	1	601674	HOSE, 1/4 X 120 1 BR BLK EPDM
3	1	601636	HOSE, 1 X 100 1BR BLK EPDM
4	1	601788	HOSE, 3/4 X 22 CLEAR VINYL
5	1	601628	HOSE, 2 X 51 2F-1W EPDM
6	1	601260	HOSE, 1/2 X 180 1BR BLK EPDM
7	1	601729	HOSE, 3/4 X 49 CLEAR VINYL
8	1	601522	HOSE, 1 X 204 1BR BLK EPDM
9	1	601663	HOSE, 3 X 50 POLY HELIX EPDM
10	1	601577	HOSE, 1 X 53 1BR BLK EPDM
11	1	601161	HOSE, 1/2 X 36 1BR BLK EPDM
12	1	601578	HOSE, 1 X 125 1BR BLK EPDM
13	1	601742	HOSE, 1" X 16 CLEAR VINYL
14	1	601774	HOSE, 2 X 38 2F-1W EPDM
15	1	601680	HOSE, 3 X 91 POLY HELIX EPDM
16	1	601497	HOSE, 1 X 206 1BR BLK EPDM
17	1	601508	HOSE, 3 X 64 POLY HELIX EPDM
18	1	601766	HOSE, 3/4 X 4 CLEAR VINYL
19	1	601800	HOSE, 1/2 X 39 1BR BLK EPDM
20	1	601682	HOSE, 1 X 111 2BR BLK EPDM



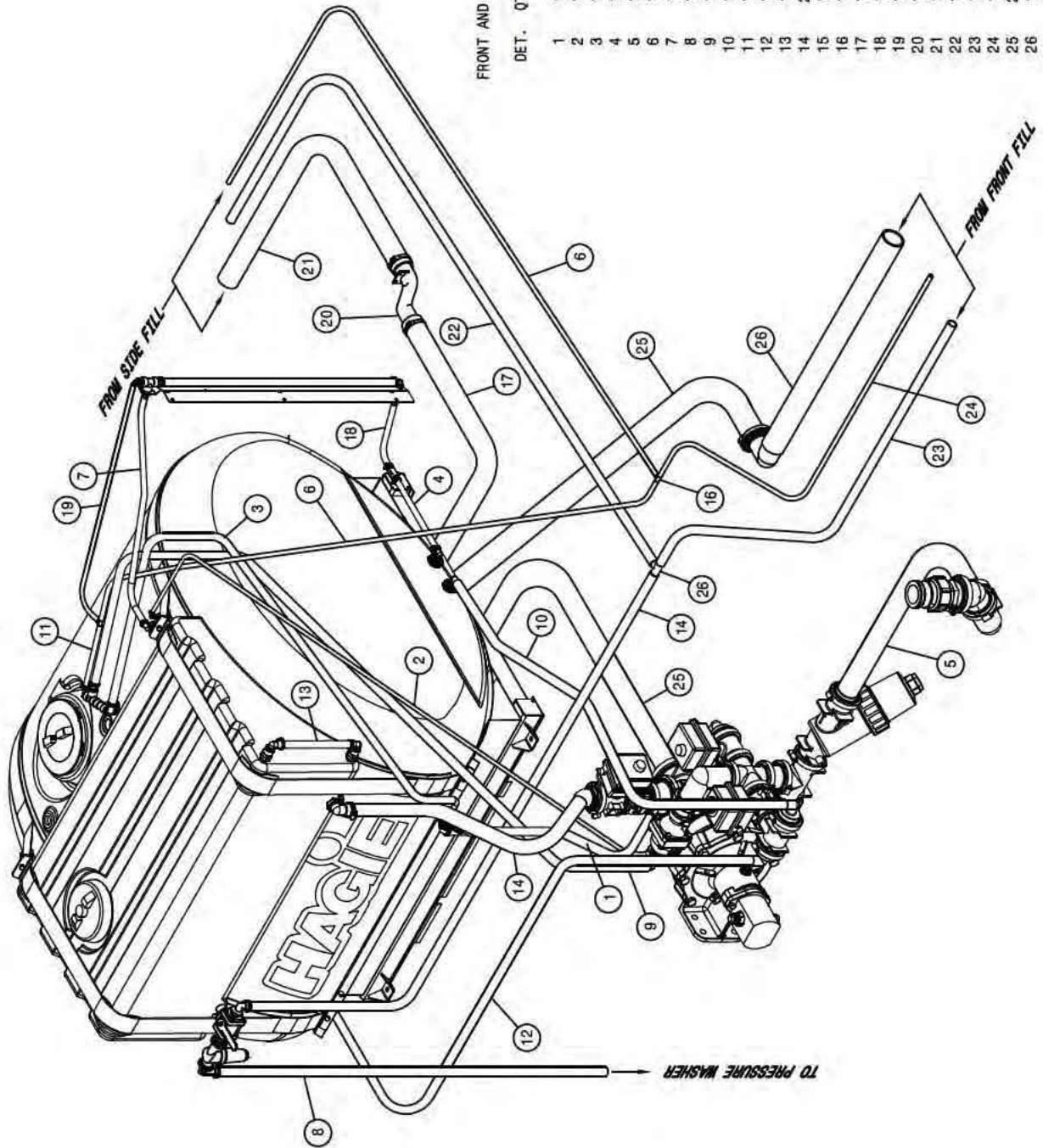




SIDE FILL SOLUTION HOSEING POLY (HI-VOLUME)

DET. QTY PART NO. DESCRIPTION

1	1	601635	HOSE, 1 X 35 1BR BLK EPDM
2	1	601674	HOSE, 1/4 X 120 1 BR BLK EPDM
3	1	601636	HOSE, 1 X 100 1BR BLK EPDM
4	1	601768	HOSE, 3/4 X 22 CLEAR VINYL
5	1	601628	HOSE, 2 X 51 2F-1W EPDM
6	1	601260	HOSE, 1/2 X 180 1BR BLK EPDM
7	1	601729	HOSE, 3/4 X 49 CLEAR VINYL
8	1	601522	HOSE, 1 X 204 1BR BLK EPDM
9	1	601663	HOSE, 3 X 50 POLY HELIX EPDM
10	1	601577	HOSE, 1 X 53 1BR BLK EPDM
11	1	601161	HOSE, 1/2 X 36 1BR BLK EPDM
12	1	601578	HOSE, 1 X 125 1BR BLK EPDM
13	1	601742	HOSE, 1" X 16 CLEAR VINYL
14	1	601774	HOSE, 2 X 38 2F-1W EPDM
15	1	601680	HOSE, 3 X 91 POLY HELIX EPDM
16	1	601318	HOSE, 1 X 254 1BR BLK EPDM
17	1	601574	HOSE, 3 X 36 POLY HELIX EPDM
18	1	601766	HOSE, 3/4 X 4 CLEAR VINYL
19	1	601800	HOSE, 1/2 X 39 1BR BLK EPDM
20	1	690731	SOLU TUBE, 3.00 S.S. SIDE FILL
21	1	601664	HOSE, 3 X 55 POLY HELIX EPDM
22	1	601682	HOSE, 1 X 111 2BR BLK EPDM

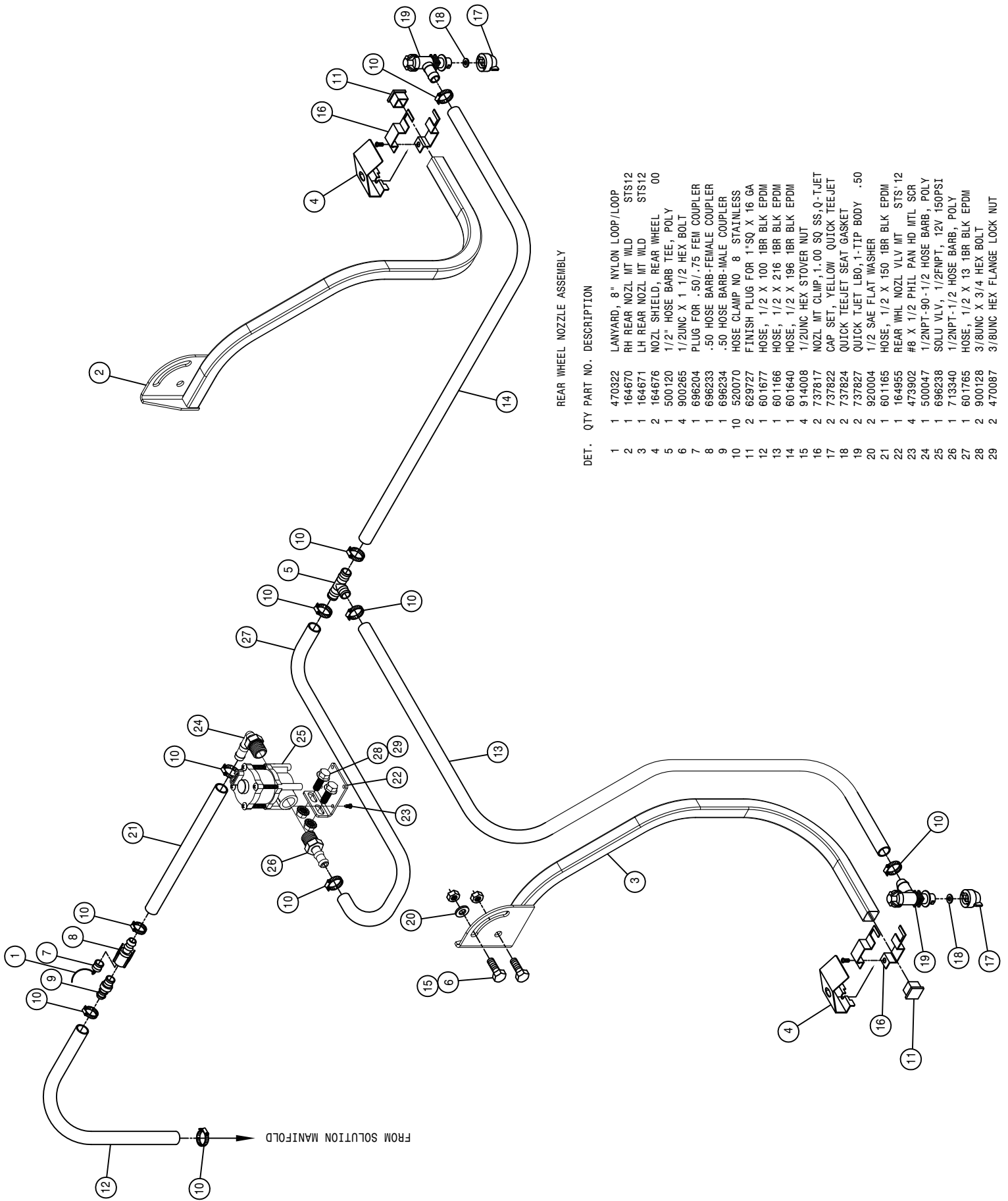


FRONT AND SIDE FILL SOLUTION HOSEING POLY (HI-VOLUME)

DET. QTY PART NO. DESCRIPTION

1	1	601635	HOSE, 1 X 35 1BR BLK EPDM
2	1	601674	HOSE, 1/4 X 120 1 BR BLK EPDM
3	1	601636	HOSE, 1 X 100 1BR BLK EPDM
4	1	601768	HOSE, 3/4 X 22 CLEAR VINYL
5	1	601628	HOSE, 2 X 51 2F-1W EPDM
6	1	601260	HOSE, 1/2 X 180 1BR BLK EPDM
7	1	601729	HOSE, 3/4 X 49 CLEAR VINYL
8	1	601522	HOSE, 1 X 204 1BR BLK EPDM
9	1	601682	HOSE, 1 X 111 2BR BLK EPDM
10	1	601577	HOSE, 1 X 53 1BR BLK EPDM
11	1	601161	HOSE, 1/2 X 36 1BR BLK EPDM
12	1	601578	HOSE, 1 X 125 1BR BLK EPDM
13	1	601742	HOSE, 1" X 16 CLEAR VINYL
14	2	601774	HOSE, 2 X 38 2F-1W EPDM
15	1	601680	HOSE, 3 X 91 POLY HELIX EPDM
16	1	500120	1/2" HOSE BARB TEE, POLY EPDM
17	1	601771	HOSE, 3 X 26 POLY HELIX EPDM
18	1	601766	HOSE, 3/4 X 4 CLEAR VINYL
19	1	601800	HOSE, 1/2 X 39 1BR BLK EPDM
20	1	690731	SOLU TUBE, 3.00 S.S. SIDE FILL
21	1	601664	HOSE, 3 X 55 POLY HELIX EPDM
22	1	601705	HOSE, 1 X 170 1BR BLK EPDM
23	1	601494	HOSE, 1 X 108 1BR BLK EPDM
24	1	601677	HOSE, 1/2 X 100 1BR BLK EPDM
25	2	601663	HOSE, 3 X 50 POLY HELIX EPDM
26	1	601680	HOSE, 3 X 91 POLY HELIX EPDM
27	1	500105	1.00 HOSE BARB TEE, POLY





REAR WHEEL NOZZLE ASSEMBLY

DET. QTY PART NO. DESCRIPTION

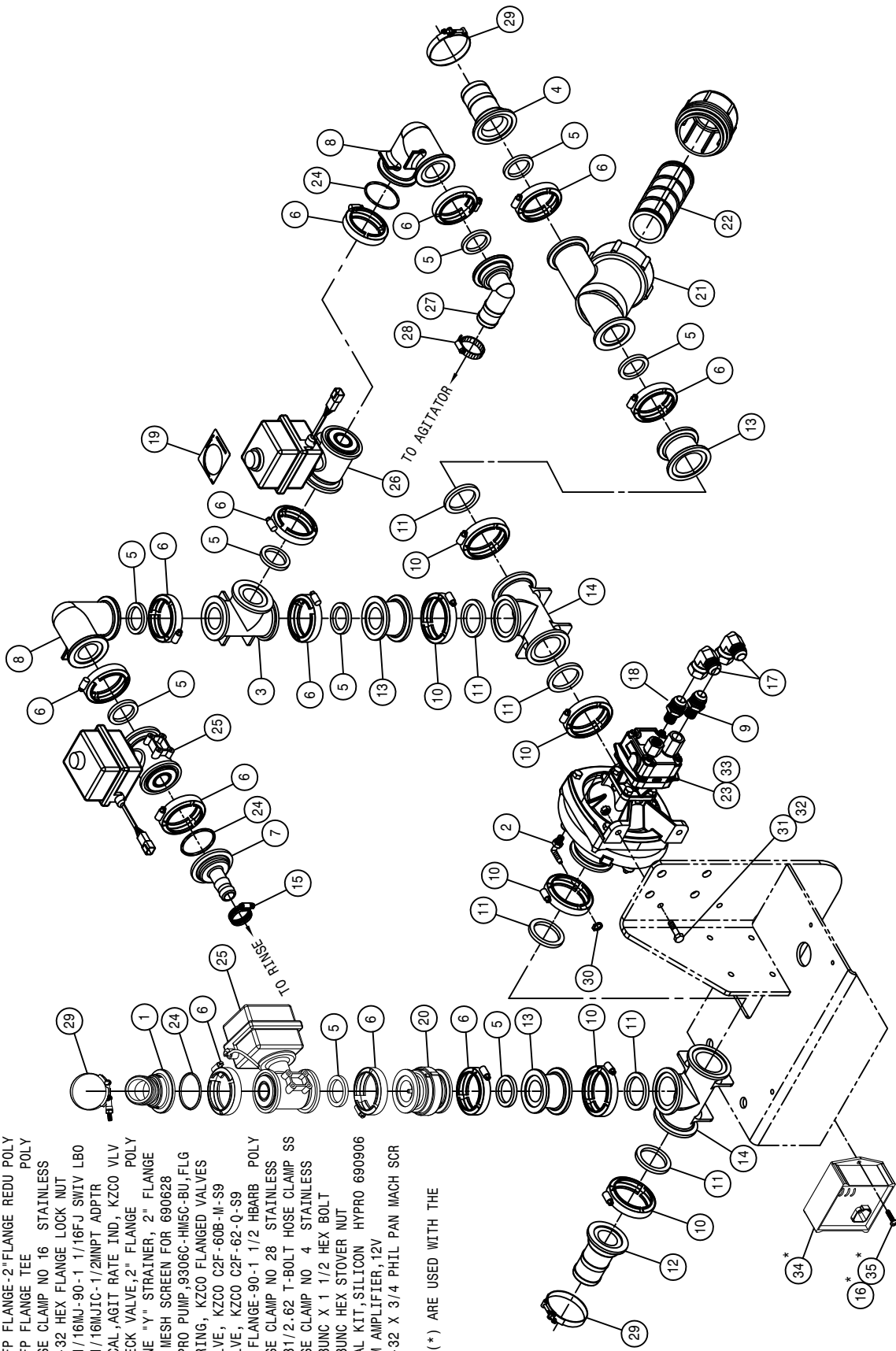
DET.	QTY	PART NO.	DESCRIPTION
1	1	470322	LANYARD, 8" NYLON LOOP/LOOP
2	1	164670	RH REAR NOZL MT WLD STS12
3	1	164671	LH REAR NOZL MT WLD STS12
4	2	164676	NOZL SHIELD, REAR WHEEL
5	1	500120	1/2" HOSE BARB TEE, POLY
6	4	900265	1/2UNC X 1 1/2 HEX BOLT
7	1	696204	PLUG FOR .50/.75 FEM COUPLER
8	1	696233	.50 HOSE BARB-FEMALE COUPLER
9	1	696234	.50 HOSE BARB-MALE COUPLER
10	10	520070	HOSE CLAMP NO 8 STAINLESS
11	2	629727	FINISH PLUG FOR 1"SO, X 16 GA
12	1	601677	HOSE, 1/2 X 100 1BR BLK EPDM
13	1	601166	HOSE, 1/2 X 216 1BR BLK EPDM
14	1	601640	HOSE, 1/2 X 196 1BR BLK EPDM
15	4	914008	1/2UNC HEX STOVER NUT
16	2	737817	NOZL MT CLMP, 1.00 SQ SS,Q-TJET
17	2	737822	CAP SET, YELLOW QUICK TEEJET
18	2	737824	QUICK TEEJET SEAT GASKET
19	2	737827	QUICK TJET LBO,1-TIP BODY .50
20	2	920004	1/2 SAE FLAT WASHER
21	1	601165	HOSE, 1/2 X 150 1BR BLK EPDM
22	1	164955	REAR WHL NOZL VLV MT STS' 12
23	4	473902	#8 X 1/2 PHIL PAN HD MTL SCR
24	1	500047	1/2NPT-90-1/2 HOSE BARB, POLY
25	1	696238	SOLU VLV, 1/2FNPT, 12V 150PSI
26	1	713340	1/2NPT-1/2 HOSE BARB, POLY
27	1	601765	HOSE, 1/2 X 13 1BR BLK EPDM
28	2	900128	3/8UNC X 3/4 HEX BOLT
29	2	470087	3/8UNC HEX FLANGE LOCK NUT

9306 SOLUTION PUMP ASSEMBLY (STD-VOLUME)

DET. QTY PART NO. DESCRIPTION

1	1	500257	2" FLANGE-45-2" HOSE BARB POLY
2	1	500103	1/8NPT-90-1/4 HOSE BARB, NYLON
3	1	500151	2" FLANGE TEE POLY
4	1	500154	2" FLANGE-2" HOSE BARB POLY
5	9	500158	1 1/2" GASKET FOR 2" FLANGE
6	12	500160	2" FLANGE CLAMP, S.S.
7	1	500172	2" FLANGE-1" HOSE BARB POLY
8	2	500180	2" FLANGE-90-2" FLANGE LBO, LONG
9	1	618108	1 1/16NPT-3/4NPT ADPTR
10	6	500194	2"FP FLANGE CLAMP, S.S.
11	6	500195	2"FP FLANGE GASKET EPDM
12	1	500196	2"FP FLANGE-2" HOSE BARB POLY
13	3	500199	2"FP FLANGE-2" FLANGE REDU POLY
14	2	500207	2"FP FLANGE TEE POLY
15	1	520090	HOSE CLAMP NO.16 STAINLESS
16	2	470175	10-32 HEX FLANGE LOCK NUT
17	2	618191	1 1/16NPT-90-1 1/16FJ SWIV LBO
18	1	618273	1 1/16NPT-1/2NPT ADPTR
19	1	650125	DECAL, AGIT RATE IND, KZCO VLV
20	1	500264	CHECK VALVE, 2" FLANGE POLY
21	1	690628	LINE "Y" STRAINER, 2" FLANGE
22	1	690629	50 MESH SCREEN FOR 690628
23	1	691160	HYPRO PUMP, 9306C-HMSC-BU, FLG
24	3	696254	O-RING, KZCO FLANGED VALVES
25	2	696256	VALVE, KZCO C2F-60B-M-S9
26	1	696257	VALVE, KZCO C2F-62-Q-S9
27	1	500153	2" FLANGE-90-1 1/2 HBARB POLY
28	1	520067	HOSE CLAMP NO.28 STAINLESS
29	3	520141	2.31/2.62 T-BOLT HOSE CLAMP SS
30	1	520120	HOSE CLAMP NO. 4 STAINLESS
31	2	900131	3/8UNC X 1 1/2 HEX BOLT
32	2	914004	3/8UNC HEX STOVER NUT
33	1	690944	SEAL KIT, SILICON HYPRO 690906
34	1	292500	PWM AMPLIFIER, 12V
35	2	472235	10-32 X 3/4 PHIL PAN MACH SCR

NOTE: ITEMS WITH AN (\*) ARE USED WITH THE RAVEN OPTION.

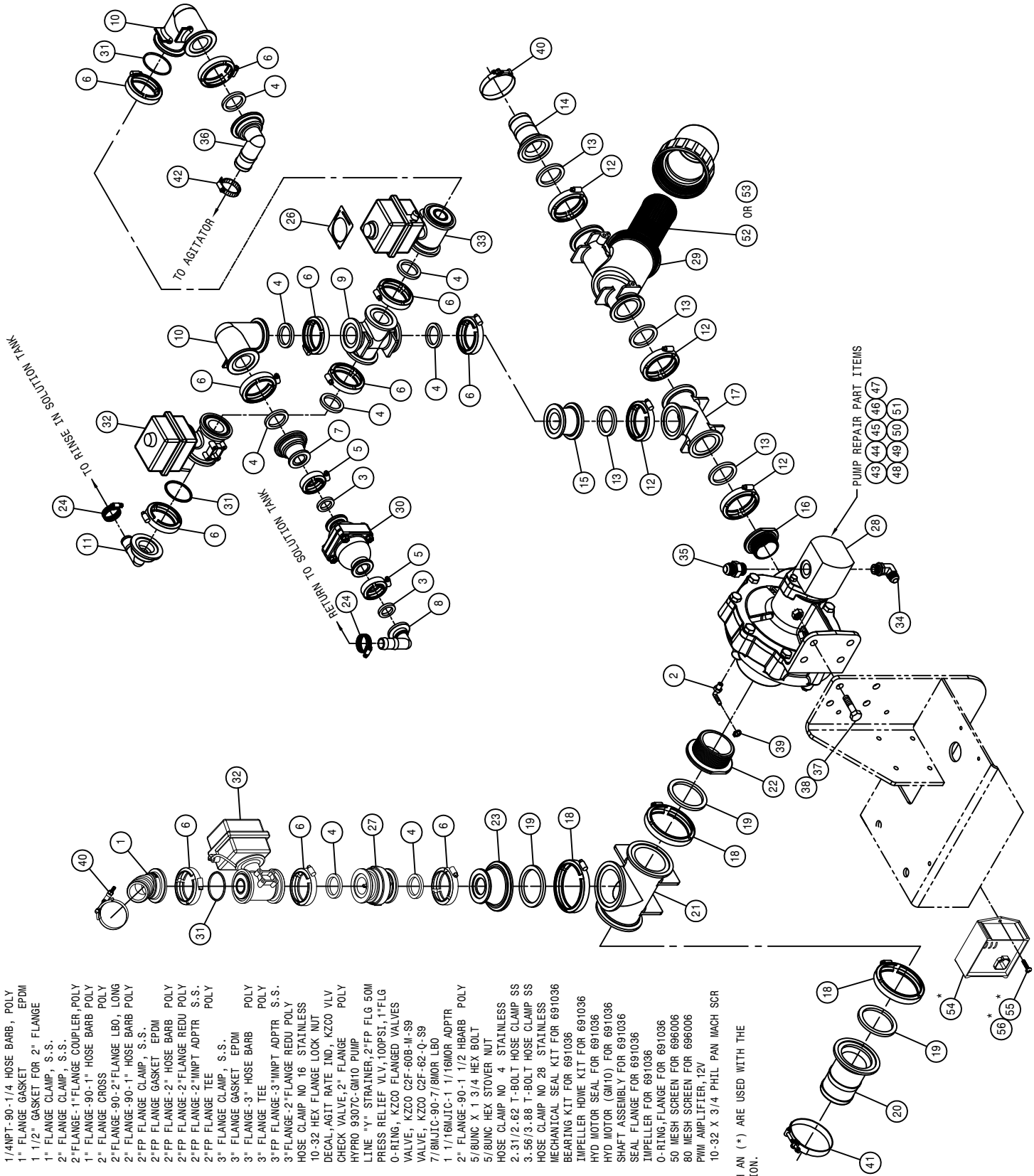


9307 SOLUTION PUMP ASSEMBLY (HI-VOLUME)

DET. QTY PART NO. DESCRIPTION

1	500257	2" FLANGE-45-2" HOSE BARB POLY
2	500104	1/4NPT-90-1/4 HOSE BARB, POLY
3	500157	1" FLANGE GASKET EPDM
4	500158	1 1/2" GASKET FOR 2" FLANGE
5	500159	1" FLANGE CLAMP, S.S.
6	500160	2" FLANGE CLAMP, S.S.
7	500161	2" FLANGE-1" FLANGE COUPLER, POLY
8	500173	1" FLANGE-90-1" HOSE BARB POLY
9	500176	2" FLANGE CROSS
10	500180	2" FLANGE-90-2" FLANGE LBO, LONG
11	500189	2" FLANGE-90-1" HOSE BARB POLY
12	500194	2" FP FLANGE CLAMP, S.S.
13	500195	2" FP FLANGE GASKET EPDM
14	500196	2" FP FLANGE-2" HOSE BARB POLY
15	500199	2" FP FLANGE-2" FLANGE REDU POLY
16	500205	2" FP FLANGE-2" IMPT ADPTR S.S.
17	500207	2" FP FLANGE TEE POLY
18	500208	3" FLANGE CLAMP, S.S.
19	500209	3" FLANGE GASKET EPDM
20	500210	3" FLANGE-3" HOSE BARB POLY
21	500217	3" FLANGE TEE POLY
22	500234	3" FP FLANGE-3" IMPT ADPTR S.S.
23	500237	3" FLANGE-2" FLANGE REDU POLY
24	520090	HOSE CLAMP NO 16 STAINLESS
25	470175	10-32 HEX FLANGE LOCK NUT
26	650125	DECAL, AGIT RATE IND, KZCO VLV
27	500264	CHECK VALVE, 2" FLANGE POLY
28	691036	HYPRO 9307C-GM10 PUMP
29	696006	LINE "Y" STRAINER, 2" FP FLG 50M
30	696008	PRESS RELIEF VLV, 100PSI, 1" FLG
31	696254	O-RING, KZCO FLANGED VALVES
32	696256	VALVE, KZCO C2F-60B-M-S9
33	696257	VALVE, KZCO C2F-62-O-S9
34	611128	7/8NJC-90-7/8NOR LBO
35	611127	1 1/16NJC-1 1/16NOR ADPTR
36	500153	2" FLANGE-90-1 1/2 HBARB POLY
37	900334	5/8UNC X 1 3/4 HEX BOLT
38	914010	5/8UNC HEX STOVER NUT
39	520120	HOSE CLAMP NO. 4, STAINLESS
40	520141	2-3/12-62 T-BOLT HOSE CLAMP SS
41	520145	3-56/3-88 T-BOLT HOSE CLAMP SS
42	520067	HOSE CLAMP NO 28 STAINLESS
43	691068	MECHANICAL SEAL KIT FOR 691036
44	691069	BEARING KIT FOR 691036
45	691070	IMPELLER HOME KIT FOR 691036
46	691071	HYD MOTOR SEAL FOR 691036
47	691072	HYD MOTOR (GM10) FOR 691036
48	691073	SHAFT ASSEMBLY FOR 691036
49	691074	SEAL FLANGE FOR 691036
50	691075	IMPELLER FOR 691036
51	691076	O-RING, FLANGE FOR 691036
52	696007	50 MESH SCREEN FOR 696006
53	696009	80 MESH SCREEN FOR 696006
54	292500	PWM AMPLIFIER, 12V
55	472235	10-32 X 3/4 PHIL PAN MACH SCR

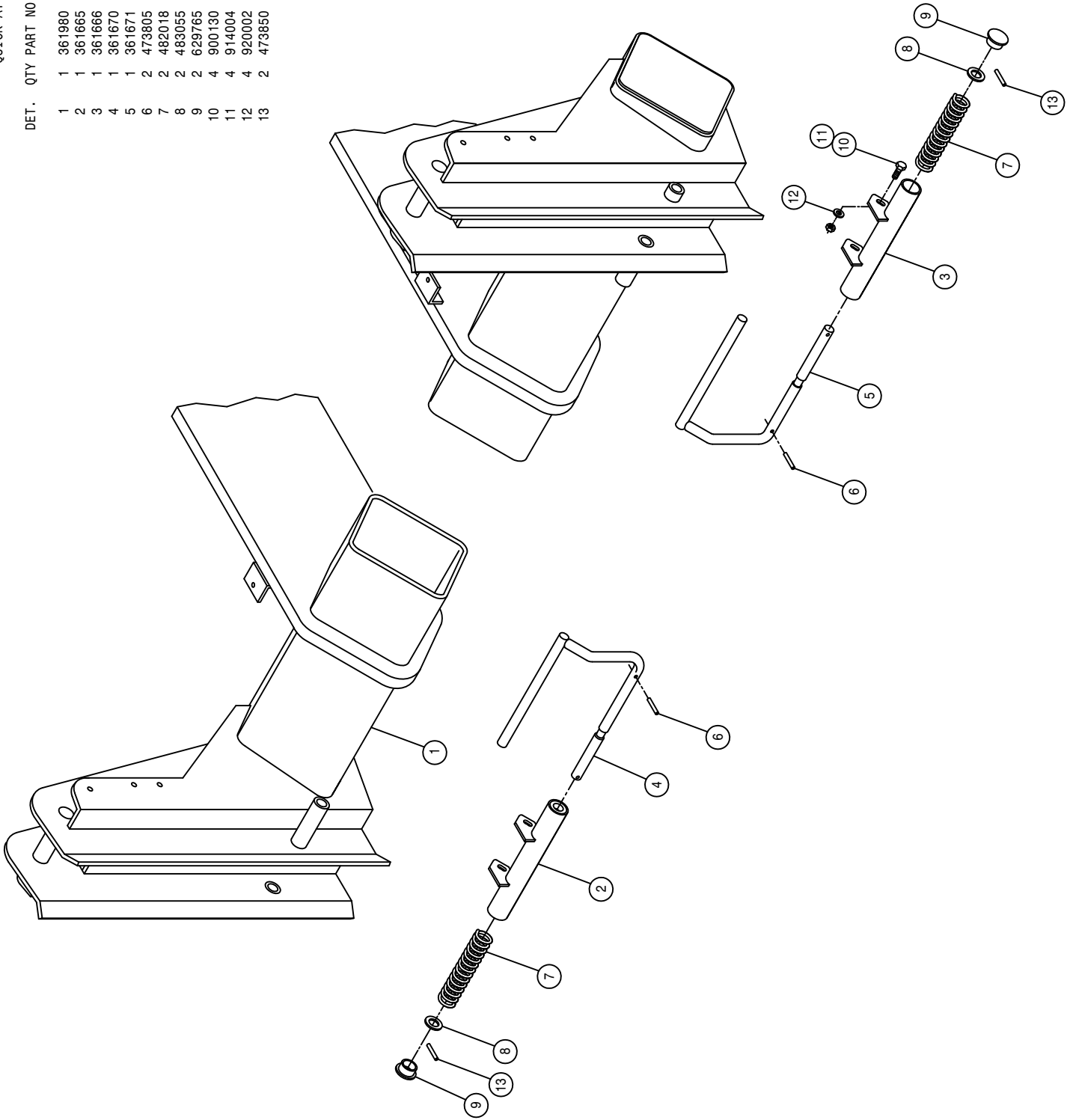
NOTE: ITEMS WITH AN (\*) ARE USED WITH THE RAVEN OPTION.

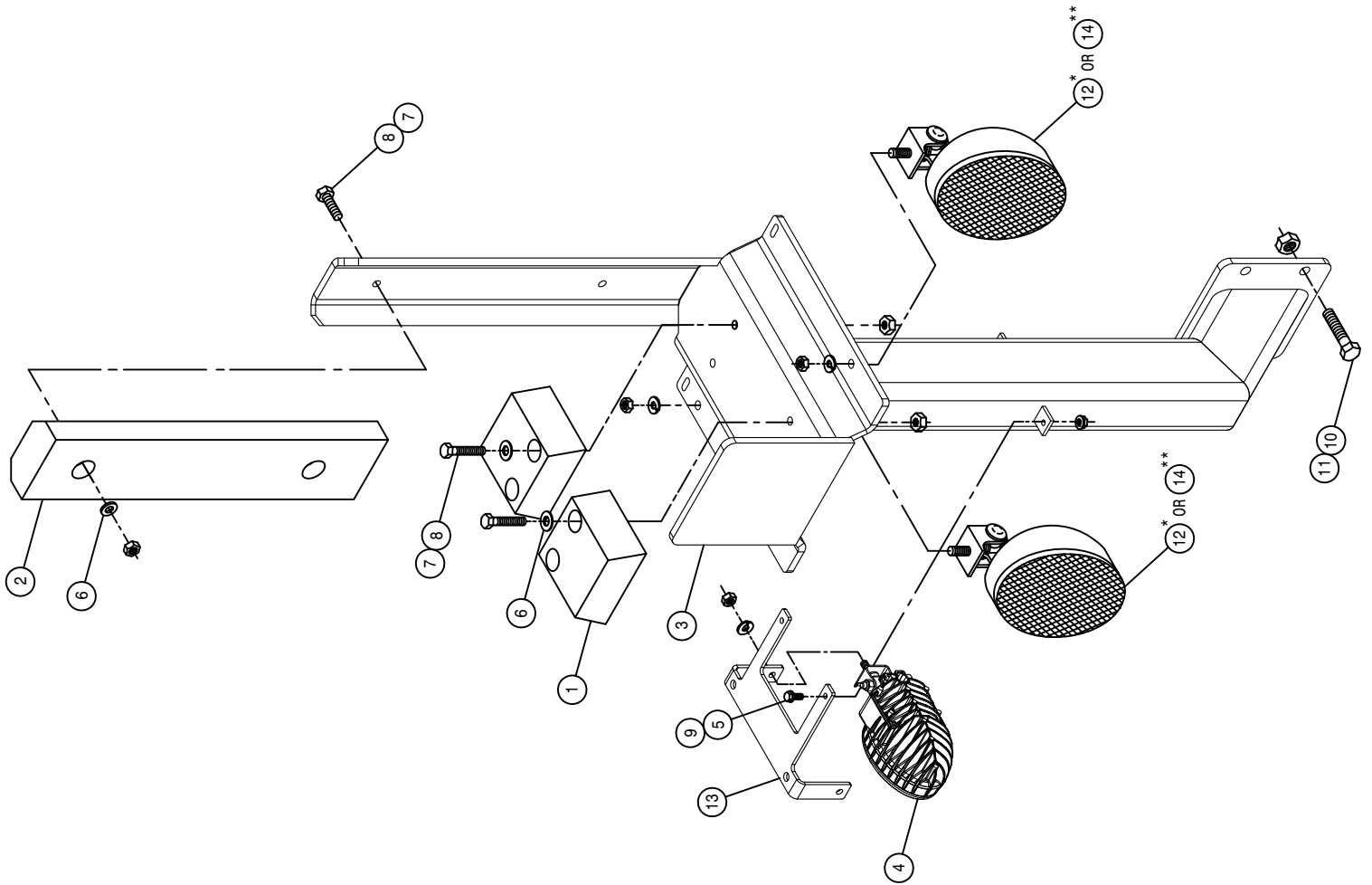


QUICK ATTACH LEVER ASSEMBLY

DET. QTY PART NO. DESCRIPTION

1	361980	MAINFRAME WLD	STS10/12'13
2	361665	RH Q-ATTACH LOCK WLD, STS	04
3	361666	LH Q-ATTACH LOCK WLD, STS	04
4	361670	RH Q-ATTACH LOCK PIN WLD, STS04	
5	361671	LH Q-ATTACH LOCK PIN WLD, STS04	
6	473805	ROLL PIN, 1/4 X 1 1/2	
7	482018	SPRING, 1.00 X 12.00 COMPRNS	
8	483055	.771ID-.12500D-.135T MACH WASH	
9	629765	CAPPLUGS PLUG, 1 1/2"RD, BLK POLY	
10	900130	3/8UNC X 1 1/4 SER FLANGE BOLT	
11	914004	3/8UNC HEX STOVER NUT	
12	920002	3/8 SAE FLAT WASHER	
13	473850	ROLL PIN, 1/4 X 1"	





RH BOOM CRADLE ASSEMBLY

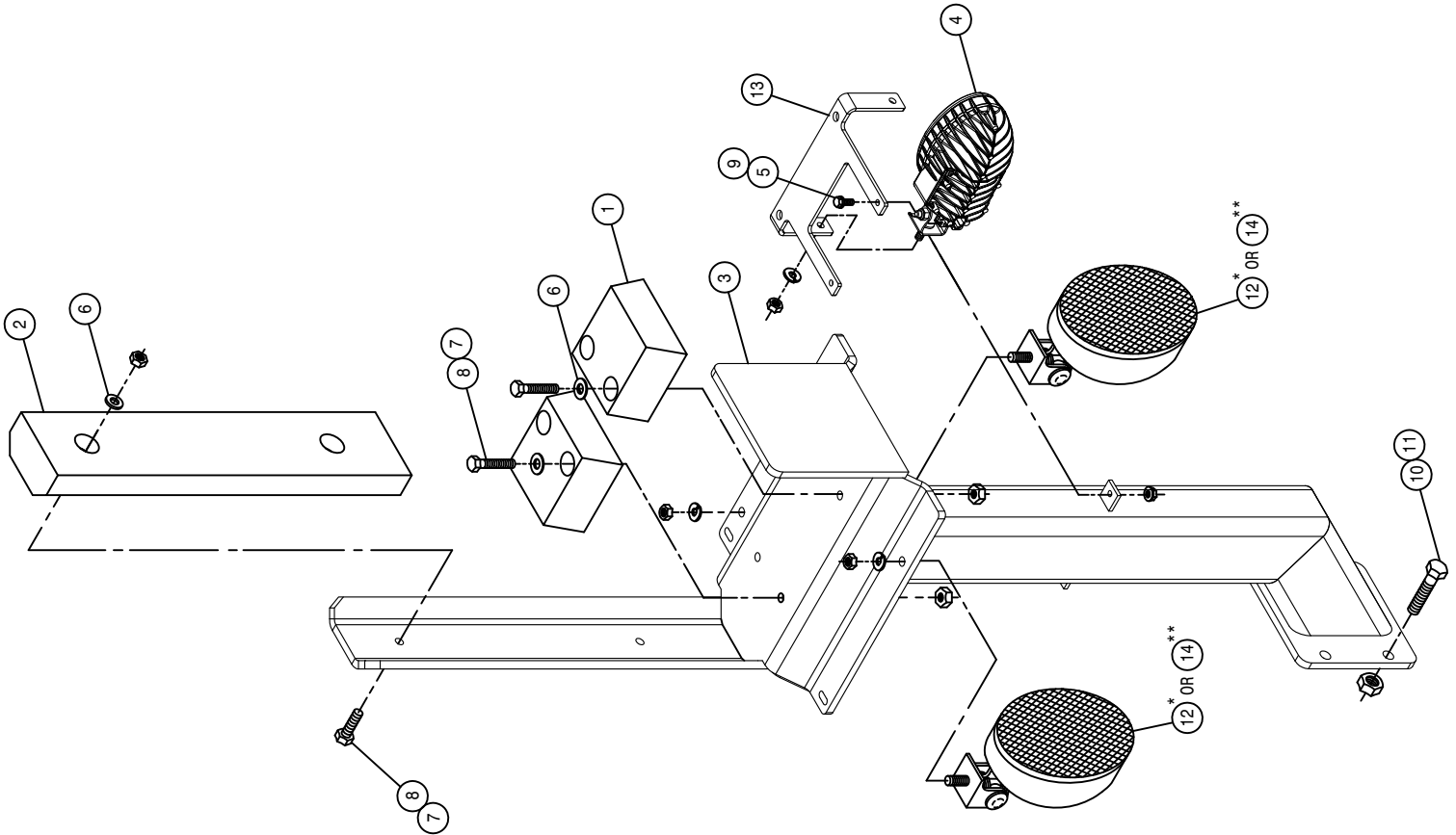
DET.	QTY	PART NO.	DESCRIPTION	
1	2	164513	BOOM CRADLE PAD	00
2	1	164512	RUBBER BUMPER, BOOM CRADLE	00
3	1	165041	BOOM CRADLE WLD	07
4	1	292917	LED LIGHT, AMBER W/JUMPER	
5	2	470118	1/4UNC X 3/4 FLANGE HEX BOLT	
6	6	920002	3/8 SAE FLAT WASHER	
7	6	914004	3/8UNC HEX STOVER NUT	
8	6	900133	3/8UNC X 2" SERR FLANGE BOLT	
9	2	470121	1/4UNC HEX FLANGE LOCK NUT	
10	4	900804	1/2UNC X 1 1/2 HEX BOLT GR8	
11	4	914808	1/2UNC HEX STOVER NUT GR8	
12	2	291904	WORKLIGHT, VERTICAL FLOOD PLAS	
13	1	343689	EXTREMITY FLASHER MT, STS '11	
14	2	292508	WORKLIGHT, LED V-FLOOD	

NOTE: ITEM WITH (\*) ARE USED WITH THE STANWARD LIGHT OPTION.  
 ITEM WITH (\*\*) ARE USED WITH THE LED LIGHT OPTION.

LH BOOM CRADLE ASSEMBLY

DET.	QTY	PART NO.	DESCRIPTION
1	2	164513	BOOM CRADLE PAD 00
2	1	164512	RUBBER BUMPER, BOOM CRADLE 00
3	1	165041	BOOM CRADLE WLD 07
4	1	292917	LED LIGHT, AMBER W/ JUMPER
5	2	470118	1/4UNC X 3/4 FLANGE HEX BOLT
6	6	920002	3/8 SAE FLAT WASHER
7	6	914004	3/8UNC HEX STOVER NUT
8	6	900133	3/8UNC X 2" SERR FLANGE BOLT
9	2	470121	1/4UNC HEX FLANGE LOCK NUT
10	4	900804	1/2UNC X 1 1/2 HEX BOLT GR8
11	4	914008	1/2UNC HEX STOVER NUT
12	2	291904	WORKLIGHT, VERTICAL FLOOD PLAS
13	1	343689	EXTREMITY FLASHER MT, STS '11
14	2	292508	WORKLIGHT, LED V-FLOOD

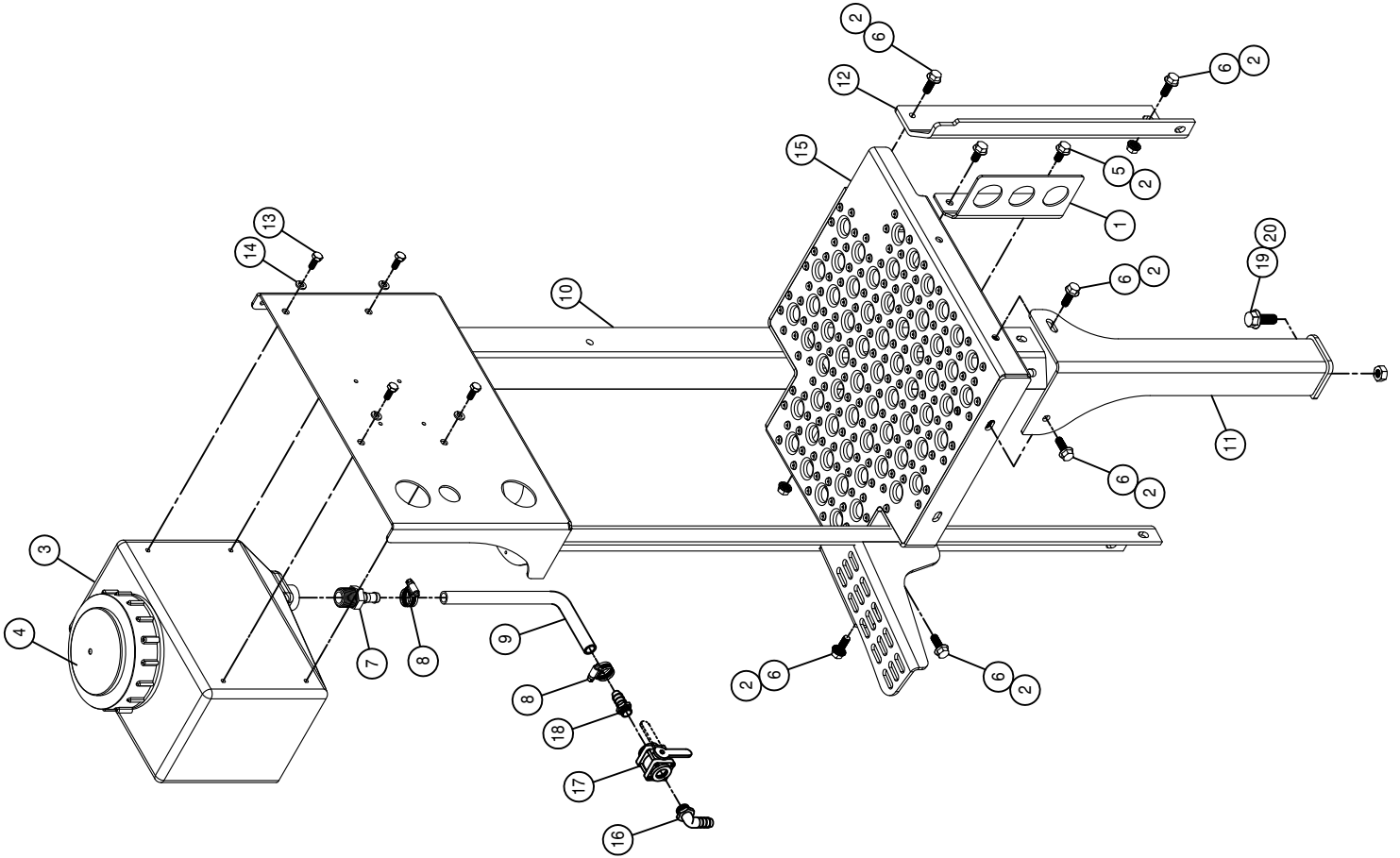
NOTE: ITEM WITH (\*) ARE USED WITH THE STANARD LIGHT OPTION.  
 ITEM WITH (\*\*) ARE USED WITH THE LED LIGHT OPTION.



FRESH WATER TANK ASSEMBLY

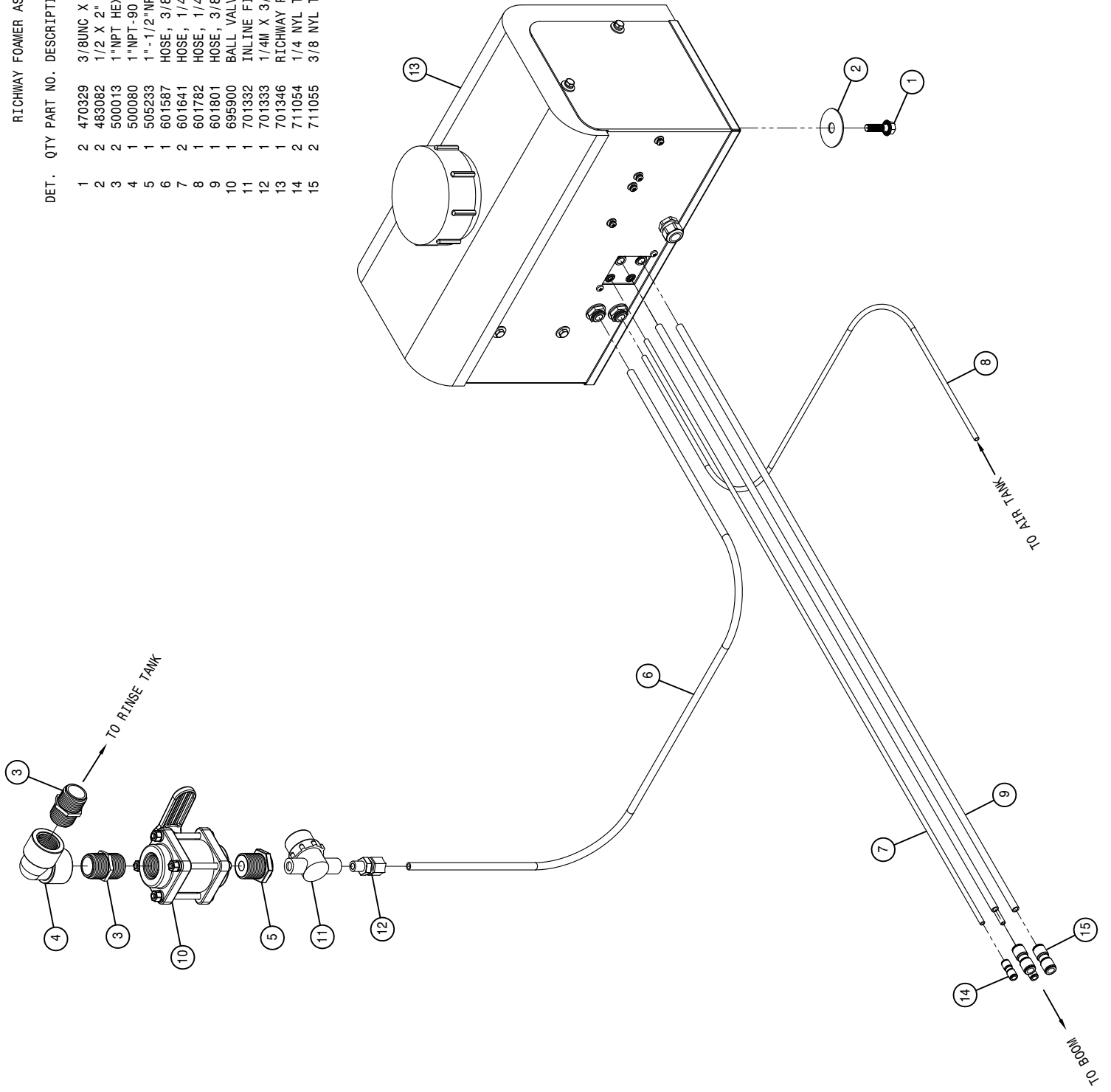
DET. QTY PART NO. DESCRIPTION

1	1	343983	REDUNDANT HARNESS MT	STS'13
2	13	470087	3/8UNC HEX FLANGE LOCK NUT	
3	1	470318	RINSE TANK, 3 GAL SQ W/LID	
4	1	470337	6" LID FOR 3 GAL TANK 470318	
5	2	470409	3/8UNC X 3/4 SERR FLANGE BOLT	
6	11	470460	3/8UNC X 1 SERR FLANGE BOLT	
7	1	500019	3/4NPT-1/2HOSE BARB, POLY	
8	1	520070	HOSE CLAMP NO 8 STAINLESS	
9	1	601147	HOSE, 1/2 X 70 CLEAR VINYL	
10	1	701957	HAND RINSE MT WLD	STS'13
11	1	701360	FMR SERV PLTFRM LEG WLD	STS'13
12	1	701363	LH FOAMER Tnk SUPP CHAN	STS'13
13	4	900064	5/16UNC X 3/4 HEX BOLT	
14	4	920501	5/16 LOCK WASHER	
15	1	A52292	FMR SERV PLATFORM WELD	
16	1	500047	1/2NPT-90-1/2 HOSE BARB, POLY	
17	1	696082	BALL VALVE 1/2FNPT POLY	
18	1	713340	1/2NPT-1/2 HOSE BARB, POLY	
19	1	900264	1/2UNC X 1 1/4 HEX BOLT	
20	1	914008	1/2UNC HEX STOVER NUT	



RICHWAY FOAMER ASSEMBLY

DET.	QTY	PART NO.	DESCRIPTION
1	2	470329	3/8UNC X 1 1/4 SER FLANGE BOLT
2	2	483082	1/2 X 2" FENDER WASHER
3	2	500013	1"NPT HEX PIPE NIPPLE, POLY
4	1	500080	1"NPT-90 EL, POLY
5	1	505233	1"-1/2"NPT REDU BUSH, POLY
6	1	601587	HOSE, 3/8 X 102 AIR
7	2	601641	HOSE, 1/4 X 222 AIR
8	1	601782	HOSE, 1/4 X 88 AIR
9	1	601801	HOSE, 3/8 X 222 AIR
10	1	695900	BALL VALVE 1IN FNPT POLY
11	1	701332	INLINE FILTER, RICHWAY
12	1	701333	1/4M X 3/8T OUTLET, RICHWAY
13	1	701346	RICHWAY POWER UNIT/TANK
14	2	711054	1/4 NYL TUBE UNION, STRAIGHT
15	2	711055	3/8 NYL TUBE UNION, STRAIGHT

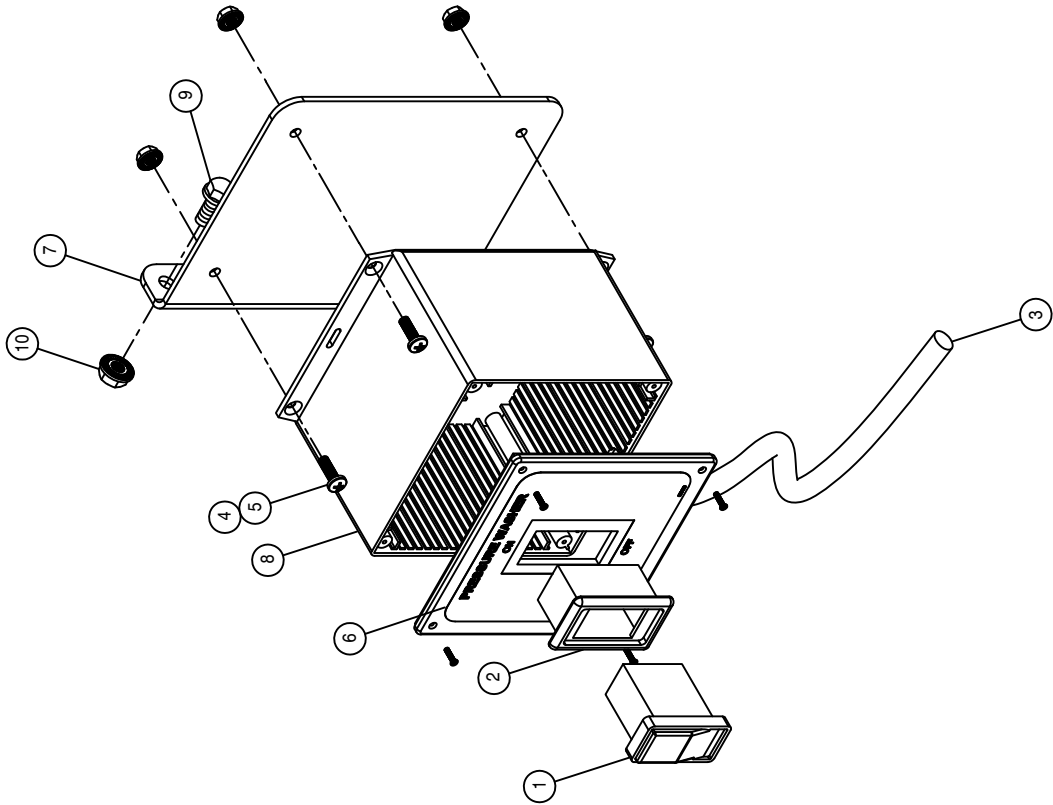




PRESSURE WASHER SWITCH BOX ASSEMBLY

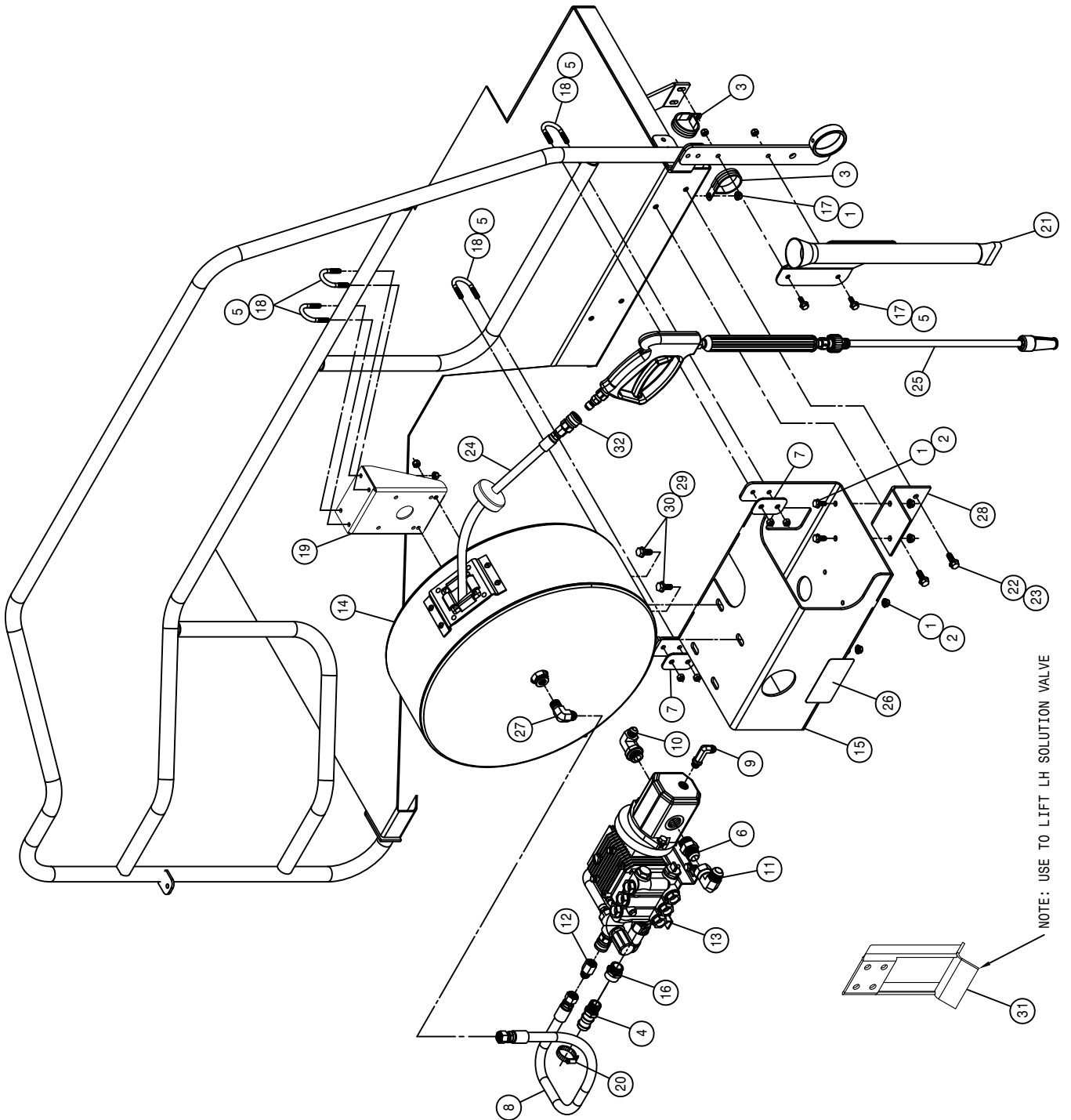
DET. QTY PART NO. DESCRIPTION

1	1	292218	SWITCH,SIDE FILL PUMP/PRESWASH
2	1	292260	MOUNTING TRIM, SINGLE VMS
3	1	293878	PRESS WASH WIRE HARNESS STS 07
4	4	470175	10-32 HEX FLANGE LOCK NUT
5	4	903710	10-32X5/8 PHIL PANHD MACH SCR
6	1	650156	DECAL,PRESS WASH CTRL STS 05
7	1	691112	PRESS WASH SWITCH BX MT,STS 09
8	1	690975	PRESS WASH SWITCH BOX, STS 05
9	2	900064	5/16UNC X 3/4 HEX BOLT
10	2	470113	5/16UNC HEX FLANGE LOCK NUT



PRESSURE WASHER OPTION

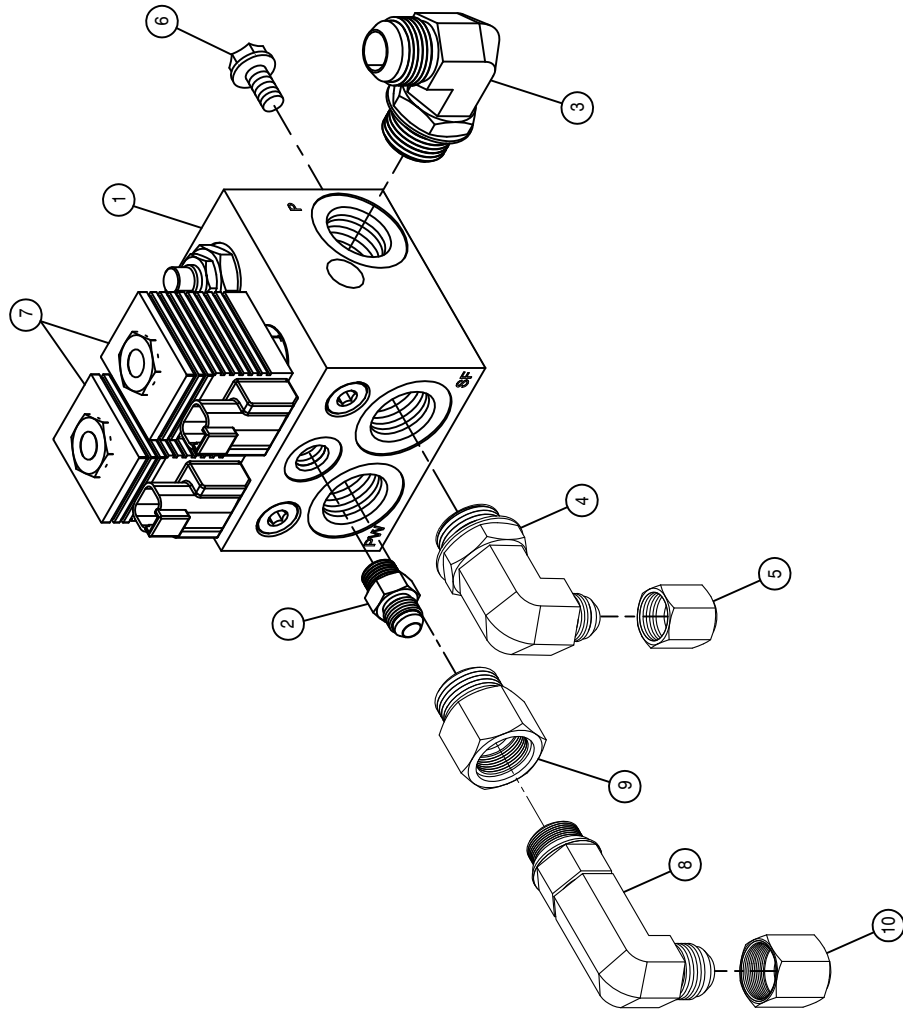
DET.	QTY	PART NO.	DESCRIPTION
1	9	470113	5/16UNC HEX FLANGE LOCK NUT
2	8	470233	5/16UNC X 3/4 FLANGE HEX BOLT
3	2	520126	CUSH CLAMP #32 2IN X 5/8W
4	4	500123	3/4NPT-1"HOSE BARB, POLY
5	10	473001	5/16UNC HEX NUT,NYLOC 316 SS
6	1	611127	1/16MJIC-1 1/16MOR ADPTR
7	2	691119	PRESS WASHER SUPP PLT, STS 09
8	1	616459	08-451TC-08FJX-08FJX-26 H/A
9	1	618440	9/16MJIC-90-9/16MOR EX LG LBO
10	1	618474	3/4MJIC-90-1 1/16MOR LBO
11	1	618191	1 1/16MJ-90-1 1/16FJ SWIV LBO
12	1	618787	3/4MJIC-3/8FNPT ADPTR
13	1	690672	HMC 320 SPECIAL/MINUS HOSE
14	1	690931	HOSE REEL, ENCLOSED PRESS WASH
15	1	691114	PRESSURE WASHER MT WLD, STS 09
16	1	715449	3/4FNPT X 3/4NIGHT ADPTR BRS
17	3	900064	5/16UNC X 3/4 HEX BOLT
18	4	473911	5/16UNC-1.31ID-2.00 U-BOLT
19	1	691118	PRESS WASH REEL SUPP WLD, STS09
20	1	520090	HOSE CLAMP NO 16 STAINLESS
21	1	691120	PRESSURE WASHER WAND MT WLD 09
22	4	472029	3/8UNC X 1" SERR FLANGE BOLT
23	4	472029	3/8UNC X 1" SERR FLANGE BOLT
24	1	690941	REEL HOSE, 3/8" ID X 50' 3000PSI
25	1	690673	TRIGGER GUN ASSY FOR 690672
26	1	650217	DECAL, CAUTION,CHECK OIL LEVEL
27	1	618184	3/4MJIC-90-3/8MNPT LBO
28	2	691117	PRESSURE WASHER MT ANGL, STS 09
29	4	470325	7/16UNC HEX FLANGE LOCK NUT
30	4	900195	7/16UNC X 1" HEX BOLT
31	1	691092	80/90 BOOM VLV MT WLD, WASHER09
32	1	690799	FEM CPLR FNPT FOR 690672



SIDEFILL/PRESSURE WASHER VALVE ASSEMBLY

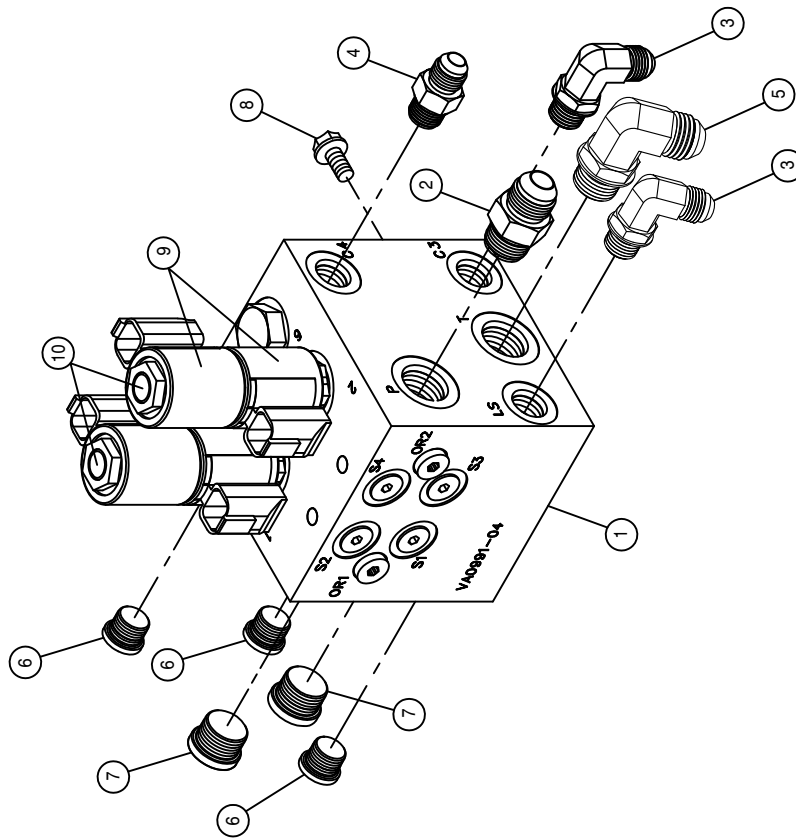
DET. QTY PART NO. DESCRIPTION

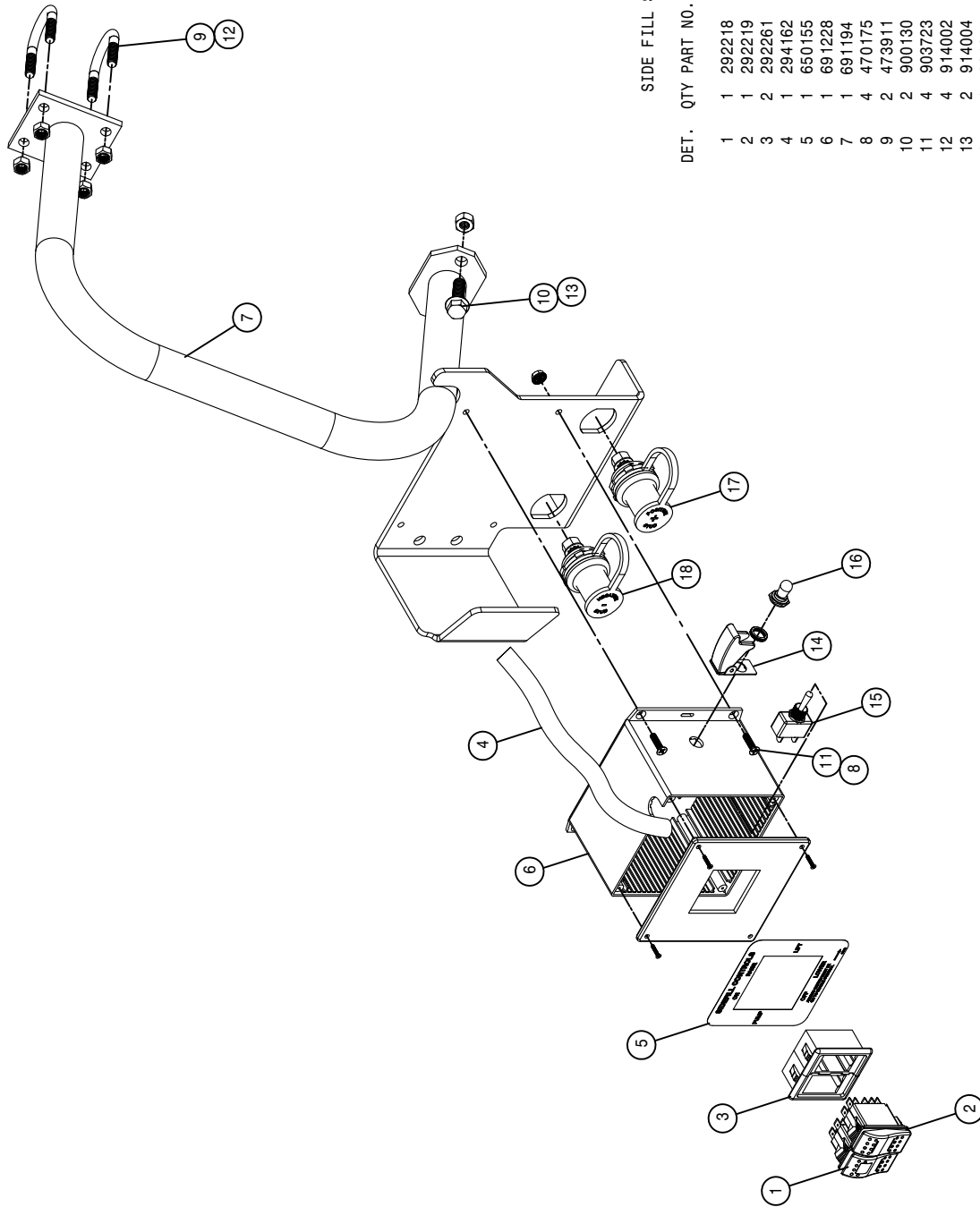
1	1	606259	DIVERSION VLV, STS LS	07
2	1	618126	9/16MJIC-9/16MOR ADPTR	
3	1	618248	1/16MJIC-90-1 1/16MOR LBO	
4	1	618474	3/4MJIC-90-1 1/16MOR LBO	
5	1	618532	3/4FJIC CAP NUT	
6	2	900064	5/16UNC X 3/4 HEX BOLT	
7	2	606309	COIL FOR VLV 606259	
8	1	618774	7/8MJIC-90-7/8MOR LG LBO	
9	1	618132	1/16MOR-7/8FOR ADPTR	
10	1	618328	7/8FJIC CAP NUT	



SIDEFILL LIFT VALVE ASSEMBLY

DET.	QTY	PART NO.	DESCRIPTION	PWRSYS
1	1	606249	MANIFOLD, TRD ADJ	
2	1	611125	3/4MJIC-3/4MOR ADPTR	
3	2	618119	9/16MJIC-90-9/16MOR LBO	
4	1	618126	9/16MJIC-9/16MOR ADPTR	
5	1	618241	3/4MJIC-90-3/4MOR LBO	
6	3	618754	9/16MOR PLUG, HEX SOCKET	
7	2	618755	3/4MOR PLUG, HEX SOCKET	
8	2	900064	5/16UNC X 3/4 HEX BOLT	
9	4	606266	#8 COIL W/DEUTSCH	
10	2	606358	CARTRIDGE SP08-47D, PROP, 3POS	





SIDE FILL SWITCH BOX ASSEMBLY

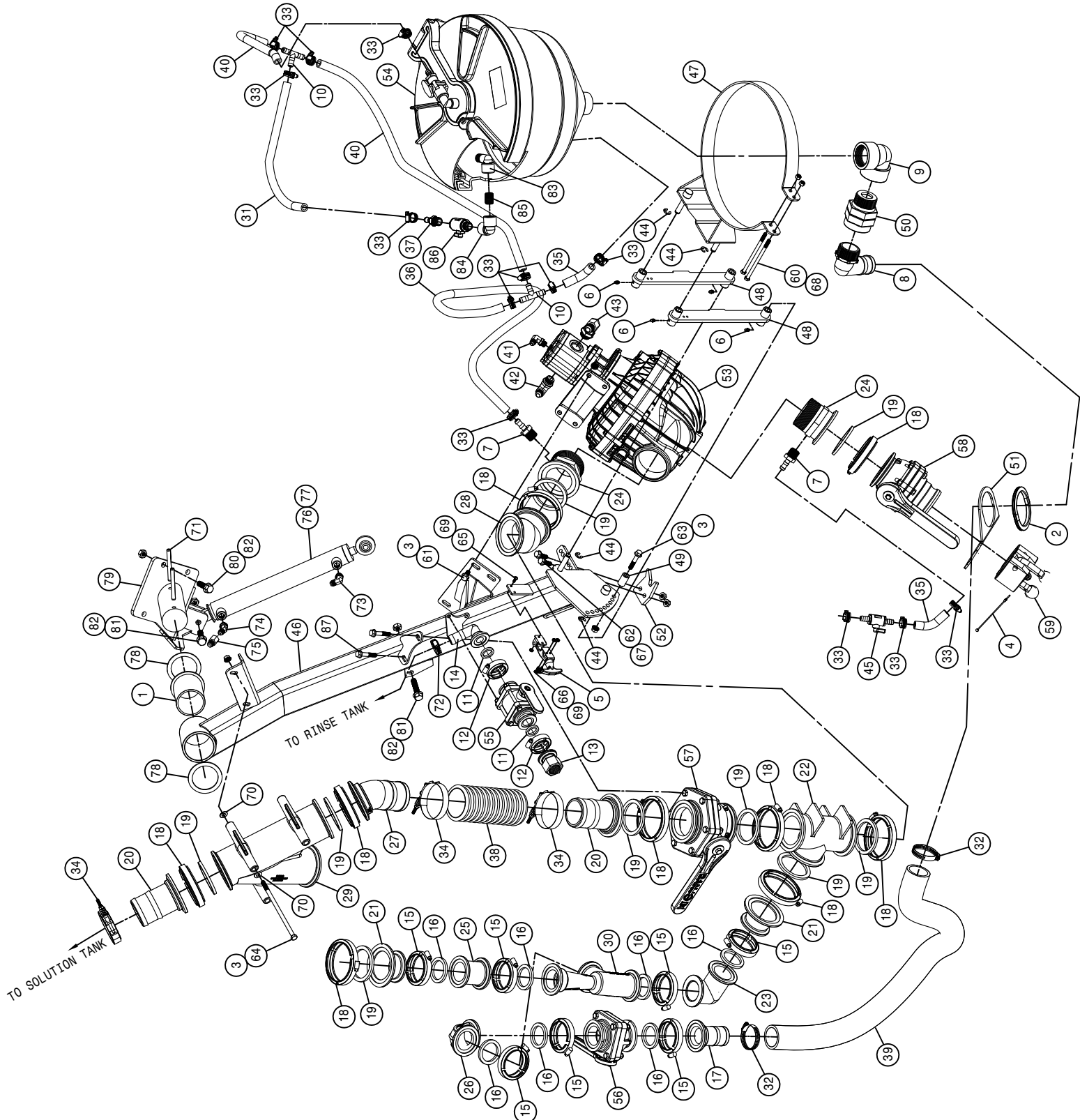
DET. QTY PART NO. DESCRIPTION

DET.	QTY	PART NO.	DESCRIPTION
1	1	292218	SWITCH, SIDE FILL PUMP/PRESWASH
2	1	292219	SWITCH, SIDE FILL LIFT, STS
3	2	292261	MOUNTING TRIM, END VME
4	1	294162	SIDE FILL WIRE HARNESS STS '12
5	1	650155	DECAL, SIDE FILL CTRL STS '05
6	1	691228	SIDE FILL SWITCH BOX STS '12
7	1	691194	CHEM IND GUARD WLD '12
8	4	470175	10-32 HEX FLANGE LOCK NUT
9	2	473911	5/16UNC-1.31ID-2.00 U-BOLT
10	2	900130	3/8UNC X 1 1/4 SER FLANGE BOLT
11	4	903723	10-32 X 3/4 PHIL FLHD MACH SCR
12	4	914002	5/16UNC HEX STOVER NUT
13	2	914004	3/8UNC HEX STOVER NUT
14	1	291937	AIRCRAFT TOGGLE SWITCH GUARD
15	1	291937	TOGGLE SWITCH, SPST
16	1	470001	RUBBER BOOT W NUT FOR 298012
17	1	291680	POSITIVE JUMPER STUD, RED
18	1	291681	NEGATIVE JUMPER STUD, BLACK

SIDE FILL/CHEMICAL INDUCTOR ASSEMBLY

DET. QTY PART NO. DESCRIPTION

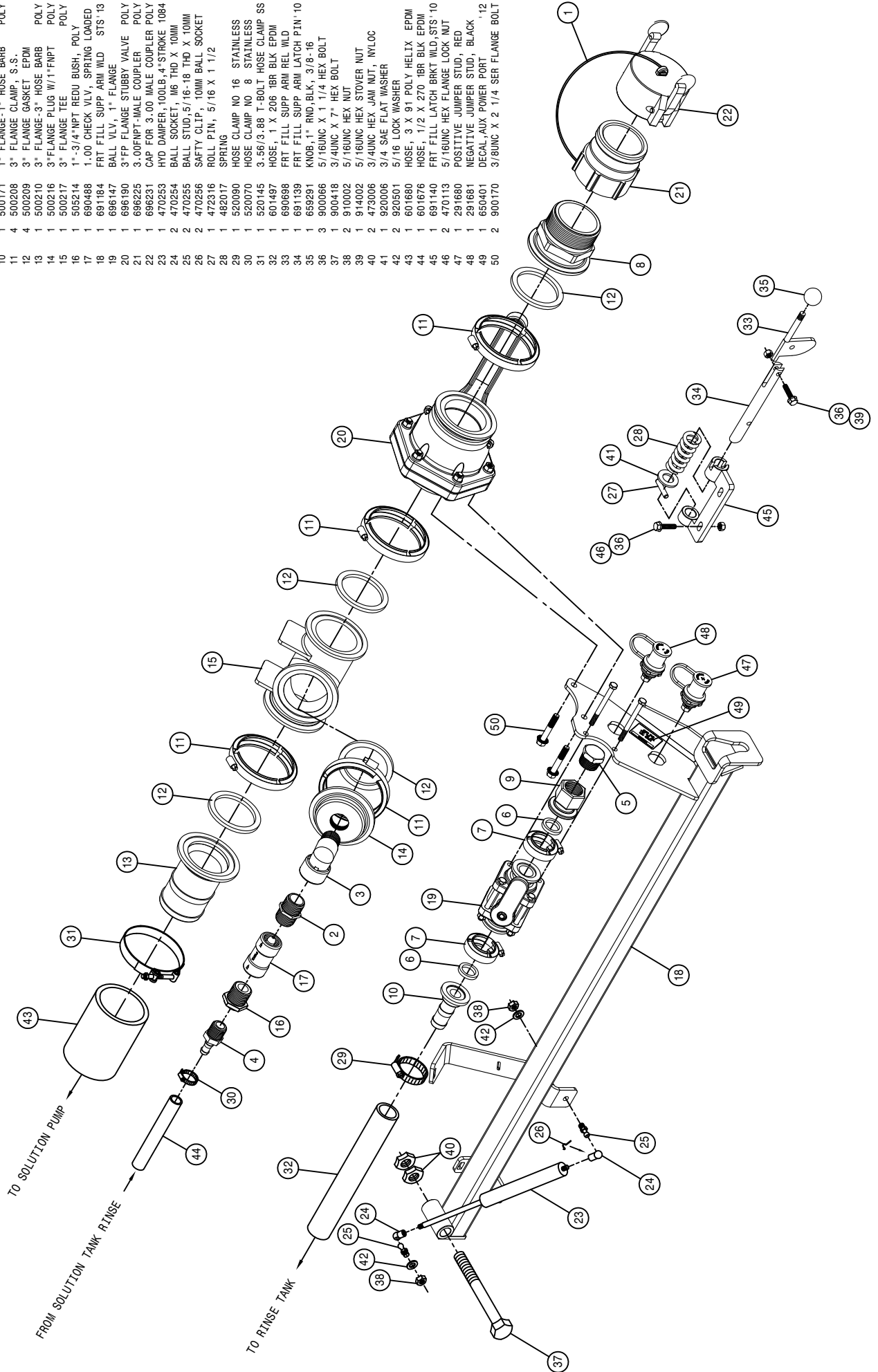
1	121101	TRANSOM PIVOT BRG, TOP	POLY60N
1	193016	QUICKEDGE TRIM .060 TO .170	
3	470087	3/8UNC HEX FLANGE LOCK NUT	
4	470352	LANYARD, 11" POLY	
1	470643	RUBBER DRAW LATCH	
6	471005	GREASE ZERK, 1/4-28 X 1/2	
7	500019	3/4NPT-1/2HOSE BARB, POLY	
8	500141	2"INPT-90-2" HOSE BARB, POLY	
9	500083	2"INPT-90 EL, POLY	
10	500120	1/2" HOSE BARB TEE, POLY	EPDM
11	500157	1" FLANGE GASKET	EPDM
12	500159	1" FLANGE CLAMP, S.S.	
13	500168	1" FLANGE-1" FNPT ADPTR	POLY
14	500173	1" FLANGE-90-1" HOSE BARB POLY	
15	500194	2"FP FLANGE CLAMP, S.S.	
16	500196	2"FP FLANGE GASKET	EPDM
17	500198	2"FP FLANGE-2" HOSE BARB POLY	
18	500208	3" FLANGE CLAMP, S.S.	
19	500209	3" FLANGE GASKET	EPDM
20	500210	3" FLANGE-3" HOSE BARB POLY	
21	500212	3" FLANGE-2"FP FLANGE REDU POLY	
22	500217	3" FLANGE TEE	POLY
23	500219	2"FP FLANGE-90-2"FP FLANGE LBO	
24	500263	3"FLANGE-3"INPT W/3/4"FNPTPOLY	
25	500249	2"FP FLANGE COUPLING	
26	500254	2"FP FLANGE-90-2"FP SWEEP LBO	
27	500258	3" FLANGE-45-3" HOSE BARB POLY	
28	500259	3"FP-45-3"FP FLANGE LBO	POLY
29	500260	3"FP-45-Y FLANGE COUPLER	POLY
30	500261	2"FP FLANGE VENTURI	POLY
31	601795	HOSE 1/2 X 15' BR BLK EPDM	
32	620088	HOSE CLAMP NO 32 STAINLESS	
33	520070	HOSE CLAMP NO 8 STAINLESS	
34	33603/3.88	1-BOLT HOSE CLAMP SS	
35	601160	HOSE, 1/2 X 3 1/2' BR BLK EPDM	
36	601796	HOSE, 1/2 X 33' BR BLK EPDM	
37	719340	1/2NPT-1/2 HOSE BARB, POLY	
38	601503	HOSE, 2 X 8 POLY HELIX	EPDM
39	601573	HOSE, 2 X 48 2F-1W EPDM	
40	601791	HOSE, 1/2 X 12' BR BLK EPDM	
41	618119	9/16UNJC-90-9/16NOR LBO	
42	618183	3/4UNJC-90-7/8NOR LBO	
43	618535	9/16UNJC-90-1 1/16NOR LBO	
44	629541	SNAP RING, 1/2" EXTERNAL E-STYLE	
45	696194	1/2" HOSE BARB MICRO VALVE	
46	691191	STDE FILL ARM WLD	STS-12
47	691192	HOPPER BAND WLD SIDE FILL "12	
48	691193	HOPPER PARAL ARM WLD SIDE FILL	
49	691197	BUSHING, 7500 Y. 1-31LG	
50	500084	2 FNPT-2"INPT SWIV, POLY	
51	691225	HOSE SUPP BRKT SIDE FILL "12	
52	691231	ADJ SIDE FILL CRADLE	STS-12
53	691236	3" TRANSFER PUMP-HYPRO	
54	691273	7 GAL RD TANK WITH HOLE	
55	696147	BALL VLV, 1" FLANGE	
56	696150	FLANGE STUBBY	
57	696190	3"FP FLANGE STUBBY VALVE POLY	
58	696192	3"FLG STUBBY VALVE, 3"IN-ADPTR	
59	696231	CAP FOR 3.00 MALE COUPLER POLY	
60	900080	5/16UNC X 5" HEX BOLT	
61	900129	3/8UNC X 1" SERR FLANGE BOLT	
62	900130	3/8UNC X 1 1/4 SERR FLANGE BOLT	
63	900133	3/8UNC X 2" SERR FLANGE BOLT	
64	900148	3/8UNC X 8" HEX BOLT	
65	903706	10-32X1/2 PHIL PANH WASH SCR	
66	903707	10-32X5/8 PHIL PANH WASH SCR	
67	910004N	3/8UNC FLANGE CNTR LOCK NUT	
68	914002	5/16UNC HEX STOVER NUT	
69	914027	10-32 HEX STOVER NUT	
70	920002	3/8 SAE FLAT WASHER	
71	473963	RILL PIN, 3/8 X 3 1/2	
72	520090	HOSE CLAMP NO 16 STAINLESS	
73	618119	9/16UNJC-90-9/16NOR LBO	
74	618425	9/16UNJC-45-9/16NOR LBO	
75	618731	9/16UNJC .025 ORIFICE ADPTR	
76	621554	HYD CYL, 1.50 X 12.25 X .750	
77	621555	REPAIR KIT-HYD CYL 621554	
78	690729	WASH: 11GA X 2.69 X 3.50	"12
79	691195	CYL WT WLD SIDE FILL	
80	900265	1/2UNC X 1 1/2 HEX BOLT	
81	900267	1/2UNC X 2" HEX BOLT	
82	914008	1/2UNC HEX STOVER NUT	
83	500044	1/2NPT-90 ST EL, POLY	
84	500078	1/2NPT-90 EL, POLY	
85	507031	SS PIPE NIPPLE .50NPT-1.13	
86	696195	1/2FNPT-1/2INPT MICRO BALL VLV	
87	900170	3/8UNC X 2 1/4 SERR FLANGE BOLT	



FRONT FILL ASSEMBLY

DET. QTY PART NO. DESCRIPTION

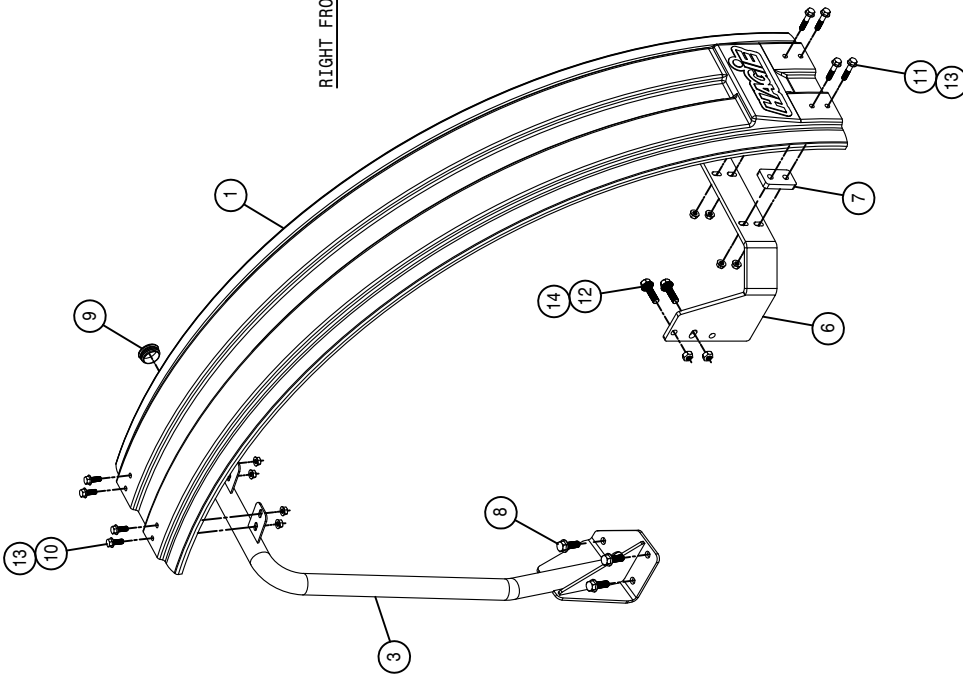
1	470352	LANYARD, 11" POLY
2	500013	1"NPT HEX PIPE NIPPLE, POLY
3	500014	1"NPT-90 ST EL, POLY
4	500019	3/4NPT-1/2HOSE BARB, POLY
5	500063	1"NPT PIPE PLUG, POLY
6	500157	1" FLANGE GASKET EPDM
7	500159	1" FLANGE CLAMP, S.S.
8	500164	3" FLANGE-3" FNPT ADPTR POLY
9	500168	1" FLANGE-1" FNPT ADPTR POLY
10	500171	1" FLANGE-1" HOSE BARB POLY
11	500208	3" FLANGE CLAMP, S.S.
12	500209	3" FLANGE GASKET EPDM
13	500210	3" FLANGE-3" HOSE BARB POLY
14	500216	3" FLANGE PLUG W/1"FNPT POLY
15	500217	3" FLANGE TEE POLY
16	505214	1"-3/4"NPT REDU BUSH, POLY
17	690488	1.00 CHECK VLV, SPRING LOADED
18	691184	FRT FILL SUPP ARM WLD STS'13
19	696147	BALL VLV, 1" FLANGE
20	696190	3"FP FLANGE STUBBY VALVE POLY
21	696225	3.00FNPT-MALE COUPLER POLY
22	696231	CAP FOR 3.00 MALE COUPLER POLY
23	470253	HYD DAMPER,100LB,4"STROKE 1084
24	470254	BALL SOCKET, M6 THD X 10MM
25	470255	BALL STUD,5/16-18 THD X 10MM
26	470256	SAFETY CLIP, 10MM BALL SOCKET
27	472316	ROLL PIN, 5/16 X 1 1/2
28	482017	SPRING
29	520090	HOSE CLAMP NO 16 STAINLESS
30	520070	HOSE CLAMP NO 8 STAINLESS
31	520145	3.56/3.88 T-BOLT HOSE CLAMP SS
32	601497	HOSE, 1 X 206 '18R BLK EPDM
33	690698	FRT FILL SUPP ARM REL WLD
34	691139	FRT FILL SUPP ARM LATCH PIN*10
35	659291	KNOB, 1" RND, BLK, 3/8-16
36	900066	5/16UNC X 1 1/4 HEX BOLT
37	900418	3/4UNC X 7" HEX BOLT
38	910002	5/16UNC HEX NUT
39	914002	5/16UNC HEX STOVER NUT
40	473006	3/4UNC HEX JAW NUT, NYLOC
41	920006	3/4 SAE FLAT WASHER
42	920501	5/16 LOCK WASHER
43	601680	HOSE, 3 X 91 POLY HELIX EPDM
44	601676	HOSE, 1/2 X 270 '18R BLK EPDM
45	691140	FRT FILL LATCH BRKT WLD,STS'10
46	470113	5/16UNC HEX FLANGE LOCK NUT
47	291680	POSITIVE JUMPER STUD, RED
48	291681	NEGATIVE JUMPER STUD, BLACK
49	650401	DECAL AUX POWER PORT '12
50	900170	3/8UNC X 2 1/4 SER FLANGE BOLT



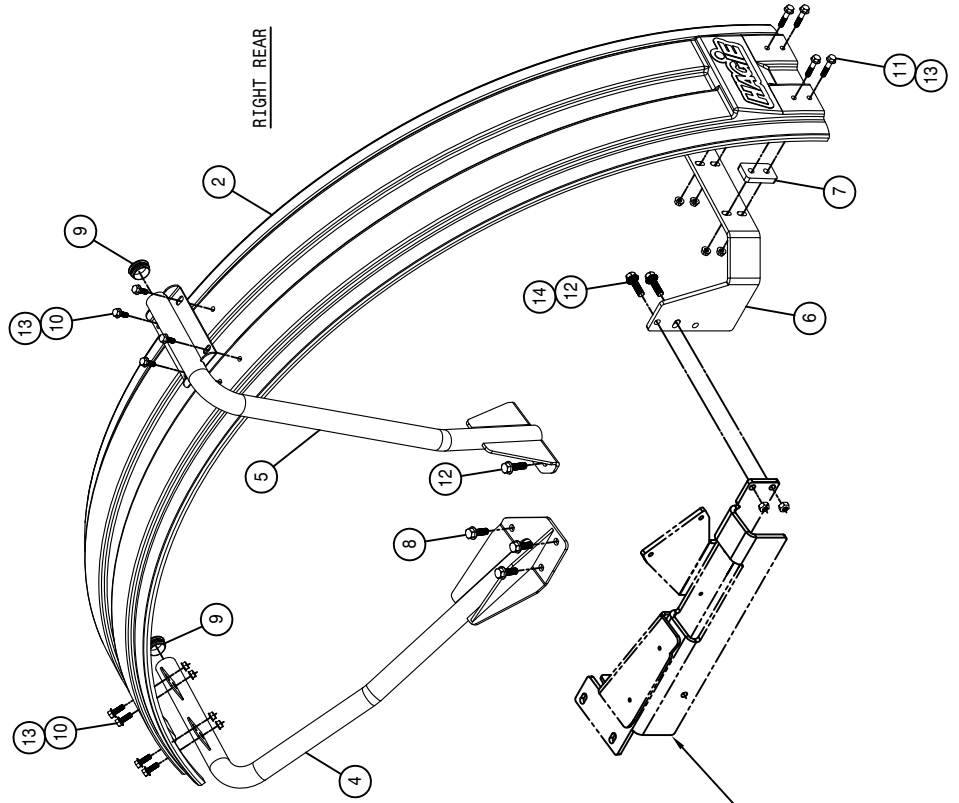
RIGHT FENDER ASSEMBLY

DET.	QTY	PART NO.	DESCRIPTION
1	1	359598	FRONT FENDER, STS '10
2	1	359599	REAR FENDER, STS '10
3	1	359600	RH FRT FENDER BRKT WLD, STS '10
4	1	359607	RH REAR FENDER BRKT WLD, STS '10
5	1	359614	RH REAR UPR FENDER SUPP WLD '10
6	2	359620	RH LWR FENDER SUPP, STS 54" '10
7	4	359622	LWR FENDER SUPP SPACER, 54" '10
8	6	470431	1/2UNC X 1 1/2 FLANGE BOLT
9	3	629772	CAPPLUGS PLUG, 1 3/4"RD, BLK POLY
10	12	900129	3/8UNC X 1" SERR FLANGE BOLT
11	8	900132	3/8UNC X 1 3/4 SER FLANGE BOLT
12	6	900266	1/2UNC X 1 3/4 HEX BOLT
13	20	910004N	3/8UNC FLANGE CNTR LOCK NUT
14	4	914008	1/2UNC HEX STOVER NUT

RIGHT FRONT



RIGHT REAR

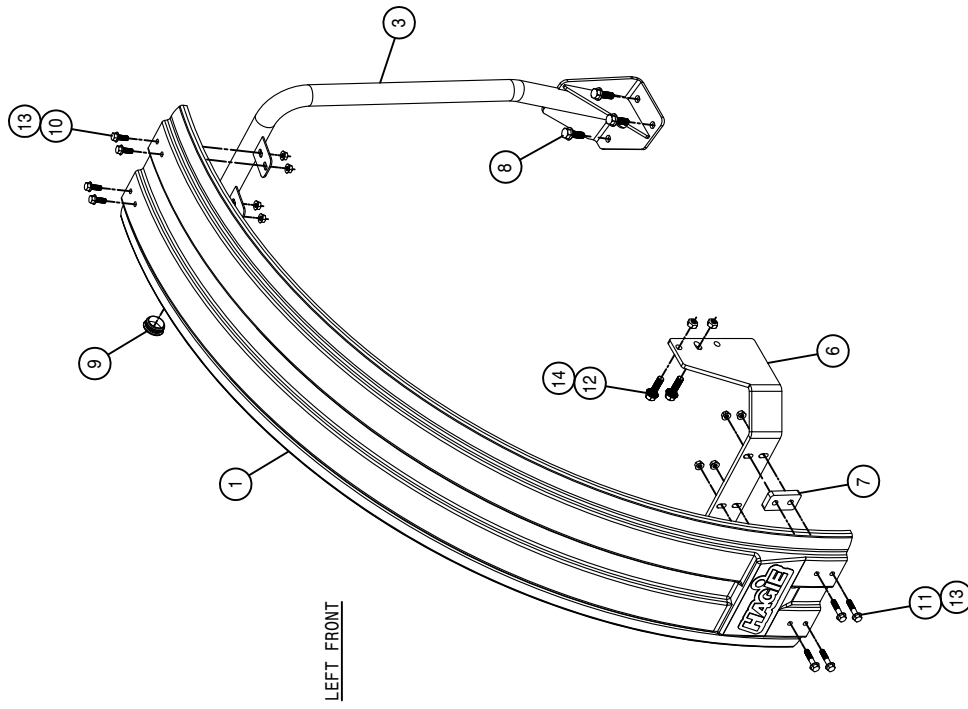


NOTE: 359624 SHOWN FOR REFERENCE  
SEE LEG ASSEMBLY

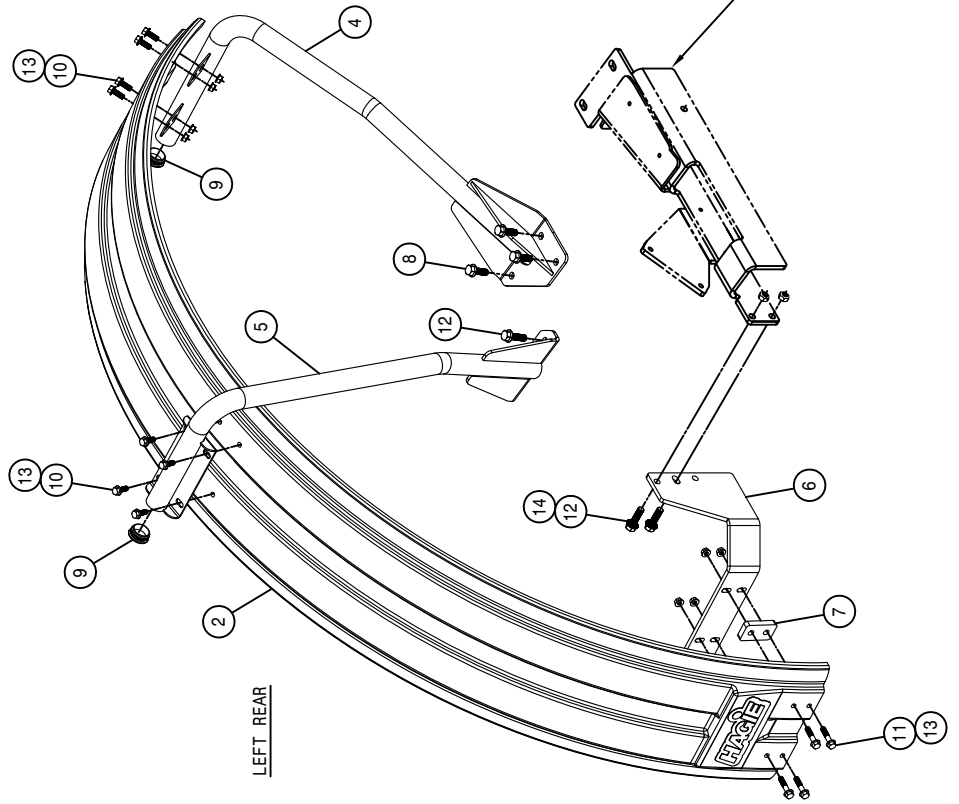


LEFT FENDER ASSEMBLY

DET.	QTY	PART NO.	DESCRIPTION
1	1	359598	FRONT FENDER, STS '10
2	1	359599	REAR FENDER, STS '10
3	1	359601	LH FRT FENDER BRKT WLD, STS '10
4	1	359608	LH REAR FENDER BRKT WLD, STS '10
5	1	359615	LH REAR UPR FENDER SUPP WLD '10
6	1	359621	LH LWR FENDER SUPP, STS 54" '10
7	4	359622	LWR FENDER SUPP SPACER, 54" '10
8	6	470431	1/2UNC X 1 1/2 FLANGE BOLT
9	3	629772	CAPPLUGS PLUG, 1 3/4" RD, BLK POLY
10	12	900129	3/8UNC X 1" SERR FLANGE BOLT
11	8	900132	3/8UNC X 1 3/4 SER FLANGE BOLT
12	6	900266	1/2UNC X 1 3/4 HEX BOLT
13	20	910004N	3/8UNC FLANGE CNTR LOCK NUT
14	4	914008	1/2UNC HEX STOVER NUT



LEFT FRONT



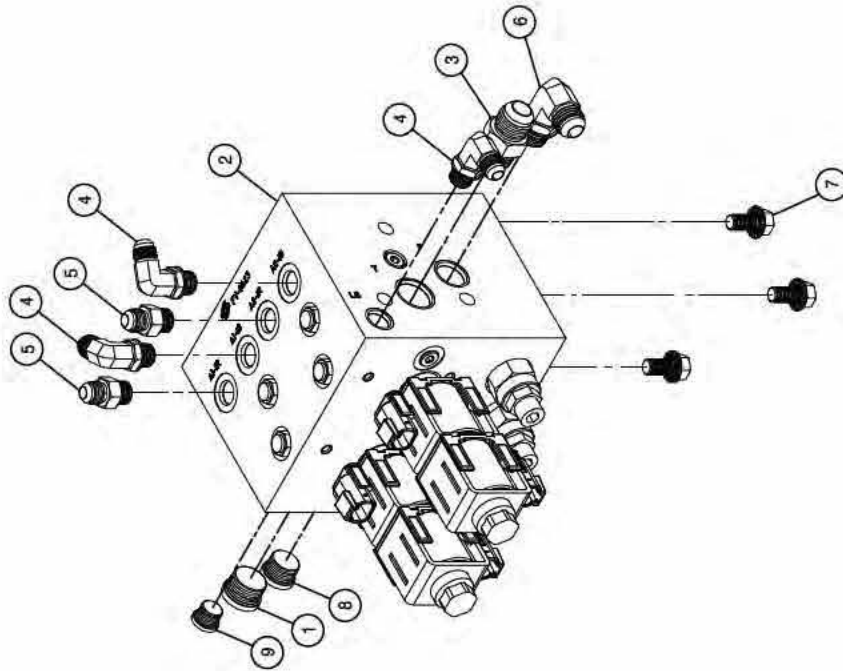
LEFT REAR

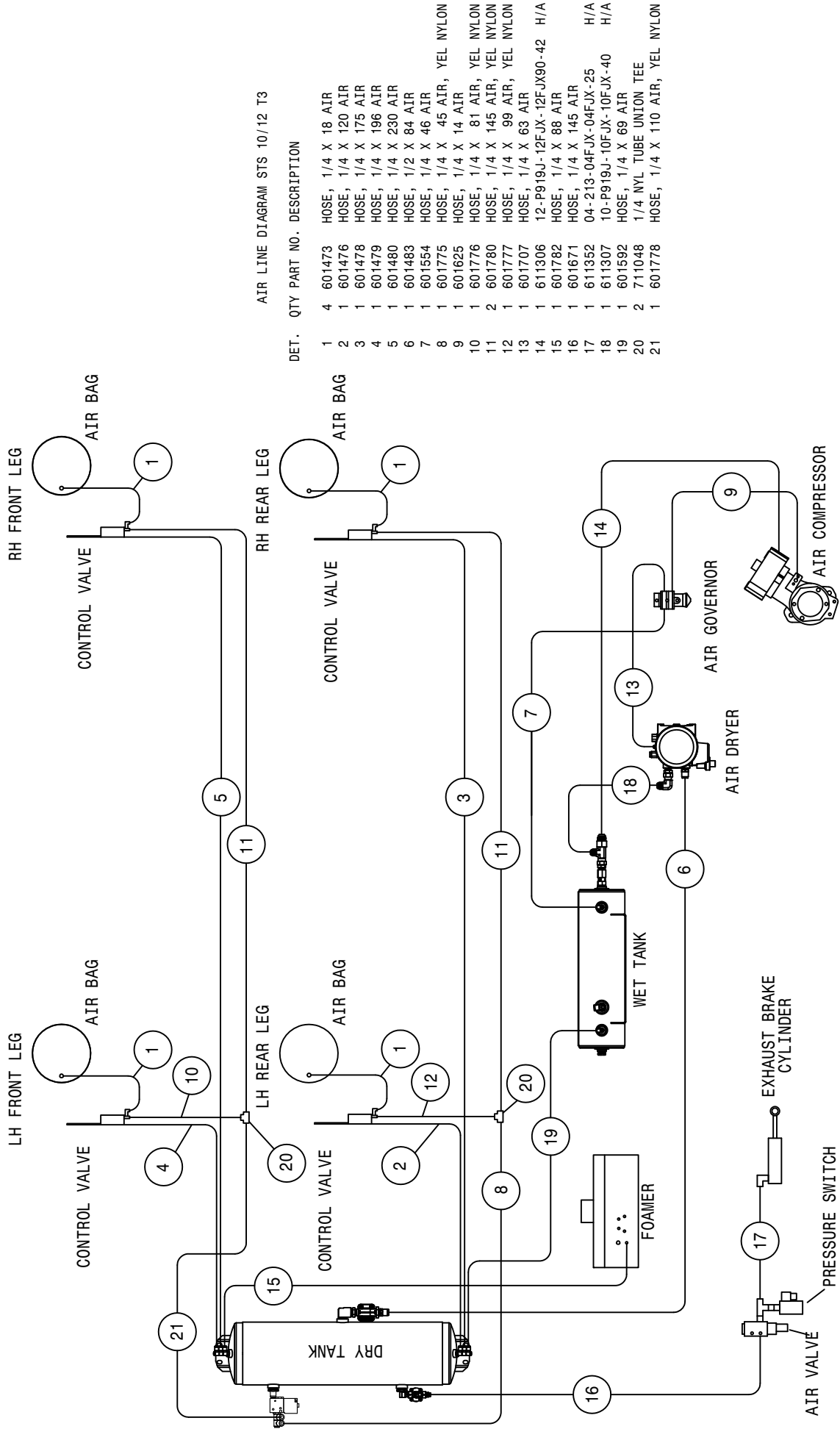
NOTE: 359625 SHOWN FOR REFERENCE  
SEE LEG ASSEMBLY

AWS HYDRAULIC VALVE ASSEMBLY

DET. QTY PART NO. DESCRIPTION

1	1	618756	7/8MOR PLUG, HEX SOCKET
2	1	606370	VALVE, FV8623 V1 SUNSOURCE
3	1	611126	7/8MJIC-7/8MOR ADPTR
4	3	618119	9/16MJIC-90-9/16MOR LBO
5	2	618126	9/16MJIC-9/16MOR ADPTR
6	1	618241	3/4MJIC-90-3/4MOR LBO
7	3	900128	3/8UNC X 3/4 HEX BOLT YZ
8	1	618755	3/4MOR PLUG, HEX SOCKET
9	1	618754	9/16MOR PLUG, HEX SOCKET

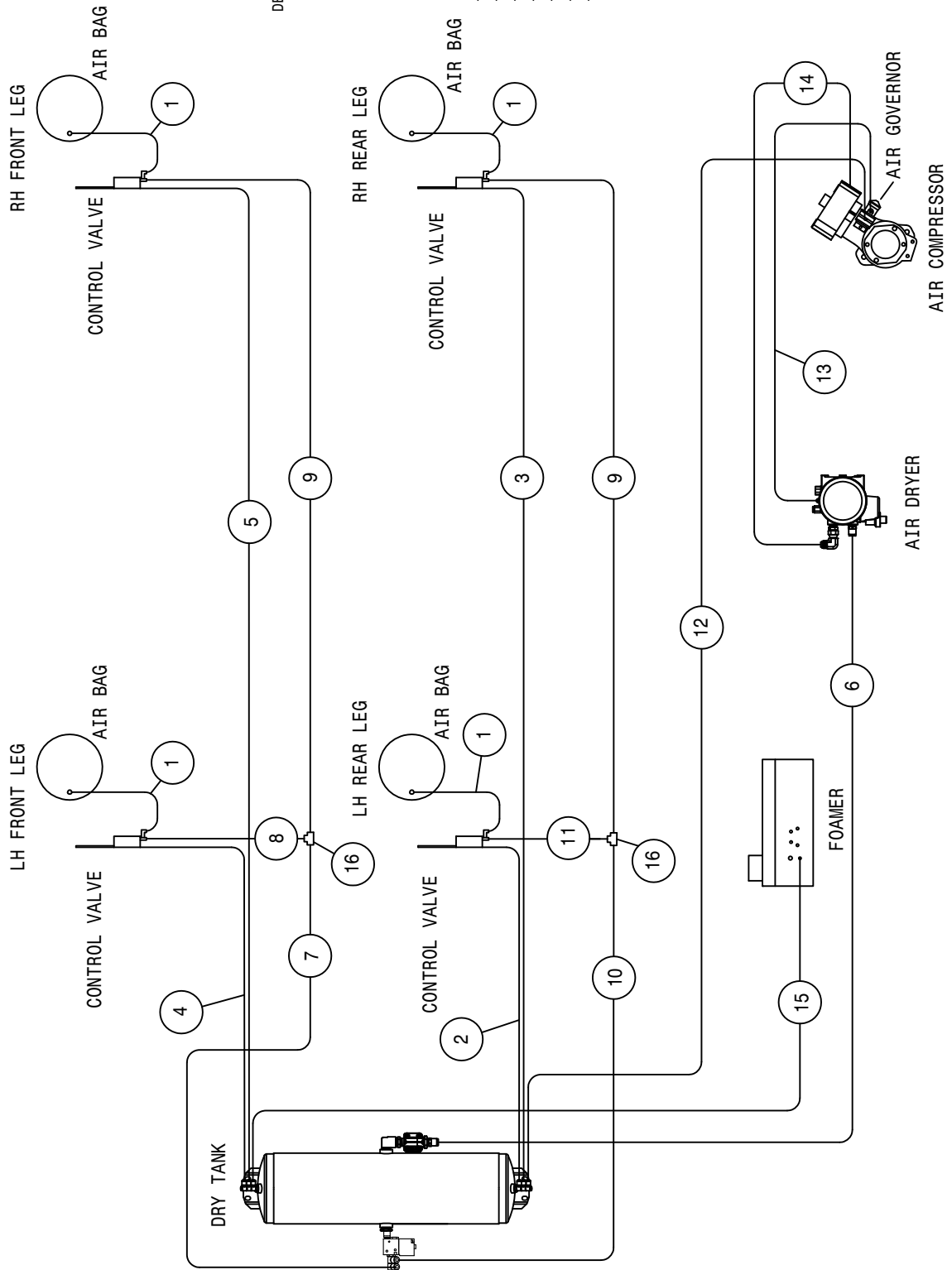




AIR LINE DIAGRAM STS 10/12 T3

DET. QTY PART NO. DESCRIPTION

1	4	601473	HOSE, 1/4 X 18 AIR
2	1	601476	HOSE, 1/4 X 120 AIR
3	1	601478	HOSE, 1/4 X 175 AIR
4	1	601479	HOSE, 1/4 X 196 AIR
5	1	601480	HOSE, 1/4 X 230 AIR
6	1	601483	HOSE, 1/2 X 84 AIR
7	1	601554	HOSE, 1/4 X 46 AIR
8	1	601775	HOSE, 1/4 X 45 AIR, YEL NYLON
9	1	601625	HOSE, 1/4 X 14 AIR
10	1	601776	HOSE, 1/4 X 81 AIR, YEL NYLON
11	2	601780	HOSE, 1/4 X 145 AIR, YEL NYLON
12	1	601777	HOSE, 1/4 X 99 AIR, YEL NYLON
13	1	601707	HOSE, 1/4 X 63 AIR
14	1	611306	12-P919J-12FJX-12FJX90-42 H/A
15	1	601782	HOSE, 1/4 X 88 AIR
16	1	601671	HOSE, 1/4 X 145 AIR
17	1	611352	04-213-04FJX-04FJX-25 H/A
18	1	611307	10-P919J-10FJX-10FJX-40 H/A
19	1	601592	HOSE, 1/4 X 69 AIR
20	2	711048	1/4 NYL TUBE UNION TEE
21	1	601778	HOSE, 1/4 X 110 AIR, YEL NYLON



AIR LINE DIAGRAM STS 10/12 T4

DET. QTY PART NO. DESCRIPTION

1	4	601473	HOSE, 1/4 X 18 AIR
2	1	601476	HOSE, 1/4 X 120 AIR
3	1	601478	HOSE, 1/4 X 175 AIR
4	1	601479	HOSE, 1/4 X 196 AIR
5	1	601480	HOSE, 1/4 X 230 AIR
6	1	601483	HOSE, 1/2 X 84 AIR
7	1	601778	HOSE, 1/4 X 110 AIR, YEL NYLON
8	1	601776	HOSE, 1/4 X 81 AIR, YEL NYLON
9	2	601780	HOSE, 1/4 X 145 AIR, YEL NYLON
10	1	601775	HOSE, 1/4 X 45 AIR, YEL NYLON
11	1	601777	HOSE, 1/4 X 99 AIR, YEL NYLON
12	1	601655	HOSE, 1/4 X 130 AIR
13	1	601592	HOSE, 1/4 X 69 AIR
14	1	611310	12-P919J-12FJX-12FJX-90LG-66H/A
15	1	601782	HOSE, 1/4 X 88 AIR
16	2	711048	1/4 NYL TUBE UNION TEE

This Page Intentionally Blank

# NOTICE

---

**The following page contains decals for the model STS 10.**

**These decals can be obtained from Hagie Mfg. Co. and should be used whenever your machine is repainted or when the decals become worn, weathered, or faded.**

**Special attention should be paid to decals involving personal safety. They have been attached for your protection.**

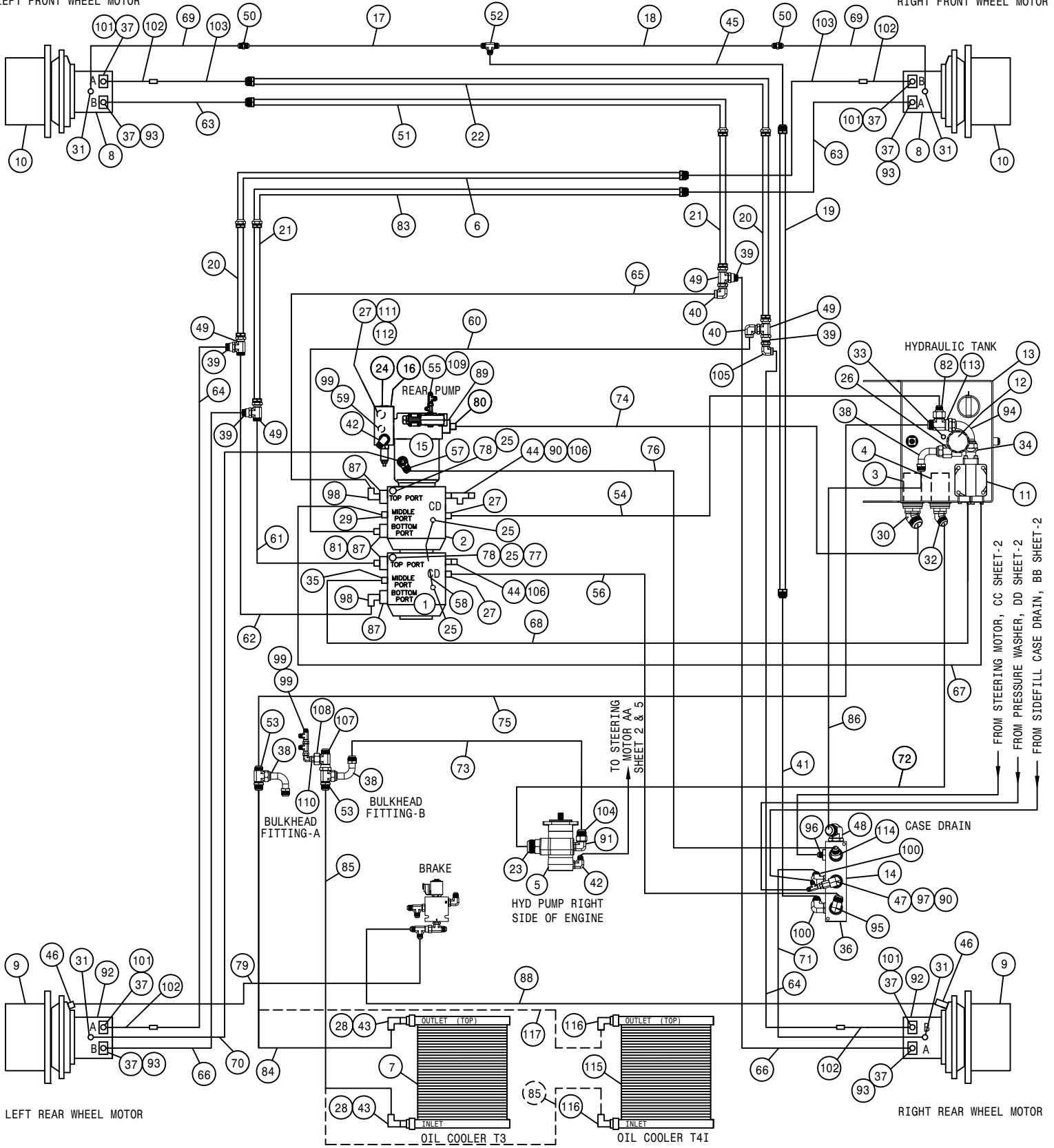
**KEEP THEM IN PLACE.**

**Contact: Hagie Manufacturing Co.  
721 Central Ave West  
Box 273  
Clarion, Iowa 50525-0273**

QTY.	PART NO.	DESCRIPTION	LOCATION
4	650103	TREAD ADJUST INDICATOR DECAL	1-ON EACH LEG SLIDE TUBE
1	650107	CAUTION BOOSTER DECAL	NEAR BOOSTER POSTS
1	650114	FILL WITH FRESH WATER DECAL	ON FRESH WATER TANK
1	650115	HAND WASH ONLY DECAL	NEAR HAND WASH VALVE
1	650116	INDUCTOR FILL INSTRUCTION DECAL	ON SIDE OF FILL ARM
1	650118	DO NOT USE EITHER DECAL	NEAR AIR INTAKE ON SHEET METAL
1	650125	AGITATOR RATE IND DECAL	ON KZCO AGITATION VALVE
1	650140	ENGINE COMPARTMENT DECAL SET	ON ENGINE HOOD
2	650143	LOGO, SOLUTION TANK DECAL	ON EACH SIDE SOLUTION TANK
1	650154	PATENTS,HAGIE UPFRONT DECAL	ON LOWER LEFT REAR OF MAINFRAME
1	650155	SIDE FILL CONTROL DECAL	ON SIDE FILL SWITCH BOX
1	650156	PRESS WASH CONTROL DECAL	ON PRESS WASHER SWITCH BOX
1	650158	SPEED CONTROL STS CAB DECAL	ON CONSOLE
1	650159	THROTTLE BRAKE PUMP DECAL	ON CONSOLE
1	650163	POWER POINT DECAL	ON CONSOLE
1	650164	NO PASSNGR/NOT NEAR LEAK DECAL	ON LEFT UPPER REAR POST
1	650165	PWR LINE/BM FOLD/GLASS DECAL	ON RIGHT REAR UPPER CAB POST
1	650174	RADIATOR CAUTION DECAL	ON TOP OF RADIATOR
1	650176	CAUTION, CAB CHEM EXPOSER DECAL	ON UPPER RIGHT SIDE WINDOW
2	650178	CAUTION QUICK ATTACK PIN DECAL	1-EA ON FRONT CROSSMEMBER BY Q-ATTACH
1	650217	CAUTION, CHECK OIL DECAL	ON PRESSURE WASHER MOUNT
1	650223	30MPH ID SYMBOL DECAL	ON REAR BUMPER
1	650231	AUX POWER DECAL	ON THE BOTTOM OF CONSOLE
1	650232	AUX POWER LOCATION DECAL	ON CONSOLE
1	650234	ENGINE ELECTRICAL BOX DECAL	INSIDE ENGINE ELECTRICAL BOX
1	650256	EXPLOSION/RELEASE POWER DECAL	NEAR RADIATOR CAP
1	650272	200 AMP ECM SUSE DECAL	NEAR AIR CLEANER MOUNT
1	650275	CONTROL CENTER DECAL	ON CONSOLE
1	650278	E-STOP DECAL	ON CONSOLE
2	650339	WARNING, HYD OIL INJ DECAL	1-ON SIDE OF OIL TANK
1	650348	NOTICE DRAIN AIR TANK DECAL	ON AIR TANK
1	650367	AIR FILTER INSTRUCTION DECAL	ON ENGINE AIR FILTER END CAP
1	650372	MAIN ELECTRICAL DISCONNECT DECAL	NEAR BOOSTER POSTS
1	650377	NOTICE-R134A 3LB DECAL	1-NEAR ELECTIC VALVE ON TRANSOM RH SIDE OF ENGINE ON FRAME
1	650392	BOOM 10 SEC LIGHT DECAL	ON BOOM SEC LIGHT PANEL
1	650397	BOOM SPRAY SECTIONS DECAL	ON CONSOLE
1	650398	CAB CONSOLE MODULES DECAL	IN CONSOLE
2	650401	AUX POWER PORT DECAL	1-UNDER SIDE FILL SWITCH BOX 1-ON FRONT FILL ARM
1	650404	SIGHT GAUGE 1000 GAL POLY DECAL	ON THE LEFT REAR OF CAB
1	650405	SIGHT GAUGE 1000 GAL SS DECAL	ON THE LEFT REAR OF CAB
1	650418	CONSOLE FUSE-RELAY DECAL	ON CONSOLE
1	650419	COM PORTS DECAL	ON CONSOLE
1	650420	TIER 4 STATUS DECAL	ON ENGINE CONTROLLER IN CAB
1	650422	BELLY PAN MODULE DECAL	ON BELLY PAN
1	650423	REAR CHASSIS MODULE DECAL	INSIDE REAR ELECTRICAL BOX
1	650424	FLASHER/LIGHT MODULE DECAL	ON BELLY PAN
1	650425	FUSE/RELAY MODULE,STS DECAL	ON BELLY PAN
1	650430	HYDRAULIC OIL DECAL	ON THE SIDE OF HYDRAULIC TANK
1	650431	ULTRA LOW SULFUR FUEL DECAL	ON FUEL TANK
1	650432	IMPORTANT - NEG DECAL	NEAR NEG BOOST POST
1	650433	CAUTION - POS DECAL	NEAR POS BOOST POST
1	650434	CUTTING HAND FAN DECAL	2-1 EA SIDE OF FAN ON SHROUD
1	650848	CAUTION, SLIP OR FALL DECAL	ON LADDER PIVOT TUBE
1	650849	CAUTION, ENGINE FUEL DECAL	NEAR FUEL TANK NECK
1	650850	DANGEROUS CHEM DECAL	SOLUTION TANK FILLER NECK
1	650851	SHIELDS DECAL	ON LOWER LH REAR MAINFRAME TUBE
1	650954	DIESEL DECAL	NEAR FUEL TANK NECK
1	650982	ELECTRICAL DECAL	ON RH CAB DOOR
4	650985	WHEEL BOLT TORQUE DECAL	ON EACH WHEEL RIM

LEFT FRONT WHEEL MOTOR

RIGHT FRONT WHEEL MOTOR



FROM STEERING MOTOR, CC SHEET-2  
 FROM PRESSURE WASHER, DD SHEET-2  
 FROM SIDEFILL CASE DRAIN, BB SHEET-2

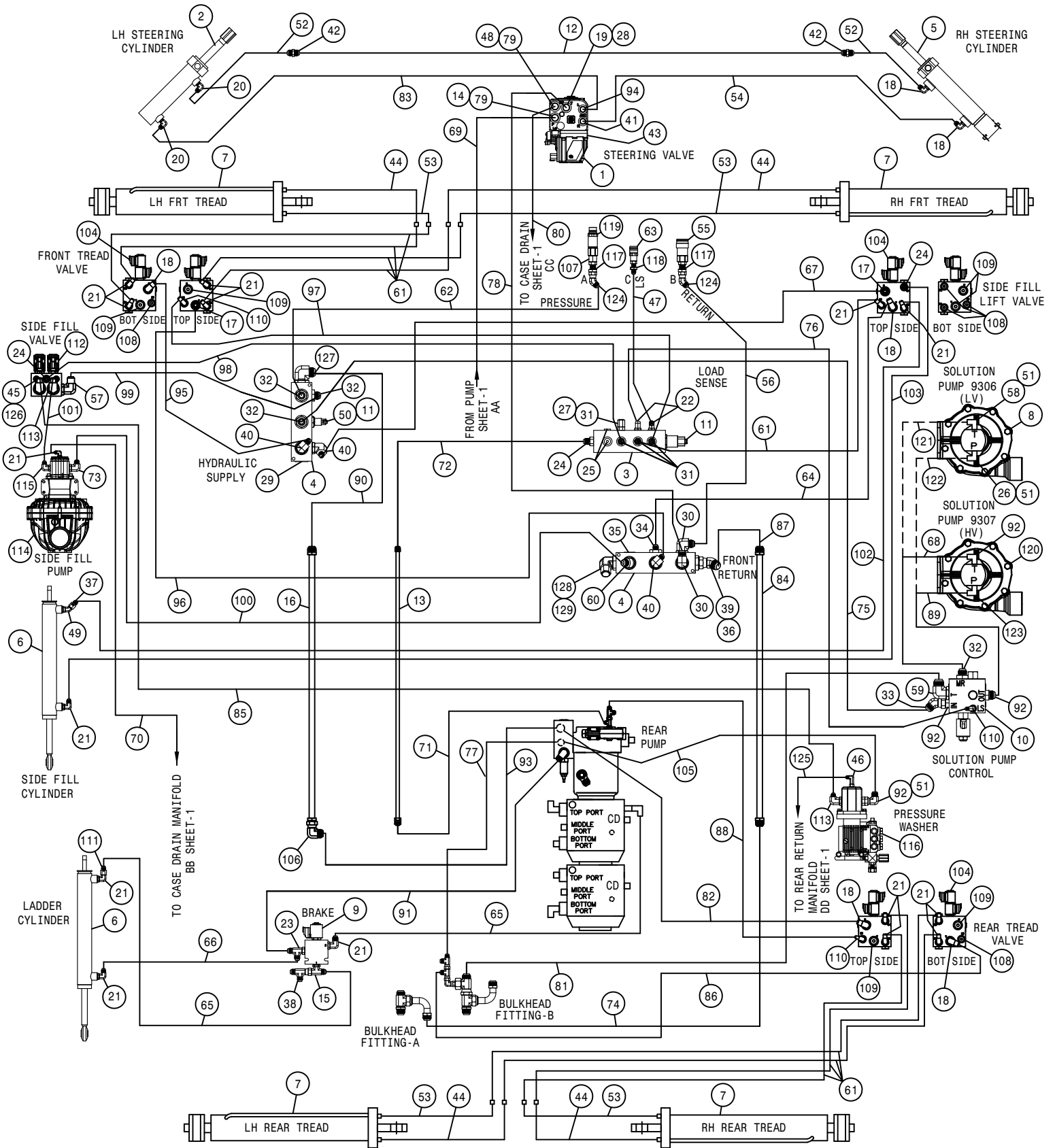
LEFT REAR WHEEL MOTOR

RIGHT REAR WHEEL MOTOR



STS 10/12 STANDARD HYDRAULIC DIAGRAM 2013  
REFERENCE DRAWING NO. 499261S1

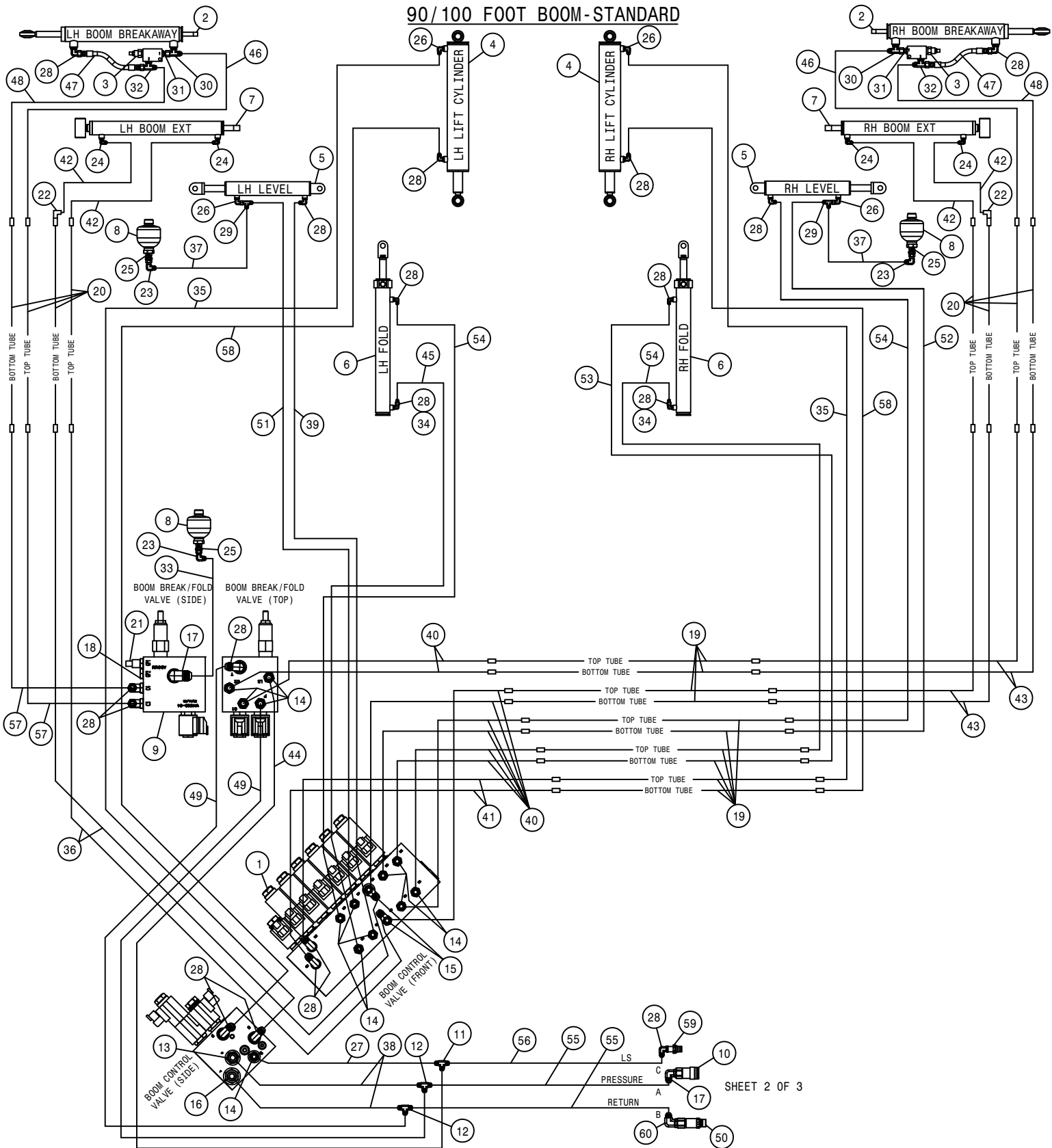
DET.	QTY	PART NO.	DESCRIPTION	DET.	QTY	PART NO.	DESCRIPTION
1	1	606512	H1-P-115CC PUMP,D/D-MT SAUER	60	1	616987	20-791TC-20FFOX-20FFOX90-47H/A
2	1	606513	H1-P-115CC PUMP,D/B-MT SAUER	61	1	616985	20-791TC-20FFOX-20FFOX-54 H/A
3	1	605623	SUCTION STRAINER,39GPM 100M 32	62	1	616988	20-791TC-20FFOX-20FFOX90-68H/A
4	1	605622	SUCTION STRAINER,21GPM 100M 24	63	2	617053	16-792TC-16FFOX-16FFOX-133 H/A
5	1	606450	TANDEM PUMP,606451 & 606452	64	2	616339	16-792TC-16FFOX-16FFOX-146 H/A
6	1	615848	RH FRONT HYDROSTAT TUBE ASSY	65	1	616986	20-791TC-20FFOX-20FFOX90-26H/A
7	1	618800	OIL COOLER STS12 2000	66	2	616566	16-792TC-16FFOX-16FFOX90-151H/
8	2	606386	WHL MOTOR,51C060 SAUER W/DEUTS	67	1	616989	20-881-20FLG-20FJX90-83 H/A
9	2	610965	WHEEL HUB,27:1 W/BRAKE BONFIG	68	1	616990	20-881-20FLG-20FJX90-96 H/A
10	2	610962	WHEEL HUB,23:1 BONFIG	69	2	617050	08-451TC-10FJX-08FJX45-142 H/A
11	1	605625	IN-TANK RETURN FILTER, 10M	70	1	616373	08-451TC-10FJX-08FJX45-212 H/A
12	1	605656	TRAP BREATHER,1"NPT DONALDSON	71	1	616265	08-451TC-12FJX-08FJX45-175 H/A
13	1	760786	HYD TANK WLD,STS10/12/14 '13	72	1	616346	24-881-24FJX-24FJX90-103 H/A
14	1	606246	MANIFOLD, #16 3-STN 180	73	1	616347	16-881-20FJX-16FJX90M-59 H/A
15	1	607004	SAUER PISTON PUMP JRR060B	74	1	616343	32-881-32FJX-32FJX-53 H/A
16	1	606258	REFIEF, LS PUMP SAUER	75	1	616399	24-881-20FJX-24FJX90-105 H/A
17	1	615823	LH FRT CASEDRAIN HYD TUBE ASSY	76	1	616982	10-451TC-12FJX-10FJX90-25 H/A
18	1	615822	RH FRT CASEDRAIN HYD TUBE ASSY	77	1	618735	9/16JIC .062 ORIFICE ADPTR
19	1	615854	M/F CASE DRAIN TUBE,STS10 07	78	2	618782	9/16MOR-9/16FOR-9/16MJIC BRNCH
20	2	615904	OUTER HYDRO TUBE ASSY,10/12'12	79	1	616073	04-451TC-06FJX-04FJX45-202 H/A
21	2	615905	INNER HYDST TUBE ASSY,10/12'12	80	1	618765	2" FLANGE-2 1/2MJIC ADPTR #61
22	1	615849	LH FRONT HYDROSTAT TUBE ASSY	81	2	618897	1 1/4"FLANGE-1 11/16MFOR ADPTR
23	1	618527	1 7/8MJIC-1 5/8MOR ADPTR	82	1	618680	1 7/8FJIC-1 5/16MJIC ADPTR
24	1	618753	7/16MOR PLUG, HEX SOCKET	83	1	615885	RH FRT WHL MAIN TUBE ASY,STS09
25	4	606196	PRESS TRANSDUCER ASSY 9000PSI	84	1	616398	20-881-16FJX-20FJX-83 H/A
26	1	618767	1 7/8FJIC-1 5/8MJIC ADPTR	85	1	616397	20-881-16FJX-20FJX-77 H/A
27	3	618186	1 5/16MJIC-1 5/16MOR ADPTR	86	1	616396	20-881-20FJX-20FJX90-70 H/A
28	2	618640	1 5/16MJ-90-1 5/16FJ SWIV LBO	87	8	618780	1 1/4 SPLIT FLANGE HALF, #62
29	1	618472	1 5/8MJIC-1 5/8MOR ADPTR	88	1	616372	04-451TC-06FJX-04FJX45-222 H/A
30	1	618746	2 1/2MJIC-45-2 1/2MOR LBO	89	1	618766	2" SPLIT FLANGE KIT #61
31	4	618469	3/4MJIC-1 1/16MOR ADPTR	90	2	618486	9/16FJIC SW RUN TEE-9/16MJIC
32	1	618745	1 7/8MJIC-45-1 7/8MOR LBO	91	1	618279	1 1/16MJIC-90-7/8MOR LBO
33	1	470471	1 5/16MOR PLUG, MAGNETIC	92	2	606387	WHL MOTOR,51C060 W/SENSR-DEUTS
34	1	618747	1 1/2 FLANGE-1 7/8MJIC ADPTR	93	4	618812	3/4 FLANGE-1 7/16MFOR ADPTR
35	1	618724	1 5/8MJIC-1 5/8MOR LG ADPTR	94	1	618764	1 7/8MJIC-90-1 7/8FJX TUBE LBO
36	1	618759	1 5/8MOR PLUG, HEX SOCKET	95	1	618463	1 5/16MJIC-90-1 5/16MOR XL LBO
37	8	618431	3/4 (-12) SPLIT FLANGE KIT #62	96	1	618470	3/4MJIC-1 5/16MOR ADPTR
38	3	618768	1 5/8MJIC-90-1 5/8FJX TUBE	97	1	618482	3/4FJIC-9/16MJIC ADPTR
39	4	618785	1 11/16FFOR-1 7/16MFOR ADPTR	98	2	618779	1 11/16MFOR-90-1 1/4FLG C62LBO
40	2	618895	1 11/16MFOR-90-1 11/16FFOX ADP	99	3	618333	7/8FJIC SW RUN TEE-7/8MJIC
41	1	616444	10-451TC-12FJX-12FJX90-48 H/A	100	2	618302	1 1/16MJIC-90-1 5/16MOR LBO
42	2	618183	3/4MJIC-90-7/8MOR LBO	101	4	618740	3/4 FLANGE-90-1 7/16MFOR LBO
43	2	618830	1 5/16MJ-1 5/16MOR 6.0LG ADPTR	102	4	615875	WHEEL MOTOR HYD TUBE ASSY
44	2	618126	9/16MJIC-9/16MOR ADPTR	103	2	616338	16-792TC-16FFOX-16FFOX-127 H/A
45	1	616388	10-451TC-12FJX-10FJX90-91 H/A	104	1	618641	1 1/16FJIC-1 5/16MJIC ADPTR
46	2	618467	7/16MJIC-7/16MOR ADPTR	105	1	618362	1 7/16MFOR-90-1 7/16FFOR LBO
47	1	618475	3/4MJIC-90-1 5/16MOR LBO	106	2	618531	9/16FJIC CAP NUT
48	1	618477	1 5/8MJIC-90-1 5/8MOR LBO	107	1	618726	1 5/8FJ SW RUN TEE-1 5/8MJ
49	4	618778	1 11/16FFOX RUNTEE-1 11/16MFOR	108	1	618917	1 5/8FJIC-7/8MJIC ADPTR
50	2	618456	7/8MJIC UNION	109	1	618485	7/16FJIC SW RUN TEE-7/16MJIC
51	1	615886	LH FRT WHL MAIN TUBE ASY,STS09	110	1	618301	7/8MJIC-90-7/8FJIC SWIV LBO
52	1	618581	7/8MJIC UNION TEE	111	1	618619	1 5/16FJ SW RUN TEE-1 5/16MJ
53	2	618752	1 5/8MJIC BLKHD RUN TEE	112	1	618671	1 5/16FJIC-3/4MJIC ADPTR
54	1	617055	16-451TC-16FJX-16FJX90-84 H/A	113	1	618681	1 7/8FJ SW RUN TEE-1 7/8MJ
55	1	618509	7/16MOR RUN TEE-7/16MJIC	114	1	618831	1 1/16MJIC-45-1 5/16MOR LBO
56	1	616983	16-451TC-16FJX-16FJX90L-41 H/A	115	1	317149	OIL COOLER T4I STS'13
57	1	618130	7/8MOR RUN TEE-7/8MJIC	116	2	618178	1 5/16MJIC-90-1 5/16MOR LBO
58	1	616038	04-471TC-06FJX-06FJX90-15 H/A	117	1	617042	20-881-16FJX-20FJX-103 H/A
59	1	611126	7/8MJIC-7/8MOR ADPTR				



STS 10/12 STANDARD HYDRAULIC DIAGRAM 2013  
REFERENCE DRAWING NO. 499261S2

DET.	QTY	PART NO.	DESCRIPTION	DET.	QTY	PART NO.	DESCRIPTION
1	1	749333	STRG CTRL VLV, OSPEDC 60/260	66	1	616088	04-451TC-06FJX-06FJX-56 H/A
2	1	621550	HYD CYL, 2.50 X 8.81 X 1.250	67	1	616441	06-451TC-08FJX-08FJX90-40 H/A
3	1	606517	LS MANIFOLD	68	1	616477	12-451TC-12FJX-12FJX-34 H/A
4	2	606246	MANIFOLD, #16 3-STN 180	69	1	617012	06-451TC-06FJX-08FJX90-212 H/A
5	1	621614	HYD CYL, 2.50 X 8.81 PHASE/2SEN	70	1	617019	06-451TC-06FJX-06FJX-285 H/A
6	2	621554	HYD CYL, 1.50 X 12.25 X .750	71	1	616320	04-451TC-04FJX-04FJX90-47 H/A
7	4	621552	HYD CYL, 3.00 X 16.00 X 1.375	72	1	616435	04-451TC-06FJX-04FJX45-20 H/A
8	1	691160	HYPRO PUMP, 9306C-HM5C-BU, FLG	73	1	618535	7/8MJIC-90-1 1/16MOR LBO
9	1	606213	HYD SOLE VLV, 2P-3W, 9/16FOR 05	74	1	616341	16-881-16FJX-20FJX-51 H/A
10	1	606253	CTRL VALVE, SOLU PUMP SAUER	75	1	616330	10-451TC-12FJX-12FJX90-87 H/A
11	2	606347	PRESSURE TRANSDUCER, 7500PSI	76	1	616438	04-451TC-04FJX-04FJX45-51 H/A
12	1	615772	STRG CYL JUMPER HYD TUBE ASSY	77	1	617048	10-451TC-10FJX-10FJX90-24 H/A
13	1	615850	M/F HYD TUBE, LS LINE, STS10 07	78	1	617017	10-451TC-10FJX-12FJX90-82 H/A
14	1	618557	7/8FJIC-9/16MJIC ADPTR	79	2	618911	7/8MJIC-M22 MOR ADPTR
15	1	618629	9/16MOR BRANCH TEE-9/16MJIC	80	1	617015	10-451TC-08FJX-10FJX-177 H/A
16	1	615856	M/F HYD TUBE, MAIN SUP, STS10 07	81	1	616406	16-881-20FJX-16FJX90-122 H/A
17	2	611125	3/4MJIC-3/4MOR ADPTR	82	1	617046	08-451TC-08FJX-08FJX90-18 H/A
18	6	618241	3/4MJIC-90-3/4MOR LBO	83	1	616730	08-451TC-08FJX-08FJX90-108 H/A
19	1	618913	7/8MJIC-90-M22MOR LBO	84	1	615855	HYD RETURN LINE, LONG, STS10 07
20	2	618249	3/4MJIC-90-9/16MOR LBO	85	1	616641	08-451TC-10FJX-08FJX90L-178H/A
21	15	618119	9/16MJIC-90-9/16MOR LBO	86	1	617047	10-451TC-08FJX-10FJX90-24 H/A
22	2	618473	7/16MJIC-90-7/16MOR LBO	87	1	616395	16-881-16FJX-16FJX90-25 H/A
23	1	618444	9/16MOR RUN TEE-9/16MJIC	88	1	616319	04-451TC-04FJX-04FJX90-32 H/A
24	3	618126	9/16MJIC-9/16MOR ADPTR	89	1	616476	10-451TC-10FJX-12FJX90-24 H/A
25	2	618753	7/16MOR PLUG, HEX SOCKET	90	1	617018	16-451TC-16FJX-16FJX90-24 H/A
26	1	618108	1 1/16MJIC-3/4MNPT ADPTR	91	1	617004	06-451TC-08FJX-06FJX90-24 H/A
27	1	618363	7/16FJIC CAP NUT	92	4	611127	1 1/16MJIC-1 1/16MOR ADPTR
28	1	618301	7/8MJIC-90-7/8FJIC SWIV LBO	93	1	617043	16-451TC-16FJX-16FJX90-37 H/A
29	1	618759	1 5/8MOR PLUG, HEX SOCKET	94	1	618912	3/4MJC-90-M18MOR LBO
30	2	618302	1 1/16MJIC-90-1 5/16MOR LBO	95	1	616322	06-451TC-08FJX-08FJX90-21 H/A
31	4	618467	7/16MJIC-7/16MOR ADPTR	96	1	616443	08-451TC-08FJX-08FJX90-76 H/A
32	4	618308	1 1/16MJIC-1 5/16MOR ADPTR	97	1	616315	04-451TC-04FJX-04FJX45-74 H/A
33	1	618529	1 1/16MJ-45-1 1/16FJ SWIV LBO	98	1	616437	04-451TC-04FJX-06FJX90-28 H/A
34	1	618470	3/4MJIC-1 5/16MOR ADPTR	99	1	616416	10-451TC-12FJX-12FJX-25 H/A
35	1	618758	1 5/16 MOR PLUG, HEX SOCKET	100	1	616445	10-451TC-10FJX-12FJX-127 H/A
36	1	618630	1 5/16MJ-45-1 5/16FJ SWIV LBO	101	1	616442	06-451TC-08FJX-08FJX90-114 H/A
37	1	618731	9/16JIC .025 ORIFICE ADPTR	102	1	616439	04-451TC-06FJX-06FJX-98 H/A
38	1	618486	9/16FJIC SW RUN TEE-9/16MJIC	103	1	616440	04-451TC-06FJX-06FJX90-114 H/A
39	1	618455	1 5/16MJIC-1 5/8MOR ADPTR	104	3	606249	MANIFOLD, TRD ADJ PWRSYS
40	3	618475	3/4MJIC-90-1 5/16MOR LBO	105	1	616732	10-451TC-10FJX-12FJX90-121 H/A
41	1	618910	3/4MJIC-M18MOR ADPTR	106	1	618640	1 5/16MJ-90-1 5/16FJ SWIV LBO
42	2	618314	3/4MJIC UNION	107	1	618171	7/8MOR-3/4FOR ADPTR
43	1	618909	M12 MOR PLUG, HEX SOCKET	108	5	618754	9/16MOR PLUG, HEX SOCKET
44	4	616070	04-451TC-04MJBH-06MOR-11.00H/A	109	6	618755	3/4MOR PLUG, HEX SOCKET
45	1	618132	1 1/16MOR-7/8FOR ADPTR	110	3	618499	7/16MJIC-90-9/16MOR LBO
46	1	618440	9/16MJIC-90-9/16MOR EX LG LBO	111	1	618733	9/16JIC .042 ORIFICE ADPTR
47	1	616446	04-451ST-06FJX-04FJX90-131 H/A	112	1	606259	DIVERSION VLV, STS LS 07
48	1	618628	7/8MJIC-45-7/8FJIC SWIV LBO	113	2	618474	3/4MJIC-90-1 1/16MOR LBO
49	1	618425	9/16MJIC-45-9/16MOR LBO	114	1	691236	3" TRANSFER PUMP, HYPRO
50	1	618397	1 5/16MOR-9/16FOR ADPTR	115	1	618183	3/4MJIC-90-7/8MOR LBO
51	3	618191	1 1/16MJ-90-1 1/16FJ SWIV LBO	116	1	690672	HMC 320 SPECIAL/MINUS HOSE
52	2	616531	08-451TC-08FJX-08FJX-55 H/A	117	2	618770	3/4MJIC-3/4MOR BLKHD ADPT
53	4	616071	04-451TC-04MJBH-06MOR-13.00H/A	118	1	618769	9/16MJIC-9/16MOR BLKHD ADPT
54	1	616504	08-451TC-08FJX-08FJX-98 H/A	119	1	618806	HYD CPLR, MALE #12, 7/8FOR
55	1	618807	HYD CPLR, FEM #12, 3/4FOR	120	1	691036	HYPRO 9307C-GM10 PUMP
56	1	616448	10-451ST-08FJX-12FJX-119 H/A	121	1	616451	12-451TC-12FJX-12FJX90-34 H/A
57	1	618248	1 1/16MJIC-90-1 1/16MOR LBO	122	1	616450	10-451TC-12FJX-12FJX90-22 H/A
58	1	618273	1 1/16MJIC-1/2MNPT ADPTR	123	1	611128	7/8MJIC-90-7/8MOR LBO
59	1	618178	1 5/16MJIC-90-1 5/16MOR LBO	124	2	618590	3/4MJIC-45-3/4FJIC SWIV LBO
60	1	618831	1 1/16MJIC-45-1 5/16MOR LBO	125	1	616617	06-451TC-06FJX-06FJX-168 H/A
61	9	616301	04-451TC-04FJX-06FJX-21 H/A	126	1	618774	7/8MJIC-90-7/8MOR LG LBO
62	1	616447	10-451ST-08FJX-12FJX90-44 H/A	127	1	618883	1 5/16MJIC-90-1 5/8MOR LBO
63	1	618805	HYD CPLR, FEM #14, 9/16FOR	128	1	618842	1 1/16MJIC-90-1 5/8MOR LBO
64	1	616306	08-451TC-08FJX-08FJX-11 H/A	129	1	618533	1 1/16FJIC CAP NUT
65	2	616377	04-451TC-06FJX-06FJX90-44 H/A				

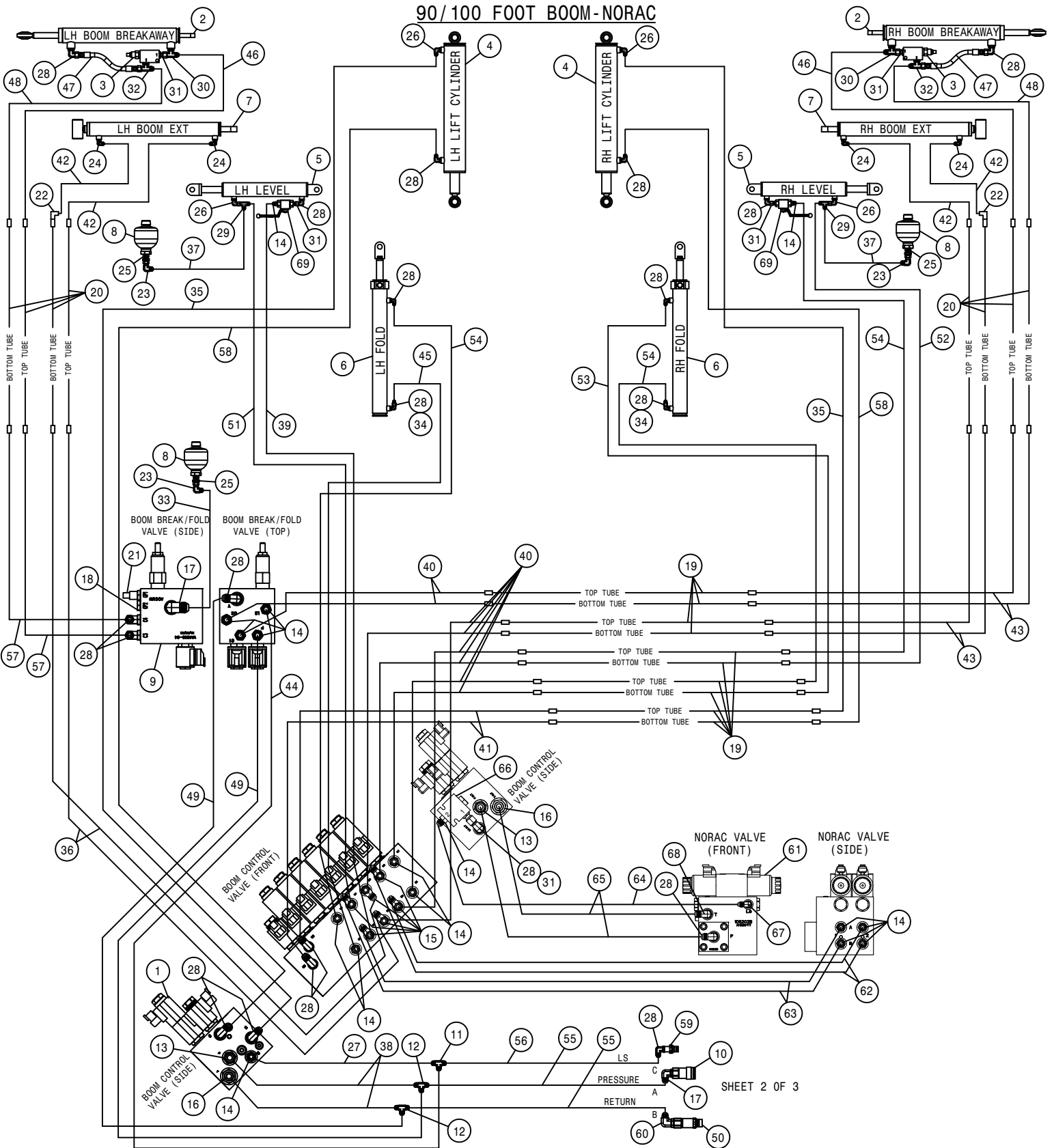
90/100 FOOT BOOM-STANDARD



STS 10/12 HI TORQUE HYDRAULIC DIAGRAM 2013  
REFERENCE DRAWING NO. 499261S3

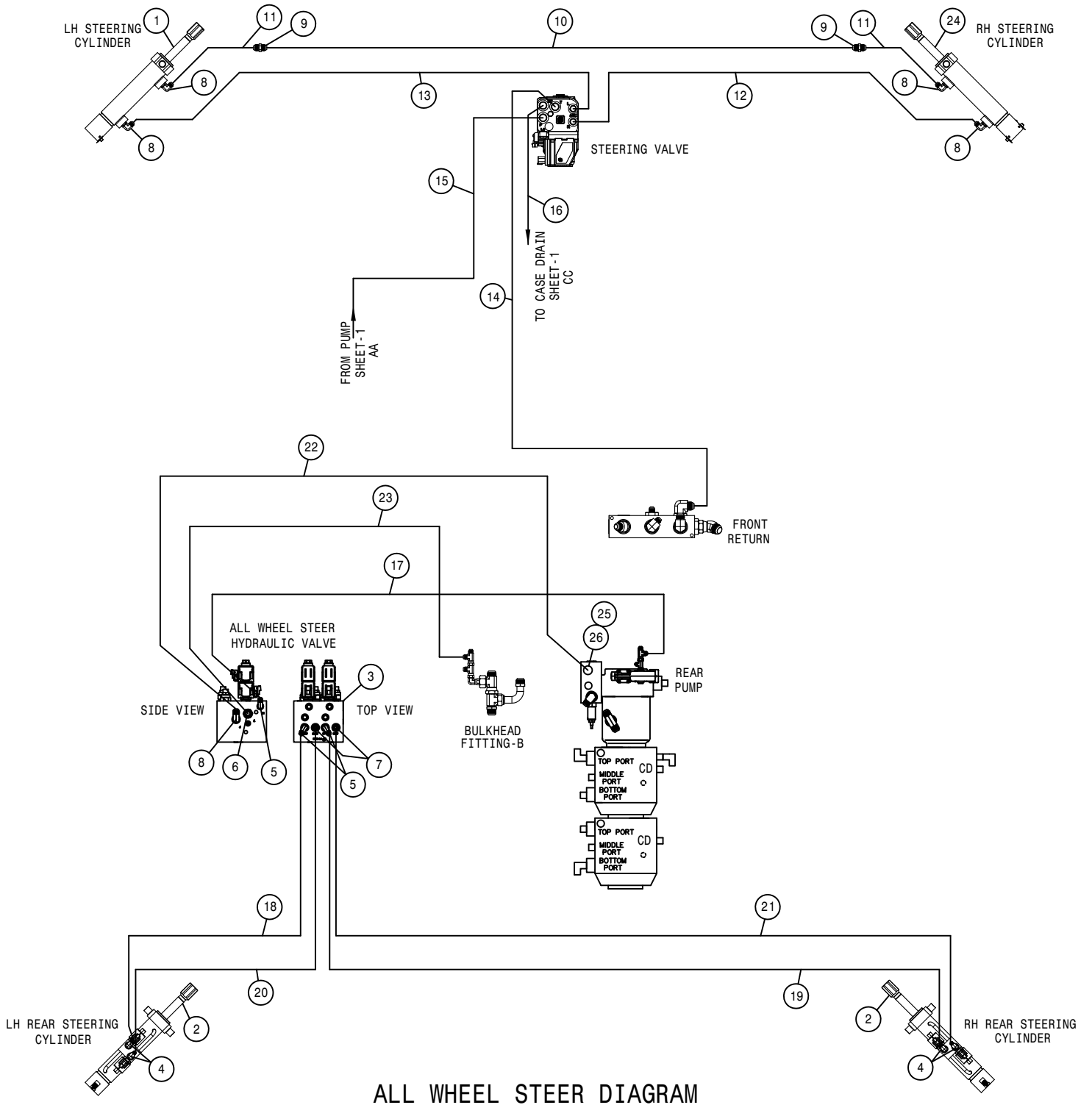
DET.	QTY	PART NO.	DESCRIPTION	DET.	QTY	PART NO.	DESCRIPTION
1	1	606272	VALVE, LOAD SENSE BOOM SAUER	31	2	618668	9/16FJIC SWIV-9/16MOR ADPTR
2	2	621590	HYD CYL, 1.50 X 10.88 X .875	32	2	614752	RESTRICTOR BR TEE ASSY, .042DIA
3	2	607540	KICK-DOWN RELIEF VALVE, 800PSI	33	1	616384	08-451TC-08FJX-08FJX-43 H/A
4	2	621556	HYD CYL, 2.50 X 18.00 X 1.500	34	2	618733	9/16JIC .042 ORIFICE ADPTR
5	2	621558	HYD CYL, 3.00 X 11.00 X 1.380	35	2	616358	06-451TC-06FJX-06FJX-56 H/A
6	2	621560	HYD CYL, 2.50 X 21.00 X 1.380	36	2	616357	06-451TC-06FJX-06FJX90-79 H/A
7	2	621562	HYD CYL, 2.25 X 21.00 X 1.380	37	2	616365	06-451TC-08FJX-06FJX90-30 H/A
8	3	470444	ACCUMULATOR, 30CI 1508 PSI	38	2	616366	08-451TC-08FJX-08FJX90-18 H/A
9	1	606248	90'BREAKAWAY VLV, STS PWRSYS	39	1	616403	06-451TC-06FJX-06FJX-65 H/A
10	1	618807	HYD CPLR, FEM #12, 3/4FOR	40	8	616316	06-451TC-06FJX-06FJX45-18 H/A
11	1	618748	7/16MJIC BLKHD RUN TEE	41	2	616304	06-451TC-06FJX-06FJX-36 H/A
12	2	618749	3/4MJIC BLKHD RUN TEE	42	4	616356	06-451TC-06FJX-06FJX90-27 H/A
13	1	611125	3/4MJIC-3/4MOR ADPTR	43	4	616353	06-451TC-06FJX-06FJX-71 H/A
14	13	618126	9/16MJIC-9/16MOR ADPTR	44	1	616362	04-451TC-04FJX-06FJX90-35 H/A
15	2	618444	9/16MOR RUN TEE-9/16MJIC	45	1	616352	06-451TC-06FJX-06FJX-62 H/A
16	1	618327	3/4MJIC-7/8MOR ADPTR	46	2	616360	06-451TC-06FJX-06FJX-84 H/A
17	2	618241	3/4MJIC-90-3/4MOR LBO	47	2	617054	04-451TC-06FJX-06FJX-11 H/A
18	1	618754	9/16MOR PLUG, HEX SOCKET	48	2	616361	06-451TC-06FJX-06FJX-86 H/A
19	10	615852	LIFTARM HYD TUBE ASSY, STSLS 07	49	2	616364	06-451TC-08FJX-06FJX90-31 H/A
20	8	615851	HYD TUBE, MAIN BOOM, STS	50	1	618806	HYD CPLR, MALE #12, 7/8FOR
21	1	606347	PRESSURE TRANSDUCER, 7500PSI	51	1	616349	06-451TC-06FJX-06FJX-47 H/A
22	2	618618	9/16MJIC-90-9/16FJIC SWIV LBO	52	1	616348	06-451TC-06FJX-06FJX-42 H/A
23	3	618609	3/4MJIC-90-3/4FJIC SWIV LBO	53	1	616350	06-451TC-06FJX-06FJX-58 H/A
24	4	618688	9/16MJ-90-9/16MOR .025 CHK VLV	54	3	616351	06-451TC-06FJX-06FJX-60 H/A
25	3	618743	3/4MOR-3/4MJIC BLKHD, .040MFMO	55	2	616135	08-451TC-08FJX-08FJX-50 H/A
26	4	618689	9/16MJ-90-9/16MOR .042 CHK VLV	56	1	616431	04-451TC-04FJX-06FJX-51 H/A
27	1	616430	04-451TC-06FJX-04FJX90-19 H/A	57	2	616359	06-451TC-06FJX-06FJX-78 H/A
28	18	618119	9/16MJIC-90-9/16MOR LBO	58	2	616371	06-451TC-06FJX-06FJX-38 H/A
29	2	618486	9/16FJIC SW RUN TEE-9/16MJIC	59	1	618804	HYD CPLR, MALE #14, 9/16FOR
30	2	618629	9/16MOR BRANCH TEE-9/16MJIC	60	1	618183	3/4MJIC-90-7/8MOR LBO

# 90/100 FOOT BOOM-NORAC



STS 10/12 HI TORQUE HYDRAULIC DIAGRAM 2013  
REFERENCE DRAWING NO. 499261S4

DET.	QTY	PART NO.	DESCRIPTION	DET.	QTY	PART NO.	DESCRIPTION
1	1	606272	VALVE, LOAD SENSE BOOM SAUER	36	2	616357	06-451TC-06FJX-06FJX90-79 H/A
2	2	621590	HYD CYL, 1.50 X 10.88 X .875	37	2	616365	06-451TC-08FJX-06FJX90-30 H/A
3	2	607540	KICK-DOWN RELIEF VALVE, 800PSI	38	2	616366	08-451TC-08FJX-08FJX90-18 H/A
4	2	621556	HYD CYL, 2.50 X 18.00 X 1.500	39	1	616403	06-451TC-06FJX-06FJX-65 H/A
5	2	621558	HYD CYL, 3.00 X 11.00 X 1.380	40	8	616316	06-451TC-06FJX-06FJX45-18 H/A
6	2	621560	HYD CYL, 2.50 X 21.00 X 1.380	41	2	616304	06-451TC-06FJX-06FJX-36 H/A
7	2	621562	HYD CYL, 2.25 X 21.00 X 1.380	42	4	616356	06-451TC-06FJX-06FJX90-27 H/A
8	3	470444	ACCUMULATOR, 30CI 1508 PSI	43	4	616353	06-451TC-06FJX-06FJX-71 H/A
9	1	606248	90'BREAKAWAY VLV,STS PWRSYS	44	1	616362	04-451TC-04FJX-06FJX90-35 H/A
10	1	618807	HYD CPLR, FEM #12,3/4FOR	45	1	616352	06-451TC-06FJX-06FJX-62 H/A
11	1	618748	7/16MJIC BLKHD RUN TEE	46	2	616360	06-451TC-06FJX-06FJX-84 H/A
12	2	618749	3/4MJIC BLKHD RUN TEE	47	2	617054	04-451TC-06FJX-06FJX-11 H/A
13	2	611125	3/4MJIC-3/4MOR ADPTR	48	2	616361	06-451TC-06FJX-06FJX-86 H/A
14	16	618126	9/16MJIC-9/16MOR ADPTR	49	2	616364	06-451TC-08FJX-06FJX90-31 H/A
15	6	618444	9/16MOR RUN TEE-9/16MJIC	50	1	618806	HYD CPLR, MALE #12, 7/8FOR
16	2	618327	3/4MJIC-7/8MOR ADPTR	51	1	616349	06-451TC-06FJX-06FJX-47 H/A
17	2	618241	3/4MJIC-90-3/4MOR LBO	52	1	616348	06-451TC-06FJX-06FJX-42 H/A
18	1	618754	9/16MOR PLUG, HEX SOCKET	53	1	616350	06-451TC-06FJX-06FJX-58 H/A
19	10	615852	LIFTARM HYD TUBE ASSY, STSLS 07	54	3	616351	06-451TC-06FJX-06FJX-60 H/A
20	8	615851	HYD TUBE, MAIN BOOM, STS	55	2	616135	08-451TC-08FJX-08FJX-50 H/A
21	1	606347	PRESSURE TRANSDUCER, 7500PSI	56	1	616431	04-451TC-04FJX-06FJX-51 H/A
22	2	618618	9/16MJIC-90-9/16FJIC SWIV LBO	57	2	616359	06-451TC-06FJX-06FJX-78 H/A
23	3	618609	3/4MJIC-90-3/4FJIC SWIV LBO	58	2	616371	06-451TC-06FJX-06FJX-38 H/A
24	4	618688	9/16MJ-90-9/16MOR .025 CHK VLV	59	1	618804	HYD CPLR, MALE #14, 9/16FOR
25	3	618743	3/4MOR-3/4MJIC BLKHD, .040MFMO	60	1	618183	3/4MJIC-90-7/8MOR LBO
26	4	618689	9/16MJ-90-9/16MOR .042 CHK VLV	61	1	606455	NORAC HYD VALVE (44963D)
27	1	616430	04-451TC-06FJX-04FJX90-19 H/A	62	2	616555	06-451TC-06FJX-06FJX90-31 H/A
28	20	618119	9/16MJIC-90-9/16MOR LBO	63	2	616557	06-451TC-06FJX-06FJX90L-31 H/A
29	2	618486	9/16FJIC SW RUN TEE-9/16MJIC	64	1	616554	04-451TC-04FJX-06FJX90-30 H/A
30	2	618629	9/16MOR BRANCH TEE-9/16MJIC	65	2	616556	08-451TC-06FJX-08FJX90-31 H/A
31	5	618668	9/16FJIC SWIV-9/16MOR ADPTR	66	1	606256	CHECK VALVE, IN LINE SAUER
32	2	614752	RESTRICTOR BR TEE ASSY, .042DIA	67	1	618473	7/16MJIC-90-7/16MOR LBO
33	1	616384	08-451TC-08FJX-08FJX-43 H/A	68	1	618440	9/16MJIC-90-9/16MOR EX LG LBO
34	2	618733	9/16JIC .042 ORIFICE ADPTR	69	2	696131	BALL VALVE, 9/16FOR, 7250PSI
35	2	616358	06-451TC-06FJX-06FJX-56 H/A				



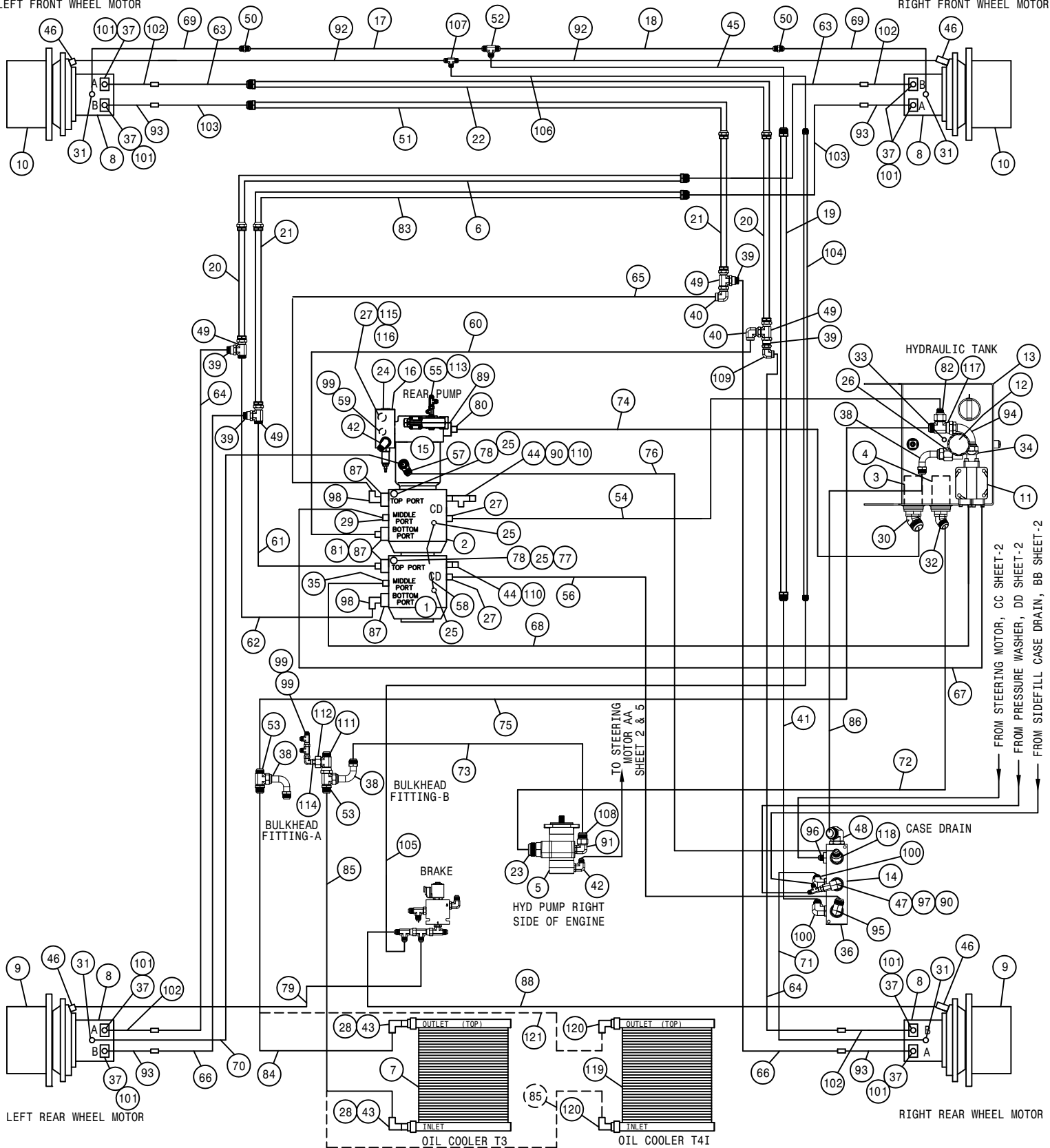


STS 10/12 HI TORQUE HYDRAULIC DIAGRAM 2013  
REFERENCE DRAWING NO. 499261S5

DET.	QTY	PART NO.	DESCRIPTION	DET.	QTY	PART NO.	DESCRIPTION
1	1	621602	HYD CYL,2.50 X 8.81 PHASE/1SEN	14	1	617017	10-451TC-10FJX-12FJX90-82 H/A
2	1	621644	HYD CYL,2.25 X 8.81 X 1.25	15	1	617012	06-451TC-06FJX-08FJX90-212 H/A
3	1	606370	VALVE, FV8623 V1 SUNSOURCE	16	1	617015	10-451TC-08FJX-10FJX-177 H/A
4	4	618115	9/16MJIC-90-3/4MOR LBO	17	1	616367	04-451TC-04FJX-06FJX-48 H/A
5	3	618119	9/16MJIC-90-9/16MOR LBO	18	1	616361	06-451TC-06FJX-06FJX-86 H/A
6	1	611126	7/8MJIC-7/8MOR ADPTR	19	1	616974	06-451TC-06FJX-06FJX-133 H/A
7	2	618126	9/16MJIC-9/16MOR ADPTR	20	1	616723	06-451TC-06FJX-06FJX90-85 H/A
8	5	618241	3/4MJIC-90-3/4MOR LBO	21	1	616784	06-451TC-06FJX-06FJX90-133 H/A
9	2	618314	3/4MJIC UNION	22	1	616928	08-451TC-08FJX-08FJX90-36 H/A
10	1	615772	STRG CYL JUMPER HYD TUBE ASSY	23	1	616327	10-451TC-10FJX-10FJX90-44 H/A
11	2	616531	08-451TC-08FJX-08FJX-55 H/A	24	1	621614	HYD CYL,2.50 X 8.81 PHASE/2SEN
12	1	616504	08-451TC-08FJX-08FJX-98 H/A	25	1	618619	1 5/16FJ SW RUN TEE-1 5/16MJ
13	1	616730	08-451TC-08FJX-08FJX90-108 H/A	26	1	618671	1 5/16FJIC-3/4MJIC ADPTR

LEFT FRONT WHEEL MOTOR

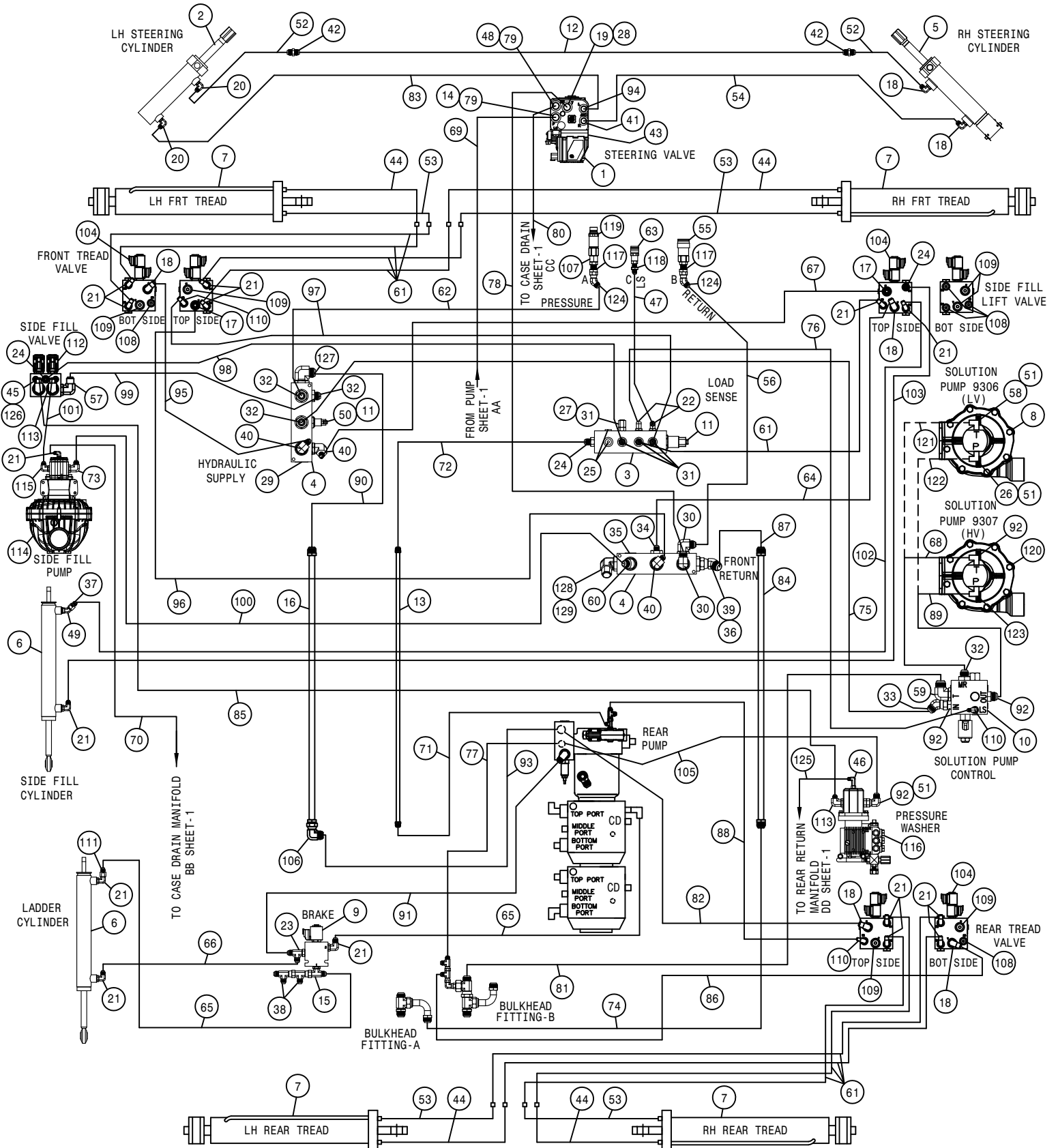
RIGHT FRONT WHEEL MOTOR



FROM STEERING MOTOR, CC SHEET-2  
 FROM PRESSURE WASHER, DD SHEET-2  
 FROM SIDEFILL CASE DRAIN, BB SHEET-2

STS 10/12 HI TORQUE HYDRAULIC DIAGRAM 2013  
REFERENCE DRAWING NO. 499262s1

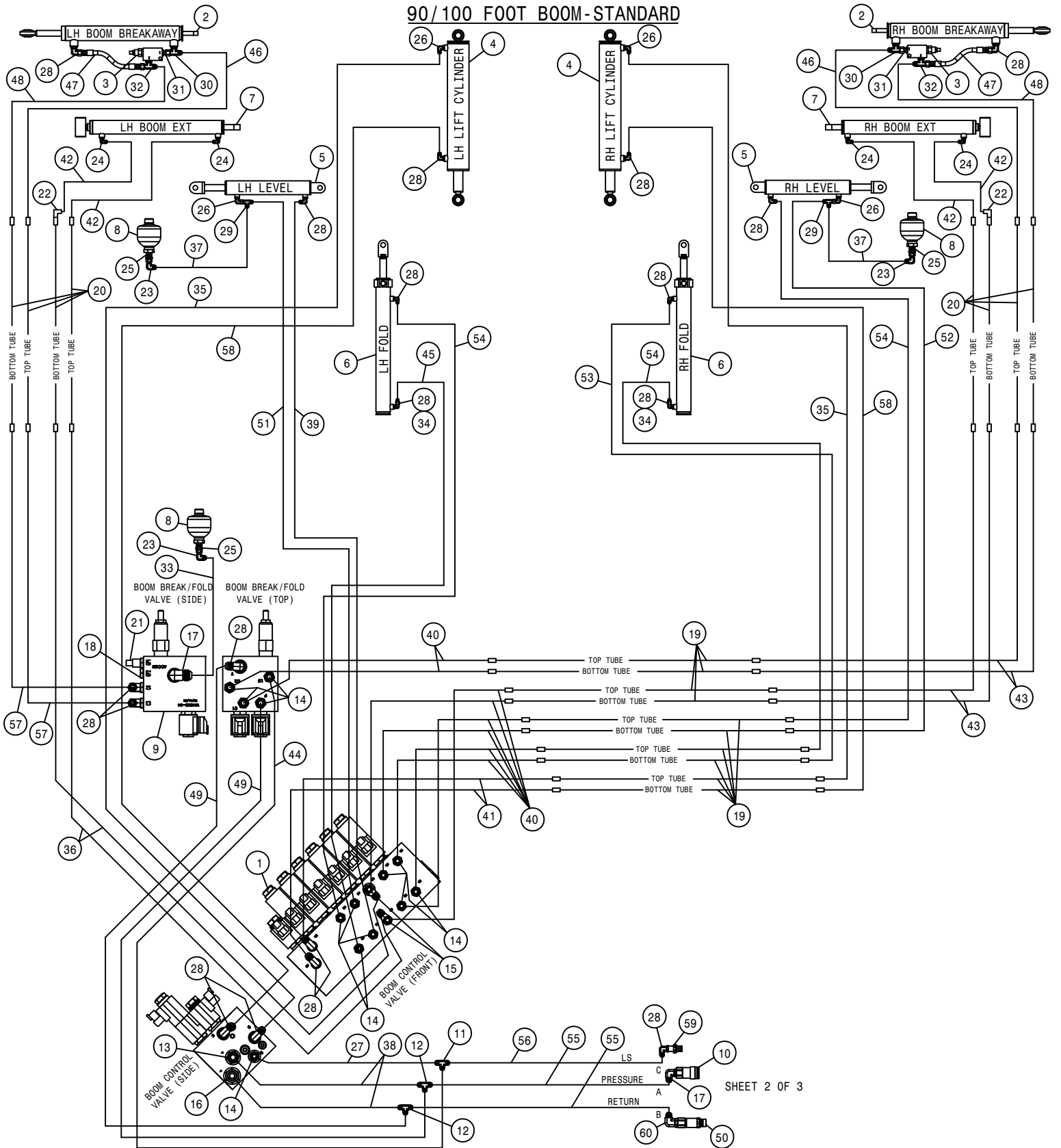
DET.	QTY	PART NO.	DESCRIPTION	DET.	QTY	PART NO.	DESCRIPTION
1	1	606512	H1-P-115CC PUMP,D/D-MT SAUER	62	1	616988	20-791TC-20FFOX-20FFOX90-68H/A
2	1	606513	H1-P-115CC PUMP,D/B-MT SAUER	63	2	617053	16-792TC-16FFOX-16FFOX-133 H/A
3	1	605623	SUCTION STRAINER,39GPM 100M 32	64	2	616339	16-792TC-16FFOX-16FFOX-146 H/A
4	1	605622	SUCTION STRAINER,21GPM 100M 24	65	1	616986	20-791TC-20FFOX-20FFOX90-26H/A
5	1	606450	TANDEM PUMP,606451 & 606452	66	2	616566	16-792TC-16FFOX-16FFOX90-151H/
6	1	615848	RH FRONT HYDROSTAT TUBE ASSY	67	1	616989	20-881-20FLG-20FJX90-83 H/A
7	1	618800	OIL COOLER STS12 2000	68	1	616990	20-881-20FLG-20FJX90-96 H/A
8	4	606514	H1-B-80CC WHL MTR SAUER	69	2	617050	08-451TC-10FJX-08FJX45-142 H/A
9	2	610507	TORQ HUB,31:1 CW18E	70	1	616373	08-451TC-10FJX-08FJX45-212 H/A
10	2	610506	TORQ HUB,25:1 CW18E	71	1	616265	08-451TC-12FJX-08FJX45-175 H/A
11	1	605625	IN-TANK RETURN FILTER, 10M	72	1	616346	24-881-24FJX-24FJX90-103 H/A
12	1	605656	TRAP BREATHER,1"NPT DONALDSON	73	1	616347	16-881-20FJX-16FJX90M-59 H/A
13	1	760786	HYD TANK WLD,STS10/12/14 '13	74	1	616343	32-881-32FJX-32FJX-53 H/A
14	1	606246	MANIFOLD, #16 3-STN 180	75	1	616399	24-881-20FJX-24FJX90-105 H/A
15	1	607004	SAUER PISTON PUMP JRR060B	76	1	616982	10-451TC-12FJX-10FJX90-25 H/A
16	1	606258	REFIEF, LS PUMP SAUER	77	1	618735	9/16JIC .062 ORIFICE ADPTR
17	1	615823	LH FRT CASEDRAIN HYD TUBE ASSY	78	2	618782	9/16MOR-9/16FOR-9/16MJIC BRNCH
18	1	615822	RH FRT CASEDRAIN HYD TUBE ASSY	79	1	616073	04-451TC-06FJX-04FJX45-202 H/A
19	1	615854	M/F CASE DRAIN TUBE,STS10 07	80	1	618765	2" FLANGE-2 1/2MJIC ADPTR #61
20	2	615904	OUTER HYDRO TUBE ASSY,10/12'12	81	2	618897	1 1/4"FLANGE-1 11/16MFOR ADPTR
21	2	615905	INNER HYDST TUBE ASSY,10/12'12	82	1	618680	1 7/8FJIC-1 5/16MJIC ADPTR
22	1	615849	LH FRONT HYDROSTAT TUBE ASSY	83	1	615885	RH FRT WHL MAIN TUBE ASY,STS09
23	1	618527	1 7/8MJIC-1 5/8MOR ADPTR	84	1	616398	20-881-16FJX-20FJX-83 H/A
24	1	618753	7/16MOR PLUG, HEX SOCKET	85	1	616397	20-881-16FJX-20FJX-77 H/A
25	4	606196	PRESS TRANSDUCER ASSY 9000PSI	86	1	616396	20-881-20FJX-20FJX90-70 H/A
26	1	618767	1 7/8FJIC-1 5/8MJIC ADPTR	87	8	618780	1 1/4 SPLIT FLANGE HALF, #62
27	3	618186	1 5/16MJIC-1 5/16MOR ADPTR	88	1	616372	04-451TC-06FJX-04FJX45-222 H/A
28	2	618640	1 5/16MJ-90-1 5/16FJ SWIV LBO	89	1	618766	2" SPLIT FLANGE KIT #61
29	1	618472	1 5/8MJIC-1 5/8MOR ADPTR	90	2	618486	9/16FJIC SW RUN TEE-9/16MJIC
30	1	618746	2 1/2MJIC-45-2 1/2MOR LBO	91	1	618279	1 1/16MJIC-90-7/8MOR LBO
31	4	618602	3/4MJIC-45-7/8MOR LBO	92	2	616072	04-451TC-06FJX-04FJX45-195 H/A
32	1	618745	1 7/8MJIC-45-1 7/8MOR LBO	93	4	615908	WHL MTR HYD TUBE ASSY STS'12
33	1	470471	1 5/16MOR PLUG, MAGNETIC	94	1	618764	1 7/8MJIC-90-1 7/8FJX TUBE LBO
34	1	618747	1 1/2 FLANGE-1 7/8MJIC ADPTR	95	1	618463	1 5/16MJIC-90-1 5/16MOR XL LBO
35	1	618724	1 5/8MJIC-1 5/8MOR LG ADPTR	96	1	618470	3/4MJIC-1 5/16MOR ADPTR
36	1	618759	1 5/8MOR PLUG, HEX SOCKET	97	1	618482	3/4FJIC-9/16MJIC ADPTR
37	8	618652	1" SPLIT FLANGE KIT	98	2	618779	1 11/16MFOR-90-1 1/4FLG C62LBO
38	3	618768	1 5/8MJIC-90-1 5/8FJX TUBE	99	3	618333	7/8FJIC SW RUN TEE-7/8MJIC
39	4	618785	1 11/16FFOR-1 7/16MFOR ADPTR	100	2	618302	1 1/16MJIC-90-1 5/16MOR LBO
40	2	618895	1 11/16MFOR-90-1 11/16FFOX ADP	101	8	618654	1" FLANGE-90-1 7/16MFOR LBO
41	1	616444	10-451TC-12FJX-12FJX90-48 H/A	102	4	615909	WHL MTR TUBE ASSY STS'12
42	2	618183	3/4MJIC-90-7/8MOR LBO	103	2	617052	16-792TC-16FFOX-16FFOX-131 H/A
43	2	618830	1 5/16MJ-1 5/16MOR 6.0LG ADPTR	104	1	615910	FRONT BRAKE TUBE,STS10/12 '12
44	2	618126	9/16MJIC-9/16MOR ADPTR	105	1	616375	04-451TC-06FJX-08FJX-68 H/A
45	1	616388	10-451TC-12FJX-10FJX90-91 H/A	106	1	616380	04-451TC-08FJX-06FJX90-85 H/A
46	4	618473	7/16MJIC-90-7/16MOR LBO	107	1	618019	9/16MJIC UNION TEE
47	1	618475	3/4MJIC-90-1 5/16MOR LBO	108	1	618641	1 1/16FJIC-1 5/16MJIC ADPTR
48	1	618477	1 5/8MJIC-90-1 5/8MOR LBO	109	1	618362	1 7/16MFOR-90-1 7/16FFOR LBO
49	4	618778	1 11/16FFOX RUNTEE-1 11/16MFOR	110	2	618531	9/16FJIC CAP NUT
50	2	618456	7/8MJIC UNION	111	1	618726	1 5/8FJ SW RUN TEE-1 5/8MJ
51	1	615886	LH FRT WHL MAIN TUBE ASY,STS09	112	1	618917	1 5/8FJIC-7/8MJIC ADPTR
52	1	618581	7/8MJIC UNION TEE	113	1	618485	7/16FJIC SW RUN TEE-7/16MJIC
53	2	618752	1 5/8MJIC BLKHD RUN TEE	114	1	618301	7/8MJIC-90-7/8FJIC SWIV LBO
54	1	617055	16-451TC-16FJX-16FJX90-84 H/A	115	1	618619	1 5/16FJ SW RUN TEE-1 5/16MJ
55	1	618509	7/16MOR RUN TEE-7/16MJIC	116	1	618671	1 5/16FJIC-3/4MJIC ADPTR
56	1	616983	16-451TC-16FJX-16FJX90L-41 H/A	117	1	618681	1 7/8FJ SW RUN TEE-1 7/8MJ
57	1	618130	7/8MOR RUN TEE-7/8MJIC	118	1	618831	1 1/16MJIC-45-1 5/16MOR LBO
58	1	616038	04-471TC-06FJX-06FJX90-15 H/A	119	1	317149	OIL COOLER T4I STS'13
59	1	611126	7/8MJIC-7/8MOR ADPTR	120	2	618178	1 5/16MJIC-90-1 5/16MOR LBO
60	1	616987	20-791TC-20FFOX-20FFOX90-47H/A	121	1	617042	20-881-16FJX-20FJX-103 H/A
61	1	616985	20-791TC-20FFOX-20FFOX-54 H/A				



STS 10/12 HI TORQUE HYDRAULIC DIAGRAM 2013  
REFERENCE DRAWING NO. 499262s2

DET.	QTY	PART NO.	DESCRIPTION	DET.	QTY	PART NO.	DESCRIPTION
1	1	749333	STRG CTRL VLV, OSPEDC 60/260	66	1	616088	04-451TC-06FJX-06FJX-56 H/A
2	1	621550	HYD CYL, 2.50 X 8.81 X 1.250	67	1	616441	06-451TC-08FJX-08FJX90-40 H/A
3	1	606517	LS MANIFOLD	68	1	616477	12-451TC-12FJX-12FJX-34 H/A
4	2	606246	MANIFOLD, #16 3-STN 180	69	1	617012	06-451TC-06FJX-08FJX90-212 H/A
5	1	621614	HYD CYL, 2.50 X 8.81 PHASE/2SEN	70	1	617019	06-451TC-06FJX-06FJX-285 H/A
6	2	621554	HYD CYL, 1.50 X 12.25 X .750	71	1	616320	04-451TC-04FJX-04FJX90-47 H/A
7	4	621552	HYD CYL, 3.00 X 16.00 X 1.375	72	1	616435	04-451TC-06FJX-04FJX45-20 H/A
8	1	691160	HYPRO PUMP, 9306C-HM5C-BU,FLG	73	1	618535	7/8MJIC-90-1 1/16MOR LBO
9	1	606213	HYD SOLE VLV, 2P-3W, 9/16FOR 05	74	1	616341	16-881-16FJX-20FJX-51 H/A
10	1	606253	CTRL VALVE, SOLU PUMP SAUER	75	1	616330	10-451TC-12FJX-12FJX90-87 H/A
11	2	606347	PRESSURE TRANSDUCER, 7500PSI	76	1	616438	04-451TC-04FJX-04FJX45-51 H/A
12	1	615772	STRG CYL JUMPER HYD TUBE ASSY	77	1	617048	10-451TC-10FJX-10FJX90-24 H/A
13	1	615850	M/F HYD TUBE, LS LINE, STS10 07	78	1	617017	10-451TC-10FJX-12FJX90-82 H/A
14	1	618557	7/8FJIC-9/16MJIC ADPTR	79	2	618911	7/8MJIC-M22 MOR ADPTR
15	1	618629	9/16MOR BRANCH TEE-9/16MJIC	80	1	617015	10-451TC-08FJX-10FJX-177 H/A
16	1	615856	M/F HYD TUBE, MAIN SUP, STS10 07	81	1	616406	16-881-20FJX-16FJX90-122 H/A
17	2	611125	3/4MJIC-3/4MOR ADPTR	82	1	617046	08-451TC-08FJX-08FJX90-18 H/A
18	6	618241	3/4MJIC-90-3/4MOR LBO	83	1	616730	08-451TC-08FJX-08FJX90-108 H/A
19	1	618913	7/8MJIC-90-M22MOR LBO	84	1	615855	HYD RETURN LINE, LONG, STS10 07
20	2	618249	3/4MJIC-90-9/16MOR LBO	85	1	616641	08-451TC-10FJX-08FJX90L-178H/A
21	15	618119	9/16MJIC-90-9/16MOR LBO	86	1	617047	10-451TC-08FJX-10FJX90-24 H/A
22	2	618473	7/16MJIC-90-7/16MOR LBO	87	1	616395	16-881-16FJX-16FJX90-25 H/A
23	1	618444	9/16MOR RUN TEE-9/16MJIC	88	1	616319	04-451TC-04FJX-04FJX90-32 H/A
24	3	618126	9/16MJIC-9/16MOR ADPTR	89	1	616476	10-451TC-10FJX-12FJX90-24 H/A
25	2	618753	7/16MOR PLUG, HEX SOCKET	90	1	617018	16-451TC-16FJX-16FJX90-24 H/A
26	1	618108	1 1/16MJIC-3/4MNPT ADPTR	91	1	617004	06-451TC-08FJX-06FJX90-24 H/A
27	1	618363	7/16FJIC CAP NUT	92	4	611127	1 1/16MJIC-1 1/16MOR ADPTR
28	1	618301	7/8MJIC-90-7/8FJIC SWIV LBO	93	1	617043	16-451TC-16FJX-16FJX90-37 H/A
29	1	618759	1 5/8MOR PLUG, HEX SOCKET	94	1	618912	3/4MJC-90-M18MOR LBO
30	2	618302	1 1/16MJIC-90-1 5/16MOR LBO	95	1	616322	06-451TC-08FJX-08FJX90-21 H/A
31	4	618467	7/16MJIC-7/16MOR ADPTR	96	1	616443	08-451TC-08FJX-08FJX90-76 H/A
32	4	618308	1 1/16MJIC-1 5/16MOR ADPTR	97	1	616315	04-451TC-04FJX-04FJX45-74 H/A
33	1	618529	1 1/16MJ-45-1 1/16FJ SWIV LBO	98	1	616437	04-451TC-04FJX-06FJX90-28 H/A
34	1	618470	3/4MJIC-1 5/16MOR ADPTR	99	1	616416	10-451TC-12FJX-12FJX-25 H/A
35	1	618758	1 5/16 MOR PLUG, HEX SOCKET	100	1	616445	10-451TC-10FJX-12FJX-127 H/A
36	1	618630	1 5/16MJ-45-1 5/16FJ SWIV LBO	101	1	616442	06-451TC-08FJX-08FJX90-114 H/A
37	1	618731	9/16JIC .025 ORIFICE ADPTR	102	1	616439	04-451TC-06FJX-06FJX-98 H/A
38	2	618486	9/16FJIC SW RUN TEE-9/16MJIC	103	1	616440	04-451TC-06FJX-06FJX90-114 H/A
39	1	618455	1 5/16MJIC-1 5/8MOR ADPTR	104	3	606249	MANIFOLD, TRD ADJ PWRSYS
40	3	618475	3/4MJIC-90-1 5/16MOR LBO	105	1	616732	10-451TC-10FJX-12FJX90-121 H/A
41	1	618910	3/4MJIC-M18MOR ADPTR	106	1	618640	1 5/16MJ-90-1 5/16FJ SWIV LBO
42	2	618314	3/4MJIC UNION	107	1	618171	7/8MOR-3/4FOR ADPTR
43	1	618909	M12 MOR PLUG, HEX SOCKET	108	5	618754	9/16MOR PLUG, HEX SOCKET
44	4	616070	04-451TC-04MJBH-06MOR-11.00H/A	109	6	618755	3/4MOR PLUG, HEX SOCKET
45	1	618132	1 1/16MOR-7/8FOR ADPTR	110	3	618499	7/16MJIC-90-9/16MOR LBO
46	1	618440	9/16MJIC-90-9/16MOR EX LG LBO	111	1	618733	9/16JIC .042 ORIFICE ADPTR
47	1	616446	04-451ST-06FJX-04FJX90-131 H/A	112	1	606259	DIVERSTION VLV, STS LS 07
48	1	618628	7/8MJIC-45-7/8FJIC SWIV LBO	113	2	618474	3/4MJIC-90-1 1/16MOR LBO
49	1	618425	9/16MJIC-45-9/16MOR LBO	114	1	691236	3" TRANSFER PUMP, HYPRO
50	1	618397	1 5/16MOR-9/16FOR ADPTR	115	1	618183	3/4MJIC-90-7/8MOR LBO
51	3	618191	1 1/16MJ-90-1 1/16FJ SWIV LBO	116	1	690672	HMC 320 SPECIAL/MINUS HOSE
52	2	616531	08-451TC-08FJX-08FJX-55 H/A	117	2	618770	3/4MJIC-3/4MOR BLKHD ADPT
53	4	616071	04-451TC-04MJBH-06MOR-13.00H/A	118	1	618769	9/16MJIC-9/16MOR BLKHD ADPT
54	1	616504	08-451TC-08FJX-08FJX-98 H/A	119	1	618806	HYD CPLR, MALE #12, 7/8FOR
55	1	618807	HYD CPLR, FEM #12, 3/4FOR	120	1	691036	HYPRO 9307C-GM10 PUMP
56	1	616448	10-451ST-08FJX-12FJX-119 H/A	121	1	616451	12-451TC-12FJX-12FJX90-34 H/A
57	1	618248	1 1/16MJIC-90-1 1/16MOR LBO	122	1	616450	10-451TC-12FJX-12FJX90-22 H/A
58	1	618273	1 1/16MJIC-1/2MNPT ADPTR	123	1	611128	7/8MJIC-90-7/8MOR LBO
59	1	618178	1 5/16MJIC-90-1 5/16MOR LBO	124	2	618590	3/4MJIC-45-3/4FJIC SWIV LBO
60	1	618831	1 1/16MJIC-45-1 5/16MOR LBO	125	1	616617	06-451TC-06FJX-06FJX-168 H/A
61	9	616301	04-451TC-04FJX-06FJX-21 H/A	126	1	618774	7/8MJIC-90-7/8MOR LG LBO
62	1	616447	10-451ST-08FJX-12FJX90-44 H/A	127	1	618883	1 5/16MJIC-90-1 5/8MOR LBO
63	1	618805	HYD CPLR, FEM #14, 9/16FOR	128	1	618842	1 1/16MJIC-90-1 5/8MOR LBO
64	1	616306	08-451TC-08FJX-08FJX-11 H/A	129	1	618533	1 1/16FJIC CAP NUT
65	2	616377	04-451TC-06FJX-06FJX90-44 H/A				

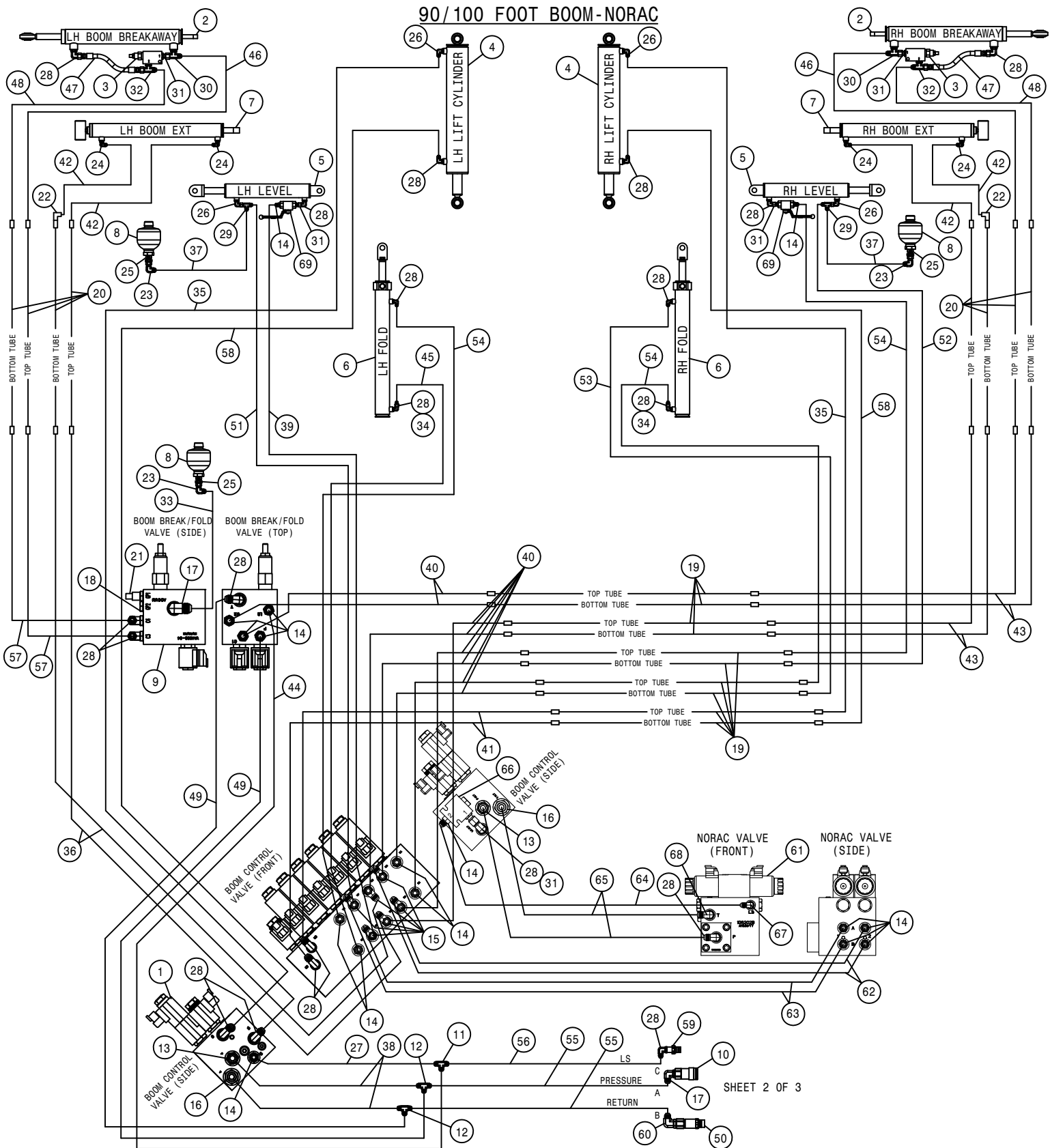
# 90/100 FOOT BOOM-STANDARD



STS 10/12 HI TORQUE HYDRAULIC DIAGRAM 2013  
REFERENCE DRAWING NO. 499262S3

DET.	QTY	PART NO.	DESCRIPTION	DET.	QTY	PART NO.	DESCRIPTION
1	1	606272	VALVE, LOAD SENSE BOOM SAUER	31	2	618668	9/16FJIC SWIV-9/16MOR ADPTR
2	2	621590	HYD CYL, 1.50 X 10.88 X .875	32	2	614752	RESTRICTOR BR TEE ASSY, .042DIA
3	2	607540	KICK-DOWN RELIEF VALVE, 800PSI	33	1	616384	08-451TC-08FJX-08FJX-43 H/A
4	2	621556	HYD CYL, 2.50 X 18.00 X 1.500	34	2	618733	9/16JIC .042 ORIFICE ADPTR
5	2	621558	HYD CYL, 3.00 X 11.00 X 1.380	35	2	616358	06-451TC-06FJX-06FJX-56 H/A
6	2	621560	HYD CYL, 2.50 X 21.00 X 1.380	36	2	616357	06-451TC-06FJX-06FJX90-79 H/A
7	2	621562	HYD CYL, 2.25 X 21.00 X 1.380	37	2	616365	06-451TC-08FJX-06FJX90-30 H/A
8	3	470444	ACCUMULATOR, 30CI 1508 PSI	38	2	616366	08-451TC-08FJX-08FJX90-18 H/A
9	1	606248	90'BREAKAWAY VLV,STS PWRSYS	39	1	616403	06-451TC-06FJX-06FJX-65 H/A
10	1	618807	HYD CPLR, FEM #12,3/4FOR	40	8	616316	06-451TC-06FJX-06FJX45-18 H/A
11	1	618748	7/16MJIC BLKHD RUN TEE	41	2	616304	06-451TC-06FJX-06FJX-36 H/A
12	2	618749	3/4MJIC BLKHD RUN TEE	42	4	616356	06-451TC-06FJX-06FJX90-27 H/A
13	1	611125	3/4MJIC-3/4MOR ADPTR	43	4	616353	06-451TC-06FJX-06FJX-71 H/A
14	13	618126	9/16MJIC-9/16MOR ADPTR	44	1	616362	04-451TC-04FJX-06FJX90-35 H/A
15	2	618444	9/16MOR RUN TEE-9/16MJIC	45	1	616352	06-451TC-06FJX-06FJX-62 H/A
16	1	618327	3/4MJIC-7/8MOR ADPTR	46	2	616360	06-451TC-06FJX-06FJX-84 H/A
17	2	618241	3/4MJIC-90-3/4MOR LBO	47	2	617054	04-451TC-06FJX-06FJX-11 H/A
18	1	618754	9/16MOR PLUG, HEX SOCKET	48	2	616361	06-451TC-06FJX-06FJX-86 H/A
19	10	615852	LIFTARM HYD TUBE ASSY,STSL5 07	49	2	616364	06-451TC-08FJX-06FJX90-31 H/A
20	8	615851	HYD TUBE,MAIN BOOM,STS	50	1	618806	HYD CPLR,MALE #12,7/8FOR
21	1	606347	PRESSURE TRANSDUCER,7500PSI	51	1	616349	06-451TC-06FJX-06FJX-47 H/A
22	2	618618	9/16MJIC-90-9/16FJIC SWIV LBO	52	1	616348	06-451TC-06FJX-06FJX-42 H/A
23	3	618609	3/4MJIC-90-3/4FJIC SWIV LBO	53	1	616350	06-451TC-06FJX-06FJX-58 H/A
24	4	618688	9/16MJ-90-9/16MOR .025 CHK VLV	54	3	616351	06-451TC-06FJX-06FJX-60 H/A
25	3	618743	3/4MOR-3/4MJIC BLKHD, .040MFMO	55	2	616135	08-451TC-08FJX-08FJX-50 H/A
26	4	618689	9/16MJ-90-9/16MOR .042 CHK VLV	56	1	616431	04-451TC-04FJX-06FJX-51 H/A
27	1	616430	04-451TC-06FJX-04FJX90-19 H/A	57	2	616359	06-451TC-06FJX-06FJX-78 H/A
28	18	618119	9/16MJIC-90-9/16MOR LBO	58	2	616371	06-451TC-06FJX-06FJX-38 H/A
29	2	618486	9/16FJIC SW RUN TEE-9/16MJIC	59	1	618804	HYD CPLR,MALE #14,9/16FOR
30	2	618629	9/16MOR BRANCH TEE-9/16MJIC	60	1	618183	3/4MJIC-90-7/8MOR LBO

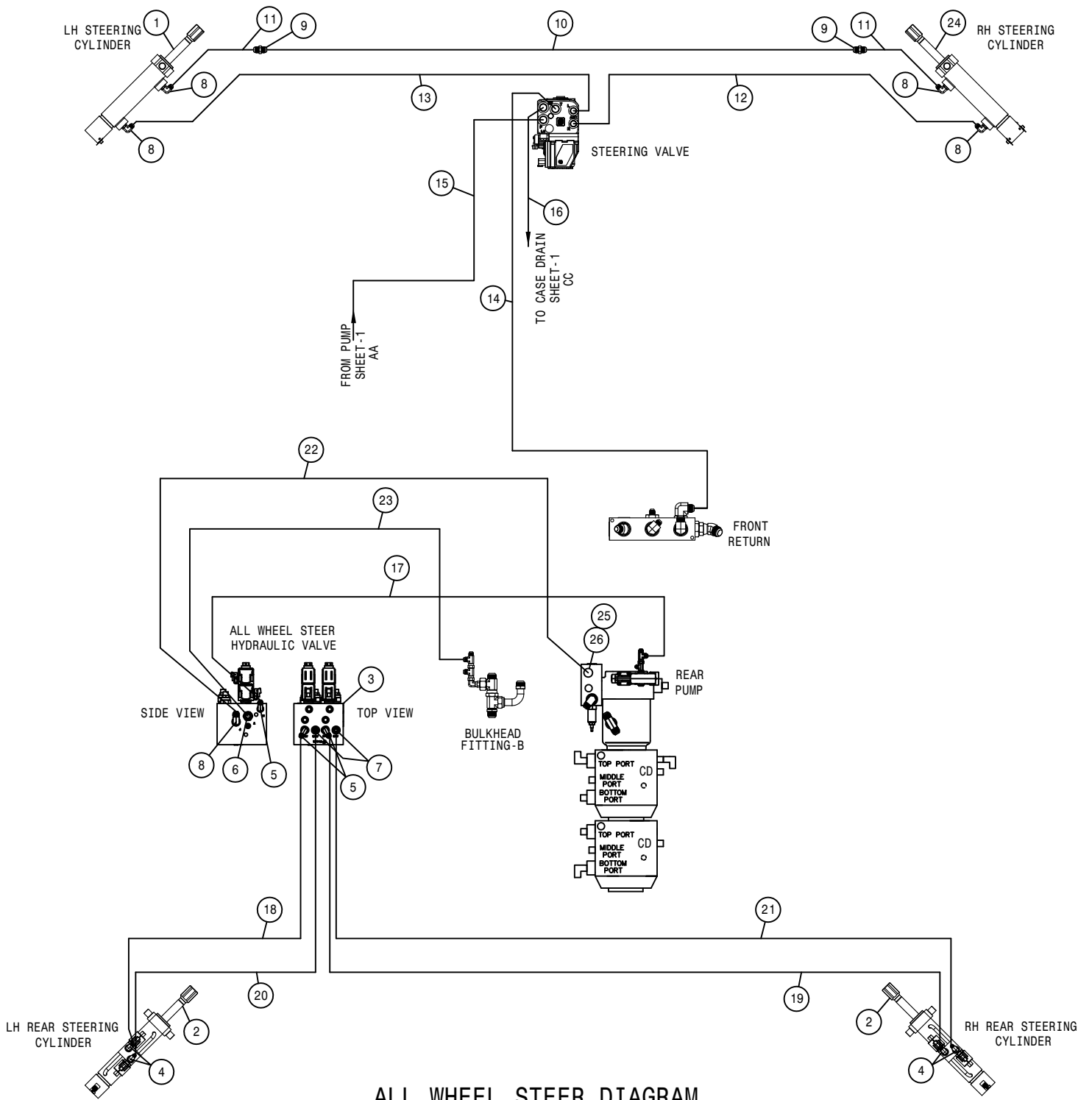
# 90/100 FOOT BOOM-NORAC





STS 10/12 HI TORQUE HYDRAULIC DIAGRAM 2013  
REFERENCE DRAWING NO. 499262S4

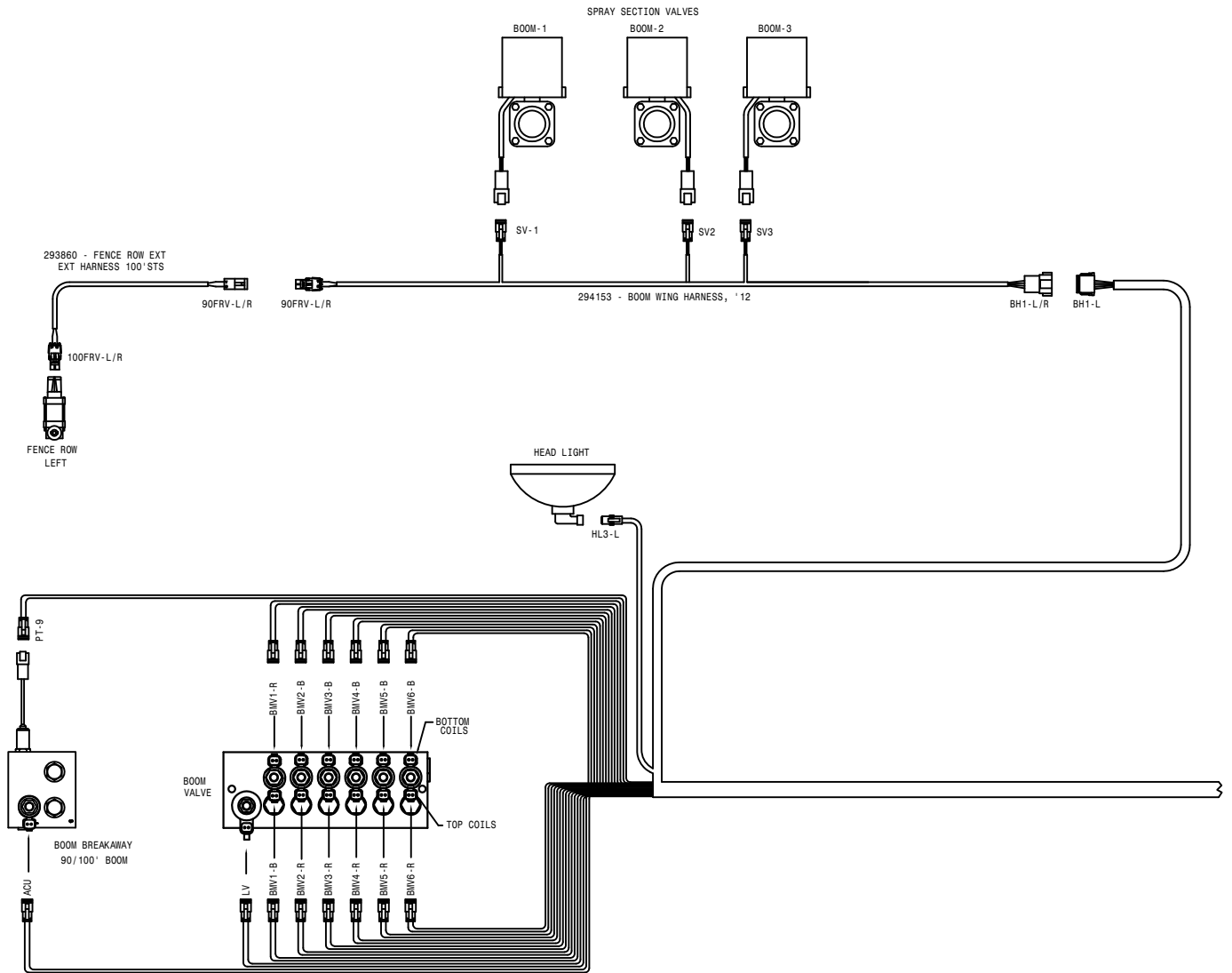
DET.	QTY	PART NO.	DESCRIPTION	DET.	QTY	PART NO.	DESCRIPTION
1	1	606272	VALVE, LOAD SENSE BOOM SAUER	36	2	616357	06-451TC-06FJX-06FJX90-79 H/A
2	2	621590	HYD CYL, 1.50 X 10.88 X .875	37	2	616365	06-451TC-08FJX-06FJX90-30 H/A
3	2	607540	KICK-DOWN RELIEF VALVE, 800PSI	38	2	616366	08-451TC-08FJX-08FJX90-18 H/A
4	2	621556	HYD CYL, 2.50 X 18.00 X 1.500	39	1	616403	06-451TC-06FJX-06FJX-65 H/A
5	2	621558	HYD CYL, 3.00 X 11.00 X 1.380	40	8	616316	06-451TC-06FJX-06FJX45-18 H/A
6	2	621560	HYD CYL, 2.50 X 21.00 X 1.380	41	2	616304	06-451TC-06FJX-06FJX-36 H/A
7	2	621562	HYD CYL, 2.25 X 21.00 X 1.380	42	4	616356	06-451TC-06FJX-06FJX90-27 H/A
8	3	470444	ACCUMULATOR, 30CI 1508 PSI	43	4	616353	06-451TC-06FJX-06FJX-71 H/A
9	1	606248	90'BREAKAWAY VLV,STS PWRSYS	44	1	616362	04-451TC-04FJX-06FJX90-35 H/A
10	1	618807	HYD CPLR, FEM #12,3/4FOR	45	1	616352	06-451TC-06FJX-06FJX-62 H/A
11	1	618748	7/16MJIC BLKHD RUN TEE	46	2	616360	06-451TC-06FJX-06FJX-84 H/A
12	2	618749	3/4MJIC BLKHD RUN TEE	47	2	617054	04-451TC-06FJX-06FJX-11 H/A
13	2	611125	3/4MJIC-3/4MOR ADPTR	48	2	616361	06-451TC-06FJX-06FJX-86 H/A
14	16	618126	9/16MJIC-9/16MOR ADPTR	49	2	616364	06-451TC-08FJX-06FJX90-31 H/A
15	6	618444	9/16MOR RUN TEE-9/16MJIC	50	1	618806	HYD CPLR,MALE #12,7/8FOR
16	2	618327	3/4MJIC-7/8MOR ADPTR	51	1	616349	06-451TC-06FJX-06FJX-47 H/A
17	2	618241	3/4MJIC-90-3/4MOR LBO	52	1	616348	06-451TC-06FJX-06FJX-42 H/A
18	1	618754	9/16MOR PLUG, HEX SOCKET	53	1	616350	06-451TC-06FJX-06FJX-58 H/A
19	10	615852	LIFTARM HYD TUBE ASSY,STSL5 07	54	3	616351	06-451TC-06FJX-06FJX-60 H/A
20	8	615851	HYD TUBE,MAIN BOOM,STS	55	2	616135	08-451TC-08FJX-08FJX-50 H/A
21	1	606347	PRESSURE TRANSDUCER,7500PSI	56	1	616431	04-451TC-04FJX-06FJX-51 H/A
22	2	618618	9/16MJIC-90-9/16FJIC SWIV LBO	57	2	616359	06-451TC-06FJX-06FJX-78 H/A
23	3	618609	3/4MJIC-90-3/4FJIC SWIV LBO	58	2	616371	06-451TC-06FJX-06FJX-38 H/A
24	4	618688	9/16MJ-90-9/16MOR .025 CHK VLV	59	1	618804	HYD CPLR,MALE #14,9/16FOR
25	3	618743	3/4MOR-3/4MJIC BLKHD,.040MFMO	60	1	618183	3/4MJIC-90-7/8MOR LBO
26	4	618689	9/16MJ-90-9/16MOR .042 CHK VLV	61	1	606455	NORAC HYD VALVE (44963D)
27	1	616430	04-451TC-06FJX-04FJX90-19 H/A	62	2	616555	06-451TC-06FJX-06FJX90-31 H/A
28	20	618119	9/16MJIC-90-9/16MOR LBO	63	2	616557	06-451TC-06FJX-06FJX90L-31 H/A
29	2	618486	9/16FJIC SW RUN TEE-9/16MJIC	64	1	616554	04-451TC-04FJX-06FJX90-30 H/A
30	2	618629	9/16MOR BRANCH TEE-9/16MJIC	65	2	616556	08-451TC-06FJX-08FJX90-31 H/A
31	5	618668	9/16FJIC SWIV-9/16MOR ADPTR	66	1	606256	CHECK VALVE, IN LINE SAUER
32	2	614752	RESTRICTOR BR TEE ASSY,.042DIA	67	1	618473	7/16MJIC-90-7/16MOR LBO
33	1	616384	08-451TC-08FJX-08FJX-43 H/A	68	1	618440	9/16MJIC-90-9/16MOR EX LG LBO
34	2	618733	9/16JIC .042 ORIFICE ADPTR	69	2	696131	BALL VALVE,9/16FOR,7250PSI
35	2	616358	06-451TC-06FJX-06FJX-56 H/A				



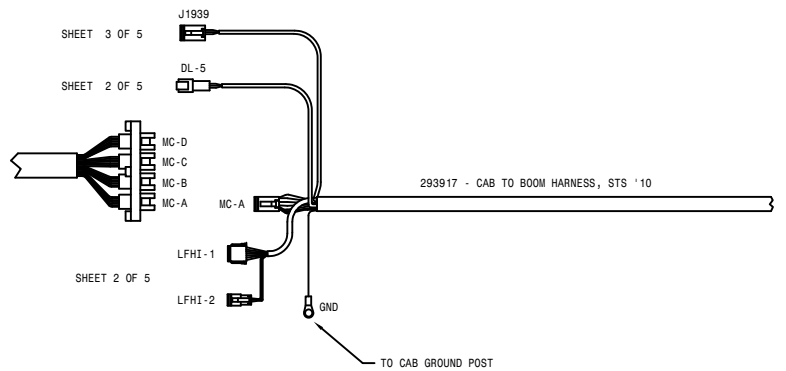
ALL WHEEL STEER DIAGRAM

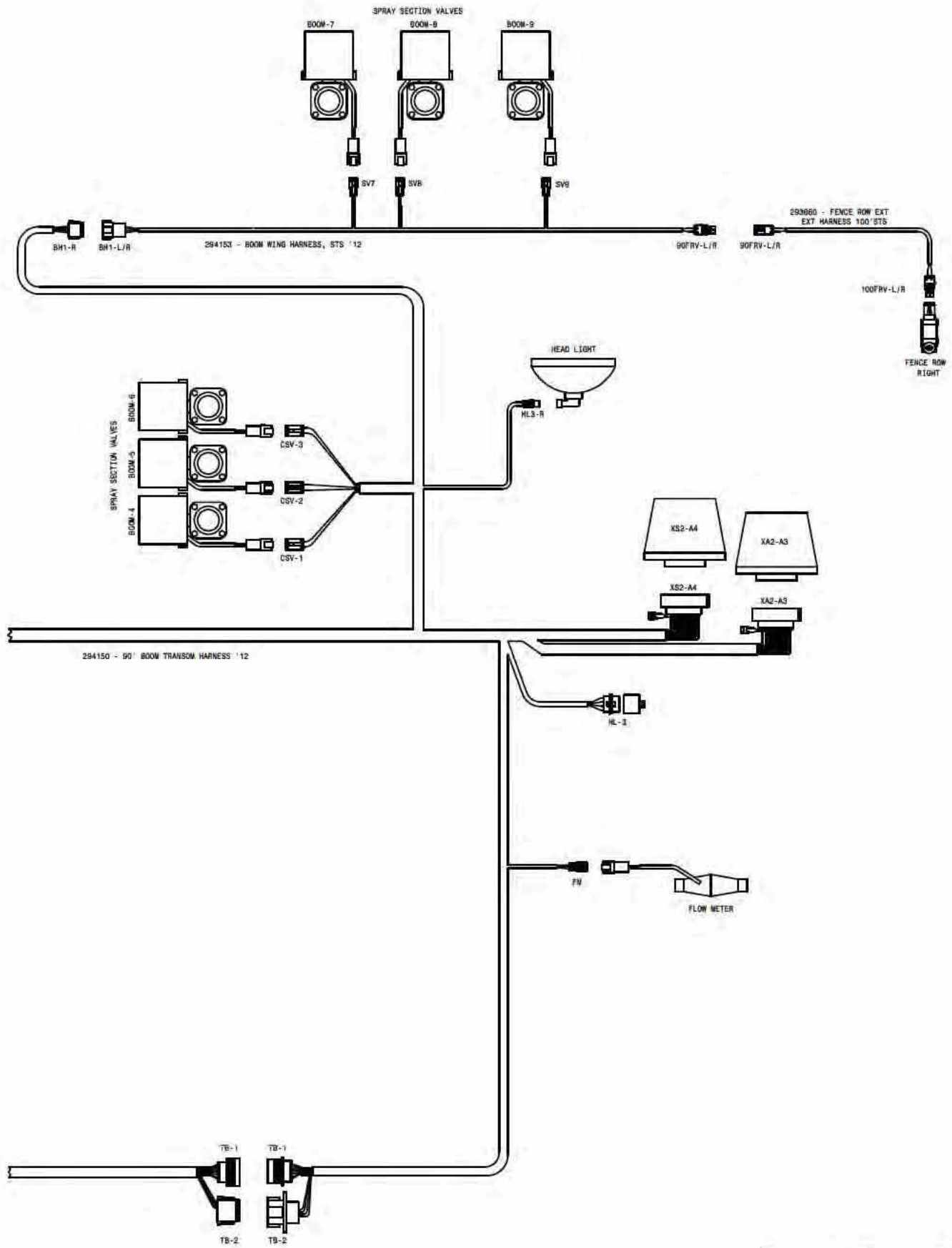
STS 10/12 HI TORQUE HYDRAULIC DIAGRAM 2013  
REFERENCE DRAWING NO. 499262S5

DET.	QTY	PART NO.	DESCRIPTION	DET.	QTY	PART NO.	DESCRIPTION
1	1	621602	HYD CYL,2.50 X 8.81 PHASE/1SEN	14	1	617017	10-451TC-10FJX-12FJX90-82 H/A
2	1	621644	HYD CYL,2.25 X 8.81 X 1.25	15	1	617012	06-451TC-06FJX-08FJX90-212 H/A
3	1	606370	VALVE, FV8623 V1 SUNSOURCE	16	1	617015	10-451TC-08FJX-10FJX-177 H/A
4	4	618115	9/16MJIC-90-3/4MOR LBO	17	1	616367	04-451TC-04FJX-06FJX-48 H/A
5	3	618119	9/16MJIC-90-9/16MOR LBO	18	1	616361	06-451TC-06FJX-06FJX-86 H/A
6	1	611126	7/8MJIC-7/8MOR ADPTR	19	1	616974	06-451TC-06FJX-06FJX-133 H/A
7	2	618126	9/16MJIC-9/16MOR ADPTR	20	1	616723	06-451TC-06FJX-06FJX90-85 H/A
8	5	618241	3/4MJIC-90-3/4MOR LBO	21	1	616784	06-451TC-06FJX-06FJX90-133 H/A
9	2	618314	3/4MJIC UNION	22	1	616928	08-451TC-08FJX-08FJX90-36 H/A
10	1	615772	STRG CYL JUMPER HYD TUBE ASSY	23	1	616327	10-451TC-10FJX-10FJX90-44 H/A
11	2	616531	08-451TC-08FJX-08FJX-55 H/A	24	1	621614	HYD CYL,2.50 X 8.81 PHASE/2SEN
12	1	616504	08-451TC-08FJX-08FJX-98 H/A	25	1	618619	1 5/16FJ SW RUN TEE-1 5/16MJ
13	1	616730	08-451TC-08FJX-08FJX90-108 H/A	26	1	618671	1 5/16FJIC-3/4MJIC ADPTR

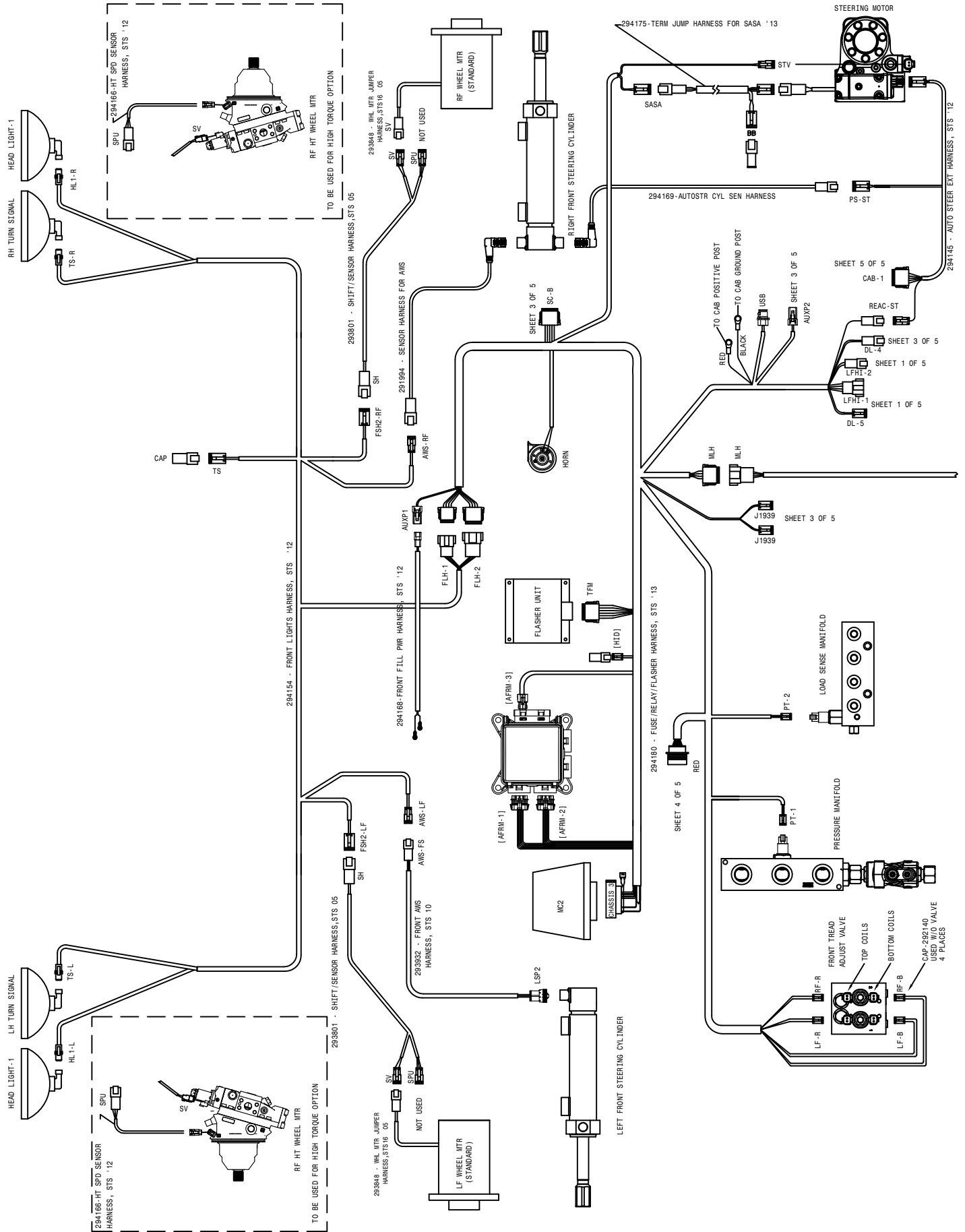


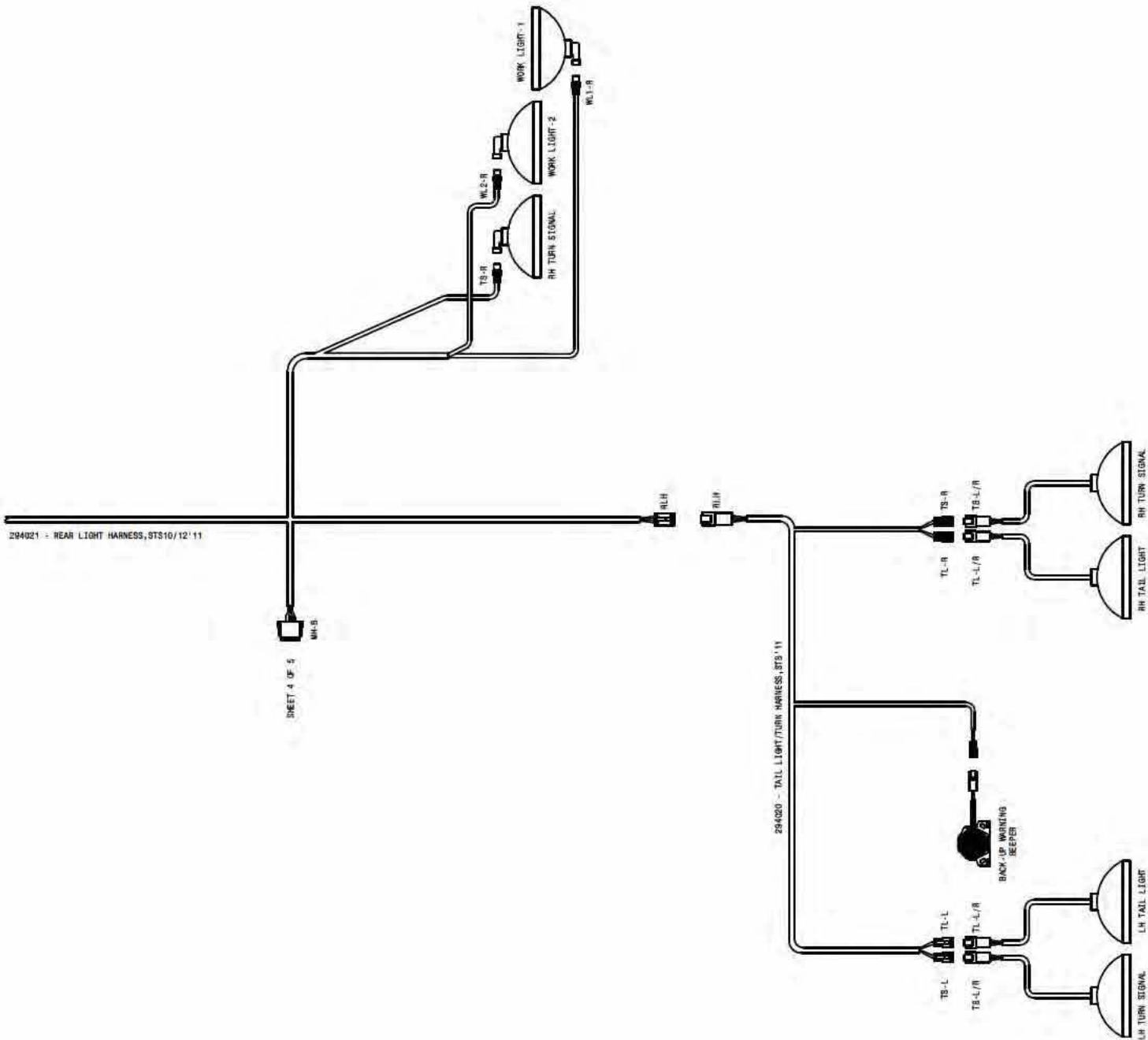
294188 - MAIN CAB ENTRY HARNESS, STS '13  
SHEET 5 OF 5



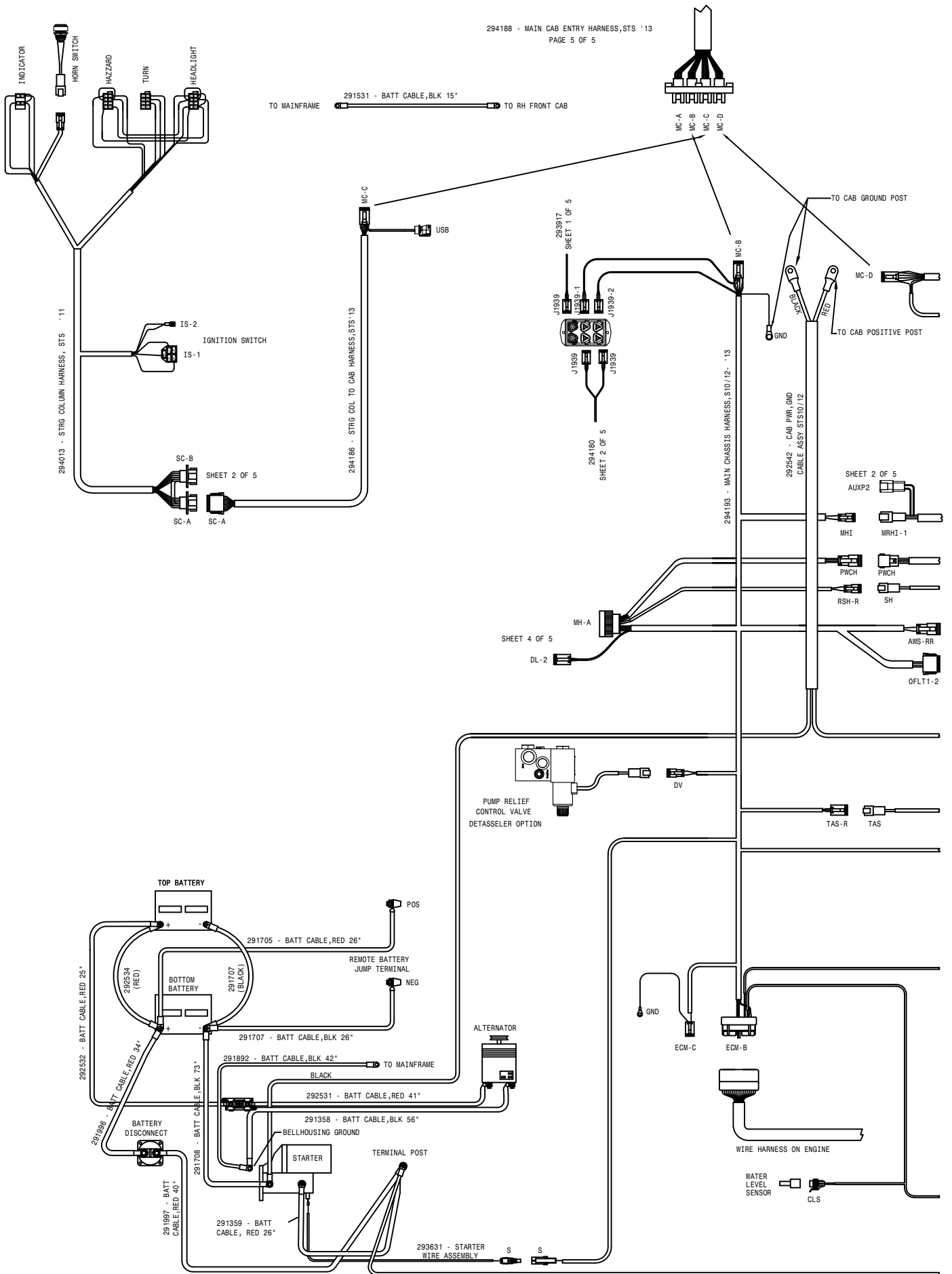


12-20-11 DMI  
**STS 10/12-T3 WIRING DIAGRAM '13**  
 SHEET 1 OF 5  
 REVISION DATE: 499254

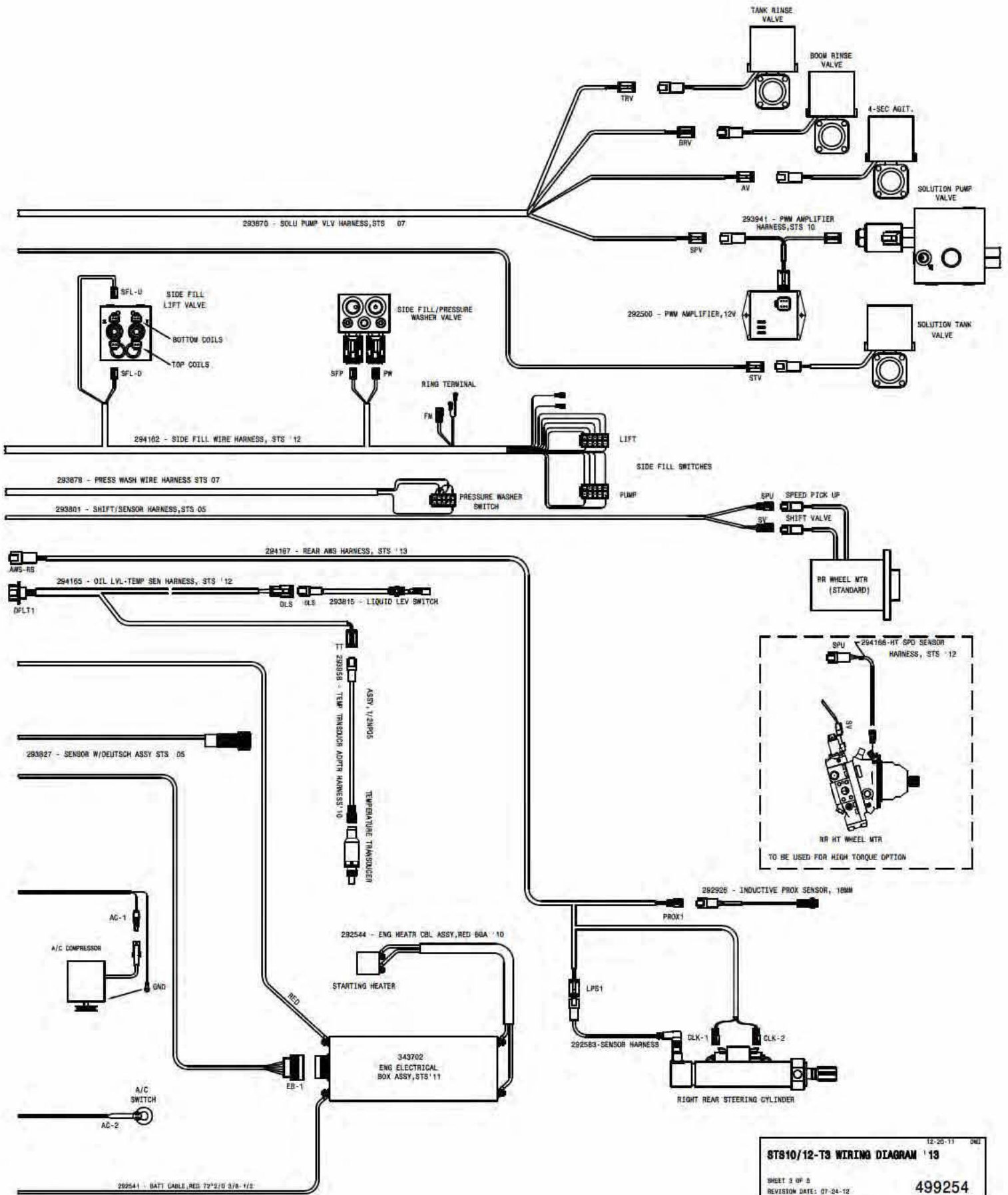




12-20-11 DWG  
**STS10/12-T3 WIRING DIAGRAM '13**  
 SHEET 2 OF 5  
 REVISION DATE: 499254

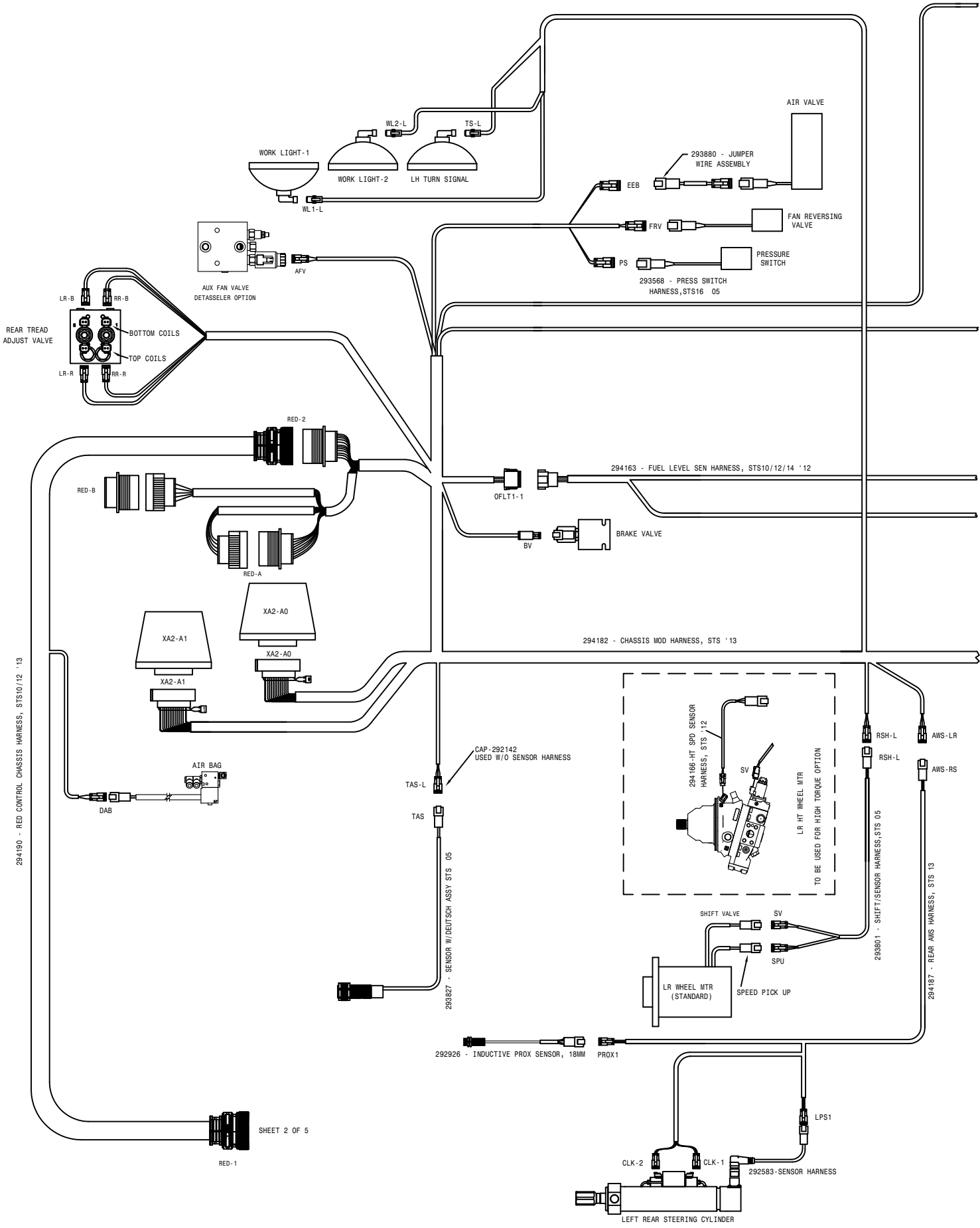




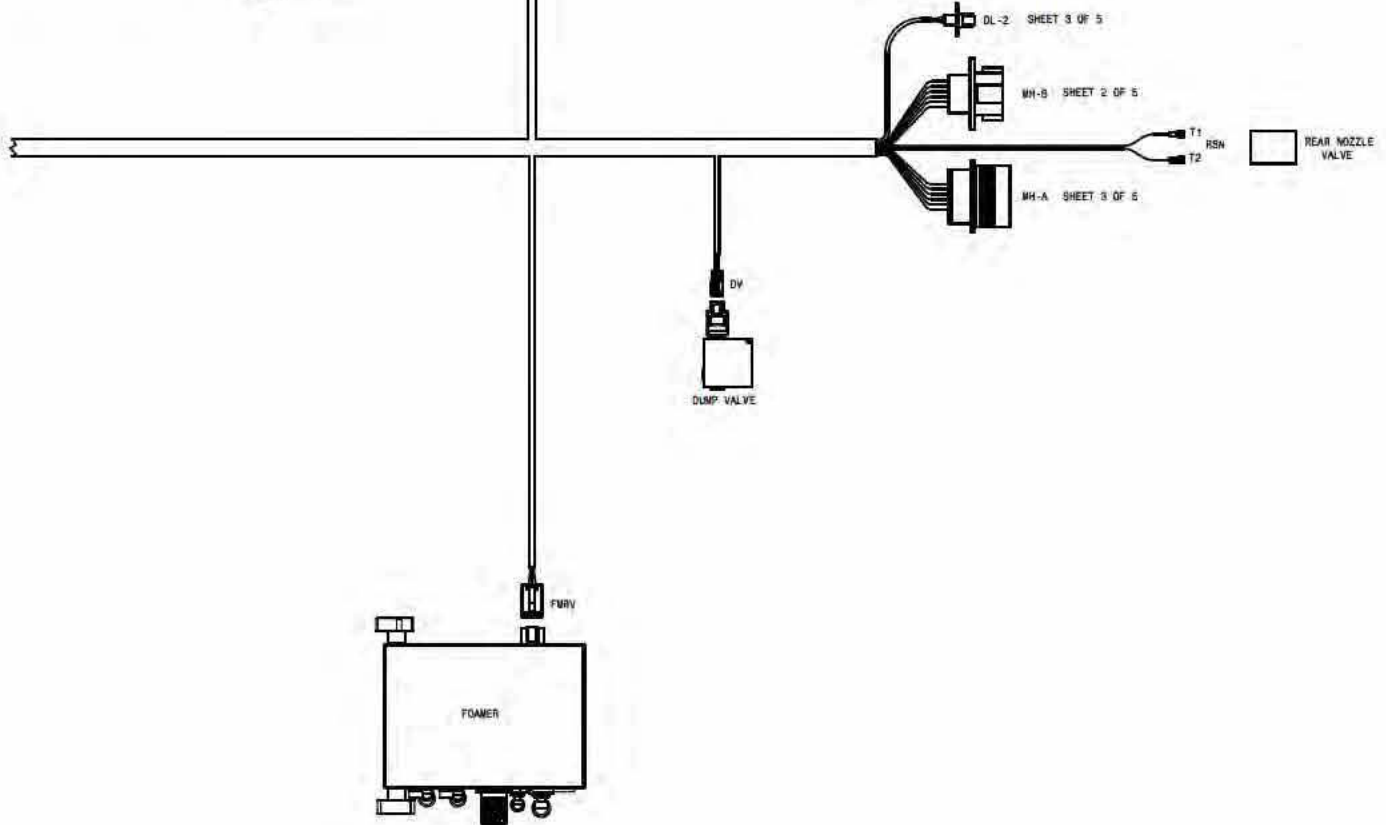
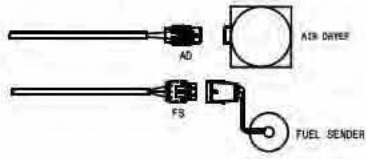
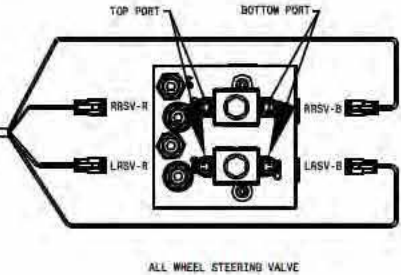
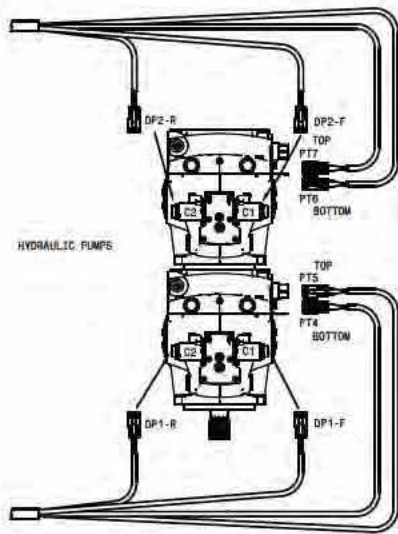


12-25-11 DML  
**STS10/12-T3 WIRING DIAGRAM '13**  
 SHEET 3 OF 3  
 REVISION DATE: 07-24-12  
 499254

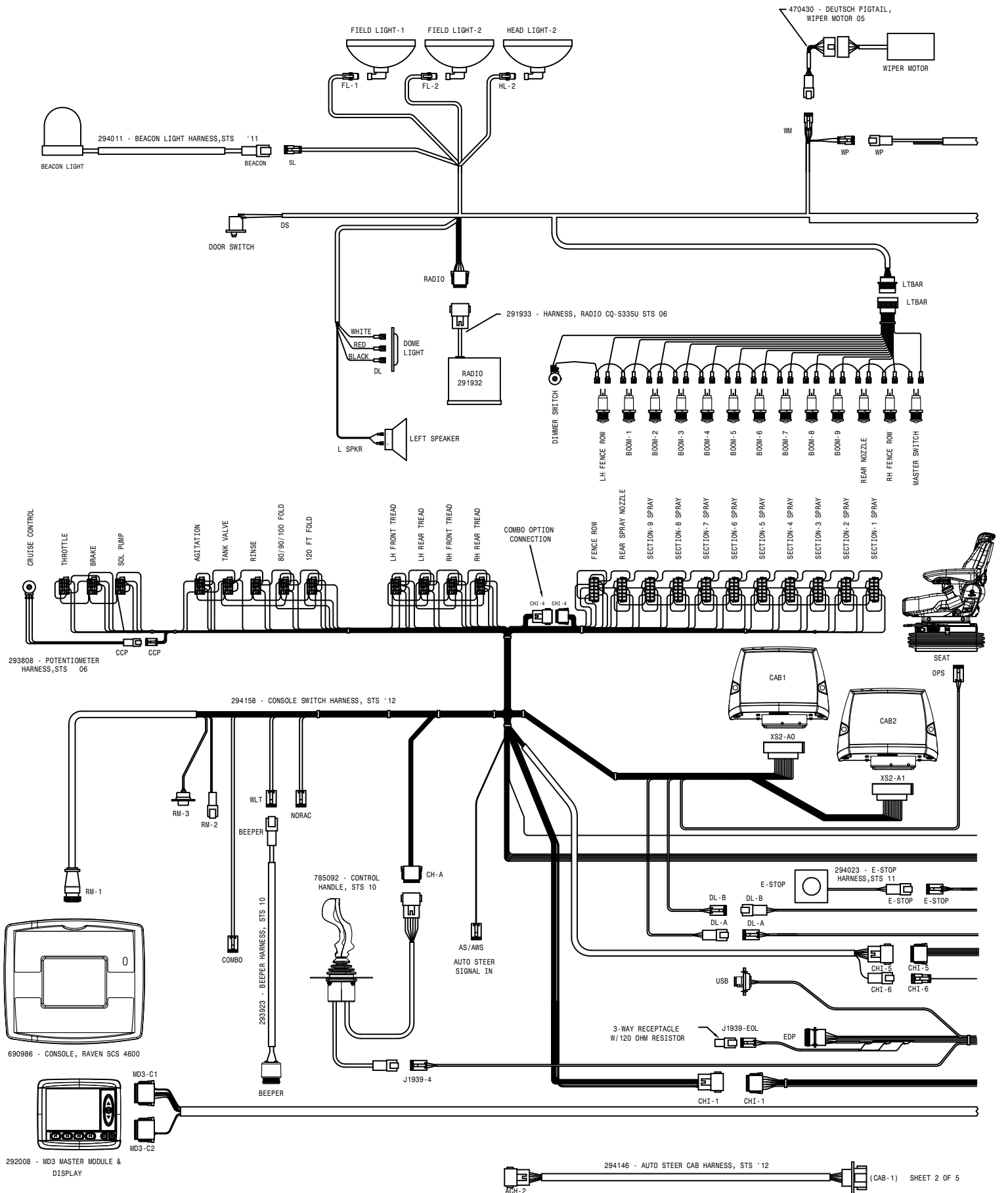
294190 - RED CONTROL CHASSIS HARNESS, STS10/12 '13

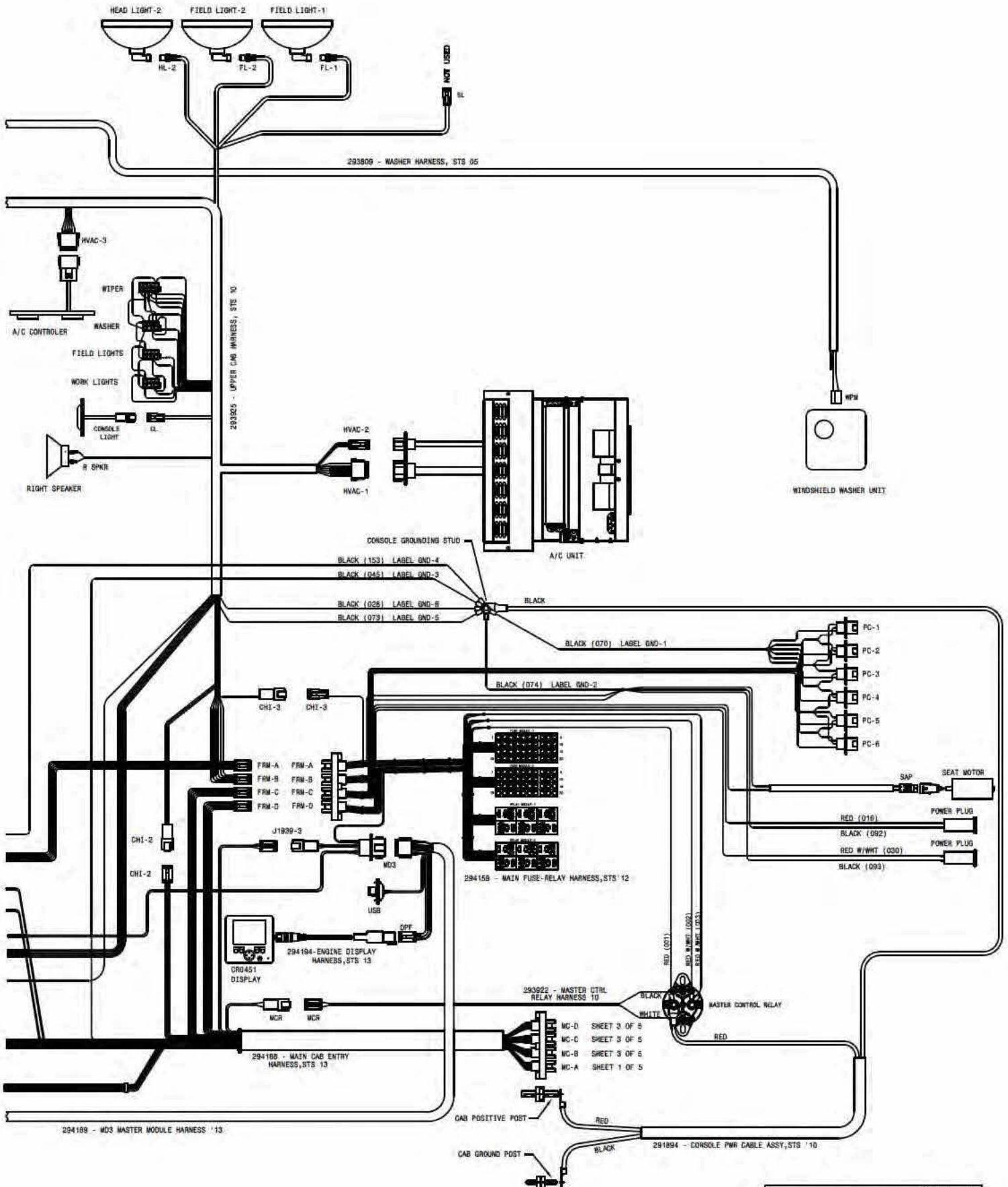


SHEET 2 OF 5

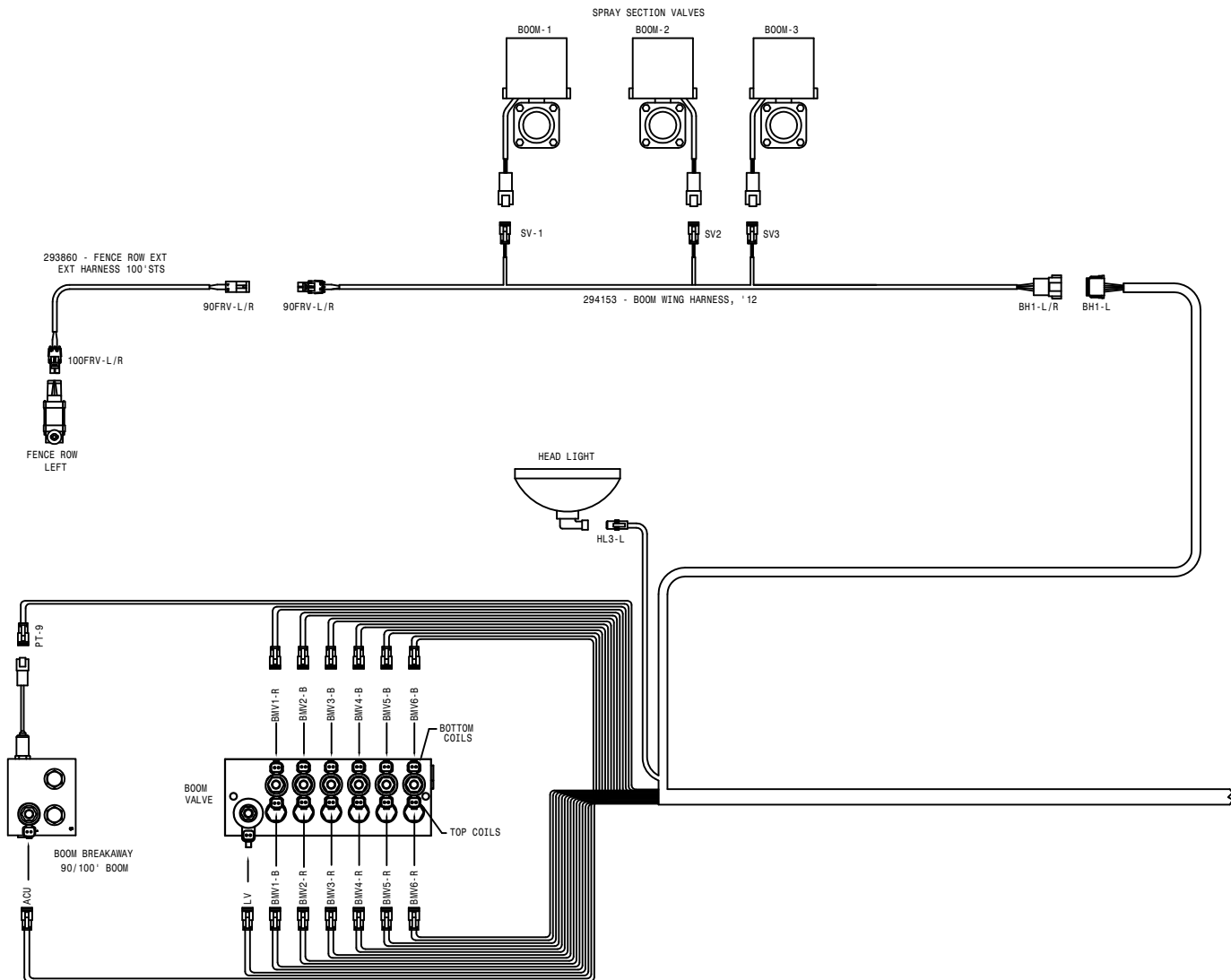


12-20-11 DWJ  
**STS 10/12-T3 WIRING DIAGRAM '13**  
 SHEET 4 OF 8  
 REVISION DATE: 07-26-10  
 499254

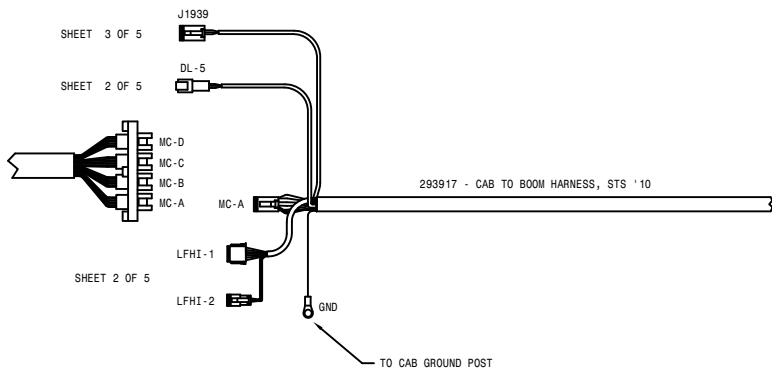


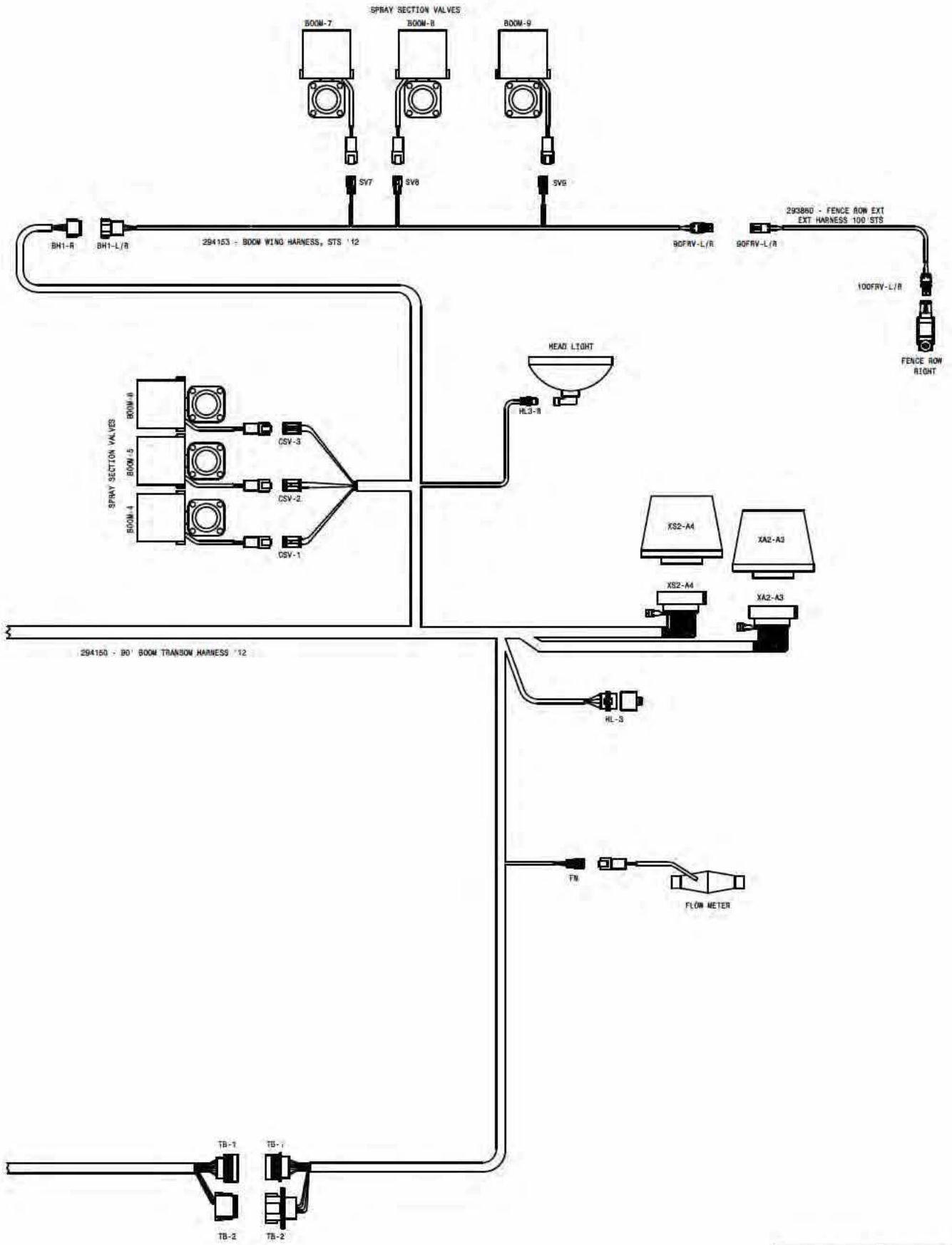


12-20-11 DML  
**STS 10/12-T3 WIRING DIAGRAM '13**  
 SHEET 5 OF 8  
 REVISION DATE: 499254



294188 - MAIN CAB ENTRY HARNESS, STS '13  
SHEET 5 OF 5

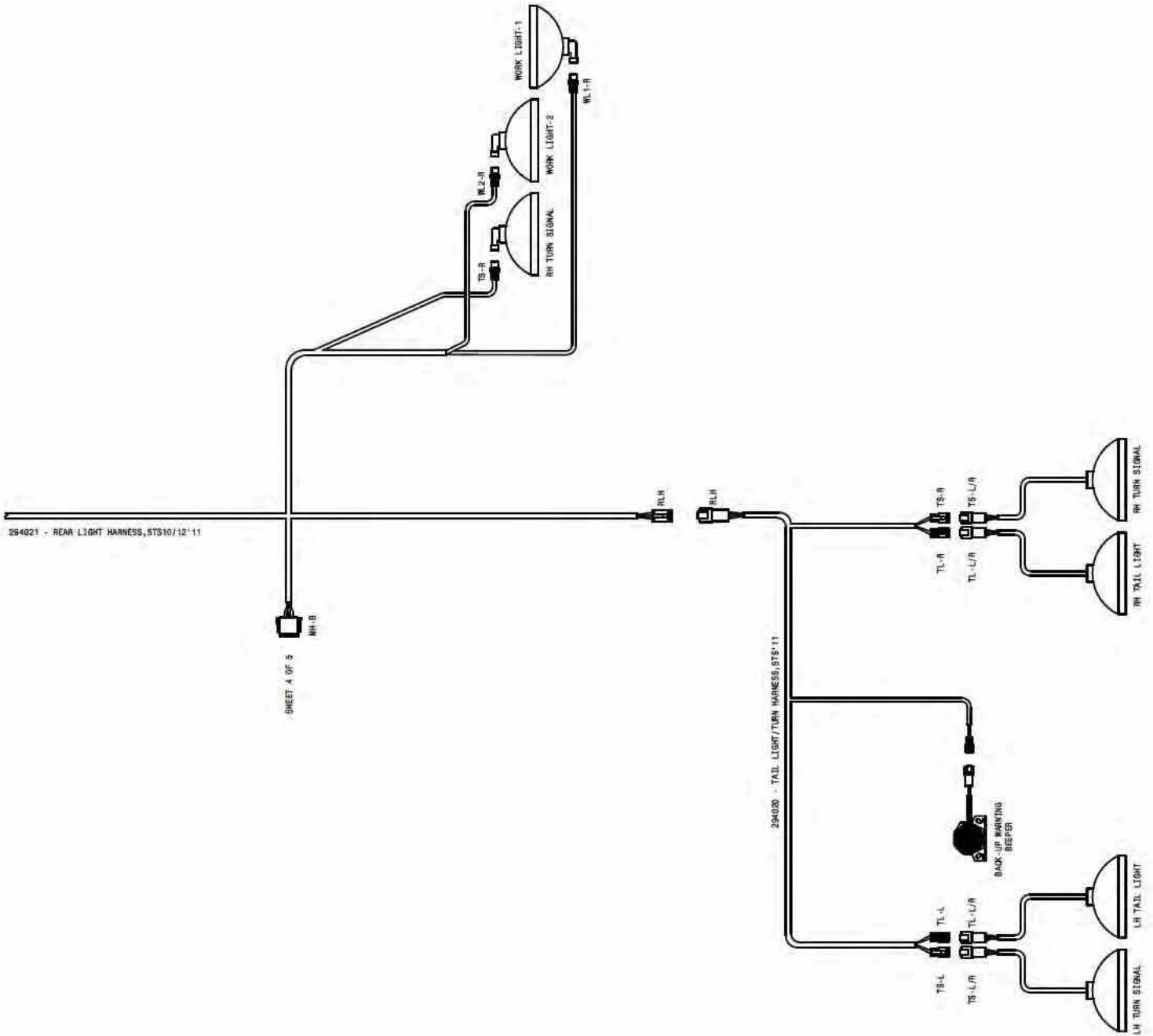




10-20-11 DMT  
**STS 10/12-T4L WIRING DIAGRAM '13**  
 SHEET 1 OF 3  
 REVISION DATE: 499255





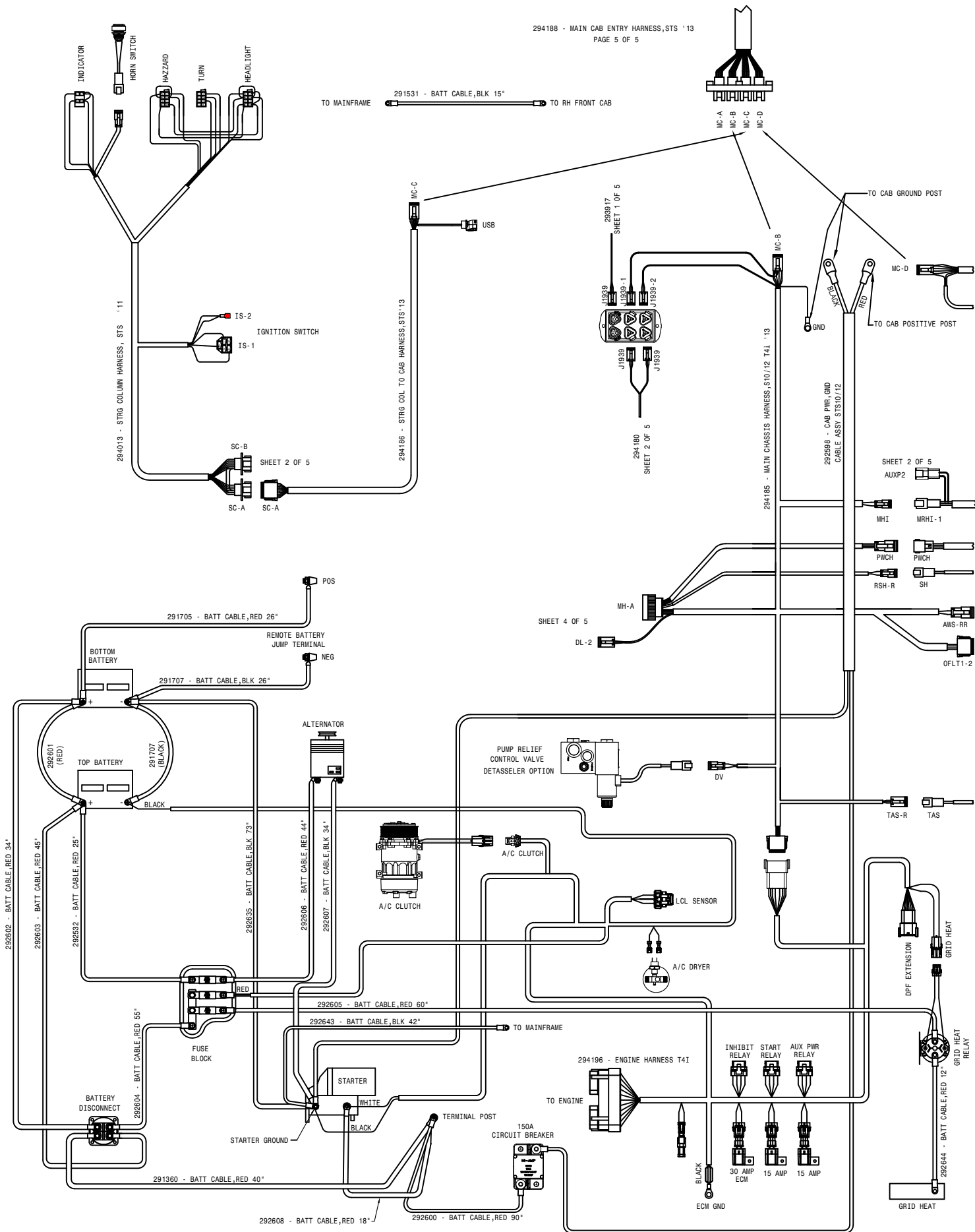


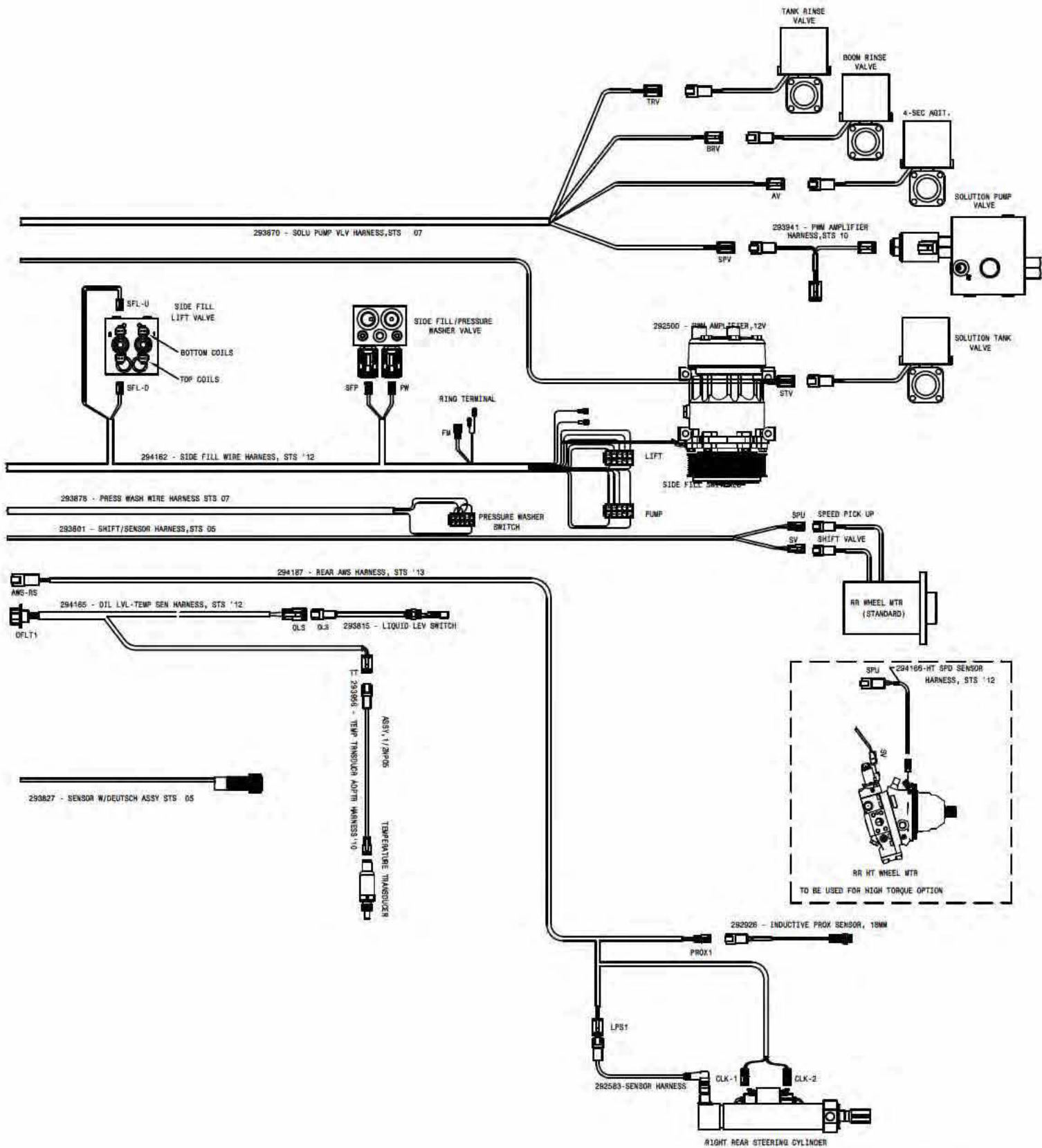
294021 - REAR LIGHT HARNESS, STS10/12'11

SHEET 4 OF 5  
M1-B

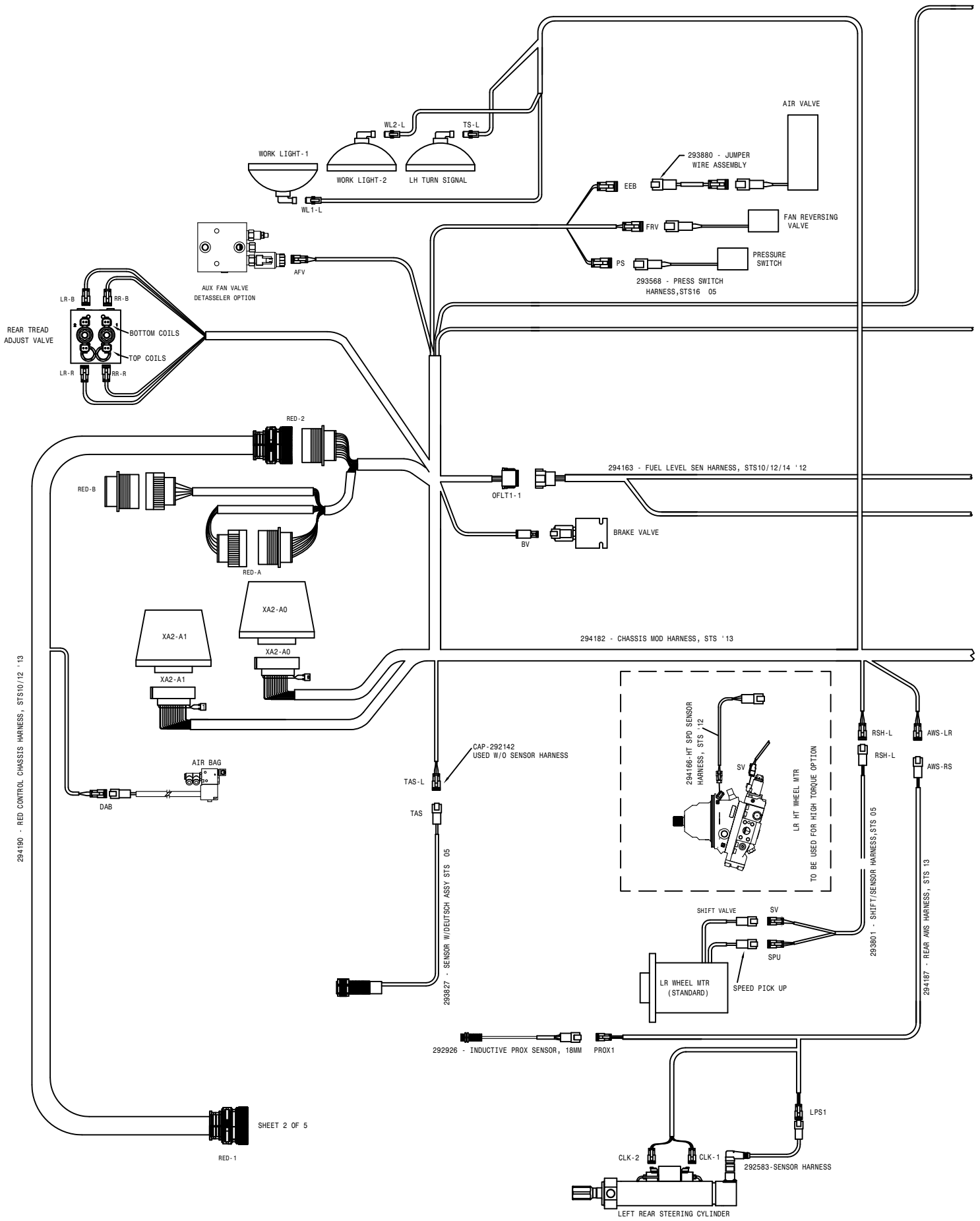
294020 - TAIL LIGHT/TURN HARNESS, STS'11

12-20-11 DMI	
<b>STS10/12-TAIL WIRING DIAGRAM '13</b>	
SHEET 3 OF 5 REVISION DATE:	<b>499255</b>

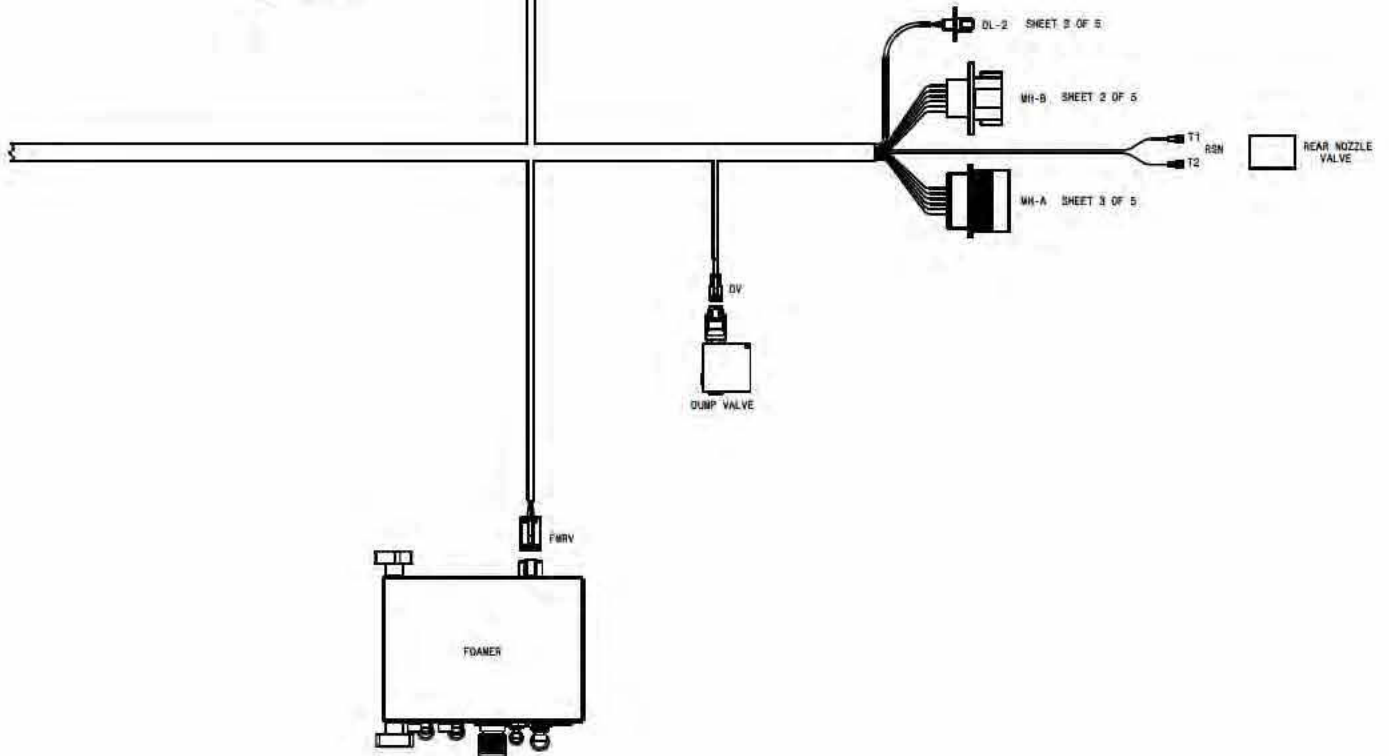
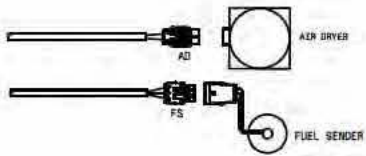
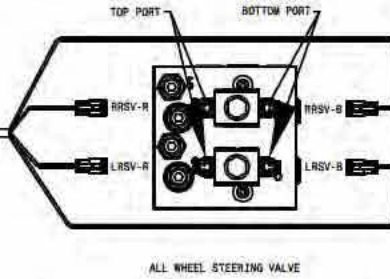
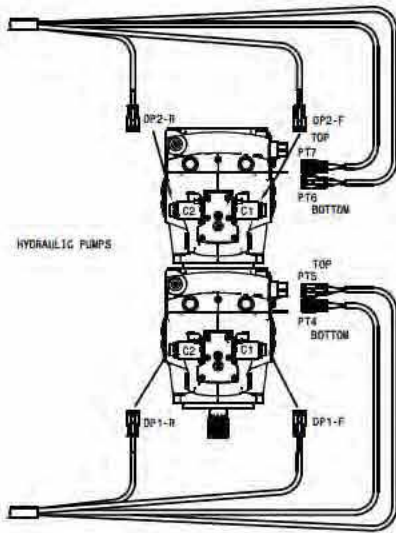




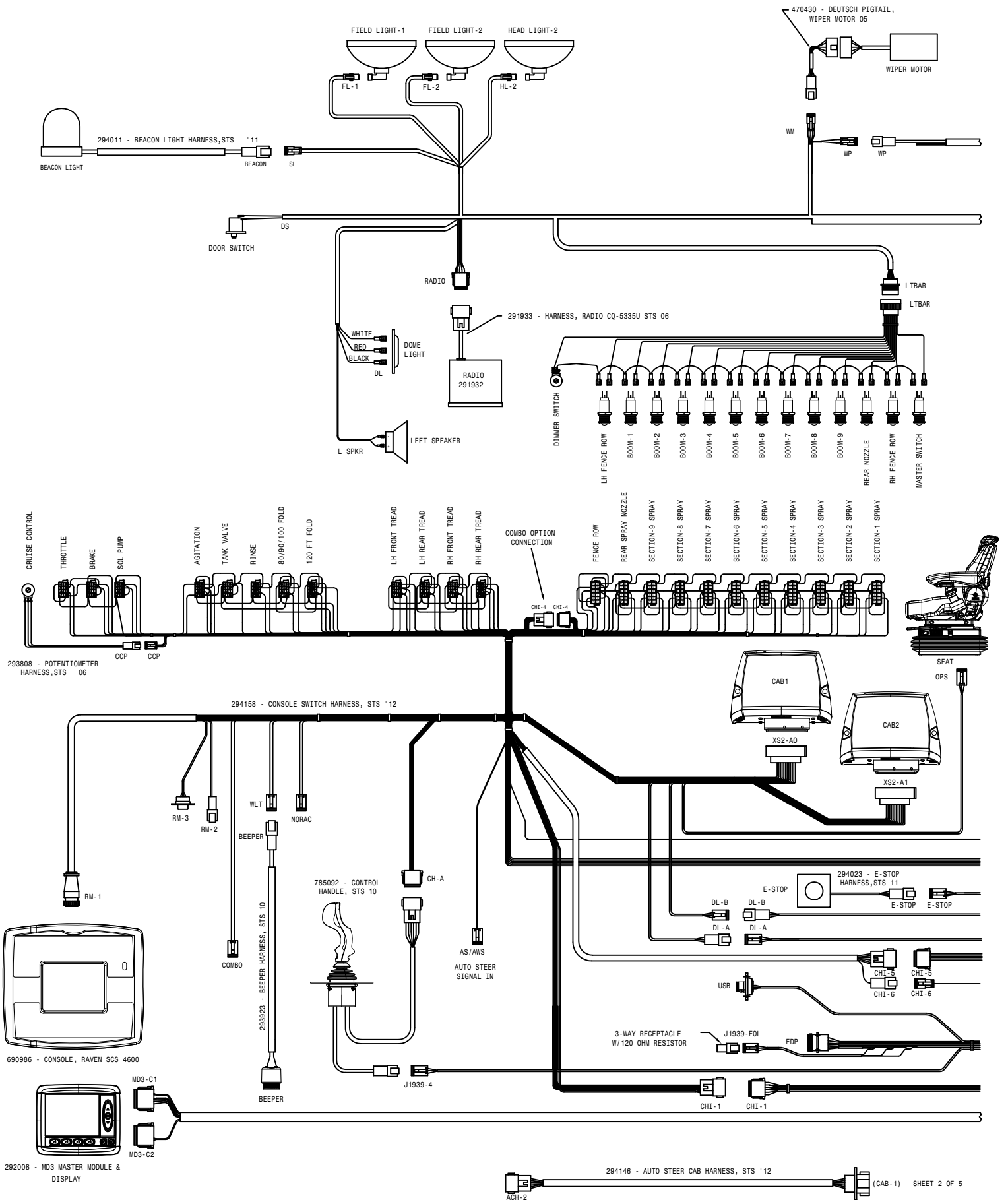
**STS10/12-T4J WIRING DIAGRAM '13**  
 SHEET 3 OF 5  
 REVISION DATE: 08-10-12  
 499255

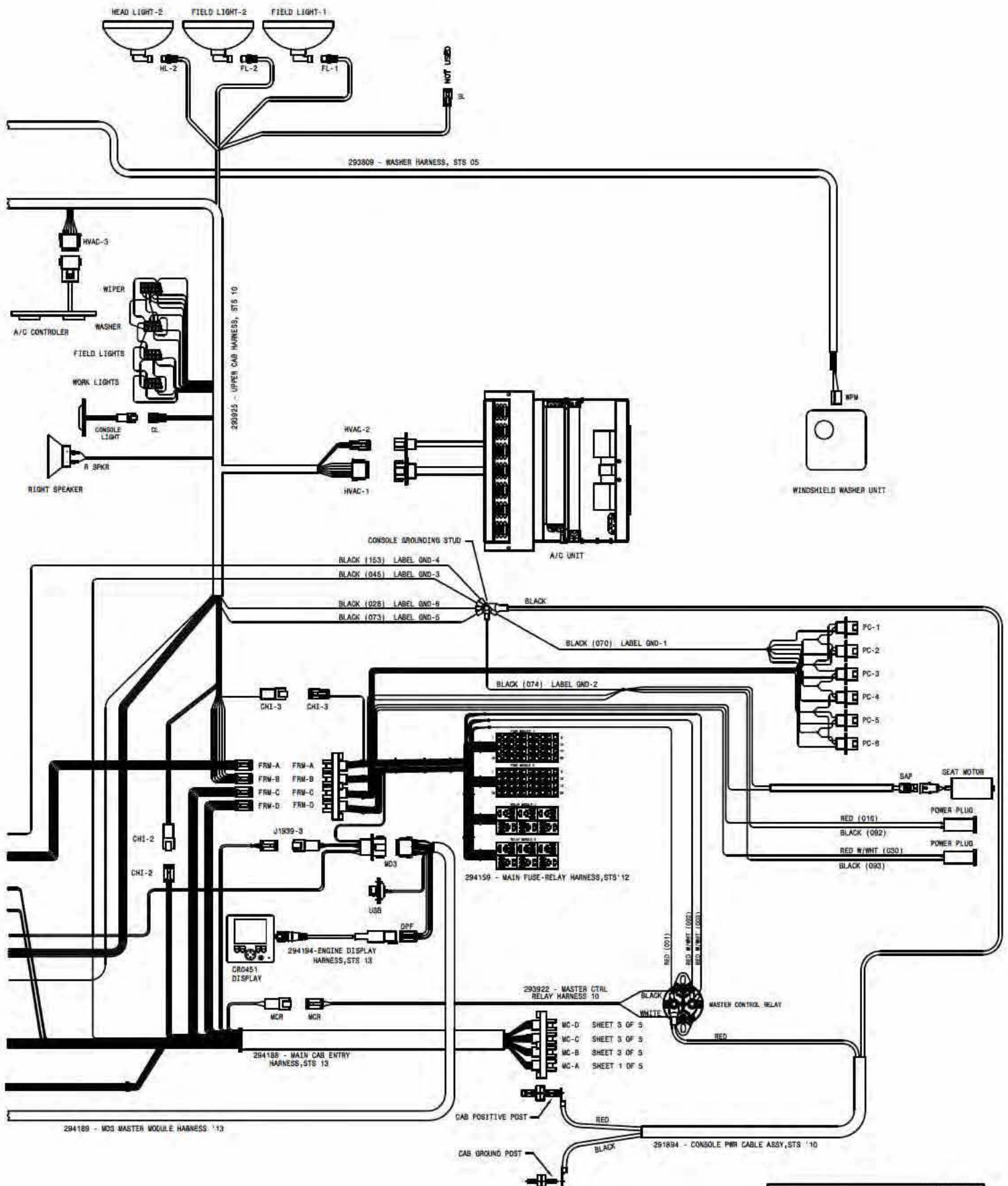


SHEET 2 OF 5



12-20-11 ONE  
**8TS 10/12-T41 WIRING DIAGRAM '13**  
 SHEET 4 OF 5  
 REVISION DATE: 07-24-12  
**499255**





12-26-11 DMI  
**STS 10/12-T41 WIRING DIAGRAM '13**  
 SHEET 5 OF 5  
 REVISION DATE: 499255

## ABBREVIATIONS

A/C - AIR CONDITIONER	MT - MOUNT
ADPTR - ADAPTER	MTR - MOTOR
AGI - AGITATOR	P/N - PART NUMBER
ALT - ALTERNATOR	PLT - PLATE
ASSY - ASSEMBLY	QTY - QUANTITY
BRKT - BRACKET	RED - REDUCER
DET - DETAIL	REF - REFERENCE
DISPL - DISPLACEMENT	REST - RESTRICTOR
EL - ELBOW	REQ - REQUIRED
EXT - EXTENSION	SHFT - SHAFT
FLO - FLOW	SOL - SOLUTION
FNPT - FEMALE NATIONAL PIPE THREAD	STRG - STEERING
FOR - FEMALE O-RING	ST - STREET
FRT - FRONT	SV - STANDARD VOLUME
HV - HI-VOLUME	SWIV - SWIVEL
HYD - HYDRAULIC	UNC - UNIFIED NATIONAL COURSE
HYDRO - HYDROSTATIC	UNF - UNIFIED NATIONAL FINE
LG - LONG	V - VOLT
LWR - LOWER	W/ - WITH
MJIC - MALE J.I.C.	WHL - WHEEL
MOR - MALE O-RING	WLD - WELDMENT



INDEX

-A-

ABBREVIATIONS.....160  
 AIR DRYER.....15,23  
 AIR CLEANER.....10,19  
     FILTER.....10,19  
 AIR COMPRESSOR GOVERNOR.....10,18  
 AIR CONDITIONER  
     BINARY SWITCH.....8,20  
     COMPRESSOR.....6,19  
     CONDENSOR COIL.....9,20  
     CONTROLLER.....60  
     HOSE.....8,9,19,20  
     RECEIVER/DRYER.....8,20  
     TUBE.....46  
 AIR COOLER, CHARGE.....9,20  
 AIRRIDE SPRING.....27,30,33,36  
 AIR VALVE.....27,30,33,36  
 ALTERNATOR.....5  
 ARM, STEERING.....27,30,33,36  
 ALL WHEEL STEER,  
     LEG.....27,30,33,36  
     VALVE.....114

-B-

BACK-UP BEEPER.....9  
 BATTERY.....13,22  
     CABLE.....4,5,10,13,18,19,22  
     BOX PANEL.....9,21  
 BEARING,  
     BRONZE LEG.....27,30,33,36,39  
     ORKOT.....27,30,33,36  
 BELT,  
     AIR CONDITIONER.....6  
     DRIVE.....5  
 BLOCK, TERMINAL.....72  
 BOX,  
     ELECTRICAL.....14  
     PRESSURE WASHER.....105  
     SIDE FILL.....109  
 BRACE, RADIATOR.....8  
 BUMPER, REAR.....77

-C-

CAB.....58,59  
     ROOF.....58,59  
 CABLE BATTERY.....4,5,10,13,18,19

CAP,  
     FUEL.....12,21  
     RADIATOR.....9,20  
 CHARGE AIR COOLER.....9,20  
 CHEMICAL INDUCTOR.....110  
 COMPRESSOR, A/C.....6  
 CONDENSOR COIL, A/C.....9,20  
 CONSOLE.....70  
 COOLER, OIL.....9,20  
 CYLINDER,  
     GAS.....77  
     LADDER.....54  
     SIDE FILL.....110  
     STEERING.....27,30  
     TREAD ADJUST.....39,40

-D-

DECALS.....118,119  
 DIAGRAMS,  
     AIR LINE.....115,116  
     WIRING.....140  
 DOOR.....67,77  
     LATCH.....67,77,78  
 DRAIN COCK, AIR.....16,17,24  
 DRIVE  
     BELT.....5  
     DISK.....4

-E-

ELECTRICAL BOX.....75  
     ENGINE.....14  
 ENGINE.....4,5  
     HOOD.....77,78  
     SKID.....8,21

-F-

FAN.....5,18  
     SPACER.....5  
 FILTER,  
     AIR CLEANER.....10,18  
     CAB.....58  
     FUEL.....4,18  
     HYDRAULIC.....25  
     MINDER.....19  
     OIL.....5,18,25  
 FLASHER.....74,101,102  
 FLOW METER.....82

FOAMER  
 TANK.....104  
 VALVE.....104  
 FRESH WATER.....103  
 FRONT FILL.....111  
 FUEL,  
 CAP.....21  
 SENDER.....21  
 TANK.....21

-G-

GLASS.....58,59

-H-

HANDRAIL.....55  
 HEADLINER.....60  
 HEATER TUBE.....46  
 HOOD, ENGINE.....77,78  
 HOSE, A/C.....8,19,20  
 HOSING,  
 SOLUTION.....84,85,86,87,88,89  
 HUB, TORQUE.....28,31,34,37  
 HYDRAULIC,  
 FILTER.....25  
 LEVER.....71  
 MANIFOLD.....47,48,49,50  
 SCHEMATIC.....120  
 TANK.....25  
 TUBE.....45,46  
 VALVE.....51,53  
 HYDROSTATIC PUMP.....7

-I-

IGNITION SWITCH.....65

-L-

LADDER.....54  
 CYLINDER.....54  
 PIVOT ARM.....54  
 LEG.....27,30,33,36  
 ALL WHEEL STEER.....27,30,33,36  
 LEVER,  
 HYDROSTATIC.....71  
 QUICK ATTACH.....100  
 LIGHT.....58,59  
 LINE STRAINER.....79  
 LIQUID LEVEL SWITCH.....25

-M-

MDM DISPLAY.....60

MIRROR.....58,59  
 MONITOR, SPRAYER.....68  
 MOTOR,  
 STEERING.....64  
 WHEEL.....28,31,34,37  
 MOUNT, RUBBER.....8,19,59  
 MUFFLER.....11,19

-N-

NOZZLE,  
 MOUNT TUBE.....97  
 REAR WHEEL.....97

-O-

OIL COOLER.....9,20  
 OIL FILTER.....5,18,25

-P-

PANEL,  
 BATTERY BOX.....9,21  
 SWITCH.....61,69  
 PLATFORM, SERVICE.....44  
 PRESSURE TRANSDUCER.....47,50  
 PRESSURE WASHER.....106  
 BOX.....105  
 VALVE.....106  
 PUMP,  
 HYDRAULIC.....4,18  
 HYDROSTATIC.....7  
 SIDE FILL.....110  
 SOLUTION.....98,99

-R-

RADIATOR.....9,20  
 BRACE.....8  
 CAP.....9,20  
 HOSE.....5,20  
 RADIO.....60  
 REAR WHEEL NOZZLE.....97  
 RINSE TANK.....79  
 RUBBER  
 MOUNT.....8,9,19,59  
 SPRING.....27,30,33,36

-S-

SCHEMATIC, HYDRAULIC.....120  
 SEAT.....61,62  
 SENDER, FUEL.....12,21  
 SENDER, WATER LEVEL.....9,20  
 SERVICE PLATFORM.....43  
 SHEET METAL.....78

SHIELD, WHEEL MOTOR...28,31,34,37  
 SIDFILL.....110  
   BOX.....109  
   CYLINDER.....110  
 SIGHT GAUGE, OIL.....25  
 SKID, ENGINE.....21  
 SMV SIGN.....77  
 SOLUTION  
   HOSING.....84,85,86,87,88,89  
   PUMP.....98,99  
   TANK.....80,81  
   VALVE.....51,81  
 SPACER, FAN.....5  
 SPEAKER.....60  
 SPRAY MONITOR.....68  
 SPRING,  
   AIRRIDE.....27,30,33,36  
   SOLUTION TANK.....80  
 STARTER.....5  
 STEERING,  
   ARM.....27,30,33,36  
   COLUMN.....65  
   CYLINDER.....27,30  
   MOTOR.....64  
 STRAINER, LINE.....98,99  
 SWITCH,  
   A/C BINARY.....8,20  
   IGNITION.....65  
   LIQUID LEVEL.....25  
   PANEL.....69

-T-

TAILLIGHT.....77  
 TANK  
   AIR.....15,16,23,24  
   FOAMER.....104  
   FRESHWATER.....103  
   FUEL.....21  
   HYDRAULIC.....25  
   RINSE.....79  
   SOLUTION.....80,81  
 TERMINAL BLOCK.....72  
 TIRE.....15  
 TORQUE HUB.....28,31,34,37  
 TREAD ADJUST  
   CYLINDER.....39,40  
   VALVE.....43,44  
 TUBE,  
   A/C.....36  
   HEATER.....36  
   HYDRAULIC.....35,36

-V-

VALVE,  
   AIR.....27,30,33,36  
   ALL WHEEL STEER.....114  
   BALL.....80  
   ELECTRIC BALL.....79,98,99  
   FOAMER.....104  
   HYDRAULIC.....51,53  
   PRESSURE WASHER.....106  
   SIDE FILL.....110  
   SOLUTION.....51  
   TREAD ADJUST.....43,44

-W-

WASHER, PRESSURE.....106  
 WATER LEVEL SENSOR.....9,20  
 WHEELMOTOR.....28,31,34,37  
   SHIELD.....28,31,34,37  
 WIRING DIAGRAM.....140

# Notes: