

PARTS MANUAL
FOR
HAGIE MODEL STS 10 HI-TRACTOR
SPRAYER – DETASSELER

HAGIE MANUFACTURING COMPANY

BOX 273 CLARION, IOWA 50525

(515) 532-2861

COVERS MACHINE SERIAL NUMBERS: U1660440001 thru U1660440100

10-03 493308
02-08

SPRAYER IDENTIFICATION

Each Hagie sprayer is identified by means of a frame serial number. This serial number denotes the model, the year in which it was built, and the number of the sprayer. As for further identification, the engine has a serial number and the planetary hubs have identification plates that describe the type of mount and gear ratio. To insure prompt, efficient service when ordering parts or requesting service repairs from Hagie Manufacturing Company, record the serial and identification numbers in the space provided below.

NOTE: Reference to left hand and right hand used throughout this manual refers to the position when seated in the operator's seat facing forward.

SPRAYER SERIAL NUMBER

ENGINE SERIAL NUMBER

PLANETARY HUB IDENTIFICATION NUMBERS

TABLE OF CONTENTS

ENGINE ASSEMBLY 4-11

RADIATOR AND OIL COOLER ASSEMBLY. 12

AIR CHECK VALVE ASSEMBLY. 13

FUEL AND OIL TANK ASSEMBLY. 14-15

BATTERY. 16

STEERING CYLINDER. 17

LEG ASSEMBLY 18-25

TIRE ASSEMBLY 26

AIR TANK ASSEMBLY 27

HYDRAULIC TUBING 28-29

TREAD ADJUST ASSEMBLY 30-32

ELECTRICAL BOXES 33-35

CAB ASSEMBLY. 36-40

SWITCH PANEL ASSEMBLY 41

ATI CONTROLER BOX ASSEMBLY 42-43

LS CONTROL DISPLAY AND DEPTH COMMAND BOX ASSEMBLY 44-46

MIRROR BRACKETS 47-48

ENGINE HOOD 49-51

LADDER ASSEMBLY. 52-55

SERVICE PLATFORM. 56

SOLUTION TANK 57-61

SOLUTION PUMP AND ELECTRIC VALVES 62-76

REAR WHEEL NOZZLE. 77

SOLUTION HOISING 78-85

FOAMER TANK ASSEMBLY. 86-91

TRANSOM, BOOM, AND LIFT COMPONENTS. 92-108

BOOM CRADLE 109

PRESSURE WASHER OPTION. 110-114

SIDE FILL/CHEMICAL INDUCTOR OPTION. 115-119

FRONT FILL OPTION. 120

RADAR OPTION. 121

FLOW MAX 110 MONITOR ASSEMBLY 122

FENDER OPTION 123-124

MANIFOLD AND RELAY BOX ASSEMBLY 125-126

FOLD AND LIFT VALVE ASSEMBLY 127-130

MOTOR CONTROL VALVE ASSEMBLY 131

OUTRIGGER ASSEMBLY 132-137

QUAD AND CUTTER HEAD ASSEMBLY 138-140

DECALS. 142-143

HYDRAULIC SCHEMATIC 144-163

ELECTRICAL SCHEMATIC 164-185

ABBREVIATIONS 186

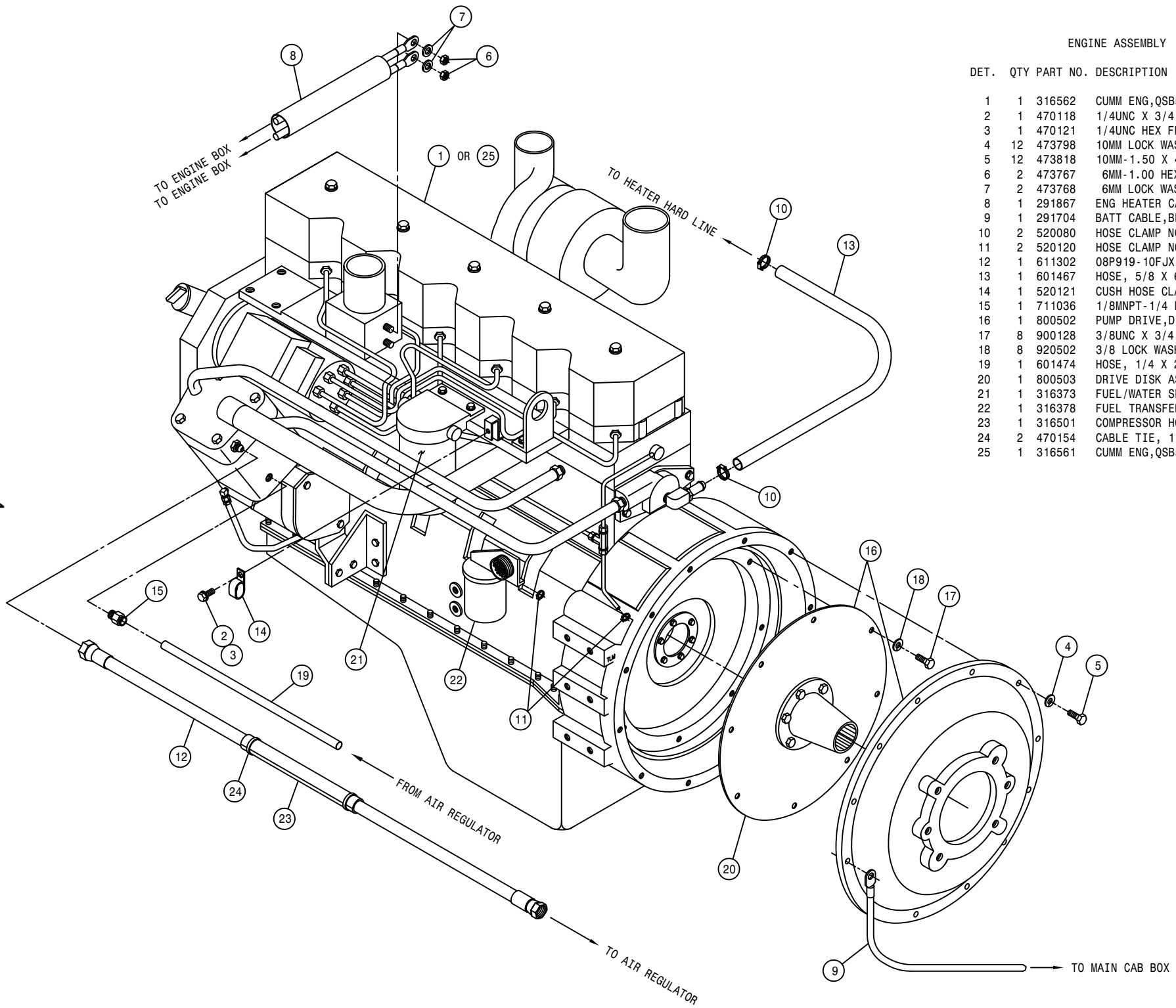
INDEX. 187

PARTS ORDER FORM. 190

ENGINE ASSEMBLY

DET. QTY PART NO. DESCRIPTION

1	1	316562	CUMM ENG,QSB5.9C,275@2500CMPSR
2	1	470118	1/4UNC X 3/4 FLANGE HEX BOLT
3	1	470121	1/4UNC HEX FLANGE LOCK NUT
4	12	473798	10MM LOCK WASHER
5	12	473818	10MM-1.50 X 40MM HEX BOLT
6	2	473767	6MM-1.00 HEX NUT
7	2	473768	6MM LOCK WASHER
8	1	291867	ENG HEATER CABLE ASSY,RED 6GA
9	1	291704	BATT CABLE,BLK172°6GA 3/8-3/8
10	2	520080	HOSE CLAMP NO 10 STAINLESS
11	2	520120	HOSE CLAMP NO 4 STAINLESS
12	1	611302	08P919-10FJX-10FJX-69 H/A
13	1	601467	HOSE, 5/8 X 69 HEATER
14	1	520121	CUSH HOSE CLAMP 1IN X 3/4W
15	1	711036	1/8MNPT-1/4 NYL TUBE FTG
16	1	800502	PUMP DRIVE,DIRECT SAE#3/C 23T
17	8	900128	3/8UNC X 3/4 HEX BOLT
18	8	920502	3/8 LOCK WASHER
19	1	601474	HOSE, 1/4 X 26 AIR
20	1	800503	DRIVE DISK ASSY,11.5" 23T SPL
21	1	316373	FUEL/WATER SEPERATOR (316360)
22	1	316378	FUEL TRANSFER PUMP FOR 316360
23	1	316501	COMPRESSOR HOSE GUARD STS
24	2	470154	CABLE TIE, 11.75" BLK PLASTIC
25	1	316561	CUMM ENG,QSB5.9C,220@2500CMPSR



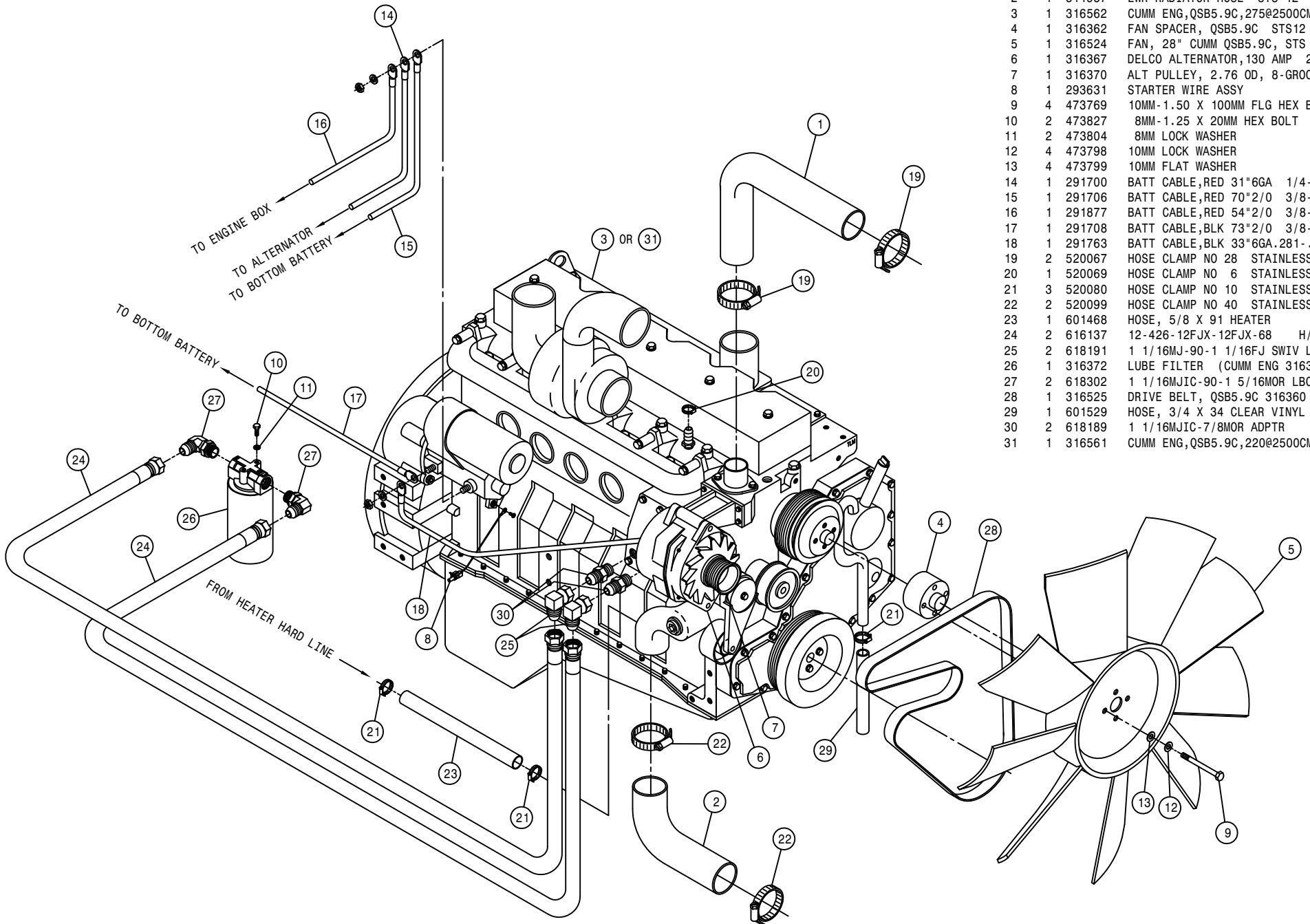
4

308004

ENGINE ASSEMBLY

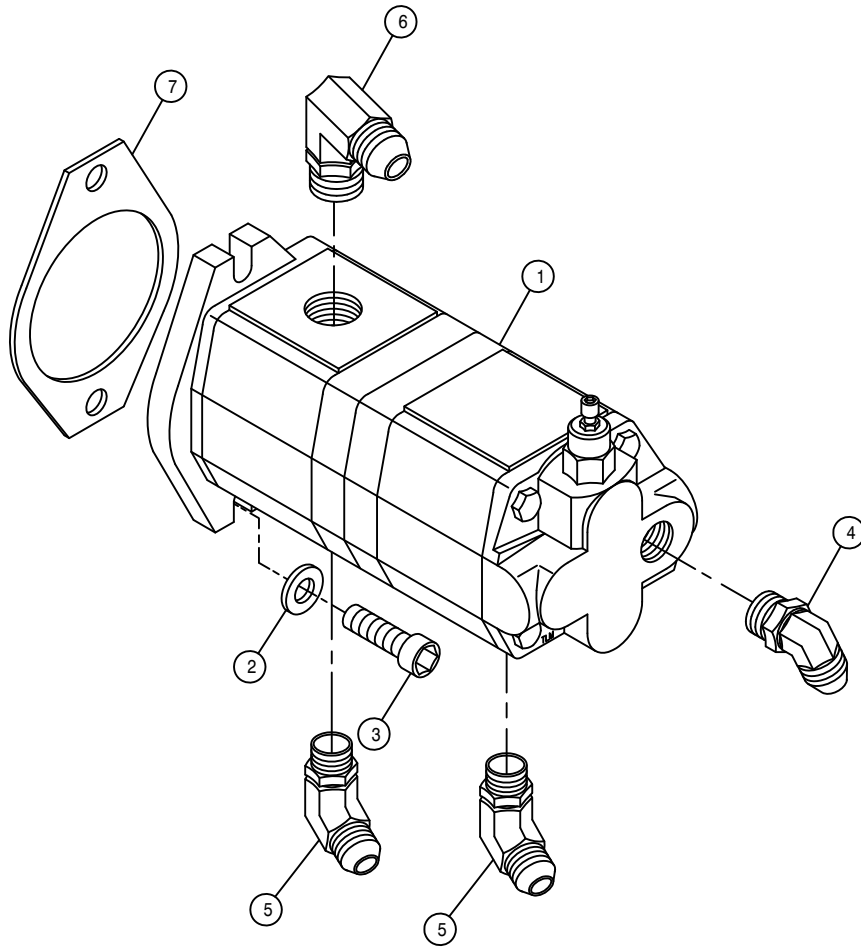
DET. QTY PART NO. DESCRIPTION

DET.	QTY	PART NO.	DESCRIPTION
1	1	314832	RADIATOR HOSE 1.75 X 19(52423)
2	1	314987	LWR RADIATOR HOSE STS-12
3	1	316562	CUMM ENG,QSB5.9C,275@2500CMPSR
4	1	316362	FAN SPACER, QSB5.9C STS12 00
5	1	316524	FAN, 28" CUMM QSB5.9C, STS 02
6	1	316367	DELCO ALTERNATOR,130 AMP 22SI
7	1	316370	ALT PULLEY, 2.76 OD, 8-GROOVE
8	1	293631	STARTER WIRE ASSY
9	4	473769	10MM-1.50 X 100MM FLG HEX BOLT
10	2	473827	8MM-1.25 X 20MM HEX BOLT
11	2	473804	8MM LOCK WASHER
12	4	473798	10MM LOCK WASHER
13	4	473799	10MM FLAT WASHER
14	1	291700	BATT CABLE,RED 31"6GA 1/4-3/8
15	1	291706	BATT CABLE,RED 70"2/0 3/8-3/8
16	1	291877	BATT CABLE,RED 54"2/0 3/8-3/8
17	1	291708	BATT CABLE,BLK 73"2/0 3/8-3/8
18	1	291763	BATT CABLE,BLK 33"6GA.281-.406
19	2	520067	HOSE CLAMP NO 28 STAINLESS
20	1	520069	HOSE CLAMP NO 6 STAINLESS
21	3	520080	HOSE CLAMP NO 10 STAINLESS
22	2	520099	HOSE CLAMP NO 40 STAINLESS
23	1	601468	HOSE, 5/8 X 91 HEATER
24	2	616137	12-426-12FJX-12FJX-68 H/A
25	2	618191	1 1/16MJ-90-1 1/16FJ SWIV LBO
26	1	316372	LUBE FILTER (CUMM ENG 316360)
27	2	618302	1 1/16MJIC-90-1 5/16MOR LBO
28	1	316525	DRIVE BELT, QSB5.9C 316360 02
29	1	601529	HOSE, 3/4 X 34 CLEAR VINYL
30	2	618189	1 1/16MJIC-7/8MOR ADPTR
31	1	316561	CUMM ENG,QSB5.9C,220@2500CMPSR



5

308005



STEERING AND TREAD ADJUST PUMP ASSEMBLY

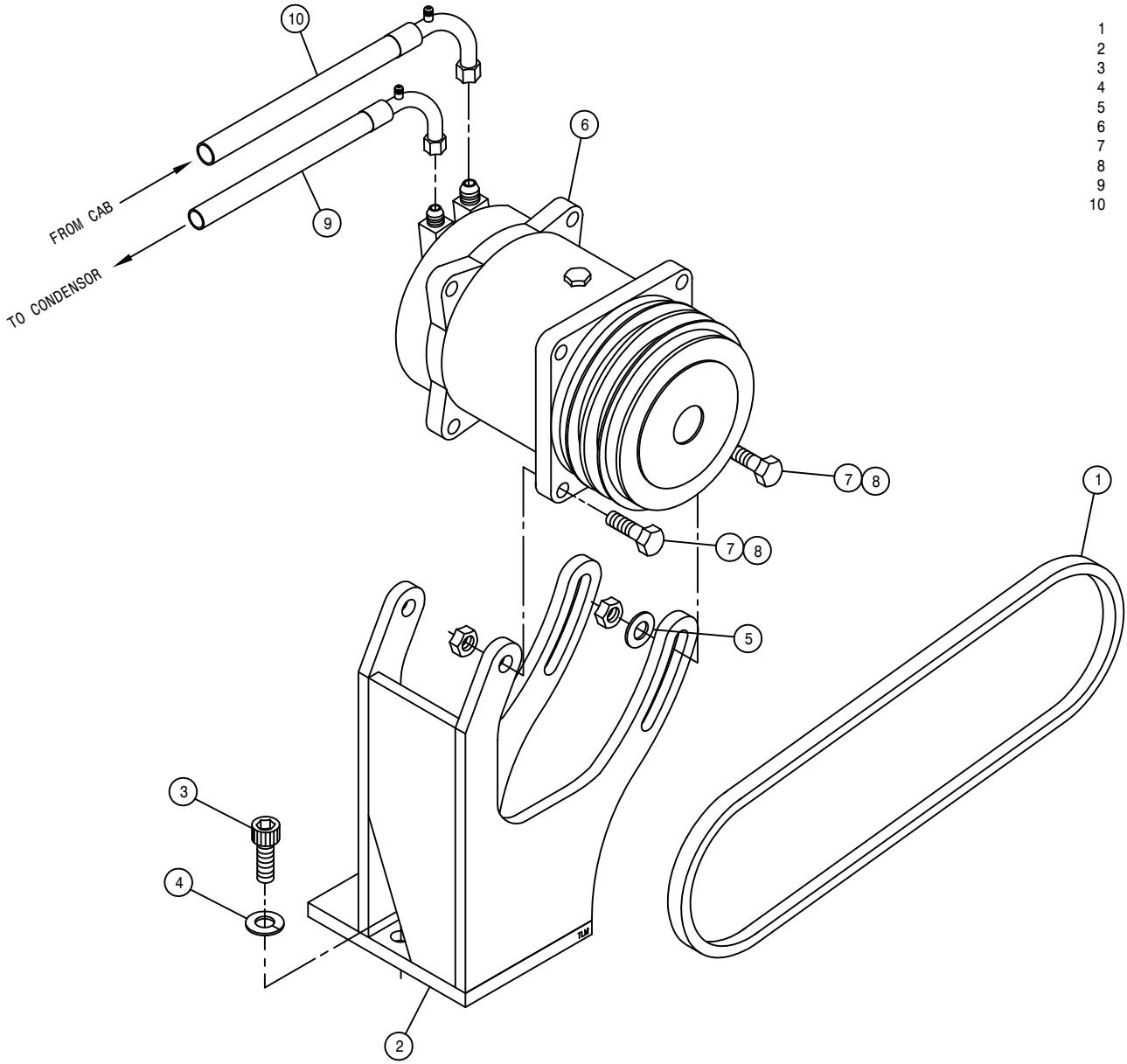
DET. QTY PART NO. DESCRIPTION

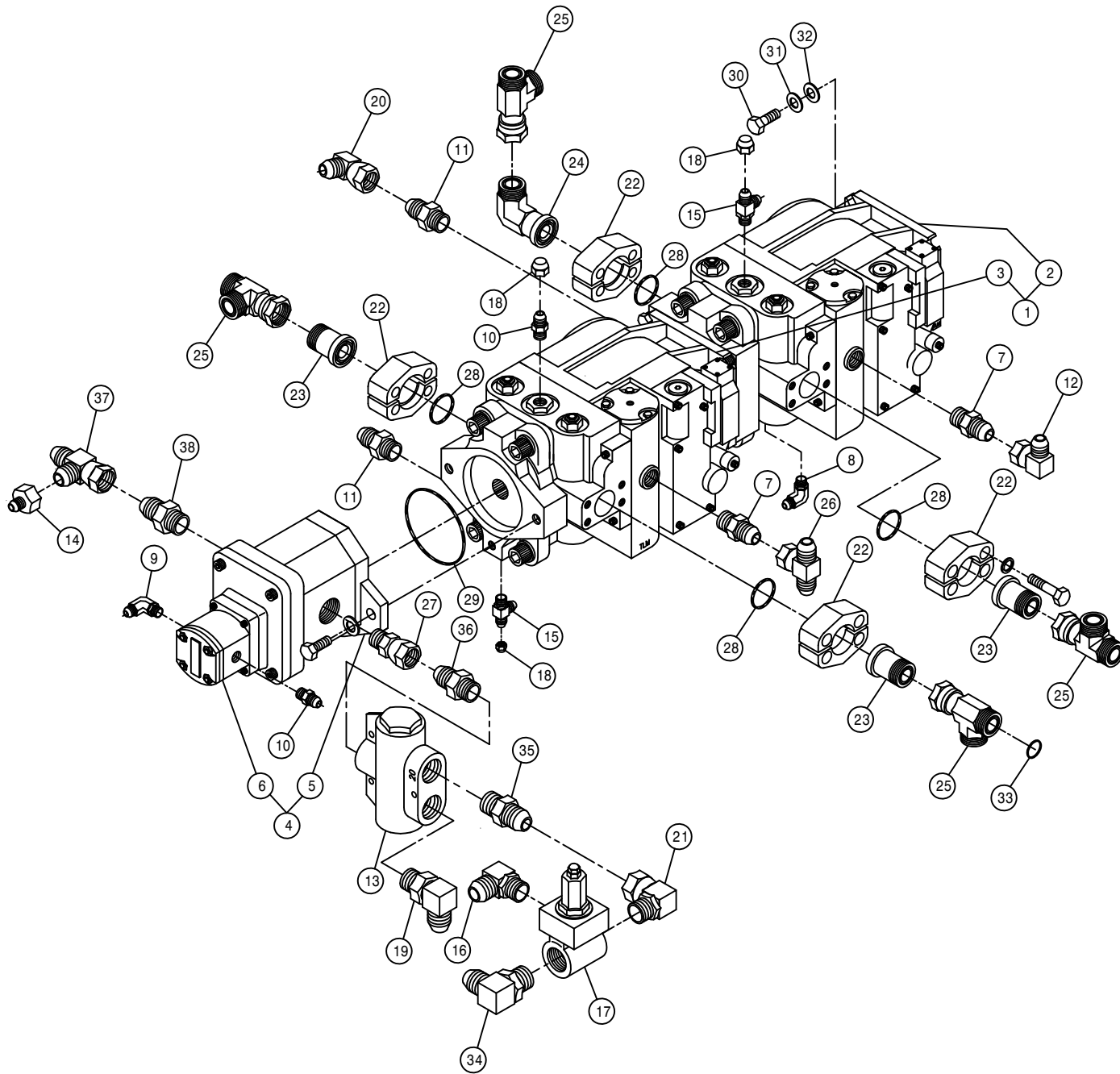
1	1	606990	TANDEM PUMP, .66CI/.51CI
2	2	473799	10MM FLAT WASHER
3	2	473844	10MM-1.50 X 30 SOC HD CAP SCR
4	1	618315	3/4MJIC-45-3/4MOR LBO
5	2	618183	3/4MJIC-90-7/8MOR LBO
6	1	618248	1 1/16MJIC-90-1 1/16MOR LBO
7	1	316371	GASKET, AUX DRIVE CUMM 154916

A/C COMPRESSOR PUMP ASSEMBLY

DET. QTY PART NO. DESCRIPTION

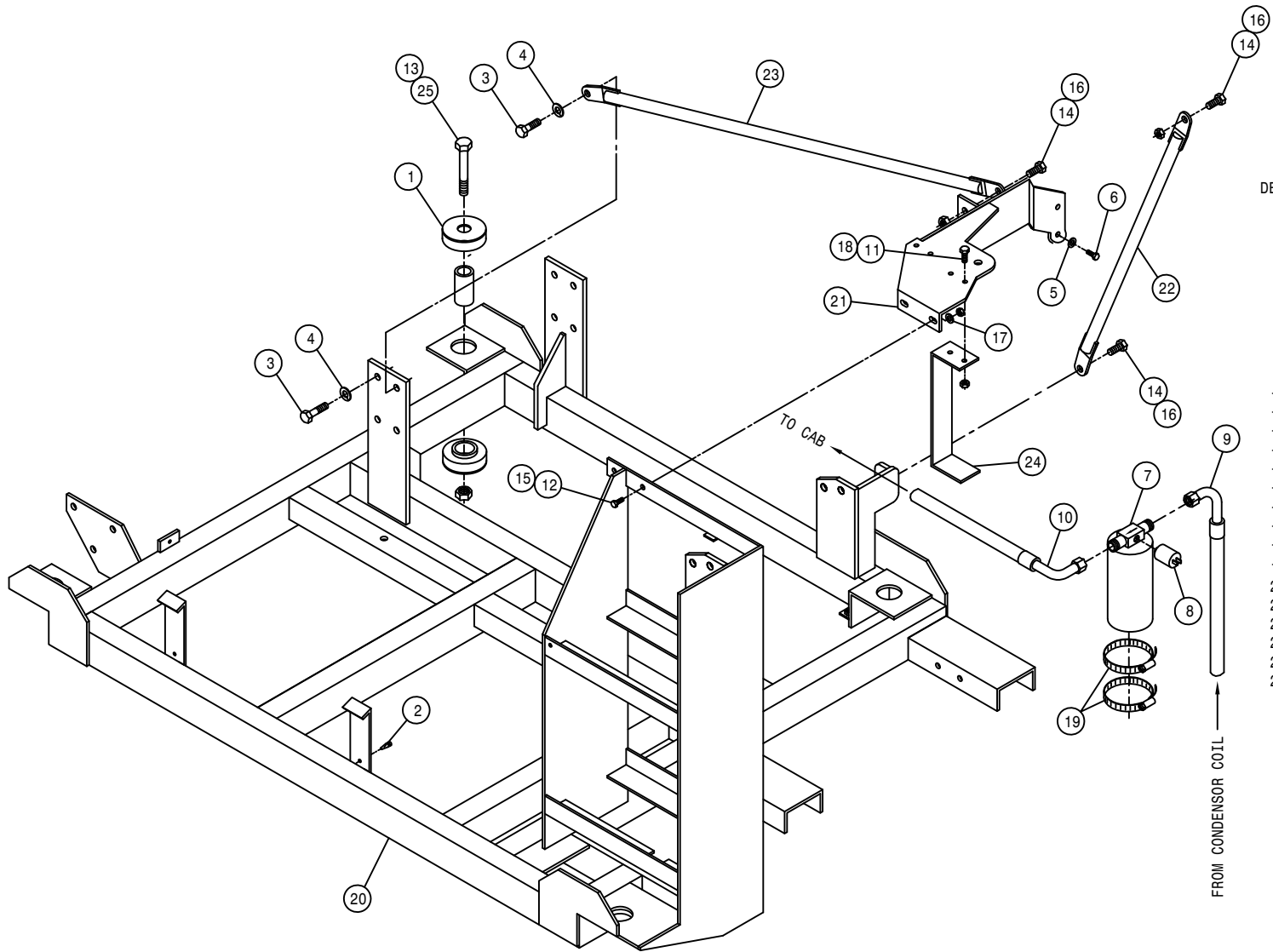
1	1	147052	BELT, 17470 GOODYEAR
2	1	316591	A/C MTG BRKT WLD, STS 2004
3	3	473844	10MM-1.50 X 30 SOC HD CAP SCR
4	3	473798	10MM LOCK WASHER
5	2	483043	3/8 REGULAR FLAT WASHER
6	1	657450	A/C COMP SR,90D PORT TM15/12
7	4	900131	3/8UNC X 1 1/2 HEX BOLT
8	4	914004	3/8UNC HEX STOVER NUT
9	1	657446	A/C HOSE,08-08F90-08F90SV-65"
10	1	657447	A/C HOSE,10-10F90-10F90SV-92"





HYDROSTATIC PUMP ASSEMBLY

DET.	QTY	PART NO.	DESCRIPTION
	1	606150	TANDEM PUMP, 606153 & 606156
	2	606153	SAUER 75CC PUMP,C/C-MT
	3	606156	SAUER 75CC PUMP,C/B-MT
	4	606084	TANDEM PUMP, 606087 & 606987
	5	606087	SAUER GEAR PUMP,3.87CI GRP3
	6	606987	SUND GEAR PUMP,.128CI GRP3
	7	2	611127 1 1/16MJIC-1 1/16MOR ADPTR
	8	1	614754 .050 ELBOW ASSY,9/16MOR 90D
	9	1	618241 3/4MJIC-90-3/4MOR LBO
	10	2	618126 9/16MJIC-9/16MOR ADPTR
	11	2	618186 1 5/16MJIC-1 5/16MOR ADPTR
	12	1	618191 1 1/16MJ-90-1 1/16FJ SWIV LBO
	13	1	606074 FLO DIV BG420 20GPM PRI 16FOR
	14	1	618720 1 7/8FJIC-3/4MJIC ADPTR
	15	2	618444 9/16MOR RUN TEE-9/16MJIC
	16	1	618279 1 1/16MJIC-90-7/8MOR LBO
	17	1	607550 IN-LINE RELIEF VALVE, 2600 PSI
	18	3	618531 9/16FJIC CAP NUT
	19	1	618178 1 5/16MJIC-90-1 5/16MOR LBO
	20	1	618640 1 5/16MJ-90-1 5/16FJ SWIV LBO
	21	1	618684 1 1/16MOR-90-1 1/16FJIC SWIV
	22	4	618652 1" SPLIT FLANGE KIT
	23	3	618653 1" FLANGE-1 7/16MFOR ADPTR
	24	1	618654 1" FLANGE-90-1 7/16MFOR LBO
	25	4	618655 1 7/16FFOX RUN TEE-1 7/16MFOR
	26	1	618660 1 1/16FJX BRANCH TEE-1 1/16MJ
	27	1	618683 1 5/8MOR-1 5/8FJIC SWIV ADPTR
	28	4	618676 O-RING FOR 1" SPL FLG 618652
	29	1	606870 O-RING FOR 606865 SUND B-MT
	30	4	900265 1/2UNC X 1 1/2 HEX BOLT
	31	4	920504 1/2 LOCK WASHER
	32	4	920004 1/2 SAE FLAT WASHER
	33	12	618677 O-RING,-16 FACE SEAL .93ID 90D
	34	1	618248 1 1/16MJIC-90-1 1/16MOR LBO
	35	1	618308 1 1/16MJIC-1 5/16MOR ADPTR
	36	1	618471 1 5/8MJIC-1 5/16MOR ADPTR
	37	1	618681 1 7/8FJ SW RUN TEE-1 7/8MJ
	38	1	618682 1 7/8MOR-1 7/8MJIC ADPTR



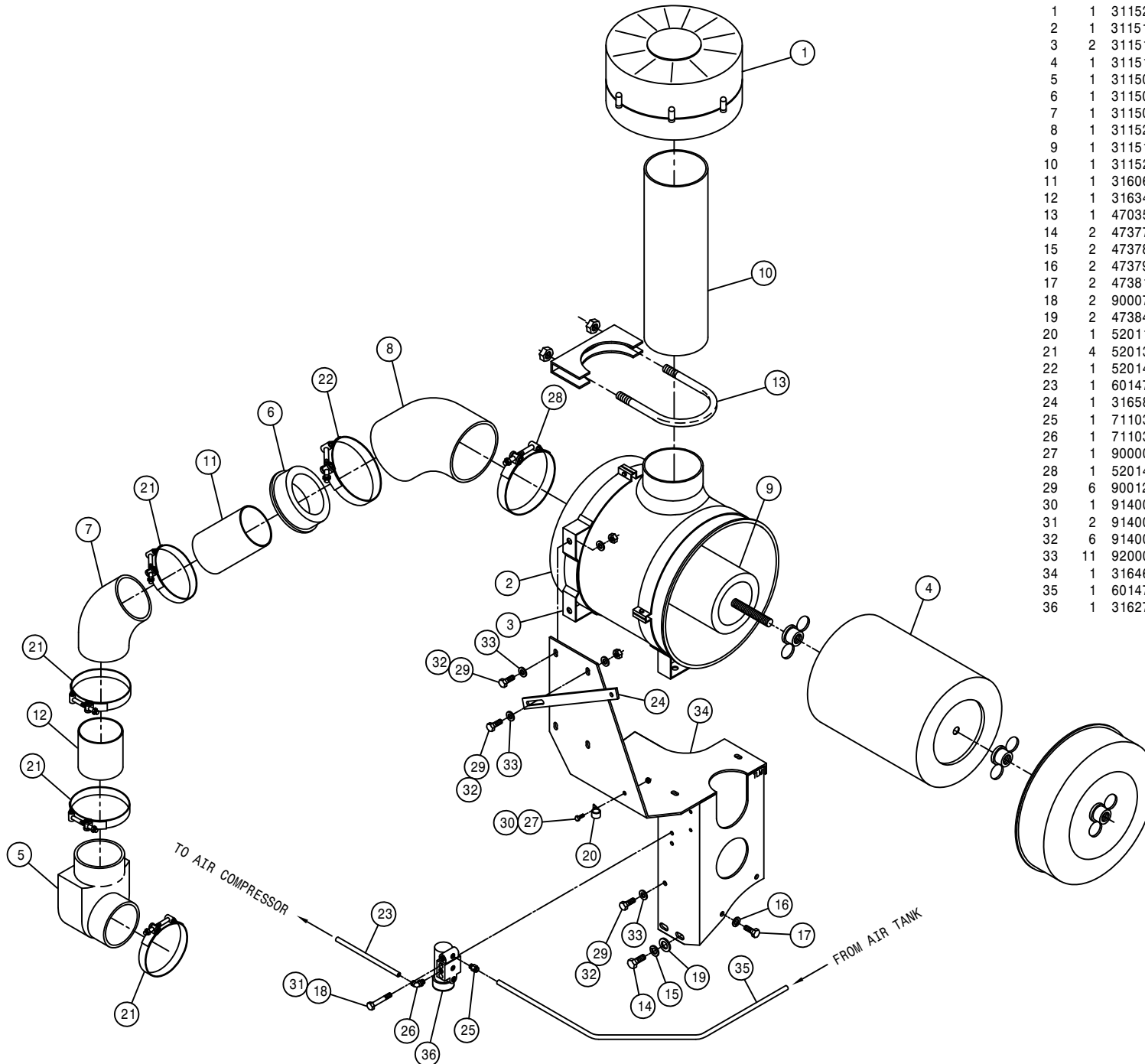
ENGINE SKID ASSEMBLY

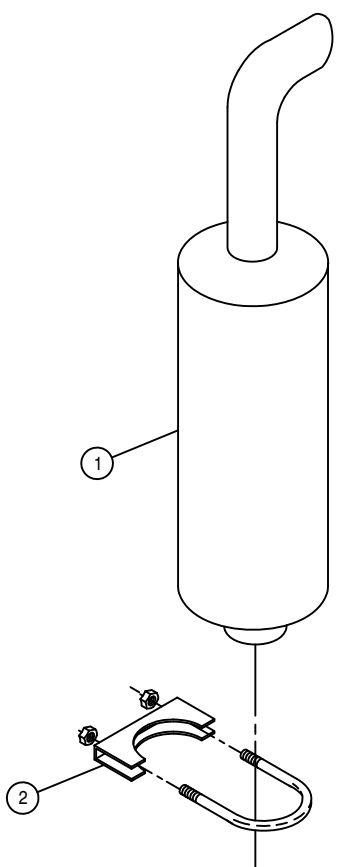
DET.	QTY	PART NO.	DESCRIPTION	
1	4	311057	RUBBER MT SET,SSB33-1000-4	
2	4	470313	GROMMET BUMPER,1/4T X 1/4D MT	
3	12	473775	12MM-1.75 X 30MM HEX BOLT	
4	12	473784	12MM LOCK WASHER	
5	2	473804	8MM LOCK WASHER	
6	2	473827	8MM-1.25 X 20MM HEX BOLT	
7	1	657421	A/C RECEIVER/DRYER	
8	1	657422	A/C BINARY SWITCH	
9	1	657443	A/C HOSE,06-06F90-06F90-34"	
10	1	657444	A/C HOSE,06-06F90-06F90-115"	
11	2	900065	5/16UNC X 1" HEX BOLT	
12	2	900129	3/8UNC X 1" HEX BOLT	
13	4	914012	3/4UNC HEX STOVER NUT	
14	3	900264	1/2UNC X 1 1/4 HEX BOLT	
15	2	914004	3/8UNC HEX STOVER NUT	
16	3	914008	1/2UNC HEX STOVER NUT	
17	2	920002	3/8 SAE FLAT WASHER	
18	2	914002	5/16UNC HEX STOVER NUT	
19	2	520052	HOSE CLAMP NO 52 STAINLESS	
20	1	316574	SKID WLD, STS	04
21	1	316581	RAD MT PLT WLD, STS	04
22	1	316433	RH RAD BRACE WLD	
23	1	316434	LH RAD BRACE WLD	
24	1	316432	A/C DRYER MT	
25	4	900408	3/4UNC X 3 1/2 HEX BOLT	

AIR CLEANER ASSEMBLY

DET. QTY PART NO. DESCRIPTION

DET.	QTY	PART NO.	DESCRIPTION
1	1	311520	ENGINE PRE CLEANER
2	1	311514	AIR CLEANER, 14" STS 03
3	2	311517	AIR CLEANER MT BAND,14" STS 03
4	1	311515	PRIMARY AIR FILTER FOR 311514
5	1	311505	4.00 90 DEG COBRA ELBOW,RUBBER
6	1	311506	5.50-4.00 ID REDUCER BUSHING
7	1	311507	4.00" 45DEG ELBOW, RUBBER
8	1	311521	6.00 - 5.50 45DEG ELBOW,RUBBER
9	1	311516	SAFETY ELEMENT FOR 311514
10	1	311526	AIR CLEANER HOOD EXT,6"X 16"LG
11	1	316068	4" X 6.00" AIR INTAKE TUBE
12	1	316344	4" X 4.00" AIR INTAKE TUBE 98
13	1	470354	MUFFLER CLAMP, 6.00 STD U-BOLT
14	2	473775	12MM-1.75 X 30MM HEX BOLT
15	2	473784	12MM LOCK WASHER
16	2	473798	10MM LOCK WASHER
17	2	473818	10MM-1.50 X 40MM HEX BOLT
18	2	900072	5/16UNC X 3" HEX BOLT
19	2	473843	12MM FLAT WASHER
20	1	520117	CUSH HOSE CLAMP 5/8D X 1/2W
21	4	520134	4.31/4.59 T-BOLT HOSE CLAMP SS
22	1	520144	5.94/6.21 T-BOLT HOSE CLAMP SS
23	1	601474	HOSE, 1/4 X 26 AIR
24	1	316583	RH FRT HOOD BRACE, STS 04
25	1	711036	1/8MNPT-1/4 NYL TUBE FTG
26	1	711039	1/8MNPT-1/4 NYL TUBE LBO
27	1	900000	1/4UNC X 1/2 HEX BOLT
28	1	520147	6.38/6.69 T-BOLT HOSE CLAMP
29	6	900129	3/8UNC X 1" HEX BOLT
30	1	914000	1/4UNC HEX STOVER NUT
31	2	914002	5/16UNC HEX STOVER NUT
32	6	914004	3/8UNC HEX STOVER NUT
33	11	920002	3/8 SAE FLAT WASHER
34	1	316464	AIR CLEANER MT WLD
35	1	601478	HOSE, 1/4 X 175 AIR
36	1	316277	AIR COMPRESSOR GOVERNOR KIT



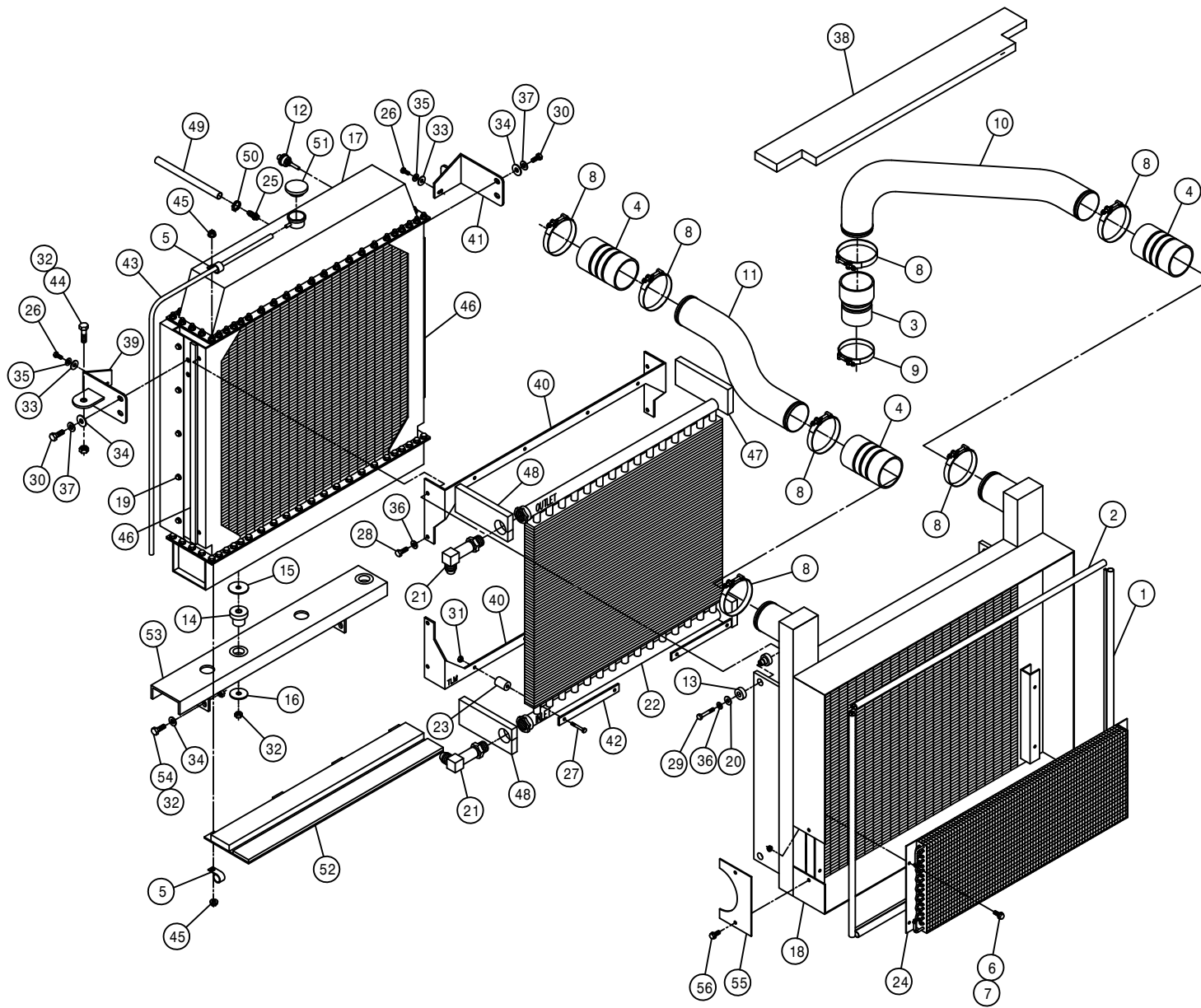


MUFFLER ASSEMBLY

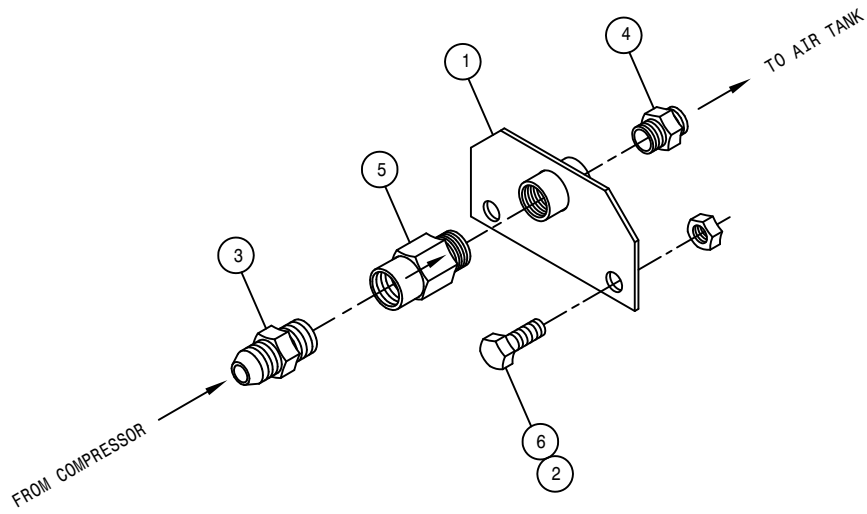
DET.	QTY	PART NO.	DESCRIPTION
1	1	316366	MUFFLER, 2100/STS10/STS12
2	1	470160	MUFFLER CLAMP 3.00 IN

RADIATOR AND OIL COOLER ASSEMBLY

DET. QTY PART NO. DESCRIPTION

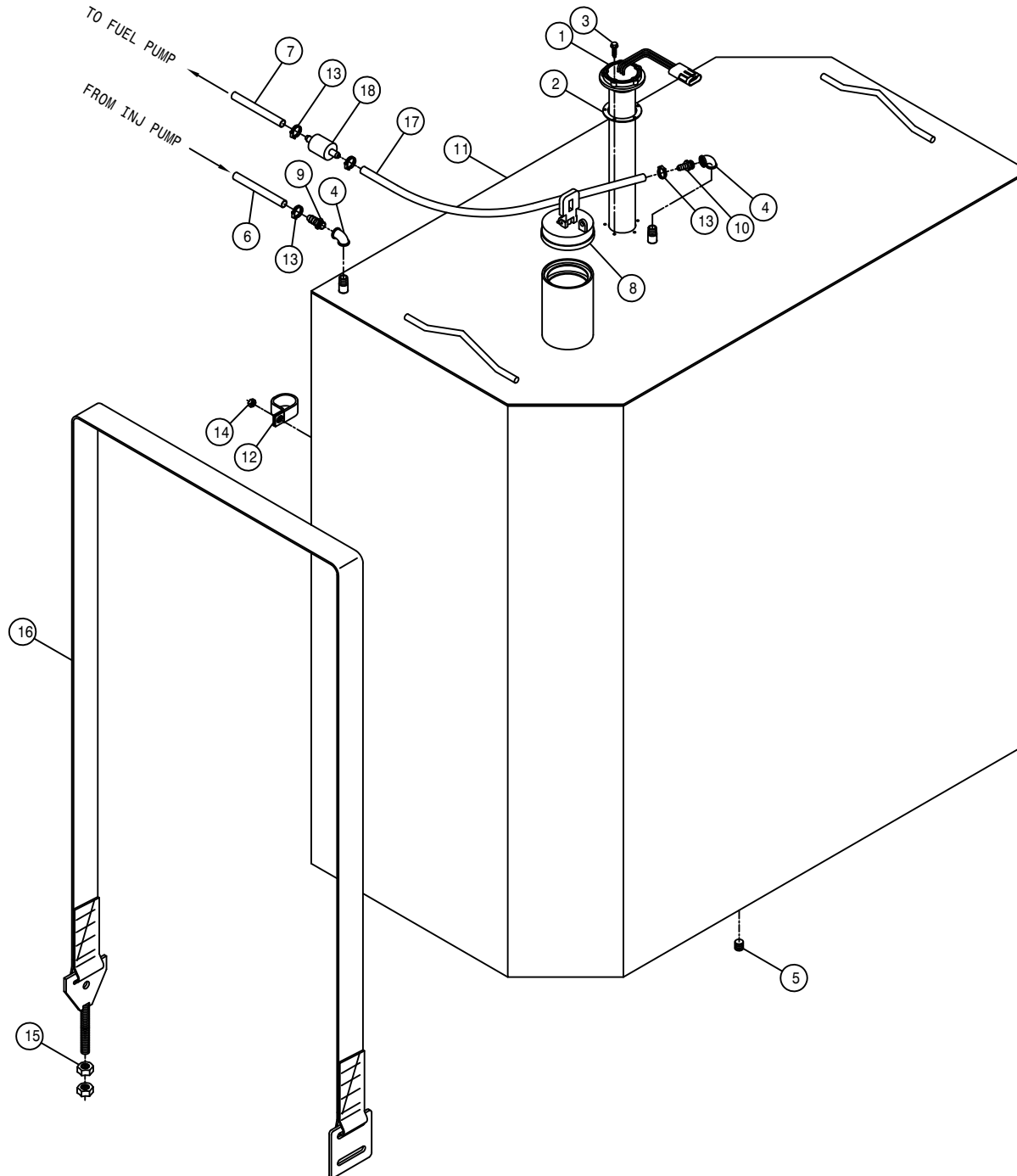


1	2	316589	VERTICAL CAC LIP SEAL, STS 04
2	2	316590	HORIZONTAL CAC LIP SEAL, STS 04
3	1	311500	3.00-3.50 CAC HOSE, AIR INTAKE
4	3	311501	3.50 CAC HOSE, AIR INTAKE
5	2	520128	CUSH HOSE CLAMP 9/16D X 3/4W
6	4	470121	1/4UNC HEX FLANGE LOCK NUT
7	4	470122	1/4UNC X 1/2 FLANGE HEX BOLT
8	7	520145	356 T-BOLT HOSE CLAMP SS
9	1	520146	306 T-BOLT HOSE CLAMP SS
10	1	316459	RIGHT CHARGE AIR COOLER PIPE
11	1	316460	LEFT CHARGE AIR COOLER PIPE
12	1	291714	WATER LEVEL SENSOR
13	4	311056	RUBBER MOUNT SET, 2-PC CB 2320
14	2	311060	RUBBER MOUNT, 1-PC CB-1122-2
15	2	311061	HEAD WASHER FOR 311060
16	2	311062	TAIL WASHER FOR 311060
17	1	316364	RADIATOR, STS12 2000
18	1	316585	CHARGE AIR COOLER, STS 2004
19	10	470319	3/8UNC X 1/2 FLANGE HEX BOLT
20	4	483043	3/8 REGULAR FLAT WASHER
21	2	618463	1 5/16MJIC-90-1 5/16MOR XL LBO
22	1	618800	OIL COOLER STS12 2000
23	8	618801	MOUNTING KIT FOR 618800 COOLER
24	1	657434	A/C CONDENSER COIL 21-0302
25	1	783304	1/4 NPT X 3/8 HOSE BARB, BRS
26	2	900064	5/16UNC X 3/4 HEX BOLT
27	8	900071	5/16UNC X 2 3/4 HEX BOLT
28	4	900128	3/8UNC X 3/4 HEX BOLT
29	4	900133	3/8UNC X 2" HEX BOLT
30	4	900264	1/2UNC X 1 1/4 HEX BOLT
31	8	914002	5/16UNC HEX STOVER NUT
32	7	914008	1/2UNC HEX STOVER NUT
33	2	920001	5/16 SAE FLAT WASHER
34	8	920004	1/2 SAE FLAT WASHER
35	2	920501	5/16 LOCK WASHER
36	8	920502	3/8 LOCK WASHER
37	4	920504	1/2 LOCK WASHER
38	1	316588	FOAM, STS 04
39	1	316586	UPPER LH RAD MT WLD, STS 04
40	2	316452	RAD TO OIL COOLER MT
41	1	316446	UPPER RH RAD MT WLD 2000
42	4	316453	RAD TO OIL COOLER KEEPER
43	1	601614	HOSE, 5/16 X 64 EPDM
44	1	900264	1/2UNC X 1 1/4 HEX BOLT
45	5	470113	5/16UNC HEX FLANGE LOCK NUT
46	2	316493	SIDE FOAM, RAD/CAC
47	2	316494	RH UPR/LWR FOAM, OIL CLR/RAD 00
48	2	316495	LH UPR/LWR FOAM, OIL CLR/RAD 00
49	1	601472	HOSE, 3/8 X 24 HEATER
50	1	520069	HOSE CLAMP NO 6 STAINLESS
51	1	316377	RAD CAP, 10LB 10237
52	1	316490	LWR RADIATOR FILLER PANEL ASSY
53	1	316594	RADIATOR MT CHAN WLD, STS 04
54	4	900265	1/2UNC X 1 1/2 HEX BOLT
55	1	316599	CHARGE AIR ACCESS COVER, STS 04
56	1	470232	5/16UNC X 1/2 FLANGE HEX BOLT



AIR CHECK VALVE ASSEMBLY

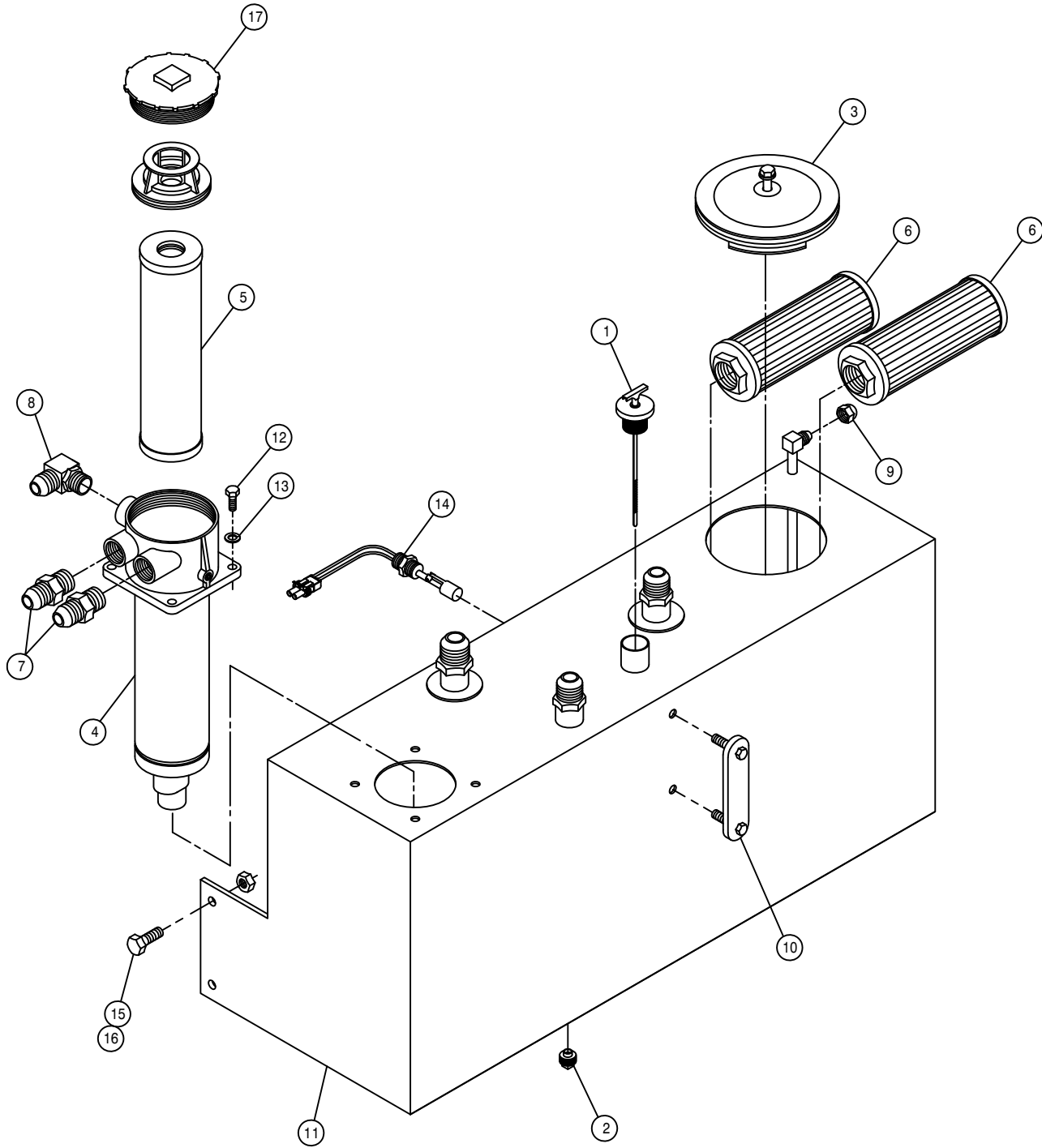
DET.	QTY	PART NO.	DESCRIPTION
1	1	316601	AIR CHK VLV BRKT WLD STS10 04
2	2	914008	1/2UNC HEX STOVER NUT
3	1	618325	7/8MJIC-1/2MNPT ADPTR
4	1	711037	1/2MNPT-1/2 NYL TUBE FTG
5	1	711032	CHECK VALVE, 1/2"FNPT-1/2"MNPT
6	2	900263	1/2UNC X 1" HEX BOLT



FUEL TANK ASSEMBLY

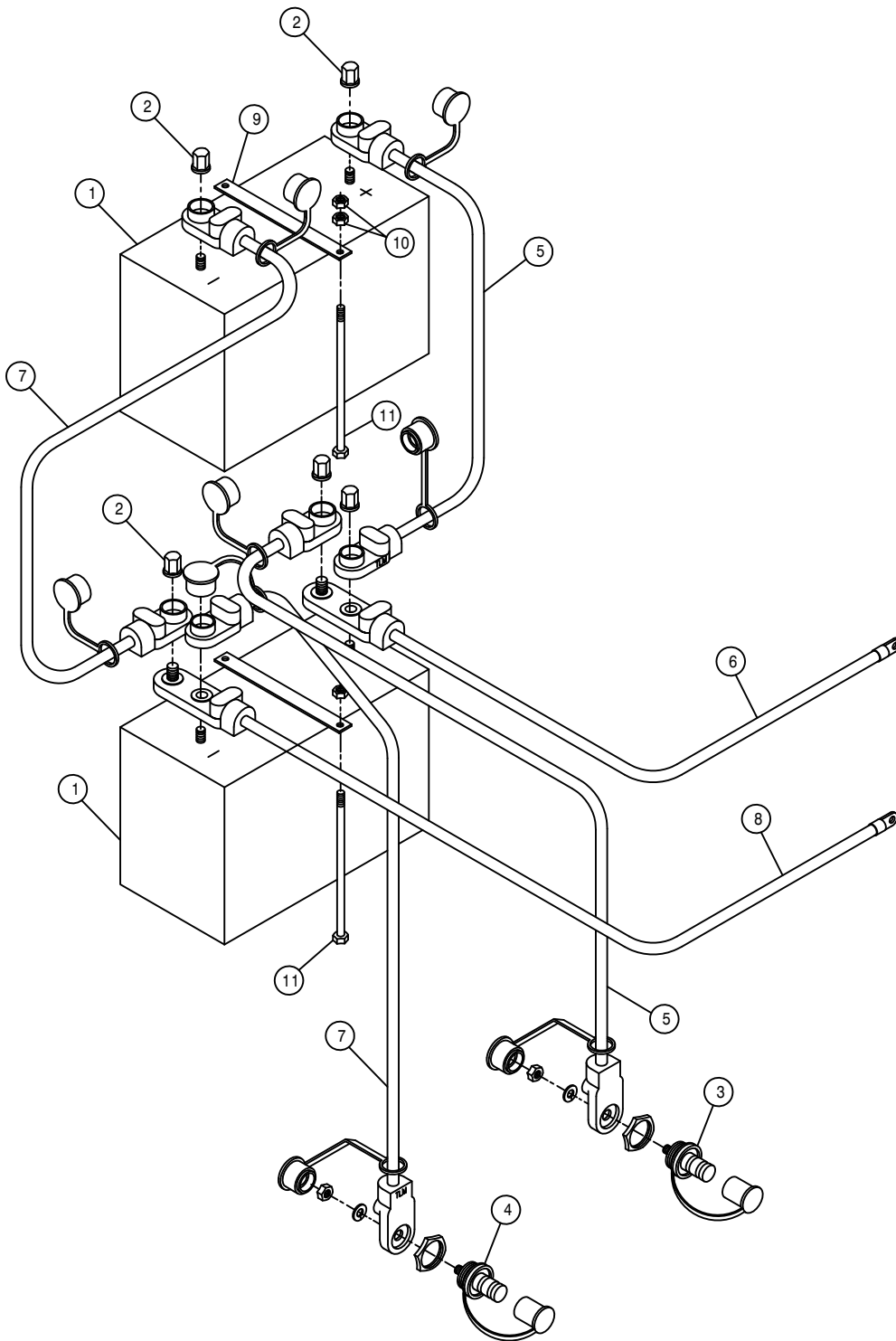
DET. QTY PART NO. DESCRIPTION

1	1	291353	FUEL LEVEL SENDER, 45"
2	1	291789	GASKET FOR FUEL SENDER 291788
3	5	472347	#10 X 1 1/4 SELF DRILL/TAP SCR
4	2	501451	BLK PIPE EL 90DEG .25NPT
5	1	503703	PIPE PLUG .50NPT SKT HD
6	1	601300	HOSE, 5/16 X 60 FUEL LINE
7	1	601550	HOSE, 3/8 X 22 FUEL LINE
8	1	760469	FUEL TANK CAP, 3.50" VENTED
9	1	783303	1/4 NPT X 5/16 HOSE BARB, BRS
10	1	783304	1/4 NPT X 3/8 HOSE BARB, BRS
11	1	760461	FUEL TANK WLD, STS 04
12	1	520100	CUSH HOSE CLAMP, 1 1/2D X 1/2W
13	4	520120	HOSE CLAMP NO 4 STAINLESS
14	1	914000	1/4UNC HEX STOVER NUT
15	4	910008	1/2UNC HEX NUT
16	2	316575	FUEL TANK STRAP ASSY, STS 04
17	1	601551	HOSE, 3/8 X 38 FUEL LINE
18	1	316281	FUEL STRAINER, IN-LINE, DIESEL



HYDRAULIC TANK ASSEMBLY

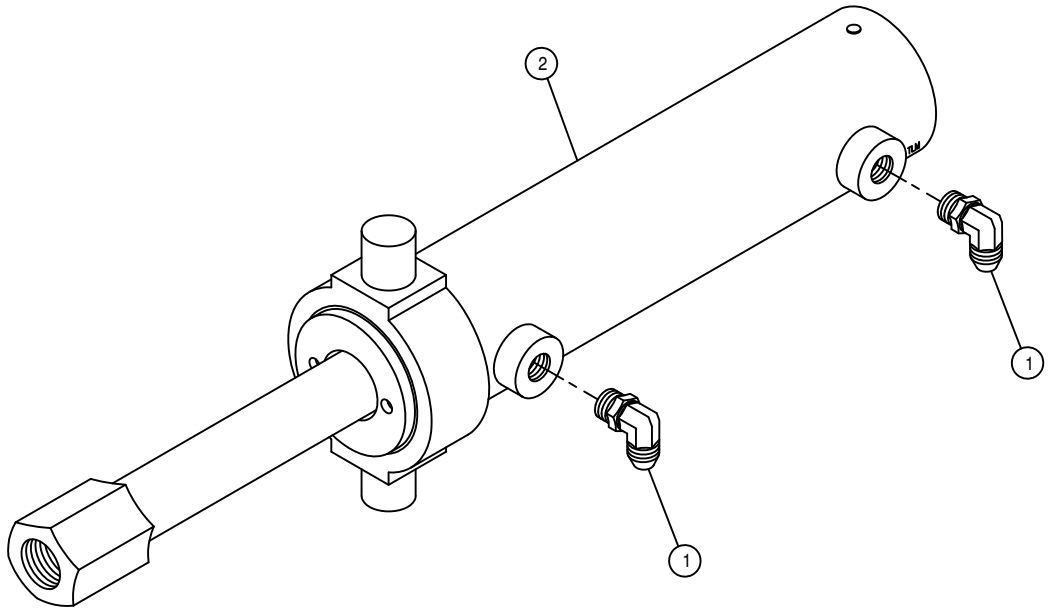
DET.	QTY	PART NO.	DESCRIPTION
1	1	470293	DIPSTICK, VENTED
2	1	470308	1/2MNPT DRAIN PLUG,AL HD,MAG
3	1	470362	6" HOLE COVER
4	1	605618	HYD TANK FILTER, 10M HYDAC
5	1	605619	FILTER ELEMENT FOR 605618
6	2	605620	SUMP STRAINER,50GPM,100M,1.5NP
7	2	618186	1 5/16MJIC-1 5/16MOR ADPTR
8	1	618477	1 5/8MJIC-90-1 5/8MOR LBO
9	1	618532	3/4FJIC CAP NUT
10	1	760177	SIGHT GAUGE W/TEMP, HYD TANK
11	1	760288	HYD TANK WLD, STS 04
12	4	900130	3/8UNC X 1 1/4 HEX BOLT
13	4	920502	3/8 LOCK WASHER
14	1	470350	LIQUID LEVEL SWITCH ASSY,1/2NP
15	4	900264	1/2UNC X 1 1/4 HEX BOLT
16	4	914008	1/2UNC HEX STOVER NUT
17	1	605621	CAP, HYD TANK FILTER 605618



BATTERY ASSEMBLY

DET. QTY PART NO. DESCRIPTION

1	2	291196	BATTERY, 12V 950CCA, SS STUD
2	6	291205	BATTERY NUT, 3/8-16 SS CLSD CAP
3	1	291680	POSITIVE JUMPER STUD, RED
4	1	291681	NEGATIVE JUMPER STUD, BLACK
5	2	291705	BATT CABLE, RED 26"2/0 3/8-3/8
6	1	291706	BATT CABLE, RED 70"2/0 3/8-3/8
7	2	291707	BATT CABLE, BLK 26"2/0 3/8-3/8
8	1	291708	BATT CABLE, BLK 73"2/0 3/8-3/8
9	2	316470	BATTERY TIE-DOWN
10	8	910004	3/8UNC HEX NUT
11	4	900150	3/8UNC X 9 1/2 HEX BOLT

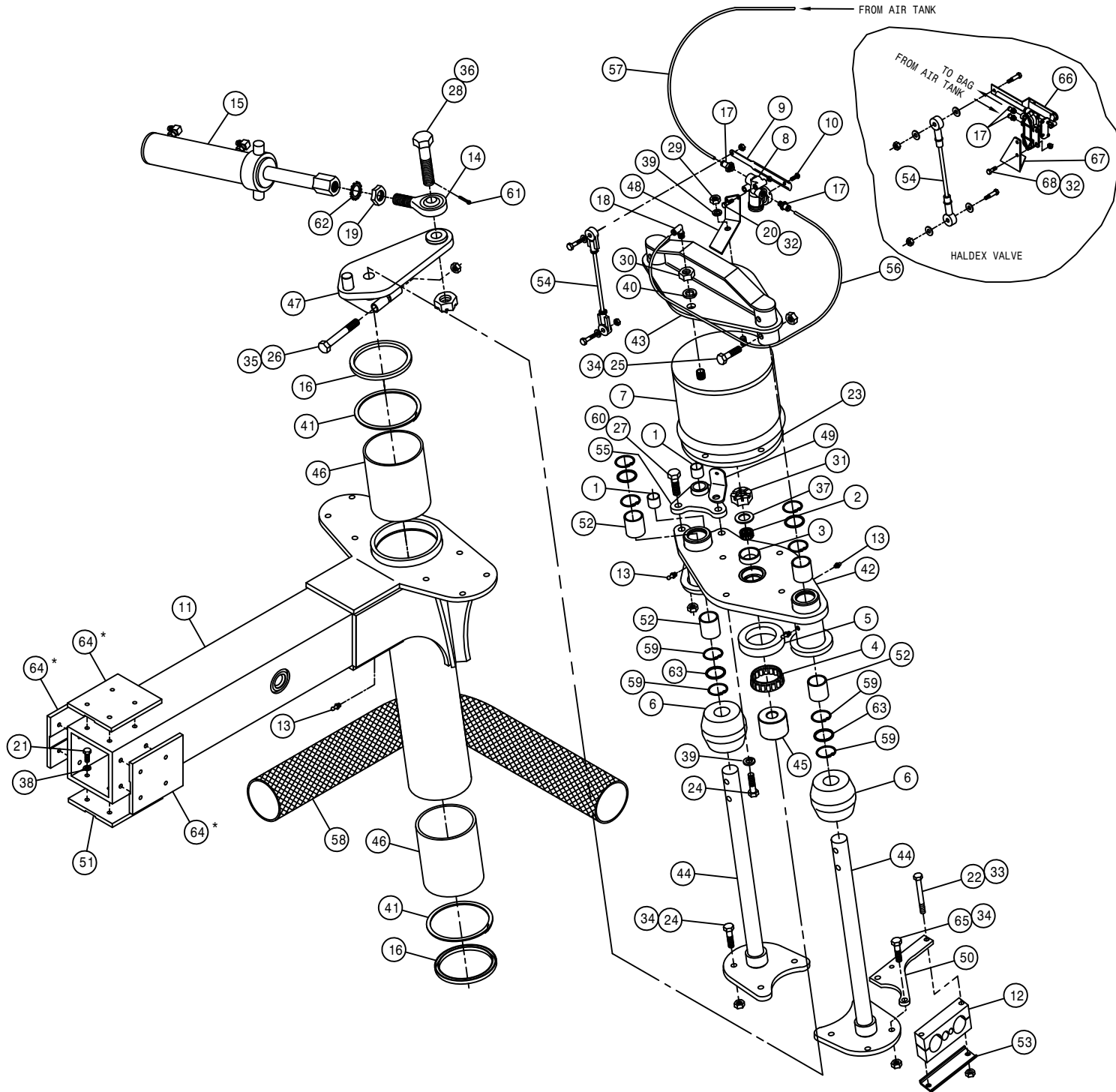


STEERING CYLINDER ASSEMBLY

DET.	QTY	PART NO.	DESCRIPTION
	1	2	618249 3/4MJIC-90-9/16MOR LBO
	2	1	621550 STEERING CYL,2.50 X 8.81 STS
	NS	1	621551 REPAIR KIT,HYD CYL,STRG 621550

NOTE: 621063 - STEERING CYLINDER ASSEMBLY WITH FITTINGS

DET. QTY PART NO. DESCRIPTION



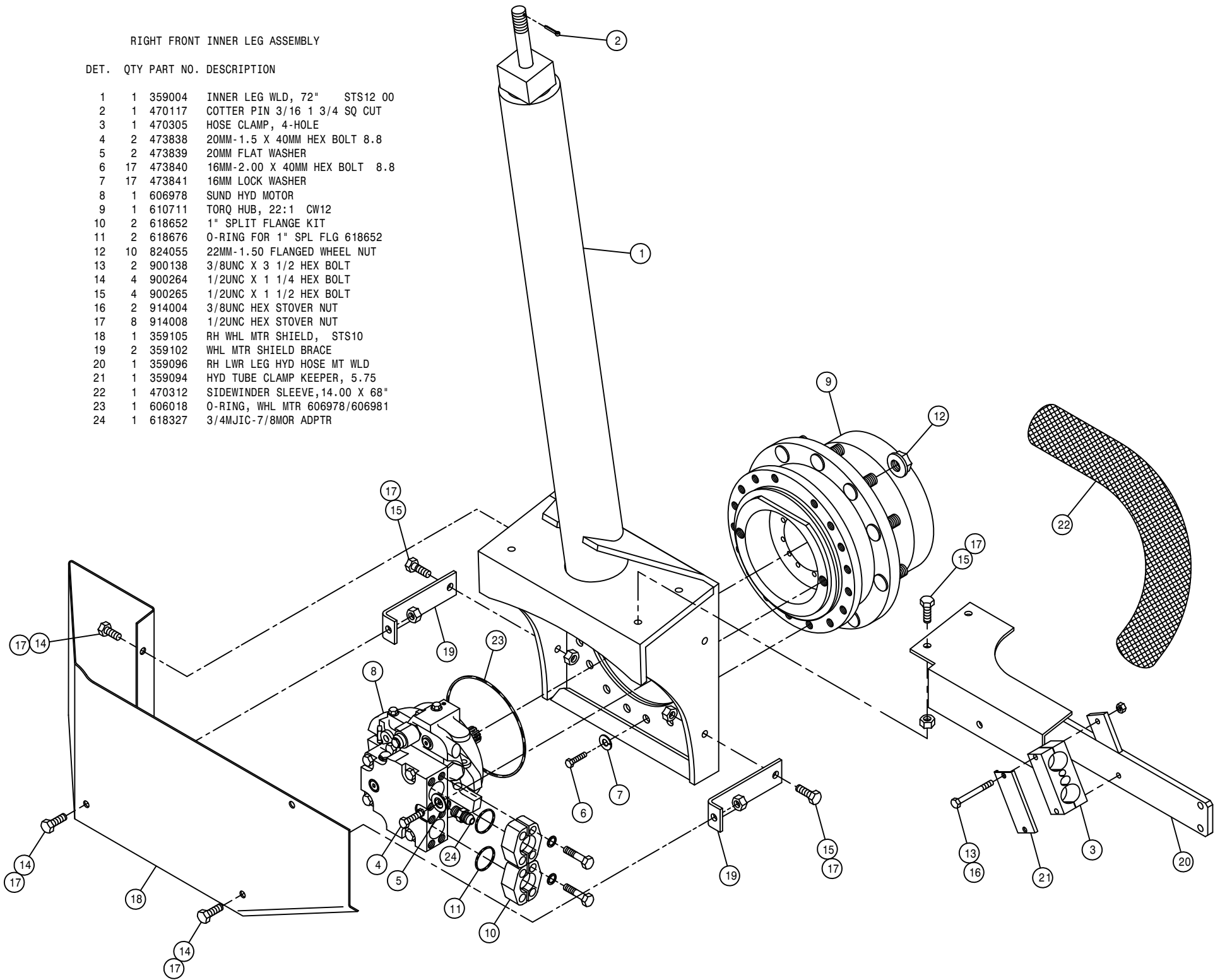
1	2	121029	JOURNAL BRG, 1.00 ID X 1.00 LG
2	1	125050	BRG CONE, 1.00 ID W/FACE SEAL
3	1	125051	BRG CUP FOR 125050
4	1	125052	BRG CONE, 2.687 ID W/FACE SEAL
5	1	125053	BRG CUP FOR 125052
6	2	311058	RUBBER SPRING
7	1	311066	AIRIDE SPRING, STS12
8	1	311067	HEIGHT CONTROL AIR VALVE
9	1	311069	7.00 LEVER, CTRL AIR VLV 311067
10	1	311070	LEVER SCREW, CTRL AIR VLV311067
11	1	359278	OUTER LEG WLD, 72" STS10/12 04
12	1	470305	HOSE CLAMP, 4-HOLE
13	4	471005	1/4 28 X 1/2 GREASE ZERK
14	1	473975	ROD END, 1.00 BORE, 1-12 RH MALE
15	1	621063	STEERING CYL ASSY STS 03
16	2	629621	SEAL, 4.500 ROD DIA
17	4	711036	1/8MNPT-1/4 NYL TUBE FTG
18	1	711040	1/4MNPT-90-1/4 NYL TUBE LBO
19	1	472328	1"-12 HEX JAM NUT
20	2	900006	1/4UNC X 1 3/4 HEX BOLT
21	16	900129	3/8UNC X 1" HEX BOLT
22	2	900138	3/8UNC X 3 1/2 HEX BOLT
23	4	359269	STS AIR SPRING SPACER PLATE, 04
24	10	900267	1/2UNC X 2" HEX BOLT
25	4	900269	1/2UNC X 2 3/4 HEX BOLT
26	1	900343	5/8UNC X 4 1/2 HEX BOLT
27	2	900352P	5/8UNC X 2 1/4 HEX BOLT
28	1	359085	STEERING ARM BOLT, 1"-8THD STS
29	1	910008	1/2UNC HEX NUT
30	1	910013	3/4UNF HEX NUT
31	1	910021	1"-14 SLOT JAM NUT
32	4	914000	1/4UNC HEX STOVER NUT
33	2	914004	3/8UNC HEX STOVER NUT
34	12	914008	1/2UNC HEX STOVER NUT
35	1	914010	5/8UNC HEX STOVER NUT
36	1	910020	1" UNC HEX SLOTTED NUT
37	1	920008	1" SAE FLAT WASHER
38	16	920502	3/8 LOCK WASHER
39	5	920504	1/2 LOCK WASHER
40	1	920506	3/4 LOCK WASHER
41	2	629538	4.5 SPIROLOX RING
42	1	359281	RH AIR BAG LWR PLT WLD STS 04
43	1	359052	AIR BAG TOWER TOP MT WLD
44	2	359077	NITRO TOWER SHAFT WLD STS
45	1	359082	STEERING ARM BRG SPACER
46	2	121112	LEG SLEEVE BEARING (POLYGON)
47	1	359070	RH STEERING ARM WLD
48	1	359049	RH LEG AIR VALVE MT
49	1	359051	LWR AIR VALVE ARM MT
50	1	359081	UPPER LEG HOSE MT PLT
51	1	342719	TRD ADJ BRONZE BEARING, TAPPED
52	4	121111	TOWER SLEEVE BEARING (POLYGON)
53	1	359094	HYD TUBE CLAMP KEEPER, 5.75
54	2	359095	LEG HEIGHT CTRL LINKAGE, STS12
55	1	359068	UPPER TRUNNION MT PLT WLD
56	1	601473	HOSE, 1/4 X 22 AIR
57	1	601480	HOSE, 1/4 X 230 AIR
58	1	470310	SIDEWINDER SLEEVE, 13.50 X 45"
59	8	629537	187RRHOO SNAP RING
60	2	914010P	5/8UNC HEX STOVER NUT
61	1	470117	COTTER PIN 3/16 1 3/4 SQ CUT
62	1	483018	1" EXTERNAL TOOTH LOCK WASHER
63	4	629620	SEAL, 1.500 ROD DIA
64	3	342917	TREAD ADJ PLATE, STEEL STS10
65	2	900268	1/2UNC X 2 1/2 HEX BOLT
66	1	358832	AIRIDE SPRING CTRL VALVE 98
67	1	359288	RH LEG AIR VALVE MT, STS 04
68	2	900002	1/4UNC X 3/4 HEX BOLT

*NOTE: FOR TREAD ADJUST OPTION REPLACE ITEM 64 WITH THREE OF ITEM 51.

RIGHT FRONT INNER LEG ASSEMBLY

DET. QTY PART NO. DESCRIPTION

1	1	359004	INNER LEG WLD, 72" STS12 00
2	1	470117	COTTER PIN 3/16 1 3/4 SQ CUT
3	1	470305	HOSE CLAMP, 4-HOLE
4	2	473838	20MM-1.5 X 40MM HEX BOLT 8.8
5	2	473839	20MM FLAT WASHER
6	17	473840	16MM-2.00 X 40MM HEX BOLT 8.8
7	17	473841	16MM LOCK WASHER
8	1	606978	SUND HYD MOTOR
9	1	610711	TORQ HUB, 22:1 CW12
10	2	618652	1" SPLIT FLANGE KIT
11	2	618676	O-RING FOR 1" SPL FLG 618652
12	10	824055	22MM-1.50 FLANGED WHEEL NUT
13	2	900138	3/8UNC X 3 1/2 HEX BOLT
14	4	900264	1/2UNC X 1 1/4 HEX BOLT
15	4	900265	1/2UNC X 1 1/2 HEX BOLT
16	2	914004	3/8UNC HEX STOVER NUT
17	8	914008	1/2UNC HEX STOVER NUT
18	1	359105	RH WHL MTR SHIELD, STS10
19	2	359102	WHL MTR SHIELD BRACE
20	1	359096	RH LWR LEG HYD HOSE MT WLD
21	1	359094	HYD TUBE CLAMP KEEPER, 5.75
22	1	470312	SIDEWINDER SLEEVE, 14.00 X 68"
23	1	606018	O-RING, WHL MTR 606978/606981
24	1	618327	3/4MJIC-7/8MOR ADPTR

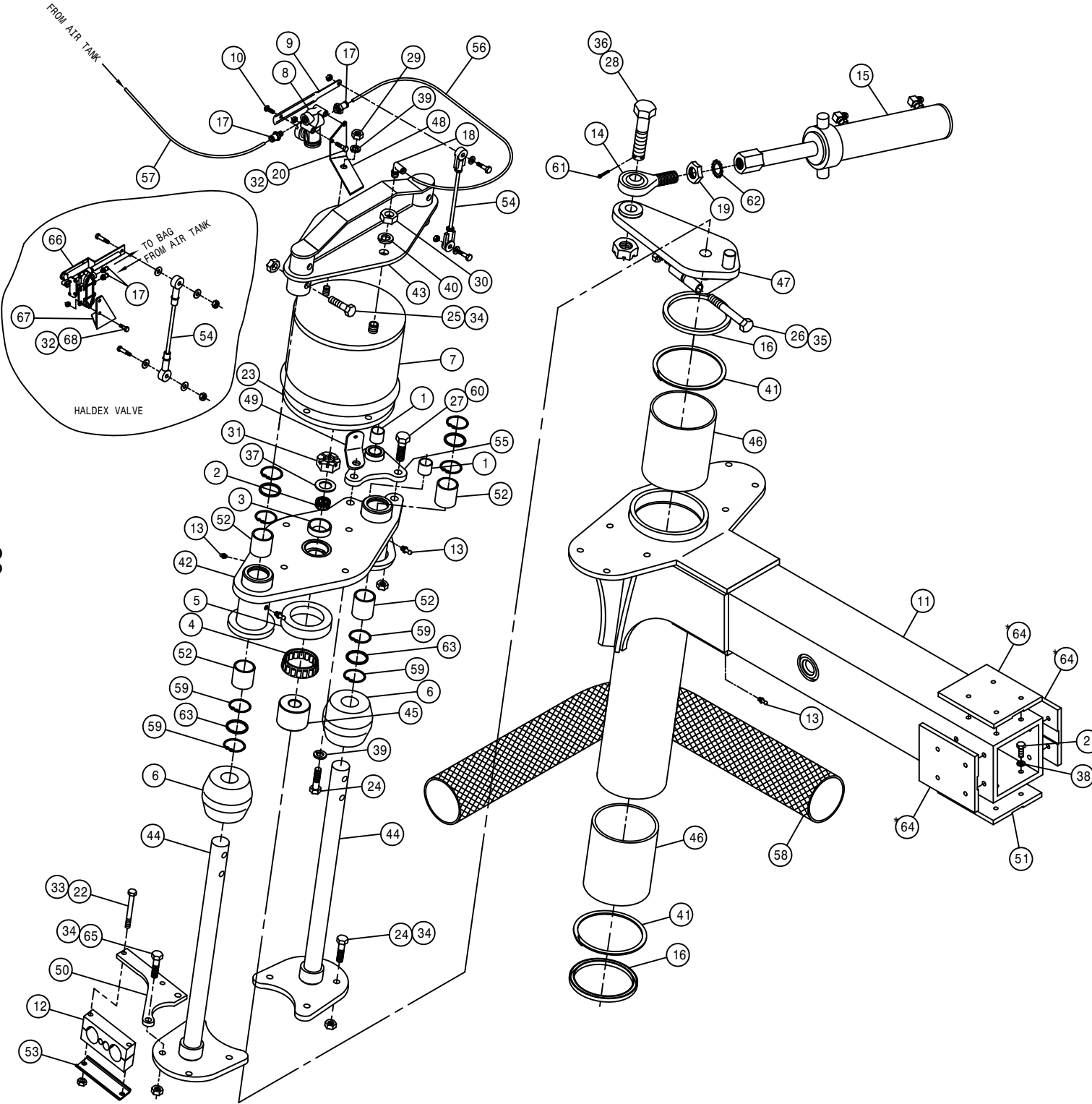


LEFT FRONT OUTER LEG ASSEMBLY

DET. QTY PART NO. DESCRIPTION

1	2	121029	JOURNAL BRG, 1.00 ID X 1.00 LG
2	1	125050	BRG CONE, 1.00 ID W/FACE SEAL
3	1	125051	BRG CUP FOR 125050
4	1	125052	BRG CONE, 2.687 ID W/FACE SEAL
5	1	125053	BRG CUP FOR 125052
6	2	311058	RUBBER SPRING
7	1	311066	AIRIDE SPRING, STS12
8	1	311067	HEIGHT CONTROL AIR VALVE
9	1	311069	7.00 LEVER, CTRL AIR VLV 311067
10	1	311070	LEVER SCREW, CTRL AIR VLV311067
11	1	359278	OUTER LEG WLD, 72" STS10/12 04
12	1	470305	HOSE CLAMP, 4-HOLE
13	4	471005	1/4 28 X 1 1/2 GREASE ZERK
14	1	473975	ROD END, 1.00 BORE, 1-12 RH MALE
15	1	621063	STEERING CYL ASSY STS 03
16	2	629621	SEAL, 4.500 ROD DIA
17	4	711036	1/8MNPT-1/4 NYL TUBE FTG
18	1	711040	1/4MNPT-90-1/4 NYL TUBE LBO
19	1	472328	1"-12 HEX JAM NUT
20	2	900006	1/4UNC X 1 3/4 HEX BOLT
21	16	900129	3/8UNC X 1" HEX BOLT
22	2	900138	3/8UNC X 3 1/2 HEX BOLT
23	1	359269	STS AIR SPRING SPACER PLATE, 04
24	10	900267	1/2UNC X 2" HEX BOLT
25	4	900269	1/2UNC X 2 3/4 HEX BOLT
26	1	900343	5/8UNC X 4 1/2 HEX BOLT
27	2	900352P	5/8UNC X 2 1/4 HEX BOLT
28	1	359085	STEERING ARM BOLT, 1"-8THD STS
29	1	910008	1/2UNC HEX NUT
30	1	910013	3/4UNF HEX NUT
31	1	910021	1"-14 SLOT JAM NUT
32	4	914000	1/4UNC HEX STOVER NUT
33	2	914004	3/8UNC HEX STOVER NUT
34	12	914008	1/2UNC HEX STOVER NUT
35	1	914010	5/8UNC HEX STOVER NUT
36	1	910020	1" UNC HEX SLOTTED NUT
37	1	920008	1" SAE FLAT WASHER
38	16	920502	3/8 LOCK WASHER
39	5	920504	1/2 LOCK WASHER
40	1	920506	3/4 LOCK WASHER
41	2	659538	LH FRT NOSE COVER EXT
42	1	359282	LH AIR BAG LWR PLT WLD STS 04
43	1	359052	AIR BAG TOWER TOP MT WLD
44	2	359077	NITRO TOWER SHAFT WLD STS
45	1	359082	STEERING ARM BRG SPACER
46	2	121112	LEG SLEEVE BEARING (POLYGON)
47	1	359071	LH STEERING ARM WLD
48	1	359050	LH LEG AIR VALVE MT
49	1	359051	LWR AIR VALVE ARM MT
50	1	359081	UPPER LEG HOSE MT PLT
51	1	342719	TRD ADJ BRONZE BEARING, TAPPED
52	4	121111	TOWER SLEEVE BEARING (POLYGON)
53	1	359094	HYD TUBE CLAMP KEEPER, 5.75
54	2	359095	LEG HEIGHT CTRL LINKAGE, STS12
55	1	359068	UPPER TRUNNION MT PLT WLD
56	1	601473	HOSE, 1/4 X 22 AIR
57	1	601479	HOSE, 1/4 X 196 AIR
58	1	470310	SIDEWINDER SLEEVE, 13.50 X 45"
59	8	629537	187RRHO SNAP RING
60	2	914010P	5/8UNC HEX STOVER NUT
61	1	470117	COTTER PIN 3/16 1 3/4 SQ CUT
62	1	483018	1" EXTERNAL TOOTH LOCK WASHER
63	4	629620	SEAL, 1.500 ROD DIA
64	3	342917	TREAD ADJ PLATE, STEEL STS10
65	2	900268	1/2UNC X 2 1/2 HEX BOLT
66	1	358832	AIRIDE SPRING CTRL VALVE 98
67	1	359289	LH LEG AIR VALVE MT, STS 04
68	2	900002	1/4UNC X 3/4 HEX BOLT

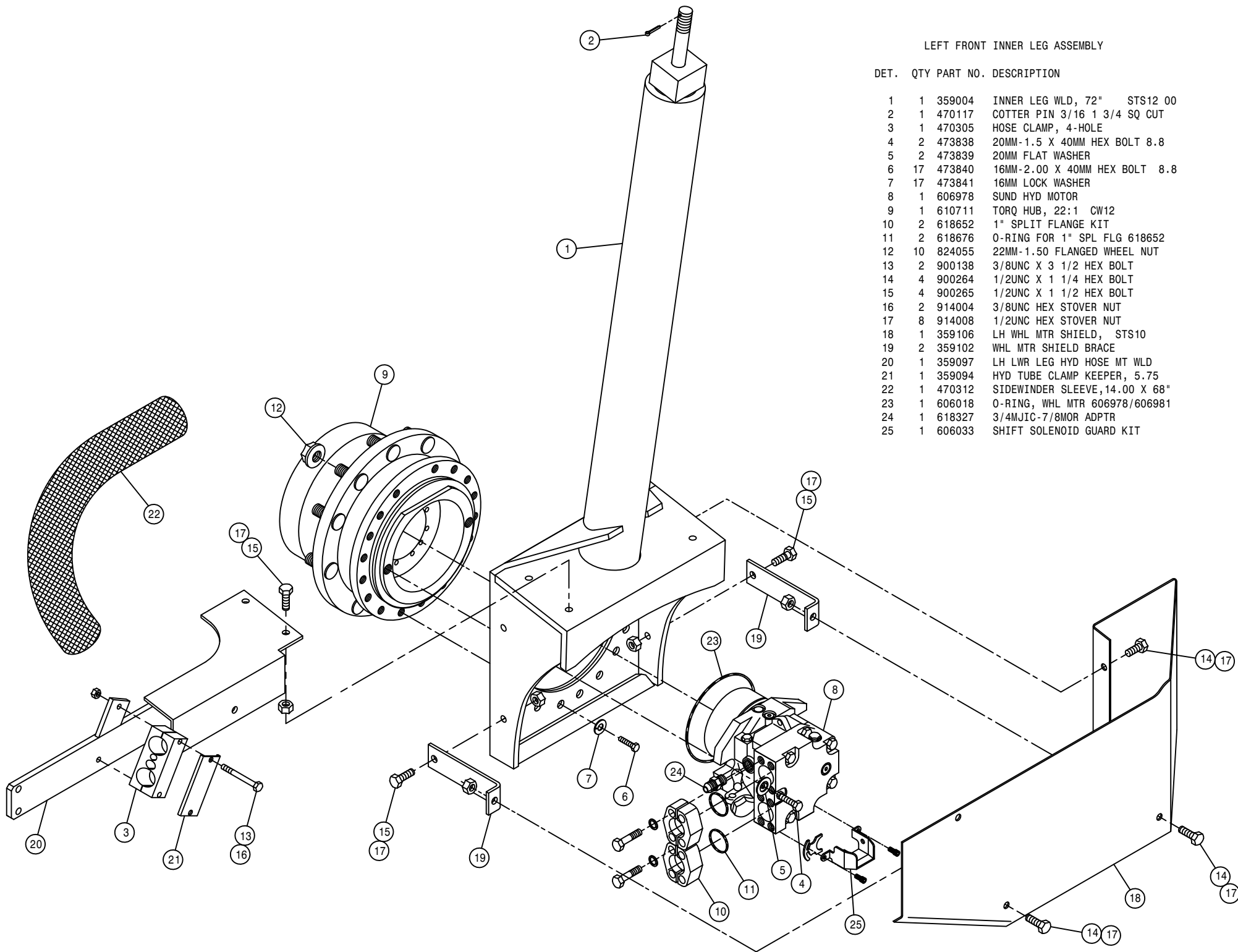
*NOTE: FOR TREAD ADJUST OPTION REPLACE ITEM 64 WITH THREE OF ITEM 51.



LEFT FRONT INNER LEG ASSEMBLY

DET. QTY PART NO. DESCRIPTION

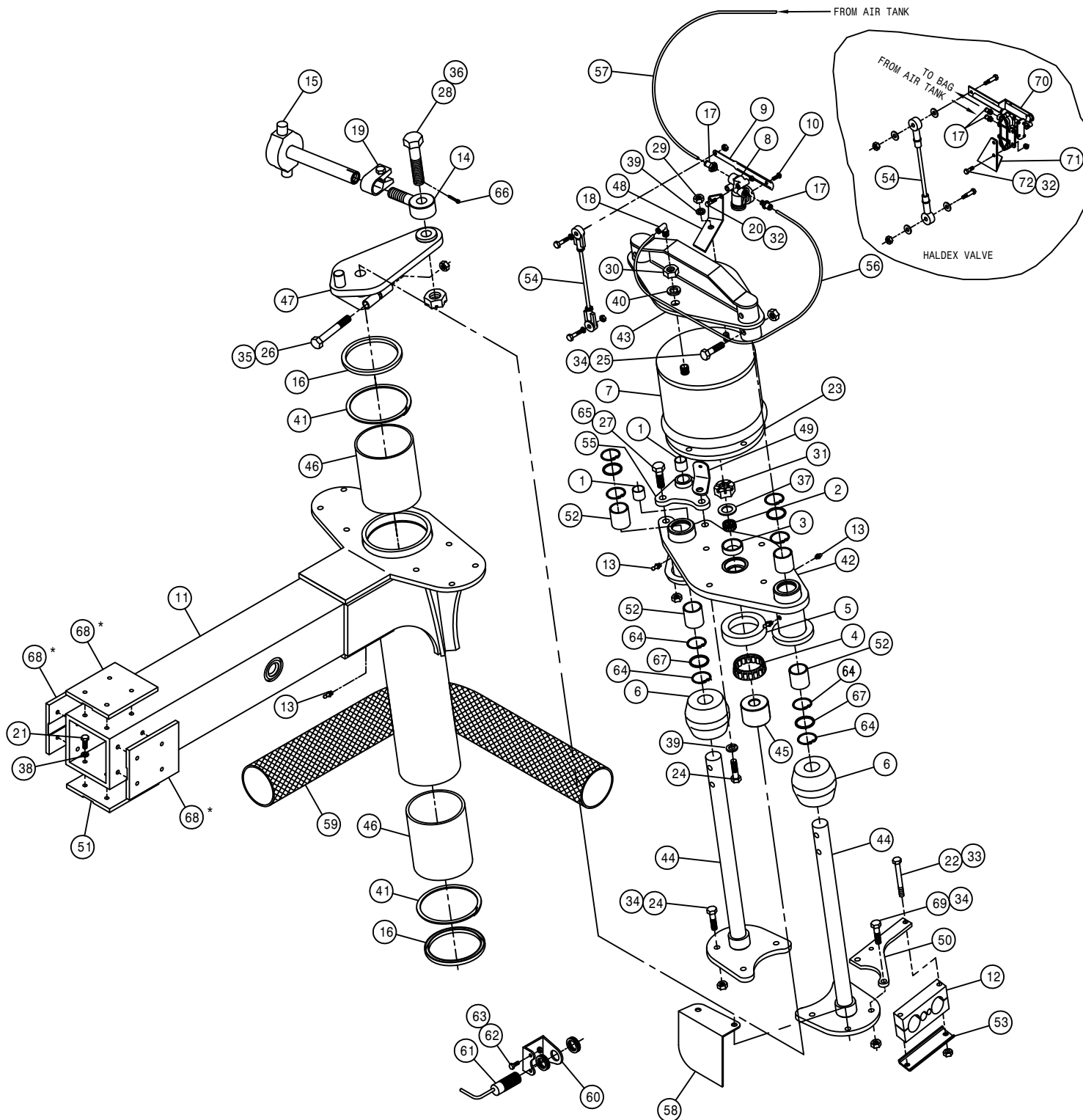
1	1	359004	INNER LEG WLD, 72" STS12 00
2	1	470117	COTTER PIN 3/16 1 3/4 SQ CUT
3	1	470305	HOSE CLAMP, 4-HOLE
4	2	473838	20MM-1.5 X 40MM HEX BOLT 8.8
5	2	473839	20MM FLAT WASHER
6	17	473840	16MM-2.00 X 40MM HEX BOLT 8.8
7	17	473841	16MM LOCK WASHER
8	1	606978	SUND HYD MOTOR
9	1	610711	TORQ HUB, 22:1 CW12
10	2	618652	1" SPLIT FLANGE KIT
11	2	618676	O-RING FOR 1" SPL FLG 618652
12	10	824055	22MM-1.50 FLANGED WHEEL NUT
13	2	900138	3/8UNC X 3 1/2 HEX BOLT
14	4	900264	1/2UNC X 1 1/4 HEX BOLT
15	4	900265	1/2UNC X 1 1/2 HEX BOLT
16	2	914004	3/8UNC HEX STOVER NUT
17	8	914008	1/2UNC HEX STOVER NUT
18	1	359106	LH WHL MTR SHIELD, STS10
19	2	359102	WHL MTR SHIELD BRACE
20	1	359097	LH LWR LEG HYD HOSE MT WLD
21	1	359094	HYD TUBE CLAMP KEEPER, 5.75
22	1	470312	SIDEWINDER SLEEVE, 14.00 X 68"
23	1	606018	O-RING, WHL MTR 606978/606981
24	1	618327	3/4MJIC-7/8MOR ADPTR
25	1	606033	SHIFT SOLENOID GUARD KIT



RIGHT REAR OUTER LEG ASSEMBLY

DET. QTY PART NO. DESCRIPTION

DET.	QTY	PART NO.	DESCRIPTION
1	2	121029	JOURNAL BRG, 1.00 ID X 1.00 LG
2	1	125050	BRG CONE, 1.00 ID W/FACE SEAL
3	1	125051	BRG CUP FOR 125050
4	1	125052	BRG CONE, 2.687 ID W/FACE SEAL
5	1	125053	BRG CUP FOR 125052
6	2	311058	RUBBER SPRING
7	1	311066	AIRIDE SPRING, STS12
8	1	311067	HEIGHT CONTROL AIR VALVE
9	1	311069	7.00 LEVER, CTRL AIR VLV 311067
10	1	311070	LEVER SCREW, CTRL AIR VLV311067
11	1	359278	OUTER LEG WLD, 72" STS10/12 04
12	1	470305	HOSE CLAMP, 4-HOLE
13	4	471005	1/4 28 X 1/2 GREASE ZERK
14	1	359089	TIE ROD STUD WLD
15	1	359086	REAR TIE ROD SHAFT WLD
16	2	629621	SEAL, 4.500 ROD DIA
17	4	711036	1/8MNPT-1/4 NYL TUBE FTG
18	1	711040	1/4MNPT-90-1/4 NYL TUBE LBO
19	1	749322	STEERING TUBE CLAMP & BOLT ASSY
20	2	900006	1/4UNC X 1 3/4 HEX BOLT
21	16	900129	3/8UNC X 1" HEX BOLT
22	2	900138	3/8UNC X 3 1/2 HEX BOLT
23	1	359269	STS AIR SPRING SPACER PLATE, 04
24	10	900267	1/2UNC X 2" HEX BOLT
25	4	900269	1/2UNC X 2 3/4 HEX BOLT
26	1	900343	5/8UNC X 4 1/2 HEX BOLT
27	2	900352P	5/8UNC X 2 1/4 HEX BOLT
28	1	359085	STEERING ARM BOLT, 1"-8THD STS
29	1	910008	1/2UNC HEX NUT
30	1	910013	3/4UNF HEX NUT
31	1	910021	1"-14 SLOT JAM NUT
32	4	914000	1/4UNC HEX STOVER NUT
33	2	914004	3/8UNC HEX STOVER NUT
34	12	914008	1/2UNC HEX STOVER NUT
35	1	914010	5/8UNC HEX STOVER NUT
36	1	910020	1" UNC HEX SLOTTED NUT
37	1	920008	1" SAE FLAT WASHER
38	16	920502	3/8 LOCK WASHER
39	5	920504	1/2 LOCK WASHER
40	1	920506	3/4 LOCK WASHER
41	2	629538	4.5 SPIROLOX RING
42	1	359281	RH AIR BAG LWR PLT WLD STS 04
43	1	359052	AIR BAG TOWER TOP MT WLD
44	2	359077	NITRO TOWER SHAFT WLD STS
45	1	359082	STEERING ARM BRG SPACER
46	2	121112	LEG SLEEVE BEARING (POLYGON)
47	1	359070	RH STEERING ARM WLD
48	1	359049	RH LEG AIR VALVE MT
49	1	359051	LWR AIR VALVE ARM MT
50	1	359081	UPPER LEG HOSE MT PLT
51	1	342719	TRD ADJ BRONZE BEARING, TAPPED
52	4	121111	TOWER SLEEVE BEARING (POLYGON)
53	1	359094	HYD TUBE CLAMP KEEPER, 5.75
54	2	359095	LEG HEIGHT CTRL LINKAGE, STS12
55	1	359068	UPPER TRUNNION MT PLT WLD
56	1	601473	HOSE, 1/4 X 22 AIR
57	1	601477	HOSE, 1/4 X 160 AIR
58	1	359092	RH SENSOR REFLECTOR
59	1	470311	SIDEWINDER SLEEVE, 14.00 X 60"
60	1	342856	TREAD SENSOR MT
61	1	293637	SENSOR W/SHROUD ASSY (SERV)
62	2	900064	5/16UNC X 3/4 HEX BOLT
63	2	914002	5/16UNC HEX STOVER NUT
64	8	629537	187RRHO SNAP RING
65	2	914010P	5/8UNC HEX STOVER NUT
66	1	470117	COTTER PIN 3/16 1 3/4 SQ CUT
67	4	629620	SEAL, 1.500 ROD DIA
68	3	342917	TREAD ADJ PLATE, STEEL STS10
69	2	900268	1/2UNC X 2 1/2 HEX BOLT
70	1	358832	AIRIDE SPRING CTRL VALVE 98
71	1	359288	RH LEG AIR VALVE MT, STS 04
72	2	900002	1/4UNC X 3/4 HEX BOLT

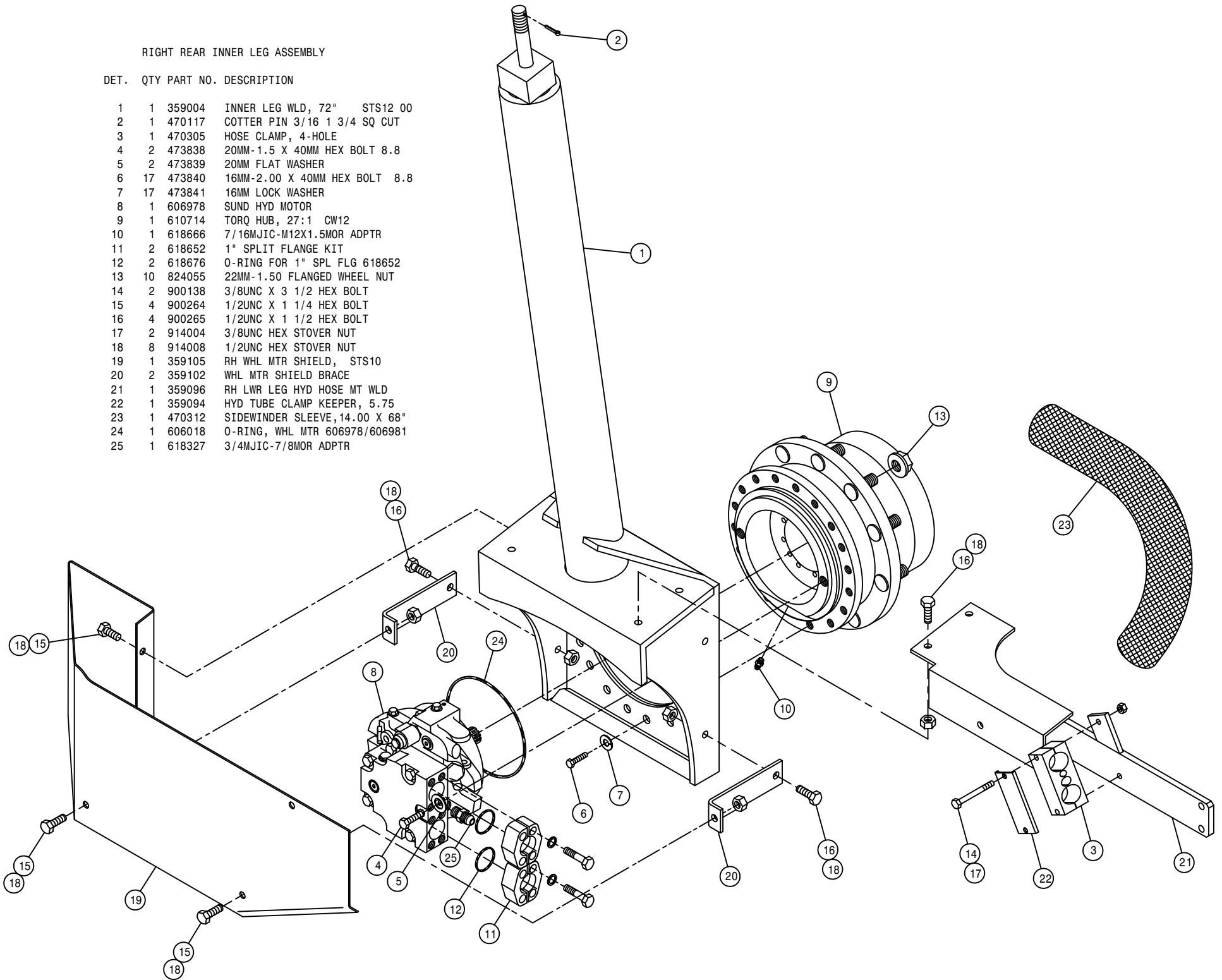


*NOTE: FOR TREAD ADJUST OPTION REPLACE ITEM 68 WITH THREE OF ITEM 51.

RIGHT REAR INNER LEG ASSEMBLY

DET. QTY PART NO. DESCRIPTION

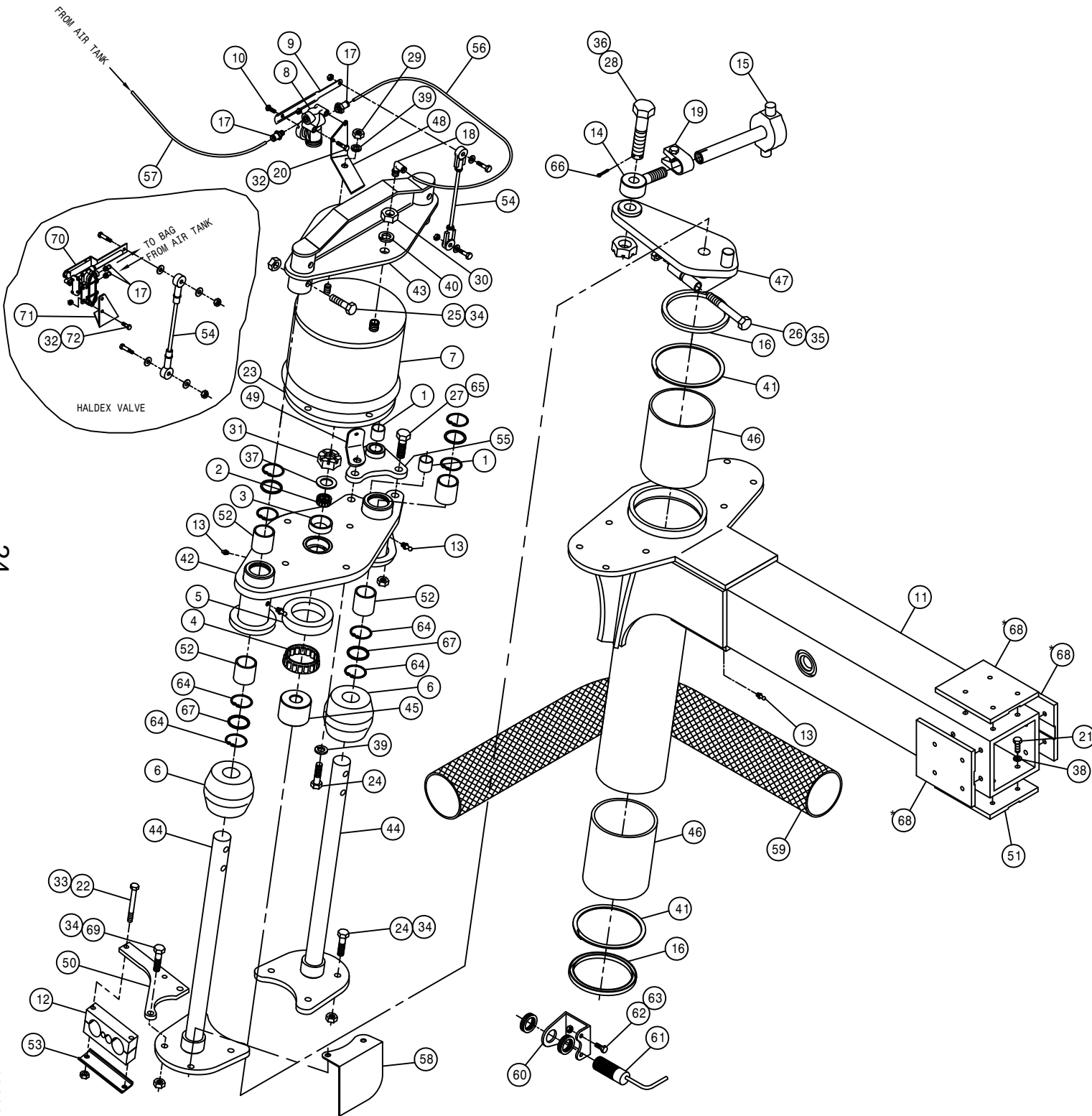
1	1	359004	INNER LEG WLD, 72" STS12 00
2	1	470117	COTTER PIN 3/16 1 3/4 SQ CUT
3	1	470305	HOSE CLAMP, 4-HOLE
4	2	473838	20MM-1.5 X 40MM HEX BOLT 8.8
5	2	473839	20MM FLAT WASHER
6	17	473840	16MM-2.00 X 40MM HEX BOLT 8.8
7	17	473841	16MM LOCK WASHER
8	1	606978	SUND HYD MOTOR
9	1	610714	TORQ HUB, 27:1 CW12
10	1	618666	7/16MJIC-M12X1.5MOR ADPTR
11	2	618652	1" SPLIT FLANGE KIT
12	2	618676	O-RING FOR 1" SPL FLG 618652
13	10	824055	22MM-1.50 FLANGED WHEEL NUT
14	2	900138	3/8UNC X 3 1/2 HEX BOLT
15	4	900264	1/2UNC X 1 1/4 HEX BOLT
16	4	900265	1/2UNC X 1 1/2 HEX BOLT
17	2	914004	3/8UNC HEX STOVER NUT
18	8	914008	1/2UNC HEX STOVER NUT
19	1	359105	RH WHL MTR SHIELD, STS10
20	2	359102	WHL MTR SHIELD BRACE
21	1	359096	RH LWR LEG HYD HOSE MT WLD
22	1	359094	HYD TUBE CLAMP KEEPER, 5.75
23	1	470312	SIDEWINDER SLEEVE, 14.00 X 68"
24	1	606018	O-RING, WHL MTR 606978/606981
25	1	618327	3/4MJIC-7/8MOR ADPTR



LEFT REAR OUTER LEG ASSEMBLY

DET.	QTY	PART NO.	DESCRIPTION
1	2	121029	JOURNAL BRG, 1.00 ID X 1.00 LG
2	1	125050	BRG CONE, 1.00 ID W/FACE SEAL
3	1	125051	BRG CUP FOR 125050
4	1	125052	BRG CONE, 2.687 ID W/FACE SEAL
5	1	125053	BRG CUP FOR 125052
6	2	311058	RUBBER SPRING
7	1	311066	AIRIDE SPRING, STS12
8	1	311067	HEIGHT CONTROL AIR VALVE
9	1	311069	7.00 LEVER, CTRL AIR VLV 311067
10	1	311070	LEVER SCREW, CTRL AIR VLV311067
11	1	359278	OUTER LEG WLD, 72" STS10/12 04
12	1	470305	HOSE CLAMP, 4-HOLE
13	4	471005	1/4 28 X 1/2 GREASE ZERK
14	1	359089	TIE ROD STUD WLD
15	1	359086	REAR TIE ROD SHAFT WLD
16	2	629621	SEAL, 4.500 ROD DIA
17	4	711036	1/8MNPT-1/4 NYL TUBE FTG
18	1	711040	1/4MNPT-90-1/4 NYL TUBE LBO
19	1	749322	STEERING TUBE CLAMP & BOLT ASSY
20	2	900006	1/4UNC X 1 3/4 HEX BOLT
21	16	900129	3/8UNC X 1" HEX BOLT
22	2	900138	3/8UNC X 3 1/2 HEX BOLT
23	1	359269	STS AIR SPRING SPACER PLATE, 04
24	10	900267	1/2UNC X 2" HEX BOLT
25	4	900269	1/2UNC X 2 3/4 HEX BOLT
26	1	900343	5/8UNC X 4 1/2 HEX BOLT
27	2	900352P	5/8UNC X 2 1/4 HEX BOLT
28	1	359085	STEERING ARM BOLT, 1"-8THD STS
29	1	910008	1/2UNC HEX NUT
30	1	910013	3/4UNF HEX NUT
31	1	910021	1"-14 SLOT JAM NUT
32	4	914000	1/4UNC HEX STOVER NUT
33	2	914004	3/8UNC HEX STOVER NUT
34	12	914008	1/2UNC HEX STOVER NUT
35	1	914010	5/8UNC HEX STOVER NUT
36	1	910020	1" UNC HEX SLOTTED NUT
37	1	920008	1" SAE FLAT WASHER
38	16	920502	3/8 LOCK WASHER
39	5	920504	1/2 LOCK WASHER
40	1	920506	3/4 LOCK WASHER
41	2	629538	4.5 SPIROLOX RING
42	1	359282	LH AIR BAG LWR PLT WLD STS 04
43	1	359052	AIR BAG TOWER TOP MT WLD
44	2	359077	NITRO TOWER SHAFT WLD STS
45	1	359082	STEERING ARM BRG SPACER
46	2	121112	LEG SLEEVE BEARING (POLYGON)
47	1	359071	LH STEERING ARM WLD
48	1	359050	LH LEG AIR VALVE MT
49	1	359051	LWR AIR VALVE ARM MT
50	1	359081	UPPER LEG HOSE MT PLT
51	1	342719	TRD ADJ BRONZE BEARING, TAPPED
52	4	121111	TOWER SLEEVE BEARING (POLYGON)
53	1	359094	HYD TUBE CLAMP KEEPER, 5.75
54	2	359095	LEG HEIGHT CTRL LINKAGE, STS12
55	1	359068	UPPER TRUNNION MT PLT WLD
56	1	601473	HOSE, 1/4 X 22 AIR
57	1	601476	HOSE, 1/4 X 120 AIR
58	1	359093	LH SENSOR REFLECTOR
59	1	470311	SIDEWINDER SLEEVE, 14.00 X 60"
60	1	342856	TREAD SENSOR MT
61	1	293637	SENSOR W/SHROUD ASSY (SERV)
62	2	900064	5/16UNC X 3/4 HEX BOLT
63	2	914002	5/16UNC HEX STOVER NUT
64	8	629537	187RRHOO SNAP RING
65	2	914010P	5/8UNC HEX STOVER NUT
66	1	470117	COTTER PIN 3/16 1 3/4 SQ CUT
67	4	629620	SEAL, 1.500 ROD DIA
68	3	342917	TREAD ADJ PLATE, STEEL STS10
69	2	900268	1/2UNC X 2 1/2 HEX BOLT
70	1	358832	AIRIDE SPRING CTRL VALVE 98
71	1	359289	LH LEG AIR VALVE MT, STS 04
72	2	900002	1/4UNC X 3/4 HEX BOLT

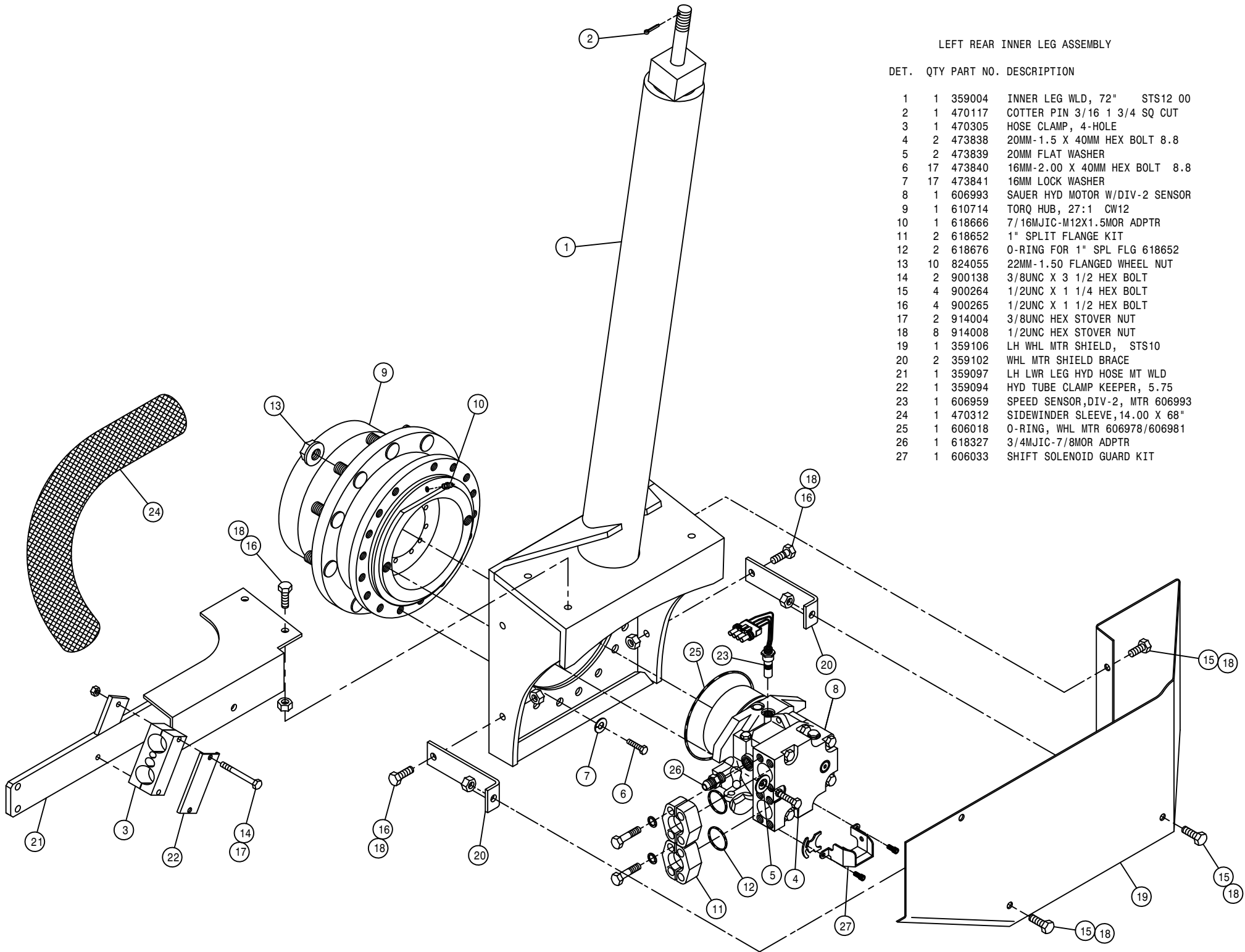
*NOTE: FOR TREAD ADJUST OPTION REPLACE ITEM 68 WITH THREE OF ITEM 51.



LEFT REAR INNER LEG ASSEMBLY

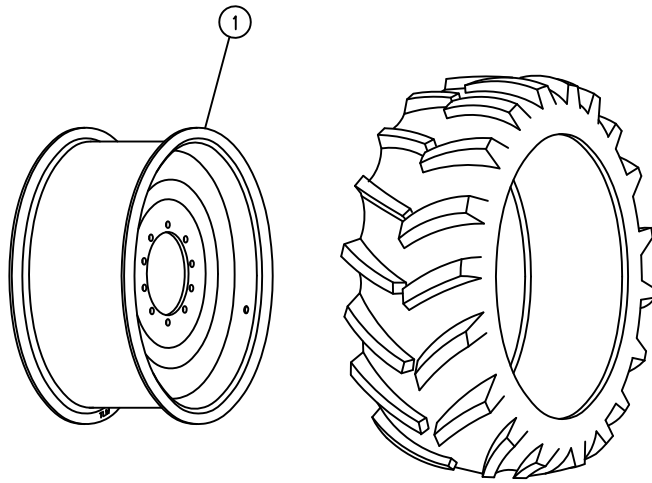
DET. QTY PART NO. DESCRIPTION

DET.	QTY	PART NO.	DESCRIPTION
1	1	359004	INNER LEG WLD, 72" STS12 00
2	1	470117	COTTER PIN 3/16 1 3/4 SQ CUT
3	1	470305	HOSE CLAMP, 4-HOLE
4	2	473838	20MM-1.5 X 40MM HEX BOLT 8.8
5	2	473839	20MM FLAT WASHER
6	17	473840	16MM-2.00 X 40MM HEX BOLT 8.8
7	17	473841	16MM LOCK WASHER
8	1	606993	SAUER HYD MOTOR W/DIV-2 SENSOR
9	1	610714	TORQ HUB, 27:1 CW12
10	1	618666	7/16MJIC-M12X1.5MOR ADPTR
11	2	618652	1" SPLIT FLANGE KIT
12	2	618676	O-RING FOR 1" SPL FLG 618652
13	10	824055	22MM-1.50 FLANGED WHEEL NUT
14	2	900138	3/8UNC X 3 1/2 HEX BOLT
15	4	900264	1/2UNC X 1 1/4 HEX BOLT
16	4	900265	1/2UNC X 1 1/2 HEX BOLT
17	2	914004	3/8UNC HEX STOVER NUT
18	8	914008	1/2UNC HEX STOVER NUT
19	1	359106	LH WHL MTR SHIELD, STS10
20	2	359102	WHL MTR SHIELD BRACE
21	1	359097	LH LWR LEG HYD HOSE MT WLD
22	1	359094	HYD TUBE CLAMP KEEPER, 5.75
23	1	606959	SPEED SENSOR, DIV-2, MTR 606993
24	1	470312	SIDEWINDER SLEEVE, 14.00 X 68"
25	1	606018	O-RING, WHL MTR 606978/606981
26	1	618327	3/4MJIC-7/8MOR ADPTR
27	1	606033	SHIFT SOLENOID GUARD KIT

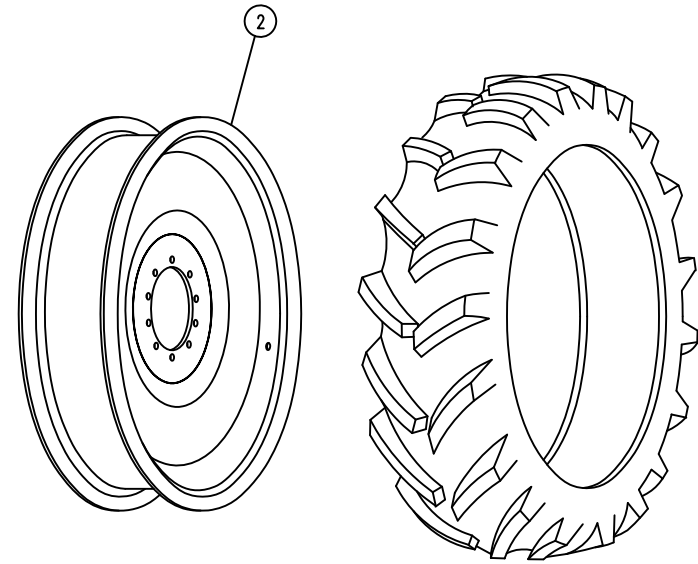


25

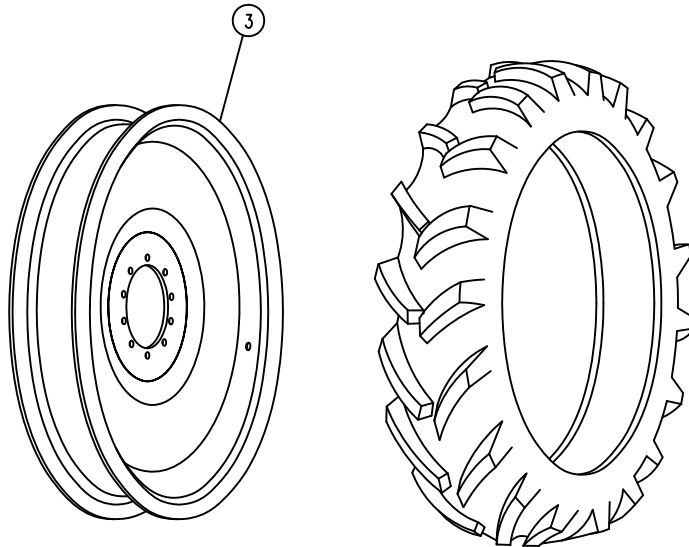
308025



580/70 R38 RADIAL TIRE



380/85 R46 RADIAL TIRE



320/90 R50 RADIAL TIRE

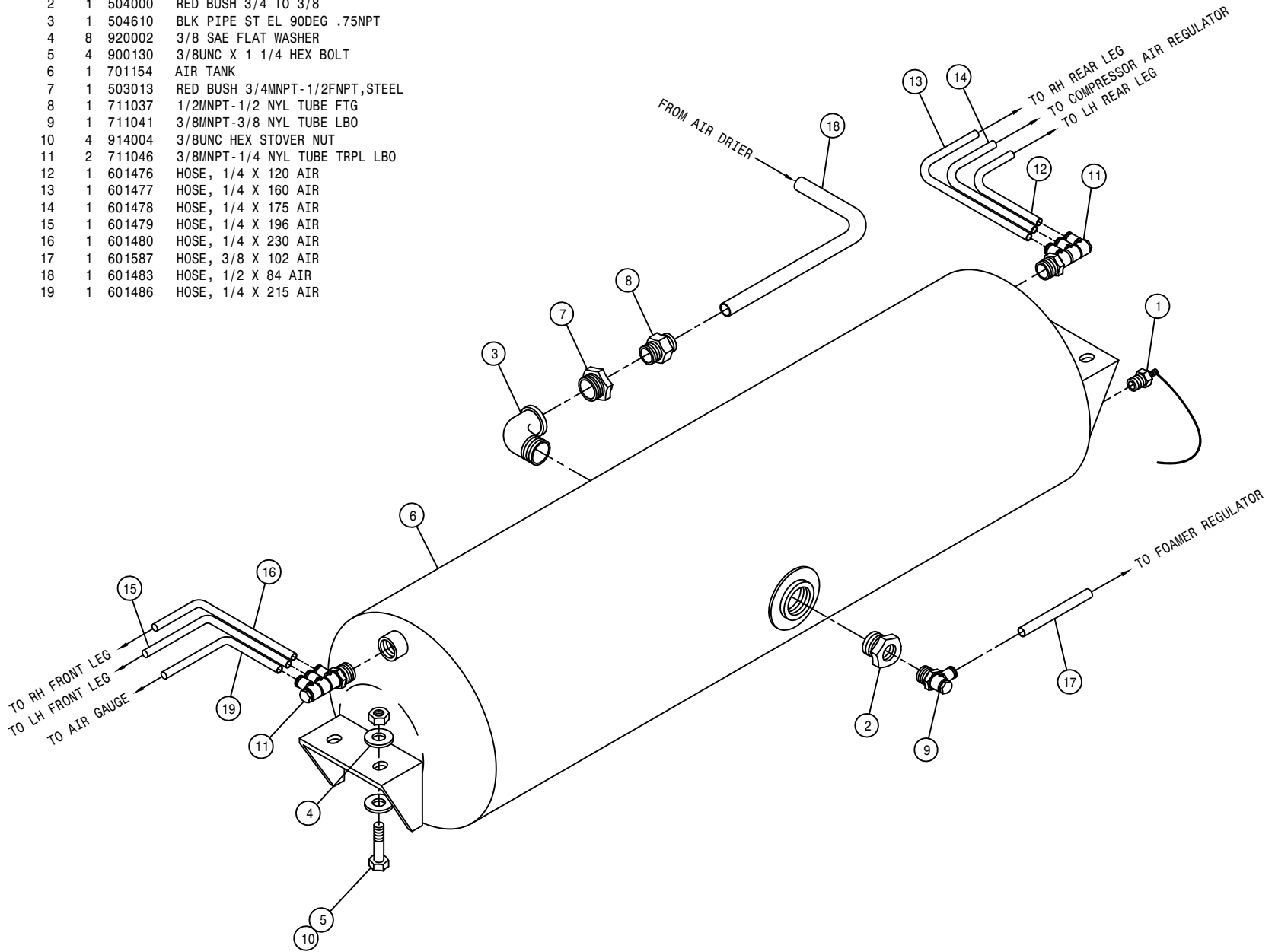
TIRE AND RIM ASSEMBLY

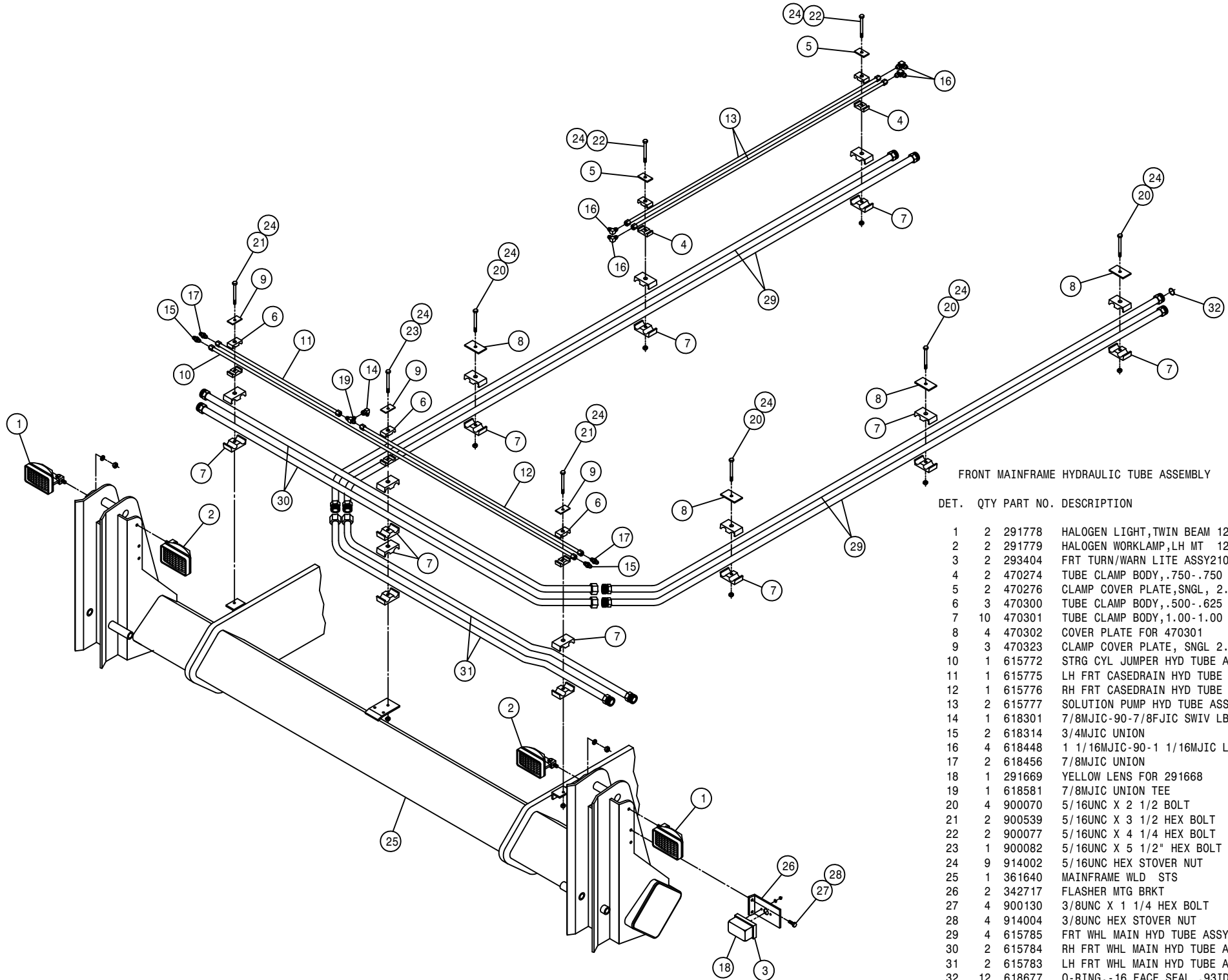
DET.	QTY	PART NO.	DESCRIPTION	
	1	821055	RIM WLD, 38 X W18A	STS12
	1	821054	RIM WLD, 46 X W13A	STS12
	1	821056	RIM WLD, 50 X 10 TITAN	

AIR TANK ASSEMBLY

DET. QTY PART NO. DESCRIPTION

1	1	470266	DRAIN VALVE KIT, 1/4NPT
2	1	504000	RED BUSH 3/4 TO 3/8
3	1	504610	BLK PIPE ST EL 90DEG .75NPT
4	8	920002	3/8 SAE FLAT WASHER
5	4	900130	3/8UNC X 1 1/4 HEX BOLT
6	1	701154	AIR TANK
7	1	503013	RED BUSH 3/4MNPT-1/2FNPT,STEEL
8	1	711037	1/2MNPT-1/2 NYL TUBE FTG
9	1	711041	3/8MNPT-3/8 NYL TUBE LBO
10	4	914004	3/8UNC HEX STOVER NUT
11	2	711046	3/8MNPT-1/4 NYL TUBE TRPL LBO
12	1	601476	HOSE, 1/4 X 120 AIR
13	1	601477	HOSE, 1/4 X 160 AIR
14	1	601478	HOSE, 1/4 X 175 AIR
15	1	601479	HOSE, 1/4 X 196 AIR
16	1	601480	HOSE, 1/4 X 230 AIR
17	1	601587	HOSE, 3/8 X 102 AIR
18	1	601483	HOSE, 1/2 X 84 AIR
19	1	601486	HOSE, 1/4 X 215 AIR

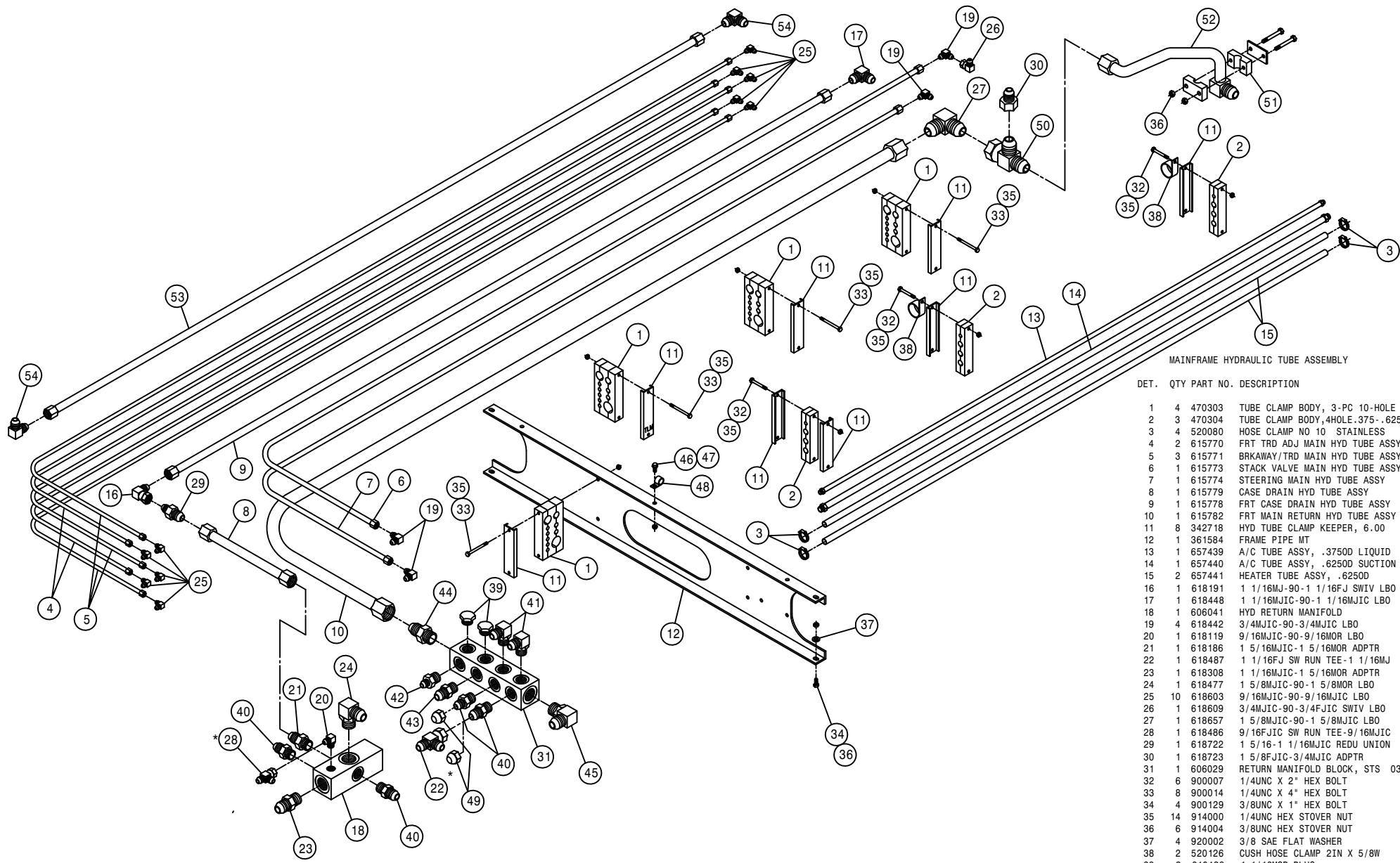




FRONT MAINFRAME HYDRAULIC TUBE ASSEMBLY

DET.	QTY	PART NO.	DESCRIPTION
1	2	291778	HALOGEN LIGHT, TWIN BEAM 12V55W
2	2	291779	HALOGEN WORKLAMP, LH MT 12V55W
3	2	293404	FRT TURN/WARN LITE ASSY 2100 98
4	2	470274	TUBE CLAMP BODY, .750-.750
5	2	470276	CLAMP COVER PLATE, SNGL, 2.55LG
6	3	470300	TUBE CLAMP BODY, .500-.625
7	10	470301	TUBE CLAMP BODY, 1.00-1.00
8	4	470302	COVER PLATE FOR 470301
9	3	470323	CLAMP COVER PLATE, SNGL 2.04LG
10	1	615772	STRG CYL JUMPER HYD TUBE ASSY
11	1	615775	LH FRT CASE DRAIN HYD TUBE ASSY
12	1	615776	RH FRT CASE DRAIN HYD TUBE ASSY
13	2	615777	SOLUTION PUMP HYD TUBE ASSY
14	1	618301	7/8MJIC-90-7/8FJIC SWIV LBO
15	2	618314	3/4MJIC UNION
16	4	618448	1 1/16MJIC-90-1 1/16MJIC LBO
17	2	618456	7/8MJIC UNION
18	1	291669	YELLOW LENS FOR 291668
19	1	618581	7/8MJIC UNION TEE
20	4	900070	5/16UNC X 2 1/2 BOLT
21	2	900539	5/16UNC X 3 1/2 HEX BOLT
22	2	900077	5/16UNC X 4 1/4 HEX BOLT
23	1	900082	5/16UNC X 5 1/2" HEX BOLT
24	9	914002	5/16UNC HEX STOVER NUT
25	1	361640	MAINFRAME WLD STS
26	2	342717	FLASHER MTG BRKT
27	4	900130	3/8UNC X 1 1/4 HEX BOLT
28	4	914004	3/8UNC HEX STOVER NUT
29	4	615785	FRT WHL MAIN HYD TUBE ASSY
30	2	615784	RH FRT WHL MAIN HYD TUBE ASSY
31	2	615783	LH FRT WHL MAIN HYD TUBE ASSY
32	12	618677	O-RING, -16 FACE SEAL .93ID 90D

04



MAINFRAME HYDRAULIC TUBE ASSEMBLY

DET.	QTY	PART NO.	DESCRIPTION
1	4	470303	TUBE CLAMP BODY, 3-PC 10-HOLE
2	3	470304	TUBE CLAMP BODY, 4HOLE, .375-.625
3	4	520080	HOSE CLAMP NO 10 STAINLESS
4	2	615770	FRT TRD ADJ MAIN HYD TUBE ASSY
5	3	615771	BRKAWAY/TRD MAIN HYD TUBE ASSY
6	1	615773	STACK VALVE MAIN HYD TUBE ASSY
7	1	615774	STEERING MAIN HYD TUBE ASSY
8	1	615779	CASE DRAIN HYD TUBE ASSY
9	1	615778	FRT CASE DRAIN HYD TUBE ASSY
10	1	615782	FRT MAIN RETURN HYD TUBE ASSY
11	8	342718	HYD TUBE CLAMP KEEPER, 6.00
12	1	361584	FRAME PIPE MT
13	1	657439	A/C TUBE ASSY, .37500 LIQUID
14	1	657440	A/C TUBE ASSY, .62500 SUCTION
15	2	657441	HEATER TUBE ASSY, .62500
16	1	618191	1 1/16MJ-90-1 1/16FJ SWIV LBO
17	1	618448	1 1/16MJIC-90-1 1/16MJIC LBO
18	1	606041	HYD RETURN MANIFOLD
19	4	618442	3/4MJIC-90-3/4MJIC LBO
20	1	618119	9/16MJIC-90-9/16MOR LBO
21	1	618186	1 5/16MJIC-1 5/16MOR ADPTR
22	1	618487	1 1/16FJ SW RUN TEE-1 1/16MJ
23	1	618308	1 1/16MJIC-1 5/16MOR ADPTR
24	1	618477	1 5/8MJIC-90-1 5/8MOR LBO
25	10	618603	9/16MJIC-90-9/16MJIC LBO
26	1	618609	3/4MJIC-90-3/4FJIC SWIV LBO
27	1	618657	1 5/8MJIC-90-1 5/8MJIC LBO
28	1	618486	9/16FJIC SW RUN TEE-9/16MJIC
29	1	618722	1 5/16-1 1/16MJIC REDU UNION
30	1	618723	1 5/8FJIC-3/4MJIC ADPTR
31	1	606029	RETURN MANIFOLD BLOCK, STS 03
32	6	900007	1/4UNC X 2" HEX BOLT
33	8	900014	1/4UNC X 4" HEX BOLT
34	4	900129	3/8UNC X 1" HEX BOLT
35	14	914000	1/4UNC HEX STOVER NUT
36	6	914004	3/8UNC HEX STOVER NUT
37	4	920002	3/8 SAE FLAT WASHER
38	2	520126	CUSH HOSE CLAMP 2IN X 5/8W
39	2	610186	1 1/16MOR PLUG
40	4	611127	1 1/16MJIC-1 1/16MOR ADPTR
41	2	618248	1 1/16MJIC-90-1 1/16MOR LBO
42	1	618344	9/16MJIC-1 1/16MOR ADPTR
43	1	618469	3/4MJIC-1 1/16MOR ADPTR
44	1	618471	1 5/8MJIC-1 5/16MOR ADPTR
45	1	618476	1 5/8MJIC-90-1 5/16MOR LBO
46	3	470118	1/4UNC X 3/4 FLANGE HEX BOLT
47	3	470121	1/4UNC HEX FLANGE LOCK NUT
48	3	520100	CUSH HOSE CLAMP, 1 1/2D X 1/2W
49	2	618533	1 1/16FJIC CAP NUT
50	1	618726	1 5/8FJ SW RUN TEE-1 5/8MJ
51	1	470363	TUBE CLAMP, 1.25
52	1	615811	RETURN HYD TUBE ASSY, STSC
53	1	615807	PRESS HYD TUBE ASSY, STS12COMBO
54	2	618441	1 5/16MJIC-90-1 5/16MJIC LBO

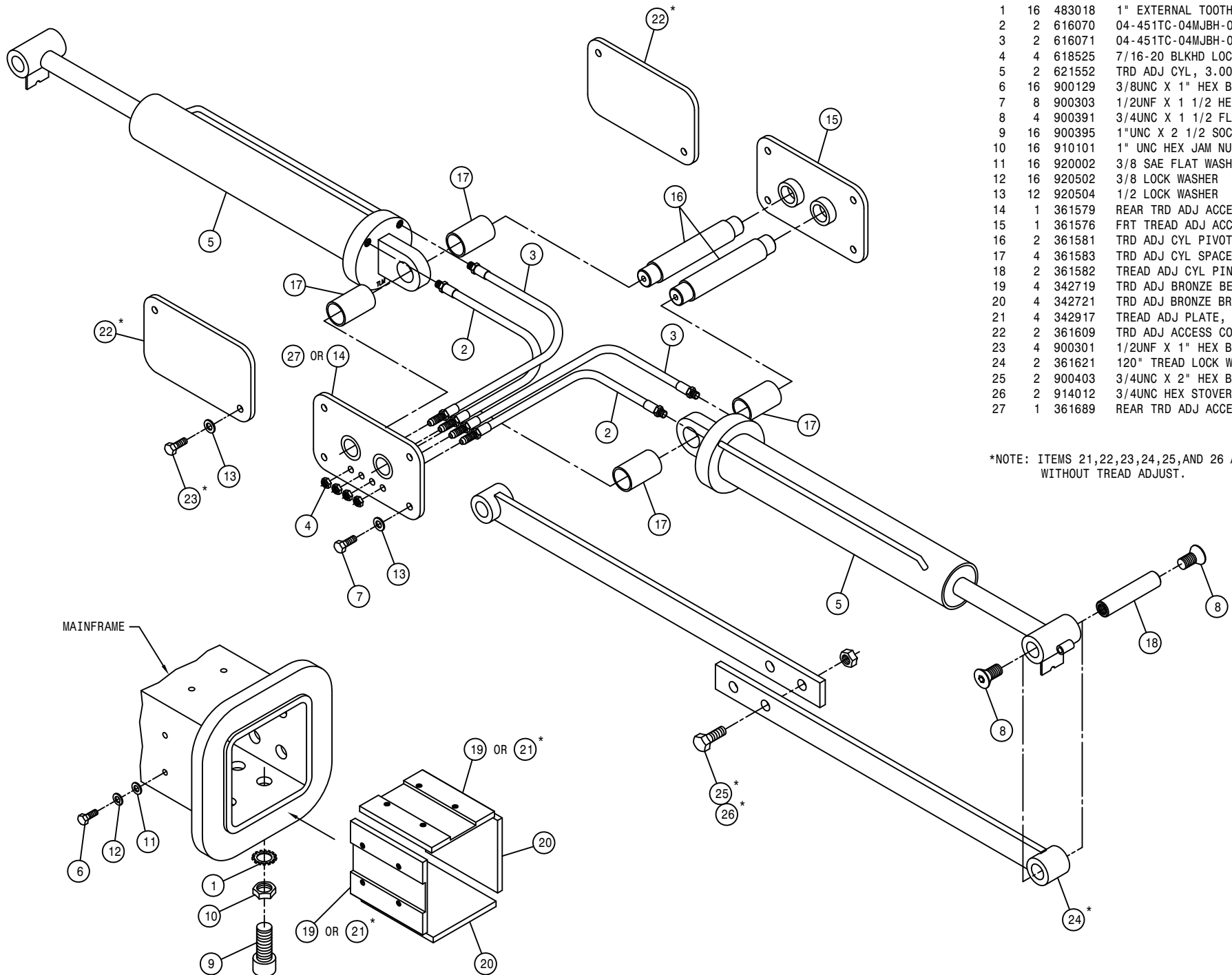
NOTE: ITEMS MARKED WITH A (*) ARE USED WITH THE SIDE FILL OPTION AND PRESSURE WASHER OPTION.

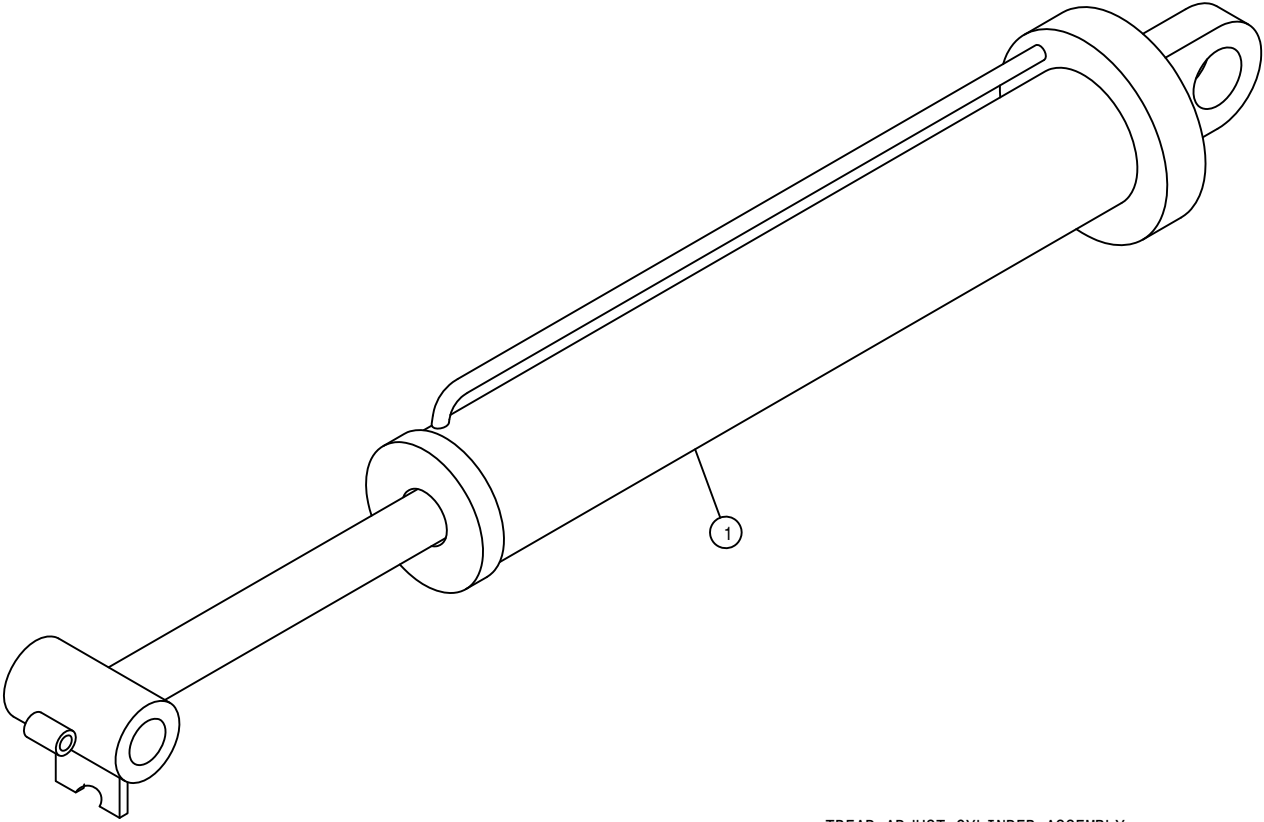
TREAD ADJUST ASSEMBLY

DET. QTY PART NO. DESCRIPTION

1	16	483018	1" EXTERNAL TOOTH LOCK WASHER
2	2	616070	04-451TC-04MJBH-06MOR-11.00H/A
3	2	616071	04-451TC-04MJBH-06MOR-13.00H/A
4	4	618525	7/16-20 BLKHD LOCKNUT
5	2	621552	TRD ADJ CYL, 3.00 X 16.00 STS
6	16	900129	3/8UNC X 1" HEX BOLT
7	8	900303	1/2UNF X 1 1/2 HEX BOLT
8	4	900391	3/4UNC X 1 1/2 FLT SOC CAP SCR
9	16	900395	1"UNC X 2 1/2 SOCKET CAP SCR
10	16	910101	1" UNC HEX JAM NUT
11	16	920002	3/8 SAE FLAT WASHER
12	16	920502	3/8 LOCK WASHER
13	12	920504	1/2 LOCK WASHER
14	1	361579	REAR TRD ADJ ACCESS PLT WLD 00
15	1	361576	FRT TREAD ADJ ACCESS PLT WLD
16	2	361581	TRD ADJ CYL PIVOT PIN, M/F
17	4	361583	TRD ADJ CYL SPACER, M/F
18	2	361582	TREAD ADJ CYL PIN, OUTER LEG
19	4	342719	TRD ADJ BRONZE BEARING, TAPPED
20	4	342721	TRD ADJ BRONZE BRG
21	4	342917	TREAD ADJ PLATE, STEEL STS10
22	2	361609	TRD ADJ ACCESS COVER, M/F STS10
23	4	900301	1/2UNF X 1" HEX BOLT
24	2	361621	120" TREAD LOCK WLD, STS10 03
25	2	900403	3/4UNC X 2" HEX BOLT
26	2	914012	3/4UNC HEX STOVER NUT
27	1	361689	REAR TRD ADJ ACCESS PLT WLD 04

*NOTE: ITEMS 21,22,23,24,25,AND 26 ARE USED WITHOUT TREAD ADJUST.

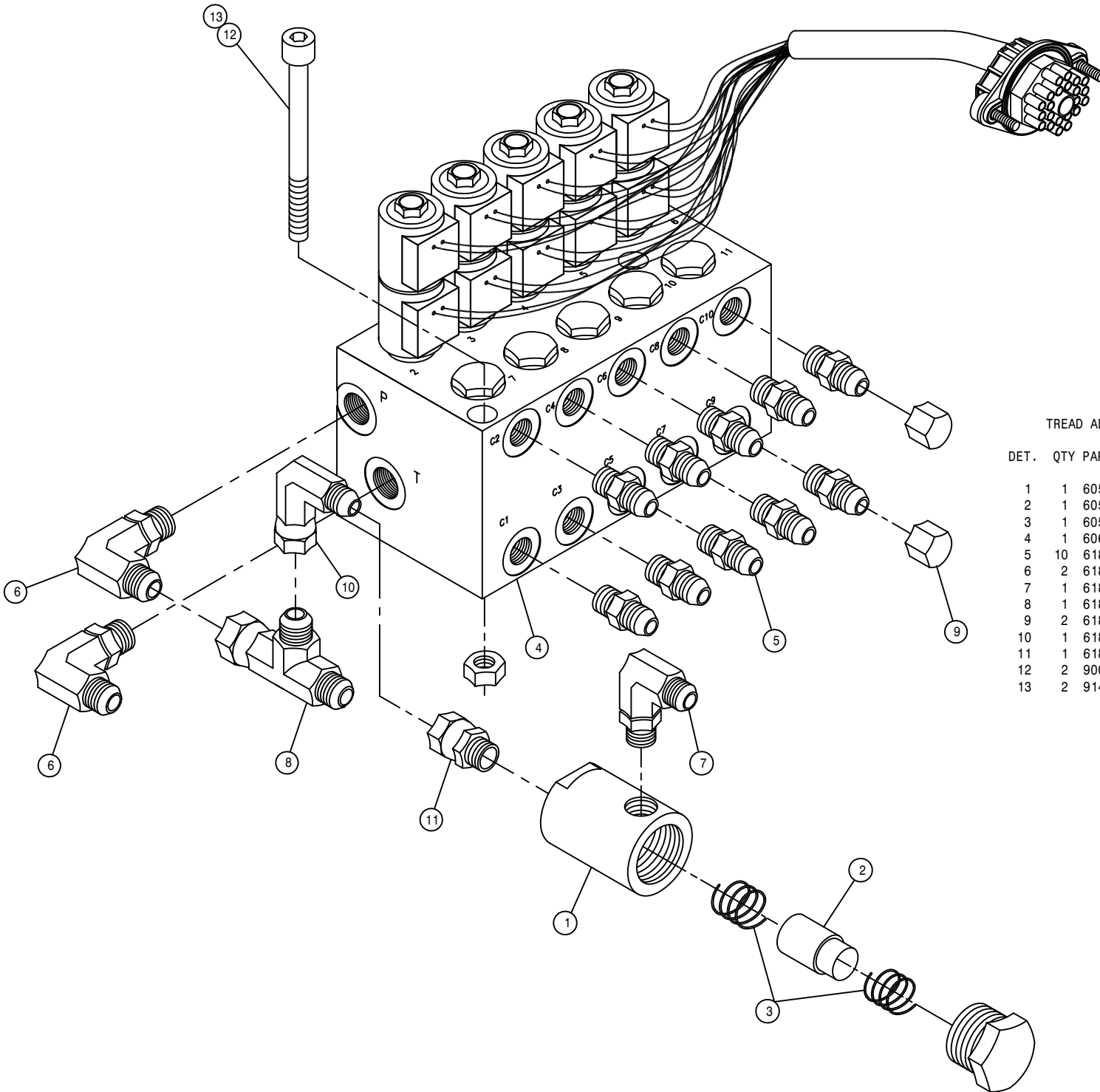




TREAD ADJUST CYLINDER ASSEMBLY

DET. QTY PART NO. DESCRIPTION

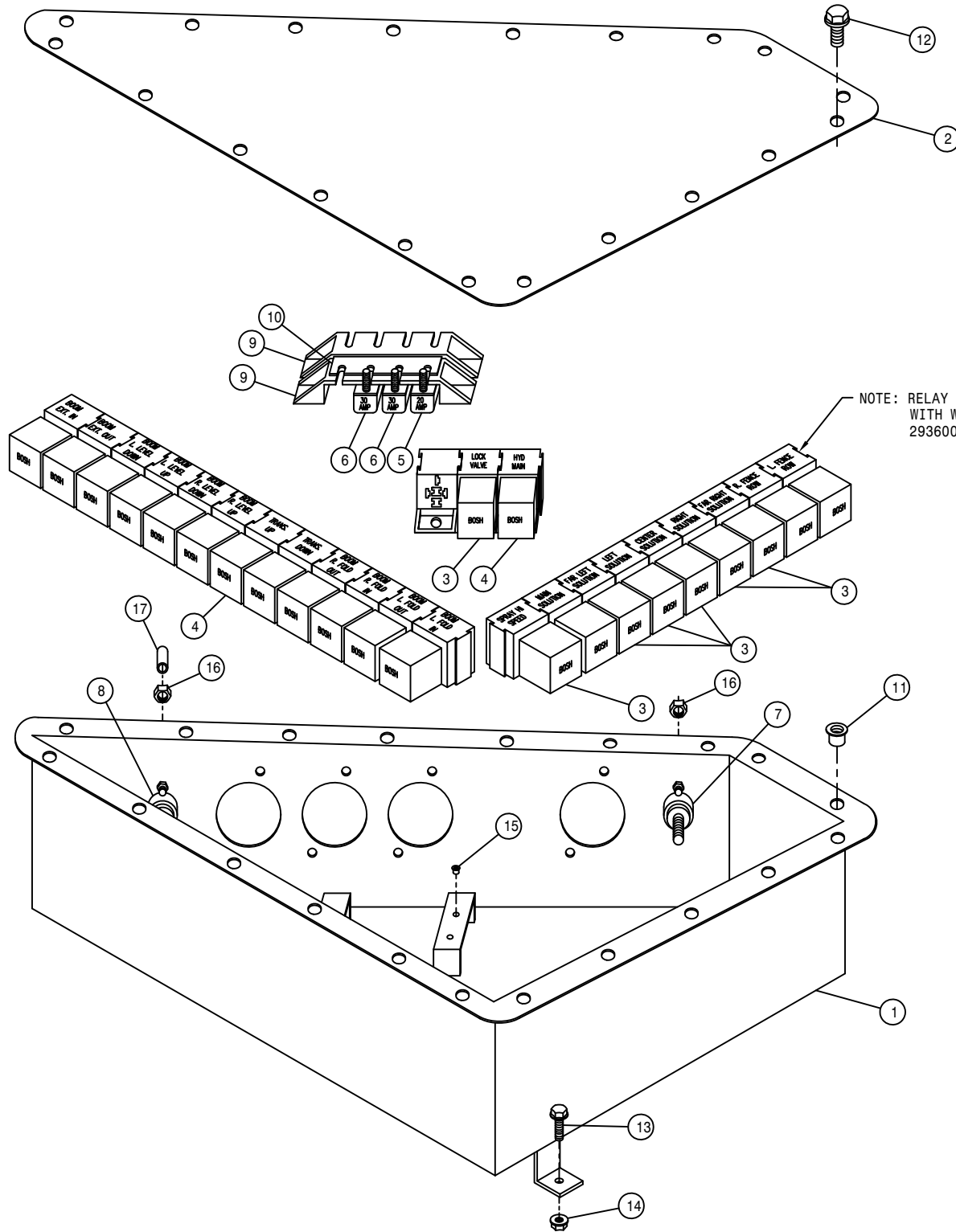
1	1	621552	TRD ADJ CYL, 3.00 X 16.00	STS
NS	1	621553	REPAIR KIT, HYD CYL 621552	



TREAD ADJUST HYD MANIFOLD ASSEMBLY

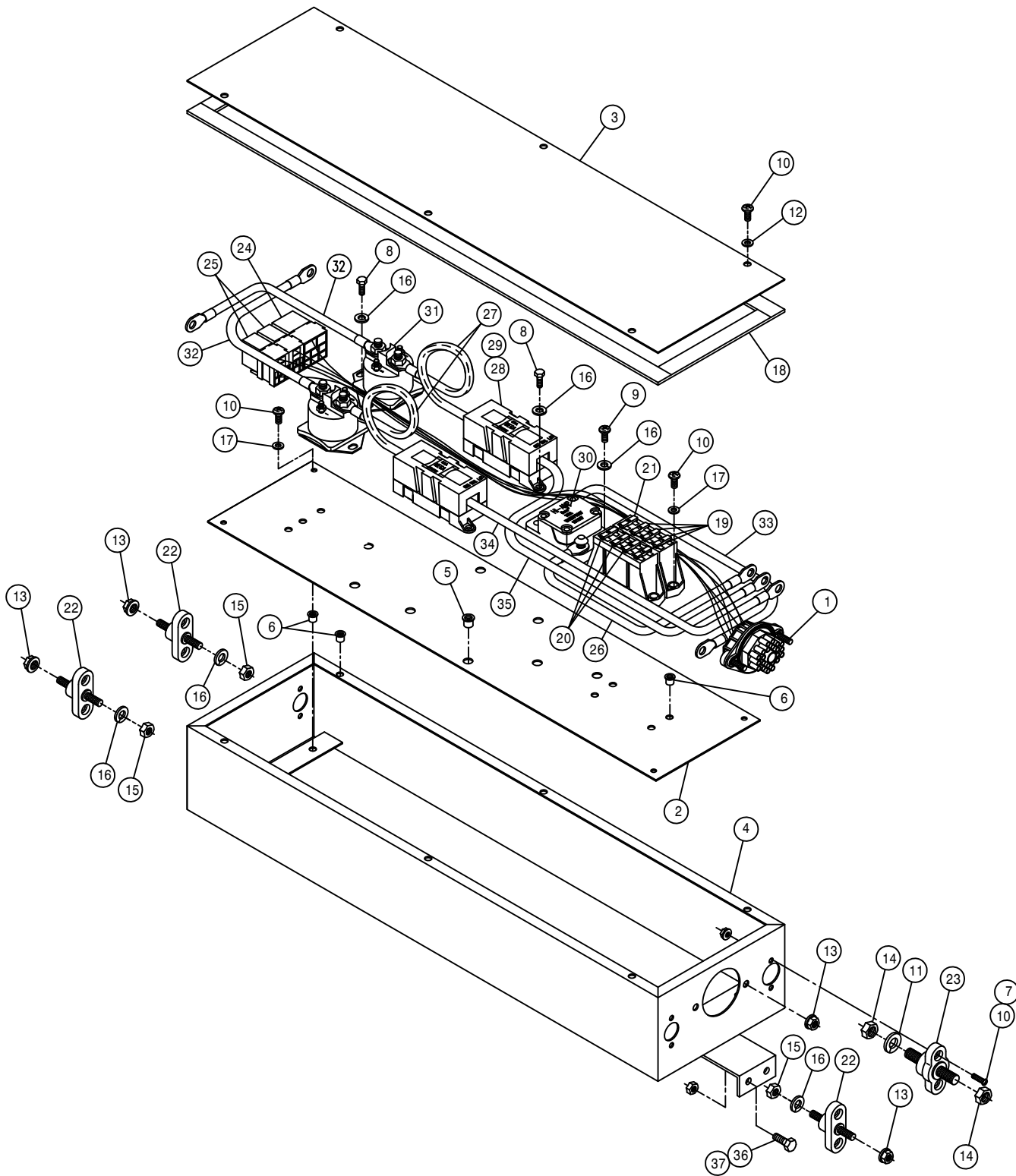
DET. QTY PART NO. DESCRIPTION

1	1	605615	HYD FILTER, INLINE 25M 9/16FOR
2	1	605616	ELEMENT, 25M HYD FILTER 605615
3	1	605617	SPRING KIT, HYD FILTER 605615
4	1	606103	TREAD ADJ VLV, STS PWRSYS 03
5	10	618126	9/16MJIC-9/16MOR ADPTR
6	2	618241	3/4MJIC-90-3/4MOR LBO
7	1	618249	3/4MJIC-90-9/16MOR LBO
8	1	618451	3/4FJIC SW RUN TEE-3/4MJIC
9	2	618531	9/16FJIC CAP NUT
10	1	618609	3/4MJIC-90-3/4FJIC SWIV LBO
11	1	618692	3/4FJIC SWIV-9/16MOR ADPTR
12	2	900145	3/8UNC X 5 SOCKET HD CAP SCR
13	2	914004	3/8UNC HEX STOVER NUT



BOOM ELECTRICAL BOX ASSEMBLY

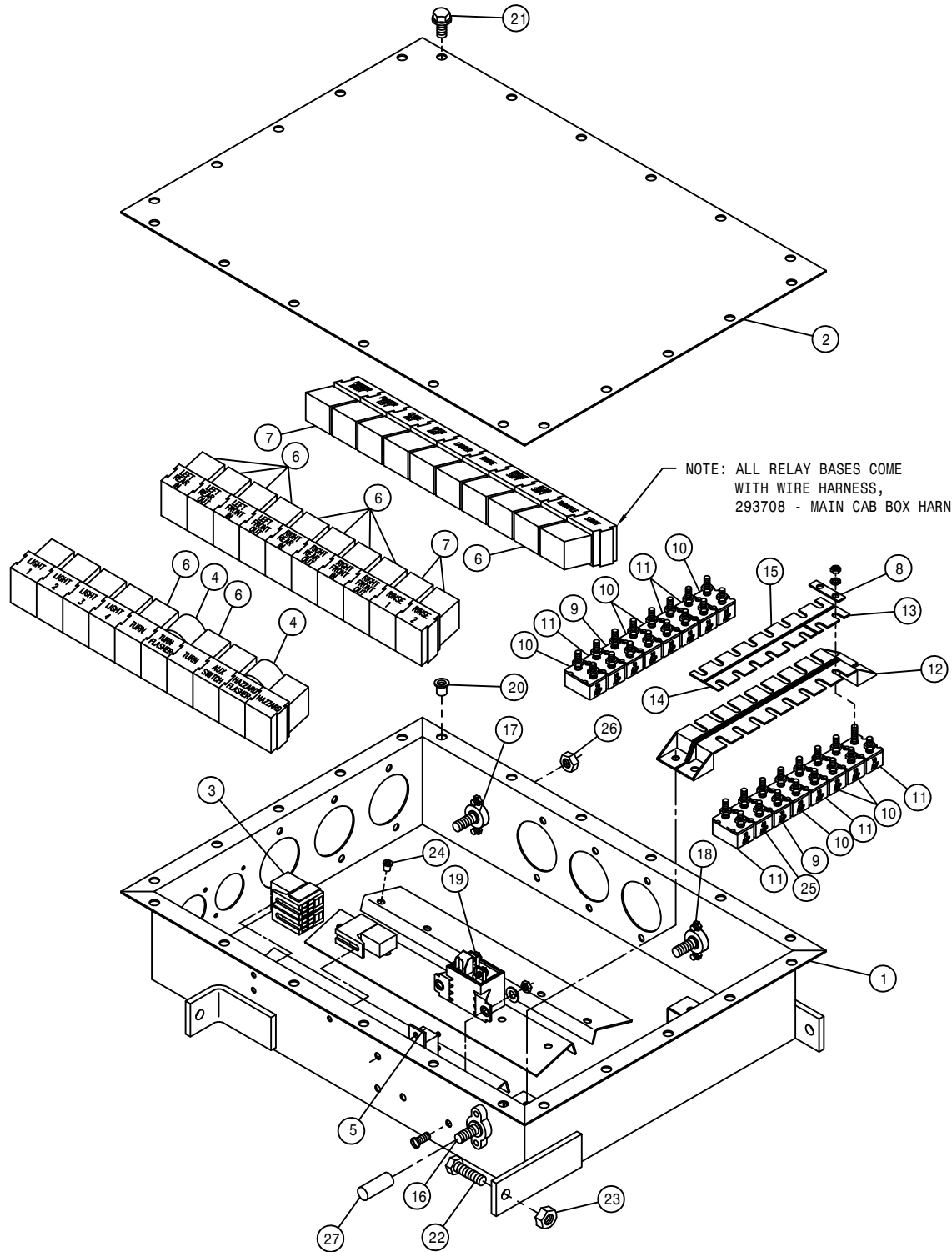
DET.	QTY	PART NO.	DESCRIPTION
1	1	342830	BOOM ELECTRICAL BOX WLD
2	1	342837	BOOM ELECTRICAL BOX COVER
3	7	291752	RELAY, SPDT 12V 50A-NO 5-TERM
4	16	291751	RELAY, SPST 12V 40A-NO, DIODE
5	1	291573	CIRCUIT BREAKER,20AMP W/O MT
6	2	291574	CIRCUIT BREAKER,30AMP W/O MT
7	1	291750	TERM BLOCK,RED,3/8-16 THRU
8	1	291749	TERM BLOCK,BLACK,3/8-16 THRU
9	2	291755	BREAKER MTG BRKT, 4-GANG NYLON
10	1	291756	BUS BAR,4-GANG FOR 291755
11	20	470086	1/4UNC NUTSERT .020-.100MATL
12	20	470122	1/4UNC X 1/2 FLANGE HEX BOLT
13	3	470118	1/4UNC X 3/4 FLANGE HEX BOLT
14	3	470121	1/4UNC HEX FLANGE LOCK NUT
15	14	470165	10-32 NUTSERT .020-.100 MATL
16	2	910004	3/8UNC HEX NUT
17	2	629764	CAPPLUGS CAP, .375 X 1.00 VINYL



ENGINE ELECTRICAL BOX ASSEMBLY

DET. QTY PART NO. DESCRIPTION

1	1	293763	ENGINE BOX HARNESS, STS	04
2	1	342960	ENG BOX MT PANEL, STS	04
3	1	342961	ENG BOX COVER, STS	04
4	1	342962	ENG BOX WLD, STS	04
5	10	470086	1/4UNC NUTSERT .020-.100MATL	
6	17	470165	10-32 NUTSERT .020-.100 MATL	
7	8	470175	10-32 HEX FLANGE LOCK NUT	
8	8	900000	1/4UNC X 1/2 HEX BOLT	
9	2	903722	1/4UNC X3/4 PHIL PNHD MACHSCR	
10	25	903710	10-32X5/8 PHIL PANHD MACH SCR	
11	1	920502	3/8 LOCK WASHER	
12	6	470351	#10 X 1/2 BONDED SEALING WASH	
13	5	470121	1/4UNC HEX FLANGE LOCK NUT	
14	2	910004	3/8UNC HEX NUT	
15	3	910000	1/4UNC HEX NUT	
16	13	920500	1/4 LOCK WASHER	
17	11	920510	#10 LOCK WASHER	
18	6	193037	STICKERTITE 1/8 X 3/4	
19	4	291027	7.5 AMP FUSE,1/4"BLADE ATO/ATC	
20	3	291545	10 AMP FUSE,1/4"BLADE ATO/ATC	
21	1	291547	20 AMP FUSE,1/4"BLADE ATO/ATC	
22	3	291748	TERM BLOCK,BLACK,1/4-20 THRU	
23	1	291750	TERM BLOCK,RED,3/8-16 THRU	
24	1	291751	RELAY, SPST 12V 40A-NO, DIODE	
25	2	291781	MICRO RELAY, BOSCH 12V SPDT	
26	1	291805	BATT CABLE,RED 12"6GA.281-.406	
27	2	291806	BATT CABLE,RED 11"6GA.343-.343	
28	2	291813	FUSE, 125 AMP 32V DC	
29	2	291814	FUSE HOLDER, HIGH AMP	
30	1	291815	CIRCUIT BREAKER,100 AMP BUSS	
31	2	291816	SOLENOID, STS	00
32	2	291872	BATT CABLE,RED 10"6GA.281-.343	
33	1	291873	BATT CABLE,RED 15"6GA.281-.281	
34	1	291874	BATT CABLE,RED 15"6GA.343-.406	
35	1	291875	BATT CABLE,RED 19"6GA.343-.406	
36	4	900002	1/4UNC X 3/4 HEX BOLT	
37	4	914000	1/4UNC HEX STOVER NUT	



CAB ELECTRICAL BOX ASSEMBLY

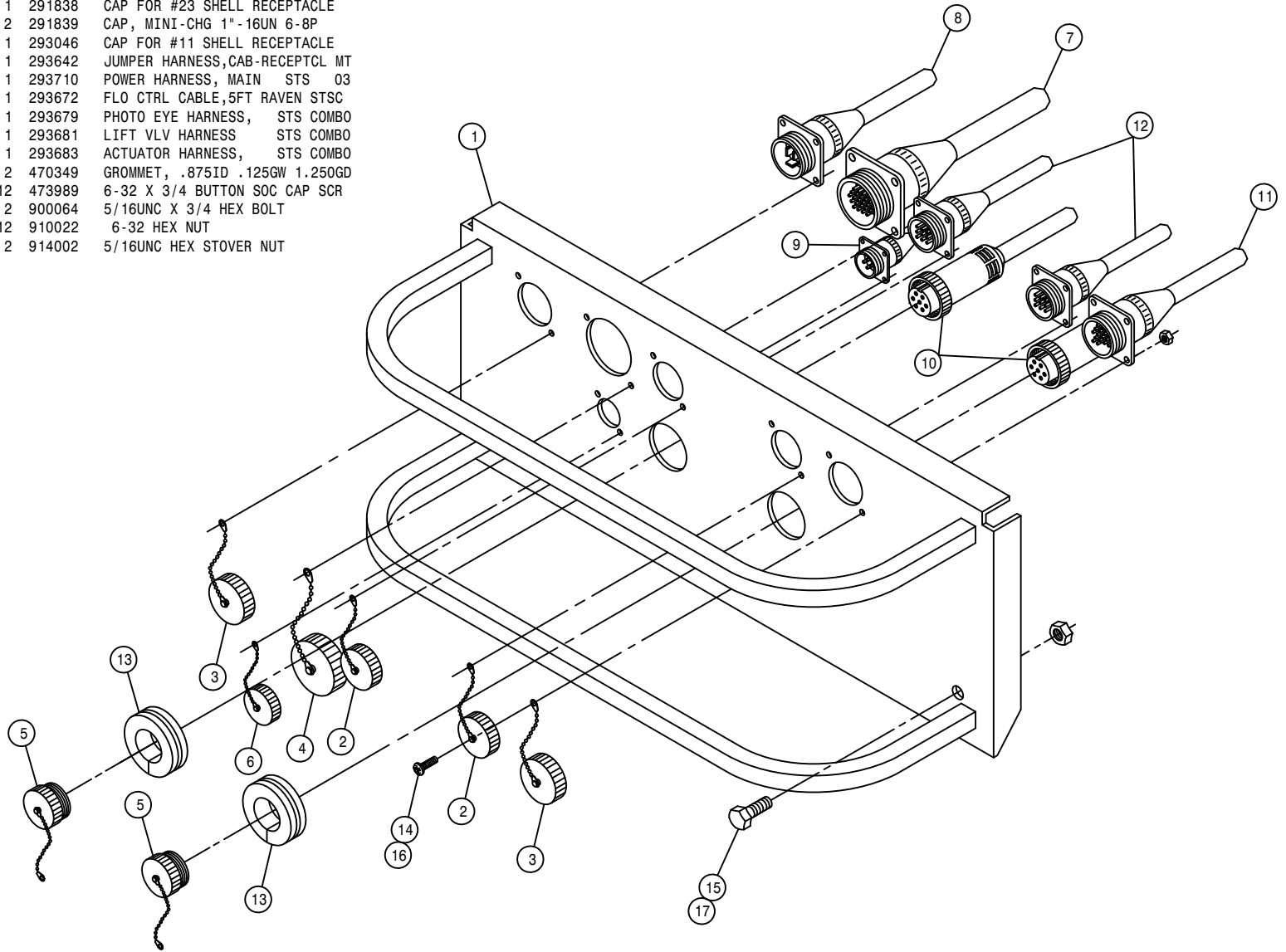
DET. QTY PART NO. DESCRIPTION

1	1	342841	CAB ELECTRICAL BOX WLD
2	1	342847	CAB ELECTRICAL BOX COVER
3	3	291781	MICRO RELAY, BOSCH 12V SPDT
4	2	291564	FLASHER, 12V 3-PIN ELECTRONIC
5	1	291197	CIRCUIT BREAKER,30AMP,INLINEMT
6	11	291752	RELAY, SPDT 12V 50A-NO 5-TERM
7	17	291751	RELAY, SPST 12V 40A-NO, DIODE
8	1	291683	BUSS BAR,2 GANG CIRCUIT BREAKR
9	2	291574	CIRCUIT BREAKER,30AMP W/O MT
10	7	291573	CIRCUIT BREAKER,20AMP W/O MT
11	6	291575	CIRCUIT BREAKER,10AMP W/O MT
12	2	291757	BREAKER MTG BRKT, 8-GANG NYLON
13	1	291796	BUSS BAR,2-GANG FOR 291757
14	1	291797	BUSS BAR, 6-GANG FOR 291757
15	1	291758	BUS BAR,8-GANG FOR 291757
16	1	291748	TERM BLOCK,BLACK,1/4-20 THRU
17	1	291749	TERM BLOCK,BLACK,3/8-16 THRU
18	1	291750	TERM BLOCK,RED,3/8-16 THRU
19	1	657371	RELAY, 12 VOLT 75 AMP
20	22	470086	1/4UNC NUTSERT .020-.100MATL
21	22	470122	1/4UNC X 1/2 FLANGE HEX BOLT
22	3	900129	3/8UNC X 1" HEX BOLT
23	3	914004	3/8UNC HEX STOVER NUT
24	16	470165	10-32 NUTSERT .020-.100 MATL
25	1	291584	CIRCUIT BREAKER,40AMP W/O MT
26	2	910004	3/8UNC HEX NUT
27	1	629763	CAPPLUGS CAP,.250 X 1.00 VINYL

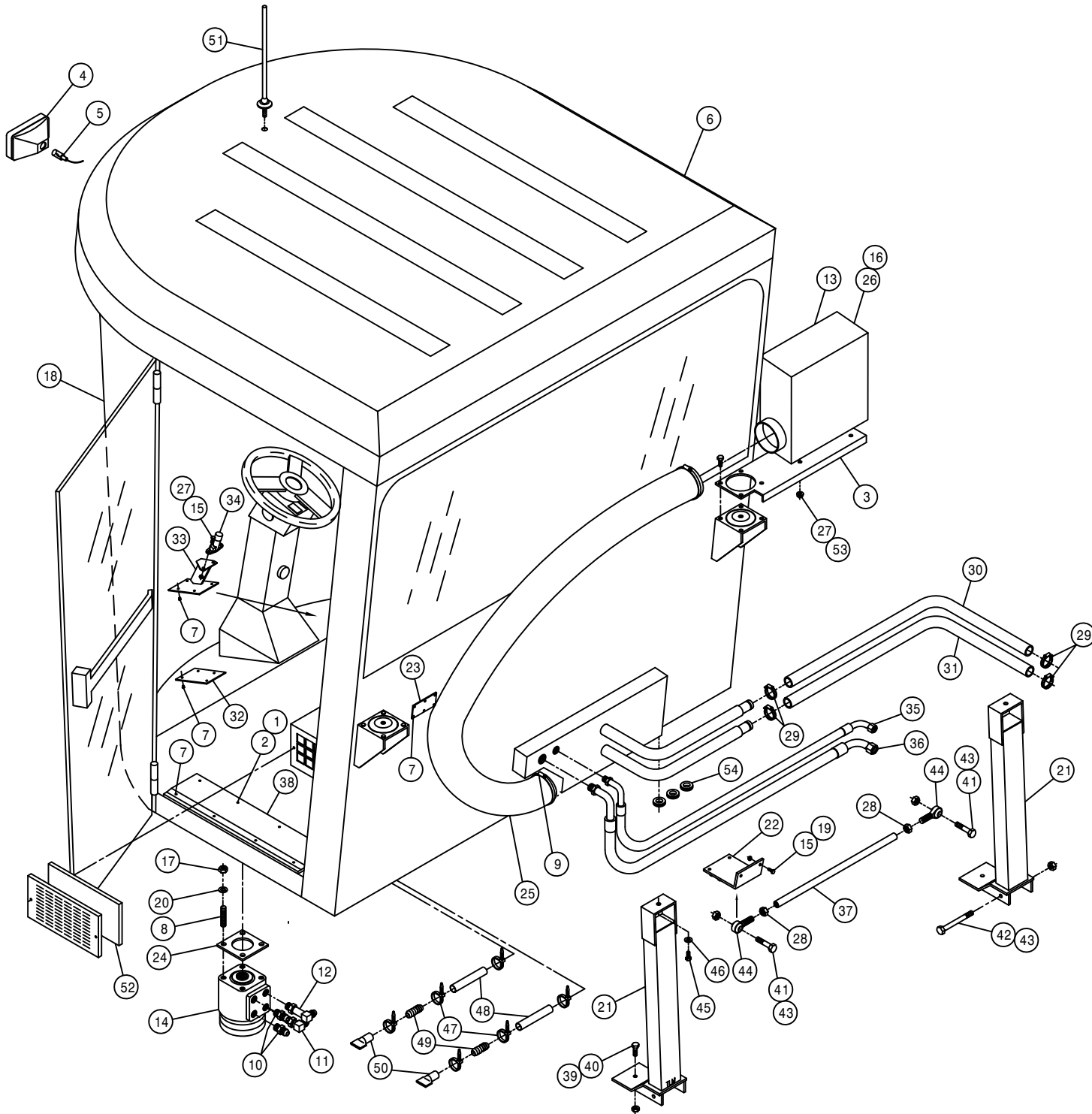
RECEPTACLE PANEL ASSEMBLY

DET. QTY PART NO. DESCRIPTION

1	1	342957	FRT RECEPTACLE PNL WLD, STS 03
2	2	291688	CAP FOR #13 SHELL RECEPTACLE
3	2	291754	AMP RECEPTACLE CAP, 17-SHELL
4	1	291838	CAP FOR #23 SHELL RECEPTACLE
5	2	291839	CAP, MINI-CHG 1"-16UN 6-8P
6	1	293046	CAP FOR #11 SHELL RECEPTACLE
7	1	293642	JUMPER HARNESS,CAB-RECEPTCL MT
8	1	293710	POWER HARNESS, MAIN STS 03
9	1	293672	FLO CTRL CABLE,5FT RAVEN STSC
10	1	293679	PHOTO EYE HARNESS, STS COMBO
11	1	293681	LIFT VLV HARNESS, STS COMBO
12	1	293683	ACTUATOR HARNESS, STS COMBO
13	2	470349	GROMMET, .875ID .125GW 1.250GD
14	12	473989	6-32 X 3/4 BUTTON SOC CAP SCR
15	2	900064	5/16UNC X 3/4 HEX BOLT
16	12	910022	6-32 HEX NUT
17	2	914002	5/16UNC HEX STOVER NUT



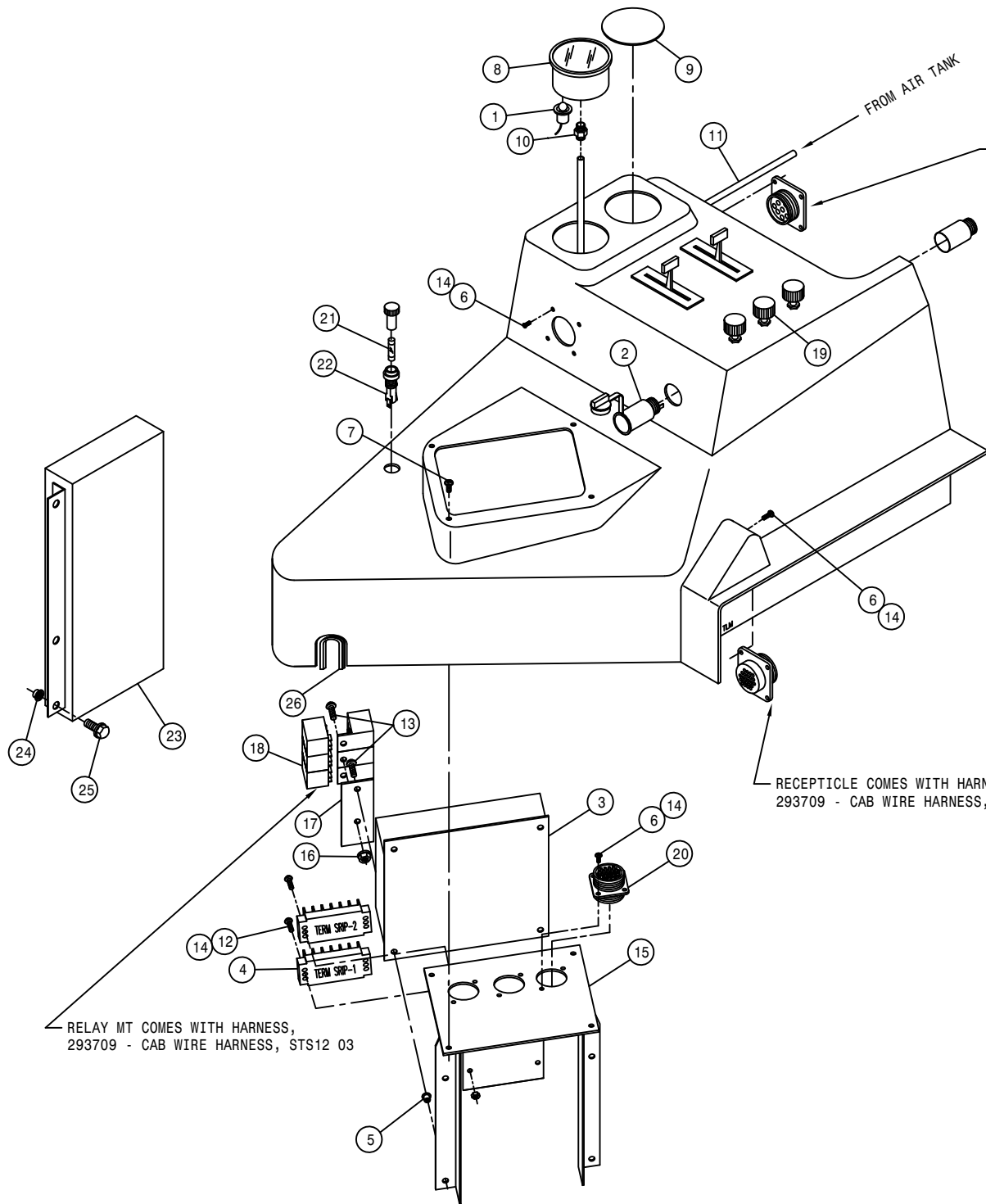
CAB ASSEMBLY



DET.	QTY	PART NO.	DESCRIPTION
	1	470175	10-32 HEX FLANGE LOCK NUT
	2	903905	10-32X1 1/2 SLT RD HD MACH SCR
	3	343153	CAB AIR FILTER BOX MT, STS 03
	4	291828	WORKLIGHT W/O BULB, CAB, STS12
	5	291829	WORKLIGHT BULB FOR 291828, STS
	6	343000	CAB, NEW HOLLAND FX DISCOVERY
	7	26 485053	POP RIVET 3/16 X 3/8
	8	472335	3/8UNC X 2" STUD BOLT
	9	520064	HOSE CLAMP NO 64 STAINLESS
	10	611125	3/4MJIC-3/4MOR ADPTR
	11	618241	3/4MJIC-90-3/4MOR LBO
	12	618443	3/4MJIC-90-3/4MOR EX LG LBO
	13	657435	FILTER BOX W/FILTERS STS12
	14	749321	STEERING CONTROL MTR 14.1CI
	15	900002	1/4UNC X 3/4 HEX BOLT
	16	657437	CHARCOAL FILTER FOR 657435
	17	910004	3/8UNC HEX NUT
	18	343004	WINDSHIELD, STS12 CAB 2000
	19	914000	1/4UNC HEX STOVER NUT
	20	920502	3/8 LOCK WASHER
	21	343134	REAR CAB MT WLD, STS10
	22	343019	CAB STABILIZER MT WLD
	23	343022	REAR CAB COVER PLATE
	24	343023	STEERING MTR SPACER STS12
	25	343154	AIR DUCT HOSE, 4" X 60" LG
	26	657436	PANEL FILTER FOR 657435
	27	470121	1/4UNC HEX FLANGE LOCK NUT
	28	910009	1/2UNF HEX NUT
	29	4520080	HOSE CLAMP NO 10 STAINLESS
	30	601465	HOSE, 5/8 X 19 HEATER
	31	601466	HOSE, 5/8 X 21 HEATER
	32	343027	DIMMER SWITCH MT PLT
	33	343026	DIMMER SWITCH MT WLD
	34	290412	DIMMER SWITCH
	35	657442	A/C HOSE, 06-06F90-06M90-33"
	36	657445	A/C HOSE, 08-10F90-10M90-35"
	37	343072	CAB STABILIZER ROD
	38	343025	CAB STEP PLATE
	39	914004	3/8UNC HEX STOVER NUT
	40	900129	3/8UNC X 1" HEX BOLT
	41	900267	1/2UNC X 2" HEX BOLT
	42	900274	1/2UNC X 4" HEX BOLT
	43	914008	1/2UNC HEX STOVER NUT
	44	473976	ROD END, .50B, .50-20UNF RH MALE
	45	473775	12MM-1.75 X 30MM HEX BOLT
	46	473784	12MM LOCK WASHER
	47	470154	CABLE TIE, 11.75" BLK PLASTIC
	48	601552	HOSE, 1/2 X 4 CLEAR VINYL
	49	619014	1/2" HOSE MENDER
	50	657451	A/C KAZOO, 1/2" X 2" LONG
	51	291214	ANTENNA
	52	343118	A/C FILTER ELEMENT, CAB STS12
	53	470122	1/4UNC X 1/2 FLANGE HEX BOLT
	54	470349	GROMMET, .875ID .125GW 1.250GD

37

308037



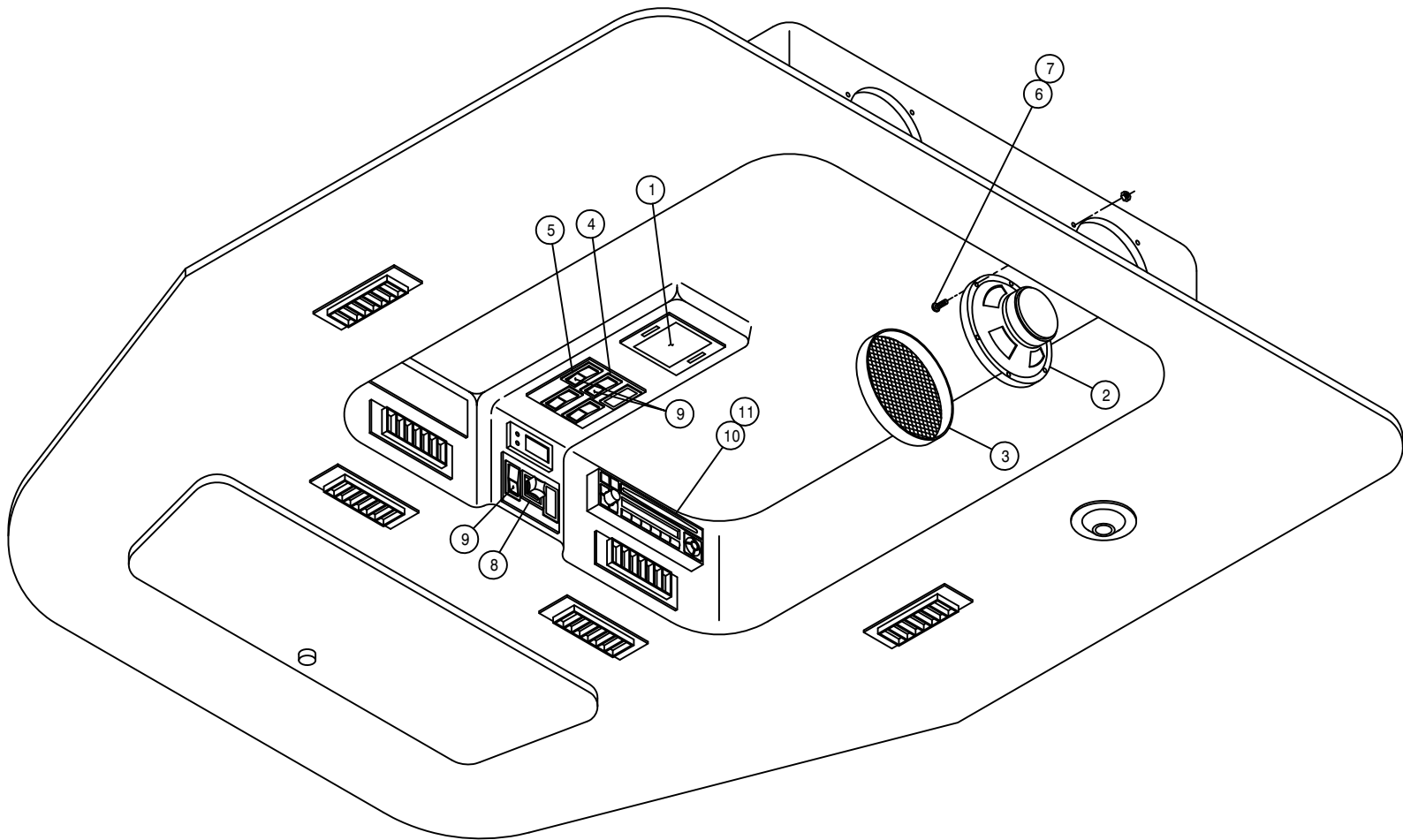
RECEPTACLE COMES WITH HARNESS,
293610 - DIAGNOSTIC READ HARNESS

RECEPTACLE COMES WITH HARNESS,
293709 - CAB WIRE HARNESS, STS12 03

RELAY MT COMES WITH HARNESS,
293709 - CAB WIRE HARNESS, STS12 03

HEATER CONTROL PANEL ASSEMBLY

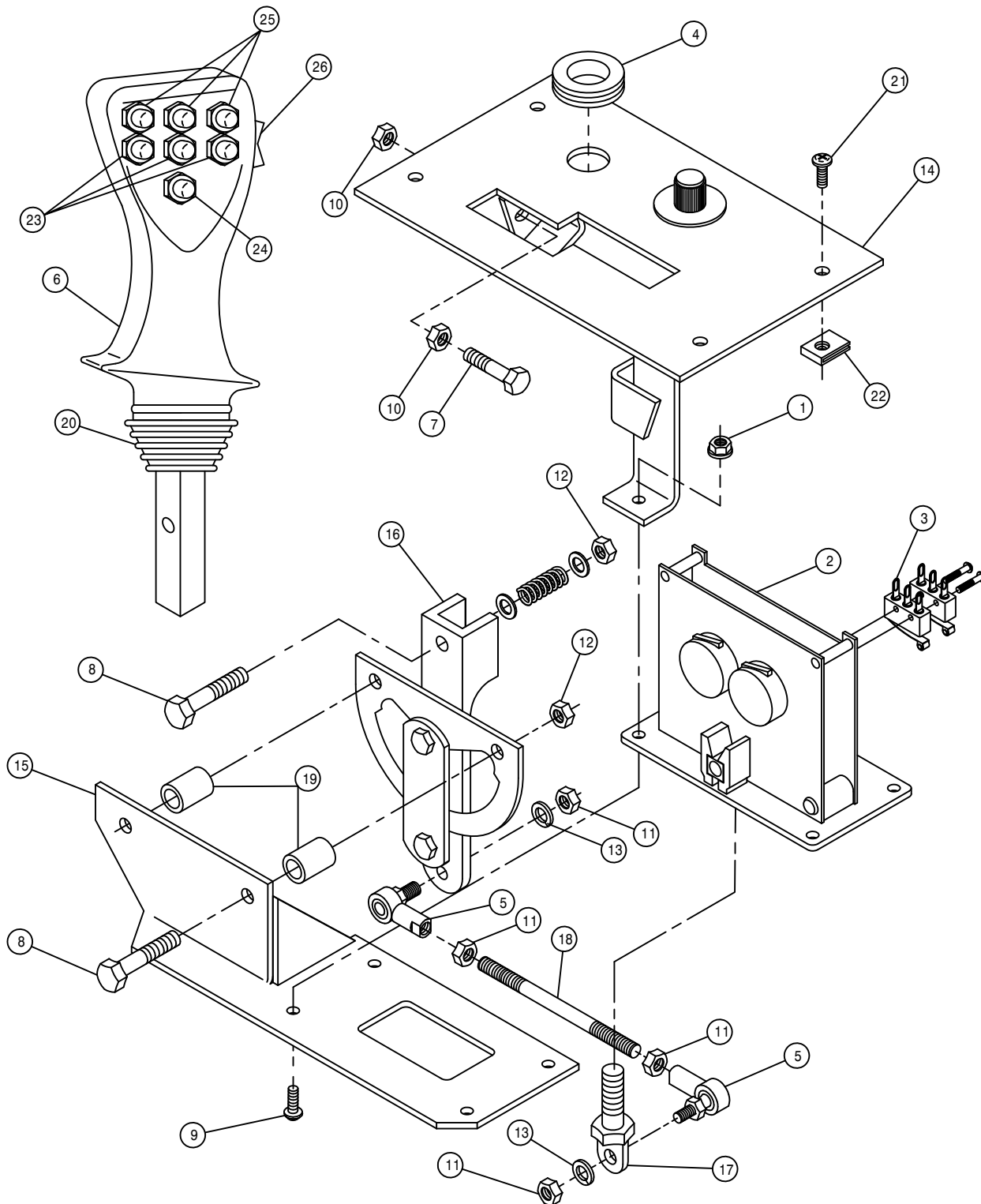
DET.	QTY	PART NO.	DESCRIPTION
	1	291612	LIGHT KIT FOR 2" GAUGE
	2	291648	POWER POINT RECEPTACLE
	3	291787	INPUT MODULE, ATI
	4	293093	TERMINAL BLOCK 6 POS - 2 ROW
	5	470165	10-32 NUTSERT .020-.100 MATL
	6	14	473989 6-32 X 3/4 BUTTON SOC CAP SCR
	7	4	473990 8-15 X 3/4 PHIL PAN SMS TY-A
	8	1	701311 AIR PRESS GAUGE, 150PSI, PNL MT
	9	1	701312 GAUGE BLANK
	10	1	711038 1/8FNPT-1/4 NYL TUBE FTG
	11	1	601486 HOSE, 1/4 X 215 AIR
	12	4	903814 6-32 X 3/4 SLT RD HD MACH SCR
	13	5	903883 10-32 X 1/2 SLT RDHD MACH SCR
	14	18	910022 6-32 HEX NUT
	15	1	343142 CONSOLE COVER WLD, CAB STSC
	16	1	470175 10-32 HEX FLANGE LOCK NUT
	17	1	343067 RELAY BRKT
	18	3	291781 MICRO RELAY, BOSCH 12V SPDT
	19	1	343114 SWITCH, CAB FAN STS12 2000
	20	3	291841 AMP RECEPTCL, 17-16 THRU, SQ FLG
	21	1	291602 FUSE 10 AMP
	22	1	298011 FUSE HOLDER
	23	1	293374 LS CTRL 6L CABLE BOX ASSY
	24	2	470086 1/4UNC NUTSERT .020-.100MATL
	25	2	470122 1/4UNC X 1/2 FLANGE HEX BOLT
	26	.5	193011 EDGE GUARD, BLK



HEADLINER ASSEMBLY

DET. QTY PART NO. DESCRIPTION

1	1	343123	DOME LIGHT, CAB STS
2	2	291219	SPEAKER, 5 1/4"RD
3	2	291319	SPEAKER GRILLE, ROUND SNAP ON
4	1	291627	SWITCH, 2P(ON)OFF(ON) 511-058
5	1	291775	SWITCH, LOCK OFF/ON 511-172
6	6	903812	6-32 X 1/2 SLT RD HD MACH SCR
7	6	910022	6-32 HEX NUT
8	1	291798	MIRROR SWITCH FOR 470316
9	3	291628	LENS, GREEN 596-650
10	1	291835	RADIO, AM/FM/CD/WB CRC-5320
11	1	291836	WIRE HARNESS FOR 291835 RADIO



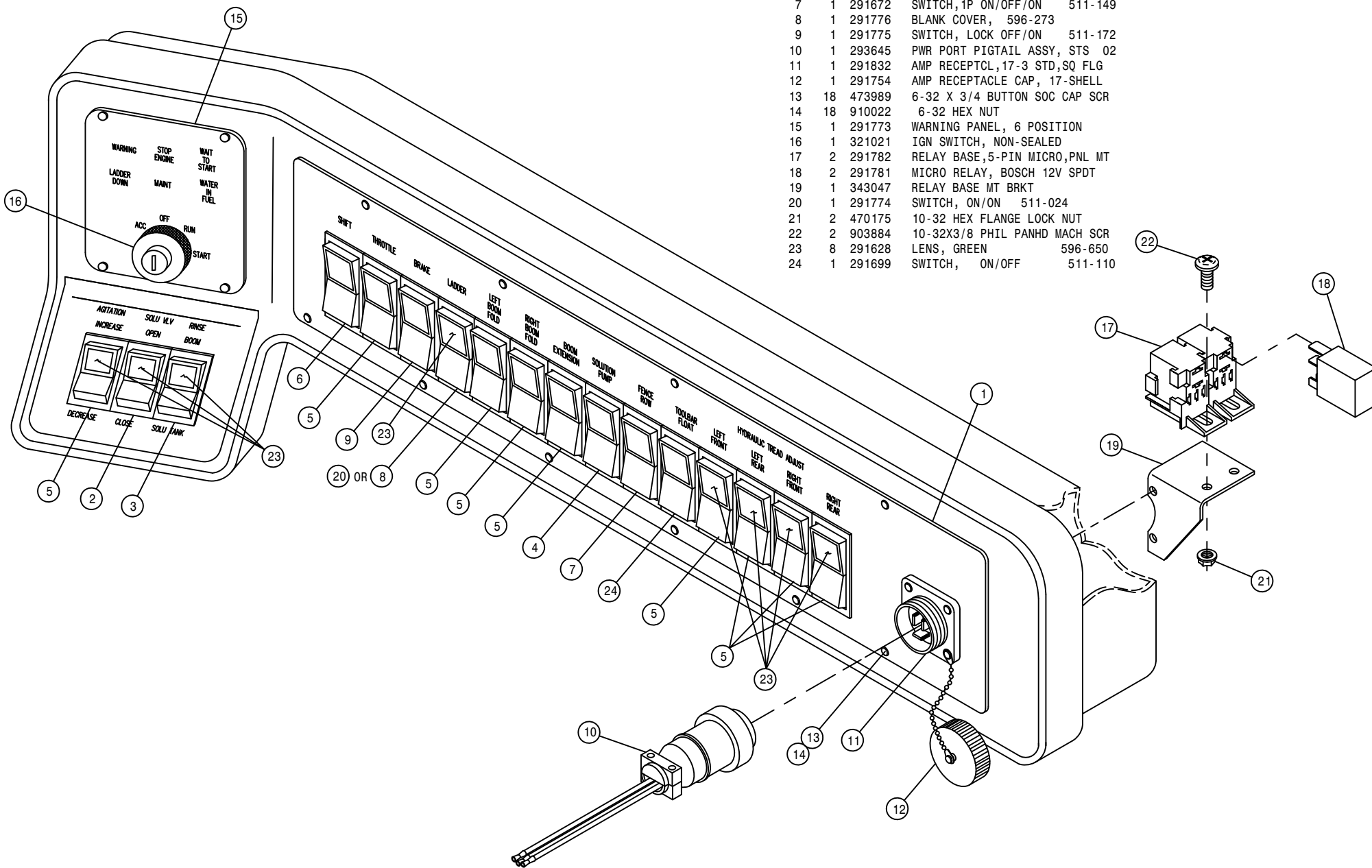
HYDROSTATIC CONTROL LEVER ASSEMBLY

DET.	QTY	PART NO.	DESCRIPTION
1	4	169028	10-24 HEX FLANGE LOCK NUT
2	1	291760	CONTROL HANDLE & POTENTIOMETER
3	4	291827	MICRO SWITCH FOR 291760
4	1	470296	GROMMET, .750ID .062GW 1.062GD
5	2	473918	BALL JOINT 1/4-28 FEM STUDED
6	1	785085	FASSE CTRL HANDLE, C15L4'14TRM
7	2	900003	1/4UNC X 1" HEX BOLT
8	3	900005	1/4UNC X 1 1/2 HEX BOLT
9	4	903888	10-24 X 3/4 SLT RDHD MACH SCR
10	4	910000	1/4UNC HEX NUT
11	4	910001	1/4UNF HEX NUT
12	3	914000	1/4UNC HEX STOVER NUT
13	2	920500	1/4 LOCK WASHER
14	1	343031	HYDRO LEVER MT PLT WLD
15	1	343037	HYDRO LEVER MT WLD
16	1	343040	HYDST CTRL LEVER
17	1	343041	HYDRO LINKAGE BOLT WLD
18	1	343043	HYDRO LINKAGE ROD
19	2	343044	HYDRO LEVER SPACER
20	1	785081	BELLOW,FASSE CTRL HANDLE785080
21	4	473990	8-15 X 3/4 PHIL PAN SMS TY-A
22	4	470172	# 8 SPEED NUT
23	3	291883	SWITCH,PB 3TRM MOM 0, RED
24	1	291882	SWITCH,PB SPDT STAT 0, GREEN
25	3	291884	SWITCH,PB 3TRM MOM 0, GRAY
26	1	291885	SWITCH,ROCKER SPDT STAT

SWITCH PANEL ASSEMBLY

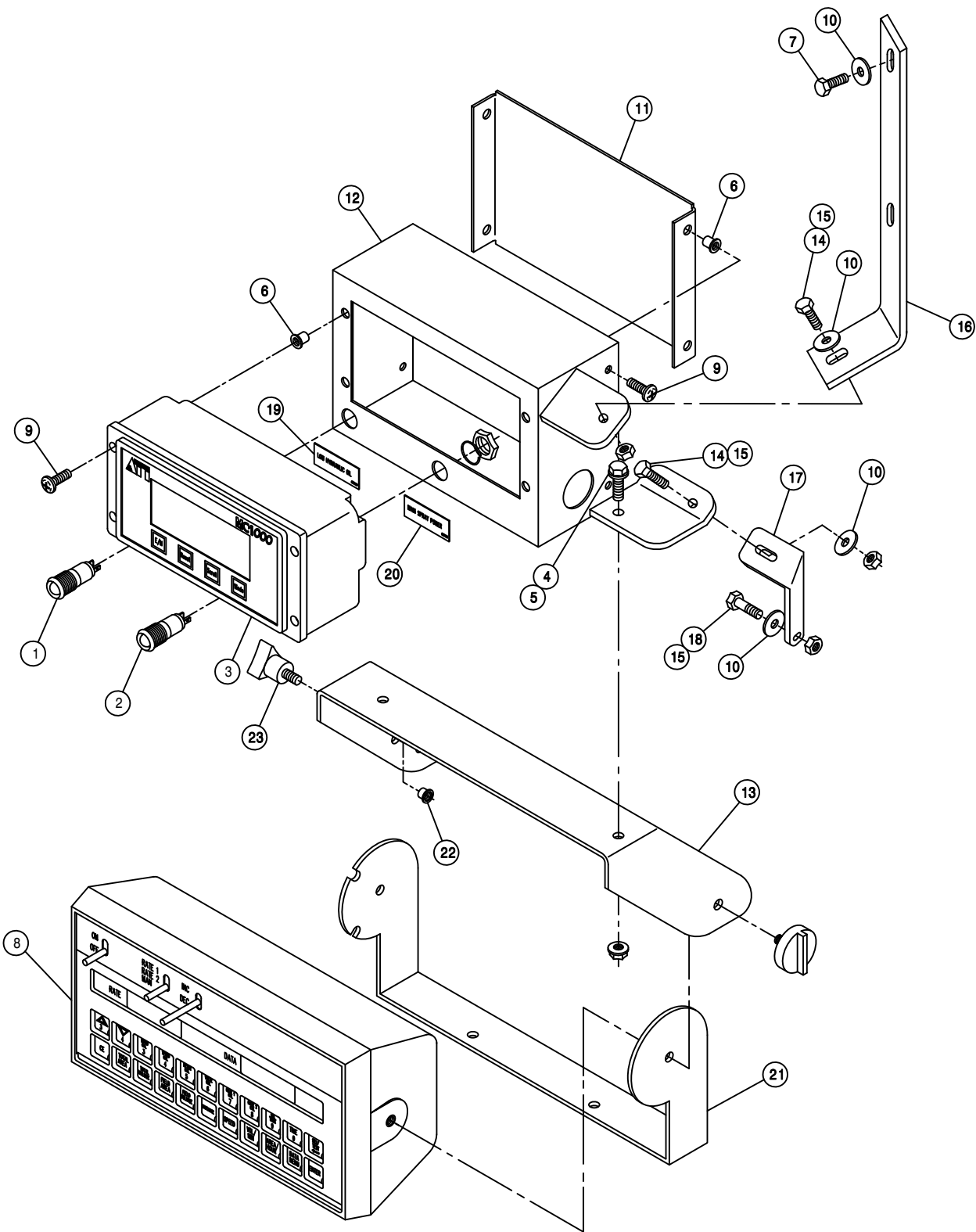
DET. QTY PART NO. DESCRIPTION

1	1	291850	SWITCH PANEL,W/SWITCH STS10 03
2	1	291622	SWITCH,1P ON/OFF 511-003
3	1	291626	SWITCH,2P ON/OFF/ON 511-053
4	1	291625	SWITCH,2P ON/ON 511-108
5	9	291627	SWITCH,2P (ON)OFF (ON) 511-058
6	1	291671	SWITCH,2P OFF/ONA/ONAB 511-138
7	1	291672	SWITCH,1P ON/OFF/ON 511-149
8	1	291776	BLANK COVER, 596-273
9	1	291775	SWITCH, LOCK OFF/ON 511-172
10	1	293645	PWR PORT PIGTAIL ASSY, STS 02
11	1	291832	AMP RECEPTCL,17-3 STD,SQ FLG
12	1	291754	AMP RECEPTACLE CAP, 17-SHELL
13	18	473989	6-32 X 3/4 BUTTON SOC CAP SCR
14	18	910022	6-32 HEX NUT
15	1	291773	WARNING PANEL, 6 POSITION
16	1	321021	IGN SWITCH, NON-SEALED
17	2	291782	RELAY BASE,5-PIN MICRO,PNL MT
18	2	291781	MICRO RELAY, BOSCH 12V SPDT
19	1	343047	RELAY BASE MT BRKT
20	1	291774	SWITCH, ON/ON 511-024
21	2	470175	10-32 HEX FLANGE LOCK NUT
22	2	903884	10-32X3/8 PHIL PANHD MACH SCR
23	8	291628	LENS, GREEN 596-650
24	1	291699	SWITCH, ON/OFF 511-110



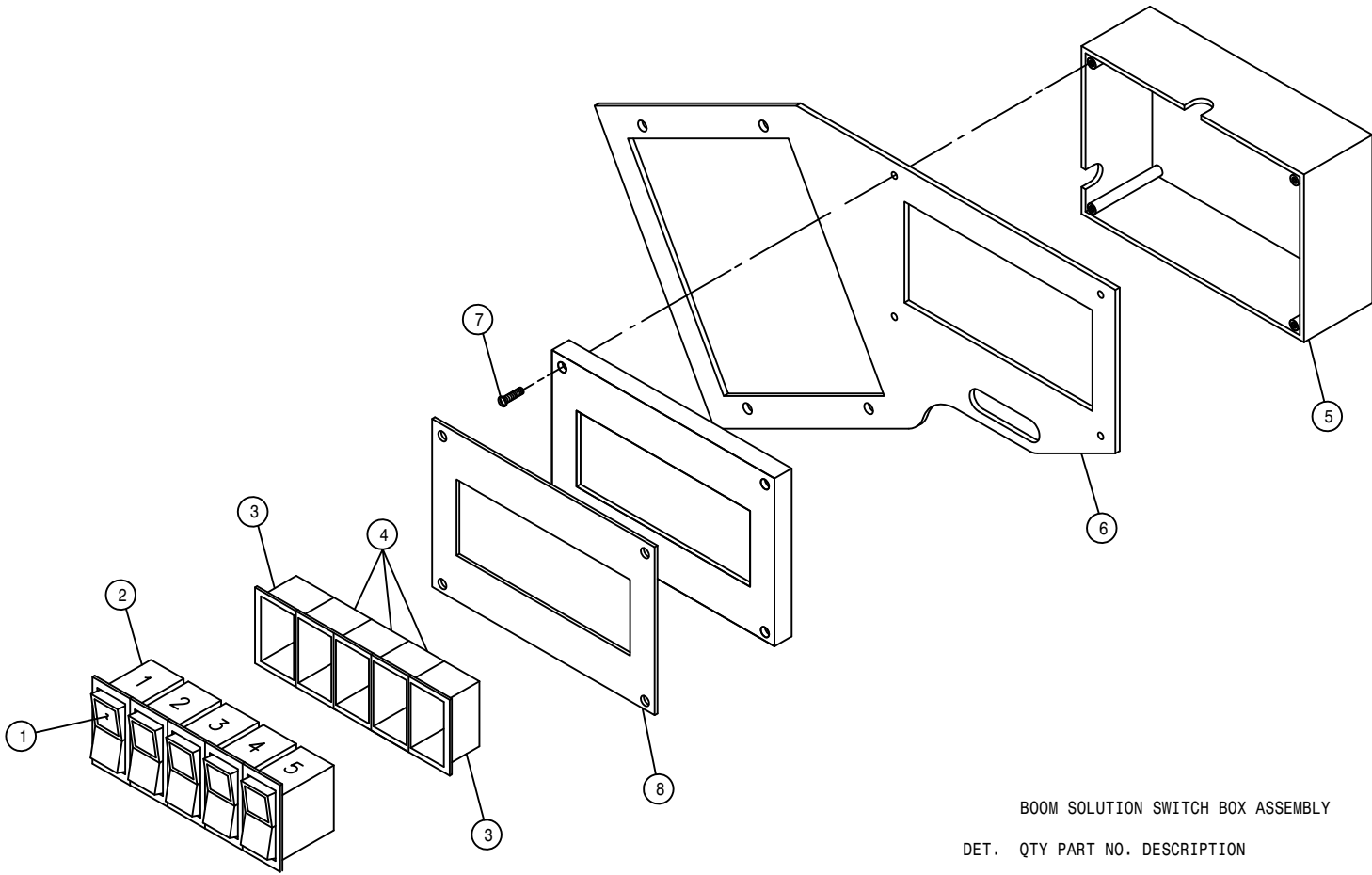
41

308041



ATI MC1000 CONTROL BOX ASSEMBLY

DET.	QTY	PART NO.	DESCRIPTION
1	1	291740	RED LED IND LIGHT,12V 10MM
2	1	291741	GREEN LED IND LIGHT,12V 10MM
3	1	291761	MESSAGE CENTER, ATI MC1000
4	2	470118	1/4UNC X 3/4 FLANGE HEX BOLT
5	2	470121	1/4UNC HEX FLANGE LOCK NUT
6	8	470165	10-32 NUTSERT .020-.100 MATL
7	2	473787	6MM-1.00 X 25MM HEX BOLT
8	1	690618	CONSOLE, RAVEN 460 W/GPS PORT
9	8	903710	10-32X5/8 PHIL PANHD MACH SCR
10	5	920000	1/4 SAE FLAT WASHER
11	1	343058	ATI MC1000 CTRL BOX COVER
12	1	343053	ATI MC1000 CTRL BOX WLD
13	1	343144	MONITOR MT BRKT, STS COMBO
14	2	900003	1/4UNC X 1" HEX BOLT
15	3	914000	1/4UNC HEX STOVER NUT
16	1	343060	ATI MC1000 CTRL BOX UPR SUPP
17	1	343061	ATI MC1000 CTRL BOX LWR SUPP
18	1	900004	1/4UNC X 1 1/4 HEX BOLT
19	1	650109	DECAL, LOW HYDRAULIC OIL
20	1	650108	DECAL, MAIN SPRAY POWER
21	1	343145	DEPTH CMD BOX BRKT, STS COMBO
22	1	470086	1/4UNC NUTSERT .020-.100MATL
23	1	470353	KNOB,3-ARM,1/4-20 X 1/2, BLACK



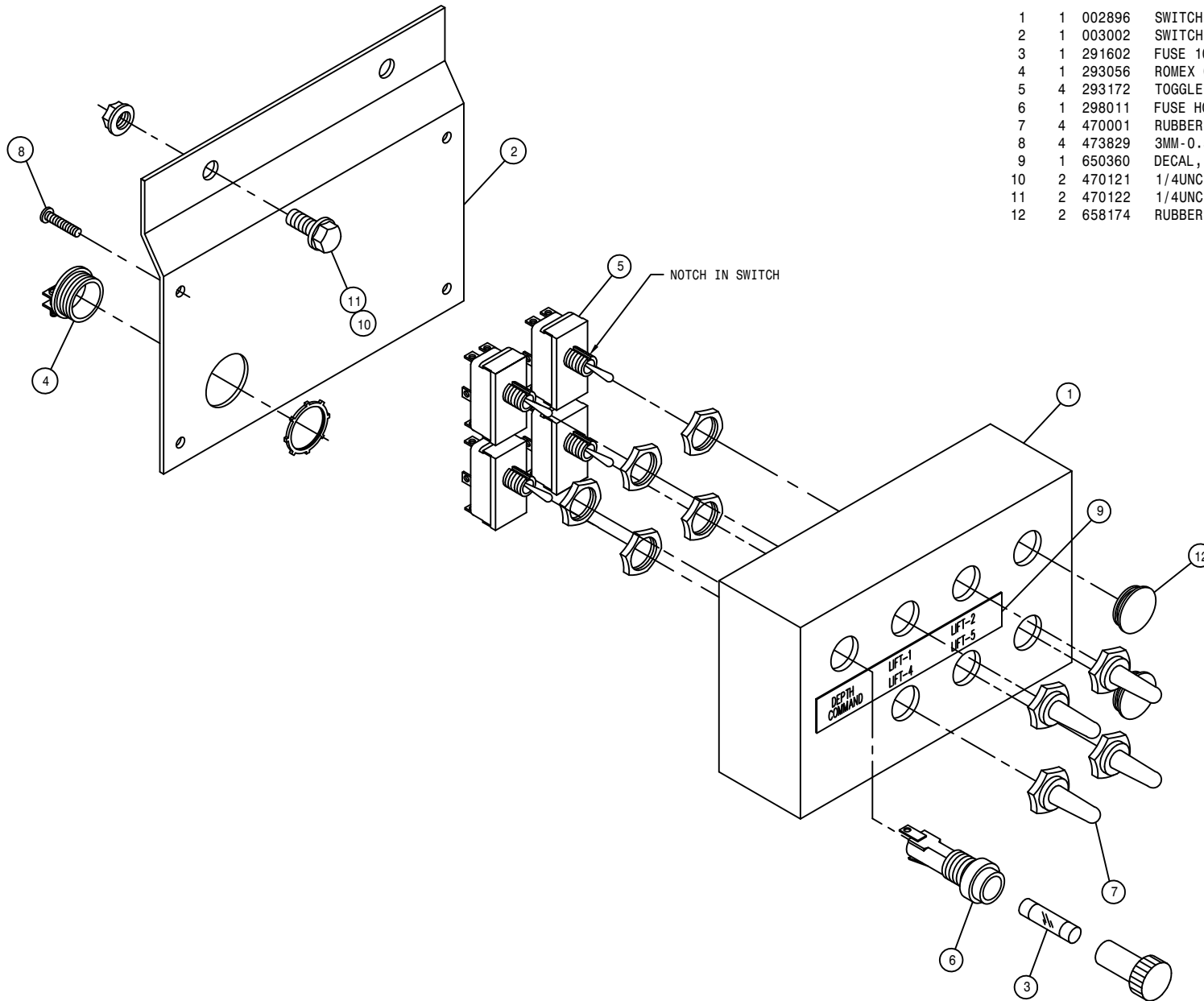
BOOM SOLUTION SWITCH BOX ASSEMBLY

DET.	QTY	PART NO.	DESCRIPTION	
1	5	291628	LENS, GREEN	596-650
2	5	291699	SWITCH, ON/OFF	511-110
3	2	293246	END BEZEL, 594-802	
4	3	293247	CENTER BEZEL, 594-801	
5	1	343049	BOOM SWITCH BOX	
6	1	343165	BOOM SOLU SWITCH BOX MT PLT 03	
7	4	473848	3MM-0.50 X 25MM PHILHD SCREW	
8	1	650101	DECAL, BOOM SPRAY VALVE SWITCH	

4-LIFT DEPTH COMMAND BOX ASSEMBLY

DET. QTY PART NO. DESCRIPTION

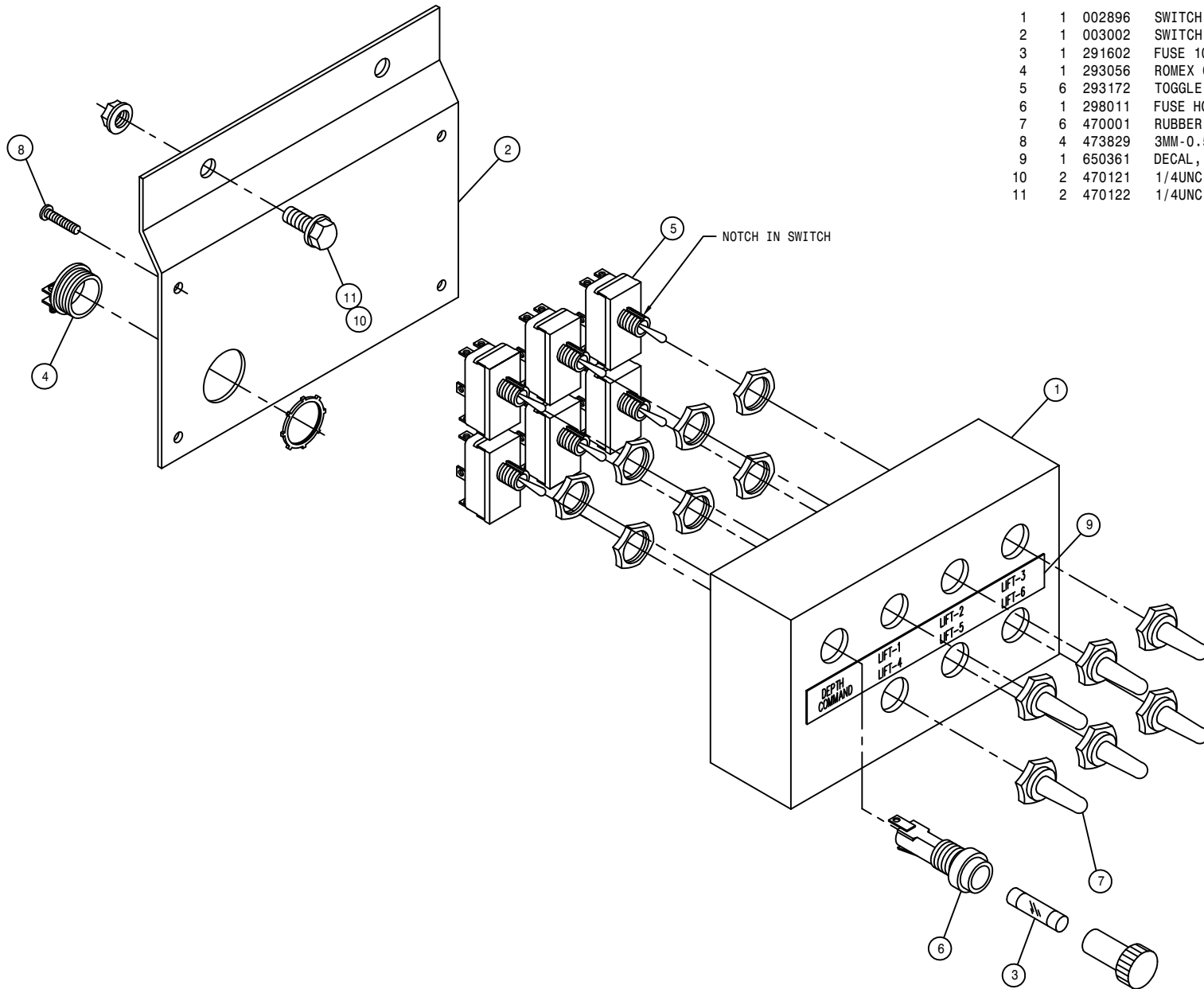
1	1	002896	SWITCH BOX, 5/6L DEPTH CMD 96
2	1	003002	SWITCH BOX MT, DEPTH CMD STSC
3	1	291602	FUSE 10 AMP
4	1	293056	ROMEX CONNECTOR .50IN 2-SCR
5	4	293172	TOGGLE SWITCH DPDT W/JUMPERS
6	1	298011	FUSE HOLDER
7	4	470001	RUBBER BOOT W NUT FOR 298012
8	4	473829	3MM-0.50 X 16MM PANHEAD SCREW
9	1	650360	DECAL, DEPTH CMD 4-LIFT STSC
10	2	470121	1/4UNC HEX FLANGE LOCK NUT
11	2	470122	1/4UNC X 1/2 FLANGE HEX BOLT
12	2	658174	RUBBER BUMPER, 1.0000D .500GD

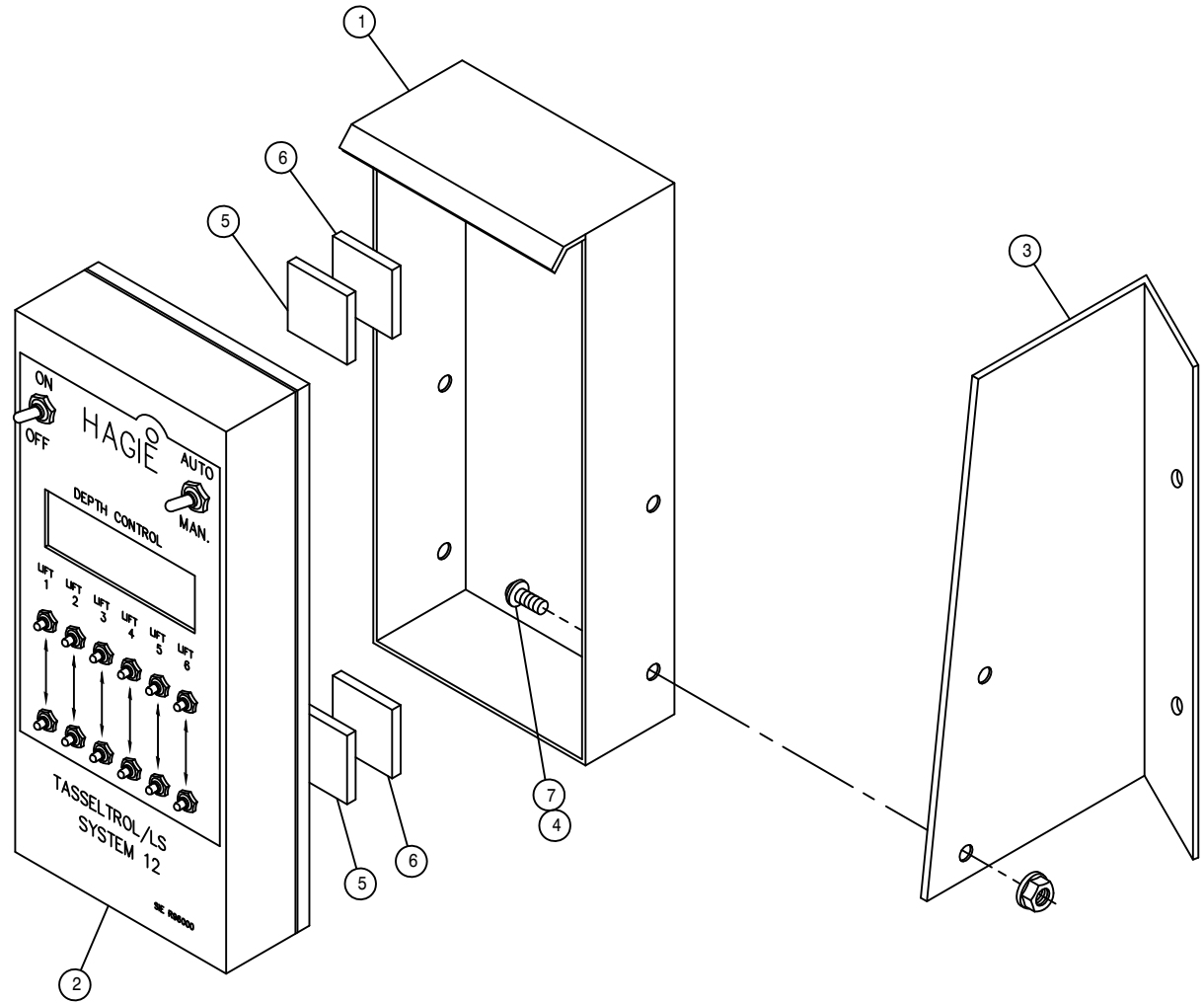


6-LIFT DEPTH COMMAND BOX ASSEMBLY

DET. QTY PART NO. DESCRIPTION

1	1	002896	SWITCH BOX, 5/6L DEPTH CMD 96
2	1	003002	SWITCH BOX MT, DEPTH CMD STSC
3	1	291602	FUSE 10 AMP
4	1	293056	ROMEX CONNECTOR .50IN 2-SCR
5	6	293172	TOGGLE SWITCH DPDT W/JUMPERS
6	1	298011	FUSE HOLDER
7	6	470001	RUBBER BOOT W NUT FOR 298012
8	4	473829	3MM-0.50 X 16MM PANHEAD SCREW
9	1	650361	DECAL, DEPTH CMD 6-LIFT STSC
10	2	470121	1/4UNC HEX FLANGE LOCK NUT
11	2	470122	1/4UNC X 1/2 FLANGE HEX BOLT

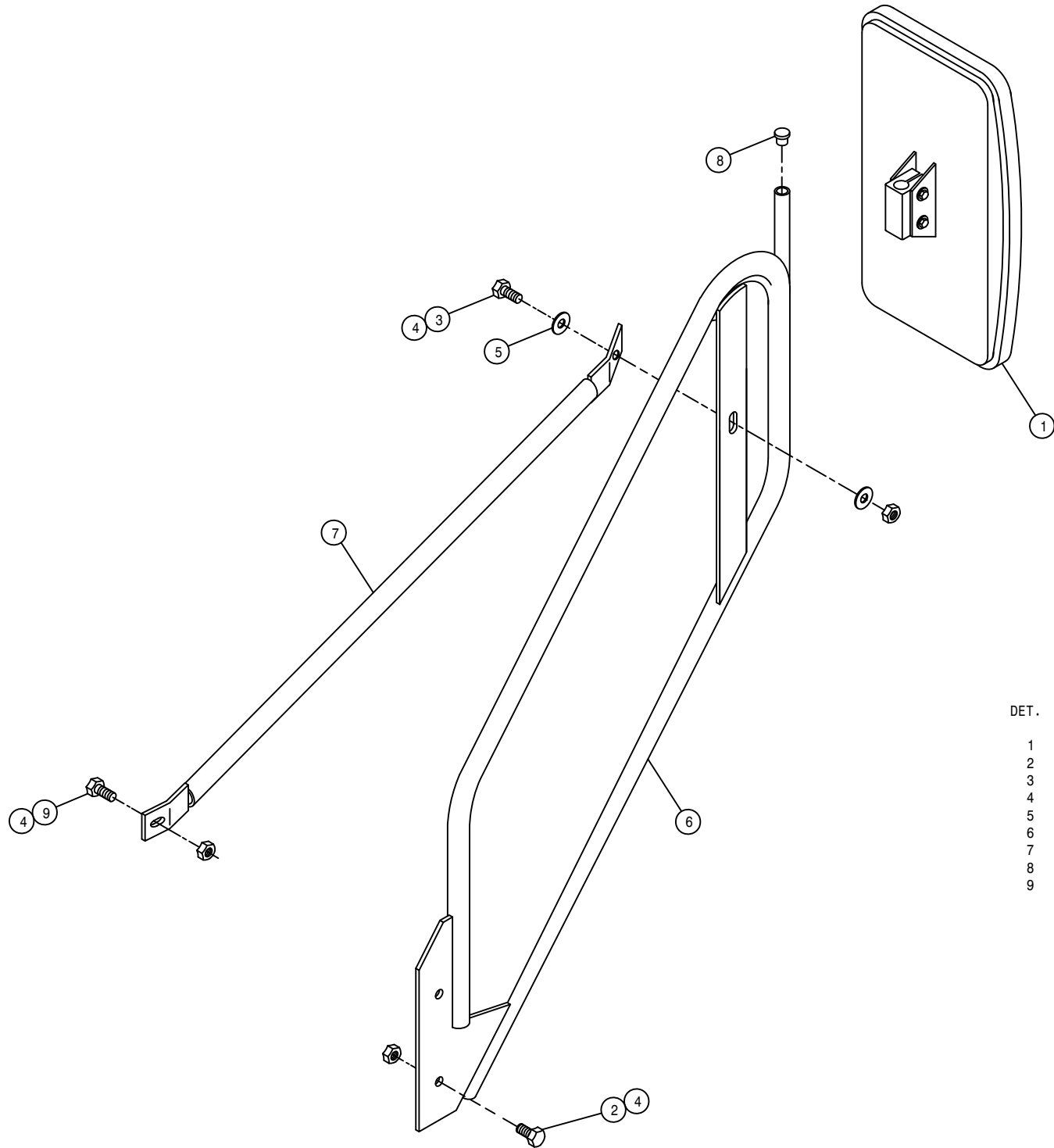




LS CONTROL DISPLAY ASSEMBLY

DET. QTY PART NO. DESCRIPTION

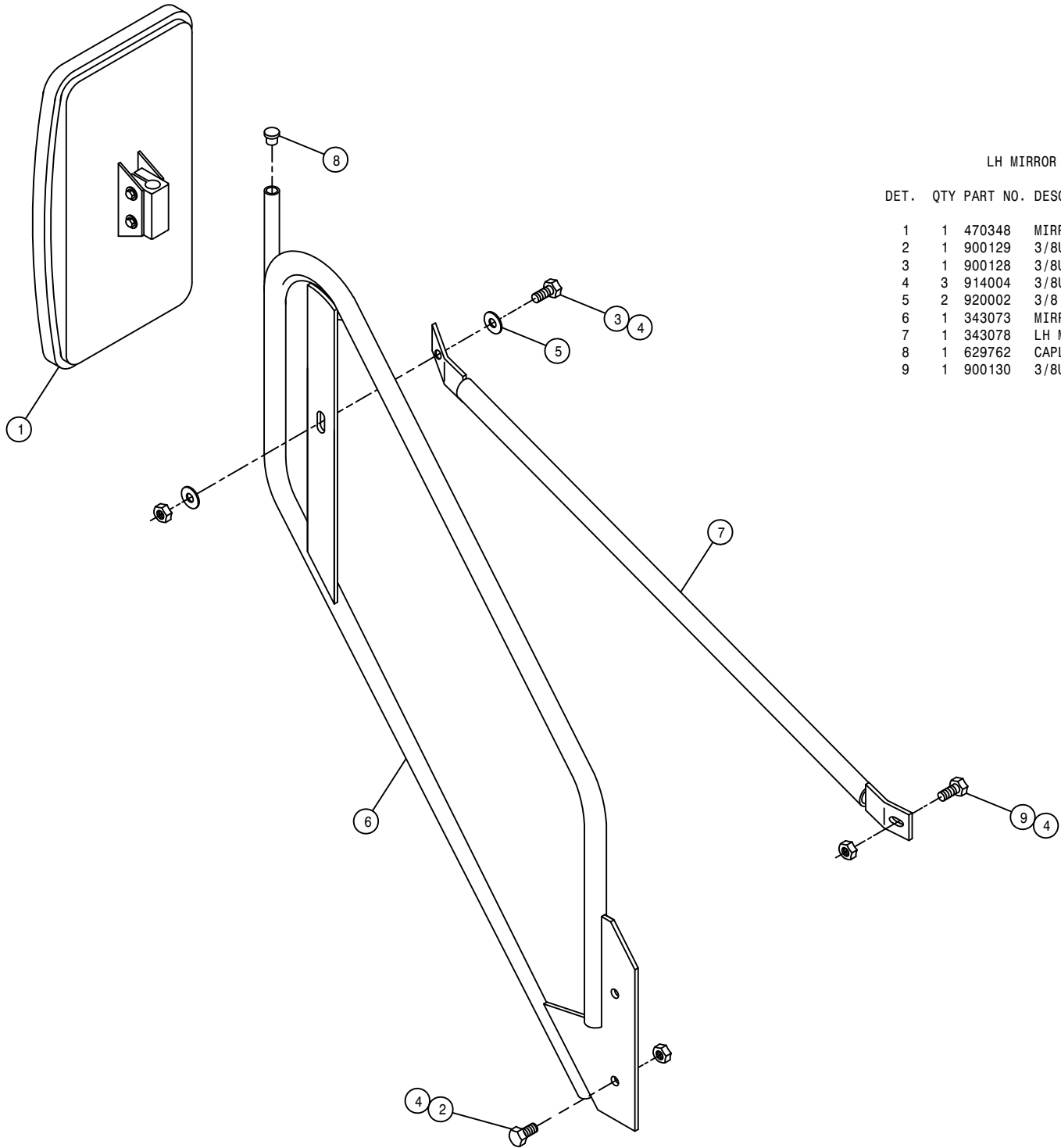
1	1	002903	LS CTRL 6L DISPLAY MT
2	1	293373	LS CTRL 6L DISPLAY BOX ASSY
3	1	343146	DETASSELER CTRL BOX MT, STSC
4	2	470121	1/4UNC HEX FLANGE LOCK NUT
5	2	471100	DUAL LOCK, 1.00 X 1.00 SJ3541
6	2	471101	DUAL LOCK, 1.00 X 1.00 SJ3542
7	2	903708	1/4UNC X1/2 PHIL PNHD MACHSCR



RH MIRROR ASSEMBLY

DET. QTY PART NO. DESCRIPTION

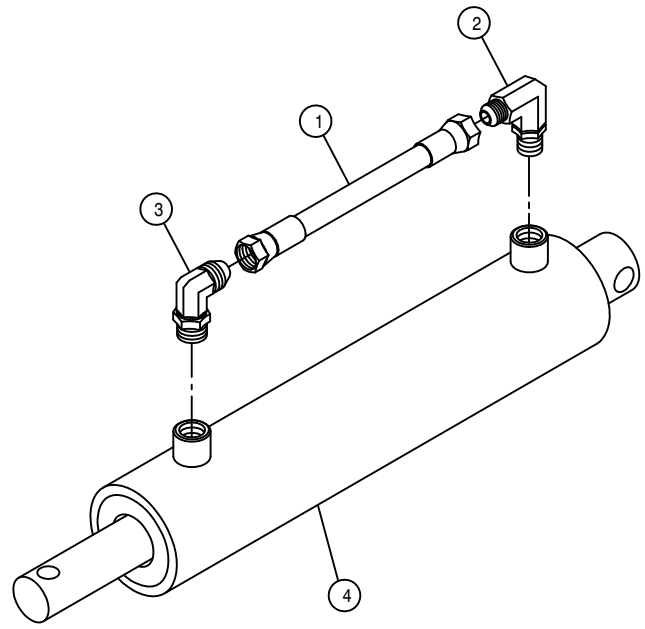
DET.	QTY	PART NO.	DESCRIPTION
1	1	470348	MIRROR STS10 & STS12
2	1	900129	3/8UNC X 1" HEX BOLT
3	1	900128	3/8UNC X 3/4 HEX BOLT
4	3	914004	3/8UNC HEX STOVER NUT
5	2	920002	3/8 SAE FLAT WASHER
6	1	343073	MIRROR MT TUBE WLD
7	1	343077	RH MIRROR BRACE TUBE BRKT WLD
8	1	629762	CAPLUG, 5/8" RD, BLACK POLY
9	1	900130	3/8UNC X 1 1/4 HEX BOLT



LH MIRROR ASSEMBLY

DET. QTY PART NO. DESCRIPTION

DET.	QTY	PART NO.	DESCRIPTION
1	1	470348	MIRROR STS10 & STS12
2	1	900129	3/8UNC X 1" HEX BOLT
3	1	900128	3/8UNC X 3/4 HEX BOLT
4	3	914004	3/8UNC HEX STOVER NUT
5	2	920002	3/8 SAE FLAT WASHER
6	1	343073	MIRROR MT TUBE WLD
7	1	343078	LH MIRROR BRACE TUBE BRKT WLD
8	1	629762	CAPLUG, 5/8" RD, BLACK POLY
9	1	900130	3/8UNC X 1 1/4 HEX BOLT

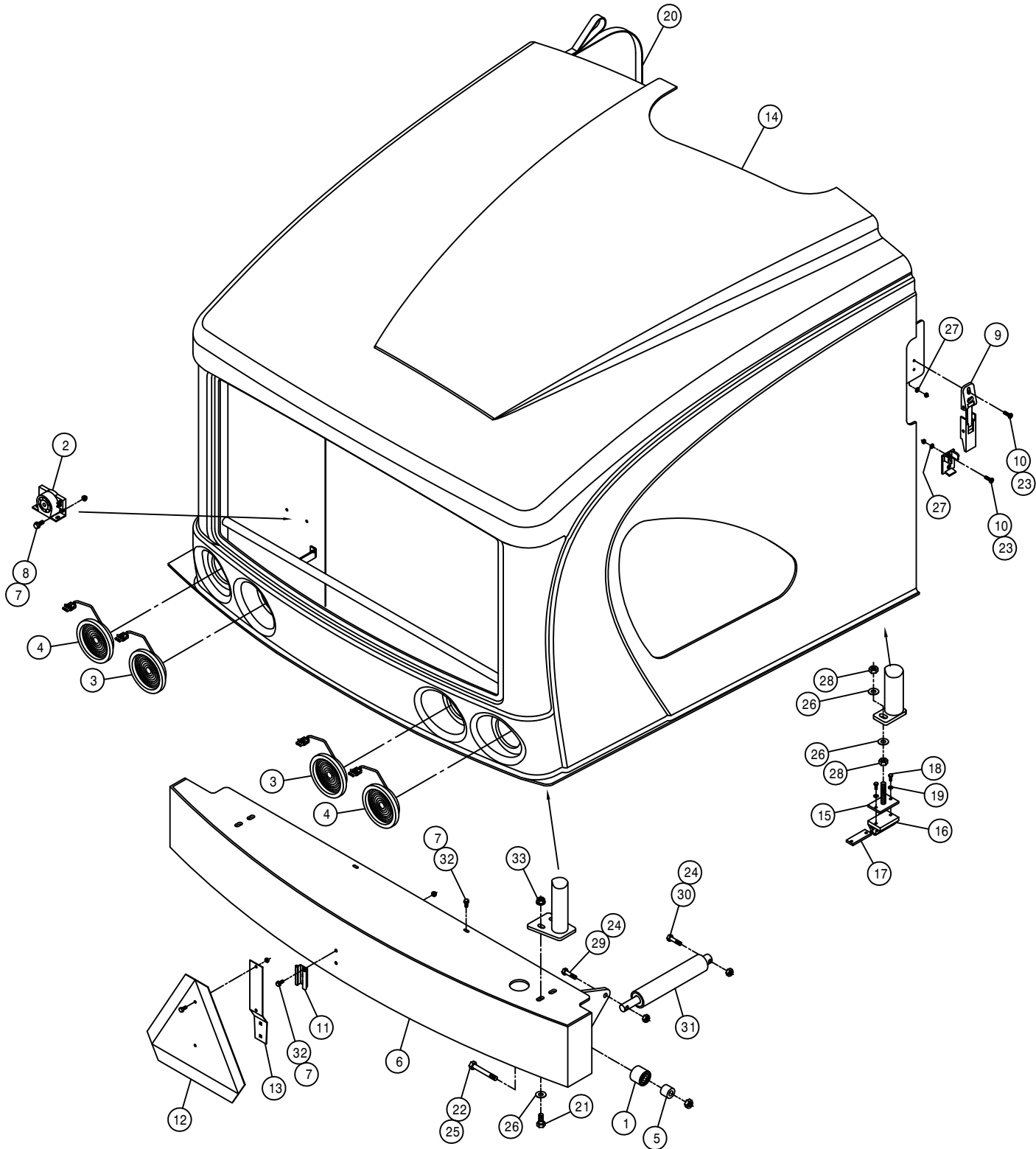


HOOD HYDRAULIC CYLINDER ASSEMBLY

DET. QTY PART NO. DESCRIPTION

1	1	616246	04-451TC-06FJX-06FJX-10	H/A
2	1	618119	9/16MJIC-90-9/16MOR LBO	
3	1	618689	9/16MOR-90-9/16MJ .042 CHK VLV	
4	1	621530	LEG CYL ASSY, RH TREAD ADJ,284	
NS	1	621531	REPAIR KIT, HYD CYL 621530	

NOTE: 1. 621077 - HOOD HYDRAULIC CYLINDER ASSEMBLY



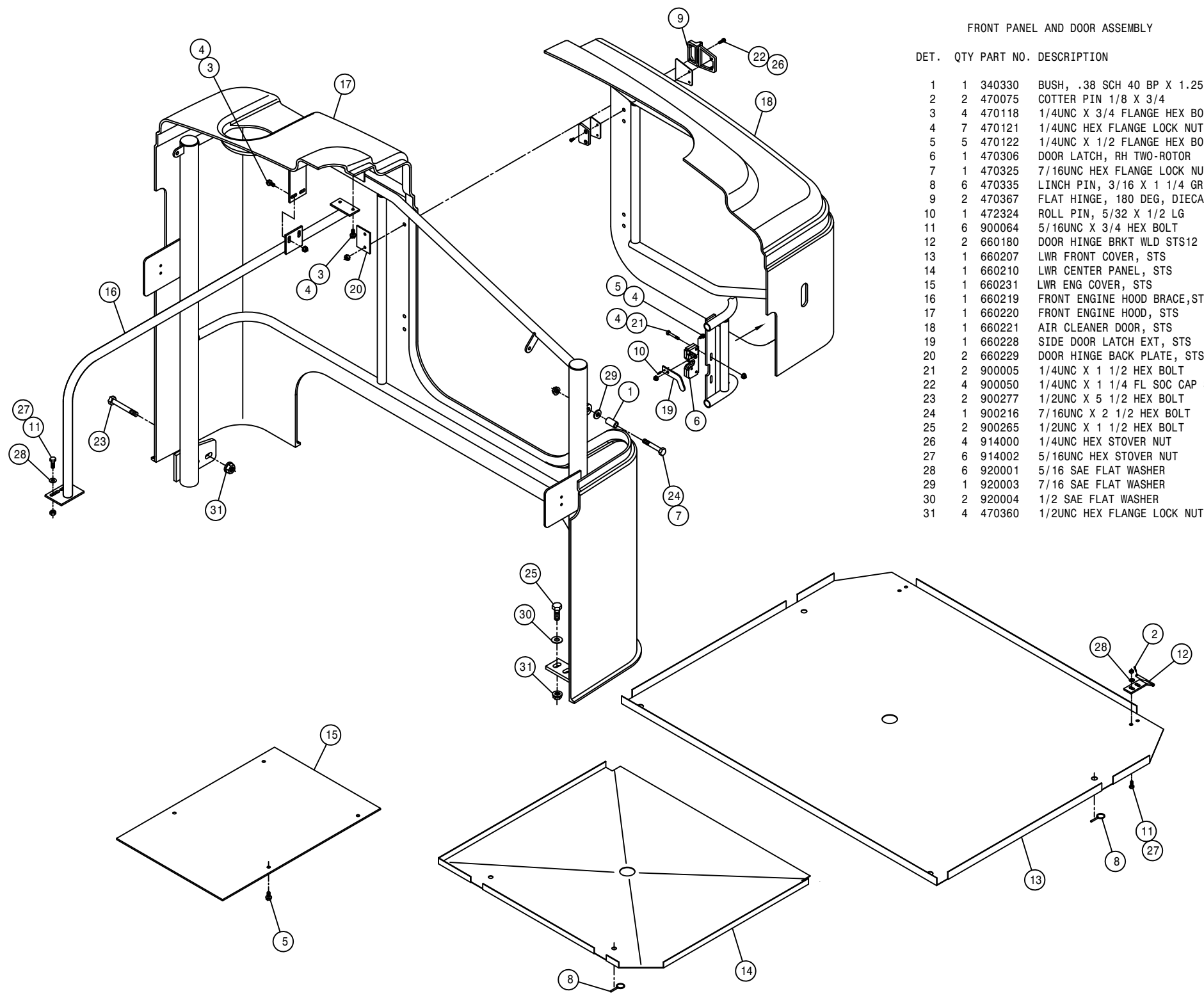
BUMPER AND REAR HOOD ASSEMBLY

DET.	QTY	PART NO.	DESCRIPTION
	1	2	125056 TRACK ROLLER,2.00 OD,.625 BORE
	1	291759	BACK-UP WARNING BEEPER, 112DB
	2	293768	RED LIGHT ASSY, STS 04
	2	293769	AMBER LIGHT ASSY, STS 04
	2	361679	BUMPER PIVOT BRG SPACER,STS 04
	1	361680	REAR BUMPER WLD, STS 04
	6	470121	1/4UNC HEX FLANGE LOCK NUT
	2	470122	1/4UNC X 1/2 FLANGE HEX BOLT
	2	470368	LATCH, FLEXIBLE LEVER DRAW
	8	472236	10-32 X 1/2 PHIL HD MACH SCR
	1	472251	MTG SOCKET
	1	472249	SLOW MOVING VEHICLE SIGN
	1	472250	SPADE MTG BRKT
	1	660222	REAR ENGINE HOOD, STS 04
	2	660224	ENG HOOD BUMPER WLD, STS 04
	2	660226	ENG HOOD BUMPER, STS 04
	2	660227	ENG HOOD BUMPER KEEPER, STS 04
	4	900003	1/4UNC X 1" HEX BOLT
	4	920500	1/4 LOCK WASHER
	1	660230	ENG HOOD PULL STRAP ASSY,STS04
	4	900265	1/2UNC X 1 1/2 HEX BOLT
	2	900341	5/8UNC X 3 3/4 HEX BOLT
	8	910027	10-32 HEX NUT
	2	914008	1/2UNC HEX STOVER NUT
	2	914010	5/8UNC HEX STOVER NUT
	8	920004	1/2 SAE FLAT WASHER
	8	920510	#10 LOCK WASHER
	4	910008	1/2UNC HEX NUT
	1	900267	1/2UNC X 2" HEX BOLT
	1	900268	1/2UNC X 2 1/2 HEX BOLT
	1	621077	HOOD HYD CYL ASSY, STS 04
	4	470118	1/4UNC X 3/4 FLANGE HEX BOLT
	4	470360	1/2UNC HEX FLANGE LOCK NUT

FRONT PANEL AND DOOR ASSEMBLY

DET. QTY PART NO. DESCRIPTION

DET.	QTY	PART NO.	DESCRIPTION
1	1	340330	BUSH, .38 SCH 40 BP X 1.25 LG
2	2	470075	COTTER PIN 1/8 X 3/4
3	4	470118	1/4UNC X 3/4 FLANGE HEX BOLT
4	7	470121	1/4UNC HEX FLANGE LOCK NUT
5	5	470122	1/4UNC X 1/2 FLANGE HEX BOLT
6	1	470306	DOOR LATCH, RH TWO-ROTOR
7	1	470325	7/16UNC HEX FLANGE LOCK NUT
8	6	470335	LINCH PIN, 3/16 X 1 1/4 GRIP
9	2	470367	FLAT HINGE, 180 DEG, DIECAST
10	1	472324	ROLL PIN, 5/32 X 1/2 LG
11	6	900064	5/16UNC X 3/4 HEX BOLT
12	2	660180	DOOR HINGE BRKT WLD STS12 2001
13	1	660207	LWR FRONT COVER, STS 03
14	1	660210	LWR CENTER PANEL, STS 04
15	1	660231	LWR ENG COVER, STS 04
16	1	660219	FRONT ENGINE HOOD BRACE, STS 04
17	1	660220	FRONT ENGINE HOOD, STS 04
18	1	660221	AIR CLEANER DOOR, STS 04
19	1	660228	SIDE DOOR LATCH EXT, STS 04
20	2	660229	DOOR HINGE BACK PLATE, STS 04
21	2	900005	1/4UNC X 1 1/2 HEX BOLT
22	4	900050	1/4UNC X 1 1/4 FL SOC CAP SCR
23	2	900277	1/2UNC X 5 1/2 HEX BOLT
24	1	900216	7/16UNC X 2 1/2 HEX BOLT
25	2	900265	1/2UNC X 1 1/2 HEX BOLT
26	4	914000	1/4UNC HEX STOVER NUT
27	6	914002	5/16UNC HEX STOVER NUT
28	6	920001	5/16 SAE FLAT WASHER
29	1	920003	7/16 SAE FLAT WASHER
30	2	920004	1/2 SAE FLAT WASHER
31	4	470360	1/2UNC HEX FLANGE LOCK NUT



51

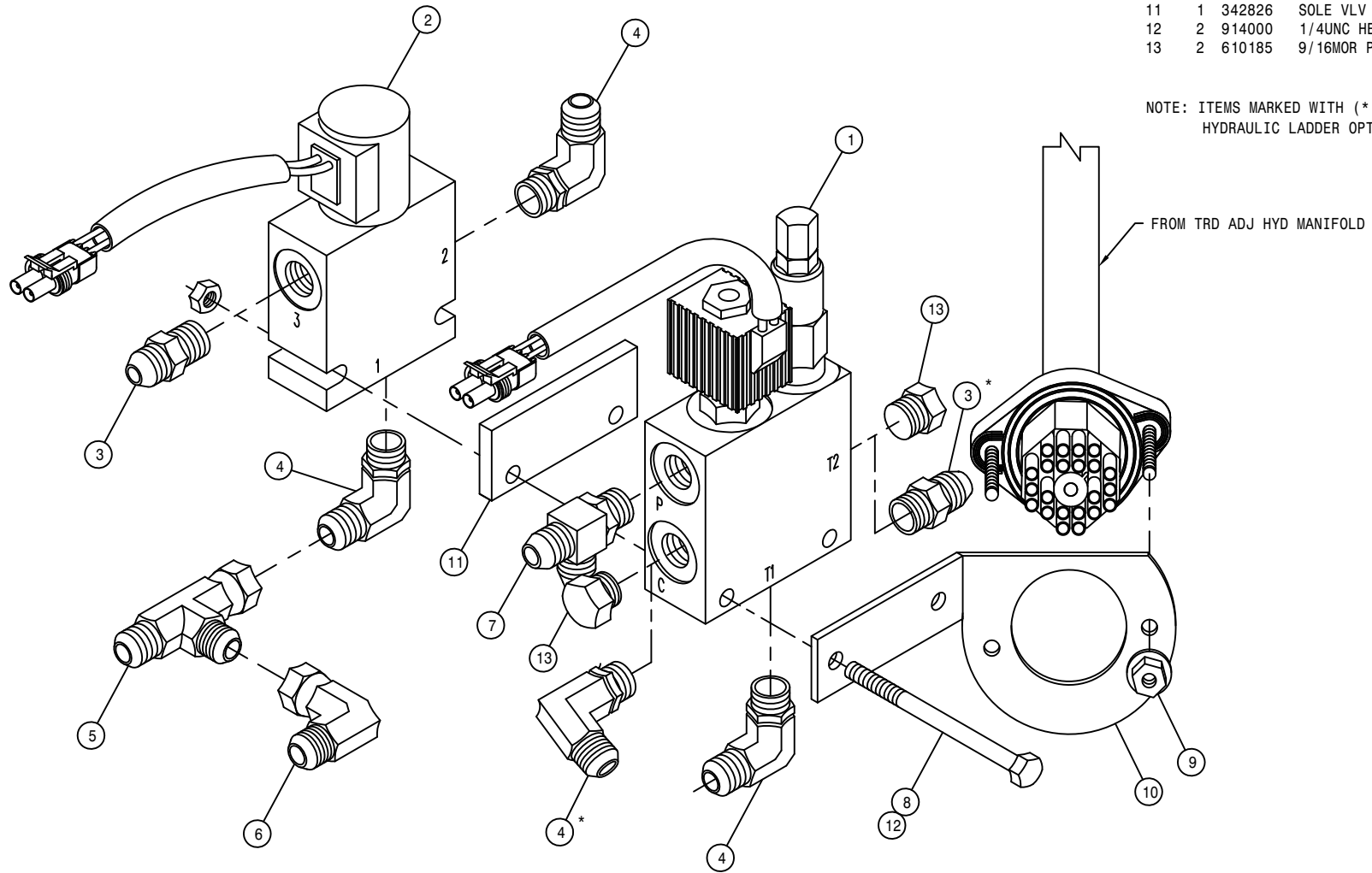
308051

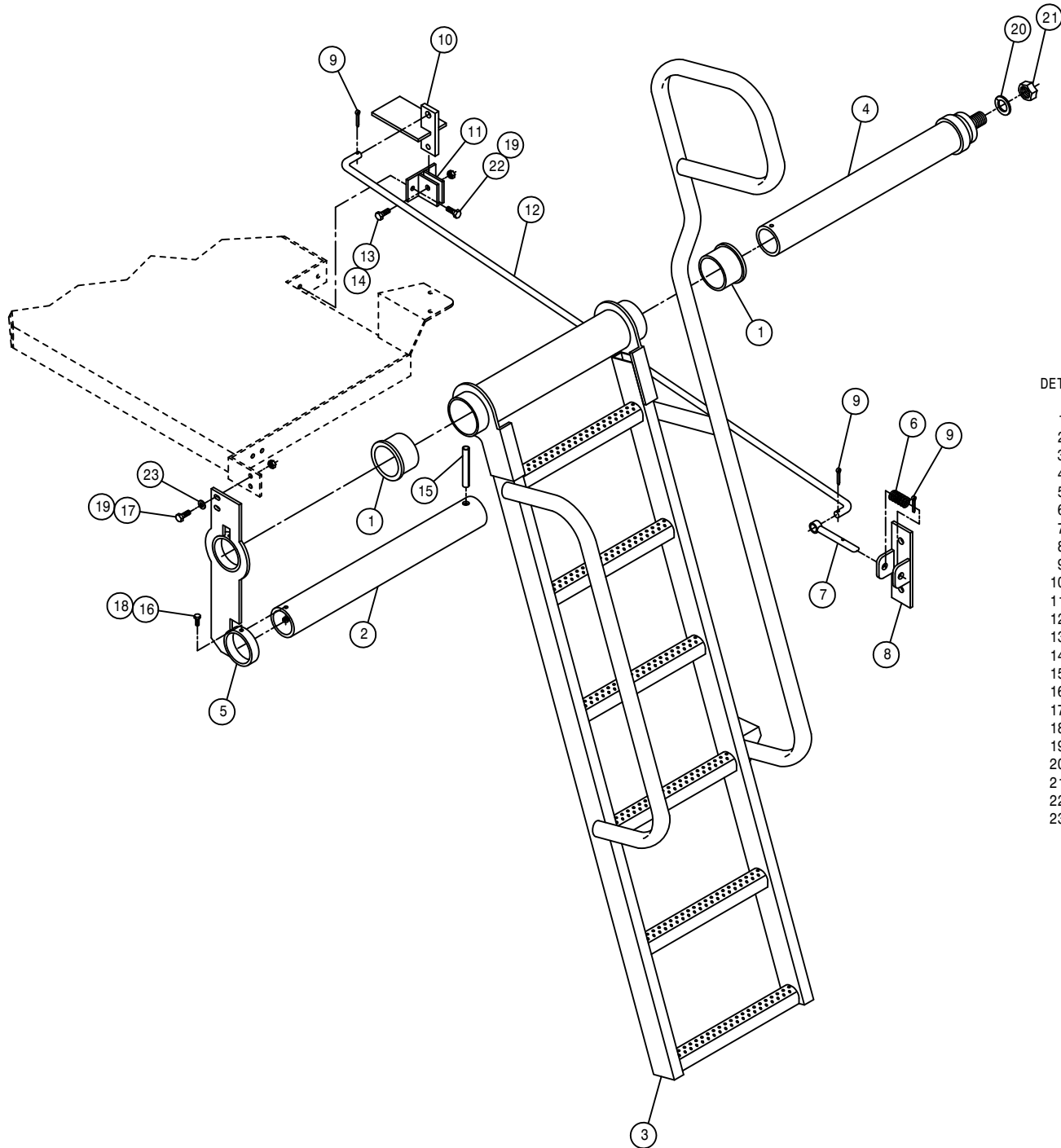
LADDER AND BRAKE VALVE ASSEMBLY

DET. QTY PART NO. DESCRIPTION

1	1	606011	LADDER/BRKWAY VLV W/TOWER ASSY
2	1	606013	BRAKE VLV W/TOWER ASSY
3	2	618126	9/16MJIC-9/16MOR ADPTR
4	4	618119	9/16MJIC-90-9/16MOR LBO
5	1	618486	9/16FJIC SW RUN TEE-9/16MJIC
6	1	618618	9/16MJIC-90-9/16FJIC SWIV LBO
7	1	618444	9/16MOR RUN TEE-9/16MJIC
8	2	900012	1/4UNC X 3 1/2 HEX BOLT
9	2	470121	1/4UNC HEX FLANGE LOCK NUT
10	1	342824	TRD ADJ HARNESS CONNECTOR BRKT
11	1	342826	SOLE VLV SPACER
12	2	914000	1/4UNC HEX STOVER NUT
13	2	610185	9/16MOR PLUG

NOTE: ITEMS MARKED WITH (*) ARE USED WITH THE HYDRAULIC LADDER OPTION.

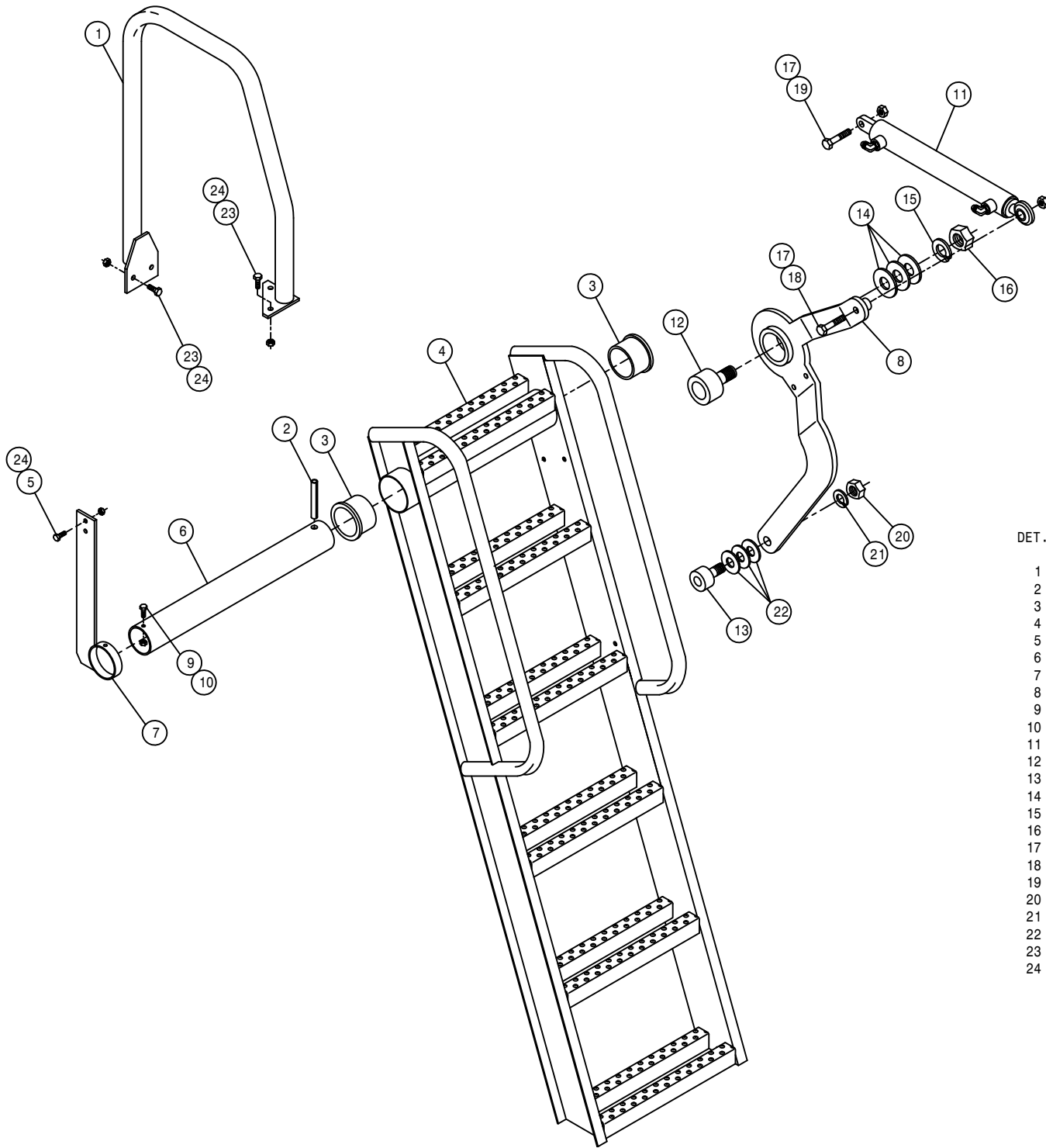




MANUAL LADDER ASSEMBLY

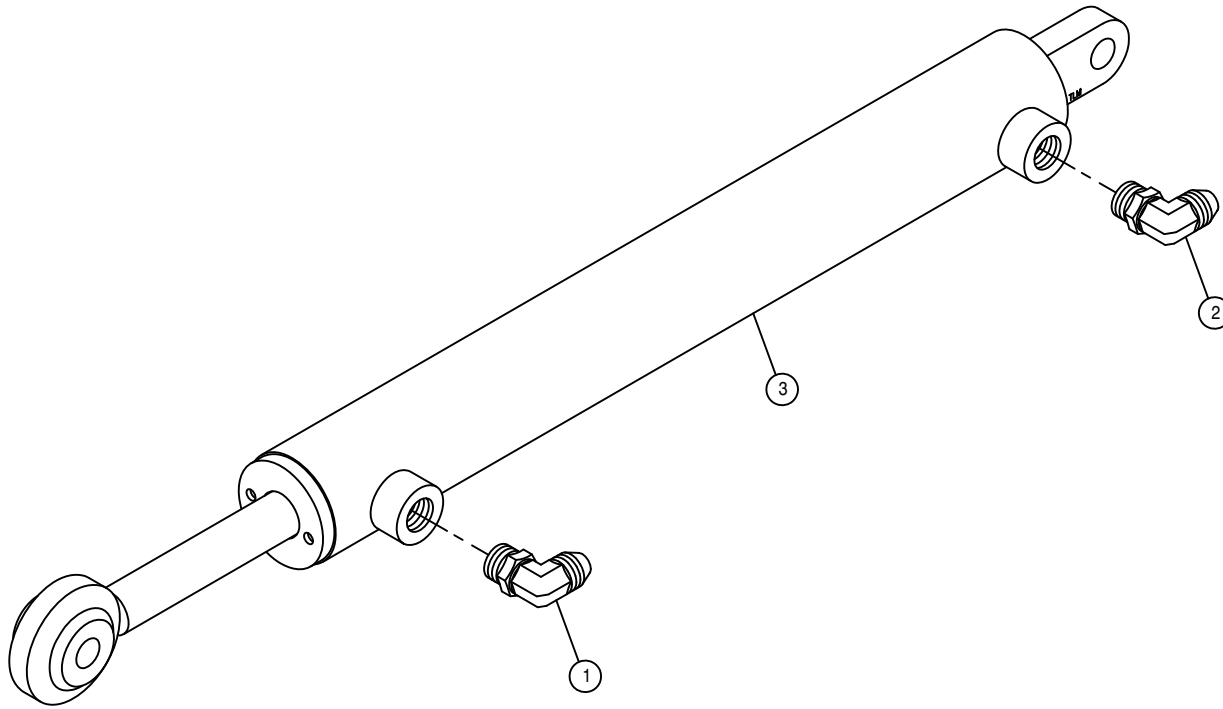
DET. QTY PART NO. DESCRIPTION

1	2	121102	LADDER PIVOT BEARING, POLYGON
2	1	342805	LADDER MT TUBE
3	1	342920	LADDER WLD, STS10 02
4	1	342930	LADDER PIVOT TUBE WLD, STS10
5	1	342934	LH PLTFRM SUPP BRKT WLD, STS10
6	1	482021	5/8" X 1 5/8" COMPRESS SPRING
7	1	342937	LADDER LATCH PIN WLD, STS10
8	1	342940	LADDER LATCH PIN MT WLD, STS10
9	3	470006	COTTER PIN 1/8 X 1
10	1	342944	LADDER FOOT RELEASE WLD, STS10
11	1	342947	LADDER FOOT REL MT WLD, STS10
12	1	342950	LADDER FOOT RELEASE ROD, STS10
13	1	900127	3/8UNC X 1 1/4 HEX BOLT 1"THD
14	1	914004	3/8UNC HEX STOVER NUT
15	1	473978	ROLL PIN, 1/2 X 3 1/2 LG
16	2	900003	1/4UNC X 1" HEX BOLT
17	2	900065	5/16UNC X 1" HEX BOLT
18	2	914000	1/4UNC HEX STOVER NUT
19	4	914002	5/16UNC HEX STOVER NUT
20	1	920508	1" LOCK WASHER
21	1	914016	1" UNC HEX STOVER NUT
22	2	900064	5/16UNC X 3/4 HEX BOLT
23	2	920001	5/16 SAE FLAT WASHER



HYDRAULIC LADDER ASSEMBLY

DET.	QTY	PART NO.	DESCRIPTION
1	1	342747	RH HANDRAIL WLD, LH PLATFORM
2	1	473978	ROLL PIN, 1/2 X 3 1/2 LG
3	2	121102	LADDER PIVOT BEARING, POLYGON
4	1	342817	LADDER WLD
5	2	900065	5/16UNC X 1" HEX BOLT
6	1	342805	LADDER MT TUBE
7	1	342806	LH PLTFRM SUPP BRKT WLD, STS12
8	1	342813	LADDER PIVOT ARM WLD
9	1	914000	1/4UNC HEX STOVER NUT
10	1	900003	1/4UNC X 1" HEX BOLT
11	1	621065	LADDER,SIDE FILL CYL ASSYSTS03
12	1	125055	TRACK ROLLER,2.500D,1.00-16THD
13	1	125054	TRACK ROLLER,1.750D,.75-16THD
14	3	920008	1" SAE FLAT WASHER
15	1	920508	1" LOCK WASHER
16	1	910016	1" UNF HEX NUT
17	2	914008	1/2UNC HEX STOVER NUT
18	1	900271	1/2UNC X 3 1/4 HEX BOLT
19	1	900267	1/2UNC X 2" HEX BOLT
20	1	910013	3/4UNF HEX NUT
21	1	920506	3/4 LOCK WASHER
22	3	920006	3/4 SAE FLAT WASHER
23	4	900064	5/16UNC X 3/4 HEX BOLT
24	6	914002	5/16UNC HEX STOVER NUT

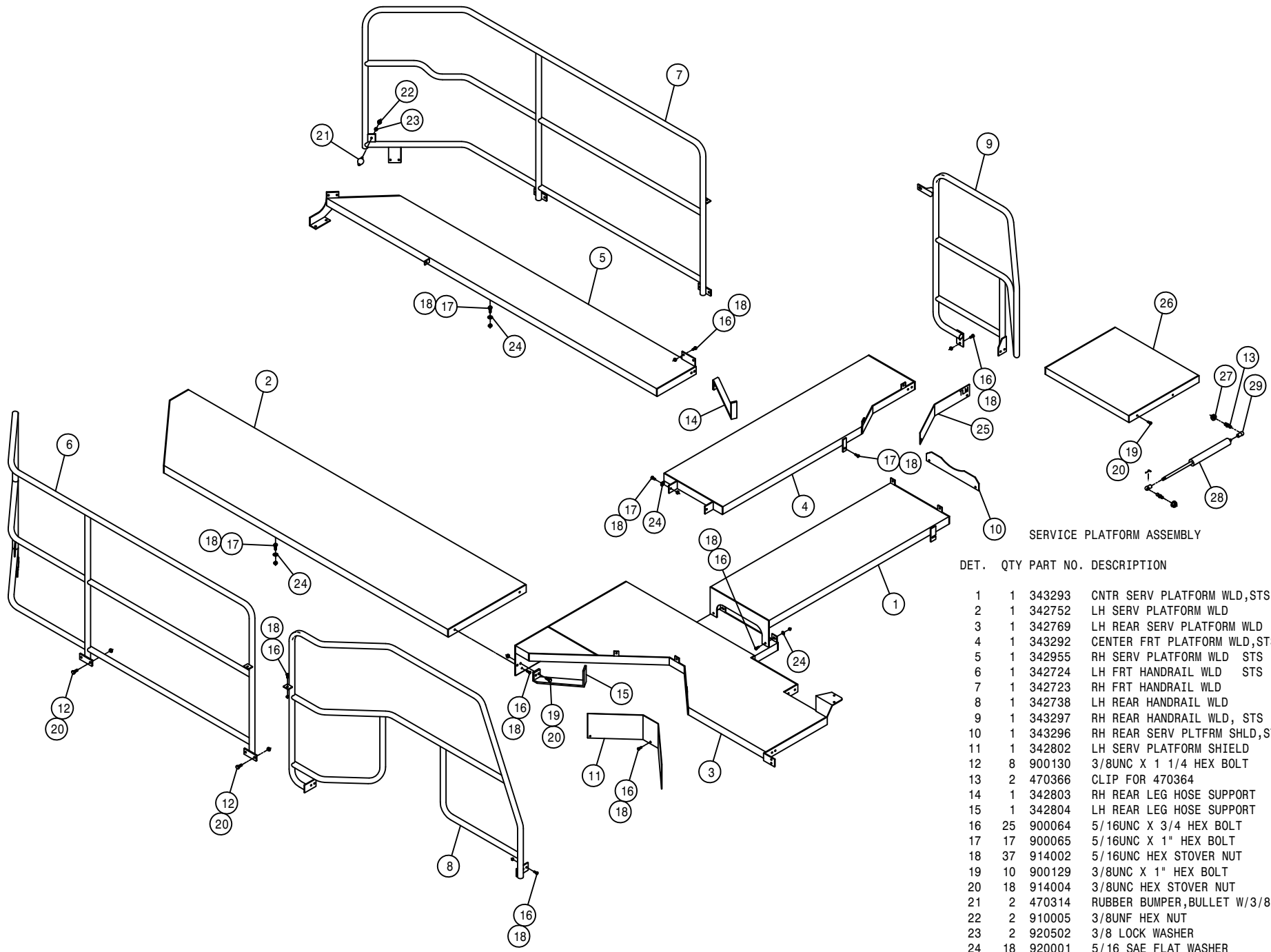


LADDER AND SIDE FILL CYLINDER ASSEMBLY

DET. QTY PART NO. DESCRIPTION

1	1	614750	.042 ELBOW ASSY,9/16MOR 90D
2	1	618119	9/16MJIC-90-9/16MOR LBO
3	1	621554	LADR/SF/BRKWAY CYL,1.50 X12.25
NS	1	621555	REPAIR KIT,HYD CYL 621554

NOTE: 621065 - LADDER & SIDE FILL CYLINDER ASSEMBLY WITH FITTINGS



SERVICE PLATFORM ASSEMBLY

DET.	QTY	PART NO.	DESCRIPTION
1	1	343293	CNTR SERV PLATFORM WLD,STS 04
2	1	342752	LH SERV PLATFORM WLD
3	1	342769	LH REAR SERV PLATFORM WLD
4	1	343292	CENTER FRT PLATFORM WLD,STS 04
5	1	342955	RH SERV PLATFORM WLD STS 03
6	1	342724	LH FRT HANDRAIL WLD STS 00
7	1	342723	RH FRT HANDRAIL WLD
8	1	342738	LH REAR HANDRAIL WLD
9	1	343297	RH REAR HANDRAIL WLD, STS 04
10	1	343296	RH REAR SERV PLTFRM SHLD,STS04
11	1	342802	LH SERV PLATFORM SHIELD
12	8	900130	3/8UNC X 1 1/4 HEX BOLT
13	2	470366	CLIP FOR 470364
14	1	342803	RH REAR LEG HOSE SUPPORT
15	1	342804	LH REAR LEG HOSE SUPPORT
16	25	900064	5/16UNC X 3/4 HEX BOLT
17	17	900065	5/16UNC X 1" HEX BOLT
18	37	914002	5/16UNC HEX STOVER NUT
19	10	900129	3/8UNC X 1" HEX BOLT
20	18	914004	3/8UNC HEX STOVER NUT
21	2	470314	RUBBER BUMPER,BULLET W/3/8-24S
22	2	910005	3/8UNF HEX NUT
23	2	920502	3/8 LOCK WASHER
24	18	920001	5/16 SAE FLAT WASHER
25	1	343295	RH SERV PLTFRM SHIELD, STS 04
26	1	343304	ENG CMPRTMNT PLTFRM WLD,STS 04
27	2	470113	5/16UNC HEX FLANGE LOCK NUT
28	1	470364	GAS SPRING, 90LB, 3.5 STROKE
29	2	470365	BALL STUD,5/16-18, FOR 470364

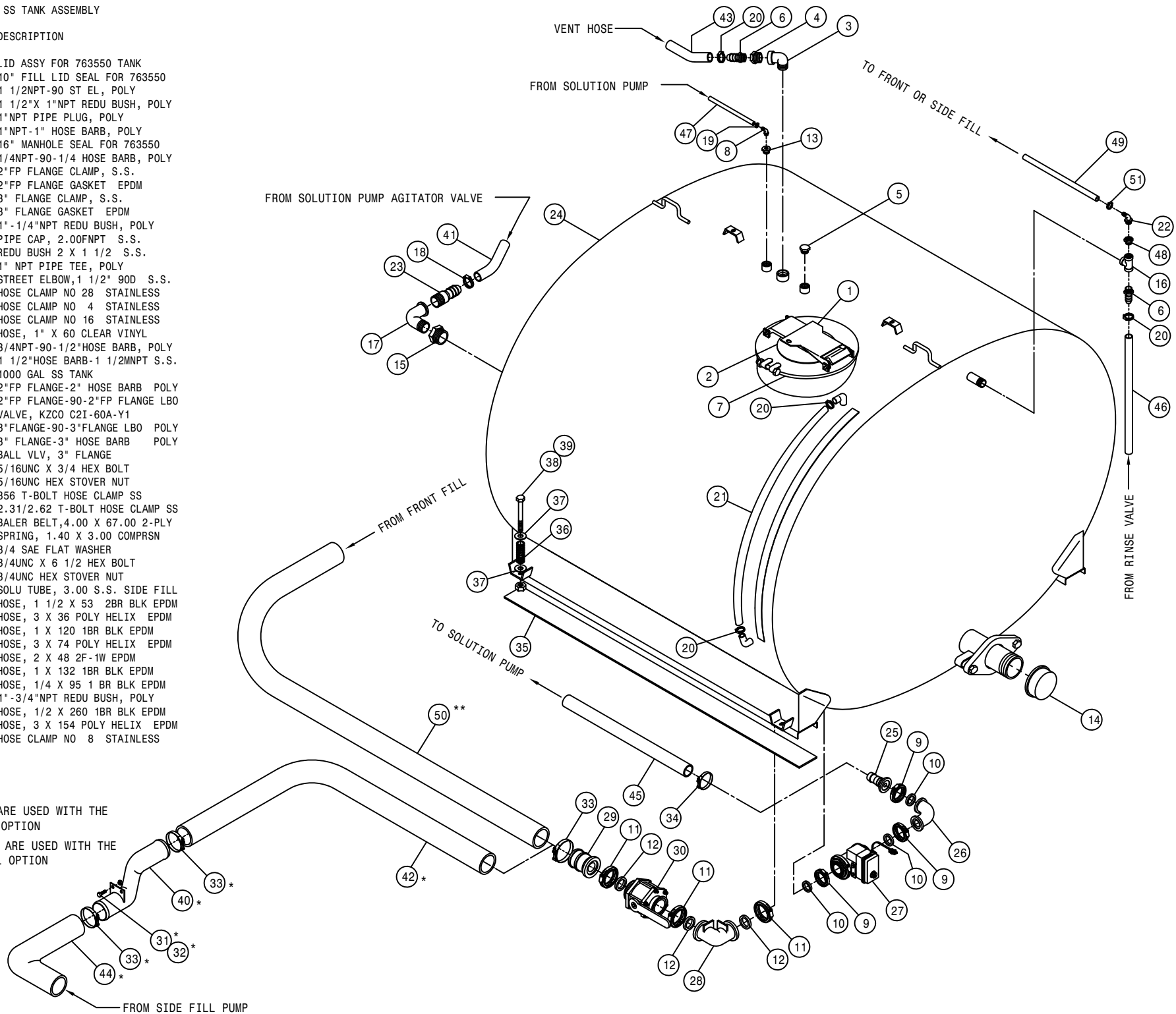
1000 GALLON SS TANK ASSEMBLY

DET. QTY PART NO. DESCRIPTION

1	1	763561	LID ASSY FOR 763550 TANK
2	1	763562	10" FILL LID SEAL FOR 763550
3	1	500034	1 1/2NPT-90 ST EL, POLY
4	1	500036	1 1/2"X 1"NPT REDU BUSH, POLY
5	1	500063	1"NPT PIPE PLUG, POLY
6	2	500074	1"NPT-1" HOSE BARB, POLY
7	1	763563	16" MANHOLE SEAL FOR 763550
8	1	500104	1/4NPT-90-1/4 HOSE BARB, POLY
9	3	500194	2"FP FLANGE CLAMP, S.S.
10	3	500195	2"FP FLANGE GASKET EPDM
11	3	500208	3" FLANGE CLAMP, S.S.
12	3	500209	3" FLANGE GASKET EPDM
13	1	505225	1" -1/4"NPT REDU BUSH, POLY
14	1	507103	PIPE CAP, 2.00FNPT S.S.
15	1	507725	REDU BUSH 2 X 1 1/2 S.S.
16	1	500075	1" NPT PIPE TEE, POLY
17	1	507727	STREET ELBOW, 1 1/2" 90D S.S.
18	1	520067	HOSE CLAMP NO 28 STAINLESS
19	1	520120	HOSE CLAMP NO 4 STAINLESS
20	4	520090	HOSE CLAMP NO 16 STAINLESS
21	1	601471	HOSE, 1" X 60 CLEAR VINYL
22	1	500041	3/4NPT-90-1/2"HOSE BARB, POLY
23	1	716106	1 1/2"HOSE BARB-1 1/2MNPT S.S.
24	1	763570	1000 GAL SS TANK
25	1	500196	2"FP FLANGE-2" HOSE BARB POLY
26	1	500219	2"FP FLANGE-90-2"FP FLANGE LBO
27	1	696252	VALVE, KZCO C2I-60A-Y1
28	1	500213	3"FLANGE-90-3"FLANGE LBO POLY
29	1	500210	3" FLANGE-3" HOSE BARB POLY
30	1	696149	BALL VLV, 3" FLANGE
31	2	900064	5/16UNC X 3/4 HEX BOLT
32	2	914002	5/16UNC HEX STOVER NUT
33	3	520145	356 T-BOLT HOSE CLAMP SS
34	1	520141	2.31/2.62 T-BOLT HOSE CLAMP SS
35	2	470321	BALER BELT, 4.00 X 67.00 2-PLY
36	4	482016	SPRING, 1.40 X 3.00 COMPRSN
37	8	920006	3/4 SAE FLAT WASHER
38	4	900416	3/4UNC X 6 1/2 HEX BOLT
39	4	914012	3/4UNC HEX STOVER NUT
40	1	690731	SOLU TUBE, 3.00 S.S. SIDE FILL
41	1	601591	HOSE, 1 1/2 X 53 2BR BLK EPDM
42	1	601574	HOSE, 3 X 36 POLY HELIX EPDM
43	1	601496	HOSE, 1 X 120 1BR BLK EPDM
44	1	601506	HOSE, 3 X 74 POLY HELIX EPDM
45	1	601573	HOSE, 2 X 48 2F-1W EPDM
46	1	601273	HOSE, 1 X 132 1BR BLK EPDM
47	1	601490	HOSE, 1/4 X 95 1 BR BLK EPDM
48	1	505214	1"-3/4"NPT REDU BUSH, POLY
49	1	601567	HOSE, 1/2 X 260 1BR BLK EPDM
50	1	601621	HOSE, 3 X 154 POLY HELIX EPDM
51	1	520070	HOSE CLAMP NO 8 STAINLESS

NOTE: ITEMS (*) ARE USED WITH THE SIDE FILL OPTION

ITEMS (**) ARE USED WITH THE FRONT FILL OPTION

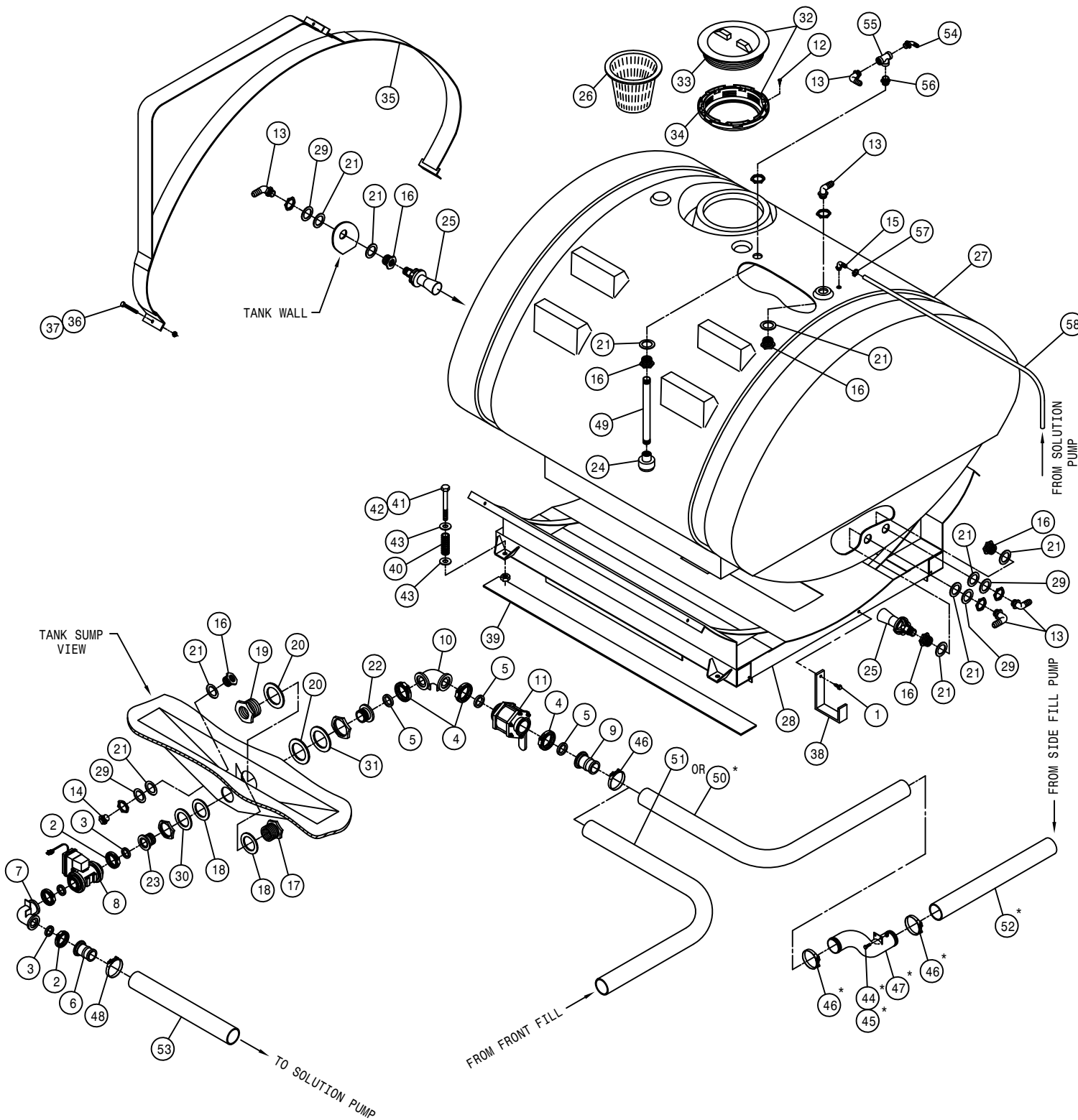


1000 GALLON POLY TANK ASSEMBLY

DET. QTY PART NO. DESCRIPTION

QTY	PART NO.	DESCRIPTION
1	472349	1/4 X 3/4 20TH-IN TEK TYPE
2	3 500194	2"FP FLANGE CLAMP, S.S.
3	3 500195	2"FP FLANGE GASKET EPDM
4	3 500208	3" FLANGE CLAMP, S.S.
5	3 500209	3" FLANGE GASKET EPDM
6	1 500196	2"FP FLANGE-2" HOSE BARB POLY
7	1 500219	2"FP FLANGE-90-2"FP FLANGE LBO
8	1 696252	VALVE, KZCO C2I-60A-Y1
9	1 500210	3" FLANGE-3" HOSE BARB POLY
10	1 500213	3"FLANGE-90-3"FLANGE LBO POLY
11	1 696149	BALL VLV, 3" FLANGE
12	8 473847	10-12 X 1 PHIL FLAT HD SCR SS
13	5 500026	3/4NPT-90-1"HOSE BARB, POLY
14	1 500043	3/4NPT PIPE PLUG, POLY
15	1 500104	1/4NPT-90-1/4 HOSE BARB, POLY
16	6 500110	3/4NPT BLKHD TANK FITTING POLY
17	1 500112	2"NPT BLKHD TANK FITTING POLY
18	2 500113	2"NPT BLKHD FITTING GASKET
19	1 500114	3"NPT BLKHD TANK FITTING POLY
20	2 500115	3"NPT BLKHD FITTING GASKET
21	10 500158	1 1/2" GASKET FOR 2" FLANGE
22	1 500164	3" FLANGE-3" MNPT ADPTR POLY
23	1 500204	2"FP FLANGE-2"MNPT POLY
24	1 737873	ROTARY NOZZLE, TEFLON
25	2 737879	EDUCTOR NOZZLE, 3/4MNPT TEEJET
26	1 763431	8" STRAINER BASKET, SOLU TANK
27	1 763571	1000 GAL POLY TANK
28	1 763601	POLY TANK CRADLE WELDMT STS10
29	4 763612	1.625 X 2.375 X 16GA WASHER
30	1 763613	3.250 X 4.250 X 16GA WASHER
31	1 763614	4.500 X 5.500 X 16GA WASHER
32	1 763624	10" TANK LID W/RING ASSY, POLY
33	1 763625	10" TANK LID, POLY
34	1 763626	10" TANK LID RING, POLY
35	2 763630	POLY TANK STRAP ASSY STS10
36	6 900538	1/2UNC X 3 1/2 HEX BOLT FULL
37	6 914008	1/2UNC HEX STOVER NUT
38	1 763621	SOLU HOSE SUPP,POLY TANK STS10
39	2 470321	BALER BELT,4.00 X 67.00 2-PLY
40	4 482016	SPRING, 1.40 X 3.00 COMPRSN
41	4 900416	3/4UNC X 6 1/2 HEX BOLT
42	4 914012	3/4UNC HEX STOVER NUT
43	8 920006	3/4 SAE FLAT WASHER
44	2 914002	5/16UNC HEX STOVER NUT
45	2 900064	5/16UNC X 3/4 HEX BOLT
46	3 520145	356 T-BOLT HOSE CLAMP SS
47	1 690731	SOLU TUBE, 3.00 S.S. SIDE FILL
48	1 520141	2.31/2.62 T-BOLT HOSE CLAMP SS
49	1 504850	CPVC PIPE NIPPLE .75NPT-24.00
50	1 601574	HOSE, 3 X 36 POLY HELIX EPDM
51	1 601621	HOSE, 3 X 154 POLY HELIX EPDM
52	1 601506	HOSE, 3 X 74 POLY HELIX EPDM
53	1 601573	HOSE, 2 X 48 2F-1W EPDM
54	1 500041	3/4NPT-90-1/2"HOSE BARB, POLY
55	1 505218	3/4 NPT PIPE TEE, POLY
56	1 690098	3/4NPT CLOSE NIPPLE, POLY
57	1 520120	HOSE CLAMP NO 4 STAINLESS
58	1 601490	HOSE, 1/4 X 95 1 BR BLK EPDM

NOTE: ITEMS (*) ARE USED WITH THE SIDE FILL OPTION.



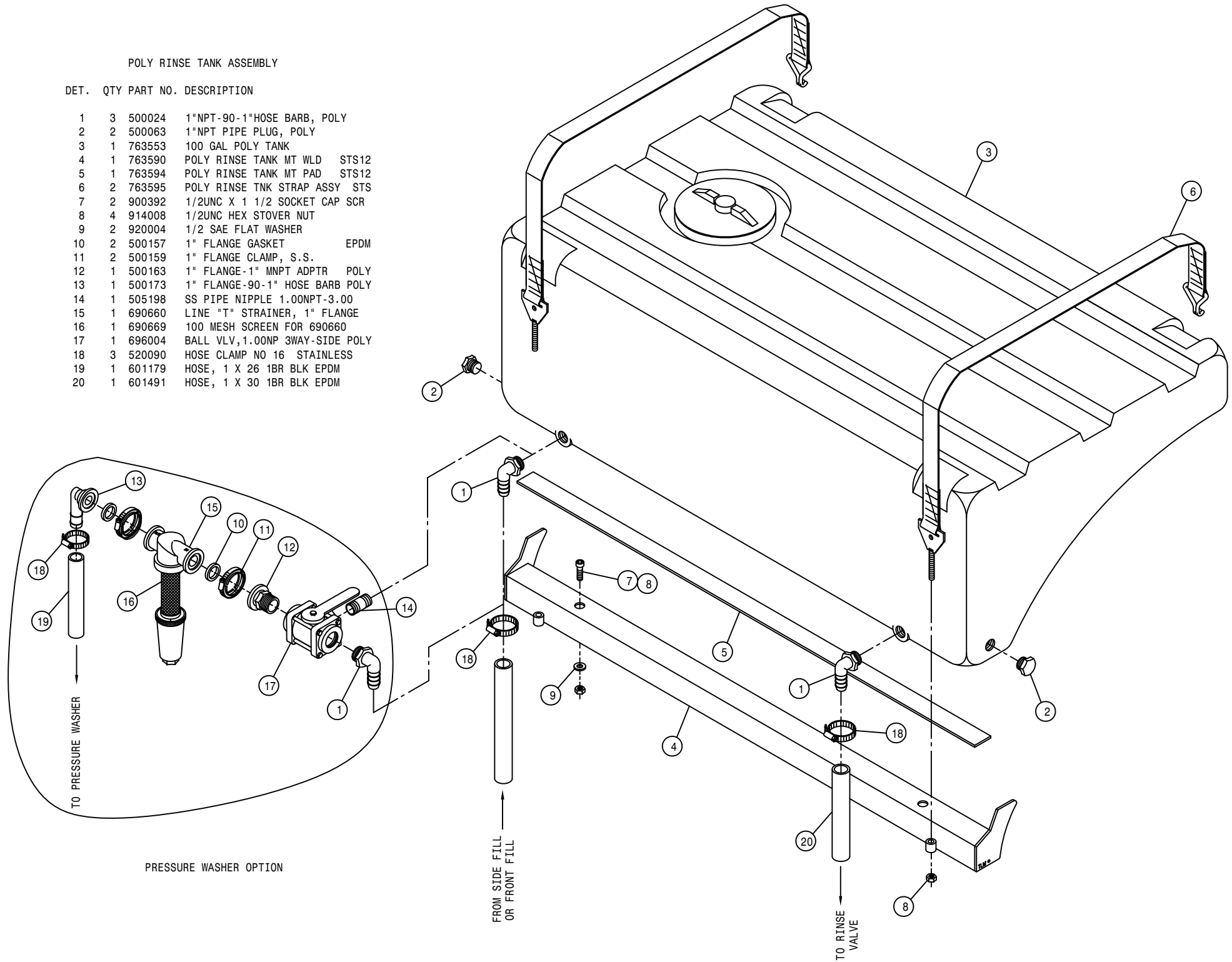
58

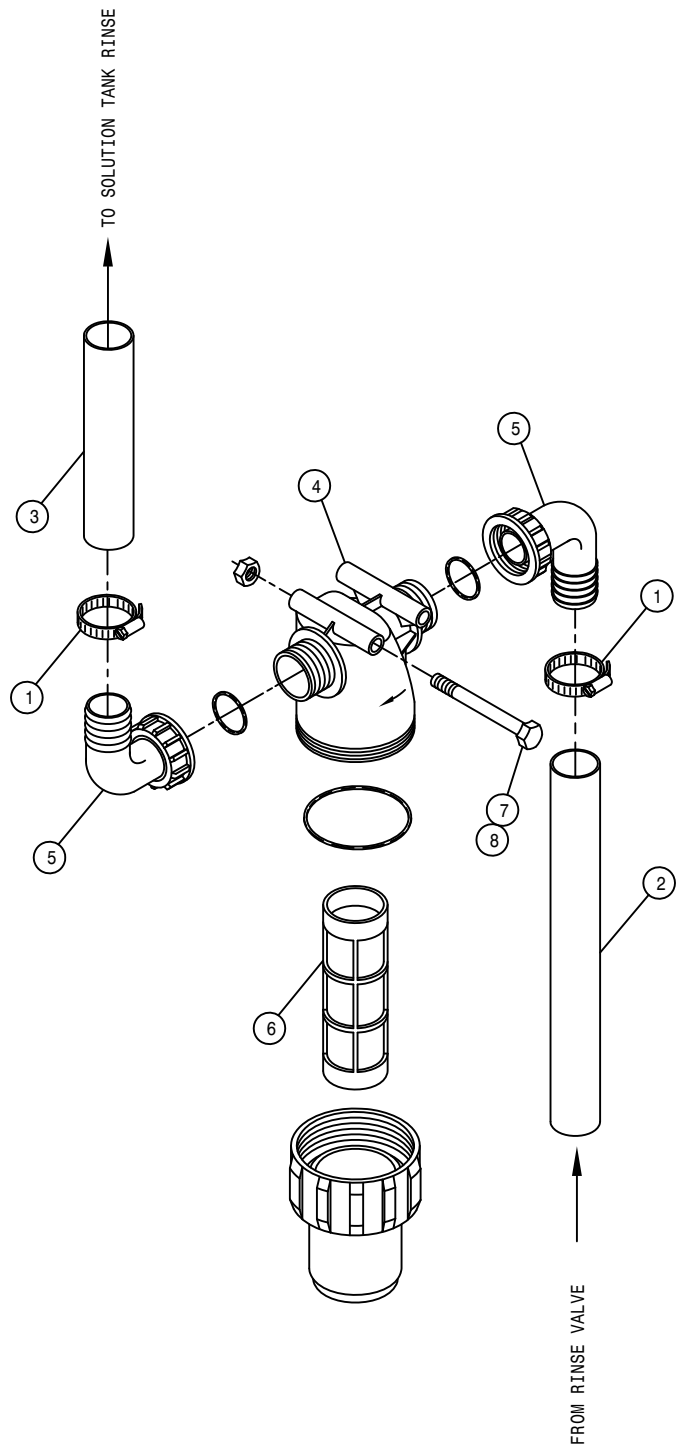
308058

POLY RINSE TANK ASSEMBLY

DET. QTY PART NO. DESCRIPTION

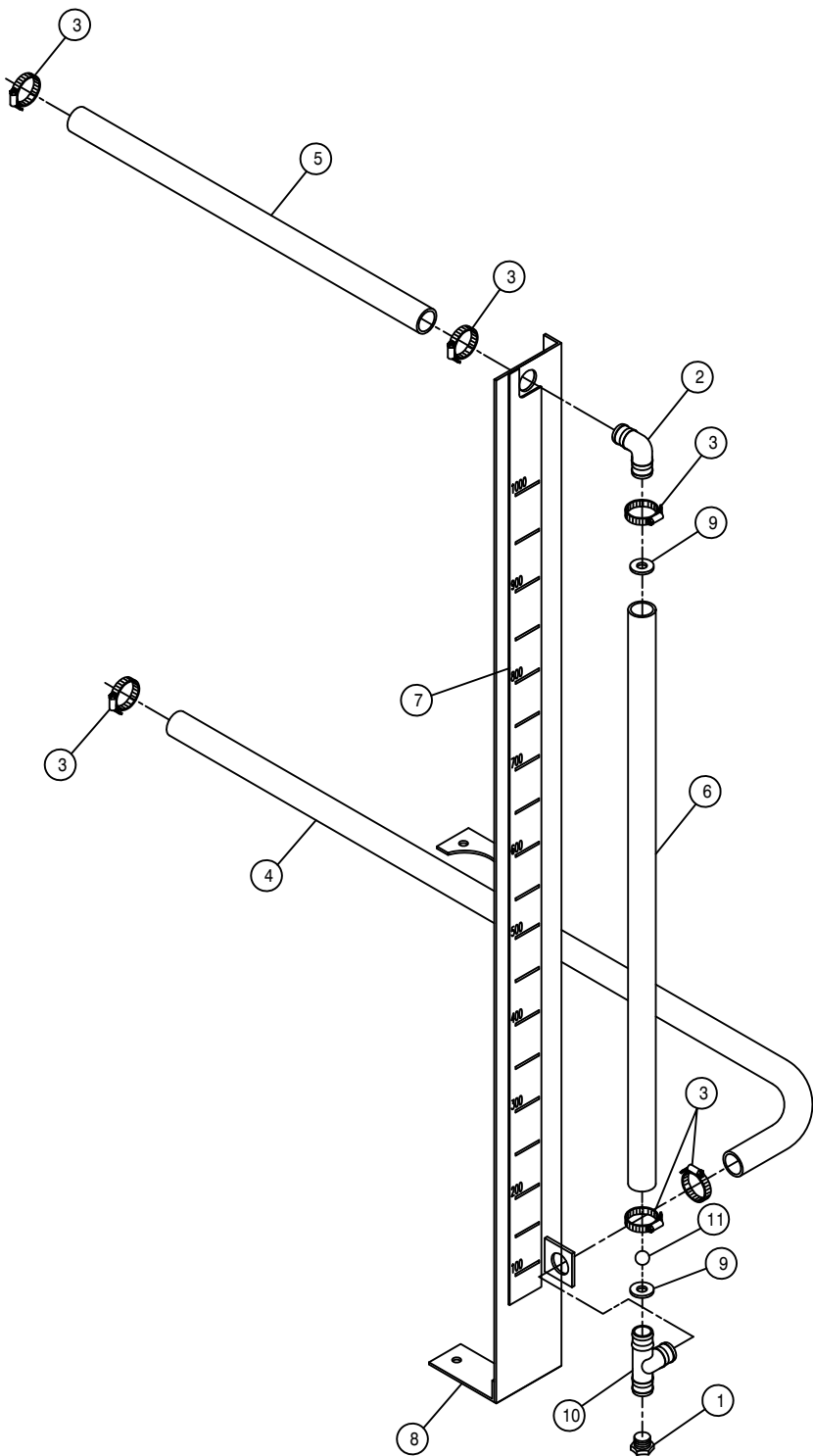
1	3	500024	1"NPT-90-1"HOSE BARB, POLY
2	2	500063	1"NPT PIPE PLUG, POLY
3	1	763553	100 GAL POLY TANK
4	1	763590	POLY RINSE TANK MT WLD STS12
5	1	763594	POLY RINSE TANK MT PAD STS12
6	2	763595	POLY RINSE TNK STRAP ASSY STS
7	2	900392	1/2UNC X 1 1/2 SOCKET CAP SCR
8	4	914008	1/2UNC HEX STOVER NUT
9	2	920004	1/2 SAE FLAT WASHER
10	2	500157	1" FLANGE GASKET EPDM
11	2	500159	1" FLANGE CLAMP, S.S.
12	1	500163	1" FLANGE-1" MNPT ADPTR POLY
13	1	500173	1" FLANGE-90-1" HOSE BARB POLY
14	1	505198	SS PIPE NIPPLE 1.00NPT-3.00
15	1	690660	LINE "T" STRAINER, 1" FLANGE
16	1	690669	100 MESH SCREEN FOR 690660
17	1	696004	BALL VLV, 1.00NP 3WAY-SIDE POLY
18	3	520090	HOSE CLAMP NO 16 STAINLESS
19	1	601179	HOSE, 1 X 26 1BR BLK EPDM
20	1	601491	HOSE, 1 X 30 1BR BLK EPDM





RINSE STRAINER ASSEMBLY

DET.	QTY	PART NO.	DESCRIPTION
1	2	520090	HOSE CLAMP NO 16 STAINLESS
2	1	601588	HOSE, 1 X 28 1BR BLK EPDM
3	1	601589	HOSE, 1 X 80 1BR BLK EPDM
4	1	690071	LINE STRAINER,32 MESH,150PSI
5	2	690072	1"-90D HOSE BARB KIT,STRAINER
6	1	690073	SCREEN,32 MESH,STRANER 690071
7	2	900073	5/16UNC X 3 1/4 HEX BOLT
8	2	470113	5/16UNC HEX FLANGE LOCK NUT



SIGHT GAGE ASSEMBLY

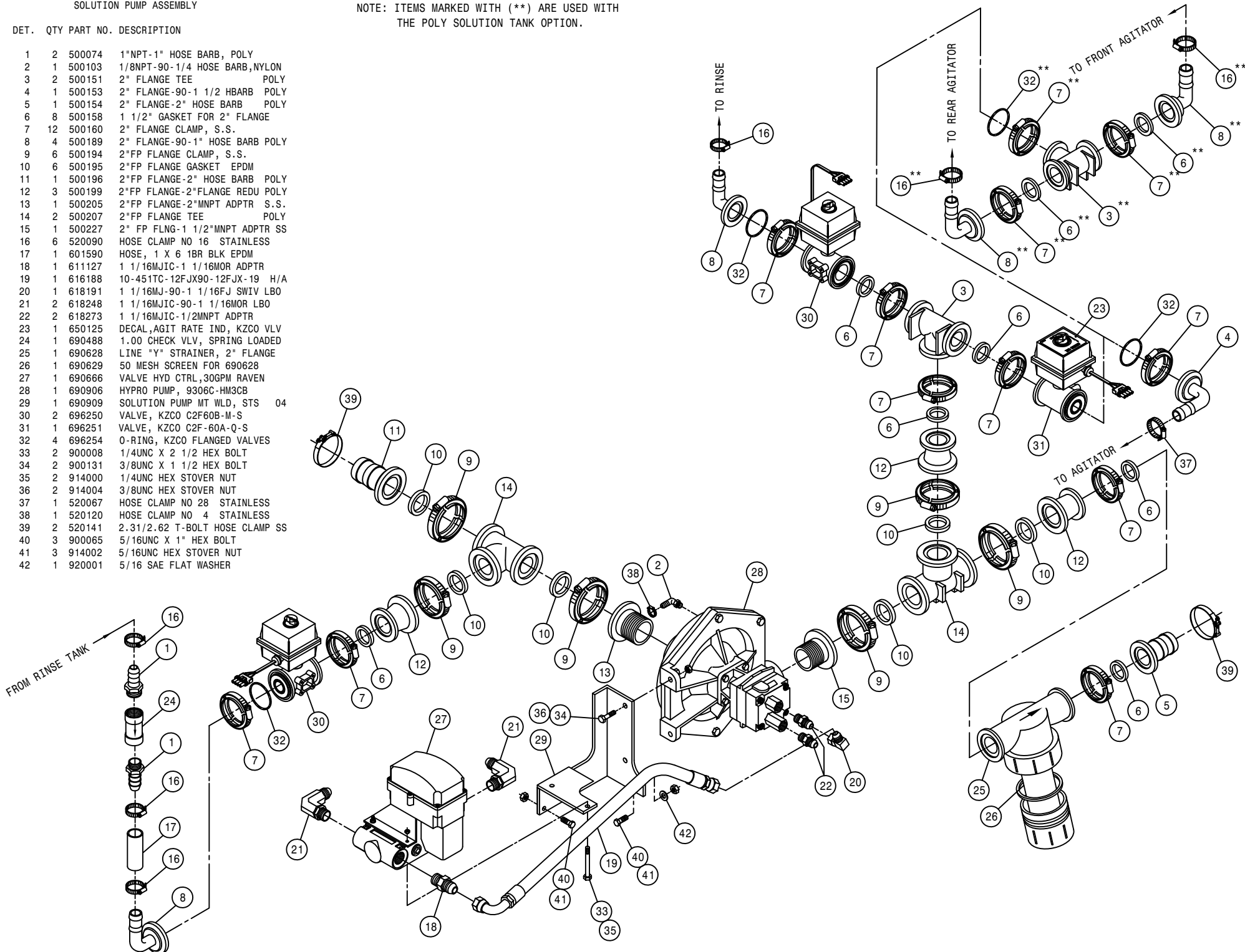
DET.	QTY	PART NO.	DESCRIPTION
1	1	500062	1/2"NPT PIPE PLUG, POLY
2	1	500109	1.00-90-1.00 HOSE BARB, POLY
3	6	520090	HOSE CLAMP NO 16 STAINLESS
4	1	601579	HOSE, 1" X 28 CLEAR VINYL
5	1	601559	HOSE, 1" X 36 CLEAR VINYL
6	1	601580	HOSE, 1" X 47 CLEAR VINYL
7	1	650123	DECAL, SIGHT GAGE, POLY STS10
8	1	763641	SIGHT GAGE WELD,POLY STS10 03
9	2	763620	SS SIGHT GAGE WASHER STS10
10	1	763622	SIGHT GAGE TEE, POLY TNK STS10
11	1	763623	GREEN POLYPROPYLENE BALL .750"

SOLUTION PUMP ASSEMBLY

NOTE: ITEMS MARKED WITH (**) ARE USED WITH THE POLY SOLUTION TANK OPTION.

DET. QTY PART NO. DESCRIPTION

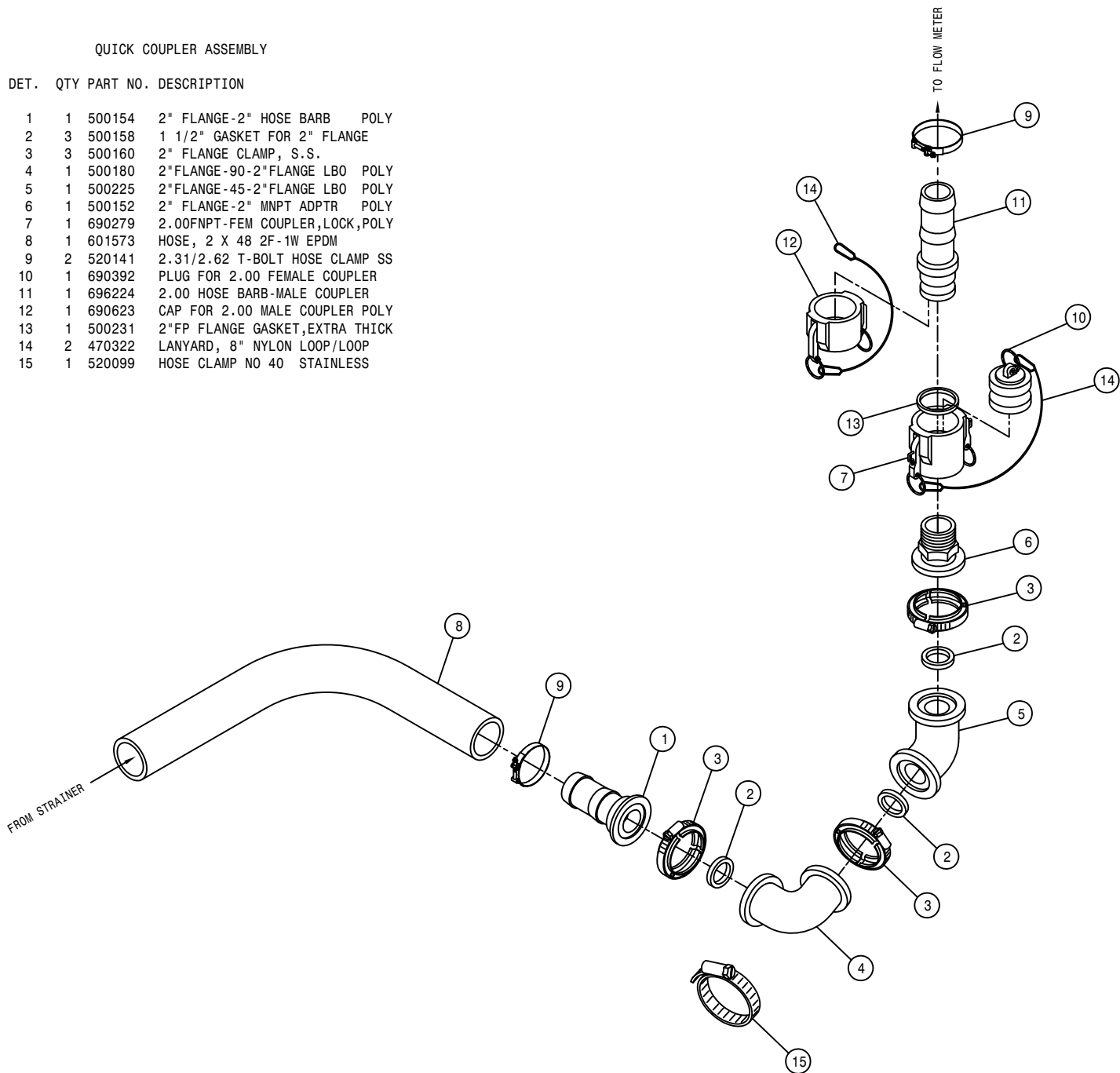
1	2	500074	1"NPT-1" HOSE BARB, POLY
2	1	500103	1/8NPT-90-1/4 HOSE BARB, NYLON
3	2	500151	2" FLANGE TEE POLY
4	1	500153	2" FLANGE-90-1 1/2 HBARB POLY
5	1	500154	2" FLANGE-2" HOSE BARB POLY
6	8	500158	1 1/2" GASKET FOR 2" FLANGE
7	12	500160	2" FLANGE CLAMP, S.S.
8	4	500189	2" FLANGE-90-1" HOSE BARB POLY
9	6	500194	2"FP FLANGE CLAMP, S.S.
10	6	500195	2"FP FLANGE GASKET EPDM
11	1	500196	2"FP FLANGE-2" HOSE BARB POLY
12	3	500199	2"FP FLANGE-2"FLANGE REDU POLY
13	1	500205	2"FP FLANGE-2"MNPT ADPTR S.S.
14	2	500207	2"FP FLANGE TEE POLY
15	1	500227	2" FP FLNG-1 1/2"MNPT ADPTR SS
16	6	520090	HOSE CLAMP NO 16 STAINLESS
17	1	601590	HOSE, 1 X 6 1BR BLK EPDM
18	1	611127	1 1/16MJIC-1 1/16MOR ADPTR
19	1	616188	10-451TC-12FJX90-12FJX-19 H/A
20	1	618191	1 1/16MJ-90-1 1/16FJ SWIV LBO
21	2	618248	1 1/16MJIC-90-1 1/16MOR LBO
22	2	618273	1 1/16MJIC-1/2MNPT ADPTR
23	1	650125	DECAL, AGIT RATE IND, KZCO VLV
24	1	690488	1.00 CHECK VLV, SPRING LOADED
25	1	690628	LINE "Y" STRAINER, 2" FLANGE
26	1	690629	50 MESH SCREEN FOR 690628
27	1	690666	VALVE HYD CTRL, 30GPM RAVEN
28	1	690906	HYPRO PUMP, 9306C-HM3CB
29	1	690909	SOLUTION PUMP MT WLD, STS 04
30	2	696250	VALVE, KZCO C2F60B-M-S
31	1	696251	VALVE, KZCO C2F-60A-Q-S
32	4	696254	O-RING, KZCO FLANGED VALVES
33	2	900008	1/4UNC X 2 1/2 HEX BOLT
34	2	900131	3/8UNC X 1 1/2 HEX BOLT
35	2	914000	1/4UNC HEX STOVER NUT
36	2	914004	3/8UNC HEX STOVER NUT
37	1	520067	HOSE CLAMP NO 28 STAINLESS
38	1	520120	HOSE CLAMP NO 4 STAINLESS
39	2	520141	2.31/2.62 T-BOLT HOSE CLAMP SS
40	3	900065	5/16UNC X 1" HEX BOLT
41	3	914002	5/16UNC HEX STOVER NUT
42	1	920001	5/16 SAE FLAT WASHER



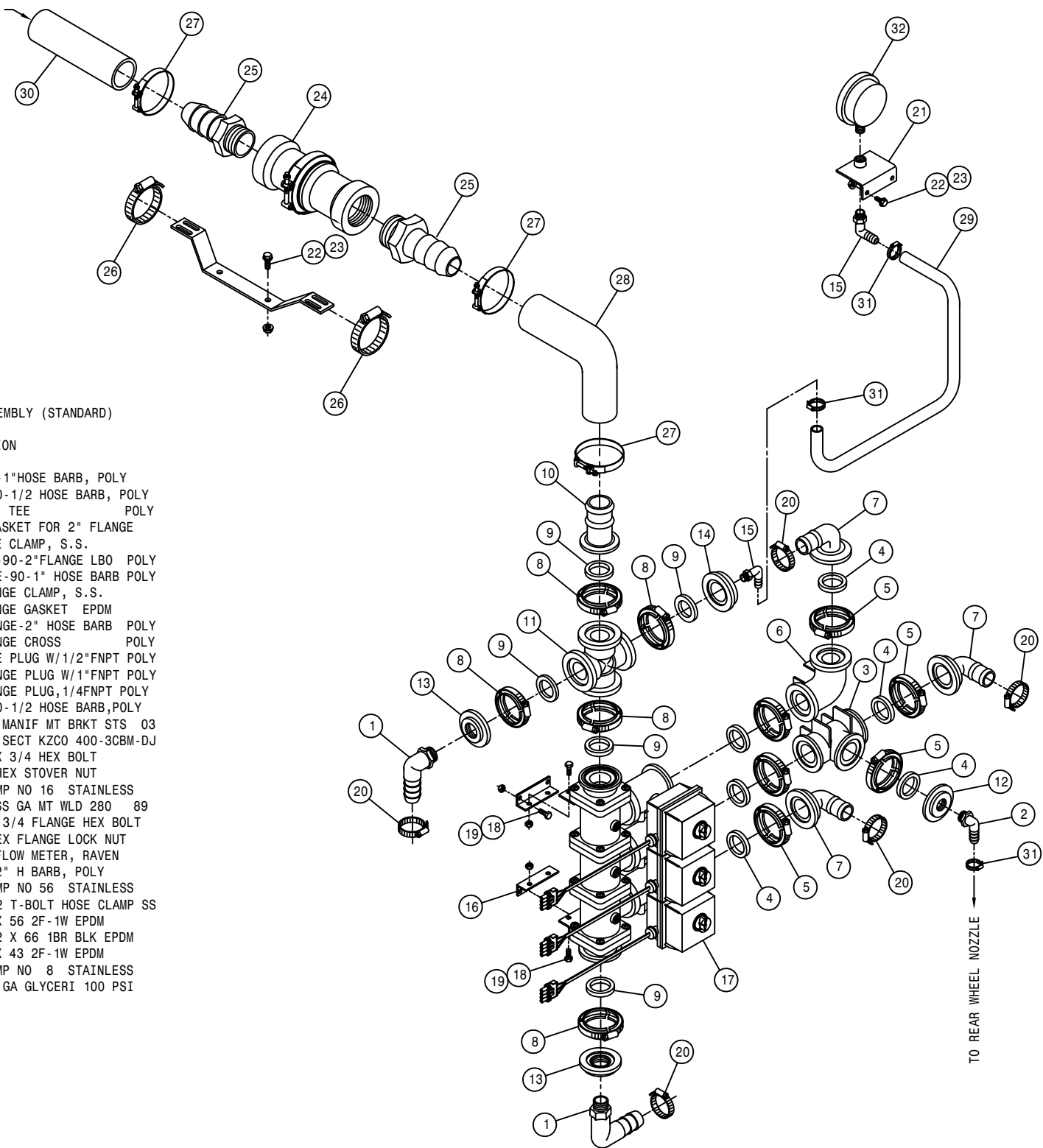
QUICK COUPLER ASSEMBLY

DET. QTY PART NO. DESCRIPTION

1	1	500154	2" FLANGE-2" HOSE BARB	POLY
2	3	500158	1 1/2" GASKET FOR 2" FLANGE	
3	3	500160	2" FLANGE CLAMP, S.S.	
4	1	500180	2" FLANGE-90-2" FLANGE LBO	POLY
5	1	500225	2" FLANGE-45-2" FLANGE LBO	POLY
6	1	500152	2" FLANGE-2" MNPT ADPTR	POLY
7	1	690279	2.00 FNPT-FEM COUPLER, LOCK, POLY	
8	1	601573	HOSE, 2 X 48 2F-1W EPDM	
9	2	520141	2.31/2.62 T-BOLT HOSE CLAMP SS	
10	1	690392	PLUG FOR 2.00 FEMALE COUPLER	
11	1	696224	2.00 HOSE BARB-MALE COUPLER	
12	1	690623	CAP FOR 2.00 MALE COUPLER POLY	
13	1	500231	2" FP FLANGE GASKET, EXTRA THICK	
14	2	470322	LANYARD, 8" NYLON LOOP/LOOP	
15	1	520099	HOSE CLAMP NO 40 STAINLESS	



FROM STRAINER



SOLUTION CONTROL VALVE ASSEMBLY (STANDARD)

DET. QTY PART NO. DESCRIPTION

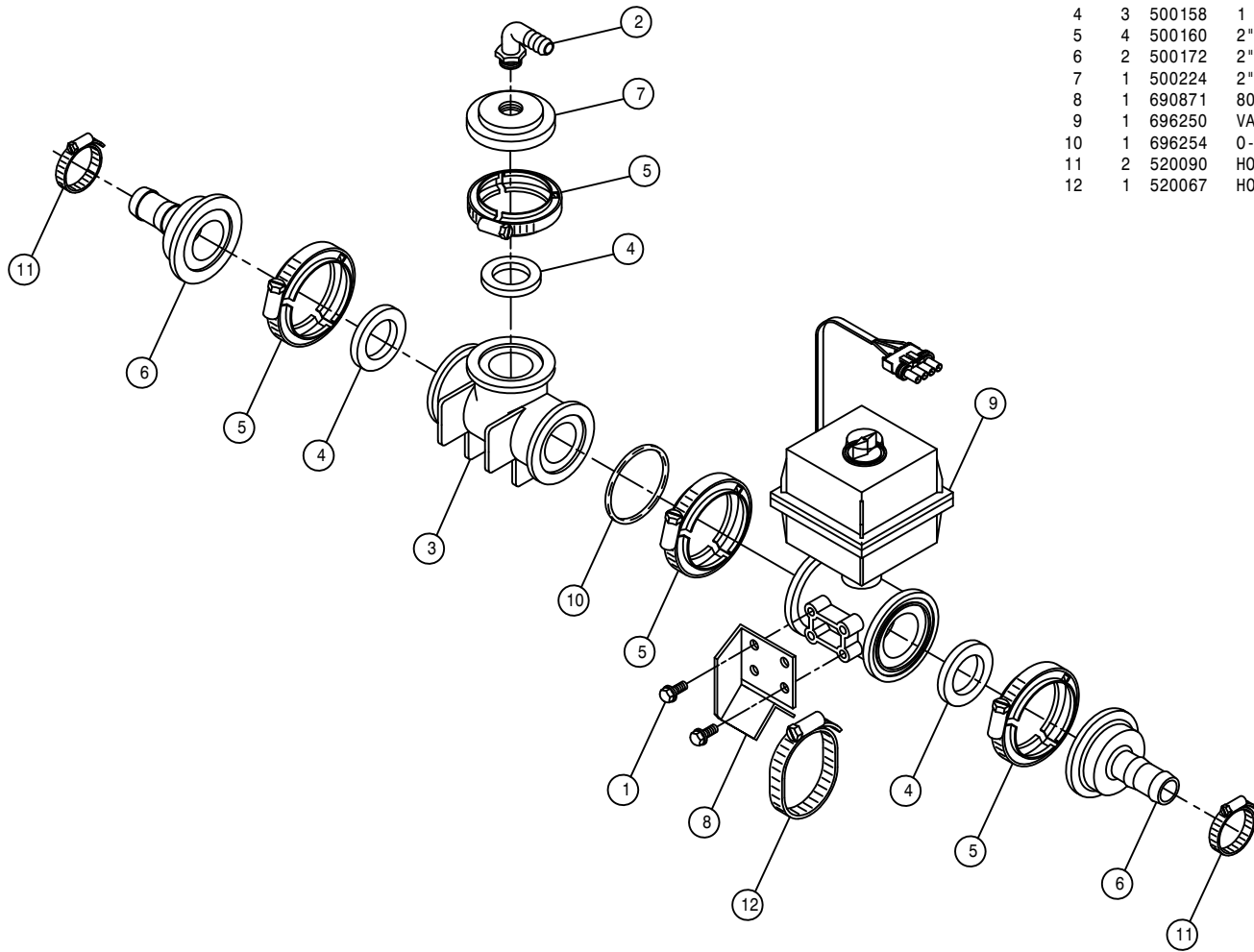
1	2	500024	1"NPT-90-1"HOSE BARB, POLY
2	1	500047	1/2NPT-90-1/2 HOSE BARB, POLY
3	1	500151	2" FLANGE TEE POLY
4	6	500158	1 1/2" GASKET FOR 2" FLANGE
5	6	500160	2" FLANGE CLAMP, S.S.
6	1	500180	2"FLANGE-90-2"FLANGE LBO POLY
7	3	500189	2" FLANGE-90-1" HOSE BARB POLY
8	5	500194	2"FP FLANGE CLAMP, S.S.
9	5	500195	2"FP FLANGE GASKET EPDM
10	1	500196	2"FP FLANGE-2" HOSE BARB POLY
11	1	500203	2"FP FLANGE CROSS POLY
12	1	500224	2" FLANGE PLUG W/1/2"FNPT POLY
13	2	500228	2"FP FLANGE PLUG W/1"FNPT POLY
14	1	500229	2"FP FLANGE PLUG,1/4FNPT POLY
15	2	618556	1/4NPT-90-1/2 HOSE BARB,POLY
16	2	690870	SOLU VLV MANIF MT BRKT STS 03
17	1	696253	VALVE, 3 SECT KZCO 400-3CBM-DJ
18	8	900064	5/16UNC X 3/4 HEX BOLT
19	8	914002	5/16UNC HEX STOVER NUT
20	5	520090	HOSE CLAMP NO 16 STAINLESS
21	1	160010	SOLU PRESS GA MT WLD 280 89
22	4	470118	1/4UNC X 3/4 FLANGE HEX BOLT
23	4	470121	1/4UNC HEX FLANGE LOCK NUT
24	1	690529	RFM 100 FLOW METER, RAVEN
25	2	500058	2"NPT X 2" H BARB, POLY
26	2	520056	HOSE CLAMP NO 56 STAINLESS
27	3	520141	2.31/2.62 T-BOLT HOSE CLAMP SS
28	1	601502	HOSE, 2 X 56 2F-1W EPDM
29	1	601514	HOSE, 1/2 X 66 1BR BLK EPDM
30	1	601613	HOSE, 2 X 43 2F-1W EPDM
31	3	520070	HOSE CLAMP NO 8 STAINLESS
32	1	690359	PRESSURE GA GLYCERI 100 PSI

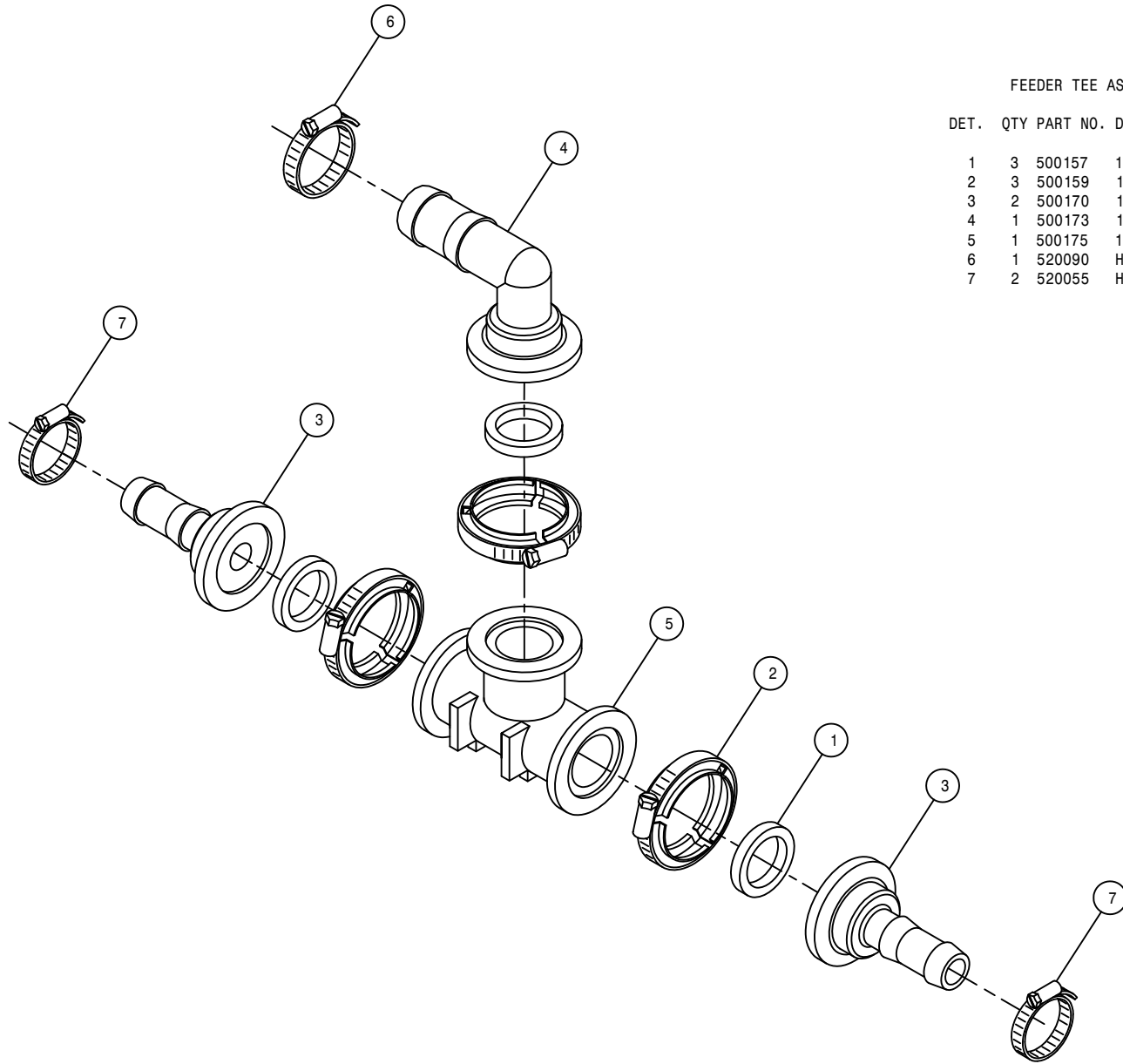
TO REAR WHEEL NOZZLE

80' -90' SOLUTION VALVE ASSEMBLY (STANDARD)

DET. QTY PART NO. DESCRIPTION

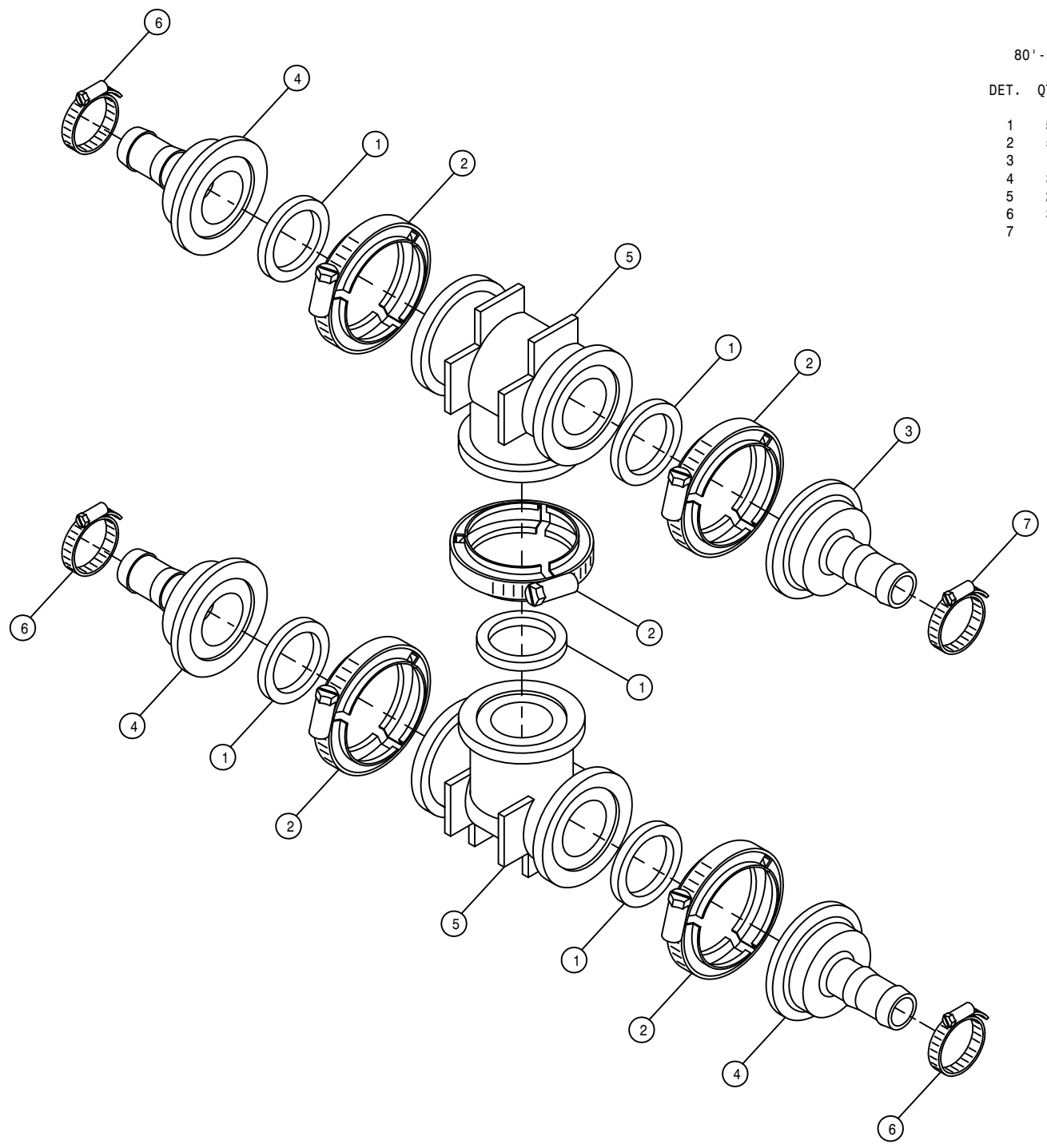
1	2	470122	1/4UNC X 1/2 FLANGE HEX BOLT
2	1	500047	1/2NPT-90-1/2 HOSE BARB, POLY
3	1	500151	2" FLANGE TEE POLY
4	3	500158	1 1/2" GASKET FOR 2" FLANGE
5	4	500160	2" FLANGE CLAMP, S.S.
6	2	500172	2" FLANGE-1" HOSE BARB POLY
7	1	500224	2" FLANGE PLUG W/1/2"FNPT POLY
8	1	690871	80/90 BOOM VLV MT WLD 03
9	1	696250	VALVE, KZCO C2F60B-M-S
10	1	696254	O-RING, KZCO FLANGED VALVES
11	2	520090	HOSE CLAMP NO 16 STAINLESS
12	1	520067	HOSE CLAMP NO 28 STAINLESS





FEEDER TEE ASSEMBLY (STANDARD)

DET.	QTY	PART NO.	DESCRIPTION	
1	3	500157	1" FLANGE GASKET	EPDM
2	3	500159	1" FLANGE CLAMP, S.S.	
3	2	500170	1" FLANGE-3/4" HOSE BARB	POLY
4	1	500173	1" FLANGE-90-1" HOSE BARB	POLY
5	1	500175	1" FLANGE TEE	POLY
6	1	520090	HOSE CLAMP NO 16	STAINLESS
7	2	520055	HOSE CLAMP NO 12	STAINLESS



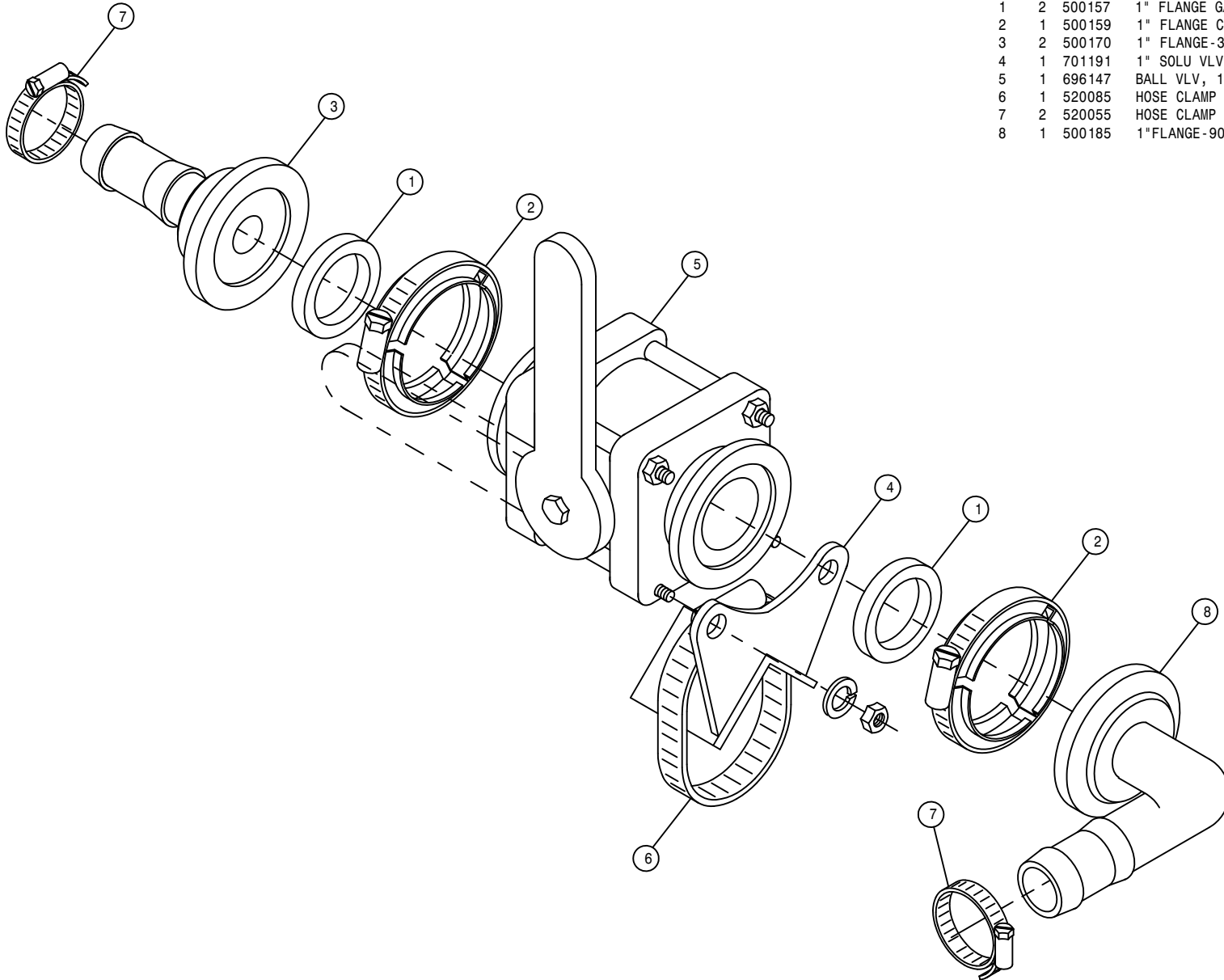
80' -90' FEEDER TEE ASSEMBLY (STANDARD)

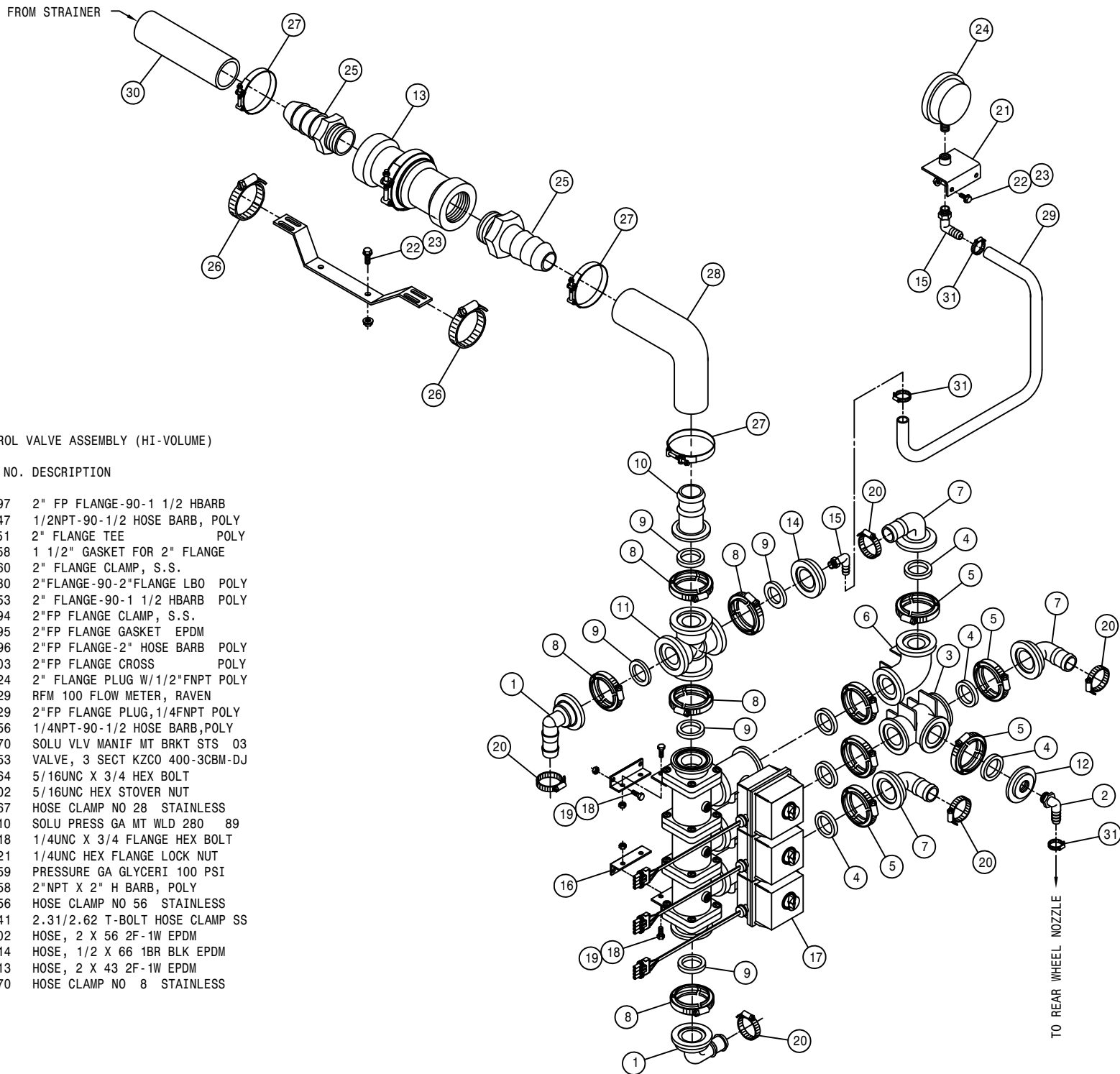
DET.	QTY	PART NO.	DESCRIPTION	
1	5	500157	1" FLANGE GASKET	EPDM
2	5	500159	1" FLANGE CLAMP, S.S.	
3	1	500171	1" FLANGE-1" HOSE BARB	POLY
4	3	500170	1" FLANGE-3/4" HOSE BARB	POLY
5	2	500175	1" FLANGE TEE	POLY
6	3	520055	HOSE CLAMP NO 12	STAINLESS
7	1	520090	HOSE CLAMP NO 16	STAINLESS

90' BALL VALVE ASSEMBLY (STANDARD)

DET. QTY PART NO. DESCRIPTION

1	2	500157	1" FLANGE GASKET	EPDM
2	1	500159	1" FLANGE CLAMP, S.S.	
3	2	500170	1" FLANGE-3/4" HOSE BARB	POLY
4	1	701191	1" SOLU VLV MT WLD	
5	1	696147	BALL VLV, 1" FLANGE	
6	1	520085	HOSE CLAMP NO 24	STAINLESS
7	2	520055	HOSE CLAMP NO 12	STAINLESS
8	1	500185	1"FLANGE-90-3/4"HOSE BARB	POLY





SOLUTION CONTROL VALVE ASSEMBLY (HI-VOLUME)

DET. QTY PART NO. DESCRIPTION

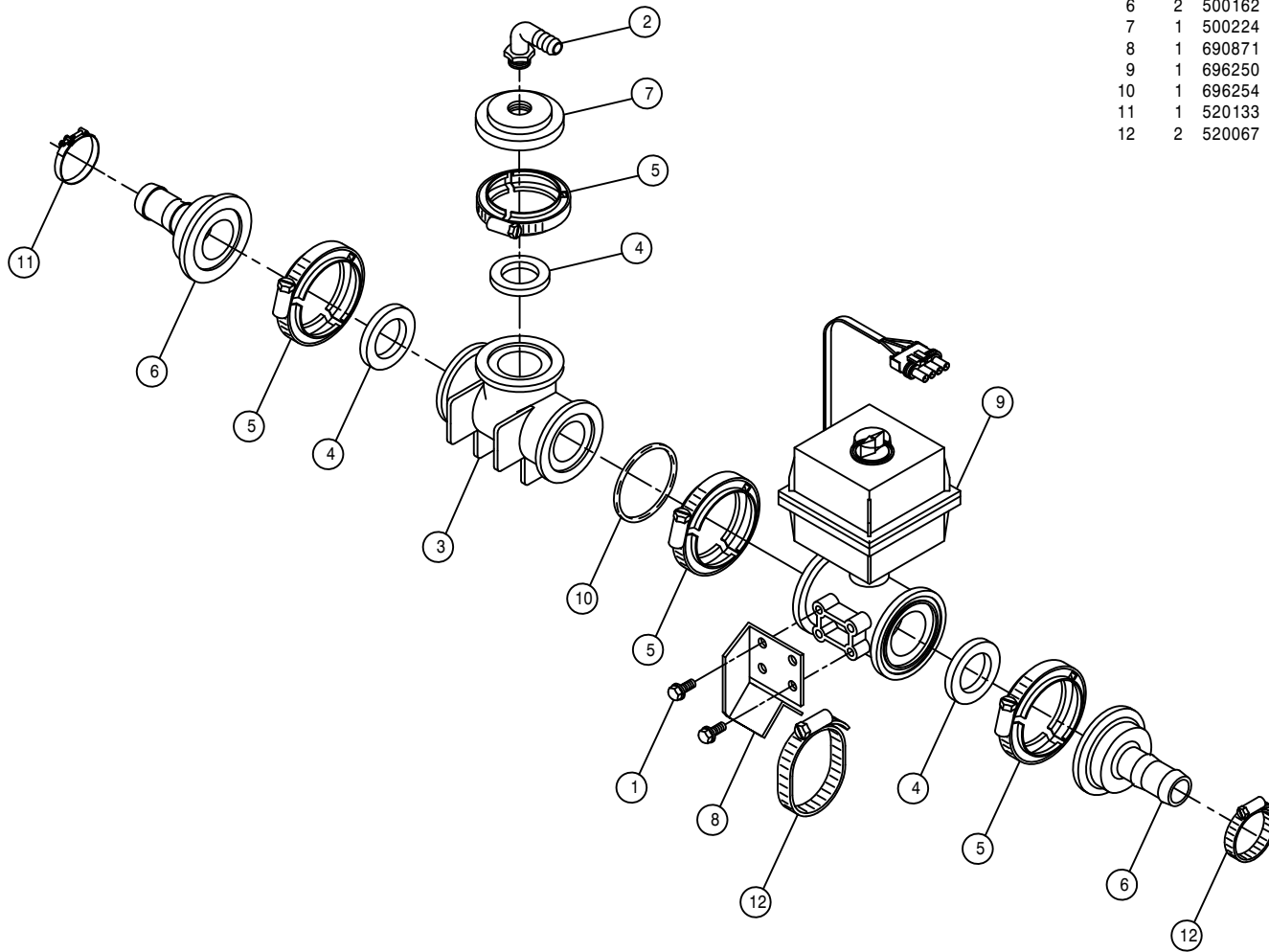
1	2	500197	2" FP FLANGE-90-1 1/2 HBARB
2	1	500047	1/2NPT-90-1/2 HOSE BARB, POLY
3	1	500151	2" FLANGE TEE POLY
4	6	500158	1 1/2" GASKET FOR 2" FLANGE
5	6	500160	2" FLANGE CLAMP, S.S.
6	1	500180	2"FLANGE-90-2"FLANGE LBO POLY
7	3	500153	2" FLANGE-90-1 1/2 HBARB POLY
8	5	500194	2"FP FLANGE CLAMP, S.S.
9	5	500195	2"FP FLANGE GASKET EPDM
10	1	500196	2"FP FLANGE-2" HOSE BARB POLY
11	1	500203	2"FP FLANGE CROSS POLY
12	1	500224	2" FLANGE PLUG W/1/2"FNPT POLY
13	1	690529	RFM 100 FLOW METER, RAVEN
14	1	500229	2"FP FLANGE PLUG, 1/4FNPT POLY
15	2	618556	1/4NPT-90-1/2 HOSE BARB,POLY
16	2	690870	SOLU VLV MANIF MT BRKT STS 03
17	1	696253	VALVE, 3 SECT KZCO 400-3CBM-DJ
18	8	900064	5/16UNC X 3/4 HEX BOLT
19	8	914002	5/16UNC HEX STOVER NUT
20	5	520067	HOSE CLAMP NO 28 STAINLESS
21	1	160010	SOLU PRESS GA MT WLD 280 89
22	4	470118	1/4UNC X 3/4 FLANGE HEX BOLT
23	4	470121	1/4UNC HEX FLANGE LOCK NUT
24	1	690359	PRESSURE GA GLYCERI 100 PSI
25	2	500058	2"NPT X 2" H BARB, POLY
26	2	520056	HOSE CLAMP NO 56 STAINLESS
27	3	520141	2.31/2.62 T-BOLT HOSE CLAMP SS
28	1	601502	HOSE, 2 X 56 2F-1W EPDM
29	1	601514	HOSE, 1/2 X 66 1BR BLK EPDM
30	1	601613	HOSE, 2 X 43 2F-1W EPDM
31	3	520070	HOSE CLAMP NO 8 STAINLESS

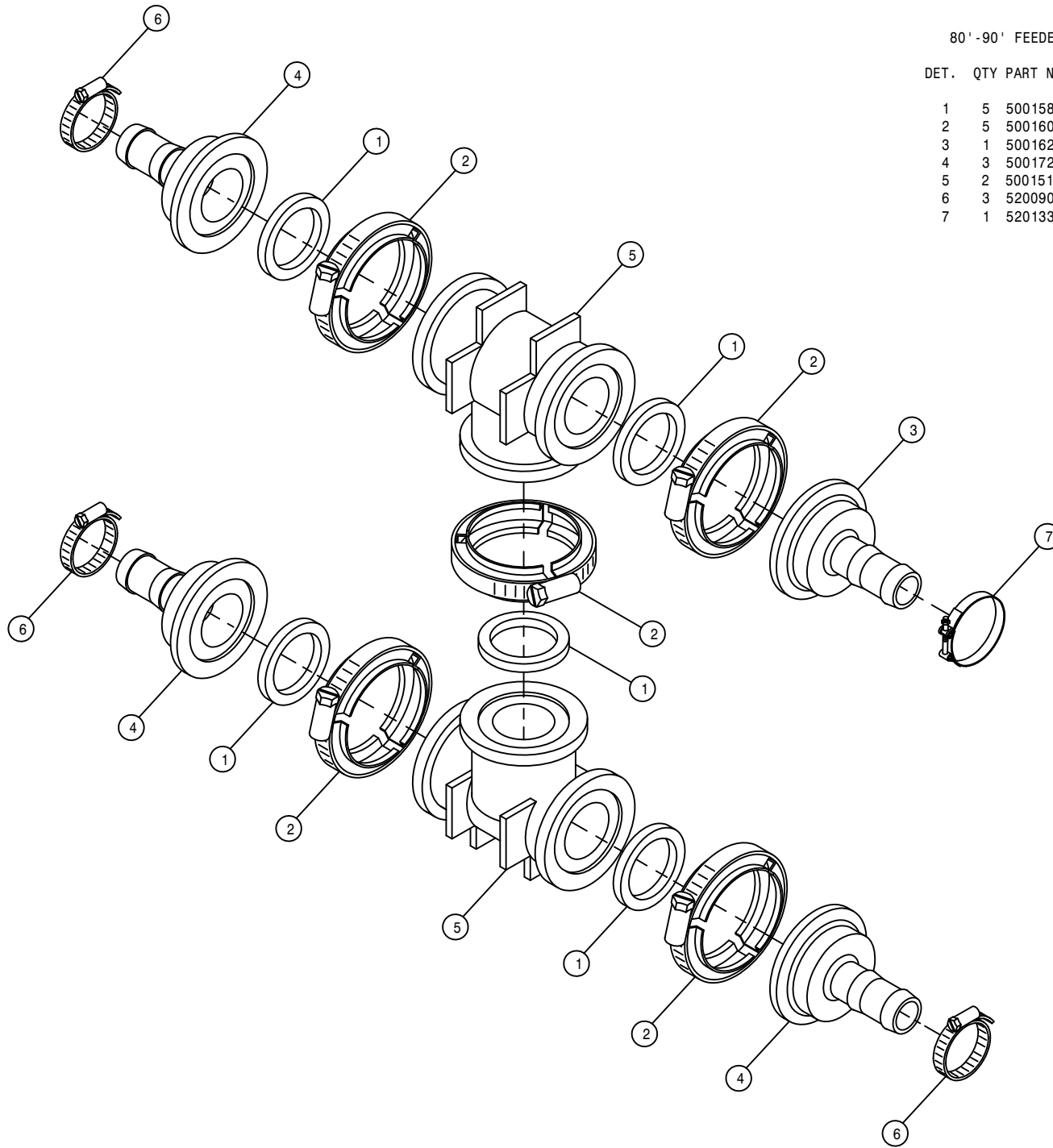
TO REAR WHEEL NOZZLE

80' -90' SOLUTION VALVE ASSEMBLY (HI-VOLUME)

DET. QTY PART NO. DESCRIPTION

DET.	QTY	PART NO.	DESCRIPTION
1	2	470122	1/4UNC X 1/2 FLANGE HEX BOLT
2	1	500047	1/2NPT-90-1/2 HOSE BARB, POLY
3	1	500151	2" FLANGE TEE POLY
4	3	500158	1 1/2" GASKET FOR 2" FLANGE
5	4	500160	2" FLANGE CLAMP, S.S.
6	2	500162	2" FLANGE-1 1/2 HOSE BARB POLY
7	1	500224	2" FLANGE PLUG W/1/2"FNPT POLY
8	1	690871	80/90 BOOM VLV MT WLD 03
9	1	696250	VALVE, KZCO C2F60B-M-S
10	1	696254	O-RING, KZCO FLANGED VALVES
11	1	520133	1.81/2.06 T-BOLT HOSE CLAMP SS
12	2	520067	HOSE CLAMP NO 28 STAINLESS

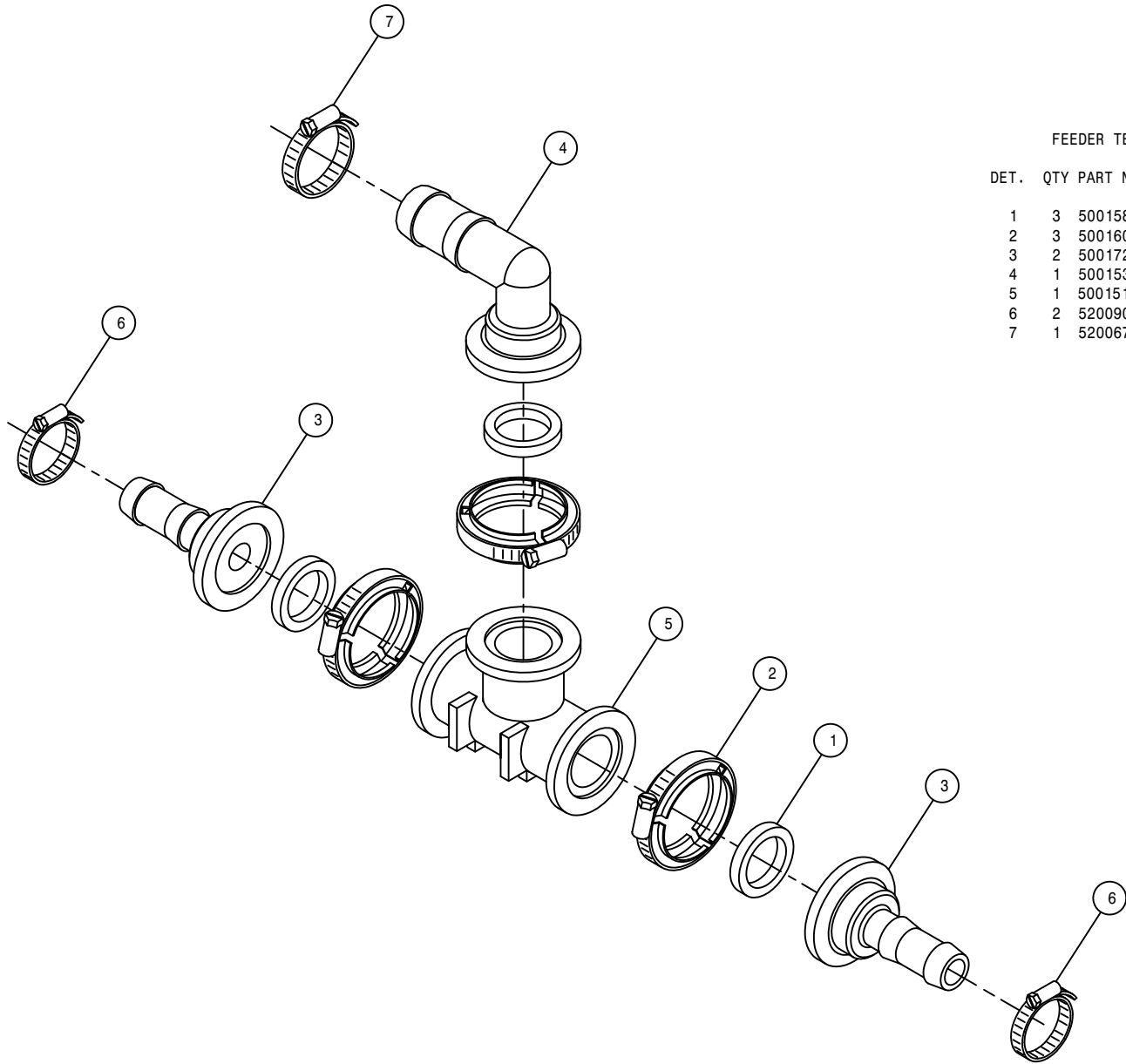




80'-90' FEEDER TEE ASSEMBLY (HI-VOLUME)

DET. QTY PART NO. DESCRIPTION

1	5	500158	1 1/2" GASKET FOR 2" FLANGE
2	5	500160	2" FLANGE CLAMP, S.S.
3	1	500162	2" FLANGE-1 1/2 HOSE BARB POLY
4	3	500172	2" FLANGE-1" HOSE BARB POLY
5	2	500151	2" FLANGE TEE POLY
6	3	520090	HOSE CLAMP NO 16 STAINLESS
7	1	520133	1.81/2.06 T-BOLT HOSE CLAMP SS



FEEDER TEE ASSEMBLY (HI-VOLUME)

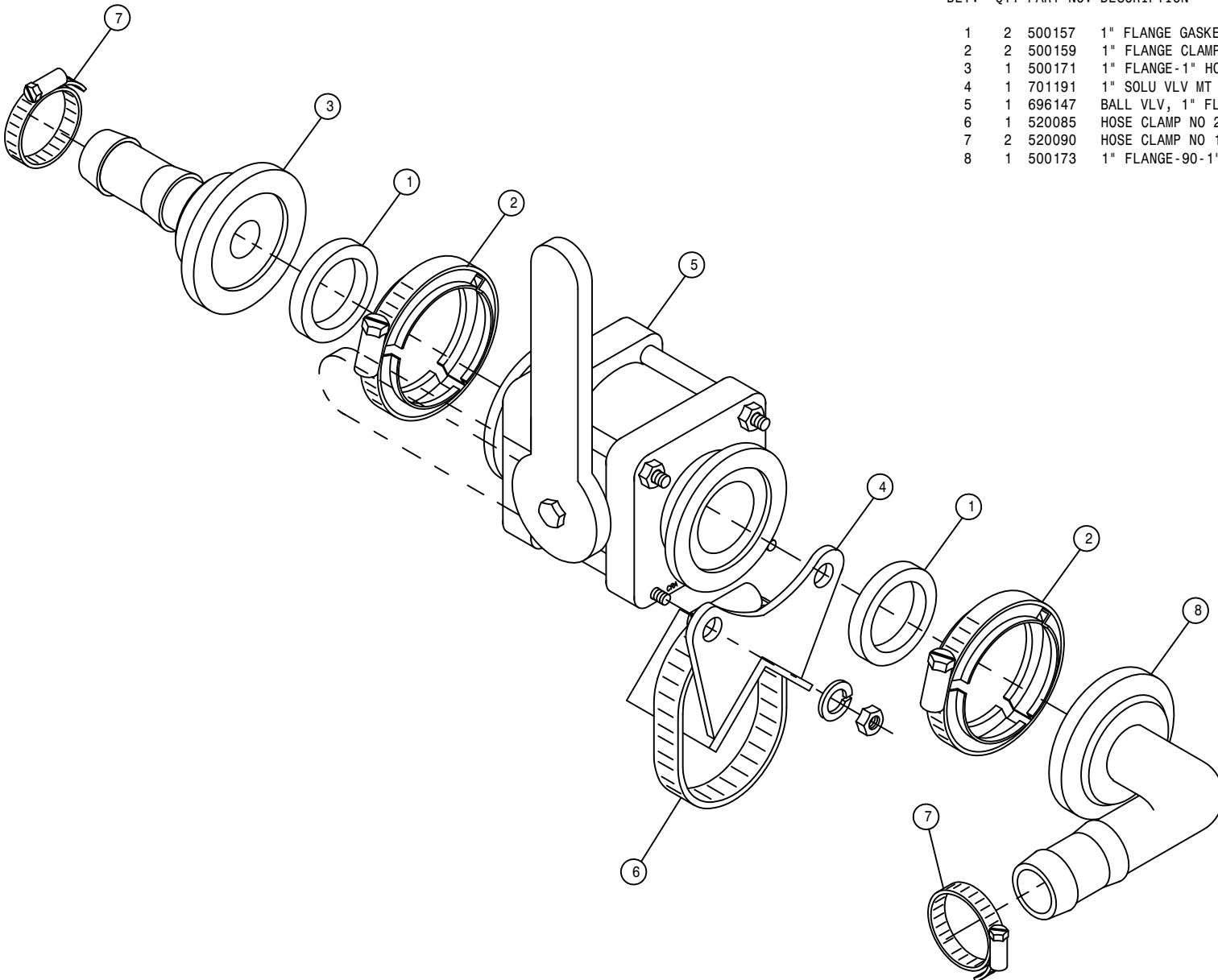
DET. QTY PART NO. DESCRIPTION

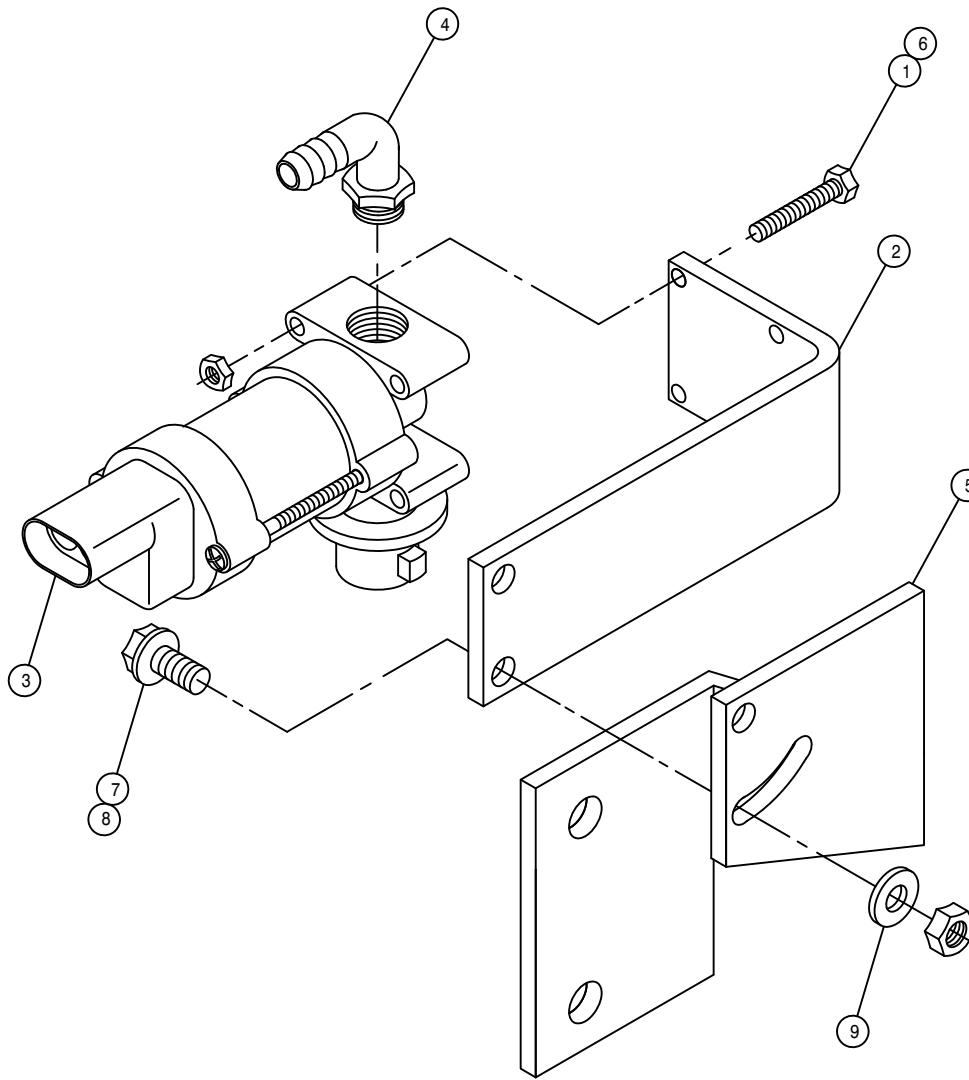
1	3	500158	1 1/2" GASKET FOR 2" FLANGE
2	3	500160	2" FLANGE CLAMP, S.S.
3	2	500172	2" FLANGE-1" HOSE BARB POLY
4	1	500153	2" FLANGE-90-1 1/2 HBARB POLY
5	1	500151	2" FLANGE TEE POLY
6	2	520090	HOSE CLAMP NO 16 STAINLESS
7	1	520067	HOSE CLAMP NO 28 STAINLESS

90' BALL VALVE ASSEMBLY (HI-VOLUME)

DET. QTY PART NO. DESCRIPTION

1	2	500157	1" FLANGE GASKET	EPDM
2	2	500159	1" FLANGE CLAMP, S.S.	
3	1	500171	1" FLANGE-1" HOSE BARB	POLY
4	1	701191	1" SOLU VLV MT WLD	
5	1	696147	BALL VLV, 1" FLANGE	
6	1	520085	HOSE CLAMP NO 24	STAINLESS
7	2	520090	HOSE CLAMP NO 16	STAINLESS
8	1	500173	1" FLANGE-90-1" HOSE BARB	POLY

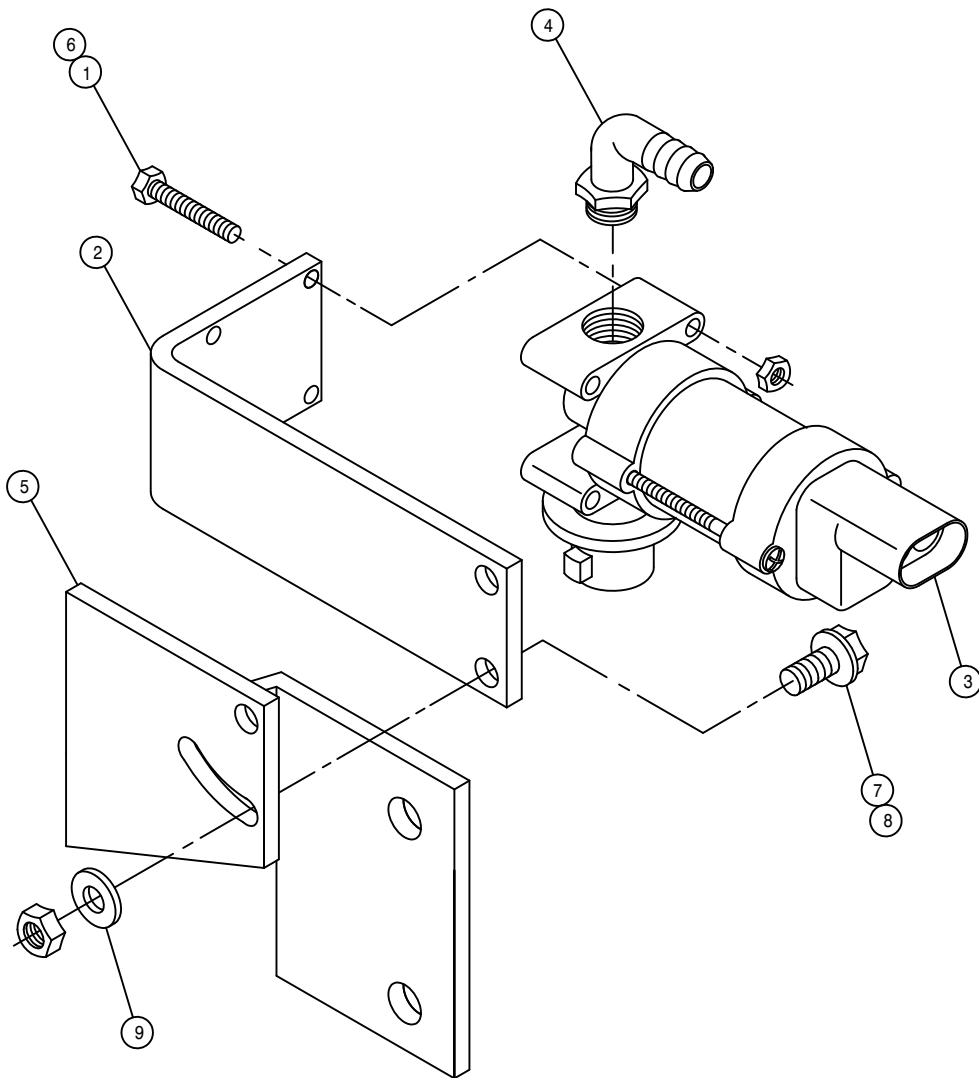




RH FENCE ROW NOZZLE ASSEMBLY

DET. QTY PART NO. DESCRIPTION

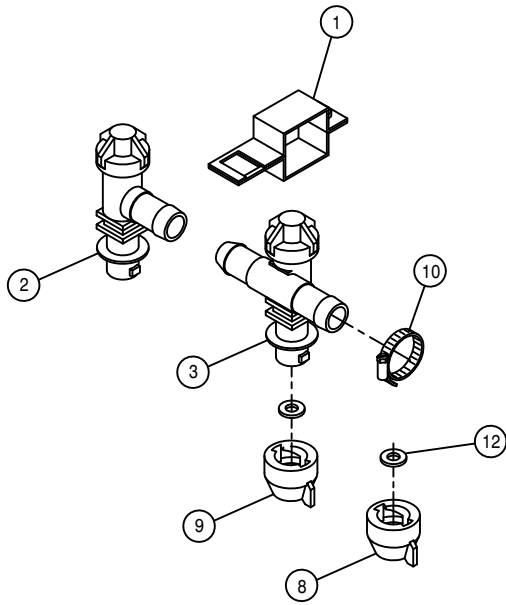
1	4	473993	6-32 X 1 1/4 HH MACH SCR
2	1	737906	FENCE ROW NOZL BRKT
3	1	737875	NOZZLE BODY VALVE, 12VDC
4	1	618556	1/4NPT-90-1/2 HOSE BARB,POLY
5	1	737907	RH FENCE ROW TIP BRKT MT
6	4	910022	6-32 HEX NUT
7	2	470118	1/4UNC X 3/4 FLANGE HEX BOLT
8	2	914000	1/4UNC HEX STOVER NUT
9	1	920000	1/4 SAE FLAT WASHER



LH FENCE ROW NOZZLE ASSEMBLY

DET. QTY PART NO. DESCRIPTION

1	4	473993	6-32 X 1 1/4 HH MACH SCR
2	1	737906	FENCE ROW NOZL BRKT
3	1	737875	NOZZLE BODY VALVE, 12VDC
4	1	618556	1/4NPT-90-1/2 HOSE BARB,POLY
5	1	737908	LH FENCE ROW TIP BRKT MT
6	4	910022	6-32 HEX NUT
7	2	470118	1/4UNC X 3/4 FLANGE HEX BOLT
8	2	914000	1/4UNC HEX STOVER NUT
9	1	920000	1/4 SAE FLAT WASHER

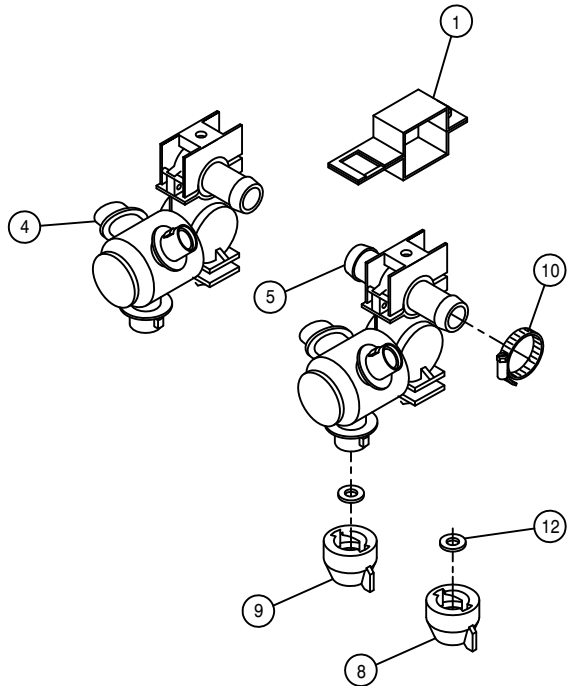


STANDARD SINGLE TIP SPACING

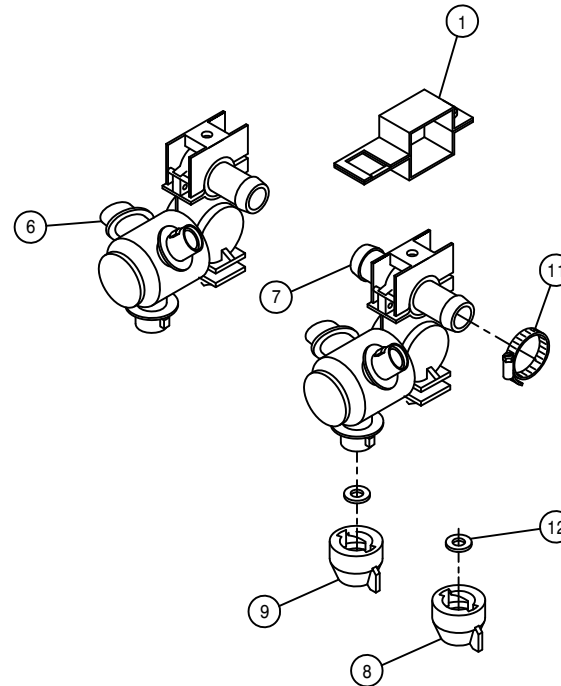
BOOM NOZZLE BODY

DET. QTY PART NO. DESCRIPTION

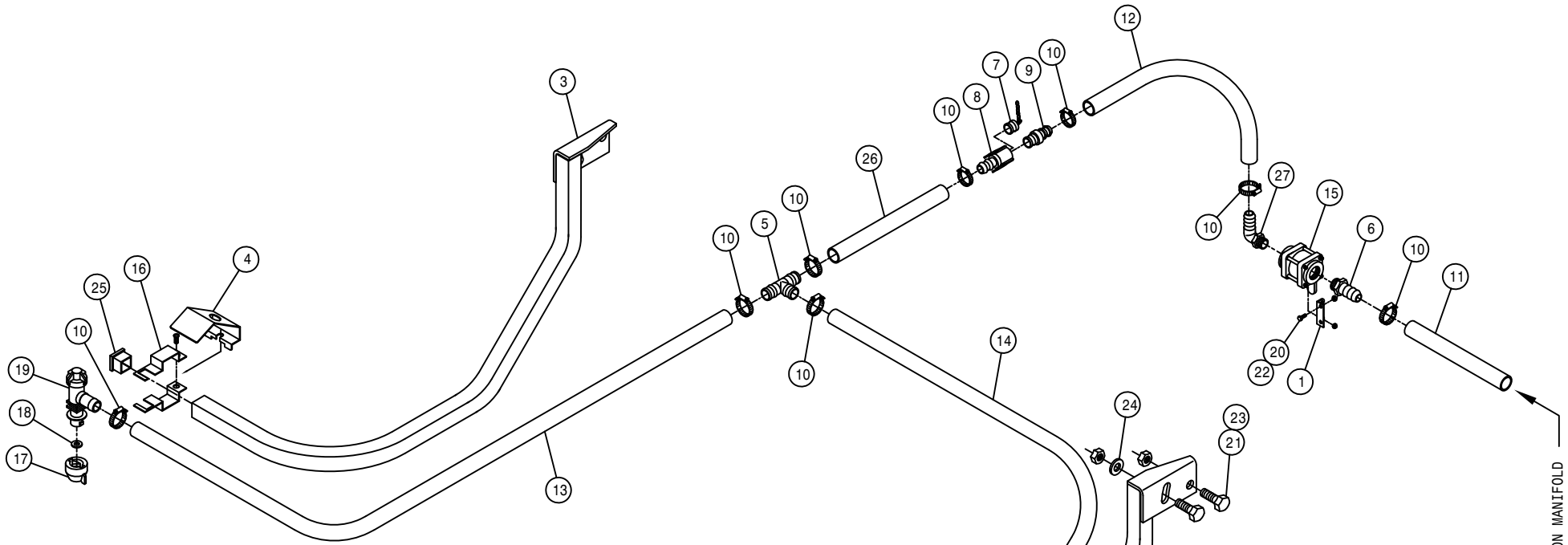
DET.	QTY	PART NO.	DESCRIPTION
1	3	737817	NOZL MT CLMP, 1.00 SQ SS, Q-TJET
2	1	737829	QUICK TJET LBO, 1-TIP BODY .75
3	1	737830	QUICK TJET TEE, 1-TIP BODY .75
4	1	737833	QUICK TJET LBO, 3-TIP BODY .75
5	1	737834	QUICK TJET TEE, 3-TIP BODY .75
6	1	737900	QUICK TJET LBO, 3-TIP BODY 1.00
7	1	737901	QUICK TJET TEE, 3-TIP BODY 1.00
8	3	737825	QUICK SHUT-OFF CAP
9	3	737822	CAP SET, YELLOW QUICK TEEJET
10	2	520055	HOSE CLAMP NO 12 STAINLESS
11	1	520090	HOSE CLAMP NO 16 STAINLESS
12	6	737824	QUICK TEEJET SEAT GASKET



STANDARD TRIPLE TIP SPACING



HI-VOLUME TRIPLE TIP SPACING

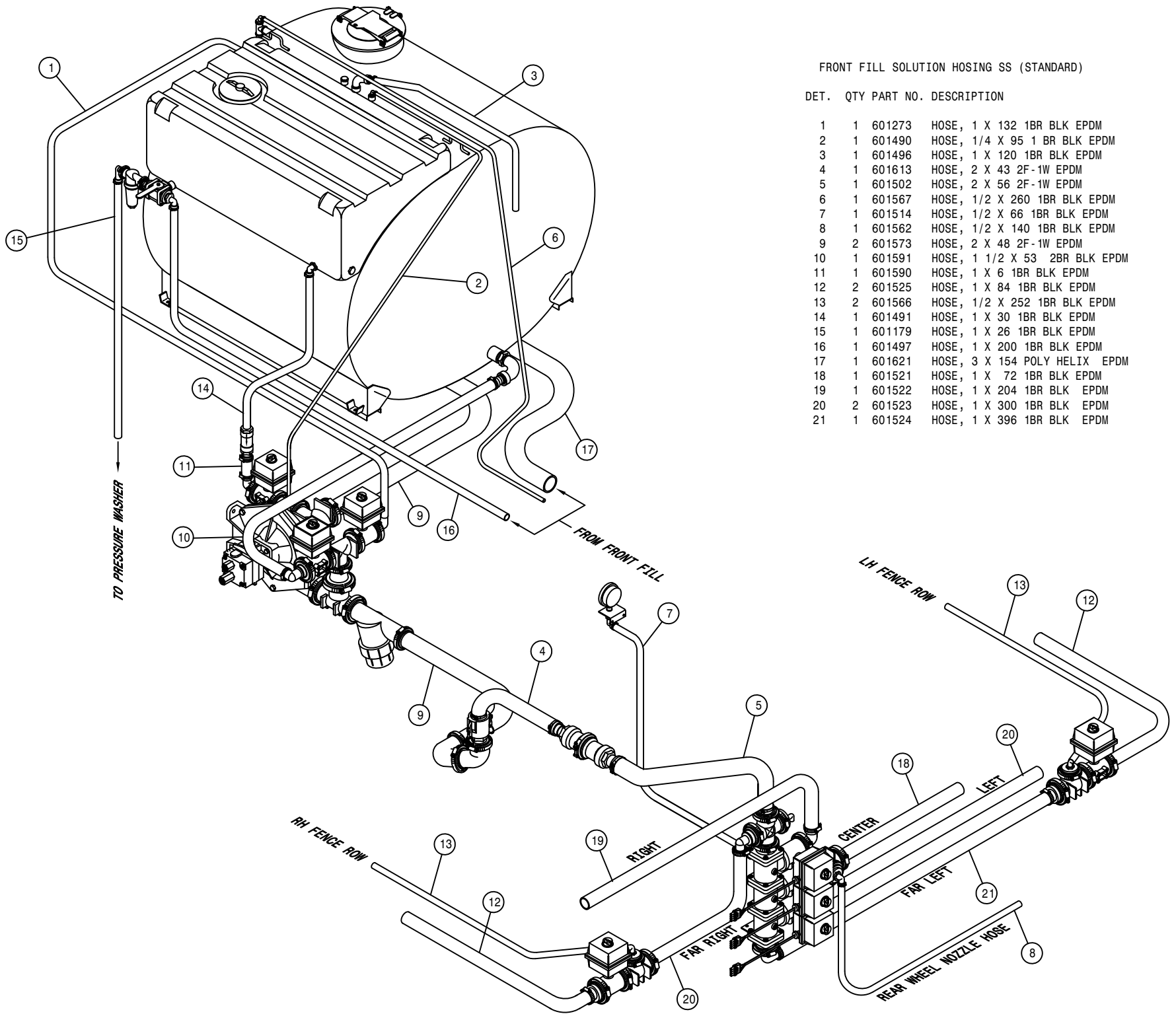


REAR WHEEL NOZZLE ASSEMBLY

DET. QTY PART NO. DESCRIPTION

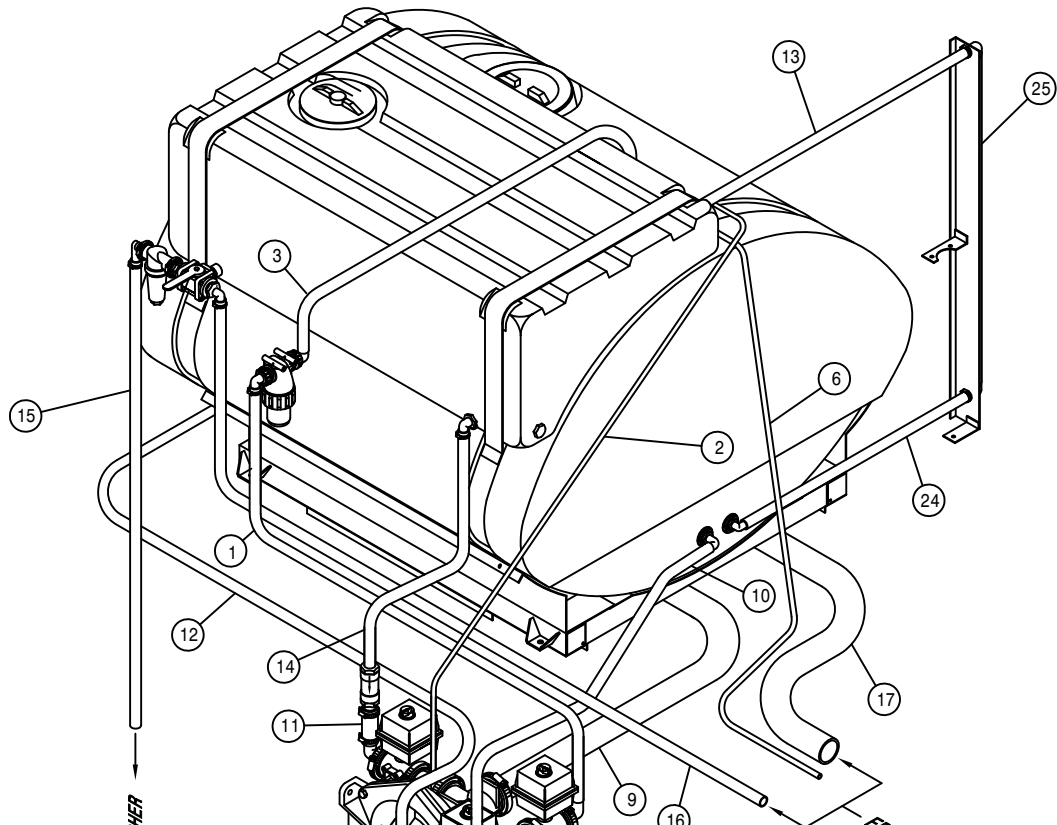
1	1	164724	VALVE MT, REAR NOZL STS	03
2	1	164670	RH REAR NOZL MT WLD	STS12
3	1	164671	LH REAR NOZL MT WLD	STS12
4	2	164676	NOZL SHIELD, REAR WHEEL	00
5	1	500120	1/2" HOSE BARB TEE, POLY	
6	1	713340	1/2NPT-1/2 HOSE BARB, POLY	
7	1	696204	PLUG FOR .50/.75 FEM COUPLER	
8	1	696233	.50 HOSE BARB-FEMALE COUPLER	
9	1	696234	.50 HOSE BARB-MALE COUPLER	
10	9	520070	HOSE CLAMP NO 8 STAINLESS	
11	1	601562	HOSE, 1/2 X 140 1BR BLK EPDM	
12	1	601563	HOSE, 1/2 X 120 1BR BLK EPDM	
13	1	601565	HOSE, 1/2 X 223 1BR BLK EPDM	
14	1	601567	HOSE, 1/2 X 260 1BR BLK EPDM	
15	1	696082	BALL VALVE 1/2FNPT POLY	
16	2	737817	NOZL MT CLMP,1.00 SQ SS,Q-TJET	
17	2	737822	CAP SET, YELLOW QUICK TEEJET	
18	2	737824	QUICK TEEJET SEAT GASKET	
19	2	737827	QUICK TJET LBO,1-TIP BODY .50	
20	2	900065	5/16UNC X 1" HEX BOLT	
21	4	900265	1/2UNC X 1 1/2 HEX BOLT	
22	2	914002	5/16UNC HEX STOVER NUT	
23	4	914008	1/2UNC HEX STOVER NUT	
24	2	920004	1/2 SAE FLAT WASHER	
25	2	629727	FINISH PLUG FOR 1"SQ X 16 GA	
26	1	601572	HOSE, 1/2 X 95 1BR BLK EPDM	
27	1	500047	1/2NPT-90-1/2 HOSE BARB, POLY	

FROM SOLUTION MANIFOLD



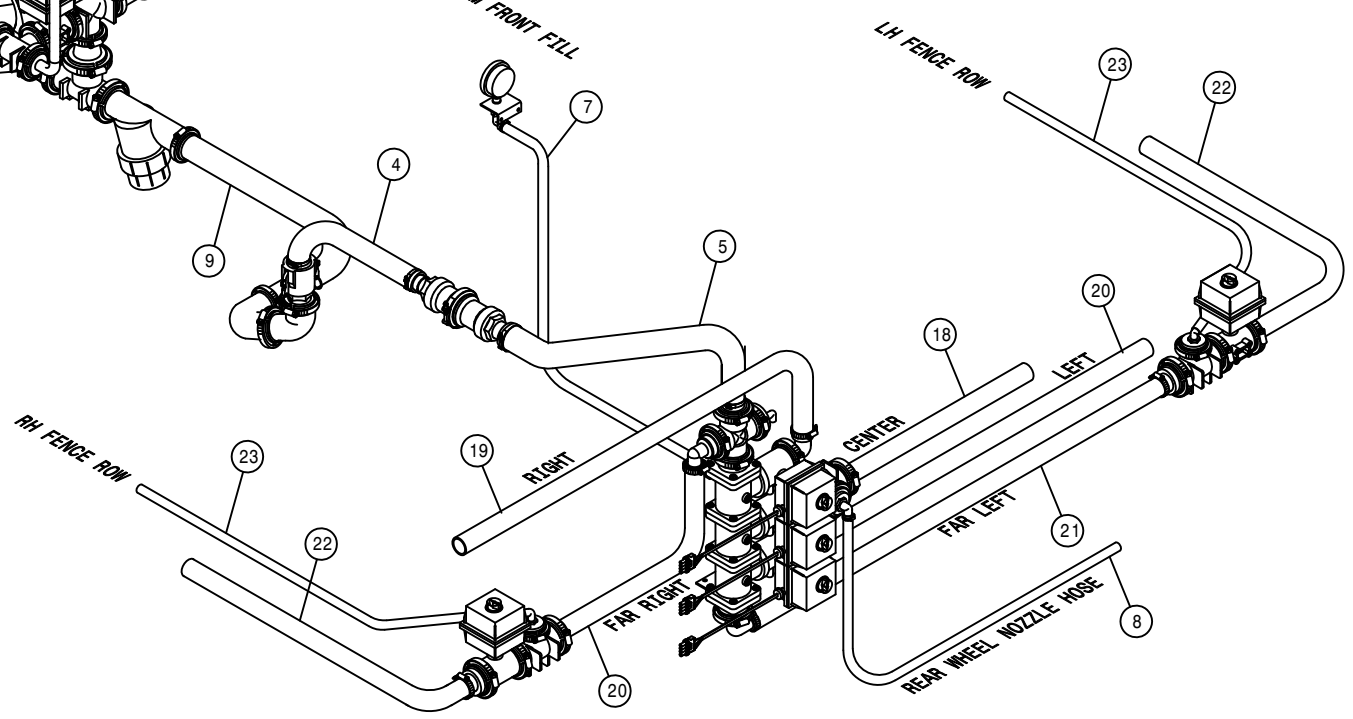
FRONT FILL SOLUTION HOISING SS (STANDARD)

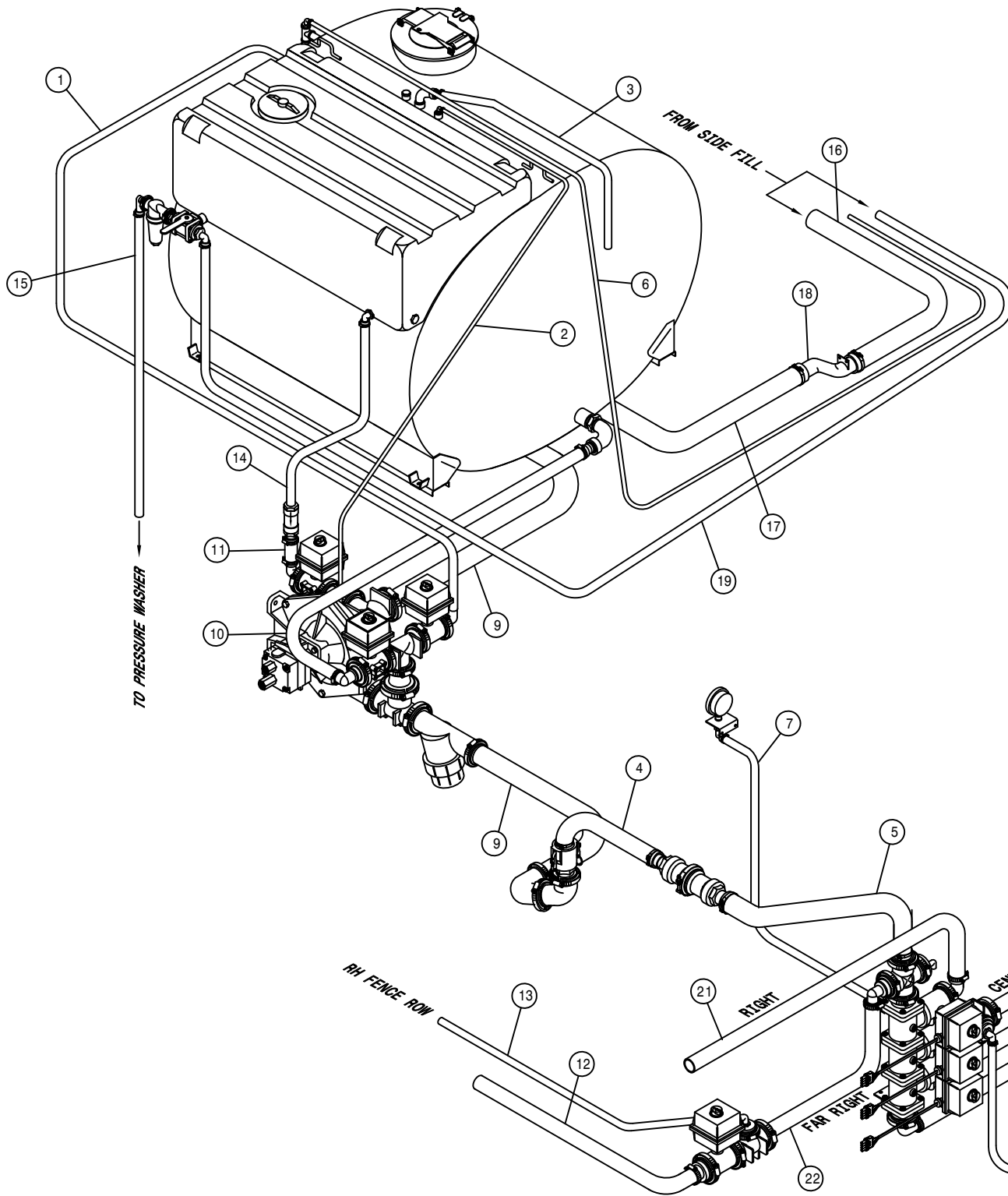
DET.	QTY	PART NO.	DESCRIPTION
1	1	601273	HOSE, 1 X 132 1BR BLK EPDM
2	1	601490	HOSE, 1/4 X 95 1 BR BLK EPDM
3	1	601496	HOSE, 1 X 120 1BR BLK EPDM
4	1	601613	HOSE, 2 X 43 2F-1W EPDM
5	1	601502	HOSE, 2 X 56 2F-1W EPDM
6	1	601567	HOSE, 1/2 X 260 1BR BLK EPDM
7	1	601514	HOSE, 1/2 X 66 1BR BLK EPDM
8	1	601562	HOSE, 1/2 X 140 1BR BLK EPDM
9	2	601573	HOSE, 2 X 48 2F-1W EPDM
10	1	601591	HOSE, 1 1/2 X 53 2BR BLK EPDM
11	1	601590	HOSE, 1 X 6 1BR BLK EPDM
12	2	601525	HOSE, 1 X 84 1BR BLK EPDM
13	2	601566	HOSE, 1/2 X 252 1BR BLK EPDM
14	1	601491	HOSE, 1 X 30 1BR BLK EPDM
15	1	601179	HOSE, 1 X 26 1BR BLK EPDM
16	1	601497	HOSE, 1 X 200 1BR BLK EPDM
17	1	601621	HOSE, 3 X 154 POLY HELIX EPDM
18	1	601521	HOSE, 1 X 72 1BR BLK EPDM
19	1	601522	HOSE, 1 X 204 1BR BLK EPDM
20	2	601523	HOSE, 1 X 300 1BR BLK EPDM
21	1	601524	HOSE, 1 X 396 1BR BLK EPDM



FRONT FILL SOLUTION HOISING POLY (STANDARD)

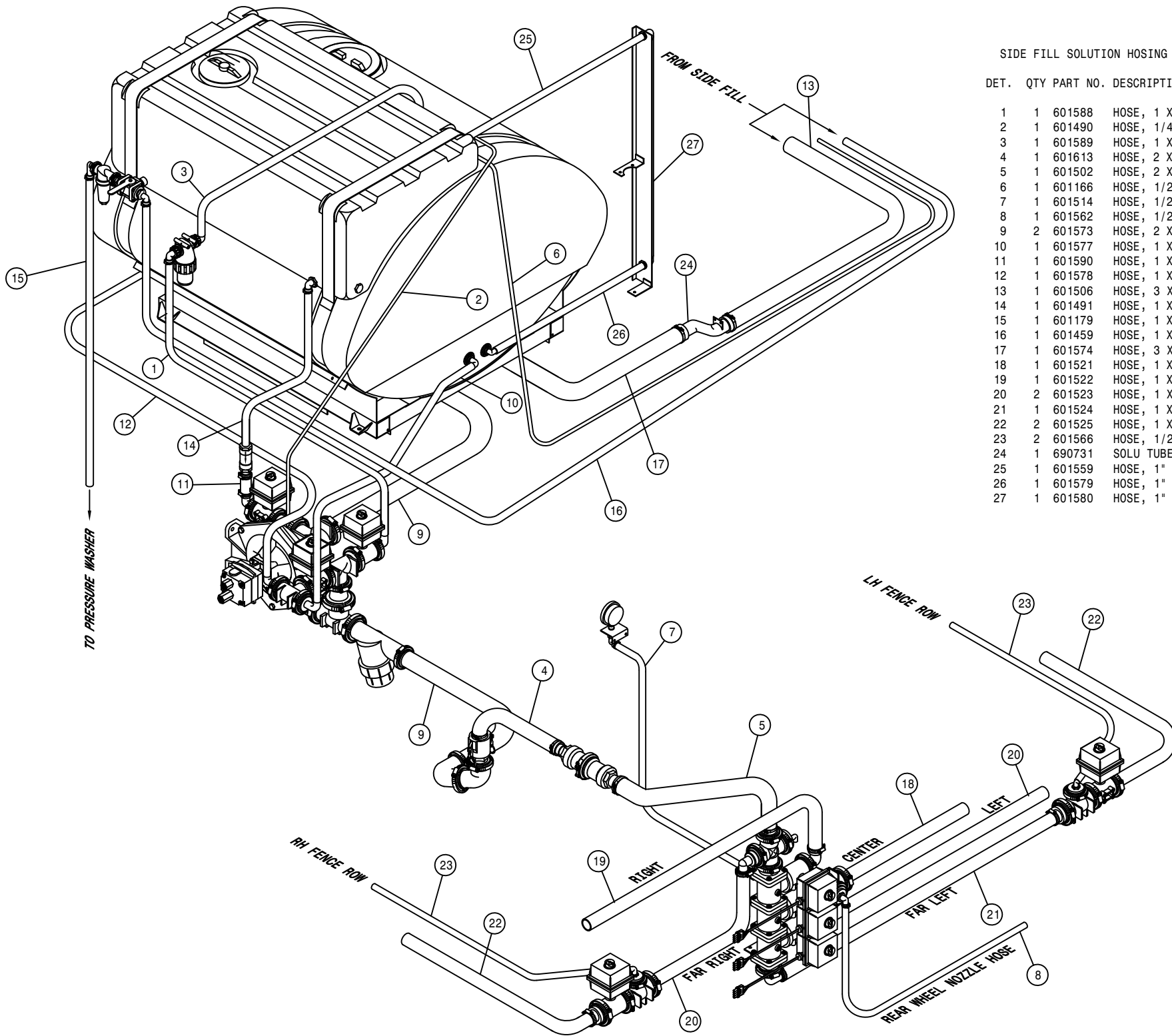
DET.	QTY	PART NO.	DESCRIPTION
1	1	601588	HOSE, 1 X 28 1BR BLK EPDM
2	1	601490	HOSE, 1/4 X 95 1 BR BLK EPDM
3	1	601589	HOSE, 1 X 80 1BR BLK EPDM
4	1	601613	HOSE, 2 X 43 2F-1W EPDM
5	1	601502	HOSE, 2 X 56 2F-1W EPDM
6	1	601166	HOSE, 1/2 X 216 1BR BLK EPDM
7	1	601514	HOSE, 1/2 X 66 1BR BLK EPDM
8	1	601562	HOSE, 1/2 X 140 1BR BLK EPDM
9	2	601573	HOSE, 2 X 48 2F-1W EPDM
10	1	601577	HOSE, 1 X 53 1BR BLK EPDM
11	1	601590	HOSE, 1 X 6 1BR BLK EPDM
12	1	601578	HOSE, 1 X 125 1BR BLK EPDM
13	1	601559	HOSE, 1" X 36 CLEAR VINYL
14	1	601491	HOSE, 1 X 30 1BR BLK EPDM
15	1	601179	HOSE, 1 X 26 1BR BLK EPDM
16	1	601497	HOSE, 1 X 200 1BR BLK EPDM
17	1	601621	HOSE, 3 X 154 POLY HELIX EPDM
18	1	601521	HOSE, 1 X 72 1BR BLK EPDM
19	1	601522	HOSE, 1 X 204 1BR BLK EPDM
20	2	601523	HOSE, 1 X 300 1BR BLK EPDM
21	1	601524	HOSE, 1 X 396 1BR BLK EPDM
22	2	601525	HOSE, 1 X 84 1BR BLK EPDM
23	2	601566	HOSE, 1/2 X 252 1BR BLK EPDM
24	1	601579	HOSE, 1" X 28 CLEAR VINYL
25	1	601580	HOSE, 1" X 47 CLEAR VINYL





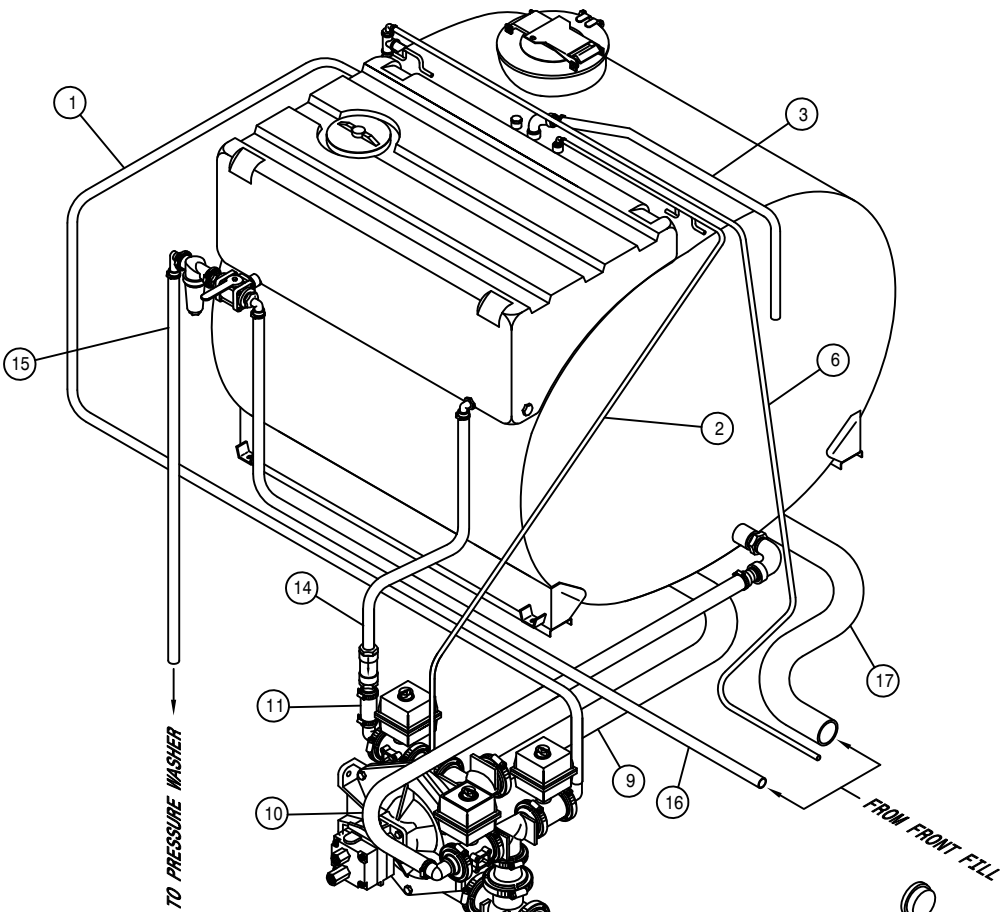
SIDE FILL SOLUTION HOISING SS (STANDARD)

DET.	QTY	PART NO.	DESCRIPTION
1	1	601273	HOSE, 1 X 132 1BR BLK EPDM
2	1	601490	HOSE, 1/4 X 95 1 BR BLK EPDM
3	1	601496	HOSE, 1 X 120 1BR BLK EPDM
4	1	601613	HOSE, 2 X 43 2F-1W EPDM
5	1	601502	HOSE, 2 X 56 2F-1W EPDM
6	1	601567	HOSE, 1/2 X 260 1BR BLK EPDM
7	1	601514	HOSE, 1/2 X 66 1BR BLK EPDM
8	1	601562	HOSE, 1/2 X 140 1BR BLK EPDM
9	2	601573	HOSE, 2 X 48 2F-1W EPDM
10	1	601591	HOSE, 1 1/2 X 53 2BR BLK EPDM
11	1	601590	HOSE, 1 X 6 1BR BLK EPDM
12	2	601525	HOSE, 1 X 84 1BR BLK EPDM
13	2	601566	HOSE, 1/2 X 252 1BR BLK EPDM
14	1	601491	HOSE, 1 X 30 1BR BLK EPDM
15	1	601179	HOSE, 1 X 26 1BR BLK EPDM
16	1	601506	HOSE, 3 X 74 POLY HELIX EPDM
17	1	601574	HOSE, 3 X 36 POLY HELIX EPDM
18	1	690731	SOLU TUBE, 3.00 S.S. SIDE FILL
19	1	601459	HOSE, 1 X 245 1BR BLK EPDM
20	1	601521	HOSE, 1 X 72 1BR BLK EPDM
21	1	601522	HOSE, 1 X 204 1BR BLK EPDM
22	2	601523	HOSE, 1 X 300 1BR BLK EPDM
23	1	601524	HOSE, 1 X 396 1BR BLK EPDM



SIDE FILL SOLUTION HOISING POLY (STANDARD)

DET.	QTY	PART NO.	DESCRIPTION
1	1	601588	HOSE, 1 X 28 1BR BLK EPDM
2	1	601490	HOSE, 1/4 X 95 1 BR BLK EPDM
3	1	601589	HOSE, 1 X 80 1BR BLK EPDM
4	1	601613	HOSE, 2 X 43 2F-1W EPDM
5	1	601502	HOSE, 2 X 56 2F-1W EPDM
6	1	601166	HOSE, 1/2 X 216 1BR BLK EPDM
7	1	601514	HOSE, 1/2 X 66 1BR BLK EPDM
8	1	601562	HOSE, 1/2 X 140 1BR BLK EPDM
9	2	601573	HOSE, 2 X 48 2F-1W EPDM
10	1	601577	HOSE, 1 X 53 1BR BLK EPDM
11	1	601590	HOSE, 1 X 6 1BR BLK EPDM
12	1	601578	HOSE, 1 X 125 1BR BLK EPDM
13	1	601506	HOSE, 3 X 74 POLY HELIX EPDM
14	1	601491	HOSE, 1 X 30 1BR BLK EPDM
15	1	601179	HOSE, 1 X 26 1BR BLK EPDM
16	1	601459	HOSE, 1 X 245 1BR BLK EPDM
17	1	601574	HOSE, 3 X 36 POLY HELIX EPDM
18	1	601521	HOSE, 1 X 72 1BR BLK EPDM
19	1	601522	HOSE, 1 X 204 1BR BLK EPDM
20	2	601523	HOSE, 1 X 300 1BR BLK EPDM
21	1	601524	HOSE, 1 X 396 1BR BLK EPDM
22	2	601525	HOSE, 1 X 84 1BR BLK EPDM
23	2	601566	HOSE, 1/2 X 252 1BR BLK EPDM
24	1	690731	SOLU TUBE, 3.00 S.S. SIDE FILL
25	1	601559	HOSE, 1" X 36 CLEAR VINYL
26	1	601579	HOSE, 1" X 28 CLEAR VINYL
27	1	601580	HOSE, 1" X 47 CLEAR VINYL



FRONT FILL SOLUTION HOSE SS (HI-VOLUME)

DET. QTY PART NO. DESCRIPTION

DET.	QTY	PART NO.	DESCRIPTION
1	1	601273	HOSE, 1 X 132 1BR BLK EPDM
2	1	601490	HOSE, 1/4 X 95 1 BR BLK EPDM
3	1	601496	HOSE, 1 X 120 1BR BLK EPDM
4	1	601613	HOSE, 2 X 43 2F-1W EPDM
5	1	601502	HOSE, 2 X 56 2F-1W EPDM
6	1	601567	HOSE, 1/2 X 260 1BR BLK EPDM
7	1	601514	HOSE, 1/2 X 66 1BR BLK EPDM
8	1	601562	HOSE, 1/2 X 140 1BR BLK EPDM
9	2	601573	HOSE, 2 X 48 2F-1W EPDM
10	1	601591	HOSE, 1 1/2 X 53 2BR BLK EPDM
11	1	601590	HOSE, 1 X 6 1BR BLK EPDM
12	2	601240	HOSE, 1 1/2 X 84 2F-1W EPDM
13	2	601566	HOSE, 1/2 X 252 1BR BLK EPDM
14	1	601491	HOSE, 1 X 30 1BR BLK EPDM
15	1	601179	HOSE, 1 X 26 1BR BLK EPDM
16	1	601497	HOSE, 1 X 200 1BR BLK EPDM
17	1	601621	HOSE, 3 X 154 POLY HELIX EPDM
18	1	601516	HOSE, 1 1/2 X 72 2BR BLK EPDM
19	1	601517	HOSE, 1 1/2 X 204 2BR BLK EPDM
20	2	601518	HOSE, 1 1/2 X 300 2BR BLK EPDM
21	1	601519	HOSE, 1 1/2 X 396 2BR BLK EPDM

TO PRESSURE WASHER

FROM FRONT FILL

RH FENCE ROW

LH FENCE ROW

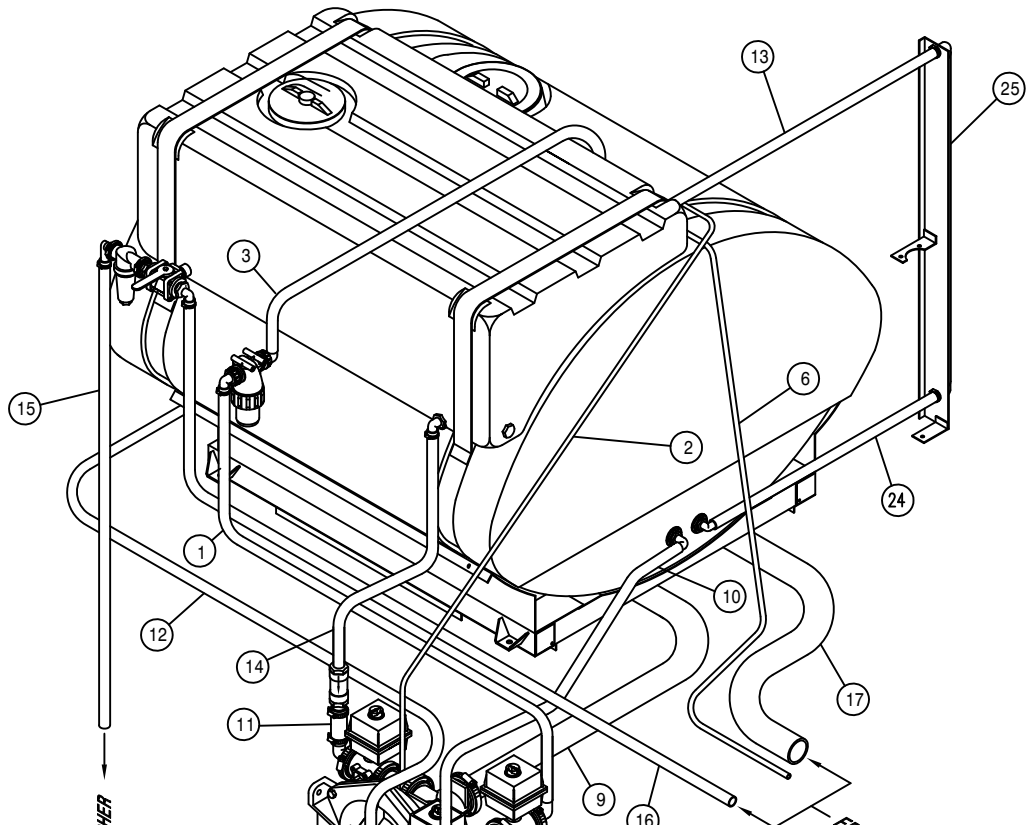
RIGHT

FAR RIGHT

CENTER

FAR LEFT

REAR WHEEL NOZZLE HOSE



FRONT FILL SOLUTION HOISING POLY (HI-VOLUME)

DET.	QTY	PART NO.	DESCRIPTION
1	1	601588	HOSE, 1 X 28 1BR BLK EPDM
2	1	601490	HOSE, 1/4 X 95 1 BR BLK EPDM
3	1	601589	HOSE, 1 X 80 1BR BLK EPDM
4	1	601613	HOSE, 2 X 43 2F-1W EPDM
5	1	601502	HOSE, 2 X 56 2F-1W EPDM
6	1	601166	HOSE, 1/2 X 216 1BR BLK EPDM
7	1	601514	HOSE, 1/2 X 66 1BR BLK EPDM
8	1	601562	HOSE, 1/2 X 140 1BR BLK EPDM
9	2	601573	HOSE, 2 X 48 2F-1W EPDM
10	1	601577	HOSE, 1 X 53 1BR BLK EPDM
11	1	601590	HOSE, 1 X 6 1BR BLK EPDM
12	1	601578	HOSE, 1 X 125 1BR BLK EPDM
13	1	601559	HOSE, 1" X 36 CLEAR VINYL
14	1	601491	HOSE, 1 X 30 1BR BLK EPDM
15	1	601179	HOSE, 1 X 26 1BR BLK EPDM
16	1	601497	HOSE, 1 X 200 1BR BLK EPDM
17	1	601621	HOSE, 3 X 154 POLY HELIX EPDM
18	1	601516	HOSE, 1 1/2 X 72 2BR BLK EPDM
19	1	601517	HOSE, 1 1/2 X 204 2BR BLK EPDM
20	2	601518	HOSE, 1 1/2 X 300 2BR BLK EPDM
21	1	601519	HOSE, 1 1/2 X 396 2BR BLK EPDM
22	2	601240	HOSE, 1 1/2 X 84 2F-1W EPDM
23	2	601566	HOSE, 1/2 X 252 1BR BLK EPDM
24	1	601579	HOSE, 1" X 28 CLEAR VINYL
25	1	601580	HOSE, 1" X 47 CLEAR VINYL

TO PRESSURE WASHER

FROM FRONT FILL

RH FENCE ROW

RIGHT

LH FENCE ROW

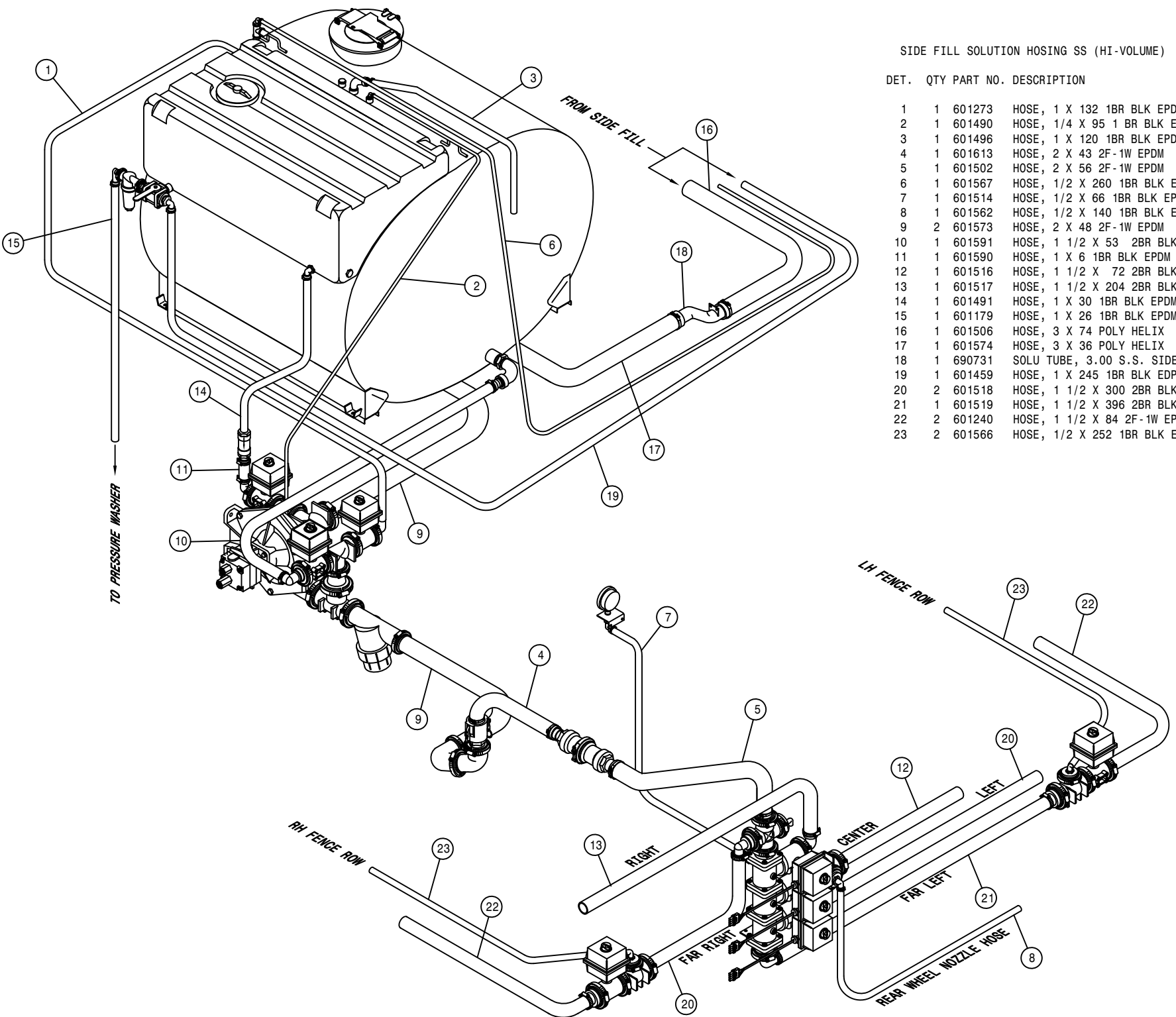
CENTER

LEFT

FAR RIGHT

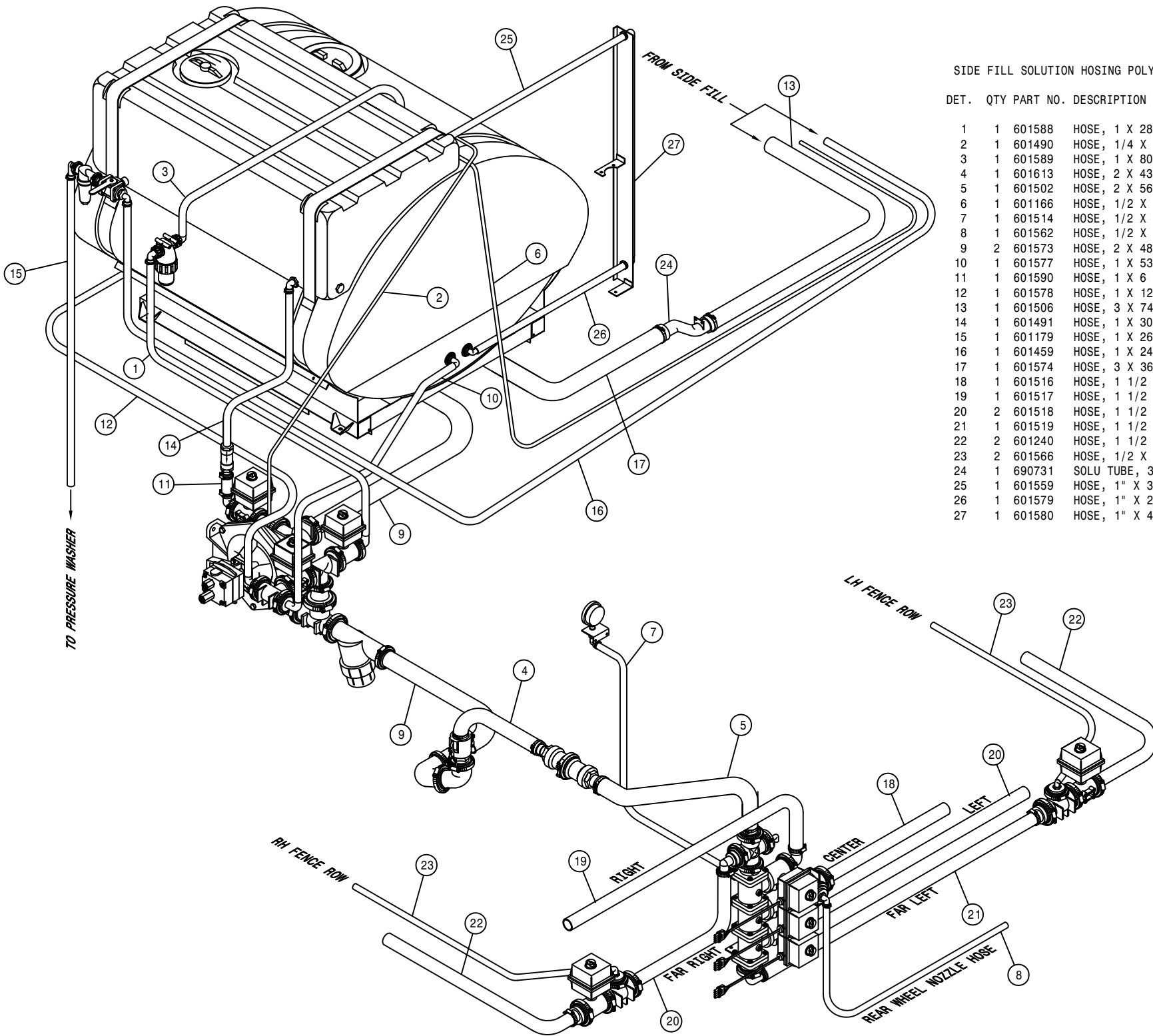
FAR LEFT

REAR WHEEL NOZZLE HOSE



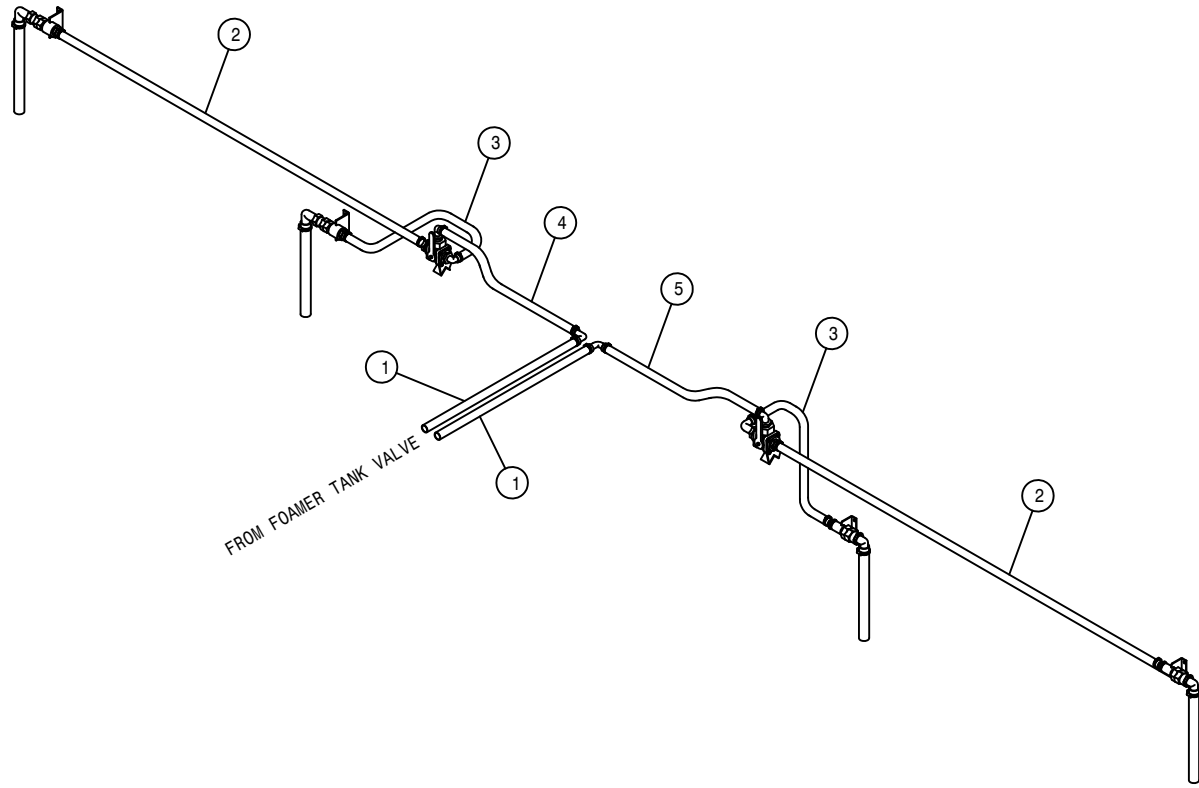
SIDE FILL SOLUTION HOSEING SS (HI-VOLUME)

DET.	QTY	PART NO.	DESCRIPTION
1	1	601273	HOSE, 1 X 132 1BR BLK EPDM
2	1	601490	HOSE, 1/4 X 95 1 BR BLK EPDM
3	1	601496	HOSE, 1 X 120 1BR BLK EPDM
4	1	601613	HOSE, 2 X 43 2F-1W EPDM
5	1	601502	HOSE, 2 X 56 2F-1W EPDM
6	1	601567	HOSE, 1/2 X 260 1BR BLK EPDM
7	1	601514	HOSE, 1/2 X 66 1BR BLK EPDM
8	1	601562	HOSE, 1/2 X 140 1BR BLK EPDM
9	2	601573	HOSE, 2 X 48 2F-1W EPDM
10	1	601591	HOSE, 1 1/2 X 53 2BR BLK EPDM
11	1	601590	HOSE, 1 X 6 1BR BLK EPDM
12	1	601516	HOSE, 1 1/2 X 72 2BR BLK EPDM
13	1	601517	HOSE, 1 1/2 X 204 2BR BLK EPDM
14	1	601491	HOSE, 1 X 30 1BR BLK EPDM
15	1	601179	HOSE, 1 X 26 1BR BLK EPDM
16	1	601506	HOSE, 3 X 74 POLY HELIX EPDM
17	1	601574	HOSE, 3 X 36 POLY HELIX EPDM
18	1	690731	SOLU TUBE, 3.00 S.S. SIDE FILL
19	1	601459	HOSE, 1 X 245 1BR BLK EPDM
20	2	601518	HOSE, 1 1/2 X 300 2BR BLK EPDM
21	1	601519	HOSE, 1 1/2 X 396 2BR BLK EPDM
22	2	601240	HOSE, 1 1/2 X 84 2F-1W EPDM
23	2	601566	HOSE, 1/2 X 252 1BR BLK EPDM



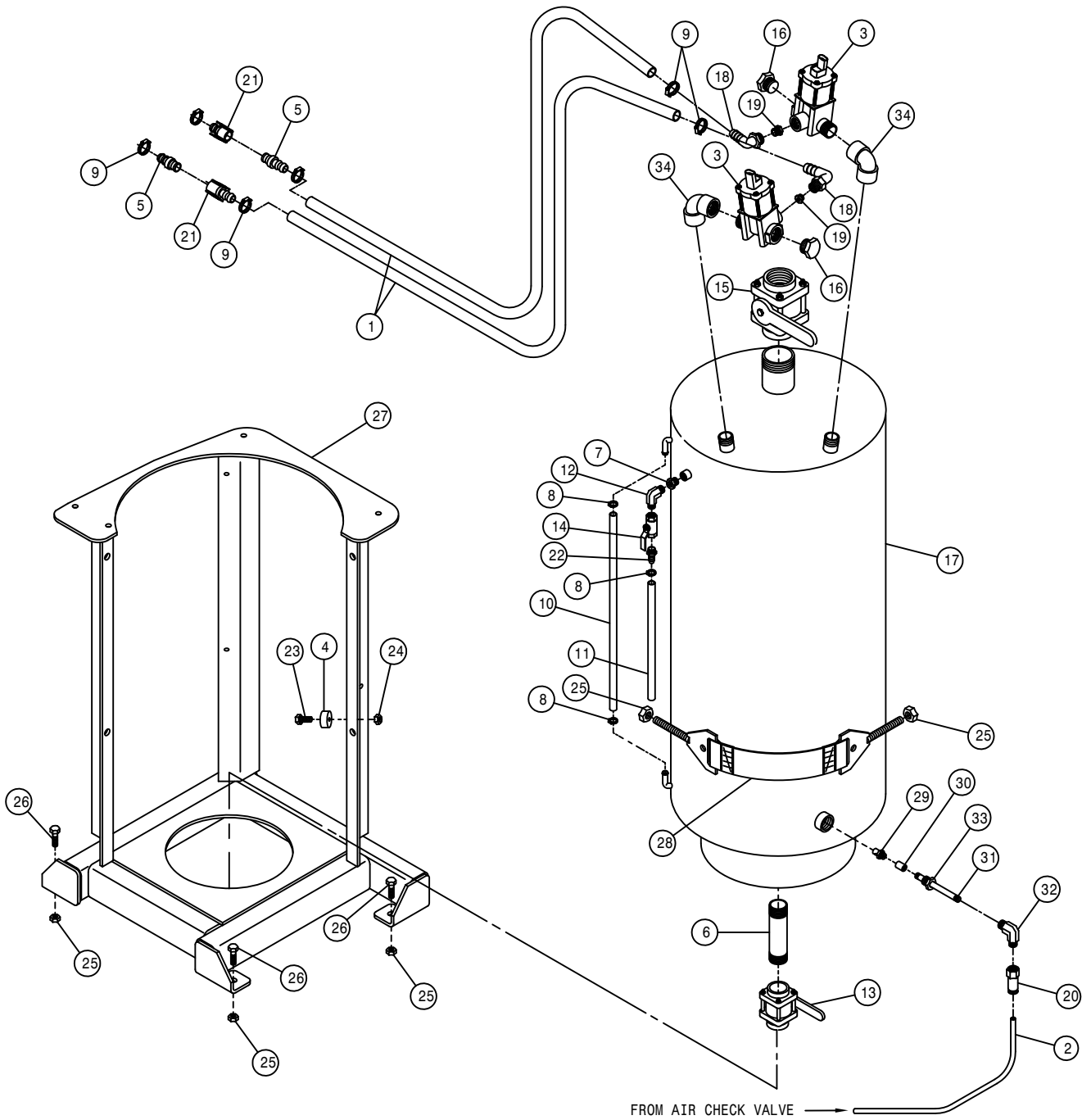
SIDE FILL SOLUTION HOISING POLY (HI-VOLUME)

DET.	QTY	PART NO.	DESCRIPTION
1	1	601588	HOSE, 1 X 28 1BR BLK EPDM
2	1	601490	HOSE, 1/4 X 95 1 BR BLK EPDM
3	1	601589	HOSE, 1 X 80 1BR BLK EPDM
4	1	601613	HOSE, 2 X 43 2F-1W EPDM
5	1	601502	HOSE, 2 X 56 2F-1W EPDM
6	1	601166	HOSE, 1/2 X 216 1BR BLK EPDM
7	1	601514	HOSE, 1/2 X 66 1BR BLK EPDM
8	1	601562	HOSE, 1/2 X 140 1BR BLK EPDM
9	2	601573	HOSE, 2 X 48 2F-1W EPDM
10	1	601577	HOSE, 1 X 53 1BR BLK EPDM
11	1	601590	HOSE, 1 X 6 1BR BLK EPDM
12	1	601578	HOSE, 1 X 125 1BR BLK EPDM
13	1	601506	HOSE, 3 X 74 POLY HELIX EPDM
14	1	601491	HOSE, 1 X 30 1BR BLK EPDM
15	1	601179	HOSE, 1 X 26 1BR BLK EPDM
16	1	601459	HOSE, 1 X 245 1BR BLK EPDM
17	1	601574	HOSE, 3 X 36 POLY HELIX EPDM
18	1	601516	HOSE, 1 1/2 X 72 2BR BLK EPDM
19	1	601517	HOSE, 1 1/2 X 204 2BR BLK EPDM
20	2	601518	HOSE, 1 1/2 X 300 2BR BLK EPDM
21	1	601519	HOSE, 1 1/2 X 396 2BR BLK EPDM
22	2	601240	HOSE, 1 1/2 X 84 2F-1W EPDM
23	2	601566	HOSE, 1/2 X 252 1BR BLK EPDM
24	1	690731	SOLU TUBE, 3.00 S.S. SIDE FILL
25	1	601559	HOSE, 1" X 36 CLEAR VINYL
26	1	601579	HOSE, 1" X 28 CLEAR VINYL
27	1	601580	HOSE, 1" X 47 CLEAR VINYL



90° BOOM FOAMER HOISING

DET.	QTY	PART NO.	DESCRIPTION
1	2	195908	HOSE, 3/4ID-1/8W CLEAR VINYL X 206"
2	2	195908	HOSE, 3/4ID-1/8W CLEAR VINYL X 205"
3	2	195908	HOSE, 3/4ID-1/8W CLEAR VINYL X 24"
4	1	195908	HOSE, 3/4ID-1/8W CLEAR VINYL X 584"
5	1	195908	HOSE, 3/4ID-1/8W CLEAR VINYL X 420"



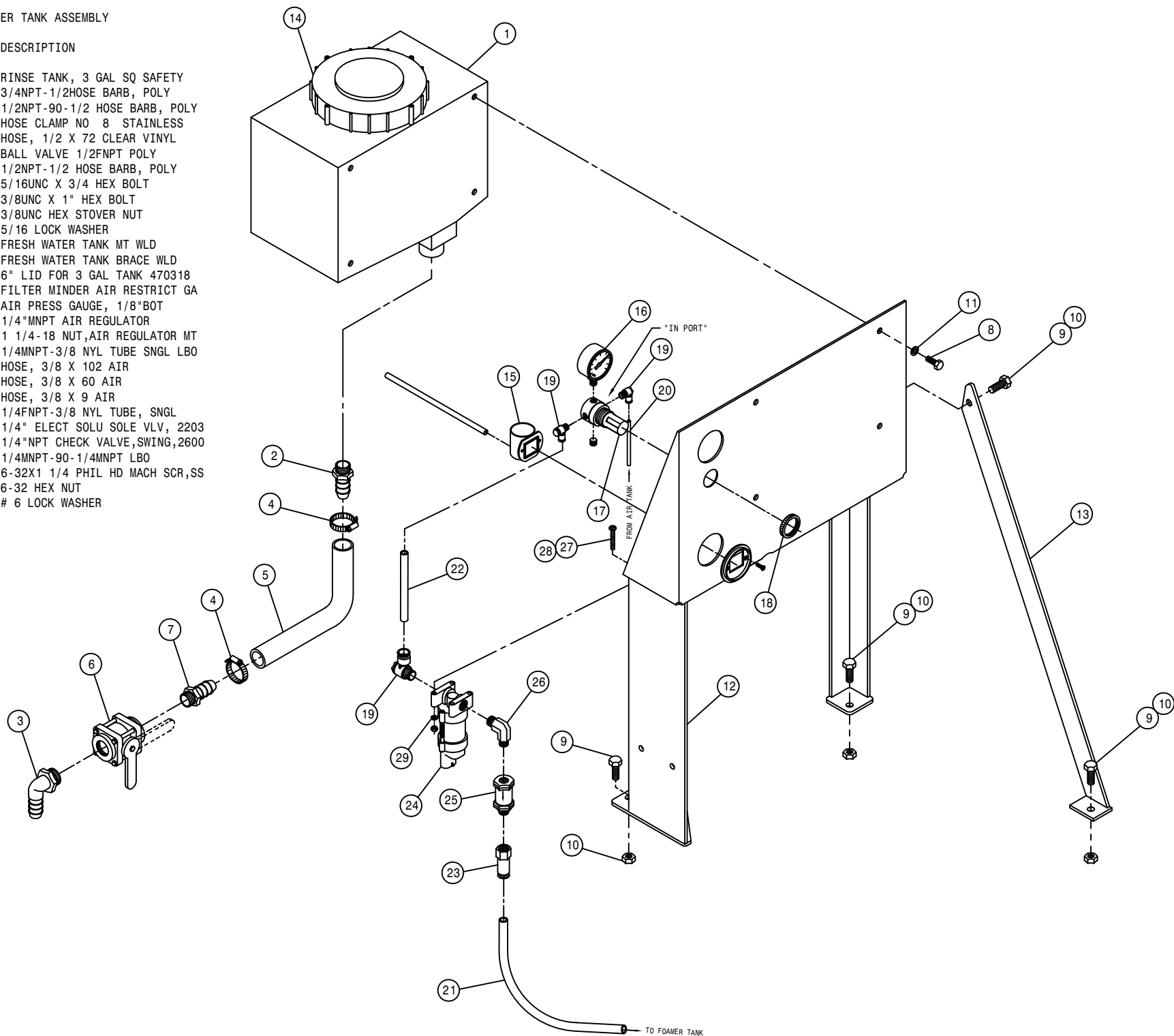
FOAMER TANK ASSEMBLY

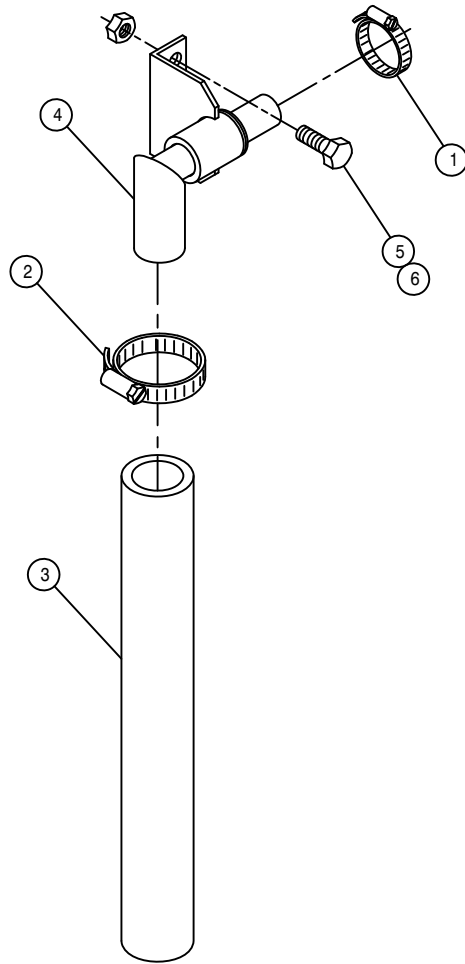
DET.	QTY	PART NO.	DESCRIPTION
1	2	195908	HOSE, 3/4ID-1/8W CLEAR VINYL
2	1	601624	HOSE, 3/8 X 60 AIR
3	2	696181	3/4" ELECT SOLU SOLE VALVE 02
4	6	470294	RUBBER BUMPER, RECESS, .63H-1.5D
5	2	696208	.75 HOSE BARB-MALE COUPLER
6	1	505205	BLK PIPE NIPPLE 1.00NPT-5.00
7	1	505211	3/8-1/4NPT REDU BUSH, BRS
8	3	520120	HOSE CLAMP NO 4 STAINLESS
9	6	520055	HOSE CLAMP NO 12 STAINLESS
10	1	601419	HOSE, 3/8 X 30 CLEAR VINYL
11	1	601420	HOSE, 3/8 X 48 CLEAR VINYL
12	1	618571	1/4MNPT-90-1/4MNPT LBO
13	1	695900	BALL VALVE 1IN FNPT POLY
14	1	696120	BALL VALVE, 1/4NPT, STEEL
15	1	696134	BALL VALVE 2IN FNPT POLY
16	2	500043	3/4NPT PIPE PLUG, POLY
17	1	701112	FOAM MARKER TANK, 36 GAL SS
18	2	701214	1/2NPT-90-3/4HBARB, 1/4TAP, POLY
19	2	701215	1/4PIPE PLUG, .187 ORIFICE, POLY
20	1	711051	1/4FNPT-3/8 NYL TUBE, SNGL
21	2	696207	.75 HOSE BARB-FEMALE COUPLER
22	1	783304	1/4 NPT X 3/8 HOSE BARB, BRS
23	6	900064	5/16UNC X 3/4 HEX BOLT
24	6	914002	5/16UNC HEX STOVER NUT
25	7	914008	1/2UNC HEX STOVER NUT
26	3	900264	1/2UNC X 1 1/4 HEX BOLT
27	1	701158	FOAMER TANK MT WLD STS12 2000
28	2	701170	FOAMER TANK STRAP ASSY
29	1	701144	FOAMER AIR NOZZLE
30	1	500223	SS PIPE CPLG, 1/8NPT
31	1	507021	SS PIPE NIPPLE, 1/8NPT X 6"
32	1	701143	FOAMER AIR TUBE FTG
33	1	507728	REDU BUSH 1/2MNPT X 1/4FNPT, SS
34	2	500079	3/4NPT-90 EL, POLY

FRESH WATER TANK ASSEMBLY

DET. QTY PART NO. DESCRIPTION

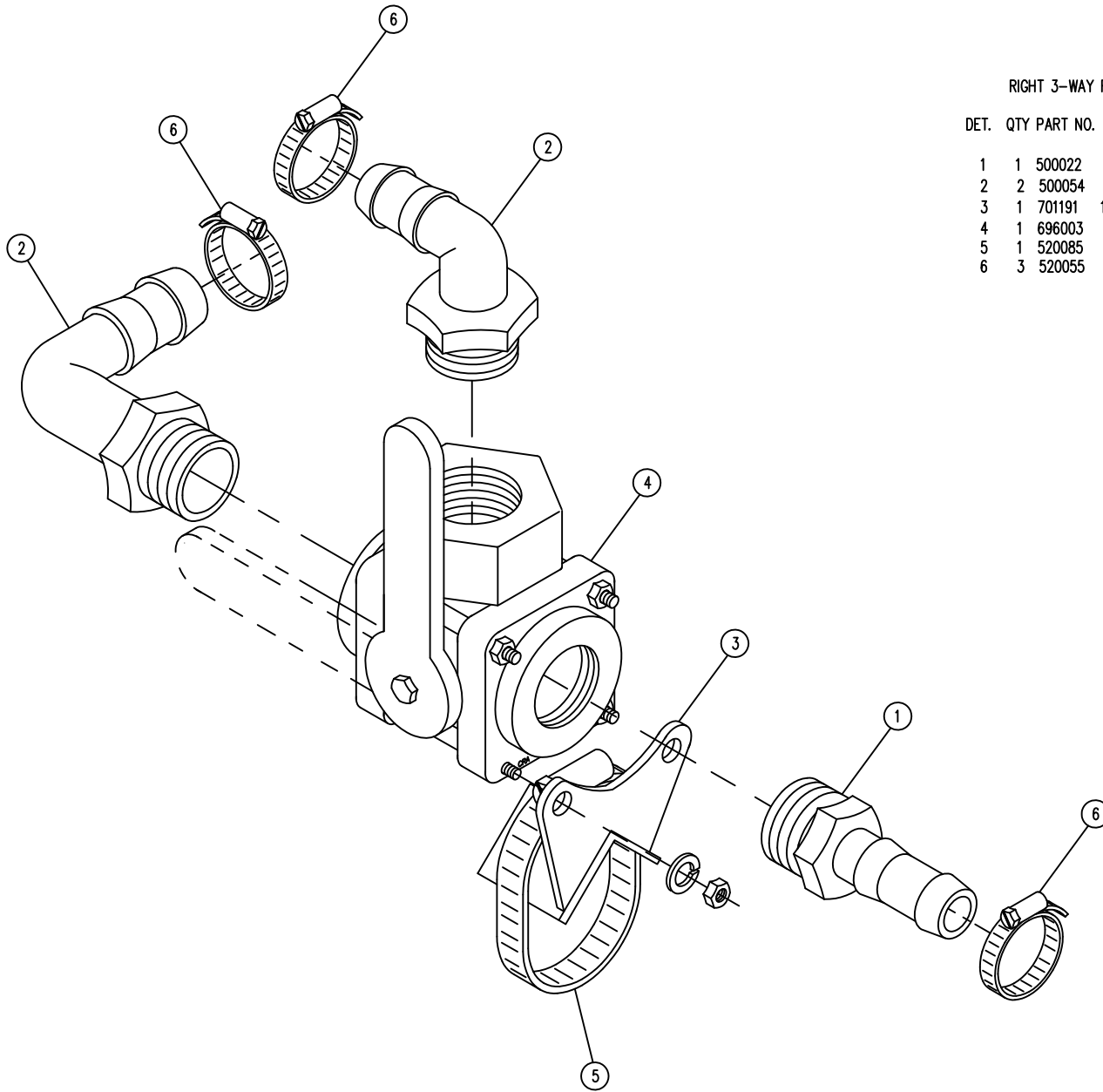
1	1	470318	RINSE TANK, 3 GAL SQ SAFETY
2	1	500019	3/4NPT-1/2HOSE BARB, POLY
3	1	500047	1/2NPT-90-1/2 HOSE BARB, POLY
4	2	520070	HOSE CLAMP NO 8 STAINLESS
5	1	601489	HOSE, 1/2 X 72 CLEAR VINYL
6	1	696082	BALL VALVE 1/2FNPT POLY
7	1	713340	1/2NPT-1/2 HOSE BARB, POLY
8	4	900064	5/16UNC X 3/4 HEX BOLT
9	5	900129	3/8UNC X 1" HEX BOLT
10	5	914004	3/8UNC HEX STOVER NUT
11	4	920501	5/16 LOCK WASHER
12	1	701174	FRESH WATER TANK MT WLD
13	1	701180	FRESH WATER TANK BRACE WLD
14	1	470337	6" LID FOR 3 GAL TANK 470318
15	1	314901	FILTER MINDER AIR RESTRICT GA
16	1	701310	AIR PRESS GAUGE, 1/8"BOT
17	1	711019	1/4"MNPT AIR REGULATOR
18	1	711021	1 1/4-18 NUT,AIR REGULATOR MT
19	3	711043	1/4MNPT-3/8 NYL TUBE SNGL LBO
20	1	601587	HOSE, 3/8 X 102 AIR
21	1	601624	HOSE, 3/8 X 60 AIR
22	1	601623	HOSE, 3/8 X 9 AIR
23	1	711051	1/4FNPT-3/8 NYL TUBE, SNGL
24	1	696235	1/4" ELECT SOLU SOLE VLV, 2203
25	1	711052	1/4" NPT CHECK VALVE, SWING, 2600
26	1	618571	1/4MNPT-90-1/4MNPT LBO
27	2	903853	6-32X1 1/4 PHIL HD MACH SCR,SS
28	2	910022	6-32 HEX NUT
29	2	920512	# 6 LOCK WASHER





FOAMER DROP HOSE ASSEMBLY

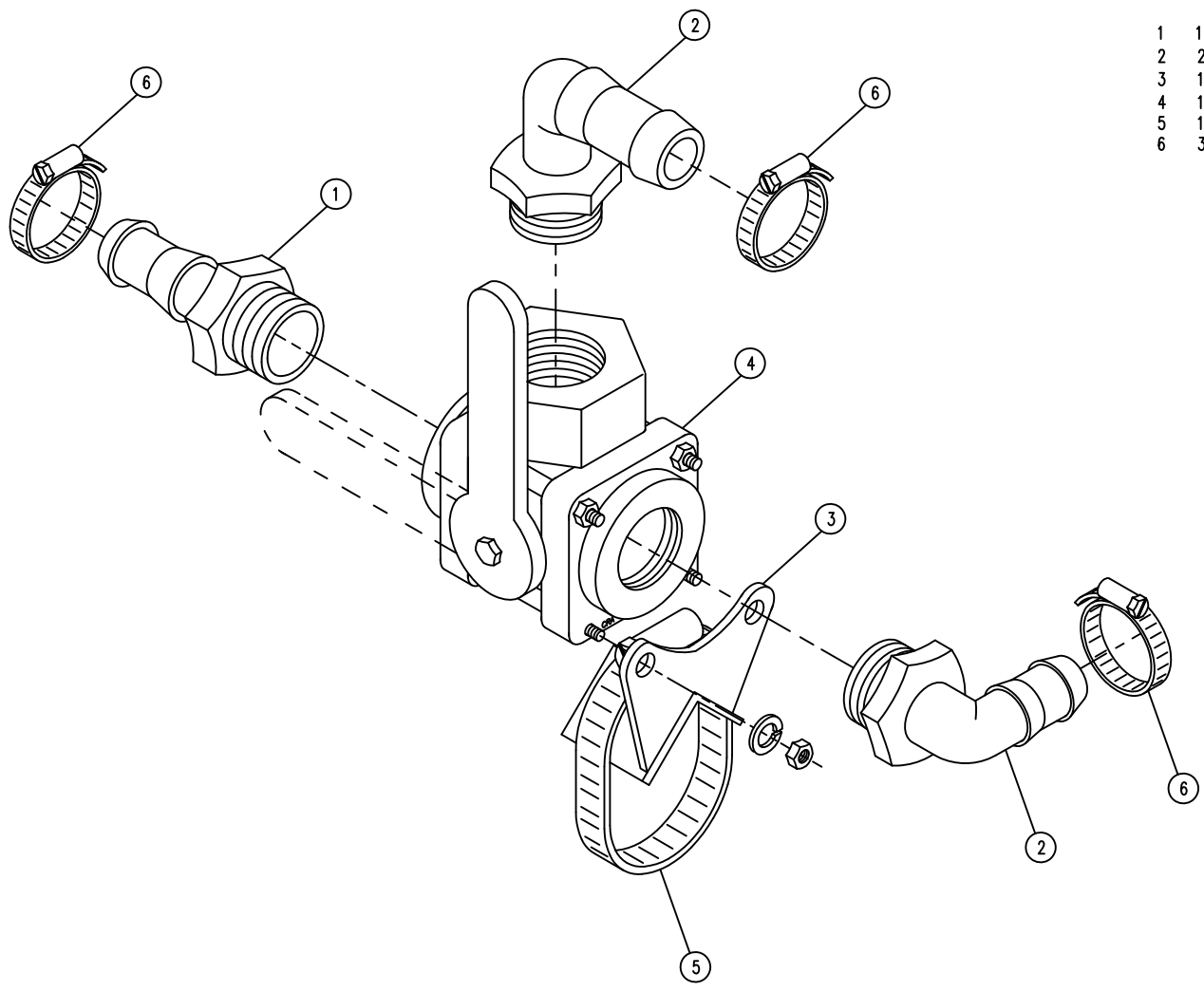
DET.	QTY	PART NO.	DESCRIPTION
1	1	520055	HOSE CLAMP NO 12 STAINLESS
2	1	520085	HOSE CLAMP NO 24 STAINLESS
3	1	601367	HOSE, 1 1/4 X 24 2BR BLK EPDM
4	1	701194	FOAMER DROP HOSE SWIVEL WLD
5	2	900129	3/8UNC X 1" HEX BOLT
6	2	914004	3/8UNC HEX STOVER NUT



RIGHT 3-WAY FOAMER VALVE ASSEMBLY

DET. QTY PART NO. DESCRIPTION

1	1	500022	3/4NPT-3/4HOSE BARB, POLY
2	2	500054	3/4NPT-90-3/4 HOSE BARB, POLY
3	1	701191	1" SOLU VLV MT WLD
4	1	696003	BALL VLV,3/4NPT 3WAY-SIDE POLY
5	1	520085	HOSE CLAMP NO 24 STAINLESS
6	3	520055	HOSE CLAMP NO 12 STAINLESS



LEFT 3-WAY FOAMER VALVE ASSEMBLY

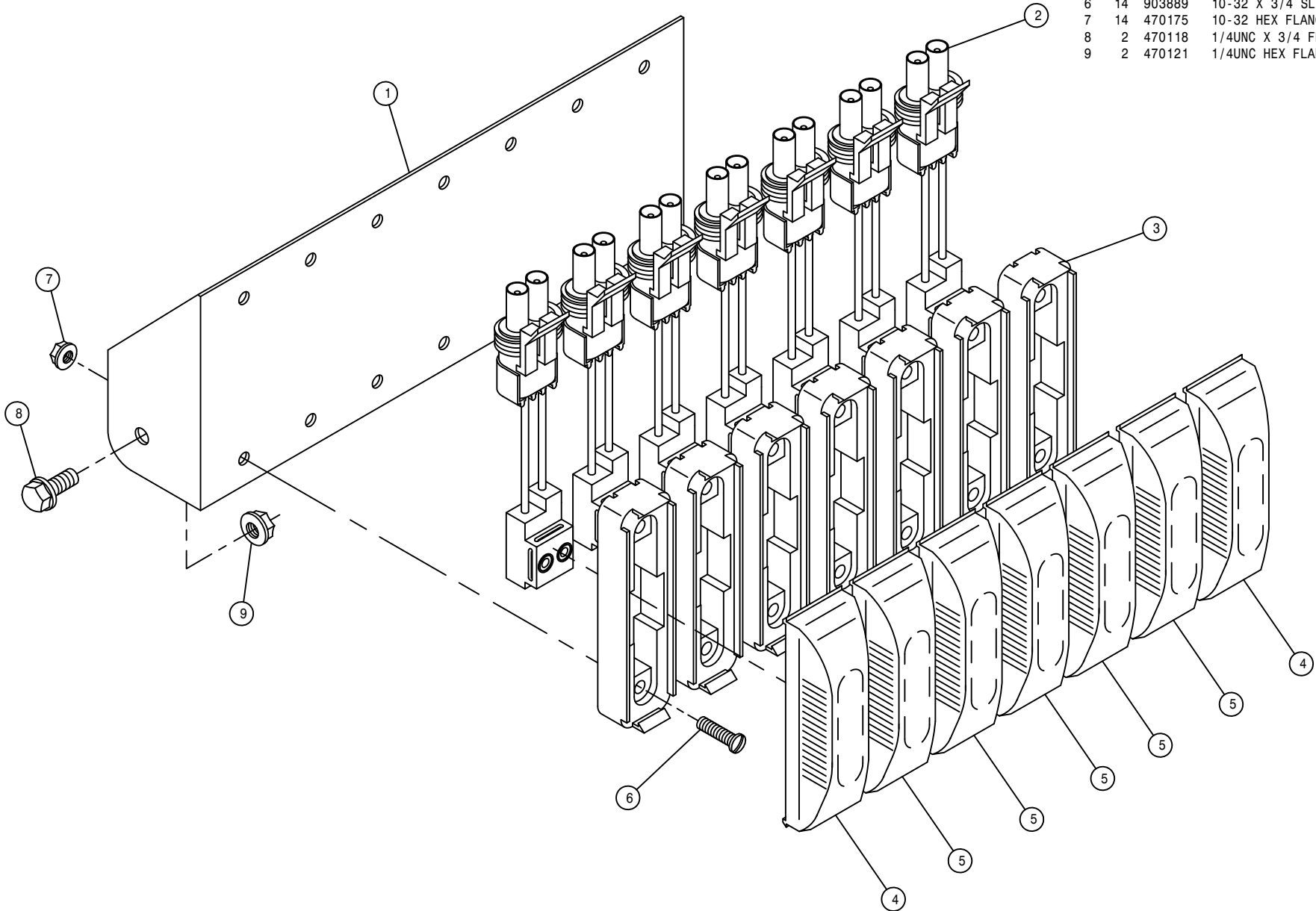
DET. QTY PART NO. DESCRIPTION

1	1	500022	3/4NPT-3/4HOSE BARB, POLY
2	2	500054	3/4NPT-90-3/4 HOSE BARB, POLY
3	1	701191	1" SOLU VLV MT WLD
4	1	696003	BALL VLV,3/4NPT 3WAY-SIDE POLY
5	1	520085	HOSE CLAMP NO 24 STAINLESS
6	3	520055	HOSE CLAMP NO 12 STAINLESS

BOOM INDICATOR LIGHT ASSEMBLY

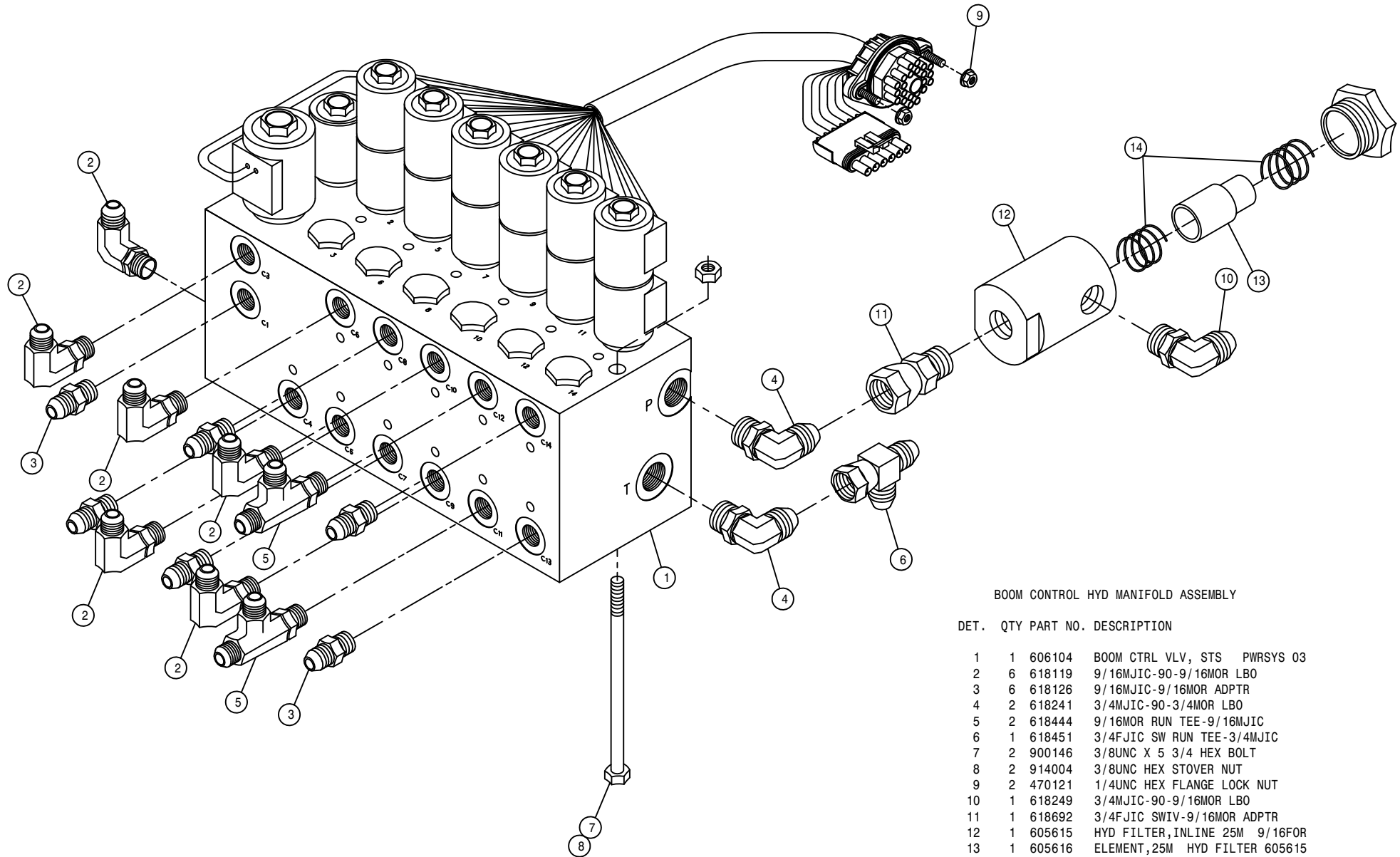
DET. QTY PART NO. DESCRIPTION

DET.	QTY	PART NO.	DESCRIPTION
1	1	164503	BOOM INDICATOR LIGHT MT
2	7	293516	2-WIRE PIGTAIL ASSY
3	7	291713	MTG BRKT FOR 291710/291711
4	2	291711	YELLOW LAMP, 3 3/8" OVAL 12.8V
5	5	291710	RED LAMP, 3 3/8" OVAL 12.8V
6	14	903889	10-32 X 3/4 SLT RDHD MACH SCR
7	14	470175	10-32 HEX FLANGE LOCK NUT
8	2	470118	1/4UNC X 3/4 FLANGE HEX BOLT
9	2	470121	1/4UNC HEX FLANGE LOCK NUT



92

308092



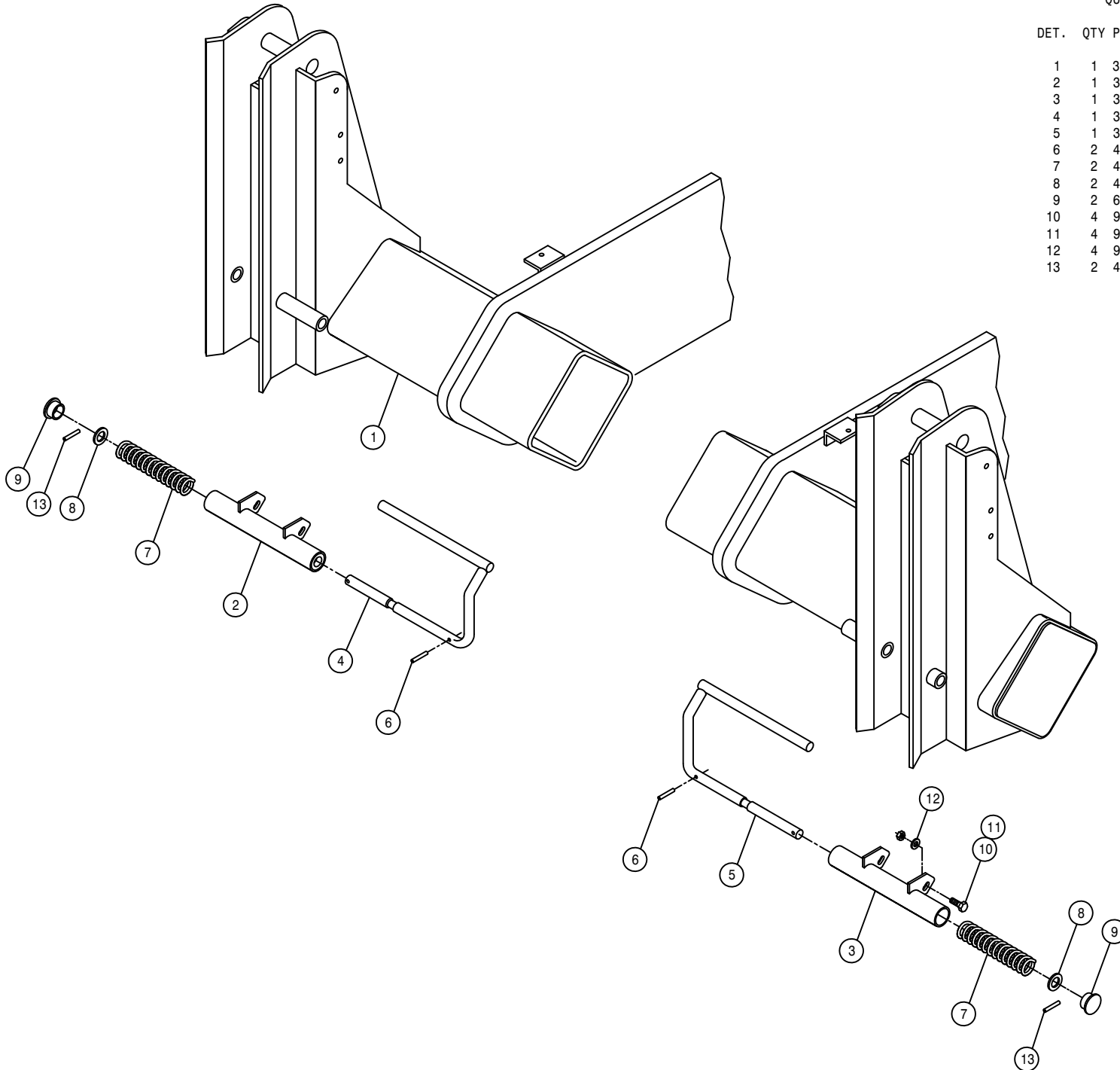
BOOM CONTROL HYD MANIFOLD ASSEMBLY

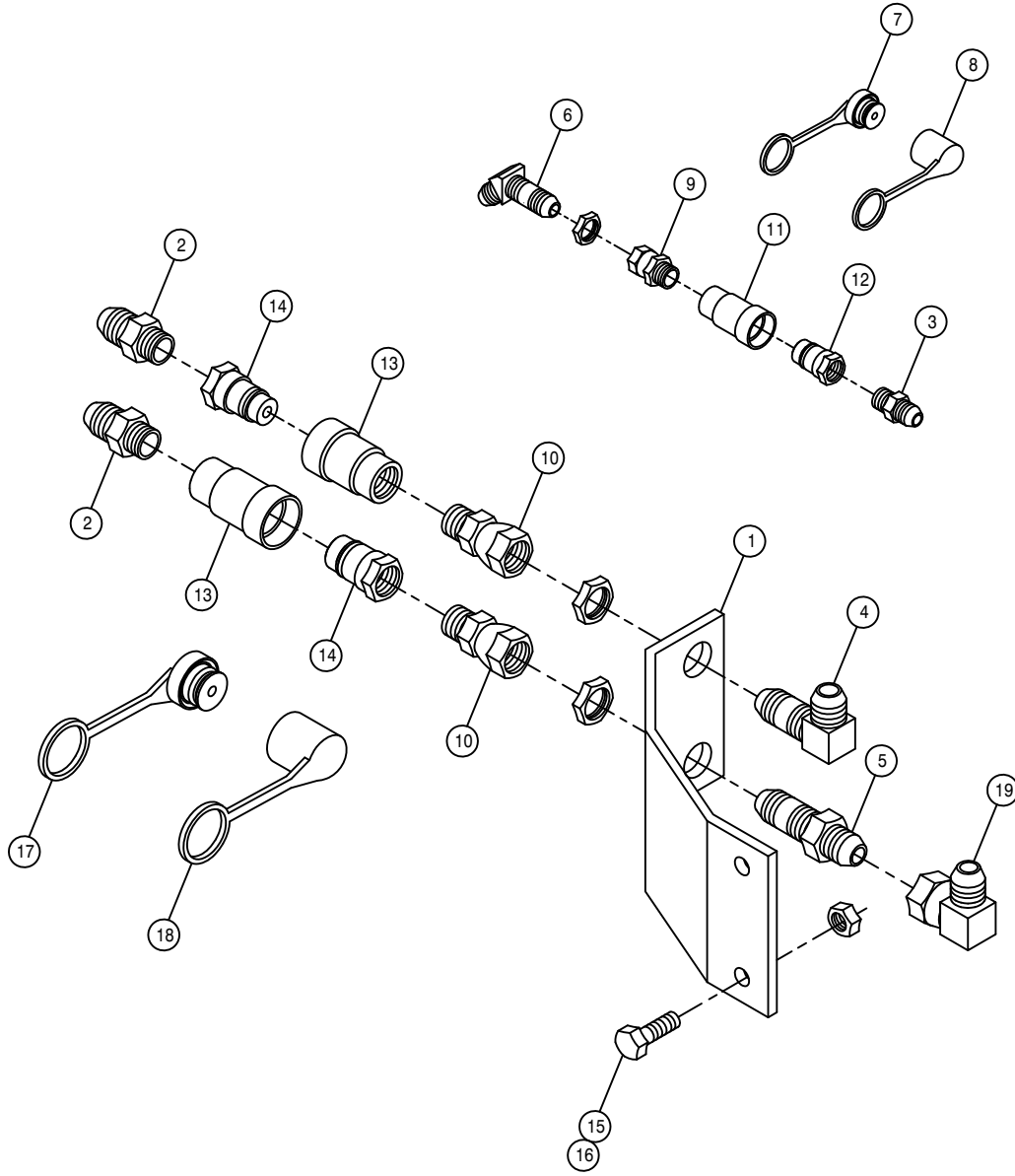
DET.	QTY	PART NO.	DESCRIPTION
1	1	606104	BOOM CTRL VLV, STS PWRSYS 03
2	6	618119	9/16MJIC-90-9/16MOR LBO
3	6	618126	9/16MJIC-9/16MOR ADPTR
4	2	618241	3/4MJIC-90-3/4MOR LBO
5	2	618444	9/16MOR RUN TEE-9/16MJIC
6	1	618451	3/4FJIC SW RUN TEE-3/4MJIC
7	2	900146	3/8UNC X 5 3/4 HEX BOLT
8	2	914004	3/8UNC HEX STOVER NUT
9	2	470121	1/4UNC HEX FLANGE LOCK NUT
10	1	618249	3/4MJIC-90-9/16MOR LBO
11	1	618692	3/4FJIC SWIV-9/16MOR ADPTR
12	1	605615	HYD FILTER, INLINE 25M 9/16FOR
13	1	605616	ELEMENT, 25M HYD FILTER 605615
14	1	605617	SPRING KIT, HYD FILTER 605615

QUICK ATTACH LEVER ASSEMBLY

DET. QTY PART NO. DESCRIPTION

DET.	QTY	PART NO.	DESCRIPTION	
1	1	361640	MAINFRAME WLD STS	04
2	1	361665	RH Q-ATTACH LOCK WLD, STS	04
3	1	361666	LH Q-ATTACH LOCK WLD, STS	04
4	1	361670	RH Q-ATTACH LOCK PIN WLD, STS04	
5	1	361671	LH Q-ATTACH LOCK PIN WLD, STS04	
6	2	473805	ROLL PIN, 1/4 X 1 1/2	
7	2	482018	SPRING, 1.00 X 12.00 COMPRN	
8	2	483055	.771ID-1.2500D-.135T MACH WASH	
9	2	629765	CAPLUG, 1 1/2" RD, BLACK POLY	
10	4	900130	3/8UNC X 1 1/4 HEX BOLT	
11	4	914004	3/8UNC HEX STOVER NUT	
12	4	920002	3/8 SAE FLAT WASHER	
13	2	473850	ROLL PIN, 1/4 X 1"	





QUICK ATTACH FITTING ASSEMBLY

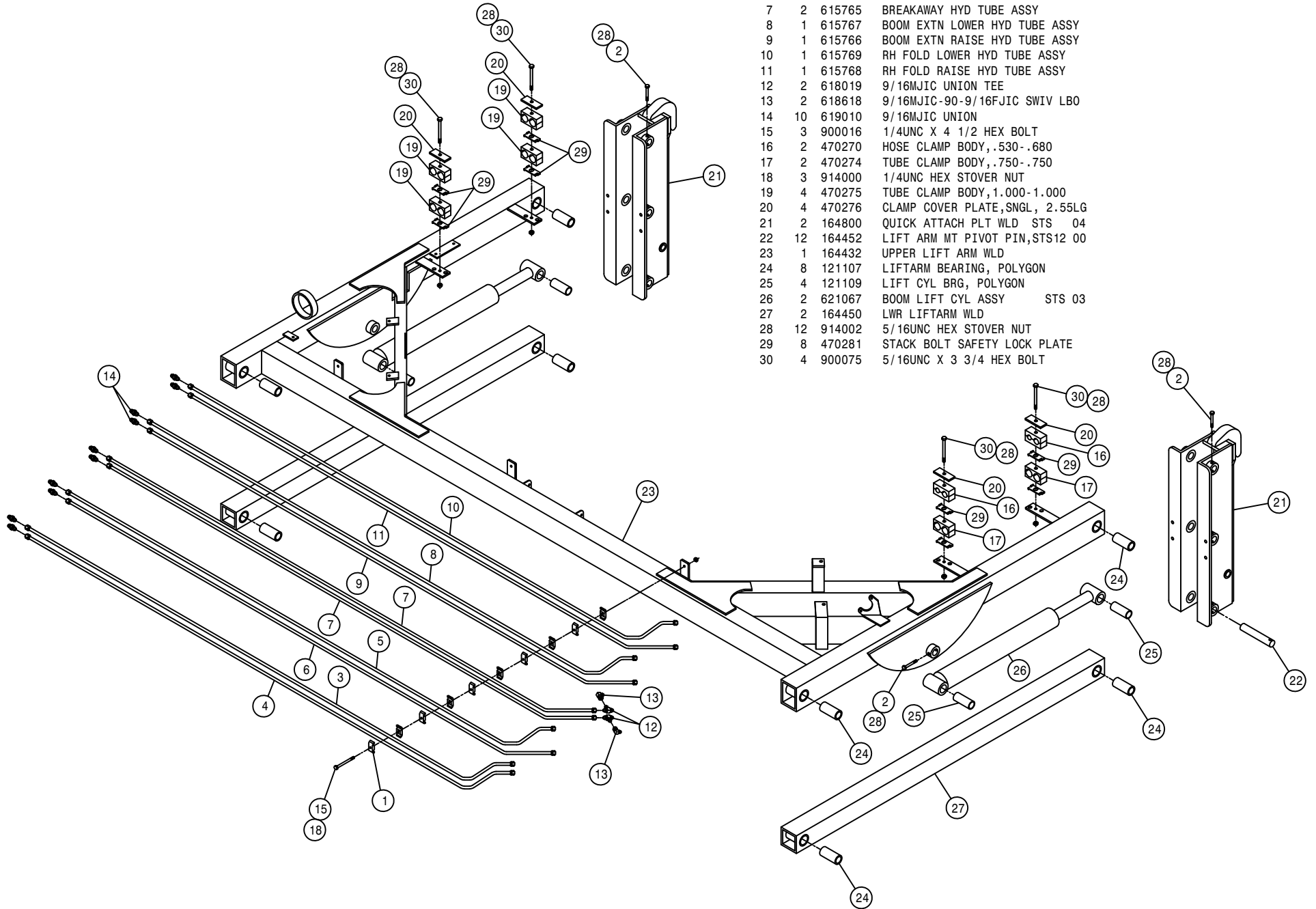
DET. QTY PART NO. DESCRIPTION

1	1	164773	QUICK ATTACH HOSE BRKT,STS 04
2	2	611125	3/4MJIC-3/4MOR ADPTR
3	1	618126	9/16MJIC-9/16MOR ADPTR
4	1	618010	3/4MJIC-90-BLKHD UNION LBO
5	1	618349	3/4MJIC-3/4MJIC BLKHD UNION
6	1	618350	9/16MJIC-45-BLKHD UNION LBO
7	1	618649	RUBBER DUST PLUG, 618559/694
8	1	618650	RUBBER DUST CAP, 618560/695
9	1	618668	9/16FJIC SWIV-9/16MOR ADPTR
10	2	618669	3/4FJIC SWIV-3/4MOR ADPTR
11	1	618694	HYD COUPLER,FEM 1/4B, 9/16FOR
12	1	618695	HYD COUPLER,MALE 1/4B, 9/16FOR
13	2	618696	HYD COUPLER,FEM 1/2B, 3/4FOR
14	2	618697	HYD COUPLER,MALE 1/2B, 3/4FOR
15	2	900129	3/8UNC X 1" HEX BOLT
16	2	914004	3/8UNC HEX STOVER NUT
17	1	618635	RUBBER DUST PLUG, 618621/696
18	1	618636	RUBBER DUST CAP, 618622/697
19	1	618609	3/4MJIC-90-3/4FJIC SWIV LBO

LIFTARM ASSEMBLY

DET. QTY PART NO. DESCRIPTION

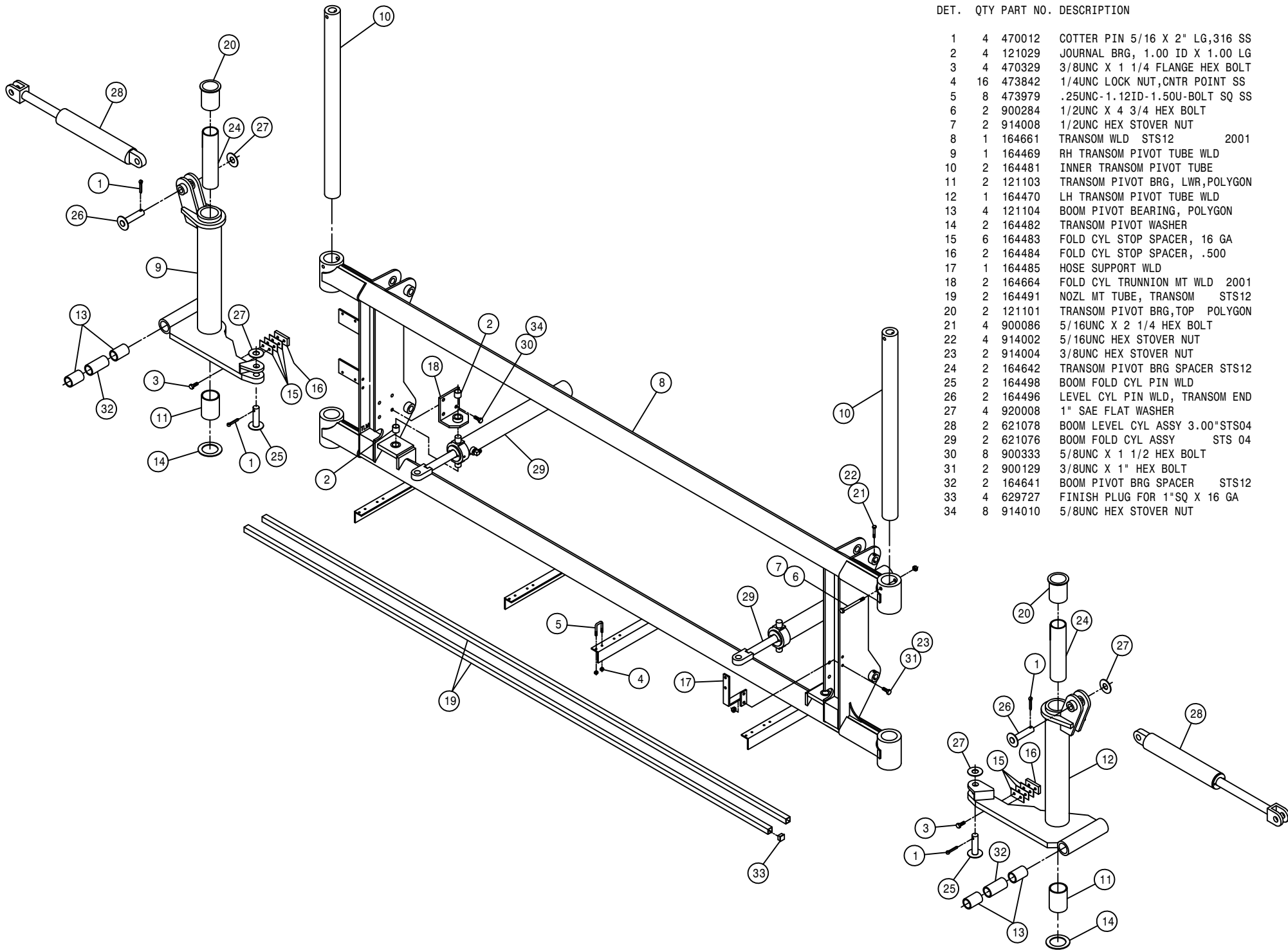
1	15	470287	TUBE CLAMP, .375-.375 (PAIR)
2	8	900086	5/16UNC X 2 1/4 HEX BOLT
3	1	615761	LIFT RAISE HYD TUBE ASSY
4	1	615762	LIFT LOWER HYD TUBE ASSY
5	1	615764	LEVEL LOWER HYD TUBE ASSY
6	1	615763	LEVEL RAISE HYD TUBE ASSY
7	2	615765	BREAKAWAY HYD TUBE ASSY
8	1	615767	BOOM EXTN LOWER HYD TUBE ASSY
9	1	615766	BOOM EXTN RAISE HYD TUBE ASSY
10	1	615769	RH FOLD LOWER HYD TUBE ASSY
11	1	615768	RH FOLD RAISE HYD TUBE ASSY
12	2	618019	9/16MJIC UNION TEE
13	2	618618	9/16MJIC-90-9/16FJIC SWIV LBO
14	10	619010	9/16MJIC UNION
15	3	900016	1/4UNC X 4 1/2 HEX BOLT
16	2	470270	HOSE CLAMP BODY, .530-.680
17	2	470274	TUBE CLAMP BODY, .750-.750
18	3	914000	1/4UNC HEX STOVER NUT
19	4	470275	TUBE CLAMP BODY, 1.000-1.000
20	4	470276	CLAMP COVER PLATE, SNGL, 2.55LG
21	2	164800	QUICK ATTACH PLT WLD STS 04
22	12	164452	LIFT ARM MT PIVOT PIN, STS12 00
23	1	164432	UPPER LIFT ARM WLD
24	8	121107	LIFTARM BEARING, POLYGON
25	4	121109	LIFT CYL BRG, POLYGON
26	2	621067	BOOM LIFT CYL ASSY STS 03
27	2	164450	LWR LIFTARM WLD
28	12	914002	5/16UNC HEX STOVER NUT
29	8	470281	STACK BOLT SAFETY LOCK PLATE
30	4	900075	5/16UNC X 3 3/4 HEX BOLT



TRANSOM ASSEMBLY

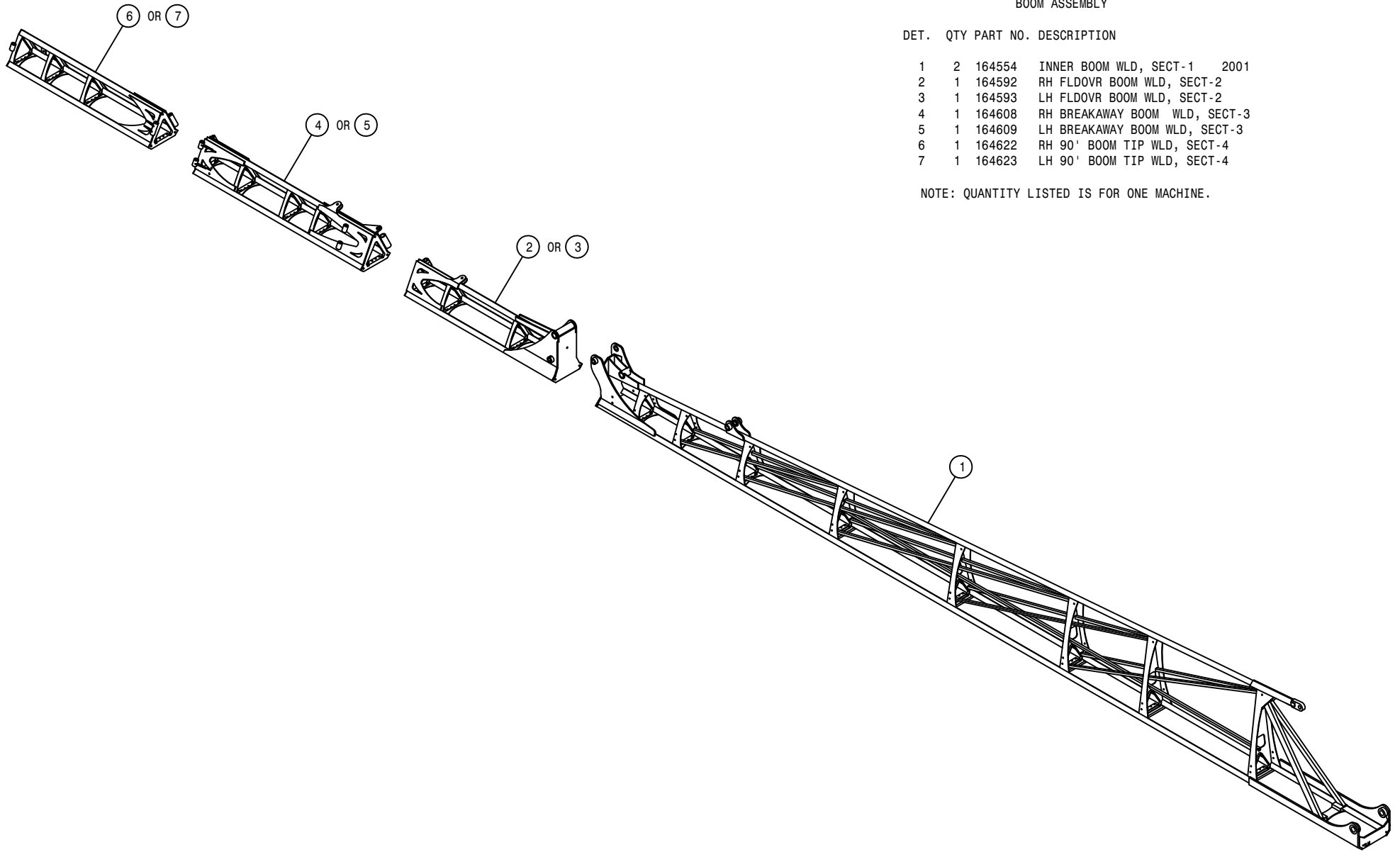
DET. QTY PART NO. DESCRIPTION

DET.	QTY	PART NO.	DESCRIPTION
1	4	470012	COTTER PIN 5/16 X 2" LG,316 SS
2	4	121029	JOURNAL BRG, 1.00 ID X 1.00 LG
3	4	470329	3/8UNC X 1 1/4 FLANGE HEX BOLT
4	16	473842	1/4UNC LOCK NUT, CNTR POINT SS
5	8	473979	.25UNC-1.12ID-1.50U-BOLT SQ SS
6	2	900284	1/2UNC X 4 3/4 HEX BOLT
7	2	914008	1/2UNC HEX STOVER NUT
8	1	164661	TRANSOM WLD STS12 2001
9	1	164469	RH TRANSOM PIVOT TUBE WLD
10	2	164481	INNER TRANSOM PIVOT TUBE
11	2	121103	TRANSOM PIVOT BRG, LWR,POLYGON
12	1	164470	LH TRANSOM PIVOT TUBE WLD
13	4	121104	BOOM PIVOT BEARING, POLYGON
14	2	164482	TRANSOM PIVOT WASHER
15	6	164483	FOLD CYL STOP SPACER, 16 GA
16	2	164484	FOLD CYL STOP SPACER, .500
17	1	164485	HOSE SUPPORT WLD
18	2	164664	FOLD CYL TRUNNION MT WLD 2001
19	2	164491	NOZL MT TUBE, TRANSOM STS12
20	2	121101	TRANSOM PIVOT BRG, TOP POLYGON
21	4	900086	5/16UNC X 2 1/4 HEX BOLT
22	4	914002	5/16UNC HEX STOVER NUT
23	2	914004	3/8UNC HEX STOVER NUT
24	2	164642	TRANSOM PIVOT BRG SPACER STS12
25	2	164498	BOOM FOLD CYL PIN WLD
26	2	164496	LEVEL CYL PIN WLD, TRANSOM END
27	4	920008	1" SAE FLAT WASHER
28	2	621078	BOOM LEVEL CYL ASSY 3.00"STS04
29	2	621076	BOOM FOLD CYL ASSY STS 04
30	8	900333	5/8UNC X 1 1/2 HEX BOLT
31	2	900129	3/8UNC X 1" HEX BOLT
32	2	164641	BOOM PIVOT BRG SPACER STS12
33	4	629727	FINISH PLUG FOR 1" SQ X 16 GA
34	8	914010	5/8UNC HEX STOVER NUT



97

308097



BOOM ASSEMBLY

DET.	QTY	PART NO.	DESCRIPTION
1	2	164554	INNER BOOM WLD, SECT-1 2001
2	1	164592	RH FLDOVR BOOM WLD, SECT-2
3	1	164593	LH FLDOVR BOOM WLD, SECT-2
4	1	164608	RH BREAKAWAY BOOM WLD, SECT-3
5	1	164609	LH BREAKAWAY BOOM WLD, SECT-3
6	1	164622	RH 90' BOOM TIP WLD, SECT-4
7	1	164623	LH 90' BOOM TIP WLD, SECT-4

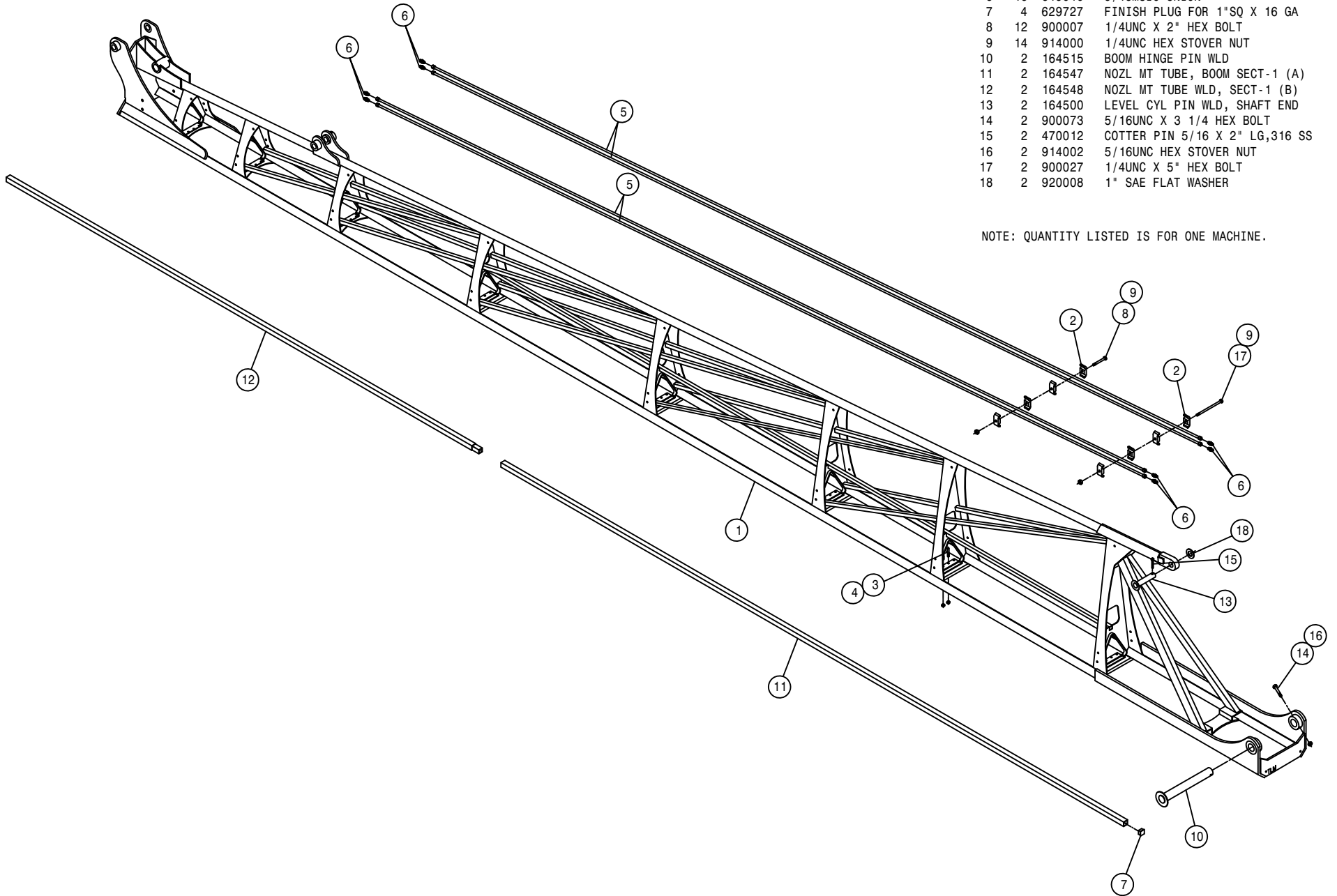
NOTE: QUANTITY LISTED IS FOR ONE MACHINE.

INNER BOOM ASSEMBLY

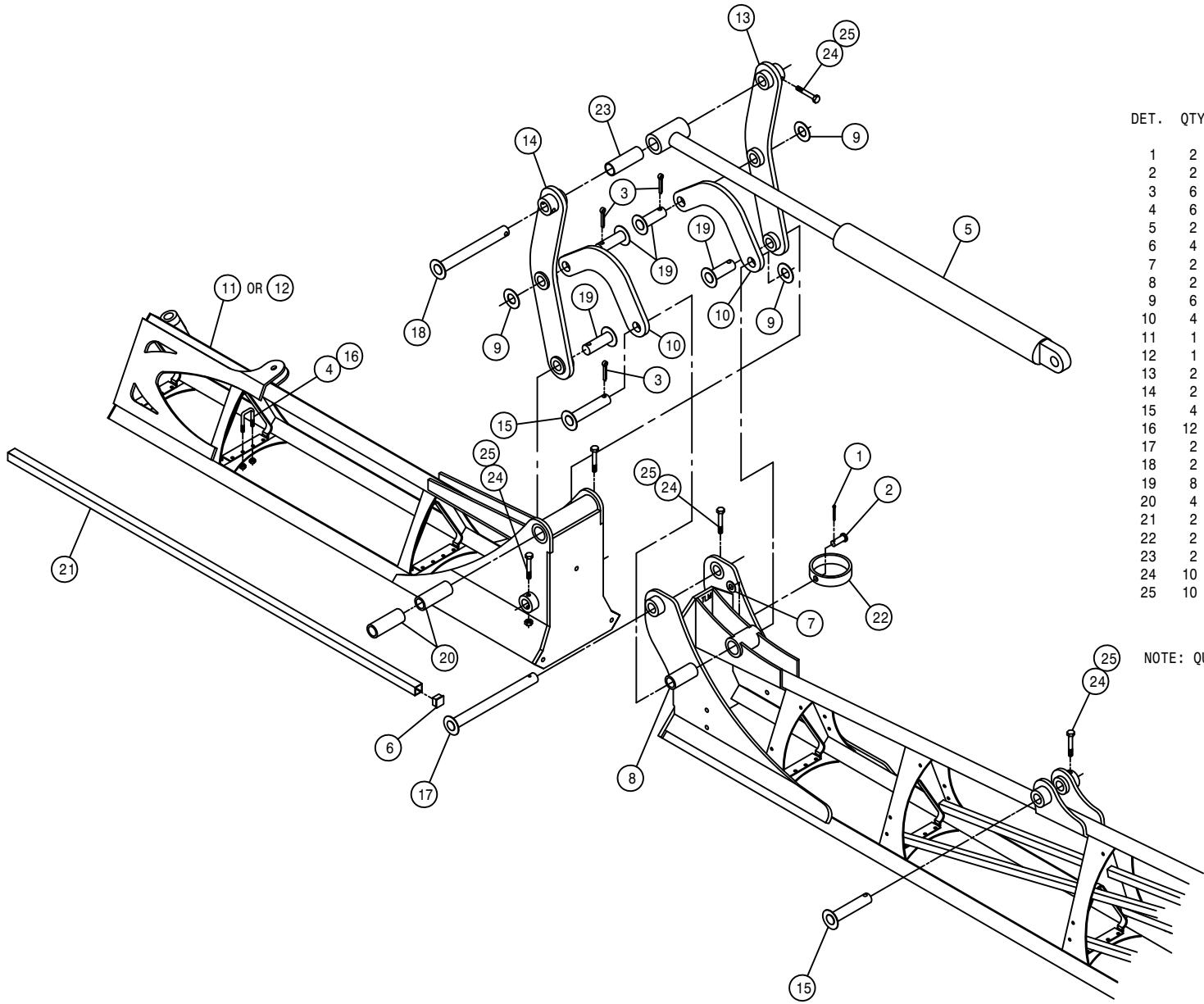
DET. QTY PART NO. DESCRIPTION

1	2	164554	INNER BOOM WLD, SECT-1	2001
2	28	470287	TUBE CLAMP, .375-.375 (PAIR)	
3	36	473842	1/4UNC LOCK NUT,CNTR POINT SS	
4	18	473979	.25UNC-1.12ID-1.50U-BOLT SQ SS	
5	8	615760	BOOM HYD TUBE ASSY	
6	16	619010	9/16MJIC UNION	
7	4	629727	FINISH PLUG FOR 1"SQ X 16 GA	
8	12	900007	1/4UNC X 2" HEX BOLT	
9	14	914000	1/4UNC HEX STOVER NUT	
10	2	164515	BOOM HINGE PIN WLD	
11	2	164547	NOZL MT TUBE, BOOM SECT-1 (A)	
12	2	164548	NOZL MT TUBE WLD, SECT-1 (B)	
13	2	164500	LEVEL CYL PIN WLD, SHAFT END	
14	2	900073	5/16UNC X 3 1/4 HEX BOLT	
15	2	470012	COTTER PIN 5/16 X 2" LG,316 SS	
16	2	914002	5/16UNC HEX STOVER NUT	
17	2	900027	1/4UNC X 5" HEX BOLT	
18	2	920008	1" SAE FLAT WASHER	

NOTE: QUANTITY LISTED IS FOR ONE MACHINE.



100



80'-90' BOOM HINGE ASSEMBLY

DET.	QTY	PART NO.	DESCRIPTION
	1	2	390984 COTTER PIN 1/8 X 1 1/4
	2	2	472277 CLEVIS PIN, .50 X 1.25LG PLT
	3	6	470012 COTTER PIN 5/16 X 2" LG,316 SS
	4	6	473979 .25UNC-1.12ID-1.50U-BOLT SQ SS
	5	2	621070 OTR BOOM FOLD CYL ASSY STS 03
	6	4	629727 FINISH PLUG FOR 1"SQ X 16 GA
	7	2	920004 1/2 SAE FLAT WASHER
	8	2	121107 LIFTARM BEARING, POLYGON
	9	6	920008 1" SAE FLAT WASHER
	10	4	164643 XK402 TOP ARM(LEFT) 10.35 CNTR
	11	1	164592 RH FLDOVR BOOM WLD, SECT-2
	12	1	164593 LH FLDOVR BOOM WLD, SECT-2
	13	2	164528 RH FOLD-OVER BOOMERANG WLD
	14	2	164529 LH FOLD-OVER BOOMERANG WLD
	15	4	164522 BOOM FOLD CYL PIN WLD
	16	12	473842 1/4UNC LOCK NUT,CNTR POINT SS
	17	2	164518 BOOM FOLD PIVOT PIN WLD
	18	2	164520 BOOM CYL PIVOT PIN WLD
	19	8	164524 BOOMERANG CNTR PIVOT PIN WLD
	20	4	121106 BOOM FOLD BRG, POLYGON
	21	2	164551 NOZL MT TUBE, BOOM SECT-2
	22	2	164517 HOSE SUPPORT RING
	23	2	121108 OTR BOOM FOLD CYL BRG,POLYGON
	24	10	900086 5/16UNC X 2 1/4 HEX BOLT
	25	10	914002 5/16UNC HEX STOVER NUT

NOTE: QUANTITY LISTED IS FOR ONE MACHINE.

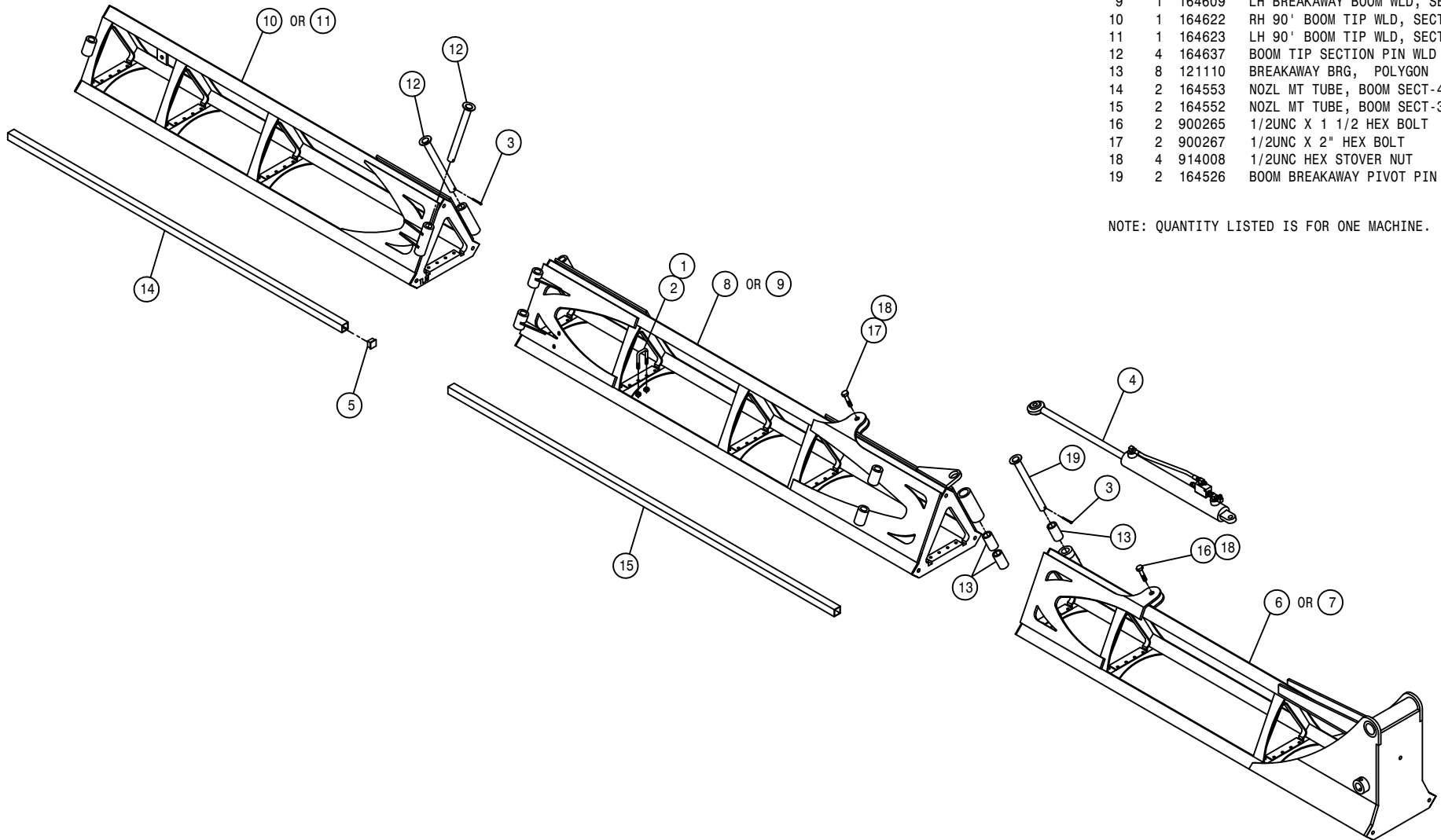
308100

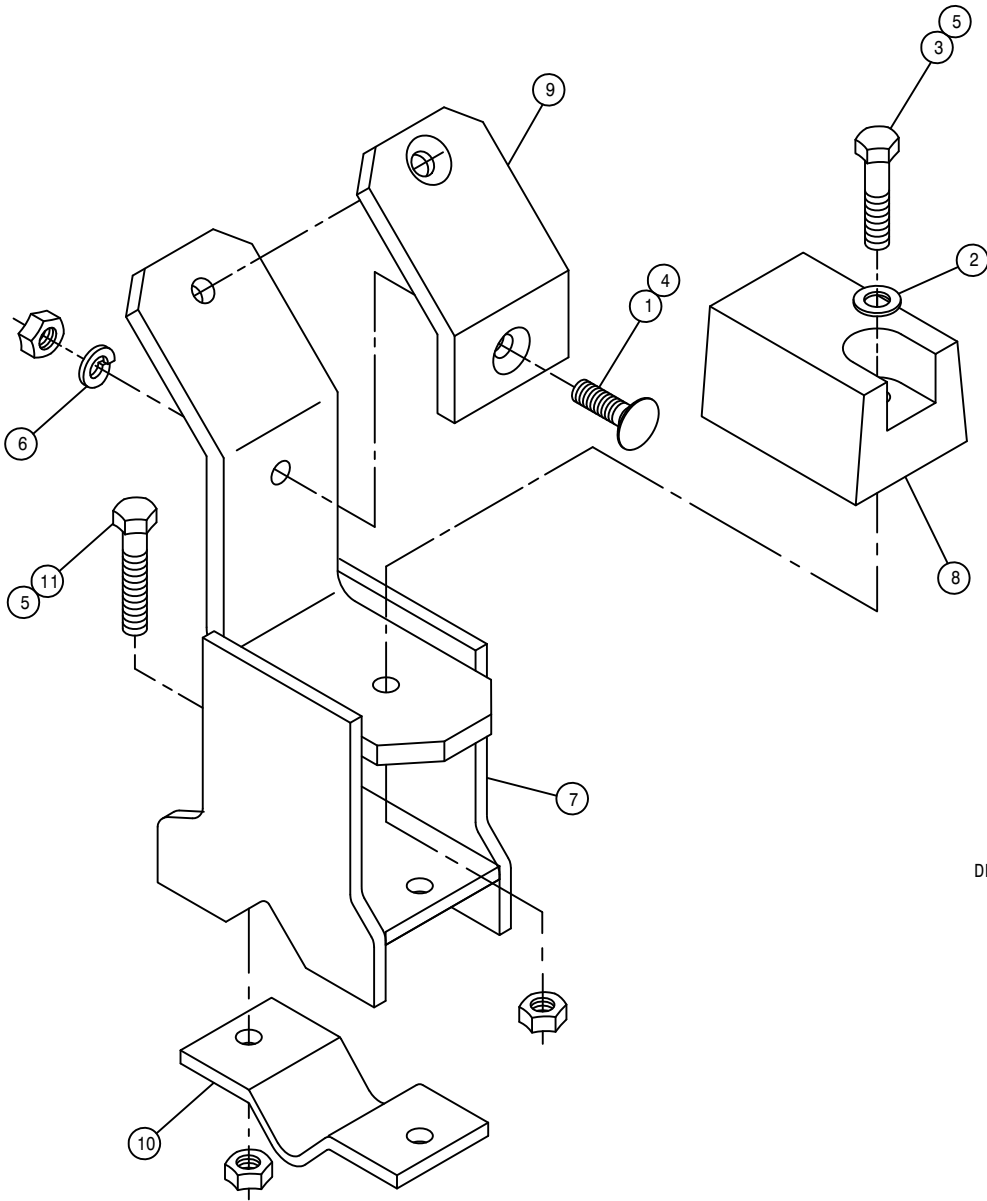
BOOM BREAKAWAY ASSEMBLY

DET. QTY PART NO. DESCRIPTION

DET.	QTY	PART NO.	DESCRIPTION
1	36	473842	1/4UNC LOCK NUT,CNTR POINT SS
2	18	473979	.25UNC-1.12ID-1.50U-BOLT SQ SS
3	6	470011	COTTER PIN 5/32 X 1 1/2,316 SS
4	2	621066	BOOM BREAKAWAY CYL ASSY STS 03
5	8	629727	FINISH PLUG FOR 1"SQ X 16 GA
6	1	164592	RH FLDOVR BOOM WLD, SECT-2
7	1	164593	LH FLDOVR BOOM WLD, SECT-2
8	1	164608	RH BREAKAWAY BOOM WLD, SECT-3
9	1	164609	LH BREAKAWAY BOOM WLD, SECT-3
10	1	164622	RH 90' BOOM TIP WLD, SECT-4
11	1	164623	LH 90' BOOM TIP WLD, SECT-4
12	4	164637	BOOM TIP SECTION PIN WLD
13	8	121110	BREAKAWAY BRG, POLYGON
14	2	164553	NOZL MT TUBE, BOOM SECT-4
15	2	164552	NOZL MT TUBE, BOOM SECT-3
16	2	900265	1/2UNC X 1 1/2 HEX BOLT
17	2	900267	1/2UNC X 2" HEX BOLT
18	4	914008	1/2UNC HEX STOVER NUT
19	2	164526	BOOM BREAKAWAY PIVOT PIN WLD

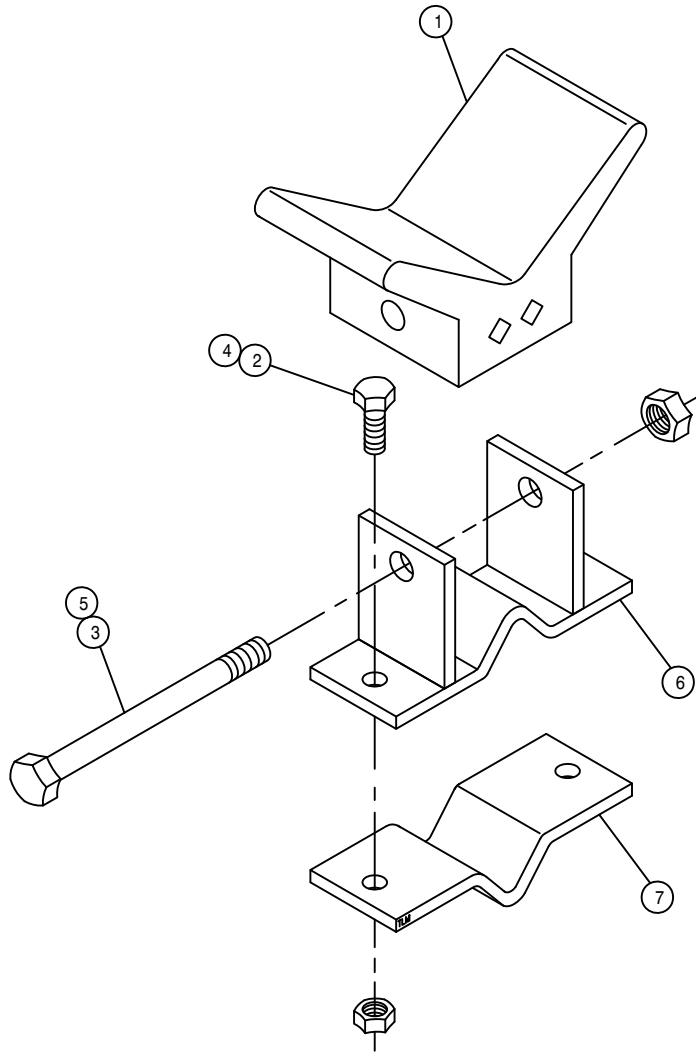
NOTE: QUANTITY LISTED IS FOR ONE MACHINE.





BOOM SUPPORT CRADLE ASSEMBLY, 80'-90'

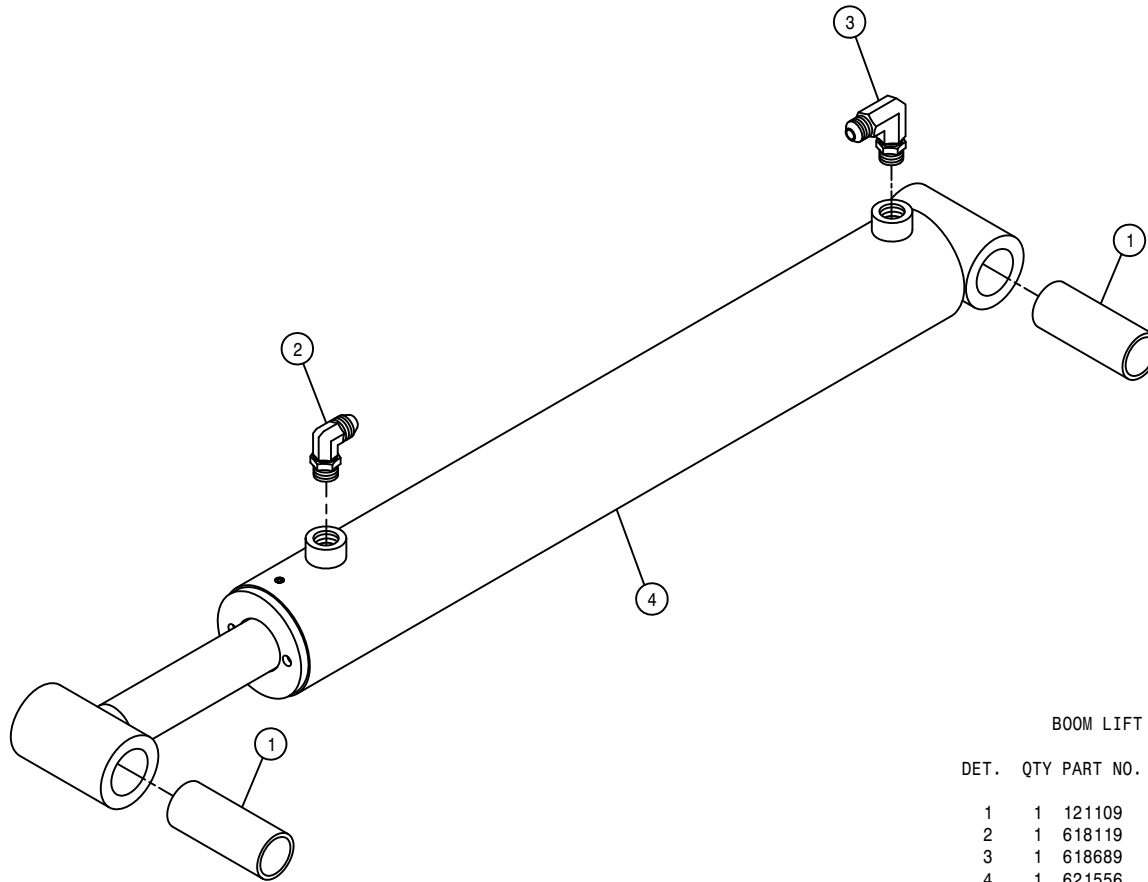
DET.	QTY	PART NO.	DESCRIPTION
1	2	470328	3/8UNC X 1 1/4 #3HD PLOW BOLT
2	1	483043	3/8 REGULAR FLAT WASHER
3	1	900133	3/8UNC X 2" HEX BOLT
4	2	910004	3/8UNC HEX NUT
5	3	914004	3/8UNC HEX STOVER NUT
6	2	920502	3/8 LOCK WASHER
7	1	164811	BOOM SUPP CRADLE WLD,80/90' 04
8	1	164541	BOOM SUPPORT PAD
9	1	164542	BOOM SUPPORT CRADLE PAD
10	1	164543	BOOM SUPPORT KEEPER
11	2	900170	3/8UNC X 2 1/4 HEX BOLT



90° BOOM SUPPORT ASSEMBLY

DET. QTY PART NO. DESCRIPTION

1	1	470324	3" RUBBER BOW GUARD
2	2	900130	3/8UNC X 1 1/4 HEX BOLT
3	1	900273	1/2UNC X 3 3/4 HEX BOLT
4	2	914004	3/8UNC HEX STOVER NUT
5	1	914008	1/2UNC HEX STOVER NUT
6	1	164544	FRT BOOM SUPPORT WLD, 90' BOOM
7	1	164545	FRT BOOM SUPPORT MT

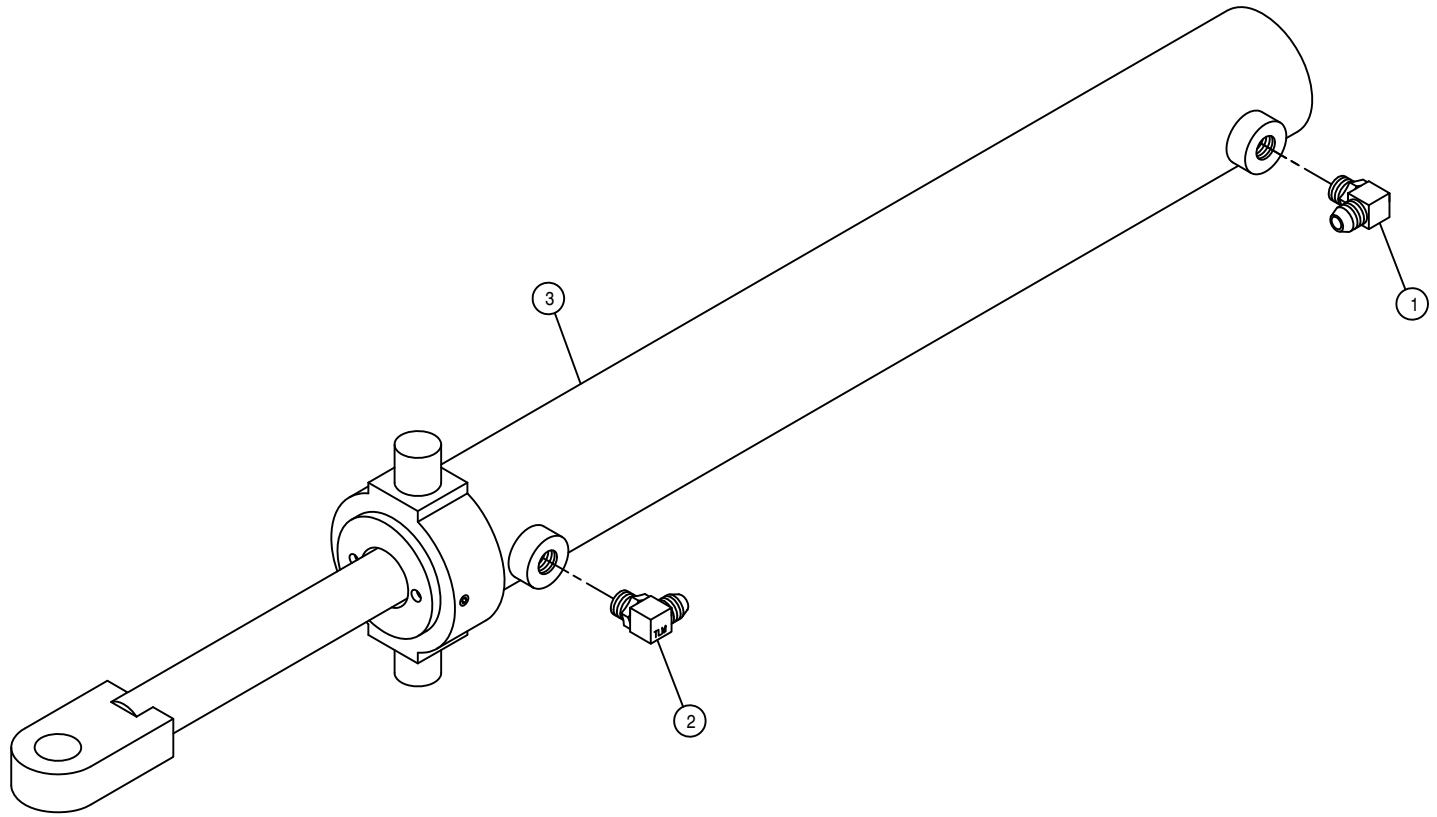


BOOM LIFT CYLINDER ASSEMBLY

DET. QTY PART NO. DESCRIPTION

1	1	121109	LIFT CYL BRG, POLYGON
2	1	618119	9/16MJIC-90-9/16MOR LBO
3	1	618689	9/16MOR-90-9/16MJ .042 CHK VLV
4	1	621556	LIFT CYL, 2.50 X 18.00 STS
NS	1	621557	REPAIR KIT, HYD CYL 621556

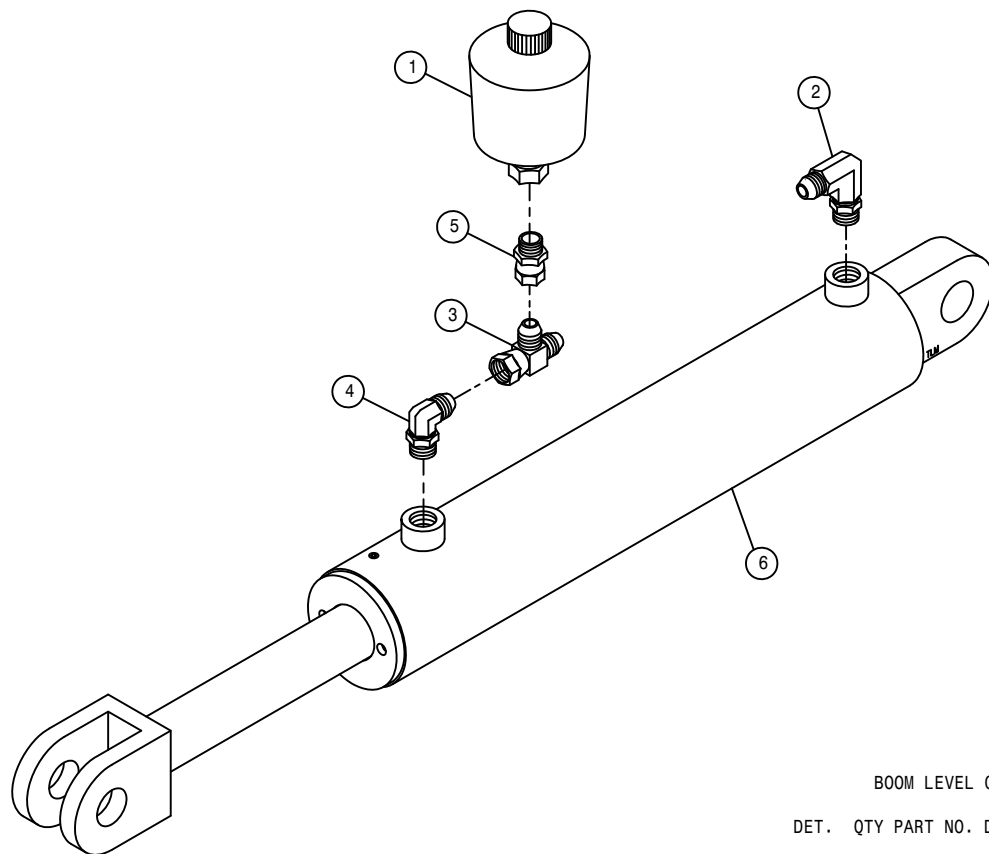
NOTE: 621067 - BOOM LIFTARM CYLINDER ASSEMBLY WITH FITTINGS



BOOM FOLD CYLINDER ASSEMBLY

DET.	QTY	PART NO.	DESCRIPTION
1	1	614750	.042 ELBOW ASSY,9/16MOR 90D
2	1	618119	9/16MJIC-90-9/16MOR LBO
3	1	621560	FOLD CYL, 2.50 X 21.000 STS
NS	1	621561	REPAIR KIT,HYD CYL 621560

NOTE: 621076 - BOOM FOLD CYLINDER ASSEMBLY WITH FITTINGS

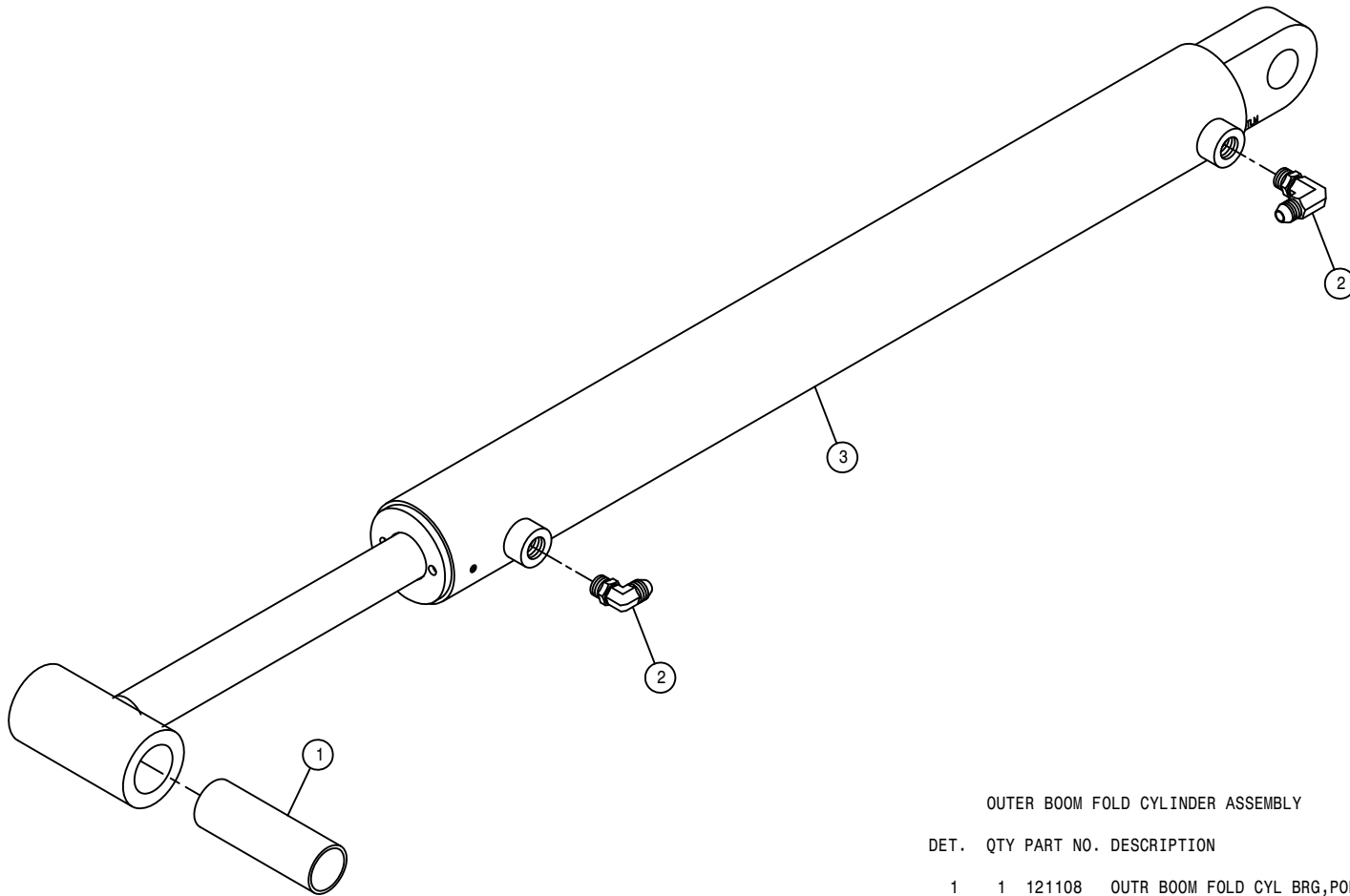


BOOM LEVEL CYLINDER ASSEMBLY

DET. QTY PART NO. DESCRIPTION

1	1	470326	ACCUMULATOR, DIAPHRAGM
2	1	618119	9/16MJIC-90-9/16MOR LBO
3	1	618486	9/16FJIC SW RUN TEE-9/16MJIC
4	1	618689	9/16MOR-90-9/16MJ .042 CHK VLV
5	1	618719	9/16FJIC SWIV-3/4MOR ADPTR
6	1	621558	LEVEL CYL, 3.00 X 11.00 STS
NS	1	621559	REPAIR KIT, HYD CYL 621558

NOTE: 621078 - BOOM LEVEL CYLINDER ASSEMBLY WITH FITTINGS

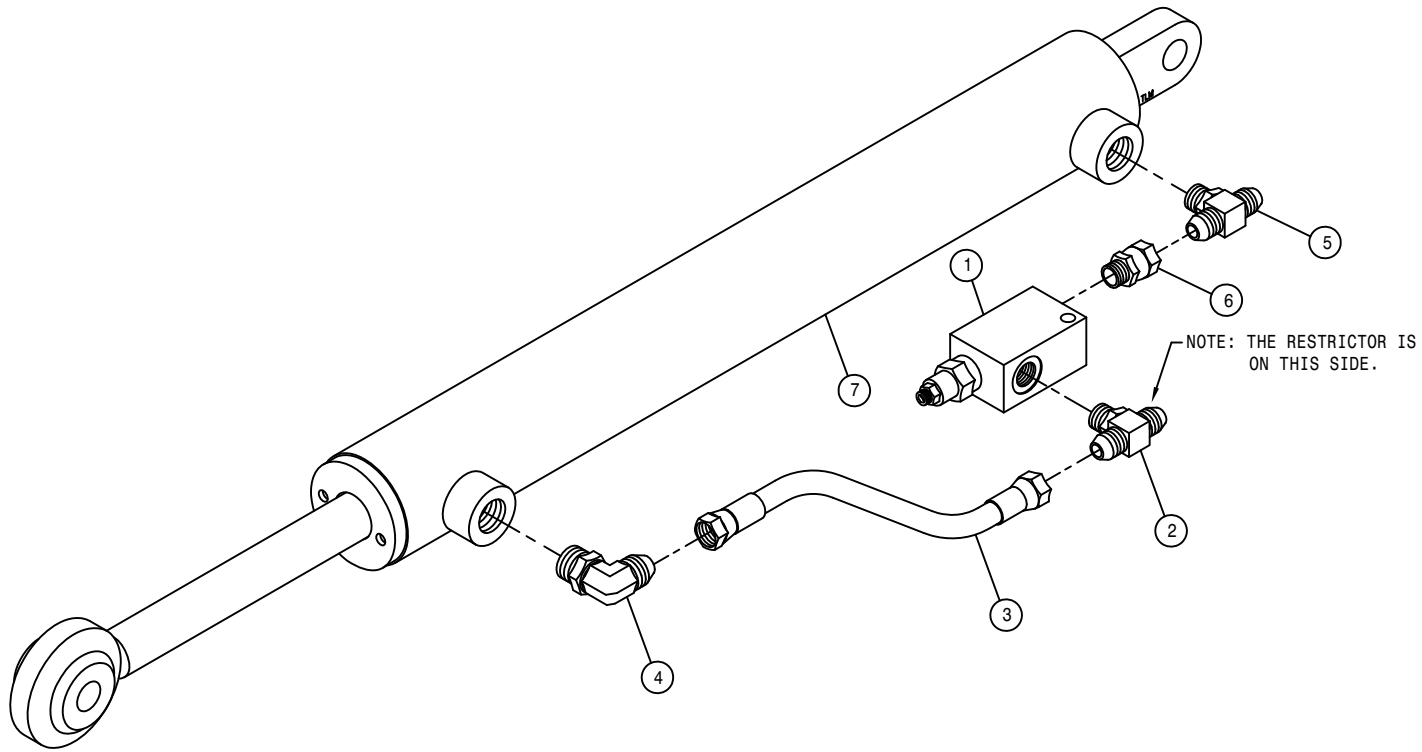


OUTER BOOM FOLD CYLINDER ASSEMBLY

DET. QTY PART NO. DESCRIPTION

1	1	121108	OUTR BOOM FOLD CYL BRG,POLYGON
2	2	614750	.042 ELBOW ASSY,9/16MOR 90D
3	1	621562	OUTR FOLD CYL,2.25 X 21.00 STS
NS	1	621563	REPAIR KIT,HYD CYL 621562

NOTE: 621070 - OUTER BOOM FOLD CYLINDER ASSEMBLY WITH FITTINGS

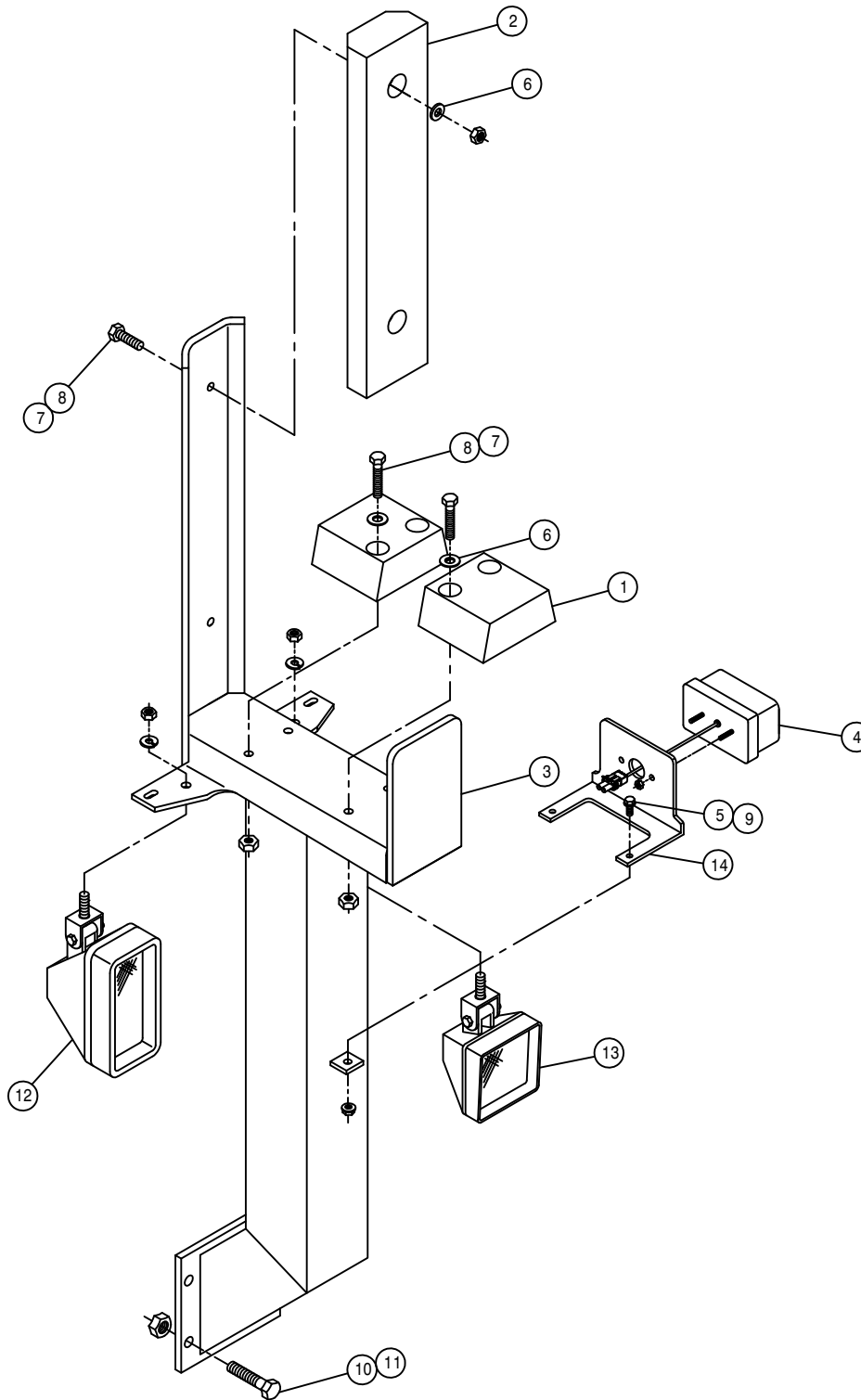


BOOM BREAKAWAY CYLINDER ASSEMBLY

DET. QTY PART NO. DESCRIPTION

1	1	607540	KICK-DOWN RELIEF VALVE, 800PSI
2	1	614752	RESTRICTOR BR TEE ASSY, .042DIA
3	1	616075	04-451TC-06FJX-06FJX-9 H/A
4	1	618119	9/16MJIC-90-9/16MOR LBO
5	1	618629	9/16MOR BRANCH TEE-9/16MJIC
6	1	618668	9/16FJIC SWIV-9/16MOR ADPTR
7	1	621554	LADR/SF/BRKWAY CYL, 1.50 X12.25
NS	1	621555	REPAIR KIT, HYD CYL 621554

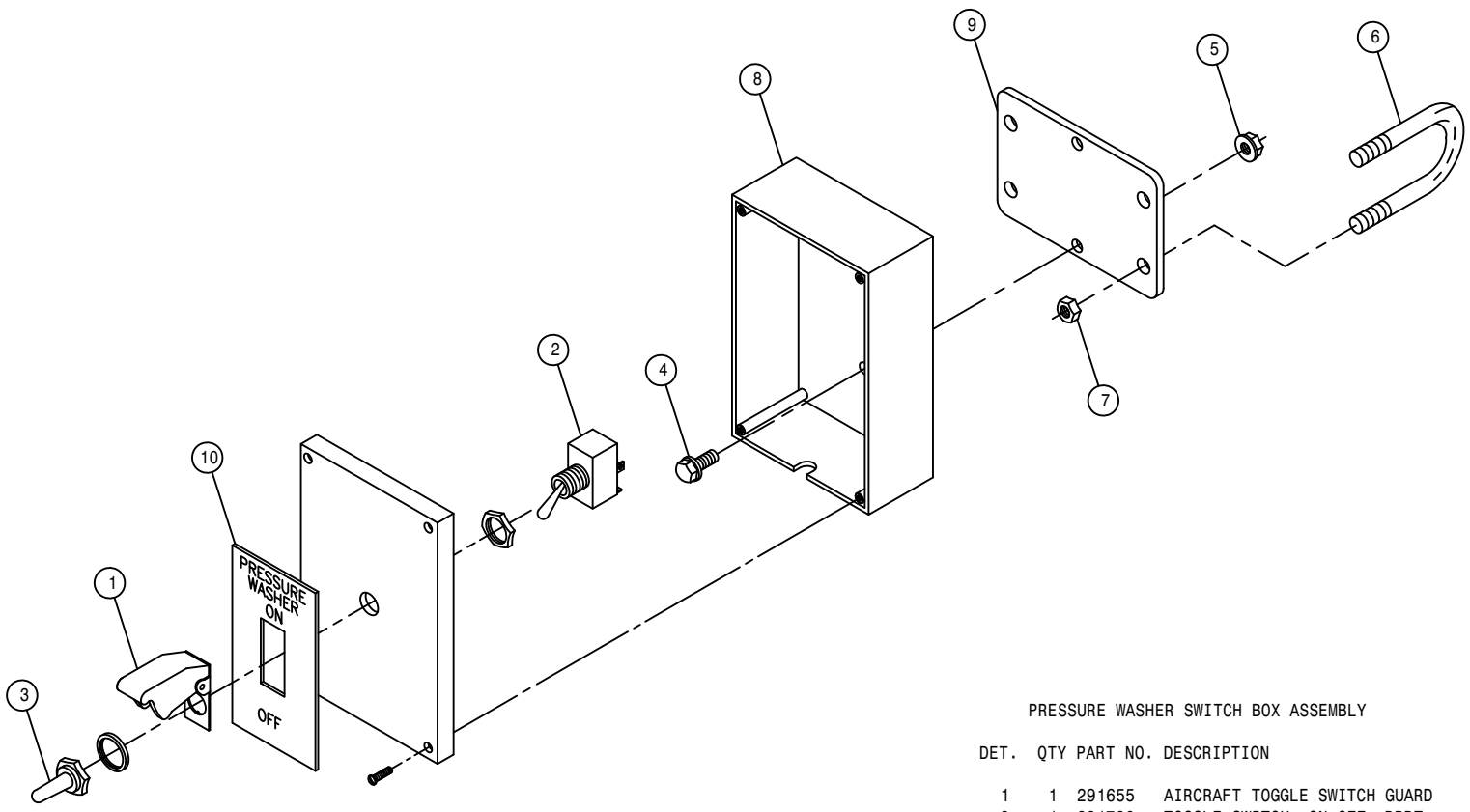
NOTE: 621066 - BOOM BREAKAWAY CYLINDER ASSEMBLY WITH FITTINGS



BOOM CRADLE ASSEMBLY

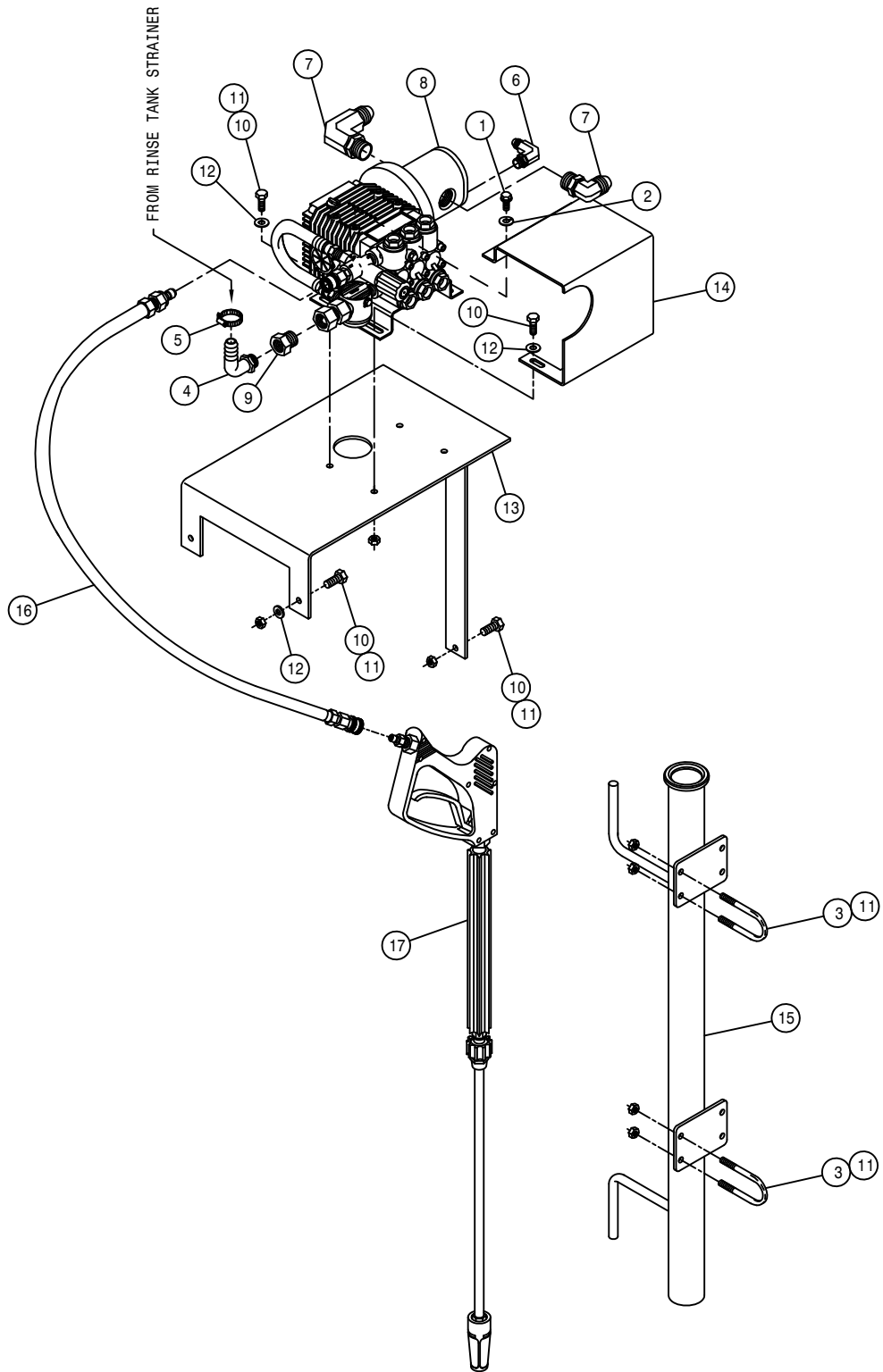
DET.	QTY	PART NO.	DESCRIPTION
	4	164513	BOOM CRADLE PAD
	2	164512	RUBBER BUMPER, BOOM CRADLE
	2	164505	BOOM CRADLE WLD
	2	293404	FRT TURN/WARN LITE ASSY2100 98
	4	470118	1/4UNC X 3/4 FLANGE HEX BOLT
	12	920002	3/8 SAE FLAT WASHER
	12	914004	3/8UNC HEX STOVER NUT
	12	900133	3/8UNC X 2" HEX BOLT
	4	470121	1/4UNC HEX FLANGE LOCK NUT
	8	900265	1/2UNC X 1 1/2 HEX BOLT
	4	914008	1/2UNC HEX STOVER NUT
	2	291779	HALOGEN WORKLAMP,LH MT 12V55W
	2	291780	HALOGEN WORKLAMP,CNTR MT12V55W
	2	342799	EXTREMITY FLASHER MT, STS 03

*NOTE: QUANTITY LISTED IS FOR ONE MACHINE.



PRESSURE WASHER SWITCH BOX ASSEMBLY

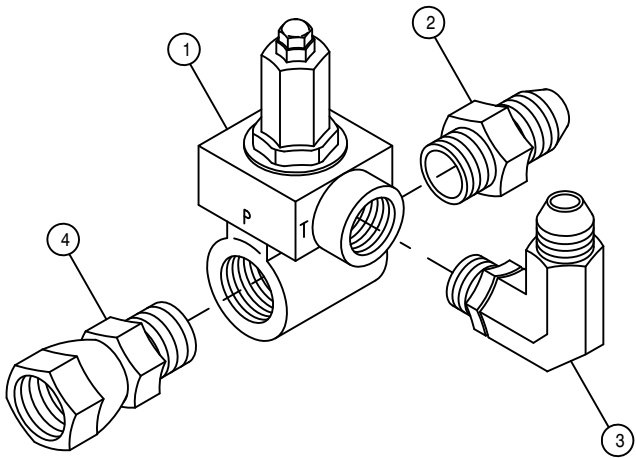
DET.	QTY	PART NO.	DESCRIPTION
1	1	291655	AIRCRAFT TOGGLE SWITCH GUARD
2	1	291790	TOGGLE SWITCH, ON-OFF DPDT
3	1	470001	RUBBER BOOT W NUT FOR 298012
4	2	470118	1/4UNC X 3/4 FLANGE HEX BOLT
5	2	470121	1/4UNC HEX FLANGE LOCK NUT
6	2	473911	5/16UNC-1.31ID-2.00 U-BOLT
7	4	910002	5/16UNC HEX NUT
8	1	690738	PRESSURE WASHER SWITCH BOX
9	1	690739	PRESSURE WASHER SWITCH BOX MT
10	1	650110	DECAL,PRESSURE WASH CTRL,STS12



PRESSURE WASHER ASSEMBLY

DET. QTY PART NO. DESCRIPTION

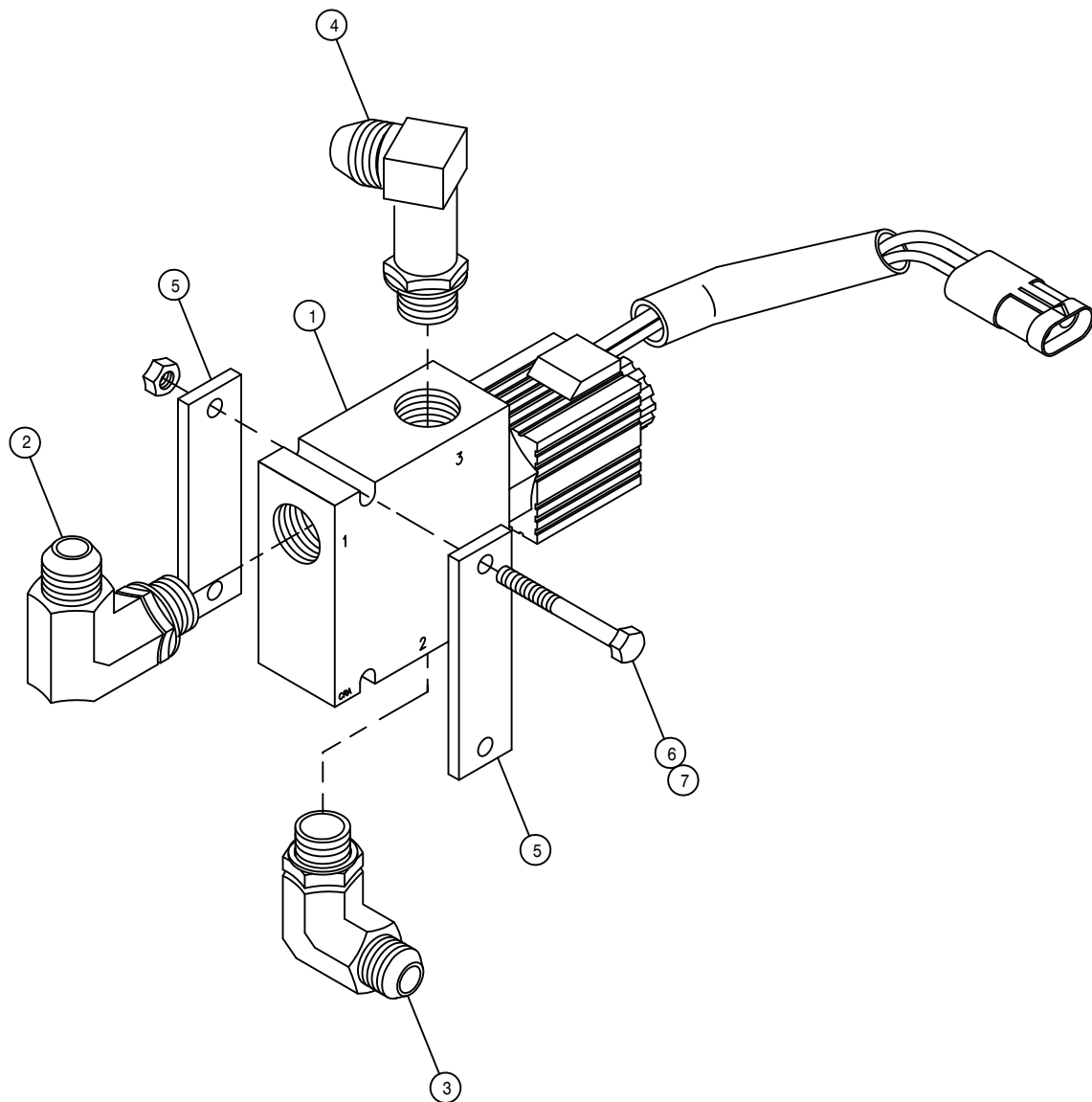
1	2	473803	8MM-1.25 X 16MM HEX BOLT
2	2	473804	8MM LOCK WASHER
3	4	473911	5/16UNC-1.31ID-2.00 U-BOLT
4	1	500026	3/4NPT-90-1"HOSE BARB, POLY
5	1	520090	HOSE CLAMP NO 16 STAINLESS
6	1	618119	9/16MJIC-90-9/16MOR LBO
7	2	618474	3/4MJIC-90-1 1/16MOR LBO
8	1	690672	PRESSURE WASHER,PACE 320 HYD
9	1	715449	3/4FNPT X 3/4MGHT ADPTR BRS
10	7	900064	5/16UNC X 3/4 HEX BOLT
11	15	914002	5/16UNC HEX STOVER NUT
12	6	920001	5/16 SAE FLAT WASHER
13	1	690877	PRESSURE WASHER MT WLD, STS 03
14	1	690879	PRESSURE WASHER SHIELD, STS 03
15	1	690732	PRESSURE WASHER WAND MT WLD
16	1	690791	HOSE, PRESSURE WASHER 690672
17	1	690673	TRIGGER GUN ASSY FOR 690672



IN-LINE HYD RELIEF VALVE ASSEMBLY

DET. QTY PART NO. DESCRIPTION

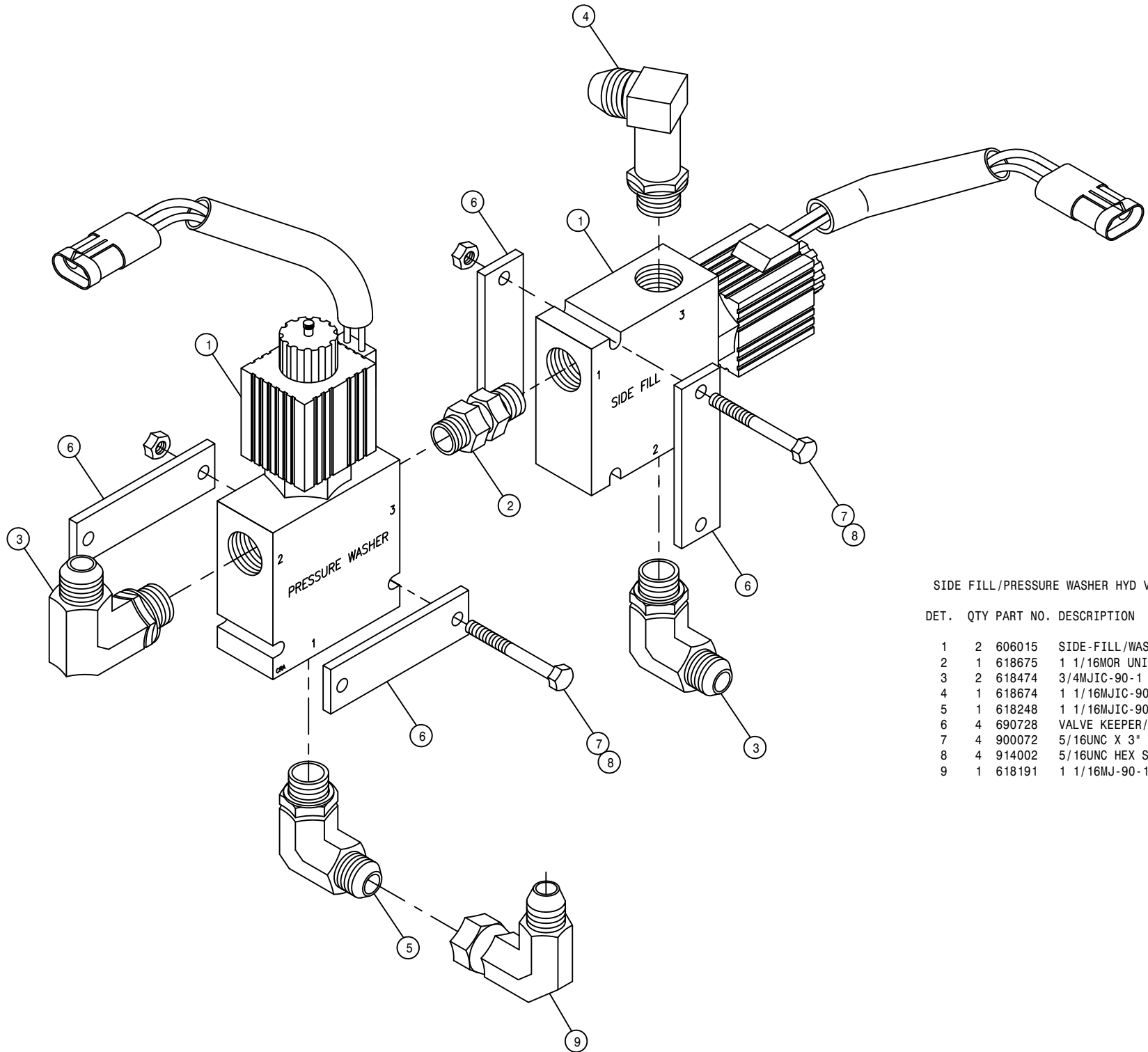
1	1	607550	IN-LINE RELIEF VALVE, 2600 PSI
2	1	611127	1 1/16MJIC-1 1/16MOR ADPTR
3	1	618279	1 1/16MJIC-90-7/8MOR LBO
4	1	618578	1 1/16FJIC SWIV-1 1/16MOR



PRESSURE WASHER HYDRAULIC VALVE ASSEMBLY

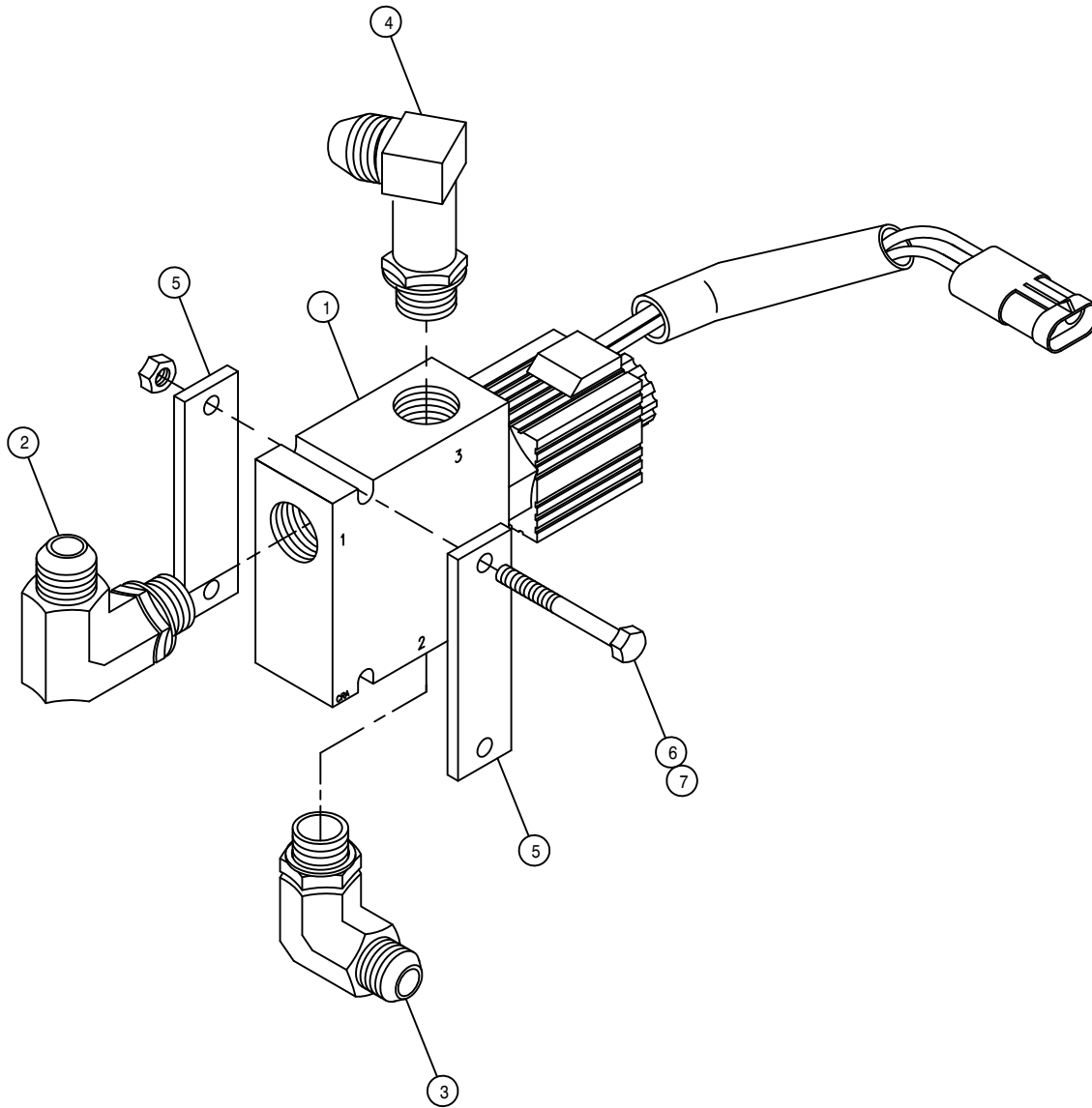
DET. QTY PART NO. DESCRIPTION

1	1	606015	SIDE-FILL/WASH VLV W/SHRD ASSY
2	1	618248	1 1/16MJIC-90-1 1/16MOR LBO
3	1	618474	3/4MJIC-90-1 1/16MOR LBO
4	1	618674	1 1/16MJIC-90-1 1/16MOR XL LBO
5	2	690728	VALVE KEEPER/SPACER
6	2	900072	5/16UNC X 3" HEX BOLT
7	2	914002	5/16UNC HEX STOVER NUT



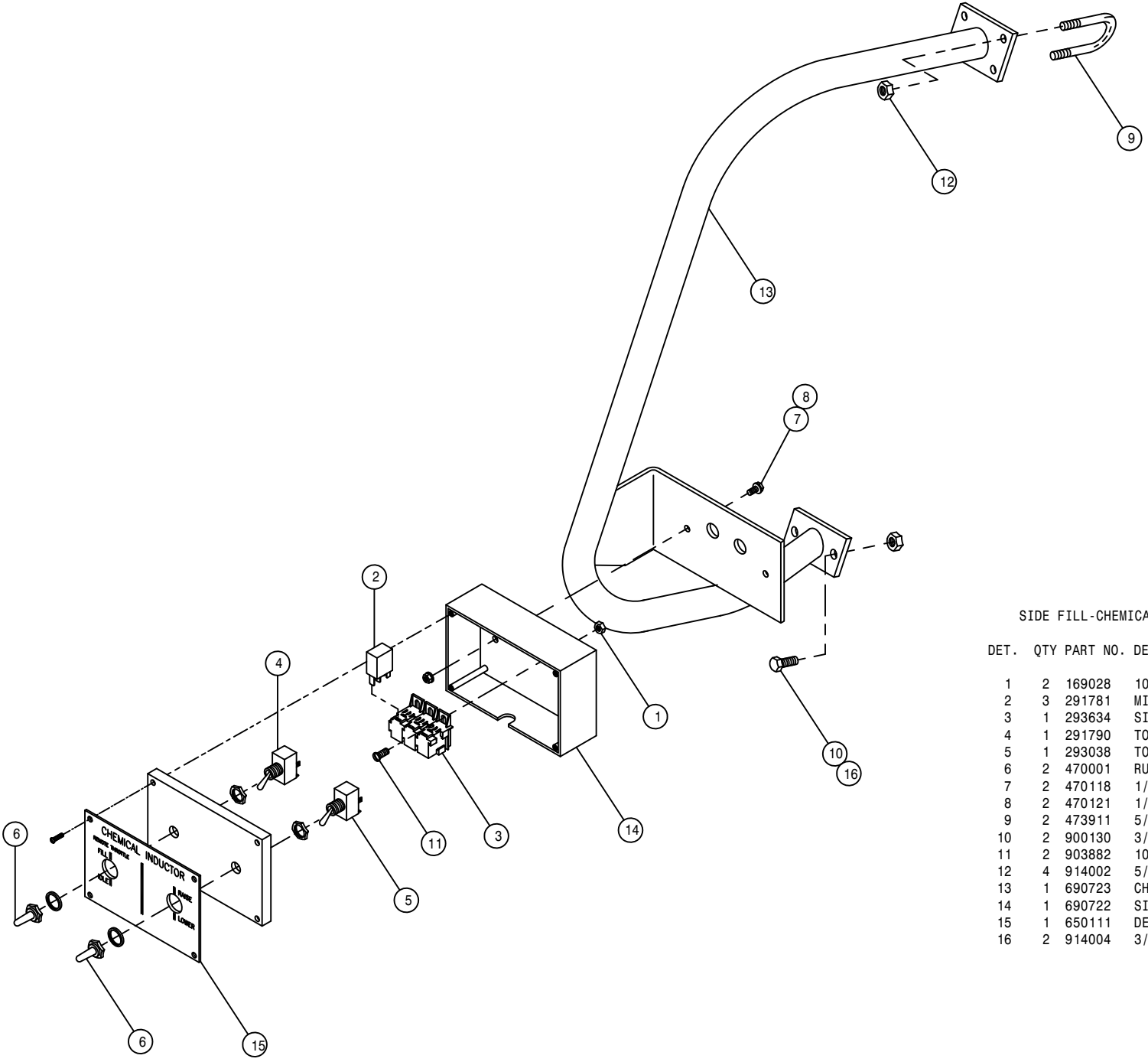
SIDE FILL/PRESSURE WASHER HYD VALVE ASSEMBLY

DET.	QTY	PART NO.	DESCRIPTION
1	2	606015	SIDE-FILL/WASH VLV W/SHRD ASSY
2	1	618675	1 1/16MOR UNION
3	2	618474	3/4MJIC-90-1 1/16MOR LBO
4	1	618674	1 1/16MJIC-90-1 1/16MOR XL LBO
5	1	618248	1 1/16MJIC-90-1 1/16MOR LBO
6	4	690728	VALVE KEEPER/SPACER
7	4	900072	5/16UNC X 3" HEX BOLT
8	4	914002	5/16UNC HEX STOVER NUT
9	1	618191	1 1/16MJ-90-1 1/16FJ SWIV LBO



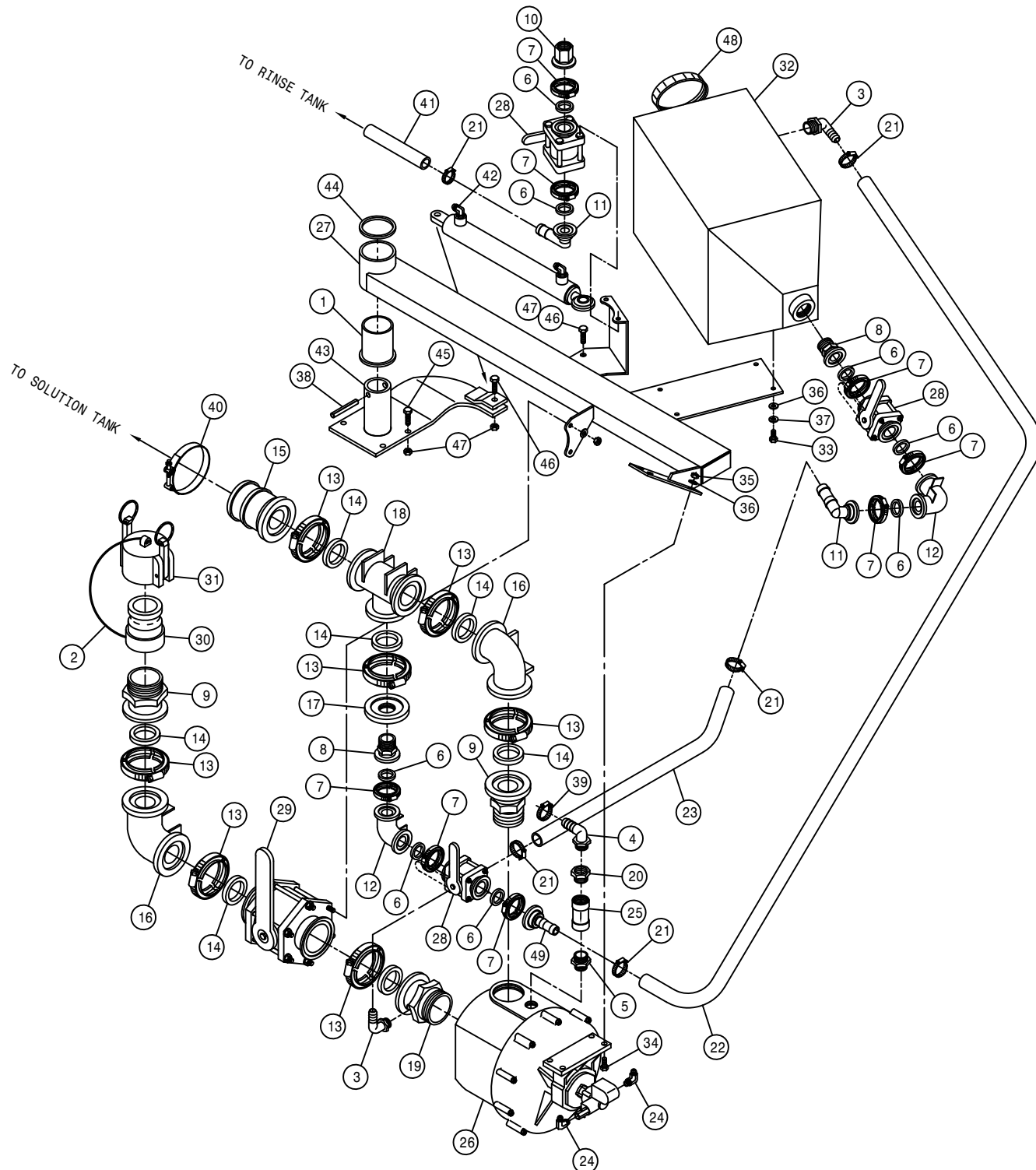
SIDE FILL HYDRAULIC VALVE ASSEMBLY

DET.	QTY	PART NO.	DESCRIPTION
1	1	606015	SIDE-FILL/WASH VLV W/SHRD ASSY
2	1	618248	1 1/16MJIC-90-1 1/16MOR LBO
3	1	618474	3/4MJIC-90-1 1/16MOR LBO
4	1	618674	1 1/16MJIC-90-1 1/16MOR XL LBO
5	2	690728	VALVE KEEPER/SPACER
6	2	900072	5/16UNC X 3" HEX BOLT
7	2	914002	5/16UNC HEX STOVER NUT



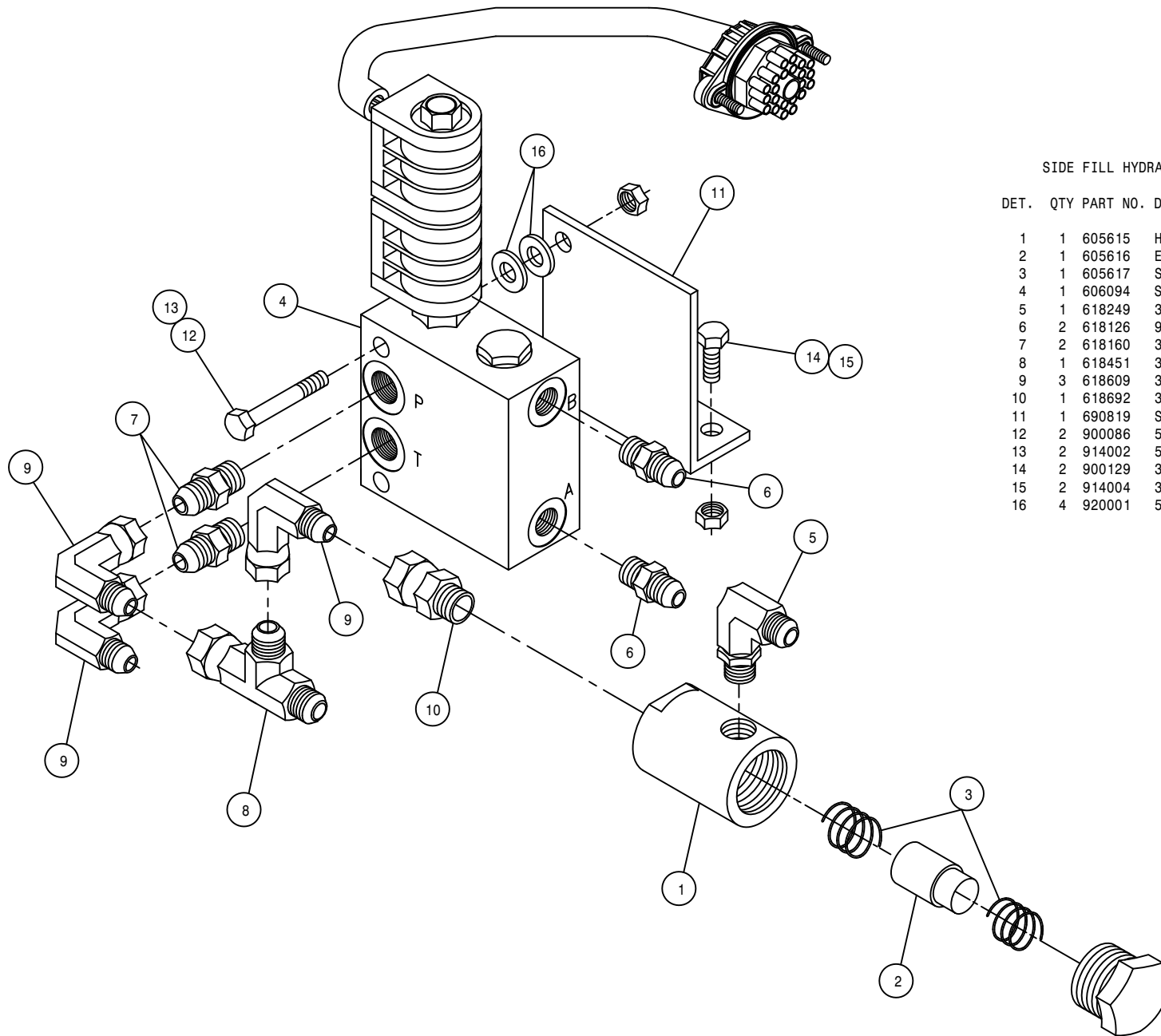
SIDE FILL-CHEMICAL INDUCTOR ASSEMBLY

DET.	QTY	PART NO.	DESCRIPTION
1	2	169028	10-24 HEX FLANGE LOCK NUT
2	3	291781	MICRO RELAY, BOSCH 12V SPDT
3	1	293634	SIDE FILL BOX HARNESS
4	1	291790	TOGGLE SWITCH, ON-OFF DPDT
5	1	293038	TOGGLE SWITCH DPDT 15 AMP
6	2	470001	RUBBER BOOT W NUT FOR 298012
7	2	470118	1/4UNC X 3/4 FLANGE HEX BOLT
8	2	470121	1/4UNC HEX FLANGE LOCK NUT
9	2	473911	5/16UNC-1.31ID-2.00 U-BOLT
10	2	900130	3/8UNC X 1 1/4 HEX BOLT
11	2	903882	10-24 X 1/2 SLT RDHD MACH SCR
12	4	914002	5/16UNC HEX STOVER NUT
13	1	690723	CHEM IND GUARD WLD
14	1	690722	SIDE FILL SWITCH BOX
15	1	650111	DECAL,CHEM INDUCTOR CTRL.STS12
16	2	914004	3/8UNC HEX STOVER NUT



SIDE FILL/CHEMICAL INDUCTOR ASSEMBLY

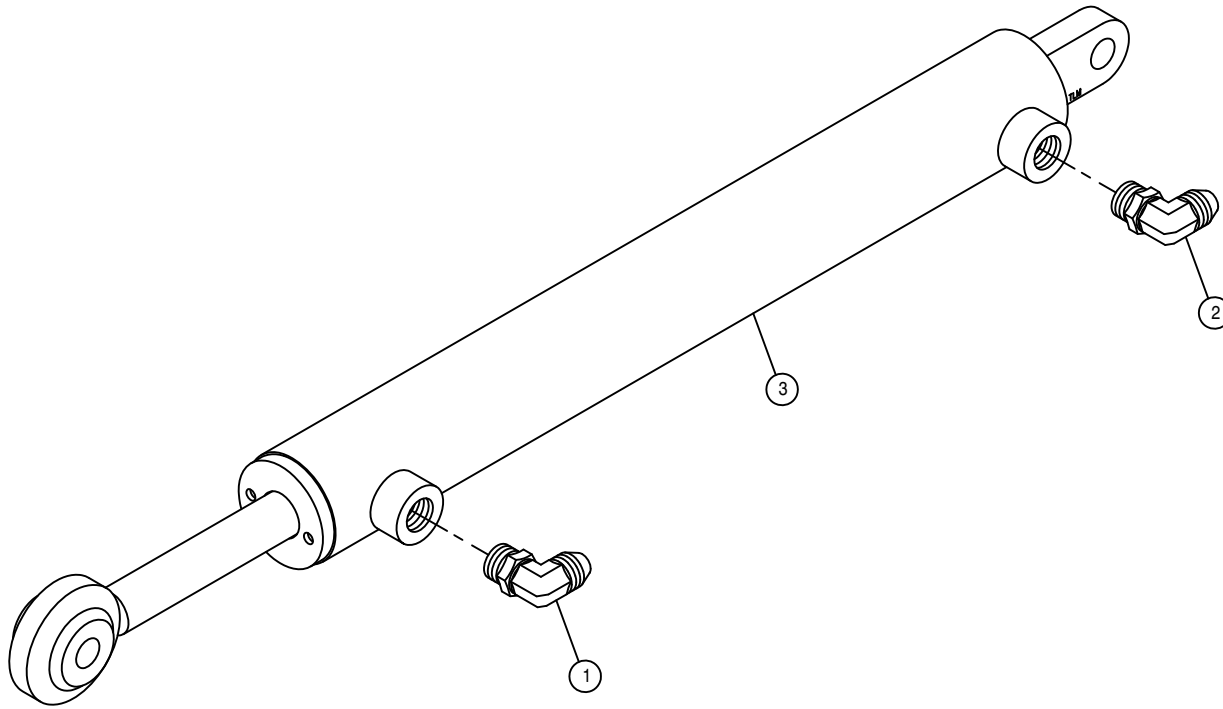
DET.	QTY	PART NO.	DESCRIPTION	
1	1	121101	TRANSOM PIVOT BRG,TOP	POLYGON
2	1	470352	LANYARD, 11"	POLY
3	2	500024	1"NPT-90-1"HOSE BARB, POLY	
4	1	500041	3/4NPT-90-1/2"HOSE BARB, POLY	
5	1	500085	1" X 3/4NPT REDU NIPPLE, POLY	
6	8	500157	1" FLANGE GASKET	EPDM
7	8	500159	1" FLANGE CLAMP, S.S.	
8	2	500163	1" FLANGE-1" MNPT ADPTR	POLY
9	2	500164	3" FLANGE-3" MNPT ADPTR	POLY
10	1	500168	1" FLANGE-1" FNPT ADPTR	POLY
11	2	500173	1" FLANGE-90-1" HOSE BARB	POLY
12	2	500174	1" FLANGE-90-1" FLANGE LBOPOLY	
13	7	500208	3" FLANGE CLAMP, S.S.	
14	7	500209	3" FLANGE GASKET	EPDM
15	1	500210	3" FLANGE-3" HOSE BARB	POLY
16	2	500213	3"FLANGE-90-3"FLANGE LBO	POLY
17	1	500216	3"FLANGE PLUG W/1"FNPT	POLY
18	1	500217	3" FLANGE TEE	POLY
19	1	500220	3"FLANGE-3"MNPT W/1"FNPT	POLY
20	1	505214	1"-3/4"NPT REDU BUSH, POLY	
21	5	520090	HOSE CLAMP NO 16	STAINLESS
22	1	601609	HOSE, 1 X 33 1BR BLK EPDM	
23	1	601611	HOSE, 1 X 30 2F-1W EPDM	
24	2	618183	3/4MJIC-90-7/8MOR LBO	
25	1	690488	1.00 CHECK VLV, SPRING LOADED	
26	1	690760	BANJO PUMP,3" SIDE FILL	STS12
27	1	690916	SIDE FILL ARM WLD, STS	2004
28	3	696147	BALL VLV, 1" FLANGE	
29	1	696149	BALL VLV, 3" FLANGE	
30	1	696225	3.00FNPT-MALE COUPLER	POLY
31	1	696231	CAP FOR 3.00 MALE COUPLER	POLY
32	1	701085	TANK, 5 GAL, SQ WHITE	
33	4	900064	5/16UNC X 3/4 HEX BOLT	
34	4	900066	5/16UNC X 1 1/4 HEX BOLT	
35	4	914002	5/16UNC HEX STOVER NUT	
36	8	920001	5/16 SAE FLAT WASHER	
37	4	920501	5/16 LOCK WASHER	
38	1	473978	ROLL PIN, 1/2 X 3 1/2 LG	
39	1	520070	HOSE CLAMP NO 8	STAINLESS
40	1	520145	356 T-BOLT HOSE CLAMP SS	
41	1	601459	HOSE, 1 X 245 1BR BLK EPDM	
42	1	621065	LADDER,SIDE FILL CYL ASSYSTS03	
43	1	690717	CHEM IND CYL MT WLD	
44	1	690729	3.50 OD X 2.68 ID X 11 GA WASH	
45	4	900265	1/2UNC X 1 1/2 HEX BOLT	
46	2	900267	1/2UNC X 2" HEX BOLT	
47	6	914008	1/2UNC HEX STOVER NUT	
48	1	701155	8" LID FOR 5 GAL TANK 701085	
49	1	500171	1" FLANGE-1" HOSE BARB	POLY



SIDE FILL HYDRAULIC VALVE ASSEMBLY

DET. QTY PART NO. DESCRIPTION

DET.	QTY	PART NO.	DESCRIPTION
1	1	605615	HYD FILTER, INLINE 25M 9/16FOR
2	1	605616	ELEMENT, 25M HYD FILTER 605615
3	1	605617	SPRING KIT, HYD FILTER 605615
4	1	606094	SIDEFILL VLV, W/LEADS DELTA
5	1	618249	3/4MJIC-90-9/16MOR LBO
6	2	618126	9/16MJIC-9/16MOR ADPTR
7	2	618160	3/4MJIC-7/16MOR ADPTR
8	1	618451	3/4FJIC SW RUN TEE-3/4MJIC
9	3	618609	3/4MJIC-90-3/4FJIC SWIV LBO
10	1	618692	3/4FJIC SWIV-9/16MOR ADPTR
11	1	690819	SIDEFILL HYD VLV MT, STS10 02
12	2	900086	5/16UNC X 2 1/4 HEX BOLT
13	2	914002	5/16UNC HEX STOVER NUT
14	2	900129	3/8UNC X 1" HEX BOLT
15	2	914004	3/8UNC HEX STOVER NUT
16	4	920001	5/16 SAE FLAT WASHER



LADDER AND SIDE FILL CYLINDER ASSEMBLY

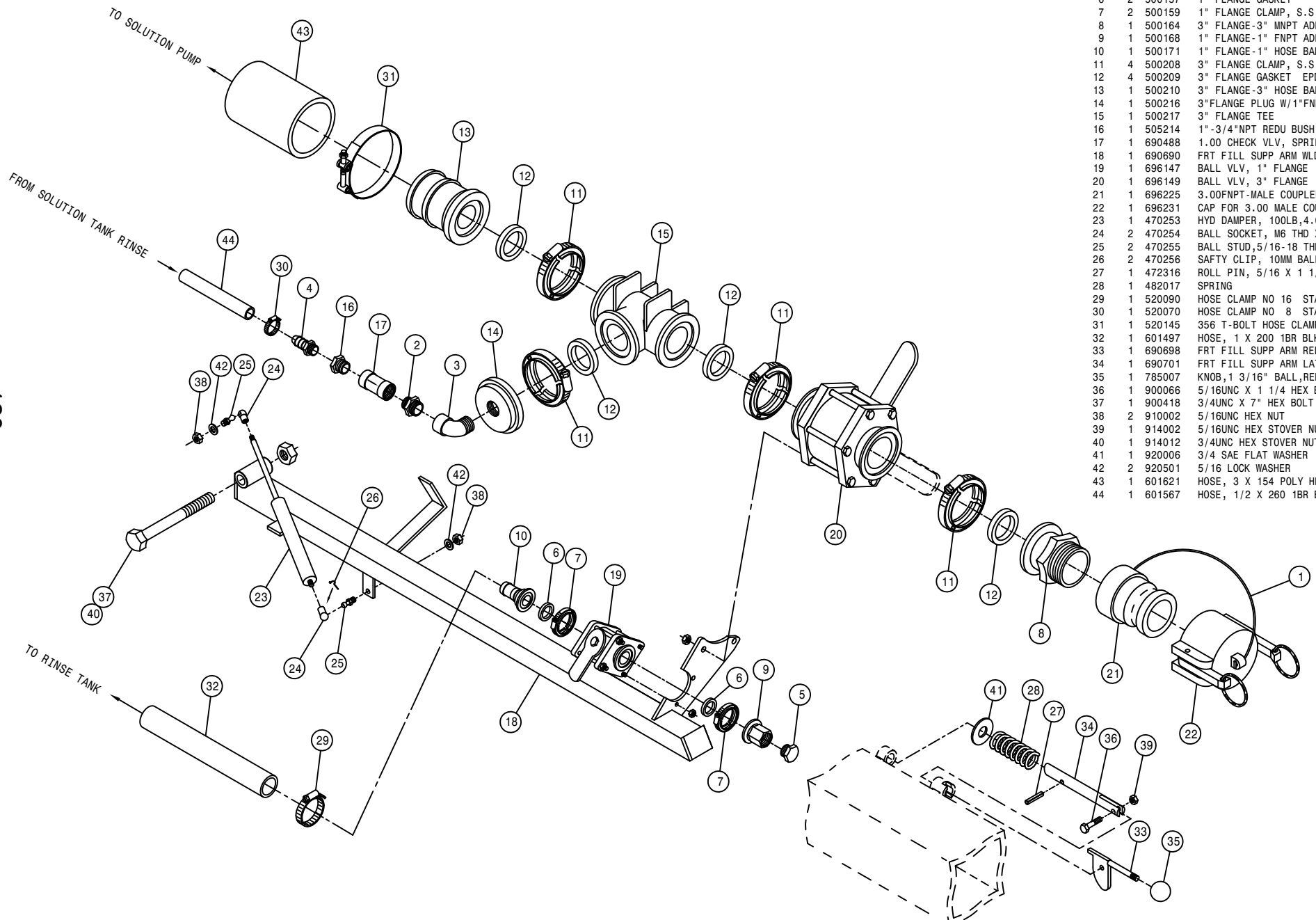
DET. QTY PART NO. DESCRIPTION

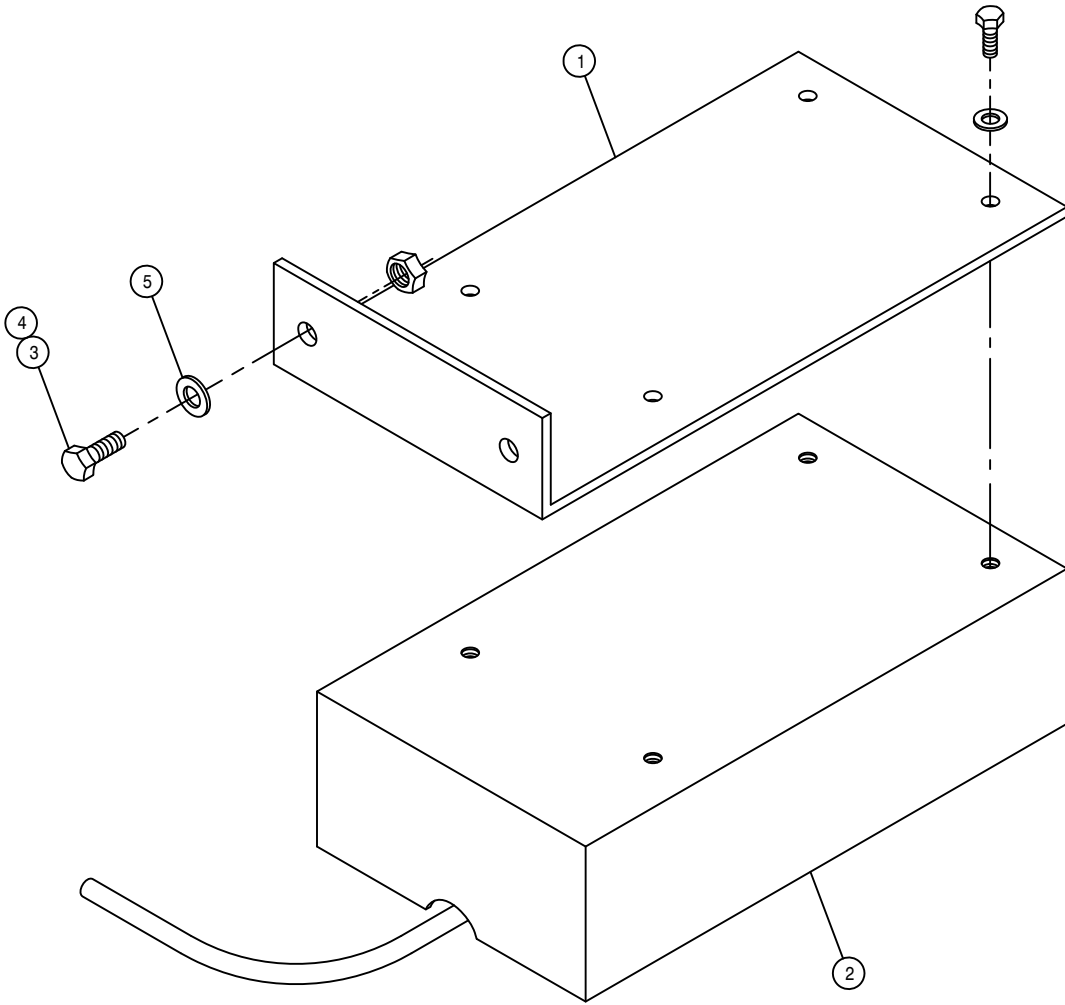
1	1	614750	.042 ELBOW ASSY,9/16MOR 90D
2	1	618119	9/16MJIC-90-9/16MOR LBO
3	1	621554	LADR/SF/BRKWAY CYL,1.50 X12.25
NS	1	621555	REPAIR KIT,HYD CYL 621554

NOTE: 621065 - LADDER & SIDE FILL CYLINDER ASSEMBLY WITH FITTINGS

FRONT FILL ASSEMBLY

DET.	QTY	PART NO.	DESCRIPTION
1	1	470352	LANYARD, 11" POLY
2	1	500013	1"NPT HEX PIPE NIPPLE, POLY
3	1	500014	1"NPT-90 ST EL, POLY
4	1	500019	3/4NPT-1/2HOSE BARB, POLY
5	1	500063	1"NPT PIPE PLUG, POLY
6	2	500157	1" FLANGE GASKET EPDM
7	2	500159	1" FLANGE CLAMP, S.S.
8	1	500164	3" FLANGE-3" MNPT ADPTR POLY
9	1	500168	1" FLANGE-1" FNPT ADPTR POLY
10	1	500171	1" FLANGE-1" HOSE BARB POLY
11	4	500208	3" FLANGE CLAMP, S.S.
12	4	500209	3" FLANGE GASKET EPDM
13	1	500210	3" FLANGE-3" HOSE BARB POLY
14	1	500216	3"FLANGE PLUG W/1"FNPT POLY
15	1	500217	3" FLANGE TEE POLY
16	1	505214	1"-3/4"NPT REDU BUSH, POLY
17	1	690488	1.00 CHECK VLV, SPRING LOADED
18	1	690690	FRT FILL SUPP ARM WLD
19	1	696147	BALL VLV, 1" FLANGE
20	1	696149	BALL VLV, 3" FLANGE
21	1	696225	3.00FNPT-MALE COUPLER POLY
22	1	696231	CAP FOR 3.00 MALE COUPLER POLY
23	1	470253	HYD DAMPER, 100LB,4.0 STROKE
24	2	470254	BALL SOCKET, M6 THD X 10MM
25	2	470255	BALL STUD,5/16-18 THD X 10MM
26	2	470256	SAFTY CLIP, 10MM BALL SOCKET
27	1	472316	ROLL PIN, 5/16 X 1 1/2
28	1	482017	SPRING
29	1	520090	HOSE CLAMP NO 16 STAINLESS
30	1	520070	HOSE CLAMP NO 8 STAINLESS
31	1	520145	356 T-BOLT HOSE CLAMP SS
32	1	601497	HOSE, 1 X 200 1BR BLK EPDM
33	1	690698	FRT FILL SUPP ARM REL WLD
34	1	690701	FRT FILL SUPP ARM LATCH PIN
35	1	785007	KNOB,1 3/16" BALL,RED,3/8-16
36	1	900066	5/16UNC X 1 1/4 HEX BOLT
37	1	900418	3/4UNC X 7" HEX BOLT
38	2	910002	5/16UNC HEX NUT
39	1	914002	5/16UNC HEX STOVER NUT
40	1	914012	3/4UNC HEX STOVER NUT
41	1	920006	3/4 SAE FLAT WASHER
42	2	920501	5/16 LOCK WASHER
43	1	601621	HOSE, 3 X 154 POLY HELIX EPDM
44	1	601567	HOSE, 1/2 X 260 1BR BLK EPDM

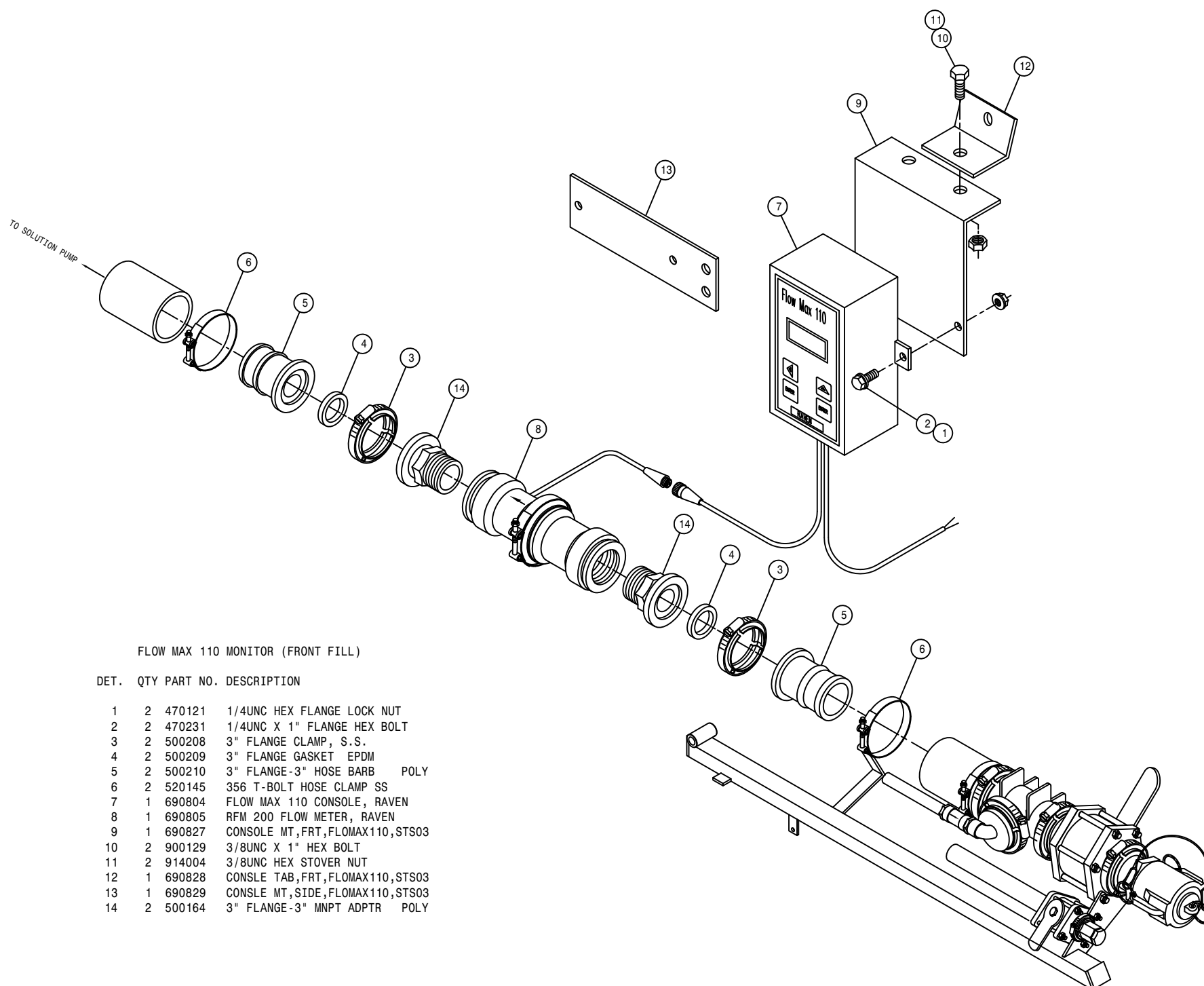




RADAR OPTION

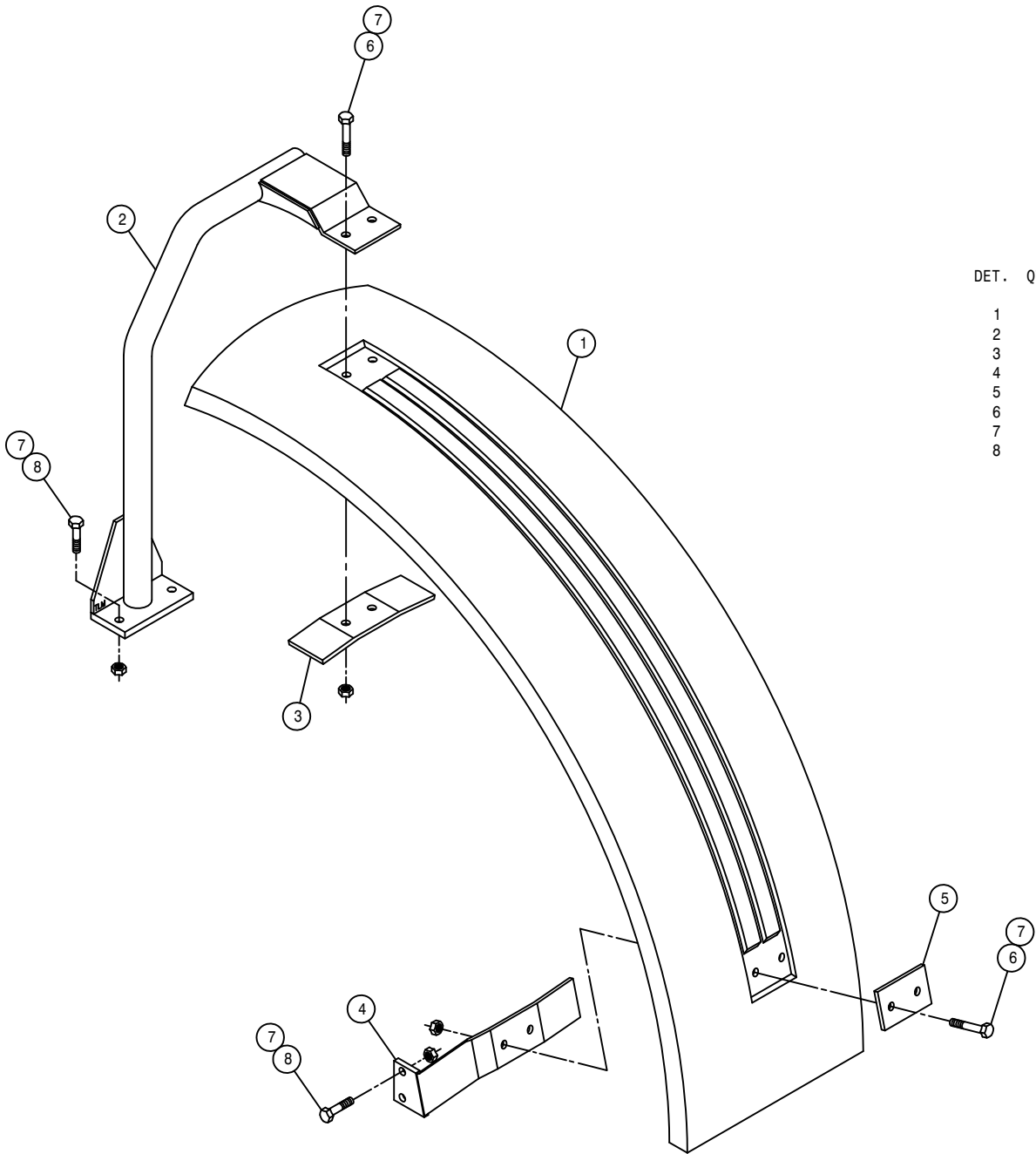
DET. QTY PART NO. DESCRIPTION

1	1	342857	RADAR MTG BRKT
2	1	690599	RAVEN RADAR UNIT W/CABLE
3	2	900129	3/8UNC X 1" HEX BOLT
4	2	914004	3/8UNC HEX STOVER NUT
5	2	920002	3/8 SAE FLAT WASHER



FLOW MAX 110 MONITOR (FRONT FILL)

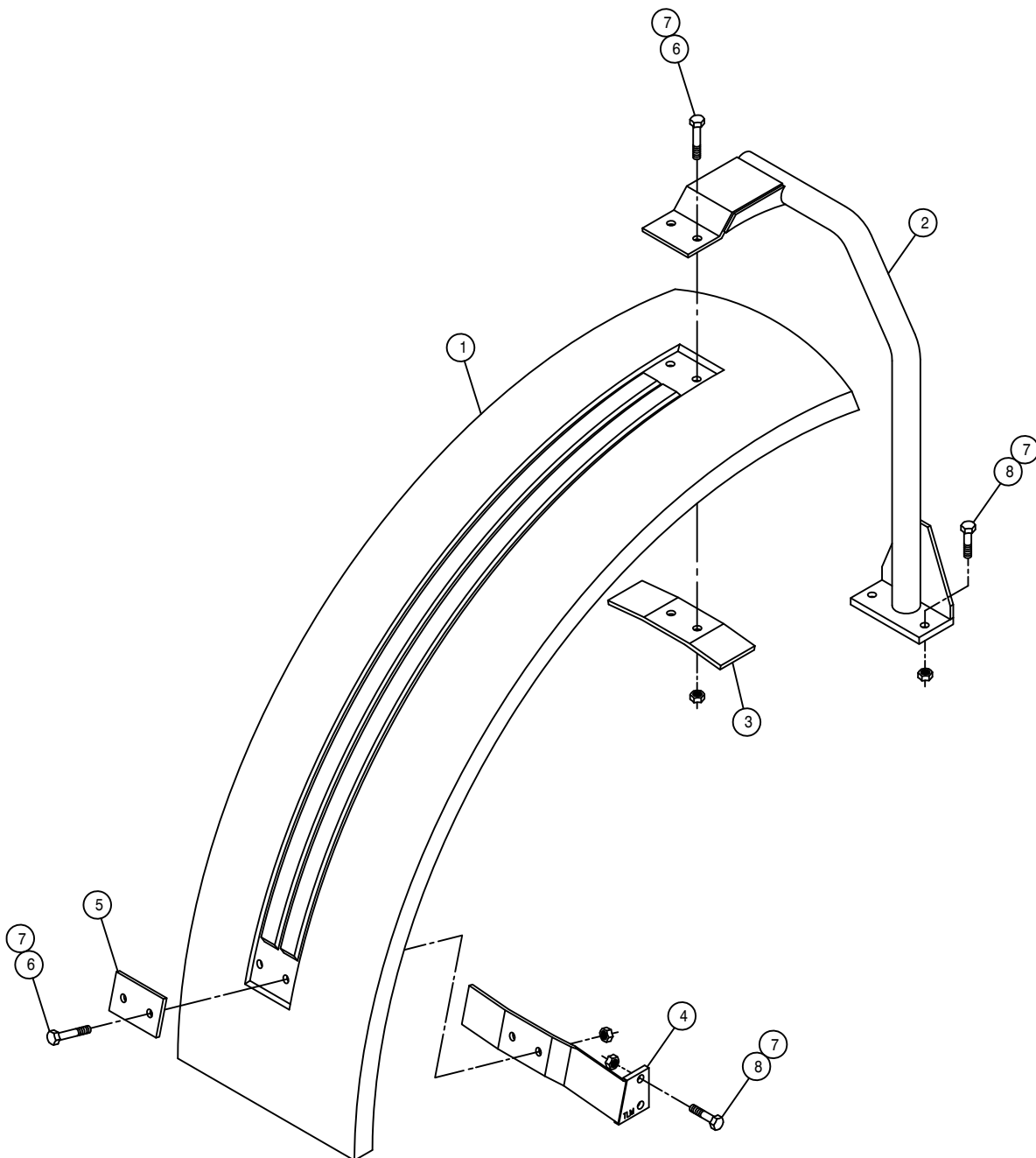
DET.	QTY	PART NO.	DESCRIPTION
	1	2 470121	1/4UNC HEX FLANGE LOCK NUT
	2	2 470231	1/4UNC X 1" FLANGE HEX BOLT
	3	2 500208	3" FLANGE CLAMP, S.S.
	4	2 500209	3" FLANGE GASKET EPDM
	5	2 500210	3" FLANGE-3" HOSE BARB POLY
	6	2 520145	356 T-BOLT HOSE CLAMP SS
	7	1 690804	FLOW MAX 110 CONSOLE, RAVEN
	8	1 690805	RFM 200 FLOW METER, RAVEN
	9	1 690827	CONSOLE MT,FRT,FLOMAX110,STS03
	10	2 900129	3/8UNC X 1" HEX BOLT
	11	2 914004	3/8UNC HEX STOVER NUT
	12	1 690828	CONSLE TAB,FRT,FLOMAX110,STS03
	13	1 690829	CONSLE MT,SIDE,FLOMAX110,STS03
	14	2 500164	3" FLANGE-3" MNPT ADPTR POLY



RIGHT FENDER ASSEMBLY

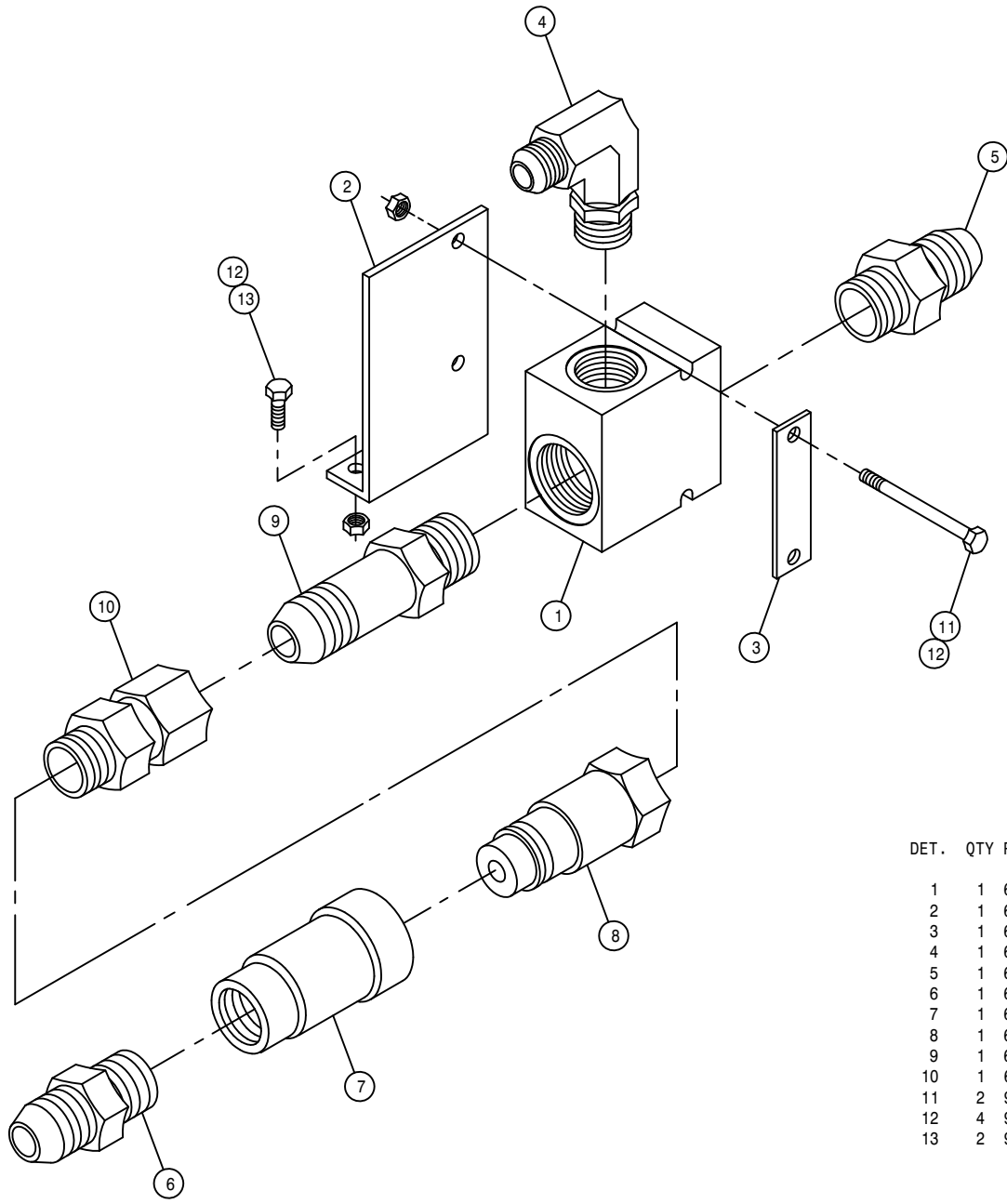
DET. QTY PART NO. DESCRIPTION

1	1	359151	FENDER, STS12	2000
2	1	359205	RH FENDER MT WLD STS	03
3	1	359160	FENDER MT KEEPER	STS12
4	1	359208	RH FENDER SUPP BRKT WLD STS	03
5	1	359167	FENDER SUPPORT KEEPER	STS12
6	4	900268	1/2UNC X 2 1/2 HEX BOLT	
7	8	914008	1/2UNC HEX STOVER NUT	
8	4	900266	1/2UNC X 1 3/4 HEX BOLT	



LEFT FENDER ASSEMBLY

DET.	QTY	PART NO.	DESCRIPTION	
1	1	359151	FENDER, STS12	2000
2	1	359206	LH FENDER MT WLD STS12	03
3	1	359160	FENDER MT KEEPER	STS12
4	1	359209	LH FENDER SUPP BRKT WLD STS	03
5	1	359167	FENDER SUPPORT KEEPER	STS12
6	4	900268	1/2UNC X 2 1/2 HEX BOLT	
7	8	914008	1/2UNC HEX STOVER NUT	
8	4	900266	1/2UNC X 1 3/4 HEX BOLT	



MANIFOLD ASSEMBLY

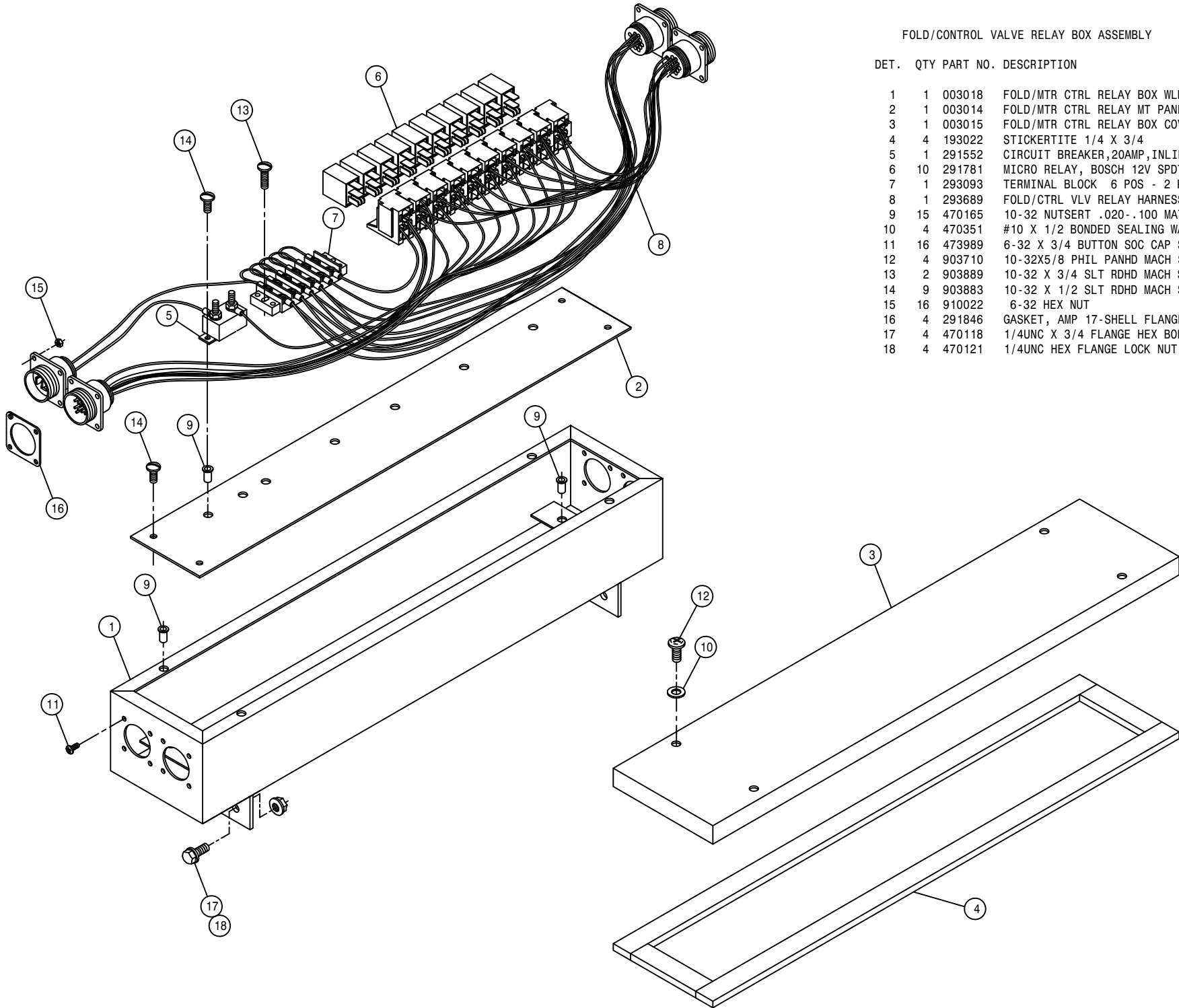
DET. QTY PART NO. DESCRIPTION

DET.	QTY	PART NO.	DESCRIPTION
1	1	606075	MANIFOLD, 1 5/16FOR & 1 5/8FOR
2	1	606081	MANIFOLD MT PLT, STS12 COMBO
3	1	606082	MANIFOLD MT KEEPER, STS12 COMBO
4	1	618178	1 5/16MJIC-90-1 5/16MOR LBO
5	1	618186	1 5/16MJIC-1 5/16MOR ADPTR
6	1	618471	1 5/8MJIC-1 5/16MOR ADPTR
7	1	618686	HYD COUPLER, FEM 1"B, 1 5/16FOR
8	1	618687	HYD COUPLER, MALE 1"B, 1 5/16FOR
9	1	618724	1 5/8MJIC-1 5/8MOR LG ADPTR
10	1	618725	1 5/16MOR-1 5/8FJIC SWIV
11	2	900072	5/16UNC X 3" HEX BOLT
12	4	914002	5/16UNC HEX STOVER NUT
13	2	900065	5/16UNC X 1" HEX BOLT

FOLD/CONTROL VALVE RELAY BOX ASSEMBLY

DET. QTY PART NO. DESCRIPTION

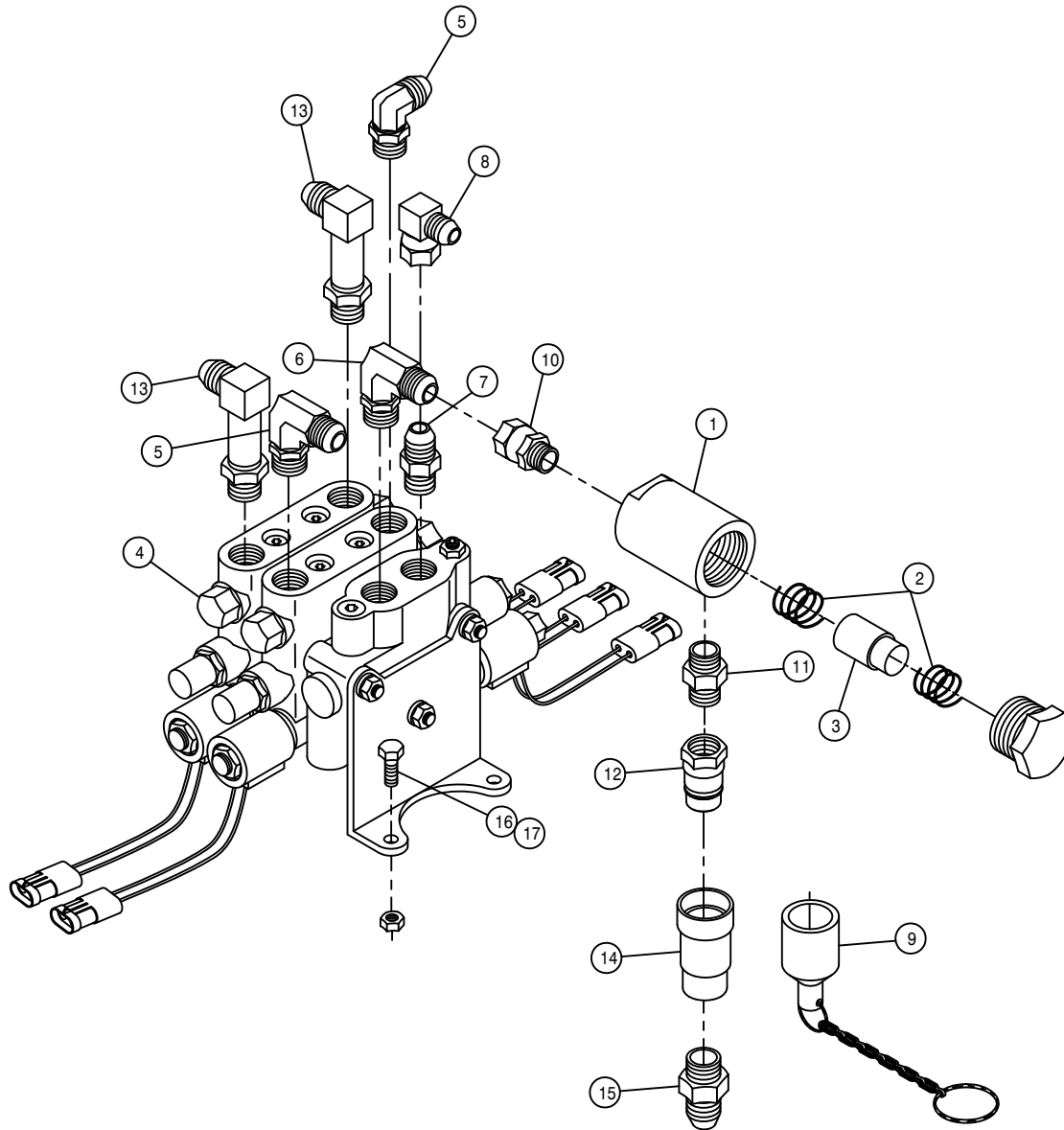
DET.	QTY	PART NO.	DESCRIPTION
1	1	003018	FOLD/MTR CTRL RELAY BOX WLD 03
2	1	003014	FOLD/MTR CTRL RELAY MT PANEL
3	1	003015	FOLD/MTR CTRL RELAY BOX COVER
4	4	193022	STICKERTITE 1/4 X 3/4
5	1	291552	CIRCUIT BREAKER, 20AMP, INLINEMT
6	10	291781	MICRO RELAY, BOSCH 12V SPDT
7	1	293093	TERMINAL BLOCK 6 POS - 2 ROW
8	1	293689	FOLD/CTRL VLV RELAY HARNESS
9	15	470165	10-32 NUTSERT .020-.100 MATL
10	4	470351	#10 X 1/2 BONDED SEALING WASH
11	16	473989	6-32 X 3/4 BUTTON SOC CAP SCR
12	4	903710	10-32X5/8 PHIL PANHD MACH SCR
13	2	903889	10-32 X 3/4 SLT RDHD MACH SCR
14	9	903883	10-32 X 1/2 SLT RDHD MACH SCR
15	16	910022	6-32 HEX NUT
16	4	291846	GASKET, AMP 17-SHELL FLANGED
17	4	470118	1/4UNC X 3/4 FLANGE HEX BOLT
18	4	470121	1/4UNC HEX FLANGE LOCK NUT

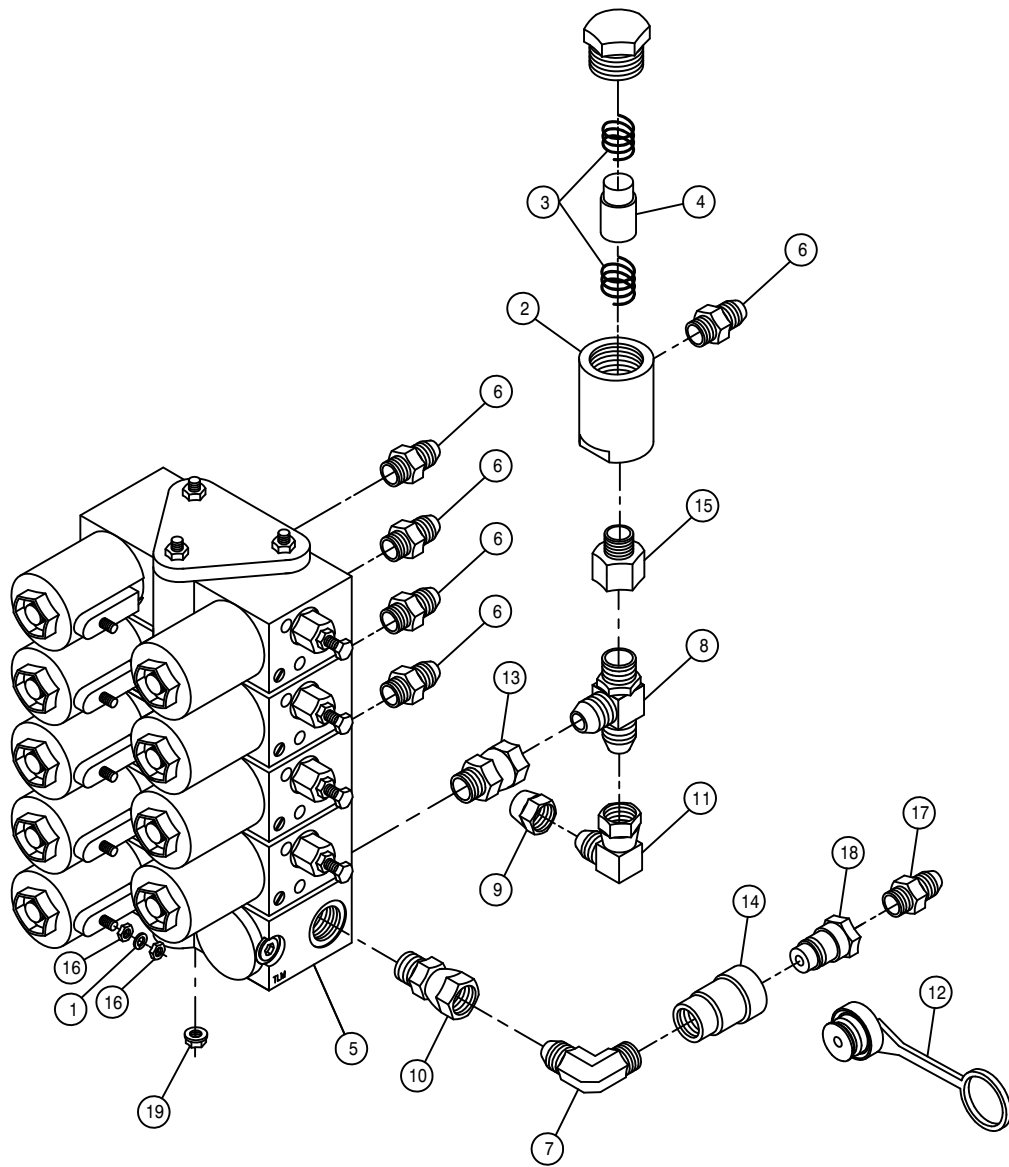


OUTRIGGER FOLD VALVE ASSEMBLY

DET. QTY PART NO. DESCRIPTION

DET.	QTY	PART NO.	DESCRIPTION
1	1	605615	HYD FILTER, INLINE 25M 9/16FOR
2	1	605617	SPRING KIT, HYD FILTER 605615
3	1	605616	ELEMENT, 25M HYD FILTER 605615
4	1	606090	BRAND HYD VALVE, 2-SECT SER 36
5	2	618115	9/16MJIC-90-3/4MOR LBO
6	1	618183	3/4MJIC-90-7/8MOR LBO
7	1	618310	9/16MJIC-7/8MOR ADPTR
8	1	618618	9/16MJIC-90-9/16FJIC SWIV LBO
9	1	618636	RUBBER DUST CAP, 618622/697
10	1	618692	3/4FJIC SWIV-9/16MOR ADPTR
11	1	618693	3/4MOR-9/16MOR REDU UNION
12	1	618697	HYD COUPLER, MALE 1/2B, 3/4FOR
13	2	618709	9/16MJIC-90-3/4MOR EX LG LBO
14	1	618696	HYD COUPLER, FEM 1/2B, 3/4FOR
15	1	611125	3/4MJIC-3/4MOR ADPTR
16	4	900065	5/16UNC X 1" HEX BOLT
17	4	914002	5/16UNC HEX STOVER NUT

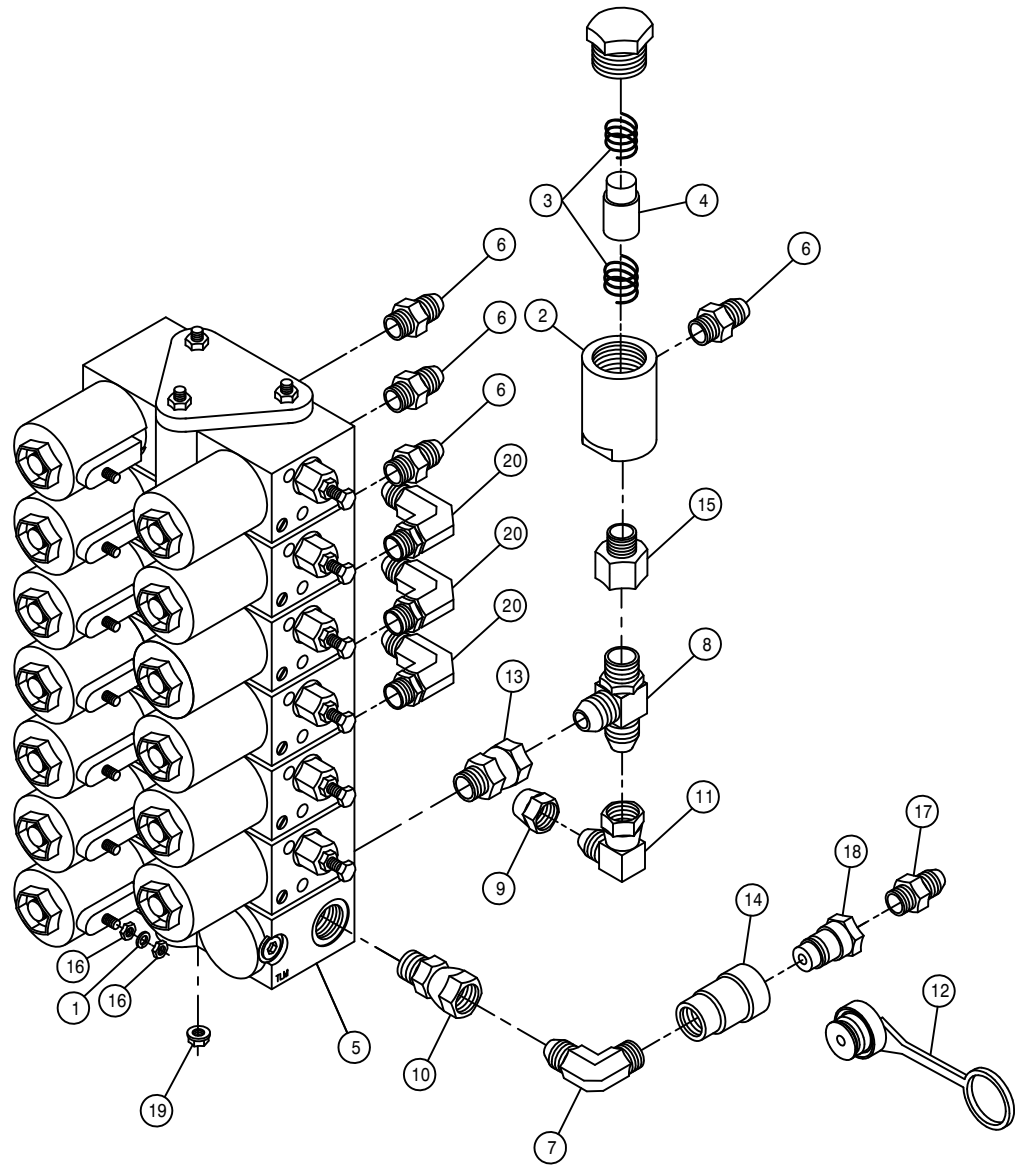




4-LIFT ELECTRIC VALVE ASSEMBLY

DET. QTY PART NO. DESCRIPTION

DET.	QTY	PART NO.	DESCRIPTION
1	9	473821	#10 INT TOOTH WASHER
2	1	605615	HYD FILTER, INLINE 25M 9/16FOR
3	1	605617	SPRING KIT, HYD FILTER 605615
4	1	605616	ELEMENT, 25M HYD FILTER 605615
5	1	610613	ELECT HYD STACT VLV, 4 SECT
6	5	618126	9/16MJIC-9-1/16MOR ADPTR
7	1	618173	7/8MJIC-90-3/4MOR LBO
8	1	618494	3/4MOR RUN TEE-3/4MJIC
9	1	618532	3/4FJIC CAP NUT
10	1	618594	7/8FJIC SWIV-7/8MOR ADPTR
11	1	618609	3/4MJIC-90-3/4FJIC SWIV LBO
12	1	618635	RUBBER DUST PLUG, 618621/696
13	1	618669	3/4FJIC SWIV-3/4MOR ADPTR
14	1	618696	HYD COUPLER, FEM 1/2B, 3/4FOR
15	1	618706	9/16MOR-3/4FOR ADPTR
16	18	910027	10-32 HEX NUT
17	1	611125	3/4MJIC-3/4MOR ADPTR
18	1	618697	HYD COUPLER, MALE 1/2B, 3/4FOR
19	3	470121	1/4UNC HEX FLANGE LOCK NUT

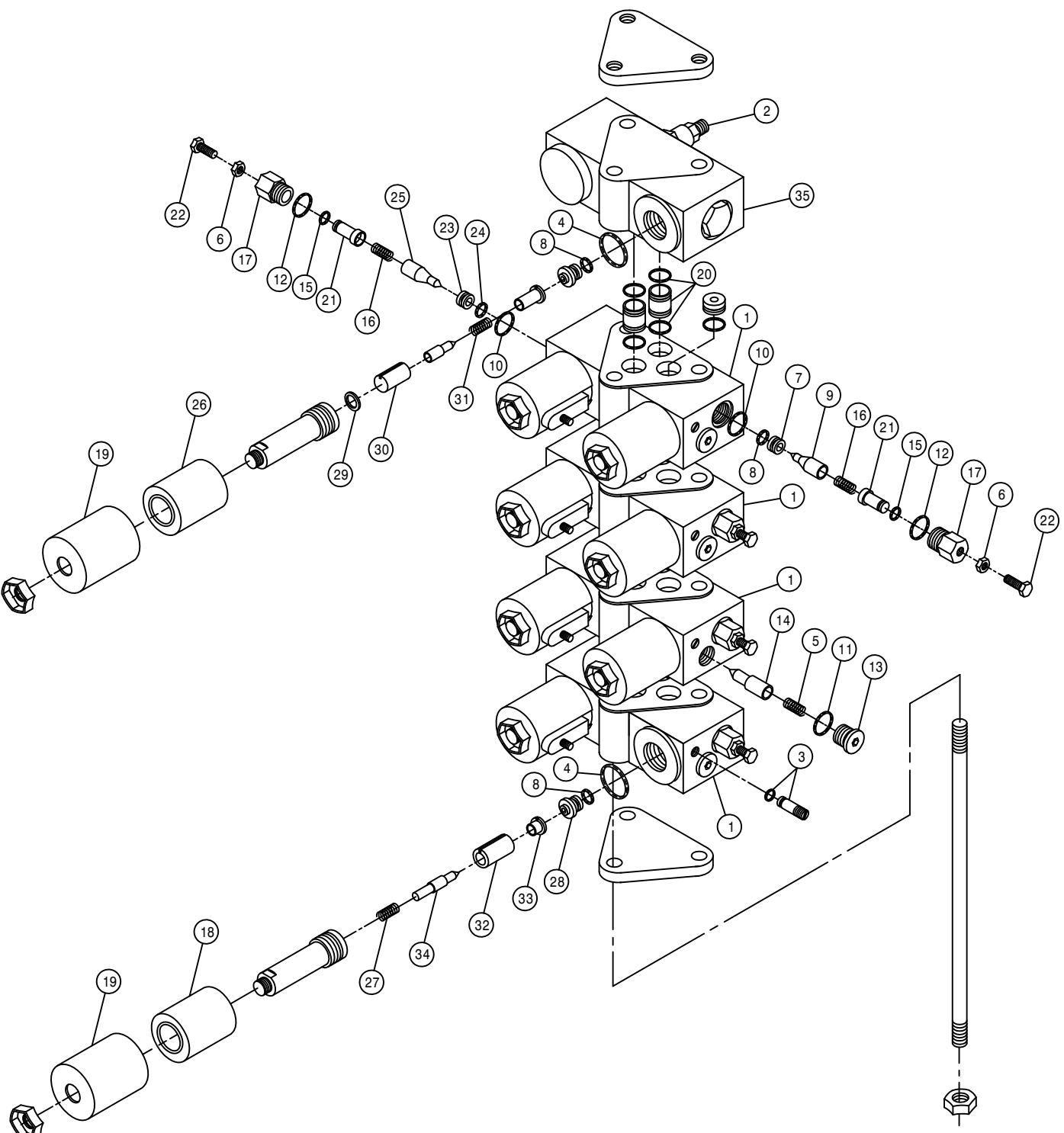


6-LIFT ELECTRIC VALVE ASSEMBLY

DET. QTY PART NO. DESCRIPTION

1	13	473821	#10 INT TOOTH WASHER
2	1	605615	HYD FILTER,INLINE 25M 9/16FOR
3	1	605617	SPRING KIT, HYD FILTER 605615
4	1	605616	ELEMENT,25M HYD FILTER 605615
5	1	610615	ELECT HYD STACT VLV, 6 SECT
6	4	618126	9/16MJIC-9/16MOR ADPTR
7	1	618173	7/8MJIC-90-3/4MOR LBO
8	1	618494	3/4MOR RUN TEE-3/4MJIC
9	1	618532	3/4FJIC CAP NUT
10	1	618594	7/8FJIC SWIV-7/8MOR ADPTR
11	1	618609	3/4MJIC-90-3/4FJIC SWIV LBO
12	1	618635	RUBBER DUST PLUG, 618621/696
13	1	618669	3/4FJIC SWIV-3/4MOR ADPTR
14	1	618696	HYD COUPLER,FEM 1/2B, 3/4FOR
15	1	618706	9/16MOR-3/4FOR ADPTR
16	26	910027	10-32 HEX NUT
17	1	611125	3/4MJIC-3/4MOR ADPTR
18	1	618697	HYD COUPLER,MALE 1/2B, 3/4FOR
19	3	470121	1/4UNC HEX FLANGE LOCK NUT
20	3	618119	9/16MJIC-90-9/16MOR LBO

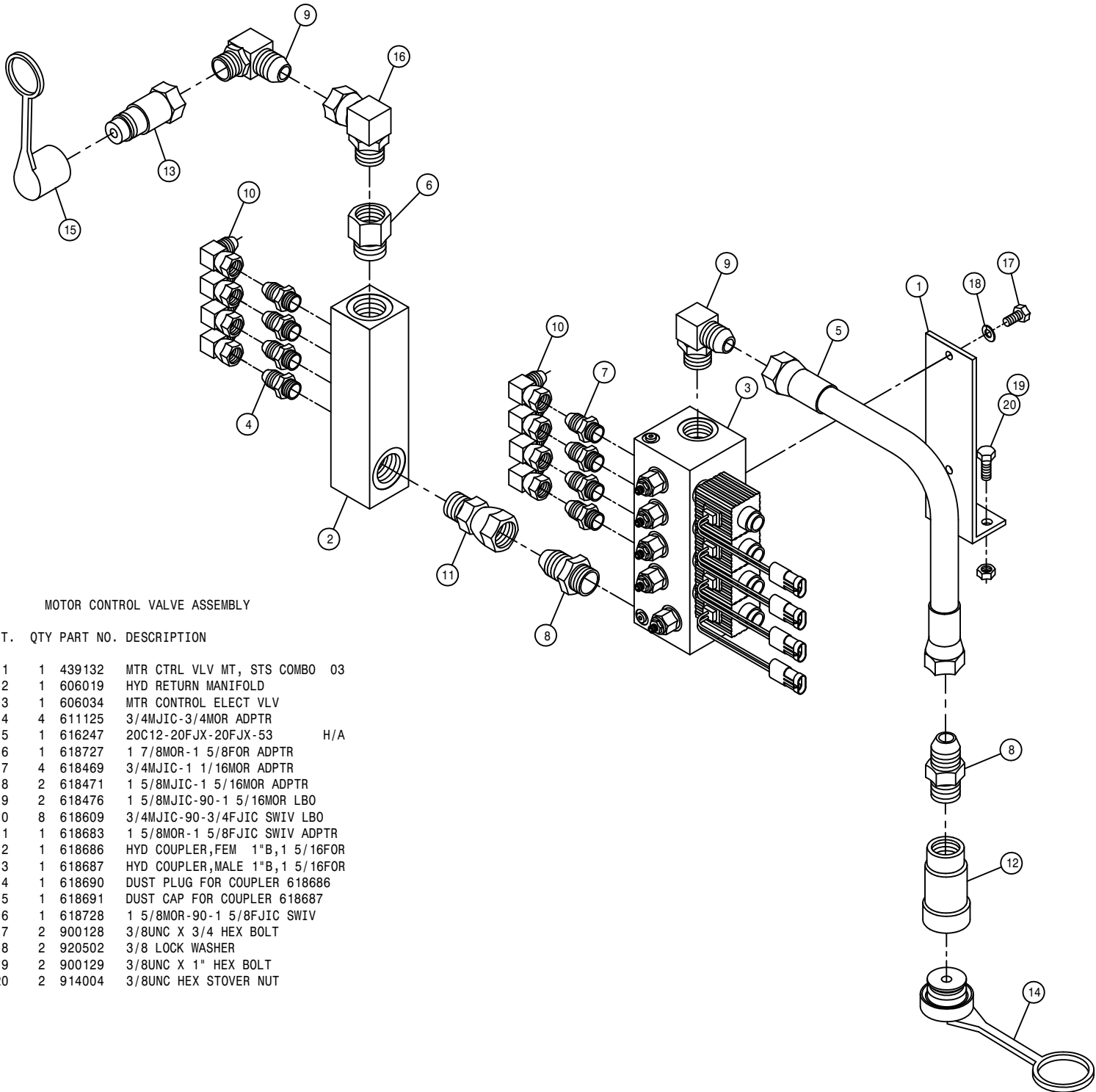
130



ELECTROHYDRAULIC VALVE

DET.	QTY	PART NO.	DESCRIPTION	
1	4	610533	UNBALANCED LOAD VALVE	89
2	1	610551	R.V. CARTRIDGE FOR 610532	90
3	8	610267	SEAL PLUG ASSY FOR 610257	
4	9	871019	ORING, 13/16 X 15/16 NEO 90D	
5	4	610491	SPRING AM-501-3-035 FOR610485	
6	8	910000	1/4UNC HEX NUT	
7	4	610488	ORIFICE PRESSED IN BLACK	
8	13	871010	ORING 1/4 X 3/8 VITON 90D	
9	4	610129	POPPET,ELECT VALVE,UNBAL LOAD	
10	8	870013	ORING, 7/16 X 9/16 NEO 70D	
11	4	871904	ORING, .351 X .072CS NEO 90D	
12	8	871906	ORING, .468ID X .078CS NEO 90D	
13	4	610130	PLUG, SAE4,ELECT VALVE,UNBAL	
14	4	610489	CHECK VLV POPPET	
15	8	871008	O-RING 3/16 X 5/16 90D	
16	8	610492	SPRING AM-570-3-126 FOR610485	
17	8	610453	VLV CAP	
18	8	610493	COIL FOR 610485	86
19	9	610113	COVER, ELECT VALVE, NON ADJ	
20	8	610534	THRU TUBE ASSY ELEC VLV	89
21	8	610452	ADJ VLV STOP	
22	8	900003	1/4UNC X 1" HEX BOLT	
23	4	610494	ORIFICE FOR 610485	
24	4	871056	O-RING	90D
25	4	610495	POPPET FOR 610485AM-570-3-654	
26	1	610076	COIL, ELECT STACK VALVE	
27	8	610127	SPRING,ELECT VALVE,UNBAL LOAD	
28	8	610108	ORIFICE 040, ELECT VALVE	
29	1	610084	WASHER, ELECT-HYD VALVE	
30	1	610112	ARMATURE, ELECT VALVE	
31	1	610110	SPRING, ELECT VALVE, NON ADJ	
32	8	610126	ARMATURE, ELECT VALVE, UNBAL	
33	8	610133	POLE PIECE,ELECT VALVE, UNBAL	
34	8	610490	POPPET FOR 610485AM-501-3-033	
35	1	610679	UNLOAD RELIEF VALVE	

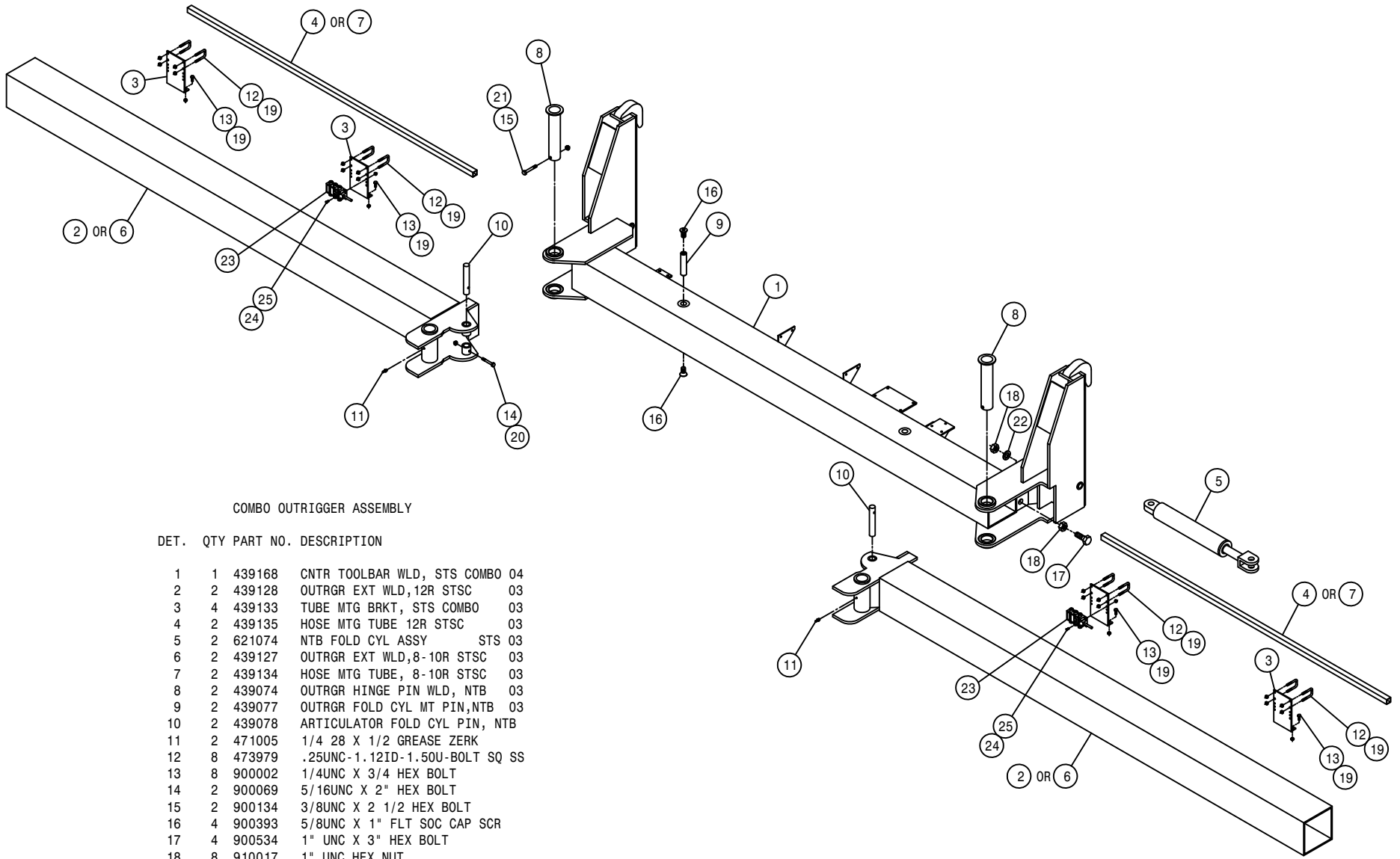
308130



MOTOR CONTROL VALVE ASSEMBLY

DET. QTY PART NO. DESCRIPTION

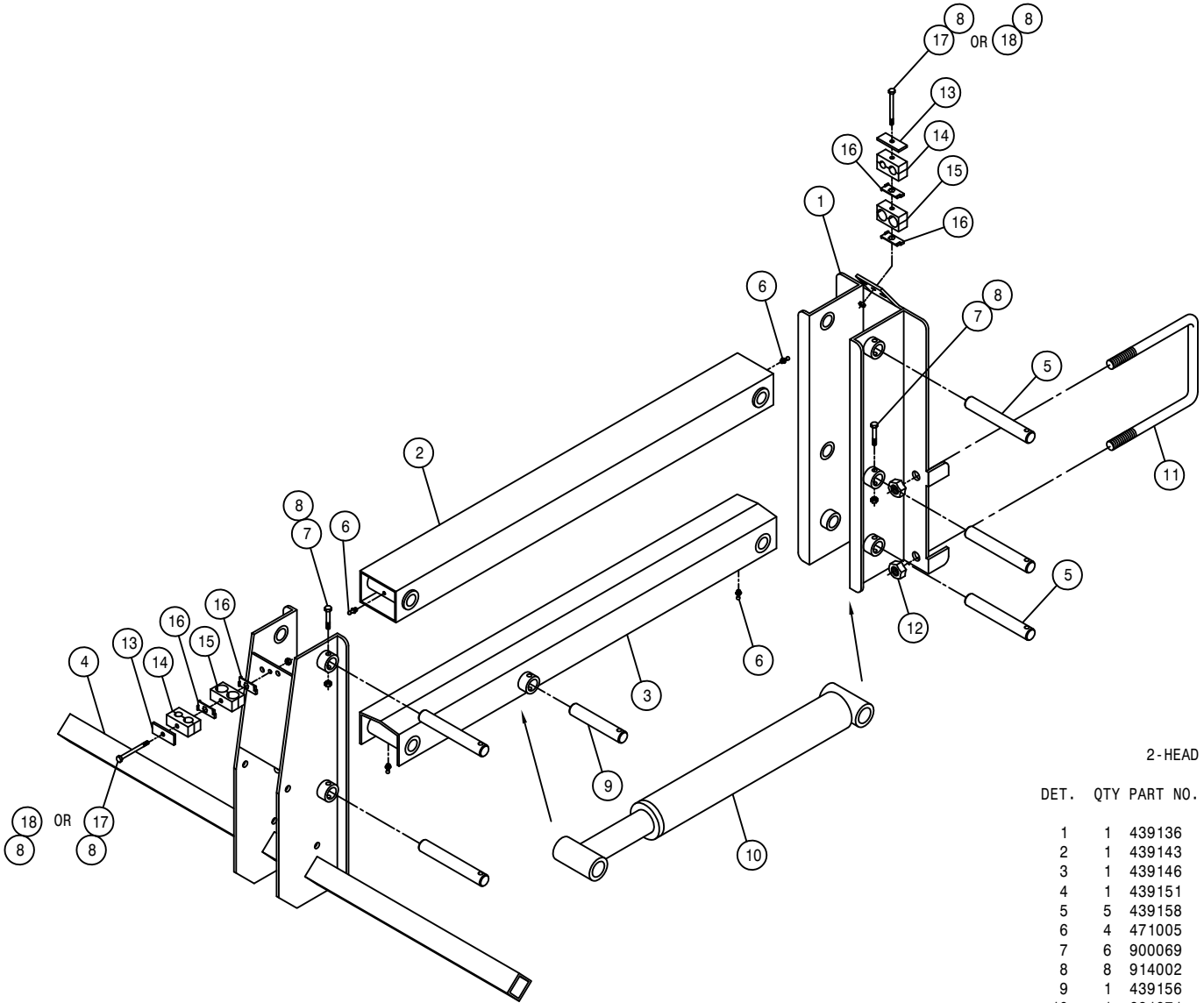
1	1	439132	MTR CTRL VLV MT, STS COMBO 03
2	1	606019	HYD RETURN MANIFOLD
3	1	606034	MTR CONTROL ELECT VLV
4	4	611125	3/4MJIC-3/4MOR ADPTR
5	1	616247	20C12-20FJX-20FJX-53 H/A
6	1	618727	1 7/8MOR-1 5/8FOR ADPTR
7	4	618469	3/4MJIC-1 1/16MOR ADPTR
8	2	618471	1 5/8MJIC-1 5/16MOR ADPTR
9	2	618476	1 5/8MJIC-90-1 5/16MOR LBO
10	8	618609	3/4MJIC-90-3/4FJIC SWIV LBO
11	1	618683	1 5/8MOR-1 5/8FJIC SWIV ADPTR
12	1	618686	HYD COUPLER,FEM 1"B,1 5/16FOR
13	1	618687	HYD COUPLER,MALE 1"B,1 5/16FOR
14	1	618690	DUST PLUG FOR COUPLER 618686
15	1	618691	DUST CAP FOR COUPLER 618687
16	1	618728	1 5/8MOR-90-1 5/8FJIC SWIV
17	2	900128	3/8UNC X 3/4 HEX BOLT
18	2	920502	3/8 LOCK WASHER
19	2	900129	3/8UNC X 1" HEX BOLT
20	2	914004	3/8UNC HEX STOVER NUT



COMBO OUTRIGGER ASSEMBLY

DET. QTY PART NO. DESCRIPTION

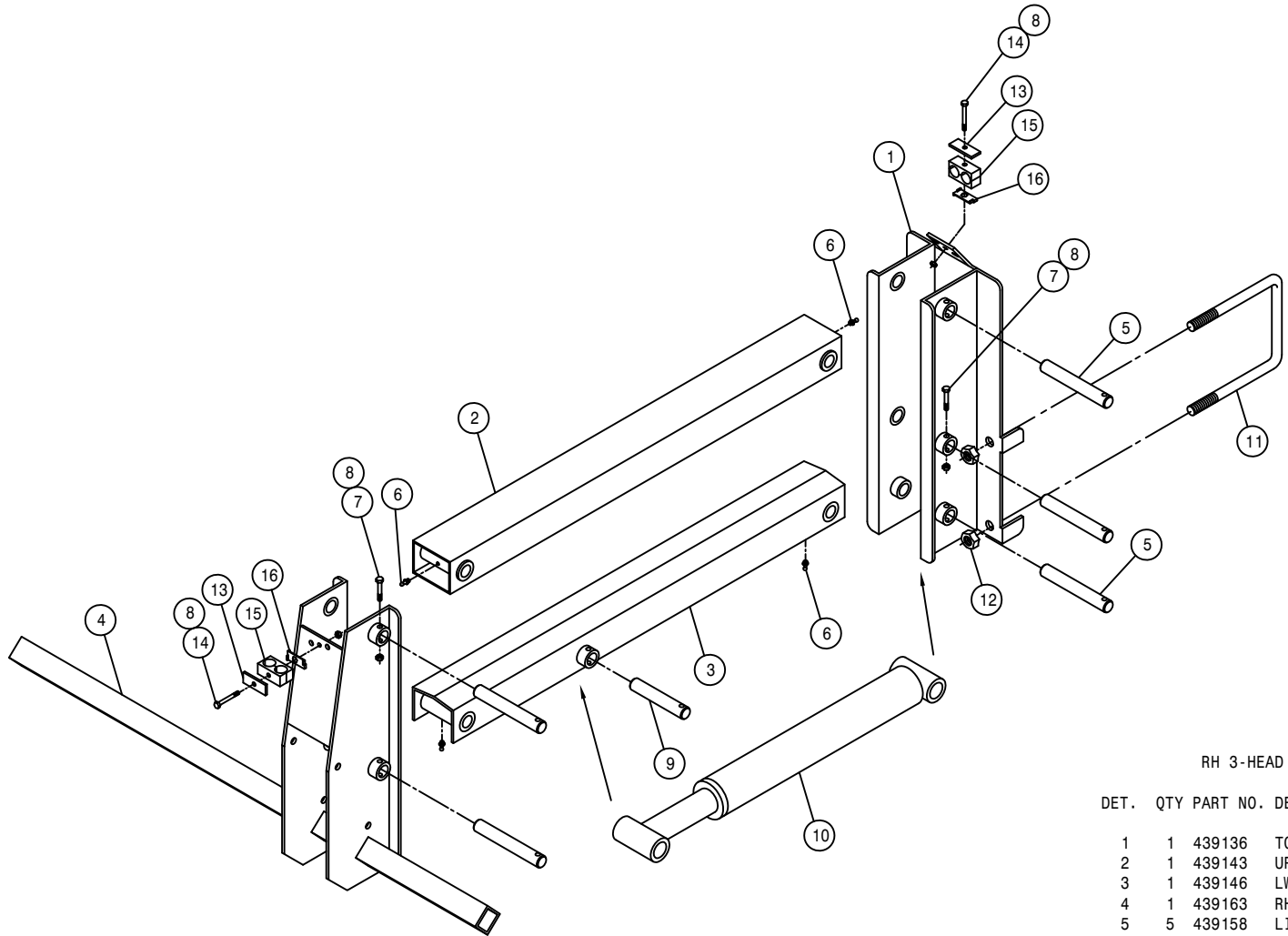
1	1	439168	CNTR TOOLBAR WLD, STS COMBO 04
2	2	439128	OUTRGR EXT WLD, 12R STSC 03
3	4	439133	TUBE MTG BRKT, STS COMBO 03
4	2	439135	HOSE MTG TUBE 12R STSC 03
5	2	621074	NTB FOLD CYL ASSY STS 03
6	2	439127	OUTRGR EXT WLD, 8-10R STSC 03
7	2	439134	HOSE MTG TUBE, 8-10R STSC 03
8	2	439074	OUTRGR HINGE PIN WLD, NTB 03
9	2	439077	OUTRGR FOLD CYL MT PIN, NTB 03
10	2	439078	ARTICULATOR FOLD CYL PIN, NTB 03
11	2	471005	1/4 28 X 1/2 GREASE ZERK
12	8	473979	.25UNC-1.12ID-1.50U-BOLT SQ SS
13	8	900002	1/4UNC X 3/4 HEX BOLT
14	2	900069	5/16UNC X 2" HEX BOLT
15	2	900134	3/8UNC X 2 1/2 HEX BOLT
16	4	900393	5/8UNC X 1" FLT SOC CAP SCR
17	4	900534	1" UNC X 3" HEX BOLT
18	8	910017	1" UNC HEX NUT
19	24	914000	1/4UNC HEX STOVER NUT
20	2	914002	5/16UNC HEX STOVER NUT
21	2	914004	3/8UNC HEX STOVER NUT
22	4	920508	1" LOCK WASHER
23	2	293697	LS CONNECT MODULE, 6-PORT STS
24	6	470175	10-32 HEX FLANGE LOCK NUT
25	6	903710	10-32X5/8 PHIL PANHD MACH SCR



2-HEAD LIFT ASSEMBLY

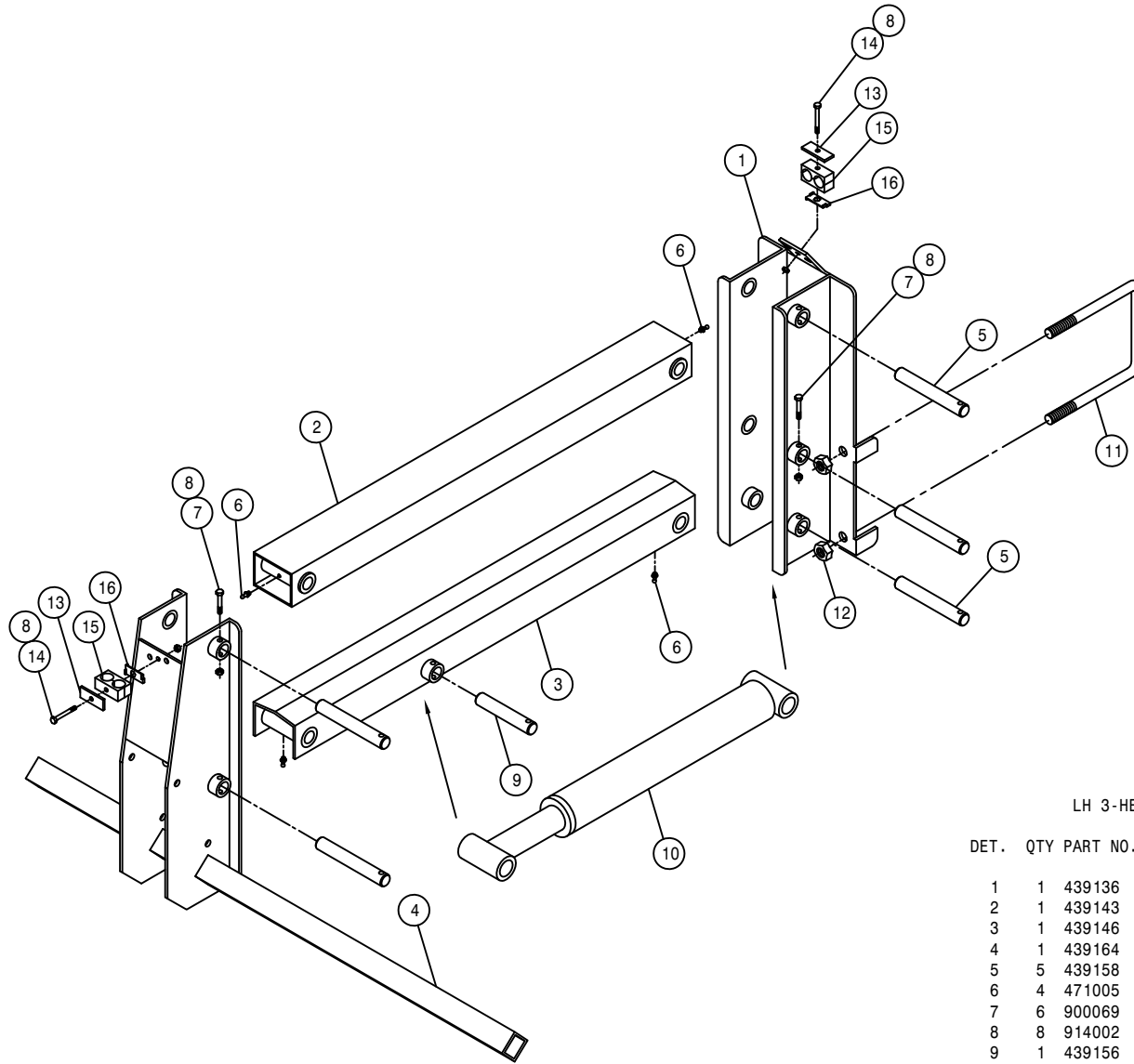
DET. QTY PART NO. DESCRIPTION

1	1	439136	TOOLBAR MT BRKT WLD, STSC	03
2	1	439143	UPPER LIFTARM WLD, STS COMBO	03
3	1	439146	LWR LIFTARM WLD, STS COMBO	03
4	1	439151	HEAD TOOLBAR WLD, STS COMBO	03
5	5	439158	LIFT ARM PIVOT PIN, STSC	03
6	4	471005	1/4 28 X 1/2 GREASE ZERK	
7	6	900069	5/16UNC X 2" HEX BOLT	
8	8	914002	5/16UNC HEX STOVER NUT	
9	1	439156	LWR CYL MT PIN, STS COMBO	03
10	1	621071	LIFT CYL ASSY, DETASSELER STS03	
11	2	473981	.750UNC-7.00ID-8.50 U-BOLT SQ	
12	4	914012	3/4UNC HEX STOVER NUT	
13	2	470276	CLAMP COVER PLATE, SNGL, 2.55LG	
14	2	470270	HOSE CLAMP BODY, .530-.680	
15	2	470274	TUBE CLAMP BODY, .750-.750	
16	4	470281	STACK BOLT SAFETY LOCK PLATE	
17	2	900075	5/16UNC X 3 3/4 HEX BOLT	
18	2	900086	5/16UNC X 2 1/4 HEX BOLT	



RH 3-HEAD LIFT ASSEMBLY

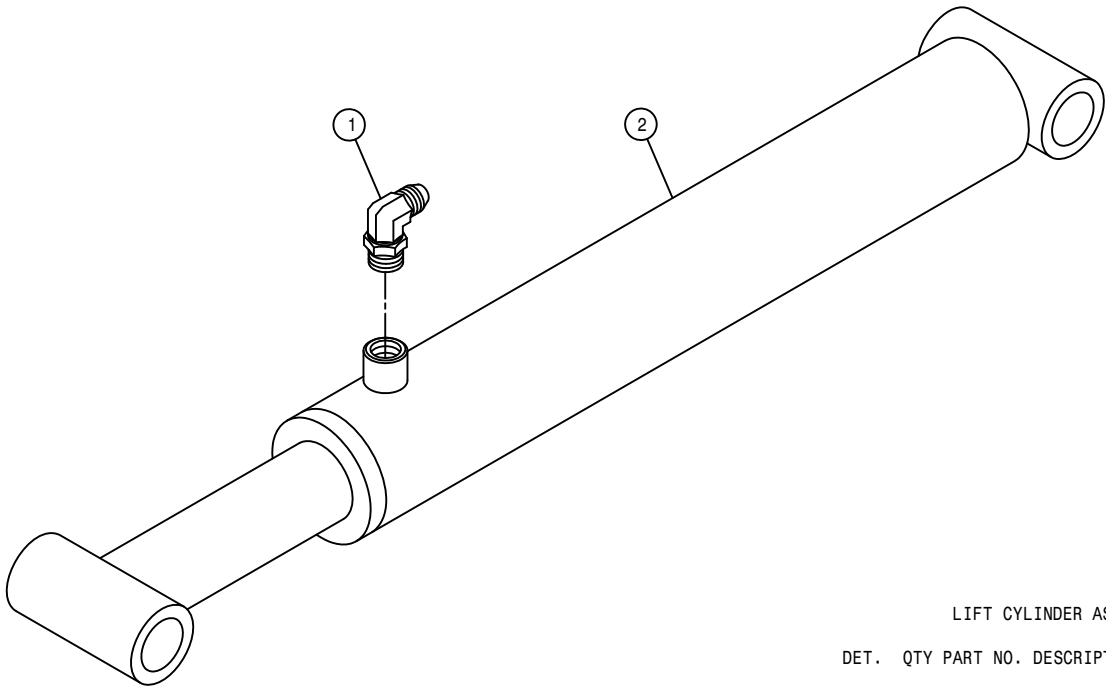
DET.	QTY	PART NO.	DESCRIPTION
1	1	439136	TOOLBAR MT BRKT WLD, STSC 03
2	1	439143	UPPER LIFTARM WLD,STS COMBO 03
3	1	439146	LWR LIFTARM WLD, STS COMBO 03
4	1	439163	RH HEAD TOOLBAR WLD, STSC 03
5	5	439158	LIFT ARM PIVOT PIN, STSC 03
6	4	471005	1/4 28 X 1/2 GREASE ZERK
7	6	900069	5/16UNC X 2" HEX BOLT
8	8	914002	5/16UNC HEX STOVER NUT
9	1	439156	LWR CYL MT PIN, STS COMBO 03
10	1	621071	LIFT CYL ASSY,DETASSELER STS03
11	2	473981	.750UNC-7.00ID-8.50 U-BOLT SQ
12	4	914012	3/4UNC HEX STOVER NUT
13	2	470276	CLAMP COVER PLATE,SNGL, 2.55LG
14	2	900086	5/16UNC X 2 1/4 HEX BOLT
15	2	470274	TUBE CLAMP BODY,.750-.750
16	2	470281	STACK BOLT SAFETY LOCK PLATE



LH 3-HEAD LIFT ASSEMBLY

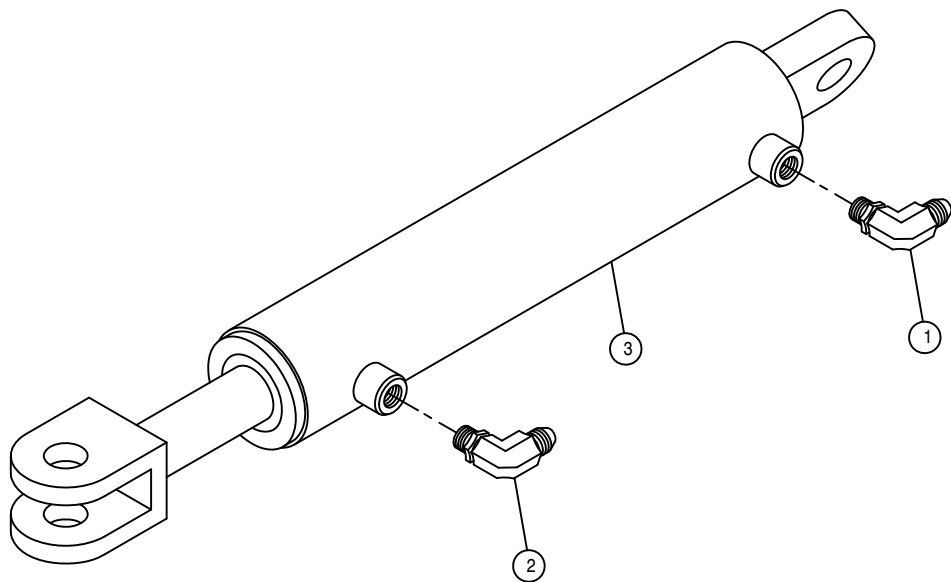
DET. QTY PART NO. DESCRIPTION

1	1	439136	TOOLBAR MT BRKT WLD, STSC	03
2	1	439143	UPPER LIFTARM WLD, STS COMBO	03
3	1	439146	LWR LIFTARM WLD, STS COMBO	03
4	1	439164	LH HEAD TOOLBAR WLD, STSC	03
5	5	439158	LIFT ARM PIVOT PIN, STSC	03
6	4	471005	1/4 28 X 1/2 GREASE ZERK	
7	6	900069	5/16UNC X 2" HEX BOLT	
8	8	914002	5/16UNC HEX STOVER NUT	
9	1	439156	LWR CYL MT PIN, STS COMBO	03
10	1	621071	LIFT CYL ASSY, DETASSELER STS03	
11	2	473981	.750UNC-7.00ID-8.50 U-BOLT SQ	
12	4	914012	3/4UNC HEX STOVER NUT	
13	2	470276	CLAMP COVER PLATE, SNGL, 2.55LG	
14	2	900086	5/16UNC X 2 1/4 HEX BOLT	
15	2	470274	TUBE CLAMP BODY, .750-.750	
16	2	470281	STACK BOLT SAFETY LOCK PLATE	



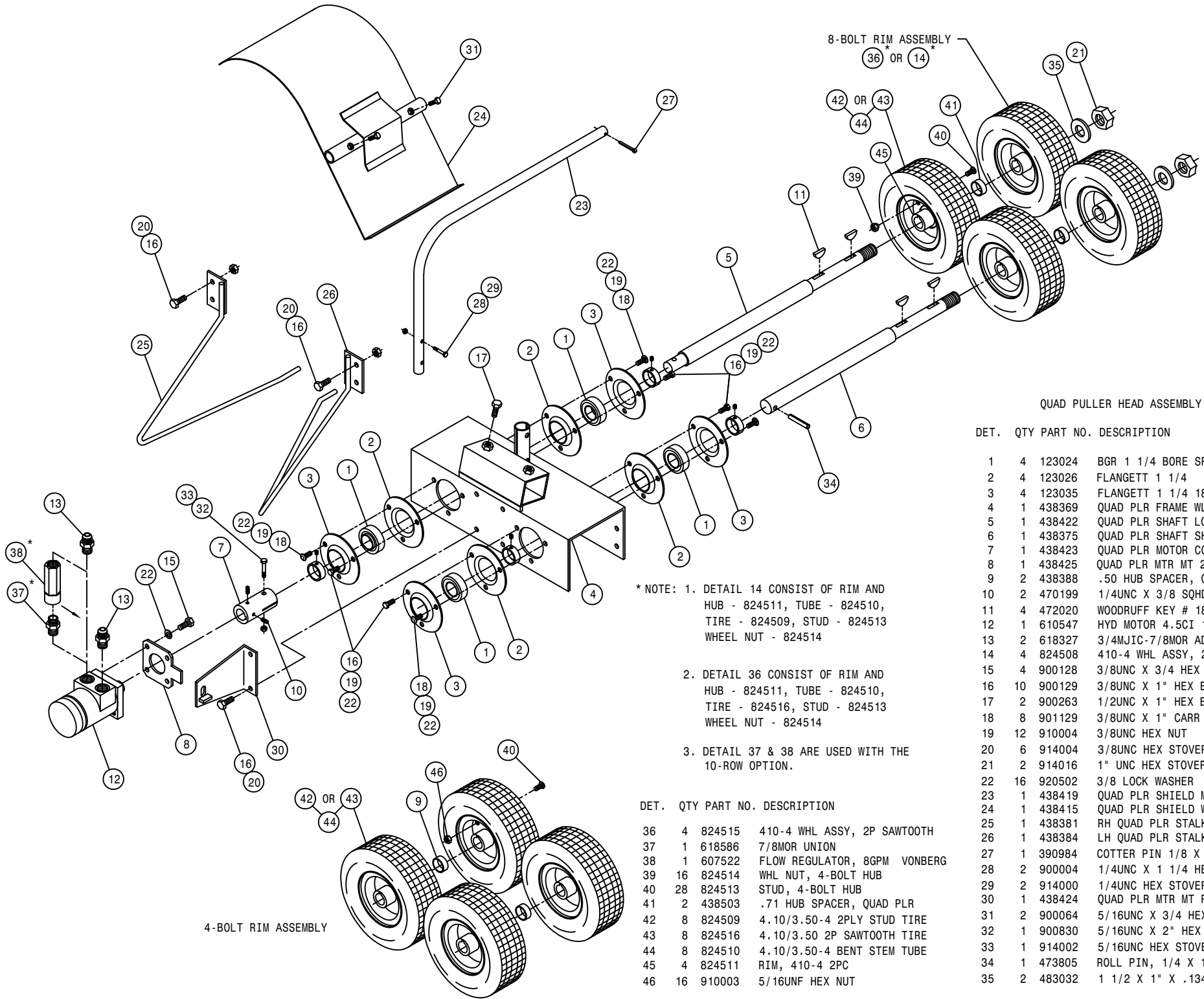
LIFT CYLINDER ASSEMBLY

DET.	QTY	PART NO.	DESCRIPTION
1	1	618119	9/16MJIC-90-9/16MOR LBO
2	1	621564	DETA LIFT CYL,2.00 X 11.00STS
NS	1	621565	REPAIR KIT, HYD CYL 621564



FOLD CYLINDER ASSEMBLY

DET.	QTY	PART NO.	DESCRIPTION
1	1	614757	.032 ELBOW ASSY,9/16MOR 90D
2	1	618119	9/16MJCIC-90-9/16MOR LBO
3	1	621566	OUTRGR FOLD CYL, 2.50 X 11.00
NS	1	621567	REPAIR KIT,HYD CYL 621566



QUAD PULLER HEAD ASSEMBLY

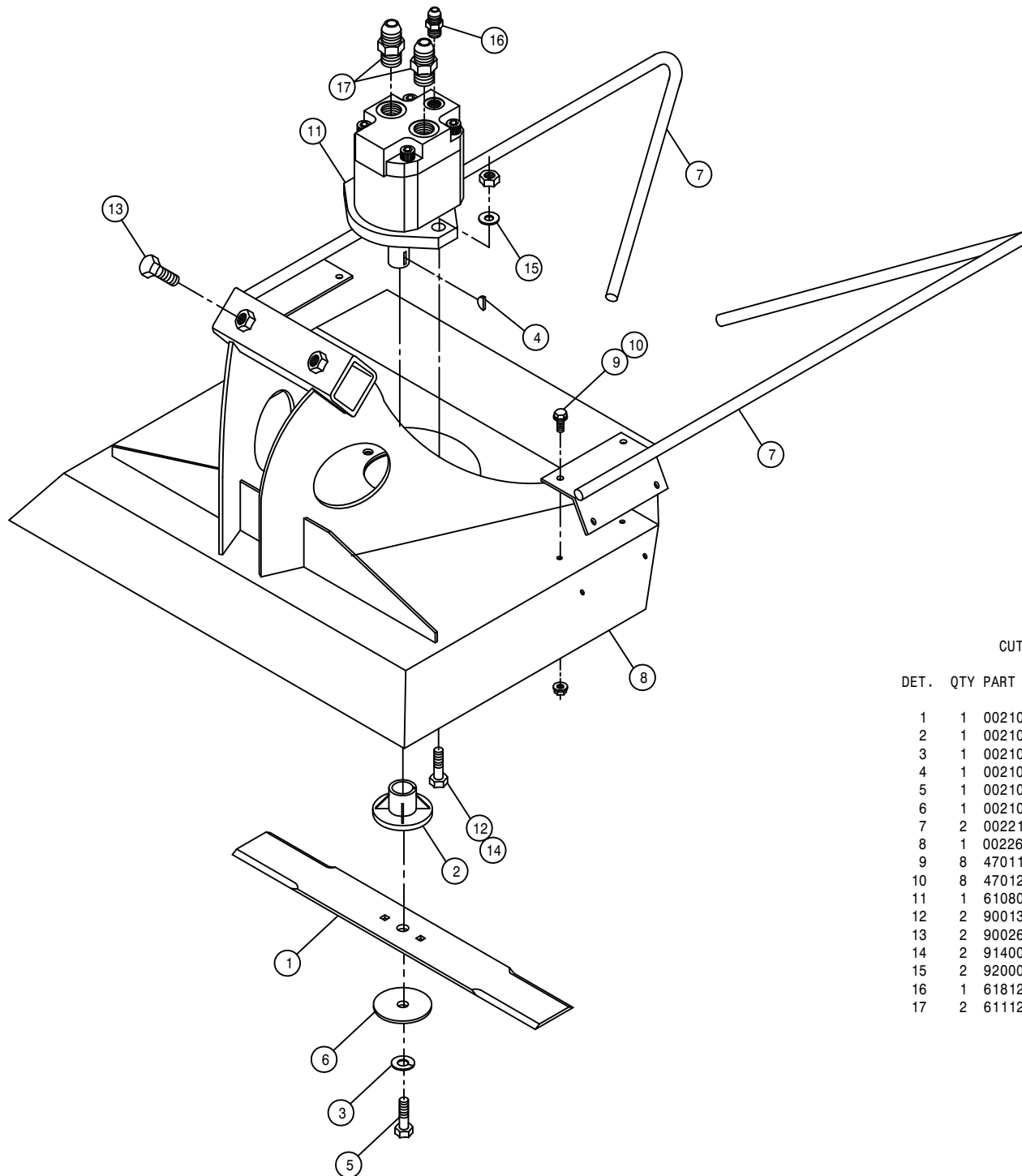
DET.	QTY	PART NO.	DESCRIPTION
1	4	123024	BGR 1 1/4 BORE SPHERICL RELUB
2	4	123026	FLANGETT 1 1/4
3	4	123035	FLANGETT 1 1/4 180 DEG ZERK
4	1	438369	QUAD PLR FRAME WLD 200 90
5	1	438422	QUAD PLR SHAFT LONG 200 91
6	1	438375	QUAD PLR SHAFT SHORT 200 90
7	1	438423	QUAD PLR MOTOR COUPLER 200 91
8	1	438425	QUAD PLR MTR MT 200 91
9	2	438388	.50 HUB SPACER, QUAD PLR
10	2	470199	1/4UNC X 3/8 SQHD CUP SET SCR
11	4	472020	WOODRUFF KEY # 18 1/4 X 1 1/8
12	1	610547	HYD MOTOR 4.5CI 1IN SHFT
13	2	618327	3/4MJIC-7/8MOR ADPTR
14	4	824508	410-4 WHL ASSY, 2P STUD
15	4	900128	3/8UNC X 3/4 HEX BOLT
16	10	900129	3/8UNC X 1" HEX BOLT
17	2	900263	1/2UNC X 1" HEX BOLT
18	8	901129	3/8UNC X 1" CARR BOLT
19	12	910004	3/8UNC HEX NUT
20	6	914004	3/8UNC HEX STOVER NUT
21	2	914016	1" UNC HEX STOVER NUT
22	16	920502	3/8 LOCK WASHER
23	1	438419	QUAD PLR SHIELD MT TUBE 91
24	1	438415	QUAD PLR SHIELD WLD 200 91
25	1	438381	RH QUAD PLR STALK GUIDE WLD90
26	1	438384	LH QUAD PLR STALK GUIDE WLD90
27	1	390984	COTTER PIN 1/8 X 1 1/4
28	2	900004	1/4UNC X 1 1/4 HEX BOLT
29	2	914000	1/4UNC HEX STOVER NUT
30	1	438424	QUAD PLR MTR MT PLT WLD
31	2	900064	5/16UNC X 3/4 HEX BOLT
32	1	900830	5/16UNC X 2" HEX BOLT GR8
33	1	914002	5/16UNC HEX STOVER NUT
34	1	473805	ROLL PIN, 1/4 X 1 1/2
35	2	483032	1 1/2 X 1" X .134TH MACH WASH
36	4	824515	410-4 WHL ASSY, 2P SAWTOOTH
37	1	618586	7/8MOR UNION
38	1	607522	FLOW REGULATOR, 8GPM VONBERG
39	16	824514	WHL NUT, 4-BOLT HUB
40	28	824513	STUD, 4-BOLT HUB
41	2	438503	.71 HUB SPACER, QUAD PLR
42	8	824509	4.10/3.50-4 2PLY STUD TIRE
43	8	824516	4.10/3.50 2P SAWTOOTH TIRE
44	8	824510	4.10/3.50-4 BENT STEM TUBE
45	4	824511	RIM, 410-4 2PC
46	16	910003	5/16UNF HEX NUT

* NOTE: 1. DETAIL 14 CONSIST OF RIM AND HUB - 824511, TUBE - 824510, TIRE - 824509, STUD - 824513 WHEEL NUT - 824514

2. DETAIL 36 CONSIST OF RIM AND HUB - 824511, TUBE - 824510, TIRE - 824516, STUD - 824513 WHEEL NUT - 824514

3. DETAIL 37 & 38 ARE USED WITH THE 10-ROW OPTION.

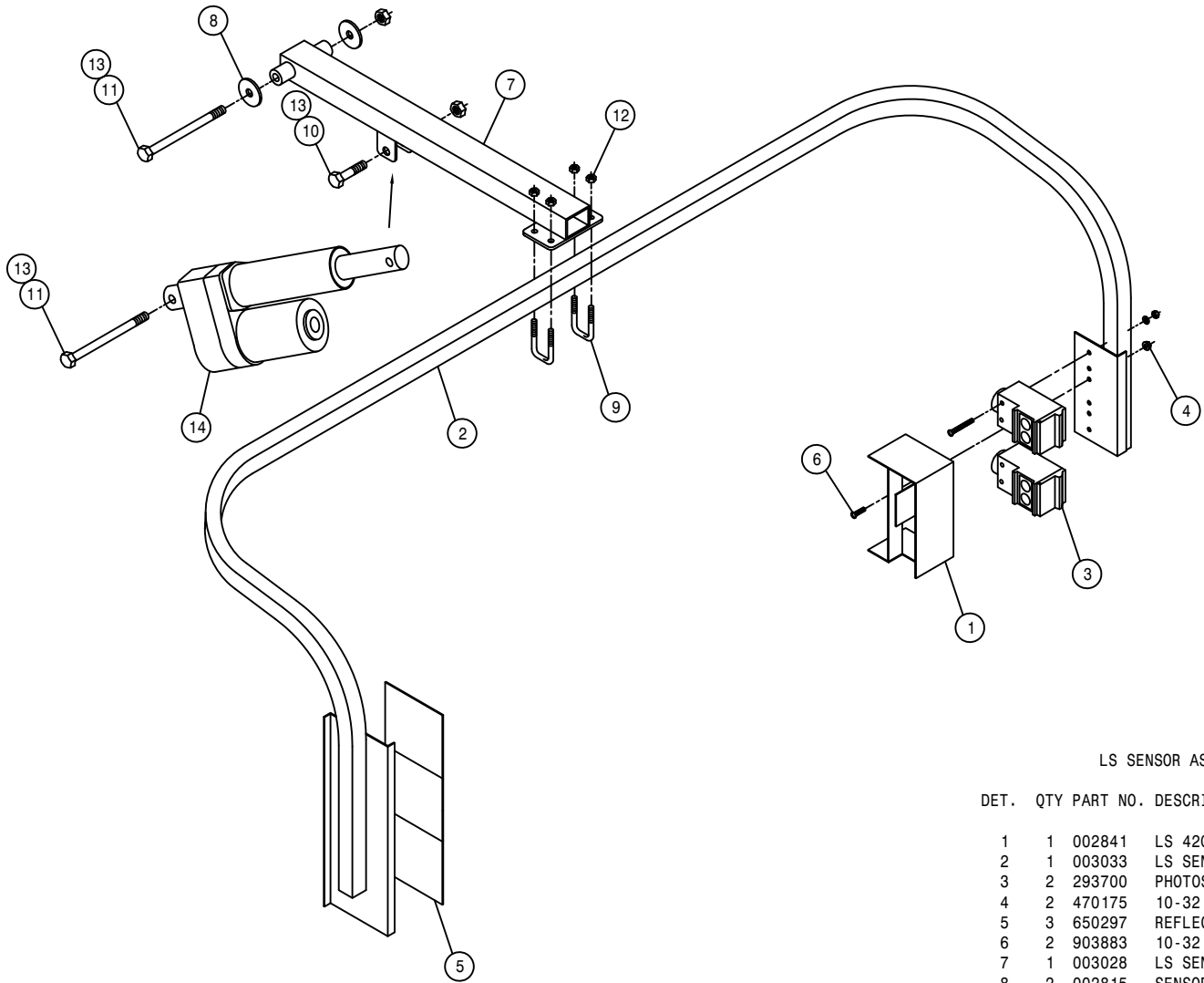
4-BOLT RIM ASSEMBLY



CUTTER HEAD ASSEMBLY

DET. QTY PART NO. DESCRIPTION

1	1	002103	CUTR BLADE 18 IN
2	1	002104	CLUTCH BODY BLADE
3	1	002105	3/8 LOCK WASHER ZINC PLT
4	1	002106	WOODRUFF KEY #6 .156 X .625
5	1	002107	3/8UNF X 1 1/2 HEX BOLT CUTR
6	1	002108	STEEL WASHER CUTTER BLADE
7	2	002215	CUTR STALK GUIDE WLD 8200 85
8	1	002261	26" CUTTER DECK WLD 04
9	8	470118	1/4UNC X 3/4 FLANGE HEX BOLT
10	8	470121	1/4UNC HEX FLANGE LOCK NUT
11	1	610806	HYD MOTOR, .55CI CASAPPA
12	2	900130	3/8UNC X 1 1/4 HEX BOLT
13	2	900265	1/2UNC X 1 1/2 HEX BOLT
14	2	914004	3/8UNC HEX STOVER NUT
15	2	920002	3/8 SAE FLAT WASHER
16	1	618126	9/16MJIC-9/16MOR ADPTR
17	2	611125	3/4MJIC-3/4MOR ADPTR



LS SENSOR ASSEMBLY

DET.	QTY	PART NO.	DESCRIPTION
	1	002841	LS 42GRU SENSOR SHIELD WLD
	1	003033	LS SENSOR MT WLD, STS COMBO 03
	2	293700	PHOTOSWITCH, 42GRU-9200-QD
	2	470175	10-32 HEX FLANGE LOCK NUT
	3	650297	REFLECTIVE TAPE,4 X 4, RTC4-4P
	2	903883	10-32 X 1/2 SLT RDHD MACH SCR
	1	003028	LS SENSOR MT SUPP WLD, STSC 03
	2	002815	SENSOR ARM WASH, NYL
	2	473980	.31UNC-1.06ID-1.75SQ U-BOLT SS
	1	900267	1/2UNC X 2" HEX BOLT
	2	900278	1/2UNC X 6" HEX BOLT
	4	914002	5/16UNC HEX STOVER NUT
	3	914008	1/2UNC HEX STOVER NUT
	1	291634	LINEAR ACTUATOR, ELECTRAK 2

This Page Intentionally Blank

NOTICE

The following page contains decals for the model STS 10.

These decals can be obtained from Hagie Mfg. Co. and should be used whenever your machine is repainted or when the decals become worn, weathered, or faded.

Special attention should be paid to decals involving personal safety. They have been attached for your protection.

KEEP THEM IN PLACE.

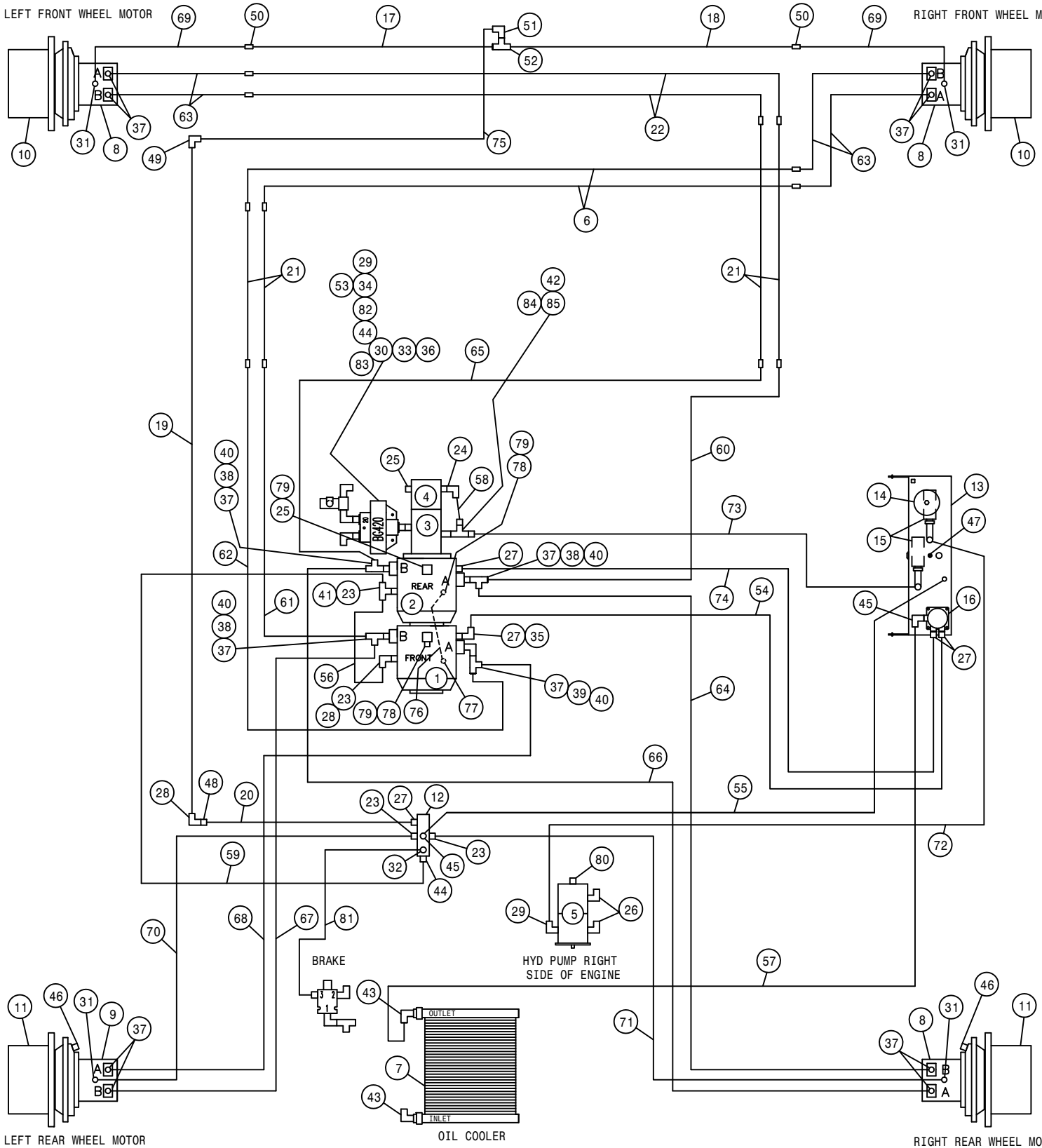
**Contact: Hagie Manufacturing Co.
Box 273
Clarion, Iowa 50525**

STS10 DECALS

<u>QTY.</u>	<u>PART NO.</u>	<u>DESCRIPTION</u>	<u>LOCATION</u>
1	650101	BOOM SPRAY DECAL	ON BOOM SWITCH BOX
1	650102	HYDROSTATIC CONTROL PANEL DECAL	ON HYDRO LEVER MOUNT
4	650103	TREAD ADJUST INDICATOR DECAL	1-ON EACH LEG SLIDE TUBE
1	650105	SS SOLUTION TANK DECAL SET	ON SOLUTION TANK
1	650107	CAUTION BOOSTER DECAL	NEAR BOOSTER POSTS
1	650108	MAIN SPRAY POWER DECAL	ON ATI CONTROL BOX
1	650109	LOW HYDRAULIC OIL DECAL	ON ATI CONTROL BOX
1	650110	PRESSURE WASHER DECAL	ON PRESSURE WASHER SWITCH BOX
1	650111	CHEMICAL INDUCTOR CONTROL DECAL	ON CHEM INDUCTOR CONTROL BOX
1	650112	HAGIE UPFRONT STRG WHEEL DECAL	ON STEERING WHEEL
1	650113	EMERGENCY EXIT DECAL	ON RH SIDE WINDOW HANDLE
1	650114	FILL WITH FRESH WATER DECAL	ON FRESH WATER TANK
1	650115	HAND WASH ONLY DECAL	NEAR HAND WASH VALVE
1	650116	INDUCTOR FILL INSTRUCTION DECAL	ON SIDE OF FILL ARM
1	650118	DO NOT USE EITHER DECAL	NEAR AIR INTAKE ON SHEET METAL
1	650122	POLY SOLUTION TANK DECAL SET	ON SOLUTION TANK
1	650124	RINSE CONTROL PANEL DECAL	ON SWITCH PANEL
1	650125	AGITATION VALVE DECAL	ON AGITATION ELECT VALVE
1	650134	ENGINE COMPARTMENT DECAL SET	ON ENGINE HOOD
1	650337	ELECTROCUTION HAZARD DECAL	ON RH SIDE WINDOW
2	650339	WARNING, HYD OIL INJ DECAL	1-ON SIDE OF OIL TANK 1-NEAR ELECTIC VALVE ON TRANSOM
1	650340	CAUTION, PARKING BRAKE DECAL	ON RH SIDE WINDOW
1	650347	NOTICE-R134 DECAL	RH SIDE OF ENGINE ON FRAME
1	650820	MOVING PARTS DECAL	1-ON EACH QUAD HEAD
1	650848	CAUTION, SLIP OR FALL DECAL	ON LADDER PIVOT TUBE
1	650849	CAUTION, ENGINE FUEL DECAL	NEAR FUEL TANK NECK
1	650850	DANGEROUS CHEM DECAL	SOLUTION TANK FILLER NECK
1	650851	SHIELDS DECAL	ON LOWER LH REAR MAINFRAME TUBE
1	650852	READ MANUAL DECAL	ON LEFT SIDE WINDOW
1	650931	HAGIE 1 3/4 X 4 DECAL	ON EACH QUAD HEAD
1	650954	DIESEL DECAL	NEAR FUEL TANK NECK
1	650955	SLOW ENG TO IDLE DECAL	ON LEFT SIDE WINDOW
1	650981	COOLING SYSTEM DECAL	NEAR RADIATOR CAP
1	650982	ELECTRICAL DECAL	ON RH CAB DOOR
4	650985	WHEEL BOLT TORQUE DECAL	ON EACH WHEEL RIM
1	650363	FRONT RECEPTACLE PANEL DECAL	ON FRONT RECEPTACLE PANEL
1	650365	LADDER DO NOT STEP DECAL	ON LADDER PIVOT TUBE
1	650367	AIR FILTER INSTRUCTION DECAL	ON ENGINE AIR FILTER END CAP
2	650819	DANGER, CUTTING BLADES DECAL	2-ON EACH CUTTER HEAD

LEFT FRONT WHEEL MOTOR

RIGHT FRONT WHEEL MOTOR



LEFT REAR WHEEL MOTOR

OIL COOLER

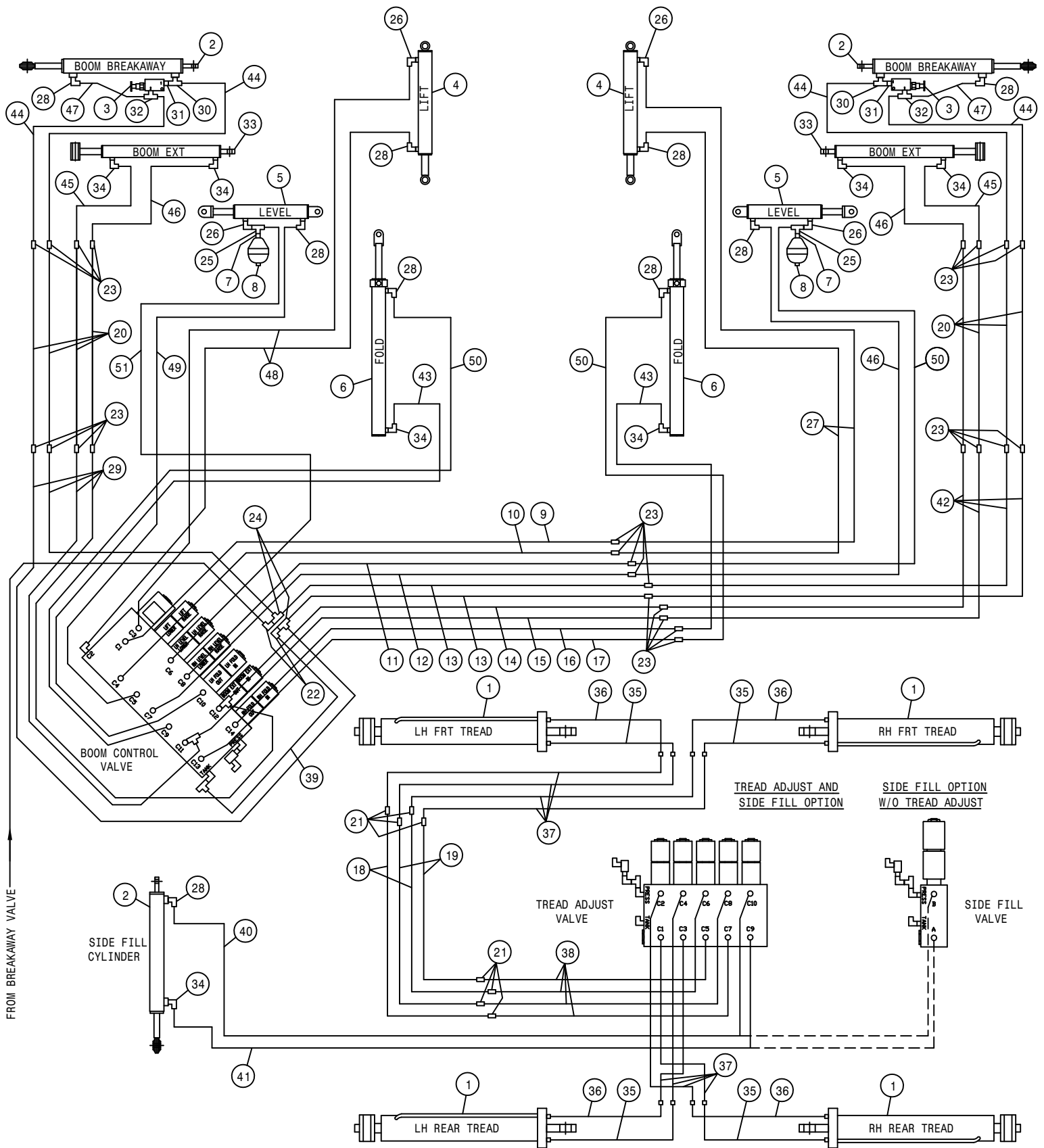
RIGHT REAR WHEEL MOTOR

STS10 COMBO HYDRAULIC SCHEMATIC 2004
REFERENCE DRAWING NO. 498821S1

DET.	QTY	PART NO.	DESCRIPTION	DET.	QTY	PART NO.	DESCRIPTION
1	1	606153	SAUER 75CC PUMP,C/C-MT	44	2	618308	1 1/16MJIC-1 5/16MOR ADPTR
2	1	606156	SAUER 75CC PUMP,C/B-MT	45	2	618477	1 5/8MJIC-90-1 5/8MOR LBO
3	1	606087	SAUER GEAR PUMP,3.87CI GRP3	46	2	618666	7/16MJIC-M12X1.5MOR ADPTR
4	1	606987	SUND GEAR PUMP,.128CI GRP3	47	1	470308	1/2MNPT DRAIN PLUG,AL HD,MAG
5	1	606990	TANDEM PUMP, .66CI/.51CI	48	1	618722	1 5/16-1 1/16MJIC REDU UNION
6	2	615784	RH FRT WHL MAIN HYD TUBE ASSY	49	1	618448	1 1/16MJIC-90-1 1/16MJIC LBO
7	1	618800	OIL COOLER STS12 2000	50	2	618456	7/8MJIC UNION
8	3	606978	SUND HYD MOTOR	51	1	618301	7/8MJIC-90-7/8FJIC SWIV LBO
9	1	606993	SAUER HYD MOTOR W/DIV-2 SENSOR	52	1	618581	7/8MJIC UNION TEE
10	2	610711	TORQ HUB, 22:1 CW12	53	1	618279	1 1/16MJIC-90-7/8MOR LBO
11	2	610714	TORQ HUB, 27:1 CW12	54	1	616236	16-451TC-16FJX-16FJX-56 H/A
12	1	606041	HYD RETURN MANIFOLD	55	1	616239	20-421-20FJX-20FJX90-70 H/A
13	1	760288	HYD TANK WLD, STS 04	56	1	616107	08-451TC-12FJX-12FJX-17 H/A
14	1	470362	6" HOLE COVER	57	1	616241	20-421-16FJX-20FJX-160 H/A
15	2	605620	SUMP STRAINER,50GPM,100M,1.5NP	58	1	616243	06-451TC-08FJX-08FJX-17 H/A
16	1	605618	HYD TANK FILTER, 10M HYDAC	59	1	616238	12-421-12FJX-12FJX-19 H/A
17	1	615775	LH FRT CASEDRAIN HYD TUBE ASSY	60	1	616061	16C15-16FFOX-16FFOX-30 H/A
18	1	615776	RH FRT CASEDRAIN HYD TUBE ASSY	61	1	616062	16C15-16FFOX-16FFOX-58 H/A
19	1	615778	FRT CASE DRAIN HYD TUBE ASSY	62	1	616063	16C15-16FFOX-16FFOX90-81 H/A
20	1	615779	CASE DRAIN HYD TUBE ASSY	63	4	616064	16C15-16FFOX-16FLG-132 H/A
21	4	615785	FRT WHL MAIN HYD TUBE ASSY	64	1	616065	16C15-16FFOX-16FLG-165 H/A
22	2	615783	LH FRT WHL MAIN HYD TUBE ASSY	65	1	616066	16C15-16FFOX90-16FFOX90-38 H/A
23	4	611127	1 1/16MJIC-1 1/16MOR ADPTR	66	1	616067	16C15-16FFOX90-16FLG-193 H/A
24	1	618241	3/4MJIC-90-3/4MOR LBO	67	1	616068	16C15-16FFOX90-16FLG-203 H/A
25	2	618126	9/16MJIC-9/16MOR ADPTR	68	1	616069	16C15-16FFOX90-16FLG-223 H/A
26	2	618183	3/4MJIC-90-7/8MOR LBO	69	2	616103	08-451TC-08FJX-10FJX-136 H/A
27	5	618186	1 5/16MJIC-1 5/16MOR ADPTR	70	1	616245	08-451TC-08FJX-12FJX-178 H/A
28	2	618191	1 1/16MJ-90-1 1/16FJ SWIV LBO	71	1	616106	08-451TC-08FJX-12FJX-175 H/A
29	2	618248	1 1/16MJIC-90-1 1/16MOR LBO	72	1	616237	16-451TC-12FJX-20FJX90-119 H/A
30	1	606074	FLO DIV BG420 20GPM PRI 16FOR	73	1	616242	24-881-24FJX-24FJX90-55 H/A
31	4	618327	3/4MJIC-7/8MOR ADPTR	74	1	616235	16-451TC-16FJX-16FJX-50 H/A
32	1	618119	9/16MJIC-90-9/16MOR LBO	75	1	616113	10-421-10FJX-12FJX-55 H/A
33	1	618471	1 5/8MJIC-1 5/16MOR ADPTR	76	1	616038	04C2AT-06FJX-06FJX90-15 H/A
34	1	607550	IN-LINE RELIEF VALVE, 2600 PSI	77	1	614754	.050 ELBOW ASSY,9/16MOR 90D
35	1	618640	1 5/16MJ-90-1 5/16FJ SWIV LBO	78	2	618444	9/16MOR RUN TEE-9/16MJIC
36	1	618683	1 5/8MOR-1 5/8FJIC SWIV ADPTR	79	3	618531	9/16FJIC CAP NUT
37	12	618652	1" SPLIT FLANGE KIT	80	1	618315	3/4MJIC-45-3/4MOR LBO
38	3	618653	1" FLANGE-1 7/16MFOR ADPTR	81	1	616244	04-451TC-06FJX-06FJX-24 H/A
39	1	618654	1" FLANGE-90-1 7/16MFOR LBO	82	1	618684	1 1/16MOR-90-1 1/16FJIC SWIV
40	4	618655	1 7/16FFOX RUN TEE-1 7/16MFOR	83	1	618178	1 5/16MJIC-90-1 5/16MOR LBO
41	1	618660	1 1/16FJX BRANCH TEE-1 1/16MJ	84	1	618682	1 7/8MOR-1 7/8MJIC ADPTR
42	1	618720	1 7/8FJIC-3/4MJIC ADPTR	85	1	618681	1 7/8FJ SW RUN TEE-1 7/8MJ
43	2	618463	1 5/16MJIC-90-1 5/16MOR XL LBO				

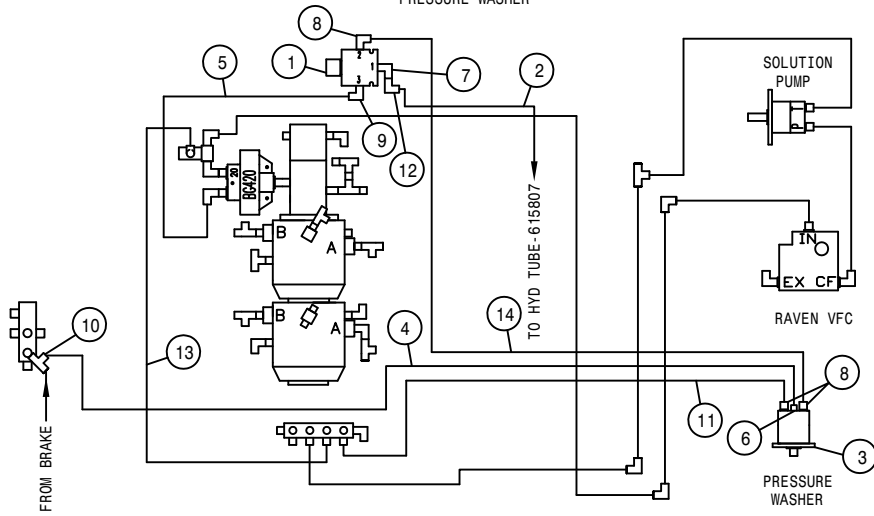
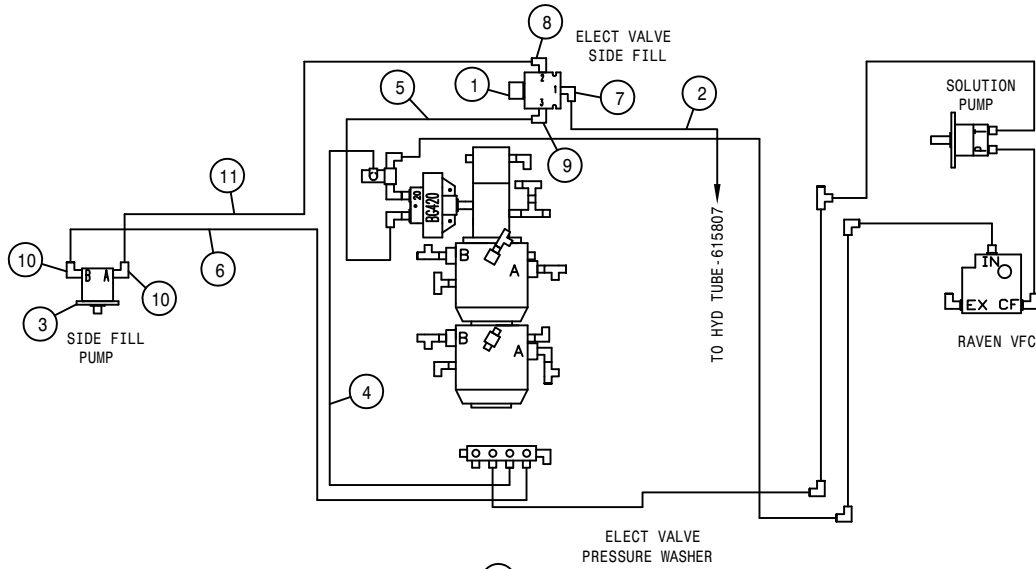
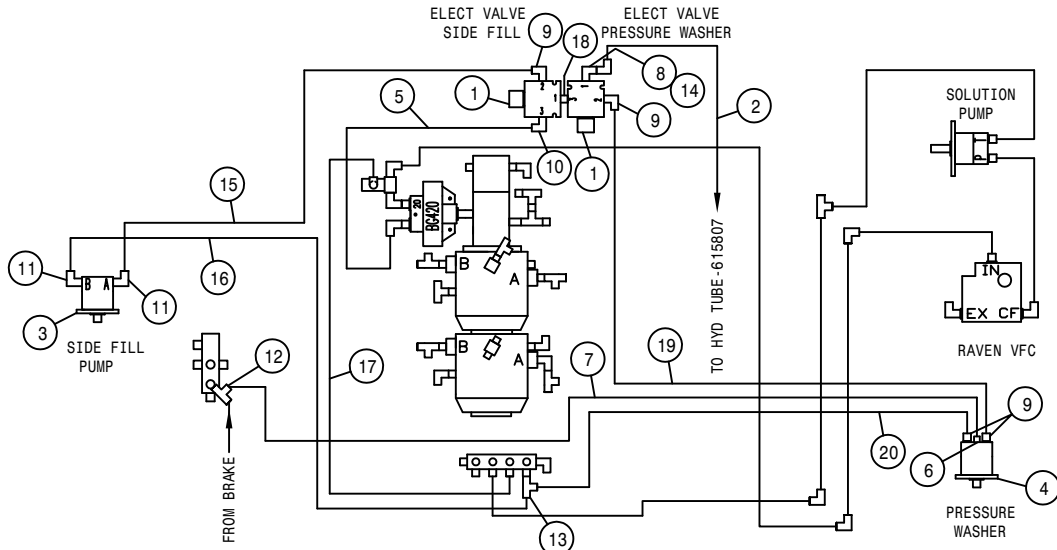
STS10 COMBO HYDRAULIC SCHEMATIC 2004
REFERENCE DRAWING NO. 498821S2

DET.	QTY	PART NO.	DESCRIPTION	DET.	QTY	PART NO.	DESCRIPTION
1	1	749321	STEERING CONTROL MTR 14.1CI	50	1	616232	06-451TC-08FJX-08FJX-104 H/A
2	2	621550	STEERING CYL,2.50 X 8.81 STS	51	1	616095	06-451TC-08FJX-08FJX-33 H/A
3	1	606104	BOOM CTRL VLV, STS PWRSYS 03	52	2	616096	06-451TC-08FJX-08FJX-37 H/A
4	1	606103	TREAD ADJ VLV, STS PWRSYS 03	53	1	616097	08-451TC-08FJX-08FJX-90 H/A
5	1	618724	1 5/8MJIC-1 5/8MOR LG ADPTR	54	2	616098	06-451TC-08FJX-08FJX-94 H/A
6	1	606094	SIDEFILL VLV,W/LEADS DELTA	55	1	616101	08-451TC-08FJX-08FJX-31 H/A
7	1	690666	VALVE HYD CTRL,30GPM RAVEN	56	2	616234	08-451TC-08FJX-08FJX-66 H/A
8	1	690670	HYPRO PUMP, 9305C-HM3CB	57	3	605615	HYD FILTER,INLINE 25M 9/16FOR
9	1	606013	BRAKE VLV W/TOWER ASSY	58	1	616108	10-451TC-12FJX-12FJX-28 H/A
10	1	606011	LADDER/BRKWAY VLV W/TOWER ASSY	59	1	616109	10-451TC-12FJX-12FJX-32 H/A
11	1	615771	BRKAWAY/TRD MAIN HYD TUBE ASSY	60	1	618191	1 1/16MJ-90-1 1/16FJ SWIV LBO
12	1	615772	STRG CYL JUMPER HYD TUBE ASSY	61	2	616188	10-451TC-12FJX90-12FJX-19 H/A
13	1	615773	STACK VALVE MAIN HYD TUBE ASSY	62	1	616089	04-451TC-06FJX-06FJX-60 H/A
14	1	615774	STEERING MAIN HYD TUBE ASSY	63	1	616132	08-451TC-12FJX-12FJX-18 H/A
15	2	615777	SOLUTION PUMP HYD TUBE ASSY	64	2	618160	3/4MJIC-7/16MOR ADPTR
16	1	615782	FRT MAIN RETURN HYD TUBE ASSY	65	1	618010	3/4MJIC-90-BLKHD UNION LBO
17	4	611125	3/4MJIC-3/4MOR ADPTR	66	1	618618	9/16MJIC-90-9/16FJIC SWIV LBO
18	5	618241	3/4MJIC-90-3/4MOR LBO	67	1	616136	08-451TC-08FJX-12FJX-72 H/A
19	1	618443	3/4MJIC-90-3/4MOR EX LG LBO	68	1	618349	3/4MJIC-3/4MJIC BLKHD UNION
20	7	618249	3/4MJIC-90-9/16MOR LBO	69	1	618344	9/16MJIC-1 1/16MOR ADPTR
21	11	618119	9/16MJIC-90-9/16MOR LBO	70	6	618609	3/4MJIC-90-3/4FJIC SWIV LBO
22	20	618126	9/16MJIC-9/16MOR ADPTR	71	1	616139	08-451TC-08FJX-08FJX-36 H/A
23	3	618444	9/16MOR RUN TEE-9/16MJIC	72	2	616083	04-451TC-06FJX-06FJX-36 H/A
24	1	618668	9/16FJIC SWIV-9/16MOR ADPTR	73	1	616250	20C12-20FJX-20FJX-46 H/A
25	1	618657	1 5/8MJIC-90-1 5/8MJIC LBO	74	1	616149	12-451TC-12FJX-16FJX-105 H/A
26	1	618726	1 5/8FJ SW RUN TEE-1 5/8MJ	75	1	616152	12-451TC-16FJX-16FJX90-50 H/A
27	1	618723	1 5/8FJIC-3/4MJIC ADPTR	76	1	616153	12-451TC-16FJX-16FJX90-35 H/A
28	2	618669	3/4FJIC SWIV-3/4MOR ADPTR	77	2	616233	08-451TC-08FJX-08FJX-53 H/A
29	2	618471	1 5/8MJIC-1 5/16MOR ADPTR	78	1	616231	04-451TC-06FJX-06FJX-81 H/A
30	1	618476	1 5/8MJIC-90-1 5/16MOR LBO	79	2	618697	HYD COUPLER,MALE 1/2B, 3/4FOR
31	2	610186	1 1/16MOR PLUG	80	2	618696	HYD COUPLER,FEM 1/2B, 3/4FOR
32	1	606029	RETURN MANIFOLD BLOCK, STS 03	81	1	618694	HYD COUPLER,FEM 1/4B, 9/16FOR
33	1	618469	3/4MJIC-1 1/16MOR ADPTR	82	1	618695	HYD COUPLER,MALE 1/4B, 9/16FOR
34	2	618603	9/16MJIC-90-9/16MJIC LBO	83	2	618441	1 5/16MJIC-90-1 5/16MJIC LBO
35	4	618442	3/4MJIC-90-3/4MJIC LBO	84	1	618178	1 5/16MJIC-90-1 5/16MOR LBO
36	4	618448	1 1/16MJIC-90-1 1/16MJIC LBO	85	1	618725	1 5/16MOR-1 5/8FJIC SWIV
37	2	610185	9/16MOR PLUG	86	1	618350	9/16MJIC-45-BLKHD UNION LBO
38	1	618486	9/16FJIC SW RUN TEE-9/16MJIC	87	1	606075	MANIFOLD, 1 5/16FOR & 1 5/8FOR
39	2	618273	1 1/16MJIC-1/2MNPT ADPTR	88	1	618186	1 5/16MJIC-1 5/16MOR ADPTR
40	3	611127	1 1/16MJIC-1 1/16MOR ADPTR	89	3	618692	3/4FJIC SWIV-9/16MOR ADPTR
41	4	618248	1 1/16MJIC-90-1 1/16MOR LBO	90	1	618533	1 1/16FJIC CAP NUT
42	2	618314	3/4MJIC UNION	91	1	618686	HYD COUPLER,FEM 1"B,1 5/16FOR
43	3	618451	3/4FJIC SW RUN TEE-3/4MJIC	92	1	618687	HYD COUPLER,MALE 1"B,1 5/16FOR
44	1	616240	20-421-16FJX-20FJX-103 H/A	93	1	615807	PRESS HYD TUBE ASSY,STS12COMBO
45	1	616072	04-451TC-04FJX45-06FJX-195 H/A	94	1	615811	RETURN HYD TUBE ASSY, STSC
46	1	616073	04-451TC-04FJX45-06FJX-202 H/A	95	1	616189	10-451TC-12FJX90-12FJX-29 H/A
47	2	616080	04-451TC-06FJX-06FJX-30 H/A	96	1	614750	.042 ELBOW ASSY,9/16MOR 90D
48	1	616081	04-451TC-06FJX-06FJX-31 H/A	97	1	621554	LADR/SF/BRKWAY CYL,1.50 X12.25
49	1	616093	08-451TC-08FJX-08FJX-86 H/A	98	1	616086	04-451TC-06FJX-06FJX-45 H/A



STS10 COMBO HYDRAULIC SCHEMATIC 2004
 REFERENCE DRAWING NO. 498821S3

DET.	QTY	PART NO.	DESCRIPTION	DET.	QTY	PART NO.	DESCRIPTION	
1	4	621552	TRD ADJ CYL, 3.00 X 16.00 STS	27	2	616088	04-451TC-06FJX-06FJX-56	H/A
2	3	621554	LADR/SF/BRKWAY CYL,1.50 X12.25	28	9	618119	9/16MJIC-90-9/16MOR LBO	
3	2	607540	KICK-DOWN RELIEF VALVE, 800PSI	29	4	616133	04-451TC-06FJX-06FJX-72	H/A
4	2	621556	LIFT CYL, 2.50 X 18.00 STS	30	2	618629	9/16MOR BRANCH TEE-9/16MJIC	
5	2	621558	LEVEL CYL, 3.00 X 11.00 STS	31	2	618668	9/16FJIC SWIV-9/16MOR ADPTR	
6	2	621560	FOLD CYL, 2.50 X 21.000 STS	32	2	614752	RESTRICTOR BR TEE ASSY, .042DIA	
7	2	618719	9/16FJIC SWIV-3/4MOR ADPTR	33	2	621562	OUTR FOLD CYL,2.25 X 21.00 STS	
8	2	470326	ACCUMULATOR, DIAPHRAGM	34	7	614750	.042 ELBOW ASSY,9/16MOR 90D	
9	1	615761	LIFT RAISE HYD TUBE ASSY	35	4	616070	04-451TC-04MJBH-06MOR-11.00H/A	
10	1	615762	LIFT LOWER HYD TUBE ASSY	36	4	616071	04-451TC-04MJBH-06MOR-13.00H/A	
11	1	615763	LEVEL RAISE HYD TUBE ASSY	37	8	616074	04-451TC-04FJX90-06FJX-26	H/A
12	1	615764	LEVEL LOWER HYD TUBE ASSY	38	4	616079	04-451TC-06FJX-06FJX-29	H/A
13	2	615765	BREAKAWAY HYD TUBE ASSY	39	1	616124	04-451TC-06FJX-08FJX-24	H/A
14	1	615766	BOOM EXTN RAISE HYD TUBE ASSY	40	1	616118	04-451TC-06FJX-06FJX-165	H/A
15	1	615767	BOOM EXTN LOWER HYD TUBE ASSY	41	1	616119	04-451TC-06FJX-06FJX-175	H/A
16	1	615768	RH FOLD RAISE HYD TUBE ASSY	42	4	616089	04-451TC-06FJX-06FJX-60	H/A
17	1	615769	RH FOLD LOWER HYD TUBE ASSY	43	2	616230	04-451TC-06FJX-06FJX-62	H/A
18	2	615770	FRT TRD ADJ MAIN HYD TUBE ASSY	44	4	616090	04-451TC-06FJX-06FJX-85	H/A
19	2	615771	BRKAWAY/TRD MAIN HYD TUBE ASSY	45	2	616077	04-451TC-06FJX-06FJX-18	H/A
20	8	615760	BOOM HYD TUBE ASSY	46	3	616083	04-451TC-06FJX-06FJX-36	H/A
21	8	618603	9/16MJIC-90-9/16MJIC LBO	47	2	616075	04-451TC-06FJX-06FJX-9	H/A
22	2	618618	9/16MJIC-90-9/16FJIC SWIV LBO	48	2	616084	04-451TC-06FJX-06FJX-46	H/A
23	26	619010	9/16MJIC UNION	49	1	616085	04-451TC-06FJX-06FJX-43	H/A
24	2	618019	9/16MJIC UNION TEE	50	3	616086	04-451TC-06FJX-06FJX-45	H/A
25	2	618486	9/16FJIC SW RUN TEE-9/16MJIC	51	1	616087	04-451TC-06FJX-06FJX-52	H/A
26	4	618689	9/16MOR-90-9/16MJ .042 CHK VLV					



SIDE FILL AND PRESSURE WASHER OPTION
REFERENCE DRAWING NO. 498821S4

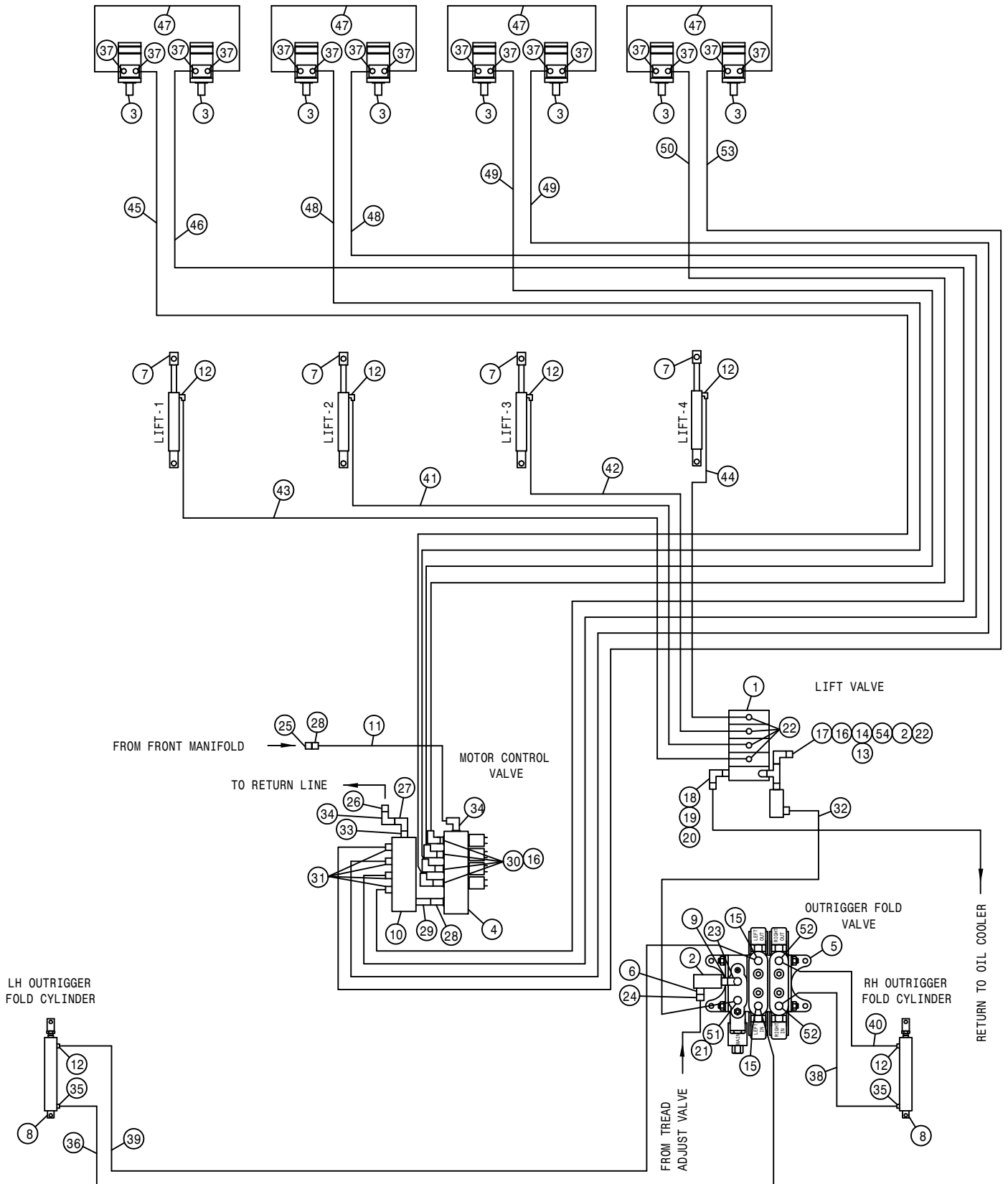
DET.	QTY	PART NO.	DESCRIPTION
1	2	606015	SIDE-FILL/WASH VLV W/SHRD ASSY
2	1	616150	12-451TC-12FJX-16FJX90-40 H/A
3	1	690760	BANJO PUMP,3" SIDE FILL STS12
4	1	690672	PRESSURE WASHER,PAGE 320 HYD
5	1	616148	12-451TC-12FJX-16FJX-22 H/A
6	1	618119	9/16MJIC-90-9/16MOR LBO
7	1	616089	04-451TC-06FJX-06FJX-60 H/A
8	1	618248	1 1/16MJIC-90-1 1/16MOR LBO
9	4	618474	3/4MJIC-90-1 1/16MOR LBO
10	1	618674	1 1/16MJIC-90-1 1/16MOR XL LBO
11	2	618183	3/4MJIC-90-7/8MOR LBO
12	1	618486	9/16FJIC SW RUN TEE-9/16MJIC
13	1	618487	1 1/16FJ SW RUN TEE-1 1/16MJ
14	1	618191	1 1/16MJ-90-1 1/16FJ SWIV LBO
15	1	616129	08-451TC-08FJX-08FJX-204 H/A
16	1	616130	08-451TC-08FJX-12FJX-204 H/A
17	1	616132	08-451TC-12FJX-12FJX-18 H/A
18	1	618675	1 1/16MOR UNION
19	1	616135	08-451TC-08FJX-08FJX-50 H/A
20	1	616134	08-451TC-08FJX-12FJX-60 H/A

SIDE FILL OPTION

DET.	QTY	PART NO.	DESCRIPTION
1	1	606015	SIDE-FILL/WASH VLV W/SHRD ASSY
2	1	616150	12-451TC-12FJX-16FJX90-40 H/A
3	1	690760	BANJO PUMP,3" SIDE FILL STS12
4	1	616132	08-451TC-12FJX-12FJX-18 H/A
5	1	616148	12-451TC-12FJX-16FJX-22 H/A
6	1	616130	08-451TC-08FJX-12FJX-204 H/A
7	1	618248	1 1/16MJIC-90-1 1/16MOR LBO
8	1	618474	3/4MJIC-90-1 1/16MOR LBO
9	1	618674	1 1/16MJIC-90-1 1/16MOR XL LBO
10	2	618183	3/4MJIC-90-7/8MOR LBO
11	1	616129	08-451TC-08FJX-08FJX-204 H/A

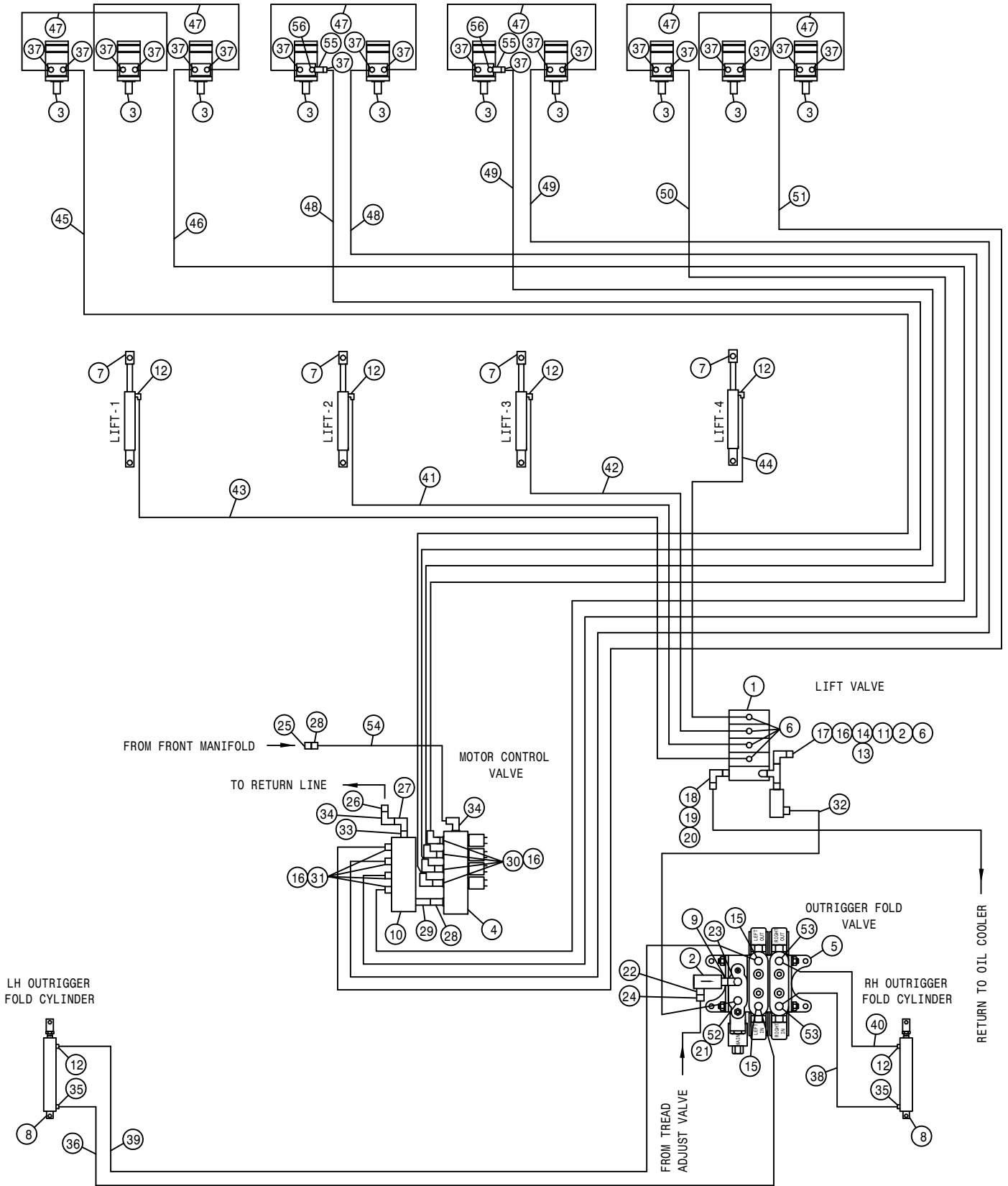
PRESSURE WASHER OPTION

DET.	QTY	PART NO.	DESCRIPTION
1	1	606015	SIDE-FILL/WASH VLV W/SHRD ASSY
2	1	616150	12-451TC-12FJX-16FJX90-40 H/A
3	1	690672	PRESSURE WASHER,PAGE 320 HYD
4	1	616089	04-451TC-06FJX-06FJX-60 H/A
5	1	616148	12-451TC-12FJX-16FJX-22 H/A
6	1	618119	9/16MJIC-90-9/16MOR LBO
7	1	618248	1 1/16MJIC-90-1 1/16MOR LBO
8	3	618474	3/4MJIC-90-1 1/16MOR LBO
9	1	618674	1 1/16MJIC-90-1 1/16MOR XL LBO
10	1	618486	9/16FJIC SW RUN TEE-9/16MJIC
11	1	616134	08-451TC-08FJX-12FJX-60 H/A
12	1	618191	1 1/16MJ-90-1 1/16FJ SWIV LBO
13	1	616132	08-451TC-12FJX-12FJX-18 H/A
14	1	616135	08-451TC-08FJX-08FJX-50 H/A



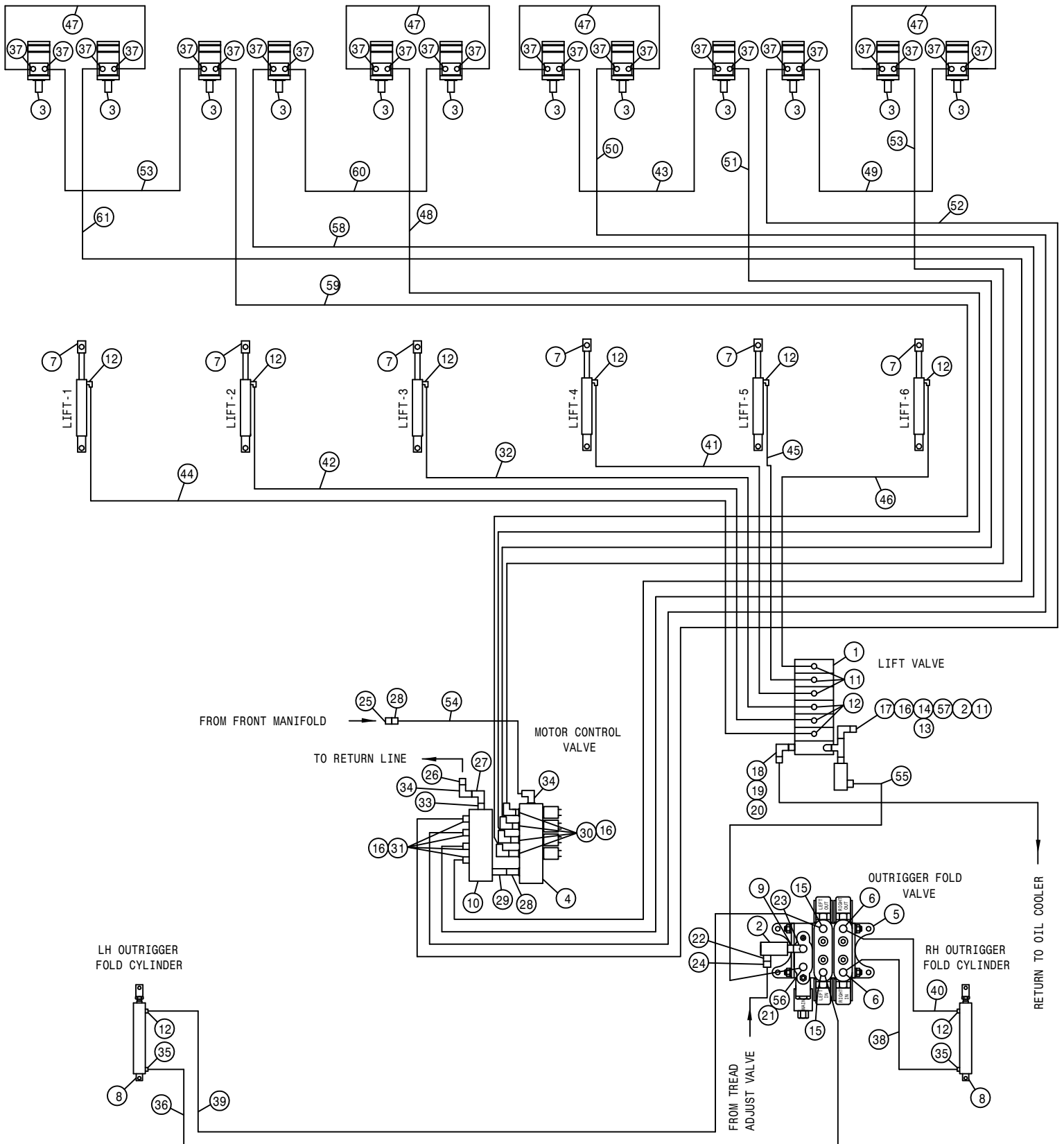
STS COMBO 8R QUAD HYD SCHEM 04
 REFERENCE DRAWING NO. 498824

DET.	QTY	PART NO.	DESCRIPTION	DET.	QTY	PART NO.	DESCRIPTION
1	1	610613	ELECT HYD STACT VLV, 4 SECT	28	2	618471	1 5/8MJIC-1 5/16MOR ADPTR
2	2	605615	HYD FILTER, INLINE 25M 9/16FOR	29	1	618683	1 5/8MOR-1 5/8FJIC SWIV ADPTR
3	8	610547	HYD MOTOR 4.5CI 1IN SHFT	30	4	618469	3/4MJIC-1 1/16MOR ADPTR
4	1	606034	MTR CONTROL ELECT VLV	31	4	611125	3/4MJIC-3/4MOR ADPTR
5	1	606090	BRAND HYD VALVE, 2-SECT SER 36	32	1	615621	06C1T-06FJX-06FJX-24 H/A
6	1	618693	3/4MOR-9/16MOR REDU UNION	33	1	618727	1 7/8MOR-1 5/8FOR ADPTR
7	4	621564	DETA LIFT CYL, 2.00 X 11.00STS	34	2	618476	1 5/8MJIC-90-1 5/16MOR LBO
8	2	621566	OUTRGR FOLD CYL, 2.50 X 11.00	35	2	614757	.032 ELBOW ASSY, 9/16MOR 90D
9	1	618692	3/4FJIC SWIV-9/16MOR ADPTR	36	1	615314	04C1T-06FJX-06FJX-50 H/A
10	1	606019	HYD RETURN MANIFOLD	37	16	618327	3/4MJIC-7/8MOR ADPTR
11	1	616247	20C12-20FJX-20FJX-53 H/A	38	1	615442	04C1T-06FJX-06FJX-55 H/A
12	6	618119	9/16MJIC-90-9/16MOR LBO	39	1	616207	04C1T-06FJX-06FJX-62 H/A
13	1	618669	3/4FJIC SWIV-3/4MOR ADPTR	40	1	616040	04C1T-06FJX-06FJX-67 H/A
14	1	618494	3/4MOR RUN TEE-3/4MJIC	41	1	616210	06C1T-06FJX-06FJX-32 H/A
15	2	618115	9/16MJIC-90-3/4MOR LBO	42	1	616215	06C1T-06FJX-06FJX-85 H/A
16	9	618609	3/4MJIC-90-3/4FJIC SWIV LBO	43	1	616216	06C1T-06FJX-06FJX-115 H/A
17	1	618532	3/4FJIC CAP NUT	44	1	616218	06C1T-06FJX-06FJX-177 H/A
18	1	618594	7/8FJIC SWIV-7/8MOR ADPTR	45	1	614386	08C1T-08FJX-08FJX-285 H/A
19	1	618173	7/8MJIC-90-3/4MOR LBO	46	1	616226	08C1T-08FJX-08FJX-253 H/A
20	1	618696	HYD COUPLER, FEM 1/2B, 3/4FOR	47	4	616025	08C1T-08FJX-08FJX-50 H/A
21	1	618618	9/16MJIC-90-9/16FJIC SWIV LBO	48	2	616173	08C1T-08FJX-08FJX-157 H/A
22	5	618126	9/16MJIC-9/16MOR ADPTR	49	2	616220	08C1T-08FJX-08FJX-98 H/A
23	1	618183	3/4MJIC-90-7/8MOR LBO	50	1	614375	08C1T-08FJX-08FJX-177 H/A
24	1	618697	HYD COUPLER, MALE 1/2B, 3/4FOR	51	1	618310	9/16MJIC-7/8MOR ADPTR
25	1	618686	HYD COUPLER, FEM 1"B, 1 5/16FOR	52	2	618709	9/16MJIC-90-3/4MOR EX LG LBO
26	1	618687	HYD COUPLER, MALE 1"B, 1 5/16FOR	53	1	614691	08C1T-08FJX-08FJX-220 H/A
27	1	618728	1 5/8MOR-90-1 5/8FJIC SWIV	54	1	618706	9/16MOR-3/4FOR ADPTR



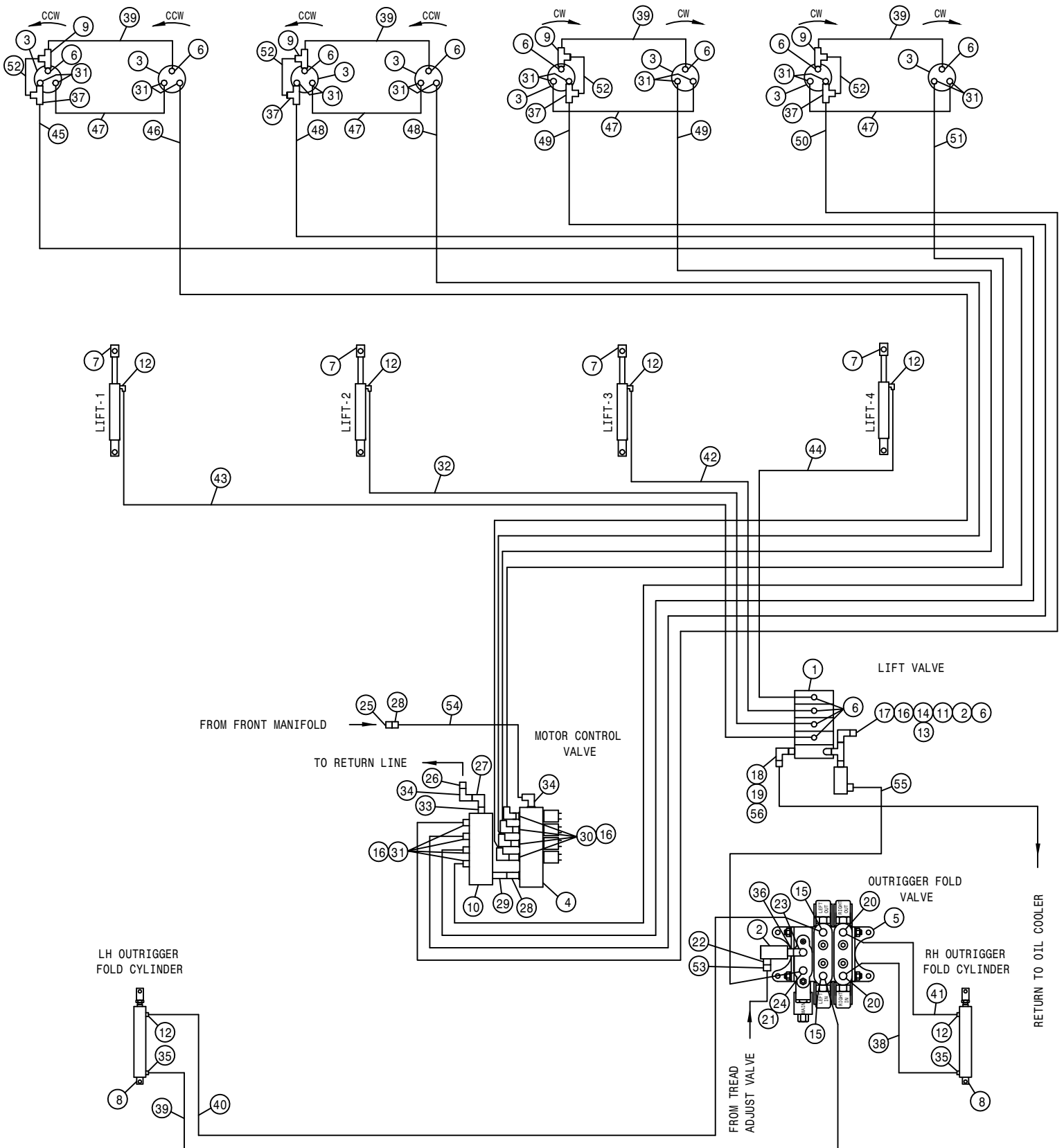
STS COMBO 10R QUAD HYD SCHEM 04
REFERENCE DRAWING NO. 498825

DET.	QTY	PART NO.	DESCRIPTION	DET.	QTY	PART NO.	DESCRIPTION
1	1	610613	ELECT HYD STACT VLV, 4 SECT	29	1	618683	1 5/8MOR-1 5/8FJIC SWIV ADPTR
2	2	605615	HYD FILTER, INLINE 25M 9/16FOR	30	4	618469	3/4MJIC-1 1/16MOR ADPTR
3	10	610547	HYD MOTOR 4.5CI 1IN SHFT	31	4	611125	3/4MJIC-3/4MOR ADPTR
4	1	606034	MTR CONTROL ELECT VLV	32	1	615621	06C1T-06FJX-06FJX-24 H/A
5	1	606090	BRAND HYD VALVE, 2-SECT SER 36	33	1	618727	1 7/8MOR-1 5/8FOR ADPTR
6	5	618126	9/16MJIC-9/16MOR ADPTR	34	2	618476	1 5/8MJIC-90-1 5/16MOR LBO
7	4	621564	DETA LIFT CYL, 2.00 X 11.00STS	35	2	614757	.032 ELBOW ASSY, 9/16MOR 90D
8	2	621566	OUTRGR FOLD CYL, 2.50 X 11.00	36	1	615314	04C1T-06FJX-06FJX-50 H/A
9	1	618692	3/4FJIC SWIV-9/16MOR ADPTR	37	20	618327	3/4MJIC-7/8MOR ADPTR
10	1	606019	HYD RETURN MANIFOLD	38	1	615442	04C1T-06FJX-06FJX-55 H/A
11	1	618706	9/16MOR-3/4FOR ADPTR	39	1	616207	04C1T-06FJX-06FJX-62 H/A
12	6	618119	9/16MJIC-90-9/16MOR LBO	40	1	616040	04C1T-06FJX-06FJX-67 H/A
13	1	618669	3/4FJIC SWIV-3/4MOR ADPTR	41	1	616210	06C1T-06FJX-06FJX-32 H/A
14	1	618494	3/4MOR RUN TEE-3/4MJIC	42	1	616215	06C1T-06FJX-06FJX-85 H/A
15	2	618115	9/16MJIC-90-3/4MOR LBO	43	1	616216	06C1T-06FJX-06FJX-115 H/A
16	9	618609	3/4MJIC-90-3/4FJIC SWIV LBO	44	1	616218	06C1T-06FJX-06FJX-177 H/A
17	1	618532	3/4FJIC CAP NUT	45	1	614386	08C1T-08FJX-08FJX-285 H/A
18	1	618594	7/8FJIC SWIV-7/8MOR ADPTR	46	1	616226	08C1T-08FJX-08FJX-253 H/A
19	1	618173	7/8MJIC-90-3/4MOR LBO	47	6	616025	08C1T-08FJX-08FJX-50 H/A
20	1	618696	HYD COUPLER, FEM 1/2B, 3/4FOR	48	2	616173	08C1T-08FJX-08FJX-157 H/A
21	1	618618	9/16MJIC-90-9/16FJIC SWIV LBO	49	2	616220	08C1T-08FJX-08FJX-98 H/A
22	1	618693	3/4MOR-9/16MOR REDU UNION	50	1	614375	08C1T-08FJX-08FJX-177 H/A
23	1	618183	3/4MJIC-90-7/8MOR LBO	51	1	614691	08C1T-08FJX-08FJX-220 H/A
24	1	618697	HYD COUPLER, MALE 1/2B, 3/4FOR	52	1	618310	9/16MJIC-7/8MOR ADPTR
25	1	618686	HYD COUPLER, FEM 1" B, 1 5/16FOR	53	2	618709	9/16MJIC-90-3/4MOR EX LG LBO
26	1	618687	HYD COUPLER, MALE 1" B, 1 5/16FOR	54	1	616247	20C12-20FJX-20FJX-53 H/A
27	1	618728	1 5/8MOR-90-1 5/8FJIC SWIV	55	2	607522	FLOW REGULATOR, 8GPM VONBERG
28	2	618471	1 5/8MJIC-1 5/16MOR ADPTR	56	2	618586	7/8MOR UNION



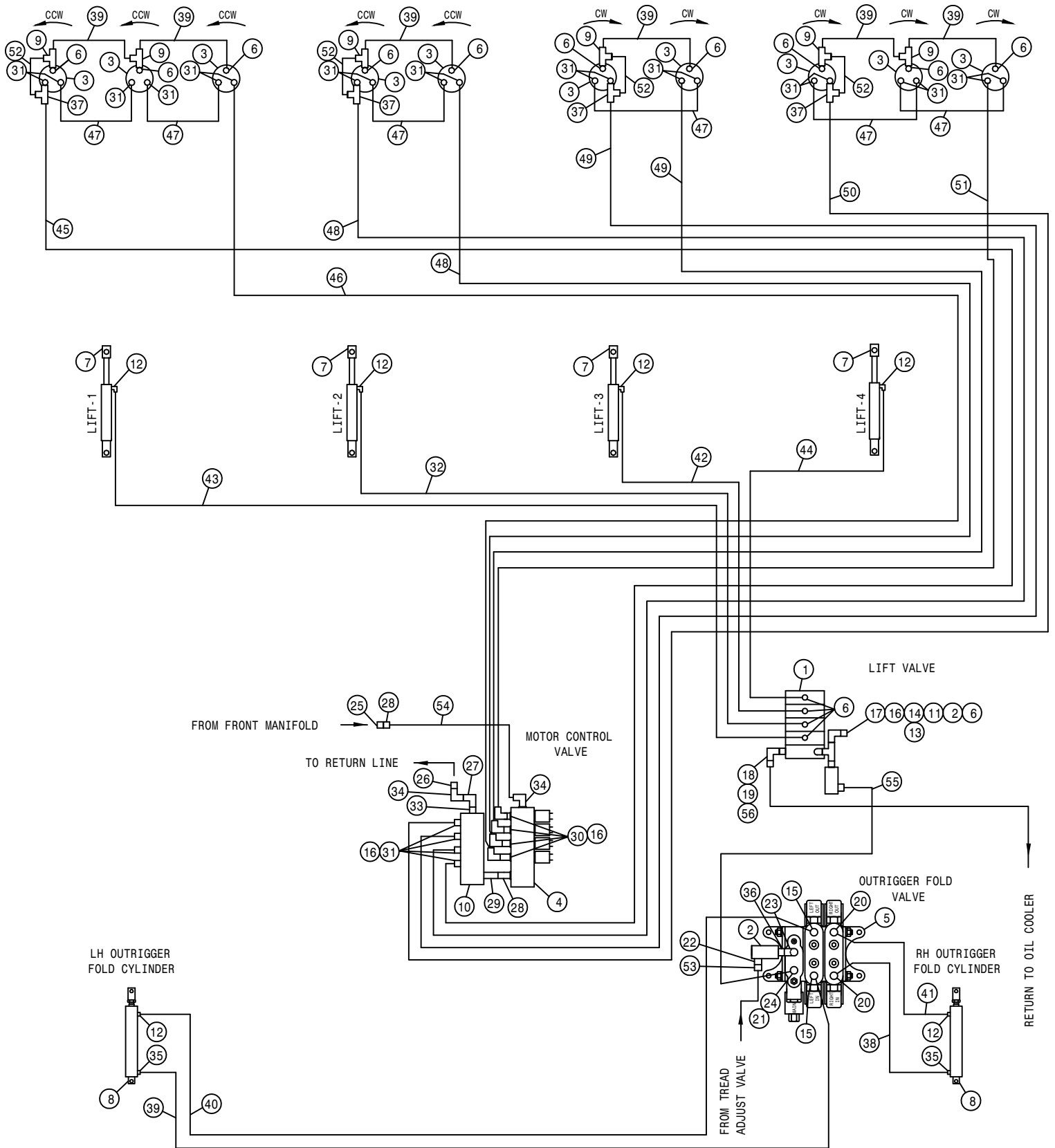
STS COMBO 12R QUAD HYD SCHEM 04
REFERENCE DRAWING NO. 498826

DET.	QTY	PART NO.	DESCRIPTION	DET.	QTY	PART NO.	DESCRIPTION	
1	1	610615	ELECT HYD STACT VLV, 6 SECT	32	1	616210	06C1T-06FJX-06FJX-32	H/A
2	2	605615	HYD FILTER, INLINE 25M 9/16FOR	33	1	618727	1 7/8MOR-1 5/8FOR ADPTR	
3	12	610547	HYD MOTOR 4.5CI 1IN SHFT	34	2	618476	1 5/8MJIC-90-1 5/16MOR LBO	
4	1	606034	MTR CONTROL ELECT VLV	35	4	614757	.032 ELBOW ASSY, 9/16MOR 90D	
5	1	606090	BRAND HYD VALVE, 2-SECT SER 36	36	1	615314	04C1T-06FJX-06FJX-50	H/A
6	2	618709	9/16MJIC-90-3/4MOR EX LG LBO	37	24	618327	3/4MJIC-7/8MOR ADPTR	
7	6	621564	DETAS LIFT CYL, 2.00 X 11.00STS	38	1	615442	04C1T-06FJX-06FJX-55	H/A
8	2	621566	OUTRGR FOLD CYL, 2.50 X 11.00	39	1	616207	04C1T-06FJX-06FJX-62	H/A
9	1	618692	3/4FJIC SWIV-9/16MOR ADPTR	40	1	616040	04C1T-06FJX-06FJX-67	H/A
10	1	606019	HYD RETURN MANIFOLD	41	1	616215	06C1T-06FJX-06FJX-85	H/A
11	4	618126	9/16MJIC-9/16MOR ADPTR	42	1	616216	06C1T-06FJX-06FJX-115	H/A
12	12	618119	9/16MJIC-90-9/16MOR LBO	43	1	616227	08C1T-08FJX-08FJX-255	H/A
13	1	618669	3/4FJIC SWIV-3/4MOR ADPTR	44	1	616217	06C1T-06FJX-06FJX-172	H/A
14	1	618494	3/4MOR RUN TEE-3/4MJIC	45	1	616218	06C1T-06FJX-06FJX-177	H/A
15	2	618115	9/16MJIC-90-3/4MOR LBO	46	1	616219	06C1T-06FJX-06FJX-237	H/A
16	9	618609	3/4MJIC-90-3/4FJIC SWIV LBO	47	4	616025	08C1T-08FJX-08FJX-50	H/A
17	1	618532	3/4FJIC CAP NUT	48	1	616173	08C1T-08FJX-08FJX-157	H/A
18	1	618594	7/8FJIC SWIV-7/8MOR ADPTR	49	1	616224	08C1T-08FJX-08FJX-243	H/A
19	1	618173	7/8MJIC-90-3/4MOR LBO	50	1	616220	08C1T-08FJX-08FJX-98	H/A
20	1	618696	HYD COUPLER, FEM 1/2B, 3/4FOR	51	1	616221	08C1T-08FJX-08FJX-171	H/A
21	1	618618	9/16MJIC-90-9/16FJIC SWIV LBO	52	1	616222	08C1T-08FJX-08FJX-190	H/A
22	1	618693	3/4MOR-9/16MOR REDU UNION	53	2	616223	08C1T-08FJX-08FJX-232	H/A
23	1	618183	3/4MJIC-90-7/8MOR LBO	54	1	616247	20C12-20FJX-20FJX-53	H/A
24	1	618697	HYD COUPLER, MALE 1/2B, 3/4FOR	55	1	615621	06C1T-06FJX-06FJX-24	H/A
25	1	618686	HYD COUPLER, FEM 1" B, 1 5/16FOR	56	1	618310	9/16MJIC-7/8MOR ADPTR	
26	1	618687	HYD COUPLER, MALE 1" B, 1 5/16FOR	57	1	618706	9/16MOR-3/4FOR ADPTR	
27	1	618728	1 5/8MOR-90-1 5/8FJIC SWIV	58	1	616225	08C1T-08FJX-08FJX-248	H/A
28	2	618471	1 5/8MJIC-1 5/16MOR ADPTR	59	1	616226	08C1T-08FJX-08FJX-253	H/A
29	1	618683	1 5/8MOR-1 5/8FJIC SWIV ADPTR	60	1	616228	08C1T-08FJX-08FJX-273	H/A
30	4	618469	3/4MJIC-1 1/16MOR ADPTR	61	1	616229	08C1T-08FJX-08FJX-310	H/A
31	4	611125	3/4MJIC-3/4MOR ADPTR					



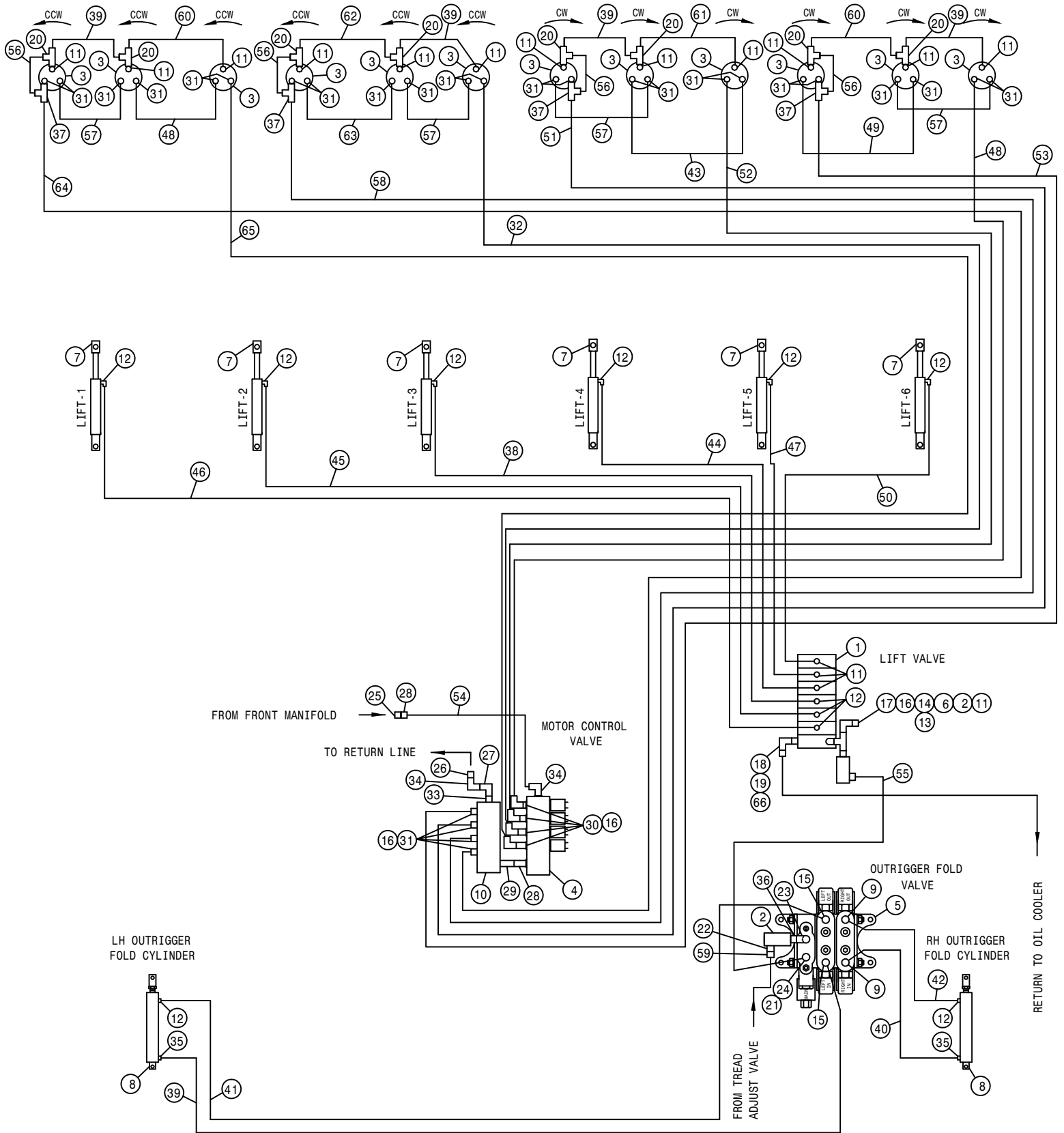
STS COMBO 8R CUTR HYD SCHEM 04
REFERENCE DRAWING NO. 498827

DET.	QTY	PART NO.	DESCRIPTION	DET.	QTY	PART NO.	DESCRIPTION
1	1	610613	ELECT HYD STACT VLV, 4 SECT	29	1	618683	1 5/8MOR-1 5/8FJIC SWIV ADPTR
2	2	605615	HYD FILTER, INLINE 25M 9/16FOR	30	4	618469	3/4MJIC-1 1/16MOR ADPTR
3	8	610806	HYD MOTOR, .55CI CASAPPA	31	20	611125	3/4MJIC-3/4MOR ADPTR
4	1	606034	MTR CONTROL ELECT VLV	32	1	616210	06C1T-06FJX-06FJX-32 H/A
5	1	606090	BRAND HYD VALVE, 2-SECT SER 36	33	1	618727	1 7/8MOR-1 5/8FOR ADPTR
6	13	618126	9/16MJIC-9/16MOR ADPTR	34	2	618476	1 5/8MJIC-90-1 5/16MOR LBO
7	4	621564	DETAS LIFT CYL, 2.00 X 11.00STS	35	2	614757	.032 ELBOW ASSY, 9/16MOR 90D
8	2	621566	OUTGRF FOLD CYL, 2.50 X 11.00	36	1	618692	3/4FJIC SWIV-9/16MOR ADPTR
9	4	618486	9/16FJIC SW RUN TEE-9/16MJIC	37	4	618451	3/4FJIC SW RUN TEE-3/4MJIC
10	1	606019	HYD RETURN MANIFOLD	38	1	615442	04C1T-06FJX-06FJX-55 H/A
11	1	618706	9/16MOR-3/4FOR ADPTR	39	5	615314	04C1T-06FJX-06FJX-50 H/A
12	6	618119	9/16MJIC-90-9/16MOR LBO	40	1	616207	04C1T-06FJX-06FJX-62 H/A
13	1	618669	3/4FJIC SWIV-3/4MOR ADPTR	41	1	616040	04C1T-06FJX-06FJX-67 H/A
14	1	618494	3/4MOR RUN TEE-3/4MJIC	42	1	616215	06C1T-06FJX-06FJX-85 H/A
15	2	618115	9/16MJIC-90-3/4MOR LBO	43	1	616216	06C1T-06FJX-06FJX-115 H/A
16	9	618609	3/4MJIC-90-3/4FJIC SWIV LBO	44	1	616218	06C1T-06FJX-06FJX-177 H/A
17	1	618532	3/4FJIC CAP NUT	45	1	614386	08C1T-08FJX-08FJX-285 H/A
18	1	618594	7/8FJIC SWIV-7/8MOR ADPTR	46	1	616226	08C1T-08FJX-08FJX-253 H/A
19	1	618173	7/8MJIC-90-3/4MOR LBO	47	4	616025	08C1T-08FJX-08FJX-50 H/A
20	2	618709	9/16MJIC-90-3/4MOR EX LG LBO	48	2	616173	08C1T-08FJX-08FJX-157 H/A
21	1	618618	9/16MJIC-90-9/16FJIC SWIV LBO	49	2	616220	08C1T-08FJX-08FJX-98 H/A
22	1	618693	3/4MOR-9/16MOR REDU UNION	50	1	614375	08C1T-08FJX-08FJX-177 H/A
23	1	618183	3/4MJIC-90-7/8MOR LBO	51	1	614691	08C1T-08FJX-08FJX-220 H/A
24	1	618310	9/16MJIC-7/8MOR ADPTR	52	4	616248	06C1T-06FJX-08FJX-15 H/A
25	1	618686	HYD COUPLER, FEM 1" B, 1 5/16FOR	53	1	618697	HYD COUPLER, MALE 1/2B, 3/4FOR
26	1	618687	HYD COUPLER, MALE 1" B, 1 5/16FOR	54	1	616247	20C12-20FJX-20FJX-53 H/A
27	1	618728	1 5/8MOR-90-1 5/8FJIC SWIV	55	1	615621	06C1T-06FJX-06FJX-24 H/A
28	2	618471	1 5/8MJIC-1 5/16MOR ADPTR	56	1	618696	HYD COUPLER, FEM 1/2B, 3/4FOR



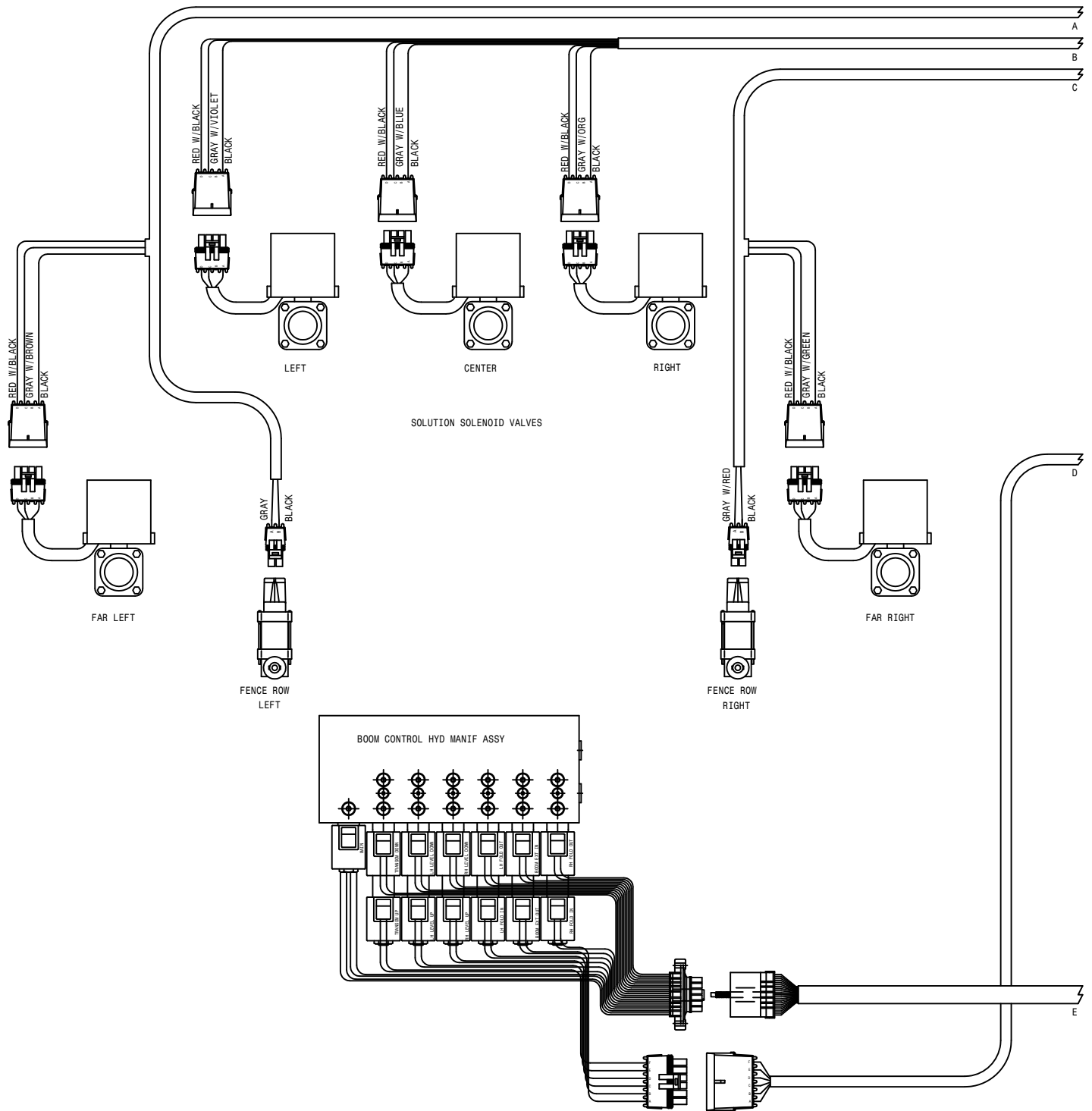
STS COMBO 10R CUTR HYD SCHEM 04
REFERENCE DRAWING NO. 498828

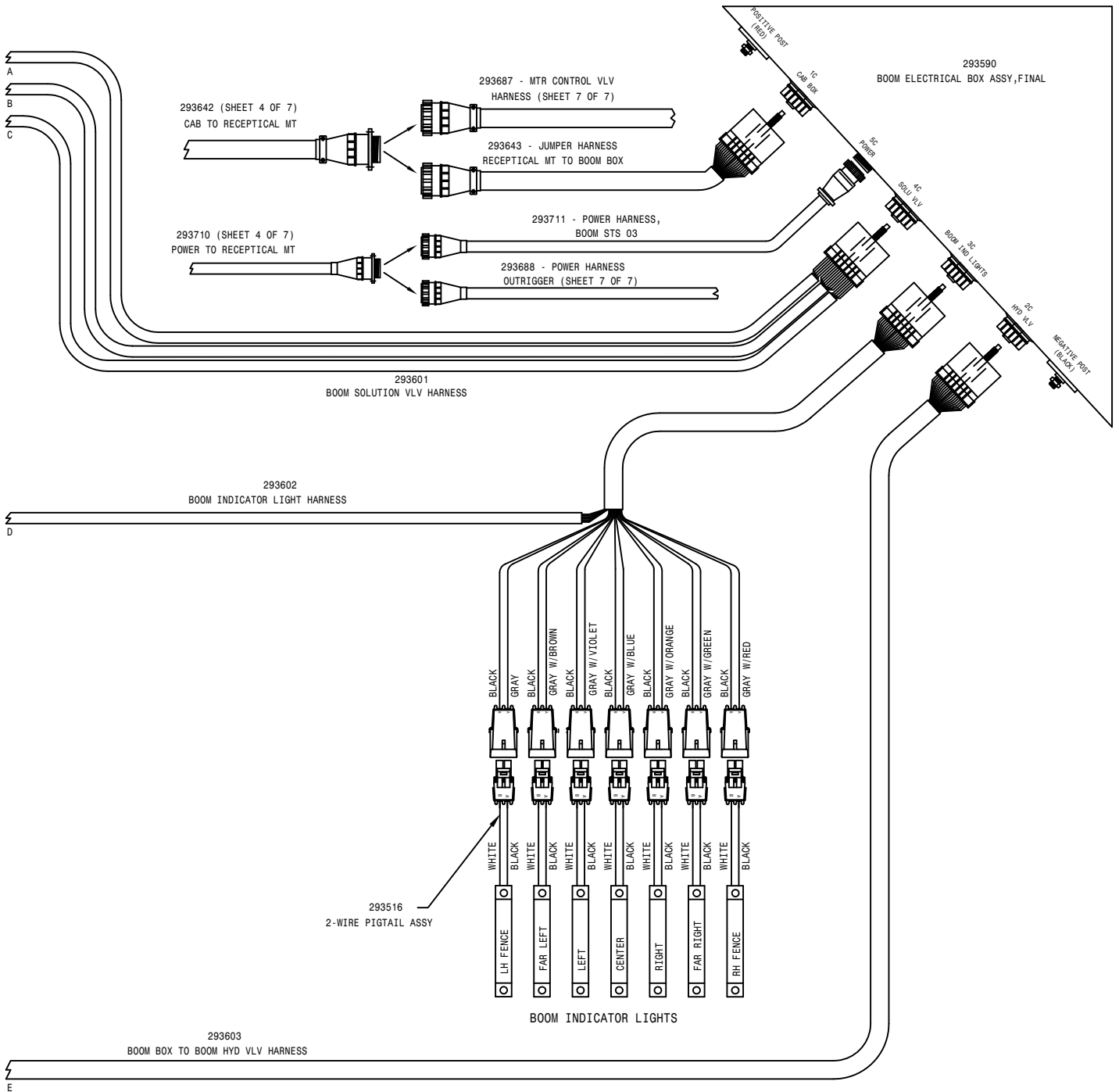
DET.	QTY	PART NO.	DESCRIPTION	DET.	QTY	PART NO.	DESCRIPTION
1	1	610613	ELECT HYD STACT VLV, 4 SECT	29	1	618683	1 5/8MOR-1 5/8FJIC SWIV ADPTR
2	2	615615	FWD SELECT VLV ASSY 280 89	30	4	618469	3/4MJIC-1 1/16MOR ADPTR
3	10	610806	HYD MOTOR, .55CI CASAPPA	31	24	611125	3/4MJIC-3/4MOR ADPTR
4	1	606034	MTR CONTROL ELECT VLV	32	1	616210	06C1T-06FJX-06FJX-32 H/A
5	1	606090	BRAND HYD VALVE, 2-SECT SER 36	33	1	618727	1 7/8MOR-1 5/8FOR ADPTR
6	15	618126	9/16MJIC-9/16MOR ADPTR	34	2	618476	1 5/8MJIC-90-1 5/16MOR LBO
7	4	621564	DETAS LIFT CYL,2.00 X 11.00STS	35	2	614757	.032 ELBOW ASSY,9/16MOR 90D
8	2	621566	OUTRGR FOLD CYL, 2.50 X 11.00	36	1	618692	3/4FJIC SWIV-9/16MOR ADPTR
9	6	618486	9/16FJIC SW RUN TEE-9/16MJIC	37	4	618451	3/4FJIC SW RUN TEE-3/4MJIC
10	1	606019	HYD RETURN MANIFOLD	38	1	615442	04C1T-06FJX-06FJX-55 H/A
11	1	618706	9/16MOR-3/4FOR ADPTR	39	7	615314	04C1T-06FJX-06FJX-50 H/A
12	6	618119	9/16MJIC-90-9/16MOR LBO	40	1	616207	04C1T-06FJX-06FJX-62 H/A
13	1	618669	3/4FJIC SWIV-3/4MOR ADPTR	41	1	616040	04C1T-06FJX-06FJX-67 H/A
14	1	618494	3/4MOR RUN TEE-3/4MJIC	42	1	616215	06C1T-06FJX-06FJX-85 H/A
15	2	618115	9/16MJIC-90-3/4MOR LBO	43	1	616216	06C1T-06FJX-06FJX-115 H/A
16	9	618609	3/4MJIC-90-3/4FJIC SWIV LBO	44	1	616218	06C1T-06FJX-06FJX-177 H/A
17	1	618532	3/4FJIC CAP NUT	45	1	614386	08C1T-08FJX-08FJX-285 H/A
18	1	618594	7/8FJIC SWIV-7/8MOR ADPTR	46	1	616226	08C1T-08FJX-08FJX-253 H/A
19	1	618173	7/8MJIC-90-3/4MOR LBO	47	6	616025	08C1T-08FJX-08FJX-50 H/A
20	2	618709	9/16MJIC-90-3/4MOR EX LG LBO	48	2	616173	08C1T-08FJX-08FJX-157 H/A
21	1	618618	9/16MJIC-90-9/16FJIC SWIV LBO	49	2	616220	08C1T-08FJX-08FJX-98 H/A
22	1	618693	3/4MOR-9/16MOR REDU UNION	50	1	614375	08C1T-08FJX-08FJX-177 H/A
23	1	618183	3/4MJIC-90-7/8MOR LBO	51	1	614691	08C1T-08FJX-08FJX-220 H/A
24	1	618310	9/16MJIC-7/8MOR ADPTR	52	4	616248	06C1T-06FJX-08FJX-15 H/A
25	1	618686	HYD COUPLER,FEM 1"B,1 5/16FOR	53	1	618697	HYD COUPLER,MALE 1/2B, 3/4FOR
26	1	618687	HYD COUPLER,MALE 1"B,1 5/16FOR	54	1	616247	20C12-20FJX-20FJX-53 H/A
27	1	618728	1 5/8MOR-90-1 5/8FJIC SWIV	55	1	615621	06C1T-06FJX-06FJX-24 H/A
28	2	618471	1 5/8MJIC-1 5/16MOR ADPTR	56	1	618696	HYD COUPLER,FEM 1/2B, 3/4FOR



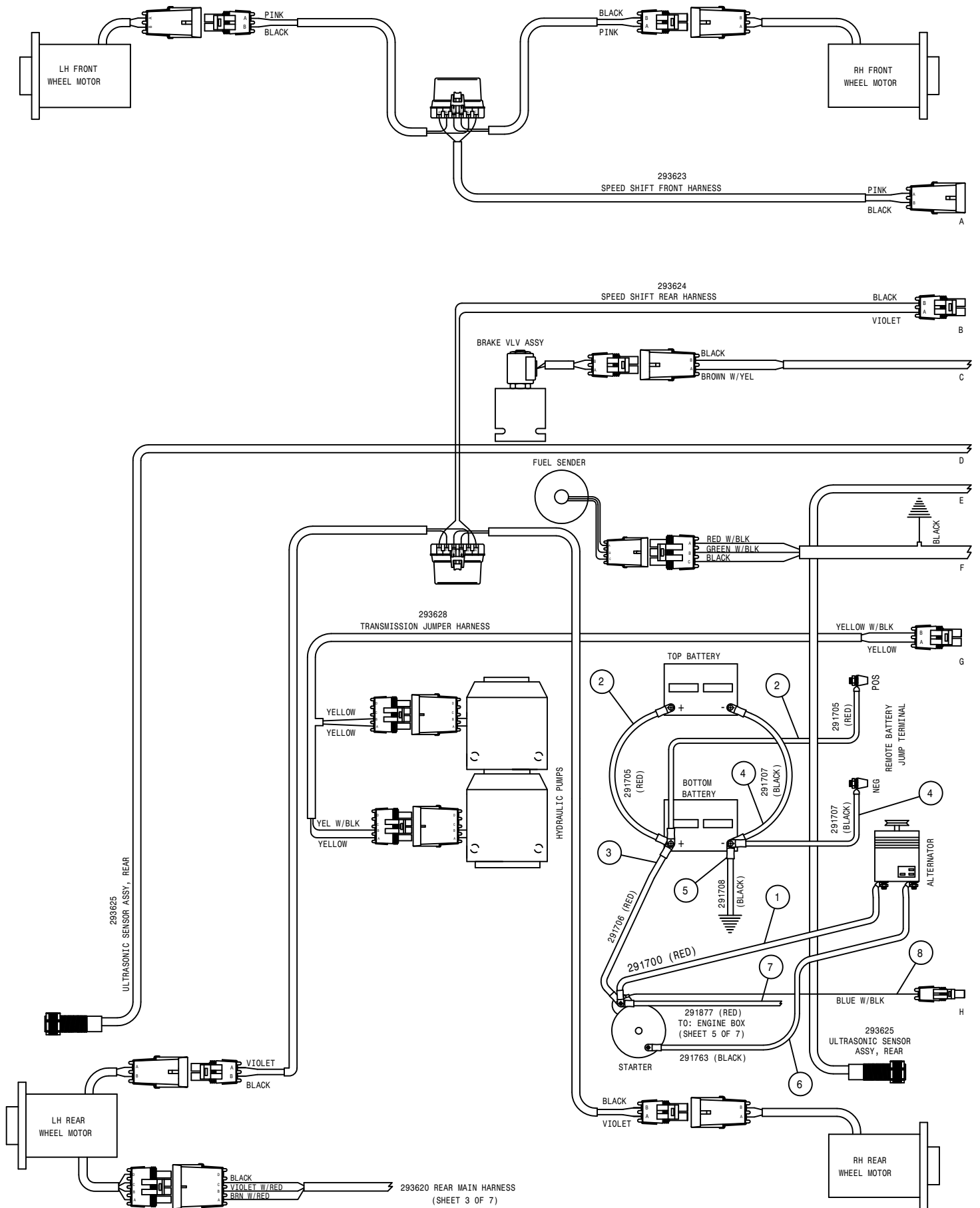
STS COMBO 12R CUTR HYD SCHEM 04
REFERENCE DRAWING NO. 498829

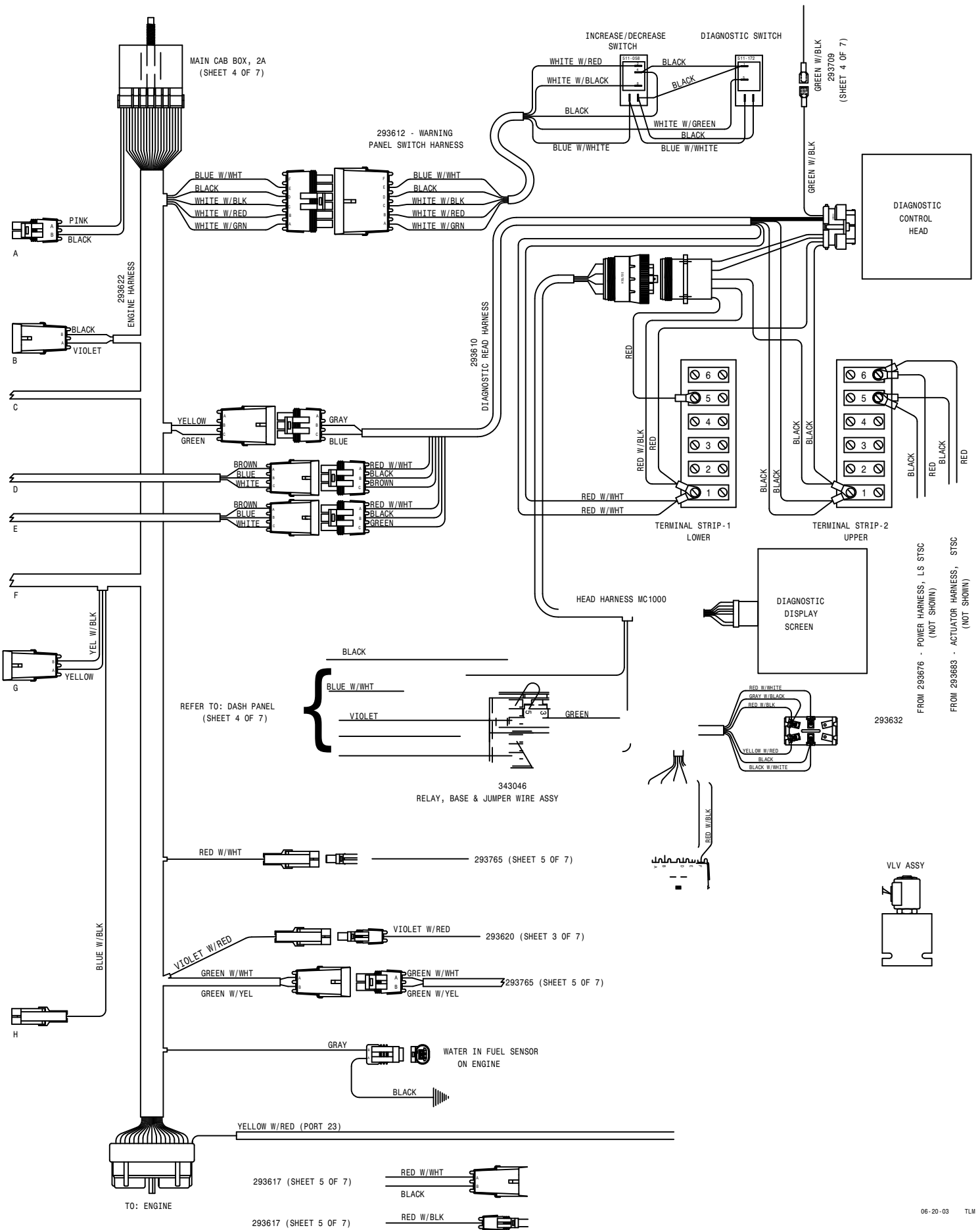
DET.	QTY	PART NO.	DESCRIPTION	DET.	QTY	PART NO.	DESCRIPTION
1	1	610615	ELECT HYD STACT VLV, 6 SECT	34	2	618476	1 5/8MJIC-90-1 5/16MOR LBO
2	2	605615	HYD FILTER, INLINE 25M 9/16FOR	35	2	614757	.032 ELBOW ASSY, 9/16MOR 90D
3	12	610806	HYD MOTOR, .55CI CASAPPA	36	1	618692	3/4FJIC SWIV-9/16MOR ADPTR
4	1	606034	MTR CONTROL ELECT VLV	37	4	618451	3/4FJIC SW RUN TEE-3/4MJIC
5	1	606090	BRAND HYD VALVE, 2-SECT SER 36	38	1	616210	06C1T-06FJX-06FJX-32 H/A
6	1	618706	9/16MOR-3/4FOR ADPTR	39	5	615314	04C1T-06FJX-06FJX-50 H/A
7	6	621564	DETAS LIFT CYL, 2.00 X 11.00STS	40	1	615442	04C1T-06FJX-06FJX-55 H/A
8	2	621566	OUTRGR FOLD CYL, 2.50 X 11.00	41	1	616207	04C1T-06FJX-06FJX-62 H/A
9	2	618709	9/16MJIC-90-3/4MOR EX LG LBO	42	1	616040	04C1T-06FJX-06FJX-67 H/A
10	1	606019	HYD RETURN MANIFOLD	43	1	616227	08C1T-08FJX-08FJX-255 H/A
11	16	618126	9/16MJIC-9/16MOR ADPTR	44	1	616215	06C1T-06FJX-06FJX-85 H/A
12	11	618119	9/16MJIC-90-9/16MOR LBO	45	1	616216	06C1T-06FJX-06FJX-115 H/A
13	1	618669	3/4FJIC SWIV-3/4MOR ADPTR	46	1	616217	06C1T-06FJX-06FJX-172 H/A
14	1	618494	3/4MOR RUN TEE-3/4MJIC	47	1	616218	06C1T-06FJX-06FJX-177 H/A
15	2	618115	9/16MJIC-90-3/4MOR LBO	48	2	616223	08C1T-08FJX-08FJX-232 H/A
16	9	618609	3/4MJIC-90-3/4FJIC SWIV LBO	49	1	616224	08C1T-08FJX-08FJX-243 H/A
17	1	618532	3/4FJIC CAP NUT	50	1	616219	06C1T-06FJX-06FJX-237 H/A
18	1	618594	7/8FJIC SWIV-7/8MOR ADPTR	51	1	616220	08C1T-08FJX-08FJX-98 H/A
19	1	618173	7/8MJIC-90-3/4MOR LBO	52	1	616221	08C1T-08FJX-08FJX-171 H/A
20	8	618486	9/16FJIC SW RUN TEE-9/16MJIC	53	1	616222	08C1T-08FJX-08FJX-190 H/A
21	1	618618	9/16MJIC-90-9/16FJIC SWIV LBO	54	1	616247	20C12-20FJX-20FJX-53 H/A
22	1	618693	3/4MOR-9/16MOR REDU UNION	55	1	615621	06C1T-06FJX-06FJX-24 H/A
23	1	618183	3/4MJIC-90-7/8MOR LBO	56	4	616248	06C1T-06FJX-08FJX-15 H/A
24	1	618310	9/16MJIC-7/8MOR ADPTR	57	4	616025	08C1T-08FJX-08FJX-50 H/A
25	1	618686	HYD COUPLER, FEM 1" B, 1 5/16FOR	58	1	616225	08C1T-08FJX-08FJX-248 H/A
26	1	618687	HYD COUPLER, MALE 1" B, 1 5/16FOR	59	1	618697	HYD COUPLER, MALE 1/2B, 3/4FOR
27	1	618728	1 5/8MOR-90-1 5/8FJIC SWIV	60	2	614554	04C1T-06FJX-06FJX-240 H/A
28	2	618471	1 5/8MJIC-1 5/16MOR ADPTR	61	1	614377	04C1T-06FJX-06FJX-258 H/A
29	1	618683	1 5/8MOR-1 5/8FJIC SWIV ADPTR	62	1	616249	04C1T-06FJX-06FJX-273 H/A
30	4	618469	3/4MJIC-1 1/16MOR ADPTR	63	1	616228	08C1T-08FJX-08FJX-273 H/A
31	28	611125	3/4MJIC-3/4MOR ADPTR	64	1	616229	08C1T-08FJX-08FJX-310 H/A
32	1	616173	08C1T-08FJX-08FJX-157 H/A	65	1	616226	08C1T-08FJX-08FJX-253 H/A
33	1	618727	1 7/8MOR-1 5/8FOR ADPTR	66	1	618696	HYD COUPLER, FEM 1/2B, 3/4FOR

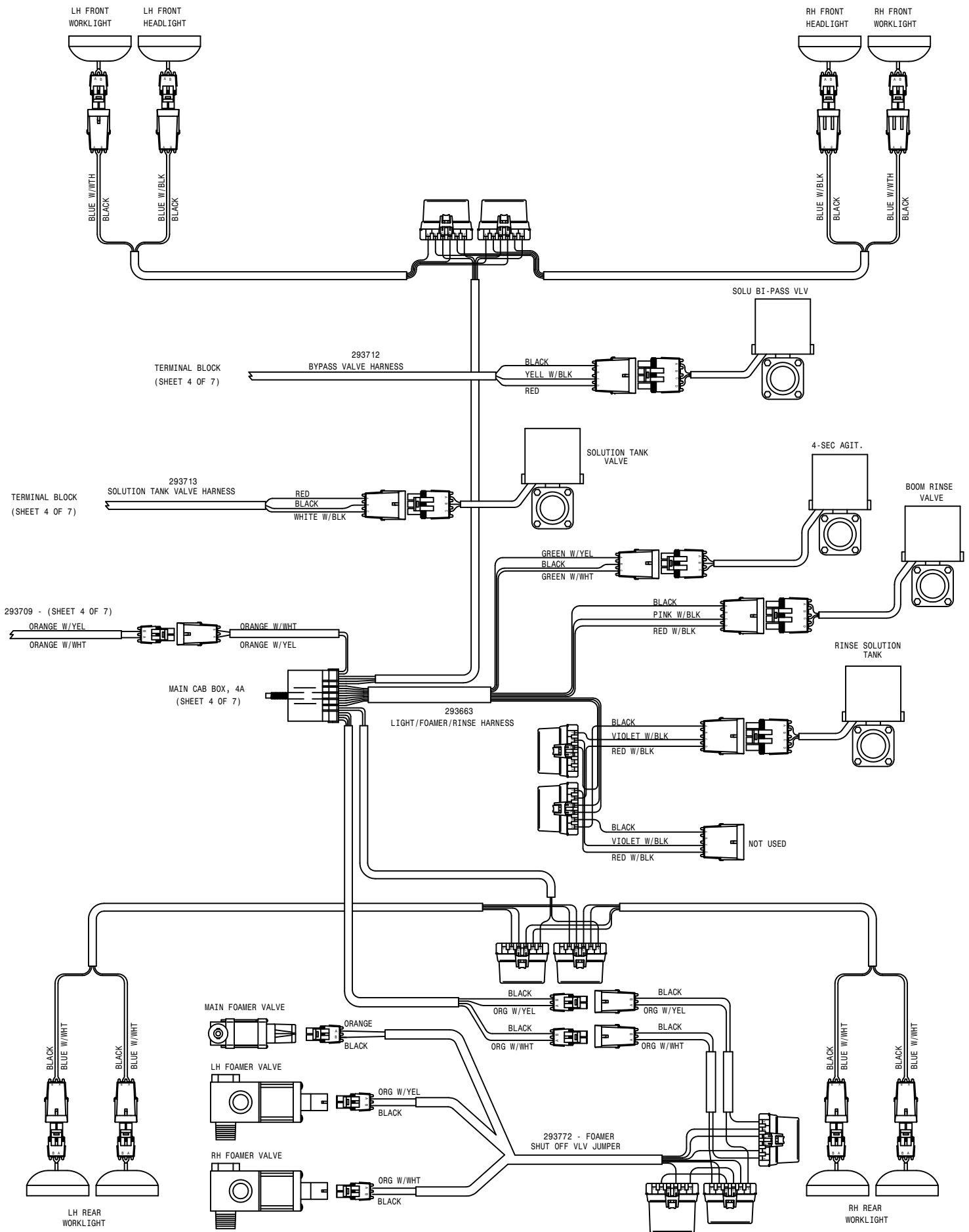


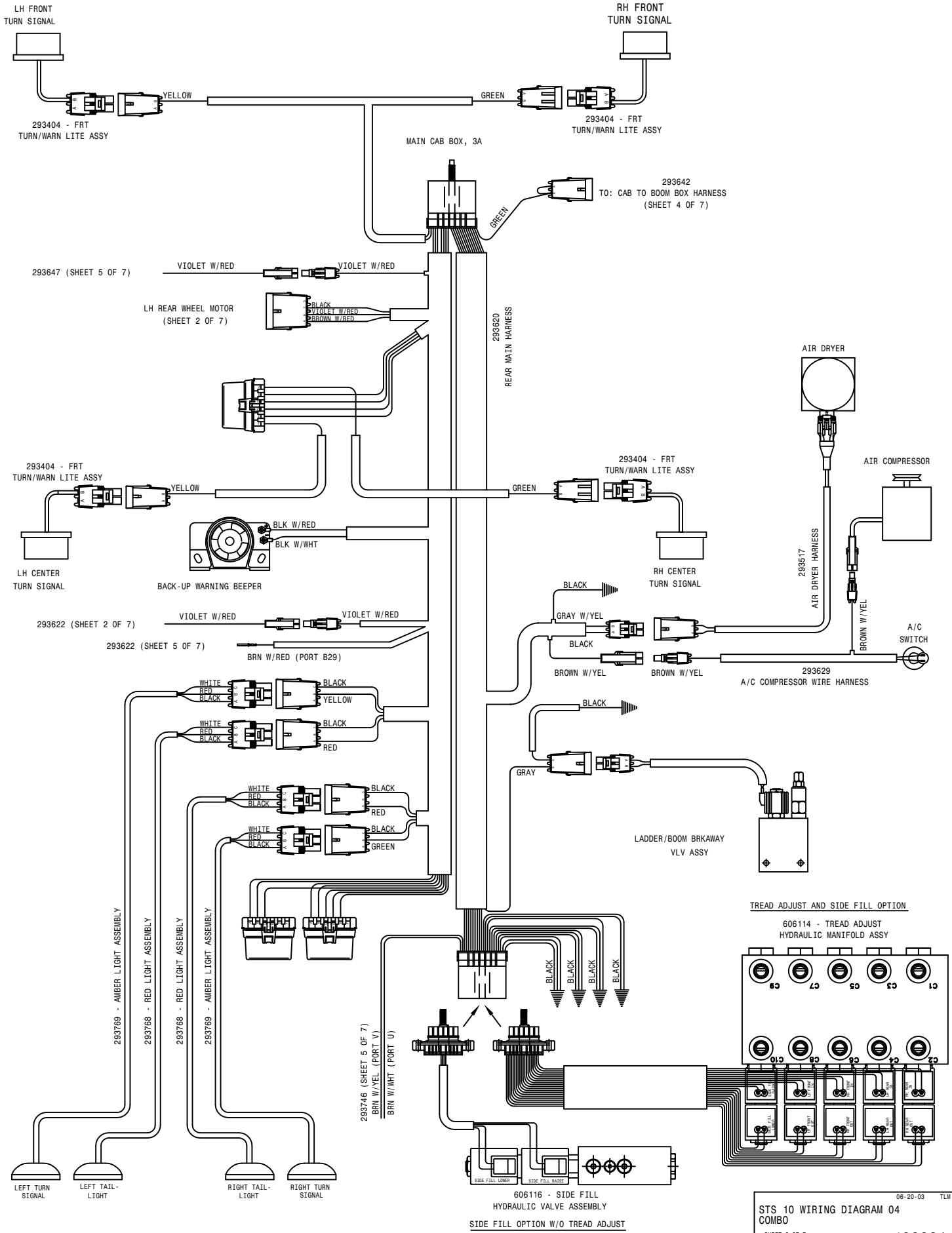


06-20-03 TLM
 STS 10 WIRING DIAGRAM 04
 COMBO
 SHEET 1 OF 7
 REVISION DATE: 498831

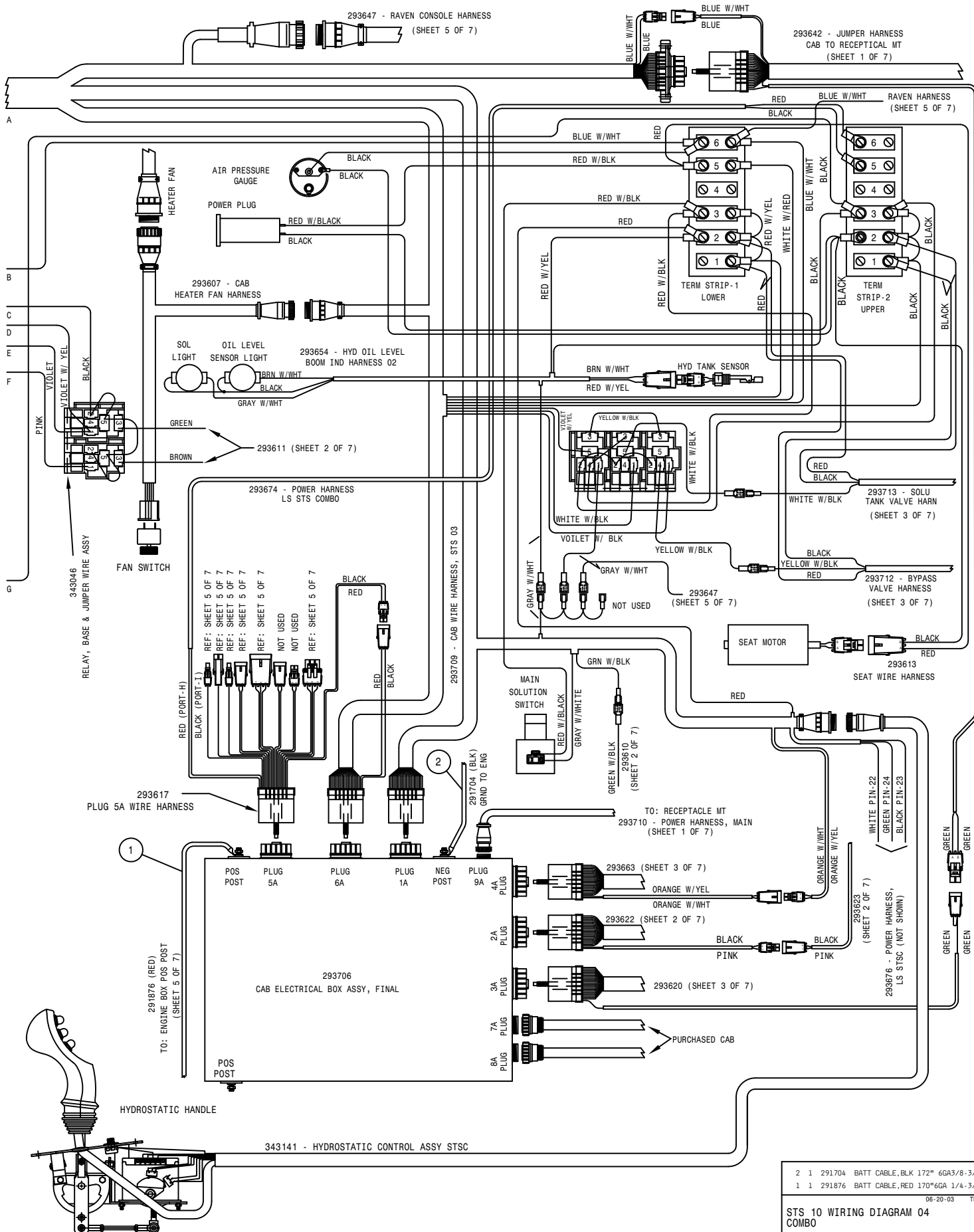




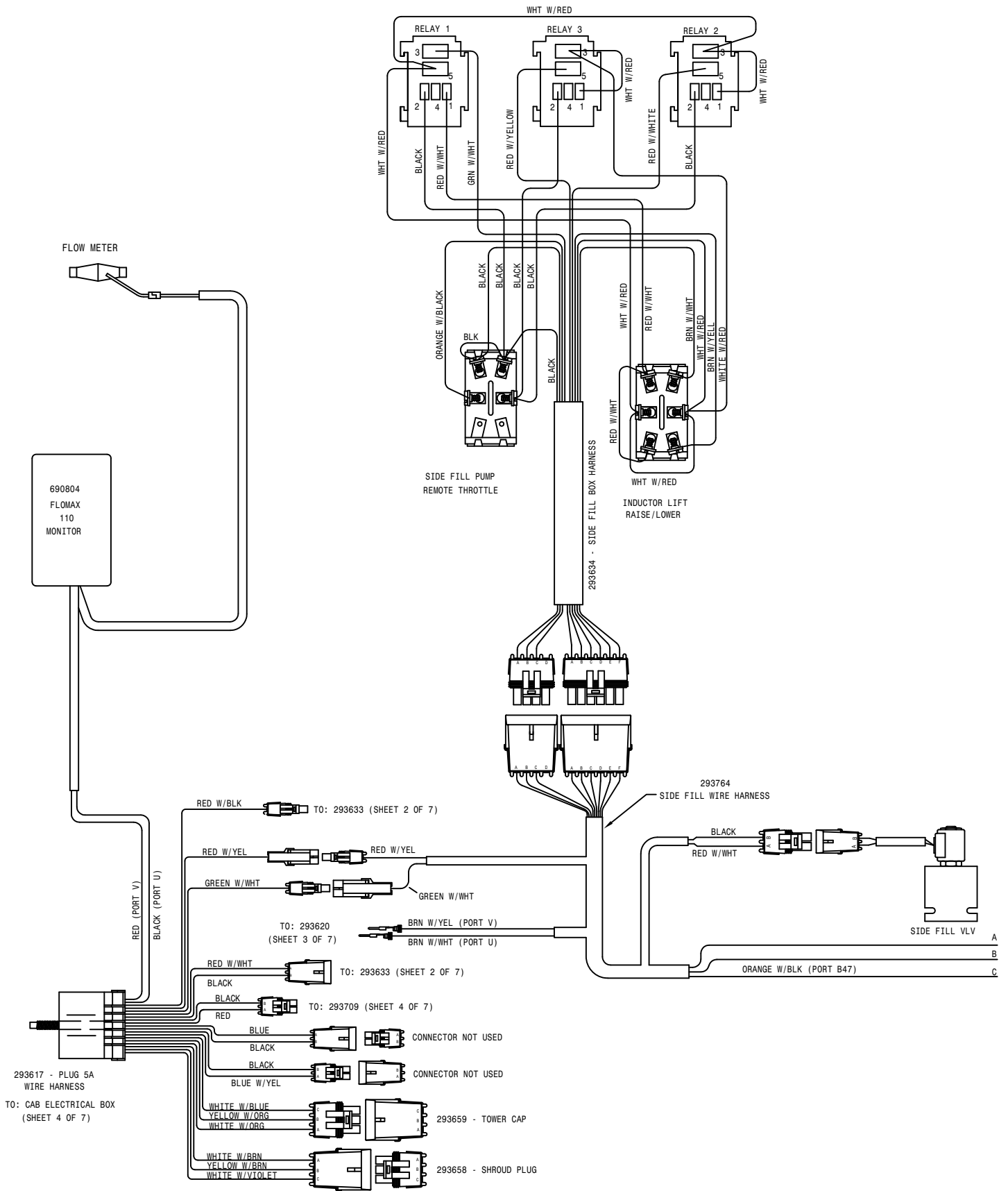


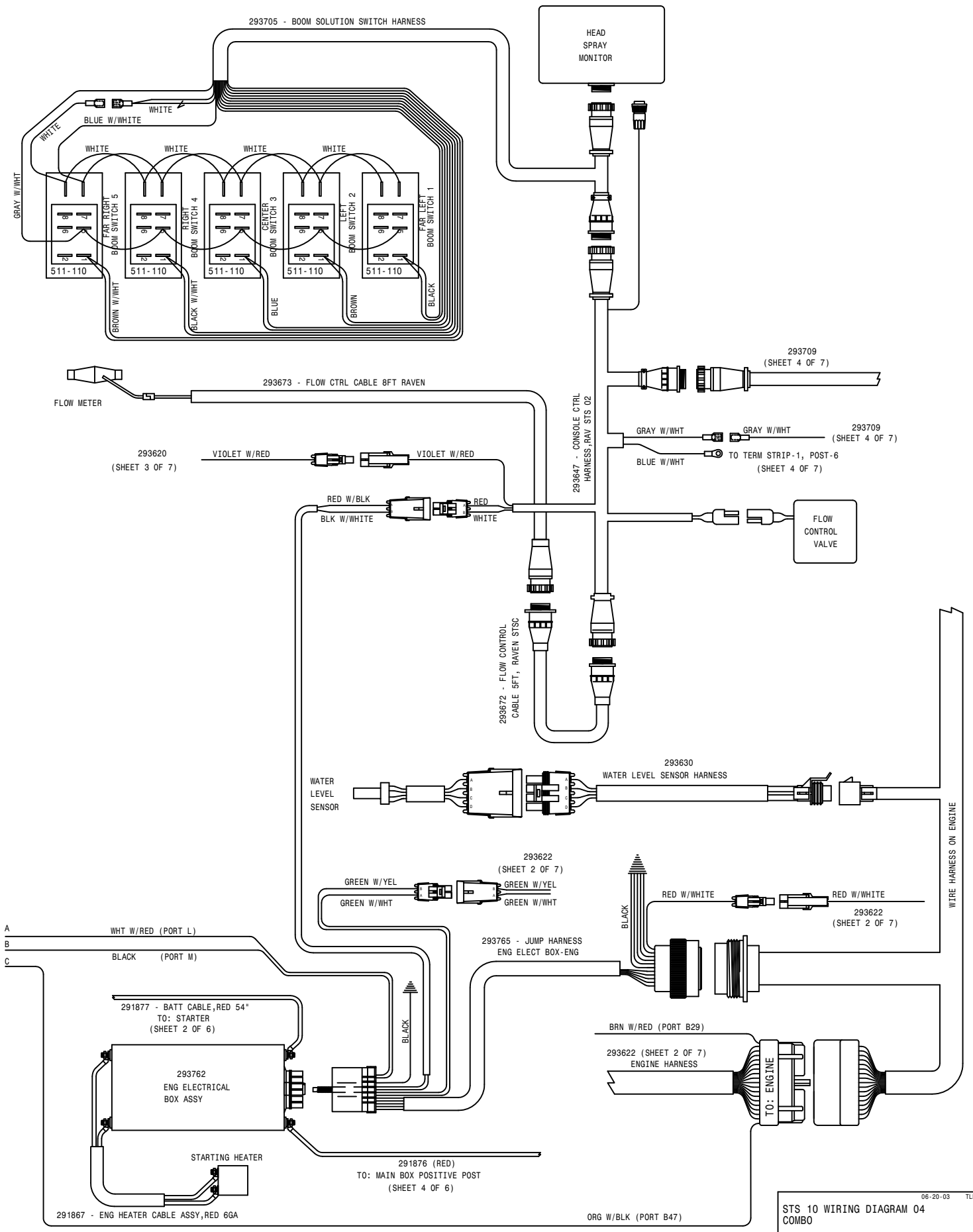


06-20-03 TLM
STS 10 WIRING DIAGRAM 04
 COMBO
 SHEET 3 OF 7
 REVISION DATE: 10-08-03
498831

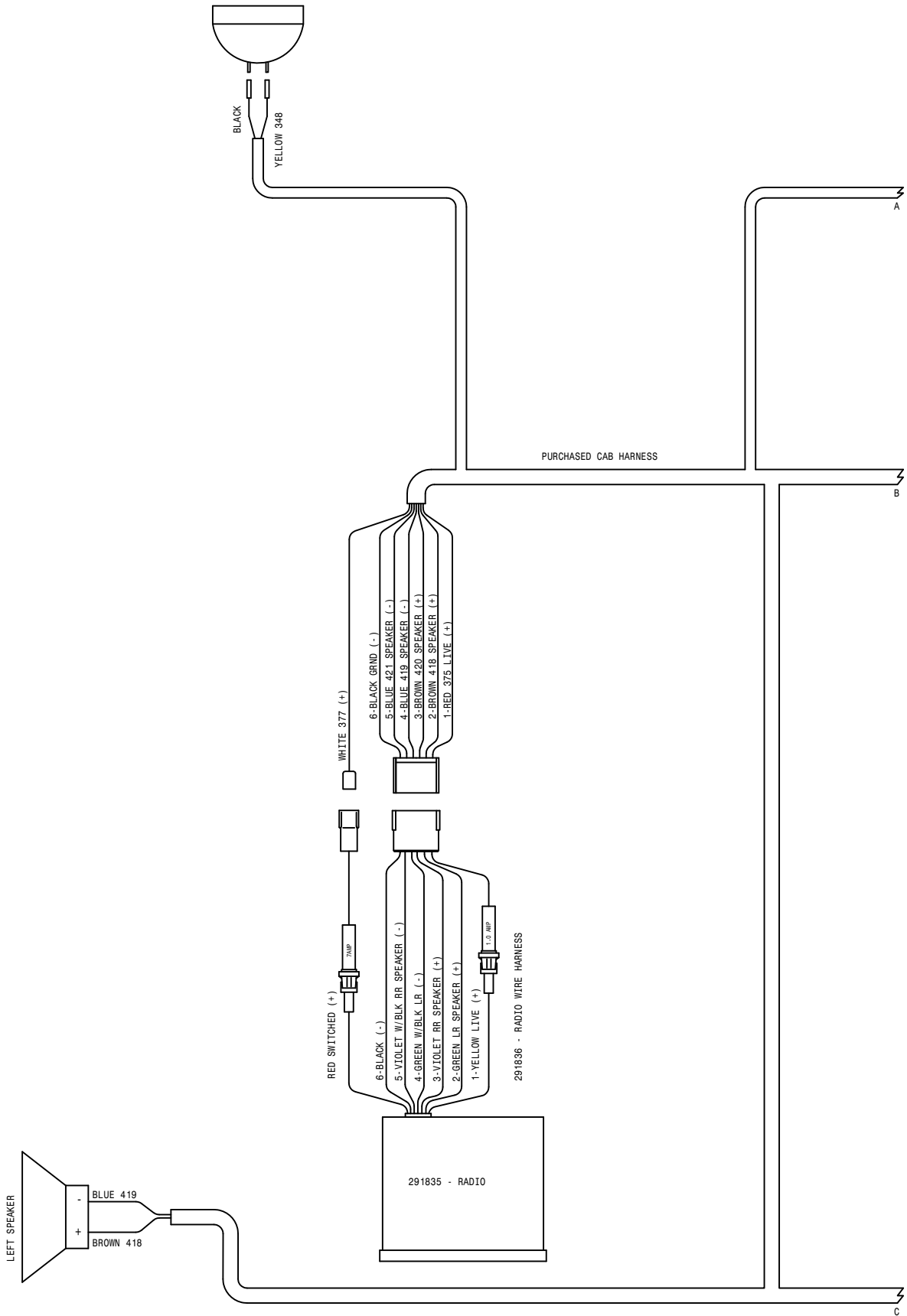


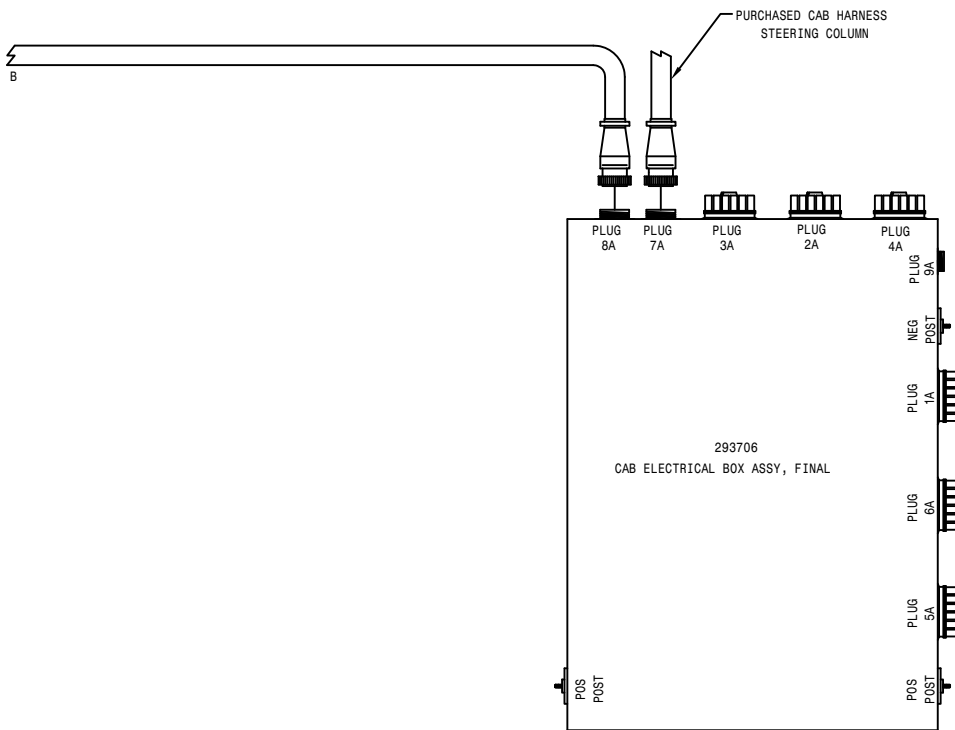
2	1	291704	BATT CABLE, BLK 172" 6GA3/8-3/8
1	1	291876	BATT CABLE, RED 170" 6GA 1/4-3/8
06-20-03 TLM			
STS 10 WIRING DIAGRAM 04 COMBO			
SHEET 4 OF 7			498831
REVISION DATE:			





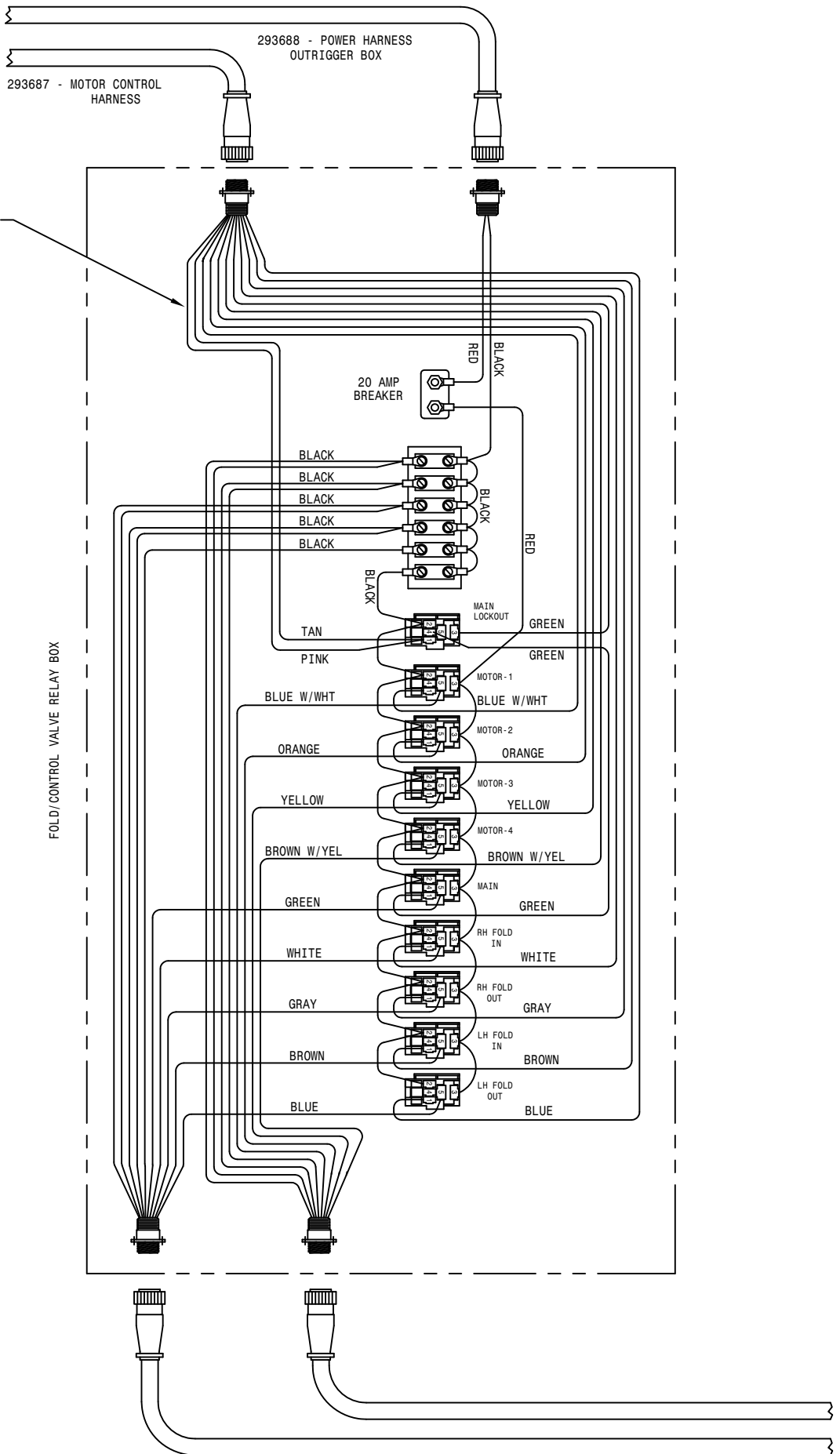
06-20-03 TLM
STS 10 WIRING DIAGRAM 04 COMBO
 SHEET 5 OF 7
 REVISION DATE: 08-01-03
498831

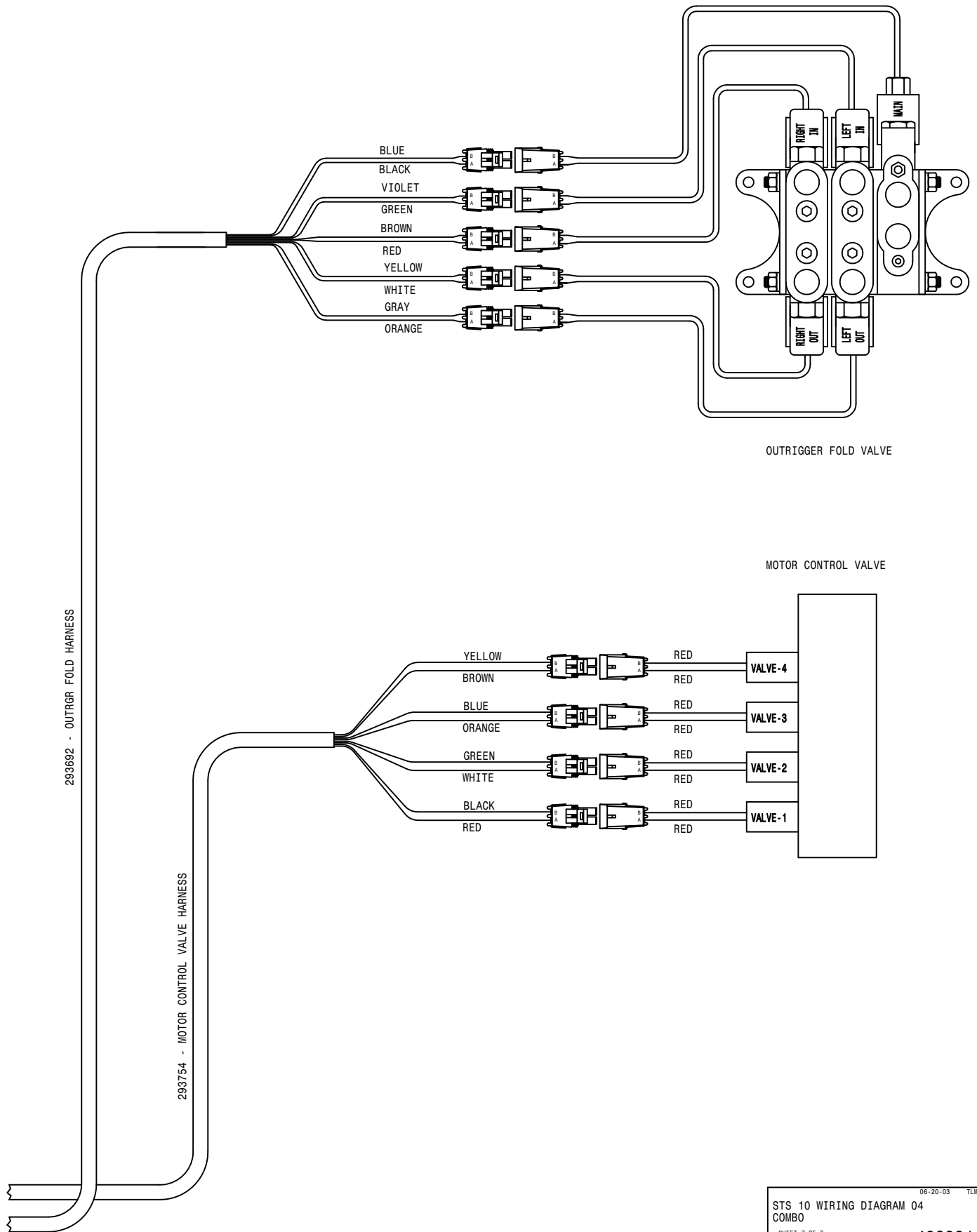




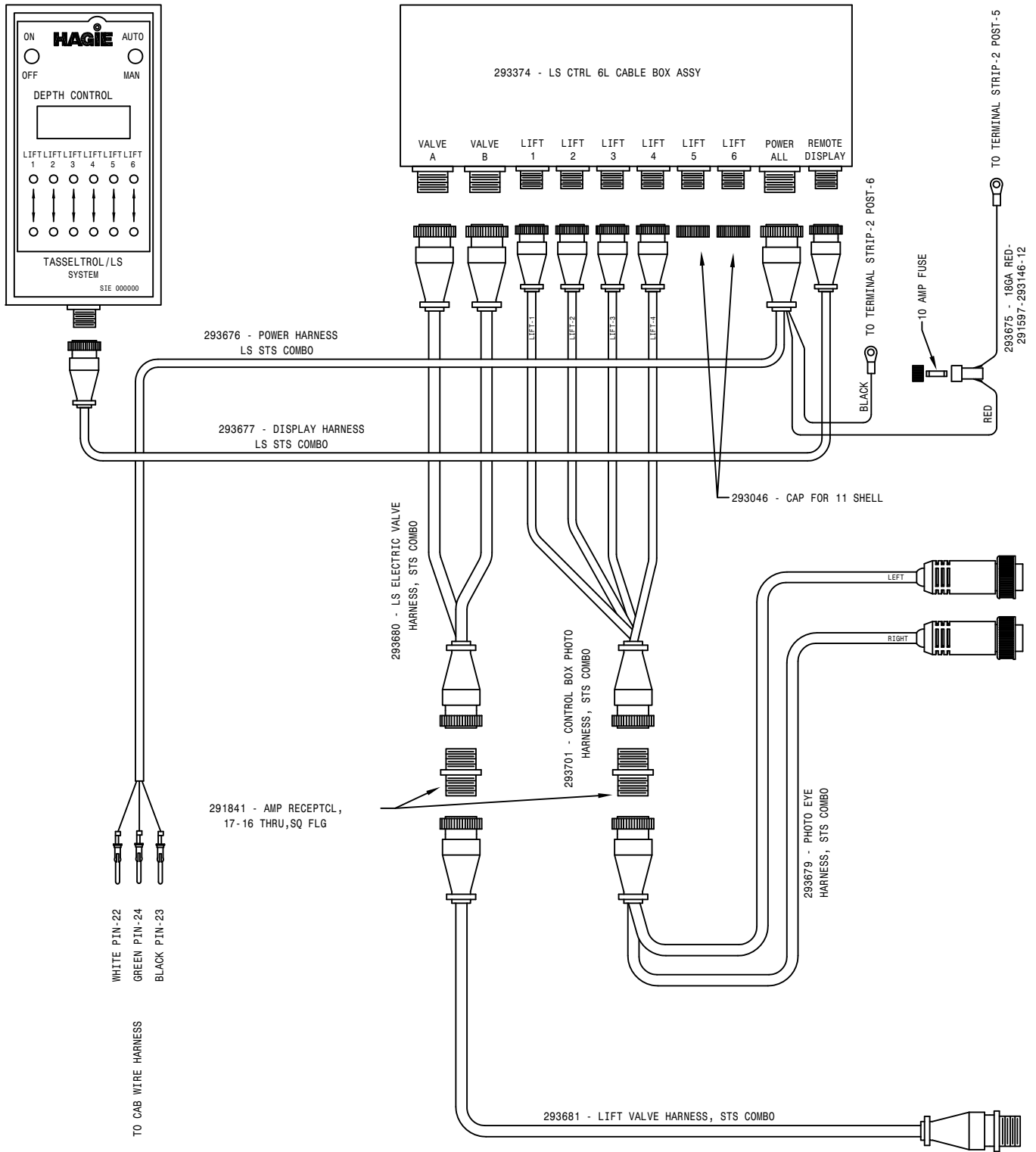
06-20-03 TLM
STS 10 WIRING DIAGRAM 04
COMBO
SHEET 6 OF 7
REVISION DATE: 498831

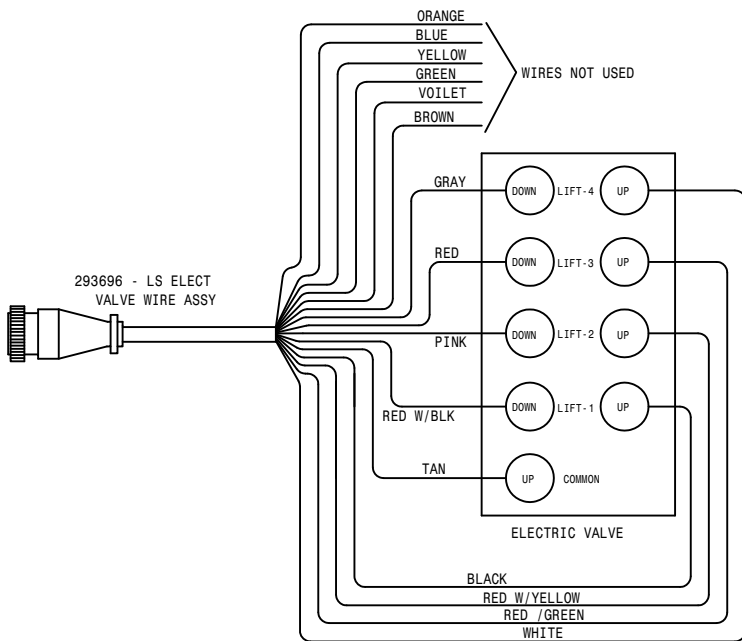
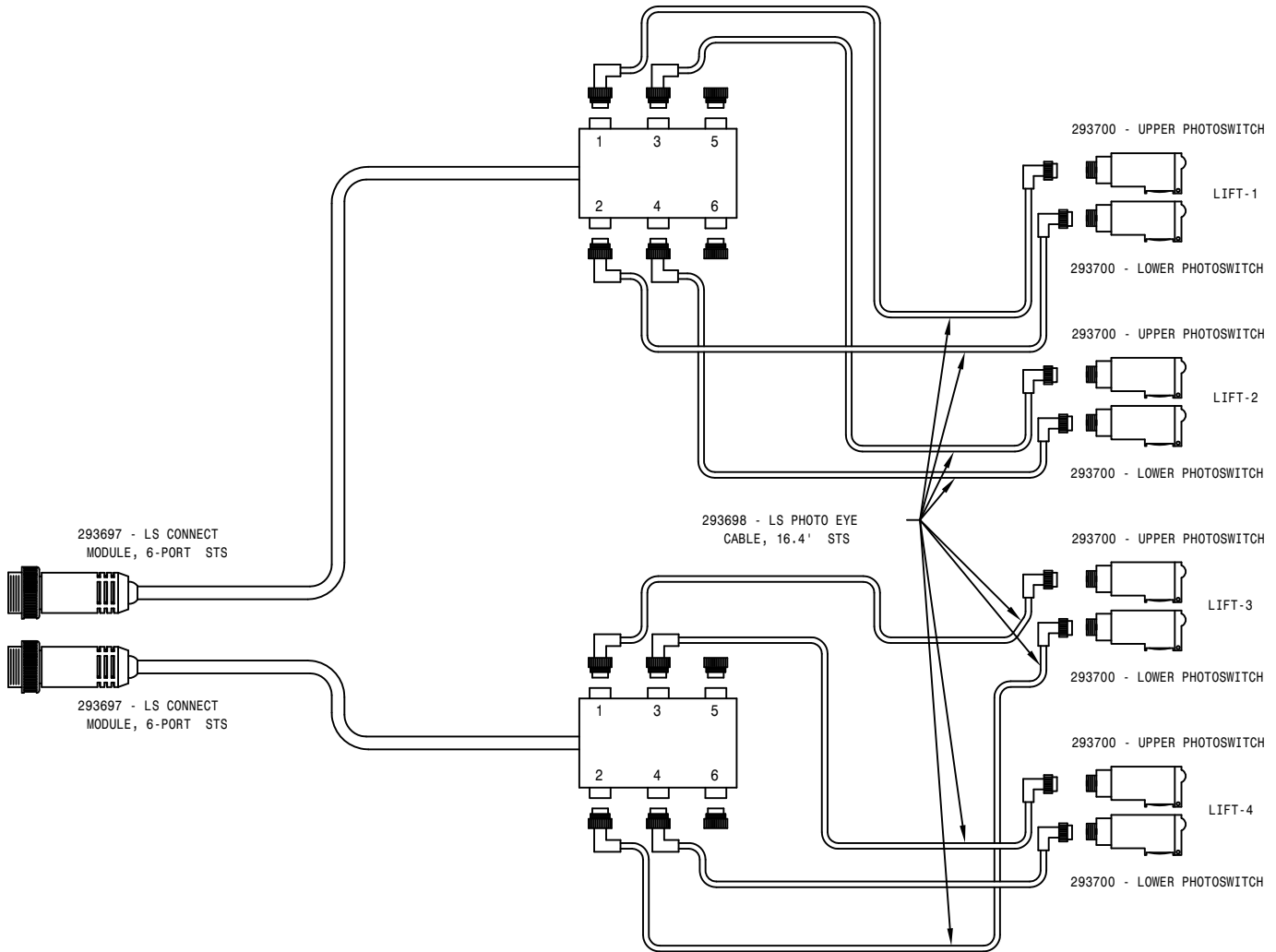
293710 - POWER HARNESS
 MAIN STS COMBO (SHEET 1 OF 7)
 293642 - JUMPER HARNESS
 CAB TO RECEPTICAL (SHEET 1 OF 7)



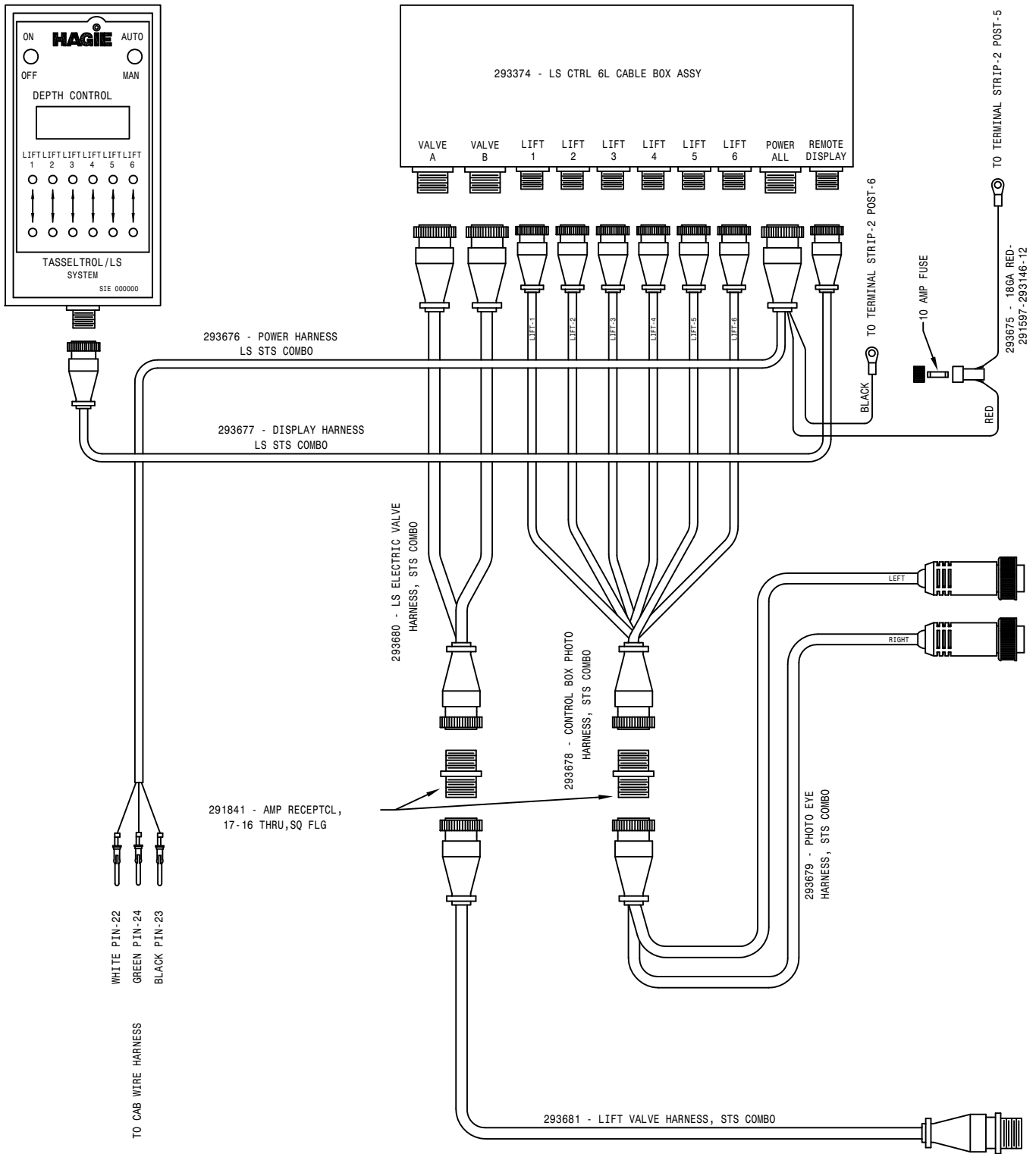


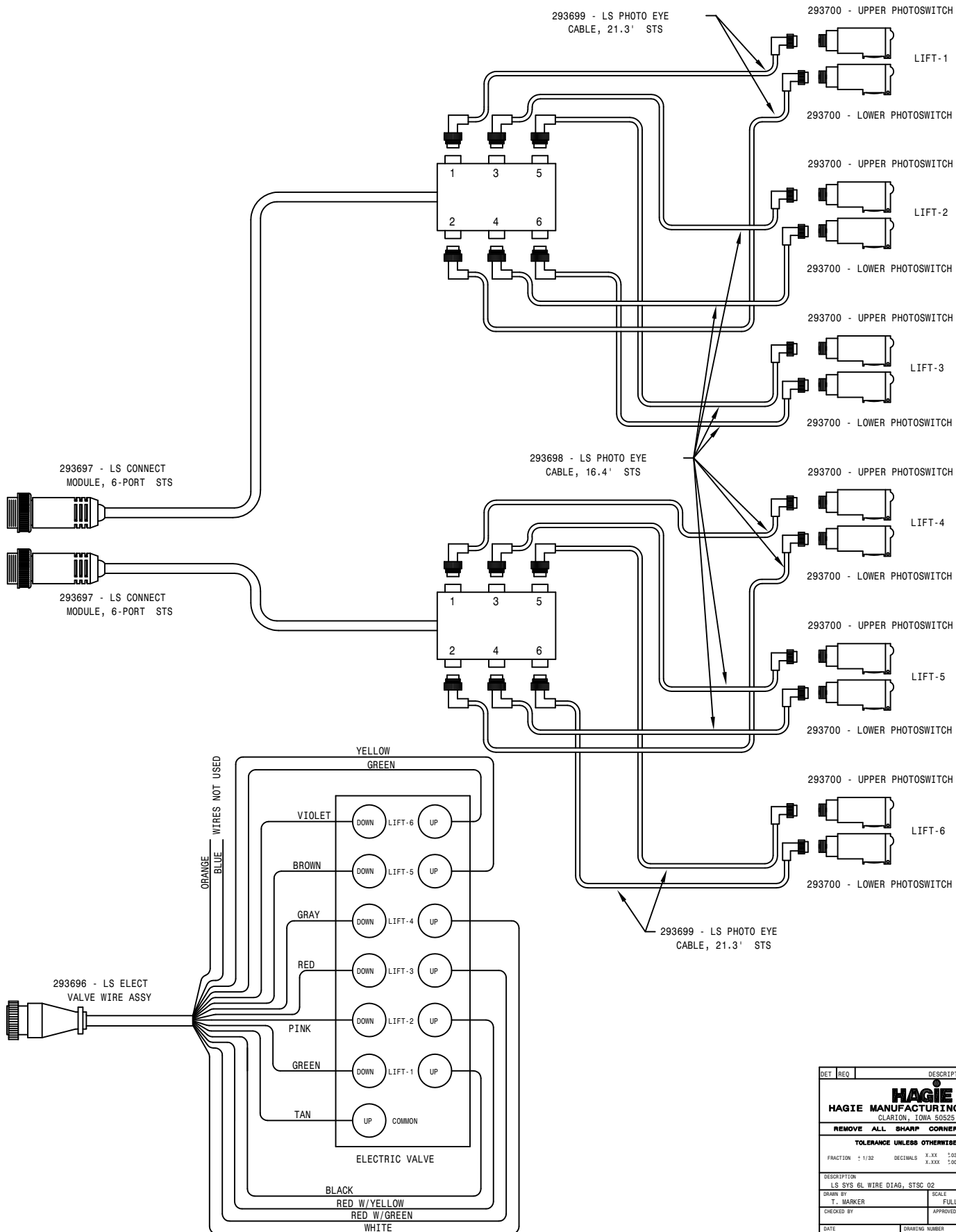
06-20-03 TLM
 STS 10 WIRING DIAGRAM 04
 COMBO
 SHEET 7 OF 7
 REVISION DATE: 498831



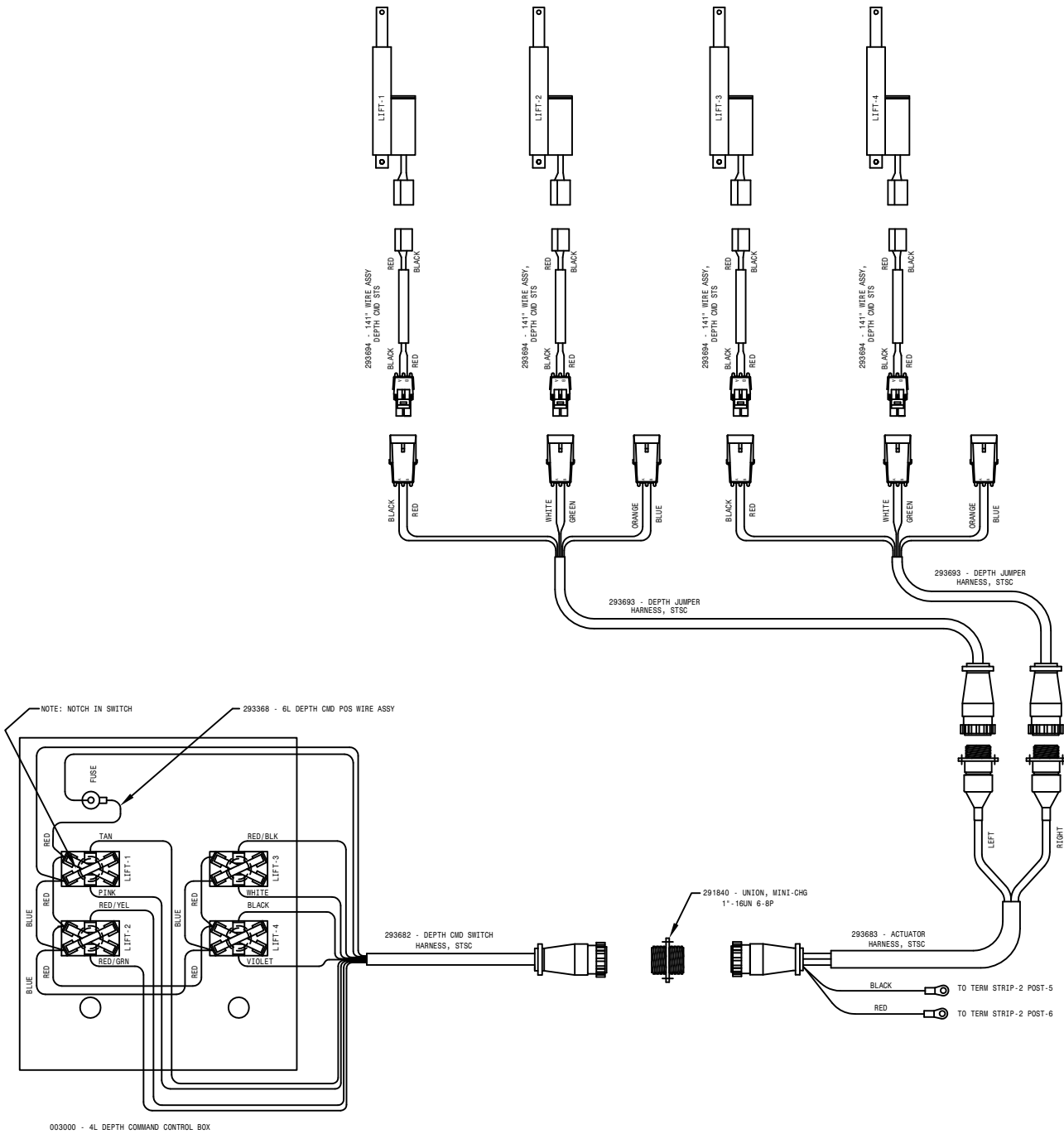


DET	REQ	DESCRIPTION
HAGIE HAGIE MANUFACTURING COMPANY CLARION, IOWA 50525		
REMOVE ALL SHARP CORNERS & BURRS		
TOLERANCE UNLESS OTHERWISE SPECIFIED		
FRACTION		DECIMALS
1/32		.005
1/16		.010
1/8		.015
3/16		.030
1/4		.040
3/8		.075
1/2		.125
3/4		.1875
1		.2500
ANGLES		°
DESCRIPTION LS SYS 4L WIRE DIAG, STSC 02		
DRAWN BY T. MARKER		SCALE FULL
CHECKED BY		APPROVED BY
DATE 01-17-02	DRAWING NUMBER 498705	
SHEET	OF	

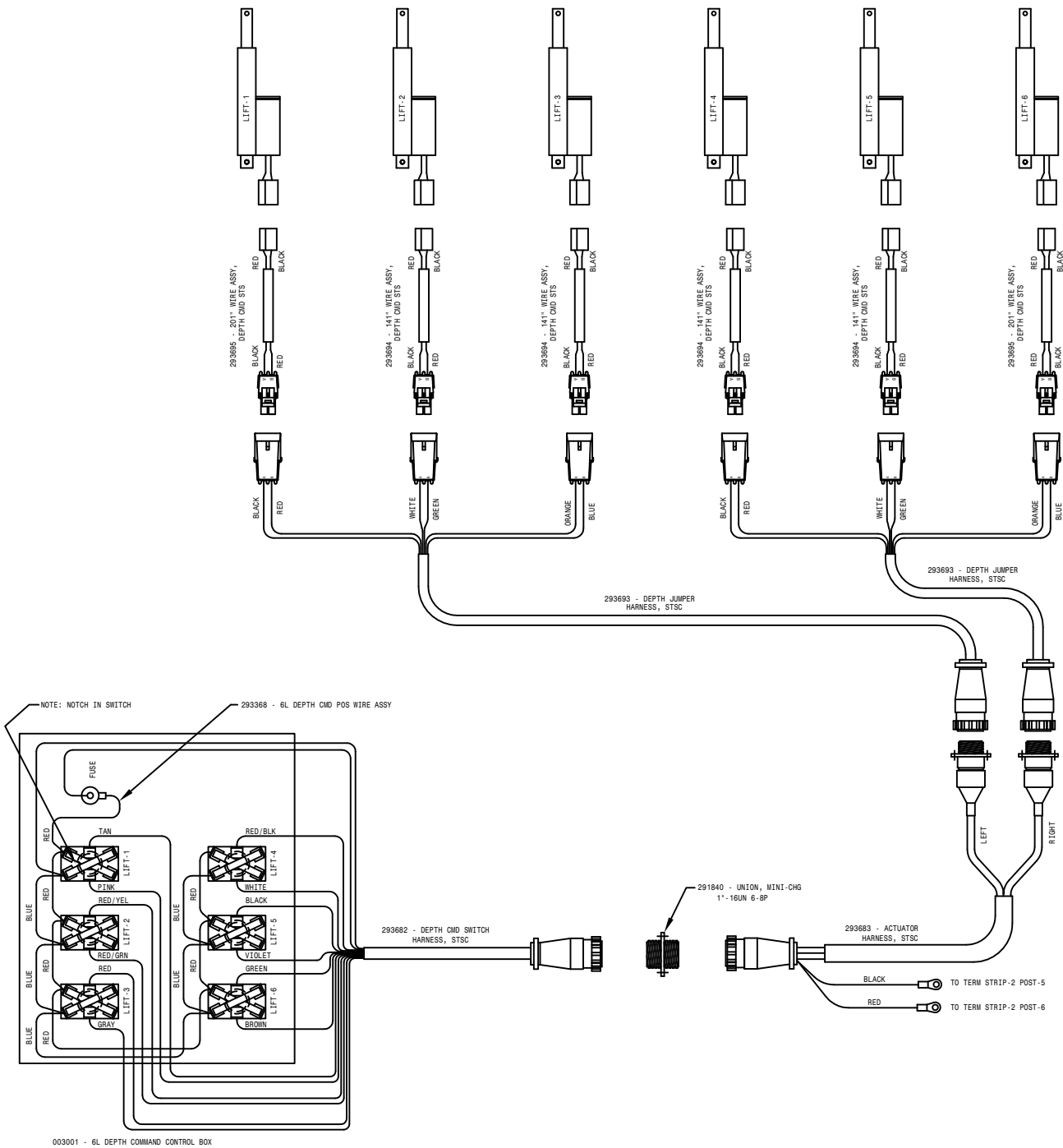




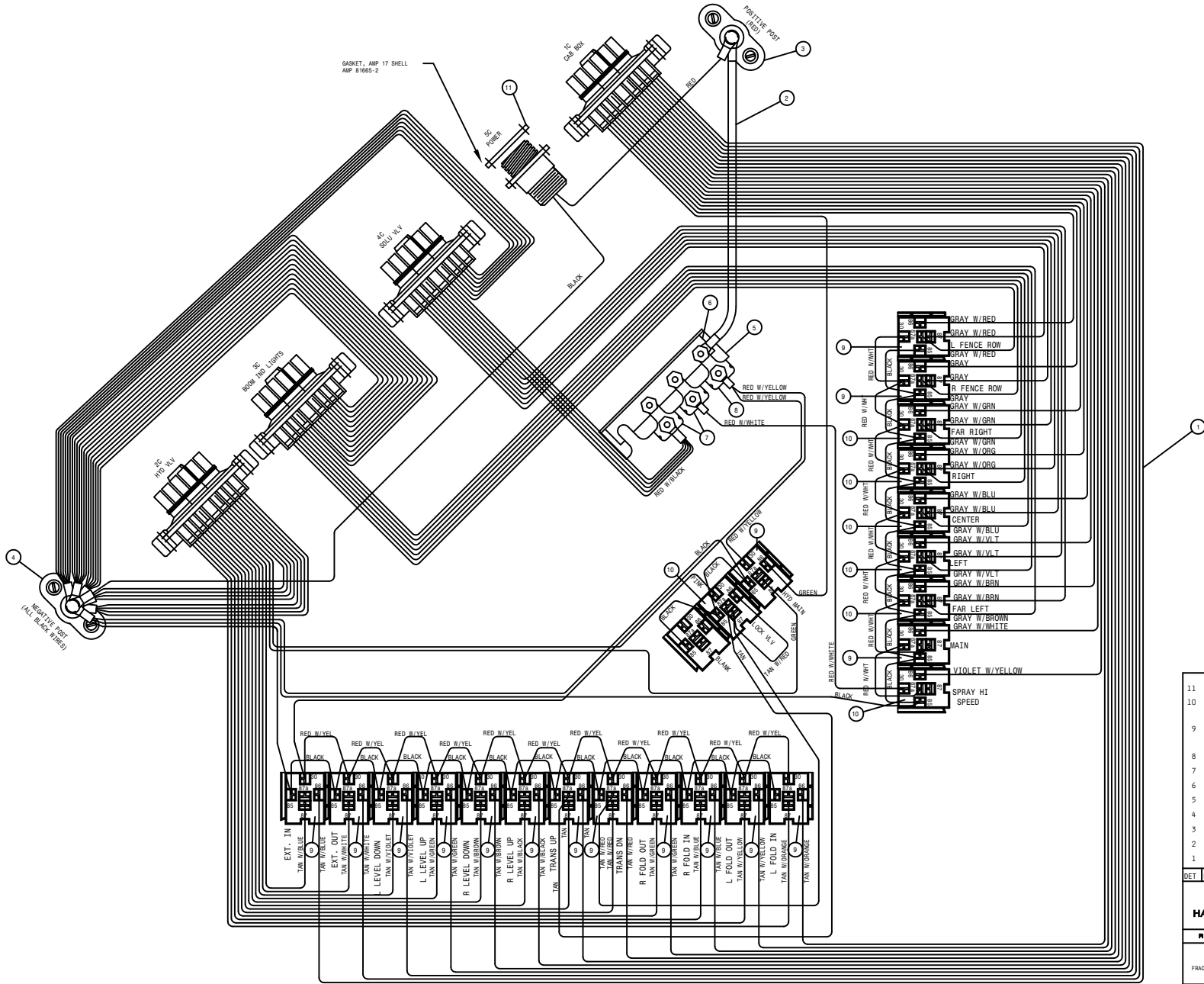
DET	REQ	DESCRIPTION
HAGIE HAGIE MANUFACTURING COMPANY CLARION, IOWA 50525		
REMOVE ALL SHARP CORNERS & BURRS		
TOLERANCE UNLESS OTHERWISE SPECIFIED		
FRACTION	+ 1/32	DECIMALS X.XX :03 X.XXX :005
ANGLES	: °	
DESCRIPTION LS SYS 6L WIRE DIAG, STSC 02		
DRAWN BY T. MARKER	SCALE FULL	
CHECKED BY	APPROVED BY	
DATE 01-17-02	DRAWING NUMBER 498706	
SHEET	OF	



DET	REQ	DESCRIPTION
HAGIE HAGIE MANUFACTURING COMPANY CLARION, IOWA 50525		
REMOVE ALL SHARP CORNERS & BURRS		
TOLERANCE UNLESS OTHERWISE SPECIFIED		
FRACTION	1/32	DECIMALS X.XX 5/32 ANGLES : °
		X.XXX 1/32
DESCRIPTION DEPTH CMD 4L WIRE DIAG, STSC 02		
DRAWN BY T. MARKER		SCALE NONE (1)
CHECKED BY		APPROVED BY
DATE 01-18-02	DRAWING NUMBER 498707	
SHEET	OF	

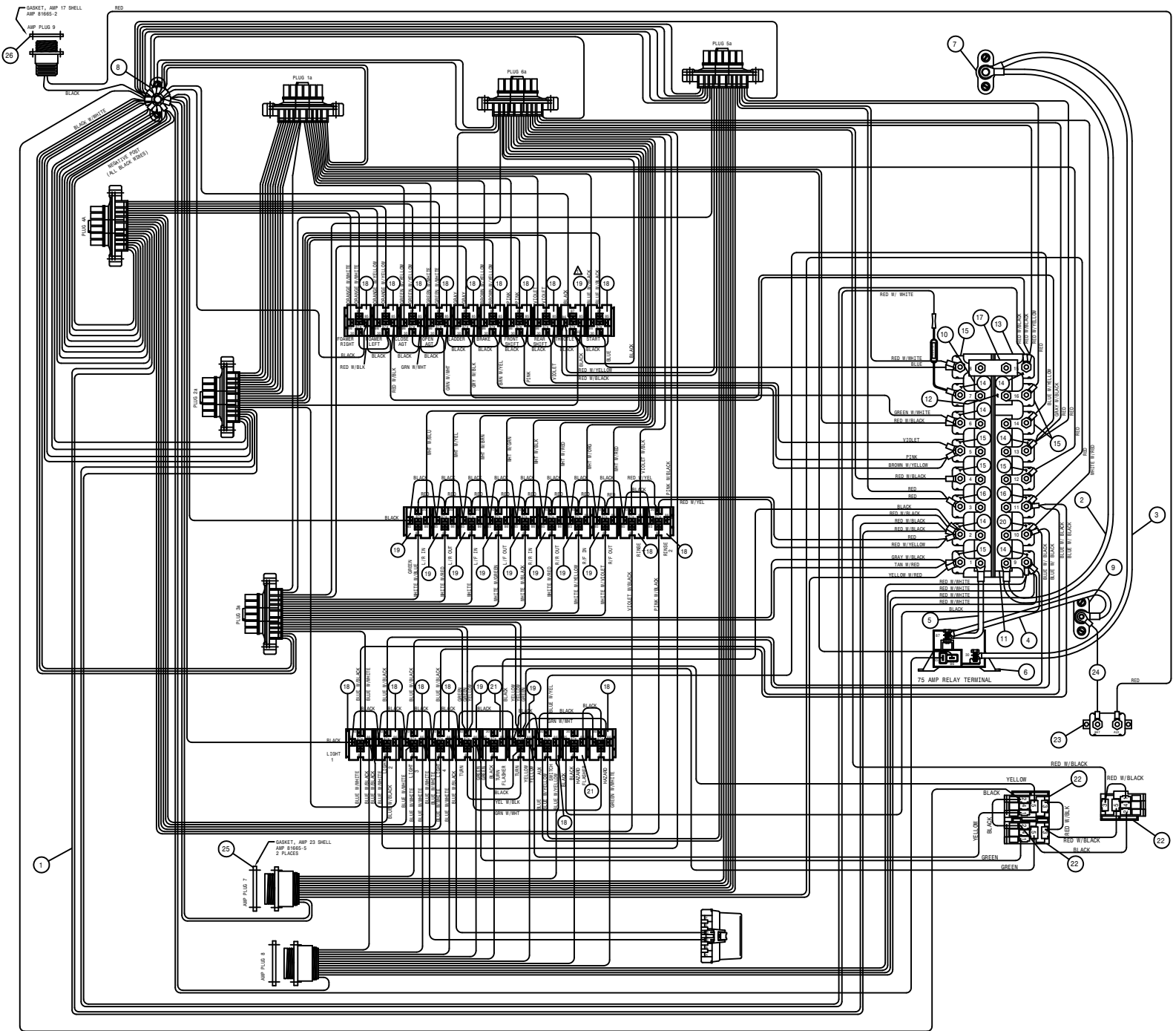


DET	REQ	DESCRIPTION
HAGIE		
HAGIE MANUFACTURING COMPANY		
CLARION, IOWA 50525		
REMOVE ALL SHARP CORNERS & BURRS		
TOLERANCE UNLESS OTHERWISE SPECIFIED		
FRACTION : 1/32	DECIMALS X.XX : 03	ANGLES : °
	X.XXX : 005	
DESCRIPTION		
DEPTH CMD 6L WIRE DIAG, STSC 02		
DRAWN BY T. MARKER	SCALE NONE (1)	
CHECKED BY	APPROVED BY	
DATE 01-18-02	DRAWING NUMBER	498708
SHEET	OF	



11	1	291846	GASKET, AMP 17 SHELL
10	7	291752	RELAY, SPST 12V 50A-NO 5-TERM BOSH 0332 209 137
9	16	291751	RELAY, SPST 12V 40A-NO, DIODE BOSH 0332 019 155
8	1	291573	CIRCUIT BREAKER, 20AMP W/O MT
7	2	291574	CIRCUIT BREAKER, 30AMP W/O MT
6	1	291756	BUS BAR, 4-GANG FOR 291755
5	2	291755	BREAKER MTG BRKT, 4-GANG NYLON
4	1	291749	TERM BLOCK, BLACK, 3/8-16 THRU
3	1	291750	TERM BLOCK, RED, 3/8-16 THRU
2	1	291803	BATT CABLE, RED 9*6GA, 218-.250
1	1	293600	BOOM CTRL BOX HARNESS (3A2829)

DET	REQ	DESCRIPTION
HAGIE HAGIE MANUFACTURING COMPANY CLARION, IOWA 50525		
REMOVE ALL SHARP CORNERS & BURRS TOLERANCE UNLESS OTHERWISE SPECIFIED		
FRACTION	± 1/32	DECIMALS .X.XX 503 .X.XXX 5005
ANGLES		°
DESCRIPTION		
OFF-SITE PARTS/ASSY FOR 293590		
DRAWN BY C. ADAMS	SCALE NONE (1)	
CHECKED BY	APPROVED BY	
DATE 01-18-00	DRAWING NUMBER 293591	
SHEET OF		



26	1	291846	GASKET, AMP 17 SHELL
25	2	291847	GASKET, AMP 23 SHELL
24	1	293714	12GA RED-291561-291587-9
23	1	291197	CIRCUIT BREAKER, 30AMP, IN-LINEMT
22	3	291781	MICRO RELAY, BOSCH 12V SPDT
21	2	291564	FLASHER, 12V 3-PIN ELECTRONIC
20	1	291584	CIRCUIT BREAKER, 40AMP W/O MT
19	11	291752	RELAY, SPDT 12V 50A-ND 5-TERM
18	17	291751	RELAY, SPST 12V 40A-ND 5-TERM
17	1	291683	BUSS BAR, 2-GANG CIRCUIT BREAKER
16	2	291574	CIRCUIT BREAKER, 30AMP W/O MT
15	7	291573	CIRCUIT BREAKER, 20AMP W/O MT
14	6	291575	CIRCUIT BREAKER, 10AMP W/O MT
13	2	291757	BREAKER MTG BRKT, 8-GANG NYLON
12	1	291796	BUSS BAR, 2-GANG FOR 291757
11	1	291797	BUSS BAR, 6-GANG FOR 291757
10	1	291758	BUSS BAR, 8-GANG FOR 291757
9	1	291748	TERM BLOCK, BLACK, 1/4-20 THRU
8	1	291749	TERM BLOCK, BLACK, 3/8-16 THRU
7	1	291750	TERM BLOCK, RED, 3/8-16 THRU
6	1	657371	RELAY, 12 VOLT 75 AMP
5	1	291801	BATT CABLE, RED 7*6GA, 218-.218
4	1	291803	BATT CABLE, RED 9*6GA, 218-.250
3	1	291809	BATT CABLE, RED 20*6GA, 218-.375
2	1	291808	BATT CABLE, RED 18*6GA, 218-.375
1	1	293708	MAIN CAB BOX HARNESS (293707)

DET	REQ	DESCRIPTION
HAGIE		
HAGIE MANUFACTURING COMPANY		
CLARION, IOWA 50525		
REMOVE ALL SHARP CORNERS & BURRS		
TOLERANCE UNLESS OTHERWISE SPECIFIED		
FRACTION	± 1/32	DECIMALS X.XX .50
		X.XXX .005
		ANGLES ± °
DESCRIPTION OFF-SITE PARTS/ASSY Q3 FOR 293706		
DRAWN BY	SCALE	NONE (1)
MARKER		
CHECKED BY		APPROVED BY
DATE	07-26-02	DRAWING NUMBER
		293707
SHEET	OF	

ABBREVIATIONS

A/C - AIR CONDITIONER	MT - MOUNT
ADPTR - ADAPTER	MTR - MOTOR
AGI - AGITATOR	P/N - PART NUMBER
ALT - ALTERNATOR	PLT - PLATE
ASSY - ASSEMBLY	QTY - QUANTITY
BRKT - BRACKET	RED - REDUCER
DET - DETAIL	REF - REFERENCE
DISPL - DISPLACEMENT	REST - RESTRICTOR
EL - ELBOW	REQ - REQUIRED
EXT - EXTENSION	SHFT - SHAFT
FLO - FLOW	SOL - SOLUTION
FNPT - FEMALE NATIONAL PIPE THREAD	STRG - STEERING
FOR - FEMALE O-RING	ST - STREET
FRT - FRONT	SWIV - SWIVEL
HYD - HYDRAULIC	UNC - UNIFIED NATIONAL COURSE
HYDRO - HYDROSTATIC	UNF - UNIFIED NATIONAL FINE
LG - LONG	V - VOLT
LWR - LOWER	W/ - WITH
MJIC - MALE J.I.C.	WHL - WHEEL
MOR - MALE O-RING	WLD - WELDMENT

INDEX

-A-

ABBREVIATIONS.....186
ACCUMULATOR.....106
AIR CLEANER.....10
 FILTER.....10
AIR COMPRESSOR GOVERNOR.....10
AIR CONDITIONER
 BINARY SWITCH.....9
 COMPRESSOR.....7
 CONDENSOR COIL.....12
 HOSE.....7,9
 RECEIVER/DRYER.....9
 TUBE.....29
AIR COOLER, CHARGE.....12
AIR PRESSURE GAUGE.....38,88
AIR REGULATOR, FOAMER.....88
AIRRIDE SPRING.....18,20,22,24
AIR VALVE.....18,20,22,24
ALTERNATOR.....5
ARM, STEERING.....18,20,22,24
ATI CONTROLER.....42

-B-

BACK-UP BEEPER.....50
BALL VALVE.....57,58,68,73
 ELECTRIC.....62,64,65,69,70
BATTERY.....16
 CABLE.....4,5,10,16
BEARING,
 BRONZE LEG.....18,20,22,24,30
 POLYGON.....18,20,22,24
BELT,
 AIR CONDITIONER.....7
 DRIVE.....5
BLOCK, TERMINAL.....38
BOOM.....98,99,100,101
 CRADLE.....102,103,109
 INDICATOR LIGHT.....92
 PIN.....99,100,101
 SWITCH.....43
 VALVE.....93
BOX,
 DEPTH COMMAND.....44,45
 ELECTRICAL.....33,34,35
 FOLD/CONTOL VALVE BOX.....126
 PRESSURE WASHER.....110
 SIDE FILL.....116
 SOLUTION SWITCH.....43
BRACE, RADIATOR.....9
BREAKAWAY CYLINDER.....101,108
BUMPER, REAR.....50

-C-

CAB.....37
 FILTER.....37
 STABILIZER.....37
CABLE BATTERY.....4,5,10,16
CAP,
 FUEL.....14
 RADIATOR.....12
CHARGE AIR COOLER.....12
CHEMICAL INDUCTOR.....117
COMPRESSOR, A/C.....7
CONDENSOR COIL, A/C.....12
CONTROLER, ATI.....42
COOLER, OIL.....12
CRADLE, BOOM.....102,103,109
CUTTER HEAD.....139
CYLINDER,
 BREAKAWAY.....101,108
 FOLD....97,100,105,109,132,137
 HOOD.....50,55
 LEVEL.....97,106
 LADDER.....54,55
 LIFT.....96,104,136
 SIDE FILL.....117
 STEERING.....17,18,20
 TREAD ADJUST.....30,31

-D-

DECALS.....142,143
DEPTH COMMAND BOX.....44,45
DIAGRAMS, WIRING.....164
DIPSTICK, HYDRAULIC.....15
DOOR LATCH.....50
DRAIN COCK, AIR.....27
DRIVE
 BELT.....5
 DISK.....4

-E-

ELECTRIC BALL VALVE.....62,64,69
ELECTRICAL BOX,
 BOOM.....33
 CAB.....35
 ENGINE.....34
ENGINE.....4,5
 HOOD.....50,51
 SKID.....9

-F-

FAN.....5
 SPACER.....5

FEEDER TEE.....66,67,71,72
 FENCE ROW NOZZLE.....74,75
 FENDER.....123,124
 FILTER,
 AIR CLEANER.....10
 CAB.....37
 FUEL.....4
 HYDRAULIC.....32,127,128
 MINDER.....88
 OIL.....5,15
 FLASHER.....28,50
 FLOW METER.....64,69,122
 FOAMER
 AIR REGULATOR.....88
 DROP HOSE.....89
 HOSING.....86
 TANK.....87
 THREE-WAY VALVE.....87
 VALVE.....87
 FOLD CYLINDER.....97,100,105,107
 FRESH WATER.....88
 FRONT FILL.....120
 FUEL,
 CAP.....14
 SENDER.....14
 TANK.....14

-G-

GAUGE,
 AIR PRESSURE.....38,88
 SOLUTION.....64,69

-H-

HANDRAIL.....56
 HEAD,
 CUTTER.....139
 PULLER.....138
 HEATER TUBE.....29
 HOOD, ENGINE.....50,51
 HOSE, A/C.....9
 HOSING,
 FOAMER.....86
 SOLUTION.....78,79,80,81,82
 HUB, TORQUE.....19,21,23,25
 HYDRAULIC,
 FILTER.....15
 LEVER.....40
 SCHEMATIC.....144
 TANK.....15
 TUBE.....28,29,96,99
 VALVE.....32,128,129,130
 HYDROSTATIC PUMP.....8

-I-

IGNITION SWITCH.....41
 INDICATOR LIGHT, BOOM.....92
 INLINE, HYDRAULIC FILTER.....32

-L-

LADDER.....53,54
 CYLINDER.....54,55
 PIVOT ARM.....53,54
 LEG.....18,20,22,24
 LEVEL CYLINDER.....97,106
 LEVER, HYDROSTATIC.....40
 LIFT CYLINDER.....96,104,136
 LIFTARM.....96
 LIGHT.....28,109
 LINE STRAINER.....59,60
 LIQUID LEVEL SWITCH.....15

-M-

MIRROR.....47,48
 MONITOR,
 FLOMAX 110.....122
 SPRAYER.....42
 MOTOR,
 CONTROL VALVE.....131
 STEERING.....37
 WHEEL.....19,21,23,25
 MOUNT, RUBBER.....9,12
 MUFFLER.....11

-N-

NOZZLE,
 BODY.....76
 FENCE ROW.....74,75
 MOUNT TUBE.....99,100,101
 REAR WHEEL.....77

-O-

OIL COOLER.....12
 OIL FILTER.....5,15

-P-

PANEL,
 SWITCH.....41
 PLATFORM, SERVICE.....56
 PRESSURE GAUGE.....64,69
 PRESSURE WASHER.....111
 BOX.....110
 VALVE.....113,114

PULLER, QUAD.....138
PUMP,
HYDRAULIC.....6
HYDROSTATIC.....8
SIDE FILL.....117
SOLUTION.....62

-Q-

QUAD PULLER.....138
QUICK ATTACH.....94,95

-R-

RADIATOR.....12
BRACE.....9
CAP.....12
HOSE.....5
RADIO.....39
REAR WHEEL NOZZLE.....77
RECEPTICLE PANEL.....36
RETURN MANIFOLD.....131
RINSE TANK.....59
RUBBER
MOUNT.....9,12
SPRING.....18,20,22,24

-S-

SCHEMATIC, HYDRAULIC.....144
SENDER, FUEL.....14
SENDER, WATER LEVEL.....12
SEVICE PLATFORM.....56
SHIELD, WHEEL MOTOR...19,21,23,25
SIDFILL.....117
BOX.....116
CYLINDER.....117
SIGHT GAUGE,
OIL.....15
SOLUTION.....61
SKID, ENGINE.....9
SMV SIGN.....50
SOLUTION
HOSING.....78,79,80,81,82
PUMP.....62
SWITCH BOX.....43
TANK.....57,58
VALVE.....64,65,70
SPACER, FAN.....5
SPEAKER.....39
SPRAY MONITOR.....42
SPRING,
AIRRIDE.....18,20,22,24
SOLUTION TANK.....57,58
STABILIZER, CAB.....37
STARTER.....5

STEERING,
ARM.....18,20,22,24
CYLINDER.....17,18,20
MOTOR.....37
STRAINER, LINE.....59,60
SWITCH,
A/C BINARY.....9
IGNITION.....41
LIQUID LEVEL.....15
PANEL.....41

-T-

TAILLIGHT.....50
TANK
AIR.....27
FOAMER.....87
FRESHWATER.....88
FUEL.....14
HYDRAULIC.....15
RINSE.....59
SOLUTION.....57,58
TERMINAL BLOCK.....38
TIRE.....26
TOOLBAR.....132
TORQUE HUB.....19,21,23,25
TRANSOM.....97
TREAD ADJUST
CYLINDER.....30,31
VALVE.....32
TUBE,
A/C.....29
HEATER.....29
HYDRAULIC.....28,29,96,99

-V-

VALVE,
AIR.....18,20,22,24
BALL.....68,73
BOOM.....93
ELECTRIC BALL...57,58,62,64,69
FOAMER.....87,90,91
HYDRAULIC.....127,128,129
PRESSURE WASHER.....113,114
SIDE FILL.....114,115
SOLUTION.....64,65,68,69,70
TREAD ADJUST.....32

-W-

WASHER, PRESSURE.....111
WATER LEVEL SENSOR.....12
WHELMOTOR.....19,21,23,25
SHIELD.....19,21,23,25
WIRING DIAGRAM.....164

Notes:



PARTS ORDER FAX

Fax
24 hours
a day
7 days
a week*

Ph. 1 (800) 247-4885

Fx. 1 (515) 532-3553

Photocopy and fax to Hagie Customer Support Department

ORDERED BY/BILL TO:

Name _____
 Co. Name _____
 Street _____
 City, St, Zip _____
 Ph. _____ Fx. _____

SHIP TO:

Name _____
 Co. Name _____
 Street _____
 City, St, Zip _____
 Ph. _____ Fx. _____

HOW SHIP: UPS Ground Next Day 2 Day 3 Day Other _____

If "HOW SHIP" is left blank, parts will be sent UPS ground service. If part is over 150 pounds, an independent motor freight company will be used.

PAYMENT: Hagie Account #** _____
 C.O.D

American Express Discover Visa Master Card

Signature: _____
 name as appears on card: _____
 card no. _____ exp. date _____

Year and Model No. _____

Serial No. _____

Item Serial No. (if necessary):

Engine (include type) _____

Hydrostatic Pump (s) _____

Torque Hub _____ LF RF LR RR

Wheel Motor _____ LF RF LR RR

HAGIE Part No.	Qty.	Description

Check here if you want phone confirmation of parts order.

* Orders received before 3:00 p.m., CST will be processed the same business day.
 Regular business hours are Monday through Friday, 7:00 a.m. through 5:00 p.m..

** If you do not have a Hagie account number, contact the Hagie Customer Support Department and you will be issued one.



PARTS ORDER FAX

Fax
24 hours
a day
7 days
a week*

Ph. 1 (800) 247-4885

Fx. 1 (515) 532-3553

Photocopy and fax to Hagie Customer Support Department

ORDERED BY/BILL TO:

Name _____
 Co. Name _____
 Street _____
 City, St, Zip _____
 Ph. _____ Fx. _____

SHIP TO:

Name _____
 Co. Name _____
 Street _____
 City, St, Zip _____
 Ph. _____ Fx. _____

HOW SHIP: UPS Ground Next Day 2 Day 3 Day Other _____

If "HOW SHIP" is left blank, parts will be sent UPS ground service. If part is over 150 pounds, an independent motor freight company will be used.

PAYMENT: Hagie Account #** _____
 C.O.D

American Express Discover Visa Master Card

Signature: _____
 name as appears on card: _____
 card no. _____ exp. date _____

Year and Model No. _____

Serial No. _____

Item Serial No. (if necessary):

Engine (include type) _____

Hydrostatic Pump (s) _____

Torque Hub _____ LF RF LR RR

Wheel Motor _____ LF RF LR RR

HAGIE Part No.	Qty.	Description

Check here if you want phone confirmation of parts order.

* Orders received before 3:00 p.m., CST will be processed the same business day.
 Regular business hours are Monday through Friday, 7:00 a.m. through 5:00 p.m..

** If you do not have a Hagie account number, contact the Hagie Customer Support Department and you will be issued one.