



**PARTS MANUAL  
FOR  
HAGIE STS NITROGEN TOOLBAR**

**HAGIE MANUFACTURING COMPANY**

721 CENTRAL AVENUE WEST  
BOX 273  
CLARION, IOWA 50525-0273

COVERS MACHINE SERIAL NUMBERS:

12-13 493581  
02-15, 03-17

U80031414001-100  
U80041414001-100  
U80011414001-100  
U80021414001-100  
U80051414001-100  
U80061414001-100

To obtain the most current parts manual for your machine, please visit [www.hagiehelp.com](http://www.hagiehelp.com).

© 2013, 2015, 2017 Hagie Manufacturing Company. Clarion, Iowa USA

## NITROGEN TOOLBAR IDENTIFICATION

Each Hagie toolbar is identified by means of a frame serial number. This serial number denotes the model, the year in which it was built, and the number of the toolbar. To insure prompt, efficient service when ordering parts or requesting service repairs from Hagie Manufacturing Company, record the serial number in the space provided below.

NOTE: Reference to left hand and right hand used throughout this manual refers to the position when seated in the operator's seat facing forward.

This manual is not intended to be a complete guide for machine maintenance and repairs. If you are not properly trained to perform service on this machine, contact Hagie Customer Support for assistance. Improper maintenance or repair may result in property damage, personal injury, or death.

NITROGEN TOOLBAR SERIAL NUMBER

---

TABLE OF CONTENTS

TOOLBAR ASSEMBLY 30-40FT. . . . . 4-13

ROW UNIT DROP ASSEMBLY 30-40FT. . . . . 14

ROW UNIT ASSEMBLY 30-40-60FT. . . . . 15

BUMPER ASSEMBLY 30-40FT . . . . . 16

FOAMER DROP AND HOSE ASSEMBLY 30-40FT . . . . . 17-18

QUICK ATTACH BRACKETS 30-40FT . . . . . 19

30FT TOOLBAR CONTROL VALVE ASSEMBLY . . . . . 20-21

40FT TOOLBAR CONTROL VALVE ASSEMBLY . . . . . 22-23

FLOW METER ASSEMBLY 30-40FT . . . . . 24

SOLUTION QUICK COUPLING . . . . . 25

SOLUTION CONTROL VALVE ASSEMBLY 30-40FT . . . . . 26-27

SOLUTION HOSING 30-40FT . . . . . 28-31

TOOLBAR ASSEMBLY 60FT . . . . . 32-38

ROW UNIT DROP 60FT. . . . . 39

HYDRAULIC MANIFOLD 60FT . . . . . 40-41

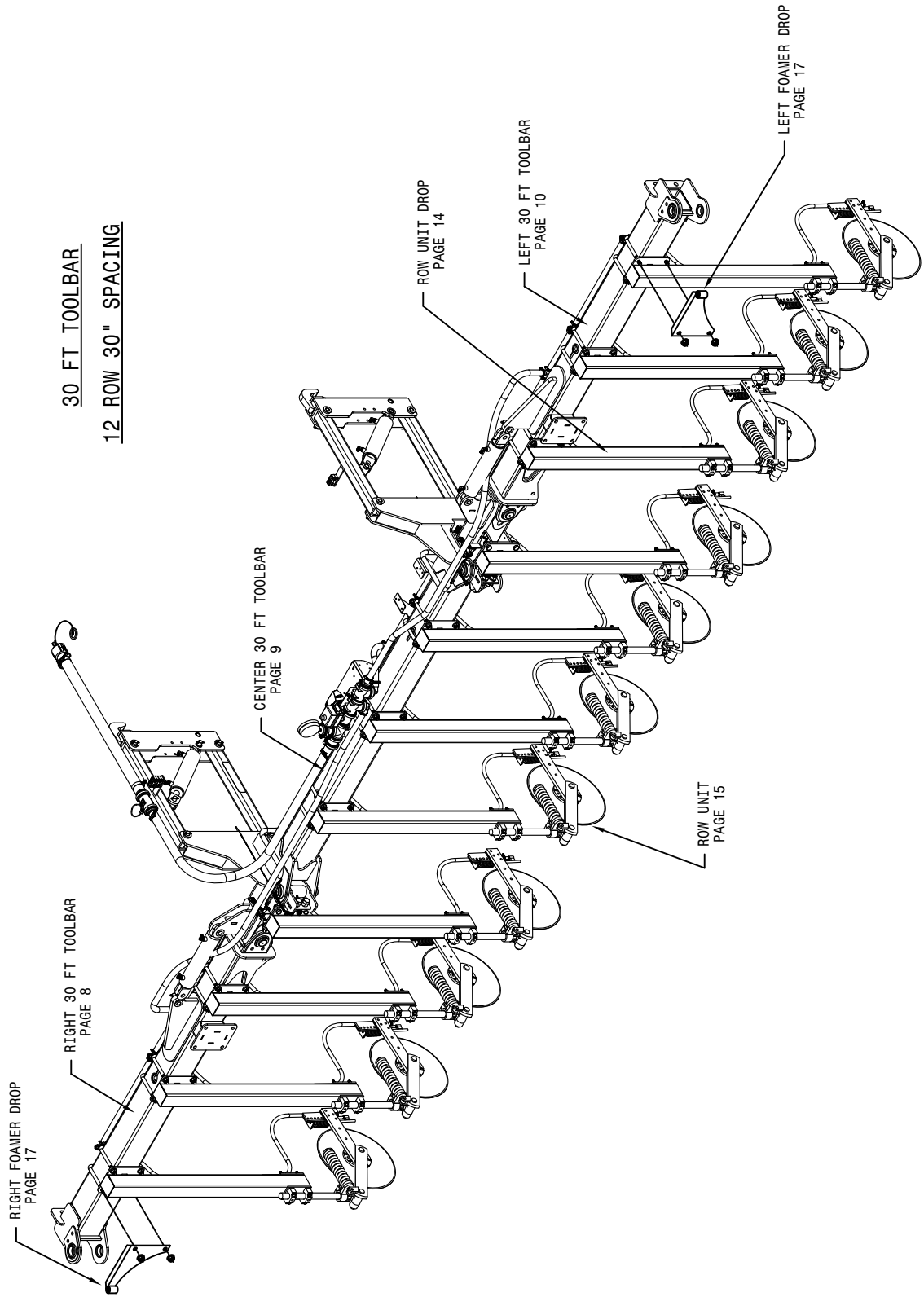
ELECT CONTROL BOX 60FT. . . . . 42

SOLUTION MANIFOLD AND VALVE ASSEMBLY 60FT . . . . . 43-48

SOLUTION HOSING 60FT. . . . . 49-50

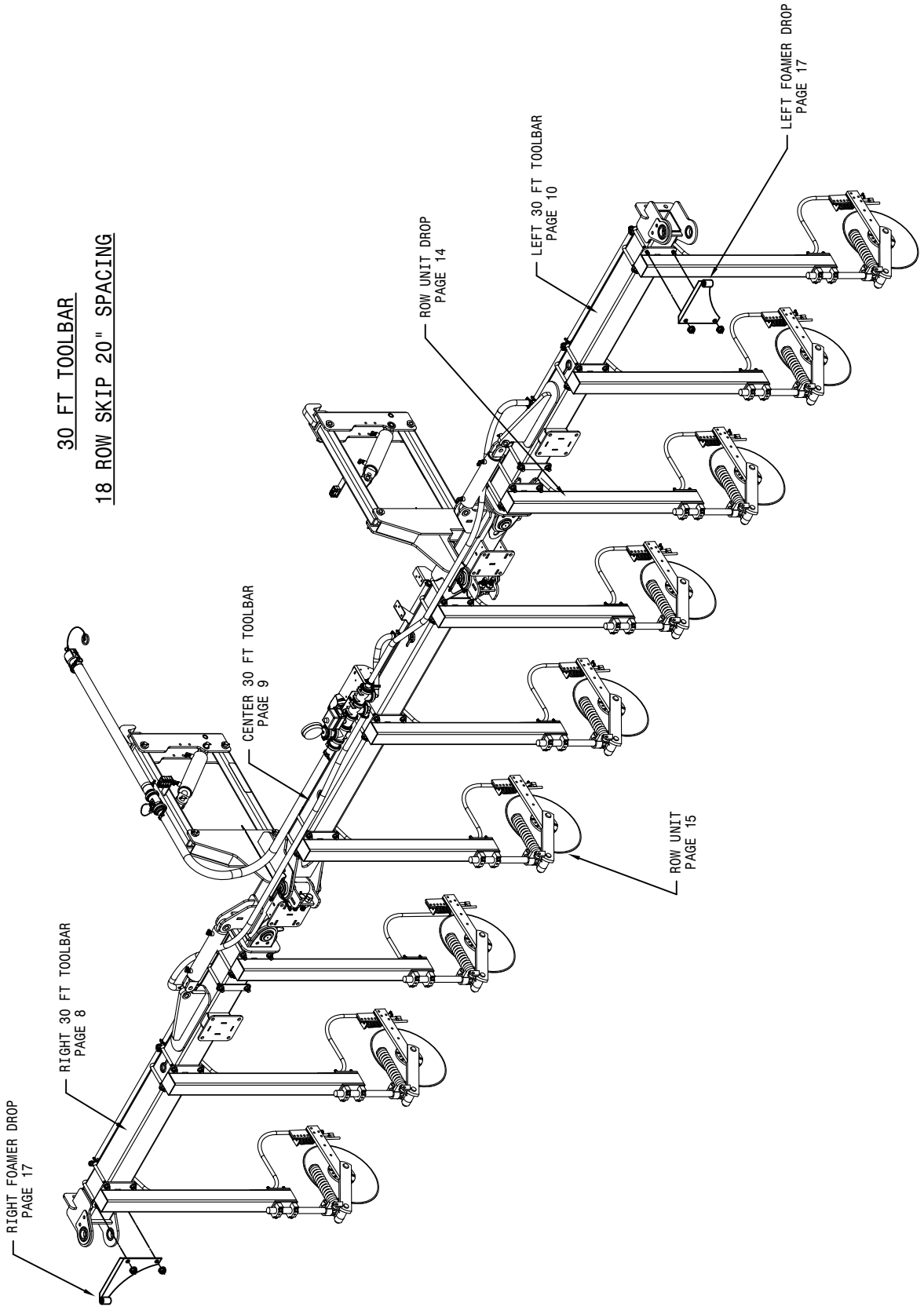
HYDRAULIC DIAGRAM . . . . . 52-69

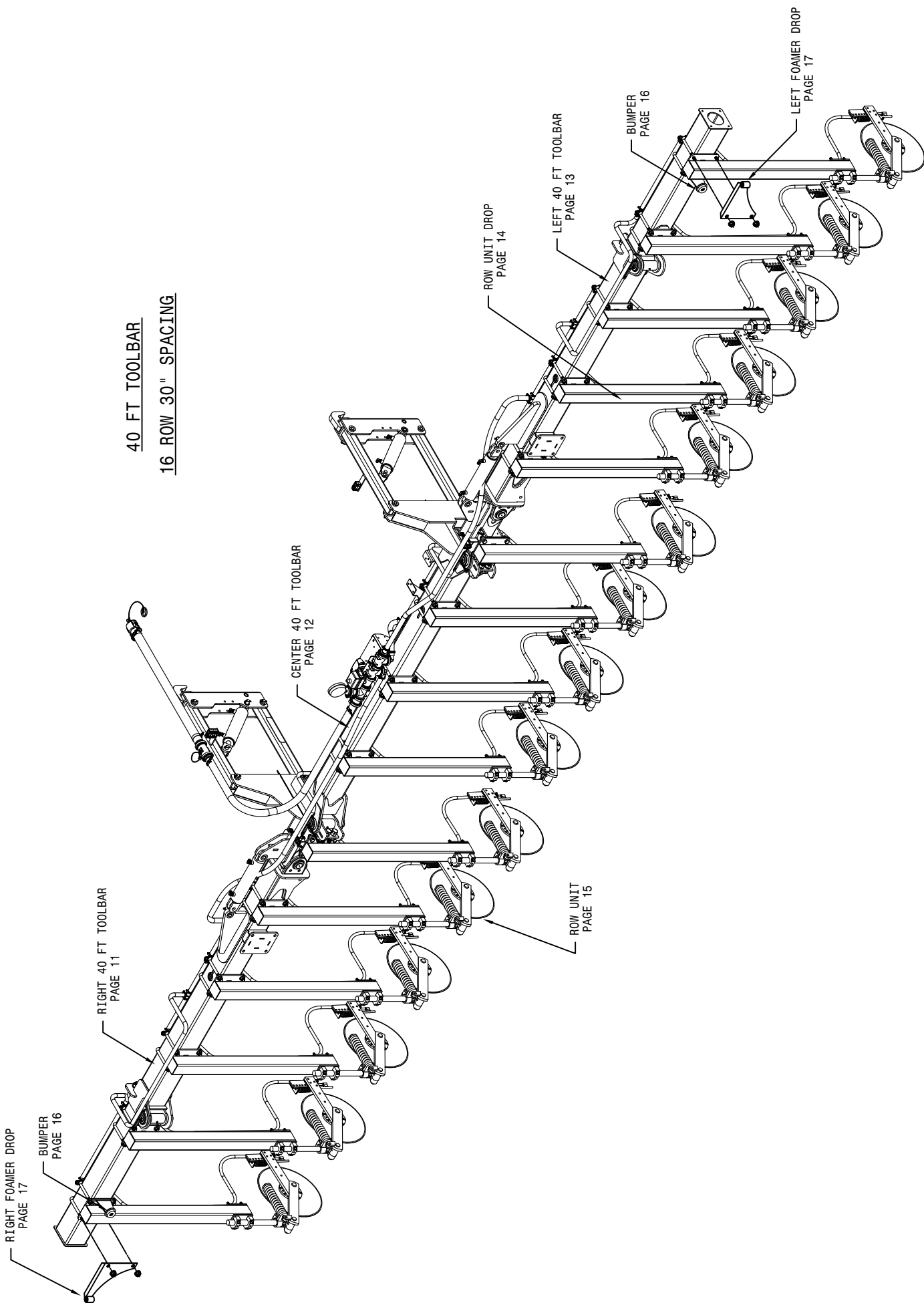
WIRING DIAGRAM. . . . . 70-81

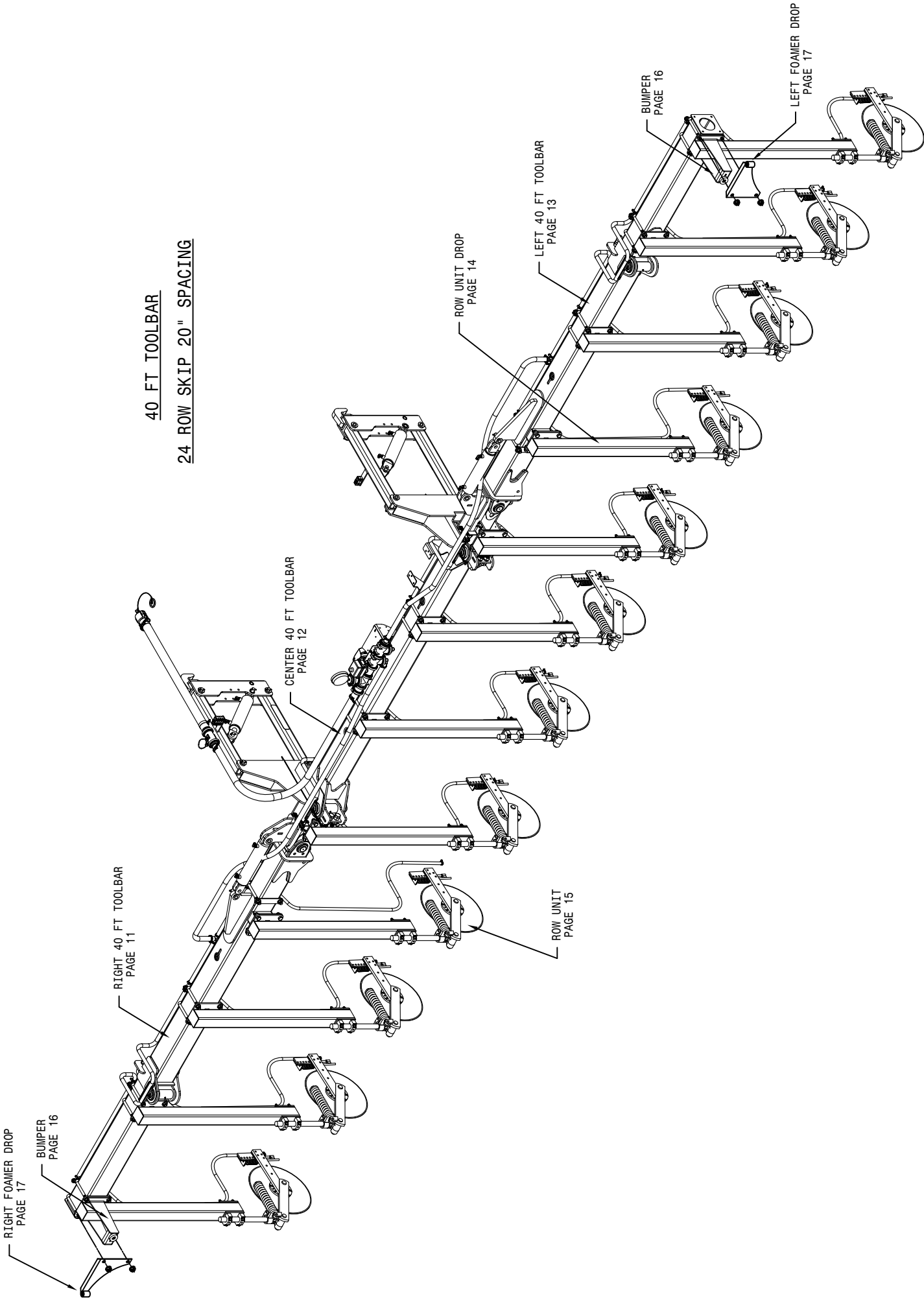


30 FT TOOLBAR

18 ROW SKIP 20" SPACING





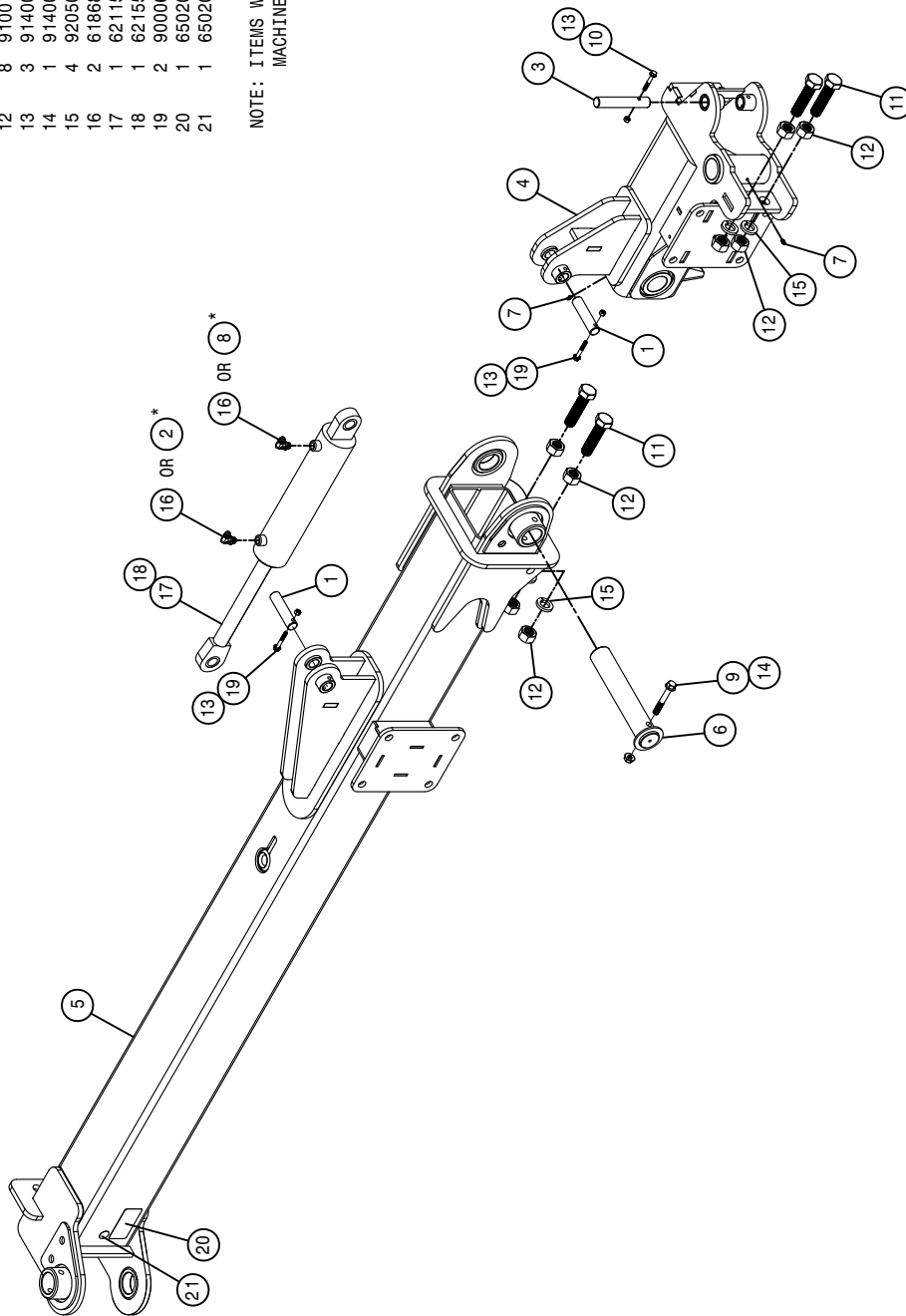


RIGHT 30FT TOOLBAR ASSEMBLY

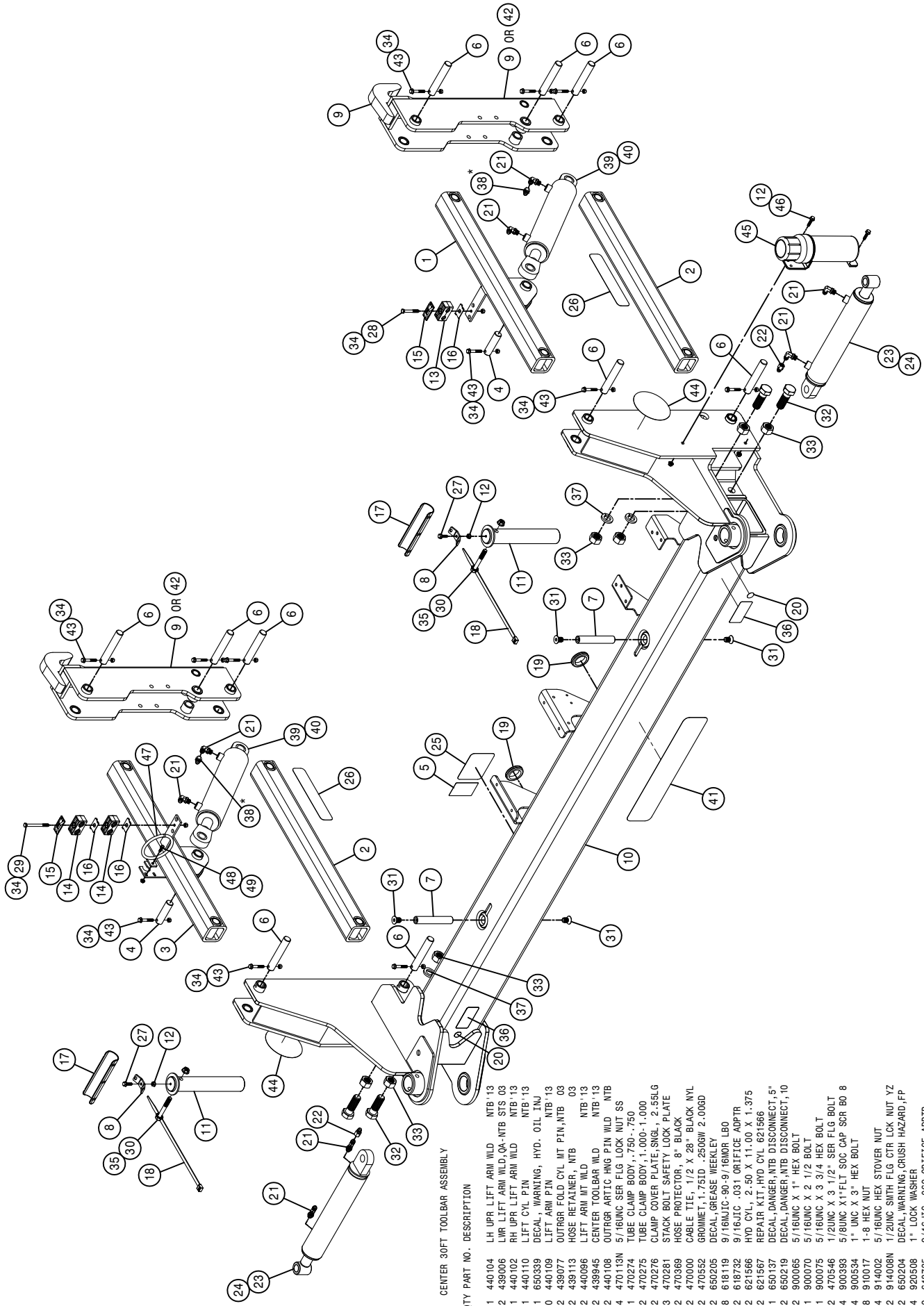
DET. QTY PART NO. DESCRIPTION

1	2	440106	OUTRGR CYL PIN	NTB '13
2	1	618688	9/16MJ-90-9/16MOR	.025 CHK VLV
3	1	439386	ARTICULATOR FLD CYL PIN,NTB'10	
4	1	439948	RH OUTRGR ARTICULAR WLD NTB'13	
5	1	440086	RH OUTRGR WLD	NTB'13
6	1	440108	OUTRGR ARTIC HNG PIN WLD	NTB
7	2	471005	GREASE ZERK, 1/4-28 X 1/2	
8	1	618119	9/16MJIC-90-9/16MOR LBO	
9	1	470546	1/2UNC X 3 1/2" SER FLG BOLT	
10	1	900069	5/16UNC X 2" HEX BOLT	
11	4	900536	1" UNC X 4" HEX BOLT,FULL THD	
12	8	910017	1-8 HEX NUT	
13	3	914002	5/16UNC HEX STOVER NUT	
14	1	914008N	1/2UNC SMTH FLG CTR LCK NUT YZ	
15	4	920508	1" LOCK WASHER	
16	2	618689	9/16MJ-90-9/16MOR	.042 CHK VLV
17	1	621153	3.00 X 11.00 X 1.38 LEVEL CYL	
18	1	621559	REPAIR KIT,HYD CYL 621558	
19	2	900069N	5/16UNC X 2" SER FLG BOLT SS	
20	1	650204	DECAL,WARNING,CRUSH HAZARD,FP	
21	1	650205	DECAL,GREASE WEEKLEY	

NOTE: ITEMS WITH (\*) ARE USED ON MACHINES 2005 THRU 2007.







CENTER 30FT TOOLBAR ASSEMBLY

DET. QTY PART NO. DESCRIPTION

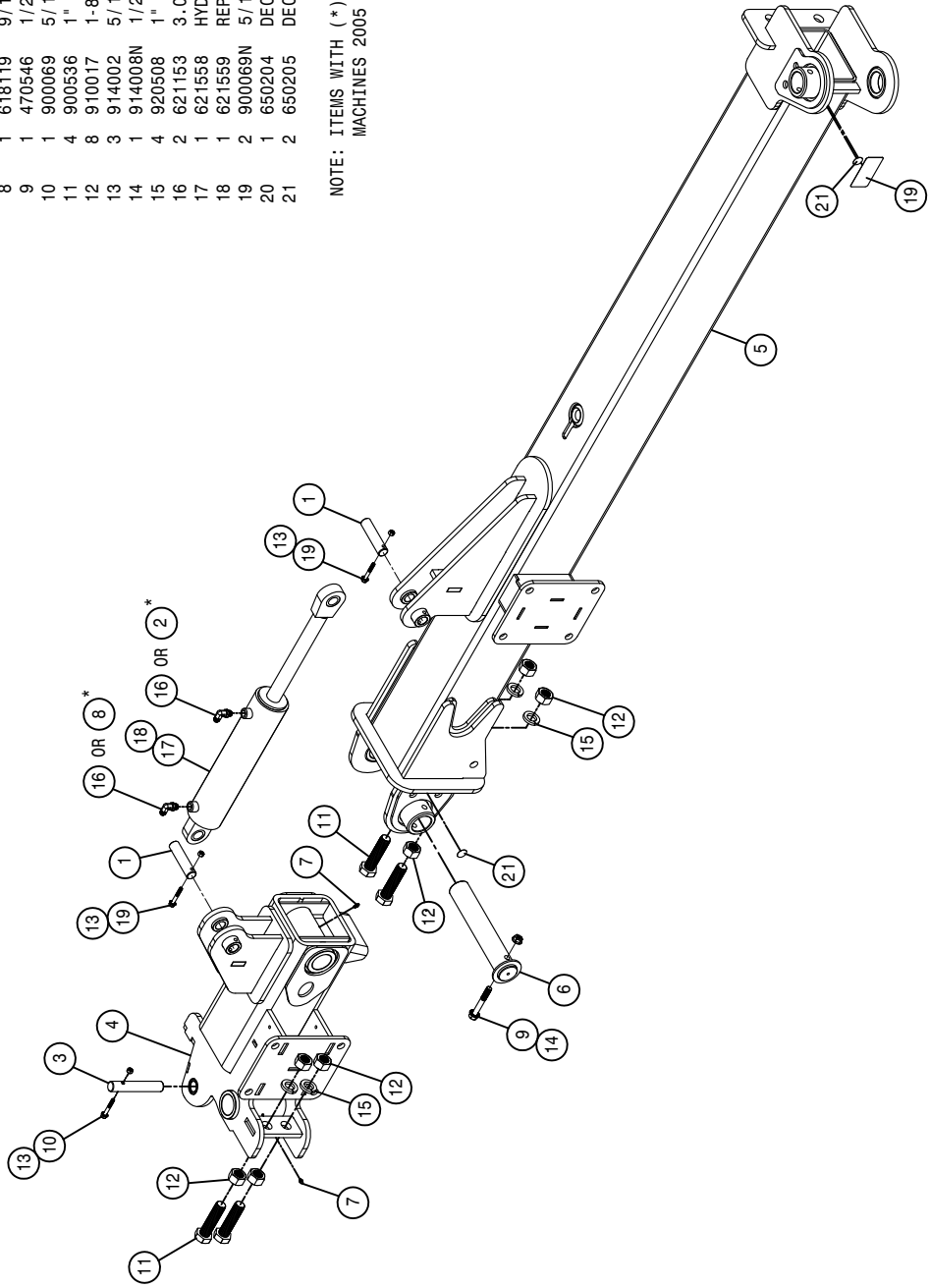
1	440104	LH UPR LIFT ARM WLD	NTB'13
2	439006	LWR LIFT ARM WLD,QA-NTB	STS 03
3	440102	RH UPR LIFT ARM WLD	NTB'13
4	440110	LIFT CYL PIN	NTB'13
5	650339	DECAL, WARNING, HYD. OIL LN	
6	440109	OUTGRG FOLD CYL.MT	NTB'13
7	439077	LIFT ARM PIN	NTB'13
8	489113	HOSE RETAINER, NTB	
9	440096	LIFT ARM.MT WLD	NTB'13
10	439945	CENTER TOOLBAR WLD	NTB'13
11	440108	OUTGRG ARTIC HING PIN WLD	NTB
12	470113N	5/16UNC SER FLG LOCK NUT	SS
13	470274	TUBE CLAMP BODY,1.000-1.000	
14	470275	TUBE CLAMP BODY,1.000-1.000	
15	470276	CLAMP COVER PLATE,SINGL, 2.55LG	
16	470281	STACK BOLT SAFETY LOCK PLATE	
17	470369	HOSE PROTECTOR, 8" BLACK	
18	470000	CABLE TIE, 1/2 X 28" BLACK NYL	
19	470552	GROMMET,1.75ID -.250GW 2.00GD	
20	650205	DECAL, GREASE WEEKLY	
21	618119	9/16MJIC-90-9/16MOR LBO	
22	618732	9/16JIC .031 ORIFICE ADPTR	
23	621566	HYD CYL, 2.50 X 11.00 X 1.375	
24	621567	REPAIR KIT HYD CYL 621566	
25	650137	DECAL,DANGER,NTB DISCONNECT,5"	
26	650219	DECAL,DANGER,NTB DISCONNECT,10"	
27	900065	5/16UNC X 1" HEX BOLT	
28	900070	5/16UNC X 2 1/2 BOLT	
29	900075	5/16UNC X 3 3/4 HEX BOLT	
30	470546	1/2UNC X 3 1/2" SER FLG BOLT	
31	900393	5/8UNC X 1"FLT SOC CAP SCR BO 8	
32	900534	1" UNC X 3" HEX BOLT	
33	910017	1-8 HEX NUT	
34	914002	5/16UNC HEX STOVER NUT	
35	914008N	1/2UNC SMTH FLG CTR LCK NUT YZ	
36	650204	DECAL,WARNING,CRUSH HAZARD,FP	
37	920508	1" LOCK WASHER	
38	618735	9/16JIC .062 ORIFICE ADPTR	
39	621153	3.00 X 11.00 X 1.38 LEVEL CYL	
40	621559	REPAIR KIT HYD CYL 621558	
41	650450	DECAL, NTB 30'	NTB'13
42	440097	LIFT ARM.MT WLD,54"	TIRES' NTB
43	900068N	5/16UNC X 2" SER FLG BOLT	SS
44	650448	DECAL, HAGIE DOT NTB	
45	344017	MANUAL CANISTER W/NEOPREN SEAL	
46	900066N	5/16UNC X 1 1/4 SER FLG BOLT	SS
47	166954	HOSE RING WLD	
48	470118	1/4UNC X 3/4 SER FLG BOLT	
49	470121	1/4UNC SER FLG LOCK NUT	

NOTE: ITEMS WITH (\*) ARE USED ON MACHINES 2005 THRU 2007.

LEFT 30FT TOOLBAR ASSEMBLY

DET.	QTY	PART NO.	DESCRIPTION
1	2	440106	OUTRGR CYL PIN NTB '13
2	1	618688	9/16MJ-90-9/16MOR .025 CHK VLV
3	1	439386	ARTICULATOR FLD CYL PIN,NTB '10
4	1	439949	LH OUTRGR ARTICULAR WLD NTB '13
5	1	440087	LH OUTRGR WLD NTB '13
6	1	440108	OUTRGR ARTIC HNG PIN WLD NTB
7	1	471005	GREASE ZERK, 1/4-28 X 1/2
8	1	618119	9/16MJIC-90-9/16MOR LBO
9	1	470546	1/2UNC X 3 1/2" SER FLG BOLT
10	1	900069	5/16UNC X 2" HEX BOLT
11	4	900536	1" UNC X 4" HEX BOLT, FULL THD
12	8	910017	1-8 HEX NUT
13	3	914002	5/16UNC HEX STOVER NUT
14	1	914008N	1/2UNC SMTH FLG CTR LCK NUT YZ
15	4	920508	1" LOCK WASHER
16	2	621153	3.00 X 11.00 X 1.38 LEVEL CYL
17	1	621558	HYD CYL, 3.00 X 11.00 X 1.380
18	1	621559	REPAIR KIT, HYD CYL 621558
19	2	900069N	5/16UNC X 2" SER FLG BOLT SS
20	1	650204	DECAL, WARNING, CRUSH HAZARD, FP
21	2	650205	DECAL, GREASE WEEKLEY

NOTE: ITEMS WITH (\*) ARE USED ON MACHINES 2005 THRU 2007.

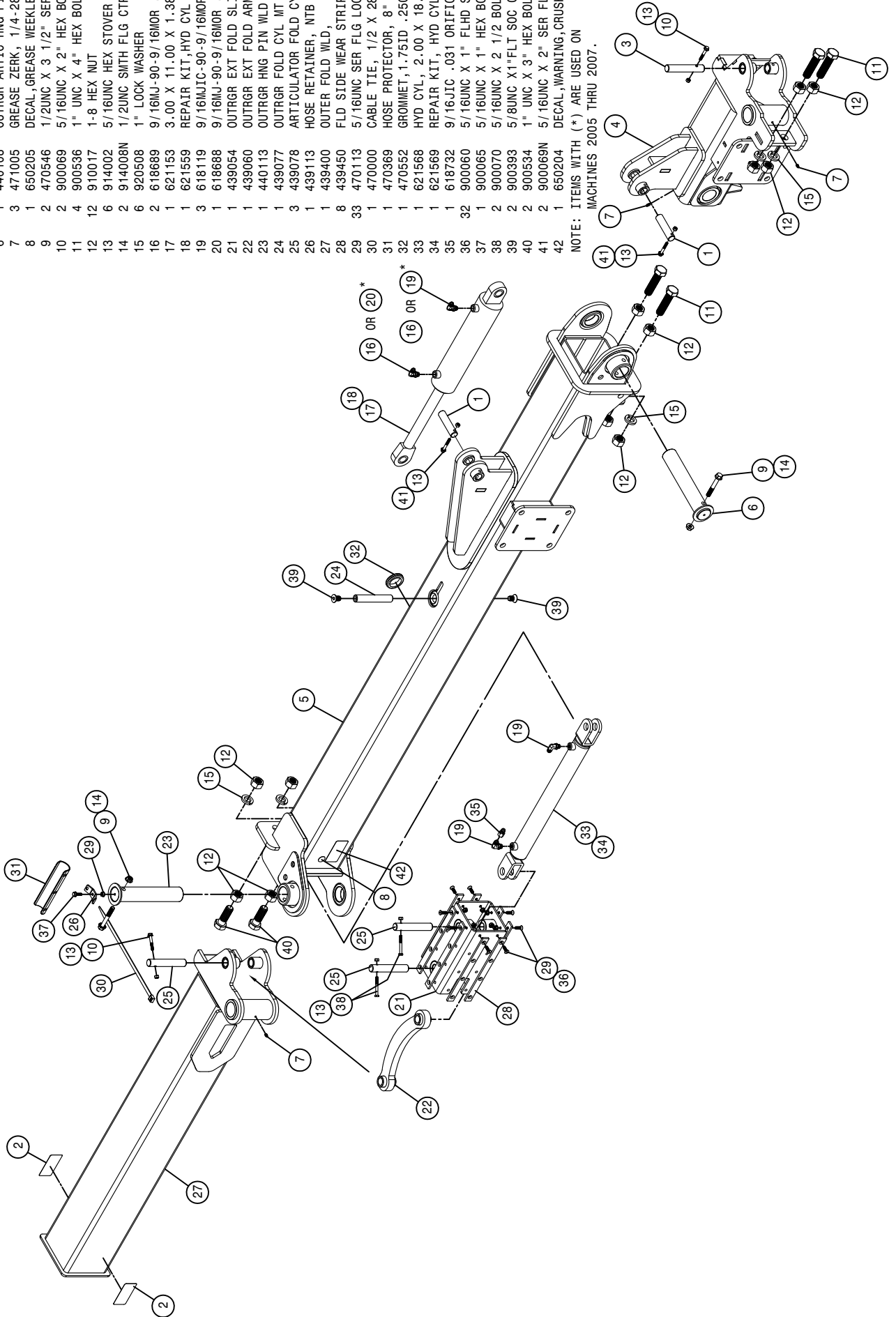


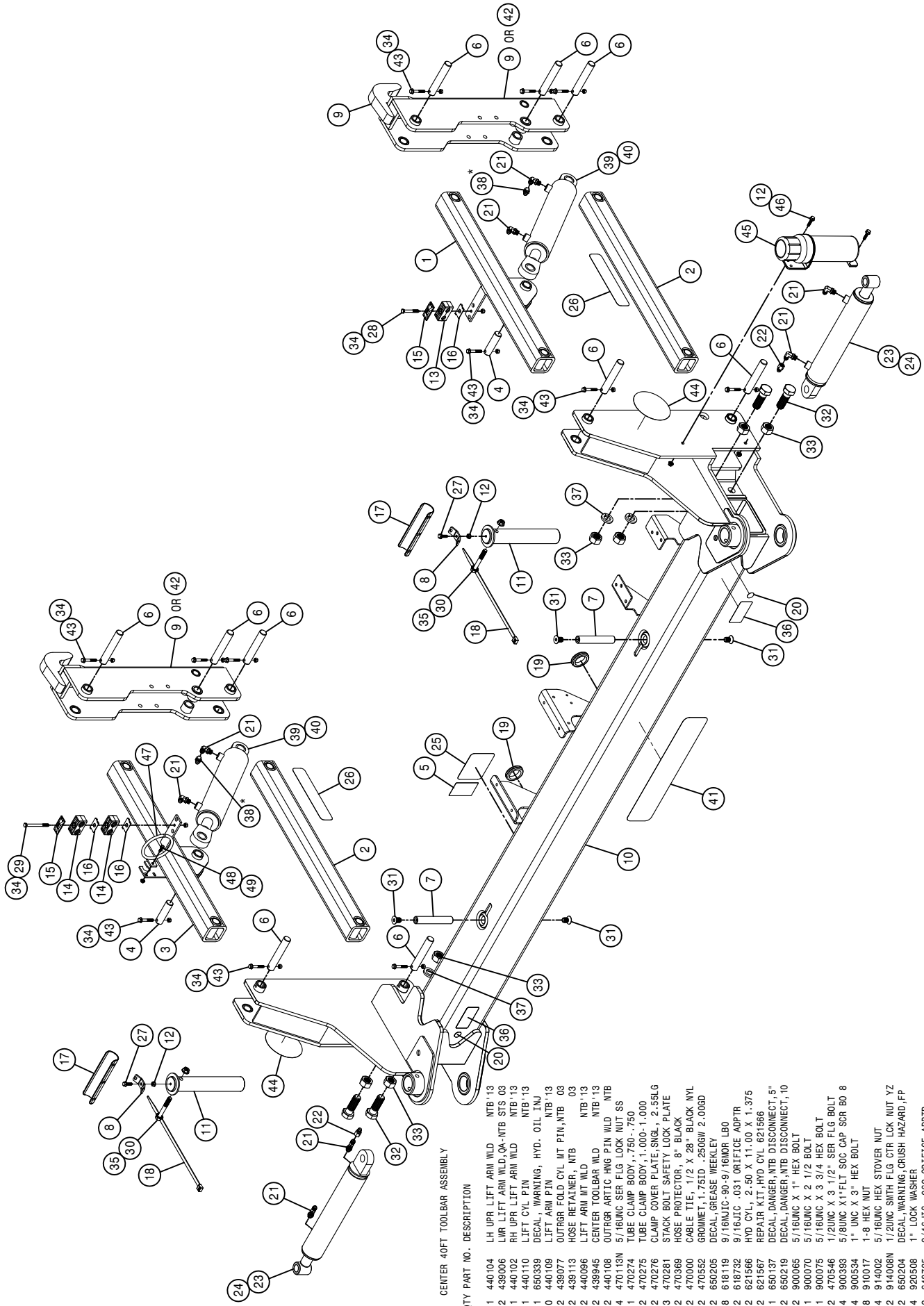
RIGHT 40FT TOOLBAR ASSEMBLY

DET. QTY PART NO. DESCRIPTION

1	2	440106	OUTRGR CYL PIN	NTB'13
2	2	650201	DECAL, WARNING, CRUSH HAZARD, BM	
3	1	439386	ARTICULATOR FLD CYL PIN, NTB'10	
4	1	439948	RH OUTRGR ARTICULAR WLD NTB'13	
5	1	440086	RH OUTRGR WLD	NTB'13
6	1	440108	OUTRGR ARTIC HNG PIN WLD	NTB
7	3	471005	GREASE ZERK, 1/4-28 X 1/2	
8	1	650205	DECAL, GREASE WEEKLEY	
9	2	470546	1/2UNC X 3 1/2" SER FLG BOLT	
10	2	900069	5/16UNC X 2" HEX BOLT	
11	4	900536	1" UNC X 4" HEX BOLT, FULL THD	
12	12	910017	1-8 HEX NUT	
13	6	914002	5/16UNC HEX STOVER NUT	
14	2	914008N	1/2UNC SMTH FLG CTR LCK NUT YZ	
15	6	920508	1" LOCK WASHER	
16	2	618689	9/16MJ-90-9/16MOR .042 CHK VLV	
17	1	621153	3.00 X 11.00 X 1.38 LEVEL CYL	
18	1	621559	REPAIR KIT, HYD CYL 621558	
19	3	618119	9/16MJIC-90-9/16MOR LBO	
20	1	618688	9/16MJ-90-9/16MOR .025 CHK VLV	
21	1	439054	OUTRGR EXT FLD SLIDE WLD, NTB	
22	1	439060	OUTRGR EXT FLD ARM WLD, NTB 03	
23	1	440113	OUTRGR HNG PIN WLD	NTB'13
24	1	439077	OUTRGR FOLD CYL MT PIN, NTB 03	
25	3	439078	ARTICULATOR FOLD CYL PIN, NTB	
26	1	439113	HOSE RETAINER, NTB	03
27	1	439400	OUTER FOLD WLD,	NTB'12
28	8	439450	FLD SIDE WEAR STRIP, 16R NTB'12	
29	33	470113	5/16UNC SER FLG LOCK NUT	
30	1	470000	CABLE TIE, 1/2 X 28" BLACK NYL	
31	1	470369	HOSE PROTECTOR, 8" BLACK	
32	1	470552	GROMMET, 1.75ID .250GW 2.00GD	
33	1	621568	HYD CYL, 2.00 X 18.00 X 1.125	
34	1	621569	REPAIR KIT, HYD CYL 621568	
35	1	618732	9/16JIC .031 ORIFICE ADPTR	
36	32	900060	5/16UNC X 1" FLHD SOC SCR B0	
37	1	900065	5/16UNC X 1" HEX BOLT	
38	2	900070	5/16UNC X 2 1/2 BOLT	
39	2	900393	5/8UNC X1"FLT SOC CAP SCR B0 8	
40	2	900534	1" UNC X 3" HEX BOLT	
41	2	900069N	5/16UNC X 2" SER FLG BOLT SS	
42	1	650204	DECAL, WARNING, CRUSH HAZARD, FP	

NOTE: ITEMS WITH (\*) ARE USED ON MACHINES 2005 THRU 2007.





CENTER 40FT TOOLBAR ASSEMBLY

DET. QTY PART NO. DESCRIPTION

1	440104	LH UPR LIFT ARM WLD	NTB*13
2	439006	LWR LIFT ARM WLD,QA-NTB	STS 03
3	440102	RH UPR LIFT ARM WLD	NTB*13
4	440110	LIFT CYL PIN	NTB*13
5	650339	DECAL, WARNING, HYD. OIL LN	
6	440109	OUTGRG FOLD CYL.MT	NTB*13
7	439077	LIFT ARM PIN	NTB*13
8	439113	HOSE RETAINER, NTB	
9	440096	LIFT ARM.MT WLD	NTB*13
10	439945	CENTER TOOLBAR WLD	NTB*13
11	440108	OUTGRG ARTIC HING PIN WLD	NTB
12	470113N	5/16UNC SER FLG LOCK NUT	SS
13	470274	TUBE CLAMP BODY,1.000-.750	
14	470275	TUBE CLAMP BODY,1.000-.1.000	
15	470276	CLAMP COVER PLATE,SINGL, 2.5SLG	
16	470281	STACK BOLT SAFETY LOCK PLATE	
17	470369	HOSE PROTECTOR, 8" BLACK	
18	470000	CABLE TIE, 1/2 X 28" BLACK NYL	
19	470552	GROMMET,1.75ID -.250GW 2.00GD	
20	650205	DECAL, GREASE WEEKLY	
21	618119	9/16MJIC-90-9/16MOR LBO	
22	618732	9/16JIC .031 ORIFICE ADPTR	
23	621566	HYD CYL, 2.50 X 11.00 X 1.375	
24	621567	REPAIR KIT HYD CYL 621566	
25	650137	DECAL,DANGER,NTB DISCONNECT,5"	
26	650219	DECAL,DANGER,NTB DISCONNECT,10"	
27	900065	5/16UNC X 1" HEX BOLT	
28	900070	5/16UNC X 2 1/2 BOLT	
29	900075	5/16UNC X 3 3/4 HEX BOLT	
30	470546	1/2UNC X 3 1/2" SER FLG BOLT	
31	900393	5/8UNC X 1" FLT SOC CAP SCR BO 8	
32	900534	1" UNC X 3" HEX BOLT	
33	910017	1-8 HEX NUT	
34	914002	5/16UNC HEX STOVER NUT	
35	914008N	1/2UNC SMTH FLG CTR LCK NUT YZ	
36	650204	DECAL,WARNING,CRUSH HAZARD,FP	
37	920508	1" LOCK WASHER	
38	618735	9/16JIC .062 ORIFICE ADPTR	
39	621153	3.00 X 11.00 X 1.38 LEVEL CYL	
40	621559	REPAIR KIT HYD CYL 621558	
41	650449	DECAL, NTB 40"	NTB*13
42	440097	LIFT ARM.MT WLD,54"	TIRES NTB
43	900068N	5/16UNC X 2" SER FLG BOLT	SS
44	650448	DECAL, HAGIE DOT NTB	
45	344017	MANUAL CANISTER W/NEOPREN SEAL	
46	900066N	5/16UNC X 1 1/4 SER FLG BOLT	SS
47	166954	HOSE RING WLD	
48	470118	1/4UNC X 3/4 SER FLG BOLT	
49	470121	1/4UNC SER FLG LOCK NUT	

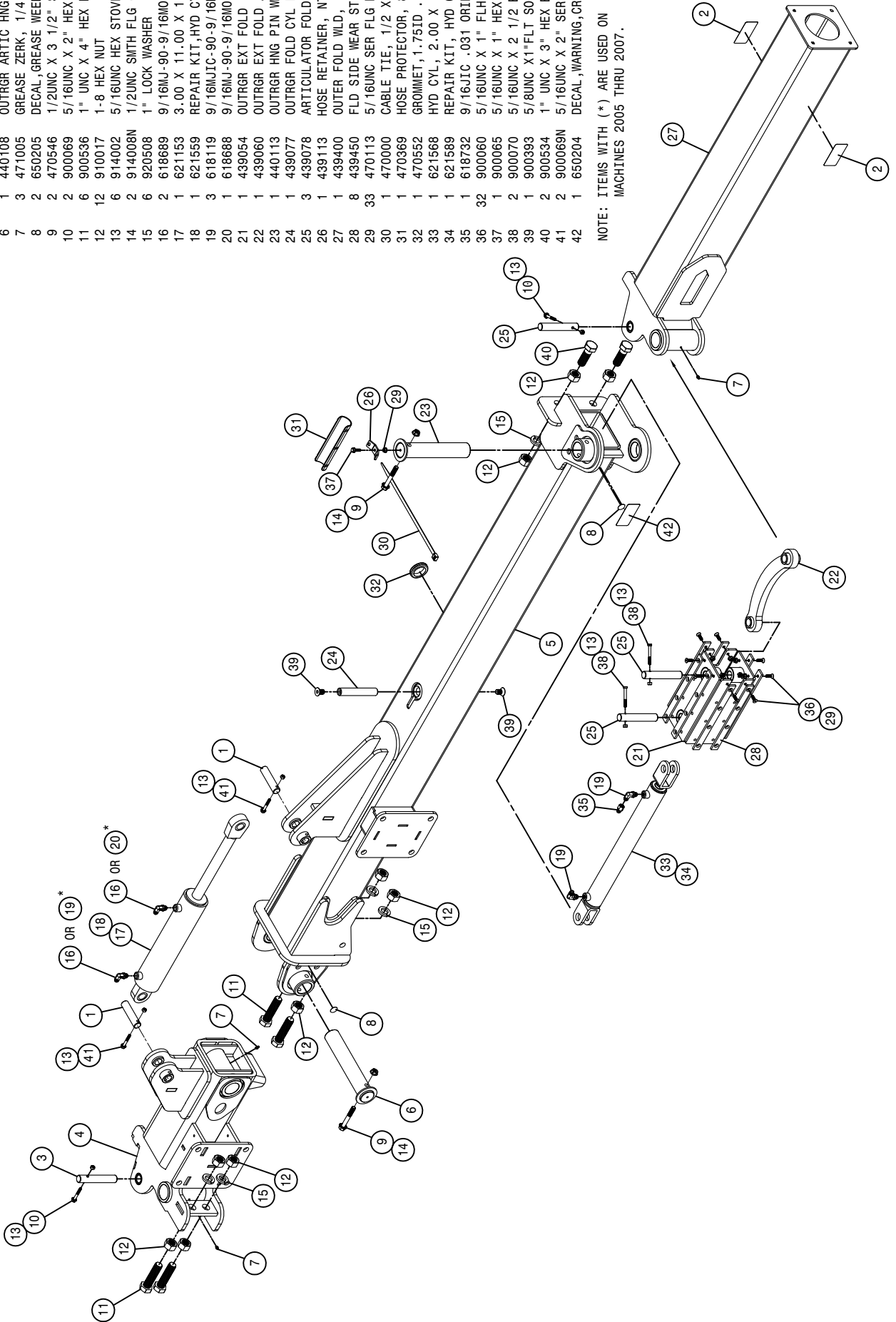
NOTE: ITEMS WITH (\*) ARE USED ON MACHINES 2005 THRU 2007.

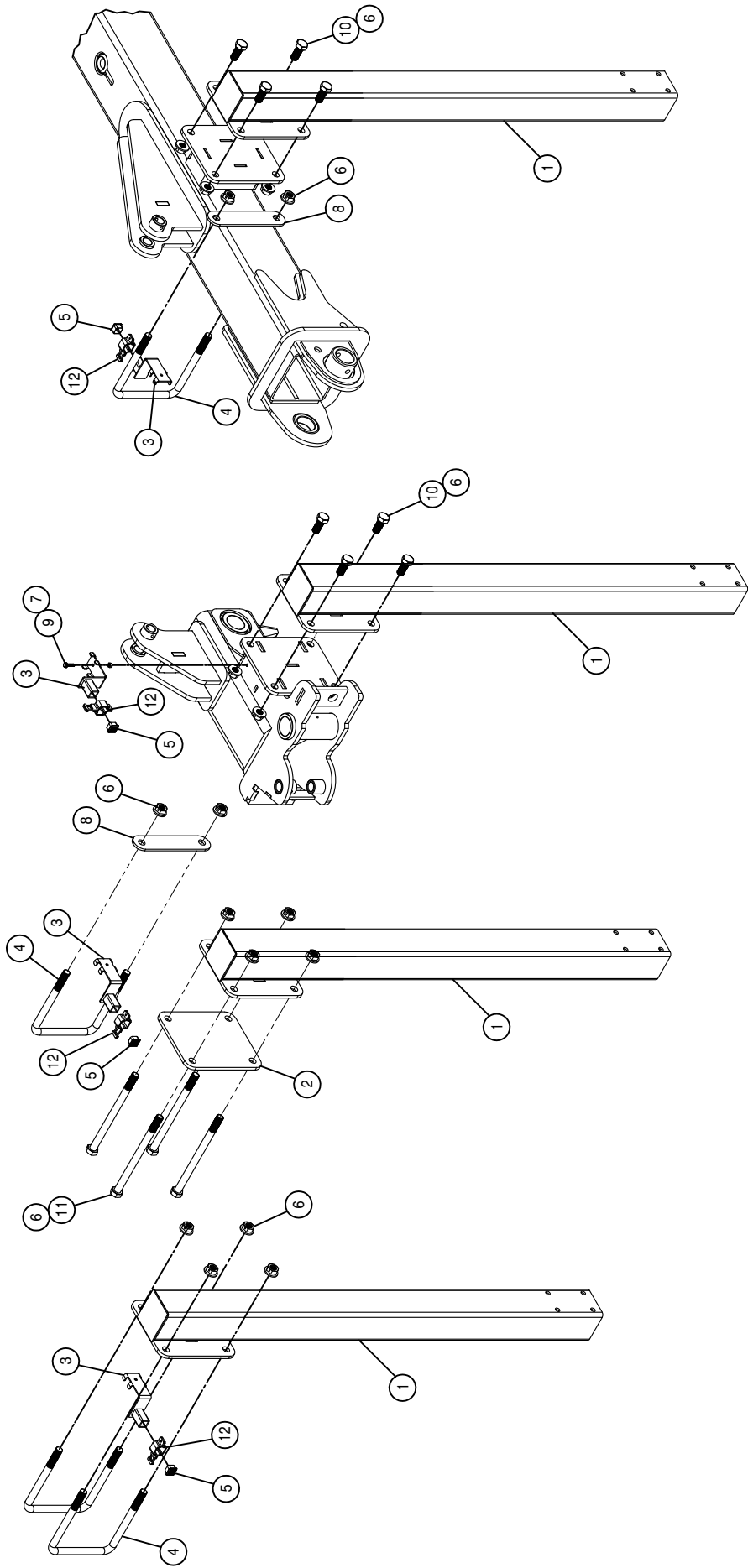
LEFT 40FT TOOLBAR ASSEMBLY

DET. QTY PART NO. DESCRIPTION

1	2	440106	OUTRGR CYL PIN	NTB'13
2	2	650201	DECAL,WARNING,CRUSH HAZARD,BM	
3	1	439386	ARTICULATOR FLD CYL PIN,NTB'10	
4	1	439949	LH OUTRGR ARTICULAR WLD,NTB'13	
5	1	440087	LH OUTRGR WLD	NTB'13
6	1	440108	OUTRGR ARTIC HNG PIN WLD	NTB
7	3	471005	GREASE ZERK, 1/4-28 X 1/2	
8	2	650205	DECAL, GREASE WEEKLEY	
9	2	470546	1/2UNC X 3 1/2" SER FLG BOLT	
10	2	900069	5/16UNC X 2" HEX BOLT	
11	6	900536	1" UNC X 4" HEX BOLT,FULL THD	
12	12	910017	1-8 HEX NUT	
13	6	914002	5/16UNC HEX STOVER NUT	
14	2	914008N	1/2UNC SMTH FLG CTR LCK NUT YZ	
15	6	920508	1" LOCK WASHER	
16	2	618689	9/16MJ-90-9/16MOR .042 CHK VLV	
17	1	621153	3.00 X 11.00 X 1.38 LEVEL CYL	
18	1	621559	REPAIR KIT,HYD CYL 621558	
19	3	618119	9/16MJIC-90-9/16MOR LBO	
20	1	618688	9/16MJ-90-9/16MOR .025 CHK VLV	
21	1	439054	OUTRGR EXT FOLD SLIDE WLD, NTB	
22	1	439060	OUTRGR EXT FOLD ARM WLD,NTB'03	
23	1	440113	OUTRGR HNG PIN WLD	NTB'13
24	1	439077	OUTRGR FOLD CYL MT PIN,NTB'03	
25	3	439078	ARTICULATOR FOLD CYL PIN, NTB	
26	1	439113	HOSE RETAINER, NTB	NTB'12
27	1	439400	OUTER FOLD WLD,	NTB'12
28	8	439450	FLD SIDE WEAR STRIP,16R NTB'12	
29	33	470113	5/16UNC SER FLG LOCK NUT	
30	1	470000	CABLE TIE, 1/2 X 28" BLACK NYL	
31	1	470369	HOSE PROTECTOR, 8" BLACK	
32	1	470552	GROMMET,1.75ID .250GW 2.00GD	
33	1	621568	HYD CYL, 2.00 X 18.00 X 1.125	
34	1	621589	REPAIR KIT, HYD CYL 621588	
35	1	618732	9/16JIC .031 ORIFICE ADPTR	
36	32	900060	5/16UNC X 1" FLHD SOC SCR B0	
37	1	900065	5/16UNC X 1" HEX BOLT	
38	2	900070	5/16UNC X 2 1/2 BOLT	
39	1	900393	5/8UNC X1"FLT SOC CAP SCR B0 8	
40	2	900534	1" UNC X 3" HEX BOLT	
41	2	900069N	5/16UNC X 2" SER FLG BOLT SS	
42	1	650204	DECAL,WARNING,CRUSH HAZARD,FP	

NOTE: ITEMS WITH (\*) ARE USED ON MACHINES 2005 THRU 2007.





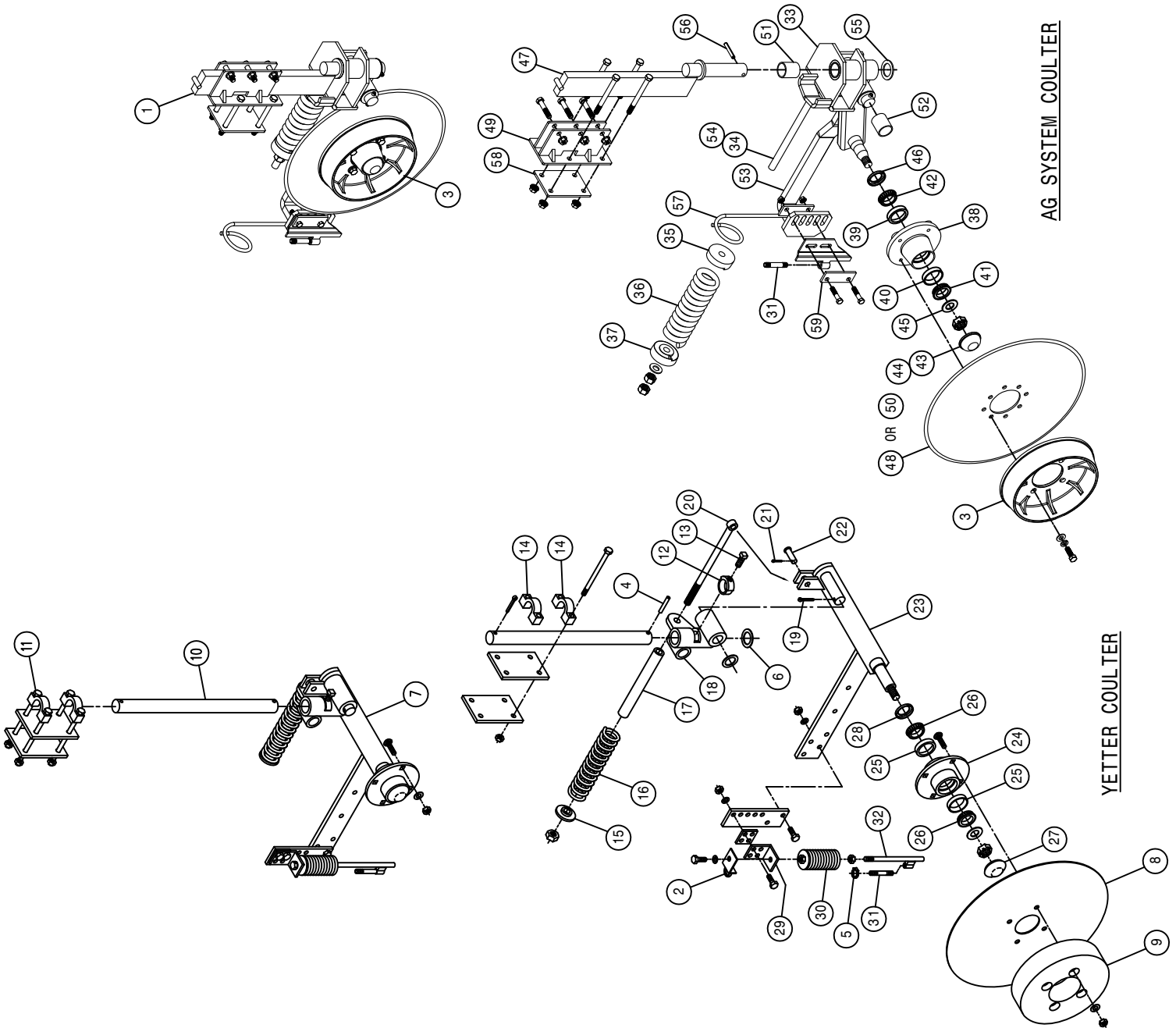
ROW UNIT DROP ASSEMBLY

DET.	QTY	PART NO.	DESCRIPTION
1	4	439080	ROW DROP WLD, NTB STS 03
2	1	439082	ROW DROP MT PLT, NTB STS 03
3	4	439096	TIP MT BRKT WLD, NTB STS 03
4	4	473981	.750UNC-7ID-8.50 U-BOLT SQ YZ
5	4	629727	FINISH PLUG FOR 1"SQ X 16 GA
6	20	914012	3/4UNC HEX STOVER NUT
7	1	470089	1/4UNC HEX NY-LOC NUT
8	2	439444	NTB U-BOLT MOUNT PLATE
9	1	473835	1/4UNC X 1" FLANGE BOLT SS
10	8	900402	3/4UNC X 1 3/4 HEX BOLT YZ
11	4	900422	3/4UNC X 11.00" HEX BOLT YZ
12	4	737817	NOZL MT CLMP, 1.00 SQ SS,0-TJET

COULTER ASSEMBLY

DET. QTY PART NO. DESCRIPTION

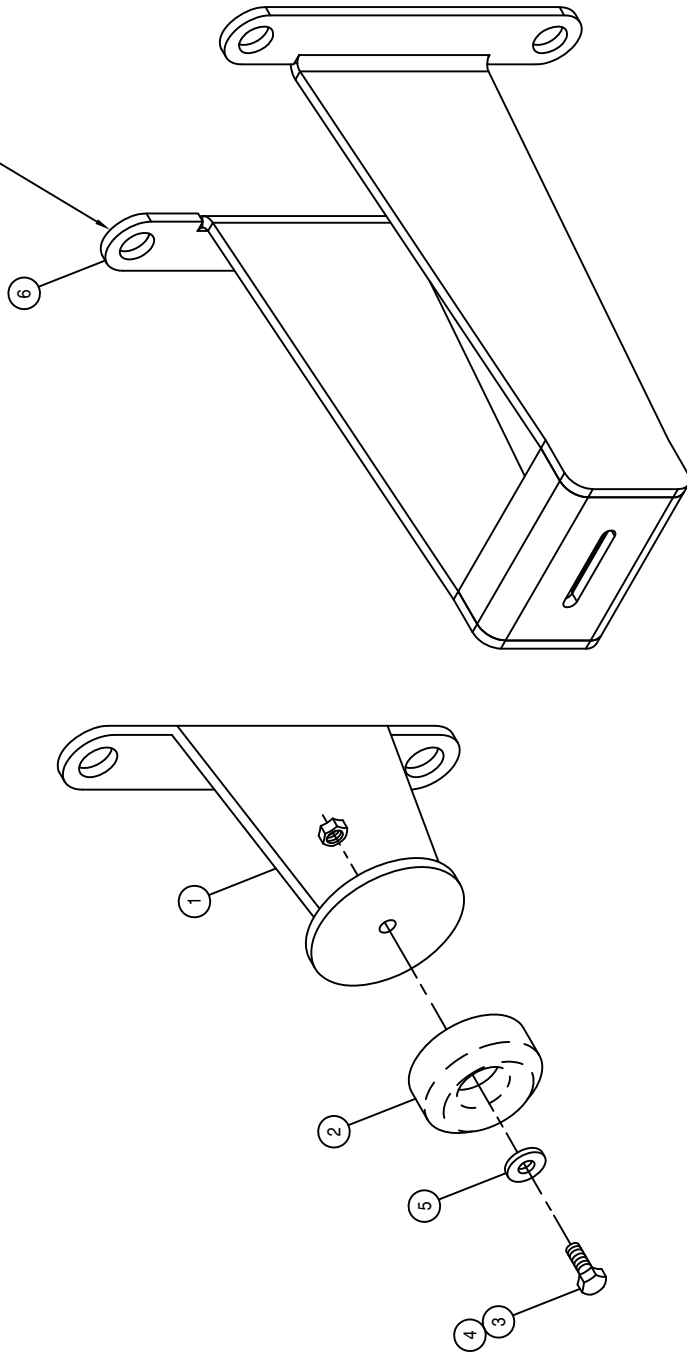
1	1	439218	AG SYSTEMS COULTER, GEN III
2	1	439092	HOSE RETAINER WLD, 1" NTB
3	1	439224	DEPTH WHEEL, CAST, CLYMER
4	1	473937	ROLL PIN, 3/8 X 2 1/2
5	1	520070	HOSE CLAMP NO 8 STAINLESS
6	1	920013	1 1/2 SAE FLAT WASHER
7	1	439105	YETTER COULTER, 20" GEN III
8	1	439106	20" SMOOTH BLADE, YETTER
9	1	439107	POLY GAUGE WHEEL, YETTER
10	1	439108	22" SHANK, YETTER
11	1	439109	4" SQ TUBE MT KIT, YETTER
12	1	439201	LOOKING COLLAR, YETTER 2975-303
13	1	439202	5/8-11 X 1" SQ HCPSS GR 5 ZP
14	2	439200	CLAMP CASTING, YETTER 2990-360
15	1	439203	SPRING BUSHING, YETTER 2555-096
16	1	439204	SPRING, 11", YETTER 2550-795
17	1	439205	10" POLY SPRING, YETTER 2550-771
18	1	439206	COULTER PIVOT, RH 2995-307
19	1	470045	COTTER PIN 1/4 X 1 3/4
20	1	439208	SPRING ROD, YETTER 2995-304
21	1	390984	COTTER PIN 1/8 X 1 1/4
22	1	439209	SPRING ROD PIN, YETTER 2995-308
23	1	439210	GENERATION III W/KNIFE ARM
24	1	439211	HUB ASSY, YETTER 2900-105
25	2	125028	BRG CUP LM67010
26	2	125010	BRG CONE LM67048
27	1	439212	HUB CAP, YETTER 2570-375
28	1	129010	SEAL C/R 16069
29	1	439213	INJECTOR MT PLT, YETTER 2995301
30	1	439214	SPRING INJ ASSY, YETTER 2995131
31	2	507028	SS PIPE NIPPLE .25NPT-3.00
32	1	439215	INJECTOR ROD, YETTER 2995-212
33	1	439225	LH HOUSING W/BUSH, STD
34	1	439226	EYE BOLT, SPRING RETAINER
35	1	439227	SPRING CAP, W/COUNTER-BORE
36	1	439229	COMPRESSION SPRING
37	1	439792	SPRING CAP, STAND CASTING
38	1	439264	HUB W/CUPS
39	1	439284	BEARING CUP, INNER
40	1	439285	BEARING CUP, OUTER
41	1	439286	BEARING CONE, OUTER
42	1	439287	BEARING CONE, INNER
43	1	439307	DUST CAP
44	1	439397	O-RING DUST SEAL
45	1	439398	SPINDLE WASHER
46	1	439399	GREASE SEAL
47	1	439789	COULTER SWIVEL BAR, 18" STAND
48	1	439790	COULTER BLADE, 20" SMOOTH
49	1	439791	MOUNTING BRKT, 4" VERT STD
50	1	440081	COULTER BLADE, 20" FLUTED
51	1	440176	SWIVEL BUSHING 1 1/2" ID
52	1	440177	PIVOT BUSHING 1 3/8" ID
53	1	440178	LH STANDARD PIVOT ARM
54	1	440179	CLEVIS PIN, 3/4" X 2 1/2"
55	1	440180	RETAINING WASHER, 1 1/2"
56	1	440181	EXPANSION PIN 3/8" X 2 1/4"
57	1	440182	HOSE LOOP BRACKET
58	1	440183	BACKING PLATE
59	1	440184	HOSE LOOP MOUNTING PLATE



AG SYSTEM COULTER

YETTER COULTER

NOTE: USED WITH 24 ROW SKIP 20" 40" (LEFT SIDE)



BUMPER ASSEMBLY

DET. QTY PART NO. DESCRIPTION

DET.	QTY	PART NO.	DESCRIPTION
1	1	439110	RUBBER BUMPER MT WLD, NTB 03
2	1	470098	RUBBER BUMPER 2.5000 X .38ID
3	1	900066	5/16UNC X 1 1/4 HEX BOLT
4	1	914002	5/16UNC HEX STOVER NUT
5	1	920001	5/16 SAE FLAT WASHER
6	1	439117	RUBBER BUMPER MT EXT WLD, NTB

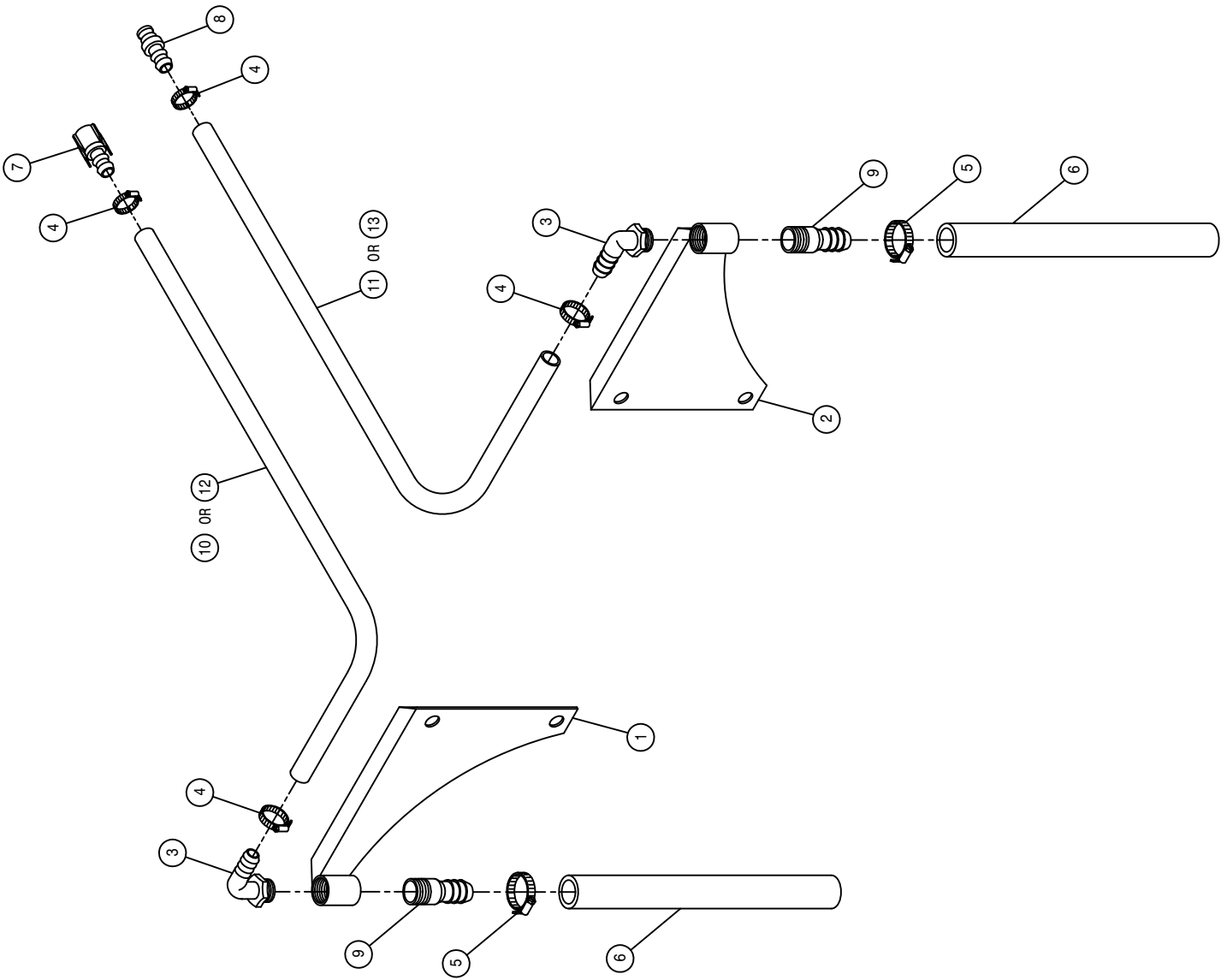


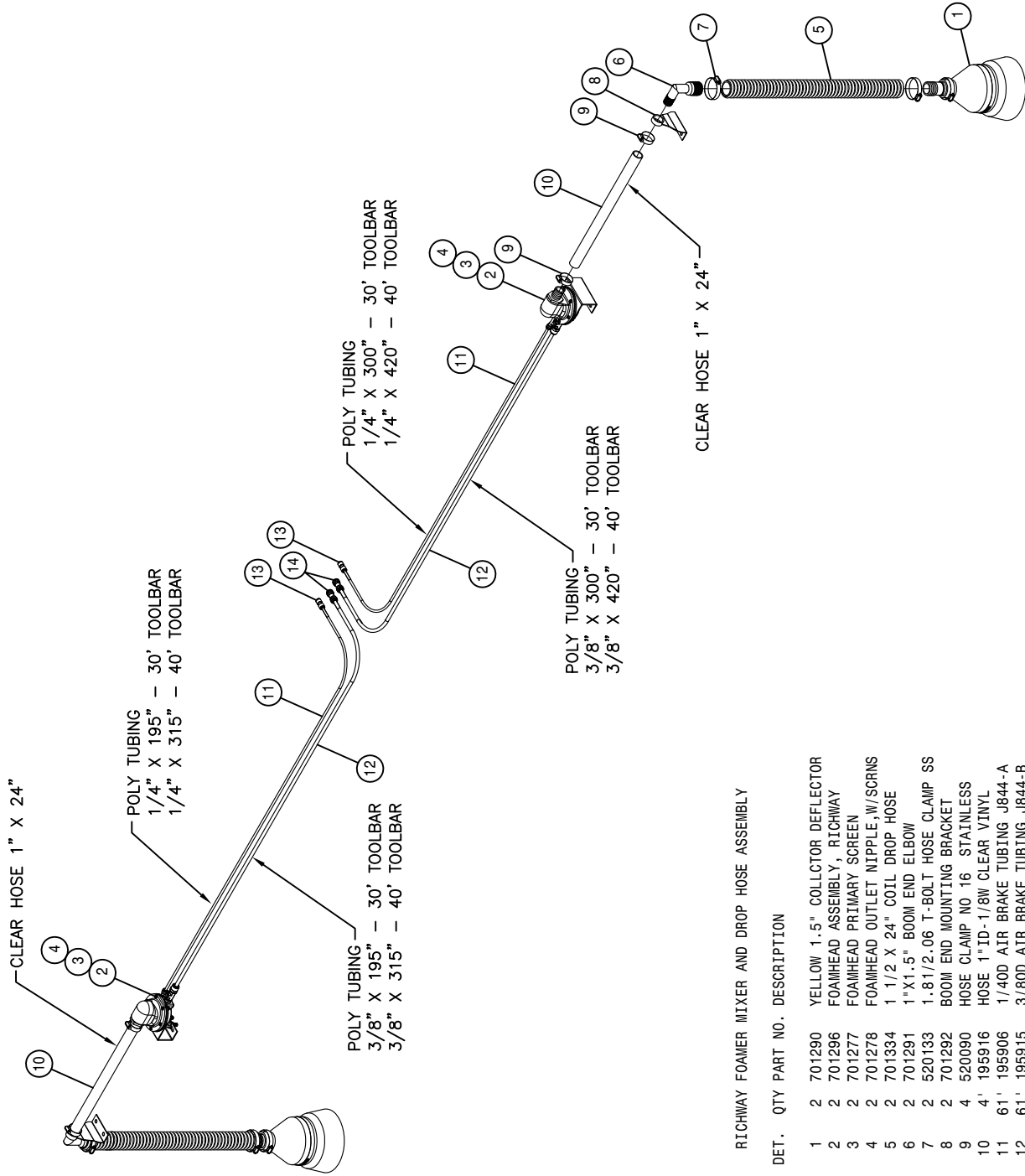
HAGIE FOAMER DROP AND HOSE ASSEMBLY

DET. QTY PART NO. DESCRIPTION

DET.	QTY	PART NO.	DESCRIPTION
1	1	439100	RH FOAMER DROP CPLR WLD, NTB
2	1	439101	LH FOAMER DROP CPLR WLD, NTB
3	2	500067	1 NPT-90-3/4 HOSE BARB, POLY
4	4	520055	HOSE CLAMP NO 12 STAINLESS
5	2	520085	HOSE CLAMP NO 24 STAINLESS
6	2	601586	HOSE, 1 1/4 X 16 2BR BLK EPDM
7	1	696207	.75 HOSE BARB-FEMALE COUPLER
8	1	696208	.75 HOSE BARB-MALE COUPLER
9	2	714561	1.00NPT-1.25 HOSE BARB
10	1	195908	HOSE, 3/4ID-1/8W CLEAR VINYL X 252.00
11	1	195908	HOSE, 3/4ID-1/8W CLEAR VINYL X 348.00
12	1	195908	HOSE, 3/4ID-1/8W CLEAR VINYL X 192.00
13	1	195908	HOSE, 3/4ID-1/8W CLEAR VINYL X 288.00

NOTE: DETAILS 10 & 11 ARE USED WITH THE 40FT TOOLBAR.  
 DETAILS 12 & 13 ARE USED WITH THE 30FT TOOLBAR.





RICHWAY FOAMER MIXER AND DROP HOSE ASSEMBLY

DET. QTY PART NO. DESCRIPTION

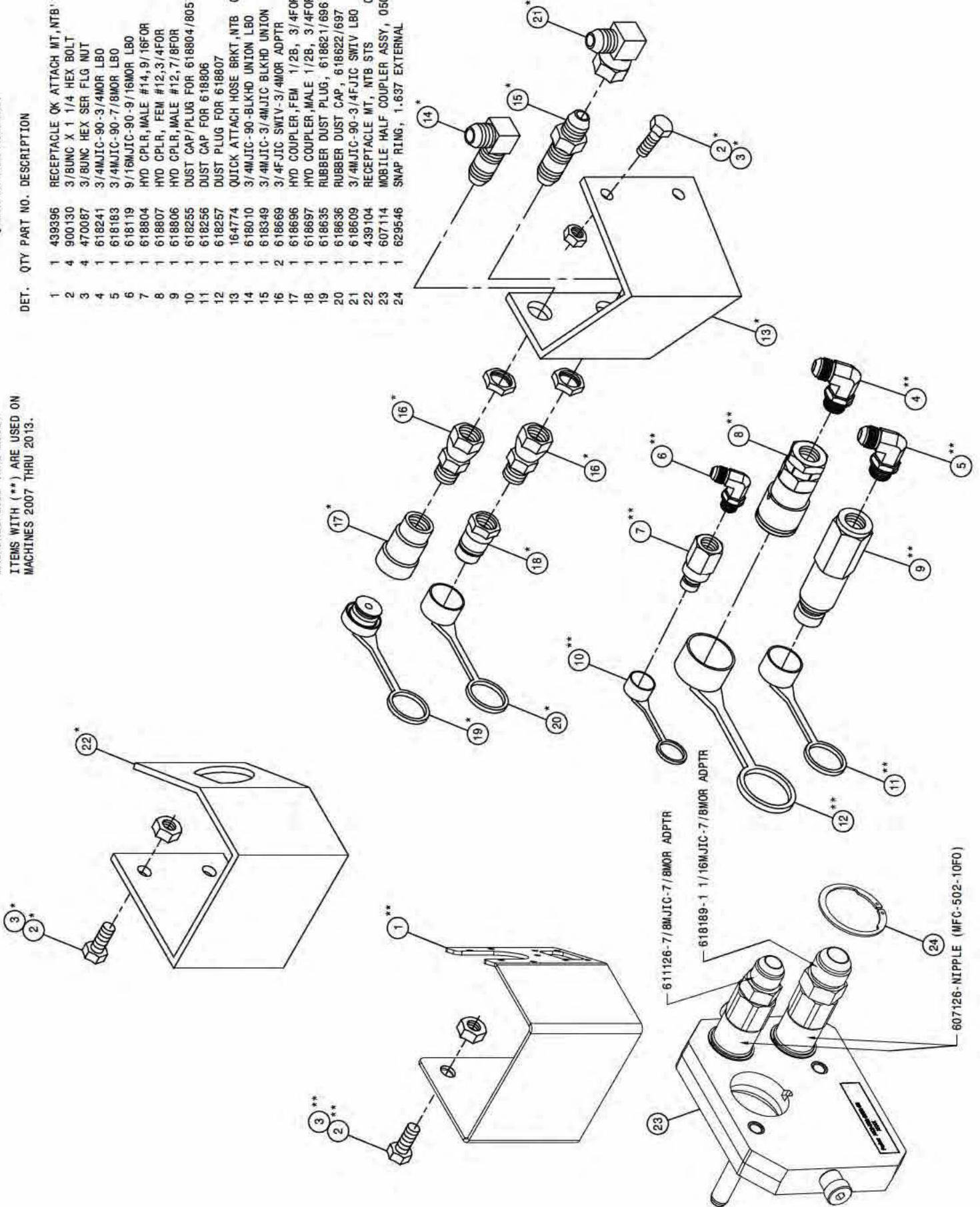
DET.	QTY	PART NO.	DESCRIPTION
1	2	701290	YELLOW 1.5" COLLECTOR DEFLECTOR
2	2	701296	FOAMHEAD ASSEMBLY, RICHWAY
3	2	701277	FOAMHEAD PRIMARY SCREEN
4	2	701278	FOAMHEAD OUTLET NIPPLE, W/SCREENS
5	2	701334	1 1/2 X 24" COIL DROP HOSE
6	2	701291	1" X 1.5" BOOM END ELBOW
7	2	520133	1.81/2.06 T-BOLT HOSE CLAMP SS
8	2	701292	BOOM END MOUNTING BRACKET
9	4	520090	HOSE CLAMP NO 16 STAINLESS
10	4	195916	HOSE 1" ID-1/8W CLEAR VINYL
11	61'	195906	1/40D AIR BRAKE TUBING J844-A
12	61'	195915	3/80D AIR BRAKE TUBING J844-B
13	2	711054	1/4 NYL TUBE UNION, STRAIGHT
14	2	711055	3/8 NYL TUBE UNION, STRAIGHT

NOTE: ITEMS WITH (\*) ARE USED ON MACHINES 2005 THRU 2006.  
 ITEMS WITH (\*\*) ARE USED ON MACHINES 2007 THRU 2013.

QUICK ATTACK ASSEMBLY

DET. QTY PART NO. DESCRIPTION

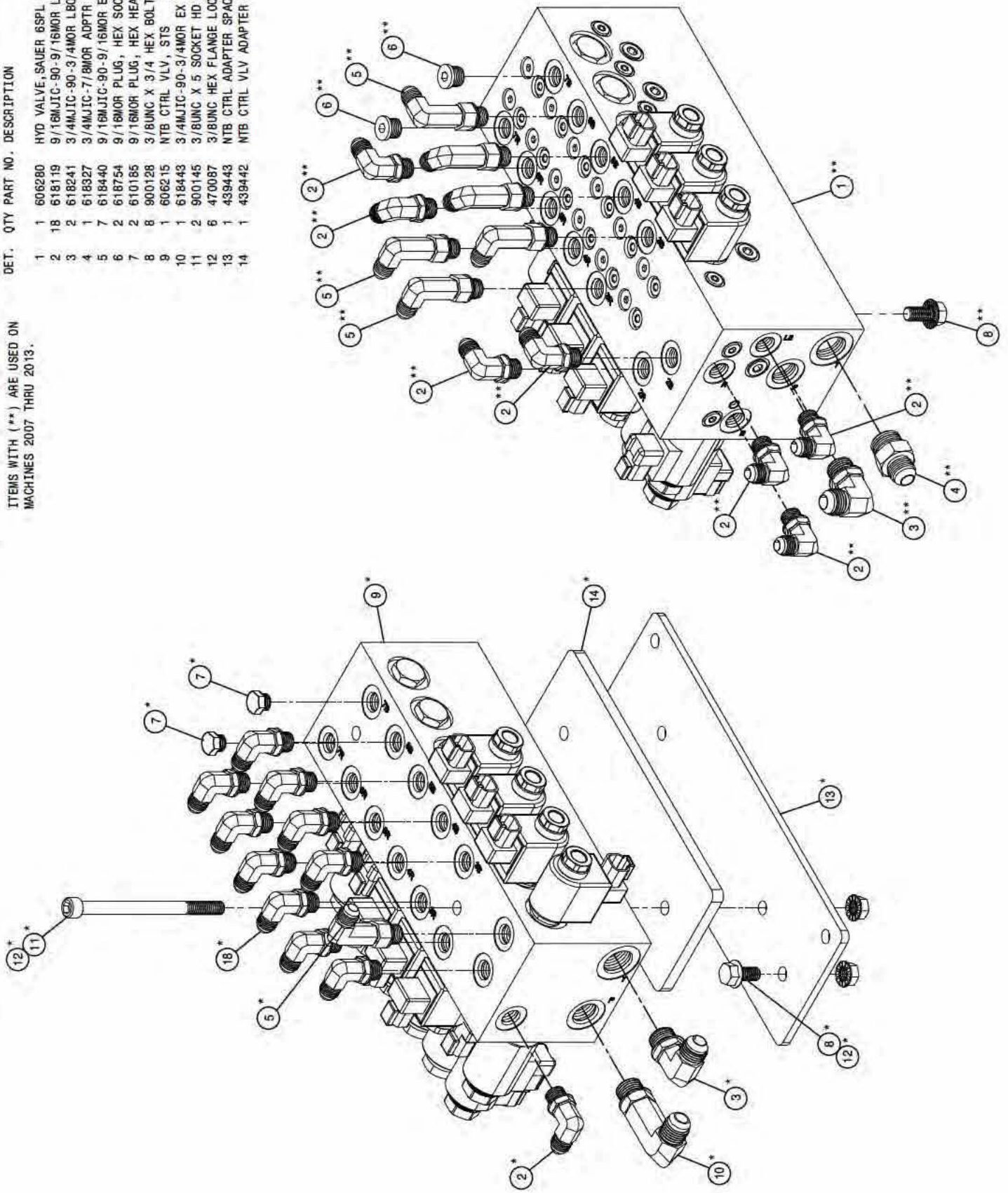
1	439396	RECEPTACLE QK ATTACH MT, NTB' 11
2	900130	3/8UNC X 1 1/4 HEX BOLT
3	470087	3/8UNC HEX SER FLG NUT
4	618241	3/4MJIC-90-3/4MOR LBO
5	618183	3/4MJIC-90-7/8MOR LBO
6	618119	9/16MJIC-90-9/16MOR LBO
7	618804	HYD CPLR, MALE #14, 9/16FOR
8	618807	HYD CPLR, FEM #12, 3/4FOR
9	618806	HYD CPLR, MALE #12, 7/8FOR
10	618255	DUST CAP/PLUG FOR 618804/805
11	618256	DUST CAP FOR 618806
12	618257	DUST PLUG FOR 618807
13	164774	QUICK ATTACH HOSE BRKT, NTB 04
14	618010	3/4MJIC-90-BLKHD UNION LBO
15	618349	3/4MJIC-3/4MJIC BLKHD UNION
16	618669	3/4FJIC SWIV-3/4MOR ADPTR
17	618696	HYD COUPLER, FEM 1/2B, 3/4FOR
18	618697	HYD COUPLER, MALE 1/2B, 3/4FOR
19	618635	RUBBER DUST PLUG, 618621/696
20	618636	RUBBER DUST CAP, 618622/697
21	618609	3/4MJIC-90-3/4FJIC SWIV LBO
22	439104	RECEPTACLE MT, NTB STS
23	607114	MOBILE HALF COUPLER ASSY, 0502
24	629546	SNAP RING, 1.637 EXTERNAL



30FT TOOLBAR CONTROL VALVE ASSEMBLY

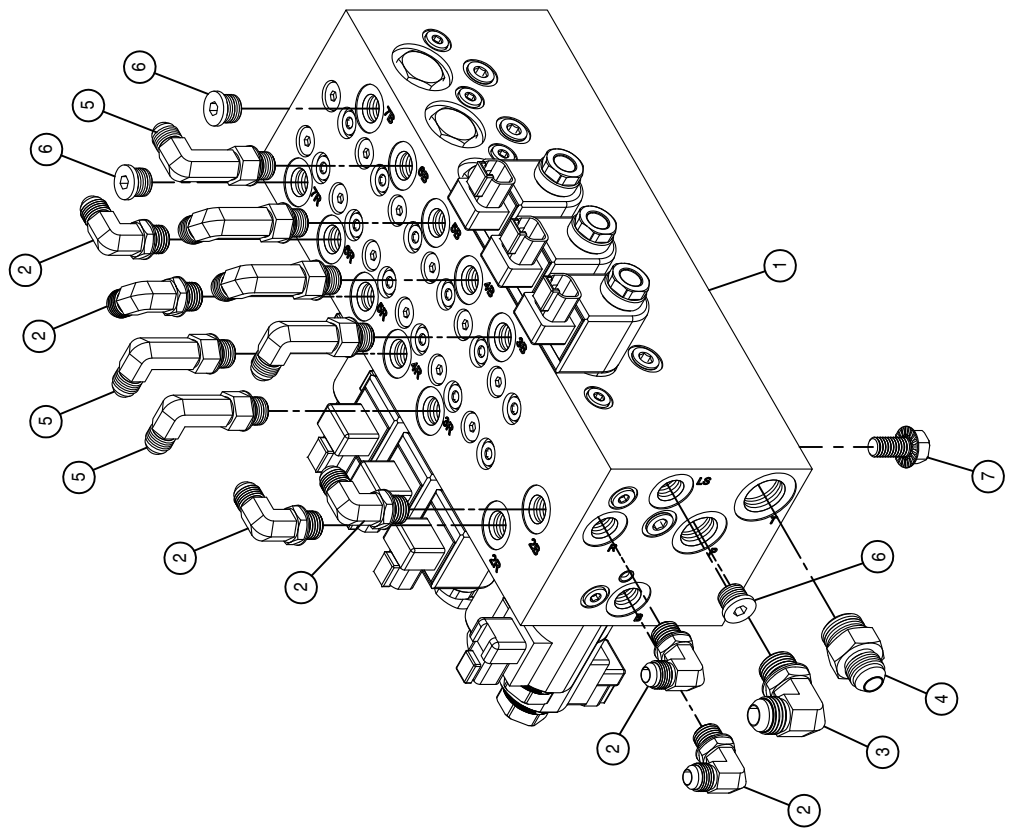
NOTE: ITEMS WITH (\*) ARE USED ON MACHINES 2005 THRU 2006.  
 ITEMS WITH (\*\*) ARE USED ON MACHINES 2007 THRU 2013.

DET.	QTY	PART NO.	DESCRIPTION
1	1	606280	HYD VALVE, SAUER 6SP/L NTB 07
2	18	618119	9/16MJIC-90-9/16MOR LBO
3	2	618241	3/4MJIC-90-3/4MOR LBO
4	1	618927	3/4MJIC-7/8MOR ADPTR
5	7	618440	9/16MJIC-90-9/16MOR EX LG LBO
6	2	618754	9/16MOR PLUG, HEX SOCKET
7	2	610185	9/16MOR PLUG, HEX HEAD
8	8	900128	3/8UNC X 3/4 HEX BOLT
9	1	606215	NTB CTRL VLV, STS PWRSYS 05
10	1	618443	3/4MJIC-90-3/4MOR EX LG LBO
11	2	900145	3/8UNC X 5 SOCKET HD CAP SCR
12	6	470087	3/8UNC HEX FLANGE LOCK NUT
13	1	439443	NTB CTRL VLV ADAPTER SPACER
14	1	439442	NTB CTRL VLV ADAPTER PLT 05



30FT TOOLBAR CONTROL VALVE ASSEMBLY 2014

DET.	QTY	PART NO.	DESCRIPTION
1	1	606280	HYD VALVE, SAUER 6SPL NTB 07
2	6	618119	9/16MJIC-90-9/16MOR LBO
3	1	618241	3/4MJIC-90-3/4MOR LBO
4	1	618327	3/4MJIC-7/8MOR ADPTR
5	6	618440	9/16MJIC-90-9/16MOR EX LG LBO
6	3	618754	9/16MOR PLUG, HEX SOCKET
7	4	900128N	3/8UNC X 3/4 SER FLG BOLT YZ

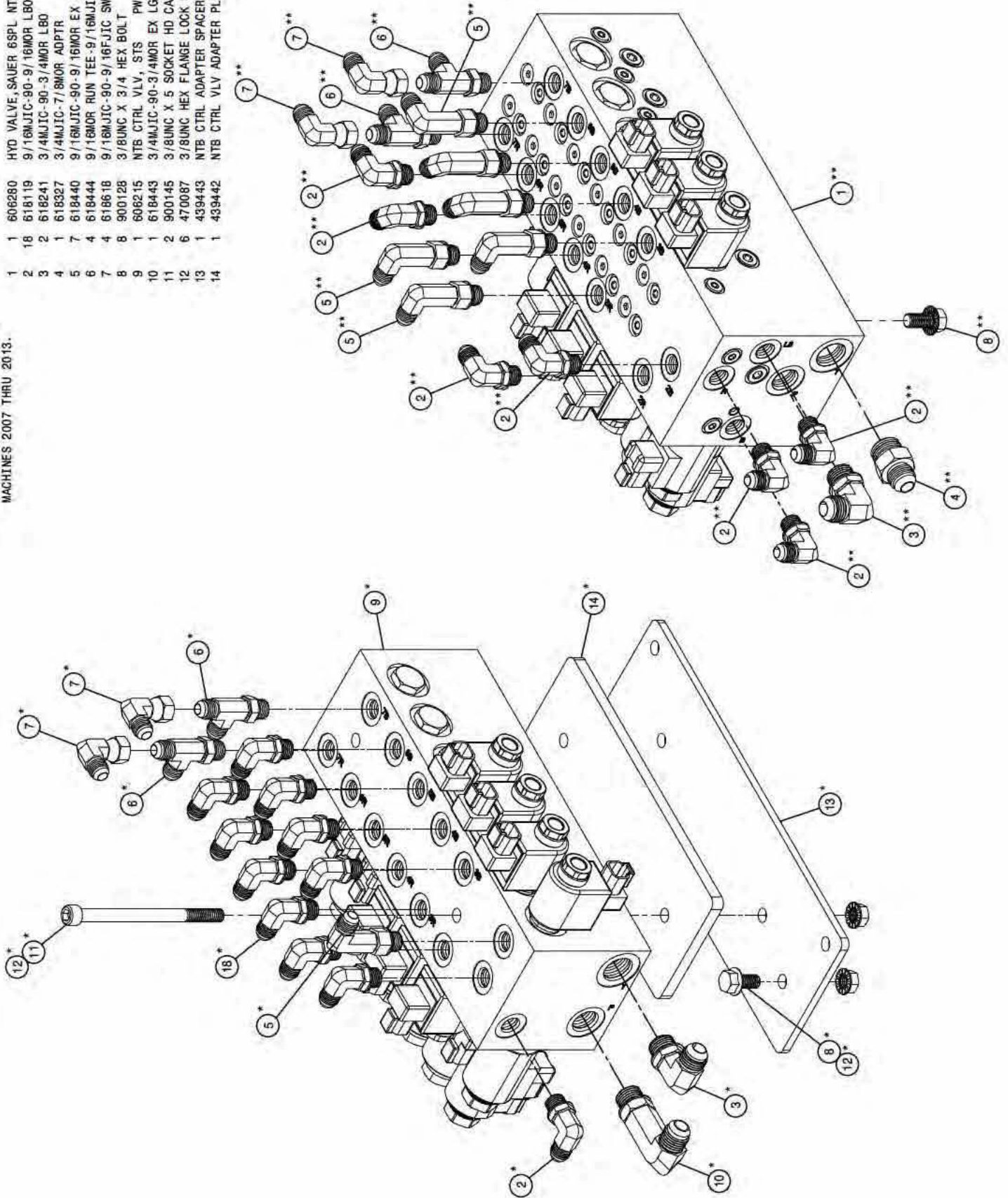


NOTE: ITEMS WITH (\*) ARE USED ON  
MACHINES 2005 THRU 2006.

ITEMS WITH (\*\*) ARE USED ON  
MACHINES 2007 THRU 2013.

40FT TOOLBAR CONTROL VALVE ASSEMBLY

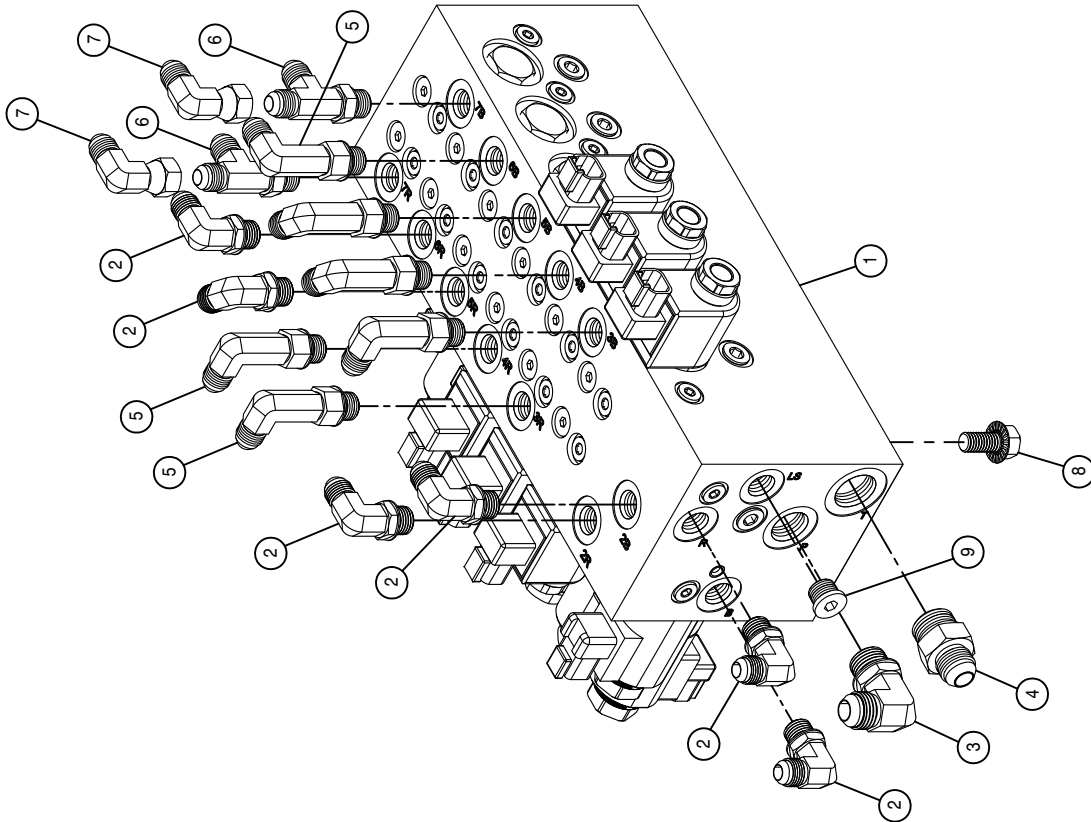
DET.	QTY	PART NO.	DESCRIPTION
1	1	606280	HYD VALVE, SAUER 6SPL NTB 07
2	18	618119	9/16MJIC-90-9/16MOR LBO
3	2	618241	3/4MJIC-90-3/4MOR LBO
4	1	618327	3/4MJIC-7/8MOR ADPTR
5	7	618440	9/16MJIC-90-9/16MOR EX LG LBO
6	4	618444	9/16MOR RUN TEE-9/16MJIC
7	4	618618	9/16MJIC-90-9/16FJIC SWIV LBO
8	8	900128	3/8UNC X 3/4 HEX BOLT
9	1	606215	NTB CTRL VLV, STS PWRSYS 05
10	1	618443	3/4MJIC-90-3/4MOR EX LG LBO
11	2	900145	3/8UNC X 5 SOCKET HD CAP SCR
12	6	470087	3/8UNC HEX FLANGE LOCK NUT
13	1	439443	NTB CTRL ADAPTER SPACER
14	1	439442	NTB CTRL VLV ADAPTER PLT

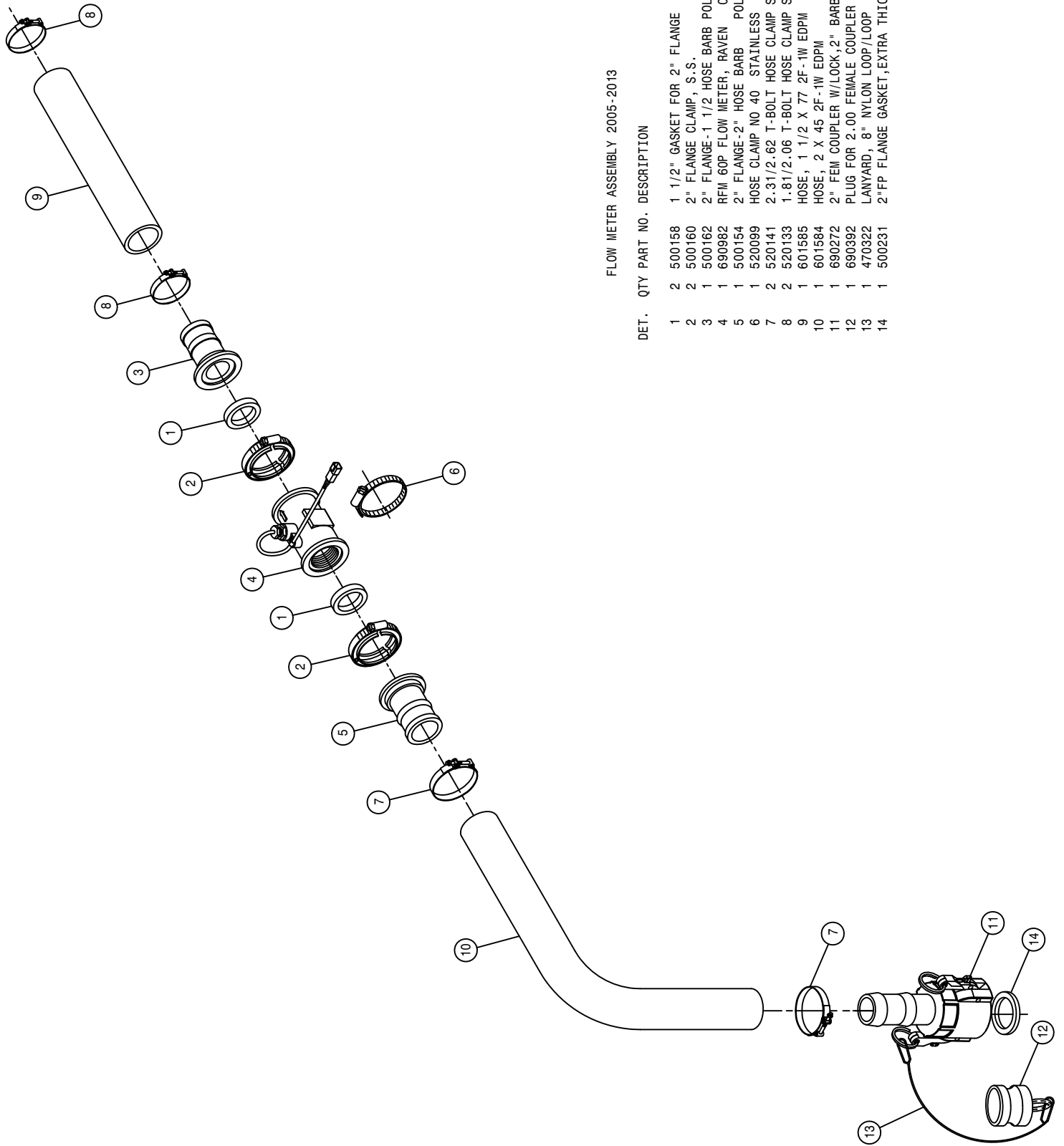


40FT TOOLBAR CONTROL VALVE ASSEMBLY 2014

DET. QTY PART NO. DESCRIPTION

DET.	QTY	PART NO.	DESCRIPTION
1	1	606280	HYD VALVE, SAUER 6SPL NTB 07
2	6	618119	9/16MJIC-90-9/16MOR LBO
3	1	618241	3/4MJIC-90-3/4MOR LBO
4	1	618327	3/4MJIC-7/8MOR ADPTR
5	6	618440	9/16MJIC-90-9/16MOR EX LG LBO
6	2	618444	9/16MOR RUN TEE-9/16MJIC
7	2	618618	9/16MJIC-90-9/16FJIC SWIV LBO
8	4	900128	3/8UNC X 3/4 HEX BOLT YZ
9	1	618754	9/16MOR PLUG, HEX SOCKET



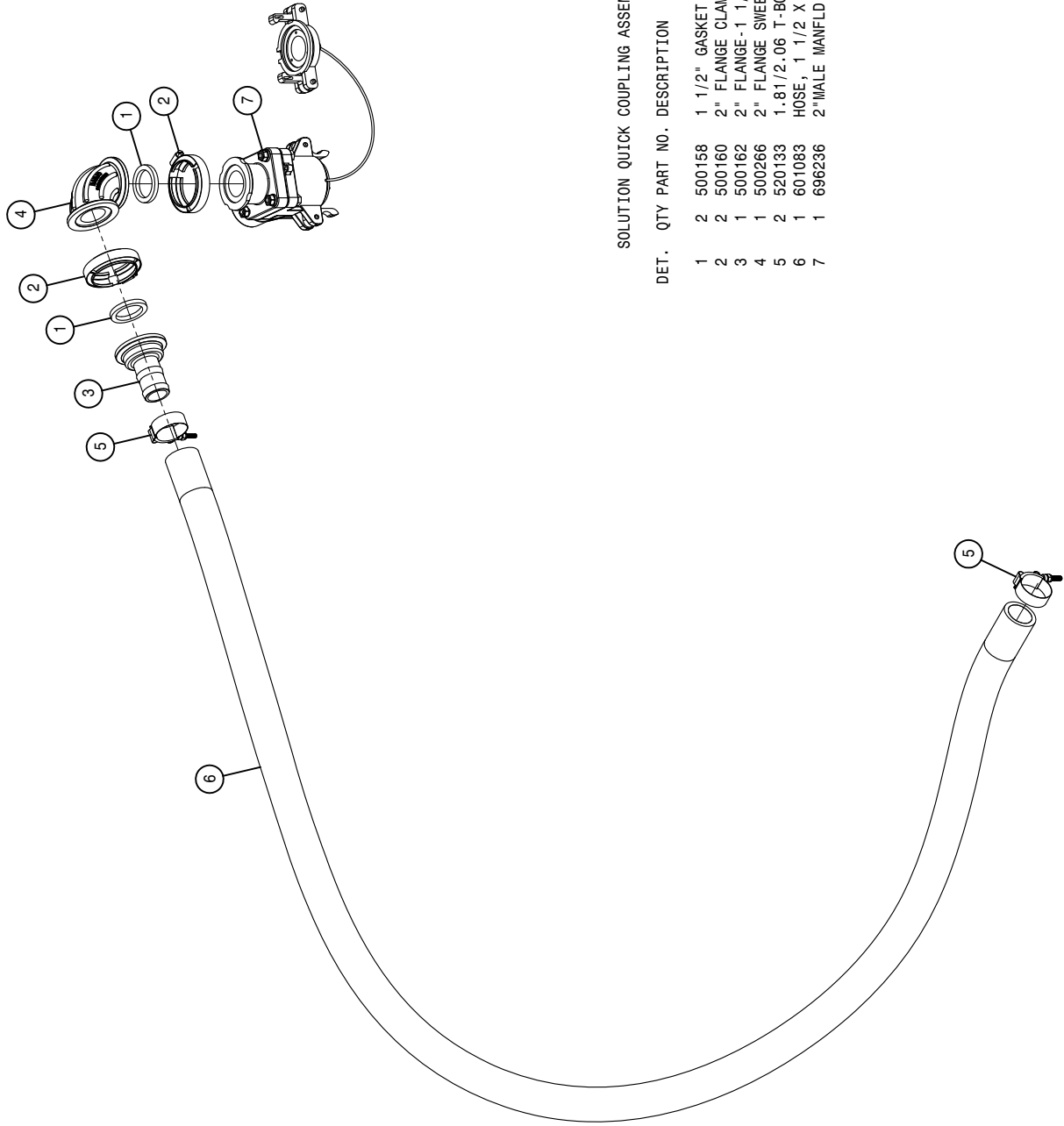


FLOW METER ASSEMBLY 2005-2013

DET. QTY PART NO. DESCRIPTION

1	2	500158	1 1/2" GASKET FOR 2" FLANGE
2	2	500160	2" FLANGE CLAMP, S.S.
3	1	500162	2" FLANGE-1 1/2 HOSE BARB POLY
4	1	690982	RFM 60P FLOW METER, RAVEN 05
5	1	500154	2" FLANGE-2" HOSE BARB POLY
6	1	520099	HOSE CLAMP NO 40 STAINLESS
7	2	520141	2.31/2.62 T-BOLT HOSE CLAMP SS
8	2	520133	1.81/2.06 T-BOLT HOSE CLAMP SS
9	1	601585	HOSE, 1 1/2 X 77 2F-1W EDPM
10	1	601584	HOSE, 2 X 45 2F-1W EDPM
11	1	690272	2" FEM COUPLER W/LOCK, 2" BARB
12	1	690392	PLUG FOR 2.00 FEMALE COUPLER
13	1	470322	LANYARD, 8" NYLON LOOP/LOOP
14	1	500231	2" FP FLANGE GASKET, EXTRA THICK





SOLUTION QUICK COUPLING ASSEMBLY 2014

DET. QTY PART NO. DESCRIPTION

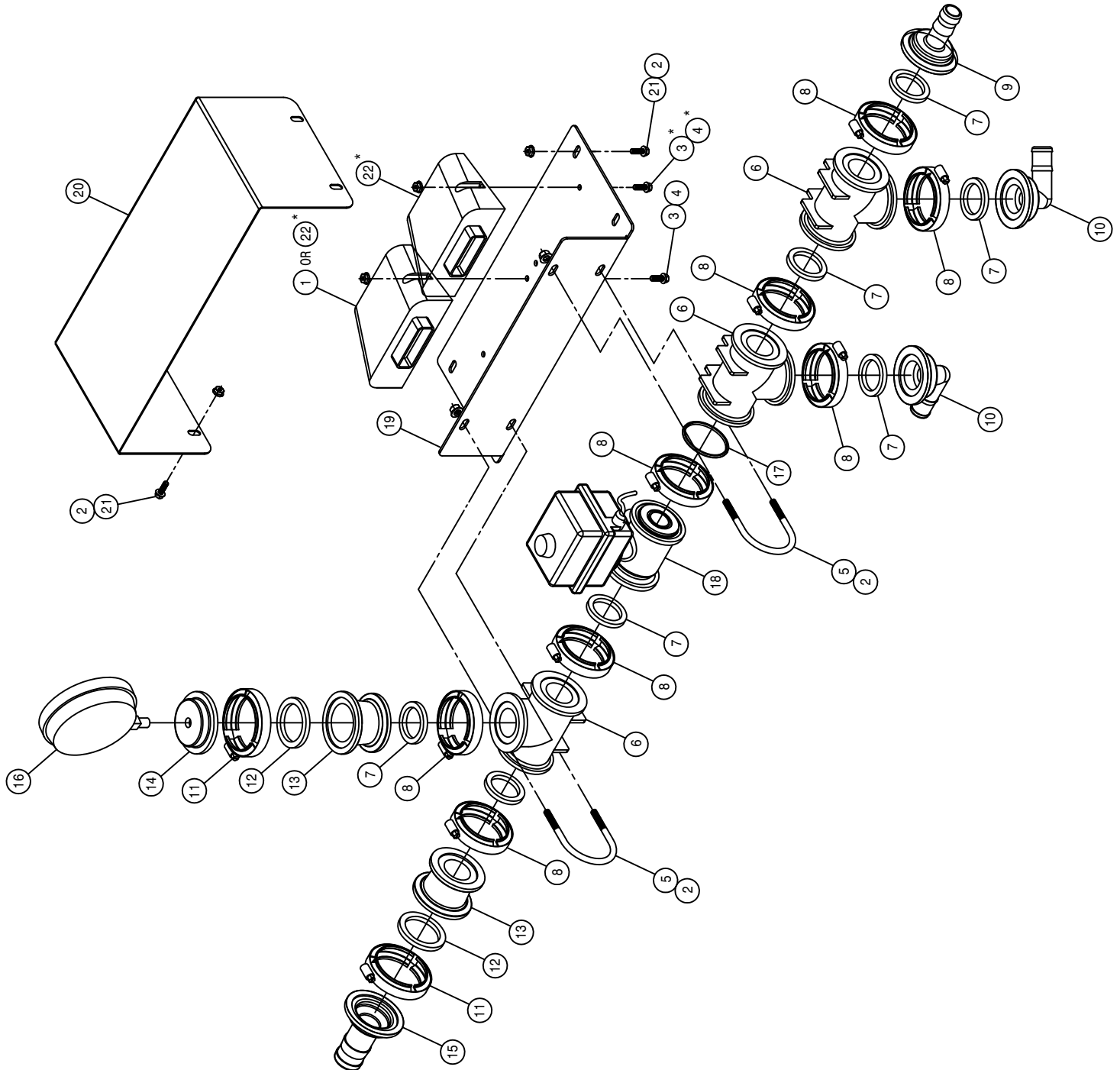
1	2	500158	1 1/2" GASKET FOR 2" FLANGE
2	2	500160	2" FLANGE CLAMP, S.S.
3	1	500162	2" FLANGE- 1 1/2 HOSE BARB POLY
4	1	500266	2" FLANGE SWEEP 90
5	2	520133	1.81/2.06 T-BOLT HOSE CLAMP SS
6	1	601083	HOSE, 1 1/2 X 101 2BR BLK EPDM
7	1	696236	2"MALE MANFLD DRYMATE VLV, POLY

SOLUTION CONTROL 1-VALVE ASSEMBLY

DET. QTY PART NO. DESCRIPTION

1	1	292016	IQAN-XA2 MODULE
2	12	470113	5/16UNC HEX FLANGE LOCK NUT
3	4	470118	1/4UNC X 3/4 FLANGE HEX BOLT
4	4	470121	1/4UNC HEX FLANGE LOCK NUT
5	2	472195	5/16UNC-2 11/16ID-3 9/16U-BOLT
6	3	500151	2" FLANGE TEE
7	7	500158	1 1/2" GASKET FOR 2" FLANGE
8	8	500160	2" FLANGE CLAMP, S.S.
9	1	500172	2" FLANGE-1" HOSE BARB POLY
10	2	500189	2" FLANGE-90-1" HOSE BARB POLY
11	2	500194	2"FP FLANGE CLAMP, S.S.
12	2	500195	2"FP FLANGE GASKET EPDM
13	2	500199	2"FP FLANGE-2"FLANGE REDU POLY
14	1	500229	2"FP FLANGE PLUG, 1/4FNPT POLY
15	1	500230	2" FP FLANGE- 1 1/2" HOSE BARB
16	1	690359	PRESSURE GA GLYCER1 100 PSI
17	1	696254	O-RING, KZCO FLANGED VALVES
18	1	696256	VALVE, KZCO C2F-60B-M-S9
19	1	439194	ELECT CTRL MT PANEL, NTB 05
20	1	439195	ELECT CTRL BOX COVER, NTB 05
21	8	470233	5/16UNC X 3/4 FLANGE HEX BOLT
22	2	292012	IQAN-XP2 POWER MODULE

NOTE: ITEMS WITH (\*) ARE USED ON MACHINES 2005 THRU 2009.

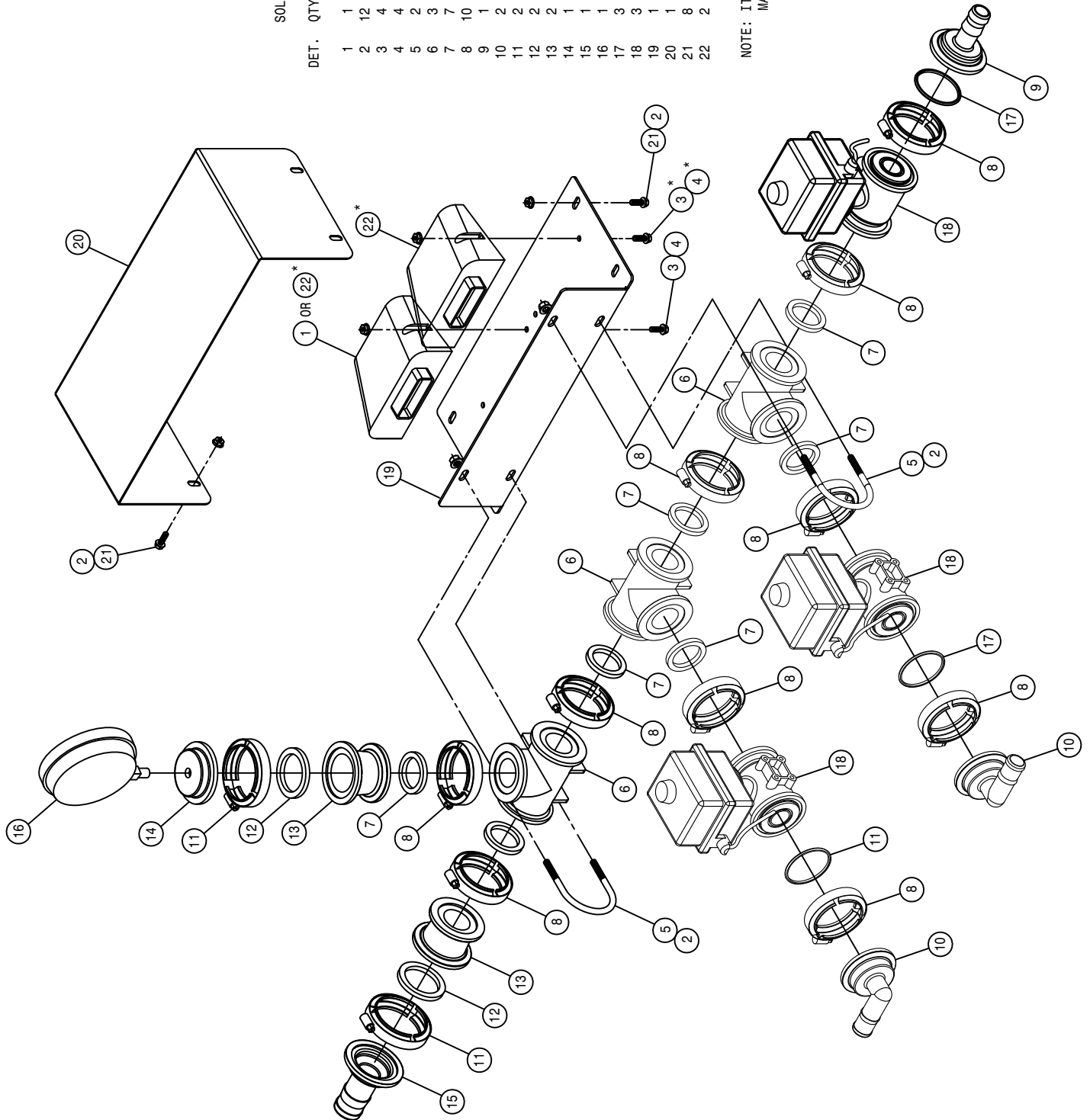


SOLUTION CONTROL 3-VALVE ASSEMBLY

DET. QTY PART NO. DESCRIPTION

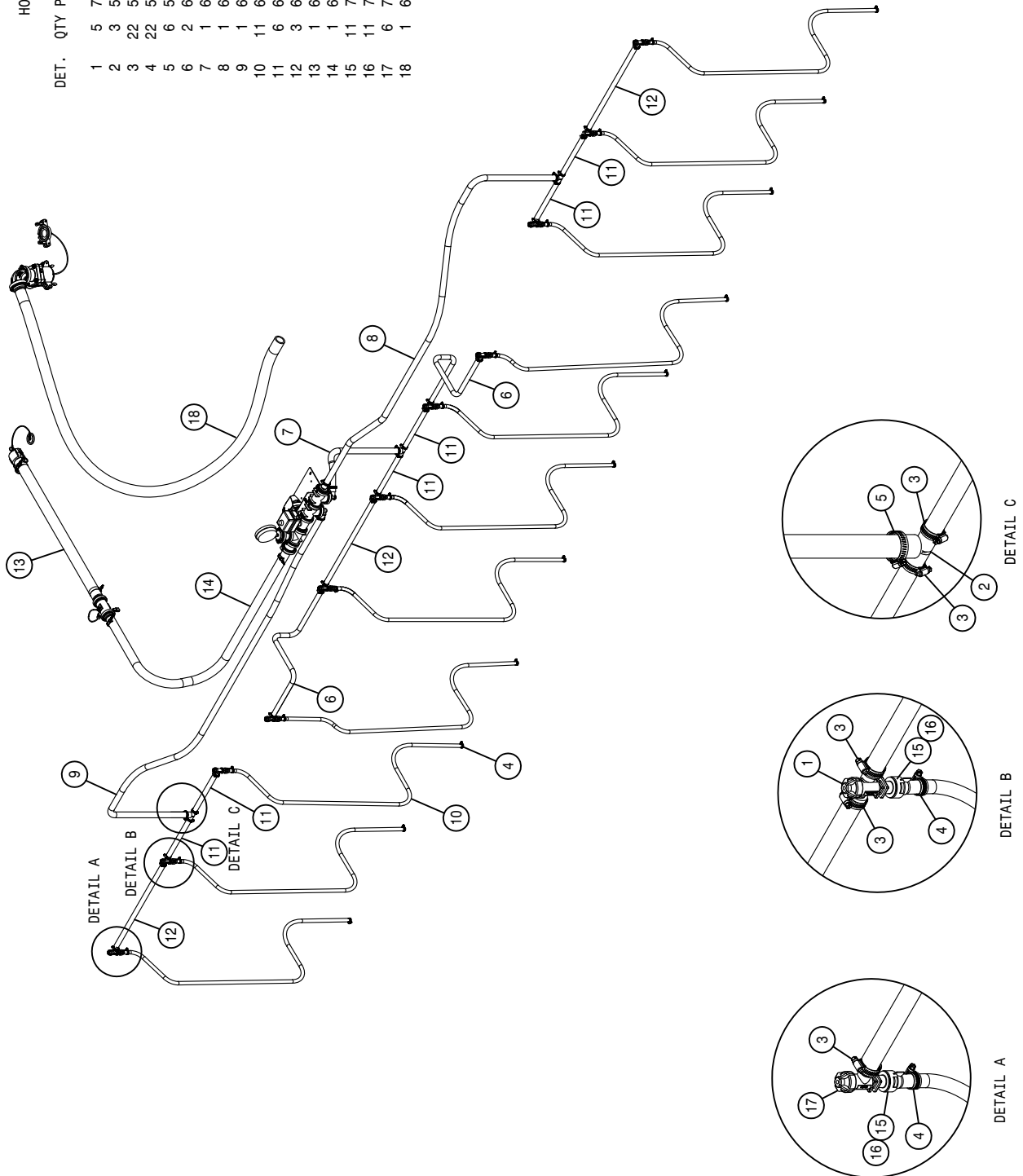
QTY	PART NO.	DESCRIPTION
1	292016	IQAN-XA2 MODULE
2	12 470113	5/16UNC HEX FLANGE LOCK NUT
3	4 470118	1/4UNC X 3/4 FLANGE HEX BOLT
4	4 470121	1/4UNC HEX FLANGE LOCK NUT
5	2 472195	5/16UNC-2 11/16ID-3 9/16U-BOLT
6	3 500151	2" FLANGE TEE
7	500158	1 1/2" GASKET FOR 2" FLANGE
8	10 500160	2" FLANGE CLAMP, S.S.
9	1 500172	2" FLANGE-1" HOSE BARB POLY
10	2 500189	2" FLANGE-90-1" HOSE BARB POLY
11	2 500194	2"FP FLANGE CLAMP, S.S.
12	2 500195	2"FP FLANGE GASKET EPDM
13	2 500199	2"FP FLANGE-2"FLANGE REDU POLY
14	1 500229	2"FP FLANGE PLUG,1/4FNPT POLY
15	1 500230	2" FP FLANGE- 1 1/2" HOSE BARB
16	1 690359	PRESSURE GA GLYCERI 100 PSI
17	3 696254	O-RING, KZCO 02F-60B-M-S9
18	3 696256	VALVE, KZCO 02F-60B-M-S9
19	1 439194	ELECT CTRL MT PANEL, NTB 05
20	1 439195	ELECT CTRL BOX COVER, NTB 05
21	8 470233	5/16UNC X 3/4 FLANGE HEX BOLT
22	2 292012	IQAN-XP2 POWER MODULE

NOTE: ITEMS WITH (\*) ARE USED ON MACHINES 2005 THRU 2009.



HOSE DIAG, 12R 30" 30FT NTB

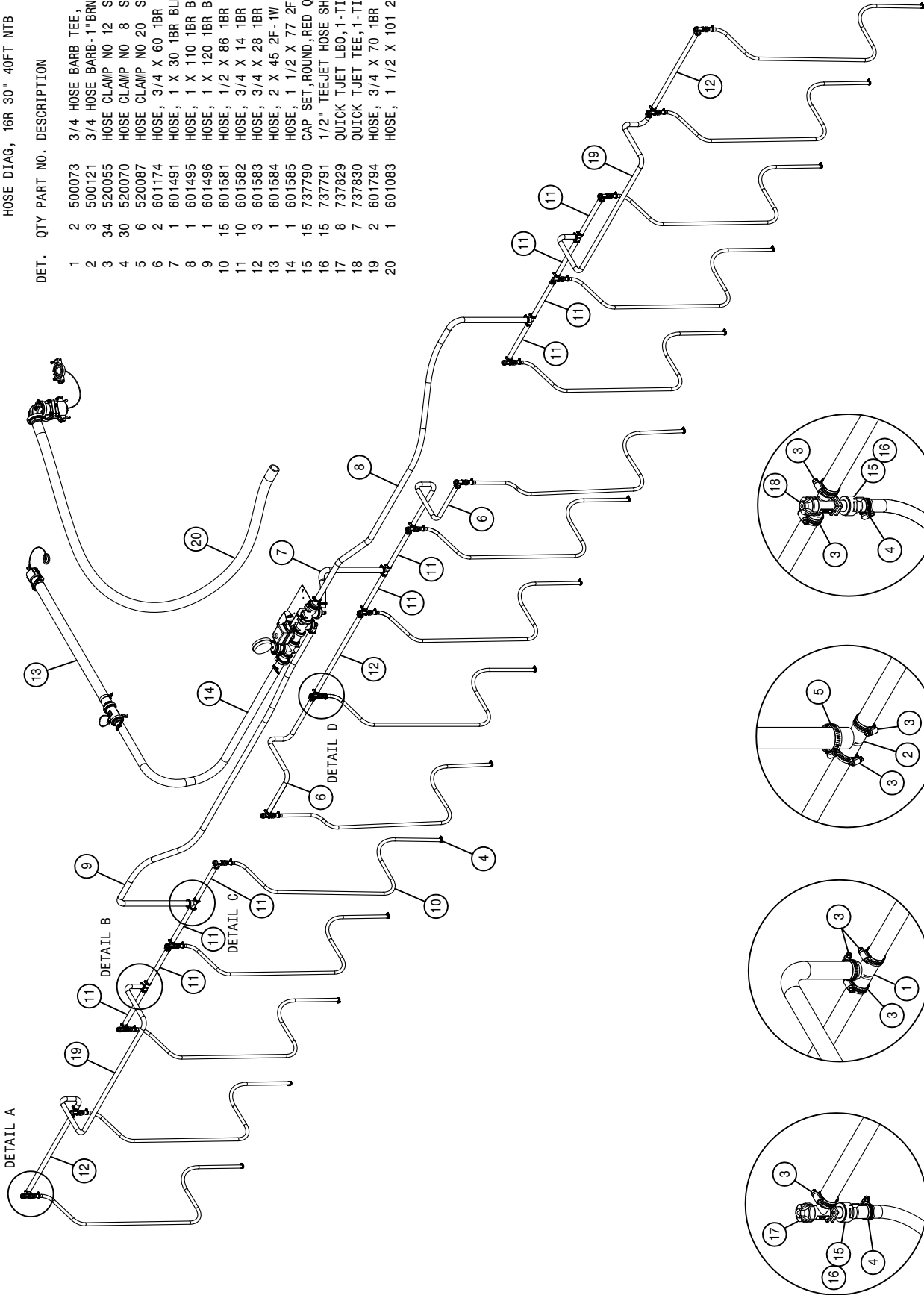
DET.	QTY	PART NO.	DESCRIPTION
1	5	737830	QUICK TJET TEE, 1-TIP BODY .75
2	3	500121	3/4 HOSE BARB-1" BRNCH TEE, POLY
3	22	520055	HOSE CLAMP NO 12 STAINLESS
4	22	520070	HOSE CLAMP NO 8 STAINLESS
5	6	520087	HOSE CLAMP NO 20 STAINLESS
6	2	601174	HOSE, 3/4 X 60 1BR BLK EPDM
7	1	601491	HOSE, 1 X 30 1BR BLK EPDM
8	1	601495	HOSE, 1 X 110 1BR BLK EPDM
9	1	601496	HOSE, 1 X 120 1BR BLK EPDM
10	11	601581	HOSE, 1/2 X 86 1BR BLK EPDM
11	6	601582	HOSE, 3/4 X 14 1BR BLK EPDM
12	3	601583	HOSE, 3/4 X 28 1BR BLK EPDM
13	1	601584	HOSE, 2 X 45 2F-1W EPDM
14	1	601585	HOSE, 1 1/2 X 77 2F-1W EPDM
15	11	737790	CAP SET, ROUND, RED QUICK TEEJET
16	11	737791	1/2" TEEJET HOSE SHANK, NYLON
17	6	737829	QUICK TJET LBO, 1-TIP BODY .75
18	1	601083	HOSE, 1 1/2 X 101 2BR BLK EPDM



HOSE DIAG, 16R 30" 40FT NTB

DET. QTY PART NO. DESCRIPTION

1	2	500073	3/4 HOSE BARB TEE, POLY
2	3	500121	3/4 HOSE BARB-1" BRNCH TEE, POLY
3	34	520055	HOSE CLAMP NO 12 STAINLESS
4	30	520070	HOSE CLAMP NO 8 STAINLESS
5	6	520087	HOSE CLAMP NO 20 STAINLESS
6	2	601174	HOSE, 3/4 X 60 1BR BLK EPDM
7	1	601491	HOSE, 1 X 30 1BR BLK EPDM
8	1	601495	HOSE, 1 X 110 1BR BLK EPDM
9	1	601496	HOSE, 1 X 120 1BR BLK EPDM
10	15	601581	HOSE, 1/2 X 86 1BR BLK EPDM
11	10	601582	HOSE, 3/4 X 14 1BR BLK EPDM
12	3	601583	HOSE, 3/4 X 28 1BR BLK EPDM
13	1	601584	HOSE, 2 X 45 2F-1W EPDM
14	1	601585	HOSE, 1 1/2 X 77 2F-1W EPDM
15	15	737790	CAP SET, ROUND, RED QUICK TEEJET
16	15	737791	1/2" TEEJET HOSE SHANK, NYLON
17	8	737829	QUICK TJET LBO, 1-TIP BODY .75
18	7	737830	QUICK TJET TEE, 1-TIP BODY .75
19	2	601794	HOSE, 3/4 X 70 1BR BLK EPDM
20	1	601083	HOSE, 1 1/2 X 101 2BR BLK EPDM



DETAIL D

DETAIL C

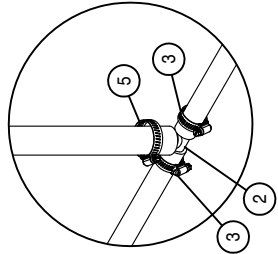
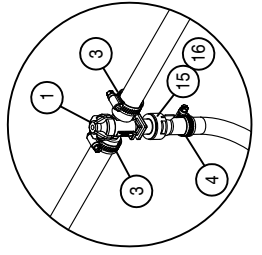
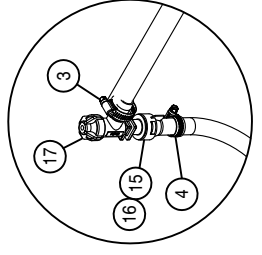
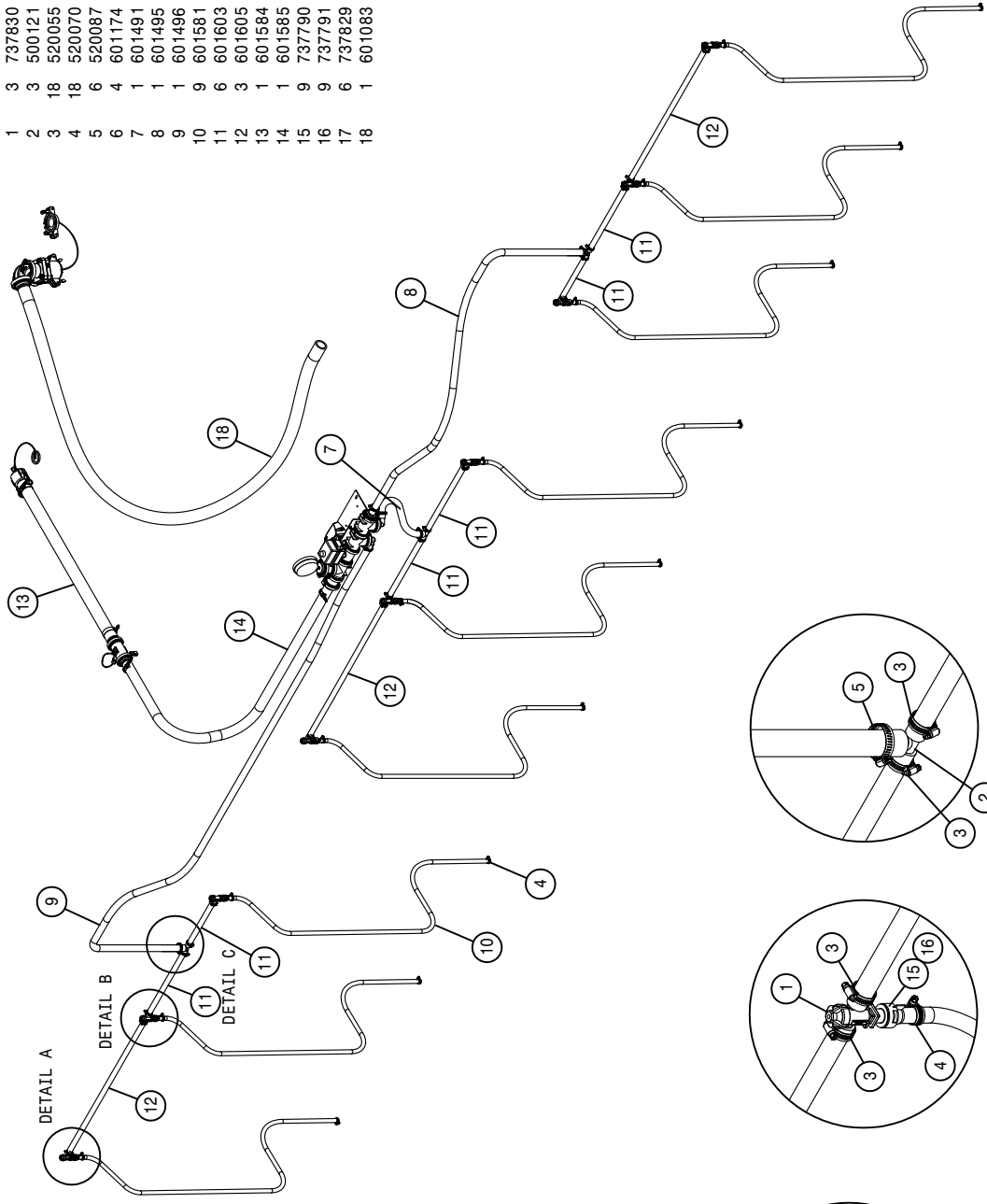
DETAIL B

DETAIL A

HOSE DIAG, 18R SKIP 20" 30FT NTB

DET. QTY PART NO. DESCRIPTION

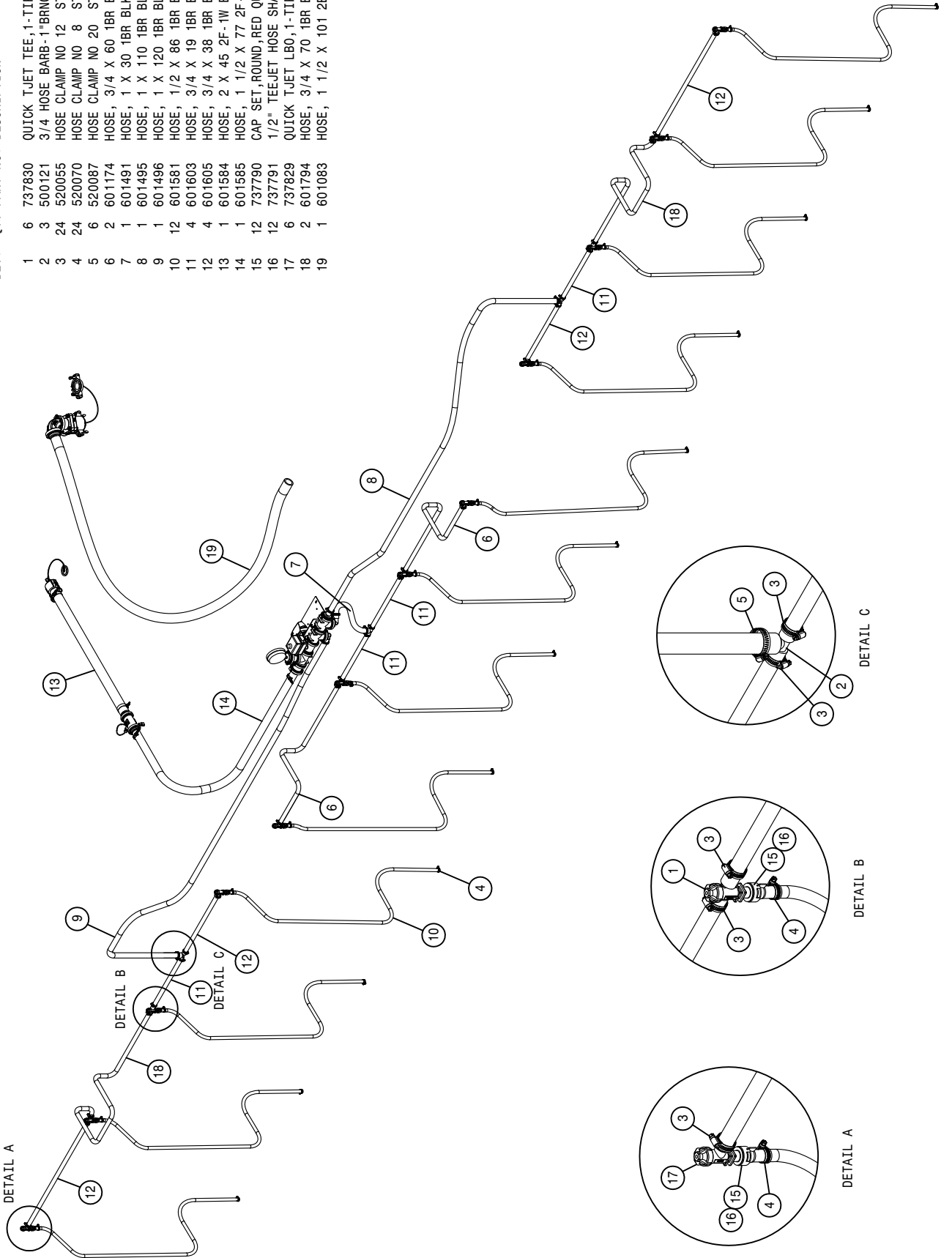
1	3	737830	QUICK TJET TEE, 1-TIP BODY .75
2	3	500121	3/4 HOSE BARB-1" BRNCH TEE, POLY
3	18	520055	HOSE CLAMP NO 12 STAINLESS
4	18	520070	HOSE CLAMP NO 8 STAINLESS
5	6	520087	HOSE CLAMP NO 20 STAINLESS
6	4	601174	HOSE, 3/4 X 60 1BR BLK EPDM
7	1	601491	HOSE, 1 X 30 1BR BLK EPDM
8	1	601495	HOSE, 1 X 110 1BR BLK EPDM
9	1	601496	HOSE, 1 X 120 1BR BLK EPDM
10	9	601581	HOSE, 1/2 X 86 1BR BLK EPDM
11	6	601603	HOSE, 3/4 X 19 1BR BLK EPDM
12	3	601605	HOSE, 3/4 X 38 1BR BLK EPDM
13	1	601584	HOSE, 2 X 45 2F-1W EPDM
14	1	601585	HOSE, 1 1/2 X 77 2F-1W EPDM
15	9	737790	CAP SET, ROUND, RED QUICK TEEJET
16	9	737791	1/2" TEEJET HOSE SHANK, NYLON
17	6	737829	QUICK TJET LBO, 1-TIP BODY .75
18	1	601083	HOSE, 1 1/2 X 101 2BR BLK EPDM



HOSE DIAG, 24R SKIP 20" 40FT NTB

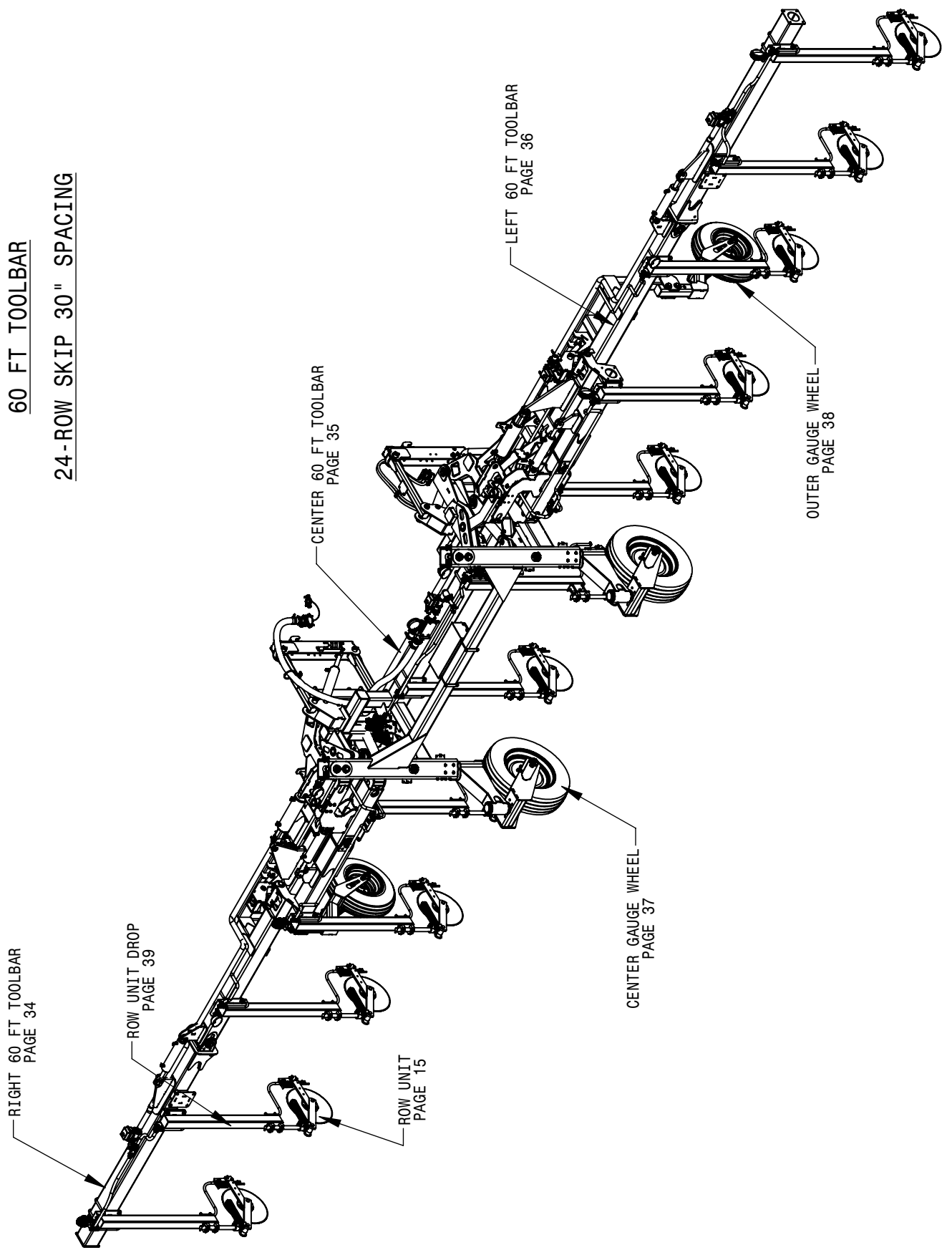
DET. QTY PART NO. DESCRIPTION

1	6	737830	QUICK TJET TEE,1-TIP BODY .75
2	3	500121	3/4 HOSE BARB-1'BRNCH TEE,POLY
3	24	520055	HOSE CLAMP NO 12 STAINLESS
4	24	520070	HOSE CLAMP NO 8 STAINLESS
5	6	520087	HOSE CLAMP NO 20 STAINLESS
6	2	601174	HOSE, 3/4 X 60 1BR BLK EPDM
7	1	601491	HOSE, 1 X 30 1BR BLK EPDM
8	1	601495	HOSE, 1 X 110 1BR BLK EPDM
9	1	601496	HOSE, 1 X 120 1BR BLK EPDM
10	12	601581	HOSE, 1/2 X 86 1BR BLK EPDM
11	4	601603	HOSE, 3/4 X 19 1BR BLK EPDM
12	4	601605	HOSE, 3/4 X 38 1BR BLK EPDM
13	1	601584	HOSE, 2 X 45 2F-1W EPDM
14	1	601585	HOSE, 1 1/2 X 77 2F-1W EPDM
15	12	737790	CAP SET,ROUND,RED QUICK TEEJET
16	12	737791	1/2" TEEJET HOSE SHANK, NYLON
17	6	737829	QUICK TJET LB0,1-TIP BODY .75
18	2	601794	HOSE, 3/4 X 70 1BR BLK EPDM
19	1	601083	HOSE, 1 1/2 X 101 2BR BLK EPDM



60 FT TOOLBAR

24-ROW SKIP 30" SPACING





RIGHT 60 FT TOOLBAR  
PAGE 34

60 FT TOOLBAR

36-ROW SKIP 20" SPACING

ROW UNIT DROP  
PAGE 39

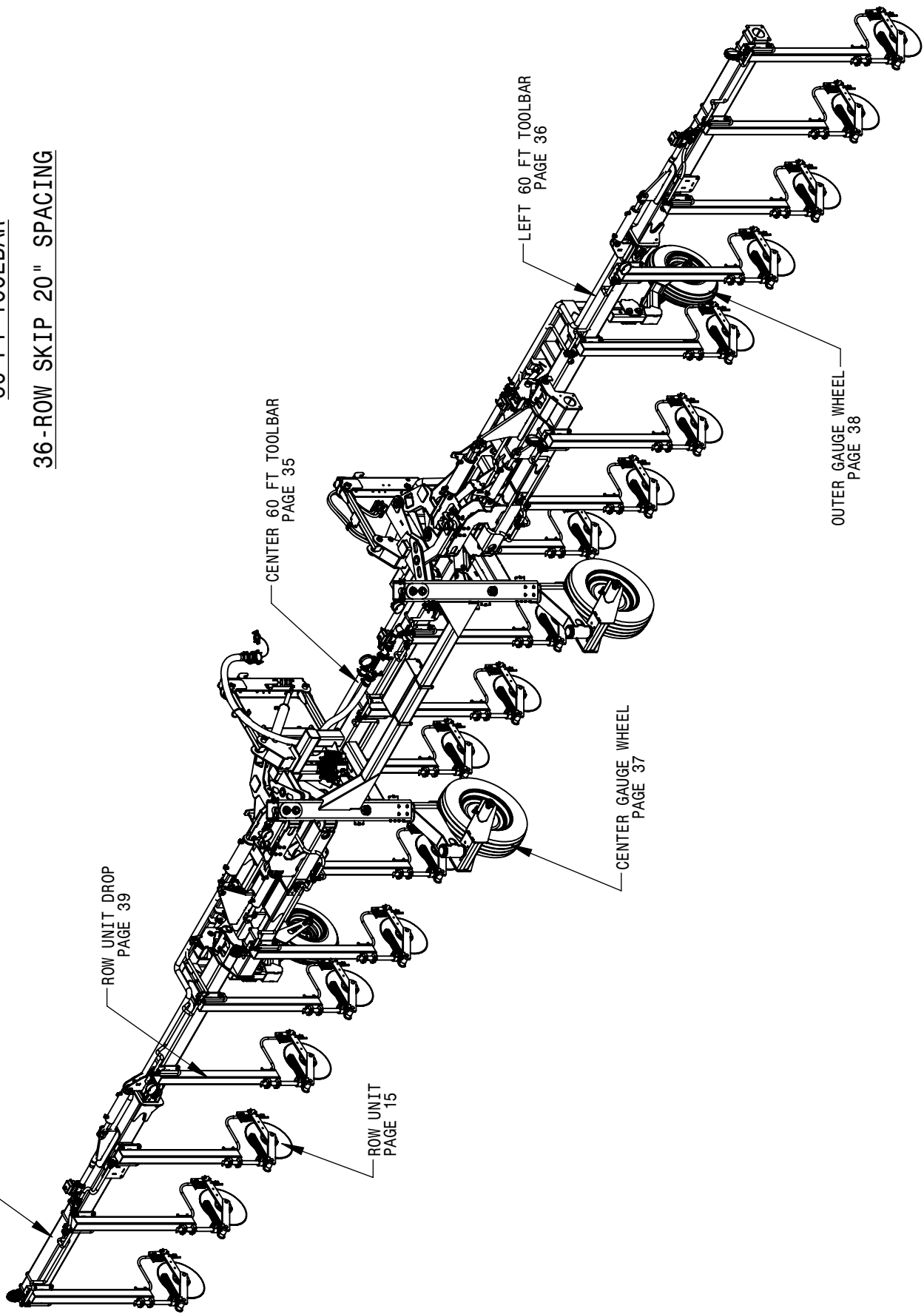
CENTER 60 FT TOOLBAR  
PAGE 35

ROW UNIT  
PAGE 15

LEFT 60 FT TOOLBAR  
PAGE 36

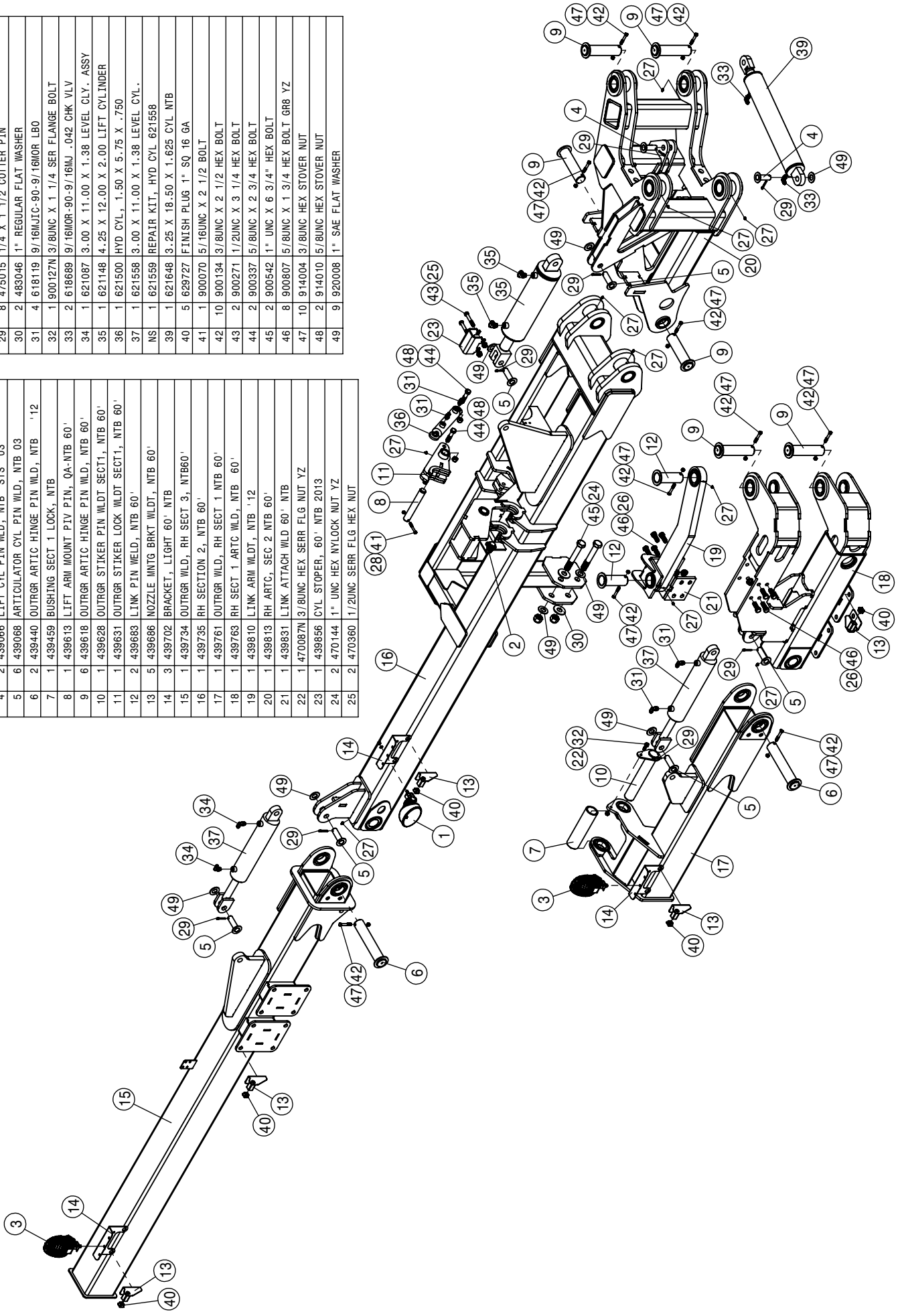
CENTER GAUGE WHEEL  
PAGE 37

OUTER GAUGE WHEEL  
PAGE 38

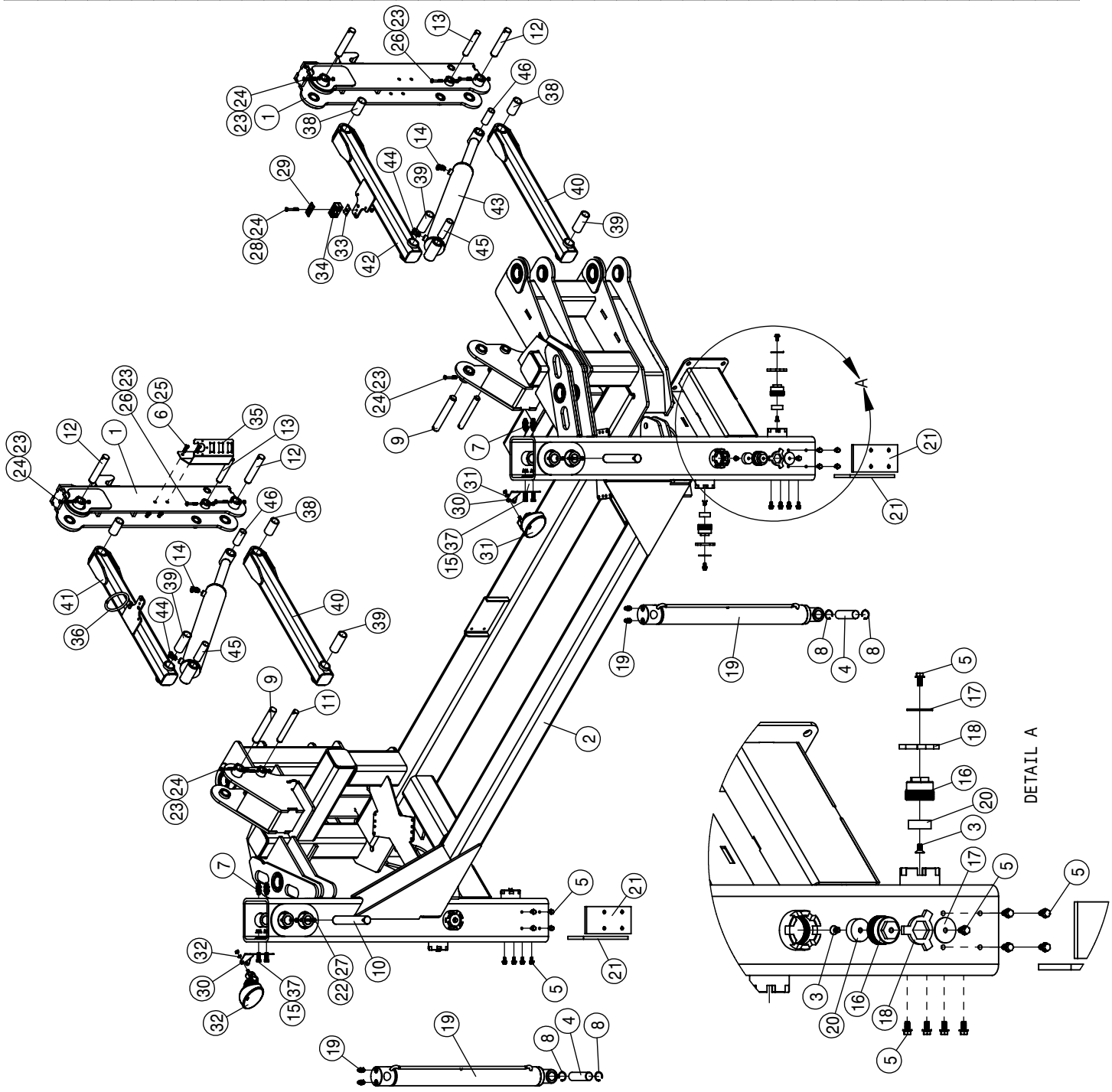


RIGHT 60FT SECTION TOOLBAR ASSEMBLY		
DET	QTY	P/N DESCRIPTION
1	1	291902 RH WORKLIGHT, TRAPEZOID GLASS
2	1	291945 PROXIMITY SENSOR,M30 X 1.5
3	2	292917 LED LIGHT, AMBER
4	2	439066 LIFT CYL PIN WLD, NTB STS_03
5	6	439068 ARTICULATOR CYL PIN WLD, NTB_03
6	2	439440 OUTGRG ARTIC HINGE PIN WLD, NTB '12
7	1	439459 BUSHING SECT 1 LOCK, NTB
8	1	439613 LIFT ARM MOUNT PIV PIN, QA-NTB 60'
9	6	439618 OUTGRG ARTIC HINGE PIN WLD, NTB 60'
10	1	439628 OUTGRG STIKER PIN WLDT SECT1, NTB 60'
11	1	439631 OUTGRG STIKER LOCK WLDT SECT1, NTB 60'
12	2	439683 LINK PIN WELD, NTB 60'
13	5	439686 NOZZLE MNTG BRKT WLDT, NTB 60'
14	3	439702 BRACKET, LIGHT 60' NTB
15	1	439734 OUTGRG WLD, RH SECT 3, NTB60'
16	1	439735 RH SECTION 2, NTB 60'
17	1	439761 OUTGRG WLD, RH SECT 1 NTB 60'
18	1	439763 RH SECT 1 ARTIC WLD, NTB 60'
19	1	439810 LINK ARM WLDT, NTB '12
20	1	439813 RH ARTC, SEC 2 NTB 60'
21	1	439831 LINK ATTACH WLD 60' NTB
22	1	470087N 3/8UNC HEX SERR FLG NUT YZ
23	1	439856 CYL STOPER, 60' NTB 2013
24	2	470144 1" UNC HEX NYLOCK NUT YZ
25	2	470360 1/2UNC SERR FLG HEX NUT

RIGHT 60FT SECTION TOOLBAR ASSEMBLY		
DET	QTY	P/N DESCRIPTION
26	8	470675 5/8UNC SERR FLG NUT, GR8 YZ
27	11	471005 GREASE ZERK, 1/4-28 X 1/2
28	1	473001 5/16UNC HEX NUT, NYLOC
29	8	475015 1/4 X 1 1/2 COTTER PIN
30	2	483046 1" REGULAR FLAT WASHER
31	4	618119 9/16UNC X 1 1/4 SER FLANGE BOLT
32	1	900127N 3/8UNC X 1 1/4 SER FLANGE BOLT
33	2	618689 9/16UNC X 1 1/4 SER FLANGE BOLT
34	1	621087 3.00 X 11.00 X 1.38 LEVEL CLY. ASSY
35	1	621148 4.25 X 12.00 X 2.00 LIFT CYLINDER
36	1	621500 HYD CYL, 1.50 X 5.75 X .750
37	1	621558 3.00 X 11.00 X 1.38 LEVEL CYL.
NS	1	621559 REPAIR KIT, HYD CYL 621558
39	1	621648 3.25 X 18.50 X 1.625 CYL NTB
40	5	629727 FINISH PLUG 1" SQ 16 GA
41	1	900070 5/16UNC X 2 1/2 BOLT
42	10	900134 3/8UNC X 2 1/2 HEX BOLT
43	2	900271 1/2UNC X 3 1/4 HEX BOLT
44	2	900337 5/8UNC X 2 3/4 HEX BOLT
45	2	900542 1" UNC X 6 3/4" HEX BOLT
46	8	900807 5/8UNC X 1 3/4 HEX BOLT GR8 YZ
47	10	914004 3/8UNC HEX STOVER NUT
48	2	914010 5/8UNC HEX STOVER NUT
49	9	920008 1" SAE FLAT WASHER

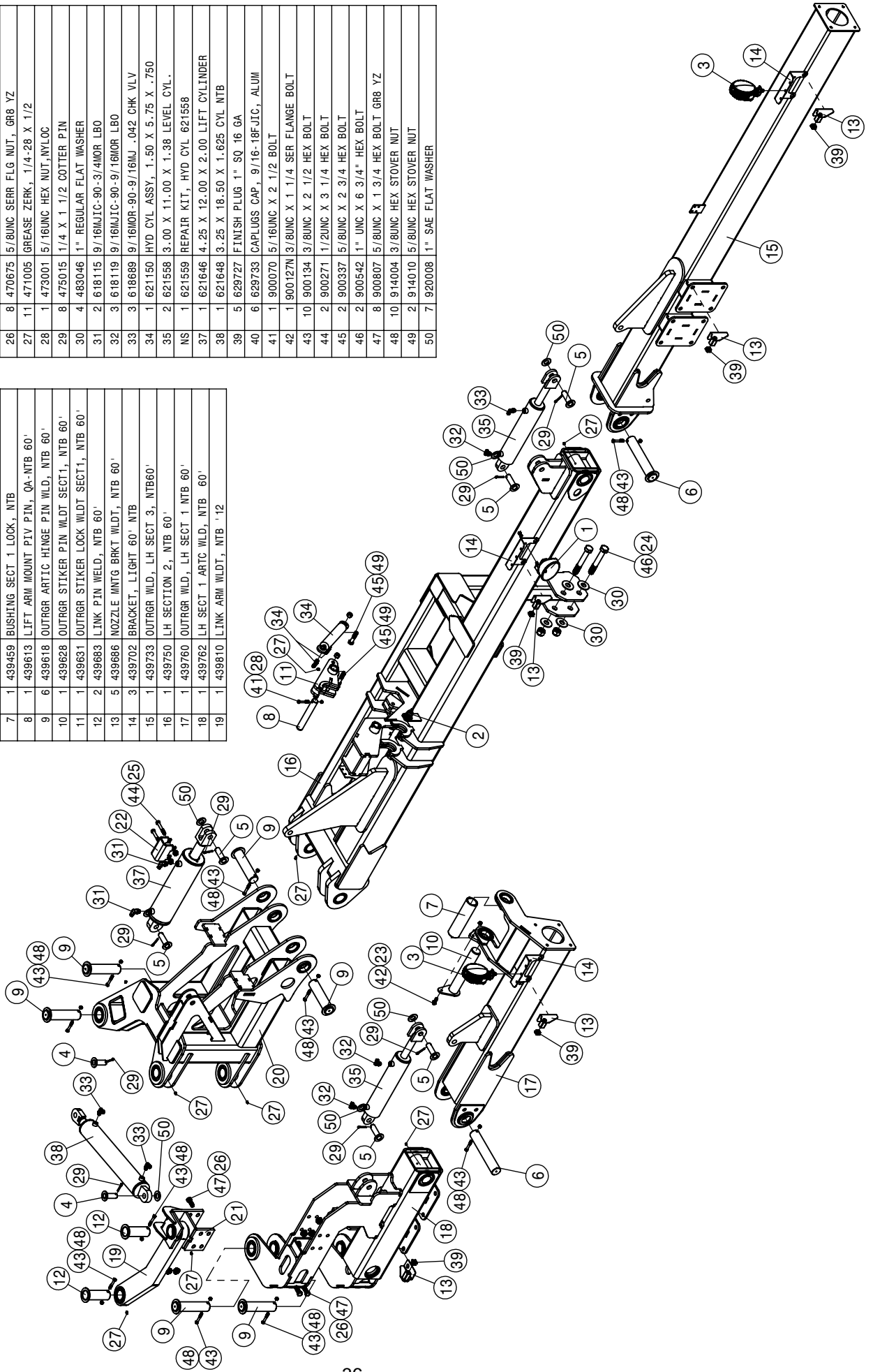


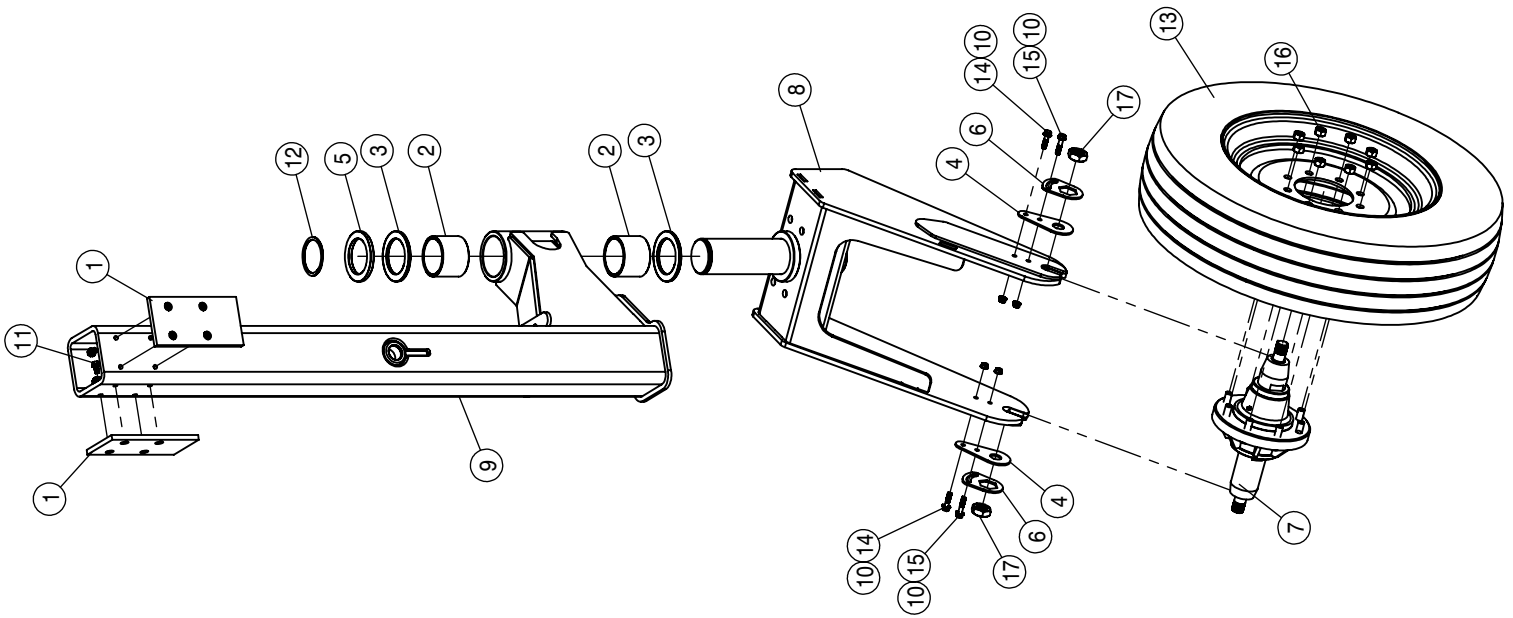
CENTER 60FT SECTION TOOLBAR ASSEMBLY		
DET	QTY	P/N DESCRIPTION
1	2	439588 LIFT ARM MOUNT WLDT, QA-NTB 60'
2	1	439764 CENTER SECT WLDT, NTB '12
3	8	900171 3/8UNC X 3/4 FLTHD SOC CAP SCR
4	2	439536 GAUGE WHEEL LIFT CYL PIN LOWER
5	24	470409 3/8UNC X 3/4" SERR FLG BOLT
6	2	900130 3/8UNC X 1 1/4 HEX BOLT
7	4	618510 9/16MJIC-9/16MJIC BLKHD UNION
8	4	629544 SNAP RING, 1.66 INTERNAL
9	4	439613 LIFT ARM MOUNT PIV PIN, QA-NTB 60'
10	2	439535 GAUGE WHEEL LIFT CYL PIN UPPER
11	2	439614 LIFT ARM CTR SEC CYL PIN, NTB 60'
12	4	439620 LIFT ARM CTR SEC PIV PIN, NTB 60'
13	2	164452 LIFT ARM MT PIVOT PIN
14	2	618119 9/16MJIC-90-9/16MOR LBO
15	4	470360 1/2UNC SERR FLG HEX NUT
16	8	439539 GAUGE WHEEL WEAR PUCK HOLDER
17	8	439541 GAUGE WHEEL PUCK HLD RTRN WASH
18	8	439540 GAUGE WHEEL PUCK HLD RTRN
19	2	621151 HYD CYL, 3.00 X 28.00 X 2.00
20	8	439455 WEAR PUCK GAUGE WHEEL NTB
21	4	439454 WEAR PAD GAUGE WHEEL, NTB
22	2	914004 3/8UNC HEX STOVER NUT
23	12	473001 5/16UNC HEX NUT, NYLOC
24	9	900070 5/16UNC X 2 1/2 BOLT
25	2	470087 3/8UNC HEX SERR FLANGE NUT
26	4	900086 5/16UNC X 2 1/4 HEX BOLT
27	2	900136 3/8UNC X 3" HEX BOLT
28	1	914002 5/16UNC HEX STOVER NUT
29	1	470276 CLAMP COVER PLATE, SINGL, 2.55LG
30	2	439722 BRACKET, LIGHT, NTB 60'
31	1	291903 LH WORKLIGHT, TRAPEZOID GLASS
32	1	291902 RH WORKLIGHT, TRAPEZOID GLASS
33	1	470281 STACK BOLT SAFETY LOCK PLATE
34	1	470275 TUBE CLAMP BODY, 1.00-1.000
35	1	165742 RECEPACLE MT, STS BOOMS '12
36	1	165954 HOSE RING WLD
37	4	900264 1/2UNC X 1 1/4 HEX BOLT
38	4	121119 LIFTARM BEARING, POLYGON 09
39	4	439585 LIFT ARM BEARING LONG, POLYGON NTB 60'
40	2	439582 LWR LIFT ARM WLDT, NTB 60'
41	1	439580 RH UPR LIFT ARM WLD, NTB STS 03
42	1	439581 UPR LIFT ARM LH WLDT, NTB 60'
43	2	621578 MAIN LIFT CYL, STS 120' BOOM 07
44	2	618739 9/16MJIC-90-9/16MOR .065 CHK
45	2	121115 LIFT CYL BRG, 4.00 POLYGON
46	2	121109 LIFT CYL BRG, 3.13 POLYGON



LEFT 60FT SECTION TOOLBAR ASSEMBLY		
DET QTY	P/N	DESCRIPTION
1	291903	LH WORKLIGHT, TRAPEZOID GLASS
2	291945	PROXIMITY SENSOR .M30 X 1.5
3	292917	LED LIGHT, AMBER
4	439066	LIFT CYL PIN WLD, NTB STS 03
5	439068	ARTICULATOR CYL PIN WLD, NTB 03
6	439440	OUTRGR ARTIC HINGE PIN WLD, NTB '12
7	439459	BUSHING SECT 1 LOCK, NTB
8	439613	LIFT ARM MOUNT PIV PIN, QA-NTB 60'
9	439618	OUTRGR ARTIC HINGE PIN WLD, NTB 60'
10	439628	OUTRGR STIKER PIN WLDT SECT1, NTB 60'
11	439631	OUTRGR STIKER LOCK WLDT SECT1, NTB 60'
12	439683	LINK PIN WLD, NTB 60'
13	439686	NOZZLE MNTG BRKT WLDT, NTB 60'
14	439702	BRACKET, LIGHT 60' NTB
15	439733	OUTRGR WLD, LH SECT 3, NTB60'
16	439750	LH SECTION 2, NTB 60'
17	439760	OUTRGR WLD, LH SECT 1 NTB 60'
18	439762	LH SECT 1 ARTC WLD, NTB 60'
19	439810	LINK ARM WLDT, NTB '12

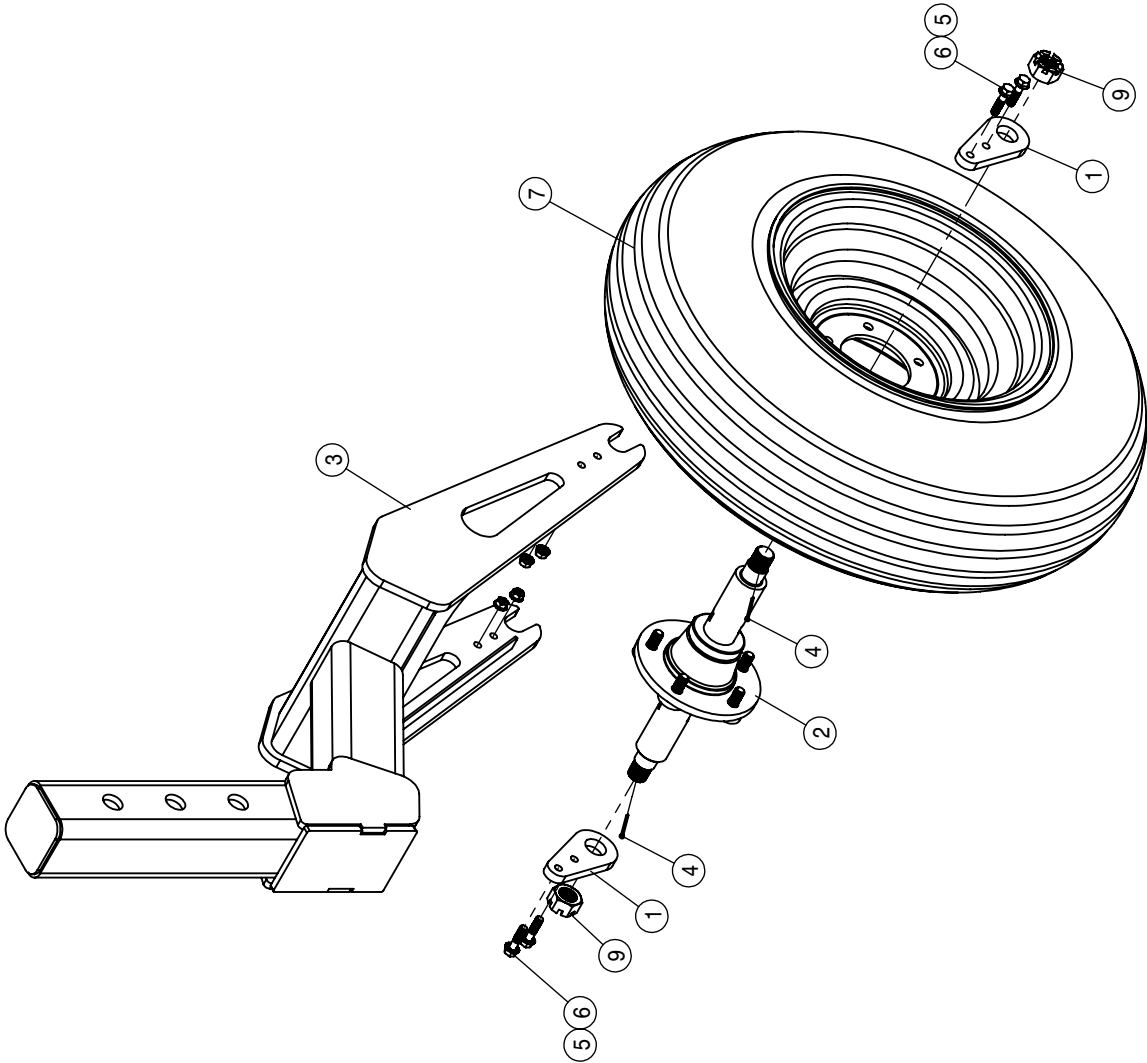
LEFT 60FT SECTION TOOLBAR ASSEMBLY		
DET QTY	P/N	DESCRIPTION
20	439812	LH ARTC, SEC 2 NTB 60'
21	439831	LINK ATTACH WLD 60' NTB
22	439856	CYL STOPER, 60' NTB 2013
23	470087N	3/8UNC HEX SERR FLG NUT YZ
24	470144	1" UNC HEX NYLOCK NUT YZ
25	470360	1/2UNC SERR FLG HEX NUT
26	470675	5/8UNC SERR FLG NUT, GR8 YZ
27	471005	GREASE ZERK, 1/4-28 X 1/2
28	473001	5/16UNC HEX NUT, NYLOC
29	475015	1/4 X 1 1/2 COTTER PIN
30	483046	1" REGULAR FLAT WASHER
31	618115	9/16MJIC-90-3/4MMOR LBO
32	618119	9/16MJIC-90-9/16MMOR LBO
33	618689	9/16MMOR-90-9/16MJ .042 CHK VLV
34	621150	HYD CYL ASSY, 1.50 X 5.75 X .750
35	621558	3.00 X 11.00 X 1.38 LEVEL CYL.
NS	621559	REPAIR KIT, HYD CYL 621558
37	621646	4.25 X 12.00 X 2.00 LIFT CYLINDER
38	621648	3.25 X 18.50 X 1.625 CYL NTB
39	629727	FINISH PLUG 1" SQ 16 GA
40	629733	CAPLUGS CAP, 9/16-18FJIC, ALUM
41	900070	5/16UNC X 2 1/2 BOLT
42	900127N	3/8UNC X 1 1/4 SER FLANGE BOLT
43	900134	3/8UNC X 2 1/2 HEX BOLT
44	900271	1/2UNC X 3 1/4 HEX BOLT
45	900337	5/8UNC X 2 3/4 HEX BOLT
46	900542	1" UNC X 6 3/4" HEX BOLT
47	900807	5/8UNC X 1 3/4 HEX BOLT GR8 YZ
48	914004	3/8UNC HEX STOVER NUT
49	914010	5/8UNC HEX STOVER NUT
50	920008	1" SAE FLAT WASHER



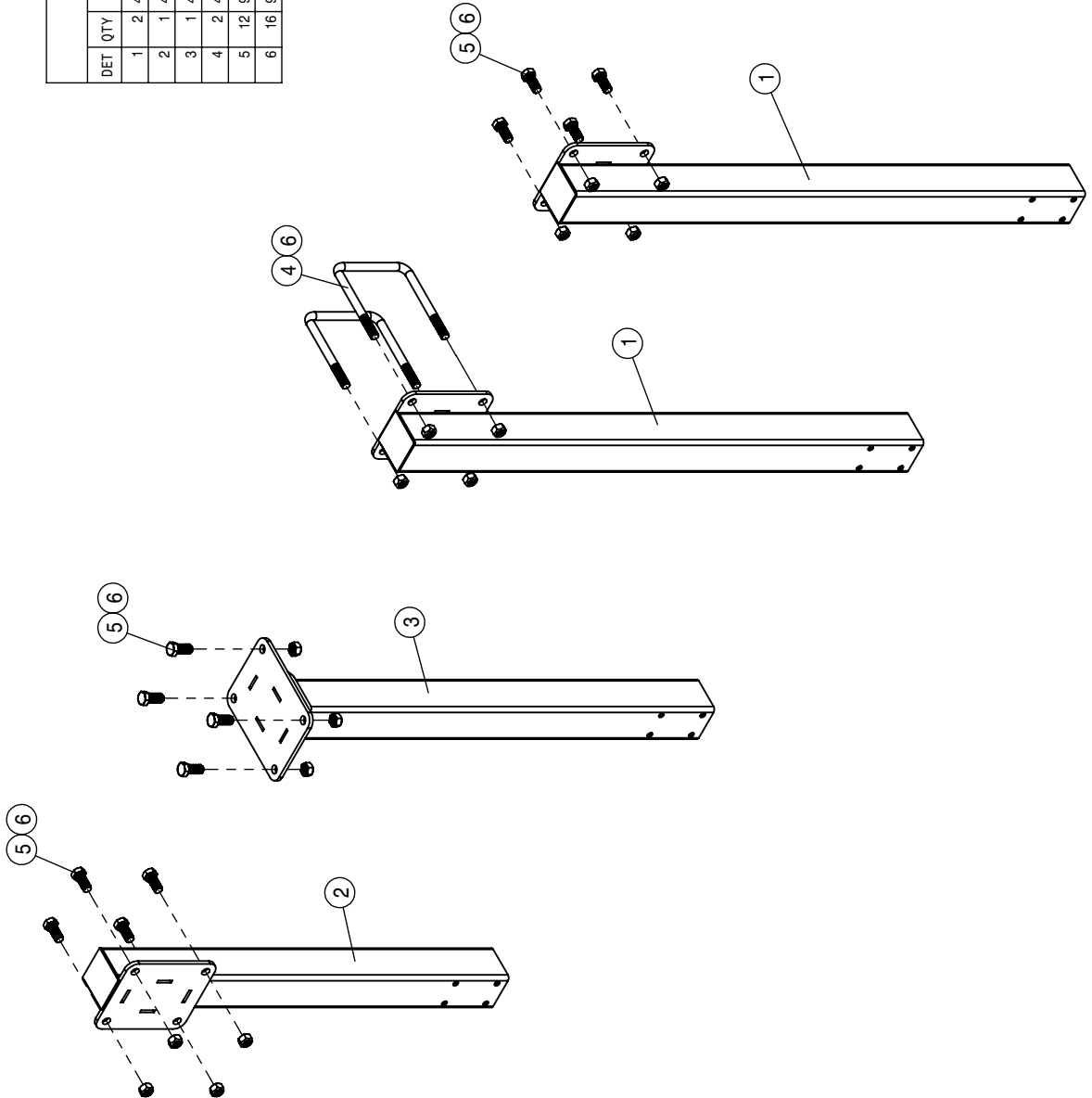


60FT CENTER GAUGE WHEEL ASSEMBLY		
DET	QTY	P/N DESCRIPTION
1	2	439454 WEAR PAD GAUGE WHEEL, NTB
2	2	439456 BUSHING CASTER SWIVEL NTB
3	2	439457 THRUST WASHER CASTER SWIVEL, NTB
4	2	439528 GAUGE WHEEL CASTER SPINDLE RTMR
5	1	439534 GAUGE WHEEL CASTER SWIVEL SPCR
6	2	439542 GAUGE WHEEL CASTER NUT RTMR
7	1	439606 CENTER GAUGE WHEEL SPINDLE NTB 60'
8	1	439839 GAUGE WHEEL CASTER HMT WLDT
9	1	439840 GAUGE WHEEL INR TUBE WLDT
10	4	470087 3/8UNC HEX SERR FLANGE NUT
11	8	470409 3/8UNC X 3/4" SERR FLANGE BOLT
12	1	629543 SPIRAL RETAINING RING, 1.84 EXTERNAL
13	1	820147 NTB 60' WHEEL AND TIRE
14	2	900131 3/8UNC X 1 1/2 SER FLANGE BOLT
15	2	900132 3/8UNC X 1 3/4 SER FLANGE BOLT
16	8	910011 5/8UNF HEX NUT
17	2	910103 1 1/8UNF HEX JAM NUT

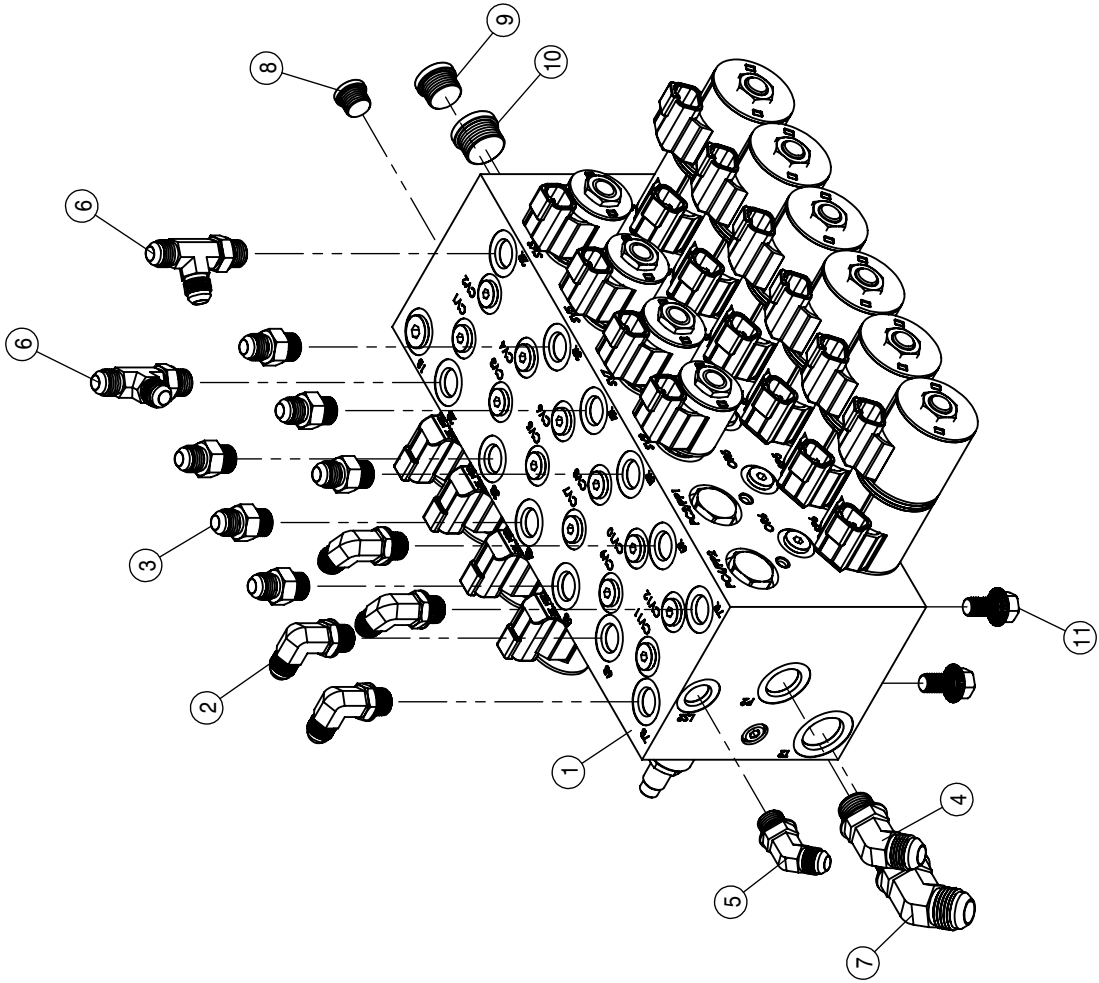
60FT OUTER GAUGE WHEEL ASSEMBLY			
DET	QTY	P/N	DESCRIPTION
	1	2 439848	OTR GAUGE WHL KEEPER NTB '12
	2	1 439851	OTR GAGE WHEEL SPINDLE
	3	1 439876	OTR GAUGE WHL WLD, NTB '12
	4	2 470038	COTTER PIN 1/8 X 1 3/4 LG
	5	4 472029	3/8UNC SERR FLANGE NUT SS
	6	4 473869	3/8UNC X 1 1/2 SERR FLANGE BOLT SS
	7	1 820145	OTR GAGE WHEEL ASSY
	NS	5 824052	1/2UNF 60 DEG WHL NUT
	9	2 914018	1" - 14 SLOTTED HEX NUT SS



60FT ROW UNIT DROP ASSEMBLY			
DET	QTY	P/N	DESCRIPTION
1	2	439080	ROW DROP WLD, NTB STS 03
2	1	439719	ROW DROP WLD SHORT, NTB T13
3	1	439796	ROW DROP WLD, NTB STS 03
4	2	473981	.750UNC-7.00ID-8.50 U-BOLT SQ YZ
5	12	900402	3/4UNC X 1 3/4 HEX BOLT
6	16	914012	3/4UNC HEX STOVER NUT

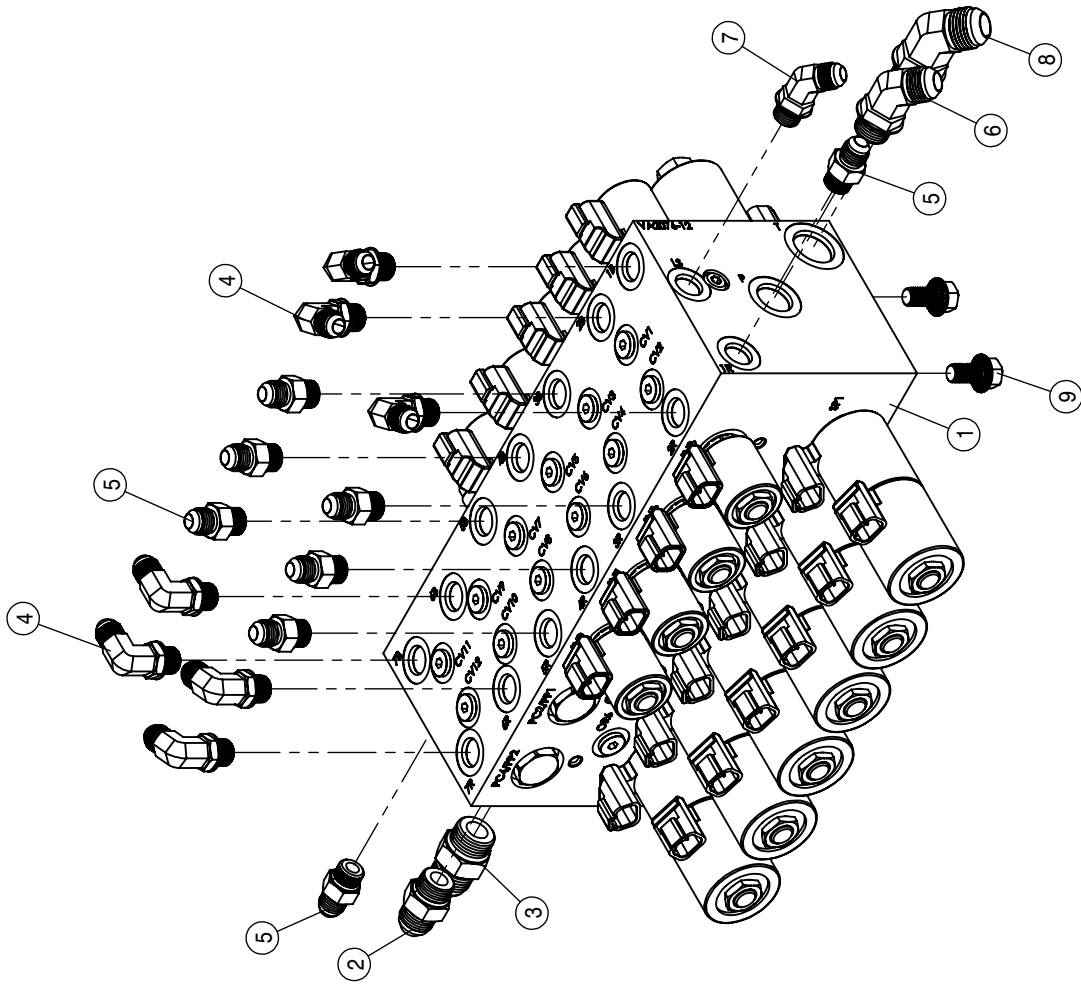


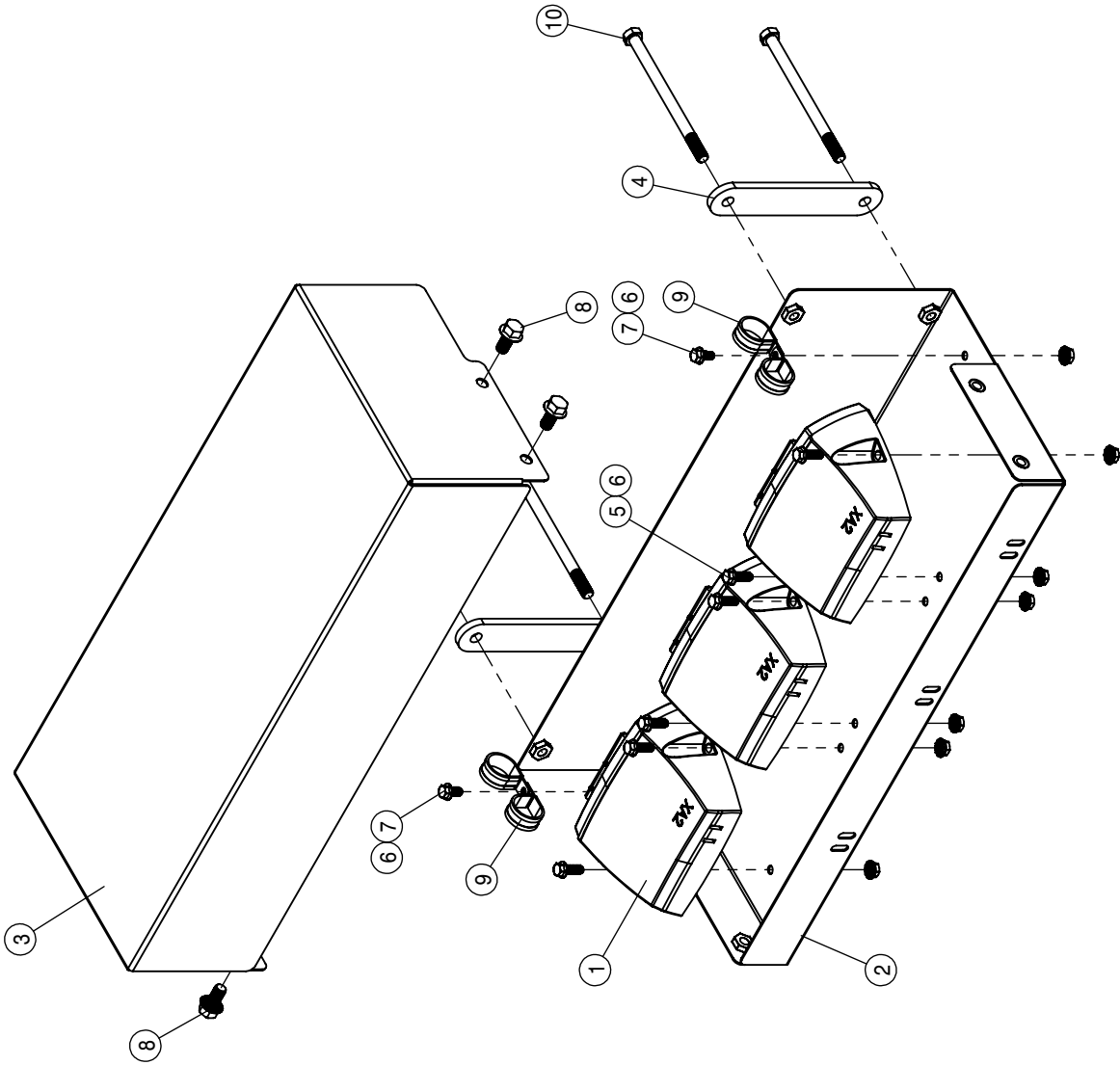
RH 60FT HYDRAULIC MANIFOLD ASSEMBLY		
DET QTY	P/N	DESCRIPTION
1	606521	ASSY, NTB MANIFOLD, 4-WAY
2	618119	9/16MJIC-90-9/16MOR LBO
3	618126	9/16MJIC-9/16MOR ADPTR
4	618315	3/4MJIC-45-3/4MOR LBO
5	618425	9/16MJIC-45-9/16MOR LBO
6	618444	9/16MOR RUN TEE-9/16MJIC
7	618644	7/8MJIC-45-7/8MOR LBO
8	618754	9/16 MOR PLUG, HEX SOCKET
9	618755	3/4MOR PLUG, HEX SOCKET
10	618756	7/8 MOR PLUG, HEX SOCKET
11	900128	3/8UNC X 3/4 SER FLANGE BOLT





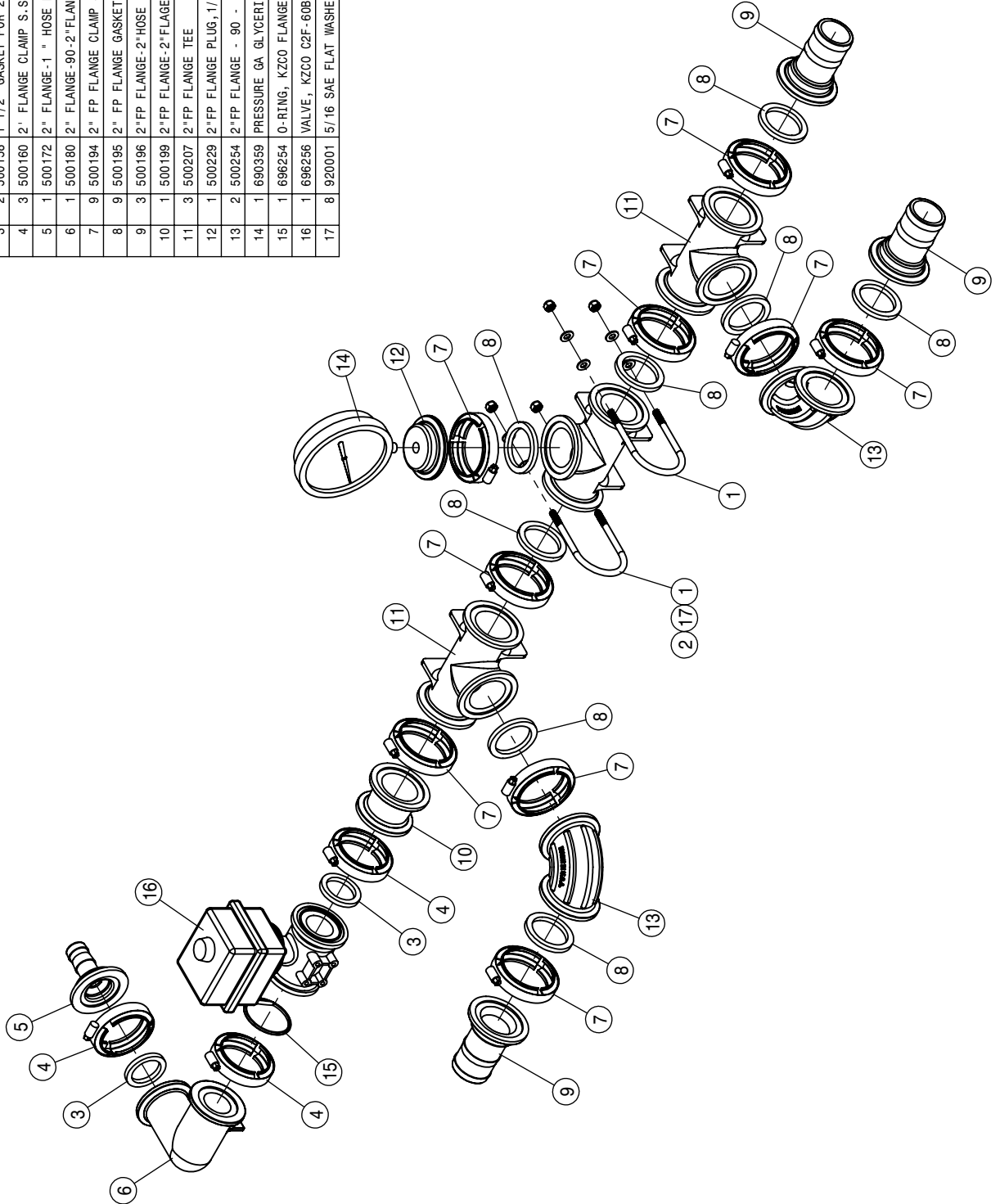
LH 60FT HYDRAULIC MANIFOLD ASSEMBLY		
DET QTY	P/N	DESCRIPTION
1	606520	ASSY, NTB MANIFOLD, 4-WAY
2	611125	3/4MJC-3/4MOR ADPTR
3	611126	7/8MJC-7/8MOR ADPTR
4	618119	9/16MJC-90-9/16MOR LBO
5	618126	9/16MJC-9/16MOR ADPTR
6	618315	3/4MJC-45-3/4MOR LBO
7	618425	9/16MJC-45-9/16MOR LBO
8	618644	7/8MJC-45-7/8MOR LBO
9	900128	3/8UNC X 3/4 SER FLANGE BOLT

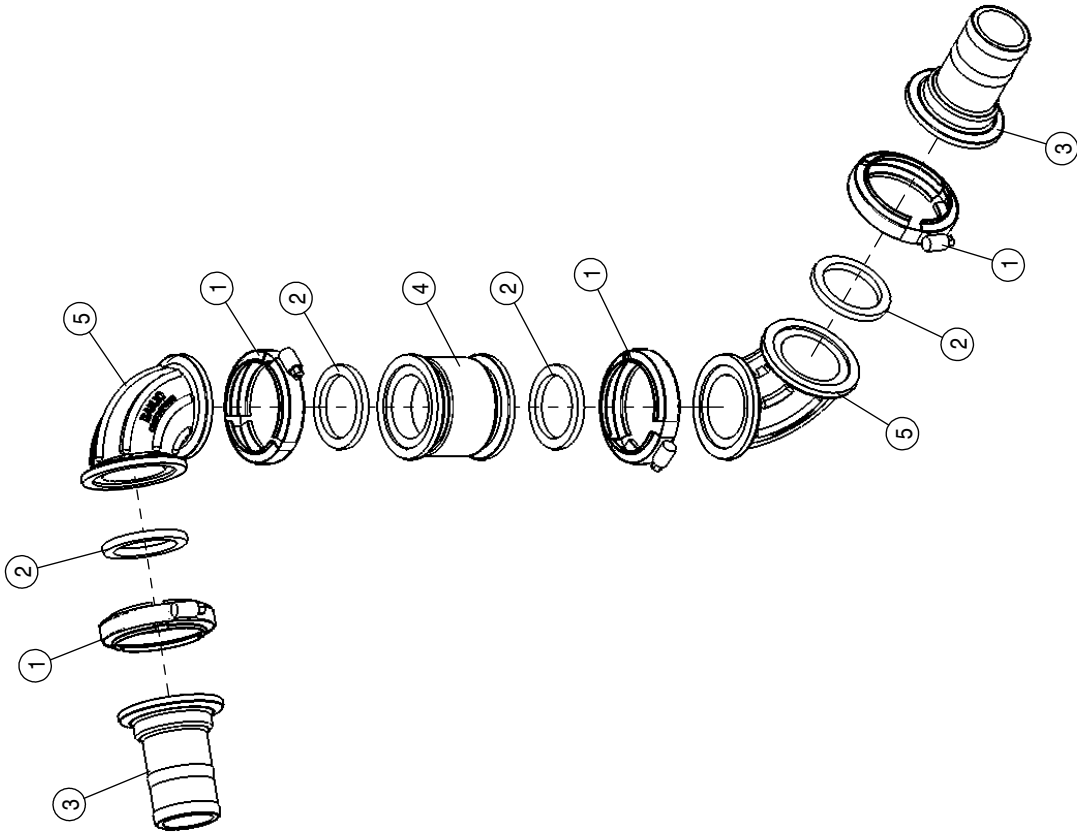




60FT ELECT CONTROL BOX ASSEMBLY		
DET QTY	P/N	DESCRIPTION
1	3	292016 IQAN-XA2 MODULE
2	1	439697 ELEC CONTROL BOX W/DT, 60' NTB
3	1	439699 ELECT CTRL BOX COVER, NTB 60'
4	2	439700 ELECT CTRL BOX STRAP, NTB 60'
5	6	470118 1/4 UNC X 3/4 SER FLANGE BOLT
6	8	470121 1/4 UNC HEX FLANGE LOCK NUT
7	2	470122 1/4 UNC X 1/2 FLANGE HEX BOLT
8	4	470409 3/8UNC X 3/4" SERR FLANGE BOLT
9	4	520101 CUSH HOSE CLAMP,#16, 1"D X 1/2W
10	4	900143 3/8UNC X 5 1/2 HEX BOLT

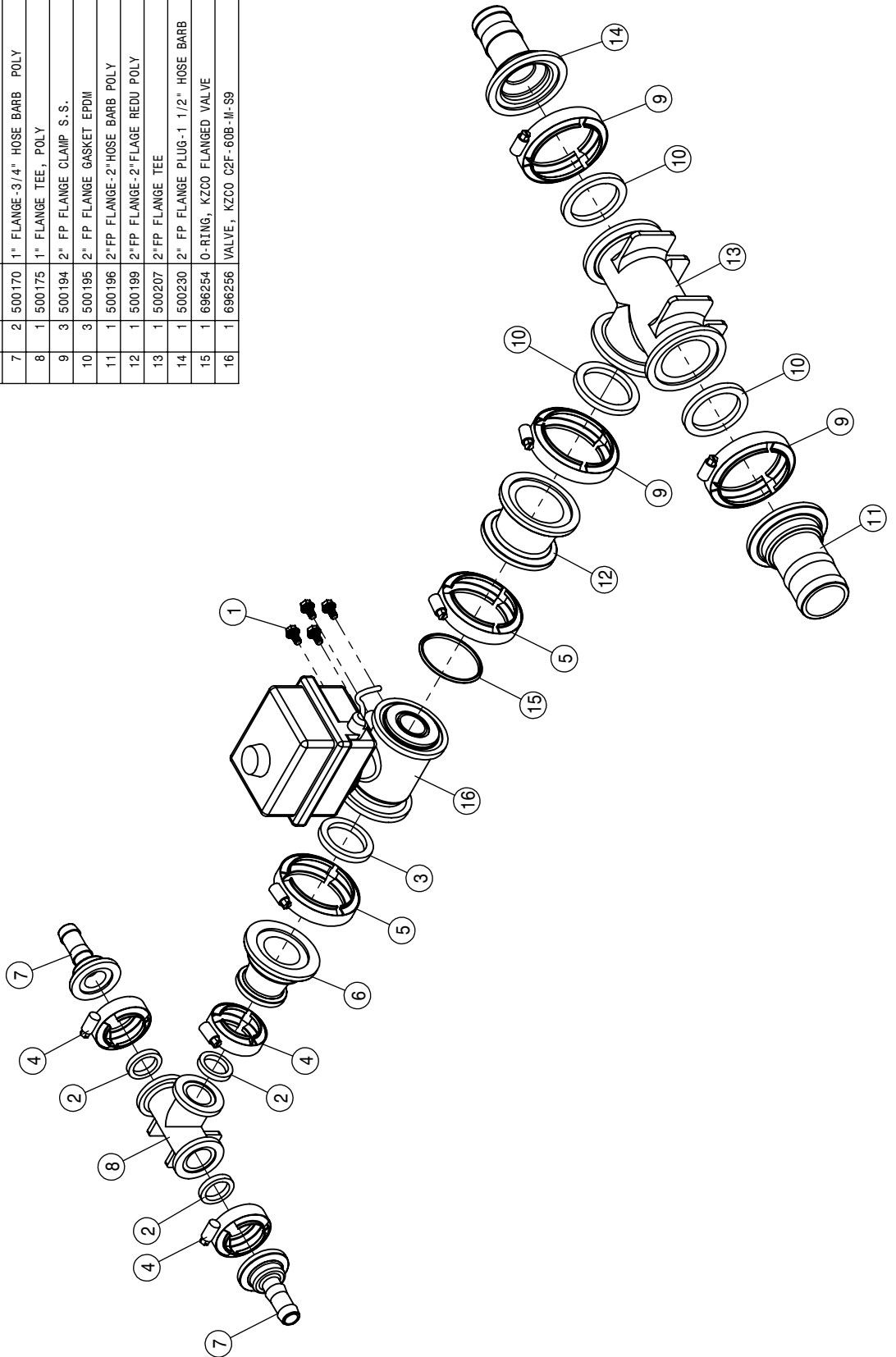
60FT SOLUTION MANIFOLD VALVE ASSEMBLY		
DET QTY	P/N	DESCRIPTION
1	2 472034	5/16UNC-2 1/2TD-4.25 U-BOLT
2	4 473001	5/16UNC HEX NUT,NYLOC
3	2 500158	1 1/2" GASKET FOR 2" FLANGE
4	3 500160	2" FLANGE CLAMP S.S.
5	1 500172	2" FLANGE-1 " HOSE BARB
6	1 500180	2" FLANGE-90-2"FLANGE LBO POLY
7	9 500194	2" FP FLANGE CLAMP S.S.
8	9 500195	2" FP FLANGE GASKET EPDM
9	3 500196	2"FP FLANGE-2"HOSE BARB POLY
10	1 500199	2"FP FLANGE-2"FLAGE REDU POLY
11	3 500207	2"FP FLANGE TEE
12	1 500229	2"FP FLANGE PLUG,1/4FNPT POLY
13	2 500254	2"FP FLANGE - 90 - 2" FP FLANGE, SWEEP
14	1 690359	PRESSURE GA GLYCERI 100 PSI
15	1 696254	O-RING, KZCO FLANGED VALVE
16	1 696256	VALVE, KZCO C2F-60B-M-S9
17	8 920001	5/16 SAE FLAT WASHER



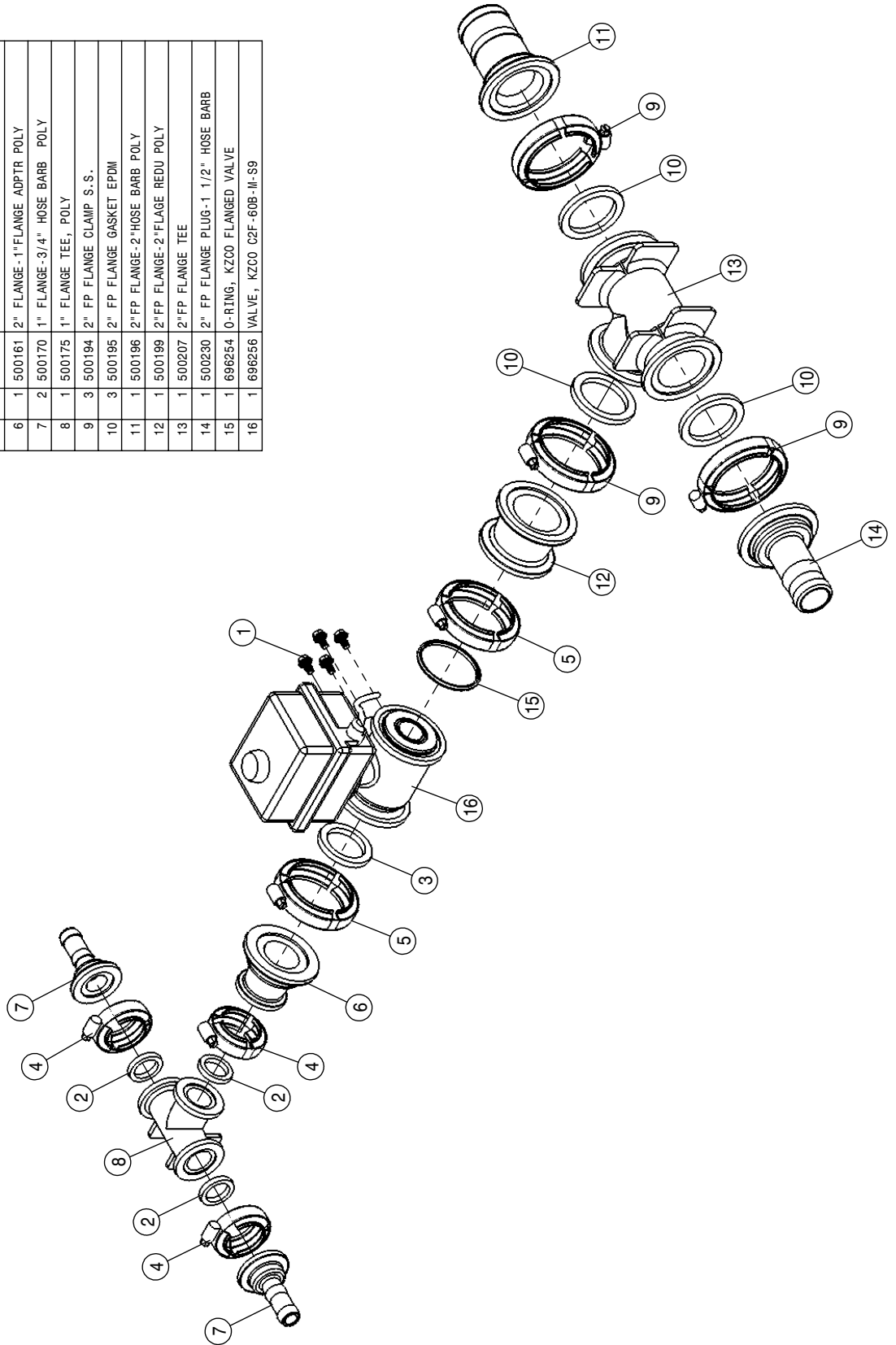


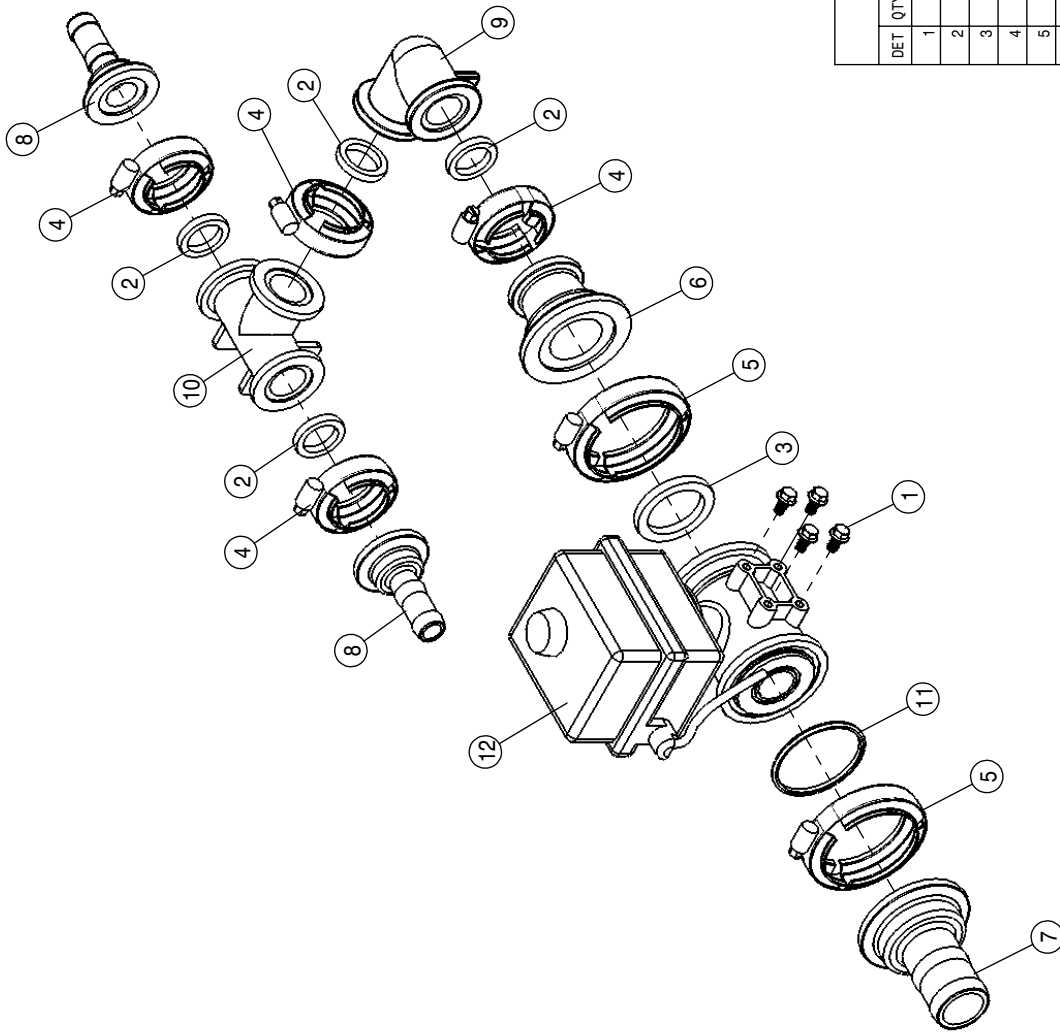
60FT SOLUTION ELBOW ASSEMBLY		
DET	QTY	P/N DESCRIPTION
1	4	500194 2" FP FLANGE CLAMP S.S.
2	4	500195 2" FP FLANGE GASKET EPDM
3	2	500196 2"FP FLANGE-2"HOSE BARB POLY
4	1	500251 2"FP MANIFOLD SWIVEL, POLY
5	2	500254 2"FP FLANGE - 90 - 2" FP FLANGE, SWEEP

RH 60FT SECT-2 SOLUTION VALVE ASSEMBLY		
DET	QTY	P/N DESCRIPTION
1	4	470122 1/4 UNC X 1/2 FLANGE HEX BOLT
2	3	500157 1" FLANGE GASKET EPDM
3	1	500158 1 1/2" GASKET FOR 2" FLANGE
4	3	500159 1" FLANGE CLAMP S.S.
5	2	500160 2" FLANGE CLAMP S.S.
6	1	500161 2" FLANGE-1" FLANGE ADPTR POLY
7	2	500170 1" FLANGE-3/4" HOSE BARB POLY
8	1	500175 1" FLANGE TEE, POLY
9	3	500194 2" FP FLANGE CLAMP S.S.
10	3	500195 2" FP FLANGE GASKET EPDM
11	1	500196 2" FP FLANGE-2" HOSE BARB POLY
12	1	500199 2" FP FLANGE-2" FLANGE REDU POLY
13	1	500207 2" FP FLANGE TEE
14	1	500230 2" FP FLANGE PLUG-1 1/2" HOSE BARB
15	1	696254 O-RING, KZCO FLANGED VALVE
16	1	696256 VALVE, KZCO C2F-60B-M-S9

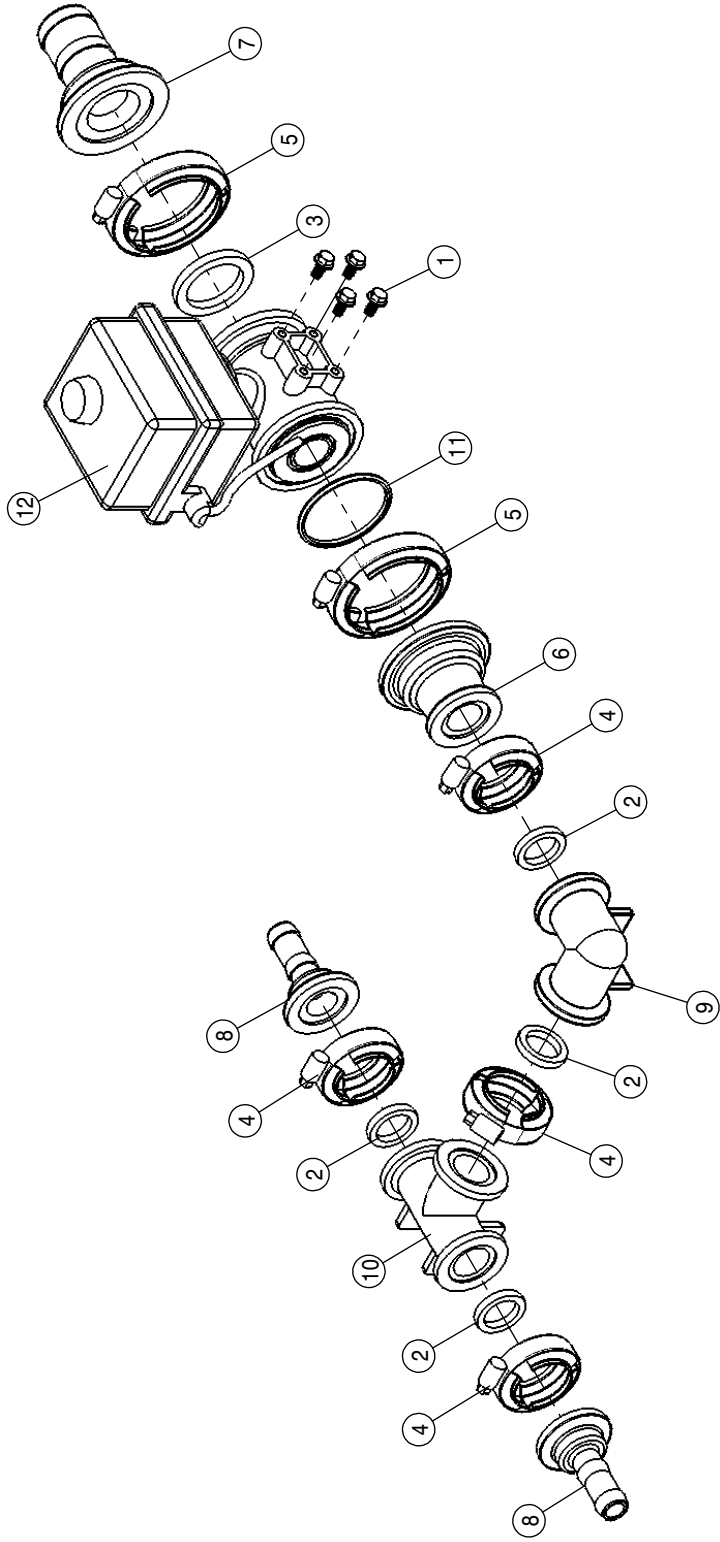


LH 60FT SECT-2 SOLUTION VALVE ASSEMBLY		
DET	QTY	P/N DESCRIPTION
1	4	470122 1/4 UNC X 1/2 FLANGE HEX BOLT
2	3	500157 1" FLANGE GASKET EPDM
3	1	500158 1 1/2" GASKET FOR 2" FLANGE
4	3	500159 1" FLANGE CLAMP S.S.
5	2	500160 2" FLANGE CLAMP S.S.
6	1	500161 2" FLANGE-1"FLANGE ADPTR POLY
7	2	500170 1" FLANGE-3/4" HOSE BARB POLY
8	1	500175 1" FLANGE TEE, POLY
9	3	500194 2" FP FLANGE CLAMP S.S.
10	3	500195 2" FP FLANGE GASKET EPDM
11	1	500196 2"FP FLANGE-2"HOSE BARB POLY
12	1	500199 2"FP FLANGE-2"FLAGE REDU POLY
13	1	500207 2"FP FLANGE TEE
14	1	500230 2" FP FLANGE PLUG-1 1/2" HOSE BARB
15	1	696254 O-RING, KZCO FLANGED VALVE
16	1	696256 VALVE, KZCO C2F-60B-1I-S9





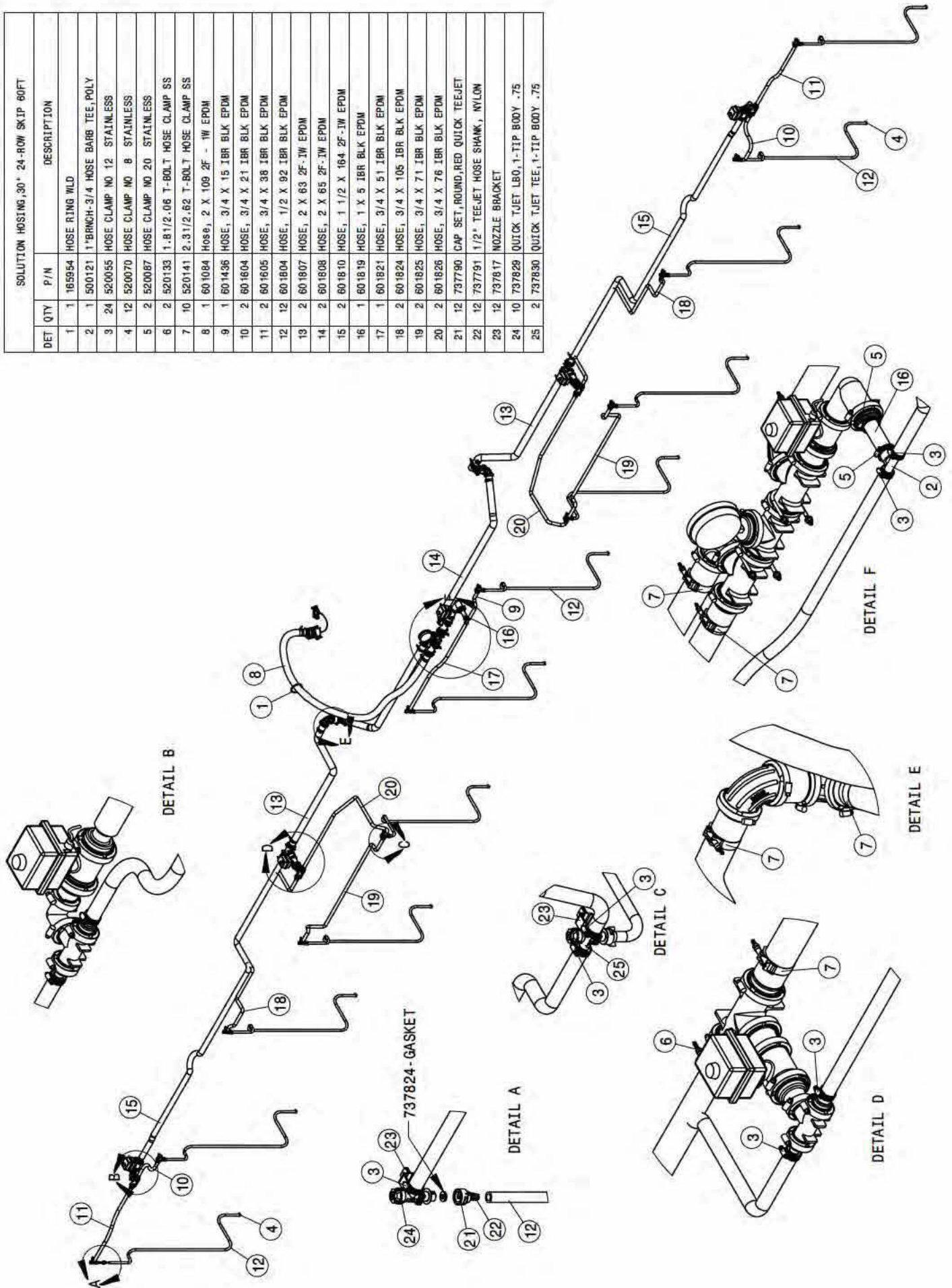
RH 60FT SECT-3 SOLUTION VALVE ASSEMBLY		
DET QTY	P/N	DESCRIPTION
1	4 470122	1/4 UNC X 1/2 FLANGE HEX BOLT
2	4 500157	1" FLANGE GASKET EPDM
3	1 500158	1 1/2" GASKET FOR 2" FLANGE
4	4 500159	1" FLANGE CLAMP S.S.
5	2 500160	2" FLANGE CLAMP S.S.
6	1 500161	2" FLANGE-1"FLANGE ADPTR POLY
7	1 500162	2" FLANGE-1 1/2 HOSE BARB POLY
8	2 500170	1" FLANGE-3/4" HOSE BARB POLY
9	1 500174	1" FLANGE-90-1" FLANGE LBOPOLY
10	1 500175	1" FLANGE TEE, POLY
11	1 696254	O-RING, KZCO FLANGED VALVE
12	1 696256	VALVE, KZCO C2F-60B-III-S9



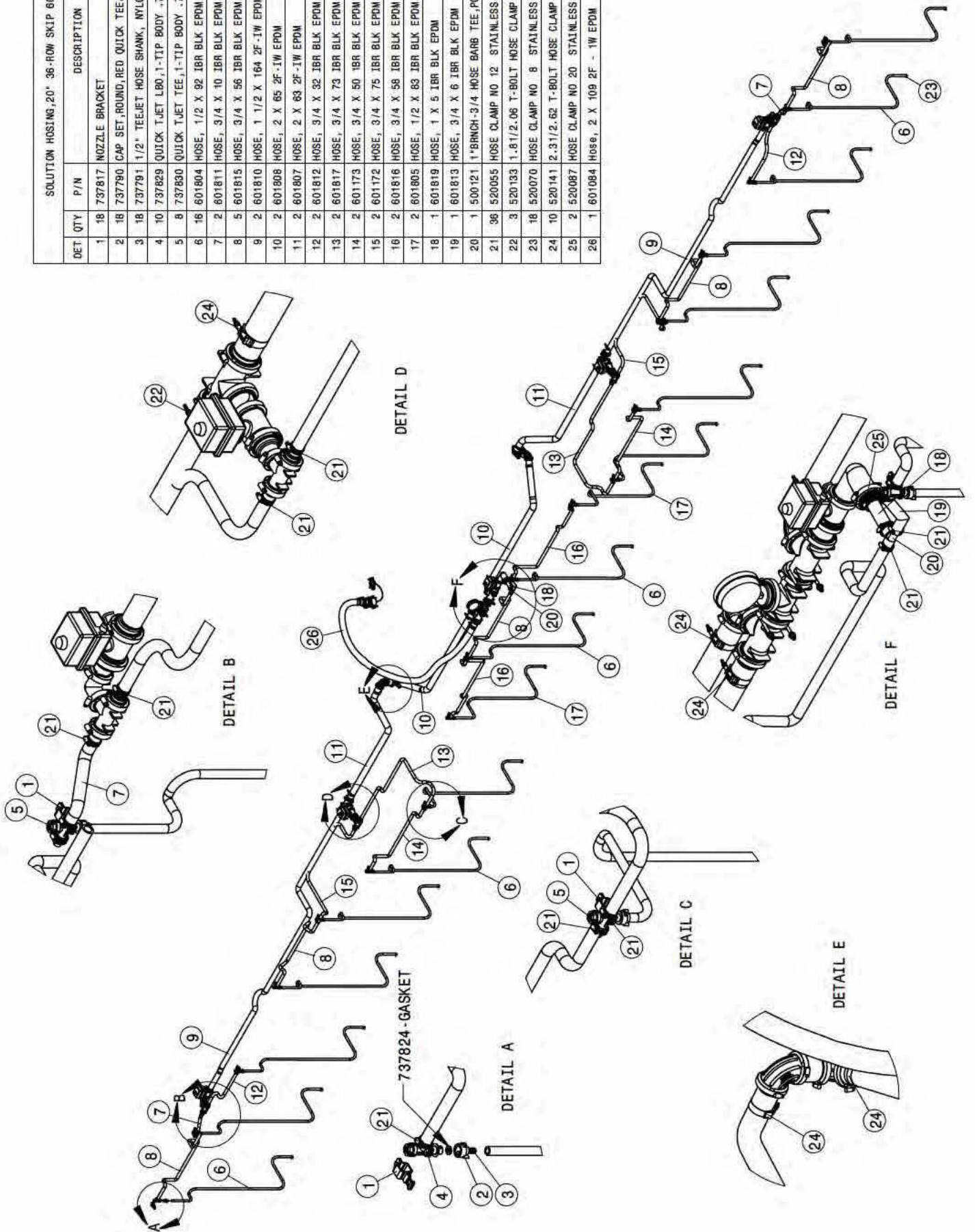
LH 60FT SECT-3 SOLUTION VALVE ASSEMBLY			
DET	QTY	P/N	DESCRIPTION
1	4	470122	1/4 UNC X 1/2 FLANGE HEX BOLT
2	4	500157	1" FLANGE GASKET EPDM
3	1	500158	1 1/2" GASKET FOR 2" FLANGE
4	4	500159	1" FLANGE CLAMP S.S.
5	2	500160	2" FLANGE CLAMP S.S.
6	1	500161	2" FLANGE-1"FLANGE ADPTR POLY
7	1	500162	2" FLANGE-1 1/2 HOSE BARB POLY
8	2	500170	1" FLANGE-3/4" HOSE BARB POLY
9	1	500174	1" FLANGE-90-1" FLANGE LBOPOLY
10	1	500175	1" FLANGE TEE, POLY
11	1	696254	O-RING, KZCO FLANGED VALVE
12	1	696256	VALVE, KZCO C2F-60B-II-S9



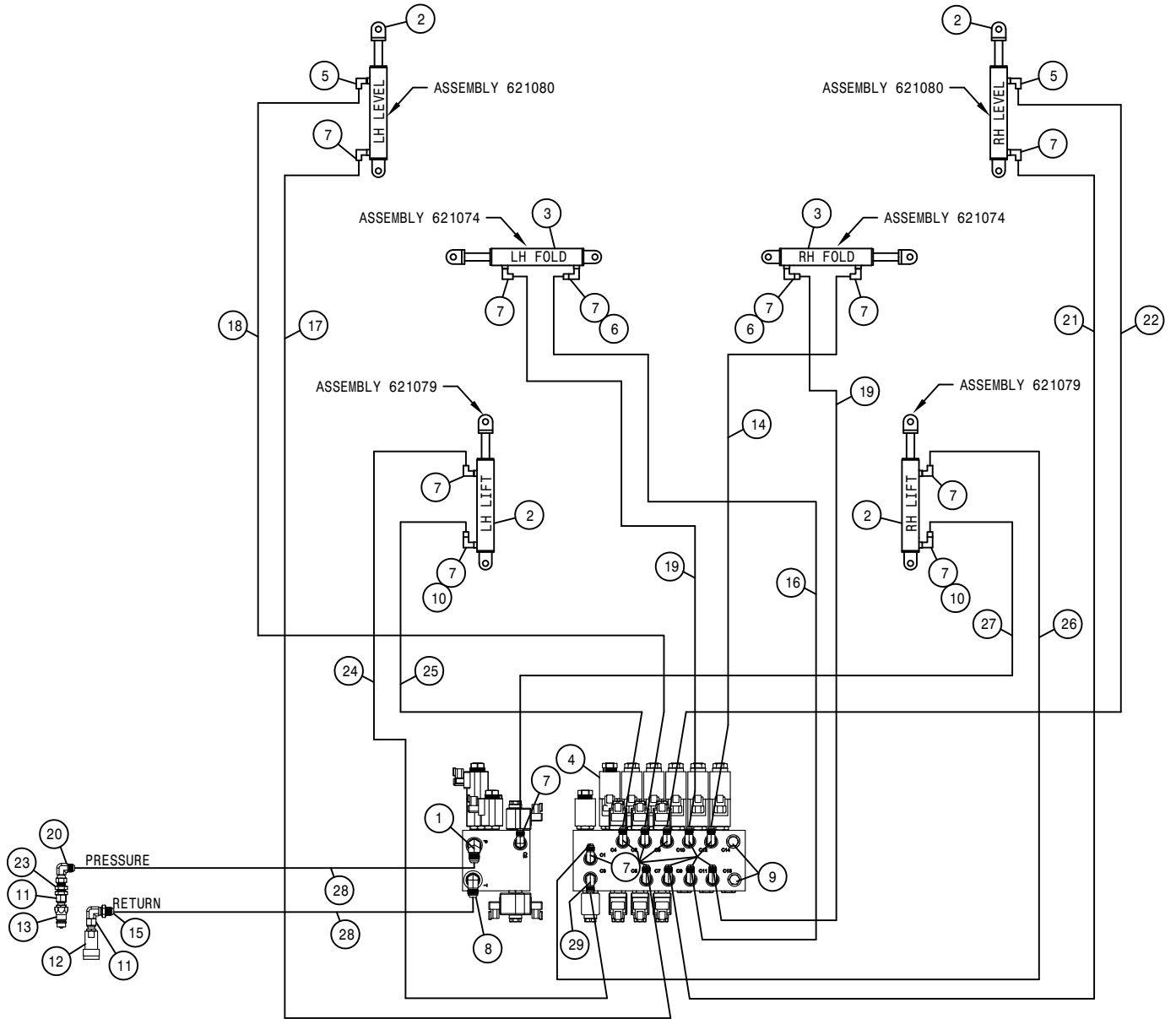
SOLUTION HOISING, 30° 24-ROW SKIP 60FT		
DET	QTY	P/N DESCRIPTION
1	1	165954 HOSE RING WLD
2	1	500121 1" BRNCH-3/4 HOSE BARB TEE, POLY
3	24	520055 HOSE CLAMP NO 12 STAINLESS
4	12	520070 HOSE CLAMP NO 8 STAINLESS
5	2	520087 HOSE CLAMP NO 20 STAINLESS
6	2	520133 1.81/2.06 T-BOLT HOSE CLAMP SS
7	10	520141 2.31/2.62 T-BOLT HOSE CLAMP SS
8	1	601084 Hose, 2 X 109 2F - 1W EPDM
9	1	601436 HOSE, 3/4 X 15 IBR BLK EPDM
10	2	601604 HOSE, 3/4 X 21 IBR BLK EPDM
11	2	601605 HOSE, 3/4 X 38 IBR BLK EPDM
12	12	601804 HOSE, 1/2 X 92 IBR BLK EPDM
13	2	601807 HOSE, 2 X 63 2F-1W EPDM
14	2	601808 HOSE, 2 X 65 2F-1W EPDM
15	2	601810 HOSE, 1 1/2 X 164 2F-1W EPDM
16	1	601819 HOSE, 1 X 5 IBR BLK EPDM
17	1	601821 HOSE, 3/4 X 51 IBR BLK EPDM
18	2	601824 HOSE, 3/4 X 105 IBR BLK EPDM
19	2	601825 HOSE, 3/4 X 71 IBR BLK EPDM
20	2	601826 HOSE, 3/4 X 76 IBR BLK EPDM
21	12	737790 CAP SET, ROUND, RED QUICK TEEJET
22	12	737791 1/2" TEEJET HOSE SHANK, NYLON
23	12	737817 NOZZLE BRACKET
24	10	737829 QUICK TJET L80, 1-TIP BODY .75
25	2	737830 QUICK TJET TEE, 1-TIP BODY .75



SOLUTION HOISING, 20° 36-ROW SKIP 60FT		
DET QTY	P/N	DESCRIPTION
1	18 737817	NOZZLE BRACKET
2	18 737790	CAP SET, ROUND, RED QUICK TEEJET
3	18 737791	1/2" TEEJET HOSE SHANK, NYLON
4	10 737829	QUICK TJET LBD, 1-TIP BODY .75
5	8 737830	QUICK TJET TEE, 1-TIP BODY .75
6	16 601804	HOSE, 1/2 X 92 IBR BLK EPDM
7	2 601811	HOSE, 3/4 X 10 IBR BLK EPDM
8	5 601815	HOSE, 3/4 X 56 IBR BLK EPDM
9	2 601810	HOSE, 1 1/2 X 164 2F-1W EPDM
10	2 601808	HOSE, 2 X 65 2F-1W EPDM
11	2 601807	HOSE, 2 X 63 2F-1W EPDM
12	2 601812	HOSE, 3/4 X 32 IBR BLK EPDM
13	2 601817	HOSE, 3/4 X 73 IBR BLK EPDM
14	2 601173	HOSE, 3/4 X 50 IBR BLK EPDM
15	2 601172	HOSE, 3/4 X 75 IBR BLK EPDM
16	2 601816	HOSE, 3/4 X 58 IBR BLK EPDM
17	2 601805	HOSE, 1/2 X 83 IBR BLK EPDM
18	1 601819	HOSE, 1 X 5 IBR BLK EPDM
19	1 601813	HOSE, 3/4 X 6 IBR BLK EPDM
20	1 500121	1" BRNCH-3/4 HOSE BARB TEE, POLY
21	36 520055	HOSE CLAMP NO 12 STAINLESS
22	3 520133	1-.81/2.06 T-BOLT HOSE CLAMP SS
23	18 520070	HOSE CLAMP NO 8 STAINLESS
24	10 520141	2-.31/2.62 T-BOLT HOSE CLAMP SS
25	2 520087	HOSE CLAMP NO 20 STAINLESS
26	1 601084	Hose, 2 X 109 2F - 1W EPDM

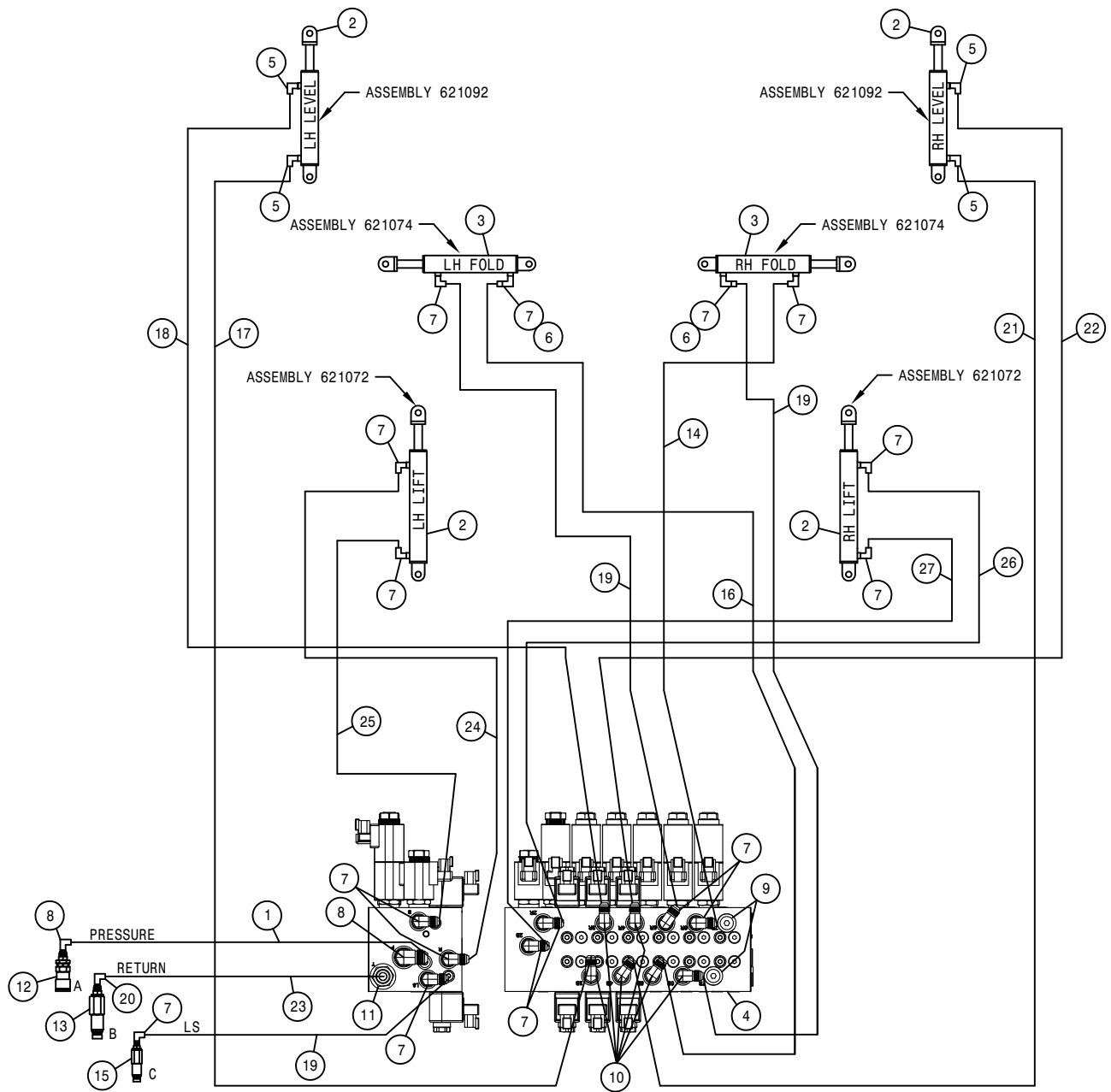


This Page Intentionally Blank



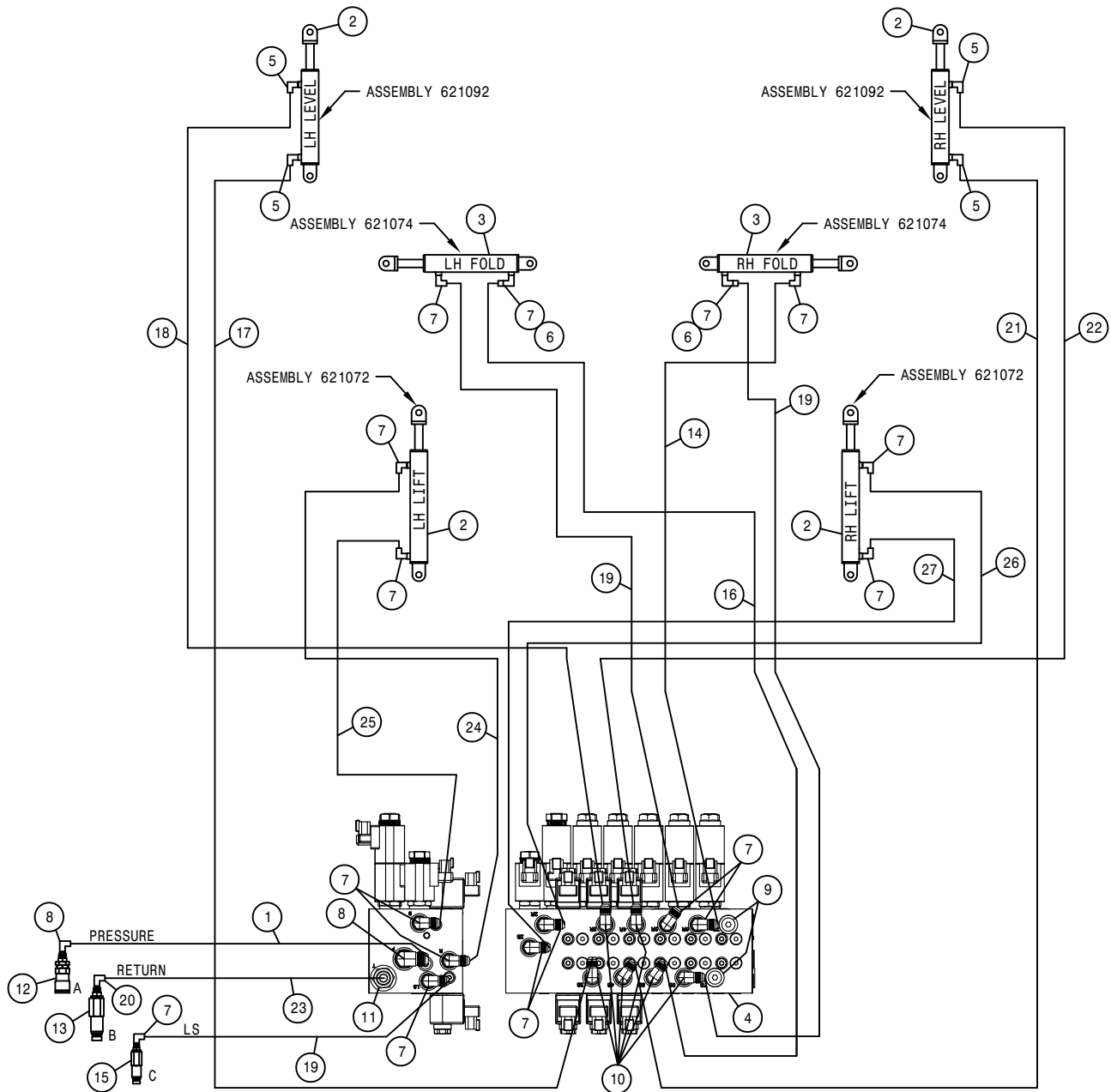
NITROGEN T-BAR 30FT HYD DIAGRAM 2005-2006  
REFERENCE DRAWING NO. 499228

DET.	QTY	PART NO.	DESCRIPTION	DET.	QTY	PART NO.	DESCRIPTION	
1	1	618443	3/4MJIC-90-3/4MOR EX LG LBO	16	1	616209	04-451TC-06FJX-06FJX-64	H/A
2	4	621558	HYD CYL, 3.00 X 11.00 X 1.380	17	1	616084	04-451TC-06FJX-06FJX-46	H/A
3	2	621566	HYD CYL, 2.50 X 11.00 X 1.375	18	1	616176	04-451TC-06FJX-06FJX-58	H/A
4	1	606215	NTB CTRL VLV, STS PWRSYS 05	19	2	616177	04-451TC-06FJX-06FJX-74	H/A
5	2	618688	9/16MJ-90-9/16MOR .025 CHK VLV	20	1	618609	3/4MJIC-90-3/4FJIC SWIV LBO	
6	2	618732	9/16JIC .031 ORIFICE ADPTR	21	1	616179	04-451TC-06FJX-06FJX-129	H/A
7	21	618119	9/16MJIC-90-9/16MOR LBO	22	1	616180	04-451TC-06FJX-06FJX-143	H/A
8	1	618241	3/4MJIC-90-3/4MOR LBO	23	1	618349	3/4MJIC-3/4MJIC BLKHD UNION	
9	2	610185	9/16MOR PLUG, HEX HEAD	24	1	616182	06-451TC-06FJX-06FJX-41	H/A
10	2	618735	9/16JIC .062 ORIFICE ADPTR	25	1	616183	06-451TC-06FJX-06FJX-52	H/A
11	2	618669	3/4FJIC SWIV-3/4MOR ADPTR	26	1	616184	06-451TC-06FJX-06FJX-137	H/A
12	1	618696	HYD COUPLER,FEM 1/2B, 3/4FOR	27	1	616185	06-451TC-06FJX-06FJX-147	H/A
13	1	618697	HYD COUPLER,MALE 1/2B, 3/4FOR	28	2	616186	08-451TC-08FJX-08FJX-62	H/A
14	1	616090	04-451TC-06FJX-06FJX-85	29	1	618440	9/16MJIC-90-9/16MOR EX LG LBO	H/A
15	1	618010	3/4MJIC-90-BLKHD UNION LBO					



NITROGEN T-BAR 30FT HYD DIAGRAM 2007-2012  
REFERENCE DRAWING NO. 499229

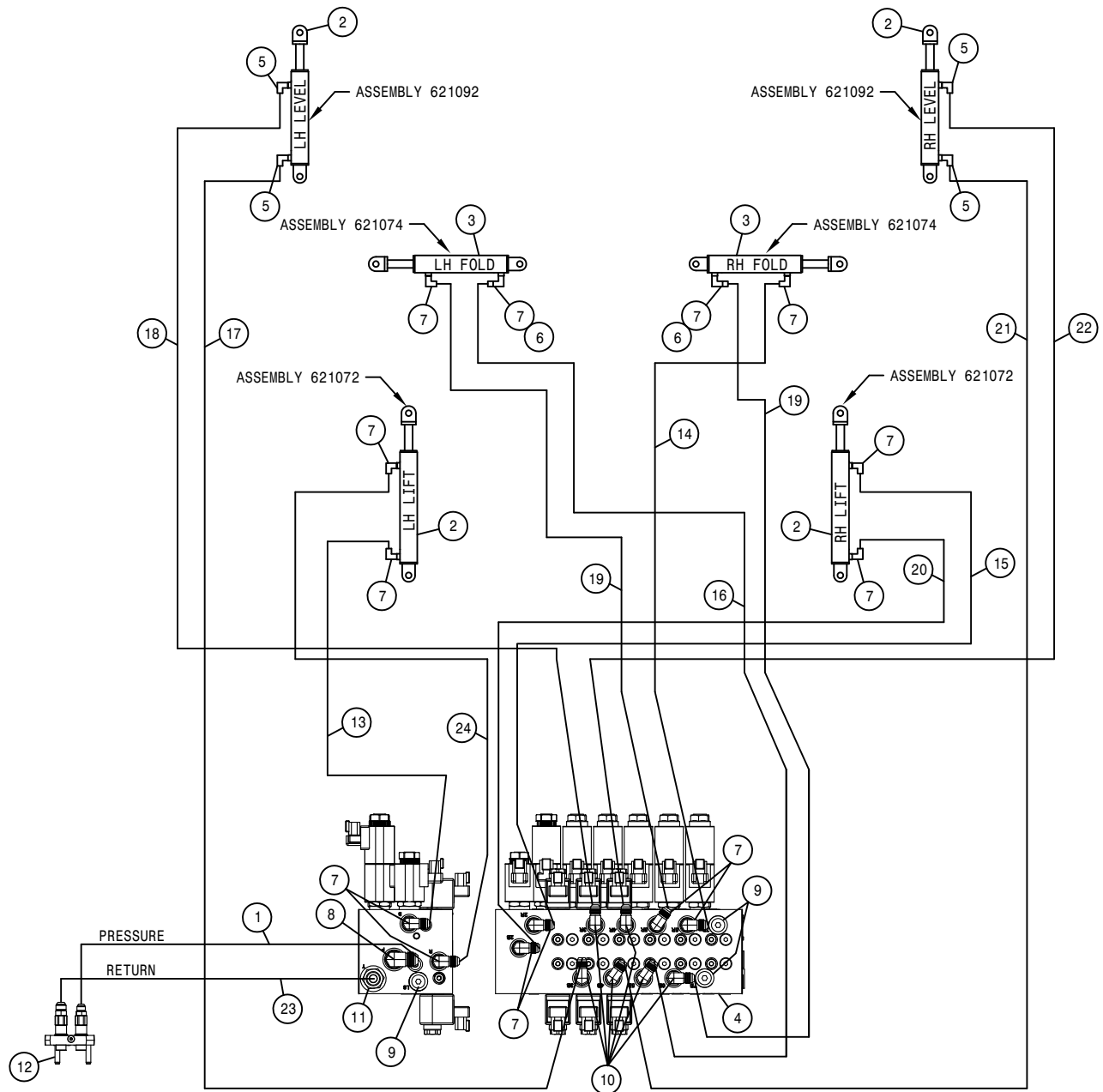
DET.	QTY	PART NO.	DESCRIPTION	DET.	QTY	PART NO.	DESCRIPTION
1	1	616994	08-451TC-08FJX-08FJX-76 H/A	15	1	618804	HYD CPLR, MALE #14, 9/16FOR
2	4	621153	3.00 X 11.00 X 1.38 LEVEL CYL	16	1	616209	04-451TC-06FJX-06FJX-64 H/A
3	2	621566	HYD CYL, 2.50 X 11.00 X 1.375	17	1	616084	04-451TC-06FJX-06FJX-46 H/A
4	1	606280	HYD VALVE, SAUER 6SPL NTB 07	18	1	616176	04-451TC-06FJX-06FJX-58 H/A
5	4	618689	9/16MJ-90-9/16MOR .042 CHK VLV	19	3	616177	04-451TC-06FJX-06FJX-74 H/A
6	2	618732	9/16JIC .031 ORIFICE ADPTR	20	1	618183	3/4MJIC-90-7/8MOR LBO
7	16	618119	9/16MJIC-90-9/16MOR LBO	21	1	616561	04-451TC-06FJX-06FJX-132 H/A
8	2	618241	3/4MJIC-90-3/4MOR LBO	22	1	616180	04-451TC-06FJX-06FJX-143 H/A
9	2	618754	9/16MOR PLUG, HEX SOCKET	23	1	616443	08-451TC-08FJX-08FJX90-76 H/A
10	6	618440	9/16MJIC-90-9/16MOR EX LG LBO	24	1	616182	06-451TC-06FJX-06FJX-41 H/A
11	1	618327	3/4MJIC-7/8MOR ADPTR	25	1	616183	06-451TC-06FJX-06FJX-52 H/A
12	1	618807	HYD CPLR, FEM #12, 3/4FOR	26	1	616563	06-451TC-06FJX-06FJX-141 H/A
13	1	618806	HYD CPLR, MALE #12, 7/8FOR	27	1	616564	06-451TC-06FJX-06FJX-151 H/A
14	1	616560	04-451TC-06FJX-06FJX-87 H/A				





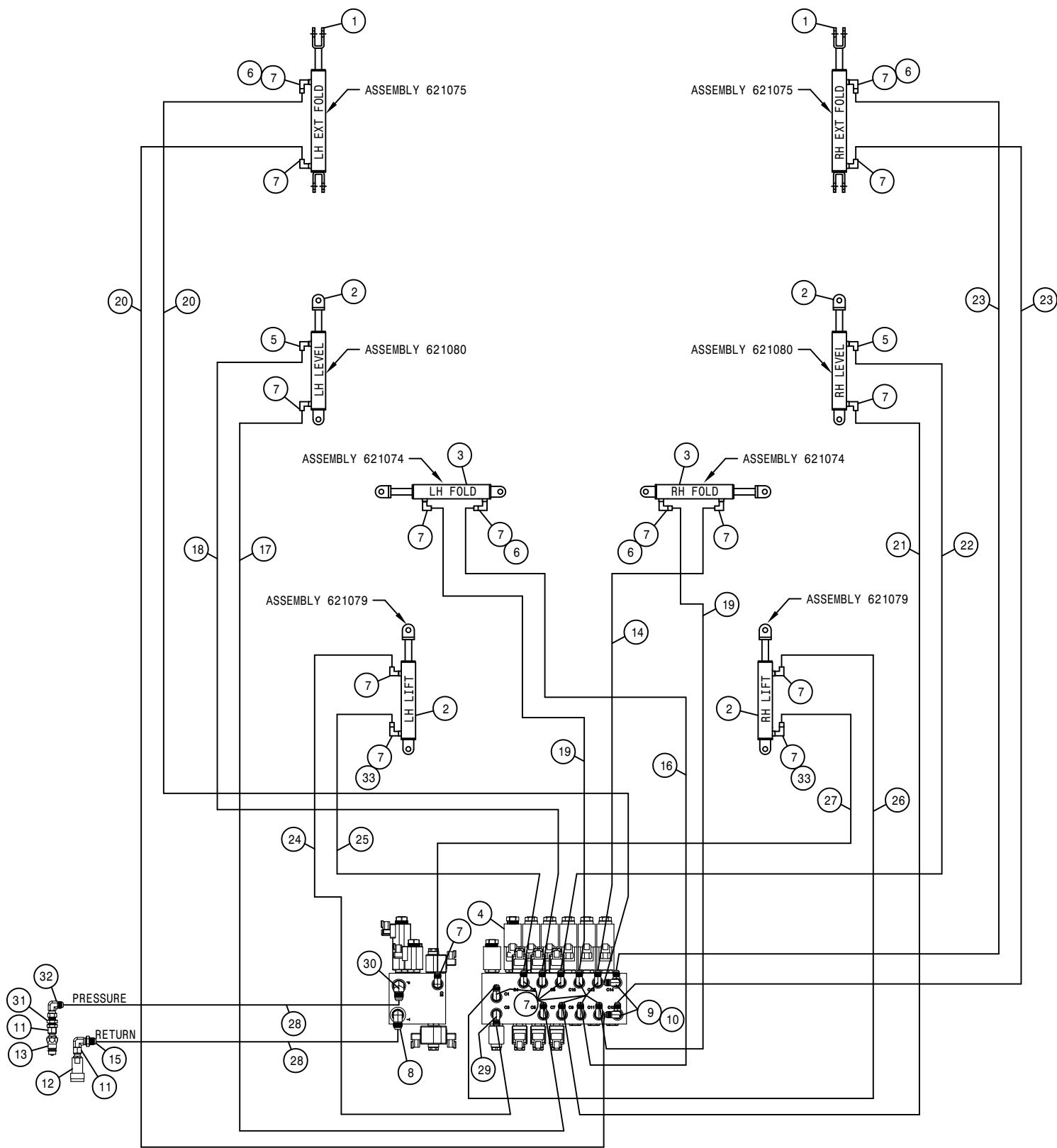
NITROGEN T-BAR 30FT HYD DIAGRAM 2013  
REFERENCE DRAWING NO. 499285

DET.	QTY	PART NO.	DESCRIPTION	DET.	QTY	PART NO.	DESCRIPTION
1	1	616994	08-451TC-08FJX-08FJX-76 H/A	15	1	618804	HYD CPLR, MALE #14, 9/16FOR
2	4	621153	3.00 X 11.00 X 1.38 LEVEL CYL	16	1	616209	04-451TC-06FJX-06FJX-64 H/A
3	2	621566	HYD CYL, 2.50 X 11.00 X 1.375	17	1	616084	04-451TC-06FJX-06FJX-46 H/A
4	1	606280	HYD VALVE, SAUER 6SPL NTB 07	18	1	616176	04-451TC-06FJX-06FJX-58 H/A
5	4	618689	9/16MJ-90-9/16MOR .042 CHK VLV	19	3	616177	04-451TC-06FJX-06FJX-74 H/A
6	2	618732	9/16JIC .031 ORIFICE ADPTR	20	1	618183	3/4MJIC-90-7/8MOR LBO
7	16	618119	9/16MJIC-90-9/16MOR LBO	21	1	616561	04-451TC-06FJX-06FJX-132 H/A
8	2	618241	3/4MJIC-90-3/4MOR LBO	22	1	616180	04-451TC-06FJX-06FJX-143 H/A
9	2	618754	9/16MOR PLUG, HEX SOCKET	23	1	616443	08-451TC-08FJX-08FJX90-76 H/A
10	6	618440	9/16MJIC-90-9/16MOR EX LG LBO	24	1	616182	06-451TC-06FJX-06FJX-41 H/A
11	1	618327	3/4MJIC-7/8MOR ADPTR	25	1	616183	06-451TC-06FJX-06FJX-52 H/A
12	1	618807	HYD CPLR, FEM #12, 3/4FOR	26	1	616563	06-451TC-06FJX-06FJX-141 H/A
13	1	618806	HYD CPLR, MALE #12, 7/8FOR	27	1	616564	06-451TC-06FJX-06FJX-151 H/A
14	1	616560	04-451TC-06FJX-06FJX-87 H/A				



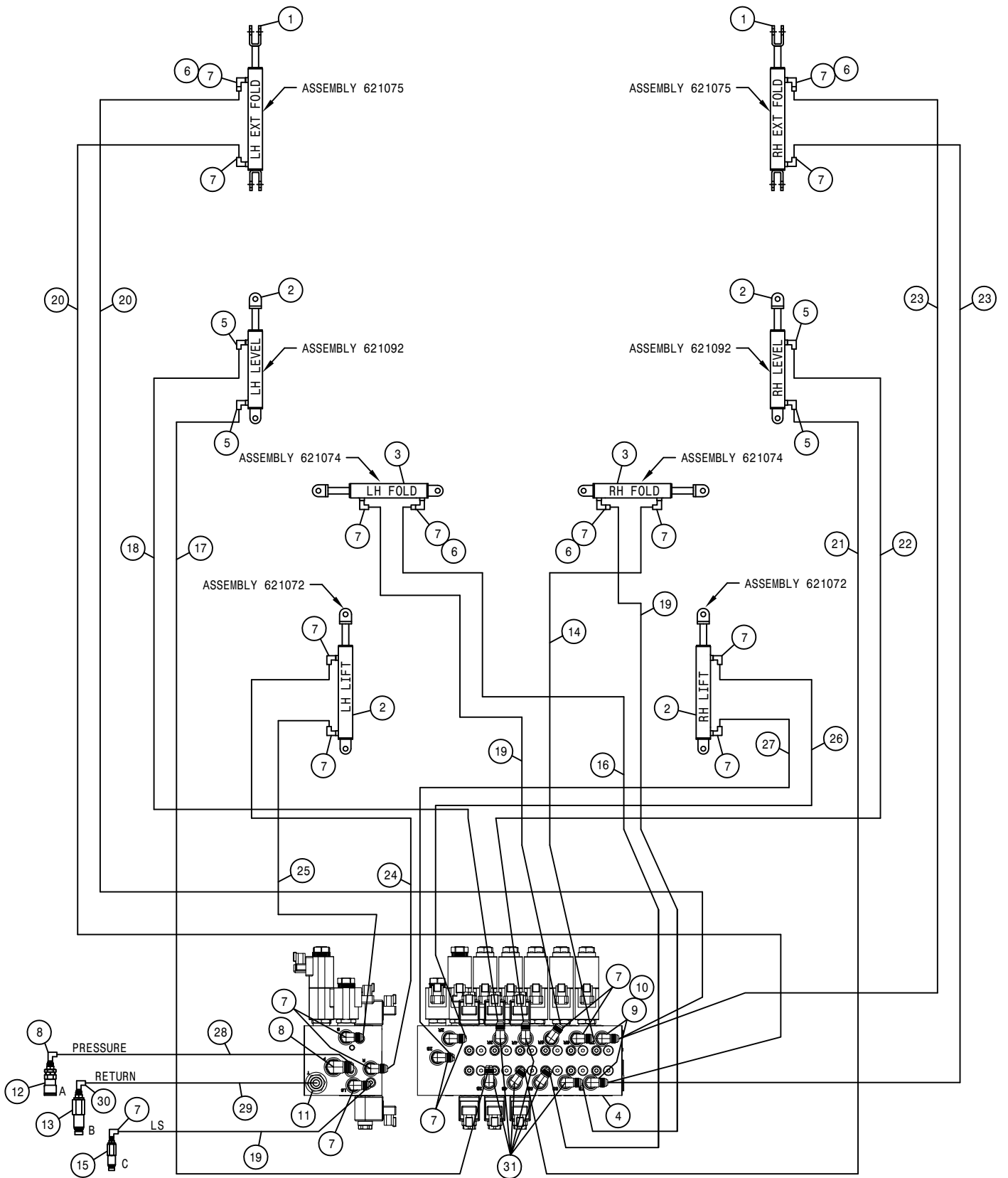
NITROGEN T-BAR 30FT HYD DIAGRAM 2014  
REFERENCE DRAWING NO. 499295

DET.	QTY	PART NO.	DESCRIPTION	DET.	QTY	PART NO.	DESCRIPTION
1	1	617170	08-451TC-08FJX-10FJX-76 H/A	13	1	616183	06-451TC-06FJX-06FJX-52 H/A
2	4	621153	3.00 X 11.00 X 1.38 LEVEL CYL	14	1	616560	04-451TC-06FJX-06FJX-87 H/A
3	2	621566	HYD CYL, 2.50 X 11.00 X 1.375	15	1	616563	06-451TC-06FJX-06FJX-141 H/A
4	1	606280	HYD VALVE, SAUER 6SPL NTB 07	16	1	616209	04-451TC-06FJX-06FJX-64 H/A
5	4	618689	9/16MJ-90-9/16MOR .042 CHK VLV	17	1	616084	04-451TC-06FJX-06FJX-46 H/A
6	2	618732	9/16JIC .031 ORIFICE ADPTR	18	1	616176	04-451TC-06FJX-06FJX-58 H/A
7	14	618119	9/16MJIC-90-9/16MOR LBO	19	2	616177	04-451TC-06FJX-06FJX-74 H/A
8	1	618241	3/4MJIC-90-3/4MOR LBO	20	1	616564	06-451TC-06FJX-06FJX-151 H/A
9	3	618754	9/16MOR PLUG, HEX SOCKET	21	1	616561	04-451TC-06FJX-06FJX-132 H/A
10	6	618440	9/16MJIC-90-9/16MOR EX LG LBO	22	1	616180	04-451TC-06FJX-06FJX-143 H/A
11	1	618327	3/4MJIC-7/8MOR ADPTR	23	1	617169	08-451TC-12FJX-08FJX90-76 H/A
12	1	607114	MOBILE HALF COUPLER ASSY, 0502	24	1	616182	06-451TC-06FJX-06FJX-41 H/A



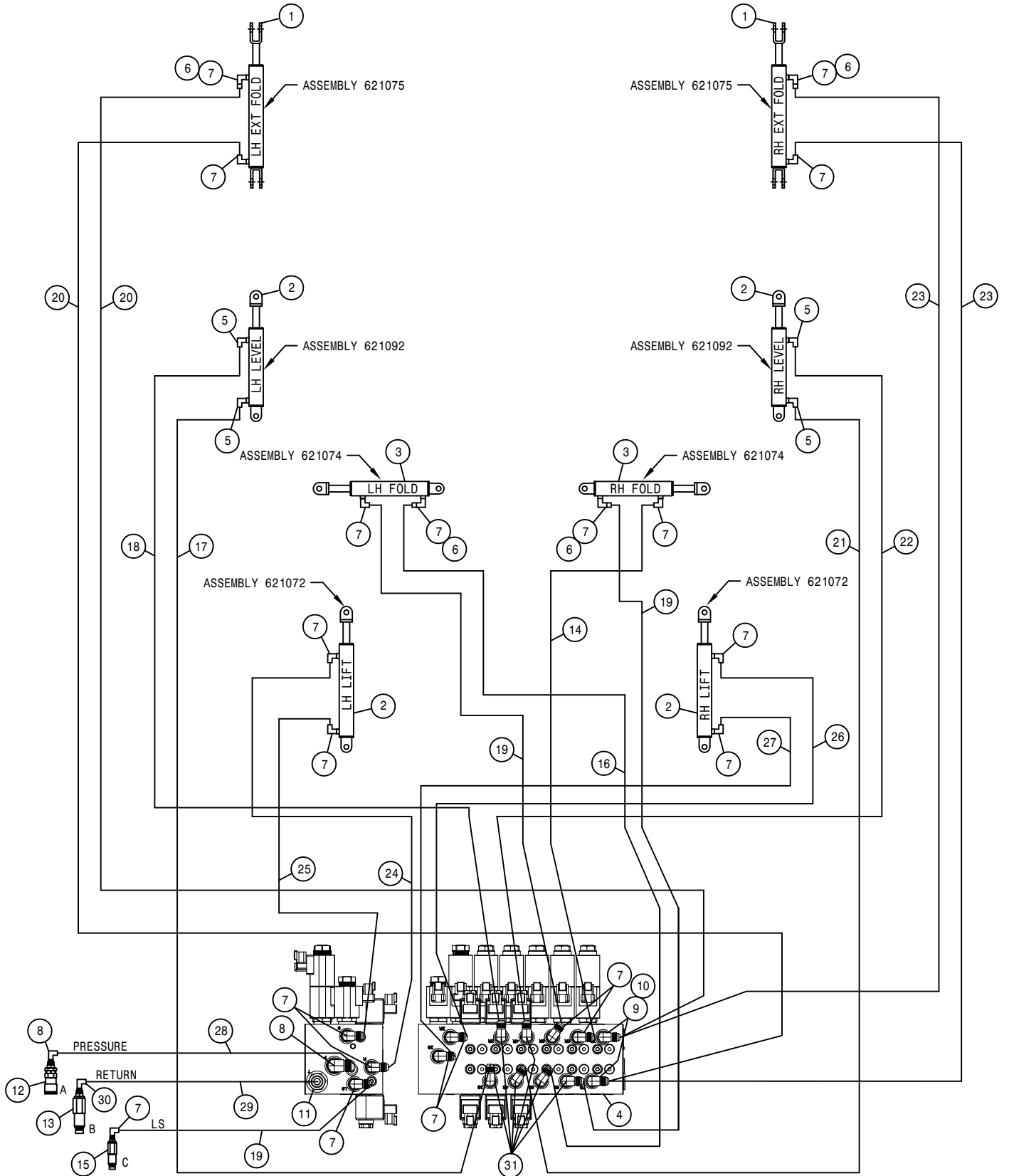
NITROGEN T-BAR 40FT HYD DIAGRAM 2005-2006  
REFERENCE DRAWING NO. 499225

DET.	QTY	PART NO.	DESCRIPTION	DET.	QTY	PART NO.	DESCRIPTION	
1	2	621568	HYD CYL, 2.00 X 18.00 X 1.125	18	1	616176	04-451TC-06FJX-06FJX-58	H/A
2	4	621558	HYD CYL, 3.00 X 11.00 X 1.380	19	2	616177	04-451TC-06FJX-06FJX-74	H/A
3	2	621566	HYD CYL, 2.50 X 11.00 X 1.375	20	1	616414	04-451TC-06FJX-06FJX-126	H/A
4	1	606215	NTB CTRL VLV, STS PWRSYS 05	21	1	616179	04-451TC-06FJX-06FJX-129	H/A
5	2	618688	9/16MJ-90-9/16MOR .025 CHK VLV	22	1	616180	04-451TC-06FJX-06FJX-143	H/A
6	4	618732	9/16JIC .031 ORIFICE ADPTR	23	2	616260	04-451TC-06FJX-06FJX-200	H/A
7	25	618119	9/16MJIC-90-9/16MOR LBO	24	1	616182	06-451TC-06FJX-06FJX-41	H/A
8	1	618241	3/4MJIC-90-3/4MOR LBO	25	1	616183	06-451TC-06FJX-06FJX-52	H/A
9	2	618444	9/16MOR RUN TEE-9/16MJIC	26	1	616184	06-451TC-06FJX-06FJX-137	H/A
10	2	618618	9/16MJIC-90-9/16FJIC SWIV LBO	27	1	616185	06-451TC-06FJX-06FJX-147	H/A
11	2	618669	3/4FJIC SWIV-3/4MOR ADPTR	28	2	616186	08-451TC-08FJX-08FJX-62	H/A
12	1	618696	HYD COUPLER,FEM 1/2B, 3/4FOR	29	1	618440	9/16MJIC-90-9/16MOR EX LG LBO	
13	1	618697	HYD COUPLER,MALE 1/2B, 3/4FOR	30	1	618443	3/4MJIC-90-3/4MOR EX LG LBO	
14	1	616090	04-451TC-06FJX-06FJX-85	31	1	618349	3/4MJIC-3/4MJIC BLKHD UNION	
15	1	618010	3/4MJIC-90-BLKHD UNION LBO	32	1	618609	3/4MJIC-90-3/4FJIC SWIV LBO	
16	1	616209	04-451TC-06FJX-06FJX-64	33	2	618735	9/16JIC .062 ORIFICE ADPTR	
17	1	616084	04-451TC-06FJX-06FJX-46					



NITROGEN T-BAR 40FT HYD DIAGRAM 2007-2012  
REFERENCE DRAWING NO. 499226

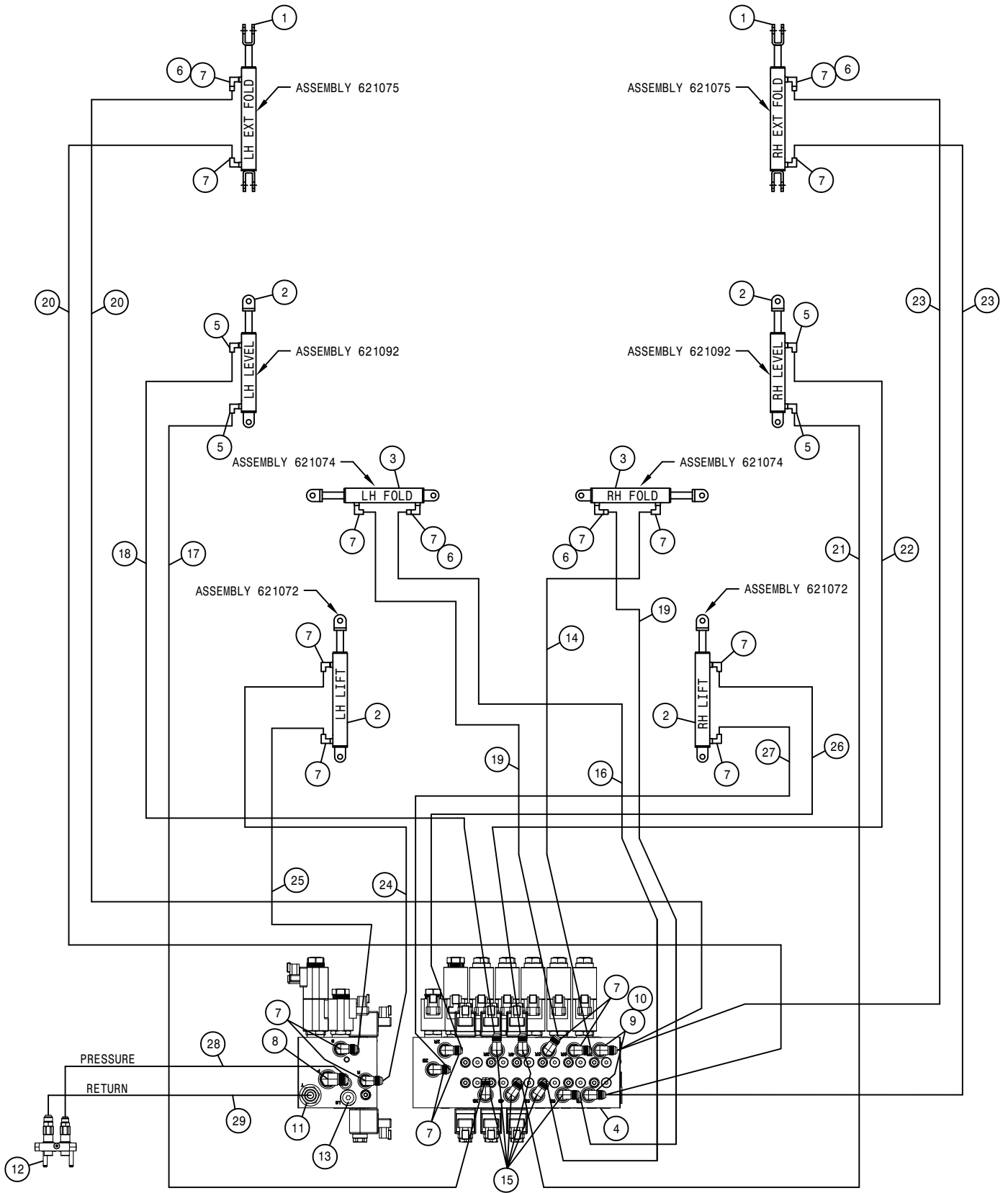
DET.	QTY	PART NO.	DESCRIPTION	DET.	QTY	PART NO.	DESCRIPTION	
1	2	621568	HYD CYL, 2.00 X 18.00 X 1.125	17	1	616084	04-451TC-06FJX-06FJX-46	H/A
2	4	621153	3.00 X 11.00 X 1.38 LEVEL CYL	18	1	616176	04-451TC-06FJX-06FJX-58	H/A
3	2	621566	HYD CYL, 2.50 X 11.00 X 1.375	19	3	616177	04-451TC-06FJX-06FJX-74	H/A
4	1	606280	HYD VALVE,SAUER 6SPL NTB 07	20	2	616414	04-451TC-06FJX-06FJX-126	H/A
5	4	618689	9/16MJ-90-9/16MOR .042 CHK VLV	21	1	616561	04-451TC-06FJX-06FJX-132	H/A
6	4	618732	9/16JIC .031 ORIFICE ADPTR	22	1	616180	04-451TC-06FJX-06FJX-143	H/A
7	20	618119	9/16MJIC-90-9/16MOR LBO	23	2	616260	04-451TC-06FJX-06FJX-200	H/A
8	2	618241	3/4MJIC-90-3/4MOR LBO	24	1	616182	06-451TC-06FJX-06FJX-41	H/A
9	2	618444	9/16MOR RUN TEE-9/16MJIC	25	1	616183	06-451TC-06FJX-06FJX-52	H/A
10	2	618618	9/16MJIC-90-9/16FJIC SWIV LBO	26	1	616563	06-451TC-06FJX-06FJX-141	H/A
11	1	618327	3/4MJIC-7/8MOR ADPTR	27	1	616564	06-451TC-06FJX-06FJX-151	H/A
12	1	618807	HYD CPLR, FEM #12,3/4FOR	28	1	616994	08-451TC-08FJX-08FJX-76	H/A
13	1	618806	HYD CPLR,MALE #12,7/8FOR	29	1	616443	08-451TC-08FJX-08FJX90-76	H/A
14	1	616560	04-451TC-06FJX-06FJX-87	30	1	618183	3/4MJIC-90-7/8MOR LBO	
15	1	618804	HYD CPLR,MALE #14,9/16FOR	31	6	618440	9/16MJIC-90-9/16MOR EX LG LBO	
16	1	616209	04-451TC-06FJX-06FJX-64					H/A





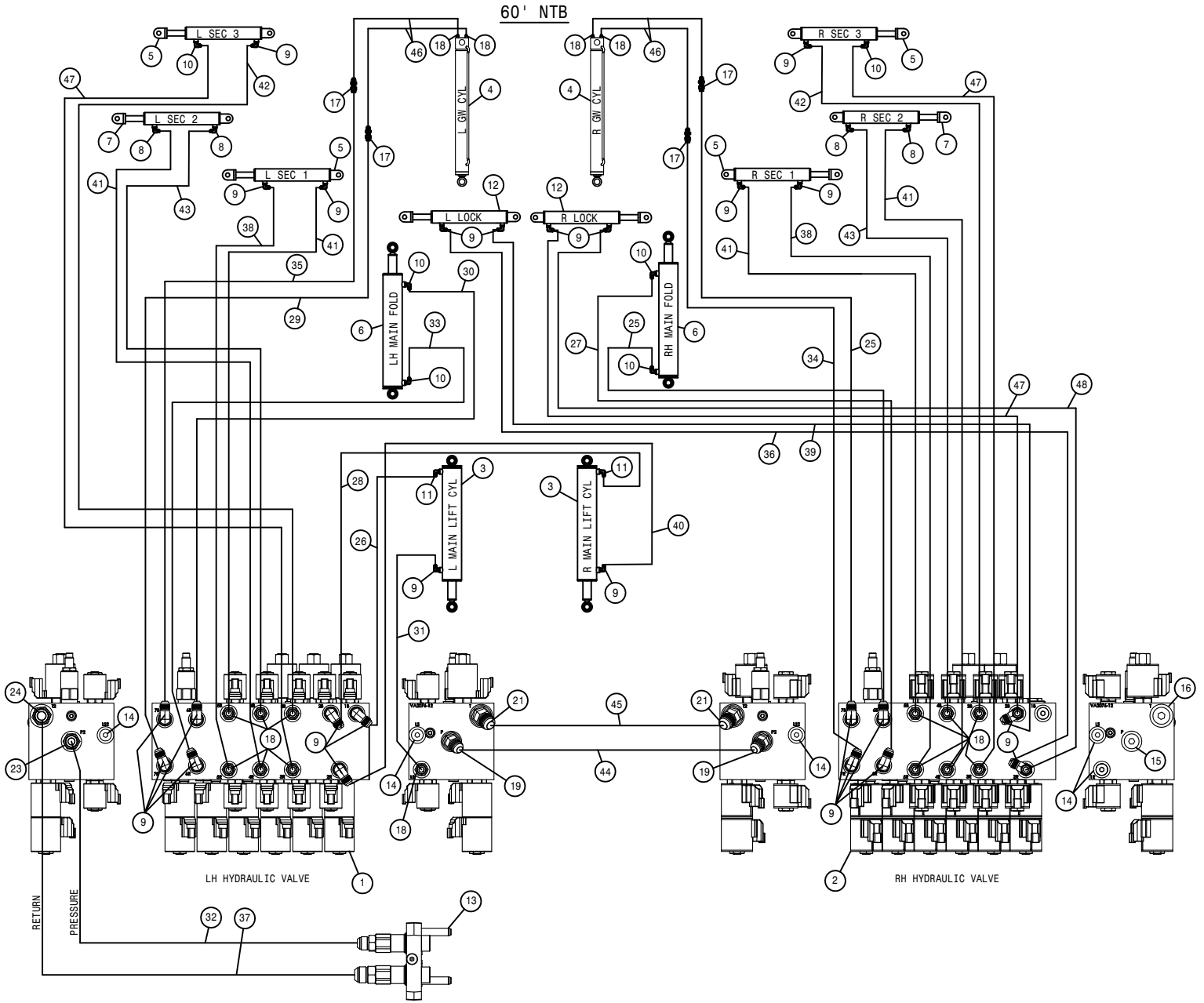
NITROGEN T-BAR 40FT HYD DIAGRAM 2013  
REFERENCE DRAWING NO. 499286

DET.	QTY	PART NO.	DESCRIPTION	DET.	QTY	PART NO.	DESCRIPTION	
1	2	621568	HYD CYL, 2.00 X 18.00 X 1.125	17	1	616084	04-451TC-06FJX-06FJX-46	H/A
2	4	621153	3.00 X 11.00 X 1.38 LEVEL CYL	18	1	616176	04-451TC-06FJX-06FJX-58	H/A
3	2	621566	HYD CYL, 2.50 X 11.00 X 1.375	19	3	616177	04-451TC-06FJX-06FJX-74	H/A
4	1	606280	HYD VALVE, SAUER 6SPL NTB 07	20	2	616414	04-451TC-06FJX-06FJX-126	H/A
5	4	618689	9/16MJ-90-9/16MOR .042 CHK VLV	21	1	616561	04-451TC-06FJX-06FJX-132	H/A
6	4	618732	9/16JIC .031 ORIFICE ADPTR	22	1	616180	04-451TC-06FJX-06FJX-143	H/A
7	20	618119	9/16MJIC-90-9/16MOR LBO	23	2	616260	04-451TC-06FJX-06FJX-200	H/A
8	2	618241	3/4MJIC-90-3/4MOR LBO	24	1	616182	06-451TC-06FJX-06FJX-41	H/A
9	2	618444	9/16MOR RUN TEE-9/16MJIC	25	1	616183	06-451TC-06FJX-06FJX-52	H/A
10	2	618618	9/16MJIC-90-9/16FJIC SWIV LBO	26	1	616563	06-451TC-06FJX-06FJX-141	H/A
11	1	618327	3/4MJIC-7/8MOR ADPTR	27	1	616564	06-451TC-06FJX-06FJX-151	H/A
12	1	618807	HYD CPLR, FEM #12, 3/4FOR	28	1	616994	08-451TC-08FJX-08FJX-76	H/A
13	1	618806	HYD CPLR, MALE #12, 7/8FOR	29	1	616443	08-451TC-08FJX-08FJX90-76	H/A
14	1	616560	04-451TC-06FJX-06FJX-87	30	1	618183	3/4MJIC-90-7/8MOR LBO	
15	1	618804	HYD CPLR, MALE #14, 9/16FOR	31	6	618440	9/16MJIC-90-9/16MOR EX LG LBO	
16	1	616209	04-451TC-06FJX-06FJX-64					H/A



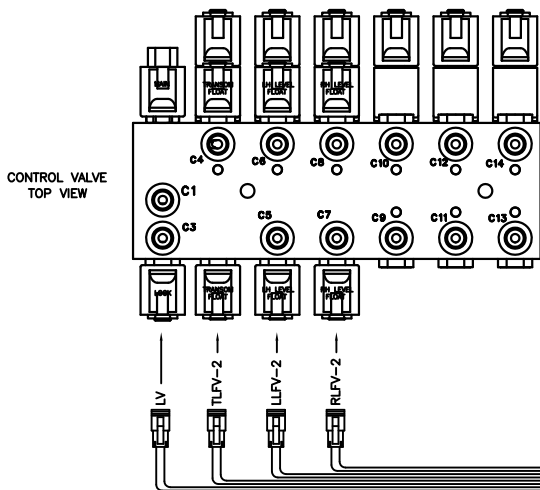
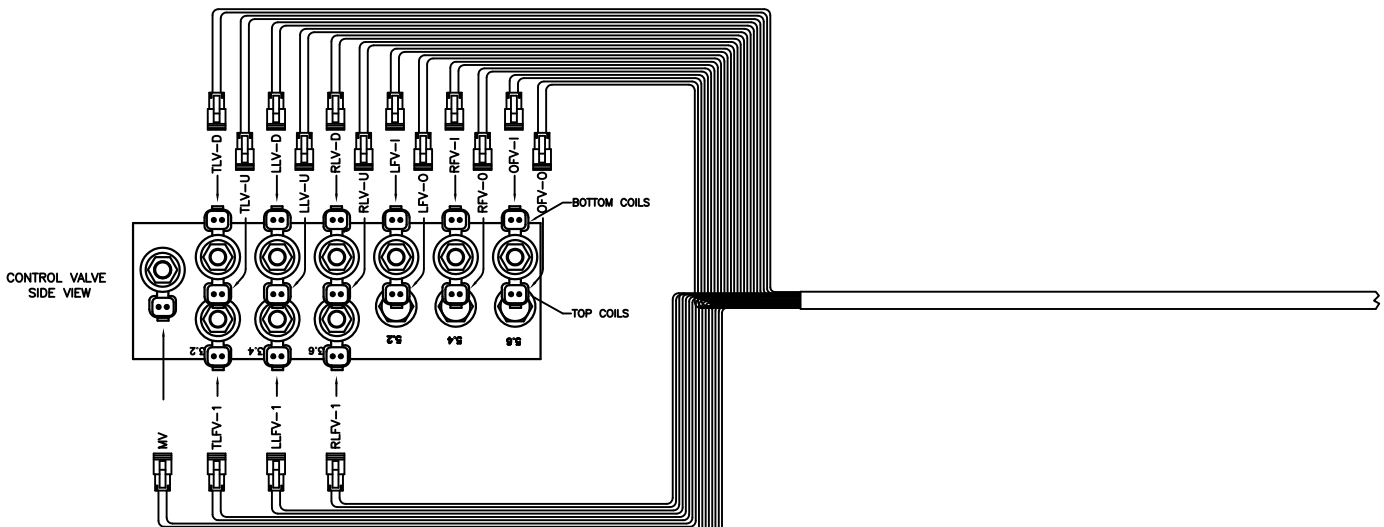
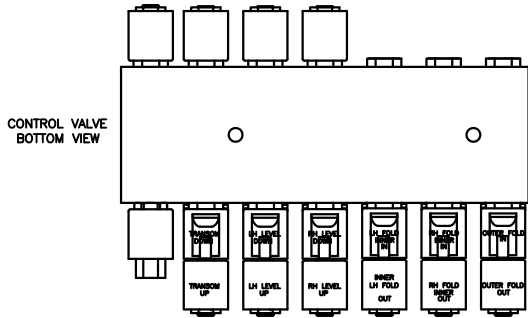
NITROGEN T-BAR 40FT HYD DIAGRAM 2014  
REFERENCE DRAWING NO. 499296

DET.	QTY	PART NO.	DESCRIPTION	DET.	QTY	PART NO.	DESCRIPTION	
1	2	621568	HYD CYL, 2.00 X 18.00 X 1.125	16	1	616209	04-451TC-06FJX-06FJX-64	H/A
2	4	621153	3.00 X 11.00 X 1.38 LEVEL CYL	17	1	616084	04-451TC-06FJX-06FJX-46	H/A
3	2	621566	HYD CYL, 2.50 X 11.00 X 1.375	18	1	616176	04-451TC-06FJX-06FJX-58	H/A
4	1	606280	HYD VALVE, SAUER 6SPL NTB 07	19	2	616177	04-451TC-06FJX-06FJX-74	H/A
5	4	618689	9/16MJ-90-9/16MOR .042 CHK VLV	20	2	616414	04-451TC-06FJX-06FJX-126	H/A
6	4	618732	9/16JIC .031 ORIFICE ADPTR	21	1	616561	04-451TC-06FJX-06FJX-132	H/A
7	18	618119	9/16MJIC-90-9/16MOR LBO	22	1	616180	04-451TC-06FJX-06FJX-143	H/A
8	1	618241	3/4MJIC-90-3/4MOR LBO	23	2	616260	04-451TC-06FJX-06FJX-200	H/A
9	2	618444	9/16MOR RUN TEE-9/16MJIC	24	1	616182	06-451TC-06FJX-06FJX-41	H/A
10	2	618618	9/16MJIC-90-9/16FJIC SWIV LBO	25	1	616183	06-451TC-06FJX-06FJX-52	H/A
11	1	618327	3/4MJIC-7/8MOR ADPTR	26	1	616563	06-451TC-06FJX-06FJX-141	H/A
12	1	607114	MOBILE HALF COUPLER ASSY, 0502	27	1	616564	06-451TC-06FJX-06FJX-151	H/A
13	1	618754	9/16MOR PLUG, HEX SOCKET	28	1	617170	08-451TC-08FJX-10FJX-76	H/A
14	1	616560	04-451TC-06FJX-06FJX-87 H/A	29	1	617169	08-451TC-12FJX-08FJX90-76	H/A
15	6	618440	9/16MJIC-90-9/16MOR EX LG LBO					

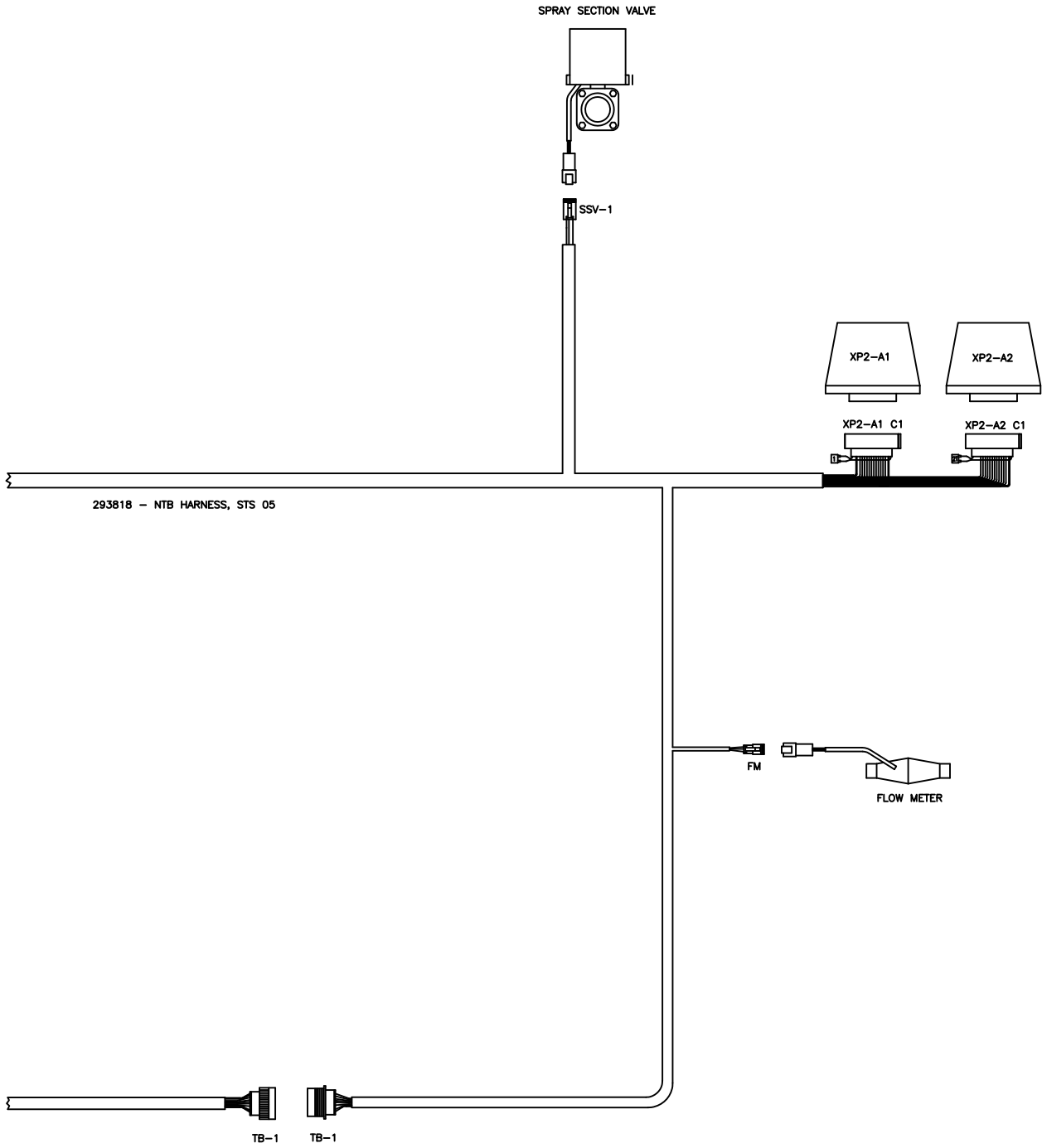


60FT NTB HYDRAULIC DIAGRAM 2014  
REFERENCE DRAWING NO. 499334

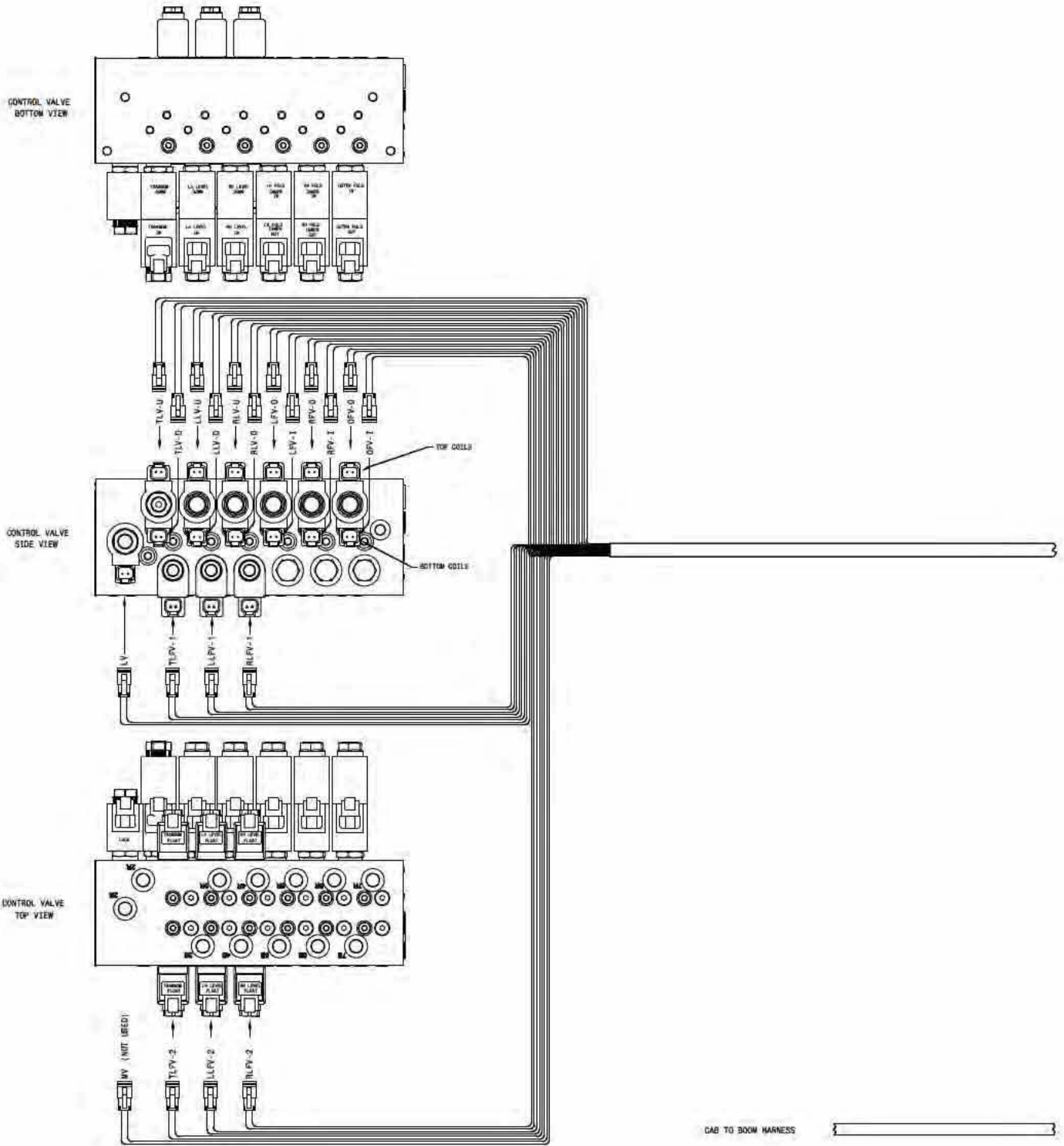
DET.	QTY	PART NO.	DESCRIPTION	DET.	QTY	PART NO.	DESCRIPTION	
1	1	606520	HYD MANIF, VA2076-12 PWR SYS	27	1	616182	06-451TC-06FJX-06FJX-41	H/A
2	1	606521	HYD MANIF, VA2076-12-1 PWR SYS	28	1	616184	06-451TC-06FJX-06FJX-137	H/A
3	2	621578	HYD CYL, 3.25 X 20.25 X 1.630	29	1	616304	06-451TC-06FJX-06FJX-36	H/A
4	2	621634	HYD CYL, 3.00 X 28.00 X 2.00	30	1	616349	06-451TC-06FJX-06FJX-47	H/A
5	4	621558	HYD CYL, 3.00 X 11.00 X 1.380	31	1	616352	06-451TC-06FJX-06FJX-62	H/A
6	2	621648	HYD CYL, 3.25 X 18.50 X 1.625	32	1	617201	RESERVED, HYD HOSE (BP)	
7	2	621646	HYD CYL, 4.25 X 12.00 X 2.00	33	1	616572	06-451TC-06FJX-06FJX-22	H/A
8	4	618115	9/16MJIC-90-3/4MOR LBO	33	1	616572	06-451TC-06FJX-06FJX-27	H/A
9	23	618119	9/16MJIC-90-9/16MOR LBO	33	1	616572	06-451TC-06FJX-06FJX-22	H/A
10	6	618689	9/16MJ-90-9/16MOR .042 CHK VLV	33	1	616572	06-451TC-06FJX-06FJX-27	H/A
11	2	618739	9/16MJ-90-9/16MOR .065 CHK VLV	34	1	616573	06-451TC-06FJX-06FJX-29	H/A
12	2	621500	HYD CYL, 1.50 X 5.75 X .750	35	1	616575	06-451TC-06FJX-06FJX-34	H/A
13	1	607114	MOBILE HALF COUPLER ASSY, 0502	36	1	616596	06-451TC-06FJX-06FJX-148	H/A
14	5	618754	9/16MOR PLUG, HEX SOCKET	37	1	617200	RESERVED, HYD HOSE (BP)	
15	1	618755	3/4MOR PLUG, HEX SOCKET	38	2	616613	06-451TC-06FJX-06FJX-125	H/A
16	1	618756	7/8MOR PLUG, HEX SOCKET	39	1	616614	06-451TC-06FJX-06FJX-145	H/A
17	4	618510	9/16MJIC-9/16MJIC BLKHD UNION	40	1	616615	06-451TC-06FJX-06FJX-153	H/A
18	10	618126	9/16MJIC-9/16MOR ADPTR	41	4	616701	06-451TC-06FJX-06FJX-119	H/A
19	2	618315	3/4MJIC-45-3/4MOR LBO	42	2	616722	06-451TC-06FJX-06FJX-243	H/A
20	2	618425	9/16MJIC-45-9/16MOR LBO	43	2	616741	06-451TC-06FJX-06FJX-107	H/A
21	2	618644	7/8MJIC-45-7/8MOR LBO	44	1	616093	08-451TC-08FJX-08FJX-86	H/A
22	2	618444	9/16MOR RUN TEE-9/16MJIC	45	1	617058	10-451TC-10FJX-10FJX-95	H/A
23	1	611125	3/4MJIC-3/4MOR ADPTR	46	4	617096	06-451TC-08FJX-06FJX90-22	H/A
24	1	611126	7/8MJIC-7/8MOR ADPTR	47	3	617056	06-451TC-06FJX-06FJX-255	H/A
25	2	616092	06-451TC-06FJX-06FJX-27 H/A	48	1	617057	06-451TC-06FJX-06FJX-259	H/A
26	1	616128	06-451TC-06FJX-06FJX-48 H/A					



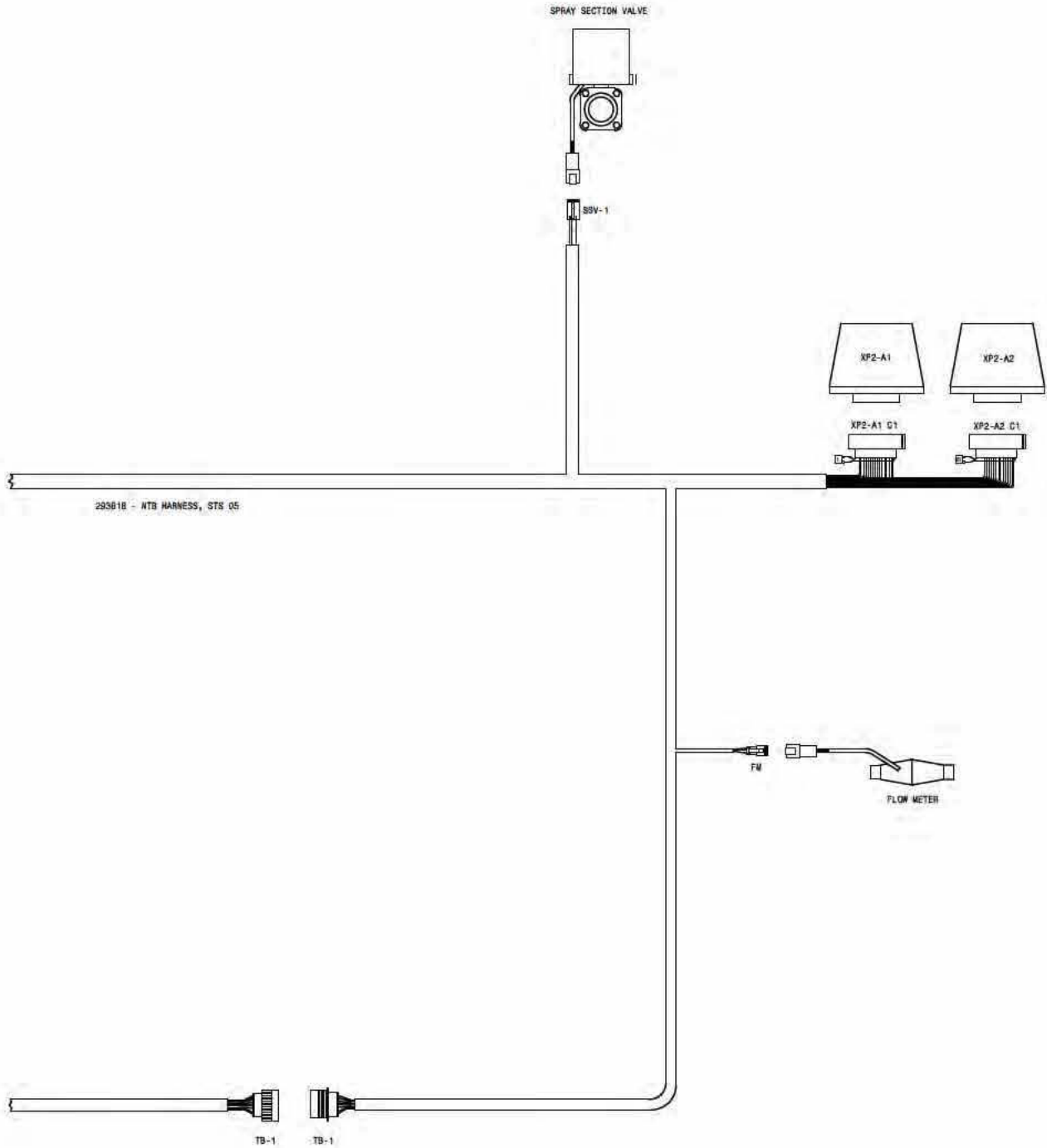
293783 - CAB TO BOOM HARNESS, STS 05



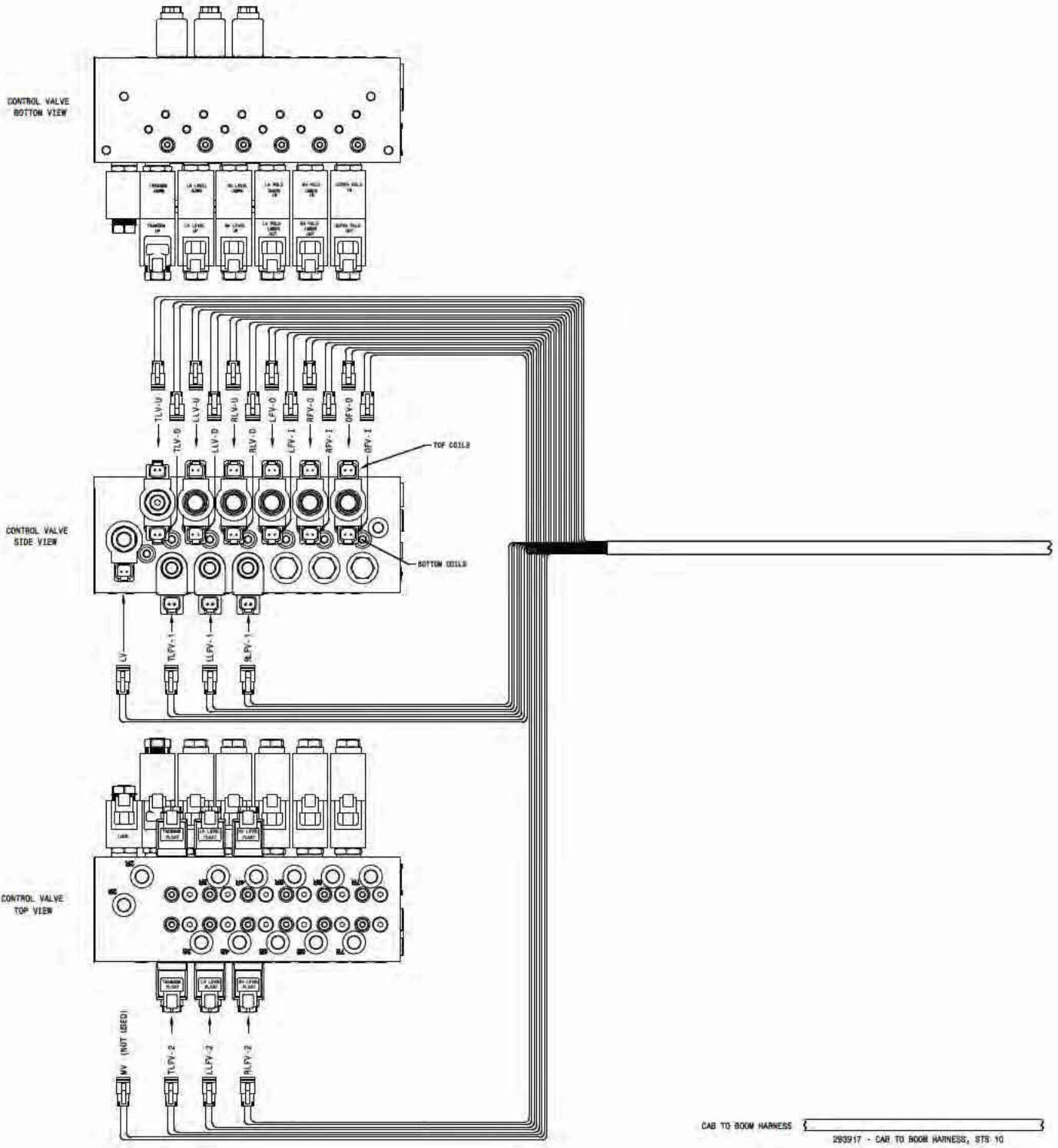
02-16-05 TLM
STS NTB WIRING DIAGRAM 05
REVISION DATE: 498880

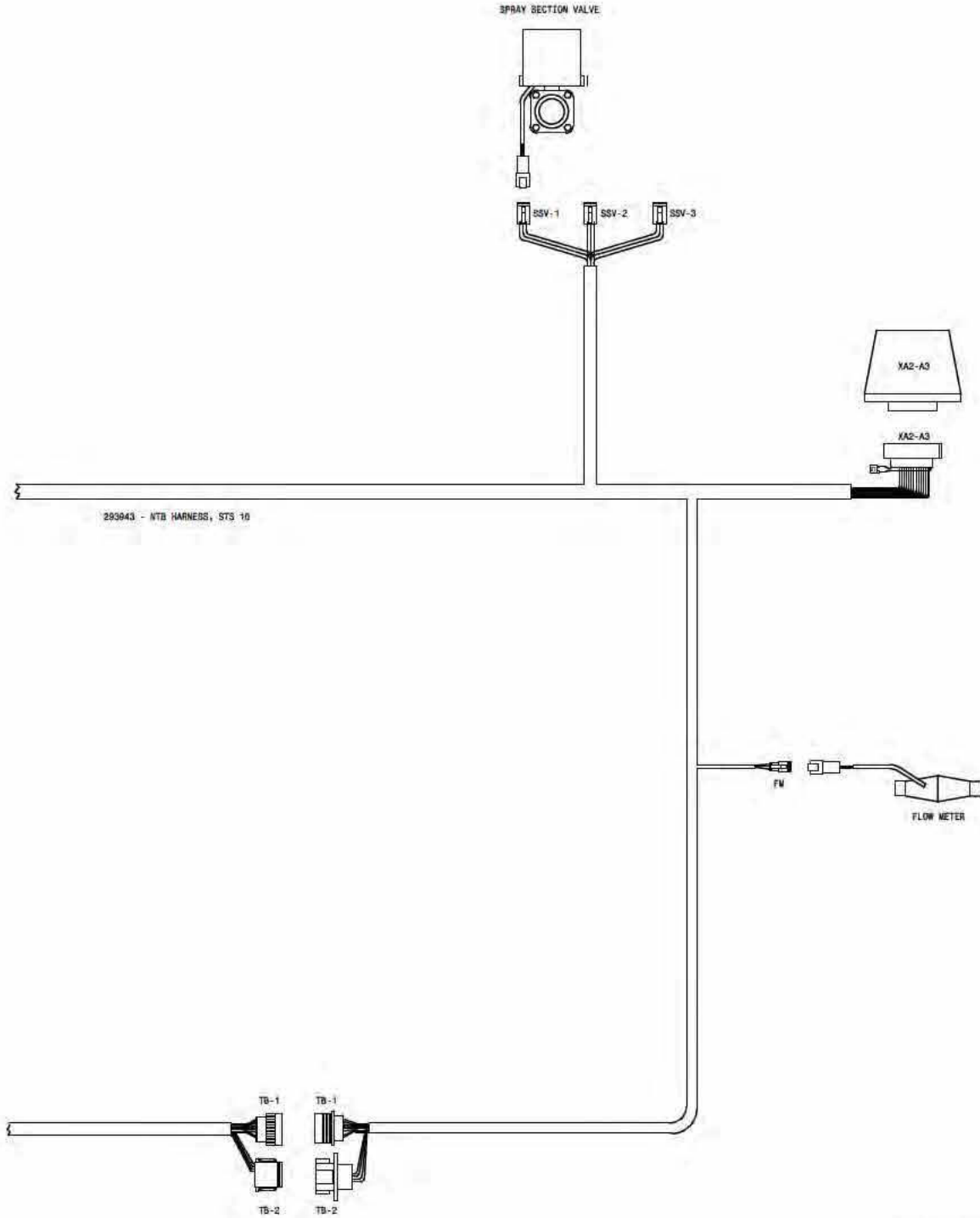




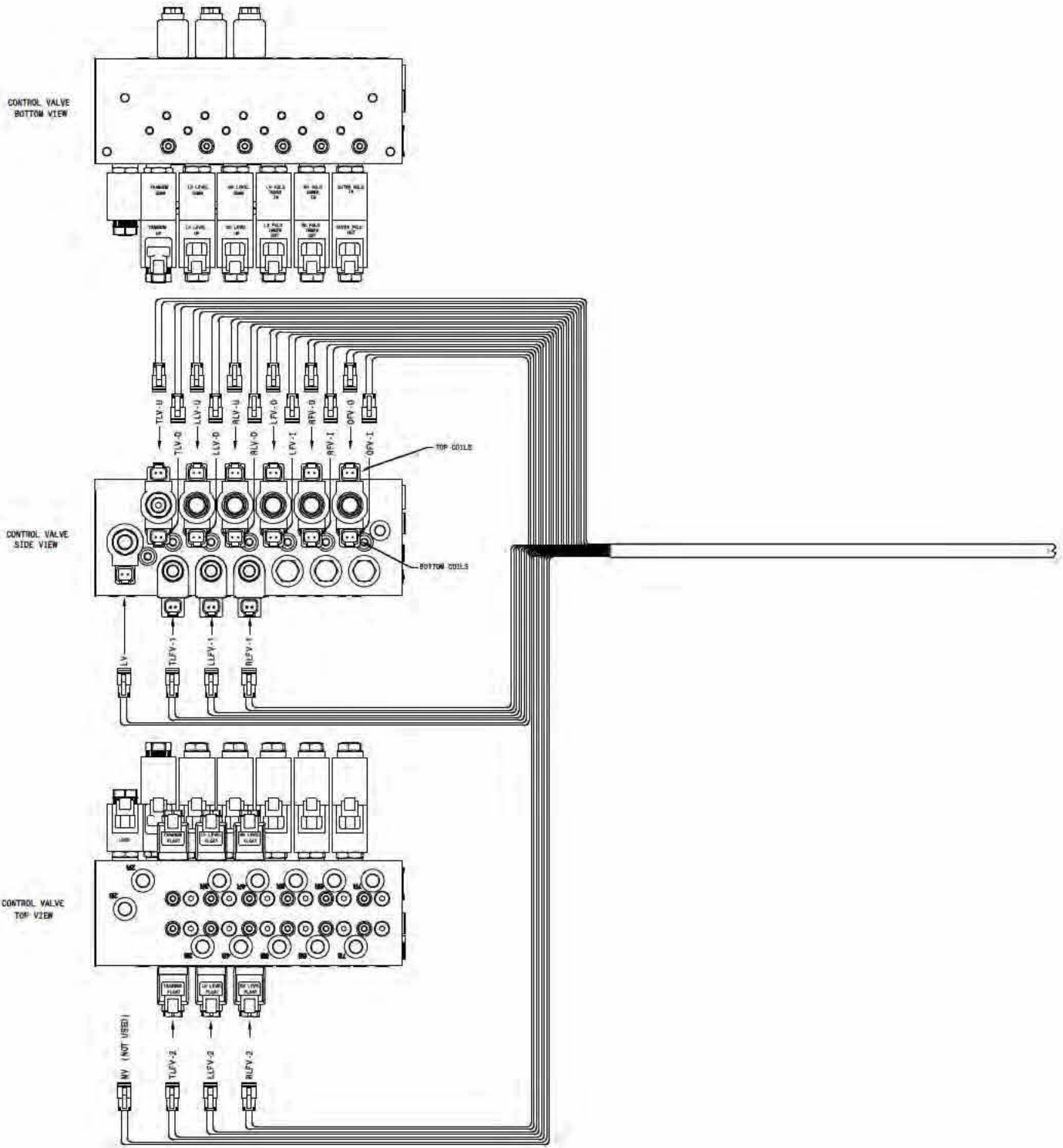


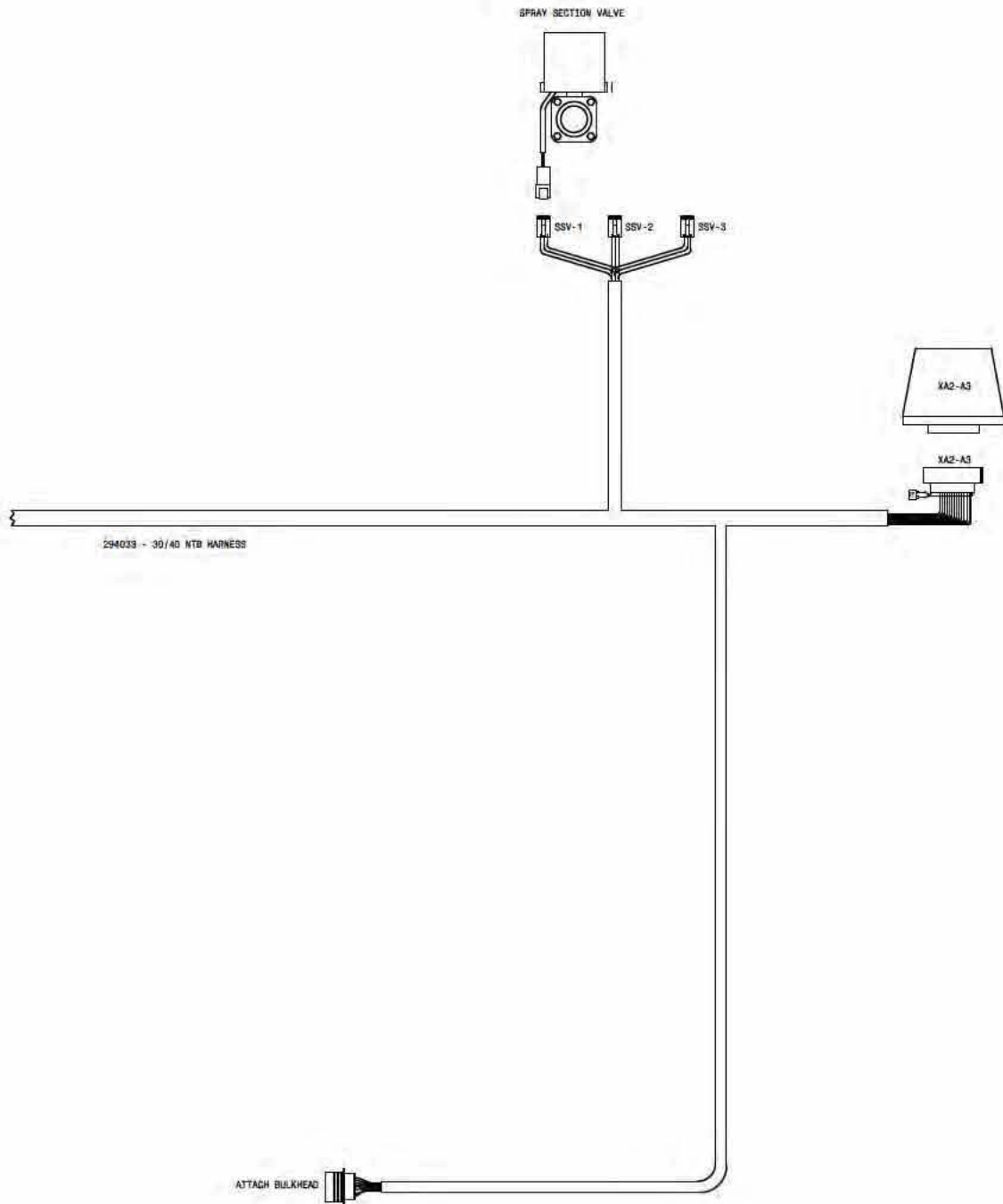
01-29-07 TLM  
**STS NTB WIRING DIAGRAM 07**  
 REVISION DATE: 07-17-14 **498957**



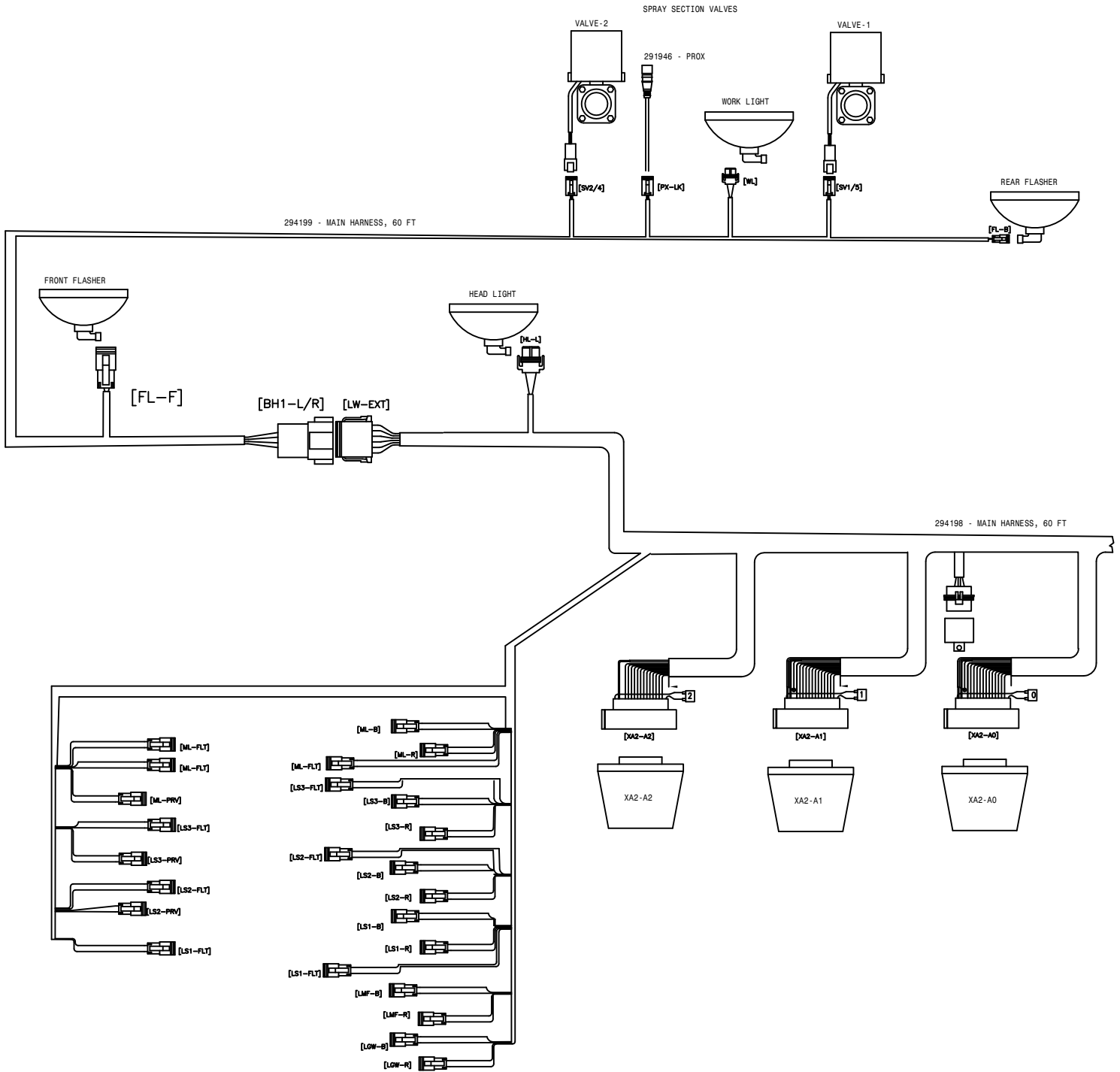


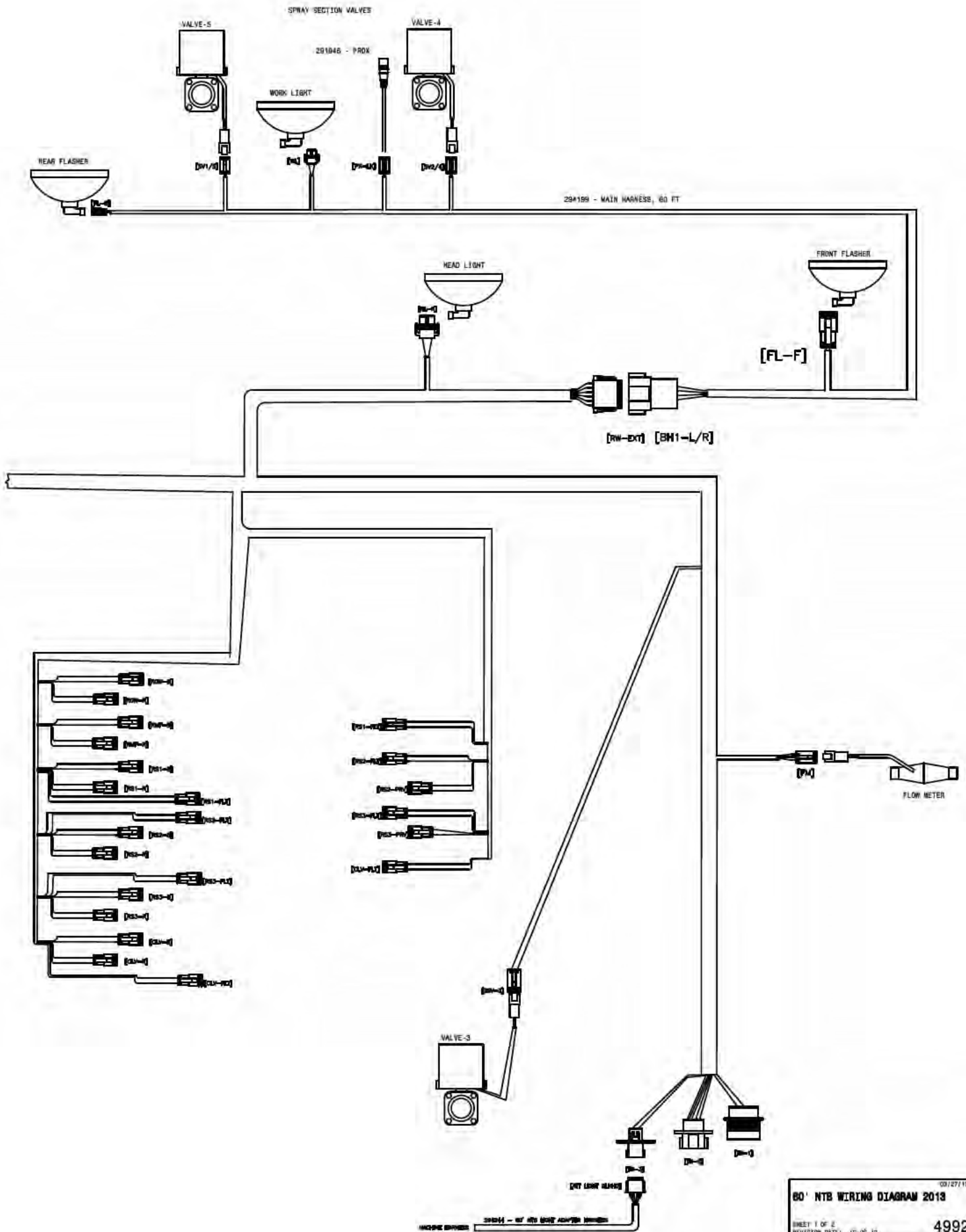
STS NTB WIRING DIAGRAM 10 REVISION DATE: 07/17/14	06/11/09 TLM 499045
--	------------------------





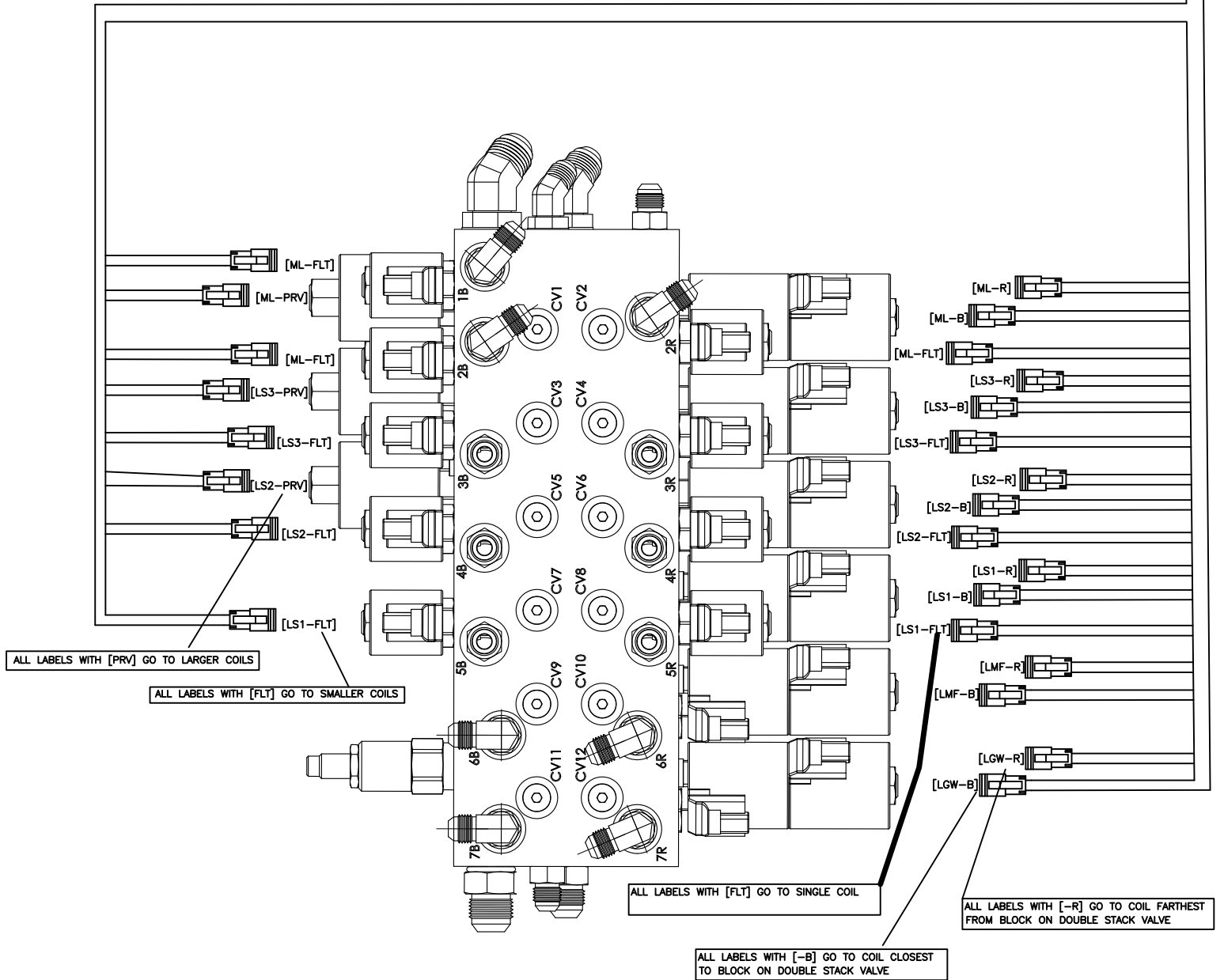
05/08/13 TLW  
**STS NTB WIRING DIAGRAM 14**  
 REVISION DATE: 07/17/14 **499297**



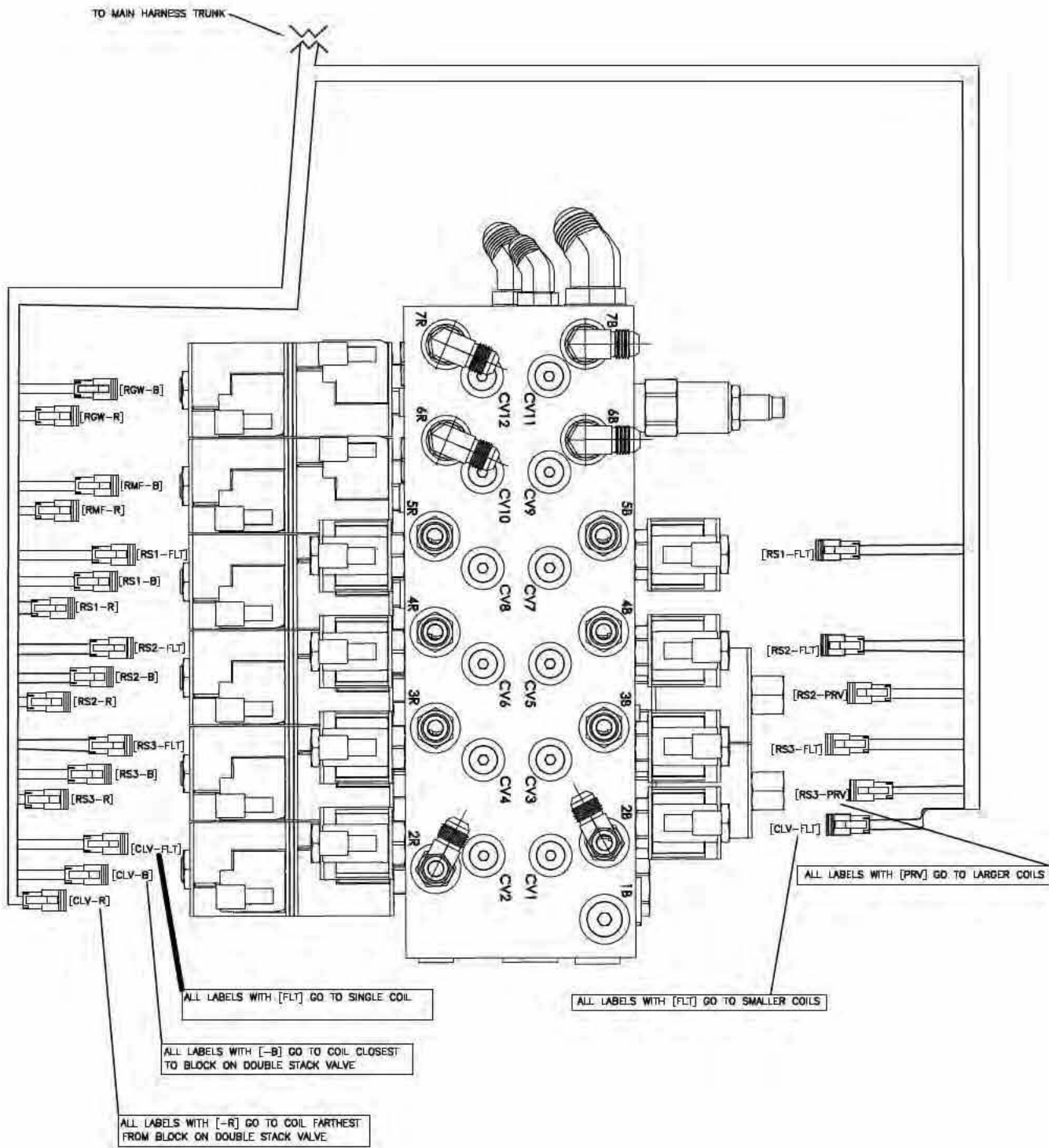


03/27/19 BHM  
**60' NTB WIRING DIAGRAM 2013**  
 SHEET 1 OF 2  
 REVISION DATE: 12-05-13  
**499287**

TO MAIN HARNESS TRUNK







60' NTB WIRING DIAGRAM 2013 09/21/12 BMH  
 SHEET 2 OF 2  
 REVISION DATE: 09/21/12 499287

# Notes: