



**PARTS MANUAL
FOR
HAGIE STS NITROGEN TOOLBAR**

HAGIE MANUFACTURING COMPANY

721 CENTRAL AVENUE WEST
BOX 273
CLARION, IOWA 50525-0273

(515) 532-2861

COVERS MACHINE SERIAL NUMBERS: U6910890001 thru U6910890100
U6920890001 thru U6920890100
11-08 493460 U6950890001 thru U6950890100
02-15 U6960890001 thru U6960890100

To obtain the most current parts manual for your machine, please visit www.hagiehelp.com.
© 2008, 2015 Hagie Manufacturing Company. Clarion, Iowa USA

NITROGEN TOOLBAR IDENTIFICATION

Each Hagie toolbar is identified by means of a frame serial number.

This serial number denotes the model, the year in which it was built, and the number of the toolbar. To insure prompt, efficient service when ordering parts or requesting service repairs from Hagie Manufacturing Company, record the serial number in the space provided below.

NOTE: Reference to left hand and right hand used throughout this manual refers to the position when seated in the operator's seat facing forward.

This manual is not intended to be a complete guide for machine maintenance and repairs. If you are not properly trained to perform service on this machine, contact Hagie Customer Support for assistance. Improper maintenance or repair may result in property damage, personal injury, or death.

NITROGEN TOOLBAR SERIAL NUMBER

TABLE OF CONTENTS

30FT TOOLBAR ASSEMBLY 4-7

40FT TOOLBAR ASSEMBLY 8-11

ROW UNIT ASSEMBLY 12

BUMPER ASSEMBLY 13

FOAMER DROP AND HOSE ASSEMBLY 14

QUICK ATTACH BRACKETS 15

30FT TOOLBAR CONTROL VALVE ASSEMBLY 16

40FT TOOLBAR CONTROL VALVE ASSEMBLY 17

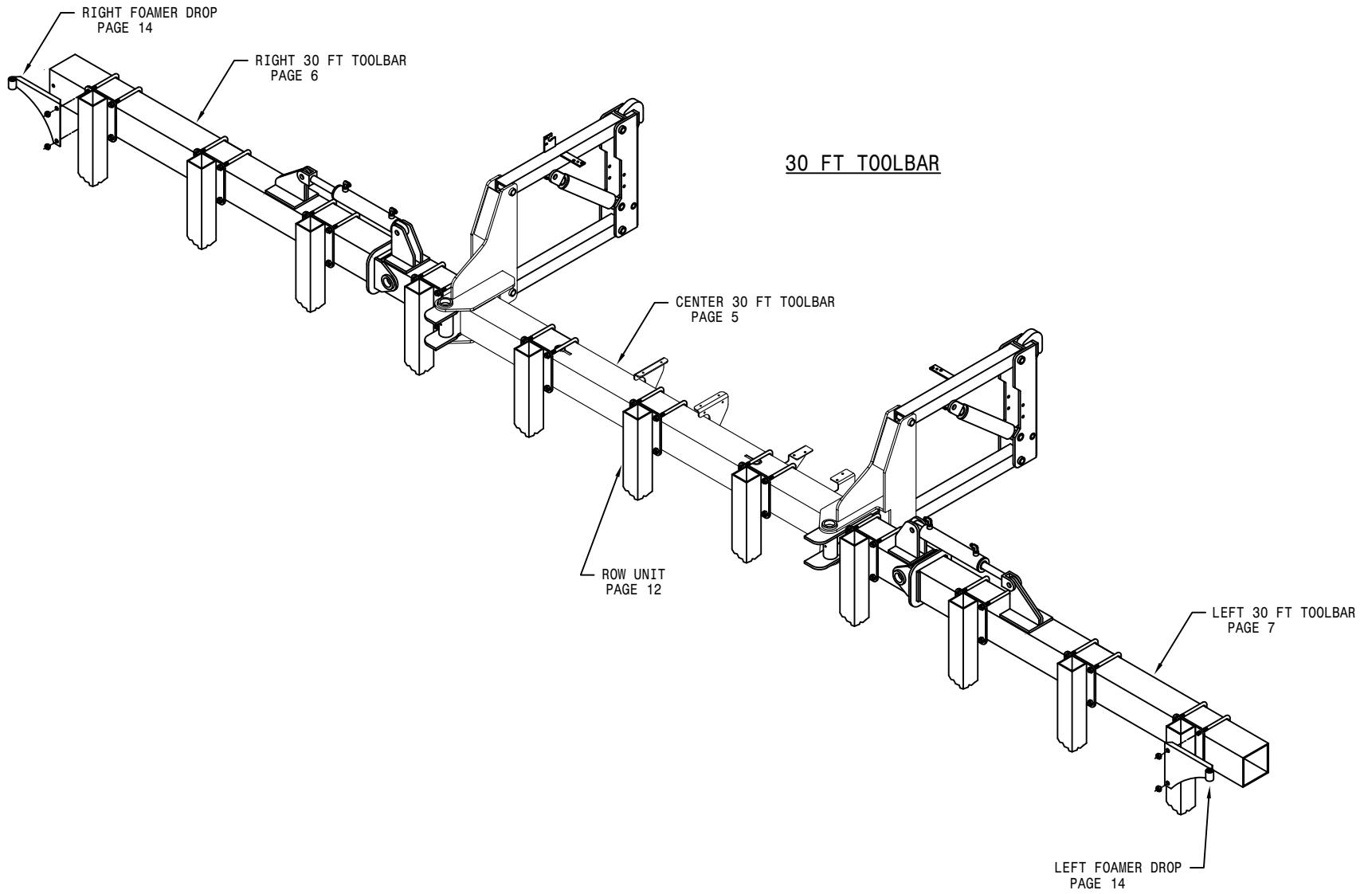
FLOW METER ASSEMBLY 18

SOLUTION CONTROL VALVE ASSEMBLY 19

SOLUTION HOISING 20-23

HYDRAULIC SCHEMATIC 24-27

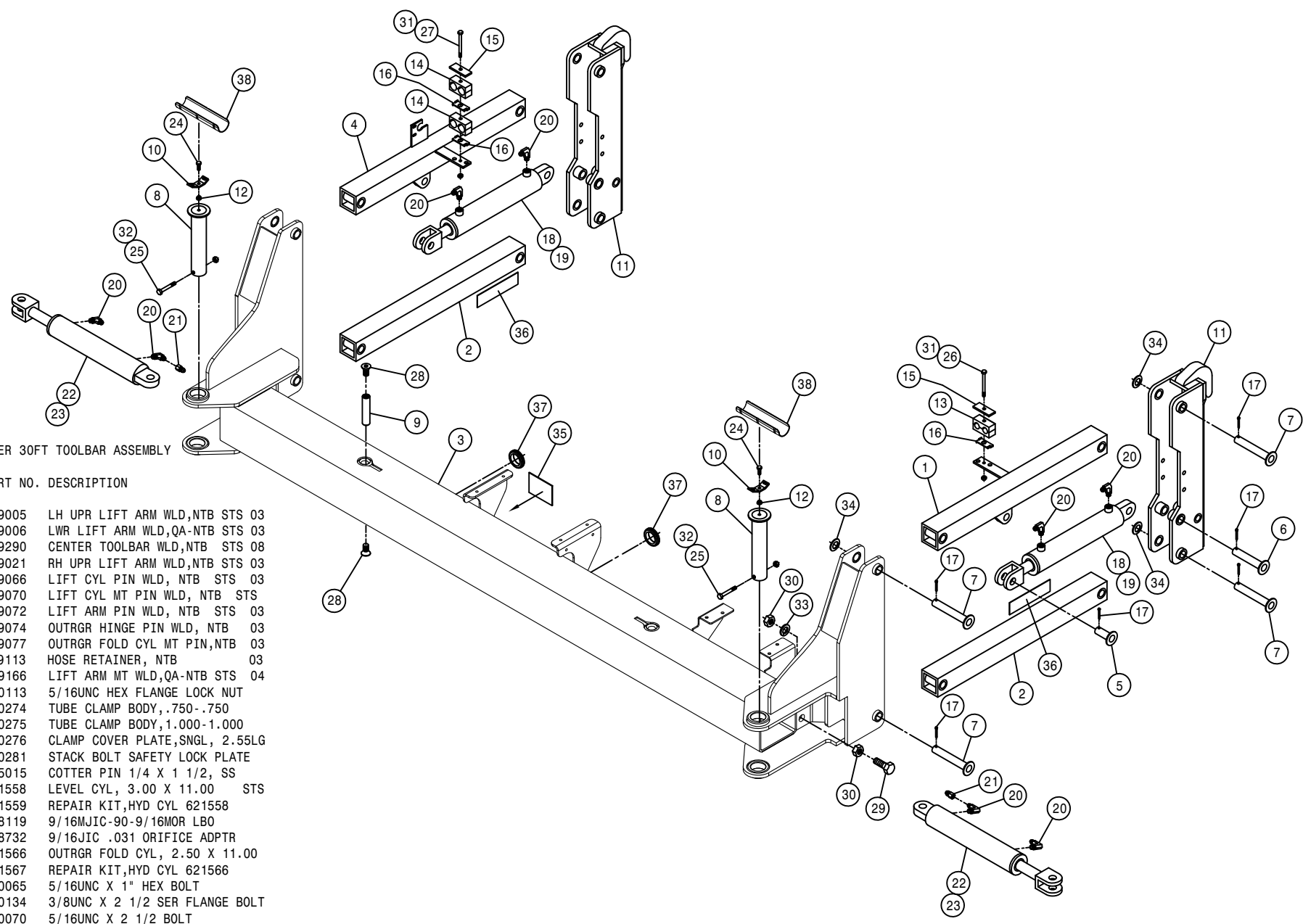
WIRING DIAGRAM 28-29



CENTER 30FT TOOLBAR ASSEMBLY

DET. QTY PART NO. DESCRIPTION

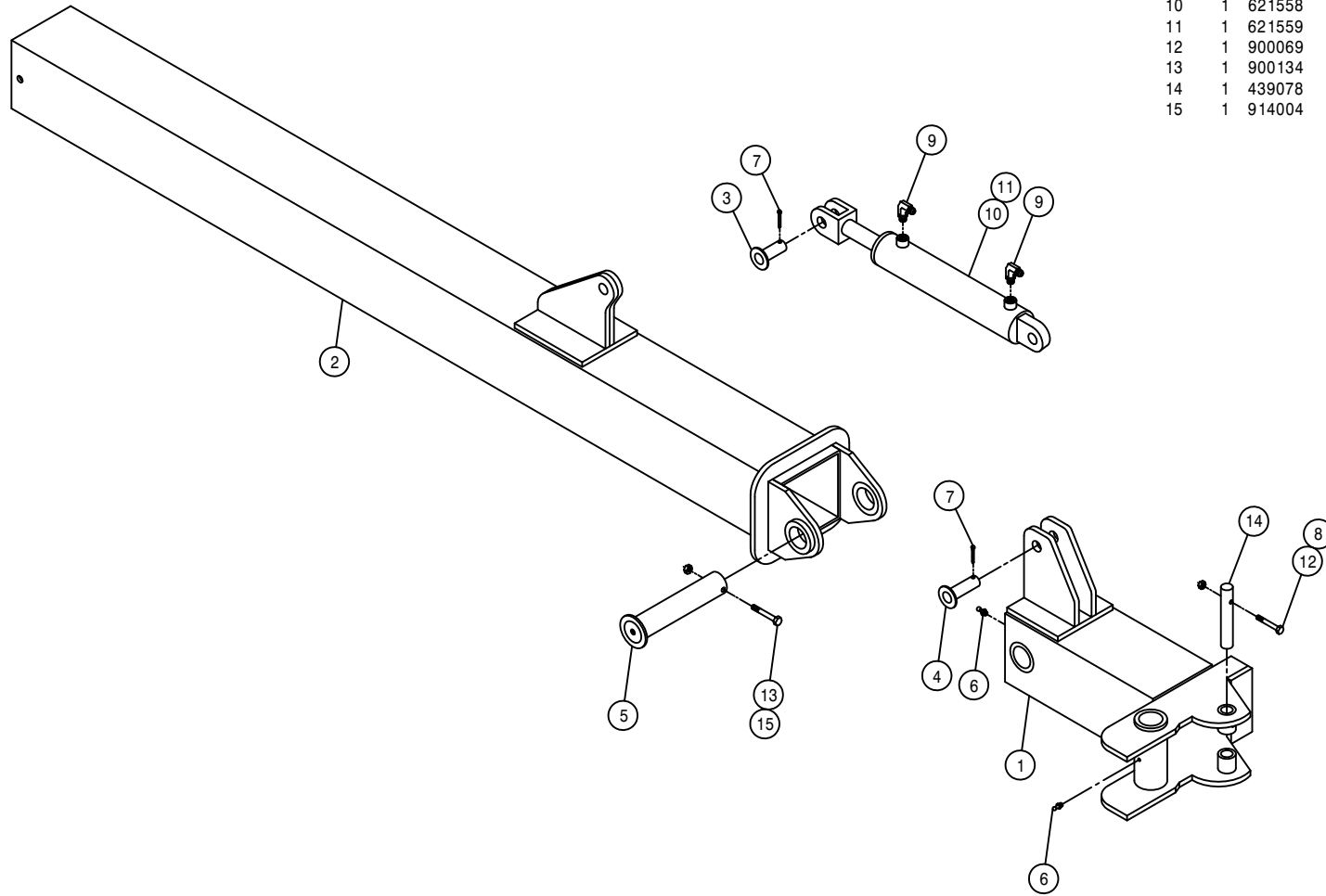
1	1	439005	LH UPR LIFT ARM WLD,NTB STS 03
2	2	439006	LWR LIFT ARM WLD,QA-NTB STS 03
3	1	439290	CENTER TOOLBAR WLD,NTB STS 08
4	1	439021	RH UPR LIFT ARM WLD,NTB STS 03
5	2	439066	LIFT CYL PIN WLD, NTB STS 03
6	2	439070	LIFT CYL MT PIN WLD, NTB STS
7	8	439072	LIFT ARM PIN WLD, NTB STS 03
8	2	439074	OUTRGR HINGE PIN WLD, NTB 03
9	2	439077	OUTRGR FOLD CYL MT PIN,NTB 03
10	2	439113	HOSE RETAINER, NTB 03
11	2	439166	LIFT ARM MT WLD,QA-NTB STS 04
12	2	470113	5/16UNC HEX FLANGE LOCK NUT
13	1	470274	TUBE CLAMP BODY, .750-.750
14	2	470275	TUBE CLAMP BODY,1.000-1.000
15	2	470276	CLAMP COVER PLATE,SNGL, 2.55LG
16	3	470281	STACK BOLT SAFETY LOCK PLATE
17	12	475015	COTTER PIN 1/4 X 1 1/2, SS
18	2	621558	LEVEL CYL, 3.00 X 11.00 STS
19	2	621559	REPAIR KIT,HYD CYL 621558
20	8	618119	9/16MJIC-90-9/16MOR LBO
21	2	618732	9/16JIC .031 ORIFICE ADPTR
22	2	621566	OUTRGR FOLD CYL, 2.50 X 11.00
23	2	621567	REPAIR KIT,HYD CYL 621566
24	2	900065	5/16UNC X 1" HEX BOLT
25	2	900134	3/8UNC X 2 1/2 SER FLANGE BOLT
26	1	900070	5/16UNC X 2 1/2 BOLT
27	1	900075	5/16UNC X 3 3/4 HEX BOLT
28	4	900393	5/8UNC X 1" FLT SOC CAP SCR
29	4	900534	1" UNC X 3" HEX BOLT
30	8	910017	1" UNC HEX NUT
31	2	914002	5/16UNC HEX STOVER NUT
32	2	914004	3/8UNC HEX STOVER NUT
33	4	920508	1" LOCK WASHER
34	8	920008	1" SAE FLAT WASHER
35	1	650137	DECAL,DANGER, NTB DISCONNECT
36	2	650219	DECAL,DANGER,NTB DISCONNECT,10
37	2	470552	GROMMET,1.75ID .250GW 2.00GD
38	2	470369	HOSE PROTECTOR, 8" BLACK



RIGHT 30FT TOOLBAR ASSEMBLY

DET. QTY PART NO. DESCRIPTION

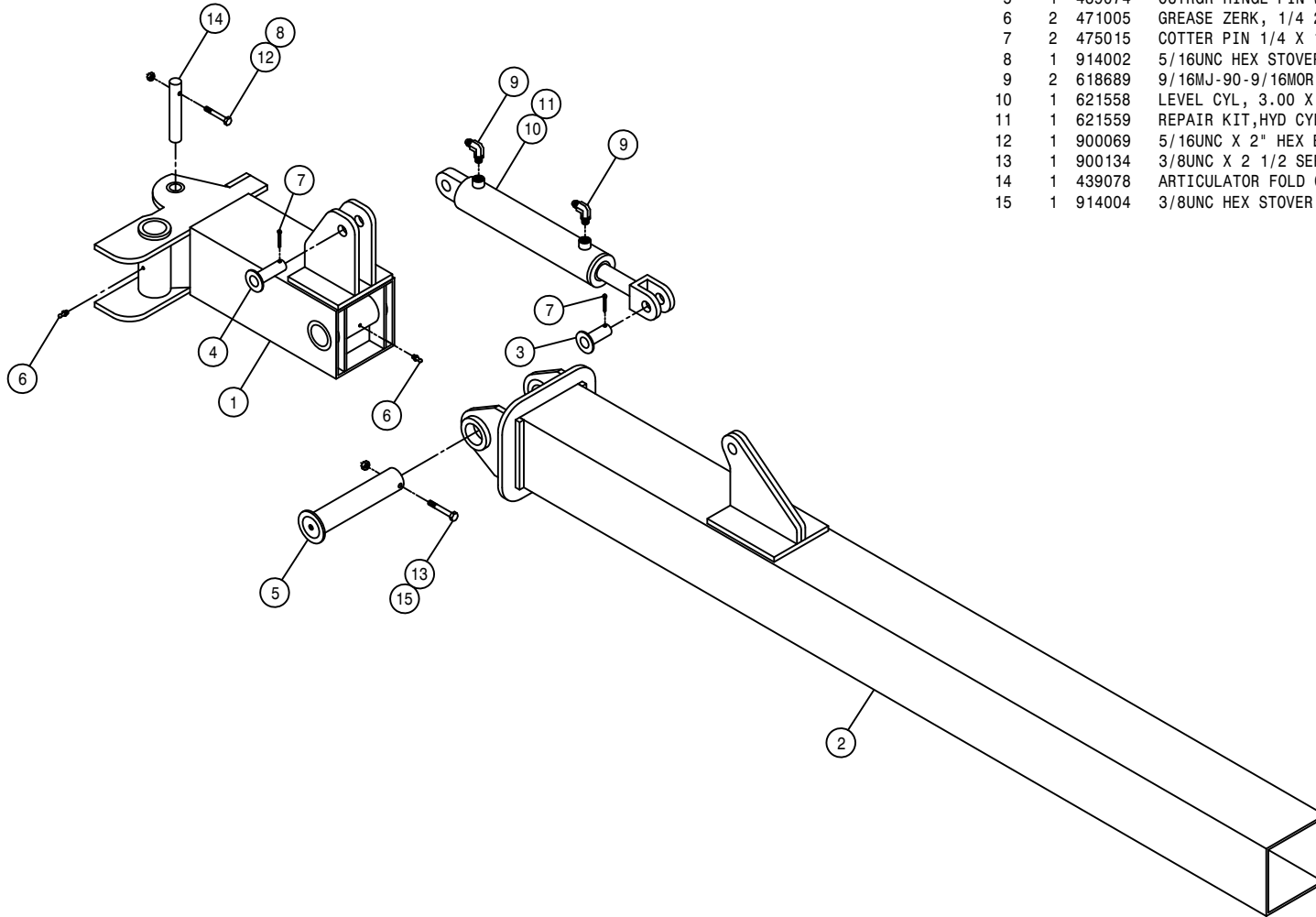
DET.	QTY	PART NO.	DESCRIPTION
1	1	439292	RH OUTRGR ARTICULATOR WLD NTB 08
2	1	439040	12R OUTRGR WLD, NTB STS 03
3	1	439066	LIFT CYL PIN WLD, NTB STS 03
4	1	439068	ARTICULATOR CYL PIN WLD, NTB 03
5	1	439074	OUTRGR HINGE PIN WLD, NTB 03
6	2	471005	GREASE ZERK, 1/4 28 X 1/2
7	2	475015	COTTER PIN 1/4 X 1 1/2, SS
8	1	914002	5/16UNC HEX STOVER NUT
9	2	618689	9/16MJ-90-9/16MOR .042 CHK VLV
10	1	621558	LEVEL CYL, 3.00 X 11.00 STS
11	1	621559	REPAIR KIT, HYD CYL 621558
12	1	900069	5/16UNC X 2" HEX BOLT
13	1	900134	3/8UNC X 2 1/2 SER FLANGE BOLT
14	1	439078	ARTICULATOR FOLD CYL PIN, NTB
15	1	914004	3/8UNC HEX STOVER NUT

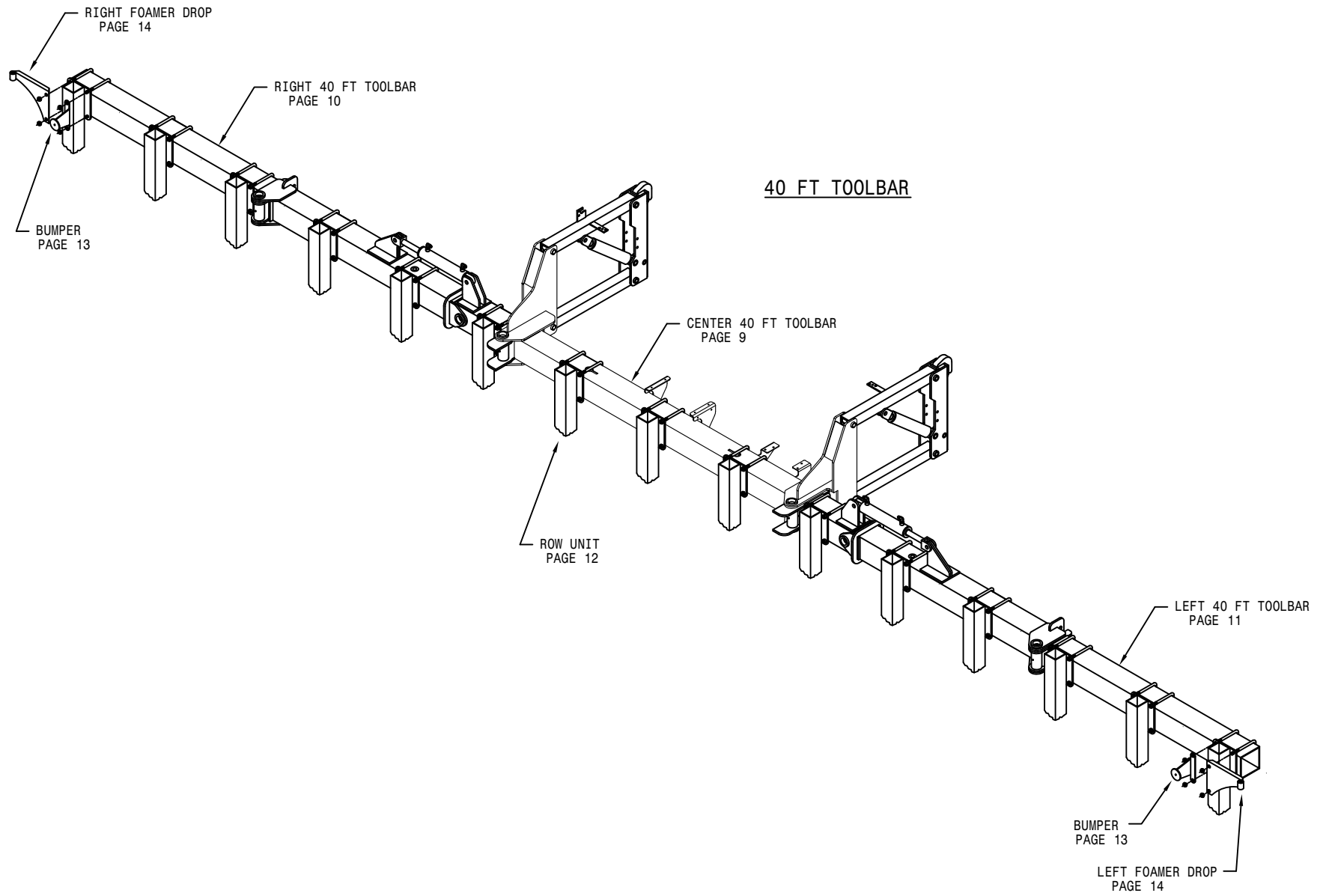


LEFT 30FT TOOLBAR ASSEMBLY

DET. QTY PART NO. DESCRIPTION

1	1	439293	LH OUTRGR ARTICULATOR WLD NTB 08
2	1	439040	12R OUTRGR WLD, NTB STS 03
3	1	439066	LIFT CYL PIN WLD, NTB STS 03
4	1	439068	ARTICULATOR CYL PIN WLD,NTB 03
5	1	439074	OUTRGR HINGE PIN WLD, NTB 03
6	2	471005	GREASE ZERK, 1/4 28 X 1/2
7	2	475015	COTTER PIN 1/4 X 1 1/2, SS
8	1	914002	5/16UNC HEX STOVER NUT
9	2	618689	9/16MJ-90-9/16MOR .042 CHK VLV
10	1	621558	LEVEL CYL, 3.00 X 11.00 STS
11	1	621559	REPAIR KIT,HYD CYL 621558
12	1	900069	5/16UNC X 2" HEX BOLT
13	1	900134	3/8UNC X 2 1/2 SER FLANGE BOLT
14	1	439078	ARTICULATOR FOLD CYL PIN, NTB
15	1	914004	3/8UNC HEX STOVER NUT

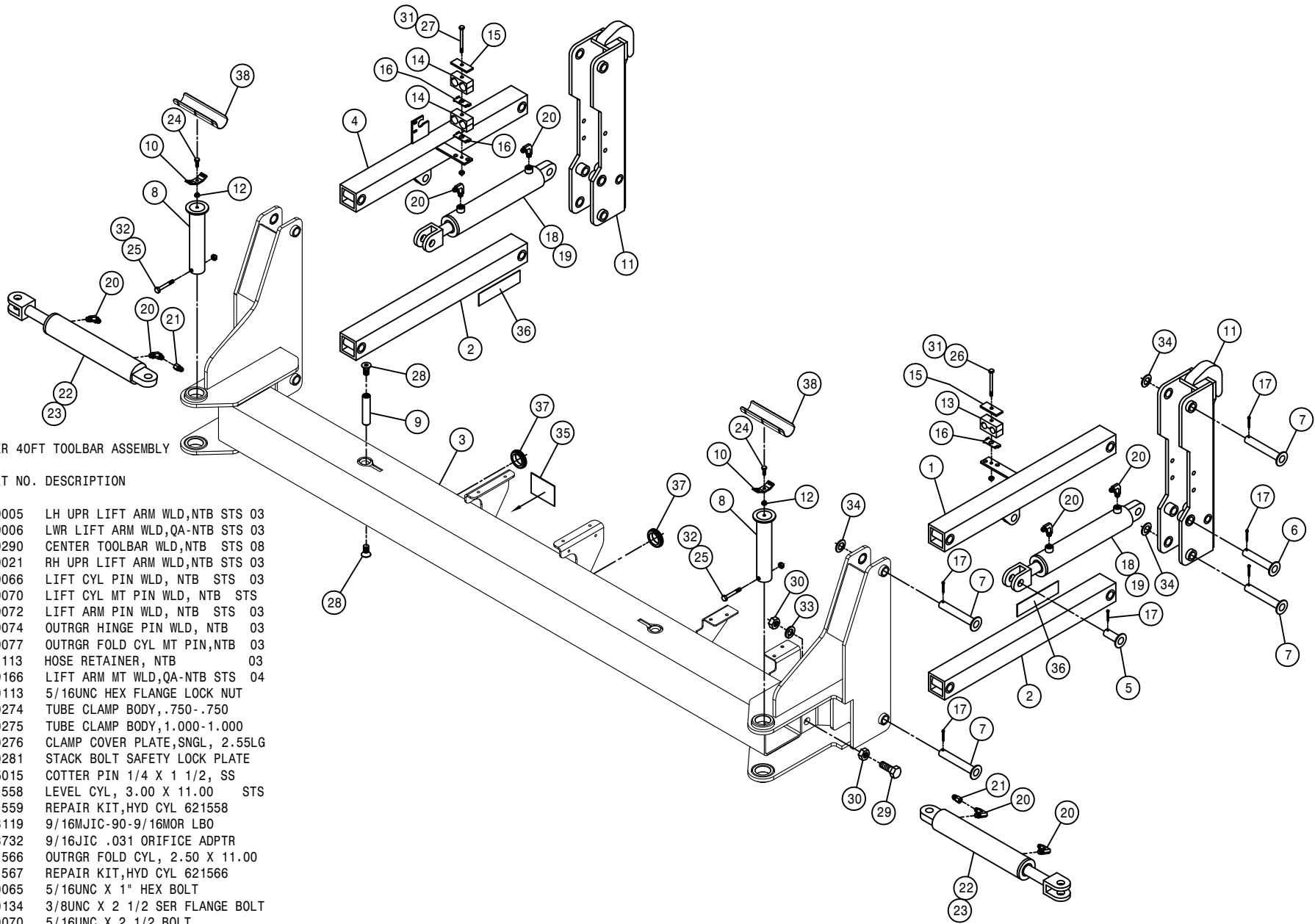




CENTER 40FT TOOLBAR ASSEMBLY

DET. QTY PART NO. DESCRIPTION

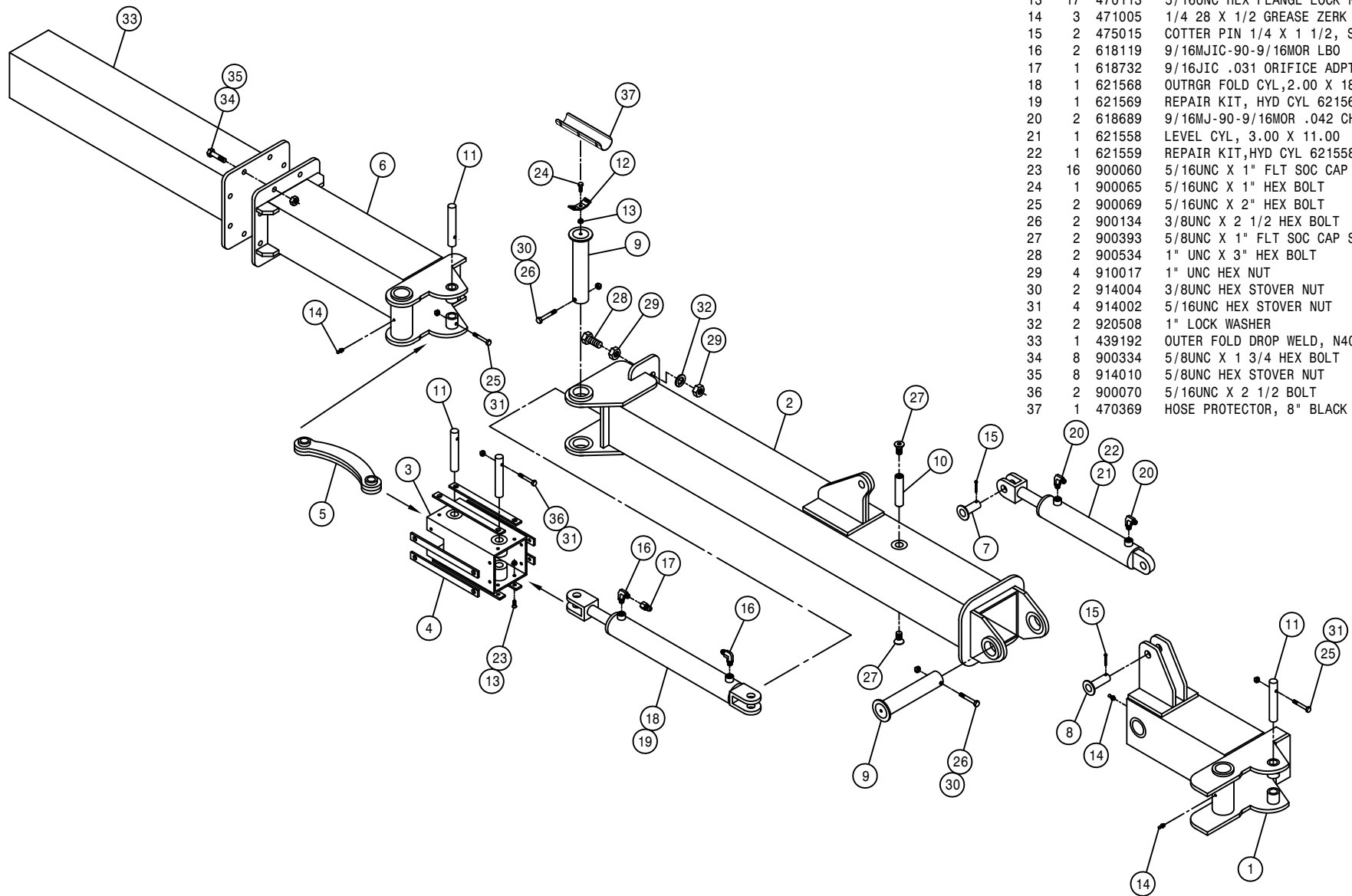
DET.	QTY	PART NO.	DESCRIPTION
1	1	439005	LH UPR LIFT ARM WLD,NTB STS 03
2	2	439006	LWR LIFT ARM WLD,QA-NTB STS 03
3	1	439290	CENTER TOOLBAR WLD,NTB STS 08
4	1	439021	RH UPR LIFT ARM WLD,NTB STS 03
5	2	439066	LIFT CYL PIN WLD, NTB STS 03
6	2	439070	LIFT CYL MT PIN WLD, NTB STS
7	8	439072	LIFT ARM PIN WLD, NTB STS 03
8	2	439074	OUTRGR HINGE PIN WLD, NTB 03
9	2	439077	OUTRGR FOLD CYL MT PIN,NTB 03
10	2	439113	HOSE RETAINER, NTB 03
11	2	439166	LIFT ARM MT WLD,QA-NTB STS 04
12	2	470113	5/16UNC HEX FLANGE LOCK NUT
13	1	470274	TUBE CLAMP BODY, .750-.750
14	2	470275	TUBE CLAMP BODY,1.000-1.000
15	2	470276	CLAMP COVER PLATE,SNGL, 2.55LG
16	3	470281	STACK BOLT SAFETY LOCK PLATE
17	12	475015	COTTER PIN 1/4 X 1 1/2, SS
18	2	621558	LEVEL CYL, 3.00 X 11.00 STS
19	2	621559	REPAIR KIT,HYD CYL 621558
20	8	618119	9/16MJIC-90-9/16MOR LBO
21	2	618732	9/16JIC .031 ORIFICE ADPTR
22	2	621566	OUTRGR FOLD CYL, 2.50 X 11.00
23	2	621567	REPAIR KIT,HYD CYL 621566
24	2	900065	5/16UNC X 1" HEX BOLT
25	2	900134	3/8UNC X 2 1/2 SER FLANGE BOLT
26	1	900070	5/16UNC X 2 1/2 BOLT
27	1	900075	5/16UNC X 3 3/4 HEX BOLT
28	4	900393	5/8UNC X 1" FLT SOC CAP SCR
29	4	900534	1" UNC X 3" HEX BOLT
30	8	910017	1" UNC HEX NUT
31	2	914002	5/16UNC HEX STOVER NUT
32	2	914004	3/8UNC HEX STOVER NUT
33	4	920508	1" LOCK WASHER
34	8	920008	1" SAE FLAT WASHER
35	1	650137	DECAL,DANGER, NTB DISCONNECT
36	2	650219	DECAL,DANGER,NTB DISCONNECT,10
37	2	470552	GROMMET,1.75ID .250GW 2.00GD
38	2	470369	HOSE PROTECTOR, 8" BLACK



RIGHT 40FT TOOLBAR ASSEMBLY

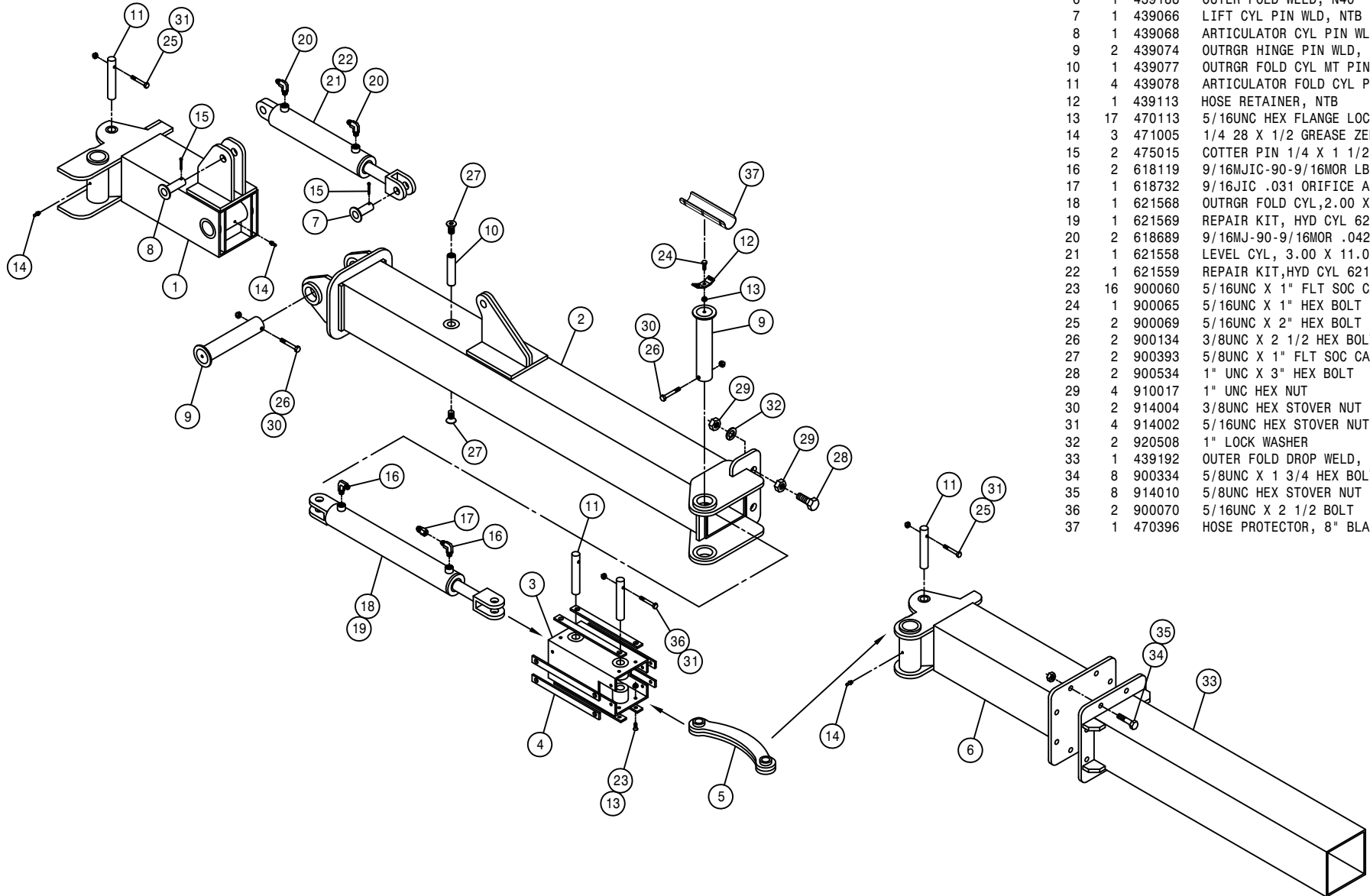
DET. QTY PART NO. DESCRIPTION

DET.	QTY	PART NO.	DESCRIPTION
1	1	439292	RH OUTRGR ARTICULATOR WLD NTB 08
2	1	439048	RH 16R OUTRGR WLD, NTB STS 03
3	1	439054	OUTRGR EXT FOLD SLIDE WLD, NTB
4	8	439058	FOLD SLIDE WEAR STRIP, 16R NTB
5	1	439060	OUTRGR EXT FOLD ARM WLD, NTB 03
6	1	439188	OUTER FOLD WELD, N40 05
7	1	439066	LIFT CYL PIN WLD, NTB STS 03
8	1	439068	ARTICULATOR CYL PIN WLD, NTB 03
9	2	439074	OUTRGR HINGE PIN WLD, NTB 03
10	1	439077	OUTRGR FOLD CYL MT PIN, NTB 03
11	4	439078	ARTICULATOR FOLD CYL PIN, NTB
12	1	439113	HOSE RETAINER, NTB 03
13	17	470113	5/16UNC HEX FLANGE LOCK NUT
14	3	471005	1/4 28 X 1/2 GREASE ZERK
15	2	475015	COTTER PIN 1/4 X 1 1/2, SS
16	2	618119	9/16MJIC-90-9/16MOR LBO
17	1	618732	9/16JIC .031 ORIFICE ADPTR
18	1	621568	OUTRGR FOLD CYL, 2.00 X 18
19	1	621569	REPAIR KIT, HYD CYL 621568
20	2	618689	9/16MJ-90-9/16MOR .042 CHK VLV
21	1	621558	LEVEL CYL, 3.00 X 11.00 STS
22	1	621559	REPAIR KIT, HYD CYL 621558
23	16	900060	5/16UNC X 1" FLT SOC CAP SCR
24	1	900065	5/16UNC X 1" HEX BOLT
25	2	900069	5/16UNC X 2" HEX BOLT
26	2	900134	3/8UNC X 2 1/2 HEX BOLT
27	2	900393	5/8UNC X 1" FLT SOC CAP SCR
28	2	900534	1" UNC X 3" HEX BOLT
29	4	910017	1" UNC HEX NUT
30	2	914004	3/8UNC HEX STOVER NUT
31	4	914002	5/16UNC HEX STOVER NUT
32	2	920508	1" LOCK WASHER
33	1	439192	OUTER FOLD DROP WELD, N40 05
34	8	900334	5/8UNC X 1 3/4 HEX BOLT
35	8	914010	5/8UNC HEX STOVER NUT
36	2	900070	5/16UNC X 2 1/2 BOLT
37	1	470369	HOSE PROTECTOR, 8" BLACK

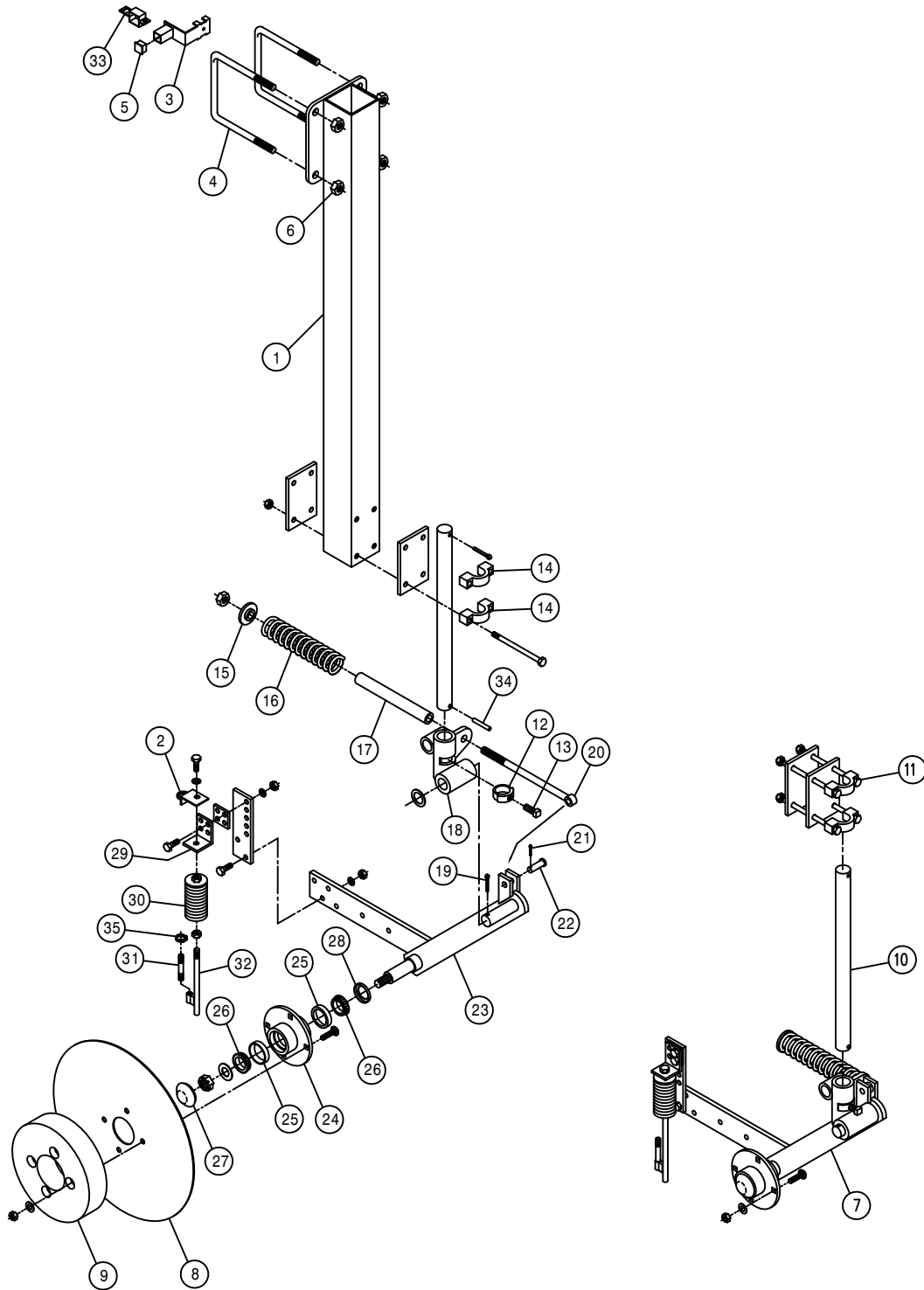


LEFT 40FT TOOLBAR ASSEMBLY

DET. QTY PART NO. DESCRIPTION

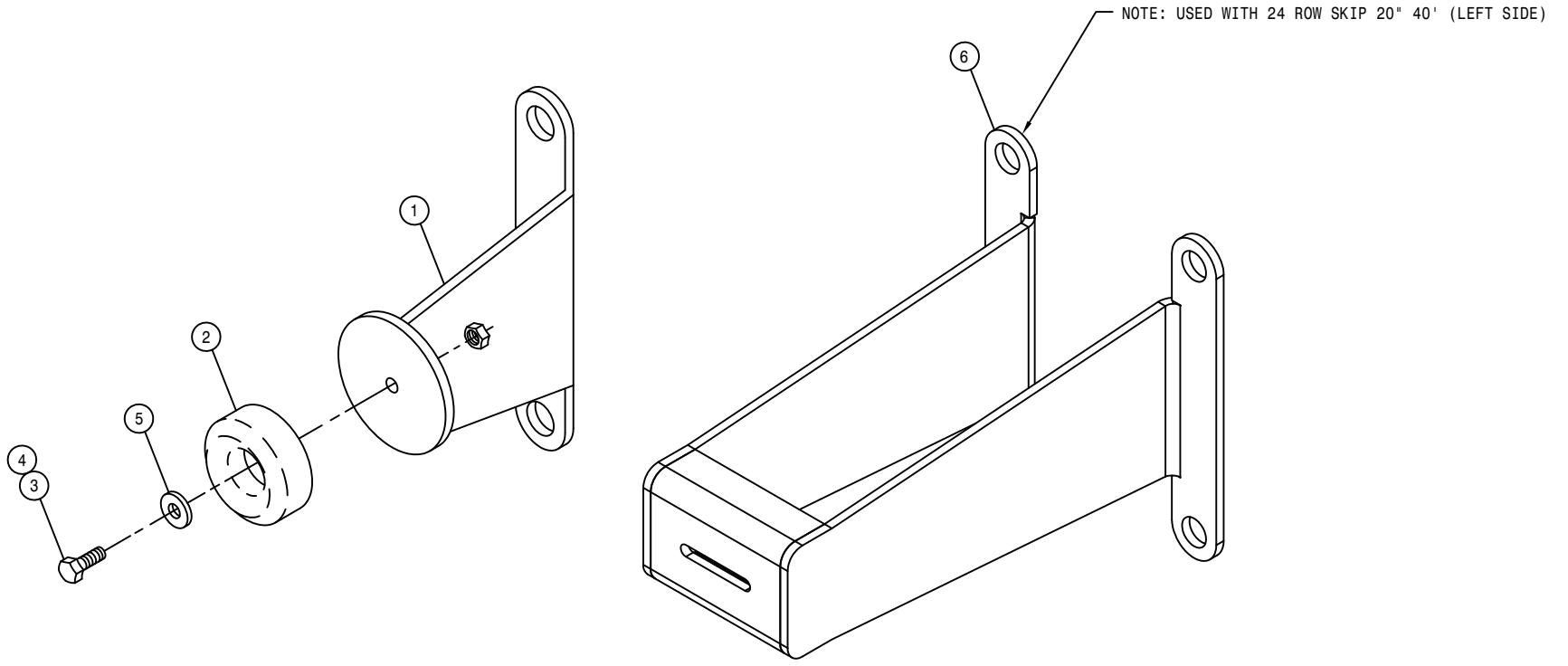


1	1	439293	LH OUTRGR ARTICULATOR WLD NTB 08
2	1	439049	LH 16R OUTRGR WLD, NTB STS 03
3	1	439054	OUTRGR EXT FOLD SLIDE WLD, NTB
4	8	439058	FOLD SLIDE WEAR STRIP,16R NTB
5	1	439060	OUTRGR EXT FOLD ARM WLD,NTB 03
6	1	439188	OUTER FOLD WELD, N40 05
7	1	439066	LIFT CYL PIN WLD, NTB STS 03
8	1	439068	ARTICULATOR CYL PIN WLD,NTB 03
9	2	439074	OUTRGR HINGE PIN WLD, NTB 03
10	1	439077	OUTRGR FOLD CYL MT PIN,NTB 03
11	4	439078	ARTICULATOR FOLD CYL PIN, NTB
12	1	439113	HOSE RETAINER, NTB 03
13	17	470113	5/16UNC HEX FLANGE LOCK NUT
14	3	471005	1/4 28 X 1/2 GREASE ZERK
15	2	475015	COTTER PIN 1/4 X 1 1/2, SS
16	2	618119	9/16MJIC-90-9/16MOR LBO
17	1	618732	9/16JIC .031 ORIFICE ADPTR
18	1	621568	OUTRGR FOLD CYL,2.00 X 18
19	1	621569	REPAIR KIT, HYD CYL 621568
20	2	618689	9/16MJ-90-9/16MOR .042 CHK VLV
21	1	621558	LEVEL CYL, 3.00 X 11.00 STS
22	1	621559	REPAIR KIT,HYD CYL 621558
23	16	900060	5/16UNC X 1" FLT SOC CAP SCR
24	1	900065	5/16UNC X 1" HEX BOLT
25	2	900069	5/16UNC X 2" HEX BOLT
26	2	900134	3/8UNC X 2 1/2 HEX BOLT
27	2	900393	5/8UNC X 1" FLT SOC CAP SCR
28	2	900534	1" UNC X 3" HEX BOLT
29	4	910017	1" UNC HEX NUT
30	2	914004	3/8UNC HEX STOVER NUT
31	4	914002	5/16UNC HEX STOVER NUT
32	2	920508	1" LOCK WASHER
33	1	439192	OUTER FOLD DROP WELD, N40 05
34	8	900334	5/8UNC X 1 3/4 HEX BOLT
35	8	914010	5/8UNC HEX STOVER NUT
36	2	900070	5/16UNC X 2 1/2 BOLT
37	1	470396	HOSE PROTECTOR, 8" BLACK



ROW UNIT ASSEMBLY

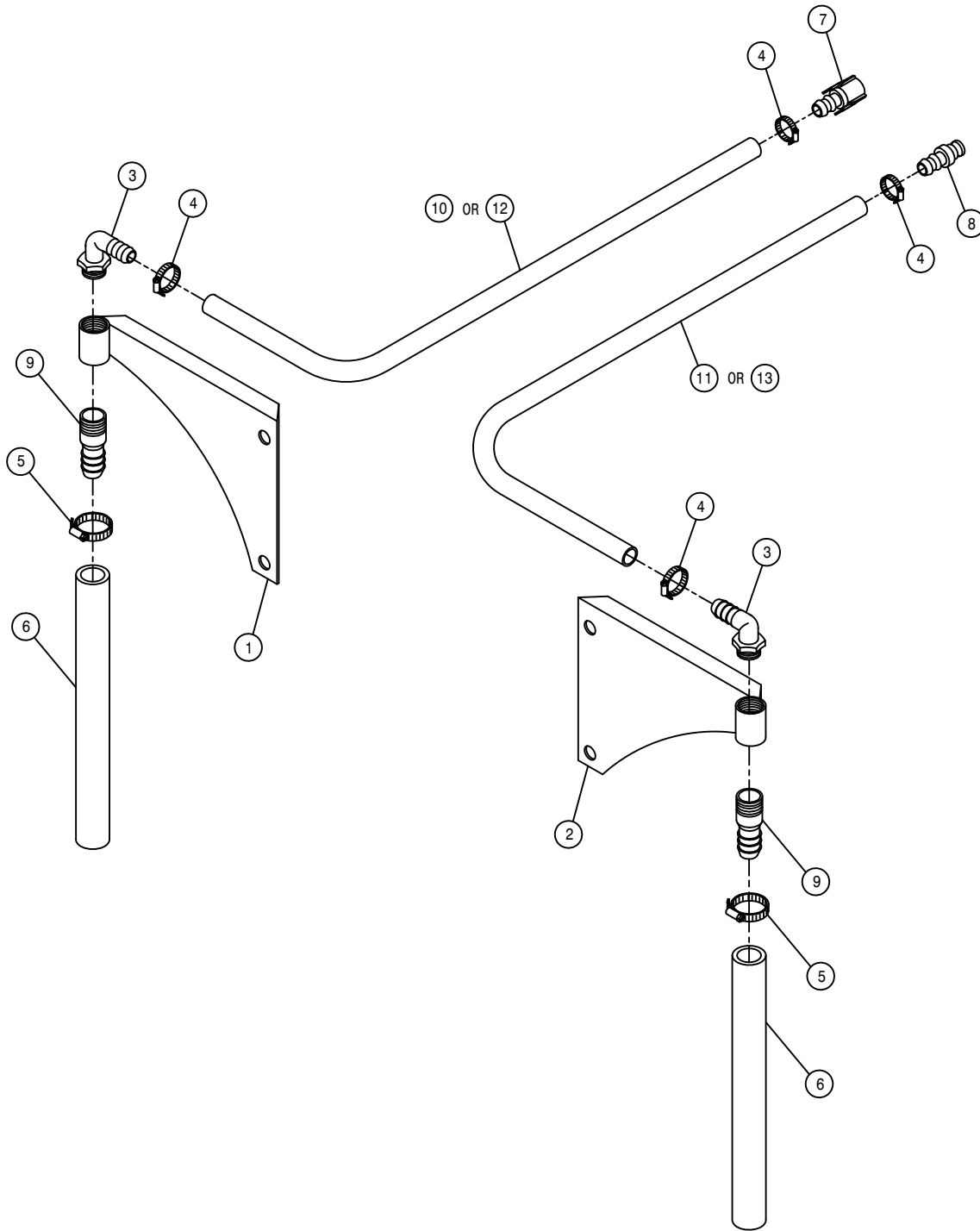
DET.	QTY	PART NO.	DESCRIPTION
1	1	439080	ROW DROP WLD, NTB STS 03
2	1	439092	HOSE RETAINER WLD, 1" NTB
3	1	439096	TIP MT BRKT WLD, NTB STS 03
4	2	473981	.750UNC-7.00ID-8.50 U-BOLT SQ
5	1	629727	FINISH PLUG FOR 1"SQ X 16 GA
6	4	914012	3/4UNC HEX STOVER NUT
7	1	439105	YETTER COULTER,20" GEN III
8	1	439106	20" SMOOTH BLADE, YETTER
9	1	439107	POLY GAUGE WHEEL, YETTER
10	1	439108	22" SHANK, YETTER
11	1	439109	4" SQ TUBE MT KIT, YETTER
12	1	439201	LOCKING COLLAR, YETTER 2975-303
13	1	439202	5/8-11 X 1" SQ HCPSS GR 5 ZP
14	2	439200	CLAMP CASTING, YETTER 2990-360
15	1	439203	SPRING BUSHING, YETTER 2555-096
16	1	439204	SPRING, 11", YETTER 2550-795
17	1	439205	10"POLY SPRING, YETTER 2550-771
18	1	439206	COULTER PIVOT, RH 2995-307
19	1	470045	COTTER PIN 1/4 X 1 3/4
20	1	439208	SPRING ROD, YETTER 2995-304
21	1	390984	COTTER PIN 1/8 X 1 1/4
22	1	439209	SPRING ROD PIN, YETTER 2995-308
23	1	439210	GENERATION III W/KNIFE ARM
24	1	439211	HUB ASSY, YETTER 2900-105
25	2	125028	BRG CUP LM67010
26	2	125010	BRG CONE LM67048
27	1	439212	HUB CAP, YETTER 2570-375
28	1	129010	SEAL C/R 16069
29	1	439213	INJECTOR MT PLT, YETTER 2995301
30	1	439214	SPRING INJ ASSY, YETTER 2995131
31	1	507028	SS PIPE NIPPLE .25NPT-3.00
32	1	439215	INJECTOR ROD, YETTER 2995-212
33	1	737817	NOZL MT CLMP, 1.00 SQ SS, Q-TJET
34	1	473937	ROLL PIN, 3/8DIA X 2 1/2
35	1	520070	HOSE CLAMP NO 8 STAINLESS



BUMPER ASSEMBLY

DET. QTY PART NO. DESCRIPTION

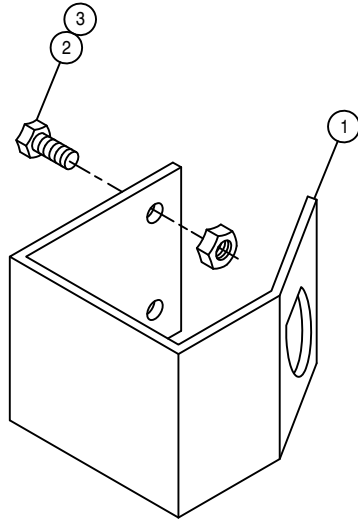
1	1	439110	RUBBER BUMPER MT WLD, NTB 03
2	1	470098	RUBBER BUMPER 2.500D X .38ID
3	1	900066	5/16UNC X 1 1/4 HEX BOLT
4	1	914002	5/16UNC HEX STOVER NUT
5	1	920001	5/16 SAE FLAT WASHER
6	1	439117	RUBBER BUMPER MT EXT WLD,NTB



FOAMER DROP AND HOSE ASSEMBLY

DET.	QTY	PART NO.	DESCRIPTION
1	1	439100	RH FOAMER DROP CPLR WLD, NTB
2	1	439101	LH FOAMER DROP CPLR WLD, NTB
3	2	500067	1 NPT-90-3/4 HOSE BARB, POLY
4	4	520055	HOSE CLAMP NO 12 STAINLESS
5	2	520085	HOSE CLAMP NO 24 STAINLESS
6	2	601586	HOSE, 1 1/4 X 16 2BR BLK EPDM
7	1	696207	.75 HOSE BARB-FEMALE COUPLER
8	1	696208	.75 HOSE BARB-MALE COUPLER
9	2	714561	1.00NPT-1.25 HOSE BARB
10	1	195908	HOSE, 3/4ID-1/8W CLEAR VINYL X 252.00
11	1	195908	HOSE, 3/4ID-1/8W CLEAR VINYL X 348.00
12	1	195908	HOSE, 3/4ID-1/8W CLEAR VINYL X 192.00
13	1	195908	HOSE, 3/4ID-1/8W CLEAR VINYL X 288.00

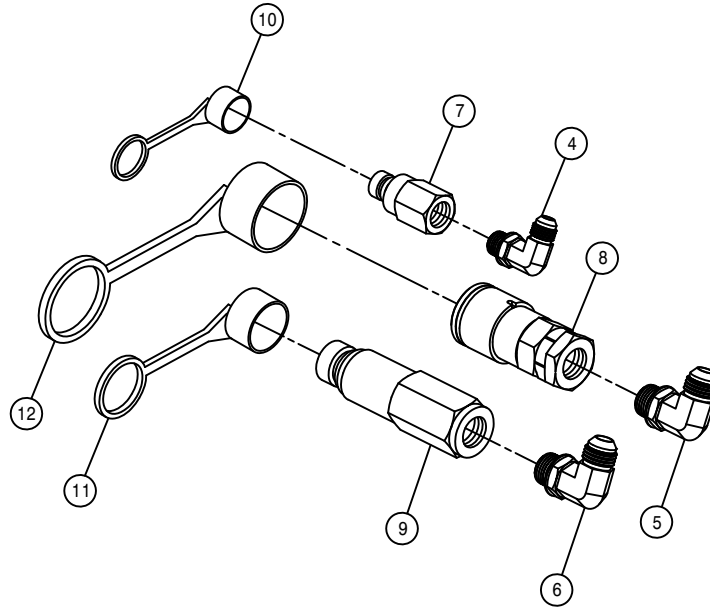
NOTE: DETAILS 10 & 11 ARE USED WITH THE 40FT TOOLBAR.
 DETAILS 12 & 13 ARE USED WITH THE 30FT TOOLBAR.

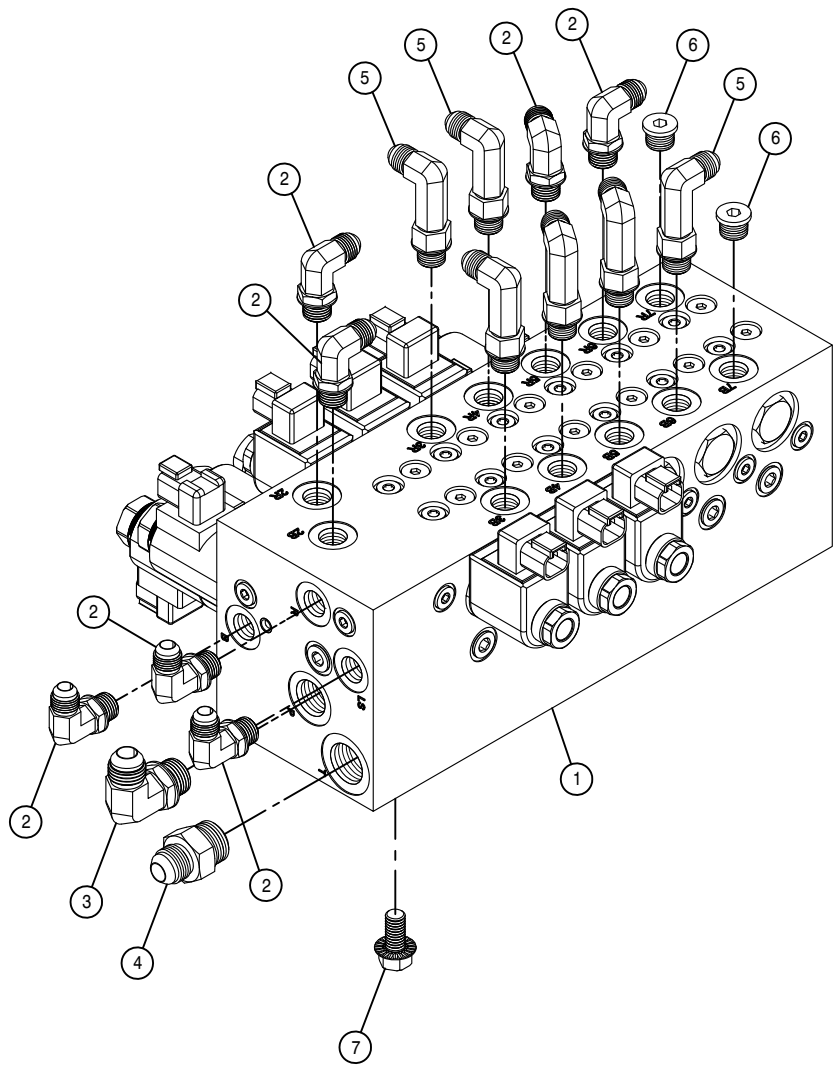


QUICK ATTACK ASSEMBLY

DET. QTY PART NO. DESCRIPTION

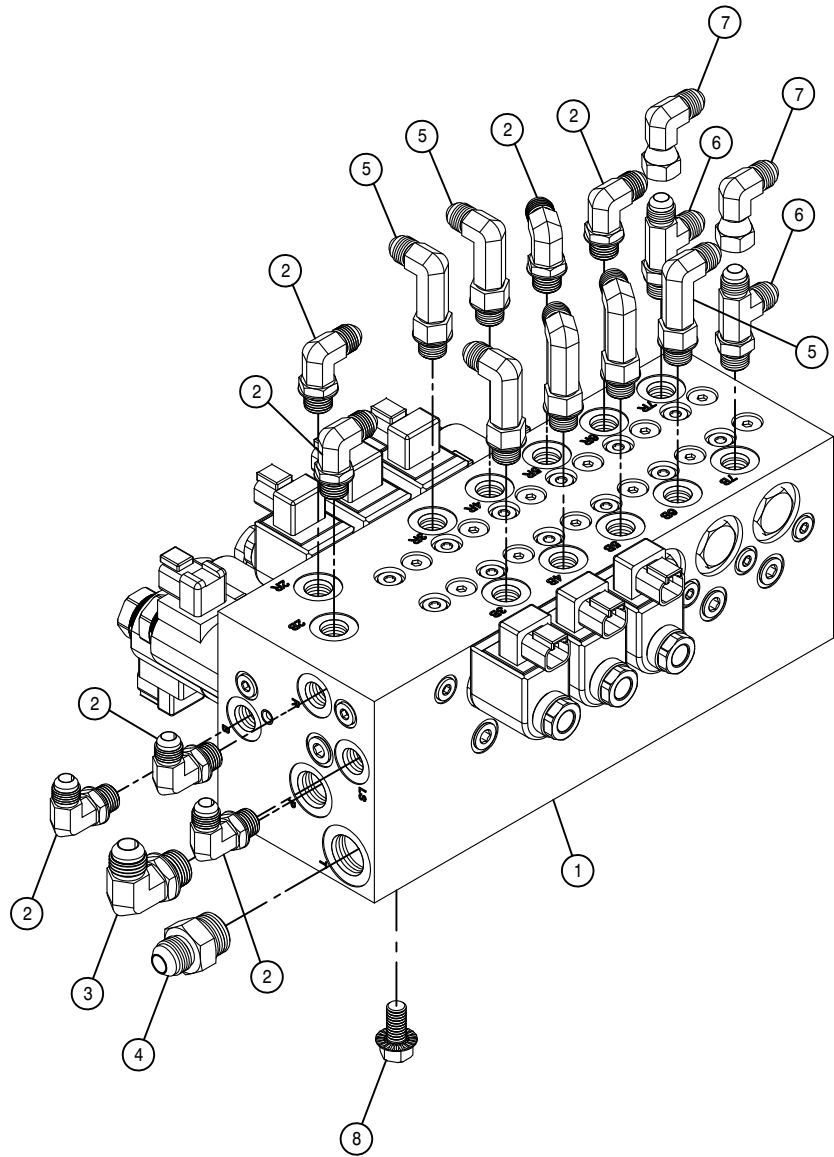
1	1	439104	RECEPTACLE MT, NTB STS	05
2	2	900264	1/2UNC X 1 1/4 HEX BOLT	
3	2	914008	1/2UNC HEX STOVER NUT	
4	1	618241	3/4MJIC-90-3/4MOR LBO	
5	1	618183	3/4MJIC-90-7/8MOR LBO	
6	1	618171	7/8MOR-3/4FOR ADPTR	
7	1	618804	HYD CPLR, MALE #14,9/16FOR	
8	1	618807	HYD CPLR, FEM #12,3/4FOR	
9	1	618806	HYD CPLR, MALE #12,7/8FOR	
10	1	618255	DUST CAP/PLUG FOR 618804/805	
11	1	618256	DUST CAP FOR 618806	
12	1	618257	DUST PLUG FOR 618807	





30FT TOOLBAR CONTROL VALVE ASSEMBLY

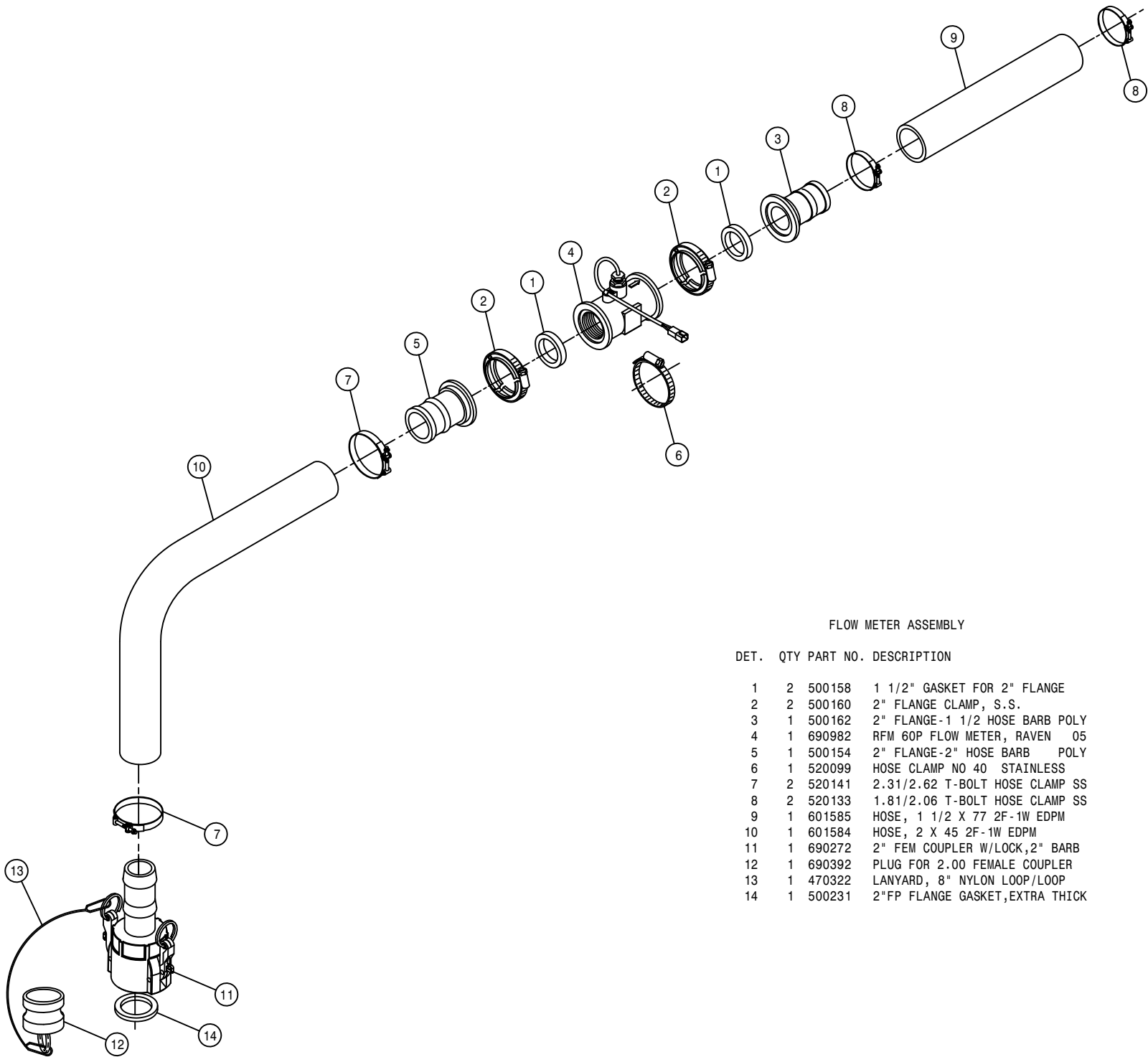
DET.	QTY	PART NO.	DESCRIPTION
1	1	606280	HYD VALVE, SAUER 6SPL NTB 07
2	7	618119	9/16MJIC-90-9/16MOR LBO
3	1	618241	3/4MJIC-90-3/4MOR LBO
4	1	618327	3/4MJIC-7/8MOR ADPTR
5	6	618440	9/16MJIC-90-9/16MOR EX LG LBO
6	2	618754	9/16MOR PLUG, HEX SOCKET
7	4	900128	3/8UNC X 3/4 HEX BOLT



40FT TOOLBAR CONTROL VALVE ASSEMBLY

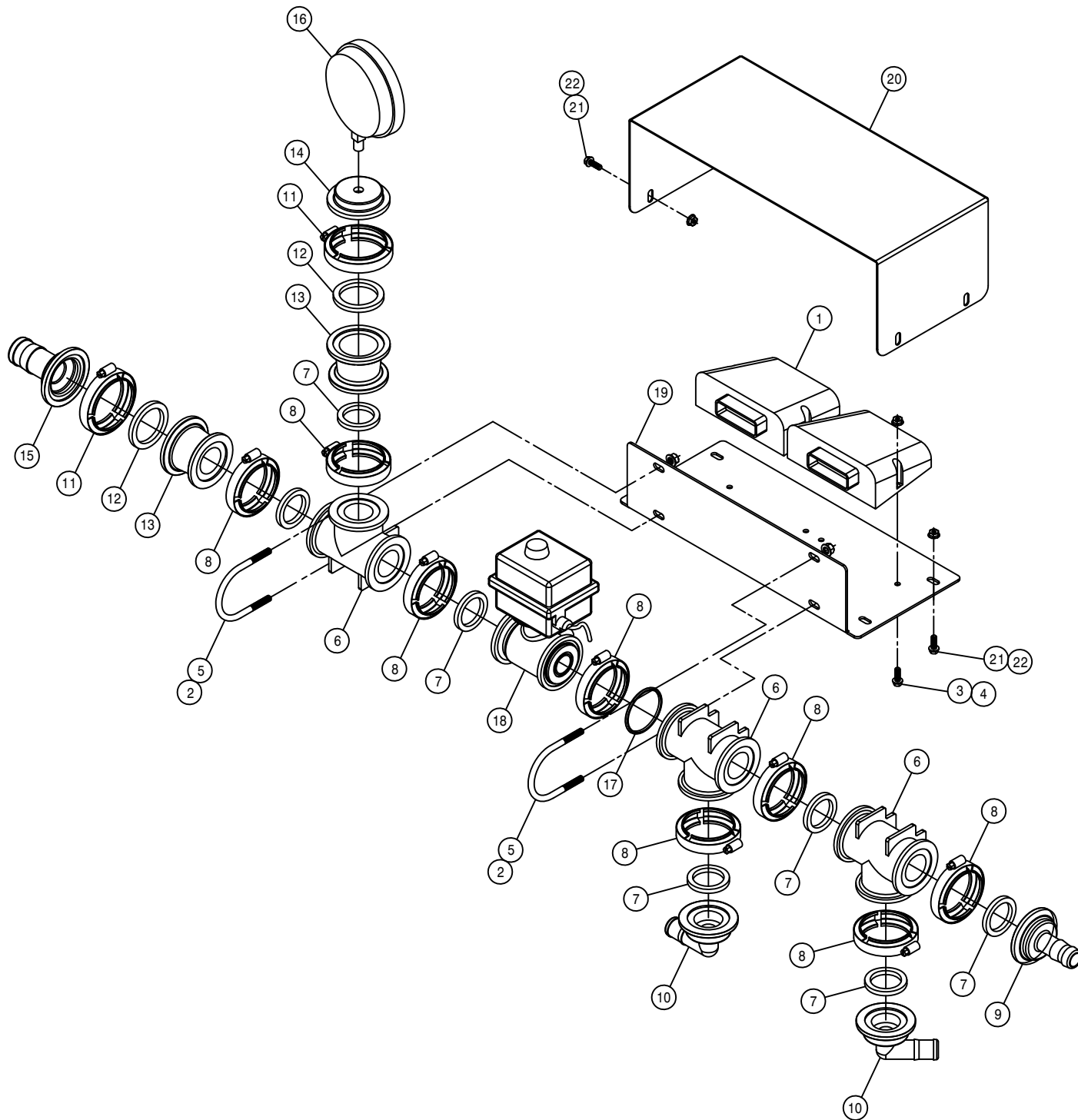
DET. QTY PART NO. DESCRIPTION

1	1	606280	HYD VALVE, SAUER 6SPL NTB	07
2	7	618119	9/16MJIC-90-9/16MOR LBO	
3	1	618241	3/4MJIC-90-3/4MOR LBO	
4	1	618327	3/4MJIC-7/8MOR ADPTR	
5	6	618440	9/16MJIC-90-9/16MOR EX LG LBO	
6	2	618444	9/16MOR RUN TEE-9/16MJIC	
7	2	618618	9/16MJIC-90-9/16FJIC SWIV LBO	
8	4	900128	3/8UNC X 3/4 HEX BOLT	



FLOW METER ASSEMBLY

DET.	QTY	PART NO.	DESCRIPTION
1	2	500158	1 1/2" GASKET FOR 2" FLANGE
2	2	500160	2" FLANGE CLAMP, S.S.
3	1	500162	2" FLANGE-1 1/2 HOSE BARB POLY
4	1	690982	RFM 60P FLOW METER, RAVEN 05
5	1	500154	2" FLANGE-2" HOSE BARB POLY
6	1	520099	HOSE CLAMP NO 40 STAINLESS
7	2	520141	2.31/2.62 T-BOLT HOSE CLAMP SS
8	2	520133	1.81/2.06 T-BOLT HOSE CLAMP SS
9	1	601585	HOSE, 1 1/2 X 77 2F-1W EDPM
10	1	601584	HOSE, 2 X 45 2F-1W EDPM
11	1	690272	2" FEM COUPLER W/LOCK, 2" BARB
12	1	690392	PLUG FOR 2.00 FEMALE COUPLER
13	1	470322	LANYARD, 8" NYLON LOOP/LOOP
14	1	500231	2"FP FLANGE GASKET, EXTRA THICK



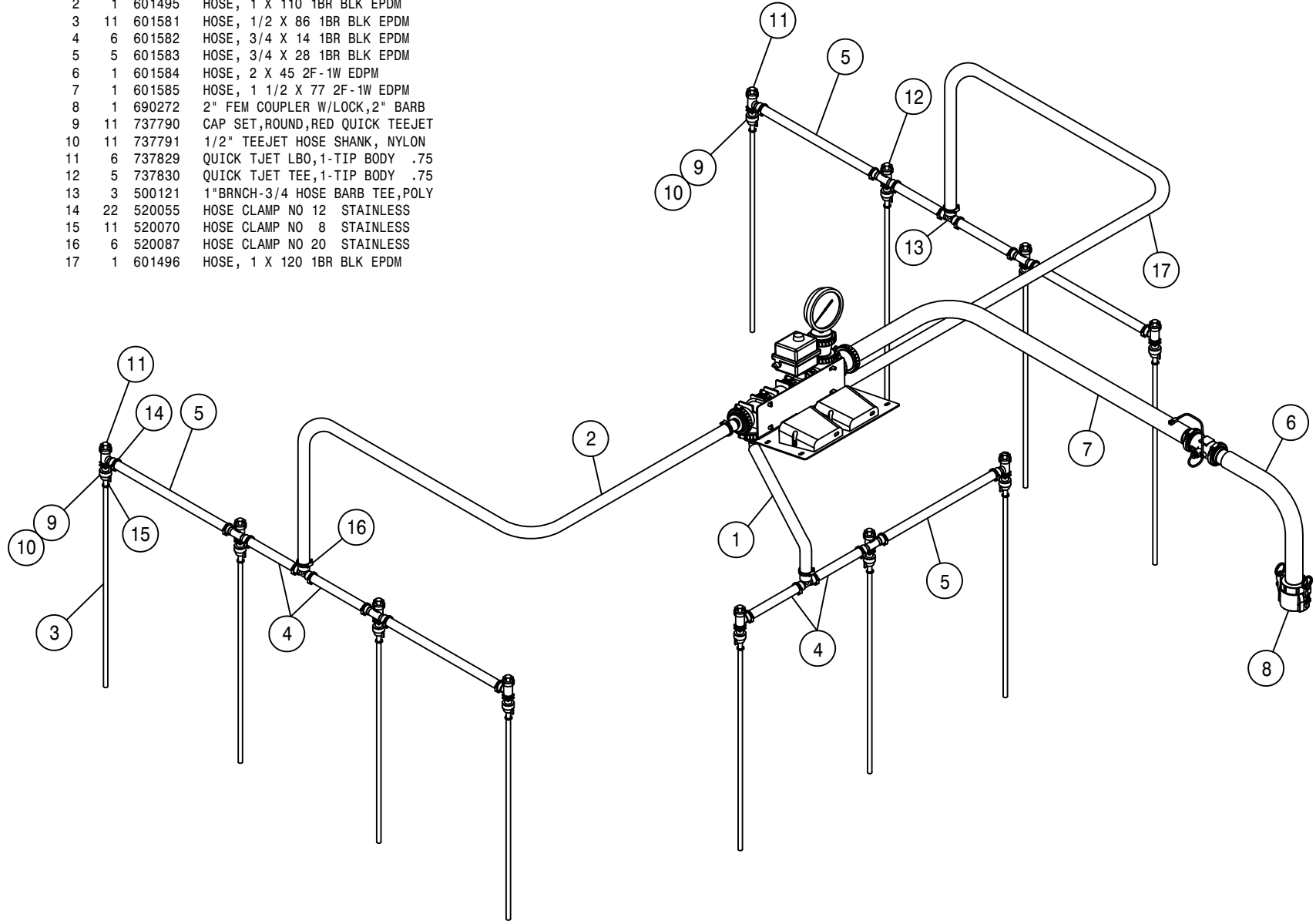
SOLUTION CONTROL VALVE ASSEMBLY

DET.	QTY	PART NO.	DESCRIPTION
	1	292012	IQAN-XP2 POWER MODULE
	2	12 470113	5/16UNC HEX FLANGE LOCK NUT
	3	4 470118	1/4UNC X 3/4 FLANGE HEX BOLT
	4	4 470121	1/4UNC HEX FLANGE LOCK NUT
	5	2 472195	5/16UNC-2 11/16ID-3 9/16U-BOLT
	6	3 500151	2" FLANGE TEE POLY
	7	7 500158	1 1/2" GASKET FOR 2" FLANGE
	8	8 500160	2" FLANGE CLAMP, S.S.
	9	1 500172	2" FLANGE-1" HOSE BARB POLY
	10	2 500189	2" FLANGE-90-1" HOSE BARB POLY
	11	2 500194	2"FP FLANGE CLAMP, S.S.
	12	2 500195	2"FP FLANGE GASKET EPDM
	13	2 500199	2"FP FLANGE-2"FLANGE REDU POLY
	14	1 500229	2"FP FLANGE PLUG, 1/4FNPT POLY
	15	1 500230	2" FP FLANGE-1 1/2" HOSE BARB
	16	1 690359	PRESSURE GA GLYCERI 100 PSI
	17	1 696254	O-RING, KZCO FLANGED VALVES
	18	1 696256	VALVE, KZCO C2F-60B-M-S9
	19	1 439194	ELECT CTRL MT PANEL, NTB 05
	20	1 439195	ELECT CTRL BOX COVER, NTB 05
	21	8 470233	5/16UNC X 3/4 FLANGE HEX BOLT

HOSE DIAG, 12R 30" 30FT NTB

DET. QTY PART NO. DESCRIPTION

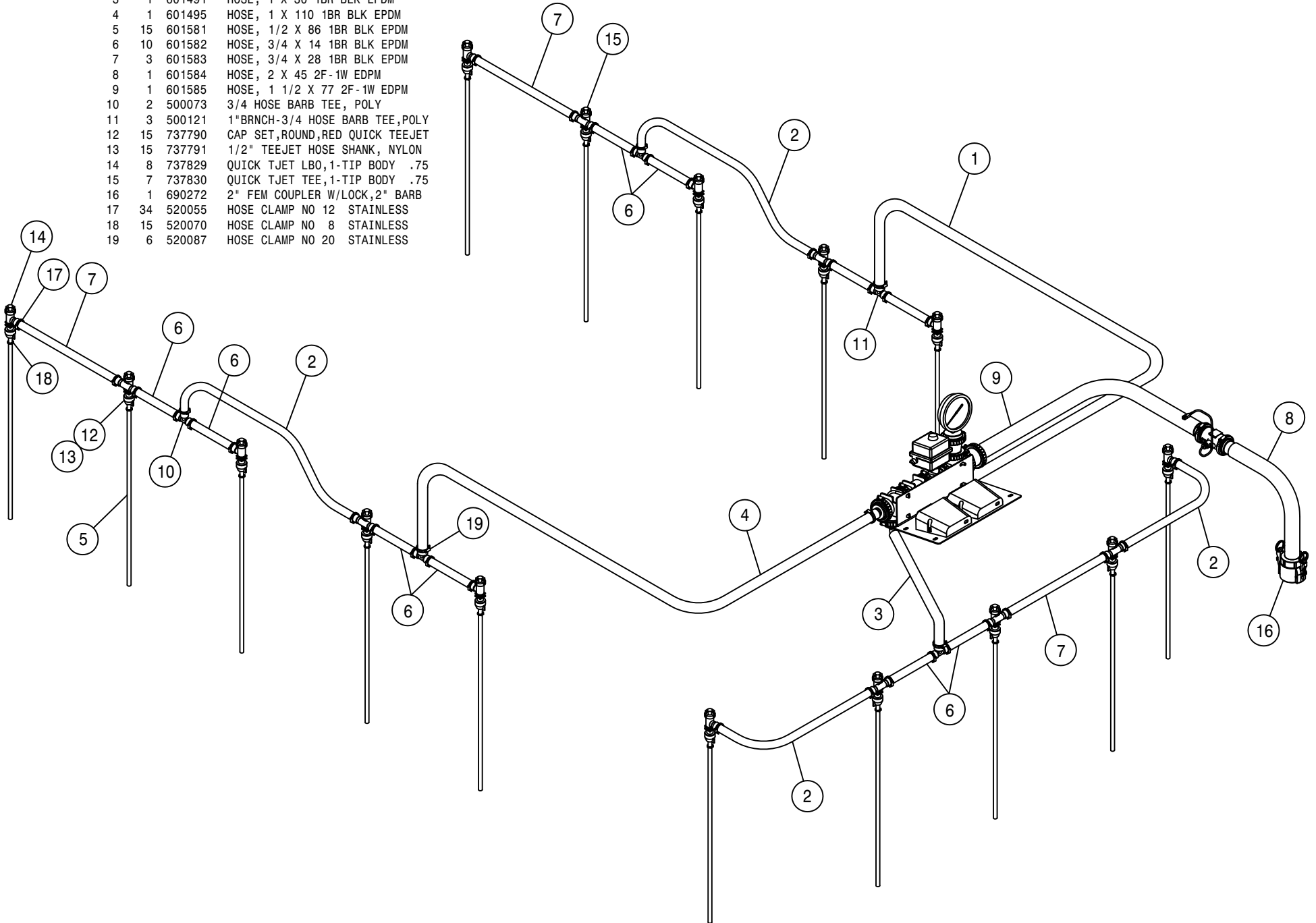
1	1	601491	HOSE, 1 X 30 1BR BLK EPDM
2	1	601495	HOSE, 1 X 110 1BR BLK EPDM
3	11	601581	HOSE, 1/2 X 86 1BR BLK EPDM
4	6	601582	HOSE, 3/4 X 14 1BR BLK EPDM
5	5	601583	HOSE, 3/4 X 28 1BR BLK EPDM
6	1	601584	HOSE, 2 X 45 2F-1W EPDM
7	1	601585	HOSE, 1 1/2 X 77 2F-1W EPDM
8	1	690272	2" FEM COUPLER W/LOCK, 2" BARB
9	11	737790	CAP SET, ROUND, RED QUICK TEEJET
10	11	737791	1/2" TEEJET HOSE SHANK, NYLON
11	6	737829	QUICK TJET LBO, 1-TIP BODY .75
12	5	737830	QUICK TJET TEE, 1-TIP BODY .75
13	3	500121	1" BRNCH-3/4 HOSE BARB TEE, POLY
14	22	520055	HOSE CLAMP NO 12 STAINLESS
15	11	520070	HOSE CLAMP NO 8 STAINLESS
16	6	520087	HOSE CLAMP NO 20 STAINLESS
17	1	601496	HOSE, 1 X 120 1BR BLK EPDM



HOSE DIAG, 16R 30" 40FT NTB

DET. QTY PART NO. DESCRIPTION

1	1	601496	HOSE, 1 X 120 1BR BLK EPDM
2	4	601174	HOSE, 3/4 X 60 1BR BLK EPDM
3	1	601491	HOSE, 1 X 30 1BR BLK EPDM
4	1	601495	HOSE, 1 X 110 1BR BLK EPDM
5	15	601581	HOSE, 1/2 X 86 1BR BLK EPDM
6	10	601582	HOSE, 3/4 X 14 1BR BLK EPDM
7	3	601583	HOSE, 3/4 X 28 1BR BLK EPDM
8	1	601584	HOSE, 2 X 45 2F-1W EDPM
9	1	601585	HOSE, 1 1/2 X 77 2F-1W EDPM
10	2	500073	3/4 HOSE BARB TEE, POLY
11	3	500121	1"BRNCH-3/4 HOSE BARB TEE,POLY
12	15	737790	CAP SET,ROUND,RED QUICK TEEJET
13	15	737791	1/2" TEEJET HOSE SHANK, NYLON
14	8	737829	QUICK TJET LBO,1-TIP BODY .75
15	7	737830	QUICK TJET TEE,1-TIP BODY .75
16	1	690272	2" FEM COUPLER W/LOCK,2" BARB
17	34	520055	HOSE CLAMP NO 12 STAINLESS
18	15	520070	HOSE CLAMP NO 8 STAINLESS
19	6	520087	HOSE CLAMP NO 20 STAINLESS

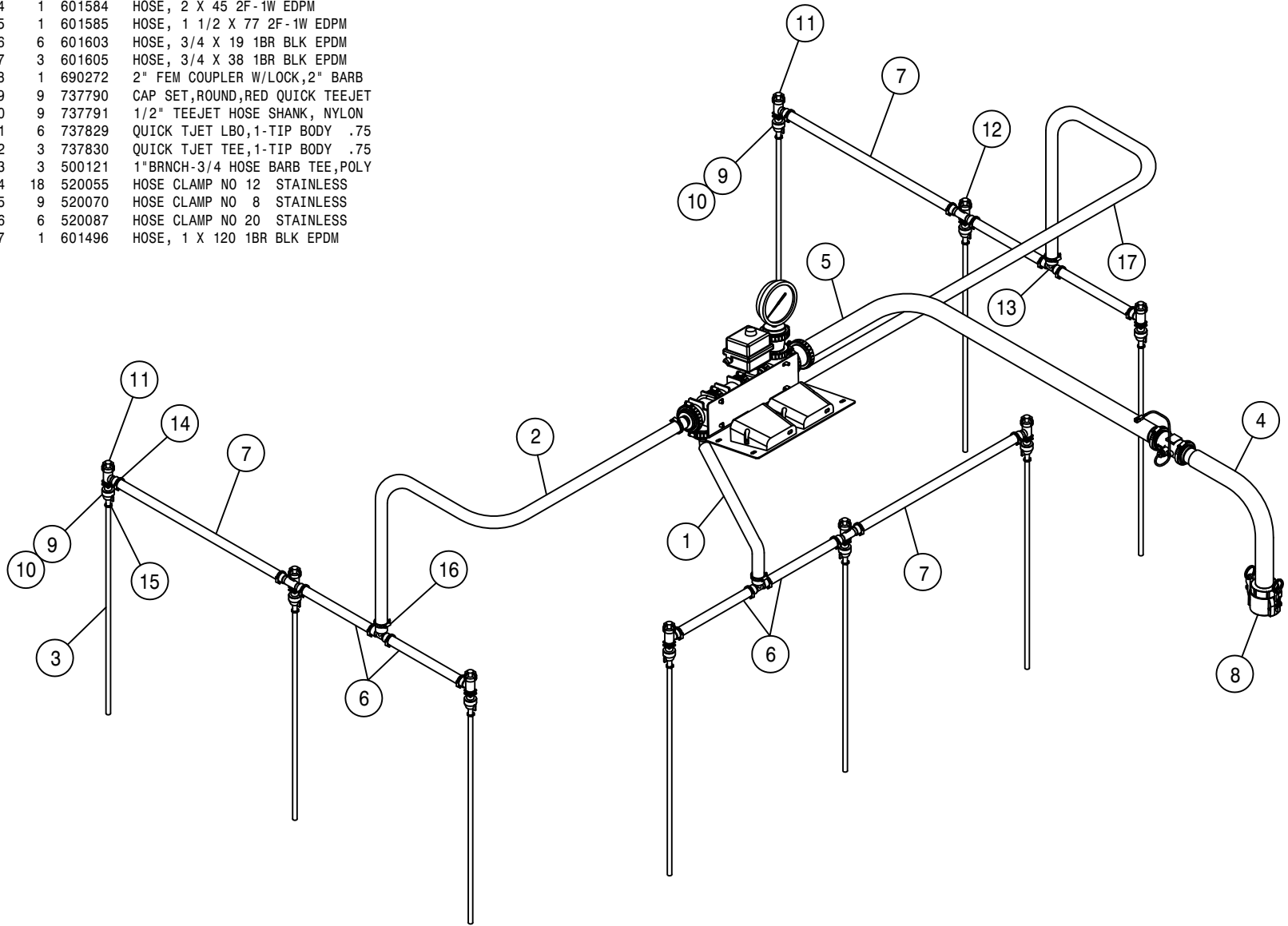


21

HOSE DIAG. 18R SKIP 20" 30FT NTB

DET. QTY PART NO. DESCRIPTION

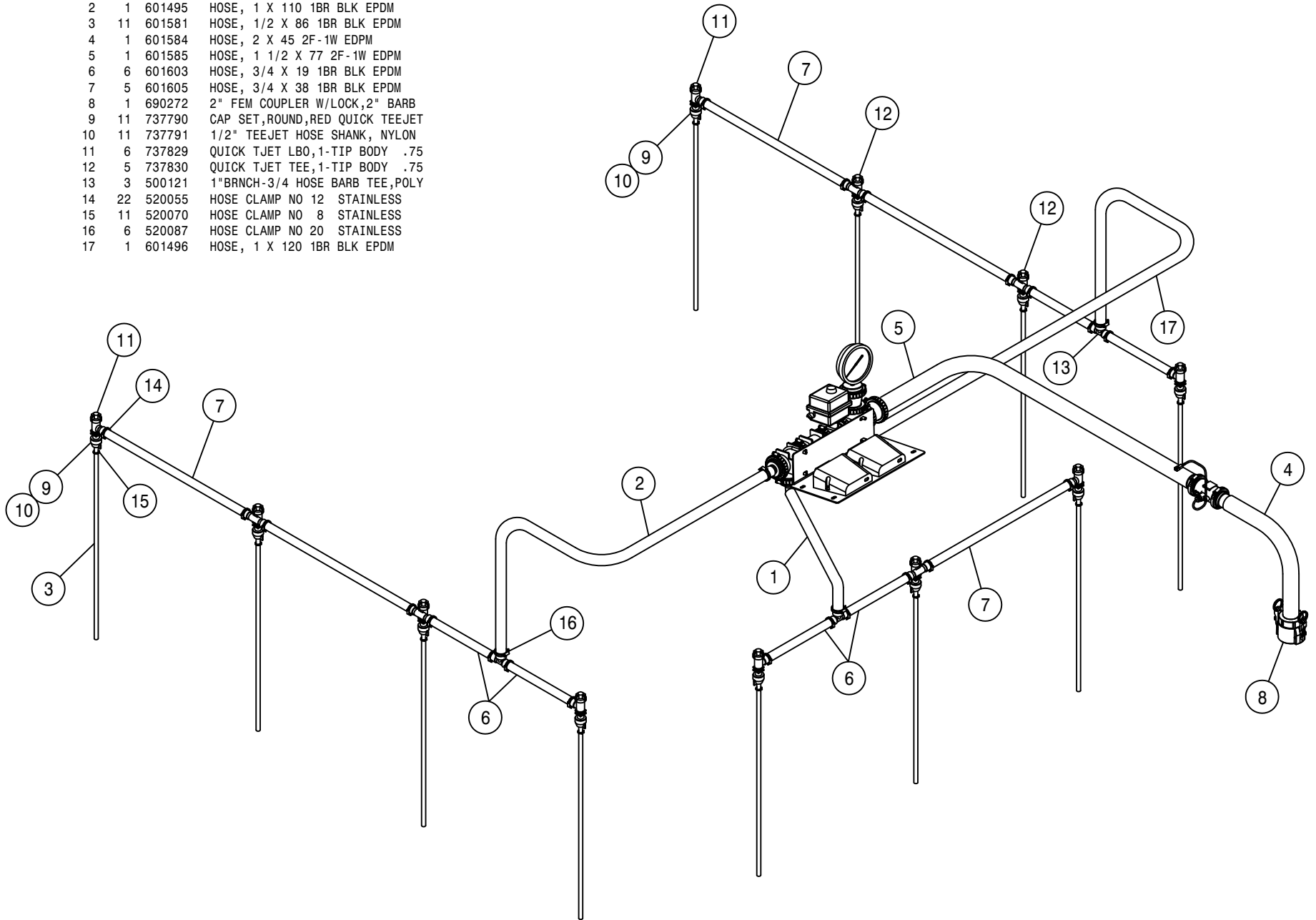
1	1	601491	HOSE, 1 X 30 1BR BLK EPDM
2	1	601495	HOSE, 1 X 110 1BR BLK EPDM
3	9	601581	HOSE, 1/2 X 86 1BR BLK EPDM
4	1	601584	HOSE, 2 X 45 2F-1W EDPM
5	1	601585	HOSE, 1 1/2 X 77 2F-1W EDPM
6	6	601603	HOSE, 3/4 X 19 1BR BLK EPDM
7	3	601605	HOSE, 3/4 X 38 1BR BLK EPDM
8	1	690272	2" FEM COUPLER W/LOCK, 2" BARB
9	9	737790	CAP SET, ROUND, RED QUICK TEEJET
10	9	737791	1/2" TEEJET HOSE SHANK, NYLON
11	6	737829	QUICK TJET LBO, 1-TIP BODY .75
12	3	737830	QUICK TJET TEE, 1-TIP BODY
13	3	500121	1" BRNCH-3/4 HOSE BARB TEE, POLY
14	18	520055	HOSE CLAMP NO 12 STAINLESS
15	9	520070	HOSE CLAMP NO 8 STAINLESS
16	6	520087	HOSE CLAMP NO 20 STAINLESS
17	1	601496	HOSE, 1 X 120 1BR BLK EPDM

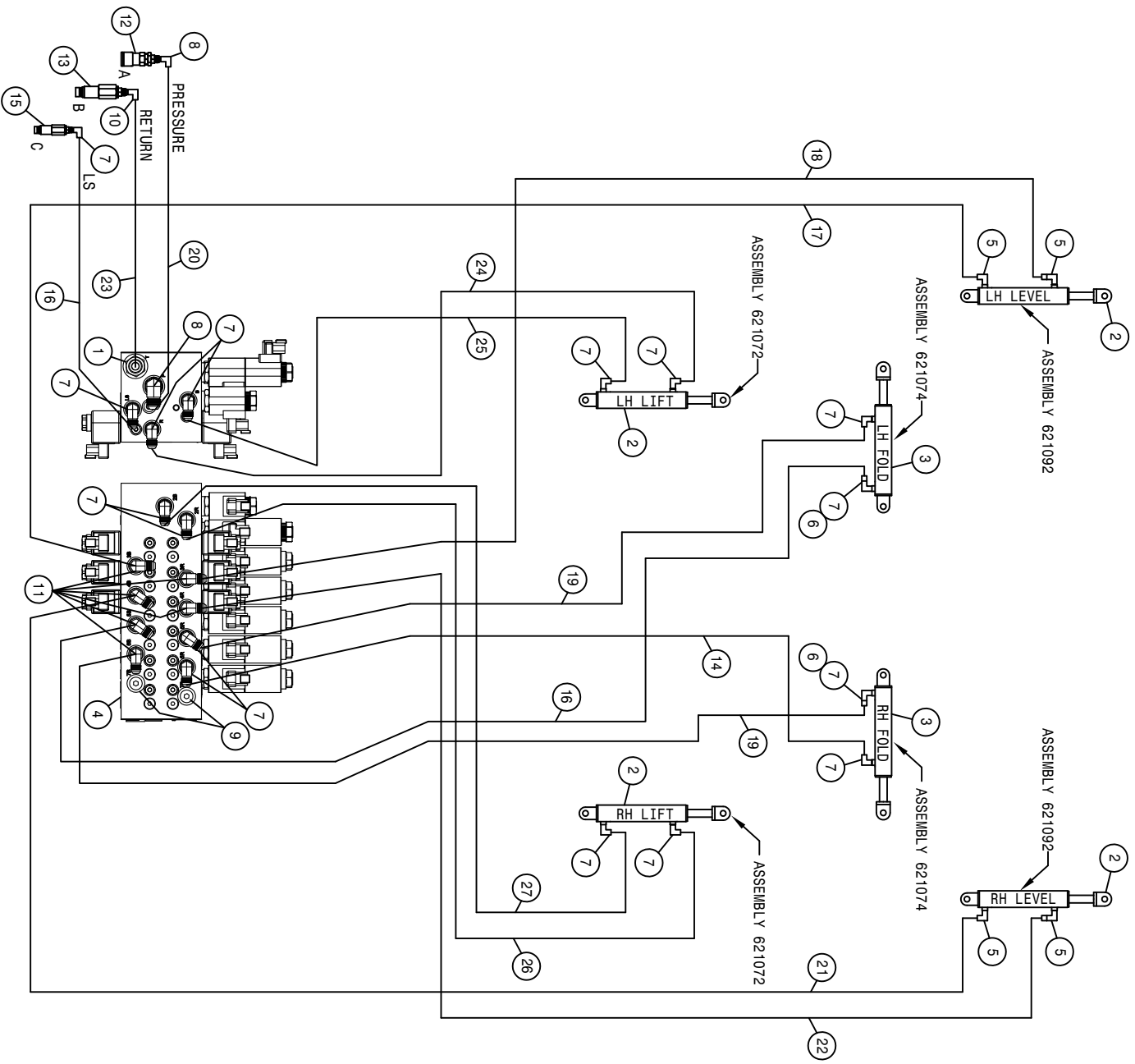


HOSE DIAG, 24R 20" 40FT NTB

DET. QTY PART NO. DESCRIPTION

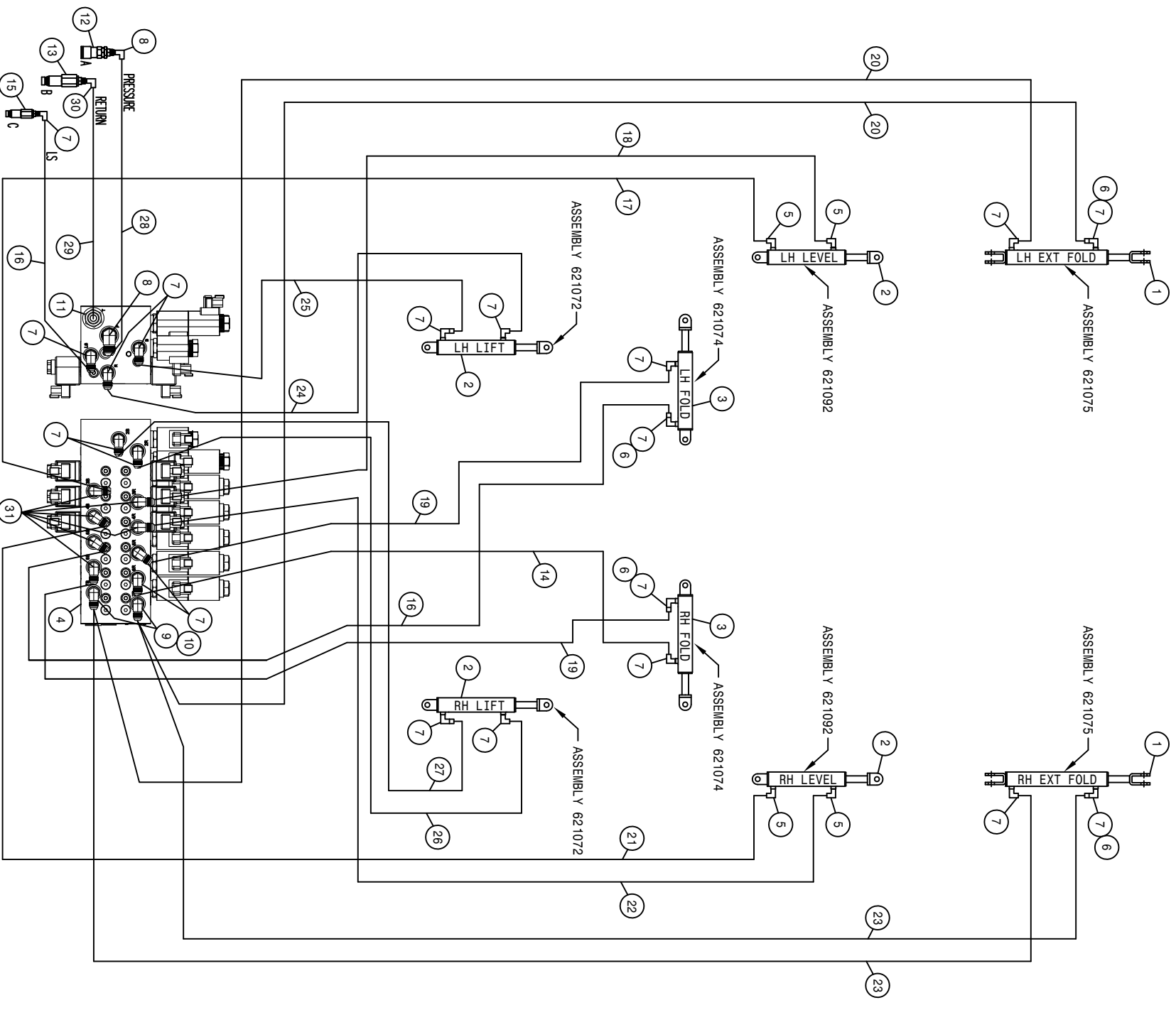
1	1	601491	HOSE, 1 X 30 1BR BLK EPDM
2	1	601495	HOSE, 1 X 110 1BR BLK EPDM
3	11	601581	HOSE, 1/2 X 86 1BR BLK EPDM
4	1	601584	HOSE, 2 X 45 2F-1W EDPM
5	1	601585	HOSE, 1 1/2 X 77 2F-1W EDPM
6	6	601603	HOSE, 3/4 X 19 1BR BLK EPDM
7	5	601605	HOSE, 3/4 X 38 1BR BLK EPDM
8	1	690272	2" FEM COUPLER W/LOCK, 2" BARB
9	11	737790	CAP SET, ROUND, RED QUICK TEEJET
10	11	737791	1/2" TEEJET HOSE SHANK, NYLON
11	6	737829	QUICK TJET LBO, 1-TIP BODY .75
12	5	737830	QUICK TJET TEE, 1-TIP BODY .75
13	3	500121	1" BRNCH-3/4 HOSE BARB TEE, POLY
14	22	520055	HOSE CLAMP NO 12 STAINLESS
15	11	520070	HOSE CLAMP NO 8 STAINLESS
16	6	520087	HOSE CLAMP NO 20 STAINLESS
17	1	601496	HOSE, 1 X 120 1BR BLK EPDM





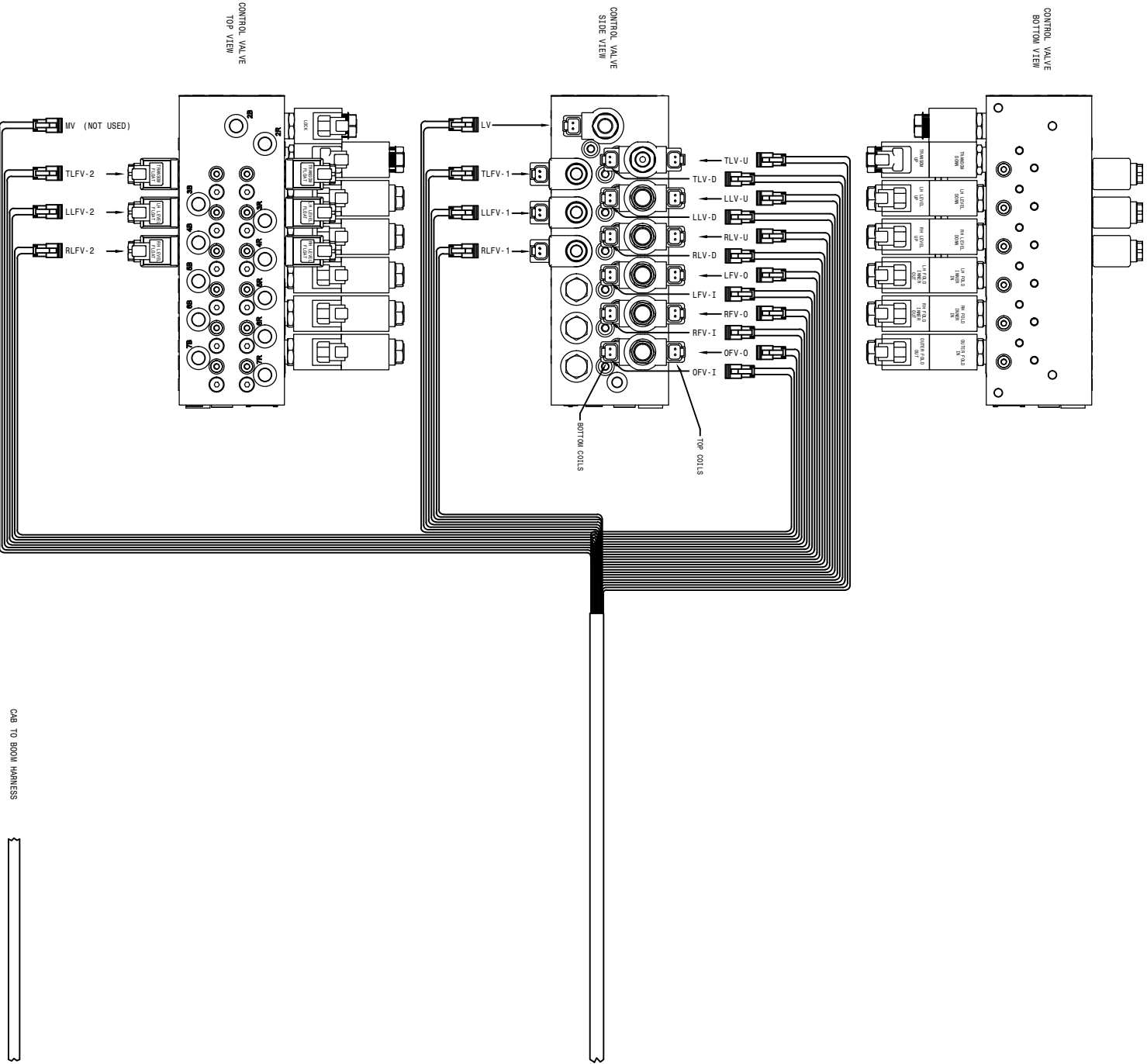
NITROGEN T-BAR 30FT HYD SCHEMATIC 2007
REFERENCE DRAWING NO. 498958

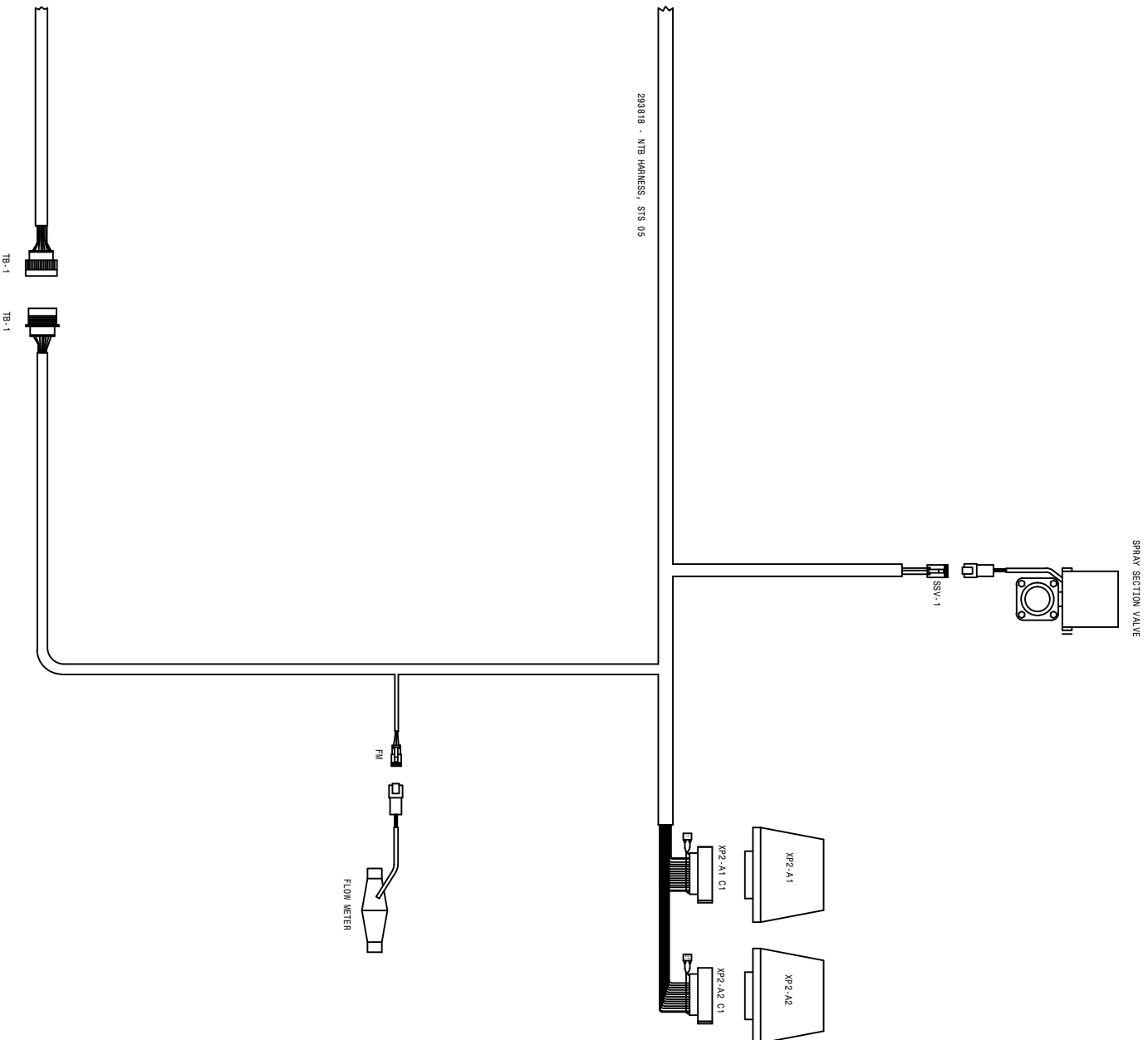
DET.	QTY	PART NO.	DESCRIPTION	DET.	QTY	PART NO.	DESCRIPTION
1	1	618327	3/4MJIC-7/8MOR ADPTR	15	1	618804	HYD CPLR,MALE #14,9/16FOR
2	4	621558	LEVEL CYL, 3.00 X 11.00	16	2	616209	04-451TC-06F3X-06F3X-64
3	2	621566	OUTRGR FOLD CYL, 2.50 X 11.00	17	1	616084	04-451TC-06F3X-06F3X-46
4	1	606280	HYD VALVE,SAUER 6SPL NTB	18	1	616176	04-451TC-06F3X-06F3X-58
5	4	618689	9/16MJ-90-9/16MOR .042 CHK VLV	19	2	616177	04-451TC-06F3X-06F3X-74
6	2	618732	9/16JIC .031 ORIFICE ADPTR	20	1	616234	08-451TC-08F3X-08F3X-66
7	16	618119	9/16MJIC-90-9/16MOR LBO	21	1	616561	04-451TC-06F3X-06F3X-132
8	2	618241	3/4MJIC-90-3/4MOR LBO	22	1	616180	04-451TC-06F3X-06F3X-143
9	2	618754	9/16MOR PLUG, HEX SOCKET	23	1	616562	08-451TC-08F3X-08F3X90-66
10	1	618183	3/4MJIC-90-7/8MOR LBO	24	1	616182	06-451TC-06F3X-06F3X-41
11	6	618440	9/16MJIC-90-9/16MOR EX LG LBO	25	1	616183	06-451TC-06F3X-06F3X-52
12	1	618807	HYD CPLR, FEM #12,3/4FOR	26	1	616563	06-451TC-06F3X-06F3X-141
13	1	618806	HYD CPLR,MALE #12,7/8FOR	27	1	616564	06-451TC-06F3X-06F3X-151
14	1	616560	04-451TC-06F3X-06F3X-87				H/A



NITROGEN T-BAR 40FT HYDRAULIC SCHEMATIC 2007
REFERENCE DRAWING NO. 498959

DET.	QTY	PART NO.	DESCRIPTION	DET.	QTY	PART NO.	DESCRIPTION
1	2	621568	OUTRGR FOLD CYL,2.00 X 18	17	1	616084	04-451TC-06FJX-06FJX-46
2	4	621558	LEVEL CYL, 3.00 X 11.00	18	1	616176	04-451TC-06FJX-06FJX-58
3	2	621566	OUTRGR FOLD CYL, 2.50 X 11.00	19	2	616177	04-451TC-06FJX-06FJX-74
4	1	606280	HYD VALVE,SAUER 6SPL NTB	20	2	616178	04-451TC-06FJX-06FJX-94
5	4	618689	9/16MJ-90-9/16MOR .042 CHK VLV	21	1	616561	04-451TC-06FJX-06FJX-132
6	4	618732	9/16JIC .031 ORIFICE ADPTR	22	1	616180	04-451TC-06FJX-06FJX-143
7	20	618119	9/16MJIC-90-9/16MOR LBO	23	2	616181	04-451TC-06FJX-06FJX-168
8	2	618241	3/4MJIC-90-3/4MOR LBO	24	1	616182	06-451TC-06FJX-06FJX-41
9	2	618444	9/16MOR RUN TEE-9/16MJIC	25	1	616183	06-451TC-06FJX-06FJX-52
10	2	618618	9/16MJIC-90-9/16FJIC SMITV LBO	26	1	616563	06-451TC-06FJX-06FJX-141
11	1	618327	3/4MJIC-7/8MOR ADPTR	27	1	616564	06-451TC-06FJX-06FJX-151
12	1	618807	HYD CPLR, FEM #12,3/4FOR	28	1	616234	08-451TC-08FJX-08FJX-66
13	1	618806	HYD CPLR,MALE #12,7/8FOR	29	1	616562	08-451TC-08FJX-08FJX90-66
14	1	616560	04-451TC-06FJX-06FJX-87	30	1	618183	3/4MJIC-90-7/8MOR LBO
15	1	618804	HYD CPLR,MALE #14,9/16FOR	31	6	618440	9/16MJIC-90-9/16MOR EX LG LBO
16	2	616209	04-451TC-06FJX-06FJX-64				





07-29-07 TEL
 STS NTB WIRING DIAGRAM 07
 REVISION DATE: 07-17-14
 498957

Notes:



PARTS ORDER FAX



Ph. 1 (800) 247-4885

Fx. 1 (515) 532-3553

Photocopy and fax to Hagie Customer Support Department

ORDERED BY/BILL TO:

Name _____
 Co. Name _____
 Street _____
 City, St, Zip _____
 Ph. _____ Fx. _____

SHIP TO:

Name _____
 Co. Name _____
 Street _____
 City, St, Zip _____
 Ph. _____ Fx. _____

HOW SHIP: UPS Ground Next Day 2 Day 3 Day Other _____

If "HOW SHIP" is left blank, parts will be sent UPS ground service. If part is over 150 pounds, an independent motor freight company will be used.

PAYMENT: Hagie Account #*** _____

C.O.D

American Express Discover Visa Master Card
 Signature: _____
 name as appears on card: _____
 card no. _____ exp. date _____

Year and Model No. _____

Serial No. _____

Item Serial No. (if necessary): _____

Engine (include type) _____

Hydrostatic Pump (s) _____

Torque Hub _____ LF RF LR RR

Wheel Motor _____ LF RF LR RR

HAGIE Part No.	Qty.	Description

Check here if you want phone confirmation of parts order.

* Orders received before 3:00 p.m., CST will be processed the same business day.
 Regular business hours are Monday through Friday, 7:00 a.m. through 5:00 p.m..
 ** If you do not have a Hagie account number, contact the Hagie Customer Support Department and you will be issued one.



PARTS ORDER FAX



Ph. 1 (800) 247-4885

Fx. 1 (515) 532-3553

Photocopy and fax to Hagie Customer Support Department

ORDERED BY/BILL TO:

Name _____
 Co. Name _____
 Street _____
 City, St, Zip _____
 Ph. _____ Fx. _____

SHIP TO:

Name _____
 Co. Name _____
 Street _____
 City, St, Zip _____
 Ph. _____ Fx. _____

HOW SHIP: UPS Ground Next Day 2 Day 3 Day Other _____

If "HOW SHIP" is left blank, parts will be sent UPS ground service. If part is over 150 pounds, an independent motor freight company will be used.

PAYMENT: Hagie Account #** _____

C.O.D

American Express Discover Visa Master Card

Signature: _____
 name as appears on card: _____
 card no. _____ exp. date _____

Year and Model No. _____
 Serial No. _____

Item Serial No. (if necessary): _____

Engine (include type) _____

Hydrostatic Pump (s) _____

Torque Hub _____ LF RF LR RR

Wheel Motor _____ LF RF LR RR

HAGIE Part No.	Qty.	Description

Check here if you want phone confirmation of parts order.

* Orders received before 3:00 p.m., CST will be processed the same business day.
 Regular business hours are Monday through Friday, 7:00 a.m. through 5:00 p.m..
 ** If you do not have a Hagie account number, contact the Hagie Customer Support Department and you will be issued one.