

**PARTS MANUAL
FOR
HAGIE STS NITROGEN TOOLBAR**

HAGIE MANUFACTURING COMPANY

721 CENTRAL AVENUE WEST
BOX 273
CLARION, IOWA 50525-0273

(515) 532-2861

COVERS MACHINE SERIAL NUMBERS: U6910560001 thru U6910560100
U6920560001 thru U6920560100
U6950560001 thru U6950560100
U6960560001 thru U6960560100

11-05 4933668
02-08

NITROGEN TOOLBAR IDENTIFICATION

Each Hagie toolbar is identified by means of a frame serial number.

This serial number denotes the model, the year in which it was built, and the number of the toolbar. To insure prompt, efficient service when ordering parts or requesting service repairs from Hagie Manufacturing Company, record the serial number in the space provided below.

NOTE: Reference to left hand and right hand used throughout this manual refers to the position when seated in the operator's seat facing forward.

NITROGEN TOOLBAR SERIAL NUMBER

TABLE OF CONTENTS

30FT TOOLBAR ASSEMBLY4-7

40FT TOOLBAR ASSEMBLY 8-11

ROW UNIT ASSEMBLY 12

BUMPER ASSEMBLY 13

FOAMER DROP AND HOSE ASSEMBLY 14

QUICK ATTACH BRACKETS 15

30FT TOOLBAR CONTROL VALVE ASSEMBLY 16

40FT TOOLBAR CONTROL VALVE ASSEMBLY 17

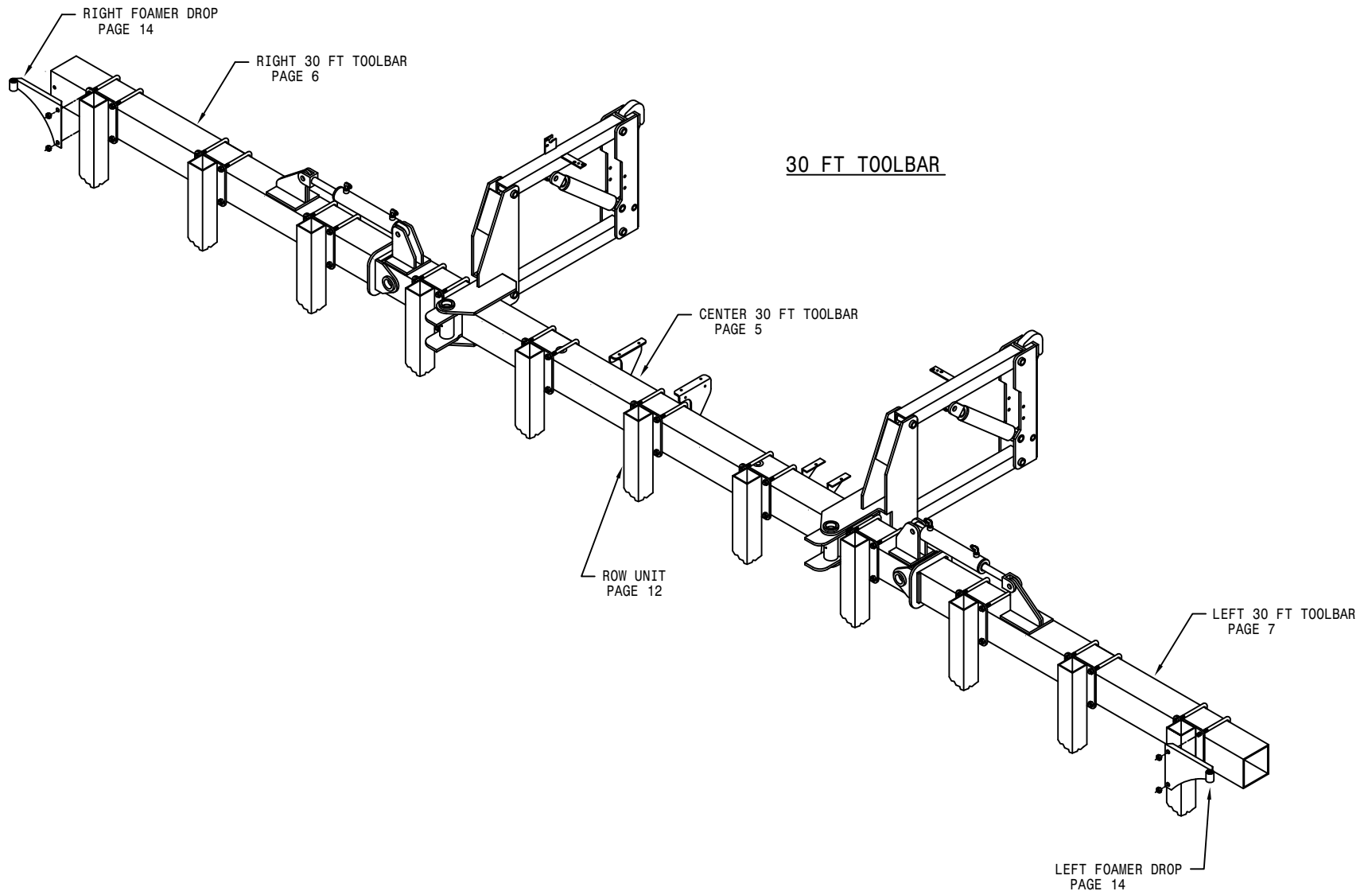
FLOW METER ASSEMBLY 18

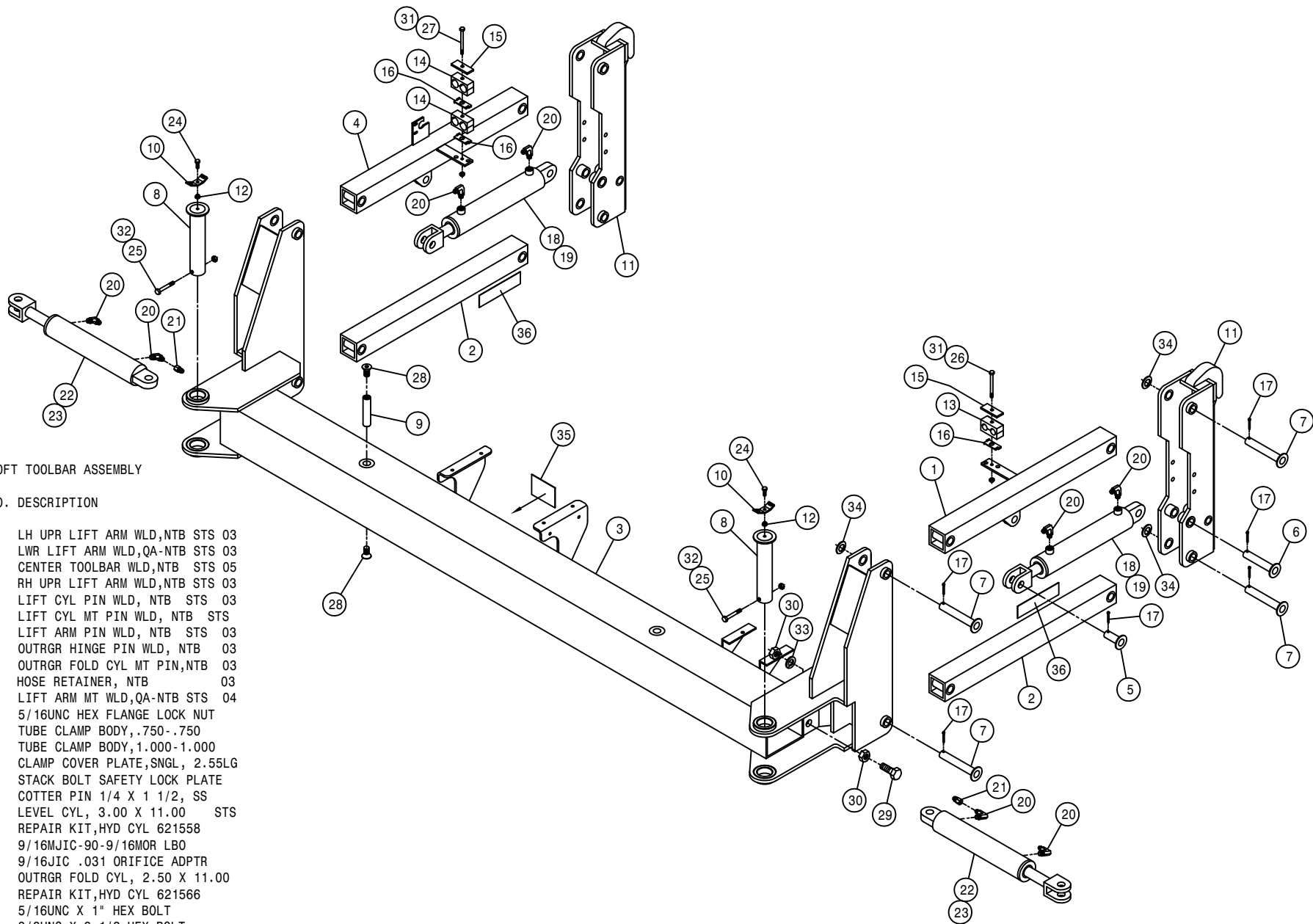
SOLUTION CONTROL VALVE ASSEMBLY 19

SOLUTION HOISING20-23

HYDRAULIC SCHEMATIC24-27

WIRING DIAGRAM28-29





CENTER 30FT TOOLBAR ASSEMBLY

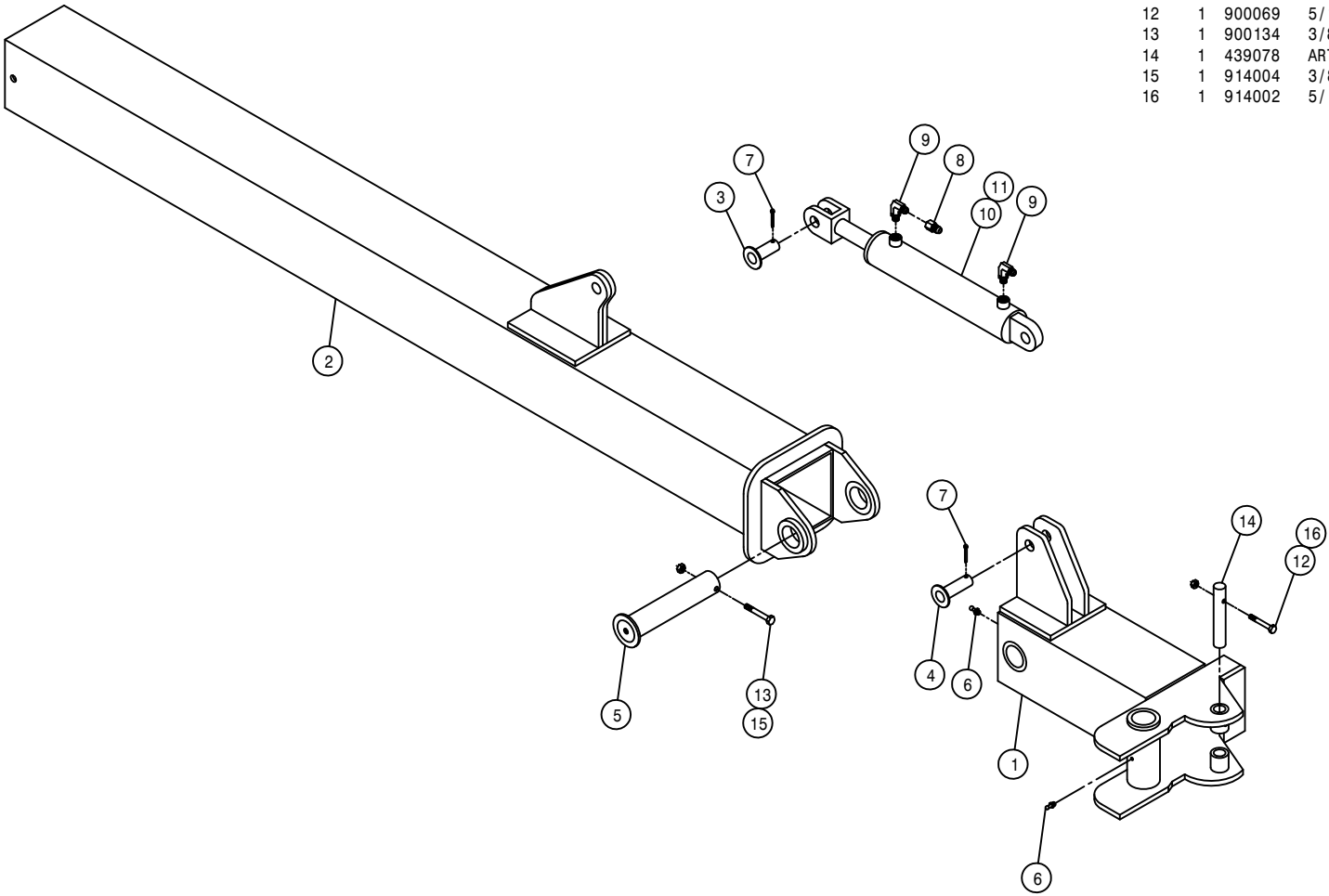
DET. QTY PART NO. DESCRIPTION

1	1	439005	LH UPR LIFT ARM WLD,NTB STS 03
2	2	439006	LWR LIFT ARM WLD,QA-NTB STS 03
3	1	439220	CENTER TOOLBAR WLD,NTB STS 05
4	1	439021	RH UPR LIFT ARM WLD,NTB STS 03
5	2	439066	LIFT CYL PIN WLD, NTB STS 03
6	2	439070	LIFT CYL MT PIN WLD, NTB STS
7	8	439072	LIFT ARM PIN WLD, NTB STS 03
8	2	439074	OUTRGR HINGE PIN WLD, NTB 03
9	2	439077	OUTRGR FOLD CYL MT PIN,NTB 03
10	2	439113	HOSE RETAINER, NTB 03
11	2	439166	LIFT ARM MT WLD,QA-NTB STS 04
12	2	470113	5/16UNC HEX FLANGE LOCK NUT
13	1	470274	TUBE CLAMP BODY, .750-.750
14	2	470275	TUBE CLAMP BODY,1.000-1.000
15	2	470276	CLAMP COVER PLATE,SNGL, 2.55LG
16	3	470281	STACK BOLT SAFETY LOCK PLATE
17	12	475015	COTTER PIN 1/4 X 1 1/2, SS
18	2	621558	LEVEL CYL, 3.00 X 11.00 STS
19	2	621559	REPAIR KIT,HYD CYL 621558
20	8	618119	9/16MJIC-90-9/16MOR LBO
21	2	618732	9/16JIC .031 ORIFICE ADPTR
22	2	621566	OUTRGR FOLD CYL, 2.50 X 11.00
23	2	621567	REPAIR KIT,HYD CYL 621566
24	2	900065	5/16UNC X 1" HEX BOLT
25	2	900134	3/8UNC X 2 1/2 HEX BOLT
26	1	900070	5/16UNC X 2 1/2 BOLT
27	1	900075	5/16UNC X 3 3/4 HEX BOLT
28	4	900393	5/8UNC X 1" FLT SOC CAP SCR
29	4	900534	1" UNC X 3" HEX BOLT
30	8	910017	1" UNC HEX NUT
31	2	914002	5/16UNC HEX STOVER NUT
32	2	914004	3/8UNC HEX STOVER NUT
33	4	920508	1" LOCK WASHER
34	8	920008	1" SAE FLAT WASHER
35	1	650137	DECAL, DANGER, NTB DISCONNECT
36	2	650219	DECAL,DANGER,NTB DISCONNECT,10

RIGHT 30FT TOOLBAR ASSEMBLY

DET. QTY PART NO. DESCRIPTION

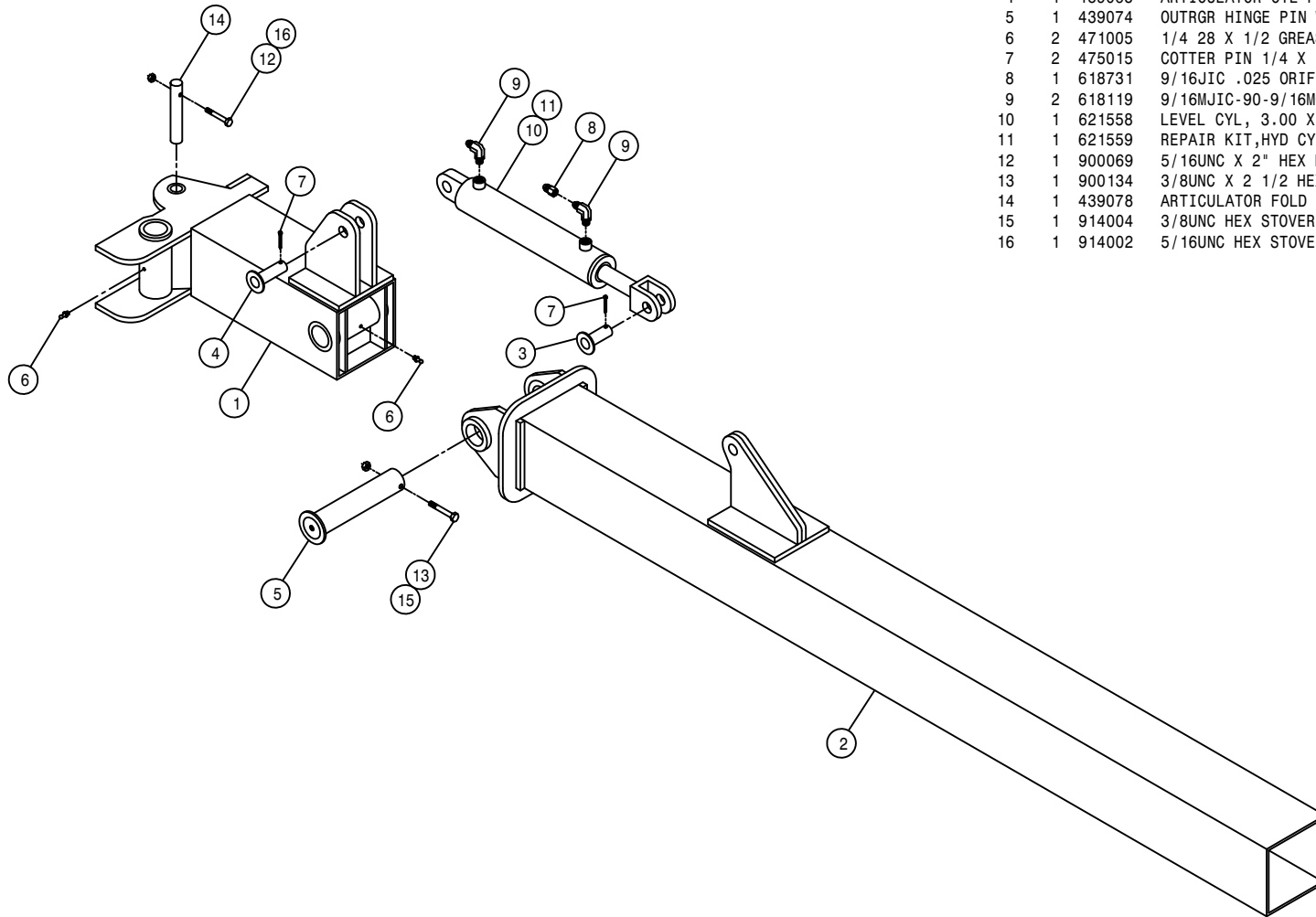
1	1	439025	RH OUTRGR ARTICULATOR WLD NTB
2	1	439040	12R OUTRGR WLD, NTB STS 03
3	1	439066	LIFT CYL PIN WLD, NTB STS 03
4	1	439068	ARTICULATOR CYL PIN WLD,NTB 03
5	1	439074	OUTRGR HINGE PIN WLD, NTB 03
6	2	471005	1/4 28 X 1/2 GREASE ZERK
7	2	475015	COTTER PIN 1/4 X 1 1/2, SS
8	1	618731	9/16JIC .025 ORIFICE ADPTR
9	2	618119	9/16MJIC-90-9/16MOR LBO
10	1	621558	LEVEL CYL, 3.00 X 11.00 STS
11	1	621559	REPAIR KIT,HYD CYL 621558
12	1	900069	5/16UNC X 2" HEX BOLT
13	1	900134	3/8UNC X 2 1/2 HEX BOLT
14	1	439078	ARTICULATOR FOLD CYL PIN, NTB
15	1	914004	3/8UNC HEX STOVER NUT
16	1	914002	5/16UNC HEX STOVER NUT

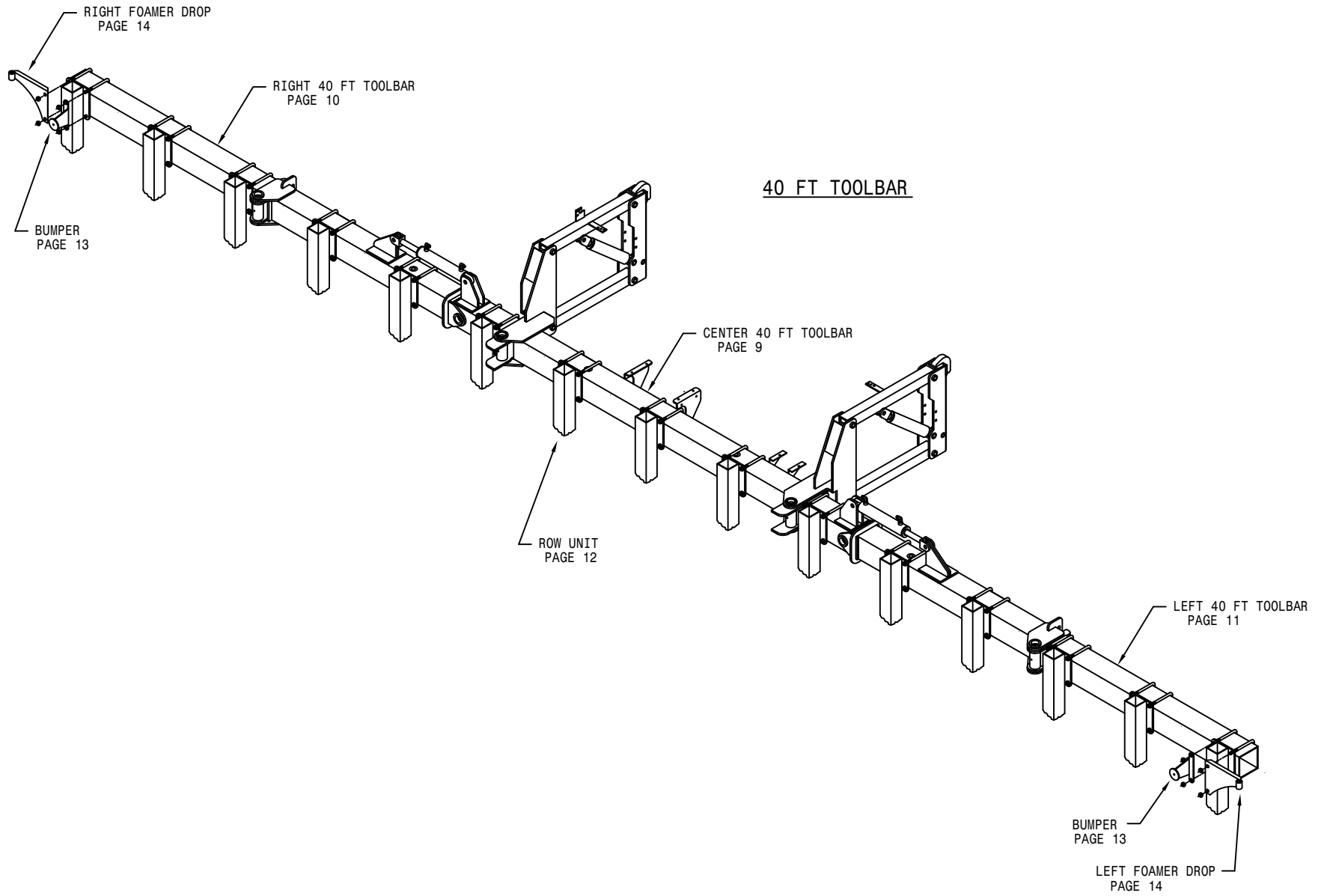


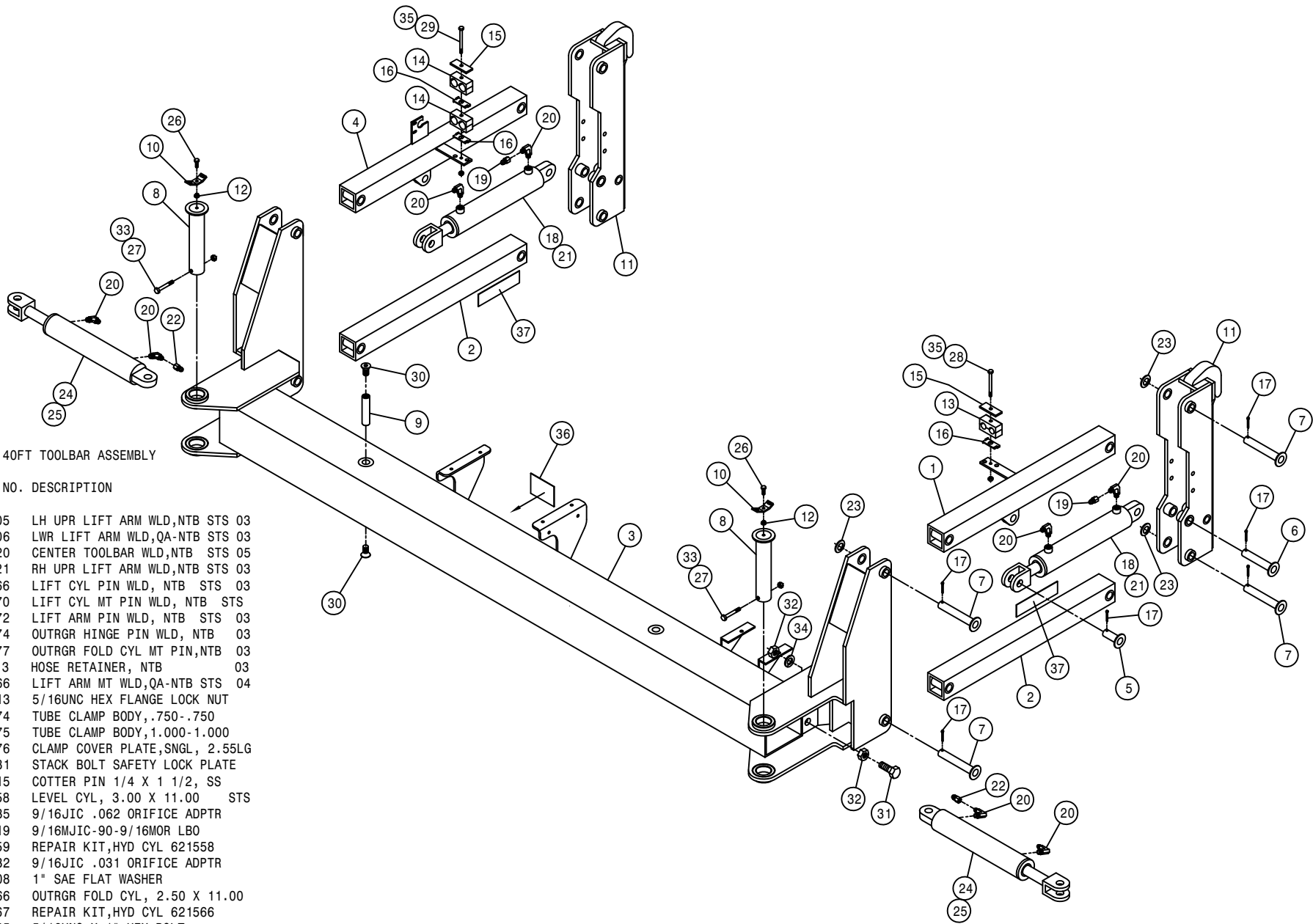
LEFT 30FT TOOLBAR ASSEMBLY

DET. QTY PART NO. DESCRIPTION

1	1	439026	LH OUTRGR ARTICULATOR WLD NTB
2	1	439040	12R OUTRGR WLD, NTB STS 03
3	1	439066	LIFT CYL PIN WLD, NTB STS 03
4	1	439068	ARTICULATOR CYL PIN WLD,NTB 03
5	1	439074	OUTRGR HINGE PIN WLD, NTB 03
6	2	471005	1/4 28 X 1/2 GREASE ZERK
7	2	475015	COTTER PIN 1/4 X 1 1/2, SS
8	1	618731	9/16JIC .025 ORIFICE ADPTR
9	2	618119	9/16MJIC-90-9/16MOR LBO
10	1	621558	LEVEL CYL, 3.00 X 11.00 STS
11	1	621559	REPAIR KIT, HYD CYL 621558
12	1	900069	5/16UNC X 2" HEX BOLT
13	1	900134	3/8UNC X 2 1/2 HEX BOLT
14	1	439078	ARTICULATOR FOLD CYL PIN, NTB
15	1	914004	3/8UNC HEX STOVER NUT
16	1	914002	5/16UNC HEX STOVER NUT







CENTER 40FT TOOLBAR ASSEMBLY

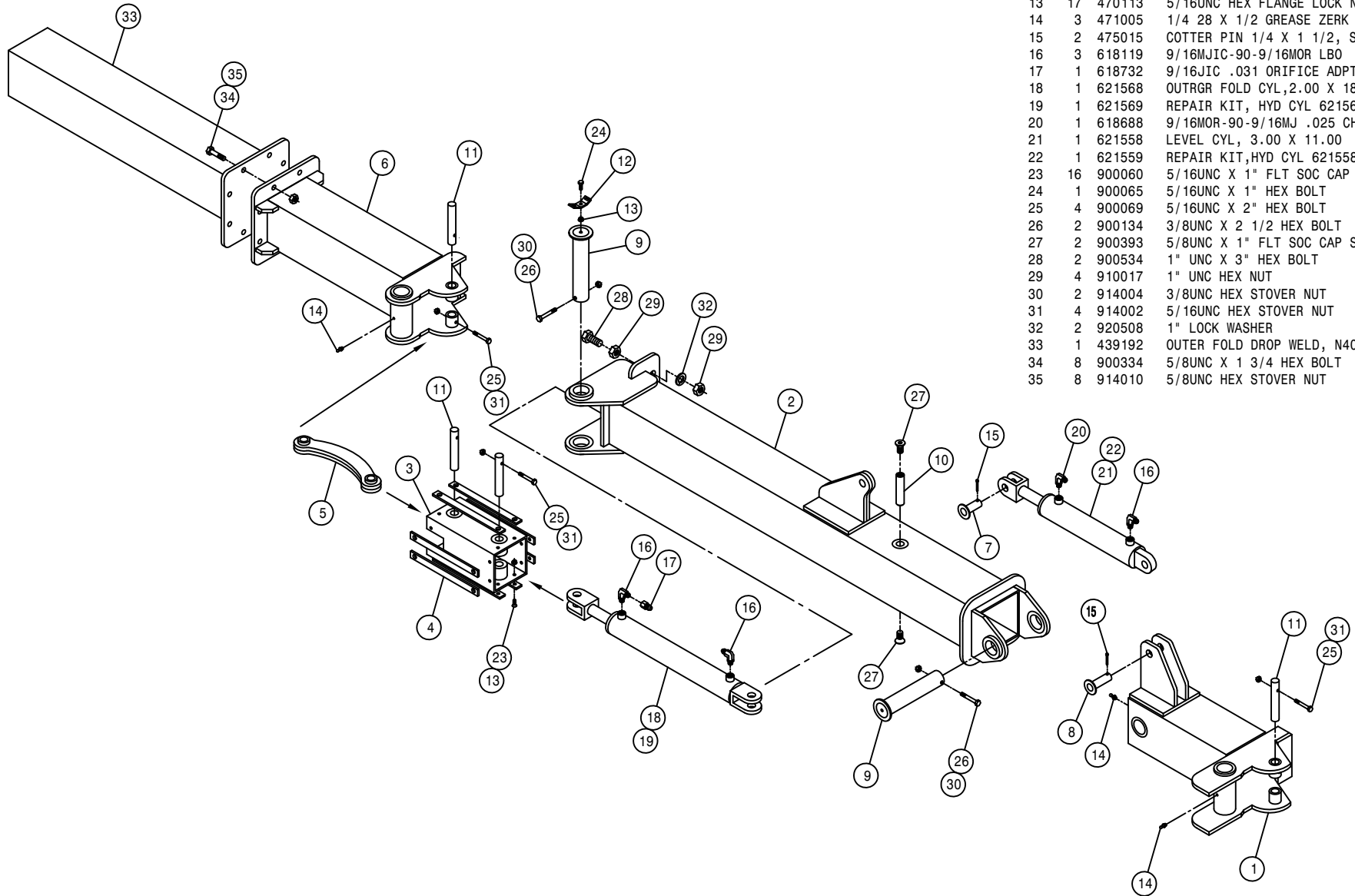
DET. QTY PART NO. DESCRIPTION

1	1	439005	LH UPR LIFT ARM WLD,NTB STS 03
2	2	439006	LWR LIFT ARM WLD,QA-NTB STS 03
3	1	439220	CENTER TOOLBAR WLD,NTB STS 05
4	1	439021	RH UPR LIFT ARM WLD,NTB STS 03
5	2	439066	LIFT CYL PIN WLD, NTB STS 03
6	2	439070	LIFT CYL MT PIN WLD, NTB STS
7	8	439072	LIFT ARM PIN WLD, NTB STS 03
8	2	439074	OUTRGR HINGE PIN WLD, NTB 03
9	2	439077	OUTRGR FOLD CYL MT PIN,NTB 03
10	2	439113	HOSE RETAINER, NTB 03
11	2	439166	LIFT ARM MT WLD,QA-NTB STS 04
12	2	470113	5/16UNC HEX FLANGE LOCK NUT
13	1	470274	TUBE CLAMP BODY,.750-.750
14	2	470275	TUBE CLAMP BODY,1.000-1.000
15	2	470276	CLAMP COVER PLATE,SNGL, 2.55LG
16	3	470281	STACK BOLT SAFETY LOCK PLATE
17	12	475015	COTTER PIN 1/4 X 1 1/2, SS
18	2	621558	LEVEL CYL, 3.00 X 11.00 STS
19	2	618735	9/16JIC .062 ORIFICE ADPTR
20	8	618119	9/16MJIC-90-9/16MOR LBO
21	2	621559	REPAIR KIT,HYD CYL 621558
22	2	618732	9/16JIC .031 ORIFICE ADPTR
23	8	920008	1" SAE FLAT WASHER
24	2	621566	OUTRGR FOLD CYL, 2.50 X 11.00
25	2	621567	REPAIR KIT,HYD CYL 621566
26	2	900065	5/16UNC X 1" HEX BOLT
27	2	900134	3/8UNC X 2 1/2 HEX BOLT
28	1	900070	5/16UNC X 2 1/2 BOLT
29	1	900075	5/16UNC X 3 3/4 HEX BOLT
30	4	900393	5/8UNC X 1" FLT SOC CAP SCR
31	4	900534	1" UNC X 3" HEX BOLT
32	8	910017	1" UNC HEX NUT
33	2	914004	3/8UNC HEX STOVER NUT
34	4	920508	1" LOCK WASHER
35	2	914002	5/16UNC HEX STOVER NUT
36	1	650137	DECAL, DANGER, NTB DISCONNECT
37	2	650219	DECAL,DANGER,NTB DISCONNECT,10

RIGHT 40FT TOOLBAR ASSEMBLY

DET. QTY PART NO. DESCRIPTION

DET.	QTY	PART NO.	DESCRIPTION
1	1	439025	RH OUTRGR ARTICULATOR WLD NTB
2	1	439048	RH 16R OUTRGR WLD, NTB STS 03
3	1	439054	OUTRGR EXT FOLD SLIDE WLD, NTB
4	8	439058	FOLD SLIDE WEAR STRIP,16R NTB
5	1	439060	OUTRGR EXT FOLD ARM WLD,NTB 03
6	1	439188	OUTER FOLD WELD, N40 05
7	1	439066	LIFT CYL PIN WLD, NTB STS 03
8	1	439068	ARTICULATOR CYL PIN WLD,NTB 03
9	2	439074	OUTRGR HINGE PIN WLD, NTB 03
10	1	439077	OUTRGR FOLD CYL MT PIN,NTB 03
11	4	439078	ARTICULATOR FOLD CYL PIN, NTB
12	1	439113	HOSE RETAINER, NTB 03
13	17	470113	5/16UNC HEX FLANGE LOCK NUT
14	3	471005	1/4 28 X 1/2 GREASE ZERK
15	2	475015	COTTER PIN 1/4 X 1 1/2, SS
16	3	618119	9/16MJIC-90-9/16MOR LBO
17	1	618732	9/16JIC .031 ORIFICE ADPTR
18	1	621568	OUTRGR FOLD CYL,2.00 X 18
19	1	621569	REPAIR KIT, HYD CYL 621568
20	1	618688	9/16MOR-90-9/16MJ .025 CHK VLV
21	1	621558	LEVEL CYL, 3.00 X 11.00 STS
22	1	621559	REPAIR KIT,HYD CYL 621558
23	16	900060	5/16UNC X 1" FLT SOC CAP SCR
24	1	900065	5/16UNC X 1" HEX BOLT
25	4	900069	5/16UNC X 2" HEX BOLT
26	2	900134	3/8UNC X 2 1/2 HEX BOLT
27	2	900393	5/8UNC X 1" FLT SOC CAP SCR
28	2	900534	1" UNC X 3" HEX BOLT
29	4	910017	1" UNC HEX NUT
30	2	914004	3/8UNC HEX STOVER NUT
31	4	914002	5/16UNC HEX STOVER NUT
32	2	920508	1" LOCK WASHER
33	1	439192	OUTER FOLD DROP WELD, N40 05
34	8	900334	5/8UNC X 1 3/4 HEX BOLT
35	8	914010	5/8UNC HEX STOVER NUT

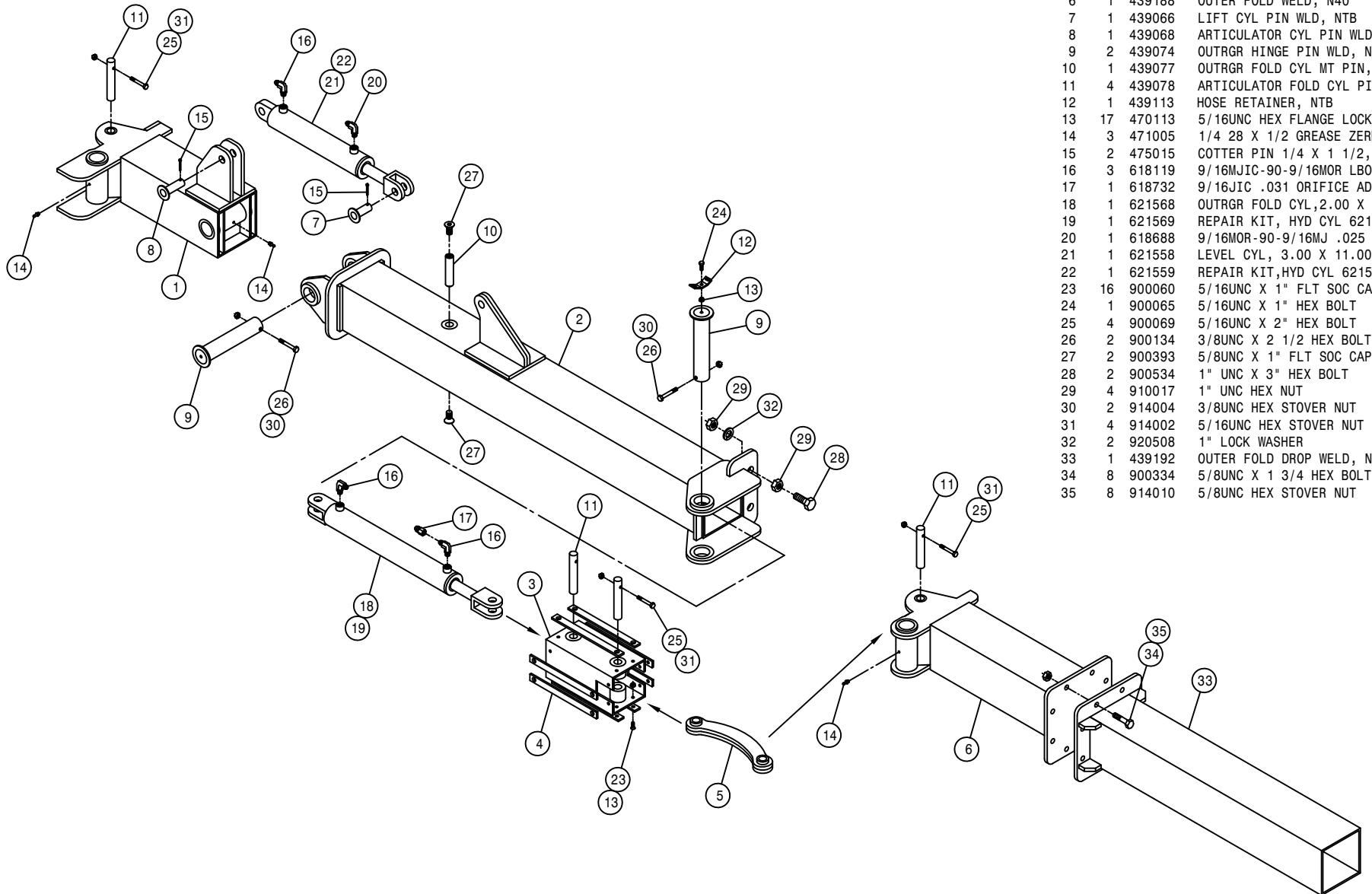


10

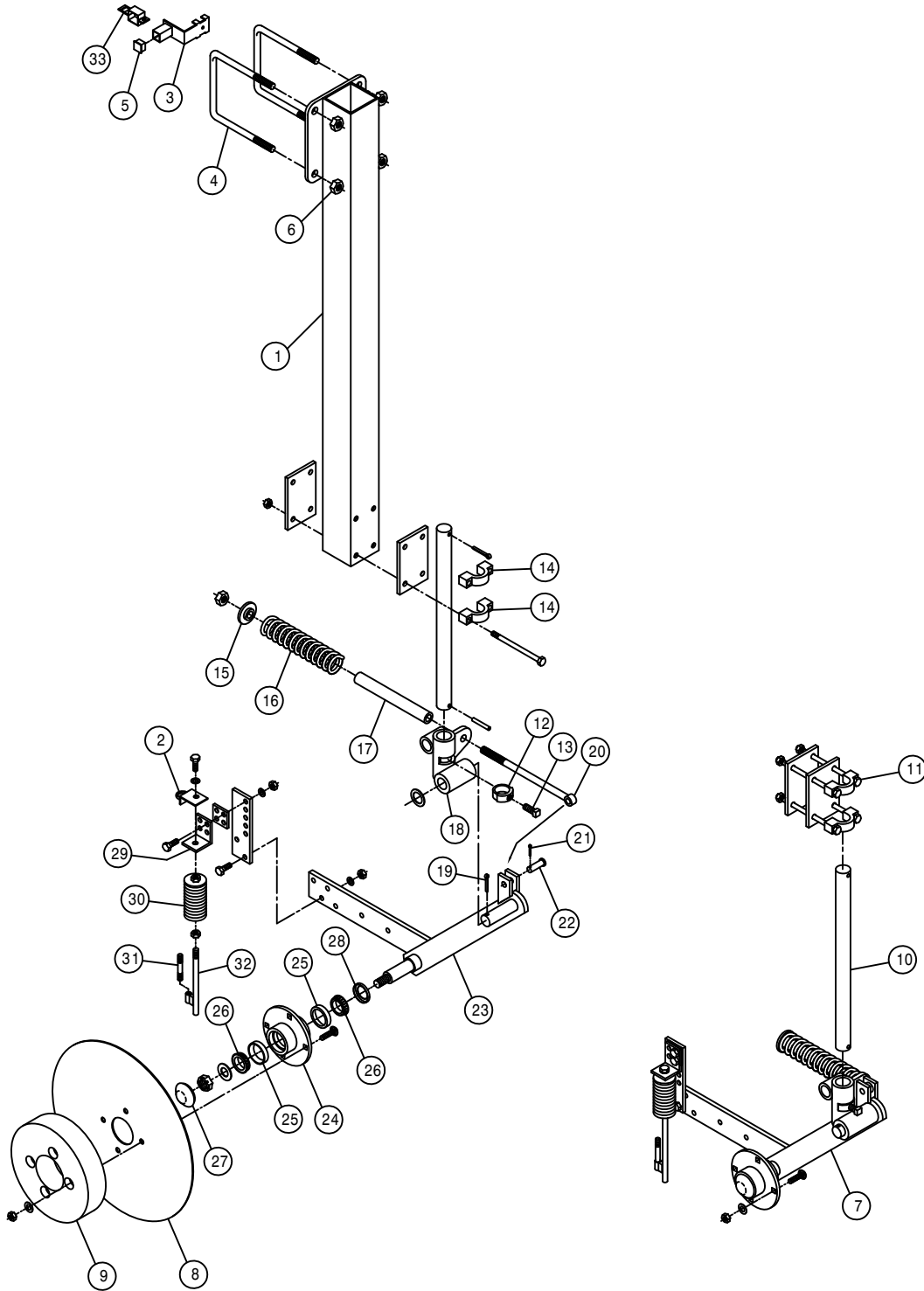
319010

LEFT 40FT TOOLBAR ASSEMBLY

DET. QTY PART NO. DESCRIPTION

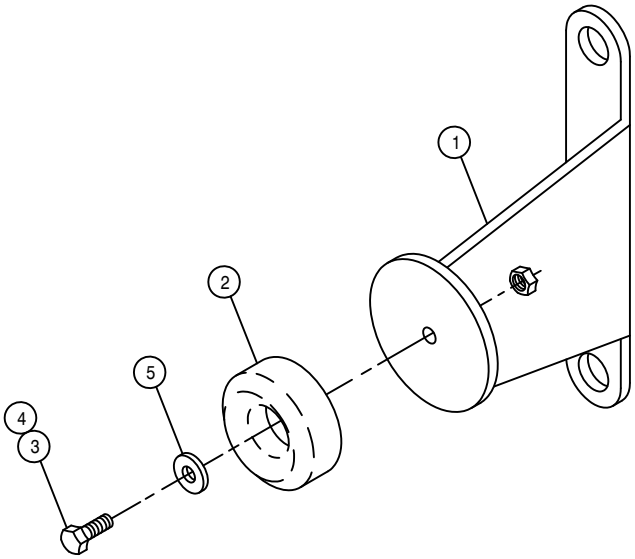


DET.	QTY	PART NO.	DESCRIPTION
1	1	439026	LH OUTRGR ARTICULATOR WLD NTB
2	1	439049	LH 16R OUTRGR WLD, NTB STS 03
3	1	439054	OUTRGR EXT FOLD SLIDE WLD, NTB
4	8	439058	FOLD SLIDE WEAR STRIP,16R NTB
5	1	439060	OUTRGR EXT FOLD ARM WLD,NTB 03
6	1	439188	OUTER FOLD WELD, N40 05
7	1	439066	LIFT CYL PIN WLD, NTB STS 03
8	1	439068	ARTICULATOR CYL PIN WLD,NTB 03
9	2	439074	OUTRGR HINGE PIN WLD, NTB 03
10	1	439077	OUTRGR FOLD CYL MT PIN,NTB 03
11	4	439078	ARTICULATOR FOLD CYL PIN, NTB
12	1	439113	HOSE RETAINER, NTB 03
13	17	470113	5/16UNC HEX FLANGE LOCK NUT
14	3	471005	1/4 28 X 1/2 GREASE ZERK
15	2	475015	COTTER PIN 1/4 X 1 1/2, SS
16	3	618119	9/16MJIC-90-9/16MOR LBO
17	1	618732	9/16JIC .031 ORIFICE ADPTR
18	1	621568	OUTRGR FOLD CYL,2.00 X 18
19	1	621569	REPAIR KIT, HYD CYL 621568
20	1	618688	9/16MOR-90-9/16MJ .025 CHK VLV
21	1	621558	LEVEL CYL, 3.00 X 11.00 STS
22	1	621559	REPAIR KIT,HYD CYL 621558
23	16	900060	5/16UNC X 1" FLT SOC CAP SCR
24	1	900065	5/16UNC X 1" HEX BOLT
25	4	900069	5/16UNC X 2" HEX BOLT
26	2	900134	3/8UNC X 2 1/2 HEX BOLT
27	2	900393	5/8UNC X 1" FLT SOC CAP SCR
28	2	900534	1" UNC X 3" HEX BOLT
29	4	910017	1" UNC HEX NUT
30	2	914004	3/8UNC HEX STOVER NUT
31	4	914002	5/16UNC HEX STOVER NUT
32	2	920508	1" LOCK WASHER
33	1	439192	OUTER FOLD DROP WELD, N40 05
34	8	900334	5/8UNC X 1 3/4 HEX BOLT
35	8	914010	5/8UNC HEX STOVER NUT



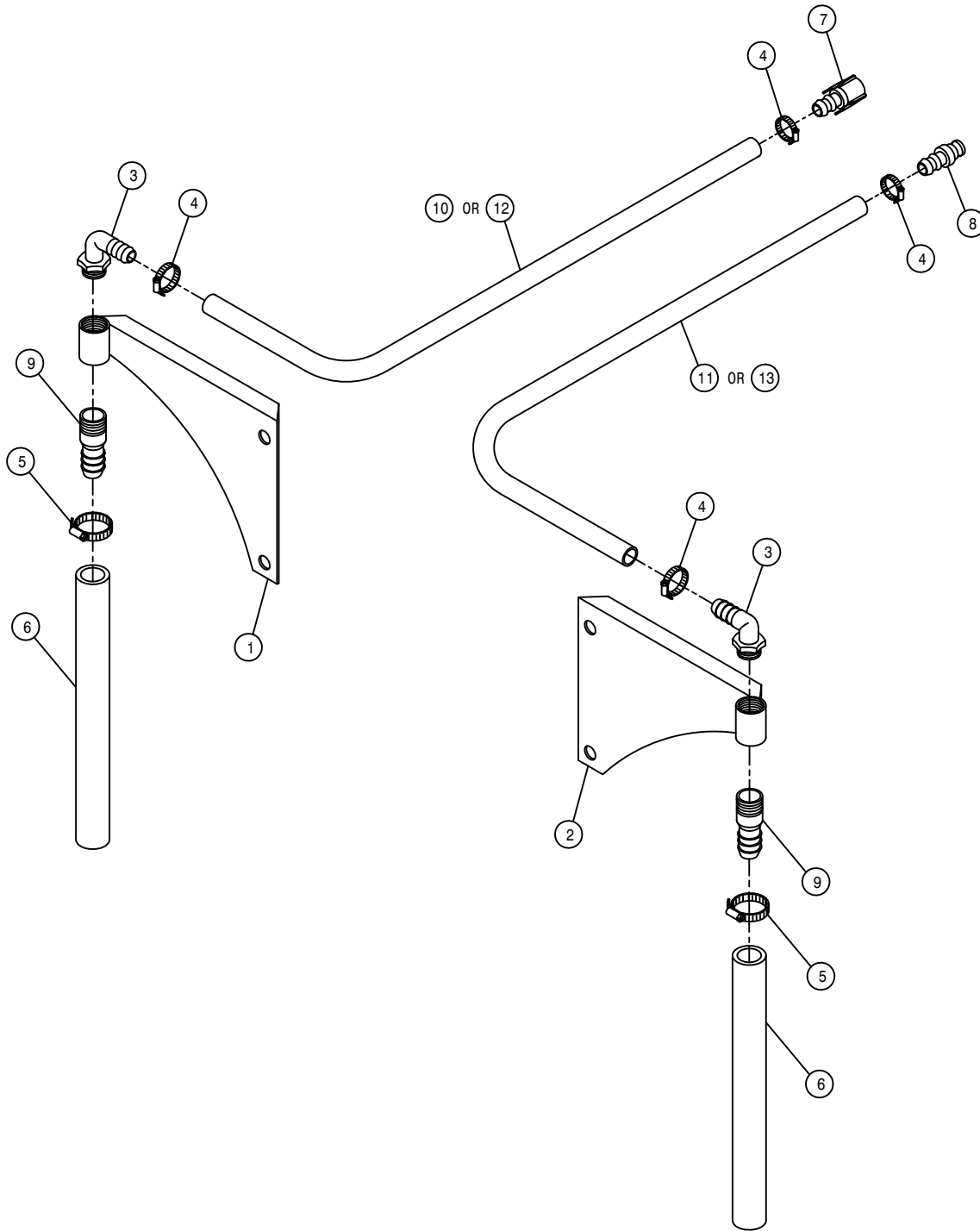
ROW UNIT ASSEMBLY

DET.	QTY	PART NO.	DESCRIPTION
1	1	439080	ROW DROP WLD, NTB STS 03
2	1	439092	HOSE RETAINER WLD, 1" NTB
3	1	439096	TIP MT BRKT WLD, NTB STS 03
4	2	473981	.750UNC-7.00ID-8.50 U-BOLT SQ
5	1	629727	FINISH PLUG FOR 1"SQ X 16 GA
6	4	914012	3/4UNC HEX STOVER NUT
7	1	439105	YETTER COULTER,20" GEN III
8	1	439106	20" SMOOTH BLADE, YETTER
9	1	439107	POLY GAUGE WHEEL, YETTER
10	1	439108	22" SHANK, YETTER
11	1	439109	4" SQ TUBE MT KIT, YETTER
12	1	439201	LOCKING COLLAR, YETTER 2975-303
13	1	439202	5/8-11 X 1" SQ HCPSS GR 5 ZP
14	2	439200	CLAMP CASTING, YETTER 2990-360
15	1	439203	SPRING BUSHING, YETTER 2555-096
16	1	439204	SPRING, 11", YETTER 2550-795
17	1	439205	10"POLY SPRING, YETTER 2550-771
18	1	439206	COULTER PIVOT, RH 2995-307
19	1	470045	COTTER PIN 1/4 X 1 3/4
20	1	439208	SPRING ROD, YETTER 2995-304
21	1	390984	COTTER PIN 1/8 X 1 1/4
22	1	439209	SPRING ROD PIN, YETTER 2995-308
23	1	439210	GENERATION III W/KNIFE ARM
24	1	439211	HUB ASSY, YETTER 2900-105
25	2	125028	BRG CUP LM67010
26	2	125010	BRG CONE LM67048
27	1	439212	HUB CAP, YETTER 2570-375
28	1	129010	SEAL C/R 16069
29	1	439213	INJECTOR MT PLT, YETTER 2995301
30	1	439214	SPRING INJ ASSY, YETTER 2995131
31	1	507028	SS PIPE NIPPLE .25NPT-3.00
32	1	439215	INJECTOR ROD, YETTER 2995-212
33	1	737817	NOZL MT CLMP, 1.00 SQ SS, Q-TJET



BUMPER ASSEMBLY

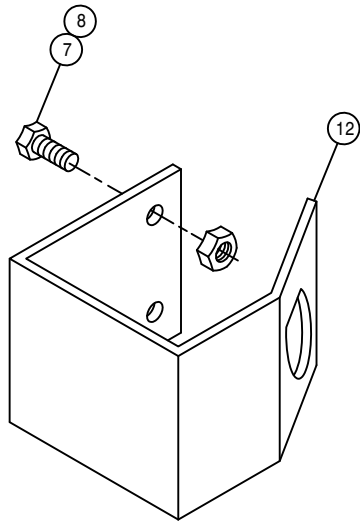
DET.	QTY	PART NO.	DESCRIPTION
1	1	439110	RUBBER BUMPER MT WLD, NTB 03
2	1	470098	RUBBER BUMPER 2.500D X .38ID
3	1	900066	5/16UNC X 1 1/4 HEX BOLT
4	1	914002	5/16UNC HEX STOVER NUT
5	1	920001	5/16 SAE FLAT WASHER



FOAMER DROP AND HOSE ASSEMBLY

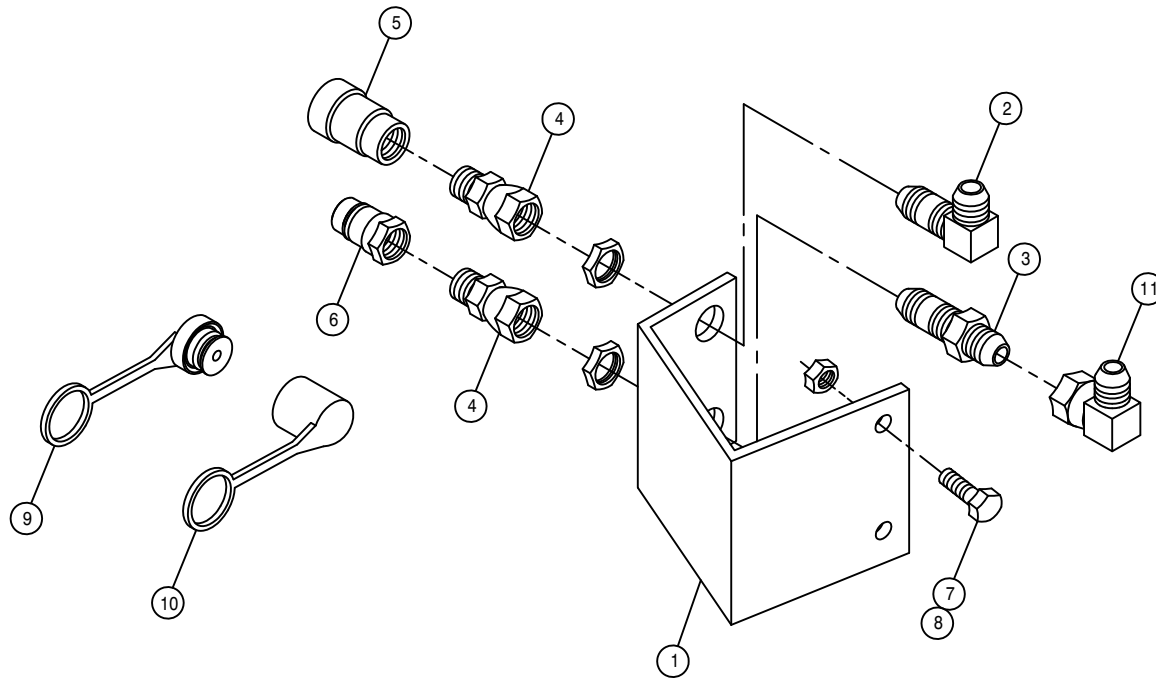
DET.	QTY	PART NO.	DESCRIPTION
1	1	439100	RH FOAMER DROP CPLR WLD, NTB
2	1	439101	LH FOAMER DROP CPLR WLD, NTB
3	2	500067	1 NPT-90-3/4 HOSE BARB, POLY
4	4	520055	HOSE CLAMP NO 12 STAINLESS
5	2	520085	HOSE CLAMP NO 24 STAINLESS
6	2	601586	HOSE, 1 1/4 X 16 2BR BLK EPDM
7	1	696207	.75 HOSE BARB-FEMALE COUPLER
8	1	696208	.75 HOSE BARB-MALE COUPLER
9	2	714561	1.00NPT-1.25 HOSE BARB
10	1	195908	HOSE, 3/4ID-1/8W CLEAR VINYL X 252.00
11	1	195908	HOSE, 3/4ID-1/8W CLEAR VINYL X 348.00
12	1	195908	HOSE, 3/4ID-1/8W CLEAR VINYL X 192.00
13	1	195908	HOSE, 3/4ID-1/8W CLEAR VINYL X 288.00

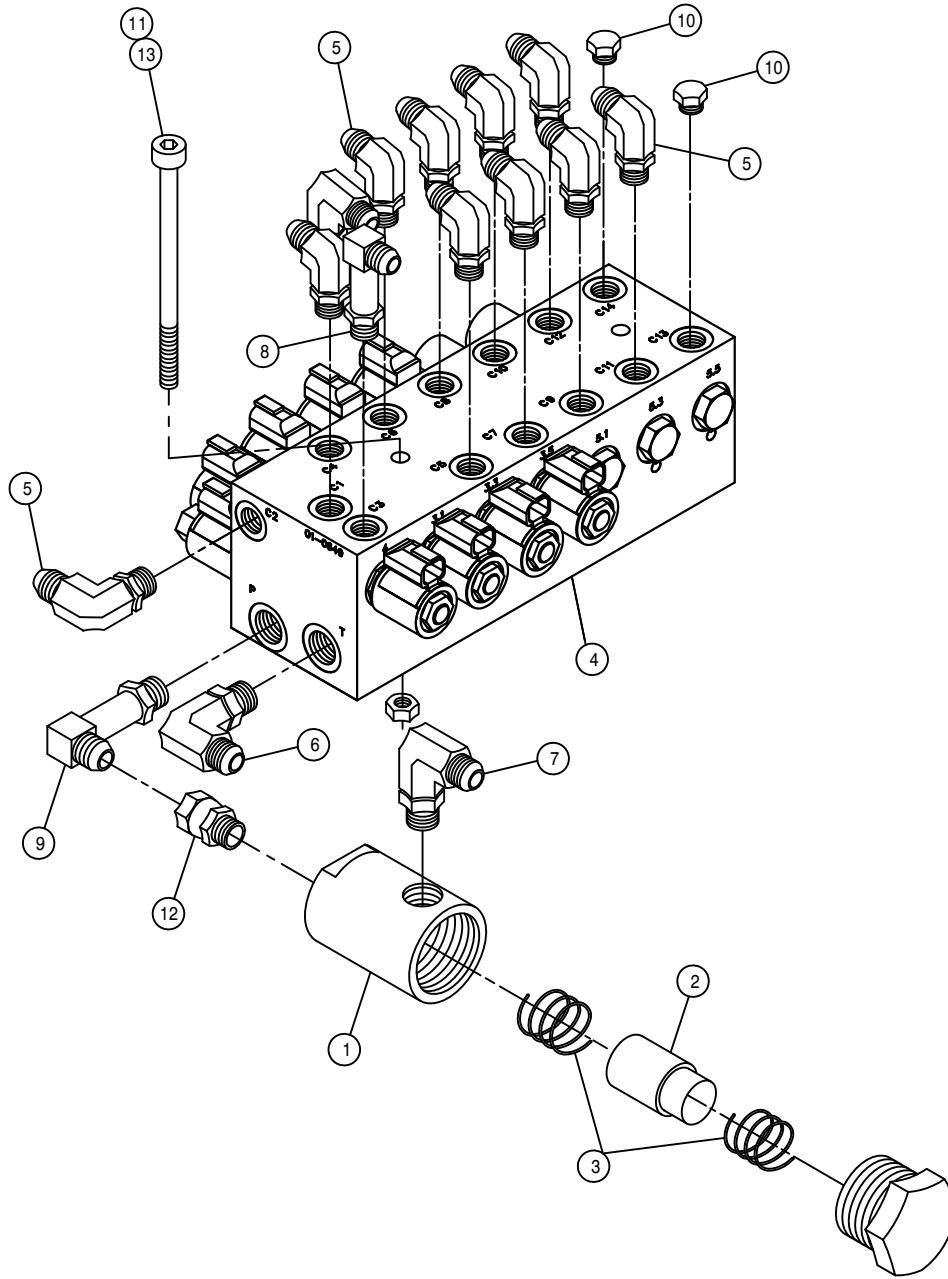
NOTE: DETAILS 10 & 11 ARE USED WITH THE 40FT TOOLBAR.
 DETAILS 12 & 13 ARE USED WITH THE 30FT TOOLBAR.



QUICK ATTACH BRACKET ASSEMBLY

DET.	QTY	PART NO.	DESCRIPTION	
1	1	164774	QUICK ATTACH HOSE BRKT,NTB	04
2	1	618010	3/4MJIC-90-BLKHD UNION LBO	
3	1	618349	3/4MJIC-3/4MJIC BLKHD UNION	
4	2	618669	3/4FJIC SWIV-3/4MOR ADPTR	
5	1	618696	HYD COUPLER,FEM 1/2B, 3/4FOR	
6	1	618697	HYD COUPLER,MALE 1/2B, 3/4FOR	
7	4	900264	1/2UNC X 1 1/4 HEX BOLT	
8	4	914008	1/2UNC HEX STOVER NUT	
9	1	618635	RUBBER DUST PLUG, 618621/696	
10	1	618636	RUBBER DUST CAP, 618622/697	
11	1	618609	3/4MJIC-90-3/4FJIC SWIV LBO	
12	1	439104	RECEPTACLE MT, NTB STS	05

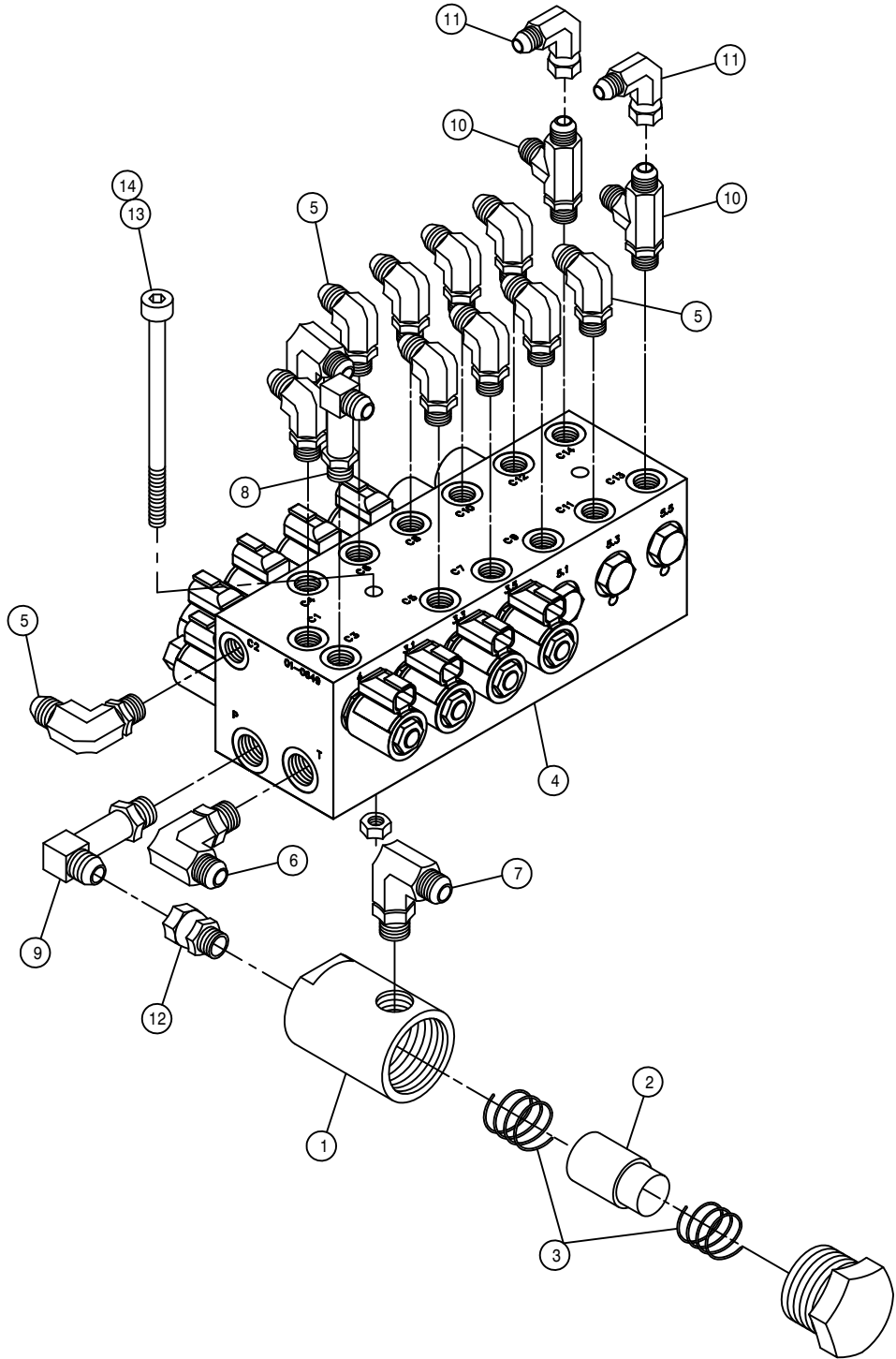




30FT TOOLBAR CONTROL VALVE ASSEMBLY

DET. QTY PART NO. DESCRIPTION

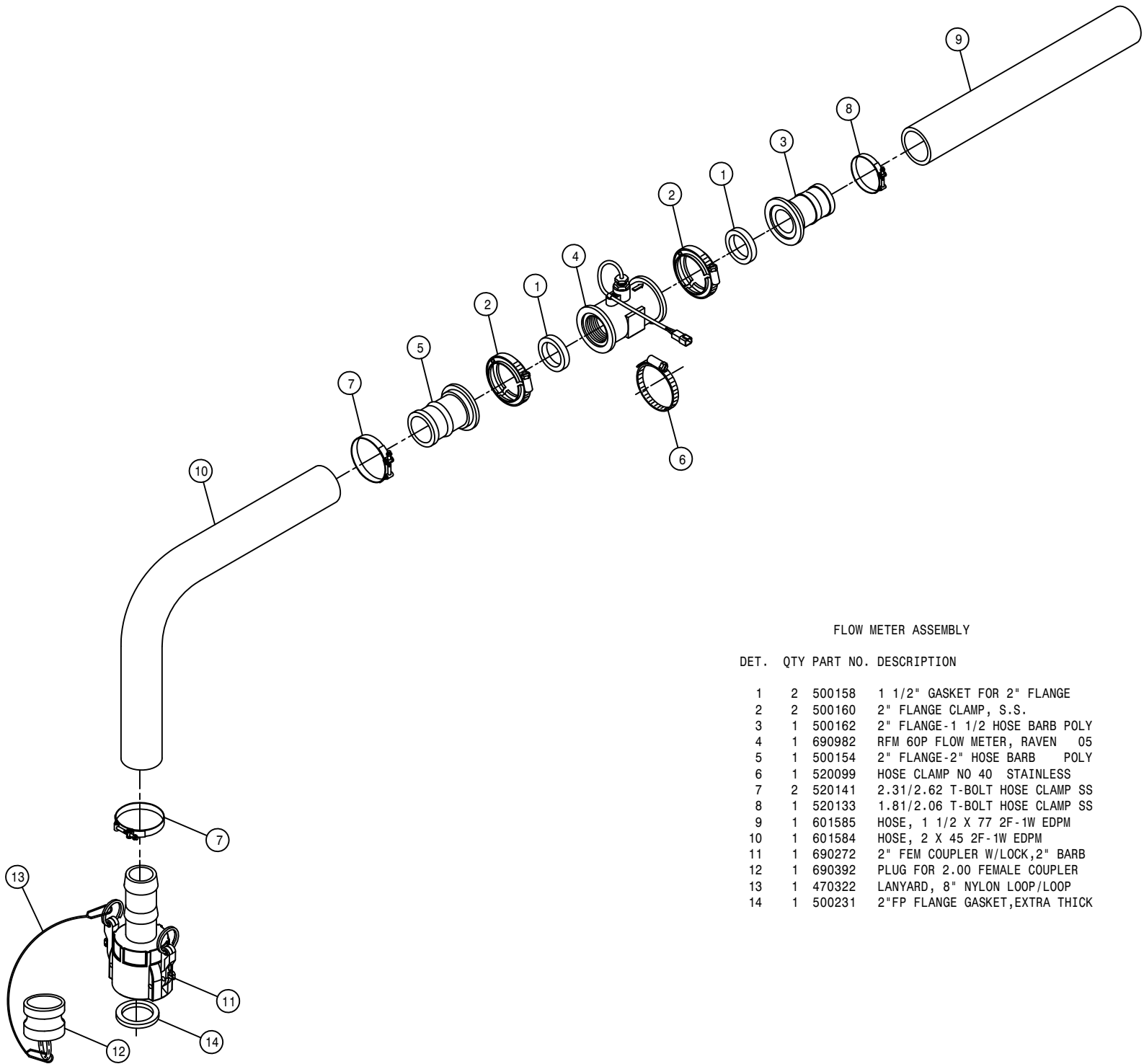
DET.	QTY	PART NO.	DESCRIPTION
1	1	605615	HYD FILTER, INLINE 25M 9/16FOR
2	1	605616	ELEMENT, 25M HYD FILTER 605615
3	1	605617	SPRING KIT, HYD FILTER 605615
4	1	606215	NTB CTRL VLV, STS PWRSYS 05
5	11	618119	9/16MJIC-90-9/16MOR LBO
6	1	618241	3/4MJIC-90-3/4MOR LBO
7	1	618249	3/4MJIC-90-9/16MOR LBO
8	1	618440	9/16MJIC-90-9/16MOR EX LG LBO
9	1	618443	3/4MJIC-90-3/4MOR EX LG LBO
10	2	610185	9/16MOR PLUG
11	2	914004	3/8UNC HEX STOVER NUT
12	1	618692	3/4FJIC SWIV-9/16MOR ADPTR
13	2	900145	3/8UNC X 5 SOCKET HD CAP SCR



40FT TOOLBAR CONTROL VALVE ASSEMBLY

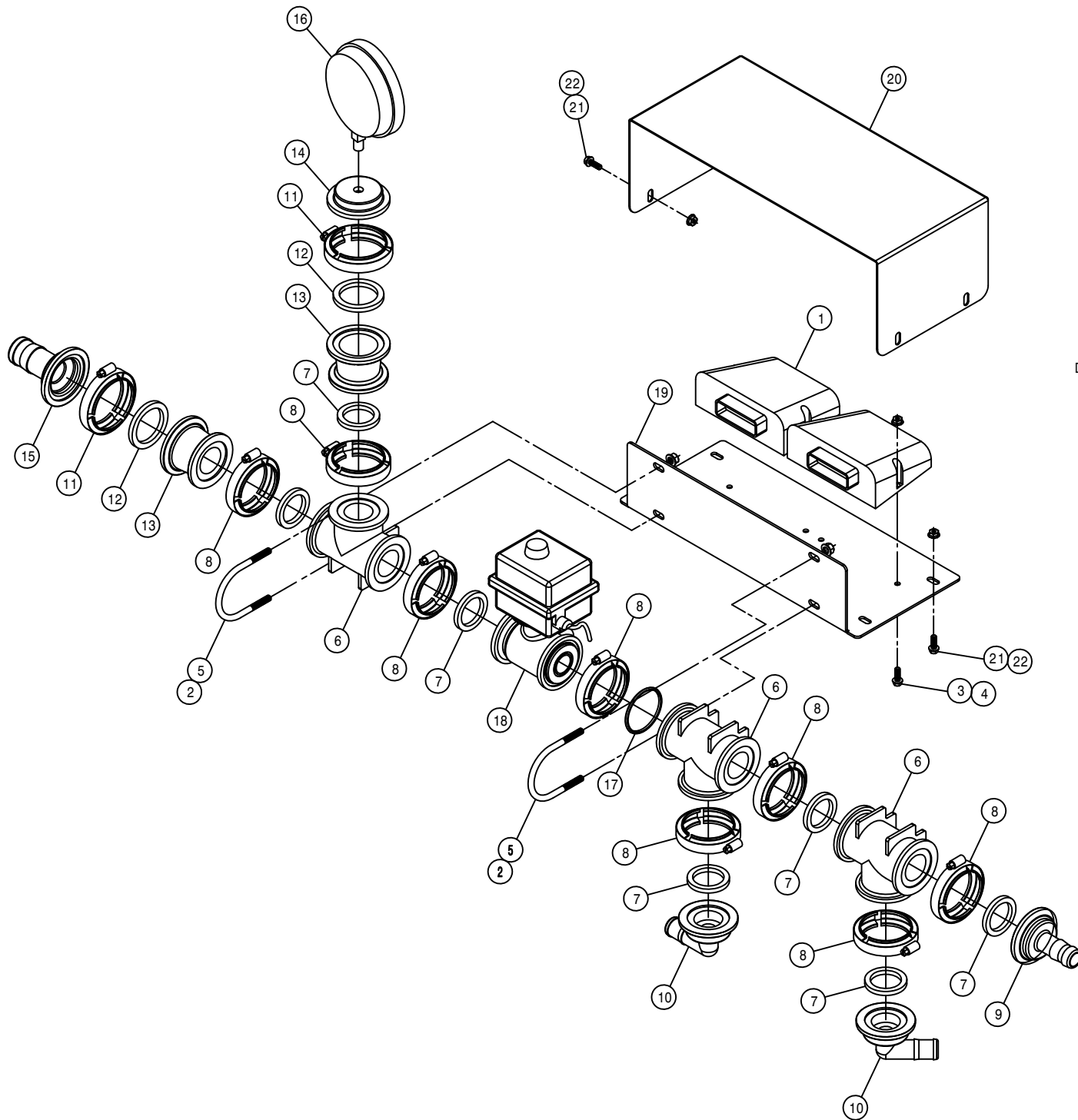
DET. QTY PART NO. DESCRIPTION

1	1	605615	HYD FILTER, INLINE 25M 9/16FOR
2	1	605616	ELEMENT, 25M HYD FILTER 605615
3	1	605617	SPRING KIT, HYD FILTER 605615
4	1	606215	NTB CTRL VLV, STS PWRSYS 05
5	11	618119	9/16MJIC-90-9/16MOR LBO
6	1	618241	3/4MJIC-90-3/4MOR LBO
7	1	618249	3/4MJIC-90-9/16MOR LBO
8	1	618440	9/16MJIC-90-9/16MOR EX LG LBO
9	1	618443	3/4MJIC-90-3/4MOR EX LG LBO
10	2	618444	9/16MOR RUN TEE-9/16MJIC
11	2	618618	9/16MJIC-90-9/16FJIC SWIV LBO
12	1	618692	3/4FJIC SWIV-9/16MOR ADPTR
13	2	900145	3/8UNC X 5 SOCKET HD CAP SCR
14	2	914004	3/8UNC HEX STOVER NUT



FLOW METER ASSEMBLY

DET.	QTY	PART NO.	DESCRIPTION
1	2	500158	1 1/2" GASKET FOR 2" FLANGE
2	2	500160	2" FLANGE CLAMP, S.S.
3	1	500162	2" FLANGE-1 1/2 HOSE BARB POLY
4	1	690982	RFM 60P FLOW METER, RAVEN 05
5	1	500154	2" FLANGE-2" HOSE BARB POLY
6	1	520099	HOSE CLAMP NO 40 STAINLESS
7	2	520141	2.31/2.62 T-BOLT HOSE CLAMP SS
8	1	520133	1.81/2.06 T-BOLT HOSE CLAMP SS
9	1	601585	HOSE, 1 1/2 X 77 2F-1W EDPM
10	1	601584	HOSE, 2 X 45 2F-1W EDPM
11	1	690272	2" FEM COUPLER W/LOCK, 2" BARB
12	1	690392	PLUG FOR 2.00 FEMALE COUPLER
13	1	470322	LANYARD, 8" NYLON LOOP/LOOP
14	1	500231	2"FP FLANGE GASKET, EXTRA THICK



SOLUTION CONTROL VALVE ASSEMBLY

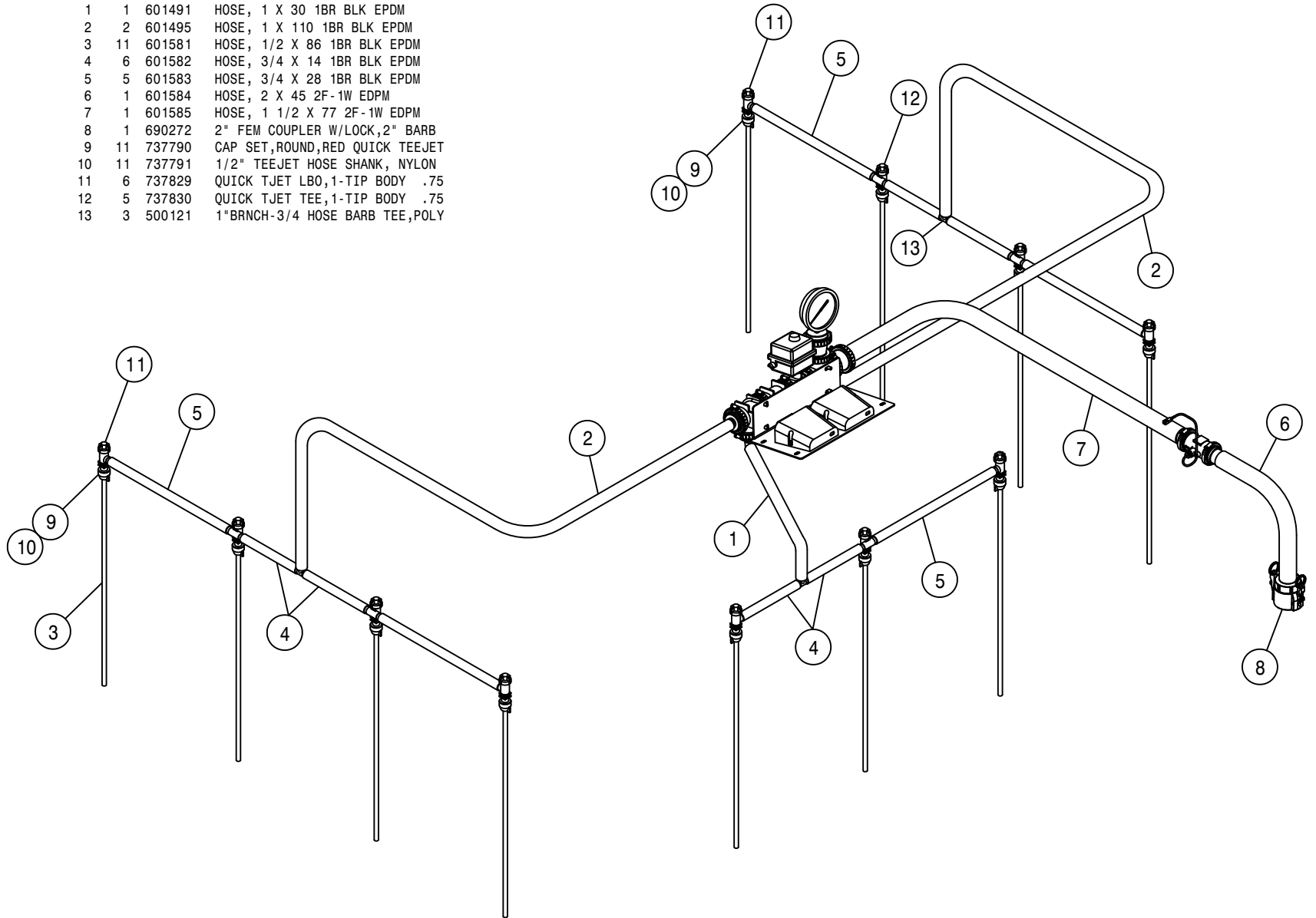
DET. QTY PART NO. DESCRIPTION

1	2	292012	IQAN-XP2 POWER MODULE
2	12	470113	5/16UNC HEX FLANGE LOCK NUT
3	4	470118	1/4UNC X 3/4 FLANGE HEX BOLT
4	4	470121	1/4UNC HEX FLANGE LOCK NUT
5	2	472195	5/16UNC-2 11/16ID-3 9/16U-BOLT
6	3	500151	2" FLANGE TEE POLY
7	7	500158	1 1/2" GASKET FOR 2" FLANGE
8	8	500160	2" FLANGE CLAMP, S.S.
9	1	500172	2" FLANGE-1" HOSE BARB POLY
10	2	500189	2" FLANGE-90-1" HOSE BARB POLY
11	2	500194	2"FP FLANGE CLAMP, S.S.
12	2	500195	2"FP FLANGE GASKET EPDM
13	2	500199	2"FP FLANGE-2"FLANGE REDU POLY
14	1	500229	2"FP FLANGE PLUG,1/4FNPT POLY
15	1	500230	2" FP FLANGE-1 1/2" HOSE BARB
16	1	690359	PRESSURE GA GLYCERI 100 PSI
17	1	696254	O-RING, KZCO FLANGED VALVES
18	1	696256	VALVE, KZCO C2F-60B-M-S9
19	1	439194	ELECT CTRL MT PANEL, NTB 05
20	1	439195	ELECT CTRL BOX COVER, NTB 05
21	8	470233	5/16UNC X 3/4 FLANGE HEX BOLT

HOSE DIAG, 12R 30"-30' NTB 05

DET. QTY PART NO. DESCRIPTION

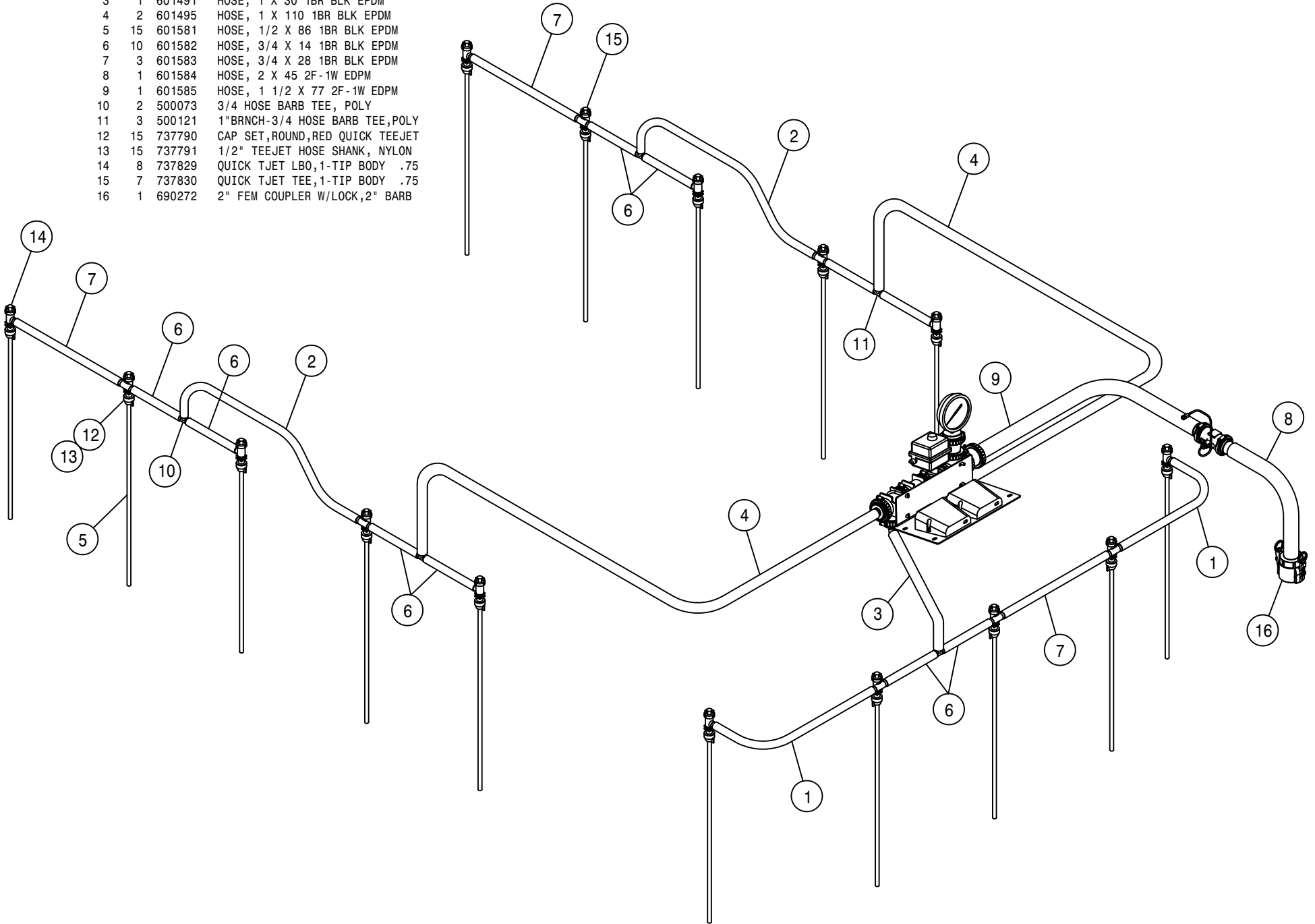
1	1	601491	HOSE, 1 X 30 1BR BLK EPDM
2	2	601495	HOSE, 1 X 110 1BR BLK EPDM
3	11	601581	HOSE, 1/2 X 86 1BR BLK EPDM
4	6	601582	HOSE, 3/4 X 14 1BR BLK EPDM
5	5	601583	HOSE, 3/4 X 28 1BR BLK EPDM
6	1	601584	HOSE, 2 X 45 2F-1W EDPM
7	1	601585	HOSE, 1 1/2 X 77 2F-1W EDPM
8	1	690272	2" FEM COUPLER W/LOCK,2" BARB
9	11	737790	CAP SET,ROUND,RED QUICK TEEJET
10	11	737791	1/2" TEEJET HOSE SHANK, NYLON
11	6	737829	QUICK TJET LBO,1-TIP BODY .75
12	5	737830	QUICK TJET TEE,1-TIP BODY .75
13	3	500121	1"BRNCH-3/4 HOSE BARB TEE,POLY



HOSE DIAG, 16R 30"-40' NTB 05

DET. QTY PART NO. DESCRIPTION

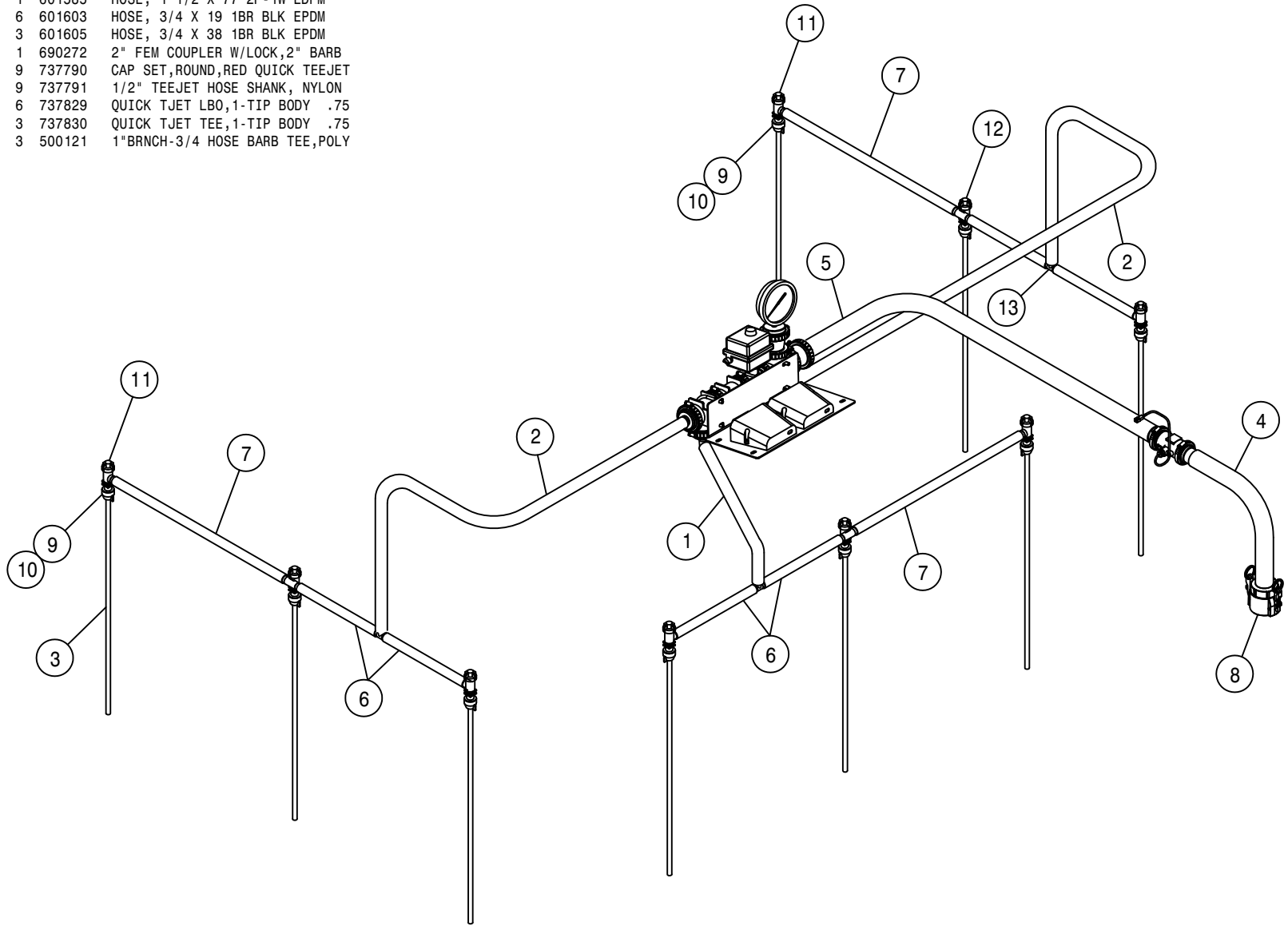
1	2	601173	HOSE, 3/4 X 50 1BR BLK EPDM
2	2	601174	HOSE, 3/4 X 60 1BR BLK EPDM
3	1	601491	HOSE, 1 X 30 1BR BLK EPDM
4	2	601495	HOSE, 1 X 110 1BR BLK EPDM
5	15	601581	HOSE, 1/2 X 86 1BR BLK EPDM
6	10	601582	HOSE, 3/4 X 14 1BR BLK EPDM
7	3	601583	HOSE, 3/4 X 28 1BR BLK EPDM
8	1	601584	HOSE, 2 X 45 2F-1W EDPM
9	1	601585	HOSE, 1 1/2 X 77 2F-1W EDPM
10	2	500073	3/4 HOSE BARB TEE, POLY
11	3	500121	1" BRNCH-3/4 HOSE BARB TEE, POLY
12	15	737790	CAP SET, ROUND, RED QUICK TEEJET
13	15	737791	1/2" TEEJET HOSE SHANK, NYLON
14	8	737829	QUICK TJET LBO, 1-TIP BODY .75
15	7	737830	QUICK TJET TEE, 1-TIP BODY .75
16	1	690272	2" FEM COUPLER W/LOCK, 2" BARB



HOSE DIAG, 18R SKIP 20"-30' NTB 05

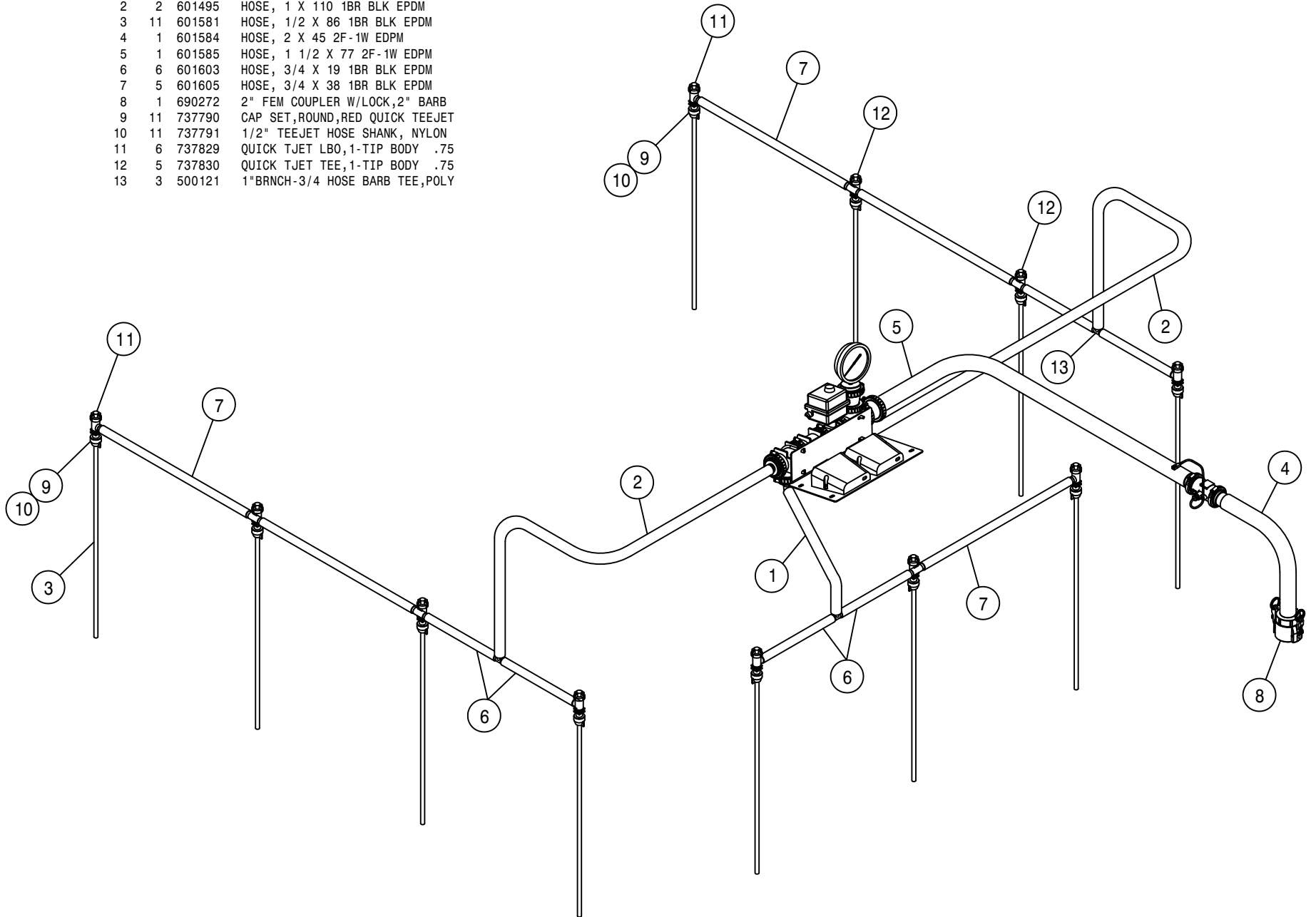
DET. QTY PART NO. DESCRIPTION

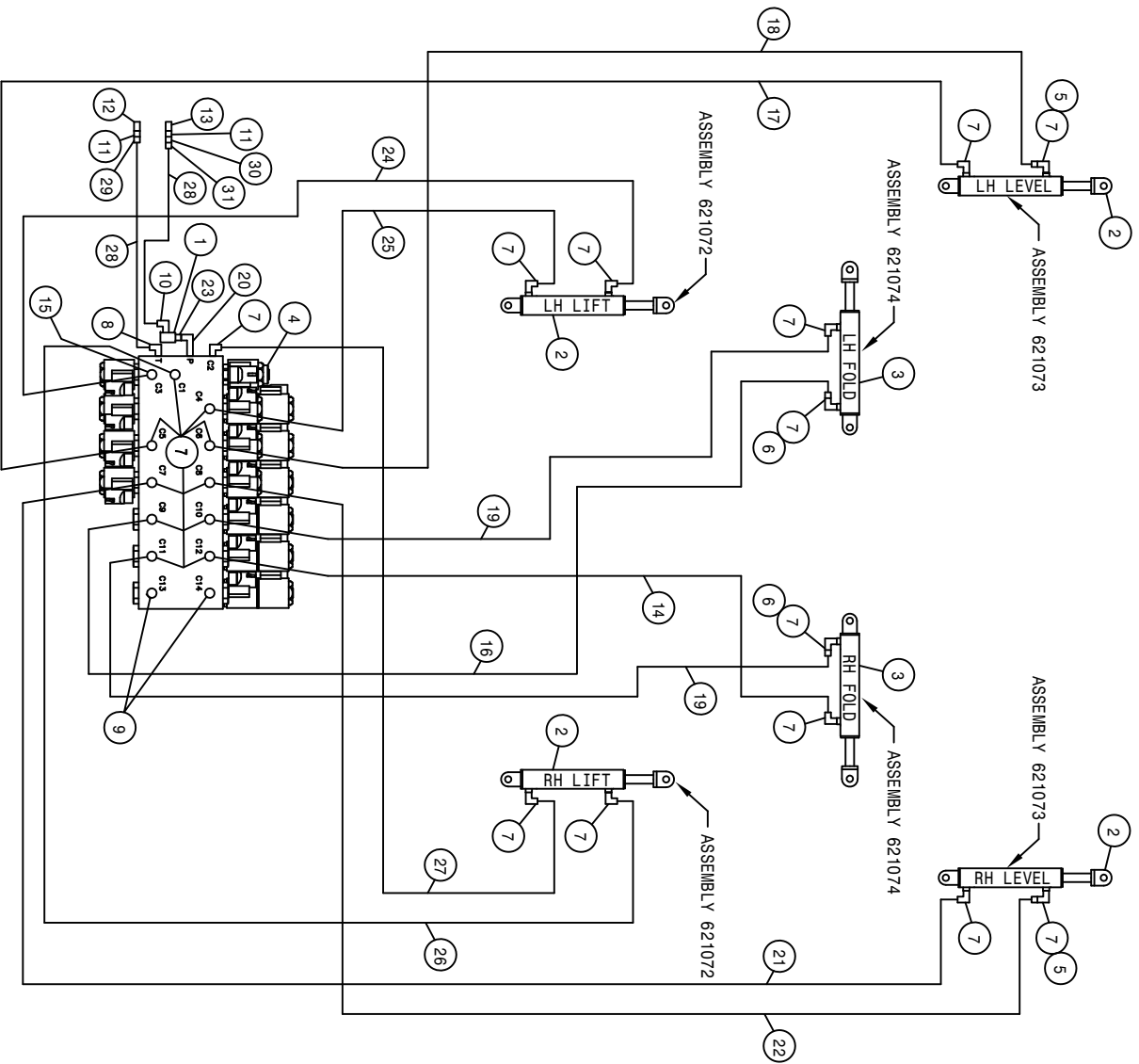
1	1	601491	HOSE, 1 X 30 1BR BLK EPDM
2	2	601495	HOSE, 1 X 110 1BR BLK EPDM
3	9	601581	HOSE, 1/2 X 86 1BR BLK EPDM
4	1	601584	HOSE, 2 X 45 2F-1W EDPM
5	1	601585	HOSE, 1 1/2 X 77 2F-1W EDPM
6	6	601603	HOSE, 3/4 X 19 1BR BLK EPDM
7	3	601605	HOSE, 3/4 X 38 1BR BLK EPDM
8	1	690272	2" FEM COUPLER W/LOCK, 2" BARB
9	9	737790	CAP SET, ROUND, RED QUICK TEEJET
10	9	737791	1/2" TEEJET HOSE SHANK, NYLON
11	6	737829	QUICK TJET LBO, 1-TIP BODY .75
12	3	737830	QUICK TJET TEE, 1-TIP BODY .75
13	3	500121	1" BRNCH-3/4 HOSE BARB TEE, POLY



HOSE DIAG, 24R SKIP 20"-40' NTB 05

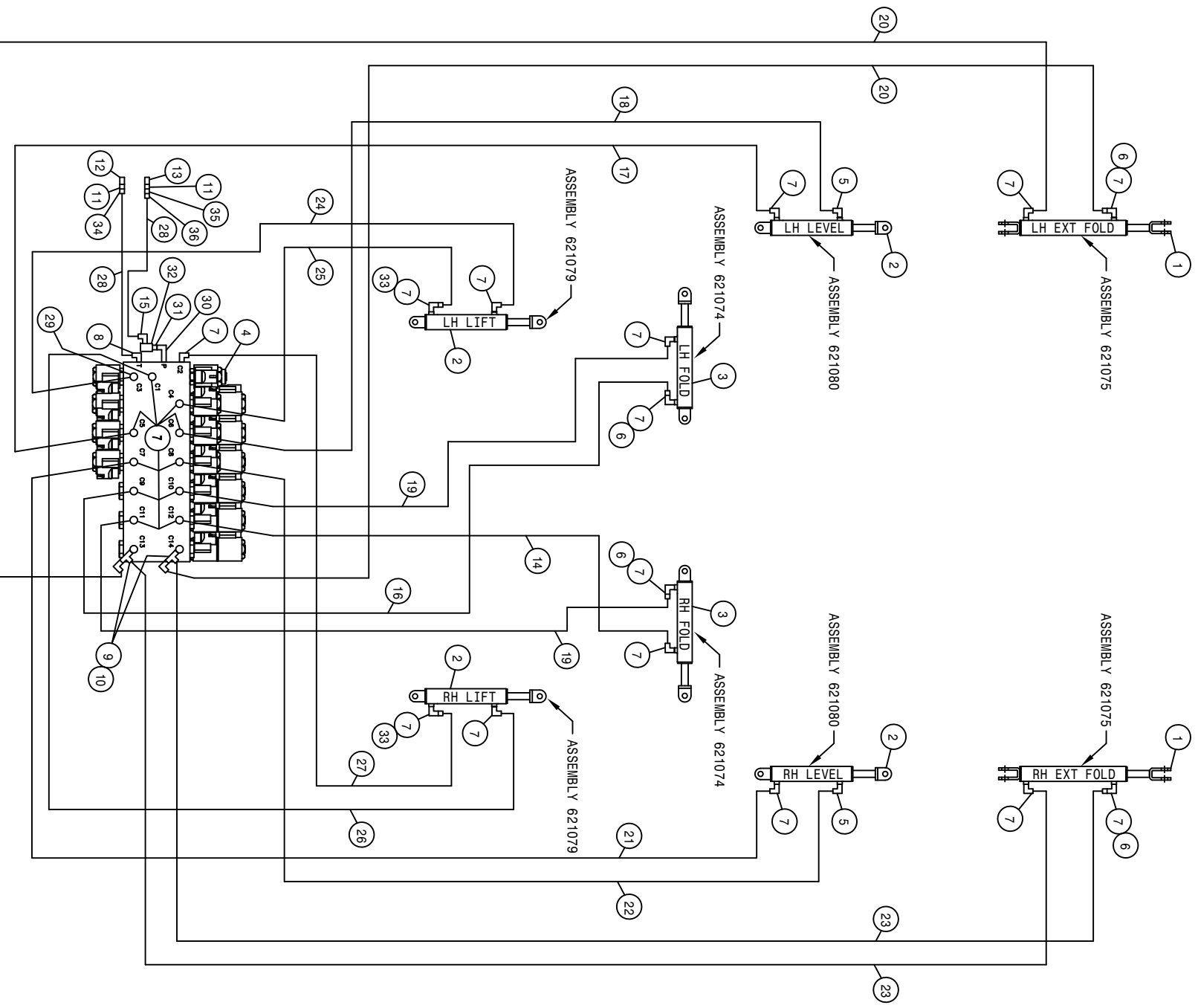
DET.	QTY	PART NO.	DESCRIPTION
	1	601491	HOSE, 1 X 30 1BR BLK EPDM
	2	601495	HOSE, 1 X 110 1BR BLK EPDM
	3	601581	HOSE, 1/2 X 86 1BR BLK EPDM
	4	601584	HOSE, 2 X 45 2F-1W EDPM
	5	601585	HOSE, 1 1/2 X 77 2F-1W EDPM
	6	601603	HOSE, 3/4 X 19 1BR BLK EPDM
	7	601605	HOSE, 3/4 X 38 1BR BLK EPDM
	8	690272	2" FEM COUPLER W/LOCK, 2" BARB
	9	737790	CAP SET, ROUND, RED QUICK TEEJET
	10	737791	1/2" TEEJET HOSE SHANK, NYLON
	11	737829	QUICK TJET LBO, 1-TIP BODY .75
	12	737830	QUICK TJET TEE, 1-TIP BODY .75
	13	500121	1" BRNCH-3/4 HOSE BARB TEE, POLY





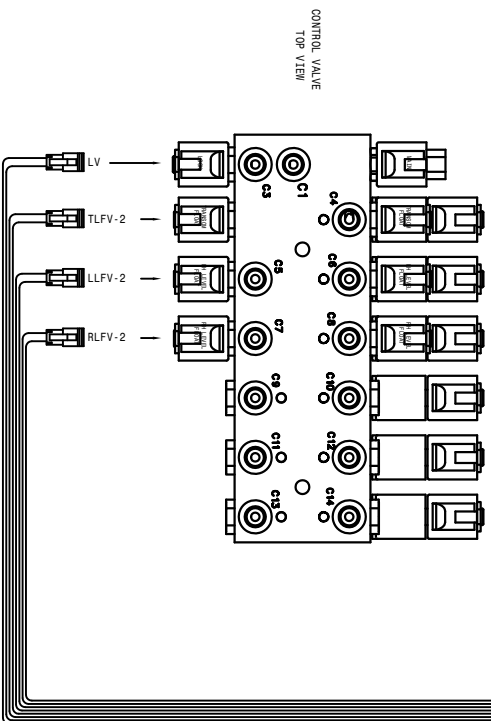
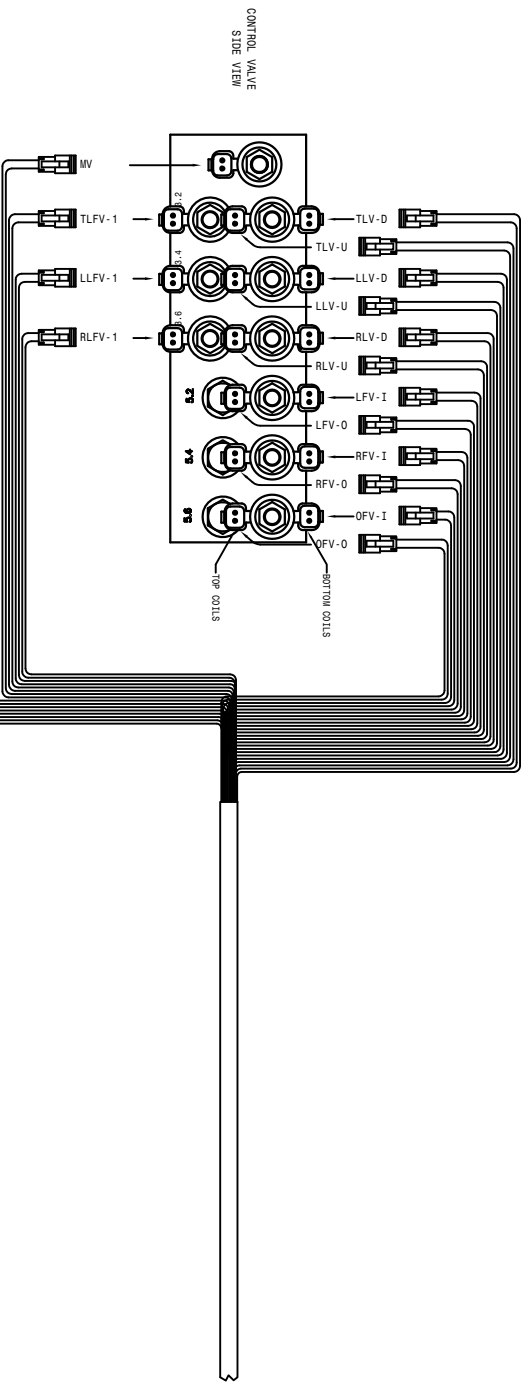
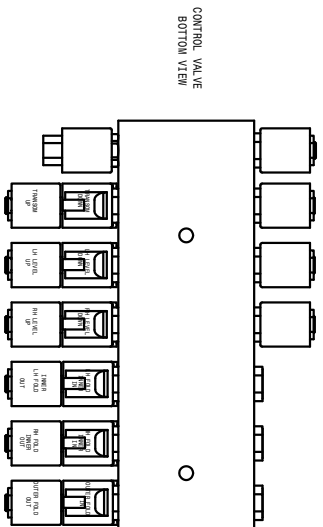
NITROGEN T-BAR 30FT HYD SCHEMATIC 2005
REFERENCE DRAWING NO. 498859

DET.	QTY	PART NO.	DESCRIPTION	DET.	QTY	PART NO.	DESCRIPTION
1	1	605615	HYD FILTER, INLINE 25M 9/16FOR	17	1	616084	04-451TC-06FJX-06FJX-46
2	4	621558	LEVEL CYL, 3.00 X 11.00 STS	18	1	616176	04-451TC-06FJX-06FJX-58
3	2	621566	OUTRGR FOLD CYL, 2.50 X 11.00	19	2	616177	04-451TC-06FJX-06FJX-74
4	1	606215	NTB CTRL VLV, STS PWRSYS 05	20	1	618443	3/4MJIC-90-3/4MOR EX LG LBO
5	2	618731	9/16JIC .025 ORIFICE ADPTR	21	1	616179	04-451TC-06FJX-06FJX-129
6	2	618732	9/16JIC .031 ORIFICE ADPTR	22	1	616180	04-451TC-06FJX-06FJX-143
7	23	618119	9/16MJIC-90-9/16MOR LBO	23	1	618692	3/4FJIC SMIV-9/16MOR ADPTR
8	1	618241	3/4MJIC-90-3/4MOR LBO	24	1	616182	06-451TC-06FJX-06FJX-41
9	2	610185	9/16MOR PLUG	25	1	616183	06-451TC-06FJX-06FJX-52
10	1	618249	3/4MJIC-90-9/16MOR LBO	26	1	616184	06-451TC-06FJX-06FJX-137
11	2	618669	3/4FJIC SMIV-3/4MOR ADPTR	27	1	616185	06-451TC-06FJX-06FJX-147
12	1	618696	HYD COUPLER, FEM 1/2B, 3/4FOR	28	2	616186	08-451TC-08FJX-08FJX-62
13	1	618697	HYD COUPLER, MALE 1/2B, 3/4FOR	29	1	618010	3/4MJIC-90-BLKHD UNION LBO
14	1	616090	04-451TC-06FJX-06FJX-85	30	1	618349	3/4MJIC-3/4MJIC BLKHD UNION
15	1	618440	9/16MJIC-90-9/16MOR EX LG LBO	31	1	618609	3/4MJIC-90-3/4FJIC SMIV LBO
16	1	616209	04-451TC-06FJX-06FJX-64				H/A

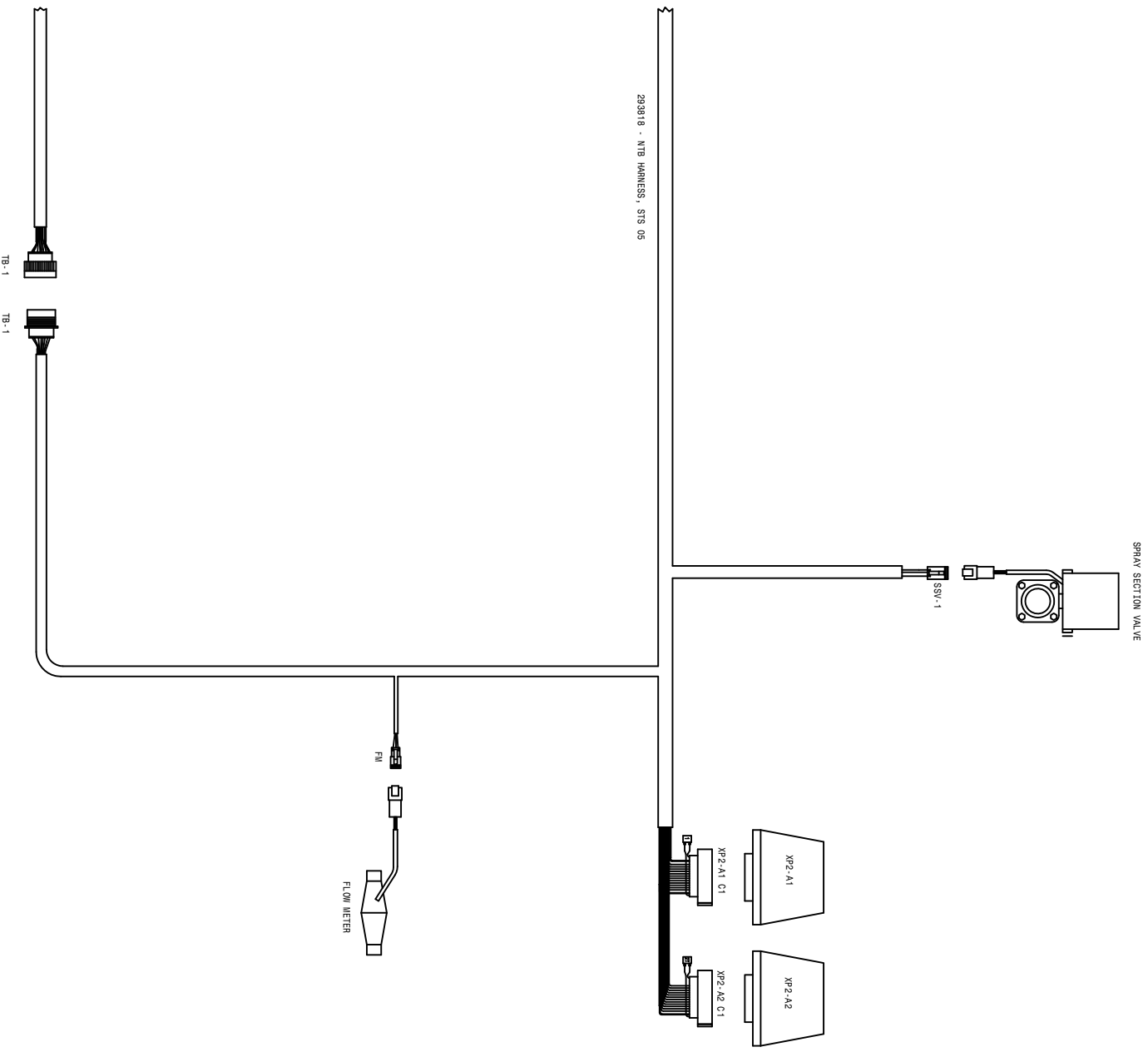


NITROGEN T-BAR 40FT HYD SCHEMATIC 2005
REFERENCE DRAWING NO. 498860

DET. QTY PART NO. DESCRIPTION			DET. QTY PART NO. DESCRIPTION					
1	2	621568	OUTRGR FOLD CYL,2.00 X 18	19	2	616177	04-4511TC-06FJX-06FJX-74	H/A
2	4	621558	LEVEL CYL, 3.00 X 11.00	20	2	616178	04-4511TC-06FJX-06FJX-94	H/A
3	2	621566	OUTRGR FOLD CYL, 2.50 X 11.00	21	1	616179	04-4511TC-06FJX-06FJX-129	H/A
4	1	606215	NTB CTRL VLV, STS PMSYS 05	22	1	616180	04-4511TC-06FJX-06FJX-143	H/A
5	2	618688	9/16MOR-90-9/16MJ .025 CHK VLV	23	2	616181	04-4511TC-06FJX-06FJX-168	H/A
6	4	618732	9/16JIC .031 ORIFICE ADPTR	24	1	616182	06-4511TC-06FJX-06FJX-41	H/A
7	25	618119	9/16MJIC-90-9/16MOR LBO	25	1	616183	06-4511TC-06FJX-06FJX-52	H/A
8	1	618241	3/4MJIC-90-3/4MOR LBO	26	1	616184	06-4511TC-06FJX-06FJX-137	H/A
9	2	618444	9/16MOR RUN TEE-9/16MJIC	27	1	616185	06-4511TC-06FJX-06FJX-147	H/A
10	2	618618	9/16MJIC-90-9/16FJIC SWIV LBO	28	2	616186	08-4511TC-08FJX-08FJX-62	H/A
11	2	618669	3/4FJIC SWIV-3/4MOR ADPTR	29	1	618440	9/16MJIC-90-9/16MOR EX LG LBO	H/A
12	1	618696	HYD COUPLER,FEM 1/2B, 3/4FOR	30	1	618443	3/4MJIC-90-3/4MOR EX LG LBO	H/A
13	1	618697	HYD COUPLER,MALE 1/2B, 3/4FOR	31	1	618692	3/4FJIC SWIV-9/16MOR ADPTR	H/A
14	1	616090	04-4511TC-06FJX-06FJX-85	32	1	605615	HYD FILTER,INLINE 25M 9/16FOR	H/A
15	1	618249	3/4MJIC-90-9/16MOR LBO	33	2	618735	9/16JIC .062 ORIFICE ADPTR	H/A
16	1	616209	04-4511TC-06FJX-06FJX-64	34	1	618010	3/4MJIC-90-BLKHD UNION LBO	H/A
17	1	616084	04-4511TC-06FJX-06FJX-46	35	1	618349	3/4MJIC-3/4MJIC BLKHD UNION	H/A
18	1	616176	04-4511TC-06FJX-06FJX-58	36	1	618609	3/4MJIC-90-3/4FJIC SWIV LBO	H/A



293703 - CAB TO ROOM HARNESS, S1S 05



02-TB-05 TLM
 STS NTB WIRING DIAGRAM 05
 REVISION DATE: 498880

Notes:

