



PARTS MANUAL FOR HAGIE GST 20

HAGIE MANUFACTURING COMPANY

721 CENTRAL AVENUE WEST
BOX 273
CLARION, IOWA 50525-0273

COVERS MACHINE SERIAL NUMBERS:

U16241616001-100

09-15 493672
02-16, 03-17,
01-18

To obtain the most current parts manual for your machine,
please visit www.hagie.com.

© 2015-18 Hagie Manufacturing Company. Clarion, Iowa USA



SPRAYER IDENTIFICATION

Each Hagie sprayer is identified by means of a frame serial number. This serial number denotes the model, the year in which it was built, and the number of the sprayer. As for further identification, the engine has a serial number and the planetary hubs have an identification plate that describe the type of mount and gear ratio. To ensure prompt, efficient service when ordering parts or requesting service repairs from Hagie Manufacturing Company, record the serial and identification numbers in the spaces provided below.

NOTE: Reference to left hand and right hand used throughout this manual refers to the position when seated in the operator's seat facing forward.

This manual is not intended to be a complete guide for machine maintenance and repairs. If you are not properly trained to perform service on this machine, contact Hagie Customer Support for assistance. Improper maintenance or repair may result in property damage, personal injury, or death.

SPRAYER SERIAL NUMBER

ENGINE SERIAL NUMBER

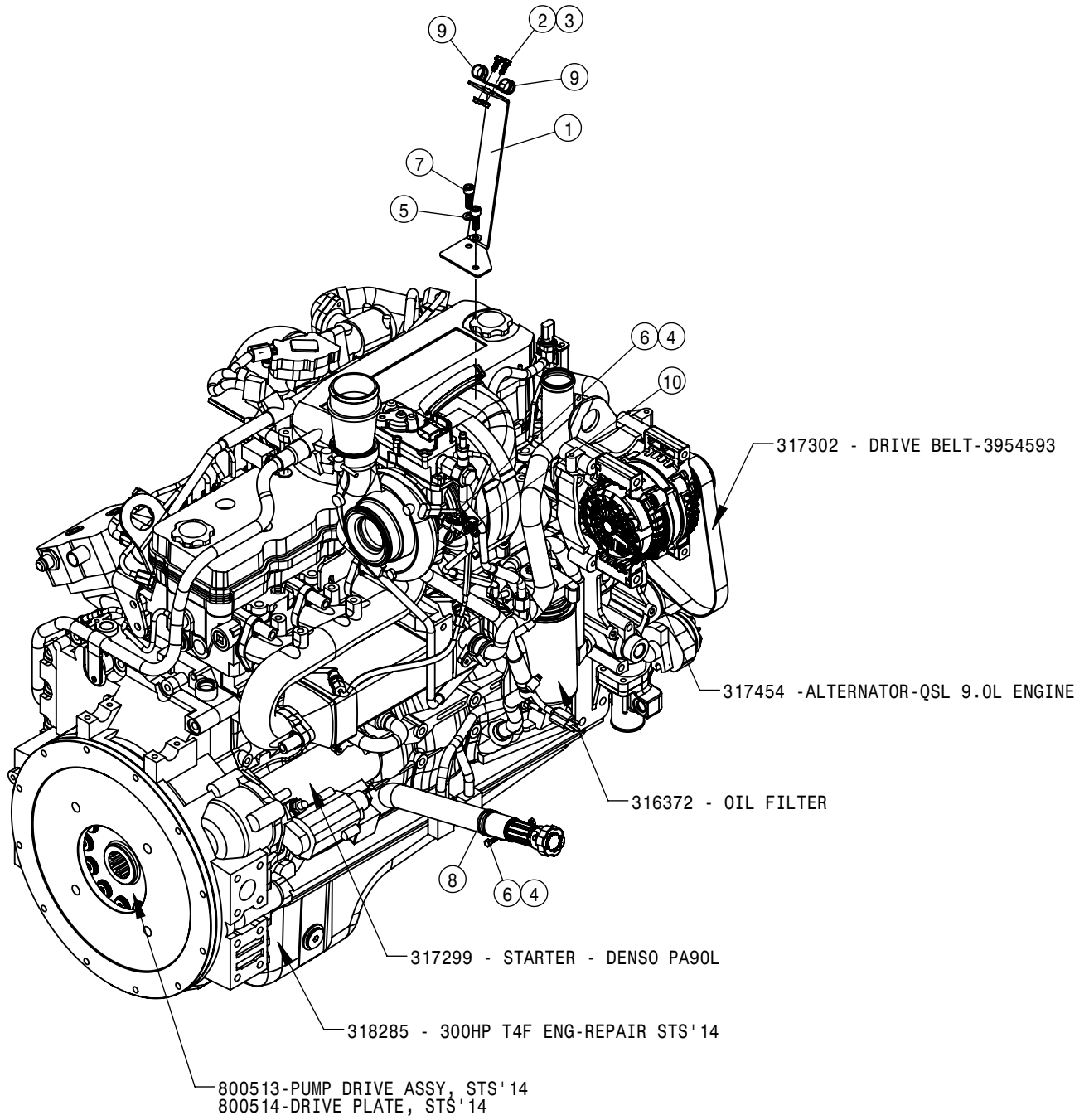
PLANETARY HUB IDENTIFICATION NUMBERS

FILTER QUICK REFERENCE

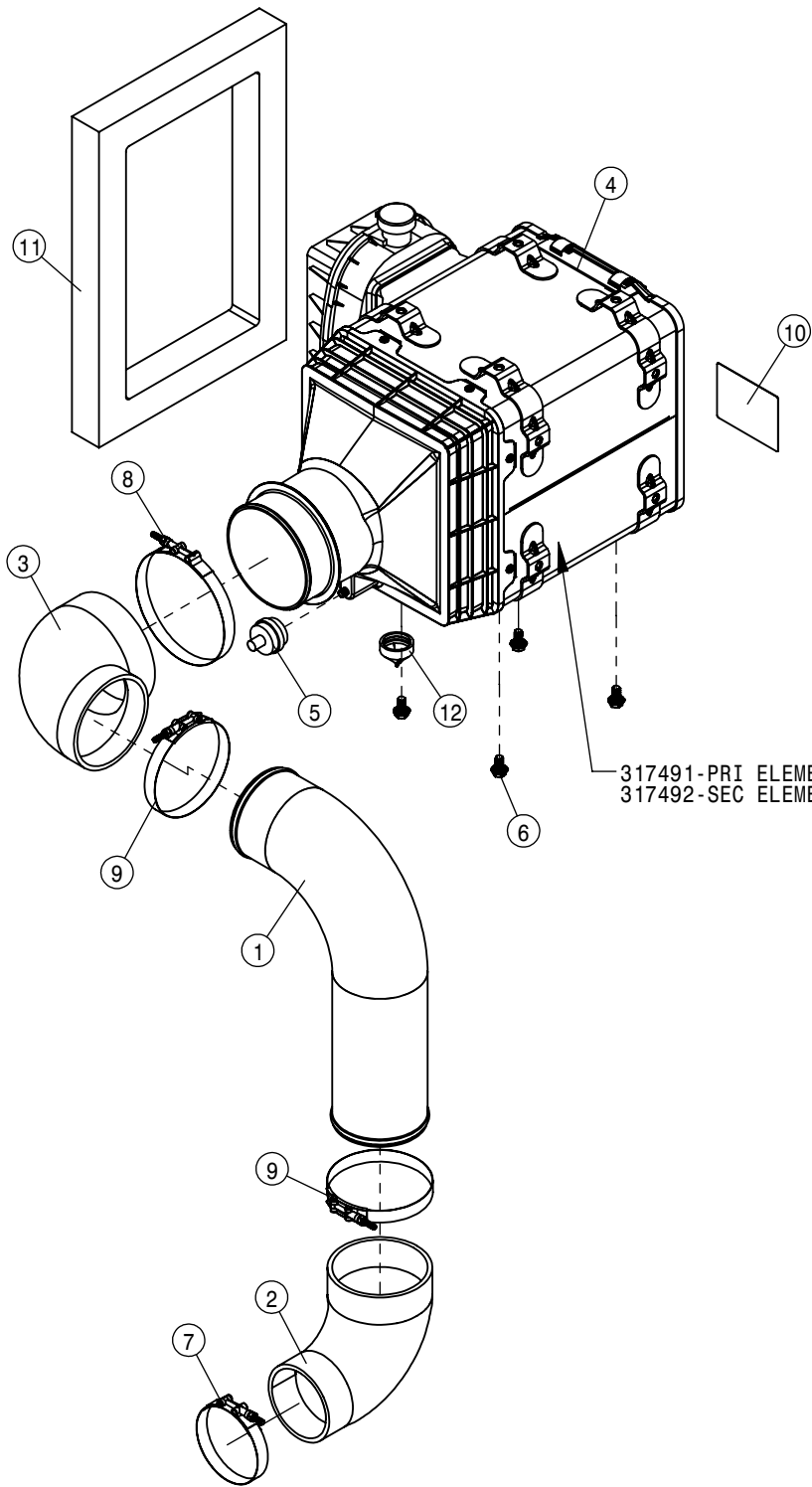
<u>QTY</u>	<u>P/N</u>	<u>DESCRIPTION</u>
1	605657	HYD OIL FILTER, CHARGE PUMP
1	605659	HYD TANK OIL FILTER
1	605663	CASE DRAIN OIL FILTER
1	605661	STEERING MOTOR OIL FILTER
1	605666	FAN MOTOR OIL FILTER
1	657557	CAB PRECLEANER AIR FILTER
1	657558	CAB CHARCOAL FILTER
1	657559	CAB PAPER FILTER
		<u>T4F ENGINE</u>
1	317491	ENGINE AIR FILTER, PRIMARY
1	317492	ENGINE AIR FILTER, SECONDARY
1	316372	ENGINE OIL FILTER T3,T4I,T4F
1	317400	FUEL/WATER SEPERATOR T4F
1	317399	PRIMARY FUEL FILTER T4I,T4F

TABLE OF CONTENTS

ENGINE ASSEMBLY T4F.....	4-10
CHASSIS ELECTRICAL.....	11
A/C AND HEATER LINES.....	12-13
HYDRAULIC HOISING.....	14-17
HYDRAULIC PUMP ASSEMBLY.....	18
WHEEL MOTOR ASSEMBLY.....	19-20
COMBO AUX OIL COOLER ASSEMBLY.....	21
HYDRAULIC TANK ASSEMBLY.....	22
HYDRAULIC COMPONETS.....	23-34
FUEL SYSTEM.....	35
LEG ASSEMBLIES.....	36-37
STEERING CYLINDER AND TIE ROD ASSEMBLY.....	38-42
TIRE ASSEMBLY.....	43
AIR BAG AND AIR SYSTEM.....	44-47
TREAD ADJUST ASSEMBLY.....	48-50
CAB ASSEMBLY.....	51-62
TOOLBOX OPTION.....	63
QUICK ATTACH.....	64
BULKHEAD AND BELLY PAN.....	65-66
ENGINE HOOD.....	67
BACK-UP CAMERA.....	68-69
SERVICE PLATFORM AND LADDER.....	70-71
SOLUTION SYSTEM.....	72-76
DELUGE SYSTEM.....	77-78
FENDER OPTION.....	79
BOOM CRADLE OPTION.....	80-81
SNOW PLOW ADAPTER.....	85-83
WIRING DIAGRAM.....	84-85
HYDRAULIC DIAGRAM.....	86-89
ABBREVIATIONS.....	90
INDEX.....	91

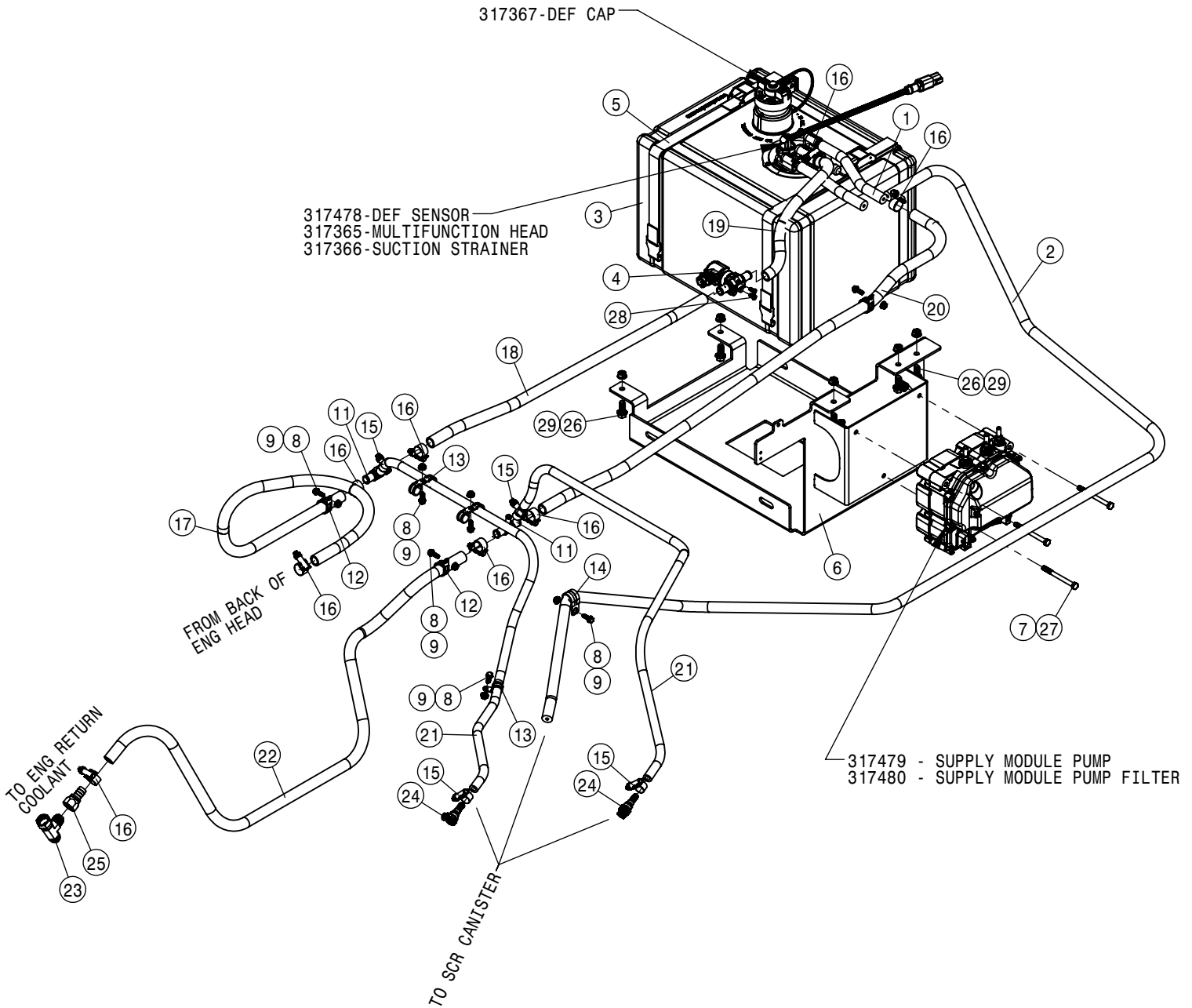


TIER-4F 300 HP ENGINE ASSEMBLY			
DET	QTY	P/N	DESCRIPTION
1	1	317380	T4I/T4F VENT HOSE BRACKET
2	2	470118	1/4 UNC X 3/4 SER FLG BOLT
3	2	470121	1/4 UNC SERR FLG LOCK NUT
4	2	473767	6MM-1.00 HEX NUT
5	2	473798	10MM LOCK WASHER
6	2	473826	6MM-1.00 X 16MM HEX BOLT GR8
7	2	473844	10MM-1.50 X 30 SOC HD CAP SCR
8	1	520100	CUSH HOSE CLAMP,#24, 1 1/2D X 1/2W
9	2	520104	CUSH HOSE CLMP,#12, 3/4D X 1/2W
10	1	520118	CUSH CLAMP,#8 1/2D X 1/2W



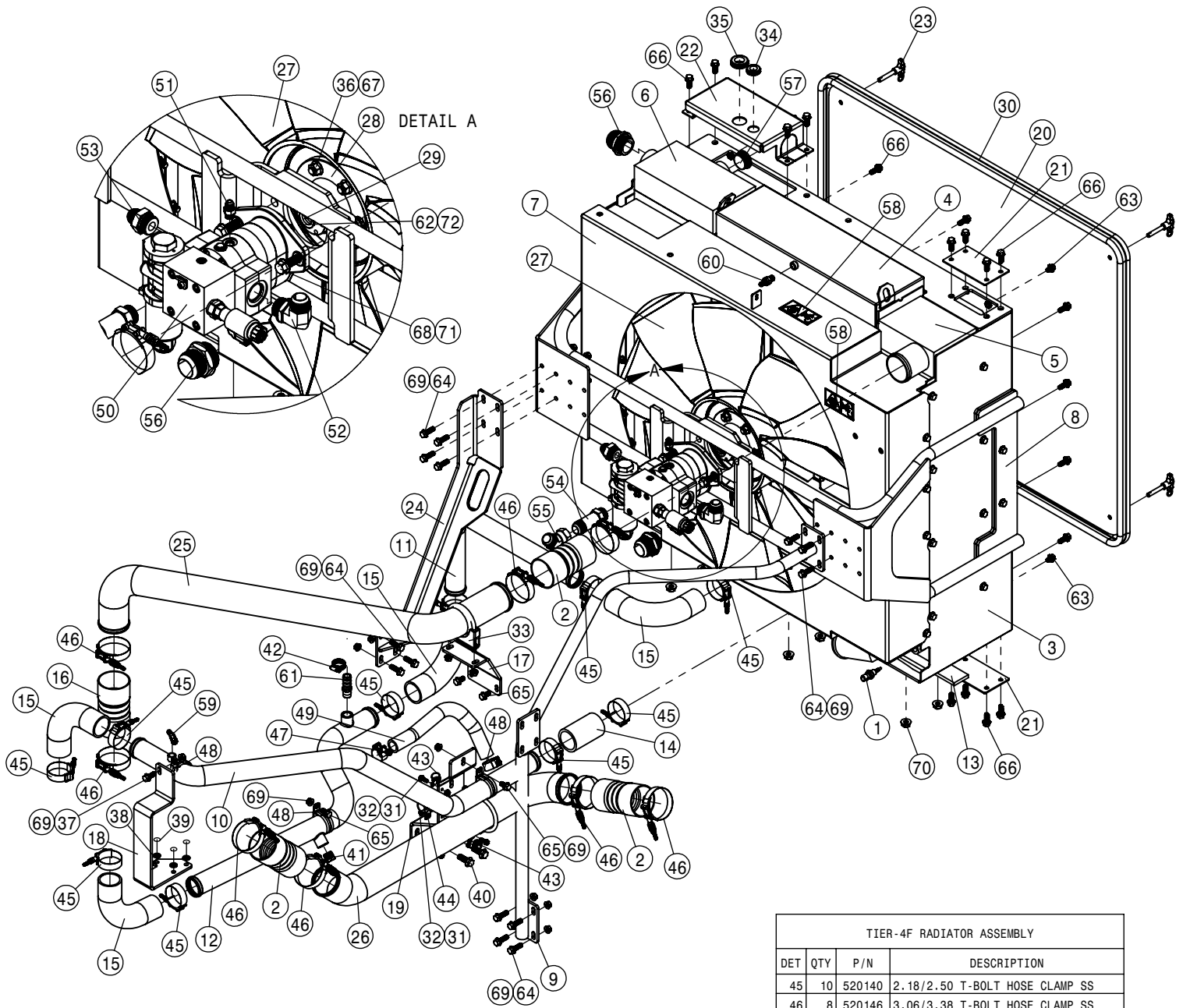
317491-PRI ELEMENT,AIR CLEANER 317301
 317492-SEC ELEMENT,AIR CLEANER 317301

TIER-4F AIR CLEANER ASSEMBLY			
DET	QTY	P/N	DESCRIPTION
1	1	317267	AIR INTAKE PIPE
2	1	317287	ELBOW, 90 DEG 5"-4" (90L50R40)
3	1	317288	ELBOW 90L60R50SR
4	1	317301	AIR CLEANER - AH55547
5	1	317355	AIR FILTER MINDER SWITCH
6	4	473875	10MM-1.5 X 20MM FLG SER BLT YZ
7	1	520134	4.31/4.59 T-BOLT HOSE CLAMP SS
8	1	520147	6.38/6.69 T-BOLT HOSE CLAMP
9	2	520148	5.38/5.69 T-BOLT HOSE CLAMP SS
10	1	650367	AIR FILTER INSTRUCTION DECAL
11	1	660560	INTAKE AIR SEAL HOOD STS'14
12	1	317761	1.5" DUST EJECTOR VALVE



TIER-4F DEF TANK ASSEMBLY			
DET	QTY	P/N	DESCRIPTION
1	2	317329	DEF SUCTION/THROTTLE HOSE ASSY
2	1	317330	DEF PRESSURE HOSE ASSY
3	1	317358	DEF TANK 10 GALLON
4	1	317359	COOLANT VALVE STS '14
5	2	317395	DEF TIE DOWN STRAP
6	1	343950	DEF TANK CRADLE ASM
7	3	470113	5/16UNC SERR FLG LOCK NUT
8	7	470118	1/4 UNC X 3/4 SER FLG BOLT
9	7	470121	1/4 UNC SERR FLG LOCK NUT
NS	5	490522	DEF FLUID 1 GAL
11	2	500285	3/8 x 5/8 x 5/8 MOLDED TEE
12	3	520101	CUSH HOSE CLAMP,#16, 1"D X 1/2W
13	5	520104	CUSH HOSE CLMP,#12, 3/4D X 1/2W
14	1	520121	CUSH CLAMP,#16 1IN X 3/4W
15	4	520168	CLAMP, CONSTANT TORQUE HOSE

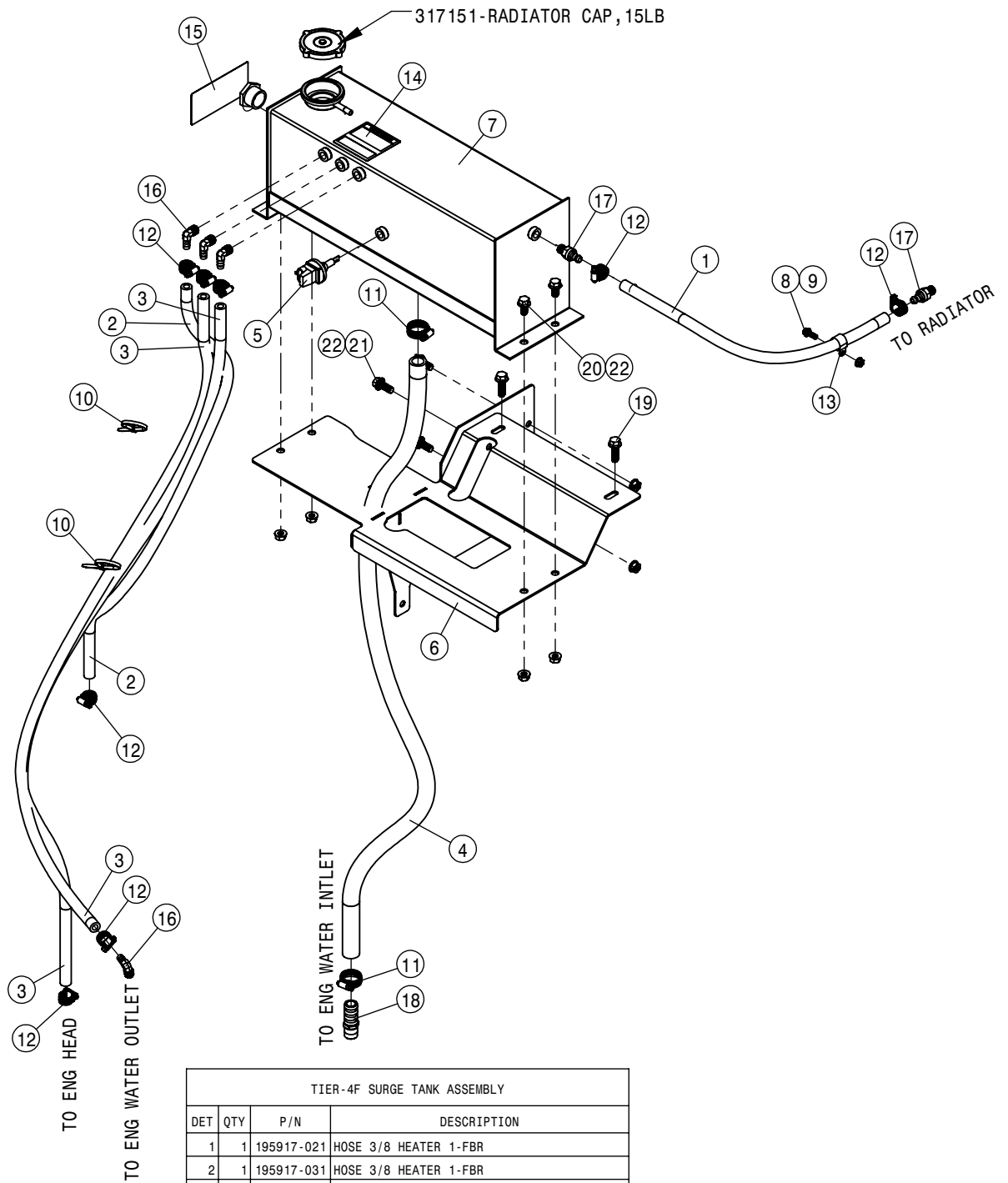
TIER-4F DEF TANK ASSEMBLY			
DET	QTY	P/N	DESCRIPTION
16	10	520169	CLAMP, CONSTANT TORQUE HOSE
17	1	601039	HOSE, 5/8 X 39.4 HEATER
18	1	601040	DEF TANK SUPPLY HOSE 1
19	1	601041	DEF TANK SUPPLY HOSE 2
20	1	601042	DEF TANK RETURN HOSE
21	2	601051	HOSE, 3/8 X 46.00 HEATER
22	1	601052	HOSE, MAIN RETURN
23	1	618333	7/8FJIC SW RUN TEE-7/8MJIC
24	2	618880	3/8 J2044 QUICK CONNECT
25	1	711101	5/8 HOSE BARB-7/8FJX ADPTR,BRS
26	5	900129N	3/8UNC X 1" SERR FLANGE BOLT
27	3	900539	5/16UNC X 3 1/2 HEX BOLT
28	2	903706N	10-32X1/2 PHIL PAN MACH SCR BZ
29	5	910004N	3/8UNC FLANGE CNTR LOCK NUT



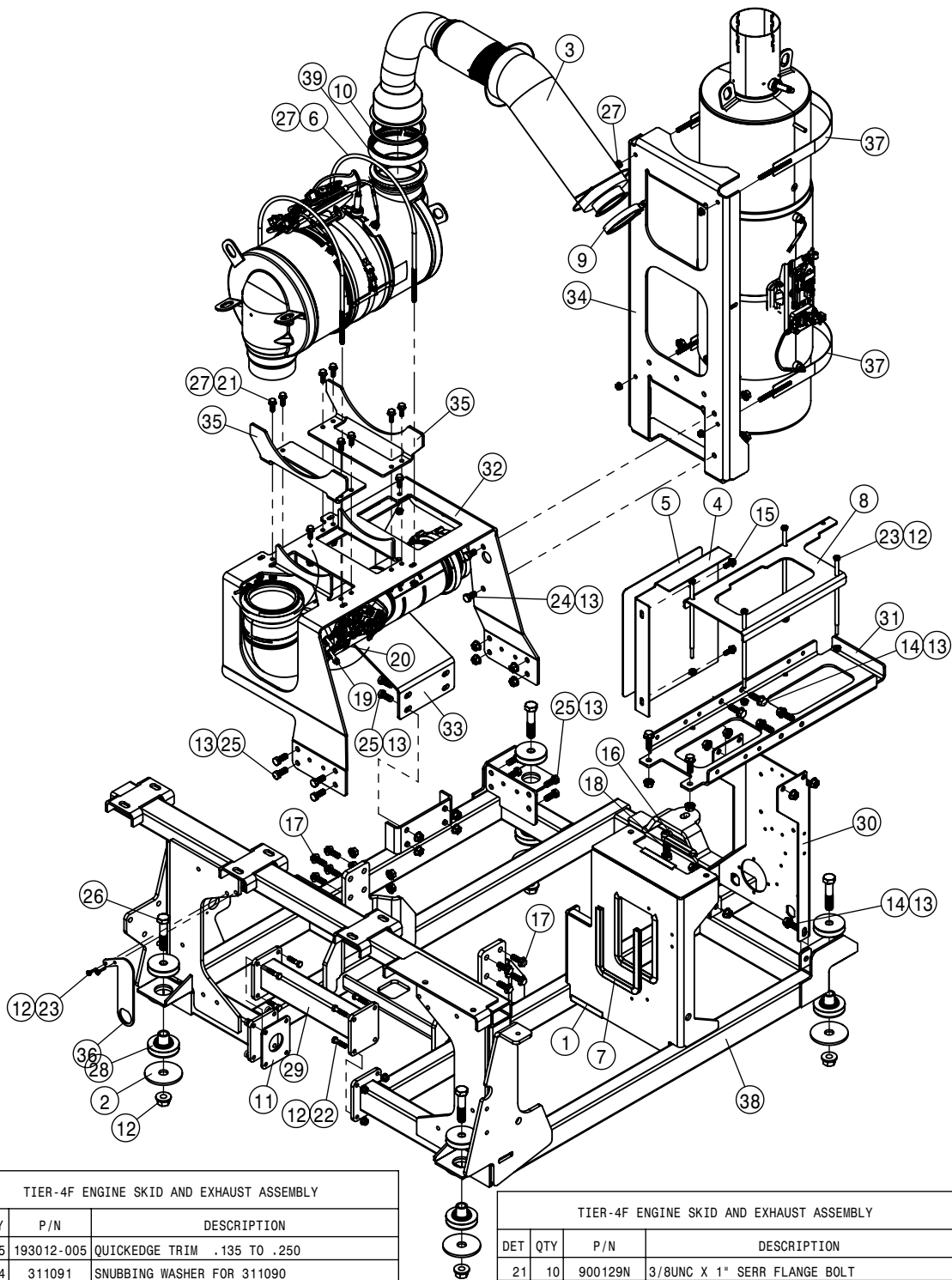
TIER-4F RADIATOR ASSEMBLY			
DET	QTY	P/N	DESCRIPTION
1	1	290098	TEMP SENDER - CAC
2	3	311592	3.00 X 6.00 CAC HOSE
3	1	317162	COOLING PKG FRAME WLD
4	1	317169	RADIATOR STS'14
5	1	317170	CHARGE AIR COOLER STS'14
6	1	317171	HYD OIL COOLER STS'14
7	1	317173	FAN SHROUD WLD
8	1	317181	FAN FRAME WLD
9	1	317194	RH COOLING PKG SUPP WLD
10	1	317199	PIPE - WATER OUTLET TO RAD
11	1	317200	PIPE - RAD TO WATER INLET 1
12	1	317201	PIPE - RAD TO WATER INLET 2
13	1	317202	COOLING PACKAGE ISOLATOR
14	1	317203	COOLANT HOSE
15	4	317204	COOLANT ELBOW
16	1	317205	3" HUMP HOSE
17	1	317206	CAC PIPE SUPP
18	1	317280	PIPE SUPP
19	1	317327	CAC / RAD PIPE SUPP
20	1	317337	INTAKE SCREEN WLD
21	2	317341	COOLING PKG FRAME COVER
22	1	317342	CONDENSOR ACCESS COVER

TIER-4F RADIATOR ASSEMBLY			
DET	QTY	P/N	DESCRIPTION
23	4	317364	T-HANDLE QUICK PIN - 1.75" X 3/8 D
24	1	317390	SUPPORT BRACE COOLING PACK
25	1	317392	PIPE T4F CAC HOT SIDE
26	1	317490	PIPE - CAC TO INTAKE
27	1	317535	32" ENGINE FAN
28	1	317537	FAN HUB
29	1	317670	SPLIT BUSHING ADAPTOR
30	1	344553	INTAKE SCREEN SEAL
31	3	470118	1/4 UNC X 3/4 SER FLG BOLT
32	3	470121	1/4 UNC SERR FLG LOCK NUT
33	2	470160	MUFFLER CLAMP 3.00 IN
34	1	470203	GROMMET, .750ID .125GW 1.062GD
35	1	470204	GROMMET,1.000ID .125GW 1.375GD
36	6	470360N	1/2UNC SERR FLG HEX NUT YZ
37	1	470460	3/8 X 1" SERR FLG BOLT
38	3	473798	10MM LOCK WASHER
39	3	473844	10MM-1.50 X 30 SOC HD CAP SCR
40	2	473855	12MM-1.75 X 35MM SM FLG BOLT
41	1	505231	PIPE PLUG .50NPT HEX HD BRS
42	1	520055	HOSE CLAMP NO 12 STAINLESS
43	2	520104	CUSH HOSE CLMP,#12, 3/4D x 1/2W
44	1	520121	CUSH CLAMP,#16 1IN X 3/4W

TIER-4F RADIATOR ASSEMBLY			
DET	QTY	P/N	DESCRIPTION
45	10	520140	2.18/2.50 T-BOLT HOSE CLAMP SS
46	8	520146	3.06/3.38 T-BOLT HOSE CLAMP SS
47	2	520156	1.16/1.47 T-BOLT HOSE CLAMP
48	3	520161	CUSH CLAMP,#32 2"D-3/4W LOOP
49	1	601992	HOSE, 1" SAE J20R2-D1 EPDM
50	1	606673	FAN MOTOR 32CC, TERMINATED
51	1	618126	9/16MJIC-9/16MOR ADPTR
52	1	618178	1 5/16MJIC-90-1 5/16MOR LBO
53	1	618308	1 1/16MJIC-1 5/16MOR ADPTR
54	1	618610	1 5/16MJIC-1 5/16MOR LG ADPTR
55	1	618630	1 5/16MJ-45-1 5/16FJ SWIV LBO
56	2	618682	1 7/8MOR-1 7/8MJIC ADPTR
57	1	618759	1 5/8MOR PLUG, HEX SOCKET
58	2	650434	DECAL, FAN BLADE WARNING
59	1	711104	1/4MNPT-90-3/8 HOSE BARB, BRS
60	1	712100	1/4NPT X 3/8 HOSE FTG,PUSHLOCK
61	1	712440	1/2 NPT X 3/4 HOSE BARB
62	3	900009	1/4UNC X 2 3/4 HEX BOLT
63	2	900126	3/8UNC X 1/2 SERR FLG BOLT YZ
64	20	900127N	3/8UNC X 1 1/4 SER FLANGE BOLT
65	4	900128N	3/8UNC X 3/4 SER FLANGE BOLT
66	51	900129N	3/8UNC X 1" SERR FLANGE BOLT
67	6	900264N	1/2UNC X 1 1/4 SER FLANGE BOLT
68	2	900265N	1/2UNC X 1 1/2 SERR FLANGE BOLT
69	45	910004N	3/8UNC FLANGE CNTR LOCK NUT
70	6	914008N	1/2UNC SMTH FLG CTR LCK NUT YZ
71	2	914015	1/2UNC HEX CENTER-LOCK NUT
72	3	920500	1/4 LOCK WASHER

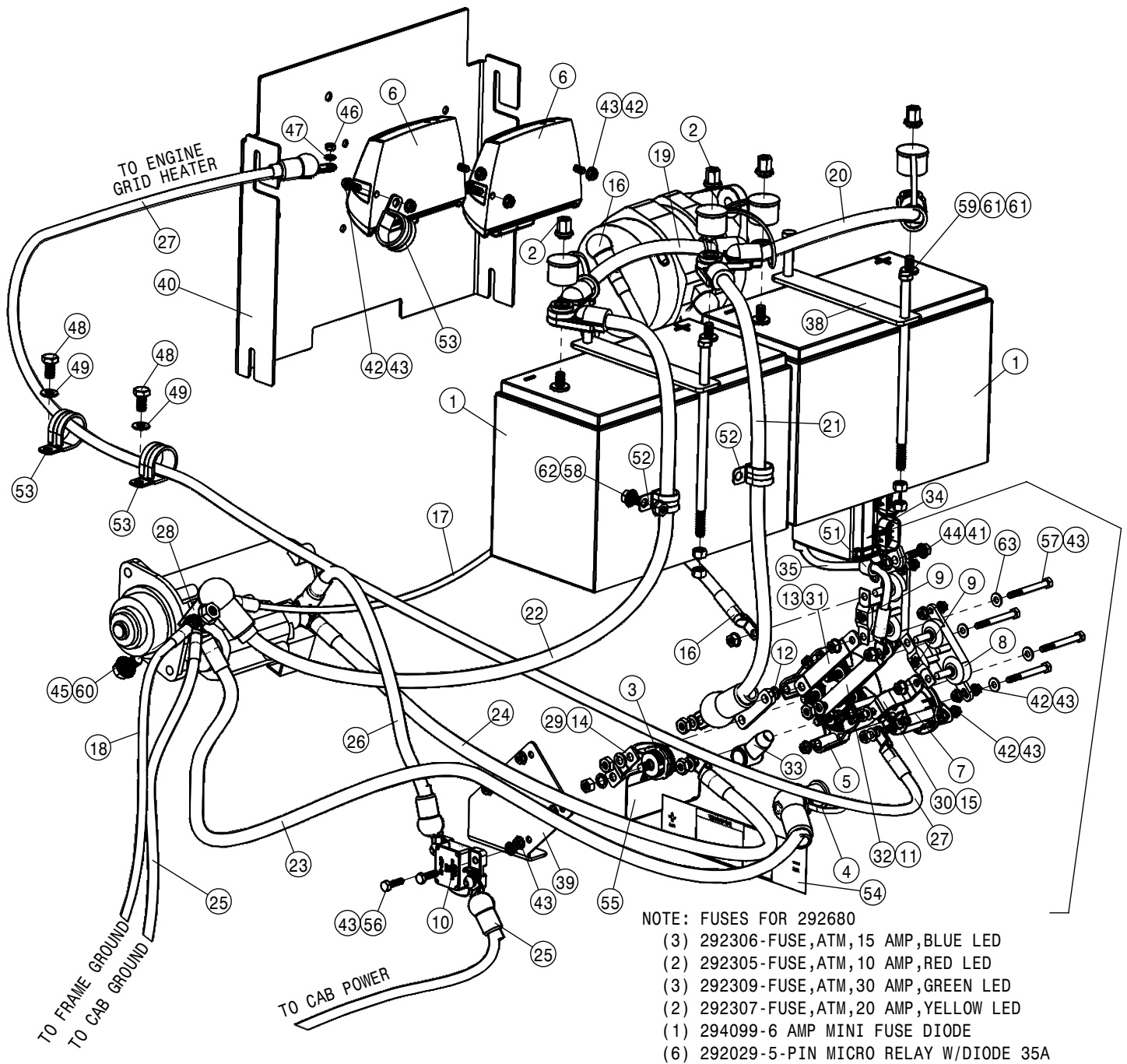


TIER-4F SURGE TANK ASSEMBLY			
DET	QTY	P/N	DESCRIPTION
1	1	195917-021	HOSE 3/8 HEATER 1-FBR
2	1	195917-031	HOSE 3/8 HEATER 1-FBR
3	2	195917-049	HOSE 3/8 HEATER 1-FBR
4	1	195924-048	HOSE 3/4 HEATER 1-FBR BR 20R3
5	1	317157	SENSOR, LOW COOLANT T4I STS
6	1	317756	SURGE TANK SUPPORT WLD
7	1	317172	SURGE TANK
8	1	470118	1/4 UNC X 3/4 SER FLG BOLT
9	1	470121	1/4 UNC SERR FLG LOCK NUT
10	2	470154	CABLE TIE, 11.00" BLK NYLON
11	2	520055	HOSE CLAMP NO 12 STAINLESS
12	8	520069	HOSE CLAMP NO 6 STAINLESS
13	1	520117	CUSH HOSE CLAMP,#10, 5/8D X 1/2W
14	1	650174	DECAL,CAUTION RADIATOR,STS 07
15	1	650462	DECAL,COOLING SYSTEM PROCEDURE
16	4	711104	1/4MNPT-90-3/8 HOSE BARB, BRS
17	2	712100	1/4NPT X 3/8 HOSE FTG,PUSHLOCK
18	1	712440	1/2 NPT X 3/4 HOSE BARB
19	2	900127N	3/8UNC X 1 1/4 SER FLANGE BOLT
20	4	900128N	3/8UNC X 3/4 SER FLANGE BOLT
21	4	900129N	3/8UNC X 1" SERR FLANGE BOLT
22	6	910004N	3/8UNC FLANGE CNTR LOCK NUT



TIER-4F ENGINE SKID AND EXHAUST ASSEMBLY			
DET	QTY	P/N	DESCRIPTION
1	5	193012-005	QUICKEDGE TRIM .135 TO .250
2	4	311091	SNUBBING WASHER FOR 311090
3	1	317244	PIPE, T4F - TURBO - DOC
4	1	317254	BATTERY HEAT SHIELD
5	1	317256	REFLECTIVE HEAT SHIELD
6	2	317322	3/8UNC-11.63ID-14.5 UBOLT
7	1	317352	QUICKEDGE TRIM, C/L 19.5"
8	1	317446	BATTERY CLAMP
9	1	317732	TURBO OUTLET CLAMP 3905216
10	1	318228	5" EXHAUST GASKET Q312516
11	1	318327	SPCR, ENGINE FRAME
12	18	470087	3/8-16UNC HEX FLG NUT SER MC GR5
13	25	470360	1/2UNC SERR FLG HEX NUT
14	8	470431	1/2UNC X 1 1/2 SERR FLG BOLT
15	2	470460	3/8 X 1" SERR FLG BOLT
16	1	473841	16MM LOCK WASHER
17	8	473855	12MM-1.75 X 35MM SM FLG BOLT
18	1	473861	16MM-2.00 X 40MM HEX BOLT YZ
19	2	520168	CLAMP, CONSTANT TORQUE HOSE
20	2	618880	3/8 J2044 QUICK CONNECT

TIER-4F ENGINE SKID AND EXHAUST ASSEMBLY			
DET	QTY	P/N	DESCRIPTION
21	10	900129N	3/8UNC X 1" SERR FLANGE BOLT
22	8	900131	3/8UNC X 1 1/2 HEX BOLT
23	6	900150	3/8UNC X 9 1/2 HHCS GR5 MC
24	5	900263	1/2UNC X 1" HEX BOLT
25	12	900264	1/2UNC X 1 1/4 HEX BOLT
26	4	900408	3/4UNC X 3 1/2 HEX BOLT
27	18	910004N	3/8UNC FLANGE CNTR LOCK NUT
28	4	311057	RUBBER MT SET,SSB33-1000-4
29	1	317248	FRAME SPACER WLD
30	1	317249	BATTERY STAND
31	1	317253	BATT MOUNT
32	1	317312	SCR PLATE
33	1	317313	SCR SUPP STIFFNER
34	1	317314	SCR MOUNT
35	2	317321	DOC INNER REST STS'14
36	1	317368	WIRE HARNESS BLKHD
37	2	317531	SCR SUPPORT STRAP WELD
38	1	318164	ENG SKID FRAME T4F W/DECAL
39	1	318227	DOC INLET CLAMP A035R793

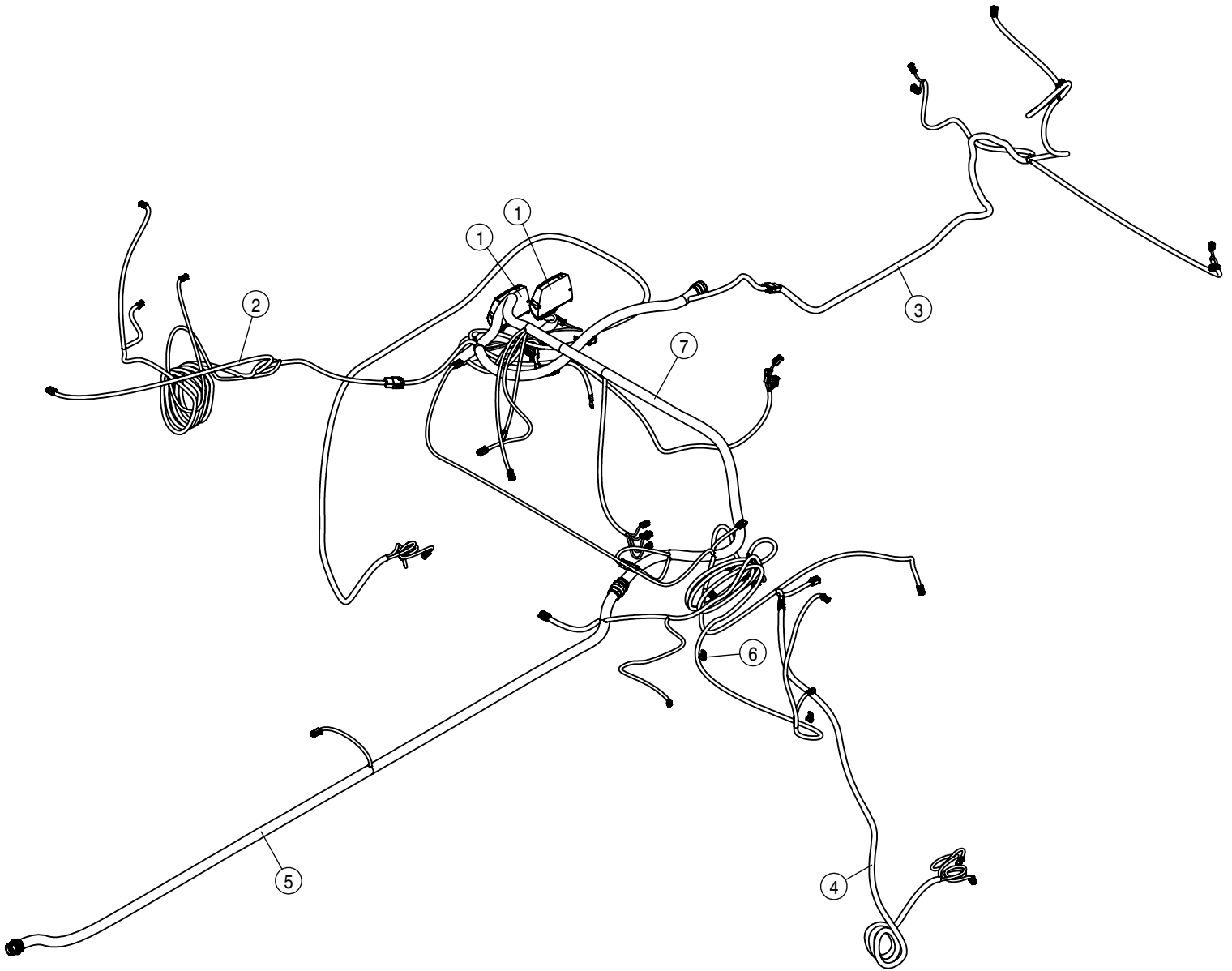


NOTE: FUSES FOR 292680
 (3) 292306-FUSE, ATM, 15 AMP, BLUE LED
 (2) 292305-FUSE, ATM, 10 AMP, RED LED
 (3) 292309-FUSE, ATM, 30 AMP, GREEN LED
 (2) 292307-FUSE, ATM, 20 AMP, YELLOW LED
 (1) 294099-6 AMP MINI FUSE DIODE
 (6) 292029-5-PIN MICRO RELAY W/DIODE 35A

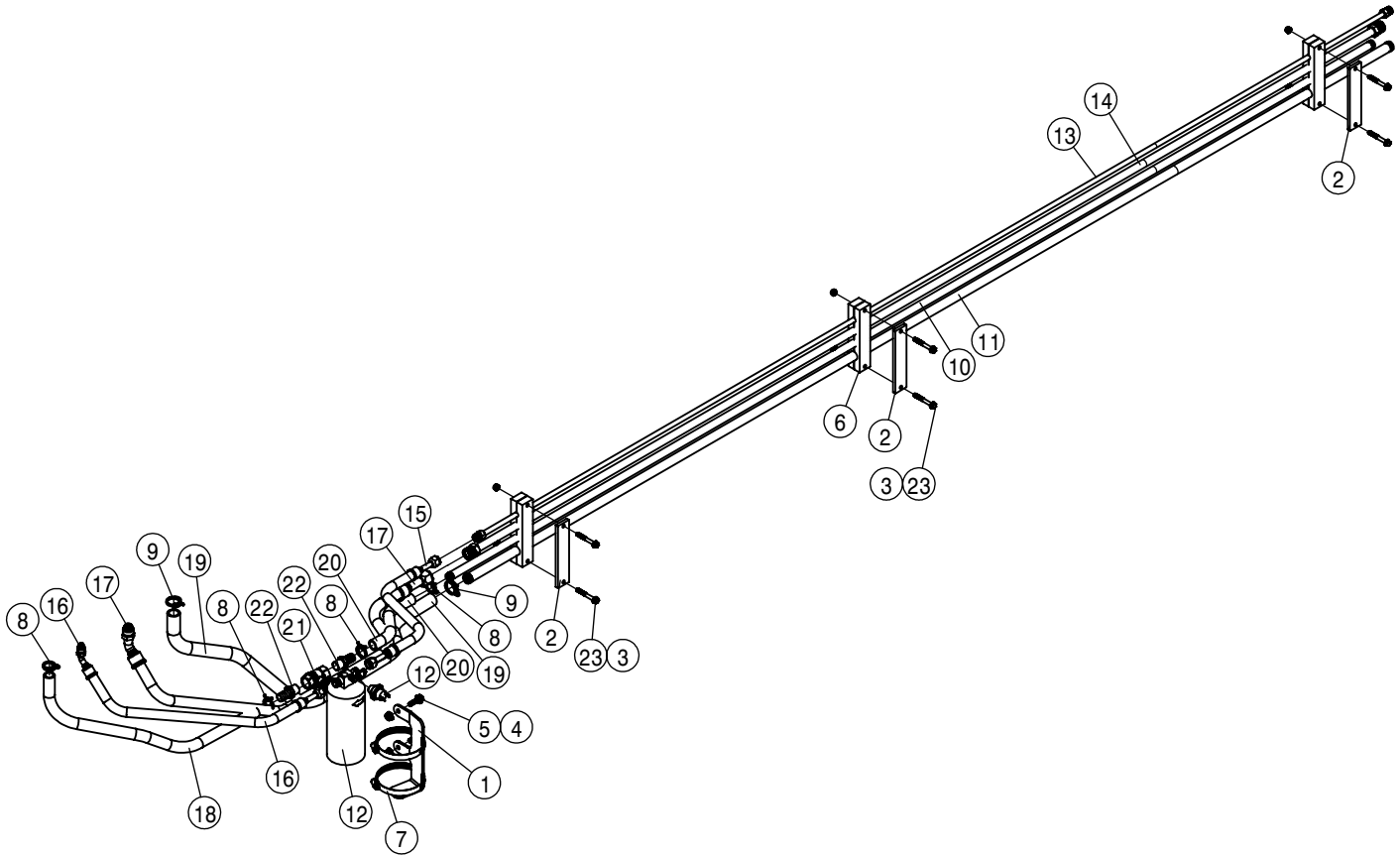
TIER-4F BATTERY AND CABLE ASSEMBLY			
DET	QTY	P/N	DESCRIPTION
1	2	291196	BATTERY,12V 900CCA, SS STUD
2	4	291205	BATTERY NUT,3/8-16 SS CLSD CAP
3	1	291680	POSITIVE JUMPER STUD, RED
4	1	291681	NEGATIVE JUMPER STUD, BLACK
5	1	291957	BATTERY SWITCH, DUAL CIRCUIT
6	2	292016	IQAN-XA2 MODULE
7	1	292505	MCR
8	2	292578	HIGH AMP FUSE HOLDER W/COVER
9	2	292641	FUSE, 250 AMP 32 VOLT DC
10	1	292642	CIRCUIT BREAKER, 150 AMP BUSS
11	1	292651	BUSBAR, MD TO GRID HEAT FUSE
12	1	292652	BUSBAR, MASTER DISC. JUMPER
13	1	292653	BUSBAR, MD TO ALT. FUSE
14	1	292654	BUSBAR, POST TO MD
15	1	292655	BUSBAR, MCR TO FUSE
16	1	292656	BATT CABLE,RED 20" 1/0 5/16-5/16
17	1	292657	BATT CABLE,BLK 35"2GA 1/2-1/4
18	1	292658	BATT CABLE,BLK 75"2GA 3/8-1/2
19	1	292659	BATT CABLE, BLK 16"2/0 3/8-3/8
20	1	292660	BATT CABLE,RED 18"2/0 3/8-3/8
21	1	292661	BATT CABLE,RED 34"2/0 3/8-3/8

TIER-4F BATTERY AND CABLE ASSEMBLY			
DET	QTY	P/N	DESCRIPTION
22	1	292662	BATT CABLE,BLK 47"2/0 3/8-1/2
23	1	292664	BATT CABLE,BLK 45"2/0 1/2-3/8
24	1	292665	BATT CABLE, RED 42"2/0 1/2-3/8
25	1	292668	CAB PWR,GND CABLE ASY
26	1	292669	BATT CABLE,RED 21"1/0 1/2-1/4
27	1	292670	BATT CABLE,RED 94"2GA 1/4-5/16
28	1	292671	BUSBAR, GND EXT
29	1	292673	HEAT SHRINK, RED .75 X .03 X 1 1/2"
30	1	292674	HEAT SHRINK, RED .75 X .03 X 2 1/2"
31	1	292675	HEAT SHRINK, RED .75 X .03 X 3 1/2"
32	1	292676	HEAT SHRINK, RED .75 X .03 X 4 1/2"
33	1	292677	RUBBER BOOT (RED) 2 TO 2/0 GAUGE
34	1	292680	VEC
35	1	292683	VEC POWER CABLE
NS	1	294226	TIER 4F HARNESS ASSY
NS	1	294253	AFTERTREATMENT HARNESS
38	2	316470	BATTERY TIE-DOWN
39	1	317345	MST DISC. COVER
40	1	362037	MODULE BOX REMOVABLE COVER
41	4	470113N	5/16UNC SERR FLG LOCK NUT SS
42	10	470118	1/4 UNC X 3/4 SER FLG BOLT

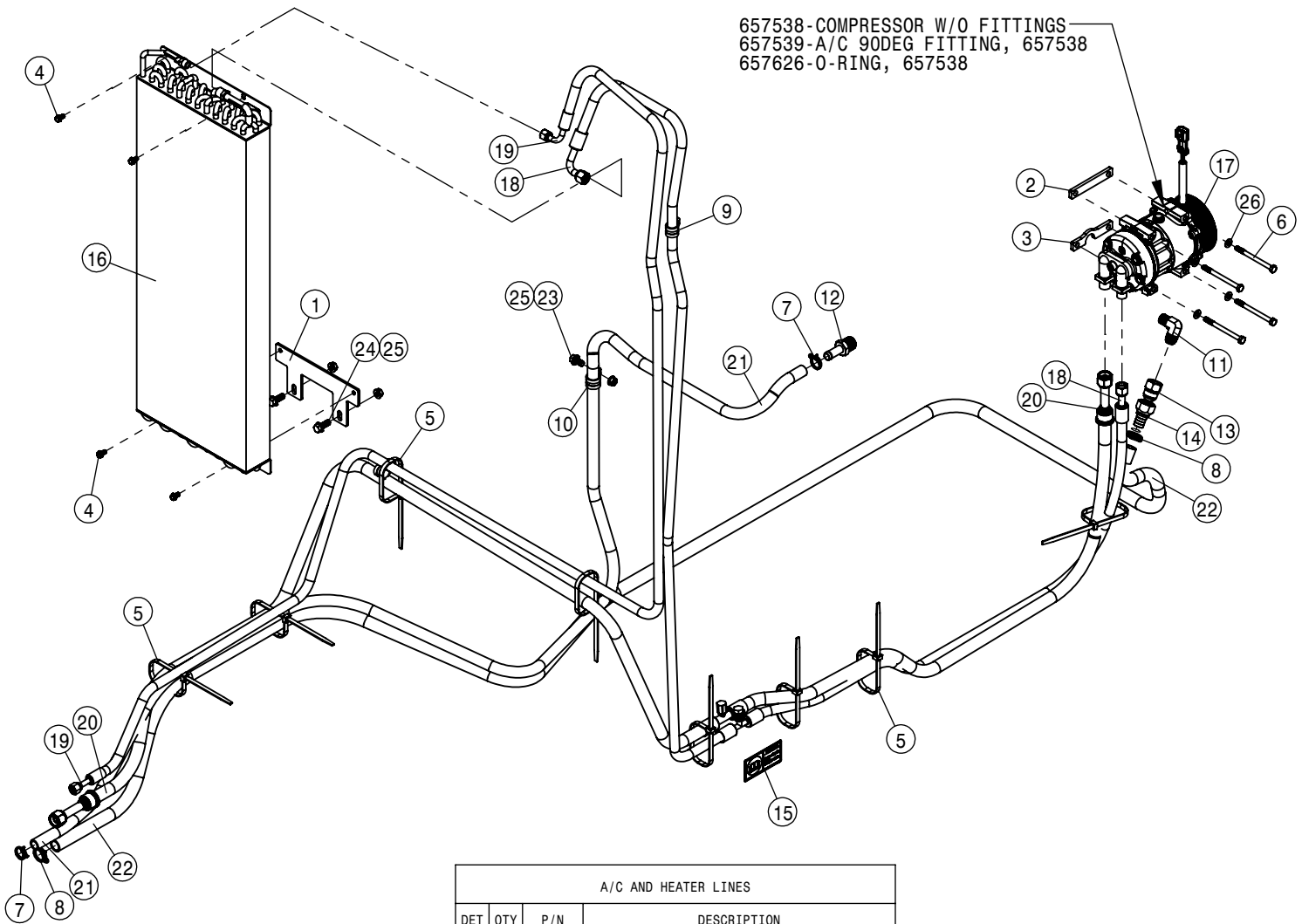
TIER-4F BATTERY AND CABLE ASSEMBLY			
DET	QTY	P/N	DESCRIPTION
43	20	470121	1/4 UNC SERR FLG LOCK NUT
44	4	470234N	5/16UNC X 1" SERR FLG BOLT SS
45	1	470360	1/2UNC SERR FLG HEX NUT
46	1	473767	6MM-1.00 HEX NUT
47	1	473768	6MM LOCK WASHER
48	2	473793	10MM-1.50 X 20MM HEX BOLT GR8
49	2	473799	10MM FLAT WASHER
50	1	294062	SOL PUMP DIODE TO RELAY ADAPTR
51	1	520117	CUSH HOSE CLAMP,#10, 5/8D X 1/2W
52	2	520121	CUSH CLAMP,#16 1IN X 3/4W
53	3	520160	CUSH CLAMP,#24 1 1/2D-3/4WLOOP
54	1	650295	IMPORTANT/ NEG/ POS DECAL
55	1	650296	CAUTION DECAL
56	2	900003	1/4UNC X 1" HEX BOLT
57	4	900008N	1/4UNC X 2 1/2 HEX BOLT SS
58	1	900128N	3/8UNC X 3/4 SER FLANGE BOLT
59	4	900150	3/8UNC X 9 1/2 HEX BOLT
60	1	900263N	1/2UNC X 1" SER FLANGE BOLT
61	8	910004	3/8UNC HEX NUT
62	1	910004N	3/8UNC FLANGE CNTR LOCK NUT
63	4	920000N	1/4 SAE FLAT WASHER SS



CHASSIS ELECTRICAL HARNESS			
DET	QTY	P/N	DESCRIPTION
1	2	292016	IQAN-XA2 MODULE
2	1	294223	REAR/MID RIGHT HARNESS STS'14
3	1	294227	REAR LIGHT HARNESS STS'14
4	2	294229	WHEEL MOTOR HARNESS STS'14
5	1	294243	FRT/BACK HARNESS, L/F STS'14
6	2	520167	CUSH CLAMP,#6 3/8D X 3/4W
7	1	294073	HARNESS-REAR MODULE

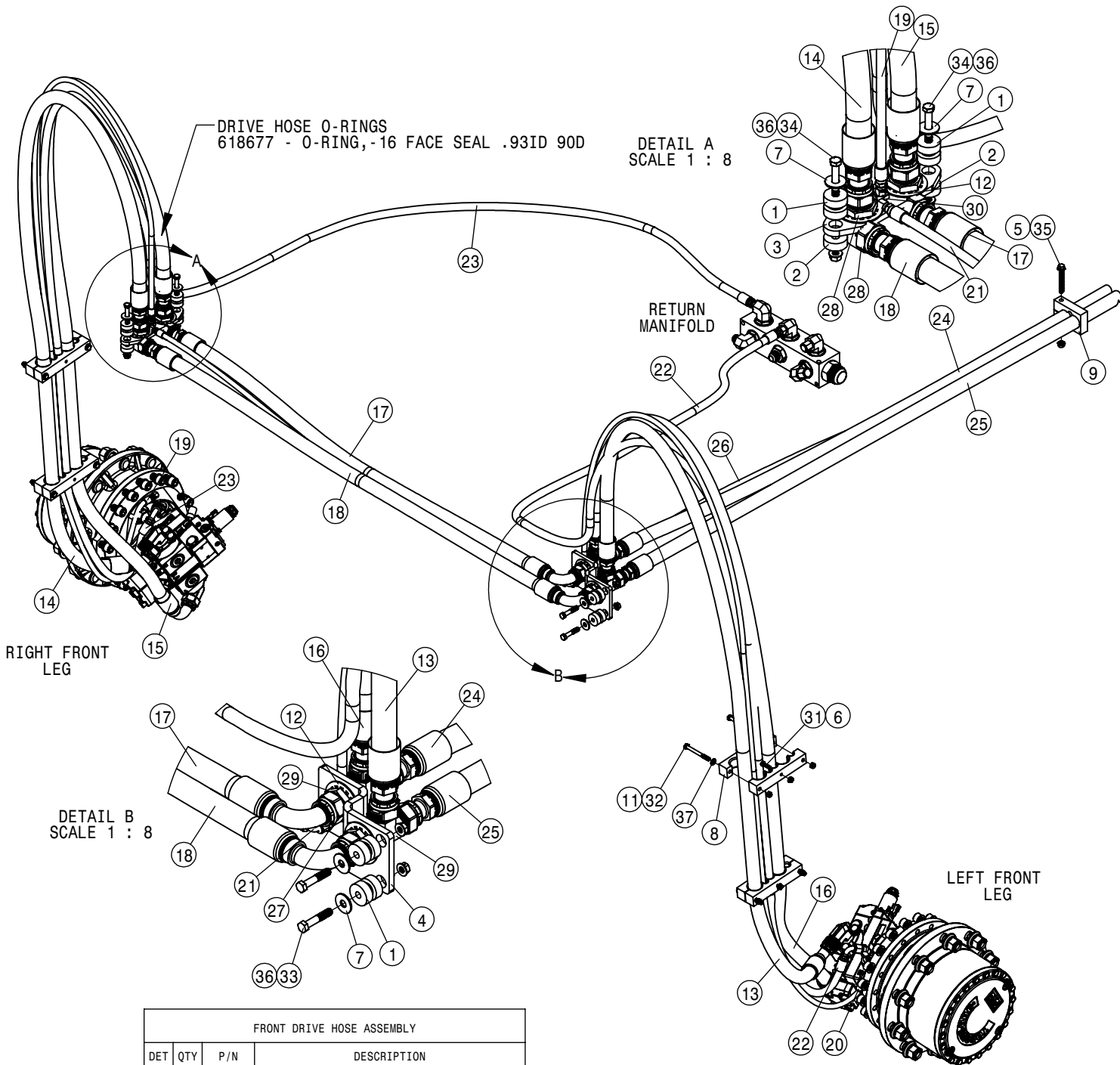


A/C AND HEATER LINES			
DET	QTY	P/N	DESCRIPTION
1	1	317145	A/C DRYER MT
2	3	342718	HYD TUBE CLAMP KEEPER, 6.00
3	6	470089	1/4UNC HEX NYL-LOC NUT
4	2	470113	5/16UNC SERR FLG LOCK NUT
5	2	470234	5/16UNC X 1" SERR FLG HEX BOLT
6	3	470695	TUBE CLAMP BODY,4HOLE.375-.750
7	2	520052	HOSE CLAMP NO 52 STAINLESS
8	4	520081	HOSE CLAMP NO 14 DBL WIRE
9	2	520082	HOSE CLAMP NO 16 DBL WIRE
10	1	615919	M/F TUBE ASSY 103" L/F
11	1	615922	M/F TUBE ASSY 103" L/F
12	1	657438	RECEIVER DRIER W/SWITCH
13	1	657481	A/C TUBE ASSY, .3750D,STS16
14	1	657483	A/C TUBE ASSY, .6250D,STS16
15	1	657586	A/C HOSE,06-06F-06F-21.5
16	1	657587	A/C HOSE, 06-06F-06M45-23.9
17	1	657588	A/C HOSE, 10-10F-10M45-41
18	1	657592	HOSE, 5/8 x 23 HEATER
19	1	657610	HOSE, 3/4 x 36 HEATER
20	1	657618	HOSE, 5/8 x 10 HEATER
21	1	696011	1/2 NPT FEMALE BALL VALVE
22	2	716007	1/2 x 5/8 HOSE BARB
23	6	900007N	1/4 UNC X 2 SER FLG BOLT SS



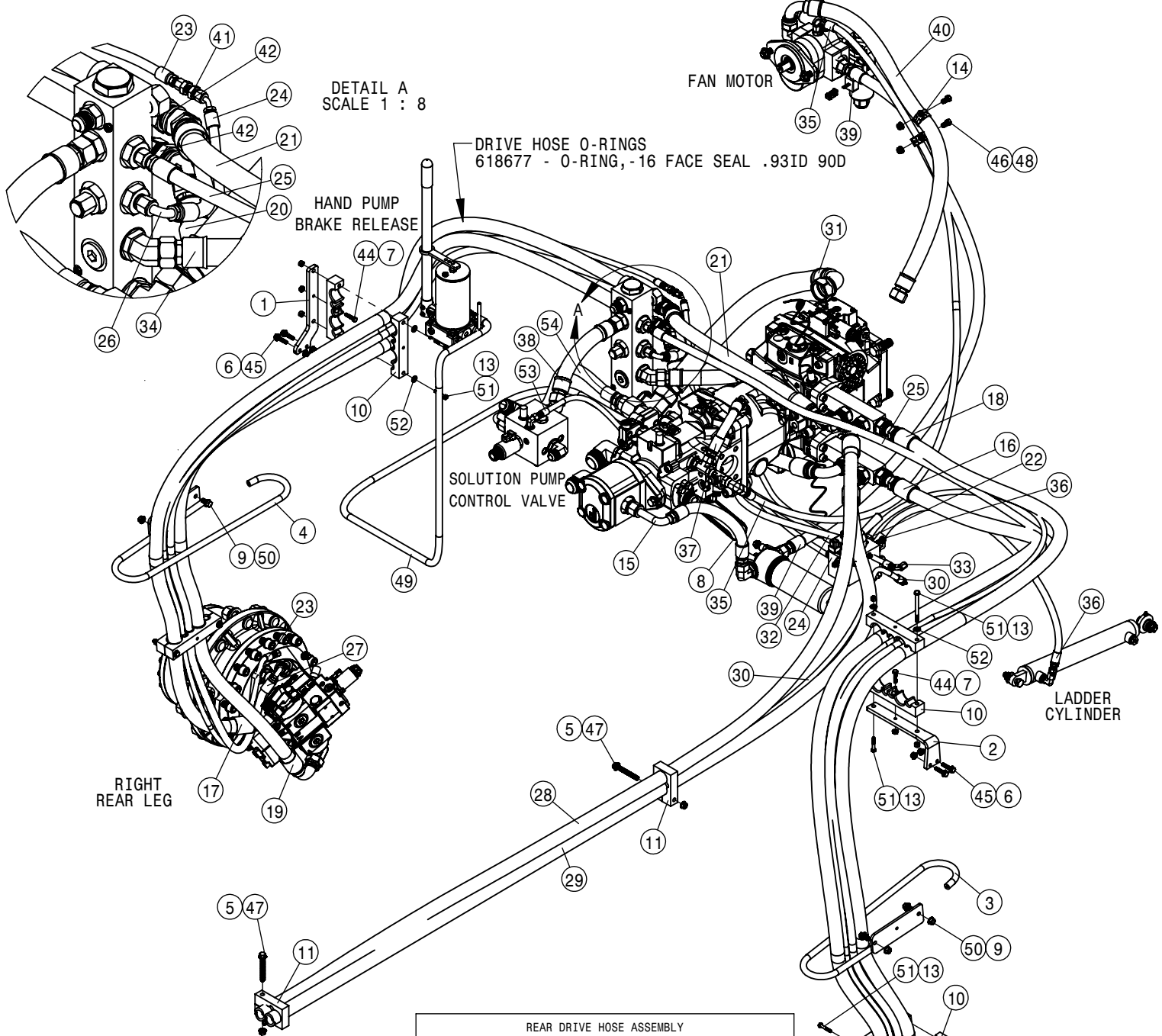
657538-COMPRESSOR W/O FITTINGS
 657539-A/C 90DEG FITTING, 657538
 657626-O-RING, 657538

A/C AND HEATER LINES			
DET	QTY	P/N	DESCRIPTION
	1	317450	A/C COND BRKT WLD
	1	317673	SPACER-A/C COMPRESSOR (TOP)
	1	317674	SPACER-A/C COMPRESSOR (BOTTOM)
	4	470122N	1/4 UNC X 1/2 SERR FLG BOLT SS
	8	470555	CABLE TIE, 1/2 X 15" BLACK NYLON
	4	473868	8MM-1.25 X 100MM HEX BOLT
	2	520081	HOSE CLAMP NO 14 DBL WIRE
	2	520082	HOSE CLAMP NO 16 DBL WIRE
	2	520115	CUSH CLAMP, #12 0.75"D-3/4W LOOP
	1	520121	CUSH CLAMP, #16 1IN X 3/4W
	1	611124	7/8MJIC-90-1/2MNPT LBO
	1	618949	5/8 HOSE BARB - 3/4MNPT
	1	618954	7/8FJIC-1 1/16MJIC
	1	618955	3/4 HOSE BARB-1 1/16FJX ADPTR
	1	650542	DECAL, NOTICE R134A, 4.00LB
	1	657457	COIL, COND 12 X 31.6
	1	657537	A/C COMPRESSOR
	1	657579	A/C HOSE, 08-08F-SV-08F90-138
	1	657581	A/C HOSE, 06-06F-06F90-136
	1	657589	A/C HOSE, 12-10F-SV-10F-148"
	1	657593	HOSE, 5/8 x 112 HEATER
	1	657611	HOSE, 3/4 x 135 HEATER
	1	900128N	3/8UNC X 3/4 SER FLANGE BOLT
	2	900129N	3/8UNC X 1" SERR FLANGE BOLT
	3	910004N	3/8UNC FLANGE CNTR LOCK NUT
	4	920001N	5/16 SAE FLAT WASHER SS



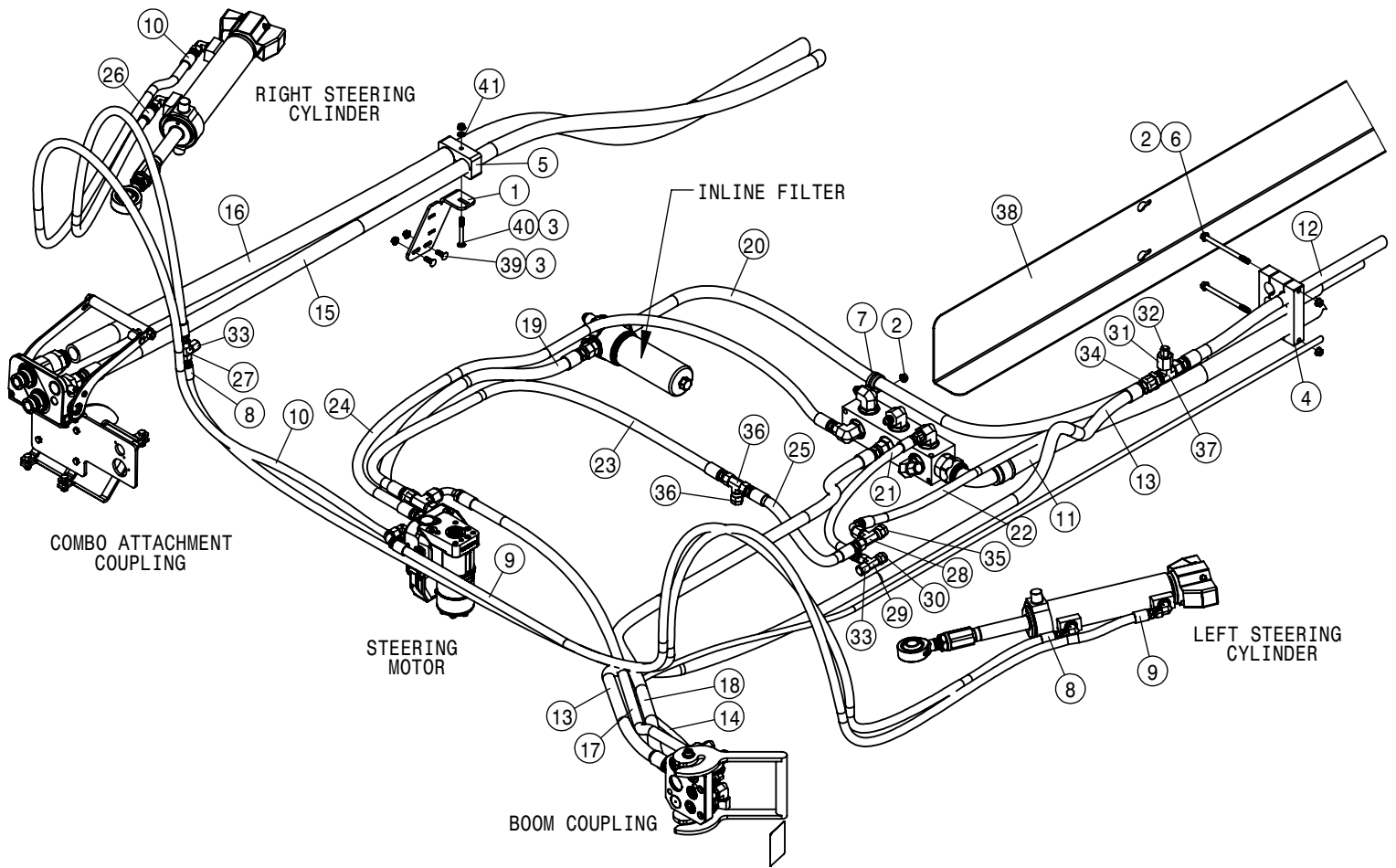
FRONT DRIVE HOSE ASSEMBLY			
DET	QTY	P/N	DESCRIPTION
1	4	344565	ISO BARRY MOUNT
2	2	344584	.41 X 1.31 X .50 BUSHING
3	1	362103	RF BULKHEAD BRKT BUSHING MGT
4	1	362104	LF BULKHEAD BRKT
5	1	470087N	3/8UNC HEX SERR FLG NUT YZ
6	4	470121	1/4 UNC SERR FLG LOCK NUT
7	4	470377	3/8 X 1 3/16 BONDED SS WASHER
8	4	470672	HOSE CLAMP, 5-HOLE
9	1	470673	HOSE CLAMP, 4-HOLE
NS	2	470679	SIDEWINDER SLEEVE
11	8	473001	5/16UNC HEX NUT,NYLOC
12	4	474003	WASHER - INT TOOTH, 1.5" ID
13	1	617060	16-797TC-16FFOX-16FFOX45-110 H/A
14	1	617060	16-797TC-16FFOX-16FFOX45-110 H/A
15	1	617061	16-797TC-16FFOX-16FFOX90-114 H/A
16	1	617061	16-797TC-16FFOX-16FFOX90-114 H/A
17	1	617064	16-797TC-16FFOX-16FFOX90-61 H/A
18	1	617065	16-797TC-16FFOX-16FFOX90-65 H/A
19	1	617068	04-451TC-04FJX-04FJX-126 H/A
20	1	617068	04-451TC-04FJX-04FJX-126 H/A

FRONT DRIVE HOSE ASSEMBLY			
DET	QTY	P/N	DESCRIPTION
21	1	617070	04-451TC-04FJX-04FJX90-61 H/A
22	1	617073	08-451TC-08FJX-08FJX90-173
23	1	617074	08-451TC-08FJX-08FJX90-190 H/A
24	1	617081	16-797TC-16FFOX-16FFOX45-213 H/A
25	1	617082	16-797TC-16FFOX-16FFOX45-217 H/A
26	1	617083	04-451TC-04FJX-06FJX90-208 H/A
27	1	618748	7/16MJIC BLKHD RUN TEE
28	2	618886	1 7/16MFOR-90-BLKHD UNION LBO
29	2	618887	1 7/16MFOR-BLKHD RUN TEE
30	1	618889	7/16MJIC-90-BLKHD UNION LBO
31	4	900003	1/4UNC X 1" HEX BOLT
32	8	900073N	5/16UNC X 3 1/4 HEX BOLT SS
33	2	900133	3/8UNC X 2" HEX BOLT
34	2	900135N	3/8UNC X 2 3/4 HEX BOLT
35	1	900136N	3/8UNC X 3" SERR FLANGE BOLT
36	4	910004N	3/8UNC FLANGE CNTR LOCK NUT
37	8	920001N	5/16 SAE FLAT WASHER SS



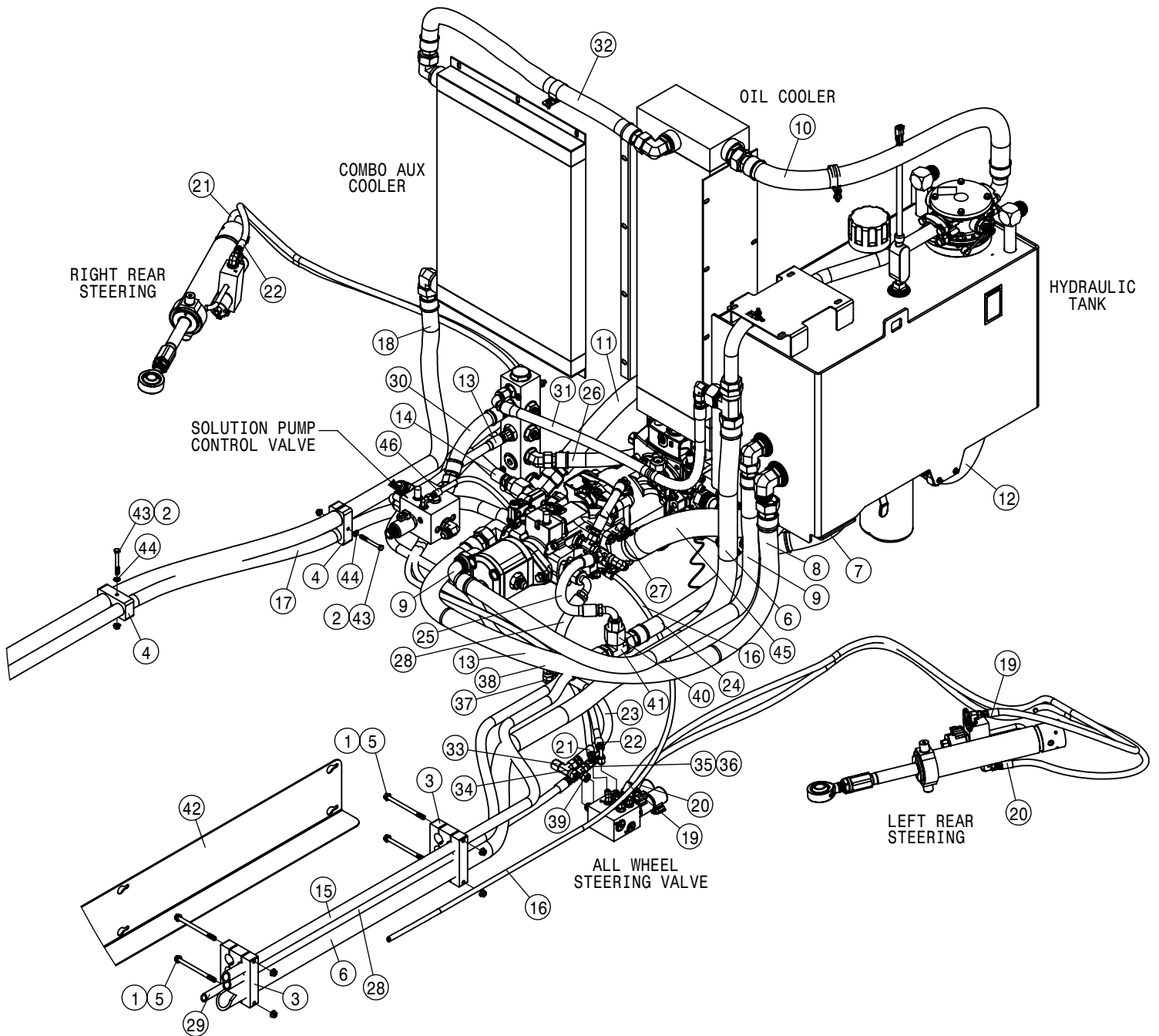
REAR DRIVE HOSE ASSEMBLY			
DET	QTY	P/N	DESCRIPTION
1	1	360065	RIGHT REAR LEG HOSE BRKT
2	1	360066	LFT REAR LEG HOSE BRKT
3	1	362095	LFT REAR HOSE BRKT TOP WLDMENT
4	1	362096	RGT REAR TOP HOSE BRKT
5	2	470087N	3/8UNC HEX SERR FLG NUT YZ
6	4	470113N	5/16UNC SERR FLG LOCK NUT SS
7	4	470121	1/4 UNC SERR FLG LOCK NUT
8	1	470369	HOSE PROTECTOR, 8" BLACK
9	4	470409	3/8UNC X 3/4" SERR FLG BOLT
10	4	470672	HOSE CLAMP, 5-HOLE
11	2	470673	HOSE CLAMP, 4-HOLE
NS	2	470679	SIDEWINDER SLEEVE
13	8	473001	5/16UNC HEX NUT,NYLOC
14	2	520160	CUSH CLAMP,#24 1 1/2D-3/4WLOOP
15	1	616676	12-451TC-12FJX-12FJX90L-18 H/A
16	1	617062	16-797TC-16FFOX-16FFOX45-123 H/A
17	1	617062	16-797TC-16FFOX-16FFOX45-123 H/A
18	1	617063	16-797TC-16FFOX-16FFOX90-128 H/A
19	1	617063	16-797TC-16FFOX-16FFOX90-128 H/A
20	1	617067	16-797TC-16FFOX-16FFOX90-31 H/A
21	1	617067	16-797TC-16FFOX-16FFOX90-31 H/A
22	1	617069	04-451TC-04FJX-06FJX90-139 H/A
23	1	617071	04-451TC-04FJX-04FJX-138 H/A
24	1	617072	04-451TC-06FJX-04FJX45-43 H/A
25	1	617075	08-451TC-08FJX-08FJX90-160 H/A
26	1	617077	08-451TC-08FJX-08FJX90-15 H/A

REAR DRIVE HOSE ASSEMBLY			
DET	QTY	P/N	DESCRIPTION
27	1	617080	08-451TC-08FJX-08FJX90-133 H/A
28	1	617081	16-797TC-16FFOX-16FFOX45-213 H/A
29	1	617082	16-797TC-16FFOX-16FFOX45-217 H/A
30	1	617083	04-451TC-04FJX-06FJX90-208 H/A
31	1	617094	24-811-24FJX-24FJX90-31 H/A
32	1	617096	06-451TC-08FJX-06FJX90-22 H/A
33	1	617121	04-451TC-06FJX-04FJX90-34 H/A
34	1	617123	16-811-16FJX-16FJX90-22 H/A
35	1	617124	06-451TC-10FJX-06FJX90-85 H/A
36	1	617127	06-451TC-06FJX-06FJX45-36 H/A
37	1	617132	10-451TC-10FJX-10FJX90-11 H/A
38	1	617139	16-811-16FJX-16FJX-12 H/A
39	1	617199	12-451TC-12FJX-12FJX-73 H/A
40	1	617214	16-811-16FJX-16FJX90-43
41	1	618511	7/16MJIC-7/16MJIC BLKHD UNION
42	2	618930	1 7/16 MFOR-45-BLKHD UNION LBO
43	2	900003	1/4UNC X 1" HEX BOLT
44	2	900004	1/4UNC X 1 1/4 HEX BOLT
45	4	900066N	5/16UNC X 1 1/4 SERR.FLG.HEX BOLT
46	2	900128	3/8UNC X 3/4 HEX BOLT
47	2	900136N	3/8UNC X 3" SERR FLANGE BOLT
48	2	910004N	3/8UNC FLANGE CNTR LOCK NUT
49	1	616595	06-451TC-06FJX-06FJX-132 H/A
50	4	470144	NYLOCK NUT 1-8 MC GR5
51	8	900264	1/2UNC X 1 1/4 HHCS GR5 MC
52	8	910113	SAE FLAT WASHER 5/16 SS
53	1	617102	04-451TC-06FJX-04FJX90-29 H/A
54	1	617101	12-451TC-16FJX-12FJX90-23 H/A



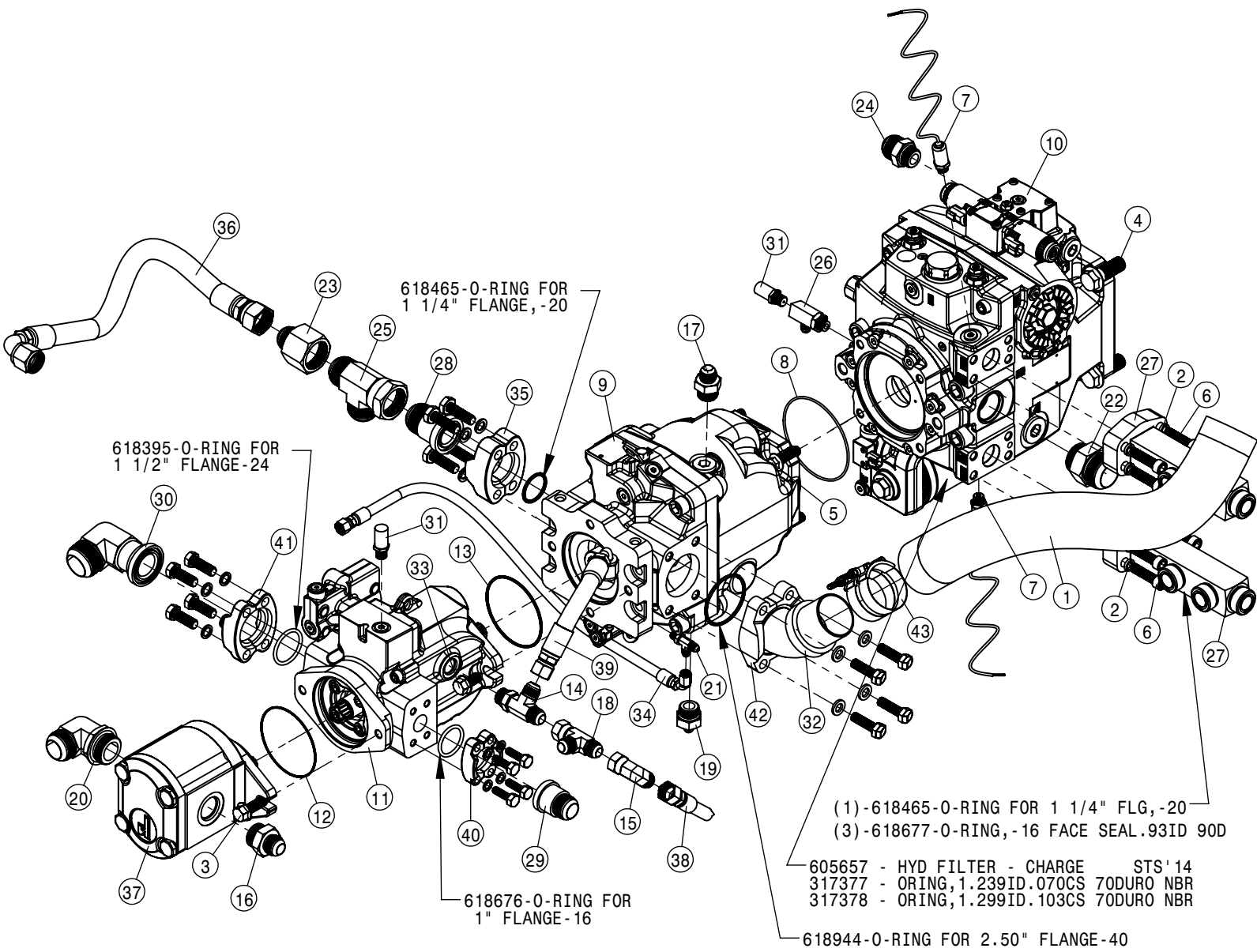
FRONT AUX HYDRAULIC HOSE ASSEMBLY			
DET	QTY	P/N	DESCRIPTION
1	1	362035	COMBO SUPPORT BRKT
2	3	470087	3/8UNC HEX SERR FLANGE NUT
3	3	470113N	5/16UNC SERR FLG LOCK NUT SS
4	1	470671	HOSE CLAMP, 6-HOLE
5	1	470674	HOSE CLAMP, 2-HOLE
6	2	470683	3/8UNC X5 1/2SMTH FLG HEX BOLT
7	1	520160	CUSH CLAMP, #24 1 1/2D-3/4WLOOP
8	1	616102	08-451TC-08FJX-08FJX-206
9	1	617078	08-451TC-08FJX-08FJX90-118 H/A
10	1	617079	08-451TC-08FJX-08FJX-107 H/A
11	1	617087	24-811-24FJX-24FJX90-177 H/A
12	1	617105	12-451TC-12FJX-12FJX-115 H/A
13	1	617111	12-451TC-12FJX-12FJX-93 H/A
14	1	617112	04-451TC-04FJX-04FJX45-239 H/A
15	1	617113	16-451TC-16FJX-20FJX90-215 H/A
16	1	617114	20-811-20FJX-20-FJX-229 H/A
17	1	617129	10-451TC-10FJX-12FJX90-55 H/A
18	1	617130	12-451TC-12FJX-12FJX90-78 H/A
19	1	617131	12-451TC-12FJX-12FJX-44 H/A
20	1	617133	12-451TC-12FJX-16FJX90-187 H/A
21	1	617134	08-451TC-08FJX-08FJX-22 H/A

FRONT AUX HYDRAULIC HOSE ASSEMBLY			
DET	QTY	P/N	DESCRIPTION
22	1	617135	08-451TC-08FJX-10FJX90-141 H/A
23	1	617136	10-451TC-10FJX-12FJX-53 H/A
24	1	617137	10-451TC-10FJX-10FJX-79 H/A
25	1	617138	10-451TC-10FJX-10FJX-16 H/A
26	1	617212	8-451TC-8FJX-8FJX-75 H/A
27	1	618311	3/4MJIC UNION TEE
28	1	618333	7/8FJIC SW RUN TEE-7/8MJIC
29	1	618451	3/4FJIC SW RUN TEE-3/4MJIC
30	1	618457	3/4MJIC PLUG
31	1	618483	1 1/16FJIC-9/16MJIC ADPTR
32	1	618531	9/16FJIC CAP NUT
33	2	618532	3/4FJIC CAP NUT
34	1	618533	1 1/16FJIC CAP NUT
35	2	618543	7/8MJIC PLUG
36	1	618593	7/8FJ SW BRANCH TEE-7/8MJ
37	1	618750	1 1/16MJIC BLKHD RUN TEE
38	1	660290	HOSE GUARD - L/F
39	2	901064	5/16UNC X 1 CARR BOLT
40	1	901073	5/16UNC X 3 CARR BOLT
41	1	920001N	5/16 SAE FLAT WASHER SS



REAR AUX HYDRAULIC HOSE ASSEMBLY			
DET	QTY	P/N	DESCRIPTION
1	4	470087	3/8UNC HEX SERR FLANGE NUT
2	2	470113N	5/16UNC SERR FLG LOCK NUT SS
3	2	470671	HOSE CLAMP, 6-HOLE
4	2	470674	HOSE CLAMP, 2-HOLE
5	4	470683	3/8UNC X5 1/2SMTH FLG HEX BOLT
6	1	617087	24-811-24FJX-24FJX90-177 H/A
7	1	617088	24-811-24FJX-24FJX45-18 H/A
8	1	617091	24-811-24FJX-24FJX-71 H/A
9	1	617092	20-811-20FJX-20FJX90-60 H/A
10	1	617093	24-811-24FJX-24FLG90-48 H/A
11	1	617094	24-811-24FJX-24FJX90-31 H/A
12	1	617095	20-811-20FJX-20FJX45-47 H/A
13	1	617097	10-451TC-10FJX-10FJX-47 H/A
14	1	617101	12-451TC-16FJX-12FJX90-23 H/A
15	1	617105	12-451TC-12FJX-12FJX-115 H/A
16	1	617112	04-451TC-04FJX-04FJX45-239 H/A
17	1	617113	16-451TC-16FJX-20FJX90-215 H/A
18	1	617114	20-811-20FJX-20-FJX-229 H/A
19	1	617115	06-451TC-06FJX-06FJX45-101 H/A
20	1	617116	06-451TC-06FJX-06FJX-99 H/A
21	1	617117	06-451TC-06FJX-06FJX-137
22	1	617118	06-451TC-06FJX-06FJX90-137 H/A
23	1	617119	10-451TC-10FJX-10FJX-18 H/A

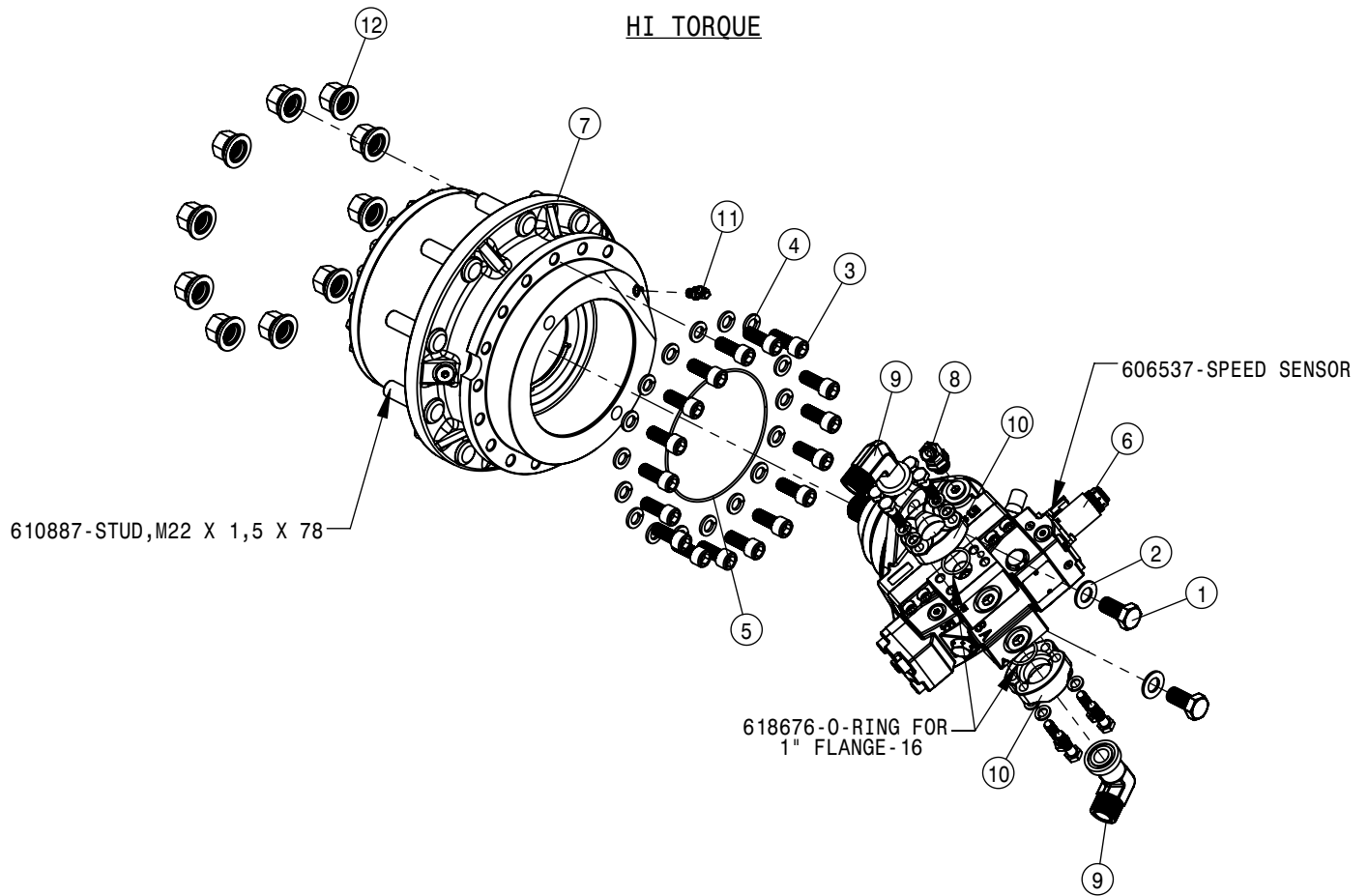
REAR AUX HYDRAULIC HOSE ASSEMBLY			
DET	QTY	P/N	DESCRIPTION
24	1	617120	20-811-20FJX-20FJX-37 H/A
25	1	617122	12-451TC-10FJX-12FJX90-18 H/A
26	1	617123	16-811-16FJX-16FJX90-22 H/A
27	1	617132	10-451TC-10FJX-10FJX90-11 H/A
28	1	617133	12-451TC-12FJX-16FJX90-187 H/A
29	1	617135	08-451TC-08FJX-10FJX90-141 H/A
30	1	617139	16-811-16FJX-16FJX-12 H/A
31	1	617171	12-451TC-12FJX-12FJX90-43 H/A
32	1	617173	20-811-20FJX-20FJX-39 H/A
33	1	618328	7/8FJIC CAP NUT
34	1	618333	7/8FJIC SW RUN TEE-7/8MJIC
35	1	618451	3/4FJIC SW RUN TEE-3/4MJIC
36	2	618532	3/4FJIC CAP NUT
37	1	618543	7/8MJIC PLUG
38	1	618593	7/8FJ SW BRANCH TEE-7/8MJ
39	1	618643	3/4FJ SW BRANCH TEE-3/4MJ
40	2	618665	1 5/8FJIC-1 1/16MJIC ADPTR
41	1	618752	1 5/8MJIC BLKHD RUN TEE
42	1	660290	HOSE GUARD - L/F
43	2	900072N	5/16UNC X 3" HEX BOLT SS
44	2	920001N	5/16 SAE FLAT WASHER SS
45	1	195418-023	HOSE, 7219-40 2.50 75P
46	1	617102	04-451TC-06FJX-04FJX90-29 H/A



HYDROSTATIC PUMP ASSEMBLY			
DET	QTY	P/N	DESCRIPTION
1	1	195418-023	HOSE, 7219-40 2.50 75P
2	8	470189	7/16 HC LOCK WASH FOR 618598
3	2	470431	1/2UNC X 1 1/2 SERR FLG BOLT
4	4	472367	3/4UNC X 2" SM FLG BOLT GR8 YZ
5	4	473856	12MM-1.75 X 40MM SM FLANGED BOLT
6	8	473874	12MM-1.75X 40MM SOC HD CAP SCR
7	2	606196	PRESSURE TRANSDUCER, 9000 PSI
8	2	606197	O-RING, 4.73ID-.103CS-4.9430D
9	1	606429	LS PUMP, 147CC
10	1	606518	H1 PUMP, 165CC, D/C MT, ISL
11	1	606523	PUMP-38CC BB/B MNT
12	1	606870	O-RING FOR 606865 SUND B-MT
13	1	606977	O-RING, B-MT, 3.989ID X .103CS
14	1	618130	7/8MOR RUN TEE-7/8MJIC
15	1	618301	7/8MJIC-90-7/8FJIC SWIV LBO
16	1	618308	1 1/16MJIC-1 5/16MOR ADPTR
17	1	618309	7/8MJIC-1 1/16MOR ADPTR
18	1	618333	7/8FJIC SW RUN TEE-7/8MJIC
19	1	618344	9/16MJIC-1 1/16MOR ADPTR
20	1	618477	1 5/8MJIC-90-1 5/8MOR LBO
21	1	618509	7/16MOR RUN TEE-7/16MJIC
22	1	618527	1 7/8MJIC-1 5/8MOR ADPTR

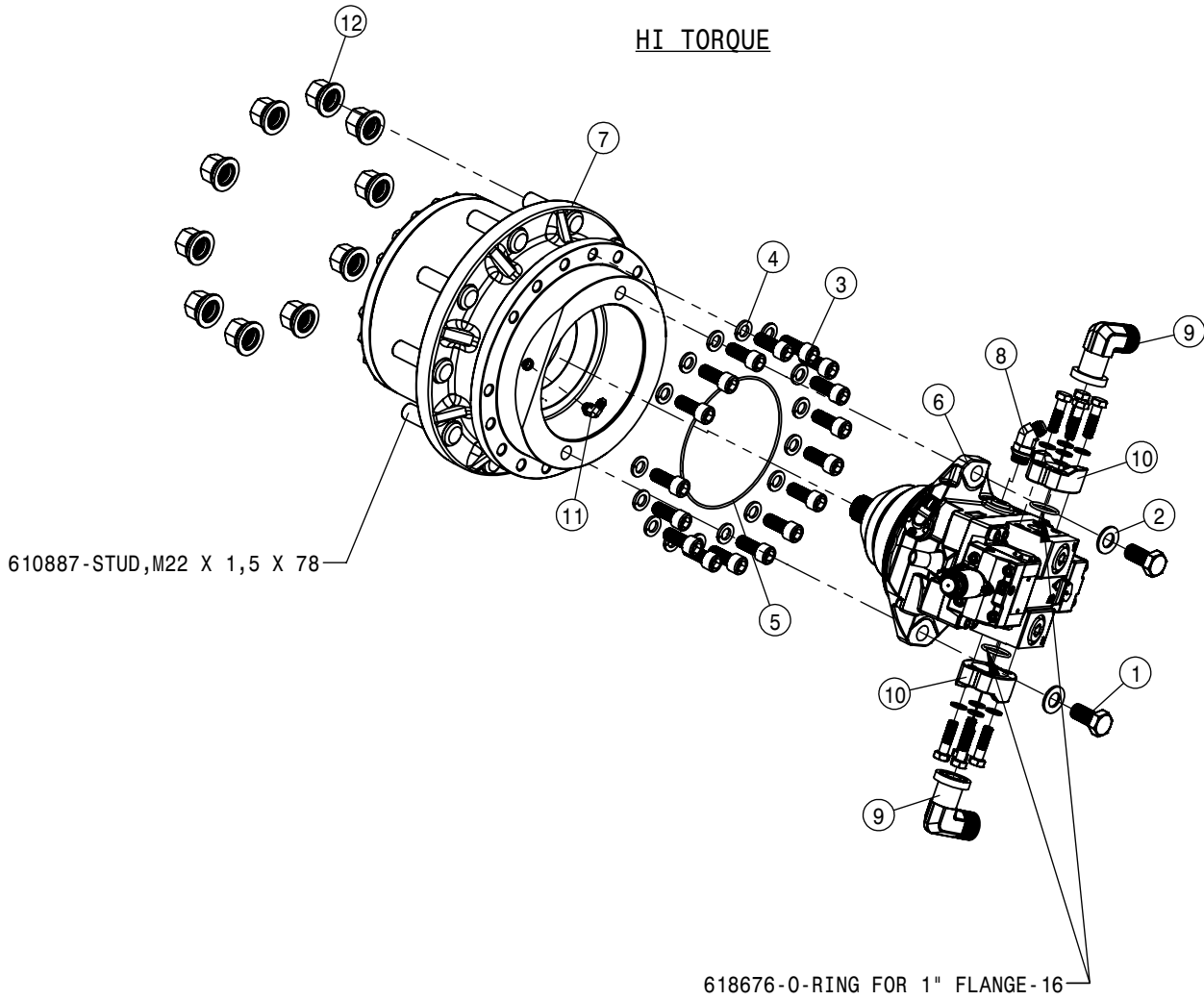
HYDROSTATIC PUMP ASSEMBLY			
DET	QTY	P/N	DESCRIPTION
23	1	618547	1 5/8FJIC-1 5/16MJIC ADPTR
24	1	618558	1 5/16MJIC-1 1/16MOR ADPTR
25	1	618726	1 5/8FJ SW RUN TEE-1 5/8MJ
26	1	618782	9/16MOR-9/16FOR-9/16MJIC BRNCH
27	2	618876	DRIVE PUMP MANIFOLD BLK
28	1	618894	1 5/8MJIC-1 1/4FLG C62
29	1	618899	1 5/16MJ-1"FLANGE C61 ADPTR
30	1	619020	1 1/2 FLG-90-1 7/8 MJIC LBO
31	2	619023	9/16 MOR DIAGNOSTIC FITTING
32	1	760837	1788-40-40 3.34CA
33	2	900263N	1/2UNC X 1" SER FLANGE BOLT
34	1	617102	04-451TC-06FJX-04FJX90-29 H/A
35	1	618461	1 1/4 SPLIT FLANGE KIT
36	1	617101	12-451TC-16FJX-12FJX90-23 H/A
37	1	606524	40CC GEAR PUMP
38	1	617124	06-451TC-10FJX-06FJX90-85 H/A
39	1	617132	10-451TC-10FJX-10FJX90-11 H/A
40	1	618297	1.00 SPLIT FLANGE KIT #61
41	1	618299	1.50 SPLIT FLANGE KIT #61
42	1	760834	2.50 SPLIT FLANGE CODE 61
43	2	520142	2.50/2.81 T-BOLT HOSE CLAMP SS

HI TORQUE



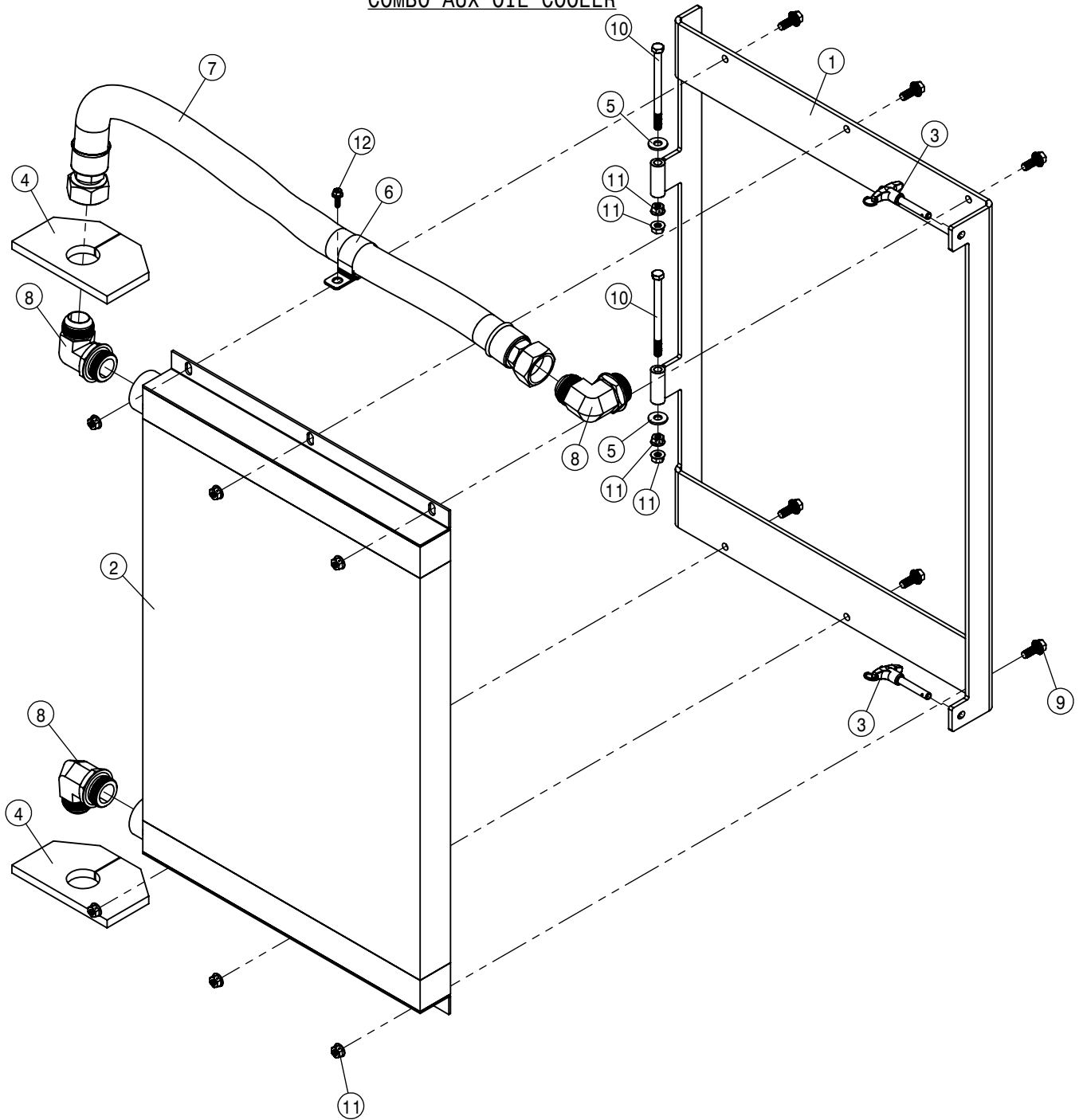
RIGHT WHEEL MOTOR ASSEMBLY			
DET	QTY	P/N	DESCRIPTION
1	2	473838	20MM-1.5 X 40MM HEX BOLT GR8
2	2	473839	20MM FLAT WASHER
3	17	473840	16MM-2.00 X 40MM SOC CAP SCR
4	17	473841	16MM LOCK WASHER
5	1	606190	O-RING,WHL MTR HSNG SAUER
6	1	606514	H1-B-80CC WHL MTR SAUER
7	1	610506	TORQ HUB,25:1 CW18E
8	1	618602	3/4MJIC-45-7/8MOR LBO
9	2	618654	1" FLANGE-90-1 7/16MFOR LBO
10	2	618933	M12 SPLIT FLANGE KIT #62 (-16)
11	1	618934	7/16MJIC-90-M12MOR LBO
12	10	824055	22MM-1.50 SMTH FLG WHEEL NUT

HI TORQUE

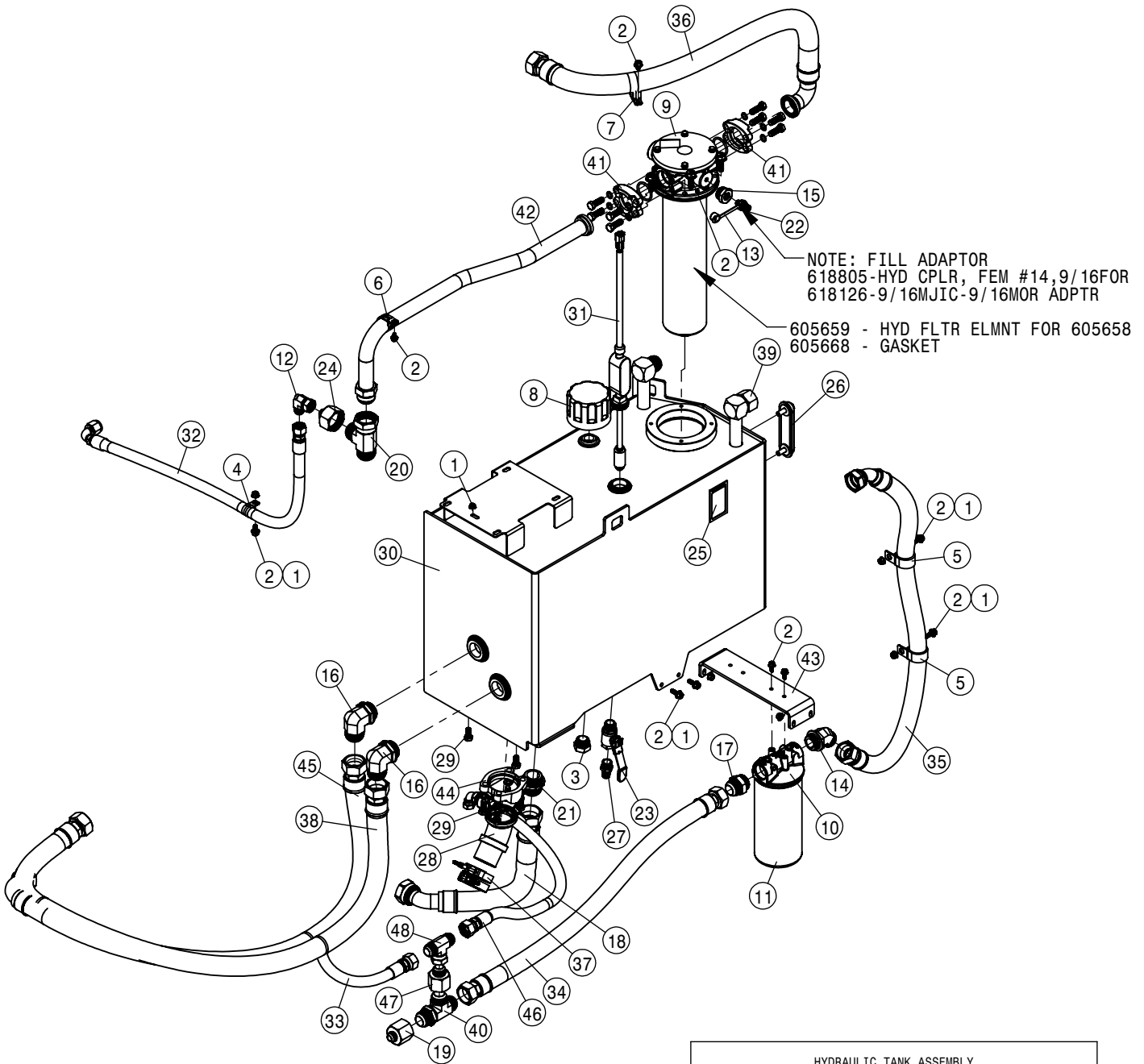


LEFT WHEEL MOTOR ASSEMBLY			
DET	QTY	P/N	DESCRIPTION
1	2	473838	20MM-1.5 X 40MM HEX BOLT GR8
2	2	473839	20MM FLAT WASHER
3	17	473840	16MM-2.00 X 40MM SOC CAP SCR
4	17	473841	16MM LOCK WASHER
5	1	606190	O-RING,WHL MTR HSNG SAUER
6	2	606514	H1-B-80CC WHL MTR SAUER
7	1	610506	TORQ HUB,25:1 CW18E
8	1	618602	3/4MJIC-45-7/8MOR LBO
9	2	618654	1" FLANGE-90-1 7/16MFOR LBO
10	2	618933	M12 SPLIT FLANGE KIT #62 (-16)
11	1	618934	7/16MJIC-90-M12MOR LBO
12	10	824055	22MM-1.50 SMTH FLG WHEEL NUT

COMBO AUX OIL COOLER

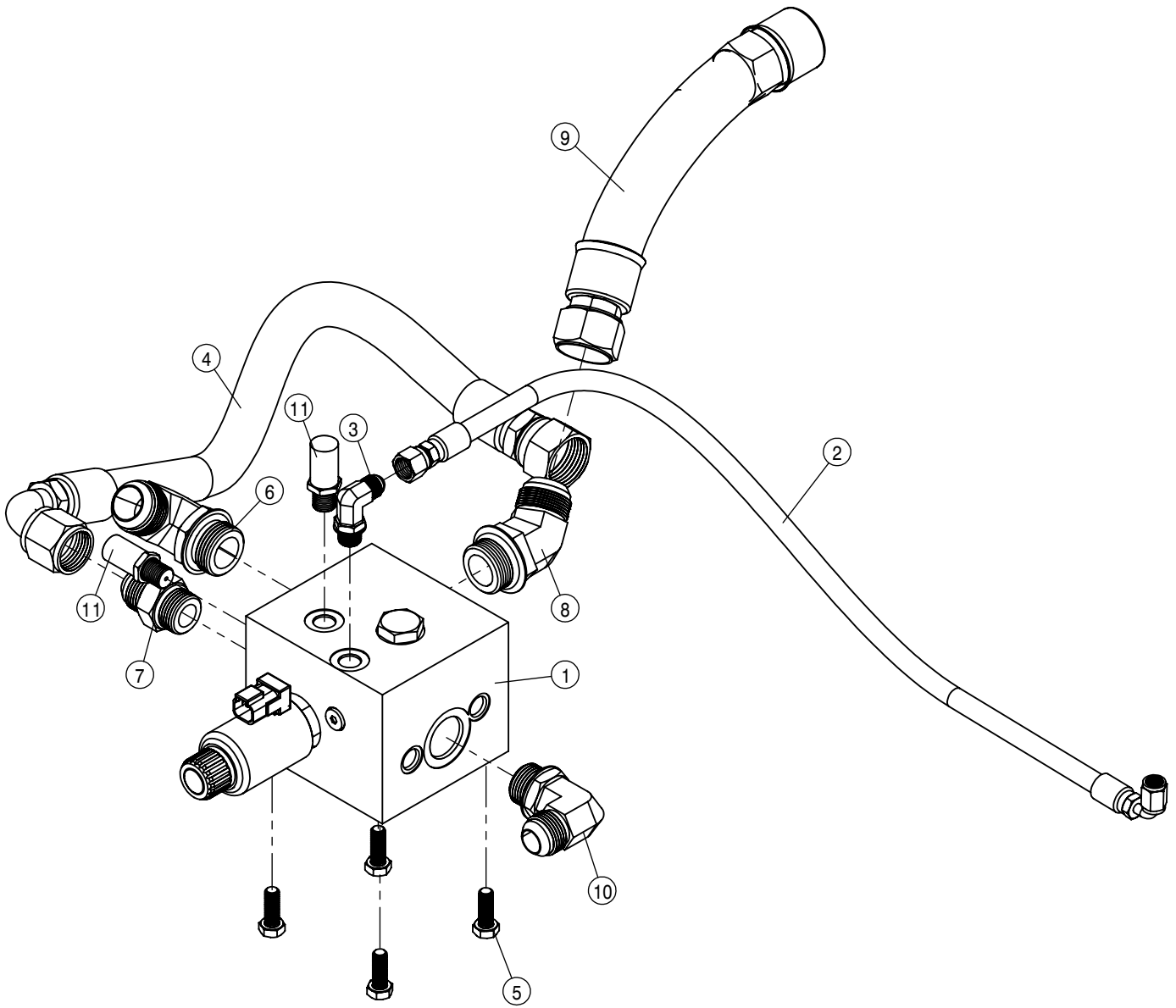


COMBO AUX OIL COOLER ASSEMBLY			
DET	QTY	P/N	DESCRIPTION
1	1	317353	COMBO COOLER FRAME
2	1	317356	OIL COOLER
3	2	317364	T-HANDLE QUICK PIN - 1.75" X 3/8 D
4	2	362126	COMBO COOLER FOAM SEAL
5	2	483043	3/8 REGULAR FLAT WASHER
6	1	520124	CUSH HOSE CLAMP,#28, 1 3/4 X 1 W
7	1	617173	20-811-20FJX-20FJX-39 H/A
8	3	618477	1 5/8MJIC-90-1 5/8MOR LBO
9	6	900129N	3/8UNC X 1" SERR FLANGE BOLT
10	2	900142	3/8 UNC X 5" HEX BOLT
11	10	910004N	3/8UNC FLANGE CNTR LOCK NUT
12	1	470118	1/4UNC X 3/4 HHSFB GR5 MC

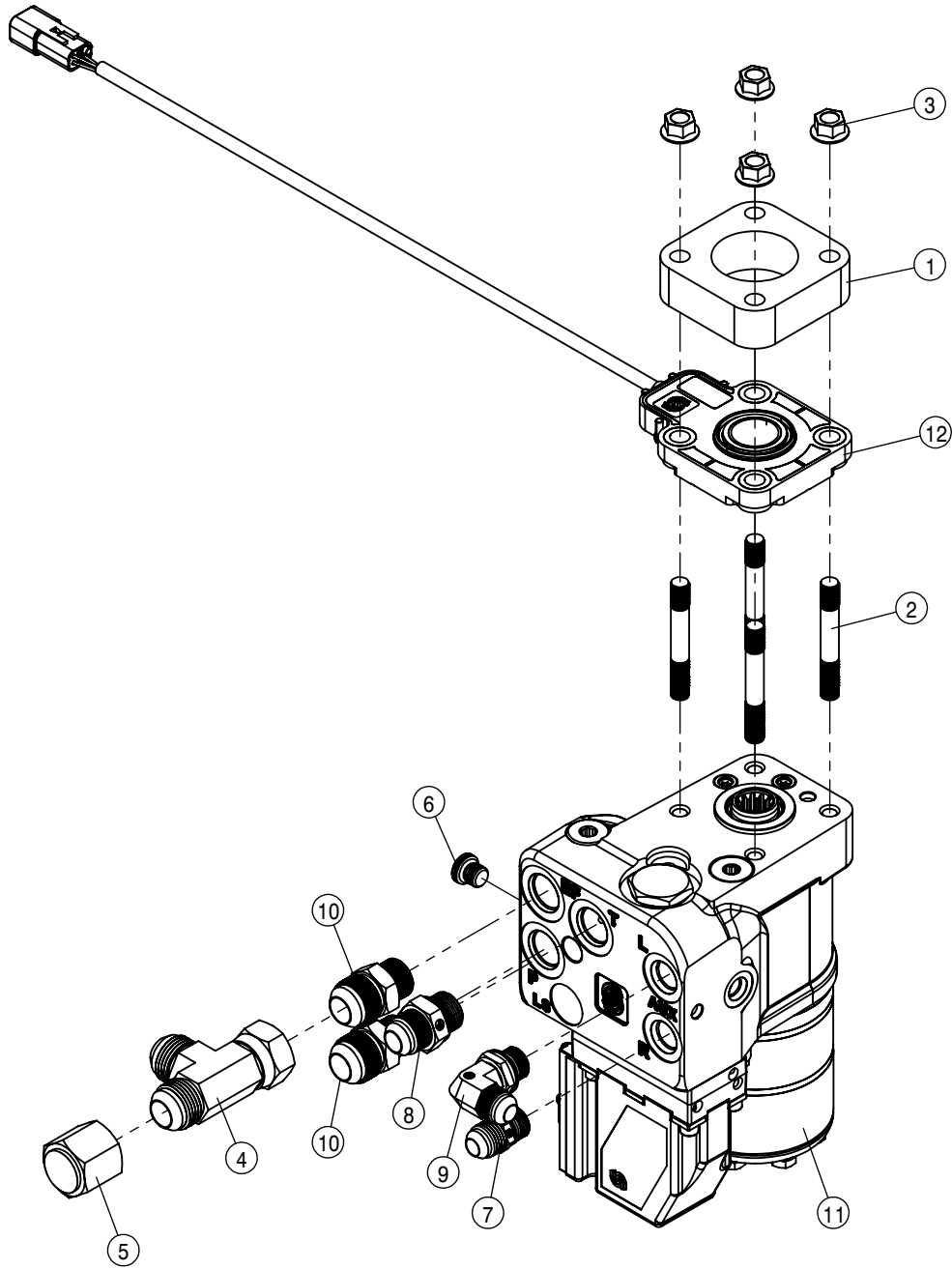


HYDRAULIC TANK ASSEMBLY			
DET	QTY	P/N	DESCRIPTION
1	10	910119	5/16-18UNC HEX FLG NUT SER SS
2	17	470232	5/16UNC X 1/2 HHSFB GR5 MC
3	1	470471	1 5/16MOR PLUG, MAGNETIC
4	1	520121	CUSH CLAMP,#16 1IN X 3/4W
5	2	520124	CUSH HOSE CLAMP,#28, 1 3/4D X 1 W
6	1	520160	CUSH CLAMP,#24 1 1/2D-3/4WLOOP
7	1	520161	CUSH CLAMP,#32 2"D-3/4W LOOP
8	1	605656	T.R.A.P. BREATHER 1" NPT
9	1	605658	HYD TANK RETURN FILTER
10	1	605662	CASE DRAIN FILTER HEAD
11	1	605663	CASE DRAIN FILTER ELEMENT
12	1	618191	1 1/16MJ-90-1 1/16FJ SWIV LBO
13	1	618255	DUST CAP/PLUG FOR 618804/805
14	1	618396	1 5/8MJIC-45-1 5/8MOR LBO
15	1	618397	1 5/16MOR-9/16FOR ADPTR
16	2	618432	1 7/8MJIC-90-1 7/8MOR LBO
17	1	618472	1 5/8MJIC-1 5/8MOR ADPTR
18	1	617466	24-811-24FJX-24FJX45-20 H/A
19	1	618665	1 5/8FJIC-1 1/16MJIC ADPTR
20	1	618681	1 7/8FJ SW RUN TEE-1 7/8MJ
21	1	618682	1 7/8MOR-1 7/8MJIC ADPTR
22	1	618870	HYD CPLR, MALE #14 9/16MOR
23	1	618881	3/4 NPT BALL VLV BRS LOCK

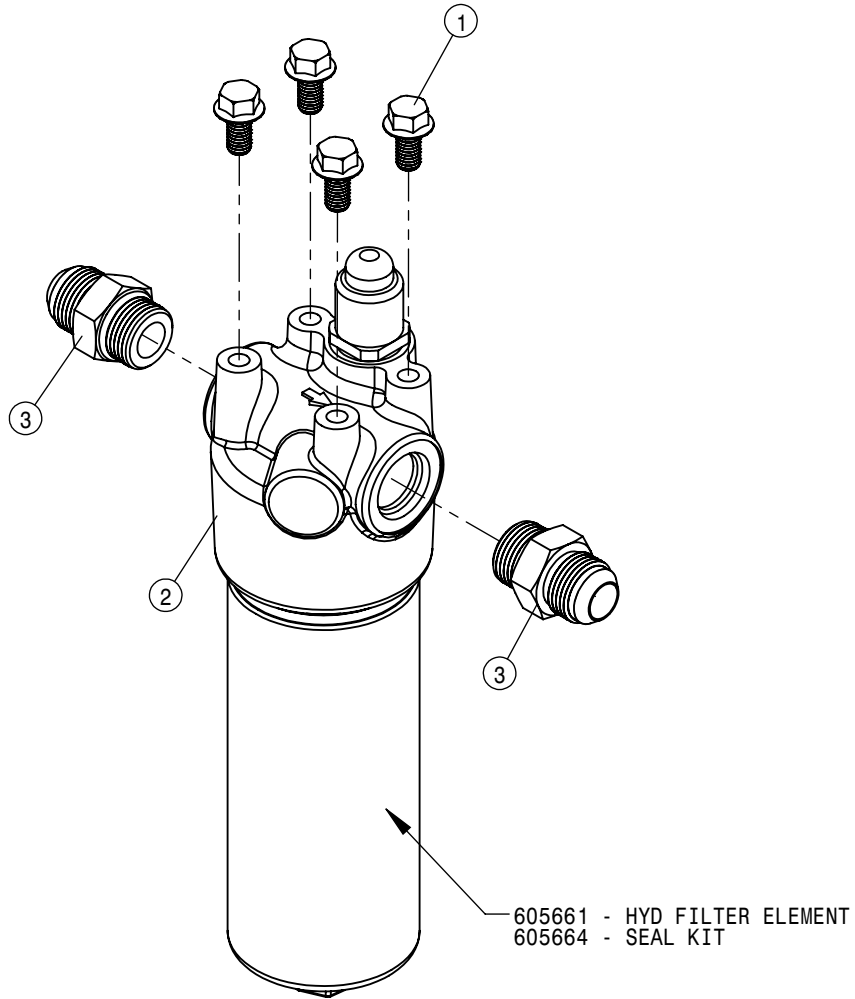
HYDRAULIC TANK ASSEMBLY			
DET	QTY	P/N	DESCRIPTION
24	1	618936	1 7/8FJIC-1 1/16MJIC ADPTR
25	1	650430	HYDRAULIC OIL DECAL
26	1	701367	SIGHT GAUGE
27	1	711102	3/4NPT X 3/4 HOSE BARB, BRS
28	1	760837	1788-40-40 3.34CA
29	6	900264	1/2UNC X 1 1/4 HHCS GR5 MC
30	1	760823	HYDRAULIC RESERVOIR, GST
31	1	294025	TEMPERATURE/OIL LEVEL SENSOR
32	1	617171	12-451TC-12FJX-12FJX90-43 H/A
33	1	617475	12-451TC-16FJX-12FJX45-18 H/A
34	1	617120	20-811-20FJX-20FJX-37 H/A
35	1	617095	20-811-20FJX-20FJX45-47 H/A
36	1	617093	24-811-24FJX-24FL690-48 H/A
37	2	520143	2.87/3.18 T-BOLT HOSE CLAMP SS
38	1	617091	24-811-24FJX-24FJX-71 H/A
39	1	618828	1 5/8FJIC CAP NUT
40	1	618752	1 5/8MJIC BLKHD RUN TEE
41	2	618299	1.50 SPLIT FLANGE KIT #61
42	1	617151	HYD TANK TUBE
43	1	760833	GST HYD RES FILTER MT
44	1	760834	2.50 SPLIT FLANGE CODE 61
45	1	617473	24-811-24FJX-24FJX90-61 H/A
46	1	617476	12-451TC-10FJX90-16FJX-30 H/A
47	1	618547	1 5/8FJIC-1 5/16MJIC ADPTR
48	1	618717	1 5/16FJX BRANCH TEE-1 5/16MJ



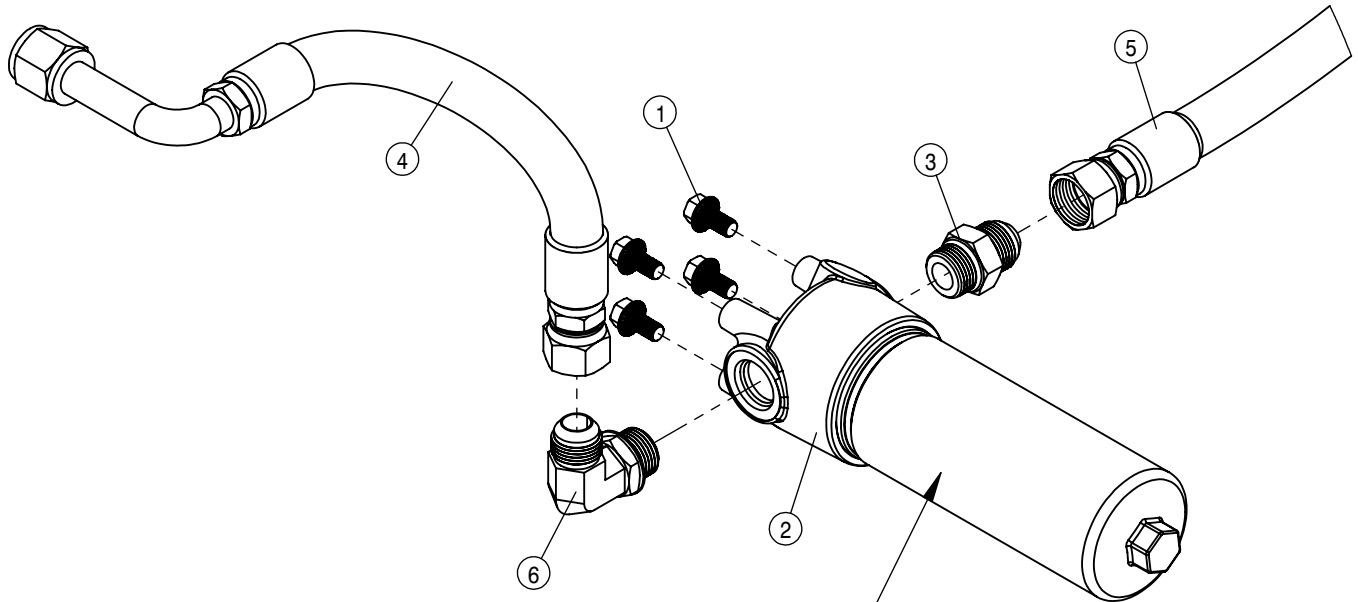
SOLUTION CONTROL VALVE ASSEMBLY			
DET	QTY	P/N	DESCRIPTION
1	1	606253	CTRL VALVE, SOLU PUMP SAUER
2	1	617102	04-451TC-06FJX-04FJX90-29 H/A
3	1	618119	9/16MJC-90-9/16MOR LBO
4	1	617101	12-451TC-16FJX-12FJX90-23 H/A
5	4	900129	3/8UNC X 1 HHCS GR5 MC
6	1	618178	1 5/16MJC-90-1 5/16MOR LBO
7	1	611127	1 1/16MJC-1 1/16MOR ADPTR
8	1	618901	1 5/16MJC-45-1 5/16MOR LBO
9	1	617139	16-811-16FJX-16FJX-12 H/A
10	1	618248	1 1/16MJC-90-1 1/16MOR LBO
11	2	619023	9/16 MOR DIAGNOSTIC FITTING



STEERING MOTOR ASSEMBLY			
DET	QTY	P/N	DESCRIPTION
1	1	345017	STEERING VALVE SPACER BLOCK
2	4	472340	M10 X 1.5 X 3" STUD BOLT, DBL END
3	4	473866	M10 X 1.5 HEX SERR FLG NUT
4	1	618487	1 1/16FJ SW RUN TEE-1 1/16MJ
5	1	618533	1 1/16FJIC CAP NUT
6	1	618909	M12 MOR PLUG, HEX SOCKET
7	1	618910	3/4MJIC-M18MOR ADPTR
8	1	618911	7/8MJIC-M22 MOR ADPTR
9	1	618912	3/4MJIC-90-M18MOR LBO
10	2	619019	1 1/16MJIC-M22 MOR ADPTR
11	1	749333	VALVE ASM-STEERING,AWS
12	1	749341	BEI STEERING ANGLE SENSOR

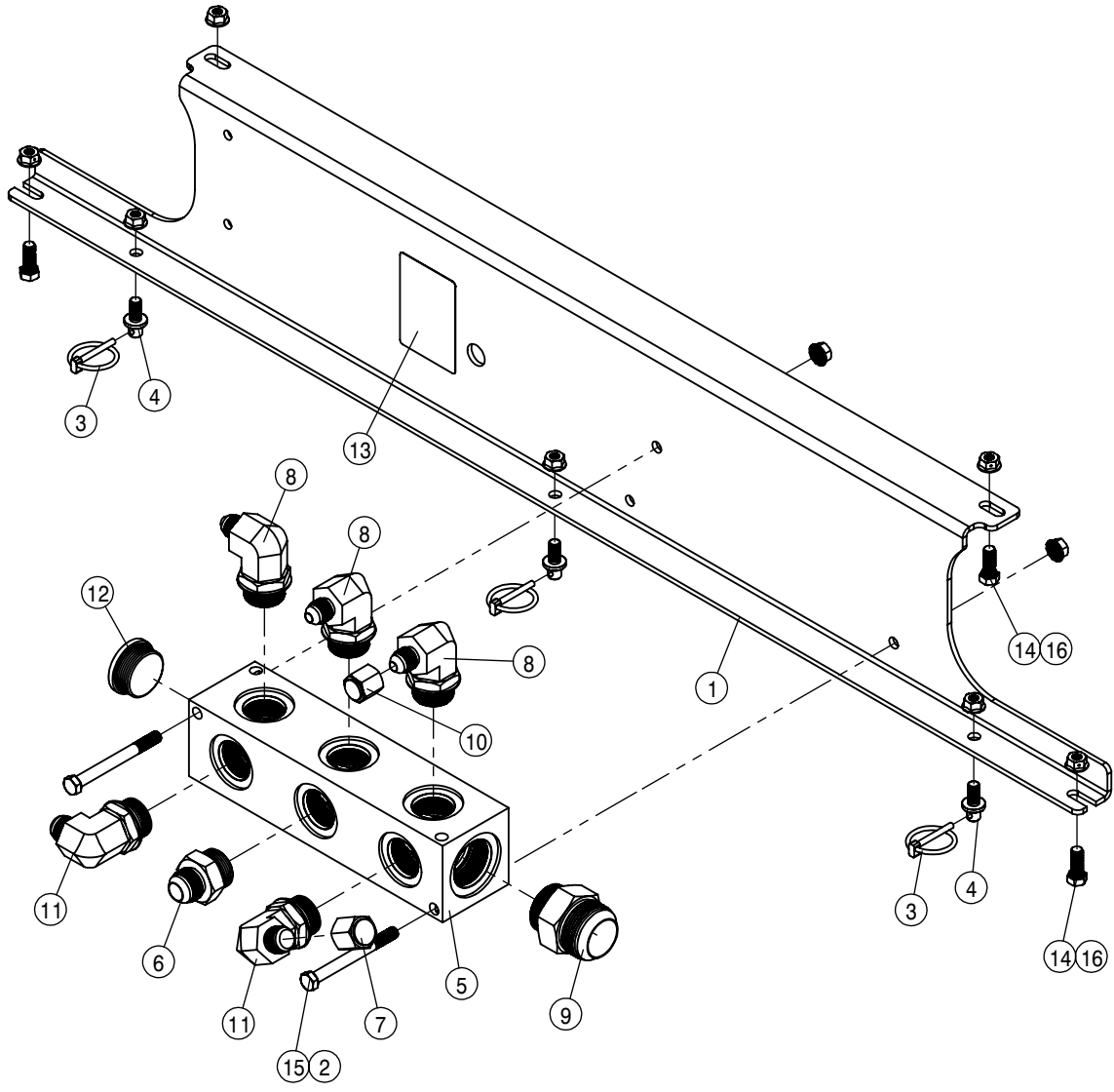


STEERING MOTOR INLINE FILTER			
DET	QTY	P/N	DESCRIPTION
1	4	470409	3/8UNC X 3/4" SERR FLG BOLT
2	1	605660	HYD FILTER 5M SAE12
3	2	611127	1 1/16MJIC-1 1/16MOR ADPTR

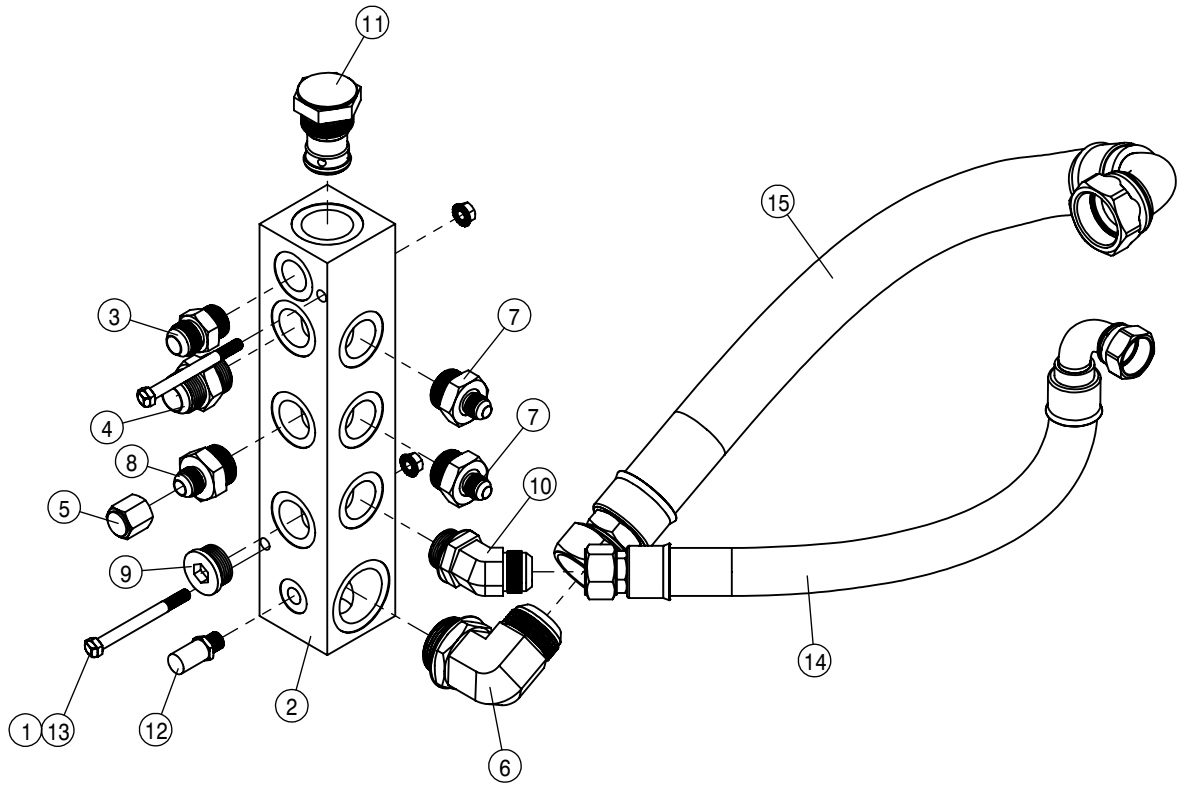


605666 - HYDRAULIC FILTER 20 MICRON
 605664 - SEAL KIT

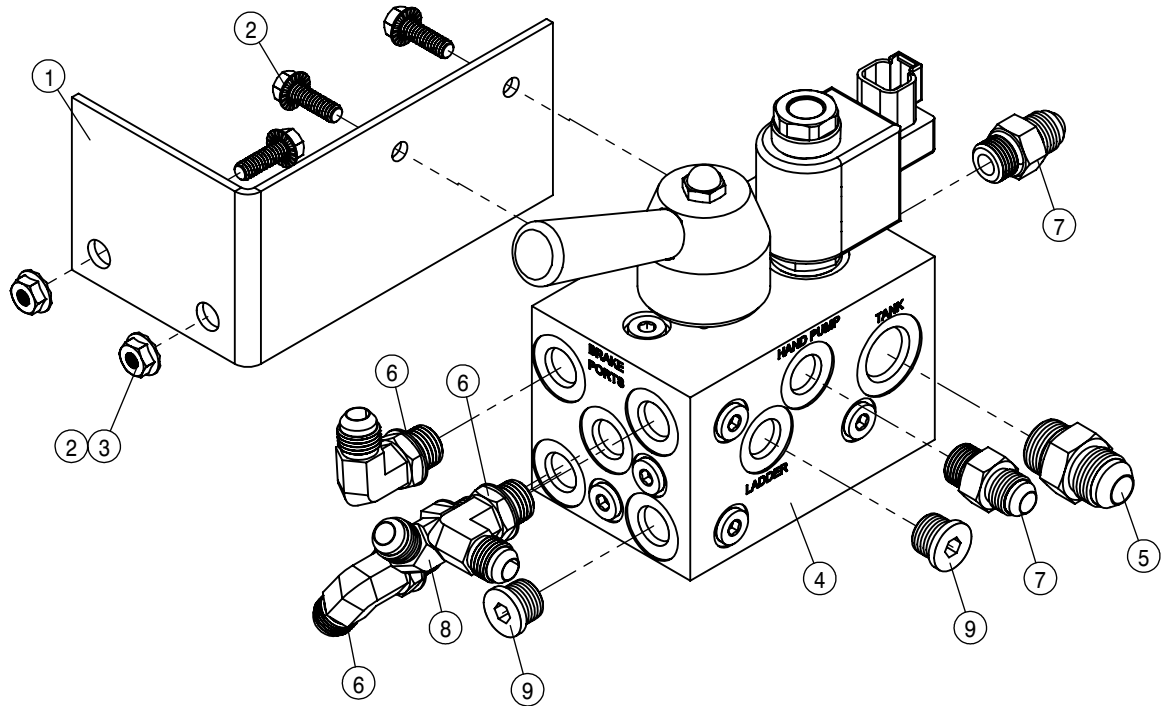
FAN MOTOR INLINE FILTER			
DET	QTY	P/N	DESCRIPTION
1	4	470409	3/8UNC X 3/4" SERR FLG BOLT
2	1	605665	HYD FILTER 20 MICRON SAE12
3	1	611127	1 1/16MJIC-1 1/16MOR ADPTR
4	1	616676	12-451TC-12FJX-12FJX90L-18 H/A
5	1	617199	12-451TC-12FJX-12FJX-73 H/A
6	1	618248	1 1/16MJIC-90-1 1/16MOR LBO



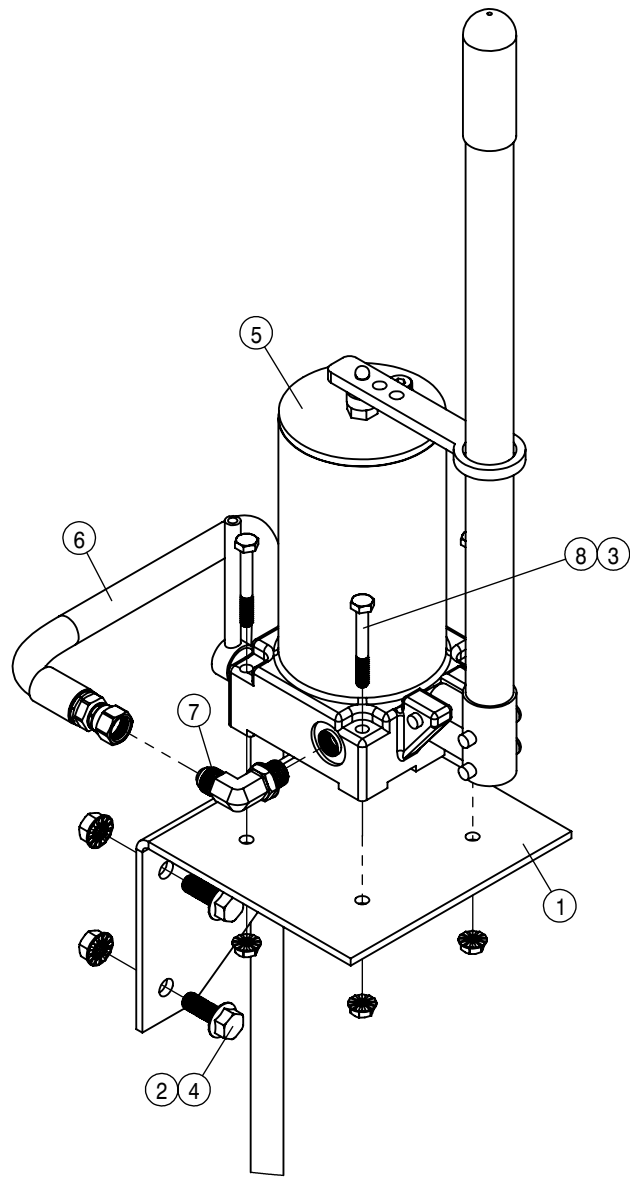
RETURN MANIFOLD AND BULKHEAD ASSEMBLY			
DET	QTY	P/N	DESCRIPTION
1	1	362113	FRONT BULKHEAD, STS
2	5	470087	3/8UNC HEX SERR FLANGE NUT
3	3	470335	LINCHPIN, 3/16 X 1 1/4 GRIP
4	3	470520	HANGER PIN, 3/8UNC x .437Dx .500L
5	1	606246	MANIFOLD, 1 5/16FOR
6	1	618308	1 1/16MJIC-1 5/16MOR ADPTR
7	1	618328	7/8FJIC CAP NUT
8	3	618475	3/4MJIC-90-1 5/16MOR LBO
9	1	618527	1 7/8MJIC-1 5/8MOR ADPTR
10	1	618532	3/4FJIC CAP NUT
11	2	618589	7/8MJIC-90-1 5/16MOR LBO
12	1	618759	1 5/8MOR PLUG, HEX SOCKET
13	1	650339	DECAL, WARNING, HYD. OIL INJ
14	4	900129	3/8UNC X 1" HEX BOLT
15	2	900139	3/8UNC X 3 3/4 HEX BOLT
16	4	910004N	3/8UNC FLANGE CNTR LOCK NUT



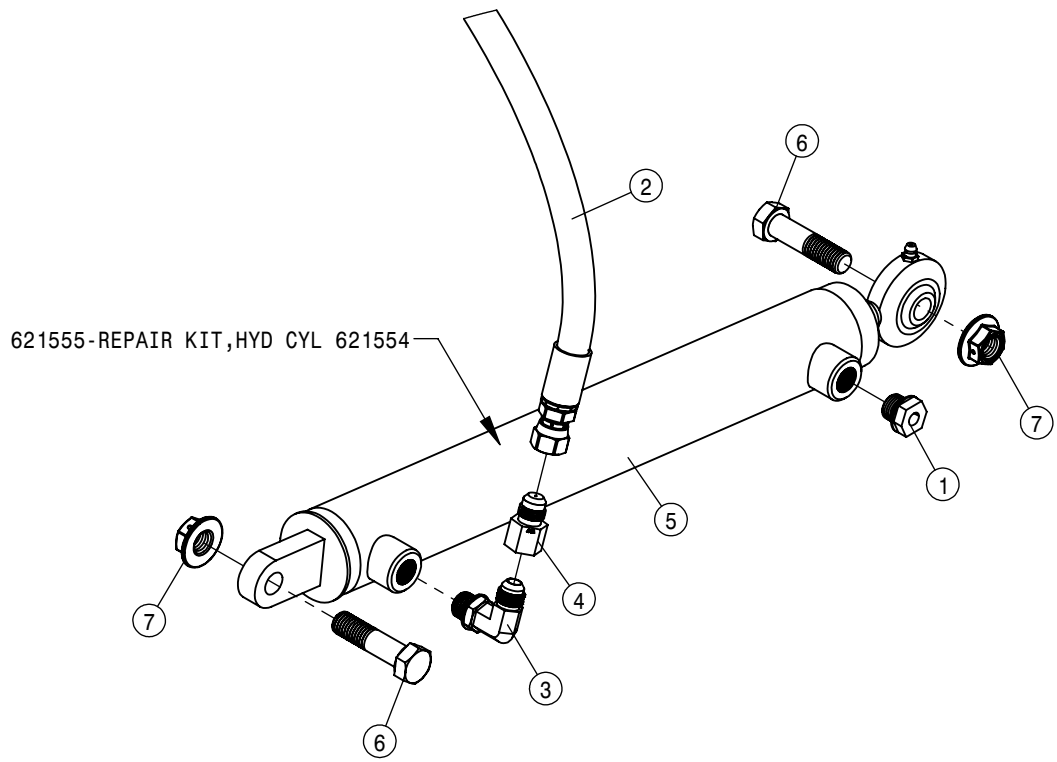
REAR RETURN MANIFOLD ASSEMBLY			
DET	QTY	P/N	DESCRIPTION
1	2	470087	HEX FLANGE NUT SER 3/8-16 MC GR5
2	1	607574	MANIFOLD, #16, # 24 ends
3	1	611127	1 1/16MJIC-1 1/16MOR ADPTR
4	1	618186	1 5/16MJIC-1 5/16MOR ADPTR
5	1	618328	7/8FJIC CAP NUT
6	1	618432	1 7/8MJIC-90-1 7/8MOR LBO
7	2	618470	3/4MJIC-1 5/16MOR ADPTR
8	1	618601	7/8MJIC-1 5/16MOR ADPT
9	1	618758	1 5/16MOR PLUG, HEX SOCKET
10	1	618901	1 5/16MJIC-45-1 5/16MOR LBO
11	1	618935	20 SIZE CHECK VALVE
12	1	619023	9/16 MOR DIAGNOSTIC FITTING
13	2	900264	1/2UNC X 1 1/4 HHCS GR5 MC
14	1	617123	16-811-16FJX-16FJX90-22 H/A
15	1	617094	24-811-24FJX-24FJX90-31 H/A



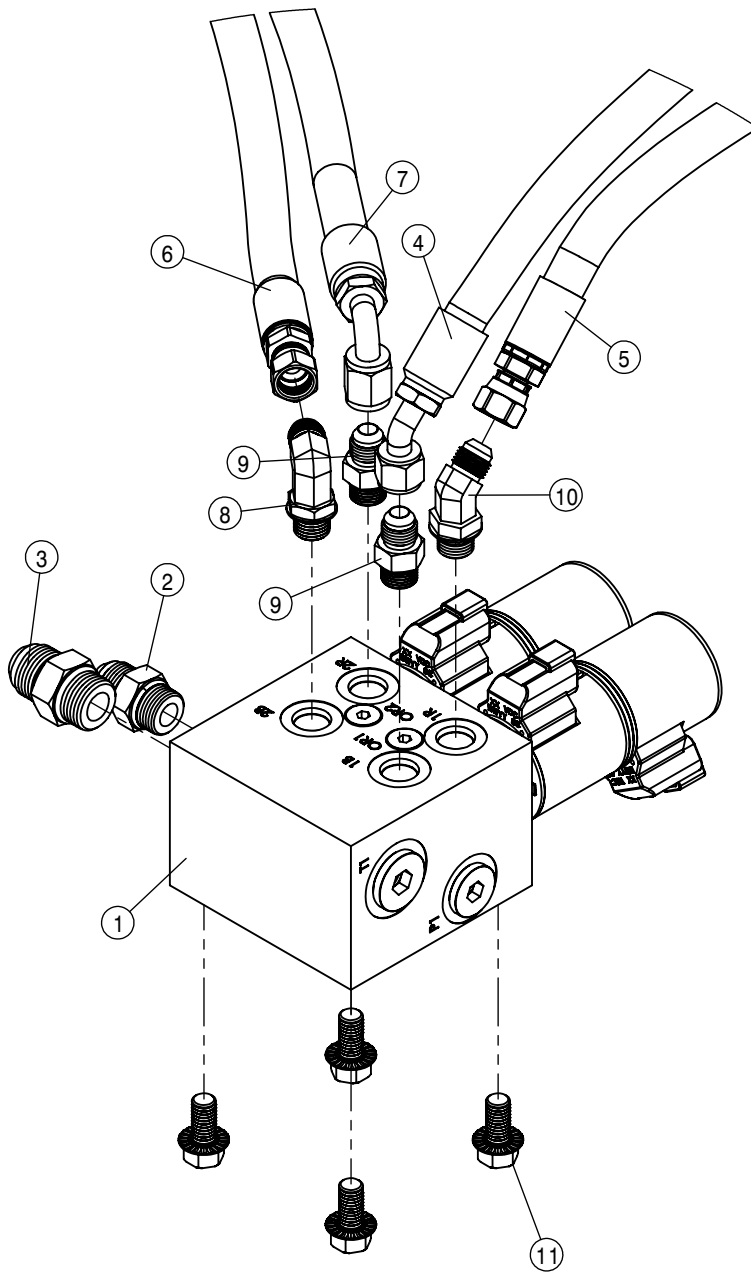
BRAKE RELEASE AND LADDER VALVE ASSEMBLY			
DET	QTY	P/N	DESCRIPTION
1	1	301003	GST BRAKE VALVE MNT
2	4	470118	1/4 UNC X 3/4 SER FLG BOLT
3	2	470121	1/4 UNC SERR FLG LOCK NUT
4	1	606268	BRAKE RELEASE VALVE, SAUER
5	1	611125	3/4MJIC-3/4MOR ADPTR
6	3	618119	9/16MJIC-90-9/16MOR LBO
7	2	618126	9/16MJIC-9/16MOR ADPTR
8	1	618425	9/16MJIC-45-9/16MOR LBO
9	2	618754	9/16 MOR PLUG, HEX SOCKET



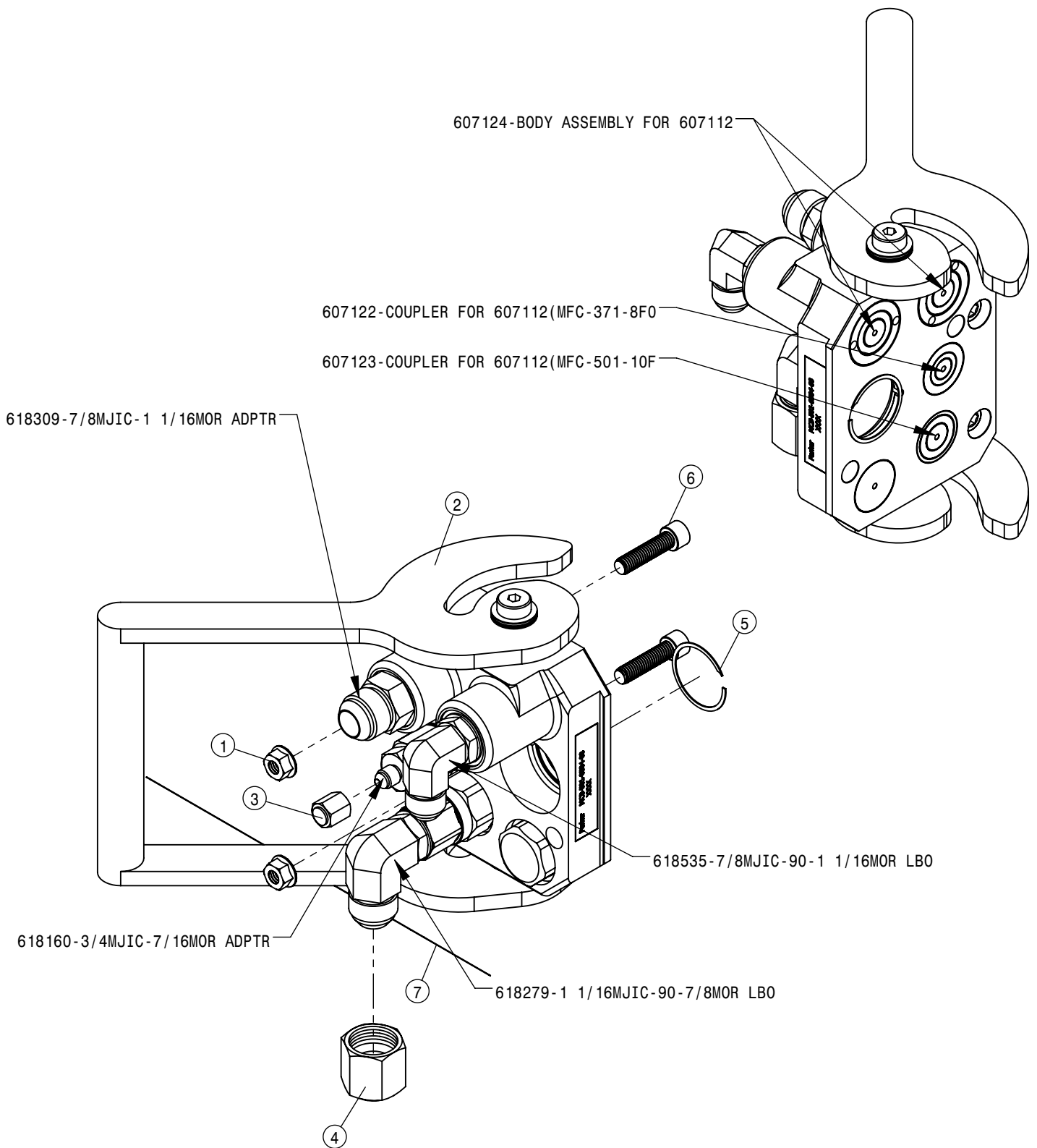
HAND HYDRAULIC PUMP ASSEMBLY			
DET	QTY	P/N	DESCRIPTION
1	1	301004	HYDRAULIC HANDPUMP MNT
2	2	470087	3/8UNC HEX SERR FLANGE NUT
3	4	470121	1/4 UNC SERR FLG LOCK NUT
4	2	470460	3/8 X 1" SERR FLG BOLT
5	1	606269	HYD PUMP,HAND OP,400 PSI BRAND
6	1	616595	06-451TC-06FJX-06FJX-132 H/A
7	1	618119	9/16MJIC-90-9/16MOR LBO
8	4	900007	1/4UNC X 2" HEX BOLT



LADDER CYLINDER ASSEMBLY			
DET	QTY	P/N	DESCRIPTION
1	1	362036	SAE 6 BRASS BREATHER
2	1	617127	06-451TC-06FJX-06FJX45-36 H/A
3	1	618119	9/16MJIC-90-9/16MOR LBO
4	1	618733	9/16JIC .042 ORIFICE ADPTR
5	1	621554	HYD CYL, 1.50" X 12.25" X 0.75"
6	2	900267	1/2UNC X 2" HEX BOLT
7	2	914015	1/2UNC HEX CENTER-LOCK NUT

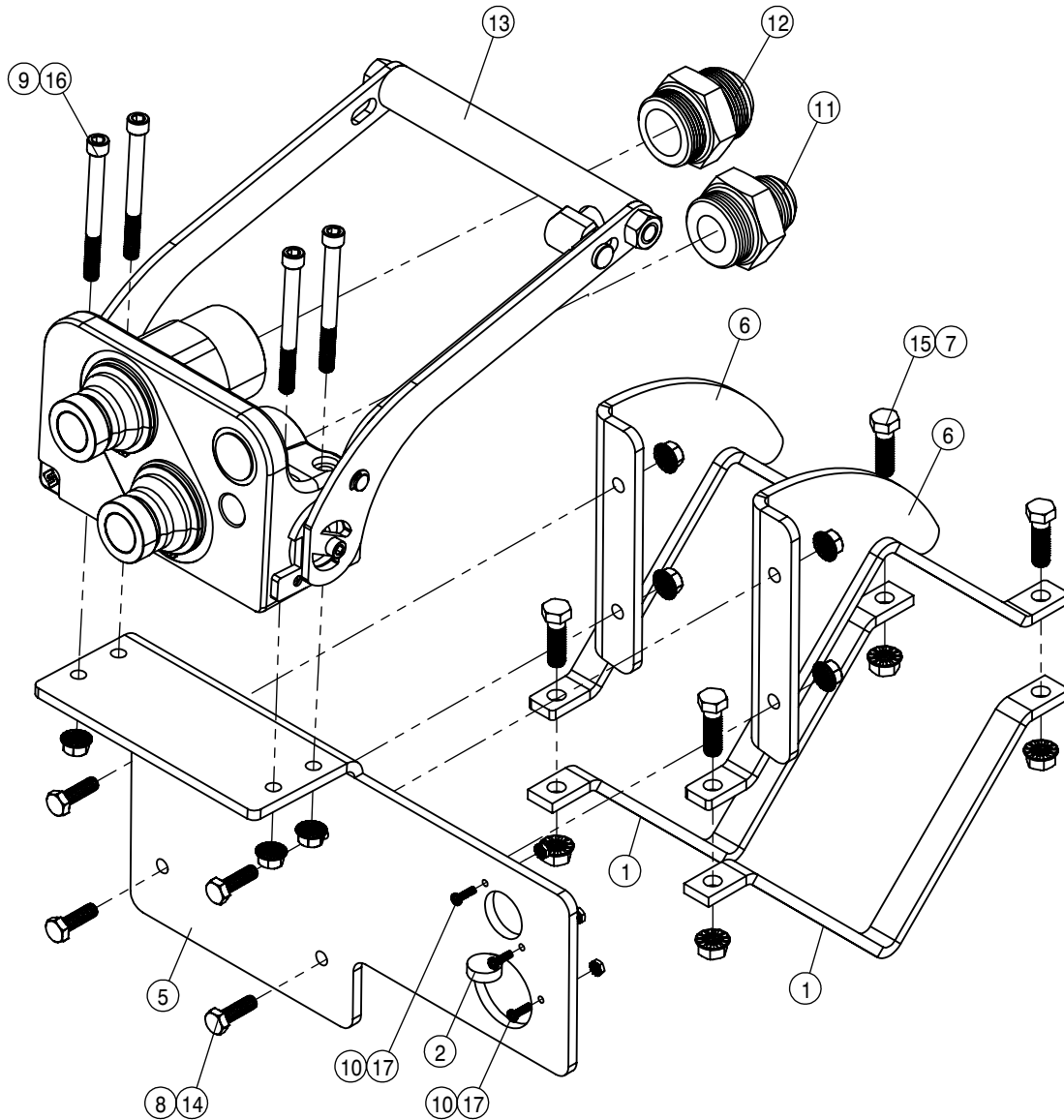


ALL WHEEL STEER HYDRAULIC VALVE ASSEMBLY			
DET	QTY	P/N	DESCRIPTION
1	1	606542	AWS VLV, STS PWRSYS 14
2	1	611125	3/4MJC-3/4MOR ADPTR
3	1	611126	7/8MJC-7/8MOR ADPTR
4	1	617115	06-451TC-06FJX-06FJX45-101 H/A
5	1	617116	06-451TC-06FJX-06FJX-99 H/A
6	1	617117	06-451TC-06FJX-06FJX-137
7	1	617118	06-451TC-06FJX-06FJX90-137 H/A
8	1	618119	9/16MJC-90-9/16MOR LBO
9	2	618126	9/16MJC-9/16MOR ADPTR
10	1	618425	9/16MJC-45-9/16MOR LBO
11	4	900128N	3/8UNC X 3/4 SER FLANGE BOLT



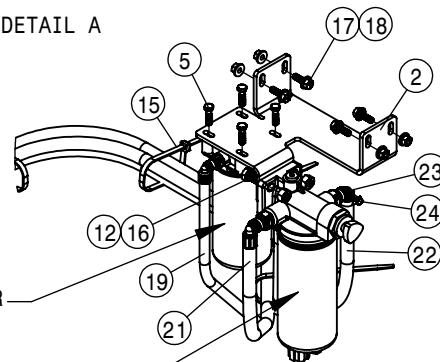
BOOM HYDRAULIC QUICK COUPLER ASSEMBLY			
DET	QTY	P/N	DESCRIPTION
1	2	470087	3/8UNC HEX SERR FLANGE NUT
2	1	607112	FIX HALF COUPLER ASSY
3	1	618363	7/16FJIC CAP NUT
4	1	618533	1 1/16FJIC CAP NUT
5	1	629547	VS-150-S16 RETAINING RING
6	2	900174	3/8UNC x 1 1/2" SOC HD CAP SCR
7	1	HXE28534	LABEL, HYDRAULIC ENGLISH

COMBO OPTION QUICK ATTACH



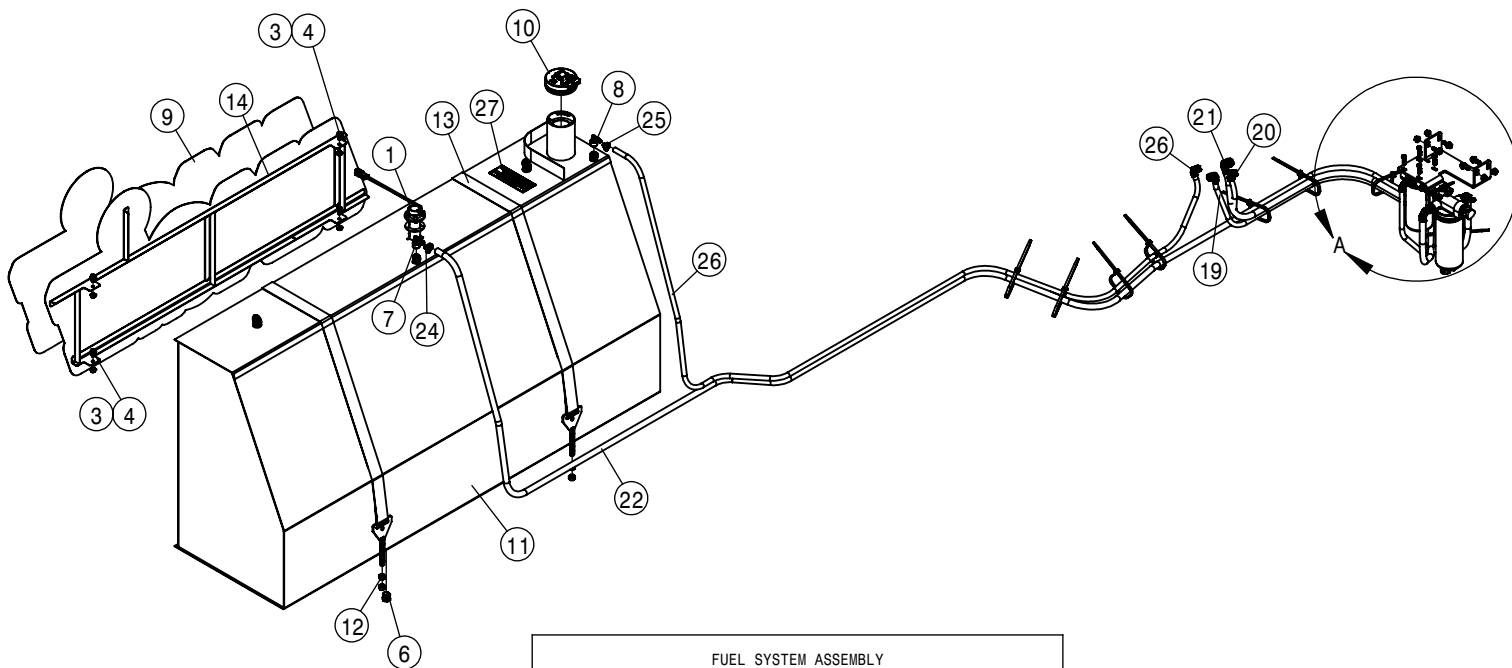
COMBO OPTION HYDRAULIC QUICK COUPLER ASSEMBLY			
DET	QTY	P/N	DESCRIPTION
1	2	003078	RECEPT MTG BRKT, PAINTED STS 07
2	1	291754	AMP CAP, 17 SHELL
NS	1	293866	POWER HARNESS, MAIN STSC 05
NS	1	294047	STS COMBO CHASSIS TO BAR HARNESS
5	1	362043	SOLUTION COMBO MOUNT
6	2	362047	RECEPT SCM BRKT WLD LFT
7	4	470087	3/8UNC HEX SERR FLANGE NUT
8	4	470113	5/16UNC SERR FLG LOCK NUT
9	4	470113N	5/16UNC SERR FLG LOCK NUT SS
10	3	470467	6-32 KEP NUT
11	1	618455	1 5/16MJIC-1 5/8 MOR ADPTR
12	1	618472	1 5/8MJIC-1 5/8MOR ADPTR
13	1	618877	COMBO MULT CPLR MACHINE
14	4	900065	5/16UNC X 1" HEX BOLT
15	4	900127	3/8UNC X 1 1/4 HEX BOLT
16	4	900175	5/16UNC X 3 1/4 SKT HD CAP SCR
17	3	903812	6-32 X 1/2 PHIL PAN MACH SCR

DETAIL A

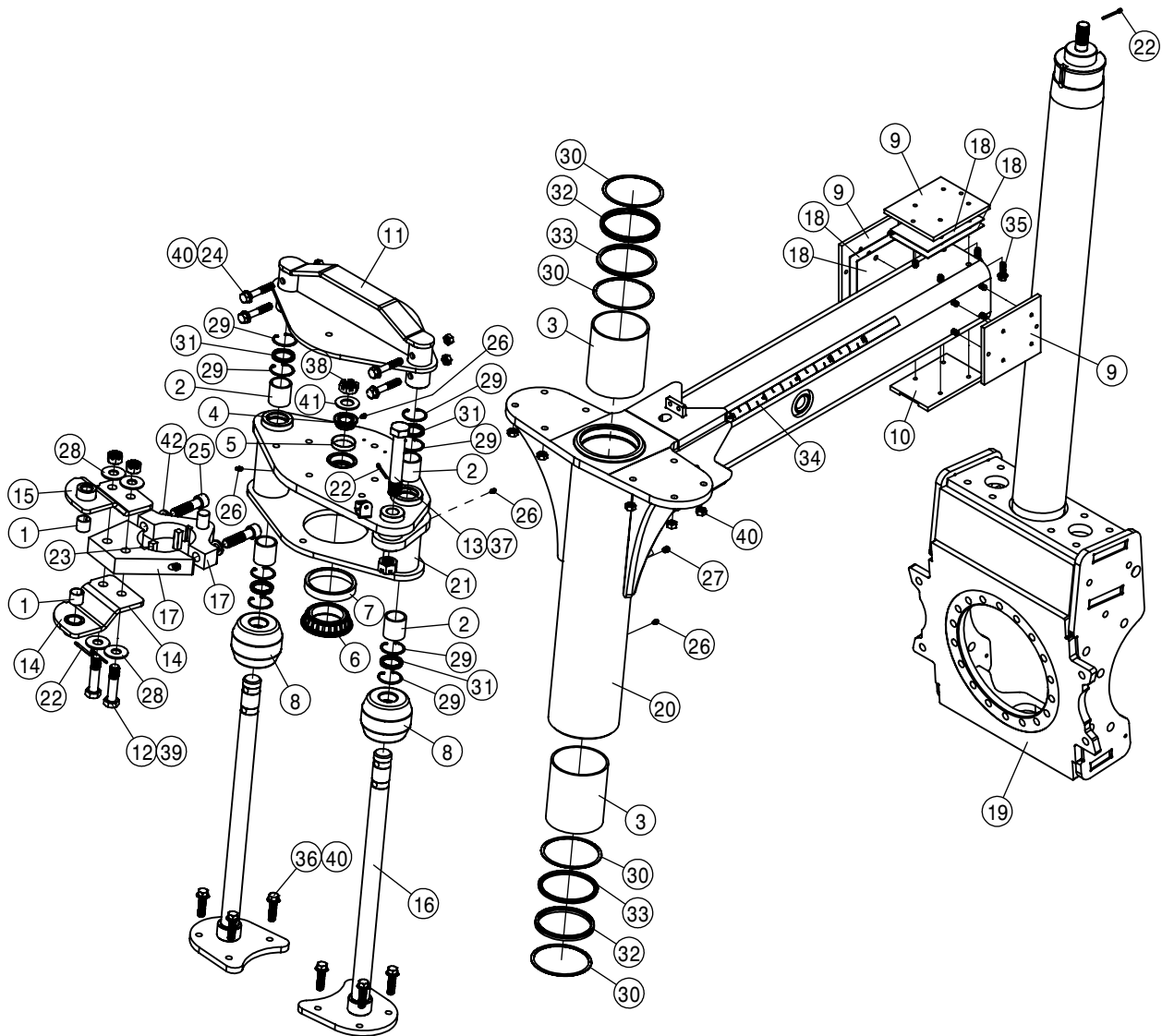


(TIER-4F) 317399-PRIMARY FUEL FILTER

(TIER-4F) 317400-FUEL/WATER SEPERATOR T4F

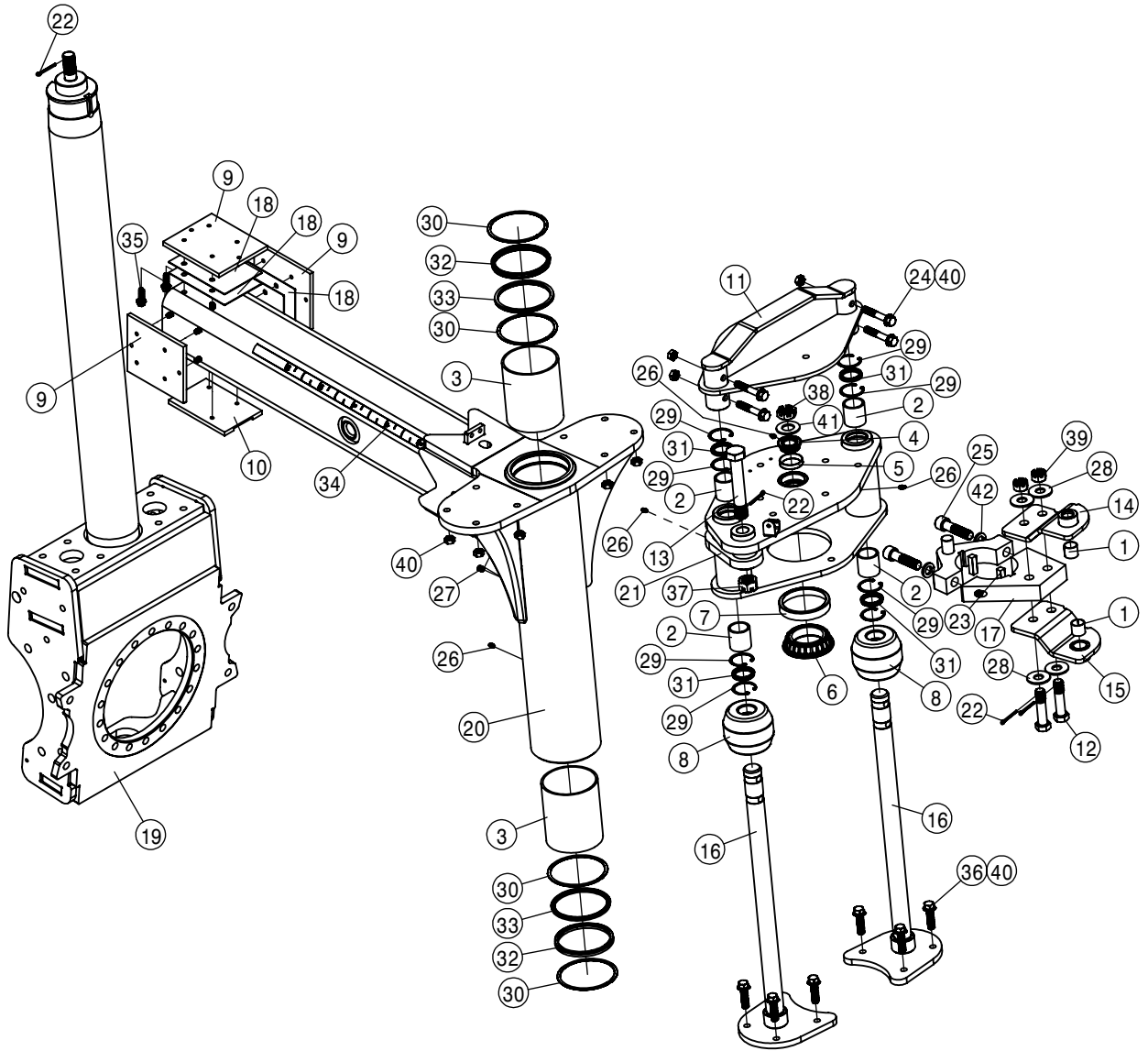


FUEL SYSTEM ASSEMBLY				
DET	QTY	P/N	DESCRIPTION	
1	1	291355	FUEL SENSOR	STS16
2	1	317271	FILTER MOUNT PLATE	
3	4	470113	5/16UNC SERR FLG LOCK NUT	
4	4	470233	5/16UNC X 3/4 SERR FLG HEX BOLT	
5	4	473790	8MM-1.25 X 30MM HEX BOLT	
6	1	503703	PIPE PLUG .50NPT SKT HD	
7	1	618262	1/2 HOSE BARB-90-1/2 FNPT BR	
8	1	618263	3/8 HOSE BARB-90-1/2 FNPT BR	
9	1	650179	DECAL,HAGIE, 26 X 60	
10	1	760469	FUEL TANK CAP,3.50" VENTED	
11	1	760486	FUEL TANK WLDMT,STS16	07
12	10	910008	1/2UNC HEX NUT	
13	2	A52308	FUEL TANK STRAP ASSY	
14	1	362549	FUEL TANK SIGN BRACKET WLD '16	
15	9	470555	CABLE TIE, 1/2 X 15"	BLACK NYLON
16	2	900264	1/2UNC X 1 1/4 HEX BOLT	
17	4	470460	3/8UNC X 1 HHSFB GR5 MC	
18	4	910106	3/8-16UNC CTRLK FLG NUT MC GR5	
19	1	317421	FUEL HOSE,FILTER TO RAIL	
20	1	317422	FUEL HOSE, PUMP TO FILTER	
21	1	317423	FUEL HOSE, STRAINER TO PUMP	
22	1	195971-233	HOSE 1/2 ID BIO FUEL SAE J30R7	
23	1	618980	1/2 J2044 QUICK CONNECT, 90°	
24	2	520175	HOSE D-CLAMP .830 DIA	
25	1	520174	HOSE D-CLAMP .630 DIA	
26	1	317737	FUEL RETURN HOSE	
27	1	650849	DECAL,CAUTION, ENG FUEL	



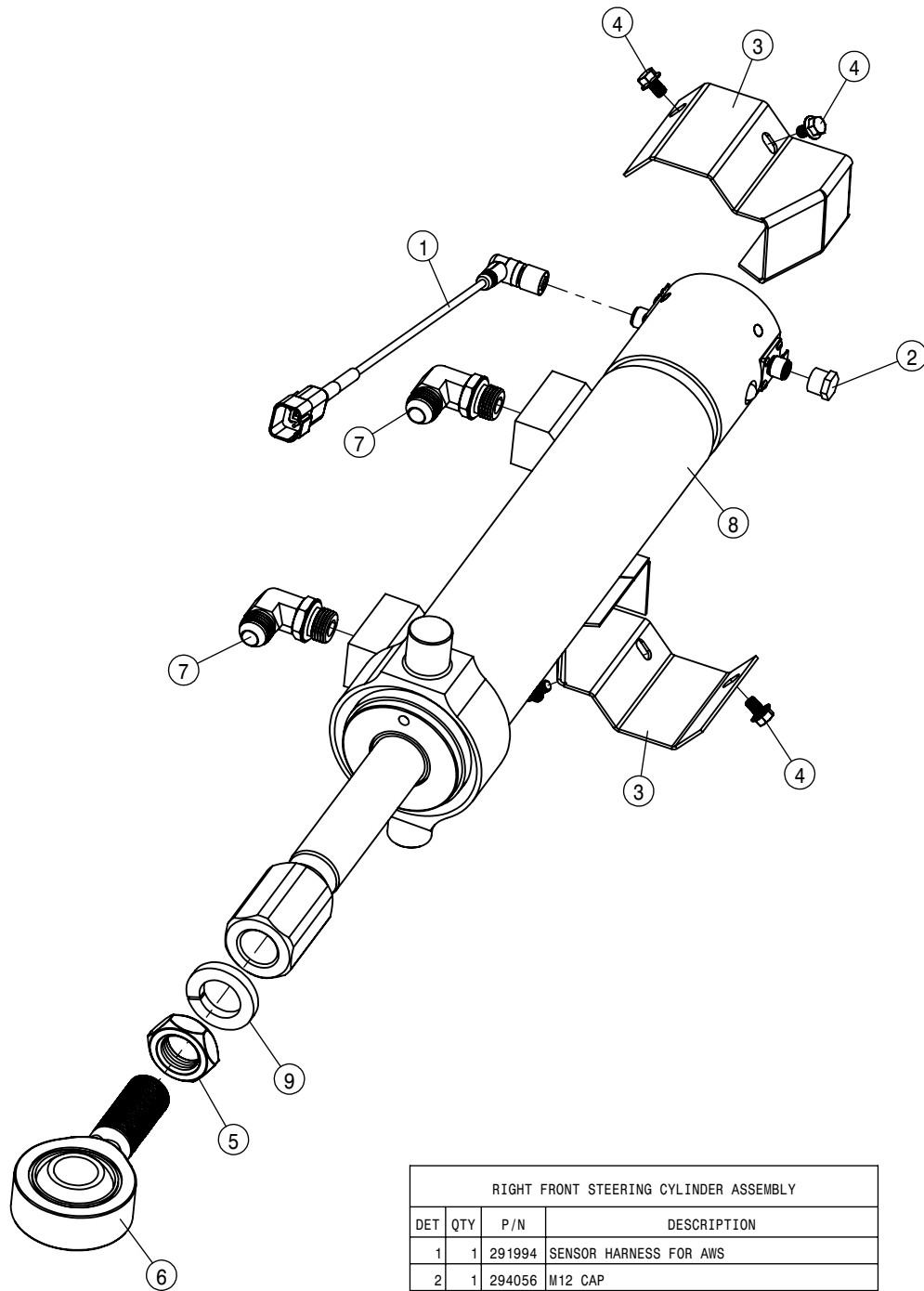
RIGHT SEVERE DUTY LEG ASSEMBLY			
DET	QTY	P/N	DESCRIPTION
1	2	121029	JOURNAL BRG, 1.00 ID x 1.00 LG
2	4	121113	TOWER SLEEVE BRG (POLYGON) 05
3	2	121125	BEARING-POLY 4.50 ID X 5.74 LG
4	1	125050	BRG CONE, 1.00 ID W/FACE SEAL
5	1	125051	BRG CUP FOR 125050
6	1	125052	BRG CONE, 2.687 ID W/FACE SEAL
7	1	125053	BRG CUP FOR 125052
8	2	311058	RUBBER SPRING
9	3	342917	TREAD ADJ PLATE, TAPPED, STS 10
10	1	343009	TRD ADJ BRONZE BEARING, TAPPED
11	1	359333	AIR BAG TOWER TOP MT WLD
12	2	359545	TRUNION MT BOLT, STS AWS 09
13	1	359546	STRG CYL BOLT, STS AWS LRG 09
14	1	359547	TOP TRUNION MT WLD, STS AWS 09
15	1	359548	BTM TRUNION MT WLD, STS AWS 09
16	2	359654	NITRO TOWER WLD, STS AWS 13
17	1	359664	3/4" STRG ARM CLAMP WLD
18	4	360072	SHIM - TRD ADJ BEARING
19	1	360075	INNER LEG WELDMT-STS, SDS LEG
20	1	360082	OUTER LEG-WLDMT, SDS LEG
21	1	360148	RH AIR BAG LWR PLT WLD, STS 15

RIGHT SEVERE DUTY LEG ASSEMBLY			
DET	QTY	P/N	DESCRIPTION
22	4	470117N	3/16 X 1 3/4 COTTER PIN SS
23	2	470447	KEY .50 SQ X 1.69 LONG
24	4	470461N	1/2UNC X 3" SERR FLG BOLT YZ
25	2	470890	3/4UNC X 3" SOC HD CAP SCR GR8
26	4	471005N	GREASE ZERK, 1/4-28 X 1/2 YZ
27	1	471030	PRESSURE RELIEF VALVE-GREASE 45-80 PSI
28	4	483048	3/4 REG FLAT WASH, THRU-HARD YZ
29	8	629537	187RRH00Z SNAP RING
30	4	629538	4.5 SPIROLOX RING
31	4	629620	SEAL, 1.500 ROD DIA
32	2	629621	SEAL, 4.500 ROD DIA
33	2	629625	SEAL, 4.500 ROD DIA
34	1	650459	DECAL, TREAD ADJ INDICATOR '14
35	16	900127N	3/8UNC X 1 1/4 SER FLANGE BOLT
36	8	900267N	1/2UNC X 2" SERR FLG BOLT
37	1	910020N	1" UNC HEX SLOTTED NUT
38	1	910021	1"-14 SLOT JAM NUT
39	2	910102	3/4UNC HEX SLOT NUT GR8
40	12	914008	1/2 UNC HEX STOVER NUT
41	1	920008	1" SAE FLAT WASHER
42	2	920506	3/4 LOCK WASHER

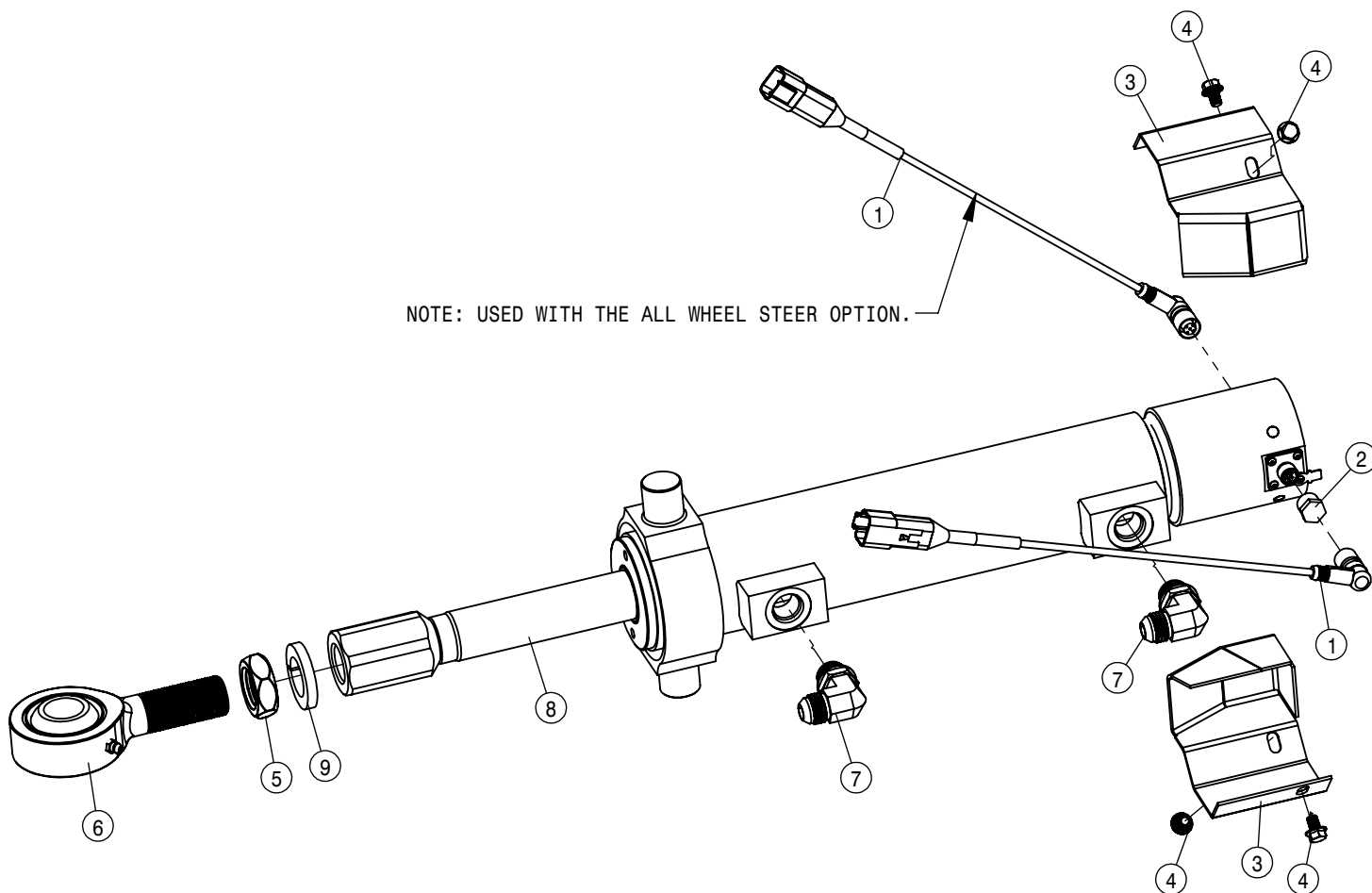


LEFT SEVERE DUTY LEG ASSEMBLY			
DET	QTY	P/N	DESCRIPTION
1	2	121029	JOURNAL BRG, 1.00 ID X 1.00 LG
2	4	121113	TOWER SLEEVE BRG (POLYGON) 05
3	2	121125	BEARING-POLY 4.50 ID X 5.74 LG
4	1	125050	BRG CONE, 1.00 ID W/FACE SEAL
5	1	125051	BRG CUP FOR 125050
6	1	125052	BRG CONE, 2.687 ID W/FACE SEAL
7	1	125053	BRG CUP FOR 125052
8	2	311058	RUBBER SPRING
9	3	342917	TREAD ADJ PLATE, TAPPED, STS 10
10	1	343009	TRD ADJ BRONZE BEARING, TAPPED
11	1	359333	AIR BAG TOWER TOP MT WLD
12	2	359545	TRUNION MT BOLT, STS AWS 09
13	1	359546	STRG CYL BOLT, STS AWS LRG 09
14	1	359547	TOP TRUNION MT WLD, STS AWS 09
15	1	359548	BTM TRUNION MT WLD, STS AWS 09
16	2	359654	NITRO TOWER WLD, STS AWS 13
17	1	359664	3/4" STRG ARM CLAMP WLD
18	4	360072	SHIM - TRD ADJ BEARING
19	1	360075	INNER LEG WELDMT-STS, SDS LEG
20	1	360082	OUTER LEG-WLDMT, SDS LEG
21	1	360149	LH AIR BAG LWR PLT WLD, STS 15

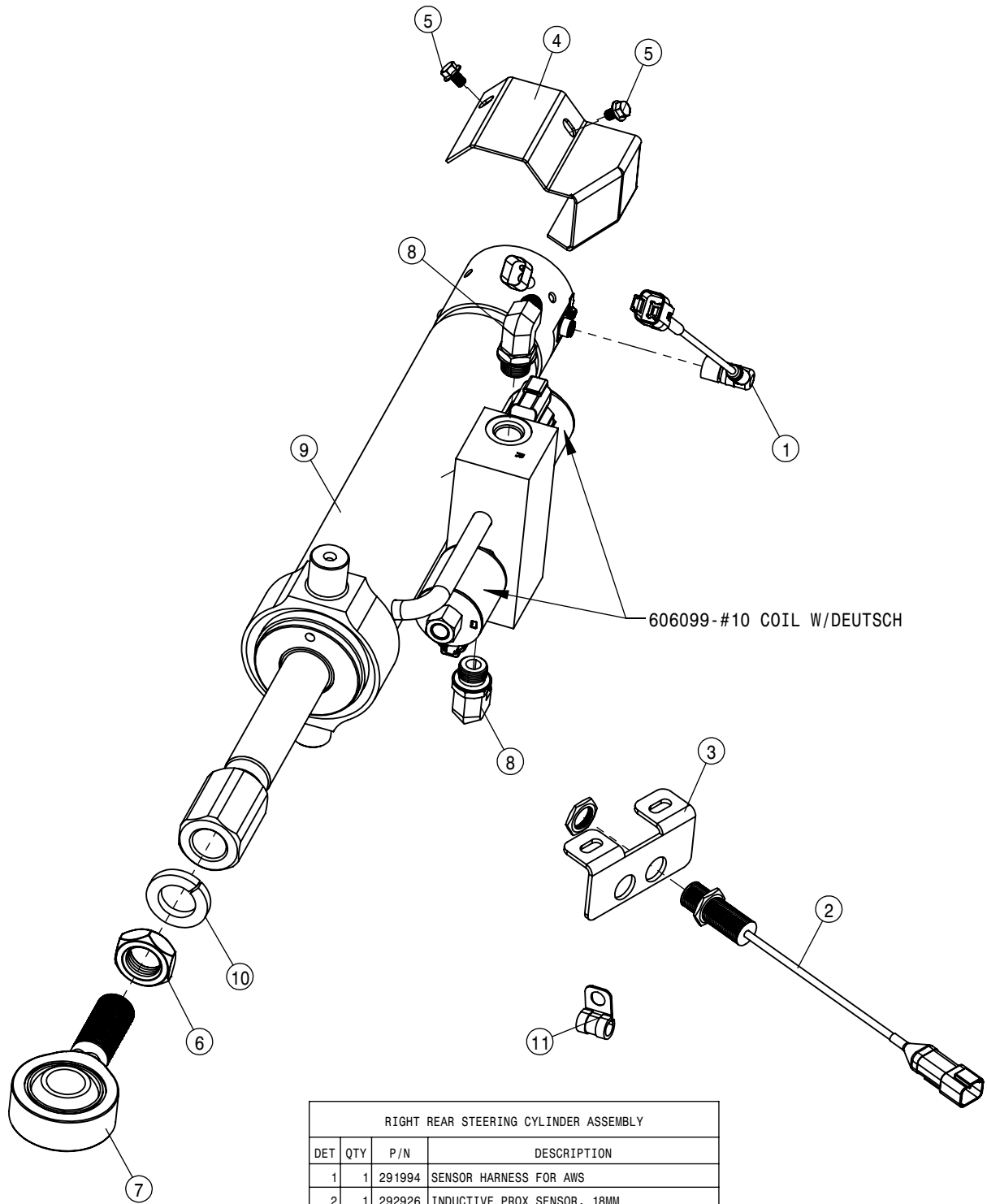
LEFT SEVERE DUTY LEG ASSEMBLY			
DET	QTY	P/N	DESCRIPTION
22	4	470117N	3/16 X 1 3/4 COTTER PIN SS
23	2	470447	KEY .50 SQ X 1.69 LONG
24	4	470461N	1/2UNC X 3" SERR FLG BOLT YZ
25	2	470890	3/4UNC X 3" SOC HD CAP SCR GR8
26	4	471005N	GREASE ZERK, 1/4-28 X 1/2 YZ
27	1	471030	PRESSURE RELIEF VALVE-GREASE 45-80 PSI
28	4	483048	3/4 REG FLAT WASH, THRU-HARD YZ
29	8	629537	187RRH00Z SNAP RING
30	4	629538	4.5 SPIROLOX RING
31	4	629620	SEAL, 1.500 ROD DIA
32	2	629621	SEAL, 4.500 ROD DIA
33	2	629625	SEAL, 4.500 ROD DIA
34	1	650459	DECAL, TREAD ADJ INDICATOR '14
35	16	900127N	3/8UNC X 1 1/4 SER FLANGE BOLT
36	8	900267N	1/2UNC X 2" SERR FLG BOLT
37	1	910020N	1" UNC HEX SLOTTED NUT
38	1	910021	1"-14 SLOT JAM NUT
39	2	910102	3/4UNC HEX SLOT NUT GR8
40	12	914008	1/2 UNC HEX STOVER NUT
41	1	920008	1" SAE FLAT WASHER
42	2	920506	3/4 LOCK WASHER



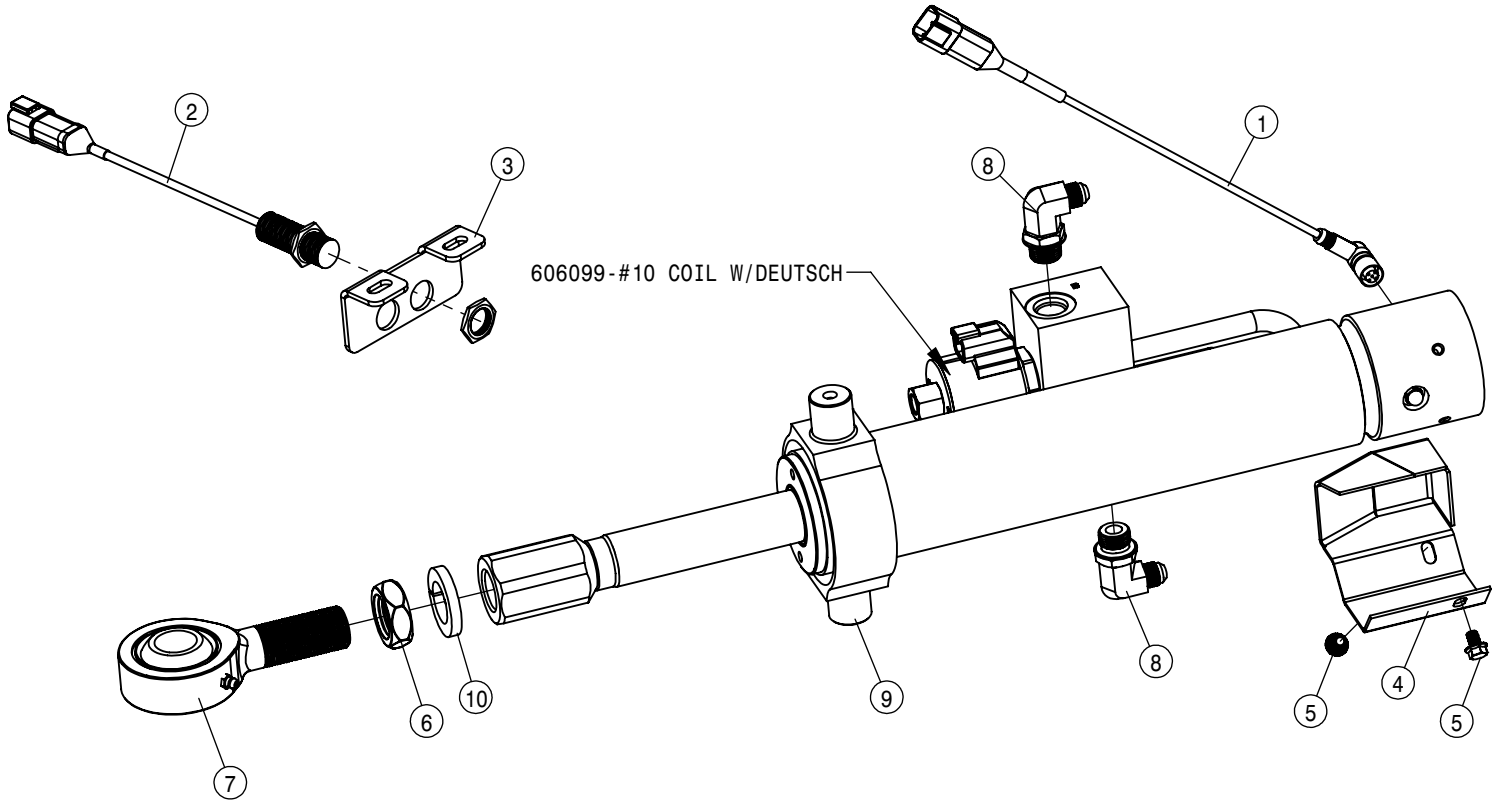
RIGHT FRONT STEERING CYLINDER ASSEMBLY			
DET	QTY	P/N	DESCRIPTION
1	1	291994	SENSOR HARNESS FOR AWS
2	1	294056	M12 CAP
3	2	359645	STRG CYL SENSOR GUARD
4	4	470883	1/4UNC X 3/8 SERR FLG BOLT SS
5	1	472328	1" - 12 HEX JAM NUT
6	1	474004	ROD END, 1.00 BORE, 1-12 RH MALE
7	2	618241	3/4MJIC-90-3/4MOR LBO
8	1	621654	HYD CYL, 2.50 X 8.81 PHASE/SENS
9	1	920508	1" LOCK WASHER



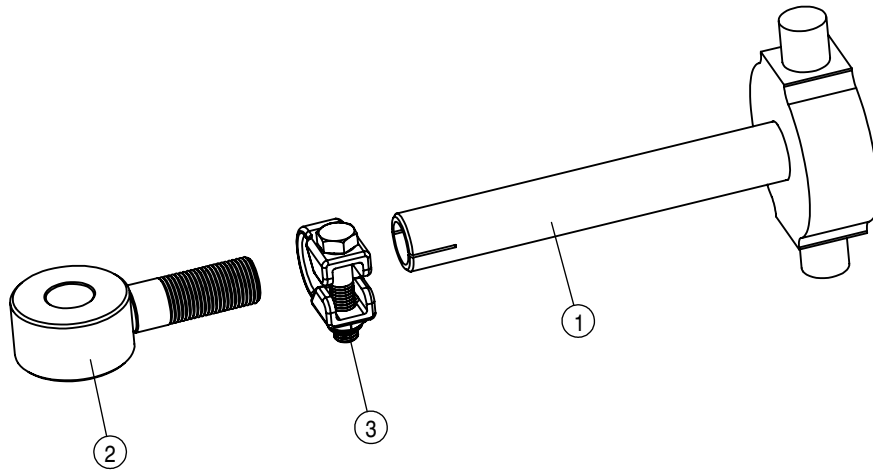
LEFT FRONT STEERING CYLINDER ASSEMBLY			
DET	QTY	P/N	DESCRIPTION
1	2	291994	SENSOR HARNESS FOR AWS
2	2	294056	M12 CAP
3	2	359645	STRG CYL SENSOR GUARD
4	4	470883	1/4UNC X 3/8 SERR FLG BOLT SS
5	1	472328	1"-12 HEX JAM NUT
6	1	474004	ROD END, 1.00 BORE, 1-12 RH MALE
7	2	618241	3/4MJIC-90-3/4MOR LBO
8	1	621654	HYD CYL, 2.50 X 8.81 PHASE/SENS
9	1	920508	1" LOCK WASHER



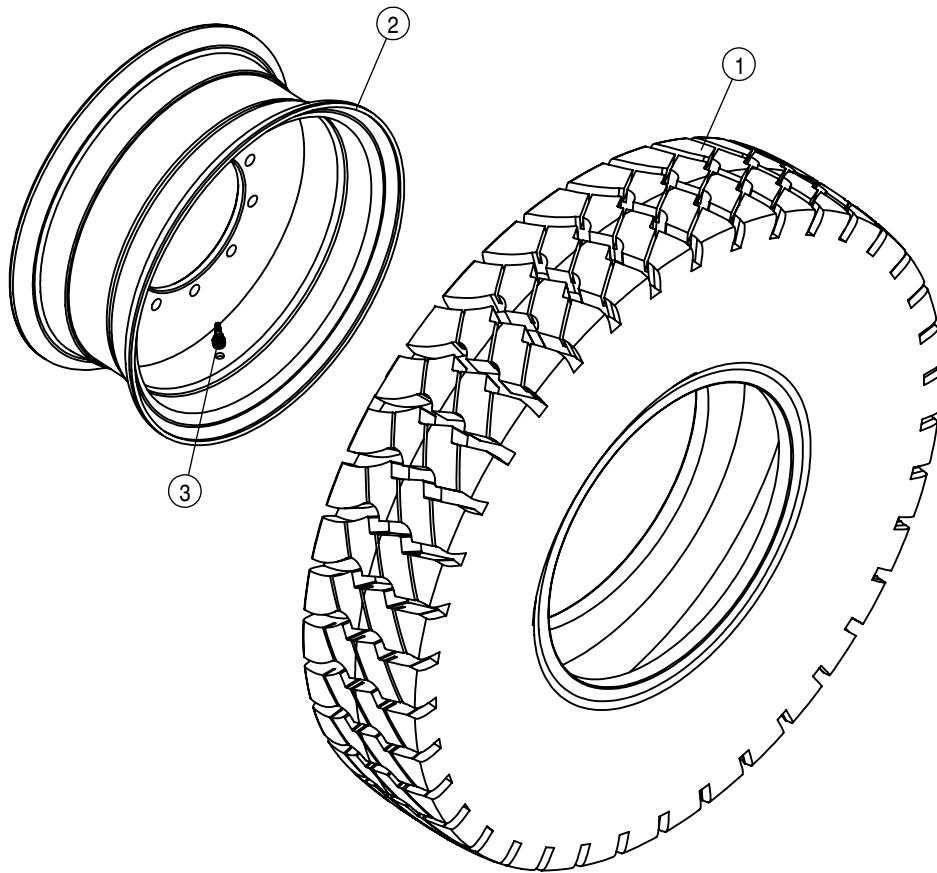
RIGHT REAR STEERING CYLINDER ASSEMBLY			
DET	QTY	P/N	DESCRIPTION
1	1	291994	SENSOR HARNESS FOR AWS
2	1	292926	INDUCTIVE PROX SENSOR, 18MM
3	1	359555	SENSOR BRKT, STS AWS 09
4	1	359645	STRG CYL SENSOR GUARD
5	2	470883	1/4UNC X 3/8 SERR FLG BOLT SS
6	1	472328	1" -12 HEX JAM NUT
7	1	474004	ROD END, 1.00 BORE, 1-12 RH MALE
8	2	618115	9/16MJIC-90-3/4MOR LBO
9	1	621653	HYD CYL, 2.50 X 8.81 X 1.25
10	1	920508	1" LOCK WASHER
11	1	520167	CUSH CLAMP, #6 3/8D X 3/4W



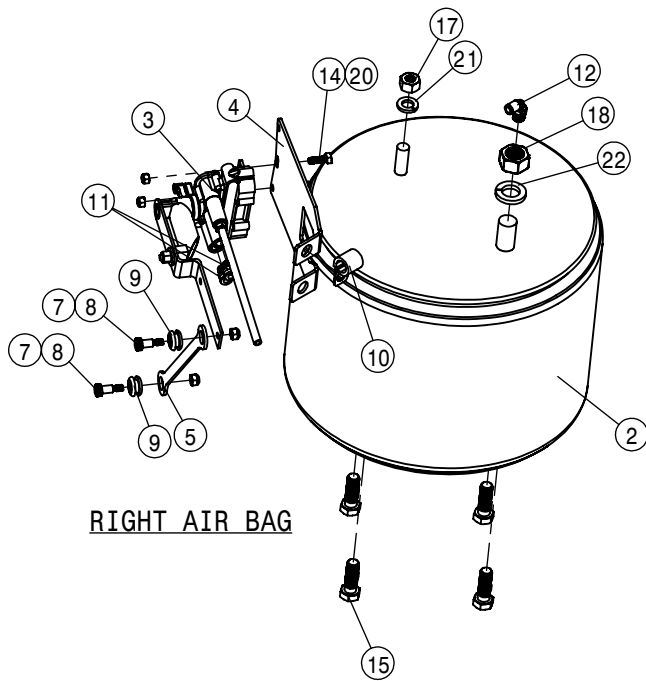
LEFT REAR STEERING CYLINDER ASSEMBLY			
DET	QTY	P/N	DESCRIPTION
1	1	291994	SENSOR HARNESS FOR AWS
2	1	292926	INDUCTIVE PROX SENSOR, 18MM
3	1	359555	SENSOR BRKT, STS AWS 09
4	1	359645	STRG CYL SENSOR GUARD
5	2	470883	1/4UNC X 3/8 SERR FLG BOLT SS
6	1	472328	1"-12 HEX JAM NUT
7	1	474004	ROD END, 1.00 BORE, 1-12 RH MALE
8	2	618115	9/16MJIC-90-3/4MOR LBO
9	1	621653	HYD CYL, 2.50 X 8.81 X 1.25
10	1	920508	1" LOCK WASHER



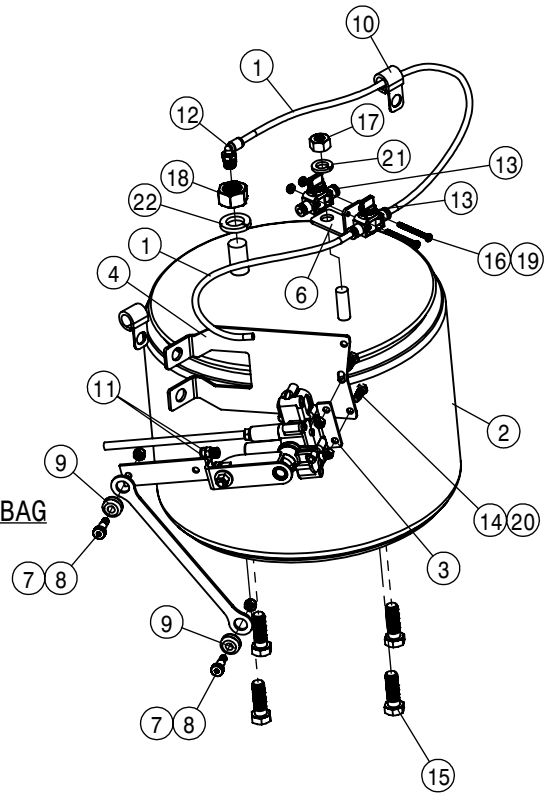
REAR STANDARD TIE ROD ASSEMBLY			
DET	QTY	P/N	DESCRIPTION
1	1	359086	REAR TIE ROD SHAFT WLD
2	1	359089	TIE ROD STUD WLD
3	1	749322	STEERING TUBE CLAMP & BOLT ASSY



TIRE AND RIM ASSEMBLY			
DET	QTY	P/N	DESCRIPTION
1	1	820080	14.00 R25 TIRE, GDYR RL-4L
2	1	821060	RIM 10.00-1.4IN - 3 PIECE RIM
3	1	821252	VALVE STEM, TR-618A, STAINLESS



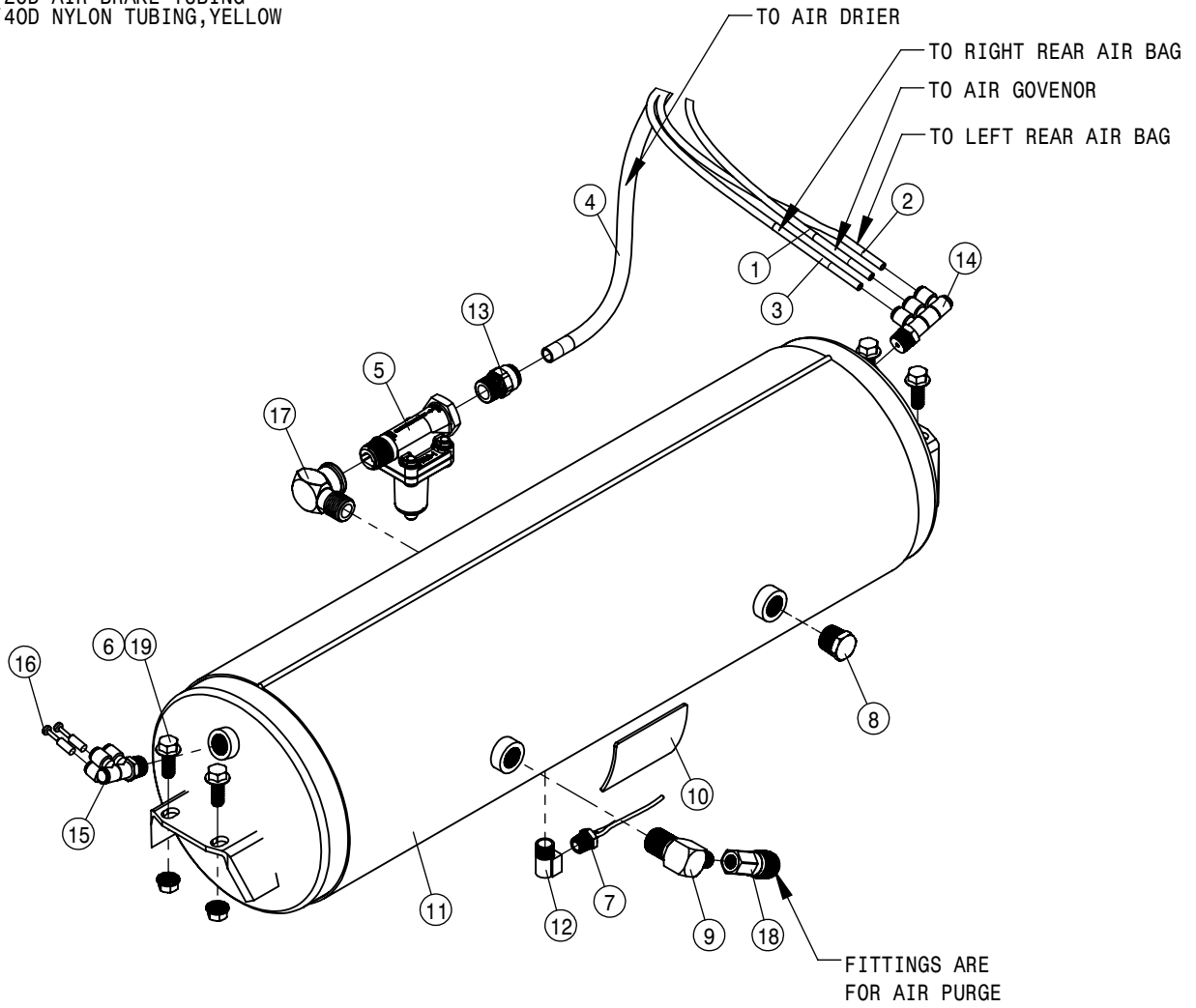
RIGHT AIR BAG



LEFT AIR BAG

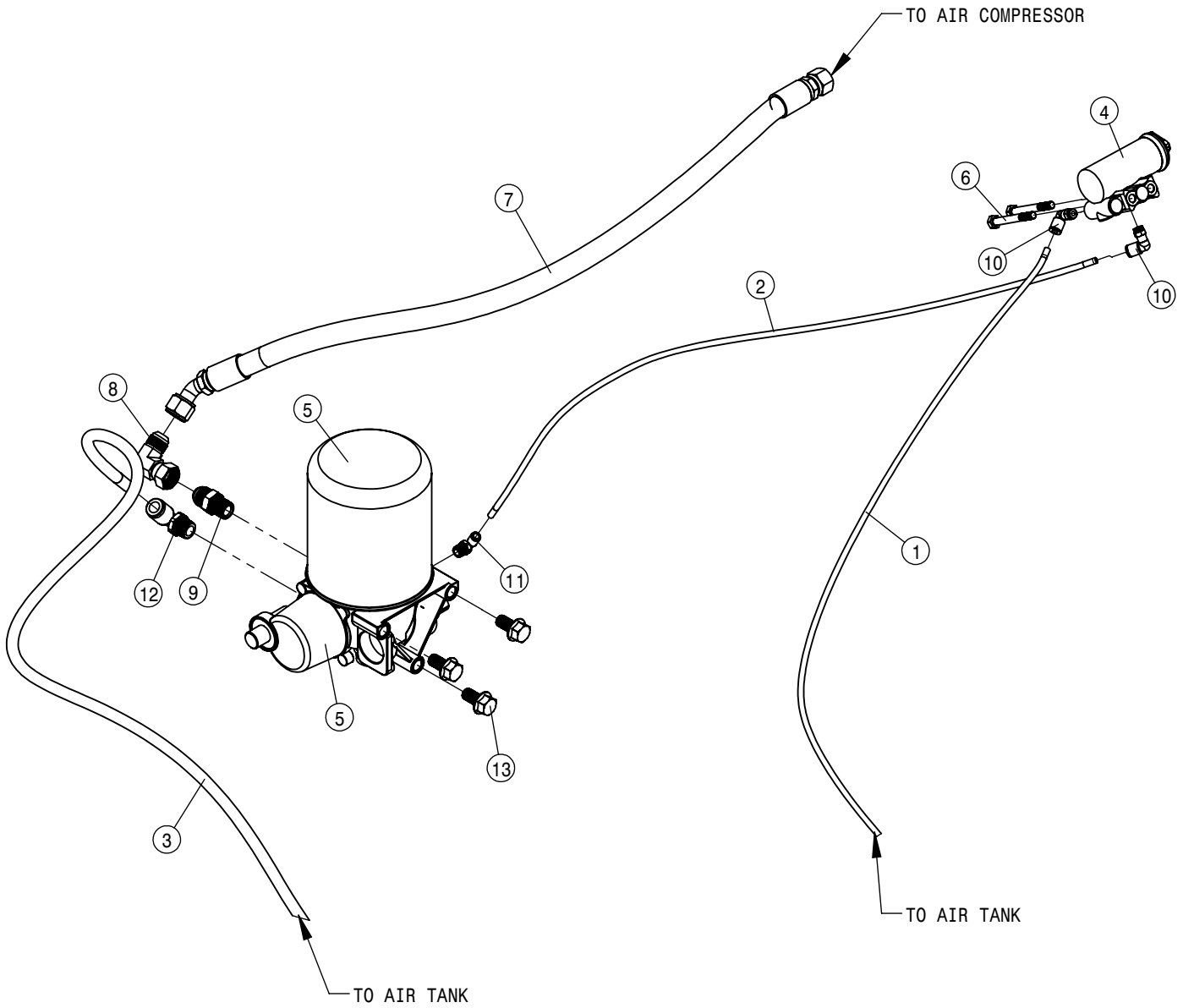
AIR BAG ASSEMBLY			
DET	QTY	P/N	DESCRIPTION
1	2	195906-022	1/40D AIR BRAKE TUBING J844-A
2	2	311080	AIRIDE SPRING, 11.81 BASE
3	2	358832	AIRIDE SPRING CTRL VALVE 98
4	2	360140	AIRIDE VALVE BRACKET
5	2	360141	LINK-AIR VALVE, FRONT MOUNT
6	1	360147	AIR DUMP VLV BRKT,STS 15
7	4	470089N	1/4UNC HEX NYLOC NUT, 316 SS
8	4	470607	1/4UNC-5/16 X .50 SHLDR SCR SS
9	4	470608	GROMMET-.31 ID X .56 PD X .19 PG
10	3	520164	CUSH HOSE CLAMP,#9, 9/16D X 3/4W
11	4	711036	1/8MNPT-1/4 NYL TUBE FTG
12	2	711040	1/4MNPT-90-1/4 NYL TUBE LBO
13	2	711053	AIR VALVE, 1/4 NYL TUBE
14	3	900002	1/4UNC x 3/4 HEX BOLT
15	8	900265	1/2UNC X 1 1/2 HEX BOLT
16	2	903854	8-32 X 1 3/4 PHIL PN MACH SCR SS
17	2	910008	1/2UNC HEX NUT
18	2	910013	3/4UNF HEX NUT
19	2	910024	8-32 HEX NUT
20	4	914000	1/4UNC HEX STOVER NUT
21	2	920504	1/2 LOCK WASHER
22	2	920506	3/4 LOCK WASHER

BULK HOSE
 195906-1/40D AIR BRAKE TUBING
 195914-1/20D AIR BRAKE TUBING
 195963-1/40D NYLON TUBING, YELLOW



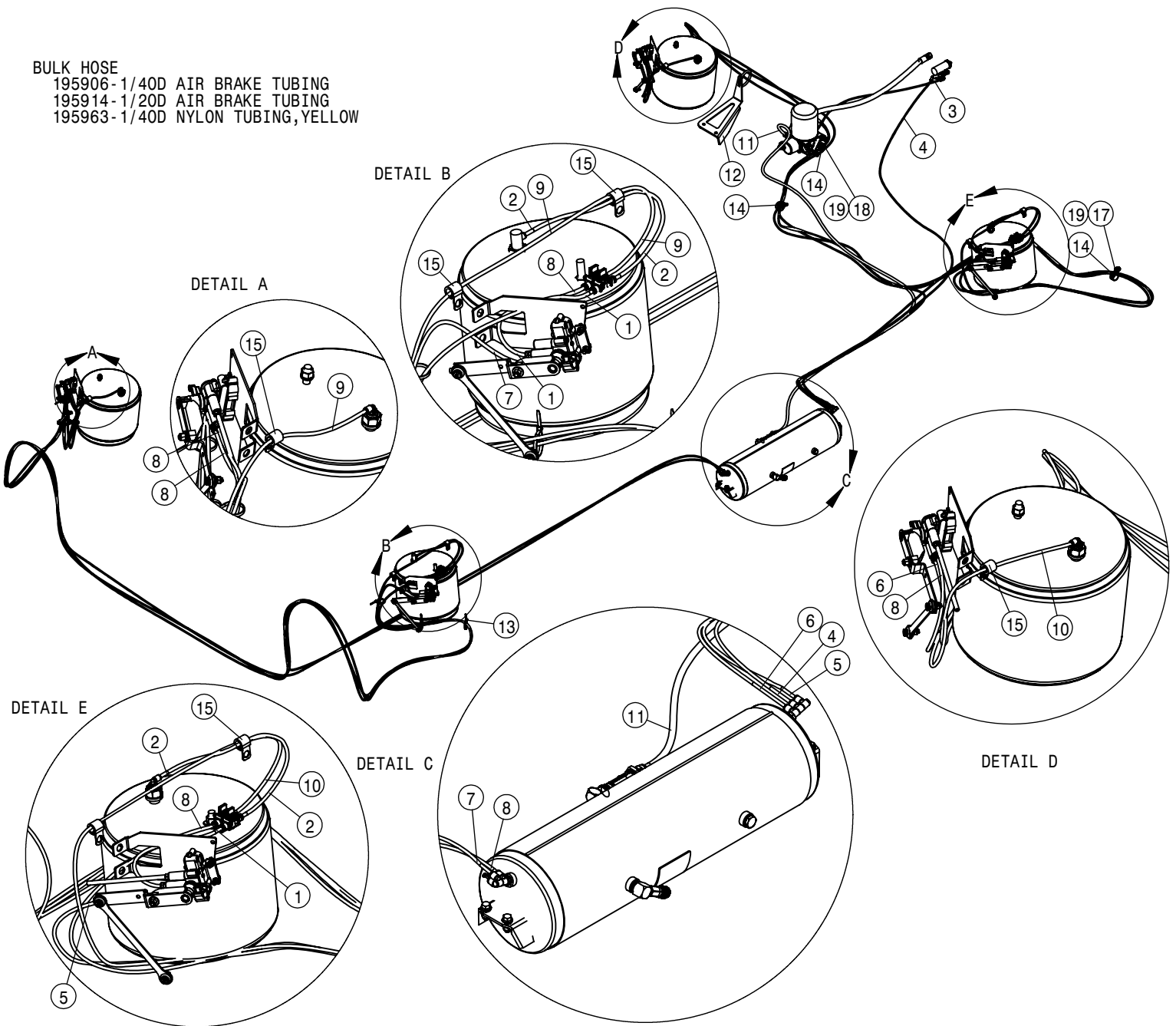
AIR TANK ASSEMBLY			
DET	QTY	P/N	DESCRIPTION
1	1	195906-123	1/40D AIR BRAKE TUBING J844-A
2	1	195906-181	1/40D AIR BRAKE TUBING J844-A
3	1	195906-226	1/40D AIR BRAKE TUBING J844-A
4	1	195914-128	1/20D AIR BRAKE TUBING J844-B
5	1	311086	CHECK VALVE, PRESS CRTL, WABCO
6	4	470087N	3/8UNC HEX SERR FLG NUT YZ
7	1	470266	DRAIN VALVE KIT, 1/4NPT
8	1	505231	PIPE PLUG .50NPT HEX HD BRS
9	1	618633	1/2MNPT-90-1/4MNPT REDU LBO
10	1	650348	DECAL, NOTICE, DRAIN AIR TANK
11	1	701365	AIR TANK
12	1	711027	1/4 NPT ST EL BRS
13	1	711037	1/2MNPT-1/2 NYL TUBE FTG
14	1	711046	3/8MNPT-1/4 NYL TUBE TRPL LBO
15	1	711047	3/8MNPT-1/4NYL TUBE, DBL BRANCH
16	2	711063	RUBBER PLUG FOR 1/4 PISCO CPLR7
17	1	711079	1/2NPT ST EL BRS
18	1	711083	1/4 NPTF SLV LOCK SOCKET BRS
19	4	900129N	3/8UNC X 1" SERR FLANGE BOLT

BULK HOSE
 195906-1/40D AIR BRAKE TUBING
 195914-1/20D AIR BRAKE TUBING

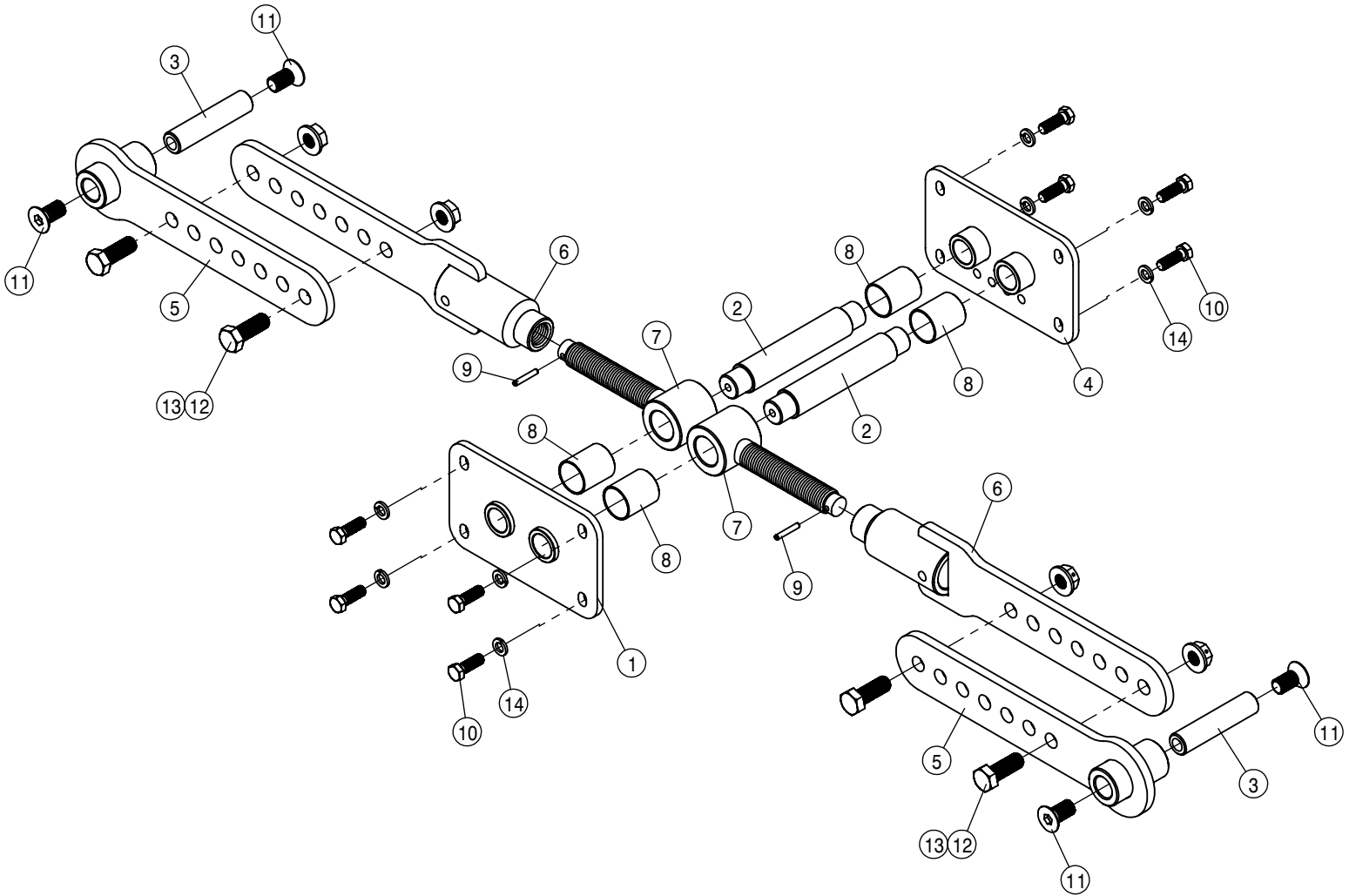


AIR DRIER AND GOVERNOR ASSEMBLY				
DET	QTY	P/N	DESCRIPTION	
1	1	195906-123	1/40D AIR BRAKE TUBING J844-A	
2	1	195906-032	1/40D AIR BRAKE TUBING J844-A	
3	1	195914-128	1/20D AIR BRAKE TUBING J844-B	
4	1	316277	AIR COMPRESSOR GOVERNOR KIT	
5	1	311084	AIR DRYER, SYSTEM SAVER 1200	
6	2	473822	8MM-1.25 X 70MM HEX BOLT GR8	
7	1	601941	10-451TC-10FJX-10FJX45-36	
8	1	618301	7/8MJIC-90-7/8FJIC SWIV LBO	
9	1	618325	7/8MJIC-1/2MNPT ADPTR	
10	2	711039	1/8MNPT-90-1/4 NYL TUBE LBO	
11	1	711040	1/4MNPT-90-1/4 NYL TUBE LBO	
12	1	711042	1/2MNPT-1/2 NYL TUBE LBO	
13	3	900263N	1/2UNC X 1" SER FLANGE BOLT	

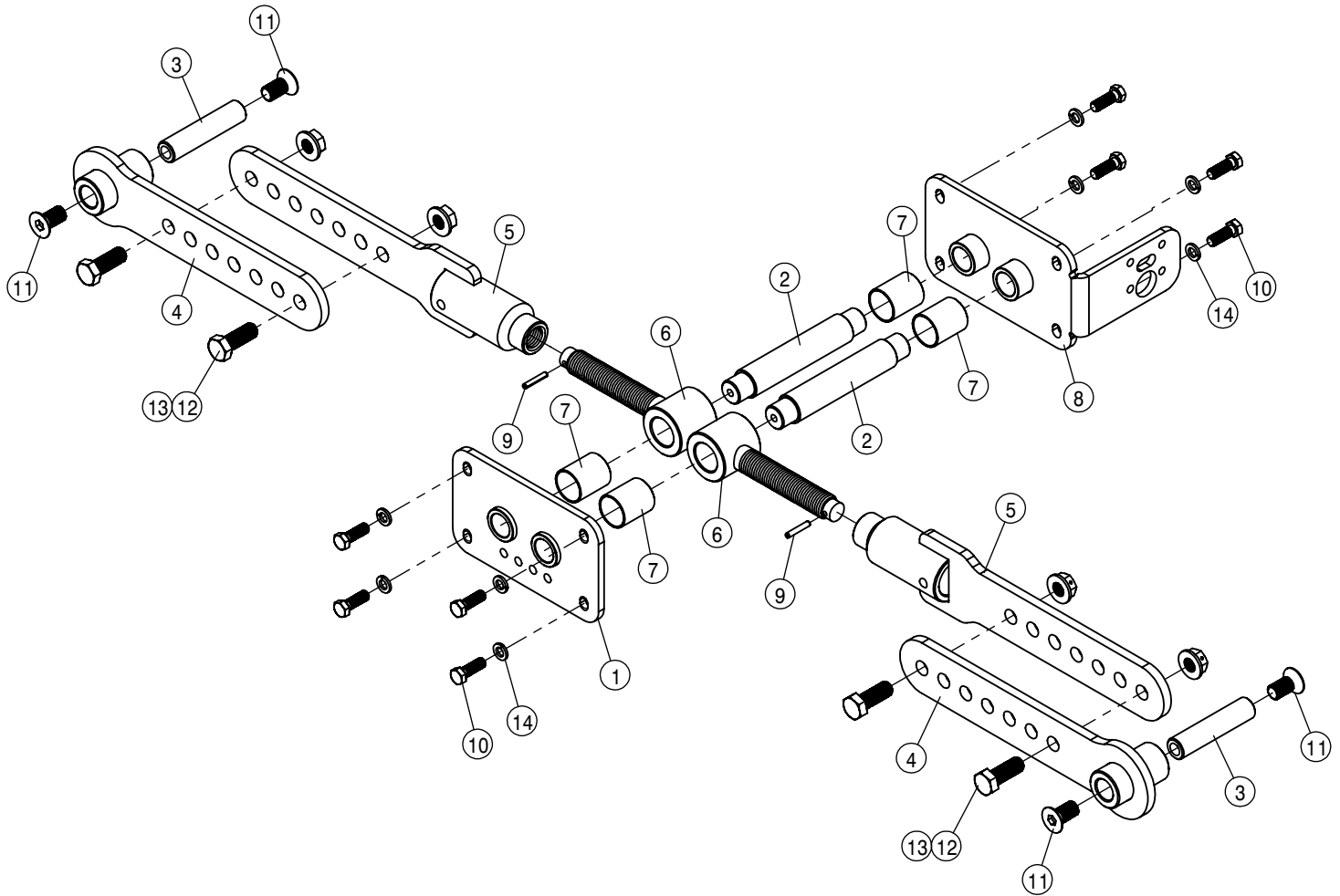
BULK HOSE
 195906-1/40D AIR BRAKE TUBING
 195914-1/20D AIR BRAKE TUBING
 195963-1/40D NYLON TUBING, YELLOW



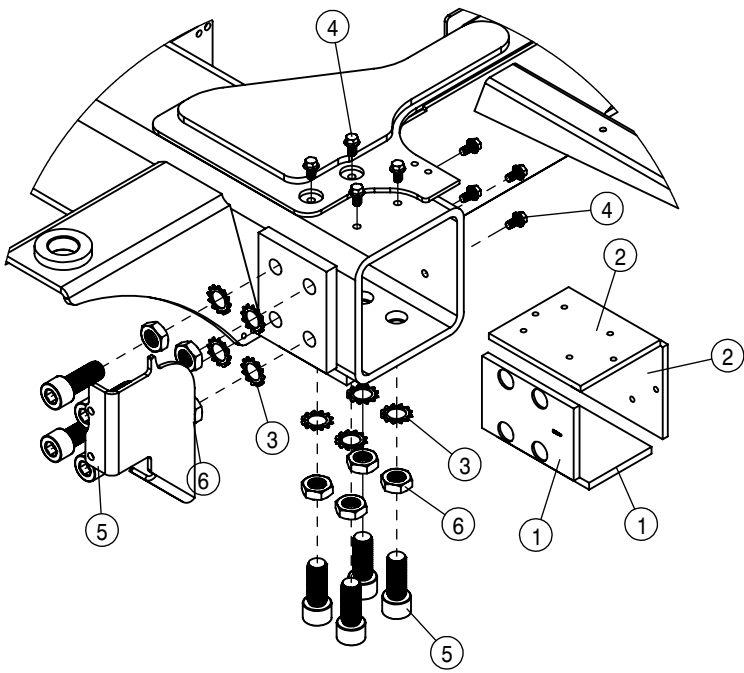
AIR LINE ASSEMBLY				
DET	QTY	P/N	DESCRIPTION	
1	2	195906-011	1/40D AIR BRAKE TUBING J844-A	
2	2	195906-022	1/40D AIR BRAKE TUBING J844-A	
3	1	195906-032	1/40D AIR BRAKE TUBING J844-A	
4	1	195906-123	1/40D AIR BRAKE TUBING J844-A	
5	1	195906-181	1/40D AIR BRAKE TUBING J844-A	
6	1	195906-226	1/40D AIR BRAKE TUBING J844-A	
7	1	195906-238	1/40D AIR BRAKE TUBING J844-A	
8	3	195906-300	1/40D AIR BRAKE TUBING J844-A	
9	1	195906-326	1/40D AIR BRAKE TUBING J844-A	
10	1	195906-330	1/40D AIR BRAKE TUBING J844-A	
11	1	195914-128	1/20D AIR BRAKE TUBING J844-B	
12	1	362115	REAR RGT LEG HOSE BRKT	
13	6	470154	CABLE TIE, 11.00" BLK NYLON	
14	4	520160	CUSH CLAMP,#24 1 1/2D-3/4WLOOP	
15	6	520164	CUSH HOSE CLAMP,#9, 9/16D X 3/4W	
16	1	601941	10-451TC-10FJX-10FJX45-36	
17	1	900128N	3/8UNC X 3/4 SER FLANGE BOLT	
18	1	900129N	3/8UNC X 1" SERR FLANGE BOLT	
19	2	910004N	3/8UNC FLANGE CNTR LOCK NUT	



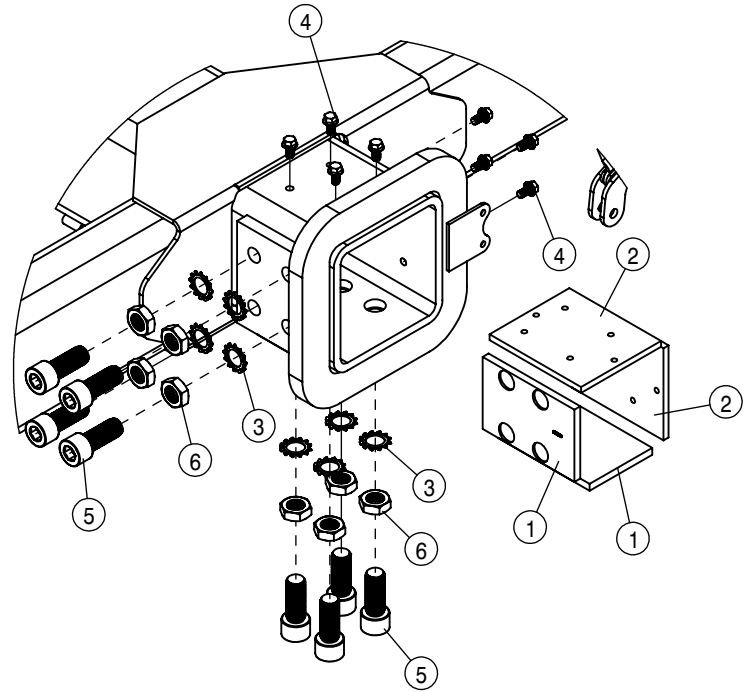
FRONT NO TREAD ADJUST ASSEMBLY			
DET	QTY	P/N	DESCRIPTION
1	1	361576	FRT TRD ADJ ACCESS PLT WLD
2	2	361581	TRD ADJ CYL PIVOT PIN, M/F
3	2	361582	TREAD ADJ CYL PIN, OUTER LEG
4	1	361689	REAR TRD ADJ ACCESS PLT WLD 04
5	2	361964	TREAD ADJ TIE ROD LEG BAR WLDT
6	2	361967	TREAD ADJ TIE ROD CON BAR WLDT
7	2	361970	TREAD ADJ TIE ROD ADJ BAR WLDT
8	4	361973	TRD ADJ TIE ROD SPACER
9	2	473805	ROLL PIN, 1/4 X 1 1/2
10	8	900303N	1/2UNF X 1 1/2 HEX BOLT
11	4	900391N	3/4UNC X 1 1/2 FLT SOC CAP SCR
12	4	900403N	3/4UNC X 2" HEX BOLT
13	4	914012N	3/4UNC CNTLCK SM FLG HEX NUT
14	8	920504N	1/2 LOCK WASHER YZ



REAR NO TREAD ADJUST ASSEMBLY			
DET	QTY	P/N	DESCRIPTION
1	1	361579	REAR TRD ADJ ACCESS PLT WLD
2	2	361581	TRD ADJ CYL PIVOT PIN, M/F
3	2	361582	TREAD ADJ CYL PIN, OUTER LEG
4	2	361964	TREAD ADJ TIE ROD LEG BAR WLDT
5	2	361967	TREAD ADJ TIE ROD CON BAR WLDT
6	2	361970	TREAD ADJ TIE ROD ADJ BAR WLDT
7	4	361973	TRD ADJ TIE ROD SPACER
8	1	362129	ACCESS PLT - TREAD ADJ WLD
9	2	473805	ROLL PIN, 1/4 X 1 1/2
10	8	900303N	1/2UNF X 1 1/2 HEX BOLT
11	4	900391N	3/4UNC X 1 1/2 FLT SOC CAP SCR
12	4	900403N	3/4UNC X 2" HEX BOLT
13	4	914012N	3/4UNC CNTLCK SM FLG HEX NUT
14	8	920504N	1/2 LOCK WASHER YZ

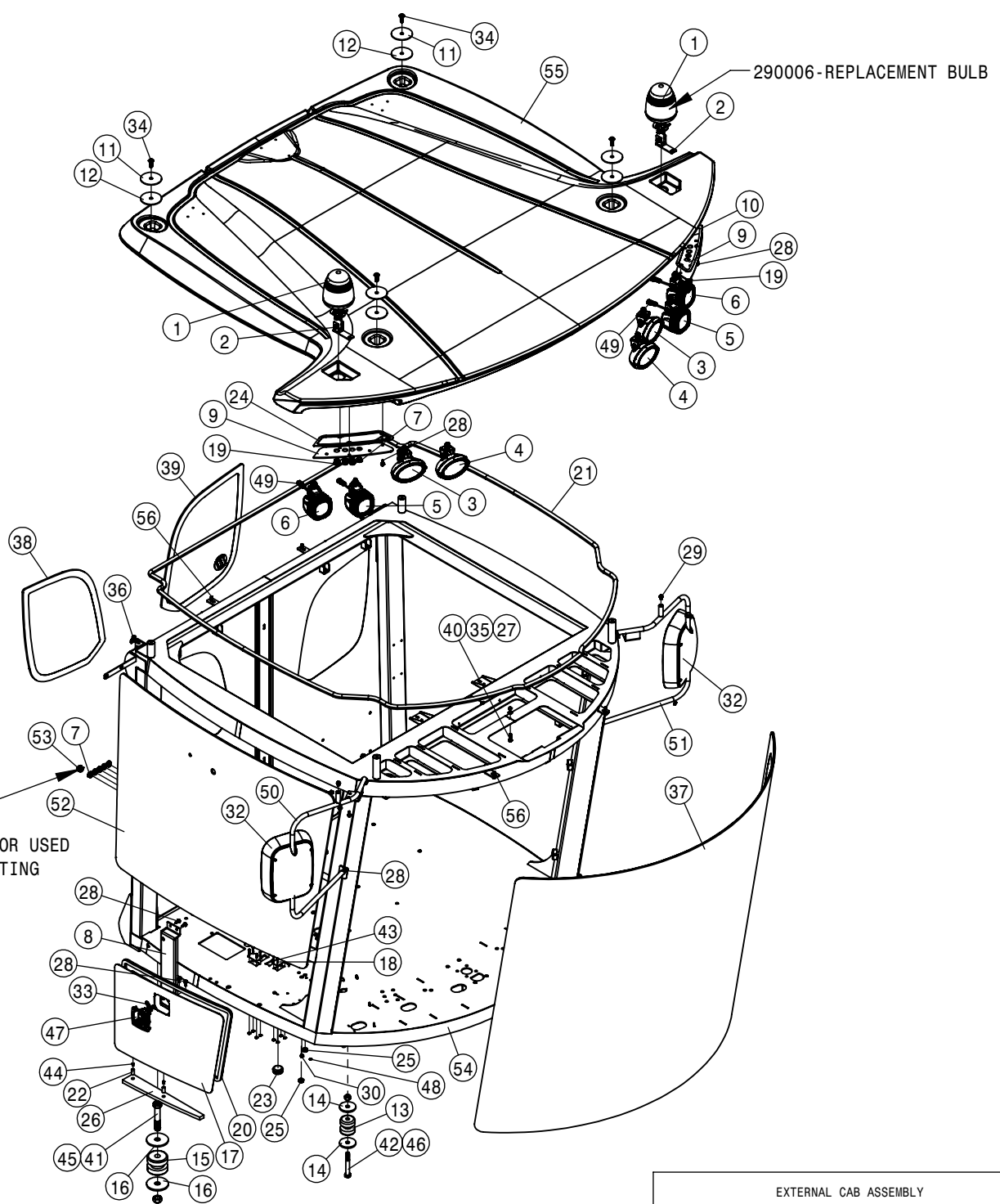


FRONT MAINFRAME



REAR MAINFRAME

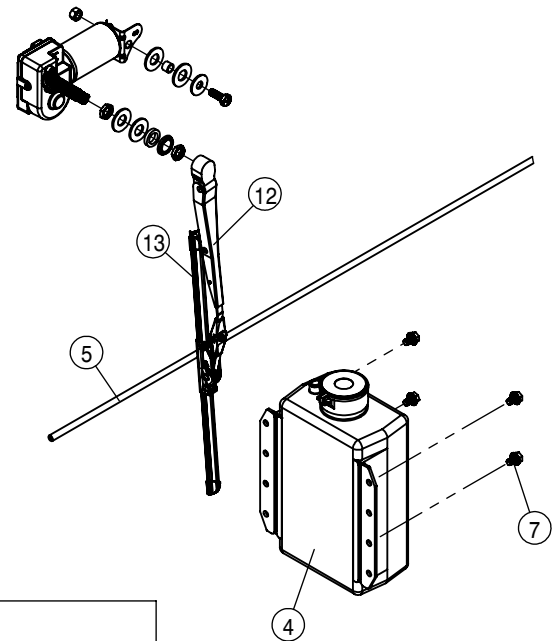
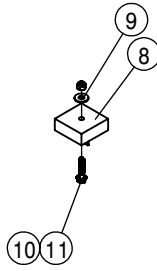
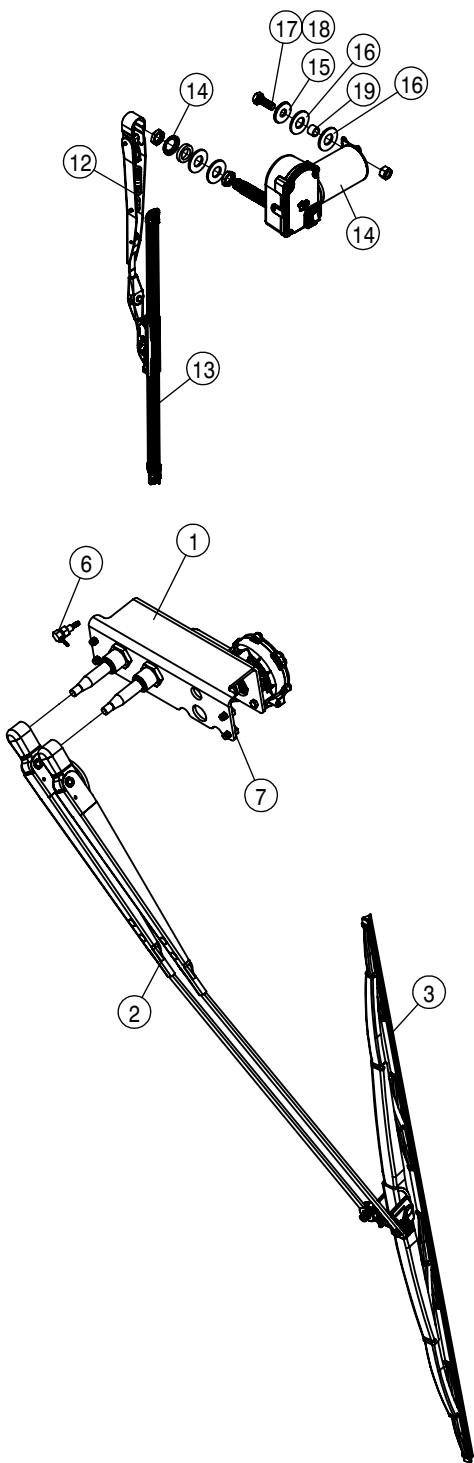
NO TREAD MAINFRAME PLATE ASSEMBLY			
DET	QTY	P/N	DESCRIPTION
1	4	342721	TRD ADJ BRONZE BRG
2	4	342917	TREAD ADJ PLATE, TAPPED, STS 10
3	16	483018N	1" EXTERNAL TOOTH LOCK WASHER YZ
4	16	900128N	3/8UNC X 3/4 SER FLANGE BOLT
5	16	900395N	1"UNC X 2 1/2 SOCKET CAP SCR
6	16	910101N	1" UNC HEX JAM NUT



EXTERNAL CAB ASSEMBLY			
DET	QTY	P/N	DESCRIPTION
1	2	290059	BEACON, 12V AMBER HALOGEN
2	2	290060	BEACON TILT SURFACE MT, QK CHG
3	2	292614	WORKLIGHT - HALOGEN CLOSE RANGE
4	2	292615	Worklight - Oval 100 Long Range
5	2	292618	WORKLIGHT-TYRI LED FLOOD
6	2	292619	WORKLIGHT-TYRI LED TRAP
7	7	292634	HOLE PLUG
8	1	344299	ACCESS PANEL SEALING SURFACE WLDT
9	2	344357	ROOF LIGHT MNT PLT, STSCAB '14
10	1	344358	ROOF LIGHT MNT PLT GASKET, STSCAB '14
11	4	344359	ROOF RETAINER WASHER, STSCAB '14
12	4	344360	ROOF RETAINER WASHER SEAL, STSCAB '14
13	2	344393	ISO MOUNT
14	4	344394	ISO MT WASHER FRNT, STS '14
15	2	344395	ISO MOUNT
16	4	344396	ISO MT WASHER REAR, STS '14
17	1	344452	FRT ACCESS PNL WLDT, STS '14
18	2	344477	PLATE - 12 PIN COVER

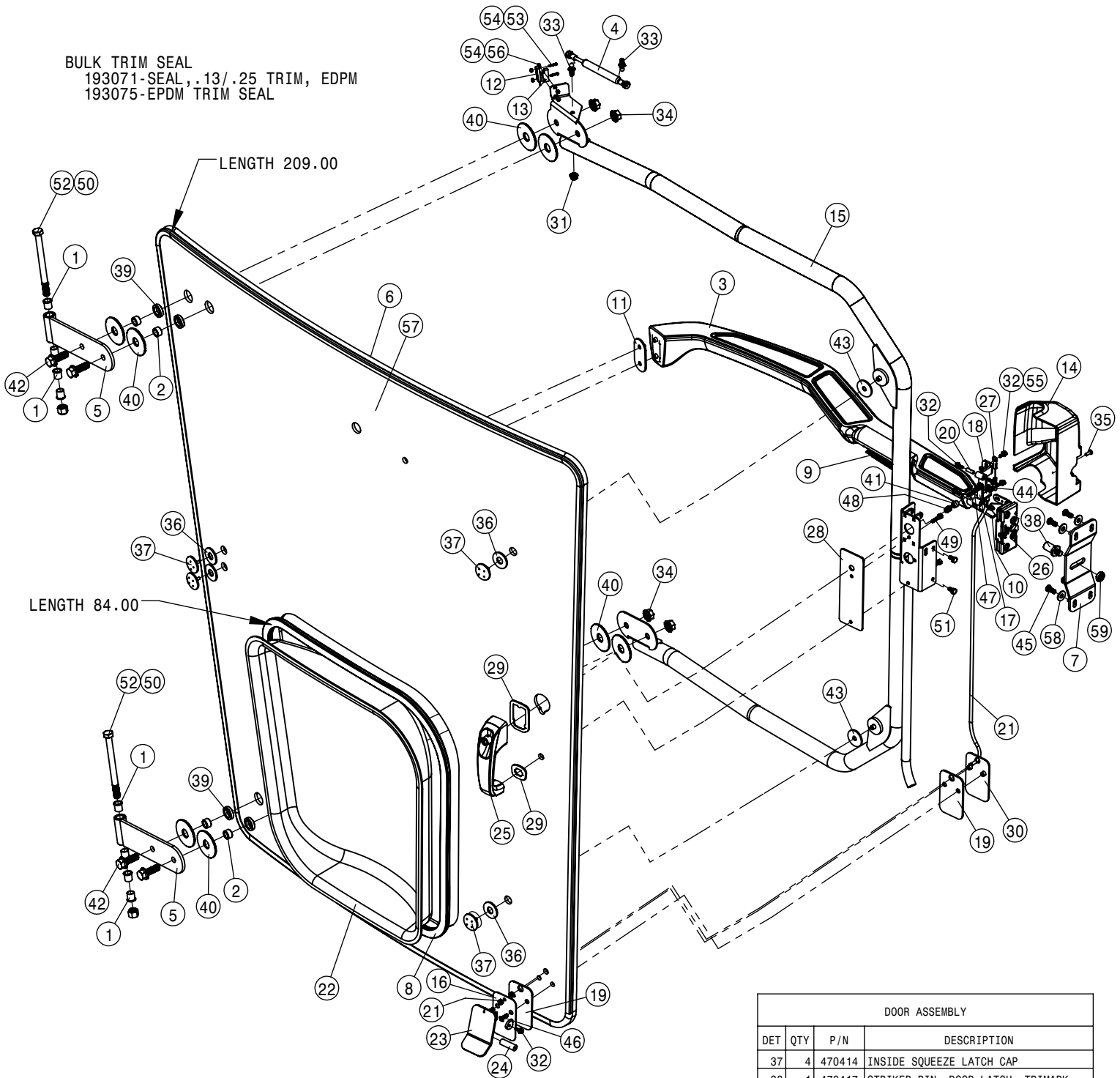
EXTERNAL CAB ASSEMBLY			
DET	QTY	P/N	DESCRIPTION
19	10	344478	BUSHING - STRAIN RELIEF
20	1	344479	SEAL - ACCESS PANEL
21	1	344481	SEAL - CAB ROOF STS
22	2	344497	THREADED NYLN SPCR, STS '14
23	1	344509	HOLE PLUG - 24 SERIES
24	1	344513	ROOF LIGHT MT PLT RH GASKET, STS '14
25	2	344554	HOSE GROMMET, STS '14
26	1	344579	ACCESS PANEL SEAL LWR, STS '14
27	1	470089N	1/4UNC HEX NYLOC NUT, 316 SS
28	16	470118	1/4UNC X 3/4 HHSFB GR5 MC
29	2	470122	1/4 UNC X 1/2 SERR FLG BOLT
30	3	470143	3/8UNC X 1/2 SKT HD SET SCR
31	8	470467	#6-32UNC KEP NUT MC GR5
32	2	470648	POWER MIRROR
33	1	470661	CAM LATCH, STS '14
34	4	474001	1/2-13 UNC X 1 1/4 BHCS SS
35	1	483038	1/4 REGULAR FLAT WASHER
36	1	520163	CUSH HOSE CLAMP, #8, 1/2D X 3/4W

EXTERNAL CAB ASSEMBLY			
DET	QTY	P/N	DESCRIPTION
37	1	658100	WINDOW - FRONT 2014 STS
38	1	658103	WINDOW - REAR RH 2014 STS CAB
39	1	658104	WINDOW - REAR LH 2014 STS CAB
40	1	900004N	1/4 UNC X 1 1/4 SER FLG BOLT SS
41	2	900481	7/8UNC X 5 HHCS GR8 MC
42	2	900847	5/8UNC X 4 1/2 HHCS GR8 MC
43	8	903814	#6-32 UNC X 3/4 PHMS PH BZ
44	2	903884	#10-32 UNF X 3/8 PHMS PH BZ
45	2	914014	7/8-9UNC STOVER NUT MC GR8
46	2	914810	5/8-11UNC STOVER NUT MC GR8
47	1	470660	LATCH ASSY, STS '14
48	7	470053	1/4-20X1/4 AL HD SET SCR CUP
49	4	294299	TYRI JUMPER HARNESS
50	1	344783	MIRR BRKT WLDT RH, GST
51	1	344784	MIRROR BRKT WLDT LH, GTS '15
52	1	658350	WINDOW - RH SIDE 2016 GST CAB
53	1	344572	BUSHING - ANTENNA STRAIGHT
54	1	344814	CAB WLD STS '17
55	1	658140	CAB ROOF W/HOLES, STS/DTS '17
56	4	910126	5/16UNC X 1 HHSFB SS



WIPER ASSEMBLY			
DET	QTY	P/N	DESCRIPTION
1	1	344367	WIPER MOTOR STS
2	1	344379	WIPER ARM STS
3	1	344380	WIPER BLADE STS
4	1	344382	WASHER BOTTLE
5	1	344383	HOSE - WASHER STS
6	1	344483	WASHER BULKHEAD, STS' 14
7	8	470232	5/16UNC X 1/2 SERR FLG HEX BOLT
8	1	290094	TIMER - WIPER
9	1	483038	1/4 REGULAR FLAT WASHER
10	1	470089N	1/4UNC HEX NYLOC NUT, 316 SS
11	1	900004N	1/4 UNC X 1 1/4 SER FLG BOLT SS
12	2	344766	GST '15 WIPER ARM
13	2	344767	18" BEAM WIPER BLADE
14	2	344768	SERIES 11 WIPER MOTOR 2"
15	2	470377	3/8 X 1 3/16 BONDED SS WASHER
16	8	470507	RUBBER WASH, 1.310D-.615ID-.086
17	2	900129	3/8UNC X 1 HHCS GR5 MC
18	2	470144	NYLOCK NUT 1-8 MC GR5
19	2	344808	.375X.375ID NYLON BUSHING

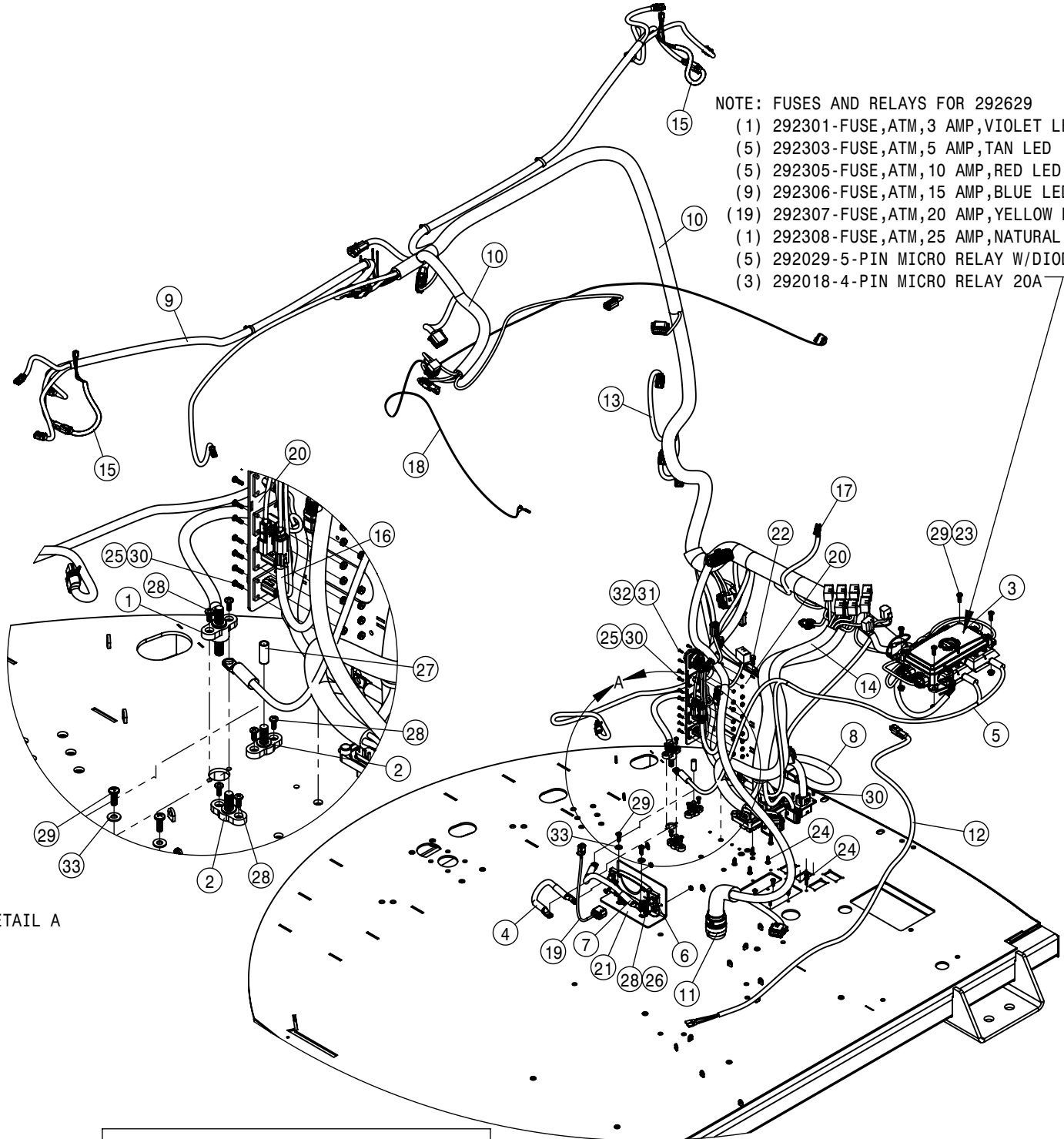
BULK TRIM SEAL
 193071-SEAL, .13/.25 TRIM, EDPM
 193075-EPDM TRIM SEAL



DOOR ASSEMBLY			
DET	QTY	P/N	DESCRIPTION
1	8	127506	NYLON FLANGE BRG, STS
2	4	343335	DOOR HINGE GLASS BUSH, CAB 05
3	1	344331	DOOR LATCH TUBE MOLDED, STSCAB' 14
4	1	344335	GAS CYLINDER 40LB 2.0 STROKE
5	2	344336	DOOR HINGE WLDT, STSCAB' 14
6	1	344423	BULB SEAL - DOOR, CAB
7	1	344428	DOOR LATCH STRKR PIN MNT PLATE '14
8	1	344482	TRIM SEAL - BUBBLE STS
9	1	344508	DOOR LOCK KIT, STS' 14
10	1	344510	DOOR LATCH ROD, STS' 14
11	1	344551	GASKET - DOOR ARM REST MOUNT
12	1	344560	DOOR SWITCH, STS' 14
13	1	344561	DOOR SWITCH MAGNET, STS' 14
14	1	344589	DOOR LATCH COVER, STS' 15
15	1	344590	DOOR FRAME WLDT, STS' 15
16	1	344592	FOOT PEDAL BASE WLDT, STS' 15
17	1	344596	DOOR LATCH HINGE, STS' 15
18	1	344597	DOOR LATCH HINGE WLDT, STS' 15

DOOR ASSEMBLY			
DET	QTY	P/N	DESCRIPTION
19	2	344600	FOOT PEDAL MT GASKET, STS' 15
20	2	344604	DOOR LATCH HINGE PIN, STS' 15
21	1	344607	DOOR RELEASE CABLE, STS' 15
22	1	344610	DOOR BUBBLE INSERT, STS' 15
23	1	344611	FOOT PEDAL WLDT, STS' 15
24	1	344618	FOOT PEDAL PIVOT PIN, STS' 15
25	1	344620	DOOR HANDLE PUSH BUTTON' 15
26	1	344621	DOOR LATCH, STS' 15
27	1	344624	DOOR LATCH CABLE ASSY, STS' 15
28	1	344625	DOOR HANDLE MT GASKET, STS' 15
29	1	344627	DOOR HANDLE GASKET, STS' 15
30	1	344628	FOOT PEDAL MT WLDT, STS' 15
31	1	470113	5/16UNC SERR FLG LOCK NUT
32	8	470215	10-32 X 1/2 SERR FLG HEX BOLT
33	2	470255	BALL STUD, 5/16-18 THRD X 10MM
34	4	470360	1/2UNC SERR FLG HEX NUT
35	1	470412	INSIDE SQUEEZE LATCH SCREWS
36	4	470413	INSIDE SQUEEZE LATCH GASKET

DOOR ASSEMBLY			
DET	QTY	P/N	DESCRIPTION
37	4	470414	INSIDE SQUEEZE LATCH CAP
38	1	470417	STRIKER PIN, DOOR LATCH, TRIMARK
39	4	470419	DOOR HINGE BUSH,RUBBER STS 05
40	8	470420	DOOR HINGE BUSH,RUBBER STS 05
41	1	470421	NYLON SPACER, SPHERICAL 6MMx12
42	4	470431	1/2UNC X 1 1/2 SERR FLG BOLT
43	2	470489	GASKET, DOOR HANDLE STIFFENER
44	1	470689	10-24 HEX NYLOC NUT, SS
45	4	472375	5/16UNC X 3/4 BUTN CAP SCR BLK
46	2	473761	6MM-1.00 X 20MM FLT HD SCREW
47	1	473762	6MM-1.00 X 45 PAN HD PHL SCREW
48	2	473767	6MM-1.00 HEX NUT
49	2	473787	6MM-1.00 X 25MM HEX BOLT GR8
50	2	473988	1/2UNC HEX NUT, NYLOC SS
51	2	900000	1/4UNC X 1/2 HEX BOLT
52	2	900348	1/2UNC X 6" HEX BOLT SS
53	2	903906	#4-40 X 5/8 PHIL PAN HD SCREW
54	4	910031	#4-40 HEX LOCK NUT
55	2	914027	10-32 HEX STOVER NUT
56	2	903904	4-40 X 3/8 PHIL PAN MACH SCR
57	1	658349	GLASS DOOR, GST '16
58	4	910133	USS FLAT WASHER 5/16 BZ
59	1	473759	12MM-1.75 HEX JAM NUT YZ

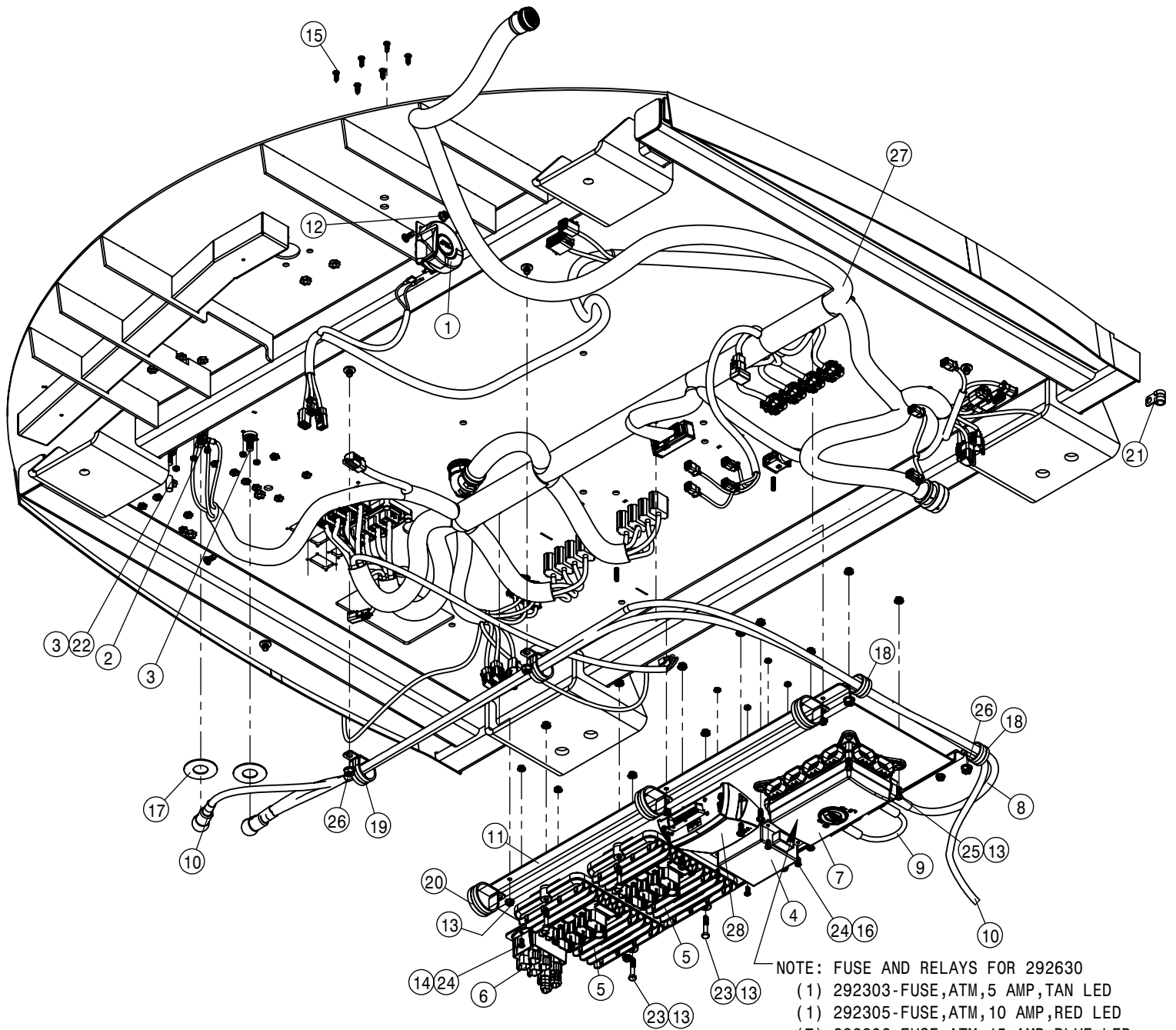


NOTE: FUSES AND RELAYS FOR 292629
 (1) 292301-FUSE,ATM,3 AMP,VIOLET LED
 (5) 292303-FUSE,ATM,5 AMP,TAN LED
 (5) 292305-FUSE,ATM,10 AMP,RED LED
 (9) 292306-FUSE,ATM,15 AMP,BLUE LED
 (19) 292307-FUSE,ATM,20 AMP,YELLOW LED
 (1) 292308-FUSE,ATM,25 AMP,NATURAL LED
 (5) 292029-5-PIN MICRO RELAY W/DIODE 35A
 (3) 292018-4-PIN MICRO RELAY 20A

DETAIL A

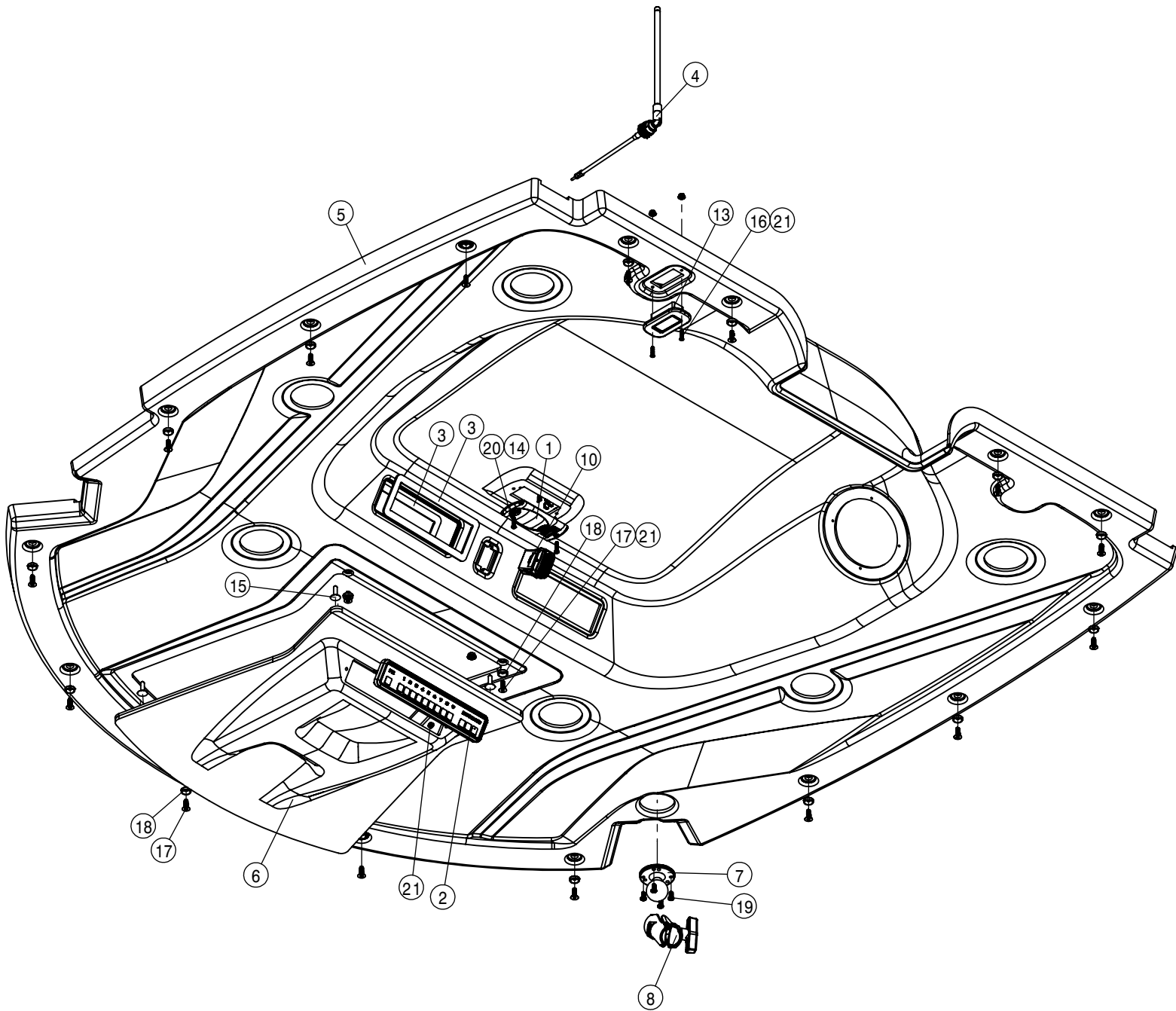
CAB ELECTRICAL - TOP ASSEMBLY			
DET	QTY	P/N	DESCRIPTION
1	1	291749	TERM BLOCK,BLACK,3/8-16 THRU
2	2	291750	TERM BLOCK,RED,3/8-16 THRU
3	1	292629	DVEC - INTERIOR
4	1	292647	CABLE - BATTERY POWER STS
5	1	292648	CABLE - DVEC POWER STS
6	1	292761	SOLID STATE MCR
7	1	292762	CABLE - SWITCH POWER STS
8	1	294146	HARNESS - AUTO STEER CAB
9	2	294200	HARNESS - ROOF STS
10	1	294201	HARNESS - MAIN CAB INT STS
11	1	294203	HARNESS - SEAT POD STS
12	1	294204	HARNESS - 12V POWER PLUG STS
13	1	294205	HARNESS - A-POST GAUGE STS
14	1	294206	HARNESS - CAB SWITCH STS
15	2	294207	HARNESS - BEACON STS
16	1	294210	HARNESS - PRES SWITCH STS
17	1	294211	HARNESS - E-STOP STS

CAB ELECTRICAL - TOP ASSEMBLY			
DET	QTY	P/N	DESCRIPTION
18	1	294212	HARNESS - SPEAKER STS
19	1	294425	HARNESS, SOLID STATE MCR
20	1	344310	CAB ELEC BRKT '15
21	1	345233	MCR MT BRKT
22	2	470118	1/4 UNC X 3/4 SER FLG BOLT
23	4	470121	1/4 UNC SERR FLG LOCK NUT
24	12	470465	#12 X 3/4 PHIL PAN SHT MTL SCR
25	20	470467	#6-32UNC KEP NUT MC GR5
26	2	470542	#10-32UNF KEP NUT MC GR5
27	1	629736	CAPPLUGS CAP,.312 X 1.00 VINYL
28	8	903706	10-32X1/2 PHIL PAN MACH SCR
29	6	903711	1/4UNC X3/4PHIL PANHD MACH SCR
30	20	903812	6-32 X 1/2 PHIL PAN MACH SCR
31	4	903904	4-40 X 3/8 PHIL PAN MACH SCR
32	4	910029	4-40 HEX NUT
33	2	910112	SAE FLAT WASHER 1/4 SS



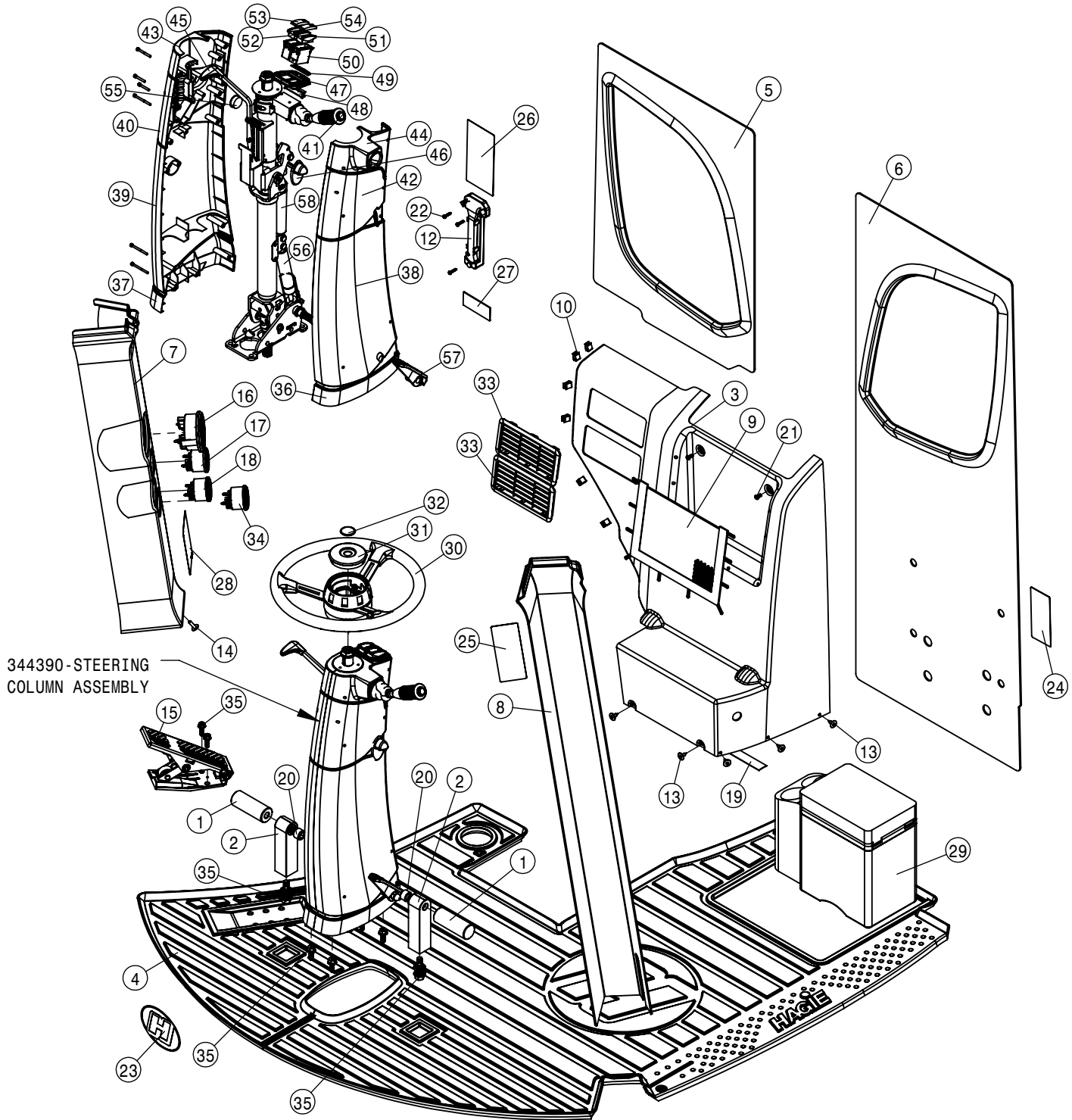
CAB ELECTRICAL-BOTTOM ASSEMBLY			
DET	QTY	P/N	DESCRIPTION
1	1	290062	HORN
2	1	291749	TERM BLOCK,BLACK,3/8-16 THRU
3	2	291750	TERM BLOCK,RED,3/8-16 THRU
4	1	291910	FLASHER, SOLID STATE, 12V
5	2	292009	IQAN-MC3 CONTROLLER
6	1	292406	J1939 JUNCTION MODULE
7	1	292630	DVEC - EXTERIOR
8	1	292645	CABLE - SSDVEC POWER CABLE
9	1	292650	CABLE - SSDVEC JUMPER
10	1	292668	CAB PWR,GND CABLE ASY
11	1	344442	BRACKET - ELEC MODULE MOUT CAB
12	1	470113N	5/16UNC SERR FLG LOCK NUT SS
13	16	470121	1/4 UNC SERR FLG LOCK NUT
14	2	470175	10-32 SERR FLANGE NUT

CAB ELECTRICAL-BOTTOM ASSEMBLY			
DET	QTY	P/N	DESCRIPTION
15	6	470465	#12 X 3/4 PHIL PAN SHT MTL SCR
16	10	470542	10-32 KEP NUT
17	2	470677	NYLON WASHER 1"ID, 2-1/4"OD, .075"W
18	2	520108	CUSH HOSE CLAMP,#20, 1 1/4D X 3/4W
19	2	520160	CUSH CLAMP,#24 1 1/2D-3/4WLOOP
20	3	520161	CUSH CLAMP,#32 2"D-3/4W LOOP
21	1	520163	CUSH HOSE CLAMP,#8, 1/2D X 3/4W
22	1	629736	CAPPLUGS CAP, .312 X 1.00 VINYL
23	4	900005	1/4UNC X 1 1/2 HEX BOLT
24	6	903706	10-32X1/2 PHIL PAN MACH SCR
25	6	903711	1/4UNC X3/4PHIL PANHD MACH SCR
26	4	910004N	3/8UNC FLANGE CNTR LOCK NUT
27	1	294288	HARNESS - MAIN CAB EXT STS
28	1	292017	IQAN-XS2 MODULE



HEADLINER ASSEMBLY			
DET	QTY	P/N	DESCRIPTION
1	1	292620	DOMELIGHT
2	1	292678	LIGHT BAR - SECTION INDICATOR
3	2	343331	RADIO BEZEL,CAB, BLK PLASIC 05
4	1	344177	ANTENNA - RADIO
5	1	344349	HEADLINER
6	1	344350	HEADLINER ACCESS PANEL
7	1	344384	1.5" RAM BALL MNT BASE 2.50"DIA
8	1	344385	1.5" RAM BALL MNT 4.50"DBL SOC ARM
NS	1	344416	RADIO - PREMIUM
10	1	344417	BLUETOOTH MIC
NS	1	344418	HARNESS - BLUETOOTH MIC

HEADLINER ASSEMBLY			
DET	QTY	P/N	DESCRIPTION
NS	2	344419	SPEAKER
13	1	344459	GARMENT HOOK
14	2	470463	8-32 SERR FLANGE NUT
15	4	470545	PUSH TREE FASTENER 1/4 X 1
16	2	472376	#8-32 X 3/4 FLT HD PHIL SCREW
17	17	472378	1/4-20 X 3/4 FLT HD SOCKET SCREW ZN BLK
18	17	472380	1/4 CNTR SNK WASH, NYLON
19	4	903706	10-32X1/2 PHIL PAN MACH SCR
20	2	903850	8-32 X 3/4 PHIL PAN MACH SCR BZ
21	6	470541	HEX FLANGE NUT SER 1/4-20 MC GR5

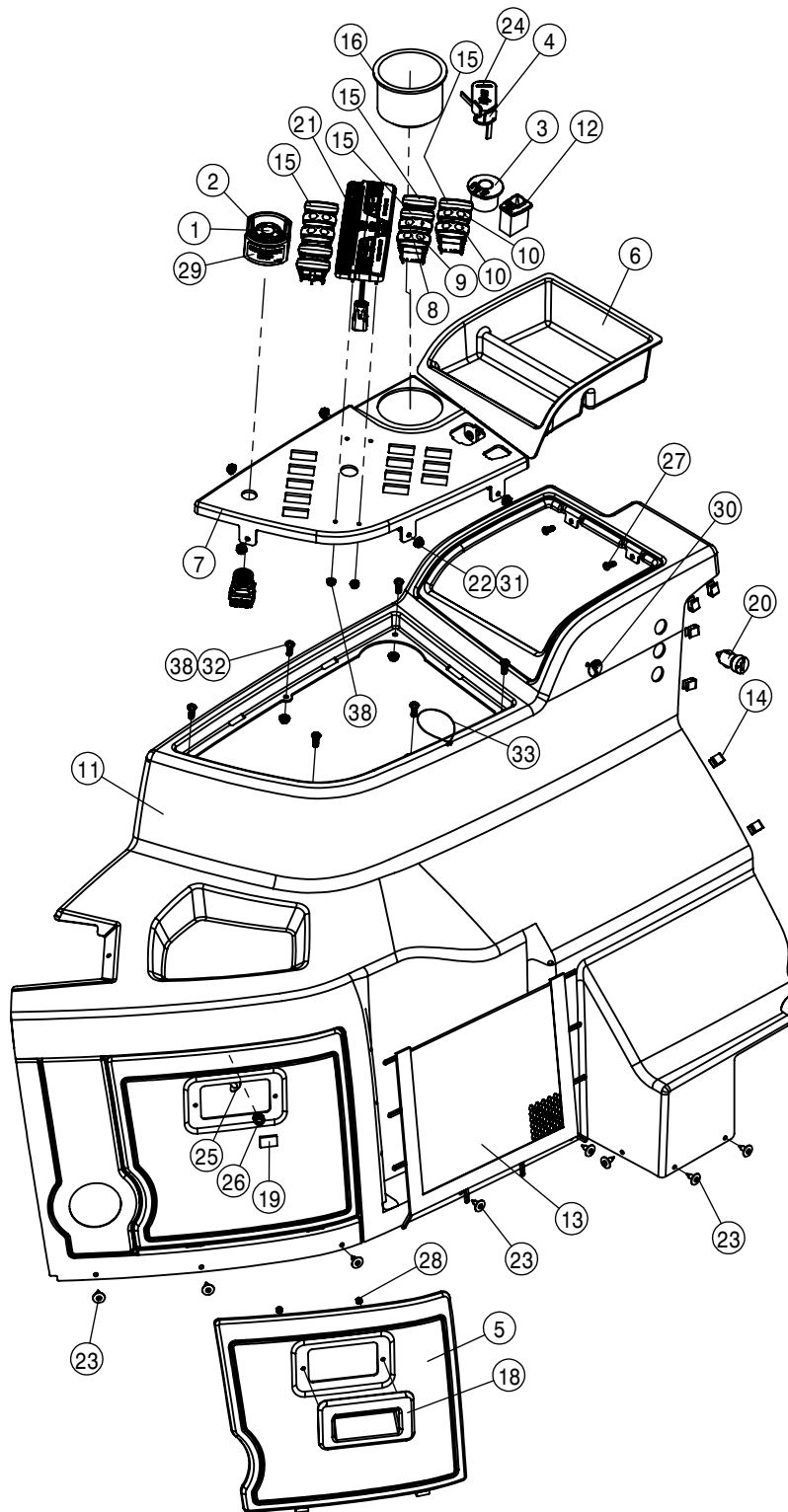


344390-STEERING
COLUMN ASSEMBLY

CAB INTERIOR ASSEMBLY			
DET	QTY	P/N	DESCRIPTION
1	2	344284	STS CAB FOOT PEG '14
2	2	344286	STS CAB FOOT PEG RISER
3	1	344308	REAR CONSOLE
4	1	344339	FLOORMAT - MOLDED
5	1	344347	RH REAR WALL LINER
6	1	344348	LH REAR WALL LINER
7	1	344397	RH A POST COVER
8	1	344398	LH A POST COVER
9	1	344411	CARGO NET - REAR CONSOLE
10	6	344413	"U" CLIP
NS	4	344464	POWER OUTLET 12V
12	1	344646	WINDOW BREAKING TOOL, STS'15
13	5	470466	1/4 X 3/4 PLTC LCK RIVET
14	1	470545	PUSH TREE FASTENER 1/4 X 1
15	1	470649	PEDAL - DECEL
16	1	470650	GAUGE - 3" RPM
17	1	470651	GAUGE - 2" FUEL
18	1	470652	GAUGE - 2" COOLANT TEMP
19	1	490645	VHB TAPE 5952, BLACK
20	2	900396	5/8UNC X 2 SOCKET CAP SCR

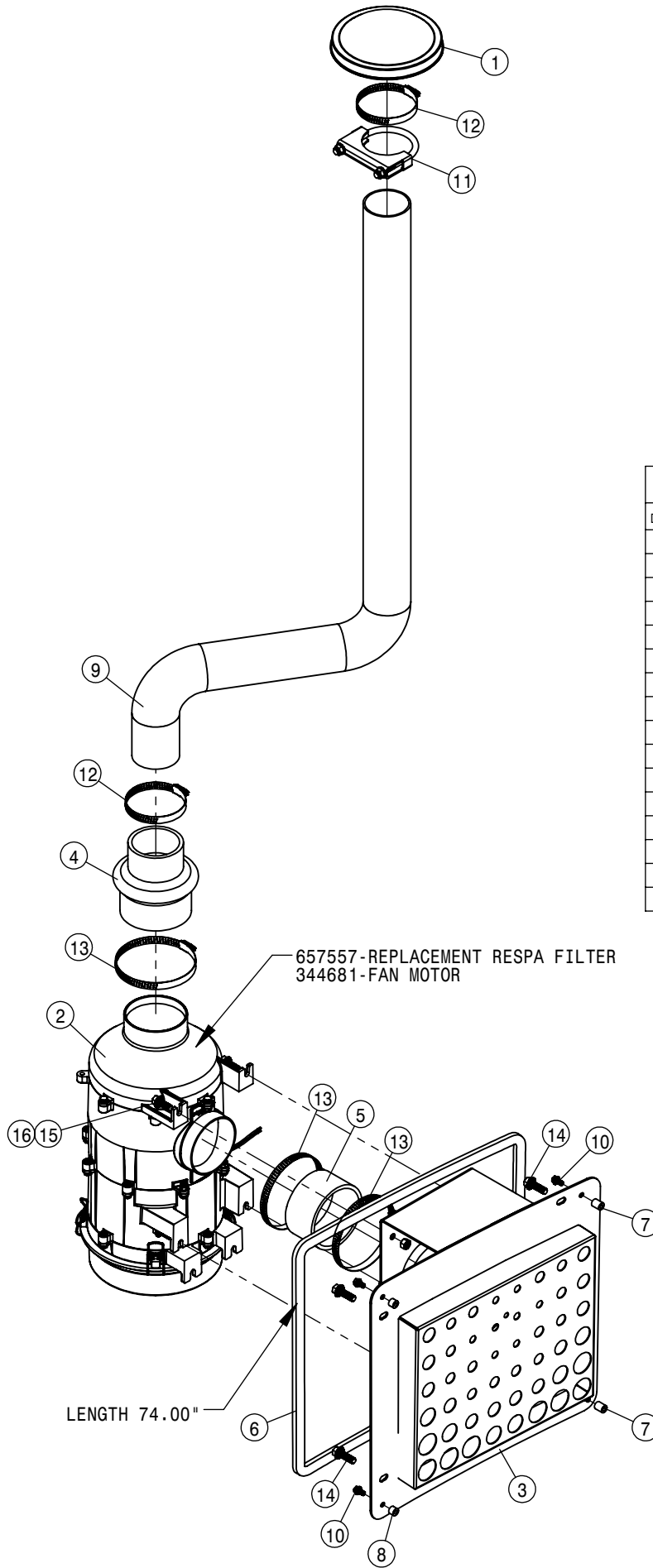
CAB INTERIOR ASSEMBLY			
DET	QTY	P/N	DESCRIPTION
21	2	903706	10-32X1/2 PHIL PAN MACH SCR
22	3	903850	8-32 X 3/4 PHIL PAN MACH SCR BZ
23	1	651008	DECAL - H-DOT FRONT GLASS 5.00"
24	1	650164	DECAL,NO PASSNGR/NOT NEAR LEAK
25	1	650474	DECAL,PWR LINE/BM FOLD
26	1	650176	DECAL,CAUTION,CAB CHEM EXPOSUR
27	1	651009	ROPS DECAL, STS'14
28	1	650479	JOYSTICK DECAL, STS'15
29	1	344420	ELEC COOLER
30	1	344392	STEERING WHEEL - PREMIUM
31	1	344573	CTR CAP,STEERING WHEEL-PREMIUM
32	1	344575	DECAL - STEERING WHEEL CENTER
33	2	657549	2412, 4"X8" Louver Grill
34	1	470654	GAUGE, DEF 2" '14
35	10	900516	1/2UNC X 1 HHSFB GR5 MC
36	1	344686	LH SIDE-LWR COVER, STRG COLUMN
37	1	344687	RH SIDE-LWR COVER, STRG COLUMN
38	1	344688	LH SIDE-MID COVER, STRG COLUMN
39	1	344689	RH SIDE-MID COVER, STRG COLUMN
40	1	344690	RH SIDE-UPR COVER, STRG COLUMN

CAB INTERIOR ASSEMBLY			
DET	QTY	P/N	DESCRIPTION
41	1	344691	LH SWITCH, WIPER/LIGHTS, STRG
42	1	344692	LH SIDE-UPR COVER, STRG COLUMN
43	1	344693	RH SIDE-TOP COVER, STRG COLUMN
44	1	344694	LH SIDE-TOP COVER, STRG COLUMN
45	1	344695	UPR HANDLE RAL, STRG COLUMN
46	1	344696	LH UPR HANDLE RAL, STRG COLUMN
47	1	344697	SWITCH HOUSING, STRG COLUMN
48	1	344698	LIGHT 4LED 12V, STRG COLUMN
49	1	344699	INDICATOR PAD, STRG COLUMN
50	2	344700	SWITCH BASE, STRG COLUMN
51	1	344701	SWITCH ON/OFF SERIES 533
52	1	344702	SWITCH ON/OFF SERIES 533
53	1	344703	BLUE COVER, LIGHTS, 1-LED
54	1	344704	RED COVER, HAZARD SERIES 533
55	1	344734	RH CAP, STRG COLUMN
56	1	344708	GAS SPRING 500N, STRG COLUMN
57	1	344705	LEFT PEDAL, STRG COLUMN
58	1	344707	GAS SPRING 400N, STRG COLUMN

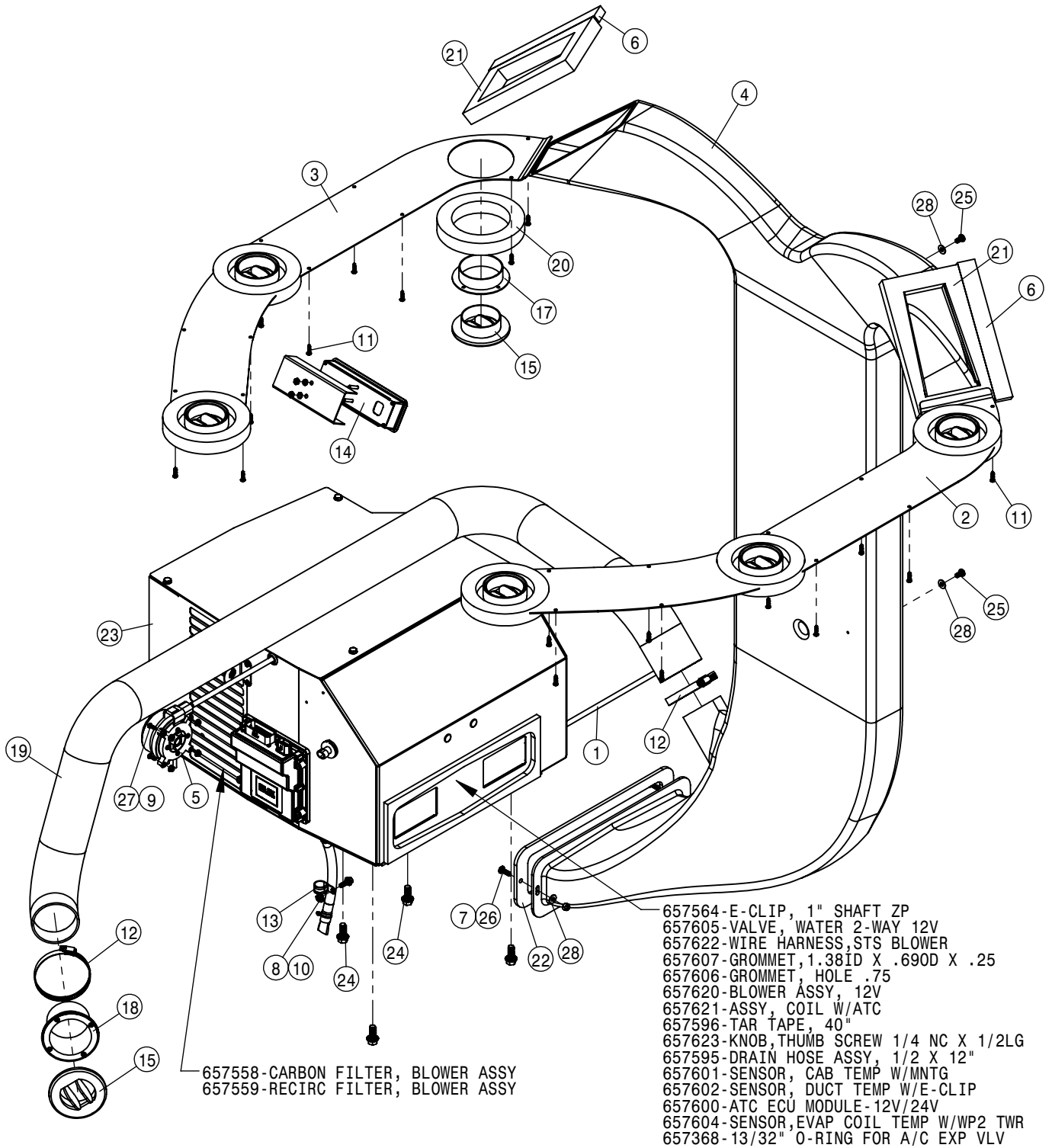


CONSOLE ASSEMBLY			
DET	QTY	P/N	DESCRIPTION
1	1	290081	E-STOP SWITCH,LED MUSHROOM
2	1	290089	E-STOP SHROUD, STS '11
3	1	291916	IGNITION SWITCH
4	2	291917	IGNITION KEY FOR 291916
5	1	344306	CONSOLE DOOR
6	1	344307	CONSOLE TRAY
7	1	344309	CONSOLE SWITCH PANEL
8	1	344312	SWITCH - SOLUTION PUMP
9	1	344313	SWITCH - MAIN TANK
10	2	344314	SWITCH - BOOM FOLD
11	1	344407	CONSOLE BODY
12	1	344409	SWITCH - POWER MIRROR
13	1	344410	CARGO NET - SIDE CONSOLE
14	6	344413	"U" CLIP
15	6	344461	HOLE PLUG - CONTURA V
16	1	344462	CUP HOLDER - LARGE
NS	4	344464	POWER OUTLET 12V
18	1	344465	DOOR HANDLE
19	1	344514	PLATE - CONSOLE DOOR
20	1	344555	USB CHARGING ADAPTER - DC
21	1	344556	SECTION KEYPAD STS'15
22	6	470121	1/4 UNC SERR FLG LOCK NUT
23	8	470466	1/4 X 3/4 PLTC LCK RIVET
24	1	470544	HAGIE KEY CHAIN
25	1	470545	PUSH TREE FASTENER 1/4 X 1
26	1	470676	MORTISE MOUNT-PULL MAG CATCH
27	2	472344	1/4UNCX5/8 ALHD BUTTON CAP SCR
28	2	473870	M5 HEX NUT
29	1	650278	DECAL, E-STOP, STS '11
30	1	650467	DECAL - AUX 2
31	6	903708	1/4UNC X1/2PHIL PANHD MACH SCR
32	6	903711	1/4UNC X3/4PHIL PANHD MACH SCR
33	1	470609	8" BEAD CHAIN
NS	1	493626	STS QUICK START GUIDE
NS	1	493662	STS TOOL INSTRUCTION SHEET
NS	1	344799	SWITCH - HEATED MIRROR
NS	1	344800	SWITCH - DELUGE
38	10	470541	KEP NUT #8-32 MC GR5

BULK TRIM SEAL
 193070-SEAL, .63 X .63 D-SECT EDPM

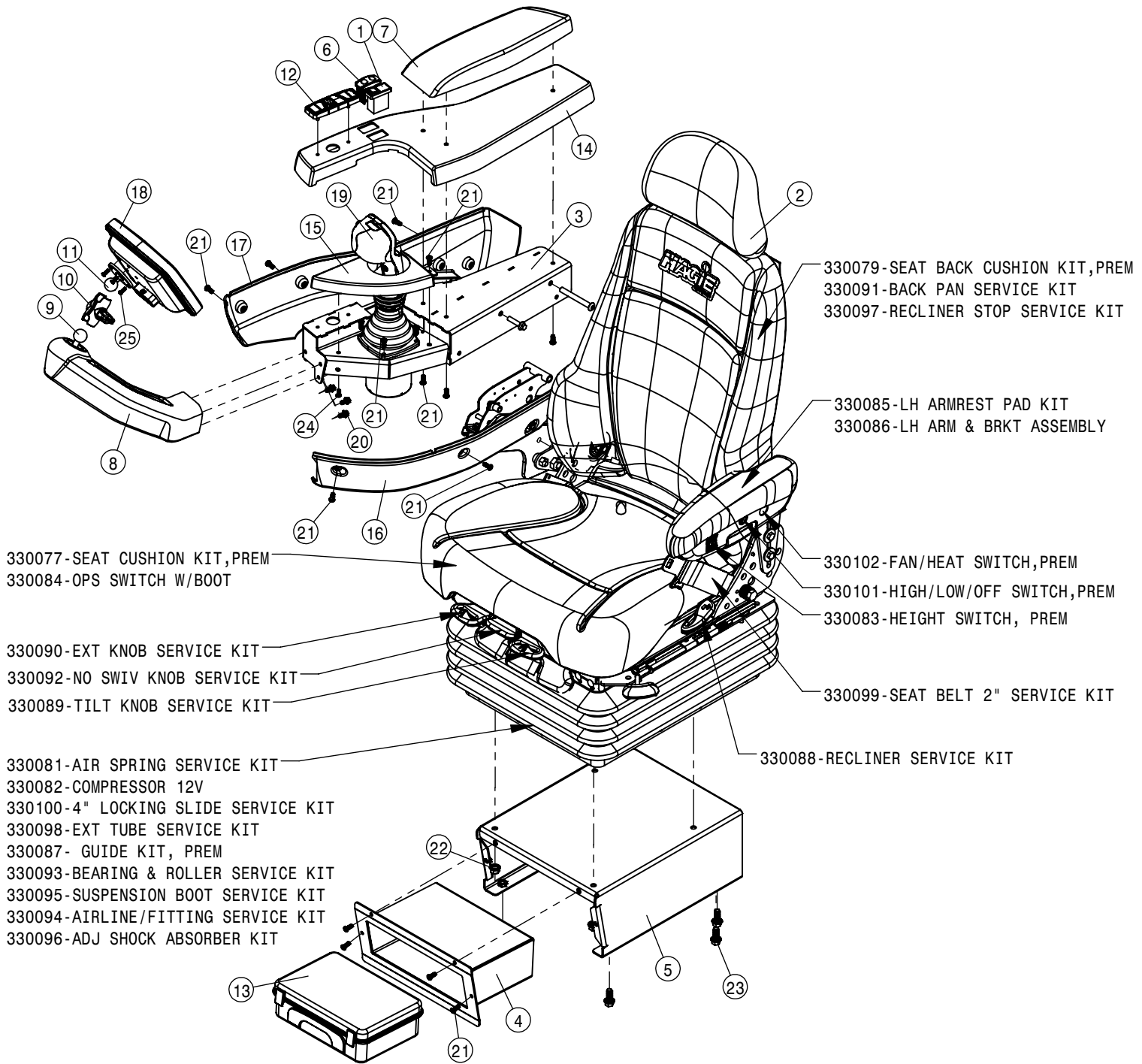


AIR INTAKE ASSEMBLY			
DET	QTY	P/N	DESCRIPTION
1	1	311534	RAIN CAP, 3" INLET, POLY
2	1	343863	HVAC FILTRATION UNIT, DTS
3	1	343903	TALL CROP MT WLD, DTS
4	1	343909	AIR INTAKE COUPLING, DTS
5	1	344669	TC HVAC DUCT, STS' 15
6	1	344480	SEAL - RESPA PANEL
7	2	344557	STAND OFF 5/8" LG, STS' 14
8	2	344558	STAND OFF 3/8" LG, STS' 14
9	1	344667	TALL CROP INTAKE TUBE, STS' 16
10	4	470122	1/4 UNC X 1/2 SERR FLG BOLT
11	1	470160	MUFFLER CLAMP 3.00 IN
12	2	520052	HOSE CLAMP NO 52 STAINLESS
13	3	520072	HOSE CLAMP NO 72 STAINLESS
14	4	900127N	3/8UNC X 1 1/4 SER FLANGE BOLT
15	4	900129N	3/8UNC X 1" SERR FLANGE BOLT
16	4	910004	3/8UNC HEX NUT



PREMIUM HVAC ASSEMBLY			
DET	QTY	P/N	DESCRIPTION
1	1	317315	HOSE - HVAC PRESSURE
2	1	344362	PLATE, ROOF DUCT COVER LH, STSCAB'14
3	1	344361	PLATE, ROOF DUCT COVER RH, STSCAB'14
4	1	344366	DUCT HVAC - STS CAB
5	1	344425	PRESSURE SWITCH - HVAC
6	2	344576	TEMP SEAL DUCT, STS'14
7	2	470089	1/4UNC HEX NYL-LOC NUT
8	1	470121N	1/4 UNC SERR FLG LOCK NUT SS
9	4	470463	8-32 SERR FLANGE NUT
10	1	473834	1/4UNC X 3/4 SER FLG BOLT SS
11	20	473990N	#8 X 3/4 PHIL PAN SMS TY-A BZ
12	2	520052	HOSE CLAMP NO 52 STAINLESS
13	1	520104	CUSH HOSE CLMP, #12, 3/4D x 1/2W
14	1	657543	HVAC-CTRL-AUTO, CAB

PREMIUM HVAC ASSEMBLY			
DET	QTY	P/N	DESCRIPTION
15	7	657546	LOUVER, 4" W/O MNT
NS	1	657545	HARNESS-HVAC AUTO CTRL STS'14
17	6	657547	PANEL MNT, LOUVER (THK PANEL)
18	1	657548	PANEL MNT, LOUVER (THK PANEL)
19	1	657550	HOSE - 3IN HVAC
20	6	657552	GASKET SEAL ROOF LOUVER
21	2	657553	GASKET SEAL ROOF LOUVER
22	1	657556	GASKET SEAL ROOF LOUVER
23	1	657561	BLOWER UNIT-AUT TMP CTRL STS'15
24	4	900129N	3/8UNC X 1" SERR FLANGE BOLT
25	2	903708N	1/4UNC X1/2PHIL PAN MACH SCR BZ
26	2	903711	1/4UNC X3/4PHIL PANHD MACH SCR
27	4	903844	8-32 X 1/2 PHIL PANHD MACH SCR
28	4	920000	1/4 SAE FLAT WASHER



330077-SEAT CUSHION KIT, PREM
330084-OPS SWITCH W/BOOT

330090-EXT KNOB SERVICE KIT
330092-NO SWIV KNOB SERVICE KIT
330089-TILT KNOB SERVICE KIT

330081-AIR SPRING SERVICE KIT
330082-COMPRESSOR 12V
330100-4" LOCKING SLIDE SERVICE KIT
330098-EXT TUBE SERVICE KIT
330087- GUIDE KIT, PREM
330093-BEARING & ROLLER SERVICE KIT
330095-SUSPENSION BOOT SERVICE KIT
330094-AIRLINE/FITTING SERVICE KIT
330096-ADJ SHOCK ABSORBER KIT

330079-SEAT BACK CUSHION KIT, PREM
330091-BACK PAN SERVICE KIT
330097-RECLINER STOP SERVICE KIT

330085-LH ARMREST PAD KIT
330086-LH ARM & BRKT ASSEMBLY

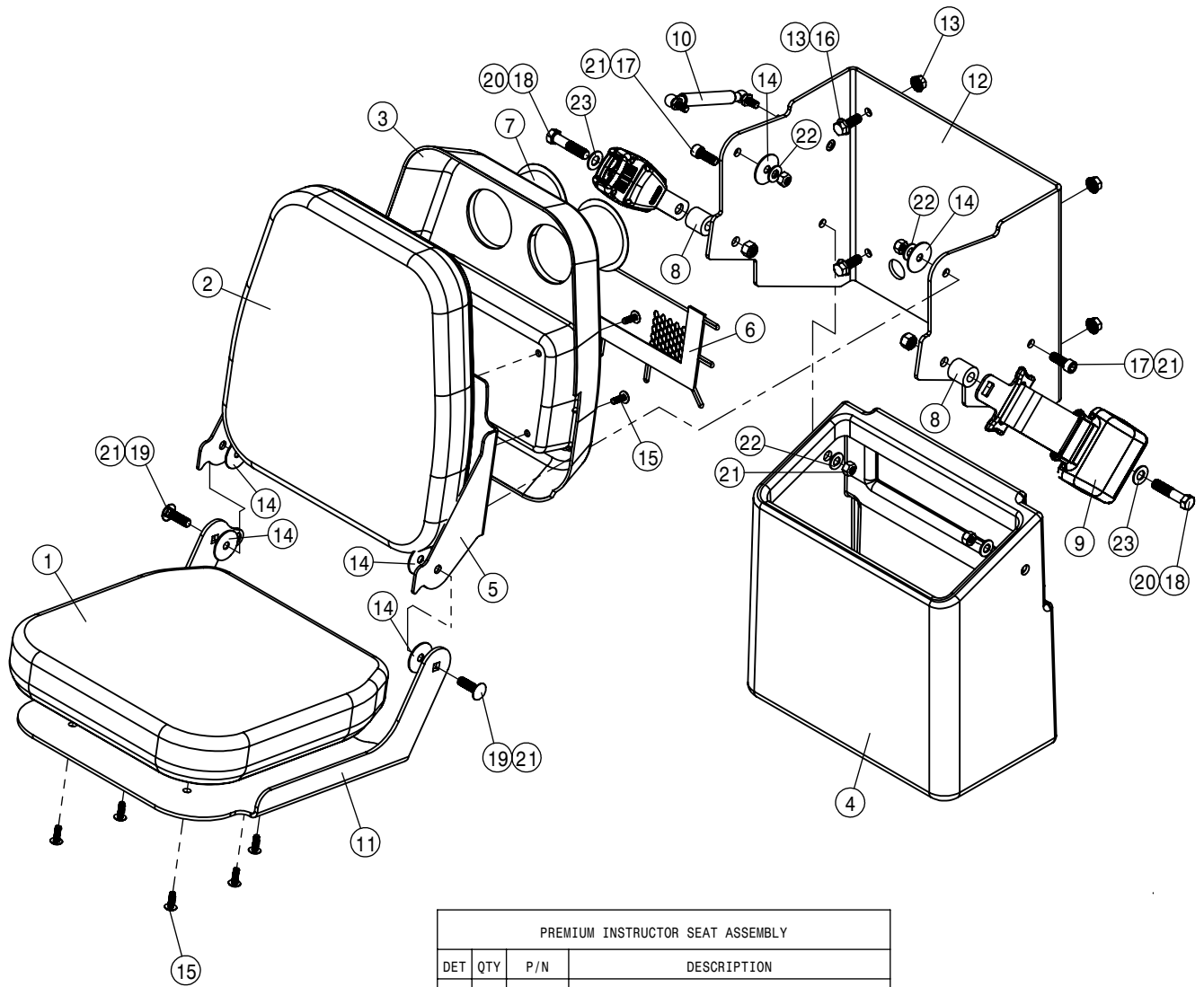
330102-FAN/HEAT SWITCH, PREM
330101-HIGH/LOW/OFF SWITCH, PREM
330083-HEIGHT SWITCH, PREM

330099-SEAT BELT 2" SERVICE KIT

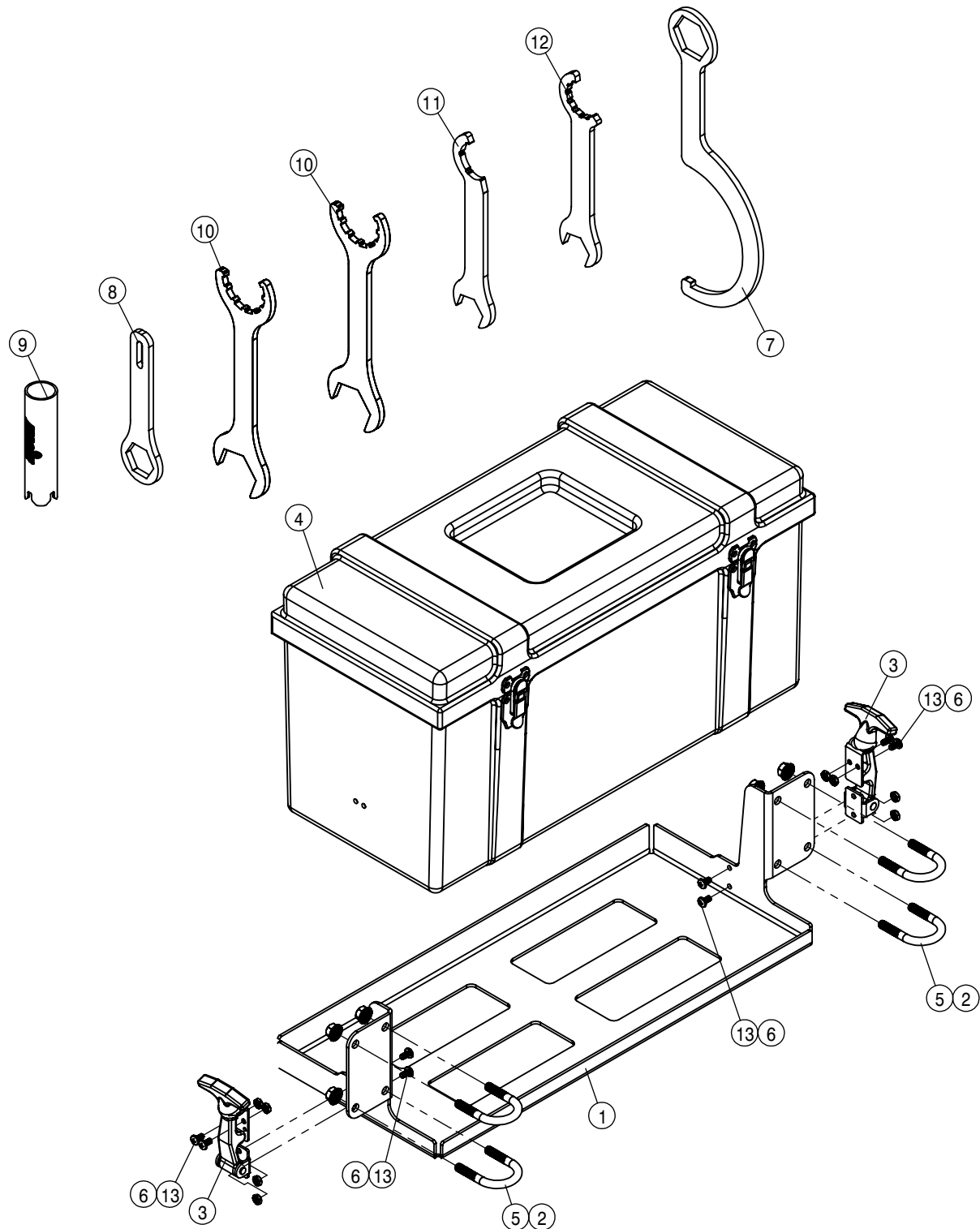
330088-RECLINER SERVICE KIT

PREMIUM SEAT ASSEMBLY			
DET	QTY	P/N	DESCRIPTION
1	1	292201	SWITCH, BRAKE, STS
2	1	330068	SEAT - PREMIUM, CAB STS '14
3	1	344167	POD STRUCTURE WLDMT
4	1	344279	STS CAB FIRST AID WLDMNT '14
5	1	344280	STS CAB SEAT RSR WLDMNT '14
6	1	344311	SWITCH - THROTTLE
7	1	344340	ARMREST POD, ASSY, STSCAB '14
8	1	344342	POD DISPLAY MNT ASSY MOLDED, STSCAB '14
9	1	344363	1" RAM BALL MNT 1/4UNC THRD HOLE
10	1	344364	1" RAM BALL MNT 2.00"DBL SOC ARM
11	1	344365	1" RAM BALL MNT BASE 2.50"DIA
12	1	344399	RADIO KEYPAD
13	1	344427	MEDICAL KIT

PREMIUM SEAT ASSEMBLY			
DET	QTY	P/N	DESCRIPTION
14	1	344516	POD UPPER, CAB
15	1	344517	POD MIDDLE, CAB
16	1	344518	POD INNER, CAB
17	1	344519	POD OUTER
18	1	344612	MACHINE DISPLAY ASSEMBLY, 2014
19	1	344656	JOYSTICK, CAB
20	4	470122	1/4 UNC X 1/2 SERR FLG BOLT
21	19	472344	1/4UNCX5/8 ALHD BUTTON CAP SCR
22	4	473866	M10 X 1.5 HEX SERR FLG NUT
23	6	900129N	3/8UNC X 1" SERR FLANGE BOLT
24	1	903706	10-32X1/2 PHIL PAN MACH SCR
25	4	903844	8-32 X 1/2 PHIL PANHD MACH SCR

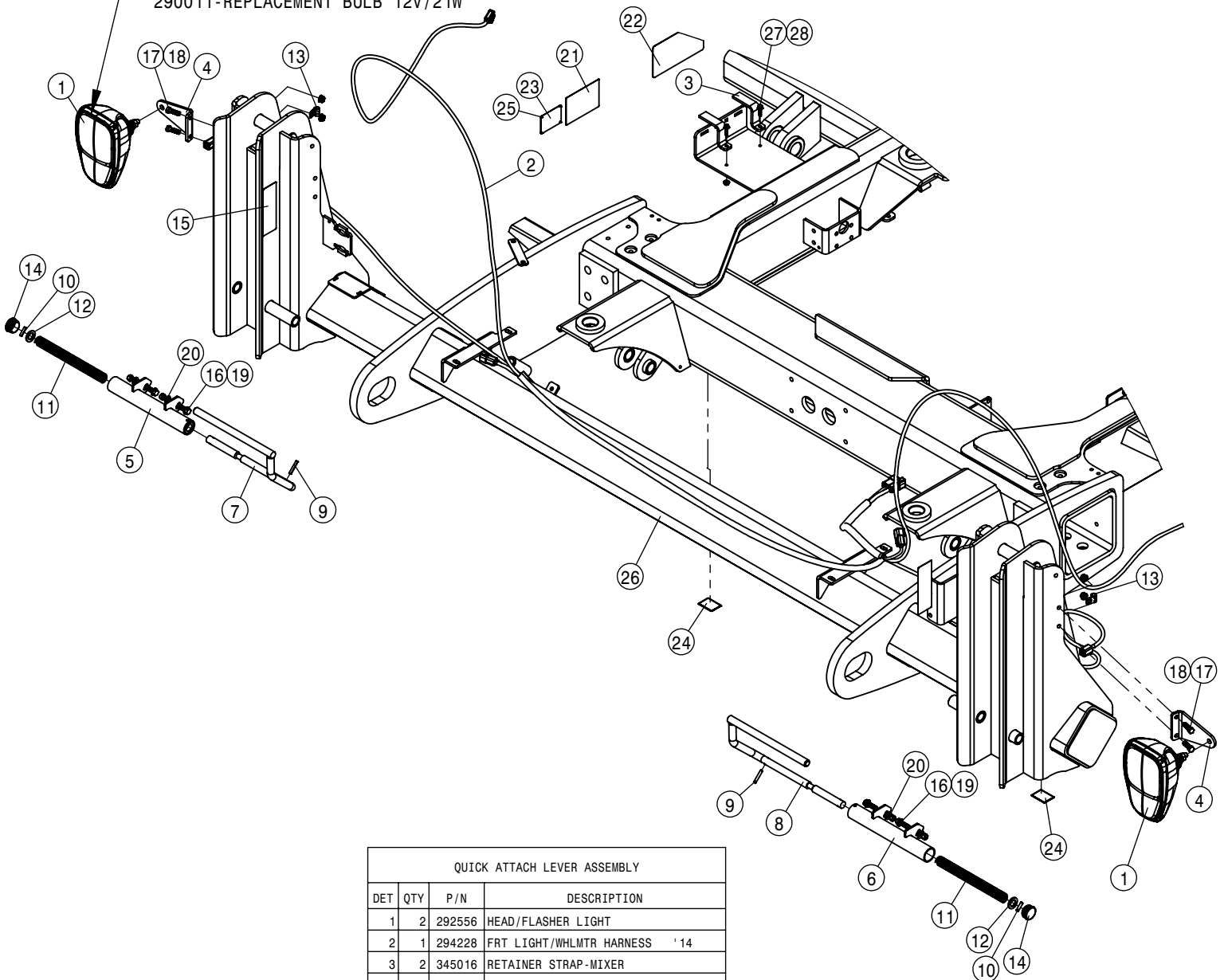


PREMIUM INSTRUCTOR SEAT ASSEMBLY			
DET	QTY	P/N	DESCRIPTION
1	1	330070	CUSH BASE INST SEAT PREM
2	1	330071	CUSH BACK INST SEAT PREM
3	1	344162	PANEL BACK INSTRUCTOR SEAT BACK
4	1	344163	BIN STORAGE INSTRUCTOR SEAT
5	1	344166	BRKT BACK INSTRUCTOR SEAT MOUNT
6	1	344412	CARGO NET - INSTRUCTOR SEAT
7	2	344463	CUP HOLDER - SMALL
8	2	344489	INST SEAT BELT BUSHING, STS' 14
9	1	344493	INST SEAT BELT ASSY, STS' 14
10	1	344559	INST SEAT GAS SPRING, STS' 14
11	1	344564	BRKT BASE INST SEAT WLDT, STS' 14
12	1	344566	BRKT INST SEAT MT WLDT, STS' 14
13	4	470087	3/8UNC HEX SERR FLANGE NUT
14	6	470657	3/8 PTFE LOW-FRICT WASHER
15	10	472261	1/4UNC X 3/4 TRUSS HD BOLT
16	4	900129N	3/8UNC X 1" SERR FLANGE BOLT
17	2	900172	3/8UNC X 1" SOC HD CAP SCR, ZINC
18	2	900235	7/16-20 HEX HEAD BOLT, GR 5
19	2	901130	3/8UNC X 1 1/4 CARR BOLT
20	2	910030	7/16UNF HEX NUT, NYLOC GR5
21	4	914004	3/8UNC HEX STOVER NUT
22	4	920002	3/8 SAE FLAT WASHER
23	2	920003	7/16 SAE FLAT WASHER

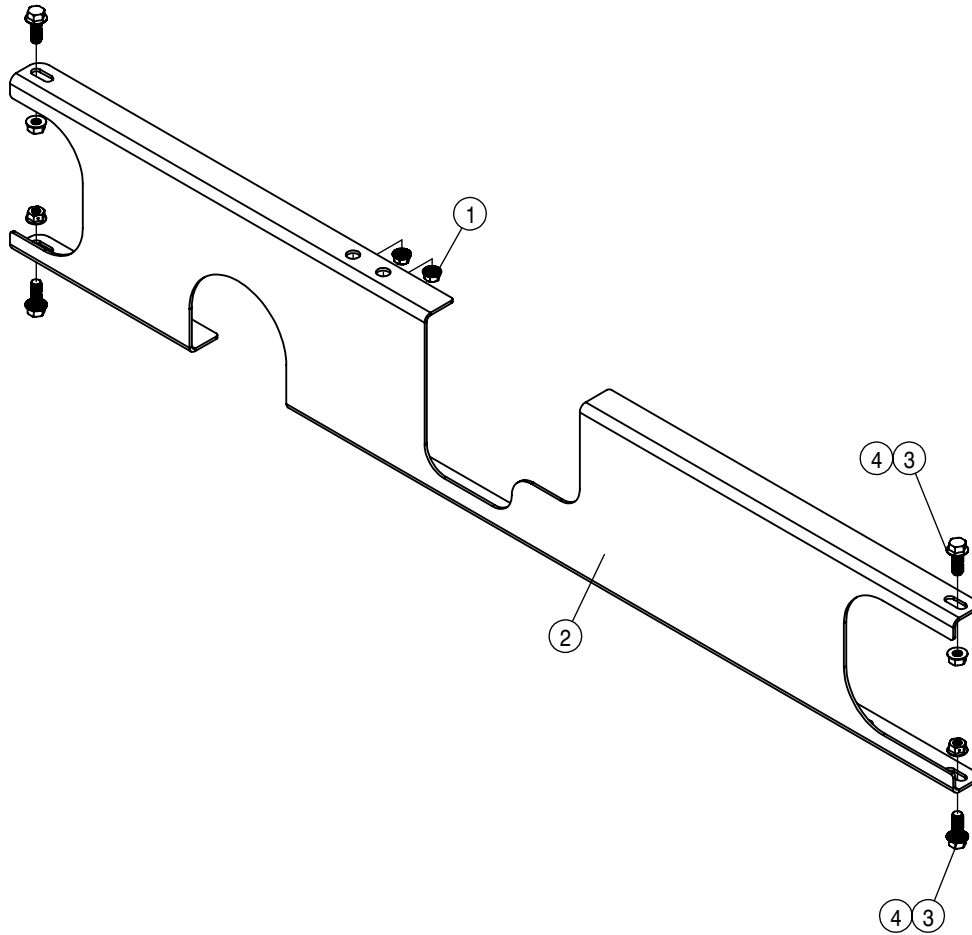


TOOLBOX ASSEMBLY			
DET	QTY	P/N	DESCRIPTION
1	1	345042	TOOLBOX MNT BASE, STS '12
2	8	470113	5/16UNC SERR FLG LOCK NUT
3	2	470643	RUBBER DRAW LATCH
4	1	470841	TOOL BOX w/TRAY
5	4	473911	5/16UNC-1.31ID-2.00 U-BOLT ZINC
6	8	914027	10-32 HEX STOVER NUT
7	1	470893	BANJO MLS222 SERIES SPNR WRNH
8	1	470894	BANJO MLST100 SERIES WRENCH
9	1	470896	TEEJET NOZZEL REMOVAL SOCKET
10	2	470895	EASY FIT T5 FITTING WRENCH
11	1	470899	EASY FIT T3 FITTING SPEED WRNH
12	1	470900	EASY FIT T3 FITTING WRENCH
13	8	903884	10-32X3/8 PHIL PN MACH SCR

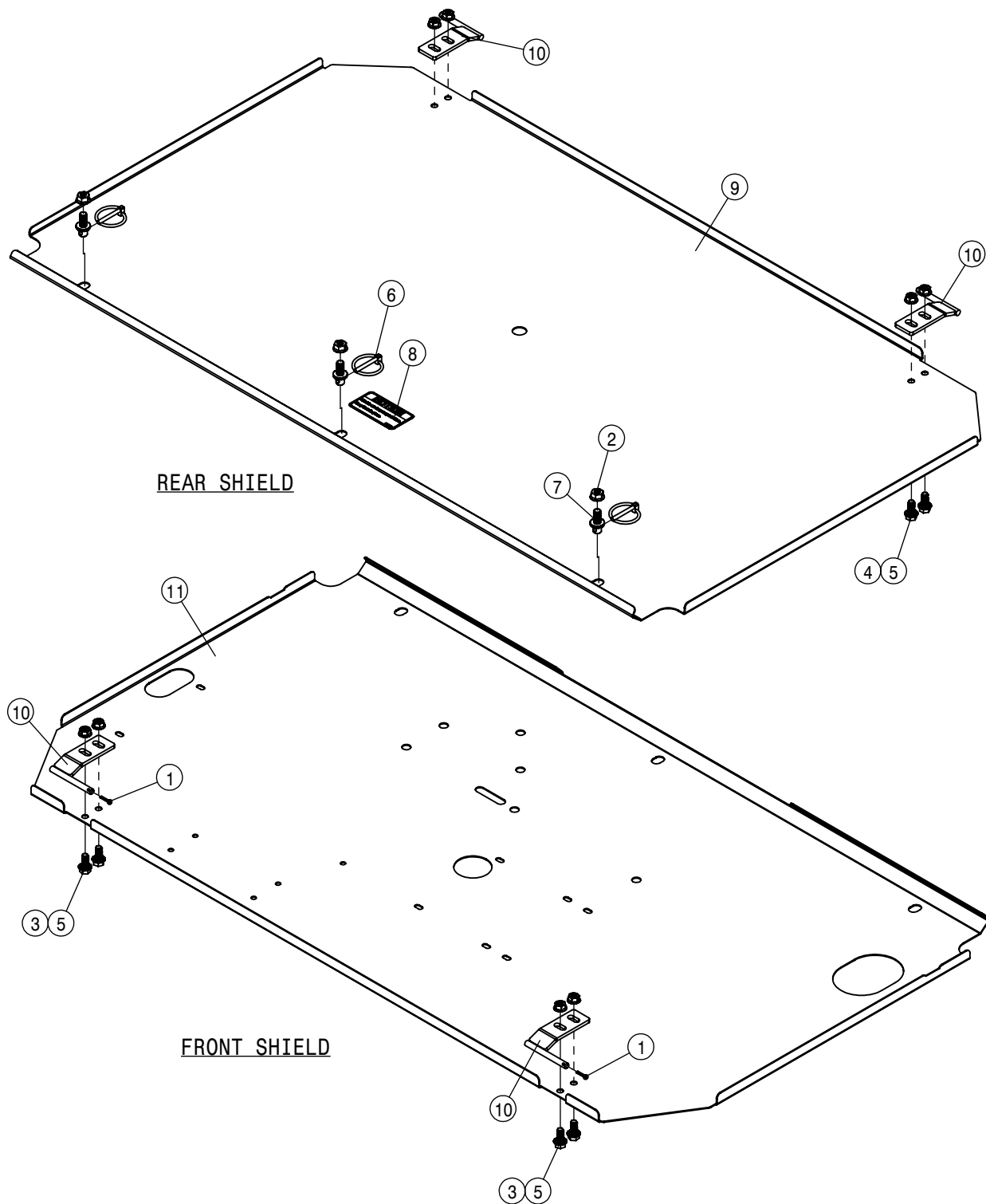
290007-REPLACEMENT BULB 12V/55W
 290008-REPLACEMENT BULB 12V/4W
 290010-REPLACEMENT BULB 12V/55W
 290011-REPLACEMENT BULB 12V/21W



QUICK ATTACH LEVER ASSEMBLY			
DET	QTY	P/N	DESCRIPTION
1	2	292556	HEAD/FLASHER LIGHT
2	1	294228	FRT LIGHT/WHLMTR HARNESS '14
3	2	345016	RETAINER STRAP-MIXER
4	2	360037	FRONT HEADLIGHT BRKT
5	1	361665	RH Q-ATTACH LOCK WLD, STS 04
6	1	361666	LH Q-ATTACH LOCK WLD, STS 04
7	1	361670	RH Q-ATTACH LOCK PIN WLD,STS04
8	1	361671	LH Q-ATTACH LOCK PIN WLD,STS04
9	2	473805	ROLL PIN, 1/4 X 1 1/2
10	2	473850	ROLL PIN, 1/4 X 1"
11	2	482018	SPRING, 1.00 X 12.00 COMPRSN
12	2	483055	.771ID-1.2500D-.135T MACH WASH
13	2	520167	CUSH CLAMP,#6 3/8D X 3/4W
14	2	629765	CAPLUG, 1 1/2" RD, BLACK POLY
15	2	650178	DECAL,CAUTION QUICK ATTACH LOC
16	4	900127N	3/8UNC X 1 1/4 SER FLANGE BOLT
17	4	900130	3/8UNC X 1 1/4 HEX BOLT
18	4	910004N	3/8UNC FLANGE CNTR LOCK NUT
19	4	914004N	3/8UNC HEX STOVER NUT
20	4	920002N	3/8 SAE FLAT WASHER
21	1	650455	DECAL,PATENTS, HAGIE STS
22	1	650466	DECAL, FLUIDS FOR ALL MODELS
23	1	650315	HAGIE NAMEPLATE
24	4	650277	DECAL,LIFT POINT
25	4	485073	METAL-TACK GRIP .02/.03,3/16HD
26	1	360819	MIANFRAME WLD-GST20
27	2	910124	1/4UNC X 1 HHSFB SS
28	2	473832	HEX FLANGE NUT SER 1/4-20 SS



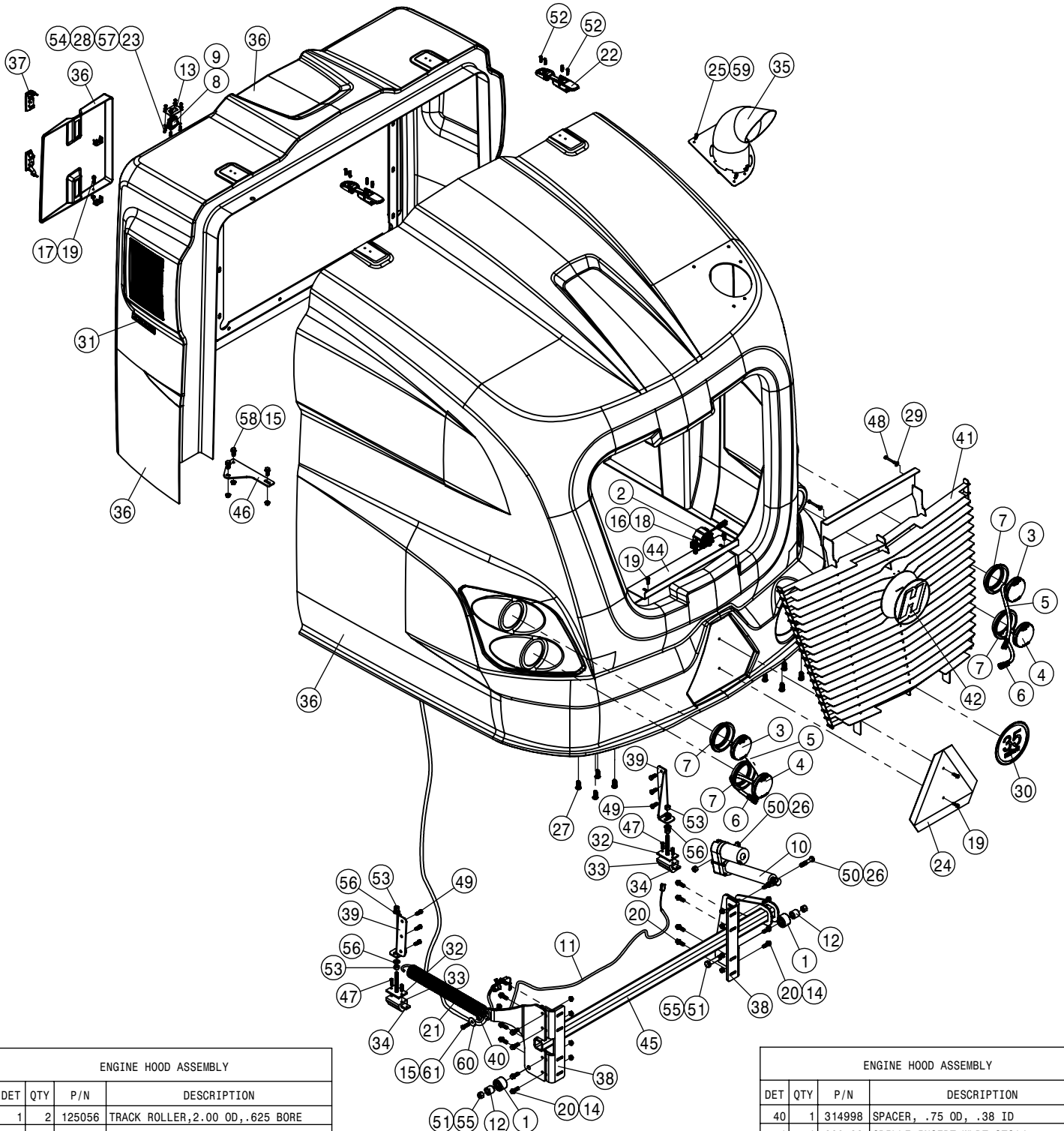
REAR BULKHEAD ASSEMBLY			
DET	QTY	P/N	DESCRIPTION
1	2	470113N	5/16UNC SERR FLG LOCK NUT SS
2	1	660297	REAR BULKHEAD 2015
3	4	900129N	3/8UNC X 1" SERR FLANGE BOLT
4	4	910004N	3/8UNC FLANGE CNTR LOCK NUT



REAR SHIELD

FRONT SHIELD

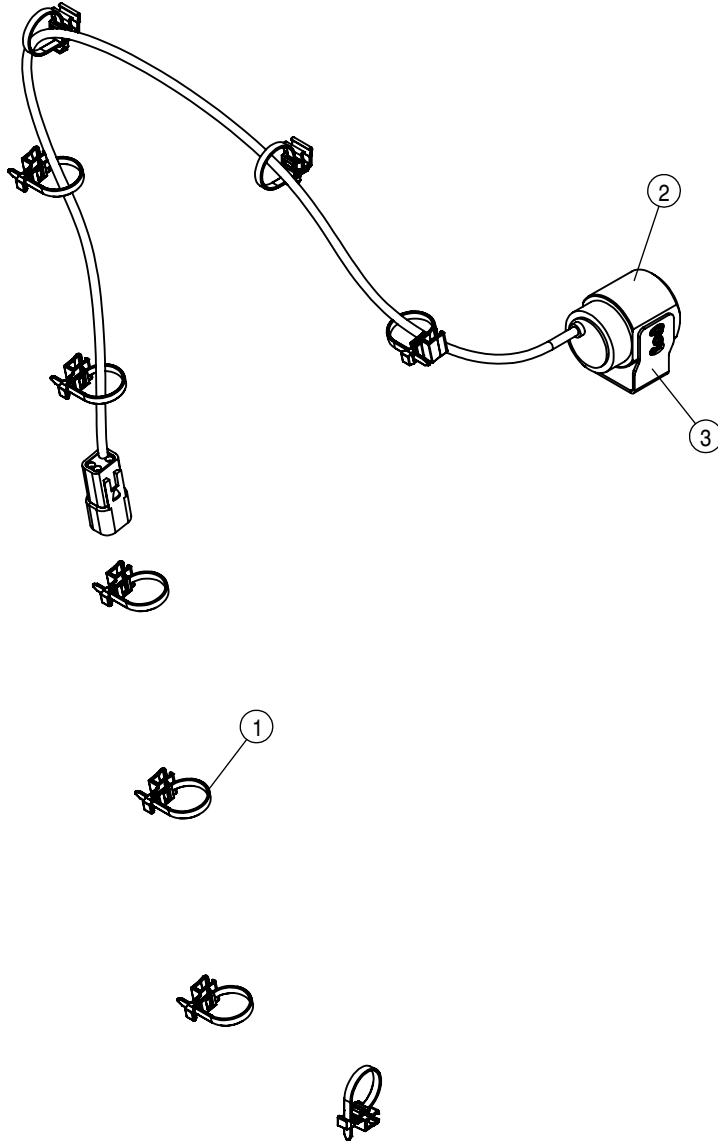
FRONT AND REAR BELLY SHIELD ASSEMBLY			
DET	QTY	P/N	DESCRIPTION
1	2	470075	1/8 X 3/4 COTTER PIN
2	3	470087N	3/8UNC HEX SERR FLG NUT YZ
3	4	470113	5/16UNC SERR FLG LOCK NUT
4	4	470113N	5/16UNC SERR FLG LOCK NUT SS
5	8	470233	5/16UNC X 3/4 SERR FLG HEX BOLT
6	3	470335	LINCHPIN, 3/16 X 1 1/4 GRIP
7	3	470520	HANGER PIN,3/8UNC x.437Dx.500L
8	1	650851	DECAL, NOTICE, SHIELD PROTECT
9	1	660289	REAR BELLY SHIELD, STS 13
10	4	660578	HINGE - BELLY PAN, WLD
11	1	660597	BELLY SHIELD - FRONT



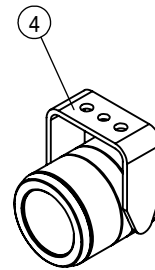
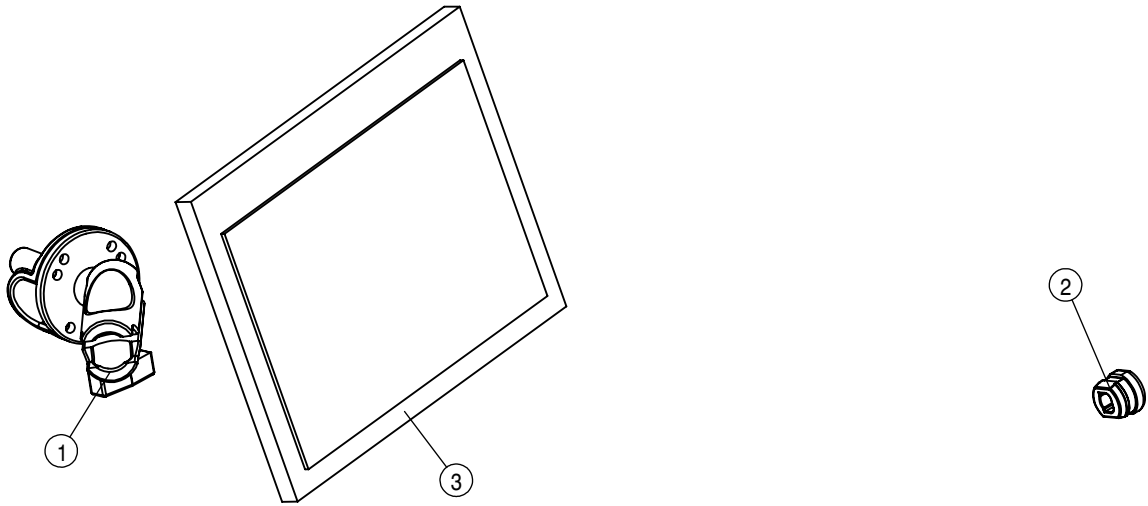
ENGINE HOOD ASSEMBLY			
DET	QTY	P/N	DESCRIPTION
1	2	125056	TRACK ROLLER,2.00 OD, .625 BORE
2	1	290061	ALARM,BACKUP 107DBA LT DUTY
3	2	290200	AMBER LED STT 3 DIODE LAMP
4	2	290201	RED LED STT 3 DIODE LAMP
5	2	290202	2-WIRE PIGTAIL FOR 290200AMBER
6	2	290203	2-WIRE PIGTAIL FOR 290200AMBER
7	4	290204	4" GROMMET FR 290200 & 290201
8	1	292220	SWITCH,DPDT, MOM-OFF-MOM ON
9	1	292221	SWITCH ACUATOR FOR 292220
10	1	292235	STS HOOD ACTUATOR
11	1	294053	HOOD ACTUATOR HARNESS
12	2	361679	BUMPER PIVOT BRG SPACER,STS 04
13	1	362116	HOOD SWITCH MOUNT PLATE
14	8	470087	3/8UNC HEX SERR FLNGE NUT
15	4	470087N	3/8UNC HEX SERR FLG NUT YZ
16	2	470121	1/4 UNC SERR FLG LOCK NUT
17	1	470121N	1/4 UNC SERR FLG LOCK NUT SS
18	2	470122	1/4 UNC X 1/2 SERR FLG BOLT
19	5	470231N	1/4UNC X 1" SERR FLG BOLT SS
20	16	470329	3/8UNC X 1 1/4 SERR FLG HEX BOLT
21	1	482028	EXT. SPRING OD-2.1875", LG-20"
22	2	470368	LATCH W/KEEPER, FLEXIBLE LEVER

ENGINE HOOD ASSEMBLY			
DET	QTY	P/N	DESCRIPTION
23	4	472235N	10-32 X 3/4 PHIL PAN MACH SCR BZ
24	1	472249	SLOW MOVING VEHICLE SIGN
25	5	472345	1/4UNC X 1 ALHD BUTTON CAP SCR
26	2	473007	1/2UNC HEX NUT, NYLOC
27	8	473987	1/2UNC X 1 1/4BUT SKTHD SCR
28	4	483016	#10 REGULAR FLAT WASHER
29	2	483038	1/4 REGULAR FLAT WASHER
30	1	650224	DECAL,35MPH ID SYMBOL, VINYL
31	2	650426	AWS DECAL
32	2	660224	ENG HOOD BUMPER WLD, STS 04
33	2	660226	ENG HOOD BUMPER, STS 04
34	2	660227	ENG HOOD BUMPER KEEPER, STS 04
35	1	660253	EXHAUST STACK WLDT STS T4F
36	1	660502	ENGINE HOOD ASSY STS'14
37	2	660525	LATCH ACS PNL RETAINER STS'14
38	2	660526	ENGINE HOOD BLKHD MNT BRKT STS'14
39	2	660532	ENGINE HOOD BMPR MNT BRKT STS'14

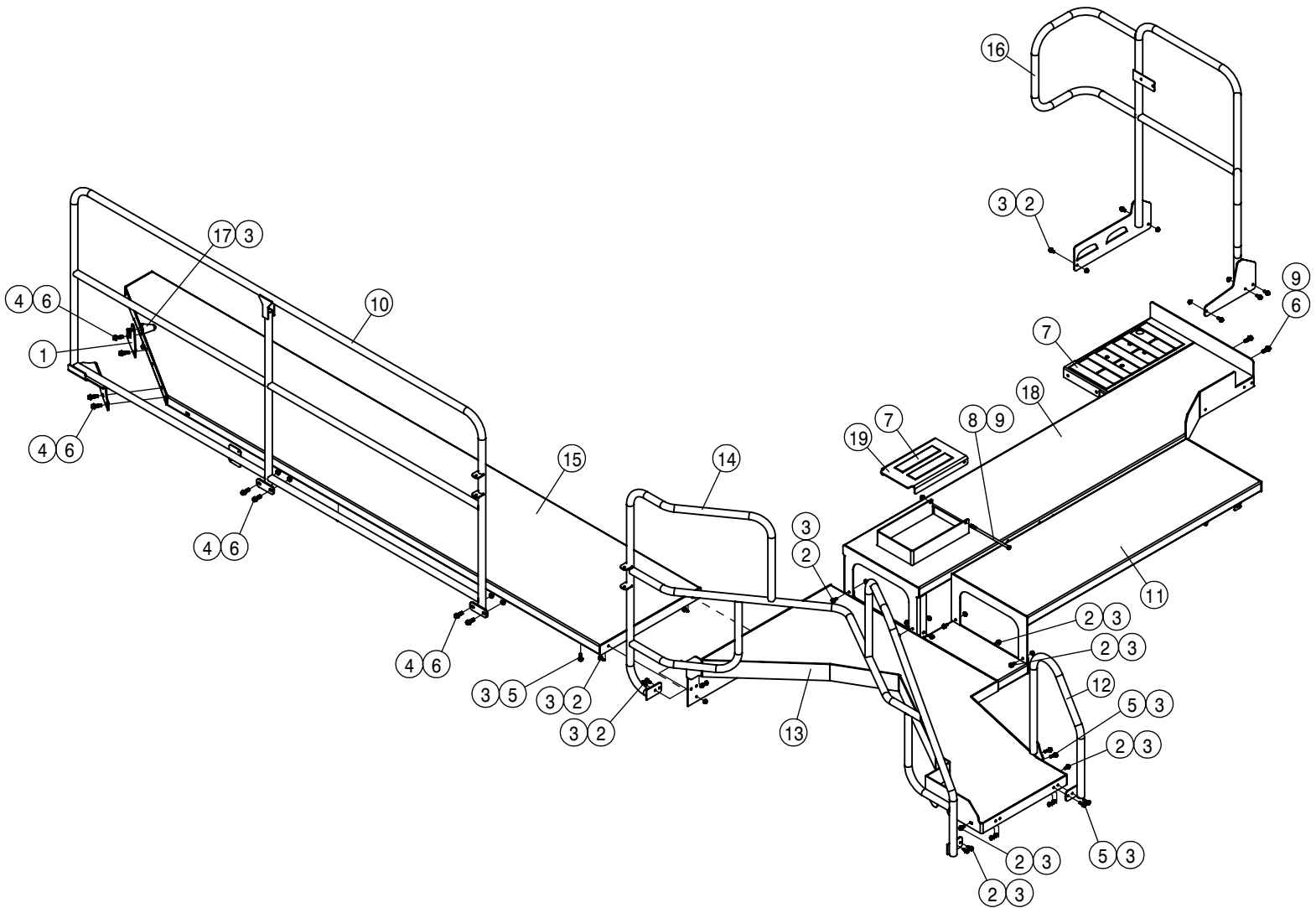
ENGINE HOOD ASSEMBLY			
DET	QTY	P/N	DESCRIPTION
40	1	314998	SPACER, .75 OD, .38 ID
41	1	660533	GRILLE INSERT WLDT STS'14
42	1	660559	DECAL HAGIE DOT 8.25"DIA GRILLE
NS	1	660561	HOOD DECAL SHEET
44	1	660600	GRILLE RETAINER BRACKET STS'14
45	1	660809	ENGHOOD HINGE MNT WLDT STS'16
46	1	660815	FRONT HOOD TIE BRKT, STS
47	4	900003N	1/4UNC X 1" HEX BOLT SS
48	2	900008	1/4UNC X 2 1/2 HEX BOLT
49	9	900129	3/8UNC X 1" HEX BOLT
50	2	900268	1/2UNC X 2 1/2 HEX BOLT
51	2	900341	5/8UNC X 3 3/4 HEX BOLT
52	8	903893	10-32 X 1" PHIL PAN MACH SCR
53	4	910008	1/2UNC HEX NUT
54	4	910027N	10-32 HEX NUT
55	2	914010P	5/8UNC HEX STOVER NUT
56	4	920004	1/2 SAE FLAT WASHER
57	4	920510	#10 LOCK WASHER
58	3	900129N	3/8UNC X 1" SERR FLNGE BOLT
59	5	914000	1/4UNC HEX STOVER NUT
60	1	920025	WASHER, 1.50D, .406 ID
61	1	900130	3/8UNC X 1 1/4 HEX BOLT



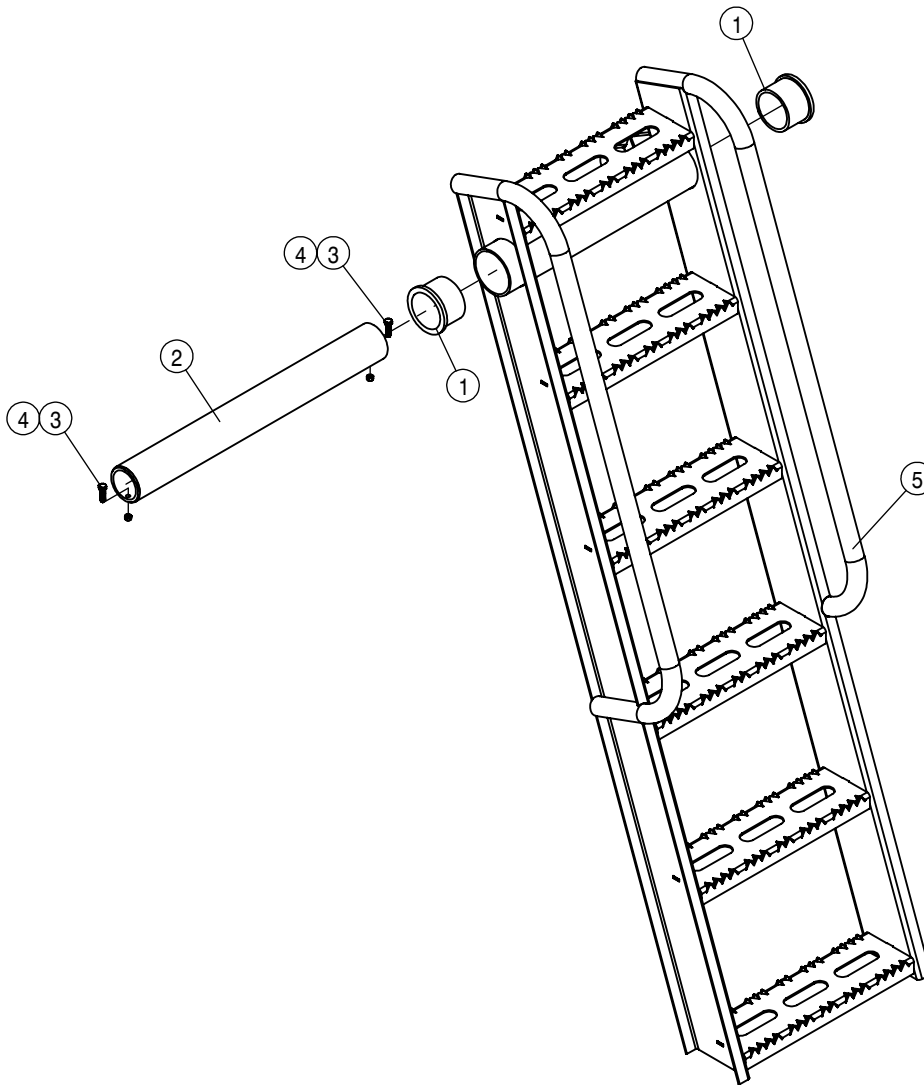
BACK-UP CAMERA ASSEMBLY			
DET	QTY	P/N	DESCRIPTION
1	9	470680	CABLE TIE/CLIP .04"-.12"W
2	1	693930	BACKUP CAMERA
3	1	693978	CAMERA BRACKET STS



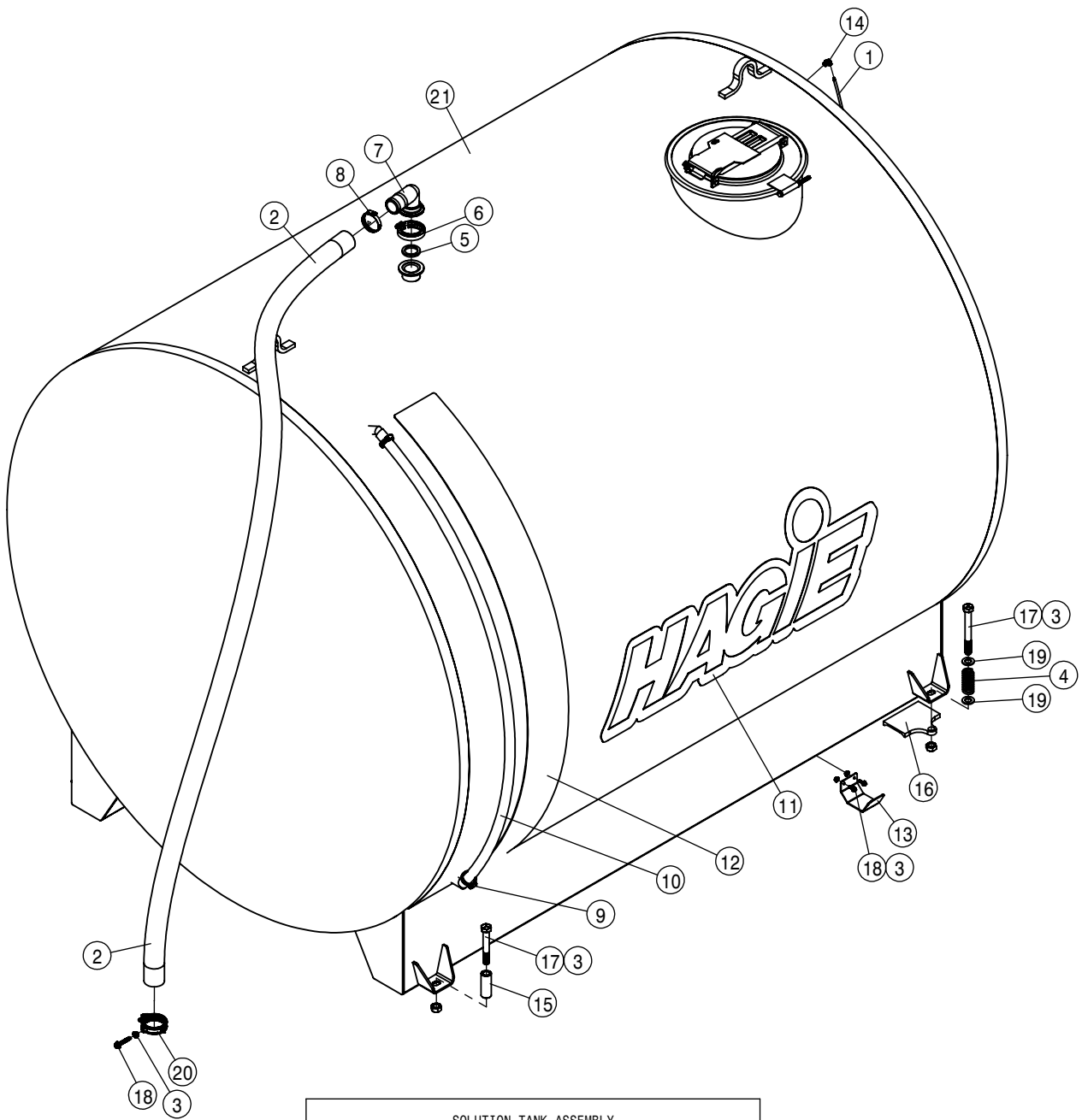
AGCAM CAMERA SYSTEM			
DET	QTY	P/N	DESCRIPTION
1	1	693071	ADPTR KIT, RAM233 RAIL MT, NORAC
2	1	344478	BUSHING - STRAIN RELIEF
3	1	693517	AG CAM 7" MONITOR
4	1	693518	B-UP CAMERA
NS	1	693519	VIDEO CABLE, 60 FT WITH CLIPS
NS	1	693520	PANAVISE PEDISTAL MONITOR BASE



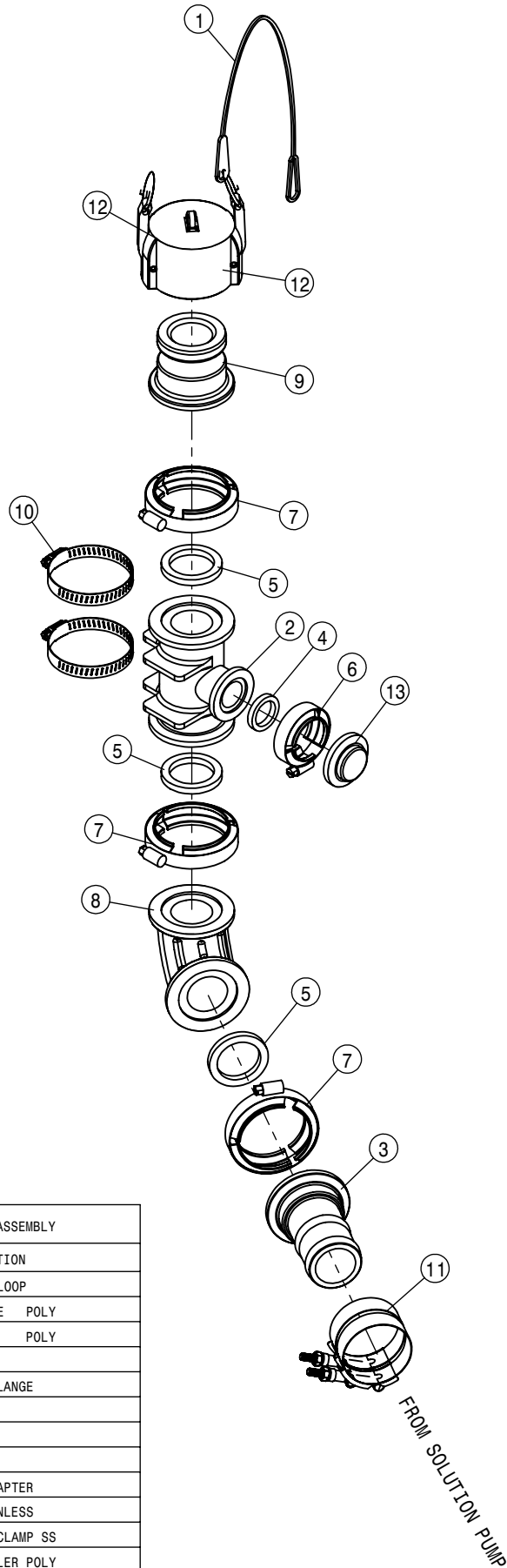
SERVICE PLATFORM ASSEMBLY			
DET	QTY	P/N	DESCRIPTION
1	1	344578	BRACKET-DOOR STOP STS 2014
2	22	470233	5/16UNC X 3/4 HHSFB GR5 MC
3	34	470113	HEX FLANGE NUT SER 5/16-18 MC GR5
4	8	470087	HEX FLANGE NUT SER 3/8-16 MC GR5
5	11	470234	5/16UNC X 1" SERR FLG HEX BOLT
6	10	470329	3/8UNC X 1 1/4 SERR FLG HEX BOLT
7	7	490670	SAFETY TREAD TAPE, 2" X 9"
8	1	900152	3/8UNC X 9" HEX BOLT YZ
9	3	910004N	3/8UNC FLANGE CNTR LOCK NUT
10	1	343514	LH FRT HANDRAIL WLD, STS16 05
11	1	344473	CNTR SERV PLATFORM WLD, STS '14
12	1	344520	RH HANDRAIL WLD,LH PLTFRM '14
13	1	344521	LH REAR SERV PLTFRM WLD STS '14
14	1	344522	LH REAR HANDRAIL WLD
15	1	344797	LH SIDE PLATFORM WLD, GST20
16	1	344902	HAND RAIL WELD ASMY
17	1	470571	BUMPER,MALE STUD 2.375 X 1.75
18	1	344903	REAR CENTER PLATFORM T4F
19	1	317326	DEF FILL COVER



LADDER ASSEMBLY				
DET	QTY	P/N	DESCRIPTION	
1	2	121102	LADDER PIVOT BEARING, POLYGON	
2	1	344534	LADDER MT TUBE, STS '14	
3	2	900003	1/4UNC X 1" HEX BOLT	
4	2	914000	1/4UNC HEX STOVER NUT	
5	1	344792	LADDER WLD - GST20	



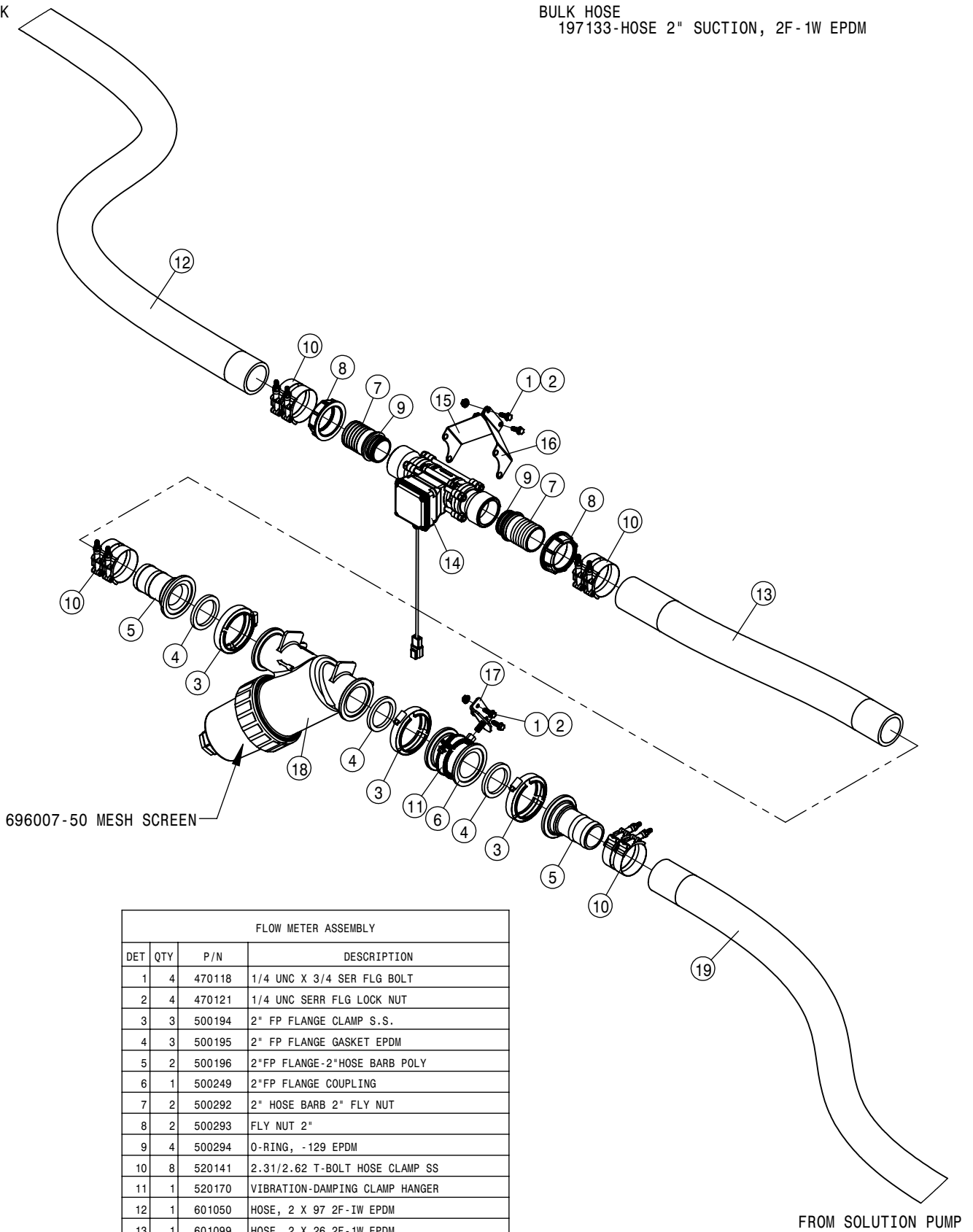
SOLUTION TANK ASSEMBLY			
DET	QTY	P/N	DESCRIPTION
1	1	195906-087	1/40D AIR BRAKE TUBING J844-A
2	1	197133-127	HOSE 2" SUCTION, 2F-1W EPDM
3	7	470087	HEX FLANGE NUT SER 3/8-16 MC GR5
4	2	482016	SPRING, 1.4 X 3.00 COMPRSN
5	1	500158	1 1/2" GASKET FOR 2" FLANGE
6	1	500160	2" FLANGE CLAMP S.S.
7	1	500191	2" FLANGE-90-2" HOSE BARB POLY
8	1	520068	HOSE CLAMP NO 32 STAINLESS
9	2	520087	HOSE CLAMP NO 20 STAINLESS
10	1	601471	HOSE, 1" X 60 CLEAR VINYL
11	1	650144	DECAL, LOGO, SOLU TANK STS12
12	1	650172	DECAL, 2000G SS TANK GAUGE, GST
13	1	701471	HOSE SUPPORT STS 14/16
14	1	711040	1/4MNPT-90-1/4 NYL TUBE LBO
15	2	763840	TANK MNT BUSHING
16	2	763841	TANK ISOLATOR
17	4	900416	3/4UNC X 6 1/2 HHCS GR5 MC
18	3	900506	3/8UNC X 2 HHSFB GR5 MC FT
19	4	920006	3/4 SAE FLAT WASHER
20	1	520170	VIBRATION-DAMPING CLAMP HANGER
21	1	763569	2000 GAL SS TANK



FRONT SOLUTION QUICK ATTACH ASSEMBLY			
DET	QTY	P/N	DESCRIPTION
1	1	470322	LANYARD 8" NYLON LOOP/LOOP
2	1	500150	2" FLANGE-1" BRANCH TEE POLY
3	1	500154	2" FLANGE-2" HOSE BARB POLY
4	1	500157	1" FLANGE GASKET EPDM
5	3	500158	1 1/2" GASKET FOR 2" FLANGE
6	1	500159	1" FLANGE CLAMP S.S.
7	3	500160	2" FLANGE CLAMP S.S.
8	1	500266	2" FLANGE SWEEP 90
9	1	500276	2" FLANGE X 2" MALE ADAPTER
10	2	520099	HOSE CLAMP NO 40 STAINLESS
11	2	520141	2.31/2.62 T-BOLT HOSE CLAMP SS
12	1	690623	CAP FOR 2.00 MALE COUPLER POLY
13	1	500155	1" FLANGE CAP PLUG POLY

TO BOOM QUICK
COUPLER

BULK HOSE
197133-HOSE 2" SUCTION, 2F-1W EPDM



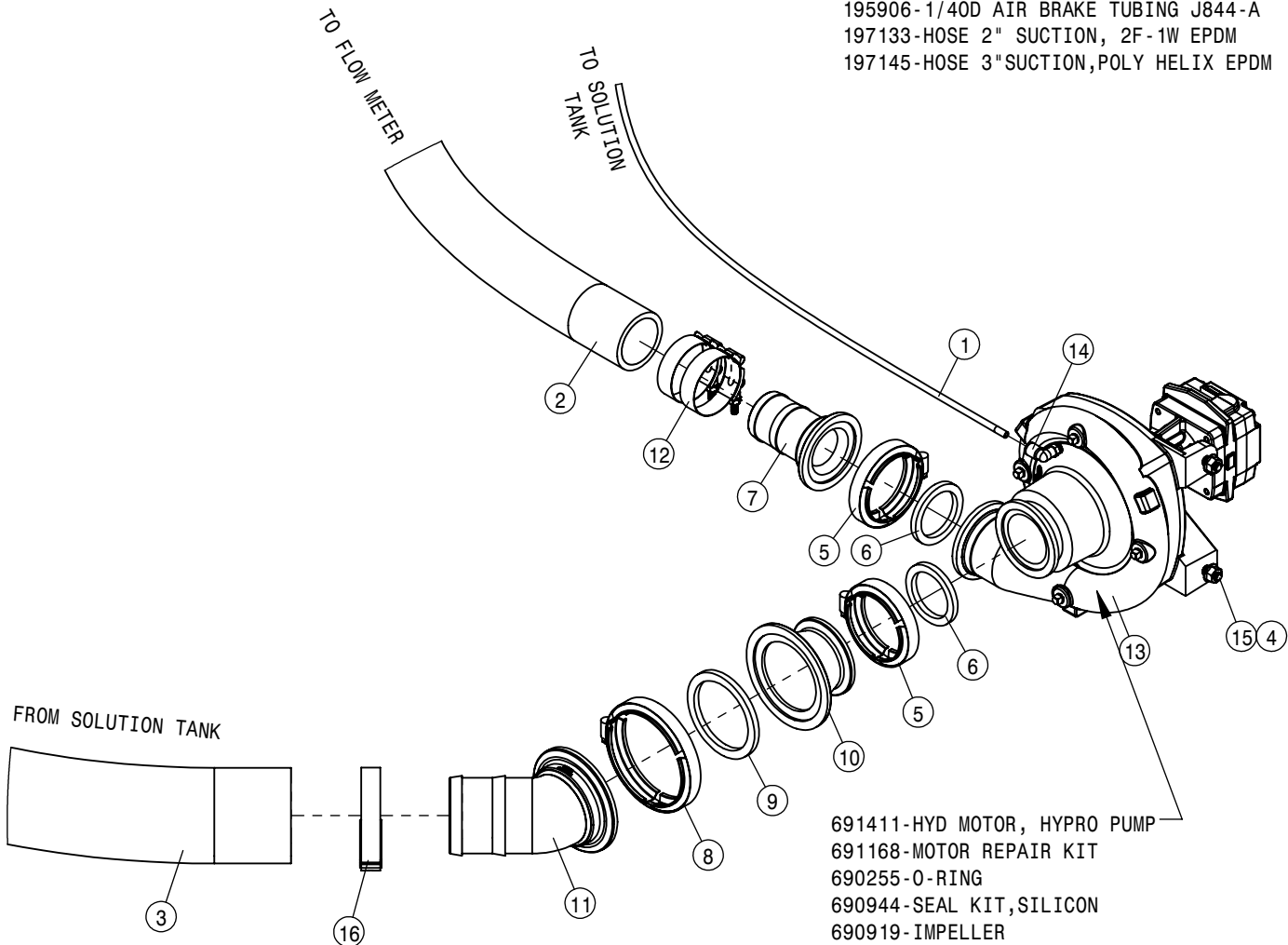
696007-50 MESH SCREEN

FROM SOLUTION PUMP

FLOW METER ASSEMBLY			
DET	QTY	P/N	DESCRIPTION
1	4	470118	1/4 UNC X 3/4 SER FLG BOLT
2	4	470121	1/4 UNC SERR FLG LOCK NUT
3	3	500194	2" FP FLANGE CLAMP S.S.
4	3	500195	2" FP FLANGE GASKET EPDM
5	2	500196	2"FP FLANGE-2"HOSE BARB POLY
6	1	500249	2"FP FLANGE COUPLING
7	2	500292	2" HOSE BARB 2" FLY NUT
8	2	500293	FLY NUT 2"
9	4	500294	O-RING, -129 EPDM
10	8	520141	2.31/2.62 T-BOLT HOSE CLAMP SS
11	1	520170	VIBRATION-DAMPING CLAMP HANGER
12	1	601050	HOSE, 2 X 97 2F-1W EPDM
13	1	601099	HOSE, 2 X 26 2F-1W EPDM
14	1	691101	MAGNETIC FLOWMETER 2" FLYNUT
15	1	691302	ORION FLOW METER MNT FRONT
16	1	691303	ORION FLOW METER MNT REAR
17	1	691337	STRAINER CLAMP MNT WLD
18	1	696006	LINE "Y" STRAINER,2"FP FLG 50M
19	1	197133-041	HOSE 2" " SUCTION, 2F-1W EPDM

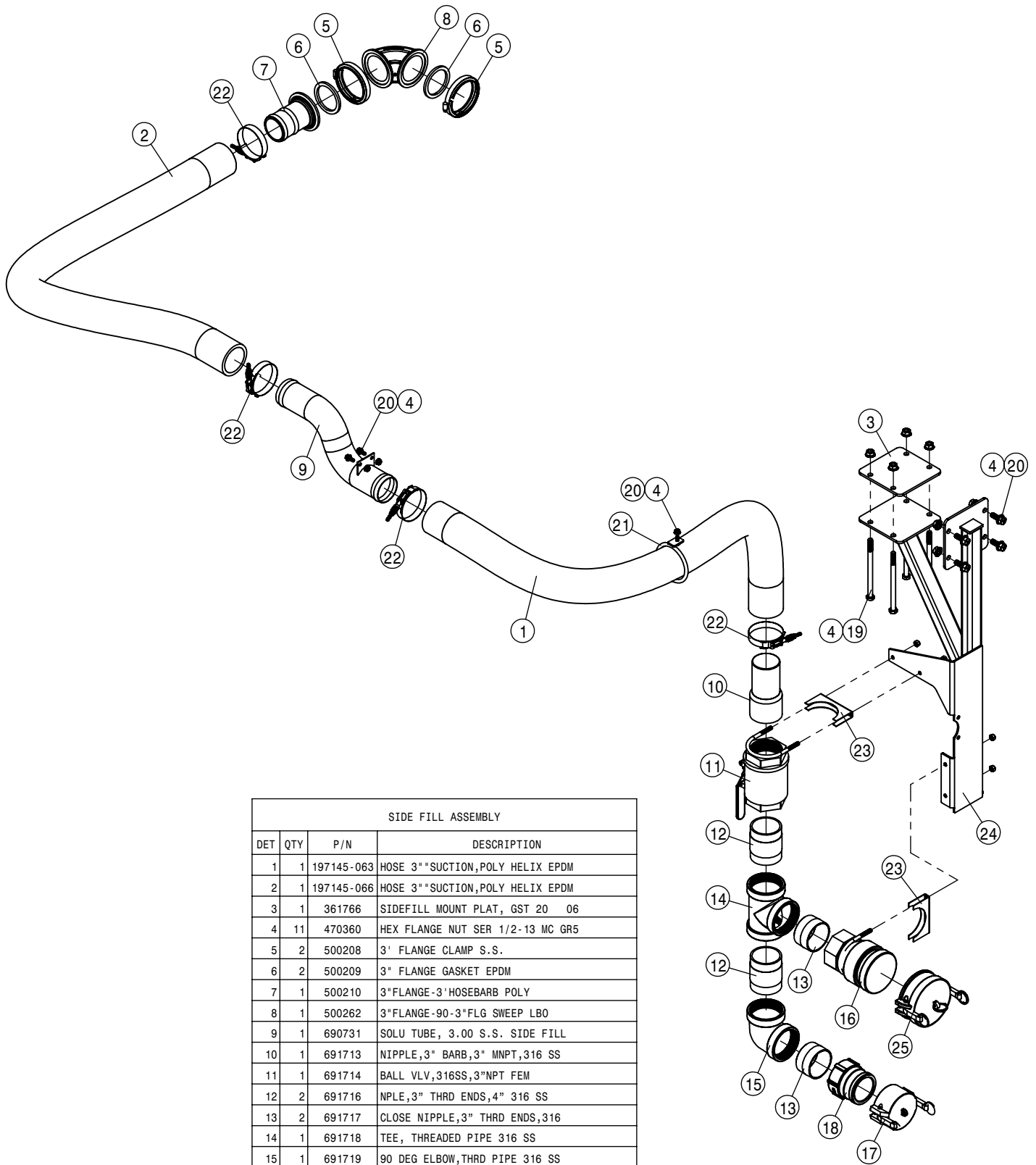
BULK HOSE

- 195906-1/40D AIR BRAKE TUBING J844-A
- 197133-HOSE 2" SUCTION, 2F-1W EPDM
- 197145-HOSE 3" SUCTION, POLY HELIX EPDM

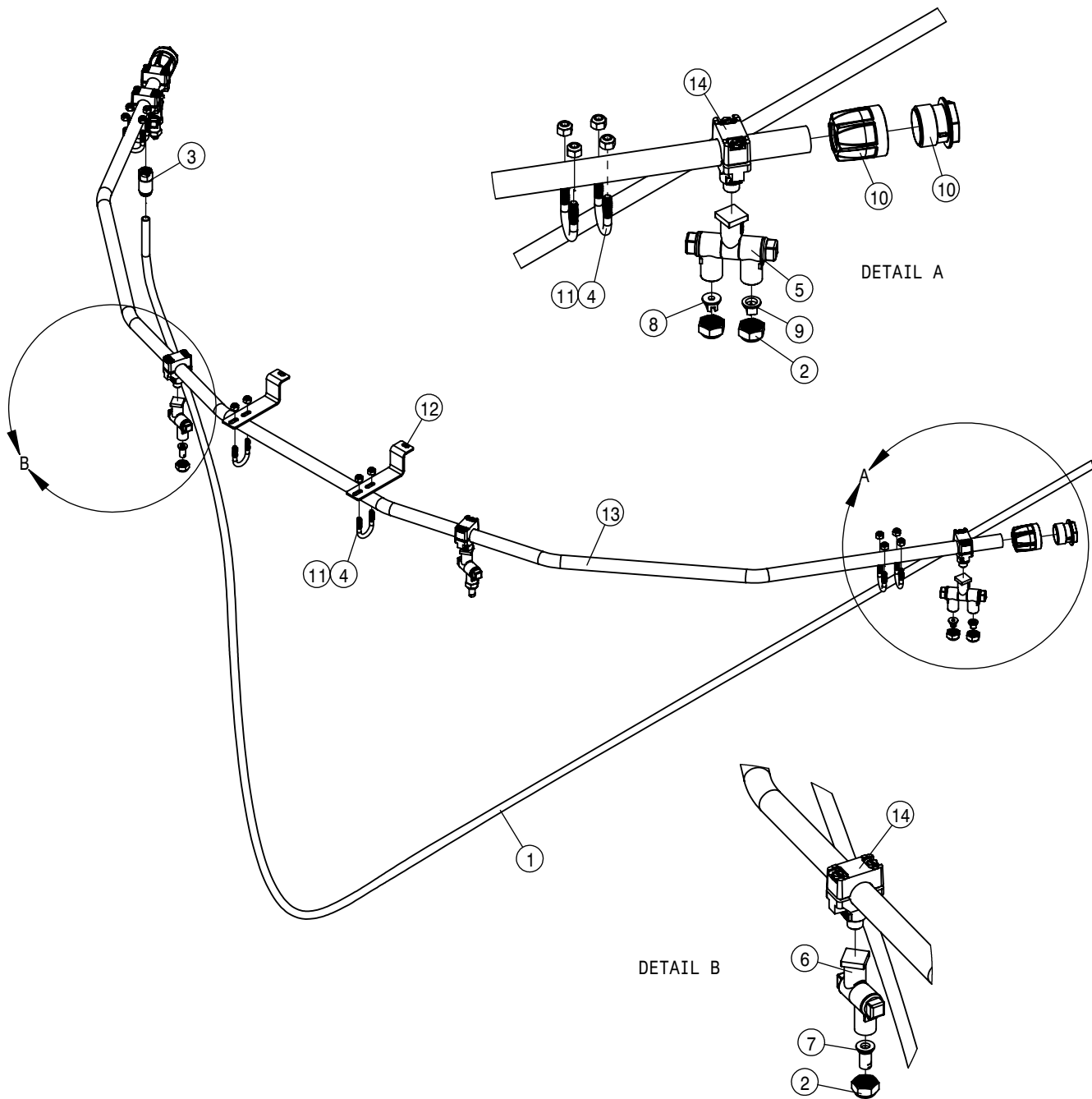


- 691411-HYD MOTOR, HYPRO PUMP
- 691168-MOTOR REPAIR KIT
- 690255-O-RING
- 690944-SEAL KIT, SILICON
- 690919-IMPELLER

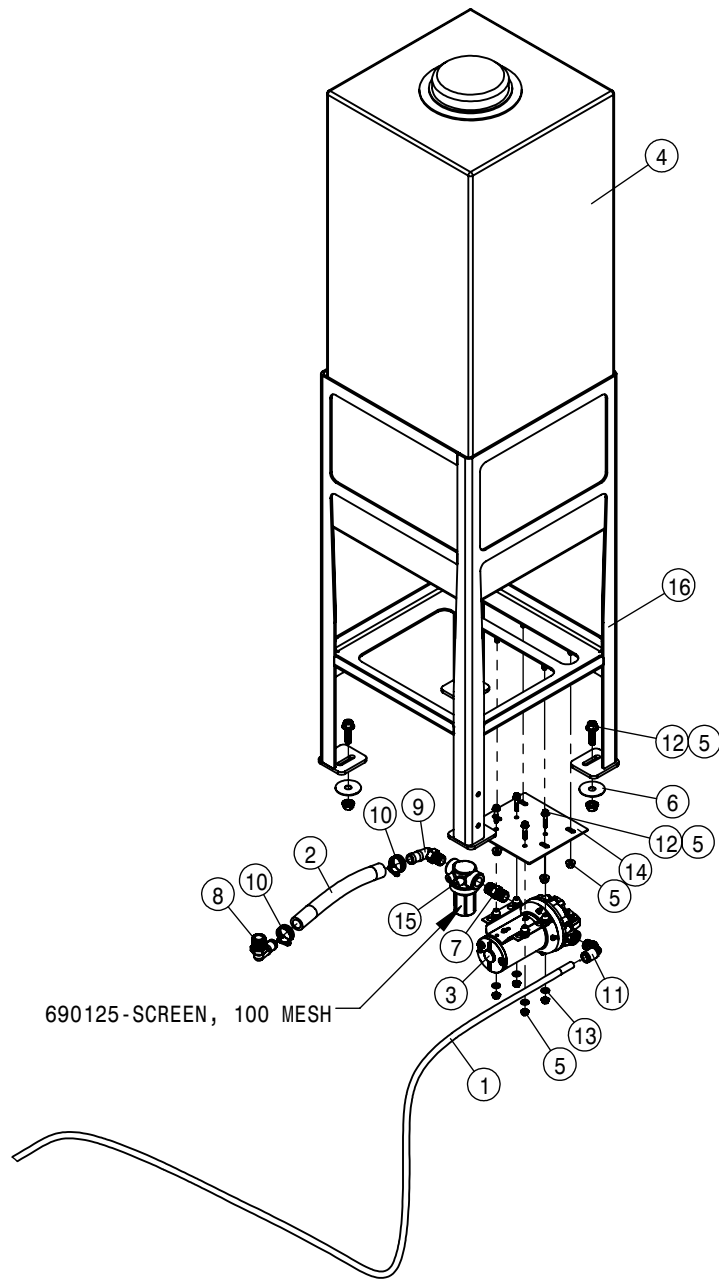
SOLUTION PUMP ASSEMBLY			
DET	QTY	P/N	DESCRIPTION
1	1	195906-087	1/40D AIR BRAKE TUBING J844-A
2	1	197133-041	HOSE 2" SUCTION, 2F-1W EPDM
3	1	197145-068	HOSE 3" SUCTION, POLY HELIX EPDM
4	2	470087	3/8-16UNC HEX FLG NUT SER MC GR5
5	2	500194	2" FP FLANGE CLAMP S.S.
6	2	500195	2" FP FLANGE GASKET EPDM
7	1	500196	2"FP FLANGE-2"HOSE BARB POLY
8	1	500208	3" FLANGE CLAMP S.S.
9	1	500209	3" FLANGE GASKET EPDM
10	1	500212	3"FLANGE - 2" FP FLANGE ADTPTR
11	1	500258	3"FLANGE-45-3'HOSEBARB, POLY
12	2	520141	2.31/2.62 T-BOLT HOSE CLAMP SS
13	1	691249	HYPRO PUMP, 9306C-HM5C-BU-001
14	1	711039	1/8MNPT-90-1/4 NYL TUBE LBO
15	2	900506	3/8UNC X 2 HHSFB GR5 MC FT
16	1	520145	3.56/3.88 T-BOLT HOSE CLAMP SS
17	1	197133-097	HOSE, 2ID X 097 2F-W1 EPDM



SIDE FILL ASSEMBLY			
DET	QTY	P/N	DESCRIPTION
1	1	197145-063	HOSE 3**SUCTION,POLY HELIX EPDM
2	1	197145-066	HOSE 3**SUCTION,POLY HELIX EPDM
3	1	361766	SIDEFILL MOUNT PLAT, GST 20 06
4	11	470360	HEX FLANGE NUT SER 1/2-13 MC GR5
5	2	500208	3' FLANGE CLAMP S.S.
6	2	500209	3" FLANGE GASKET EPDM
7	1	500210	3*FLANGE-3' HOSEBARB POLY
8	1	500262	3*FLANGE-90-3*FLG SWEEP LBO
9	1	690731	SOLU TUBE, 3.00 S.S. SIDE FILL
10	1	691713	NIPPLE,3" BARB,3" MNPT,316 SS
11	1	691714	BALL VLV,316SS,3"NPT FEM
12	2	691716	NPLE,3" THRD ENDS,4" 316 SS
13	2	691717	CLOSE NIPPLE,3" THRD ENDS,316
14	1	691718	TEE, THREADED PIPE 316 SS
15	1	691719	90 DEG ELBOW,THRD PIPE 316 SS
16	1	691720	ADAPTER,3" STAINLESS STEEL
17	1	691721	CAP FOR 3" MALE COUPLER SS
18	1	696083	3.00FNPT-MALE COUPLER SS
19	4	900281	1/2UNC X 7 1/2 HHCS GR5 MC
20	7	900517	1/2UNC X 1 1/4 HHSFB GR5 MC
21	1	165954	HOSE RING WLD
22	4	520145	3.56/3.88 T-BOLT HOSE CLAMP SS
23	2	470327	MUFFLER CLAMP, 3.50 IN HD
24	1	691439	GST SIDEFILL WELD
25	1	696084	CAP FOR 4.00 MALE COUPLER POLY

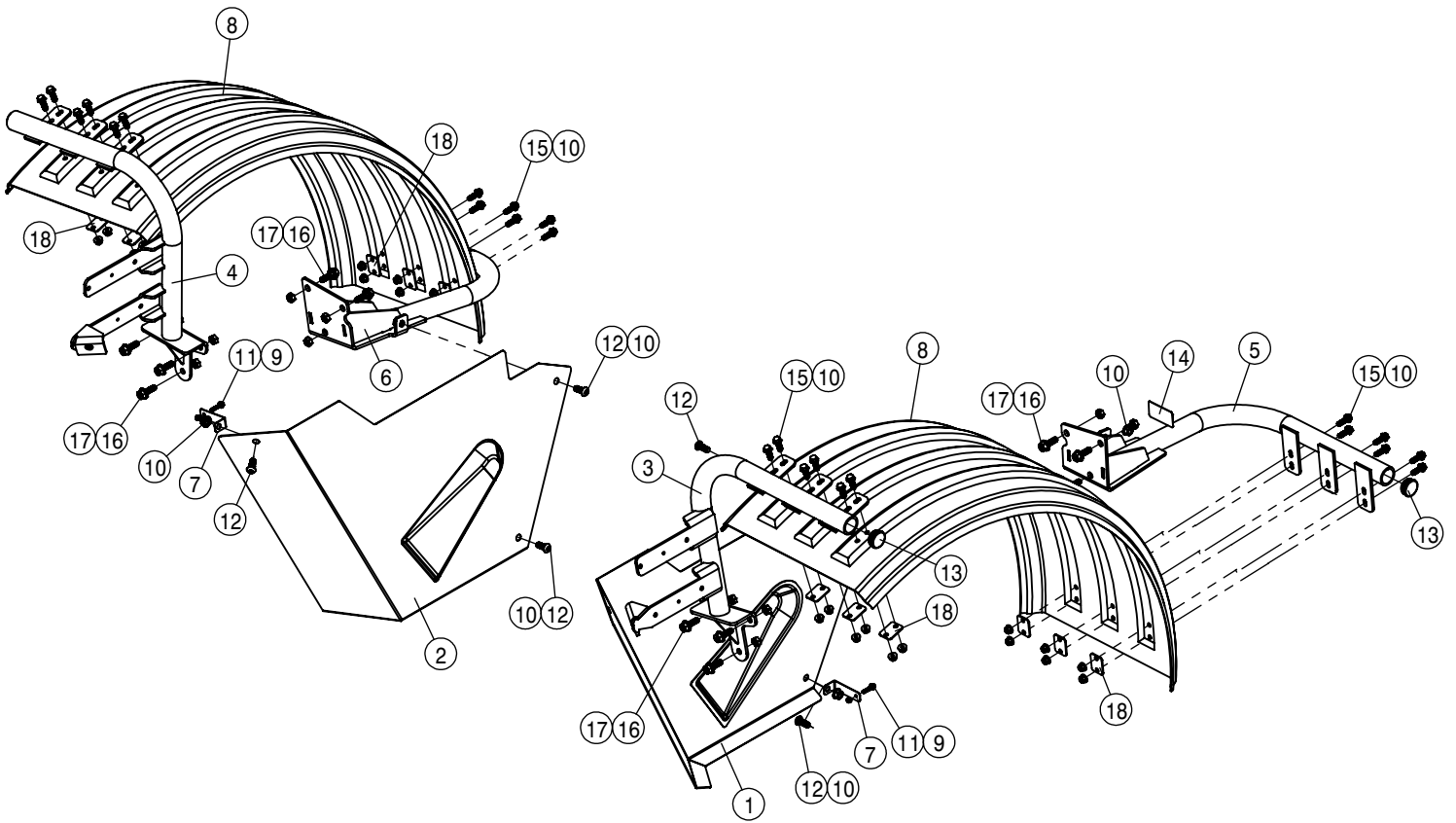


FRONT DELUGE SYSTEM ASSEMBLY			
DET	QTY	P/N	DESCRIPTION
1	1	195914-279	1/20D AIR BRAKE TUBING J844-B
2	6	344804	TEEJET CAP, NYLON
3	1	500359	.5FNPT TO .5 AIRHOSE STRAIGHT
4	6	472280	1/4 UNC - 7/8 ID - 1 1/2 RD U-BOLT
5	2	344802	DOUBLE SWIVEL NOZZLE
6	2	344803	SINGLE SWIVEL NOZZLE
7	2	737944	FLOODJET NOZZEL
8	2	737942	EVEN FLOW FAN NOZZEL
9	2	737943	SIDE DISCHARGE NOZZEL
10	2	500332	1/2" PIPE BOOM END
11	12	470325	HEX FLANGE NUT SER 7/16-14 MC GR5
12	2	344770	DELUGE CENTER SUPPORT
13	1	344777	DELUGE WET BOOM
14	5	500361	SPLIT EYELET NOZZLE BODY

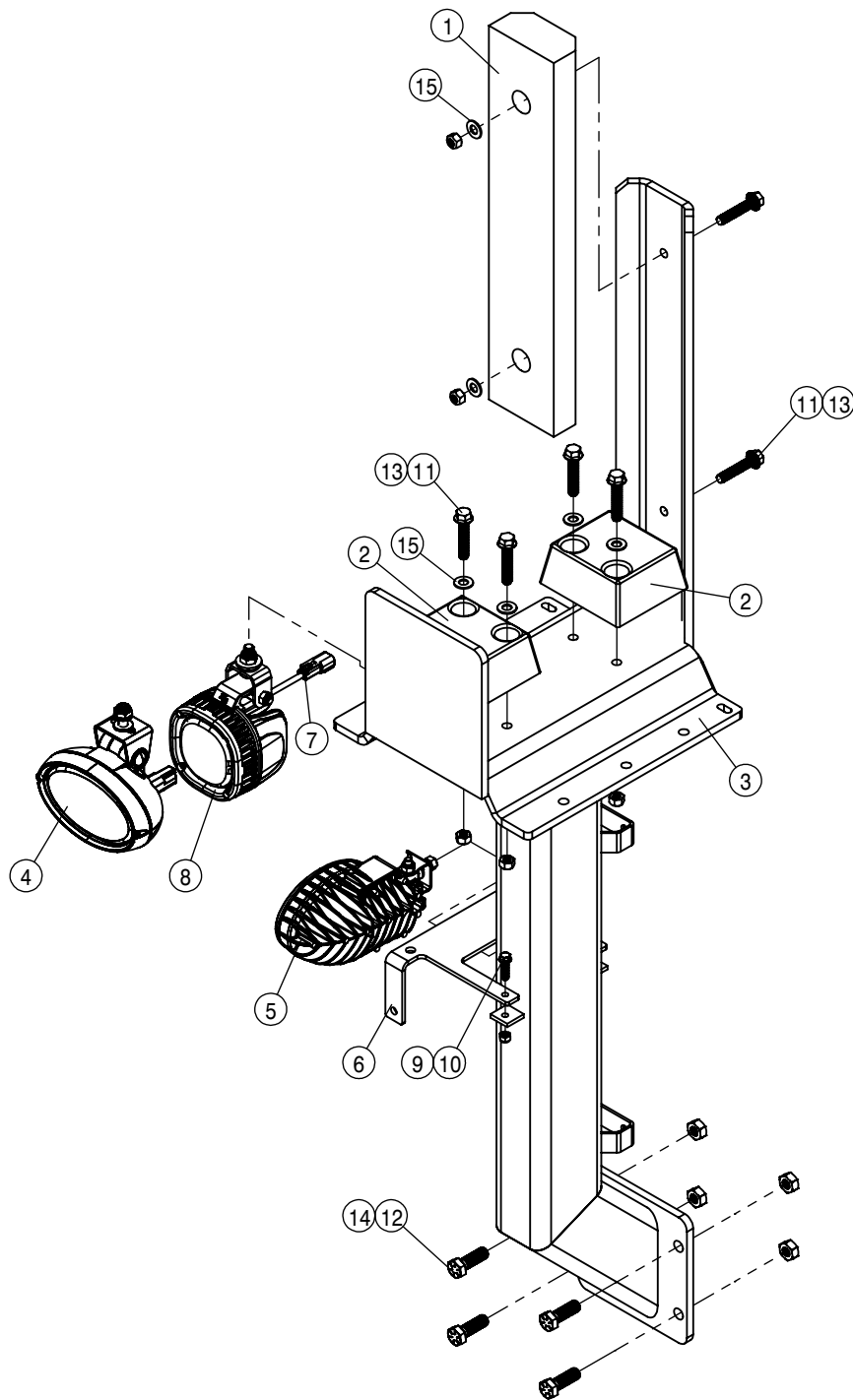


690125-SCREEN, 100 MESH

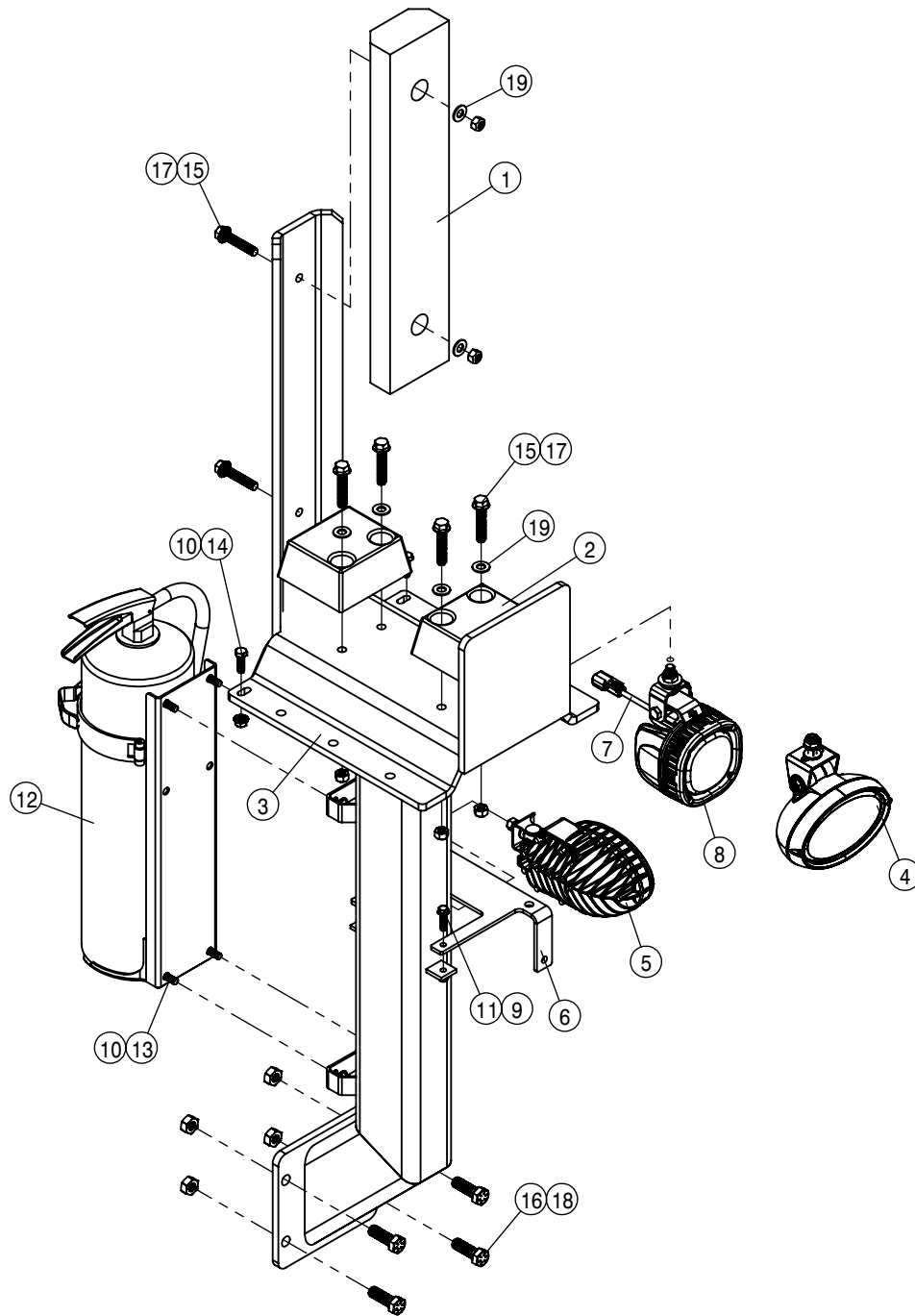
REAR DELUGE SYSTEM ASSEMBLY				
DET	QTY	P/N	DESCRIPTION	
1	1	195914-279	1/20D AIR BRAKE TUBING J844-B	
2	1	197121-011	HOSE 3/4 2-FBR BR BLK EPDM	
3	1	344780	5850-201C DIAPHRAGM PUMP	
4	1	344787	GST DELUGE FLUID TANK	
5	12	470325	HEX FLANGE NUT SER 7/16-14 MC GR5	
6	4	483082	1/2" X 2" FENDER WASHER	
7	1	500000	1/2MNPT HEX PIPE NIPPLE STL	
8	1	500054	3/4NPT-90-3/4 HOSE BARB, POLY	
9	1	500072	1/2 NPT-90- 3/4 HOSE BARB, POLY	
10	2	520055	HOSE CLAMP NO 12 STAINLESS	
11	1	711042	1/2MNPT-1/2 NYL TUBE LBO	
12	8	900512	7/16UNC X 1 1/2 HHSFB GR5 MC	
13	4	920000	SAE FLAT WASHER 1/4 MC	
14	1	344788	GST DELUGE PUMP BRKT.	
15	1	690124	LINE STRAINER,100 MESH,1/2FNPT	
16	1	344805	INJECTION STAND WLD	
NS	1	294311	HARNESS,DELU/MIRROR/SIDEWIPER	
NS	1	294312	HARNESS,DELUGE OUTPUT	



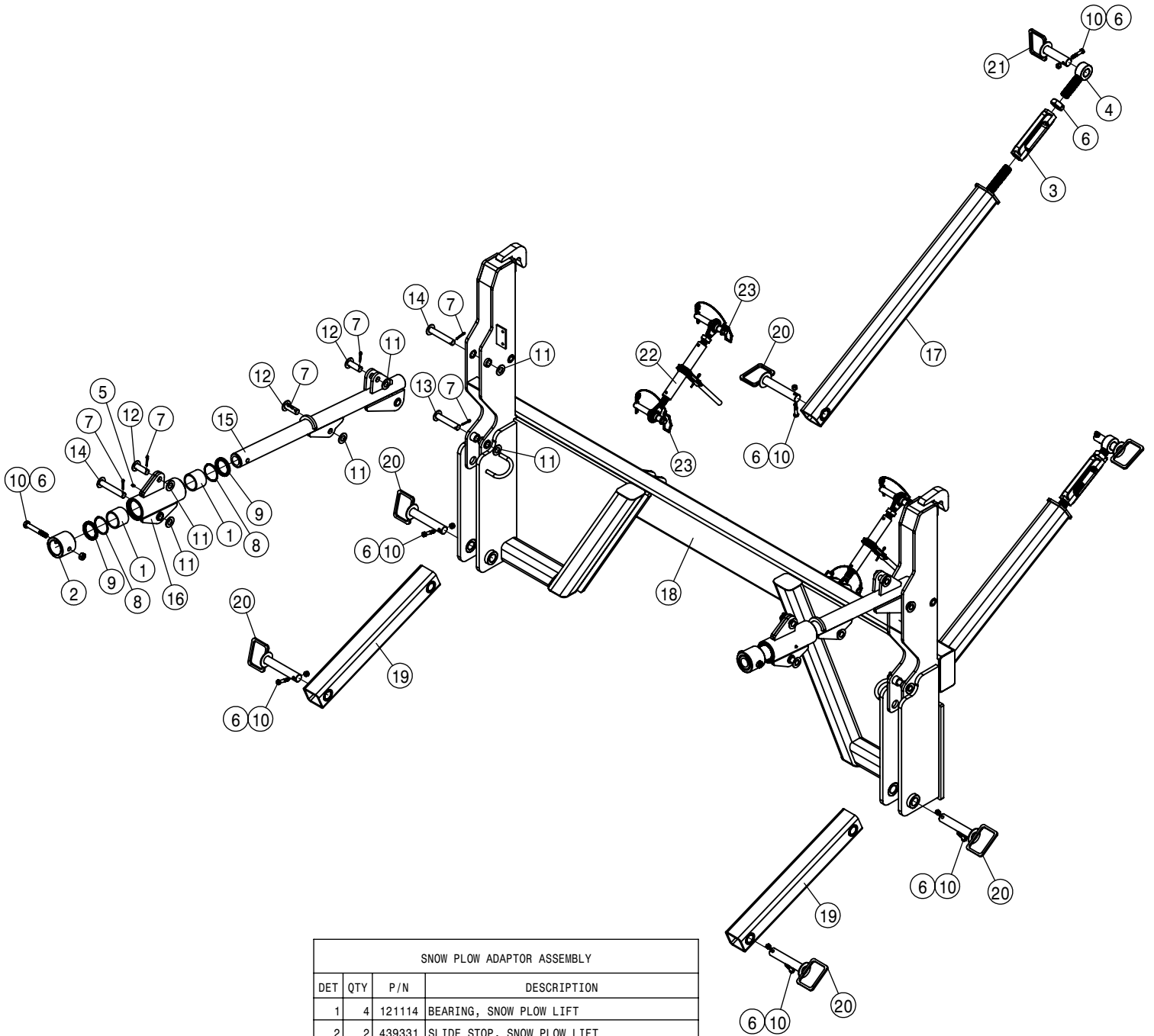
FRONT/REAR FENDER ASSEMBLY			
DET	QTY	P/N	DESCRIPTION
1	1	360821	WHEEL SHIELD WLDMT-LH GST20
2	1	360822	WHEEL SHIELD WLDMT-RH GST20
3	1	360823	FENDER BRKT WLD-LH TOP, GST20
4	1	360824	FENDER BRKT WLD-RH TOP, GST20
5	1	360825	FENDER BRKT WLD-LH LWR, GST20
6	1	360826	FENDER BRKT WLD-RH LWR, GST20
7	2	360139	MTG STRAP-CROP SHIELD SDS LEG
8	2	359461	FENDER,DRILLED,GST20 07
9	2	470089	1/4UNC HEX NYL-LOC NUT
10	28	910106	CENTERLOCK FLANGE NUT 3/8-16 MC GR5
11	2	470407	1/4UNC X 1 1/4 SERR FLG BOLT
12	6	473987	1/2UNC X 1 1/4 BUT SKTHD SCR
13	4	629772	CAPPLUGS PLUG,1 3/4" RD, BLACK POLY
14	2	650851	DECAL, NOTICE, SHIELD PROTECT
15	24	470329	3/8UNC X 1 1/4 SERR FLG HEX BOLT
16	12	470431	1/2UNC X 1 1/2 HHSFB GR5 MC
17	12	914008	1/2 UNC HEX STOVER NUT
18	12	359469	FENDER MT PLATE,GST20 07



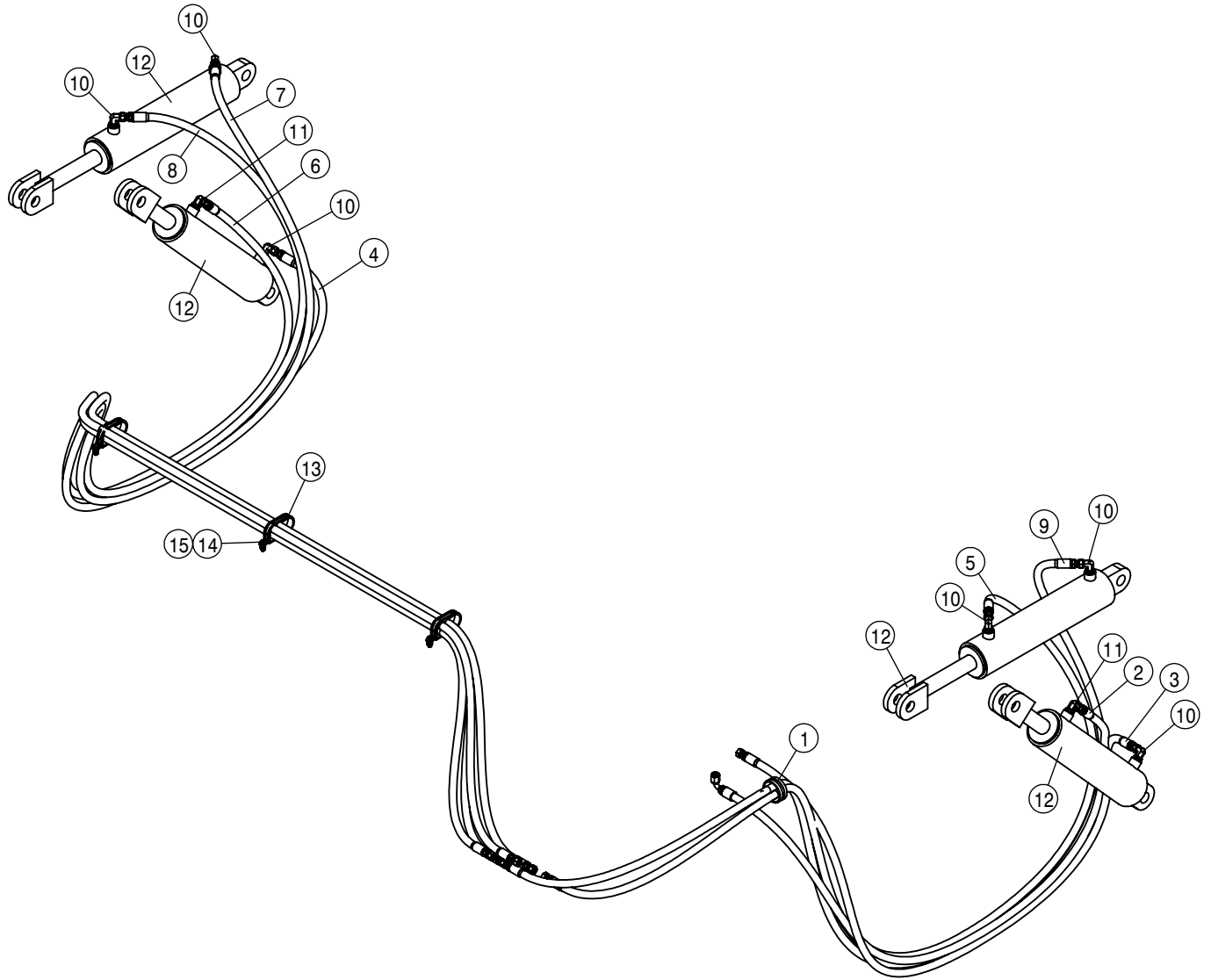
RH 90/100' BOOM CRADLE ASSEMBLY			
DET	QTY	P/N	DESCRIPTION
1	1	164512	RUBBER BUMPER, BOOM CRADLE
2	2	164513	BOOM CRADLE PAD
3	1	165041	BOOM CRADLE WLD 07
4	1	292614	WORKLIGHT - HALOGEN CLOSE RANGE
5	1	292917	LED LIGHT, AMBER
6	1	343689	EXTREMITY FLASHER MT, STS '11
7	1	294299	TYRI JUMPER HARNESS
8	1	292618	WORKLIGHT-TYRI LED FLOOD
9	2	470089N	1/4UNC HEX NYLOC NUT, 316 SS
10	2	470231N	1/4UNC X 1" SERR FLG BOLT SS
11	6	900133N	3/8UNC X 2" SERR FLANGE BOLT
12	4	900804	1/2UNC X 1 1/2 HEX BOLT GR8 YZ
13	6	914004	3/8UNC HEX STOVER NUT
14	4	914808	1/2UNC HEX STOVER NUT GR8
15	6	920002N	3/8 SAE FLAT WASHER



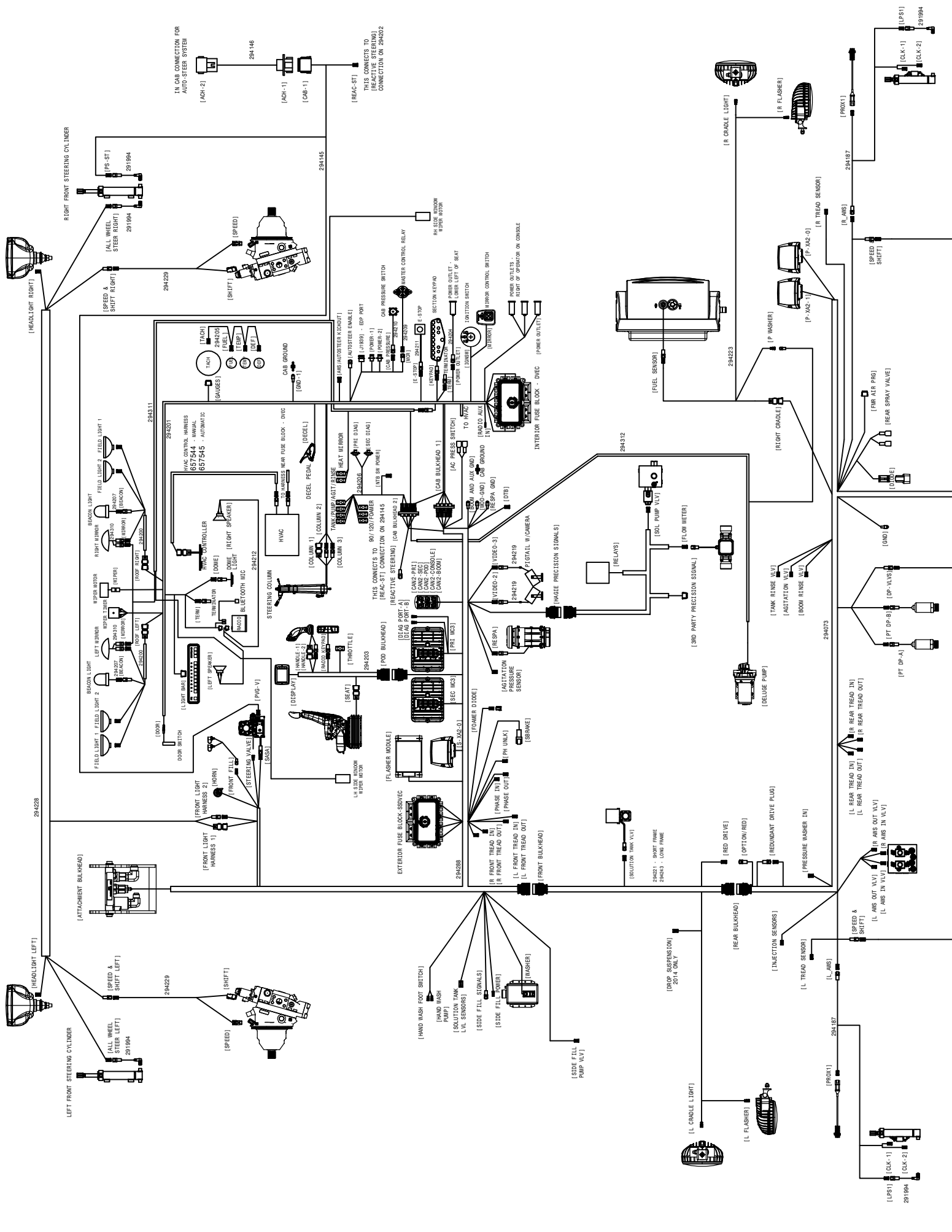
LH 90/100' BOOM CRADLE ASSEMBLY			
DET	QTY	P/N	DESCRIPTION
1	1	164512	RUBBER BUMPER, BOOM CRADLE
2	2	164513	BOOM CRADLE PAD
3	1	165041	BOOM CRADLE WLD 07
4	1	292614	WORKLIGHT - HALOGEN CLOSE RANGE
5	1	292917	LED LIGHT, AMBER
6	1	343689	EXTREMITY FLASHER MT, STS '11
7	1	294299	TYRI JUMPER HARNESS
8	1	292618	WORKLIGHT-TYRI LED FLOOD
9	2	470089N	1/4UNC HEX NYLOC NUT, 316 SS
10	6	470113	5/16UNC SERR FLG LOCK NUT
11	2	470231N	1/4UNC X 1" SERR FLG BOLT SS
12	1	490508	FIRE EXTINGUISHER
13	4	900064	5/16UNC X 3/4" HEX BOLT
14	2	900065N	5/16UNC X 1" HEX BOLT SS
15	6	900133N	3/8UNC X 2" SERR FLANGE BOLT
16	4	900804	1/2UNC X 1 1/2 HEX BOLT GR8 YZ
17	6	914004	3/8UNC HEX STOVER NUT
18	4	914808	1/2UNC HEX STOVER NUT GR8
19	6	920002N	3/8 SAE FLAT WASHER

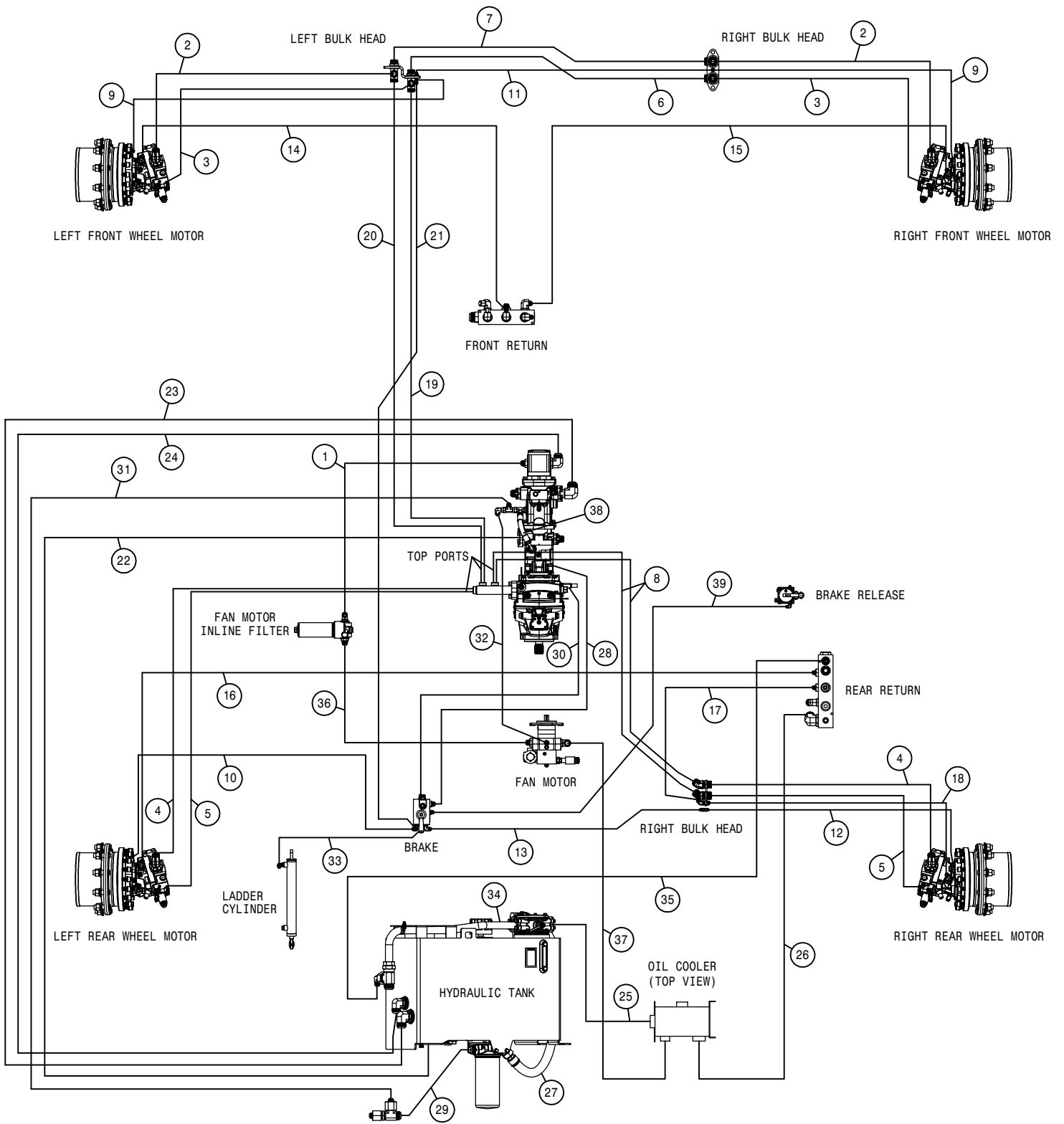


SNOW PLOW ADAPTOR ASSEMBLY			
DET	QTY	P/N	DESCRIPTION
1	4	121114	BEARING, SNOW PLOW LIFT
2	2	439331	SLIDE STOP, SNOW PLOW LIFT
3	2	440869	TURNBUCKLE BODY, 1 1/2 X 6
4	2	440876	EYEBOLT, 1 1/2-6
5	2	471005	GREASE ZERK, 1/4-28 X 1/2
6	12	473007	NYLOCK NUT 1/2-13 MC GR5
7	12	475015	1/4 X 1 1/2 COTTER PIN
8	4	629539	SPIRAL RETAINING RING, 3.04
9	4	629622	SPECTRA SEAL, 2.75 X 3.50 X .375
10	10	900412	3/4UNC X 5 HHCS GR5 MC
11	12	920008	1" SAE FLAT WASHER
12	6	439066	LIFT CYL PIN WLD, NTB STS 03
13	2	439070	LIFT CYL MT PIN WLD, NTB STS
14	4	439072	LIFT ARM PIN WLD, NTB STS 03
15	2	439320	WLDMNT, INNER PLOW LIFT ARM 07
16	2	439327	WLDMNT, OUTER PLOW LIFT ARM 07
17	2	440870	LWR LIFT ARM WLD GST ADPTR
18	1	440880	GST ADPTR WLD
19	2	440881	LWR LIFT ARM WLD GST
20	6	440883	LIFT ARM PIN WLD, GST
21	2	440885	LIFT ARM PIN WLD, GST
22	2	470488	RATCHET JACK 20-28" BALL END
23	4	470499	1" HITCH PIN, W/HANDLE,HAIRPIN



SNOW PLOW HYDRAULIC HOISING			
DET	QTY	P/N	DESCRIPTION
1	1	520161	CUSH CLAMP, #32 2"D-3/4W LOOP
2	1	616611	06-451TC-06FJX-06FJX-91 H/A
3	1	616612	06-451TC-06FJX-06FJX-109 H/A
4	1	616614	06-451TC-06FJX-06FJX-145 H/A
5	1	616615	06-451TC-06FJX-06FJX-153 H/A
6	1	616616	06-451TC-06FJX-06FJX-159 H/A
7	1	616618	06-451TC-06FJX-06FJX-183 H/A
8	1	616619	06-451TC-06FJX-06FJX-191 H/A
9	1	616624	06-451TC-06FJX-06FJX90-116 H/A
10	6	618119	9/16MJIC-90-9/16MOR LBO
11	2	618689	9/16MOR-90-9/16MJ .042 CHK VLV
12	4	621558	3.00 X 11.00 X 1.38 LEVEL CYL.
13	3	520005	1.50" DOUBLE TUBE CUSH CLAMP
14	3	470118	1/4 UNC X 3/4 SER FLG BOLT
15	3	470089	1/4UNC HEX NYL-LOC NUT





GST 20 HYDRAULIC DIAGRAM 2016
REFERENCE DRAWING NO. 499353s1_RevA

DET.	QTY	PART NO.	DESCRIPTION	DET.	QTY	PART NO.	DESCRIPTION
1	1	616676	12-451TC-12FJX-12FJX90L-18 H/A	21	1	617083	04-451TC-04FJX-06FJX90-208 H/A
2	2	617060	16-797TC-16FFOX-16FFOX45-110H/	22	1	195418	HOSE, 7219-40 2.50 75P
3	2	617061	16-797TC-16FFOX-16FFOX90-114H/	23	1	617091	24-811-24FJX-24FJX-71 H/A
4	2	617062	16-797TC-16FFOX-16FFOX45-123H/	24	1	617092	20-811-20FJX-20FJX90-60 H/A
5	2	617063	16-797TC-16FFOX-16FFOX90-128H/	25	1	617093	24-811-24FJX-24FLG90-48 H/A
6	1	617064	16-797TC-16FFOX-16FFOX90-61H/A	26	1	617094	24-811-24FJX-24FJX90-31 H/A
7	1	617065	16-797TC-16FFOX-16FFOX90-65H/A	27	1	617095	20-811-20FJX-20FJX45-47 H/A
8	2	617067	16-797TC-16FFOX-16FFOX90-31H/A	28	1	617096	06-451TC-08FJX-06FJX90-22 H/A
9	2	617068	04-451TC-04FJX-04FJX-126 H/A	29	1	617120	20-811-20FJX-20FJX-37 H/A
10	1	617069	04-451TC-04FJX-06FJX90-139 H/A	30	1	617121	04-451TC-06FJX-04FJX90-34 H/A
11	1	617070	04-451TC-04FJX-04FJX90-61 H/A	31	1	617122	12-451TC-10FJX-12FJX90-18 H/A
12	1	617071	04-451TC-04FJX-04FJX-138 H/A	32	1	617124	06-451TC-10FJX-06FJX90-85 H/A
13	1	617072	04-451TC-06FJX-04FJX45-43 H/A	33	1	617127	06-451TC-06FJX-06FJX45-36 H/A
14	1	617073	08-451TC-08FJX-08FJX90-173 H/A	34	1	617151	HYD TANK TUBE
15	1	617074	08-451TC-08FJX-08FJX90-190 H/A	35	1	617171	12-451TC-12FJX-12FJX90-43 H/A
16	1	617075	08-451TC-08FJX-08FJX90-160 H/A	36	1	617199	12-451TC-12FJX-12FJX-73 H/A
17	1	617077	08-451TC-08FJX-08FJX90-15 H/A	37	1	617214	16-811-16FJX-16FJX90-43 H/A
18	1	617080	08-451TC-08FJX-08FJX90-133 H/A	38	1	617132	10-451TC-10FJX-10FJX90-11 H/A
19	1	617081	16-797TC-16FFOX-16FFOX45-213H/	39	1	616595	06-451TC-06FJX-06FJX-132 H/A
20	1	617082	16-797TC-16FFOX-16FFOX45-217H/				

GST 20 HYDRAULIC DIAGRAM 2016
 REFERENCE DRAWING NO. 499353s2_RevA

DET.	QTY	PART NO.	DESCRIPTION		DET.	QTY	PART NO.	DESCRIPTION	
1	1	616212	06-482TC-06FJX-06FJX-54	H/A	15	1	617104	16-811-16FJX-16FJX90-26	H/A
2	1	616102	08-451TC-08FJX-08FJX-132	H/A	16	1	617105	12-451TC-12FJX-12FJX-115	H/A
3	1	617113	16-451TC-16FJX-20FJX90-215	H/A	17	1	617111	12-451TC-12FJX-12FJX-93	H/A
4	1	617114	20-811-20FJX-20FJX-229	H/A	18	1	617115	06-451TC-06FJX-06FJX45-101	H/A
5	1	617173	20-811-20FJX-20FJX-39	H/A	19	1	617116	06-451TC-06FJX-06FJX-99	H/A
6	1	617078	08-451TC-08FJX-08FJX90-118	H/A	20	1	617117	06-451TC-06FJX-06FJX-137	H/A
7	1	617079	08-451TC-08FJX-08FJX-107	H/A	21	1	617118	06-451TC-06FJX-06FJX90-137	H/A
8	1	617097	10-451TC-10FJX-10FJX-47	H/A	22	1	617119	10-451TC-10FJX-10FJX-18	H/A
9	1	617087	24-811-24FJX-24FJX90-177	H/A	23	1	617139	16-811-16FJX-16FJX-12	H/A
10	1	617133	12-451TC-12FJX-16FJX90-187	H/A	24	1	617129	10-451TC-10FJX-12FJX90-55	H/A
11	1	617112	04-451TC-04FJX-04FJX45-239	H/A	25	1	617130	12-451TC-12FJX-12FJX90-78	H/A
12	1	617101	12-451TC-16FJX-12FJX90-23	H/A	26	1	617131	12-451TC-12FJX-12FJX-44	H/A
13	1	617102	04-451TC-06FJX-04FJX90-29	H/A	27	1	617137	10-451TC-10FJX-10FJX-79	H/A
14	1	617103	12-451TC-12FJX-12FJX90-22	H/A					

ABBREVIATIONS

A/C - AIR CONDITIONER	MT - MOUNT
ADPTR - ADAPTER	MTR - MOTOR
AGI - AGITATOR	P/N - PART NUMBER
ALT - ALTERNATOR	PLT - PLATE
ASSY - ASSEMBLY	QTY - QUANTITY
BRKT - BRACKET	RED - REDUCER
DET - DETAIL	REF - REFERENCE
DISPL - DISPLACEMENT	REST - RESTRICTOR
EL - ELBOW	REQ - REQUIRED
EXT - EXTENSION	SHFT - SHAFT
FLO - FLOW	SOL - SOLUTION
FNPT - FEMALE NATIONAL PIPE THREAD	STRG - STEERING
FOR - FEMALE O-RING	ST - STREET
FRT - FRONT	SV - STANDARD VOLUME
HV - HI-VOLUME	SWIV - SWIVEL
HYD - HYDRAULIC	UNC - UNIFIED NATIONAL COURSE
HYDRO - HYDROSTATIC	UNF - UNIFIED NATIONAL FINE
LG - LONG	V - VOLT
LWR - LOWER	W/ - WITH
MJIC - MALE J.I.C.	WHL - WHEEL
MOR - MALE O-RING	WLD - WELDMENT

-A-

ABBREVIATIONS.....	90
AIR BAG.....	44
AIR CLEANER.....	5
AIR CONDITIONER	
BLOWER.....	60
COMPRESSOR.....	13
DRIER.....	12
HOSE.....	12
TUBES.....	12
AIR COOLER, CHARGE.....	7
AIR DRIER.....	46
AIR FILTER, CAB.....	60
AIR GOVERNOR.....	46
AIR LINES.....	45,46,47
AIR TANK.....	45
AIR VALVE.....	44,45
ALTERNATOR.....	4
ANTENNA.....	56
ARMREST.....	61
AUX OIL COOLER.....	21

-B-

BACKUP ALARM.....	67
BATTERY.....	10
CABLE.....	10
STAND.....	9
SWITCH.....	10
BEACON.....	51
BELLY SHIELD.....	66
BELT, DRIVE.....	4
BLOWER, A/C.....	60
BOOM CRADLE.....	80,81
BRAKE VALVE.....	29
BREATHER.....	22
BULKHEAD.....	27,65
BUSBAR.....	10

-C-

CAB.....	51
ELECTRICAL.....	55
MOUNTS.....	51
CAMERA.....	68,69
CIRCUIT BREAKER.....	10
CLAMP, TUBE.....	12
COMBO	
AUX COOLER.....	21
COMPRESSOR, A/C.....	13
CONDENSOR, A/C.....	13
CONSOLE.....	58
REAR.....	57
CONTROL VALVE, SOLUTION.....	23

COOLANT SENSOR.....	7
COOLER.....	57
CHARGE AIR.....	7
OIL.....	7
CRADLE,	
BOOM.....	80,81
FUEL TANK.....	35
CYLINDER,	
LADDER.....	31
SIDEFILL.....	74
STEERING.....	38,39,40,41

-D-

DIAGRAM,	
ELECTRICAL.....	84
HYDRAULIC.....	86
DELUGE SYSTEM.....	77,78
DOOR.....	53
DRIVE BELT.....	4

-E-

ELECTRICAL, CAB.....	57
ELECTRICAL, CHASSIS.....	11
ENGINE.....	4
HOOD.....	67
SKID.....	9

-F-

FAN	
SHROUD.....	7
FENDERS.....	79
FILTERS,	
AIR DRIER.....	46
FUEL.....	25
MINDER.....	5
OIL.....	4,22,25
FIRE EXTINGUISHER.....	81
FLASHER.....	80,81
FLOORMAT.....	57
FLOWMETER.....	74
FUEL SENSOR.....	35
FUEL TANK.....	35
FUSE.....	10

-G-

GAUGE.....	57
SIGHT.....	72
GLASS.....	51,53

-H-

HANDRAIL.....	70
HAND PUMP.....	30
HEAD LINER.....	56
HEAT SHIELD, BATTERY.....	9
HOOD, ENGINE.....	67
HOSE GUARD.....	16,17
HOSE SLEEVE.....	14,15
HOSING, HYDRAULIC.....	14,15,16,17
HUB, WHEEL.....	19,20
HYDRAULIC	
DIAGRAM.....	86
QUICK CONNNECT.....	33,34
OIL COOLER.....	7
TANK.....	22
HYDROSTATIC PUMP.....	18
	-I-
INSTRUCTINAL SEAT.....	62
INTAKE SCREEN.....	7
	-J-
JOYSTICK.....	61
	-L-
LADDER.....	71
CYLINDER.....	31
LATCH.....	51,67
LEG.....	36,37
LEVEL SENSOR.....	22
LIFT ARM, PLOW.....	82
LIGHTS.....	51,64,80,81
LINE STRAINER.....	74
	-M-
MANIFOLD, RETURN.....	27,28
MIRROR.....	51
MOTOR,	
STEERING.....	24
WHEEL.....	19,20
MOUNT,	
CAB.....	51
RUBBER.....	9
MUFFLER.....	9
	-O-
OIL COOLER.....	7
OIL FILTER.....	4,22
	-P-
PLATFORM, SERVICE.....	70
PLOW LIFTARM.....	82

PUMP,	
HAND.....	30
HYDROSTATIC.....	18
	-Q-
QUICK ATTACH,	
LIFTARM.....	64
SOLUTION.....	73
QUICK CONNECT, HYDRAULIC.....	33,34
	-R-
RADIATOR.....	7
RADIO.....	55
RETURN MANIFOLD.....	27,28
ROOF.....	51
RUBBER MOUNT.....	9
	-S-
SCREEN, INTAKE.....	7
SEAT.....	61,62
SENSOR	
COOLANT.....	8
FUEL.....	35
LEVEL.....	22
SHIELD	
BELLY.....	66
WHEEL MOTOR.....	79
SHROUD, FAN.....	7
SIDE FILL.....	92
SIGHT GUAGE.....	70
SKID, ENGINE.....	9
SMV SIGN.....	67
SOLUTION	
PUMP.....	75
TANK.....	72
SPEAKER, RADIO.....	56
STARTER.....	4
STEERING	
COLUMN.....	57
CYLINDER.....	38,39,40,41
MOTOR.....	24
WHEEL.....	57
STRAINER, LINE.....	72,74
SURGE TANK.....	8
SWITCH,	
BATTERY.....	10
	-T-
TANK	
AIR.....	45
DEF.....	6
FUEL.....	35

HYDRAULIC.....	22
SOLUTION.....	72
SURGE.....	8
TIE ROD.....	42
TIRE.....	43
TOOLBOX.....	63
TREAD ADJUST.....	48,49,50
TUBE CLAMP.....	12

-V-

VALVE,	
ALL WHEEL STEER.....	32
BRAKE.....	29

-W-

WHEEL HUB.....	19,20
WHEEL MOTOR.....	19,20
WIPER.....	52
WIRING DIAGRAM.....	84

Notes: