

# DTB



## PARTS MANUAL FOR STS DETASSELER HAGIE MANUFACTURING COMPANY

721 CENTRAL AVENUE WEST  
BOX 273  
CLARION, IOWA 50525-0273

(515) 532-2861

COVERS MACHINE SERIAL NUMBERS: U80081414001-200, U80091414001-200

U80101414001-200, U80111414001-200

11-13 493577

U80121414001-200, U80131414001-200

02-14, 02-15

U80141414001-200, U80151414001-200, U80161414001-200

U80171414001-200, U80181414001-200, U80191414001-200

To obtain the most current parts manual for your machine,  
please visit [www.hagiehelp.com](http://www.hagiehelp.com).

© 2013-15 Hagie Manufacturing Company. Clarion, Iowa USA



TABLE OF CONTENTS

QUICK ATTACH. . . . .3-4

MOTOR CONTROL VALVE . . . . .5

LIFT VALVE. . . . .6

RETURN MANIFOLD . . . . .7

FOLD VALVE. . . . .8

CASE DRAIN MANIFOLD . . . . .9

DETASSELER MODULE . . . . .10

ELECTRICAL BOX . . . . .11

OUTRIGGER ASSEMBLY . . . . .12-13

LIFT ASSEMBLY . . . . .14-16

QUAD PULLER HEAD ASSEMBLY . . . . .17

CUTTER HEAD ASSEMBLY . . . . .18-19

LS SENSOR ASSEMBLY. . . . .20

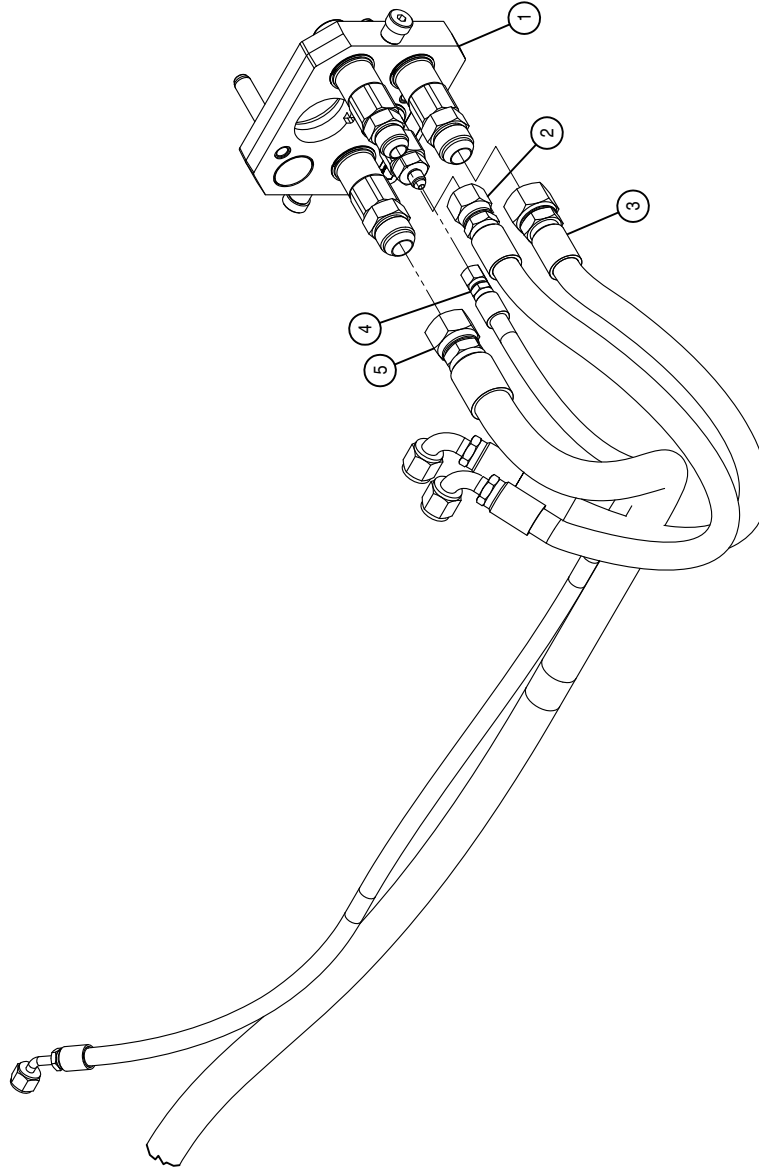
TOOLBAR STAND . . . . .21

HYDRAULIC DIAGRAM . . . . .22-45

ELECTRICAL DIAGRAM. . . . .46-49

LIFT VALVE QUICK ATTACH ASSEMBLY

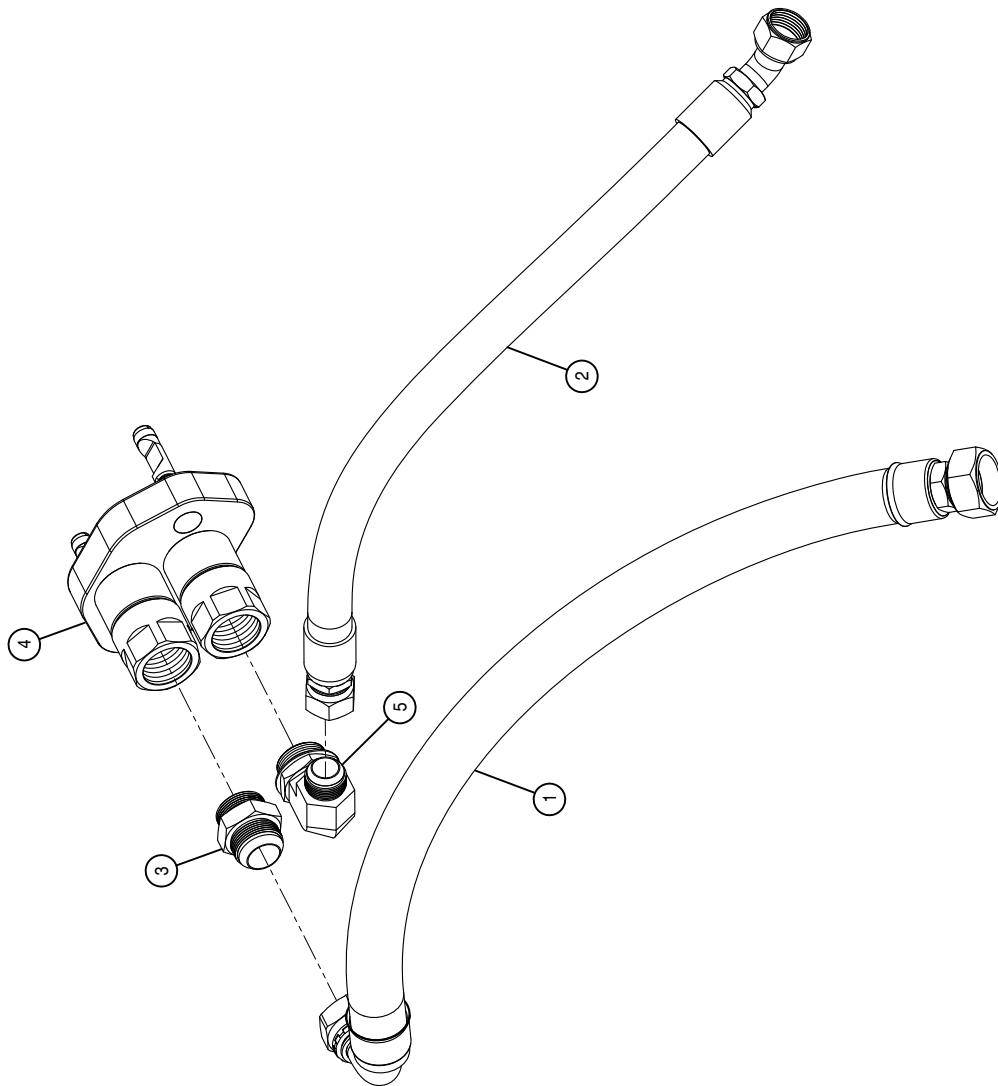
| DET. | QTY | PART NO. | DESCRIPTION                    |
|------|-----|----------|--------------------------------|
| 1    | 1   | 607113   | MOBILE HALF COUPLER ASSY, 0504 |
| 2    | 1   | 617186   | 08-451TC-10FJX-08FJX90-29 H/A  |
| 3    | 1   | 617187   | 08-451TC-12FJX-08FJX90-29 H/A  |
| 4    | 1   | 617188   | 04-451TC-04FJX-06FJX45-50 H/A  |
| 5    | 1   | 617189   | 12-451TC-12FJX-12FJX-70 H/A    |



MOTOR CONTROL VALVE QUICK ATTACH ASSEMBLY

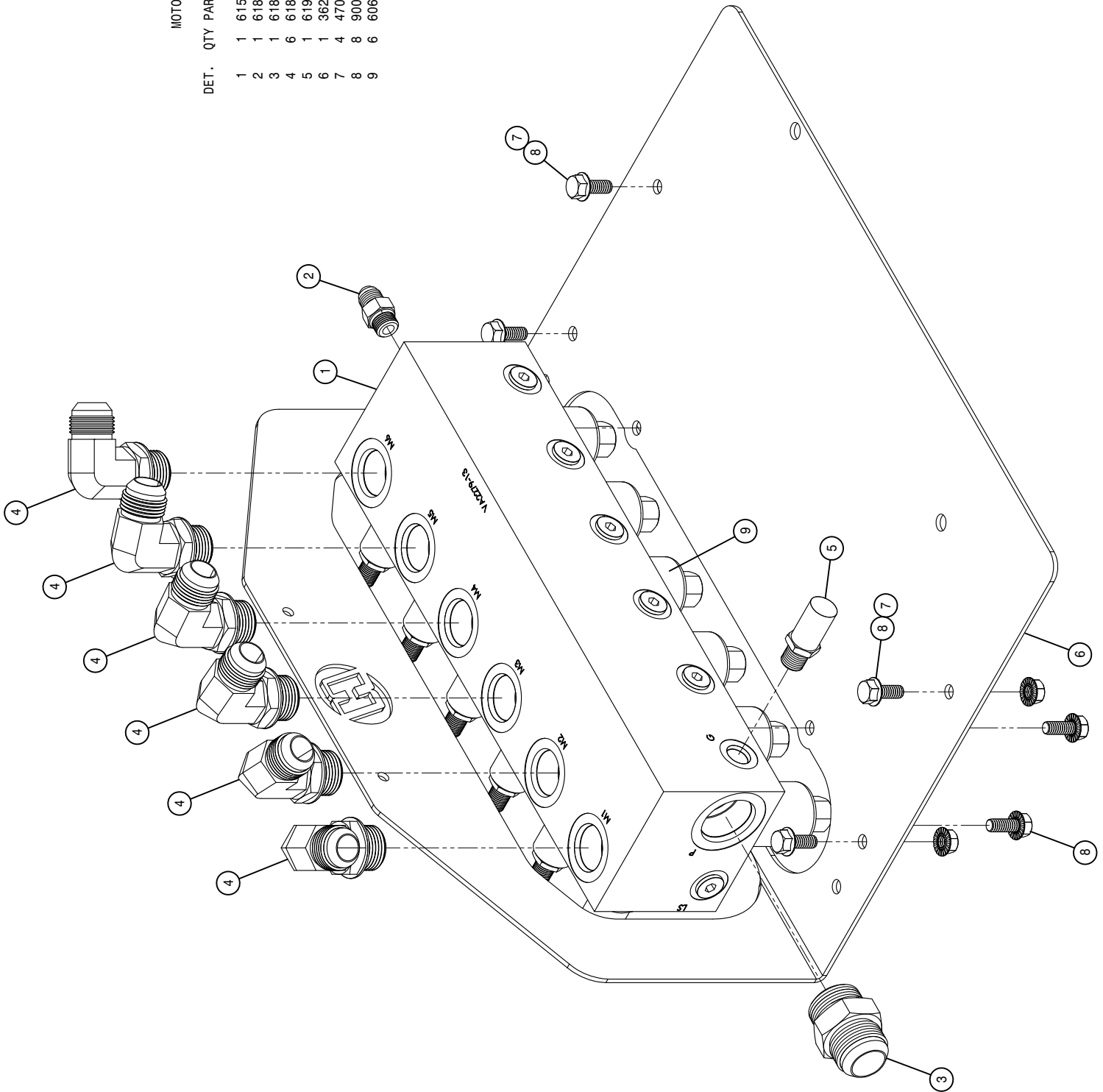
DET. QTY PART NO. DESCRIPTION

|   |   |        |                            |     |
|---|---|--------|----------------------------|-----|
| 1 | 1 | 614766 | 20-811-20FJX-20FJX90-40    | H/A |
| 2 | 1 | 614767 | 16-451TC-16FJX-16FJX45-34  | H/A |
| 3 | 1 | 618472 | 1 5/8MJIC-1 5/8MOR ADPTR   |     |
| 4 | 1 | 618879 | COMBO MULTI COUPLR MOBILE  | '14 |
| 5 | 1 | 618883 | 1 5/16MJIC-90-1 5/8MOR LBO |     |



MOTOR CONTROL VALVE ASSEMBLY

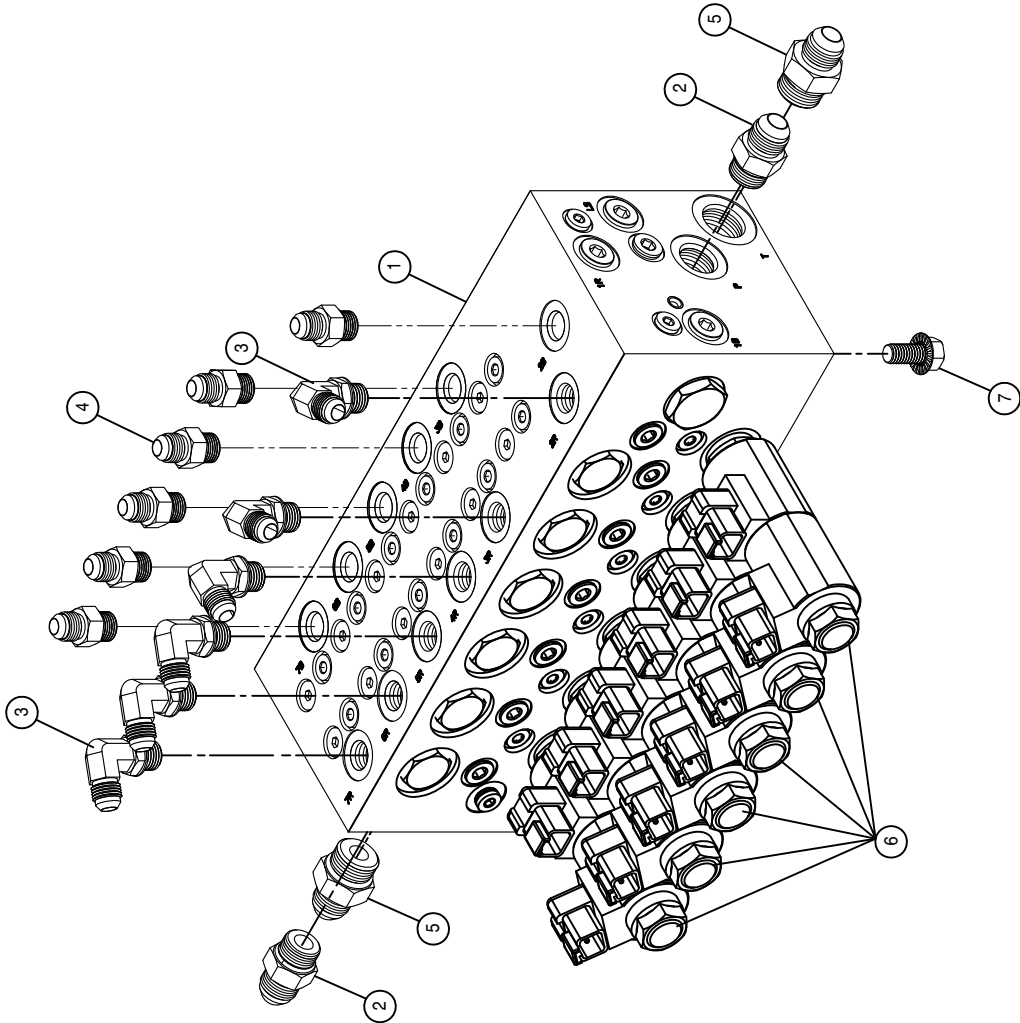
| DET. | QTY | PART NO. | DESCRIPTION                    |
|------|-----|----------|--------------------------------|
| 1    | 1   | 615911   | MOTOR CONTROL MANIFOLD         |
| 2    | 1   | 618126   | 9/16MJIC-9/16MOR ADPTR         |
| 3    | 1   | 618186   | 1 5/16MJIC-1 5/16MOR ADPTR     |
| 4    | 6   | 618248   | 1 1/16MJIC-90-1 1/16MOR LBO    |
| 5    | 1   | 619023   | 9/16 MOR DIAG FITTING STS' 14  |
| 6    | 1   | 362099   | MTR CNTRL VLV MT COMBO STS' 14 |
| 7    | 4   | 470113N  | 5/16UNC SER FLG LOCK NUT SS    |
| 8    | 8   | 900064N  | 5/16UNC X 3/4 SER FLG BOLT SS  |
| 9    | 6   | 606099   | #10 COIL W/DEUTSCH FOR 606210  |



LIFT VALVE ASSEMBLY

DET. QTY PART NO. DESCRIPTION

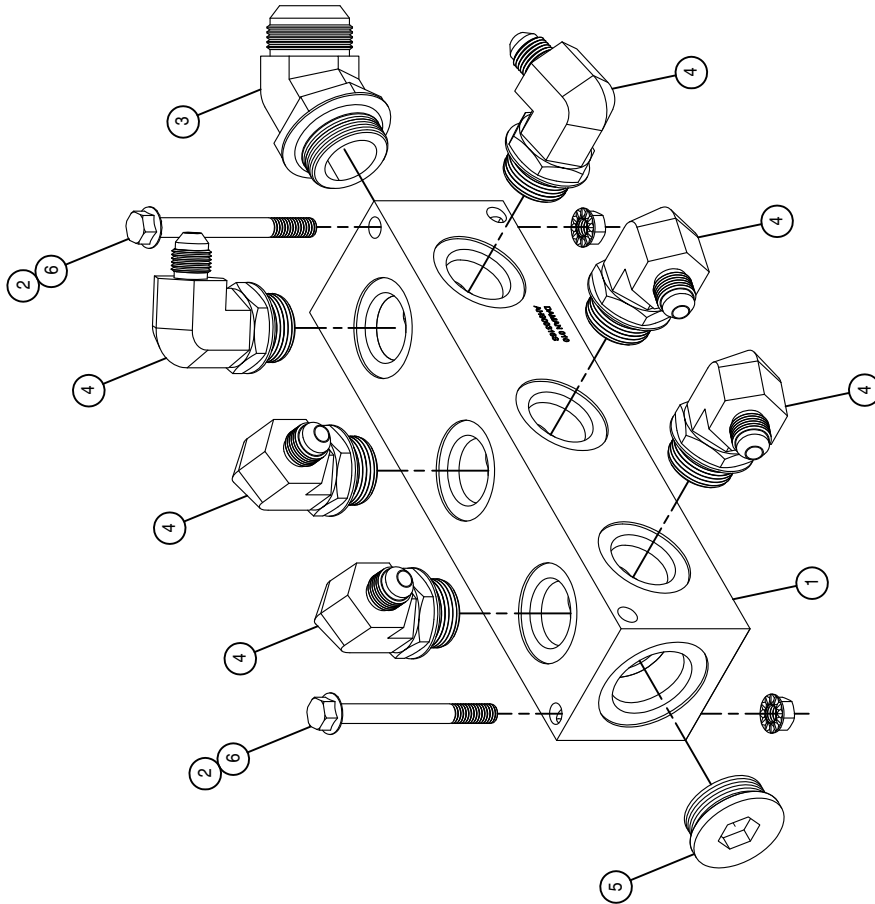
|   |    |        |                                |
|---|----|--------|--------------------------------|
| 1 | 1  | 606285 | LIFT VALVE, STS COMBO, SAUER   |
| 2 | 2  | 611125 | 3/4MJIC-3/4MOR ADPTR           |
| 3 | 6  | 618119 | 9/16MJIC-90-9/16MOR LBO        |
| 4 | 6  | 618126 | 9/16MJIC-9/16MOR ADPTR         |
| 5 | 2  | 618327 | 3/4MJIC-7/8MOR ADPTR           |
| 6 | 12 | 606345 | COIL FOR SV10 CART, VLV 606272 |
| 7 | 4  | 470409 | 3/8UNC X 3/4 SERR FLANGE BOLT  |



RETURN MANIFOLD ASSEMBLY

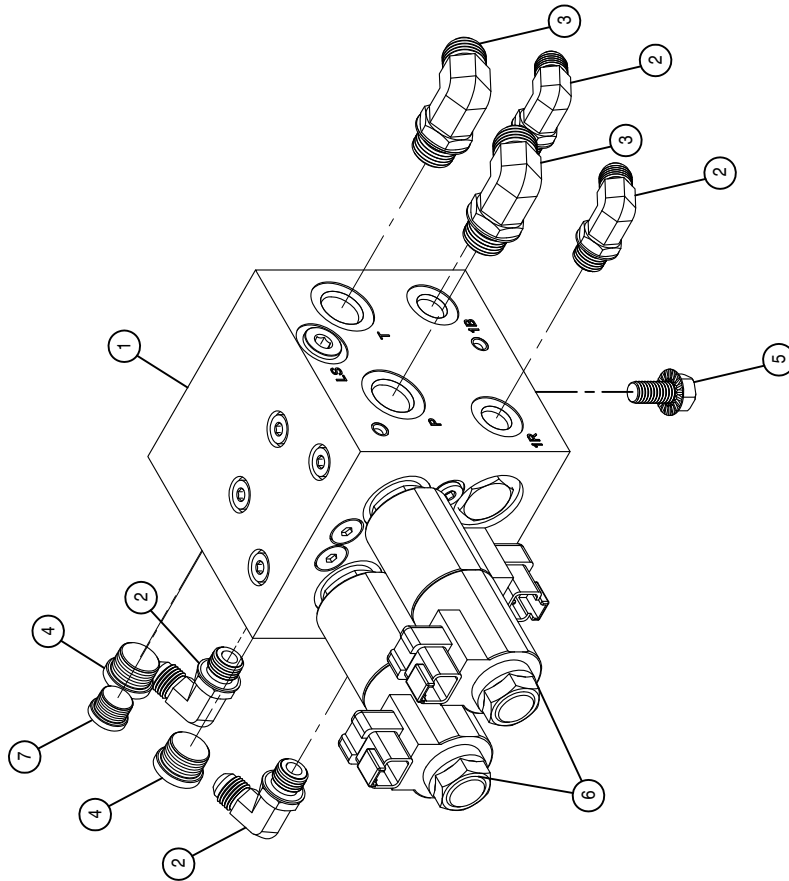
DET. QTY PART NO. DESCRIPTION

|   |         |                            |
|---|---------|----------------------------|
| 1 | 606246  | MANIFOLD, #16 3-STN 180    |
| 2 | 470087  | 3/8UNC HEX SER FLG NUT     |
| 3 | 618396  | 1 5/8MJIC-45-1 5/8MOR LBO  |
| 4 | 618475  | 3/4MJIC-90-1 5/16MOR LBO   |
| 5 | 618759  | 1 5/8MOR PLUG, HEX SOCKET  |
| 6 | 900139N | 3/8UNC X 3 3/4 HEX BOLT YZ |



FOLD VALVE ASSEMBLY

| DET. | QTY | PART NO. | DESCRIPTION                      |
|------|-----|----------|----------------------------------|
| 1    | 1   | 606286   | FOLD VALVE, STS COMBO, SAUER     |
| 2    | 4   | 618119   | 9/16MJIC-90-9/16MOR LBO          |
| 3    | 2   | 618241   | 3/4MJIC-90-3/4MOR LBO            |
| 4    | 2   | 618755   | 3/4MOR PLUG, HEX SOCKET          |
| 5    | 2   | 470409   | 3/8UNC X 3/4 SERR FLANGE BOLT    |
| 6    | 2   | 606304   | CARTRIDGE, PSV10, FOR VLV 606272 |
| 7    | 1   | 618754   | 9/16MOR PLUG, HEX SOCKET         |

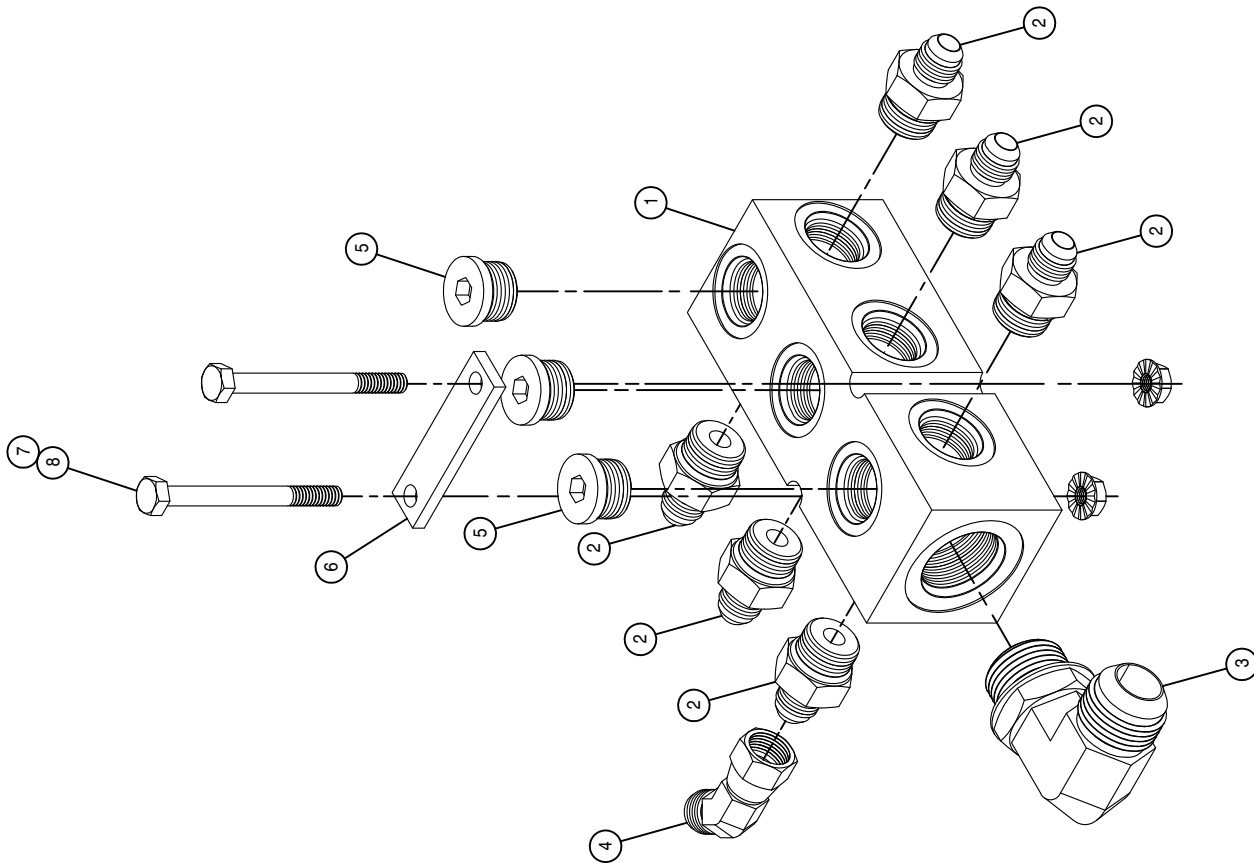




CASE DRAIN MANIFOLD ASSEMBLY

DET. QTY PART NO. DESCRIPTION

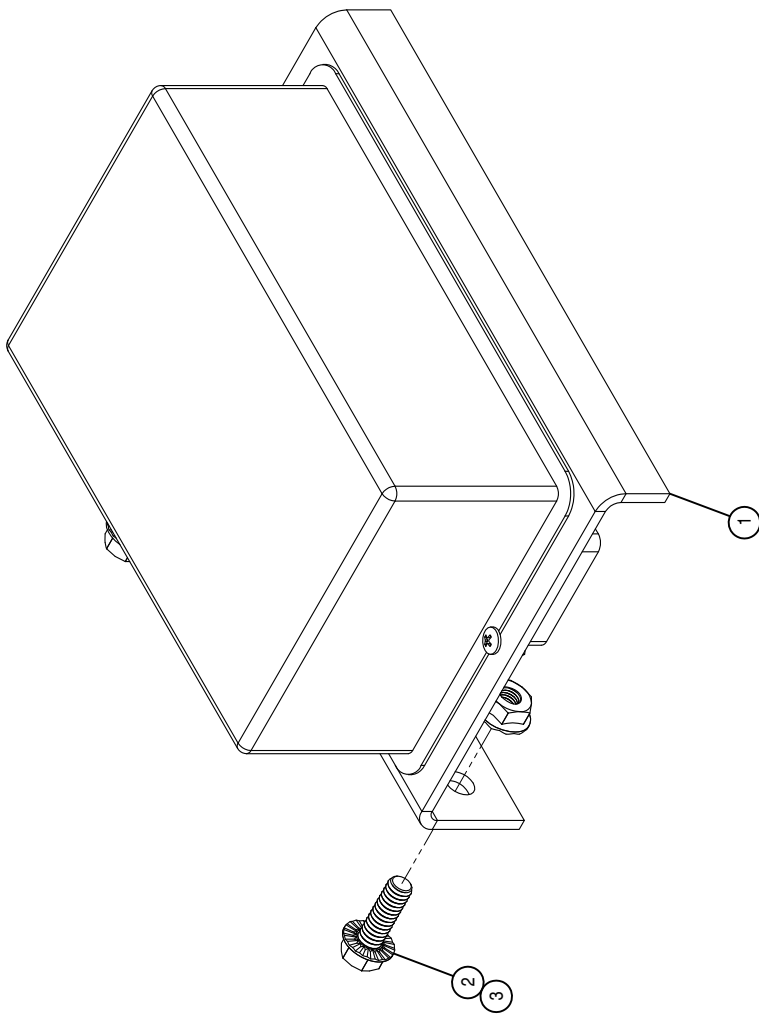
| DET. | QTY | PART NO. | DESCRIPTION                      |
|------|-----|----------|----------------------------------|
| 1    | 1   | 606021   | HYD RETURN MANIF, 3/4FOR, 9-PORT |
| 2    | 6   | 618109   | 9/16MJIC-3/4MOR ADPTR            |
| 3    | 1   | 618248   | 1/16MJIC-90-1 1/16MOR LBO        |
| 4    | 1   | 618634   | 9/16MJIC-45-9/16FJIC SWIV LBO    |
| 5    | 3   | 618755   | 3/4MOR PLUG, HEX SOCKET          |
| 6    | 1   | 438729   | CUTTER RETURN MANIF MT KEEPER    |
| 7    | 2   | 470121   | 1/4UNC SER FLG LOCK NUT          |
| 8    | 2   | 900009N  | 1/4UNC X 2 3/4 HEX BOLT SS       |



DETASSELER MODULE ASSEMBLY

DET. QTY PART NO. DESCRIPTION

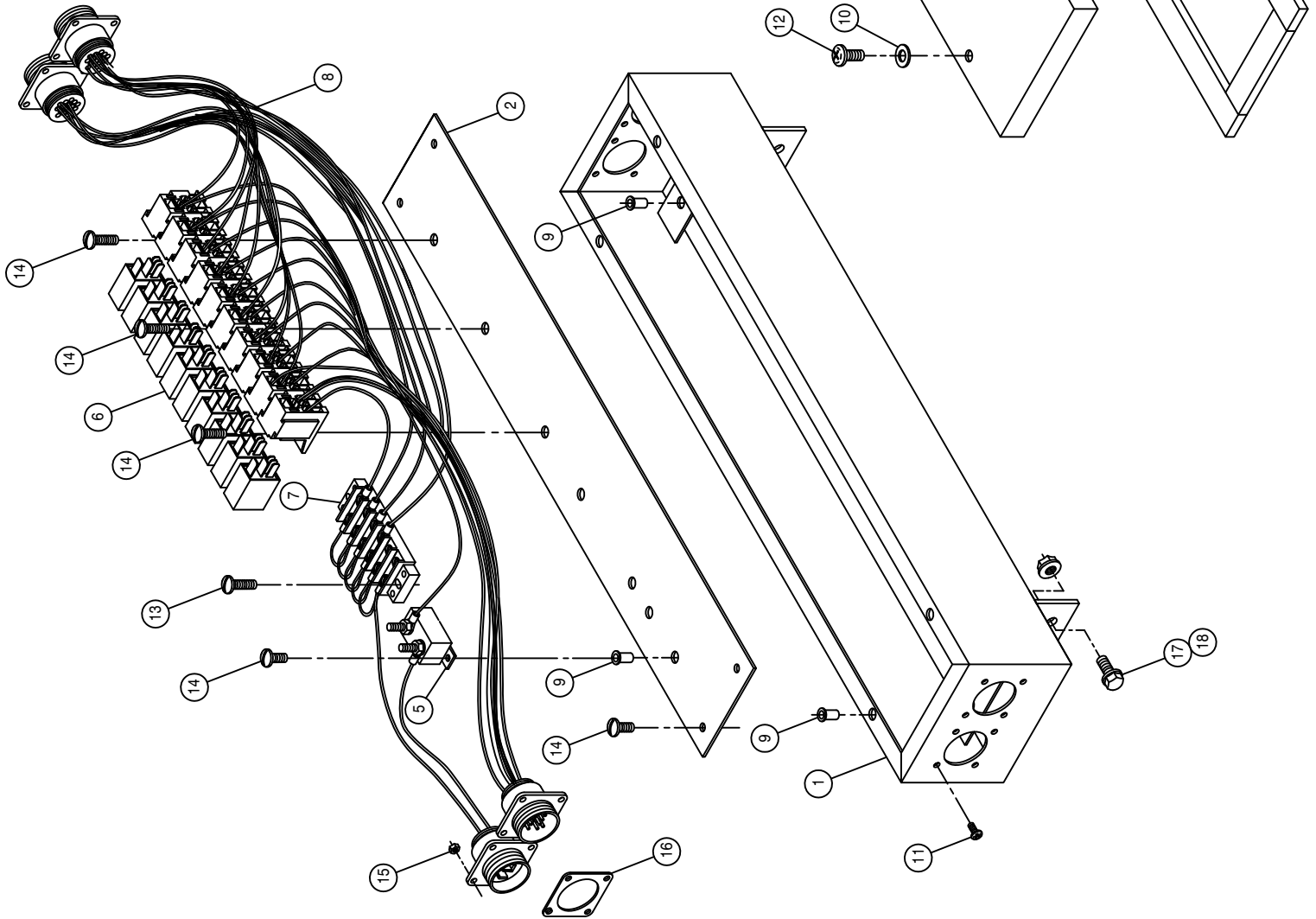
|   |   |        |                           |
|---|---|--------|---------------------------|
| 1 | 1 | 294034 | DETASSELER MODULE         |
| 2 | 2 | 470118 | 1/4UNC X 3/4 SER FLG BOLT |
| 3 | 2 | 470121 | 1/4UNC SER FLG LOCK NUT   |

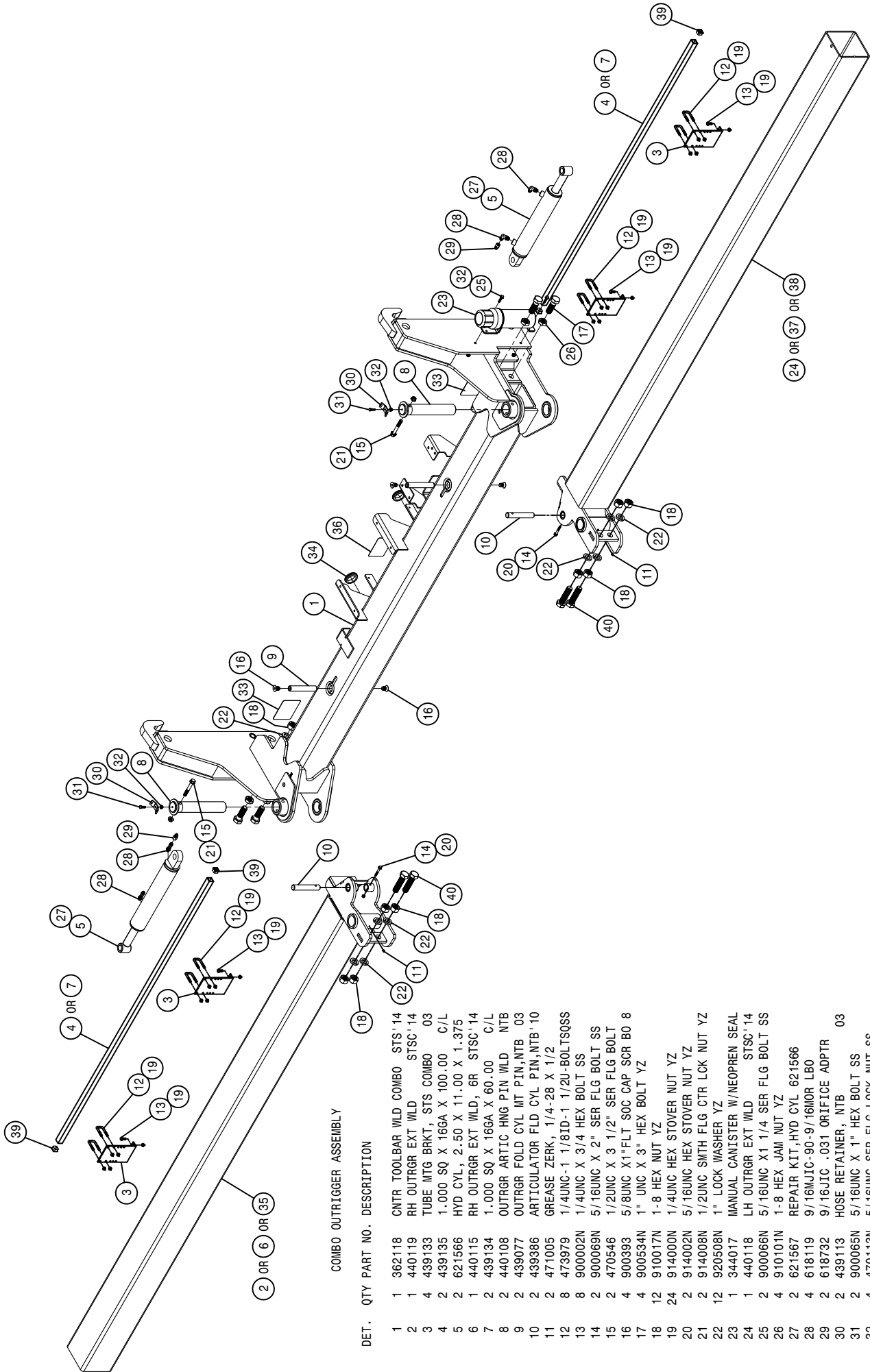


FOLD/CONTROL VALVE RELAY BOX ASSEMBLY

DET. QTY PART NO. DESCRIPTION

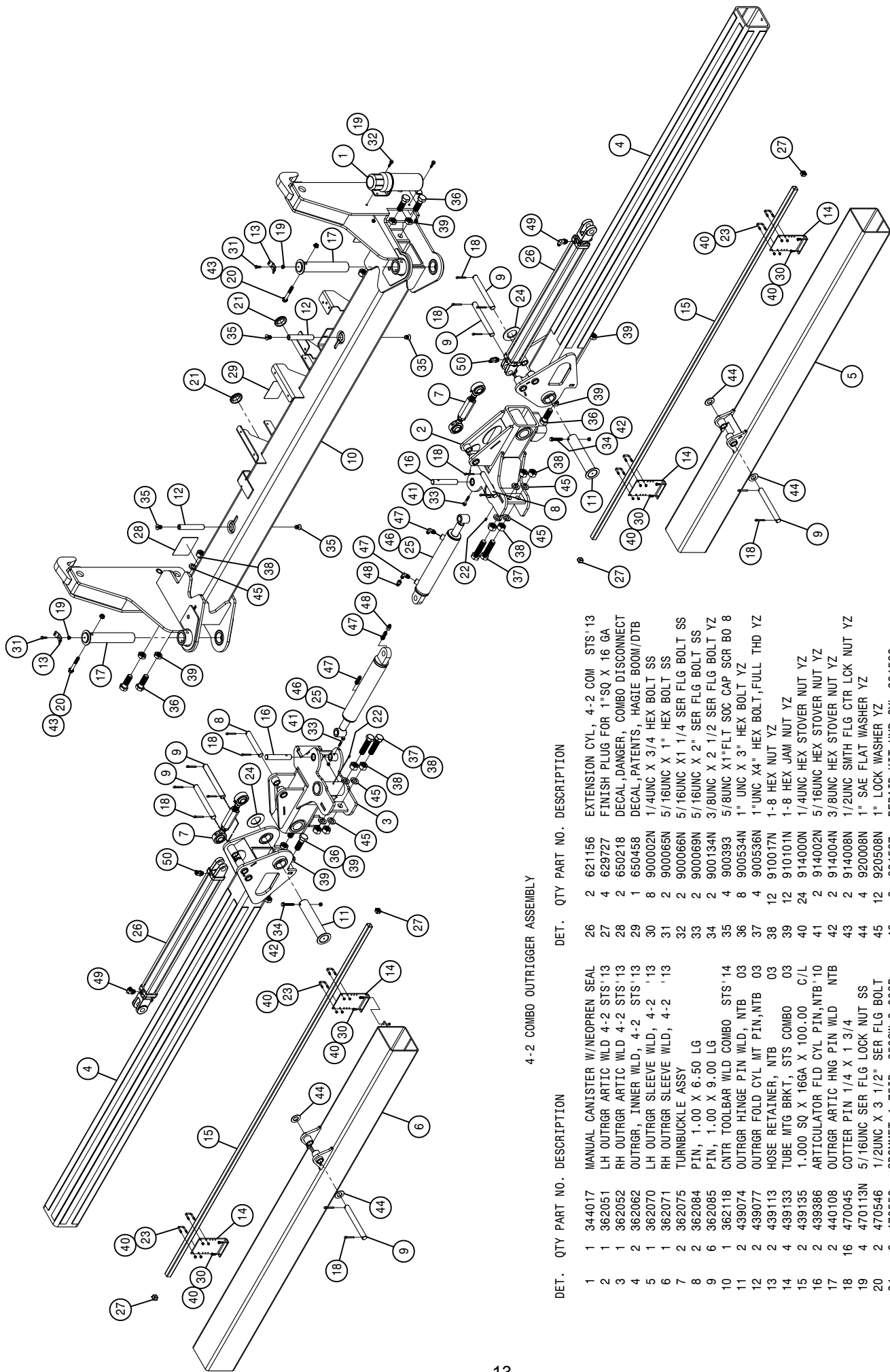
|    |    |        |                                  |
|----|----|--------|----------------------------------|
| 1  | 1  | 003070 | FOLD/MTR CTRL RELAY BOX WLD 07   |
| 2  | 1  | 003069 | FOLD/MTR CTRL RELY MT PANEL 07   |
| 3  | 1  | 003068 | FOLD/MTR CTRL RLY BOX COVER 07   |
| 4  | 4  | 193022 | STICKERTITE 1/4 X 3/4            |
| 5  | 1  | 291552 | CIRCUIT BREAKER, 20AMP, INLINEIT |
| 6  | 10 | 291928 | RELAY, SPDT, MICRO 12V DIODE     |
| 7  | 1  | 293093 | TERMINAL BLOCK 6 POS - 2 ROW     |
| 8  | 1  | 293883 | FOLD/CTRL VLV RELAY HARNESS 07   |
| 9  | 15 | 470384 | OBS>: 10-32 NUTSERT .020-.130    |
| 10 | 4  | 470351 | #10 X 1/2 BONDED SEALING WASH    |
| 11 | 16 | 473989 | 6-32 X 3/4 BUTTON SOC CAP SCR    |
| 12 | 4  | 903710 | 10-32X5/8 PHIL PANHD MACH SCR    |
| 13 | 2  | 472235 | 10-32 X 3/4 PHIL PAN MACH SCR    |
| 14 | 9  | 903883 | 10-32 X 1/2 PHIL PAN MACH SCR    |
| 15 | 16 | 910022 | 6-32 HEX NUT                     |
| 16 | 4  | 291846 | GASKET, AMP 17-SHELL FLANGED     |
| 17 | 4  | 470118 | 1/4UNC X 3/4 SER FLG BOLT        |
| 18 | 4  | 470121 | 1/4UNC SER FLG LOCK NUT          |





COMBO OUTRIGGER ASSEMBLY

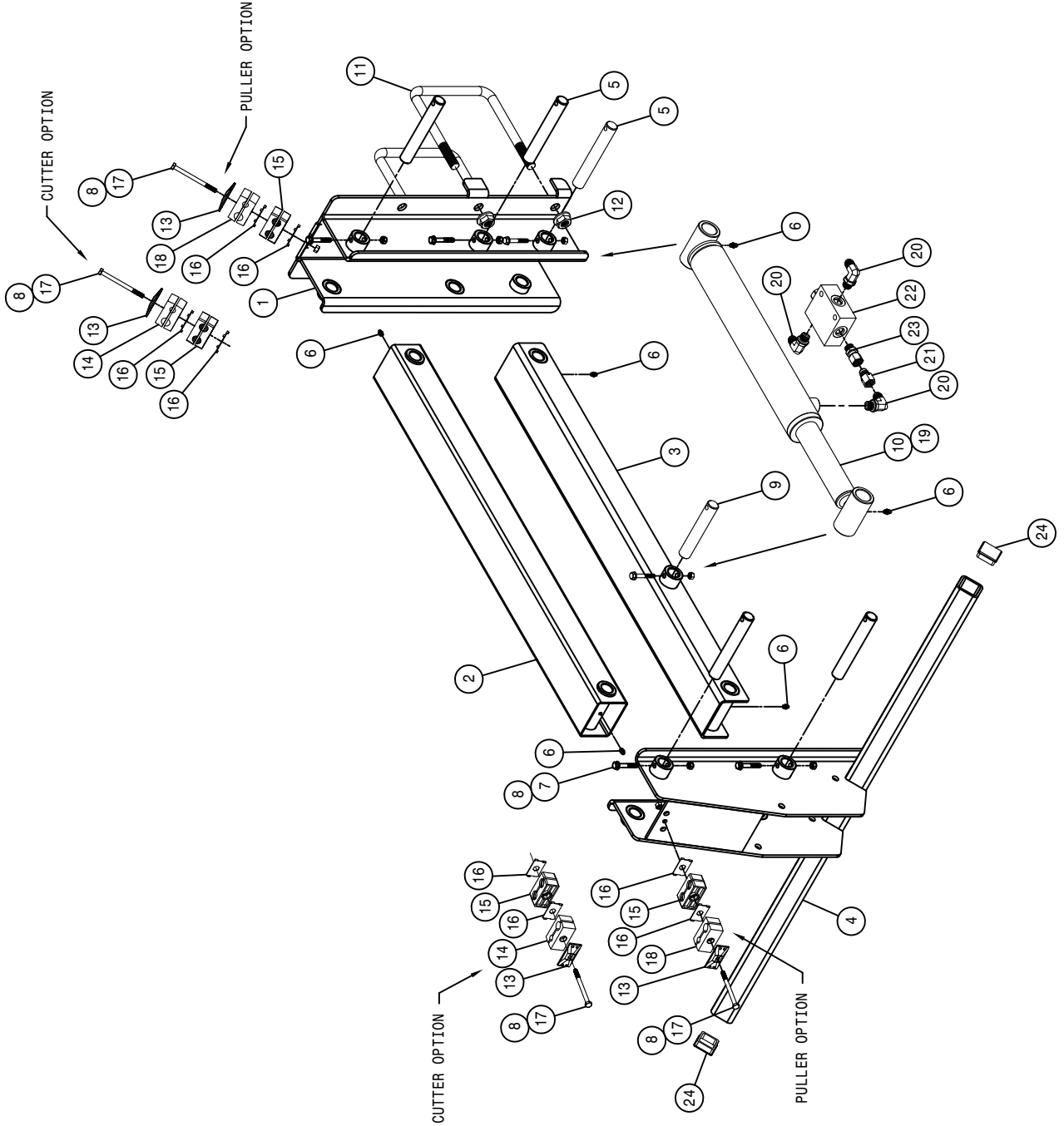
| DET. | QTY | PART NO. | DESCRIPTION                     |
|------|-----|----------|---------------------------------|
| 1    | 1   | 362118   | CNTR TOOLBAR WLD COMBO STS'14   |
| 2    | 1   | 440119   | RH OUTRGR EXT WLD STSC'14       |
| 3    | 4   | 439133   | TUBE MTG BRKT, STS COMBO 03     |
| 4    | 2   | 439135   | 1.000 SQ X 16GA X 100.00 C/L    |
| 5    | 2   | 621566   | HYD CYL, 2.50 X 11.00 X 1.375   |
| 6    | 1   | 440115   | RH OUTRGR EXT WLD, 6R STSC'14   |
| 7    | 2   | 439134   | 1.000 SQ X 16GA X 60.00 C/L     |
| 8    | 2   | 440108   | OUTRGR ARTIC HNG PIN WLD NTB    |
| 9    | 2   | 439077   | OUTRGR FOLD CYL MT PIN,NTB 03   |
| 10   | 2   | 439386   | ARTICULATOR FLD CYL PIN,NTB'10  |
| 11   | 2   | 471005   | GREASE ZERK, 1/4-28 X 1/2       |
| 12   | 8   | 473979   | 1/4UNC-1 1/8ID-1 1/2U-BOLTSQSS  |
| 13   | 8   | 900002N  | 1/4UNC X 3/4 HEX BOLT SS        |
| 14   | 2   | 900069N  | 5/16UNC X 2" SER FLG BOLT SS    |
| 15   | 2   | 470546   | 1/2UNC X 3 1/2" SER FLG BOLT    |
| 16   | 4   | 900393   | 5/8UNC X1"FLT SOC CAP SCR BO 8  |
| 17   | 4   | 900534N  | 1" UNC X 3" HEX BOLT YZ         |
| 18   | 12  | 910017N  | 1-8 HEX NUT YZ                  |
| 19   | 24  | 914000N  | 1/4UNC HEX STOVER NUT YZ        |
| 20   | 2   | 914002N  | 5/16UNC HEX STOVER NUT YZ       |
| 21   | 2   | 914008N  | 1/2UNC SMITH FLG CTR LCK NUT YZ |
| 22   | 12  | 920508N  | 1" LOCK WASHER YZ               |
| 23   | 1   | 344017   | MANUAL CANISTER W/NEOPEN SEAL   |
| 24   | 1   | 440118   | LH OUTRGR EXT WLD STSC'14       |
| 25   | 2   | 900066N  | 5/16UNC X1 1/4 SER FLG BOLT SS  |
| 26   | 4   | 910101N  | 1-8 HEX JAM NUT YZ              |
| 27   | 2   | 621567   | REPAIR KIT, HYD CYL 621566      |
| 28   | 4   | 618119   | 9/16MJC-90-9/16MOR LBO          |
| 29   | 2   | 618732   | 9/16JIC .031 ORIFICE ADPTR 03   |
| 30   | 2   | 439113   | HOSE RETAINER, NTB              |
| 31   | 2   | 900065N  | 5/16UNC X 1" HEX BOLT SS        |
| 32   | 4   | 470113N  | 5/16UNC SER FLG LOCK NUT SS     |
| 33   | 2   | 650218   | DECAL,DANGER, COMBO DISCONNECT  |
| 34   | 2   | 470552   | GROMMET, 1.75ID .250GW 2.00GD   |
| 35   | 1   | 440117   | RH OUTRGR EXT WLD, 8-10 STSC'14 |
| 36   | 1   | 650458   | DECAL, PATENTS, HAGIE BOOM/DTB  |
| 37   | 1   | 440114   | LH OUTRGR EXT WLD, 6R STSC'14   |
| 38   | 1   | 440116   | LH OUTRGR EXT WLD, 8-10 STSC'14 |
| 39   | 4   | 629727   | FINISH PLUG FOR 1"SQ X 16 GA    |
| 40   | 4   | 900536N  | 1"UNC X4" HEX BOLT,FULL THD YZ  |



4-2 COMBO OUTRIGGER ASSEMBLY

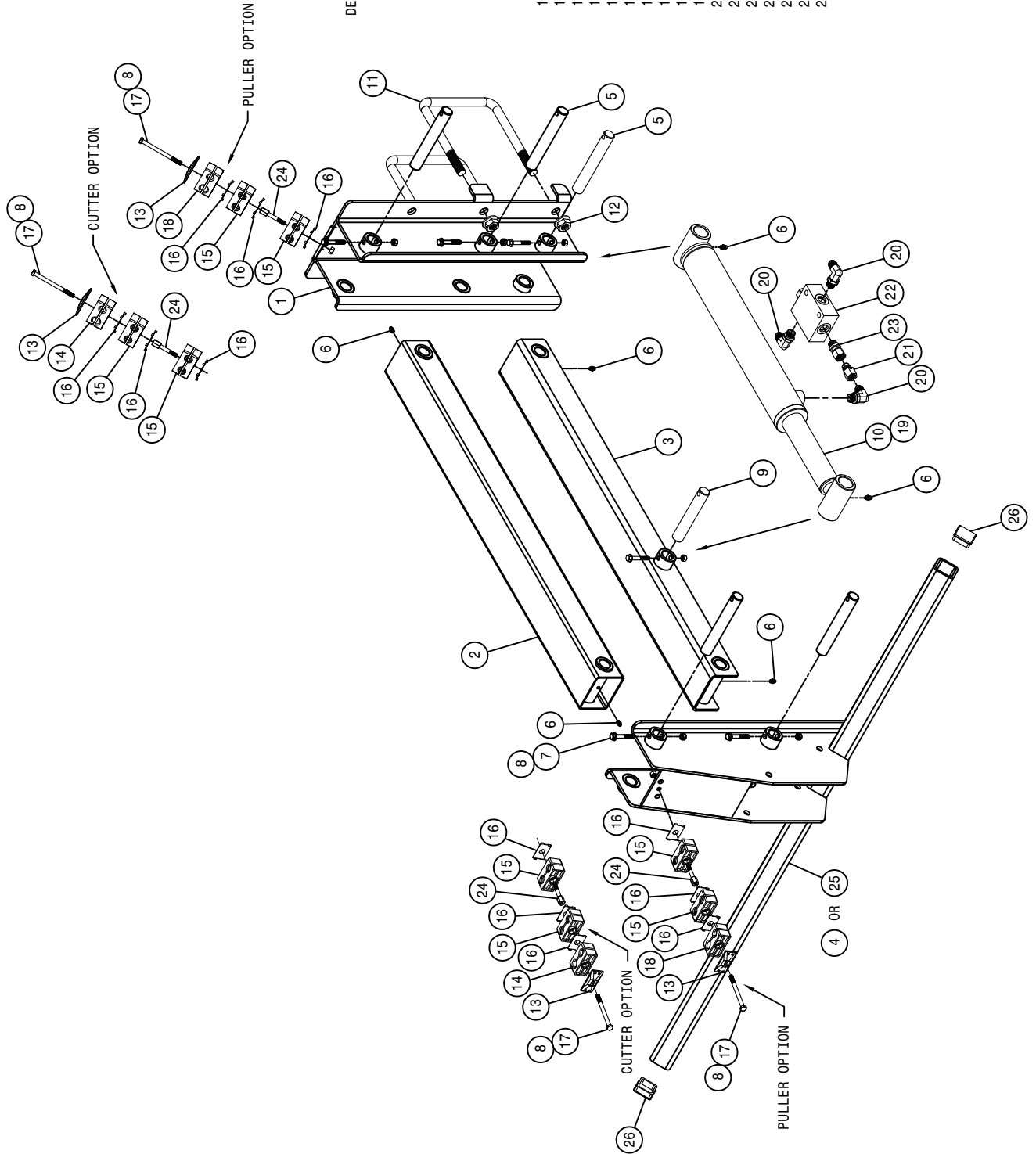
| DET. | QTY | PART NO. | DESCRIPTION                     | DET. | QTY | PART NO. | DESCRIPTION                       |
|------|-----|----------|---------------------------------|------|-----|----------|-----------------------------------|
| 1    | 1   | 344017   | MANUAL CANISTER W/NEOPREN SEAL  | 26   | 2   | 621156   | EXTENSION CYL, 4-2 COM STS'13     |
| 2    | 1   | 362051   | LH OUTRGR ARTIC WLD 4-2 STS'13  | 27   | 4   | 629727   | FINISH PLUG FOR 1" SQ X 16 GA     |
| 3    | 1   | 362052   | RH OUTRGR ARTIC WLD 4-2 STS'13  | 28   | 4   | 650218   | DECAL, DANGER, COMBO DISCONNECT   |
| 4    | 2   | 362062   | OUTRGR, INNER WLD, 4-2 STS'13   | 29   | 1   | 650458   | DECAL, PATENTS, HAGIE BOOM/DTB    |
| 5    | 1   | 362070   | LH OUTRGR SLEEVE WLD, 4-2 '13   | 30   | 8   | 900002N  | 1/4UNC X 3/4 HEX BOLT SS          |
| 6    | 1   | 362071   | RH OUTRGR SLEEVE WLD, 4-2 '13   | 31   | 2   | 900065N  | 5/16UNC X 1" HEX BOLT SS          |
| 7    | 2   | 362075   | TURNBUCKLE ASSY                 | 32   | 2   | 900066N  | 5/16UNC X 1 1/4 SER FLG BOLT SS   |
| 8    | 2   | 362084   | PIN, 1.00 X 6.50 LG             | 33   | 2   | 900069N  | 5/16UNC X 2" SER FLG BOLT SS      |
| 9    | 6   | 362085   | PIN, 1.00 X 9.00 LG             | 34   | 2   | 900134N  | 3/8UNC X 2 1/2 SER FLG BOLT YZ    |
| 10   | 1   | 362118   | CNTR TOOLBAR WLD COMBO STS'14   | 35   | 4   | 900393   | 5/8UNC X 1" FLT SOC CAP SCR B0 8  |
| 11   | 2   | 439074   | OUTRGR HINGE PIN WLD, NTB 03    | 36   | 8   | 900534N  | 1" UNC X 3" HEX BOLT YZ           |
| 12   | 2   | 439077   | OUTRGR FOLD CYL MT PIN, NTB 03  | 37   | 4   | 900536N  | 1" UNC X 4" HEX BOLT, FULL THD YZ |
| 13   | 2   | 439113   | HOSE RETAINER, NTB 03           | 38   | 12  | 910017N  | 1-8 HEX NUT YZ                    |
| 14   | 4   | 439133   | TUBE MTG BRKT, STS COMBO 03     | 39   | 12  | 910101N  | 1-8 HEX JAM NUT YZ                |
| 15   | 2   | 439135   | 1.000 SQ X 16GA X 100.00 C/L    | 40   | 24  | 914000N  | 1/4UNC HEX STOVER NUT YZ          |
| 16   | 2   | 439386   | ARTICULATOR FLD CYL PIN, NTB'10 | 41   | 2   | 914002N  | 5/16UNC HEX STOVER NUT YZ         |
| 17   | 2   | 440108   | OUTRGR ARTIC HNG PIN WLD NTB    | 42   | 2   | 914004N  | 3/8UNC HEX STOVER NUT YZ          |
| 18   | 16  | 470045   | COTTER PIN 1/4 X 1 3/4          | 43   | 4   | 920008N  | 1" SAE FLAT WASHER YZ             |
| 19   | 4   | 470113N  | 5/16UNC SER FLG LOCK NUT SS     | 44   | 4   | 920508N  | 1" LOCK WASHER YZ                 |
| 20   | 2   | 470546   | 1/2UNC X 3 1/2" SER FLG BOLT    | 45   | 12  | 920508N  | 1" LOCK WASHER YZ                 |
| 21   | 2   | 470552   | GROMMET, 1.75ID .250GW 2.00GD   | 46   | 2   | 621567   | REPAIR KIT, HYD CYL 621566        |
| 22   | 2   | 471005   | GREASE ZERK, 1/4-28 X 1/2       | 47   | 4   | 618119   | 9/16MJIC-90-9/16MOR LBO           |
| 23   | 8   | 473979   | 1/4UNC-1 1/8ID-1 1/2U-BOLTSQSS  | 48   | 2   | 618732   | 9/16JIC-.031 ORIFICE ADPTR        |
| 24   | 2   | 483081   | 2.00 FLAT WASH, GR5 PLT         | 49   | 2   | 618115   | 9/16MJIC-90-3/4MOR LBO            |
| 25   | 2   | 621566   | HYD CYL, 2.50 X 11.00 X 1.375   | 50   | 2   | 618496   | 9/16MJIC-45-3/4MOR LBO            |

2-HEAD LIFT ASSEMBLY



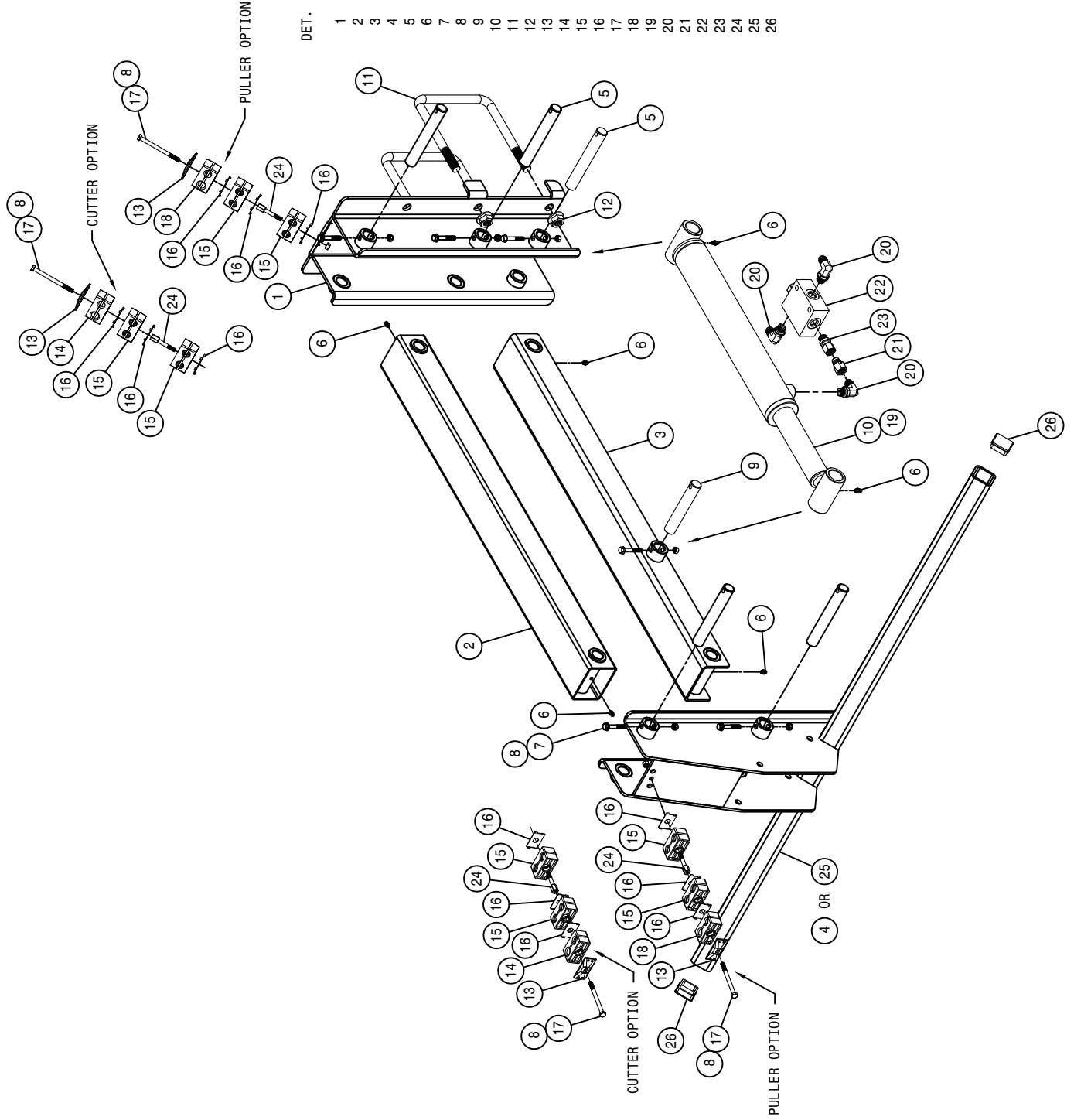
| DET. | QTY | PART NO. | DESCRIPTION                       |
|------|-----|----------|-----------------------------------|
| 1    | 1   | 439136   | TOOLBAR MT BRKT WLD, STSC 03      |
| 2    | 1   | 439143   | UPPER LIFTARM WLD, STS COMBO 03   |
| 3    | 1   | 439146   | LWR LIFTARM WLD, STS COMBO 03     |
| 4    | 1   | 439151   | 50" HEAD TOOLBAR WLD, STSC 03     |
| 5    | 5   | 439158   | LIFT ARM PIVOT PIN, STSC 03       |
| 6    | 6   | 471005   | GREASE ZERK, 1/4"-28 X 1/2        |
| 7    | 6   | 900069   | 5/16UNC X 2" HEX BOLT             |
| 8    | 8   | 914002   | 5/16UNC HEX STOVER NUT            |
| 9    | 1   | 439156   | LWR CYL MT PIN, STS COMBO 03      |
| 10   | 1   | 621564   | HYD CYL, 2.00 X 11.00 X 1.50 1W   |
| 11   | 2   | 473981   | .750UNC-7ID-8-.50 U-BOLT SQ YZ    |
| 12   | 4   | 914012   | 3/4UNC HEX STOVER NUT             |
| 13   | 2   | 470276   | CLAMP COVER PLATE, SINGL, 2.55LG  |
| 14   | 2   | 470340   | TUBE CLAMP BODY, .500-.750        |
| 15   | 2   | 470274   | TUBE CLAMP BODY, .750-.750        |
| 16   | 4   | 470281   | STACK BOLT SAFETY LOCK PLATE      |
| 17   | 2   | 900076   | 5/16UNC X 4" HEX BOLT             |
| 18   | 2   | 470270   | HOSE CLAMP BODY, .530-.680        |
| 19   | 1   | 621507   | REPAIR KIT, HYD CYL 621506        |
| 20   | 3   | 618119   | 9/16MJC-90-9/16MOR LBO            |
| 21   | 1   | 618732   | 9/16JIC .031 ORIFICE ADPTR        |
| 22   | 1   | 607565   | CHECK VLV, PILOT TO OPEN, SUN     |
| 23   | 1   | 618668   | 9/16FJIC SWIV-9/16MOR ADPTR       |
| 24   | 2   | 629773   | CAPPLUGS 1 3/4" SQ PLUG, BLK POLY |

RH 3-HEAD LIFT ASSEMBLY



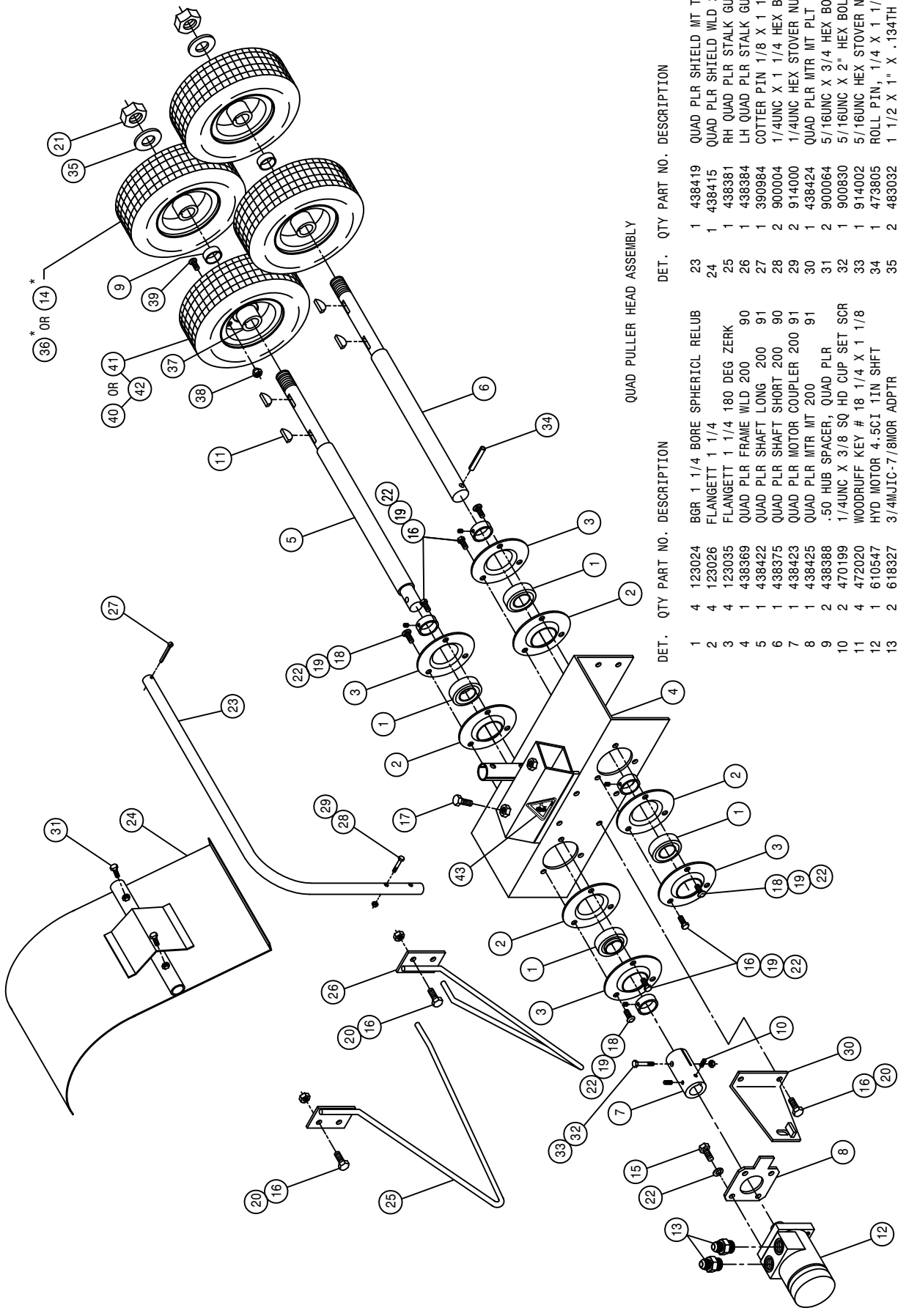
| DET. | QTY | PART NO. | DESCRIPTION                     |
|------|-----|----------|---------------------------------|
| 1    | 1   | 439136   | TOOLBAR MT BRKT WLD, STSC 03    |
| 2    | 1   | 439143   | UPPER LIFTARM WLD,STS COMBO 03  |
| 3    | 1   | 439146   | LWR LIFTARM WLD, STS COMBO 03   |
| 4    | 1   | 439163   | 80"RH HEAD TOOLBAR WLD,STSC 03  |
| 5    | 5   | 439158   | LIFT ARM PIVOT PIN, STSC 03     |
| 6    | 6   | 471005   | GREASE ZERK, 1/4-28 X 1/2       |
| 7    | 6   | 900069   | 5/16UNC X 2" HEX BOLT           |
| 8    | 8   | 914002   | 5/16UNC HEX STOVER NUT          |
| 9    | 1   | 439156   | LWR CYL MT PIN, STS COMBO 03    |
| 10   | 1   | 621564   | HYD CYL,2.00 X 11.00 X 1.50 1W  |
| 11   | 2   | 473981   | .750UNC-7ID-8.50 U-BOLT SQ YZ   |
| 12   | 4   | 914012   | 3/4UNC HEX STOVER NUT           |
| 13   | 2   | 470276   | CLAMP COVER PLATE,SNGL, 2.55LG  |
| 14   | 2   | 470300   | TUBE CLAMP BODY,.500-.625       |
| 15   | 4   | 470274   | TUBE CLAMP BODY,.750-.750       |
| 16   | 6   | 470281   | STACK BOLT SAFETY LOCK PLATE    |
| 17   | 2   | 900076   | 5/16UNC X 4" HEX BOLT           |
| 18   | 2   | 470270   | HOSE CLAMP BODY,.530-.680       |
| 19   | 1   | 621507   | REPAIR KIT, HYD CYL 621506      |
| 20   | 3   | 618119   | 9/16MJIC-90-9/16MOR LBO         |
| 21   | 1   | 618732   | 9/16JIC .031 ORIFICE ADPTR      |
| 22   | 1   | 607565   | CHECK VLV,PILOT TO OPEN, SUN    |
| 23   | 1   | 618668   | 9/16FJIC SWIV-9/16MOR ADPTR     |
| 24   | 2   | 470280   | STACK BOLT, 5/16UNC X 1 3/4     |
| 25   | 1   | 439182   | 57"RH HEAD TOOLBAR WLD,20"R 05  |
| 26   | 2   | 629773   | CAPPLUGS 1 3/4"SQ PLUG,BLK POLY |

LH 3-HEAD LIFT ASSEMBLY



| DET. | QTY | PART NO. | DESCRIPTION                      |
|------|-----|----------|----------------------------------|
| 1    | 1   | 439136   | TOOLBAR MT BRKT WLD, STSC 03     |
| 2    | 1   | 439143   | UPPER LIFTARM WLD,STS COMBO 03   |
| 3    | 1   | 439146   | LWR LIFTARM WLD, STS COMBO 03    |
| 4    | 1   | 439164   | 80"LH HEAD TOOLBAR WLD,STSC 03   |
| 5    | 5   | 439158   | LIFT ARM PIVOT PIN, STSC 03      |
| 6    | 6   | 471005   | GREASE ZERK, 1/4-28 X 1/2        |
| 7    | 6   | 900069   | 5/16UNC X 2" HEX BOLT            |
| 8    | 8   | 914002   | 5/16UNC HEX STOVER NUT           |
| 9    | 1   | 439156   | LWR CYL MT PIN, STS COMBO 03     |
| 10   | 1   | 621564   | HYD CYL,2.00 X 11.00 X 1.50 1W   |
| 11   | 2   | 473981   | .750UNC-7ID-8.50 U-BOLT SQ YZ    |
| 12   | 4   | 914012   | 3/4UNC HEX STOVER NUT            |
| 13   | 2   | 470276   | CLAMP COVER PLATE,SINGL, 2-.55LG |
| 14   | 2   | 470300   | TUBE CLAMP BODY, .500-.625       |
| 15   | 4   | 470274   | TUBE CLAMP BODY, .750-.750       |
| 16   | 6   | 470281   | STACK BOLT SAFETY LOCK PLATE     |
| 17   | 2   | 900076   | 5/16UNC X 4" HEX BOLT            |
| 18   | 2   | 470270   | HOSE CLAMP BODY, .530-.680       |
| 19   | 1   | 621507   | REPAIR KIT, HYD CYL 621506       |
| 20   | 3   | 618119   | 9/16MJC-90-9/16MOR LBO           |
| 21   | 1   | 618732   | 9/16JIC .031 ORIFICE ADPTR       |
| 22   | 1   | 607565   | CHECK VLV,PILLOT TO OPEN, SUN    |
| 23   | 1   | 618668   | 9/16F-JIC SWIV-9/16MOR ADPTR     |
| 24   | 2   | 470280   | STACK BOLT, 5/16UNC X 1 3/4      |
| 25   | 1   | 439163   | 57"LH HEAD TOOLBAR WLD,20"R 05   |
| 26   | 2   | 629773   | CAPPLUGS 1 3/4"SQ PLUG,BLK POLY  |



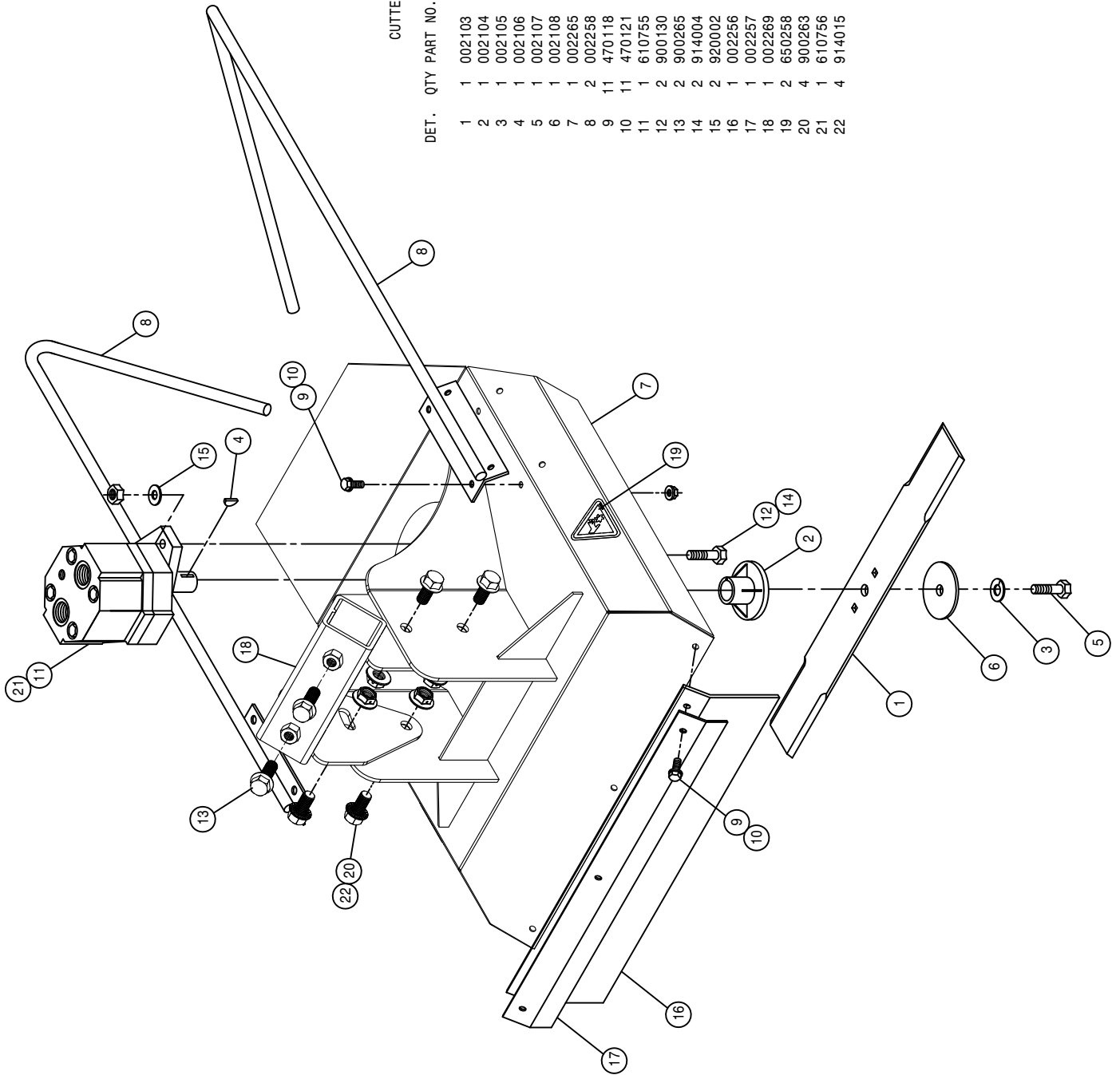


QUAD PULLER HEAD ASSEMBLY

| DET. | QTY | PART NO. | DESCRIPTION                    | DET. | QTY | PART NO. | DESCRIPTION                     |
|------|-----|----------|--------------------------------|------|-----|----------|---------------------------------|
| 1    | 4   | 123024   | BGR 1 1/4 BORE SPHERICAL RELUB | 23   | 1   | 438419   | QUAD PLR SHIELD MT TUBE 91      |
| 2    | 4   | 123026   | FLANGETT 1 1/4                 | 24   | 1   | 438415   | QUAD PLR SHIELD WLD 200 91      |
| 3    | 4   | 123035   | FLANGETT 1 1/4 180 DEG ZERK    | 25   | 1   | 438381   | RH QUAD PLR STALK GUIDE WLD90   |
| 4    | 1   | 438369   | QUAD PLR FRAME WLD 200 90      | 26   | 1   | 438384   | LH QUAD PLR STALK GUIDE WLD90   |
| 5    | 1   | 438422   | QUAD PLR SHAFT LONG 200 91     | 27   | 1   | 390984   | COTTER PIN 1/8 X 1 1/4          |
| 6    | 1   | 438375   | QUAD PLR SHAFT SHORT 200 90    | 28   | 2   | 900004   | 1/4UNC X 1 1/4 HEX BOLT         |
| 7    | 1   | 438423   | QUAD PLR MOTOR COUPLER 200 91  | 29   | 2   | 914000   | 1/4UNC HEX STOVER NUT           |
| 8    | 1   | 438425   | QUAD PLR MTR MT 200 91         | 30   | 1   | 438424   | QUAD PLR MTR MT PLT WLD         |
| 9    | 2   | 438388   | .50 HUB SPACER, QUAD PLR       | 31   | 2   | 900064   | 5/16UNC X 3/4 HEX BOLT          |
| 10   | 2   | 470199   | 1/4UNC X 3/8 SQ HD CUP SET SCR | 32   | 1   | 900830   | 5/16UNC X 2" HEX BOLT GR8 YZ    |
| 11   | 4   | 472020   | WOODRUFF KEY # 18 1/4 X 1 1/8  | 33   | 1   | 914002   | 5/16UNC HEX STOVER NUT          |
| 12   | 1   | 610547   | HYD MOTOR 4.5CI 1IN SHFT       | 34   | 1   | 473805   | ROLL PIN, 1/4 X 1 1/2           |
| 13   | 2   | 618327   | 3/4MJIC-7/8MOR ADPTR           | 35   | 2   | 483032   | 1 1/2 X 1" X .134TH MACH WASH   |
| 14   | 4   | 824508   | 410-4 WHL ASSY, 2P STUD        | 36   | 4   | 824515   | 410-4 WHL ASSY, 2P SAWTOOTH     |
| 15   | 4   | 900128   | 3/8UNC X 3/4 HEX BOLT YZ       | 37   | 4   | 824525   | 4 X 2.25 WHEEL & HUB            |
| 16   | 10  | 900129   | 3/8UNC X 1" HEX CAP BOLT       | 38   | 16  | 824514   | WHL NUT, 4-BOLT HUB             |
| 17   | 2   | 900263   | 1/2UNC X 1" HEX BOLT           | 39   | 16  | 824513   | STUD, 4-BOLT HUB 824512         |
| 18   | 8   | 901129   | 3/8UNC X 1" CARR BOLT          | 40   | 4   | 824509   | 4.10/3.50-4 2PLY STUD TIRE      |
| 19   | 12  | 910004   | 3/8UNC HEX NUT                 | 41   | 4   | 824516   | 4.10/3.50 2P SAWTOOTH TIRE      |
| 20   | 2   | 914004   | 3/8UNC HEX STOVER NUT          | 42   | 4   | 824510   | 4.10/3.50-4 BENT STEM TUBE      |
| 21   | 6   | 914016   | 1-8 HEX STOVER NUT             | 43   | 1   | 650259   | DECAL, HAND ENTANGLEMENT/ROLLER |
| 22   | 16  | 920502   | 3/8 LOCK WASHER                |      |     |          |                                 |

\* NOTE: 1. DETAIL 14 CONSISTS OF:  
 824525 - 2-PC RIM, HUB, STUDS & NUTS  
 824509 - RIB TIRE, 824510 - TUBE  
 824513 - STUD, 824514 - WHEEL NUT

2. DETAIL 36 CONSISTS OF:  
 824525 - 2-PC RIM, HUB, STUDS & NUTS  
 824516 - STUD TIRE, 824510 - TUBE  
 824513 - STUD, 824514 - WHEEL NUT

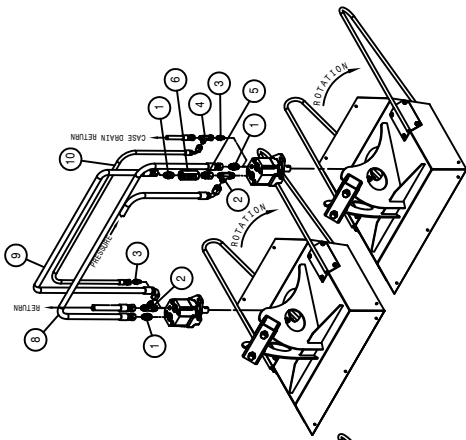


CUTTER HEAD ASSEMBLY

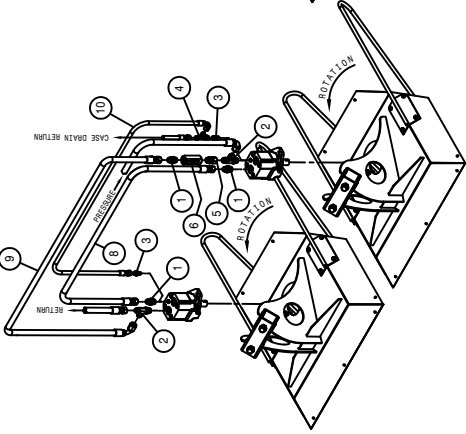
DET. QTY PART NO. DESCRIPTION

|    |    |        |                                 |
|----|----|--------|---------------------------------|
| 1  | 1  | 002103 | CUTR BLADE 18 IN                |
| 2  | 1  | 002104 | CUTTER BLADE ADAPTER, RD LUG    |
| 3  | 1  | 002105 | 3/8 LOCK WASHER ZINC PLT        |
| 4  | 1  | 002106 | WOODRUFF KEY # 6, .156 X .625   |
| 5  | 1  | 002107 | 3/8UNF X 1 1/2 HEX BOLT CUTR    |
| 6  | 1  | 002108 | STEEL WASHER CUTTER BLADE       |
| 7  | 1  | 002265 | 19" ADJ CUTTER HEAD WLD 08      |
| 8  | 2  | 002258 | 19" CUTR STALK GUIDE WLD 04     |
| 9  | 11 | 470118 | 1/4UNC X 3/4 SER FLG BOLT       |
| 10 | 11 | 470121 | 1/4UNC SER FLG LOCK NUT         |
| 11 | 1  | 610755 | BARNES HYD MOTOR, D-SERIES 01   |
| 12 | 2  | 900130 | 3/8UNC X 1 1/4 HEX BOLT         |
| 13 | 2  | 900265 | 1/2UNC X 1 1/2 HEX BOLT         |
| 14 | 2  | 914004 | 3/8UNC HEX STOVER NUT           |
| 15 | 2  | 920002 | 3/8 SAE FLAT WASHER             |
| 16 | 1  | 002256 | 19" REAR CUTR DECK EXT FLAP 04  |
| 17 | 1  | 002257 | 19" REAR CUTR DECK FLAP KPR 04  |
| 18 | 1  | 002269 | 19" ADJ CUTR HEAD MT WLD 08     |
| 19 | 2  | 650258 | DECAL, CUT FINGERS-ROTATE BLADE |
| 20 | 4  | 900263 | 1/2UNC X 1" HEX BOLT            |
| 21 | 1  | 610756 | SEAL, OUTER FOR 610755          |
| 22 | 4  | 914015 | 1/2UNC HEX CENTER-LOCK NUT      |

RIGHT SIDE OF OPERATOR

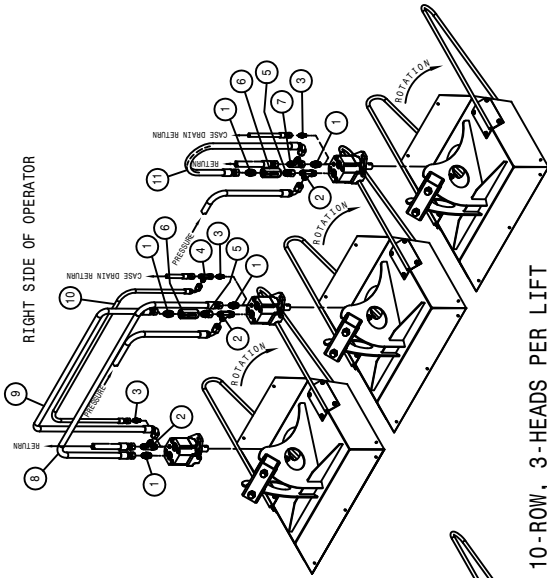


LEFT SIDE OF OPERATOR

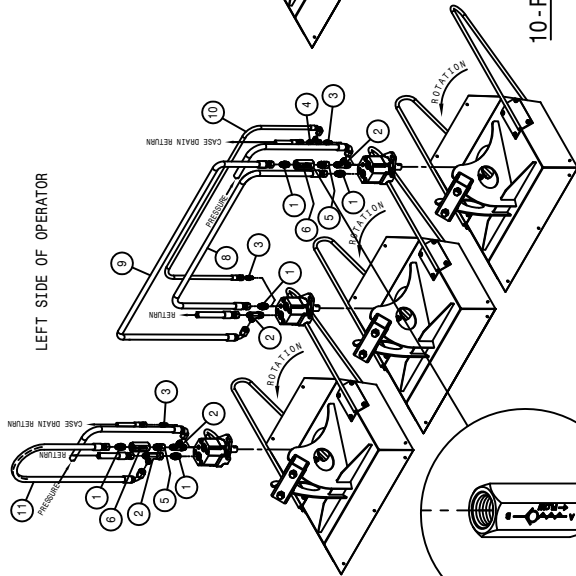


8-10-12 ROW, 2-HEADS PER LIFT

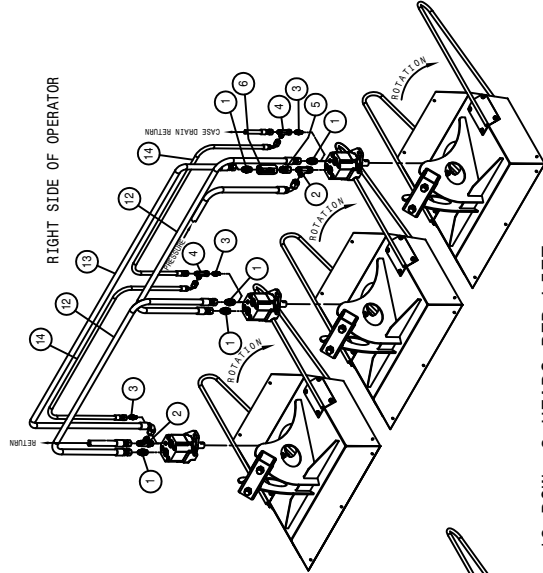
RIGHT SIDE OF OPERATOR



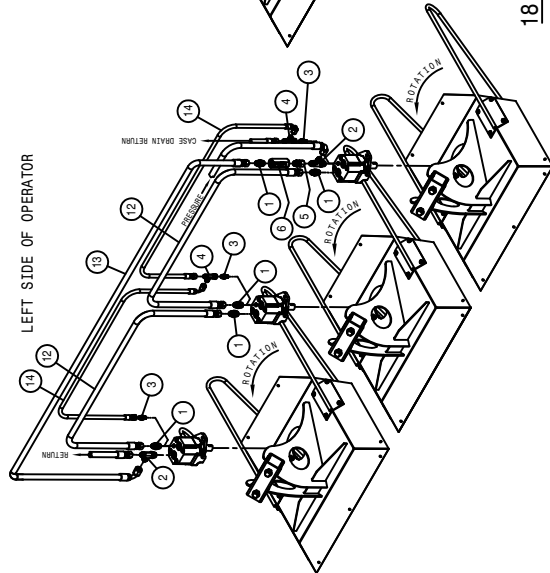
LEFT SIDE OF OPERATOR



10-ROW, 3-HEADS PER LIFT



LEFT SIDE OF OPERATOR

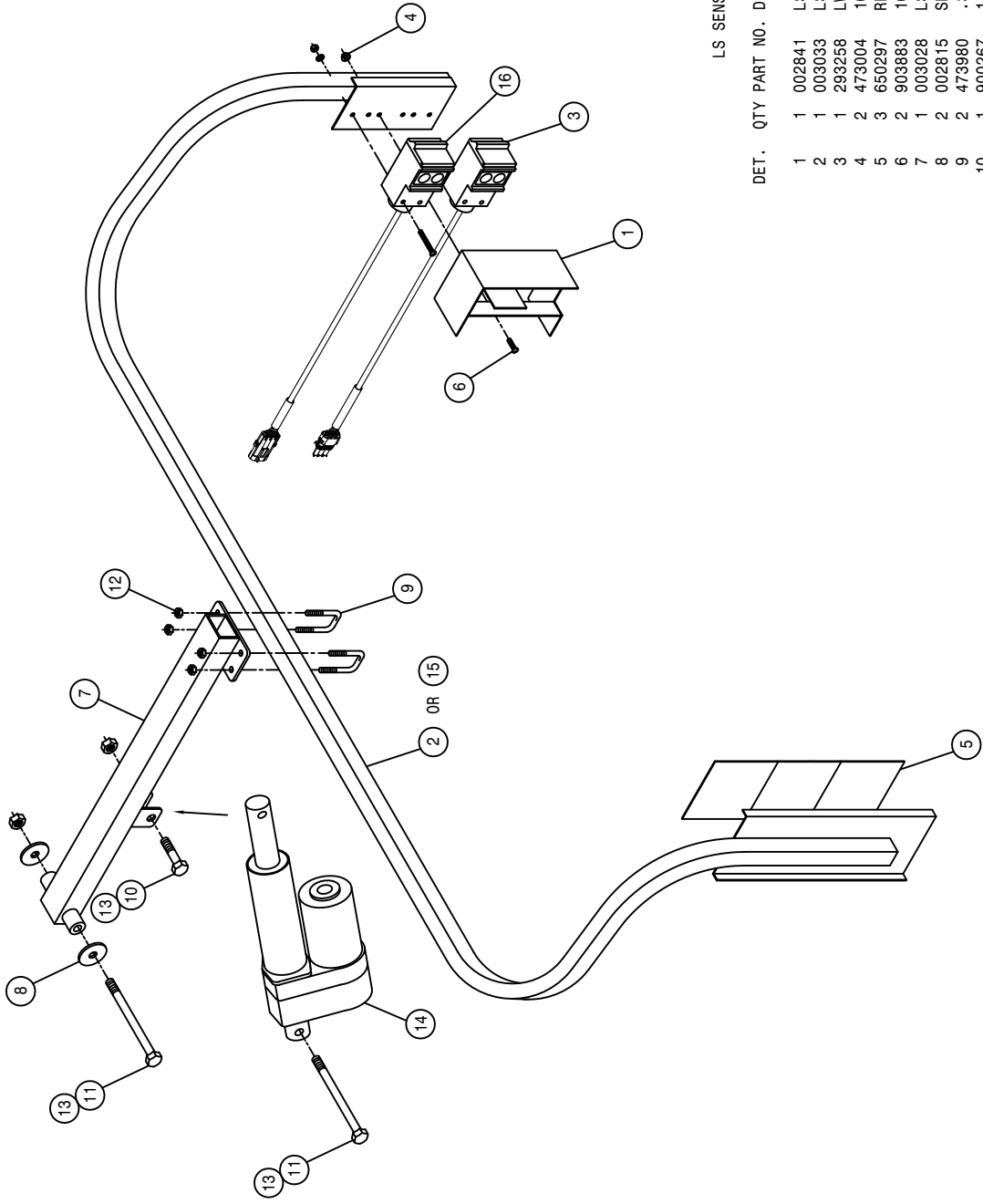


18-ROW, 3-HEADS PER LIFT

HYD DIAG.CUTR CHK VLV STS'11

| DET. | PART NO. | DESCRIPTION                     |
|------|----------|---------------------------------|
| 1    | 611125   | 3/4MJIC-3/4MOR ADPTR            |
| 2    | 618494   | 3/4MOR RUN TEE-3/4MJIC          |
| 3    | 618530   | 9/16MJIC-1/8MNPT ADPTR          |
| 4    | 618486   | 9/16FJIC SW RUN TEE-9/16MJIC    |
| 5    | 618669   | 3/4FJIC SWIV-3/4MOR ADPTR       |
| 6    | 618292   | CHECK VALVE,3/4FOR INLINE       |
| 7    | 618451   | 3/4FJIC SW RUN TEE-3/4MJIC      |
| 8    | 616531   | 08-451TC-08F-JX-08F-JX-55 H/A   |
| 9    | 616537   | 08-451TC-08F-JX-08F-JX90-52 H/A |
| 10   | 616521   | 04-451TC-06F-JX-06F-JX90-54 H/A |
| 11   | 616530   | 08-451TC-08F-JX-08F-JX90-27 H/A |
| 12   | 616025   | 08-482TC-08F-JX-08F-JX-50 H/A   |
| 13   | 614562   | 08-451TC-08F-JX-08F-JX90-66 H/A |
| 14   | 616422   | 04-482TC-06F-JX-06F-JX90-50 H/A |

| DET/REG | DESCRIPTION                              |
|---------|--|
|         | <b>HAGIE</b>                             |
|         | HAGIE MANUFACTURING COMPANY              |
|         | CLARION, IOWA 50525                      |
|         | REMOVE ALL SHARP CORNERS & BURRS         |
|         | TOLERANCE UNLESS OTHERWISE SPECIFIED     |
|         | FRACTION ±1/32 DECIMALS ±.005 ANGLES ±1° |
|         | DESCRIPTION                              |
|         | HYD DIAG.CUTR CHK VLV STS'11             |
|         | DRAWN BY                                 |
|         | SCALE FULL                               |
|         | CHECKED BY                               |
|         | APPROVED BY                              |
|         | DATE 02-05-13                            |
|         | DRAWING NUMBER                           |
|         | 499179                                   |
|         | SHEET OF                                 |

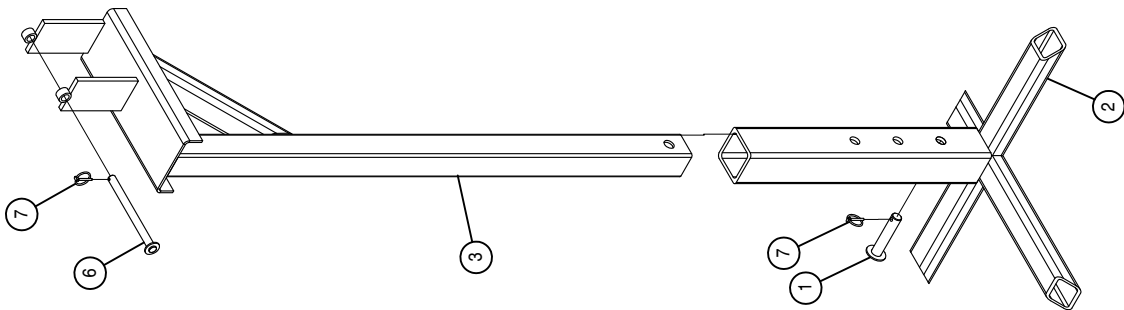
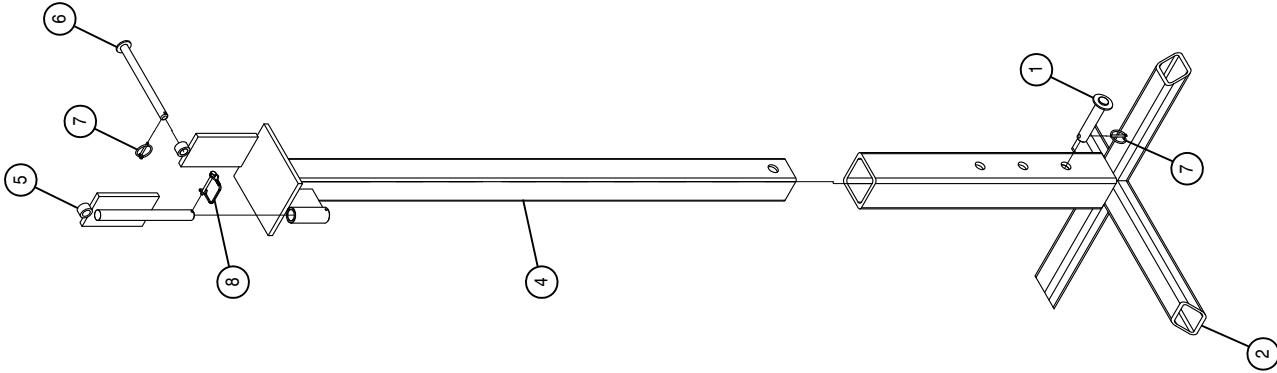


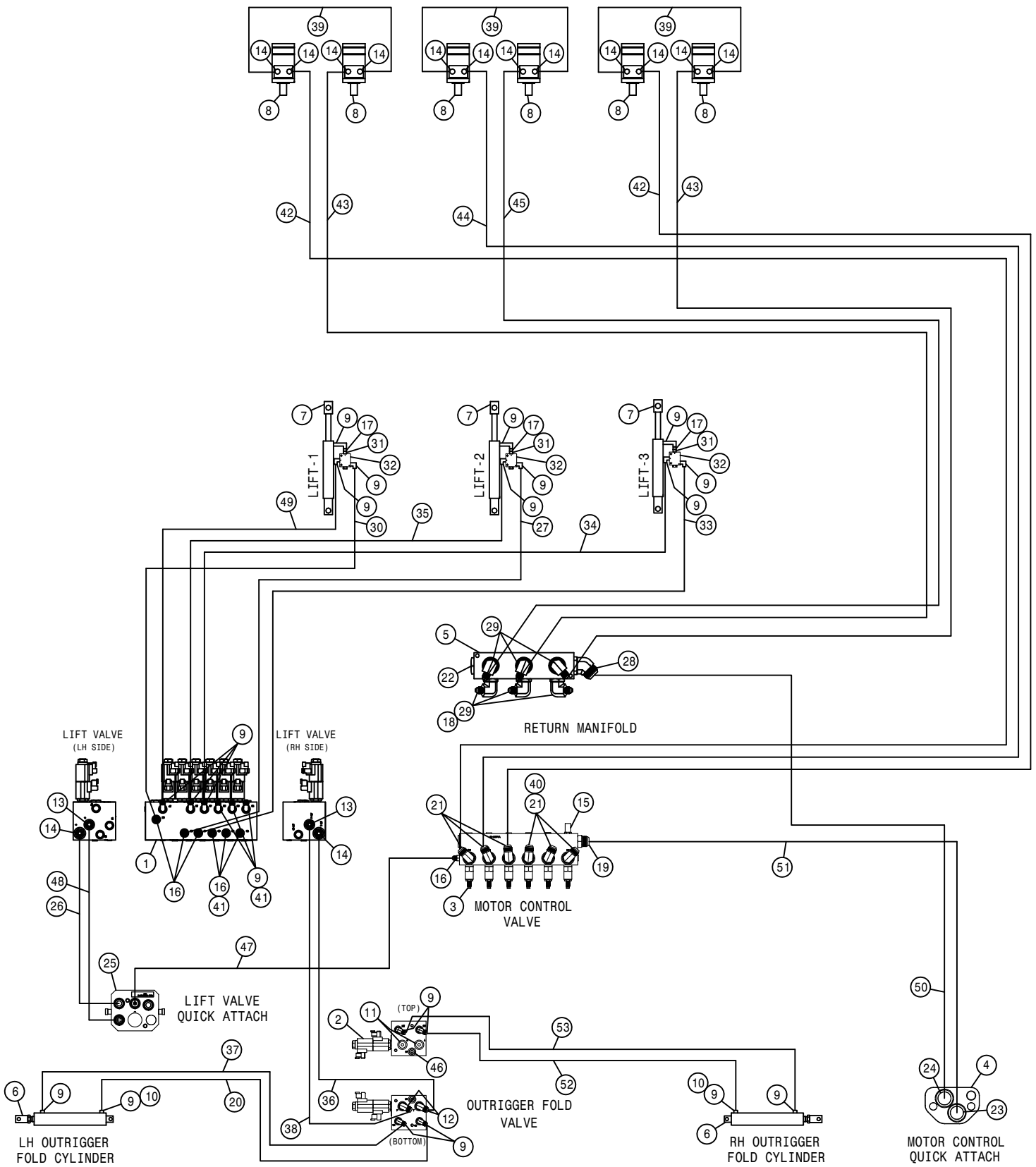
LS SENSOR ASSEMBLY

| DET. | QTY | PART NO. | DESCRIPTION                     |
|------|-----|----------|---------------------------------|
| 1    | 1   | 002841   | LS 42GRU SENSOR SHIELD WLD      |
| 2    | 1   | 003033   | LS SENSOR MT WLD, 57" STSC 03   |
| 3    | 1   | 293258   | LWR LS 9200 SENSOR ASSY, FEM    |
| 4    | 2   | 473004   | 10-32 FLANGE NYLOC NUT          |
| 5    | 3   | 650297   | REFLECTIVE TAPE, 4 X 4, RTC4-4C |
| 6    | 2   | 903883   | 10-32 X 1/2 PHIL PAN IMACH SCR  |
| 7    | 1   | 003028   | LS SENSOR MT SUPP WLD, STSC 03  |
| 8    | 2   | 002815   | SENSOR ARM WASH, NYL            |
| 9    | 2   | 473980   | .31UNC-1.06ID-1.75SQ U-BOLT SS  |
| 10   | 1   | 900267   | 1/2UNC X 2" HEX BOLT            |
| 11   | 2   | 900278   | 1/2UNC X 6" HEX BOLT            |
| 12   | 4   | 914002   | 5/16UNC HEX STOVER NUT          |
| 13   | 3   | 914008   | 1/2UNC HEX STOVER NUT           |
| 14   | 1   | 292610   | LINEAR ACTUATOR, 4" STROKE      |
| 15   | 1   | 003050   | LS SENSOR MT WLD, 38"/20" R 204 |
| 16   | 1   | 293259   | UPR LS 9200 SENSOR ASSY, MALE   |

TOOLBAR STAND ASSEMBLY

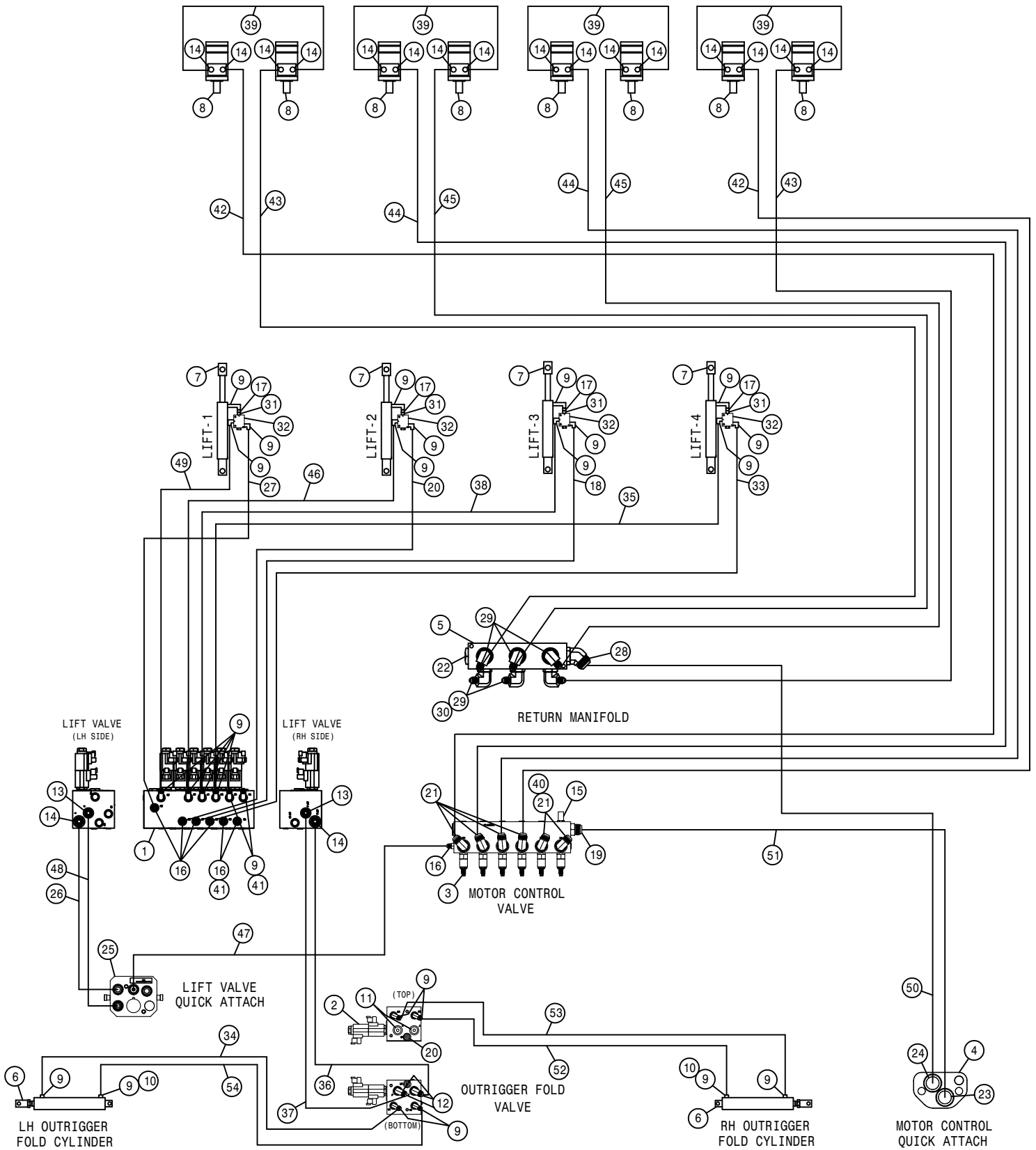
| DET. | QTY | PART NO. | DESCRIPTION                     |
|------|-----|----------|---------------------------------|
| 1    | 4   | 164522   | BOOM FOLD CYL PIN WLD           |
| 2    | 4   | 439265   | TOOL BAR STAND BASE, WLDMT      |
| 3    | 2   | 439270   | FRT TOOL BAR STAND, UPPER WLDMT |
| 4    | 2   | 439276   | REAR TOOL BAR STAND, TOP WLDMT  |
| 5    | 2   | 439281   | TOOL BAR STAND, PIN MT WLDMT    |
| 6    | 4   | 439282   | TOOL BAR STAND, PIN WLD         |
| 7    | 8   | 470335   | LINCHPIN, 3/16 X 1 1/4 GRIP     |
| 8    | 2   | 473895   | 1/4 X 1 3/4 LINGHPIN            |





STS COMBO 6R QUAD HYD DIAG 2014  
REFERENCE DRAWING NO. 499319

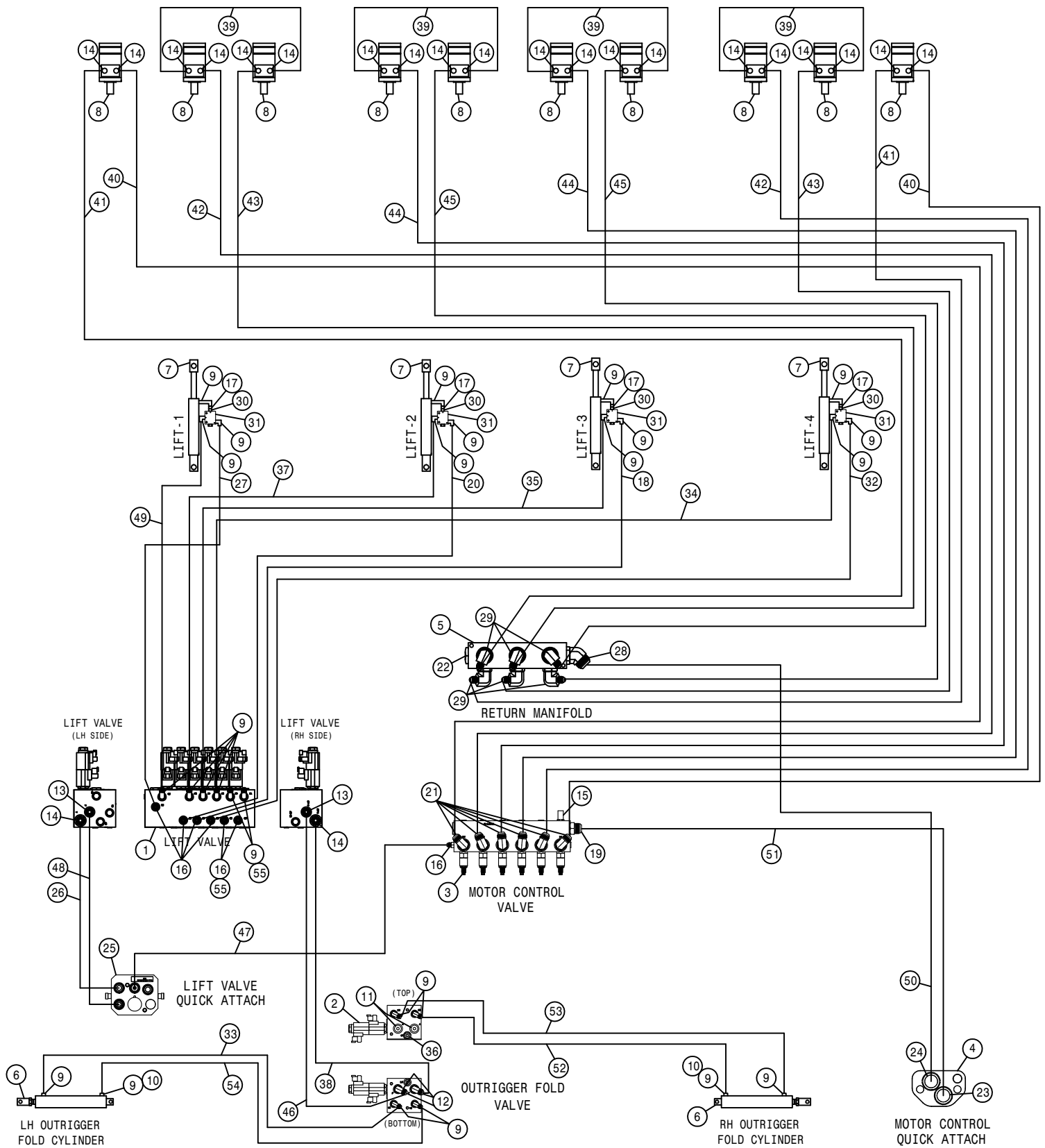
| DET. | QTY | PART NO. | DESCRIPTION                     | DET. | QTY | PART NO. | DESCRIPTION                    |
|------|-----|----------|---------------------------------|------|-----|----------|--------------------------------|
| 1    | 1   | 606285   | LIFT VALVE, STS COMBO, SAUER    | 28   | 1   | 618396   | 1 5/8MJIC-45-1 5/8MOR LBO      |
| 2    | 1   | 606286   | FOLD VALVE, STS COMBO, SAUER    | 29   | 6   | 618475   | 3/4MJIC-90-1 5/16MOR LBO       |
| 3    | 1   | 615911   | MOTOR CONTROL MANIFOLD          | 30   | 1   | 616873   | 06-451TC-06FJX-06FJX90-128 H/A |
| 4    | 1   | 618879   | COMBO MULTI COUPLR MOBILE '14   | 31   | 3   | 618668   | 9/16FJIC SWIV-9/16MOR ADPTR    |
| 5    | 1   | 606246   | MANIFOLD, #16 3-STN 180         | 32   | 3   | 607565   | CHECK VLV, PILOT TO OPEN, SUN  |
| 6    | 2   | 621566   | HYD CYL, 2.50 X 11.00 X 1.375   | 33   | 1   | 616626   | 06-451TC-06FJX-06FJX90-175 H/A |
| 7    | 3   | 621564   | HYD CYL, 2.00 X 11.00 X 1.50 1W | 34   | 1   | 616526   | 06-451TC-06FJX-06FJX45-171 H/A |
| 8    | 6   | 610547   | HYD MOTOR 4.5CI 1IN SHFT        | 35   | 1   | 616523   | 06-451TC-06FJX-06FJX45-80 H/A  |
| 9    | 23  | 618119   | 9/16MJIC-90-9/16MOR LBO         | 36   | 1   | 616528   | 06-451TC-08FJX-08FJX90-13 H/A  |
| 10   | 2   | 618732   | 9/16JIC .031 ORIFICE ADPTR      | 37   | 1   | 616512   | 04-451TC-06FJX-06FJX-49 H/A    |
| 11   | 2   | 618755   | 3/4MOR PLUG, HEX SOCKET         | 38   | 1   | 616529   | 06-451TC-08FJX-08FJX90-16 H/A  |
| 12   | 2   | 618241   | 3/4MJIC-90-3/4MOR LBO           | 39   | 3   | 616135   | 08-451TC-08FJX-08FJX-50 H/A    |
| 13   | 2   | 611125   | 3/4MJIC-3/4MOR ADPTR            | 40   | 3   | 618533   | 1 1/16FJIC CAP NUT             |
| 14   | 14  | 618327   | 3/4MJIC-7/8MOR ADPTR            | 41   | 6   | 618531   | 9/16FJIC CAP NUT               |
| 15   | 1   | 619023   | 9/16 MOR DIAG FITTING STS'14    | 42   | 2   | 616539   | 08-451TC-12FJX-08FJX90-220 H/A |
| 16   | 7   | 618126   | 9/16MJIC-9/16MOR ADPTR          | 43   | 2   | 616533   | 08-451TC-08FJX-08FJX-218 H/A   |
| 17   | 3   | 618733   | 9/16JIC .042 ORIFICE ADPTR      | 44   | 1   | 616538   | 08-451TC-12FJX-08FJX90-125 H/A |
| 18   | 3   | 618532   | 3/4FJIC CAP NUT                 | 45   | 1   | 616532   | 08-451TC-08FJX-08FJX-125 H/A   |
| 19   | 1   | 618186   | 1 5/16MJIC-1 5/16MOR ADPTR      | 46   | 1   | 618754   | 9/16MOR PLUG, HEX SOCKET       |
| 20   | 1   | 616511   | 04-451TC-06FJX-06FJX-33 H/A     | 47   | 1   | 617188   | 04-451TC-04FJX-06FJX45-50 H/A  |
| 21   | 6   | 618248   | 1 1/16MJIC-90-1 1/16MOR LBO     | 48   | 1   | 617186   | 08-451TC-10FJX-08FJX90-29 H/A  |
| 22   | 1   | 618759   | 1 5/8MOR PLUG, HEX SOCKET       | 49   | 1   | 616525   | 06-451TC-06FJX-06FJX45-124 H/A |
| 23   | 1   | 618883   | 1 5/16MJIC-90-1 5/8MOR LBO      | 50   | 1   | 614766   | 20-811-20FJX-20FJX90-40 H/A    |
| 24   | 1   | 618472   | 1 5/8MJIC-1 5/8MOR ADPTR        | 51   | 1   | 614767   | 16-451TC-16FJX-16FJX45-34 H/A  |
| 25   | 1   | 607113   | MOBILE HALF COUPLER ASSY, 0504  | 52   | 1   | 616089   | 04-451TC-06FJX-06FJX-60 H/A    |
| 26   | 1   | 617187   | 08-451TC-12FJX-08FJX90-29 H/A   | 53   | 1   | 616177   | 04-451TC-06FJX-06FJX-74 H/A    |
| 27   | 1   | 616723   | 06-451TC-06FJX-06FJX90-85 H/A   |      |     |          |                                |





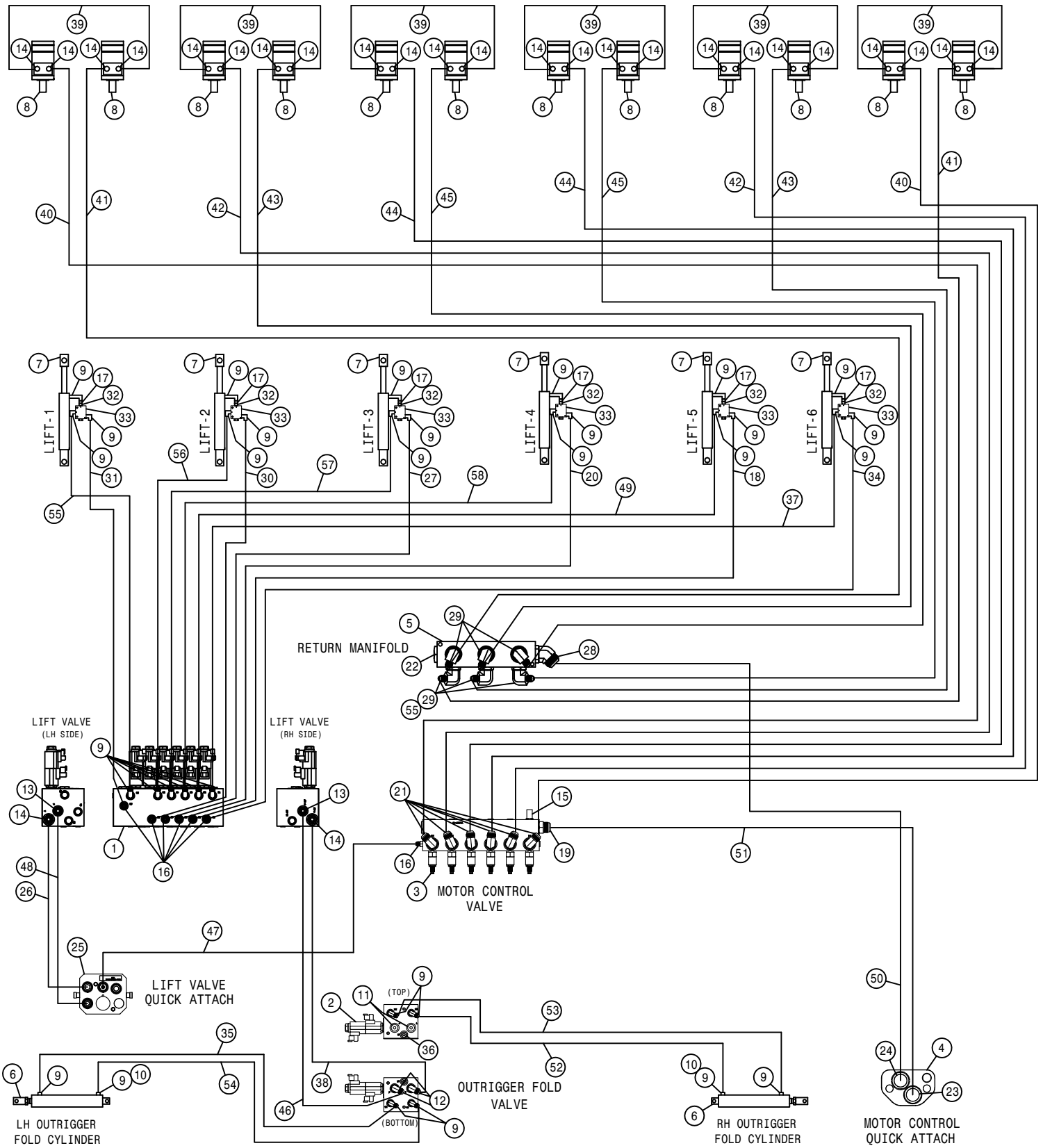
STS COMBO 8R QUAD HYD DIAG 2014  
REFERENCE DRAWING NO. 499320

| DET. | QTY | PART NO. | DESCRIPTION                    | DET. | QTY | PART NO. | DESCRIPTION                    |
|------|-----|----------|--------------------------------|------|-----|----------|--------------------------------|
| 1    | 1   | 606285   | LIFT VALVE,STS COMBO,SAUER     | 28   | 1   | 618396   | 1 5/8MJIC-45-1 5/8MOR LBO      |
| 2    | 1   | 606286   | FOLD VALVE,STS COMBO,SAUER     | 29   | 6   | 618475   | 3/4MJIC-90-1 5/16MOR LBO       |
| 3    | 1   | 615911   | MOTOR CONTROL MANIFOLD         | 30   | 2   | 618532   | 3/4FJIC CAP NUT                |
| 4    | 1   | 618879   | COMBO MULTI COUPLR MOBILE '14  | 31   | 4   | 618668   | 9/16FJIC SWIV-9/16MOR ADPTR    |
| 5    | 1   | 606246   | MANIFOLD, #16 3-STN 180        | 32   | 4   | 607565   | CHECK VLV,PILOT TO OPEN, SUN   |
| 6    | 2   | 621566   | HYD CYL, 2.50 X 11.00 X 1.375  | 33   | 1   | 616626   | 06-451TC-06FJX-06FJX90-175 H/A |
| 7    | 4   | 621564   | HYD CYL,2.00 X 11.00 X 1.50 1W | 34   | 1   | 616512   | 04-451TC-06FJX-06FJX-49 H/A    |
| 8    | 8   | 610547   | HYD MOTOR 4.5CI 1IN SHFT       | 35   | 1   | 616526   | 06-451TC-06FJX-06FJX45-171 H/A |
| 9    | 26  | 618119   | 9/16MJIC-90-9/16MOR LBO        | 36   | 1   | 618528   | 3/4FOR-3/4MNPT ADPTR           |
| 10   | 2   | 618732   | 9/16JIC .031 ORIFICE ADPTR     | 37   | 1   | 616529   | 06-451TC-08FJX-08FJX90-16 H/A  |
| 11   | 2   | 618755   | 3/4MOR PLUG, HEX SOCKET        | 38   | 1   | 616523   | 06-451TC-06FJX-06FJX45-80 H/A  |
| 12   | 2   | 618241   | 3/4MJIC-90-3/4MOR LBO          | 39   | 4   | 616135   | 08-451TC-08FJX-08FJX-50 H/A    |
| 13   | 2   | 611125   | 3/4MJIC-3/4MOR ADPTR           | 40   | 2   | 618533   | 1 1/16FJIC CAP NUT             |
| 14   | 18  | 618327   | 3/4MJIC-7/8MOR ADPTR           | 41   | 4   | 618531   | 9/16FJIC CAP NUT               |
| 15   | 1   | 619023   | 9/16 MOR DIAG FITTING STS'14   | 42   | 2   | 616539   | 08-451TC-12FJX-08FJX90-220 H/A |
| 16   | 7   | 618126   | 9/16MJIC-9/16MOR ADPTR         | 43   | 2   | 616533   | 08-451TC-08FJX-08FJX-218 H/A   |
| 17   | 4   | 618733   | 9/16JIC .042 ORIFICE ADPTR     | 44   | 2   | 616538   | 08-451TC-12FJX-08FJX90-125 H/A |
| 18   | 1   | 616723   | 06-451TC-06FJX-06FJX90-85 H/A  | 45   | 2   | 616532   | 08-451TC-08FJX-08FJX-125 H/A   |
| 19   | 1   | 618186   | 1 5/16MJIC-1 5/16MOR ADPTR     | 46   | 1   | 616644   | 06-451TC-06FJX-06FJX45-36 H/A  |
| 20   | 1   | 616581   | 06-451TC-06FJX-06FJX90-40 H/A  | 47   | 1   | 617188   | 04-451TC-04FJX-06FJX45-50 H/A  |
| 21   | 6   | 618248   | 1 1/16MJIC-90-1 1/16MOR LBO    | 48   | 1   | 617186   | 08-451TC-10FJX-08FJX90-29 H/A  |
| 22   | 1   | 618759   | 1 5/8MOR PLUG, HEX SOCKET      | 49   | 1   | 616525   | 06-451TC-06FJX-06FJX45-124 H/A |
| 23   | 1   | 618883   | 1 5/16MJIC-90-1 5/8MOR LBO     | 50   | 1   | 614766   | 20-811-20FJX-20FJX90-40 H/A    |
| 24   | 1   | 618472   | 1 5/8MJIC-1 5/8MOR ADPTR       | 51   | 1   | 614767   | 16-451TC-16FJX-16FJX45-34 H/A  |
| 25   | 1   | 607113   | MOBILE HALF COUPLER ASSY, 0504 | 52   | 1   | 616089   | 04-451TC-06FJX-06FJX-60 H/A    |
| 26   | 1   | 617187   | 08-451TC-12FJX-08FJX90-29 H/A  | 53   | 1   | 616177   | 04-451TC-06FJX-06FJX-74 H/A    |
| 27   | 1   | 616873   | 06-451TC-06FJX-06FJX90-128 H/A | 54   | 1   | 616511   | 04-451TC-06FJX-06FJX-33 H/A    |



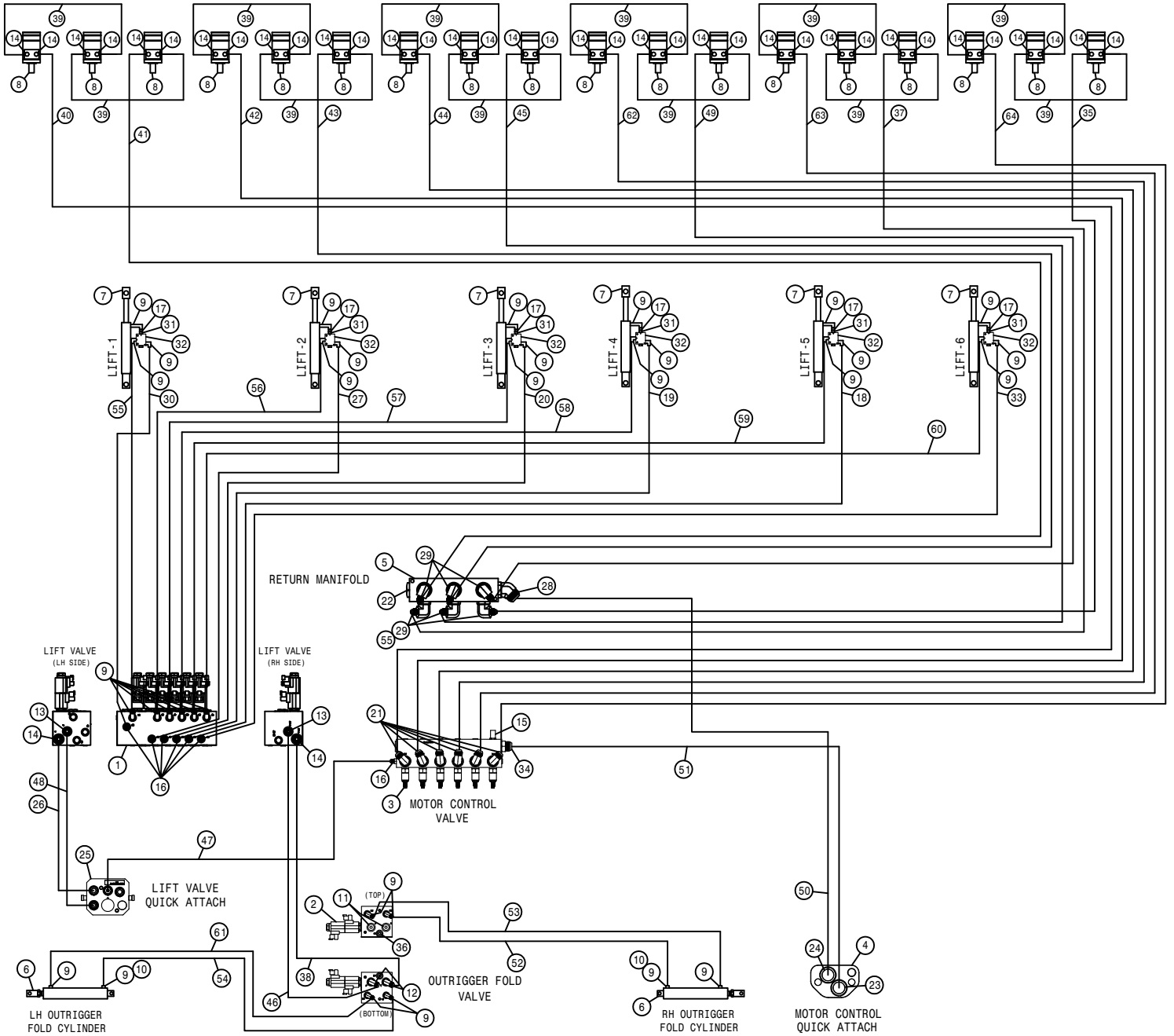
STS COMBO 10R QUAD HYD DIAG 2014  
REFERENCE DRAWING NO. 499321

| DET. | QTY | PART NO. | DESCRIPTION                    | DET. | QTY | PART NO. | DESCRIPTION                    |
|------|-----|----------|--------------------------------|------|-----|----------|--------------------------------|
| 1    | 1   | 606285   | LIFT VALVE,STS COMBO,SAUER     | 28   | 1   | 618396   | 1 5/8MJIC-45-1 5/8MOR LBO      |
| 2    | 1   | 606286   | FOLD VALVE,STS COMBO,SAUER     | 29   | 6   | 618475   | 3/4MJIC-90-1 5/16MOR LBO       |
| 3    | 1   | 615911   | MOTOR CONTROL MANIFOLD         | 30   | 4   | 618668   | 9/16FJIC SWIV-9/16MOR ADPTR    |
| 4    | 1   | 618879   | COMBO MULTI COUPLR MOBILE '14  | 31   | 4   | 607565   | CHECK VLV,PILOT TO OPEN, SUN   |
| 5    | 1   | 606246   | MANIFOLD, #16 3-STN 180        | 32   | 1   | 616626   | 06-451TC-06FJX-06FJX90-175 H/A |
| 6    | 2   | 621566   | HYD CYL, 2.50 X 11.00 X 1.375  | 33   | 1   | 616512   | 04-451TC-06FJX-06FJX-49 H/A    |
| 7    | 4   | 621564   | HYD CYL,2.00 X 11.00 X 1.50 1W | 34   | 1   | 616526   | 06-451TC-06FJX-06FJX45-171 H/A |
| 8    | 10  | 610547   | HYD MOTOR 4.5CI 1IN SHFT       | 35   | 1   | 616523   | 06-451TC-06FJX-06FJX45-80 H/A  |
| 9    | 26  | 618119   | 9/16MJIC-90-9/16MOR LBO        | 36   | 1   | 618754   | 9/16MOR PLUG, HEX SOCKET       |
| 10   | 2   | 618732   | 9/16JIC .031 ORIFICE ADPTR     | 37   | 1   | 616644   | 06-451TC-06FJX-06FJX45-36 H/A  |
| 11   | 2   | 618755   | 3/4MOR PLUG, HEX SOCKET        | 38   | 1   | 616528   | 06-451TC-08FJX-08FJX90-13 H/A  |
| 12   | 2   | 618241   | 3/4MJIC-90-3/4MOR LBO          | 39   | 4   | 616135   | 08-451TC-08FJX-08FJX-50 H/A    |
| 13   | 2   | 611125   | 3/4MJIC-3/4MOR ADPTR           | 40   | 2   | 616540   | 08-451TC-12FJX-08FJX90-252 H/A |
| 14   | 22  | 618327   | 3/4MJIC-7/8MOR ADPTR           | 41   | 2   | 616535   | 08-451TC-08FJX-08FJX-252 H/A   |
| 15   | 1   | 619023   | 9/16 MOR DIAG FITTING STS'14   | 42   | 2   | 616539   | 08-451TC-12FJX-08FJX90-220 H/A |
| 16   | 7   | 618126   | 9/16MJIC-9/16MOR ADPTR         | 43   | 2   | 616533   | 08-451TC-08FJX-08FJX-218 H/A   |
| 17   | 4   | 618733   | 9/16JIC .042 ORIFICE ADPTR     | 44   | 2   | 616538   | 08-451TC-12FJX-08FJX90-125 H/A |
| 18   | 1   | 616723   | 06-451TC-06FJX-06FJX90-85 H/A  | 45   | 2   | 616532   | 08-451TC-08FJX-08FJX-125 H/A   |
| 19   | 1   | 618186   | 1 5/16MJIC-1 5/16MOR ADPTR     | 46   | 1   | 616529   | 06-451TC-08FJX-08FJX90-16 H/A  |
| 20   | 1   | 616581   | 06-451TC-06FJX-06FJX90-40 H/A  | 47   | 1   | 617188   | 04-451TC-04FJX-06FJX45-50 H/A  |
| 21   | 6   | 618248   | 1 1/16MJIC-90-1 1/16MOR LBO    | 48   | 1   | 617186   | 08-451TC-10FJX-08FJX90-29 H/A  |
| 22   | 1   | 618759   | 1 5/8MOR PLUG, HEX SOCKET      | 49   | 1   | 616525   | 06-451TC-06FJX-06FJX45-124 H/A |
| 23   | 1   | 618883   | 1 5/16MJIC-90-1 5/8MOR LBO     | 50   | 1   | 614766   | 20-811-20FJX-20FJX90-40 H/A    |
| 24   | 1   | 618472   | 1 5/8MJIC-1 5/8MOR ADPTR       | 51   | 1   | 614767   | 16-451TC-16FJX-16FJX45-34 H/A  |
| 25   | 1   | 607113   | MOBILE HALF COUPLER ASSY, 0504 | 52   | 1   | 616089   | 04-451TC-06FJX-06FJX-60 H/A    |
| 26   | 1   | 617187   | 08-451TC-12FJX-08FJX90-29 H/A  | 53   | 1   | 616177   | 04-451TC-06FJX-06FJX-74 H/A    |
| 27   | 1   | 616873   | 06-451TC-06FJX-06FJX90-128 H/A | 54   | 1   | 616511   | 04-451TC-06FJX-06FJX-33 H/A    |



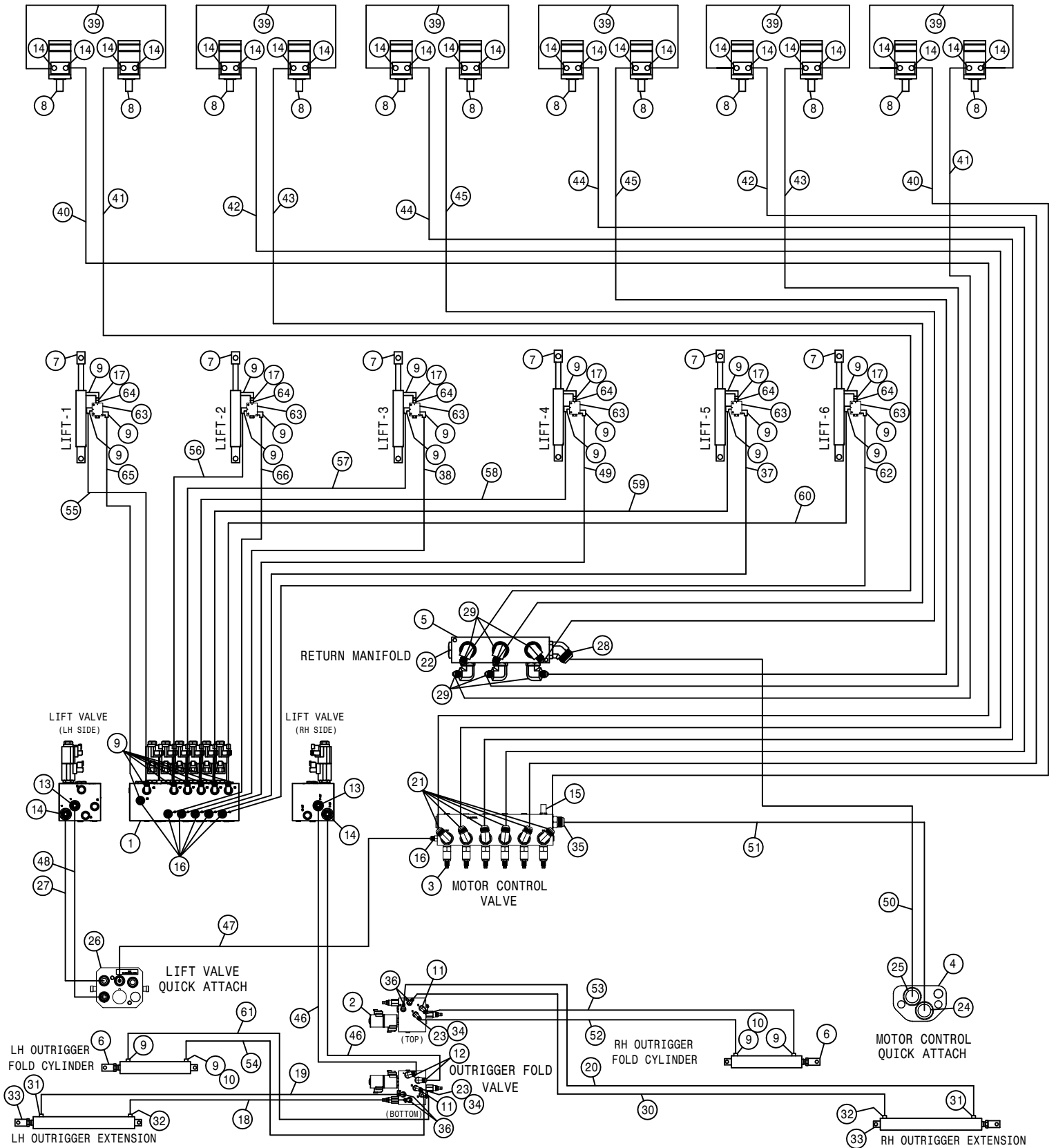
STS COMBO 12R QUAD HYD DIAG 2014  
REFERENCE DRAWING NO. 499322

| DET. | QTY | PART NO. | DESCRIPTION                    | DET. | QTY | PART NO. | DESCRIPTION                    |
|------|-----|----------|--------------------------------|------|-----|----------|--------------------------------|
| 1    | 1   | 606285   | LIFT VALVE,STS COMBO,SAUER     | 30   | 1   | 616873   | 06-451TC-06FJX-06FJX90-128 H/A |
| 2    | 1   | 606286   | FOLD VALVE,STS COMBO,SAUER     | 31   | 1   | 616876   | 06-451TC-06FJX-06FJX90-189 H/A |
| 3    | 1   | 615911   | MOTOR CONTROL MANIFOLD         | 32   | 6   | 618668   | 9/16FJIC SWIV-9/16MOR ADPTR    |
| 4    | 1   | 618879   | COMBO MULTI COUPLR MOBILE '14  | 33   | 6   | 607565   | CHECK VLV,PILOT TO OPEN, SUN   |
| 5    | 1   | 606246   | MANIFOLD, #16 3-STN 180        | 34   | 1   | 616878   | 06-451TC-06FJX-06FJX90-233 H/A |
| 6    | 2   | 621566   | HYD CYL, 2.50 X 11.00 X 1.375  | 35   | 1   | 616512   | 04-451TC-06FJX-06FJX-49 H/A    |
| 7    | 6   | 621564   | HYD CYL,2.00 X 11.00 X 1.50 1W | 36   | 1   | 618754   | 9/16MOR PLUG, HEX SOCKET       |
| 8    | 12  | 610547   | HYD MOTOR 4.5CI 1IN SHFT       | 37   | 1   | 616527   | 06-451TC-06FJX-06FJX45-229 H/A |
| 9    | 32  | 618119   | 9/16MJIC-90-9/16MOR LBO        | 38   | 1   | 616528   | 06-451TC-08FJX-08FJX90-13 H/A  |
| 10   | 2   | 614757   | .032 ELBOW ASSY,9/16MOR 90D    | 39   | 6   | 616135   | 08-451TC-08FJX-08FJX-50 H/A    |
| 11   | 2   | 618755   | 3/4MOR PLUG, HEX SOCKET        | 40   | 2   | 616541   | 08-451TC-12FJX-08FJX90-280 H/A |
| 12   | 2   | 618241   | 3/4MJIC-90-3/4MOR LBO          | 41   | 2   | 616534   | 08-451TC-08FJX-08FJX-278 H/A   |
| 13   | 2   | 611125   | 3/4MJIC-3/4MOR ADPTR           | 42   | 2   | 616539   | 08-451TC-12FJX-08FJX90-220 H/A |
| 14   | 26  | 618327   | 3/4MJIC-7/8MOR ADPTR           | 43   | 2   | 616533   | 08-451TC-08FJX-08FJX-218 H/A   |
| 15   | 1   | 619023   | 9/16 MOR DIAG FITTING STS'14   | 44   | 2   | 616538   | 08-451TC-12FJX-08FJX90-125 H/A |
| 16   | 7   | 618126   | 9/16MJIC-9/16MOR ADPTR         | 45   | 2   | 616532   | 08-451TC-08FJX-08FJX-125 H/A   |
| 17   | 6   | 618733   | 9/16JIC .042 ORIFICE ADPTR     | 46   | 1   | 616529   | 06-451TC-08FJX-08FJX90-16 H/A  |
| 18   | 1   | 616626   | 06-451TC-06FJX-06FJX90-175 H/A | 47   | 1   | 617188   | 04-451TC-04FJX-06FJX45-50 H/A  |
| 19   | 1   | 618186   | 1 5/16MJIC-1 5/16MOR ADPTR     | 48   | 1   | 617186   | 08-451TC-10FJX-08FJX90-29 H/A  |
| 20   | 1   | 616723   | 06-451TC-06FJX-06FJX90-85 H/A  | 49   | 1   | 616526   | 06-451TC-06FJX-06FJX45-171 H/A |
| 21   | 6   | 618248   | 1 1/16MJIC-90-1 1/16MOR LBO    | 50   | 1   | 614766   | 20-811-20FJX-20FJX90-40 H/A    |
| 22   | 1   | 618759   | 1 5/8MOR PLUG, HEX SOCKET      | 51   | 1   | 614767   | 16-451TC-16FJX-16FJX45-34 H/A  |
| 23   | 1   | 618883   | 1 5/16MJIC-90-1 5/8MOR LBO     | 52   | 1   | 616089   | 04-451TC-06FJX-06FJX-60 H/A    |
| 24   | 1   | 618472   | 1 5/8MJIC-1 5/8MOR ADPTR       | 53   | 1   | 616177   | 04-451TC-06FJX-06FJX-74 H/A    |
| 25   | 1   | 607113   | MOBILE HALF COUPLER ASSY, 0504 | 54   | 1   | 616511   | 04-451TC-06FJX-06FJX-33 H/A    |
| 26   | 1   | 617187   | 08-451TC-12FJX-08FJX90-29 H/A  | 55   | 1   | 616524   | 06-451TC-06FJX-06FJX45-185 H/A |
| 27   | 1   | 616581   | 06-451TC-06FJX-06FJX90-40 H/A  | 56   | 1   | 616525   | 06-451TC-06FJX-06FJX45-124 H/A |
| 28   | 1   | 618396   | 1 5/8MJIC-45-1 5/8MOR LBO      | 57   | 1   | 616644   | 06-451TC-06FJX-06FJX45-36 H/A  |
| 29   | 6   | 618475   | 3/4MJIC-90-1 5/16MOR LBO       | 58   | 1   | 616523   | 06-451TC-06FJX-06FJX45-80 H/A  |



STS COMBO 18R QUAD HYD DIAG 2014  
REFERENCE DRAWING NO. 499323

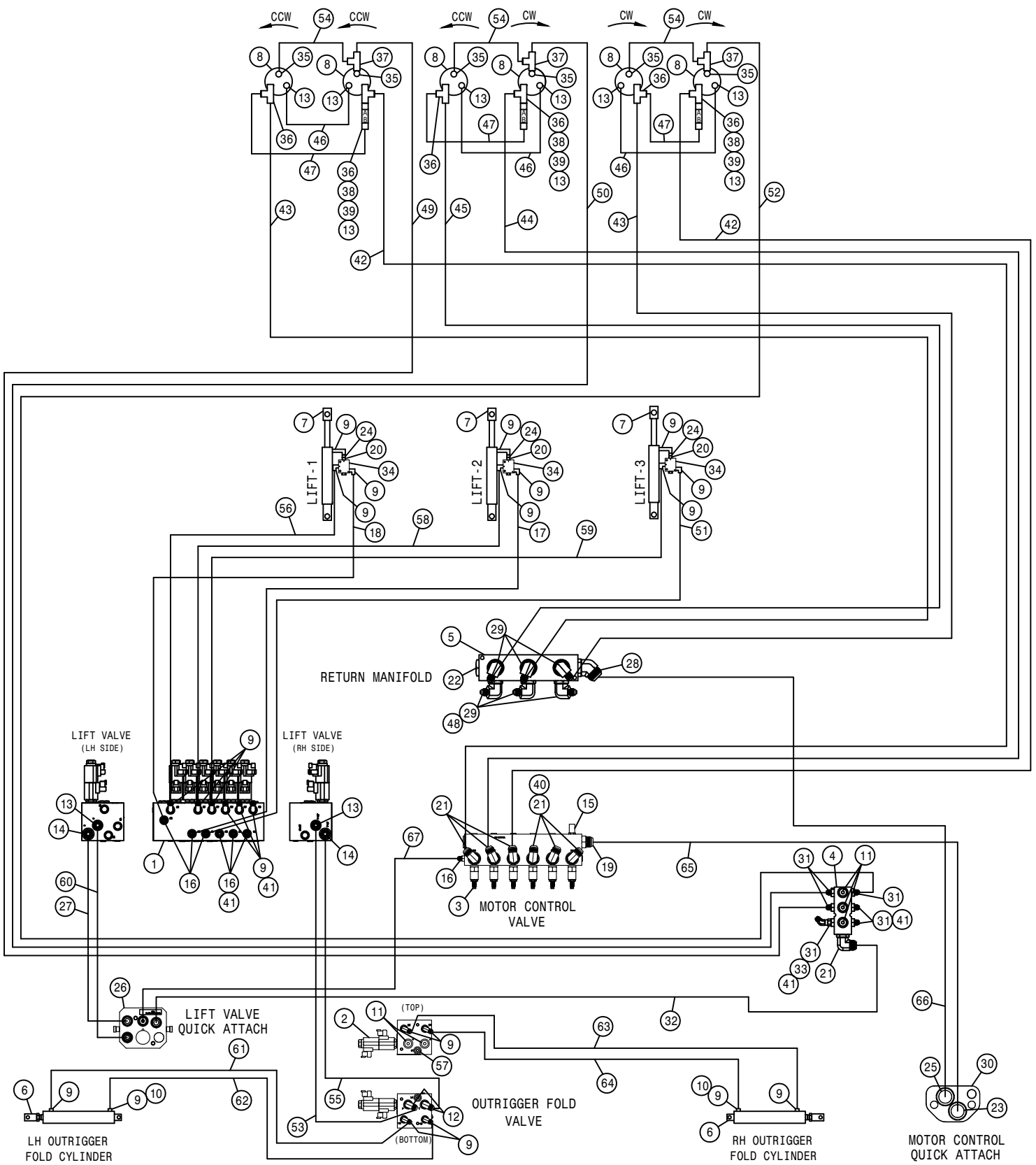
| DET. | QTY | PART NO. | DESCRIPTION                    | DET. | QTY | PART NO. | DESCRIPTION                    |
|------|-----|----------|--------------------------------|------|-----|----------|--------------------------------|
| 1    | 1   | 606285   | LIFT VALVE,STS COMBO,SAUER     | 33   | 1   | 616877   | 06-451TC-06FJX-06FJX90-215 H/A |
| 2    | 1   | 606286   | FOLD VALVE,STS COMBO,SAUER     | 34   | 1   | 618186   | 1 5/16MJIC-1 5/16MOR ADPTR     |
| 3    | 1   | 615911   | MOTOR CONTROL MANIFOLD         | 35   | 1   | 616660   | 08-451TC-08FJX-08FJX-275 H/A   |
| 4    | 1   | 618879   | COMBO MULTI COUPLR MOBILE '14  | 36   | 1   | 618754   | 9/16MOR PLUG, HEX SOCKET       |
| 5    | 1   | 606246   | MANIFOLD, #16 3-STN 180        | 37   | 1   | 616657   | 08-451TC-08FJX-08FJX-215 H/A   |
| 6    | 2   | 621566   | HYD CYL, 2.50 X 11.00 X 1.375  | 38   | 1   | 616528   | 06-451TC-08FJX-08FJX90-13 H/A  |
| 7    | 6   | 621564   | HYD CYL,2.00 X 11.00 X 1.50 1W | 39   | 12  | 616298   | 08-451TC-08FJX-08FJX-44 H/A    |
| 8    | 18  | 610547   | HYD MOTOR 4.5CI 1IN SHFT       | 40   | 1   | 616654   | 08-451TC-12FJX-08FJX90-264 H/A |
| 9    | 32  | 618119   | 9/16MJIC-90-9/16MOR LBO        | 41   | 1   | 616659   | 08-451TC-08FJX-08FJX-255 H/A   |
| 10   | 2   | 614757   | .032 ELBOW ASSY,9/16MOR 90D    | 42   | 1   | 616653   | 08-451TC-12FJX-08FJX90-204 H/A |
| 11   | 2   | 618755   | 3/4MOR PLUG, HEX SOCKET        | 43   | 1   | 616658   | 08-451TC-08FJX-08FJX-195 H/A   |
| 12   | 2   | 618241   | 3/4MJIC-90-3/4MOR LBO          | 44   | 1   | 616651   | 08-451TC-12FJX-08FJX90-119 H/A |
| 13   | 2   | 611125   | 3/4MJIC-3/4MOR ADPTR           | 45   | 1   | 616656   | 08-451TC-08FJX-08FJX-112 H/A   |
| 14   | 38  | 618327   | 3/4MJIC-7/8MOR ADPTR           | 46   | 1   | 616529   | 06-451TC-08FJX-08FJX90-16 H/A  |
| 15   | 1   | 619023   | 9/16 MOR DIAG FITTING STS'14   | 47   | 1   | 617188   | 04-451TC-04FJX-06FJX45-50 H/A  |
| 16   | 7   | 618126   | 9/16MJIC-9/16MOR ADPTR         | 48   | 1   | 617186   | 08-451TC-10FJX-08FJX90-29 H/A  |
| 17   | 7   | 618733   | 9/16JIC .042 ORIFICE ADPTR     | 49   | 1   | 616102   | 08-451TC-08FJX-08FJX-132 H/A   |
| 18   | 1   | 616874   | 06-451TC-06FJX-06FJX90-157 H/A | 50   | 1   | 614766   | 20-811-20FJX-20FJX90-40 H/A    |
| 19   | 1   | 616872   | 06-451TC-06FJX-06FJX90-76 H/A  | 51   | 1   | 614767   | 16-451TC-16FJX-16FJX45-34 H/A  |
| 20   | 1   | 616581   | 06-451TC-06FJX-06FJX90-40 H/A  | 52   | 1   | 616089   | 04-451TC-06FJX-06FJX-60 H/A    |
| 21   | 6   | 618248   | 1 1/16MJIC-90-1 1/16MOR LBO    | 53   | 1   | 616177   | 04-451TC-06FJX-06FJX-74 H/A    |
| 22   | 1   | 618759   | 1 5/8MOR PLUG, HEX SOCKET      | 54   | 1   | 616511   | 04-451TC-06FJX-06FJX-33 H/A    |
| 23   | 1   | 618883   | 1 5/16MJIC-90-1 5/8MOR LBO     | 55   | 1   | 616648   | 06-451TC-06FJX-06FJX45-167 H/A |
| 24   | 1   | 618472   | 1 5/8MJIC-1 5/8MOR ADPTR       | 56   | 1   | 616646   | 06-451TC-06FJX-06FJX45-106 H/A |
| 25   | 1   | 607113   | MOBILE HALF COUPLER ASSY, 0504 | 57   | 1   | 616644   | 06-451TC-06FJX-06FJX45-36 H/A  |
| 26   | 1   | 617187   | 08-451TC-12FJX-08FJX90-29 H/A  | 58   | 1   | 616645   | 06-451TC-06FJX-06FJX45-72 H/A  |
| 27   | 1   | 616746   | 06-451TC-06FJX-06FJX90-110 H/A | 59   | 1   | 616647   | 06-451TC-06FJX-06FJX45-153 H/A |
| 28   | 1   | 618396   | 1 5/8MJIC-45-1 5/8MOR LBO      | 60   | 1   | 616649   | 06-451TC-06FJX-06FJX45-211 H/A |
| 29   | 6   | 618475   | 3/4MJIC-90-1 5/16MOR LBO       | 61   | 1   | 616512   | 04-451TC-06FJX-06FJX-49 H/A    |
| 30   | 1   | 616875   | 06-451TC-06FJX-06FJX90-171 H/A | 62   | 1   | 616650   | 08-451TC-12FJX-08FJX90-114 H/A |
| 31   | 6   | 618668   | 9/16FJIC SWIV-9/16MOR ADPTR    | 63   | 1   | 616652   | 08-451TC-12FJX-08FJX90-197 H/A |
| 32   | 6   | 607565   | CHECK VLV,PILOT TO OPEN, SUN   | 64   | 1   | 616655   | 08-451TC-12FJX-08FJX90-257 H/A |





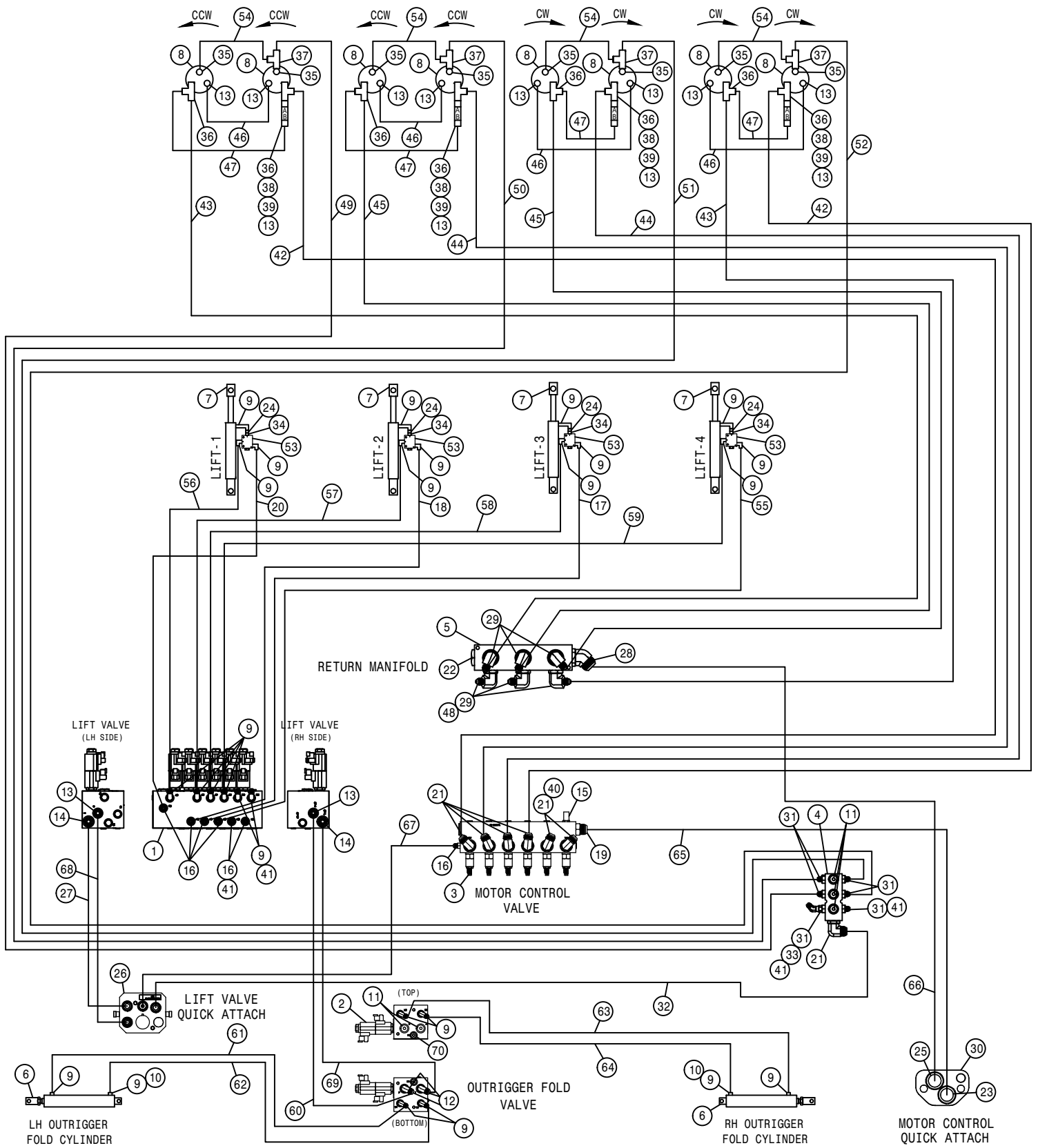
STS COMBO 4-2 QUAD HYD DIAG 2014  
REFERENCE DRAWING NO. 499324

| DET. | QTY | PART NO. | DESCRIPTION                     | DET. | QTY | PART NO. | DESCRIPTION                    |
|------|-----|----------|---------------------------------|------|-----|----------|--------------------------------|
| 1    | 1   | 606285   | LIFT VALVE, STS COMBO, SAUER    | 34   | 2   | 618618   | 9/16MJIC-90-9/16FJIC SWIV LBO  |
| 2    | 1   | 606464   | FOLD/EXT SEQ VLV, 4-2COM STS'13 | 35   | 1   | 618186   | 1 5/16MJIC-1 5/16MOR ADPTR     |
| 3    | 1   | 615911   | MOTOR CONTROL MANIFOLD          | 36   | 4   | 618473   | 7/16MJIC-90-7/16MOR LBO        |
| 4    | 1   | 618879   | COMBO MULTI COUPLR MOBILE '14   | 37   | 1   | 616877   | 06-451TC-06FJX-06FJX90-215 H/A |
| 5    | 1   | 606246   | MANIFOLD, #16 3-STN 180         | 38   | 1   | 616581   | 06-451TC-06FJX-06FJX90-40 H/A  |
| 6    | 2   | 621566   | HYD CYL, 2.50 X 11.00 X 1.375   | 39   | 6   | 616135   | 08-451TC-08FJX-08FJX-50 H/A    |
| 7    | 6   | 621564   | HYD CYL, 2.00 X 11.00 X 1.50 1W | 40   | 2   | 617184   | 08-451TC-12FJX-08FJX-300 H/A   |
| 8    | 12  | 610547   | HYD MOTOR 4.5CI 1IN SHFT        | 41   | 2   | 617179   | 08-451TC-08FJX-08FJX-305 H/A   |
| 9    | 28  | 618119   | 9/16MJIC-90-9/16MOR LBO         | 42   | 2   | 617183   | 08-451TC-12FJX-08FJX-234 H/A   |
| 10   | 2   | 614757   | .032 ELBOW ASSY, 9/16MOR 90D    | 43   | 2   | 617178   | 08-451TC-08FJX-08FJX-242 H/A   |
| 11   | 2   | 618114   | 9/16MJIC-90-7/16MOR LBO         | 44   | 2   | 617182   | 08-451TC-12FJX-08FJX-125 H/A   |
| 12   | 2   | 618249   | 3/4MJIC-90-9/16MOR LBO          | 45   | 2   | 616532   | 08-451TC-08FJX-08FJX-125 H/A   |
| 13   | 2   | 611125   | 3/4MJIC-3/4MOR ADPTR            | 46   | 2   | 616529   | 06-451TC-08FJX-08FJX90-16 H/A  |
| 14   | 26  | 618327   | 3/4MJIC-7/8MOR ADPTR            | 47   | 1   | 617188   | 04-451TC-04FJX-06FJX45-50 H/A  |
| 15   | 1   | 619023   | 9/16 MOR DIAG FITTING STS'14    | 48   | 1   | 617186   | 08-451TC-10FJX-08FJX90-29 H/A  |
| 16   | 7   | 618126   | 9/16MJIC-9/16MOR ADPTR          | 49   | 1   | 616723   | 06-451TC-06FJX-06FJX90-85 H/A  |
| 17   | 6   | 618733   | 9/16JIC .042 ORIFICE ADPTR      | 50   | 1   | 614766   | 20-811-20FJX-20FJX90-40 H/A    |
| 18   | 1   | 616302   | 04-451TC-04FJX-06FJX-60 H/A     | 51   | 1   | 614767   | 16-451TC-16FJX-16FJX45-34 H/A  |
| 19   | 1   | 617158   | 04-451TC-04FJX-06FJX-94 H/A     | 52   | 1   | 616089   | 04-451TC-06FJX-06FJX-60 H/A    |
| 20   | 1   | 617160   | 04-451TC-04FJX-06FJX-140 H/A    | 53   | 1   | 616177   | 04-451TC-06FJX-06FJX-74 H/A    |
| 21   | 6   | 618248   | 1 1/16MJIC-90-1 1/16MOR LBO     | 54   | 1   | 616511   | 04-451TC-06FJX-06FJX-33 H/A    |
| 22   | 1   | 618759   | 1 5/8MOR PLUG, HEX SOCKET       | 55   | 1   | 616527   | 06-451TC-06FJX-06FJX45-229 H/A |
| 23   | 2   | 618304   | 9/16MJIC-7/16MOR ADPTR          | 56   | 1   | 616648   | 06-451TC-06FJX-06FJX45-167 H/A |
| 24   | 1   | 618883   | 1 5/16MJIC-90-1 5/8MOR LBO      | 57   | 1   | 616644   | 06-451TC-06FJX-06FJX45-36 H/A  |
| 25   | 1   | 618472   | 1 5/8MJIC-1 5/8MOR ADPTR        | 58   | 1   | 616523   | 06-451TC-06FJX-06FJX45-80 H/A  |
| 26   | 1   | 607113   | MOBILE HALF COUPLER ASSY, 0504  | 59   | 1   | 616649   | 06-451TC-06FJX-06FJX45-211 H/A |
| 27   | 1   | 617187   | 08-451TC-12FJX-08FJX90-29 H/A   | 60   | 1   | 617157   | 06-451TC-06FJX-06FJX45-271 H/A |
| 28   | 1   | 618396   | 1 5/8MJIC-45-1 5/8MOR LBO       | 61   | 1   | 616512   | 04-451TC-06FJX-06FJX-49 H/A    |
| 29   | 6   | 618475   | 3/4MJIC-90-1 5/16MOR LBO        | 62   | 1   | 616785   | 06-451TC-06FJX-06FJX90-276 H/A |
| 30   | 1   | 617159   | 04-451TC-04FJX-06FJX-105 H/A    | 63   | 6   | 607565   | CHECK VLV, PILOT TO OPEN, SUN  |
| 31   | 2   | 618115   | 9/16MJIC-90-3/4MOR LBO          | 64   | 6   | 618668   | 9/16FJIC SWIV-9/16MOR ADPTR    |
| 32   | 2   | 618496   | 9/16MJIC-45-3/4MOR LBO          | 65   | 1   | 616878   | 06-451TC-06FJX-06FJX90-233 H/A |
| 33   | 2   | 621156   | EXTENSION CYL, 4-2 COM STS'13   | 66   | 1   | 616875   | 06-451TC-06FJX-06FJX90-171 H/A |



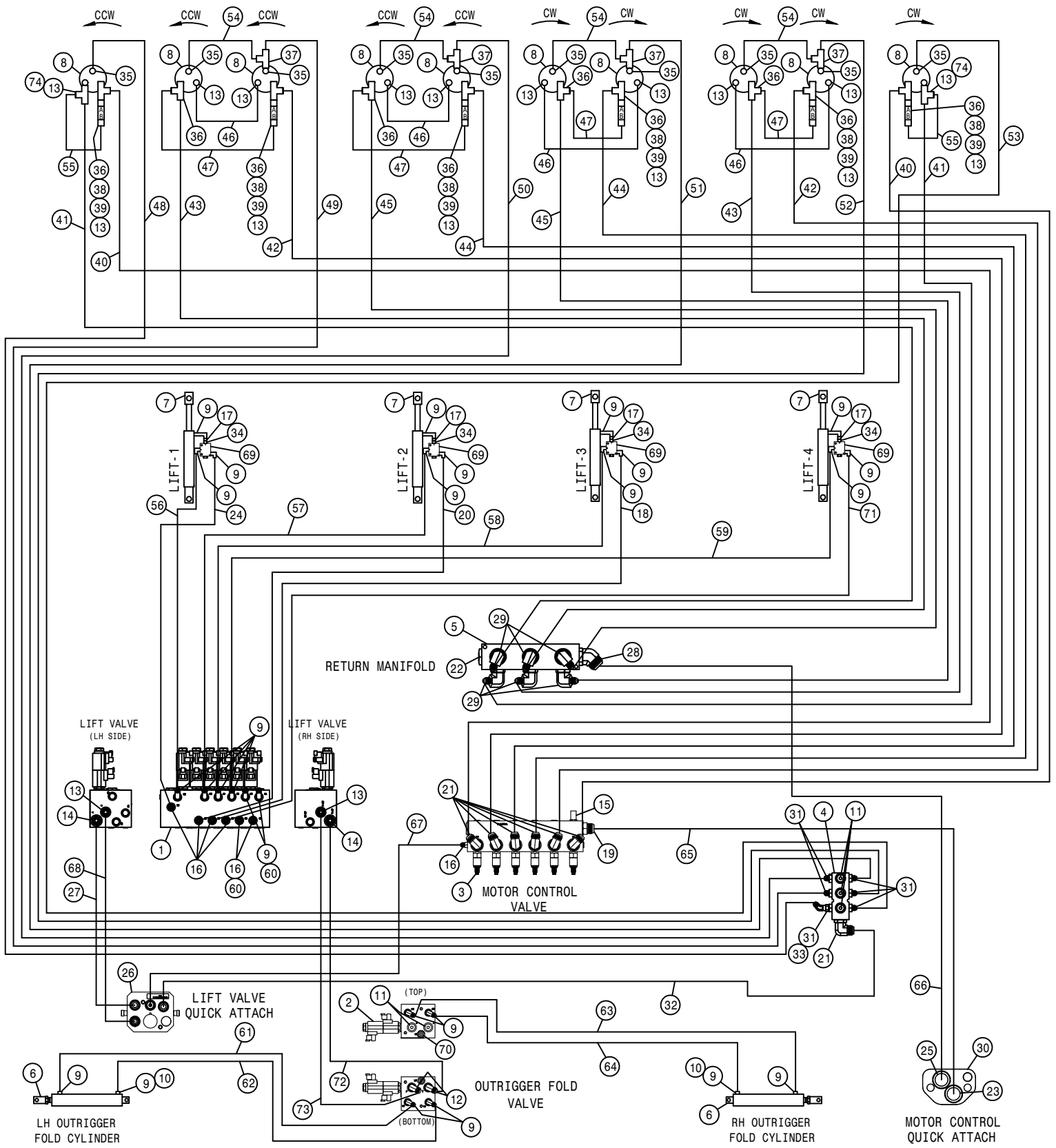
STS COMBO 6R CUTR HYD DIAG 2014  
REFERENCE DRAWING NO. 499325

| DET. | QTY | PART NO. | DESCRIPTION                    | DET. | QTY | PART NO. | DESCRIPTION                    |
|------|-----|----------|--------------------------------|------|-----|----------|--------------------------------|
| 1    | 1   | 606285   | LIFT VALVE,STS COMBO,SAUER     | 35   | 6   | 618530   | 9/16MJIC-1/8MNPT ADPTR         |
| 2    | 1   | 606286   | FOLD VALVE,STS COMBO,SAUER     | 36   | 6   | 618494   | 3/4MOR RUN TEE-3/4MJIC         |
| 3    | 1   | 615911   | MOTOR CONTROL MANIFOLD         | 37   | 3   | 618486   | 9/16FJIC SW RUN TEE-9/16MJIC   |
| 4    | 1   | 606021   | HYD RETURN MANIF,3/4FOR,9-PORT | 38   | 3   | 618669   | 3/4FJIC SWIV-3/4MOR ADPTR      |
| 5    | 1   | 606246   | MANIFOLD, #16 3-STN 180        | 39   | 3   | 618292   | CHECK VALVE,3/4FOR INLINE      |
| 6    | 2   | 621566   | HYD CYL, 2.50 X 11.00 X 1.375  | 40   | 3   | 618533   | 1 1/16FJIC CAP NUT             |
| 7    | 3   | 621564   | HYD CYL,2.00 X 11.00 X 1.50 1W | 41   | 9   | 618531   | 9/16FJIC CAP NUT               |
| 8    | 6   | 610755   | BARNES HYD MOTOR, D-SERIES 01  | 42   | 2   | 616539   | 08-451TC-12FJX-08FJX90-220 H/A |
| 9    | 20  | 618119   | 9/16MJIC-90-9/16MOR LBO        | 43   | 2   | 616533   | 08-451TC-08FJX-08FJX-218 H/A   |
| 10   | 2   | 618732   | 9/16JIC .031 ORIFICE ADPTR     | 44   | 1   | 616538   | 08-451TC-12FJX-08FJX90-125 H/A |
| 11   | 5   | 618755   | 3/4MOR PLUG, HEX SOCKET        | 45   | 1   | 616532   | 08-451TC-08FJX-08FJX-125 H/A   |
| 12   | 2   | 618241   | 3/4MJIC-90-3/4MOR LBO          | 46   | 3   | 616531   | 08-451TC-08FJX-08FJX-55 H/A    |
| 13   | 11  | 611125   | 3/4MJIC-3/4MOR ADPTR           | 47   | 3   | 616537   | 08-451TC-08FJX-08FJX90-52 H/A  |
| 14   | 2   | 618327   | 3/4MJIC-7/8MOR ADPTR           | 48   | 3   | 618532   | 3/4FJIC CAP NUT                |
| 15   | 1   | 619023   | 9/16 MOR DIAG FITTING STS'14   | 49   | 1   | 616515   | 04-451TC-06FJX-06FJX-238 H/A   |
| 16   | 8   | 618126   | 9/16MJIC-9/16MOR ADPTR         | 50   | 1   | 616180   | 04-451TC-06FJX-06FJX-143 H/A   |
| 17   | 1   | 616723   | 06-451TC-06FJX-06FJX90-85 H/A  | 51   | 1   | 616626   | 06-451TC-06FJX-06FJX90-175 H/A |
| 18   | 1   | 616873   | 06-451TC-06FJX-06FJX90-128 H/A | 52   | 1   | 616514   | 04-451TC-06FJX-06FJX-208 H/A   |
| 19   | 1   | 618186   | 1 5/16MJIC-1 5/16MOR ADPTR     | 53   | 1   | 616529   | 06-451TC-08FJX-08FJX90-16 H/A  |
| 20   | 3   | 618668   | 9/16FJIC SWIV-9/16MOR ADPTR    | 54   | 3   | 616521   | 04-451TC-06FJX-06FJX90-54 H/A  |
| 21   | 6   | 618248   | 1 1/16MJIC-90-1 1/16MOR LBO    | 55   | 1   | 616528   | 06-451TC-08FJX-08FJX90-13 H/A  |
| 22   | 1   | 618759   | 1 5/8MOR PLUG, HEX SOCKET      | 56   | 1   | 616525   | 06-451TC-06FJX-06FJX45-124 H/A |
| 23   | 1   | 618883   | 1 5/16MJIC-90-1 5/8MOR LBO     | 57   | 1   | 618754   | 9/16MOR PLUG, HEX SOCKET       |
| 24   | 3   | 618733   | 9/16JIC .042 ORIFICE ADPTR     | 58   | 1   | 616523   | 06-451TC-06FJX-06FJX45-80 H/A  |
| 25   | 1   | 618472   | 1 5/8MJIC-1 5/8MOR ADPTR       | 59   | 1   | 616526   | 06-451TC-06FJX-06FJX45-171 H/A |
| 26   | 1   | 607113   | MOBILE HALF COUPLER ASSY, 0504 | 60   | 1   | 617186   | 08-451TC-10FJX-08FJX90-29 H/A  |
| 27   | 1   | 617187   | 08-451TC-12FJX-08FJX90-29 H/A  | 61   | 1   | 616512   | 04-451TC-06FJX-06FJX-49 H/A    |
| 28   | 1   | 618396   | 1 5/8MJIC-45-1 5/8MOR LBO      | 62   | 1   | 616511   | 04-451TC-06FJX-06FJX-33 H/A    |
| 29   | 6   | 618475   | 3/4MJIC-90-1 5/16MOR LBO       | 63   | 1   | 616177   | 04-451TC-06FJX-06FJX-74 H/A    |
| 30   | 1   | 618879   | COMBO MULTI COUPLR MOBILE '14  | 64   | 1   | 616089   | 04-451TC-06FJX-06FJX-60 H/A    |
| 31   | 6   | 618109   | 9/16MJIC-3/4MOR ADPTR          | 65   | 1   | 614767   | 16-451TC-16FJX-16FJX45-34 H/A  |
| 32   | 1   | 617189   | 12-451TC-12FJX-12FJX-70 H/A    | 66   | 1   | 614766   | 20-811-20FJX-20FJX90-40 H/A    |
| 33   | 1   | 618634   | 9/16MJIC-45-9/16FJIC SWIV LBO  | 67   | 1   | 617188   | 04-451TC-04FJX-06FJX45-50 H/A  |
| 34   | 3   | 607565   | CHECK VLV,PILOT TO OPEN, SUN   |      |     |          |                                |



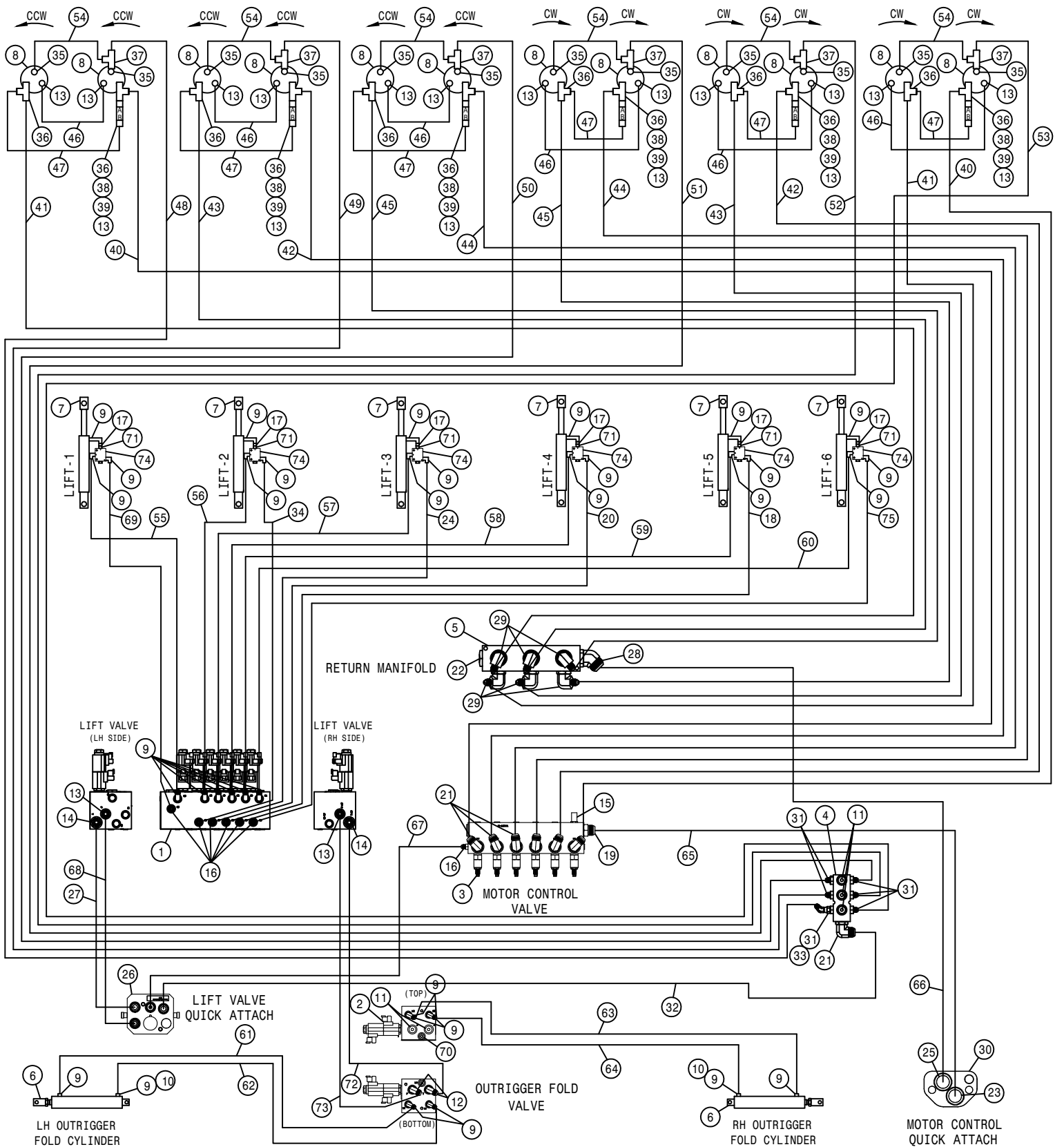
STS COMBO 8R CUTR HYD DIAG 2014  
REFERENCE DRAWING NO. 499326

| DET. | QTY | PART NO. | DESCRIPTION                    | DET. | QTY | PART NO. | DESCRIPTION                    |
|------|-----|----------|--------------------------------|------|-----|----------|--------------------------------|
| 1    | 1   | 606285   | LIFT VALVE,STS COMBO,SAUER     | 36   | 8   | 618494   | 3/4MOR RUN TEE-3/4MJIC         |
| 2    | 1   | 606286   | FOLD VALVE,STS COMBO,SAUER     | 37   | 4   | 618486   | 9/16FJIC SW RUN TEE-9/16MJIC   |
| 3    | 1   | 615911   | MOTOR CONTROL MANIFOLD         | 38   | 4   | 618669   | 3/4FJIC SWIV-3/4MOR ADPTR      |
| 4    | 1   | 606021   | HYD RETURN MANIF,3/4FOR,9-PORT | 39   | 4   | 618292   | CHECK VALVE,3/4FOR INLINE      |
| 5    | 1   | 606246   | MANIFOLD, #16 3-STN 180        | 40   | 2   | 618533   | 1 1/16FJIC CAP NUT             |
| 6    | 2   | 621566   | HYD CYL, 2.50 X 11.00 X 1.375  | 41   | 6   | 618531   | 9/16FJIC CAP NUT               |
| 7    | 4   | 621564   | HYD CYL,2.00 X 11.00 X 1.50 1W | 42   | 2   | 616539   | 08-451TC-12FJX-08FJX90-220 H/A |
| 8    | 8   | 610755   | BARNES HYD MOTOR, D-SERIES 01  | 43   | 2   | 616533   | 08-451TC-08FJX-08FJX-218 H/A   |
| 9    | 26  | 618119   | 9/16MJIC-90-9/16MOR LBO        | 44   | 2   | 616538   | 08-451TC-12FJX-08FJX90-125 H/A |
| 10   | 2   | 618732   | 9/16JIC .031 ORIFICE ADPTR     | 45   | 2   | 616532   | 08-451TC-08FJX-08FJX-125 H/A   |
| 11   | 5   | 618755   | 3/4MOR PLUG, HEX SOCKET        | 46   | 4   | 616531   | 08-451TC-08FJX-08FJX-55 H/A    |
| 12   | 2   | 618241   | 3/4MJIC-90-3/4MOR LBO          | 47   | 4   | 616537   | 08-451TC-08FJX-08FJX90-52 H/A  |
| 13   | 14  | 611125   | 3/4MJIC-3/4MOR ADPTR           | 48   | 2   | 618532   | 3/4FJIC CAP NUT                |
| 14   | 2   | 618327   | 3/4MJIC-7/8MOR ADPTR           | 49   | 1   | 616515   | 04-451TC-06FJX-06FJX-238 H/A   |
| 15   | 1   | 619023   | 9/16 MOR DIAG FITTING STS'14   | 50   | 1   | 616180   | 04-451TC-06FJX-06FJX-143 H/A   |
| 16   | 7   | 618126   | 9/16MJIC-9/16MOR ADPTR         | 51   | 1   | 616513   | 04-451TC-06FJX-06FJX-112 H/A   |
| 17   | 1   | 616723   | 06-451TC-06FJX-06FJX90-85 H/A  | 52   | 1   | 616514   | 04-451TC-06FJX-06FJX-208 H/A   |
| 18   | 1   | 616581   | 06-451TC-06FJX-06FJX90-40 H/A  | 53   | 4   | 607565   | CHECK VLV,PILOT TO OPEN, SUN   |
| 19   | 1   | 618186   | 1 5/16MJIC-1 5/16MOR ADPTR     | 54   | 4   | 616521   | 06-451TC-06FJX-06FJX90-54 H/A  |
| 20   | 1   | 616873   | 06-451TC-06FJX-06FJX90-128 H/A | 55   | 1   | 616626   | 06-451TC-06FJX-06FJX90-175 H/A |
| 21   | 7   | 618248   | 1 1/16MJIC-90-1 1/16MOR LBO    | 56   | 1   | 616525   | 06-451TC-06FJX-06FJX45-124 H/A |
| 22   | 1   | 618759   | 1 5/8MOR PLUG, HEX SOCKET      | 57   | 1   | 616644   | 06-451TC-06FJX-06FJX45-36 H/A  |
| 23   | 1   | 618883   | 1 5/16MJIC-90-1 5/8MOR LBO     | 58   | 1   | 616523   | 06-451TC-06FJX-06FJX45-80 H/A  |
| 24   | 4   | 618733   | 9/16JIC .042 ORIFICE ADPTR     | 59   | 1   | 616526   | 06-451TC-06FJX-06FJX45-171 H/A |
| 25   | 1   | 618472   | 1 5/8MJIC-1 5/8MOR ADPTR       | 60   | 1   | 616529   | 06-451TC-08FJX-08FJX90-16 H/A  |
| 26   | 1   | 607113   | MOBILE HALF COUPLER ASSY, 0504 | 61   | 1   | 616512   | 04-451TC-06FJX-06FJX-49 H/A    |
| 27   | 1   | 617187   | 08-451TC-12FJX-08FJX90-29 H/A  | 62   | 1   | 616511   | 04-451TC-06FJX-06FJX-33 H/A    |
| 28   | 1   | 618396   | 1 5/8MJIC-45-1 5/8MOR LBO      | 63   | 1   | 616177   | 04-451TC-06FJX-06FJX-74 H/A    |
| 29   | 6   | 618475   | 3/4MJIC-90-1 5/16MOR LBO       | 64   | 1   | 616089   | 04-451TC-06FJX-06FJX-60 H/A    |
| 30   | 1   | 618879   | COMBO MULTI COUPLR MOBILE '14  | 65   | 1   | 614767   | 16-451TC-16FJX-16FJX45-34 H/A  |
| 31   | 6   | 618109   | 9/16MJIC-3/4MOR ADPTR          | 66   | 1   | 614766   | 20-811-20FJX-20FJX90-40 H/A    |
| 32   | 1   | 617189   | 12-451TC-12FJX-12FJX-70 H/A    | 67   | 1   | 617188   | 04-451TC-04FJX-06FJX45-50 H/A  |
| 33   | 1   | 618634   | 9/16MJIC-45-9/16FJIC SWIV LBO  | 68   | 1   | 617186   | 08-451TC-10FJX-08FJX90-29 H/A  |
| 34   | 4   | 618668   | 9/16FJIC SWIV-9/16MOR ADPTR    | 69   | 1   | 616528   | 06-451TC-08FJX-08FJX90-13 H/A  |
| 35   | 8   | 618530   | 9/16MJIC-1/8MNPT ADPTR         | 70   | 1   | 618754   | 9/16MOR PLUG, HEX SOCKET       |



STS COMBO 10R CUTR HYD DIAG 2014  
REFERENCE DRAWING NO. 499327

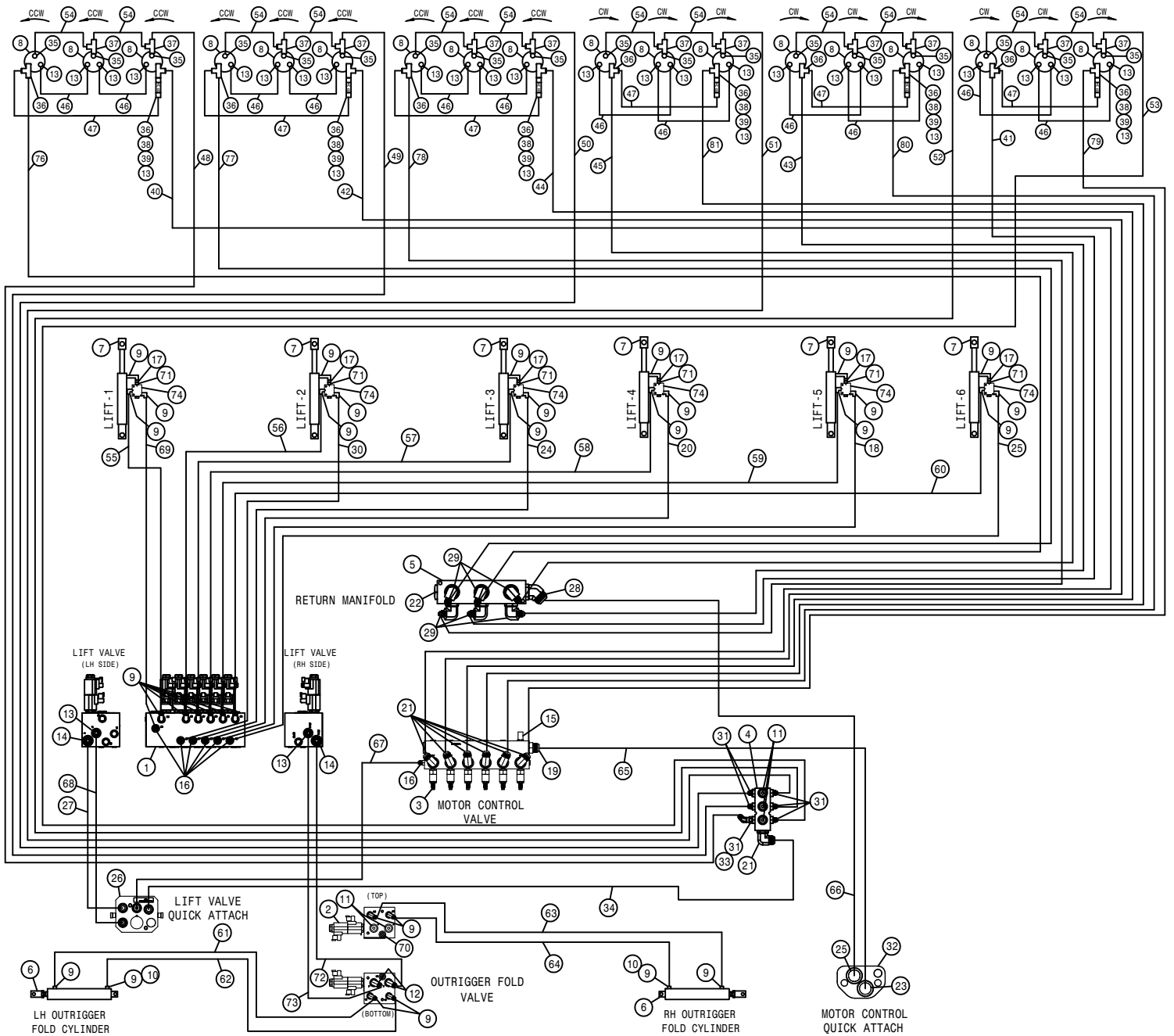
| DET. | QTY | PART NO. | DESCRIPTION                      | DET. | QTY | PART NO. | DESCRIPTION                    |
|------|-----|----------|----------------------------------|------|-----|----------|--------------------------------|
| 1    | 1   | 606285   | LIFT VALVE, STS COMBO, SAUER     | 38   | 6   | 618669   | 3/4FJIC SWIV-3/4MOR ADPTR      |
| 2    | 1   | 606286   | FOLD VALVE, STS COMBO, SAUER     | 39   | 6   | 618292   | CHECK VALVE, 3/4FOR INLINE     |
| 3    | 1   | 615911   | MOTOR CONTROL MANIFOLD           | 40   | 2   | 616540   | 08-451TC-12FJX-08FJX90-252 H/A |
| 4    | 1   | 606021   | HYD RETURN MANIF, 3/4FOR, 9-PORT | 41   | 2   | 616535   | 08-451TC-08FJX-08FJX-252 H/A   |
| 5    | 1   | 606246   | MANIFOLD, #16 3-STN 180          | 42   | 2   | 616539   | 08-451TC-12FJX-08FJX90-220 H/A |
| 6    | 2   | 621566   | HYD CYL, 2.50 X 11.00 X 1.375    | 43   | 2   | 616533   | 08-451TC-08FJX-08FJX-218 H/A   |
| 7    | 4   | 621564   | HYD CYL, 2.00 X 11.00 X 1.50 1W  | 44   | 2   | 616538   | 08-451TC-12FJX-08FJX90-125 H/A |
| 8    | 10  | 610755   | BARNES HYD MOTOR, D-SERIES 01    | 45   | 2   | 616532   | 08-451TC-08FJX-08FJX-125 H/A   |
| 9    | 26  | 618119   | 9/16MJIC-90-9/16MOR LBO          | 46   | 4   | 616531   | 08-451TC-08FJX-08FJX-55 H/A    |
| 10   | 2   | 618732   | 9/16JIC .031 ORIFICE ADPTR       | 47   | 4   | 616537   | 08-451TC-08FJX-08FJX90-52 H/A  |
| 11   | 5   | 618755   | 3/4MOR PLUG, HEX SOCKET          | 48   | 1   | 618517   | 1 5/16MJ-90-1 5/16FJX TUBETRN  |
| 12   | 2   | 618241   | 3/4MJIC-90-3/4MOR LBO            | 49   | 1   | 616515   | 04-451TC-06FJX-06FJX-238 H/A   |
| 13   | 18  | 611125   | 3/4MJIC-3/4MOR ADPTR             | 50   | 1   | 616180   | 04-451TC-06FJX-06FJX-143 H/A   |
| 14   | 2   | 618327   | 3/4MJIC-7/8MOR ADPTR             | 51   | 1   | 616513   | 04-451TC-06FJX-06FJX-112 H/A   |
| 15   | 1   | 619023   | 9/16 MOR DIAG FITTING STS'14     | 52   | 1   | 616514   | 04-451TC-06FJX-06FJX-208 H/A   |
| 16   | 7   | 618126   | 9/16MJIC-9/16MOR ADPTR           | 53   | 1   | 616516   | 04-451TC-06FJX-06FJX-246 H/A   |
| 17   | 4   | 618733   | 9/16JIC .042 ORIFICE ADPTR       | 54   | 4   | 616521   | 04-451TC-06FJX-06FJX90-54 H/A  |
| 18   | 1   | 616723   | 06-451TC-06FJX-06FJX90-85 H/A    | 55   | 2   | 616530   | 08-451TC-08FJX-08FJX90-27 H/A  |
| 19   | 1   | 618186   | 1 5/16MJIC-1 5/16MOR ADPTR       | 56   | 1   | 616525   | 06-451TC-06FJX-06FJX45-124 H/A |
| 20   | 1   | 616581   | 06-451TC-06FJX-06FJX90-40 H/A    | 57   | 1   | 616644   | 06-451TC-06FJX-06FJX45-36 H/A  |
| 21   | 7   | 618248   | 1 1/16MJIC-90-1 1/16MOR LBO      | 58   | 1   | 616523   | 06-451TC-06FJX-06FJX45-80 H/A  |
| 22   | 1   | 618759   | 1 5/8MOR PLUG, HEX SOCKET        | 59   | 1   | 616526   | 06-451TC-06FJX-06FJX45-171 H/A |
| 23   | 1   | 618883   | 1 5/16MJIC-90-1 5/8MOR LBO       | 60   | 4   | 618531   | 9/16FJIC CAP NUT               |
| 24   | 1   | 616873   | 06-451TC-06FJX-06FJX90-128 H/A   | 61   | 1   | 616512   | 04-451TC-06FJX-06FJX-49 H/A    |
| 25   | 1   | 618472   | 1 5/8MJIC-1 5/8MOR ADPTR         | 62   | 1   | 616511   | 04-451TC-06FJX-06FJX-33 H/A    |
| 26   | 1   | 607113   | MOBILE HALF COUPLER ASSY, 0504   | 63   | 1   | 616177   | 04-451TC-06FJX-06FJX-74 H/A    |
| 27   | 1   | 617187   | 08-451TC-12FJX-08FJX90-29 H/A    | 64   | 1   | 616089   | 04-451TC-06FJX-06FJX-60 H/A    |
| 28   | 1   | 618396   | 1 5/8MJIC-45-1 5/8MOR LBO        | 65   | 1   | 614767   | 16-451TC-16FJX-16FJX45-34 H/A  |
| 29   | 6   | 618475   | 3/4MJIC-90-1 5/16MOR LBO         | 66   | 1   | 614766   | 20-811-20FJX-20FJX90-40 H/A    |
| 30   | 1   | 618879   | COMBO MULTI COUPLR MOBILE '14    | 67   | 1   | 617188   | 04-451TC-04FJX-06FJX45-50 H/A  |
| 31   | 6   | 618109   | 9/16MJIC-3/4MOR ADPTR            | 68   | 1   | 617186   | 08-451TC-10FJX-08FJX90-29 H/A  |
| 32   | 1   | 617189   | 12-451TC-12FJX-12FJX-70 H/A      | 69   | 4   | 607565   | CHECK VLV, PILOT TO OPEN, SUN  |
| 33   | 1   | 618634   | 9/16MJIC-45-9/16FJIC SWIV LBO    | 70   | 1   | 618754   | 9/16MOR PLUG, HEX SOCKET       |
| 34   | 4   | 618668   | 9/16FJIC SWIV-9/16MOR ADPTR      | 71   | 1   | 616626   | 06-451TC-06FJX-06FJX90-175 H/A |
| 35   | 10  | 618530   | 9/16MJIC-1/8MNPT ADPTR           | 72   | 1   | 616528   | 06-451TC-08FJX-08FJX90-13 H/A  |
| 36   | 10  | 618494   | 3/4MOR RUN TEE-3/4MJIC           | 73   | 1   | 616529   | 06-451TC-08FJX-08FJX90-16 H/A  |
| 37   | 4   | 618486   | 9/16FJIC SW RUN TEE-9/16MJIC     | 74   | 1   | 618451   | 3/4FJIC SW RUN TEE-3/4MJIC     |





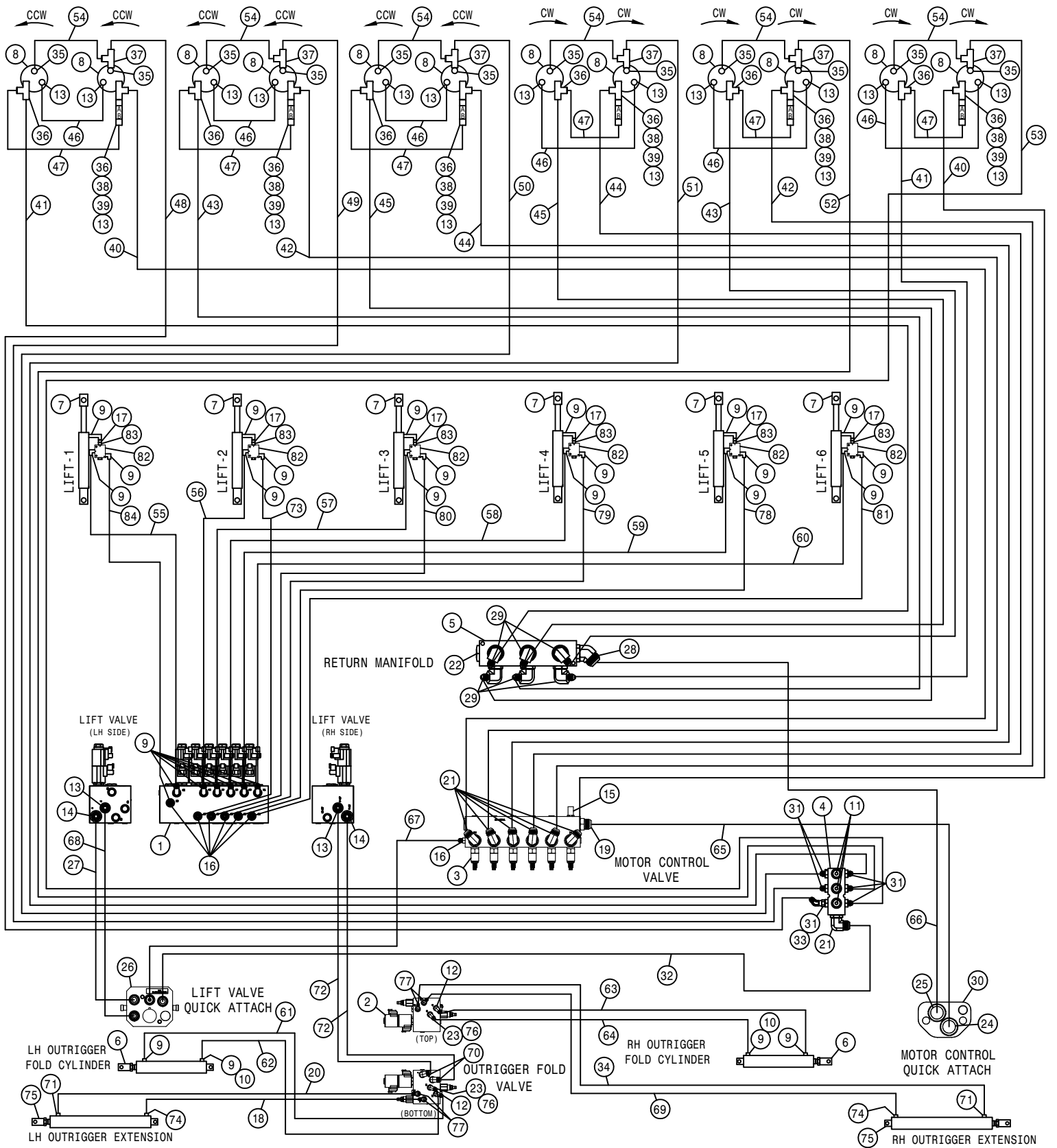
STS COMBO 12R HYD DIAG 2014  
REFERENCE DRAWING NO. 499328

| DET. | QTY | PART NO. | DESCRIPTION                    | DET. | QTY | PART NO. | DESCRIPTION                    |
|------|-----|----------|--------------------------------|------|-----|----------|--------------------------------|
| 1    | 1   | 606285   | LIFT VALVE,STS COMBO,SAUER     | 39   | 6   | 618292   | CHECK VALVE,3/4FOR INLINE      |
| 2    | 1   | 606286   | FOLD VALVE,STS COMBO,SAUER     | 40   | 2   | 616541   | 08-451TC-12FJX-08FJX90-280 H/A |
| 3    | 1   | 615911   | MOTOR CONTROL MANIFOLD         | 41   | 2   | 616534   | 08-451TC-08FJX-08FJX-278 H/A   |
| 4    | 1   | 606021   | HYD RETURN MANIF,3/4FOR,9-PORT | 42   | 2   | 616539   | 08-451TC-12FJX-08FJX90-220 H/A |
| 5    | 1   | 606246   | MANIFOLD, #16 3-STN 180        | 43   | 2   | 616533   | 08-451TC-08FJX-08FJX-218 H/A   |
| 6    | 2   | 621566   | HYD CYL, 2.50 X 11.00 X 1.375  | 44   | 2   | 616538   | 08-451TC-12FJX-08FJX90-125 H/A |
| 7    | 6   | 621564   | HYD CYL,2.00 X 11.00 X 1.50 1W | 45   | 2   | 616532   | 08-451TC-08FJX-08FJX-125 H/A   |
| 8    | 12  | 610755   | BARNES HYD MOTOR, D-SERIES 01  | 46   | 6   | 616531   | 08-451TC-08FJX-08FJX-55 H/A    |
| 9    | 32  | 618119   | 9/16MJIC-90-9/16MOR LBO        | 47   | 6   | 616537   | 08-451TC-06FJX-08FJX90-52 H/A  |
| 10   | 2   | 614757   | .032 ELBOW ASSY,9/16MOR 90D    | 48   | 1   | 616518   | 04-451TC-06FJX-06FJX-298 H/A   |
| 11   | 5   | 618755   | 3/4MOR PLUG, HEX SOCKET        | 49   | 1   | 616515   | 04-451TC-06FJX-06FJX-238 H/A   |
| 12   | 2   | 618241   | 3/4MJIC-90-3/4MOR LBO          | 50   | 1   | 616180   | 04-451TC-06FJX-06FJX-143 H/A   |
| 13   | 20  | 611125   | 3/4MJIC-3/4MOR ADPTR           | 51   | 1   | 616513   | 04-451TC-06FJX-06FJX-112 H/A   |
| 14   | 2   | 618327   | 3/4MJIC-7/8MOR ADPTR           | 52   | 1   | 616514   | 04-451TC-06FJX-06FJX-208 H/A   |
| 15   | 1   | 619023   | 9/16 MOR DIAG FITTING STS'14   | 53   | 1   | 616517   | 04-451TC-06FJX-06FJX-272 H/A   |
| 16   | 7   | 618126   | 9/16MJIC-9/16MOR ADPTR         | 54   | 6   | 616521   | 04-451TC-06FJX-06FJX90-54 H/A  |
| 17   | 2   | 618733   | 9/16JIC .042 ORIFICE ADPTR     | 55   | 1   | 616524   | 06-451TC-06FJX-06FJX45-185 H/A |
| 18   | 1   | 616626   | 06-451TC-06FJX-06FJX90-175 H/A | 56   | 1   | 616525   | 06-451TC-06FJX-06FJX45-124 H/A |
| 19   | 1   | 618186   | 1 5/16MJIC-1 5/16MOR ADPTR     | 57   | 1   | 616644   | 06-451TC-06FJX-06FJX45-36 H/A  |
| 20   | 1   | 616723   | 06-451TC-06FJX-06FJX90-85 H/A  | 58   | 1   | 616523   | 06-451TC-06FJX-06FJX45-80 H/A  |
| 21   | 7   | 618248   | 1 1/16MJIC-90-1 1/16MOR LBO    | 59   | 1   | 616526   | 06-451TC-06FJX-06FJX45-171 H/A |
| 22   | 1   | 618759   | 1 5/8MOR PLUG, HEX SOCKET      | 60   | 1   | 616527   | 06-451TC-06FJX-06FJX45-229 H/A |
| 23   | 1   | 618883   | 1 5/16MJIC-90-1 5/8MOR LBO     | 61   | 1   | 616512   | 04-451TC-06FJX-06FJX-49 H/A    |
| 24   | 1   | 616581   | 06-451TC-06FJX-06FJX90-40 H/A  | 62   | 1   | 616511   | 04-451TC-06FJX-06FJX-33 H/A    |
| 25   | 1   | 618472   | 1 5/8MJIC-1 5/8MOR ADPTR       | 63   | 1   | 616177   | 04-451TC-06FJX-06FJX-74 H/A    |
| 26   | 1   | 607113   | MOBILE HALF COUPLER ASSY, 0504 | 64   | 1   | 616089   | 04-451TC-06FJX-06FJX-60 H/A    |
| 27   | 1   | 617187   | 08-451TC-12FJX-08FJX90-29 H/A  | 65   | 1   | 614767   | 16-451TC-16FJX-16FJX45-34 H/A  |
| 28   | 1   | 618396   | 1 5/8MJIC-45-1 5/8MOR LBO      | 66   | 1   | 614766   | 20-811-20FJX-20FJX90-40 H/A    |
| 29   | 6   | 618475   | 3/4MJIC-90-1 5/16MOR LBO       | 67   | 1   | 617188   | 04-451TC-04FJX-06FJX45-50 H/A  |
| 30   | 1   | 618879   | COMBO MULTI COUPLR MOBILE '14  | 68   | 1   | 617186   | 08-451TC-10FJX-08FJX90-29 H/A  |
| 31   | 6   | 618109   | 9/16MJIC-3/4MOR ADPTR          | 69   | 1   | 616876   | 06-451TC-06FJX-06FJX90-189 H/A |
| 32   | 1   | 617189   | 12-451TC-12FJX-12FJX-70 H/A    | 70   | 1   | 618754   | 9/16MOR PLUG, HEX SOCKET       |
| 33   | 1   | 618634   | 9/16MJIC-45-9/16FJIC SWIV LBO  | 71   | 6   | 618668   | 9/16FJIC SWIV-9/16MOR ADPTR    |
| 34   | 1   | 616873   | 06-451TC-06FJX-06FJX90-128 H/A | 72   | 1   | 616528   | 06-451TC-08FJX-08FJX90-13 H/A  |
| 35   | 12  | 618530   | 9/16MJIC-1/8MNPT ADPTR         | 73   | 1   | 618529   | 1 1/16MJ-45-1 1/16FJ SWIV LBO  |
| 36   | 12  | 618494   | 3/4MOR RUN TEE-3/4MJIC         | 74   | 6   | 607565   | CHECK VLV,PILOT TO OPEN, SUN   |
| 37   | 6   | 618486   | 9/16FJIC SW RUN TEE-9/16MJIC   | 75   | 1   | 616878   | 06-451TC-06FJX-06FJX90-233 H/A |
| 38   | 6   | 618669   | 3/4FJIC SWIV-3/4MOR ADPTR      |      |     |          |                                |



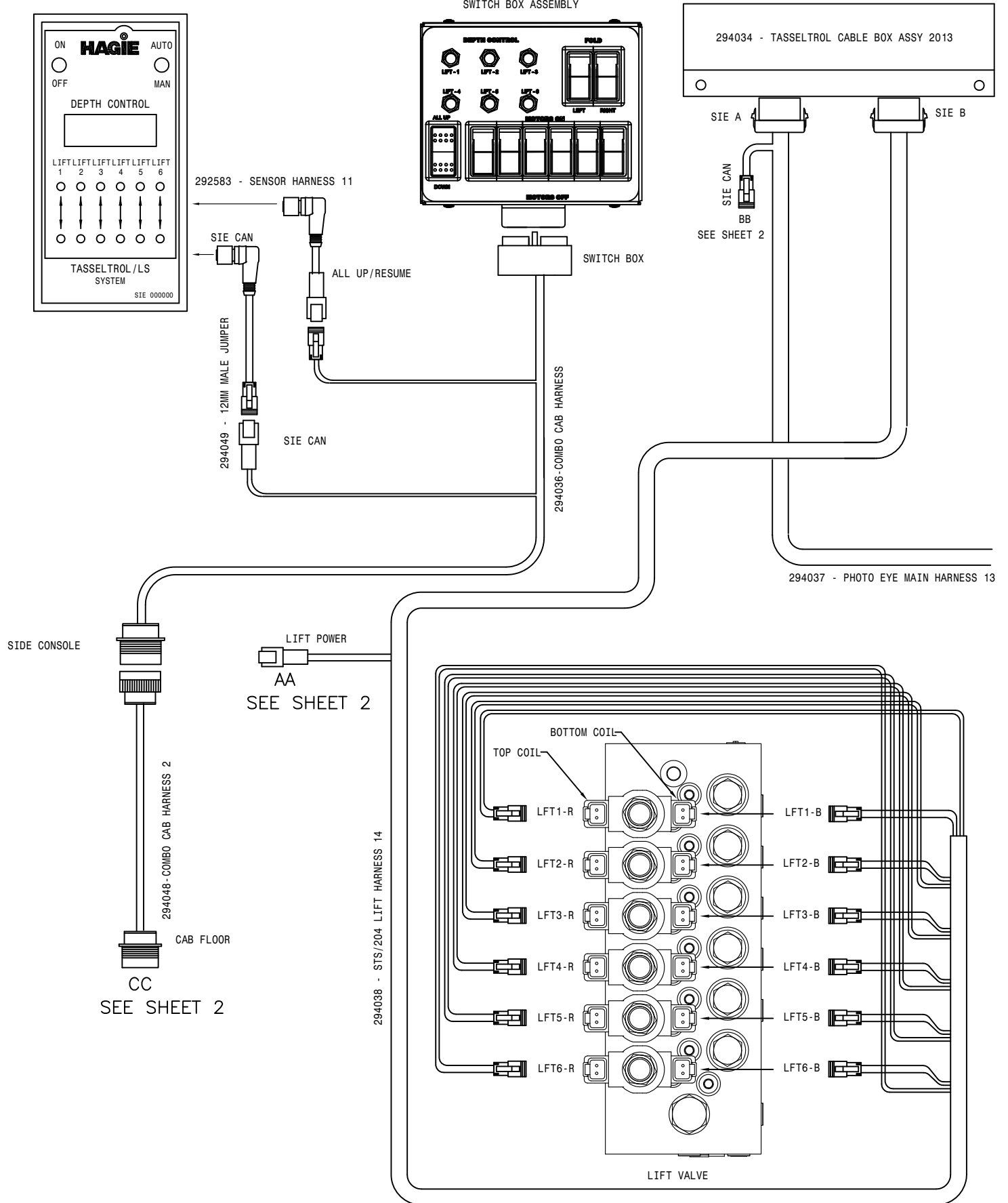
STS COMBO 18R CUTR HYD DIAG 2014  
REFERENCE DRAWING NO. 499329

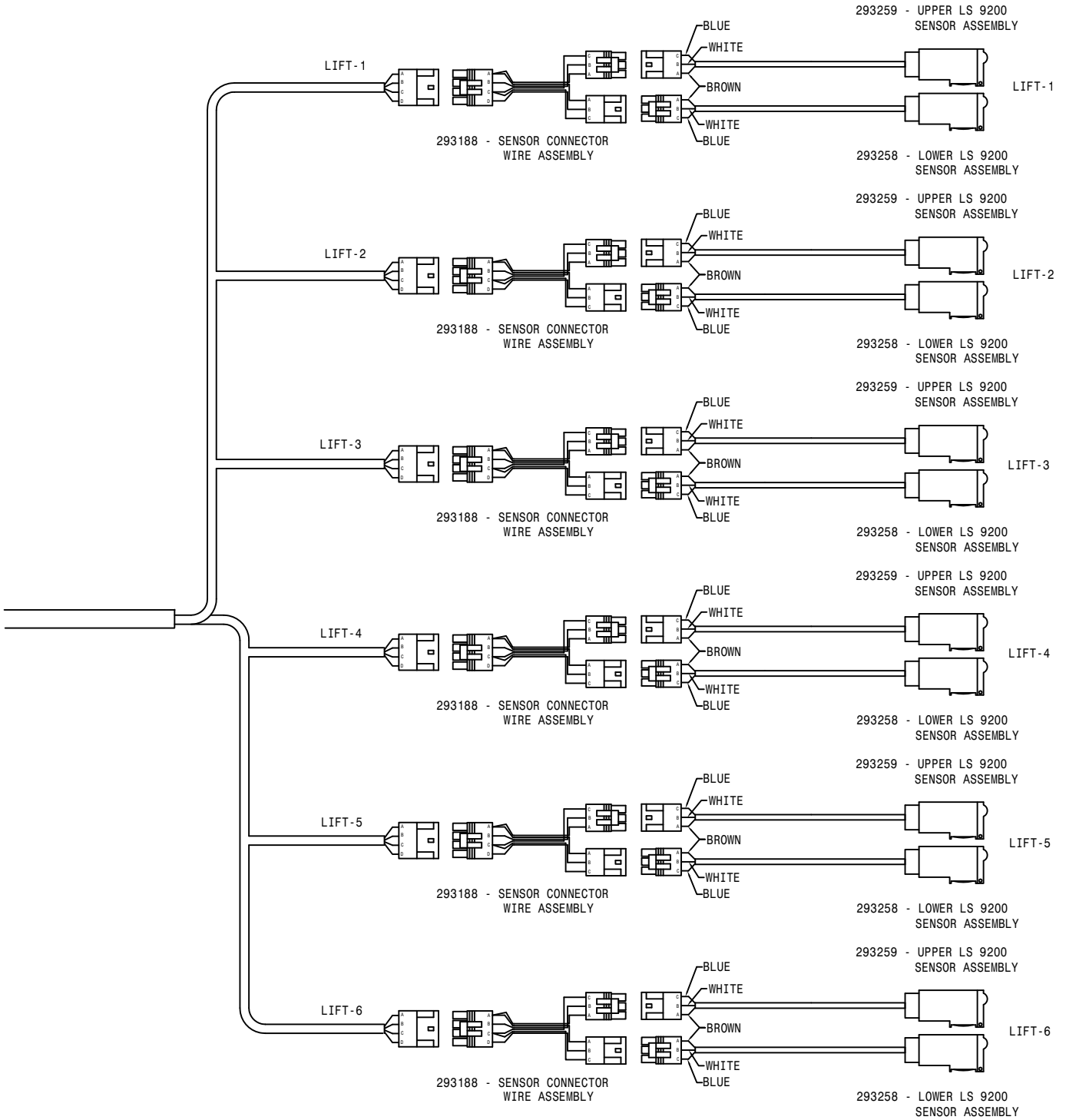
| DET. | QTY | PART NO. | DESCRIPTION                    | DET. | QTY | PART NO. | DESCRIPTION                    |
|------|-----|----------|--------------------------------|------|-----|----------|--------------------------------|
| 1    | 1   | 606285   | LIFT VALVE,STS COMBO,SAUER     | 42   | 1   | 616653   | 08-451TC-12FJX-08FJX90-204 H/A |
| 2    | 1   | 606286   | FOLD VALVE,STS COMBO,SAUER     | 43   | 1   | 616658   | 08-451TC-08FJX-08FJX-195 H/A   |
| 3    | 1   | 615911   | MOTOR CONTROL MANIFOLD         | 44   | 1   | 616651   | 08-451TC-12FJX-08FJX90-119 H/A |
| 4    | 1   | 606021   | HYD RETURN MANIF,3/4FOR,9-PORT | 45   | 1   | 616656   | 08-451TC-08FJX-08FJX-112 H/A   |
| 5    | 1   | 606246   | MANIFOLD, #16 3-STN 180        | 46   | 12  | 616025   | 08-482TC-08FJX-08FJX-50 H/A    |
| 6    | 2   | 621566   | HYD CYL, 2.50 X 11.00 X 1.375  | 47   | 6   | 616562   | 08-451TC-08FJX-08FJX90-66 H/A  |
| 7    | 6   | 621564   | HYD CYL,2.00 X 11.00 X 1.50 1W | 48   | 1   | 616666   | 04-451TC-06FJX-06FJX-282 H/A   |
| 8    | 18  | 610755   | BARNES HYD MOTOR, D-SERIES 01  | 49   | 1   | 616664   | 04-451TC-06FJX-06FJX-222 H/A   |
| 9    | 32  | 618119   | 9/16MJIC-90-9/16MOR LBO        | 50   | 1   | 616662   | 04-451TC-06FJX-06FJX-137 H/A   |
| 10   | 2   | 614757   | .032 ELBOW ASSY,9/16MOR 90D    | 51   | 1   | 616513   | 04-451TC-06FJX-06FJX-112 H/A   |
| 11   | 5   | 618755   | 3/4MOR PLUG, HEX SOCKET        | 52   | 1   | 616260   | 04-451TC-06FJX-06FJX-200 H/A   |
| 12   | 2   | 618241   | 3/4MJIC-90-3/4MOR LBO          | 53   | 1   | 616665   | 04-451TC-06FJX-06FJX-249 H/A   |
| 13   | 32  | 611125   | 3/4MJIC-3/4MOR ADPTR           | 54   | 12  | 616422   | 04-482TC-06FJX-06FJX90-50 H/A  |
| 14   | 2   | 618327   | 3/4MJIC-7/8MOR ADPTR           | 55   | 1   | 616648   | 06-451TC-06FJX-06FJX45-167 H/A |
| 15   | 1   | 619023   | 9/16 MOR DIAG FITTING STS'14   | 56   | 1   | 616646   | 06-451TC-06FJX-06FJX45-106 H/A |
| 16   | 7   | 618126   | 9/16MJIC-9/16MOR ADPTR         | 57   | 1   | 616644   | 06-451TC-06FJX-06FJX45-36 H/A  |
| 17   | 6   | 618733   | 9/16JIC .042 ORIFICE ADPTR     | 58   | 1   | 616645   | 06-451TC-06FJX-06FJX45-72 H/A  |
| 18   | 1   | 616874   | 06-451TC-06FJX-06FJX90-157 H/A | 59   | 1   | 616647   | 06-451TC-06FJX-06FJX45-153 H/A |
| 19   | 1   | 618186   | 1 5/16MJIC-1 5/16MOR ADPTR     | 60   | 1   | 616649   | 06-451TC-06FJX-06FJX45-211 H/A |
| 20   | 1   | 616872   | 06-451TC-06FJX-06FJX90-76 H/A  | 61   | 1   | 616512   | 04-451TC-06FJX-06FJX-49 H/A    |
| 21   | 7   | 618248   | 1 1/16MJIC-90-1 1/16MOR LBO    | 62   | 1   | 616511   | 04-451TC-06FJX-06FJX-33 H/A    |
| 22   | 1   | 618759   | 1 5/8MOR PLUG, HEX SOCKET      | 63   | 1   | 616177   | 04-451TC-06FJX-06FJX-74 H/A    |
| 23   | 1   | 616581   | 06-451TC-06FJX-06FJX90-40 H/A  | 64   | 1   | 616089   | 04-451TC-06FJX-06FJX-60 H/A    |
| 24   | 1   | 617030   | 12-451TC-12FJX-12FJX90-50 H/A  | 65   | 1   | 614767   | 16-451TC-16FJX-16FJX45-34 H/A  |
| 25   | 1   | 618472   | 1 5/8MJIC-1 5/8MOR ADPTR       | 66   | 1   | 614766   | 20-811-20FJX-20FJX90-40 H/A    |
| 26   | 1   | 607113   | MOBILE HALF COUPLER ASSY, 0504 | 67   | 1   | 617188   | 04-451TC-04FJX-06FJX45-50 H/A  |
| 27   | 1   | 617187   | 08-451TC-12FJX-08FJX90-29 H/A  | 68   | 1   | 617186   | 08-451TC-10FJX-08FJX90-29 H/A  |
| 28   | 1   | 618396   | 1 5/8MJIC-45-1 5/8MOR LBO      | 69   | 1   | 616875   | 06-451TC-06FJX-06FJX90-171 H/A |
| 29   | 6   | 618475   | 3/4MJIC-90-1 5/16MOR LBO       | 70   | 1   | 618754   | 9/16MOR PLUG, HEX SOCKET       |
| 30   | 1   | 616746   | 06-451TC-06FJX-06FJX90-110 H/A | 71   | 6   | 618668   | 9/16FJIC SWIV-9/16MOR ADPTR    |
| 31   | 6   | 618109   | 9/16MJIC-3/4MOR ADPTR          | 72   | 1   | 616528   | 06-451TC-08FJX-08FJX90-13 H/A  |
| 32   | 1   | 618879   | COMBO MULTI COUPLR MOBILE '14  | 73   | 1   | 616529   | 06-451TC-08FJX-08FJX90-16 H/A  |
| 33   | 1   | 618634   | 9/16MJIC-45-9/16FJIC SWIV LBO  | 74   | 6   | 607565   | CHECK VLV,PILOT TO OPEN, SUN   |
| 34   | 1   | 617189   | 12-451TC-12FJX-12FJX-70 H/A    | 75   | 1   | 616877   | 06-451TC-06FJX-06FJX90-215 H/A |
| 35   | 18  | 618530   | 9/16MJIC-1/8MNPT ADPTR         | 76   | 1   | 616660   | 08-451TC-08FJX-08FJX-275 H/A   |
| 36   | 12  | 618494   | 3/4MOR RUN TEE-3/4MJIC         | 77   | 1   | 616657   | 08-451TC-08FJX-08FJX-215 H/A   |
| 37   | 12  | 618486   | 9/16FJIC SW RUN TEE-9/16MJIC   | 78   | 1   | 616102   | 08-451TC-08FJX-08FJX-132 H/A   |
| 38   | 6   | 618669   | 3/4FJIC SWIV-3/4MOR ADPTR      | 79   | 1   | 616655   | 08-451TC-12FJX-08FJX90-257 H/A |
| 39   | 6   | 618292   | CHECK VALVE,3/4FOR INLINE      | 80   | 1   | 616652   | 08-451TC-12FJX-08FJX90-197 H/A |
| 40   | 1   | 616654   | 08-451TC-12FJX-08FJX90-264 H/A | 81   | 1   | 616650   | 08-451TC-12FJX-08FJX90-114 H/A |
| 41   | 1   | 616659   | 08-451TC-08FJX-08FJX-255 H/A   |      |     |          |                                |



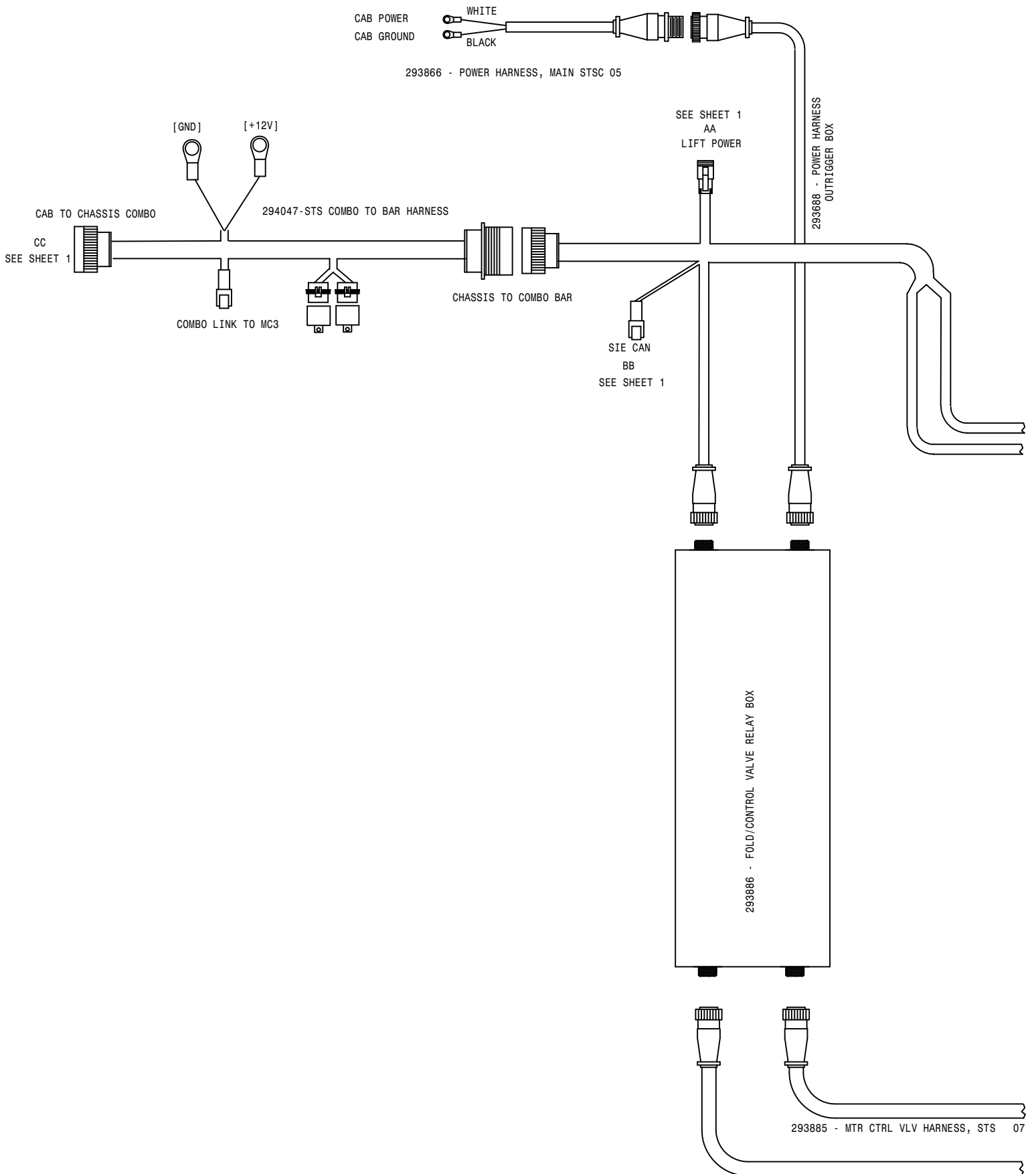
STS COMBO 12R HYD DIAG 2014  
REFERENCE DRAWING NO. 499330

| DET. | QTY | PART NO. | DESCRIPTION                      | DET. | QTY | PART NO. | DESCRIPTION                    |
|------|-----|----------|----------------------------------|------|-----|----------|--------------------------------|
| 1    | 1   | 606285   | LIFT VALVE, STS COMBO, SAUER     | 43   | 2   | 617178   | 08-451TC-08FJX-08FJX-242 H/A   |
| 2    | 1   | 606464   | FOLD/EXT SEQ VLV, 4-2COM STS'13  | 44   | 2   | 616538   | 08-451TC-12FJX-08FJX90-125 H/A |
| 3    | 1   | 615911   | MOTOR CONTROL MANIFOLD           | 45   | 2   | 616532   | 08-451TC-08FJX-08FJX-125 H/A   |
| 4    | 1   | 606021   | HYD RETURN MANIF, 3/4FOR, 9-PORT | 46   | 6   | 616531   | 08-451TC-08FJX-08FJX-55 H/A    |
| 5    | 1   | 606246   | MANIFOLD, #16 3-STN 180          | 47   | 6   | 616537   | 08-451TC-08FJX-08FJX90-52 H/A  |
| 6    | 2   | 621566   | HYD CYL, 2.50 X 11.00 X 1.375    | 48   | 1   | 617177   | 04-451TC-06FJX-06FJX-330 H/A   |
| 7    | 6   | 621564   | HYD CYL, 2.00 X 11.00 X 1.50 1W  | 49   | 1   | 617175   | 04-451TC-06FJX-06FJX-252 H/A   |
| 8    | 12  | 610755   | BARNES HYD MOTOR, D-SERIES 01    | 50   | 1   | 617185   | 04-451TC-06FJX-06FJX-120 H/A   |
| 9    | 28  | 618119   | 9/16MJIC-90-9/16MOR LBO          | 51   | 1   | 617174   | 04-451TC-06FJX-06FJX-105 H/A   |
| 10   | 2   | 614757   | .032 ELBOW ASSY, 9/16MOR 90D     | 52   | 1   | 616283   | 04-451TC-06FJX-06FJX-220 H/A   |
| 11   | 3   | 618755   | 3/4MOR PLUG, HEX SOCKET          | 53   | 1   | 617176   | 04-451TC-06FJX-06FJX-285 H/A   |
| 12   | 2   | 618114   | 9/16MJIC-90-7/16MOR LBO          | 54   | 6   | 616521   | 04-451TC-06FJX-06FJX90-54 H/A  |
| 13   | 20  | 611125   | 3/4MJIC-3/4MOR ADPTR             | 55   | 1   | 616527   | 06-451TC-06FJX-06FJX45-229 H/A |
| 14   | 2   | 618327   | 3/4MJIC-7/8MOR ADPTR             | 56   | 1   | 616648   | 06-451TC-06FJX-06FJX45-167 H/A |
| 15   | 1   | 619023   | 9/16 MOR DIAG FITTING STS'14     | 57   | 1   | 616644   | 06-451TC-06FJX-06FJX45-36 H/A  |
| 16   | 7   | 618126   | 9/16MJIC-9/16MOR ADPTR           | 58   | 1   | 616523   | 06-451TC-06FJX-06FJX45-80 H/A  |
| 17   | 2   | 618733   | 9/16JIC .042 ORIFICE ADPTR       | 59   | 1   | 616649   | 06-451TC-06FJX-06FJX45-211 H/A |
| 18   | 1   | 616302   | 04-451TC-04FJX-06FJX-60 H/A      | 60   | 1   | 617157   | 06-451TC-06FJX-06FJX45-271 H/A |
| 19   | 1   | 618186   | 1 5/16MJIC-1 5/16MOR ADPTR       | 61   | 1   | 616512   | 04-451TC-06FJX-06FJX-49 H/A    |
| 20   | 1   | 617158   | 04-451TC-04FJX-06FJX-94 H/A      | 62   | 1   | 616511   | 04-451TC-06FJX-06FJX-33 H/A    |
| 21   | 7   | 618248   | 1 1/16MJIC-90-1 1/16MOR LBO      | 63   | 1   | 616177   | 04-451TC-06FJX-06FJX-74 H/A    |
| 22   | 1   | 618759   | 1 5/8MOR PLUG, HEX SOCKET        | 64   | 1   | 616089   | 04-451TC-06FJX-06FJX-60 H/A    |
| 23   | 2   | 618304   | 9/16MJIC-7/16MOR ADPTR           | 65   | 1   | 614767   | 16-451TC-16FJX-16FJX45-34 H/A  |
| 24   | 1   | 618883   | 1 5/16MJIC-90-1 5/8MOR LBO       | 66   | 1   | 614766   | 20-811-20FJX-20FJX90-40 H/A    |
| 25   | 1   | 618472   | 1 5/8MJIC-1 5/8MOR ADPTR         | 67   | 1   | 617188   | 04-451TC-04FJX-06FJX45-50 H/A  |
| 26   | 1   | 607113   | MOBILE HALF COUPLER ASSY, 0504   | 68   | 1   | 617186   | 08-451TC-10FJX-08FJX90-29 H/A  |
| 27   | 1   | 617187   | 08-451TC-12FJX-08FJX90-29 H/A    | 69   | 1   | 617159   | 04-451TC-04FJX-06FJX-105 H/A   |
| 28   | 1   | 618396   | 1 5/8MJIC-45-1 5/8MOR LBO        | 70   | 2   | 618249   | 3/4MJIC-90-9/16MOR LBO         |
| 29   | 6   | 618475   | 3/4MJIC-90-1 5/16MOR LBO         | 71   | 2   | 618115   | 9/16MJIC-90-3/4MOR LBO         |
| 30   | 1   | 618879   | COMBO MULTI COUPLR MOBILE '14    | 72   | 2   | 616529   | 06-451TC-08FJX-08FJX90-16 H/A  |
| 31   | 6   | 618109   | 9/16MJIC-3/4MOR ADPTR            | 73   | 1   | 616875   | 06-451TC-06FJX-06FJX90-171 H/A |
| 32   | 1   | 617189   | 12-451TC-12FJX-12FJX-70 H/A      | 74   | 2   | 618496   | 9/16MJIC-45-3/4MOR LBO         |
| 33   | 1   | 618634   | 9/16MJIC-45-9/16FJIC SWIV LBO    | 75   | 2   | 621156   | EXTENSION CYL, 4-2 COM STS'13  |
| 34   | 1   | 617160   | 04-451TC-04FJX-06FJX-140 H/A     | 76   | 2   | 618618   | 9/16MJIC-90-9/16FJIC SWIV LBO  |
| 35   | 12  | 618530   | 9/16MJIC-1/8MNPT ADPTR           | 77   | 4   | 618473   | 7/16MJIC-90-7/16MOR LBO        |
| 36   | 12  | 618494   | 3/4MOR RUN TEE-3/4MJIC           | 78   | 1   | 616877   | 06-451TC-06FJX-06FJX90-215 H/A |
| 37   | 6   | 618486   | 9/16FJIC SW RUN TEE-9/16MJIC     | 79   | 1   | 616723   | 06-451TC-06FJX-06FJX90-85 H/A  |
| 38   | 6   | 618669   | 3/4FJIC SWIV-3/4MOR ADPTR        | 80   | 1   | 616581   | 06-451TC-06FJX-06FJX90-40 H/A  |
| 39   | 6   | 618292   | CHECK VALVE, 3/4FOR INLINE       | 81   | 1   | 616785   | 06-451TC-06FJX-06FJX90-276 H/A |
| 40   | 2   | 617181   | 08-451TC-12FJX-08FJX90-300 H/A   | 82   | 6   | 607565   | CHECK VLV, PILOT TO OPEN, SUN  |
| 41   | 2   | 617179   | 08-451TC-08FJX-08FJX-305 H/A     | 83   | 6   | 618668   | 9/16FJIC SWIV-9/16MOR ADPTR    |
| 42   | 2   | 617180   | 08-451TC-12FJX-08FJX90-234 H/A   | 84   | 1   | 616878   | 06-451TC-06FJX-06FJX90-233 H/A |



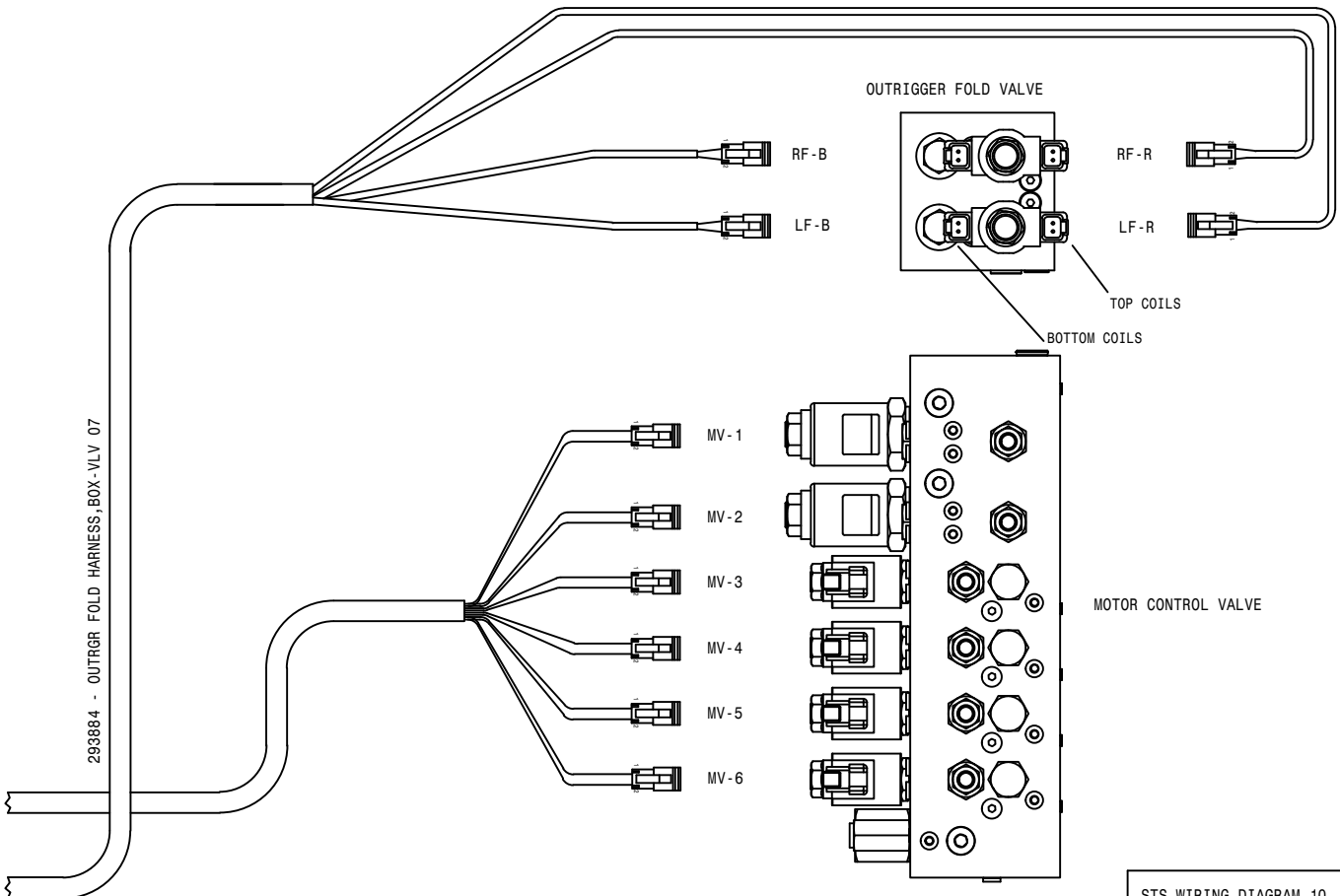
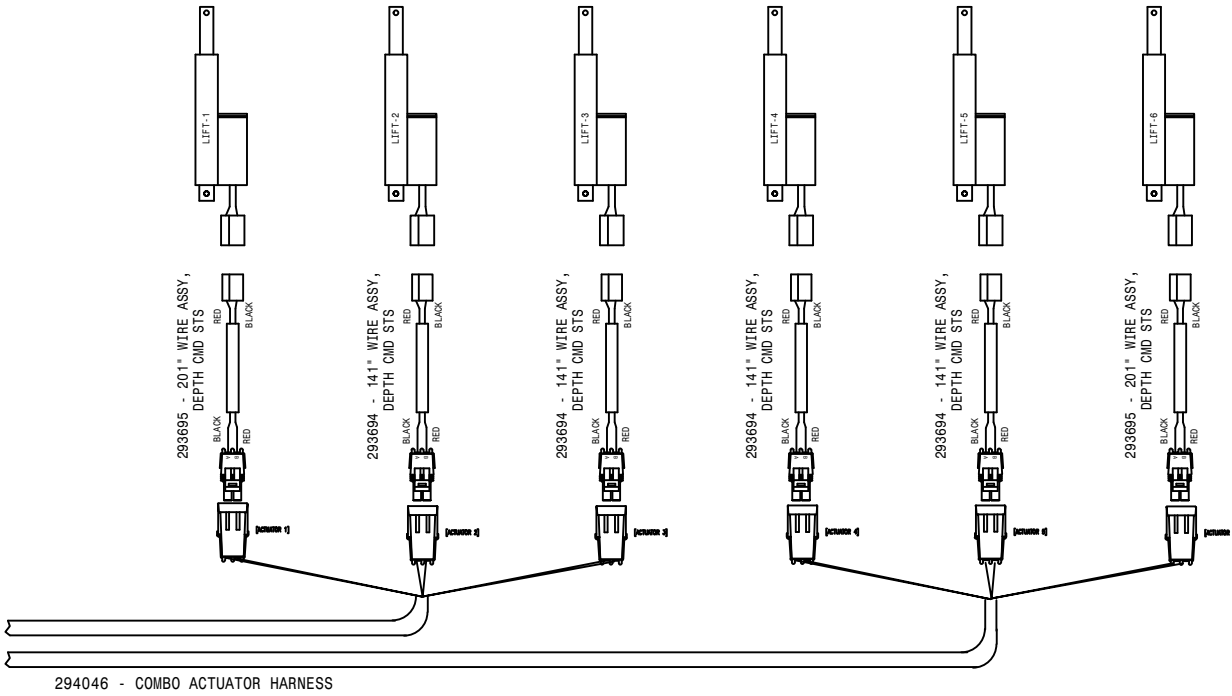


STS WIRING DIAGRAM 10  
 COMBO OPTION  
 SHEET 1 OF 2  
 REVISION DATE: 03-27-13  
 499333





6-LIFT OPTION



STS WIRING DIAGRAM 10  
COMBO OPTION  
SHEET 2 OF 2  
REVISION DATE: 03-27-13  
499333

# Notes:



# PARTS ORDER FAX

**Fax**  
**24 hours**  
**a day**  
**7 days**  
**a week\***

Ph. 1 (800) 247-4885

Fx. 1 (515) 532-3553

Photocopy and fax to Hagie Customer Support Department

**ORDERED BY/BILL TO:**

Name \_\_\_\_\_

Co. Name \_\_\_\_\_

Street \_\_\_\_\_

City, St, Zip \_\_\_\_\_

Ph. \_\_\_\_\_ Fx. \_\_\_\_\_

**SHIP TO:**

Name \_\_\_\_\_

Co. Name \_\_\_\_\_

Street \_\_\_\_\_

City, St, Zip \_\_\_\_\_

Ph. \_\_\_\_\_ Fx. \_\_\_\_\_

HOW SHIP:  UPS Ground  Next Day  2 Day  3 Day  Other \_\_\_\_\_

If "HOW SHIP" is left blank, parts will be sent UPS ground service. If part is over 150 pounds, an independent motor freight company will be used.

**PAYMENT:**  Hagie Account #\*\* \_\_\_\_\_

C.O.D

American Express  Discover  Visa  Master Card

Signature: \_\_\_\_\_

name as appears on card: \_\_\_\_\_

card no. \_\_\_\_\_ exp. date \_\_\_\_\_

Year and Model No. \_\_\_\_\_

Serial No. \_\_\_\_\_

Item Serial No. (if necessary):

Engine (include type) \_\_\_\_\_

Hydrostatic Pump (s) \_\_\_\_\_

Torque Hub \_\_\_\_\_

LF  RF  LR  RR

Wheel Motor \_\_\_\_\_

LF  RF  LR  RR

| HAGIE Part No. | Qty. | Description |
|----------------|------|-------------|
|                |      |             |
|                |      |             |
|                |      |             |
|                |      |             |
|                |      |             |
|                |      |             |
|                |      |             |
|                |      |             |
|                |      |             |

Check here if you want phone confirmation of parts order.

\* Orders received before 3:00 p.m., CST will be processed the same business day.  
Regular business hours are Monday through Friday, 7:00 a.m. through 5:00 p.m..

\*\* If you do not have a Hagie account number, contact the Hagie Customer Support Department and you will be issued one.



# PARTS ORDER FAX

**Fax**  
**24 hours**  
**a day**  
**7 days**  
**a week\***

Ph. 1 (800) 247-4885

Fx. 1 (515) 532-3553

Photocopy and fax to Hagie Customer Support Department

**ORDERED BY/BILL TO:**

Name \_\_\_\_\_

Co. Name \_\_\_\_\_

Street \_\_\_\_\_

City, St, Zip \_\_\_\_\_

Ph. \_\_\_\_\_ Fx. \_\_\_\_\_

**SHIP TO:**

Name \_\_\_\_\_

Co. Name \_\_\_\_\_

Street \_\_\_\_\_

City, St, Zip \_\_\_\_\_

Ph. \_\_\_\_\_ Fx. \_\_\_\_\_

HOW SHIP:  UPS Ground  Next Day  2 Day  3 Day  Other \_\_\_\_\_

If "HOW SHIP" is left blank, parts will be sent UPS ground service. If part is over 150 pounds, an independent motor freight company will be used.

**PAYMENT:**  Hagie Account #\*\* \_\_\_\_\_

C.O.D

American Express  Discover  Visa  Master Card

Signature: \_\_\_\_\_

name as appears on card: \_\_\_\_\_

card no. \_\_\_\_\_ exp. date \_\_\_\_\_

Year and Model No. \_\_\_\_\_

Serial No. \_\_\_\_\_

Item Serial No. (if necessary):

Engine (include type) \_\_\_\_\_

Hydrostatic Pump (s) \_\_\_\_\_

Torque Hub \_\_\_\_\_

LF  RF  LR  RR

Wheel Motor \_\_\_\_\_

LF  RF  LR  RR

| HAGIE Part No. | Qty. | Description |
|----------------|------|-------------|
|                |      |             |
|                |      |             |
|                |      |             |
|                |      |             |
|                |      |             |
|                |      |             |
|                |      |             |
|                |      |             |

Check here if you want phone confirmation of parts order.

\* Orders received before 3:00 p.m., CST will be processed the same business day.  
Regular business hours are Monday through Friday, 7:00 a.m. through 5:00 p.m..

\*\* If you do not have a Hagie account number, contact the Hagie Customer Support Department and you will be issued one.