



**PARTS MANUAL
FOR
HAGIE MODEL DTS 8 HI-TRACTOR**

HAGIE MANUFACTURING COMPANY

721 CENTRAL AVENUE WEST
BOX 273
CLARION, IOWA 50525-0273

(515) 532-2861

COVERS MACHINE SERIAL NUMBERS:
08-07 493404
06-09

U1210880001 thru U1210880100
U1210890001 thru U1210890100
U1210801001 thru U1210801100

SPRAYER IDENTIFICATION

Each Hagie sprayer is identified by means of a frame serial number. This serial number denotes the model, the year in which it was built, and the number of the sprayer. As for further identification, the engine has a serial number and the planetary hubs have identification plates that describe the type of mount and gear ratio. To insure prompt, efficient service when ordering parts or requesting service repairs from Hagie Manufacturing Company, record the serial and identification numbers in the space provided below.

NOTE: Reference to left hand and right hand used throughout this manual refers to the position when seated in the operator's seat facing forward.

SPRAYER SERIAL NUMBER

ENGINE SERIAL NUMBER

PLANETARY HUB IDENTIFICATION NUMBERS

FILTER QUICK REFERENCE

<u>QTY.</u>	<u>PART NO.</u>	<u>DESCRIPTION</u>
1	311530	PRIMARY ELEMENT FOR 311528
1	311531	SAFETY ELEMENT FOR 311528
1	316207	LUBE FILTER CUMMINS DIESEL 92
1	316208	FUEL FILTER, PRIMARY CUMM 92
1	316209	FUEL FILTER, SECONDARY CUMM92
1	605602	PARKER FILTER ELEMENT, 10MICRON
1	605609	HYD FILTER ELEMENT, DONALDSON
1	657424	A/C PAPER AIR FILTER
1	657425	A/C CHARCOAL AIR FILTER

TABLE OF CONTENTS

ENGINE ASSEMBLIES 4-6

FLOW DIVIDER 7

AIR TANK ASSEMBLY 8-9

FLUSHING VALVE 10-11

A/C AND RADIATOR 12-13

AIR CLEANER AND EXHAUST PIPE 14

BATTERY 15

HYDRAULIC TANK 16

LEG ASSEMBLIES 17-25

STEERING CYLINDER AND TIE ROD 26-27

CAB ASSEMBLY 28-32

INSTRUMENT PANEL ASSEMBLY 33

SWITCH PANEL ASSEMBLY 34

CONSOLE ASSEMBLY 35-37

BRAKE SOLENOID AND SEAT 38-40

SELECTOR VALVE AND VFC 41-42

BOOM CRADLE 43

SHEET METAL 44-45

LADDER AND FUEL TANK 46-48

SERVICE PLATFORM ASSEMBLY 49

FOAMER TANK 50-52

RINSE TANK 53-54

SOLUTION TANK 55-59

SOLUTION SYSTEM (STANDARD VOLUME) 60-64

SOLUTION SYSTEM (HI-VOLUME) 65-69

FENCE ROW 70-71

SOLUTION HOISING 72-75

WINDSHIELD WASHER 76

BOOM VALVE 77

TRANSOM, BOOM, AND LIFT COMPONENTS 78-90

REAR WHEEL NOZZLE OPTION 91

TREAD ADJUSTMENT OPTION 92-94

PRESSURE WASHER OPTION 95-96

RADAR OPTION 97

DECALS 98-99

HYDRAULIC SCHEMATIC 100-105

ELECTRICAL SCHEMATIC 106-115

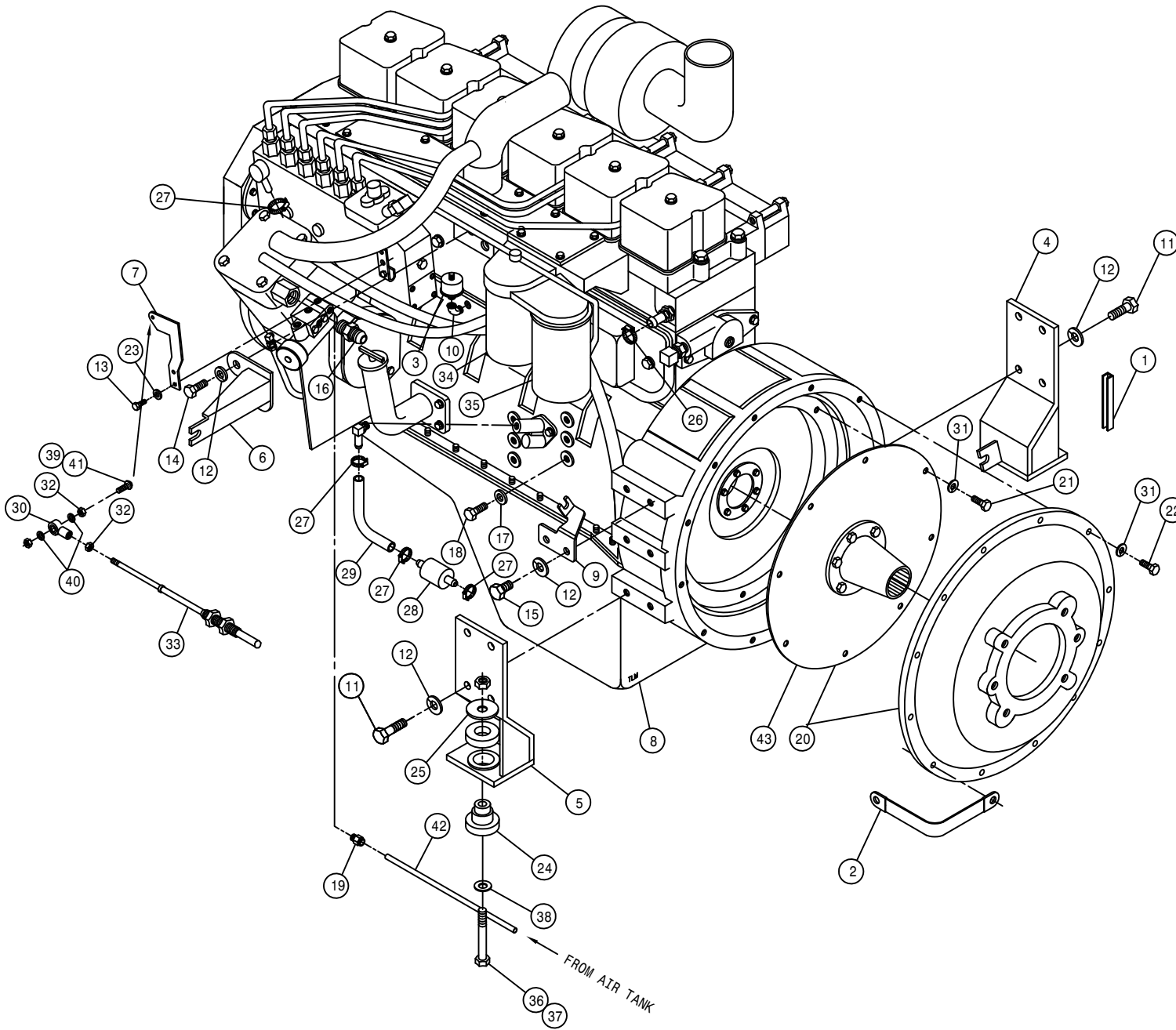
ABBREVIATIONS 116

INDEX 117

ENGINE ASSEMBLY

DET. QTY PART NO. DESCRIPTION

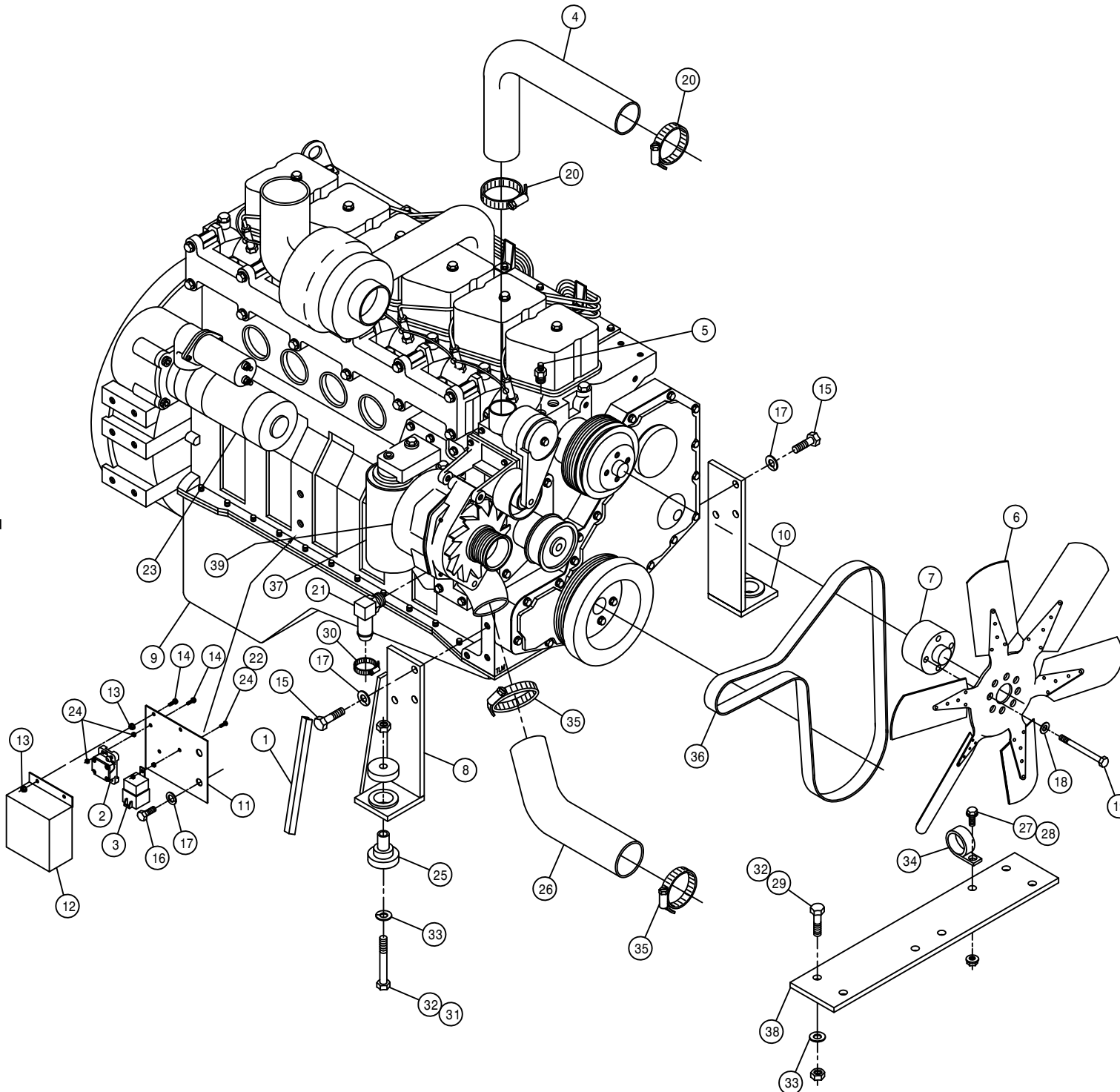
1	.6	193012	QUICKEDGE TRIM .135 TO .250
2	1	290107	GROUND CABLE,8" X 4GA .406LUGS
3	1	291674	OIL PRESS SENDER,125PSI,1/8NPT
4	1	316252	RH REAR ENG MT WLD, CUMM 94
5	1	316253	LH REAR ENG MT WLD, CUMM 94
6	1	316517	THROTTLE CABLE MT WLD, CUMM 02
7	1	316629	THROTTLE CABLE LEVER, CUMM 05
8	1	316312	CUMM ENG,6B5.9A 152@2500 CMPSR
9	1	316390	HYDST CABLE MT, DTS8 05
10	1	500900	BLK PIPE ST EL 90DEG .125NPT
11	8	473855	12MM-1.75 X 35MM FLANGE BOLT
12	12	473784	12MM LOCK WASHER
13	2	473826	6MM-1.00 X 16MM HEX BOLT
14	2	473828	12MM-1.50 X 20MM HEX BOLT
15	2	473783	12MM-1.75 X 25MM HEX BOLT
16	1	610300	3/4MJIC-3/4MNPT ADPTR
17	1	473804	8MM LOCK WASHER
18	1	473827	8MM-1.25 X 20MM HEX BOLT
19	1	711036	1/8MNPT-1/4 NYL TUBE FTG
20	1	800501	DRIVE DISK ASSY, 284 97
21	8	473793	10MM-1.50 X 20MM HEX BOLT
22	12	473792	10MM-1.50 X 30MM HEX BOLT
23	2	473768	6MM LOCK WASHER
24	2	311054	RUBBER MOUNT SET, CB-2202-4
25	2	311055	REBOUND WASHER FOR 311054
26	1	520055	HOSE CLAMP NO 12 STAINLESS
27	4	520120	HOSE CLAMP NO 4 STAINLESS
28	1	316281	FUEL STRAINER, IN-LINE, DIESEL
29	1	601528	HOSE, 3/8 X 10 FUEL LINE
30	1	473921	BALL JOINT NO 10-32 THD
31	20	473798	10MM LOCK WASHER
32	2	910027	10-32 HEX NUT
33	1	785066	CTRL CABLE 10-32 4IN X 129 IN
34	1	316208	FUEL FILTER, PRIMARY CUMM 92
35	1	316209	FUEL FILTER, SECONDARY CUMM92
36	2	900271	1/2UNC X 3 1/4 HEX BOLT
37	2	914008	1/2UNC HEX STOVER NUT
38	2	920004	1/2 SAE FLAT WASHER
39	1	914027	10-32 HEX STOVER NUT
40	2	920510	#10 LOCK WASHER
41	1	903893	10-32 X 1" SLT RD HD MACH SCR
42	1	601619	HOSE, 1/4 X 27 AIR
43	1	800473	FEDERAL DISK DRIVE ASSY



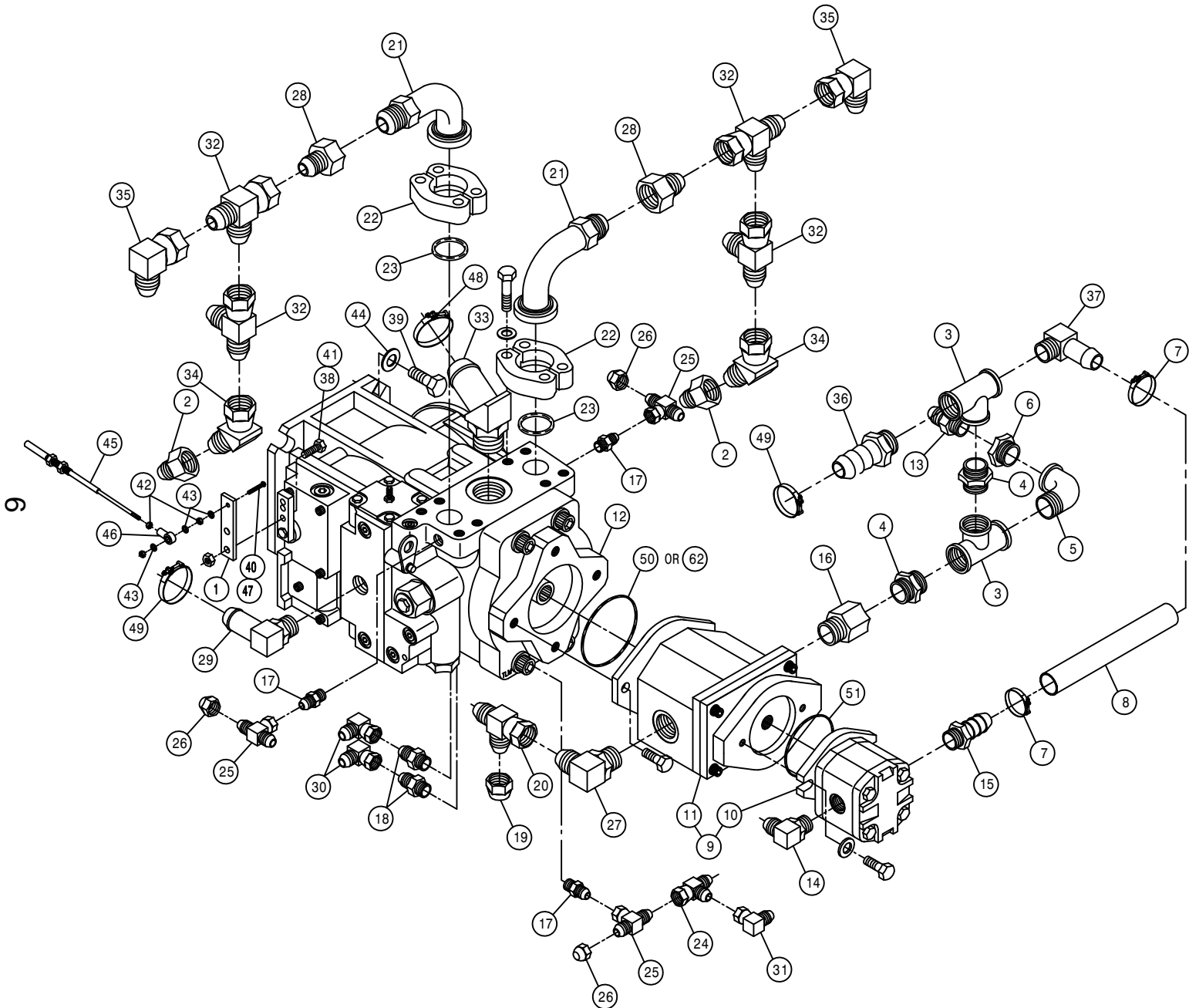
ENGINE ASSEMBLY

DET. QTY PART NO. DESCRIPTION

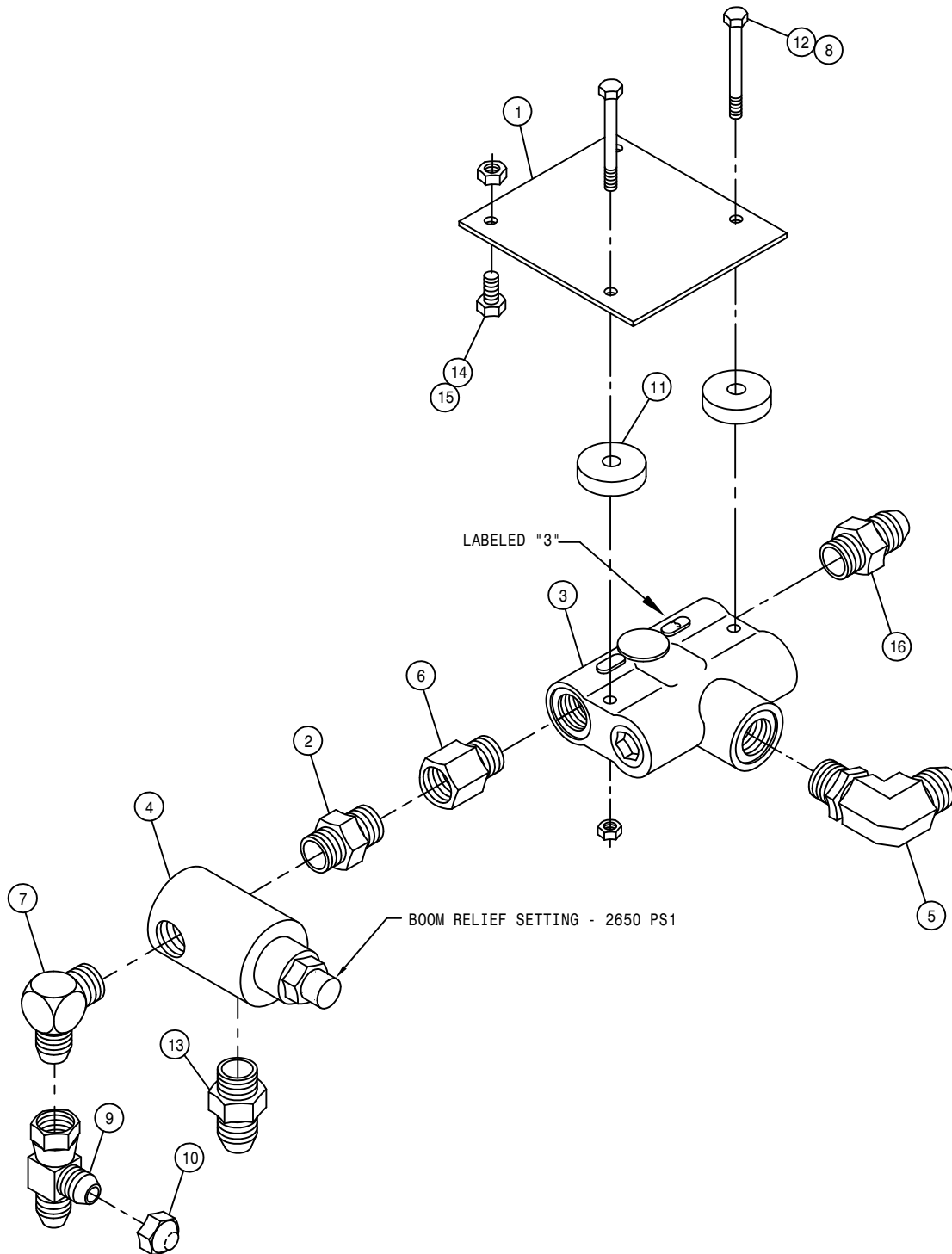
DET.	QTY	PART NO.	DESCRIPTION
1	1	193012	QUICKEDGE TRIM .135 TO .250
2	1	291815	CIRCUIT BREAKER,100 AMP BUSS
3	1	291852	RELAY, 40 AMP, VF4 SERIES
4	1	314832	RADIATOR HOSE 1.75 X 19(52423)
5	1	314836	TEMP SENDR 280D 1/2NPT FOR GA
6	1	316180	FAN, 22" 6 BLADE 30DEG 2.25PIT
7	1	316199	22IN FAN SPACER CUMM 92
8	1	316250	RH FRT ENG MT WLD, CUMM 94
9	1	316312	CUMM ENG,6B5.9A 152@2500 CMPSR
10	1	316313	LH FRT ENG MT WLD, 284 CUMM 98
11	1	316631	BREAKER MTG PLT, DTS 8/8T 05
12	1	316340	BREAKER COVER, 2100 98
13	4	470175	10-32 HEX FLANGE LOCK NUT
14	4	470216	10-32 X 3/4 FLANGE HEX BOLT
15	6	473855	12MM-1.75 X 35MM FLANGE BOLT
16	2	473782	12MM-1.75 X 18MM HEX BOLT
17	8	473784	12MM LOCK WASHER
18	4	473804	8MM LOCK WASHER
19	4	473822	8MM-1.25 X 70MM HEX BOLT
20	2	520067	HOSE CLAMP NO 28 STAINLESS
21	1	618573	5/8 HOSE BARB-90-1/2MNPT
22	1	903883	10-32 X 1/2 SLT RDHD MACH SCR
23	1	316216	STARTER FOR CUMM 6 CYL 316185
24	6	910027	10-32 HEX NUT
25	2	311053	RUBBER MOUNT SET,SSB26-1000-1
26	1	314886	RADIATOR HOSE 2 1/4 20717
27	1	470118	1/4UNC X 3/4 FLANGE HEX BOLT
28	1	470121	1/4UNC HEX FLANGE LOCK NUT
29	4	900265	1/2UNC X 1 1/2 HEX BOLT
30	1	520055	HOSE CLAMP NO 12 STAINLESS
31	2	900271	1/2UNC X 3 1/4 HEX BOLT
32	6	914008	1/2UNC HEX STOVER NUT
33	6	920004	1/2 SAE FLAT WASHER
34	1	520126	CUSH HOSE CLAMP 2IN X 5/8W
35	2	520099	HOSE CLAMP NO 40 STAINLESS
36	1	316206	POLY V BELT CUMMINS DIESEL 92
37	1	316207	LUBE FILTER CUMMINS DIESEL 92
38	1	341968	TIE PLT 250/280 CUMM 92
39	1	316367	DELCO ALTERNATOR,130 AMP 22SI



HYDROSTATIC PUMP ASSEMBLY



DET.	QTY	PART NO.	DESCRIPTION
	1	316160	PUMP CONT LEVER EXT 280 CUMM
	2	618541	1 5/16FJIC-1 1/16MJIC ADPTR
	3	505101	BLK PIPE TEE 1.00NPT
	4	505105	1MNPT HEX PIPE NIPPLE STL
	5	505200	BLK PIPE ST EL 90DEG 1.00NPT
	6	505213	RED BUSH 1 X 3/4 BLK MAL
	7	520137	1.12/1.25 T-BOLT HOSE CLAMP
	8	601399	HOSE, 3/4 X 13 1FBR-1SPI
	9	606941	TANDEM PUMP, 606929 & 606932
	10	606929	SUND GEAR PUMP .66CI, SPLINED
	11	606932	SUND GEAR PUMP, 1.60CI, SPLINED
	12	606954	SUND 130CC PUMP, B-MT 98
	13	610300	3/4MJIC-3/4MNPT ADPTR
	14	618183	3/4MJIC-90-7/8MOR LBO
	15	618075	3/4 HOSE BARB-1 1/16MOR
	16	618090	1 5/16MOR-1FNPT ADPTR
	17	618126	9/16MJIC-9/16MOR ADPTR
	18	618327	3/4MJIC-7/8MOR ADPTR
	19	618328	7/8FJIC CAP NUT
	20	618333	7/8FJIC SW RUN TEE-7/8MJIC
	21	618459	1 1/4FLANGE-90-1 5/8MJIC
	22	618461	1 1/4 SPLIT FLANGE KIT
	23	870222	NEO ORING 1 1/2 X 1 3/4
	24	618486	9/16FJIC SW RUN TEE-9/16MJIC
	25	618514	9/16FJ SW BRANCH TEE-9/16MJ
	26	618531	9/16FJIC CAP NUT
	27	618535	7/8MJIC-90-1 1/16MOR LBO
	28	618547	1 5/8FJIC-1 5/16MJIC ADPTR
	29	618564	1IN HOSE BARB-90-1 5/16MOR
	30	618609	3/4MJIC-90-3/4FJIC SWIV LBO
	31	618618	9/16MJIC-90-9/16FJIC SWIV LBO
	32	618619	1 5/16FJ SW RUN TEE-1 5/16MJ
	33	618626	1 1/4 HOSE BARB-45-1 5/8MOR
	34	618630	1 5/16MJ-45-1 5/16FJ SWIV LBO
	35	618640	1 5/16MJ-90-1 5/16FJ SWIV LBO
	36	714560	1NPT X 1 HOSE BARB
	37	716000	3/4 HOSE BARB-90-1MNPT
	38	900003	1/4UNC X 1" HEX BOLT
	39	900401	3/4UNC X 1 1/2 HEX BOLT
	40	903893	10-32 X 1" SLT RD HD MACH SCR
	41	914000	1/4UNC HEX STOVER NUT
	42	910027	10-32 HEX NUT
	43	920510	#10 LOCK WASHER
	44	920006	3/4 SAE FLAT WASHER
	45	785062	CTRL CABLE 10-32 4IN X 120 LG
	46	473921	BALL JOINT NO 10-32 THD
	47	914027	10-32 HEX STOVER NUT
	48	520132	1.62/1.87 T-BOLT HOSE CLAMP
	49	520138	1.38/1.56 T-BOLT HOSE CLAMP
	50	606870	O-RING FOR 606865 SUND B-MT
	51	606924	O-RING FOR SUND A-MT
	52	606357	O-RING, SAUER 9004104-1540



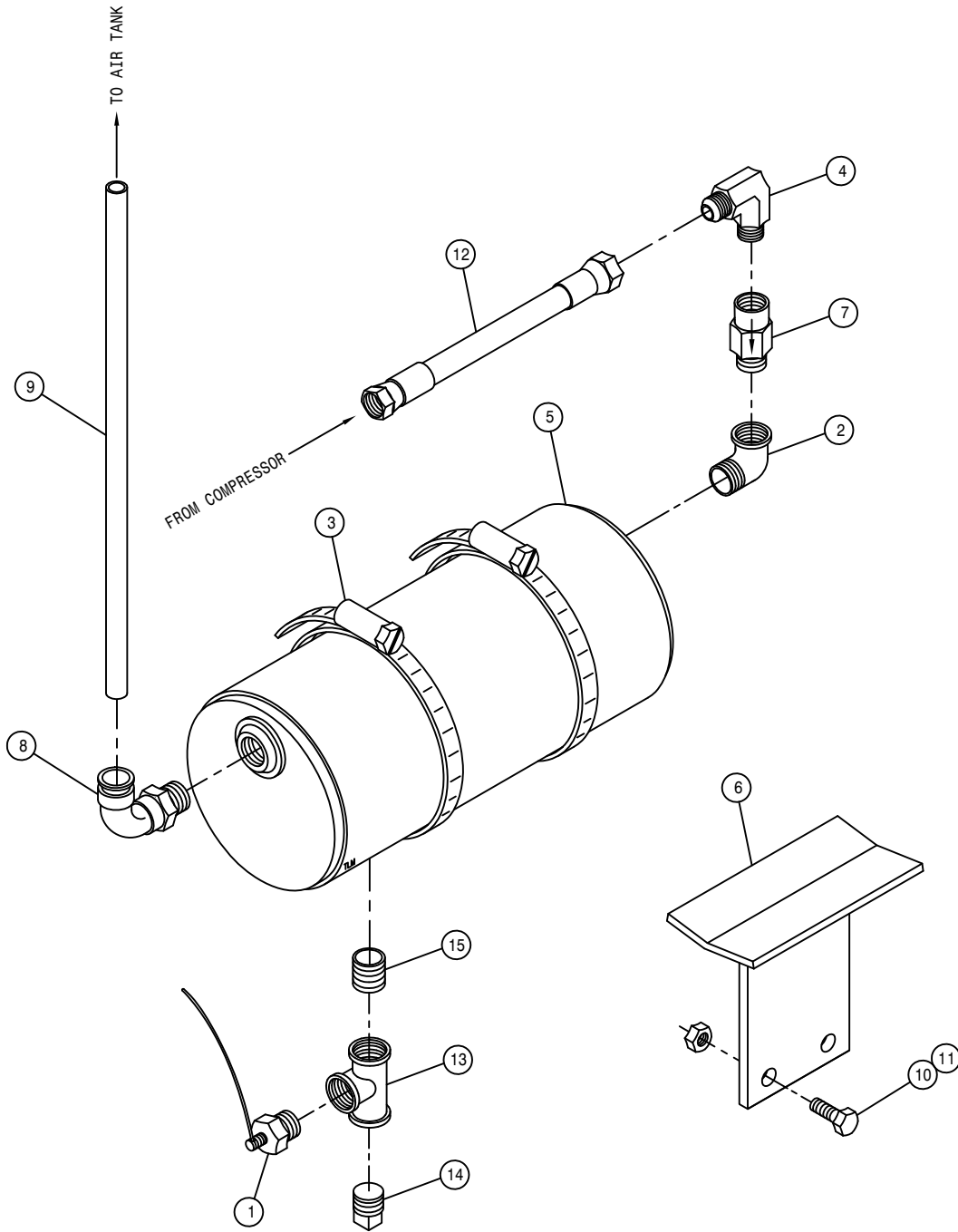
FLOW DIVIDER ASSEMBLY

DET. QTY PART NO. DESCRIPTION

DET.	QTY	PART NO.	DESCRIPTION
1	1	343183	VFC VALVE MT DTS8/8T
2	1	500000	1/2MNPT HEX PIPE NIPPLE STL
3	1	610307	FLO DIV BG53 3GPM PRI 7/8FOR
4	1	607512	RELIEF VALVE, RL50, 1850 PSI
5	1	618183	3/4MJIC-90-7/8MOR LBO
6	1	618072	7/8MOR-1/2FNPT ADPTR
7	1	618107	9/16MJIC-90-1/2MNPT LBO
8	2	914000	1/4UNC HEX STOVER NUT
9	1	618486	9/16FJIC SW RUN TEE-9/16MJIC
10	1	618531	9/16FJIC CAP NUT
11	2	748500	RUBER WASH 3/8X1/4IDX1 1/2 OD
12	2	900008	1/4UNC X 2 1/2 HEX BOLT
13	1	618018	9/16MJIC-1/2MNPT ADPTR
14	2	470118	1/4UNC X 3/4 FLANGE HEX BOLT
15	2	470221	1/4UNC HEX FLANGE LOCK NUT
16	1	618310	9/16MJIC-7/8MOR ADPTR

BOOM RELIEF SETTING - 2650 PS1

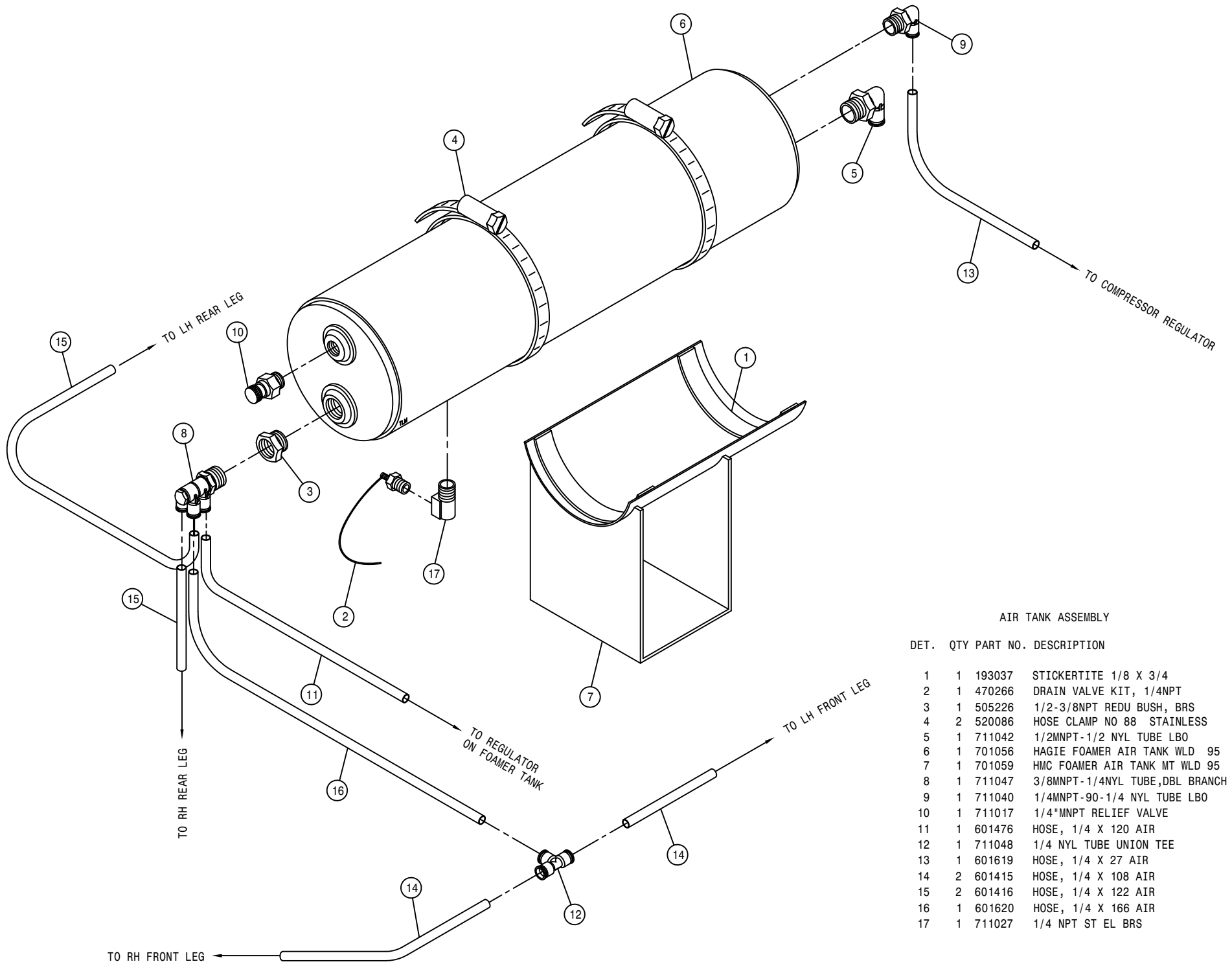
LABELED "3"



AIR WET TANK ASSEMBLY

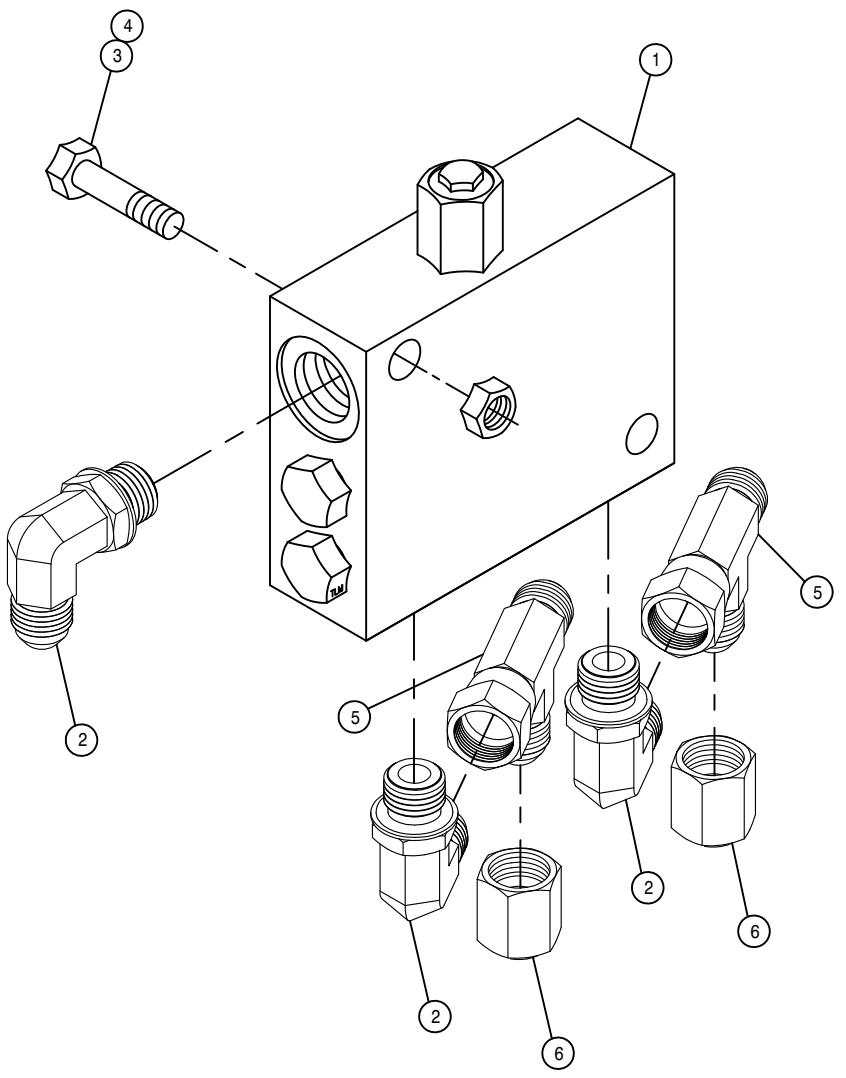
DET. QTY PART NO. DESCRIPTION

1	1	470266	DRAIN VALVE KIT, 1/4NPT	
2	1	503400	BLK PIPE ST EL 90DEG .50NPT	
3	2	520086	HOSE CLAMP NO 88 STAINLESS	
4	1	611145	3/4MJIC-90-1/2MNPT LBO	
5	1	701115	WET TANK WLD	98
6	1	701146	WET TANK MTG BRKT WLD, 284	99
7	1	711032	CHECK VALVE, 1/2"FNPT-1/2"MNPT	
8	1	711042	1/2MNPT-1/2 NYL TUBE LBO	
9	1	601441	HOSE, 1/2 X 20 AIR	
10	2	900129	3/8UNC X 1" HEX BOLT	
11	2	914004	3/8UNC HEX STOVER NUT	
12	1	611301	08P919-08FJX-08FJX-18	H/A
13	1	501101	BLK PIPE TEE .25NPT	
14	1	501102	1/4 PIPE PLUG	
15	1	501601	CLOSE NIPPLE .25NPT	



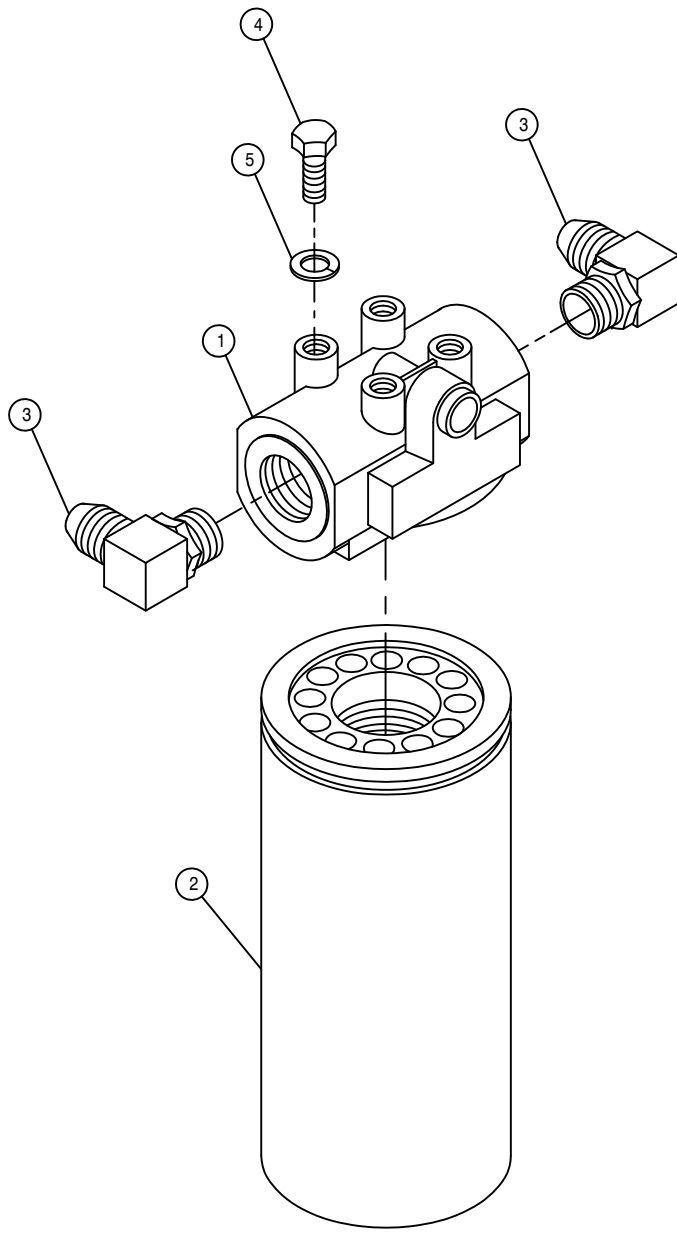
AIR TANK ASSEMBLY

DET.	QTY	PART NO.	DESCRIPTION
1	1	193037	STICKERTITE 1/8 X 3/4
2	1	470266	DRAIN VALVE KIT, 1/4NPT
3	1	505226	1/2-3/8NPT REDU BUSH, BRS
4	2	520086	HOSE CLAMP NO 88 STAINLESS
5	1	711042	1/2MNPT-1/2 NYL TUBE LBO
6	1	701056	HAGIE FOAMER AIR TANK WLD 95
7	1	701059	HMC FOAMER AIR TANK MT WLD 95
8	1	711047	3/8MNPT-1/4NYL TUBE, DBL BRANCH
9	1	711040	1/4MNPT-90-1/4 NYL TUBE LBO
10	1	711017	1/4"MNPT RELIEF VALVE
11	1	601476	HOSE, 1/4 X 120 AIR
12	1	711048	1/4 NYL TUBE UNION TEE
13	1	601619	HOSE, 1/4 X 27 AIR
14	2	601415	HOSE, 1/4 X 108 AIR
15	2	601416	HOSE, 1/4 X 122 AIR
16	1	601620	HOSE, 1/4 X 166 AIR
17	1	711027	1/4 NPT ST EL BRS



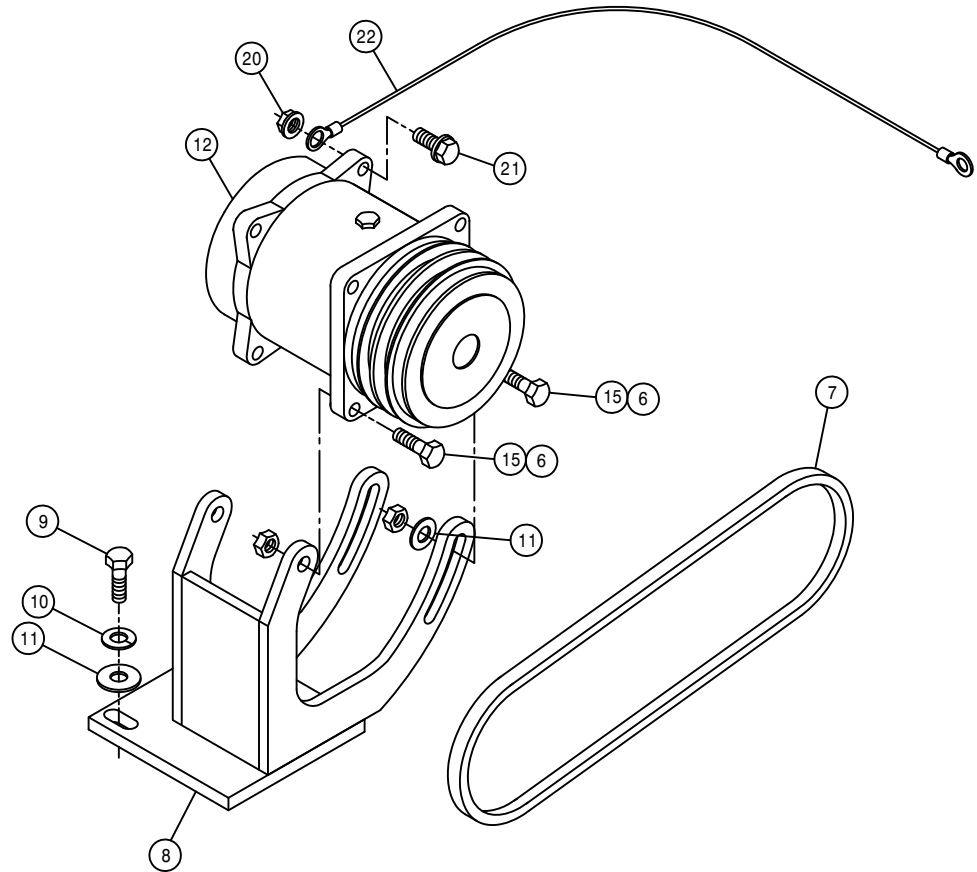
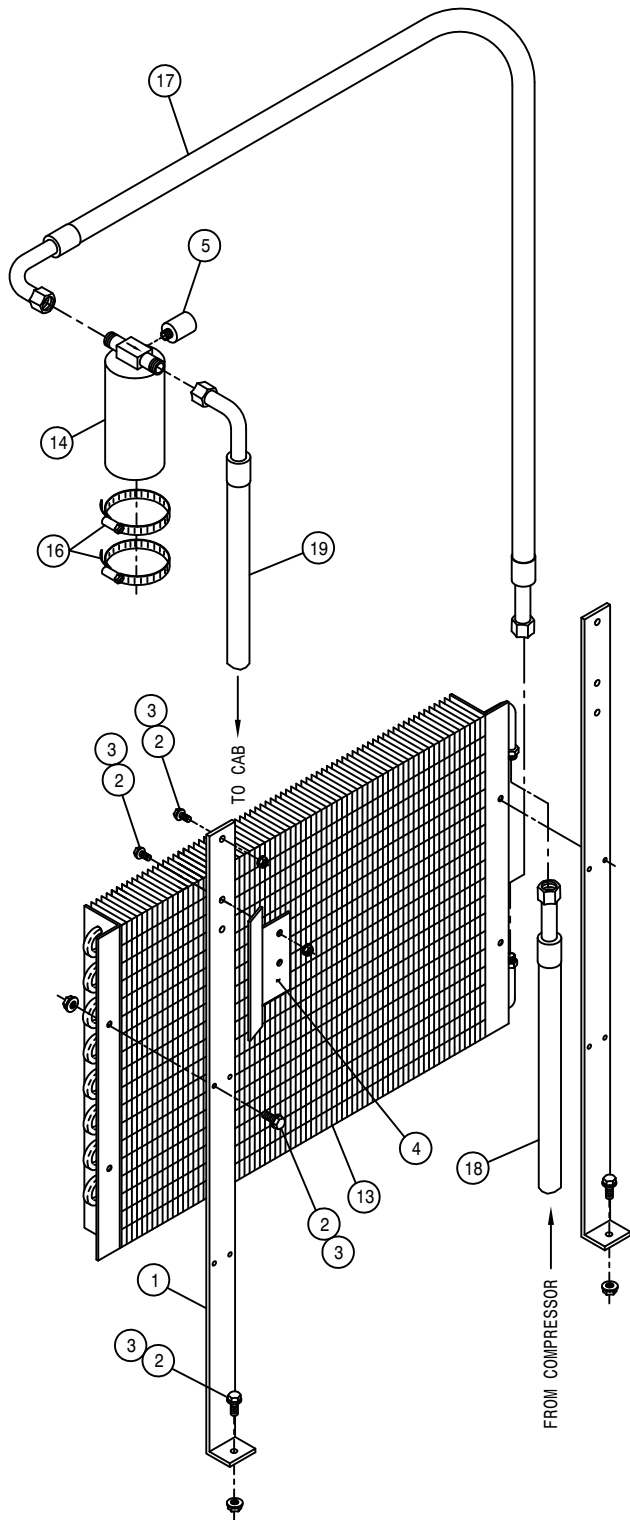
LOOP FLUSHING VALVE ASSEMBLY

DET.	QTY	PART NO.	DESCRIPTION
	1	610580	REMOTE FLUSHING VALVE, SUND
	2	3	618119 9/16MJIC-90-9/16MOR LBO
	3	2	900133 3/8UNC X 2" HEX BOLT
	4	2	914004 3/8UNC HEX STOVER NUT
	5	2	618486 9/16FJIC SW RUN TEE-9/16MJIC
	6	2	618531 9/16FJIC CAP NUT



HI-PRESS FILTER ASSEMBLY

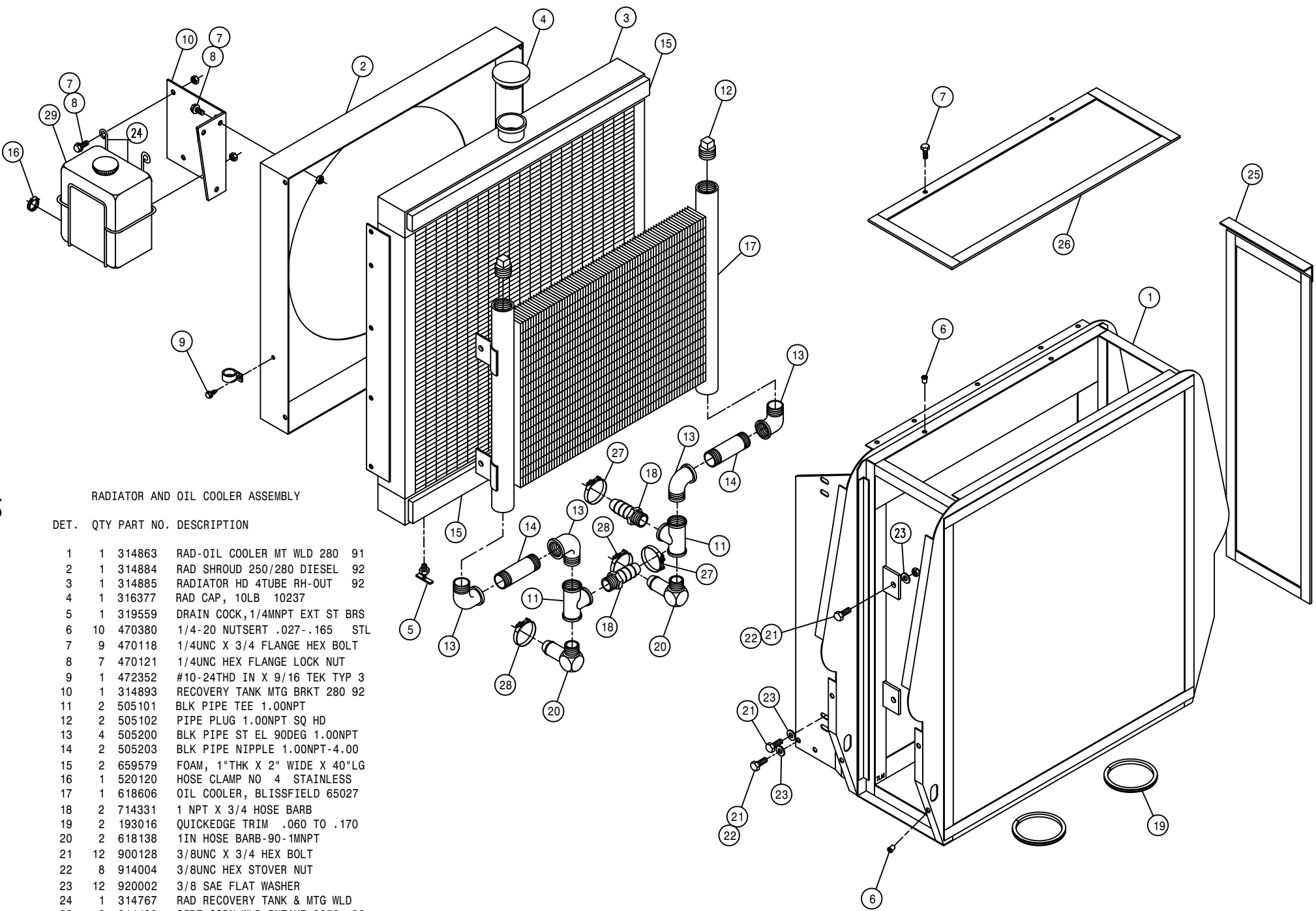
DET.	QTY	PART NO.	DESCRIPTION
1	1	605608	HYD FILTER HEAD, DONALDSON
2	1	605609	HYD FILTER ELEMENT, DONALDSON
3	2	618474	3/4MJIC-90-1 1/16MOR LBO
4	4	900128	3/8UNC X 3/4 HEX BOLT
5	4	920502	3/8 LOCK WASHER



A/C COMPRESSOR PUMP ASSEMBLY

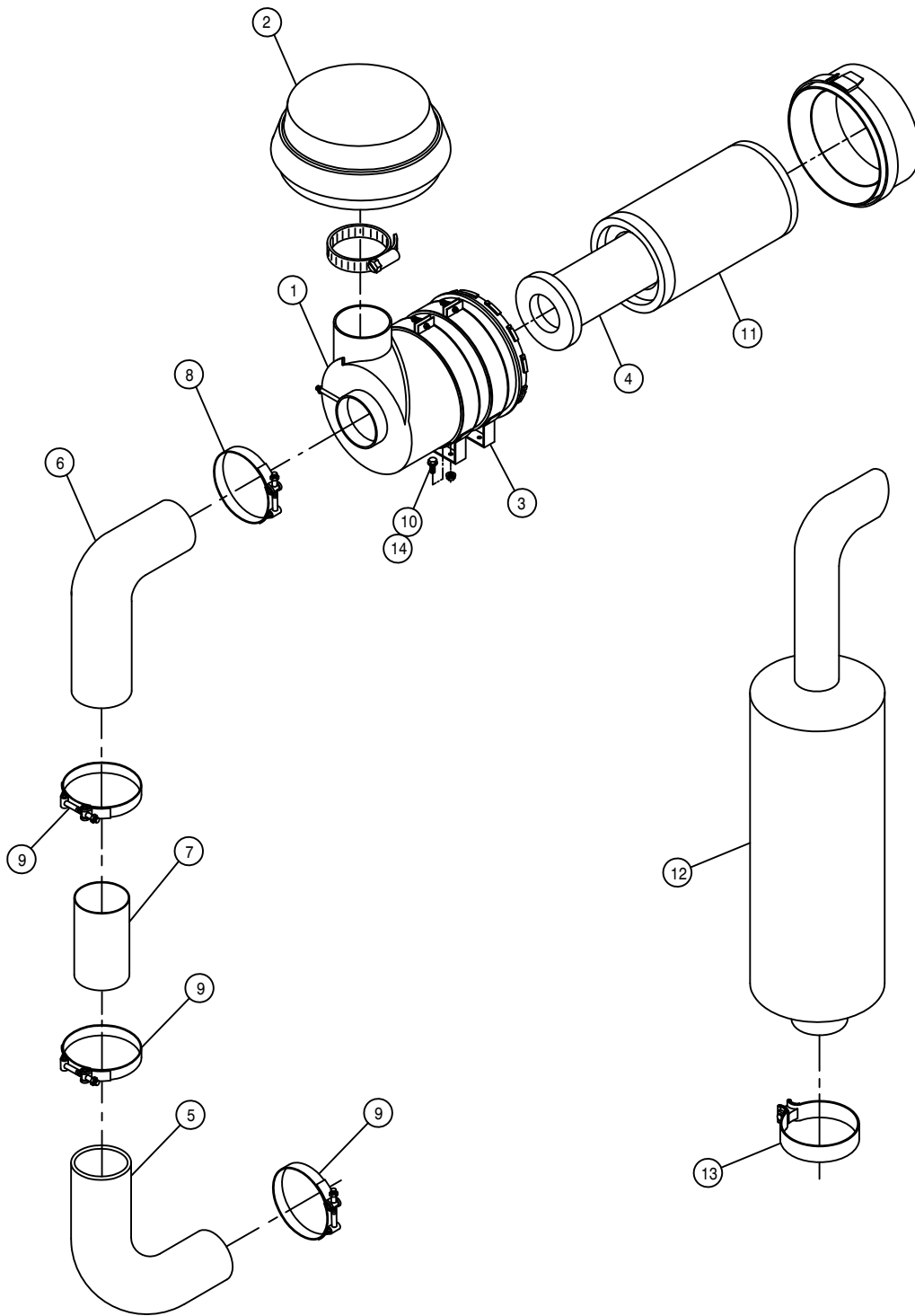
DET. QTY PART NO. DESCRIPTION

1	2	315036	CONDENSER MTG BRKT	99
2	10	470118	1/4UNC X 3/4 FLANGE HEX BOLT	
3	10	470121	1/4UNC HEX FLANGE LOCK NUT	
4	1	315038	A/C DRIER MT,204-254-284	99
5	1	657422	A/C BINARY SWITCH	
6	4	914004	3/8UNC HEX STOVER NUT	
7	1	147050	9455XL BELT, GATES	
8	1	316314	A/C COMPRSR MT WLD, 284	98
9	3	473792	10MM-1.50 X 30MM HEX BOLT	
10	3	473798	10MM LOCK WASHER	
11	5	483043	3/8 REGULAR FLAT WASHER	
12	1	657403	A/C COMPRSR,180D PORTS TM15/12	
13	1	657423	A/C CONDENSER COIL 21-0324	
14	1	657421	A/C RECEIVER/DRIER	
15	4	900131	3/8UNC X 1 1/2 HEX BOLT	
16	2	520052	HOSE CLAMP NO 52 STAINLESS	
17	1	657429	A/C HOSE ASSY, 5/16 X 44	
18	1	657430	A/C HOSE ASSY, 13/32 X 80	
19	1	657431	A/C HOSE ASSY, 5/16 X 173	
20	1	470087	3/8UNC HEX FLANGE LOCK NUT	
21	1	470329	3/8UNC X 1 1/4 FLANGE HEX BOLT	
22	1	293564	16GA BLK-291512-291590-36	



RADIATOR AND OIL COOLER ASSEMBLY

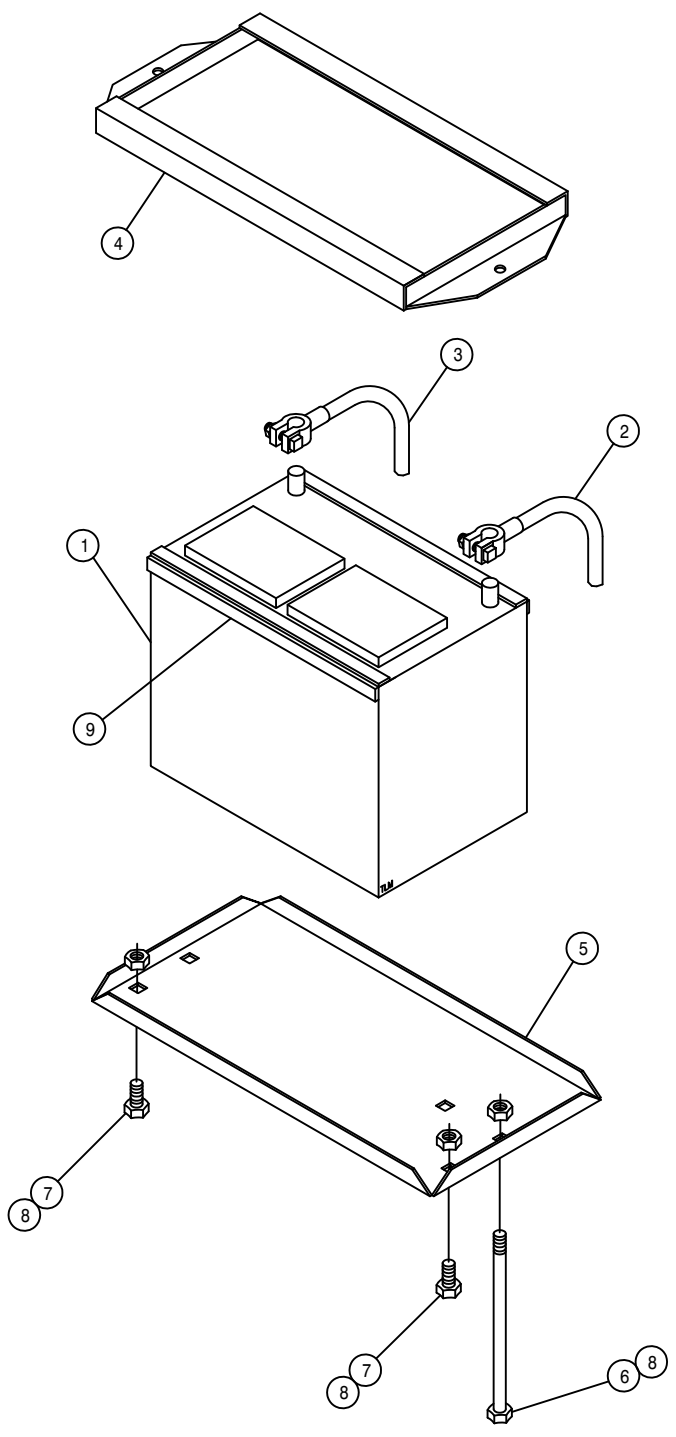
DET.	QTY	PART NO.	DESCRIPTION
	1	314863	RAD-OIL COOLER MT WLD 280 91
	1	314884	RAD SHROUD 250/280 DIESEL 92
	1	314885	RADIATOR HD 4TUBE RH-OUT 92
	1	316377	RAD CAP, 10LB 10237
	1	319559	DRAIN COCK, 1/4MNPT EXT ST BRS
	10	470380	1/4-20 NUTSERT .027-.165 STL
	9	470118	1/4UNC X 3/4 FLANGE HEX BOLT
	7	470121	1/4UNC HEX FLANGE LOCK NUT
	1	472352	#10-24THD IN X 9/16 TEK TYP 3
	1	314893	RECOVERY TANK MTG BRKT 280 92
	2	505101	BLK PIPE TEE 1.00NPT
	2	505102	PIPE PLUG 1.00NPT SQ HD
	4	505200	BLK PIPE ST EL 90DEG 1.00NPT
	2	505203	BLK PIPE NIPPLE 1.00NPT-4.00
	2	659579	FOAM, 1" THK X 2" WIDE X 40" LG
	1	520120	HOSE CLAMP NO 4 STAINLESS
	1	618606	OIL COOLER, BLISSFIELD 65027
	2	714331	1 NPT X 3/4 HOSE BARB
	2	193016	QUICKEDGE TRIM .060 TO .170
	2	618138	1IN HOSE BARB-90-1MNPT
	12	900128	3/8UNC X 3/4 HEX BOLT
	8	914004	3/8UNC HEX STOVER NUT
	12	920002	3/8 SAE FLAT WASHER
	1	314767	RAD RECOVERY TANK & MTG WLD
	2	314490	SIDE SCR N WLD INTAKE 8250 86
	1	314495	TOP SCR N WLD INTAKE 8250 86
	2	520137	1.12/1.25 T-BOLT HOSE CLAMP
	2	520138	1.38/1.56 T-BOLT HOSE CLAMP
	1	314426	RAD RECOVERY TANK CHRY 318



AIR CLEANER AND EXHAUST PIPE

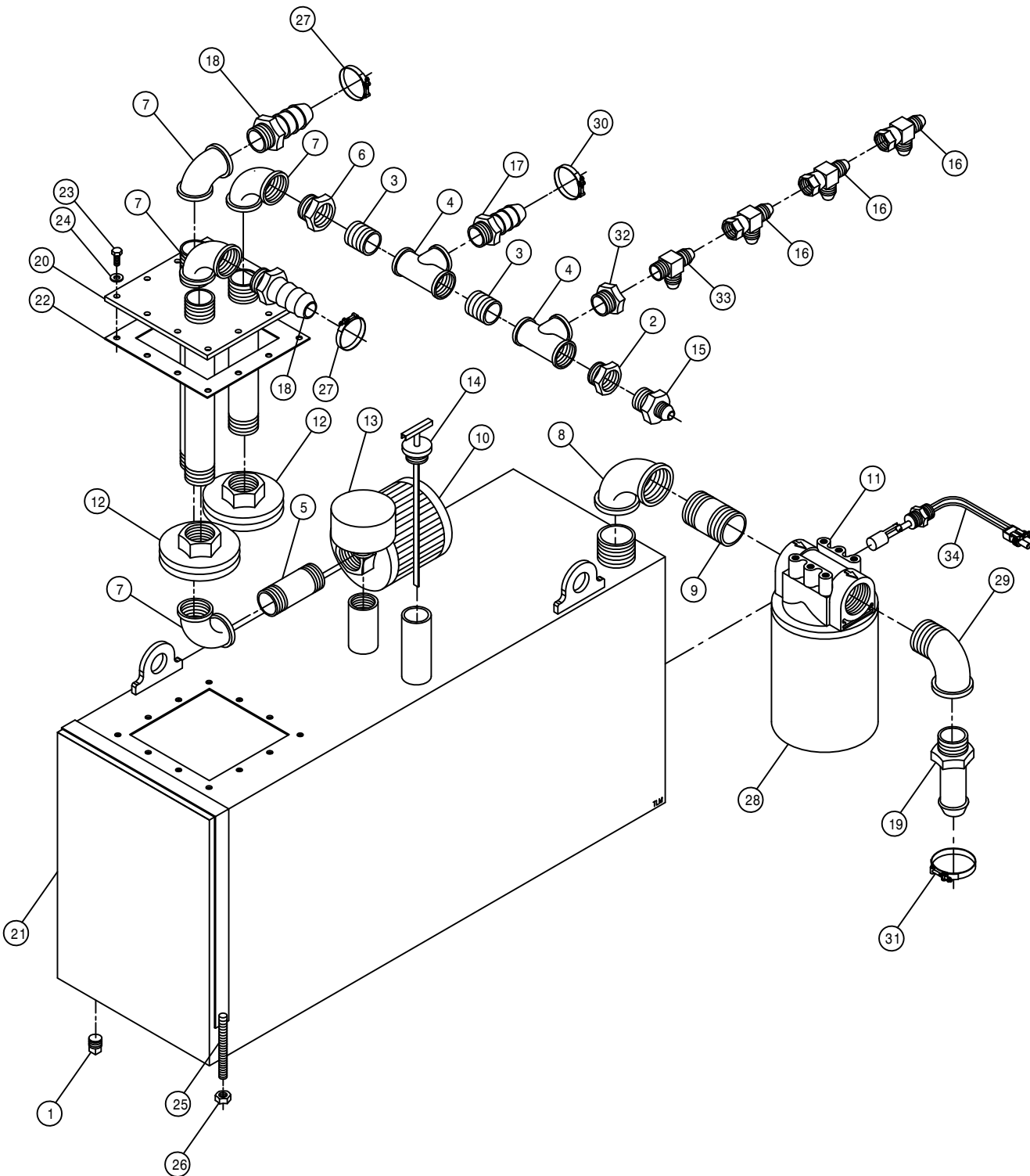
DET. QTY PART NO. DESCRIPTION

DET.	QTY	PART NO.	DESCRIPTION
1	1	311528	AIR CLEANER, PLASTIC HSNG
2	1	314971	AIR CLEANER HOOD FOR 314970
3	2	311529	AIR CLEANER MT BAND FOR 311528
4	1	311531	SAFETY ELEMENT FOR 311528
5	1	316309	4" 90DEG ELBOW, RUBBER
6	1	316297	5"-4" 90DEG REDU ELBOW,RUBBER
7	1	316298	4" X 12" AIR INTAKE TUBE 97
8	1	520136	5.31/5.59 T-BOLT HOSE CLAMP SS
9	3	520134	4.31/4.59 T-BOLT HOSE CLAMP SS
10	4	470113	5/16UNC HEX FLANGE LOCK NUT
11	1	311530	PRIMARY ELEMENT FOR 311528
12	1	316366	MUFFLER, 2100/STS10/STS12
13	1	470458	MUFFLER CLAMP, 3.00 ACCUSEAL
14	4	470233	5/16UNC X 3/4 FLANGE HEX BOLT



BATTERY BOX ASSEMBLY

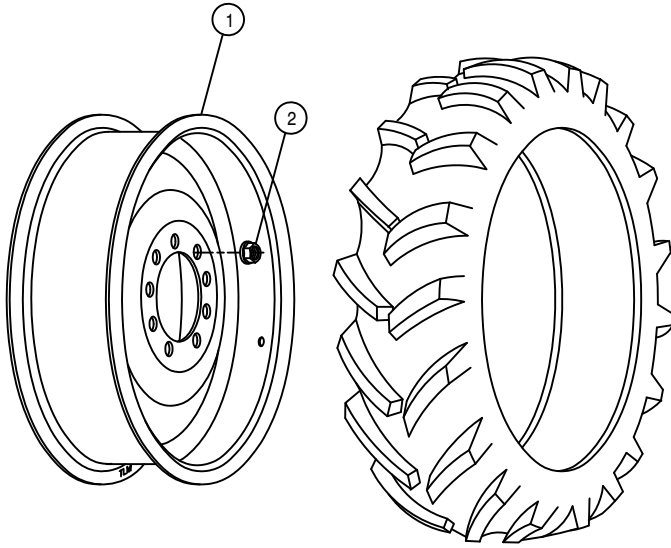
DET.	QTY	PART NO.	DESCRIPTION
1	1	291122	BATTERY,12V 950CCA, SAE POST
2	1	291128	BATTERY CABLE 48 IN
3	1	291530	BATTERY GROUND CABLE, 23"
4	1	341322	BATTERY HOLD DOWN WLD 1981
5	1	361149	BATTERY BOX 8300-8400 1981
6	2	901150	3/8UNC X 9" CARR BOLT
7	2	900129	3/8UNC X 1" HEX BOLT
8	4	914004	3/8UNC HEX STOVER NUT
9	4	193022	STICKERTITE 1/4 X 3/4



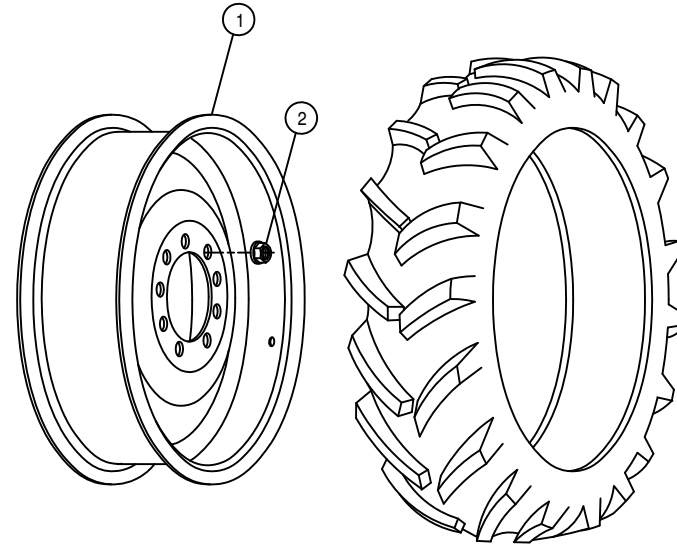
HYDRAULIC TANK ASSEMBLY

DET. QTY PART NO. DESCRIPTION

1	1	470308	1/2MNPT DRAIN PLUG,AL HD,MAG
2	1	504210	RED BUSH 3/4 NPT X 1/2 NPT
3	2	504702	CLOSE NIPPLE .75NPT
4	2	504955	BLK PIPE TEE .75NPT
5	1	505203	BLK PIPE NIPPLE 1.00NPT-4.00
6	1	505213	RED BUSH 1 X 3/4 BLK MAL
7	4	505300	BLK PIPE EL 90DEG 1.00NPT
8	1	506303	BLK PIPE EL 90DEG 1.25NPT
9	1	506602	PIPE NIPPLE 1 1/4NPT-2 1/2
10	1	605600	TANK FILTER, 100 MESH,1"FNPT
11	1	605601	PARKER FILTER ASSY,10M,1.25NPT
12	2	605603	LINE SUMP DIFFUSER
13	1	611052	FILLER BREATHER 3/4NPT
14	1	614453	DIPSTICK, 8IN
15	1	618018	9/16MJIC-1/2MNPT ADPTR
16	3	618486	9/16FJIC SW RUN TEE-9/16MJIC
17	1	713220	HOSE BARB 3/4 NPT X 3/4
18	2	714560	1NPT X 1 HOSE BARB
19	1	715660	HOSE BARB 1 1/4NPT X 1 1/4
20	1	760090	RECEIVER PLT WLD 8240
21	1	760264	HYD TANK WLD,204/254/284 2002
22	1	763039	HYD MTR MTG PLT GSKT
23	12	900064	5/16UNC X 3/4 HEX BOLT
24	12	920001	5/16 SAE FLAT WASHER
25	2	341360	OIL TANK STRAP WLD 8240 1982
26	4	914004	3/8UNC HEX STOVER NUT
27	2	520138	1.38/1.56 T-BOLT HOSE CLAMP
28	1	605602	PARKER FILTER ELEMENT,10MICRON
29	1	506410	BLK PIPE ST EL 90DEG 1.25NPT
30	1	520137	1.12/1.25 T-BOLT HOSE CLAMP
31	1	520132	1.62/1.87 T-BOLT HOSE CLAMP SS
32	1	504001	RED BUSH 3/4 X 1/4 BLK MAL
33	1	618520	1/4MNPT RUN TEE-9/16MJIC
34	1	470350	LIQUID LEVEL SWITCH ASSY,1/2NP



290/95R 34 *** RADIAL TIRE OPTION



320/85R 34 *** RADIAL TIRE OPTION

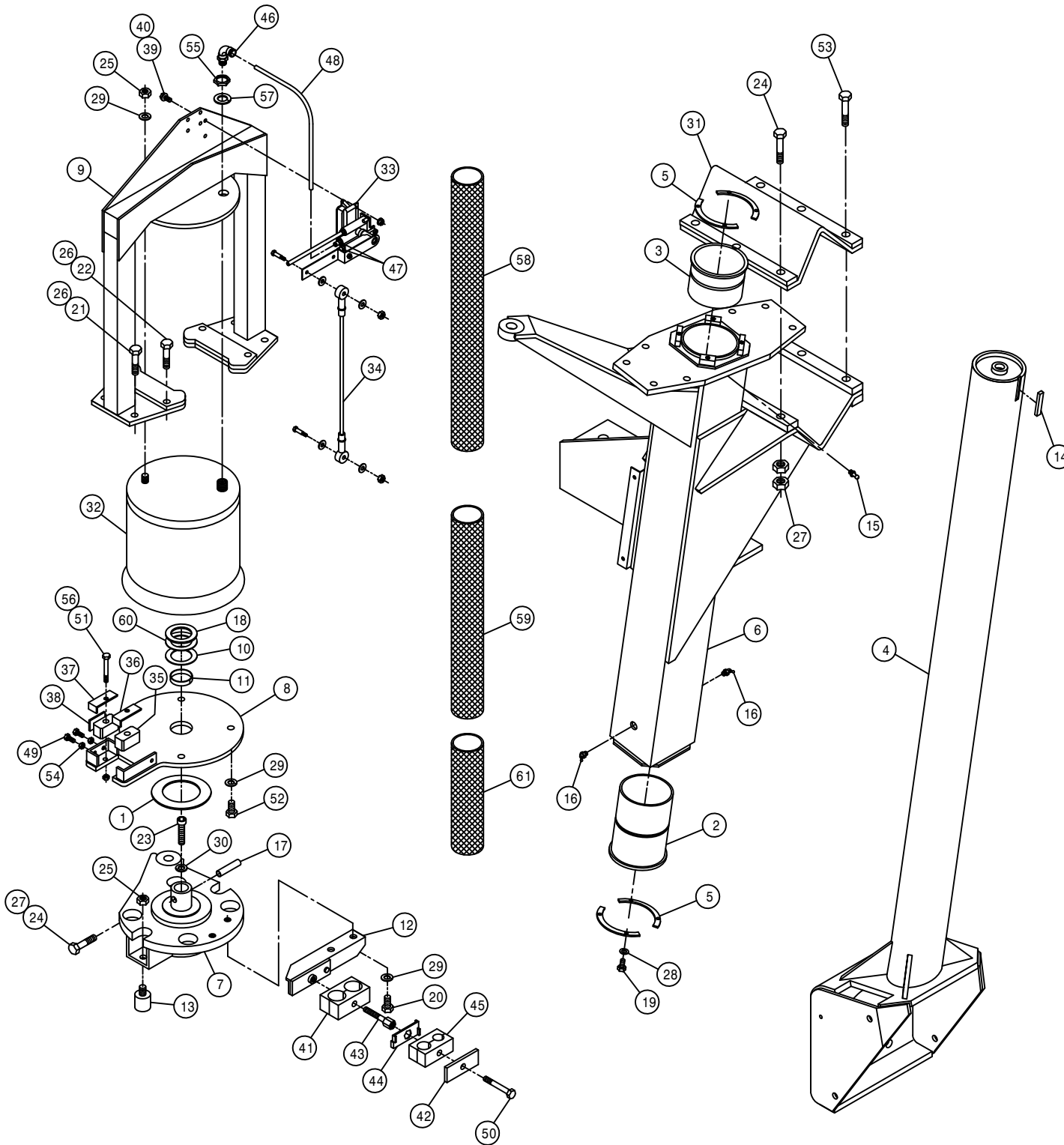
TIRE AND RIM ASSEMBLIES

DET.	QTY	PART NO.	DESCRIPTION	
1	4	821042	RIM WLD, W10-34	98
2	36	470140	5/8UNF HEX SMTH FLANGE NUT PLT	

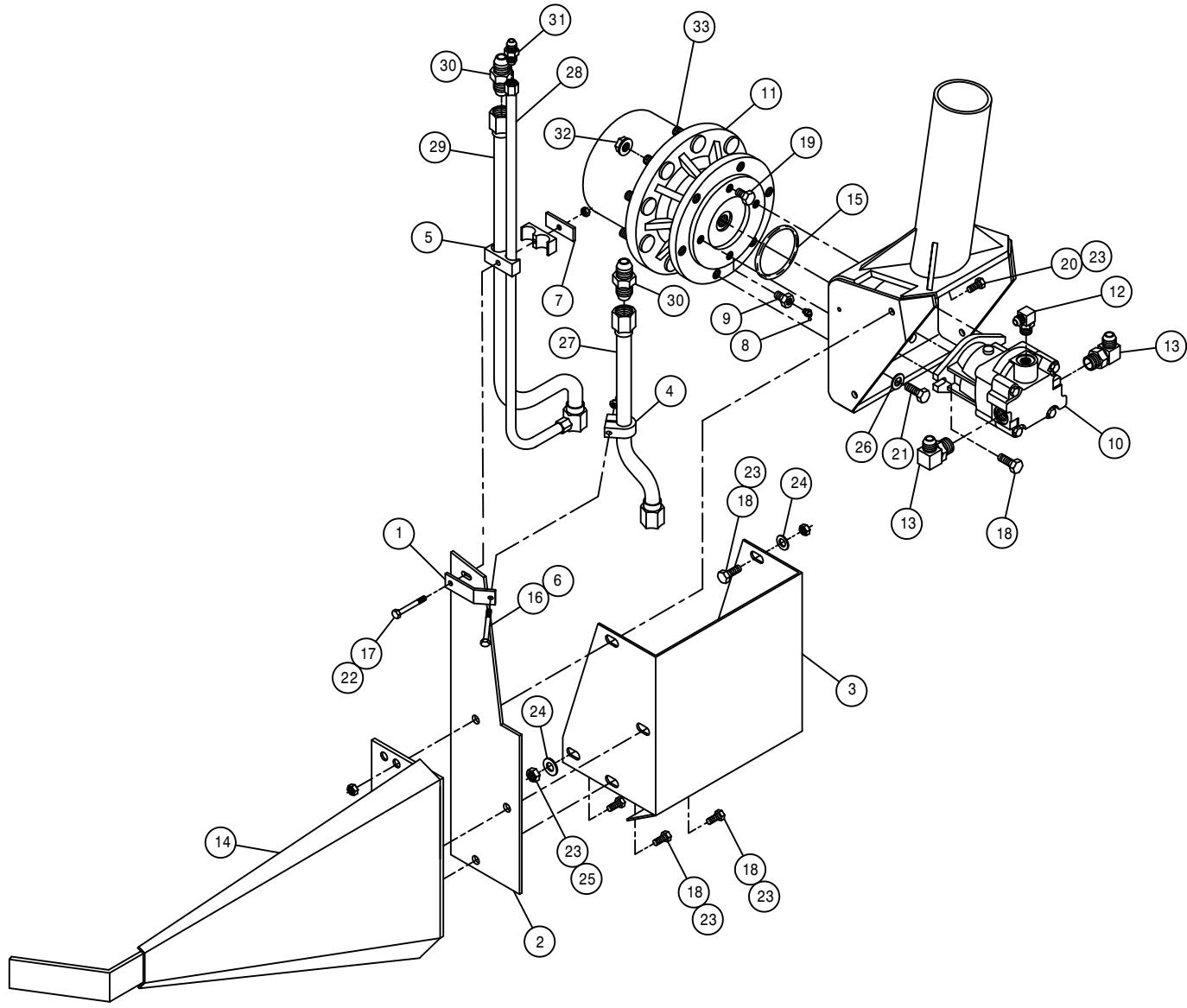
NOTE: QUANTITY SHOWN IS PER MACHINE

RIGHT FRONT LEG ASSEMBLY

DET. QTY PART NO. DESCRIPTION



DET.	QTY	PART NO.	DESCRIPTION
1	1	127505	THRUST BEARING, FIBERGLIDE
2	1	358564	FRT LEG LWR NYL SLEEVE 280 89
3	1	358565	FRT LEG UPR NYL SLEEVE 280 89
4	1	359175	RF/LR INNER LEG WLD, 284XP 02
5	4	358927	LWR BRG KPR, LEG 98
6	1	358954	RH FRT OUTER LEG WLD, 2100 99
7	1	358971	STEERING ARM WLD,RF/LR 2100 99
8	1	358980	AIR BAG MT WLD, RF/LR 2100 99
9	1	359117	AIR BAG ARCH WLD,RF/LR DTS8SPC
10	1	358994	LEG WASHER, NYLON 2100 99
11	1	358995	NYLON BEARING,LWR AB MT2100 99
12	1	358996	RH UPPER HOSE MT WELD, 2100 99
13	2	470259	URETHANE BUMPER,1.25D X 1.25L
14	1	470265	KEY, .250 X .375 X 1.88 LG
15	1	471005	1/4 28 X 1/2 GREASE ZERK
16	2	471023	GREASE ZERK 1/4-28 X 45
17	1	473906	SPIRAL PIN, 1/2 X 2 1/2 LG
18	1	483061	1.65 ID X 2.50 OD X .188T WASH
19	8	900064	5/16UNC X 3/4 HEX BOLT
20	2	900263	1/2UNC X 1" HEX BOLT
21	4	900265	1/2UNC X 1 1/2 HEX BOLT
22	4	900267	1/2UNC X 2" HEX BOLT
23	1	900390	5/8UNC X 2 1/2 SOCKET CAP SCR
24	4	900836	5/8UNF X 3 1/4 HEX BOLT GR8
25	3	910008	1/2UNC HEX NUT
26	8	914008	1/2UNC HEX STOVER NUT
27	14	914811	5/8UNF HEX NUT GR8
28	8	920501	5/16 LOCK WASHER
29	7	920504	1/2 LOCK WASHER
30	1	920505	5/8 LOCK WASHER
31	1	358759	LEG MT V-PLT WLD, 284T 94
32	1	358831	AIRIDE SPRING 98
33	1	358832	AIRIDE SPRING CTRL VALVE 98
34	1	359116	AIRIDE CTRL LINK KIT,DTS8 SPC
35	2	358990	NYLON GUIDE, 2100 LEG 99
36	1	358991	INNER KEEPER,NYL GUIDE,2100 99
37	1	358992	OUTER KEEPER,NYL GUIDE,2100 99
38	1	358993	NYLON GUIDE BACK PLATE,2100 99
39	2	470118	1/4UNC X 3/4 FLANGE HEX BOLT
40	2	470121	1/4UNC HEX FLANGE LOCK NUT
41	1	470347	HOSE CLAMP BODY,1.16-1.16
42	1	470276	CLAMP COVER PLATE,SNGL, 2.55LG
43	1	470280	STACK BOLT, 5/16UNC X 1 3/4
44	1	470281	STACK BOLT SAFETY LOCK PLATE
45	1	470270	HOSE CLAMP BODY, .530-.680
46	1	711040	1/4MNPT-90-1/4 NYL TUBE LBO
47	2	711036	1/8MNPT-1/4 NYL TUBE FTG
48	1	601413	HOSE, 1/4 X 8 AIR
49	2	900065	5/16UNC X 1" HEX BOLT
50	1	900068	5/16UNC X 1 3/4 HEX BOLT
51	2	900069	5/16UNC X 2" HEX BOLT
52	4	900264	1/2UNC X 1 1/4 HEX BOLT
53	3	900837	5/8UNF X 3 1/2 HEX BOLT GR8
54	2	910002	5/16UNC HEX NUT
55	1	910013	3/4UNF HEX NUT
56	2	914002	5/16UNC HEX STOVER NUT
57	1	920506	3/4 LOCK WASHER
58	1	342849	NYL HOSE SLEEVE,3.34ID X 54.00
59	1	342848	NYL HOSE SLEEVE,2.96ID X 36.00
60	1	483063	1.65 ID X 2.50 OD X .074T WASH
61	1	342654	NYL HOSE SLEEVE,3.66ID X 24.00

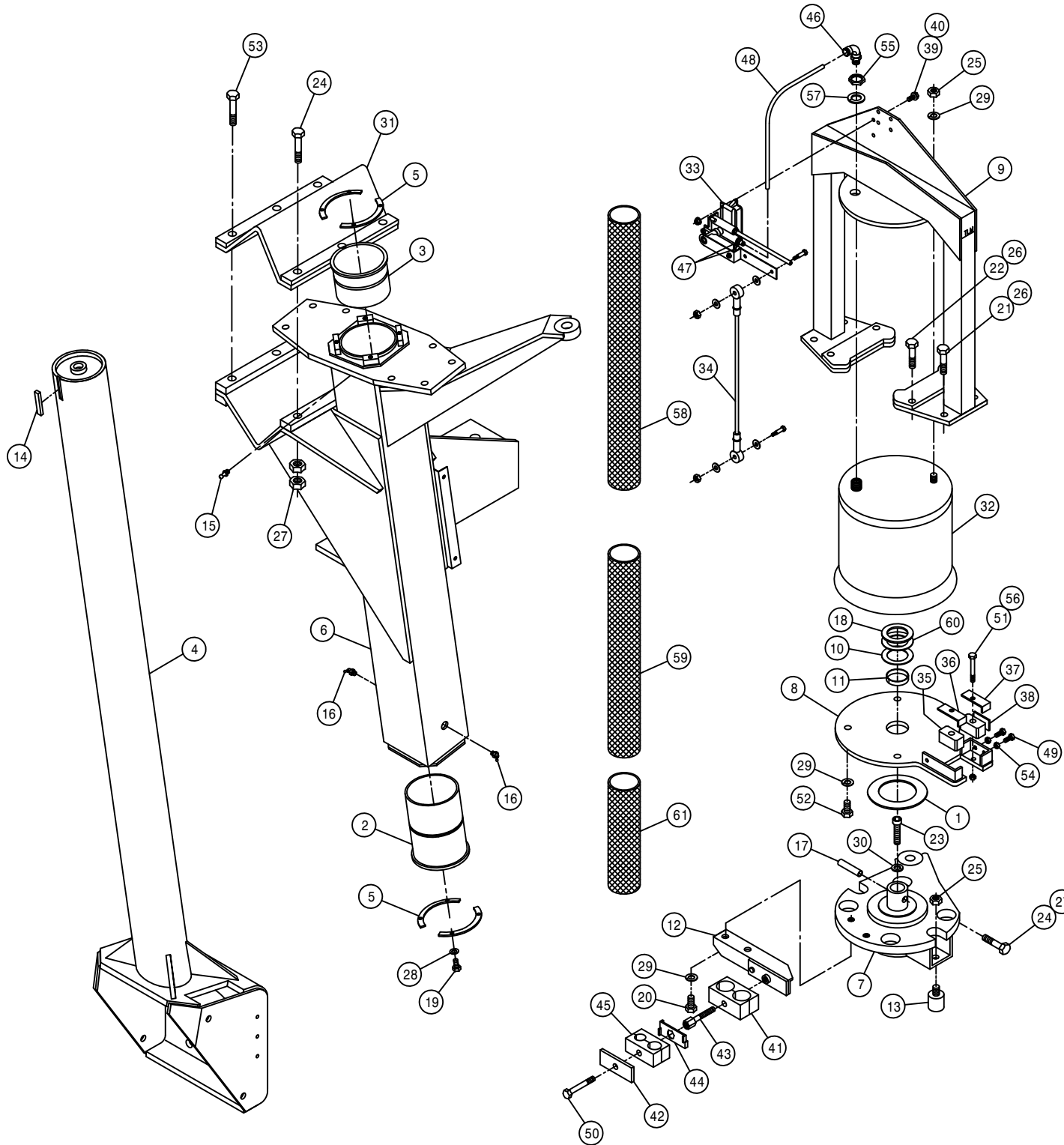


RIGHT FRONT LEG ASSEMBLY

DET.	QTY	PART NO.	DESCRIPTION
1	1	359124	FRT LEG HYD TUBE BRKT,284XP 01
2	1	359014	FRT HYD TUBE MTG PLT,2100 00
3	1	359185	WHL MTR SHLD, XP/2100 2002
4	1	470341	TUBE CLAMP BODY, .500
5	1	470340	TUBE CLAMP BODY, .500-.750
6	1	914000	1/4UNC HEX STOVER NUT
7	1	470278	CLAMP WELD PLATE, SNGL, 2.75LG
8	1	471023	GREASE ZERK 1/4-28 X 45
9	1	610556	1/2UNC X 1/2 ZERK BOLT T-HUB
10	1	610571	SUND M35-3002 WHL MTR
11	1	610683	TORQ HUB, 15:1 B-MT MW3BA
12	1	618183	3/4MJIC-90-7/8MOR LBO
13	2	618248	1 1/16MJIC-90-1 1/16MOR LBO
14	1	662256	STALK GUIDE WLD, 2100 2000
15	1	870045	O-RING 4 1/8 OD X 4 ID
16	1	900006	1/4UNC X 1 3/4 HEX BOLT
17	1	900070	5/16UNC X 2 1/2 BOLT
18	5	900264	1/2UNC X 1 1/4 HEX BOLT
19	1	900260	1/2UNC X 1/2 H BOLT GR2 UNPLT
20	1	900265	1/2UNC X 1 1/2 HEX BOLT
21	6	900333	5/8UNC X 1 1/2 HEX BOLT
22	1	914002	5/16UNC HEX STOVER NUT
23	6	914008	1/2UNC HEX STOVER NUT
24	3	920004	1/2 SAE FLAT WASHER
25	2	900263	1/2UNC X 1" HEX BOLT
26	6	920505	5/8 LOCK WASHER
27	1	615792	FRT LEG INNER HYD TUBE ASSY XP
28	1	615793	FRT LEG CNTR HYD TUBE ASSY XP
29	1	615794	RH FRT LEG OTR HYD TUBE ASSY
30	2	618177	1 1/16MJIC UNION
31	1	618314	3/4MJIC UNION
32	9	470140	5/8UNF HEX SMTH FLANGE NUT PLT
33	9	824054	5/8-18 X 2 7/16 WHL STUD

LEFT FRONT LEG ASSEMBLY

DET. QTY PART NO. DESCRIPTION

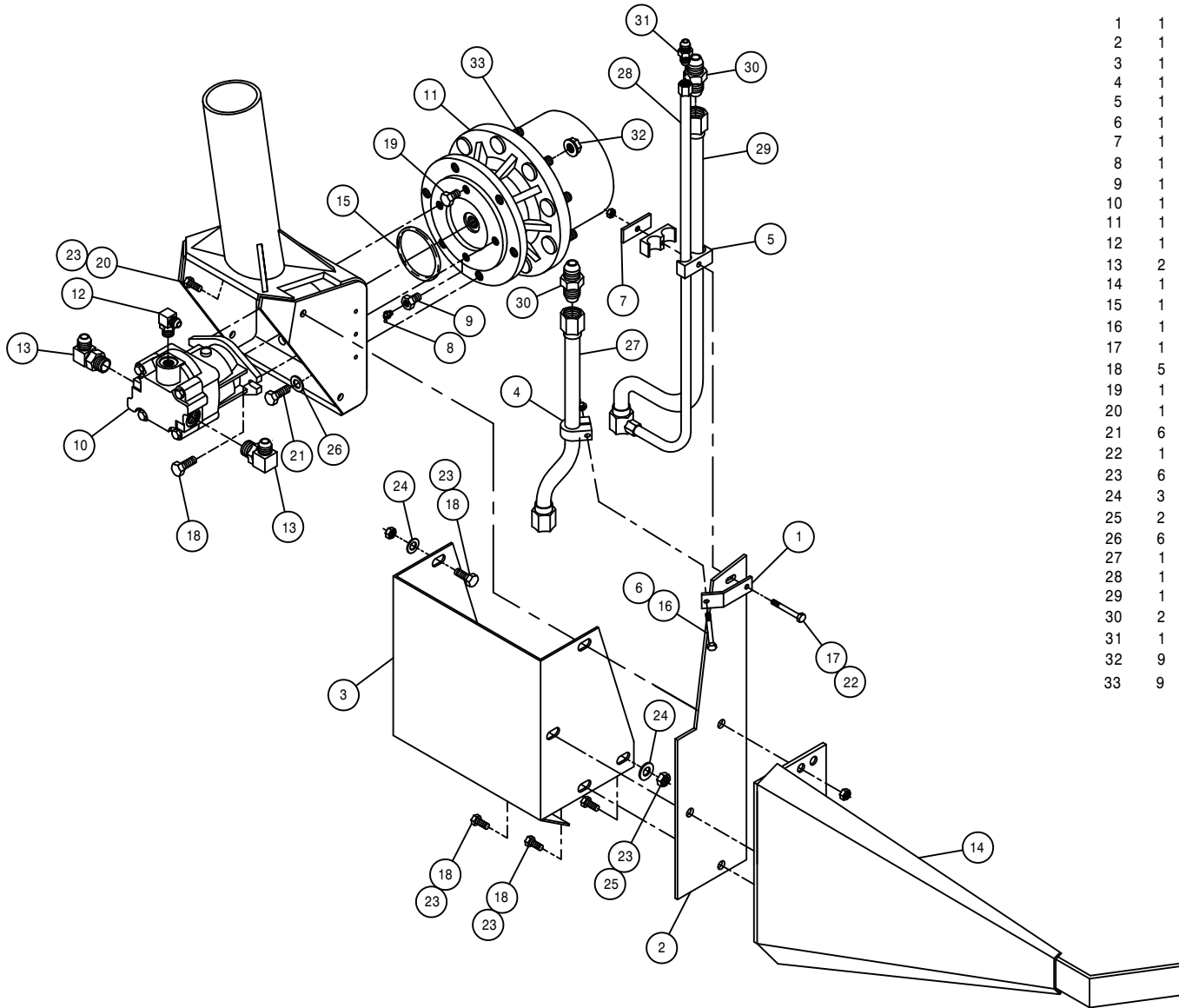


DET.	QTY	PART NO.	DESCRIPTION
1	1	127505	THRUST BEARING, FIBERGLIDE
2	1	358564	FRT LEG LWR NYL SLEEVE 280 89
3	1	358565	FRT LEG UPR NYL SLEEVE 280 89
4	1	359176	LF/RR INNER LEG WLD, 284XP 02
5	4	358927	LWR BRG KPR, LEG 98
6	1	358955	LH FRT OUTER LEG WLD, 2100 99
7	1	358972	STEERING ARM WLD, LF/RR 2100 99
8	1	358981	AIR BAG MT WLD, LF/RR 2100 99
9	1	359118	AIR BAG ARCH WLD, LF/RR DTS8SPC
10	1	358994	LEG WASHER, NYLON 2100 99
11	1	358995	NYLON BEARING, LWR AB MT2100 99
12	1	358997	LH UPPER HOSE MT WELD, 2100 99
13	2	470259	URETHANE BUMPER, 1.25D X 1.25L
14	1	470265	KEY, .250 X .375 X 1.88 LG
15	1	471005	1/4 28 X 1/2 GREASE ZERK
16	2	471023	GREASE ZERK 1/4-28 X 45
17	1	473906	SPIRAL PIN, 1/2 X 2 1/2 LG
18	1	483061	1.65 ID X 2.50 OD X .188T WASH
19	8	900064	5/16UNC X 3/4 HEX BOLT
20	2	900263	1/2UNC X 1" HEX BOLT
21	4	900265	1/2UNC X 1 1/2 HEX BOLT
22	4	900267	1/2UNC X 2" HEX BOLT
23	1	900390	5/8UNC X 2 1/2 SOCKET CAP SCR
24	4	900836	5/8UNF X 3 1/4 HEX BOLT GR8
25	3	910008	1/2UNC HEX NUT
26	8	914008	1/2UNC HEX STOVER NUT
27	14	914811	5/8UNF HEX NUT GR8
28	8	920501	5/16 LOCK WASHER
29	7	920504	1/2 LOCK WASHER
30	1	920505	5/8 LOCK WASHER
31	1	358759	LEG MT V-PLT WLD, 284T 94
32	1	358831	AIRIDE SPRING 98
33	1	358832	AIRIDE SPRING CTRL VALVE 98
34	1	359116	AIRRIDE CTRL LINK KIT, DTS8 SPC
35	2	358990	NYLON GUIDE, 2100 LEG 99
36	1	358991	INNER KEEPER, NYL GUIDE, 2100 99
37	1	358992	OUTER KEEPER, NYL GUIDE, 2100 99
38	1	358993	NYLON GUIDE BACK PLATE, 2100 99
39	2	470118	1/4UNC X 3/4 FLANGE HEX BOLT
40	2	470121	1/4UNC HEX FLANGE LOCK NUT
41	1	470347	HOSE CLAMP BODY, 1.16-1.16
42	1	470276	CLAMP COVER PLATE, SNGL, 2.55LG
43	1	470280	STACK BOLT, 5/16UNC X 1 3/4
44	1	470281	STACK BOLT SAFETY LOCK PLATE
45	1	470270	HOSE CLAMP BODY, .530-.680
46	1	711040	1/4MNPT-90-1/4 NYL TUBE LBO
47	2	711036	1/8MNPT-1/4 NYL TUBE FTG
48	1	601413	HOSE, 1/4 X 8 AIR
49	2	900065	5/16UNC X 1" HEX BOLT
50	1	900068	5/16UNC X 1 3/4 HEX BOLT
51	2	900069	5/16UNC X 2" HEX BOLT
52	4	900264	1/2UNC X 1 1/4 HEX BOLT
53	3	900837	5/8UNF X 3 1/2 HEX BOLT GR8
54	2	910002	5/16UNC HEX NUT
55	1	910013	3/4UNF HEX NUT
56	2	914002	5/16UNC HEX STOVER NUT
57	1	920506	3/4 LOCK WASHER
58	1	342849	NYL HOSE SLEEVE, 3.34ID X 54.00
59	1	342848	NYL HOSE SLEEVE, 2.96ID X 36.00
60	1	483063	1.65 ID X 2.50 OD X .074T WASH
61	1	342654	NYL HOSE SLEEVE, 3.66ID X 24.00

LEFT FRONT LEG ASSEMBLY

DET. QTY PART NO. DESCRIPTION

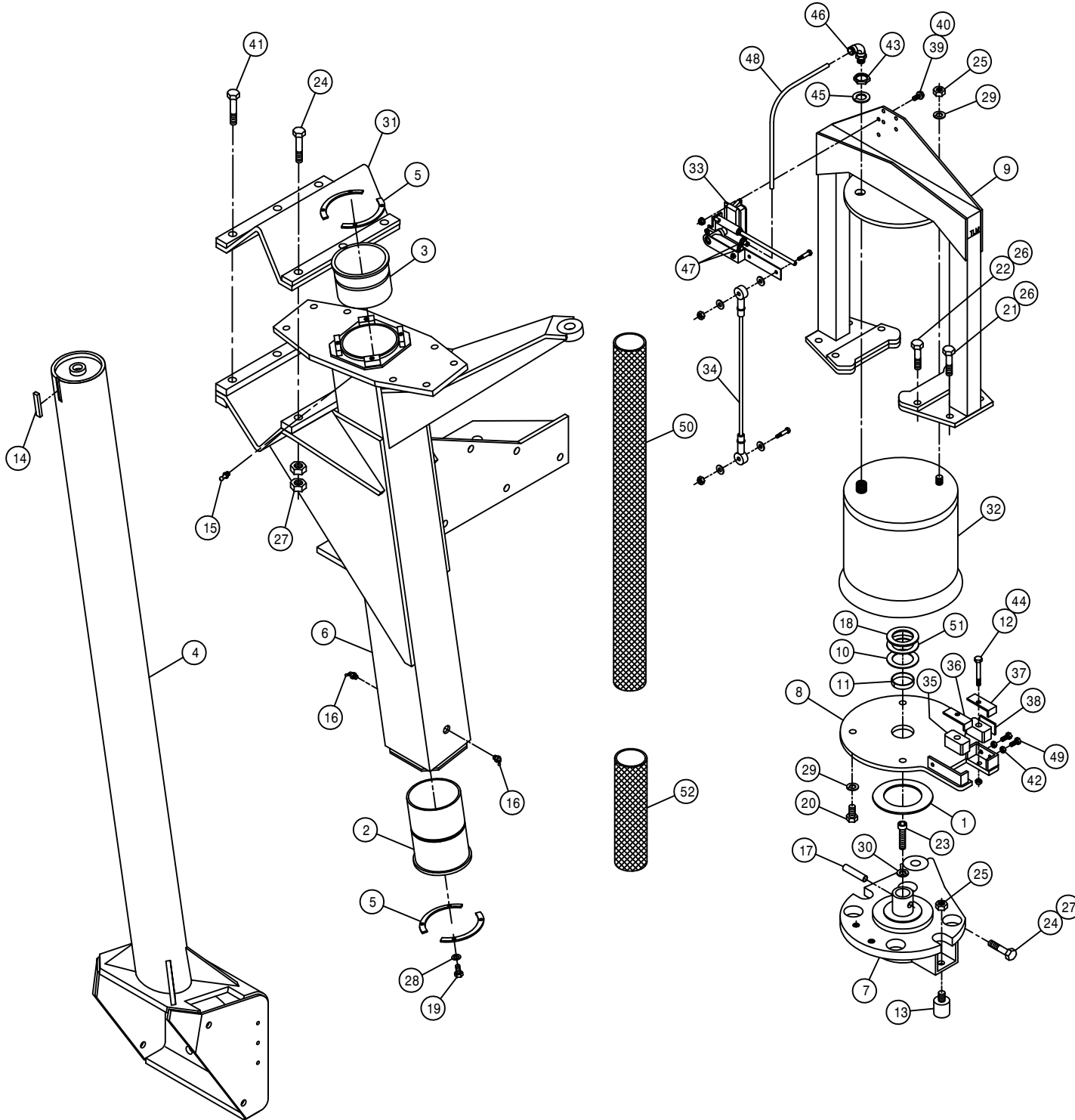
DET.	QTY	PART NO.	DESCRIPTION
1	1	359124	FRT LEG HYD TUBE BRKT,284XP 01
2	1	359014	FRT HYD TUBE MTG PLT,2100 00
3	1	359185	WHL MTR SHLD, XP/2100 2002
4	1	470341	TUBE CLAMP BODY, .500
5	1	470340	TUBE CLAMP BODY, .500-.750
6	1	914000	1/4UNC HEX STOVER NUT
7	1	470278	CLAMP WELD PLATE, SNGL, 2.75LG
8	1	471023	GREASE ZERK 1/4-28 X 45
9	1	610556	1/2UNC X 1/2 ZERK BOLT T-HUB
10	1	610571	SUND M35-3002 WHL MTR
11	1	610683	TORQ HUB, 15:1 B-MT MW3BA
12	1	618183	3/4MJIC-90-7/8MOR LBO
13	2	618248	1 1/16MJIC-90-1 1/16MOR LBO
14	1	662256	STALK GUIDE WLD, 2100 2000
15	1	870045	O-RING 4 1/8 OD X 4 ID
16	1	900006	1/4UNC X 1 3/4 HEX BOLT
17	1	900070	5/16UNC X 2 1/2 BOLT
18	5	900264	1/2UNC X 1 1/4 HEX BOLT
19	1	900260	1/2UNC X 1/2 H BOLT GR2 UNPLT
20	1	900265	1/2UNC X 1 1/2 HEX BOLT
21	6	900333	5/8UNC X 1 1/2 HEX BOLT
22	1	914002	5/16UNC HEX STOVER NUT
23	6	914008	1/2UNC HEX STOVER NUT
24	3	920004	1/2 SAE FLAT WASHER
25	2	900263	1/2UNC X 1" HEX BOLT
26	6	920505	5/8 LOCK WASHER
27	1	615792	FRT LEG INNER HYD TUBE ASSY XP
28	1	615793	FRT LEG CNTR HYD TUBE ASSY XP
29	1	615795	LH FRT LEG OUTR HYD TUBE ASSY
30	2	618177	1 1/16MJIC UNION
31	1	618314	3/4MJIC UNION
32	9	470140	5/8UNF HEX SMTH FLANGE NUT PLT
33	9	824054	5/8-18 X 2 7/16 WHL STUD

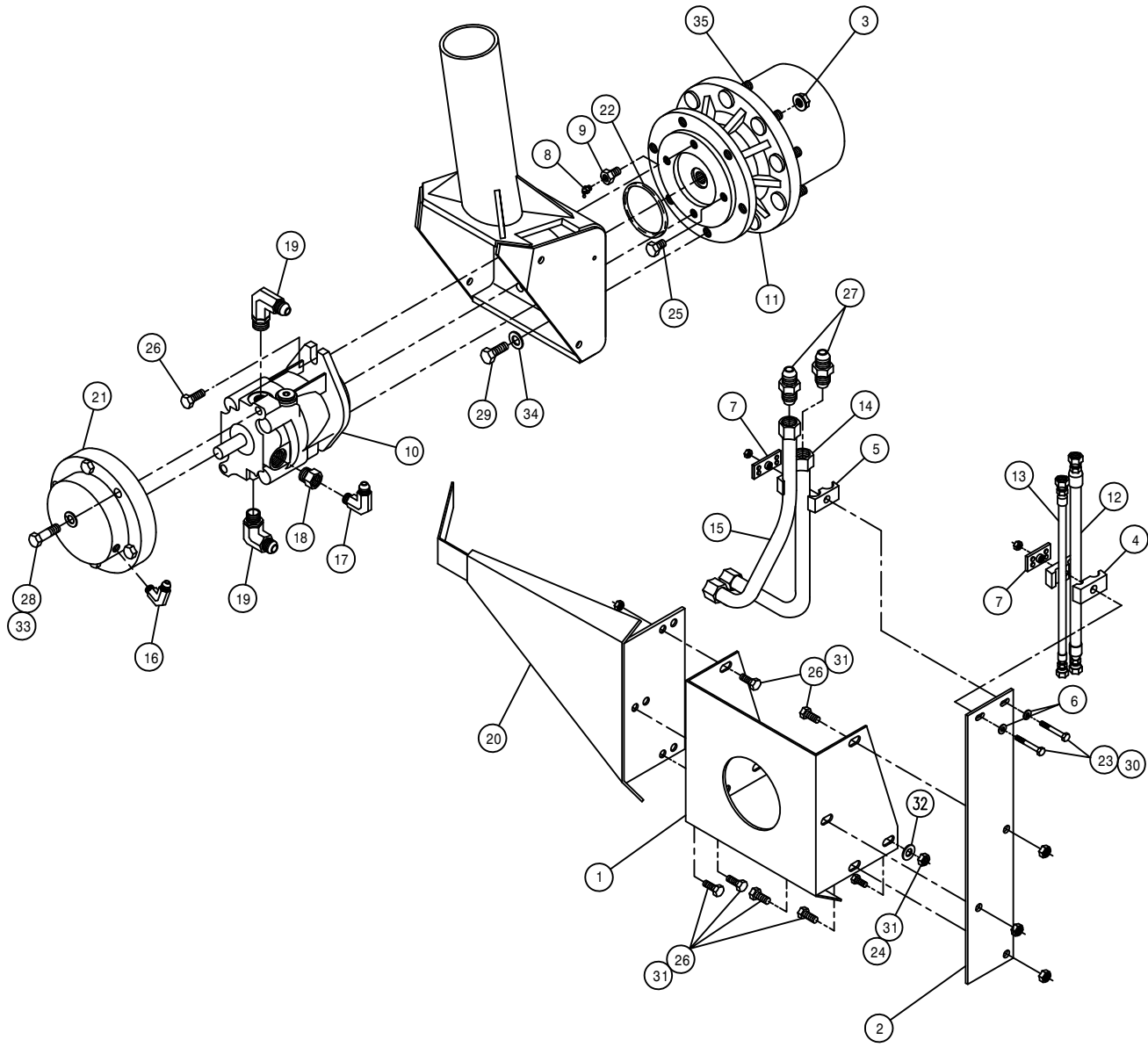


RIGHT REAR LEG ASSEMBLY

DET. QTY PART NO. DESCRIPTION

DET.	QTY	PART NO.	DESCRIPTION
1	1	483062	3.00 ID X 4.62 OD X .125T WASH
2	1	358564	FRT LEG LWR NYL SLEEVE 280 89
3	1	358565	FRT LEG UPR NYL SLEEVE 280 89
4	1	359176	LF/RR INNER LEG WLD, 284XP 02
5	4	358927	LWR BRG KPR, LEG 98
6	1	358956	RH REAR OUTER LEG WLD,2100 99
7	1	358972	STEERING ARM WLD,LF/RR 2100 99
8	1	358981	AIR BAG MT WLD, LF/RR 2100 99
9	1	359118	AIR BAG ARCH WLD,LF/RR DTS8SPC
10	1	358994	LEG WASHER, NYLON 2100 99
11	1	358995	NYLON BEARING,LWR AB MT2100 99
12	2	900069	5/16UNC X 2" HEX BOLT
13	2	470259	URETHANE BUMPER,1.25D X 1.25L
14	1	470265	KEY, .250 X .375 X 1.88 LG
15	1	471005	1/4 28 X 1/2 GREASE ZERK
16	2	471023	GREASE ZERK 1/4-28 X 45
17	1	473906	SPIRAL PIN, 1/2 X 2 1/2 LG
18	1	483061	1.65 ID X 2.50 OD X .188T WASH
19	8	900064	5/16UNC X 3/4 HEX BOLT
20	4	900264	1/2UNC X 1 1/4 HEX BOLT
21	4	900265	1/2UNC X 1 1/2 HEX BOLT
22	4	900267	1/2UNC X 2" HEX BOLT
23	1	900390	5/8UNC X 2 1/2 SOCKET CAP SCR
24	4	900836	5/8UNF X 3 1/4 HEX BOLT GR8
25	3	910008	1/2UNC HEX NUT
26	8	914008	1/2UNC HEX STOVER NUT
27	14	914811	5/8UNF HEX NUT GR8
28	8	920501	5/16 LOCK WASHER
29	5	920504	1/2 LOCK WASHER
30	1	920505	5/8 LOCK WASHER
31	1	358759	LEG MT V-PLT WLD, 284T 94
32	1	358831	AIRIDE SPRING 98
33	1	358832	AIRIDE SPRING CTRL VALVE 98
34	1	359116	AIRIDE CTRL LINK KIT,DTS8 SPC
35	2	358990	NYLON GUIDE, 2100 LEG 99
36	1	358991	INNER KEEPER,NYL GUIDE,2100 99
37	1	358992	OUTER KEEPER,NYL GUIDE,2100 99
38	1	358993	NYLON GUIDE BACK PLATE,2100 99
39	2	470118	1/4UNC X 3/4 FLANGE HEX BOLT
40	2	470121	1/4UNC HEX FLANGE LOCK NUT
41	3	900837	5/8UNF X 3 1/2 HEX BOLT GR8
42	2	910002	5/16UNC HEX NUT
43	1	910013	3/4UNF HEX NUT
44	2	914002	5/16UNC HEX STOVER NUT
45	1	920506	3/4 LOCK WASHER
46	1	711040	1/4MNPT-90-1/4 NYL TUBE LBO
47	2	711036	1/8MNPT-1/4 NYL TUBE FTG
48	1	601413	HOSE, 1/4 X 8 AIR
49	2	900065	5/16UNC X 1" HEX BOLT
50	1	342828	NYL HOSE SLEEVE,3.34ID X 65.00
51	1	483063	1.65 ID X 2.50 OD X .074T WASH
52	1	342654	NYL HOSE SLEEVE,3.66ID X 24.00





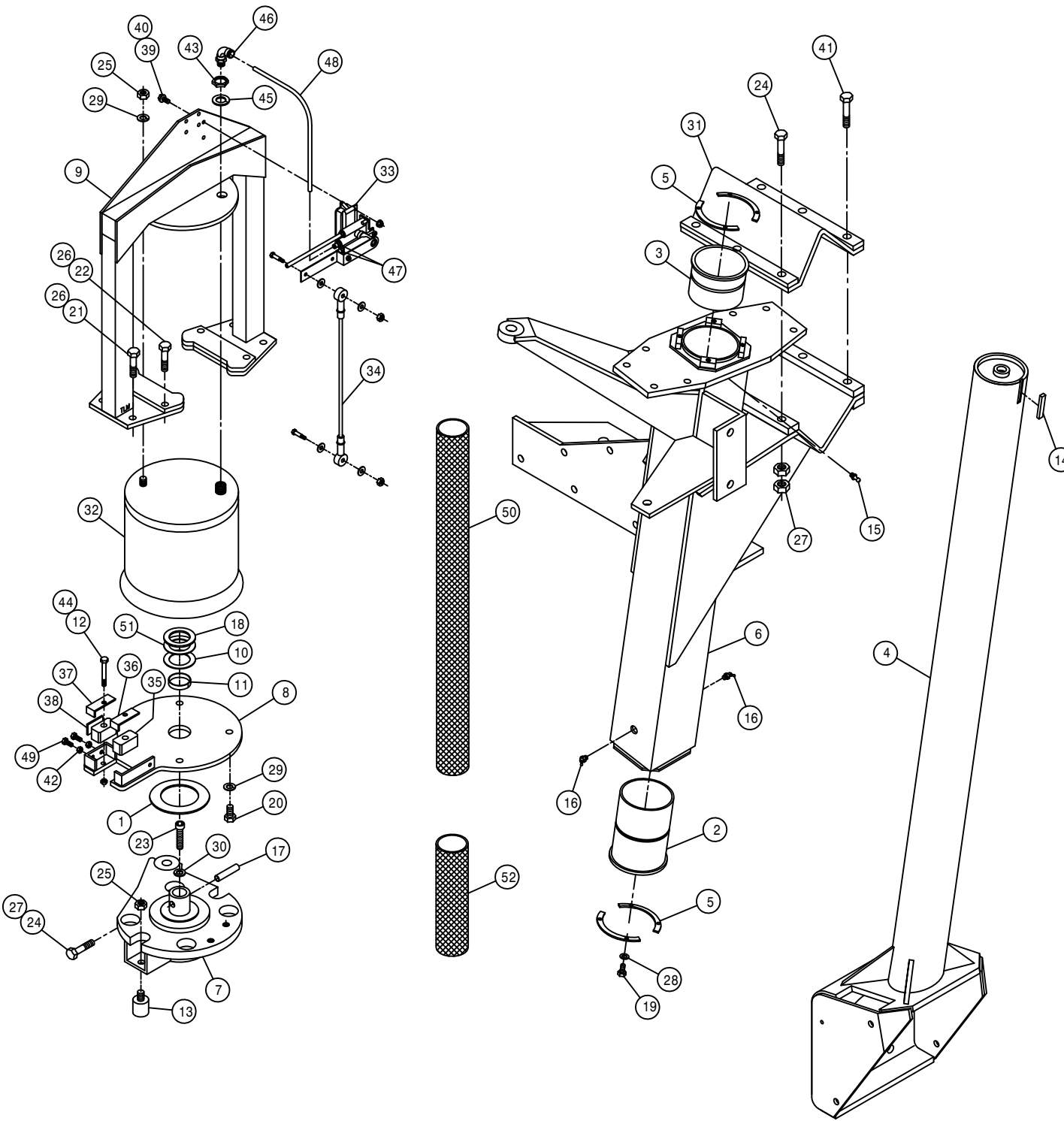
RIGHT REAR LEG ASSEMBLY

DET.	QTY	PART NO.	DESCRIPTION
1	1	359186	REAR WHL MTR SHLD, 284XP 2002
2	1	359137	REAR HYD TUBE MTG PLT 284XP
3	9	470140	5/8UNF HEX SMTH FLANGE NUT PLT
4	1	470270	HOSE CLAMP BODY, .530-.680
5	1	470275	TUBE CLAMP BODY, 1.000-1.000
6	2	920001	5/16 SAE FLAT WASHER
7	2	470278	CLAMP WELD PLATE, SNGL, 2.75LG
8	1	471023	GREASE ZERK 1/4-28 X 45
9	1	610556	1/2UNC X 1/2 ZERK BOLT T-HUB
10	1	610557	SUND M35-3102 WHL MTR W/SHFT
11	1	610692	TORQ HUB, 30:1 B-MT MW3BA
12	1	614639	04C1T-06FJX-06FJX-126 H/A
13	1	615449	06C1T-06FJX-06FJX-126 H/A
14	1	615796	REAR LEG HYD TUBE ASSY XP
15	1	615797	RH REAR LEG HYD TUBE ASSY XP
16	1	618114	9/16MJIC-90-7/16MOR LBO
17	1	618119	9/16MJIC-90-9/16MOR LBO
18	1	618172	7/8MOR-9/16FOR ADPTR
19	2	618576	1 5/16MJIC-90-1 1/16MOR LBO
20	1	662256	STALK GUIDE WLD, 2100 2000
21	1	828092	MICO HYD BRAKE
22	1	870045	O-RING 4 1/8 OD X 4 ID
23	2	900086	5/16UNC X 2 1/4 HEX BOLT
24	2	900263	1/2UNC X 1" HEX BOLT
25	1	900260	1/2UNC X 1/2 H BOLT GR2 UNPLT
26	8	900264	1/2UNC X 1 1/4 HEX BOLT
27	2	618577	1 5/16MJIC UNION
28	2	900268	1/2UNC X 2 1/2 HEX BOLT
29	6	900333	5/8UNC X 1 1/2 HEX BOLT
30	2	914002	5/16UNC HEX STOVER NUT
31	8	914008	1/2UNC HEX STOVER NUT
32	2	920004	1/2 SAE FLAT WASHER
33	2	920504	1/2 LOCK WASHER
34	6	920505	5/8 LOCK WASHER
35	9	824054	5/8-18 X 2 7/16 WHL STUD

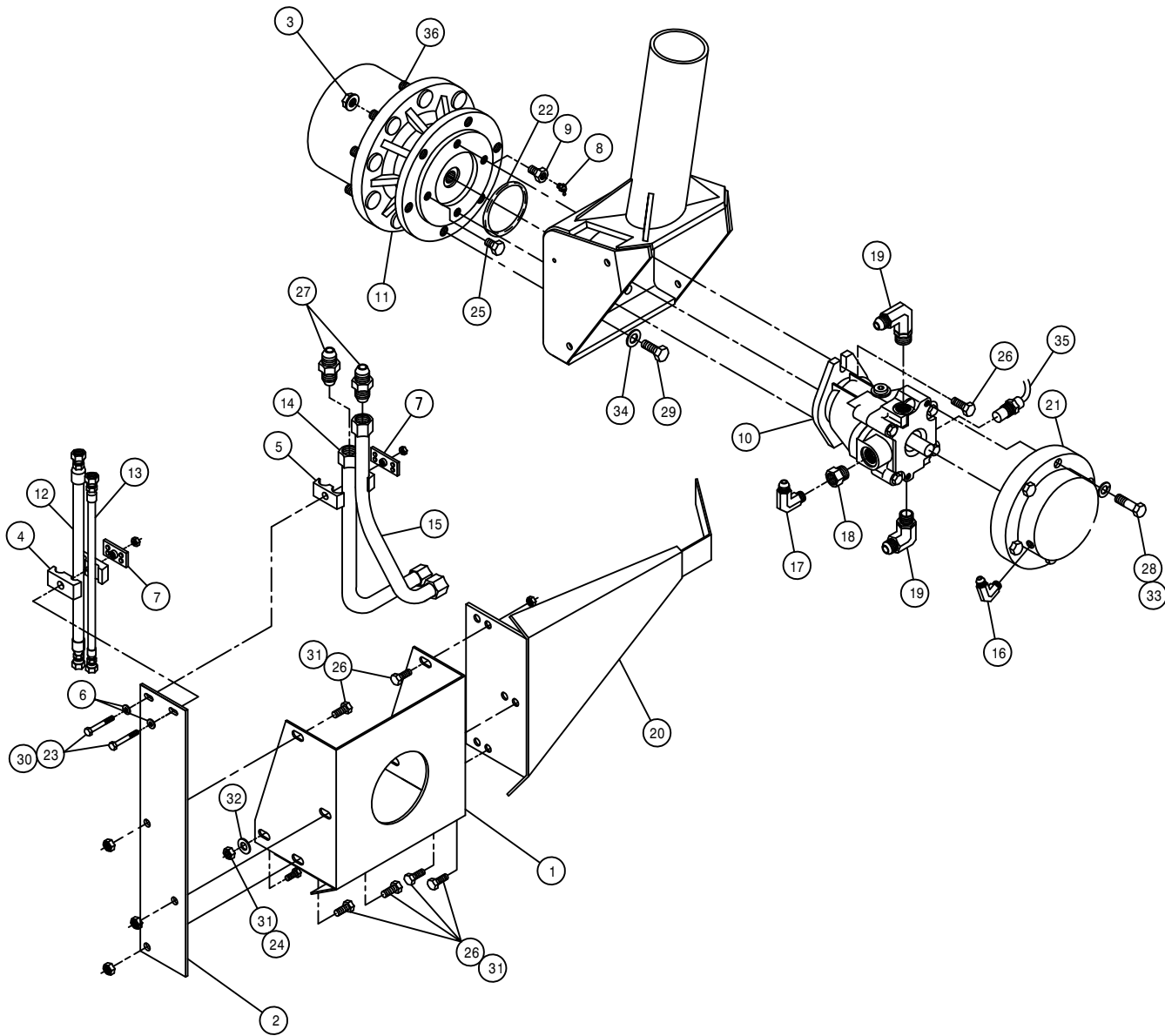
LEFT REAR LEG ASSEMBLY

DET. QTY PART NO. DESCRIPTION

DET.	QTY	PART NO.	DESCRIPTION
1	1	483062	3.00 ID X 4.62 OD X .125T WASH
2	1	358564	FRT LEG LWR NYL SLEEVE 280 89
3	1	358565	FRT LEG UPR NYL SLEEVE 280 89
4	1	359175	RF/LR INNER LEG WLD, 284XP 02
5	4	358927	LWR BRG KPR, LEG 98
6	1	358957	LH REAR OUTER LEG WLD,2100 99
7	1	358971	STEERING ARM WLD,RF/LR 2100 99
8	1	358980	AIR BAG MT WLD, RF/LR 2100 99
9	1	359117	AIR BAG ARCH WLD,RF/LR DTS8SPC
10	1	358994	LEG WASHER, NYLON 2100 99
11	1	358995	NYLON BEARING,LWR AB MT2100 99
12	2	900069	5/16UNC X 2" HEX BOLT
13	2	470259	URETHANE BUMPER,1.25D X 1.25L
14	1	470265	KEY, .250 X .375 X 1.88 LG
15	1	471005	1/4 28 X 1/2 GREASE ZERK
16	2	471023	GREASE ZERK 1/4-28 X 45
17	1	473906	SPIRAL PIN, 1/2 X 2 1/2 LG
18	1	483061	1.65 ID X 2.50 OD X .188T WASH
19	8	900064	5/16UNC X 3/4 HEX BOLT
20	4	900264	1/2UNC X 1 1/4 HEX BOLT
21	4	900265	1/2UNC X 1 1/2 HEX BOLT
22	4	900267	1/2UNC X 2" HEX BOLT
23	1	900390	5/8UNC X 2 1/2 SOCKET CAP SCR
24	4	900836	5/8UNF X 3 1/4 HEX BOLT GR8
25	3	910008	1/2UNC HEX NUT
26	8	914008	1/2UNC HEX STOVER NUT
27	14	914811	5/8UNF HEX NUT GR8
28	8	920501	5/16 LOCK WASHER
29	5	920504	1/2 LOCK WASHER
30	1	920505	5/8 LOCK WASHER
31	1	358759	LEG MT V-PLT WLD, 284T 94
32	1	358831	AIRIDE SPRING 98
33	1	358832	AIRIDE SPRING CTRL VALVE 98
34	1	359116	AIRIDE CTRL LINK KIT,DTS8 SPC
35	2	358990	NYLON GUIDE, 2100 LEG 99
36	1	358991	INNER KEEPER,NYL GUIDE,2100 99
37	1	358992	OUTER KEEPER,NYL GUIDE,2100 99
38	1	358993	NYLON GUIDE BACK PLATE,2100 99
39	2	470118	1/4UNC X 3/4 FLANGE HEX BOLT
40	2	470121	1/4UNC HEX FLANGE LOCK NUT
41	3	900837	5/8UNF X 3 1/2 HEX BOLT GR8
42	2	910002	5/16UNC HEX NUT
43	1	910013	3/4UNF HEX NUT
44	2	914002	5/16UNC HEX STOVER NUT
45	1	920506	3/4 LOCK WASHER
46	1	711040	1/4MNPT-90-1/4 NYL TUBE LBO
47	2	711036	1/8MNPT-1/4 NYL TUBE FTG
48	1	601413	HOSE, 1/4 X 8 AIR
49	2	900065	5/16UNC X 1" HEX BOLT
50	1	342828	NYL HOSE SLEEVE,3.34ID X 65.00
51	1	483063	1.65 ID X 2.50 OD X .074T WASH
52	1	342654	NYL HOSE SLEEVE,3.66ID X 24.00

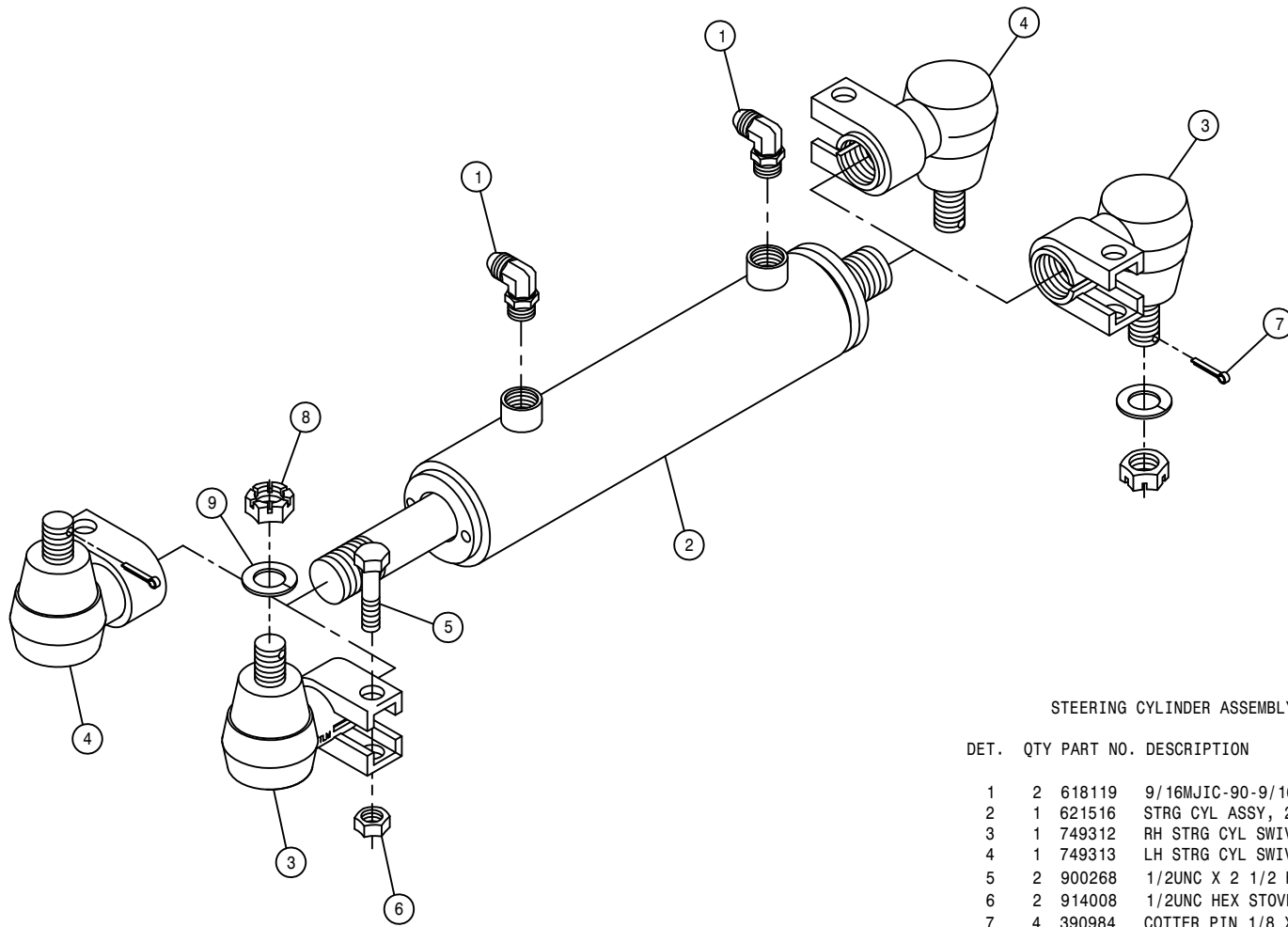


24



LEFT REAR LEG ASSEMBLY

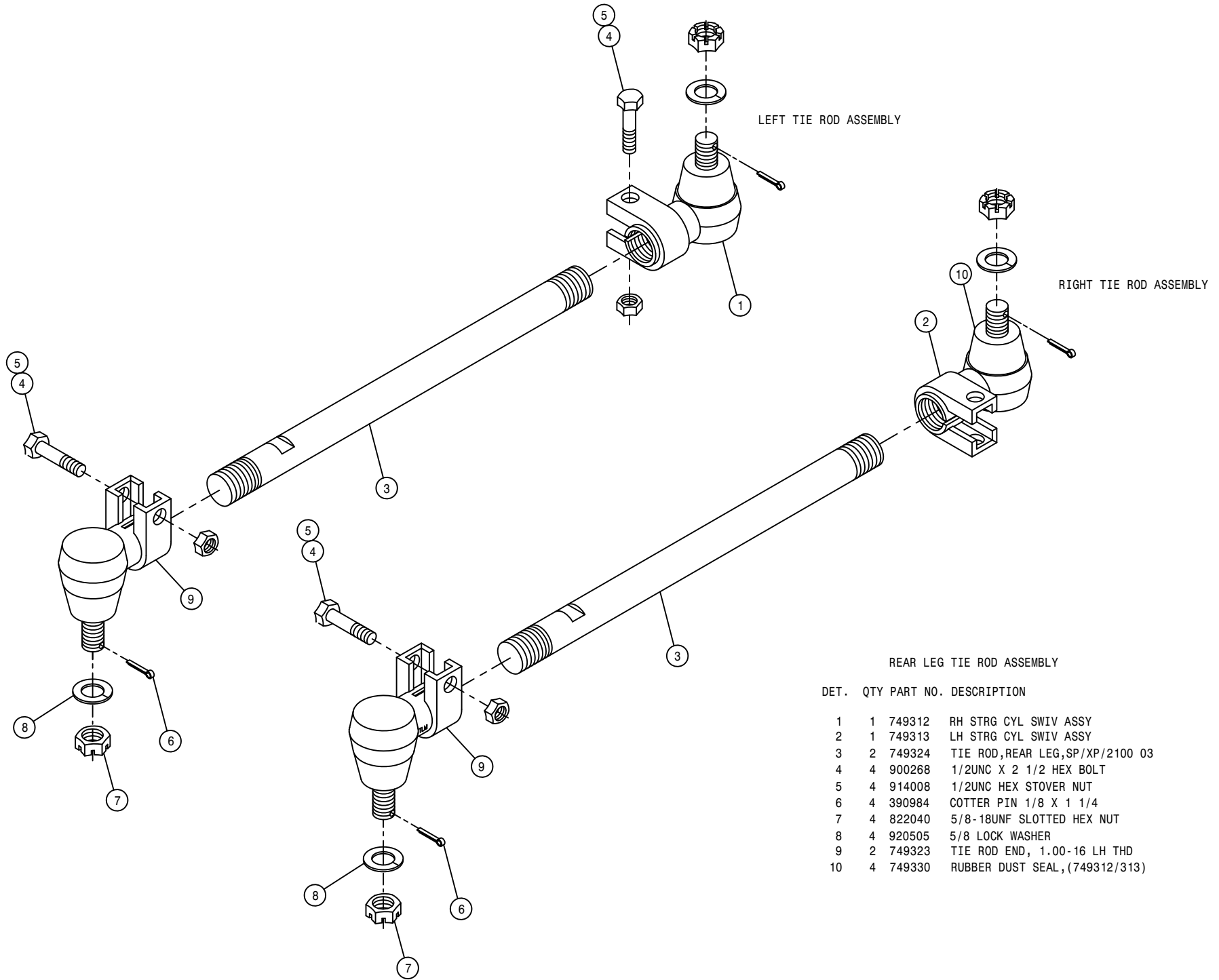
DET.	QTY	PART NO.	DESCRIPTION
1	1	359186	REAR WHL MTR SHLD, 284XP 2002
2	1	359137	REAR HYD TUBE MTG PLT 284XP
3	9	470140	5/8UNF HEX SMTH FLANGE NUT PLT
4	1	470270	HOSE CLAMP BODY, .530-.680
5	1	470275	TUBE CLAMP BODY, 1.000-1.000
6	2	920001	5/16 SAE FLAT WASHER
7	2	470278	CLAMP WELD PLATE, SNGL, 2.75LG
8	1	471023	GREASE ZERK 1/4-28 X 45
9	1	610556	1/2UNC X 1/2 ZERK BOLT T-HUB
10	1	610621	SUND M35-3102 WHL MTR
11	1	610692	TORQ HUB, 30:1 B-MT MW3BA
12	1	614152	04C1T-06FJX-06FJX-114 H/A
13	1	614345	06C1T-06FJX-06FJX-120 H/A
14	1	615796	REAR LEG HYD TUBE ASSY XP
15	1	615798	LH REAR LEG HYD TUBE ASSY XP
16	1	618114	9/16MJIC-90-7/16MOR LBO
17	1	618119	9/16MJIC-90-9/16MOR LBO
18	1	618172	7/8MOR-9/16FOR ADPTR
19	2	618576	1 5/16MJIC-90-1 1/16MOR LBO
20	1	662256	STALK GUIDE WLD, 2100 2000
21	1	828092	MICO HYD BRAKE
22	1	870045	O-RING 4 1/8 OD X 4 ID
23	2	900086	5/16UNC X 2 1/4 HEX BOLT
24	2	900263	1/2UNC X 1" HEX BOLT
25	1	900260	1/2UNC X 1/2 H BOLT GR2 UNPLT
26	8	900264	1/2UNC X 1 1/4 HEX BOLT
27	2	618577	1 5/16MJIC UNION
28	2	900268	1/2UNC X 2 1/2 HEX BOLT
29	6	900333	5/8UNC X 1 1/2 HEX BOLT
30	2	914002	5/16UNC HEX STOVER NUT
31	8	914008	1/2UNC HEX STOVER NUT
32	2	920004	1/2 SAE FLAT WASHER
33	2	920504	1/2 LOCK WASHER
34	6	920505	5/8 LOCK WASHER
35	1	610625	SENSOR, WHL MOTOR 610621/610671
36	9	824054	5/8-18 X 2 7/16 WHL STUD



STEERING CYLINDER ASSEMBLY

DET.	QTY	PART NO.	DESCRIPTION
1	2	618119	9/16MJIC-90-9/16MOR LBO
2	1	621516	STRG CYL ASSY, 2100
3	1	749312	RH STRG CYL SWIV ASSY
4	1	749313	LH STRG CYL SWIV ASSY
5	2	900268	1/2UNC X 2 1/2 HEX BOLT
6	2	914008	1/2UNC HEX STOVER NUT
7	4	390984	COTTER PIN 1/8 X 1 1/4
8	2	822040	5/8-18UNF SLOTTED HEX NUT
9	2	920505	5/8 LOCK WASHER
NS	1	621517	REPAIR KIT, HYD CYL 621516

NOTE: 1. 621205 - RH STEERING CYLINDER ASSEMBLY W/CYL SWIV DET.3
 2. 621206 - LH STEERING CYLINDER ASSEMBLY W/CYL SWIV DET.4



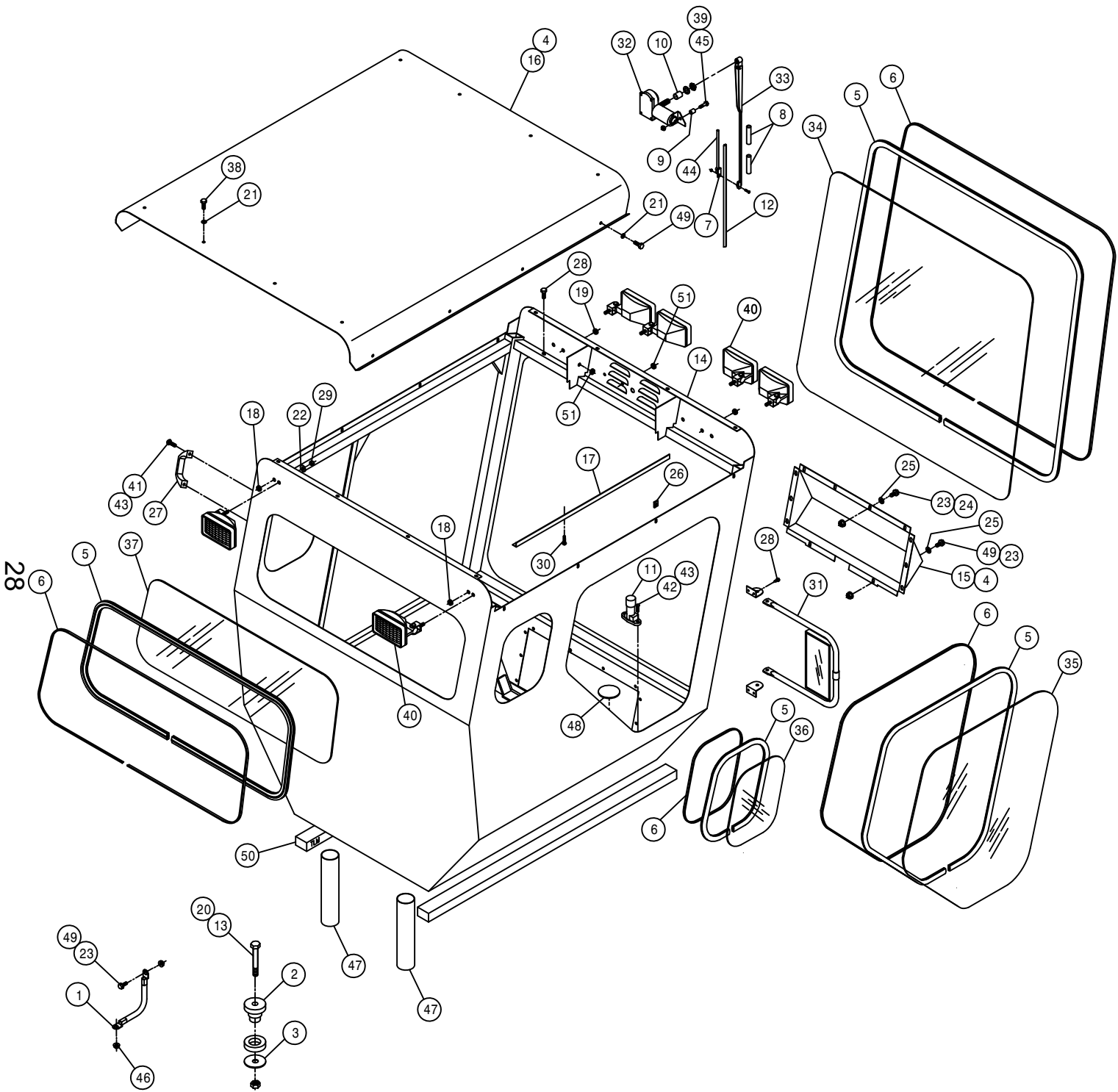
REAR LEG TIE ROD ASSEMBLY

DET.	QTY	PART NO.	DESCRIPTION
	1	749312	RH STRG CYL SWIV ASSY
	1	749313	LH STRG CYL SWIV ASSY
	2	749324	TIE ROD, REAR LEG, SP/XP/2100 03
	4	900268	1/2UNC X 2 1/2 HEX BOLT
	5	914008	1/2UNC HEX STOVER NUT
	6	390984	COTTER PIN 1/8 X 1 1/4
	7	822040	5/8-18UNF SLOTTED HEX NUT
	8	920505	5/8 LOCK WASHER
	2	749323	TIE ROD END, 1.00-16 LH THD
	4	749330	RUBBER DUST SEAL, (749312/313)

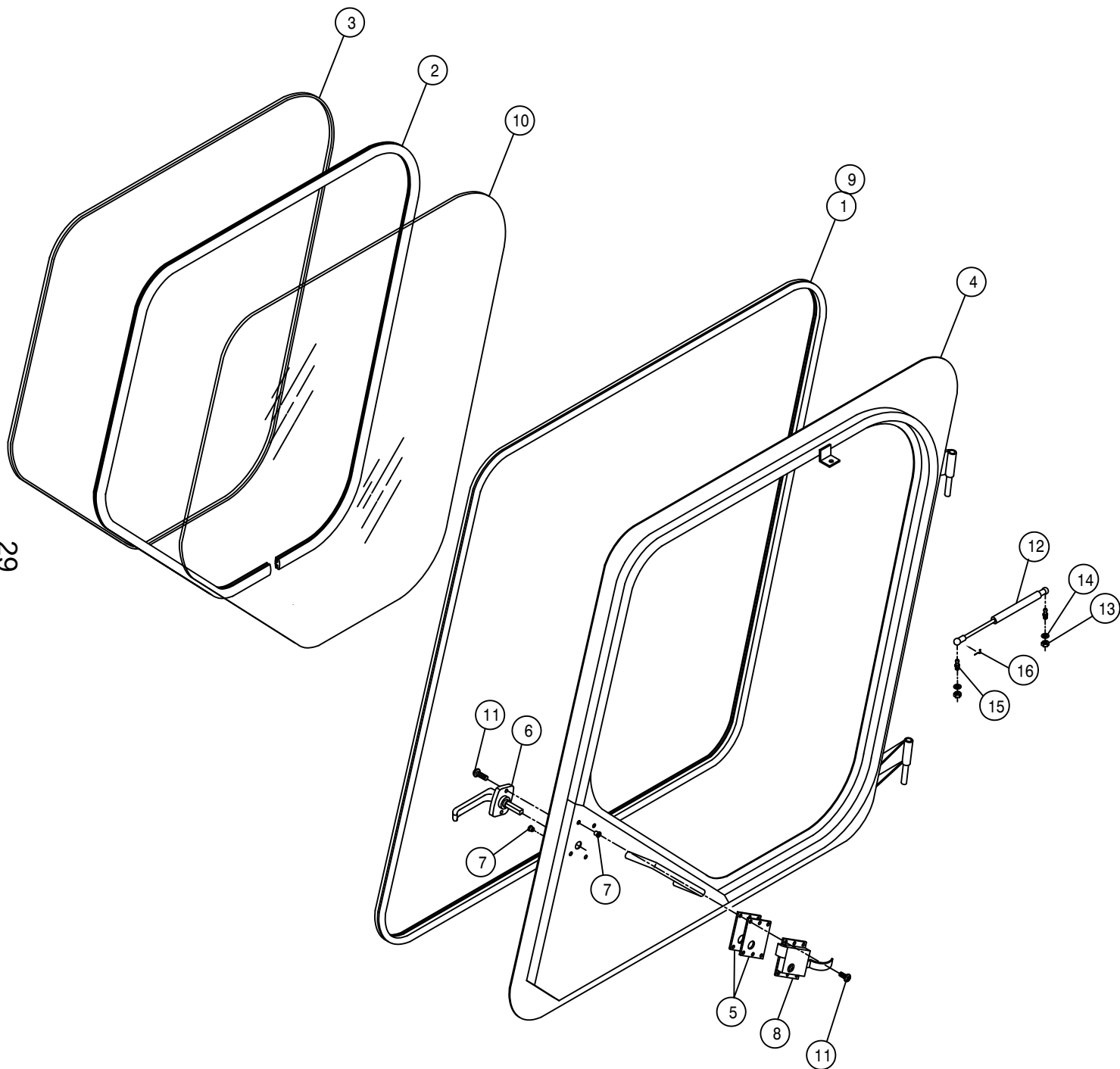
CAB ASSEMBLY

DET. QTY PART NO. DESCRIPTION

1	1	290107	GROUND CABLE,8" X 4GA .406LUGS
2	4	311051	RUBBER MOUNT, RB3-350
3	4	311052	SNUBBING WASHER FOR 311051
4	24	193037	STICKERTITE 1/8 X 3/4
5	42	193044	WINDOW WEATHERSTRIP
6	42	193045	LOCK STRIP FOR 193044
7	1	290003	WINDSHIELD WASHER NOZZLE KIT
8	1	291569	3/8 X 6" HEAT SHRINK TUBE
9	1	200019	.25 SCH 40BP X 1.00 LG C/L
10	1	358886	AIR BAG MT LOCK COLLAR BUSH 98
11	1	290412	DIMMER SWITCH
12	1	290417	18" WIPER BLADE
13	4	900343	5/8UNC X 4 1/2 HEX BOLT
14	1	343206	CAB WELDMT, 284XP 2002
15	1	342146	KICK PANEL WLD, 284 CAB 94
16	1	342150	CAB ROOF WLD, 284 94
17	1	342180	HEADLINER KPR ANGLE,284CAB 94
18	2	470067	GROMMET, .250ID .125GW .375GD
19	2	470070	GROMMET, .375ID .062GW .500GD
20	4	914010	5/8UNC HEX STOVER NUT
21	16	470514	1/4 X 1 SEALING WASHER SS
22	6	470100	3/8 INT TOOTH LOCK WASHER
23	13	470121	1/4UNC HEX FLANGE LOCK NUT
24	10	470122	1/4UNC X 1/2 FLANGE HEX BOLT
25	12	470212	1/4 BONDED SEALING WASH, SS
26	16	470218	1/4UNC NUT J-TYPE CAGE CLIP
27	1	470222	GRAB HANDLE, BLACK MOULDED
28	12	472349	1/4 X 3/4 20THD-IN TEK TYPE
29	6	473779	10MM-1.50 HEX NUT
30	2	473910	1/4 X 1 1/2 PHIL HD SHT MTL S
31	2	650524	OUTSIDE MIRROR W/MTG BRKT
32	1	658008	WINDSHIELD WIPER MOTOR
33	1	658013	WIPER ARM
34	1	658014	FRONT CAB GLASS 94
35	1	658015	FRONT SIDE CAB/DOOR GLASS 94
36	2	658016	REAR SIDE CAB GLASS 94
37	1	658017	REAR CAB GLASS 94
38	8	900002	1/4UNC X 3/4 HEX BOLT
39	1	900005	1/4UNC X 1 1/2 HEX BOLT
40	6	291603	HALOGEN WORKLAMP, SIDE MT 12V
41	2	903883	10-32 X 1/2 SLT RDHD MACH SCR
42	2	472235	10-32 X 3/4 PHIL HD MACH SCR
43	4	470175	10-32 HEX FLANGE LOCK NUT
44	14	195913	HOSE 7/64" WINDSHIELD WASHER
45	1	914000	1/4UNC HEX STOVER NUT
46	1	914004	3/8UNC HEX STOVER NUT
47	2	342333	NYL HOSE SLEEVE,2.64ID X 12.00
48	1	629728	FINISH PLUG FOR 2.12 HOLE
49	11	470118	1/4UNC X 3/4 FLANGE HEX BOLT
50	2	659704	FOAM, 2" THK X 2" WIDE X 42" LG
51	2	470487	GROMMET, .312ID .062W .562GD



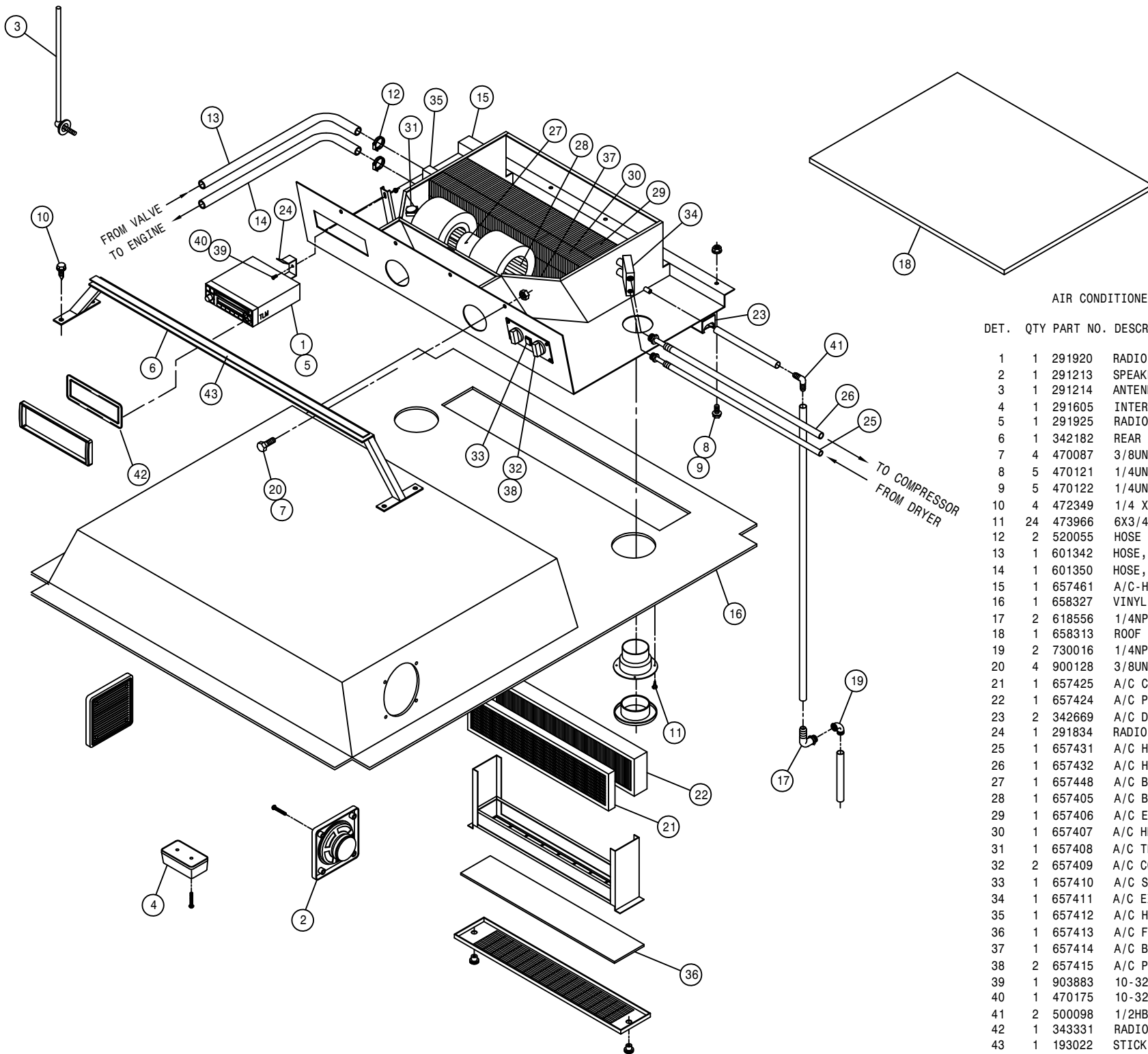
29



DOOR ASSEMBLY

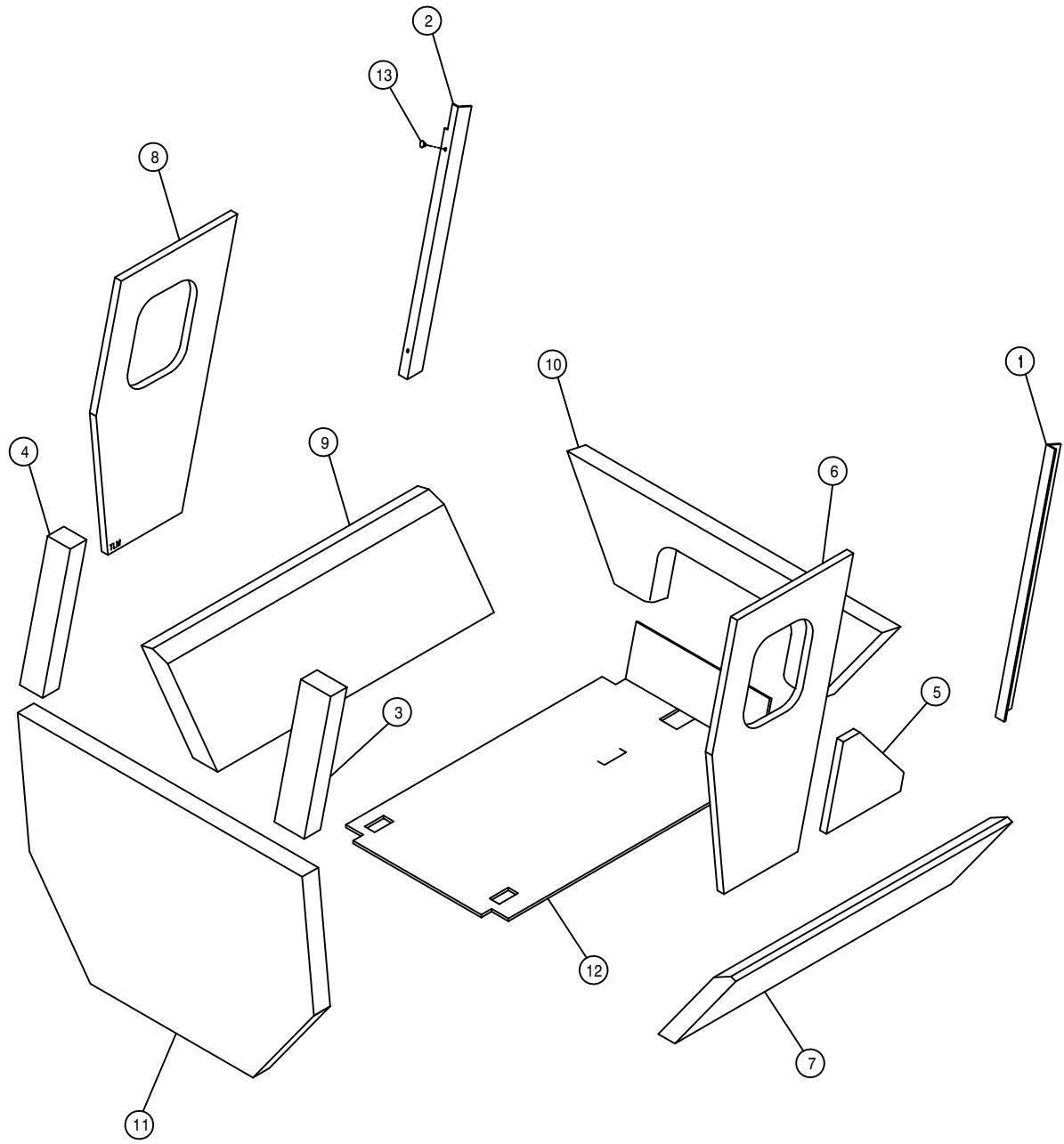
DET. QTY PART NO. DESCRIPTION

DET.	QTY	PART NO.	DESCRIPTION
1	12	193028	PUSH-ON TRIM SEAL RS-130-FX
2	9	193044	WINDOW WEATHERSTRIP
3	9	193045	LOCK STRIP FOR 193044
4	1	342153	LH DOOR WLD, 284 CAB 94
5	2	342163	CAB DOOR LATCH SHIM, .06 94
6	1	342217	DOOR HANDLE, 254/284 CAB 94
7	6	470384	10-32 NUTSERT .020-.130 STL
8	1	470219	CAB LOCK, LH #55
9	2	485052	POP RIVET 1/8 X 3/8
10	1	658015	FRONT SIDE CAB/DOOR GLASS 94
11	6	903710	10-32X5/8 PHIL PANHD MACH SCR
12	1	470221	GAS SPRING, 60LB 3.5 STROKE
13	2	910002	5/16UNC HEX NUT
14	2	920501	5/16 LOCK WASHER
15	2	470255	BALL STUD, 5/16-18 THD X 10MM
16	2	470256	SAFETY CLIP, 10MM BALL SOCKET



AIR CONDITIONER ASSEMBLY

DET.	QTY	PART NO.	DESCRIPTION
1	1	291920	RADIO CRW200
2	1	291213	SPEAKERS (PAIR)
3	1	291214	ANTENNA
4	1	291605	INTERIOR LIGHT W/SWITCH
5	1	291925	RADIO WIRE HARNESS, DTS 05
6	1	342182	REAR A/C BLOWER MT WLD,CAB 94
7	4	470087	3/8UNC HEX FLANGE LOCK NUT
8	5	470121	1/4UNC HEX FLANGE LOCK NUT
9	5	470122	1/4UNC X 1/2 FLANGE HEX BOLT
10	4	472349	1/4 X 3/4 20THD-IN TEK TYPE
11	24	473966	6X3/4 PHIL FLT HD SHT MTL SCR
12	2	520055	HOSE CLAMP NO 12 STAINLESS
13	1	601342	HOSE, 5/8 X 192 HEATER
14	1	601350	HOSE, 5/8 X 160 HEATER
15	1	657461	A/C-HTR BLOWER SYS, DTS8 05
16	1	658327	VINYL HEAD LINER 99
17	2	618556	1/4NPT-90-1/2 HOSE BARB,POLY
18	1	658313	ROOF SEAL,AIR COND 204,254,284
19	2	730016	1/4NPT ST EL, 90 DEG POLY
20	4	900128	3/8UNC X 3/4 HEX BOLT
21	1	657425	A/C CHARCOAL AIR FILTER
22	1	657424	A/C PAPER AIR FILTER
23	2	342669	A/C DRAIN HOSE KEEPER
24	1	291834	RADIO SUPPORT BRKT
25	1	657431	A/C HOSE ASSY, 5/16 X 173
26	1	657432	A/C HOSE ASSY, 1/2 X 190.
27	1	657448	A/C BLOWER ASSY, 12V KENWAY
28	1	657405	A/C BLOWER WHEEL W/CLIP
29	1	657406	A/C EVAPORATOR COIL
30	1	657407	A/C HEATER COIL
31	1	657408	A/C THERMOSTAT
32	2	657409	A/C CONTROL KNOB
33	1	657410	A/C SWITCH, PUSH ON-OFF
34	1	657411	A/C EXPANSION VALVE
35	1	657412	A/C HEATER VALVE,4-WAY MTRIZED
36	1	657413	A/C FILTER,RECIRCULATION 30"
37	1	657414	A/C BLOWER DRIVE ASSY
38	2	657415	A/C POTENTIOMETER ASSY
39	1	903883	10-32 X 1/2 SLT RDHD MACH SCR
40	1	470175	10-32 HEX FLANGE LOCK NUT
41	2	500098	1/2HB-90-1/2 HOSE BARB, POLY
42	1	343331	RADIO BEZEL, CAB, BLK PLASTIC
43	1	193022	STICKERTITE 1/4 X 3/4

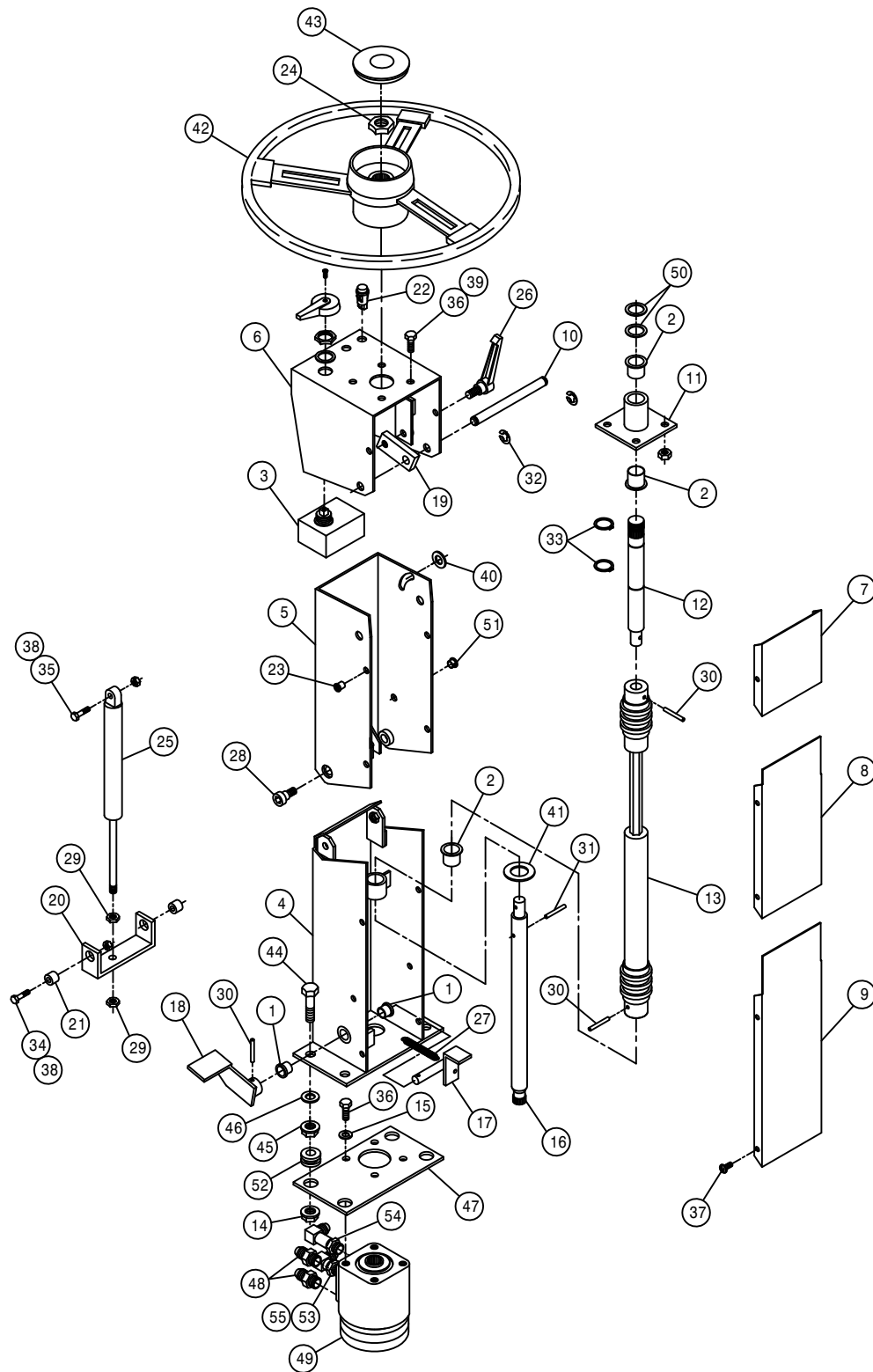


CAB FOAM

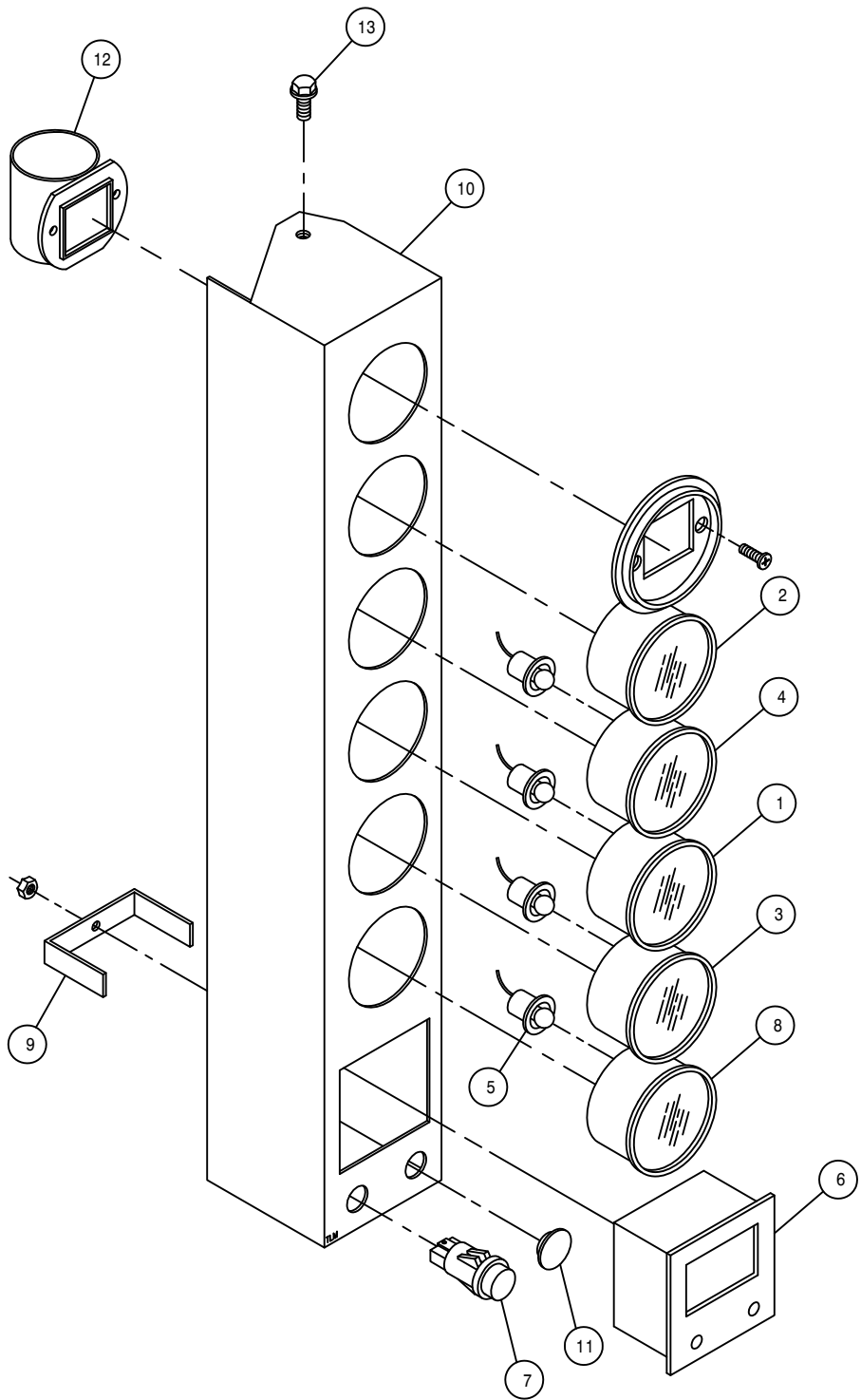
DET. QTY PART NO. DESCRIPTION

1	1	658301	VINYL POST COVER, RH FRONT	94
2	1	658302	VINYL POST COVER, LH FRONT	94
3	1	658303	VINYL POST COVER, RH REAR	94
4	1	658304	VINYL POST COVER, LH REAR	94
5	1	658305	VINYL SIDE PANEL, RH	94
6	1	658306	VINYL SIDE PANEL, RH UPPER	94
7	1	658307	VINYL SIDE PANEL, RH LOWER	94
8	1	658308	VINYL SIDE PANEL, LH UPPER	94
9	1	658309	VINYL SIDE PANEL, LH LOWER	94
10	1	658310	VINYL FRONT COVER PANEL	94
11	1	658311	VINYL REAR COVER PANEL	94
12	1	658328	FLOORMAT, 284XP CAB	2002
13	2	470225	TRIM CLIP, 11/16 BLK NYL HEAD	

STEERING POST ASSEMBLY



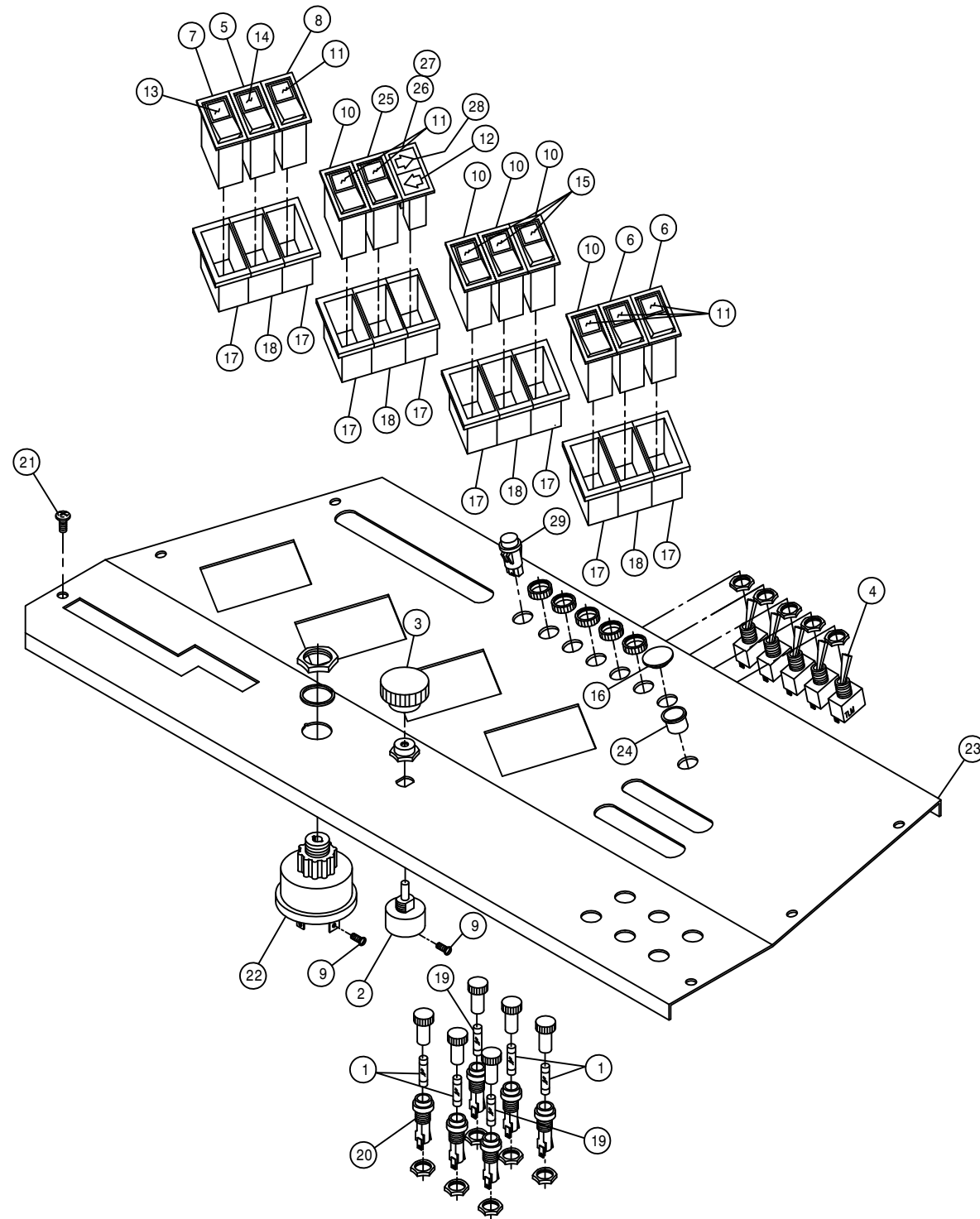
DET.	QTY	PART NO.	DESCRIPTION
	1	2	127502 NYLON FLANGE BRG
	2	3	127503 NYLINER FLG BRG, .875 ID
	3	1	291088 FLASHER / TURN SIGNAL SWITCH
	4	1	342450 LWR STRG COLUMN WLD, 2100 98
	5	1	342454 UPPER STRG COLUMN WLD, 2100 98
	6	1	342461 STRG WHL MT WLD, 2100 98
	7	1	342467 UPPER STRG COLUMN COVER,2100 98
	8	1	342468 CNTR STRG COLUMN COVER,2100 98
	9	1	342469 LWR STRG COLUMN SHLD
	10	1	342470 STRG COLUMN PIVOT PIN, 2100 98
	11	1	342471 STRG COL BRG HSNL WLD, 2100 98
	12	1	342474 UPPER STEERING SHAFT, 2100 98
	13	1	470285 DOUBLE UNIVERSAL JOINT DRIVER
	14	4	470345P 1/2UNC HEX SMTH FLNG LOCK NUT
	15	4	920502 3/8 LOCK WASHER
	16	1	342483 LWR STEERING SHAFT, 2100 98
	17	1	342484 FOOT PEDAL PIV PIN WLD,2100 98
	18	1	342487 FOOT PEDAL WLD, 2100 98
	19	1	342490 STRG PIVOT LOCK, 2100 98
	20	1	342491 LWR AIR SHOCK PIVOT, 2100 98
	21	2	342492 LWR AIR SHOCK PIV BUSH,2100 98
	22	2	390318 INDICATOR LIGHT, RED
	23	10	470380 1/4-20 NUTSERT .027-.165 STL
	24	1	470157 13/16-20UNEF HEX NUT STRG WHL
	25	1	470252 GAS SPRING, LOCKING 0350N
	26	1	470257 ADJ HANDLE,3/8-16 STUD, BLACK
	27	1	470268 SPRING, EXTENSION, .50 X 1.75
	28	2	470283 3/8UNC 1/2 SCKT SHLDR BOLT
	29	2	473830 10MM-1.00 HEX JAM NUT
	30	3	473928 ROLL PIN, 3/16 X 1
	31	1	473936 ROLL PIN, 3/16 X 1 1/4
	32	2	629525 RING, RETAINING, .50DIA SHAFT
	33	2	629533 SNAP RING, 7/8 EXTRN
	34	2	900065 5/16UNC X 1" HEX BOLT
	35	1	900067 5/16UNC X 1 1/2 HEX BOLT
	36	8	900128 3/8UNC X 3/4 HEX BOLT
	37	10	903708 1/4UNC X1/2 PHIL PNHD MACHSCR
	38	3	914002 5/16UNC HEX STOVER NUT
	39	4	914004 3/8UNC HEX STOVER NUT
	40	1	920002 3/8 SAE FLAT WASHER
	41	1	920007 7/8 SAE FLAT WASHER
	42	1	749294 STEERING WHEEL, VIP 14"
	43	1	749295 STRG WHL CAP W/HAGIE EMBLEM
	44	4	900267P 1/2UNC X 2" HEX BOLT
	45	4	914008N 1/2UNC SMTH FLANGE NUT
	46	4	920004 1/2 SAE FLAT WASHER
	47	1	343211 STEERING MTR PLT,284XP/2100 02
	48	2	618109 9/16MJIC-3/4MOR ADPTR
	49	1	749318 STRG MTR,7.3CID,NON-LOAD 1031
	50	2	483031 1 3/8 X 7/8 X 18GA MACH WASHER
	51	1	470342 SNAP PLUG, BLK NYL, .375 DIA
	52	4	470346 GROMMET, .500ID .250GW, .812GD
	53	1	618115 9/16MJIC-90-3/4MOR LBO
	54	1	618709 9/16MJIC-90-3/4MOR EX LG LBO
	55	1	618618 9/16MJIC-90-9/16FJIC SWIV LBO



INSTRUMENT PANEL ASSEMBLY

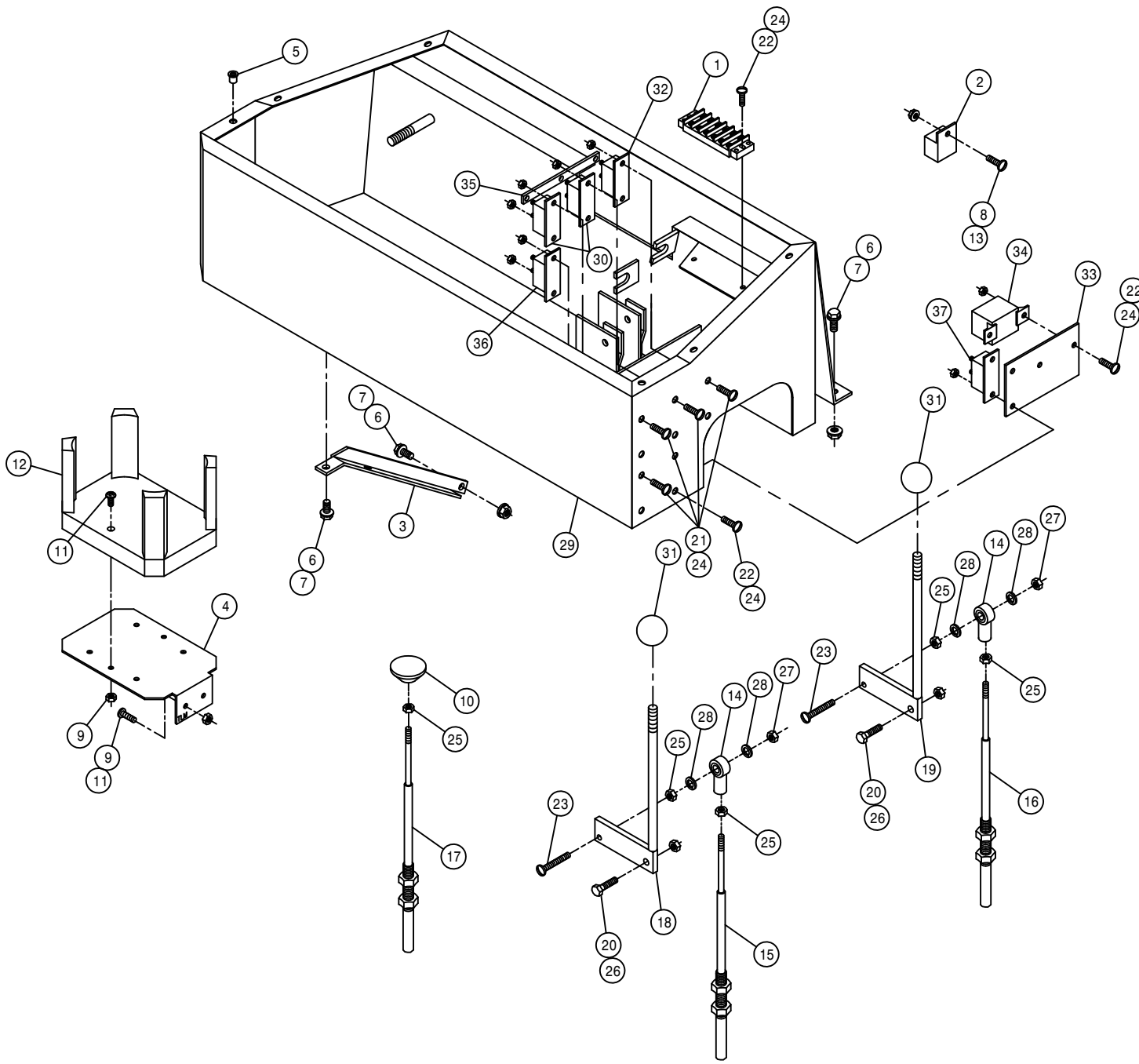
DET. QTY PART NO. DESCRIPTION

1	1	290401	FUEL GAUGE FOR 2.125 DIA HOLE
2	1	291203	HOUR METER, 10/80VDC BLACK BEZ
3	1	291673	OIL PRESS GAUGE, 125PSI
4	1	291611	VOLTMETER, 8V TO 18V DC
5	4	291612	LIGHT KIT FOR 2" GAUGE
6	1	291635	DIGITAL MPH/RPM INDICATOR
7	1	291638	INDICATOR LIGHT, GREEN
8	1	314436	TEMP GA 100-280 DEG LIGHTED
9	1	342068	DIGITAL MPH/RPM IND KEEPER 94
10	1	342186	INSTRU HSNGLD, 284 CAB 94
11	1	658174	RUBBER BUMPER, 1.0000D .500GD
12	1	314901	FILTER MINDER AIR RESTRICT GA
13	2	470122	1/4UNC X 1/2 FLANGE HEX BOLT



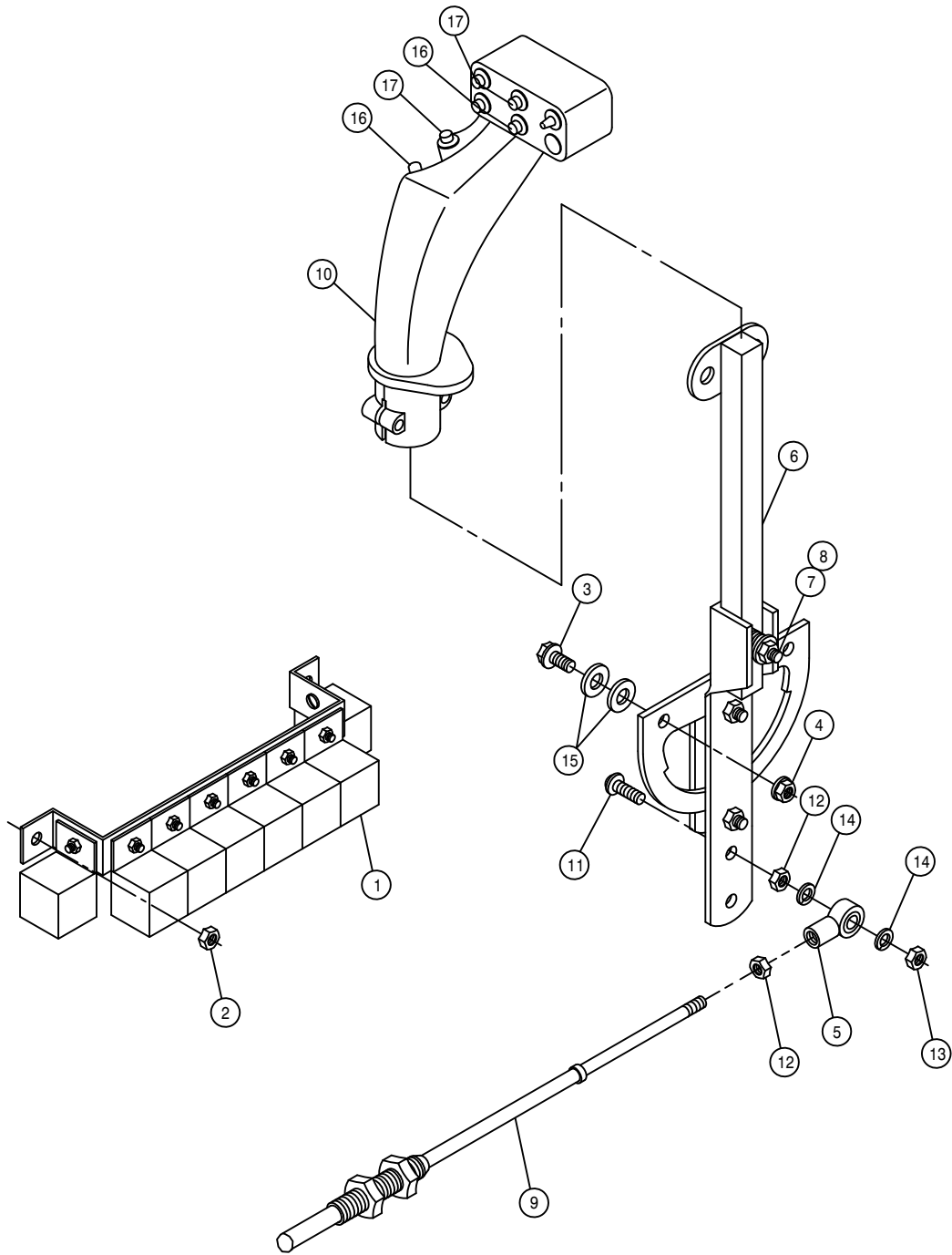
CONSOLE PANEL ASSEMBLY

DET.	QTY	PART NO.	DESCRIPTION
1	4	291602	FUSE 10 AMP
2	1	291606	ROTARY HEADLAMP SWITCH
3	1	291607	SWITCH KNOB FOR 291606
4	5	291608	TOGGLE SWITCH, ON-OFF, UNLIT
5	1	291622	SWITCH,1P ON/OFF 511-003
6	2	291623	SWITCH,2P ON/OFF 511-015
7	1	291678	SWITCH, 511-115
8	1	291625	SWITCH,2P ON/ON 511-108
9	2	903844	8-32 X 1/2 SLT RD HD MACH SCR
10	5	291627	SWITCH,2P(ON)OFF(ON) 511-058
11	6	291628	LENS, GREEN 596-650
12	1	291687	DIRECTION ARROW LENS,LH,YELLOW
13	1	291630	LENS,WINDSHIELD WASHER,594-701
14	1	291631	LENS, HAZARD 595-417
15	3	291632	LENS,DIRECTION INDICATOR
16	1	658174	RUBBER BUMPER,1.0000D .500GD
17	8	293246	END BEZEL, 594-802
18	4	293247	CENTER BEZEL, 594-801
19	2	298004	20 AMP FUSE SFE 20
20	6	298011	FUSE HOLDER
21	6	903708	1/4UNC X1/2 PHIL PNHD MACHSCR
22	1	321021	IGN SWITCH, NON-SEALED
23	1	342657	CONSOLE COVER PNL, 284 CUMM 99
24	1	470223	SNAP BUSHING, BLK NYL, .50DIA
25	1	291672	SWITCH,1P ON/OFF/ON 511-149
26	1	291684	INDICATOR BASE W/LAMP 511-502
27	2	291685	REFLECTOR INSERT, 592-544
28	1	291686	DIRECTION ARROW LENS,RH,YELLOW
29	1	390318	INDICATOR LIGHT, RED



CONSOLE ASSEMBLY

DET.	QTY	PART NO.	DESCRIPTION
1	1	293093	TERMINAL BLOCK 6 POS - 2 ROW
2	1	291640	RELAY, 12V 20/30AMP BOSCH
3	1	342282	CONSOLE BRACE 254/284 95
4	1	342216	DRINK HOLDER MT BRKT 94
5	6	470380	1/4-20 NUTSERT .027-.165 STL
6	5	470118	1/4UNC X 3/4 FLANGE HEX BOLT
7	5	470121	1/4UNC HEX FLANGE LOCK NUT
8	1	903844	8-32 X 1/2 SLT RD HD MACH SCR
9	4	470175	10-32 HEX FLANGE LOCK NUT
10	1	470190	KNOB, 1 3/8" LIFT, BLK 10-32
11	4	903710	10-32X5/8 PHIL PANHD MACH SCR
12	1	470214	SPILLMASTER DRINK HOLDER
13	1	910024	8-32 HEX NUT
14	2	473921	BALL JOINT NO 10-32 THD
15	1	785063	CTRL CABLE 10-32 2IN X 42 LG
16	1	785064	CTRL CABLE 10-32 2IN X 53 LG
17	1	785065	CTRL CABLE 10-32 4IN X 68 LG
18	1	785070	SOLU PRESS CTRL LEVER WLD 94
19	1	785073	AGIT CTRL LEVER WLD 94
20	2	900003	1/4UNC X 1" HEX BOLT
21	8	903812	6-32 X 1/2 SLT RD HD MACH SCR
22	6	903814	6-32 X 3/4 SLT RD HD MACH SCR
23	2	903893	10-32 X 1" SLT RD HD MACH SCR
24	14	910022	6-32 HEX NUT
25	5	910027	10-32 HEX NUT
26	2	914000	1/4UNC HEX STOVER NUT
27	2	914027	10-32 HEX STOVER NUT
28	4	920510	#10 LOCK WASHER
29	1	342191	CONSOLE WLD, 284 CAB 94
30	2	291197	CIRCUIT BREAKER, 30AMP, INLINEMT
31	2	659291	KNOB, 1" RND, BLK, 3/8-16
32	1	291024	CIRCUIT BREAKER, 40AMP, INLINEMT
33	1	343327	RELAY MT, CONSOLE DTS 8/8T 05
34	1	657371	RELAY, 12 VOLT 75 AMP
35	1	291351	BUSS BAR, 3 GANG CIRCUIT BREAKR
36	1	291551	CIRCUIT BREAKER, 15AMP, INLINEMT
37	1	291552	CIRCUIT BREAKER, 20AMP, INLINEMT



HYDROSTATIC LEVER ASSEMBLY

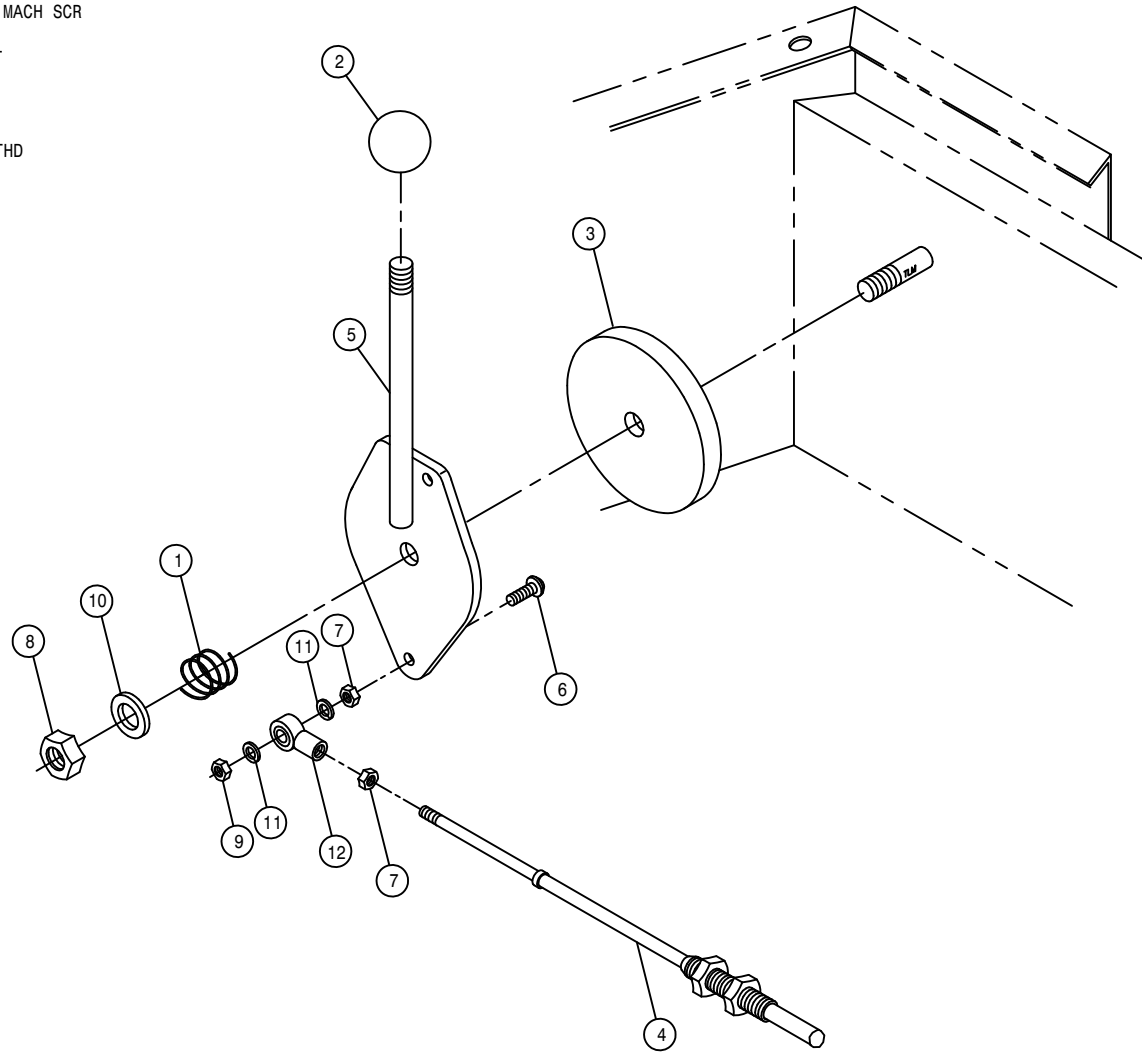
DET. QTY PART NO. DESCRIPTION

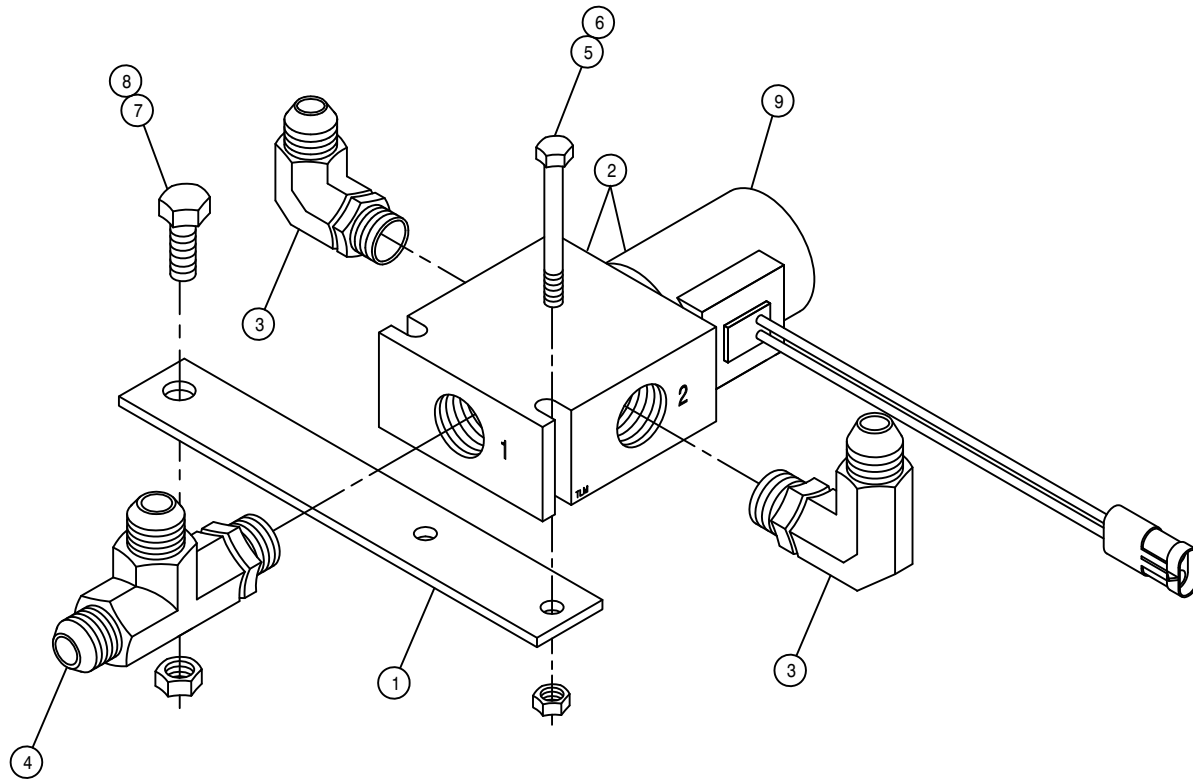
1	8	291640	RELAY, 12V 20/30AMP BOSCH
2	2	470175	10-32 HEX FLANGE LOCK NUT
3	2	470118	1/4UNC X 3/4 FLANGE HEX BOLT
4	2	470121	1/4UNC HEX FLANGE LOCK NUT
5	1	473921	BALL JOINT NO 10-32 THD
6	1	606907	HYDST CTRL LEVER ASSY 204-284
7	1	900005	1/4UNC X 1 1/2 HEX BOLT
8	1	914000	1/4UNC HEX STOVER NUT
9	1	785062	CTRL CABLE 10-32 4IN X 120 LG
10	1	785083	FASSE EZ-3 CTRL HANDLE,284 04
11	1	903893	10-32 X 1" SLT RD HD MACH SCR
12	2	910027	10-32 HEX NUT
13	1	914027	10-32 HEX STOVER NUT
14	2	920510	#10 LOCK WASHER
15	4	920000	1/4 SAE FLAT WASHER
16	3	291884	SWITCH,PB 3TRM MOM 0, GRAY
17	3	291883	SWITCH,PB 3TRM MOM 0, RED

THROTTLE LEVER ASSEMBLY

DET. QTY PART NO. DESCRIPTION

1	1	499001	SPRING HYDRO CONTROL
2	1	785007	KNOB,1 3/16" BALL,RED,3/8-16
3	1	785046	FRICTION DISC 3-333 X .38
4	1	785066	CTRL CABLE 10-32 4IN X 129 IN
5	1	785067	THROT LEVER WLD,GAS/DIESEL 94
6	1	903893	10-32 X 1" SLT RD HD MACH SCR
7	2	910027	10-32 HEX NUT
8	1	914004	3/8UNC HEX STOVER NUT
9	1	914027	10-32 HEX STOVER NUT
10	1	920002	3/8 SAE FLAT WASHER
11	2	920510	#10 LOCK WASHER
12	1	473921	BALL JOINT NO 10-32 THD

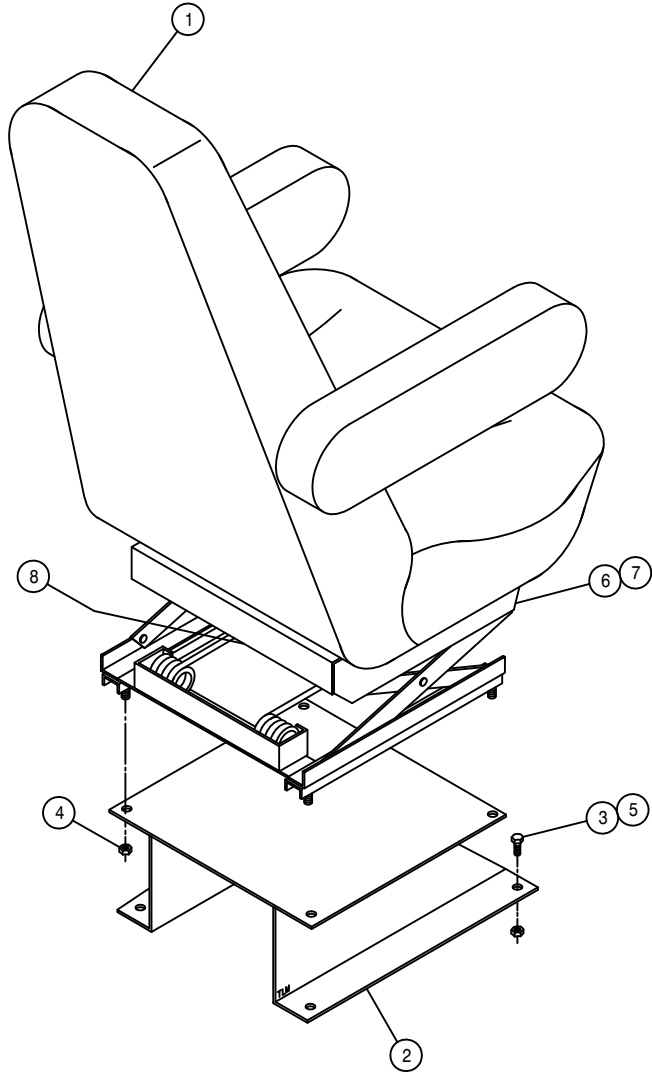




BRAKE SOLENOID ASSEMBLY

DET. QTY PART NO. DESCRIPTION

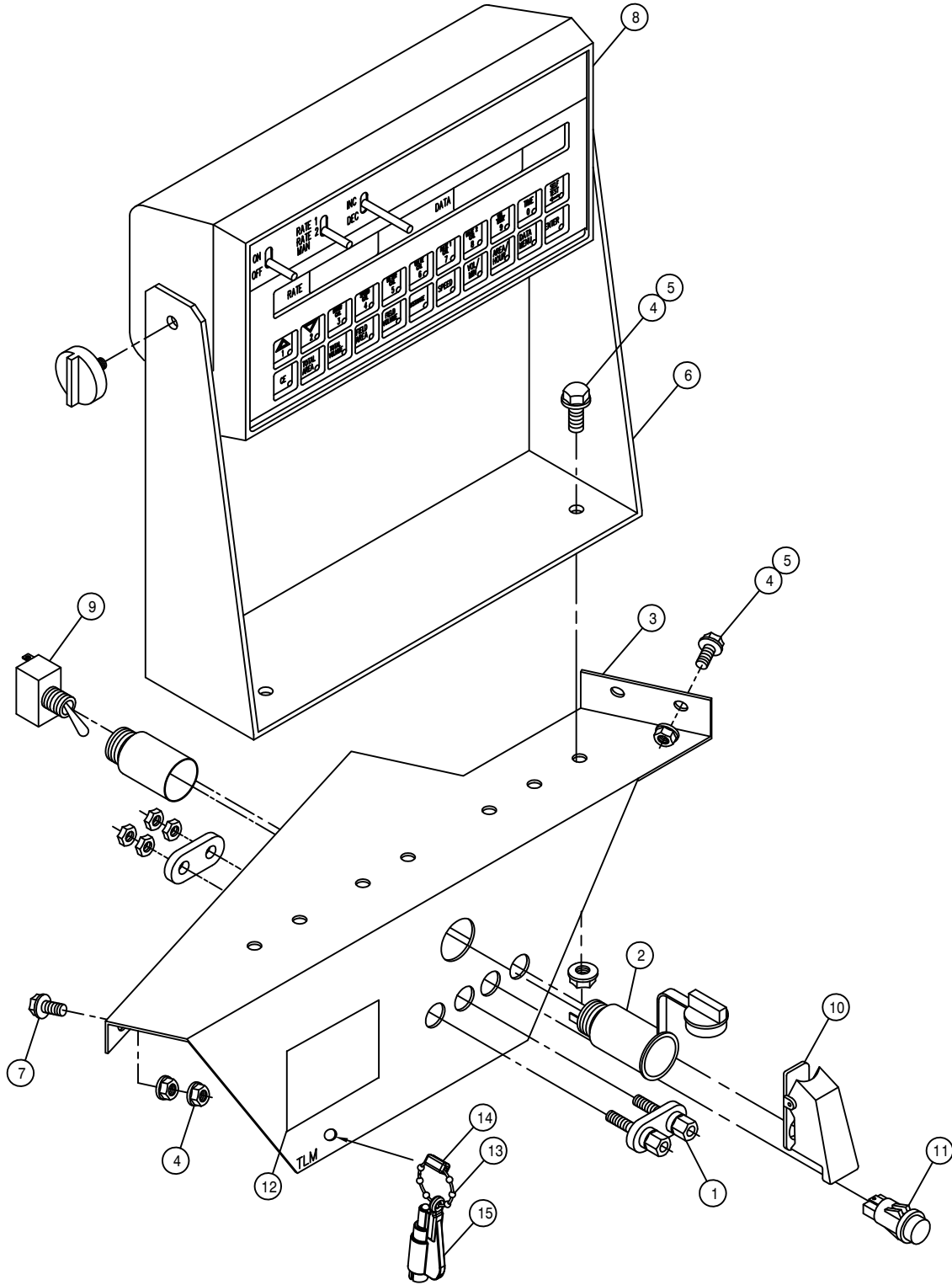
1	1	342332	PARK BRAKE SOL VLV MT	97
2	1	606138	HYD SOLE VLV,2P-3W,9/16FOR, WP	
3	2	618119	9/16MJIC-90-9/16MOR LBO	
4	1	618444	9/16MOR RUN TEE-9/16MJIC	
5	2	900006	1/4UNC X 1 3/4 HEX BOLT	
6	2	914000	1/4UNC HEX STOVER NUT	
7	1	900129	3/8UNC X 1" HEX BOLT	
8	1	914004	3/8UNC HEX STOVER NUT	
9	1	610016	COIL FOR HYD VLV 610318	



SEAT ASSEMBLY

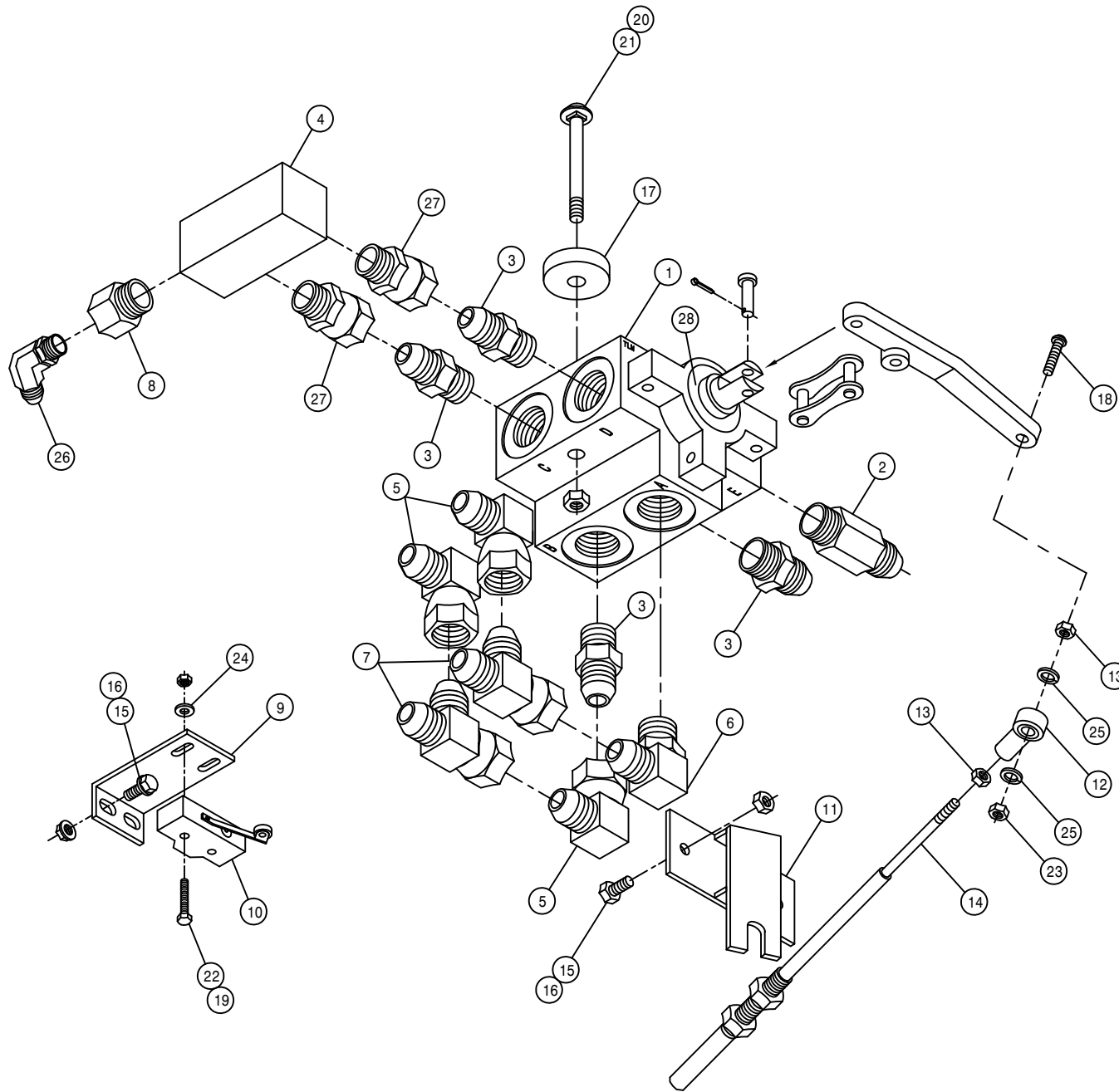
DET. QTY PART NO. DESCRIPTION

1	1	330022	SEAT, MAGNUM-100 AIR SUSPEND95
2	1	342090	SEAT MT WELD, 254/284 95
3	4	900129	3/8UNC X 1" HEX BOLT
4	4	914002	5/16UNC HEX STOVER NUT
5	4	914004	3/8UNC HEX STOVER NUT
6	1	330024	HEIGHT ADJ LATCH, SEAT 330022
7	1	330025	ADJ LATCH SPRING, SEAT 330022
8	1	330023	AIR BAG PKG, SEAT 330022



MONITOR MOUNTING BRACKET ASSEMBLY

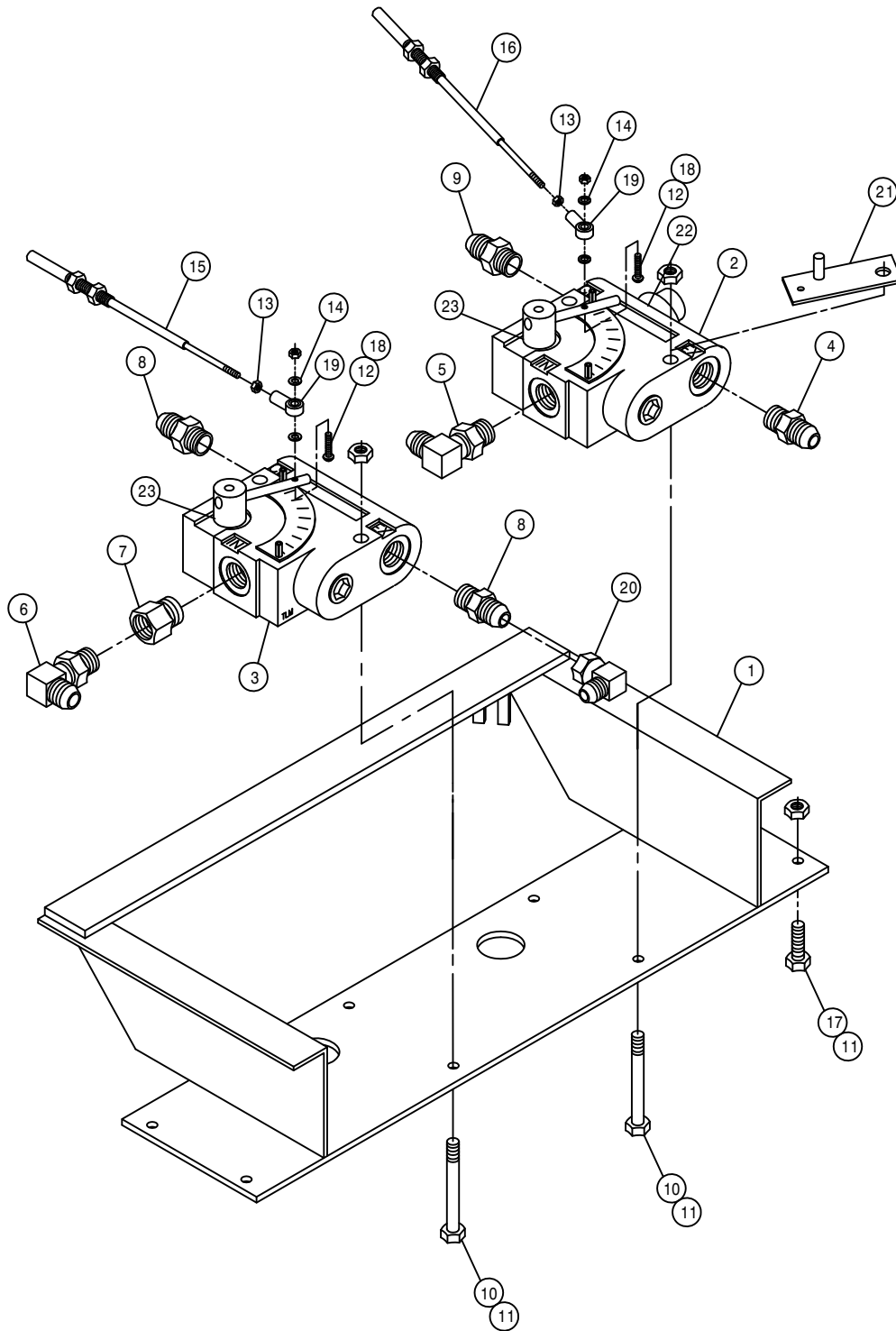
DET.	QTY	PART NO.	DESCRIPTION
1	1	291647	DUAL BINDING POSTS
2	1	291648	POWER POINT RECEPTACLE
3	1	343201	MONITOR MT, 284XP CAB 2001
4	7	470121	1/4UNC HEX FLANGE LOCK NUT
5	5	470122	1/4UNC X 1/2 FLANGE HEX BOLT
6	1	690498	CONSOLE MT, RAVEN 460 95
7	1	470118	1/4UNC X 3/4 FLANGE HEX BOLT
8	1	690618	CONSOLE, RAVEN 460 W/GPS PORT
9	1	298012	TOGGLE SWITCH, ON-OFF, SPST, 15A
10	1	291655	AIRCRAFT TOGGLE SWITCH GUARD
11	1	390318	INDICATOR LIGHT, RED
12	1	650175	DECAL, NOTICE EMERGENCY EXIT
13	1	470398	BEAD CHAIN, #10 X 4" LONG
14	1	470400	BEAD CHAIN CONNECTOR #10 WHITE
15	1	470397	RES-Q-ME TOOL



FOUR-WHEEL DRIVE SELECTOR VALVE ASSEMBLY

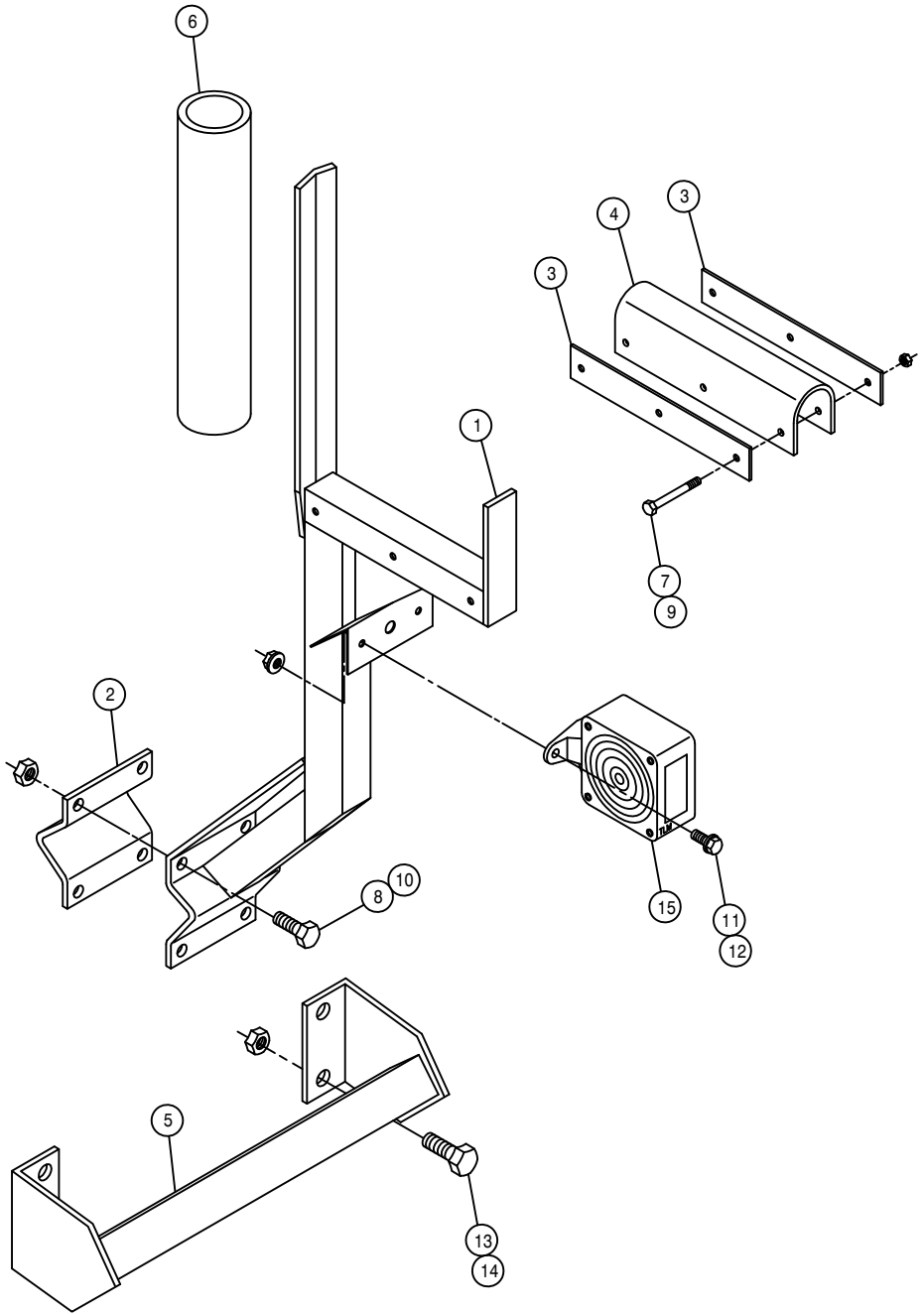
DET. QTY PART NO. DESCRIPTION

1	1	606003	GRESEN SELECTOR VALVE DS-12
2	1	607527	FLOW CTRL VALVE,32GPM IN-LINE
3	4	611127	1 1/16MJIC-1 1/16MOR ADPTR
4	1	606020	4WD SELECTOR VALVE MANIF 2002
5	3	618191	1 1/16MJ-90-1 1/16FJ SWIV LBO
6	1	618248	1 1/16MJIC-90-1 1/16MOR LBO
7	2	618487	1 1/16FJ SW RUN TEE-1 1/16MJ
8	1	618005	1 1/16MOR-9/16FOR ADPTR
9	1	291646	TRACT VLV MICRO SWITCH MT
10	1	293006	MICRO SWITCH, SPDT BZ-2RL-A2
11	1	341861	FWD CABLE MT WLD 280 89
12	1	473921	BALL JOINT NO 10-32 THD
13	2	910027	10-32 HEX NUT
14	1	785065	CTRL CABLE 10-32 4IN X 68 LG
15	4	470118	1/4UNC X 3/4 FLANGE HEX BOLT
16	4	470121	1/4UNC HEX FLANGE LOCK NUT
17	2	748501	RUBBER WASH .38 X .406 X 1.50
18	1	903893	10-32 X 1" SLT RD HD MACH SCR
19	2	910022	6-32 HEX NUT
20	2	914004	3/8UNC HEX STOVER NUT
21	2	901136	3/8UNC X 3" CARR BOLT
22	2	473993	6-32 X 1 1/4 HH MACH SCR
23	1	914027	10-32 HEX STOVER NUT
24	2	920011	# 6 SAE FLAT WASHER
25	2	920510	#10 LOCK WASHER
26	1	618425	9/16MJIC-45-9/16MOR LBO
27	2	618578	1 1/16FJIC SWIV-1 1/16MOR
NS	2	870210	O-RING FOR 606003 VLV SPOOL



VARIABLE FLOW CONTROL ASSEMBLY

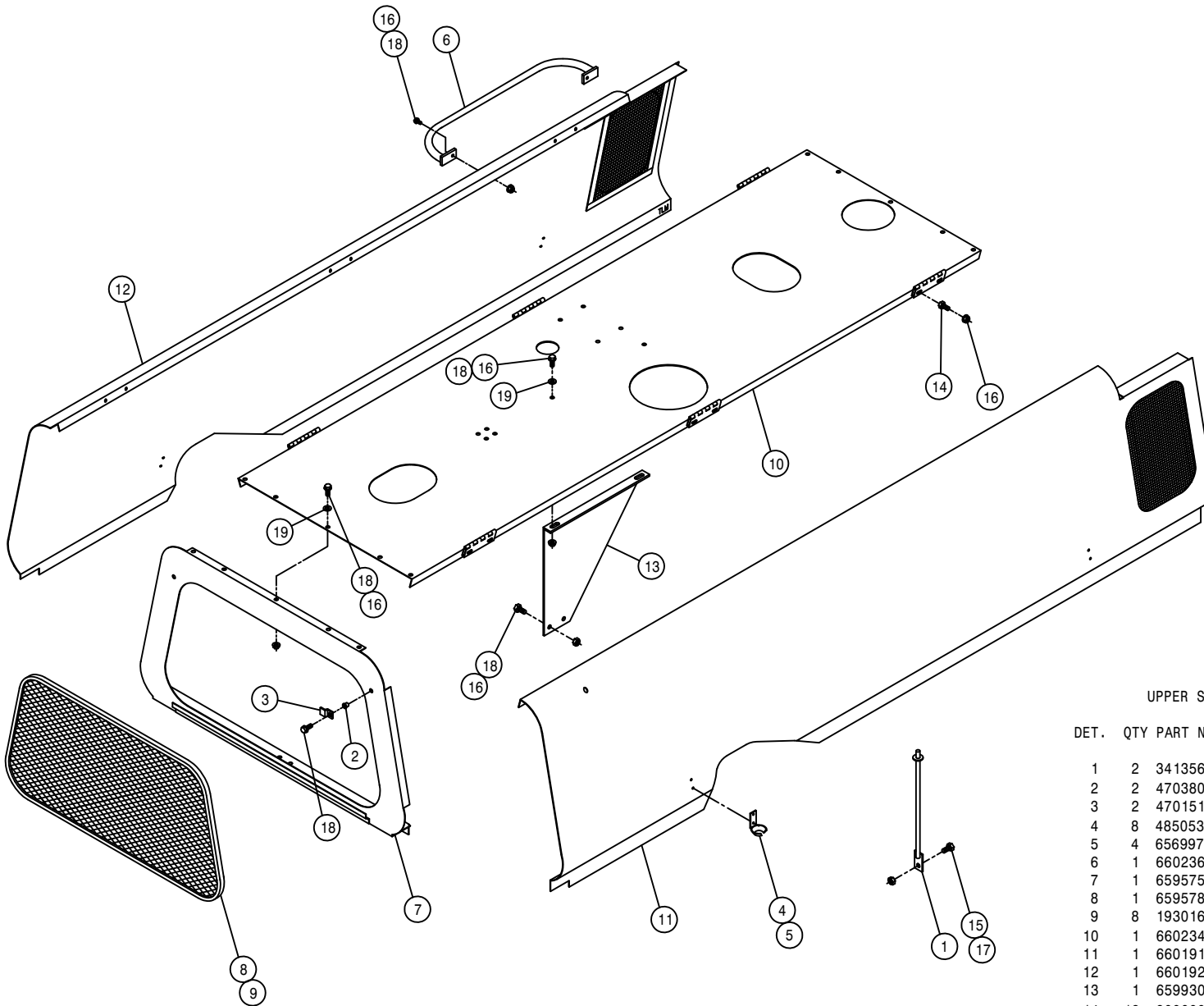
DET.	QTY	PART NO.	DESCRIPTION	
	1	342209	SOLU VFC MT WLD	94
	2	606818	FLO CONT FCR51 0-16GPM 7/8FOR	
	3	606827	FLO CONT FC51 0-3 VARI 7/8FOR	
	4	611126	7/8MJIC-7/8MOR ADPTR	
	5	611128	7/8MJIC-90-7/8MOR LBO	
	6	618119	9/16MJIC-90-9/16MOR LBO	
	7	618172	7/8MOR-9/16FOR ADPTR	
	8	618310	9/16MJIC-7/8MOR ADPTR	
	9	618327	3/4MJIC-7/8MOR ADPTR	
	10	900008	1/4UNC X 2 1/2 HEX BOLT	
	11	914000	1/4UNC HEX STOVER NUT	
	12	903893	10-32 X 1" SLT RD HD MACH SCR	
	13	910027	10-32 HEX NUT	
	14	920510	#10 LOCK WASHER	
	15	785064	CTRL CABLE 10-32 2IN X 53 LG	
	16	785063	CTRL CABLE 10-32 2IN X 42 LG	
	17	470118	1/4UNC X 3/4 FLANGE HEX BOLT	
	18	914027	10-32 HEX STOVER NUT	
	19	473921	BALL JOINT NO 10-32 THD	
	20	618618	9/16MJIC-90-9/16FJIC SWIV LBO	
	21	342306	SOLU PUMP VFC STOP WLD,9G 96	
	NS	607525	WASHER, BRAND FLO CONT RELIEF	
	NS	606820	ORING FLOW CONT SPOOL	



BOOM CRADLE ASSEMBLY

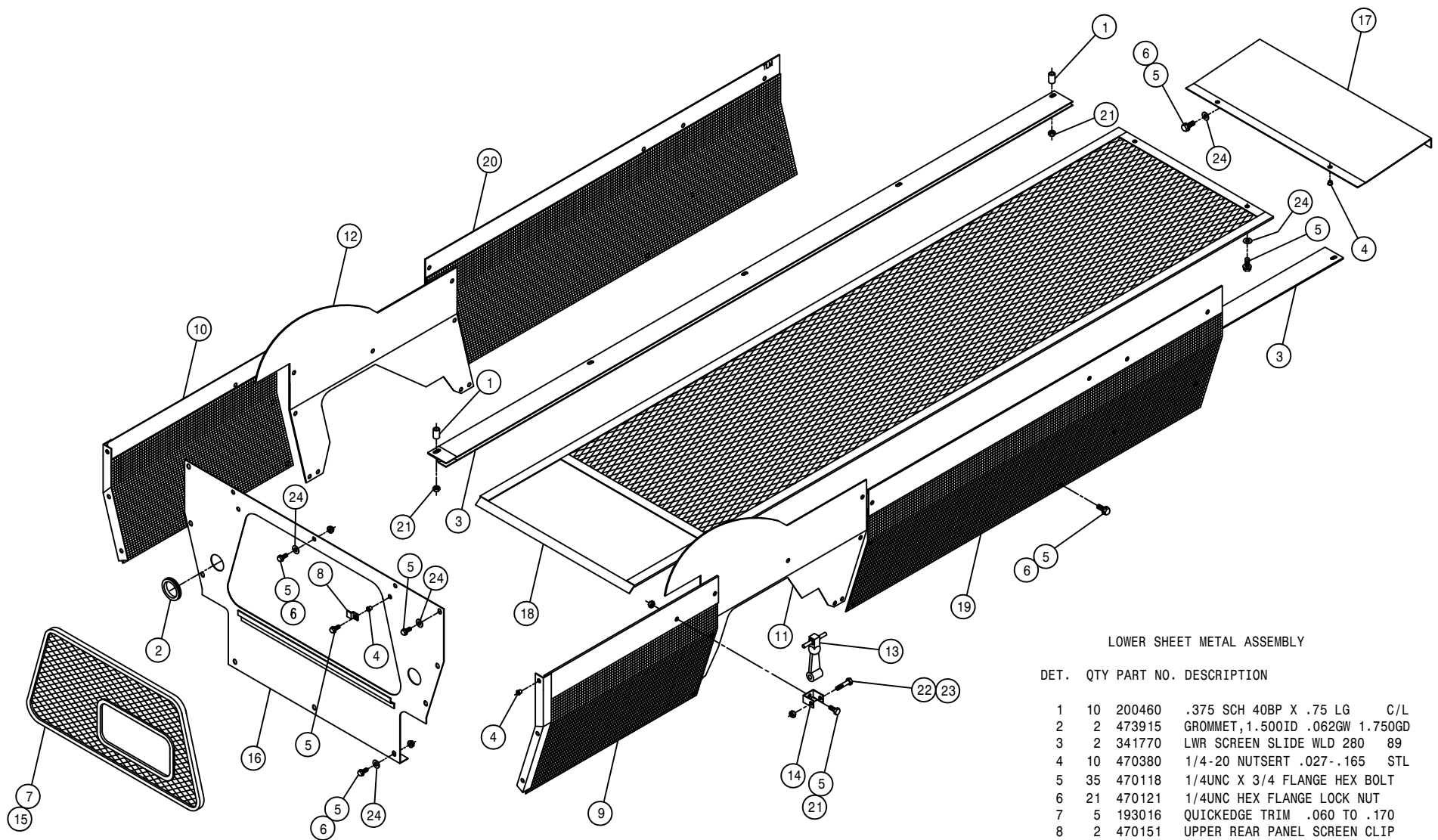
DET.	QTY	PART NO.	DESCRIPTION	
1	2	164245	BOOM CRADLE WLD	96
2	2	164253	BOOM CRADLE V-PLATE KEEPER	96
3	4	164254	CRADLE CUSHION KEEPER	96
4	2	164256	BOOM CRADLE CUSHION	96
5	2	164680	BOOM CRADLE MT WLD 284XP 2001	
6	2	601184	HOSE, 1 1/2 X 14 2BR BLK EPDM	
7	6	900009	1/4UNC X 2 3/4 HEX BOLT	
8	8	900265	1/2UNC X 1 1/2 HEX BOLT	
9	6	914000	1/4UNC HEX STOVER NUT	
10	8	914008	1/2UNC HEX STOVER NUT	
11	4	470121	1/4UNC HEX FLANGE LOCK NUT	
12	4	470118	1/4UNC X 3/4 FLANGE HEX BOLT	
13	8	900334	5/8UNC X 1 3/4 HEX BOLT	
14	8	914010	5/8UNC HEX STOVER NUT	
15	2	291604	TURN SIGNAL LIGHT,PED MT, YEL	

NOTE: QUANTITY LISTED IS FOR ONE MACHINE.



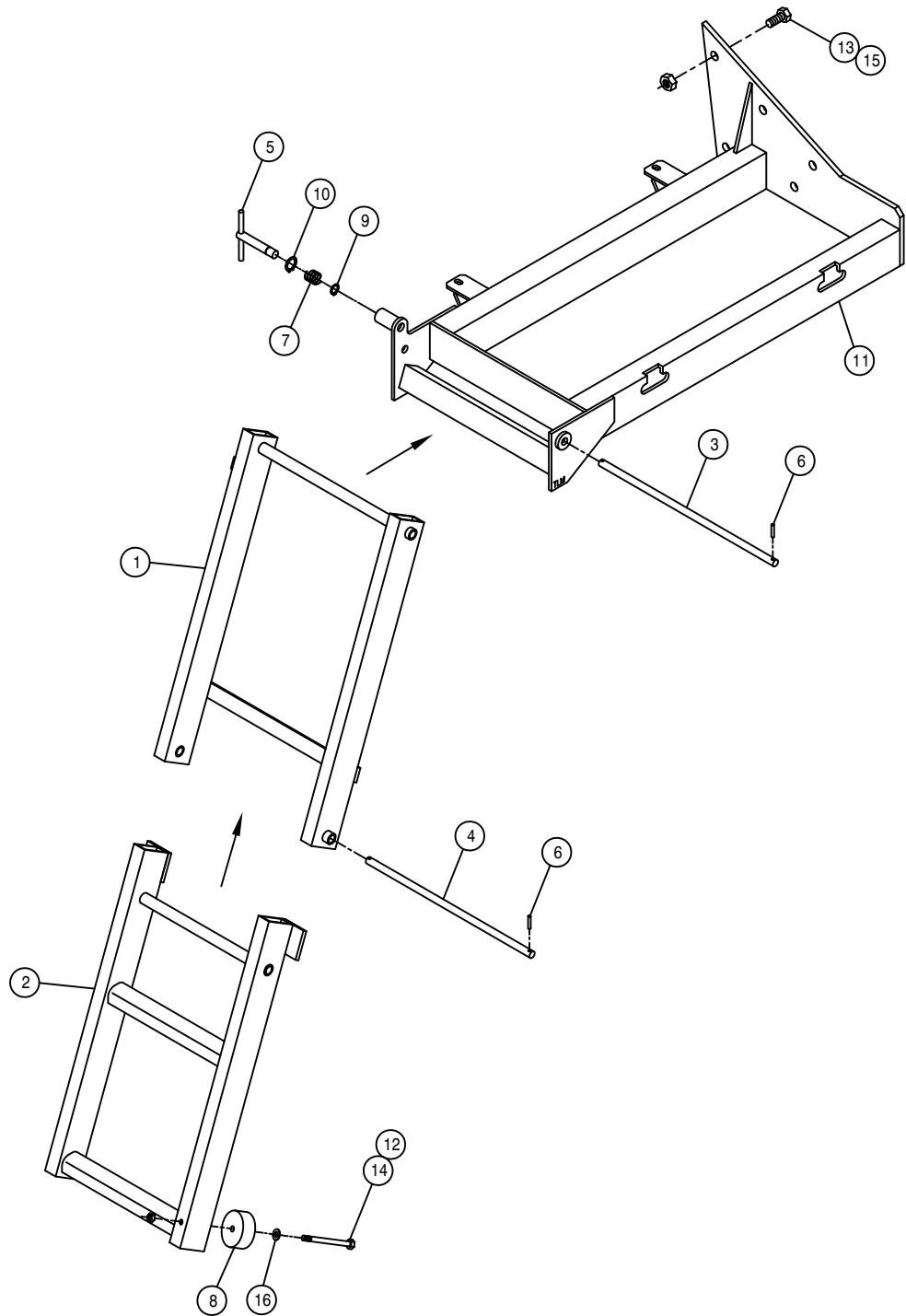
UPPER SHEET METAL ASSEMBLY

DET.	QTY	PART NO.	DESCRIPTION
1	2	341356	ENGINE HOOD PROP WLD 8240 82
2	2	470380	1/4-20 NUTSERT .027-.165 STL
3	2	470151	UPPER REAR PANEL SCREEN CLIP
4	8	485053	POP RIVET 3/16 X 3/8
5	4	656997	RUBBER HOOK BRKT
6	1	660236	ENG HOOD HANDRAIL WLD, 284 04
7	1	659575	UPPER REAR PANEL WLD 8240 82
8	1	659578	UPPER REAR PANEL SCREEN 8240
9	8	193016	QUICKEDGE TRIM .060 TO .170
10	1	660234	MULLION WLD, 204/284 CUMM 04
11	1	660191	RH ENG HOOD WLD 284XP 2001
12	1	660192	LH ENG HOOD WLD 284XP 2001
13	1	659930	MULLION SUPPORT BRKT, 284 97
14	12	900000	1/4UNC X 1/2 HEX BOLT
15	2	900128	3/8UNC X 3/4 HEX BOLT
16	28	470121	1/4UNC HEX FLANGE LOCK NUT
17	2	914004	3/8UNC HEX STOVER NUT
18	18	470118	1/4UNC X 3/4 FLANGE HEX BOLT
19	12	470212	1/4 BONDED SEALING WASH, SS



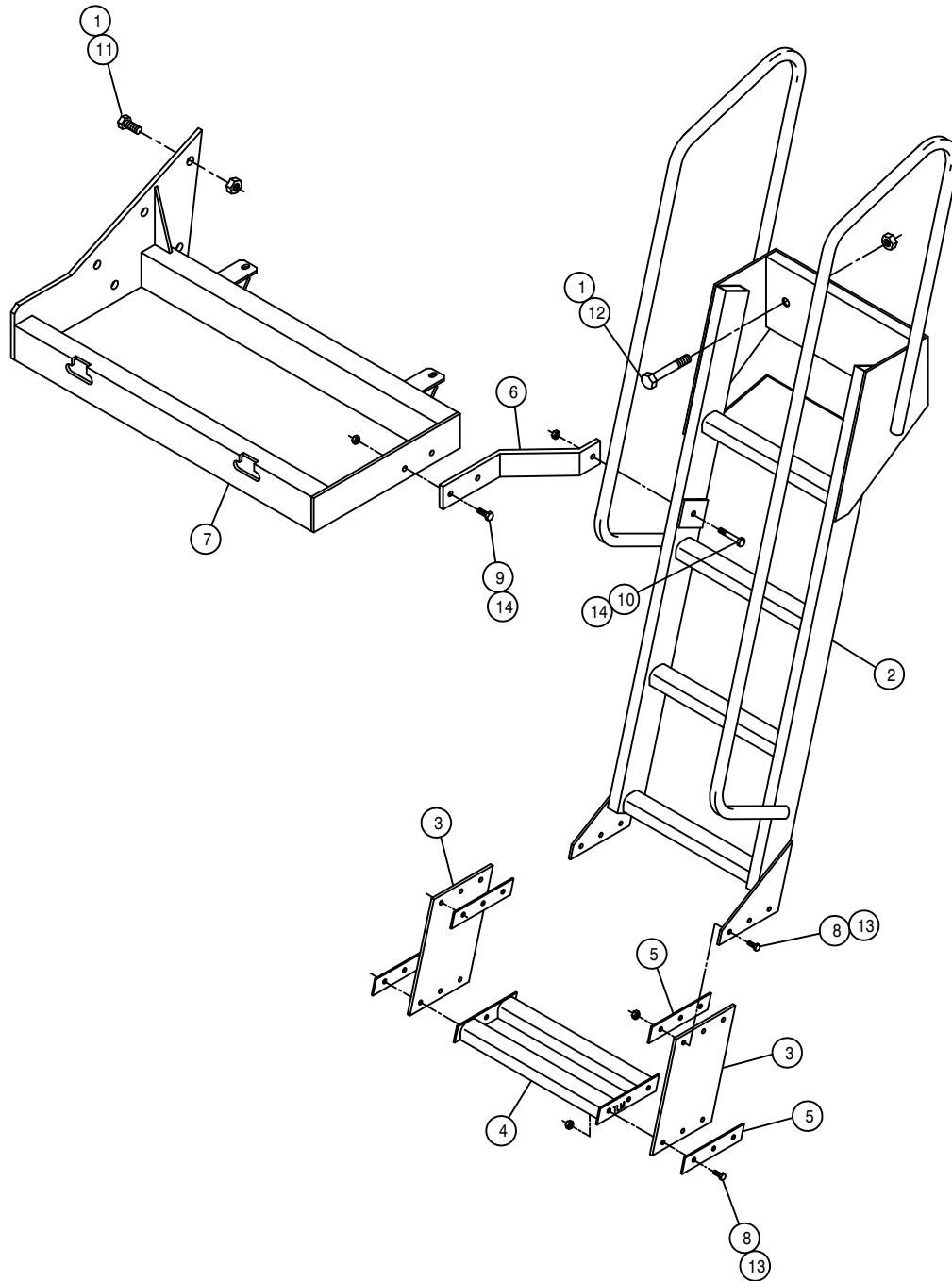
LOWER SHEET METAL ASSEMBLY

DET.	QTY	PART NO.	DESCRIPTION
1	10	200460	.375 SCH 40BP X .75 LG C/L
2	2	473915	GROMMET, 1.500ID .062GW 1.750GD
3	2	341770	LWR SCREEN SLIDE WLD 280 89
4	10	470380	1/4-20 NUTSERT .027-.165 STL
5	35	470118	1/4UNC X 3/4 FLANGE HEX BOLT
6	21	470121	1/4UNC HEX FLANGE LOCK NUT
7	5	193016	QUICKEDGE TRIM .060 TO .170
8	2	470151	UPPER REAR PANEL SCREEN CLIP
9	1	659889	RH REAR SIDE SCR N WLD 2XX 92
10	1	659890	LH REAR SIDE SCR N WLD 2XX 92
11	1	660195	RH LWR SIDE SHIELD, 284XP 2001
12	1	660196	LH LWR SIDE SHIELD, 284XP 2001
13	4	656998	RUBBER HOOK
14	4	656999	RUBBER HOOK ANCHOR BRKT
15	1	659929	LWR BACK PANEL SCR N, 284 98
16	1	660197	LWR REAR PANEL WLD 284XP 2001
17	1	659803	LWR FRT SHIELD 280 89
18	1	659804	LWR SCREEN WLD 280 89
19	1	659906	RH FRT SIDE SCR N WLD, 284 94
20	1	659907	LH FRT SIDE SCR N WLD, 284 94
21	14	914000	1/4UNC HEX STOVER NUT
22	4	900006	1/4UNC X 1 3/4 HEX BOLT
23	4	470089	1/4UNC HEX NYLOC NUT, 316 SS
24	29	470212	1/4 BONDED SEALING WASH, SS



RIGHT FOLDING LADDER ASSEMBLY

DET.	QTY	PART NO.	DESCRIPTION
1	1	342583	FOLD LDDR UPR SECT WLD,2100 98
2	1	342589	FOLD LDDR LWR SECT WLD,2100 98
3	1	342594	FOLD LADDER UPR PIVOT PIN 98
4	1	342595	FOLD LADDER LWR PIVOT PIN 98
5	1	342596	FOLD LDDR LOCK PIN WLD,2100 98
6	4	473928	ROLL PIN, 3/16 X 1
7	1	482131	3/4 X 1 3/4 COMPRSN SPRING
8	1	470098	RUBBER BUMPER 2.500D X .38ID
9	1	629534	SNAP RING, 9/16 EXTERNAL
10	1	629535	SNAP RING, 3/4 INTERNAL
11	1	760215	RH FUEL TANK MT WLD, 2100 98
12	1	900072	5/16UNC X 3" HEX BOLT
13	6	900334	5/8UNC X 1 3/4 HEX BOLT
14	1	910002	5/16UNC HEX NUT
15	6	914010	5/8UNC HEX STOVER NUT
16	1	920001	5/16 SAE FLAT WASHER



LEFT LADDER ASSEMBLY

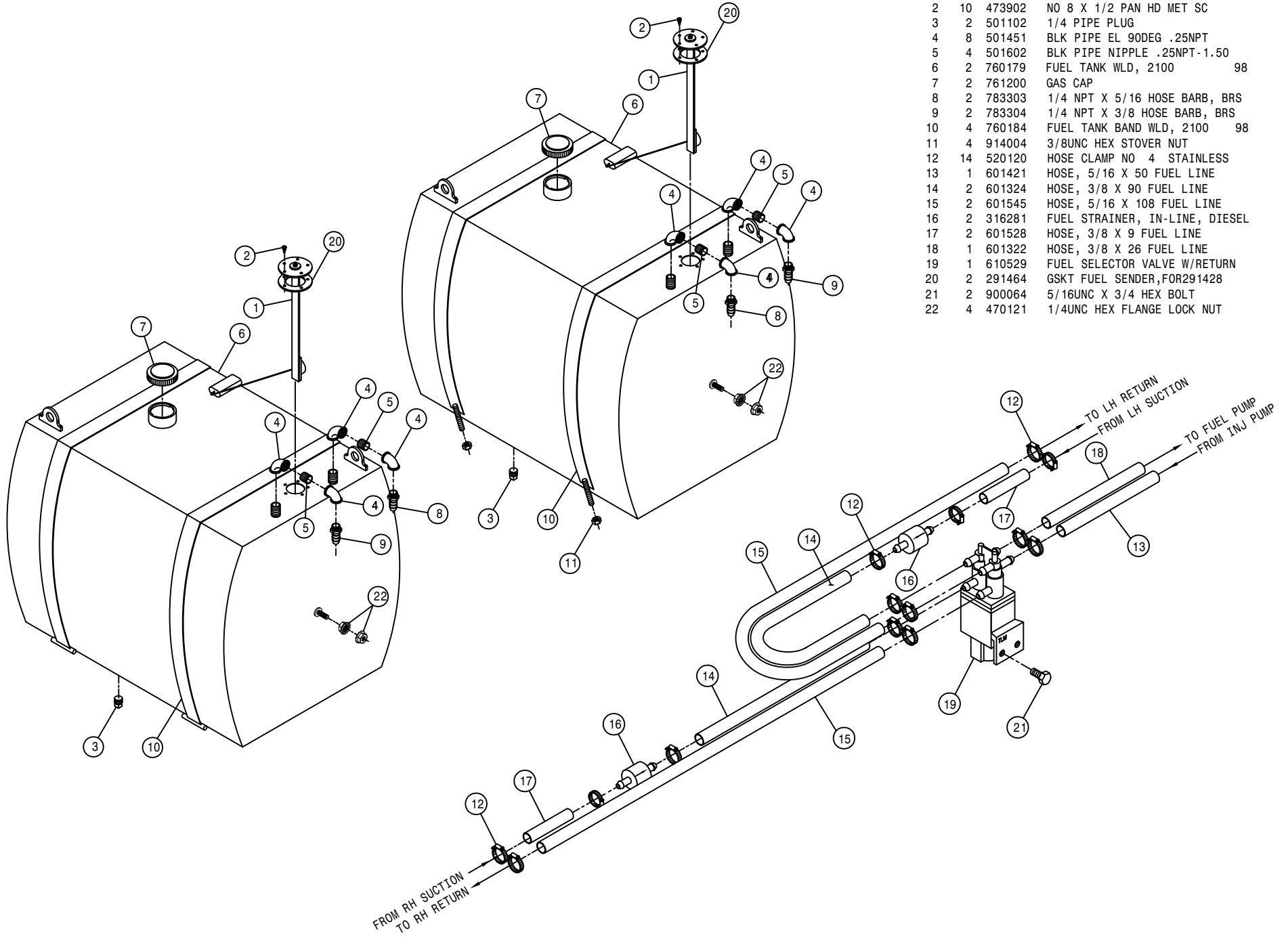
DET. QTY PART NO. DESCRIPTION

1	8	914010	5/8UNC HEX STOVER NUT	
2	1	342605	LH LADDER WLD, 2100	98
3	2	342614	LADDER SIDE, LWR STEP, 2100	98
4	1	342615	LADDER STEP WLD, 2100	98
5	4	342616	LWR STEP SIDE KEEPER, 2100	98
6	1	342892	LH LADDER BRACE 284XP	2001
7	1	760216	LH FUEL TANK MT WLD, 2100	98
8	12	900065	5/16UNC X 1" HEX BOLT	
9	2	900130	3/8UNC X 1 1/4 HEX BOLT	
10	1	900133	3/8UNC X 2" HEX BOLT	
11	6	900334	5/8UNC X 1 3/4 HEX BOLT	
12	2	900829	5/8UNC X 4" HEX BOLT GR8	
13	12	914002	5/16UNC HEX STOVER NUT	
14	3	914004	3/8UNC HEX STOVER NUT	

FUEL TANK ASSEMBLY

DET. QTY PART NO. DESCRIPTION

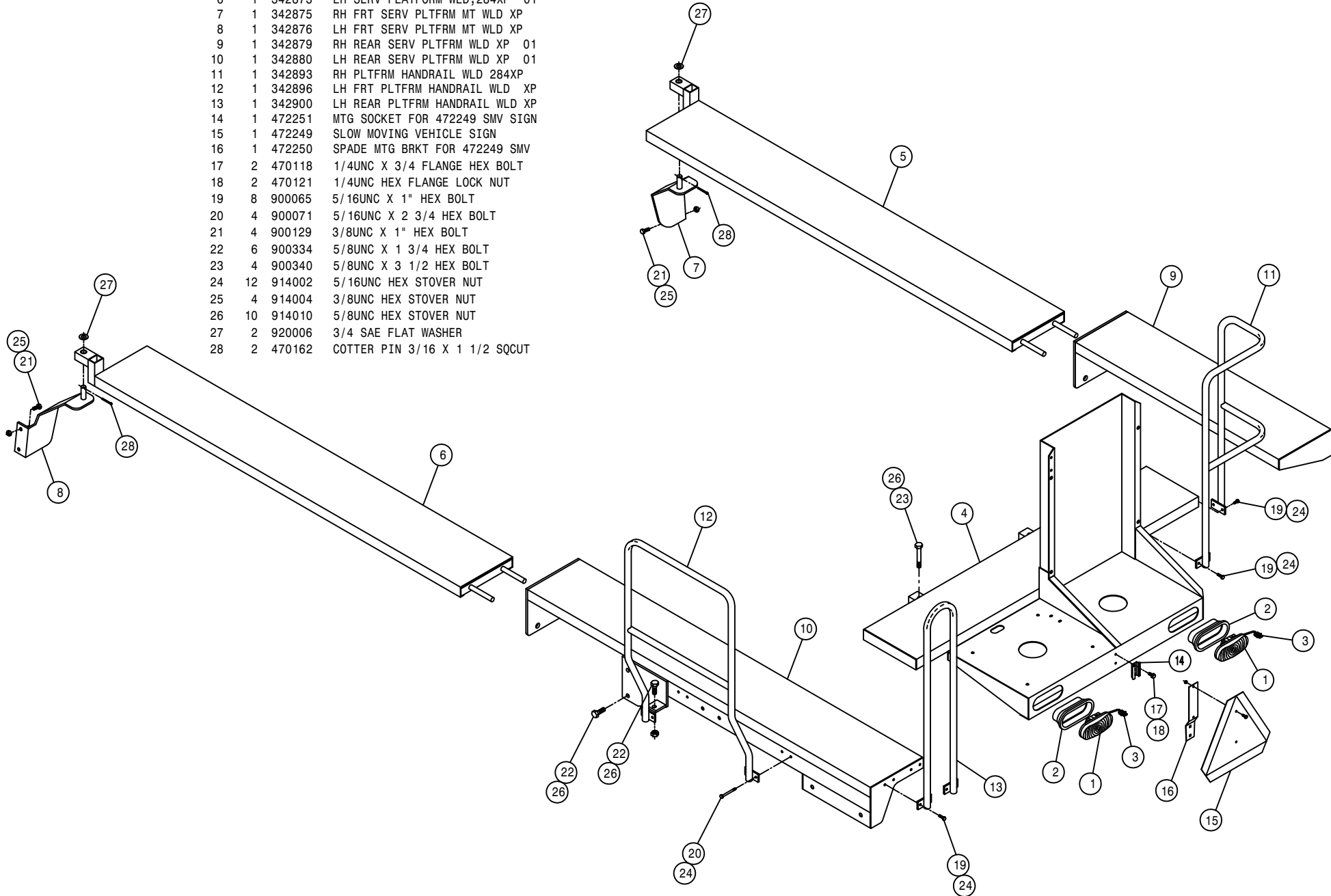
1	2	291428	FUEL SENDER 19 IN.	
2	10	473902	NO 8 X 1/2 PAN HD MET SC	
3	2	501102	1/4 PIPE PLUG	
4	8	501451	BLK PIPE EL 90DEG .25NPT	
5	4	501602	BLK PIPE NIPPLE .25NPT-1.50	
6	2	760179	FUEL TANK WLD, 2100	98
7	2	761200	GAS CAP	
8	2	783303	1/4 NPT X 5/16 HOSE BARB, BRS	
9	2	783304	1/4 NPT X 3/8 HOSE BARB, BRS	
10	4	760184	FUEL TANK BAND WLD, 2100	98
11	4	914004	3/8UNC HEX STOVER NUT	
12	14	520120	HOSE CLAMP NO 4 STAINLESS	
13	1	601421	HOSE, 5/16 X 50 FUEL LINE	
14	2	601324	HOSE, 3/8 X 90 FUEL LINE	
15	2	601545	HOSE, 5/16 X 108 FUEL LINE	
16	2	316281	FUEL STRAINER, IN-LINE, DIESEL	
17	2	601528	HOSE, 3/8 X 9 FUEL LINE	
18	1	601322	HOSE, 3/8 X 26 FUEL LINE	
19	1	610529	FUEL SELECTOR VALVE W/RETURN	
20	2	291464	GSKT FUEL SENDER, FOR 291428	
21	2	900064	5/16UNC X 3/4 HEX BOLT	
22	4	470121	1/4UNC HEX FLANGE LOCK NUT	

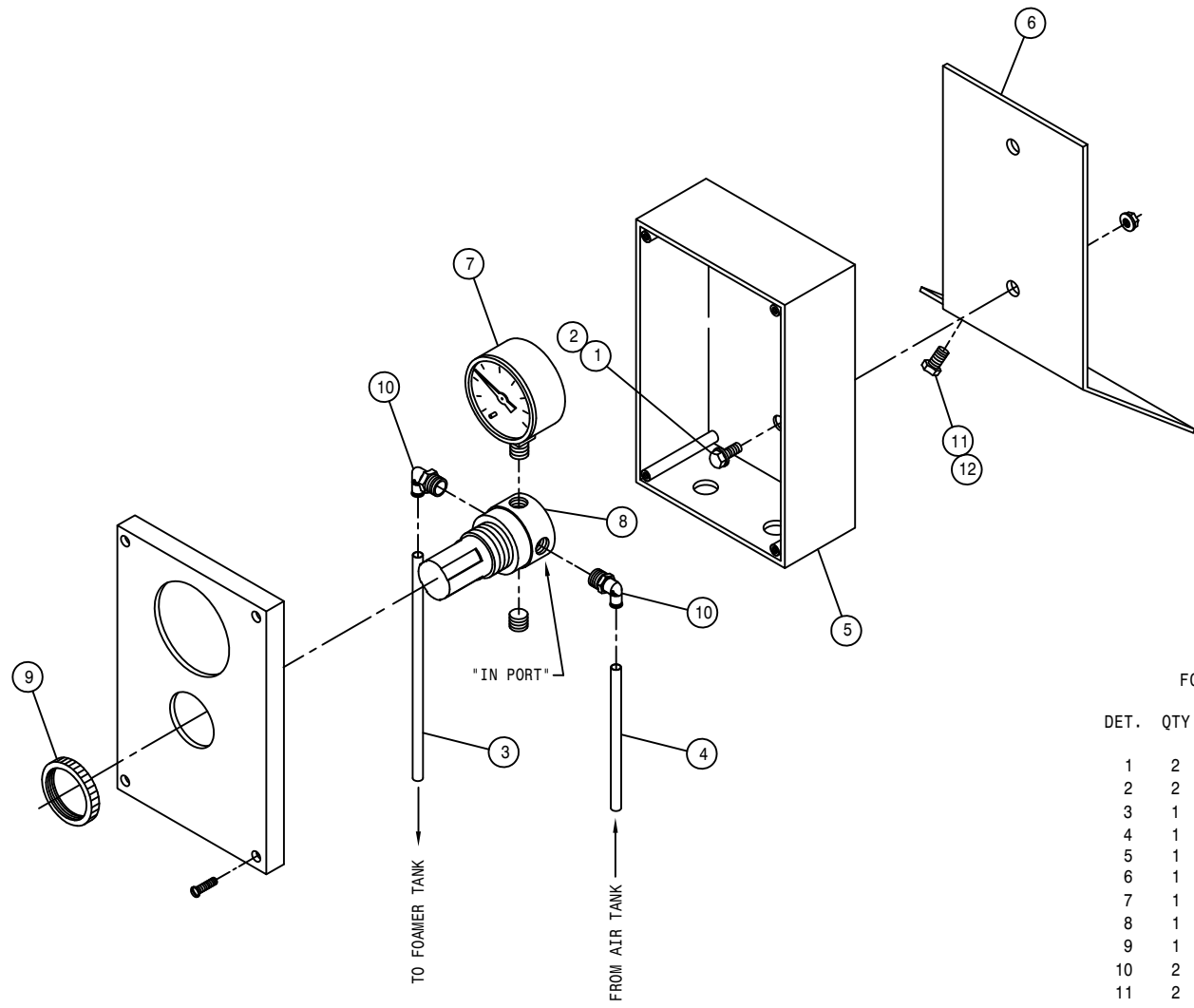


SERVICE PLATFORM ASSEMBLY

DET. QTY PART NO. DESCRIPTION

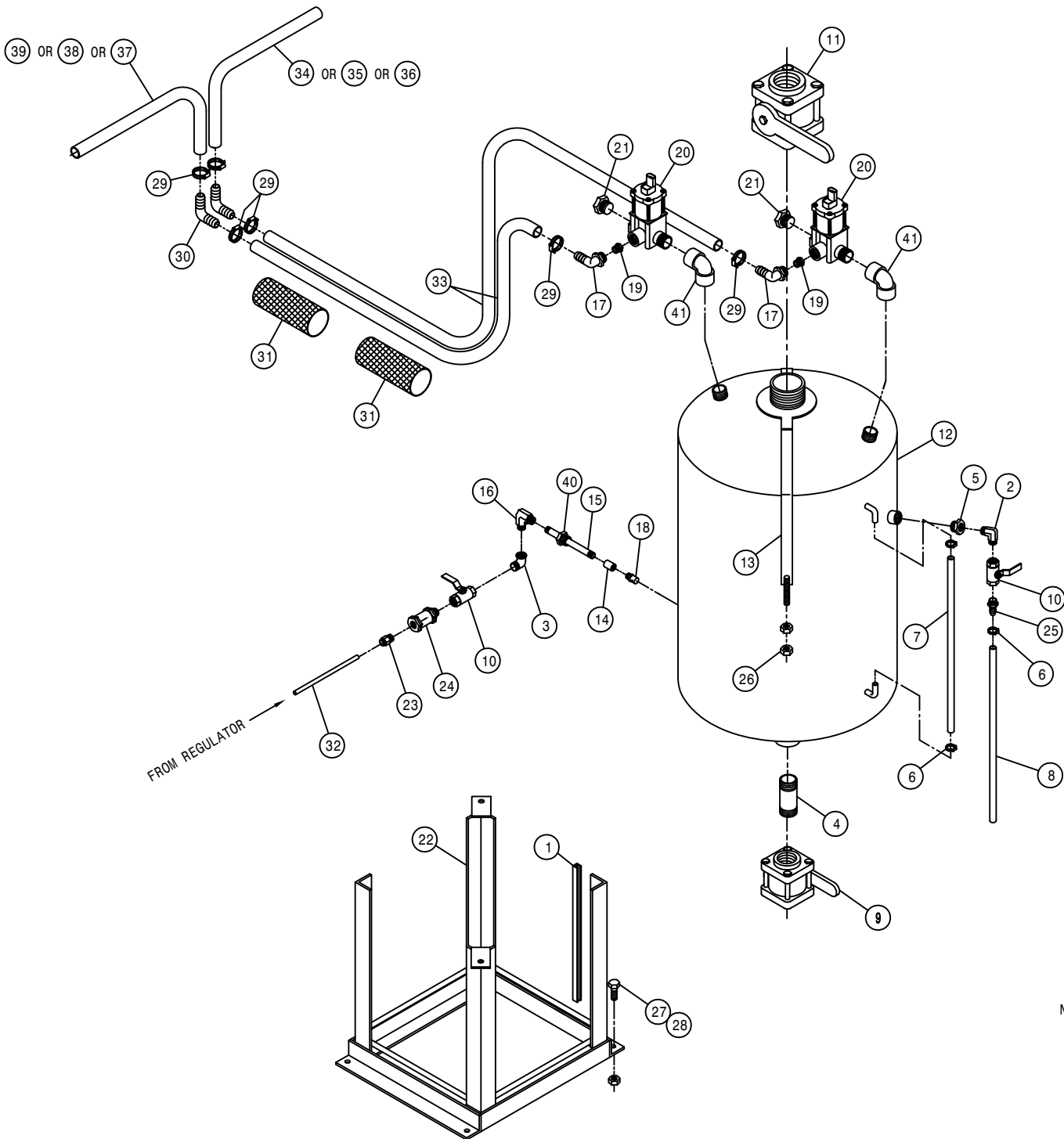
1	2	291694	RED LAMP, 6 1/2" OVAL 12.8V
2	2	291697	RUBBER MT FOR 6 1/2" OVAL LAMP
3	2	293515	3-WIRE PIGTAIL ASSY
4	1	342860	REAR PLATFORM WLD, 284XP 01
5	1	342872	RH SERV PLATFORM WLD,284XP 01
6	1	342873	LH SERV PLATFORM WLD,284XP 01
7	1	342875	RH FRT SERV PLTFRM MT WLD XP
8	1	342876	LH FRT SERV PLTFRM MT WLD XP
9	1	342879	RH REAR SERV PLTFRM WLD XP 01
10	1	342880	LH REAR SERV PLTFRM WLD XP 01
11	1	342893	RH PLTFRM HANDRAIL WLD 284XP
12	1	342896	LH FRT PLTFRM HANDRAIL WLD XP
13	1	342900	LH REAR PLTFRM HANDRAIL WLD XP
14	1	472251	MTG SOCKET FOR 472249 SMV SIGN
15	1	472249	SLOW MOVING VEHICLE SIGN
16	1	472250	SPADE MTG BRKT FOR 472249 SMV
17	2	470118	1/4UNC X 3/4 FLANGE HEX BOLT
18	2	470121	1/4UNC HEX FLANGE LOCK NUT
19	8	900065	5/16UNC X 1" HEX BOLT
20	4	900071	5/16UNC X 2 3/4 HEX BOLT
21	4	900129	3/8UNC X 1" HEX BOLT
22	6	900334	5/8UNC X 1 3/4 HEX BOLT
23	4	900340	5/8UNC X 3 1/2 HEX BOLT
24	12	914002	5/16UNC HEX STOVER NUT
25	4	914004	3/8UNC HEX STOVER NUT
26	10	914010	5/8UNC HEX STOVER NUT
27	2	920006	3/4 SAE FLAT WASHER
28	2	470162	COTTER PIN 3/16 X 1 1/2 SQCUT





FOAMER AIR REGULATOR ASSEMBLY

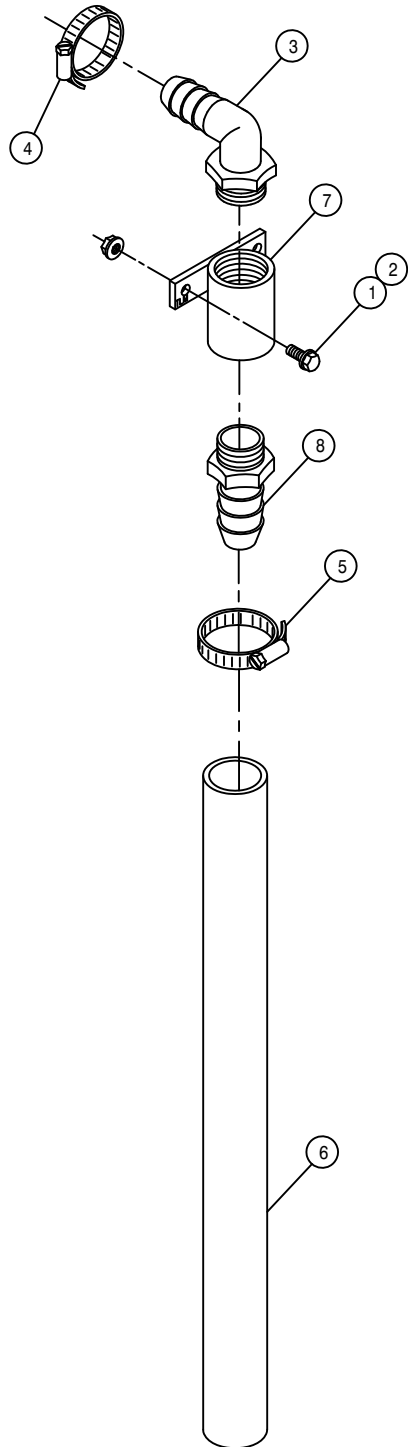
DET.	QTY	PART NO.	DESCRIPTION	
	1	2	470113	5/16UNC HEX FLANGE LOCK NUT
	2	2	470232	5/16UNC X 1/2 FLANGE HEX BOLT
	3	1	601394	HOSE, 1/4 X 34 AIR
	4	1	601476	HOSE, 1/4 X 120 AIR
	5	1	701184	FOAMER AIR REG MT BOX, STS12
	6	1	701205	FOAMER AIR REG MT BOX MT,284XP
	7	1	701310	AIR PRESS GAUGE, 1/8"BOT
	8	1	711019	1/4"MNPT AIR REGULATOR
	9	1	711021	1 1/4-18 NUT,AIR REGULATOR MT
	10	2	711040	1/4MNPT-90-1/4 NYL TUBE LBO
	11	2	900064	5/16UNC X 3/4 HEX BOLT
	12	2	914002	5/16UNC HEX STOVER NUT



FOAM MARKER TANK ASSEMBLY

DET.	QTY	PART NO.	DESCRIPTION
1	8	193016	QUICKEDGE TRIM .060 TO .170
2	1	502705	1/4NPT-90-1/4NPT LBO, BRS
3	1	501450	BLK PIPE ST EL 90DEG .25NPT
4	1	505203	BLK PIPE NIPPLE 1.00NPT-4.00
5	1	505211	3/8-1/4NPT REDU BUSH, BRS
6	3	520120	HOSE CLAMP NO 4 STAINLESS
7	1	601364	HOSE, 3/8 X 16 CLEAR VINYL
8	1	601370	HOSE, 3/8 X 30 CLEAR VINYL
9	1	695900	BALL VALVE 1IN FNPT POLY
10	2	696120	BALL VALVE, 1/4NPT, STEEL
11	1	696134	BALL VALVE 2IN FNPT POLY
12	1	701091	FOAM MARKER TANK, 20 GAL SS
13	1	701099	FOAM MARKER TANK STRAP WLD
14	1	500223	SS PIPE CPLG, 1/8NPT
15	1	507021	SS PIPE NIPPLE, 1/8NPT X 6"
16	1	701143	FOAMER AIR TUBE FTG
17	2	701214	1/2NPT-90-3/4HBARB, 1/4TAP, POLY
18	1	701144	FOAMER AIR NOZZLE
19	2	701215	1/4PIPE PLUG, .187 ORIFICE, POLY
20	2	696181	3/4" ELECT SOLU SOLE VALVE 02
21	2	500043	3/4NPT PIPE PLUG, POLY
22	1	701201	FOAM MARKER TANK MT WLD 284XP
23	1	711049	1/4 NYL TUBE-1/4MNPT FTG
24	1	711052	1/4"NPT CHECK VALVE, SWING, 2600
25	1	783304	1/4 NPT X 3/8 HOSE BARB, BRS
26	4	910004	3/8UNC HEX NUT
27	4	900129	3/8UNC X 1" HEX BOLT
28	4	914004	3/8UNC HEX STOVER NUT
29	6	520055	HOSE CLAMP NO 12 STAINLESS
30	2	500069	3/4-90-3/4 HOSE BARB, POLY
31	2	342333	NYL HOSE SLEEVE, 2.64ID X 12.00
32	1	601394	HOSE, 1/4 X 34 AIR
33	2	195908	HOSE 3/4ID-1/8W CLEAR VINYL X 240.00
34	1	195908	HOSE 3/4ID-1/8W CLEAR VINYL X 612.00
35	1	195908	HOSE 3/4ID-1/8W CLEAR VINYL X 732.00
36	1	195908	HOSE 3/4ID-1/8W CLEAR VINYL X 792.00
37	1	195908	HOSE 3/4ID-1/8W CLEAR VINYL X 588.00
38	1	195908	HOSE 3/4ID-1/8W CLEAR VINYL X 708.00
39	1	195908	HOSE 3/4ID-1/8W CLEAR VINYL X 768.00
40	1	507728	REDU BUSH 1/2MNPT X 1/4FNPT, SS
41	2	500079	3/4NPT-90 EL, POLY

NOTE: 1. DETAIL 34 AND 37 ARE USED WITH THE 60 FT BOOM.
 2. DETAIL 35 AND 38 ARE USED WITH THE 80 FT BOOM.
 3. DETAIL 36 AND 39 ARE USED WITH THE 90 FT BOOM.

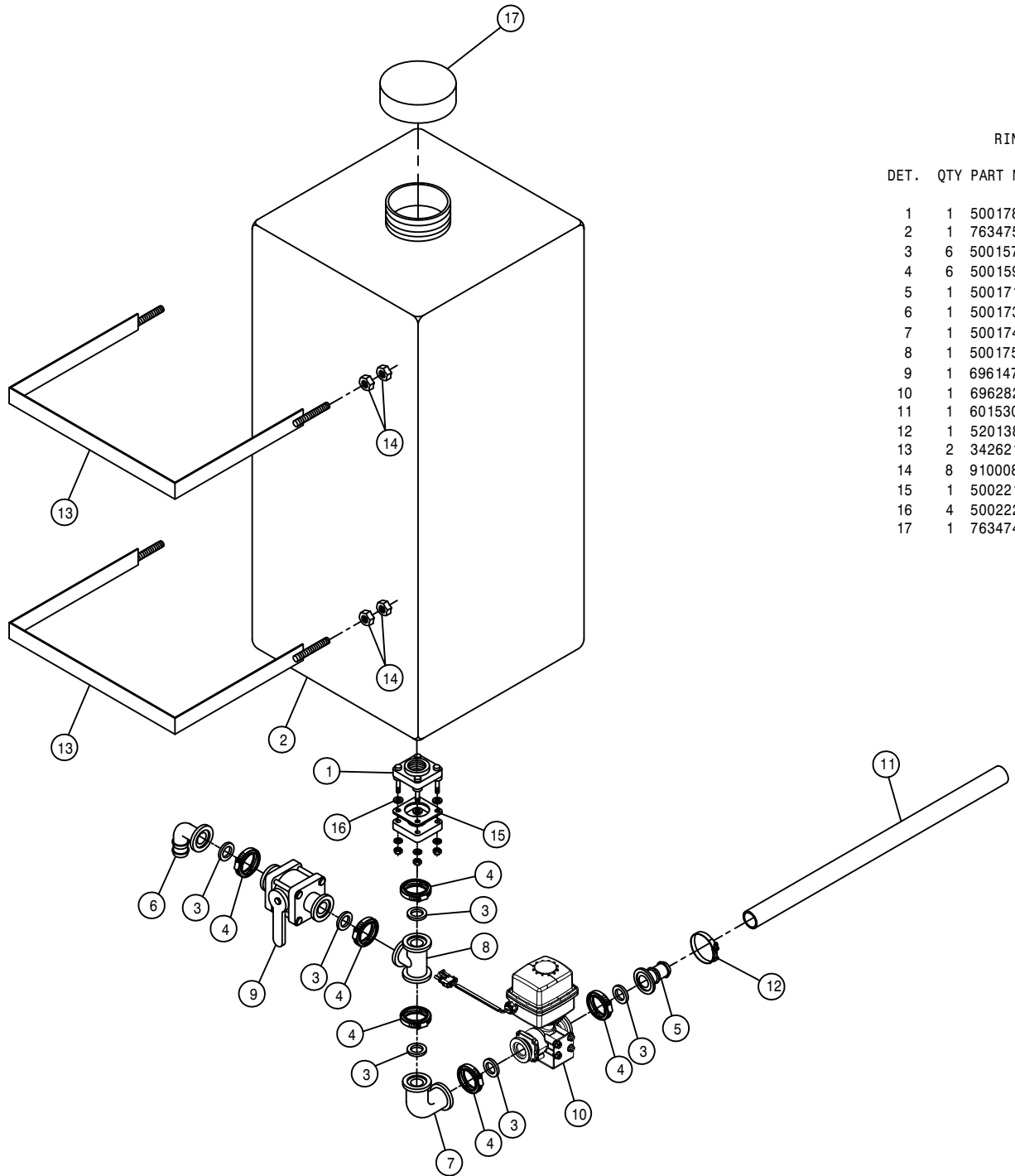


FOAMER DROP END ASSEMBLY

DET. QTY PART NO. DESCRIPTION

1	4	470118	1/4UNC X 3/4 FLANGE HEX BOLT
2	4	470121	1/4UNC HEX FLANGE LOCK NUT
3	2	500067	1 NPT-90-3/4 HOSE BARB, POLY
4	2	520055	HOSE CLAMP NO 12 STAINLESS
5	2	520085	HOSE CLAMP NO 24 STAINLESS
6	2	601367	HOSE, 1 1/4 X 24 2BR BLK EPDM
7	2	701102	FOAM MARKER DROP CPLR WELD
8	2	714561	1.00NPT-1.25 HOSE BARB

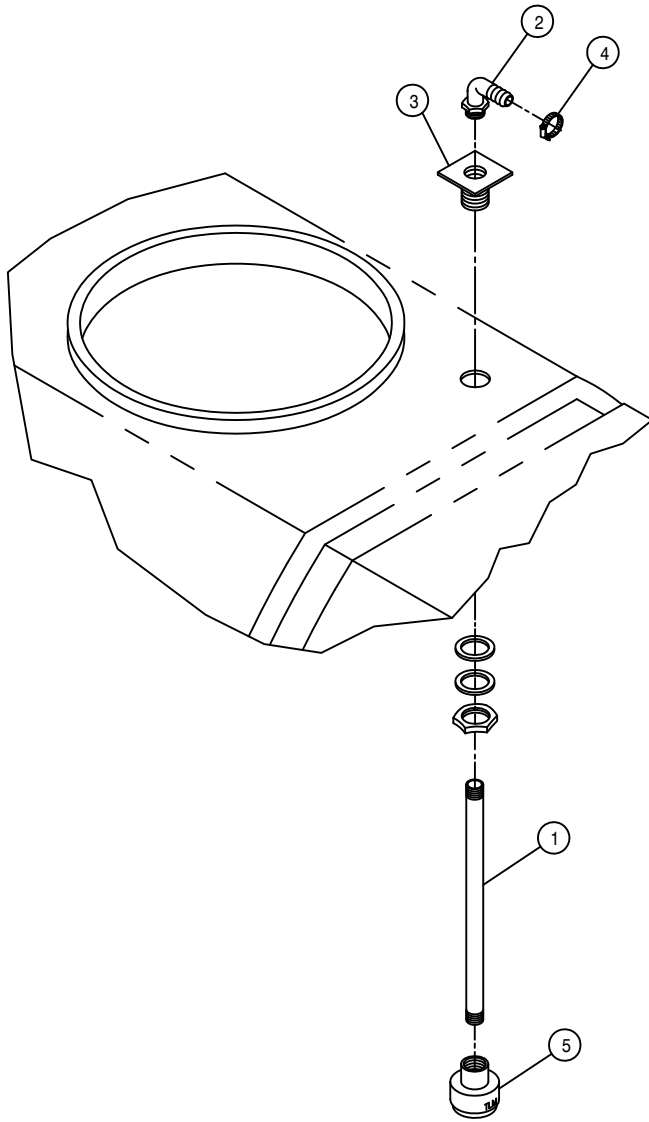
NOTE: QUANTITY LISTED IS FOR ONE MACHINE.



RINSE TANK ASSEMBLY

DET. QTY PART NO. DESCRIPTION

1	1	500178	1"FLG TANK FTG,BOTDRN BLT POLY
2	1	763475	55 GAL TANK, RECTANGLE VERTICL
3	6	500157	1" FLANGE GASKET EPDM
4	6	500159	1" FLANGE CLAMP, S.S.
5	1	500171	1" FLANGE-1" HOSE BARB POLY
6	1	500173	1" FLANGE-90-1" HOSE BARB POLY
7	1	500174	1" FLANGE-90-1" FLANGE LBOPOLY
8	1	500175	1" FLANGE TEE POLY
9	1	696147	BALL VLV, 1" FLANGE
10	1	696282	VALVE,KZCO C2E 1"FLG ELEC W/WP
11	1	601530	HOSE, 1 X 182 2F-1W EPDM
12	1	520138	1.38/1.56 T-BOLT HOSE CLAMP
13	2	342621	RINSE TANK BAND WLD, 2100 98
14	8	910008	1/2UNC HEX NUT
15	1	500221	FULL GASKET,1" TANK FTG 500178
16	4	500222	FOOT GASKET,1" TANK FTG 500178
17	1	763474	LID, 55 GAL RINSE TANK 763475



RINSE NOZZLE ASSEMBLY

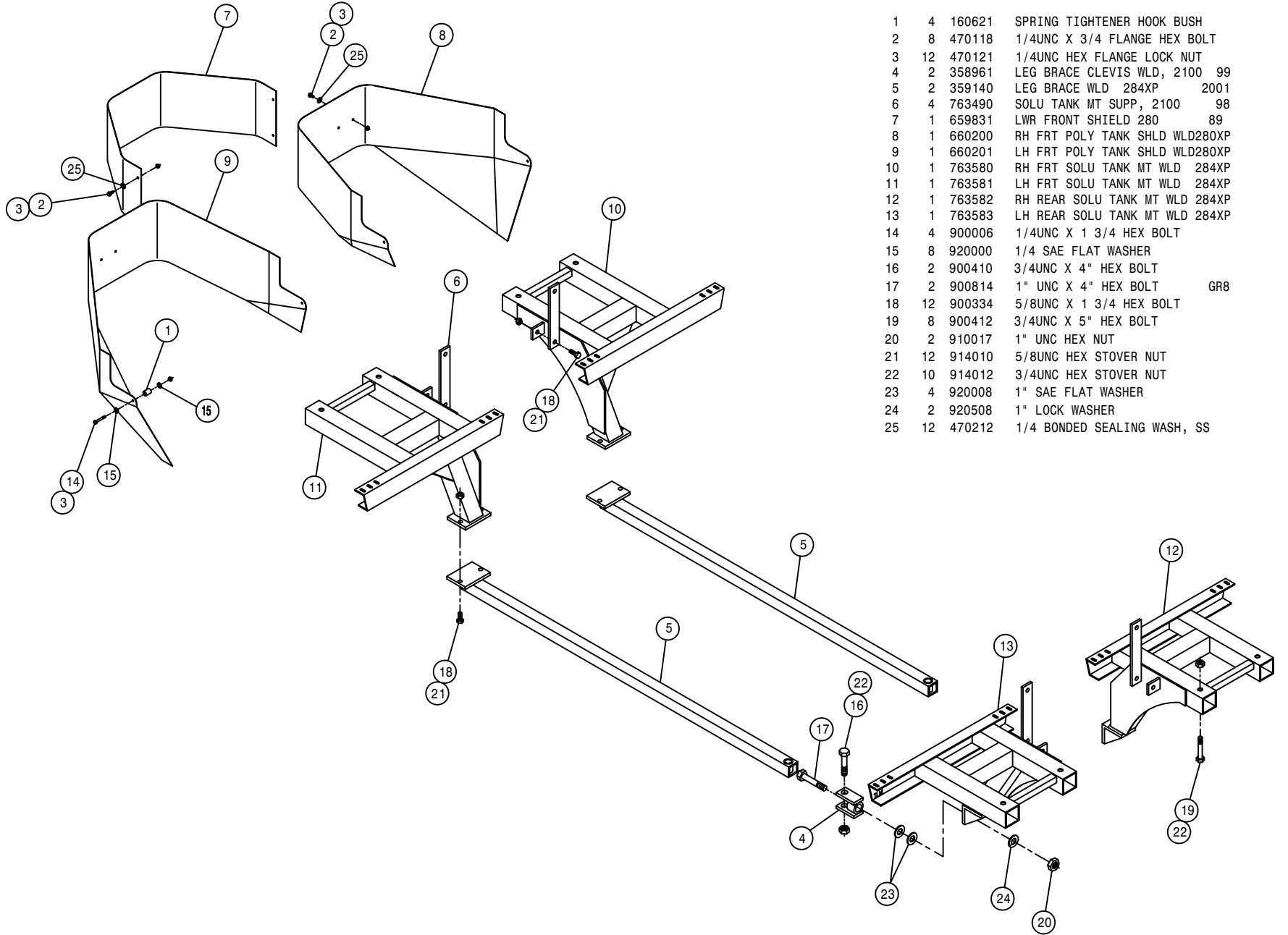
DET.	QTY	PART NO.	DESCRIPTION
1	2	504850	CPVC PIPE NIPPLE .75NPT-24.00
2	2	500041	3/4NPT-90-1/2"HOSE BARB, POLY
3	2	618549	.75 PLASTIC FTG ASSY POLY TNK
4	2	520070	HOSE CLAMP NO 8 STAINLESS
5	2	737873	ROTARY NOZZLE, TEFLON

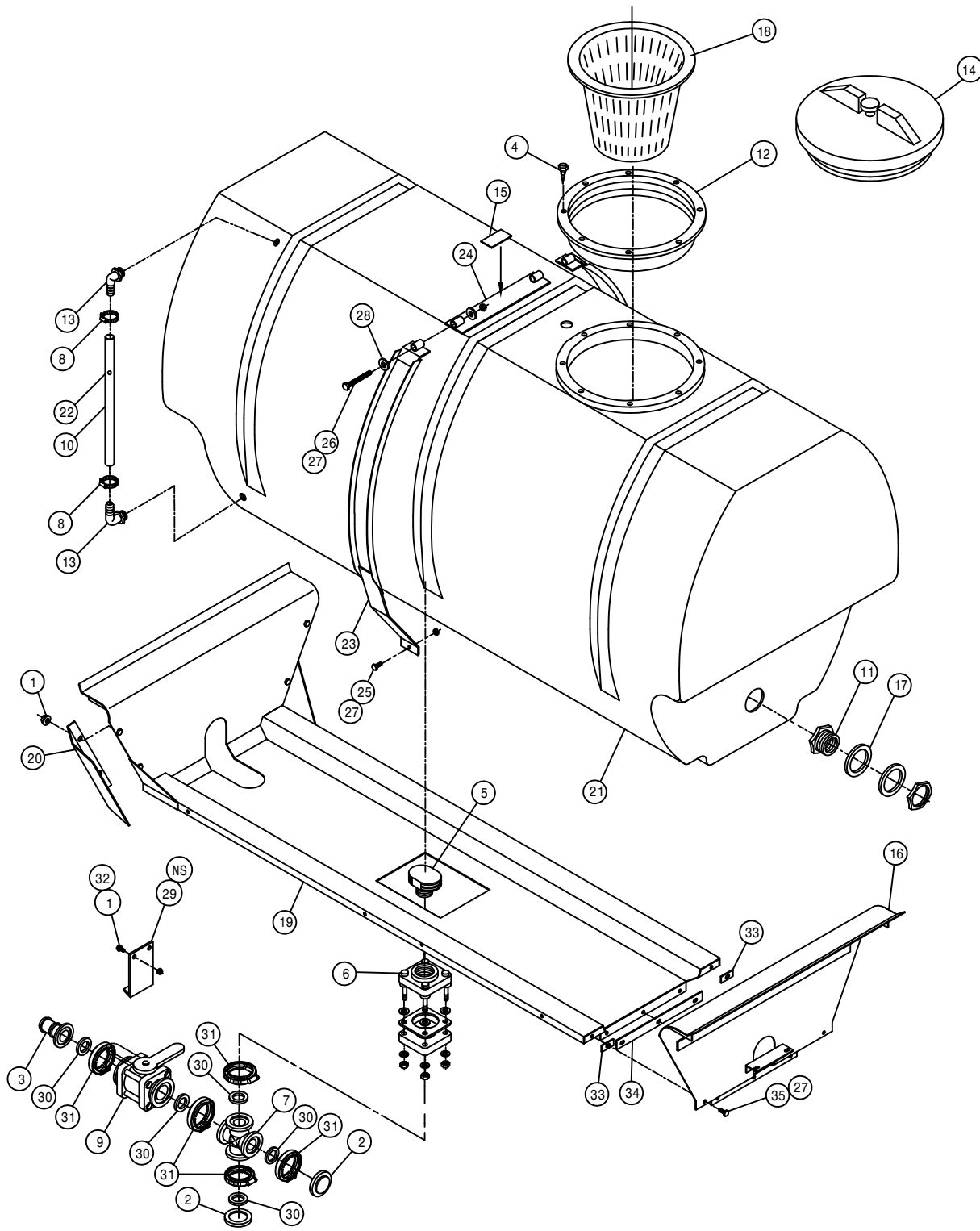
NOTE: QUANTITY LISTED IS FOR ONE MACHINE.

SOLUTION TANK MOUNTS AND SHIELDS

DET. QTY PART NO. DESCRIPTION

DET.	QTY	PART NO.	DESCRIPTION
1	4	160621	SPRING TIGHTENER HOOK BUSH
2	8	470118	1/4UNC X 3/4 FLANGE HEX BOLT
3	12	470121	1/4UNC HEX FLANGE LOCK NUT
4	2	358961	LEG BRACE CLEVIS WLD, 2100 99
5	2	359140	LEG BRACE WLD 284XP 2001
6	4	763490	SOLU TANK MT SUPP, 2100 98
7	1	659831	LWR FRONT SHIELD 280 89
8	1	660200	RH FRT POLY TANK SHLD WLD280XP
9	1	660201	LH FRT POLY TANK SHLD WLD280XP
10	1	763580	RH FRT SOLU TANK MT WLD 284XP
11	1	763581	LH FRT SOLU TANK MT WLD 284XP
12	1	763582	RH REAR SOLU TANK MT WLD 284XP
13	1	763583	LH REAR SOLU TANK MT WLD 284XP
14	4	900006	1/4UNC X 1 3/4 HEX BOLT
15	8	920000	1/4 SAE FLAT WASHER
16	2	900410	3/4UNC X 4" HEX BOLT
17	2	900814	1" UNC X 4" HEX BOLT GR8
18	12	900334	5/8UNC X 1 3/4 HEX BOLT
19	8	900412	3/4UNC X 5" HEX BOLT
20	2	910017	1" UNC HEX NUT
21	12	914010	5/8UNC HEX STOVER NUT
22	10	914012	3/4UNC HEX STOVER NUT
23	4	920008	1" SAE FLAT WASHER
24	2	920508	1" LOCK WASHER
25	12	470212	1/4 BONDED SEALING WASH, SS

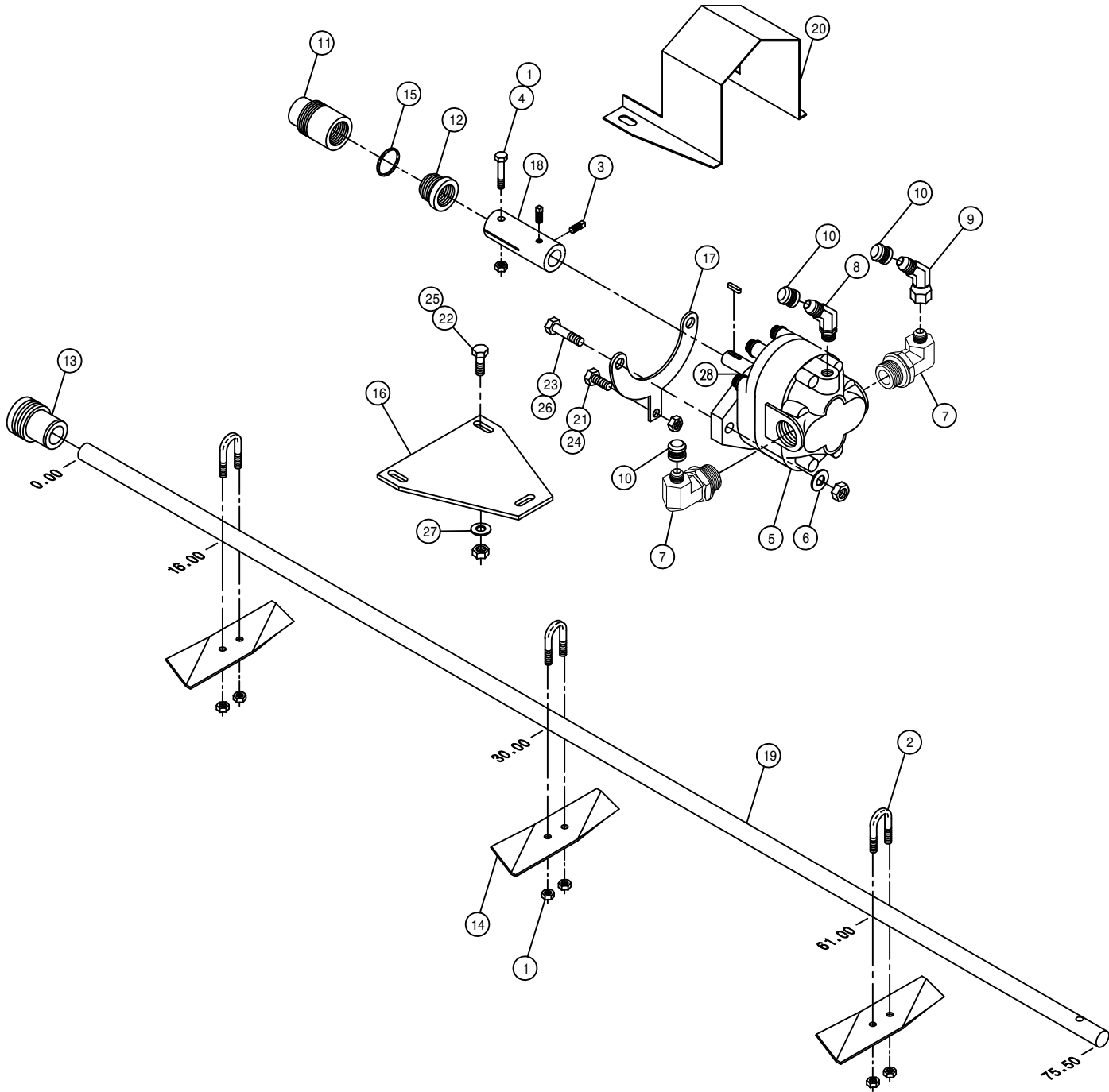




RH POLY SOLU TANK ASM,DTS8 08

DET.	QTY	PART NO.	DESCRIPTION
1	4	470121	1/4UNC HEX FLANGE LOCK NUT
2	2	500156	2" FLANGE CAP PLUG POLY
3	1	500162	2" FLANGE-1 1/2 HOSE BARB POLY
4	8	763410	S.S. SCREW FOR CAP RING
5	1	500077	VENT CAP, 2" W/O SCREEN,POLY
6	1	500179	2"FLG TANK FTG,BOTDRN BLT POLY
7	1	500176	2" FLANGE CROSS POLY
8	2	520069	HOSE CLAMP NO 6 STAINLESS
9	1	696142	BALL VLV, 2" FLANGE
10	1	601245	HOSE, 1/2 X 42 CLEAR VINYL
11	2	618548	1.25 PLASTIC FTG ASSY POLYTNK
12	1	763409	10" THD'D RING FOR TANK LID
13	2	618556	1/4NPT-90-1/2 HOSE BARB,POLY
14	1	763408	LID, THD'D W/VENT, POLY TANK
15	1	650850	WARNING, DANGEROUS CHEM DECAL
16	1	763340	REAR POLY CRADLE MT WLD280 90
17	2	763430	1 1/4 TANK FLANGE RUBBER SEAL
18	1	763431	8" STRAINER BASKET, SOLU TANK
19	1	763434	POLY TANK CRADLE WELD, 284 94
20	1	763436	RH SIGHT GAGE SHLD,POLY284 94
21	1	763440	400 GAL GRAY POLY SOLU TANK 94
22	1	763446	RED POLYPROPYLENE BALL 25/64"
23	6	763454	TANK BAND WLD, 284 POLY 95
24	3	763456	TANK BAND TIE WLD,284 POLY 95
25	5	900129	3/8UNC X 1" SERR FLANGE BOLT
26	6	906138	3/8UNC X 3 1/2 HEX BOLT FULL
27	17	914004	3/8UNC HEX STOVER NUT
28	12	920002	3/8 SAE FLAT WASHER
29	1	763363	SOLU HOSE SUPPORT 280 POLY 91
30	5	500158	1 1/2" GASKET FOR 2" FLANGE
31	5	500160	2" FLANGE CLAMP, S.S.
32	2	470118	1/4UNC X 3/4 FLANGE HEX BOLT
33	2	763597	SOLU TANK SPACER
34	1	763598	SOLU TANK SPACER
35	5	900131	3/8UNC X 1 1/2 HEX BOLT
NS	1	470000	CABLE TIE, 21" BLK PLASTIC

57



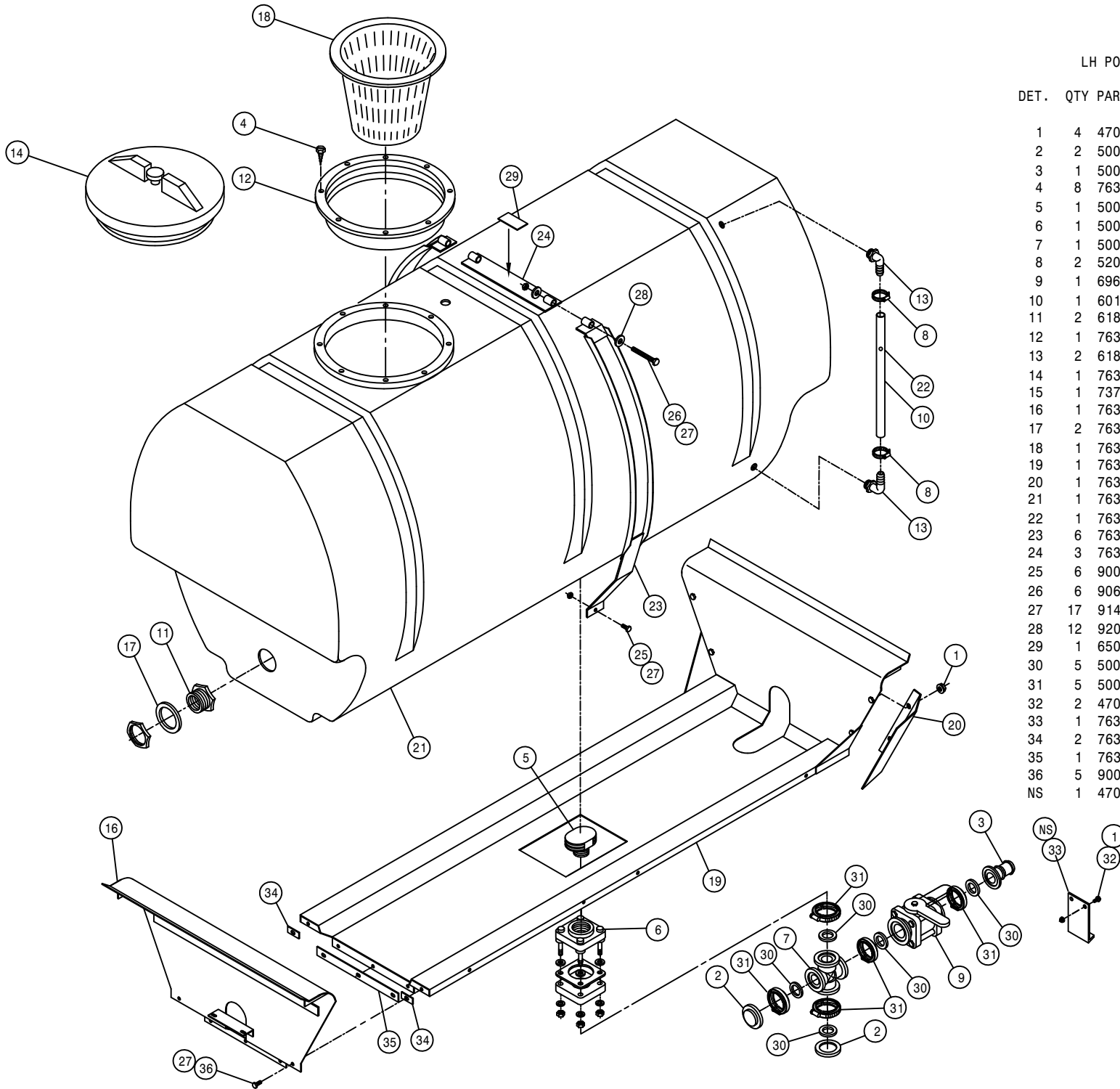
RH POLY SOLU TANK ASM,DTS8 08

DET.	QTY	PART NO.	DESCRIPTION
1	7	470089	1/4UNC HEX NYLOC NUT, 316 SS
2	3	470092	1/4UNC-3/4ID-1 1/4 U-BOLT SS
3	2	470199	1/4UNC X 3/8 SQHD CUP SET SCR
4	1	470200	1/4UNC X 1 3/4 HEX BOLT SS
5	1	606324	GEAR MTR,1.41CI EATON
6	2	920002	3/8 SAE FLAT WASHER
7	2	618813	9/16MJIC-90-1 1/16MOR LBO
8	1	618425	9/16MJIC-45-9/16MOR LBO
9	1	618634	9/16MJIC-45-9/16FJIC SWIV LBO
10	3	629733	CAPLUGS CAP,9/16-18FJIC,ALUM
11	1	706401	REAR AGIT SHFT BRG, NYLON
12	1	706402	AGIT SHFT GLAND NUT, NYLON
13	1	706403	FRT AGIT SHFT BRG, NYLON
14	3	763027	AGIT IMPELLER
15	1	763217	GLAND PACKING, 13 IN. LONG
16	1	763357	AGIT MTR MT PLT CES 280 91
17	1	763358	AGIT MTR MT YOKE CES 280 91
18	1	763359	AGIT MTR CPLR 280 91
19	1	763360	AGIT SHAFT 280 91
20	1	763361	AGIT CPLR SHIELD 280 91
21	1	900000	1/4UNC X 1/2 HEX BOLT
22	2	900064	5/16UNC X 3/4 HEX BOLT
23	2	900130	3/8UNC X 1 1/4 SER FLANGE BOLT
24	1	914000	1/4UNC HEX STOVER NUT
25	2	914002	5/16UNC HEX STOVER NUT
26	2	914004	3/8UNC HEX STOVER NUT
27	2	920001	5/16 SAE FLAT WASHER
28	1	606313	SHAFT SEAL FOR 606324 (NOT SHOWN)

LH POLY SOLU TANK ASM,DTS8 08

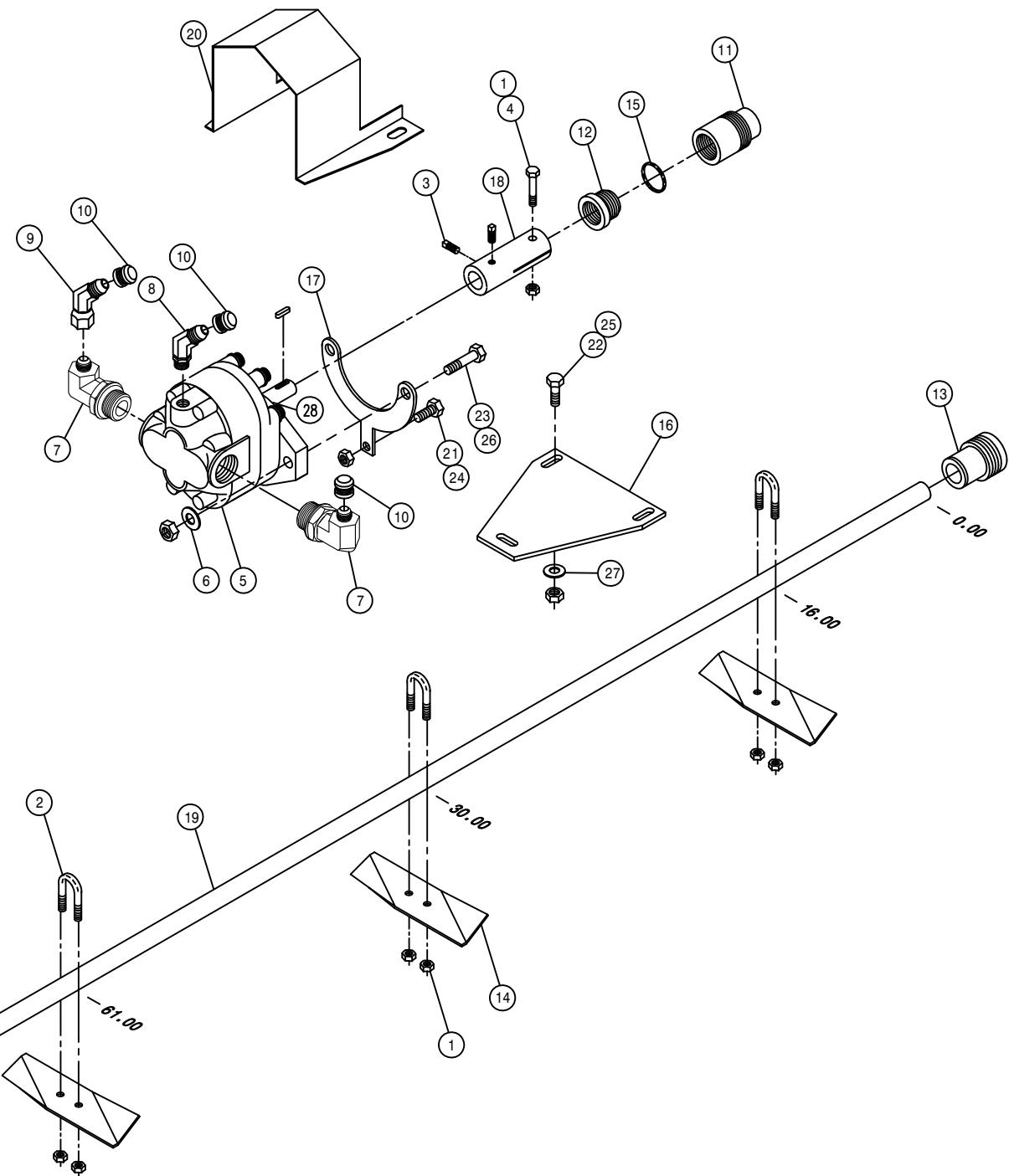
DET. QTY PART NO. DESCRIPTION

DET.	QTY	PART NO.	DESCRIPTION
1	4	470121	1/4UNC HEX FLANGE LOCK NUT
2	2	500156	2" FLANGE CAP PLUG POLY
3	1	500162	2" FLANGE-1 1/2 HOSE BARB POLY
4	8	763410	S.S. SCREW FOR CAP RING
5	1	500077	VENT CAP, 2" W/O SCREEN,POLY
6	1	500179	2"FLG TANK FTG,BOTDRN BLT POLY
7	1	500176	2" FLANGE CROSS POLY
8	2	520069	HOSE CLAMP NO 6 STAINLESS
9	1	696142	BALL VLV, 2" FLANGE
10	1	601245	HOSE, 1/2 X 42 CLEAR VINYL
11	2	618548	1.25 PLASTIC FTG ASSY POLYTNK
12	1	763409	10" THD'D RING FOR TANK LID
13	2	618556	1/4NPT-90-1/2 HOSE BARB,POLY
14	1	763408	LID, THD'D W/VENT, POLY TANK
15	1	737873	ROTARY NOZZLE, TEFLON
16	1	763340	REAR POLY CRADLE MT WLD280 90
17	2	763430	1 1/4 TANK FLANGE RUBBER SEAL
18	1	763431	8" STRAINER BASKET, SOLU TANK
19	1	763434	POLY TANK CRADLE WELD, 284 94
20	1	763437	LH SIGHT GAGE SHLD,POLY284 94
21	1	763440	400 GAL GRAY POLY SOLU TANK 94
22	1	763446	RED POLYPROPYLENE BALL 25/64"
23	6	763454	TANK BAND WLD, 284 POLY 95
24	3	763456	TANK BAND TIE WLD,284 POLY 95
25	6	900129	3/8UNC X 1" SERR FLANGE BOLT
26	6	906138	3/8UNC X 3 1/2 HEX BOLT FULL
27	17	914004	3/8UNC HEX STOVER NUT
28	12	920002	3/8 SAE FLAT WASHER
29	1	650850	WARNING, DANGEROUS CHEM DECAL
30	5	500158	1 1/2" GASKET FOR 2" FLANGE
31	5	500160	2" FLANGE CLAMP, S.S.
32	2	470118	1/4UNC X 3/4 FLANGE HEX BOLT
33	1	763363	SOLU HOSE SUPPORT 280 POLY 91
34	2	763597	SOLU TANK SPACER
35	1	763598	SOLU TANK SPACER
36	5	900131	3/8UNC X 1 1/2 HEX BOLT
NS	1	470000	CABLE TIE, 21" BLK PLASTIC



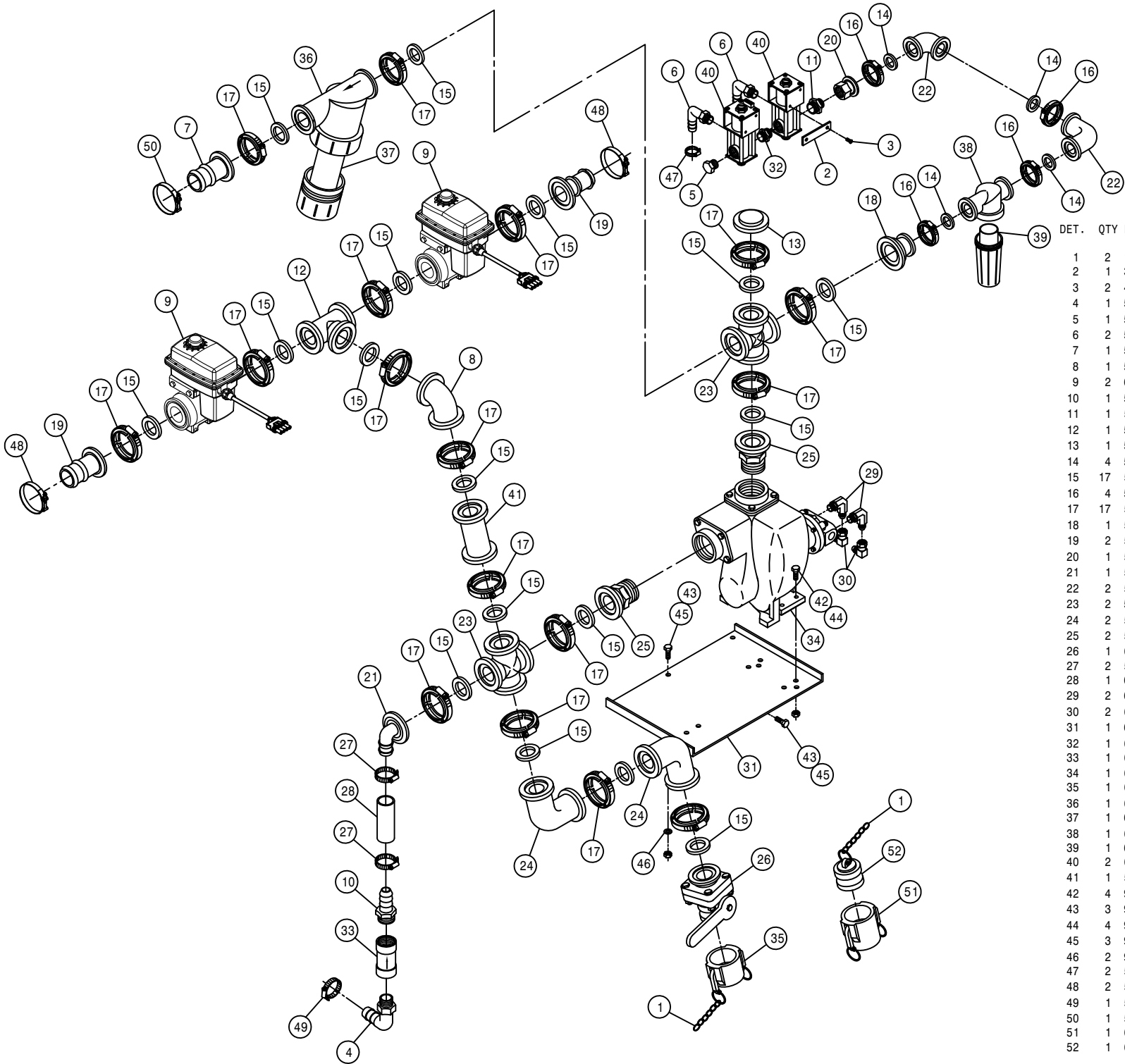
59

404059



LH POLY SOLU TANK ASM,DTS8 08

DET.	QTY	PART NO.	DESCRIPTION
1	7	470089	1/4UNC HEX NYLOC NUT, 316 SS
2	3	470092	1/4UNC-3/4ID-1 1/4 U-BOLT SS
3	2	470199	1/4UNC X 3/8 SQHD CUP SET SCR
4	1	470200	1/4UNC X 1 3/4 HEX BOLT SS
5	1	606324	GEAR MTR,1.41CI EATON
6	2	920002	3/8 SAE FLAT WASHER
7	2	618813	9/16MJIC-90-1 1/16MOR LBO
8	1	618425	9/16MJIC-45-9/16MOR LBO
9	1	618634	9/16MJIC-45-9/16FJIC SWIV LBO
10	3	629733	CAPPLUGS CAP,9/16-18FJIC,ALUM
11	1	706401	REAR AGIT SHFT BRG, NYLON
12	1	706402	AGIT SHFT GLAND NUT, NYLON
13	1	706403	FRT AGIT SHFT BRG, NYLON
14	3	763027	AGIT IMPELLER
15	1	763217	GLAND PACKING, 13 IN. LONG
16	1	763357	AGIT MTR MT PLT CES 280 91
17	1	763358	AGIT MTR MT YOKE CES 280 91
18	1	763359	AGIT MTR CPLR 280 91
19	1	763360	AGIT SHAFT 280 91
20	1	763361	AGIT CPLR SHIELD 280 91
21	1	900000	1/4UNC X 1/2 HEX BOLT
22	2	900064	5/16UNC X 3/4 HEX BOLT
23	2	900130	3/8UNC X 1 1/4 SER FLANGE BOLT
24	1	914000	1/4UNC HEX STOVER NUT
25	2	914002	5/16UNC HEX STOVER NUT
26	2	914004	3/8UNC HEX STOVER NUT
27	2	920001	5/16 SAE FLAT WASHER
NS	1	606313	SHAFT SEAL FOR 606324



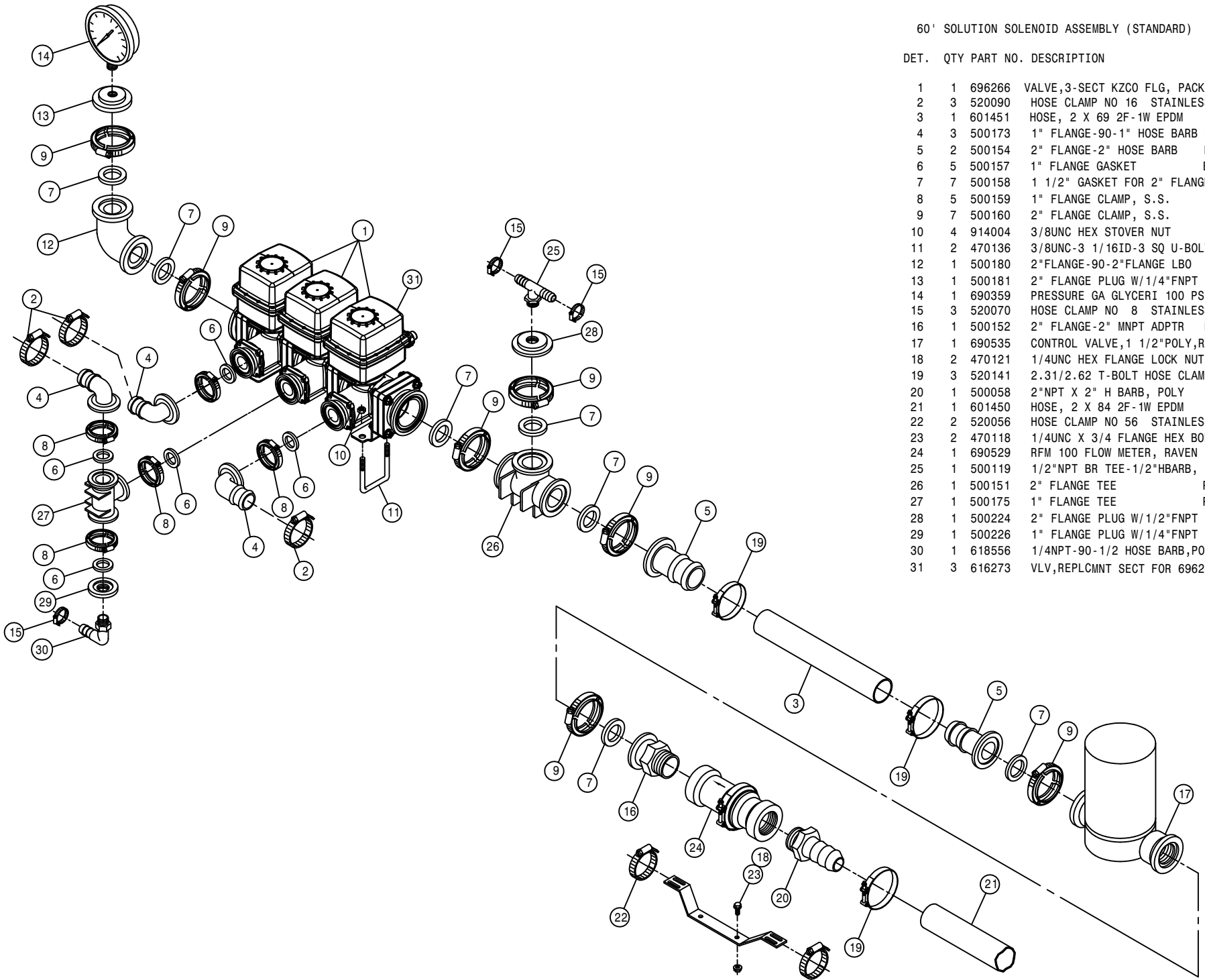
SOLUTION PUMP ASSEMBLY

DET.	QTY	PART NO.	DESCRIPTION
	1	2 160986	CHAIN, 12.00 LONG
	2	1 342014	SOLENOID KEEPER, RINSE SYS
	3	2 472199	10-24 X 1/2 RD HD MACH SCR
	4	1 500024	1"NPT-90-1"HOSE BARB, POLY
	5	1 500043	3/4NPT PIPE PLUG, POLY
	6	2 500047	1/2NPT-90-1/2 HOSE BARB, POLY
	7	1 500154	2" FLANGE-2" HOSE BARB POLY
	8	1 500225	2" FLANGE-45-2"FLANGE LBO POLY
	9	2 696265	VALVE,KZCO 2"SPF ELEC W/WP
	10	1 500074	1"NPT-1" HOSE BARB, POLY
	11	1 500085	1" X 3/4NPT REDU NIPPLE, POLY
	12	1 500151	2" FLANGE TEE POLY
	13	1 500156	2" FLANGE CAP PLUG POLY
	14	4 500157	1" FLANGE GASKET EPDM
	15	17 500158	1 1/2" GASKET FOR 2" FLANGE
	16	4 500159	1" FLANGE CLAMP, S.S.
	17	17 500160	2" FLANGE CLAMP, S.S.
	18	1 500161	2" FLANGE-1"FLANGE COUPLER,POLY
	19	2 500162	2" FLANGE-1 1/2 HOSE BARB POLY
	20	1 500168	1" FLANGE-1" FNPT ADPTR POLY
	21	1 500189	2" FLANGE-90-1" HOSE BARB POLY
	22	2 500174	1" FLANGE-90-1" FLANGE LBOPOLY
	23	2 500176	2" FLANGE CROSS POLY
	24	2 500180	2"FLANGE-90-2"FLANGE LBO POLY
	25	2 500182	2" FLANGE-2"MNPT ADPTR S.S.
	26	1 696141	BALL VLV,2"FLANGE/2"MALE ADPTR
	27	2 520087	HOSE CLAMP NO 20 STAINLESS
	28	1 601463	HOSE, 1 X 4 2BR BLK EPDM
	29	2 618241	3/4MJIC-90-3/4MOR LBO
	30	2 618609	3/4MJIC-90-3/4FJIC SWIV LBO
	31	1 690530	2" SOLU PUMP MT WLD 95
	32	1 690098	3/4NPT CLOSE NIPPLE, POLY
	33	1 690488	1.00 CHECK VLV, SPRING LOADED
	34	1 690552	FLOMAX 8, 2" PUMP
	35	1 690623	CAP FOR 2.00 MALE COUPLER POLY
	36	1 690628	LINE "Y" STRAINER, 2" FLANGE
	37	1 690629	50 MESH SCREEN FOR 690628
	38	1 690660	LINE "T" STRAINER, 1" FLANGE
	39	1 690661	50 MESH SCREEN FOR 690660
	40	2 695952	SOLUTION VALVE, AA144-1 VITON
	41	1 500177	2" FLANGE-2" FLANGE CPLR POLY
	42	4 900066	5/16UNC X 1 1/4 HEX BOLT
	43	3 900129	3/8UNC X 1" HEX BOLT
	44	4 914002	5/16UNC HEX STOVER NUT
	45	3 914004	3/8UNC HEX STOVER NUT
	46	2 920002	3/8 SAE FLAT WASHER
	47	2 520070	HOSE CLAMP NO 8 STAINLESS
	48	2 520133	1.81/2.06 T-BOLT HOSE CLAMP SS
	49	1 520138	1.38/1.56 T-BOLT HOSE CLAMP
	50	1 520141	2.31/2.62 T-BOLT HOSE CLAMP SS
	51	1 690390	2.00FNPT-FEMALE COUPLER POLY
	52	1 690392	PLUG FOR 2.00 FEMALE COUPLER

60' SOLUTION SOLENOID ASSEMBLY (STANDARD)

DET. QTY PART NO. DESCRIPTION

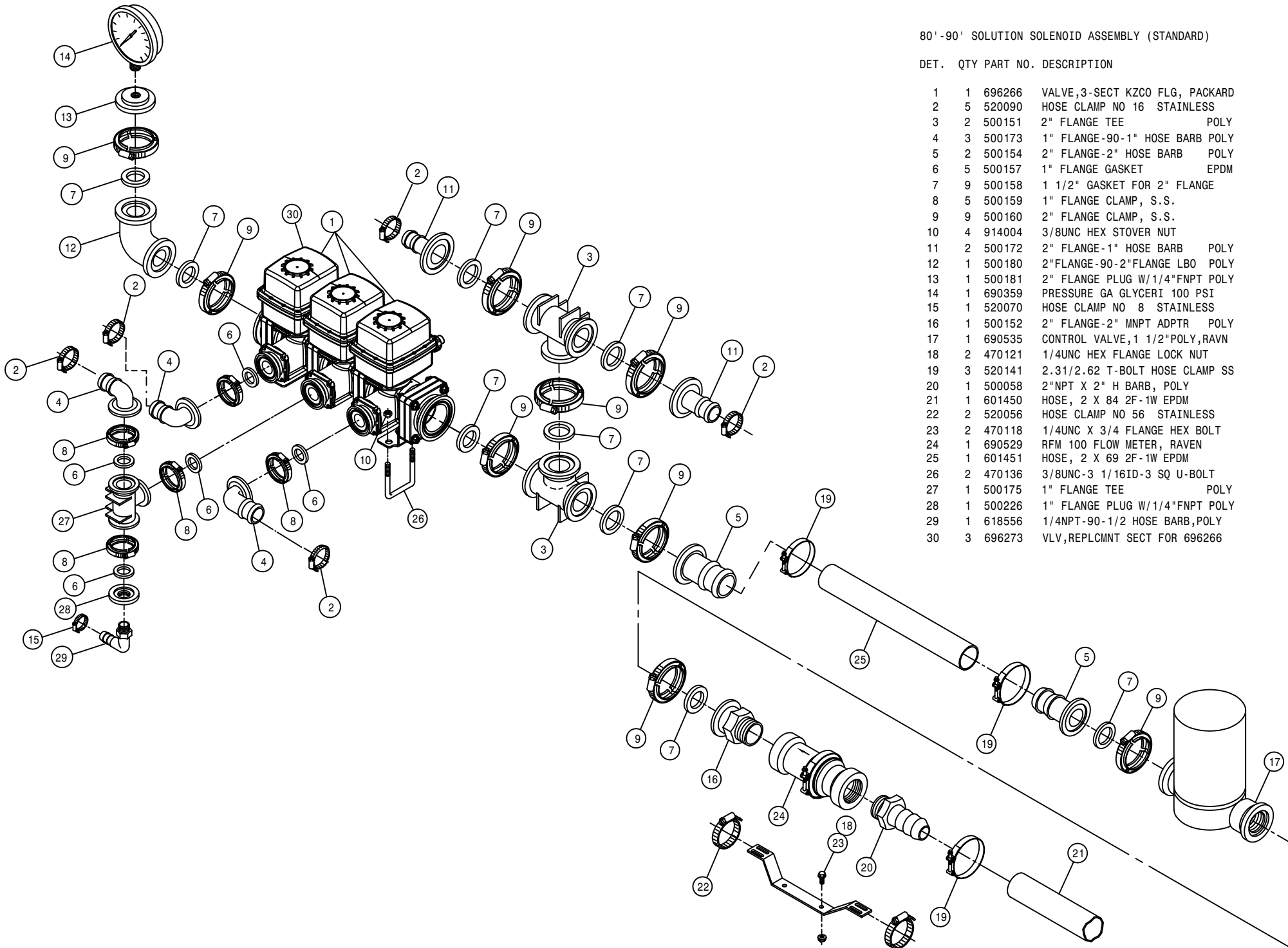
DET.	QTY	PART NO.	DESCRIPTION
1	1	696266	VALVE,3-SECT KZCO FLG, PACKARD
2	3	520090	HOSE CLAMP NO 16 STAINLESS
3	1	601451	HOSE, 2 X 69 2F-1W EPDM
4	3	500173	1" FLANGE-90-1" HOSE BARB POLY
5	2	500154	2" FLANGE-2" HOSE BARB POLY
6	5	500157	1" FLANGE GASKET EPDM
7	7	500158	1 1/2" GASKET FOR 2" FLANGE
8	5	500159	1" FLANGE CLAMP, S.S.
9	7	500160	2" FLANGE CLAMP, S.S.
10	4	914004	3/8UNC HEX STOVER NUT
11	2	470136	3/8UNC-3 1/16ID-3 SQ U-BOLT
12	1	500180	2"FLANGE-90-2"FLANGE LBO POLY
13	1	500181	2" FLANGE PLUG W/1/4"FNPT POLY
14	1	690359	PRESSURE GA GLYCERI 100 PSI
15	3	520070	HOSE CLAMP NO 8 STAINLESS
16	1	500152	2" FLANGE-2" MNPT ADPTR POLY
17	1	690535	CONTROL VALVE,1 1/2"POLY,RAVN
18	2	470121	1/4UNC HEX FLANGE LOCK NUT
19	3	520141	2.31/2.62 T-BOLT HOSE CLAMP SS
20	1	500058	2"NPT X 2" H BARB, POLY
21	1	601450	HOSE, 2 X 84 2F-1W EPDM
22	2	520056	HOSE CLAMP NO 56 STAINLESS
23	2	470118	1/4UNC X 3/4 FLANGE HEX BOLT
24	1	690529	RFM 100 FLOW METER, RAVEN
25	1	500119	1/2"NPT BR TEE-1/2"HBARB, POLY
26	1	500151	2" FLANGE TEE POLY
27	1	500175	1" FLANGE TEE POLY
28	1	500224	2" FLANGE PLUG W/1/2"FNPT POLY
29	1	500226	1" FLANGE PLUG W/1/4"FNPT POLY
30	1	618556	1/4NPT-90-1/2 HOSE BARB,POLY
31	3	616273	VLV,REPLCMNT SECT FOR 696266



80'-90' SOLUTION SOLENOID ASSEMBLY (STANDARD)

DET. QTY PART NO. DESCRIPTION

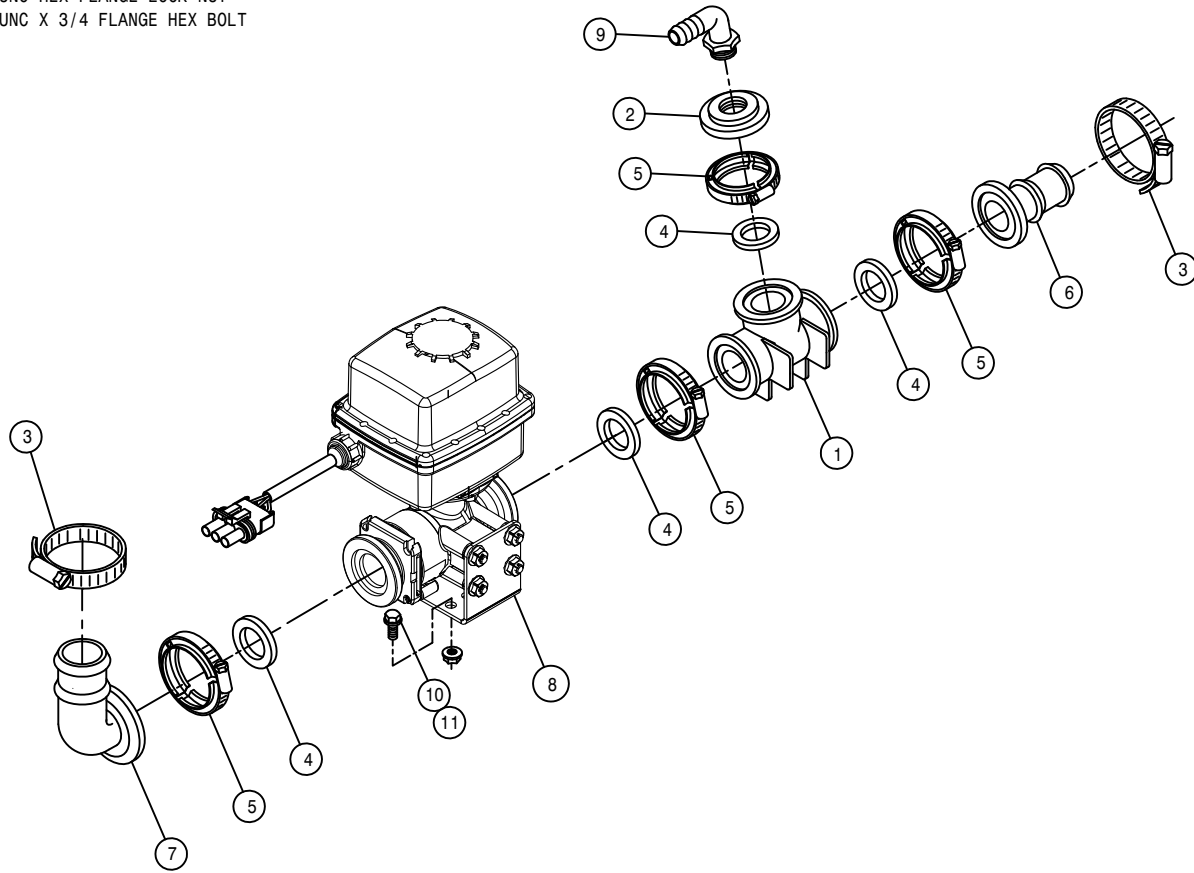
1	1	696266	VALVE,3-SECT KZCO FLG, PACKARD
2	5	520090	HOSE CLAMP NO 16 STAINLESS
3	2	500151	2" FLANGE TEE POLY
4	3	500173	1" FLANGE-90-1" HOSE BARB POLY
5	2	500154	2" FLANGE-2" HOSE BARB POLY
6	5	500157	1" FLANGE GASKET EPDM
7	9	500158	1 1/2" GASKET FOR 2" FLANGE
8	5	500159	1" FLANGE CLAMP, S.S.
9	9	500160	2" FLANGE CLAMP, S.S.
10	4	914004	3/8UNC HEX STOVER NUT
11	2	500172	2" FLANGE-1" HOSE BARB POLY
12	1	500180	2"FLANGE-90-2"FLANGE LBO POLY
13	1	500181	2" FLANGE PLUG W/1/4"FNPT POLY
14	1	690359	PRESSURE GA GLYCERI 100 PSI
15	1	520070	HOSE CLAMP NO 8 STAINLESS
16	1	500152	2" FLANGE-2" MNPT ADPTR POLY
17	1	690535	CONTROL VALVE,1 1/2"POLY,RAVN
18	2	470121	1/4UNC HEX FLANGE LOCK NUT
19	3	520141	2.31/2.62 T-BOLT HOSE CLAMP SS
20	1	500058	2"NPT X 2" H BARB, POLY
21	1	601450	HOSE, 2 X 84 2F-1W EPDM
22	2	520056	HOSE CLAMP NO 56 STAINLESS
23	2	470118	1/4UNC X 3/4 FLANGE HEX BOLT
24	1	690529	RFM 100 FLOW METER, RAVN
25	1	601451	HOSE, 2 X 69 2F-1W EPDM
26	2	470136	3/8UNC-3 1/16ID-3 SQ U-BOLT
27	1	500175	1" FLANGE TEE POLY
28	1	500226	1" FLANGE PLUG W/1/4"FNPT POLY
29	1	618556	1/4NPT-90-1/2 HOSE BARB,POLY
30	3	696273	VLV,REPLCMNT SECT FOR 696266



RH 80' -90' OUTER BOOM VALVE (STANDARD)

DET. QTY PART NO. DESCRIPTION

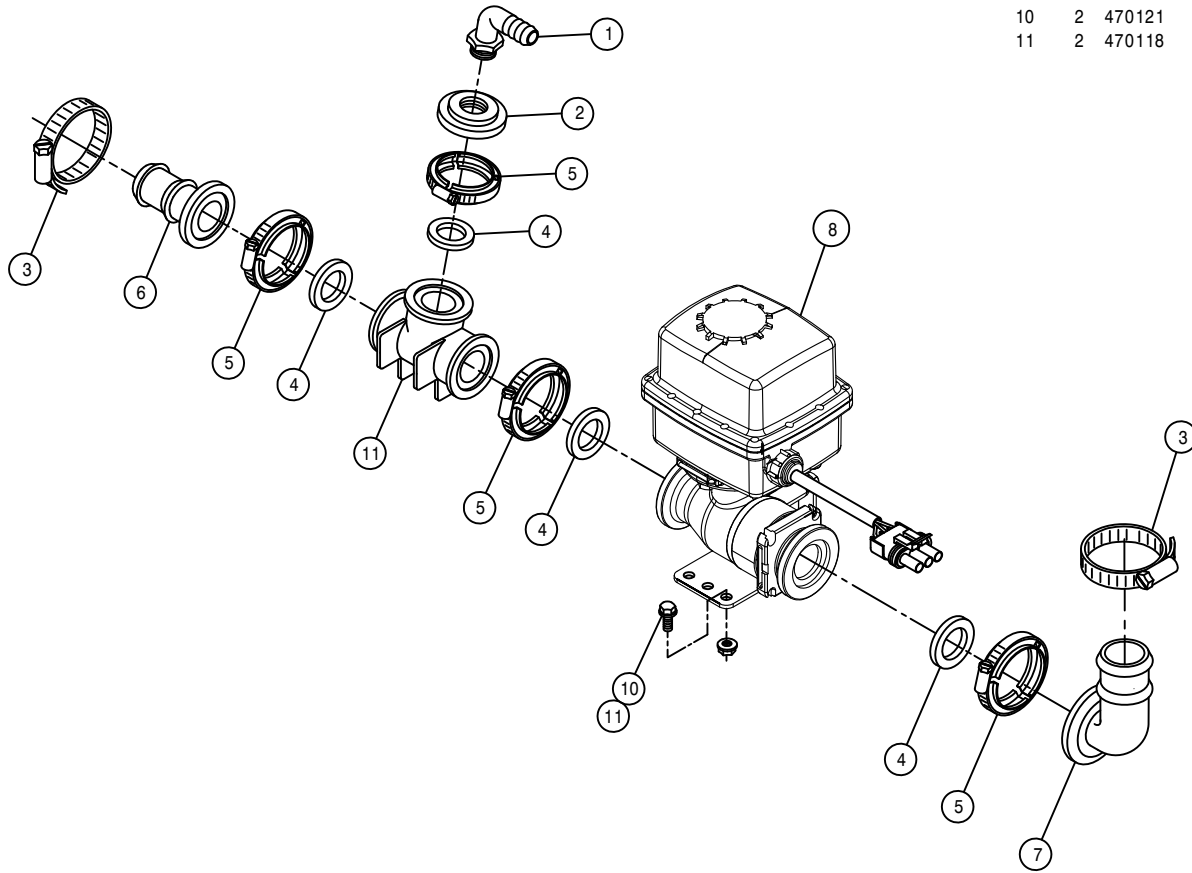
1	1	500175	1" FLANGE TEE	POLY
2	1	500226	1" FLANGE PLUG W/1/4" FNPT	POLY
3	2	520090	HOSE CLAMP NO 16	STAINLESS
4	4	500157	1" FLANGE GASKET	EPDM
5	4	500159	1" FLANGE CLAMP, S.S.	
6	1	500171	1" FLANGE-1" HOSE BARB	POLY
7	1	500173	1" FLANGE-90-1" HOSE BARB	POLY
8	1	696282	VALVE,KZCO C2E 1"FLG ELEC W/WP	
9	1	618556	1/4 NPT-90- 1/2 HOSE BARB, POLY	
10	2	470121	1/4UNC HEX FLANGE LOCK NUT	
11	2	470118	1/4UNC X 3/4 FLANGE HEX BOLT	



LH 80' -90' OUTER BOOM VALVE (STANDARD)

DET. QTY PART NO. DESCRIPTION

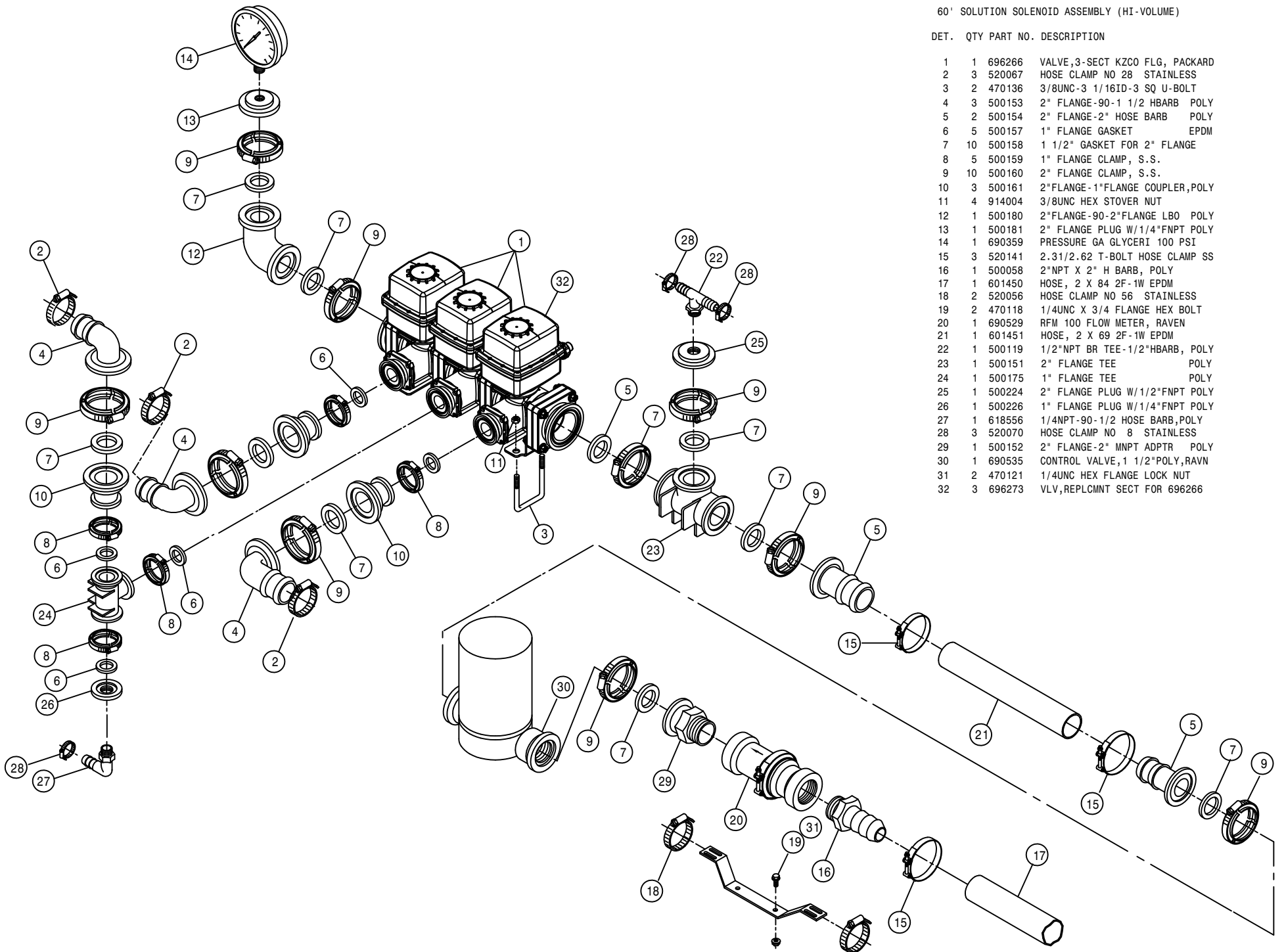
1	1	500175	1" FLANGE TEE	POLY
2	1	500226	1" FLANGE PLUG W/1/4" FNPT	POLY
3	2	520090	HOSE CLAMP NO 16	STAINLESS
4	4	500157	1" FLANGE GASKET	EPDM
5	4	500159	1" FLANGE CLAMP, S.S.	
6	1	500171	1" FLANGE-1" HOSE BARB	POLY
7	1	500173	1" FLANGE-90-1" HOSE BARB	POLY
8	1	696282	VALVE,KZCO C2E 1"FLG ELEC W/WP	
9	1	618556	1/4NPT-90-1" HOSE BARB, POLY	
10	2	470121	1/4UNC HEX FLANGE LOCK NUT	
11	2	470118	1/4UNC X 3/4 FLANGE HEX BOLT	



60' SOLUTION SOLENOID ASSEMBLY (HI-VOLUME)

DET. QTY PART NO. DESCRIPTION

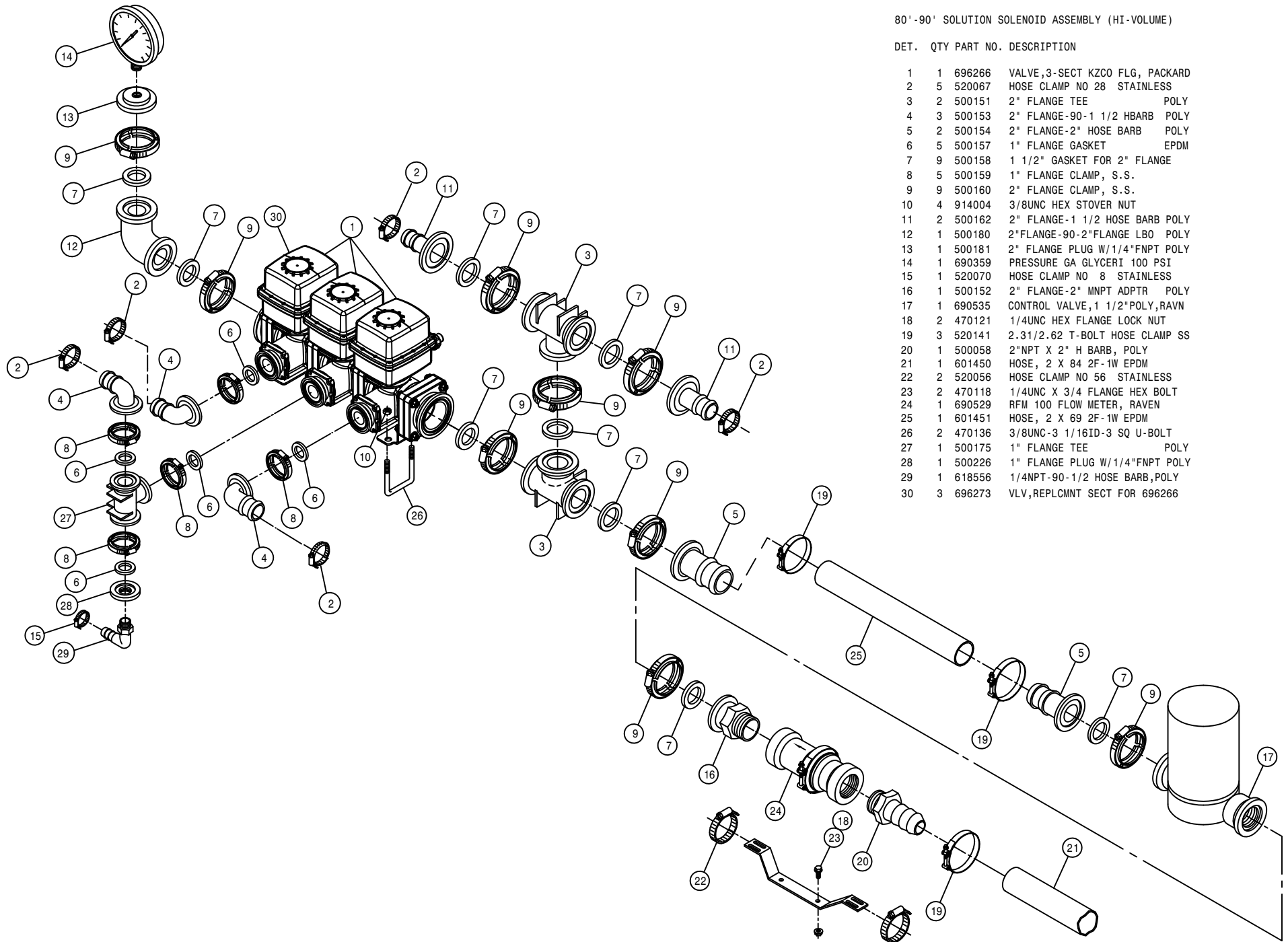
DET.	QTY	PART NO.	DESCRIPTION
1	1	696266	VALVE,3-SECT KZCO FLG, PACKARD
2	3	520067	HOSE CLAMP NO 28 STAINLESS
3	2	470136	3/8UNC-3 1/16ID-3 SQ U-BOLT
4	3	500153	2" FLANGE-90-1 1/2 HBARB POLY
5	2	500154	2" FLANGE-2" HOSE BARB POLY
6	5	500157	1" FLANGE GASKET EPDM
7	10	500158	1 1/2" GASKET FOR 2" FLANGE
8	5	500159	1" FLANGE CLAMP, S.S.
9	10	500160	2" FLANGE CLAMP, S.S.
10	3	500161	2"FLANGE-1"FLANGE COUPLER,POLY
11	4	914004	3/8UNC HEX STOVER NUT
12	1	500180	2"FLANGE-90-2"FLANGE LBO POLY
13	1	500181	2" FLANGE PLUG W/1/4"FNPT POLY
14	1	690359	PRESSURE GA GLYCERI 100 PSI
15	3	520141	2.31/2.62 T-BOLT HOSE CLAMP SS
16	1	500058	2"NPT X 2" H BARB, POLY
17	1	601450	HOSE, 2 X 84 2F-1W EPDM
18	2	520056	HOSE CLAMP NO 56 STAINLESS
19	2	470118	1/4UNC X 3/4 FLANGE HEX BOLT
20	1	690529	RFM 100 FLOW METER, RAVEN
21	1	601451	HOSE, 2 X 69 2F-1W EPDM
22	1	500119	1/2"NPT BR TEE-1/2"HBARB, POLY
23	1	500151	2" FLANGE TEE POLY
24	1	500175	1" FLANGE TEE POLY
25	1	500224	2" FLANGE PLUG W/1/2"FNPT POLY
26	1	500226	1" FLANGE PLUG W/1/4"FNPT POLY
27	1	618556	1/4NPT-90-1/2 HOSE BARB,POLY
28	3	520070	HOSE CLAMP NO 8 STAINLESS
29	1	500152	2" FLANGE-2" MNPT ADPTR POLY
30	1	690535	CONTROL VALVE,1 1/2"POLY,RAVN
31	2	470121	1/4UNC HEX FLANGE LOCK NUT
32	3	696273	VLV,REPLCMNT SECT FOR 696266



80'-90' SOLUTION SOLENOID ASSEMBLY (HI-VOLUME)

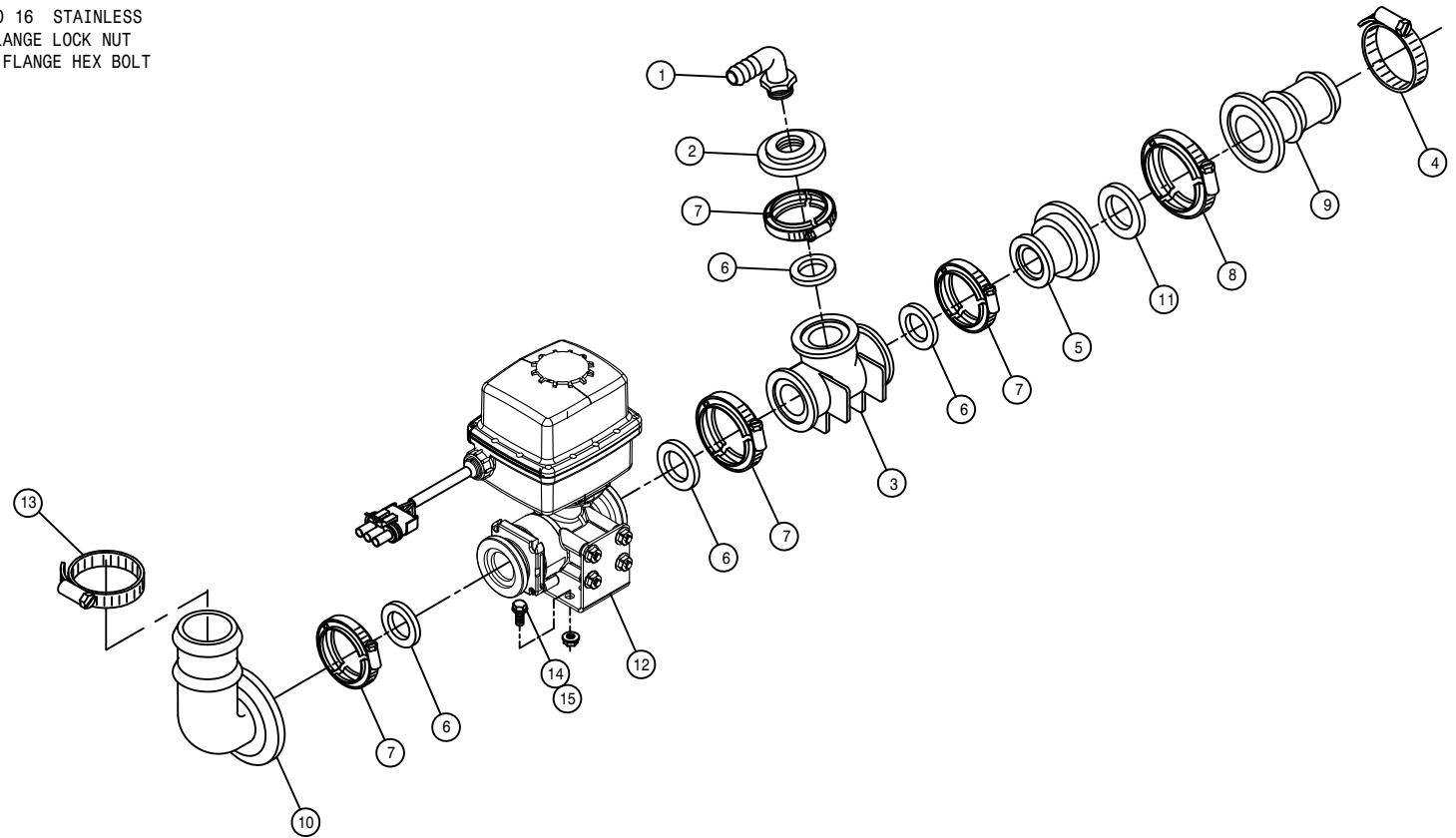
DET. QTY PART NO. DESCRIPTION

DET.	QTY	PART NO.	DESCRIPTION
1	1	696266	VALVE,3-SECT KZCO FLG, PACKARD
2	5	520067	HOSE CLAMP NO 28 STAINLESS
3	2	500151	2" FLANGE TEE POLY
4	3	500153	2" FLANGE-90-1 1/2 HBARB POLY
5	2	500154	2" FLANGE-2" HOSE BARB POLY
6	5	500157	1" FLANGE GASKET EPDM
7	9	500158	1 1/2" GASKET FOR 2" FLANGE
8	5	500159	1" FLANGE CLAMP, S.S.
9	9	500160	2" FLANGE CLAMP, S.S.
10	4	914004	3/8UNC HEX STOVER NUT
11	2	500162	2" FLANGE-1 1/2 HOSE BARB POLY
12	1	500180	2"FLANGE-90-2"FLANGE LBO POLY
13	1	500181	2" FLANGE PLUG W/1/4"FNPT POLY
14	1	690359	PRESSURE GA GLYCERI 100 PSI
15	1	520070	HOSE CLAMP NO 8 STAINLESS
16	1	500152	2" FLANGE-2" MNPT ADPTR POLY
17	1	690535	CONTROL VALVE,1 1/2"POLY,RAVN
18	2	470121	1/4UNC HEX FLANGE LOCK NUT
19	3	520141	2.31/2.62 T-BOLT HOSE CLAMP SS
20	1	500058	2"NPT X 2" H BARB, POLY
21	1	601450	HOSE, 2 X 84 2F-1W EPDM
22	2	520056	HOSE CLAMP NO 56 STAINLESS
23	2	470118	1/4UNC X 3/4 FLANGE HEX BOLT
24	1	690529	RFM 100 FLOW METER, RAVEN
25	1	601451	HOSE, 2 X 69 2F-1W EPDM
26	2	470136	3/8UNC-3 1/16ID-3 SQ U-BOLT
27	1	500175	1" FLANGE TEE POLY
28	1	500226	1" FLANGE PLUG W/1/4"FNPT POLY
29	1	618556	1/4NPT-90-1/2 HOSE BARB,POLY
30	3	696273	VLV,REPLCMNT SECT FOR 696266



RH 80' -90' OUTER BOOM VALVE (HI-VOLUME)

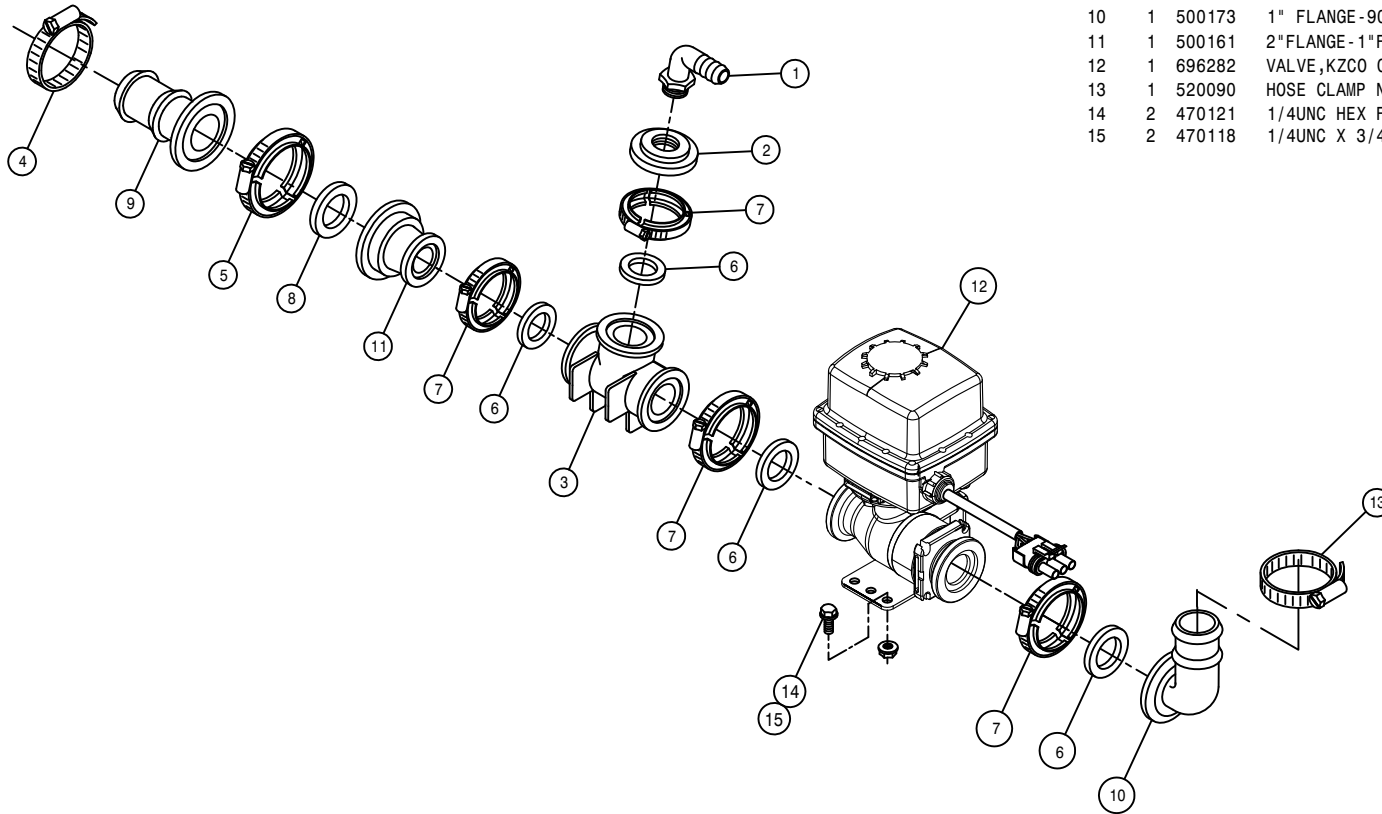
DET.	QTY	PART NO.	DESCRIPTION
	1	618556	1/4NPT-90-1/2 HOSE BARB, POLY
	1	500226	1" FLANGE PLUG W/1/4" FNPT POLY
	1	500175	1" FLANGE TEE POLY
	1	520067	HOSE CLAMP NO 28 STAINLESS
	1	500161	2" FLANGE- 1" FLANGE COUPLER, POLY
	4	500157	1" FLANGE GASKET EPDM
	4	500159	1" FLANGE CLAMP, S.S.
	1	500160	2" FLANGE CLAMP, S.S.
	1	500162	2" FLANGE-1 1/2 HOSE BARB POLY
	1	500173	1" FLANGE-90-1" HOSE BARB, POLY
	1	500158	1 1/2" GASKET FOR 2" FLANGE
	1	696282	VALVE,KZCO C2E 1"FLG ELEC W/WP
	1	520090	HOSE CLAMP NO 16 STAINLESS
	2	470121	1/4UNC HEX FLANGE LOCK NUT
	2	470118	1/4UNC X 3/4 FLANGE HEX BOLT

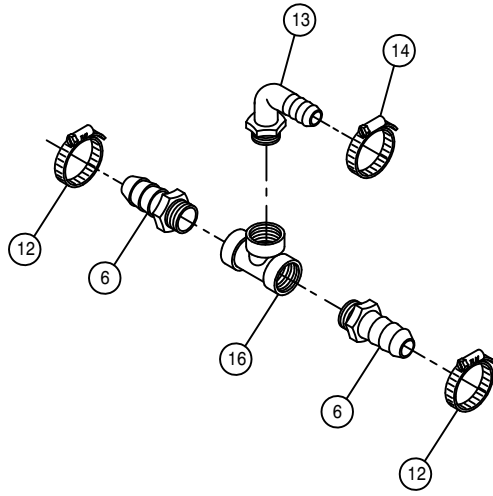


LH 80'-90' OUTER BOOM VALVE (HI-VOLUME)

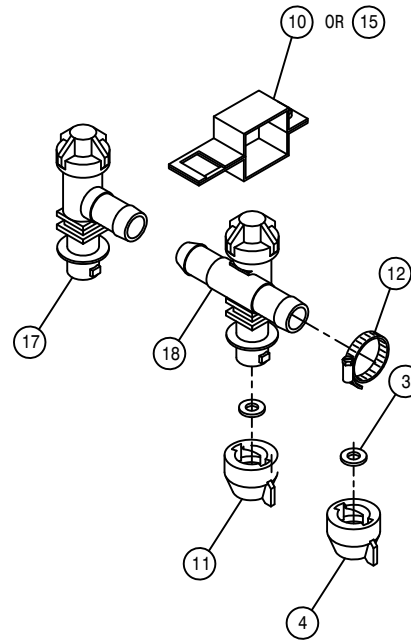
DET. QTY PART NO. DESCRIPTION

1	1	618556	1/4NPT-90-1/2 HOSE BARB,POLY
2	1	500226	1" FLANGE PLUG W/1/4"FNPT POLY
3	1	500175	1" FLANGE TEE POLY
4	1	520067	HOSE CLAMP NO 28 STAINLESS
5	1	500160	2" FLANGE CLAMP, S.S.
6	4	500157	1" FLANGE GASKET EPDM
7	4	500159	1" FLANGE CLAMP, S.S.
8	1	500158	1 1/2" GASKET FOR 2" FLANGE
9	1	500162	2" FLANGE-1 1/2 HOSE BARB POLY
10	1	500173	1" FLANGE-90-1" HOSE BARB POLY
11	1	500161	2"FLANGE-1"FLANGE COUPLER,POLY
12	1	696282	VALVE,KZCO C2E 1"FLG ELEC W/WP
13	1	520090	HOSE CLAMP NO 16 STAINLESS
14	2	470121	1/4UNC HEX FLANGE LOCK NUT
15	2	470118	1/4UNC X 3/4 FLANGE HEX BOLT





FEEDER TEE ASSEMBLY (STANDARD VOLUME)

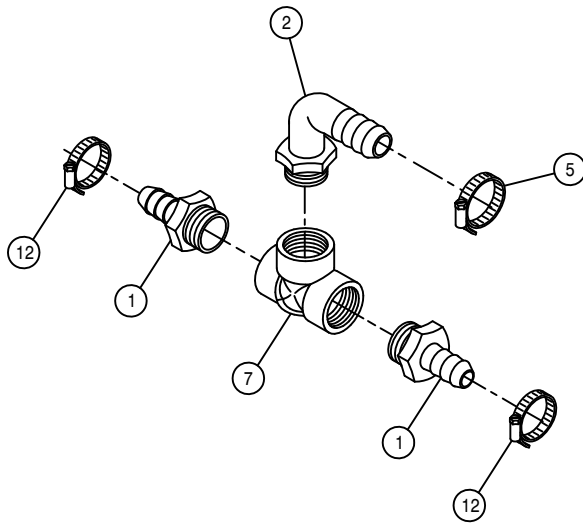


SINGLE TIP NOZZLE SPACING

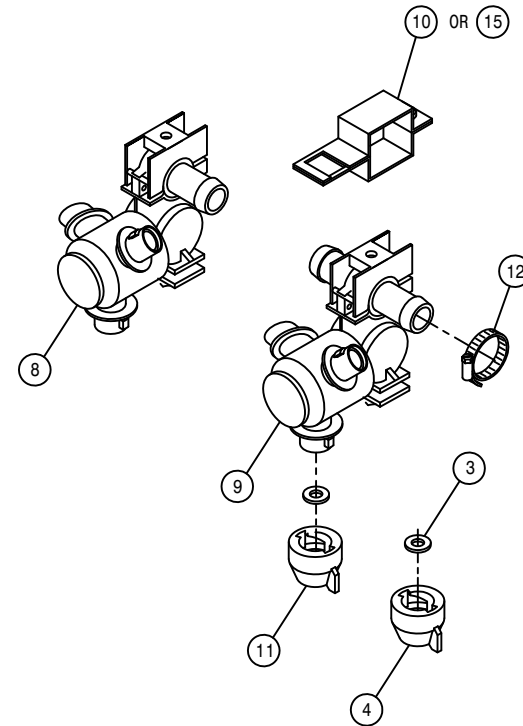
BOOM FEEDER TEE ASSEMBLY

DET. QTY PART NO. DESCRIPTION

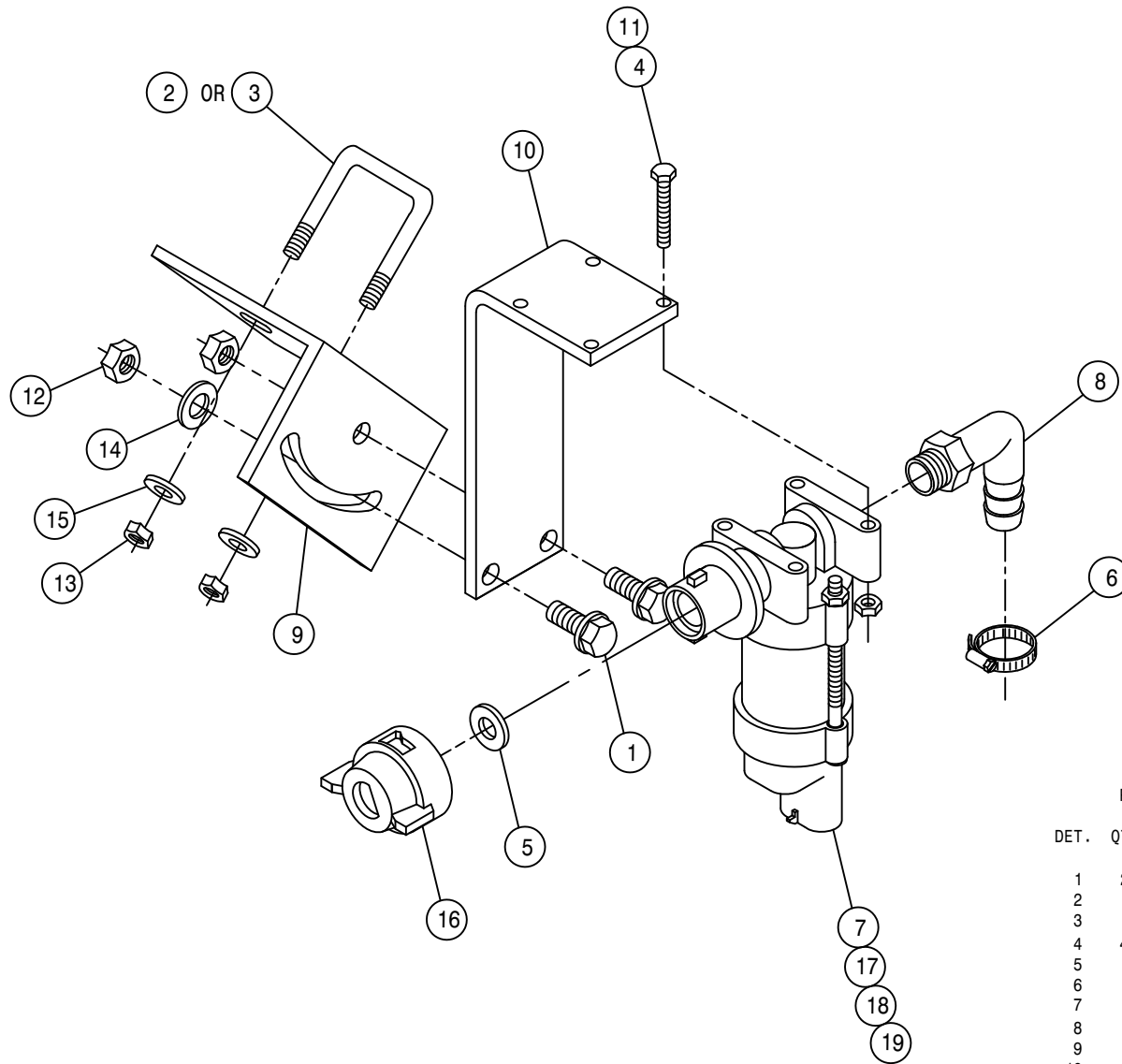
DET.	QTY	PART NO.	DESCRIPTION
1	2	500108	1"NPT-3/4" HOSE BARB POLY
2	1	500117	1"NPT-90-1 1/2"HOSE BARB, POLY
3	4	737824	QUICK TEEJET SEAT GASKET
4	2	737825	QUICK SHUT-OFF CAP
5	1	520067	HOSE CLAMP NO 28 STAINLESS
6	2	500022	3/4NPT-3/4HOSE BARB, POLY
7	1	500075	1" NPT PIPE TEE, POLY
8	1	737833	QUICK TJET LBO,3-TIP BODY .75
9	1	737834	QUICK TJET TEE,3-TIP BODY .75
10	2	737817	NOZL MT CLMP,1.00 SQ SS,Q-TJET
11	2	737822	CAP SET, YELLOW QUICK TEEJET
12	6	520055	HOSE CLAMP NO 12 STAINLESS
13	1	500026	3/4NPT-90-1"HOSE BARB, POLY
14	1	520090	HOSE CLAMP NO 16 STAINLESS
15	2	737832	NOZL MT CLMP,1.25 SQ,SS Q-TJET
16	1	505218	3/4 NPT PIPE TEE, POLY
17	1	737829	QUICK TJET LBO,1-TIP BODY .75
18	1	737830	QUICK TJET TEE,1-TIP BODY .75



FEEDER TEE ASSEMBLY (HIGH VOLUME)



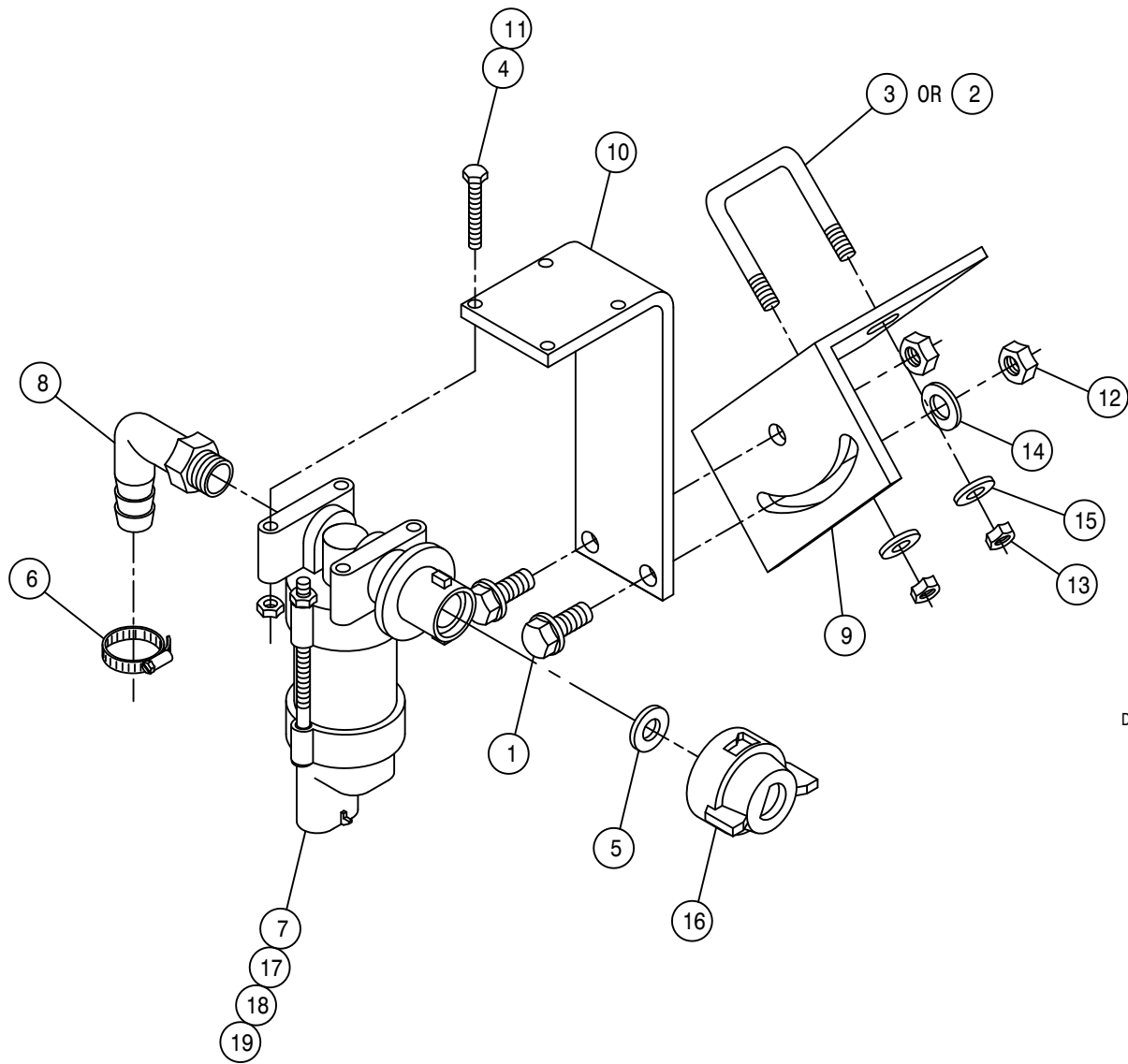
TRIPLE TIP NOZZLE SPACING



RIGHT FENCE ROW NOZZLE ASSEMBLY

DET. QTY PART NO. DESCRIPTION

DET.	QTY	PART NO.	DESCRIPTION
1	2	470118	1/4UNC X 3/4 FLANGE HEX BOLT
2	1	473973	.31UNC-1.31ID-2.0 SQ U-BOLT SS
3	1	473980	.31UNC-1.06ID-1.75SQ U-BOLT SS
4	4	473993	6-32 X 1 1/4 HH MACH SCR
5	1	737824	QUICK TEEJET SEAT GASKET
6	1	520070	HOSE CLAMP NO 8 STAINLESS
7	1	737875	NOZZLE BODY VALVE, 12VDC
8	1	618556	1/4NPT-90-1/2 HOSE BARB,POLY
9	1	737886	FENCE-ROW NOZZLE MT,284 01
10	1	737906	FENCE ROW NOZL BRKT
11	4	910022	6-32 HEX NUT
12	2	914000	1/4UNC HEX STOVER NUT
13	2	914002	5/16UNC HEX STOVER NUT
14	1	920000	1/4 SAE FLAT WASHER
15	2	920001	5/16 SAE FLAT WASHER
16	1	737822	CAP SET, YELLOW QUICK TEEJET
17	1	737887	PLUNGER W/SEAT, VLV 737875
18	1	737888	O-RING, .014 VITON, VLV 737875
19	1	737889	VALVE BODY, .148ORIF, VLV 737875

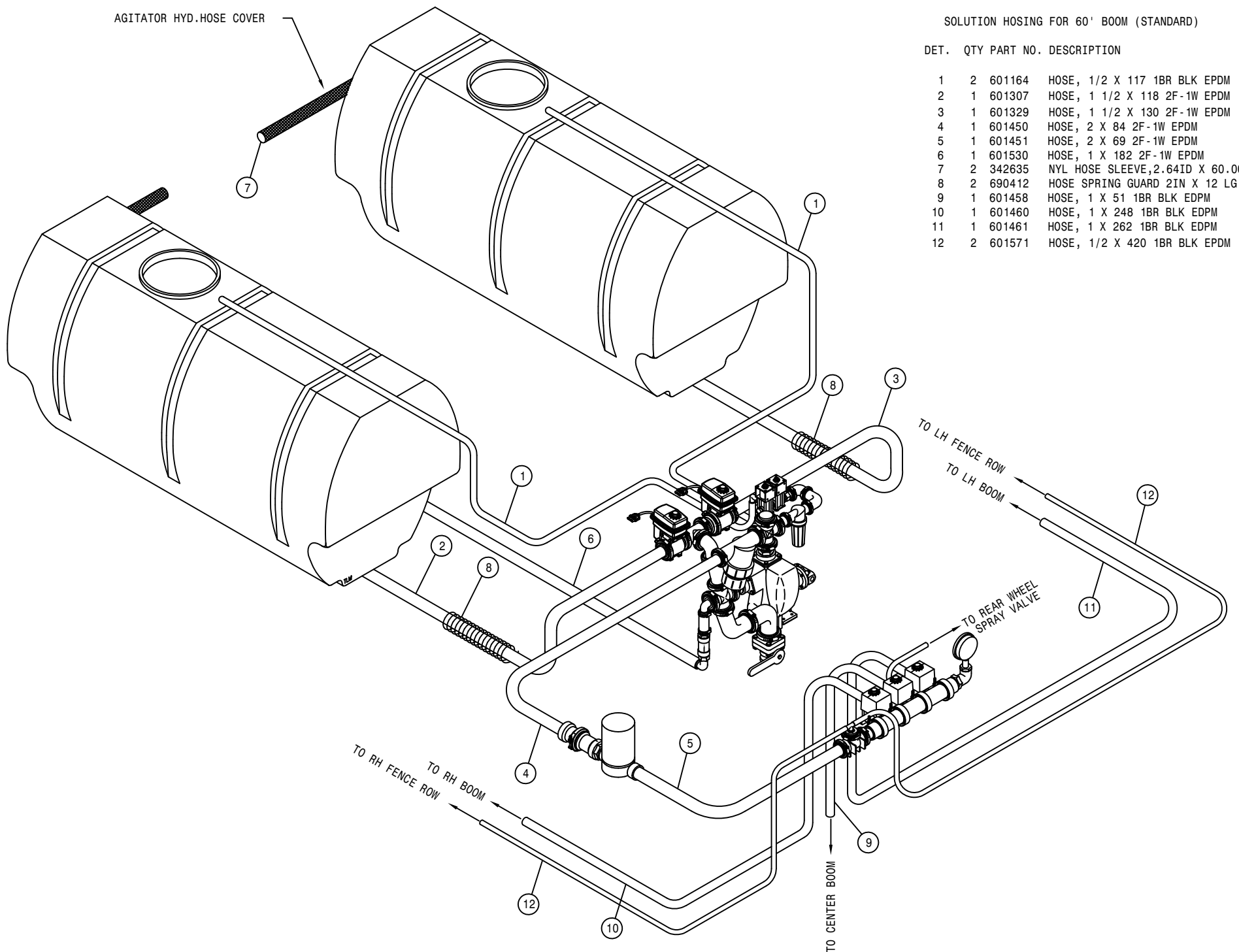


LEFT FENCE ROW NOZZLE ASSEMBLY

DET. QTY PART NO. DESCRIPTION

DET.	QTY	PART NO.	DESCRIPTION
1	2	470118	1/4UNC X 3/4 FLANGE HEX BOLT
2	1	473973	.31UNC-1.31ID-2.0 SQ U-BOLT SS
3	1	473980	.31UNC-1.06ID-1.75SQ U-BOLT SS
4	4	473993	6-32 X 1 1/4 HH MACH SCR
5	1	737824	QUICK TEEJET SEAT GASKET
6	1	520070	HOSE CLAMP NO 8 STAINLESS
7	1	737875	NOZZLE BODY VALVE, 12VDC
8	1	618556	1/4NPT-90-1/2 HOSE BARB,POLY
9	1	737886	FENCE-ROW NOZZLE MT,284 01
10	1	737906	FENCE ROW NOZL BRKT
11	4	910022	6-32 HEX NUT
12	2	914000	1/4UNC HEX STOVER NUT
13	2	914002	5/16UNC HEX STOVER NUT
14	1	920000	1/4 SAE FLAT WASHER
15	2	920001	5/16 SAE FLAT WASHER
16	1	737822	CAP SET, YELLOW QUICK TEEJET
17	1	737887	PLUNGER W/SEAT, VLV 737875
18	1	737888	O-RING, .014 VITON, VLV 737875
19	1	737889	VALVE BODY, .148ORIF, VLV 737875

AGITATOR HYD. HOSE COVER



SOLUTION HOISING FOR 60' BOOM (STANDARD)

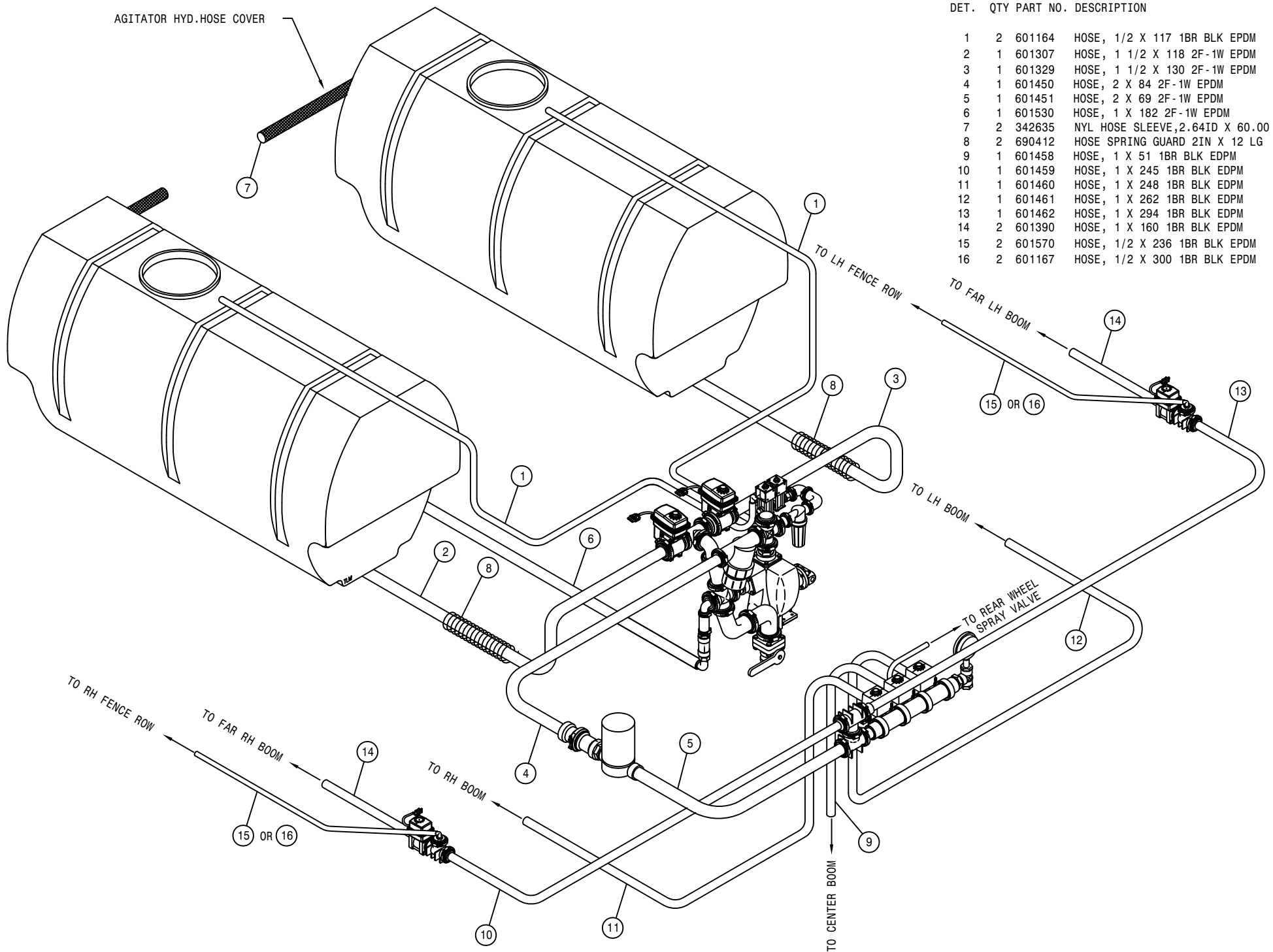
DET. QTY PART NO. DESCRIPTION

DET.	QTY	PART NO.	DESCRIPTION
1	2	601164	HOSE, 1/2 X 117 1BR BLK EPDM
2	1	601307	HOSE, 1 1/2 X 118 2F-1W EPDM
3	1	601329	HOSE, 1 1/2 X 130 2F-1W EPDM
4	1	601450	HOSE, 2 X 84 2F-1W EPDM
5	1	601451	HOSE, 2 X 69 2F-1W EPDM
6	1	601530	HOSE, 1 X 182 2F-1W EPDM
7	2	342635	NYL HOSE SLEEVE, 2.64ID X 60.00
8	2	690412	HOSE SPRING GUARD 2IN X 12 LG
9	1	601458	HOSE, 1 X 51 1BR BLK EDPM
10	1	601460	HOSE, 1 X 248 1BR BLK EDPM
11	1	601461	HOSE, 1 X 262 1BR BLK EDPM
12	2	601571	HOSE, 1/2 X 420 1BR BLK EPDM

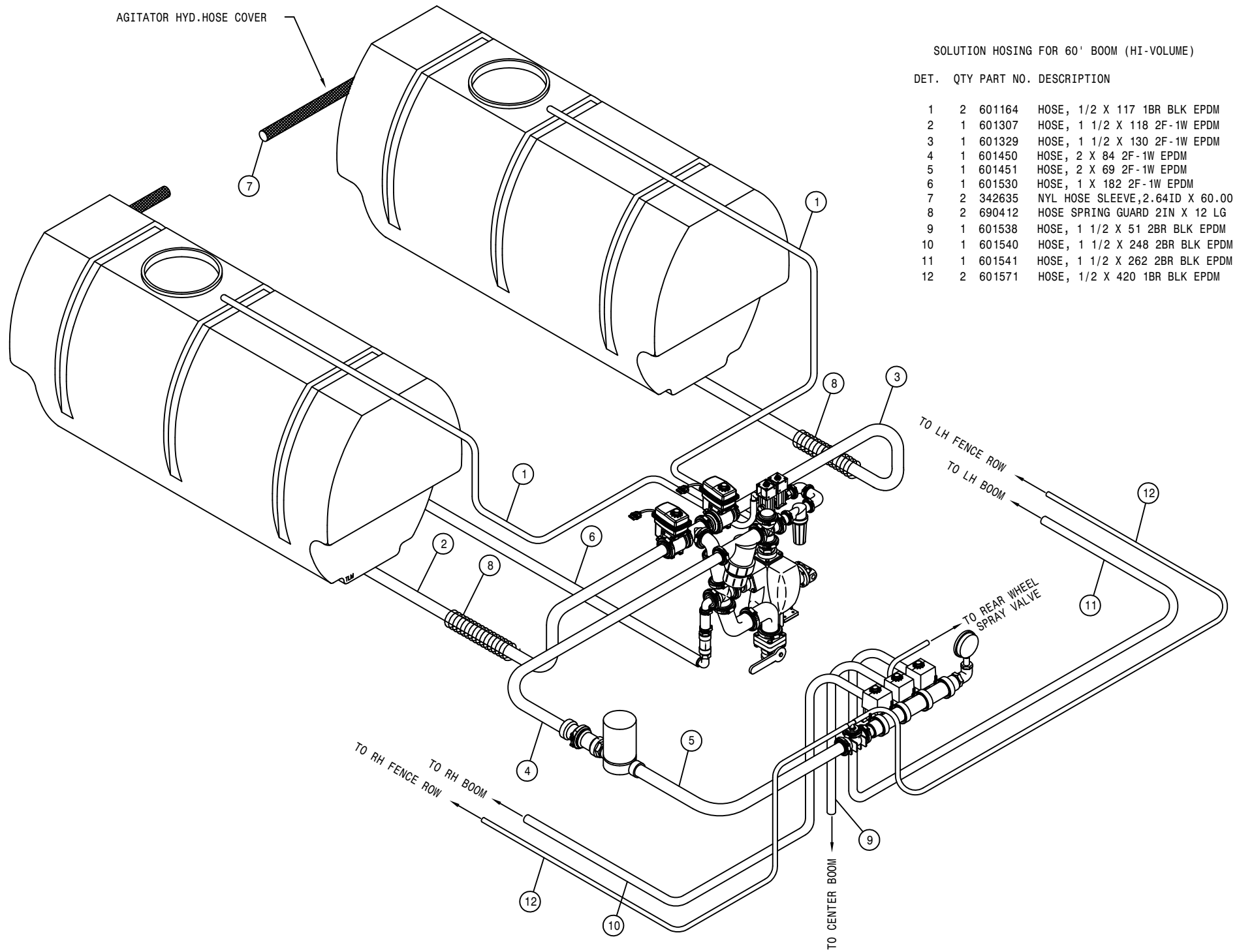
SOLUTION HOISING FOR 80' - 90' BOOM (STANDARD)

DET. QTY PART NO. DESCRIPTION

DET.	QTY	PART NO.	DESCRIPTION
1	2	601164	HOSE, 1/2 X 117 1BR BLK EPDM
2	1	601307	HOSE, 1 1/2 X 118 2F-1W EPDM
3	1	601329	HOSE, 1 1/2 X 130 2F-1W EPDM
4	1	601450	HOSE, 2 X 84 2F-1W EPDM
5	1	601451	HOSE, 2 X 69 2F-1W EPDM
6	1	601530	HOSE, 1 X 182 2F-1W EPDM
7	2	342635	NYL HOSE SLEEVE, 2.64ID X 60.00
8	2	690412	HOSE SPRING GUARD 2IN X 12 LG
9	1	601458	HOSE, 1 X 51 1BR BLK EDPM
10	1	601459	HOSE, 1 X 245 1BR BLK EDPM
11	1	601460	HOSE, 1 X 248 1BR BLK EDPM
12	1	601461	HOSE, 1 X 262 1BR BLK EDPM
13	1	601462	HOSE, 1 X 294 1BR BLK EDPM
14	2	601390	HOSE, 1 X 160 1BR BLK EPDM
15	2	601570	HOSE, 1/2 X 236 1BR BLK EPDM
16	2	601167	HOSE, 1/2 X 300 1BR BLK EPDM



AGITATOR HYD.HOSE COVER



SOLUTION HOISING FOR 60' BOOM (HI-VOLUME)

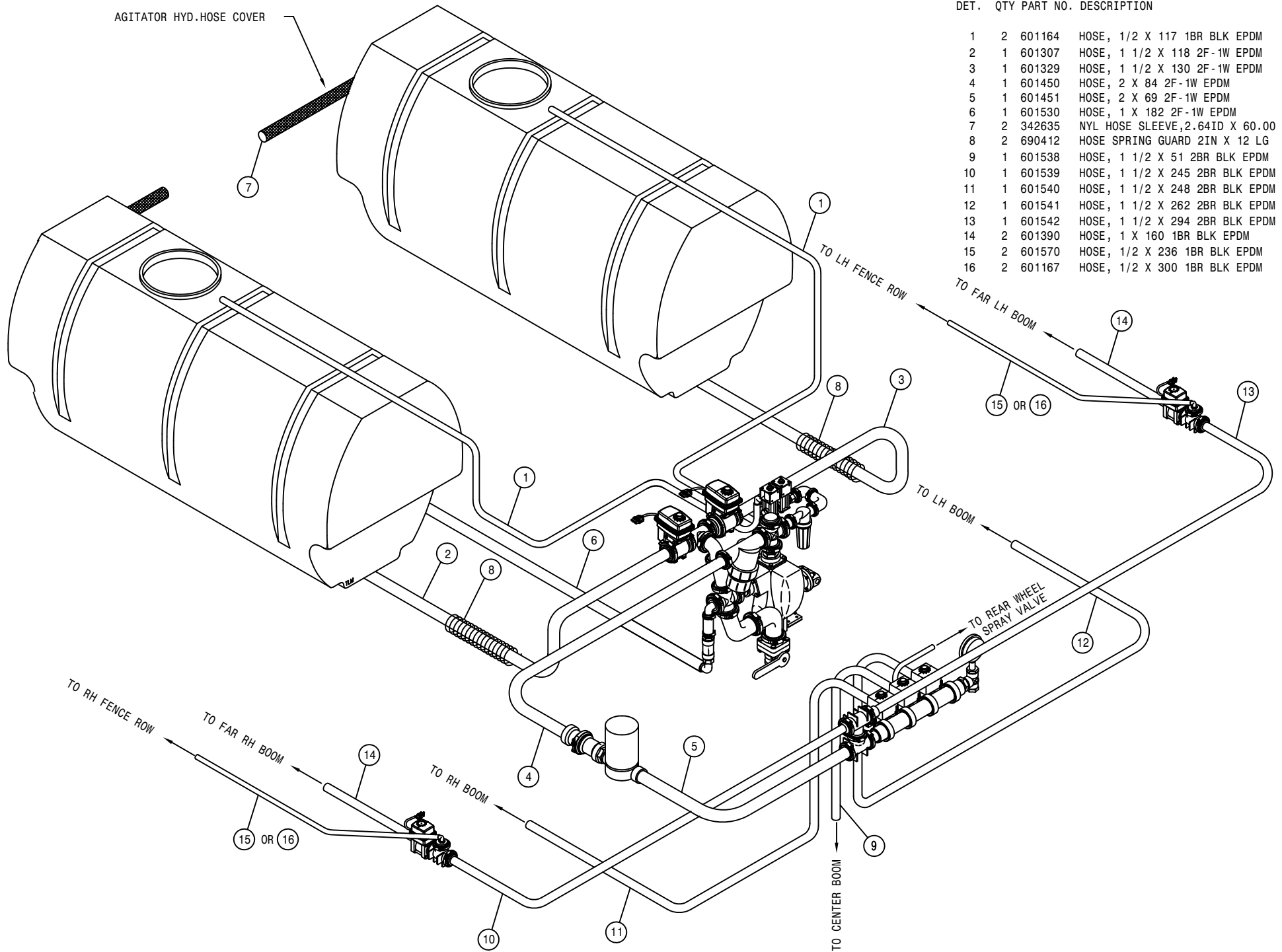
DET. QTY PART NO. DESCRIPTION

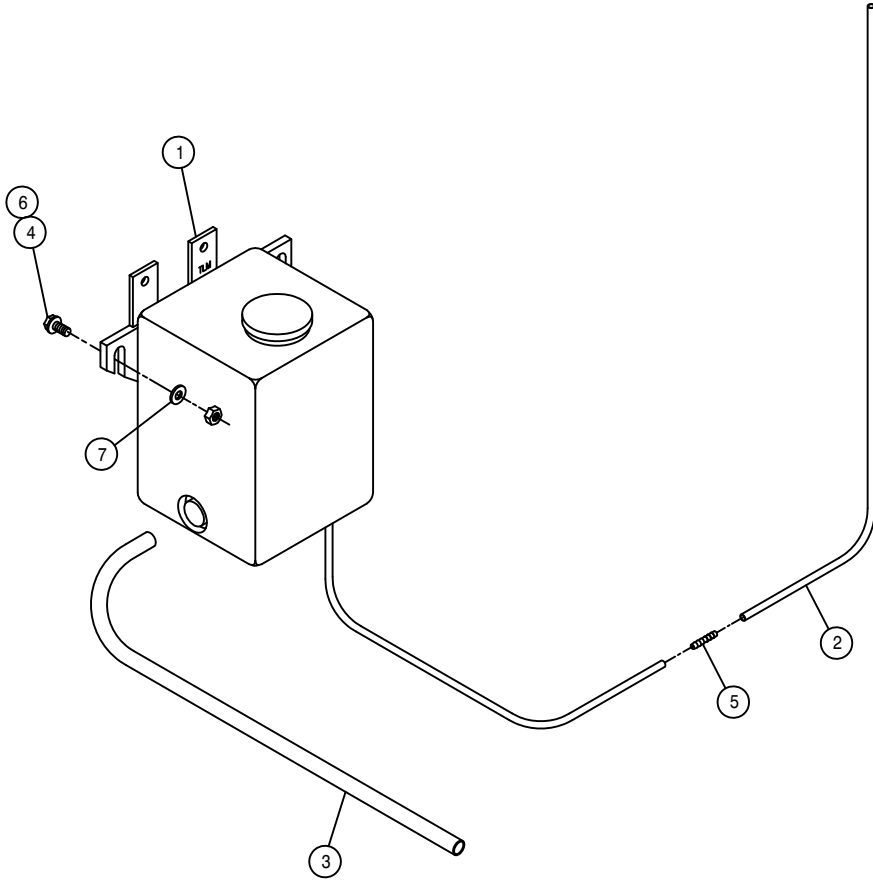
1	2	601164	HOSE, 1/2 X 117 1BR BLK EPDM
2	1	601307	HOSE, 1 1/2 X 118 2F-1W EPDM
3	1	601329	HOSE, 1 1/2 X 130 2F-1W EPDM
4	1	601450	HOSE, 2 X 84 2F-1W EPDM
5	1	601451	HOSE, 2 X 69 2F-1W EPDM
6	1	601530	HOSE, 1 X 182 2F-1W EPDM
7	2	342635	NYL HOSE SLEEVE, 2.64ID X 60.00
8	2	690412	HOSE SPRING GUARD 2IN X 12 LG
9	1	601538	HOSE, 1 1/2 X 51 2BR BLK EPDM
10	1	601540	HOSE, 1 1/2 X 248 2BR BLK EPDM
11	1	601541	HOSE, 1 1/2 X 262 2BR BLK EPDM
12	2	601571	HOSE, 1/2 X 420 1BR BLK EPDM

SOLUTION HOISING FOR 80'-90' BOOM (HI-VOLUME)

DET. QTY PART NO. DESCRIPTION

DET.	QTY	PART NO.	DESCRIPTION
1	2	601164	HOSE, 1/2 X 117 1BR BLK EPDM
2	1	601307	HOSE, 1 1/2 X 118 2F-1W EPDM
3	1	601329	HOSE, 1 1/2 X 130 2F-1W EPDM
4	1	601450	HOSE, 2 X 84 2F-1W EPDM
5	1	601451	HOSE, 2 X 69 2F-1W EPDM
6	1	601530	HOSE, 1 X 182 2F-1W EPDM
7	2	342635	NYL HOSE SLEEVE, 2.64ID X 60.00
8	2	690412	HOSE SPRING GUARD 2IN X 12 LG
9	1	601538	HOSE, 1 1/2 X 51 2BR BLK EPDM
10	1	601539	HOSE, 1 1/2 X 245 2BR BLK EPDM
11	1	601540	HOSE, 1 1/2 X 248 2BR BLK EPDM
12	1	601541	HOSE, 1 1/2 X 262 2BR BLK EPDM
13	1	601542	HOSE, 1 1/2 X 294 2BR BLK EPDM
14	2	601390	HOSE, 1 X 160 1BR BLK EPDM
15	2	601570	HOSE, 1/2 X 236 1BR BLK EPDM
16	2	601167	HOSE, 1/2 X 300 1BR BLK EPDM





WINDSHIELD WASHER ASSEMBLY

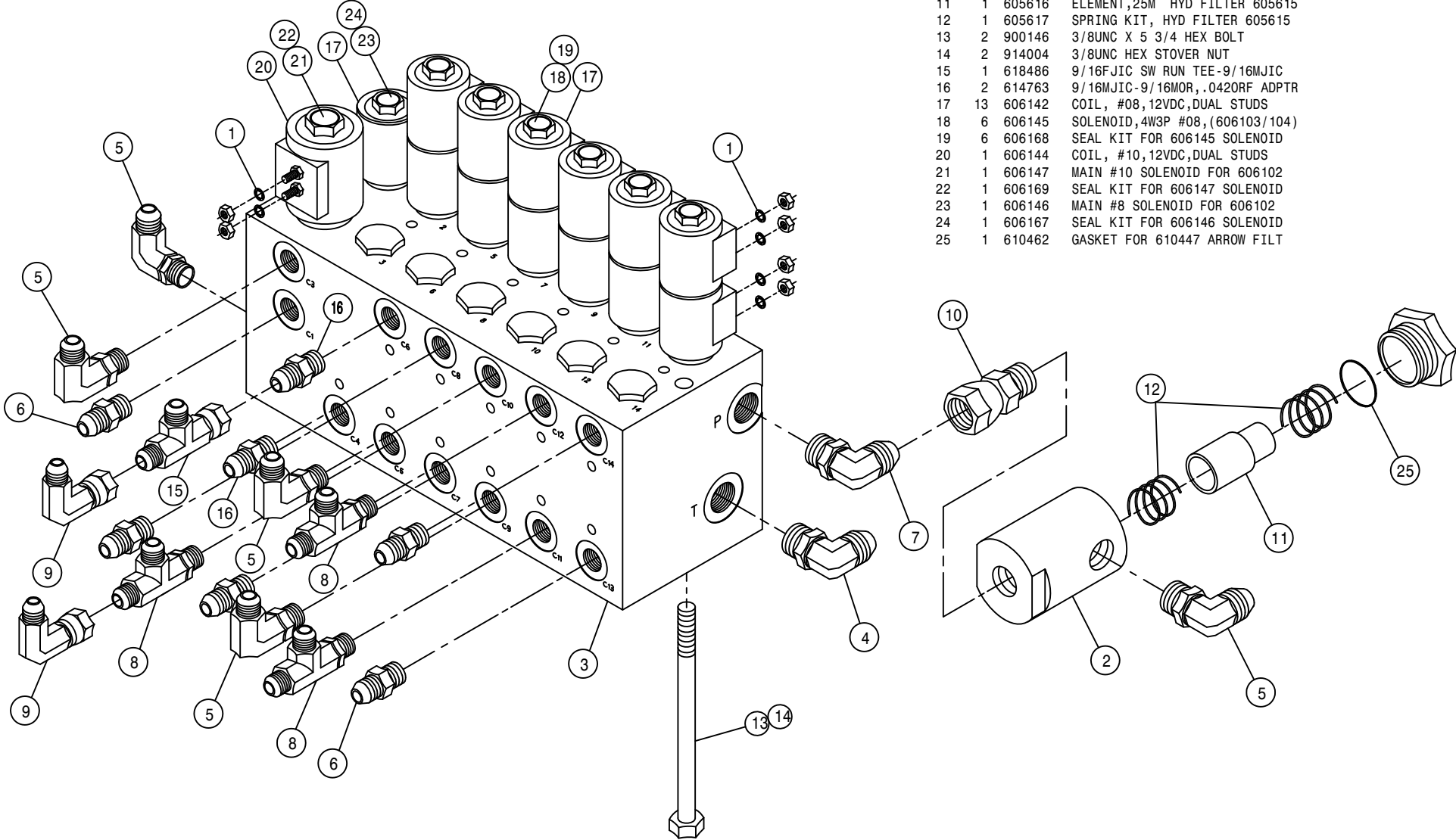
DET. QTY PART NO. DESCRIPTION

1	1	290002	WINDSHIELD WASHER KIT
2	14	195913	HOSE 7/64" WINDSHIELD WASHER
3	13	299110	.35 ID WIRE FLEX GUARD
4	3	470231	1/4UNC X 1" FLANGE HEX BOLT
5	1	711033	3/16-1/8 HOSE BARB REDU UNION
6	3	914000	1/4UNC HEX STOVER NUT
7	3	920000	1/4 SAE FLAT WASHER

BOOM CONTROL VALVE ASSEMBLY

DET. QTY PART NO. DESCRIPTION

1	28	473802	# 8 INT TOOTH STAR WASHER
2	1	605615	HYD FILTER, INLINE 25M 9/16FOR
3	1	606102	BOOM VLV, X11/284/2100 PWRSYS03
4	1	618115	9/16MJIC-90-3/4MOR LBO
5	5	618119	9/16MJIC-90-9/16MOR LBO
6	5	618126	9/16MJIC-9/16MOR ADPTR
7	1	618241	3/4MJIC-90-3/4MOR LBO
8	3	618444	9/16MOR RUN TEE-9/16MJIC
9	2	618618	9/16MJIC-90-9/16FJIC SWIV LBO
10	1	618692	3/4FJIC SWIV-9/16MOR ADPTR
11	1	605616	ELEMENT, 25M HYD FILTER 605615
12	1	605617	SPRING KIT, HYD FILTER 605615
13	2	900146	3/8UNC X 5 3/4 HEX BOLT
14	2	914004	3/8UNC HEX STOVER NUT
15	1	618486	9/16FJIC SW RUN TEE-9/16MJIC
16	2	614763	9/16MJIC-9/16MOR, .042ORF ADPTR
17	13	606142	COIL, #08, 12VDC, DUAL STUDS
18	6	606145	SOLENOID, 4W3P #08, (606103/104)
19	6	606168	SEAL KIT FOR 606145 SOLENOID
20	1	606144	COIL, #10, 12VDC, DUAL STUDS
21	1	606147	MAIN #10 SOLENOID FOR 606102
22	1	606169	SEAL KIT FOR 606147 SOLENOID
23	1	606146	MAIN #8 SOLENOID FOR 606102
24	1	606167	SEAL KIT FOR 606146 SOLENOID
25	1	610462	GASKET FOR 610447 ARROW FILT



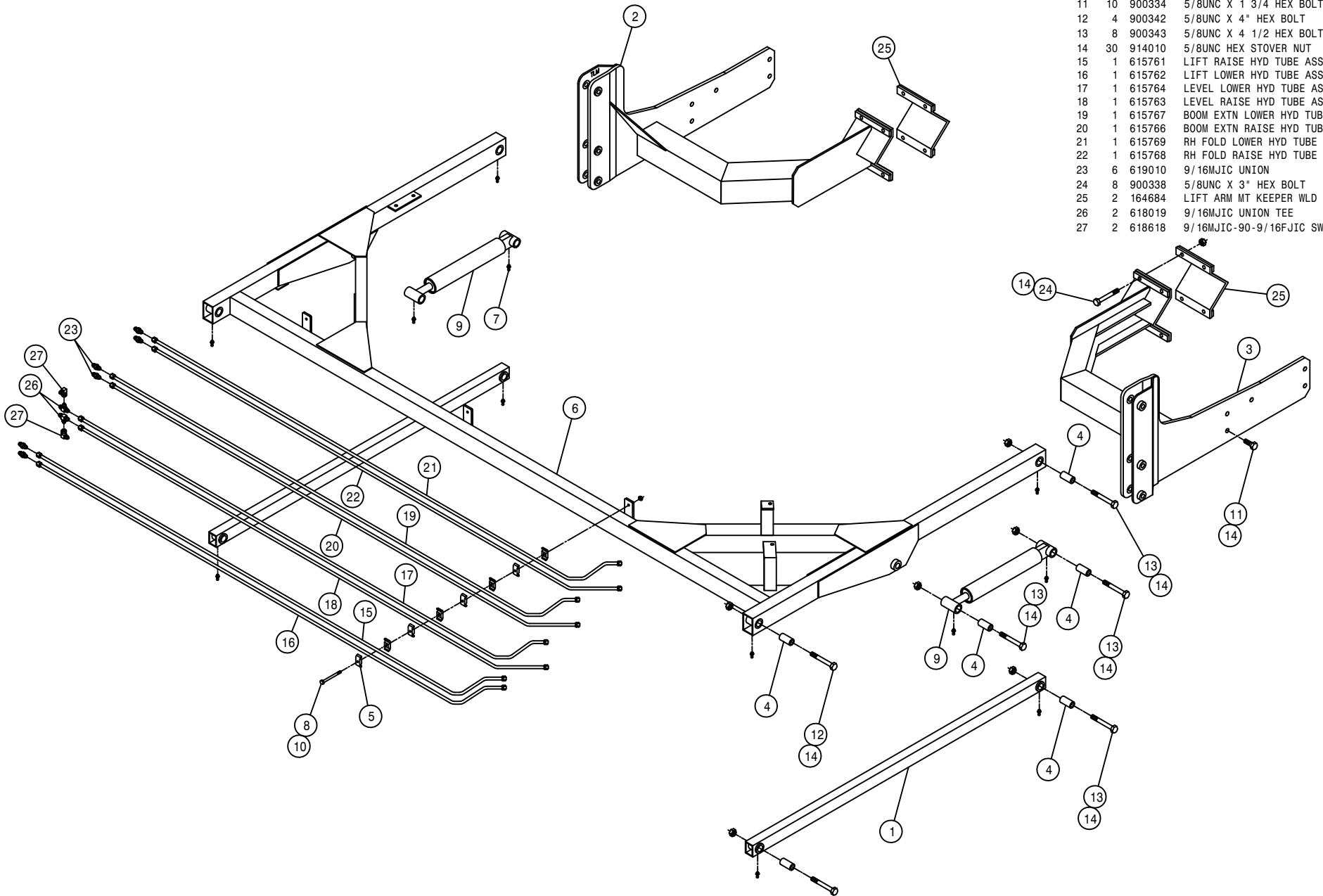
77

404077

LIFTARM ASSEMBLY

DET. QTY PART NO. DESCRIPTION

DET.	QTY	PART NO.	DESCRIPTION
1	2	160471	LWR LIFT ARM WLD 8540-8250 87
2	1	164685	RH LIFT ARM MT WLD, 284XP 2001
3	1	164686	LH LIFT ARM MT WLD, 284XP 2001
4	12	160691	BUSH LIFT ARM LONG 470
5	12	470287	TUBE CLAMP, .375-.375 (PAIR)
6	1	164651	UPPER LIFT ARM WLD,284 2001
7	12	471005	1/4 28 X 1/2 GREASE ZERK
8	3	900013	1/4UNC X 3 3/4 HEX BOLT
9	2	621518	TRANSOM LIFT CYL ASSY
10	3	914000	1/4UNC HEX STOVER NUT
11	10	900334	5/8UNC X 1 3/4 HEX BOLT
12	4	900342	5/8UNC X 4" HEX BOLT
13	8	900343	5/8UNC X 4 1/2 HEX BOLT
14	30	914010	5/8UNC HEX STOVER NUT
15	1	615761	LIFT RAISE HYD TUBE ASSY
16	1	615762	LIFT LOWER HYD TUBE ASSY
17	1	615764	LEVEL LOWER HYD TUBE ASSY
18	1	615763	LEVEL RAISE HYD TUBE ASSY
19	1	615767	BOOM EXTN LOWER HYD TUBE ASSY
20	1	615766	BOOM EXTN RAISE HYD TUBE ASSY
21	1	615769	RH FOLD LOWER HYD TUBE ASSY
22	1	615768	RH FOLD RAISE HYD TUBE ASSY
23	6	619010	9/16MJIC UNION
24	8	900338	5/8UNC X 3" HEX BOLT
25	2	164684	LIFT ARM MT KEEPER WLD 284XP
26	2	618019	9/16MJIC UNION TEE
27	2	618618	9/16MJIC-90-9/16FJIC SWIV LBO

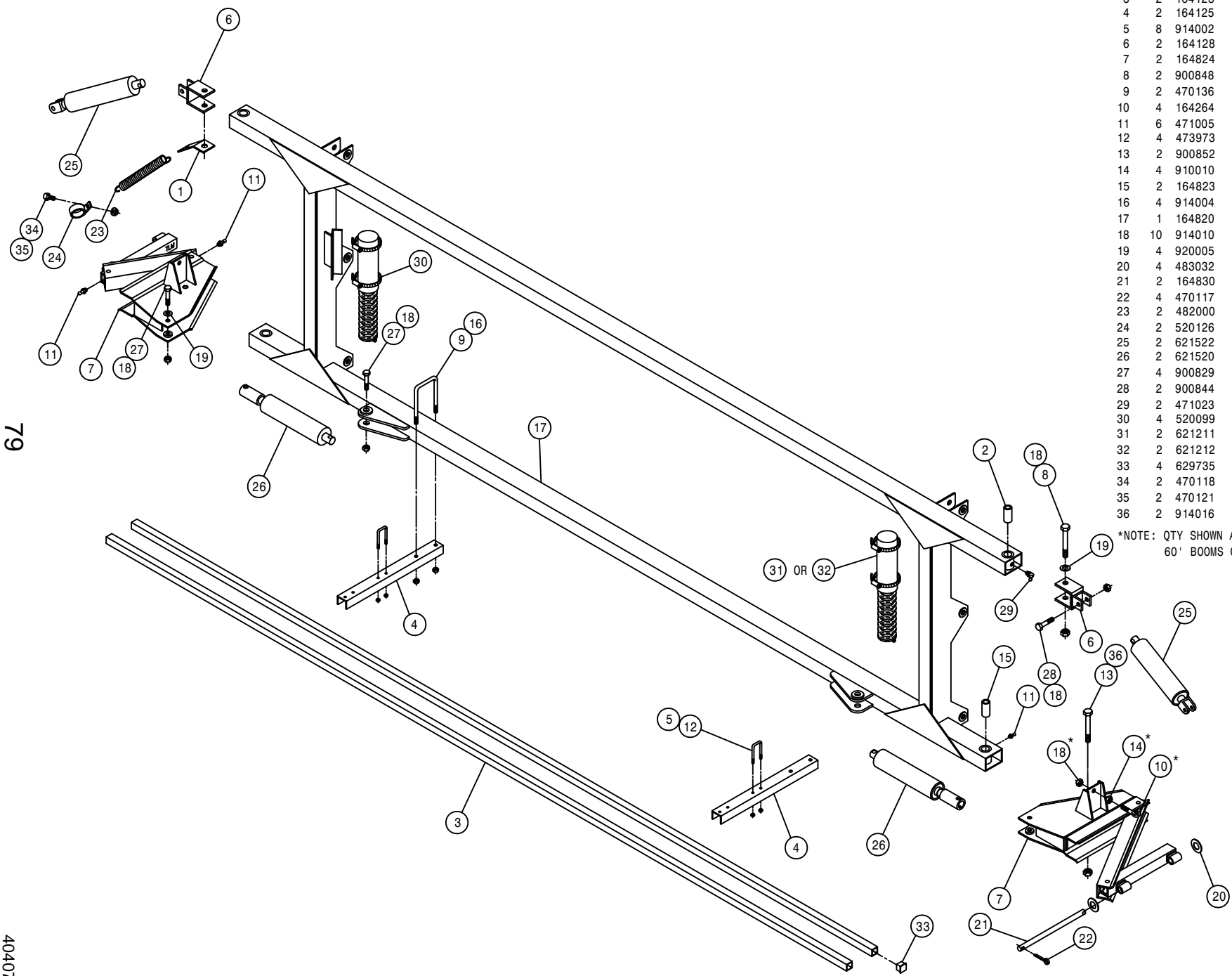


TRANSOM ASSEMBLY

DET. QTY PART NO. DESCRIPTION

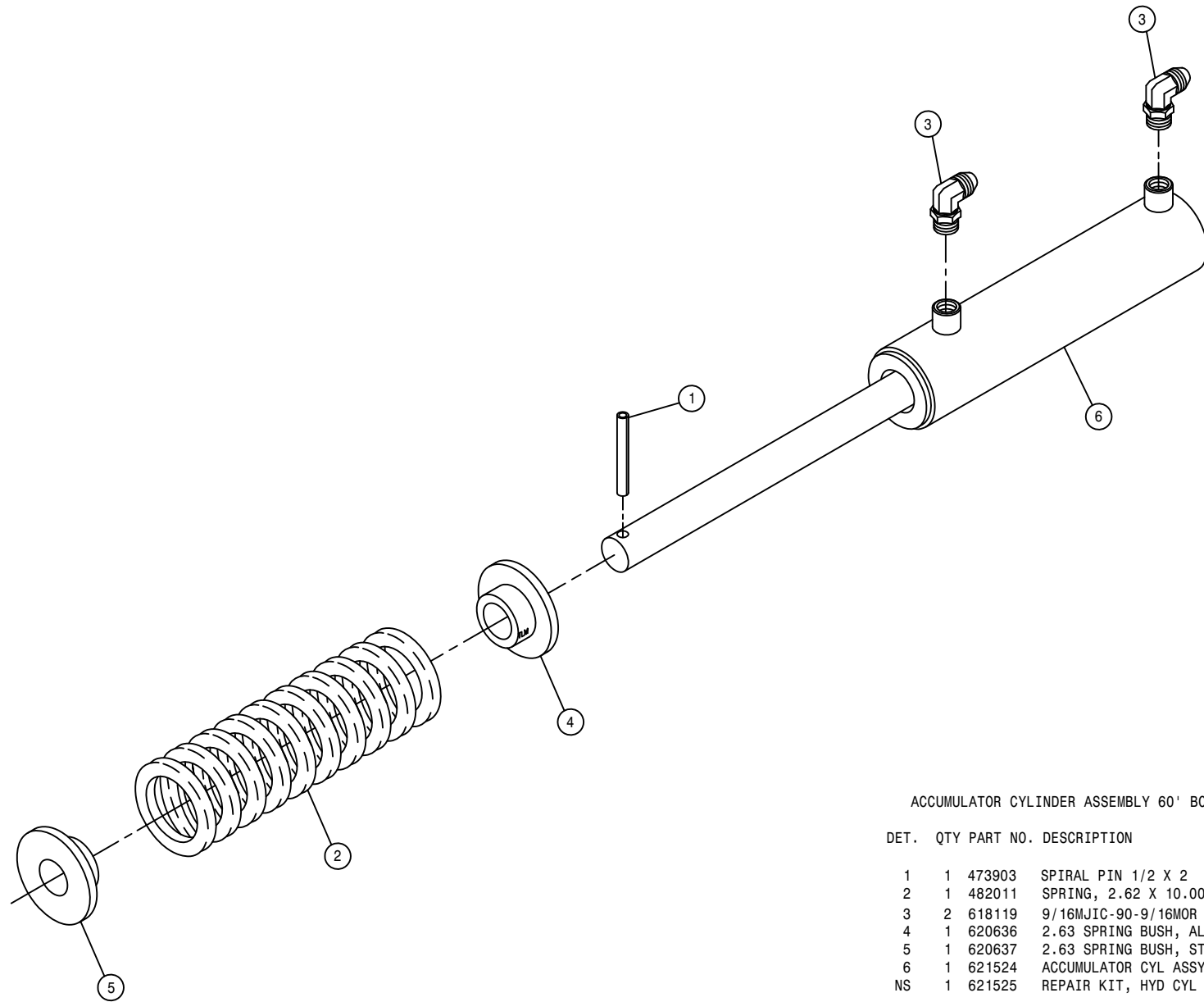
1	2	160429	FEEDER HOSE SUPPORT SPRING MT
2	2	160691	BUSH LIFT ARM LONG 470
3	2	164123	NOZL MT TUBE, 254/284 96
4	2	164125	NOZL MT TUBE HANGER CHAN 96
5	8	914002	5/16UNC HEX STOVER NUT
6	2	164128	LEVEL CYL PIVOT BRKT WLD 96
7	2	164824	BOOM BREAKAWAY WLD,284/2101 05
8	2	900848	5/8UNC X 4 3/4 HEX BOLT GR8
9	2	470136	3/8UNC-3 1/16ID-3 SQ U-BOLT
10	4	164264	5/8UNC X 3" EYE BOLT
11	6	471005	1/4 28 X 1/2 GREASE ZERK
12	4	473973	.31UNC-1.31ID-2.0 SQ U-BOLT SS
13	2	900852	1" UNC-4 3/4 HHCS,1 1/4THD GR8
14	4	910010	5/8UNC HEX NUT
15	2	164823	BRKAWAY PIVOT BUSH,DTS 8/10 05
16	4	914004	3/8UNC HEX STOVER NUT
17	1	164820	TRANSOM WLD, DTS 8/DTS 10 05
18	10	914010	5/8UNC HEX STOVER NUT
19	4	920005	5/8 SAE FLAT WASHER
20	4	483032	1 1/2 X 1" X .134TH MACH WASH
21	2	164830	BOOM PIVOT PIN,1.00 X 13.31 05
22	4	470117	COTTER PIN 3/16 1 3/4 SQ CUT
23	2	482000	SPRING, .930D X 8.5LG, .072WIRE
24	2	520126	CUSH HOSE CLAMP 2IN X 5/8W
25	2	621522	BOOM LEVEL CYL ASSY
26	2	621520	BOOM HINGE FOLD CYL ASSY
27	4	900829	5/8UNC X 4" HEX BOLT GR8
28	2	900844	5/8UNC X 2 3/4 HEX BOLT GR8
29	2	471023	GREASE ZERK 1/4-28 X 45
30	4	520099	HOSE CLAMP NO 40 STAINLESS
31	2	621211	ACCUMULATOR CYL ASSY,60 BOOM
32	2	621212	ACCUMULATOR CYL ASSY,80/90BOOM
33	4	629735	CAPLUG, 1 1/4" SQ, BLACK POLY
34	2	470118	1/4UNC X 3/4 FLANGE HEX BOLT
35	2	470121	1/4UNC HEX FLANGE LOCK NUT
36	2	914016	1" UNC HEX STOVER NUT

*NOTE: QTY SHOWN ARE FOR 80/90' BOOM
60' BOOMS ONLY HAVE ONE SPRING



79

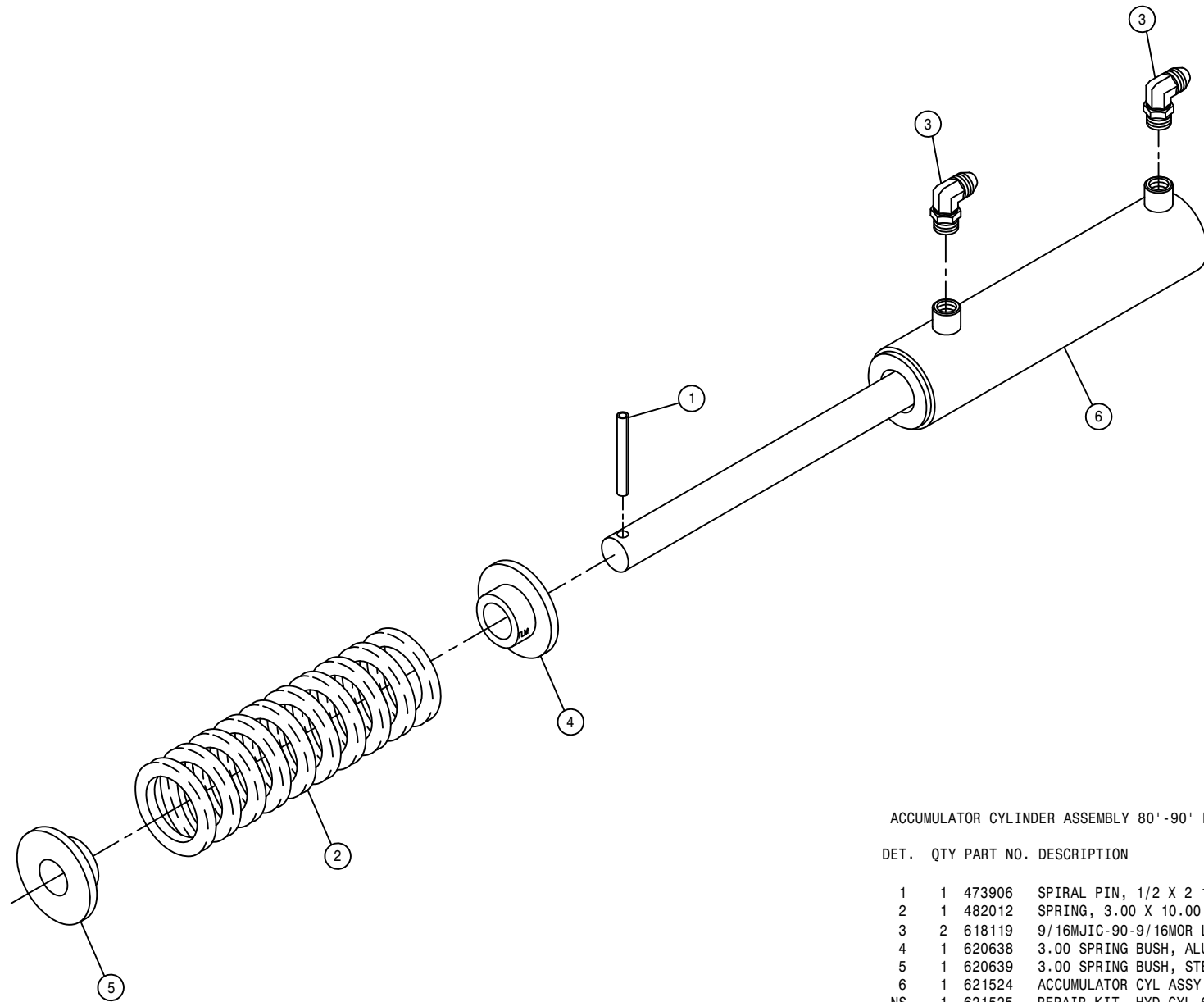
404079



ACCUMULATOR CYLINDER ASSEMBLY 60' BOOM

DET.	QTY	PART NO.	DESCRIPTION	
	1	473903	SPIRAL PIN 1/2 X 2	640
	1	482011	SPRING, 2.62 X 10.00 COMPRSN	
	2	618119	9/16MJIC-90-9/16MOR LBO	
	1	620636	2.63 SPRING BUSH, ALUM	96
	1	620637	2.63 SPRING BUSH, STEEL	96
	1	621524	ACCUMULATOR CYL ASSY	
NS	1	621525	REPAIR KIT, HYD CYL 621524	

NOTE: 621211 - ACCUMULATOR CYLINDER ASSEMBLY

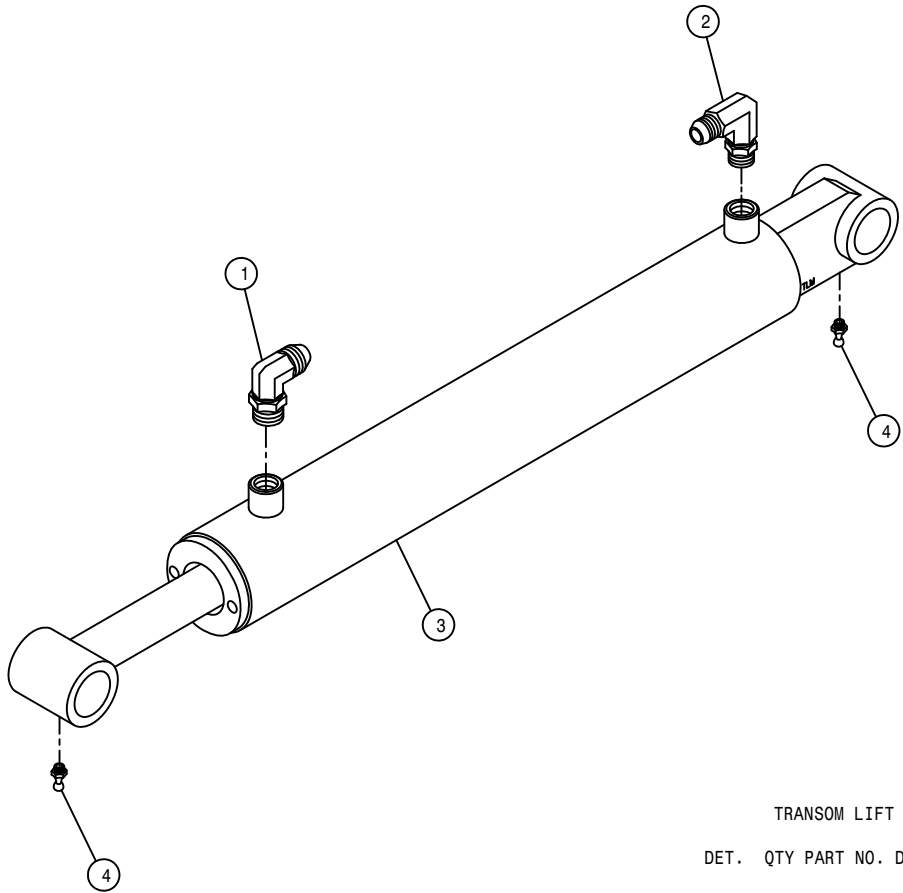


ACCUMULATOR CYLINDER ASSEMBLY 80' -90' BOOM

DET. QTY PART NO. DESCRIPTION

1	1	473906	SPIRAL PIN, 1/2 X 2 1/2 LG
2	1	482012	SPRING, 3.00 X 10.00 COMPRSN
3	2	618119	9/16MJIC-90-9/16MOR LBO
4	1	620638	3.00 SPRING BUSH, ALUM 96
5	1	620639	3.00 SPRING BUSH, STEEL 96
6	1	621524	ACCUMULATOR CYL ASSY
NS	1	621525	REPAIR KIT, HYD CYL 621524

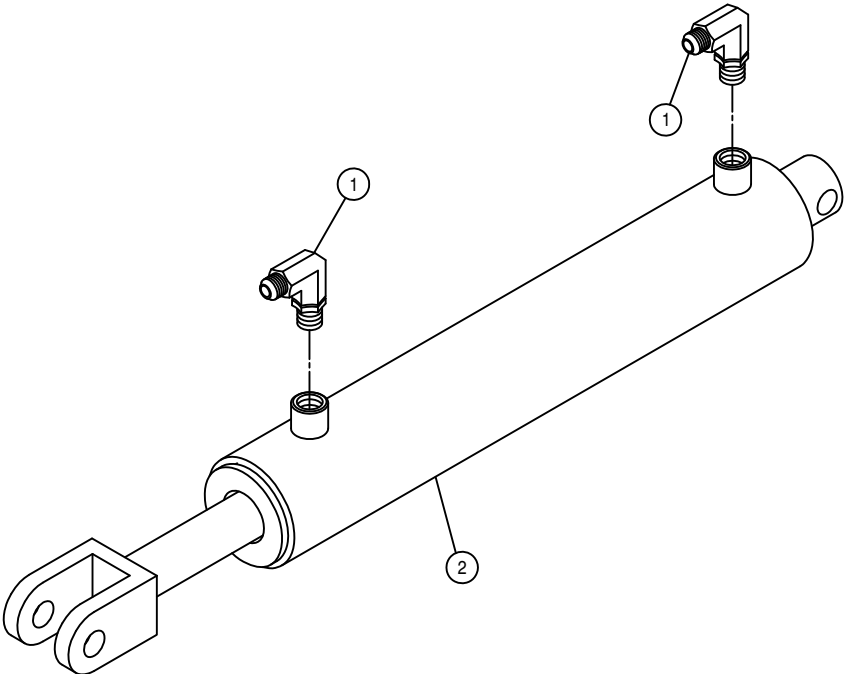
NOTE: 621212 - ACCUMULATOR CYLINDER ASSEMBLY



TRANSOM LIFT CYLINDER ASSEMBLY

DET.	QTY	PART NO.	DESCRIPTION
	1	618119	9/16MJIC-90-9/16MOR LBO
	1	618689	9/16MOR-90-9/16MJ .042 CHK VLV
	1	621518	TRANSOM LIFT CYL ASSY
	4	471005	1/4 28 X 1/2 GREASE ZERK
	NS	1	621519 REPAIR KIT, HYD CYL 621518

NOTE: 621207 - TRANSOM LIFT CYLINDER ASSEMBLY WITH FITTINGS

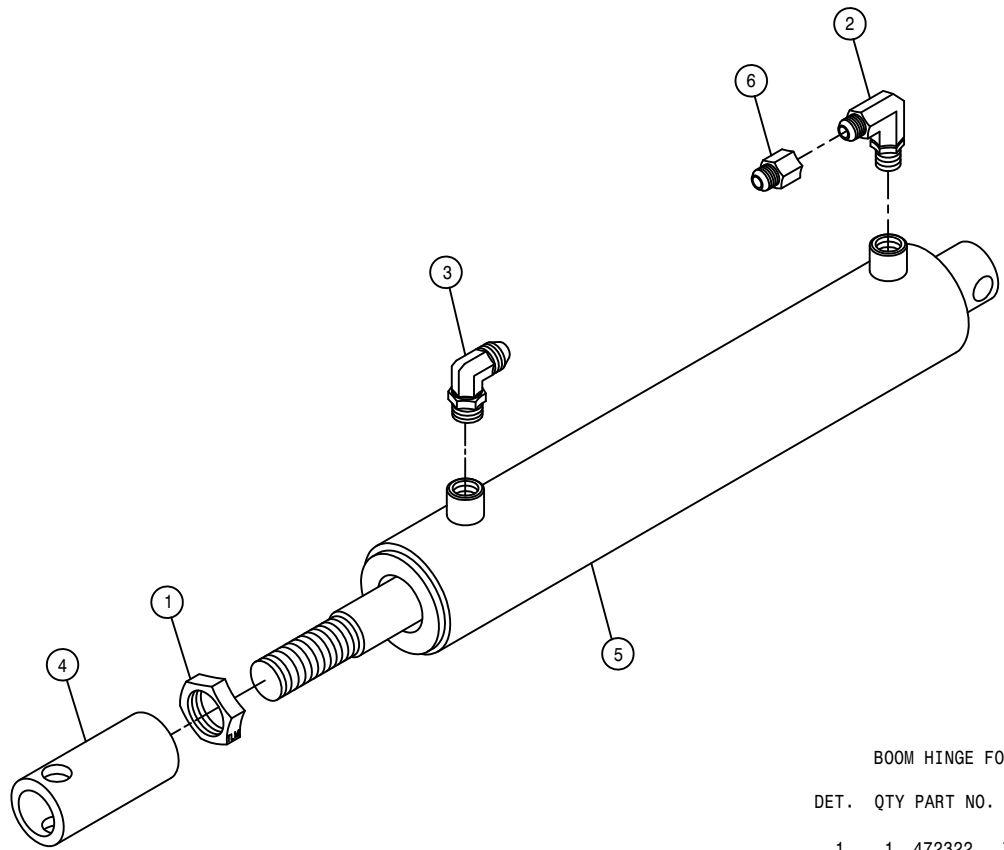


BOOM LEVEL CYLINDER ASSEMBLY

DET. QTY PART NO. DESCRIPTION

1	2	618119	9/16MJIC-90-9/16MOR LBO
2	1	621522	BOOM LEVEL CYL ASSY
NS	1	621523	REPAIR KIT, HYD CYL 621522

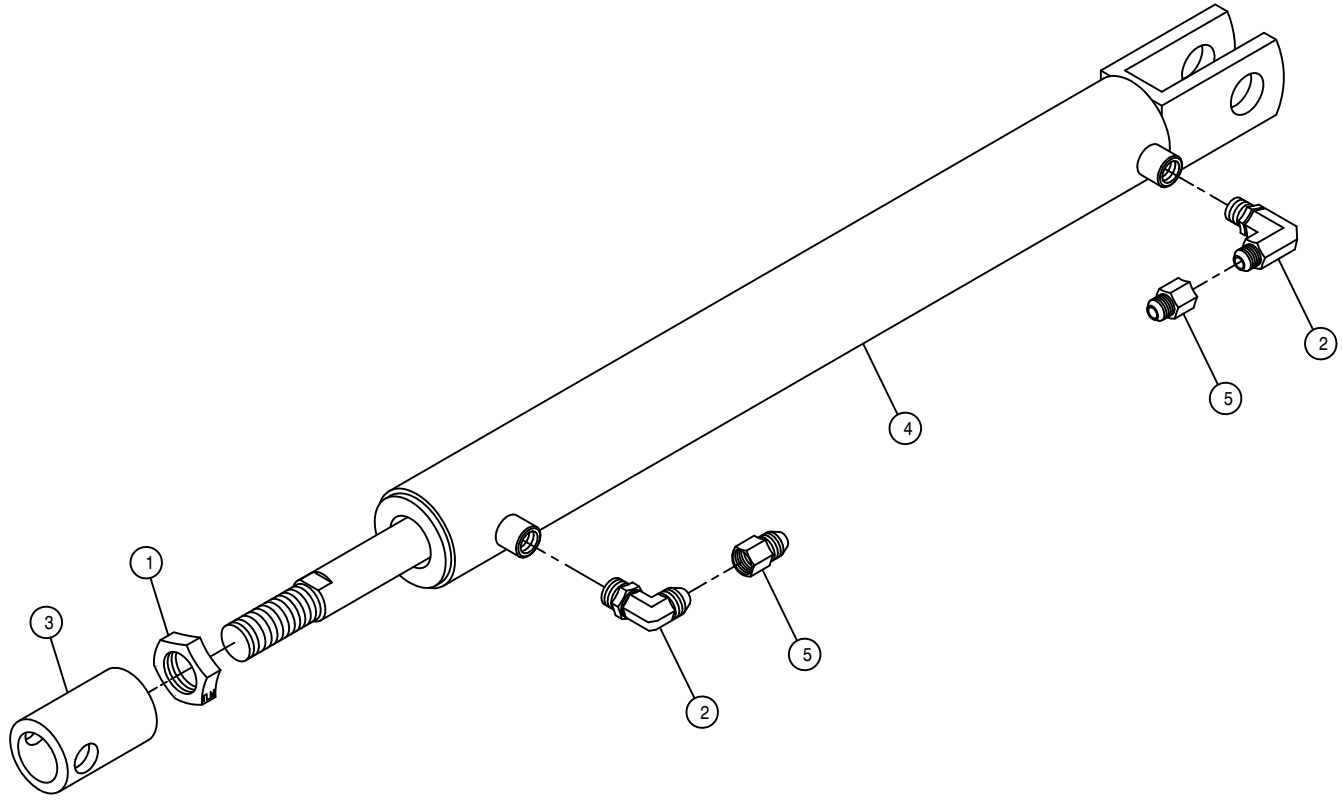
NOTE: 621210 - BOOM LEVEL CYLINDER ASSEMBLY WITH FITTINGS



BOOM HINGE FOLD CYLINDER ASSEMBLY

DET.	QTY	PART NO.	DESCRIPTION
	1	472322	7/8-14 UNF HEX JAM NUT
	1	618119	9/16MJIC-90-9/16MOR LBO
	1	618688	9/16MOR-90-9/16MJ .025 CHK VLV
	1	620653	FOLD CYL ADJ SLEEVE 97
	1	621520	BOOM HINGE FOLD CYL ASSY
	1	618733	9/16JIC .042 ORIFICE ADPTR
NS	1	621521	REPAIR KIT, HYD CYL 621520

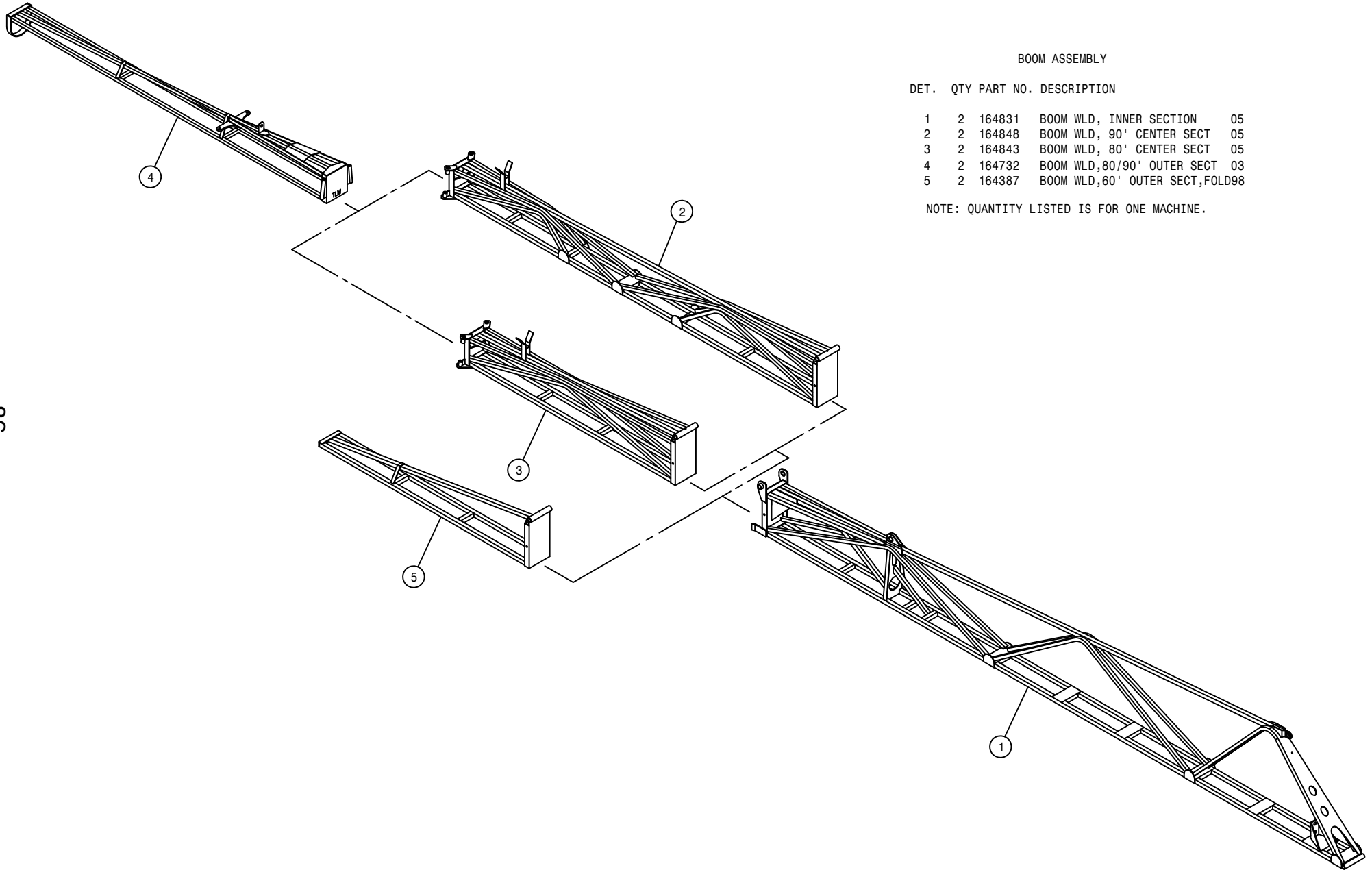
NOTE: 621208 - BOOM HINGE FOLD CYLINDER ASSEMBLY WITH FITTINGS



BOOM CENTER SECTION FOLD CYLINDER ASSEMBLY

DET.	QTY	PART NO.	DESCRIPTION
	1	472328	1" -12 HEX JAM NUT
	2	618119	9/16MJIC-90-9/16MOR LBO
	3	620681	CENTER FOLD CYL ADJ SLEEVE 12T
	4	621526	BOOM CNTR SECT CYL ASSY(12T)
	5	618733	9/16JIC .042 ORIFICE ADPTR
	NS	621527	REPAIR KIT, HYD CYL 621526

NOTE: 621213 - BOOM CNTR SECT FOLD CYLINDER ASSEMBLY WITH FITTINGS

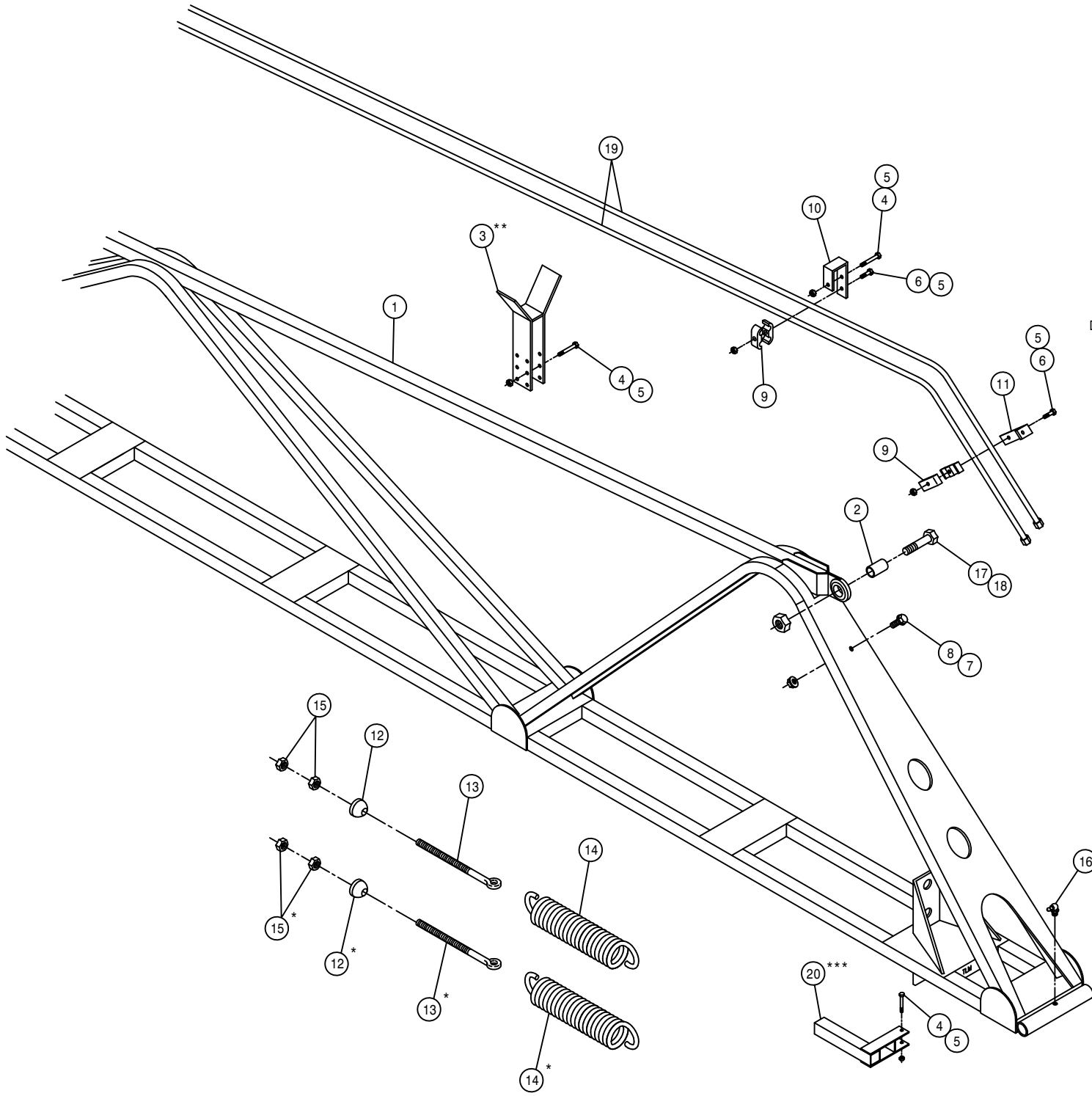


BOOM ASSEMBLY

DET. QTY PART NO. DESCRIPTION

1	2	164831	BOOM WLD, INNER SECTION	05
2	2	164848	BOOM WLD, 90' CENTER SECT	05
3	2	164843	BOOM WLD, 80' CENTER SECT	05
4	2	164732	BOOM WLD, 80/90' OUTER SECT	03
5	2	164387	BOOM WLD, 60' OUTER SECT, FOLD98	

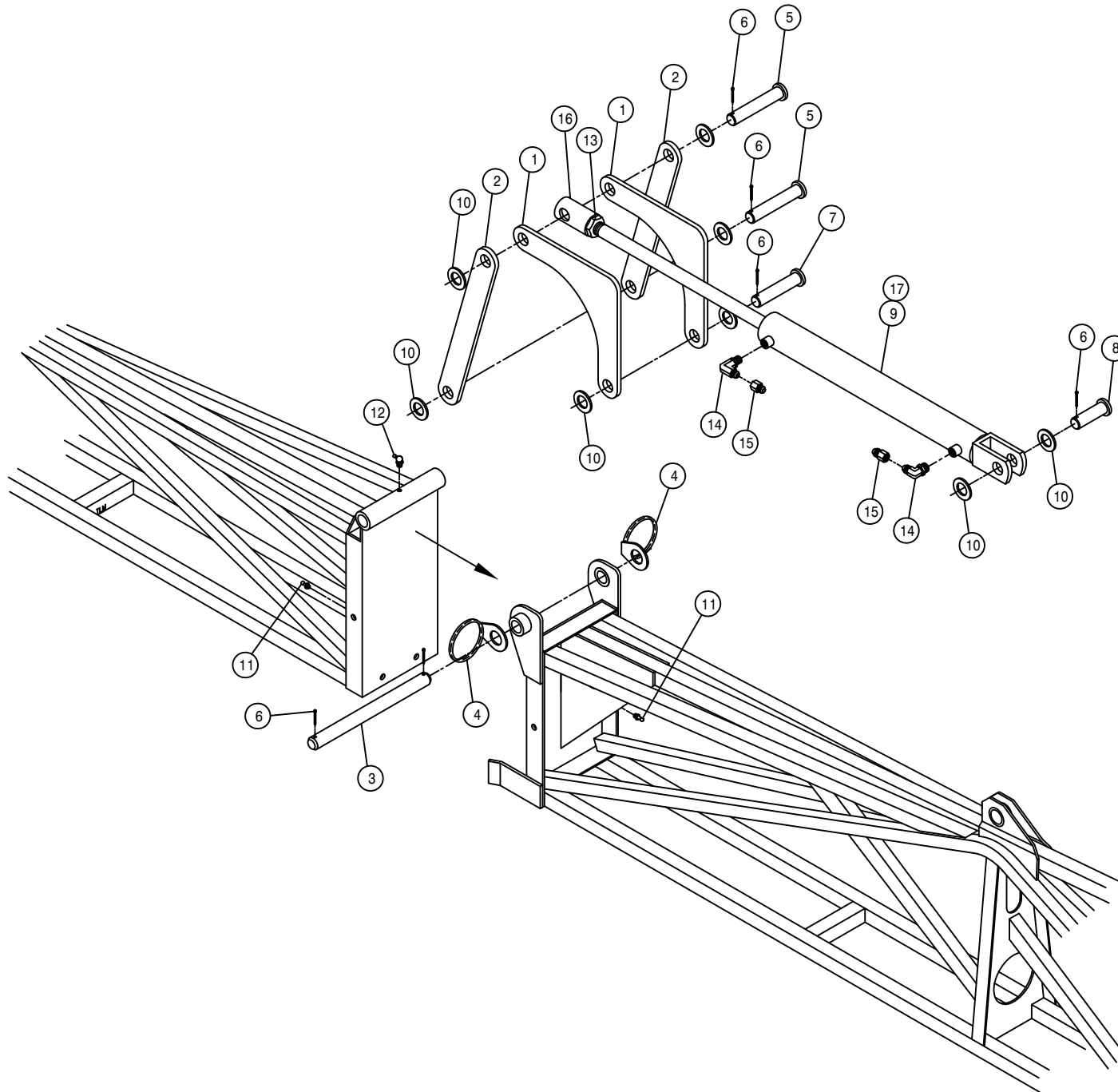
NOTE: QUANTITY LISTED IS FOR ONE MACHINE.



INNER BOOM ASSEMBLY

DET.	QTY	PART NO.	DESCRIPTION	
1	2	164831	BOOM WLD, INNER SECTION	05
2	2	164227	BOOM BALL JOINT BUSH	96
3	2	164266	OUTER BOOM SUPP WLD,80/90'	96
4	18	900007	1/4UNC X 2" HEX BOLT	
5	28	914000	1/4UNC HEX STOVER NUT	
6	10	900004	1/4UNC X 1 1/4 HEX BOLT	
7	2	470121	1/4UNC HEX FLANGE LOCK NUT	
8	2	470118	1/4UNC X 3/4 FLANGE HEX BOLT	
9	10	470287	TUBE CLAMP, .375-.375 (PAIR)	
10	8	164242	HYD TUBE HANGER CLEVIS,BOOM96	
11	2	164243	HYD TUBE HANGER ANGLE,BOOM 96	
12	4	164263	SWIVEL, 5/8 BOOM EYEBOLT	
13	4	164265	5/8UNC X 7 1/2 EYE BOLT	
14	4	482014	SPRING,3.25 X 11.50 EXTENSION	
15	8	910010	5/8UNC HEX NUT	
16	2	471028	GREASE ZERK, 1/4-28 90DEG	
17	2	900844	5/8UNC X 2 3/4 HEX BOLT GR8	
18	2	914010	5/8UNC HEX STOVER NUT	
19	4	615684	HYD TUBE ASSY,BOOM EXT FOLD96	
20	2	164275	NOZL MT WLD	96

NOTE: 1. QUANTITY LISTED IS FOR ONE MACHINE.
 2. (*) 60 FOOT BOOM IS USES ONE SPRING SETUP.
 3. (**) NOT USED WITH 60' BOOM.
 4. (***) USED WITH SPECIFIC NOZZLE SPACINGS.



80' - 90' BOOM HINGE PIVOT ASSEMBLY

DET.	QTY	PART NO.	DESCRIPTION
	1	4	164228 FOLDING LINK, INNER BOOM 96
	2	4	164229 FOLDING LINK, BOOM CNTR SECT 96
	3	2	164231 BOOM PIN, 1.00 X 11.75 96
	4	4	438302 HOSE SUPPORT RING WLD
	5	4	470155 CLEVIS PIN, 1.00 X 4.00 PLT
	6	12	470162 COTTER PIN 3/16 X 1 1/2 SQ CUT
	7	2	472012 CLEVIS PIN, 1.00 X 3.25 PLT
	8	2	472270 CLEVIS PIN, 1.00 X 2.50 PLT
	9	2	621526 BOOM CNTR SECT CYL ASSY (12T)
	10	16	920008 1" SAE FLAT WASHER
	11	4	471005 1/4 28 X 1/2 GREASE ZERK
	12	2	471028 GREASE ZERK, 1/4-28 90DEG
	13	2	472328 1" - 12 HEX JAM NUT
	14	4	618119 9/16MJIC-90-9/16MOR LBO
	15	4	618733 9/16JIC .042 ORIFICE ADPTR
	16	2	620681 CENTER FOLD CYL ADJ SLEEVE 12T
	17	2	621527 REPAIR KIT, HYD CYL 621526

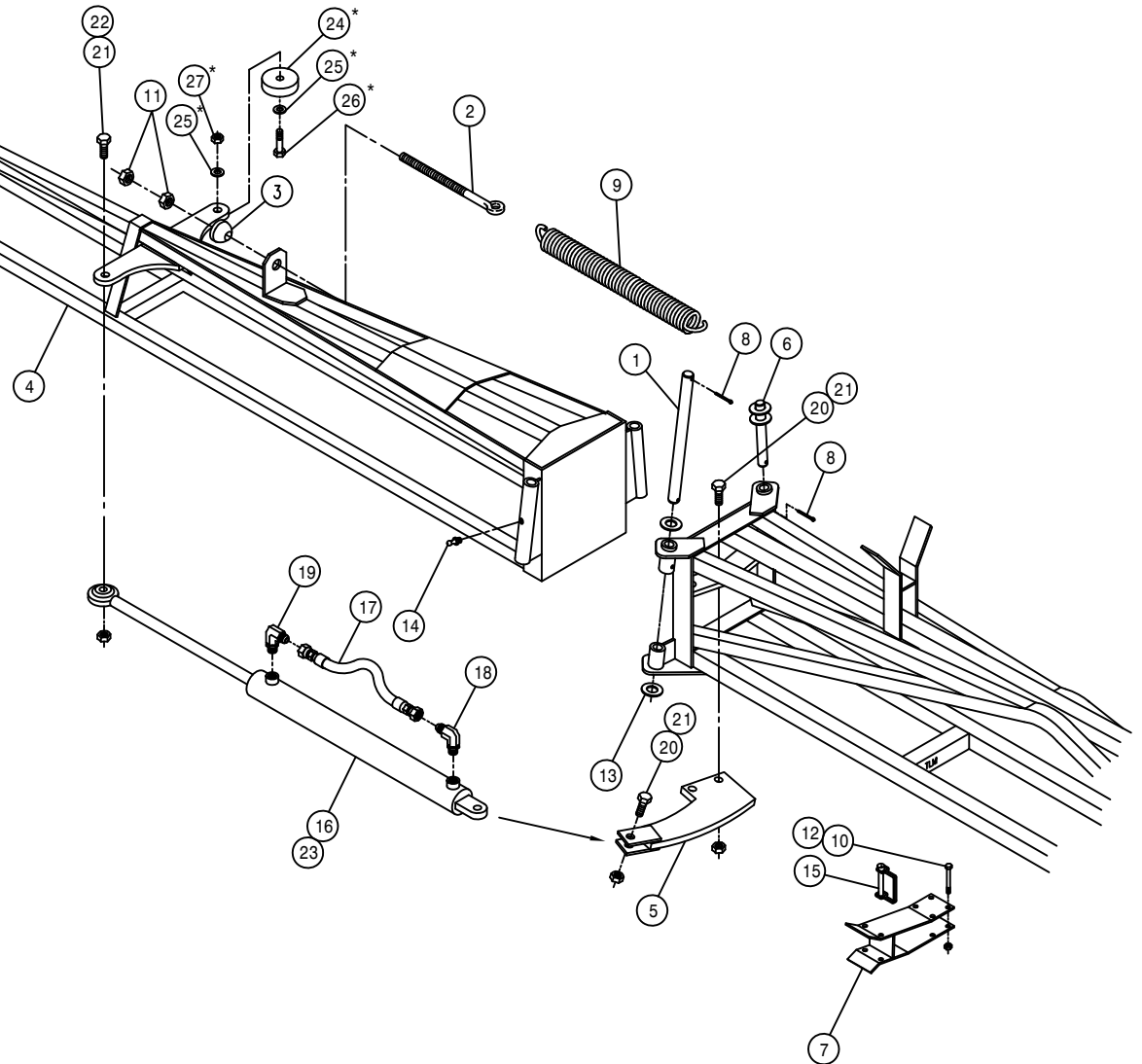
NOTE: QUANTITY LISTED IS FOR ONE MACHINE.

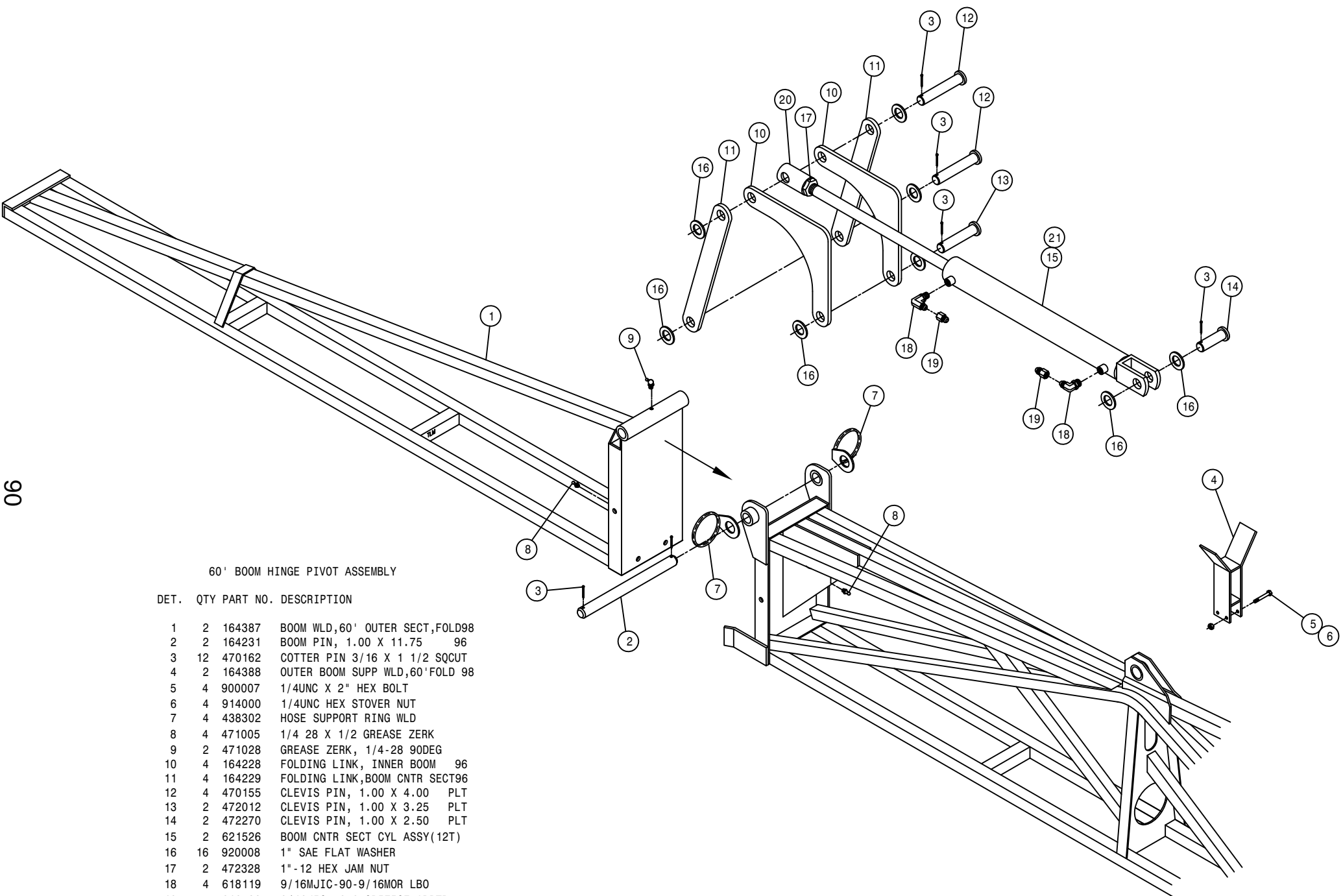
80'-90' OUTER BOOM HINGE ASSEMBLY

DET. QTY PART NO. DESCRIPTION

1	2	160351	BOOM PIVOT PIN, .625 X 11.50
2	2	160979	1/2UNC X 9" EYE BOLT
3	2	160981	SWIVEL, 1/2" BOOM EYEBOLT
4	2	164732	BOOM WLD,80/90' OUTER SECT 03
5	2	164734	CYL MT ARM WLD,80/90 CNTR SECT
6	2	164737	BOOM SPRING PIN WLD 03
7	2	164666	OUTER BOOM SUPPORT WLD 00
8	6	470162	COTTER PIN 3/16 X 1 1/2 SQCUT
9	2	482013	SPRING,2.50 X 17.00 EXTENSION
10	8	900007	1/4UNC X 2" HEX BOLT
11	4	910008	1/2UNC HEX NUT
12	8	914000	1/4UNC HEX STOVER NUT
13	4	920005	5/8 SAE FLAT WASHER
14	2	471005	1/4 28 X 1/2 GREASE ZERK
15	2	473895	1/4 X 1 3/4 LINCHPIN
16	2	621554	LADR/SF/BRKWAY CYL,1.50 X12.25
17	2	616042	04C1T-06FJX-06FJX-13 H/A
18	2	618119	9/16MJIC-90-9/16MOR LBO
19	2	618689	9/16MOR-90-9/16MJ .042 CHK VLV
20	6	900266	1/2UNC X 1 3/4 HEX BOLT
21	8	914008	1/2UNC HEX STOVER NUT
22	2	900267	1/2UNC X 2" HEX BOLT
23	2	621555	REPAIR KIT,HYD CYL 621554
24	2	470098	RUBBER BUMPER 2.500D X .38ID
25	2	483043	3/8 REGULAR FLAT WASHER
26	1	900131	3/8UNC X 1 1/2 HEX BOLT
27	1	914004	3/8UNC HEX STOVER NUT

NOTE: 1. QUANTITY LISTED IS FOR ONE MACHINE.
 2. PARTS MARKED WITH (*) ARE USED ON THE LH SIDE OF THE 90' BOOM OPTION.



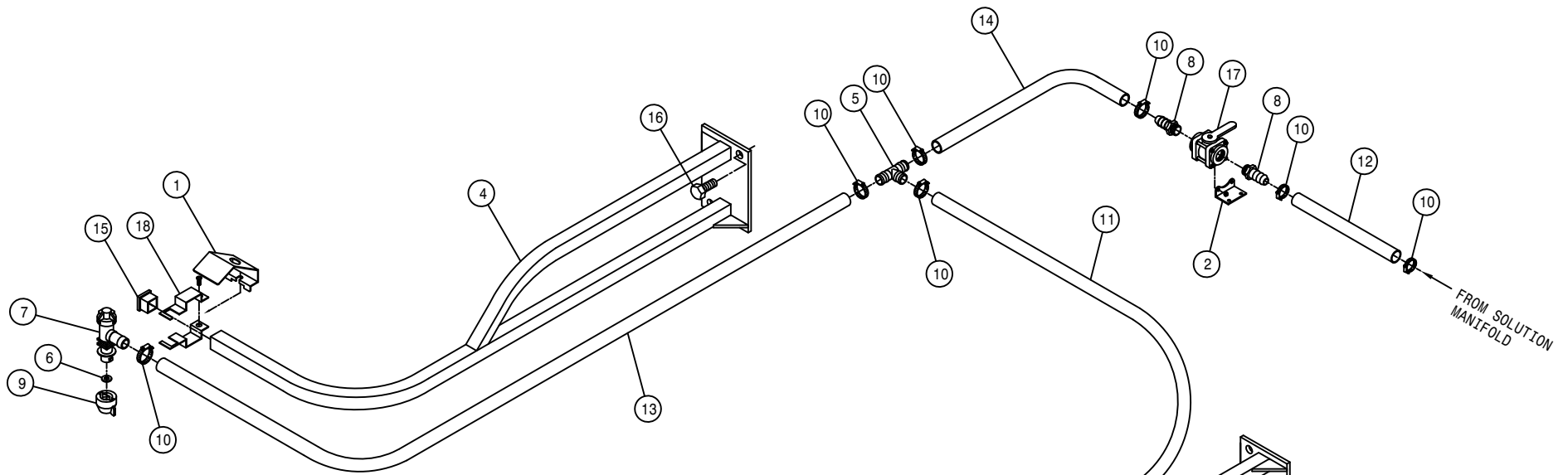


60' BOOM HINGE PIVOT ASSEMBLY

DET. QTY PART NO. DESCRIPTION

1	2	164387	BOOM WLD,60' OUTER SECT,FOLD98
2	2	164231	BOOM PIN, 1.00 X 11.75 96
3	12	470162	COTTER PIN 3/16 X 1 1/2 SQCUT
4	2	164388	OUTER BOOM SUPP WLD,60'FOLD 98
5	4	900007	1/4UNC X 2" HEX BOLT
6	4	914000	1/4UNC HEX STOVER NUT
7	4	438302	HOSE SUPPORT RING WLD
8	4	471005	1/4 28 X 1/2 GREASE ZERK
9	2	471028	GREASE ZERK, 1/4-28 90DEG
10	4	164228	FOLDING LINK, INNER BOOM 96
11	4	164229	FOLDING LINK,BOOM CNTR SECT96
12	4	470155	CLEVIS PIN, 1.00 X 4.00 PLT
13	2	472012	CLEVIS PIN, 1.00 X 3.25 PLT
14	2	472270	CLEVIS PIN, 1.00 X 2.50 PLT
15	2	621526	BOOM CNTR SECT CYL ASSY(12T)
16	16	920008	1" SAE FLAT WASHER
17	2	472328	1"-12 HEX JAM NUT
18	4	618119	9/16MJIC-90-9/16MOR LBO
19	4	618733	9/16JIC .042 ORIFICE ADPTR
20	2	620681	CENTER FOLD CYL ADJ SLEEVE 12T
21	2	621527	REPAIR KIT, HYD CYL 621526

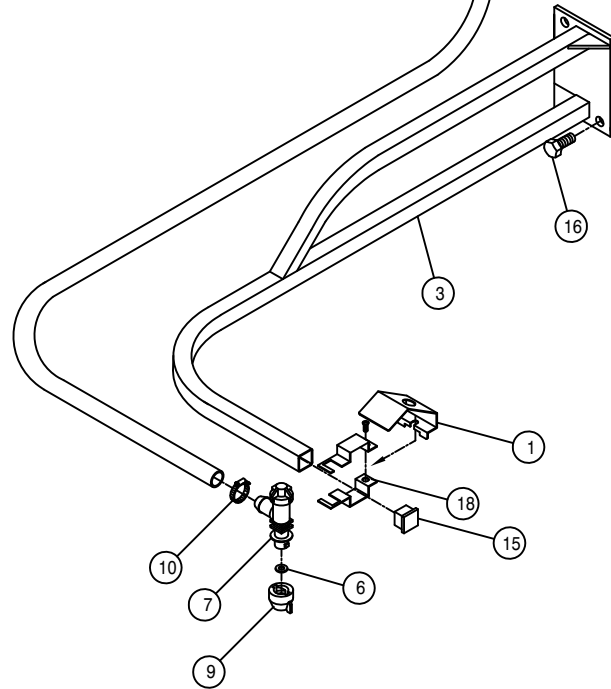
NOTE: QUANTITY LISTED IS FOR ONE MACHINE.



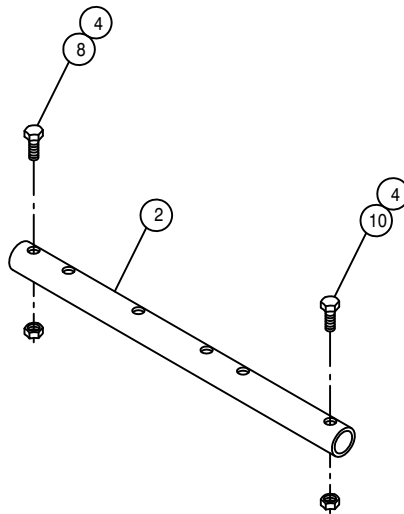
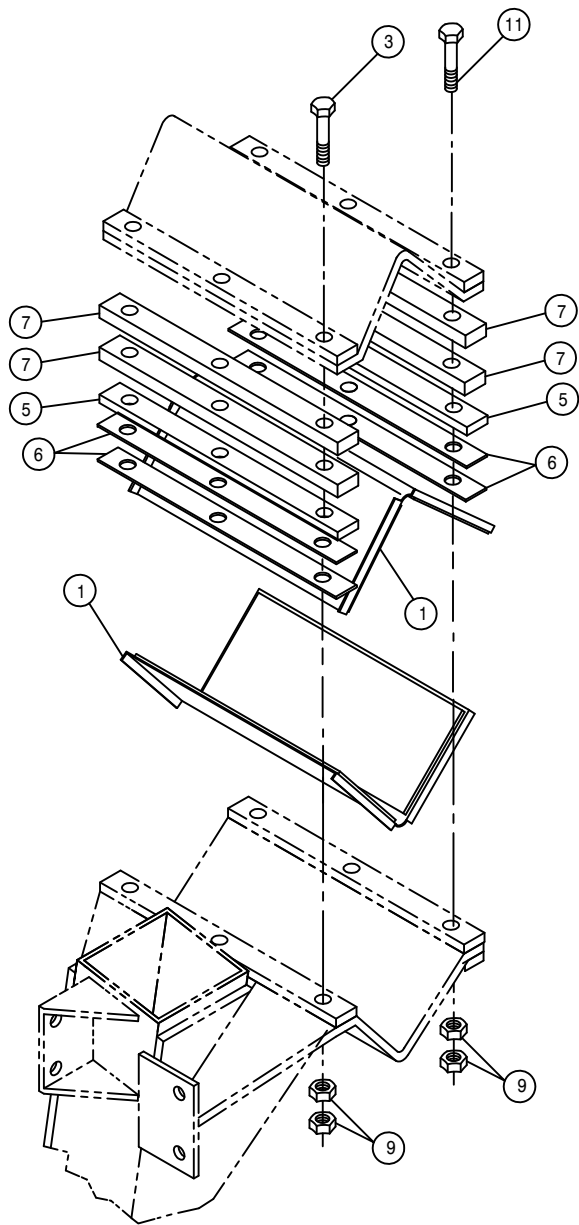
REAR WHEEL NOZZLE

DET. QTY PART NO. DESCRIPTION

1	2	164676	NOZL SHIELD, REAR WHEEL	00
2	1	164723	VALVE MT,REAR NOZL 284/2100 03	
3	1	164695	RH REAR NOZL MT WLD,284XP/2100	
4	1	164696	LH REAR NOZL MT WLD,284XP	
5	1	500120	1/2" HOSE BARB TEE, POLY	
6	2	737824	QUICK TEEJET SEAT GASKET	
7	2	737827	QUICK TJET LBO,1-TIP BODY	.50
8	2	713340	1/2NPT-1/2 HOSE BARB, POLY	
9	2	737822	CAP SET, YELLOW QUICK TEEJET	
10	8	520070	HOSE CLAMP NO 8 STAINLESS	
11	1	601564	HOSE, 1/2 X 174 1BR BLK EPDM	
12	1	601162	HOSE, 1/2 X 60 1BR BLK EPDM	
13	1	601432	HOSE, 1/2 X 130 1BR BLK EPDM	
14	1	601568	HOSE, 1/2 X 282 1BR BLK EPDM	
15	2	629727	FINISH PLUG FOR 1"SQ X 16 GA	
16	2	900265	1/2UNC X 1 1/2 HEX BOLT	
17	1	696082	BALL VALVE 1/2FNPT POLY	
18	2	737817	NOZL MT CLMP,1.00 SQ SS,Q-TJET	



FROM SOLUTION MANIFOLD

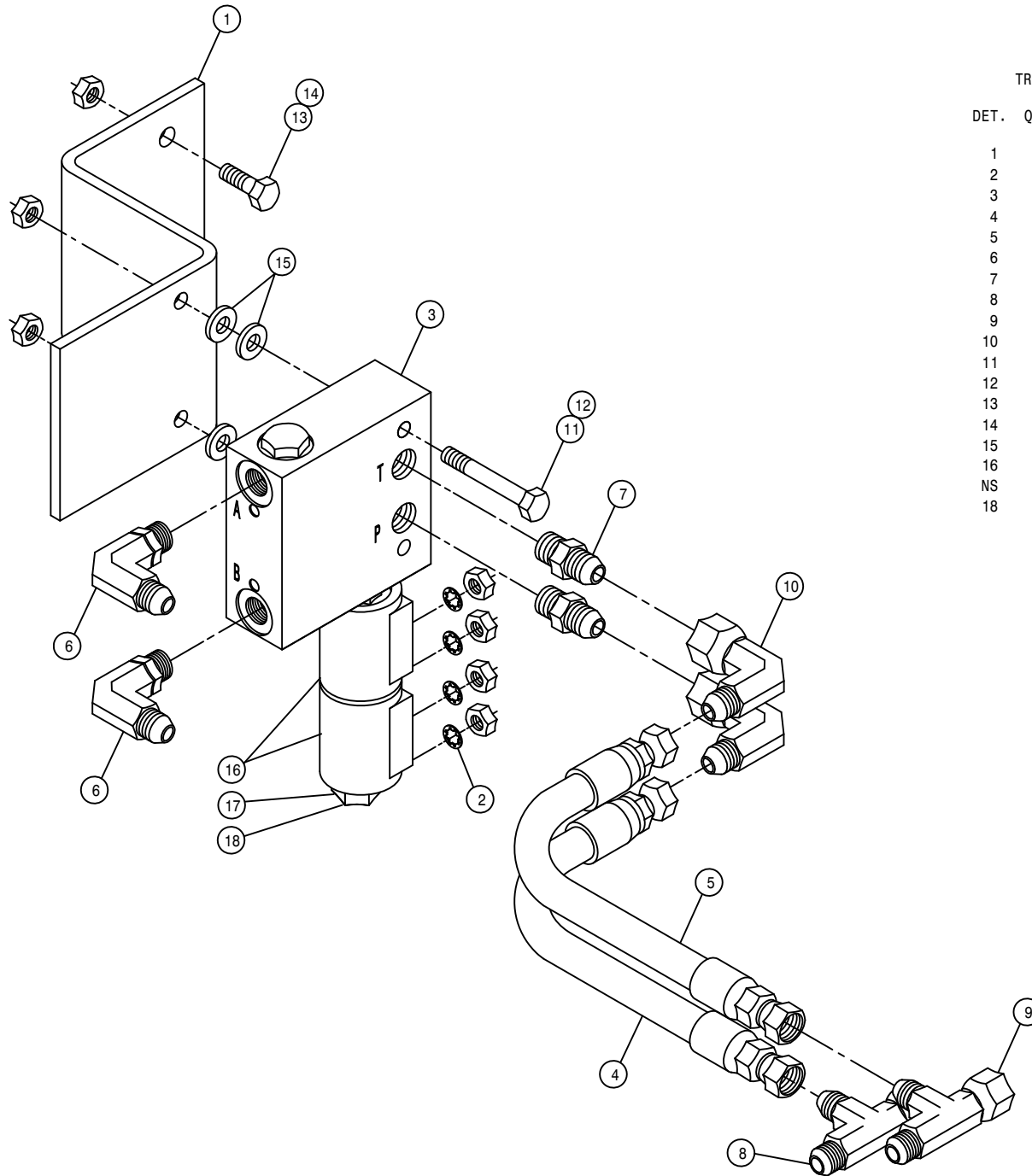


TREAD ADJUSTMENT ASSEMBLY

DET. QTY PART NO. DESCRIPTION

1	8	359294	TREAD ADJ XMBR BEARING ASSY 05	
2	4	358747	TREAD ADJ CYL EXT TUBE	94
3	12	900838	5/8UNF X 4" HEX BOLT GR8	
4	8	914008	1/2UNC HEX STOVER NUT	
5	8	358769	.250 LEG MT SHIM, 284T	94
6	16	358768	.037 LEG MT SHIM, 284T	94
7	16	358766	.375 LEG MT SPACER, 284T	94
8	4	900268	1/2UNC X 2 1/2 HEX BOLT	
9	48	914811	5/8UNF HEX NUT GR8	
10	4	900267	1/2UNC X 2" HEX BOLT	
11	12	900853	5/8UNF X 4 1/2 HEX BOLT GR8	

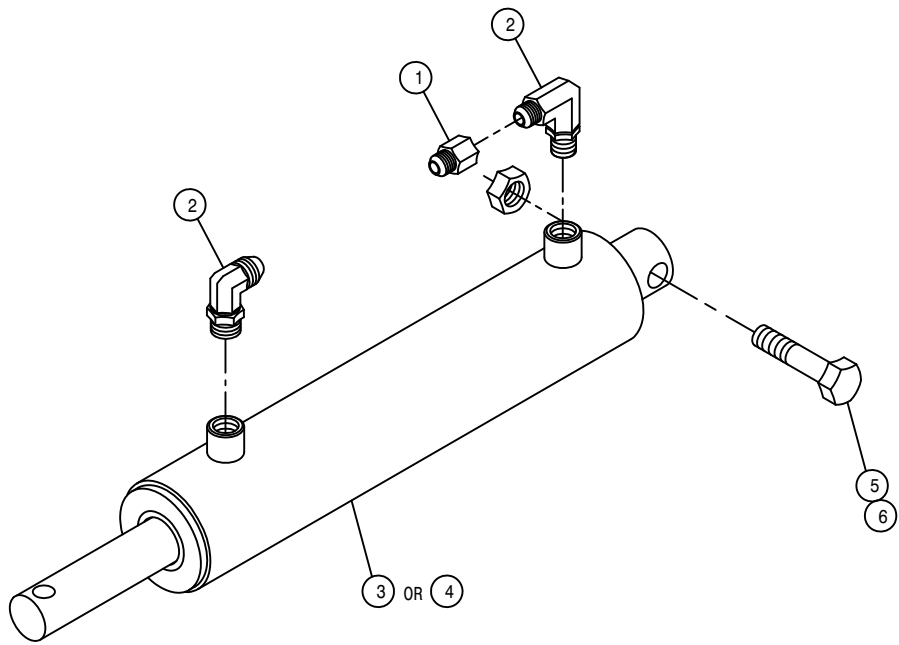
NOTE: QUANTITY LISTED IS FOR ONE MACHINE.



TREAD ADJUST CONTROL VALVE ASSEMBLY

DET. QTY PART NO. DESCRIPTION

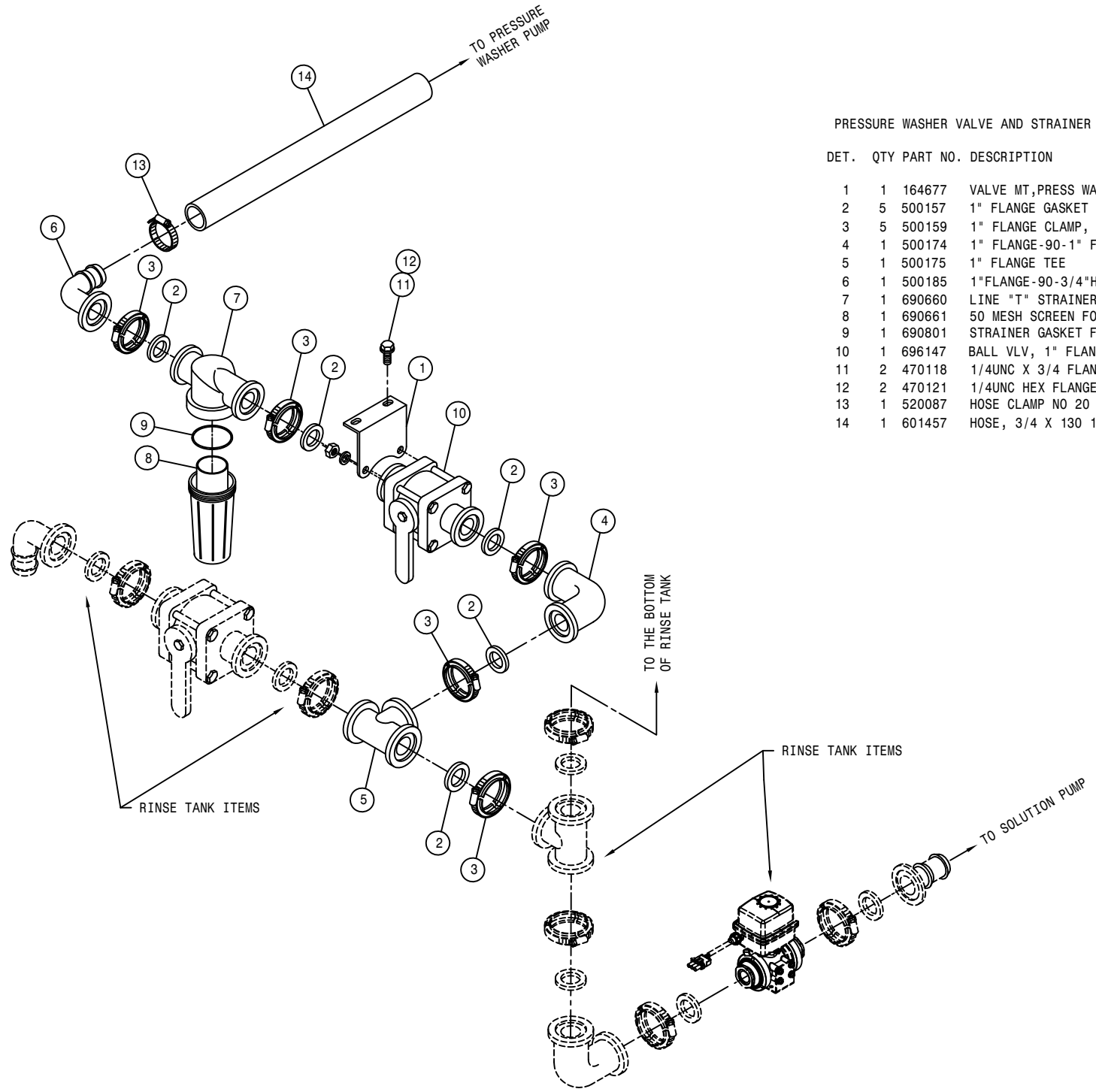
1	1	164652	TREAD ADJ VLV MT, 284
2	4	473802	# 8 INT TOOTH STAR WASHER
3	1	606100	TREAD ADJ VLV,284/XP,PWRSYS 03
4	1	615473	06C1T-06FJX-08FJX-18 H/A
5	1	615620	06C1T-06FJX-06FJX-18 H/A
6	2	618119	9/16MJIC-90-9/16MOR LBO
7	2	618126	9/16MJIC-9/16MOR ADPTR
8	1	618451	3/4FJIC SW RUN TEE-3/4MJIC
9	1	618486	9/16FJIC SW RUN TEE-9/16MJIC
10	2	618618	9/16MJIC-90-9/16FJIC SWIV LBO
11	2	900086	5/16UNC X 2 1/4 HEX BOLT
12	2	914002	5/16UNC HEX STOVER NUT
13	2	900129	3/8UNC X 1" HEX BOLT
14	2	914004	3/8UNC HEX STOVER NUT
15	4	920001	5/16 SAE FLAT WASHER
16	2	606142	COIL, #08,12VDC,DUAL STUDS
NS	1	606168	SEAL KIT FOR 606145 SOLENOID
18	1	606145	SOLENOID,4W3P #08,(606103/104)



TREAD ADJUSTMENT LEG CYLINDER ASSEMBLY

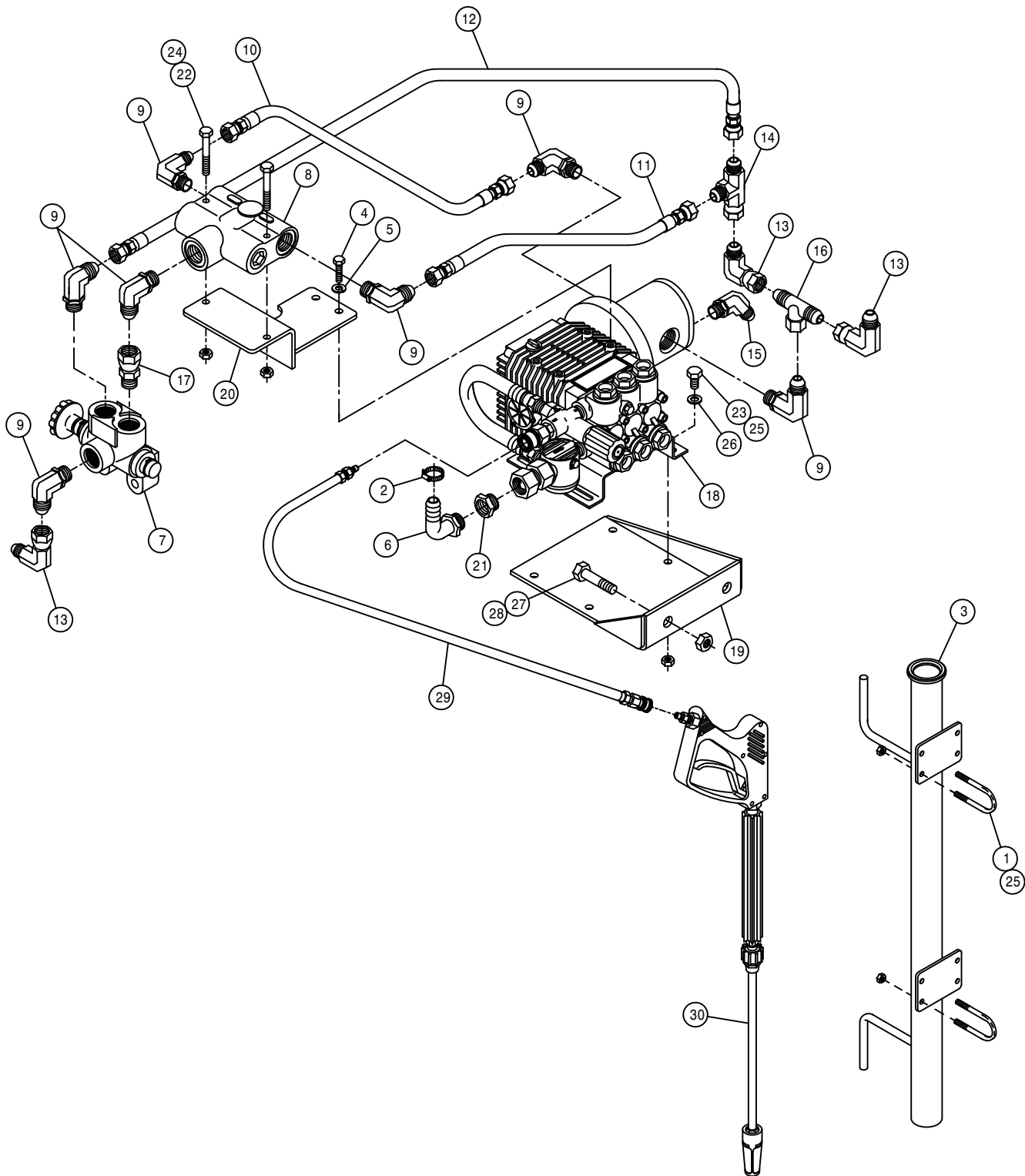
DET.	QTY	PART NO.	DESCRIPTION	
	1	618731	9/16JIC .025 ORIFICE ADPTR	
	2	618119	9/16MJIC-90-9/16MOR LBO	
	3	621530	LH TRD ADJ CYL, DTS8	04
	4	621532	RH TRD ADJ CYL, DTS8	04
	5	900268	1/2UNC X 2 1/2 HEX BOLT	
	6	914008	1/2UNC HEX STOVER NUT	
	7	621531	REPAIR KIT, HYD CYL 621530	
	8	621533	REPAIR KIT, HYD CYL 621532	

NOTE: 1. 621214 - LH LEG TREAD ADJ CYLINDER ASSEMBLY WITH FITTINGS
 2. 621215 - RH LEG TREAD ADJ CYLINDER ASSEMBLY WITH FITTINGS



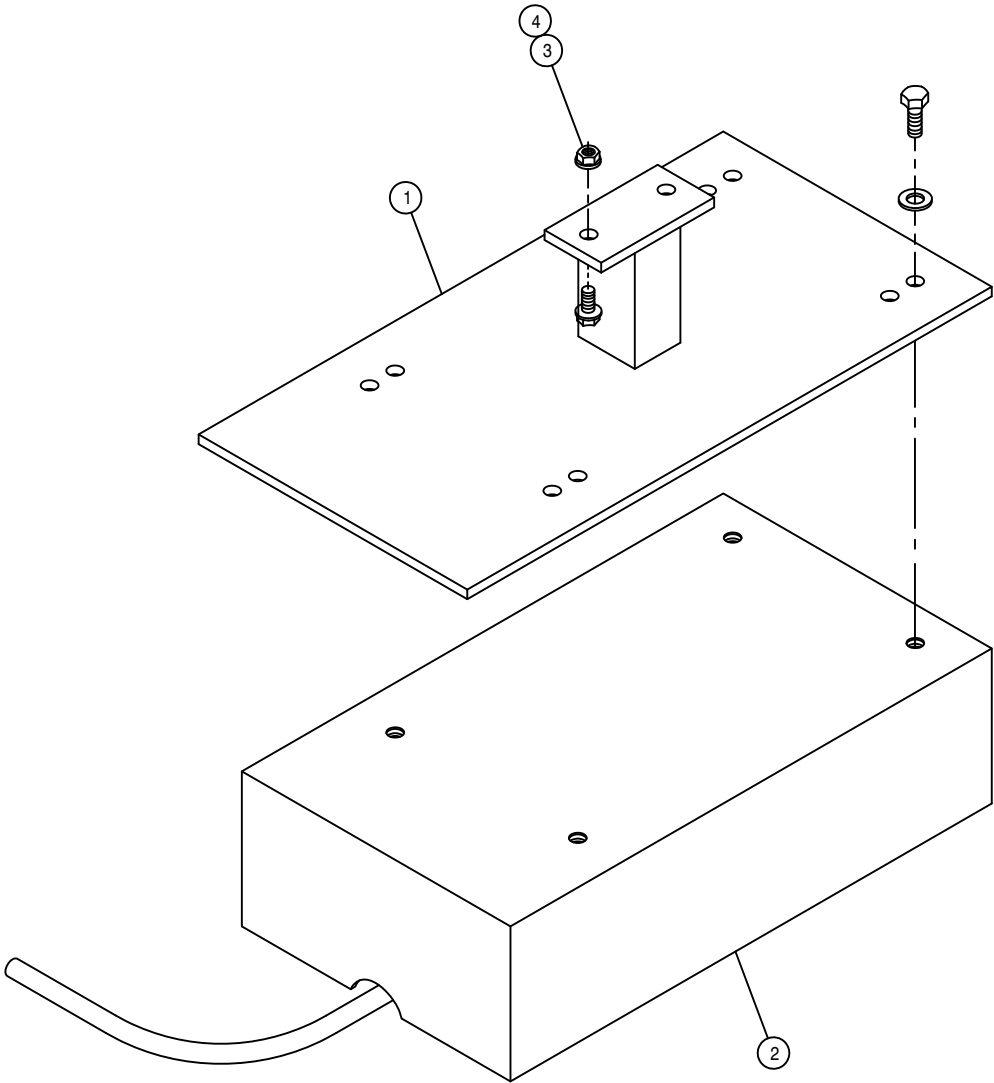
PRESSURE WASHER VALVE AND STRAINER ASSEMBLY

DET.	QTY	PART NO.	DESCRIPTION
1	1	164677	VALVE MT,PRESS WASH 284XP 2001
2	5	500157	1" FLANGE GASKET EPDM
3	5	500159	1" FLANGE CLAMP, S.S.
4	1	500174	1" FLANGE-90-1" FLANGE LBOPOLY
5	1	500175	1" FLANGE TEE POLY
6	1	500185	1"FLANGE-90-3/4"HOSE BARB POLY
7	1	690660	LINE "T" STRAINER, 1" FLANGE
8	1	690661	50 MESH SCREEN FOR 690660
9	1	690801	STRAINER GASKET FOR 690660
10	1	696147	BALL VLV, 1" FLANGE
11	2	470118	1/4UNC X 3/4 FLANGE HEX BOLT
12	2	470121	1/4UNC HEX FLANGE LOCK NUT
13	1	520087	HOSE CLAMP NO 20 STAINLESS
14	1	601457	HOSE, 3/4 X 130 1BR BLK EPDM



PRESSURE WASHER PUMP ASSEMBLY

DET.	QTY	PART NO.	DESCRIPTION
	1	4 473911	5/16UNC-1.31ID-2.00 U-BOLT
	2	1 520087	HOSE CLAMP NO 20 STAINLESS
	3	1 690732	PRESSURE WASHER WAND MT WLD
	4	4 473803	8MM-1.25 X 16MM HEX BOLT
	5	4 473804	8MM LOCK WASHER
	6	1 500054	3/4NPT-90-3/4 HOSE BARB, POLY
	7	1 606005	GRESN SELECTOR VALVE S-10
	8	1 607518	FLO DIV BGR56 6GPM PRI 7/8FOR
	9	7 611128	7/8MJIC-90-7/8MOR LBO
	10	1 616143	10C1T-10FJX-10FJX-13 H/A
	11	1 616144	10C1T-10FJX-10FJX-14 H/A
	12	1 616145	10C1T-10FJX-10FJX-26 H/A
	13	3 618301	7/8MJIC-90-7/8FJIC SWIV LBO
	14	1 618333	7/8FJIC SW RUN TEE-7/8MJIC
	15	1 618425	9/16MJIC-45-9/16MOR LBO
	16	1 618593	7/8FJ SW BRANCH TEE-7/8MJ
	17	1 618594	7/8FJIC SWIV-7/8MOR ADPTR
	18	1 690672	PRESSURE WASHER, PACE 320 HYD
	19	1 690784	PRESS WASH PUMP MT WLD 284XP
	20	1 690788	PRESS WASH FLOW DIV MT 284XP
	21	1 715449	3/4FNPT X 3/4MGHT ADPTR BRS
	22	2 900023	1/4UNC X 2 1/4 HEX BOLT
	23	4 900064	5/16UNC X 3/4 HEX BOLT
	24	2 914000	1/4UNC HEX STOVER NUT
	25	12 914002	5/16UNC HEX STOVER NUT
	26	4 920001	5/16 SAE FLAT WASHER
	27	2 900269	1/2UNC X 2 3/4 HEX BOLT
	28	2 914008	1/2UNC HEX STOVER NUT
	29	1 690791	HOSE, PRESSURE WASHER 690672
	30	1 690673	TRIGGER GUN ASSY FOR 690672



RADAR OPTION

DET.	QTY	PART NO.	DESCRIPTION
1	1	690462	RADAR MTG BRKT WLD, INJ SYS
2	1	690599	RAVEN RADAR UNIT W/CABLE
3	2	470118	1/4UNC X 3/4 FLANGE HEX BOLT
4	2	470121	1/4UNC HEX FLANGE LOCK NUT

NOTICE

The following page contains decals for the model DTS 8.

These decals can be obtained from Hagie Mfg. Co. and should be used whenever your machine is repainted or when the decals become worn, weathered, or faded.

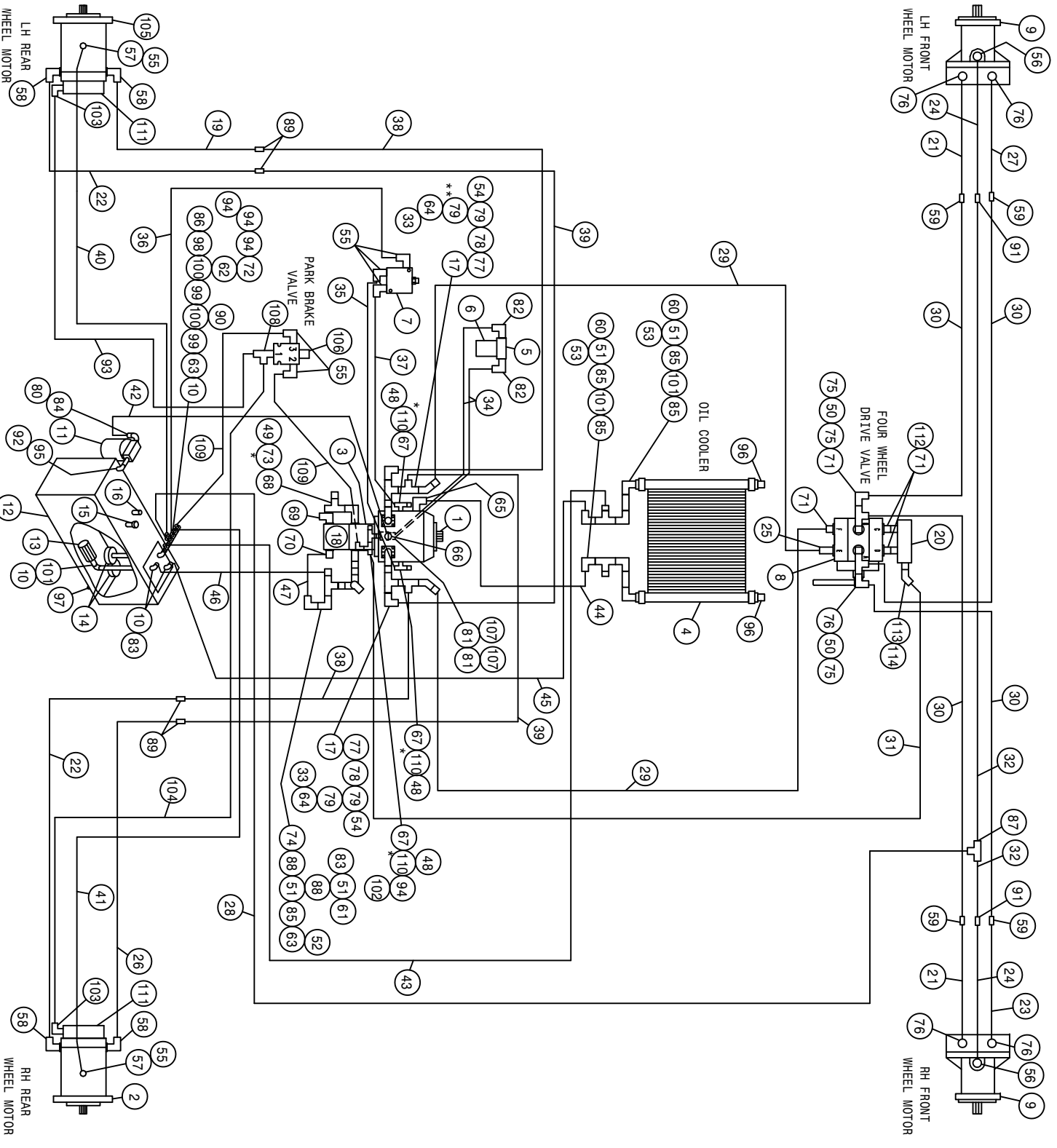
Special attention should be paid to decals involving personal safety. They have been attached for your protection.

KEEP THEM IN PLACE.

Contact: Hagie Manufacturing Co.
721 Central Ave West
Box 273
Clarion, Iowa 50525-0273

DTS8 DECALS

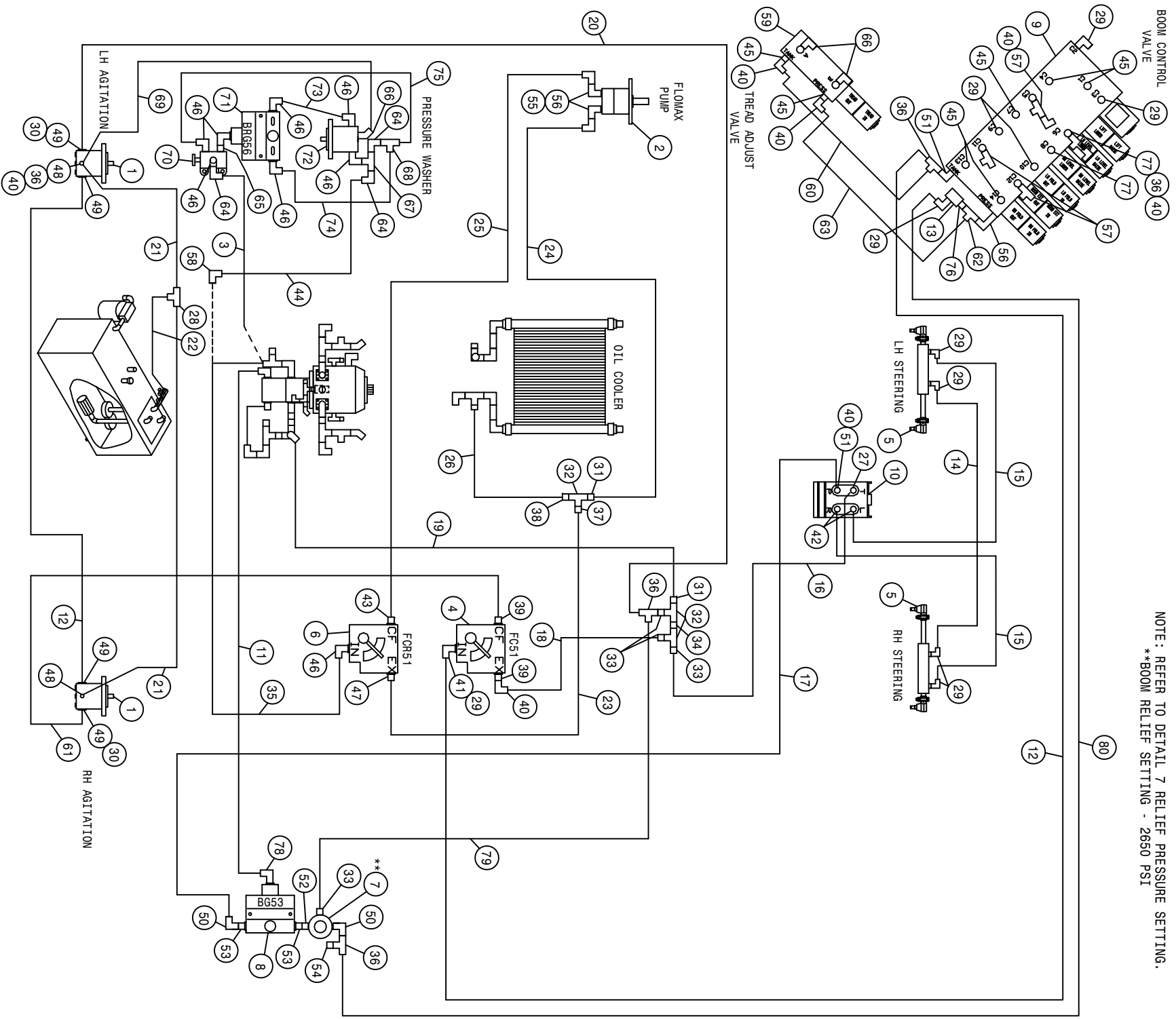
QTY.	PART NO.	DESCRIPTION	LOCATION
1	650831	EMERGENCY STOP DECAL	ON LOWER LH FRONT CAB FOAM
1	650175	EMERGENCY EXIT DECAL	ON MONITOR MOUNT
1	650355	CONSOLE COVER PANEL DECAL	ON CONSOLE SHEET METAL
1	650340	PARK BRAKE DECAL	NEAR PARK SWITCH
1	650822	SOLUTION PUMP DECAL	ON FRONT CROSSMEMBER
1	650847	NO PASSENGER DECAL	REAR CORNER OF CAB
2	650848	SLIP OR FALL DECAL	2-ON EACH FUEL TANK
2	650849	ENGINE FUEL DECAL	NEAR EACH FUEL TANK NECK
2	650850	CHEMICAL DECAL	ON SOLUTION TANK LIDS
2	650851	SHIELDS DECAL	ON SIDE OF TOP ENGINE COVER
1	650852	READ MANUAL DECAL	ON LOWER LH FRONT CAB FOAM
1	650154	PATENTS, HAGIE UPFRONT DECAL	ON LOWER LEFT REAR OF MAINFRAME
2	650954	DIESEL DECAL	NEAR EACH FUEL NECK
1	650981	COOLING SYSTEM DECAL	NEAR RADIATOR CAP
1	650982	ELECTRICAL DECAL	RIGHT HAND SIDE OF OIL TANK
4	650985	WHEEL BOLT TORQUE DECAL	ON EACH WHEEL RIM
1	KDC200	DECAL KIT, DTS8	ON EACH ENGINE HOOD ON EACH SOLUTION TANK ON EACH FUEL TANK
1	650329	SPRAY CONTROL/TRAC DECAL	ON INSTRUMENT PANEL
1	650336	FOLD BOOM WARNING DECAL	ON LOWER REAR OF EXIT WINDOW
1	650337	ELECTROCUTION HAZARD DECAL	ON LOWER REAR OF EXIT WINDOW
1	650339	HYDRAULIC OIL INJ. DECAL	ON LOWER REAR OF EXIT WINDOW
1	650347	NOTICE-R134A CHARGE DECAL	NEXT TO A/C COMPRESSOR
1	650348	NOTICE-DRAIN AIR TANK DECAL	ON AIR TANK
1	650367	AIR FILTER INSTRUCTION DECAL	ON ENGINE AIR FILTER END CAP
1	650212	DECAL SET, DTS 8 RH TANK MOLDIN	ON RIGHT SIDE OF SOLUTION TANK
1	650213	DECAL SET, DTS 8 LH TANK MOLDIN	ON LEFT SIDE OF SOLUTION TANK



*NOTE:
 REFER TO DETAIL 73 TO CHECK AUX. SYSTEM - 1850 PSI
 REFER TO DETAIL 110 TO CHECK LIMIT SETTING - 4500 PSI
 REFER TO DETAIL 110 TO CHECK CHARGE PRESSURE - 380 PSI
 **DETAIL 79 IS USED WITHOUT TRACTION VALVE

DT58 HYDRAULIC SCHEMATIC 2008
REFERENCE DRAWING NO. 49897351

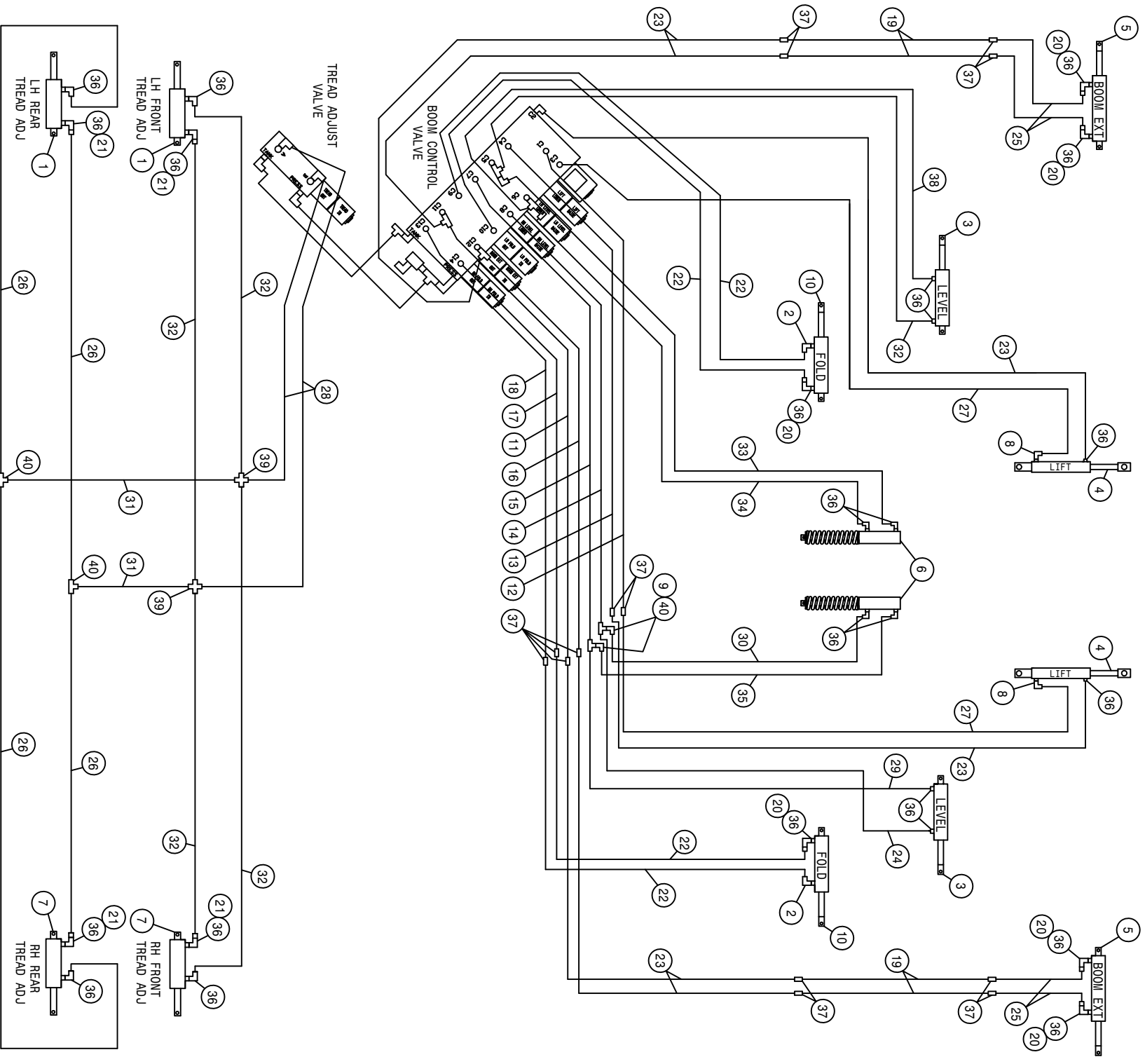
DET.	QTY	PART NO.	DESCRIPTION	DET.	QTY	PART NO.	DESCRIPTION
1	1	606954	SUND 130CC PUMP,B-MT	98	58	618576	1 5/16MJIC-90-1 1/16MOR LBO
2	1	610557	SUND M35-3102 WHL MTR W/SHFT	59	4	618177	1 1/16MJIC UNION
3	1	606932	SUND GEAR PUMP,1.60CI,SPLINED	60	2	618138	1IN HOSE BARB-90-1MNP
4	1	618606	OIL COOLER, BLISSFIELD 65027	61	1	716000	3/4 HOSE BARB-90-1MNP
5	1	605608	HYD FILTER HEAD, DONALDSON	62	1	504001	RED BUSH 3/4 X 1/4 BLK MAL
6	1	605609	HYD FILTER ELEMENT, DONALDSON	63	2	505213	RED BUSH 1 X 3/4 BLK MAL
7	1	610580	REMOTE FLUSHING VALVE, SUND	64	2	618630	1 5/16MJ-45-1 5/16FJ SWIV LBO
8	1	606003	GRESEN SELECTOR VALVE DS-12	65	1	618564	1IN HOSE BARB-90-1 5/16MOR
9	2	610571	SUND M35-3002 WHL MTR	66	1	618626	1 1/4 HOSE BARB-45-1 5/8MOR
10	4	505300	BLK PIPE EL 90DEG 1.00NPT	67	3	618126	9/16MJIC-9/16MOR ADPTR
11	1	605601	PARKER FILTER ASSY,10M,1.25NPT	68	1	618535	7/8MJIC-90-1 1/16MOR LBO
12	1	760264	HYD TANK WLD,204/254/284 2002	69	1	618183	3/4MJIC-90-1 1/16MOR LBO
13	1	605600	TANK FILTER, 100 MESH,1"FNPT	70	1	618075	3/4 HOSE BARB-1 1/16MOR
14	2	605603	LINE SUMP DIFFUSER	71	4	611127	1 1/16MJIC-1 1/16MOR ADPTR
15	1	611052	FILLER BREATHER 3/4NPT	72	1	618520	1/4MNP RUN TEE-9/16MJIC
16	1	614453	DIPSTICK, 8IN	73	1	618333	7/8FJIC SW RUN TEE-7/8MJIC
17	2	618461	1 1/4 SPLIT FLANGE KIT	74	1	618090	1 5/16MOR-1FNPT ADPTR
18	1	606929	SUND GEAR PUMP .66CI, SPLINED	75	3	618191	1 1/16MJ-90-1 1/16FJ SWIV LBO
19	1	615798	LH REAR LEG HYD TUBE ASSY XP	76	5	618248	1 1/16MJIC-90-1 1/16MOR LBO
20	1	606020	4WD SELECTOR VALVE MANIF 2002	77	2	618459	1 1/4FLANGE-90-1 5/8MJIC
21	2	615792	FRT LEG INNER HYD TUBE ASSY XP	78	2	618547	1 5/8FJIC-1 5/16MJIC ADPTR
22	2	615796	REAR LEG HYD TUBE ASSY XP	79	4	618619	1 5/16FJ SW RUN TEE-1 5/16MJ
23	1	615794	RH FRT LEG OUTER HYD TUBE ASSY	80	1	506410	BLK PIPE ST EL 90DEG 1.25NPT
24	2	615793	FRT LEG CNTR HYD TUBE ASSY XP	81	2	618327	3/4MJIC-7/8MOR ADPTR
25	1	607527	FLOW CTRL VALVE,32GPM IN-LINE	82	2	618474	3/4MJIC-90-1 1/16MOR LBO
26	1	615797	RH REAR LEG HYD TUBE ASSY XP	83	3	714560	1NPT X 1 HOSE BARB
27	1	615795	LH FRT LEG OUTER HYD TUBE ASSY	84	1	715660	HOSE BARB 1 1/4NPT X 1 1/4
28	1	614704	06CIT-06FJX-06FJX-156	85	5	505200	BLK PIPE ST EL 90DEG 1.00NPT
29	2	614724	12TWM-12FJX-12FJX-106	86	1	618018	9/16MJIC-1/2MNP ADPTR
30	4	616141	12CZAT-12FJX-12FJX-112	87	1	618019	9/16MJIC UNION TEE
31	1	614101	04CIT-06FJX-06FJX-133	88	2	505105	1MNP HEX PIPE NIPPLE STL
32	2	616140	06CIT-06FJX-08FJX-97	89	4	618577	1 5/16MJIC UNION
33	2	618541	1 5/16FJIC-1 1/16MJIC ADPTR	90	1	713220	HOSE BARB 3/4 NPT X 3/4
34	2	615465	08CIT-08FJX-08FJX-33	91	2	618314	3/4MJIC UNION
35	1	616252	04CZAT-06FJX-06FJX-13	92	1	506602	PIPE NIPPLE 1 1/4NPT-2 1/2
36	1	616048	04CIT-06FJX-06FJX-35	93	1	614152	04CIT-06FJX-06FJX-114
37	1	616253	04CZAT-06FJX-06FJX-23	94	4	618486	9/16FJIC SW RUN TEE-9/16MJIC
38	2	614735	12TWM-16FJX-16FJX-75	95	1	506303	BLK PIPE EL 90DEG 1.25NPT
39	2	616142	12TWM-16FJX-16FJX-93	96	2	505102	PIPE PLUG 1.00NPT SQ HD
40	1	614345	06CIT-06FJX-06FJX-120	97	1	470308	1/2MNP DRAIN PLUG,AL HD,MAG
41	1	615449	06CIT-06FJX-06FJX-126	98	1	504210	RED BUSH 3/4 NPT X 1/2 NPT
42	1	601549	HOSE, 1 1/4 X 23 1FBR-1SPI	99	2	504702	CLOSE NIPPLE .75NPT
43	1	601401	HOSE, 3/4 X 88 1FBR-1SPI	100	2	504955	BLK PIPE TEE .75NPT
44	1	601403	HOSE, 1 X 72 1FBR-1SPI	101	3	505203	BLK PIPE NIPPLE 1.00NPT-4.00
45	1	601404	HOSE, 1 X 87 1FBR-1SPI	102	1	618618	9/16MJIC-90-9/16FJIC SWIV LBO
46	1	601382	HOSE, 1 X 50 1FBR-1SPI	103	2	618114	9/16MJIC-90-7/16MOR LBO
47	1	601399	HOSE, 3/4 X 13 1FBR-1SPI	104	1	614639	04CIT-06FJX-06FJX-126
48	3	618531	9/16FJIC CAP NUT	105	1	610621	SUND M35-3102 WHL MTR
49	1	618328	7/8FJIC CAP NUT	106	1	606138	HYD SOLE VLV,2P-3W,9/16FOR, WP
50	2	618487	1 1/16FJ SW RUN TEE-1 1/16MJ	107	2	618609	3/4MJIC-90-3/4FJIC SWIV LBO
51	4	505101	BLK PIPE TEE 1.00NPT	108	1	618444	9/16MOR RUN TEE-9/16MJIC
52	1	610300	3/4MJIC-3/4MNP ADPTR	109	2	616056	04CIT-06FJX-06FJX-32
53	2	714331	1 NPT X 3/4 HOSE BARB	110	3	618514	9/16FJ SW BRANCH TEE-9/16MJ
54	2	618640	1 5/16MJ-90-1 5/16FJ SWIV LBO	111	2	828092	MICO HYD BRAKE
55	7	618119	9/16MJIC-90-9/16MOR LBO	112	2	618578	1 1/16FJIC SWIV-1 1/16MOR
56	2	618183	3/4MJIC-90-7/8MOR LBO	113	1	618005	1 1/16MOR-9/16FOR ADPTR
57	2	618172	7/8MOR-9/16FOR ADPTR	114	1	618425	9/16MJIC-45-9/16MOR LBO



NOTE : REFER TO DETAIL 7 RELIEF PRESSURE SETTING.
 **BOOM RELIEF SETTING - 2650 PSI

DTS8 HYDRAULIC SCHEMATIC 2008
REFERENCE DRAWING NO. 498973S2

DET.	QTY	PART NO.	DESCRIPTION	DET.	QTY	PART NO.	DESCRIPTION
1	2	606324	GEAR MTR, 1.4ICI EATON	40	7	618618	9/16MJIC-90-9/16FJIC SWIV LBO
2	1	690573	HYD MOTOR, FLOWMAX HI-SPEED	41	1	618172	7/8MOR-9/16FOR ADPTR
3	1	616147	10C1T-10FJX-10FJX-89	42	2	618109	9/16MJIC-3/4MOR ADPTR
4	1	606827	FLO CONT FC51 0-3 VARI 7/8FOR	43	1	618327	3/4MJIC-7/8MOR ADPTR
5	2	621516	STRG CYL ASSY, 2100	44	1	616146	10C1T-10FJX-10FJX-68
6	1	606818	FLO CONT FCR51 0-16GPM 7/8FOR	45	7	618126	9/16MJIC-9/16MOR ADPTR
7	1	607512	RELIEF VALVE, RL50, 1850 PSI	46	8	611128	7/8MJIC-90-7/8MOR LBO
8	1	610307	FLO DIV BG53 3GPM PRI 7/8FOR	47	1	611126	7/8MJIC-7/8MOR ADPTR
9	1	606102	BOOM VLV, X11/284/2100 PWRSYS03	48	2	618425	9/16MJIC-45-9/16MOR LBO
10	1	749318	STRG MTR, 7.3CID, NON-LOAD 1031	49	4	618813	9/16MJIC-90-1 1/16MOR LBO
11	1	616497	06C1T-08FJX-08FJX-18	50	2	618107	9/16MJIC-90-1/2MNPT LBO
12	2	614693	06C1T-06FJX-06FJX-168	51	2	618115	9/16MJIC-90-3/4MOR LBO
13	1	605615	HYD FILTER, INLINE 25M 9/16FOR	52	1	500000	1/2MNPT HEX PIPE NIPPLE STL
14	1	611262	04C1T-06FJX-06FJX-182	53	2	618072	7/8MOR-1/2FNPT ADPTR
15	2	614464	04C1T-06FJX-06FJX-96	54	1	618531	9/16FJIC CAP NUT
16	1	616172	04C1T-06FJX-06FJX-60	55	2	618609	3/4MJIC-90-3/4FJIC SWIV LBO
17	1	616496	04C1T-06FJX-06FJX45-125	56	3	618241	3/4MJIC-90-3/4MOR LBO
18	1	616026	04C1T-06FJX-06FJX-37	57	3	618444	9/16MOR RUN TEE-9/16MJIC
19	1	616057	08C1T-08FJX-08FJX-88	58	1	618466	7/8MJIC-90-7/8MJIC LBO
20	1	614571	06C1T-06FJX-06FJX-126	59	1	606100	TREAD ADJ VLV, 284/XP, PWRSYS 03
21	2	611204	04C1T-06FJX-06FJX-78	60	1	615620	06C1T-06FJX-06FJX-18
22	1	615452	06C1T-06FJX-06FJX-16	61	1	614704	06C1T-06FJX-06FJX-156
23	1	615521	10C1T-10FJX-10FJX-18	62	1	618451	3/4FJIC SW RUN TEE-3/4MJIC
24	1	615465	08C1T-08FJX-08FJX-33	63	1	615473	06C1T-06FJX-08FJX-18
25	1	614662	08C1T-08FJX-08FJX-72	64	3	618301	7/8MJIC-90-7/8FJIC SWIV LBO
26	1	601384	HOSE, 3/4 X 40 1FBR-1SPI	65	1	618594	7/8FJIC SWIV-7/8MOR ADPTR
27	1	618709	9/16MJIC-90-3/4MOR EX LG LBO	66	3	618425	9/16MJIC-45-9/16MOR LBO
28	1	618019	9/16MJIC UNION TEE	67	1	618593	7/8FJ SW BRANCH TEE-7/8MJ
29	10	618119	9/16MJIC-90-9/16MOR LBO	68	1	618333	7/8FJIC SW RUN TEE-7/8MJIC
30	2	618634	9/16MJIC-45-9/16FJIC SWIV LBO	69	1	614627	06C1T-06FJX-06FJX-45
31	2	611147	3/4MJIC-1/2MNPT ADPTR	70	1	606005	GRESEN SELECTOR VALVE S-10
32	3	503820	BLK PIPE TEE .50NPT	71	1	607518	FLO DIV BGR56 6GPM PRI 7/8FOR
33	4	618018	9/16MJIC-1/2MNPT ADPTR	72	1	690672	PRESSURE WASHER, PACE 320 HYD
34	1	503600	CLOSE NIPPLE .50NPT	73	1	616143	10C1T-10FJX-10FJX-13
35	1	616161	10C1T-10FJX-10FJX-101	74	1	616144	10C1T-10FJX-10FJX-14
36	5	618486	9/16FJIC SW RUN TEE-9/16MJIC	75	1	616145	10C1T-10FJX-10FJX-26
37	1	618325	7/8MJIC-1/2MNPT ADPTR	76	1	618692	3/4FJIC SWIV-9/16MOR ADPTR
38	1	712440	1/2 NPT X 3/4 HOSE BARB	77	2	614763	9/16MJIC-9/16MOR, .042 CHK ADPT
39	2	618310	9/16MJIC-7/8MOR ADPTR	78	1	618183	3/4MJIC-90-7/8MOR LBO
				79	1	616495	04C1T-06FJX-06FJX45-100 H/A
				80	1	616499	06C1T-06FJX-06FJX45-252 H/A



DTS8 HYDRAULIC SCHEMATIC 2008
REFERENCE DRAWING NO. 498973S3

DET.	QTY	PART NO.	DESCRIPTION	DET.	QTY	PART NO.	DESCRIPTION
1	2	621530	LH TRD ADJ CYL, DTS8	04	21	618731	9/16JIC .025 ORIFICE ADPTR
2	2	618688	9/16MOR-90-9/16MJ .025 CHK VLV	22	4	615442	04C1T-06FJX-06FJX-55
3	2	621522	BOOM LEVEL CYL ASSY	23	6	616040	04C1T-06FJX-06FJX-67
4	2	621518	TRANSOM LIFT CYL ASSY	24	1	616028	04C1T-06FJX-06FJX-47
5	2	621526	BOOM CNTR SECT CYL ASSY(12T)	25	4	616043	04C1T-06FJX-06FJX-23
6	2	621524	ACCUMULATOR CYL ASSY	26	4	614715	04C1T-06FJX-06FJX-43
7	2	621532	RH TRD ADJ CYL, DTS8	04	27	616174	04C1T-06FJX-06FJX-70
8	2	618689	9/16MOR-90-9/16MJ .042 CHK VLV	28	2	611210	04C1T-06FJX-06FJX-156
9	2	618618	9/16MJIC-90-9/16FJIC SMITV LBO	29	1	614714	04C1T-06FJX-06FJX-34
10	2	621520	BOOM HINGE FOLD CYL ASSY	30	1	616049	04C1T-06FJX-06FJX-26
11	1	615767	BOOM EXTN LOWER HYD TUBE ASSY	31	2	611206	04C1T-06FJX-06FJX-66
12	1	615761	LIFT RAISE HYD TUBE ASSY	32	5	616026	04C1T-06FJX-06FJX-37
13	1	615762	LIFT LOWER HYD TUBE ASSY	33	1	616037	04C1T-06FJX-06FJX-29
14	1	615763	LEVEL RAISE HYD TUBE ASSY	34	1	614713	04C1T-06FJX-06FJX-24
15	1	615764	LEVEL LOWER HYD TUBE ASSY	35	1	614712	04C1T-06FJX-06FJX-20
16	1	615766	BOOM EXTN RAISE HYD TUBE ASSY	36	24	618119	9/16MJIC-90-9/16MOR LBO
17	1	615768	RH FOLD RAISE HYD TUBE ASSY	37	14	619010	9/16MJIC UNION
18	1	615769	RH FOLD LOWER HYD TUBE ASSY	38	1	615314	04C1T-06FJX-06FJX-50
19	4	615684	HYD TUBE ASSY,BOOM EXT FOLD96	39	2	618320	9/16MJIC UNION CROSS
20	6	618733	9/16JIC .042 ORIFICE ADPTR	40	4	618019	9/16MJIC UNION TEE

H/A

H/A

H/A

H/A

H/A

H/A

H/A

H/A

H/A

H/A

H/A

H/A

H/A

H/A

H/A

H/A

H/A

H/A

H/A

H/A

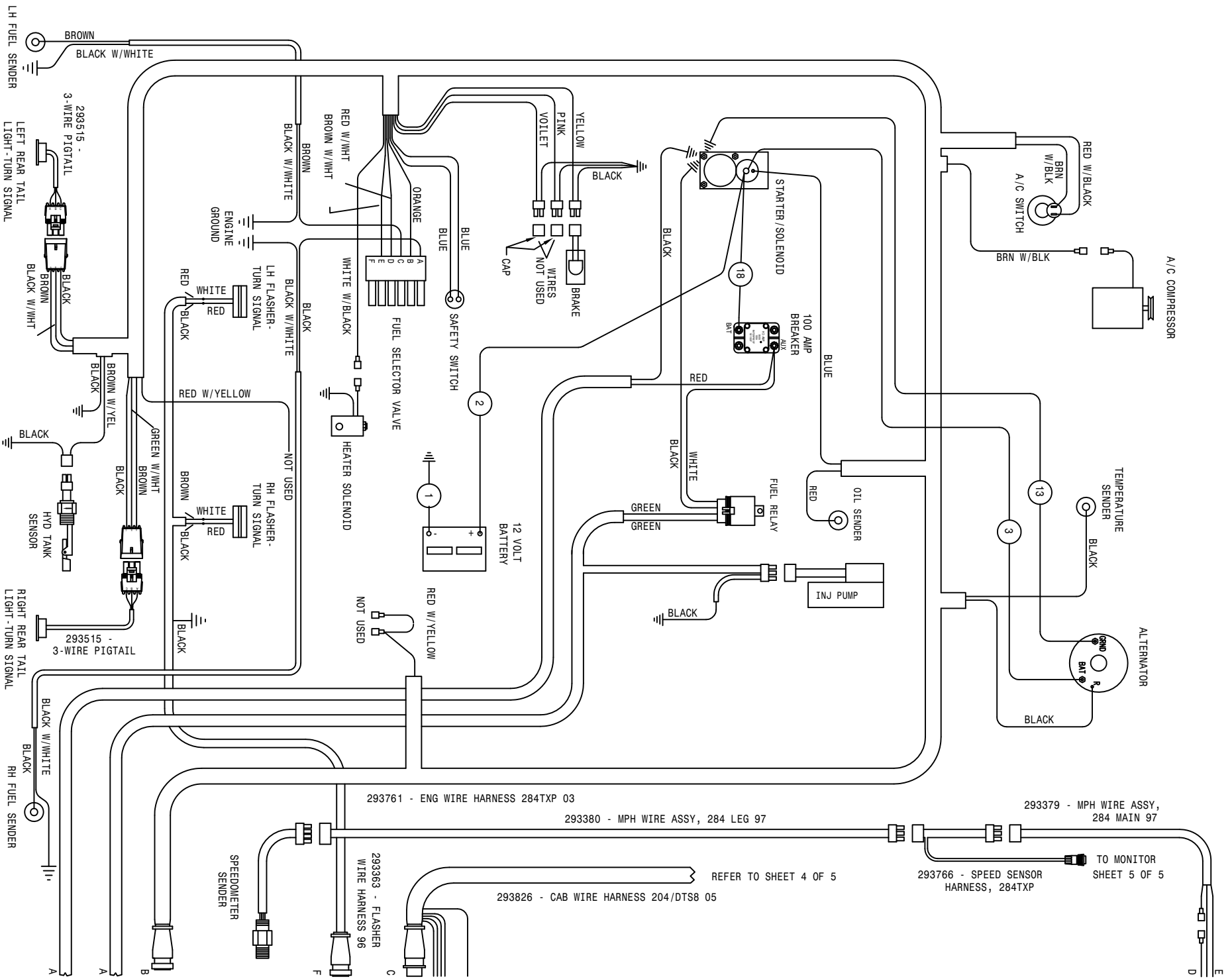
H/A

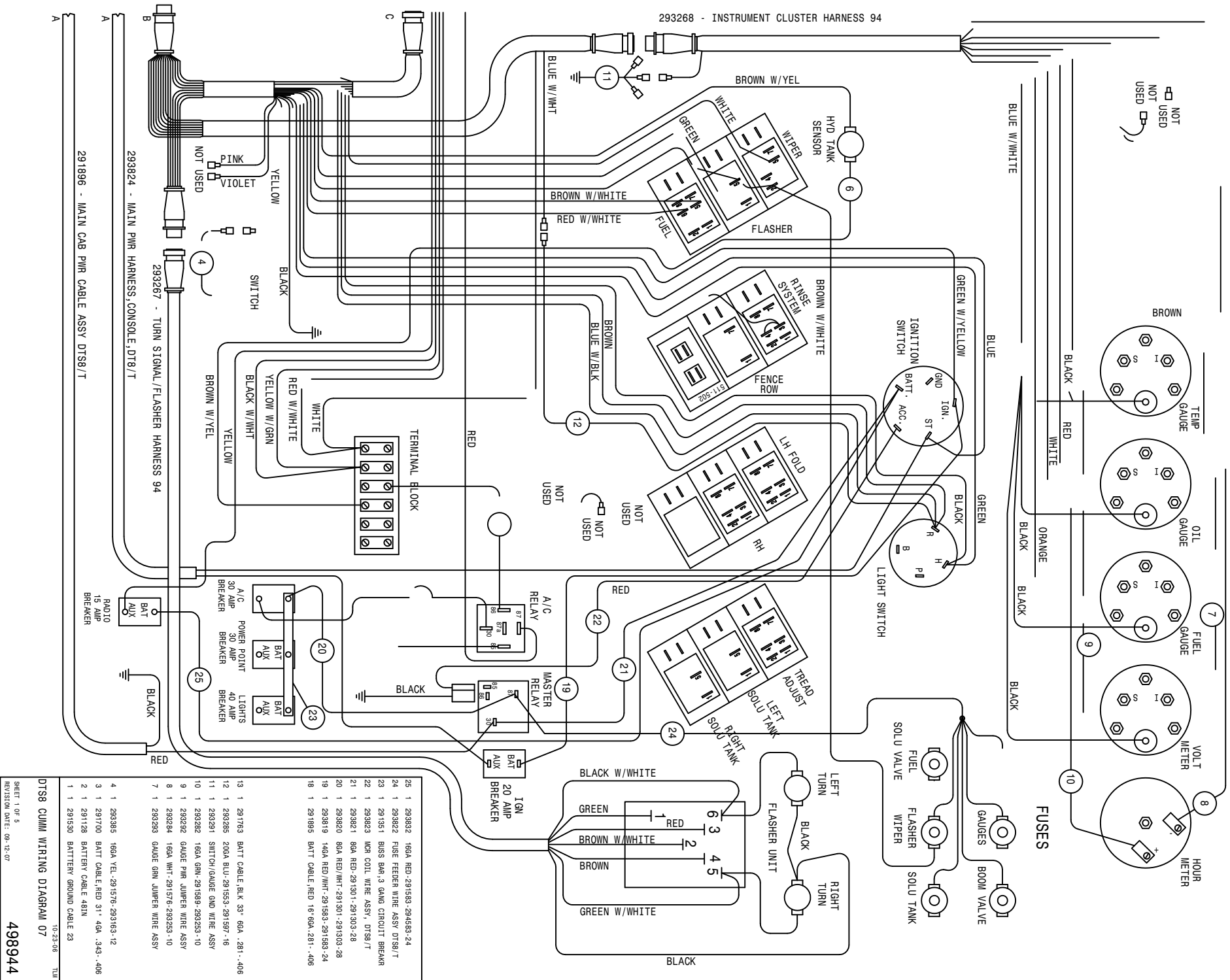
H/A

H/A

H/A

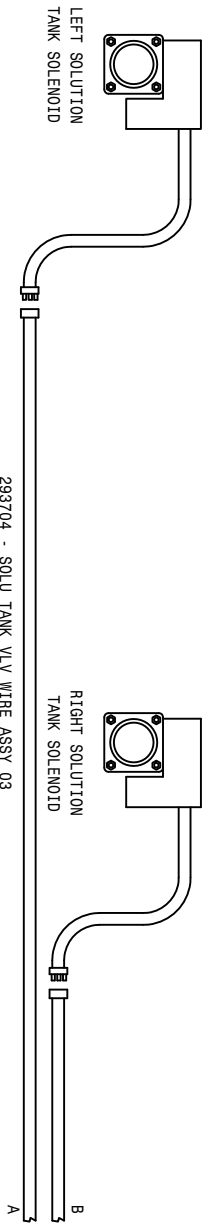
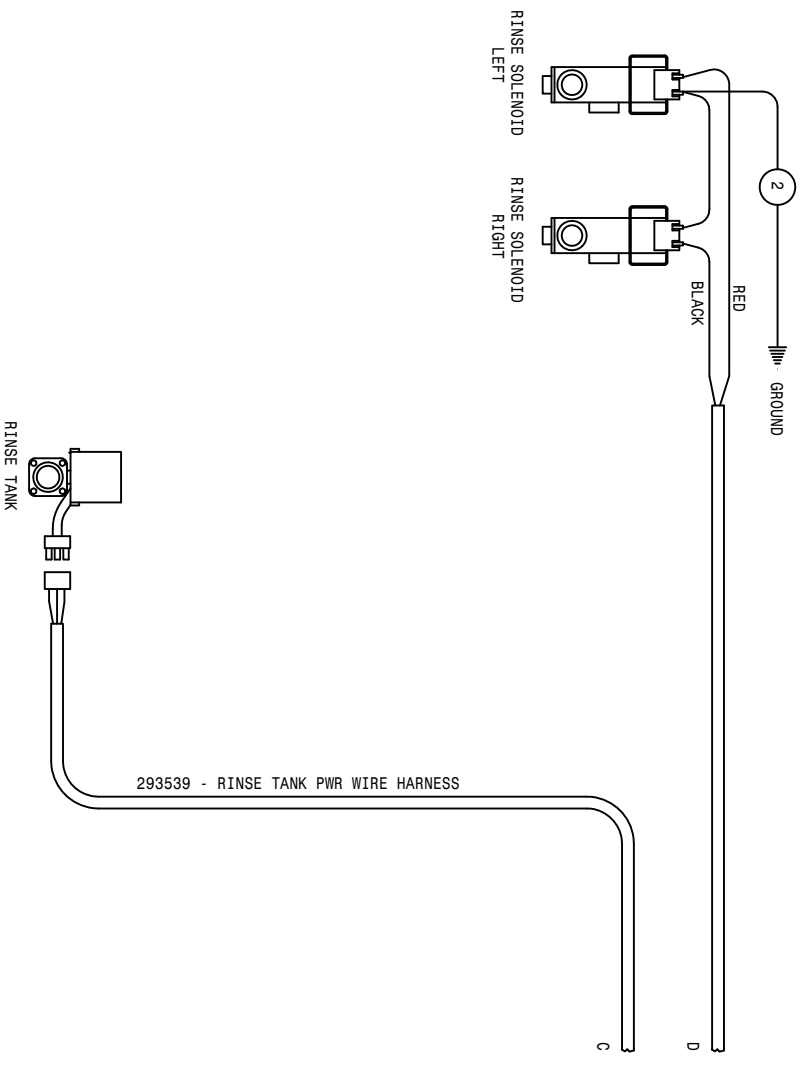
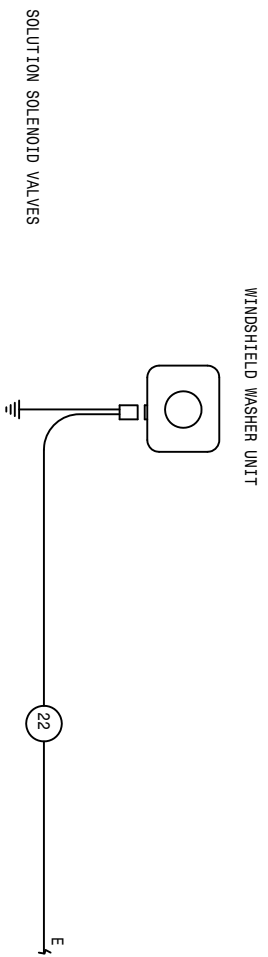
H/A

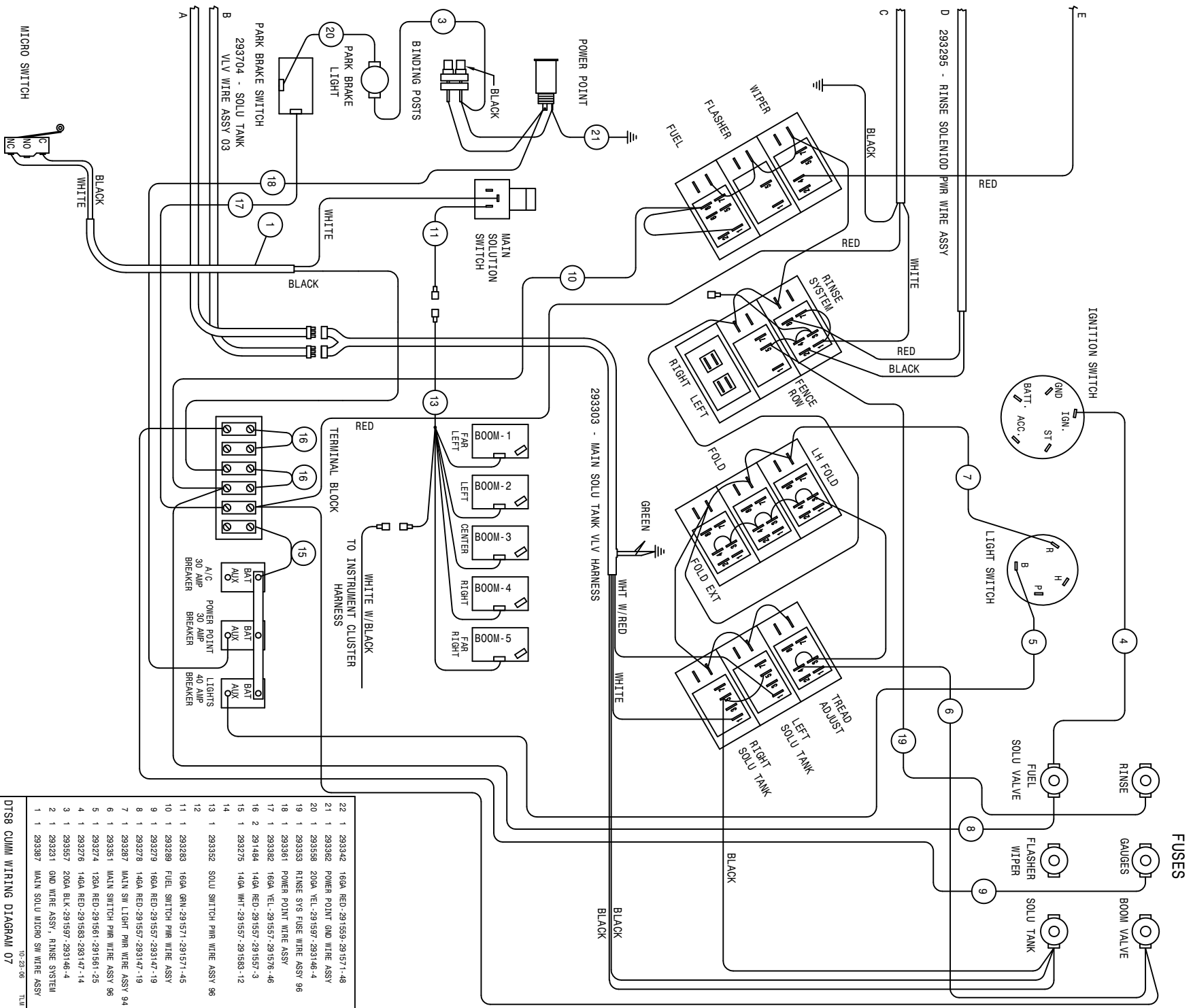




13	1	291789	BATT CABLE, BLK 33' 66A	281-406
12	1	293265	20GA BLU 291593-291597-16	
11	1	293291	SWITCH/GAUGE GND WIRE ASSY	
10	1	293282	16GA GRN 291599-293283-10	
9	1	293292	GAUGE PWR JUMPER WIRE ASSY	
8	1	293264	16GA WHT 291576-293263-10	
7	1	293293	GAUGE GRN JUMPER WIRE ASSY	
25	1	293832	16GA RED 291583-294583-24	
24	1	293822	FUSE FEEDER WIRE ASSY DTS8/T	
23	1	291951	BUSS BAR 3 GANG CIRCUIT BREAKR	
22	1	293823	WRN COIL WIRE ASSY DTS8/T	
21	1	293821	86A RED 291301-291303-28	
20	1	293820	86A RED/WHT 291301-291303-28	
19	1	293819	14GA RED/WHT 291593-291588-24	
18	1	291895	BATT CABLE, RED 16' 66A 291-406	

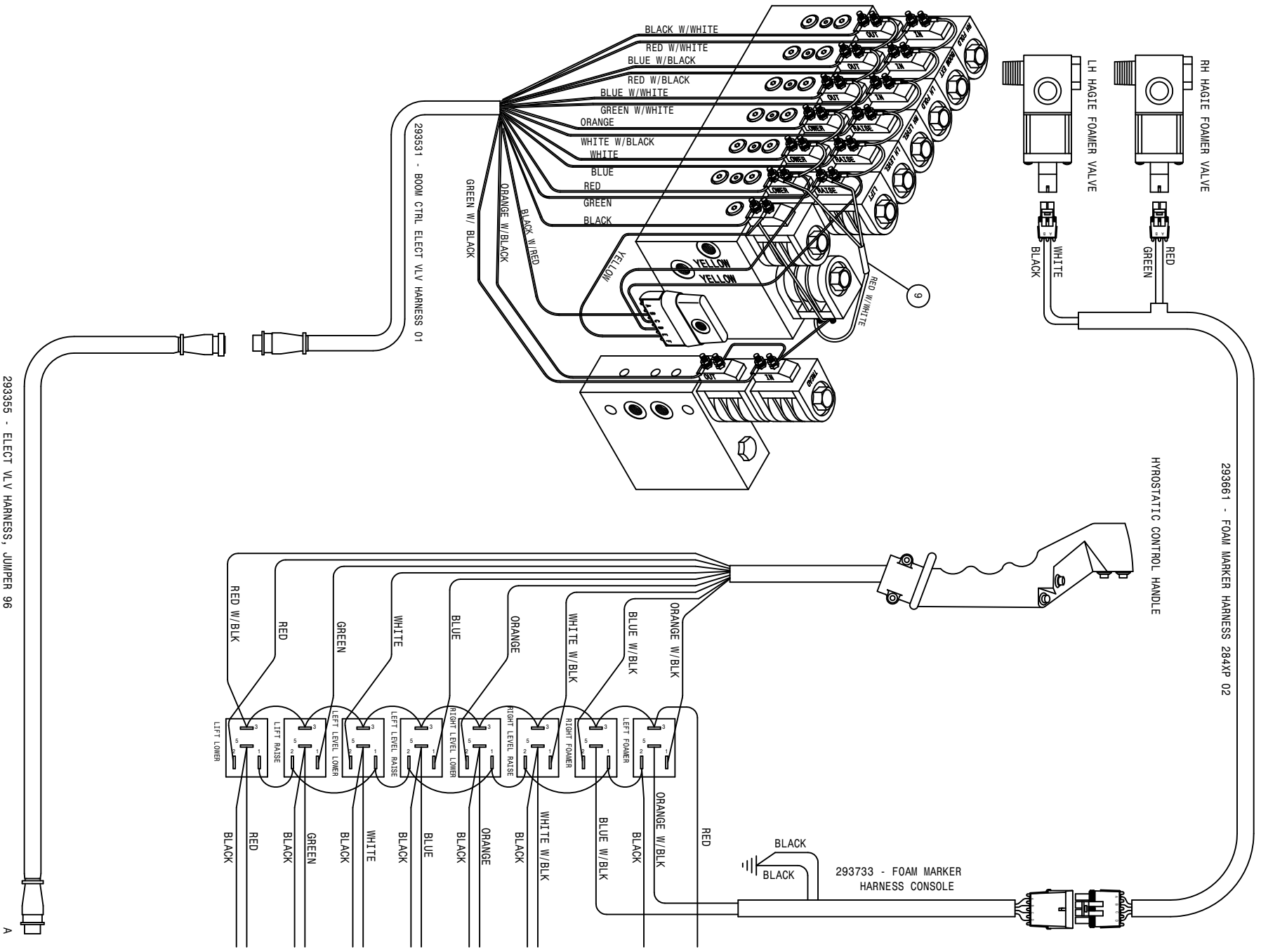
DTS8 CUMM WIRING DIAGRAM 07
10-23-08 TUN
498944

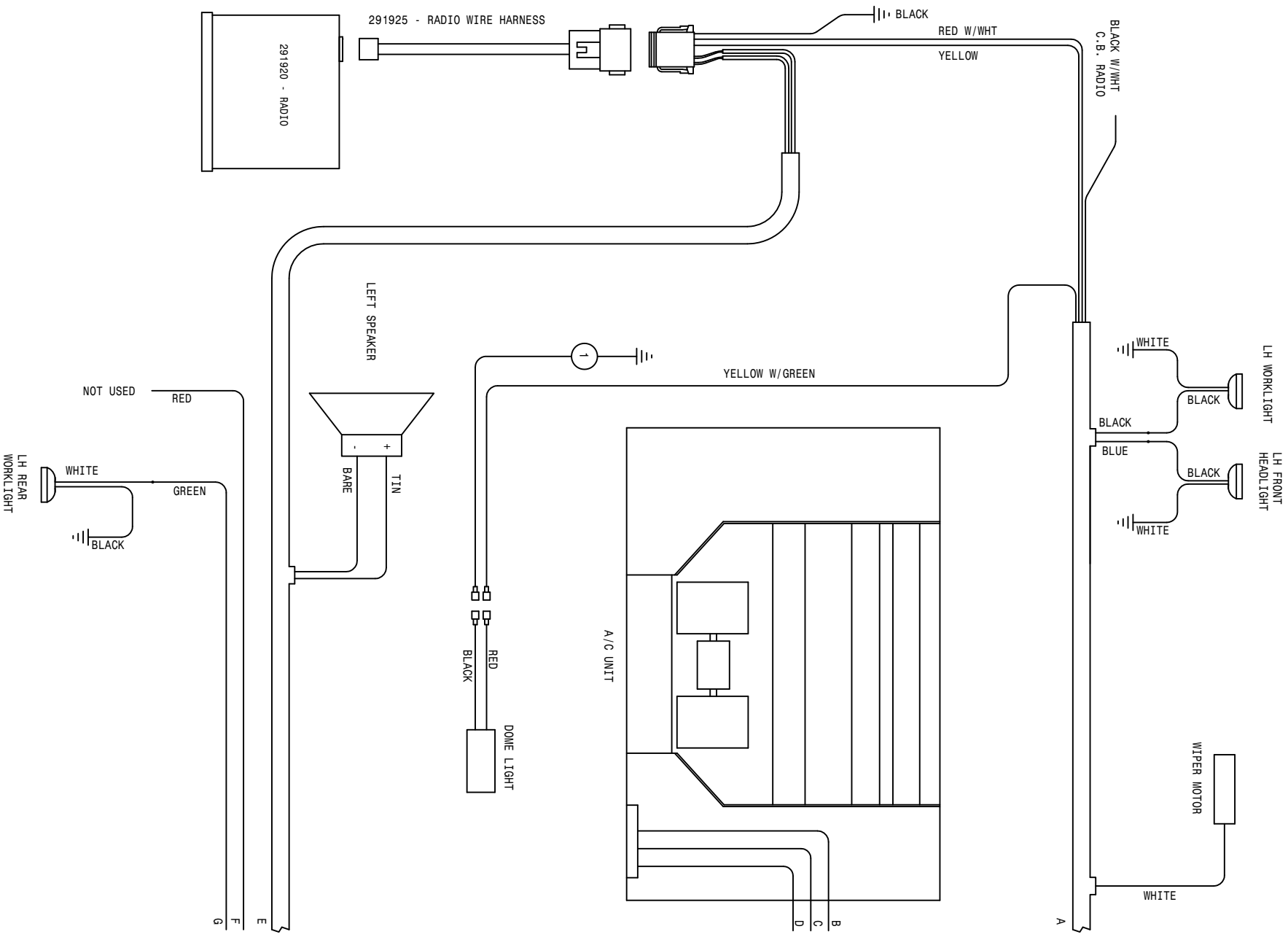


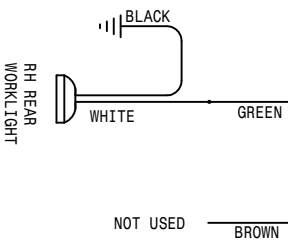
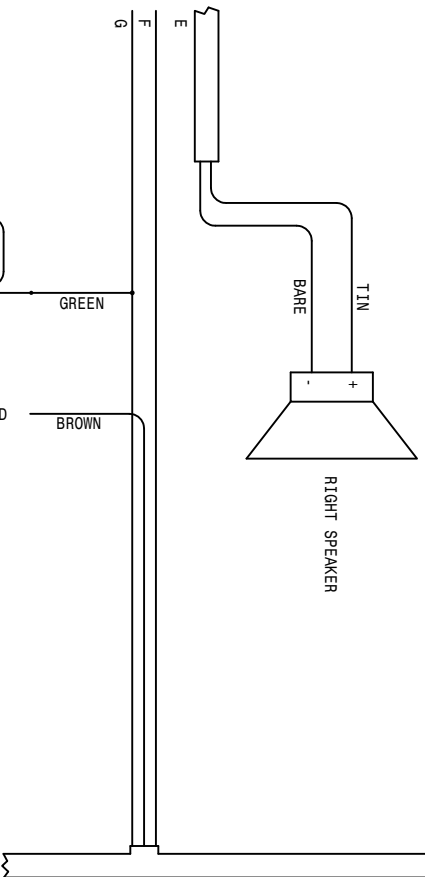
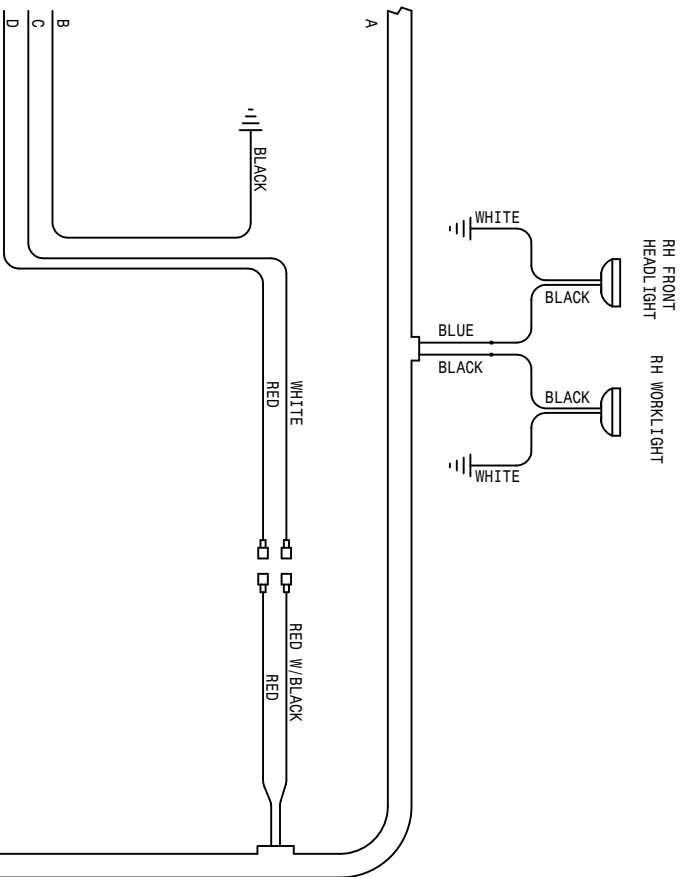


22	1	293342	16GA. RED-291559-291571-48
21	1	293382	POWER POINT GND WIRE ASSY
20	1	293558	20GA. YEL-291597-293146-4
19	1	293353	RINSE SYS FUSE WIRE ASSY 96
18	1	293361	POWER POINT WIRE ASSY
17	1	293382	16GA. YEL-291557-291576-46
16	2	291484	14GA. RED-291557-291557-3
15	1	293275	14GA. WHT-291557-291583-12
14			
13	1	293332	SOLU SWITCH PWR WIRE ASSY 96
12			
11	1	293283	16GA. GRN-291571-291571-45
10	1	293289	FUEL SWITCH PWR WIRE ASSY
9	1	293279	16GA. RED-291557-293147-19
8	1	293278	14GA. RED-291557-293147-19
7	1	293287	MAIN SW LIGHT PWR WIRE ASSY 94
6	1	293351	MAIN SWITCH PWR WIRE ASSY 96
5	1	293274	12GA. RED-291561-291561-25
4	1	293276	14GA. RED-291563-293147-14
3	1	293557	20GA. BLK-291597-293146-4
2	1	293231	GND WIRE ASSY, RINSE SYSTEM
1	1	293387	MAIN SOLU MCHD SW WIRE ASSY

DT58 CUHM WIRING DIAGRAM 07
 10-23-06 TLM
 SHEET 2 OF 5
 REVISION DATE: 01-16-07
498944



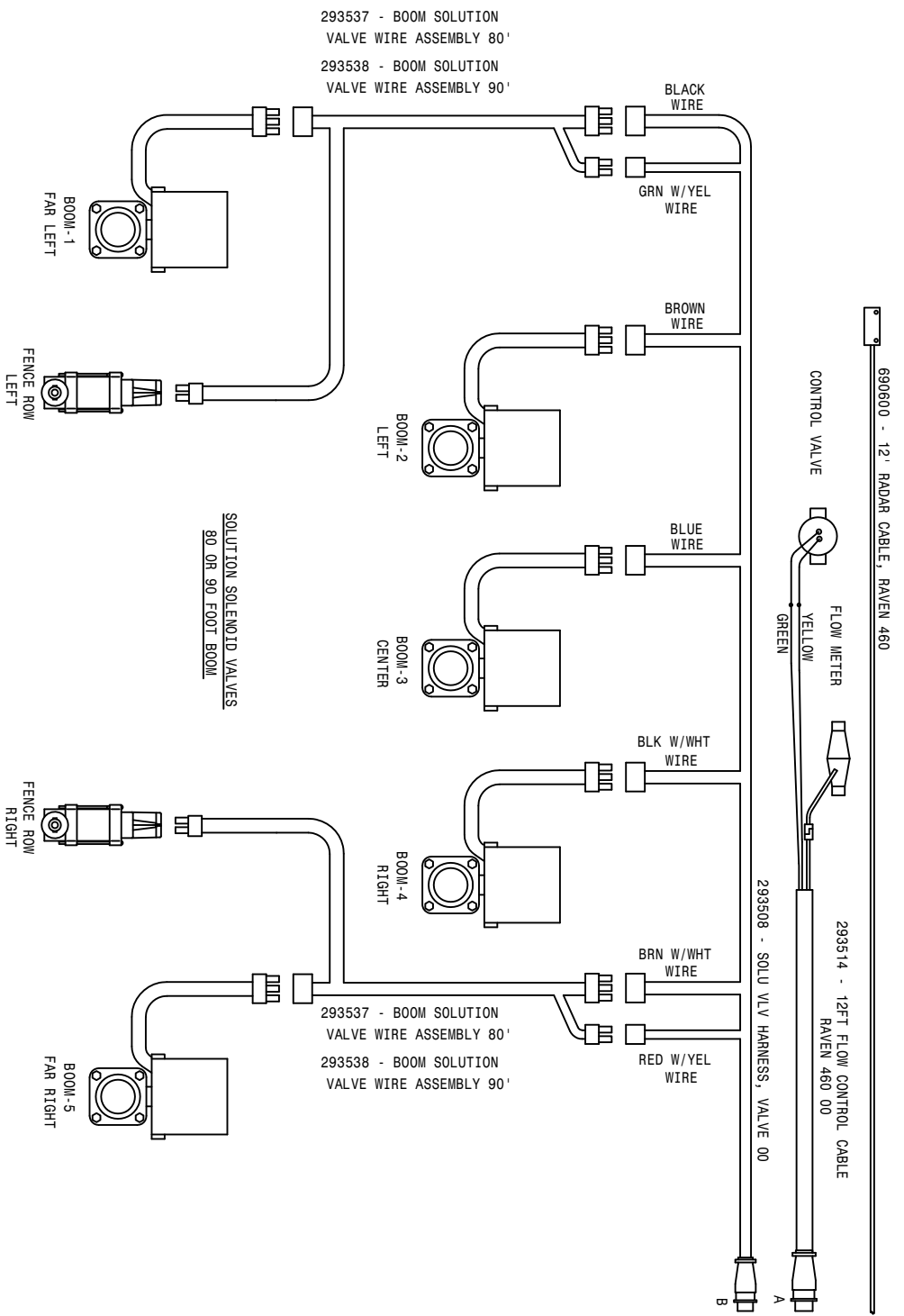
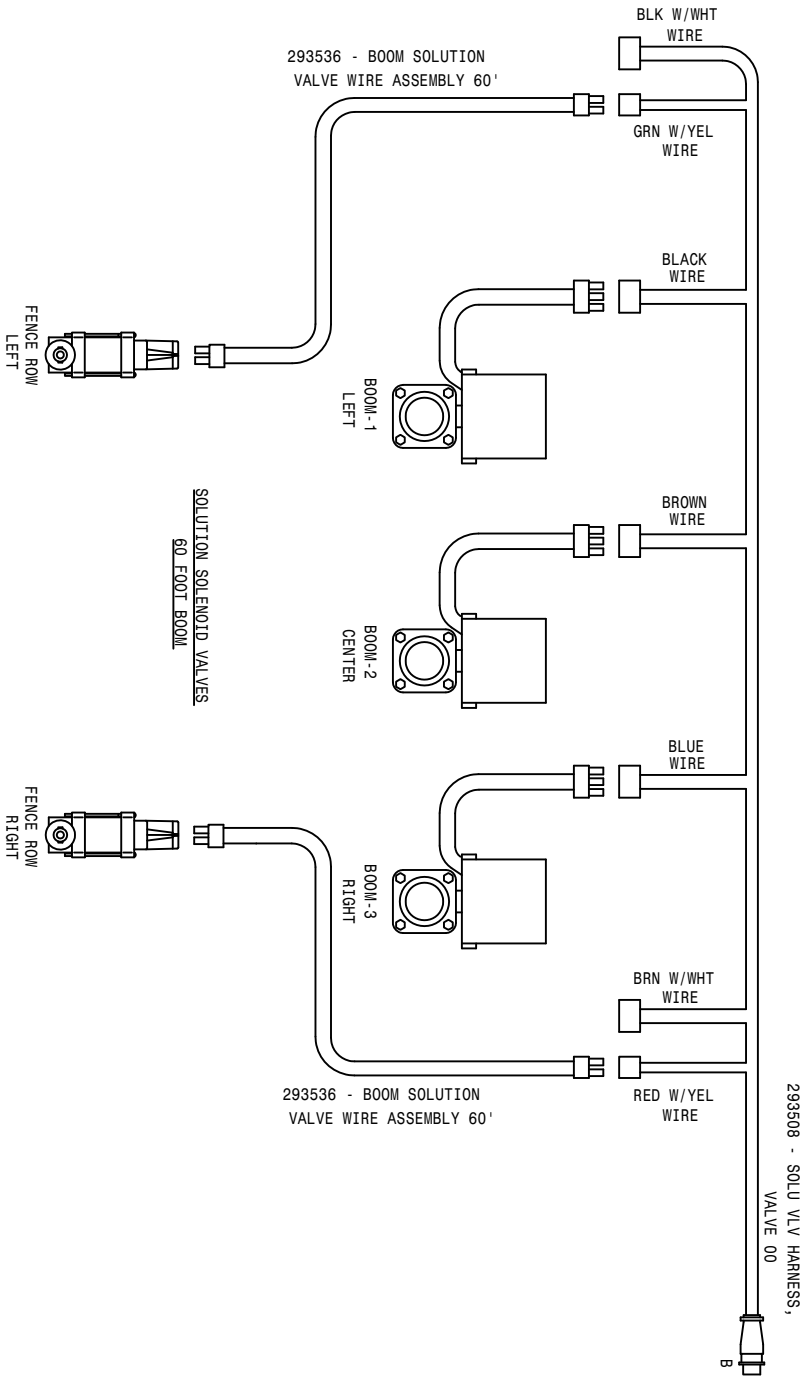


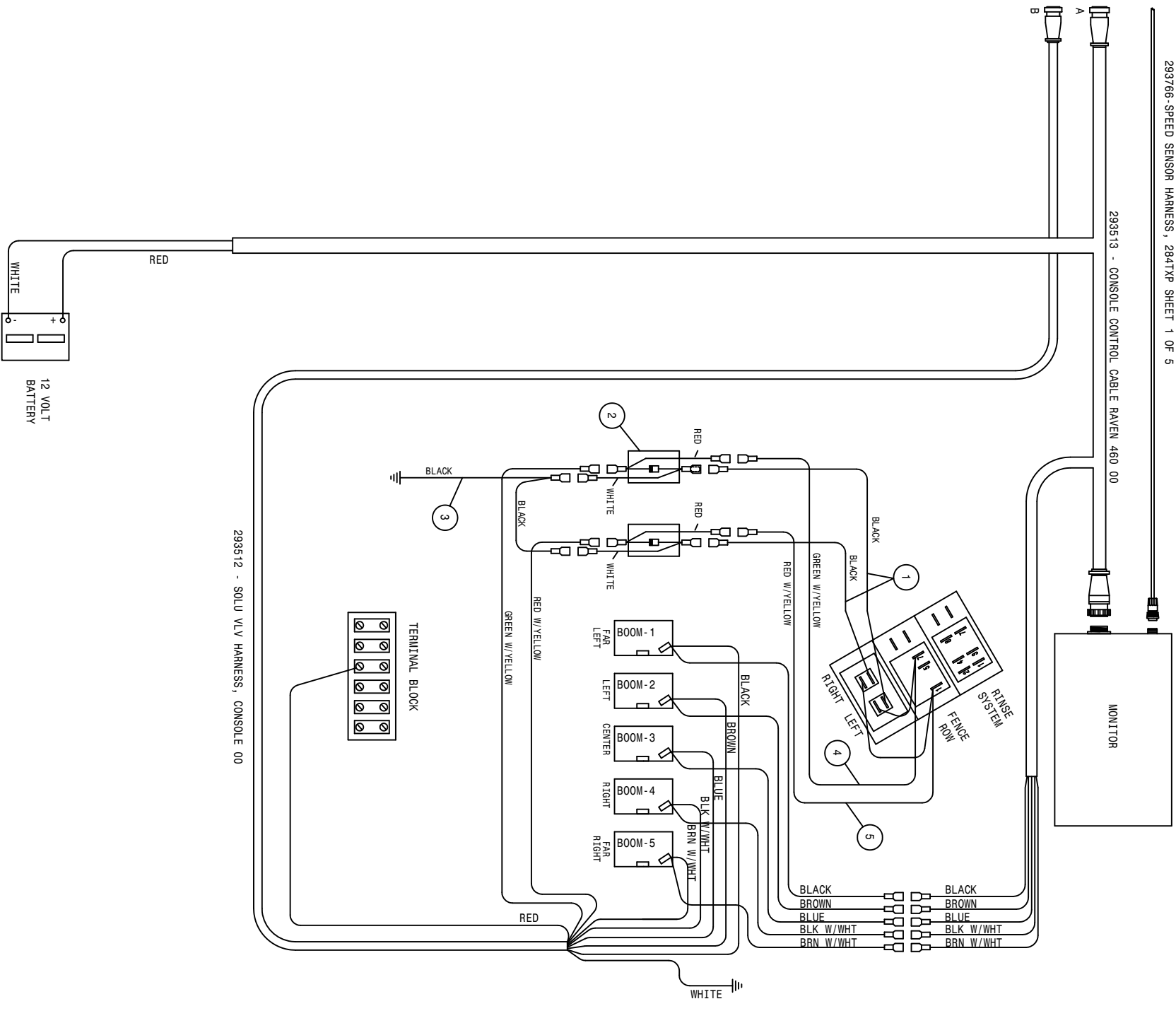


293826 - CAB WIRE HARNESS 204/DTS8 05

REFER TO SHEET 1 OF 4

1	1	289299	168A	BLK-291511-291571-00	TLM
DTS8 CUMM WIRING DIAGRAM 07					
SHEET 4 OF 5					
REVISION DATE:					
498944					





5	1	293470	RH FENCE ROW SWITCH WIRE
4	1	293471	LH FENCE ROW SWITCH WIRE
3	1	293472	FENCE ROW SWITCH GND WIRE
2	2	293317	DIODE SHUNT CABLE ASSY
1	2	293469	16GA BLK-291971-291971-11

DTS8 CUMM WIRING DIAGRAM 07
 10-23-06 TUL
 SHEET 5 OF 5
 REVISION DATE:
498944

ABBREVIATIONS

A/C - AIR CONDITIONER	MT - MOUNT
ADPTR - ADAPTER	MTR - MOTOR
AGI - AGITATOR	P/N - PART NUMBER
ALT - ALTERNATOR	PLT - PLATE
ASSY - ASSEMBLY	QTY - QUANTITY
BRKT - BRACKET	RED - REDUCER
DET - DETAIL	REF - REFERENCE
DISPL - DISPLACEMENT	REST - RESTRICTOR
EL - ELBOW	REQ - REQUIRED
EXT - EXTENSION	SHFT - SHAFT
FLO - FLOW	SOL - SOLUTION
FNPT - FEMALE NATIONAL PIPE THREAD	STRG - STEERING
FOR - FEMALE O-RING	ST - STREET
FRT - FRONT	SWIV - SWIVEL
HYD - HYDRAULIC	UNC - UNIFIED NATIONAL COURSE
HYDRO - HYDROSTATIC	UNF - UNIFIED NATIONAL FINE
LG - LONG	V - VOLT
LWR - LOWER	W/ - WITH
MJIC - MALE J.I.C.	WHL - WHEEL
MOR - MALE O-RING	WLD - WELDMENT

INDEX

-A-

ABBREVIATIONS.....116
 ACCUMULATOR CYLINDER.....80, 81
 ADJUSTMENT, TREAD.....92
 AGITATOR
 IMPELLER.....57, 59
 SHAFT.....57, 59
 SHIELD.....57, 59
 SOLUTION.....57, 59
 AIR CLEANER.....14
 BAND.....14
 FILTER.....14
 HOOD.....14
 HOSE.....14
 AIR CONDITIONER
 BLOWER MOUNT.....30
 COMPRESSOR.....12
 COMPRESSOR MOUNT.....12
 CONDENSOR.....12
 CONTROL.....30
 DRYER.....12
 FILTER.....30
 AIR SEAT.....39
 AIR TANK.....8, 9
 ANTENNA, RADIO.....30
 ARM,
 TANK SUPPORT.....55
 WIPER.....28

-B-

BALL VALVE.....56, 58
 BAND,
 AIR CLEANER.....14
 FUEL TANK.....48
 TANK.....56, 58
 BATTERY.....15
 BOX.....15
 CABLE.....15
 BELT.....5, 12
 BINDING POST.....40
 BLADE,
 FAN.....5
 WIPER.....28
 BLOCK, TERMINAL.....35
 BOOM.....86, 87, 88, 89, 90
 CONTROL VALVE.....77
 CRADLE.....43
 PIVOT PIN.....79
 SPRING.....87, 89
 BRACE,
 LADDER.....46, 47

LEG.....55
 BRAKE SOLENOID.....38
 BREAKAWAY.....79
 BREAKER, CIRCUIT.....35
 BREATHER.....16

-C-

CAB.....28
 ROOF.....28
 CABLE,
 BATTERY.....15
 CONTROL.....35, 36, 37, 42
 THROTTLE.....4
 4WD.....41
 CAP,
 FUEL.....48
 RADIATOR.....13
 STEERING.....32
 CATWALK.....49
 CHECK VALVE.....61
 CIRCUIT BREAKER.....35
 COMPRESSOR, A/C.....12
 CONDENSOR.....12
 MOUNT.....12
 CONSOLE.....35
 COVER.....34
 CONTROL HANDLE.....36
 COOLER, OIL.....13
 CRADLE.....56, 58
 BOOM.....43
 CROP GUIDE.....19, 21, 23, 25
 CYLINDER,
 ACCUMULATOR.....80, 81
 FOLD.....84
 LEVEL.....85
 LIFT.....82
 STEERING.....26
 TREAD ADJUSTMENT.....94

-D-

DECALS.....98, 99
 DIAGRAM, WIRING.....106
 DIFFUSER, LINE SUMP.....16
 DIMMER SWITCH.....28
 DIPSTICK.....16

DOOR.....29
 HANDLE.....29
 DRINK HOLDER.....35
 DRIVE ASSEMBLY.....4
 DRYER, A/C.....12

-E-

ELECT SOLENOID VLV 61,62,63,66,67
 ENGINE.....4,5
 HOOD.....44
 MOUNTS.....4,5
 EXHAUST PIPE.....14

-F-

FAN
 BLADE.....5
 SPACER.....5
 FILTER,
 AIR CLEANER.....14
 AIR CONDITIONER.....30
 FUEL.....4
 HI-PRESS.....11
 INLINE HYDRAULIC.....77
 MICHIGAN.....16
 MINDER.....33
 OIL.....5,16
 FLASHER LIGHT.....43
 FLASHER SWITCH.....32
 FLOORMAT.....31
 FLOW CONTROL
 VALVE.....61,62,65,66
 VARIABLE.....42
 FLOW DIVIDER.....7
 FLOW METER.....61,62,65,66
 FLUSHING VALVE.....10
 FOAM.....13,31
 FOAMER TANK.....51
 FOLD CYLINDER.....79,84,85
 FUEL
 CAP.....48
 GAUGE.....33
 SELECTOR VALVE.....48
 SENDER.....48
 TANK.....48
 FUSE.....34
 HOLDER.....34

-G-

GAUGE,
 FUEL.....33
 OIL PRESSURE.....33
 PRESSURE.....61,62,65,66
 SIGHT.....56,58

TEMPERATURE.....33
 GAS SPRING.....29
 GLASS.....28,29
 GLAND PACKING.....57,59
 GRAB HANDLE.....28
 GROUND STRAP.....4,15,28
 GUARD, SPRING.....72,73,74,75
 GUIDE, CROP.....19,21,23,25

-H-

HANDLE,
 CONTROL.....36
 DOOR.....29
 GRAB.....28
 HANDRAIL.....44,49
 HEADLIGHT.....28
 HEADLINER.....30
 HEAT SHIELD.....13
 HI-PRESS
 FILTER.....11
 HOLDER, DRINK.....35
 HOOD,
 AIR CLEANER.....14
 ENGINE.....44
 HOOK, RUBBER.....44
 HOSE, AIR CLEANER.....14
 HOSE, SOLUTION.....72,73,74,75
 HOUR METER.....33
 HUB, TORQUE.....19,21,23,25
 HYDRAULIC
 SCHEMATIC.....100
 TANK.....16
 TUBE.....19,21,23,25,78,87

-I-

IMPELLER.....57,59
 INDICATOR, MPH-RPM.....33
 INLINE HYDRAULIC FILTER.....75
 INTERIOR LIGHT.....30

-K-

KICK PANEL.....28
 KNOB.....34,35

-L-

LADDER.....46,47
 BRACE.....47
 LEG,
 BRACE.....55
 FRONT.....18,19,20,21
 REAR.....22,23,24,25
 LEVEL CYLINDER.....79,83

LEVER, HYDROSTATIC.....36
 THROTTLE.....37
 LID.....56, 58, 53
 LIFTARM.....78
 MOUNT.....78
 LIFT CYLINDER.....78, 82
 LIGHT,
 HEAD.....28
 INTERIOR.....30
 SWITCH.....34
 TURN SIGNAL.....43
 LINE SUMP DIFFUSER.....16

-M-

METER, HOUR.....33
 MIRROR.....28
 MOTOR
 STEERING.....32
 WHEEL.....19, 21, 23, 25
 WIPER.....28
 MOUNT,
 A/C BLOWER.....30
 CONDENSOR.....12
 ENGINE.....4, 5
 FLOW DIVIDER.....7
 LIFTARM.....78
 MONITOR.....40
 RADIATOR.....13
 RUBBER.....4, 5, 28
 SOLUTION VFC.....42
 TANK.....55
 MUFFLER.....14
 MULLION.....44

-N-

NOZZLE,
 FENCE ROW.....70, 71
 REAR WHEEL.....91
 RINSE.....54
 NYLON SLEEVE.....18, 20, 22, 24

-O-

OIL
 COOLER.....13
 FILTER.....5
 PRESSURE GAUGE.....33
 SENDER.....4
 TANK.....16

-P-

PANEL, KICK.....28
 PARK BRAKE SWITCH.....40
 PIVOT PIN, BOOM.....79
 PLATFORM, SERVICE.....49
 POWER POINT.....40
 PRESSURE GAUGE.....61, 62, 65, 66
 PRESSURE WASHER.....95, 96
 PUMP,
 SOLUTION.....60
 SUNDSTRAND.....6

-R-

RADIATOR.....13
 CAP.....13
 HOSE.....5
 MOUNT.....13
 SCREEN.....13
 SHROUD.....13
 RADIO.....30
 RECOVERY.....13
 RELAY.....36
 RELIEF VALVE.....7
 RIM.....17
 RINSE,
 NOZZLE.....54
 TANK.....53
 ROOF, CAB.....28
 RUBBER,
 HOOK.....45
 MOUNT.....4, 5, 28
 WASHER.....7, 41

-S-

SCHEMATIC, HYDRAULIC.....100
 SCREEN.....44, 45
 RADIATOR.....13
 SEAT.....39
 SELECTOR VALVE, FUEL.....48
 SENDER,
 FUEL.....48
 OIL.....4
 TEMPERATURE.....5
 SERVICE PLATFORM.....49
 SHAFT, AGITATOR.....57, 59
 SHEETMETAL.....44, 45
 SHIELD,
 AGITATOR.....57, 59
 HEAT.....13
 SIDE.....45
 TANK.....55
 WHEEL MOTOR.....19, 21, 23, 25
 SHROUD, RADIATOR.....13

SIGHT GAUGE.....	56, 58
SMV SIGN.....	49
SOLUTION	
AGITATOR.....	57, 59
HOSING.....	72, 73, 74, 75
PUMP.....	60
TANK.....	56, 58
SPACER, FAN.....	5
SPEAKER.....	30
SPRING.....	37
BOOM.....	87, 89
GUARD.....	72, 73, 74, 75
STALK GUIDE.....	19, 21, 23, 25
STEERING	
ARM.....	18, 20, 22, 24
CAB.....	32
CYLINDER.....	26
MOTOR.....	32
POST.....	32
WHEEL.....	32
STRAINER.....	56, 58
STRAP, GROUND.....	4, 15, 28
SUNDSTRAND PUMP.....	6
SUPPORT ARM.....	55
SWITCH	
DIMMER.....	28
FLASHER.....	32
LIGHT.....	34
PARK BRAKE.....	40
TOGGLE.....	34

-T-

TAILLIGHT.....	49
TANK,	
AIR.....	8, 9
BAND.....	56, 58
FOAMER.....	51
FUEL.....	48
HYDRAULIC OIL.....	16
LID.....	53, 56, 58
MOUNTS.....	55
RECOVERY.....	13
RINSE.....	53
SHIELD.....	55
SOLUTION.....	56, 58
TEMPERATURE	
GAUGE.....	33
SENDER.....	5
TERMINAL BLOCK.....	35
THROTTLE	
CABLE.....	4
LEVER.....	37
TIE ROD.....	27
TIRE.....	17

TOGGLE SWITCH.....	34
TORQUE HUB.....	19, 21, 23, 25
TRANSOM.....	79
TREAD ADJUSTMENT.....	92
CYLINDER.....	94
TUBE,	
HYDRAULIC.....	78, 87
4WD.....	41
TURN SIGNAL LIGHT.....	43

-V-

VALVE,	
BALL.....	56, 58
BOOM CONTROL.....	61, 62, 65, 66
CHECK.....	60
ELECTRIC SOLUTION.....	56, 58
FLOW CONTROL.....	61, 62, 65, 66
FLUSHING.....	10
RELIEF.....	7
SOLUTION SOLENOID.....	61, 62, 65, 66
4WD.....	41
VARIABLE FLOW CONTROL.....	42
VOLTMEETER.....	33

-W-

WASHER, PRESSURE.....	95, 96
WEATHER STRIP, WINDOW.....	28, 29
WHEEL MOTOR.....	19, 21, 23, 25
SHIELD.....	19, 21, 23, 25
WHEEL, STEERING.....	32
WINDSHIELD WASHER.....	76
WIPER	
ARM.....	28
BLADE.....	28
MOTOR.....	28
WIRING DIAGRAM.....	106

