

HAGIE

DTS 10



PARTS MANUAL FOR HAGIE MODEL DTS 10 HI-TRACTOR

HAGIE MANUFACTURING COMPANY

721 CENTRAL AVENUE WEST
BOX 273
CLARION, IOWA 50525-0273

COVERS MACHINE SERIAL NUMBERS: U1411331001 thru U1411331100

09-12 493566

07-13, 02-14, 02-15, 02-16, 03-17, 01-18

To obtain the most current parts manual for your machine, please visit www.hagiehelp.com.

© 2012-18 Hagie Manufacturing Company, Clarion, Iowa USA

SPRAYER IDENTIFICATION

Each Hagie sprayer is identified by means of a frame serial number.

This serial number denotes the model, the year in which it was built, and the number of the sprayer. As for further identification, the engine has a serial number and the planetary hubs have identification plates that describe the type of mount and gear ratio. To insure prompt, efficient service when ordering parts or requesting service repairs from Hagie Manufacturing Company, record the serial and identification numbers in the space provided below.

NOTE: Reference to left hand and right hand used throughout this manual refers to the position when seated in the operator's seat facing forward.

This manual is not intended to be a complete guide for machine maintenance and repairs. If you are not properly trained to perform service on this machine, contact Hagie Customer Support for assistance. Improper maintenance or repair may result in property damage, personal injury, or death.

SPRAYER SERIAL NUMBER

ENGINE SERIAL NUMBER

PLANETARY HUB IDENTIFICATION NUMBERS

FILTER QUICK REFERENCE

| <u>QTY.</u> | <u>PART NO.</u> | <u>DESCRIPTION</u> |
|-------------|-----------------|---------------------------------|
| 1 | 311543 | ENGINE AIR FILTER, PRIMARY |
| 1 | 311544 | ENGINE AIR FILTER, SECONDARY |
| 1 | 316372 | OIL FILTER CUMM QSB |
| 1 | 605602 | PARKER FILTER ELEMENT, 10MICRON |
| 1 | 605609 | HYD FILTER ELEMENT, DONALDSON |
| 1 | 657424 | A/C PAPER AIR FILTER |
| 1 | 657425 | A/C CHARCOAL AIR FILTER |

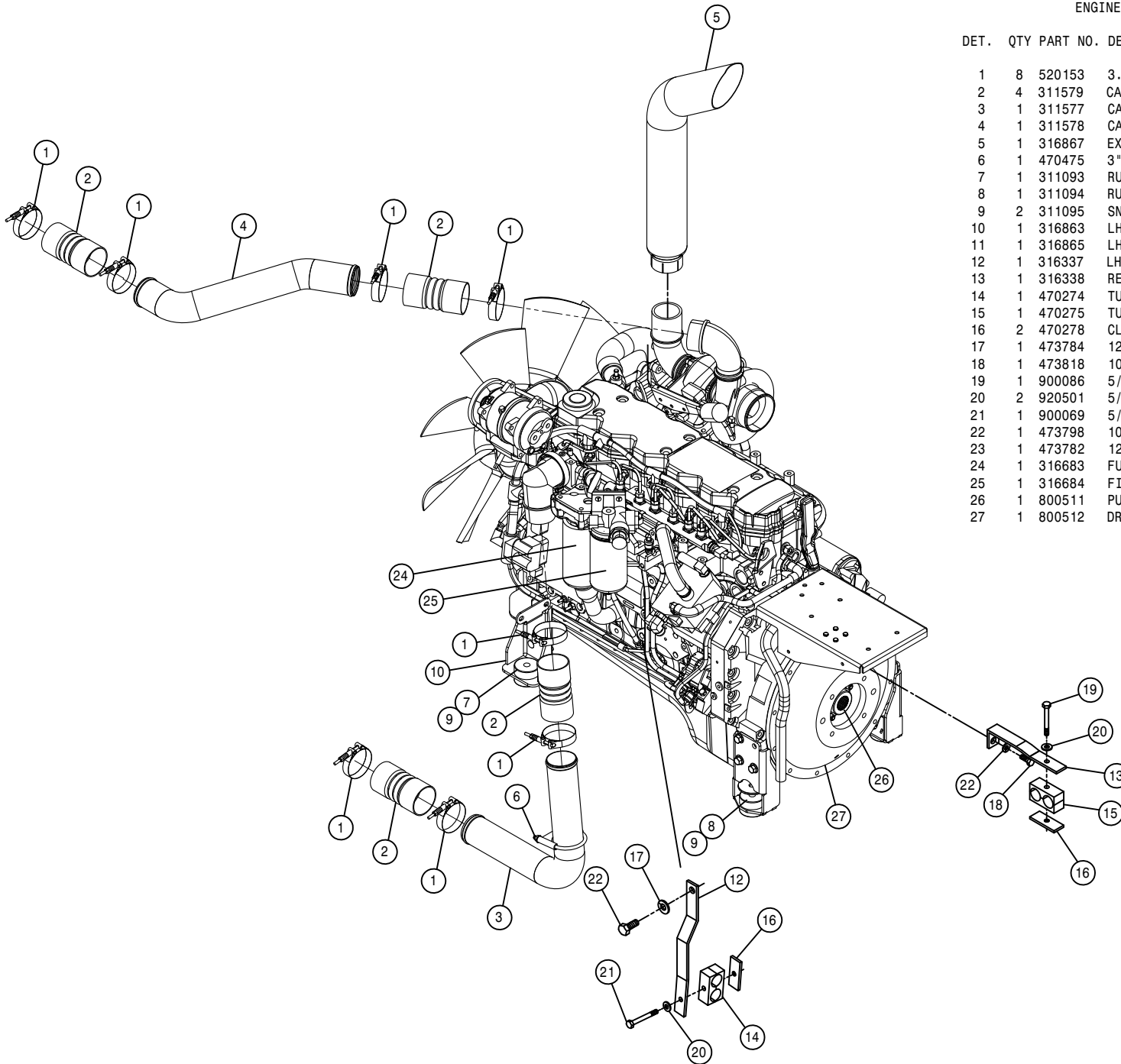
TABLE OF CONTENTS

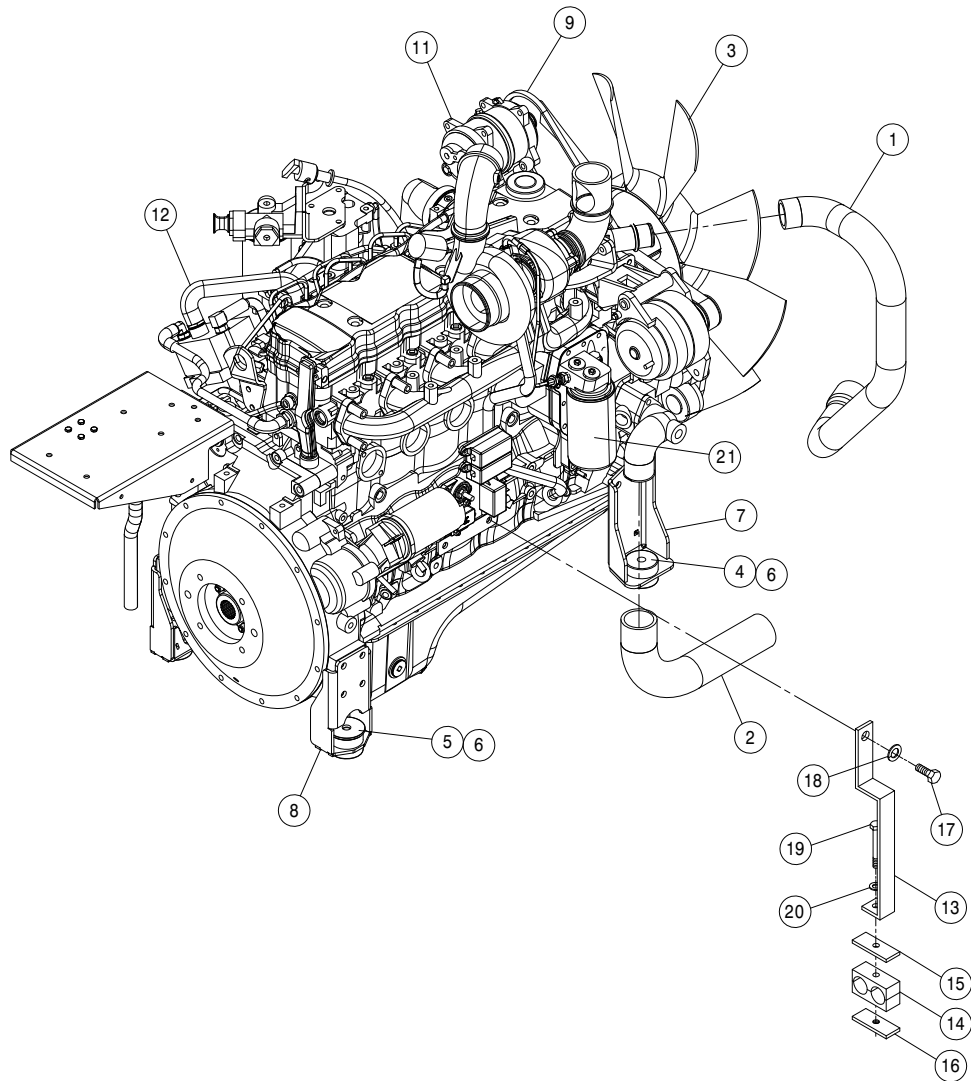
| | |
|---|----------|
| ENGINE ASSEMBLY | .4-7 |
| AIR TANK ASSEMBLY | .8-9 |
| LOOP FLUSHING | .10-11 |
| WHEEL MOTOR VALVES. | .12 |
| VFC AND FLOW DIVIDER. | .13-18 |
| RADIATOR AND OIL COOLER ASSEMBLY. | .19 |
| OIL TANK ASSEMBLY | .20 |
| TIRE ASSEMBLY | .21 |
| LEG ASSEMBLY. | .22-29 |
| STEERING CYLINDER | .30-31 |
| CAB ASSEMBLY. | .32-36 |
| CANTRAK ASSEMBLY. | .37 |
| CONSOLE ASSEMBLY. | .38-40 |
| SWITCH PANEL ASSEMBLY | .41 |
| FUSE BOX AND SEAT | .42-43 |
| SHEET METAL | .44-45 |
| FOAM AIR REGULATOR. | .46 |
| LADDER. | .47-48 |
| FUEL TANK | .49 |
| SERVICE PLATFORM. | .50 |
| FRESH WATER TANK | .51 |
| BOOM CRADLE | .52 |
| BATTERY | .53 |
| SOLUTION TANK | .54-58 |
| SOLUTION SOLENOIDS. | .59-66 |
| QUICK FILL AND FENCE ROW. | .67-69 |
| REAR NOZZLE | .70 |
| SOLUTION HOISING | .71-74 |
| SOLUTION PUMP | .76 |
| TRANSOM, BOOM, AND LIFT COMPONENTS. | .77-90 |
| RINSE | .91 |
| FOAMER. | .92-93 |
| TREAD ADJUSTMENT OPTION | .94-96 |
| INJECTION PLATFORM AND FOAMER DIVERT VALVE OPTION | .97-98 |
| FLOW MAX 110 MONITOR OPTION. | .99 |
| WINDSHIELD WASHER. | .100 |
| DECALS. | .102-103 |
| HYDRAULIC SCHEMATIC | .104-111 |
| ELECTRICAL SCHEMATIC. | .112-121 |
| ABBREVIATIONS | .122 |
| INDEX | .123 |
| PARTS ORDER FORM. | .127 |

ENGINE ASSEMBLY

DET. QTY PART NO. DESCRIPTION

| DET. | QTY | PART NO. | DESCRIPTION |
|------|-----|----------|--------------------------------|
| 1 | 8 | 520153 | 3.00 T-BOLT HOSE CLAMP (SPRNG) |
| 2 | 4 | 311579 | CAC HOSE, 3" |
| 3 | 1 | 311577 | CAC TUBE, COLD, MAI332-A |
| 4 | 1 | 311578 | CAC TUBE, HOT, MAI331-B |
| 5 | 1 | 316867 | EXHAUST STACK |
| 6 | 1 | 470475 | 3" EXHAUST CLAMP |
| 7 | 1 | 311093 | RUBBER MT, 360LB LOAD 60272-2 |
| 8 | 1 | 311094 | RUBBER MT, 860LB LOAD 60272-4 |
| 9 | 2 | 311095 | SNUBBING WASH FOR 311093/094 |
| 10 | 1 | 316863 | LH FRT ENG MT, MFM66-A |
| 11 | 1 | 316865 | LH REAR ENG MT, MRM103-A |
| 12 | 1 | 316337 | LH HYD TUBE MT, 2100 98 |
| 13 | 1 | 316338 | REAR HYD TUBE MT, 2100 98 |
| 14 | 1 | 470274 | TUBE CLAMP BODY, .750-.750 |
| 15 | 1 | 470275 | TUBE CLAMP BODY, 1.000-1.000 |
| 16 | 2 | 470278 | CLAMP WELD PLATE, SNGL, 2.75LG |
| 17 | 1 | 473784 | 12MM LOCK WASHER |
| 18 | 1 | 473818 | 10MM-1.50 X 40MM HEX BOLT GR8 |
| 19 | 1 | 900086 | 5/16UNC X 2 1/4 HEX BOLT |
| 20 | 2 | 920501 | 5/16 LOCK WASHER |
| 21 | 1 | 900069 | 5/16UNC X 2" HEX BOLT |
| 22 | 1 | 473798 | 10MM LOCK WASHER |
| 23 | 1 | 473782 | 12MM-1.75 X 18MM HEX BOLT GR8 |
| 24 | 1 | 316683 | FUEL FILTER, ENG, TIER 3 07 |
| 25 | 1 | 316684 | FILTER, PRE FUEL 25 MICRON |
| 26 | 1 | 800511 | PUMP DRIVE ASSY |
| 27 | 1 | 800512 | DRIVE PLATE |





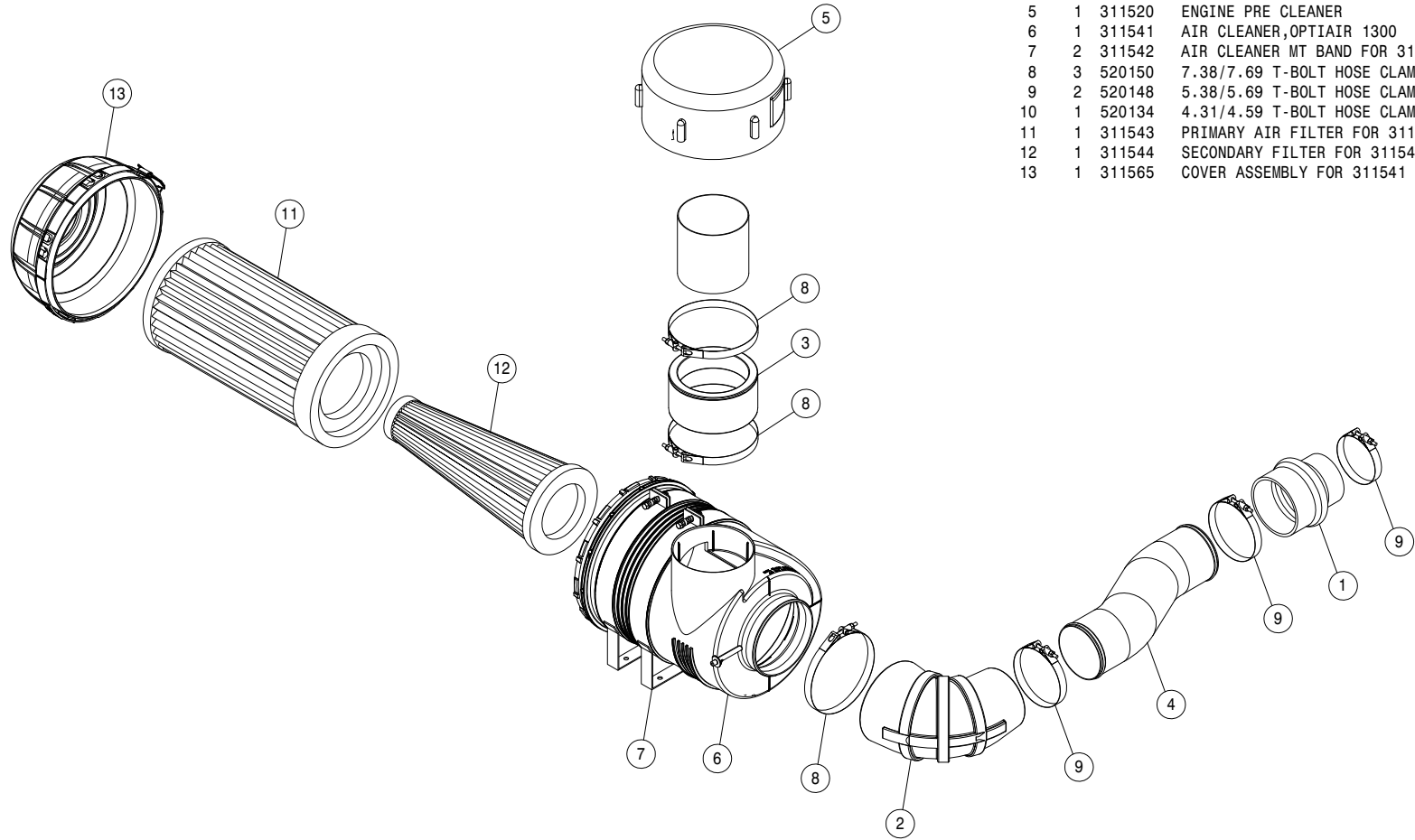
ENGINE ASSEMBLY

| DET. | QTY | PART NO. | DESCRIPTION |
|------|-----|----------|---------------------------------|
| | 1 | 311096 | UPPER RED HOSE, MCA188-A |
| | 1 | 311097 | LOWER RAD HOSE, MCA189-B |
| | 1 | 316866 | 27" FAN |
| | 1 | 311093 | RUBBER MT, 360LB LOAD 60272-2 |
| | 1 | 311094 | RUBBER MT, 860LB LOAD 60272-4 |
| | 2 | 311095 | SNUBBING WASH FOR 311093/094 |
| | 1 | 316862 | RH FRT ENG MT, MFM67-A |
| | 1 | 316864 | RH REAR ENG MT, MRM104-A |
| | 1 | 316851 | BELT, GATES GREEN STRIPE 9447 |
| | 1 | 316391 | DELCO ALTERNATOR, 130 AMP 24SI |
| | 1 | 657403 | A/C COMPSR, 180D PORTS TM15/12 |
| | 1 | 316840 | CUMMINS ENG, QSB6.7 T3 215HP 10 |
| | 1 | 316336 | RH HYD TUBE MT, 2100 98 |
| | 1 | 470274 | TUBE CLAMP BODY, .750-.750 |
| | 1 | 470276 | CLAMP COVER PLATE, SNGL, 2.55LG |
| | 1 | 470278 | CLAMP WELD PLATE, SNGL, 2.75LG |
| | 1 | 473783 | 12MM-1.75 X 25MM HEX BOLT |
| | 1 | 473784 | 12MM LOCK WASHER |
| | 1 | 900086 | 5/16UNC X 2 1/4 HEX BOLT |
| | 1 | 920501 | 5/16 LOCK WASHER |
| | 1 | 316372 | LUBE FILTER (CUMM ENG 316360) |

AIR CLEANER ASSEMBLY

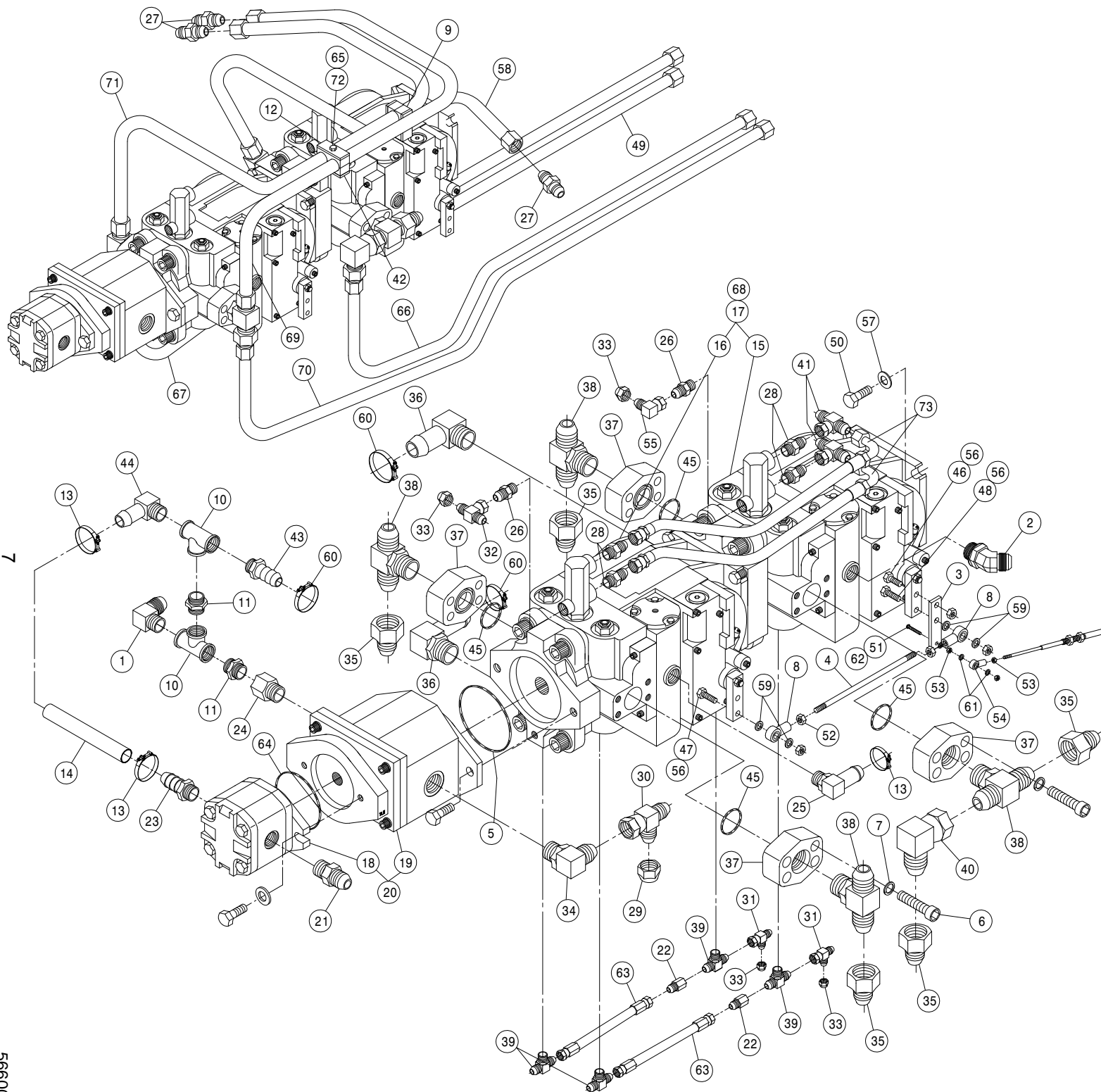
DET. QTY PART NO. DESCRIPTION

| DET. | QTY | PART NO. | DESCRIPTION |
|------|-----|----------|--------------------------------|
| 1 | 1 | 311580 | 5"-4" HUMP HOSE |
| 2 | 1 | 311581 | 7"-5" 90DEG REDU ELBOW,RUBBER |
| 3 | 1 | 311582 | 7.00-6.00 ID REDUCER BUSHING |
| 4 | 1 | 311576 | CAC TUBE MAI330-A |
| 5 | 1 | 311520 | ENGINE PRE CLEANER |
| 6 | 1 | 311541 | AIR CLEANER,OPTIAIR 1300 |
| 7 | 2 | 311542 | AIR CLEANER MT BAND FOR 311541 |
| 8 | 3 | 520150 | 7.38/7.69 T-BOLT HOSE CLAMP SS |
| 9 | 2 | 520148 | 5.38/5.69 T-BOLT HOSE CLAMP SS |
| 10 | 1 | 520134 | 4.31/4.59 T-BOLT HOSE CLAMP SS |
| 11 | 1 | 311543 | PRIMARY AIR FILTER FOR 311541 |
| 12 | 1 | 311544 | SECONDARY FILTER FOR 311541 |
| 13 | 1 | 311565 | COVER ASSEMBLY FOR 311541 |

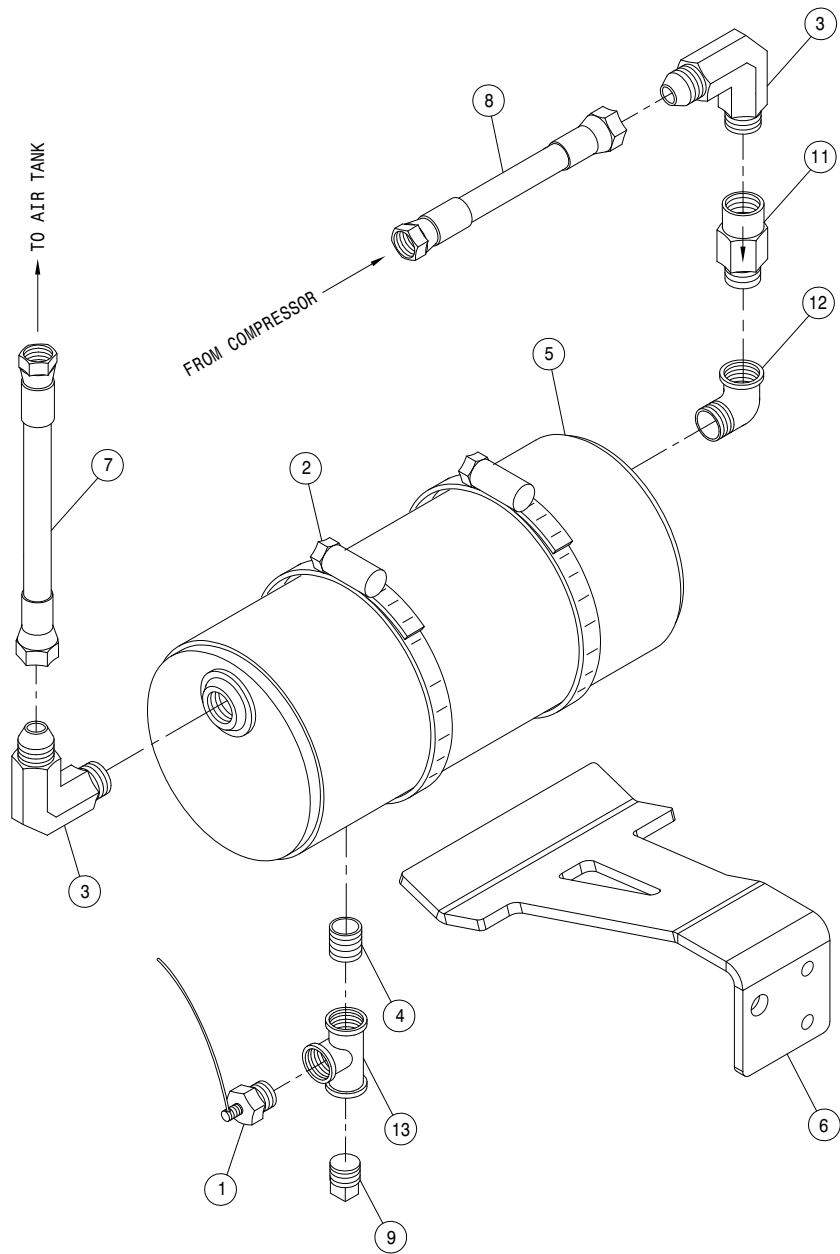


HYDROSTATIC PUMP ASSEMBLY

DET. QTY PART NO. DESCRIPTION



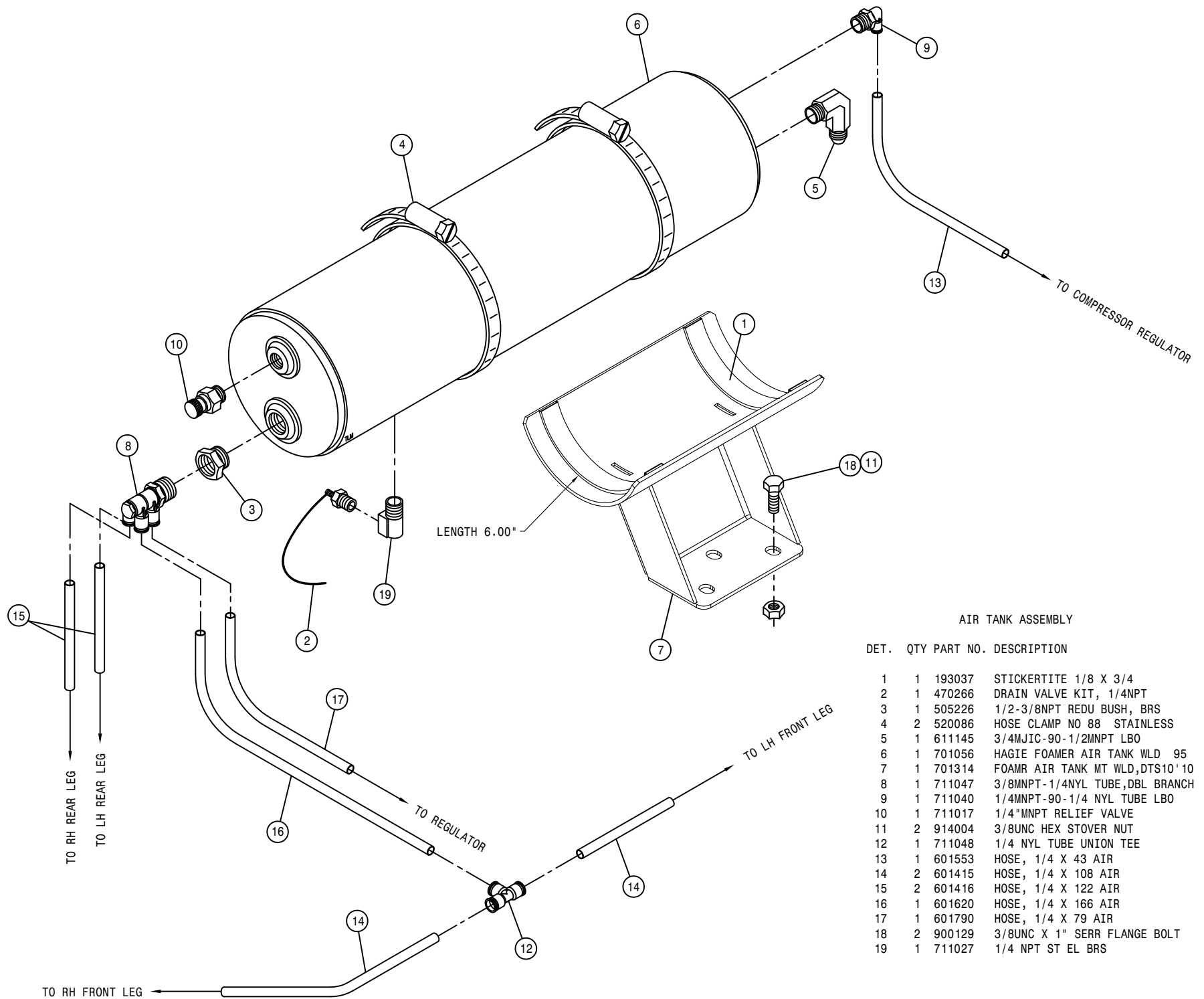
| DET. | QTY | PART NO. | DESCRIPTION |
|------|-----|----------|---------------------------------|
| 1 | 1 | 618519 | 1 1/16MJIC-90-1MNPT LBO |
| 2 | 1 | 618313 | 1 1/16MJIC-45-1 1/16MOR LBO |
| 3 | 1 | 316160 | PUMP CONT LEVER EXT 280 CUMM |
| 4 | 1 | 316335 | HYDST PUMP CTRL ROD, 2100 98 |
| 5 | 1 | 606357 | O-RING,3.737ID-.103CS-3.94 BMT |
| 6 | 16 | 470188 | 7/16-14 X 1 3/4 SKTHD CAP SCR |
| 7 | 16 | 470189 | 7/16 HC LOCK WASH FOR 618598 |
| 8 | 2 | 473998 | BALL JOINT,1/4-28 1/4BORE |
| 9 | 2 | 470275 | TUBE CLAMP BODY,1.000-1.000 |
| 10 | 2 | 505101 | BLK PIPE TEE 1.00NPT |
| 11 | 2 | 505105 | 1MNPT HEX PIPE NIPPLE STL |
| 12 | 2 | 470276 | CLAMP COVER PLATE,SNGL, 2.55LG |
| 13 | 3 | 520137 | 1.12/1.25 T-BOLT HOSE CLAMP |
| 14 | 1 | 601399 | HOSE, 3/4 X 13 1FBR-1SPI |
| 15 | 1 | 606231 | SUND 75CC PUMP,C/C MT (.022) |
| 16 | 1 | 606234 | SUND 75CC PUMP, C/B MT (.022) |
| 17 | 1 | 606230 | TANDEM PUMP,606231/606234 .022 |
| 18 | 1 | 606929 | SUND GEAR PUMP .66CI, SPLINED |
| 19 | 1 | 606932 | SUND GEAR PUMP,1.60CI,SPLINED |
| 20 | 1 | 606941 | TANDEM PUMP, 606929 & 606932 |
| 21 | 1 | 611126 | 7/8MJIC-7/8MOR ADPTR |
| 22 | 2 | 618734 | 9/16JIC .047 ORIFICE ADPTR |
| 23 | 1 | 618075 | 3/4 HOSE BARB-1 1/16MOR |
| 24 | 1 | 618090 | 1 5/16MOR-1FNPT ADPTR |
| 25 | 1 | 618118 | 3/4 HOSE BARB-90-1 1/16MOR |
| 26 | 2 | 618126 | 9/16MJIC-9/16MOR ADPTR |
| 27 | 3 | 618577 | 1 5/16MJIC UNION |
| 28 | 4 | 618327 | 3/4MJIC-7/8MOR ADPTR |
| 29 | 1 | 618328 | 7/8FJIC CAP NUT |
| 30 | 1 | 618333 | 7/8FJIC SW RUN TEE-7/8MJIC |
| 31 | 2 | 618486 | 9/16FJIC SW RUN TEE-9/16MJIC |
| 32 | 1 | 618514 | 9/16FJ SW BRANCH TEE-9/16MJ |
| 33 | 4 | 618531 | 9/16FJIC CAP NUT |
| 34 | 1 | 618535 | 7/8MJIC-90-1 1/16MOR LBO |
| 35 | 5 | 618541 | 1 5/16FJIC-1 1/16MJIC ADPTR |
| 36 | 2 | 618564 | 1LN HOSE BARB-90-1 5/16MOR |
| 37 | 4 | 618598 | 1" 4-BOLT FLG X 1 5/16 FOR |
| 38 | 4 | 618599 | 1 5/16MOR BRANCH TEE-1 5/16MJ |
| 39 | 4 | 618629 | 9/16MOR BRANCH TEE-9/16MJIC |
| 40 | 1 | 618640 | 1 5/16MJ-90-1 5/16FJ SWIV LBO |
| 41 | 2 | 618643 | 3/4FJ SW BRANCH TEE-3/4MJ |
| 42 | 2 | 470278 | CLAMP WELD PLATE, SNGL, 2.75LG |
| 43 | 1 | 714560 | 1NPT X 1 HOSE BARB |
| 44 | 1 | 716000 | 3/4 HOSE BARB-90-1MNPT |
| 45 | 4 | 870219 | BUNA ORING 1 5/16 X 1 9/16 90D |
| 46 | 1 | 900003 | 1/4UNC X 1" HEX BOLT |
| 47 | 1 | 900004 | 1/4UNC X 1 1/4 HEX BOLT |
| 48 | 1 | 900005 | 1/4UNC X 1 1/2 HEX BOLT |
| 49 | 1 | 615719 | LH FRT PUMP LWR TUBEASSY210098 |
| 50 | 4 | 900265 | 1/2UNC X 1 1/2 HEX BOLT |
| 51 | 1 | 903893 | 10-32 X 1" PHIL PAN MACH SCR |
| 52 | 2 | 910001 | 1/4UNF HEX NUT |
| 53 | 2 | 910027 | 10-32 HEX NUT |
| 54 | 1 | 473921 | BALL JOINT NO 10-32 THD |
| 55 | 1 | 618618 | 9/16MJIC-90-9/16FJIC SWIV LBO |
| 56 | 3 | 914000 | 1/4UNC HEX STOVER NUT |
| 57 | 4 | 920004 | 1/2 SAE FLAT WASHER |
| 58 | 1 | 615718 | LH FRT PUMP UPR TUBEASSY210098 |
| 59 | 4 | 920500 | 1/4 LOCK WASHER |
| 60 | 3 | 520138 | 1.38/1.56 T-BOLT HOSE CLAMP |
| 61 | 3 | 920510 | #10 LOCK WASHER |
| 62 | 1 | 914027 | 10-32 HEX STOVER NUT |
| 63 | 2 | 616252 | 04-381-06FJX-06FJX-13 H/A |
| 64 | 1 | 606924 | O-RING FOR SUND A-MT |
| 65 | 2 | 920501 | 5/16 LOCK WASHER |
| 66 | 1 | 615717 | RH FRT PUMP LWR TUBEASSY210098 |
| 67 | 1 | 615723 | LH REAR PUMP LWR TUBE ASSY 98 |
| 68 | 1 | 606950 | O-RING, 4.739ID-.07CS-4.879 CMT |
| 69 | 1 | 615720 | RH REAR PUMP UPR TUBE ASSY 98 |
| 70 | 1 | 615721 | RH REAR PUMP LWR TUBE ASSY 98 |
| 71 | 1 | 615722 | LH REAR PUMP UPR TUBE ASSY 98 |
| 72 | 2 | 900086 | 5/16UNC X 2 1/4 HEX BOLT |
| 73 | 2 | 614739 | 08-482TC-08FJX-08FJX90-16 H/A |



AIR WET TANK ASSEMBLY

DET. QTY PART NO. DESCRIPTION

| | | | | |
|----|---|--------|--------------------------------|-----|
| 1 | 1 | 470266 | DRAIN VALVE KIT, 1/4NPT | |
| 2 | 2 | 520086 | HOSE CLAMP NO 88 STAINLESS | |
| 3 | 2 | 611145 | 3/4MJIC-90-1/2MNPT LBO | |
| 4 | 1 | 501601 | CLOSE NIPPLE .25NPT | |
| 5 | 1 | 701115 | WET TANK WLD | 98 |
| 6 | 1 | 316844 | WET TANK MT BRKT, DTS10 | '10 |
| 7 | 1 | 615624 | 06-482TC-08FJX-08FJX-28 | H/A |
| 8 | 1 | 611304 | 08P919-08FJX-10FJX-16 | H/A |
| 9 | 1 | 501102 | 1/4 PIPE PLUG | |
| 10 | 1 | 501101 | BLK PIPE TEE .25NPT | |
| 11 | 1 | 711032 | CHECK VALVE, 1/2"FNPT-1/2"MNPT | |
| 12 | 1 | 503400 | BLK PIPE ST EL 90DEG .50NPT | |

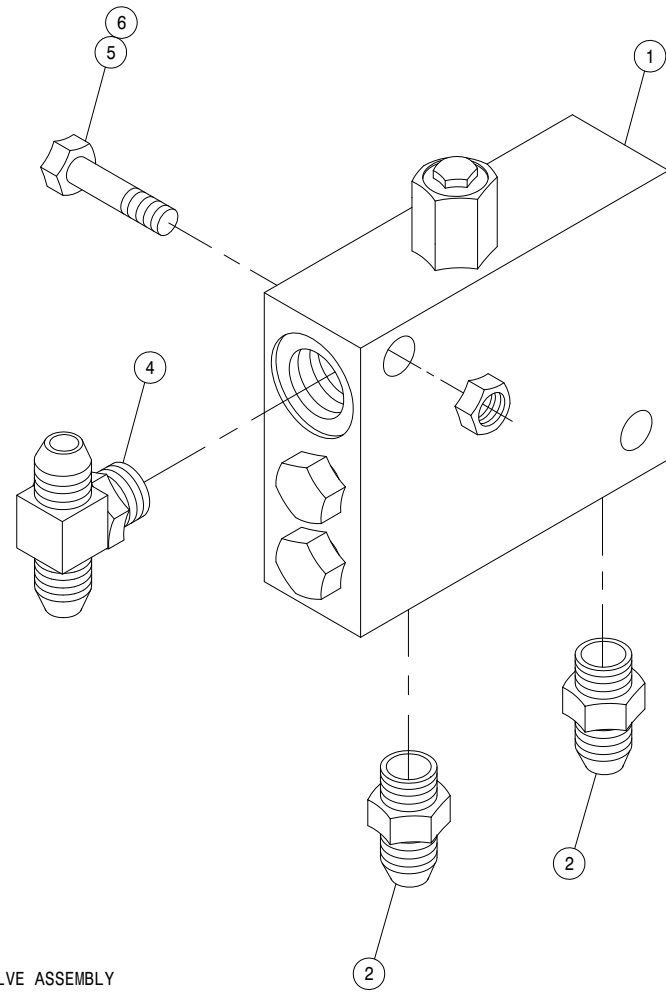
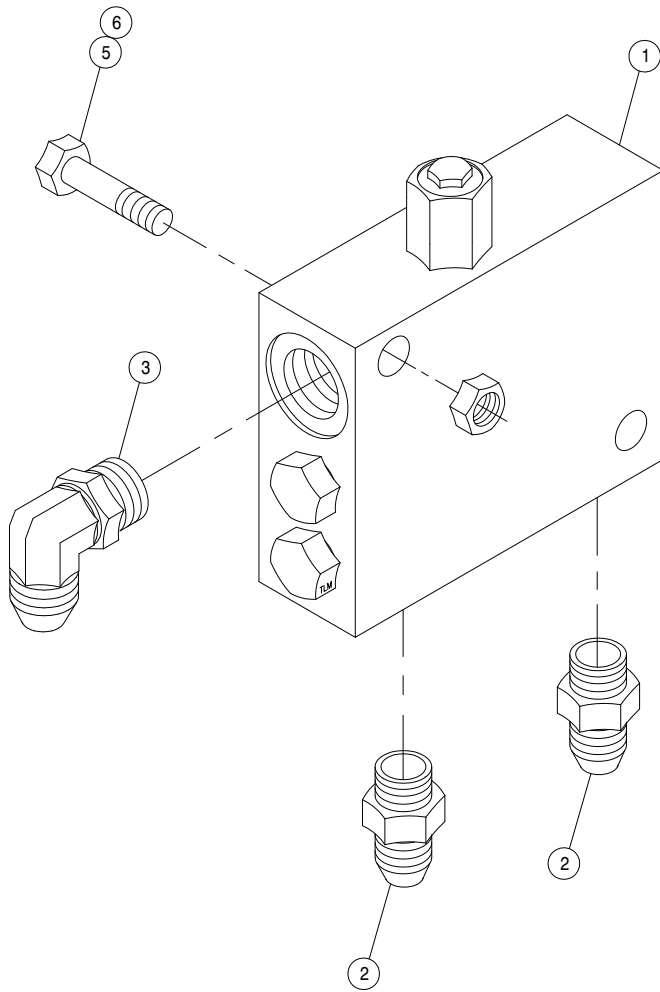


AIR TANK ASSEMBLY

| DET. | QTY | PART NO. | DESCRIPTION |
|------|-----|----------|--------------------------------|
| | 1 | 193037 | STICKERTITE 1/8 X 3/4 |
| | 1 | 470266 | DRAIN VALVE KIT, 1/4NPT |
| | 1 | 505226 | 1/2-3/8NPT REDU BUSH, BRS |
| | 4 | 520086 | HOSE CLAMP NO 88 STAINLESS |
| | 1 | 611145 | 3/4MJIC-90-1/2MNPT LBO |
| | 6 | 701056 | HAGIE FOAMER AIR TANK WLD 95 |
| | 7 | 701314 | FOAMR AIR TANK MT WLD,DTS10'10 |
| | 8 | 711047 | 3/8MNPT-1/4NYL TUBE,DBL BRANCH |
| | 9 | 711040 | 1/4MNPT-90-1/4 NYL TUBE LBO |
| | 10 | 711017 | 1/4"MNPT RELIEF VALVE |
| | 11 | 914004 | 3/8UNC HEX STOVER NUT |
| | 12 | 711048 | 1/4 NYL TUBE UNION TEE |
| | 13 | 601553 | HOSE, 1/4 X 43 AIR |
| | 14 | 601415 | HOSE, 1/4 X 108 AIR |
| | 2 | 601416 | HOSE, 1/4 X 122 AIR |
| | 1 | 601620 | HOSE, 1/4 X 166 AIR |
| | 1 | 601790 | HOSE, 1/4 X 79 AIR |
| | 18 | 900129 | 3/8UNC X 1" SERR FLANGE BOLT |
| | 19 | 711027 | 1/4 NPT ST EL BRS |

FRONT

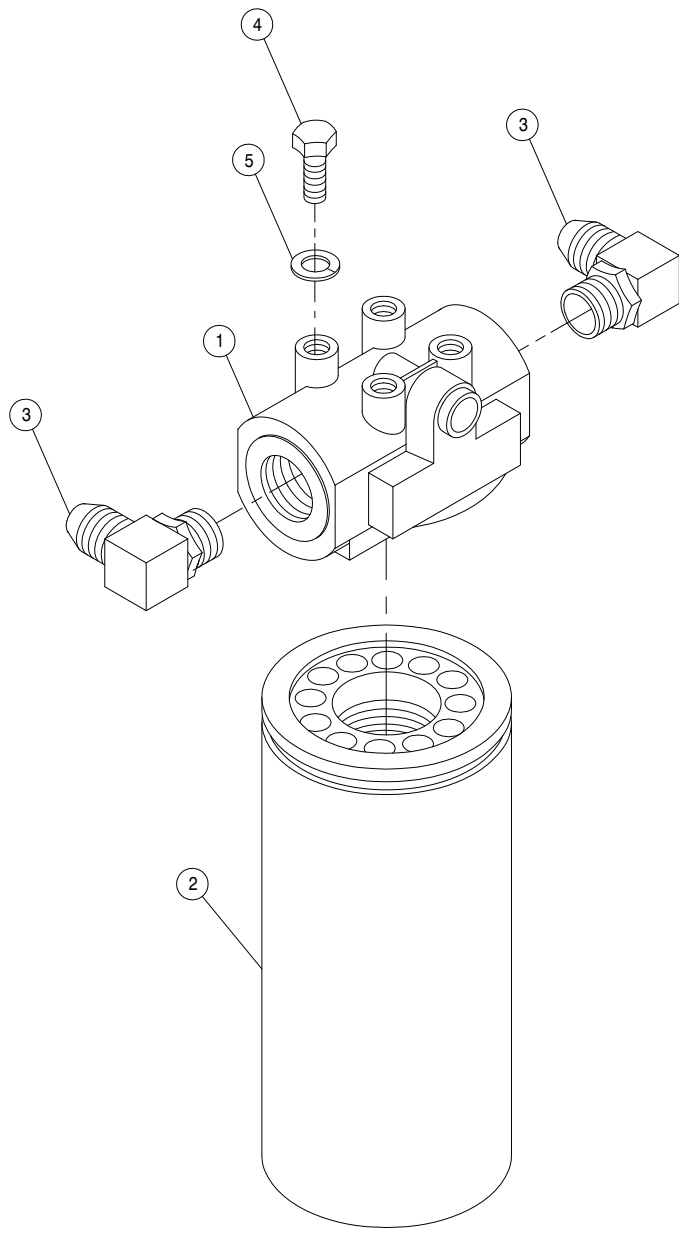
REAR



LOOP FLUSHING VALVE ASSEMBLY

DET. QTY PART NO. DESCRIPTION

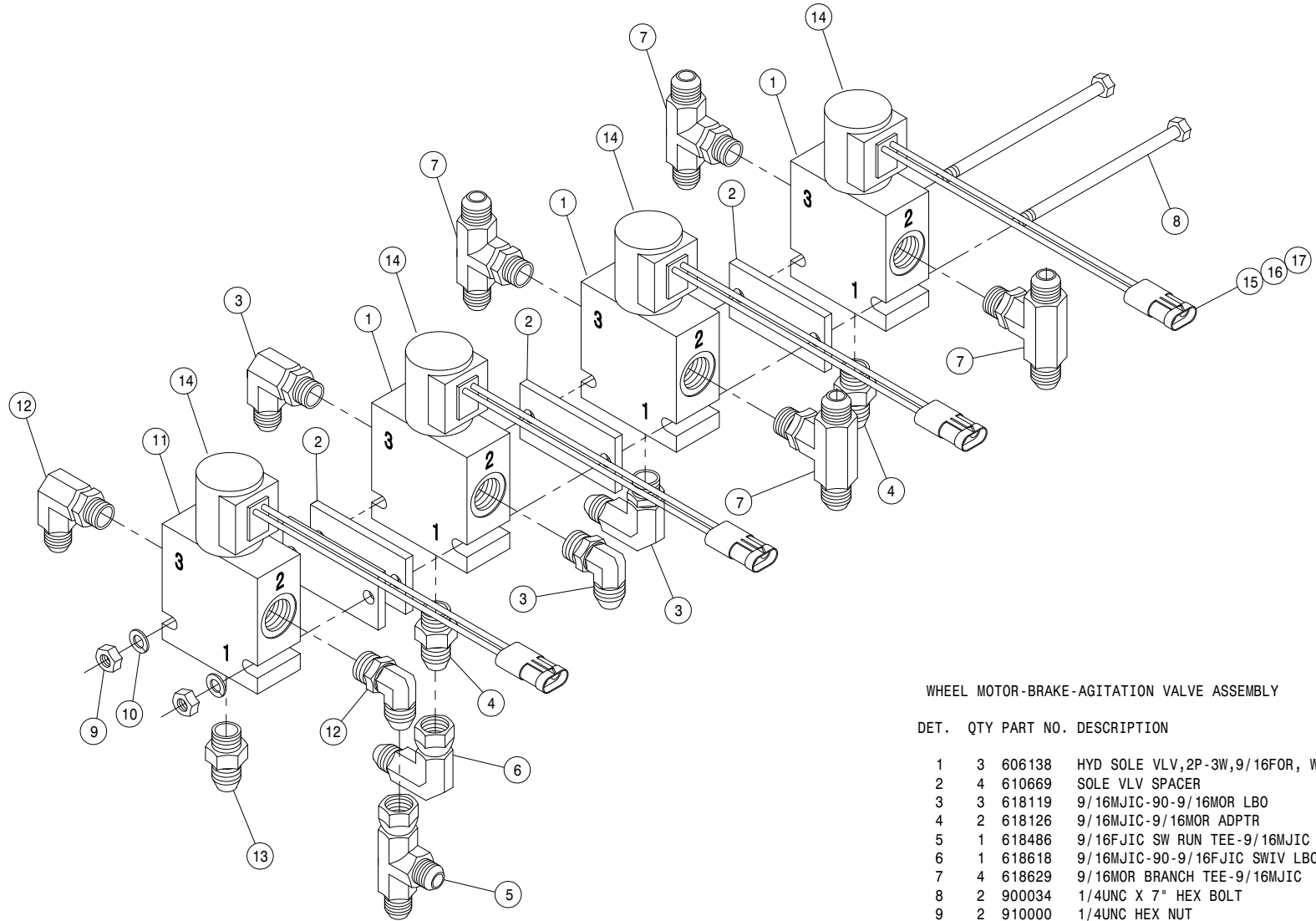
| | | | |
|---|---|--------|------------------------------|
| 1 | 2 | 610580 | REMOTE FLUSHING VALVE, SUND |
| 2 | 4 | 618126 | 9/16MJIC-9/16MOR ADPTR |
| 3 | 1 | 618119 | 9/16MJIC-90-9/16MOR LBO |
| 4 | 1 | 618629 | 9/16MOR BRANCH TEE-9/16MJIC |
| 5 | 4 | 900133 | 3/8UNC X 2" SERR FLANGE BOLT |
| 6 | 4 | 914004 | 3/8UNC HEX STOVER NUT |



HI-PRESS FILTER ASSEMBLY

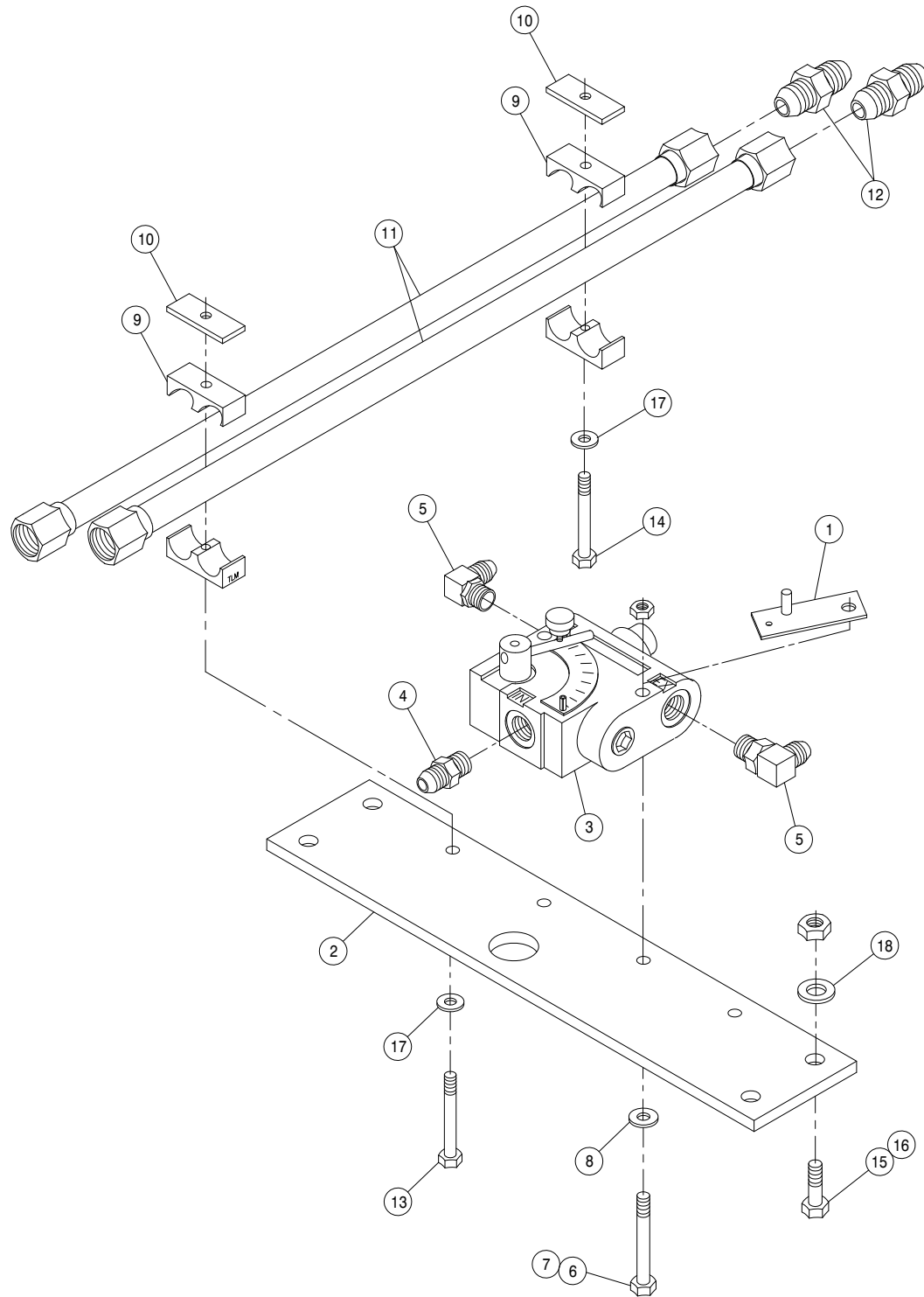
DET. QTY PART NO. DESCRIPTION

| | | | |
|---|---|--------|-------------------------------|
| 1 | 1 | 605608 | HYD FILTER HEAD, DONALDSON |
| 2 | 1 | 605609 | HYD FILTER ELEMENT, DONALDSON |
| 3 | 2 | 618474 | 3/4MJIC-90-1 1/16MOR LBO |
| 4 | 4 | 900128 | 3/8UNC X 3/4 HEX BOLT |
| 5 | 4 | 920502 | 3/8 LOCK WASHER |



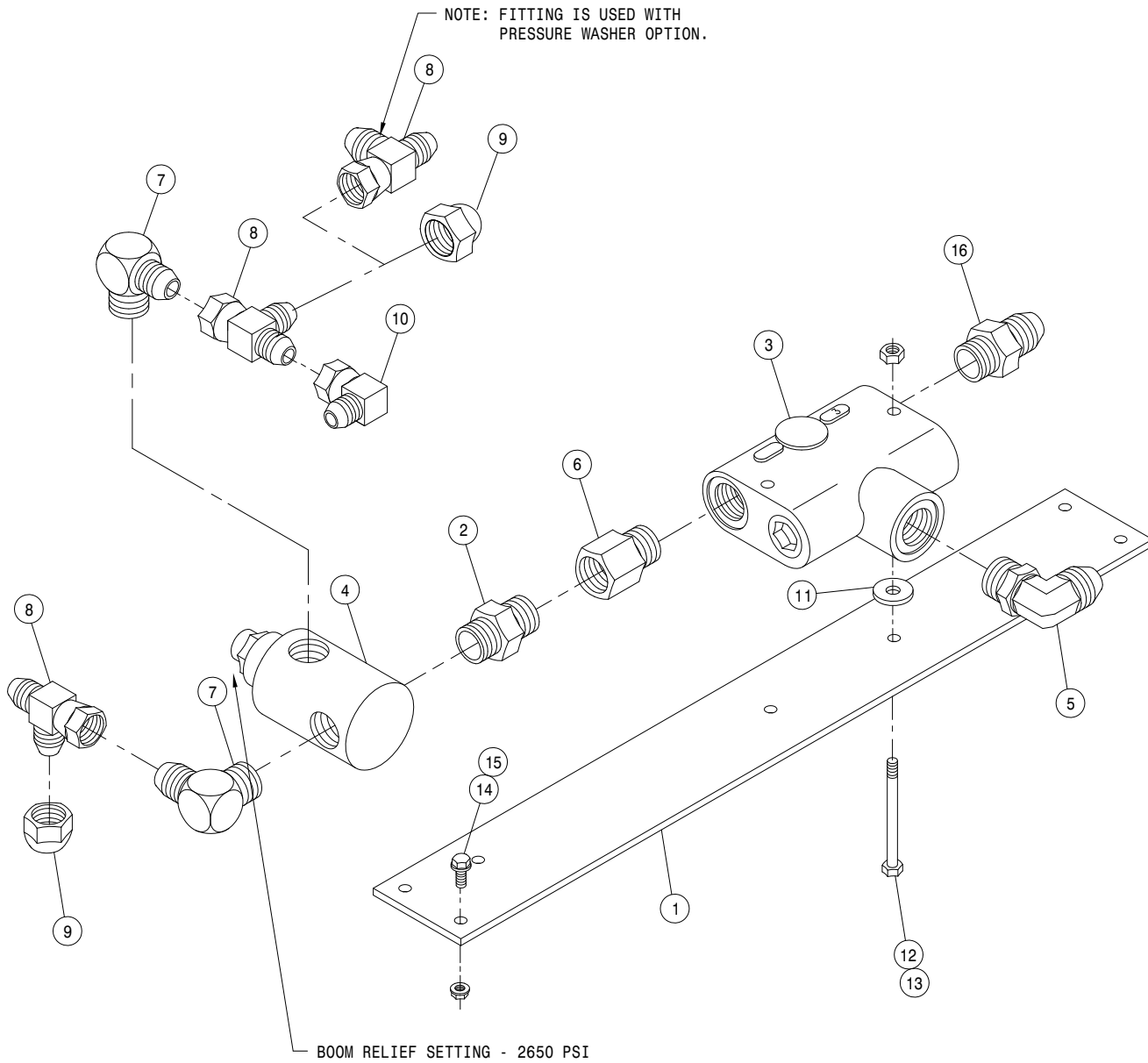
WHEEL MOTOR-BRAKE-AGITATION VALVE ASSEMBLY

| DET. | QTY | PART NO. | DESCRIPTION |
|------|-----|----------|--------------------------------|
| 1 | 3 | 606138 | HYD SOLE VLV,2P-3W,9/16FOR, WP |
| 2 | 4 | 610669 | SOLE VLV SPACER |
| 3 | 3 | 618119 | 9/16MJIC-90-9/16MOR LBO |
| 4 | 2 | 618126 | 9/16MJIC-9/16MOR ADPTR |
| 5 | 1 | 618486 | 9/16FJIC SW RUN TEE-9/16MJIC |
| 6 | 1 | 618618 | 9/16MJIC-90-9/16FJIC SWIV LBO |
| 7 | 4 | 618629 | 9/16MOR BRANCH TEE-9/16MJIC |
| 8 | 2 | 900034 | 1/4UNC X 7" HEX BOLT |
| 9 | 2 | 910000 | 1/4UNC HEX NUT |
| 10 | 2 | 920500 | 1/4 LOCK WASHER |
| 11 | 1 | 606139 | HYD SOLE VLV,2P3W,3/4FOR, WP |
| 12 | 2 | 618115 | 9/16MJIC-90-3/4MOR LBO |
| 13 | 1 | 618109 | 9/16MJIC-3/4MOR ADPTR |
| 14 | 4 | 610016 | COIL FOR HYD VLV 610318 |
| 15 | 4 | 291664 | PED,RECP,WP,2W |
| 16 | 8 | 291675 | PED,TERM,M,WP,16-14GA |
| 17 | 8 | 291620 | PED,SEAL,GREEN,18-16GA |



SOLUTION PUMP VARIABLE FLOW CONTROL ASSEMBLY

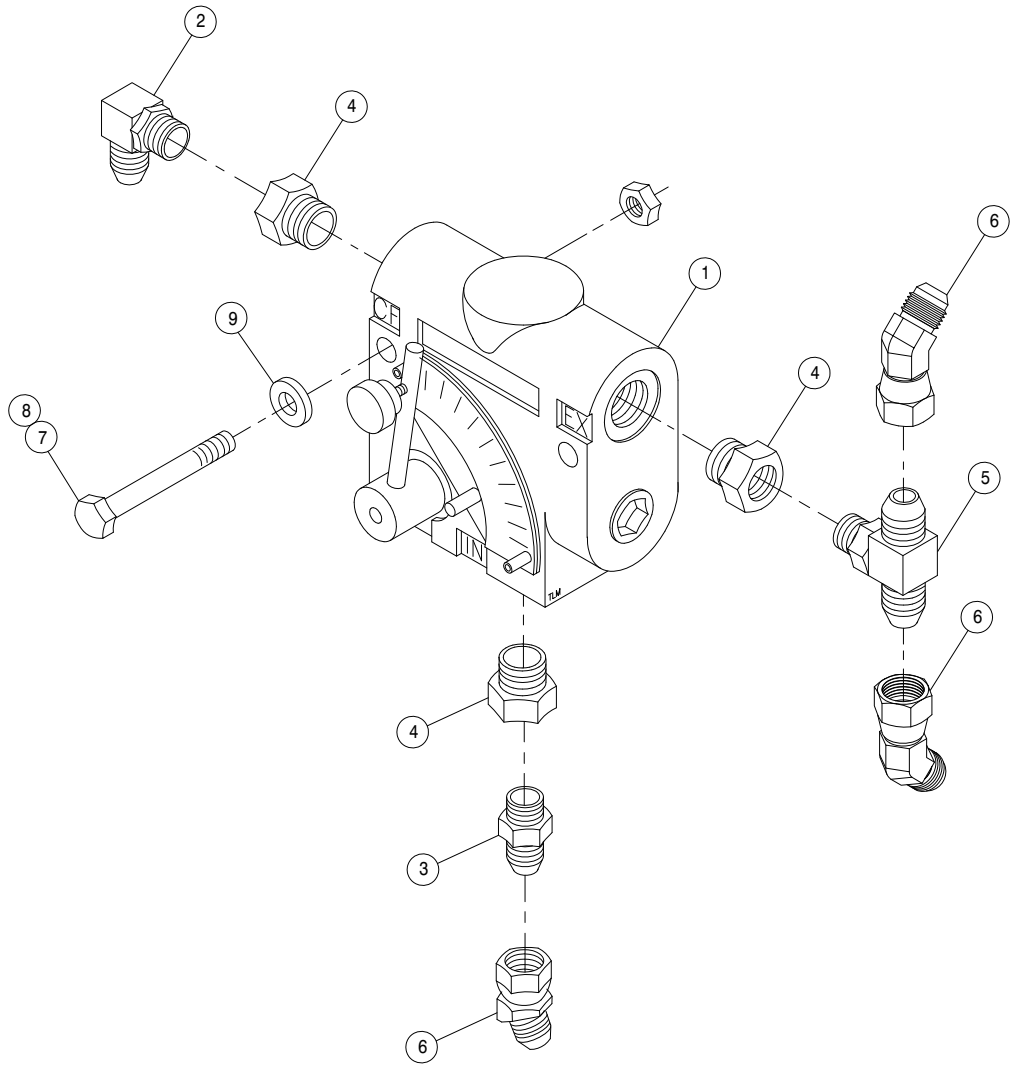
| DET. | QTY | PART NO. | DESCRIPTION |
|------|-----|----------|--------------------------------|
| 1 | 1 | 342306 | SOLU PUMP VFC STOP WLD,9G 96 |
| 2 | 1 | 361477 | TIE PLT, 2100 98 |
| 3 | 1 | 606818 | FLO CONT FCR51 0-16GPM 7/8FOR |
| 4 | 1 | 611126 | 7/8MJIC-7/8MOR ADPTR |
| 5 | 2 | 611128 | 7/8MJIC-90-7/8MOR LBO |
| 6 | 2 | 900009 | 1/4UNC X 2 3/4 HEX BOLT |
| 7 | 2 | 914000 | 1/4UNC HEX STOVER NUT |
| 8 | 2 | 920000 | 1/4 SAE FLAT WASHER |
| 9 | 4 | 470274 | TUBE CLAMP BODY, .750-.750 |
| 10 | 4 | 470278 | CLAMP WELD PLATE, SNGL, 2.75LG |
| 11 | 4 | 615724 | FRT MAIN HYD TUBE ASSY,2100 98 |
| 12 | 4 | 618177 | 1 1/16MJIC UNION |
| 13 | 2 | 900069 | 5/16UNC X 2" HEX BOLT |
| 14 | 2 | 900086 | 5/16UNC X 2 1/4 HEX BOLT |
| 15 | 4 | 900265 | 1/2UNC X 1 1/2 HEX BOLT |
| 16 | 4 | 914008 | 1/2UNC HEX STOVER NUT |
| 17 | 4 | 920001 | 5/16 SAE FLAT WASHER |
| 18 | 4 | 920004 | 1/2 SAE FLAT WASHER |



FLOW DIVIDER ASSEMBLY

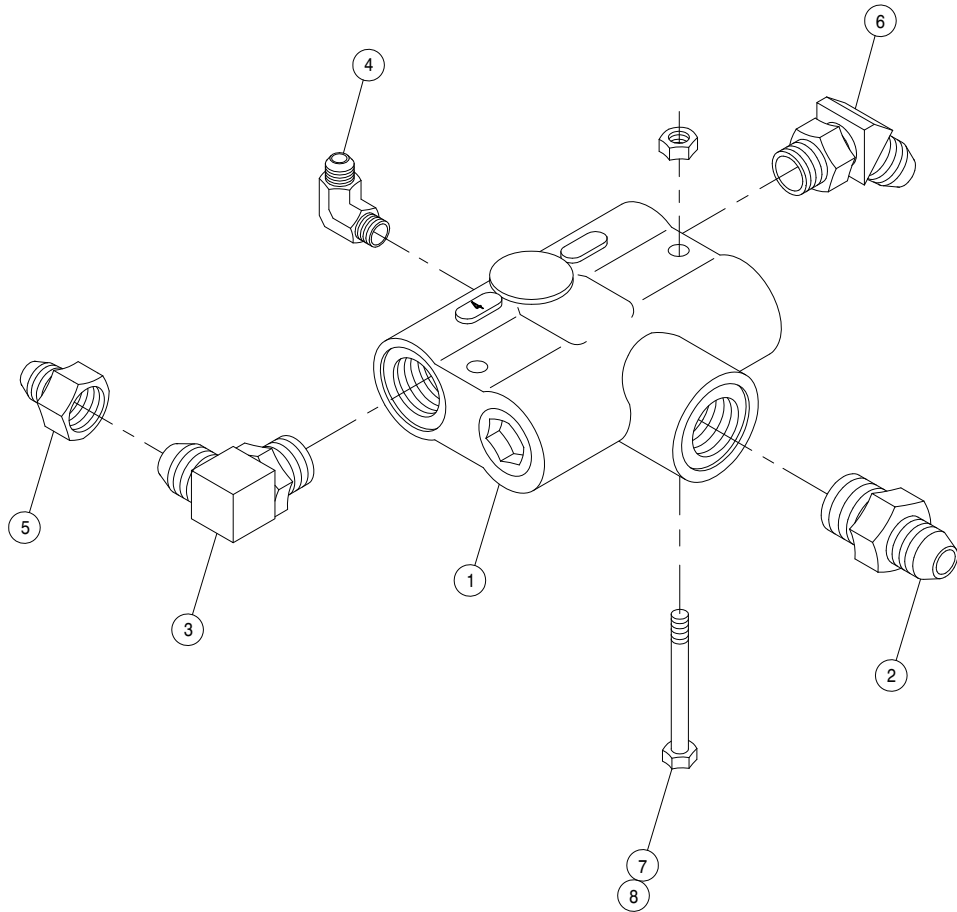
DET. QTY PART NO. DESCRIPTION

| | | | | |
|----|---|--------|-------------------------------|----|
| 1 | 1 | 361478 | REAR FLOW DIV PLT, 2100 | 98 |
| 2 | 1 | 500000 | 1/2MNPT HEX PIPE NIPPLE STL | |
| 3 | 1 | 610307 | FLO DIV BG53 3GPM PRI 7/8FOR | |
| 4 | 1 | 607512 | RELIEF VALVE, RL50, 1850 PSI | |
| 5 | 1 | 611128 | 7/8MJIC-90-7/8MOR LBO | |
| 6 | 1 | 618072 | 7/8MOR-1/2FNPT ADPTR | |
| 7 | 2 | 618107 | 9/16MJIC-90-1/2MNPT LBO | |
| 8 | 3 | 618486 | 9/16FJIC SW RUN TEE-9/16MJIC | |
| 9 | 2 | 618531 | 9/16FJIC CAP NUT | |
| 10 | 1 | 618618 | 9/16MJIC-90-9/16FJIC SWIV LBO | |
| 11 | 2 | 748500 | RUBER WASH 3/8X1/4IDX1 1/2 OD | |
| 12 | 2 | 900009 | 1/4UNC X 2 3/4 HEX BOLT | |
| 13 | 2 | 914000 | 1/4UNC HEX STOVER NUT | |
| 14 | 4 | 470118 | 1/4UNC X 3/4 FLANGE HEX BOLT | |
| 15 | 4 | 470121 | 1/4UNC HEX FLANGE LOCK NUT | |
| 16 | 1 | 618310 | 9/16MJIC-7/8MOR ADPTR | |



AGITATOR VARIABLE FLOW CONTROL ASSEMBLY

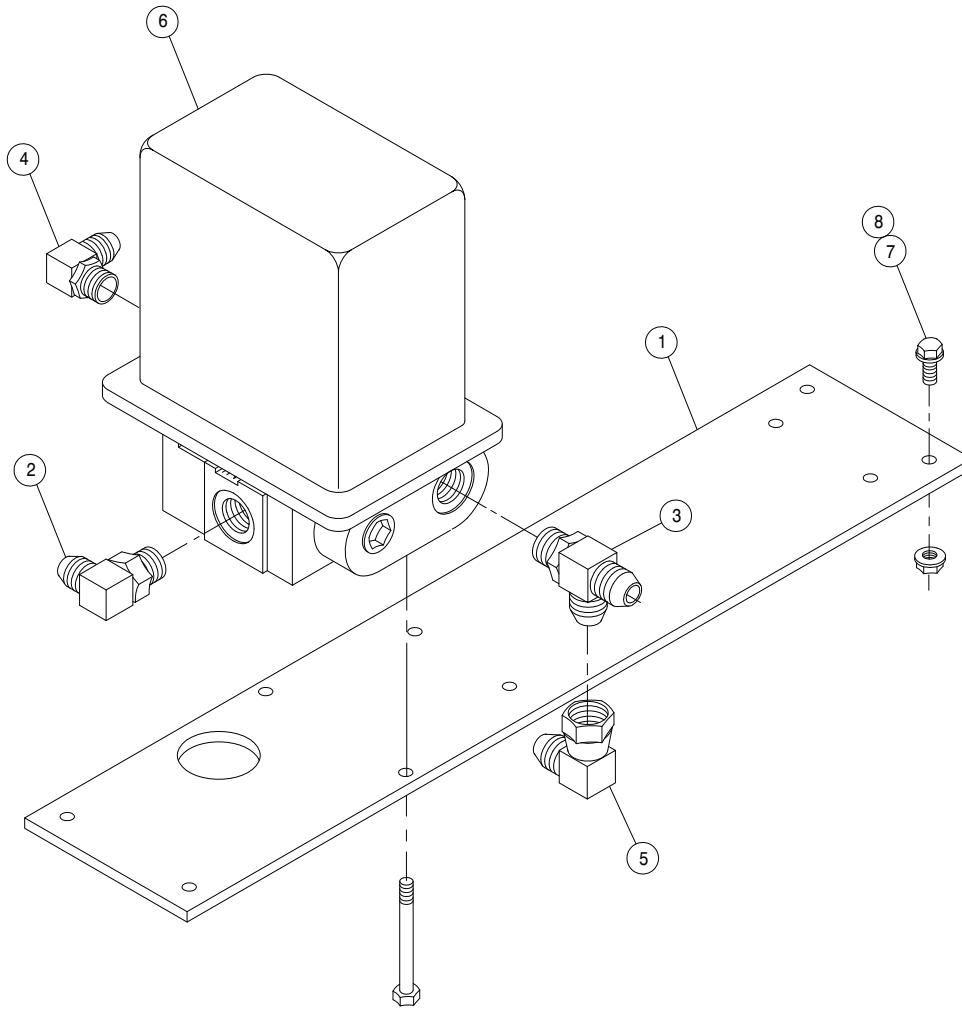
| DET. | QTY | PART NO. | DESCRIPTION |
|------|-----|----------|-------------------------------|
| 1 | 1 | 606827 | FLO CONT FC51 0-3 VARI 7/8FOR |
| 2 | 1 | 618119 | 9/16MJIC-90-9/16MOR LBO |
| 3 | 1 | 618126 | 9/16MJIC-9/16MOR ADPTR |
| 4 | 3 | 618172 | 7/8MOR-9/16FOR ADPTR |
| 5 | 1 | 618629 | 9/16MOR BRANCH TEE-9/16MJIC |
| 6 | 6 | 618634 | 9/16MJIC-45-9/16FJIC SWIV LBO |
| 7 | 2 | 900008 | 1/4UNC X 2 1/2 HEX BOLT |
| 8 | 2 | 914000 | 1/4UNC HEX STOVER NUT |
| 9 | 2 | 470212 | 1/4 BONDED SEALING WASH, SS |



BGR56 FLOW DIVIDER ASSEMBLY

DET. QTY PART NO. DESCRIPTION

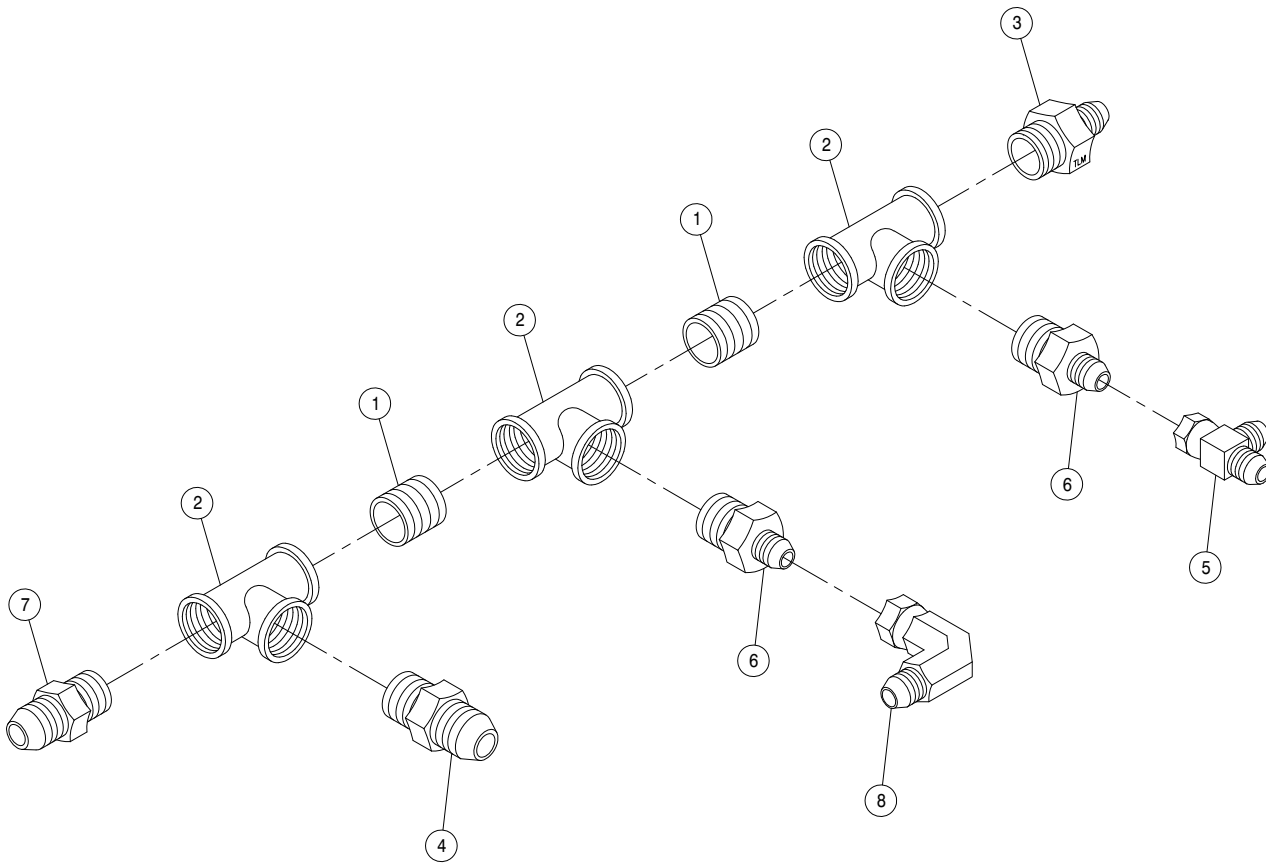
| | | | |
|---|---|--------|-------------------------------|
| 1 | 1 | 607528 | FLO DIV BGR54 4GPM PRI 7/8FOR |
| 2 | 1 | 611126 | 7/8MJIC-7/8MOR ADPTR |
| 3 | 1 | 611128 | 7/8MJIC-90-7/8MOR LBO |
| 4 | 1 | 618015 | 9/16MJIC-90-3/8MNPT LBO |
| 5 | 1 | 618557 | 7/8FJIC-9/16MJIC ADPTR |
| 6 | 1 | 618644 | 7/8MJIC-45-7/8MOR LBO |
| 7 | 2 | 900008 | 1/4UNC X 2 1/2 HEX BOLT |
| 8 | 2 | 914000 | 1/4UNC HEX STOVER NUT |



RAVEN HYDRAULIC CONTROL VALVE ASSEMBLY

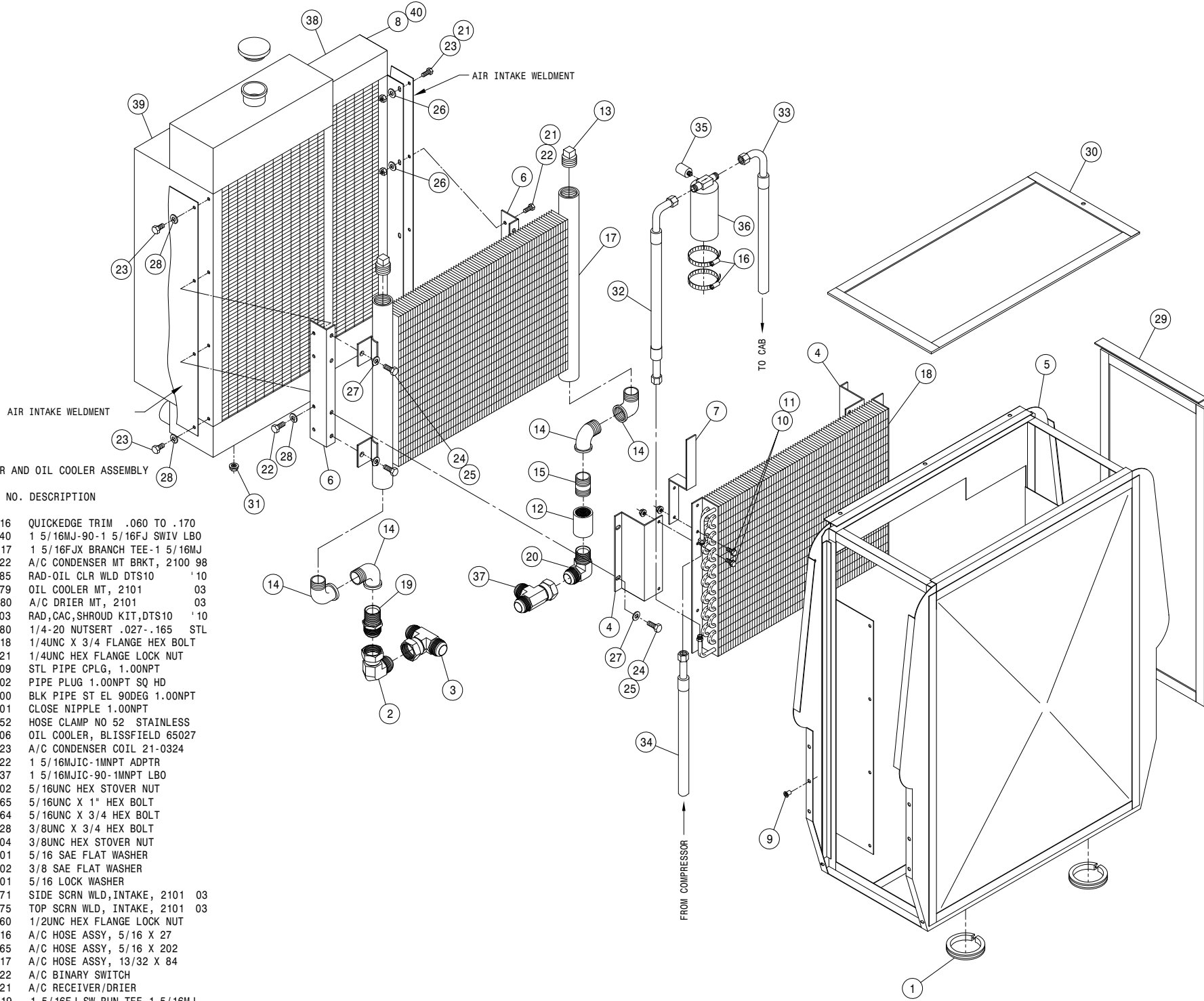
DET. QTY PART NO. DESCRIPTION

| | | | | |
|---|---|--------|------------------------------|----|
| 1 | 1 | 361476 | ELECT VLV MTG PLT, 2100 | 98 |
| 2 | 1 | 611128 | 7/8MJIC-90-7/8MOR LBO | |
| 3 | 1 | 618130 | 7/8MOR RUN TEE-7/8MJIC | |
| 4 | 1 | 618183 | 3/4MJIC-90-7/8MOR LBO | |
| 5 | 1 | 618301 | 7/8MJIC-90-7/8FJIC SWIV LBO | |
| 6 | 1 | 690621 | VALVE HYD CTRL, 16GPM RAVEN | |
| 7 | 4 | 470118 | 1/4UNC X 3/4 FLANGE HEX BOLT | |
| 8 | 4 | 470121 | 1/4UNC HEX FLANGE LOCK NUT | |



RETURN TEE ASSEMBLY

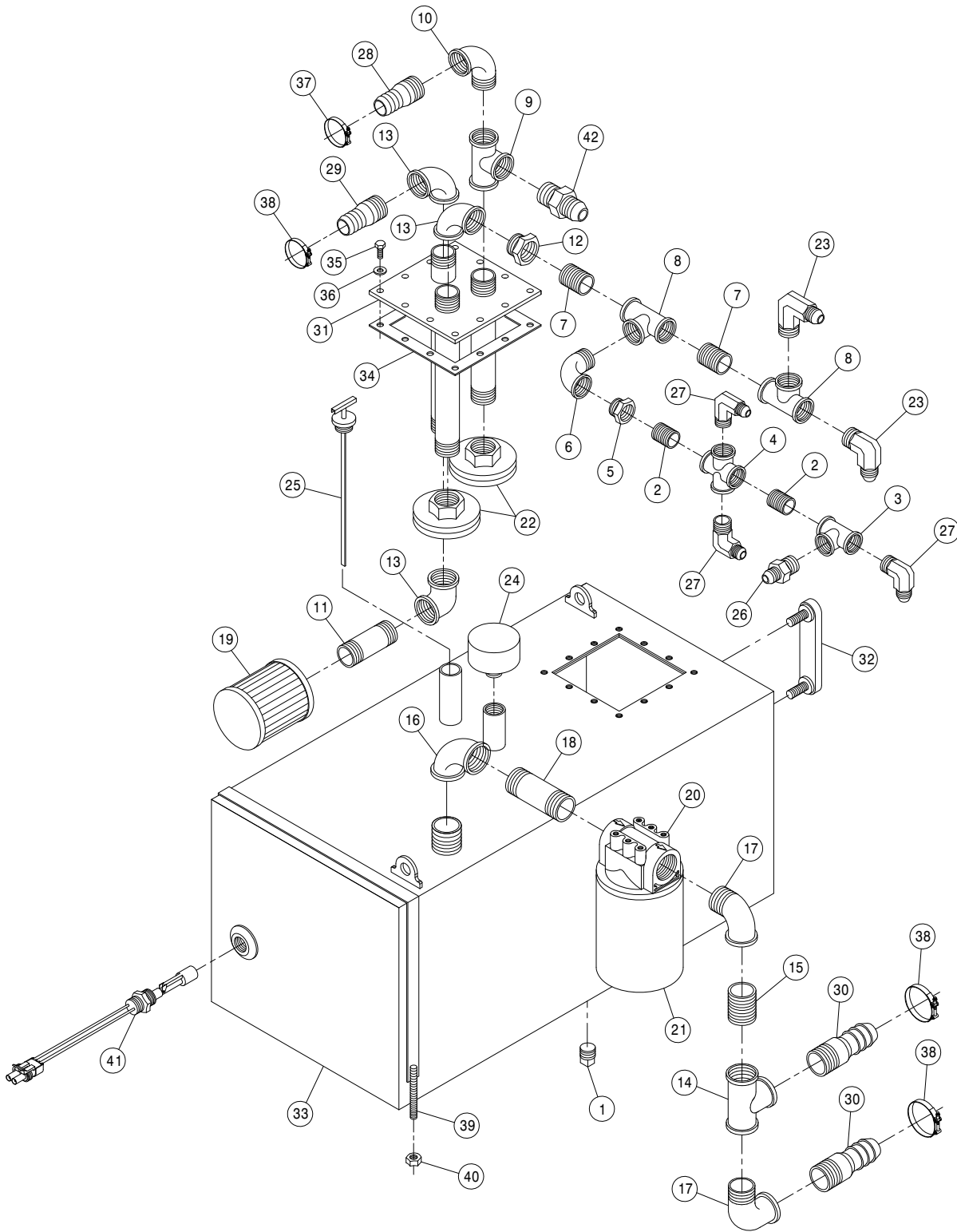
| DET. | QTY | PART NO. | DESCRIPTION |
|------|-----|----------|-------------------------------|
| 1 | 2 | 504702 | CLOSE NIPPLE .75NPT |
| 2 | 3 | 504955 | BLK PIPE TEE .75NPT |
| 3 | 1 | 610300 | 3/4MJIC-3/4MNPT ADPTR |
| 4 | 1 | 618059 | 7/8MJIC-3/4MNPT ADPTR |
| 5 | 1 | 618486 | 9/16FJIC SW RUN TEE-9/16MJIC |
| 6 | 2 | 618642 | 9/16MJIC-3/4MNPT ADPTR |
| 7 | 1 | 618108 | 1 1/16MJIC-3/4MNPT ADPTR |
| 8 | 1 | 618618 | 9/16MJIC-90-9/16FJIC SWIV LBO |



RADIATOR AND OIL COOLER ASSEMBLY

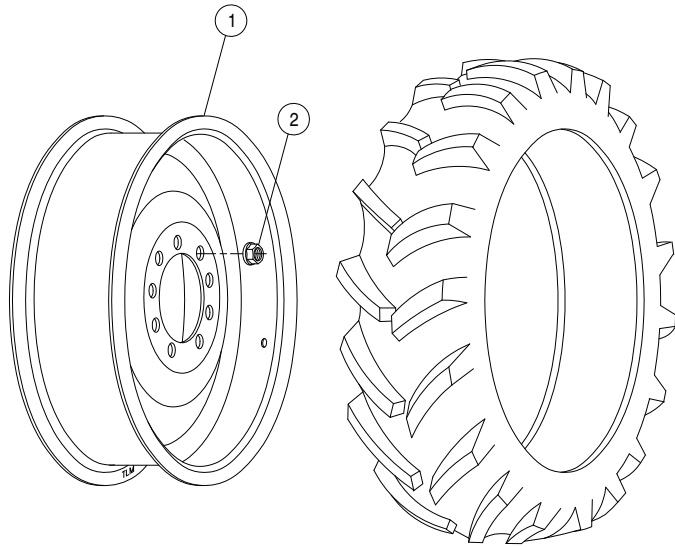
DET. QTY PART NO. DESCRIPTION

| | | | |
|----|----|--------|--------------------------------|
| 1 | 2 | 193016 | QUICKEDGE TRIM .060 TO .170 |
| 2 | 1 | 618640 | 1 5/16MJ-90-1 5/16FJ SWIV LBO |
| 3 | 1 | 618717 | 1 5/16FJX BRANCH TEE-1 5/16MJ |
| 4 | 2 | 315022 | A/C CONDENSER MT BRKT, 2100 98 |
| 5 | 1 | 315085 | RAD-OIL CLR WLD DTS10 '10 |
| 6 | 2 | 315079 | OIL COOLER MT, 2101 '03 |
| 7 | 1 | 315080 | A/C DRIER MT, 2101 '03 |
| 8 | 1 | 315103 | RAD,CAC,SHROUD KIT,DTS10 '10 |
| 9 | 16 | 470380 | 1/4-20 NUTSERT .027-.165 STL |
| 10 | 6 | 470118 | 1/4UNC X 3/4 FLANGE HEX BOLT |
| 11 | 6 | 470121 | 1/4UNC HEX FLANGE LOCK NUT |
| 12 | 1 | 505109 | STL PIPE CPLG, 1.00NPT |
| 13 | 2 | 505102 | PIPE PLUG 1.00NPT SQ HD |
| 14 | 4 | 505200 | BLK PIPE ST EL 90DEG 1.00NPT |
| 15 | 1 | 505201 | CLOSE NIPPLE 1.00NPT |
| 16 | 2 | 520052 | HOSE CLAMP NO 52 STAINLESS |
| 17 | 1 | 618606 | OIL COOLER, BLISSFIELD 65027 |
| 18 | 1 | 657423 | A/C CONDENSER COIL 21-0324 |
| 19 | 1 | 618322 | 1 5/16MJIC-1MNPT ADPTR |
| 20 | 1 | 618437 | 1 5/16MJIC-90-1MNPT LBO |
| 21 | 4 | 914002 | 5/16UNC HEX STOVER NUT |
| 22 | 4 | 900065 | 5/16UNC X 1" HEX BOLT |
| 23 | 4 | 900064 | 5/16UNC X 3/4 HEX BOLT |
| 24 | 8 | 900128 | 3/8UNC X 3/4 HEX BOLT |
| 25 | 8 | 914004 | 3/8UNC HEX STOVER NUT |
| 26 | 4 | 920001 | 5/16 SAE FLAT WASHER |
| 27 | 8 | 920002 | 3/8 SAE FLAT WASHER |
| 28 | 4 | 920501 | 5/16 LOCK WASHER |
| 29 | 2 | 315071 | SIDE SCR N WLD,INTAKE, 2101 03 |
| 30 | 1 | 315075 | TOP SCR N WLD, INTAKE, 2101 03 |
| 31 | 2 | 470360 | 1/2UNC HEX FLANGE LOCK NUT |
| 32 | 1 | 657416 | A/C HOSE ASSY, 5/16 X 27 |
| 33 | 1 | 657465 | A/C HOSE ASSY, 5/16 X 202 |
| 34 | 1 | 657417 | A/C HOSE ASSY, 13/32 X 84 |
| 35 | 1 | 657422 | A/C BINARY SWITCH |
| 36 | 1 | 657421 | A/C RECEIVER/DRIER |
| 37 | 1 | 618619 | 1 5/16FJ SW RUN TEE-1 5/16MJ |
| 38 | 1 | 315104 | RADIATOR,DTS10 '10 |
| 39 | 1 | 315105 | CHARGE AIR COOLER,DTS10 '10 |
| 40 | 1 | 315106 | SHROUD, DTS10 '10 |

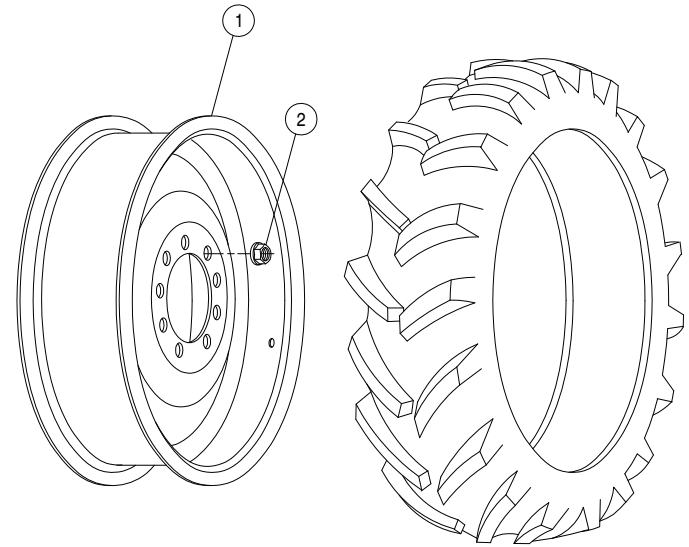


HYDRAULIC TANK ASSEMBLY

| DET. | QTY | PART NO. | DESCRIPTION |
|------|-----|----------|---------------------------------|
| | 1 | 470308 | 1/2MNPT DRAIN PLUG,AL HD,MAG |
| | 2 | 503600 | CLOSE NIPPLE .50NPT |
| | 3 | 503820 | BLK PIPE TEE .50NPT |
| | 4 | 503824 | BLK PIPE CROSS .50NPT |
| | 5 | 504210 | RED BUSH 3/4 NPT X 1/2 NPT |
| | 6 | 504610 | BLK PIPE ST EL 90DEG .75NPT |
| | 7 | 504702 | CLOSE NIPPLE .75NPT |
| | 8 | 504955 | BLK PIPE TEE .75NPT |
| | 9 | 505101 | BLK PIPE TEE 1.00NPT |
| | 10 | 505200 | BLK PIPE ST EL 90DEG 1.00NPT |
| | 11 | 505203 | BLK PIPE NIPPLE 1.00NPT-4.00 |
| | 12 | 505213 | RED BUSH 1 X 3/4 BLK MAL |
| | 13 | 505300 | BLK PIPE EL 90DEG 1.00NPT |
| | 14 | 506105 | BLK PIPE TEE 1.25NPT |
| | 15 | 506200 | CLOSE NIPPLE 1.25NPT |
| | 16 | 506303 | BLK PIPE EL 90DEG 1.25NPT |
| | 17 | 506410 | BLK PIPE ST EL 90DEG 1.25NPT |
| | 18 | 506609 | BLK PIPE NIPPLE 1.25NPT-6.00 |
| | 19 | 605600 | TANK FILTER, 100 MESH, 1"FNPT |
| | 20 | 605601 | PARKER FILTER ASSY,10M,1.25NPT |
| | 21 | 605602 | PARKER FILTER ELEMENT,10MICRON |
| | 22 | 605603 | LINE SUMP DIFFUSER |
| | 23 | 610305 | 3/4MJIC-90-3/4MNPT LBO |
| | 24 | 611052 | FILLER BREATHER 3/4NPT |
| | 25 | 614453 | DIPSTICK, 8IN |
| | 26 | 618018 | 9/16MJIC-1/2MNPT ADPTR |
| | 27 | 618107 | 9/16MJIC-90-1/2MNPT LBO |
| | 28 | 714331 | 1 NPT X 3/4 HOSE BARB |
| | 29 | 714560 | 1NPT X 1 HOSE BARB |
| | 30 | 715664 | 1 1/4 NPT X 1 HOSE BARB |
| | 31 | 760090 | RECEIVER PLT WLD 8240 |
| | 32 | 760177 | SIGHT GAUGE W/TEMP, HYD TANK |
| | 33 | 760268 | HYD TANK WLD, 2100 2002 |
| | 34 | 763039 | HYD MTR MTG PLT GSKT |
| | 35 | 900064 | 5/16UNC X 3/4 HEX BOLT |
| | 36 | 920001 | 5/16 SAE FLAT WASHER |
| | 37 | 520137 | 1.12/1.25 T-BOLT HOSE CLAMP |
| | 38 | 520138 | 1.38/1.56 T-BOLT HOSE CLAMP |
| | 39 | 760212 | HYD TANK STRAP WLD, 2100 98 |
| | 40 | 914004 | 3/8UNC HEX STOVER NUT |
| | 41 | 470350 | LIQUID LEVEL SWITCH ASSY,1/2NPT |
| | 42 | 618322 | 1 5/16MJIC-1MNPT ADPTR |



290/95R 34 *** RADIAL TIRE OPTION



320/85R 34 *** RADIAL TIRE OPTION

TIRE AND RIM ASSEMBLIES

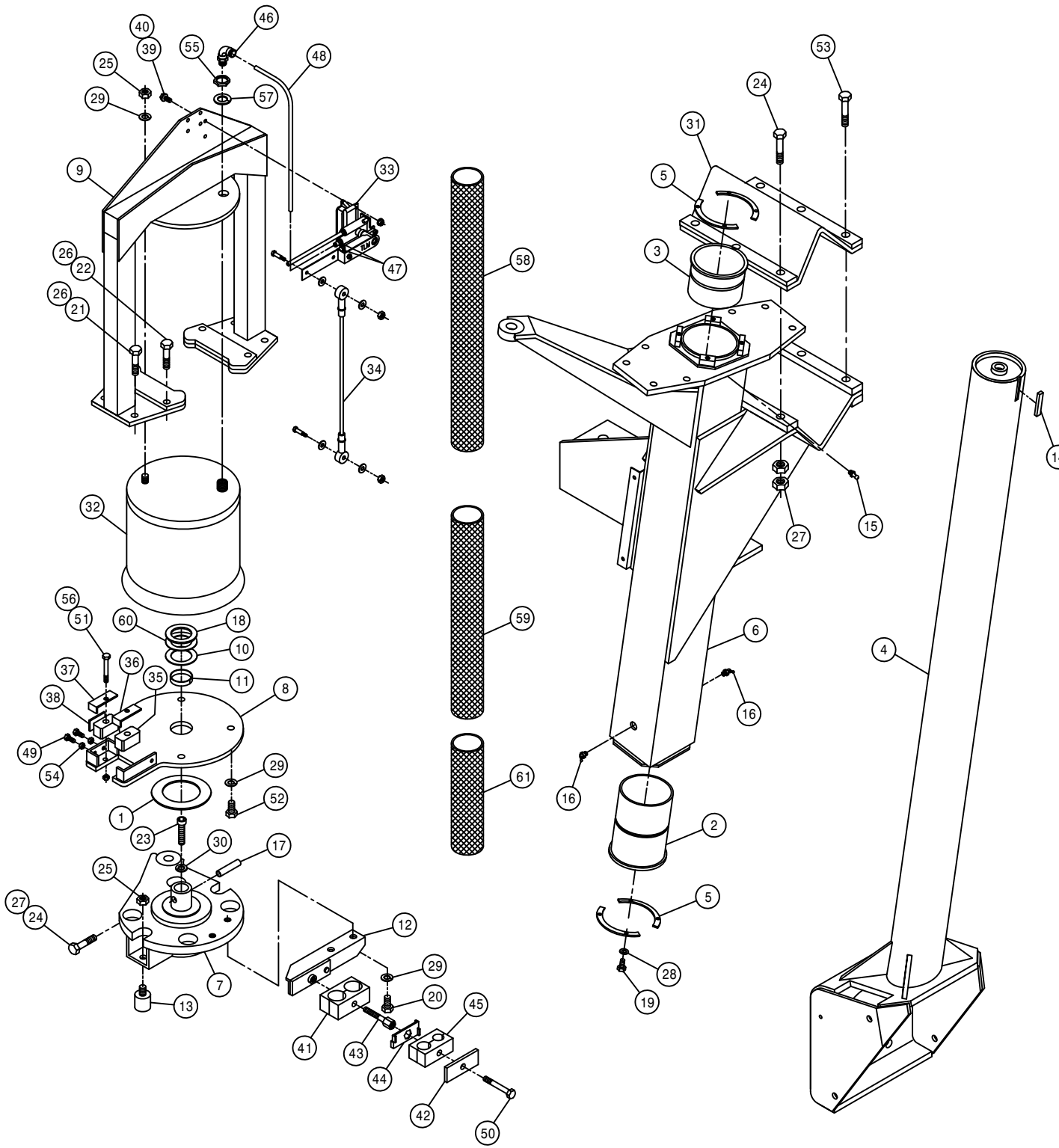
DET. QTY PART NO. DESCRIPTION

| | | | | |
|---|----|--------|--------------------------------|----|
| 1 | 4 | 821042 | RIM WLD, W10-34 | 98 |
| 2 | 36 | 470140 | 5/8UNF HEX SMTH FLANGE NUT PLT | |

NOTE: QUANTITY SHOWN IS PER MACHINE

RIGHT FRONT LEG ASSEMBLY

DET. QTY PART NO. DESCRIPTION

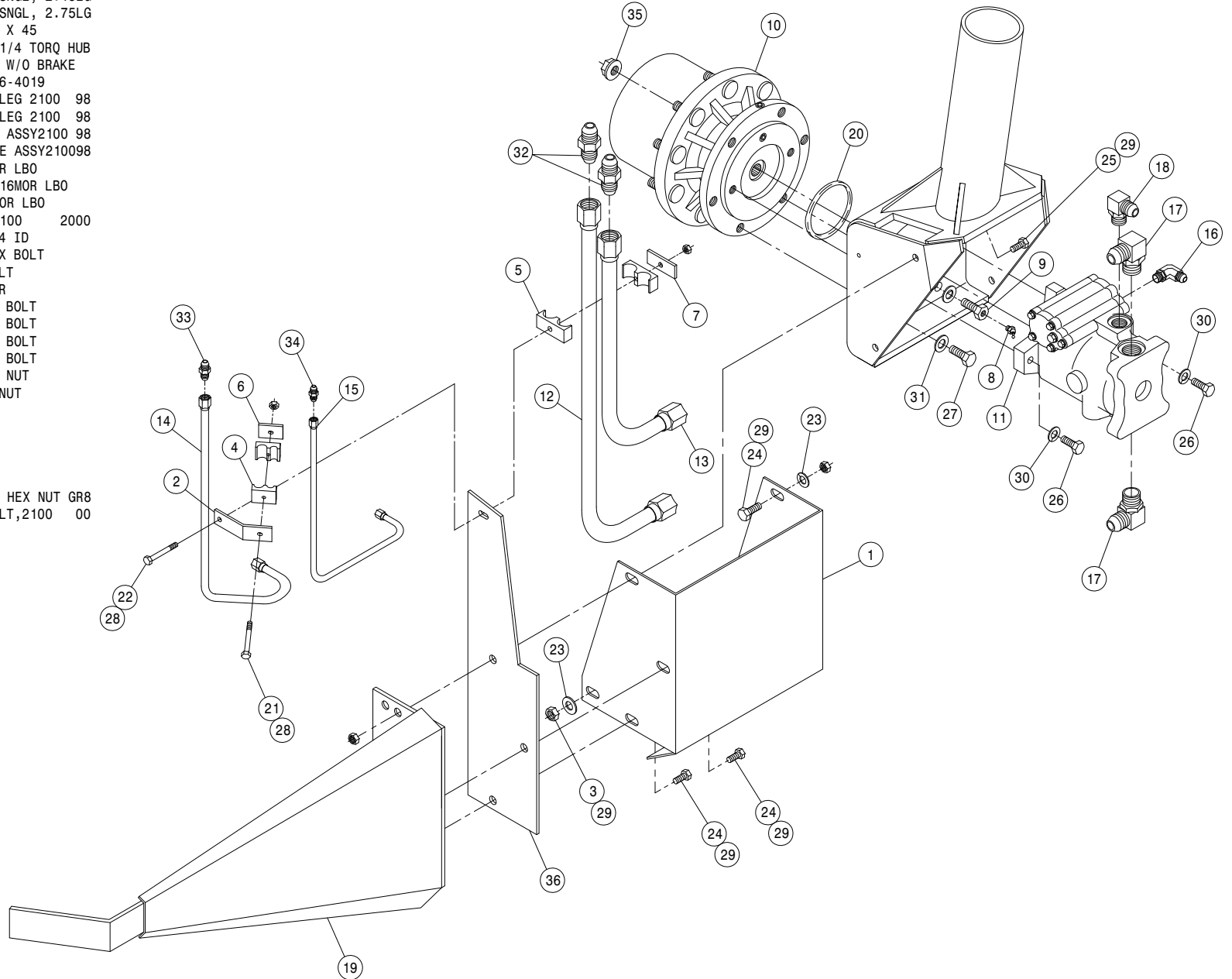


| DET. | QTY | PART NO. | DESCRIPTION |
|------|-----|----------|--------------------------------|
| 1 | 1 | 127505 | THRUST BEARING, FIBERGLIDE |
| 2 | 1 | 358564 | FRT LEG LWR NYL SLEEVE 280 89 |
| 3 | 1 | 358565 | FRT LEG UPR NYL SLEEVE 280 89 |
| 4 | 1 | 359194 | RF/LR INNER LEG WLD, 2100 02 |
| 5 | 4 | 358927 | LWR BRG KPR, LEG 98 |
| 6 | 1 | 358954 | RH FRT OUTER LEG WLD, 2100 99 |
| 7 | 1 | 358971 | STEERING ARM WLD,RF/LR 2100 99 |
| 8 | 1 | 358980 | AIR BAG MT WLD, RF/LR 2100 99 |
| 9 | 1 | 358985 | AIR BAG ARCH WLD,RF/LR 2100 99 |
| 10 | 1 | 358994 | LEG WASHER, NYLON 2100 99 |
| 11 | 1 | 358995 | NYLON BEARING,LWR AB MT2100 99 |
| 12 | 1 | 358996 | RH UPPER HOSE MT WELD, 2100 99 |
| 13 | 2 | 470259 | URETHANE BUMPER,1.25D X 1.25L |
| 14 | 1 | 470265 | .250 X .375 CFFL X 1.88 C/L |
| 15 | 1 | 471005 | GREASE ZERK, 1/4 28 X 1/2 |
| 16 | 2 | 471023 | GREASE ZERK 1/4-28 X 45 |
| 17 | 1 | 473906 | ROLL PIN, 1/2 X 2 1/2 COILED |
| 18 | 1 | 483061 | WASH: 7GA X 1.66 X 2.50 |
| 19 | 8 | 900064 | 5/16UNC X 3/4 HEX BOLT |
| 20 | 2 | 900263 | 1/2UNC X 1" HEX BOLT |
| 21 | 4 | 900265 | 1/2UNC X 1 1/2 HEX BOLT |
| 22 | 4 | 900267 | 1/2UNC X 2" HEX BOLT |
| 23 | 1 | 900390 | 5/8UNC X 2 1/2 SOCKET CAP SCR |
| 24 | 4 | 900836 | 5/8UNF X 3 1/4 HEX BOLT GR8 |
| 25 | 3 | 910008 | 1/2UNC HEX NUT |
| 26 | 8 | 914008 | 1/2UNC HEX STOVER NUT |
| 27 | 14 | 914811 | 5/8UNF HEX NUT GR8 |
| 28 | 8 | 920501 | 5/16 LOCK WASHER |
| 29 | 7 | 920504 | 1/2 LOCK WASHER |
| 30 | 1 | 920505 | 5/8 LOCK WASHER |
| 31 | 1 | 358759 | LEG MT V-PLT WLD, 284T 94 |
| 32 | 1 | 358831 | AIRIDE SPRING 98 |
| 33 | 1 | 358832 | AIRIDE SPRING CTRL VALVE 98 |
| 34 | 1 | 358839 | AIRIDE CTRL LINK KIT, 2100 99 |
| 35 | 2 | 358990 | NYLON GUIDE, 2100 LEG 99 |
| 36 | 1 | 358991 | INNER KEEPER,NYL GUIDE,2100 99 |
| 37 | 1 | 358992 | OUTER KEEPER,NYL GUIDE,2100 99 |
| 38 | 1 | 358993 | .125 X 1.000 HRST X 1.68 C/L |
| 39 | 2 | 470118 | 1/4UNC X 3/4 FLANGE HEX BOLT |
| 40 | 2 | 470121 | 1/4UNC HEX FLANGE LOCK NUT |
| 41 | 1 | 470271 | HOSE CLAMP BODY,1.181-1.181 |
| 42 | 1 | 470276 | CLAMP COVER PLATE,SNGL, 2.55LG |
| 43 | 1 | 470280 | STACK BOLT, 5/16UNC X 1 3/4 |
| 44 | 1 | 470281 | STACK BOLT SAFETY LOCK PLATE |
| 45 | 1 | 470282 | HOSE CLAMP BODY, .53-.78 |
| 46 | 1 | 711040 | 1/4MNPT-90-1/4 NYL TUBE LBO |
| 47 | 2 | 711036 | 1/8MNPT-1/4 NYL TUBE FTG |
| 48 | 1 | 601413 | HOSE, 1/4 X 8 AIR |
| 49 | 2 | 900065 | 5/16UNC X 1" HEX BOLT |
| 50 | 1 | 900068 | 5/16UNC X 1 3/4 HEX BOLT |
| 51 | 2 | 900069 | 5/16UNC X 2" HEX BOLT |
| 52 | 4 | 900264 | 1/2UNC X 1 1/4 HEX BOLT |
| 53 | 3 | 900837 | 5/8UNF X 3 1/2 HEX BOLT GR8 |
| 54 | 2 | 910002 | 5/16UNC HEX NUT |
| 55 | 1 | 910013 | 3/4UNF HEX NUT |
| 56 | 2 | 914002 | 5/16UNC HEX STOVER NUT |
| 57 | 1 | 920506 | 3/4 LOCK WASHER |
| 58 | 1 | 342828 | NYL HOSE SLEEVE,3.34ID X 65.00 |
| 59 | 1 | 342848 | NYL HOSE SLEEVE,2.96ID X 36.00 |
| 60 | 1 | 483063 | WASH: 14GA X 1.66 X 2.50 |
| 61 | 1 | 342654 | NYL HOSE SLEEVE,3.66ID X 24.00 |

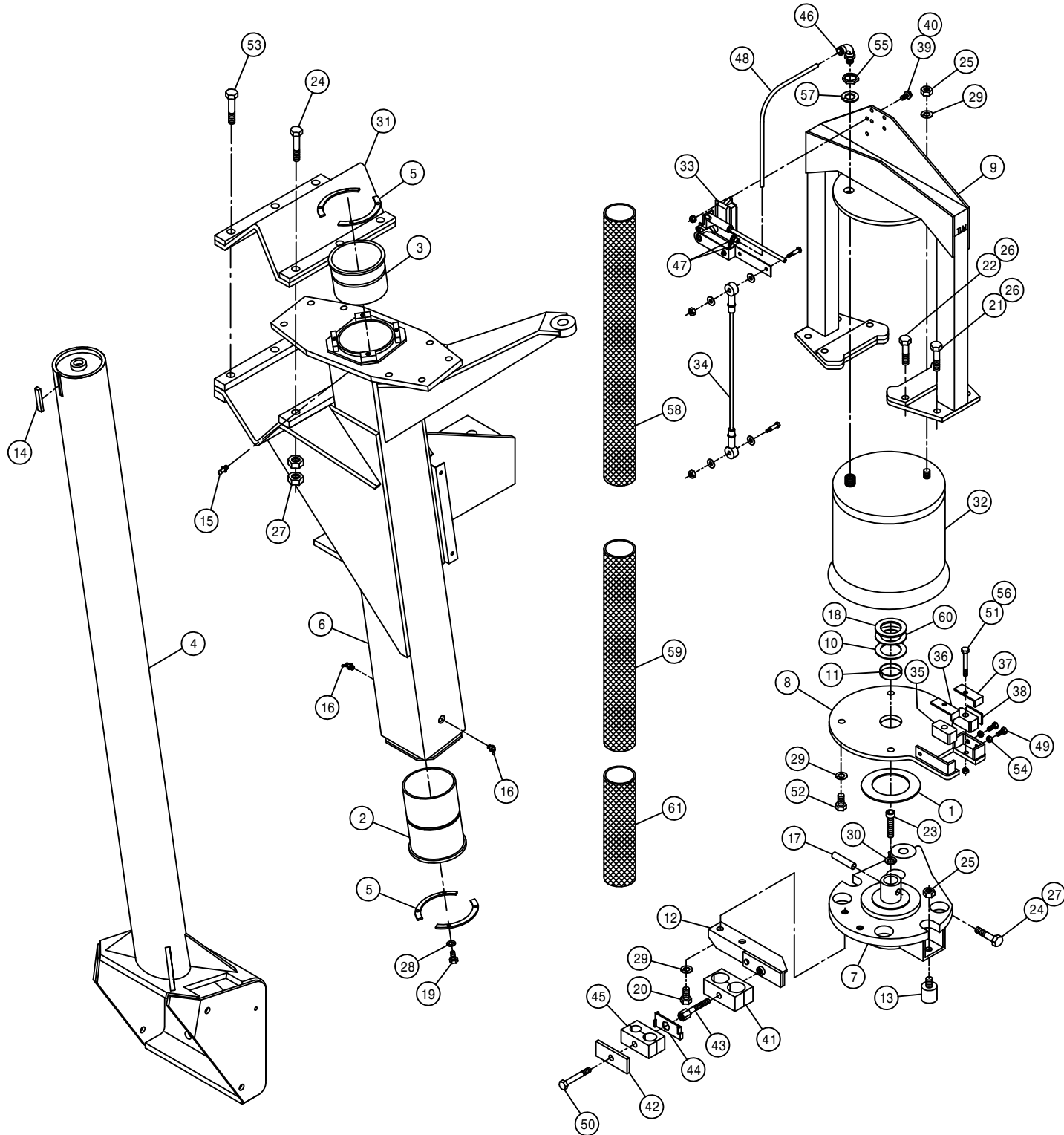
RIGHT FRONT LEG ASSEMBLY

DET. QTY PART NO. DESCRIPTION

| | | | | |
|----|---|---------|---------------------------------|------|
| 1 | 1 | 359185 | WHL MTR SHLD, XP/2100 | 2002 |
| 2 | 1 | 358926 | FRT LEG HYD TUBE BRKT, 2100 | 98 |
| 3 | 2 | 900263 | 1/2UNC X 1" HEX BOLT | |
| 4 | 1 | 470272 | TUBE CLAMP BODY, .375- .500 | |
| 5 | 1 | 470275 | TUBE CLAMP BODY, 1.000-1.000 | |
| 6 | 1 | 470277 | CLAMP WELD PLATE, SNGL, 2.15LG | |
| 7 | 1 | 470278 | CLAMP WELD PLATE, SNGL, 2.75LG | |
| 8 | 1 | 471023 | GREASE ZERK 1/4-28 X 45 | |
| 9 | 1 | 610013 | ZERK BOLT, 5/8 X 1 1/4 TORQ HUB | |
| 10 | 1 | 610800 | TORQ HUB, 18.78:1 W/O BRAKE | |
| 11 | 1 | 610637 | SUND HYD MOTOR, M46-4019 | |
| 12 | 1 | 615708 | LWR HYD TUBE ASSY, LEG 2100 | 98 |
| 13 | 1 | 615709 | UPR HYD TUBE ASSY, LEG 2100 | 98 |
| 14 | 1 | 615710 | RF/LR HYD DRN TUBE ASSY 2100 | 98 |
| 15 | 1 | 615712 | RF/LR HYD CTRL TUBE ASSY 2100 | 98 |
| 16 | 1 | 618119 | 9/16MJIC-90-9/16MOR LBO | |
| 17 | 2 | 618178 | 1 5/16MJIC-90-1 5/16MOR LBO | |
| 18 | 1 | 618474 | 3/4MJIC-90-1 1/16MOR LBO | |
| 19 | 1 | 662256 | STALK GUIDE WLD, 2100 | 2000 |
| 20 | 1 | 870045 | O-RING 4 1/8 OD X 4 ID | |
| 21 | 1 | 900068 | 5/16UNC X 1 3/4 HEX BOLT | |
| 22 | 1 | 900070 | 5/16UNC X 2 1/2 BOLT | |
| 23 | 3 | 920004 | 1/2 SAE FLAT WASHER | |
| 24 | 3 | 900264 | 1/2UNC X 1 1/4 HEX BOLT | |
| 25 | 1 | 900265 | 1/2UNC X 1 1/2 HEX BOLT | |
| 26 | 2 | 900266P | 1/2UNC X 1 3/4 HEX BOLT | |
| 27 | 5 | 900332P | 5/8UNC X 1 1/4 HEX BOLT | |
| 28 | 2 | 914002 | 5/16UNC HEX STOVER NUT | |
| 29 | 6 | 914008 | 1/2UNC HEX STOVER NUT | |
| 30 | 2 | 920504P | 1/2 LOCK WASHER | |
| 31 | 6 | 920505P | 5/8 LOCK WASHER | |
| 32 | 2 | 618577 | 1 5/16MJIC UNION | |
| 33 | 1 | 618314 | 3/4MJIC UNION | |
| 34 | 1 | 619010 | 9/16MJIC UNION | |
| 35 | 9 | 470140 | 5/8UNF SMTH FLANGE HEX NUT GR8 | |
| 36 | 1 | 359014 | FRT HYD TUBE MTG PLT, 2100 | 00 |



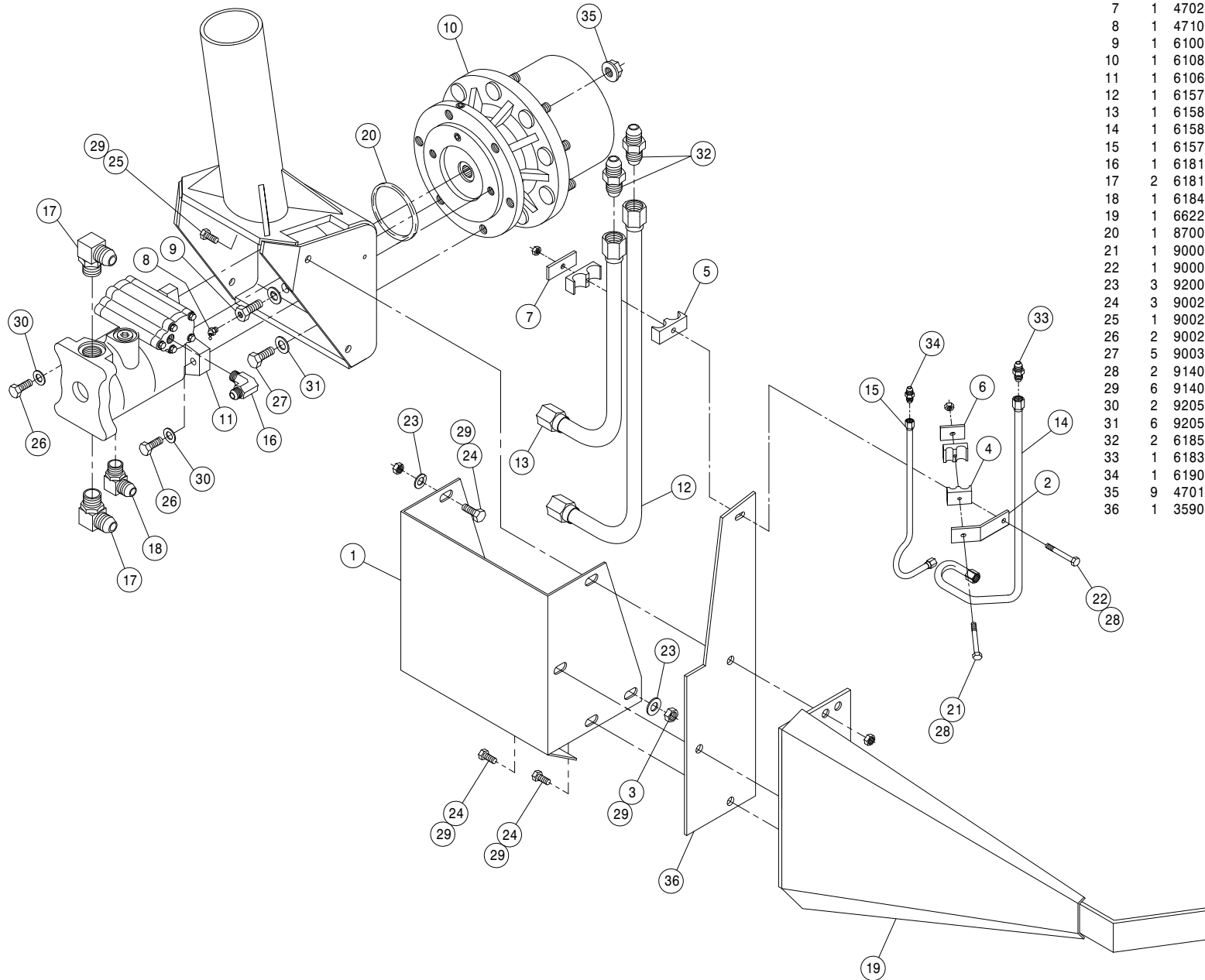
LEFT FRONT LEG ASSEMBLY

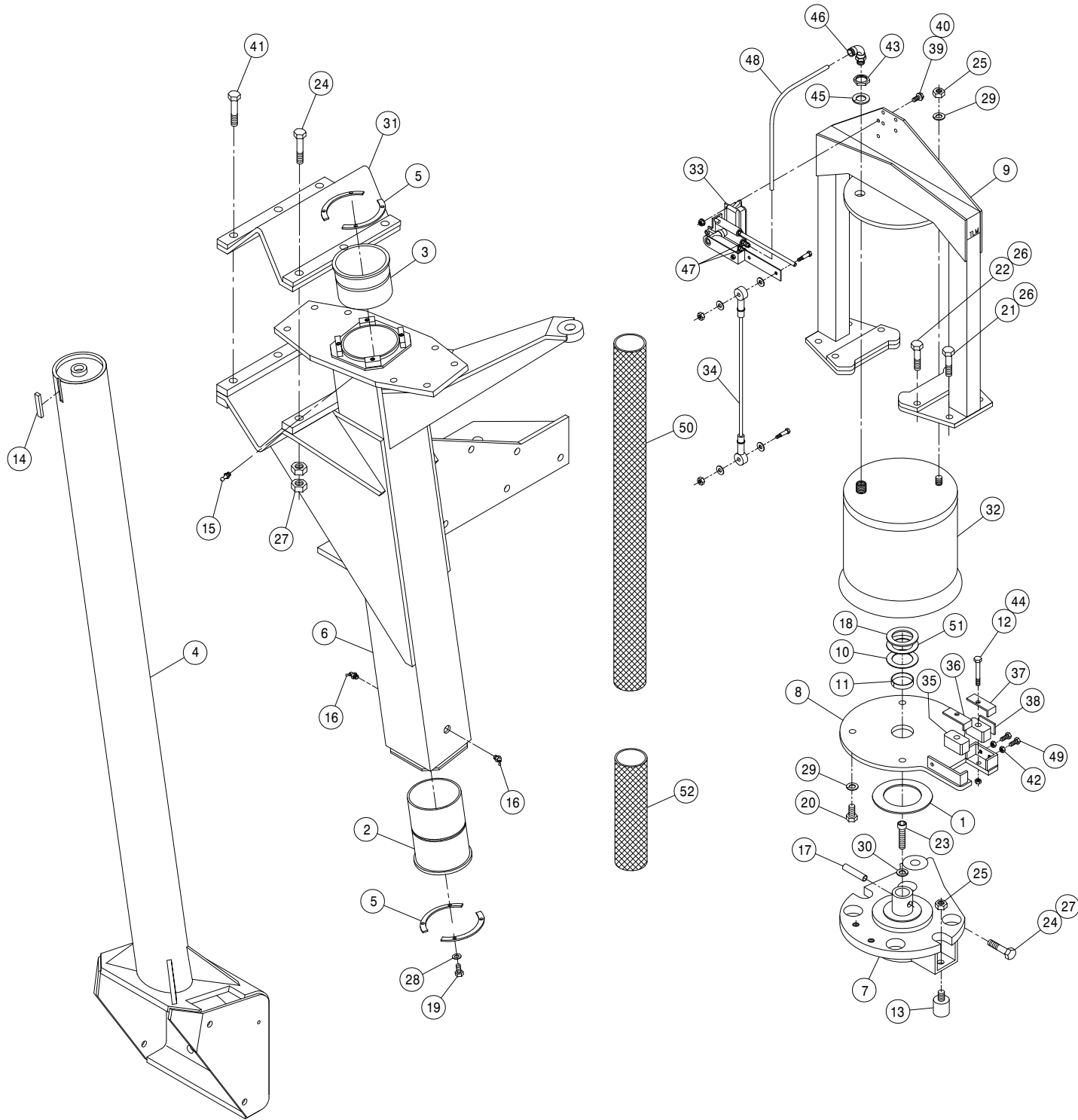


| DET. | QTY | PART NO. | DESCRIPTION |
|------|-----|----------|----------------------------------|
| 1 | 1 | 127505 | THRUST BEARING, FIBERGLIDE |
| 2 | 1 | 358564 | FRT LEG LWR NYL SLEEVE 280 89 |
| 3 | 1 | 358565 | FRT LEG UPR NYL SLEEVE 280 89 |
| 4 | 1 | 359195 | LF/RR INNER LEG WLD, 2100 02 |
| 5 | 4 | 358927 | LWR BRG KPR, LEG 98 |
| 6 | 1 | 358955 | LH FRT OUTER LEG WLD, 2100 99 |
| 7 | 1 | 358972 | STEERING ARM WLD, LF/RR 2100 99 |
| 8 | 1 | 358981 | AIR BAG MT WLD, LF/RR 2100 99 |
| 9 | 1 | 358986 | AIR BAG ARCH WLD, LF/RR 2100 99 |
| 10 | 1 | 358994 | LEG WASHER, NYLON 2100 99 |
| 11 | 1 | 358995 | NYLON BEARING, LWR AB MT2100 99 |
| 12 | 1 | 358997 | LH UPPER HOSE MT WELD, 2100 99 |
| 13 | 2 | 470259 | URETHANE BUMPER, 1.25D X 1.25L |
| 14 | 1 | 470265 | .250 X .375 CFFL X 1.88 C/L |
| 15 | 1 | 471005 | GREASE ZERK, 1/4 28 X 1/2 |
| 16 | 2 | 471023 | GREASE ZERK 1/4-28 X 45 |
| 17 | 1 | 473906 | ROLL PIN, 1/2 X 2 1/2 COILED |
| 18 | 1 | 483061 | WASH: 7GA X 1.66 X 2.50 |
| 19 | 8 | 900064 | 5/16UNC X 3/4 HEX BOLT |
| 20 | 2 | 900263 | 1/2UNC X 1" HEX BOLT |
| 21 | 4 | 900265 | 1/2UNC X 1 1/2 HEX BOLT |
| 22 | 4 | 900267 | 1/2UNC X 2" HEX BOLT |
| 23 | 1 | 900390 | 5/8UNC X 2 1/2 SOCKET CAP SCR |
| 24 | 4 | 900836 | 5/8UNF X 3 1/4 HEX BOLT GR8 |
| 25 | 3 | 910008 | 1/2UNC HEX NUT |
| 26 | 8 | 914008 | 1/2UNC HEX STOVER NUT |
| 27 | 14 | 914811 | 5/8UNF HEX NUT GR8 |
| 28 | 8 | 920501 | 5/16 LOCK WASHER |
| 29 | 7 | 920504 | 1/2 LOCK WASHER |
| 30 | 1 | 920505 | 5/8 LOCK WASHER |
| 31 | 1 | 358759 | LEG MT V-PLT WLD, 284T 94 |
| 32 | 1 | 358831 | AIRIDE SPRING 98 |
| 33 | 1 | 358832 | AIRIDE SPRING CTRL VALVE 98 |
| 34 | 1 | 358839 | AIRRIDE CTRL LINK KIT, 2100 99 |
| 35 | 2 | 358990 | NYLON GUIDE, 2100 LEG 99 |
| 36 | 1 | 358991 | INNER KEEPER, NYL GUIDE, 2100 99 |
| 37 | 1 | 358992 | OUTER KEEPER, NYL GUIDE, 2100 99 |
| 38 | 1 | 358993 | .125 X 1.000 HRST X 1.68 C/L |
| 39 | 2 | 470118 | 1/4UNC X 3/4 FLANGE HEX BOLT |
| 40 | 2 | 470121 | 1/4UNC HEX FLANGE LOCK NUT |
| 41 | 1 | 470271 | HOSE CLAMP BODY, 1.181-1.181 |
| 42 | 1 | 470276 | CLAMP COVER PLATE, SNGL, 2.55LG |
| 43 | 1 | 470280 | STACK BOLT, 5/16UNC X 1 3/4 |
| 44 | 1 | 470281 | STACK BOLT SAFETY LOCK PLATE |
| 45 | 1 | 470282 | HOSE CLAMP BODY, .53-.78 |
| 46 | 1 | 711040 | 1/4MNPT-90-1/4 NYL TUBE LBO |
| 47 | 2 | 711036 | 1/8MNPT-1/4 NYL TUBE FTG |
| 48 | 1 | 601413 | HOSE, 1/4 X 8 AIR |
| 49 | 2 | 900065 | 5/16UNC X 1" HEX BOLT |
| 50 | 1 | 900068 | 5/16UNC X 1 3/4 HEX BOLT |
| 51 | 2 | 900069 | 5/16UNC X 2" HEX BOLT |
| 52 | 4 | 900264 | 1/2UNC X 1 1/4 HEX BOLT |
| 53 | 3 | 900837 | 5/8UNF X 3 1/2 HEX BOLT GR8 |
| 54 | 2 | 910002 | 5/16UNC HEX NUT |
| 55 | 1 | 910013 | 3/4UNF HEX NUT |
| 56 | 2 | 914002 | 5/16UNC HEX STOVER NUT |
| 57 | 1 | 920506 | 3/4 LOCK WASHER |
| 58 | 1 | 342828 | NYL HOSE SLEEVE, 3.34ID X 65.00 |
| 59 | 1 | 342848 | NYL HOSE SLEEVE, 2.96ID X 36.00 |
| 60 | 1 | 483063 | WASH: 14GA X 1.66 X 2.50 |
| 61 | 1 | 342654 | NYL HOSE SLEEVE, 3.66ID X 24.00 |

LEFT FRONT LEG ASSEMBLY

| DET. | QTY | PART NO. | DESCRIPTION |
|------|-----|----------|---------------------------------|
| 1 | 1 | 359185 | WHL MTR SHLD, XP/2100 2002 |
| 2 | 1 | 358926 | FRT LEG HYD TUBE BRKT, 2100 98 |
| 3 | 2 | 900263 | 1/2UNC X 1" HEX BOLT |
| 4 | 1 | 470272 | TUBE CLAMP BODY, .375-.500 |
| 5 | 1 | 470275 | TUBE CLAMP BODY, 1.000-1.000 |
| 6 | 1 | 470277 | CLAMP WELD PLATE, SNGL, 2.15LG |
| 7 | 1 | 470278 | CLAMP WELD PLATE, SNGL, 2.75LG |
| 8 | 1 | 471023 | GREASE ZERK 1/4-28 X 45 |
| 9 | 1 | 610013 | ZERK BOLT, 5/8 X 1 1/4 TORQ HUB |
| 10 | 1 | 610800 | TORQ HUB, 18.78:1 W/O BRAKE |
| 11 | 1 | 610637 | SUND HYD MOTOR, M46-4019 |
| 12 | 1 | 615708 | LWR HYD TUBE ASSY, LEG 2100 98 |
| 13 | 1 | 615808 | UPR HYD TUBE ASSY, LEG 2100 03 |
| 14 | 1 | 615809 | LF/RR HYD DRN TUBE ASSY2100 03 |
| 15 | 1 | 615713 | LF/RR HYD CTRL TUBE ASSY210098 |
| 16 | 1 | 618119 | 9/16MJIC-90-9/16MOR LBO |
| 17 | 2 | 618178 | 1 5/16MJIC-90-1 5/16MOR LBO |
| 18 | 1 | 618474 | 3/4MJIC-90-1 1/16MOR LBO |
| 19 | 1 | 662256 | STALK GUIDE WLD, 2100 2000 |
| 20 | 1 | 870045 | O-RING 4 1/8 OD X 4 ID |
| 21 | 1 | 900068 | 5/16UNC X 1 3/4 HEX BOLT |
| 22 | 1 | 900070 | 5/16UNC X 2 1/2 BOLT |
| 23 | 3 | 920004 | 1/2 SAE FLAT WASHER |
| 24 | 3 | 900264 | 1/2UNC X 1 1/4 HEX BOLT |
| 25 | 1 | 900265 | 1/2UNC X 1 1/2 HEX BOLT |
| 26 | 2 | 900266P | 1/2UNC X 1 3/4 HEX BOLT |
| 27 | 5 | 900332P | 5/8UNC X 1 1/4 HEX BOLT |
| 28 | 2 | 914002 | 5/16UNC HEX STOVER NUT |
| 29 | 6 | 914008 | 1/2UNC HEX STOVER NUT |
| 30 | 2 | 920504P | 1/2 LOCK WASHER |
| 31 | 6 | 920505P | 5/8 LOCK WASHER |
| 32 | 2 | 618577 | 1 5/16MJIC UNION |
| 33 | 1 | 618314 | 3/4MJIC UNION |
| 34 | 1 | 619010 | 9/16MJIC UNION |
| 35 | 9 | 470140 | 5/8UNF SMTH FLANGE HEX NUT GR8 |
| 36 | 1 | 359014 | FRT HYD TUBE MTG PLT, 2100 00 |



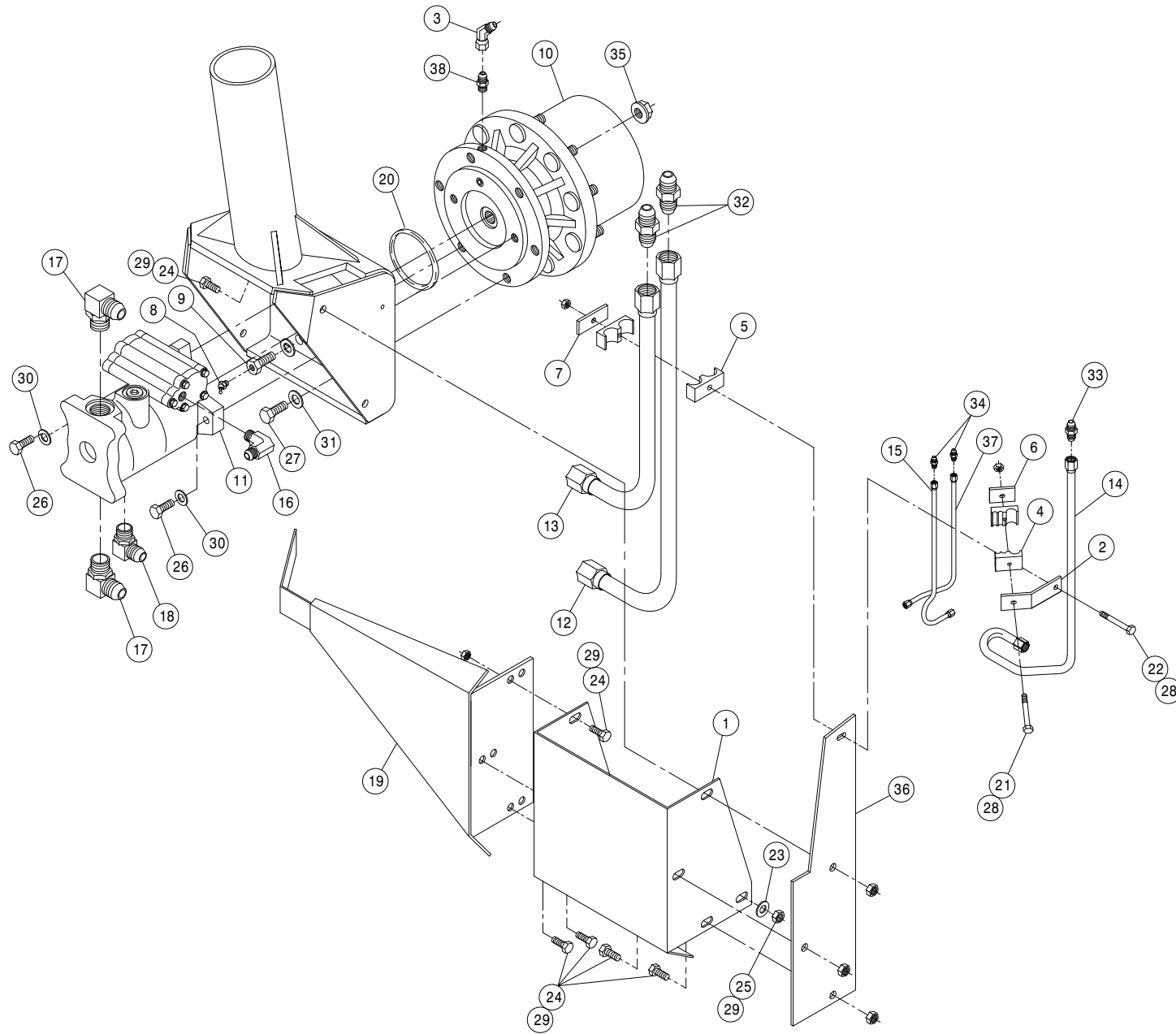


RIGHT REAR LEG ASSEMBLY

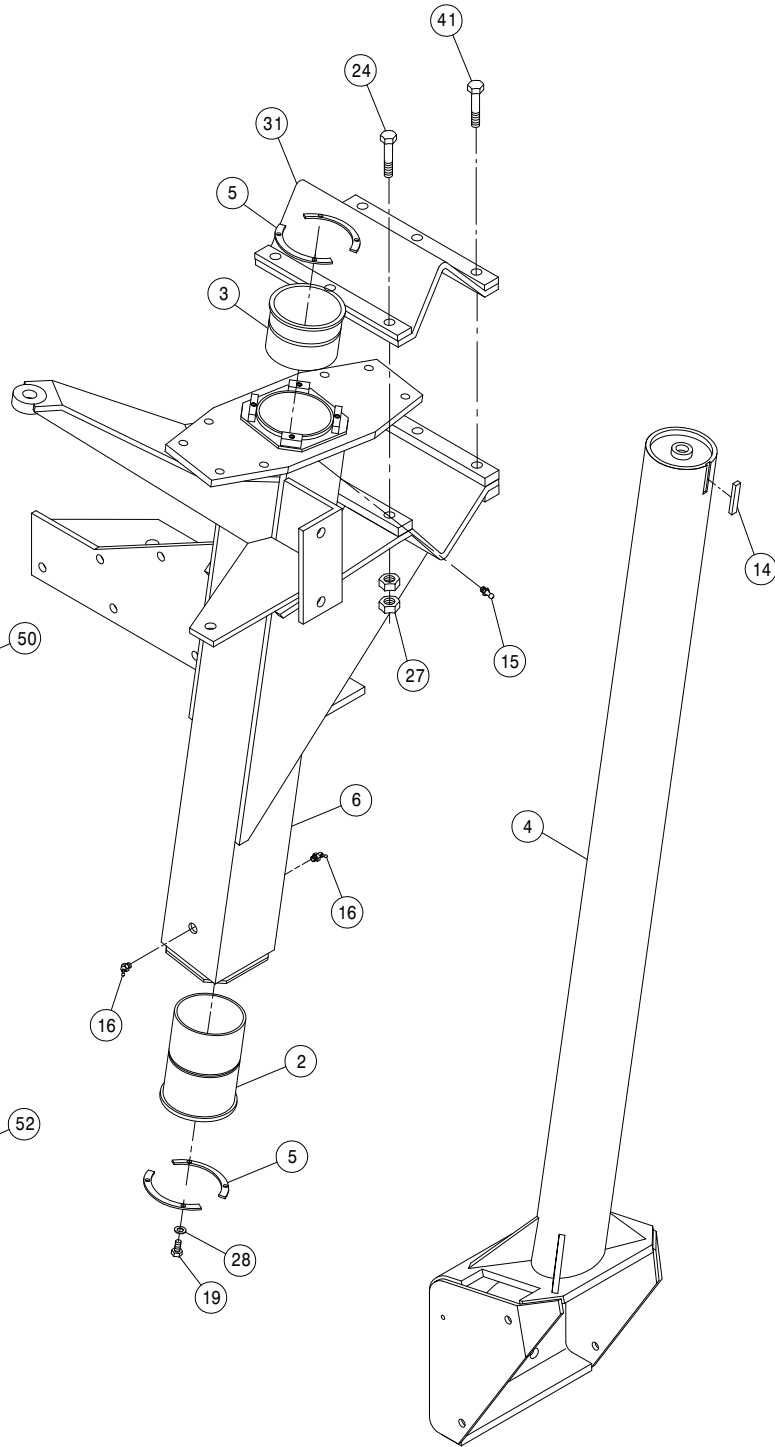
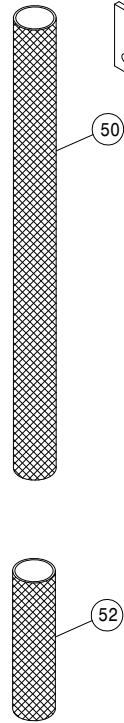
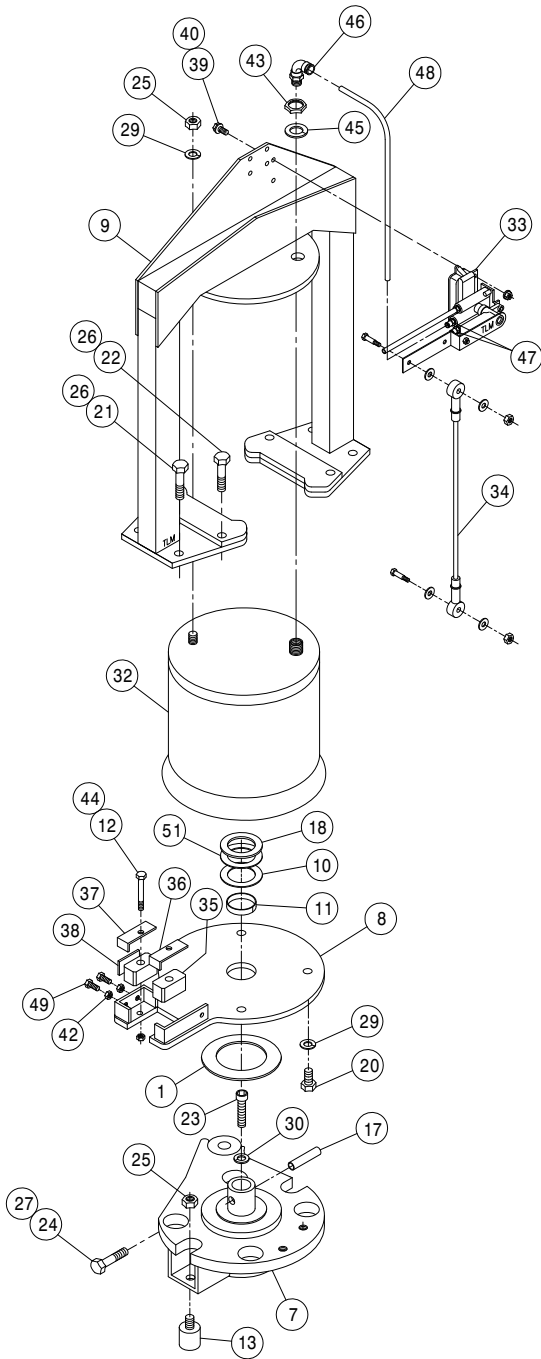
| DET. | QTY | PART NO. | DESCRIPTION |
|------|-----|----------|---------------------------------|
| 1 | 1 | 483062 | WASH: 11GA X 3.03 X 4.63 |
| 2 | 1 | 358564 | FRT LEG LWR NYL SLEEVE 280 89 |
| 3 | 1 | 358565 | FRT LEG UPR NYL SLEEVE 280 89 |
| 4 | 1 | 359195 | LF/RR INNER LEG WLD, 2100 02 |
| 5 | 4 | 358927 | LWR BRG KPR, LEG 98 |
| 6 | 1 | 358956 | RH REAR OUTER LEG WLD,2100 99 |
| 7 | 1 | 358972 | STEERING ARM WLD,LF/RR 2100 99 |
| 8 | 1 | 358981 | AIR BAG MT WLD, LF/RR 2100 99 |
| 9 | 1 | 358986 | AIR BAG ARCH WLD,LF/RR 2100 99 |
| 10 | 1 | 358994 | LEG WASHER, NYLON 2100 99 |
| 11 | 1 | 358995 | NYLON BEARING,LWR AB MT2100 99 |
| 12 | 2 | 900069 | 5/16UNC X 2" HEX BOLT |
| 13 | 2 | 470259 | URETHANE BUMPER,1.25D X 1.25L |
| 14 | 1 | 470265 | .250 X .375 CFLL X 1.88 C/L |
| 15 | 1 | 471005 | GREASE ZERK, 1/4 28 X 1/2 |
| 16 | 2 | 471023 | GREASE ZERK 1/4-28 X 45 |
| 17 | 1 | 473906 | ROLL PIN, 1/2 X 2 1/2 COILED |
| 18 | 1 | 483061 | WASH: 7GA X 1.66 X 2.50 |
| 19 | 8 | 900064 | 5/16UNC X 3/4 HEX BOLT |
| 20 | 4 | 900264 | 1/2UNC X 1 1/4 HEX BOLT |
| 21 | 4 | 900265 | 1/2UNC X 1 1/2 HEX BOLT |
| 22 | 4 | 900267 | 1/2UNC X 2" HEX BOLT |
| 23 | 1 | 900390 | 5/8UNC X 2 1/2 SOCKET CAP SCR |
| 24 | 4 | 900836 | 5/8UNF X 3 1/4 HEX BOLT GR8 |
| 25 | 3 | 910008 | 1/2UNC HEX NUT |
| 26 | 8 | 914008 | 1/2UNC HEX STOVER NUT |
| 27 | 14 | 914811 | 5/8UNF HEX NUT GR8 |
| 28 | 8 | 920501 | 5/16 LOCK WASHER |
| 29 | 5 | 920504 | 1/2 LOCK WASHER |
| 30 | 1 | 920505 | 5/8 LOCK WASHER |
| 31 | 1 | 358759 | LEG MT V-PLT WLD, 284T 94 |
| 32 | 1 | 358831 | AIRIDE SPRING 98 |
| 33 | 1 | 358832 | AIRIDE SPRING CTRL VALVE 98 |
| 34 | 1 | 358839 | AIRIDE CTRL LINK KIT, 2100 99 |
| 35 | 2 | 358990 | NYLON GUIDE, 2100 LEG 99 |
| 36 | 1 | 358991 | INNER KEEPER, NYL GUIDE,2100 99 |
| 37 | 1 | 358992 | OUTER KEEPER,NYL GUIDE,2100 99 |
| 38 | 1 | 358993 | .125 X 1.000 HRST X 1.68 C/L |
| 39 | 2 | 470118 | 1/4UNC X 3/4 FLANGE HEX BOLT |
| 40 | 2 | 470121 | 1/4UNC HEX FLANGE LOCK NUT |
| 41 | 3 | 900837 | 5/8UNF X 3 1/2 HEX BOLT GR8 |
| 42 | 2 | 910002 | 5/16UNC HEX NUT |
| 43 | 1 | 910013 | 3/4UNF HEX NUT |
| 44 | 2 | 914002 | 5/16UNC HEX STOVER NUT |
| 45 | 1 | 920506 | 3/4 LOCK WASHER |
| 46 | 1 | 711040 | 1/4MNPT-90-1/4 NYL TUBE LBO |
| 47 | 2 | 711036 | 1/8MNPT-1/4 NYL TUBE FTG |
| 48 | 1 | 601413 | HOSE, 1/4 X 8 AIR |
| 49 | 2 | 900065 | 5/16UNC X 1" HEX BOLT |
| 50 | 1 | 342828 | NYL HOSE SLEEVE,3.34ID X 65.00 |
| 51 | 1 | 483063 | WASH: 14GA X 1.66 X 2.50 |
| 52 | 1 | 342654 | NYL HOSE SLEEVE,3.66ID X 24.00 |

RIGHT REAR LEG ASSEMBLY

DET. QTY PART NO. DESCRIPTION



| DET. | QTY | PART NO. | DESCRIPTION |
|------|-----|----------|---------------------------------|
| 1 | 1 | 359185 | WHL MTR SHLD, XP/2100 2002 |
| 2 | 1 | 358934 | REAR LEG HYD TUBE BRKT,2100 98 |
| 3 | 1 | 618634 | 9/16MJIC-45-9/16FJIC SWIV LBO |
| 4 | 1 | 470273 | TUBE CLAMP BODY, .375-.375-.500 |
| 5 | 1 | 470275 | TUBE CLAMP BODY,1.000-1.000 |
| 6 | 1 | 470277 | CLAMP WELD PLATE, SNGL, 2.15LG |
| 7 | 1 | 470278 | CLAMP WELD PLATE, SNGL, 2.75LG |
| 8 | 1 | 471023 | GREASE ZERK 1/4-28 X 45 |
| 9 | 1 | 610013 | ZERK BOLT,5/8 X 1 1/4 TORQ HUB |
| 10 | 1 | 610803 | TORQ HUB, 24.40:1 W/BRAKE |
| 11 | 1 | 608000 | SAUER HYD MOTOR, M46-4024 |
| 12 | 1 | 615708 | LWR HYD TUBE ASSY,LEG 2100 98 |
| 13 | 1 | 615808 | UPR HYD TUBE ASSY,LEG 2100 03 |
| 14 | 1 | 615809 | LF/RR HYD DRN TUBE ASSY2100 03 |
| 15 | 1 | 615713 | LF/RR HYD CTRL TUBE ASSY210098 |
| 16 | 1 | 618119 | 9/16MJIC-90-9/16MOR LBO |
| 17 | 2 | 618178 | 1 5/16MJIC-90-1 5/16MOR LBO |
| 18 | 1 | 618474 | 3/4MJIC-90-1 1/16MOR LBO |
| 19 | 1 | 662256 | STALK GUIDE WLD, 2100 2000 |
| 20 | 1 | 870045 | O-RING 4 1/8 OD X 4 ID |
| 21 | 1 | 900068 | 5/16UNC X 1 3/4 HEX BOLT |
| 22 | 1 | 900070 | 5/16UNC X 2 1/2 BOLT |
| 23 | 2 | 920004 | 1/2 SAE FLAT WASHER |
| 24 | 6 | 900264 | 1/2UNC X 1 1/4 HEX BOLT |
| 25 | 2 | 900263 | 1/2UNC X 1" HEX BOLT |
| 26 | 2 | 900266P | 1/2UNC X 1 3/4 HEX BOLT |
| 27 | 5 | 900332P | 5/8UNC X 1 1/4 HEX BOLT |
| 28 | 2 | 914002 | 5/16UNC HEX STOVER NUT |
| 29 | 8 | 914008 | 1/2UNC HEX STOVER NUT |
| 30 | 2 | 920504P | 1/2 LOCK WASHER |
| 31 | 6 | 920505P | 5/8 LOCK WASHER |
| 32 | 2 | 618577 | 1 5/16MJIC UNION |
| 33 | 1 | 618314 | 3/4MJIC UNION |
| 34 | 2 | 619010 | 9/16MJIC UNION |
| 35 | 9 | 470140 | 5/8UNF SMTH FLANGE HEX NUT GR8 |
| 36 | 1 | 359014 | FRT HYD TUBE MTG PLT,2100 00 |
| 37 | 1 | 615815 | RH HYD BRAKE TUBE ASSY,2101 04 |
| 38 | 1 | 618304 | 9/16MJIC-7/16MOR ADPTR |



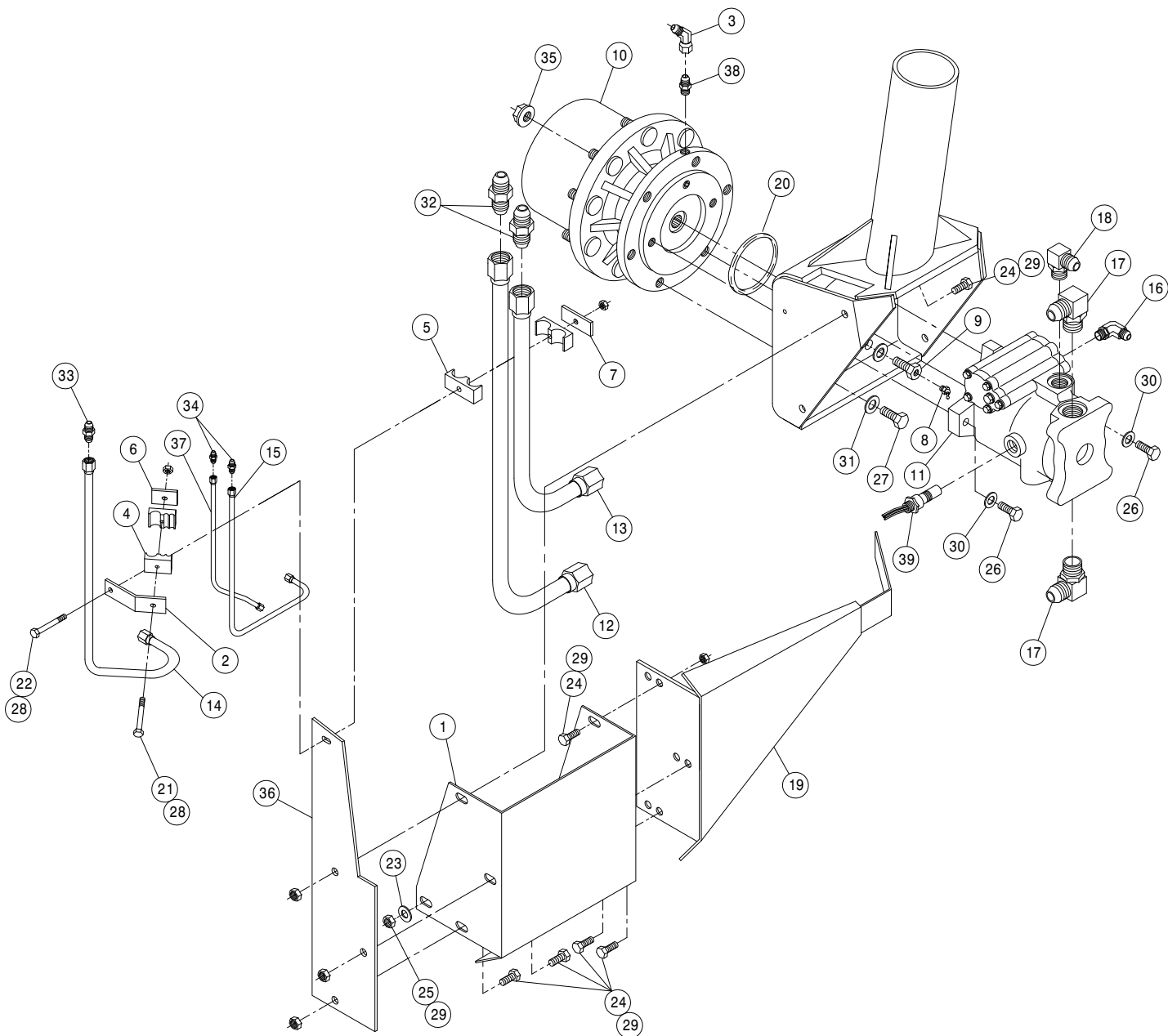
LEFT REAR LEG ASSEMBLY

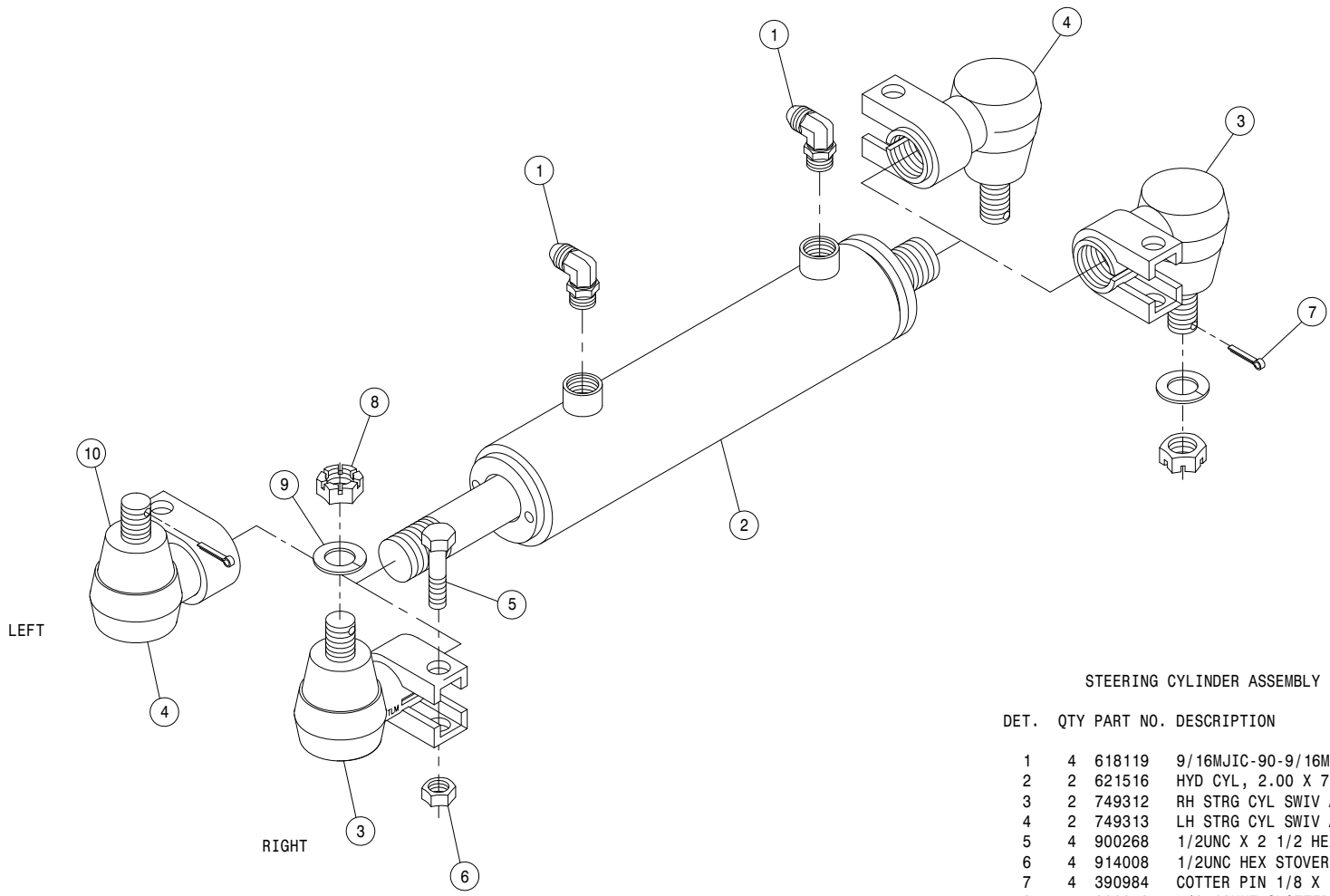
| DET. | QTY | PART NO. | DESCRIPTION | |
|------|-----|----------|--------------------------------|----|
| 1 | 1 | 483062 | WASH: 11GA X 3.03 X 4.63 | |
| 2 | 1 | 358564 | FRT LEG LWR NYL SLEEVE 280 | 89 |
| 3 | 1 | 358565 | FRT LEG UPR NYL SLEEVE 280 | 89 |
| 4 | 1 | 359194 | RF/LR INNER LEG WLD, 2100 | 02 |
| 5 | 4 | 358927 | LWR BRG KPR, LEG | 98 |
| 6 | 1 | 358957 | LH REAR OUTER LEG WLD,2100 | 99 |
| 7 | 1 | 358971 | STEERING ARM WLD,RF/LR 2100 | 99 |
| 8 | 1 | 358980 | AIR BAG MT WLD, RF/LR 2100 | 99 |
| 9 | 1 | 358985 | AIR BAG ARCH WLD,RF/LR 2100 | 99 |
| 10 | 1 | 358994 | LEG WASHER, NYLON 2100 | 99 |
| 11 | 1 | 358995 | NYLON BEARING,LWR AB MT2100 | 99 |
| 12 | 2 | 900069 | 5/16UNC X 2" HEX BOLT | |
| 13 | 2 | 470259 | URETHANE BUMPER,1.25D X 1.25L | |
| 14 | 1 | 470265 | .250 X .375 CFLL X 1.88 C/L | |
| 15 | 1 | 471005 | GREASE ZERK, 1/4 28 X 1/2 | |
| 16 | 2 | 471023 | GREASE ZERK 1/4-28 X 45 | |
| 17 | 1 | 473906 | ROLL PIN, 1/2 X 2 1/2 COILED | |
| 18 | 1 | 483061 | WASH: 7GA X 1.66 X 2.50 | |
| 19 | 8 | 900064 | 5/16UNC X 3/4 HEX BOLT | |
| 20 | 4 | 900264 | 1/2UNC X 1 1/4 HEX BOLT | |
| 21 | 4 | 900265 | 1/2UNC X 1 1/2 HEX BOLT | |
| 22 | 4 | 900267 | 1/2UNC X 2" HEX BOLT | |
| 23 | 1 | 900390 | 5/8UNC X 2 1/2 SOCKET CAP SCR | |
| 24 | 4 | 900836 | 5/8UNF X 3 1/4 HEX BOLT GR8 | |
| 25 | 3 | 910008 | 1/2UNC HEX NUT | |
| 26 | 8 | 914008 | 1/2UNC HEX STOVER NUT | |
| 27 | 14 | 914811 | 5/8UNF HEX NUT GR8 | |
| 28 | 8 | 920501 | 5/16 LOCK WASHER | |
| 29 | 5 | 920504 | 1/2 LOCK WASHER | |
| 30 | 1 | 920505 | 5/8 LOCK WASHER | |
| 31 | 1 | 358759 | LEG MT V-PLT WLD, 284T | 94 |
| 32 | 1 | 358831 | AIRIDE SPRING | 98 |
| 33 | 1 | 358832 | AIRIDE SPRING CTRL VALVE | 98 |
| 34 | 1 | 358839 | AIRIDE CTRL LINK KIT, 2100 | 99 |
| 35 | 2 | 358990 | NYLON GUIDE, 2100 LEG | 99 |
| 36 | 1 | 358991 | INNER KEEPER,NYL GUIDE,2100 | 99 |
| 37 | 1 | 358992 | OUTER KEEPER,NYL GUIDE,2100 | 99 |
| 38 | 1 | 358993 | .125 X 1.000 HRST X 1.68 C/L | |
| 39 | 2 | 470118 | 1/4UNC X 3/4 FLANGE HEX BOLT | |
| 40 | 2 | 470121 | 1/4UNC HEX FLANGE LOCK NUT | |
| 41 | 3 | 900837 | 5/8UNF X 3 1/2 HEX BOLT GR8 | |
| 42 | 2 | 910002 | 5/16UNC HEX NUT | |
| 43 | 1 | 910013 | 3/4UNF HEX NUT | |
| 44 | 2 | 914002 | 5/16UNC HEX STOVER NUT | |
| 45 | 1 | 920506 | 3/4 LOCK WASHER | |
| 46 | 1 | 711040 | 1/4MNPT-90-1/4 NYL TUBE LBO | |
| 47 | 2 | 711036 | 1/8MNPT-1/4 NYL TUBE FTG | |
| 48 | 1 | 601413 | HOSE, 1/4 X 8 AIR | |
| 49 | 2 | 900065 | 5/16UNC X 1" HEX BOLT | |
| 50 | 1 | 342828 | NYL HOSE SLEEVE,3.34ID X 65.00 | |
| 51 | 1 | 483063 | WASH: 14GA X 1.66 X 2.50 | |
| 52 | 1 | 342654 | NYL HOSE SLEEVE,3.66ID X 24.00 | |

LEFT REAR LEG ASSEMBLY

DET. QTY PART NO. DESCRIPTION

| | | | | |
|----|---|---------|---------------------------------|--------|
| 1 | 1 | 359185 | WHL MTR SHLD, XP/2100 | 2002 |
| 2 | 1 | 358934 | REAR LEG HYD TUBE BRKT,2100 | 98 |
| 3 | 1 | 618634 | 9/16MJIC-45-9/16FJIC SWIV LBO | |
| 4 | 1 | 470273 | TUBE CLAMP BODY, .375-.375-.500 | |
| 5 | 1 | 470275 | TUBE CLAMP BODY, 1.000-1.000 | |
| 6 | 1 | 470277 | CLAMP WELD PLATE, SNGL, 2.15LG | |
| 7 | 1 | 470278 | CLAMP WELD PLATE, SNGL, 2.75LG | |
| 8 | 1 | 471023 | GREASE ZERK 1/4-28 X 45 | |
| 9 | 1 | 610013 | ZERK BOLT, 5/8 X 1 1/4 TORQ HUB | |
| 10 | 1 | 610803 | TORQ HUB, 24.40:1 W/BRAKE | |
| 11 | 1 | 608004 | SAUER WHL MOTOR, M46-4194 W/SEN | |
| 12 | 1 | 615708 | LWR HYD TUBE ASSY, LEG 2100 | 98 |
| 13 | 1 | 615709 | UPR HYD TUBE ASSY, LEG 2100 | 98 |
| 14 | 1 | 615710 | RF/LR HYD DRN TUBE ASSY 2100 | 98 |
| 15 | 1 | 615712 | RF/LR HYD CTRL TUBE ASSY 2100 | 98 |
| 16 | 1 | 618119 | 9/16MJIC-90-9/16MOR LBO | |
| 17 | 2 | 618178 | 1 5/16MJIC-90-1 5/16MOR LBO | |
| 18 | 1 | 618474 | 3/4MJIC-90-1 1/16MOR LBO | |
| 19 | 1 | 662256 | STALK GUIDE WLD, 2100 | 2000 |
| 20 | 1 | 870045 | O-RING 4 1/8 OD X 4 ID | |
| 21 | 1 | 900068 | 5/16UNC X 1 3/4 HEX BOLT | |
| 22 | 1 | 900070 | 5/16UNC X 2 1/2 BOLT | |
| 23 | 2 | 920004 | 1/2 SAE FLAT WASHER | |
| 24 | 6 | 900264 | 1/2UNC X 1 1/4 HEX BOLT | |
| 25 | 2 | 900263 | 1/2UNC X 1" HEX BOLT | |
| 26 | 2 | 900266P | 1/2UNC X 1 3/4 HEX BOLT | |
| 27 | 5 | 900332P | 5/8UNC X 1 1/4 HEX BOLT | |
| 28 | 2 | 914002 | 5/16UNC HEX STOVER NUT | |
| 29 | 8 | 914008 | 1/2UNC HEX STOVER NUT | |
| 30 | 2 | 920504P | 1/2 LOCK WASHER | |
| 31 | 6 | 920505P | 5/8 LOCK WASHER | |
| 32 | 2 | 618577 | 1 5/16MJIC UNION | |
| 33 | 1 | 618314 | 3/4MJIC UNION | |
| 34 | 2 | 619010 | 9/16MJIC UNION | |
| 35 | 9 | 470140 | 5/8UNF SMTH FLANGE HEX NUT GR8 | |
| 36 | 1 | 359014 | FRT HYD TUBE MTG PLT, 2100 | 00 |
| 37 | 1 | 615814 | LH HYD BRAKE TUBE ASSY, 2101 | 04 |
| 38 | 1 | 618304 | 9/16MJIC-7/16MOR ADPTR | |
| 39 | 1 | 606192 | SPEED SENSOR, WHEEL MTR | 606183 |



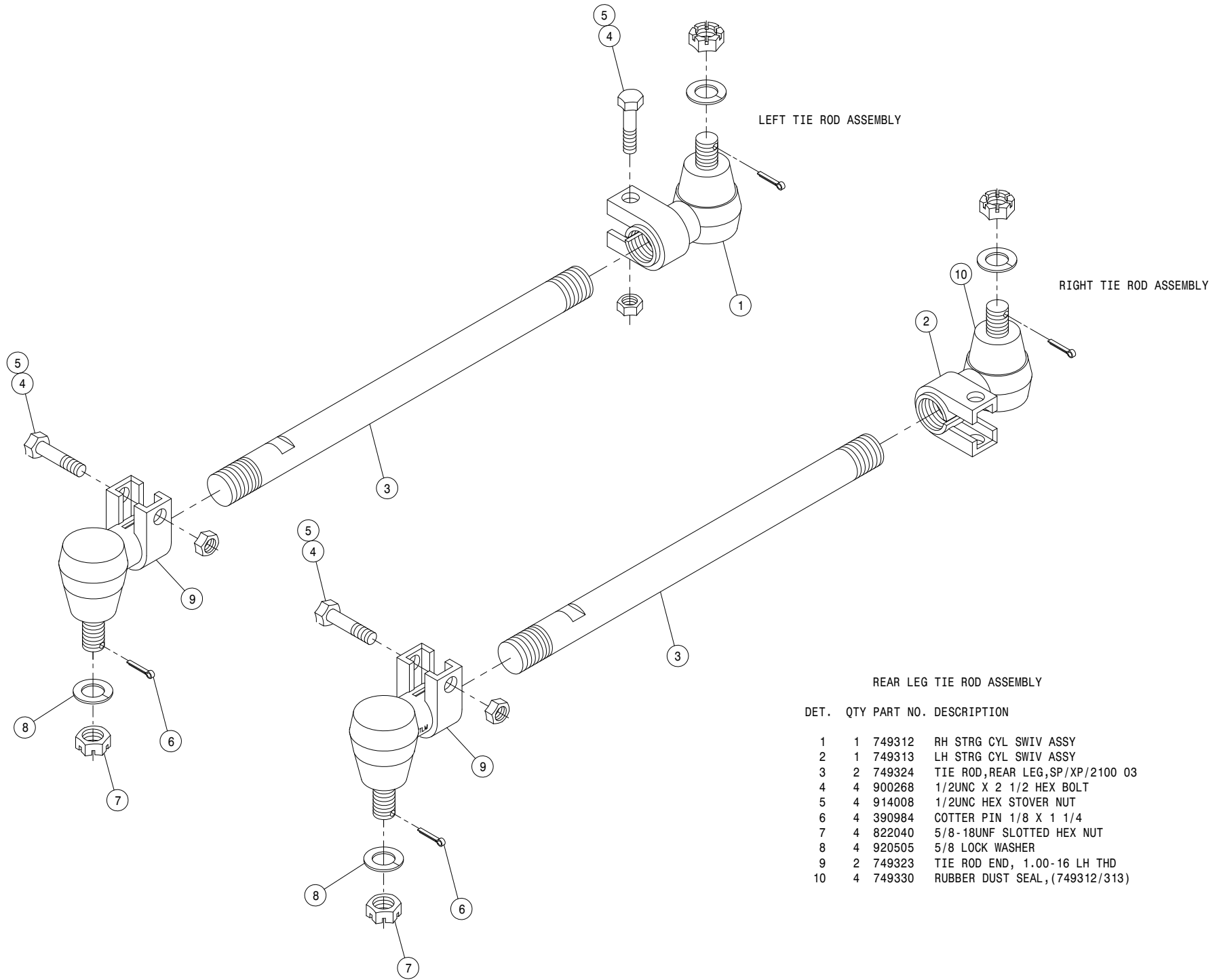


STEERING CYLINDER ASSEMBLY

| DET. | QTY | PART NO. | DESCRIPTION |
|------|-----|----------|--------------------------------|
| 1 | 4 | 618119 | 9/16MJIC-90-9/16MOR LBO |
| 2 | 2 | 621516 | HYD CYL, 2.00 X 7.00 X 1.000 |
| 3 | 2 | 749312 | RH STRG CYL SWIV ASSY |
| 4 | 2 | 749313 | LH STRG CYL SWIV ASSY |
| 5 | 4 | 900268 | 1/2UNC X 2 1/2 HEX BOLT |
| 6 | 4 | 914008 | 1/2UNC HEX STOVER NUT |
| 7 | 4 | 390984 | COTTER PIN 1/8 X 1 1/4 |
| 8 | 4 | 822040 | 5/8-18UNF SLOTTED HEX NUT |
| 9 | 4 | 920505 | 5/8 LOCK WASHER |
| 10 | 4 | 749330 | RUBBER DUST SEAL, (749312/313) |
| 11 | 2 | 621517 | REPAIR KIT, HYD CYL 621516 |

NOTE: 1. 621205 - RH STEERING CYLINDER ASSEMBLY W/CYL SWIV DET.3
 2. 621206 - LH STEERING CYLINDER ASSEMBLY W/CYL SWIV DET.4

NOTE: QUANTITY SHOWN IS PER MACHINE



LEFT TIE ROD ASSEMBLY

RIGHT TIE ROD ASSEMBLY

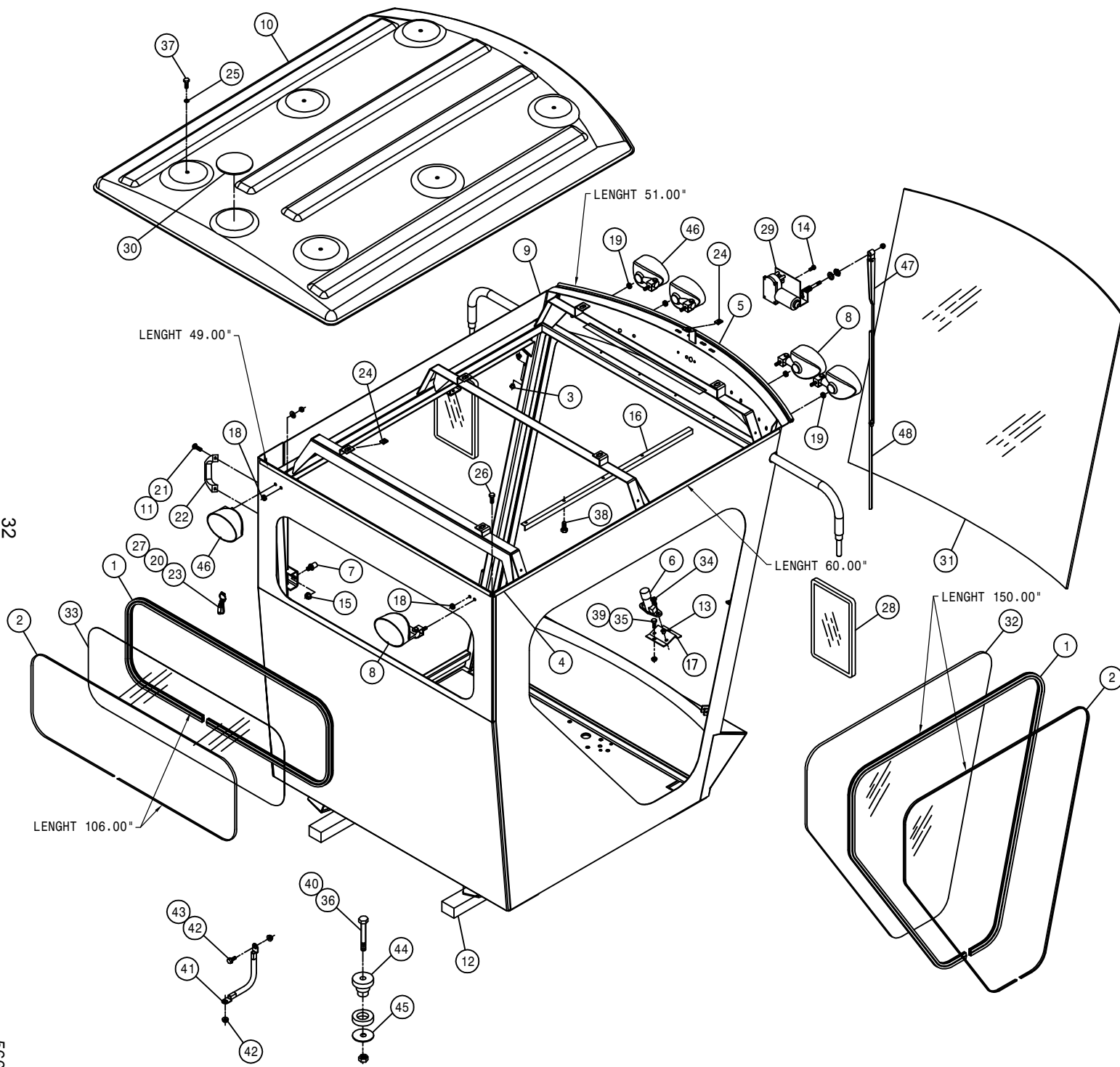
REAR LEG TIE ROD ASSEMBLY

| DET. | QTY | PART NO. | DESCRIPTION |
|------|-----|----------|----------------------------------|
| 1 | 1 | 749312 | RH STRG CYL SWIV ASSY |
| 2 | 1 | 749313 | LH STRG CYL SWIV ASSY |
| 3 | 2 | 749324 | TIE ROD, REAR LEG, SP/XP/2100 03 |
| 4 | 4 | 900268 | 1/2UNC X 2 1/2 HEX BOLT |
| 5 | 4 | 914008 | 1/2UNC HEX STOVER NUT |
| 6 | 4 | 390984 | COTTER PIN 1/8 X 1 1/4 |
| 7 | 4 | 822040 | 5/8-18UNF SLOTTED HEX NUT |
| 8 | 4 | 920505 | 5/8 LOCK WASHER |
| 9 | 2 | 749323 | TIE ROD END, 1.00-16 LH THD |
| 10 | 4 | 749330 | RUBBER DUST SEAL, (749312/313) |

CAB ASSEMBLY

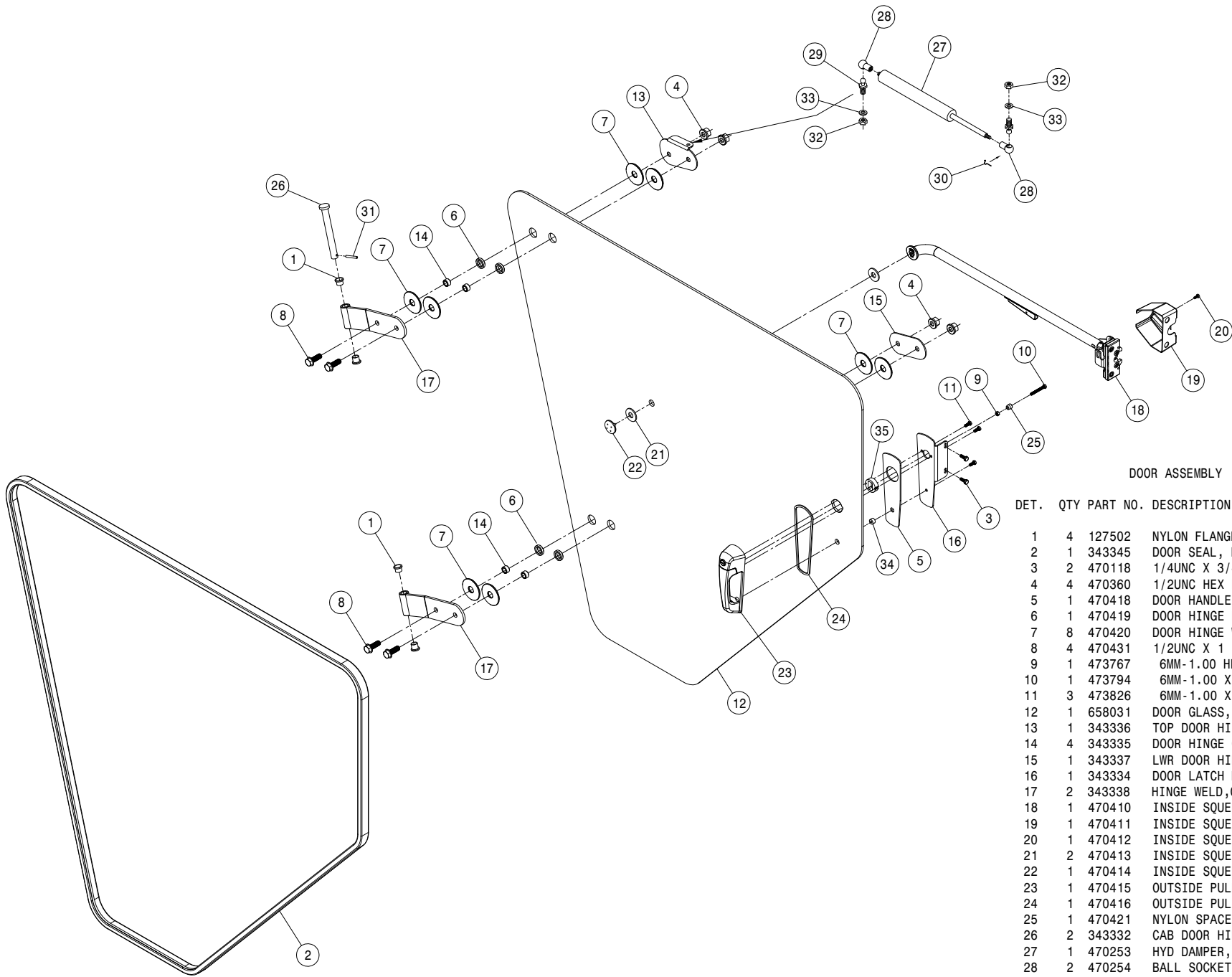
DET. QTY PART NO. DESCRIPTION

| | | | |
|----|----|--------|--------------------------------|
| 1 | 26 | 193044 | WINDOW WEATHERSTRIP |
| 2 | 26 | 193045 | LOCK STRIP FOR 193044 |
| 3 | 4 | 127502 | NYLON FLANGE BRG |
| 4 | 15 | 193062 | SEAL, .592 X .750 D-SECT EPDM |
| 5 | 5 | 193063 | EDGE SEAL, EPDM G-7015 |
| 6 | 1 | 290412 | DIMMER SWITCH |
| 7 | 1 | 470417 | STRIKER PIN ASSY |
| 8 | 3 | 291902 | RH WORKLIGHT, TRAPEZOID GLASS |
| 9 | 1 | 343758 | CAB FRAME WELD, DTS10 '10 |
| 10 | 1 | 343329 | CAB ROOF, DTS 10 '05 |
| 11 | 2 | 903883 | 10-32 X 1/2 PHIL PAN MACH SCR |
| 12 | 2 | 659704 | FOAM, 2"THK X 2" WIDE X 42"LG |
| 13 | 2 | 470383 | 1/4-20 NUTSERT.165-.260 YZ |
| 14 | 2 | 473862 | 1/4UNC X 5/8 HEX BOLT SS |
| 15 | 1 | 473852 | 12MM-1.75 SERR FLANGE NUT,ZINC |
| 16 | 1 | 342420 | HEAD LINER ANGLE, RH, 2100 98 |
| 17 | 1 | 342642 | SOLU SWITCH ADPTR BRKT,2100 98 |
| 18 | 2 | 470067 | GROMMET, .250ID .125GW .375GD |
| 19 | 4 | 470070 | GROMMET, .375ID .062GW .500GD |
| 20 | 1 | 470398 | BEAD CHAIN, #10 X 4" LONG |
| 21 | 2 | 470175 | 10-32 SER FLG NUT |
| 22 | 1 | 470222 | GRAB HANDLE, BLACK MOULDED |
| 23 | 1 | 470397 | RES-Q-ME TOOL |
| 24 | 7 | 470261 | 3/8UNC U-NUT, .75 CLIP ON |
| 25 | 7 | 470262 | 3/8 X 1" BONDED SEALING WASH |
| 26 | 1 | 472349 | 1/4 X 3/4 20THD-IN TEK TYPE |
| 27 | 1 | 470400 | BEAD CHAIN CONNECTOR #10 WHITE |
| 28 | 2 | 470348 | MIRROR STS10 & STS12 |
| 29 | 1 | 470436 | MOTOR,WINDSHIELD WIPER, DTS 05 |
| 30 | 1 | 343330 | GPS MT PLATE, DTS 10 '05 |
| 31 | 1 | 658030 | WINDSHIELD, GREEN DTS 10 '05 |
| 32 | 1 | 658023 | SIDE CAB GLASS, GRAY 2100 98 |
| 33 | 1 | 658024 | REAR CAB GLASS, GRAY 2100 98 |
| 34 | 2 | 903722 | 1/4UNC X3/4PHIL PANHD MACH SCR |
| 35 | 2 | 900003 | 1/4UNC X 1" HHCS GR 5 |
| 36 | 4 | 900829 | 5/8UNC X 4" HHCS GR8 |
| 37 | 7 | 900129 | 3/8UNC X 1" HEX CAP BOLT |
| 38 | 4 | 900263 | 1/2UNC X 1" HHCS GR 5 |
| 39 | 2 | 914000 | 1/4UNC HEX STOVER NUT GR5 |
| 40 | 4 | 914010 | 5/8UNC HEX STOVER NUT |
| 41 | 1 | 290107 | GROUND CABLE,8" X 4GA .406LUGS |
| 42 | 2 | 470087 | 3/8UNC HEX SER FLG NUT |
| 43 | 1 | 900128 | 3/8UNC X 3/4 HHCS GR 5 |
| 44 | 4 | 311051 | RUBBER MOUNT, RB3-350 |
| 45 | 4 | 311052 | SNUBBING WASHER FOR 311051 |
| 46 | 3 | 291903 | LH WORKLIGHT, TRAPEZOID GLASS |
| 47 | 1 | 470438 | ARM,WNDSHLD WIPER BLADE,DTS 05 |
| 48 | 1 | 470437 | BLADE,WNDSHLD WIPER 32" DTS 05 |



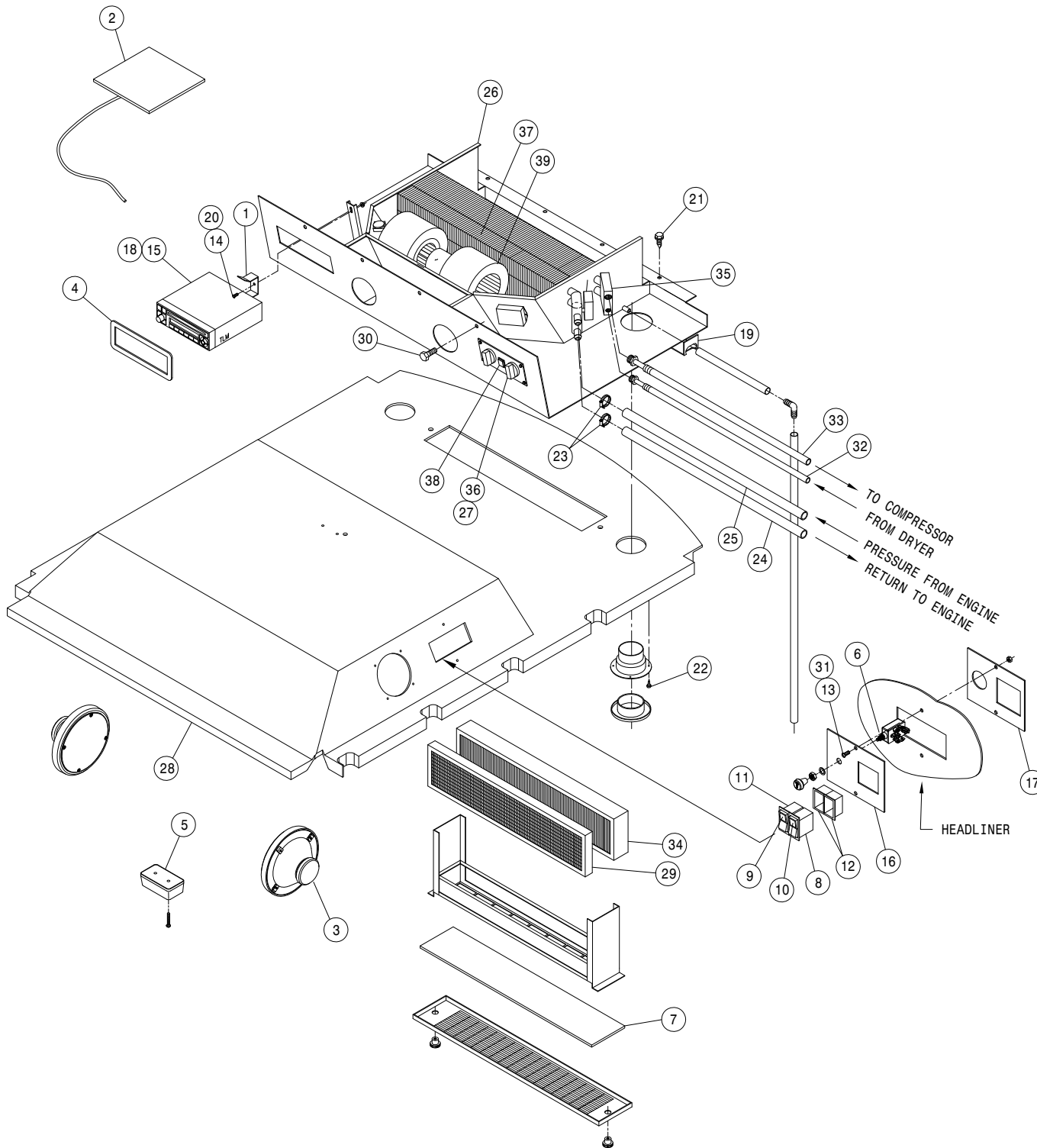
32

566032



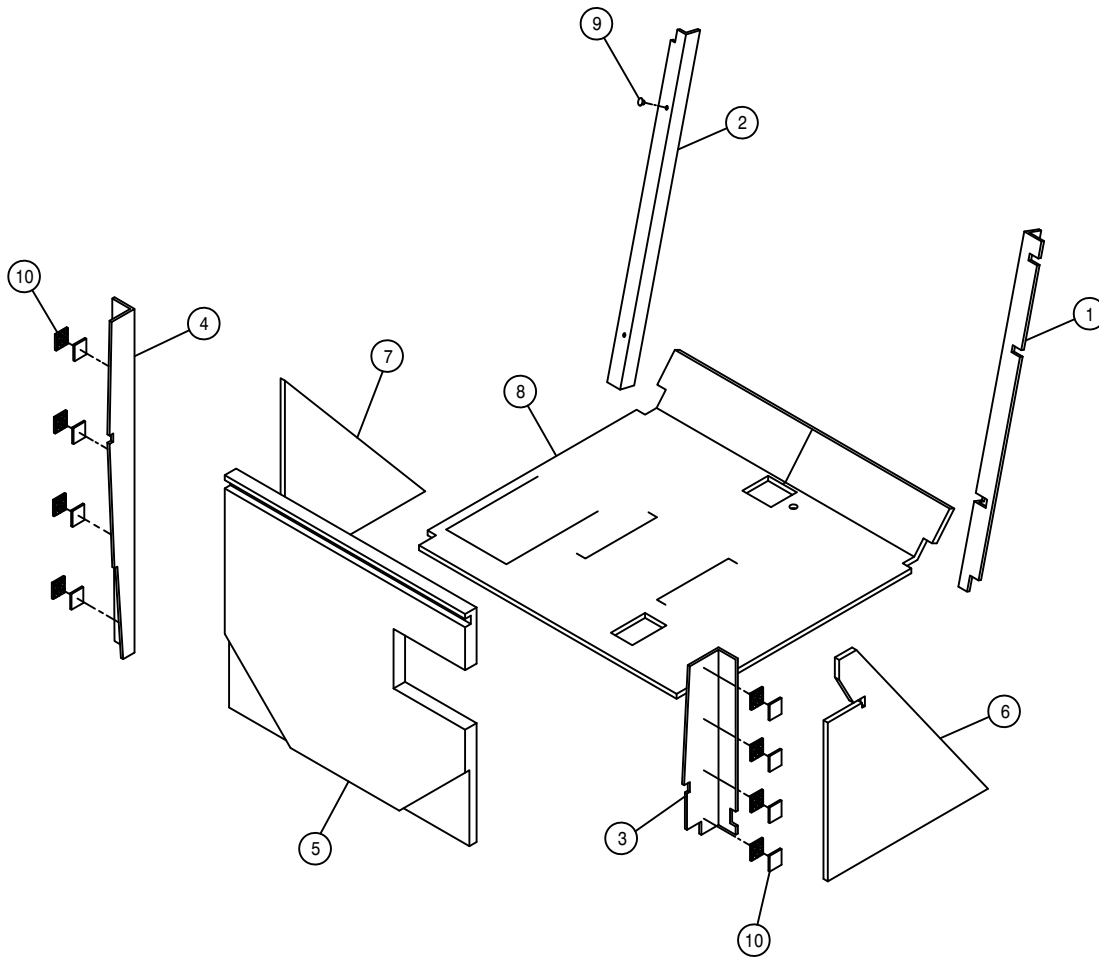
DOOR ASSEMBLY

| DET. | QTY | PART NO. | DESCRIPTION |
|------|-----|----------|-----------------------------------|
| 1 | 4 | 127502 | NYLON FLANGE BRG |
| 2 | 1 | 343345 | DOOR SEAL, DTS 10 CAB 05 |
| 3 | 2 | 470118 | 1/4UNC X 3/4 FLANGE HEX BOLT |
| 4 | 4 | 470360 | 1/2UNC HEX FLANGE LOCK NUT |
| 5 | 1 | 470418 | DOOR HANDLE MT GASKET, STS CAB |
| 6 | 1 | 470419 | DOOR HINGE BUSH, RUBBER STS 05 |
| 7 | 8 | 470420 | DOOR HINGE WASH, RUBBER, STS 05 |
| 8 | 4 | 470431 | 1/2UNC X 1 1/2 FLANGE BOLT |
| 9 | 1 | 473767 | 6MM-1.00 HEX NUT |
| 10 | 1 | 473794 | 6MM-1.00 X 50MM HEX BOLT |
| 11 | 3 | 473826 | 6MM-1.00 X 16MM HEX BOLT |
| 12 | 1 | 658031 | DOOR GLASS, GRAY DTS 10 05 |
| 13 | 1 | 343336 | TOP DOOR HINGE PLT, DTS 10, 05 |
| 14 | 4 | 343335 | DOOR HINGE GLASS BUSH, CAB 05 |
| 15 | 1 | 343337 | LWR DOOR HINGE BACK PLT, 05 |
| 16 | 1 | 343334 | DOOR LATCH BRKT PLT, CAB 05 |
| 17 | 2 | 343338 | HINGE WELD, CAB 05 |
| 18 | 1 | 470410 | INSIDE SQUEEZE LATCH ASSY |
| 19 | 1 | 470411 | INSIDE SQUEEZE LATCH COVER 05 |
| 20 | 1 | 470412 | INSIDE SQUEEZE LATCH SCREWS |
| 21 | 2 | 470413 | INSIDE SQUEEZE LATCH GASKET |
| 22 | 1 | 470414 | INSIDE SQUEEZE LATCH CAP |
| 23 | 1 | 470415 | OUTSIDE PULL HANDLE ASSY |
| 24 | 1 | 470416 | OUTSIDE PULL HANDLE GASKET |
| 25 | 1 | 470421 | NYLON SPACER, SPHERICAL 6MMX12 |
| 26 | 2 | 343332 | CAB DOOR HINGE PIN, SS 05 |
| 27 | 1 | 470253 | HYD DAMPER, 100LB, 4" STROKE 1084 |
| 28 | 2 | 470254 | BALL SOCKET, M6 THD X 10MM |
| 29 | 2 | 470255 | BALL STUD, 5/16-18 THD X 10MM |
| 30 | 2 | 470256 | SAFTY CLIP, 10MM BALL SOCKET |
| 31 | 2 | 473928 | ROLL PIN, 3/16 X 1 |
| 32 | 2 | 910002 | 5/16UNC HEX NUT |
| 33 | 2 | 920501 | 5/16 LOCK WASHER |
| 34 | 1 | 470496 | SPACER, BTM, DOOR HANDLE 470415 |
| 35 | 1 | 470497 | SPACER, TOP, DOOR HANDLE 470415 |



AIR CONDITIONER ASSEMBLY

| DET. | QTY | PART NO. | DESCRIPTION |
|------|-----|----------|--------------------------------|
| | | 1 | RADIO SUPPORT BRKT |
| | | 2 | ANTENNA AM/FM/WB HEADLINER MT |
| | | 3 | SPEAKERS,PAIR |
| | | 4 | RADIO BEZEL,CAB, BLK PLASIC 05 |
| | | 5 | INTERIOR LIGHT W/SWITCH |
| | | 6 | LIGHT SWITCH |
| | | 7 | A/C FILTER,RECIRCULATION 30" |
| | | 8 | SWITCH,1P ON/OFF 511-003 |
| | | 9 | LENS,WINDSHIELD WASHER,594-701 |
| | | 10 | LENS, HAZARD 595-417 |
| | | 11 | SWITCH, 511-115 |
| | | 12 | END BEZEL, 594-802 |
| | | 13 | 10-32X5/8 PHIL PANHD MACH SCR |
| | | 14 | 10-32 X 1/2 PHIL PAN MACH SCR |
| | | 15 | RADIO AM-FM WEATHERBAND CRW402 |
| | | 16 | LIGHT SWITCH PANEL, 2100 98 |
| | | 17 | LIGHT SWITCH PANEL KPR,2100 98 |
| | | 18 | HARNES, RADIO CRW402 DTS 05 |
| | | 19 | A/C DRAIN HOSE KEEPER |
| | | 20 | 10-32 HEX FLANGE LOCK NUT |
| | | 21 | 1/4 X 3/4 20THD-IN TEK TYPE |
| | | 22 | #6 X3/4 PHIL FLTHD SHT MTL SCR |
| | | 23 | HOSE CLAMP NO 12 STAINLESS |
| | | 24 | HOSE, 5/8 X 196 HEATER |
| | | 25 | HOSE, 5/8 X 254 HEATER |
| | | 26 | A/C-HTR BLOWER SYS, DTS10 05 |
| | | 27 | A/C POTENTIOMETER ASSY |
| | | 28 | HEADLINER, DTS 10 05 |
| | | 29 | A/C CHARCOAL AIR FILTER |
| | | 30 | 3/8UNC X 3/4 HEX BOLT |
| | | 31 | 10-32 HEX STOVER NUT |
| | | 32 | A/C HOSE ASSY, 5/16 X 202 |
| | | 33 | A/C HOSE ASSY, 1/2 X 202 |
| | | 34 | A/C PAPER AIR FILTER |
| | | 35 | A/C EXPANSION VALVE |
| | | 36 | A/C CONTROL KNOB |
| | | 37 | A/C HEATER COIL |
| | | 38 | A/C SWITCH, PUSH ON-OFF |
| | | 39 | A/C BLOWER ASSY, 12V KENWAY |

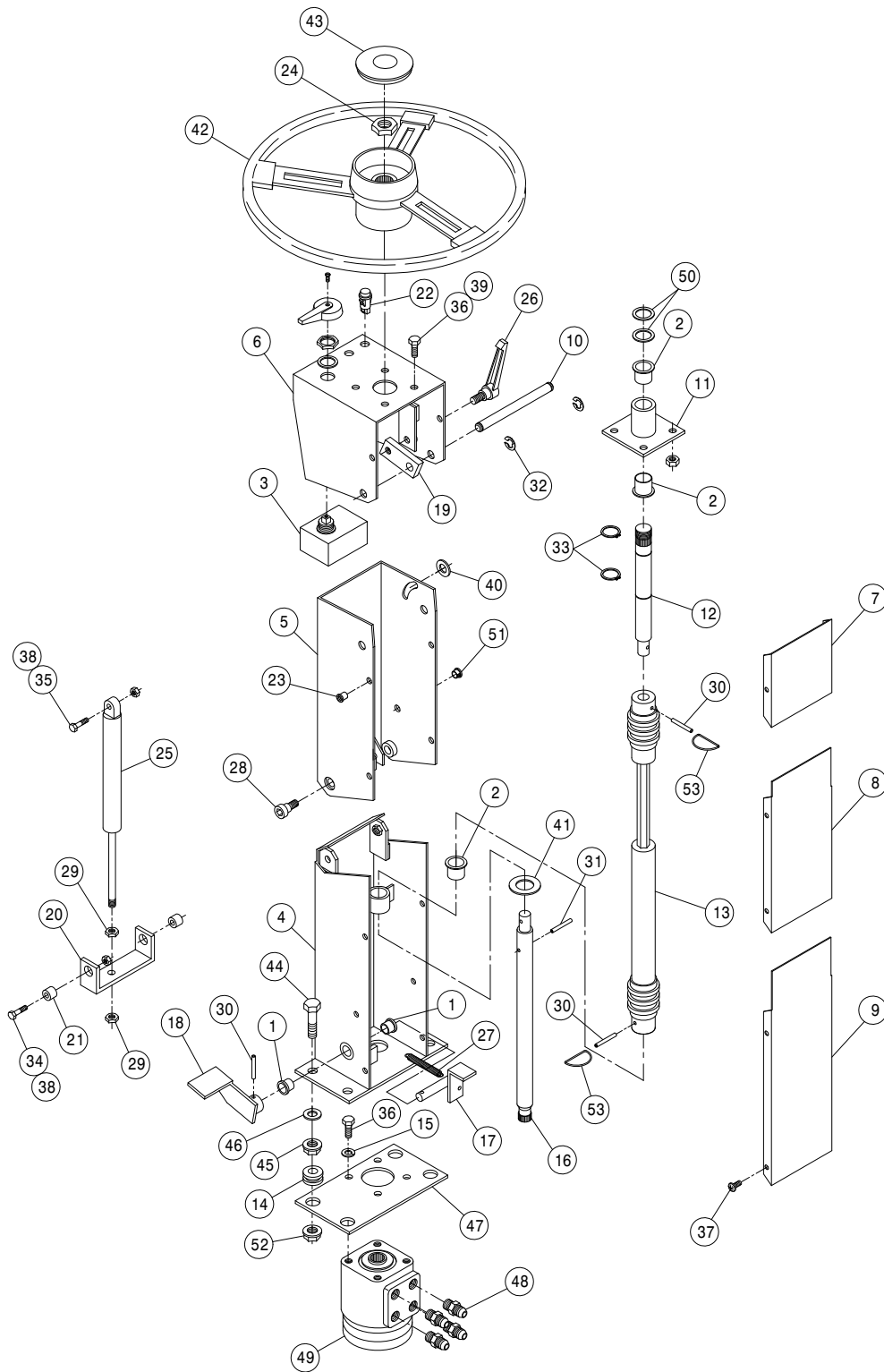


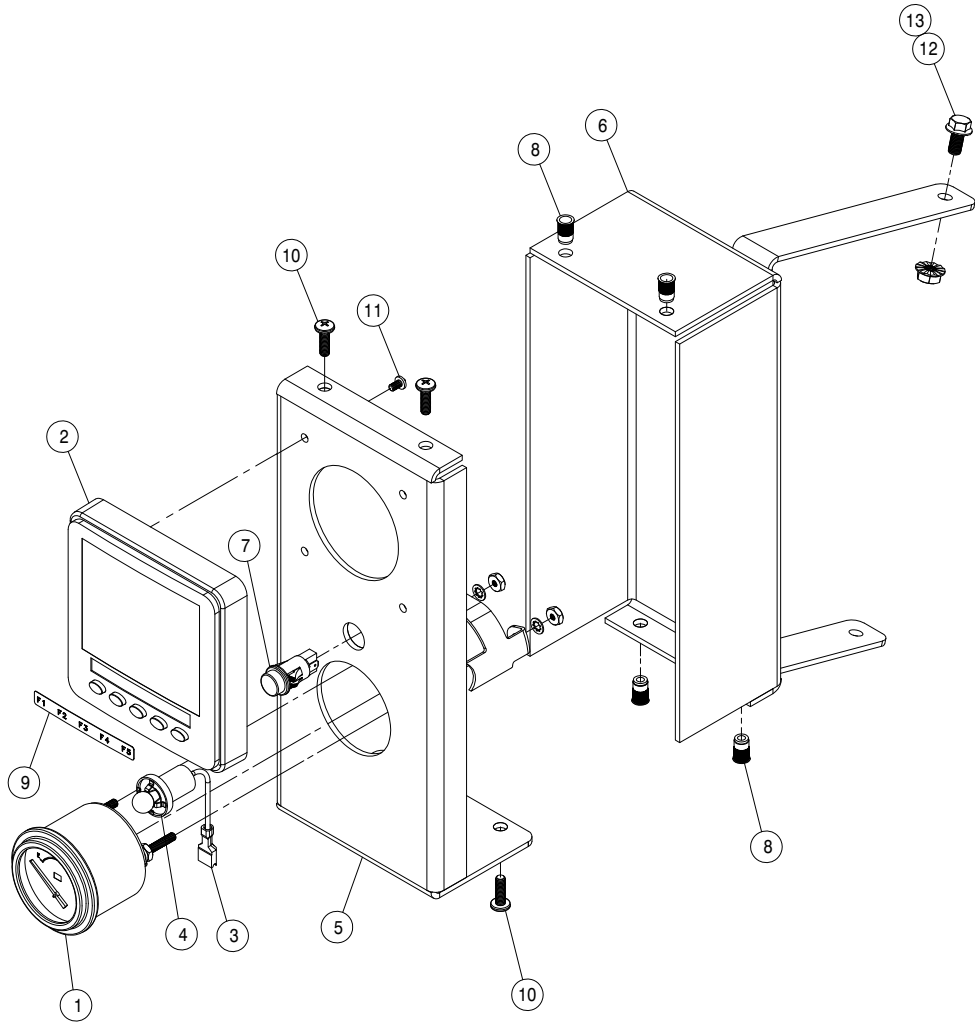
FOAM

| DET. | QTY | PART NO. | DESCRIPTION |
|------|-----|----------|---------------------------------|
| 1 | 1 | 658338 | POST COVER, RH FRONT,DTS10 '10 |
| 2 | 1 | 658320 | POST COVER, LH FRONT 2100 98 |
| 3 | 1 | 658321 | POST COVER, RH REAR 2100 98 |
| 4 | 1 | 658322 | POST COVER, LH REAR 2100 98 |
| 5 | 1 | 658323 | BACKPANEL, 2100 98 |
| 6 | 1 | 658324 | SIDE PANEL, RH 2100 98 |
| 7 | 1 | 658325 | SIDE PANEL, LH 2100 98 |
| 8 | 1 | 658326 | FLOOR MAT, 2100 98 |
| 9 | 2 | 470225 | TRIM CLIP, 11/16 BLK NYL HEAD |
| 10 | 8 | 471100 | DUAL LOCK, 1.00X 1.00,MP3541/42 |

STEERING POST ASSEMBLY

| DET. | QTY | PART NO. | DESCRIPTION |
|------|-----|----------|----------------------------------|
| 1 | 2 | 127502 | NYLON FLANGE BRG |
| 2 | 3 | 127503 | NYLINER FLG BRG, .875 ID |
| 3 | 1 | 291088 | FLASHER / TURN SIGNAL SWITCH |
| 4 | 1 | 342450 | LWR STRG COLUMN WLD, 2100 98 |
| 5 | 1 | 342454 | UPPER STRG COLUMN WLD, 2100 98 |
| 6 | 1 | 342461 | STRG WHL MT WLD, 2100 98 |
| 7 | 1 | 342467 | UPPER STRG COLUMN COVER, 2100 98 |
| 8 | 1 | 342468 | CNTR STRG COLUMN COVER, 2100 98 |
| 9 | 1 | 342469 | LWR STRG COLUMN SHLD |
| 10 | 1 | 342470 | STRG COLUMN PIVOT PIN, 2100 98 |
| 11 | 1 | 342471 | STRG COL BRG HSG WLD, 2100 98 |
| 12 | 1 | 342474 | UPPER STEERING SHAFT, 2100 98 |
| 13 | 1 | 470285 | DOUBLE UNIVERSAL JOINT DRIVER |
| 14 | 4 | 470346 | GROMMET, .500ID .250GW, .812GD |
| 15 | 4 | 920502 | 3/8 LOCK WASHER |
| 16 | 1 | 342483 | LWR STEERING SHAFT, 2100 98 |
| 17 | 1 | 342484 | FOOT PEDAL PIV PIN WLD, 2100 98 |
| 18 | 1 | 342487 | FOOT PEDAL WLD, 2100 98 |
| 19 | 1 | 342490 | STRG PIVOT LOCK, 2100 98 |
| 20 | 1 | 342491 | LWR AIR SHOCK PIVOT, 2100 98 |
| 21 | 2 | 342492 | LWR AIR SHOCK PIV BUSH, 2100 98 |
| 22 | 2 | 390318 | INDICATOR LIGHT, RED |
| 23 | 10 | 470380 | 1/4-20 NUTSERT .027-.165 STL |
| 24 | 1 | 470157 | 13/16-20UNEF HEX NUT STRG WHL |
| 25 | 1 | 470252 | GAS SPRING, 3.15 STROKE LOCKING |
| 26 | 1 | 470257 | ADJ HANDLE, 3/8-16 STUD, BLACK |
| 27 | 1 | 470268 | SPRING, EXTENSION, .50 X 1.75 |
| 28 | 2 | 470283 | 3/8UNC 1/2 SCKT SHLDR BOLT |
| 29 | 2 | 473830 | 10MM-1.00 HEX JAM NUT |
| 30 | 3 | 473928 | ROLL PIN, 3/16 X 1 |
| 31 | 1 | 473936 | ROLL PIN, 3/16 X 1 1/4 |
| 32 | 2 | 629525 | RING, RETAINING, .50DIA SHAFT |
| 33 | 2 | 629533 | SNAP RING, 7/8 EXTRN |
| 34 | 2 | 900065 | 5/16UNC X 1" HEX BOLT |
| 35 | 1 | 900067 | 5/16UNC X 1 1/2 HEX BOLT |
| 36 | 8 | 900128 | 3/8UNC X 3/4 HEX BOLT |
| 37 | 10 | 903708 | 1/4UNC X 1/2PHIL PANHD MACH SCR |
| 38 | 3 | 914002 | 5/16UNC HEX STOVER NUT |
| 39 | 4 | 914004 | 3/8UNC HEX STOVER NUT |
| 40 | 1 | 920002 | 3/8 SAE FLAT WASHER |
| 41 | 1 | 920007 | 7/8 SAE FLAT WASHER |
| 42 | 1 | 749294 | STEERING WHEEL, VIP 14" |
| 43 | 1 | 749295 | STRG WHL CAP W/HAGIE EMBLEM |
| 44 | 4 | 900267 | 1/2UNC X 2" HEX BOLT |
| 45 | 4 | 914008 | 1/2UNC HEX STOVER NUT |
| 46 | 4 | 920004 | 1/2 SAE FLAT WASHER |
| 47 | 1 | 343211 | STEERING MTR PLT, 284XP/2100 02 |
| 48 | 4 | 618109 | 9/16MJIC-3/4MOR ADPTR |
| 49 | 1 | 749318 | STRG MTR, 7.3CID, NON-LOAD 1031 |
| 50 | 2 | 483031 | 1 3/8 X 7/8 X 18GA MACH WASHER |
| 51 | 1 | 470342 | SNAP PLUG, BLK NYL, .375 DIA |
| 52 | 4 | 470345 | 1/2UNC HEX SMTH FLNG LOCK NUT |
| 53 | 4 | 470479 | 5" SAFETY LOCK WIRE, 304SS .051D |





CANTRAK ASSEMBLY

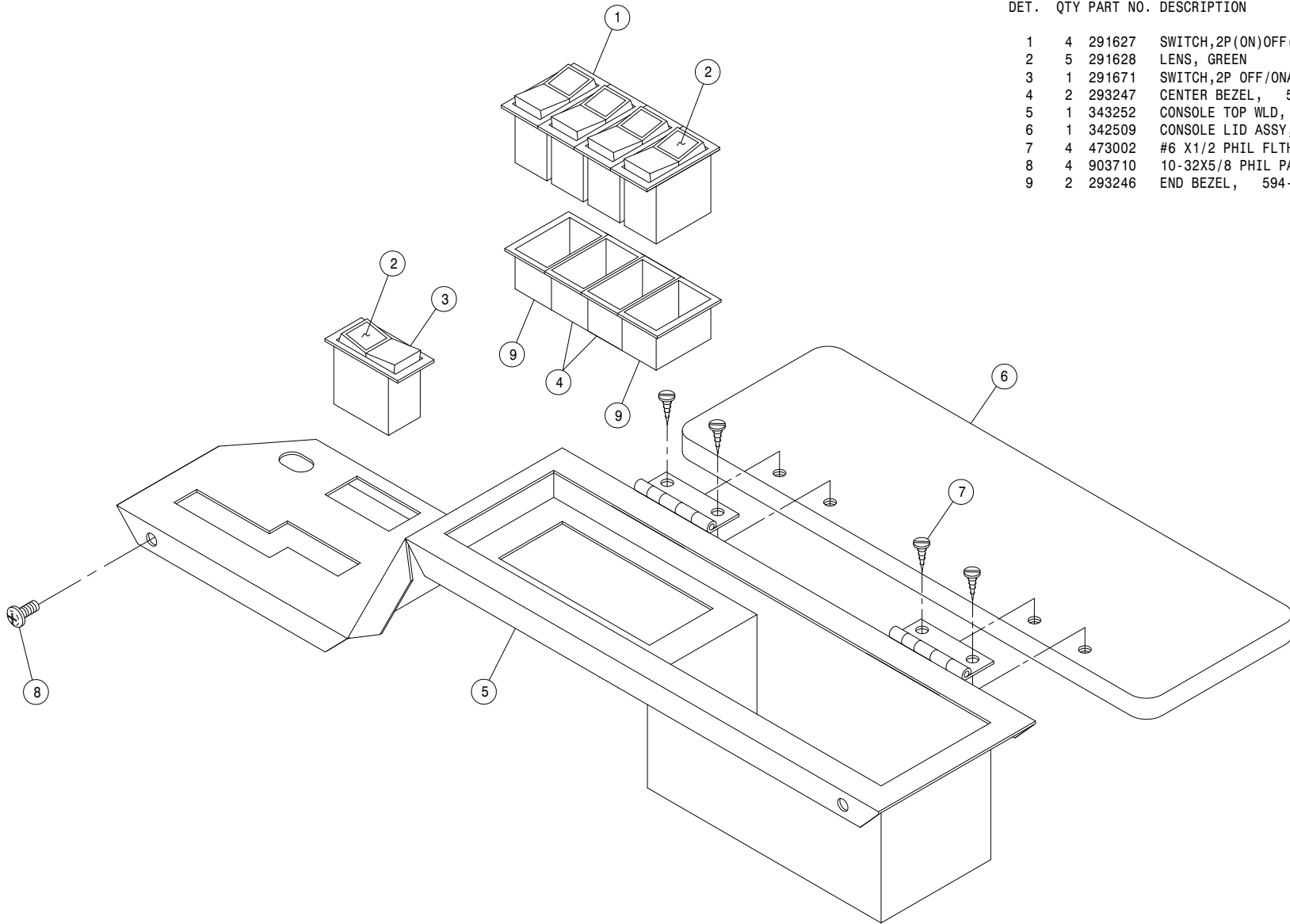
DET. QTY PART NO. DESCRIPTION

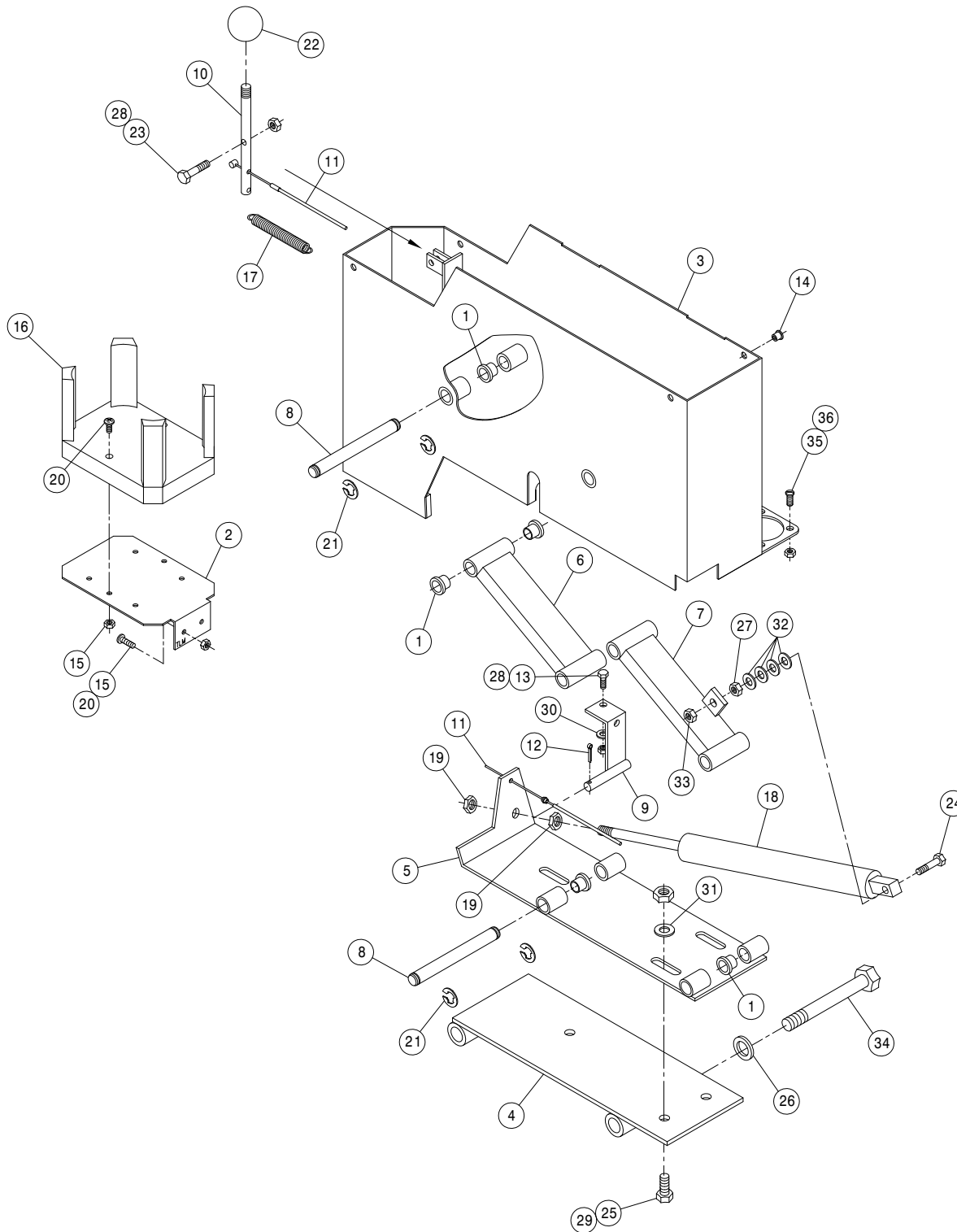
| | | | |
|----|---|--------|--------------------------------|
| 1 | 1 | 290401 | FUEL GAUGE FOR 2.125 DIA HOLE |
| 2 | 1 | 291349 | CANTRAK 2600 DISPLAY |
| 3 | 1 | 291571 | TYCO,FASTON, .250(16-14GA),FEM |
| 4 | 1 | 291612 | LIGHT KIT FOR 2" GAUGE |
| 5 | 1 | 343088 | FRT CANTRAK MNT, DTS10 '10 |
| 6 | 1 | 343091 | CANTRAK MNT WLD, DTS10 '10 |
| 7 | 1 | 390318 | INDICATOR LIGHT, RED |
| 8 | 4 | 470384 | 10-32 NUTSERT .020-.130 STL |
| 9 | 1 | 650270 | DECAL,CANTRAK FUNCTION KEY |
| 10 | 4 | 903710 | 10-32X5/8 PHIL PANHD MACH SCR |
| 11 | 4 | 903804 | 6-32 X 1/4 PHIL PAN MACH SCR |
| 12 | 2 | 470122 | 1/4UNC X 1/2 FLANGE HEX BOLT |
| 13 | 2 | 470121 | 1/4UNC HEX FLANGE LOCK NUT |

CONSOLE COVER ASSEMBLY

DET. QTY PART NO. DESCRIPTION

| | | | | |
|---|---|--------|--------------------------------|---------|
| 1 | 4 | 291627 | SWITCH,2P(ON)OFF(ON) | 511-058 |
| 2 | 5 | 291628 | LENS, GREEN | 596-650 |
| 3 | 1 | 291671 | SWITCH,2P OFF/ONA/ONAB | 511-138 |
| 4 | 2 | 293247 | CENTER BEZEL, | 594-801 |
| 5 | 1 | 343252 | CONSOLE TOP WLD, 2101 | 03 |
| 6 | 1 | 342509 | CONSOLE LID ASSY, 2100 | 98 |
| 7 | 4 | 473002 | #6 X1/2 PHIL FLTHD SHT MTL SCR | |
| 8 | 4 | 903710 | 10-32X5/8 PHIL PANHD MACH SCR | |
| 9 | 2 | 293246 | END BEZEL, | 594-802 |

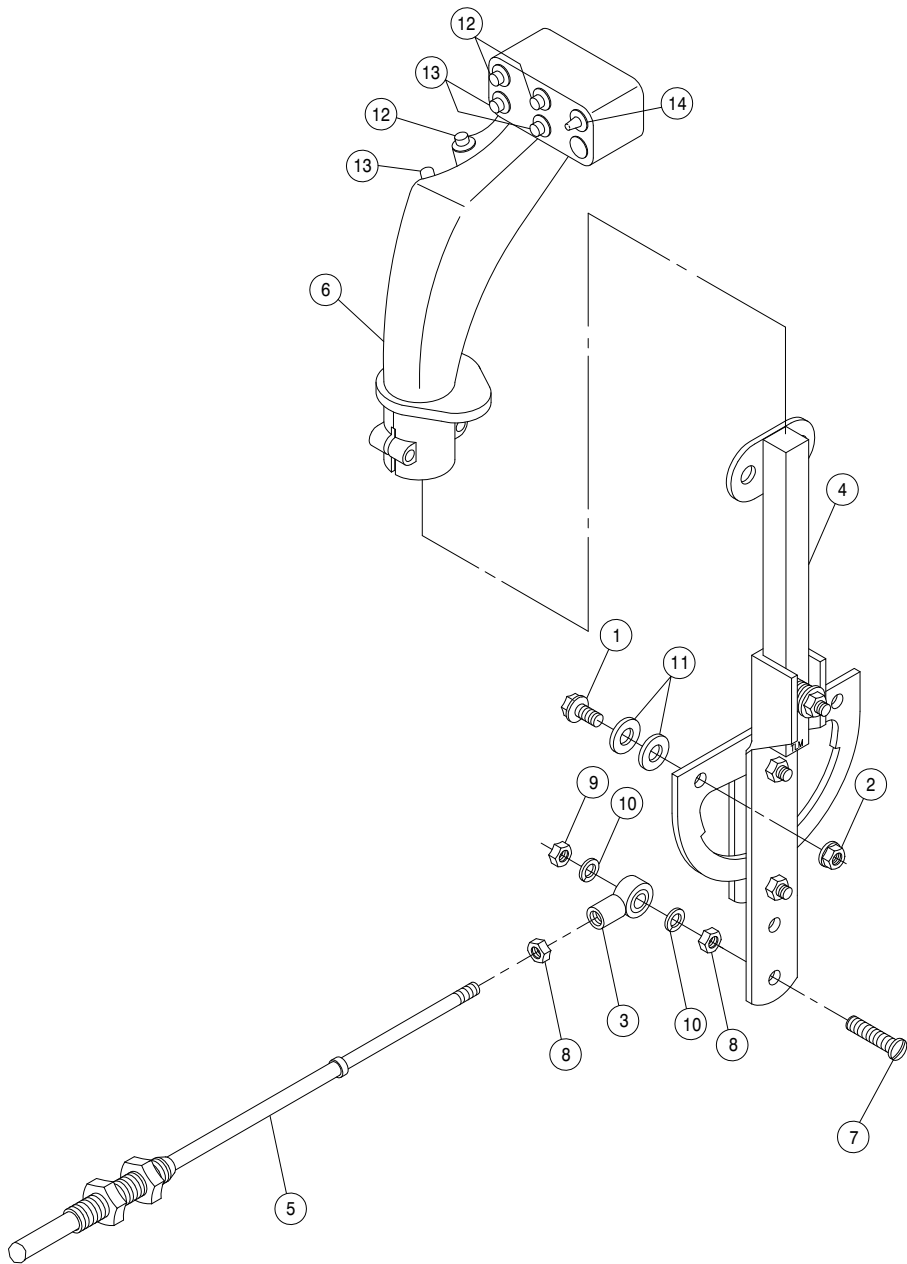




CONSOLE ASSEMBLY

DET. QTY PART NO. DESCRIPTION

| | | | | |
|----|----|--------|-------------------------------|-----|
| 1 | 16 | 127504 | NYLINER FLG BRG, .500 ID | |
| 2 | 1 | 342216 | DRINK HOLDER MT BRKT | 94 |
| 3 | 1 | 343254 | CONSOLE WLD, 2101 | 03 |
| 4 | 1 | 342510 | CONSOLE SEAT MT WLD, 2100 | 98 |
| 5 | 1 | 342513 | LWR CONSOLE MTG PLT WLD2100 | 98 |
| 6 | 1 | 342516 | FRT CONSOLE PIVOT BRKT WLD | 98 |
| 7 | 1 | 342519 | REAR CONSOLE PIVOT BRKT WLD | 98 |
| 8 | 4 | 342522 | CONSOLE PIN, 2100 | 98 |
| 9 | 1 | 342523 | AIR SHOCK RELEASE WLD, 2100 | 98 |
| 10 | 1 | 342526 | ADJ HANDLE, 2100 | 98 |
| 11 | 1 | 342527 | CONSOLE ADJ CABLE ASSY,2100 | 98 |
| 12 | 1 | 470006 | COTTER PIN 1/8 X 1 | |
| 13 | 1 | 470118 | 1/4UNC X 3/4 FLANGE HEX BOLT | |
| 14 | 4 | 470384 | 10-32 NUTSERT .020-.130 | STL |
| 15 | 2 | 470175 | 10-32 HEX FLANGE LOCK NUT | |
| 16 | 1 | 470214 | SPILLMASTER DRINK HOLDER | |
| 17 | 1 | 470248 | SPRING,EXPANSION .438 X 3.00 | |
| 18 | 1 | 470251 | GAS SPRING, LOCKING 0250N | |
| 19 | 2 | 473830 | 10MM-1.00 HEX JAM NUT | |
| 20 | 4 | 903710 | 10-32X5/8 PHIL PANHD MACH SCR | |
| 21 | 8 | 629525 | RING, RETAINING, .50DIA SHAFT | |
| 22 | 1 | 659291 | KNOB,1" RND,BLK, 3/8-16 | |
| 23 | 1 | 900003 | 1/4UNC X 1" HEX BOLT | |
| 24 | 1 | 900067 | 5/16UNC X 1 1/2 HEX BOLT | |
| 25 | 3 | 900129 | 3/8UNC X 1" SERR FLANGE BOLT | |
| 26 | 2 | 920505 | 5/8 LOCK WASHER | |
| 27 | 1 | 910002 | 5/16UNC HEX NUT | |
| 28 | 2 | 914000 | 1/4UNC HEX STOVER NUT | |
| 29 | 3 | 914004 | 3/8UNC HEX STOVER NUT | |
| 30 | 1 | 920000 | 1/4 SAE FLAT WASHER | |
| 31 | 3 | 920002 | 3/8 SAE FLAT WASHER | |
| 32 | 4 | 920001 | 5/16 SAE FLAT WASHER | |
| 33 | 1 | 914002 | 5/16UNC HEX STOVER NUT | |
| 34 | 2 | 900345 | 5/8UNC X 5 1/2 HEX BOLT | |
| 35 | 4 | 903812 | 6-32 X 1/2 PHIL PAN MACH SCR | |
| 36 | 4 | 910022 | 6-32 HEX NUT | |

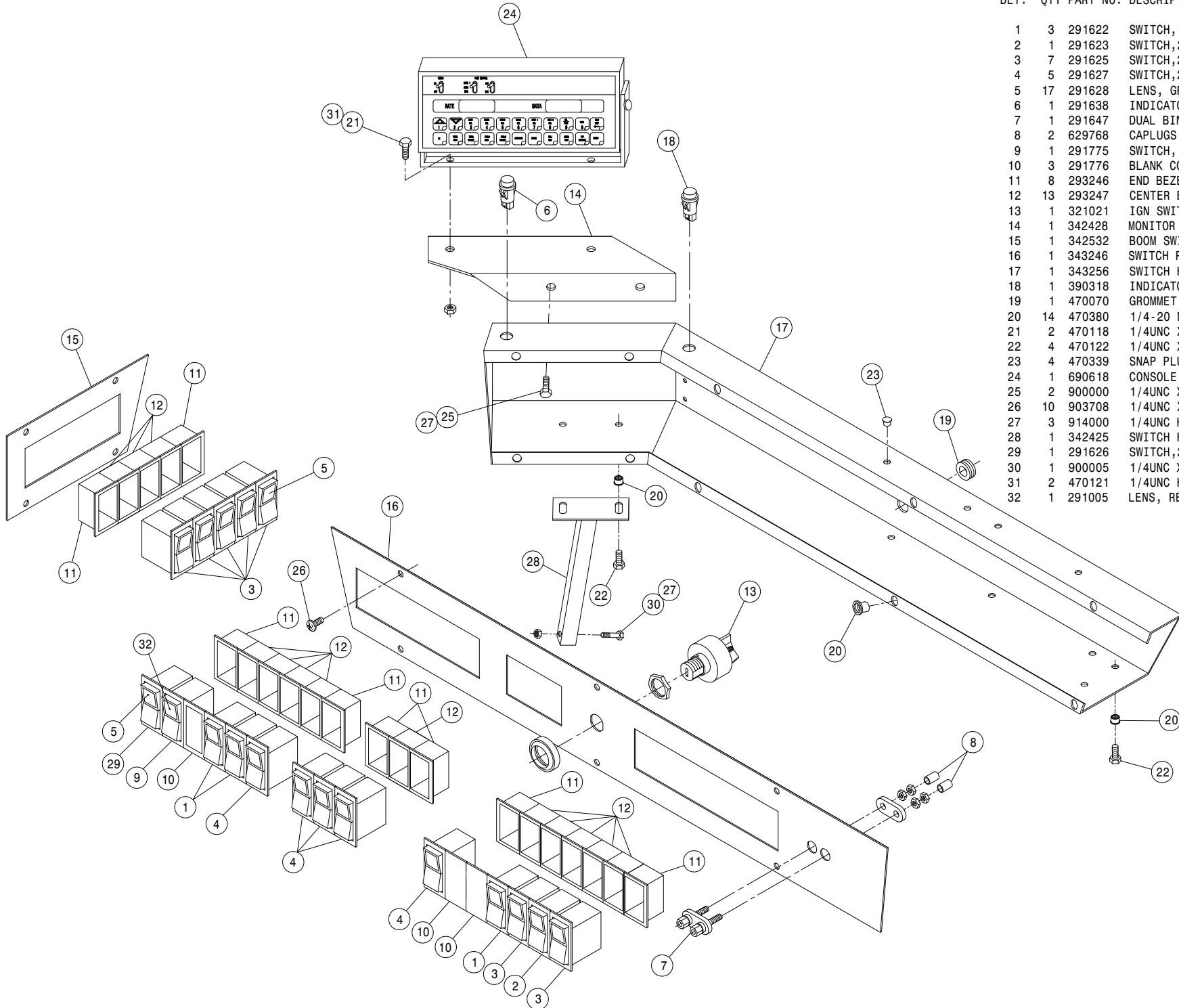


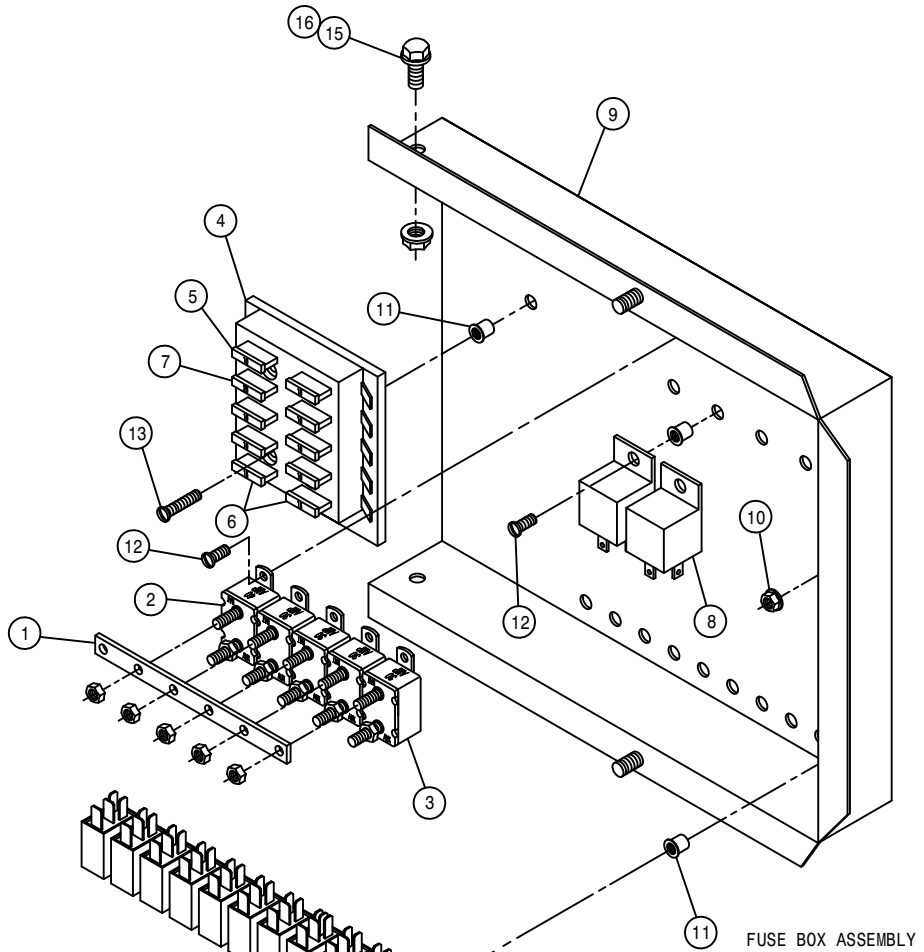
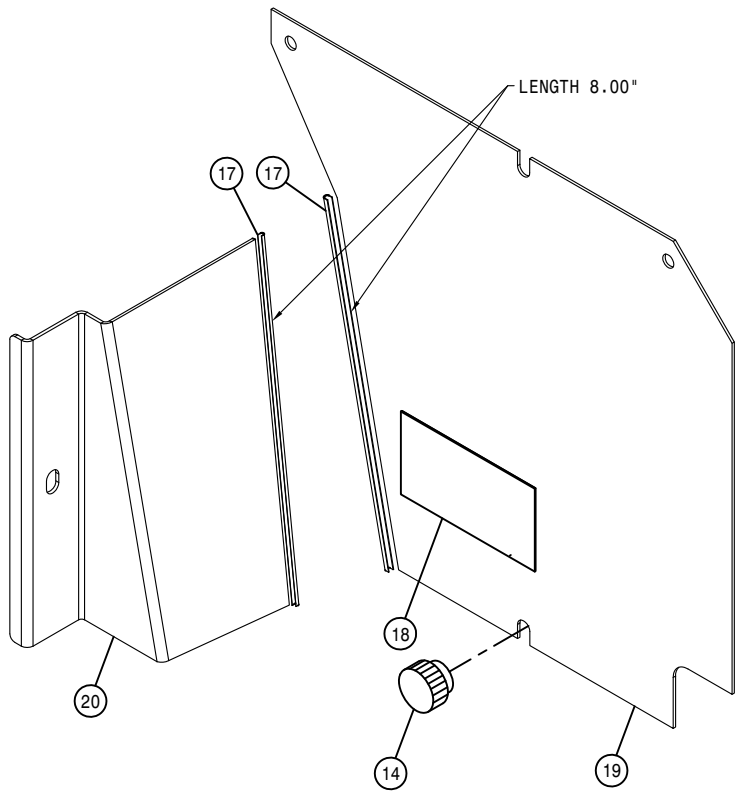
HYDROSTATIC LEVER ASSEMBLY

| DET. | QTY | PART NO. | DESCRIPTION |
|------|-----|----------|--------------------------------|
| | 1 | 2 470118 | 1/4UNC X 3/4 FLANGE HEX BOLT |
| | 2 | 2 470121 | 1/4UNC HEX FLANGE LOCK NUT |
| | 3 | 1 473921 | BALL JOINT NO 10-32 THD |
| | 4 | 1 342528 | HYDST CTRL LEVER ASSY, 2100 98 |
| | 5 | 1 785066 | CTRL CABLE 10-32 4IN X 129 IN |
| | 6 | 1 785086 | FASSE CTRL HANDLE, C12L4T28 |
| | 7 | 1 903893 | 10-32 X 1" PHIL PAN MACH SCR |
| | 8 | 2 910027 | 10-32 HEX NUT |
| | 9 | 1 914027 | 10-32 HEX STOVER NUT |
| | 10 | 2 920510 | #10 LOCK WASHER |
| | 11 | 4 920000 | 1/4 SAE FLAT WASHER |
| | 12 | 3 291884 | SWITCH,PB 3TRM MOM O, GRAY |
| | 13 | 3 291883 | SWITCH,PB 3TRM MOM O, RED |
| | 14 | 1 291653 | SWITCH, TOG SPDT 3POS STAT |

SWITCH PANEL ASSEMBLY

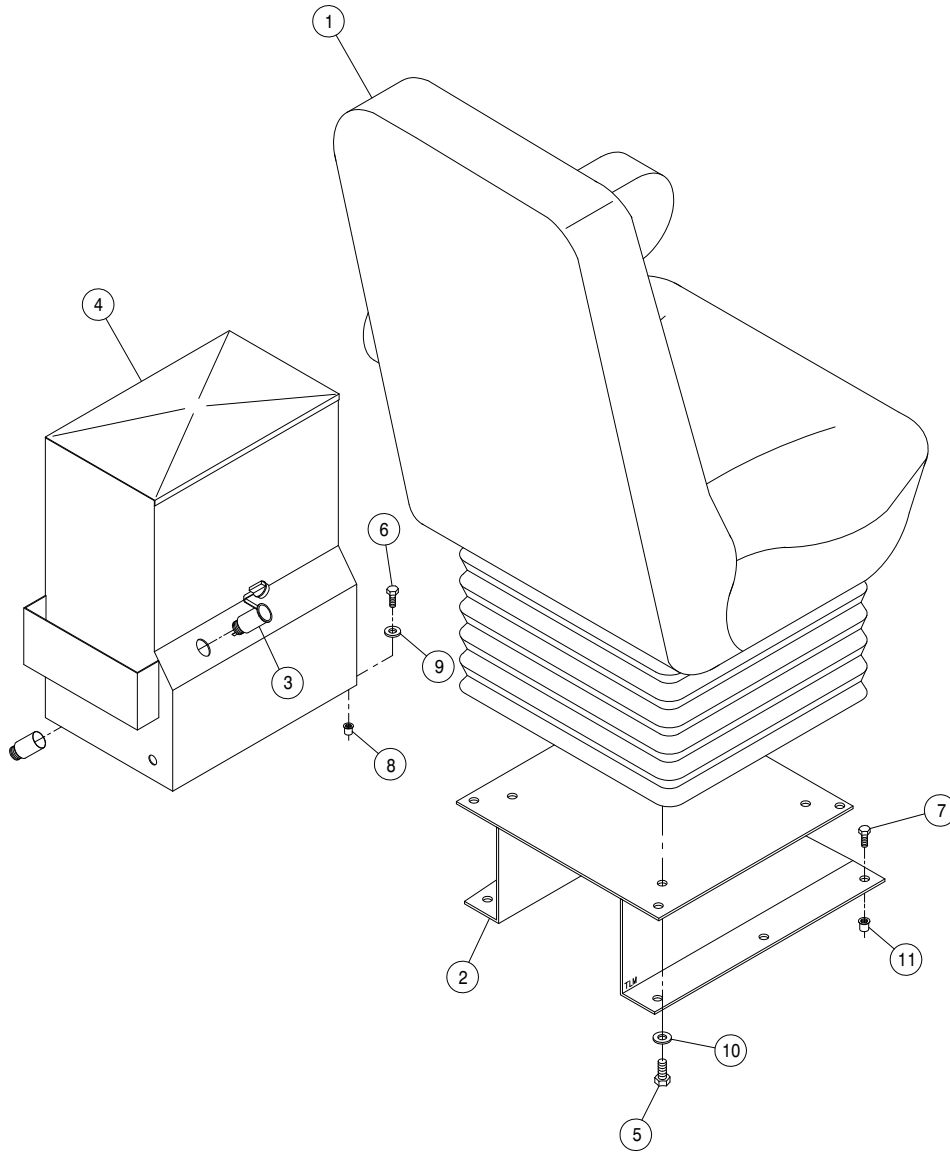
| DET. | QTY | PART NO. | DESCRIPTION | |
|------|-----|----------|--------------------------------|---------|
| 1 | 3 | 291622 | SWITCH,1P ON/OFF | 511-003 |
| 2 | 1 | 291623 | SWITCH,2P ON/OFF | 511-015 |
| 3 | 7 | 291625 | SWITCH,2P ON/ON | 511-108 |
| 4 | 5 | 291627 | SWITCH,2P(ON)OFF(OFF) | 511-058 |
| 5 | 17 | 291628 | LENS, GREEN | 596-650 |
| 6 | 1 | 291638 | INDICATOR LIGHT, GREEN | |
| 7 | 1 | 291647 | DUAL BINDING POSTS | |
| 8 | 2 | 629768 | CAPPLUGS CAP,.093 X .750 VINYL | |
| 9 | 1 | 291775 | SWITCH, LOCK OFF/ON | 511-172 |
| 10 | 3 | 291776 | BLANK COVER, 596-273 | |
| 11 | 8 | 293246 | END BEZEL, 594-802 | |
| 12 | 13 | 293247 | CENTER BEZEL, 594-801 | |
| 13 | 1 | 321021 | IGN SWITCH, NON-SEALED | |
| 14 | 1 | 342428 | MONITOR BRKT, 2100 | 98 |
| 15 | 1 | 342532 | BOOM SWITCH PANEL, 2100 | 98 |
| 16 | 1 | 343246 | SWITCH PANEL, 2101 | 03 |
| 17 | 1 | 343256 | SWITCH HOUSING WLD, 2101 | 03 |
| 18 | 1 | 390318 | INDICATOR LIGHT, RED | |
| 19 | 1 | 470070 | GROMMET, .375ID .062GW .500GD | |
| 20 | 14 | 470380 | 1/4-20 NUTSERT .027-.165 STL | |
| 21 | 2 | 470118 | 1/4UNC X 3/4 FLANGE HEX BOLT | |
| 22 | 4 | 470122 | 1/4UNC X 1/2 FLANGE HEX BOLT | |
| 23 | 4 | 470339 | SNAP PLUG, BLK NYL, .250 DIA | |
| 24 | 1 | 690618 | CONSOLE, RAVEN 460 W/GPS PORT | |
| 25 | 2 | 900000 | 1/4UNC X 1/2 HEX BOLT | |
| 26 | 10 | 903708 | 1/4UNC X1/2PHIL PANHD MACH SCR | |
| 27 | 3 | 914000 | 1/4UNC HEX STOVER NUT | |
| 28 | 1 | 342425 | SWITCH HSG SUPP WLD, 2100 | 98 |
| 29 | 1 | 291626 | SWITCH,2P ON/OFF/OFF | 511-053 |
| 30 | 1 | 900005 | 1/4UNC X 1 1/2 HEX BOLT | |
| 31 | 2 | 470121 | 1/4UNC HEX FLANGE LOCK NUT | |
| 32 | 1 | 291005 | LENS, RED | 596-615 |





FUSE BOX ASSEMBLY

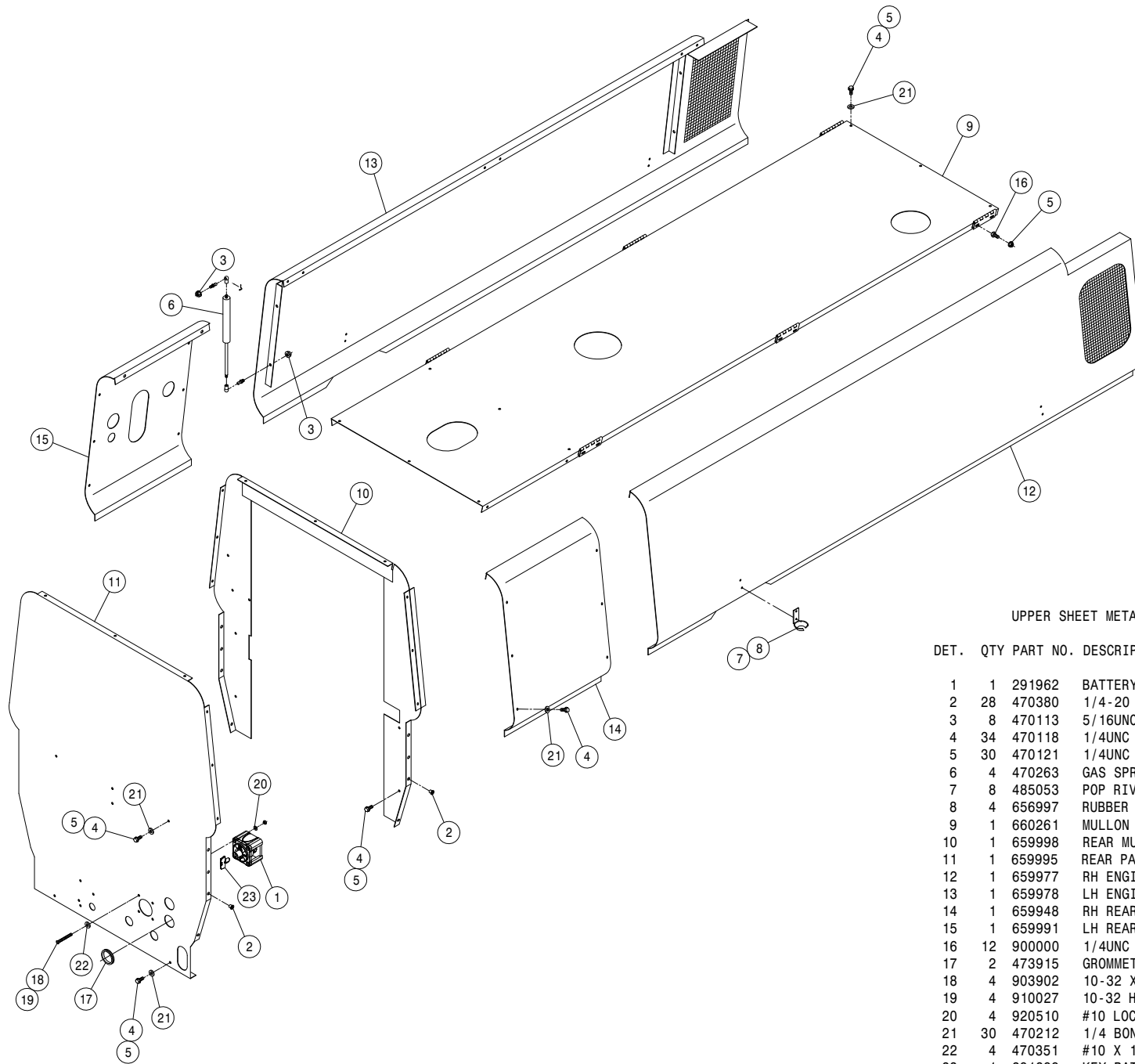
| DET. | QTY | PART NO. | DESCRIPTION |
|------|-----|----------|--------------------------------|
| 1 | 1 | 291004 | BUSS BAR,6 GANG CIRCUIT BREAKR |
| 2 | 1 | 291024 | CIRCUIT BREAKER,40AMP,INLINEMT |
| 3 | 4 | 291197 | CIRCUIT BREAKER,30AMP,INLINEMT |
| 4 | 1 | 291544 | FUSE PANEL,10 CIRCUIT,BLADE TP |
| 5 | 7 | 291545 | 10 AMP FUSE,ATC,1/4"BLADE |
| 6 | 2 | 291546 | 15 AMP FUSE,LED 1/4"BLADE,ATC |
| 7 | 1 | 291547 | 20 AMP FUSE,LED 1/4"BLADE,ATC |
| 8 | 2 | 291640 | RELAY, 12V 20/30AMP BOSCH |
| 9 | 1 | 343242 | FUSE BOX WLD, 2101/2101C 03 |
| 10 | 1 | 470121 | 1/4UNC HEX FLANGE LOCK NUT |
| 11 | 22 | 470384 | 10-32 NUTSERT .020-.130 STL |
| 12 | 17 | 903884 | 10-32X3/8 PHIL PANHD MACH SCR |
| 13 | 2 | 903893 | 10-32 X 1" PHIL PAN MACH SCR |
| 14 | 3 | 470284 | KNOB,.88 KNRLD,BLK,1/4-20 |
| 15 | 2 | 900000 | 1/4UNC X 1/2 HEX BOLT |
| 16 | 2 | 914000 | 1/4UNC HEX STOVER NUT |
| 17 | 2 | 193011 | EDGE GUARD, BLK |
| 18 | 1 | 650292 | DECAL,ADDITIONAL FUSES, DTS10 |
| 19 | 1 | 343008 | FUSE BOX COVER DTS10'12 |
| 20 | 1 | 343007 | HARNESS COVER DTS10'12 |



SEAT AND CONSOLE ASSEMBLY

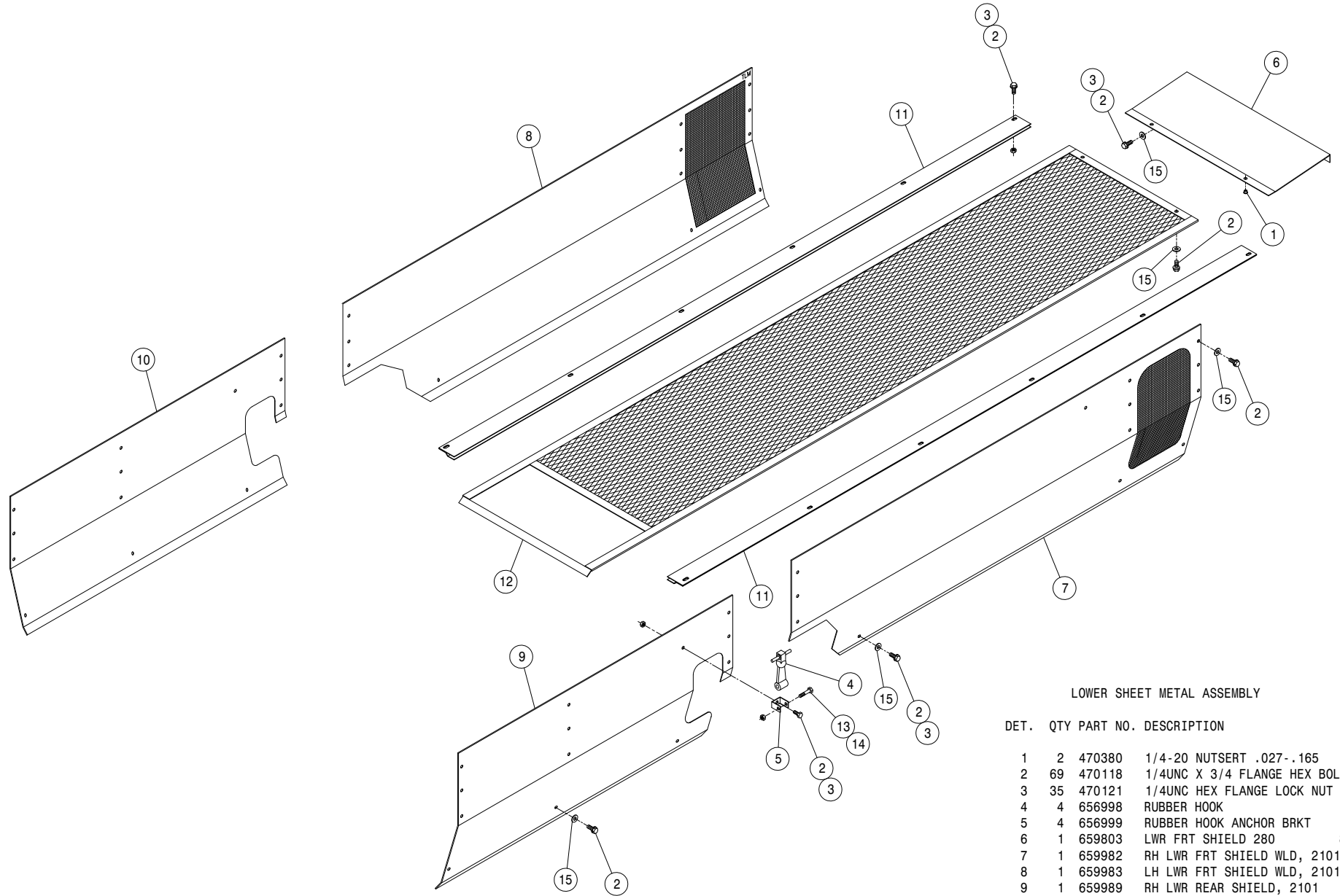
DET. QTY PART NO. DESCRIPTION

| | | | | |
|----|---|--------|------------------------------|-----|
| 1 | 1 | 330034 | SEAT & AIR RIDE ASSY, STS | 05 |
| 2 | 1 | 342090 | SEAT MT WELD, 254/284 | 95 |
| 3 | 1 | 291648 | POWER POINT RECEPTACLE | |
| 4 | 1 | 342432 | LH CONSOLE WLD, 2100 | 98 |
| 5 | 4 | 473827 | 8MM-1.25 X 20MM HEX BOLT | |
| 6 | 4 | 900002 | 1/4UNC X 3/4 HEX BOLT | |
| 7 | 4 | 900129 | 3/8UNC X 1" SERR FLANGE BOLT | |
| 8 | 4 | 470380 | 1/4-20 NUTSERT .027-.165 | STL |
| 9 | 4 | 920000 | 1/4 SAE FLAT WASHER | |
| 10 | 4 | 920501 | 5/16 LOCK WASHER | |
| 11 | 6 | 470382 | 3/8-16 NUTSERT .027-.150 | STL |



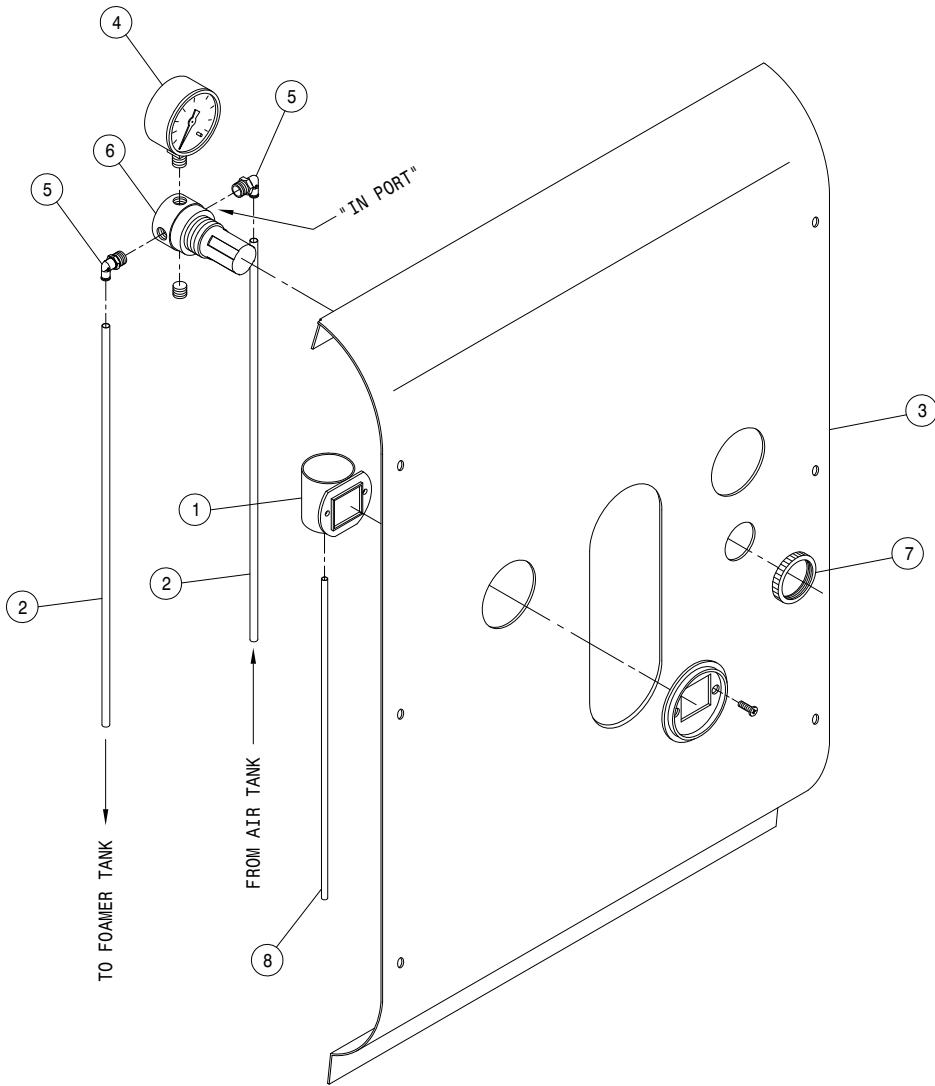
UPPER SHEET METAL ASSEMBLY

| DET. | QTY | PART NO. | DESCRIPTION |
|------|-----|----------|--------------------------------|
| | 1 | 291962 | BATTERY SWITCH,ON/OFF(KEY)6005 |
| | 28 | 470380 | 1/4-20 NUTSERT .027-.165 STL |
| | 8 | 470113 | 5/16UNC HEX FLANGE LOCK NUT |
| | 34 | 470118 | 1/4UNC X 3/4 FLANGE HEX BOLT |
| | 30 | 470121 | 1/4UNC HEX FLANGE LOCK NUT |
| | 4 | 470263 | GAS SPRING, 4016 8.00 STROKE |
| | 8 | 485053 | POP RIVET 3/16 X 3/8 |
| | 4 | 656997 | RUBBER HOOK BRKT |
| | 1 | 660261 | MULLON WLD, CUMM, DTS10, '10 |
| | 1 | 659998 | REAR MULLION SUPP WLD,DTS10'10 |
| | 1 | 659995 | REAR PANEL, 2101 03 |
| | 1 | 659977 | RH ENGINE HOOD WLD, 2101 03 |
| | 1 | 659978 | LH ENGINE HOOD WLD, 2101 03 |
| | 1 | 659948 | RH REAR UPPER PANEL, 2100 98 |
| | 1 | 659991 | LH REAR UPPER PANEL, 2101 03 |
| | 12 | 900000 | 1/4UNC X 1/2 HEX BOLT |
| | 2 | 473915 | GROMMET,1.500ID .062GW 1.750GD |
| | 4 | 903902 | 10-32 X 2" PHIL PAN MACH SCR |
| | 4 | 910027 | 10-32 HEX NUT |
| | 4 | 920510 | #10 LOCK WASHER |
| | 30 | 470212 | 1/4 BONDED SEALING WASH, SS |
| | 4 | 470351 | #10 X 1/2 BONDED SEALING WASH |
| | 1 | 291899 | KEY,BATTERY SWITCH 291870 |



LOWER SHEET METAL ASSEMBLY

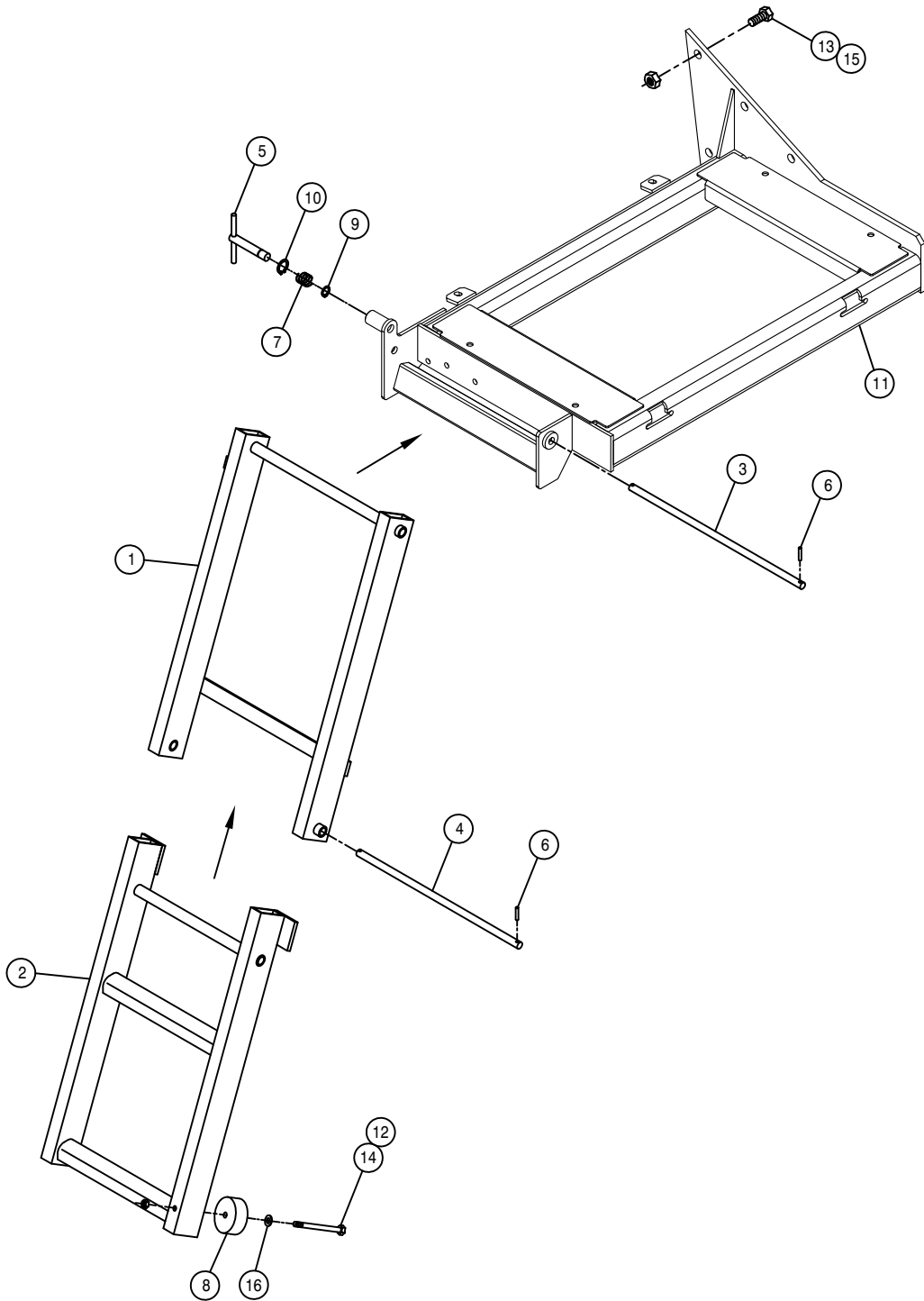
| DET. | QTY | PART NO. | DESCRIPTION |
|------|-----|----------|--------------------------------|
| 1 | 2 | 470380 | 1/4-20 NUTSERT .027-.165 STL |
| 2 | 69 | 470118 | 1/4UNC X 3/4 FLANGE HEX BOLT |
| 3 | 35 | 470121 | 1/4UNC HEX FLANGE LOCK NUT |
| 4 | 4 | 656998 | RUBBER HOOK |
| 5 | 4 | 656999 | RUBBER HOOK ANCHOR BRKT |
| 6 | 1 | 659803 | LWR FRT SHIELD 280 89 |
| 7 | 1 | 659982 | RH LWR FRT SHIELD WLD, 2101 03 |
| 8 | 1 | 659983 | LH LWR FRT SHIELD WLD, 2101 03 |
| 9 | 1 | 659989 | RH LWR REAR SHIELD, 2101 03 |
| 10 | 1 | 659990 | LH LWR REAR SHIELD, 2101 03 |
| 11 | 2 | 659957 | LWR SCRNL SLIDE WLD, 2100 98 |
| 12 | 1 | 659960 | LWR SCRNL WLD, 2100 98 |
| 13 | 4 | 900006 | 1/4UNC X 1 3/4 HEX BOLT |
| 14 | 4 | 470089 | 1/4UNC HEX NYLOC NUT, 316 SS |
| 15 | 53 | 470212 | 1/4 BONDED SEALING WASH, SS |



FOAMER AIR REGULATOR ASSEMBLY

DET. QTY PART NO. DESCRIPTION

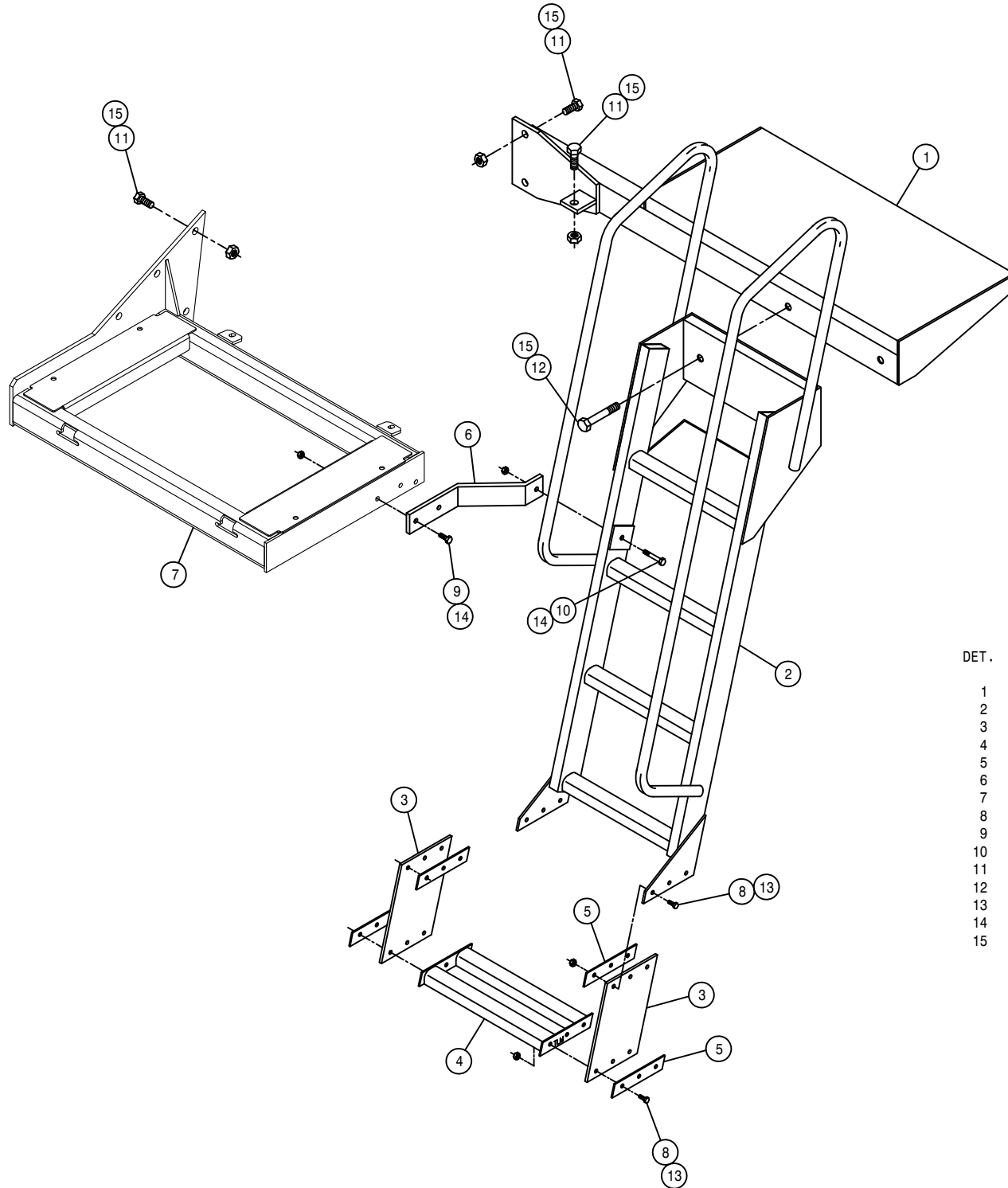
| | | | |
|---|---|--------|-------------------------------|
| 1 | 1 | 314901 | FILTER MINDER AIR RESTRICT GA |
| 2 | 2 | 601790 | HOSE, 1/4 X 79 AIR |
| 3 | 1 | 659991 | LH REAR UPPER PANEL, 2101 03 |
| 4 | 1 | 701310 | AIR PRESS GAUGE, 1/8" BOT |
| 5 | 2 | 711040 | 1/4MNPT-90-1/4 NYL TUBE LBO |
| 6 | 1 | 711019 | 1/4"MNPT AIR REGULATOR |
| 7 | 1 | 711021 | 1 1/4-18 NUT,AIR REGULATOR MT |
| 8 | 1 | 195913 | HOSE 7/64" WINDSHIELD WASHER |



RIGHT FOLDING LADDER ASSEMBLY

DET. QTY PART NO. DESCRIPTION

| | | | |
|----|---|--------|--------------------------------|
| 1 | 1 | 342583 | FOLD LDDR UPR SECT WLD,2100 98 |
| 2 | 1 | 342589 | FOLD LDDR LWR SECT WLD,2100 98 |
| 3 | 1 | 342594 | FOLD LADDER UPR PIVOT PIN 98 |
| 4 | 1 | 342595 | FOLD LADDER LWR PIVOT PIN 98 |
| 5 | 1 | 342596 | FOLD LDDR LOCK PIN WLD,2100 98 |
| 6 | 4 | 473928 | ROLL PIN, 3/16 X 1 |
| 7 | 1 | 482131 | 3/4 X 1 3/4 COMPRSN SPRING |
| 8 | 1 | 470098 | RUBBER BUMPER 2.500D X .38ID |
| 9 | 1 | 629534 | SNAP RING, 9/16 EXTERNAL |
| 10 | 1 | 629535 | SNAP RING, 3/4 INTERNAL |
| 11 | 1 | 760278 | RH FUEL TANK MT WLD, 2101 03 |
| 12 | 1 | 900072 | 5/16UNC X 3" HEX BOLT |
| 13 | 6 | 900334 | 5/8UNC X 1 3/4 HEX BOLT |
| 14 | 1 | 910002 | 5/16UNC HEX NUT |
| 15 | 6 | 914010 | 5/8UNC HEX STOVER NUT |
| 16 | 1 | 920001 | 5/16 SAE FLAT WASHER |



LEFT LADDER ASSEMBLY

DET. QTY PART NO. DESCRIPTION

| | | | | |
|----|----|--------|--------------------------------|----|
| 1 | 1 | 342599 | LH LADDER MT WLD, 2100 | 98 |
| 2 | 1 | 342605 | LH LADDER WLD, 2100 | 98 |
| 3 | 2 | 342614 | LADDER SIDE, LWR STEP, 2100 | 98 |
| 4 | 1 | 342615 | LADDER STEP WLD, 2100 | 98 |
| 5 | 4 | 342616 | LWR STEP SIDE KEEPER, 2100 | 98 |
| 6 | 1 | 342618 | LH LADDER SUPP BRKT, 2100 | 98 |
| 7 | 1 | 760279 | LH FUEL TANK MT WLD, 2101 | 03 |
| 8 | 12 | 900065 | 5/16UNC X 1" HEX BOLT | |
| 9 | 2 | 900130 | 3/8UNC X 1 1/4 SER FLANGE BOLT | |
| 10 | 1 | 900133 | 3/8UNC X 2" SERR FLANGE BOLT | |
| 11 | 9 | 900334 | 5/8UNC X 1 3/4 HEX BOLT | |
| 12 | 2 | 900829 | 5/8UNC X 4" HEX BOLT GR8 | |
| 13 | 12 | 914002 | 5/16UNC HEX STOVER NUT | |
| 14 | 3 | 914004 | 3/8UNC HEX STOVER NUT | |
| 15 | 11 | 914010 | 5/8UNC HEX STOVER NUT | |

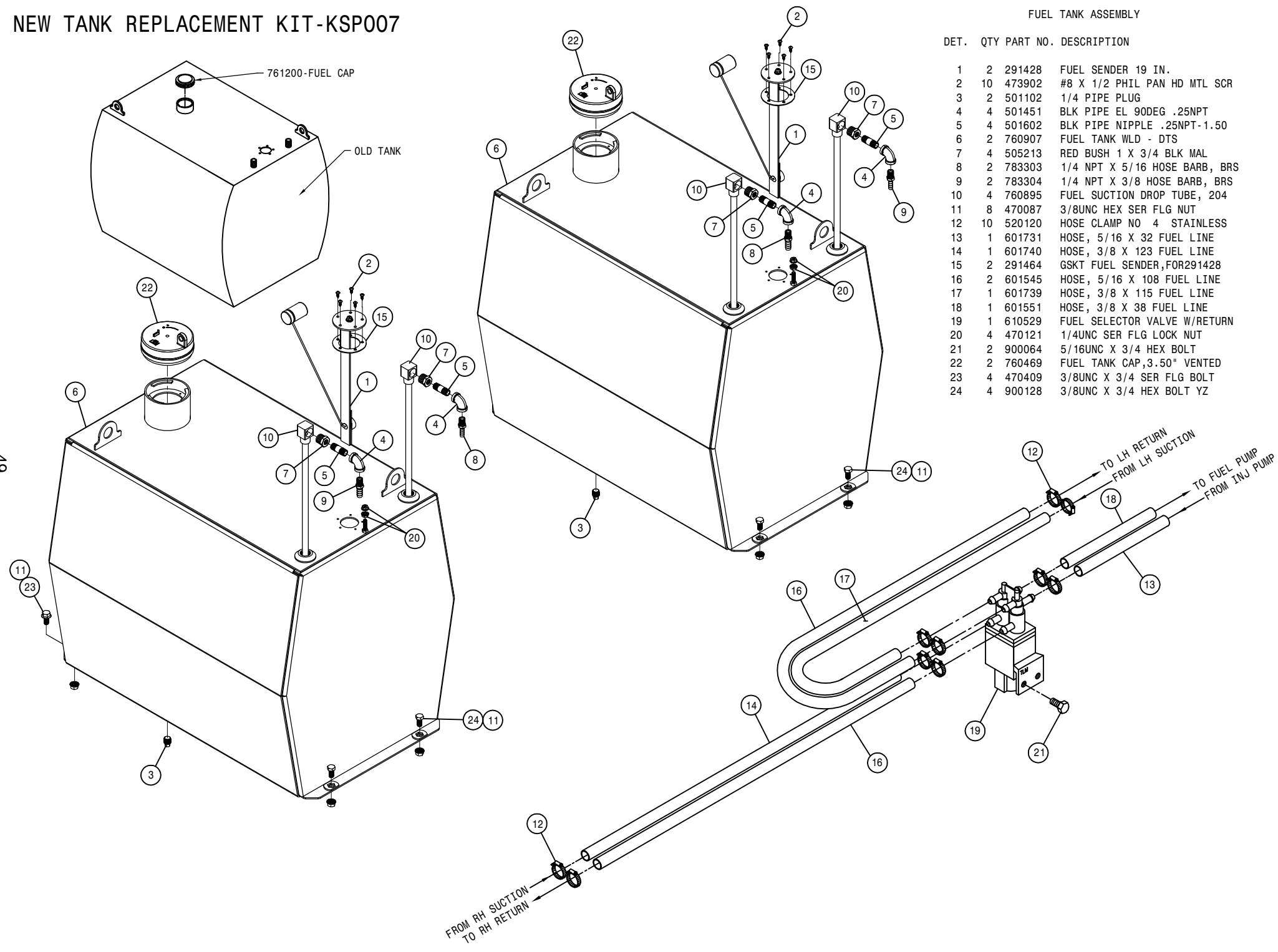
NEW TANK REPLACEMENT KIT-KSP007

FUEL TANK ASSEMBLY

DET. QTY PART NO. DESCRIPTION

| | | | |
|----|----|--------|-------------------------------|
| 1 | 2 | 291428 | FUEL SENDER 19 IN. |
| 2 | 10 | 473902 | #8 X 1/2 PHIL PAN HD MTL SCR |
| 3 | 2 | 501102 | 1/4 PIPE PLUG |
| 4 | 4 | 501451 | BLK PIPE EL 90DEG .25NPT |
| 5 | 4 | 501602 | BLK PIPE NIPPLE .25NPT-1.50 |
| 6 | 2 | 760907 | FUEL TANK WLD - DTS |
| 7 | 4 | 505213 | RED BUSH 1 X 3/4 BLK MAL |
| 8 | 2 | 783303 | 1/4 NPT X 5/16 HOSE BARB, BRS |
| 9 | 2 | 783304 | 1/4 NPT X 3/8 HOSE BARB, BRS |
| 10 | 4 | 760895 | FUEL SUCTION DROP TUBE, 204 |
| 11 | 8 | 470087 | 3/8UNC HEX SER FLG NUT |
| 12 | 10 | 520120 | HOSE CLAMP NO 4 STAINLESS |
| 13 | 1 | 601731 | HOSE, 5/16 X 32 FUEL LINE |
| 14 | 1 | 601740 | HOSE, 3/8 X 123 FUEL LINE |
| 15 | 2 | 291464 | GSKT FUEL SENDER, FOR291428 |
| 16 | 2 | 601545 | HOSE, 5/16 X 108 FUEL LINE |
| 17 | 1 | 601739 | HOSE, 3/8 X 115 FUEL LINE |
| 18 | 1 | 601551 | HOSE, 3/8 X 38 FUEL LINE |
| 19 | 1 | 610529 | FUEL SELECTOR VALVE W/RETURN |
| 20 | 4 | 470121 | 1/4UNC SER FLG LOCK NUT |
| 21 | 2 | 900064 | 5/16UNC X 3/4 HEX BOLT |
| 22 | 2 | 760469 | FUEL TANK CAP, 3.50" VENTED |
| 23 | 4 | 470409 | 3/8UNC X 3/4 SER FLG BOLT |
| 24 | 4 | 900128 | 3/8UNC X 3/4 HEX BOLT YZ |

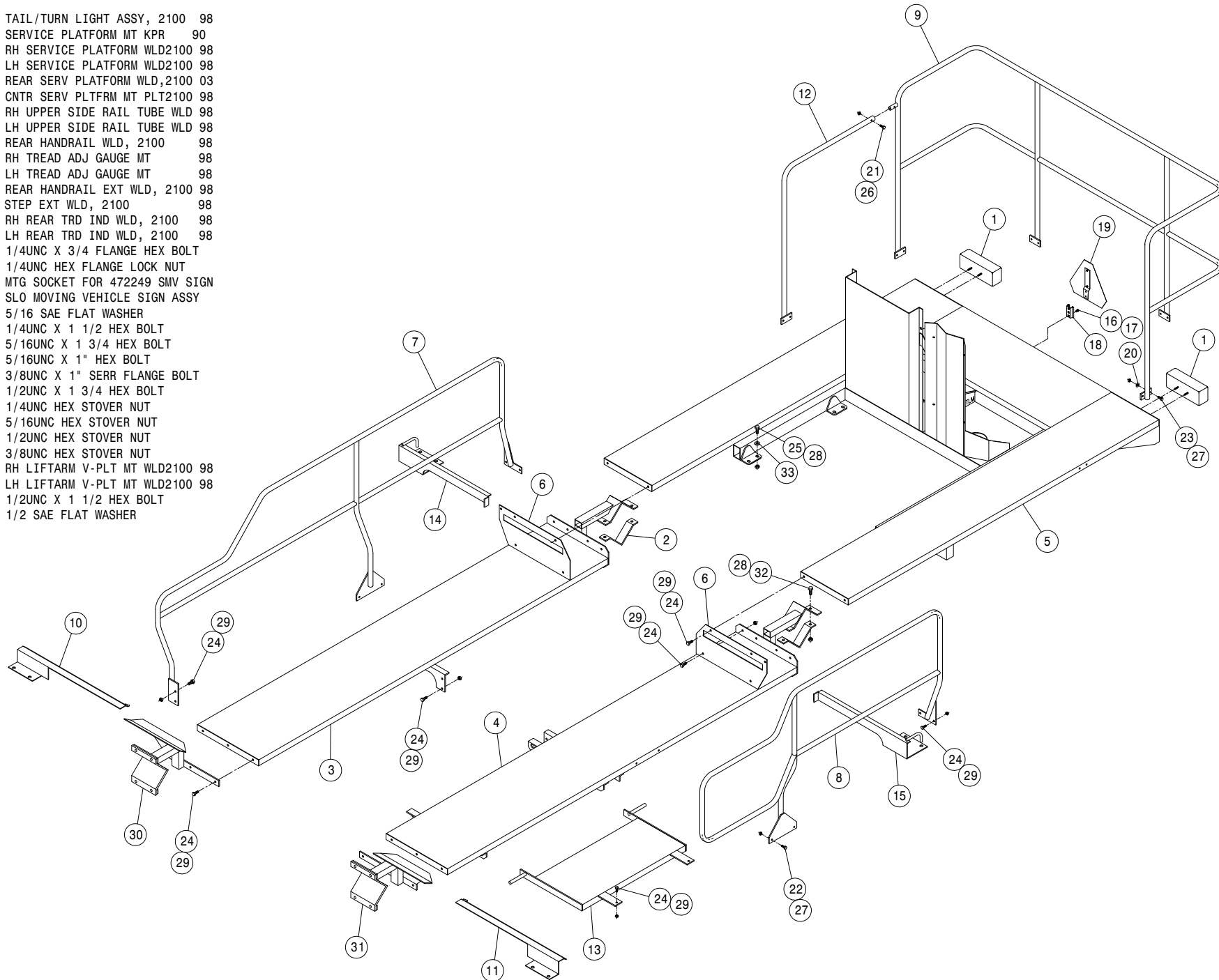
49

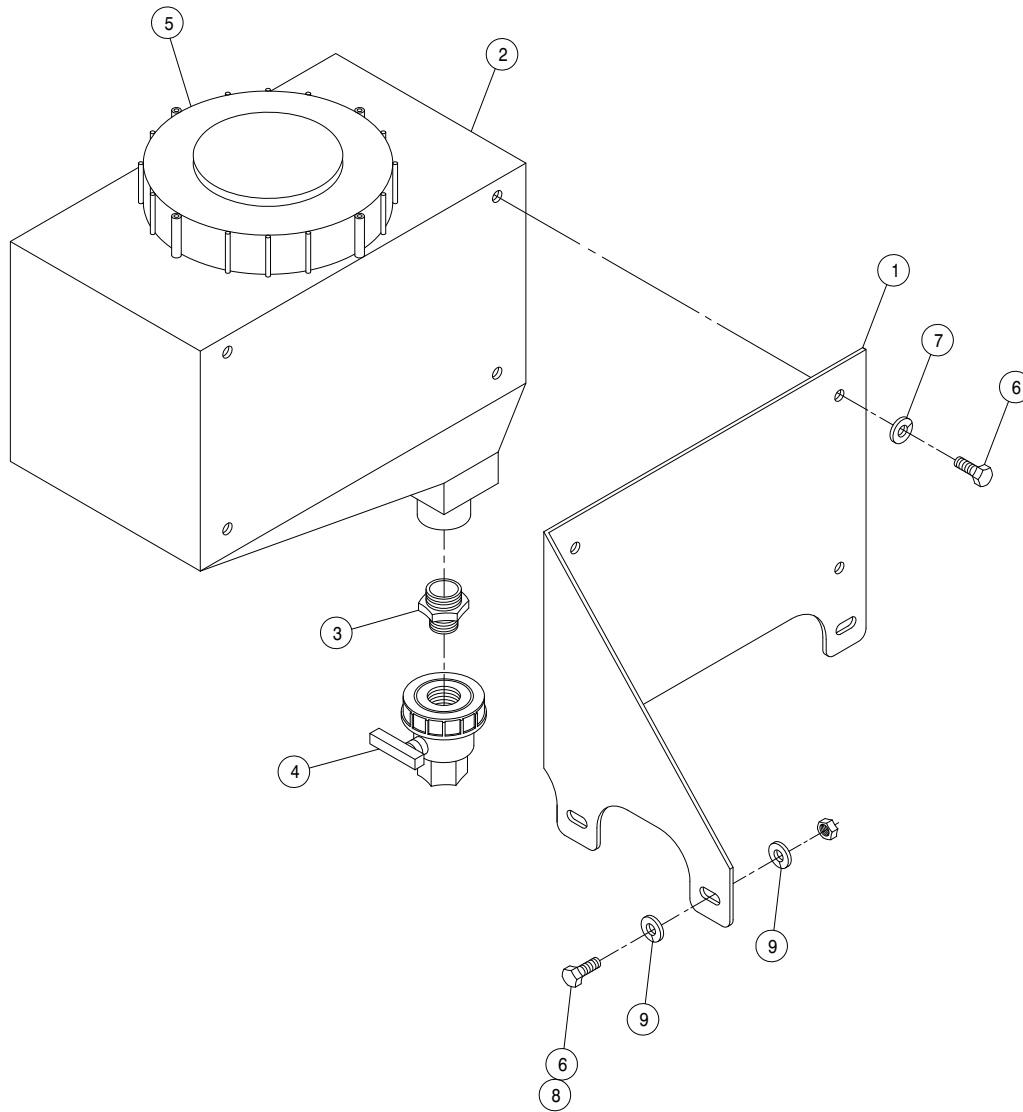


SERVICE PLATFORM ASSEMBLY

DET. QTY PART NO. DESCRIPTION

| | | | | |
|----|----|--------|--------------------------------|----|
| 1 | 2 | 293403 | TAIL/TURN LIGHT ASSY, 2100 | 98 |
| 2 | 2 | 341900 | SERVICE PLATFORM MT KPR | 90 |
| 3 | 1 | 342538 | RH SERVICE PLATFORM WLD2100 | 98 |
| 4 | 1 | 342539 | LH SERVICE PLATFORM WLD2100 | 98 |
| 5 | 1 | 343221 | REAR SERV PLATFORM WLD,2100 | 03 |
| 6 | 2 | 342565 | CNTR SERV PLTFRM MT PLT2100 | 98 |
| 7 | 1 | 342566 | RH UPPER SIDE RAIL TUBE WLD | 98 |
| 8 | 1 | 342567 | LH UPPER SIDE RAIL TUBE WLD | 98 |
| 9 | 1 | 342576 | REAR HANDRAIL WLD, 2100 | 98 |
| 10 | 1 | 342628 | RH TREAD ADJ GAUGE MT | 98 |
| 11 | 1 | 342629 | LH TREAD ADJ GAUGE MT | 98 |
| 12 | 1 | 342641 | REAR HANDRAIL EXT WLD, 2100 | 98 |
| 13 | 1 | 342645 | STEP EXT WLD, 2100 | 98 |
| 14 | 1 | 342650 | RH REAR TRD IND WLD, 2100 | 98 |
| 15 | 1 | 342651 | LH REAR TRD IND WLD, 2100 | 98 |
| 16 | 2 | 470118 | 1/4UNC X 3/4 FLANGE HEX BOLT | |
| 17 | 2 | 470121 | 1/4UNC HEX FLANGE LOCK NUT | |
| 18 | 1 | 472251 | MTG SOCKET FOR 472249 SMV SIGN | |
| 19 | 1 | 656886 | SLO MOVING VEHICLE SIGN ASSY | |
| 20 | 10 | 920001 | 5/16 SAE FLAT WASHER | |
| 21 | 1 | 900005 | 1/4UNC X 1 1/2 HEX BOLT | |
| 22 | 4 | 900068 | 5/16UNC X 1 3/4 HEX BOLT | |
| 23 | 10 | 900065 | 5/16UNC X 1" HEX BOLT | |
| 24 | 24 | 900129 | 3/8UNC X 1" SERR FLANGE BOLT | |
| 25 | 8 | 900266 | 1/2UNC X 1 3/4 HEX BOLT | |
| 26 | 1 | 914000 | 1/4UNC HEX STOVER NUT | |
| 27 | 14 | 914002 | 5/16UNC HEX STOVER NUT | |
| 28 | 12 | 914008 | 1/2UNC HEX STOVER NUT | |
| 29 | 24 | 914004 | 3/8UNC HEX STOVER NUT | |
| 30 | 1 | 164364 | RH LIFTARM V-PLT MT WLD2100 | 98 |
| 31 | 1 | 164365 | LH LIFTARM V-PLT MT WLD2100 | 98 |
| 32 | 4 | 900265 | 1/2UNC X 1 1/2 HEX BOLT | |
| 33 | 8 | 920004 | 1/2 SAE FLAT WASHER | |

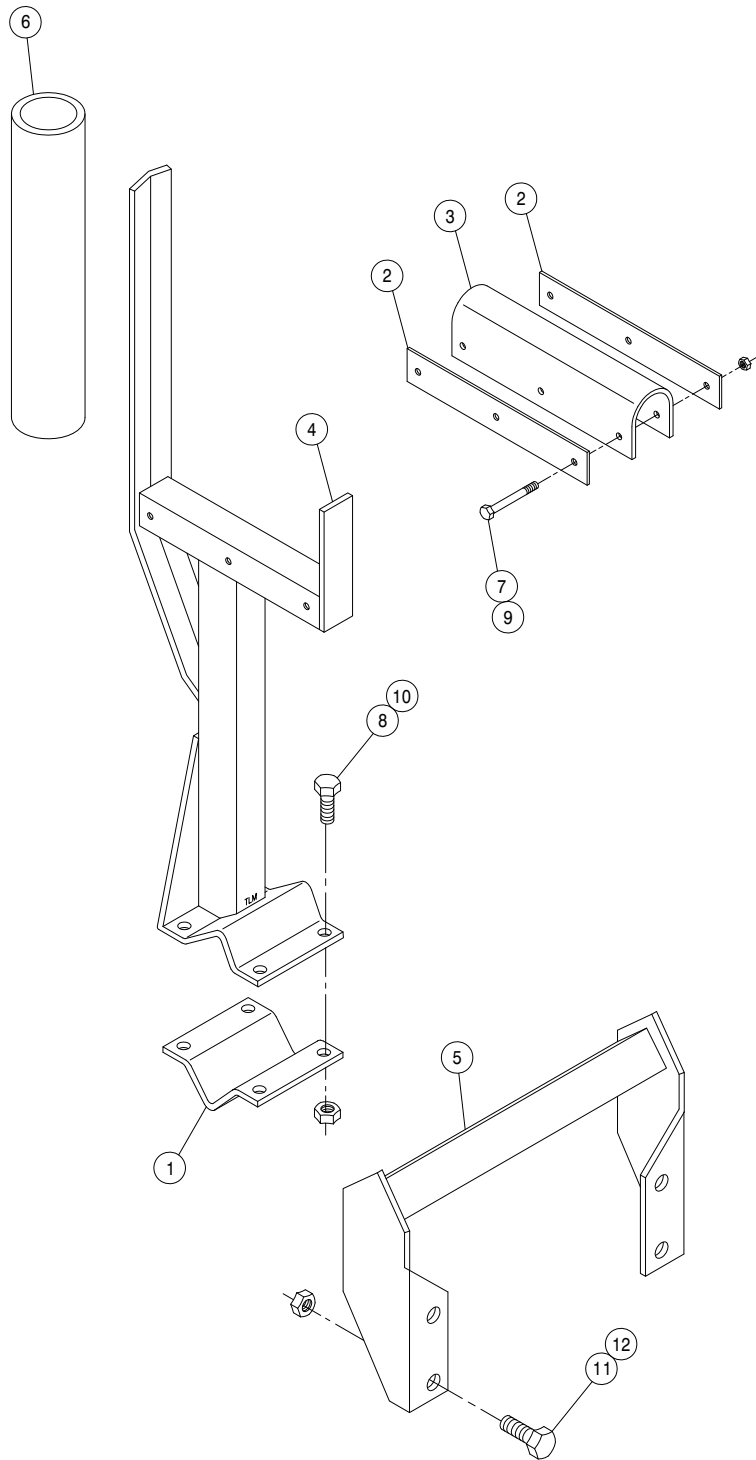




FRESH WATER TANK ASSEMBLY

DET. QTY PART NO. DESCRIPTION

| | | | |
|---|---|--------|---------------------------------|
| 1 | 1 | 343264 | FRESH WATER TANK MT, 2101 04 |
| 2 | 1 | 470318 | RINSE TANK, 3 GAL SQ SAFETY |
| 3 | 1 | 500124 | 3/4 X 1/2NPT REDU NIPPLE, POLY |
| 4 | 1 | 696005 | BALL VLV, .500NPT, 100PSI, POLY |
| 5 | 1 | 470337 | 6" LID FOR 3 GAL TANK 470318 |
| 6 | 7 | 900064 | 5/16UNC X 3/4 HEX BOLT |
| 7 | 4 | 920501 | 5/16 LOCK WASHER |
| 8 | 3 | 914002 | 5/16UNC HEX STOVER NUT |
| 9 | 6 | 920001 | 5/16 SAE FLAT WASHER |



BOOM CRADLE ASSEMBLY

DET. QTY PART NO. DESCRIPTION

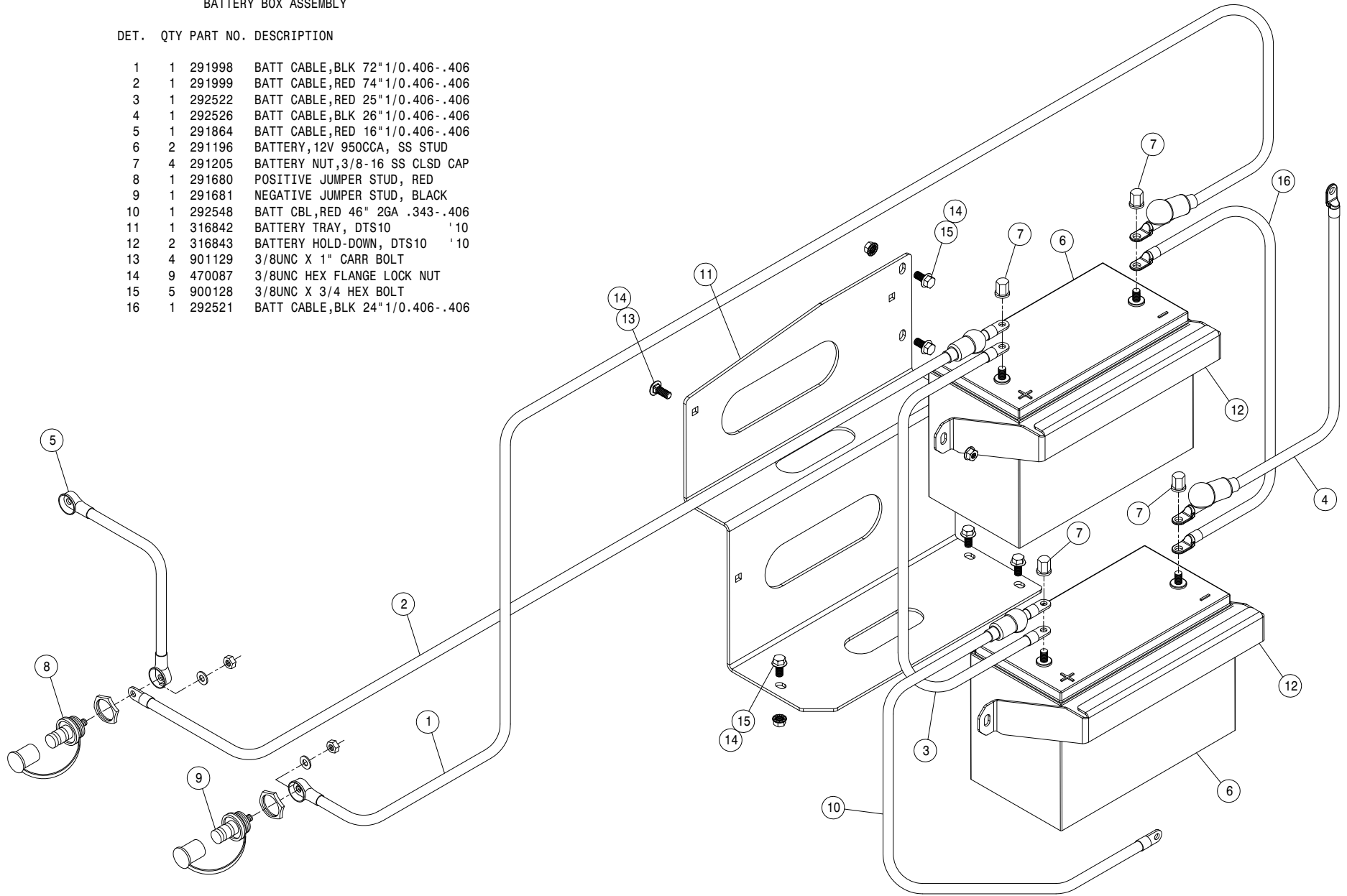
| | | | | |
|----|---|--------|-------------------------------|----|
| 1 | 2 | 164253 | BOOM CRADLE V-PLT KEEPER | 96 |
| 2 | 4 | 164254 | CRADLE CUSHION KEEPER | 96 |
| 3 | 2 | 164256 | BOOM CRADLE CUSHION | 96 |
| 4 | 2 | 164372 | BOOM CRADLE WLD, 2100 | 98 |
| 5 | 2 | 164376 | BOOM CRADLE MT WLD, 2100 | 98 |
| 6 | 2 | 601184 | HOSE, 1 1/2 X 14 2BR BLK EPDM | |
| 7 | 6 | 900008 | 1/4UNC X 2 1/2 HEX BOLT | |
| 8 | 8 | 900265 | 1/2UNC X 1 1/2 HEX BOLT | |
| 9 | 6 | 914000 | 1/4UNC HEX STOVER NUT | |
| 10 | 8 | 914008 | 1/2UNC HEX STOVER NUT | |
| 11 | 8 | 900334 | 5/8UNC X 1 3/4 HEX BOLT | |
| 12 | 8 | 914010 | 5/8UNC HEX STOVER NUT | |

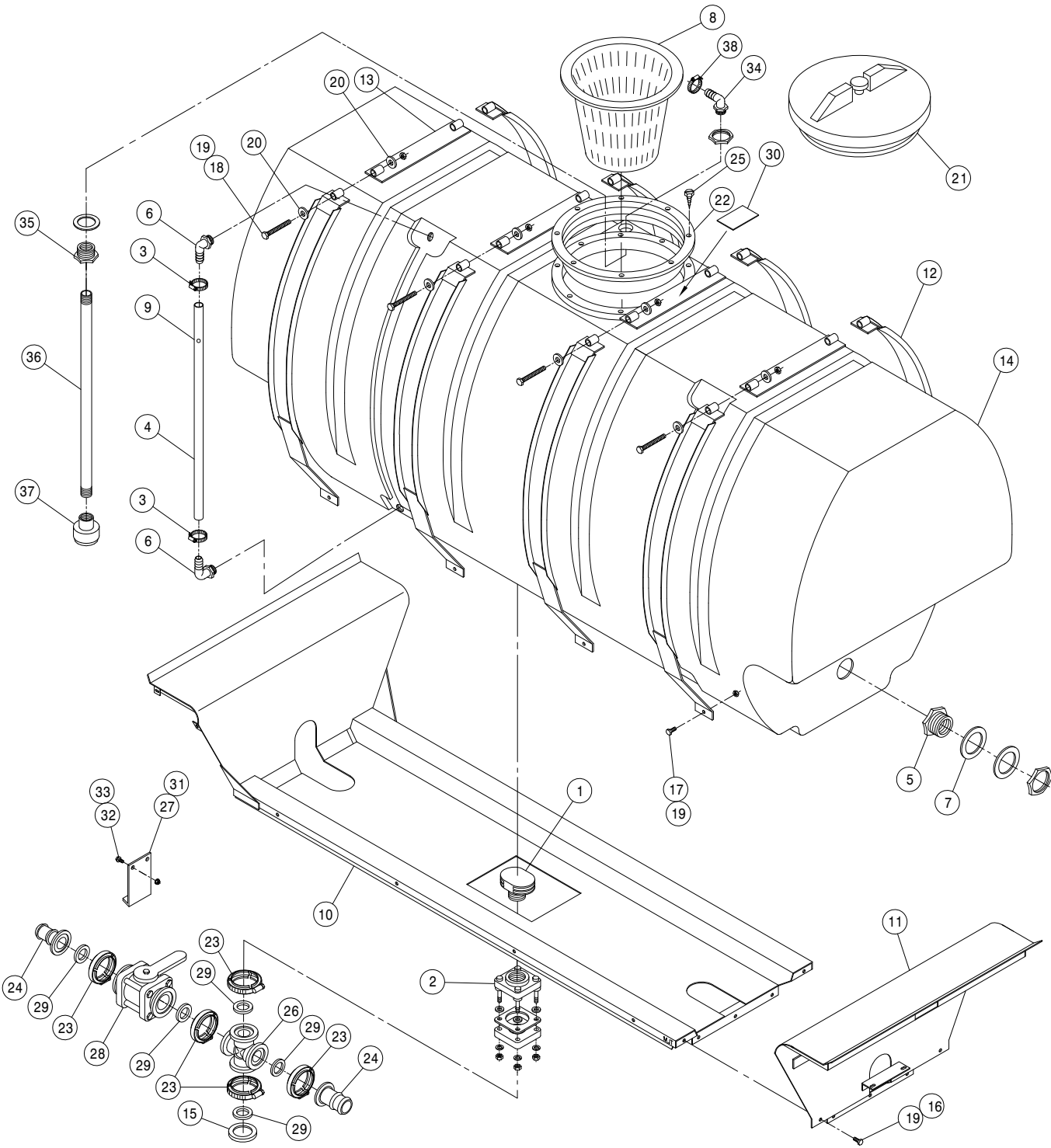
NOTE: QUANTITY LISTED IS FOR ONE MACHINE.

BATTERY BOX ASSEMBLY

DET. QTY PART NO. DESCRIPTION

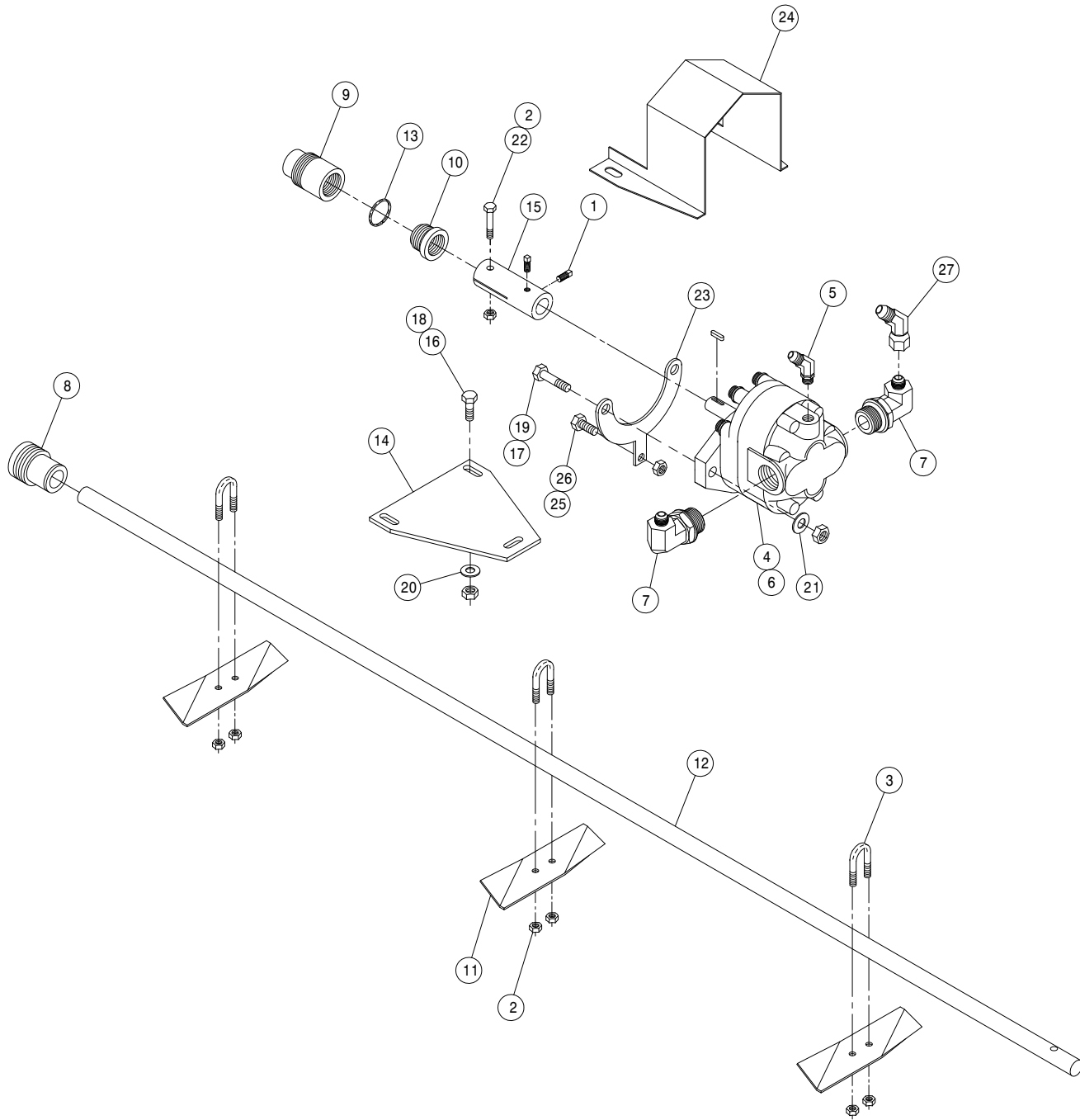
| | | | |
|----|---|--------|--------------------------------|
| 1 | 1 | 291998 | BATT CABLE,BLK 72"1/0.406-.406 |
| 2 | 1 | 291999 | BATT CABLE,RED 74"1/0.406-.406 |
| 3 | 1 | 292522 | BATT CABLE,RED 25"1/0.406-.406 |
| 4 | 1 | 292526 | BATT CABLE,BLK 26"1/0.406-.406 |
| 5 | 1 | 291864 | BATT CABLE,RED 16"1/0.406-.406 |
| 6 | 2 | 291196 | BATTERY,12V 950CCA, SS STUD |
| 7 | 4 | 291205 | BATTERY NUT,3/8-16 SS CLSD CAP |
| 8 | 1 | 291680 | POSITIVE JUMPER STUD, RED |
| 9 | 1 | 291681 | NEGATIVE JUMPER STUD, BLACK |
| 10 | 1 | 292548 | BATT CBL,RED 46" 2GA .343-.406 |
| 11 | 1 | 316842 | BATTERY TRAY, DTS10 '10 |
| 12 | 2 | 316843 | BATTERY HOLD-DOWN, DTS10 '10 |
| 13 | 4 | 901129 | 3/8UNC X 1" CARR BOLT |
| 14 | 9 | 470087 | 3/8UNC HEX FLANGE LOCK NUT |
| 15 | 5 | 900128 | 3/8UNC X 3/4 HEX BOLT |
| 16 | 1 | 292521 | BATT CABLE,BLK 24"1/0.406-.406 |





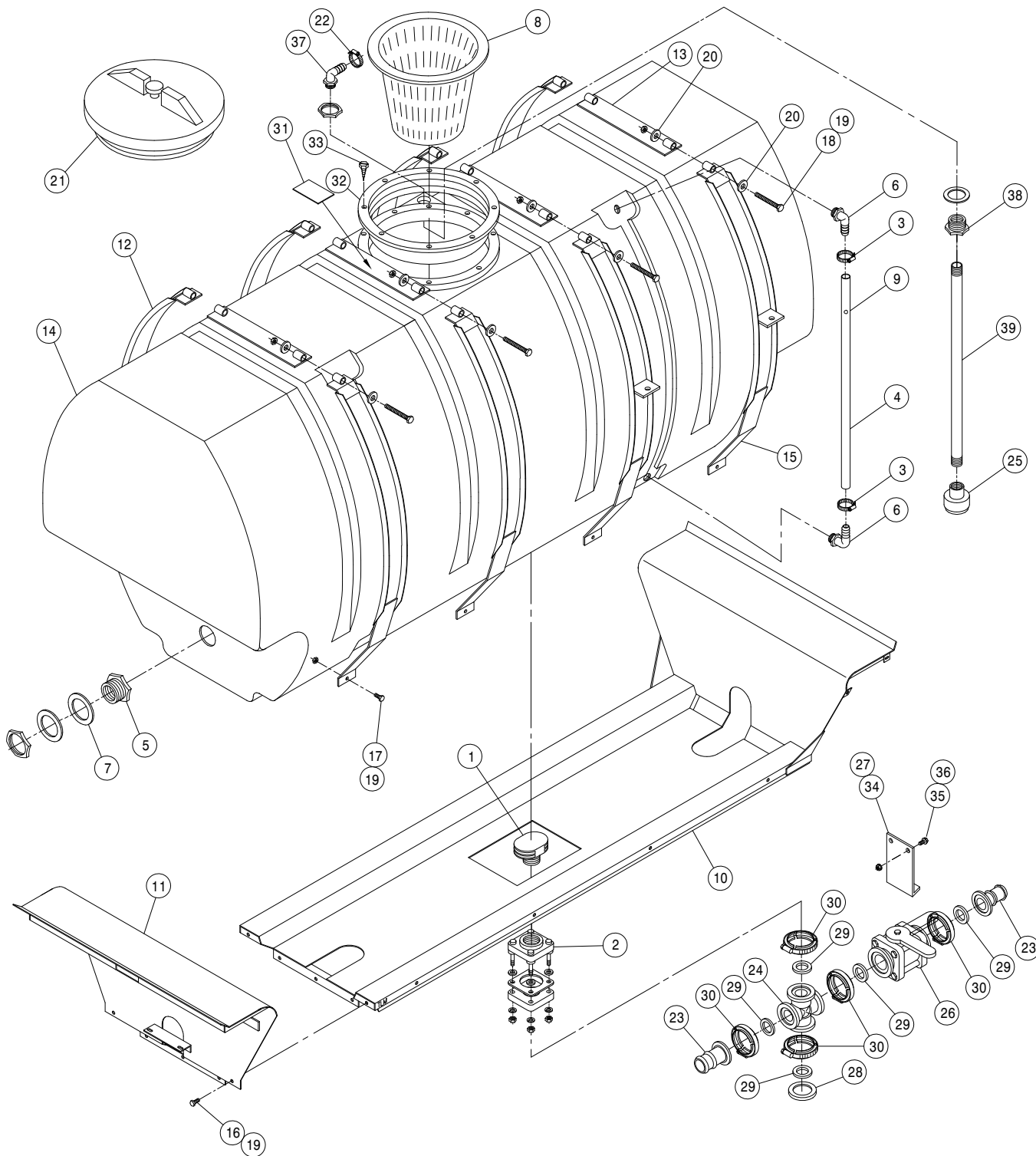
RIGHT POLY SOLUTION TANK ASSEMBLY

| DET. | QTY | PART NO. | DESCRIPTION |
|------|-----|----------|--------------------------------|
| | 1 | 500077 | VENT CAP, 2" W/O SCREEN,POLY |
| | 1 | 500179 | 2"FLG TANK FTG,BOTDRN BLT POLY |
| | 2 | 520069 | HOSE CLAMP NO 6 STAINLESS |
| | 1 | 601245 | HOSE, 1/2 X 42 CLEAR VINYL |
| | 2 | 618548 | 1.25 PLASTIC FTG ASSY POLYTNK |
| | 2 | 618556 | 1/4NPT-90-1/2 HOSE BARB,POLY |
| | 2 | 763430 | 1 1/4 TANK FLANGE RUBBER SEAL |
| | 1 | 763431 | 8" STRAINER BASKET, SOLU TANK |
| | 1 | 763446 | RED POLYPROPYLENE BALL 25/64" |
| | 1 | 763652 | POLY TANK CRADLE WLD, 2101 04 |
| | 1 | 763502 | REAR CRADLE MT WLD, 2100 98 |
| | 8 | 763507 | TANK BAND WLD, 2100 POLY 98 |
| | 4 | 763511 | TANK BAND TIE WLD, 2100 98 |
| | 1 | 763513 | 500 GAL POLY SOLU TANK 98 |
| | 1 | 500156 | 2" FLANGE CAP PLUG POLY |
| | 5 | 900129 | 3/8UNC X 1" SERR FLANGE BOLT |
| | 8 | 900130 | 3/8UNC X 1 1/4 SER FLANGE BOLT |
| | 8 | 906138 | 3/8UNC X 3 1/2 HEX BOLT FULL |
| | 21 | 914004 | 3/8UNC HEX STOVER NUT |
| | 16 | 920002 | 3/8 SAE FLAT WASHER |
| | 1 | 763408 | LID, THD'D W/VENT, POLY TANK |
| | 1 | 763409 | 10" THD'D RING FOR TANK LID |
| | 5 | 500160 | 2" FLANGE CLAMP, S.S. |
| | 2 | 500162 | 2" FLANGE-1 1/2 HOSE BARB POLY |
| | 8 | 763410 | S.S. SCREW FOR CAP RING |
| | 1 | 500176 | 2" FLANGE CROSS POLY |
| | 1 | 763363 | SOLU HOSE SUPPORT 280 POLY 91 |
| | 1 | 696142 | BALL VLV, 2" FLANGE |
| | 5 | 500158 | 1 1/2" GASKET FOR 2" FLANGE |
| | 1 | 650850 | DECAL,WARNING, DANGEROUS CHEM |
| | 1 | 470000 | CABLE TIE, 1/2 X 28" BLACK NYL |
| | 2 | 470118 | 1/4UNC X 3/4 FLANGE HEX BOLT |
| | 2 | 470121 | 1/4UNC HEX FLANGE LOCK NUT |
| | 1 | 500054 | 3/4NPT-90-3/4 HOSE BARB, POLY |
| | 1 | 500110 | 3/4NPT BLKHD TANK FITTING POLY |
| | 1 | 504850 | CPVC PIPE NIPPLE .75NPT-24.00 |
| | 1 | 737873 | ROTARY NOZZLE, TEFLON |
| | 1 | 520055 | HOSE CLAMP NO 12 STAINLESS |



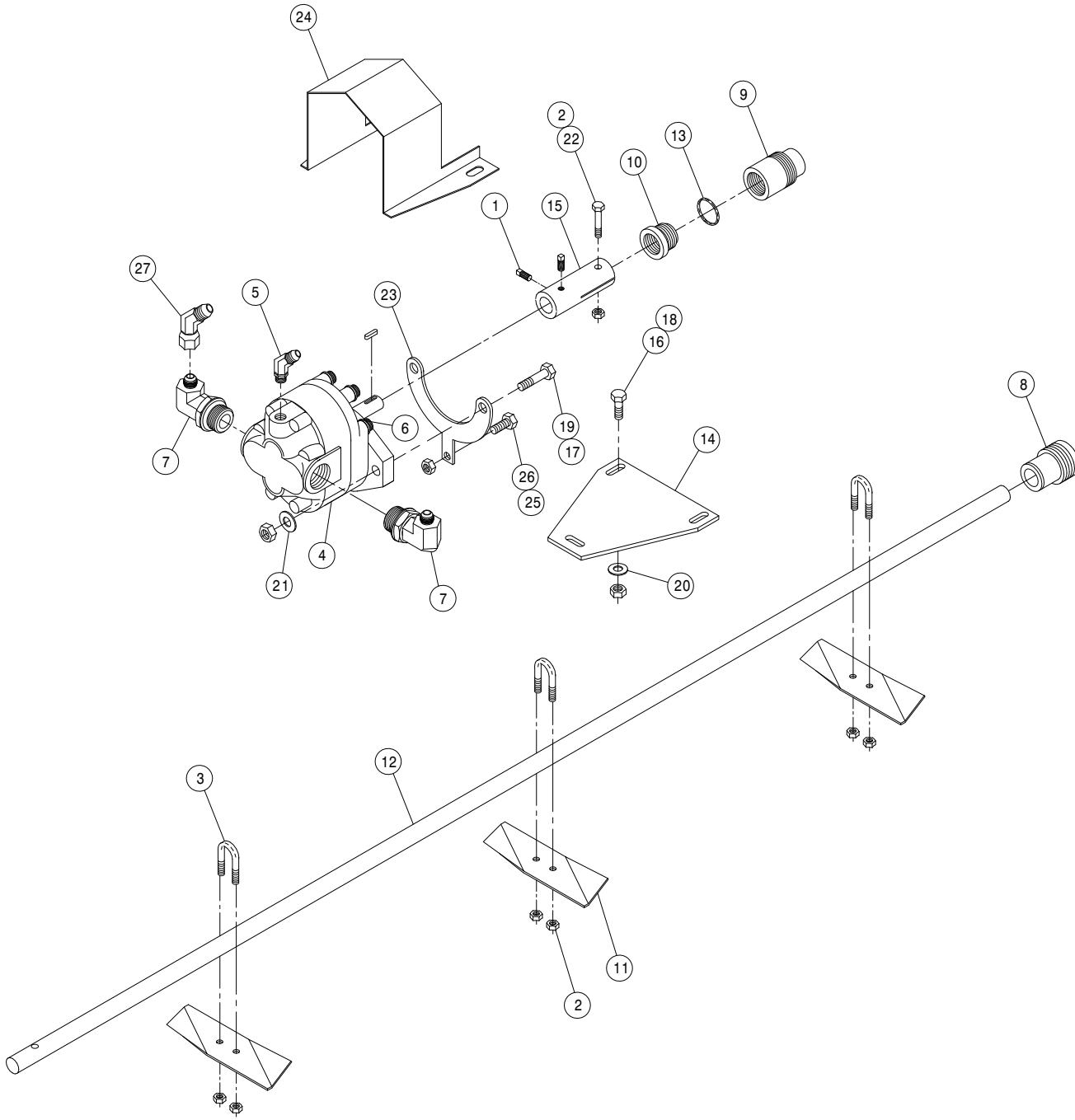
RIGHT AGITATOR ASSEMBLY

| DET. | QTY | PART NO. | DESCRIPTION |
|------|-----|----------|--------------------------------|
| 1 | 2 | 470199 | 1/4UNC X 3/8 SQ HD CUP SET SCR |
| 2 | 7 | 470089 | 1/4UNC HEX NYLOC NUT, 316 SS |
| 3 | 3 | 470092 | 1/4UNC-3/4ID-1 1/4 U-BOLT SS |
| 4 | 1 | 606324 | GEAR MTR,1.41CI EATON |
| 5 | 1 | 618425 | 9/16MJIC-45-9/16MOR LBO |
| 6 | 1 | 606313 | SHAFT SEAL FOR 606324 |
| 7 | 2 | 618813 | 9/16MJIC-90-1 1/16MOR LBO |
| 8 | 1 | 706403 | FRT AGIT SHFT BRG, NYLON |
| 9 | 1 | 706401 | REAR AGIT SHFT BRG, NYLON |
| 10 | 1 | 706402 | AGIT SHFT GLAND NUT, NYLON |
| 11 | 3 | 763027 | AGIT IMPELLER |
| 12 | 1 | 763514 | AGIT SHAFT, 2100 98 |
| 13 | 1 | 763217 | GLAND PACKING, 13 IN. LONG |
| 14 | 1 | 763357 | AGIT MTR MT PLT CES 280 91 |
| 15 | 1 | 763359 | AGIT MTR CPLR 280 91 |
| 16 | 2 | 900064 | 5/16UNC X 3/4 HEX BOLT |
| 17 | 2 | 900130 | 3/8UNC X 1 1/4 SER FLANGE BOLT |
| 18 | 2 | 914002 | 5/16UNC HEX STOVER NUT |
| 19 | 2 | 914004 | 3/8UNC HEX STOVER NUT |
| 20 | 2 | 920001 | 5/16 SAE FLAT WASHER |
| 21 | 2 | 920002 | 3/8 SAE FLAT WASHER |
| 22 | 1 | 470200 | 1/4UNC X 1 3/4 HEX BOLT SS |
| 23 | 1 | 763358 | AGIT MTR MT YOKE CES 280 91 |
| 24 | 1 | 763361 | AGIT CPLR SHIELD 280 91 |
| 25 | 1 | 900000 | 1/4UNC X 1/2 HEX BOLT |
| 26 | 1 | 914000 | 1/4UNC HEX STOVER NUT |
| 27 | 1 | 618634 | 9/16MJIC-45-9/16FJIC SWIV LBO |



LEFT POLY SOLUTION TANK ASSEMBLY

| DET. | QTY | PART NO. | DESCRIPTION |
|------|-----|----------|--------------------------------|
| | 1 | 500077 | VENT CAP, 2" W/O SCREEN,POLY |
| | 1 | 500179 | 2"FLG TANK FTG,BOTDRN BLT POLY |
| | 3 | 520069 | HOSE CLAMP NO 6 STAINLESS |
| | 4 | 601245 | HOSE, 1/2 X 42 CLEAR VINYL |
| | 5 | 618548 | 1.25 PLASTIC FTG ASSY POLYTNK |
| | 6 | 618556 | 1/4NPT-90-1/2 HOSE BARB,POLY |
| | 7 | 763430 | 1 1/4 TANK FLANGE RUBBER SEAL |
| | 8 | 763431 | 8" STRAINER BASKET, SOLU TANK |
| | 9 | 763446 | RED POLYPROPYLENE BALL 25/64" |
| | 10 | 763652 | POLY TANK CRADLE WLD, 2101 04 |
| | 11 | 763502 | REAR CRADLE MT WLD, 2100 98 |
| | 12 | 763507 | TANK BAND WLD, 2100 POLY 98 |
| | 13 | 763511 | TANK BAND TIE WLD, 2100 98 |
| | 14 | 763513 | 500 GAL POLY SOLU TANK 98 |
| | 15 | 763515 | TANK BAND W/TAB WLD, 2100 98 |
| | 16 | 900129 | 3/8UNC X 1" SERR FLANGE BOLT |
| | 17 | 900130 | 3/8UNC X 1 1/4 SER FLANGE BOLT |
| | 18 | 906138 | 3/8UNC X 3 1/2 HEX BOLT FULL |
| | 19 | 914004 | 3/8UNC HEX STOVER NUT |
| | 20 | 920002 | 3/8 SAE FLAT WASHER |
| | 21 | 763408 | LID, THD'D W/VENT, POLY TANK |
| | 22 | 520055 | HOSE CLAMP NO 12 STAINLESS |
| | 23 | 500162 | 2" FLANGE-1 1/2 HOSE BARB POLY |
| | 24 | 500176 | 2" FLANGE CROSS POLY |
| | 25 | 737873 | ROTARY NOZZLE, TEFLON |
| | 26 | 696142 | BALL VLV, 2" FLANGE |
| | 27 | 470000 | CABLE TIE, 1/2 X 28" BLACK NYL |
| | 28 | 500156 | 2" FLANGE CAP PLUG POLY |
| | 29 | 500158 | 1 1/2" GASKET FOR 2" FLANGE |
| | 30 | 500160 | 2" FLANGE CLAMP, S.S. |
| | 31 | 650850 | DECAL,WARNING, DANGEROUS CHEM |
| | 32 | 763409 | 10" THD'D RING FOR TANK LID |
| | 33 | 763410 | S.S. SCREW FOR CAP RING |
| | 34 | 763363 | SOLU HOSE SUPPORT 280 POLY 91 |
| | 35 | 470118 | 1/4UNC X 3/4 FLANGE HEX BOLT |
| | 36 | 470121 | 1/4UNC HEX FLANGE LOCK NUT |
| | 37 | 500054 | 3/4NPT-90-3/4 HOSE BARB, POLY |
| | 38 | 500110 | 3/4NPT BLKHD TANK FITTING POLY |
| | 39 | 504850 | CPVC PIPE NIPPLE .75NPT-24.00 |



LEFT AGITATOR ASSEMBLY

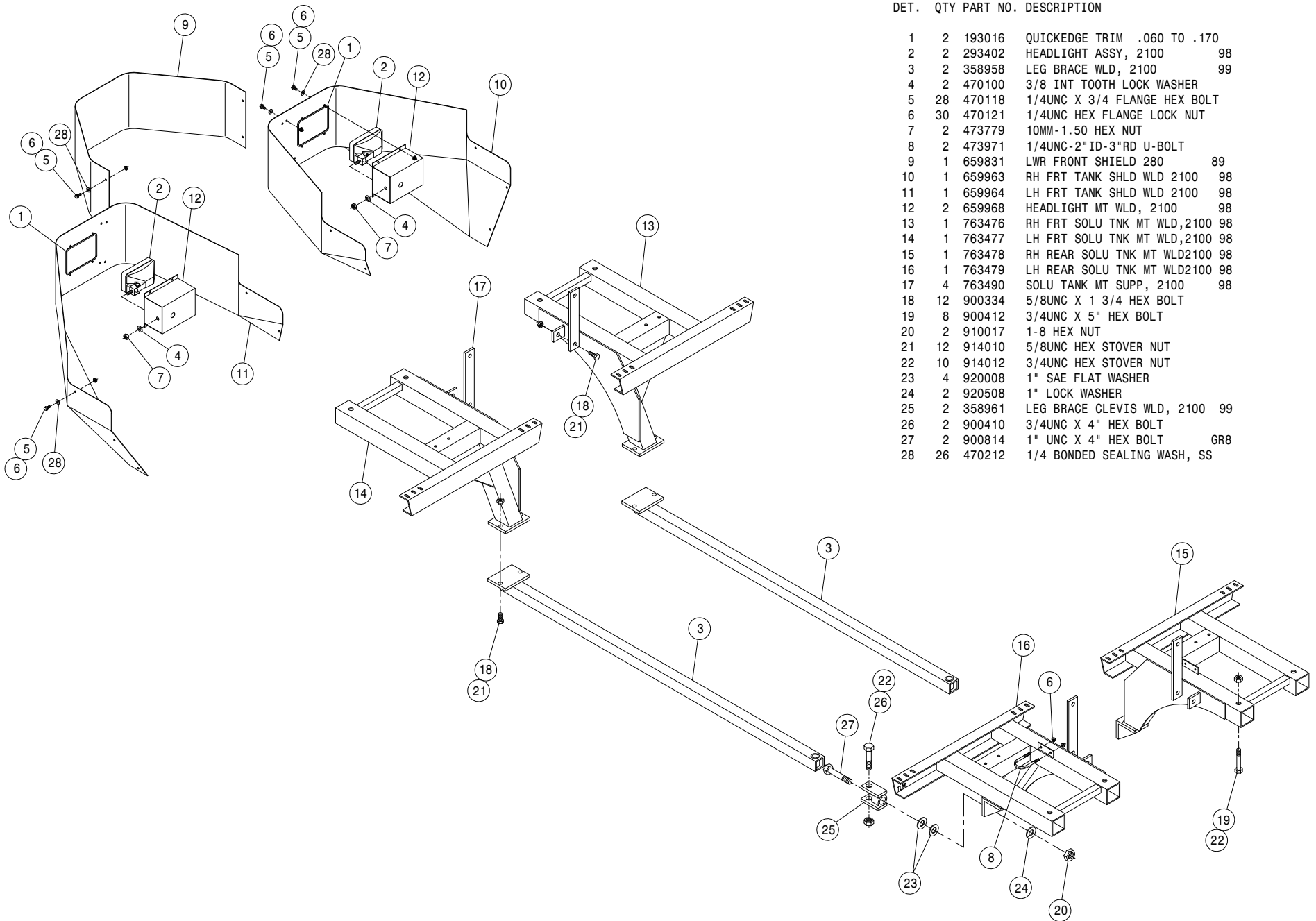
DET. QTY PART NO. DESCRIPTION

| | | | | |
|----|---|--------|--------------------------------|----|
| 1 | 2 | 470199 | 1/4UNC X 3/8 SQ HD CUP SET SCR | |
| 2 | 7 | 470089 | 1/4UNC HEX NYLOC NUT, 316 SS | |
| 3 | 3 | 470092 | 1/4UNC-3/4ID-1 1/4 U-BOLT SS | |
| 4 | 1 | 606324 | GEAR MTR,1.41CI EATON | |
| 5 | 1 | 618338 | 9/16MJIC-45-1/4MNPT LBO | |
| 6 | 1 | 606313 | SHAFT SEAL FOR 606324 | |
| 7 | 2 | 618107 | 9/16MJIC-90-1/2MNPT LBO | |
| 8 | 1 | 706403 | FRT AGIT SHFT BRG, NYLON | |
| 9 | 1 | 706401 | REAR AGIT SHFT BRG, NYLON | |
| 10 | 1 | 706402 | AGIT SHFT GLAND NUT, NYLON | |
| 11 | 3 | 763027 | AGIT IMPELLER | |
| 12 | 1 | 763514 | AGIT SHAFT, 2100 | 98 |
| 13 | 1 | 763217 | GLAND PACKING, 13 IN. LONG | |
| 14 | 1 | 763357 | AGIT MTR MT PLT CES 280 | 91 |
| 15 | 1 | 763359 | AGIT MTR CPLR 280 | 91 |
| 16 | 2 | 900064 | 5/16UNC X 3/4 HEX BOLT | |
| 17 | 2 | 900130 | 3/8UNC X 1 1/4 SER FLANGE BOLT | |
| 18 | 2 | 914002 | 5/16UNC HEX STOVER NUT | |
| 19 | 2 | 914004 | 3/8UNC HEX STOVER NUT | |
| 20 | 2 | 920001 | 5/16 SAE FLAT WASHER | |
| 21 | 2 | 920002 | 3/8 SAE FLAT WASHER | |
| 22 | 1 | 470200 | 1/4UNC X 1 3/4 HEX BOLT SS | |
| 23 | 1 | 763358 | AGIT MTR MT YOKE CES 280 | 91 |
| 24 | 1 | 763361 | AGIT CPLR SHIELD 280 | 91 |
| 25 | 1 | 900000 | 1/4UNC X 1/2 HEX BOLT | |
| 26 | 1 | 914000 | 1/4UNC HEX STOVER NUT | |
| 27 | 1 | 618634 | 9/16MJIC-45-9/16FJIC SWIV LBO | |

SOLUTION TANK MOUNTS AND SHIELDS

DET. QTY PART NO. DESCRIPTION

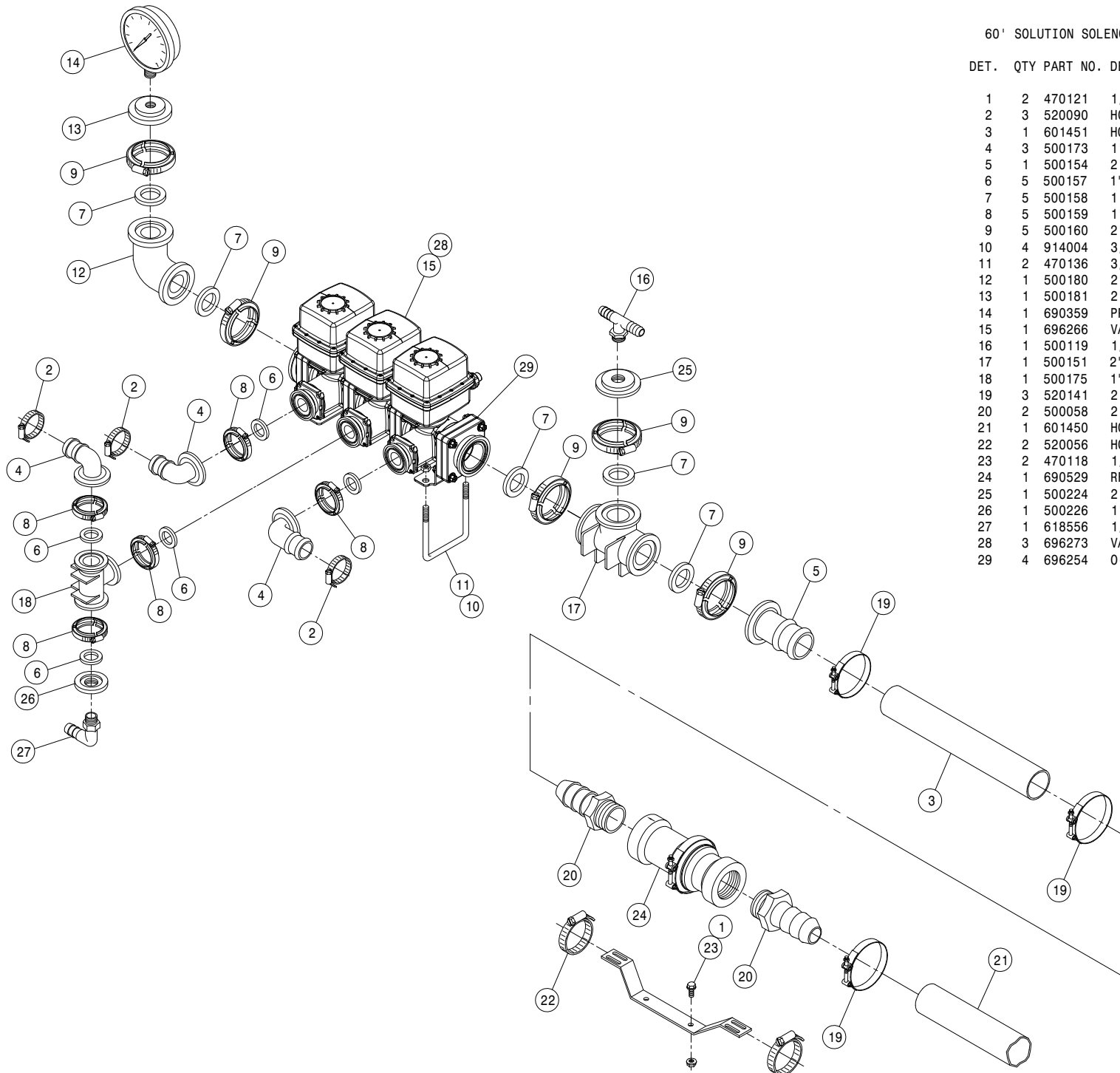
| DET. | QTY | PART NO. | DESCRIPTION |
|------|-----|----------|--------------------------------|
| 1 | 2 | 193016 | QUICKEDGE TRIM .060 TO .170 |
| 2 | 2 | 293402 | HEADLIGHT ASSY, 2100 |
| 3 | 2 | 358958 | LEG BRACE WLD, 2100 |
| 4 | 2 | 470100 | 3/8 INT TOOTH LOCK WASHER |
| 5 | 28 | 470118 | 1/4UNC X 3/4 FLANGE HEX BOLT |
| 6 | 30 | 470121 | 1/4UNC HEX FLANGE LOCK NUT |
| 7 | 2 | 473779 | 10MM-1.50 HEX NUT |
| 8 | 2 | 473971 | 1/4UNC-2" ID-3"RD U-BOLT |
| 9 | 1 | 659831 | LWR FRONT SHIELD 280 |
| 10 | 1 | 659963 | RH FRT TANK SHLD 2100 |
| 11 | 1 | 659964 | LH FRT TANK SHLD WLD 2100 |
| 12 | 2 | 659968 | HEADLIGHT MT WLD, 2100 |
| 13 | 1 | 763476 | RH FRT SOLU TNK MT WLD,2100 98 |
| 14 | 1 | 763477 | LH FRT SOLU TNK MT WLD,2100 98 |
| 15 | 1 | 763478 | RH REAR SOLU TNK MT WLD2100 98 |
| 16 | 1 | 763479 | LH REAR SOLU TNK MT WLD2100 98 |
| 17 | 4 | 763490 | SOLU TANK MT SUPP, 2100 |
| 18 | 12 | 900334 | 5/8UNC X 1 3/4 HEX BOLT |
| 19 | 8 | 900412 | 3/4UNC X 5" HEX BOLT |
| 20 | 2 | 910017 | 1-8 HEX NUT |
| 21 | 12 | 914010 | 5/8UNC HEX STOVER NUT |
| 22 | 10 | 914012 | 3/4UNC HEX STOVER NUT |
| 23 | 4 | 920008 | 1" SAE FLAT WASHER |
| 24 | 2 | 920508 | 1" LOCK WASHER |
| 25 | 2 | 358961 | LEG BRACE CLEVIS WLD, 2100 |
| 26 | 2 | 900410 | 3/4UNC X 4" HEX BOLT |
| 27 | 2 | 900814 | 1" UNC X 4" HEX BOLT |
| 28 | 26 | 470212 | 1/4 BONDED SEALING WASH, SS |



60' SOLUTION SOLENOID ASSEMBLY (STANDARD)

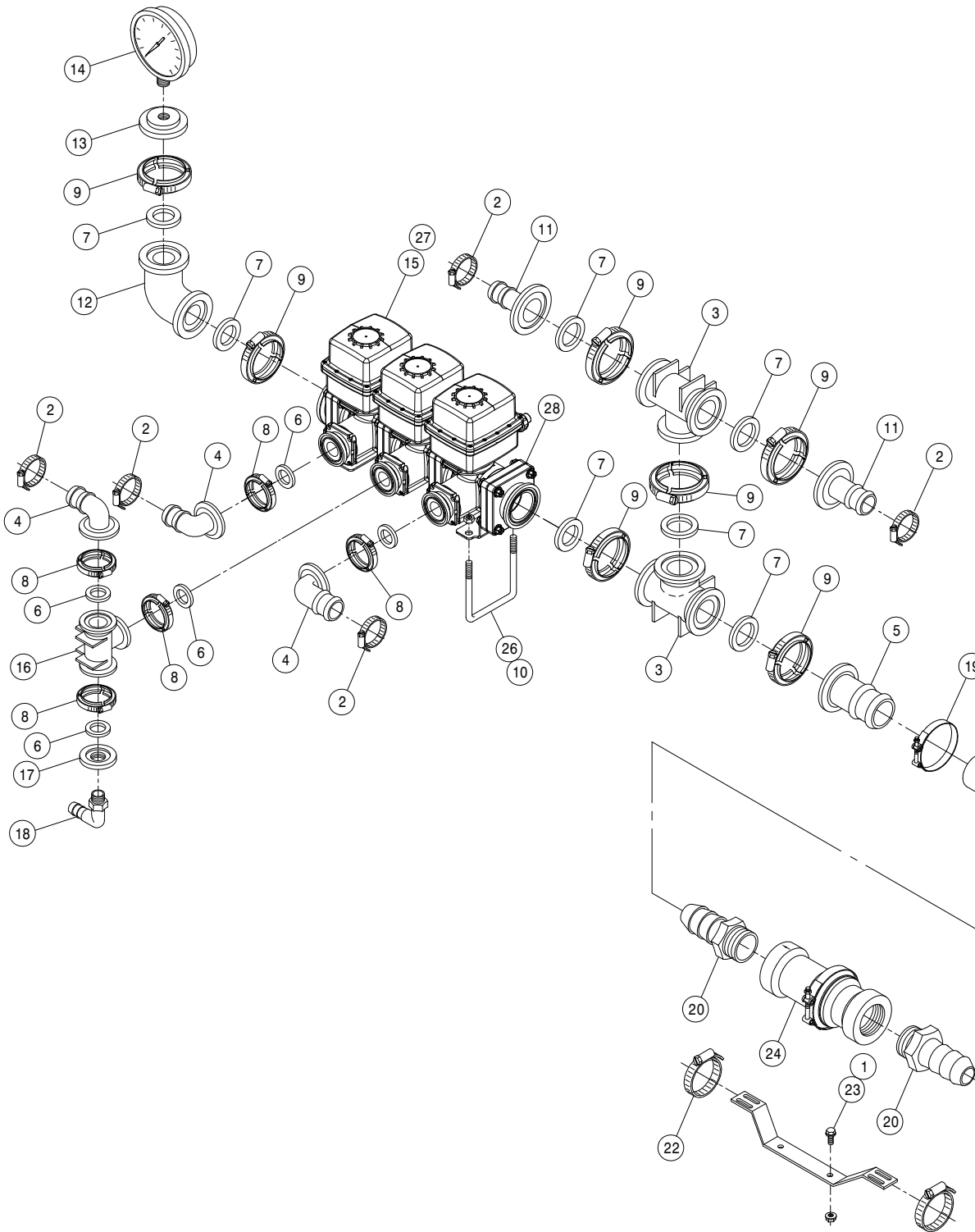
DET. QTY PART NO. DESCRIPTION

| | | | |
|----|---|--------|--------------------------------|
| 1 | 2 | 470121 | 1/4UNC HEX FLANGE LOCK NUT |
| 2 | 3 | 520090 | HOSE CLAMP NO 16 STAINLESS |
| 3 | 1 | 601451 | HOSE, 2 X 69 2F-1W EPDM |
| 4 | 3 | 500173 | 1" FLANGE-90-1" HOSE BARB POLY |
| 5 | 1 | 500154 | 2" FLANGE-2" HOSE BARB POLY |
| 6 | 5 | 500157 | 1" FLANGE GASKET EPDM |
| 7 | 5 | 500158 | 1 1/2" GASKET FOR 2" FLANGE |
| 8 | 5 | 500159 | 1" FLANGE CLAMP, S.S. |
| 9 | 5 | 500160 | 2" FLANGE CLAMP, S.S. |
| 10 | 4 | 914004 | 3/8UNC HEX STOVER NUT |
| 11 | 2 | 470136 | 3/8UNC-3 1/16ID-3 SQ U-BOLT |
| 12 | 1 | 500180 | 2"FLANGE-90-2"FLANGE LBO POLY |
| 13 | 1 | 500181 | 2" FLANGE PLUG W/1/4"FNPT POLY |
| 14 | 1 | 690359 | PRESSURE GA GLYCERI 100 PSI |
| 15 | 1 | 696266 | VALVE,3-SECT KZCO FLG, PACKARD |
| 16 | 1 | 500119 | 1/2"NPT BR TEE-1/2"HBARB, POLY |
| 17 | 1 | 500151 | 2" FLANGE TEE POLY |
| 18 | 1 | 500175 | 1" FLANGE TEE POLY |
| 19 | 3 | 520141 | 2.31/2.62 T-BOLT HOSE CLAMP SS |
| 20 | 2 | 500058 | 2"NPT X 2" H BARB, POLY |
| 21 | 1 | 601450 | HOSE, 2 X 84 2F-1W EPDM |
| 22 | 2 | 520056 | HOSE CLAMP NO 56 STAINLESS |
| 23 | 2 | 470118 | 1/4UNC X 3/4 FLANGE HEX BOLT |
| 24 | 1 | 690529 | RFM 100 FLOW METER, RAVEN |
| 25 | 1 | 500224 | 2" FLANGE PLUG W/1/2"FNPT POLY |
| 26 | 1 | 500226 | 1" FLANGE PLUG W/1/4"FNPT POLY |
| 27 | 1 | 618556 | 1/4NPT-90-1/2 HOSE BARB,POLY |
| 28 | 3 | 696273 | VALVE,REPLCMNT SECT FOR 696266 |
| 29 | 4 | 696254 | O-RING, KZCO FLANGED VALVES |



80' -90' SOLUTION SOLENOID ASSEMBLY (STANDARD)

DET. QTY PART NO. DESCRIPTION

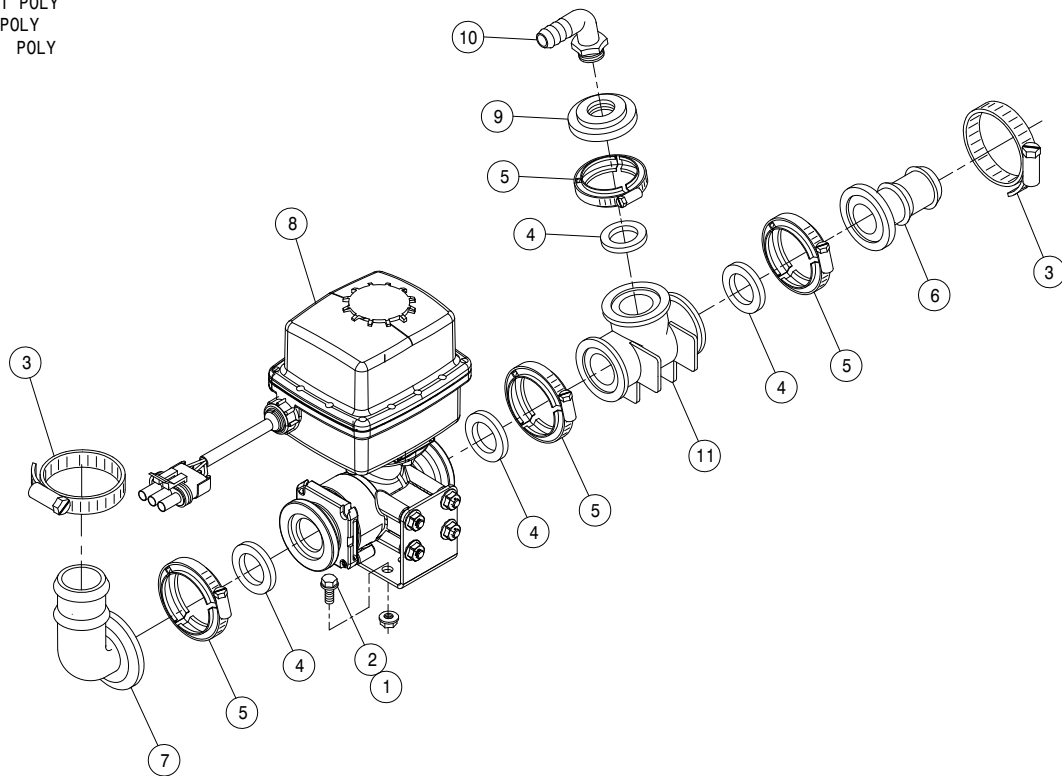


| DET. | QTY | PART NO. | DESCRIPTION |
|------|-----|----------|--------------------------------|
| 1 | 2 | 470121 | 1/4UNC HEX FLANGE LOCK NUT |
| 2 | 5 | 520090 | HOSE CLAMP NO 16 STAINLESS |
| 3 | 2 | 500151 | 2" FLANGE TEE POLY |
| 4 | 3 | 500173 | 1" FLANGE-90-1" HOSE BARB POLY |
| 5 | 1 | 500154 | 2" FLANGE-2" HOSE BARB POLY |
| 6 | 5 | 500157 | 1" FLANGE GASKET EPDM |
| 7 | 7 | 500158 | 1 1/2" GASKET FOR 2" FLANGE |
| 8 | 5 | 500159 | 1" FLANGE CLAMP, S.S. |
| 9 | 7 | 500160 | 2" FLANGE CLAMP, S.S. |
| 10 | 4 | 914004 | 3/8UNC HEX STOVER NUT |
| 11 | 2 | 500172 | 2" FLANGE-1" HOSE BARB POLY |
| 12 | 1 | 500180 | 2"FLANGE-90-2"FLANGE LBO POLY |
| 13 | 1 | 500181 | 2" FLANGE PLUG W/1/4"FNPT POLY |
| 14 | 1 | 690359 | PRESSURE GA GLYCERI 100 PSI |
| 15 | 1 | 696266 | VALVE,3-SECT KZCO FLG, PACKARD |
| 16 | 1 | 500175 | 1" FLANGE TEE POLY |
| 17 | 1 | 500226 | 1" FLANGE PLUG W/1/4"FNPT POLY |
| 18 | 1 | 618556 | 1/4NPT-90-1/2 HOSE BARB,POLY |
| 19 | 3 | 520141 | 2.31/2.62 T-BOLT HOSE CLAMP SS |
| 20 | 2 | 500058 | 2"NPT X 2" H BARB, POLY |
| 21 | 1 | 601450 | HOSE, 2 X 84 2F-1W EPDM |
| 22 | 2 | 520056 | HOSE CLAMP NO 56 STAINLESS |
| 23 | 2 | 470118 | 1/4UNC X 3/4 FLANGE HEX BOLT |
| 24 | 1 | 690529 | RFM 100 FLOW METER, RAVEN |
| 25 | 1 | 601451 | HOSE, 2 X 69 2F-1W EPDM |
| 26 | 2 | 470136 | 3/8UNC-3 1/16ID-3 SQ U-BOLT |
| 27 | 3 | 696273 | VALVE,REPLCMNT SECT FOR 696266 |
| 28 | 4 | 696254 | O-RING, KZCO FLANGED VALVES |

RIGHT 80'-90' OUTER BOOM VALVE (STANDARD)

DET. QTY PART NO. DESCRIPTION

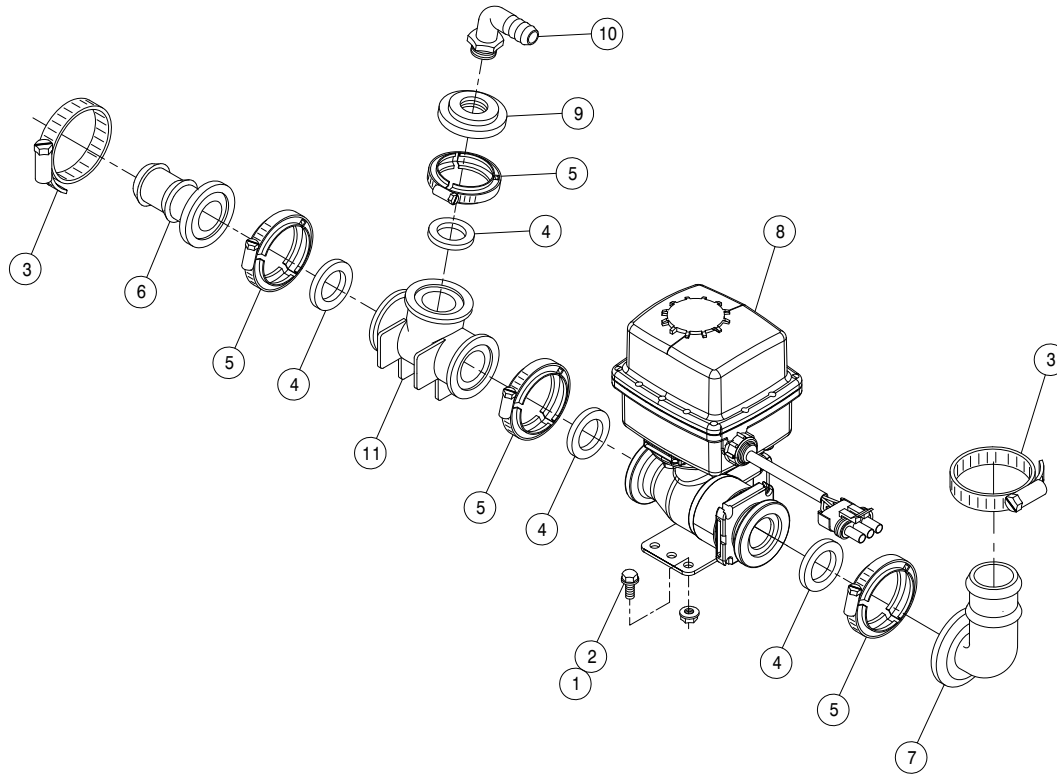
| | | | |
|----|---|--------|--------------------------------|
| 1 | 2 | 470121 | 1/4UNC HEX FLANGE LOCK NUT |
| 2 | 2 | 470118 | 1/4UNC X 3/4 FLANGE HEX BOLT |
| 3 | 2 | 520090 | HOSE CLAMP NO 16 STAINLESS |
| 4 | 4 | 500157 | 1" FLANGE GASKET EPDM |
| 5 | 4 | 500159 | 1" FLANGE CLAMP, S.S. |
| 6 | 1 | 500171 | 1" FLANGE-1" HOSE BARB POLY |
| 7 | 1 | 500173 | 1" FLANGE-90-1" HOSE BARB POLY |
| 8 | 1 | 696282 | VALVE,KZCO C2E 1"FLG ELEC W/WP |
| 9 | 1 | 500226 | 1" FLANGE PLUG W/1/4"FNPT POLY |
| 10 | 1 | 618556 | 1/4NPT-90-1/2 HOSE BARB,POLY |
| 11 | 1 | 500175 | 1" FLANGE TEE POLY |



LEFT 80'-90' OUTER BOOM VALVE (STANDARD)

DET. QTY PART NO. DESCRIPTION

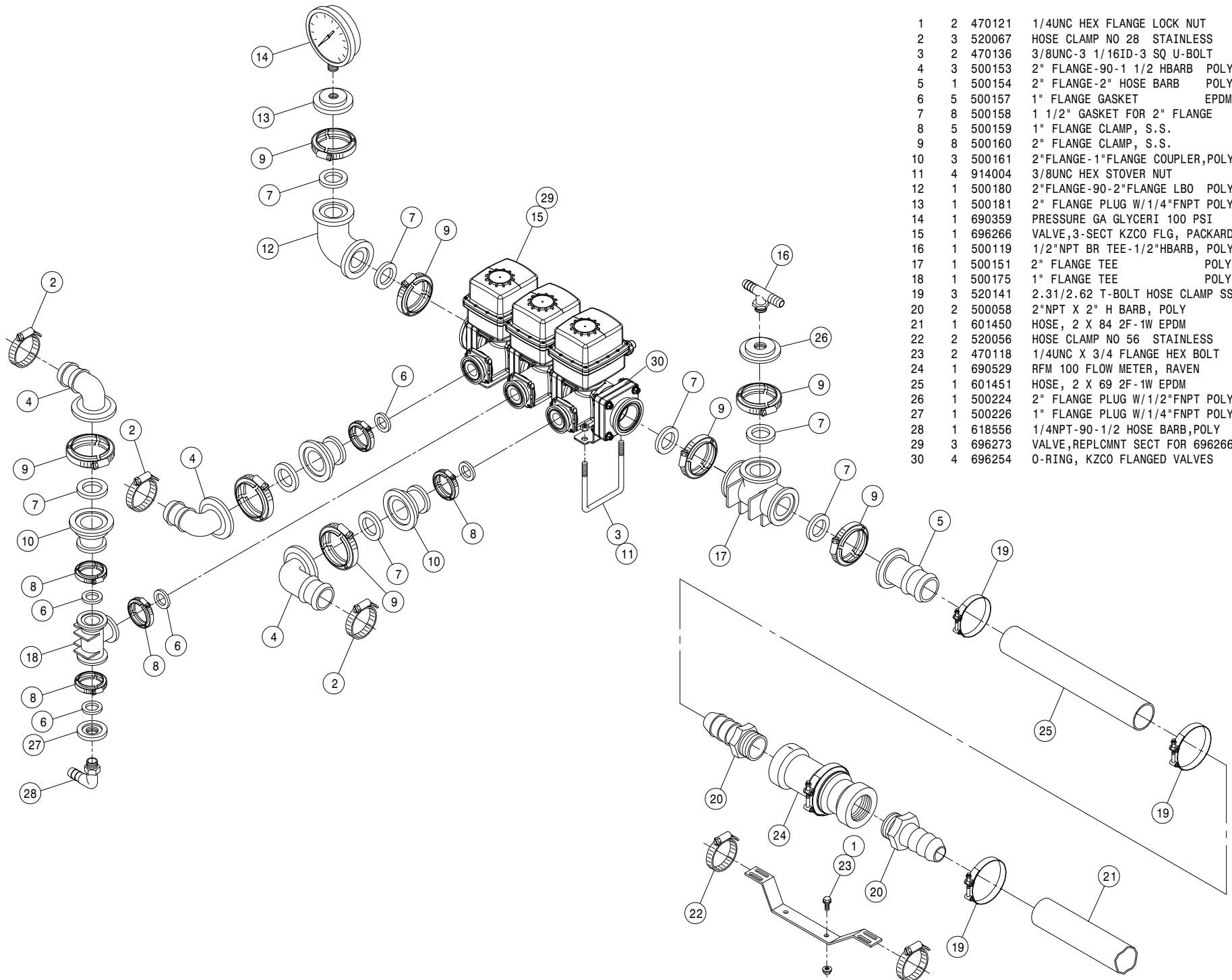
| | | | |
|----|---|--------|--------------------------------|
| 1 | 2 | 470121 | 1/4UNC HEX FLANGE LOCK NUT |
| 2 | 2 | 470118 | 1/4UNC X 3/4 FLANGE HEX BOLT |
| 3 | 2 | 520090 | HOSE CLAMP NO 16 STAINLESS |
| 4 | 4 | 500157 | 1" FLANGE GASKET EPDM |
| 5 | 4 | 500159 | 1" FLANGE CLAMP, S.S. |
| 6 | 1 | 500171 | 1" FLANGE-1" HOSE BARB POLY |
| 7 | 1 | 500173 | 1" FLANGE-90-1" HOSE BARB POLY |
| 8 | 1 | 696282 | VALVE,KZCO C2E 1"FLG ELEC W/WP |
| 9 | 1 | 500226 | 1" FLANGE PLUG W/1/4"FNPT POLY |
| 10 | 1 | 618556 | 1/4NPT-90-1/2 HOSE BARB,POLY |
| 11 | 1 | 500175 | 1" FLANGE TEE POLY |



60' SOLUTION SOLENOID ASSEMBLY (HI-VOLUME)

DET. QTY PART NO. DESCRIPTION

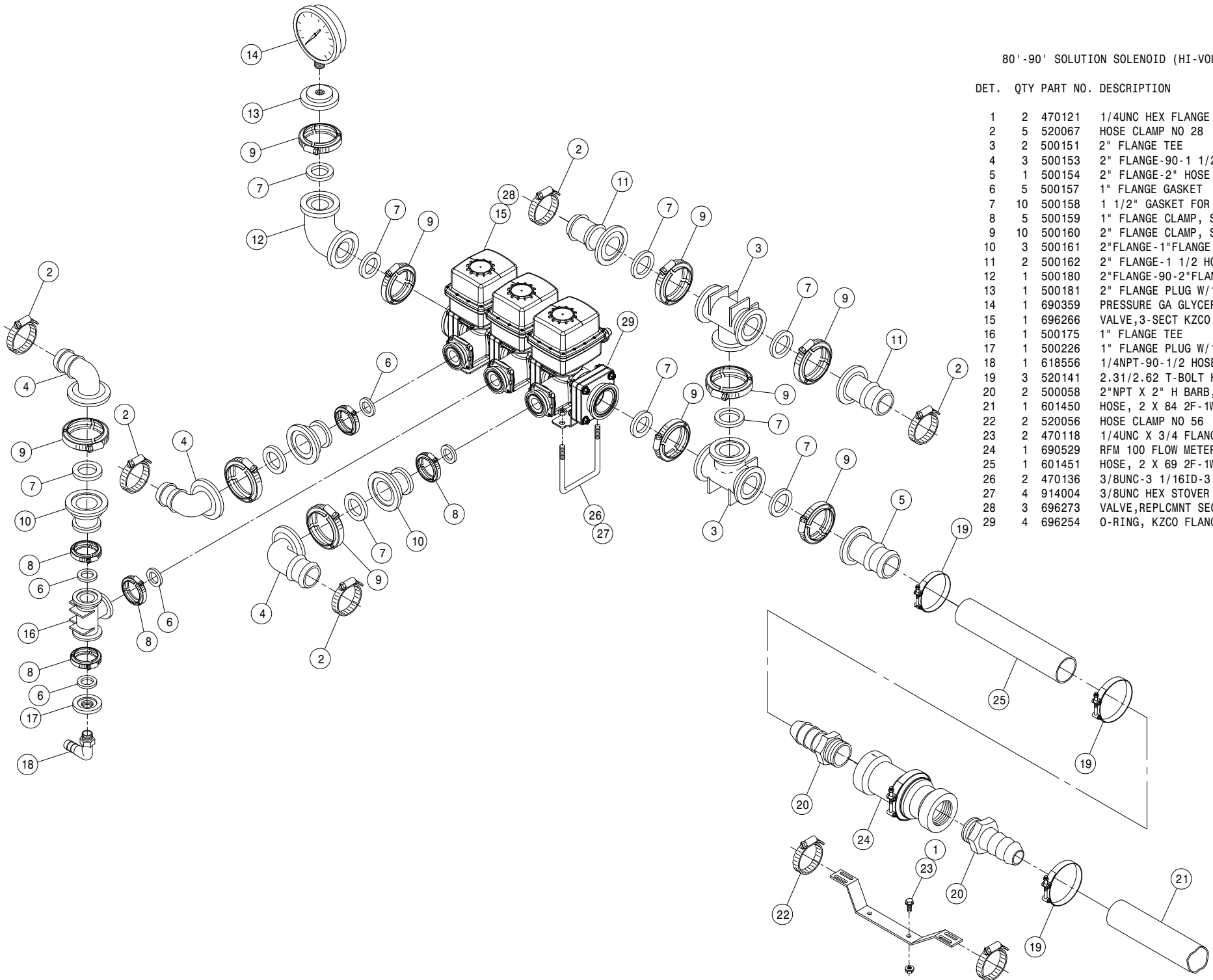
| | | | |
|----|---|--------|--------------------------------|
| 1 | 2 | 470121 | 1/4UNC HEX FLANGE LOCK NUT |
| 2 | 3 | 520067 | HOSE CLAMP NO 28 STAINLESS |
| 3 | 2 | 470136 | 3/8UNC-3 1/16ID-3 SQ U-BOLT |
| 4 | 3 | 500153 | 2" FLANGE-90-1 1/2 HBARB POLY |
| 5 | 1 | 500154 | 2" FLANGE-2" HOSE BARB POLY |
| 6 | 5 | 500157 | 1" FLANGE GASKET EPDM |
| 7 | 8 | 500158 | 1 1/2" GASKET FOR 2" FLANGE |
| 8 | 5 | 500159 | 1" FLANGE CLAMP, S.S. |
| 9 | 8 | 500160 | 2" FLANGE CLAMP, S.S. |
| 10 | 3 | 500161 | 2"FLANGE-1"FLANGE COUPLER,POLY |
| 11 | 4 | 914004 | 3/8UNC HEX STOVER NUT |
| 12 | 1 | 500180 | 2"FLANGE-90-2"FLANGE LBO POLY |
| 13 | 1 | 500181 | 2" FLANGE PLUG W/1/4"FNPT POLY |
| 14 | 1 | 690359 | PRESSURE GA GLYCERI 100 PSI |
| 15 | 1 | 696266 | VALVE,3-SECT KZCO FLG, PACKARD |
| 16 | 1 | 500119 | 1/2"NPT BR TEE-1/2"HBARB, POLY |
| 17 | 1 | 500151 | 2" FLANGE TEE POLY |
| 18 | 1 | 500175 | 1" FLANGE TEE POLY |
| 19 | 3 | 520141 | 2.31/2.62 T-BOLT HOSE CLAMP SS |
| 20 | 2 | 500058 | 2"NPT X 2" H BARB, POLY |
| 21 | 1 | 601450 | HOSE, 2 X 84 2F-1W EPDM |
| 22 | 2 | 520056 | HOSE CLAMP NO 56 STAINLESS |
| 23 | 2 | 470118 | 1/4UNC X 3/4 FLANGE HEX BOLT |
| 24 | 1 | 690529 | RFM 100 FLOW METER, RAVEN |
| 25 | 1 | 601451 | HOSE, 2 X 69 2F-1W EPDM |
| 26 | 1 | 500224 | 2" FLANGE PLUG W/1/2"FNPT POLY |
| 27 | 1 | 500226 | 1" FLANGE PLUG W/1/4"FNPT POLY |
| 28 | 1 | 618556 | 1/4NPT-90-1/2 HOSE BARB,POLY |
| 29 | 3 | 696273 | VALVE,REPLCMNT SECT FOR 696266 |
| 30 | 4 | 696254 | O-RING, KZCO FLANGED VALVES |



80'-90' SOLUTION SOLENOID (HI-VOLUME)

DET. QTY PART NO. DESCRIPTION

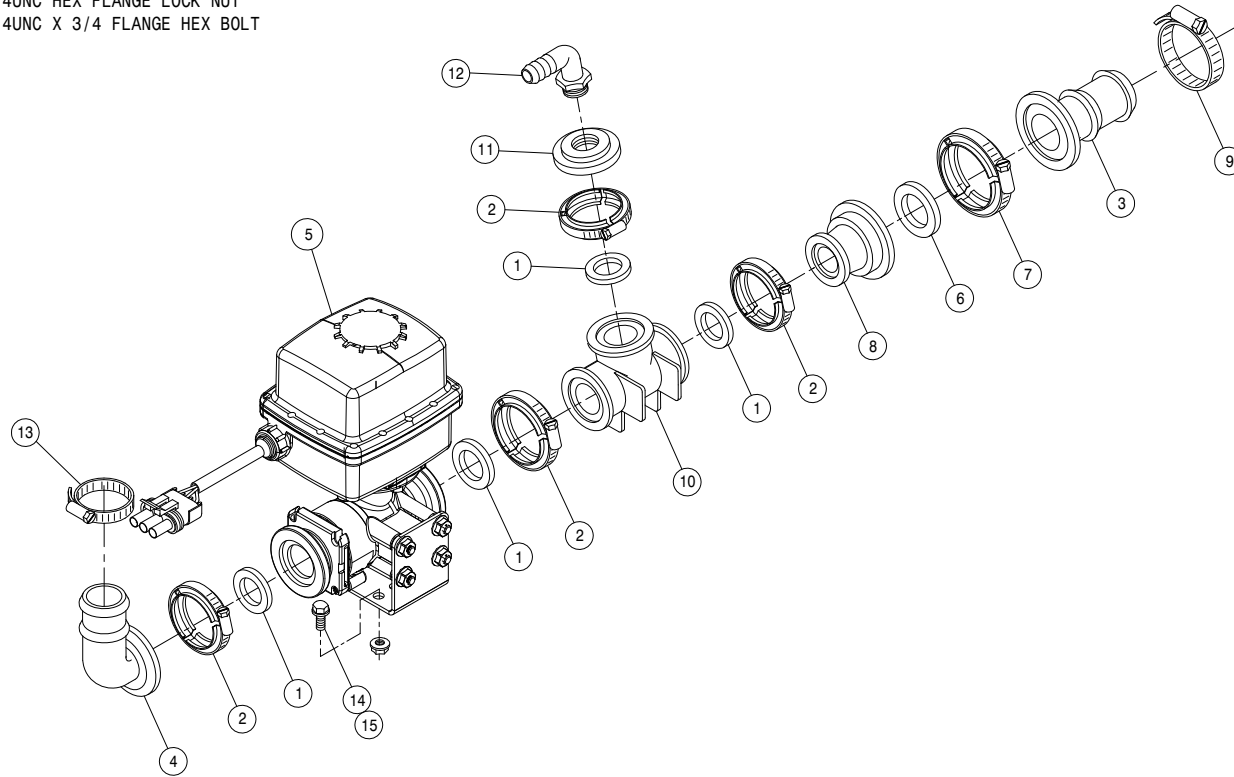
| DET. | QTY | PART NO. | DESCRIPTION |
|------|-----|----------|-----------------------------------|
| 1 | 2 | 470121 | 1/4UNC HEX FLANGE LOCK NUT |
| 2 | 5 | 520067 | HOSE CLAMP NO 28 STAINLESS |
| 3 | 2 | 500151 | 2" FLANGE TEE POLY |
| 4 | 3 | 500153 | 2" FLANGE-90-1 1/2 HBARB POLY |
| 5 | 1 | 500154 | 2" FLANGE-2" HOSE BARB POLY |
| 6 | 5 | 500157 | 1" FLANGE GASKET EPDM |
| 7 | 10 | 500158 | 1 1/2" GASKET FOR 2" FLANGE |
| 8 | 5 | 500159 | 1" FLANGE CLAMP, S.S. |
| 9 | 10 | 500160 | 2" FLANGE CLAMP, S.S. |
| 10 | 3 | 500161 | 2" FLANGE-1" FLANGE COUPLER, POLY |
| 11 | 2 | 500162 | 2" FLANGE-1 1/2 HOSE BARB POLY |
| 12 | 1 | 500180 | 2" FLANGE-90-2" FLANGE LBO POLY |
| 13 | 1 | 500181 | 2" FLANGE PLUG W/1/4" FNPT POLY |
| 14 | 1 | 690359 | PRESSURE GA GLYCERI 100 PSI |
| 15 | 1 | 696266 | VALVE, 3-SECT KZCO FLG, PACKARD |
| 16 | 1 | 500175 | 1" FLANGE TEE POLY |
| 17 | 1 | 500226 | 1" FLANGE PLUG W/1/4" FNPT POLY |
| 18 | 1 | 618556 | 1/4NPT-90-1/2 HOSE BARB, POLY |
| 19 | 3 | 520141 | 2.31/2.62 T-BOLT HOSE CLAMP SS |
| 20 | 2 | 500058 | 2"NPT X 2" H BARB, POLY |
| 21 | 1 | 601450 | HOSE, 2 X 84 2F-1W EPDM |
| 22 | 2 | 520056 | HOSE CLAMP NO 56 STAINLESS |
| 23 | 2 | 470118 | 1/4UNC X 3/4 FLANGE HEX BOLT |
| 24 | 1 | 690529 | RFM 100 FLOW METER, RAVEN |
| 25 | 1 | 601451 | HOSE, 2 X 69 2F-1W EPDM |
| 26 | 2 | 470136 | 3/8UNC-3 1/16ID-3 SQ U-BOLT |
| 27 | 4 | 914004 | 3/8UNC HEX STOVER NUT |
| 28 | 3 | 696273 | VALVE, REPLCMNT SECT FOR 696266 |
| 29 | 4 | 696254 | O-RING, KZCO FLANGED VALVES |



RH 80' -90' OUTER BOOM VALVE (HI-VOLUME)

DET. QTY PART NO. DESCRIPTION

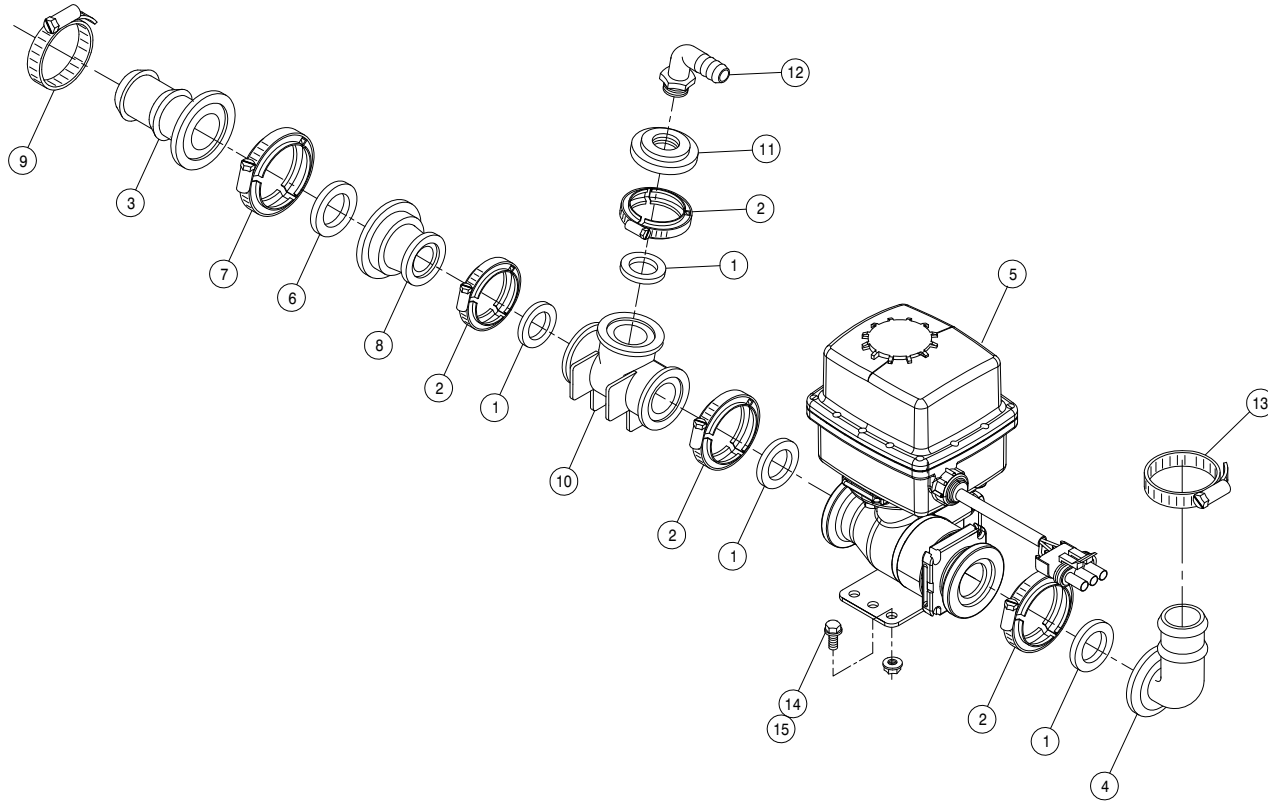
| | | | | |
|----|---|--------|--------------------------------|------|
| 1 | 4 | 500157 | 1" FLANGE GASKET | EPDM |
| 2 | 4 | 500059 | 1 1/2"NPT X 2" HOSE BARB,POLY | |
| 3 | 1 | 500162 | 2" FLANGE-1 1/2 HOSE BARB POLY | |
| 4 | 1 | 500173 | 1" FLANGE-90-1" HOSE BARB POLY | |
| 5 | 1 | 696282 | VALVE,KZCO C2E 1"FLG ELEC W/WP | |
| 6 | 1 | 500158 | 1 1/2" GASKET FOR 2" FLANGE | |
| 7 | 1 | 500160 | 2" FLANGE CLAMP, S.S. | |
| 8 | 1 | 500161 | 2"FLANGE-1"FLANGE COUPLER,POLY | |
| 9 | 1 | 520067 | HOSE CLAMP NO 28 STAINLESS | |
| 10 | 1 | 500175 | 1" FLANGE TEE | POLY |
| 11 | 1 | 500226 | 1" FLANGE PLUG W/1/4"FNPT POLY | |
| 12 | 1 | 618556 | 1/4NPT-90-1/2 HOSE BARB,POLY | |
| 13 | 1 | 520090 | HOSE CLAMP NO 16 STAINLESS | |
| 14 | 2 | 470121 | 1/4UNC HEX FLANGE LOCK NUT | |
| 15 | 2 | 470118 | 1/4UNC X 3/4 FLANGE HEX BOLT | |

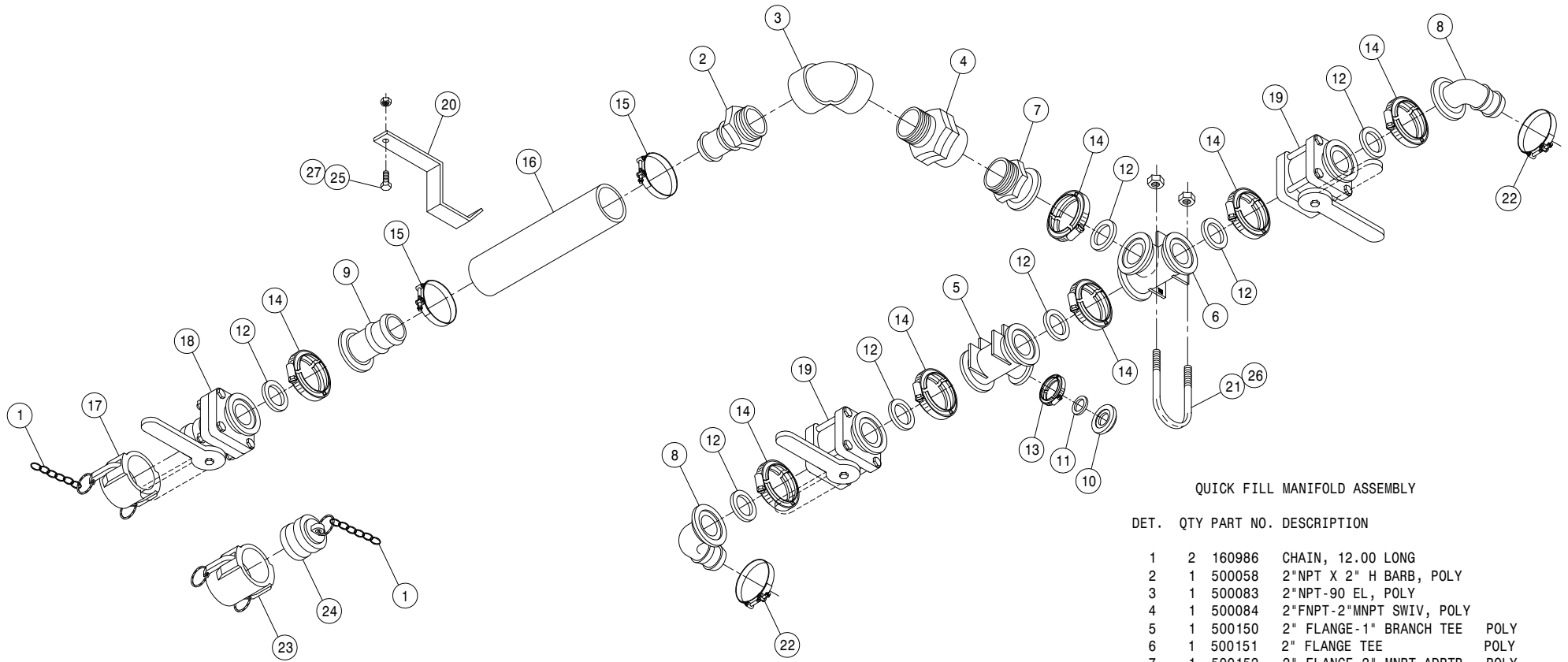


LH 80' -90' OUTER BOOM VALVE (HI-VOLUME)

DET. QTY PART NO. DESCRIPTION

| | | | | |
|----|---|--------|--------------------------------|------|
| 1 | 4 | 500157 | 1" FLANGE GASKET | EPDM |
| 2 | 4 | 500159 | 1" FLANGE CLAMP, S.S. | |
| 3 | 1 | 500162 | 2" FLANGE-1 1/2 HOSE BARB POLY | |
| 4 | 1 | 500173 | 1" FLANGE-90-1" HOSE BARB POLY | |
| 5 | 1 | 696282 | VALVE,KZCO C2E 1"FLG ELEC W/WP | |
| 6 | 1 | 500158 | 1 1/2" GASKET FOR 2" FLANGE | |
| 7 | 1 | 500160 | 2" FLANGE CLAMP, S.S. | |
| 8 | 1 | 500161 | 2"FLANGE-1"FLANGE COUPLER,POLY | |
| 9 | 1 | 520067 | HOSE CLAMP NO 28 STAINLESS | |
| 10 | 1 | 500175 | 1" FLANGE TEE | POLY |
| 11 | 1 | 500226 | 1" FLANGE PLUG W/1/4"FNPT | POLY |
| 12 | 1 | 618556 | 1/4NPT-90-1/2 HOSE BARB,POLY | |
| 13 | 1 | 520090 | HOSE CLAMP NO 16 STAINLESS | |
| 14 | 2 | 470121 | 1/4UNC HEX FLANGE LOCK NUT | |
| 15 | 2 | 470118 | 1/4UNC X 3/4 FLANGE HEX BOLT | |

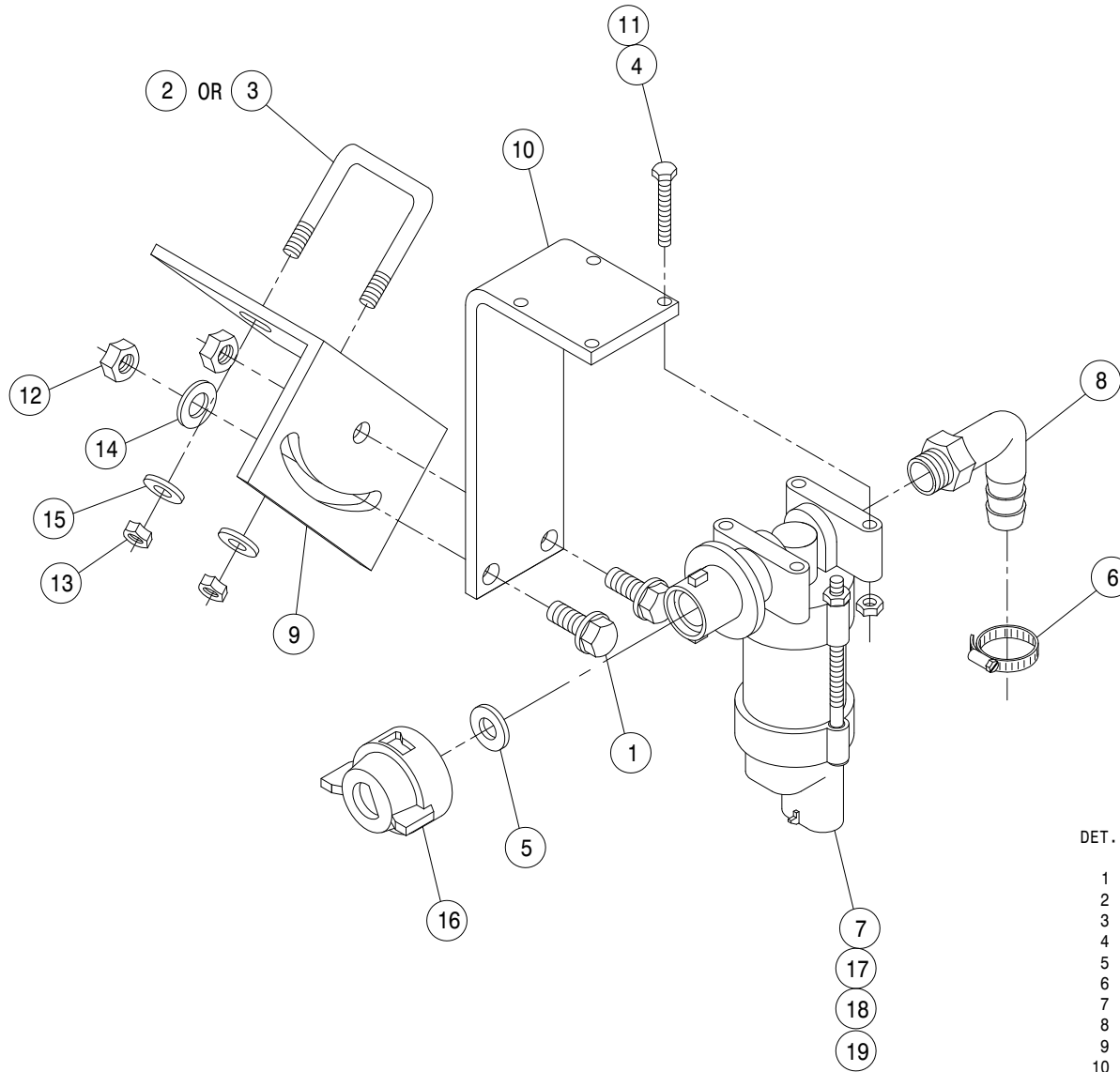




QUICK FILL MANIFOLD ASSEMBLY

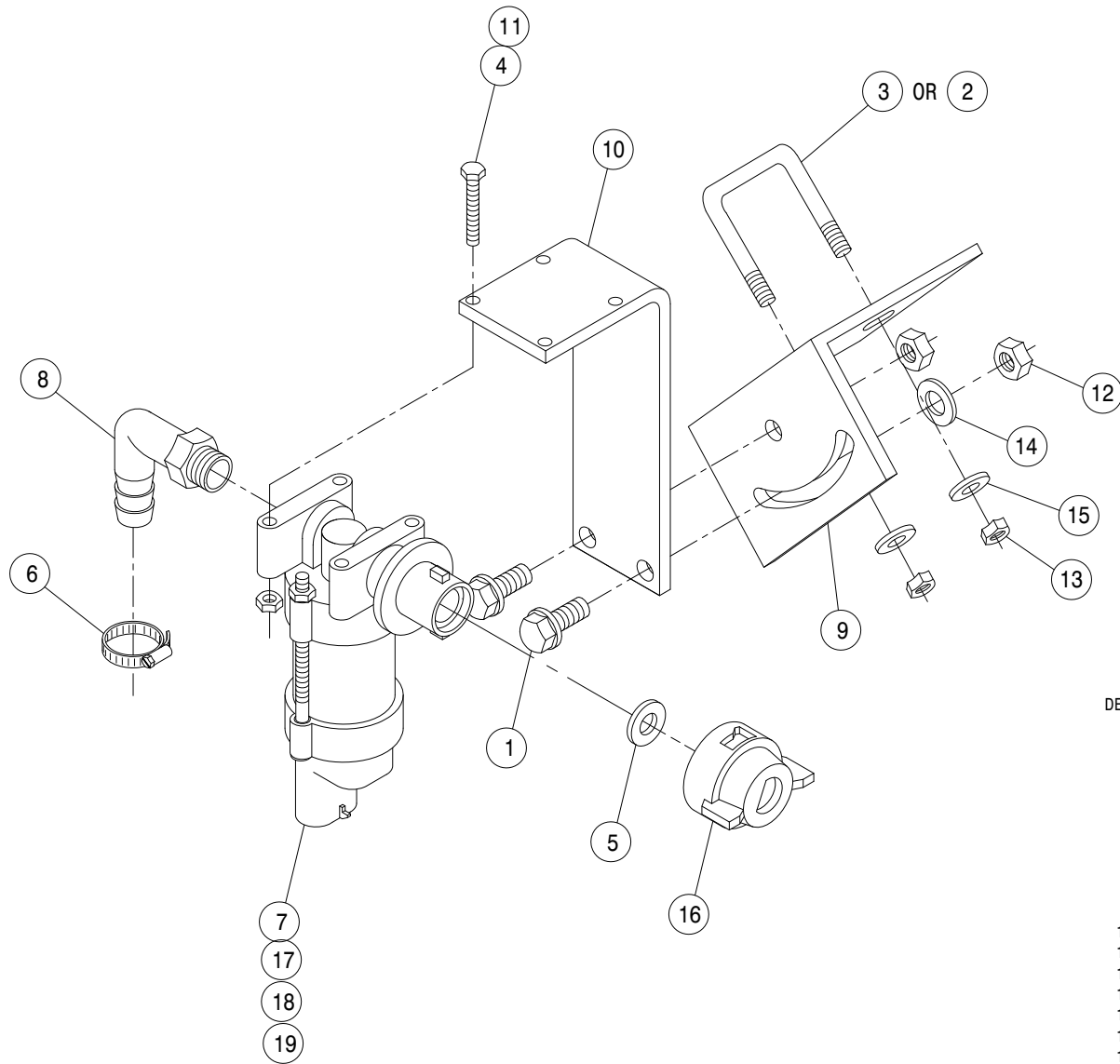
DET. QTY PART NO. DESCRIPTION

| DET. | QTY | PART NO. | DESCRIPTION |
|------|-----|----------|---------------------------------|
| 1 | 2 | 160986 | CHAIN, 12.00 LONG |
| 2 | 1 | 500058 | 2"NPT X 2" H BARB, POLY |
| 3 | 1 | 500083 | 2"NPT-90 EL, POLY |
| 4 | 1 | 500084 | 2"FNPT-2"MNPT SWIV, POLY |
| 5 | 1 | 500150 | 2" FLANGE-1" BRANCH TEE POLY |
| 6 | 1 | 500151 | 2" FLANGE TEE POLY |
| 7 | 1 | 500152 | 2" FLANGE-2" MNPT ADPTR POLY |
| 8 | 2 | 500153 | 2" FLANGE-90-1 1/2 HBARB POLY |
| 9 | 1 | 500154 | 2" FLANGE-2" HOSE BARB POLY |
| 10 | 1 | 500155 | 1" FLANGE CAP PLUG POLY |
| 11 | 1 | 500157 | 1" FLANGE GASKET EPDM |
| 12 | 7 | 500158 | 1 1/2" GASKET FOR 2" FLANGE |
| 13 | 1 | 500159 | 1" FLANGE CLAMP, S.S. |
| 14 | 7 | 500160 | 2" FLANGE CLAMP, S.S. |
| 15 | 2 | 520141 | 2.31/2.62 T-BOLT HOSE CLAMP SS |
| 16 | 1 | 601438 | HOSE, 2 X 10 2F-1W EPDM |
| 17 | 1 | 690623 | CAP FOR 2.00 MALE COUPLER POLY |
| 18 | 1 | 696141 | BALL VLV, 2"FLANGE/2"MALE ADPTR |
| 19 | 2 | 696142 | BALL VLV, 2" FLANGE |
| 20 | 1 | 342620 | QUICK FILL HOSE HANGER |
| 21 | 2 | 472195 | 5/16UNC-2 11/16ID-3 9/16U-BOLT |
| 22 | 2 | 520133 | 1.81/2.06 T-BOLT HOSE CLAMP SS |
| 23 | 1 | 690390 | 2.00FNPT-FEMALE COUPLER POLY |
| 24 | 1 | 690392 | PLUG FOR 2.00 FEMALE COUPLER |
| 25 | 1 | 900129 | 3/8UNC X 1" SERR FLANGE BOLT |
| 26 | 4 | 914002 | 5/16UNC HEX STOVER NUT |
| 27 | 1 | 914004 | 3/8UNC HEX STOVER NUT |



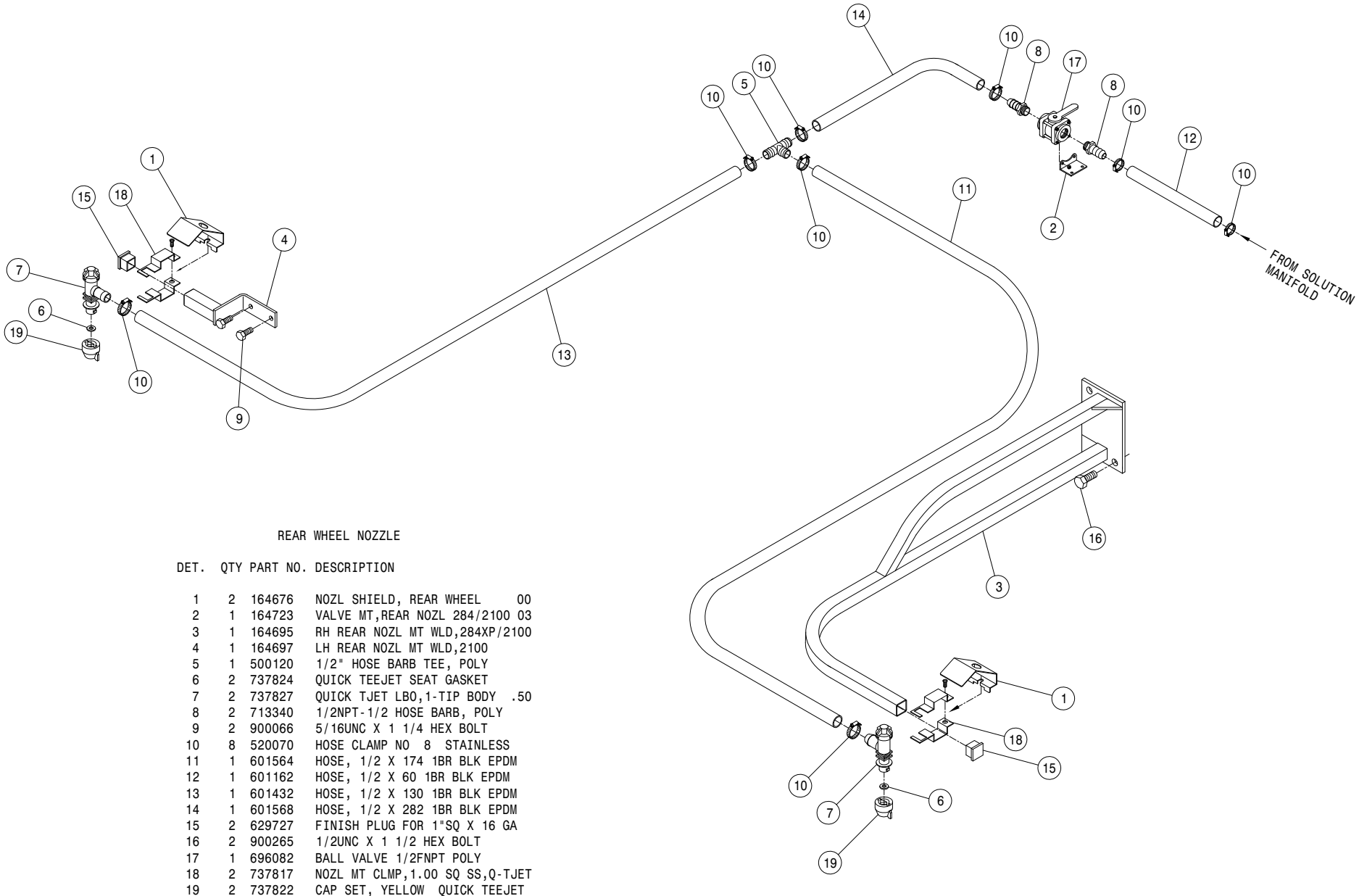
RIGHT FENCE ROW NOZZLE ASSEMBLY

| DET. | QTY | PART NO. | DESCRIPTION |
|------|-----|----------|--|
| | 1 | 2 | 470118 1/4UNC X 3/4 FLANGE HEX BOLT |
| | 2 | 1 | 473973 5/16UNC-1 5/16ID-2"SQ U-BOLTSS |
| | 3 | 1 | 473980 .31UNC-1.06ID-1.75SQ U-BOLT SS |
| | 4 | 4 | 473993 6-32 X 1 1/4 HH MACH SCR |
| | 5 | 1 | 737824 QUICK TEEJET SEAT GASKET |
| | 6 | 1 | 520070 HOSE CLAMP NO 8 STAINLESS |
| | 7 | 1 | 737875 NOZZLE BODY VALVE, 12VDC |
| | 8 | 1 | 618556 1/4NPT-90-1/2 HOSE BARB,POLY |
| | 9 | 1 | 737886 FENCE-ROW NOZZLE MT,284 01 |
| | 10 | 1 | 737906 FENCE ROW NOZL BRKT |
| | 11 | 4 | 910022 6-32 HEX NUT |
| | 12 | 2 | 914000 1/4UNC HEX STOVER NUT |
| | 13 | 2 | 914002 5/16UNC HEX STOVER NUT |
| | 14 | 1 | 920000 1/4 SAE FLAT WASHER |
| | 15 | 2 | 920001 5/16 SAE FLAT WASHER |
| | 16 | 1 | 737822 CAP SET, YELLOW QUICK TEEJET |
| | 17 | 1 | 737877 .75 ELECT FENCE ROW NOZL ASSY |
| | 18 | 1 | 737888 O-RING, .014 VITON, VLV 737875 |
| | 19 | 1 | 737889 VALVE BODY, .148ORIF,VLV 737875 |



LEFT FENCE ROW NOZZLE ASSEMBLY

| DET. | QTY | PART NO. | DESCRIPTION |
|------|-----|----------|--|
| | 1 | 2 | 470118 1/4UNC X 3/4 FLANGE HEX BOLT |
| | 1 | 2 | 473973 5/16UNC-1 5/16ID-2"SQ U-BOLTSS |
| | 1 | 3 | 473980 .31UNC-1.06ID-1.75SQ U-BOLT SS |
| | 4 | 4 | 473993 6-32 X 1 1/4 HH MACH SCR |
| | 1 | 5 | 737824 QUICK TEEJET SEAT GASKET |
| | 1 | 6 | 520070 HOSE CLAMP NO 8 STAINLESS |
| | 1 | 7 | 737875 NOZZLE BODY VALVE, 12VDC |
| | 1 | 8 | 618556 1/4NPT-90-1/2 HOSE BARB,POLY |
| | 1 | 9 | 737886 FENCE-ROW NOZZL BRKT,284 01 |
| | 1 | 10 | 737906 FENCE ROW NOZL BRKT |
| | 4 | 11 | 910022 6-32 HEX NUT |
| | 2 | 12 | 914000 1/4UNC HEX STOVER NUT |
| | 2 | 13 | 914002 5/16UNC HEX STOVER NUT |
| | 1 | 14 | 920000 1/4 SAE FLAT WASHER |
| | 2 | 15 | 920001 5/16 SAE FLAT WASHER |
| | 1 | 16 | 737822 CAP SET, YELLOW QUICK TEEJET |
| | 1 | 17 | 737887 PLUNGER W/SEAT, VLV 737875 |
| | 1 | 18 | 737888 O-RING, .014 VITON, VLV 737875 |
| | 1 | 19 | 737889 VALVE BODY, .148ORIF,VLV 737875 |



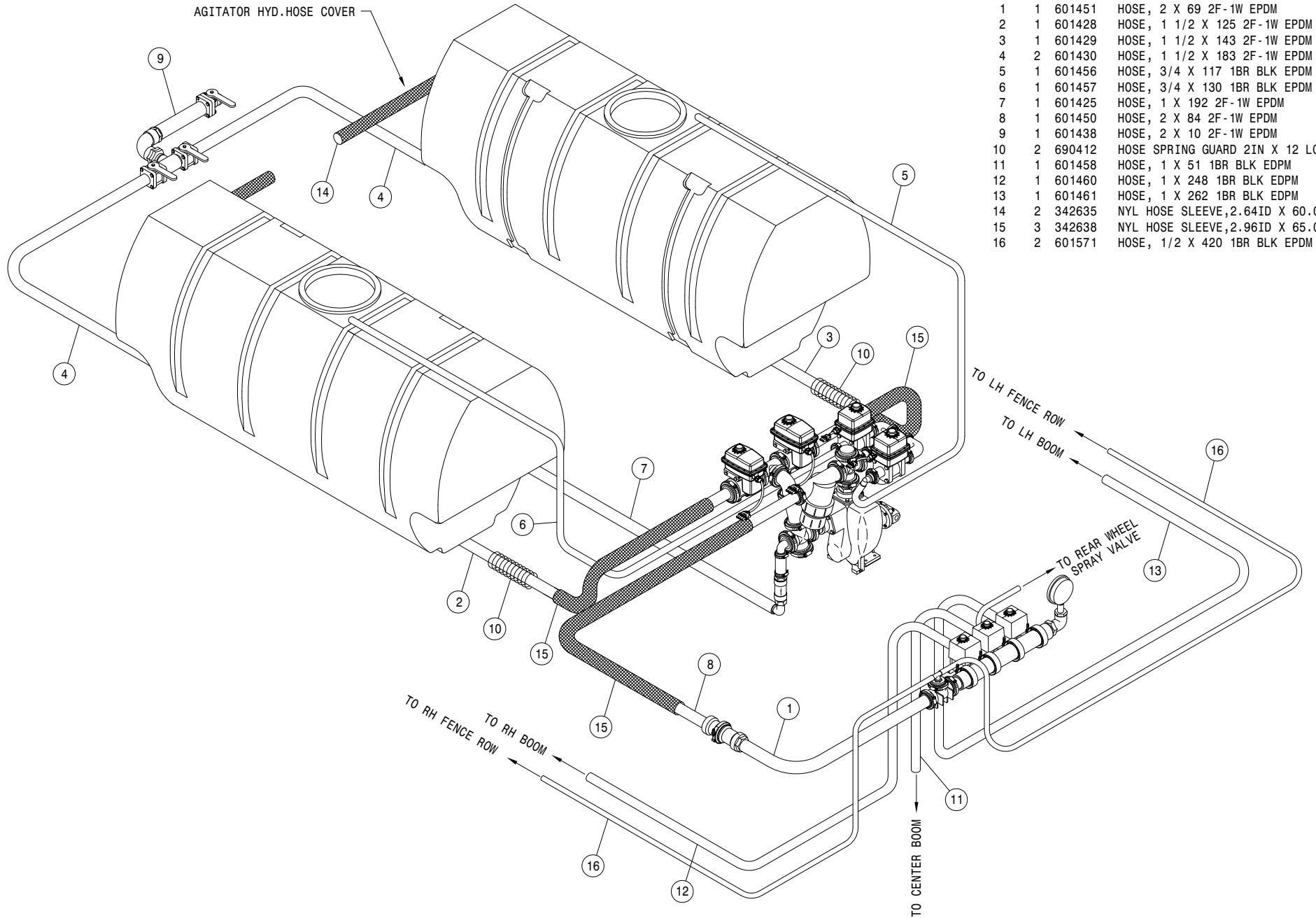
REAR WHEEL NOZZLE

| DET. | QTY | PART NO. | DESCRIPTION |
|------|-----|----------|----------------------------------|
| 1 | 2 | 164676 | NOZL SHIELD, REAR WHEEL 00 |
| 2 | 1 | 164723 | VALVE MT, REAR NOZL 284/2100 03 |
| 3 | 1 | 164695 | RH REAR NOZL MT WLD, 284XP/2100 |
| 4 | 1 | 164697 | LH REAR NOZL MT WLD, 2100 |
| 5 | 1 | 500120 | 1/2" HOSE BARB TEE, POLY |
| 6 | 2 | 737824 | QUICK TEEJET SEAT GASKET |
| 7 | 2 | 737827 | QUICK TJET LBO, 1-TIP BODY .50 |
| 8 | 2 | 713340 | 1/2NPT-1/2 HOSE BARB, POLY |
| 9 | 2 | 900066 | 5/16UNC X 1 1/4 HEX BOLT |
| 10 | 8 | 520070 | HOSE CLAMP NO 8 STAINLESS |
| 11 | 1 | 601564 | HOSE, 1/2 X 174 1BR BLK EPDM |
| 12 | 1 | 601162 | HOSE, 1/2 X 60 1BR BLK EPDM |
| 13 | 1 | 601432 | HOSE, 1/2 X 130 1BR BLK EPDM |
| 14 | 1 | 601568 | HOSE, 1/2 X 282 1BR BLK EPDM |
| 15 | 2 | 629727 | FINISH PLUG FOR 1"SQ X 16 GA |
| 16 | 2 | 900265 | 1/2UNC X 1 1/2 HEX BOLT |
| 17 | 1 | 696082 | BALL VALVE 1/2FNPT POLY |
| 18 | 2 | 737817 | NOZL MT CLMP, 1.00 SQ SS, Q-TJET |
| 19 | 2 | 737822 | CAP SET, YELLOW QUICK TEEJET |

SOLUTION HOISING FOR 60' BOOM (STANDARD)

DET. QTY PART NO. DESCRIPTION

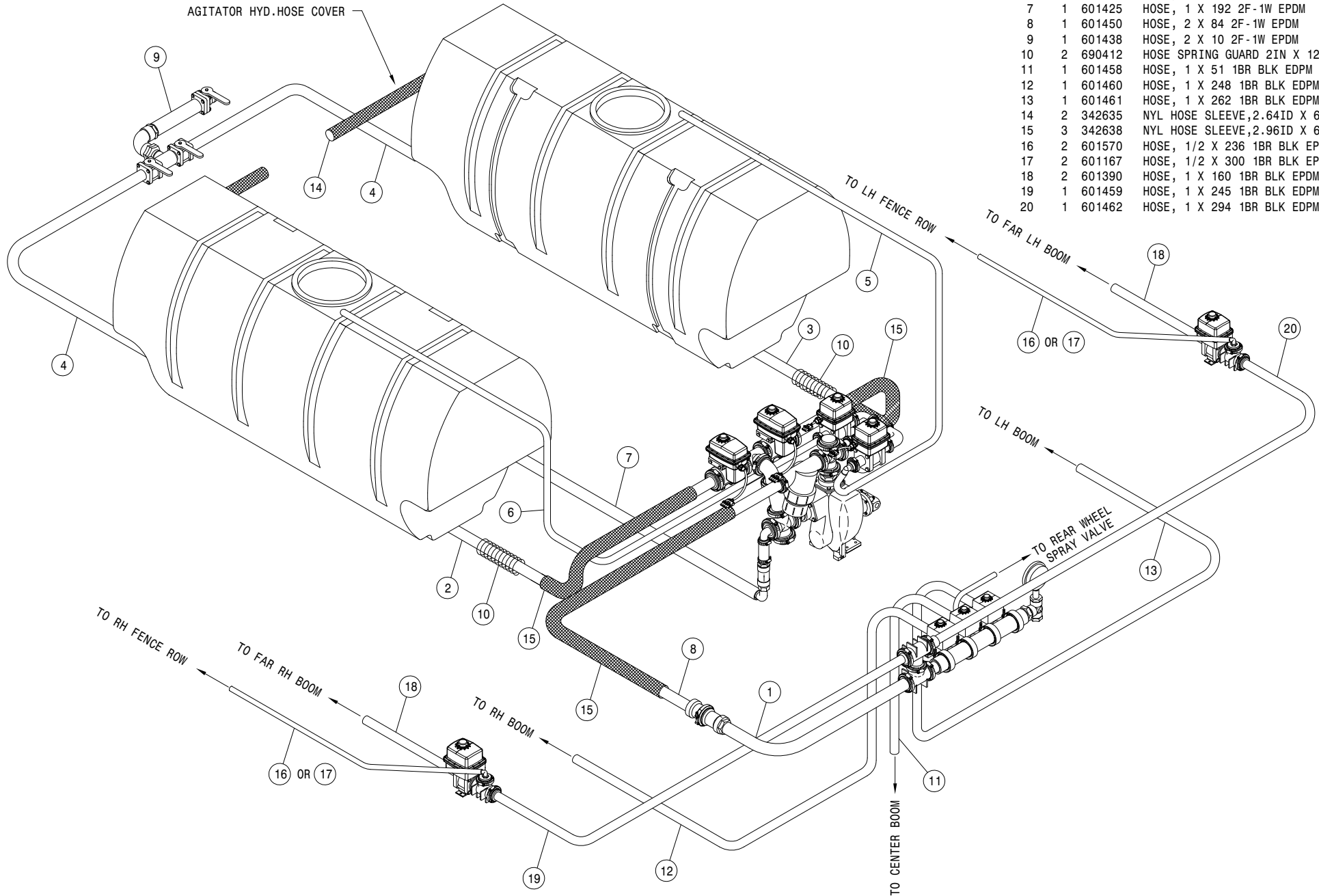
| DET. | QTY | PART NO. | DESCRIPTION |
|------|-----|----------|---------------------------------|
| 1 | 1 | 601451 | HOSE, 2 X 69 2F-1W EPDM |
| 2 | 1 | 601428 | HOSE, 1 1/2 X 125 2F-1W EPDM |
| 3 | 1 | 601429 | HOSE, 1 1/2 X 143 2F-1W EPDM |
| 4 | 2 | 601430 | HOSE, 1 1/2 X 183 2F-1W EPDM |
| 5 | 1 | 601456 | HOSE, 3/4 X 117 1BR BLK EPDM |
| 6 | 1 | 601457 | HOSE, 3/4 X 130 1BR BLK EPDM |
| 7 | 1 | 601425 | HOSE, 1 X 192 2F-1W EPDM |
| 8 | 1 | 601450 | HOSE, 2 X 84 2F-1W EPDM |
| 9 | 1 | 601438 | HOSE, 2 X 10 2F-1W EPDM |
| 10 | 2 | 690412 | HOSE SPRING GUARD 2IN X 12 LG |
| 11 | 1 | 601458 | HOSE, 1 X 51 1BR BLK EPDM |
| 12 | 1 | 601460 | HOSE, 1 X 248 1BR BLK EPDM |
| 13 | 1 | 601461 | HOSE, 1 X 262 1BR BLK EPDM |
| 14 | 2 | 342635 | NYL HOSE SLEEVE, 2.64ID X 60.00 |
| 15 | 3 | 342638 | NYL HOSE SLEEVE, 2.96ID X 65.00 |
| 16 | 2 | 601571 | HOSE, 1/2 X 420 1BR BLK EPDM |



SOLUTION HOISING FOR 80' - 90' BOOM (STANDARD)

DET. QTY PART NO. DESCRIPTION

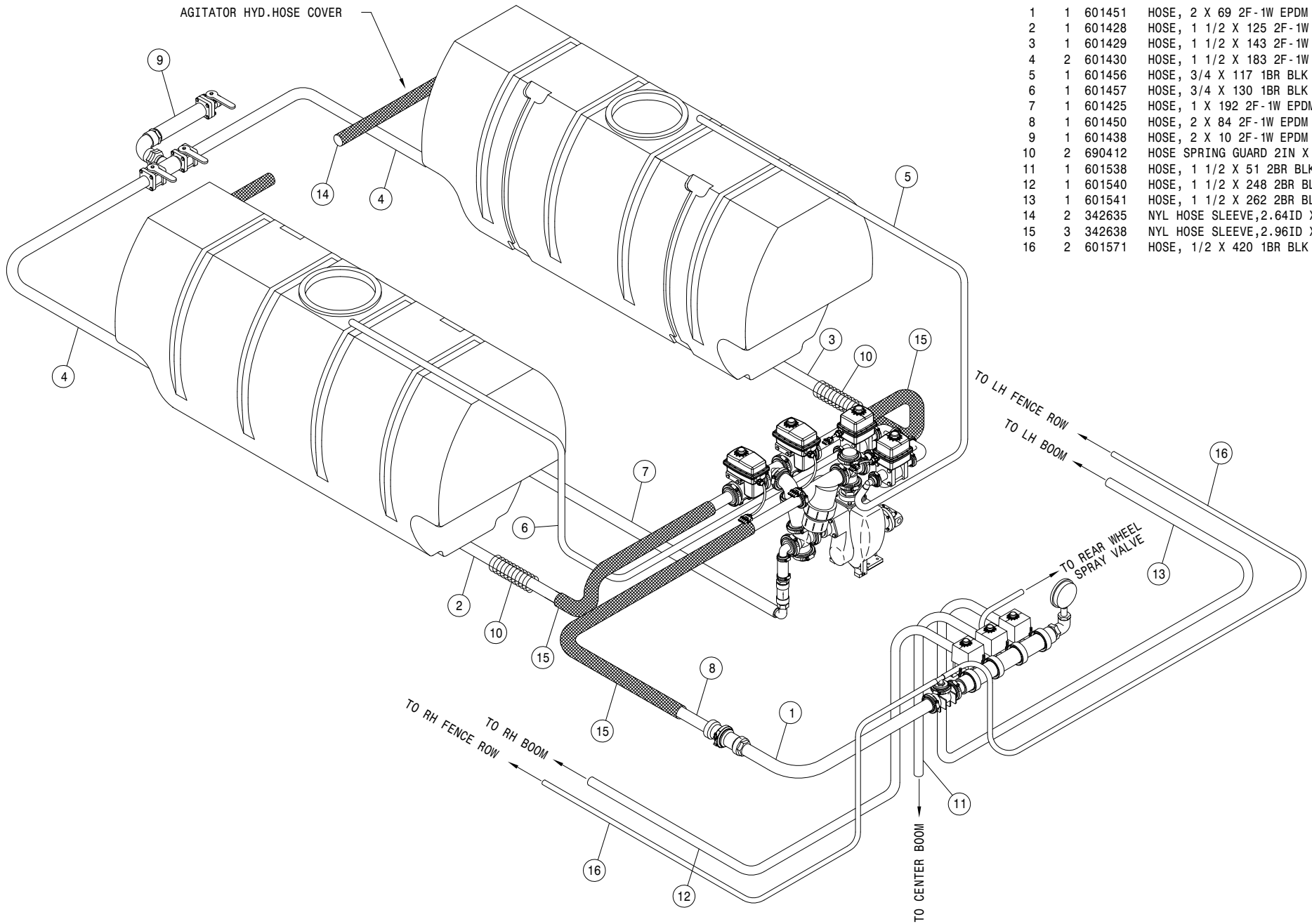
| DET. | QTY | PART NO. | DESCRIPTION |
|------|-----|----------|---------------------------------|
| 1 | 1 | 601451 | HOSE, 2 X 69 2F-1W EPDM |
| 2 | 1 | 601428 | HOSE, 1 1/2 X 125 2F-1W EPDM |
| 3 | 1 | 601429 | HOSE, 1 1/2 X 143 2F-1W EPDM |
| 4 | 2 | 601430 | HOSE, 1 1/2 X 183 2F-1W EPDM |
| 5 | 1 | 601456 | HOSE, 3/4 X 117 1BR BLK EPDM |
| 6 | 1 | 601457 | HOSE, 3/4 X 130 1BR BLK EPDM |
| 7 | 1 | 601425 | HOSE, 1 X 192 2F-1W EPDM |
| 8 | 1 | 601450 | HOSE, 2 X 84 2F-1W EPDM |
| 9 | 1 | 601438 | HOSE, 2 X 10 2F-1W EPDM |
| 10 | 2 | 690412 | HOSE SPRING GUARD 2IN X 12 LG |
| 11 | 1 | 601458 | HOSE, 1 X 51 1BR BLK EDPM |
| 12 | 1 | 601460 | HOSE, 1 X 248 1BR BLK EDPM |
| 13 | 1 | 601461 | HOSE, 1 X 262 1BR BLK EDPM |
| 14 | 2 | 342635 | NYL HOSE SLEEVE, 2.64ID X 60.00 |
| 15 | 3 | 342638 | NYL HOSE SLEEVE, 2.96ID X 65.00 |
| 16 | 2 | 601570 | HOSE, 1/2 X 236 1BR BLK EPDM |
| 17 | 2 | 601167 | HOSE, 1/2 X 300 1BR BLK EPDM |
| 18 | 2 | 601390 | HOSE, 1 X 160 1BR BLK EPDM |
| 19 | 1 | 601459 | HOSE, 1 X 245 1BR BLK EDPM |
| 20 | 1 | 601462 | HOSE, 1 X 294 1BR BLK EDPM |



SOLUTION HOISING FOR 60' BOOM (HI-VOLUME)

DET. QTY PART NO. DESCRIPTION

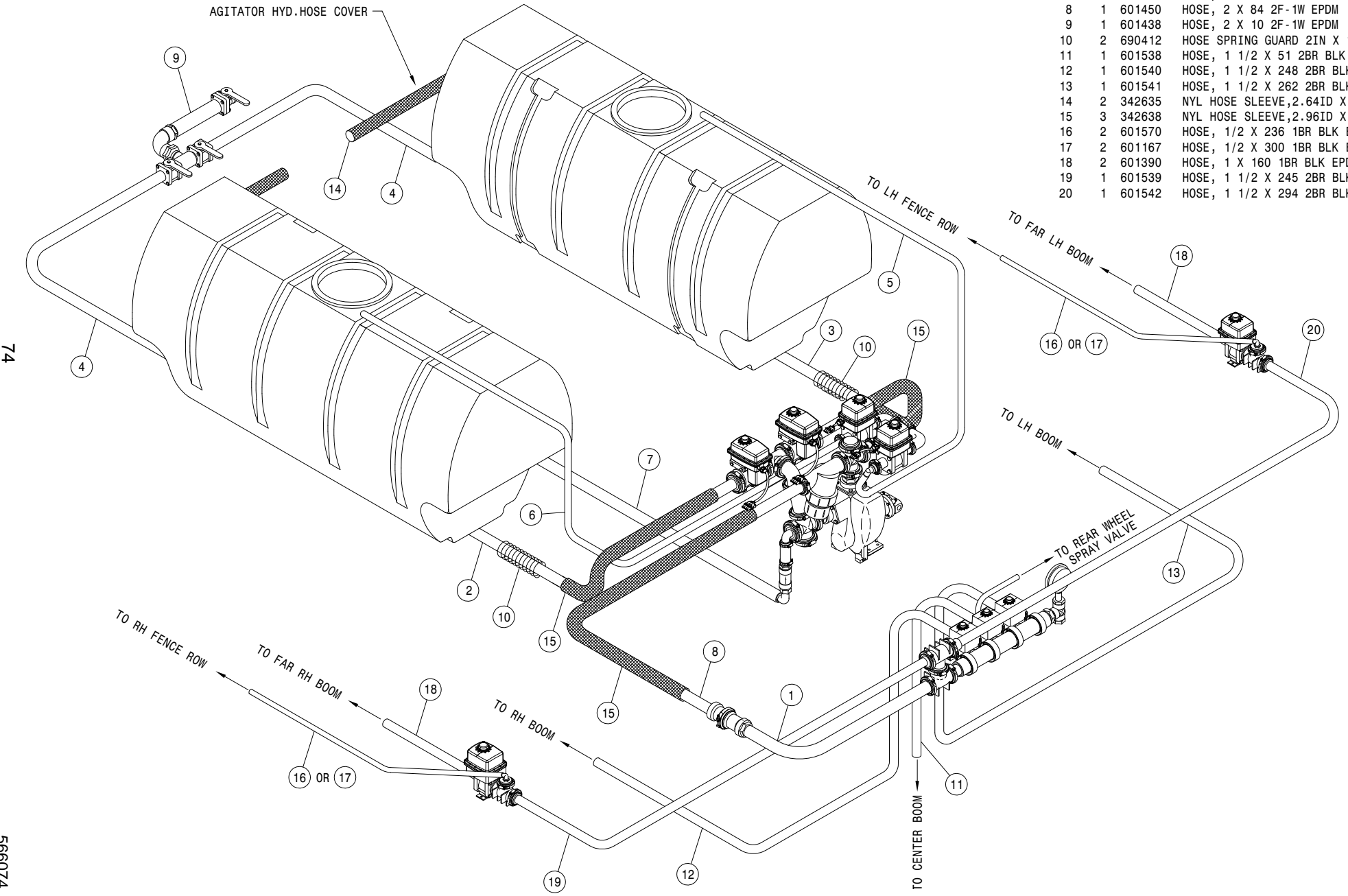
| | | | |
|----|---|--------|---------------------------------|
| 1 | 1 | 601451 | HOSE, 2 X 69 2F-1W EPDM |
| 2 | 1 | 601428 | HOSE, 1 1/2 X 125 2F-1W EPDM |
| 3 | 1 | 601429 | HOSE, 1 1/2 X 143 2F-1W EPDM |
| 4 | 2 | 601430 | HOSE, 1 1/2 X 183 2F-1W EPDM |
| 5 | 1 | 601456 | HOSE, 3/4 X 117 1BR BLK EPDM |
| 6 | 1 | 601457 | HOSE, 3/4 X 130 1BR BLK EPDM |
| 7 | 1 | 601425 | HOSE, 1 X 192 2F-1W EPDM |
| 8 | 1 | 601450 | HOSE, 2 X 84 2F-1W EPDM |
| 9 | 1 | 601438 | HOSE, 2 X 10 2F-1W EPDM |
| 10 | 2 | 690412 | HOSE SPRING GUARD 2IN X 12 LG |
| 11 | 1 | 601538 | HOSE, 1 1/2 X 51 2BR BLK EPDM |
| 12 | 1 | 601540 | HOSE, 1 1/2 X 248 2BR BLK EPDM |
| 13 | 1 | 601541 | HOSE, 1 1/2 X 262 2BR BLK EPDM |
| 14 | 2 | 342635 | NYL HOSE SLEEVE, 2.64ID X 60.00 |
| 15 | 3 | 342638 | NYL HOSE SLEEVE, 2.96ID X 65.00 |
| 16 | 2 | 601571 | HOSE, 1/2 X 420 1BR BLK EPDM |



SOLUTION HOISING FOR 80'-90' BOOM (HI-VOLUME)

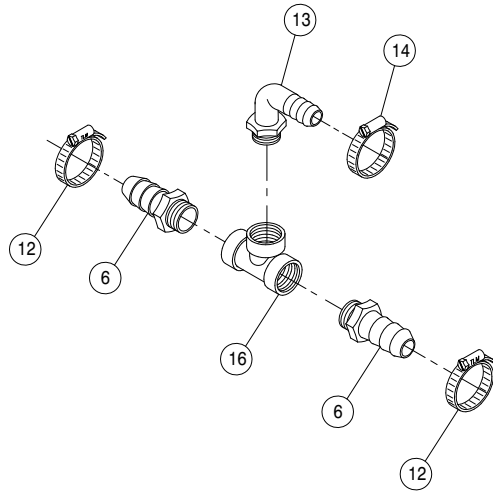
DET. QTY PART NO. DESCRIPTION

| DET. | QTY | PART NO. | DESCRIPTION |
|------|-----|----------|---------------------------------|
| 1 | 1 | 601451 | HOSE, 2 X 69 2F-1W EPDM |
| 2 | 1 | 601428 | HOSE, 1 1/2 X 125 2F-1W EPDM |
| 3 | 1 | 601429 | HOSE, 1 1/2 X 143 2F-1W EPDM |
| 4 | 2 | 601430 | HOSE, 1 1/2 X 183 2F-1W EPDM |
| 5 | 1 | 601456 | HOSE, 3/4 X 117 1BR BLK EPDM |
| 6 | 1 | 601457 | HOSE, 3/4 X 130 1BR BLK EPDM |
| 7 | 1 | 601425 | HOSE, 1 X 192 2F-1W EPDM |
| 8 | 1 | 601450 | HOSE, 2 X 84 2F-1W EPDM |
| 9 | 1 | 601438 | HOSE, 2 X 10 2F-1W EPDM |
| 10 | 2 | 690412 | HOSE SPRING GUARD 2IN X 12 LG |
| 11 | 1 | 601538 | HOSE, 1 1/2 X 51 2BR BLK EPDM |
| 12 | 1 | 601540 | HOSE, 1 1/2 X 248 2BR BLK EPDM |
| 13 | 1 | 601541 | HOSE, 1 1/2 X 262 2BR BLK EPDM |
| 14 | 2 | 342635 | NYL HOSE SLEEVE, 2.64ID X 60.00 |
| 15 | 3 | 342638 | NYL HOSE SLEEVE, 2.96ID X 65.00 |
| 16 | 2 | 601570 | HOSE, 1/2 X 236 1BR BLK EPDM |
| 17 | 2 | 601167 | HOSE, 1/2 X 300 1BR BLK EPDM |
| 18 | 2 | 601390 | HOSE, 1 X 160 1BR BLK EPDM |
| 19 | 1 | 601539 | HOSE, 1 1/2 X 245 2BR BLK EPDM |
| 20 | 1 | 601542 | HOSE, 1 1/2 X 294 2BR BLK EPDM |

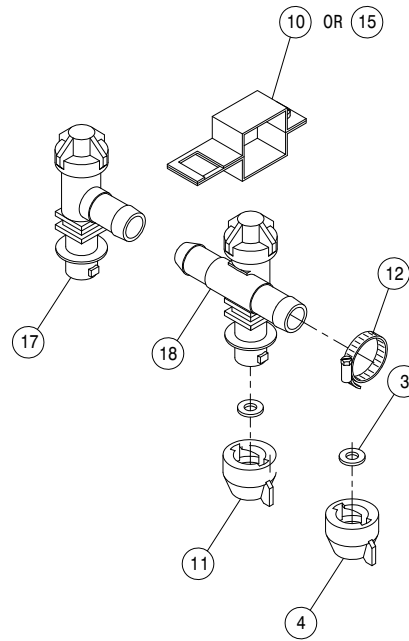


74

566074



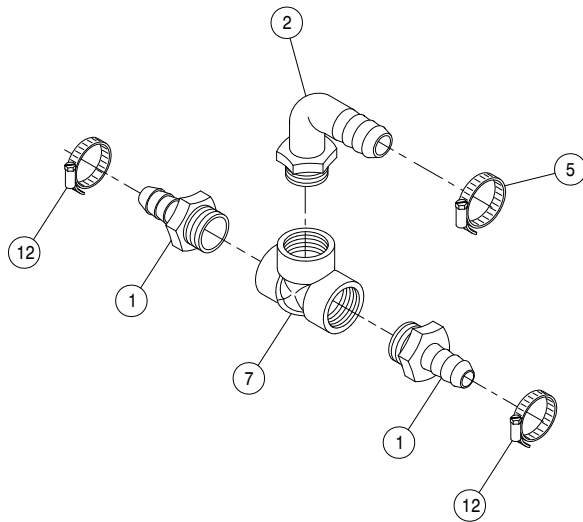
FEEDER TEE ASSEMBLY (STANDARD VOLUME)



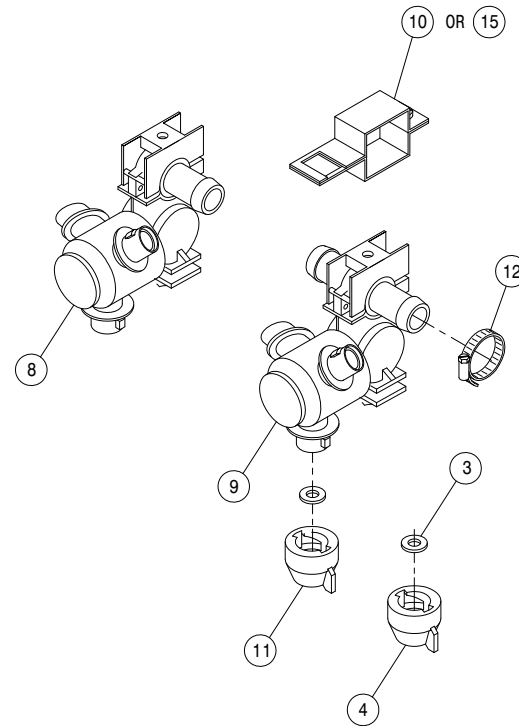
SINGLE TIP NOZZLE SPACING

BOOM FEEDER TEE ASSEMBLY

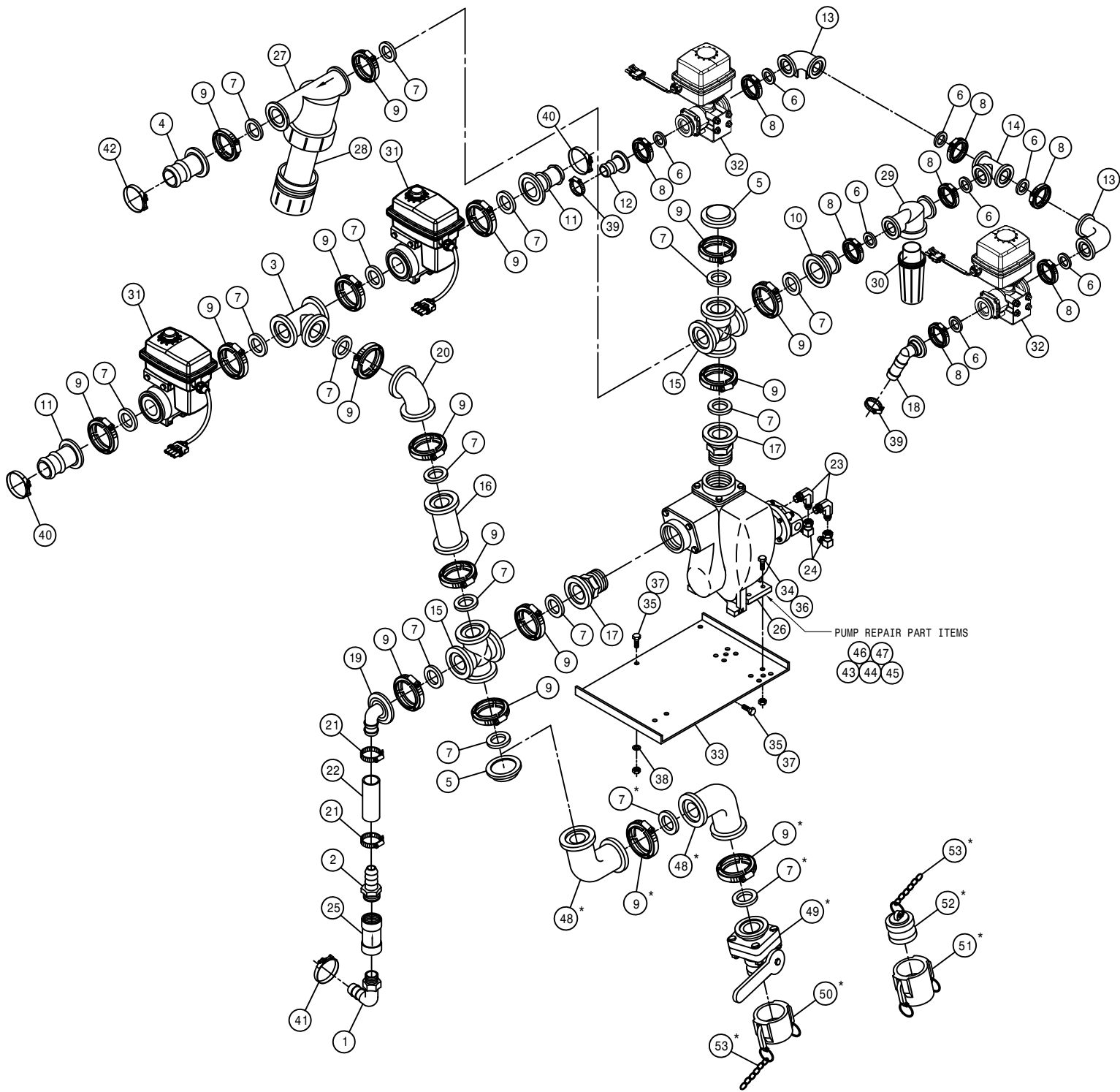
| DET. | QTY | PART NO. | DESCRIPTION |
|------|-----|----------|--------------------------------|
| 1 | 2 | 500108 | 1"NPT-3/4" HOSE BARB POLY |
| 2 | 1 | 500117 | 1"NPT-90-1 1/2"HOSE BARB, POLY |
| 3 | 4 | 737824 | QUICK TEEJET SEAT GASKET |
| 4 | 2 | 737825 | QUICK SHUT-OFF CAP |
| 5 | 1 | 520067 | HOSE CLAMP NO 28 STAINLESS |
| 6 | 2 | 500022 | 3/4NPT-3/4HOSE BARB, POLY |
| 7 | 1 | 500075 | 1" NPT PIPE TEE, POLY |
| 8 | 1 | 737833 | QUICK TJET LBO,3-TIP BODY .75 |
| 9 | 1 | 737834 | QUICK TJET TEE,3-TIP BODY .75 |
| 10 | 2 | 737817 | NOZL MT CLMP,1.00 SQ SS,Q-TJET |
| 11 | 2 | 737822 | CAP SET, YELLOW QUICK TEEJET |
| 12 | 6 | 520055 | HOSE CLAMP NO 12 STAINLESS |
| 13 | 1 | 500026 | 3/4NPT-90-1"HOSE BARB, POLY |
| 14 | 1 | 520090 | HOSE CLAMP NO 16 STAINLESS |
| 15 | 2 | 737832 | NOZL MT CLMP,1.25 SQ,SS Q-TJET |
| 16 | 1 | 505218 | 3/4 NPT PIPE TEE, POLY |
| 17 | 1 | 737829 | QUICK TJET LBO,1-TIP BODY .75 |
| 18 | 1 | 737830 | QUICK TJET TEE,1-TIP BODY .75 |



FEEDER TEE ASSEMBLY (HIGH VOLUME)



TRIPLE TIP NOZZLE SPACING



SOLUTION PUMP ASSEMBLY

| DET. | QTY | PART NO. | DESCRIPTION |
|------|-----|----------|---------------------------------|
| 1 | 1 | 500024 | 1"NPT-90-1"HOSE BARB, POLY |
| 2 | 1 | 500074 | 1"NPT-1" HOSE BARB, POLY |
| 3 | 1 | 500151 | 2" FLANGE TEE POLY |
| 4 | 1 | 500154 | 2" FLANGE-2" HOSE BARB POLY |
| 5 | 2 | 500156 | 2" FLANGE CAP PLUG POLY |
| 6 | 8 | 500157 | 1" FLANGE GASKET EPDM |
| 7 | 17 | 500158 | 1 1/2" GASKET FOR 2" FLANGE |
| 8 | 8 | 500159 | 1" FLANGE CLAMP, S.S. |
| 9 | 17 | 500160 | 2" FLANGE CLAMP, S.S. |
| 10 | 1 | 500161 | 2"FLANGE-1"FLANGE COUPLER,POLY |
| 11 | 2 | 500162 | 2" FLANGE-1 1/2 HOSE BARB POLY |
| 12 | 1 | 500170 | 1" FLANGE-3/4" HOSE BARB POLY |
| 13 | 2 | 500174 | 1" FLANGE-90-1" FLANGE LBOPOLY |
| 14 | 1 | 500175 | 1" FLANGE TEE POLY |
| 15 | 2 | 500176 | 2" FLANGE CROSS POLY |
| 16 | 1 | 500177 | 2" FLANGE-2" FLANGE CPLR POLY |
| 17 | 2 | 500182 | 2" FLANGE-2"MNPT ADPTR S.S. |
| 18 | 1 | 500185 | 1"FLANGE-90-3/4"HOSE BARB POLY |
| 19 | 1 | 500189 | 2" FLANGE-90-1" HOSE BARB POLY |
| 20 | 1 | 500225 | 2"FLANGE-45-2"FLANGE LBO POLY |
| 21 | 2 | 520087 | HOSE CLAMP NO 20 STAINLESS |
| 22 | 1 | 601463 | HOSE, 1 X 4 2BR BLK EPDM |
| 23 | 2 | 618241 | 3/4MJIC-90-3/4MOR LBO |
| 24 | 2 | 618609 | 3/4MJIC-90-3/4FJIC SWIV LBO |
| 25 | 1 | 690488 | 1.00 CHECK VLV, SPRING LOADED |
| 26 | 1 | 690552 | FLOMAX 8, 2" PUMP |
| 27 | 1 | 690628 | LINE "Y" STRAINER, 2" FLANGE |
| 28 | 1 | 690629 | 50 MESH SCREEN FOR 690628 |
| 29 | 1 | 690660 | LINE T-STRAINER,1"FLG,W/O SCRNB |
| 30 | 1 | 690661 | 50 MESH SCREEN FOR 690660 |
| 31 | 2 | 696265 | VALVE,KZCO 2"SPF ELEC W/WP |
| 32 | 2 | 696282 | VALVE,KZCO C2E 1"FLG ELEC W/WP |
| 33 | 1 | 690530 | 2" SOLU PUMP MT WLD 95 |
| 34 | 4 | 900066 | 5/16UNC X 1 1/4 HEX BOLT |
| 35 | 3 | 900129 | 3/8UNC X 1" SERR FLANGE BOLT |
| 36 | 4 | 914002 | 5/16UNC HEX STOVER NUT |
| 37 | 3 | 914004 | 3/8UNC HEX STOVER NUT |
| 38 | 2 | 920002 | 3/8 SAE FLAT WASHER |
| 39 | 2 | 520055 | HOSE CLAMP NO 12 STAINLESS |
| 40 | 2 | 520133 | 1.81/1.56 T-BOLT HOSE CLAMP SS |
| 41 | 1 | 520138 | 1.38/1.56 T-BOLT HOSE CLAMP |
| 42 | 1 | 520141 | 2.31/2.62 T-BOLT HOSE CLAMP SS |
| 43 | 1 | 695939 | SEAL ASSY, VITON, FLOMAX PUMP |
| 44 | 1 | 695919 | GASKET FLOMAX PUMP |
| 45 | 1 | 690570 | FLAPPER ASSY, BUNA, FLOMAX 8 |
| 46 | 1 | 690571 | WEAR PLATE, STEEL |
| 47 | 1 | 690565 | IMPELLER, CAST IRON 4.8DIA |
| 48 | 2 | 500180 | 2"FLANGE-90-2"FLANGE LBO, LONG |
| 49 | 1 | 696141 | BALL VLV,2"FLANGE/2"MALE ADPTR |
| 50 | 1 | 690623 | CAP FOR 2.00 MALE COUPLER POLY |
| 51 | 1 | 690390 | 2.00FNPT-FEMALE COUPLER POLY |
| 52 | 1 | 690392 | PLUG FOR 2.00 FEMALE COUPLER |
| 53 | 1 | 160986 | CHAIN, 12.00 LONG |

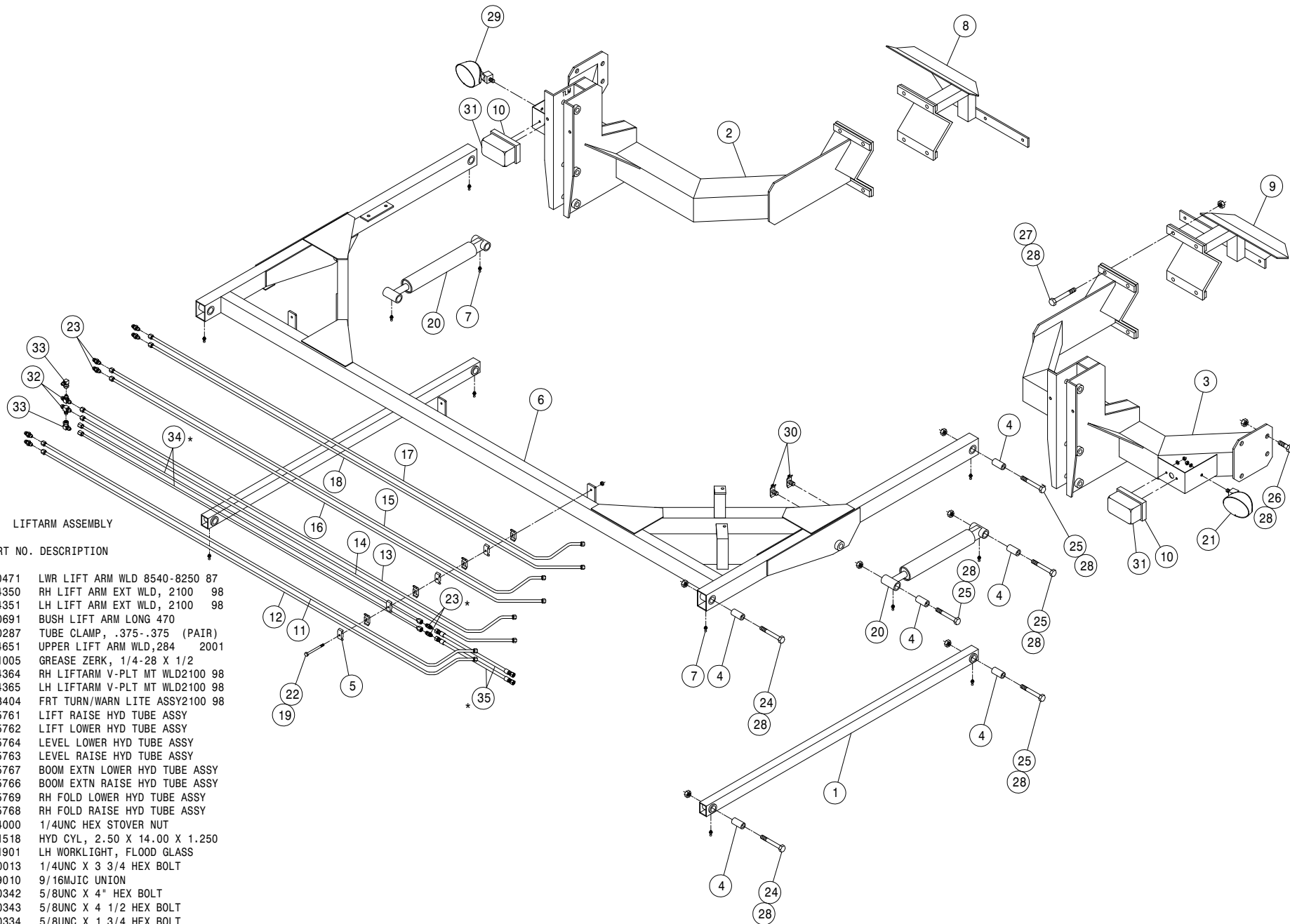
NOTE: ITEMS WITH A (*) ARE USE WITH THE FRONT FILL OPTION.

LIFTARM ASSEMBLY

DET. QTY PART NO. DESCRIPTION

| | | | |
|----|----|--------|--------------------------------|
| 1 | 2 | 160471 | LWR LIFT ARM WLD 8540-8250 87 |
| 2 | 1 | 164350 | RH LIFT ARM EXT WLD, 2100 98 |
| 3 | 1 | 164351 | LH LIFT ARM EXT WLD, 2100 98 |
| 4 | 12 | 160691 | BUSH LIFT ARM LONG 470 |
| 5 | 12 | 470287 | TUBE CLAMP, .375-.375 (PAIR) |
| 6 | 1 | 164651 | UPPER LIFT ARM WLD,284 2001 |
| 7 | 12 | 471005 | GREASE ZERK, 1/4-28 X 1/2 |
| 8 | 1 | 164364 | RH LIFTARM V-PLT MT WLD2100 98 |
| 9 | 1 | 164365 | LH LIFTARM V-PLT MT WLD2100 98 |
| 10 | 2 | 293404 | FRT TURN/WARN LITE ASSY2100 98 |
| 11 | 1 | 615761 | LIFT RAISE HYD TUBE ASSY |
| 12 | 1 | 615762 | LIFT LOWER HYD TUBE ASSY |
| 13 | 1 | 615764 | LEVEL LOWER HYD TUBE ASSY |
| 14 | 1 | 615763 | LEVEL RAISE HYD TUBE ASSY |
| 15 | 1 | 615767 | BOOM EXTN LOWER HYD TUBE ASSY |
| 16 | 1 | 615766 | BOOM EXTN RAISE HYD TUBE ASSY |
| 17 | 1 | 615769 | RH FOLD LOWER HYD TUBE ASSY |
| 18 | 1 | 615768 | RH FOLD RAISE HYD TUBE ASSY |
| 19 | 3 | 914000 | 1/4UNC HEX STOVER NUT |
| 20 | 2 | 621518 | HYD CYL, 2.50 X 14.00 X 1.250 |
| 21 | 1 | 291901 | LH WORKLIGHT, FLOOD GLASS |
| 22 | 3 | 900013 | 1/4UNC X 3 3/4 HEX BOLT |
| 23 | 8 | 619010 | 9/16MJIC UNION |
| 24 | 4 | 900342 | 5/8UNC X 4" HEX BOLT |
| 25 | 8 | 900343 | 5/8UNC X 4 1/2 HEX BOLT |
| 26 | 8 | 900334 | 5/8UNC X 1 3/4 HEX BOLT |
| 27 | 8 | 900338 | 5/8UNC X 3" HEX BOLT |
| 28 | 28 | 914010 | 5/8UNC HEX STOVER NUT |
| 29 | 1 | 291900 | RH WORKLIGHT, FLOOD GLASS |
| 30 | 2 | 470356 | MTG CLIP, PACKARD CONNECTOR |
| 31 | 2 | 291669 | YELLOW LENS FOR 291668 |
| 32 | 2 | 618019 | 9/16MJIC UNION TEE |
| 33 | 2 | 618618 | 9/16MJIC-90-9/16FJIC SWIV LBO |
| 34 | 2 | 615813 | LEVEL HYD TUBE ASSY |
| 35 | 2 | 614033 | 04-482TC-06FJX-06FJX-17 H/A |

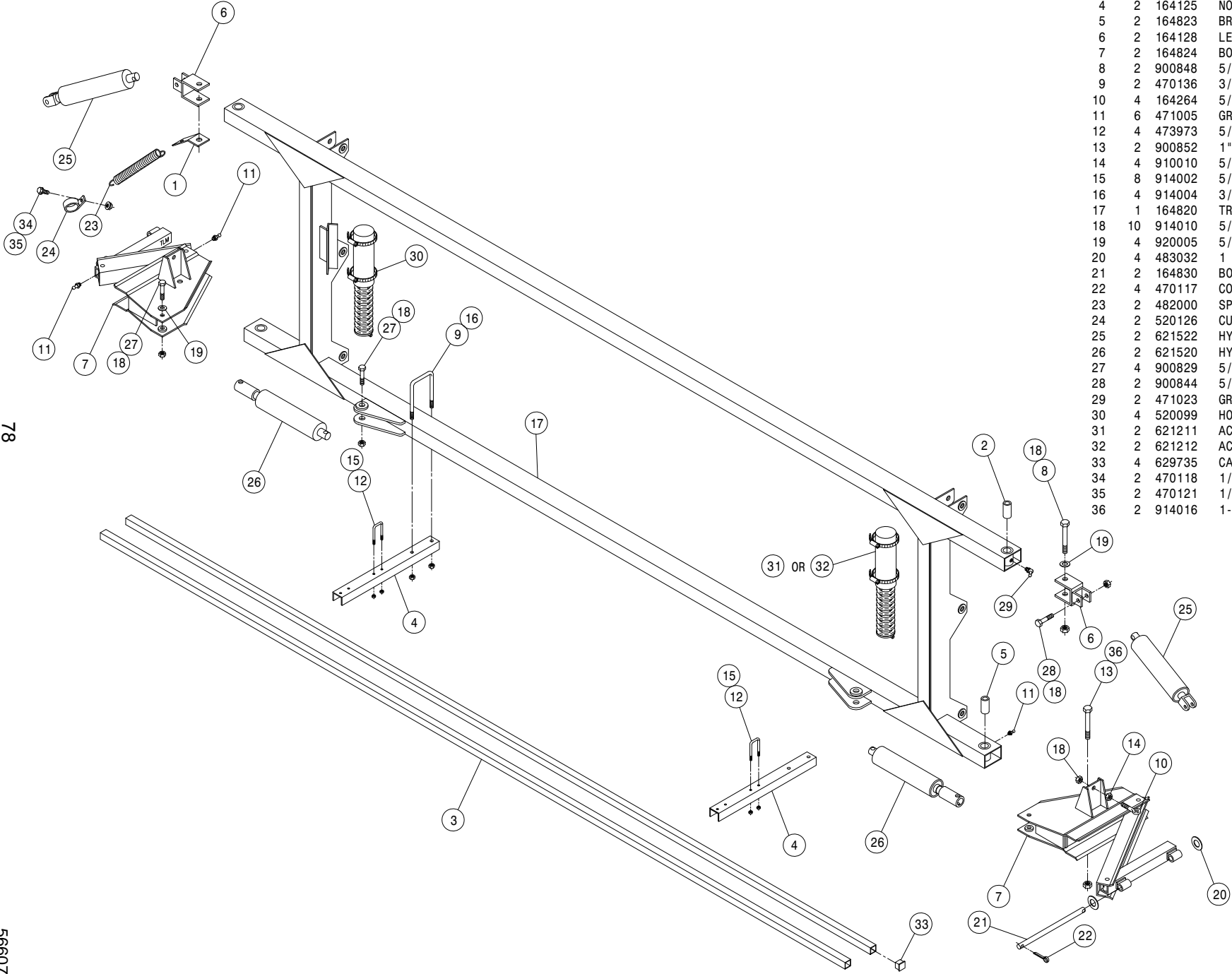
NOTE: ITEMS MARKED WITH A (*) ARE MID YEAR CHANGES.



TRANSOM ASSEMBLY

DET. QTY PART NO. DESCRIPTION

| DET. | QTY | PART NO. | DESCRIPTION |
|------|-----|----------|---------------------------------|
| 1 | 2 | 160429 | FEEDER HOSE SUPPORT SPRING MT |
| 2 | 2 | 160691 | |
| 3 | 2 | 164123 | 1.250 SQ X 14GA X 132.00 C/L |
| 4 | 2 | 164125 | NOZL MT TUBE HANGER CHAN 96 |
| 5 | 2 | 164823 | BRKAWAY PIVOT BUSH,DTS 8/10 05 |
| 6 | 2 | 164128 | LEVEL CYL PIVOT BRKT WLD 96 |
| 7 | 2 | 164824 | BOOM BREAKAWAY WLD,284/2101 05 |
| 8 | 2 | 900848 | 5/8UNC X 4 3/4 HEX BOLT GR8 |
| 9 | 2 | 470136 | 3/8UNC-3 1/16ID-3 SQ U-BOLT |
| 10 | 4 | 164264 | 5/8UNC X 3" EYE BOLT |
| 11 | 6 | 471005 | GREASE ZERK, 1/4 28 X 1/2 |
| 12 | 4 | 473973 | 5/16UNC-1 5/16ID-2"SQ U-BOLTSS |
| 13 | 2 | 900852 | 1"UNC 4 3/4 HBOLT,1 1/4THD GR8 |
| 14 | 4 | 910010 | 5/8UNC HEX NUT |
| 15 | 8 | 914002 | 5/16UNC HEX STOVER NUT |
| 16 | 4 | 914004 | 3/8UNC HEX STOVER NUT |
| 17 | 1 | 164820 | TRANSOM WLD, DTS 8/DTS 10 05 |
| 18 | 10 | 914010 | 5/8UNC HEX STOVER NUT |
| 19 | 4 | 920005 | 5/8 SAE FLAT WASHER |
| 20 | 4 | 483032 | 1 1/2 X 1" X .134TH MACH WASH |
| 21 | 2 | 164830 | BOOM PIVOT PIN,1.00 X 13.31 05 |
| 22 | 4 | 470117 | COTTER PIN 3/16 1 3/4 SQ CUT |
| 23 | 2 | 482000 | SPRING, .930D X 8.5LG, .072WIRE |
| 24 | 2 | 520126 | CUSH CLAMP,#32 2IN X 5/8W |
| 25 | 2 | 621522 | HYD CYL, 2.00 X 10.00 X 1.000 |
| 26 | 2 | 621520 | HYD CYL, 2.00 X 10.00 X 1.000 |
| 27 | 4 | 900829 | 5/8UNC X 4" HEX BOLT GR8 |
| 28 | 2 | 900844 | 5/8UNC X 2 3/4 HEX BOLT GR8 |
| 29 | 2 | 471023 | GREASE ZERK 1/4-28 X 45 |
| 30 | 4 | 520099 | HOSE CLAMP NO 40 STAINLESS |
| 31 | 2 | 621211 | ACCUMULATOR CYL ASSY,60 BOOM |
| 32 | 2 | 621212 | ACCUMULATOR CYL ASSY,80/90BOOM |
| 33 | 4 | 629735 | CAPPLUGS 1 1/4" SQ, BLACK POLY |
| 34 | 2 | 470118 | 1/4UNC X 3/4 FLANGE HEX BOLT |
| 35 | 2 | 470121 | 1/4UNC HEX FLANGE LOCK NUT |
| 36 | 2 | 914016 | 1-8 HEX STOVER NUT |



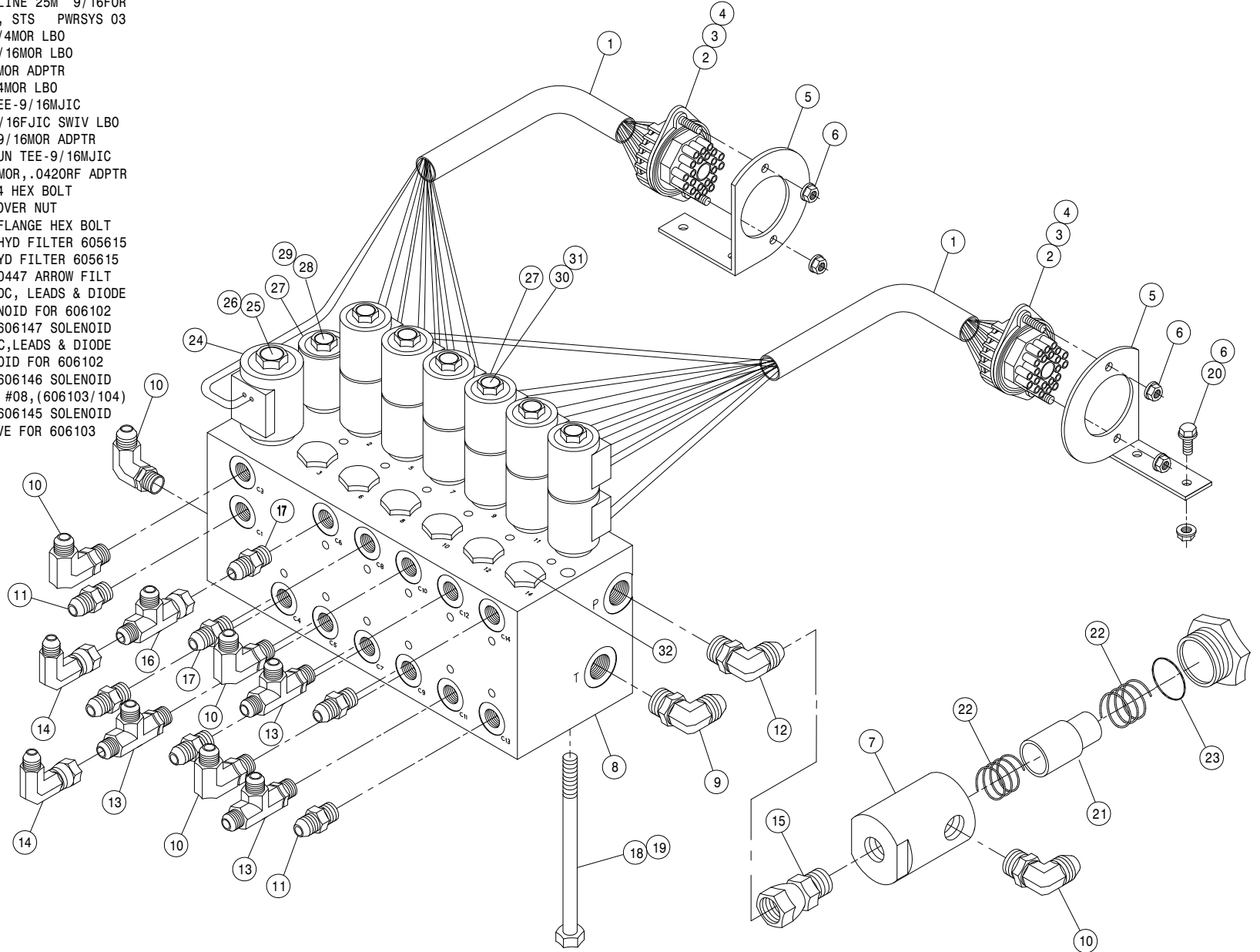
78

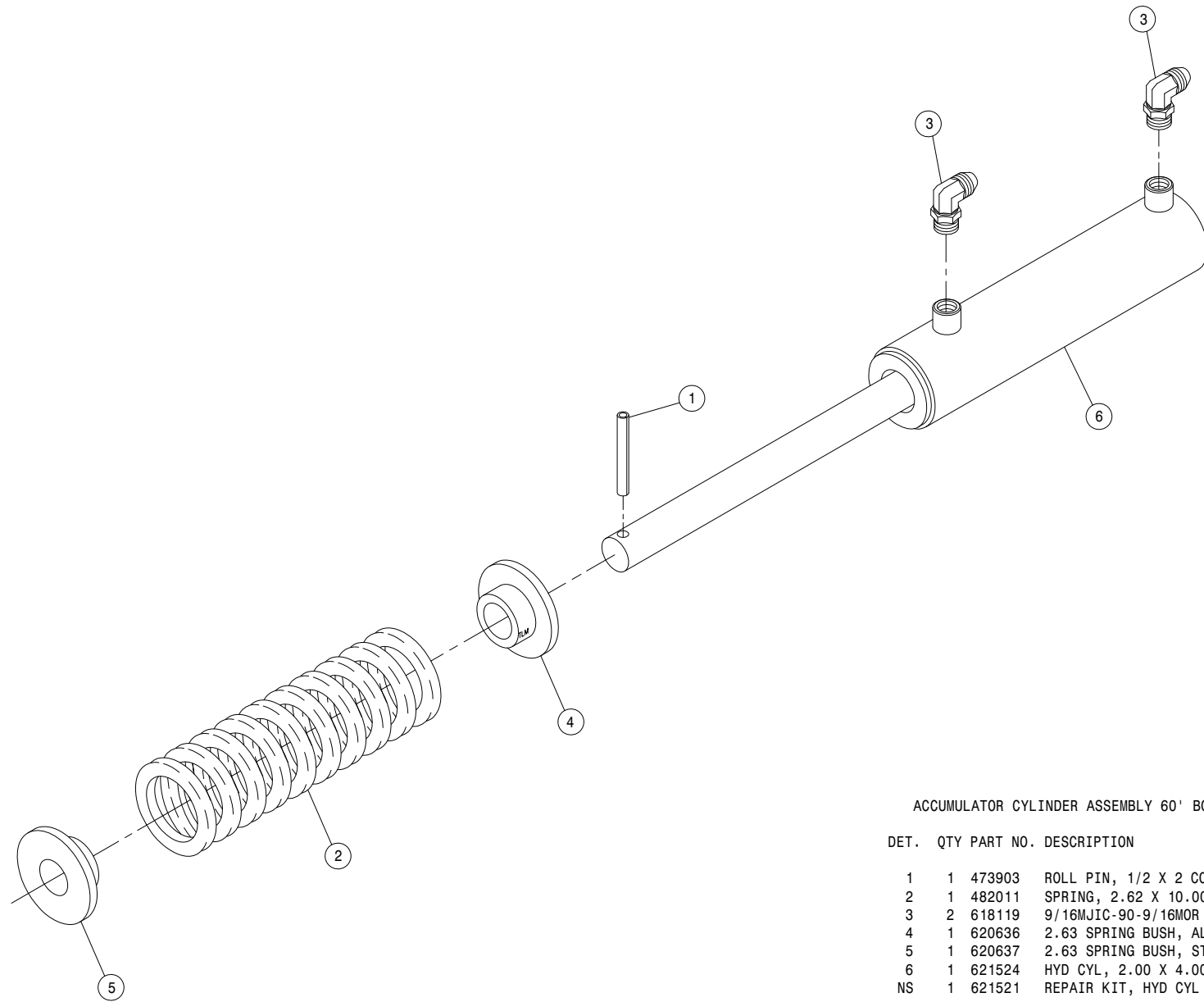
566078

BOOM CONTROL VALVE ASSEMBLY

DET. QTY PART NO. DESCRIPTION

| | | | |
|----|----|--------|----------------------------------|
| 1 | 2 | 192514 | 1.00 ID CORRGTD LOOM, BLK POLY |
| 2 | 16 | 291621 | PACKARD CONNCT CAVITY PLUG |
| 3 | 2 | 291746 | PACKARD CONNECT,22WIRE TOWER |
| 4 | 4 | 291747 | PACKARD CONNECTOR COMB,22WIRE |
| 5 | 2 | 342827 | HARNESS CONNECTOR BRKT,2101 03 |
| 6 | 8 | 470121 | 1/4UNC HEX FLANGE LOCK NUT |
| 7 | 1 | 605615 | HYD FILTER,INLINE 25M 9/16FOR |
| 8 | 1 | 606104 | BOOM CTRL VLV, STS PWRSYS 03 |
| 9 | 1 | 618115 | 9/16MJIC-90-3/4MOR LBO |
| 10 | 5 | 618119 | 9/16MJIC-90-9/16MOR LBO |
| 11 | 5 | 618126 | 9/16MJIC-9/16MOR ADPTR |
| 12 | 1 | 618241 | 3/4MJIC-90-3/4MOR LBO |
| 13 | 3 | 618444 | 9/16MOR RUN TEE-9/16MJIC |
| 14 | 2 | 618618 | 9/16MJIC-90-9/16FJIC SWIV LBO |
| 15 | 1 | 618692 | 3/4FJIC SWIV-9/16MOR ADPTR |
| 16 | 1 | 618486 | 9/16FJIC SW RUN TEE-9/16MJIC |
| 17 | 2 | 614763 | 9/16MJIC-9/16MOR, .042ORF ADPTR |
| 18 | 2 | 900146 | 3/8UNC X 5 3/4 HEX BOLT |
| 19 | 2 | 914004 | 3/8UNC HEX STOVER NUT |
| 20 | 4 | 470118 | 1/4UNC X 3/4 FLANGE HEX BOLT |
| 21 | 1 | 605616 | ELEMENT,25M HYD FILTER 605615 |
| 22 | 1 | 605617 | SPRING KIT, HYD FILTER 605615 |
| 23 | 1 | 610462 | GASKET FOR 610447 ARROW FILT |
| 24 | 1 | 606109 | COIL, #10 12VDC, LEADS & DIODE |
| 25 | 1 | 606147 | MAIN #10 SOLENOID FOR 606102 |
| 26 | 1 | 606169 | SEAL KIT FOR 606147 SOLENOID |
| 27 | 13 | 606143 | COIL, #08, 12VDC, LEADS & DIODE |
| 28 | 1 | 606146 | MAIN #8 SOLENOID FOR 606102 |
| 29 | 1 | 606167 | SEAL KIT FOR 606146 SOLENOID |
| 30 | 6 | 606145 | SOLENOID, 4W3P #08, (606103/104) |
| 31 | 6 | 606168 | SEAL KIT FOR 606145 SOLENOID |
| 32 | 6 | 606148 | #10 CHECK VALVE FOR 606103 |



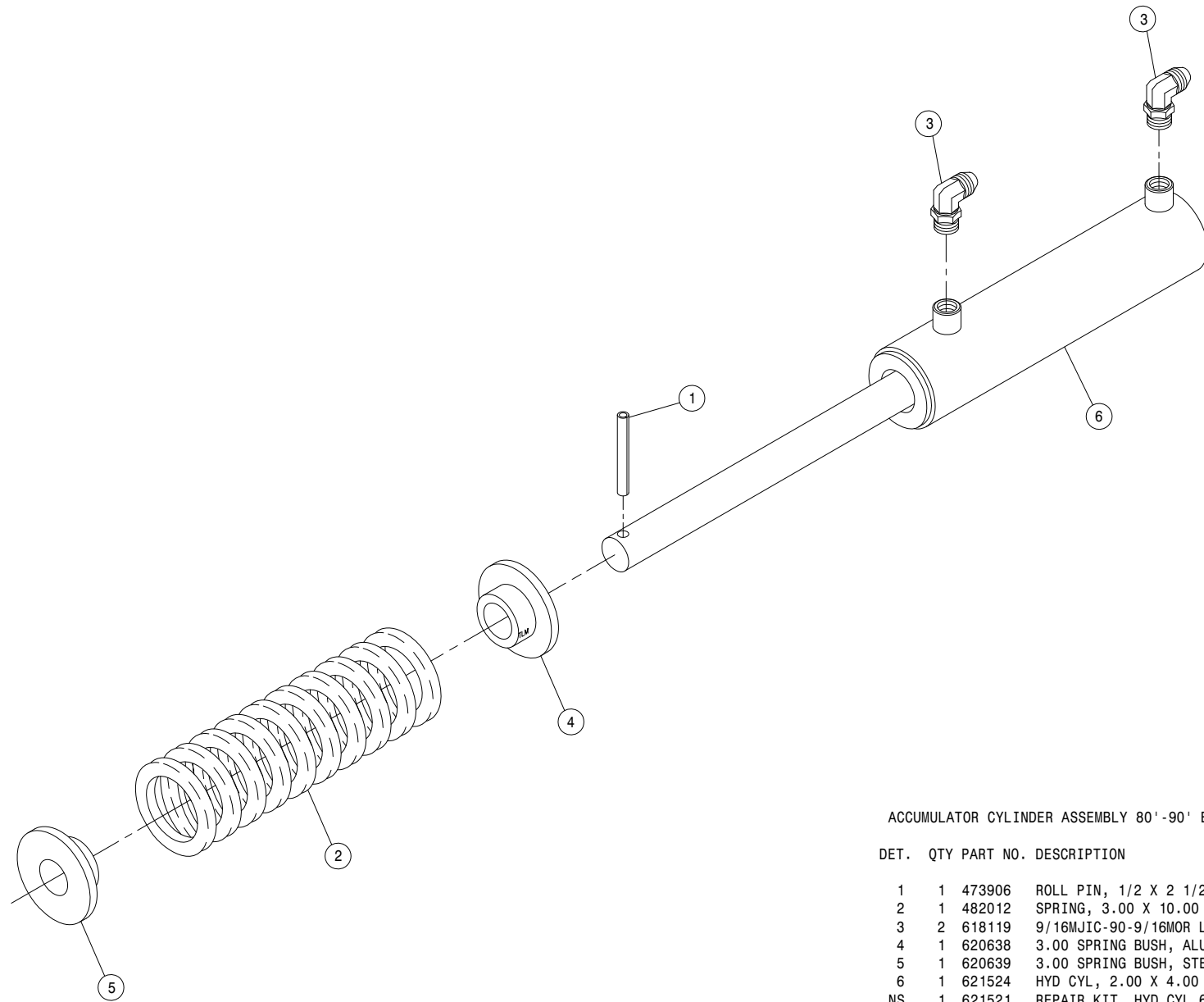


ACCUMULATOR CYLINDER ASSEMBLY 60' BOOM

DET. QTY PART NO. DESCRIPTION

| | | | |
|----|---|--------|------------------------------|
| 1 | 1 | 473903 | ROLL PIN, 1/2 X 2 COILED |
| 2 | 1 | 482011 | SPRING, 2.62 X 10.00 COMPRSN |
| 3 | 2 | 618119 | 9/16MJIC-90-9/16MOR LBO |
| 4 | 1 | 620636 | 2.63 SPRING BUSH, ALUM 96 |
| 5 | 1 | 620637 | 2.63 SPRING BUSH, STEEL 96 |
| 6 | 1 | 621524 | HYD CYL, 2.00 X 4.00 X 1.000 |
| NS | 1 | 621521 | REPAIR KIT, HYD CYL 621520 |

NOTE: 621211 - ACCUMULATOR CYLINDER ASSEMBLY

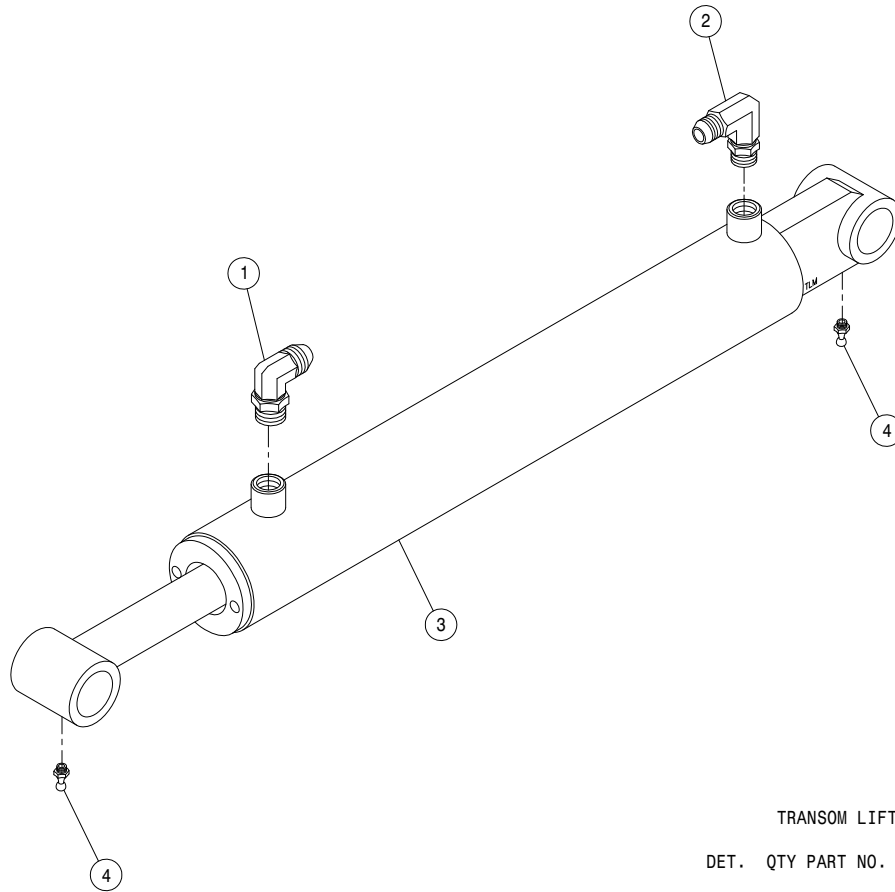


ACCUMULATOR CYLINDER ASSEMBLY 80' -90' BOOM

DET. QTY PART NO. DESCRIPTION

| | | | |
|----|---|--------|------------------------------|
| 1 | 1 | 473906 | ROLL PIN, 1/2 X 2 1/2 COILED |
| 2 | 1 | 482012 | SPRING, 3.00 X 10.00 COMPRSN |
| 3 | 2 | 618119 | 9/16MJIC-90-9/16MOR LBO |
| 4 | 1 | 620638 | 3.00 SPRING BUSH, ALUM 96 |
| 5 | 1 | 620639 | 3.00 SPRING BUSH, STEEL 96 |
| 6 | 1 | 621524 | HYD CYL, 2.00 X 4.00 X 1.000 |
| NS | 1 | 621521 | REPAIR KIT, HYD CYL 621520 |

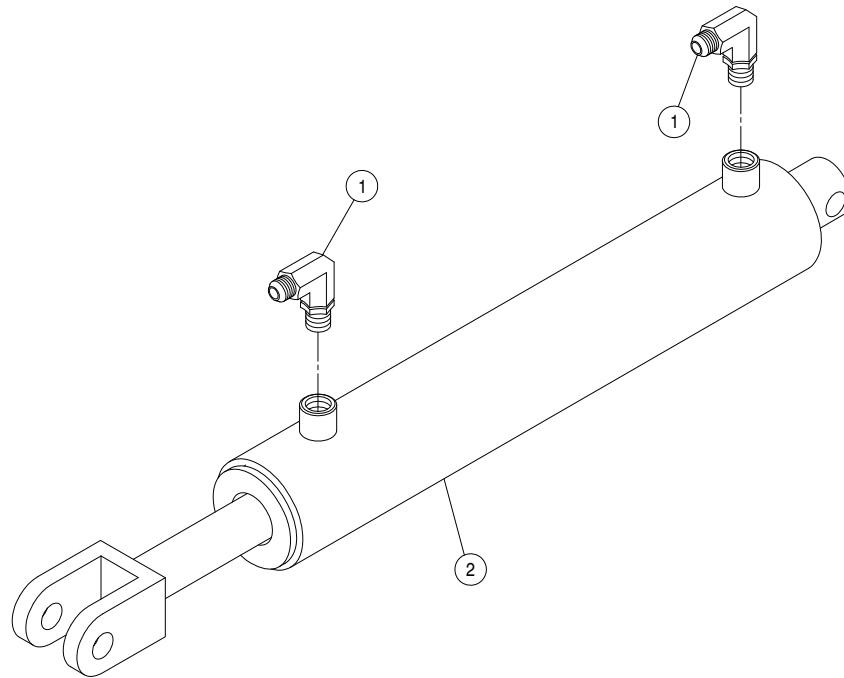
NOTE: 621212 - ACCUMULATOR CYLINDER ASSEMBLY



TRANSOM LIFT CYLINDER ASSEMBLY

| DET. | QTY | PART NO. | DESCRIPTION |
|------|-----|----------|--------------------------------|
| 1 | 1 | 618119 | 9/16MJIC-90-9/16MOR LBO |
| 2 | 1 | 618689 | 9/16MJ-90-9/16MOR .042 CHK VLV |
| 3 | 1 | 621518 | HYD CYL, 2.50 X 14.00 X 1.250 |
| 4 | 2 | 471005 | GREASE ZERK, 1/4 28 X 1/2 |
| NS | 1 | 621519 | REPAIR KIT, HYD CYL 621518 |

NOTE: 621207 - TRANSOM LIFT CYLINDER ASSEMBLY WITH FITTINGS

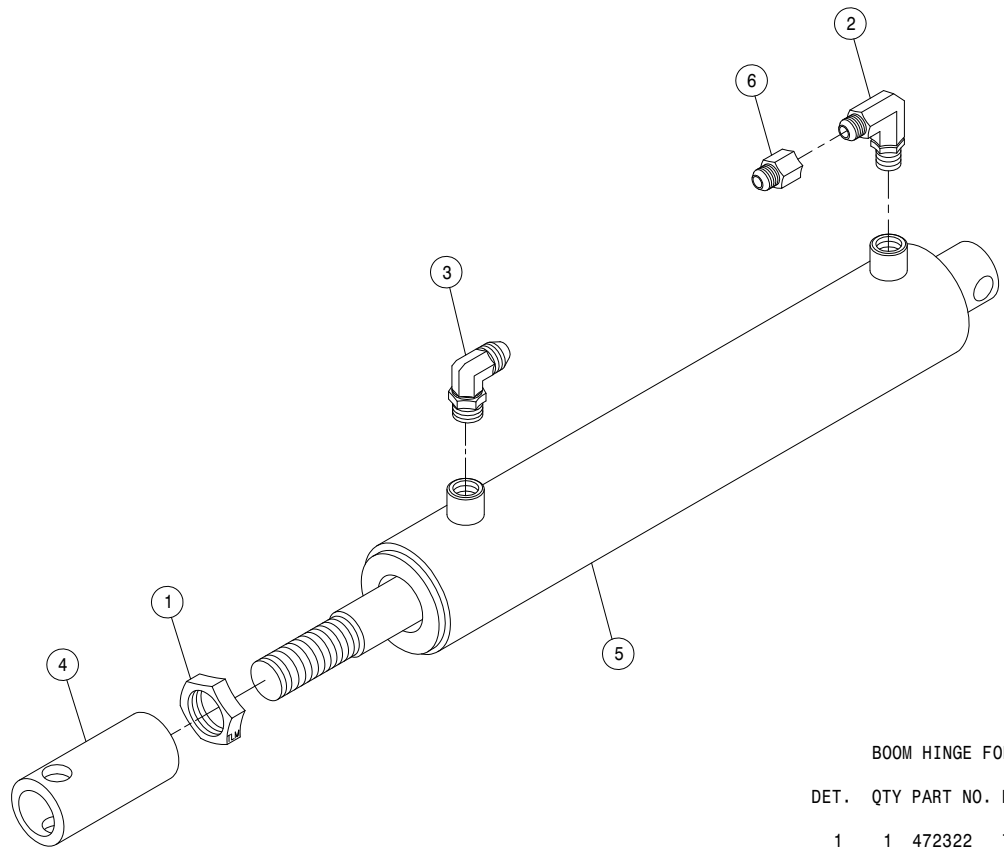


BOOM LEVEL CYLINDER ASSEMBLY

DET. QTY PART NO. DESCRIPTION

| | | | |
|----|---|--------|-------------------------------|
| 1 | 2 | 618119 | 9/16MJC-90-9/16MOR LBO |
| 2 | 1 | 621522 | HYD CYL, 2.00 X 10.00 X 1.000 |
| NS | 1 | 621521 | REPAIR KIT, HYD CYL 621520 |

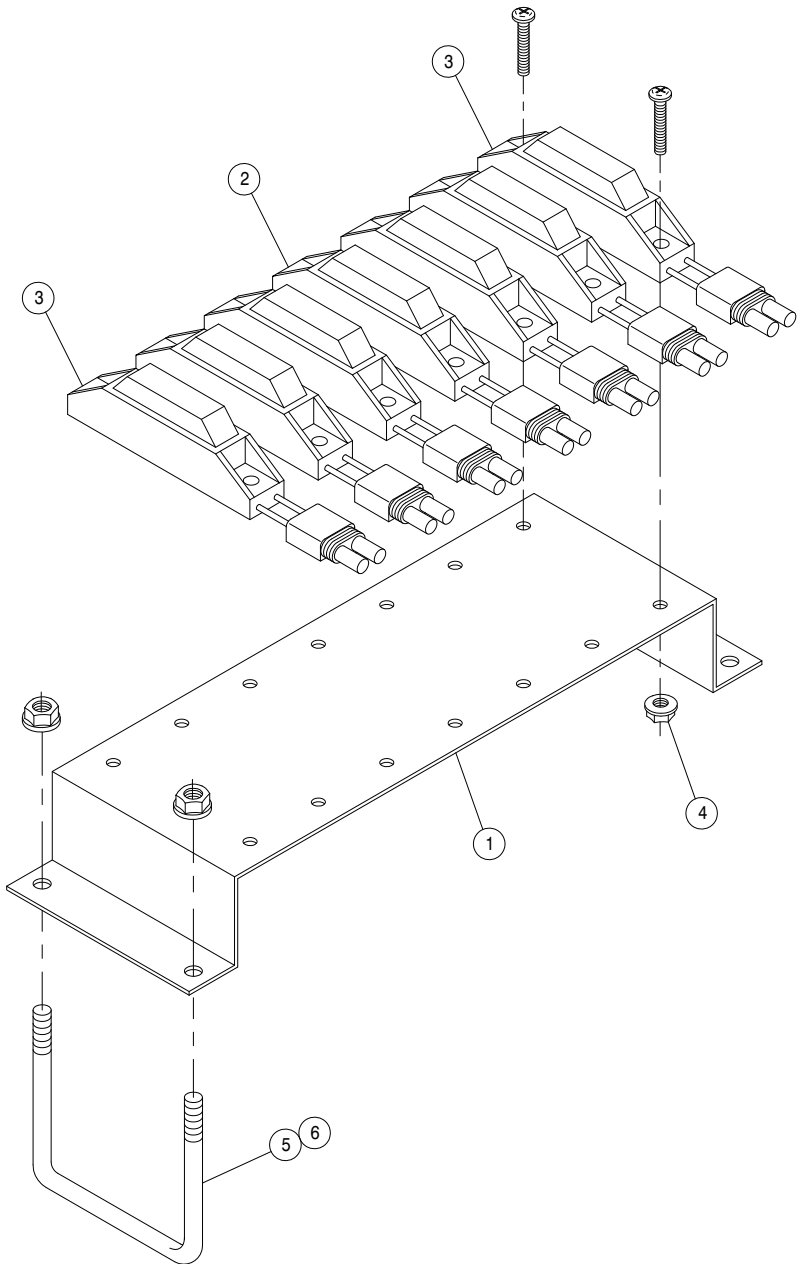
NOTE: 621210 - BOOM LEVEL CYLINDER ASSEMBLY WITH FITTINGS



BOOM HINGE FOLD CYLINDER ASSEMBLY

| DET. | QTY | PART NO. | DESCRIPTION |
|------|-----|----------|--------------------------------|
| | 1 | 472322 | 7/8-14 UNF HEX JAM NUT |
| | 1 | 618119 | 9/16MJIC-90-9/16MOR LBO |
| | 1 | 618688 | 9/16MJ-90-9/16MOR .025 CHK VLV |
| | 1 | 620653 | FOLD CYL ADJ SLEEVE 97 |
| | 1 | 621520 | HYD CYL, 2.00 X 10.00 X 1.000 |
| | 1 | 618733 | 9/16JIC .042 ORIFICE ADPTR |
| NS | 1 | 621521 | REPAIR KIT, HYD CYL 621520 |

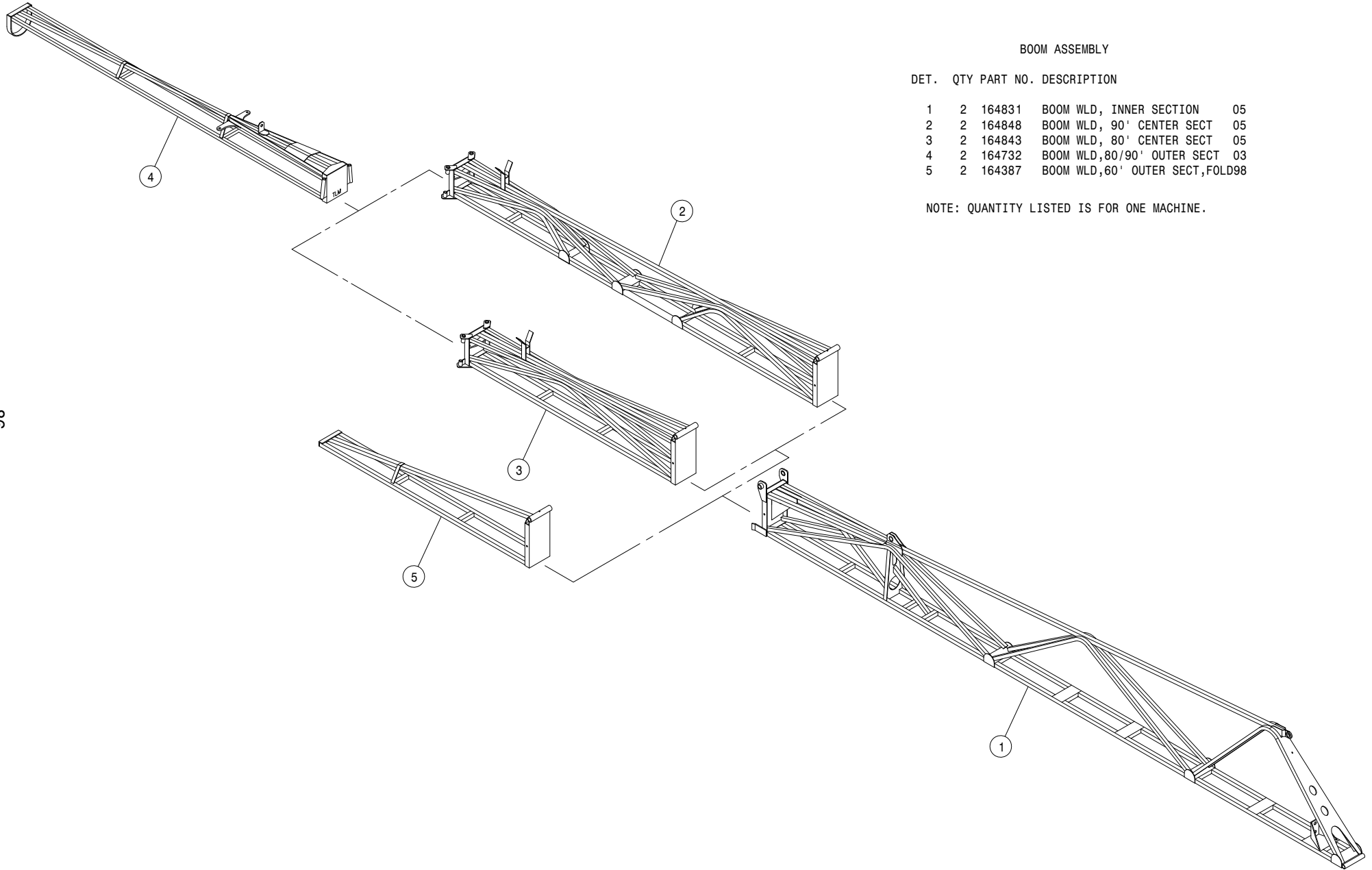
NOTE: 621208 - BOOM HINGE FOLD CYLINDER ASSEMBLY WITH FITTINGS



BOOM SECTION LIGHT ASSEMBLY

DET. QTY PART NO. DESCRIPTION

| | | | |
|---|----|--------|--------------------------------|
| 1 | 1 | 164386 | BOOM SECT ID LIGHT BRKT2100 98 |
| 2 | 5 | 291661 | LAMP KIT, RED 12V |
| 3 | 2 | 291662 | LAMP KIT, YELLOW 12V |
| 4 | 14 | 470175 | 10-32 HEX FLANGE LOCK NUT |
| 5 | 2 | 473970 | 1/4UNC-1 1/16ID-2 3/4 U-BOLTSQ |
| 6 | 4 | 470121 | 1/4UNC HEX FLANGE LOCK NUT |

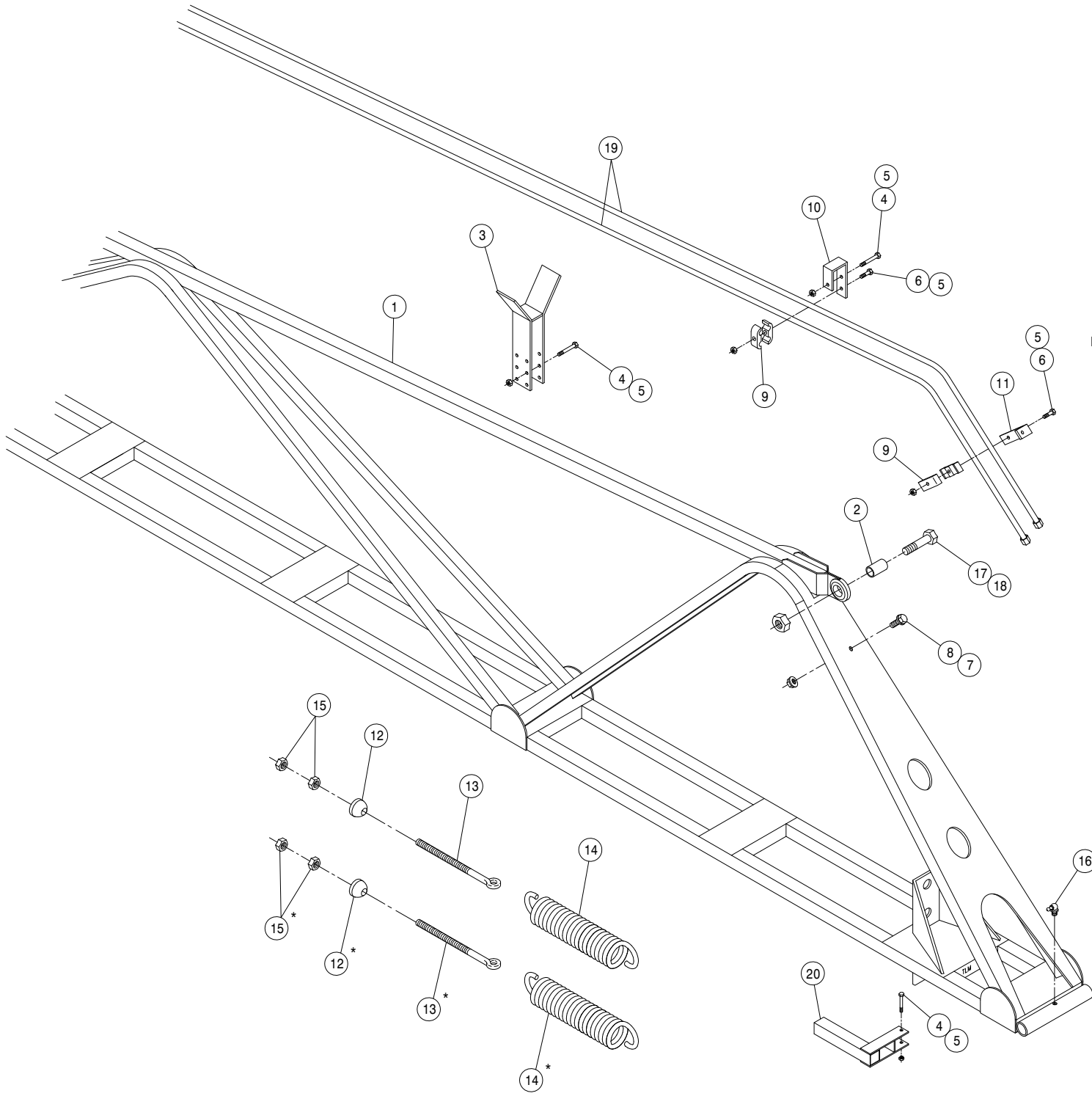


BOOM ASSEMBLY

DET. QTY PART NO. DESCRIPTION

| | | | | |
|---|---|--------|----------------------------------|----|
| 1 | 2 | 164831 | BOOM WLD, INNER SECTION | 05 |
| 2 | 2 | 164848 | BOOM WLD, 90' CENTER SECT | 05 |
| 3 | 2 | 164843 | BOOM WLD, 80' CENTER SECT | 05 |
| 4 | 2 | 164732 | BOOM WLD, 80/90' OUTER SECT | 03 |
| 5 | 2 | 164387 | BOOM WLD, 60' OUTER SECT, FOLD98 | |

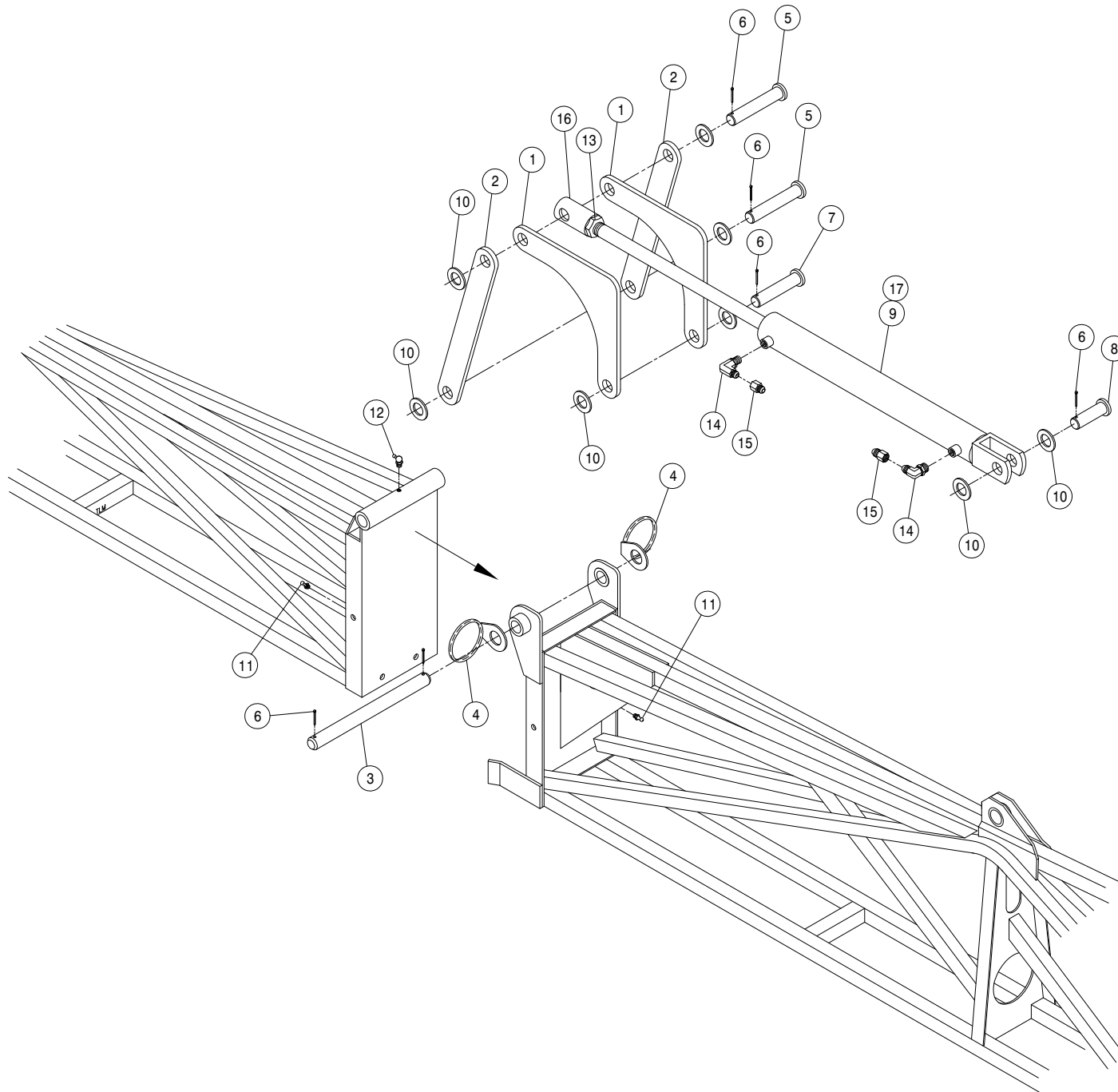
NOTE: QUANTITY LISTED IS FOR ONE MACHINE.



INNER BOOM ASSEMBLY

| DET. | QTY | PART NO. | DESCRIPTION | |
|------|-----|----------|-------------------------------|-----|
| 1 | 2 | 164831 | BOOM WLD, INNER SECTION | 05 |
| 2 | 2 | 164227 | .750 OD X 17GA X 1.25 | C/L |
| 3 | 2 | 164266 | OUTER BOOM SUPP WLD,80/90' | 96 |
| 4 | 18 | 900007 | 1/4UNC X 2" HEX BOLT | |
| 5 | 28 | 914000 | 1/4UNC HEX STOVER NUT | |
| 6 | 10 | 900004 | 1/4UNC X 1 1/4 HEX BOLT | |
| 7 | 2 | 470121 | 1/4UNC HEX FLANGE LOCK NUT | |
| 8 | 2 | 470118 | 1/4UNC X 3/4 FLANGE HEX BOLT | |
| 9 | 10 | 470287 | TUBE CLAMP, .375-.375 (PAIR) | |
| 10 | 8 | 164242 | HYD TUBE HANGER CLEVIS,BOOM96 | |
| 11 | 2 | 164243 | HYD TUBE HANGER ANGLE,BOOM 96 | |
| 12 | 4 | 164263 | SWIVEL, 5/8 BOOM EYEBOLT | |
| 13 | 4 | 164265 | 5/8UNC X 7 1/2 EYE BOLT | |
| 14 | 4 | 482014 | SPRING,3.25 X 11.50 EXTENSION | |
| 15 | 8 | 910010 | 5/8UNC HEX NUT | |
| 16 | 2 | 471028 | GREASE ZERK, 1/4-28 90DEG | |
| 17 | 2 | 900844 | 5/8UNC X 2 3/4 HEX BOLT GR8 | |
| 18 | 2 | 914010 | 5/8UNC HEX STOVER NUT | |
| 19 | 4 | 615684 | HYD TUBE ASSY,BOOM EXT FOLD96 | |
| 20 | 2 | 164275 | NOZL MT WLD | 96 |

NOTE: 1. QUANTITY LISTED IS FOR ONE MACHINE.
 2. (*) 60 FOOT BOOM USES ONE SPRING SETUP.



80' -90' BOOM HINGE PIVOT ASSEMBLY

DET. QTY PART NO. DESCRIPTION

| | | | | |
|----|----|--------|--------------------------------|-------|
| 1 | 4 | 164228 | FOLDING LINK, INNER BOOM | 96 |
| 2 | 4 | 164229 | FOLDING LINK, BOOM CNTR SECT96 | |
| 3 | 2 | 164231 | BOOM PIN, 1.00 X 11.75 | 96 |
| 4 | 4 | 438302 | HOSE SUPPORT RING WLD | |
| 5 | 4 | 470155 | CLEVIS PIN, 1.00 X 4.00 | PLT |
| 6 | 12 | 470162 | COTTER PIN 3/16 X 1 1/2 | SQCUT |
| 7 | 2 | 472012 | CLEVIS PIN, 1.00 X 3.25 | PLT |
| 8 | 2 | 472270 | CLEVIS PIN, 1.00 X 2.50 | PLT |
| 9 | 2 | 621526 | HYD CYL, 2.50 X 16.94 X 1.250 | |
| 10 | 16 | 920008 | 1" SAE FLAT WASHER | |
| 11 | 4 | 471005 | GREASE ZERK, 1/4 28 X 1/2 | |
| 12 | 2 | 471028 | GREASE ZERK, 1/4-28 90DEG | |
| 13 | 2 | 472328 | 1-12 HEX JAM NUT | |
| 14 | 4 | 618119 | 9/16MJIC-90-9/16MOR LBO | |
| 15 | 4 | 618733 | 9/16JIC .042 ORIFICE ADPTR | |
| 16 | 2 | 620681 | CENTER FOLD CYL ADJ SLEEVE | 12T |
| 17 | 2 | 621527 | REPAIR KIT, HYD CYL 621526 | |

NOTE: QUANTITY LISTED IS FOR ONE MACHINE.

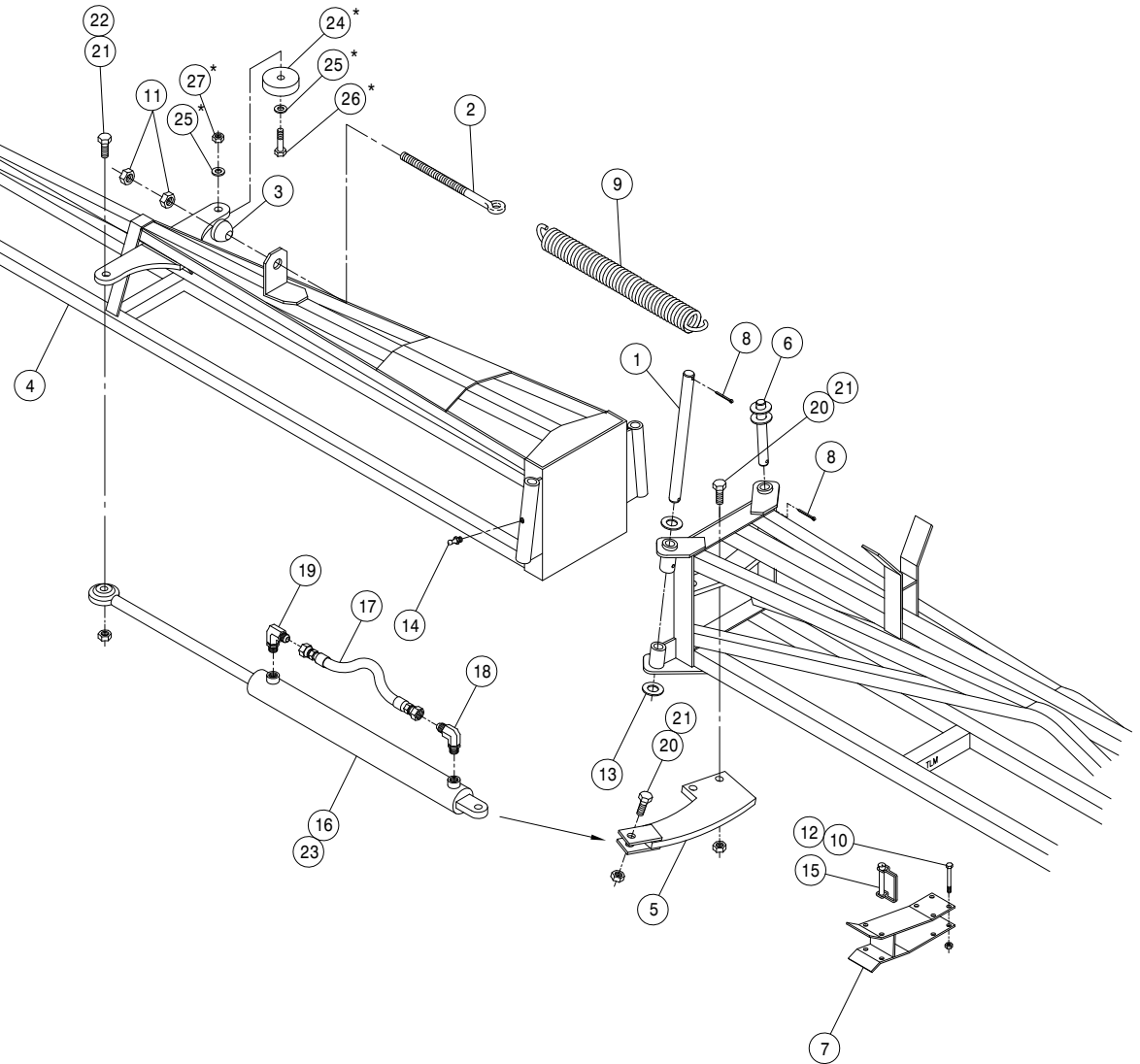
80' -90' OUTER BOOM HINGE ASSEMBLY

DET. QTY PART NO. DESCRIPTION

| DET. | QTY | PART NO. | DESCRIPTION |
|------|-----|----------|--------------------------------|
| 1 | 2 | 160351 | BOOM PIVOT PIN, .625 X 11.50 |
| 2 | 2 | 160979 | 1/2UNC X 9" EYE BOLT |
| 3 | 2 | 160981 | SWIVEL, 1/2" BOOM EYEBOLT |
| 4 | 2 | 164732 | BOOM WLD,80/90' OUTER SECT 03 |
| 5 | 2 | 164734 | CYL MT ARM WLD,80/90 CNTR SECT |
| 6 | 2 | 164737 | BOOM SPRING PIN WLD 03 |
| 7 | 2 | 164666 | OUTER BOOM SUPPORT WLD 00 |
| 8 | 6 | 470162 | COTTER PIN 3/16 X 1 1/2 SQCUT |
| 9 | 2 | 482013 | SPRING,2.50 X 17.00 EXTENSION |
| 10 | 8 | 900007 | 1/4UNC X 2" HEX BOLT |
| 11 | 4 | 910008 | 1/2UNC HEX NUT |
| 12 | 8 | 914000 | 1/4UNC HEX STOVER NUT |
| 13 | 4 | 920005 | 5/8 SAE FLAT WASHER |
| 14 | 2 | 471005 | GREASE ZERK, 1/4 28 X 1/2 |
| 15 | 2 | 473895 | 1/4 X 1 3/4 LINCHPIN |
| 16 | 2 | 621554 | HYD CYL, 1.50 X 12.25 X .750 |
| 17 | 2 | 616042 | 04-482TC-06FJX-06FJX-13 H/A |
| 18 | 2 | 618119 | 9/16MJIC-90-9/16MOR LBO |
| 19 | 2 | 618689 | 9/16MJ-90-9/16MOR .042 CHK VLV |
| 20 | 6 | 900266 | 1/2UNC X 1 3/4 HEX BOLT |
| 21 | 8 | 914008 | 1/2UNC HEX STOVER NUT |
| 22 | 2 | 900267 | 1/2UNC X 2" HEX BOLT |
| 23 | 2 | 621555 | REPAIR KIT,HYD CYL 621554 |
| 24 | 2 | 470098 | RUBBER BUMPER 2.500D X .38ID |
| 25 | 2 | 483043 | 3/8 REGULAR FLAT WASHER |
| 26 | 1 | 900131 | 3/8UNC X 1 1/2 HEX BOLT |
| 27 | 1 | 914004 | 3/8UNC HEX STOVER NUT |

NOTE: 1. QUANTITY LISTED IS FOR ONE MACHINE.

2. PARTS MARKED WITH (*) ARE USED ON THE LH SIDE OF THE 90' BOOM OPTION.

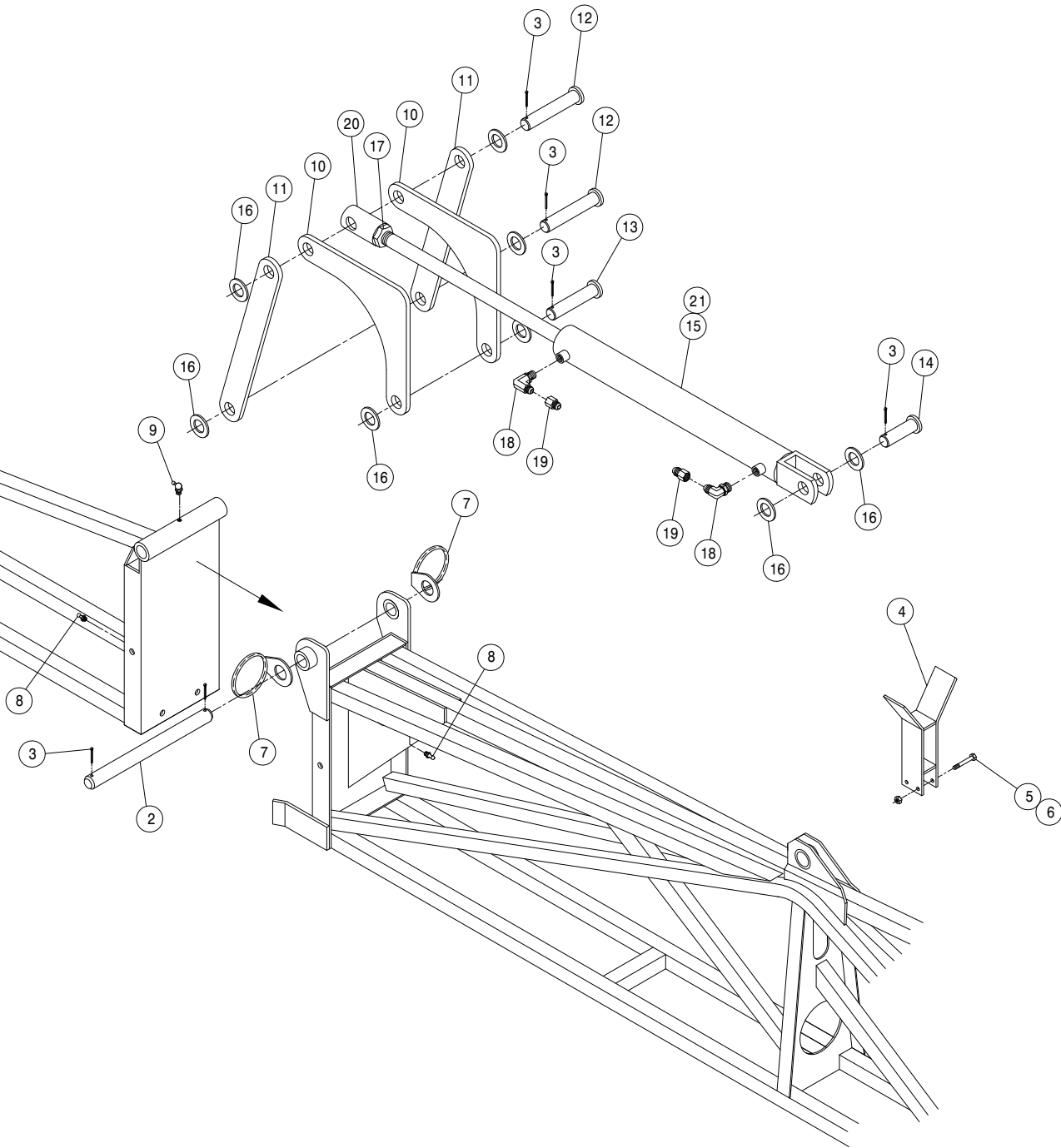


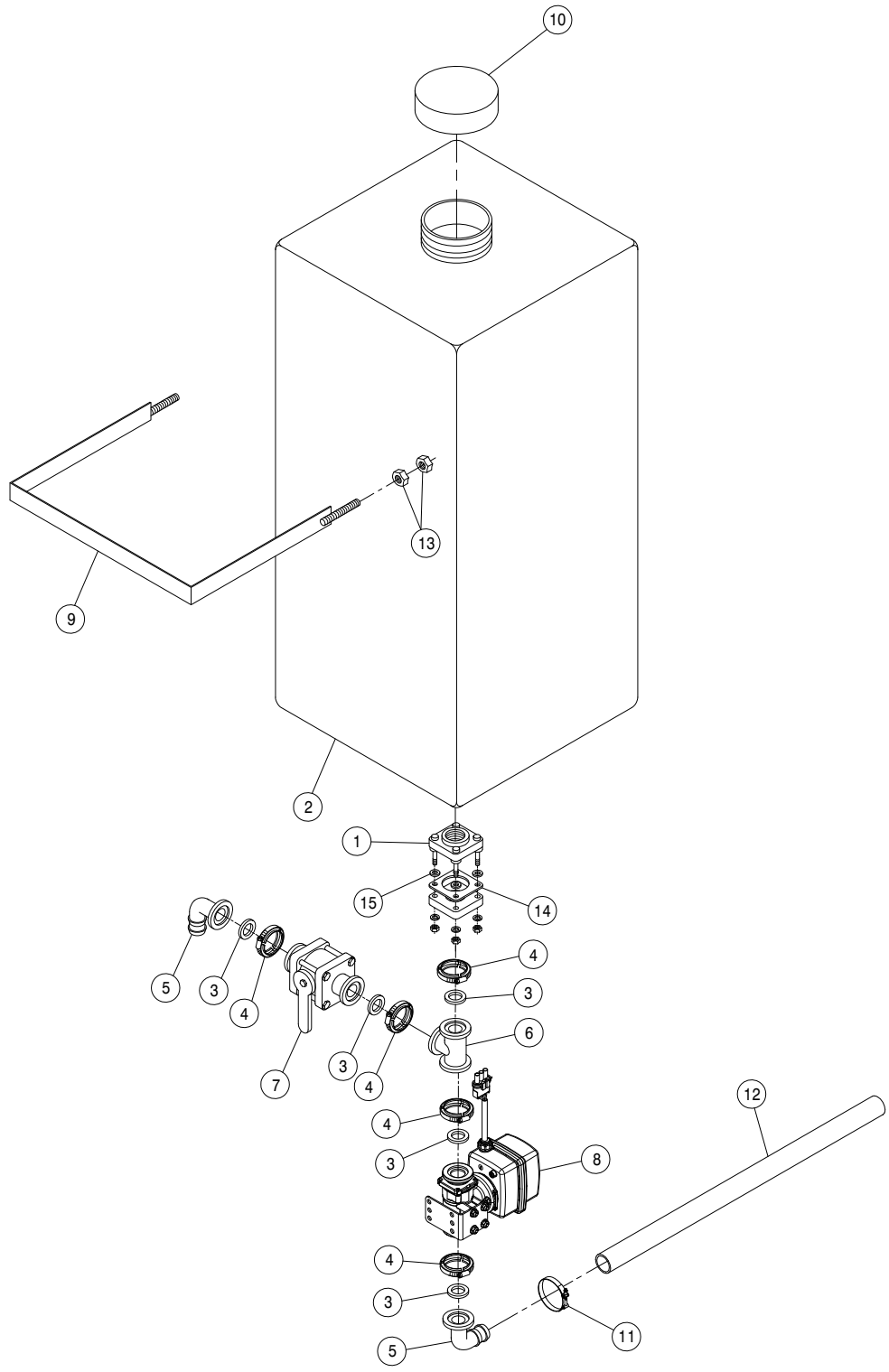
60' BOOM HINGE PIVOT ASSEMBLY

DET. QTY PART NO. DESCRIPTION

| | | | |
|----|----|--------|--------------------------------|
| 1 | 2 | 164387 | BOOM WLD,60' OUTER SECT,FOLD98 |
| 2 | 2 | 164231 | BOOM PIN, 1.00 X 11.75 96 |
| 3 | 12 | 470162 | COTTER PIN 3/16 X 1 1/2 SQCUT |
| 4 | 2 | 164388 | OUTER BOOM SUPP WLD,60'FOLD 98 |
| 5 | 4 | 900007 | 1/4UNC X 2" HEX BOLT |
| 6 | 4 | 914000 | 1/4UNC HEX STOVER NUT |
| 7 | 4 | 438302 | HOSE SUPPORT RING WLD |
| 8 | 4 | 471005 | GREASE ZERK, 1/4 28 X 1/2 |
| 9 | 2 | 471028 | GREASE ZERK, 1/4-28 90DEG |
| 10 | 4 | 164228 | FOLDING LINK, INNER BOOM 96 |
| 11 | 4 | 164229 | FOLDING LINK,BOOM CNTR SECT96 |
| 12 | 4 | 470155 | CLEVIS PIN, 1.00 X 4.00 PLT |
| 13 | 2 | 472012 | CLEVIS PIN, 1.00 X 3.25 PLT |
| 14 | 2 | 472270 | CLEVIS PIN, 1.00 X 2.50 PLT |
| 15 | 2 | 621526 | HYD CYL, 2.50 X 16.94 X 1.250 |
| 16 | 16 | 920008 | 1" SAE FLAT WASHER |
| 17 | 2 | 472328 | 1-12 HEX JAM NUT |
| 18 | 4 | 618119 | 9/16MJIC-90-9/16MOR LBO |
| 19 | 4 | 618733 | 9/16JIC .042 ORIFICE ADPTR |
| 20 | 2 | 620681 | CENTER FOLD CYL ADJ SLEEVE 12T |
| 21 | 2 | 621527 | REPAIR KIT, HYD CYL 621526 |

NOTE: QUANTITY LISTED IS FOR ONE MACHINE.





RINSE TANK ASSEMBLY

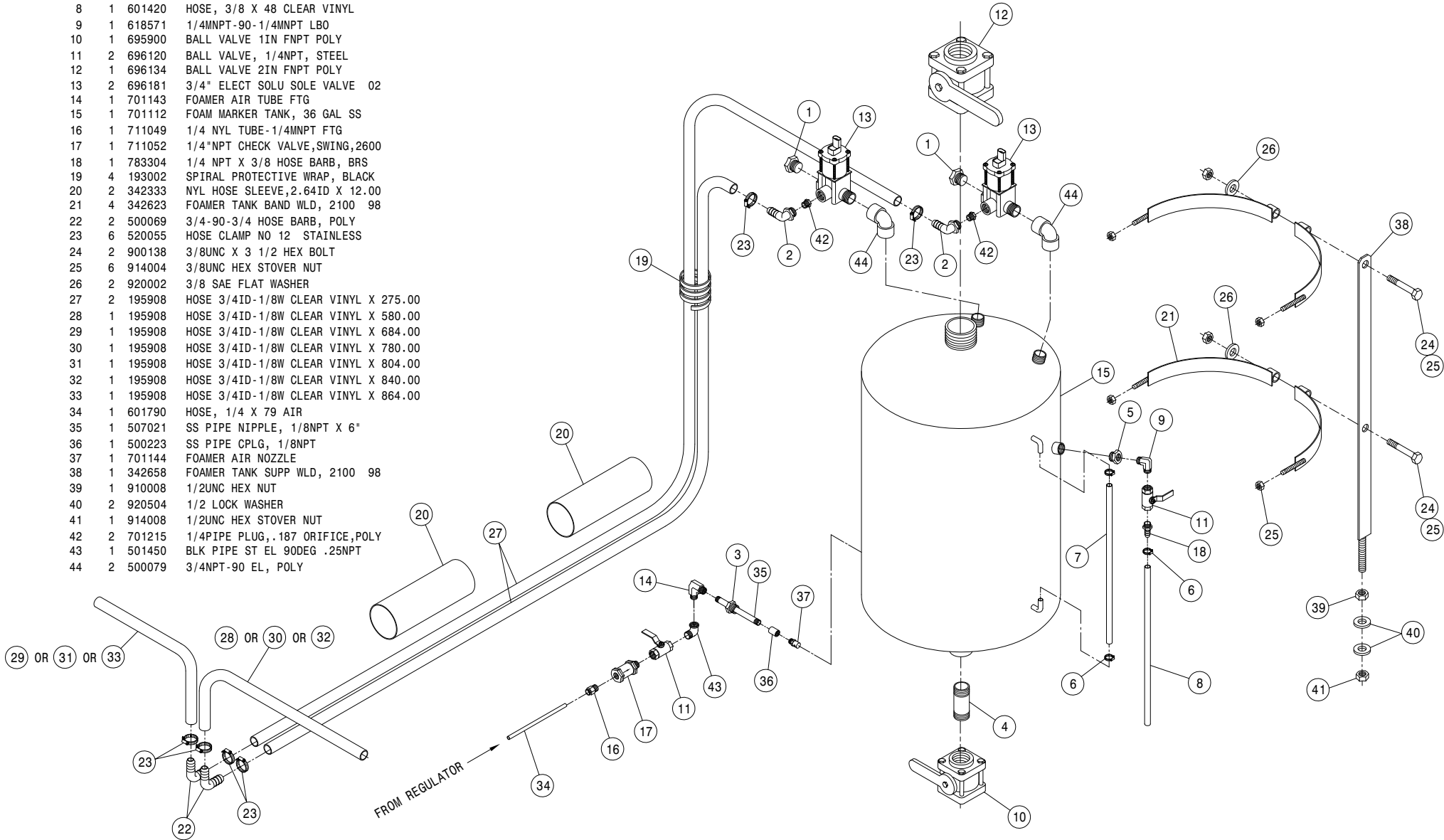
| DET. | QTY | PART NO. | DESCRIPTION |
|------|-----|----------|--------------------------------|
| | 1 | 500178 | 1"FLG TANK FTG,BOTDRN BLT POLY |
| | 1 | 763475 | 55 GAL TANK, RECTANGLE VERTICL |
| | 5 | 500157 | 1" FLANGE GASKET EPDM |
| | 5 | 500159 | 1" FLANGE CLAMP, S.S. |
| | 2 | 500173 | 1" FLANGE-90-1" HOSE BARB POLY |
| | 1 | 500175 | 1" FLANGE TEE POLY |
| | 1 | 696147 | BALL VLV, 1" FLANGE |
| | 1 | 696282 | VALVE,KZCO C2E 1"FLG ELEC W/WP |
| | 1 | 342621 | RINSE TANK BAND WLD, 2100 98 |
| | 1 | 763474 | LID, 55 GAL RINSE TANK 763475 |
| | 1 | 520138 | 1.38/1.56 T-BOLT HOSE CLAMP |
| | 1 | 601425 | HOSE, 1 X 192 2F-1W EPDM |
| | 4 | 910008 | 1/2UNC HEX NUT |
| | 1 | 500221 | FULL GASKET,1" TANK FTG 500178 |
| | 4 | 500222 | FOOT GASKET,1" TANK FTG 500178 |

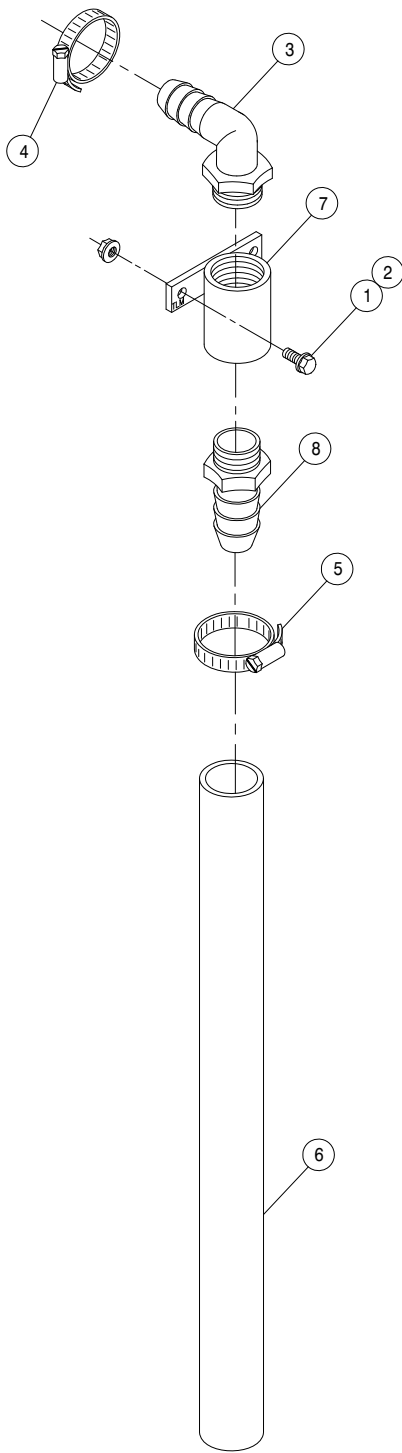
FOAM MARKER TANK ASSEMBLY

NOTE: 1. DETAIL 28 AND 29 ARE USED WITH THE 60 FT BOOM.
 2. DETAIL 30 AND 31 ARE USED WITH THE 80 FT BOOM.
 3. DETAIL 32 AND 33 ARE USED WITH THE 90 FT BOOM.

DET. QTY PART NO. DESCRIPTION

| | | | |
|----|---|--------|--------------------------------------|
| 1 | 2 | 500043 | 3/4NPT PIPE PLUG, POLY |
| 2 | 2 | 701214 | 1/2NPT-90-3/4HBRB, 1/4TAP, POLY |
| 3 | 1 | 507728 | REDU BUSH 1/2MNPT X 1/4FNPT, SS |
| 4 | 1 | 505205 | BLK PIPE NIPPLE 1.00NPT-5.00 |
| 5 | 1 | 505211 | 3/8-1/4NPT REDU BUSH, BRS |
| 6 | 3 | 520120 | HOSE CLAMP NO 4 STAINLESS |
| 7 | 1 | 601419 | HOSE, 3/8 X 30 CLEAR VINYL |
| 8 | 1 | 601420 | HOSE, 3/8 X 48 CLEAR VINYL |
| 9 | 1 | 618571 | 1/4MNPT-90-1/4MNPT LBO |
| 10 | 1 | 695900 | BALL VALVE 1IN FNPT POLY |
| 11 | 2 | 696120 | BALL VALVE, 1/4NPT, STEEL |
| 12 | 1 | 696134 | BALL VALVE 2IN FNPT POLY |
| 13 | 2 | 696181 | 3/4" ELECT SOLU SOLE VALVE 02 |
| 14 | 1 | 701143 | FOAMER AIR TUBE FTG |
| 15 | 1 | 701112 | FOAM MARKER TANK, 36 GAL SS |
| 16 | 1 | 711049 | 1/4 NYL TUBE-1/4MNPT FTG |
| 17 | 1 | 711052 | 1/4"NPT CHECK VALVE, SWING, 2600 |
| 18 | 1 | 783304 | 1/4 NPT X 3/8 HOSE BARB, BRS |
| 19 | 4 | 193002 | SPIRAL PROTECTIVE WRAP, BLACK |
| 20 | 2 | 342333 | NYL HOSE SLEEVE, 2.64ID X 12.00 |
| 21 | 4 | 342623 | FOAMER TANK BAND WLD, 2100 98 |
| 22 | 2 | 500069 | 3/4-90-3/4 HOSE BARB, POLY |
| 23 | 6 | 520055 | HOSE CLAMP NO 12 STAINLESS |
| 24 | 2 | 900138 | 3/8UNC X 3 1/2 HEX BOLT |
| 25 | 6 | 914004 | 3/8UNC HEX STOVER NUT |
| 26 | 2 | 920002 | 3/8 SAE FLAT WASHER |
| 27 | 2 | 195908 | HOSE 3/4ID-1/8W CLEAR VINYL X 275.00 |
| 28 | 1 | 195908 | HOSE 3/4ID-1/8W CLEAR VINYL X 580.00 |
| 29 | 1 | 195908 | HOSE 3/4ID-1/8W CLEAR VINYL X 684.00 |
| 30 | 1 | 195908 | HOSE 3/4ID-1/8W CLEAR VINYL X 780.00 |
| 31 | 1 | 195908 | HOSE 3/4ID-1/8W CLEAR VINYL X 804.00 |
| 32 | 1 | 195908 | HOSE 3/4ID-1/8W CLEAR VINYL X 840.00 |
| 33 | 1 | 195908 | HOSE 3/4ID-1/8W CLEAR VINYL X 864.00 |
| 34 | 1 | 601790 | HOSE, 1/4 X 79 AIR |
| 35 | 1 | 507021 | SS PIPE NIPPLE, 1/8NPT X 6" |
| 36 | 1 | 500223 | SS PIPE CPLG, 1/8NPT |
| 37 | 1 | 701144 | FOAMER AIR NOZZLE |
| 38 | 1 | 342658 | FOAMER TANK SUPP WLD, 2100 98 |
| 39 | 1 | 910008 | 1/2UNC HEX NUT |
| 40 | 2 | 920504 | 1/2 LOCK WASHER |
| 41 | 1 | 914008 | 1/2UNC HEX STOVER NUT |
| 42 | 2 | 701215 | 1/4PIPE PLUG, .187 ORIFICE, POLY |
| 43 | 1 | 501450 | BLK PIPE ST EL 90DEG .25NPT |
| 44 | 2 | 500079 | 3/4NPT-90 EL, POLY |





FOAMER DROP END ASSEMBLY

DET. QTY PART NO. DESCRIPTION

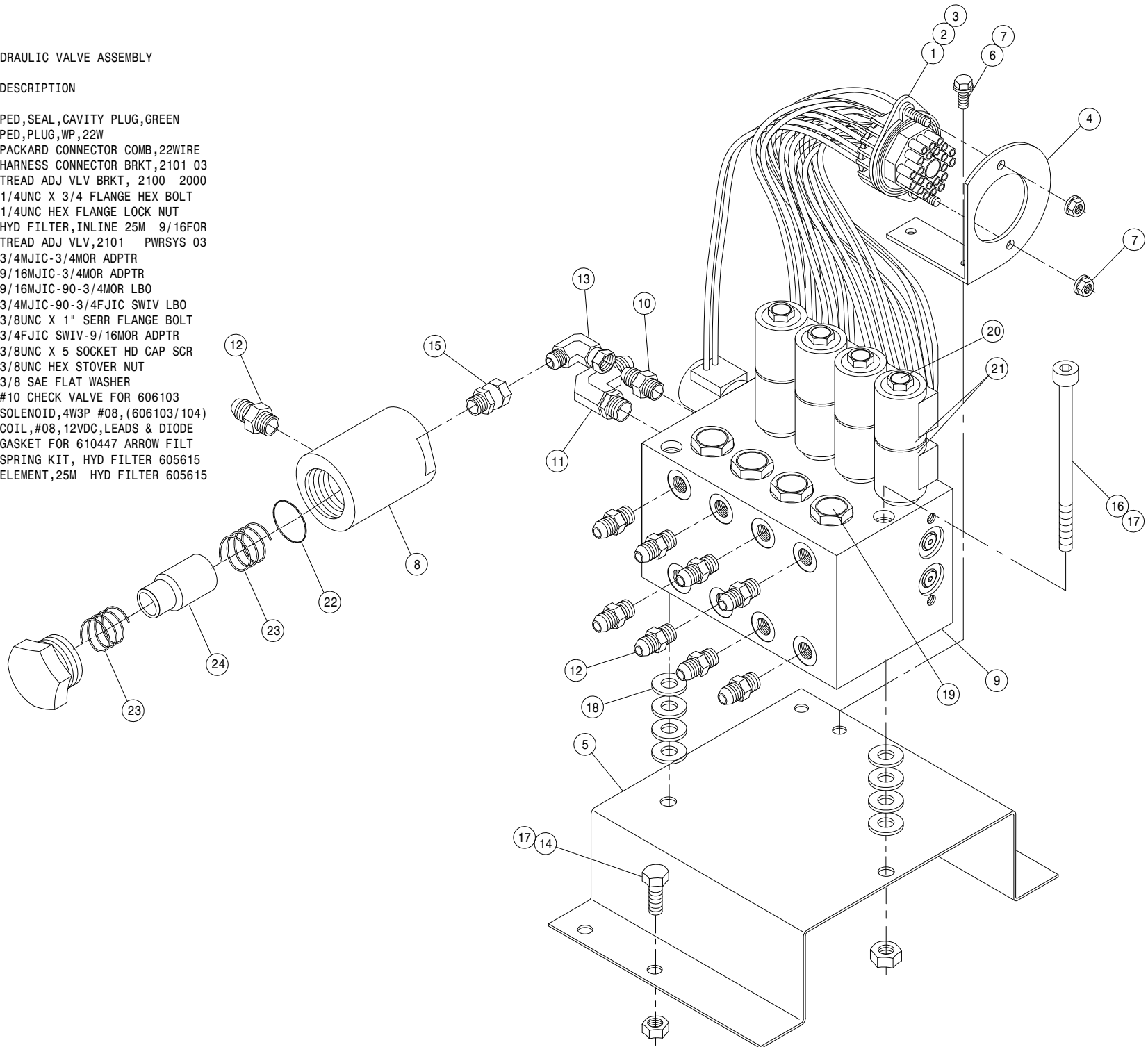
| | | | |
|---|---|--------|-------------------------------|
| 1 | 4 | 470118 | 1/4UNC X 3/4 FLANGE HEX BOLT |
| 2 | 4 | 470121 | 1/4UNC HEX FLANGE LOCK NUT |
| 3 | 2 | 500067 | 1 NPT-90-3/4 HOSE BARB, POLY |
| 4 | 2 | 520055 | HOSE CLAMP NO 12 STAINLESS |
| 5 | 2 | 520085 | HOSE CLAMP NO 24 STAINLESS |
| 6 | 2 | 601367 | HOSE, 1 1/4 X 24 2BR BLK EPDM |
| 7 | 2 | 701102 | FOAM MARKER DROP CPLR WELD |
| 8 | 2 | 714561 | 1.00NPT-1.25 HOSE BARB |

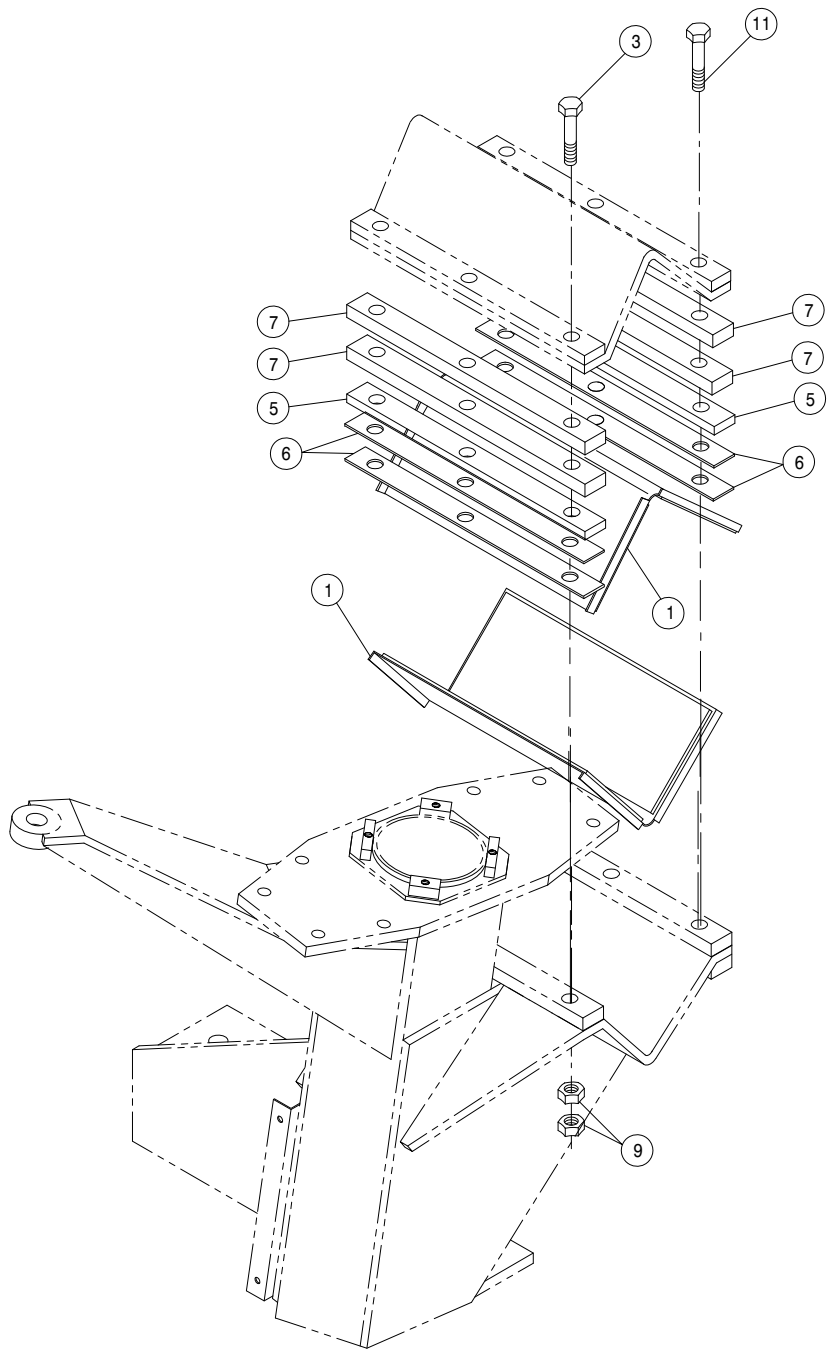
NOTE: QUANTITY LISTED IS FOR ONE MACHINE.

TREAD ADJUST HYDRAULIC VALVE ASSEMBLY

DET. QTY PART NO. DESCRIPTION

| | | | |
|----|---|--------|---------------------------------|
| 1 | 4 | 291621 | PED,SEAL,CAVITY PLUG,GREEN |
| 2 | 1 | 291746 | PED,PLUG,WP,22W |
| 3 | 2 | 291747 | PACKARD CONNECTOR COMB,22WIRE |
| 4 | 1 | 342827 | HARNESS CONNECTOR BRKT,2101 03 |
| 5 | 1 | 361487 | TREAD ADJ VLV BRKT, 2100 2000 |
| 6 | 2 | 470118 | 1/4UNC X 3/4 FLANGE HEX BOLT |
| 7 | 4 | 470121 | 1/4UNC HEX FLANGE LOCK NUT |
| 8 | 1 | 605615 | HYD FILTER,INLINE 25M 9/16FOR |
| 9 | 1 | 606107 | TREAD ADJ VLV,2101 PWRSYS 03 |
| 10 | 1 | 611125 | 3/4MJIC-3/4MOR ADPTR |
| 11 | 1 | 618109 | 9/16MJIC-3/4MOR ADPTR |
| 12 | 9 | 618115 | 9/16MJIC-90-3/4MOR LBO |
| 13 | 1 | 618609 | 3/4MJIC-90-3/4FJIC SWIV LBO |
| 14 | 4 | 900129 | 3/8UNC X 1" SERR FLANGE BOLT |
| 15 | 1 | 618692 | 3/4FJIC SWIV-9/16MOR ADPTR |
| 16 | 2 | 900145 | 3/8UNC X 5 SOCKET HD CAP SCR |
| 17 | 6 | 914004 | 3/8UNC HEX STOVER NUT |
| 18 | 8 | 920002 | 3/8 SAE FLAT WASHER |
| 19 | 4 | 606148 | #10 CHECK VALVE FOR 606103 |
| 20 | 4 | 606145 | SOLENOID,4W3P #08, (606103/104) |
| 21 | 8 | 606143 | COIL,#08,12VDC,LEADS & DIODE |
| 22 | 1 | 610462 | GASKET FOR 610447 ARROW FILT |
| 23 | 2 | 605617 | SPRING KIT, HYD FILTER 605615 |
| 24 | 1 | 605616 | ELEMENT,25M HYD FILTER 605615 |



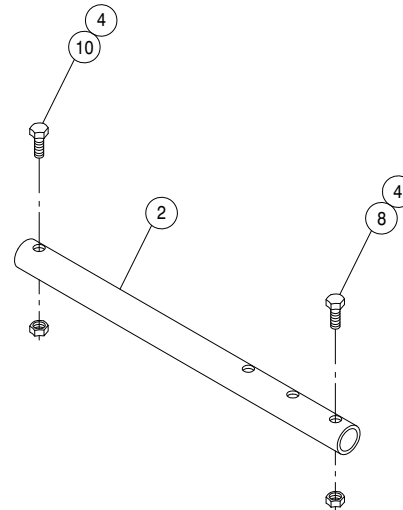


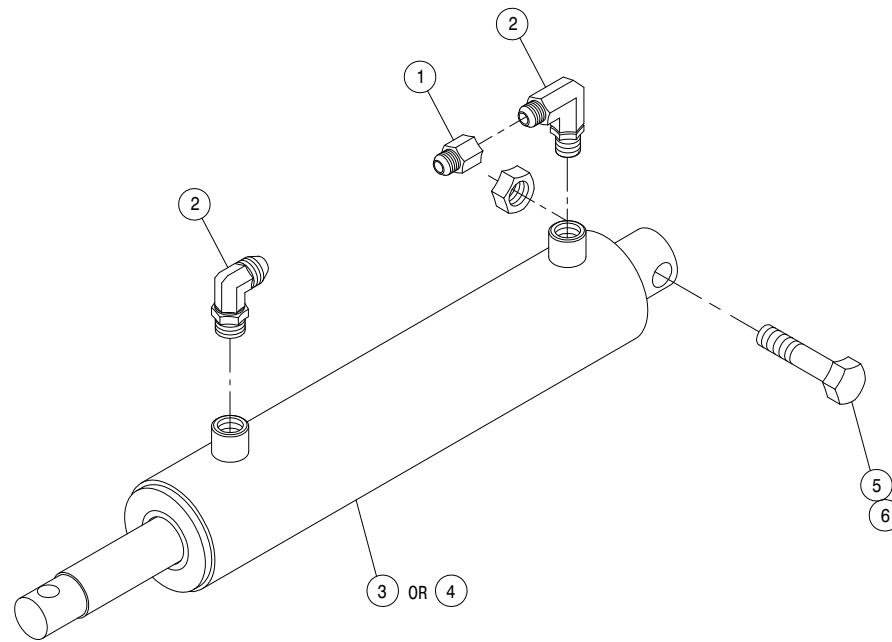
TREAD ADJUSTMENT ASSEMBLY

DET. QTY PART NO. DESCRIPTION

| | | | | |
|----|----|--------|---------------------------------|----|
| 1 | 8 | 359294 | TREAD ADJ XMBR BEARING ASSY 05 | |
| 2 | 4 | 358939 | TREAD ADJ CYL EXT, 144" 2100 98 | |
| 3 | 12 | 900838 | 5/8UNF X 4" HEX BOLT GR8 | |
| 4 | 8 | 914008 | 1/2UNC HEX STOVER NUT | |
| 5 | 8 | 358769 | .250 LEG MT SHIM, 284T | 94 |
| 6 | 16 | 358768 | .037 LEG MT SHIM, 284T | 94 |
| 7 | 16 | 358766 | .375 LEG MT SPACER, 284T | 94 |
| 8 | 4 | 900268 | 1/2UNC X 2 1/2 HEX BOLT | |
| 9 | 48 | 914811 | 5/8UNF HEX NUT GR8 | |
| 10 | 4 | 900267 | 1/2UNC X 2" HEX BOLT | |
| 11 | 12 | 900853 | 5/8UNF X 4 1/2 HEX BOLT GR8 | |

NOTE: QUANTITY LISTED IS FOR ONE MACHINE.



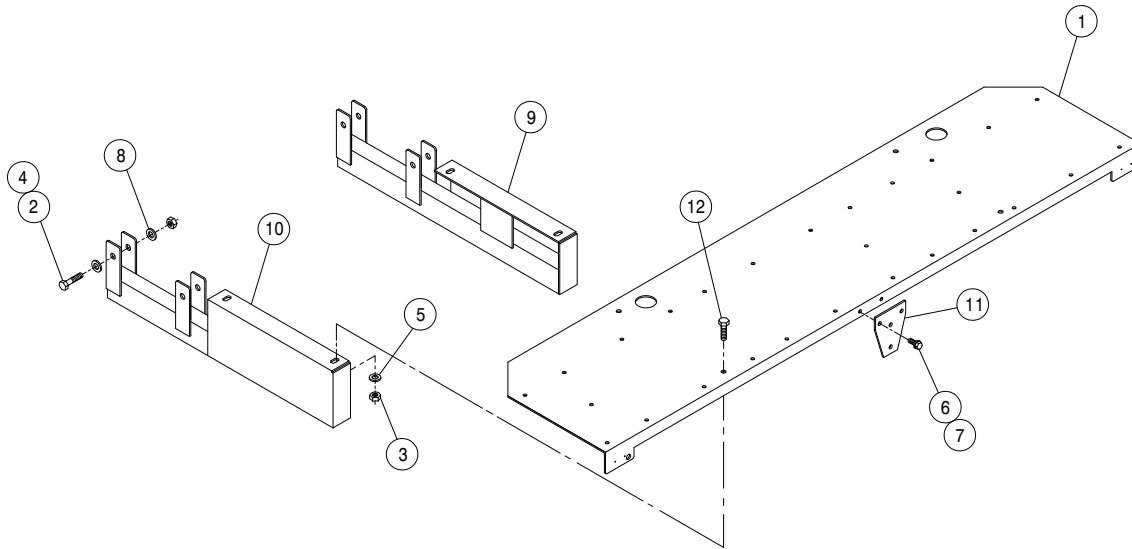


144" TREAD ADJUSTMENT LEG CYLINDER ASSEMBLY

DET. QTY PART NO. DESCRIPTION

| | | | |
|----|---|--------|-------------------------------|
| 1 | 1 | 618731 | 9/16JIC .025 ORIFICE ADPTR |
| 2 | 2 | 618119 | 9/16MJIC-90-9/16MOR LBO |
| 3 | 1 | 621536 | HYD CYL, 2.50 X 12.00 X 1.250 |
| 4 | 1 | 621534 | HYD CYL, 2.50 X 12.00 X 1.250 |
| 5 | 1 | 900268 | 1/2UNC X 2 1/2 HEX BOLT |
| 6 | 1 | 914008 | 1/2UNC HEX STOVER NUT |
| NS | 1 | 621527 | REPAIR KIT, HYD CYL 621526 |

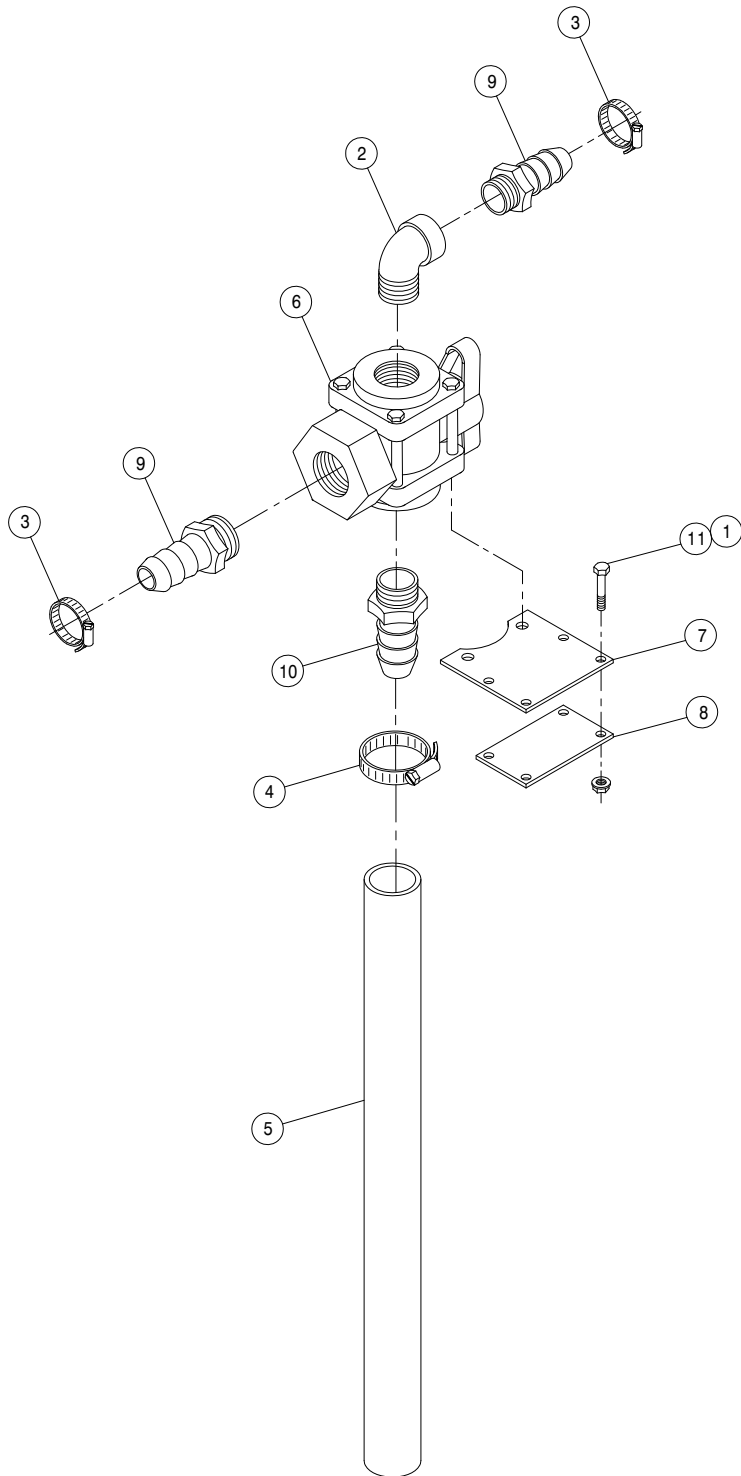
NOTE: 1. 621217 - RH LEG 144" TREAD ADJ CYLINDER ASSEMBLY WITH FITTINGS
 2. 621216 - LH LEG 144" TREAD ADJ CYLINDER ASSEMBLY WITH FITTINGS



INJECTION SYSTEM PLATFORM OPTION

DET. QTY PART NO. DESCRIPTION

| | | | |
|----|---|--------|--------------------------------|
| 1 | 1 | 690637 | INJ SYS PLATFORM WLD, 2100 99 |
| 2 | 4 | 900340 | 5/8UNC X 3 1/2 HEX BOLT |
| 3 | 4 | 914008 | 1/2UNC HEX STOVER NUT |
| 4 | 4 | 914010 | 5/8UNC HEX STOVER NUT |
| 5 | 4 | 920004 | 1/2 SAE FLAT WASHER |
| 6 | 2 | 470118 | 1/4UNC X 3/4 FLANGE HEX BOLT |
| 7 | 2 | 470121 | 1/4UNC HEX FLANGE LOCK NUT |
| 8 | 8 | 483037 | 5/8 REGULAR FLAT WASHER |
| 9 | 1 | 690921 | RH INJ PLATFORM MT WLD,2101 04 |
| 10 | 1 | 690922 | LH INJ PLATFORM MT WLD,2101 04 |
| 11 | 1 | 690928 | SMV BRKT,INJ PLATFORM, 2101 04 |
| 12 | 4 | 900264 | 1/2UNC X 1 1/4 HEX BOLT |

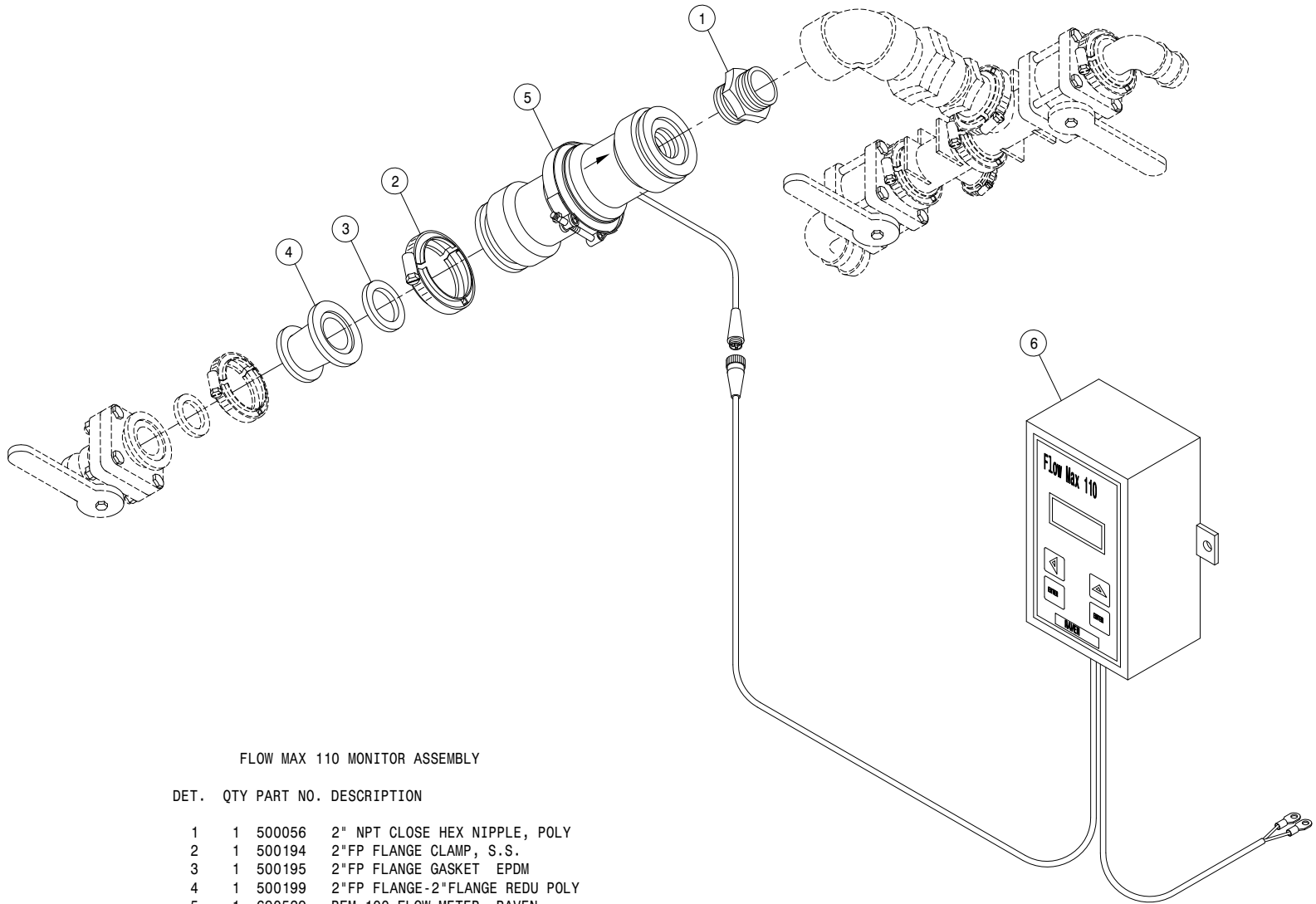


60' -80' FOAMER DIVERT VALVE OPTION

DET. QTY PART NO. DESCRIPTION

| | | | |
|----|---|--------|---------------------------------|
| 1 | 8 | 470121 | 1/4UNC HEX FLANGE LOCK NUT |
| 2 | 2 | 500014 | 1"NPT-90 ST EL, POLY |
| 3 | 4 | 520055 | HOSE CLAMP NO 12 STAINLESS |
| 4 | 2 | 520085 | HOSE CLAMP NO 24 STAINLESS |
| 5 | 2 | 601367 | HOSE, 1 1/4 X 24 2BR BLK EPDM |
| 6 | 2 | 696133 | BALL VLV, 1.00NP 3WAY-BOTT POLY |
| 7 | 2 | 701152 | FOAMER DIVERTER VALVE MT BRKT |
| 8 | 2 | 701153 | FOAMER DIVERTER VLV BRKT KEEPR |
| 9 | 4 | 714331 | 1 NPT X 3/4 HOSE BARB |
| 10 | 2 | 714561 | 1.00NPT-1.25 HOSE BARB |
| 11 | 8 | 900007 | 1/4UNC X 2" HEX BOLT |

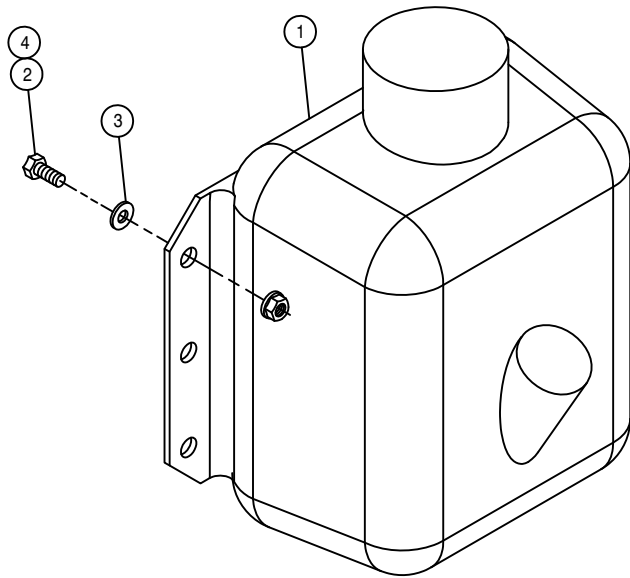
NOTE: QUANTITY LISTED IS FOR ONE MACHINE.



FLOW MAX 110 MONITOR ASSEMBLY

DET. QTY PART NO. DESCRIPTION

| | | | |
|---|---|--------|--------------------------------|
| 1 | 1 | 500056 | 2" NPT CLOSE HEX NIPPLE, POLY |
| 2 | 1 | 500194 | 2"FP FLANGE CLAMP, S.S. |
| 3 | 1 | 500195 | 2"FP FLANGE GASKET EPDM |
| 4 | 1 | 500199 | 2"FP FLANGE-2"FLANGE REDU POLY |
| 5 | 1 | 690529 | RFM 100 FLOW METER, RAVEN |
| 6 | 1 | 690804 | FLOW MAX 110 CONSOLE, RAVEN |



WINDSHIELD WASHER ASSEMBLY

| DET. | QTY | PART NO. | DESCRIPTION |
|------|-----|----------|--------------------------------|
| 1 | 1 | 470440 | WINDSHIELD WASHER TANK ASSY 05 |
| 2 | 4 | 900002 | 1/4UNC X 3/4 HEX BOLT |
| 3 | 4 | 470212 | 1/4 BONDED SEALING WASH, SS |
| 4 | 4 | 470121 | 1/4UNC SER FLG LOCK NUT |

This Page Intentionally Blank

NOTICE

The following page contains decals for the DTS 10.

These decals can be obtained from Hagie Mfg. Co. and should be used whenever your machine is repainted or when the decals become worn, weathered, or faded.

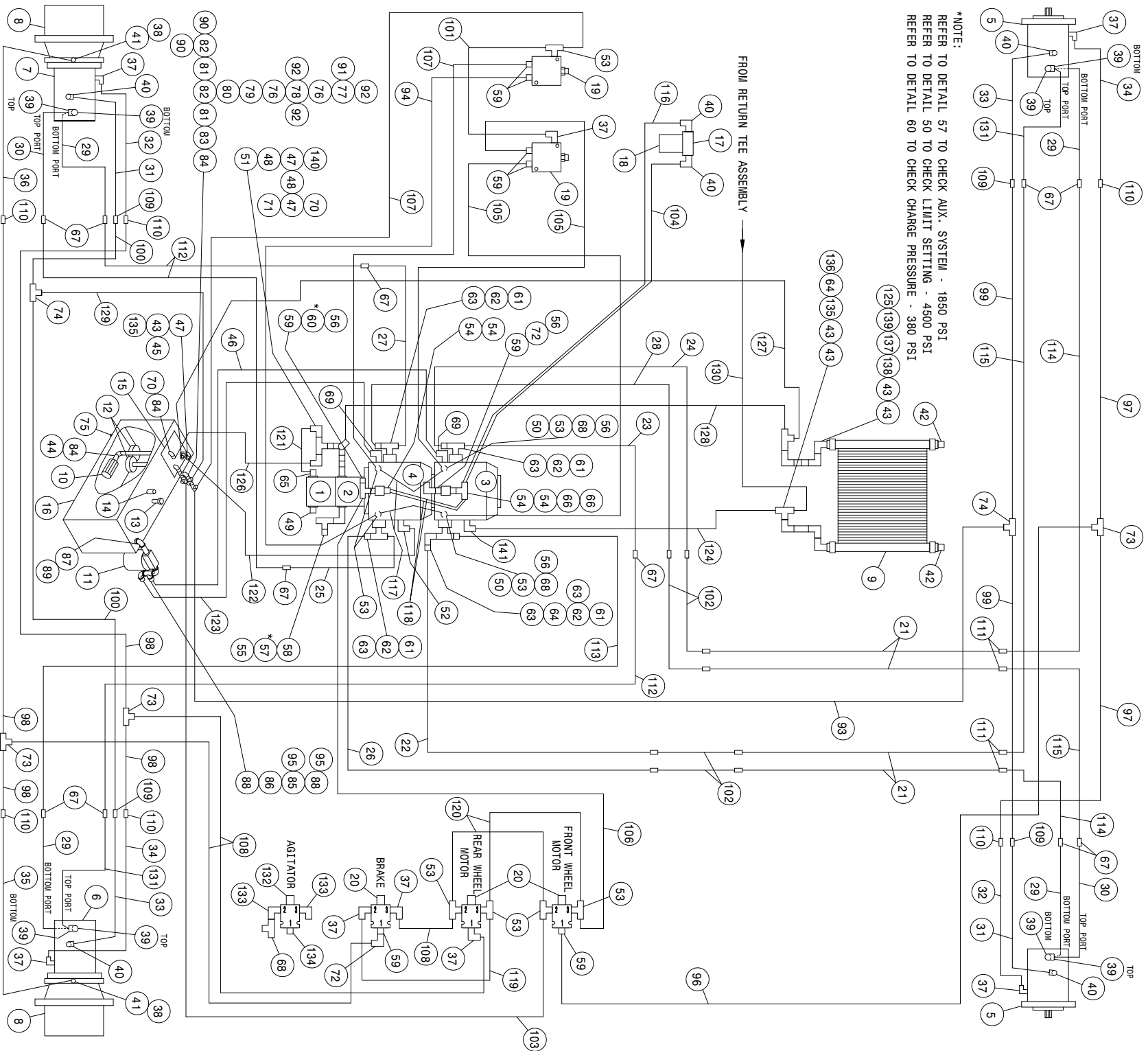
Special attention should be paid to decals involving personal safety. They have been attached for your protection.

KEEP THEM IN PLACE.

**Contact: Hagie Manufacturing Co.
721 Central Ave West
Box 273
Clarion, Iowa 50525-0273**

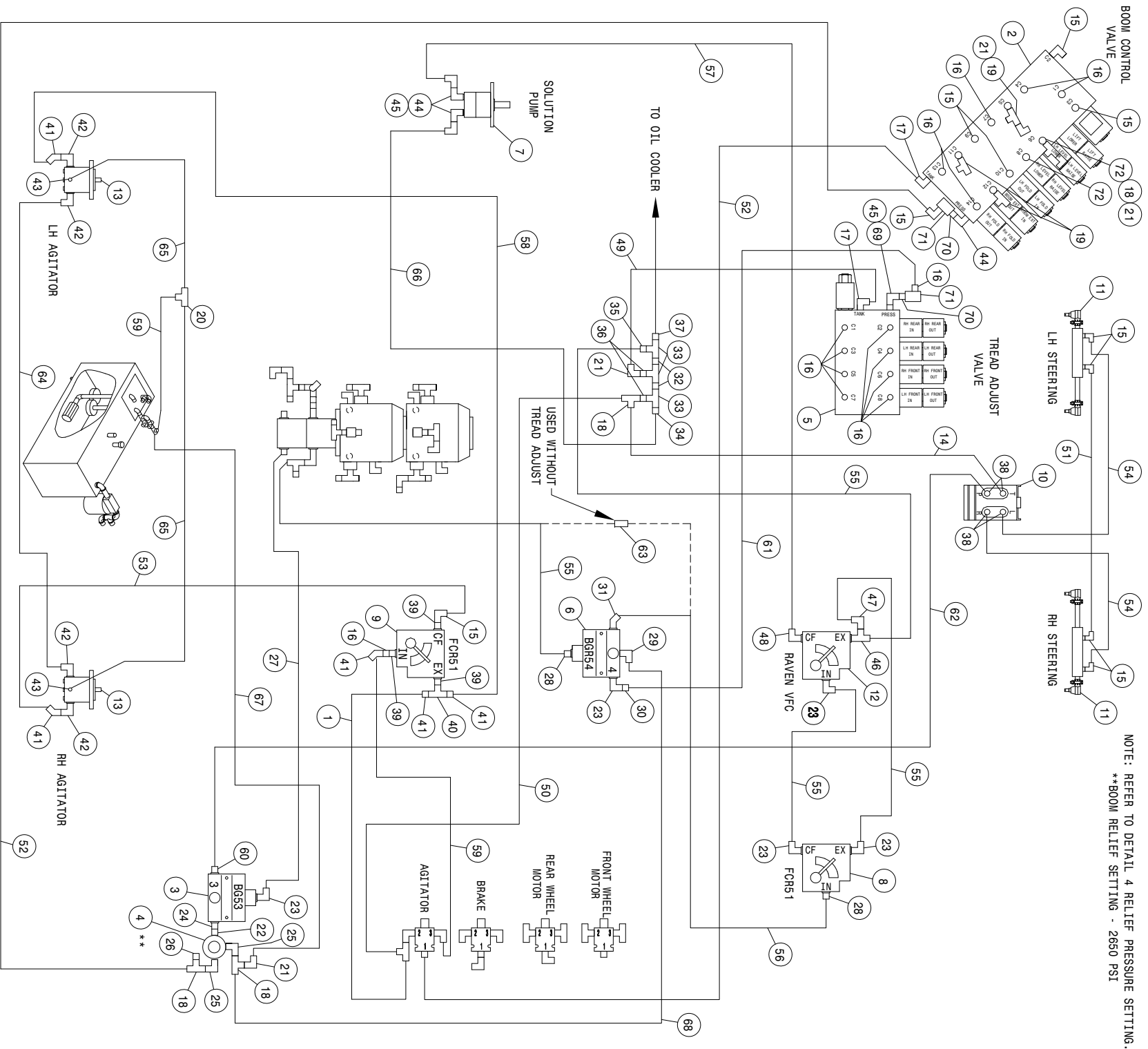
DTS 10 DECALS

| QTY. | PART NO. | DESCRIPTION | LOCATION |
|------|----------|----------------------------------|------------------------------------|
| 1 | 650108 | MAIN SPRAY POWER DECAL | ON SWITCH PANEL HOUSING |
| 1 | 650109 | LOW HYDRAULIC OIL DECAL | ON SWITCH PANEL HOUSING |
| 1 | 650154 | PATENTS,HAGIE UPRFRONT DECAL | ON LOWER LEFT REAR OF MAINFRAME |
| 1 | 650176 | CAUTION, CAB CHEM EXPOSOR DECAL | ON THE LOWER LEFT FRONT WINDSHIELD |
| 1 | 650175 | EMERGENCY EXIT DECAL | ON THE LOWER LEFT ON REAR WINDOW |
| 1 | 650270 | CANTRAK DECAL | ON CANTRAK |
| 1 | 650336 | FOLD BOOM WARNING DECAL | ON RH SIDE WINDOW |
| 1 | 650337 | ELECTROCUTION HAZARD DECAL | ON RH SIDE WINDOW |
| 1 | 650339 | HYDRAULIC OIL INJ. DECAL | ON STEERING POST |
| 1 | 650340 | PARK BRAKE DECAL | NEAR PARK SWITCH |
| 1 | 650343 | HYDROSTATIC CONTROL DECAL | ON CONSOLE |
| 1 | 650345 | BOOM CONTROL PANEL DECAL | ON SWITCH PANEL COVER |
| 1 | 650347 | NOTICE-R134A CHARGE DECAL | ON ENGINE NEAR A/C COMPRESSOR |
| 1 | 650348 | NOTICE-DRAIN AIR TANK DECAL | ON AIR TANK |
| 1 | 650349 | LIGHT SWITCH PANEL DECAL | ON SWITCH PANEL IN HEADLINER |
| 1 | 650350 | CAUTION, BOOSTER TERMINAL DECAL | ON LOWER BACK SHEET METAL |
| 1 | 650351 | AGITATION VFC DECAL | ON LOWER BACK SHEET METAL |
| 2 | 650352 | RH TREAD ADJ INDICATOR DECAL | 1-ON RH FRONT INDICATOR MOUNT |
| 2 | 650353 | LH TREAD ADJ INDICATOR DECAL | 1-ON LH REAR INDICATOR MOUNT |
| 1 | 650367 | AIR FILTER INSTRUCTION DECAL | 1-ON LH FRONT INDICATOR MOUNT |
| 1 | 650367 | AIR FILTER INSTRUCTION DECAL | 1-ON RH REAR INDICATOR MOUNT |
| 1 | 650369 | FUSE BOX DECAL | ON ENGINE AIR FILTER END CAP |
| 1 | 650370 | FUSE BOX DECAL | ON FUSE BOX COVER |
| 1 | 650370 | SWITCH PANEL DECAL | ON SWITCH PANEL COVER |
| 1 | 650371 | TREAD ADJUST DECAL | ON CONSOLE |
| 1 | 650372 | MAIN ELECTRIC DISCONNECT DECAL | NEAR DISCONNECT SWITCH |
| 1 | 650822 | SOLUTION PUMP DECAL | ON FRONT MAINFRAME SHIELD |
| 1 | 650831 | EMERGENCY STOP DECAL | ON STEERING POST |
| 1 | 650847 | NO PASSENGER DECAL | ON LH REAR ON CAB |
| 2 | 650848 | SLIP OR FALL DECAL | ON BACK OF FUEL TANKS |
| 2 | 650849 | ENGINE FUEL DECAL | ON BACK OF FUEL TANK NECK |
| 2 | 650850 | CHEMICAL DECAL | ON TANK BAND TIE |
| 2 | 650851 | SHIELDS DECAL | ON LOWER REAR OF MAINFRAME |
| 1 | 650852 | READ MANUAL DECAL | ON LEFT CONSOLE TOP |
| 1 | 650954 | DIESEL DECAL | NEAR EACH FUEL NECK |
| 1 | 650981 | COOLING SYSTEM DECAL | NEAR RADIATOR CAP |
| 1 | 650982 | ELECTRICAL DECAL | ON ENGINE HOOD ABOVE BATTERY |
| 4 | 650985 | WHEEL BOLT TORQUE DECAL | ON EACH WHEEL RIM |
| 1 | KDC400 | DTS 10 DECAL KIT | ON ENGINE HOOD, SOLUTION TANK |
| 1 | 650214 | DECAL SET, DTS10 RH TANK MOLDDIN | ON RIGHT SIDE OF SOLUTION TANK |
| 1 | 650215 | DECAL SET, DTS10 LH TANK MOLDDIN | ON LEFT SIDE OF SOLUTION TANK |



DTS10 HYDRAULIC SCHEMATIC 2010
REFERENCE DRAWING NO. 49906351

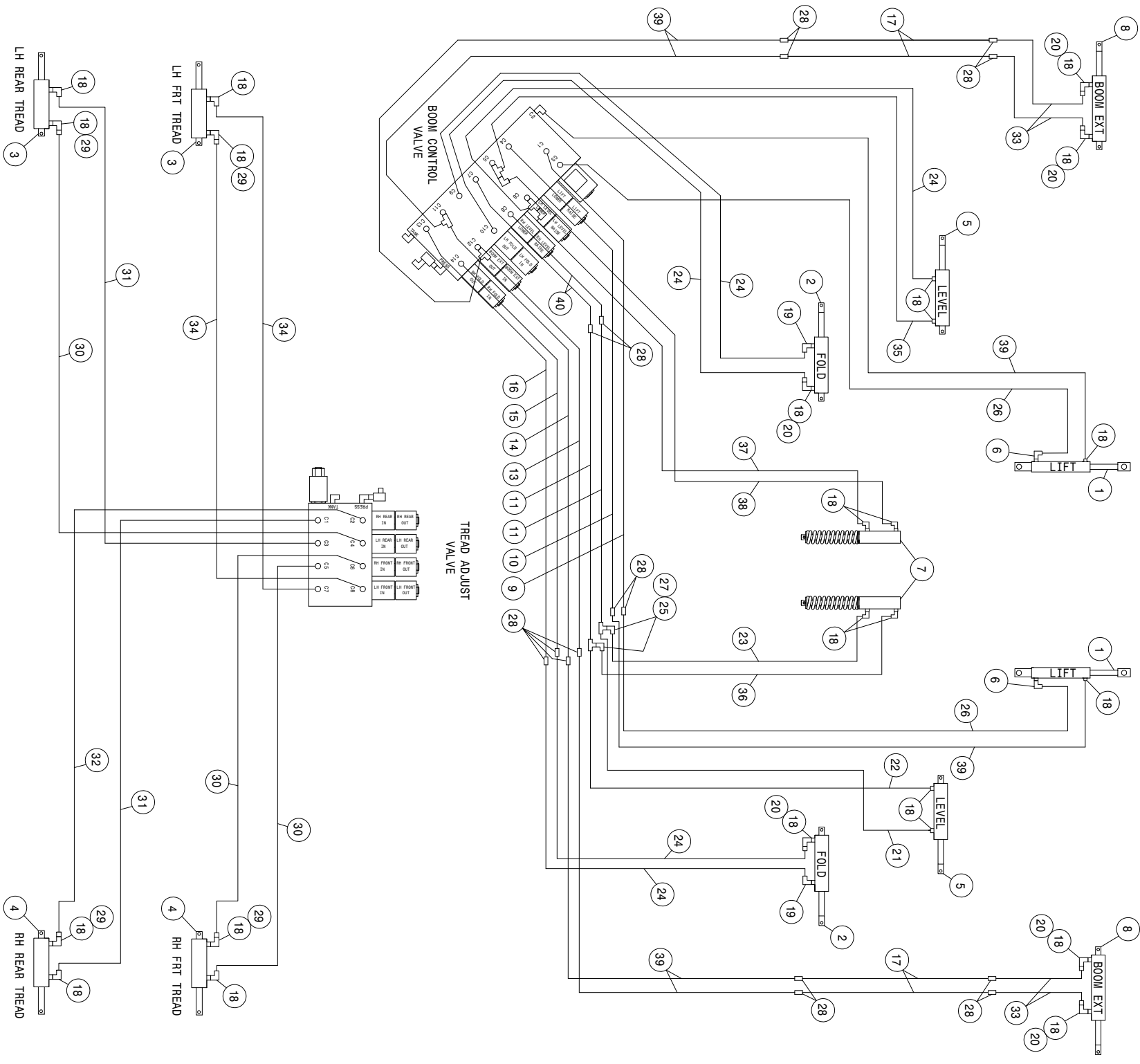
| DET. | QTY | PART NO. | DESCRIPTION | DET. | QTY | PART NO. | DESCRIPTION |
|------|-----|----------|----------------------------------|------|-----|----------|--------------------------------|
| 1 | 1 | 606929 | SUND GEAR PUMP .66CI, SPLINED | 72 | 2 | 618618 | 9/16MJIC-90-9/16FJIC SWIV LBO |
| 2 | 1 | 606932 | SUND GEAR PUMP, 1.60CI, SPLINED | 73 | 3 | 618019 | 9/16MJIC UNION TEE |
| 3 | 1 | 606231 | SUND 75CC PUMP, C/C MT (.022) | 74 | 2 | 618311 | 3/4MJIC UNION TEE |
| 4 | 1 | 606234 | SUND 75CC PUMP, C/B MT (.022) | 75 | 1 | 470308 | 1/2MNPT DRAIN PLUG, AL HD, MAG |
| 5 | 2 | 610637 | SUND HYD MOTOR, M46-4019 | 76 | 2 | 503600 | CLOSE NIPPLE .50NPT |
| 6 | 1 | 608000 | SAUER HYD MOTOR, M46-4024 | 77 | 1 | 503824 | BLK PIPE TEE .50NPT |
| 7 | 1 | 608004 | CORE, SAUER HYD MOTOR 608003 | 78 | 1 | 503824 | BLK PIPE CROSS .50NPT |
| 8 | 2 | 610803 | TORQ HUB, 24.40:1 W/BRAKE | 79 | 1 | 504210 | RED BUSH 3/4 NPT X 1/2 NPT |
| 9 | 1 | 618606 | OIL COOLER, BLISSFIELD 63027 | 80 | 1 | 504610 | BLK PIPE ST EL 90DEG .75NPT |
| 10 | 1 | 605600 | TANK FILTER, 100 MESH, 1"FNPT | 81 | 2 | 504702 | CLOSE NIPPLE .75NPT |
| 11 | 1 | 605601 | PARKER FILTER ASSY, 10M, 1.25NPT | 82 | 2 | 504955 | BLK PIPE TEE .75NPT |
| 12 | 2 | 605603 | LINE SUMP DIFFUSER | 83 | 1 | 505213 | RED BUSH 1 X 3/4 BLK MAL |
| 13 | 1 | 611052 | FILLER BREATHER 3/4ANPT | 84 | 3 | 505300 | BLK PIPE EL 90DEG 1.00NPT |
| 14 | 1 | 614453 | DIPSTICK, 8IN | 85 | 1 | 506105 | BLK PIPE TEE 1.25NPT |
| 15 | 1 | 760090 | RECEIVER PLT WLD 8240 | 86 | 1 | 506200 | CLOSE NIPPLE 1.25NPT |
| 16 | 1 | 760268 | HYD TANK WLD, 2100 | 2002 | 1 | 506303 | BLK PIPE EL 90DEG 1.25NPT |
| 17 | 1 | 605608 | HYD FILTER HEAD, DONALDSON | 88 | 2 | 506410 | BLK PIPE ST EL 90DEG 1.25NPT |
| 18 | 1 | 605609 | HYD FILTER ELEMENT, DONALDSON | 89 | 1 | 506609 | BLK PIPE NIPPLE 1.25NPT-6.00 |
| 19 | 2 | 610580 | REMOTE FLUSHING VALVE, SUND | 90 | 2 | 610305 | 3/4MJIC-90-3/4MNPT LBO |
| 20 | 3 | 606138 | HYD SOLE VLV, 2P-3W, 9/16FOR, WP | 91 | 1 | 618018 | 9/16MJIC-1/2MNPT ADPTR |
| 21 | 4 | 615724 | FRT MAIN HYD TUBE ASSY, 2100 98 | 92 | 3 | 618107 | 9/16MJIC-90-1/2MNPT LBO |
| 22 | 1 | 615717 | RH FRT PUMP LMR TUBEASSY210098 | 93 | 1 | 615737 | 08-381-08FJX-08FJX90-198 |
| 23 | 1 | 615718 | LH FRT PUMP UPR TUBEASSY210098 | 94 | 1 | 616254 | 04-381-06FJX-06FJX-26 |
| 24 | 1 | 615719 | LH FRT PUMP LMR TUBEASSY210098 | 95 | 2 | 715664 | 1 1/4 NPT X 1 HOSE BARB |
| 25 | 1 | 615720 | RH REAR PUMP UPR TUBE ASSY | 98 | 6 | 611262 | 04-482TC-06FJX-06FJX-182 |
| 26 | 1 | 615721 | RH REAR PUMP LMR TUBE ASSY | 98 | 2 | 614152 | 04-482TC-06FJX-06FJX-114 |
| 27 | 1 | 615722 | LH REAR PUMP UPR TUBE ASSY | 98 | 97 | 614152 | 04-482TC-06FJX-06FJX-114 |
| 28 | 1 | 615723 | LH REAR PUMP LMR TUBE ASSY | 98 | 98 | 614157 | 04-482TC-06FJX-06FJX-101 |
| 29 | 4 | 615708 | LMR HYD TUBE ASSY, LEG 2100 | 98 | 100 | 614546 | 08-482TC-08FJX-08FJX-115 |
| 30 | 2 | 615709 | UPR HYD TUBE ASSY, LEG 2100 | 98 | 101 | 614688 | 08-482TC-08FJX-08FJX-108 |
| 31 | 2 | 615710 | RF/LR HYD DRN TUBE ASSY2100 98 | 102 | 1 | 614734 | 12-721-12MJ-12MJ-16 |
| 32 | 2 | 615712 | RF/LR HYD CTRL TUBE ASSY210098 | 103 | 1 | 616026 | 04-482TC-06FJX-06FJX-37 |
| 33 | 2 | 615809 | LF/RR HYD DRN TUBE ASSY2100 03 | 104 | 1 | 614383 | 08-482TC-08FJX-08FJX-26 |
| 34 | 2 | 615713 | LF/RR HYD CTRL TUBE ASSY210098 | 105 | 2 | 616255 | 04-381-06FJX-06FJX-29 |
| 35 | 1 | 615815 | RH HYD BRAKE TUBE ASSY, 2101 04 | 106 | 1 | 616039 | 04C1T-06FJX-06FJX-19 |
| 36 | 1 | 615814 | LH HYD BRAKE TUBE ASSY, 2101 04 | 107 | 2 | 616253 | 04-381-06FJX-06FJX-23 |
| 37 | 8 | 618119 | 9/16MJIC-90-9/16MOR LBO | 108 | 3 | 616056 | 04-482TC-06FJX-06FJX-32 |
| 38 | 2 | 618634 | 9/16MJIC-45-9/16FJIC SWIV LBO | 109 | 4 | 618314 | 3/4MJIC UNION |
| 39 | 8 | 618178 | 1 5/16MJIC-90-1 5/16MOR LBO | 110 | 6 | 619010 | 9/16MJIC UNION |
| 40 | 6 | 618474 | 3/4MJIC-90-1 1/16MOR LBO | 111 | 4 | 618177 | 1 1/16MJIC UNION |
| 41 | 2 | 618304 | 9/16MJIC-7/16MOR ADPTR | 112 | 3 | 614735 | 12-721-16FJX-16FJX-75 |
| 42 | 2 | 505102 | PIPE PLUG 1.00NPT SQ HD | 113 | 1 | 614736 | 12-721-16FJX-12FJX90-75 |
| 43 | 5 | 505200 | BLK PIPE ST EL 90DEG 1.00NPT | 114 | 2 | 614737 | 12-721-16FJX-12FJX90-99 |
| 44 | 1 | 505203 | BLK PIPE NIPPLE 1.00NPT-4.00 | 115 | 2 | 614738 | 12-721-16FJX-12FJX90-114 |
| 45 | 1 | 714331 | 1 NPT X 3/4 HOSE BARB | 116 | 1 | 615626 | 08-482TC-08FJX-08FJX-15 |
| 46 | 1 | 601599 | HOSE, 1 X 32 1FBR-1SPI | 117 | 2 | 616252 | 04-381-06FJX-06FJX-13 |
| 47 | 3 | 505101 | BLK PIPE TEE 1.00NPT | 118 | 2 | 614739 | 08-482TC-08FJX-08FJX90-16 |
| 48 | 2 | 505105 | 1MNPT HEX PIPE NIPPLE STL | 119 | 1 | 614712 | 04-482TC-06FJX-06FJX-20 |
| 49 | 1 | 611126 | 7/8MJIC-7/8MOR ADPTR | 120 | 2 | 615725 | 04-482TC-06FJX-06FJX-10 |
| 50 | 2 | 618734 | 9/16JIC-.047 ORIFICE ADPTR | 121 | 1 | 601399 | HOSE, 3/4 X 13 1FBR-1SPI |
| 51 | 1 | 618090 | 1 5/16MOR-1FNPT ADPTR | 122 | 1 | 601384 | HOSE, 3/4 X 40 1FBR-1SPI |
| 52 | 1 | 618118 | 3/4 HOSE BARB-90-1 1/16MOR | 123 | 1 | 601381 | HOSE, 1 X 39 1FBR-1SPI |
| 53 | 9 | 618629 | 9/16MOR BRANCH TEE-9/16MJIC | 124 | 1 | 616858 | 12-881-16FJX-12FJX90-67 |
| 54 | 4 | 618327 | 3/4MJIC-7/8MOR ADPTR | 125 | 1 | 618619 | 1 5/16FJ SW RUN TEE-1 5/16MJ |
| 55 | 1 | 618328 | 7/8FJIC CAP NUT | 126 | 1 | 601594 | HOSE, 1 X 56 1FBR-1SPI |
| 56 | 4 | 618531 | 9/16FJIC CAP NUT | 127 | 1 | 616860 | 08-451TC-08FJX-08FJX90-180 |
| 57 | 1 | 618333 | 7/8FJIC SW RUN TEE-7/8MJIC | 128 | 1 | 616857 | 12-881-12FJX-16FJX90-92 |
| 58 | 1 | 618335 | 7/8MJIC-90-1 1/16MOR LBO | 129 | 1 | 615465 | 08-482TC-08FJX-08FJX-33 |
| 59 | 8 | 618126 | 9/16MJIC-9/16MOR ADPTR | 130 | 1 | 616859 | 12-881-12FJX-16FJX-33 |
| 60 | 1 | 618514 | 9/16FJ SW BRANCH TEE-9/16MJ | 131 | 2 | 615808 | UPR HYD TUBE ASSY, LEG 2100 03 |
| 61 | 4 | 618598 | 1" 4-BOLT FLG X 1 5/16 FOR | 132 | 2 | 606135 | HYD SOLE VLV, 2P3W, 3/4FOR, WP |
| 62 | 4 | 618599 | 1 5/16MOR BRANCH TEE-1 5/16MJ | 133 | 1 | 618115 | 9/16MJIC-90-3/4MOR LBO |
| 63 | 5 | 618541 | 1 5/16FJIC-1 1/16MJIC ADPTR | 134 | 2 | 618109 | 9/16MJIC-3/4MOR ADPTR |
| 64 | 2 | 618640 | 1 5/16MJ-90-1 5/16FJ SWIV LBO | 135 | 2 | 618322 | 1 5/16MJIC-1MNPT ADPTR |
| 65 | 1 | 618075 | 3/4 HOSE BARB-1 1/16MOR | 136 | 1 | 618717 | 1 5/16FJX BRANCH TEE-1 5/16MJ |
| 66 | 2 | 618643 | 3/4FJ SW BRANCH TEE-3/4MJ | 137 | 1 | 505109 | STL PIPE CPLG, 1.00NPT |
| 67 | 11 | 618577 | 1 5/16MJIC UNION | 138 | 1 | 505201 | CLOSE NIPPLE 1.00NPT |
| 68 | 2 | 618486 | 9/16FJIC SW RUN TEE-9/16MJIC | 139 | 1 | 618437 | 1 5/16MJIC-90-1MNPT LBO |
| 69 | 2 | 618564 | 1IN HOSE BARB-90-1 5/16MOR | 140 | 1 | 618519 | 1 1/16MJIC-90-1MNPT LBO |
| 70 | 2 | 714560 | 1NPT X 1 HOSE BARB | 141 | 1 | 618313 | 1 1/16MJIC-45-1 1/16MOR LBO |
| 71 | 1 | 716000 | 3/4 HOSE BARB-90-1MNPT | | | | |



NOTE: REFER TO DETAIL 4 RELIEF PRESSURE SETTING.
 **BOOM RELIEF SETTING - 2650 PSI

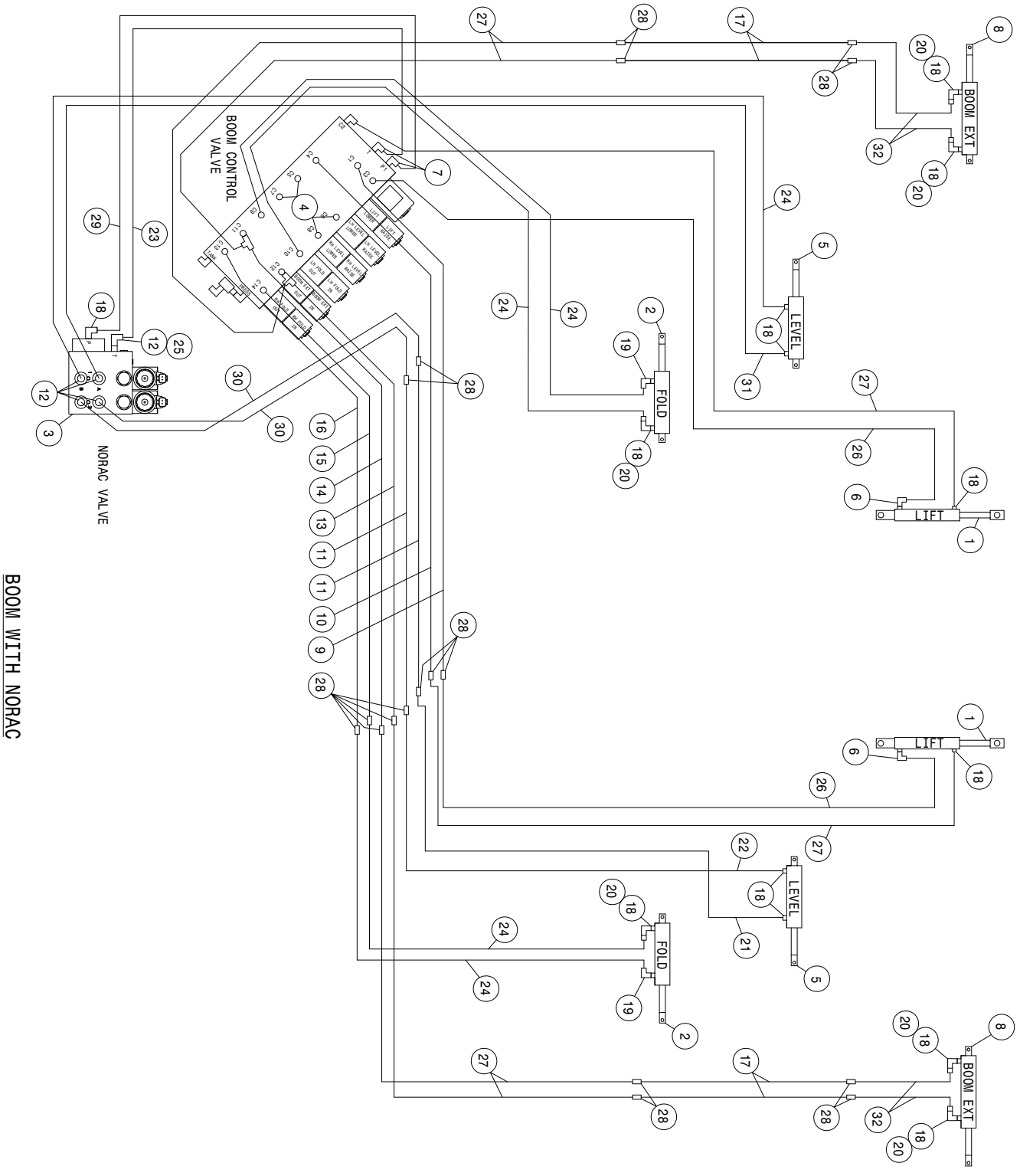
DTS10 HYDRAULIC SCHEMATIC
REFERENCE DRAWING NO. 49906352

| DET. | QTY | PART NO. | DESCRIPTION | DET. | QTY | PART NO. | DESCRIPTION |
|------|-----|----------|---------------------------------|------|-----|----------|---------------------------------|
| 1 | 1 | 615621 | 06-482TC-06FJX-06FJX-24 | 37 | 1 | 618108 | 1 1/16MJIC-3/4MNPT ADPTR |
| 2 | 1 | 606104 | BOOM CTRL VLV, STS | 38 | 4 | 618109 | 9/16MJIC-3/4MOR ADPTR |
| 3 | 1 | 610307 | FLO DIV BG53 3GPM PRI 7/8FOR | 39 | 3 | 618172 | 7/8MOR-9/16FOR ADPTR |
| 4 | 1 | 607512 | RELIEF VALVE, RL50, 1850 PSI | 40 | 1 | 618629 | 9/16MOR BRANCH TEE-9/16MJIC |
| 5 | 1 | 606107 | TREAD ADJ VLV, 2101 | 41 | 5 | 618634 | 9/16MJIC-45-9/16FJIC SWIV LBO |
| 6 | 1 | 607528 | FLO DIV BGR54 4GPM PRI 7/8FOR | 42 | 4 | 618813 | 9/16MJIC-90-1 1/16MOR LBO |
| 7 | 1 | 690573 | HYD MOTOR, FLOMAX HI-SPEED | 43 | 2 | 618425 | 9/16MJIC-45-9/16MOR LBO |
| 8 | 1 | 606818 | FLO CONT FCR51 0-16GPM 7/8FOR | 44 | 3 | 618241 | 3/4MJIC-90-3/4MOR LBO |
| 9 | 1 | 606827 | FLO CONT FCS1 0-3 VARI 7/8FOR | 45 | 3 | 618609 | 3/4MJIC-90-3/4FJIC SWIV LBO |
| 10 | 1 | 749318 | STRG MTR, 7.3CID, NON-LOAD 1031 | 46 | 1 | 618130 | 7/8MOR RUN TEE-7/8MJIC |
| 11 | 2 | 621516 | HYD CYL, 2.00 X 7.00 X 1.000 | 47 | 1 | 618301 | 7/8MJIC-90-7/8FJIC SWIV LBO |
| 12 | 1 | 690621 | VALVE HYD CTRL, 16GPM RAVEN | 48 | 1 | 618183 | 3/4MJIC-90-7/8MOR LBO |
| 13 | 2 | 606324 | GEAR MTR, 1.41CI | 49 | 1 | 616037 | 04-482TC-06FJX-06FJX-29 |
| 14 | 1 | 616049 | 04-482TC-06FJX-06FJX-26 | 50 | 1 | 614693 | 06-482TC-06FJX-06FJX-168 |
| 15 | 10 | 618119 | 9/16MJIC-90-9/16MOR LBO | 51 | 1 | 611262 | 04-482TC-06FJX-06FJX-182 |
| 16 | 15 | 618126 | 9/16MJIC-90-9/16MOR ADPTR | 52 | 2 | 615735 | 06-482TC-06FJX-06FJX-300 |
| 17 | 2 | 618115 | 9/16MJIC-90-3/4MOR LBO | 53 | 1 | 614549 | 06-482TC-06FJX-06FJX-140 |
| 18 | 3 | 618486 | 9/16FJIC SW RUN TEE-9/16MJIC | 54 | 2 | 614639 | 04-482TC-06FJX-06FJX-126 |
| 19 | 3 | 618444 | 9/16MOR RUN TEE-9/16MJIC | 55 | 4 | 614732 | 10-381-10FJX-10FJX-29 |
| 20 | 1 | 618019 | 9/16MJIC UNION TEE | 56 | 1 | 614555 | 10-381-10FJX-10FJX-42 |
| 21 | 4 | 618618 | 9/16MJIC-90-9/16FJIC SWIV LBO | 57 | 1 | 616057 | 08-482TC-08FJX-08FJX-88 |
| 22 | 1 | 500000 | 1/2MNPT HEX PIPE NIPPLE STL | 58 | 1 | 615348 | 06-482TC-06FJX-06FJX-127 |
| 23 | 5 | 611128 | 7/8MJIC-90-7/8MOR LBO | 59 | 2 | 615401 | 06-482TC-06FJX-06FJX-22 |
| 24 | 1 | 618072 | 7/8MOR-1/2FNPT ADPTR | 60 | 1 | 618310 | 9/16MJIC-7/8MOR ADPTR |
| 25 | 2 | 618107 | 9/16MJIC-90-1/2MNPT LBO | 61 | 1 | 615728 | 04-482TC-06FJX-06FJX-80 |
| 26 | 1 | 618531 | 9/16FJIC CAP NUT | 62 | 1 | 615730 | 04-482TC-06FJX-06FJX-150 |
| 27 | 1 | 614744 | 10-381-10FJX-10FJX-18 | 63 | 1 | 618456 | 7/8MJIC UNION |
| 28 | 2 | 611126 | 7/8MJIC-7/8MOR ADPTR | 64 | 1 | 615732 | 06-482TC-06FJX-06FJX-194 |
| 29 | 1 | 618015 | 9/16MJIC-90-3/8MNPT LBO | 65 | 2 | 615733 | 06-482TC-06FJX-06FJX-101 |
| 30 | 1 | 618557 | 7/8FJIC-9/16MJIC ADPTR | 66 | 1 | 615736 | 08-381-08FJX-08FJX-46 |
| 31 | 1 | 618644 | 7/8MJIC-45-7/8MOR LBO | 67 | 1 | 615442 | 04-482TC-06FJX-06FJX-55 |
| 32 | 2 | 504702 | CLOSE NIPPLE .75NPT | 68 | 1 | 616028 | 04-482TC-06FJX-06FJX-47 |
| 33 | 3 | 504955 | BLK PIPE TEE .75NPT | 69 | 1 | 611125 | 3/4MJIC-3/4MOR ADPTR |
| 34 | 1 | 610300 | 3/4MJIC-3/4MNPT ADPTR | 70 | 2 | 618692 | 3/4FJIC SWIV-9/16MOR ADPTR |
| 35 | 1 | 618509 | 7/16MOR RUN TEE-7/16MJIC | 71 | 2 | 605615 | HYD FILTER, INLINE 25M 9/16FOR |
| 36 | 2 | 618642 | 9/16MJIC-3/4MNPT ADPTR | 72 | 2 | 614763 | 9/16MJIC-9/16MOR, .0420RF ADPTR |



DTS10 HYDRAULIC SCHEMATIC 2010
REFERENCE DRAWING NO. 49906353

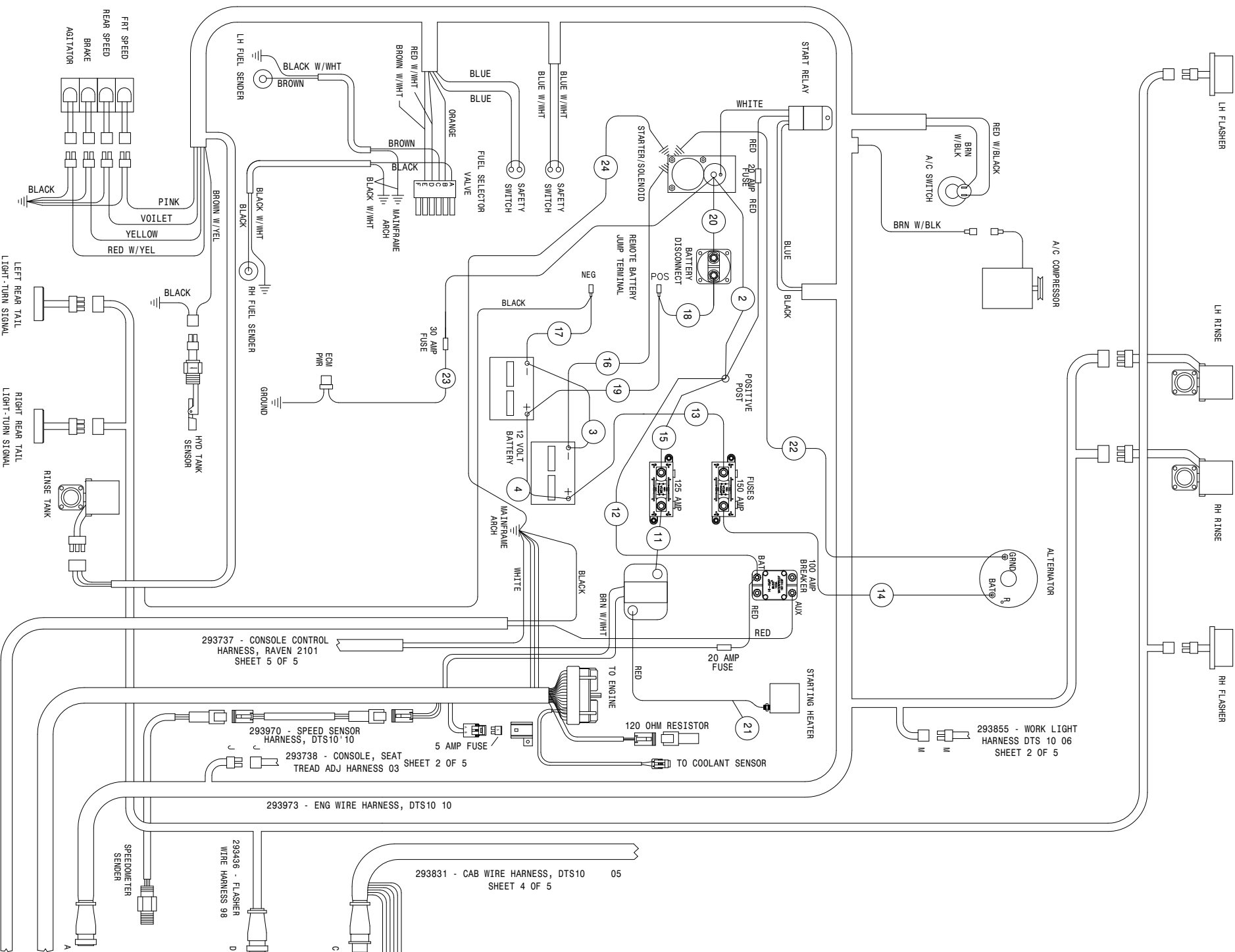
| DET. | QTY | PART NO. | DESCRIPTION | DET. | QTY | PART NO. | DESCRIPTION |
|------|-----|----------|--------------------------------|------|-----|----------|-------------------------------|
| 1 | 2 | 621518 | HYD CYL, 2.50 X 14.00 X 1.250 | 21 | 1 | 616028 | 04-4821C-06FJX-06FJX-47 |
| 2 | 2 | 621520 | HYD CYL, 2.00 X 10.00 X 1.000 | 22 | 1 | 614714 | 04-4821C-06FJX-06FJX-34 |
| 3 | 2 | 621534 | HYD CYL, 2.50 X 12.00 X 1.250 | 23 | 1 | 616049 | 04-4821C-06FJX-06FJX-26 |
| 4 | 2 | 621536 | HYD CYL, 2.50 X 12.00 X 1.250 | 24 | 5 | 615442 | 04-4821C-06FJX-06FJX-55 |
| 5 | 2 | 621522 | HYD CYL, 2.00 X 10.00 X 1.000 | 25 | 2 | 618618 | 9/16MJIC-90-9/16FJIC SWIV LBO |
| 6 | 2 | 618689 | 9/16MJ-90-9/16MOR .042 CHK VLV | 26 | 2 | 616174 | 04-4821C-06FJX-06FJX-70 |
| 7 | 2 | 621524 | HYD CYL, 2.00 X 4.00 X 1.000 | 27 | 2 | 618019 | 9/16MJIC UNION TEE |
| 8 | 2 | 621526 | HYD CYL, 2.50 X 16.94 X 1.250 | 28 | 16 | 619010 | 9/16MJIC UNION |
| 9 | 1 | 615761 | LIFT RAISE HYD TUBE ASSY | 29 | 4 | 618731 | 9/16JIC .025 ORIFICE ADPTR |
| 10 | 1 | 615762 | LIFT LOWER HYD TUBE ASSY | 30 | 3 | 611204 | 04-4821C-06FJX-06FJX-78 |
| 11 | 2 | 615813 | LEVEL HYD TUBE ASSY | 31 | 2 | 614077 | 04-4821C-06FJX-06FJX-88 |
| 12 | 1 | 615764 | LEVEL LOWER HYD TUBE ASSY | 32 | 1 | 615726 | 04-4821C-06FJX-06FJX-73 |
| 13 | 1 | 615766 | BOOM EXTN RAISE HYD TUBE ASSY | 33 | 4 | 616043 | 04-4821C-06FJX-06FJX-23 |
| 14 | 1 | 615767 | BOOM EXTN LOWER HYD TUBE ASSY | 34 | 2 | 615729 | 04-4821C-06FJX-06FJX-84 |
| 15 | 1 | 615768 | RH FOLD RAISE HYD TUBE ASSY | 35 | 1 | 614715 | 04-4821C-06FJX-06FJX-43 |
| 16 | 1 | 615769 | RH FOLD LOWER HYD TUBE ASSY | 36 | 1 | 614712 | 04-4821C-06FJX-06FJX-20 |
| 17 | 4 | 615684 | HYD TUBE ASSY,BOOM EXT FOLDD96 | 37 | 1 | 614713 | 04-4821C-06FJX-06FJX-24 |
| 18 | 24 | 618119 | 9/16MJIC-90-9/16MOR LBO | 38 | 1 | 616037 | 04-4821C-06FJX-06FJX-29 |
| 19 | 2 | 618688 | 9/16MJ-90-9/16MOR .025 CHK VLV | 39 | 6 | 616040 | 04-4821C-06FJX-06FJX-67 |
| 20 | 6 | 618733 | 9/16JIC .042 ORIFICE ADPTR | 40 | 2 | 614033 | 04-4821C-06FJX-06FJX-17 |

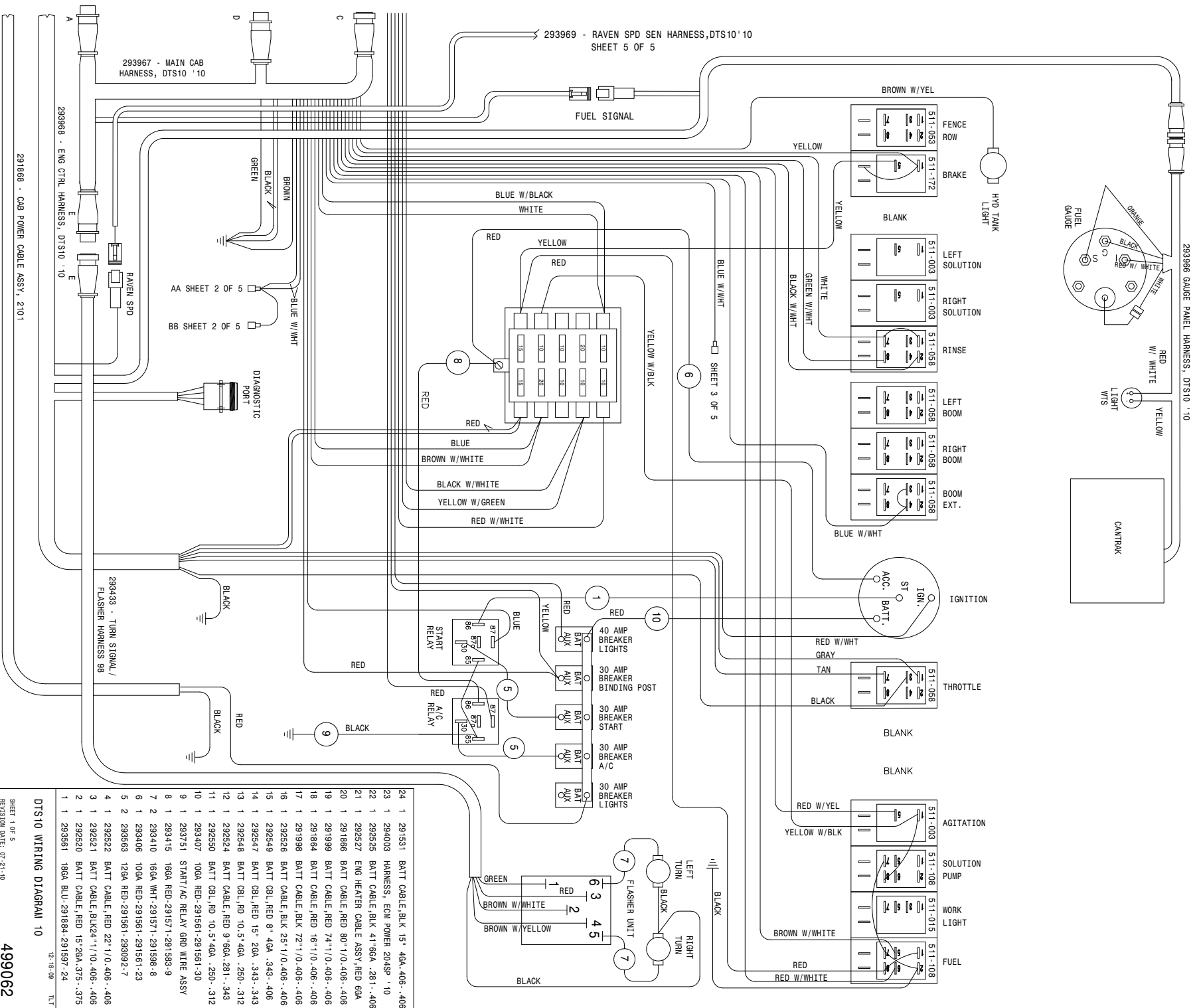


BOOM WITH NORAC

DTS10 HYDRAULIC SCHEMATIC 2010
REFERENCE DRAWING NO. 49906354

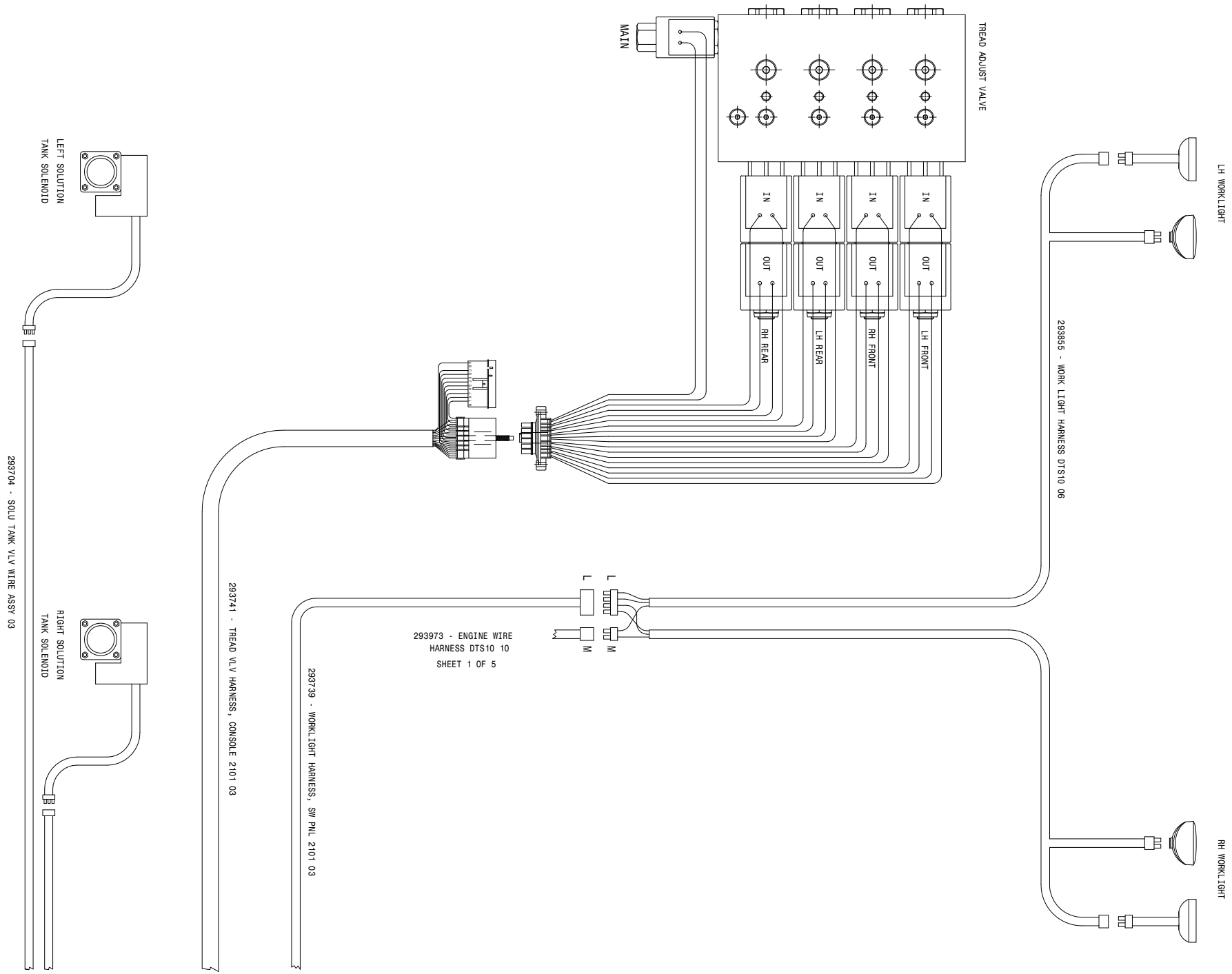
| DET. | QTY | PART NO. | DESCRIPTION | DET. | QTY | PART NO. | DESCRIPTION |
|------|-----|----------|--------------------------------|------|-----|----------|--------------------------------|
| 1 | 2 | 621518 | HYD CYL, 2.50 X 14.00 X 1.250 | 17 | 4 | 615684 | HYD TUBE ASSY, BOOM EXT FOLD96 |
| 2 | 2 | 621520 | HYD CYL, 2.00 X 10.00 X 1.000 | 18 | 13 | 618119 | 9/16MJIC-90-9/16MOR LBO |
| 3 | 1 | 606455 | NORAC HYD VALVE (44963D) | 19 | 2 | 618688 | 9/16MJ-90-9/16MOR .025 CHK VLV |
| 4 | 4 | 618185 | 3/8MNPT-1/4FNPSM SWIV ADPTR | 20 | 6 | 618733 | 9/16JIC .042 ORIFICE ADPTR |
| 5 | 2 | 621522 | HYD CYL, 2.00 X 10.00 X 1.000 | 21 | 1 | 616028 | 04-482TC-06FJX-06FJX-47 |
| 6 | 2 | 618689 | 9/16MJ-90-9/16MOR .042 CHK VLV | 22 | 1 | 614714 | 04-482TC-06FJX-06FJX-34 |
| 7 | 2 | 618115 | 9/16MJIC-90-3/4MOR LBO | 23 | 1 | 616049 | 04-482TC-06FJX-06FJX-26 |
| 8 | 2 | 621526 | HYD CYL, 2.50 X 16.94 X 1.250 | 24 | 5 | 615442 | 04-482TC-06FJX-06FJX-55 |
| 9 | 1 | 615761 | LIFT RAISE HYD TUBE ASSY | 25 | 1 | 618618 | 9/16MJIC-90-9/16FJIC SWIV LBO |
| 10 | 1 | 615762 | LIFT LOWER HYD TUBE ASSY | 26 | 2 | 616174 | 04-482TC-06FJX-06FJX-70 |
| 11 | 2 | 615813 | LEVEL HYD TUBE ASSY | 27 | 6 | 616040 | 04-482TC-06FJX-06FJX-67 |
| 12 | 5 | 618126 | 9/16MJIC-9/16MOR ADPTR | 28 | 18 | 619010 | 9/16MJIC UNION |
| 13 | 1 | 615766 | BOOM EXTN RAISE HYD TUBE ASSY | 29 | 1 | 614713 | 04-482TC-06FJX-06FJX-24 |
| 14 | 1 | 615767 | BOOM EXTN LOWER HYD TUBE ASSY | 30 | 2 | 614033 | 04-482TC-06FJX-06FJX-17 |
| 15 | 1 | 615768 | RH FOLD RAISE HYD TUBE ASSY | 31 | 1 | 614715 | 04-482TC-06FJX-06FJX-43 |
| 16 | 1 | 615769 | RH FOLD LOWER HYD TUBE ASSY | 32 | 4 | 616043 | 04-482TC-06FJX-06FJX-23 |

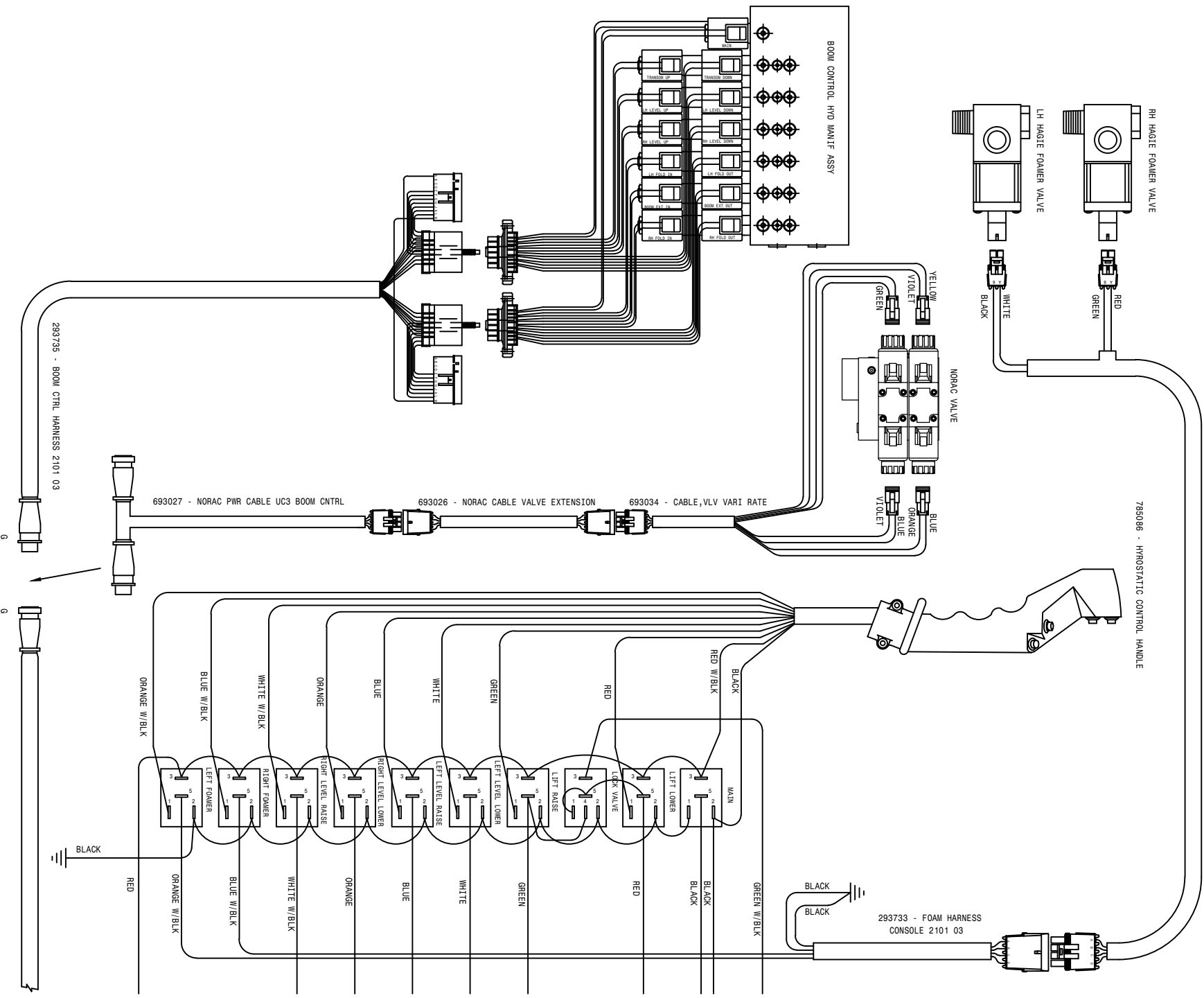


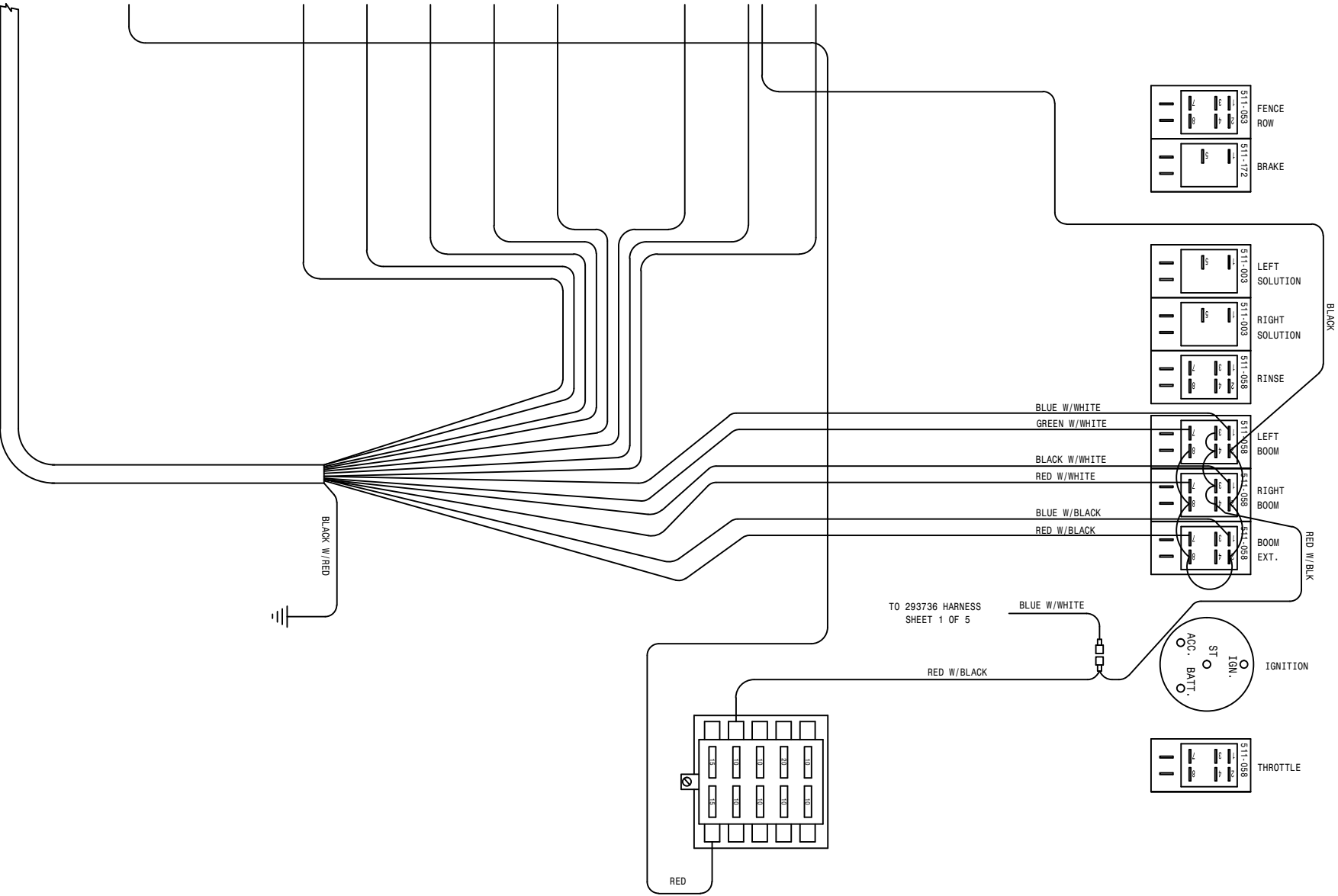


| | | | |
|----|---|--------|-----------------------------------|
| 24 | 1 | 291531 | BATT CABLE, BLK 15" 40A, 406-.406 |
| 23 | 1 | 294003 | HARNESS, ECU POWER 20ASP '10 |
| 22 | 1 | 292525 | BATT CABLE, BLK 41'86A, 281-.406 |
| 21 | 1 | 292527 | ENG HEATER CABLE ASSY, RED 66A |
| 20 | 1 | 291866 | BATT CABLE, RED 80'1/0, 406-.406 |
| 19 | 1 | 291999 | BATT CABLE, RED 74'1/0, 406-.406 |
| 18 | 1 | 291864 | BATT CABLE, RED 16'1/0, 406-.406 |
| 17 | 1 | 291998 | BATT CABLE, BLK 72'1/0, 406-.406 |
| 16 | 1 | 292526 | BATT CABLE, BLK 25'1/0, 406-.406 |
| 15 | 1 | 292549 | BATT CBL, RED 8' 4GA, 343-.406 |
| 14 | 1 | 292547 | BATT CBL, RED 15" 20A, 343-.343 |
| 13 | 1 | 292548 | BATT CBL, RD 10.5' 4GA, 250-.312 |
| 12 | 1 | 292524 | BATT CABLE, RED 9'66A, 281-.343 |
| 11 | 1 | 292550 | BATT CBL, RD 10.5' 4GA, 250-.312 |
| 10 | 1 | 293407 | 100A RED, 291561-291561-30 |
| 9 | 1 | 293751 | START/AC RELAY GND WIRE ASSY |
| 8 | 1 | 293415 | 166A RED, 291571-291583-9 |
| 7 | 2 | 293410 | 166A WHT, 291571-291588-8 |
| 6 | 1 | 293406 | 100A RED, 291561-291561-23 |
| 5 | 2 | 293563 | 120A RED, 291561-293092-7 |
| 4 | 1 | 292522 | BATT CABLE, RED 22'1/0, 406-.406 |
| 3 | 1 | 292521 | BATT CABLE, BLK 24'1/10, 406-.406 |
| 2 | 1 | 292520 | BATT CABLE, RED 15' 20A, 375-.375 |
| 1 | 1 | 293561 | 180A BLU, 291884-291897-24 |

DTS10 WIRING DIAGRAM 10
SHEET 1 OF 5
REVISION DATE: 07-21-10
499062
12-18-09 TLT





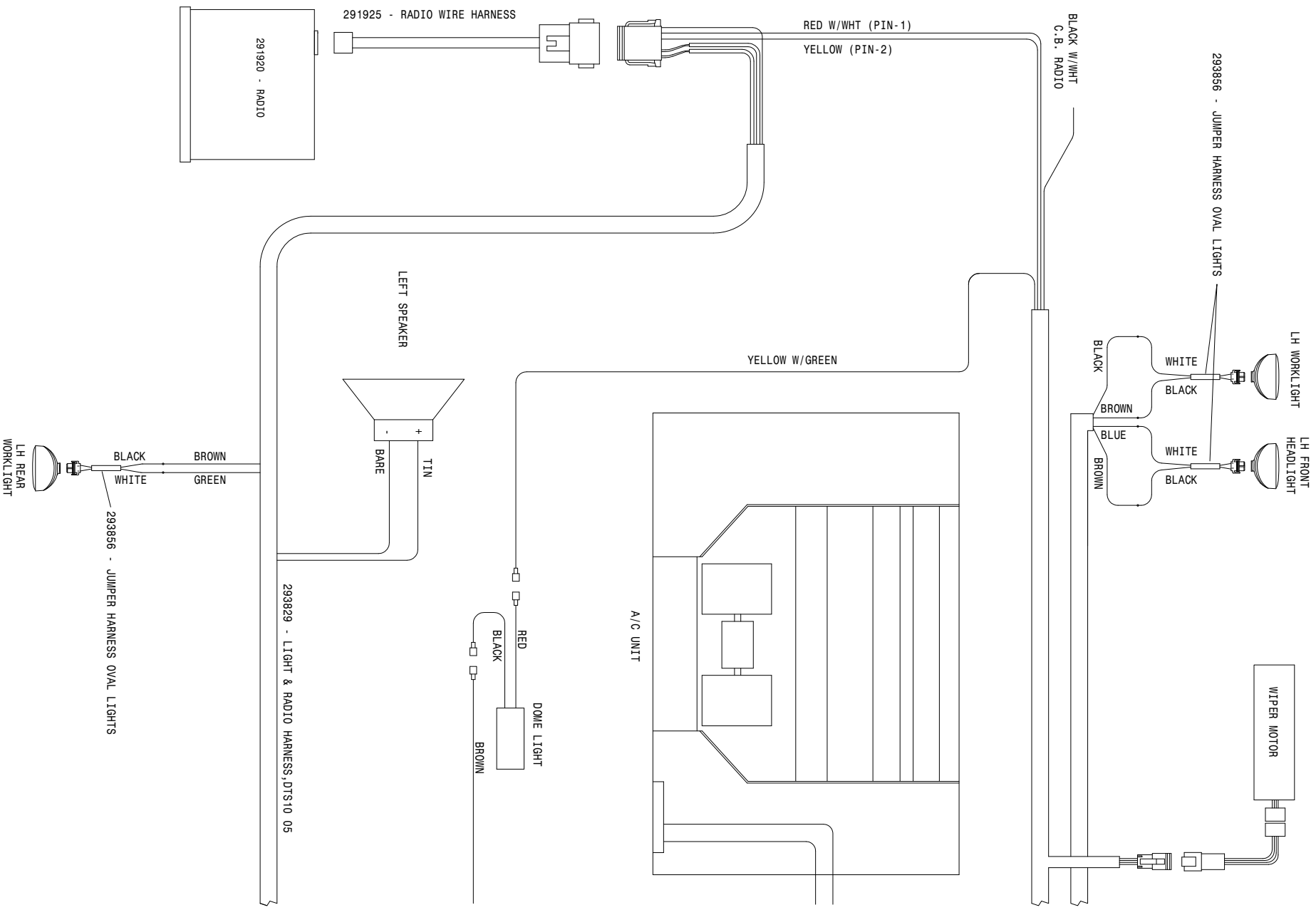


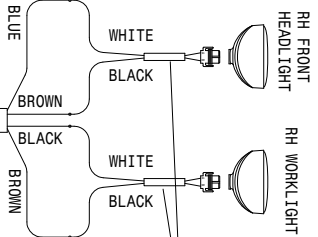
- 511-053 FENCE ROW
- 511-172 BRAKE
- 511-003 LEFT SOLUTION
- 511-008 RIGHT SOLUTION
- 511-058 RINSE
- 511-098 LEFT BOOM
- 511-098 RIGHT BOOM
- 511-098 BOOM EXT.
- 511-098 THROTTLE
- 511-003 AGITATION
- 511-108 SOLUTION PUMP
- 511-015 WORK LIGHT
- 511-108 FUEL

- 40 AMP BREAKER LIGHTS
- 30 AMP BREAKER BINDING POST
- 30 AMP BREAKER POWER POINT
- 30 AMP BREAKER A/C
- 30 AMP BREAKER LIGHTS

293734 - BOOM CRTL HARNESS, P/L, 2101

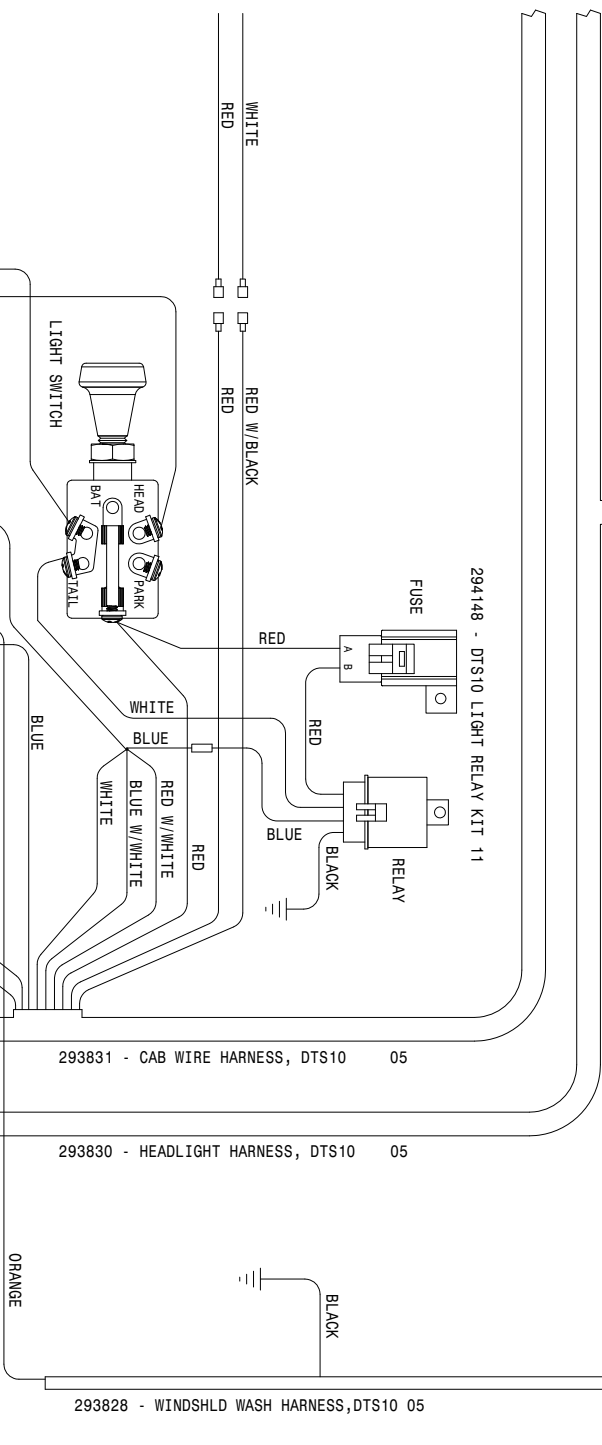
DTS10 WIRING DIAGRAM 10
 SHEET 3 OF 5
 REVISION DATE: 02-13-12
 499062





293856 - JUMPER HARNESS OVAL LIGHTS

WINDSHIELD WASHER UNIT

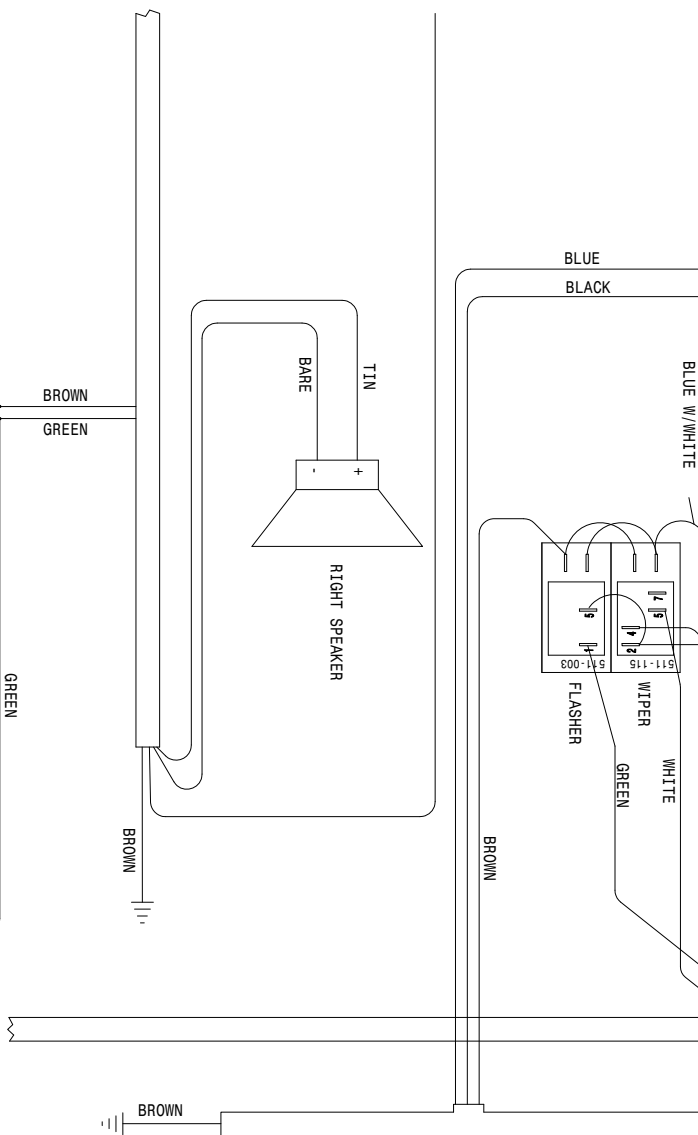


293831 - CAB WIRE HARNESS, DTS10 05

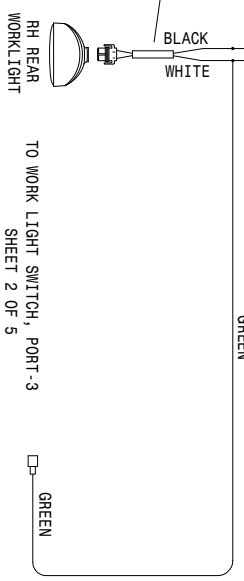
293830 - HEADLIGHT HARNESS, DTS10 05

293828 - WINDSHLD WASH HARNESS, DTS10 05

294148 - DTS10 LIGHT RELAY KIT 11

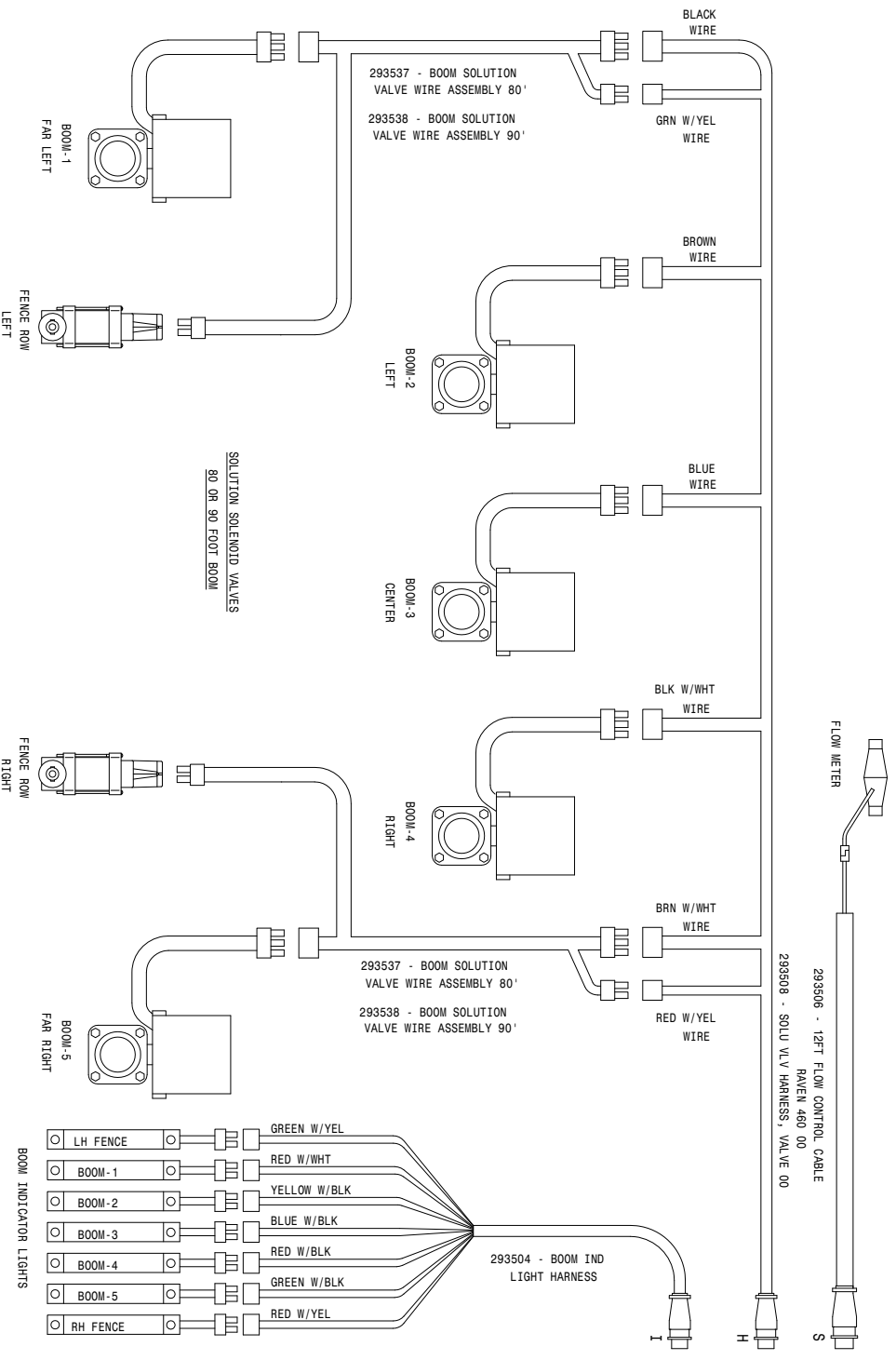
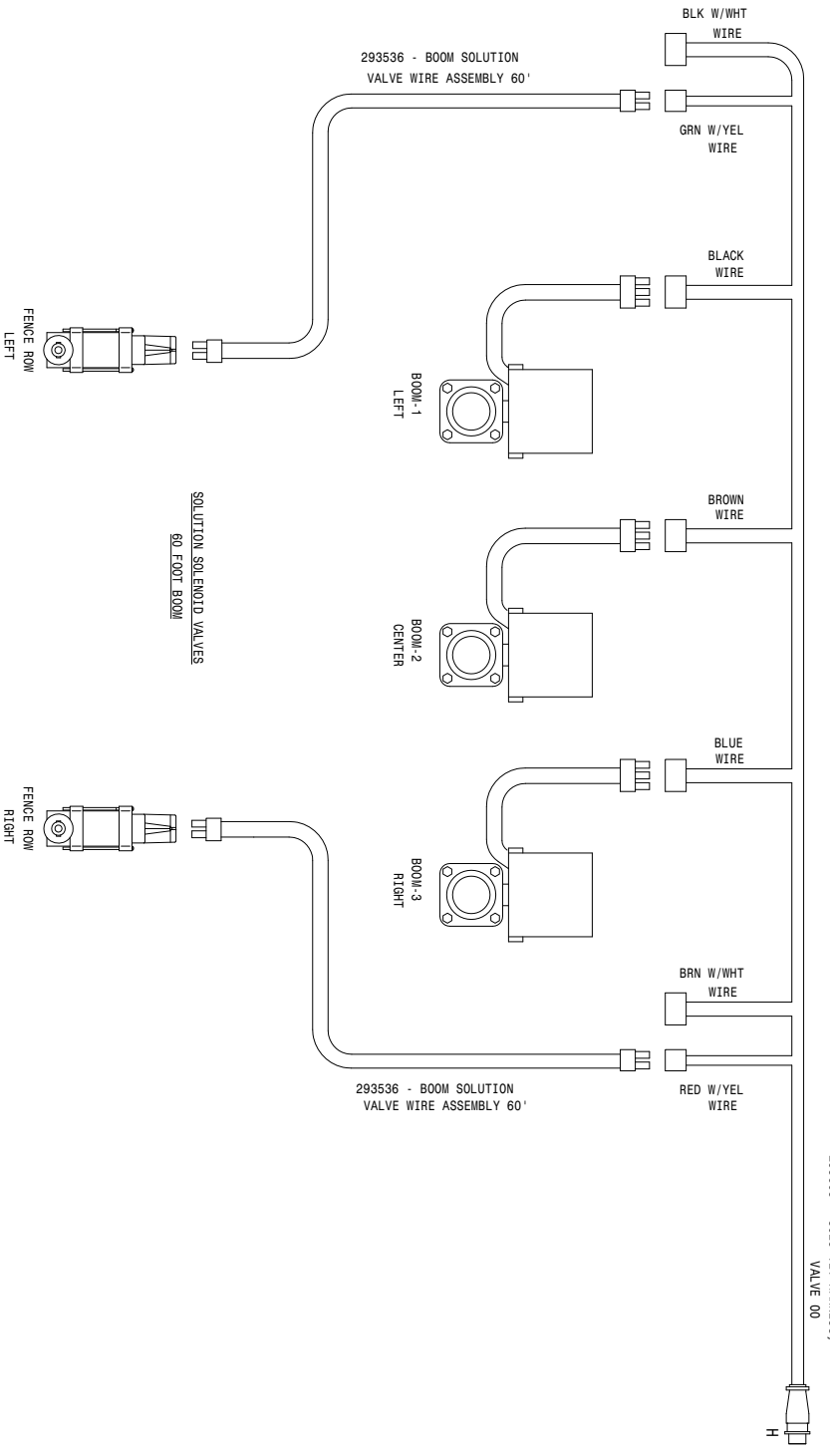


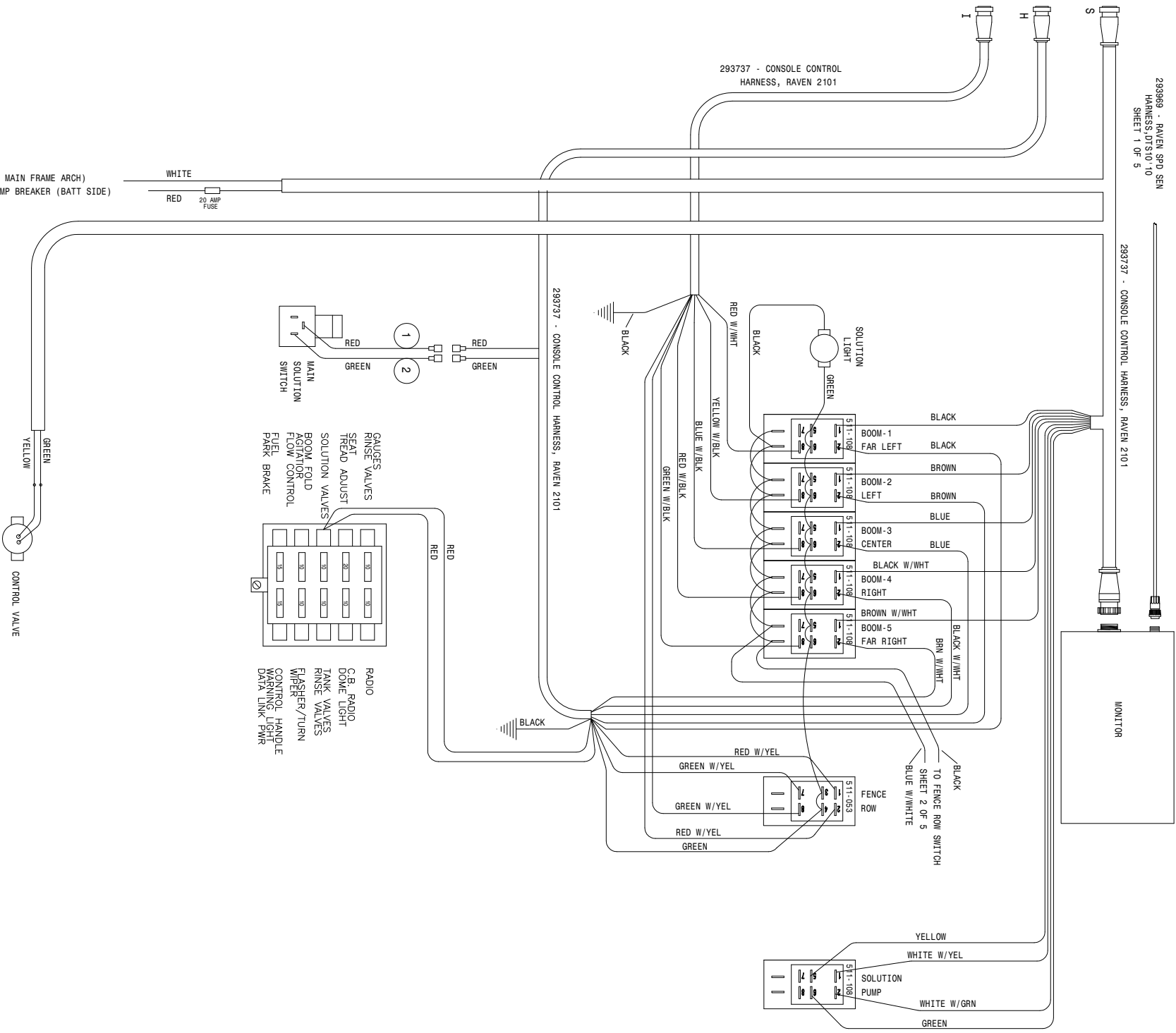
293856 - JUMPER HARNESS OVAL LIGHTS



REFER TO SHEET 1 OF 5

| | |
|-------------------------|--------------|
| DTS10 WIRING DIAGRAM 10 | 12-18-09 TLT |
| SHEET 4 OF 5 | |
| REVISION DATE: 05-18-11 | |
| 499062 | |





SHEET 1 OF 5

GROUND (MAIN FRAME ARCH)
TO 100 AMP BREAKER (BATT SIDE)

| | | | |
|-------------------------|---|--------|---------------------------|
| 2 | 1 | 293283 | 166A GRN-291571-291571-45 |
| 1 | 1 | 293582 | 166A RED-291571-291571-45 |
| DTS10 WIRING DIAGRAM 10 | | | |
| SHEET 5 OF 5 | | | |
| REVISION DATE: 04-28-10 | | | |
| 499062 | | | |
| 12-18-09 TLT | | | |

ABBREVIATIONS

| | |
|------------------------------------|-------------------------------|
| A/C - AIR CONDITIONER | MT - MOUNT |
| ADPTR - ADAPTER | MTR - MOTOR |
| AGI - AGITATOR | P/N - PART NUMBER |
| ALT - ALTERNATOR | PLT - PLATE |
| ASSY - ASSEMBLY | QTY - QUANTITY |
| BRKT - BRACKET | RED - REDUCER |
| DET - DETAIL | REF - REFERENCE |
| DISPL - DISPLACEMENT | REST - RESTRICTOR |
| EL - ELBOW | REQ - REQUIRED |
| EXT - EXTENSION | SHFT - SHAFT |
| FLO - FLOW | SOL - SOLUTION |
| FNPT - FEMALE NATIONAL PIPE THREAD | STRG - STEERING |
| FOR - FEMALE O-RING | ST - STREET |
| FRT - FRONT | SWIV - SWIVEL |
| HYD - HYDRAULIC | UNC - UNIFIED NATIONAL COURSE |
| HYDRO - HYDROSTATIC | UNF - UNIFIED NATIONAL FINE |
| LG - LONG | V - VOLT |
| LWR - LOWER | W/ - WITH |
| MJIC - MALE J.I.C. | WHL - WHEEL |
| MOR - MALE O-RING | WLD - WELDMENT |

INDEX

-A-

ABBREVIATIONS..... 122
ACCUMULATOR CYLINDER..... 78, 80, 81
AGITATOR
 IMPELLER..... 55, 57
 SHAFT..... 55, 57
 SHIELD..... 55, 57
 SOLUTION..... 55, 57
 VARIABLE FLOW CONTROL..... 15
AIR BAG..... 22, 24, 26, 28
AIR CLEANER..... 6
 BAND..... 6
 FILTER..... 6
 HOOD..... 6
 HOSE..... 6
AIR CONDITIONER..... 34
 BLOWER..... 34
 COMPRESSOR..... 11
 CONDENSOR..... 19
 DRYER..... 19
 EVAPORATOR..... 34
 FILTER..... 34
AIR INTAKE..... 19
AIR LINE..... 9, 46
AIR REGULATOR..... 46
AIR SEAT..... 43
AIR TANK..... 8, 9
ANTENNA..... 34

-B-

BATTERY..... 53
 BOX..... 53
 CABLE..... 53
 HOLD DOWN..... 53
 BEARING, LEG..... 22, 24, 26, 28
 BELT..... 4, 5
 BINDING POST..... 41
 BLADE, WIPER..... 32
 BLOWER MOTOR..... 34
 BOOM..... 86, 87, 88, 89, 90
 CONTROL VALVE..... 79
 CRADLE..... 52
 HINGE..... 88, 90
 LIGHTS..... 85
 SOLENOID..... 59, 60, 61, 62, 63, 65, 66
 SPRING..... 80, 81
BOX FUSE..... 42
BREAKAWAY..... 78
BREAKER CIRCUIT..... 42
BUMPER, LEG..... 22, 24, 26, 28

-C-

CAB..... 32
 LIGHTS..... 32, 34
CABLE,
 BATTERY..... 53
 GROUND..... 53
 HYDROSTATIC..... 40
 CANTRAK..... 37
 CIRCUIT BREAKER..... 42
 CLAMP,
 AIR CLEANER..... 6
 MUFFLER..... 5
 CONDENSOR..... 19
 CONSOLE..... 38, 43
 CRADLE
 BOOM..... 52
 SOLUTION TANK..... 54, 56
 CROP GUIDE..... 23, 25, 27, 29
 CYLINDER
 ACCUMULATOR..... 86, 87
 FOLD..... 78, 84
 LEVEL..... 83
 LIFT..... 82
 STEERING..... 30
 TREAD ADJUST..... 96

-D-

DECALS..... 102, 103
DIAGRAMS, WIRING..... 112
DOOR..... 33
 LATCH..... 33
DRAIN VALVE..... 8, 9
DRINK HOLDER..... 39
DRIVE DISK..... 5
DYER, A/C..... 19
BELT..... 11

-E-

ENGINE..... 4, 5
 HOOD..... 44
EXHAUST STACK..... 5

-F-

FAN..... 5
 SPACER..... 5
FEEDER TEE..... 78

FENCE ROW.....68,69
 FILTER,
 AIR CLEANER.....6
 AIR CONDITIONER.....34
 ENGINE.....4
 FUEL.....5
 HYDRAULIC.....11
 MINDER.....46
 FLOW DIVIDER.....14,16
 FLOW METER.....59,60,63,64
 FLUSHING VALVE.....10
 FOAM.....32,35
 FOAMER TANK.....92
 FOAMER VALVE.....98
 FOLD CYLINDER.....78,84
 FRESH WATER TANK.....51
 FUEL,
 GAUGE.....37
 SELECTOR VALVE.....49
 TANK.....49
 TANK MOUNT.....53,54
 FUSE.....42
 BOX.....42

-G-

GAS SPRING.....36,39,44
 GAUGE
 AIR REGULATOR.....46
 PRESSURE.....46,59,60,63,64
 TREAD ADJUST.....50
 GRAB HANDLE.....32
 GLASS.....32,33
 GROUND CABLE.....56
 GROUND STRAP.....32
 GUIDE, STALK.....23,25,27,29

-H-

HANDLE,
 DOOR.....33
 GRAB.....32
 HANDRAIL.....50
 HEADLIGHT.....32,58,83
 HEADLINER.....34
 HEATER COIL.....34
 HINGE, BOOM.....94,90
 HOOD,
 AIR CLEANER.....6
 ENGINE.....44
 HOOK, RUBBER.....45
 HOSE, RADIATOR.....5
 HOISING, SOLUTION.....71,72,73,74
 HOUR METER.....37
 HUB, TORQUE.....23,25,27,29

HYDRAULIC
 DAMPER.....33
 FILTER.....11
 SOLENOID VALVE.....12
 SCHEMATIC.....104
 TANK.....20
 HYDROSTATIC
 CABLE.....40
 LEVER.....40

-I-

IGNITION SWITCH.....41
 INJECTION PLATFORM.....104
 INSTRUMENT PANEL.....37

-L-

LADDER.....47,48
 LATCH, DOOR.....33
 LEG,
 BEARING.....22,24,26,28
 BRACE.....58
 BUMPER.....22,24,26,28
 FRONT.....22,24
 REAR.....26,28
 LEVEL CYLINDER.....78
 LEVER,
 HYDROSTATIC.....40
 LIFTARM.....77
 LIFT CYLINDER.....82
 LIGHT,
 BOOM.....85
 CAB.....32,34
 SWITCH.....34

-M-

MIRROR.....32
 MONITOR, FLOW MAX 110.....99
 MOTOR
 BLOWER.....34
 STEERING.....36
 WHEEL.....23,25,27,29
 WIPER.....32
 MOUNT,
 CAB.....34
 MOTOR.....4,5
 PUMP.....7
 MUFFLER.....5
 CLAMP.....5
 MULLION.....44

-N-

NOZZLE, REAR WHEEL.....70

-0-
OIL
COOLER.....19
PRESSUR.....37
TANK.....20

-P-
PAD, RADIATOR.....19
PANEL, SWITCH.....41
PLATFORM, INJECTION.....97
POWER POINT.....43
PRESSURE
GAUGE.....41,59,60,63,64
PUMP,
SOLUTION.....76
SUNDSTRAND.....7

-Q-
QUICK FILL.....67

-R-
RADIATOR.....19
HOSE.....5
PAD.....19
SHROUD.....19
RADIO.....34
RAVEN, VFC.....17
REAR WHEEL NOZZLE.....70
RELAY.....42
RELIEF VALVE.....14
RETURN TEE ASSEMBLY.....18
RIM.....21
RINSE
TANK.....91
RUBBER,
HOOK.....45
MOUNT.....4,5,7,32

-S-
SCHEMATIC, HYDRAULIC.....104
SEAT.....43
SERVICE PLATFORM.....50
SHEET METAL.....44,45
SHIELD, TANK.....58
SHROUD, RADIATOR.....19
SIDERAIL.....50
SMV SIGN.....50
SOLENOID, BOOM...59,60,61,62,63,64
SOLUTION
HOSING.....71,72,73,74
PUMP.....76
TANK CRADLE.....54,56

SPACER, FAN.....5
SPEAKER.....34
SPRING, GAS.....36,39,44
STALK GUIDE.....23,25,27,29
STEERING
COLUMN.....36
CYLINDER.....30
MOTOR.....36
WHEEL.....36
STRAINER,
SOLUTION.....54,56
STRAP, GROUND.....32
SUNDSTRAND PUMP.....7
SWITCH,
IGNITION.....41
LIGHT.....41
PANEL.....41
SOLUTION.....32

-T-
TAILLIGHT.....50
TANK,
AIR.....8,9
FOAMER.....92
FRESH WATER.....51
HYDRAULIC.....20
MOUNTS.....58

RINSE.....91
SHIELD.....58
SOLUTION.....54,56
TEE, FEEDER.....75
TEMPERATURE
GAUGE.....37

TIE PLATE.....13
TIE ROD.....31
TIRE.....21
TRANSOM.....78
TREAD ADJUST.....95
CYLINDER.....96
GAUGE.....50
VALVE.....94
TORQUE, HUB.....23,25,27,29

-V-
VALVE,
AIRBAG.....22,24,26,28
DIVERT, FOAMER.....98
DRAIN.....8
ELECTRIC BOOM.....79
FENCE ROW.....68,69
FLUSHING.....10
FUEL SELECTOR.....49

-V-

VALVE,
HYDRAULIC SOLENOID..... 12
RELIEF..... 14
TREAD ADJUST..... 94
VARIABLE FLOW CONTROL. 13, 15, 17

-W-

WHEEL MOTOR..... 23, 25, 27, 29
WHEEL, STEERING..... 36
WINDSHIELD WASHER..... 100
WIPER,
BLADE..... 32
MOTOR..... 32
WINDSHIELD..... 32