

PARTS MANUAL
FOR
HAGIE MODEL 8540 SPRAYER

HAGIE MANUFACTURING COMPANY
BOX 273 CLARION, IOWA 50525 **(515) 532-2861**

COVERS MACHINE SERIAL NUMBERS:

065578001 Thru 065578050

5-87 493108

SPRAYER IDENTIFICATION

Each Hagie sprayer is identified by means of a frame serial number. This serial number denotes the model, year in which it was built, and the number of the sprayer. As for further identification, the engine has a serial number and the planetary hubs have identification plates that describe the type of mount and gear ratio. To insure prompt, efficient service when ordering parts or requesting service repairs from Hagie Manufacturing Company, record serial and identification numbers in the space provided below.

Note: Reference to left hand and right hand used throughout this manual refers to the position when seated in the operator's seat facing forward.

SPRAYER SERIAL NUMBER

ENGINE SERIAL NUMBER

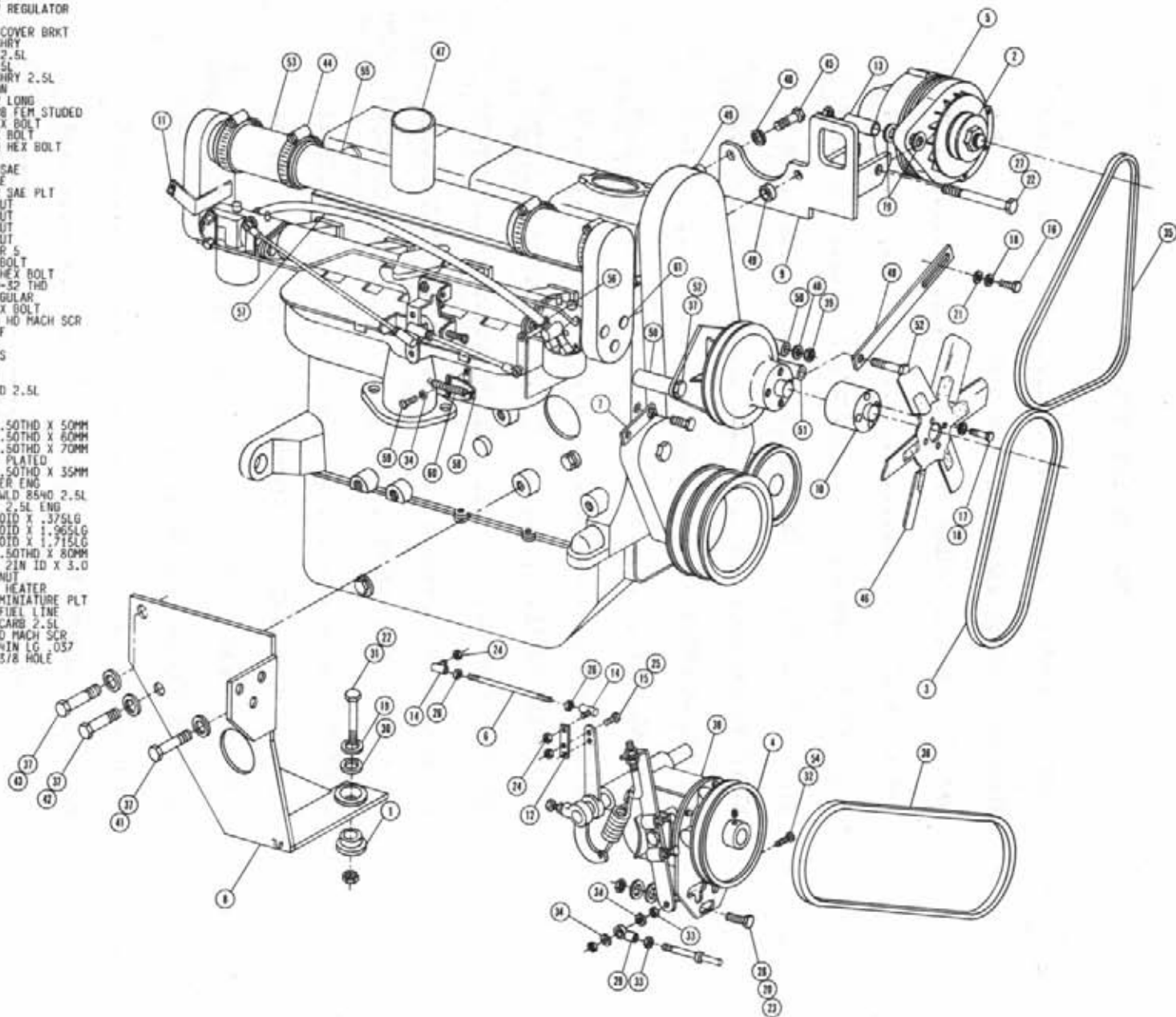
TABLE OF CONTENTS

ENGINE ASSEMBLY.....	4-6
FOUR-WHEEL DRIVE VALVE AND FLOW DIVIDER.....	7-8
RADIATOR AND OIL COOLER.....	9
LEG ASSEMBLY.....	10-11
FUEL AND OIL TANKS.....	12-13
EXHAUST PIPE AND AIR CLEANER.....	14-15
STEERING CYLINDER.....	16
TIE ROD ASSEMBLY.....	17-18
TIRE ASSEMBLY.....	19
STEERING WHEEL.....	20
INSTRUMENT PANEL.....	21
OPERATOR STATION.....	22-25
VARIABLE FLOW CONTROL.....	26
SHEET METAL AND LADDER.....	27-28
SOLUTION SYSTEM.....	29-31
TRANSOM, BOOM, AND LIFT COMPONENTS.....	32-35
PLANETARY GEAR ASSEMBLY.....	36-37
SOLUTION HOISING DIAGRAM.....	38
DECALS.....	40-42
ELECTRICAL SCHEMATIC.....	43
HYDRAULIC SCHEMATIC.....	44-45
ABBREVIATIONS.....	46
INDEX.....	47

2.5 LITER ENGINE ASSEMBLY

DET. QTY PART NO. DESCRIPTION

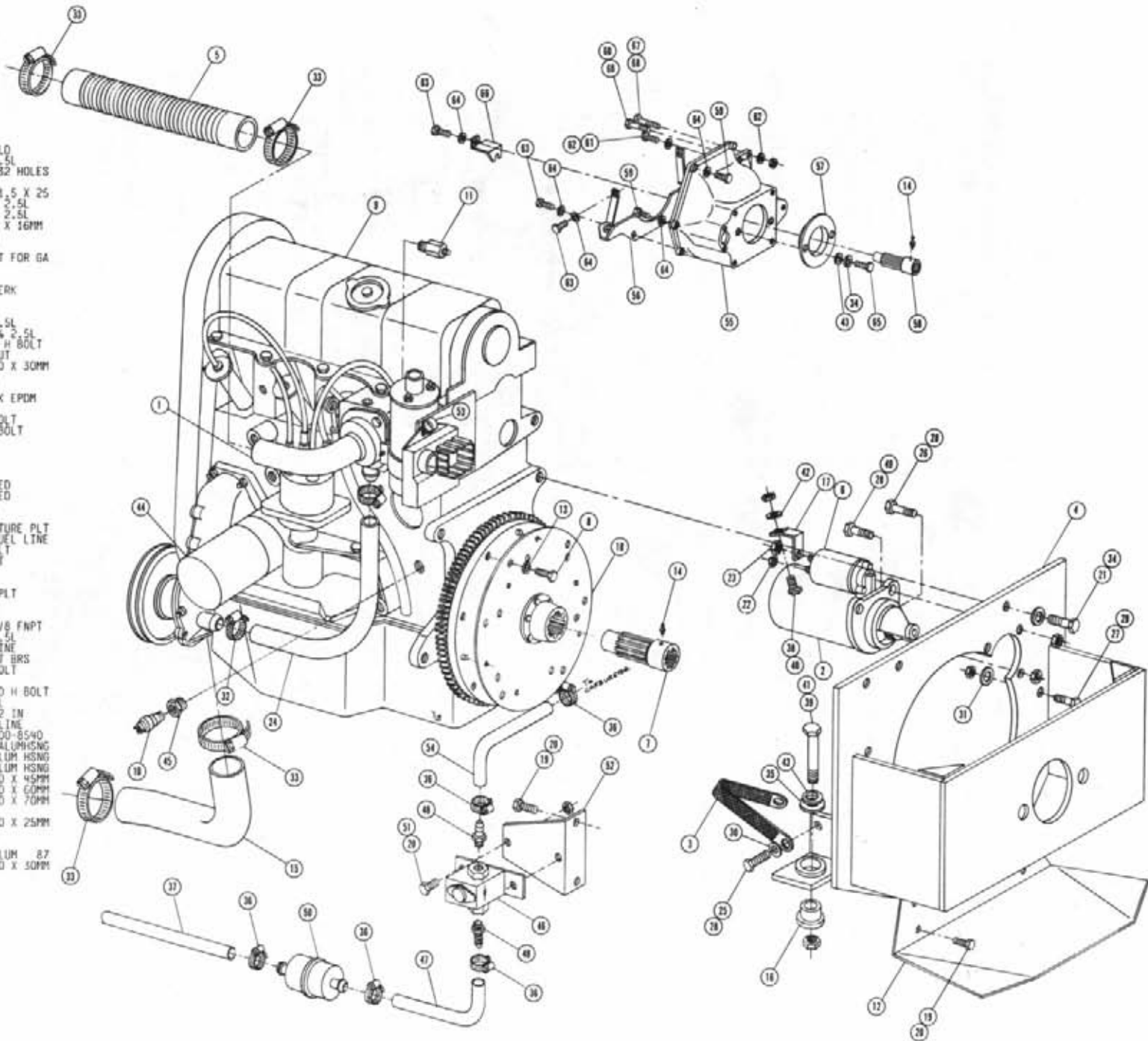
1	1	511052	ENG ISOLATOR
2	1	141022	SHEAVE ALT MOTOROLA
3	1	147013	BELT 7375
4	1	147030	SHEAVE, 6IN MACH
5	1	310093	55 AMP ALT W/12V REGULATOR
6	1	312430	GOV LINKAGE ROD
7	1	312465	LWR TIMING BELT COVER BRKT
8	1	312487	FRT MTR HT WLD CHRY
9	1	312504	ALT MT WLD CHRY 2.5L
10	1	312508	FAN SPAC CHRY 2.5L
11	1	312510	CHOKE CABLE HT CHRY 2.5L
12	1	314341	GOV ARM EXTENSION
13	1	160336	CLLEVIS BUSH .812 LONG
14	1	473918	BALL JOINT 1/4 28 FEM STUDED
15	1	900002	1/4 UNC X 5/4 HEX BOLT
16	1	900065	5/16 UNC X 1 HEX BOLT
17	1	900071	5/16 UNC X 2 3/4 HEX BOLT
18	1	900501	LOCK WASH 5/16
19	1	920004	1/2 FLAT WASHER SAE
20	1	920002	WASH FLAT 3/8 SAE
21	1	920001	5/16 FLAT WASHER SAE PLT
22	1	914008	1/2 UNC STOVER NUT
23	1	914004	3/8 UNC STOVER NUT
24	1	914001	1/4 UNC STOVER NUT
25	1	914000	1/4 UNC STOVER NUT
26	1	910003	1/4-28 H NUT GR 5
27	1	900270	1/2 UNC X 3 HEX BOLT
28	1	900131	3/8 UNC X 1 1/2 HEX BOLT
29	1	473921	BALL JOINT NO 10-32 THD
30	1	483037	FLAT WASH 5/8 REGULAR
31	1	900269	1/2 UNC X 3/4 HEX BOLT
32	1	903893	10-32 X 1 SLT RD HD MACH SCR
33	1	910027	HEX NUT NO 10 UNF
34	1	920510	LOCK WASH NO 10
35	1	147029	3VX450 BELT GATES
36	1	147040	7400 BELT
37	1	473798	LOCKWASHER 10MM
38	1	312513	GOVERNOR REWORKED 2.5L
39	1	473729	H NUT 10MM
40	1	473799	FLAT WASH 10MM
41	1	473817	HH BOLT 10MM X 1.50THD X 50MM
42	1	473785	HH BOLT 10MM X 1.50THD X 60MM
43	1	473773	HH BOLT 10MM X 1.50THD X 70MM
44	1	520068	HOSE CLAMP NO 32 PLATED
45	1	473776	HH BOLT 10MM X 1.50THD X 35MM
46	1	312391	CHRY FAN 2.5 LITER ENG
47	1	312515	AIR INTAKE TUBE WLD 8540 2.5L
48	1	312514	ALT ADJ ARM 8540 2.5L ENG
49	1	312518	BUSH 1IN OD X .50ID X .375LG
50	1	312519	BUSH 1.00 OD X .50ID X 1.965LG
51	1	312520	BUSH 1.00 OD X .50ID X 1.715LG
52	1	473771	HH BOLT 10MM X 1.50THD X 80MM
53	1	601291	HOSE GATES VULCO 2IN ID X 3.0
54	1	914027	NO 10-32 STOVER NUT
55	1	601292	HOSE, 5/8 X 2.50 HEATER
56	1	520120	HOSE CLAMP NO 4 MINIATURE PLT
57	1	601290	HOSE, 5/16 X 20 FUEL LINE
58	1	312523	SPRING MTG BRKT CARB 2.5L
59	1	472015	10-24 X 3/8 RD HD MACH SCR
60	1	472014	SPRING 1/2 OD X 4IN LG .037
61	1	470161	RUBBER PLUG FOR 3/8 HOLE



2.5 LITER ENGINE ASSEMBLY

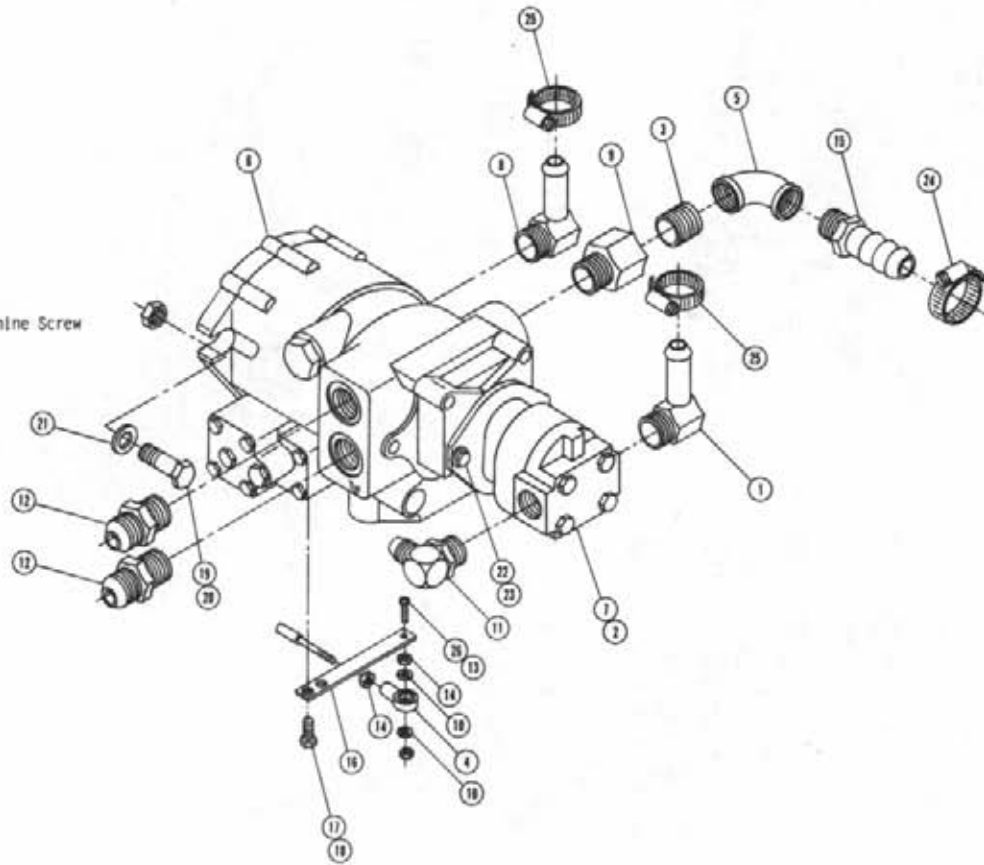
DET. QTY PART NO. DESCRIPTION

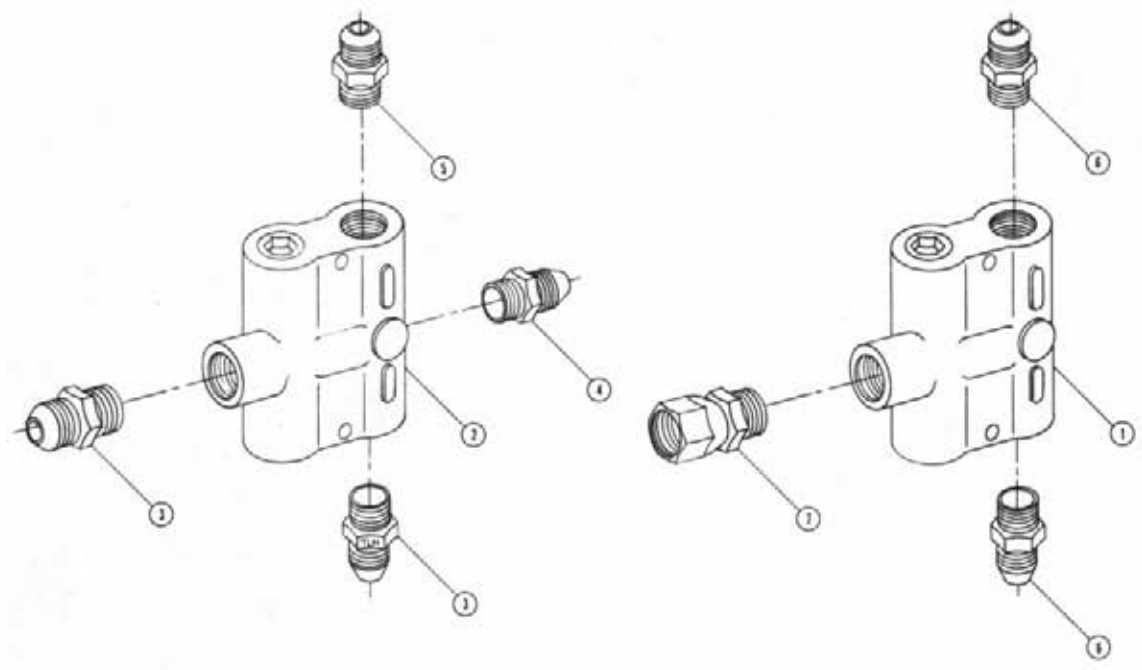
1	312477	COOLANT OUTLET TUBE WLD
2	312526	STARTER ASSY - CHRY 2.5L
3	290109	GROUND STRAP, 8IN 17/32 HOLES
4	312595	BELLSNG WLD 8540
5	312474	RAD HOSE GATES 26419 1.5 X 25
6	312527	STARTER SOLENOID CHRY 2.5L
7	800484	DRIVE SHFT WLD 2.5L & 2.5L
8	475803	HH BOLT 8MM X 1.25THD X 16MM
9	312492	CHRY 2.5 LITER ENGINE
10	314361	OIL SENDER
11	314471	TEMP SENDER 2800 3/8NPT FOR GA
12	312476	BELLSNG SHLD CHRY
13	475804	BMM LOCKWASHER
14	471005	1/4 28 X 1/2 GREASE ZERK
15	312469	LWR RAD HOSE CHRY
16	311032	END ISOLATOR
17	312509	BATT CABLE EXT CHRY 2.5L
18	312528	DRIVE DISK ASSY 2.5L & 2.5L
19	470118	1/4 UNC X 3/4 FLANGED H BOLT
20	470121	1/4-20 FLANGED WMTZ NUT
21	475775	HH BOLT 12MM X 1.75THD X 30MM
22	475777	HEX NUT 4MM X 3THD
23	475778	HEX NUT 8MM X 1.25THD
24	601286	HOSE, 3/4 X 22 1BR BLK EPDM
25	900129	3/8 UNC X 1 HEX BOLT
26	900131	3/8 UNC X 1 1/2 HEX BOLT
27	900197	7/16 UNC X 1 1/2 HEX BOLT
28	914004	3/8 UNC STOVER NUT
29	914006	7/16 UNC STOVER NUT
30	920002	WASH FLAT 3/8 SAE
31	920003	7/16 FLATWASHER SAE
32	420055	HOSE CLAMP NO 12 PLATED
33	420085	HOSE CLAMP NO 24 PLATED
34	920504	LOCK WASH 1/2
35	483037	FLAT WASH 5/8 REGULAR
36	520120	HOSE CLAMP NO 4 MINIATURE PLT
37	601257	HOSE, 5/16 X 120 IN FUEL LINE
38	900064	5/16 UNC X 3/4 HEX BOLT
39	900269	1/2 UNC X 3/4 HEX BOLT
40	910002	5/16 UNC HEX NUT
41	914008	1/2 UNC STOVER NUT
42	920001	5/16 FLAT WASHER SAE PLT
43	920004	1/2 FLAT WASHER SAE
44	312460	OIL FILTER
45	501005	RED BUSH 1/4 NPT TO 1/8 FNPT
46	312522	ELEC FUEL PUMP CHRY 2.5L
47	601138	HOSE, 5/16 X 3 FUEL LINE
48	711001	5/16 HOSE BARB-1/8NPT BRS
49	900132	3/8 UNC X 1 3/4 HEX BOLT
50	319612	GAS LINE FILTER
51	470122	1/4 - 20 X 1/2 FLANGED H BOLT
52	312521	FUEL PUMP MT 8540 2.5L
53	520118	CUSHION HOSE CLAMP 1/2 IN
54	601293	HOSE, 5/16 X 26 FUEL LINE
55	312531	CHRY BELLSNG 2.5L 8500-8540
56	312534	REAR HTR MT WLD 2.5L ALUMHSNG
57	312539	ADPTR RING SUIND 2.5 ALUM HSNG
58	1 800487	DRIVE SHFT WLD 2.5L ALUM HSNG
59	475789	HH BOLT 12MM X 1.75THD X 45MM
60	475785	HH BOLT 10MM X 1.50THD X 60MM
61	475773	HH BOLT 10MM X 1.50THD X 70MM
62	475798	LOCKWASHER 10MM
63	475783	HH BOLT 12MM X 1.75THD X 25MM
64	475784	LOCKWASHER 12MM PL
65	900267	1/2 UNC X 2 HEX BOLT
66	312540	HYDST CABLE MT 2.5L ALUM .87
67	475792	HH BOLT 10MM X 1.50THD X 30MM
68	475779	H NUT 10MM



SUNDSTRAND PUMP ASSEMBLY

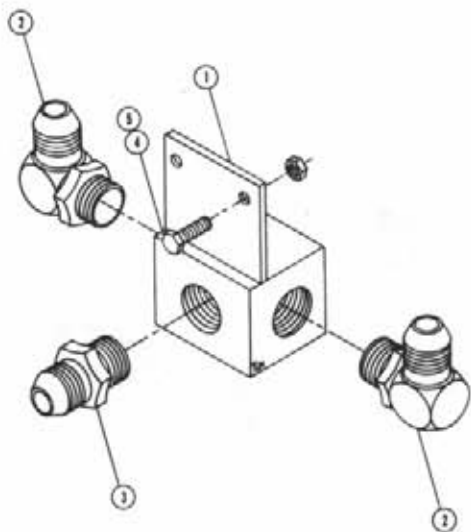
Det.	Qty.	P/N	Description
1	1	618567	1 1/16 MDR x 45° x 1 Hose Barb
2	1	606870	O-Ring
3	1	505201	1 NPT Close Nipple
4	1	473921	No. 10-32 Ball Joint
5	1	506501	1 NPT x 45° Elbow
6	1	606865	Sundstrand Pump 2.8 Cu.In.
7	1	610439	Hydreco Hydraulic Pump 1.47 Cu.In.
8	1	618118	1 1/16 MDR x 90° x 3/4 Hose Barb
9	1	618090	1 5/16 MDR x 1 FNPT
10	2	920510	No. 10 Lock Washer
11	1	618535	1 1/16 MDR x 90° x 7/8 MJIC
12	2	618308	1 5/16 MDR x 1 1/16 MJIC
13	1	914027	No. 10-32 Stover Nut
14	2	910027	No. 10 UNF Hex Nut
15	1	714561	1 NPT x 1 1/4 Hose Barb
16	1	312402	Hydrostatic Pump Lever Extension
17	2	900128	3/8 UNC x 3/4 Hex Bolt
18	2	914004	3/8 UNC Stover Nut
19	2	900267	1/2 UNC x 2 Hex Bolt
20	2	914008	1/2 UNC Stover Nut
21	2	920004	1/2 SAE Flat Washer
22	2	920504	1/2 Lock Washer
23	2	900264	1/2 UNC x 1 1/4 Hex Bolt
24	1	520067	No. 28 Hose Clamp
25	2	520055	No. 12 Hose Clamp
26	1	903893	No. 10-32 x 1 Slotted Round Head Machine Screw





FLOW DIVIDER ASSEMBLY

DET.	QTY	PART NO.	DESCRIPTION
1	1	607504	FLO DIV BSO 2-8GPM 7/8 FOR
2	1	607518	FLO DIV BOR56 6GPM PRI 7/8 FOR
3	2	611126	7/8 MJIC-7/8 MOR ADPTR
4	1	618011	9/16 MJIC-3/8 MNPT ADPTR
5	1	618527	3/4 MJIC-7/8 MOR ADPTR
6	2	618510	9/16 MJIC-7/8 MOR ADPTR
7	1	618594	7/8 FJIC SWIV-7/8 MOR ADPTR



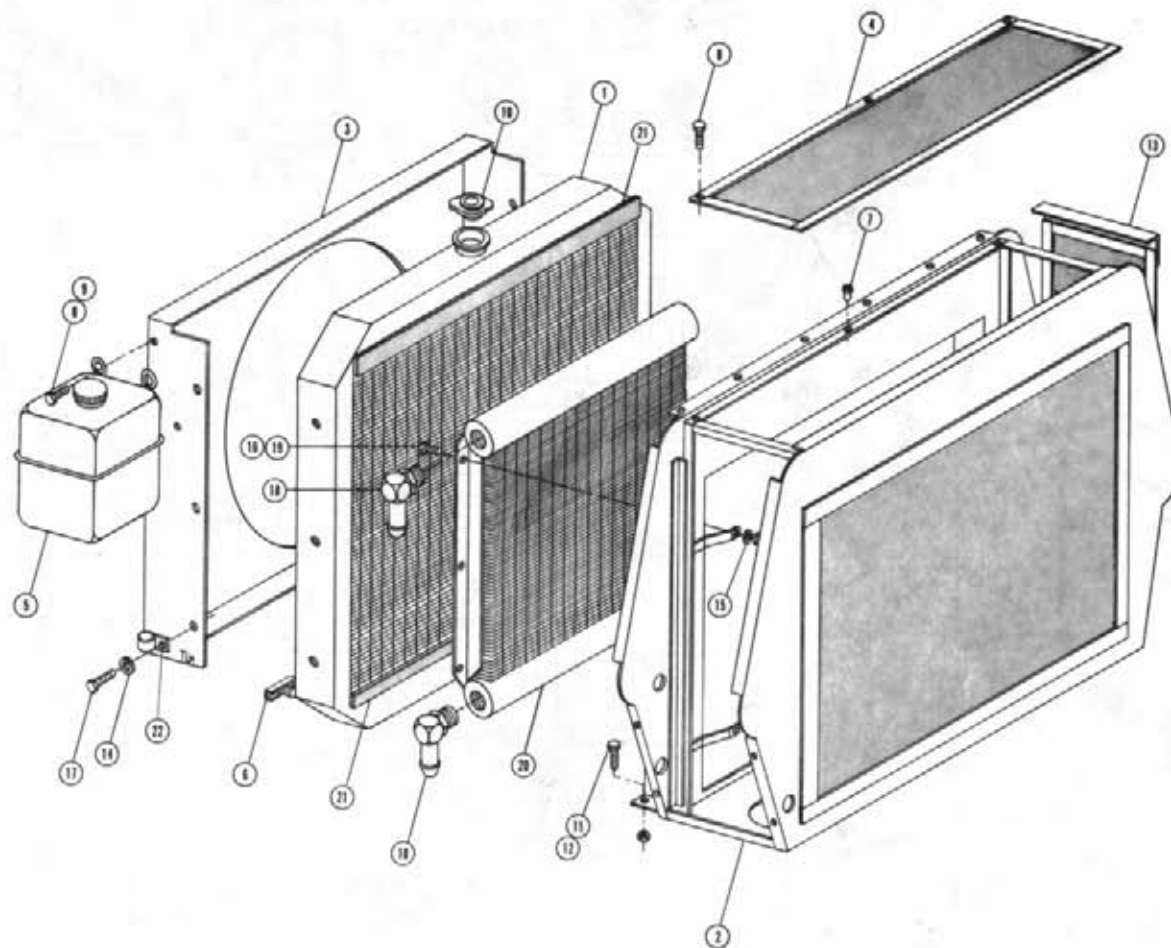
FRONT WHEEL DRIVE MANIFOLD ASSEMBLY

Det.	Qty.	P/N	Description
1	1	615602	Four Wheel Drive Manifold Weldment
2	2	618474	1 1/16 MOR x 90° x 3/4 MJIC
3	1	611127	1 1/16 MOR x 1 1/16 MJIC
4	2	470118	1/4 UNC x 3/4 Flanged Hex Bolt
5	2	470121	1/4 UNC Flanged Nut

RADIATOR AND OIL COOLER ASSEMBLY

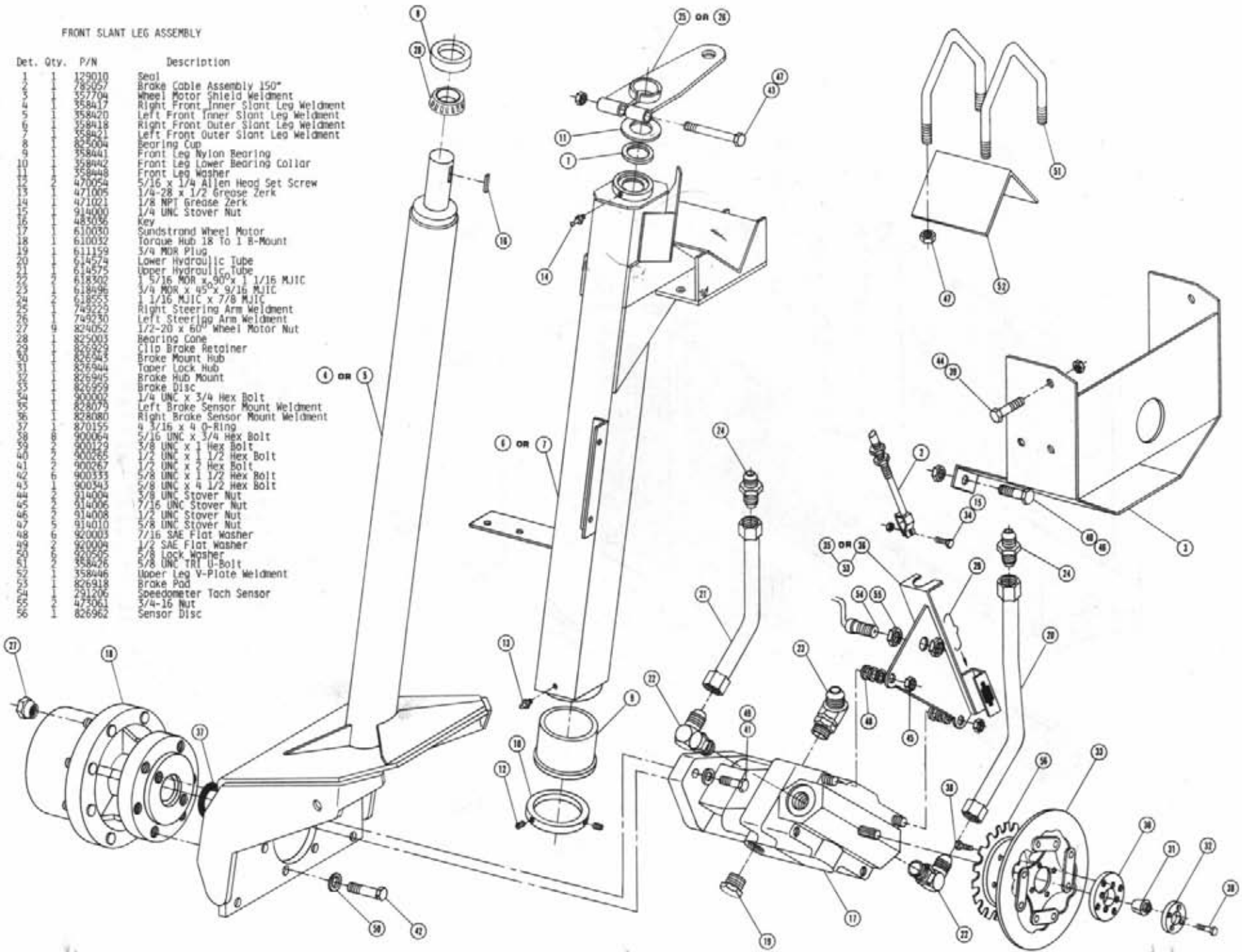
DET. QTY PART NO. DESCRIPTION

1	1	312393	RADIATOR, LONG
2	1	312487	RAD-OIL COOLER MT WLD 8540
3	1	312420	RAD SHROUD CHRY
4	1	312421	TOP SCREEN WLD AIR INTAKE
5	1	314767	RAD RECOVERY TANK & MTG WLD
6	1	319559	RADIATOR DRAIN COCK CHRY
7	3	470086	NUTSERT, 1/4UNC .020-.100GR
8	5	470118	1/4 UNC X 3/4 FLANGED H BOLT
9	2	470121	1/4-20 FLANGED WHIZ NUT
10	1	319257	RAD CAP 7LB X 3/4FREE BRTH SM
11	4	914004	3/8 UNC STOVER NUT
12	4	900129	3/8 UNC X 1 HEX BOLT
13	2	312490	SIDE SCR N WLD INTAKE 8540
14	6	920002	WASH FLAT 3/8 SAE
15	4	920001	5/16 FLAT WASHER SAE PLT
16	4	914002	5/16 UNC STOVER NUT
17	6	900126	3/8 UNC X 1/2 HEX BOLT
18	2	716000	3/4 HOSE BARB-90-1HMPT
19	4	900064	5/16 UNC X 3/4 HEX BOLT
20	1	618088	OIL COOLER BLISSFIELD
21	1	659579	FOAM, 2IN WIDE X 40IN LONG
22	1	520118	CUSHION HOSE CLAMP 1/2 IN

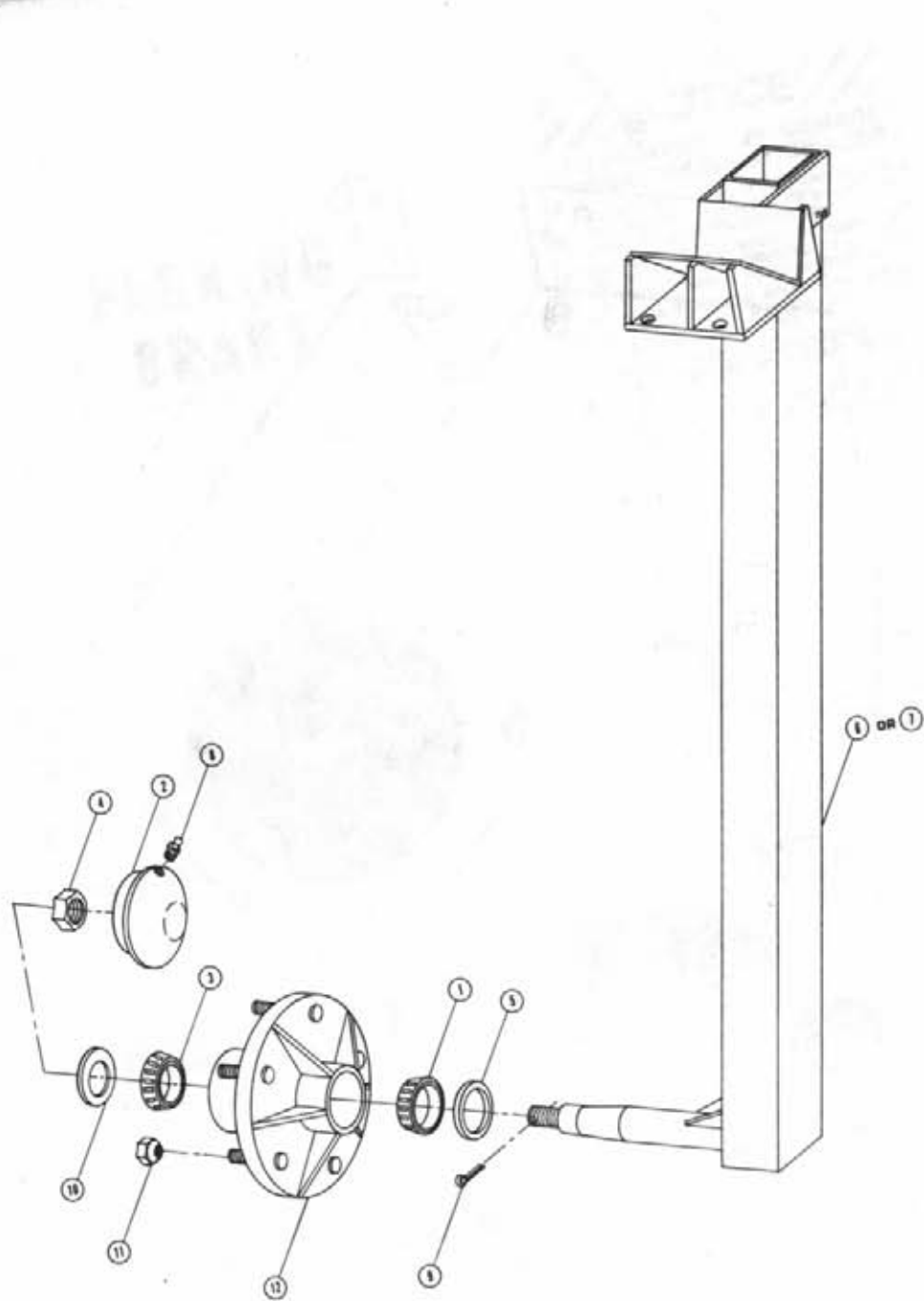


FRONT SLANT LEG ASSEMBLY

Det.	Qty.	P/N	Description
1	1	129010	Seal
2	1	785057	Brake Cable Assembly 150"
3	1	357704	Wheel Motor Shield Weldment
4	1	358417	Right Front Inner Slant Leg Weldment
5	1	358420	Left Front Inner Slant Leg Weldment
6	1	358418	Right Front Outer Slant Leg Weldment
7	1	358421	Left Front Outer Slant Leg Weldment
8	1	825004	Bearing Cup
9	1	358441	Front Leg Nylon Bearing
10	1	358442	Front Leg Lower Bearing Collar
11	1	358448	Front Leg Washer
12	1	470054	5/16 x 1/4 Allen Head Set Screw
13	1	471005	1/4-28 x 1/2 Grease Zerk
14	1	471021	1/8 NPT Grease Zerk
15	1	914000	1/4 UNC Stover Nut
16	1	483036	Key
17	1	610030	Sundstrand Wheel Motor
18	1	610032	Torque Hub 18 To 1 B-Mount
19	1	611159	3/4 MOR Plug
20	1	614574	Lower Hydraulic Tube
21	1	614575	Upper Hydraulic Tube
22	1	618302	1 5/16 MOR x 90° x 1 1/16 MJIC
23	1	618496	3/4 MOR x 45° x 9/16 MJIC
24	1	618553	1 1/16 MJIC x 7/8 MJIC
25	1	748229	Right Steering Arm Weldment
26	1	748230	Left Steering Arm Weldment
27	1	824052	1 1/2-20 x 60" Wheel Motor Nut
28	1	825003	Bearing Cone
29	1	826929	Clip Brake Retainer
30	1	826943	Brake Mount Hub
31	1	826944	Taper Lock Hub
32	1	826945	Brake Hub Mount
33	1	826959	Brake Disc
34	1	900002	1/4 UNC x 3/4 Hex Bolt
35	1	828079	Left Brake Sensor Mount Weldment
36	1	828080	Right Brake Sensor Mount Weldment
37	4	470155	4 3/16 x 4 O-Ring
38	1	900004	5/16 UNC x 3/4 Hex Bolt
39	1	900129	5/8 UNC x 1 Hex Bolt
40	1	900255	1/2 UNC x 1 1/2 Hex Bolt
41	1	900267	1/2 UNC x 2 Hex Bolt
42	1	900333	5/8 UNC x 1 1/2 Hex Bolt
43	1	900343	5/8 UNC x 4 1/2 Hex Bolt
44	1	914004	3/8 UNC Stover Nut
45	1	914006	7/16 UNC Stover Nut
46	1	914008	1/2 UNC Stover Nut
47	1	914010	5/8 UNC Stover Nut
48	1	920003	7/16 SAE Flat Washer
49	1	920004	1/2 SAE Flat Washer
50	1	920505	5/8 Lock Washer
51	1	958426	5/8 UNC TRI U-Bolt
52	1	358446	Upper Leg V-Plate Weldment
53	1	826918	Brake Pad
54	1	291206	Speedometer Tach Sensor
55	1	473061	3/4-16 Nut
56	1	826962	Sensor Disc

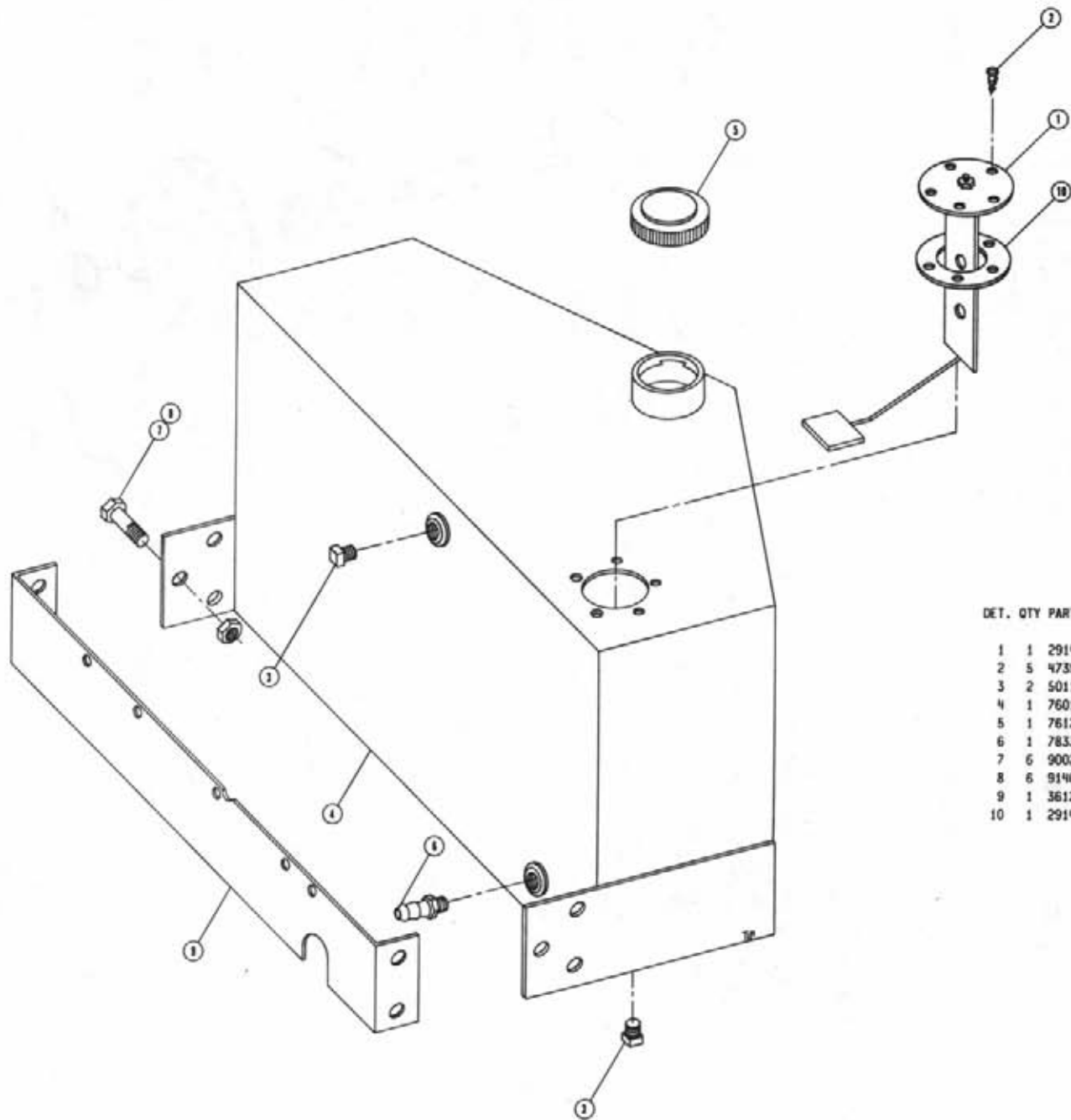


- 11 -



REAR LEG ASSEMBLY

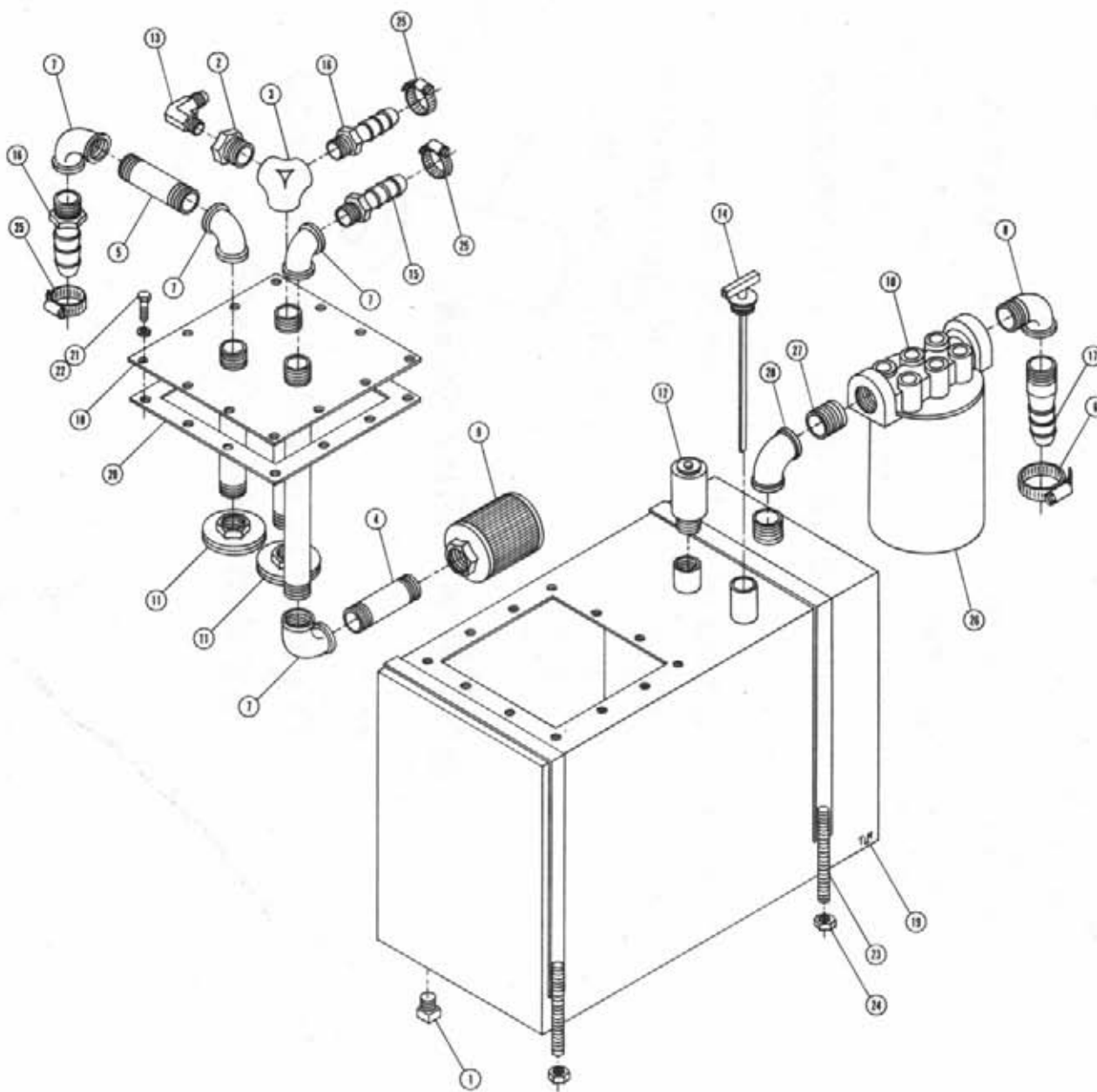
Det.	Qty.	P/N	Description
1	1	125004	Bearing Cone
2	1	125007	Hub Cap
3	1	125010	Bearing Cone
4	1	129003	Spindle Nut
5	1	129025	Grease Seal
6	1	358423	Right Rear Leg Weldment
7	1	358425	Left Rear Leg Weldment
8	1	471005	1/4-28 x 1/2 Grease Zerk
9	1	472008	5/32 x 1 Cotter Pin
10	1	479999	Washer
11	1	479999	1/2-20 x 60° Wheel Stud Nut
12	6	824052	Hub With Cups
13	1	825101	5/8 UNC Tri Bend U-Bolt
14	2	358426	Upper Leg V-Plate Weldment
15	4	358446	5/8 UNC Lock Nut



FUEL TANK ASSEMBLY

DET. QTY PART NO. DESCRIPTION

1	1	291428	FUEL SENDER 19 IN
2	5	473902	NO 8 X 1/2 PAN HD MET SC
3	2	501102	1/4 PIPE PLUG
4	1	760120	FUEL TANK MLD 47 GAL
5	1	761200	GAS CAP
6	1	783303	5/16 HOSE BARB-1/4MNPT BRS
7	6	900264	1/2 UNC X 1 1/4 HEX BOLT
8	6	914008	1/2 UNC STOVER NUT
9	1	361294	FRT MAINFRAME TIE PLT 8540
10	1	291464	GSKT FUEL SENDER

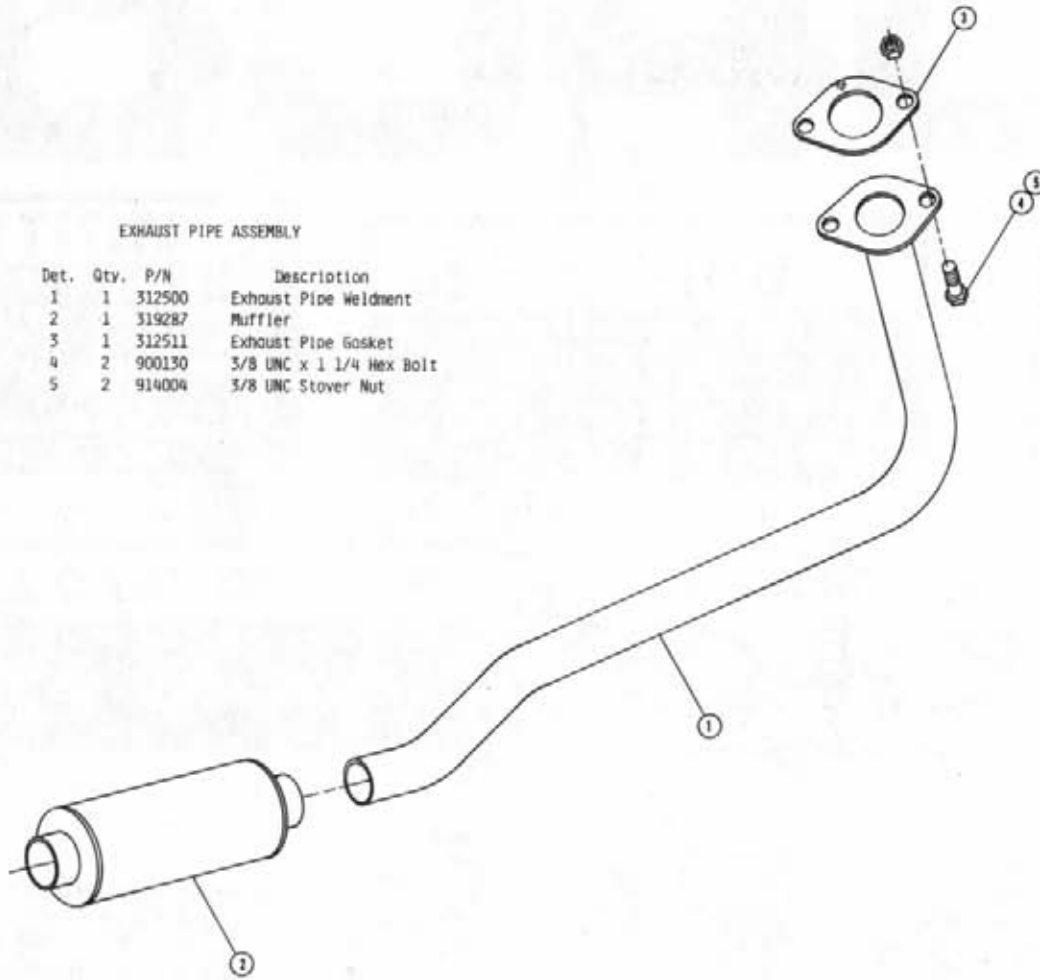


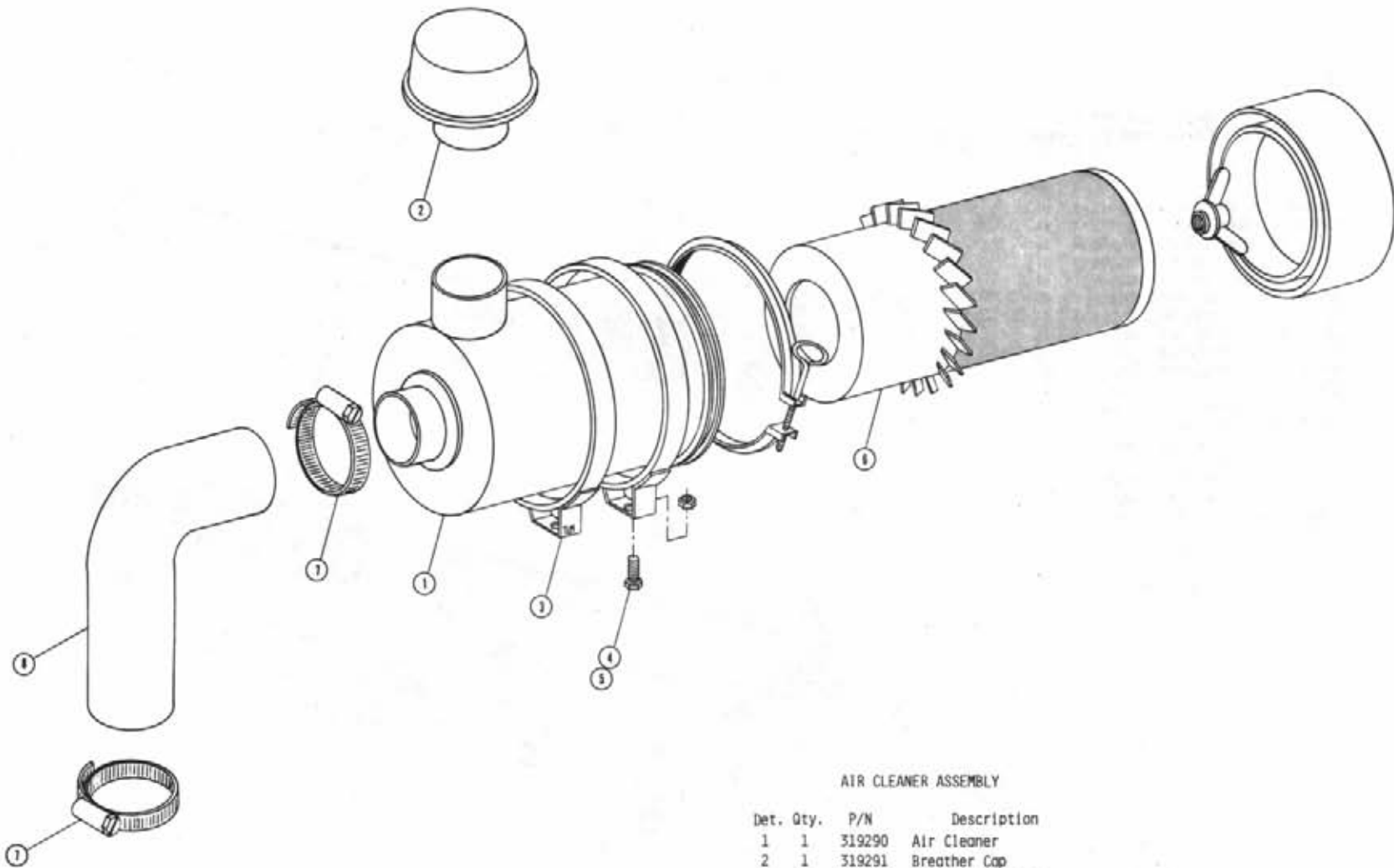
HYDRAULIC TANK ASSEMBLY

Det.	Qty.	P/N	Description
1	1	501102	1/4 NPT Pipe Plug
2	1	505006	1 NPT To 1/4 NPT Reducer Bushing
3	1	505098	1 NPT x 90° Side Outlet Elbow
4	1	505202	1 NPT x 2 Pipe Nipple
5	1	505210	1 NPT x 3 Pipe Nipple
6	1	520067	No. 28 Hose Clamp
7	4	505300	1 NPT x 90° Elbow
8	1	506410	1 1/4 NPT x 90° Street Elbow
9	1	605600	Michigan Filter
10	1	605601	Gresen Filter Element
11	2	605603	Line Diffuser
12	1	611051	3/4 NPT Pressure Cap
13	1	611122	1/4 NPT x 90° x 9/16 MJIC
14	1	614453	8 Inch Dipstick
15	1	714560	1 NPT x 1 Hose Barb
16	2	714331	1 NPT x 3/4 Hose Barb
17	1	715660	1 1/4 NPT x 1 1/4 Hose Barb
18	1	760090	Receiver Plate Weldment
19	1	760106	Hydraulic Oil Tank Weldment
20	1	763039	Gasket
21	12	900064	5/16 UNC x 3/4 Hex Bolt
22	12	920001	5/16 SAE Flat Washer
23	2	341360	Oil Tank Strap Weldment
24	4	914004	3/8 UNC Stover Nut
25	3	520055	No. 12 Hose Clamp
26	1	605602	Oil Filter Element
27	1	506200	1 1/4 NPT Close Nipple
28	1	506303	1 1/4 NPT Elbow

EXHAUST PIPE ASSEMBLY

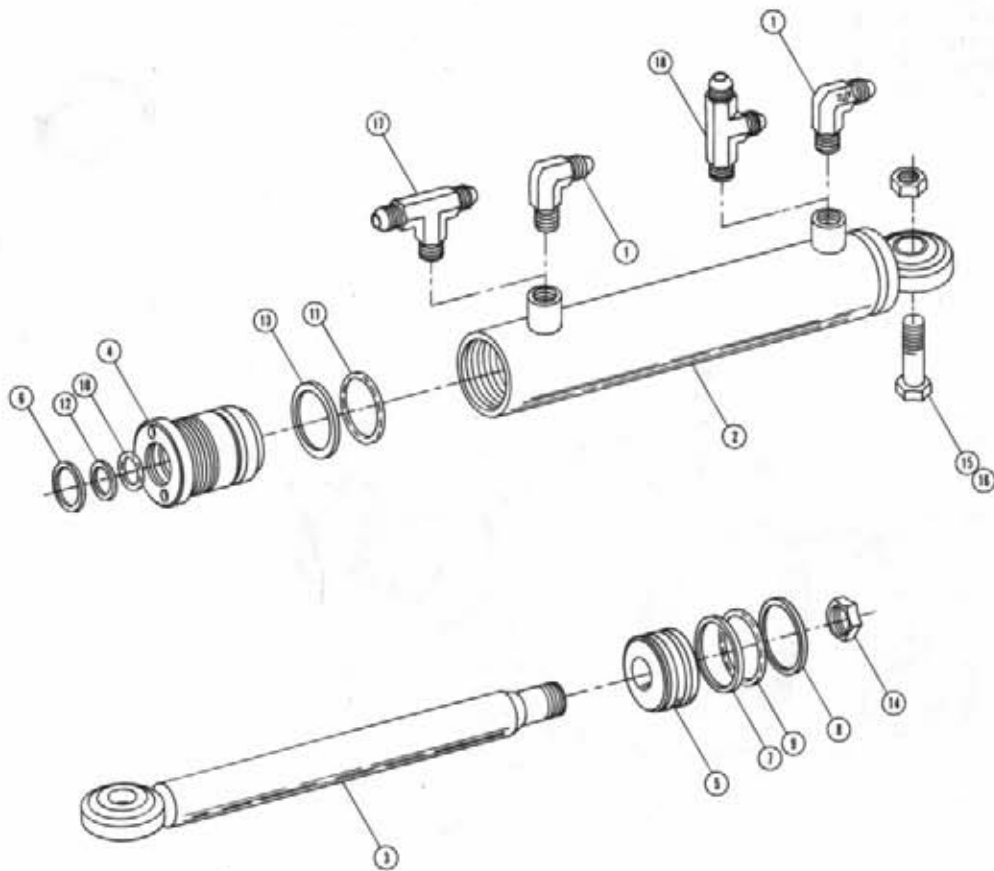
Det.	Qty.	P/N	Description
1	1	312500	Exhaust Pipe Weldment
2	1	319287	Muffler
3	1	312511	Exhaust Pipe Gasket
4	2	900130	3/8 UNC x 1 1/4 Hex Bolt
5	2	914004	3/8 UNC Stover Nut





AIR CLEANER ASSEMBLY

Det. Qty.	P/N	Description
1	319290	Air Cleaner
2	319291	Breather Cap
3	319292	Air Cleaner Band
4	470118	1/4 UNC x 3/4 Flanged Hex Bolt
5	470121	1/4 UNC Flanged Whiz Nut
6	319255	Air Cleaner Filter
7	520099	No. 40 Hose Clamp
8	312471	Air Cleaner Hose

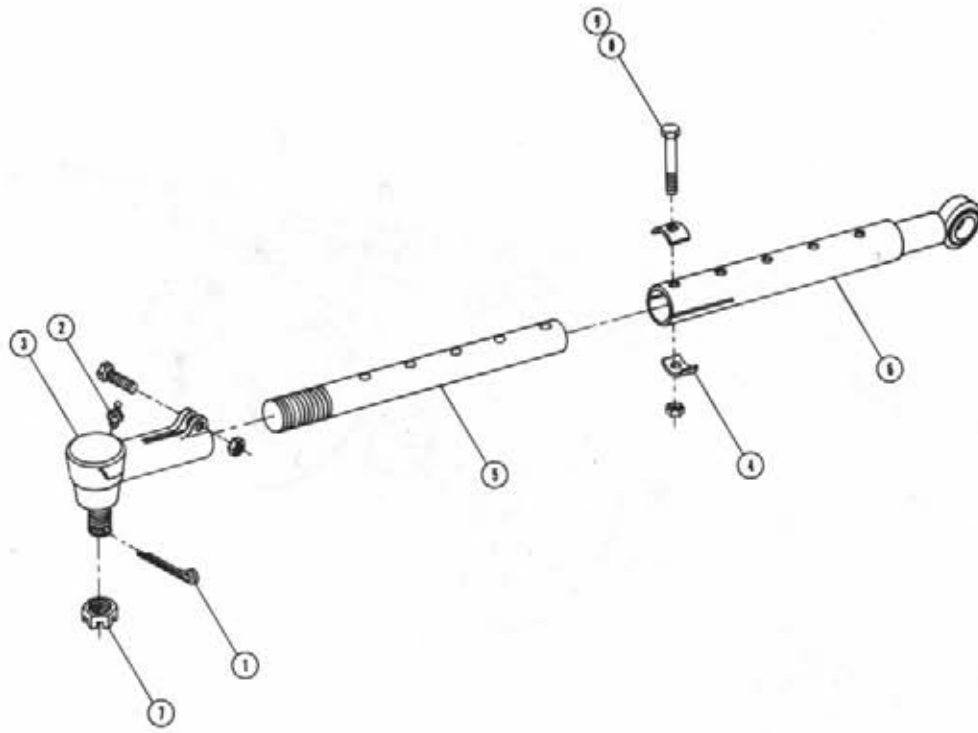


STEERING CYLINDER ASSEMBLY

DET. QTY PART NO. DESCRIPTION

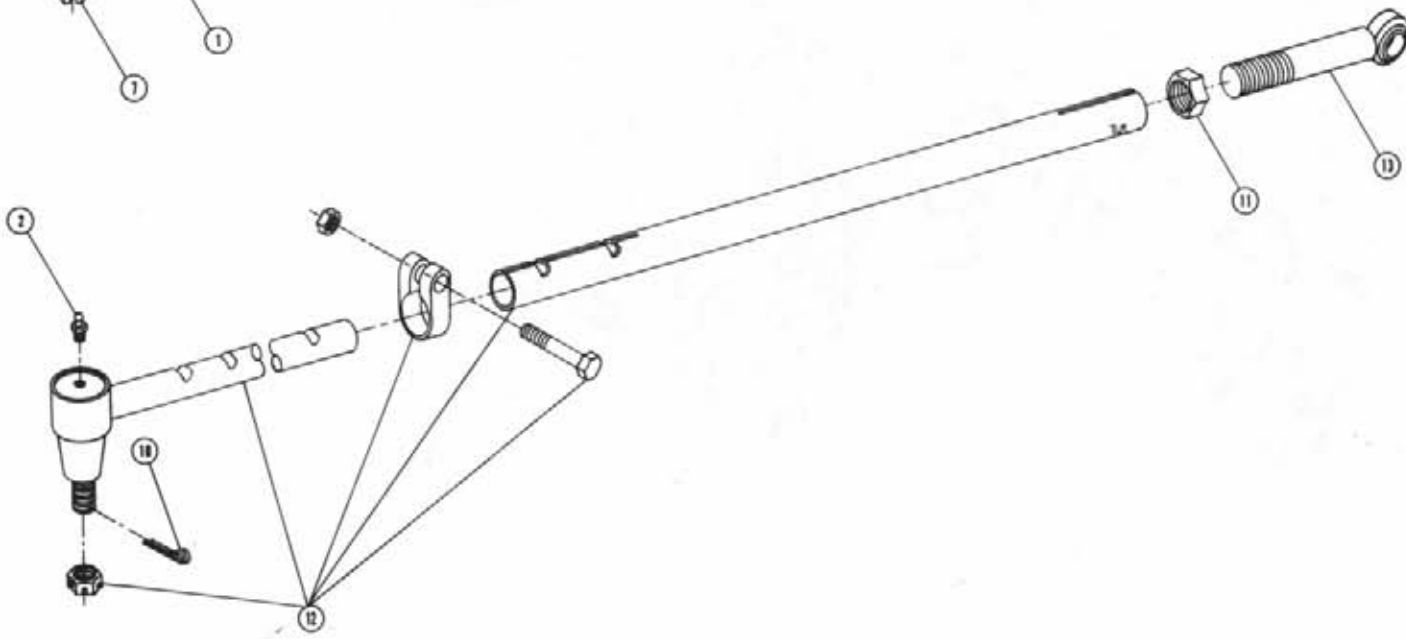
1	2	611122	9/16MJIC-90-1/4MNPT LBO
2	1	620089	STRG CYL TUBE WLD
3	1	620148	STRG CYL SHAFT WLD
4	1	620109	GLAND HYD CYL
5	1	620129	PISTON HYD CYL
6	1	629028	WIPER, 10D X 3/4ID X 1/8
7	1	629618	WEAR RING HYD CYL
8	1	629616	SEAL
9	1	870025	BUNA ORING 1 3/16 X 1 5/16
10	1	870210	BUNA ORING 3/4 X 1
11	1	870218	BUNA ORING 1 1/4 X 1 1/2
12	1	890210	BACKUP WASH 3/4 X 1
13	1	890218	BACKUP WASH 1 1/4 X 1 1/2
14	1	914009	1/2 UNF STOVER NUT
15	1	900336	5/8 UNC X 2 1/2 HEX BOLT
16	1	914010	5/8 UNC STOVER NUT
17	1	618070	1/4MNPT BRANCH TEE-9/16MJIC
18	1	618520	1/4MNPT RUN TEE-9/16MJIC

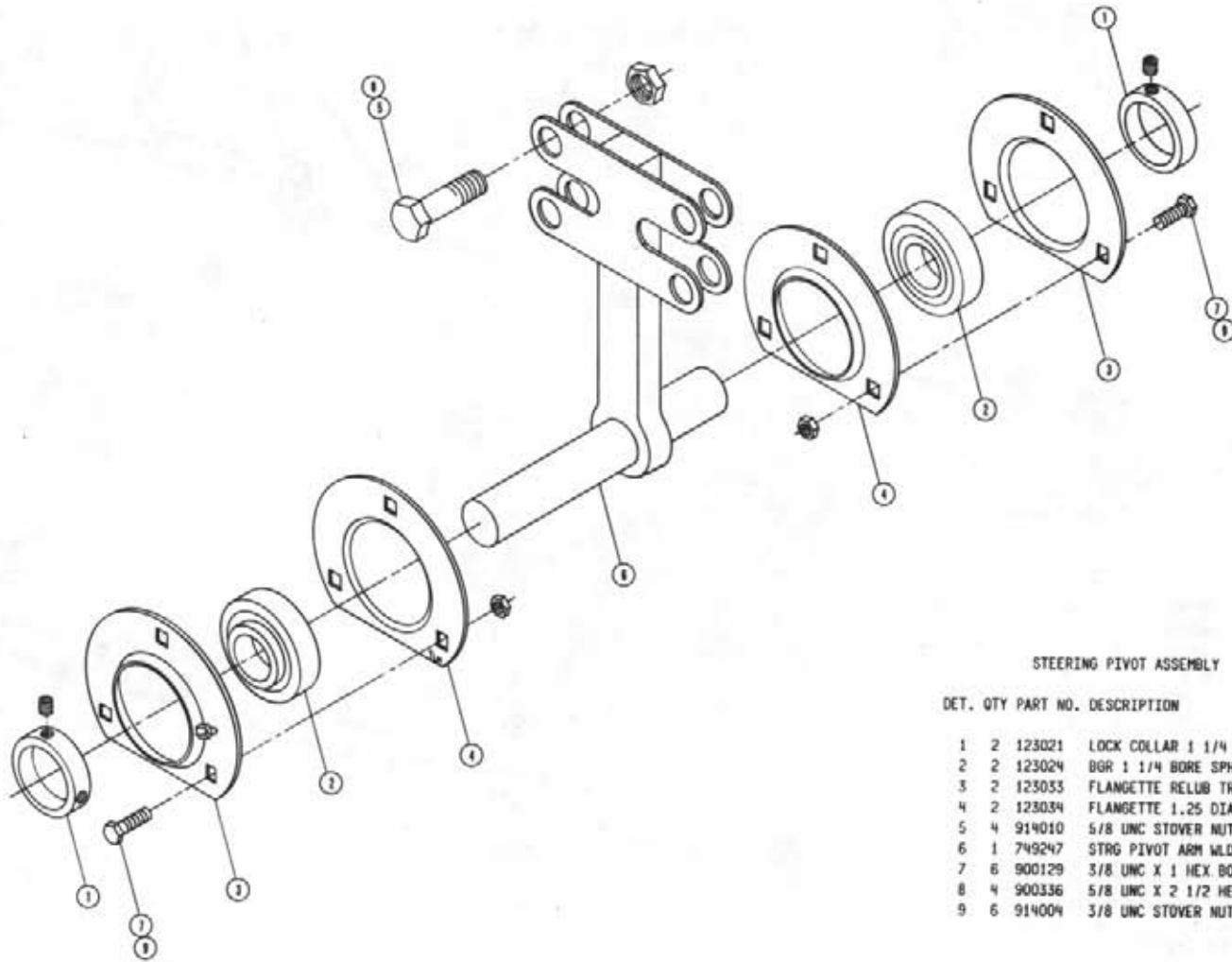
NOTE: 1. CYLINDER ASSEMBLY - 620080
2. SEAL KIT - 620998



TIE ROD ASSEMBLY

Det. QTY.	P/N	Description
1	470032	1/8 x 1 1/2 Cotter Pin
2	471021	1/8 NPT Grease Zerk
3	749156	Female Socket Assembly
4	749208	Tie Rod Clamp
5	749238	Tie Rod
6	749239	Tie Rod Tube Weldment
7	822040	5/8 UNF Slotted Hex Nut
8	900170	3/8 UNC x 2 1/4 Hex Bolt
9	914004	3/8 UNC Stover Nut
10	470038	1/8 x 1 3/4 Cotter Pin
11	740426	Tie Rod Locking Nut
12	749164	Tie Rod Assembly
13	749242	Tie Rod End Weldment

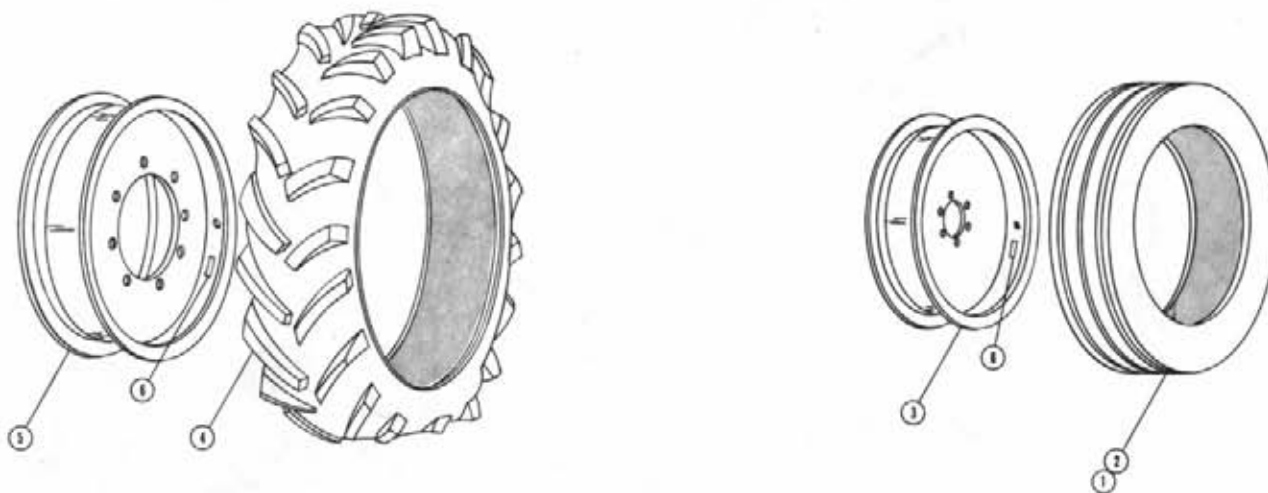




STEERING PIVOT ASSEMBLY

DET. QTY PART NO. DESCRIPTION

1	2	123021	LOCK COLLAR 1 1/4 DIA
2	2	123024	BGR 1 1/4 BORE SPHERICAL RELUB
3	2	123033	FLANGETTE RELUB TRIMMED
4	2	123034	FLANGETTE 1.25 DIA TRIMMED
5	4	914010	5/8 UNC STOVER NUT
6	1	749247	STRG PIVOT ARM WLD 8540 87
7	6	900129	3/8 UNC X 1 HEX BOLT
8	4	900336	5/8 UNC X 2 1/2 HEX BOLT
9	6	914004	3/8 UNC STOVER NUT



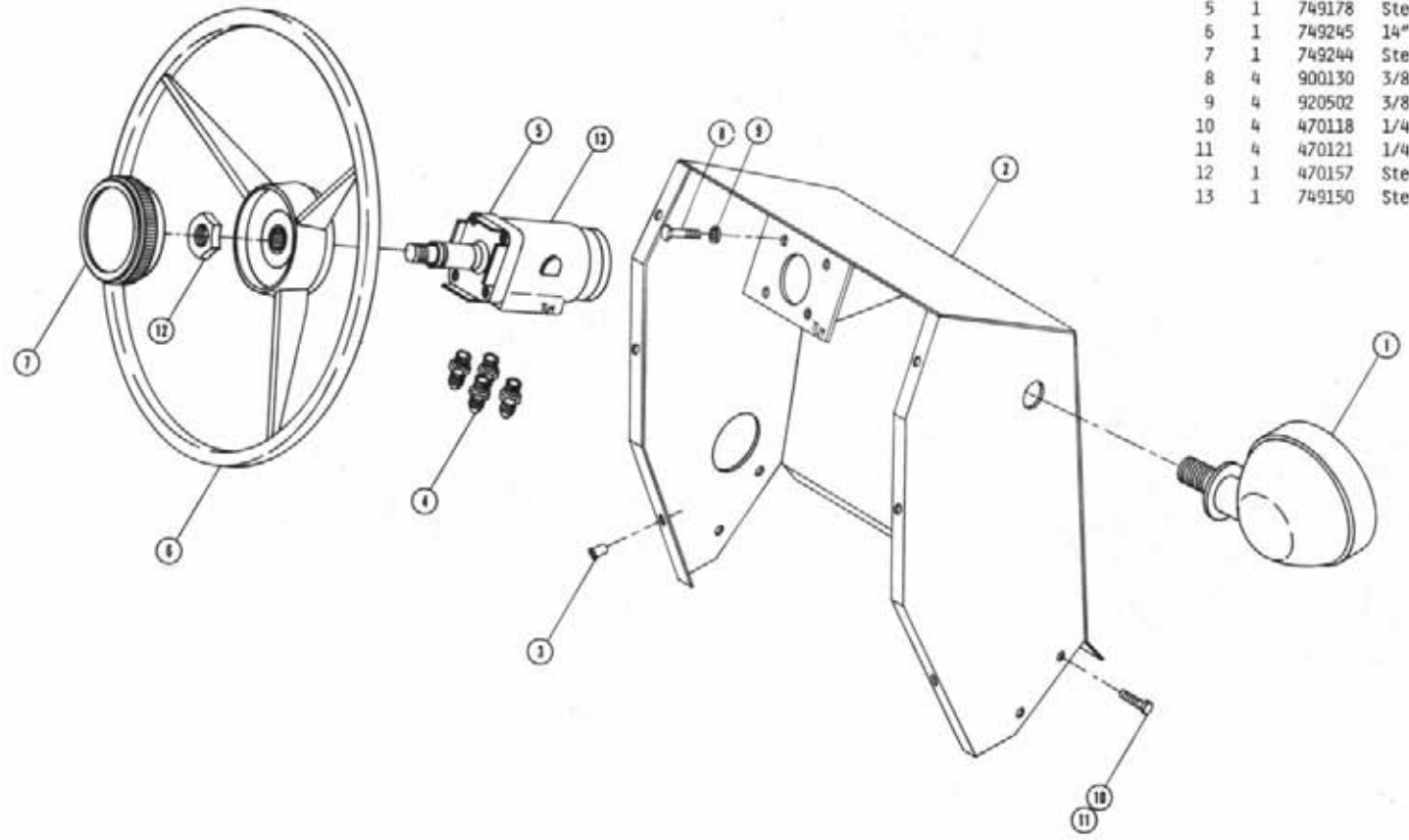
TIRE AND RIM ASSEMBLY

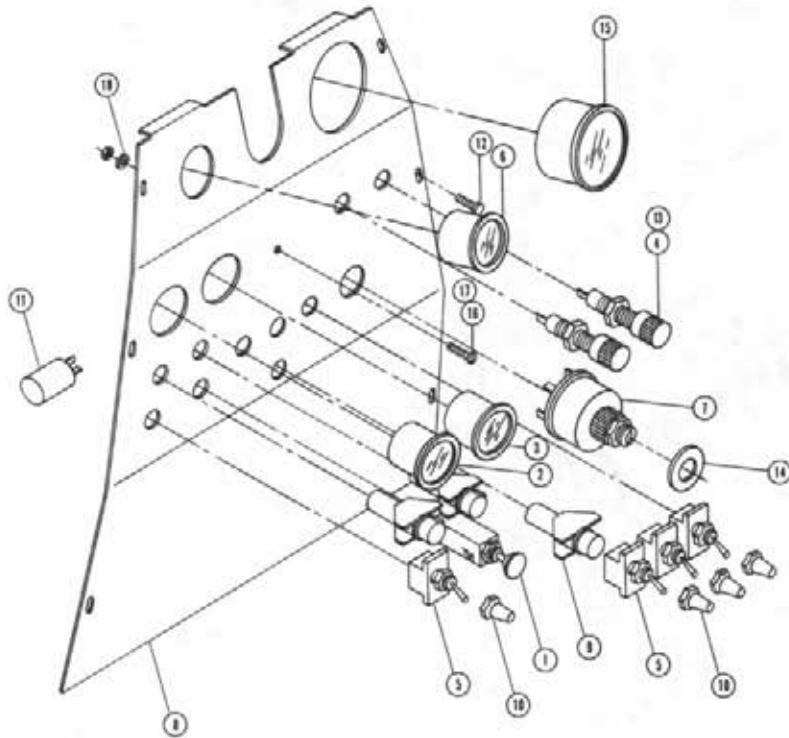
DET. QTY PART NO. DESCRIPTION

1	1	820550	7.50X20 INNER TUBE FOR 820508
2	1	820508	750X20 4P TIRE RIM IMP
3	1	825141	WHL 20 IN AS PURCH
4	1	820201	11.2 X 24 TIRE 4P TRA
5	1	820600	REAR RIM WLD 24 INCH
6	2	650985	WHL BOLT TORQ DECAL 203854C

STEERING WHEEL ASSEMBLY

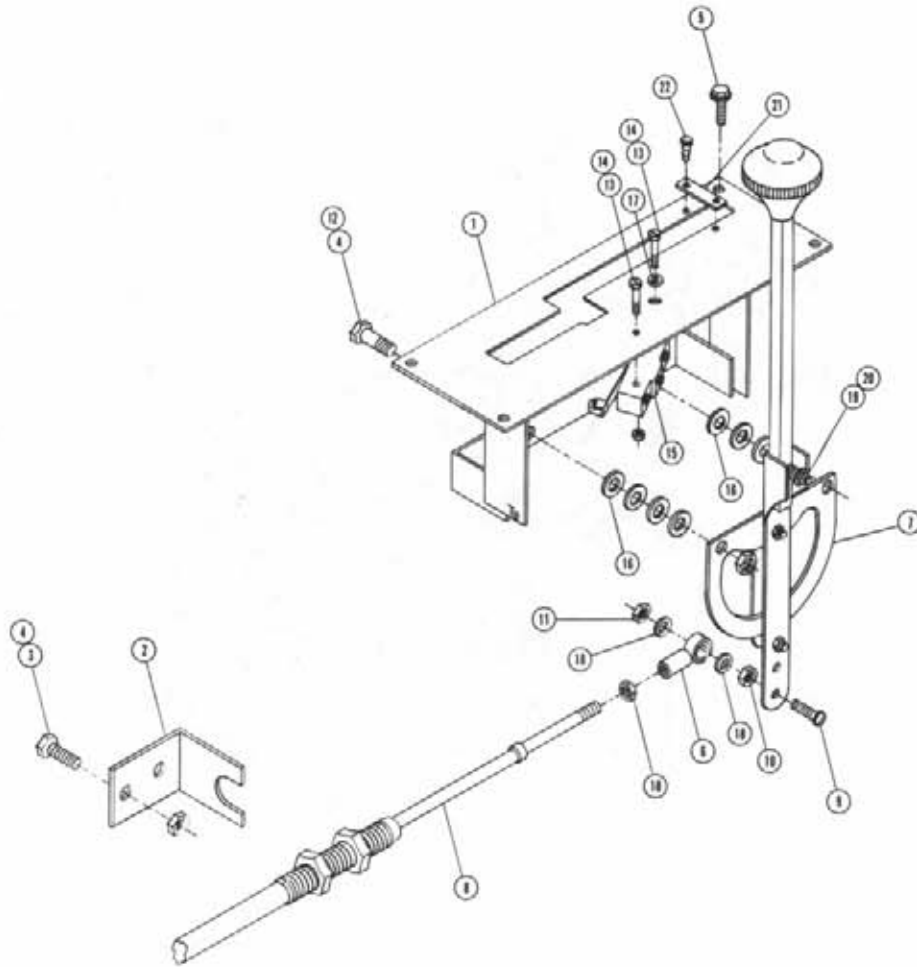
Det.	Qty.	P/N	Description
1	2	291089	Adjustable Light
2	1	341487	Steering Motor Mount Weldment
3	6	470086	1/4 UNC Nutsert
4	4	618109	3/4 MOR x 9/16 MJIC
5	1	749178	Steering Column
6	1	749245	14" Dia Steering Wheel
7	1	749244	Steering Wheel Cap
8	4	900130	3/8 UNC x 1 1/4 Hex Bolt
9	4	920502	3/8 Lock Washer
10	4	470118	1/4 UNC x 3/4 Flanged Hex Bolt
11	4	470121	1/4 UNC Flanged Whiz Nut
12	1	470157	Steering Wheel Nut
13	1	749150	Steering Motor Non-Load Reacting





INSTRUMENT PANEL ASSEMBLY

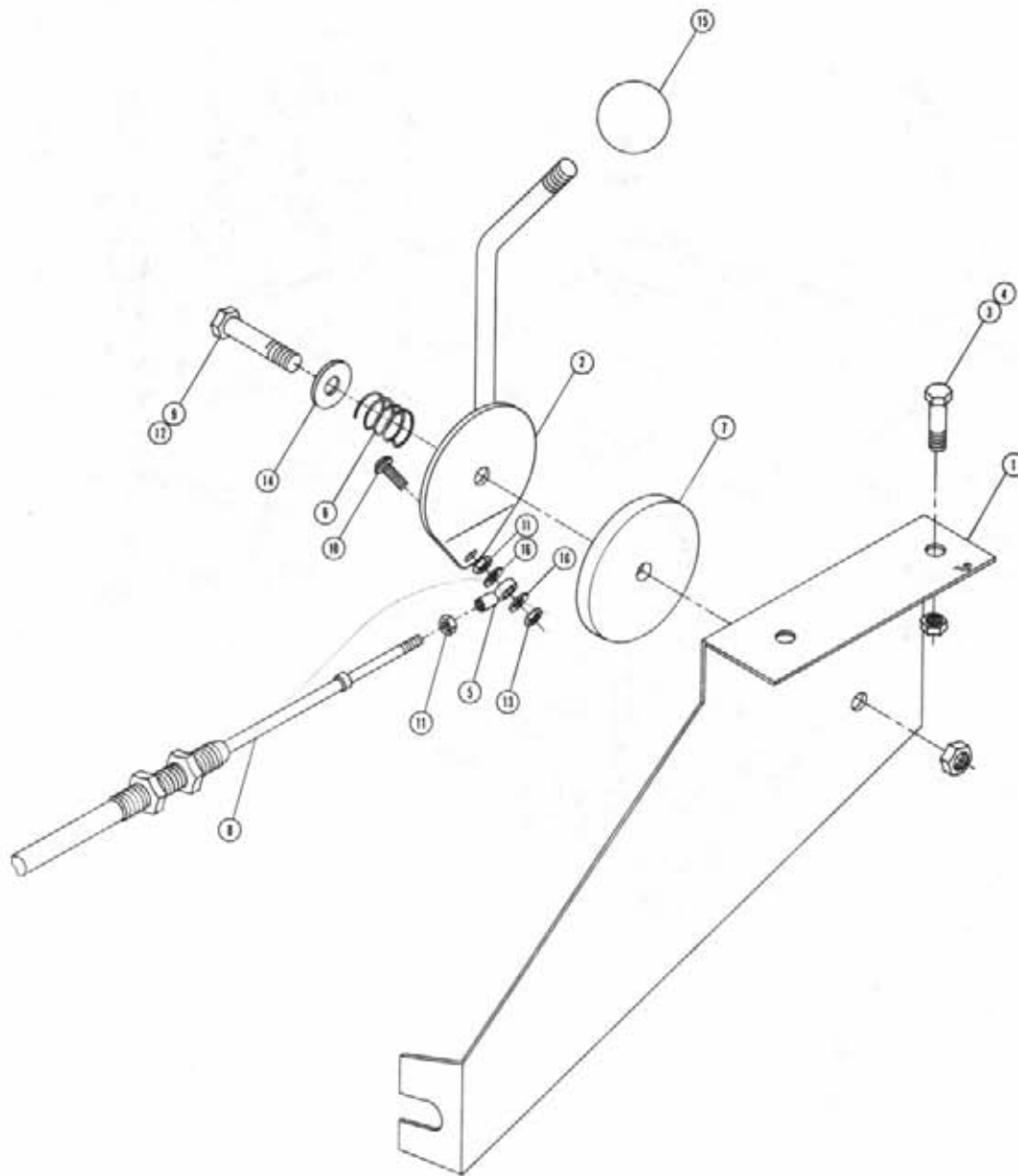
Det.	Qty.	P/N	Description
1	1	290046	Light Switch
2	1	290401	Fuel Gauge
3	1	291203	Hour Meter
4	2	298011	Fuse Holder
5	4	298012	Toggle Switch
6	1	314436	Temperature Gauge
7	1	321020	Ignition Switch
8	1	341486	Instrument Panel
9	3	390318	Indicator Light
10	4	470001	Rubber Boot
11	1	473917	SAE 536 Flasher
12	6	470122	1/4-20 x 1/2 Flanged Hex Bolt
13	2	298004	20 Amp Fuse
14	1	483031	7/8 I.D. x 1 3/8 O.D. Washer
15	1	674000	Speedometer
16	1	903883	No. 10-32 x 1/2 Round Head Machine Screw
17	1	910027	No. 10 UNF Hex Nut
18	1	920510	No. 10 Lock Washer



HYDROSTATIC LEVER ASSEMBLY

DET. QTY PART NO. DESCRIPTION

1	1	341501	HYDST CONT LEVER MT WLD 8540
2	1	341502	HYDST CABLE MT OP STN 8540
3	2	470118	1/4 UNC X 3/4 FLANGED H BOLT
4	4	470121	1/4-20 FLANGED WHIZ NUT
5	4	470122	1/4 - 20 X 1/2 FLANGED H BOLT
6	1	473921	BALL JOINT NO 10-32 THD
7	1	606864	HYDST CONTROL LEVER MODIFIED
8	1	785058	CONTROL 4IN STROKE X 85
9	1	903893	10-32 X 1 SLT RD HD MACH SCR
10	2	910027	HEX NUT NO 10 UNF
11	1	914027	NO 10-32 STOVER NUT
12	2	900003	1/4 UNC X 1 HEX BOLT
13	2	910022	6-32 HEX NUT PLATED
14	2	473993	SCREW HH MACH, 6-32 X 1 1/8
15	1	293006	MICRO SWITCH #B2-2RL25551-A2
16	8	920000	1/4 FLAT WASH SAE
17	1	920011	WASHER, #6 SAE FLAT PLATED
18	2	920510	LOCK WASH NO 10
19	1	900005	1/4 UNC X 1 1/2 HEX BOLT
20	1	914000	1/4 UNC STOVER NUT
21	1	341598	HYDST LEVER STOP 8540
22	2	473994	SCREW, HH SHT MTL 6/32X 3/8AB



THROTTLE LEVER ASSEMBLY

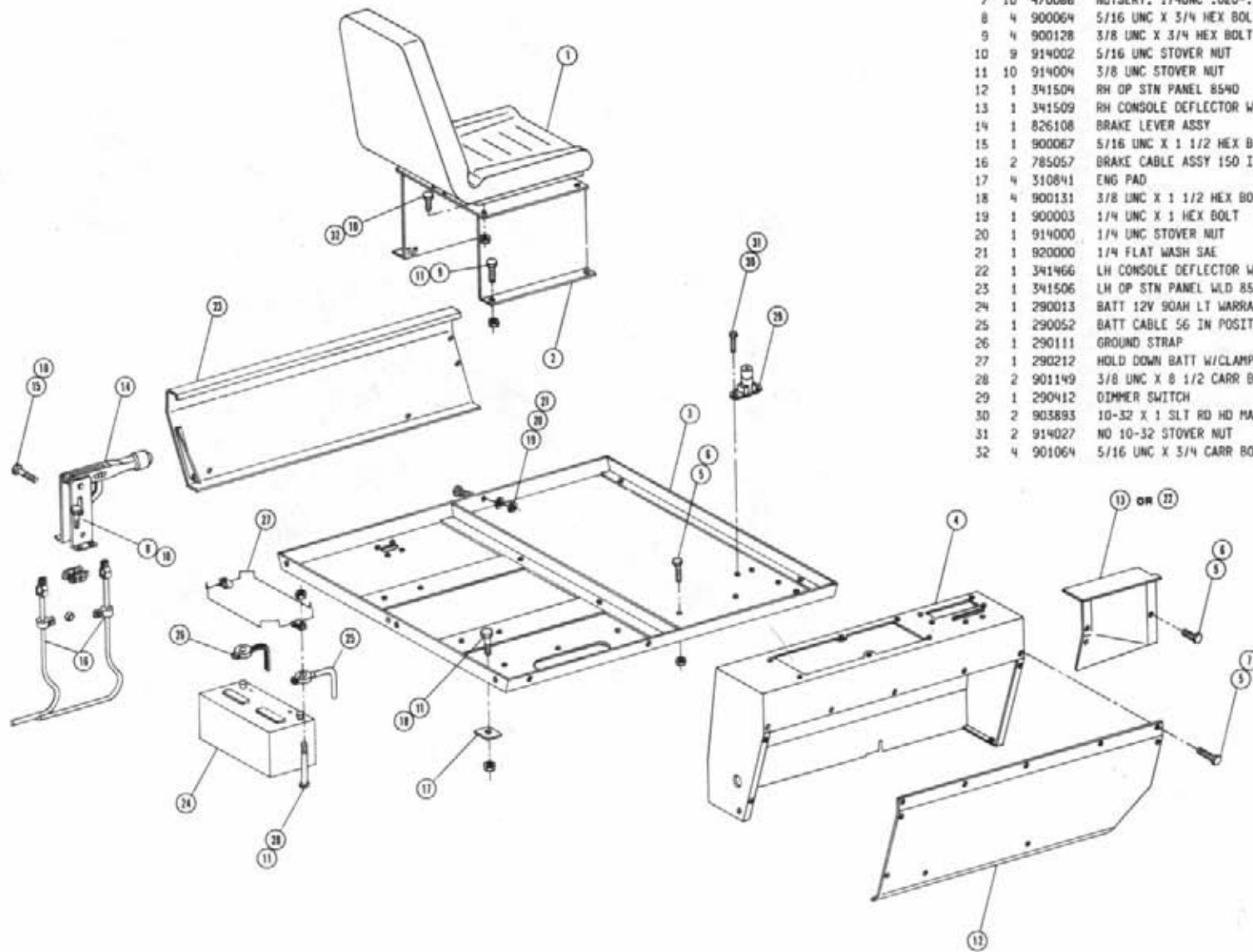
DET. QTY PART NO. DESCRIPTION

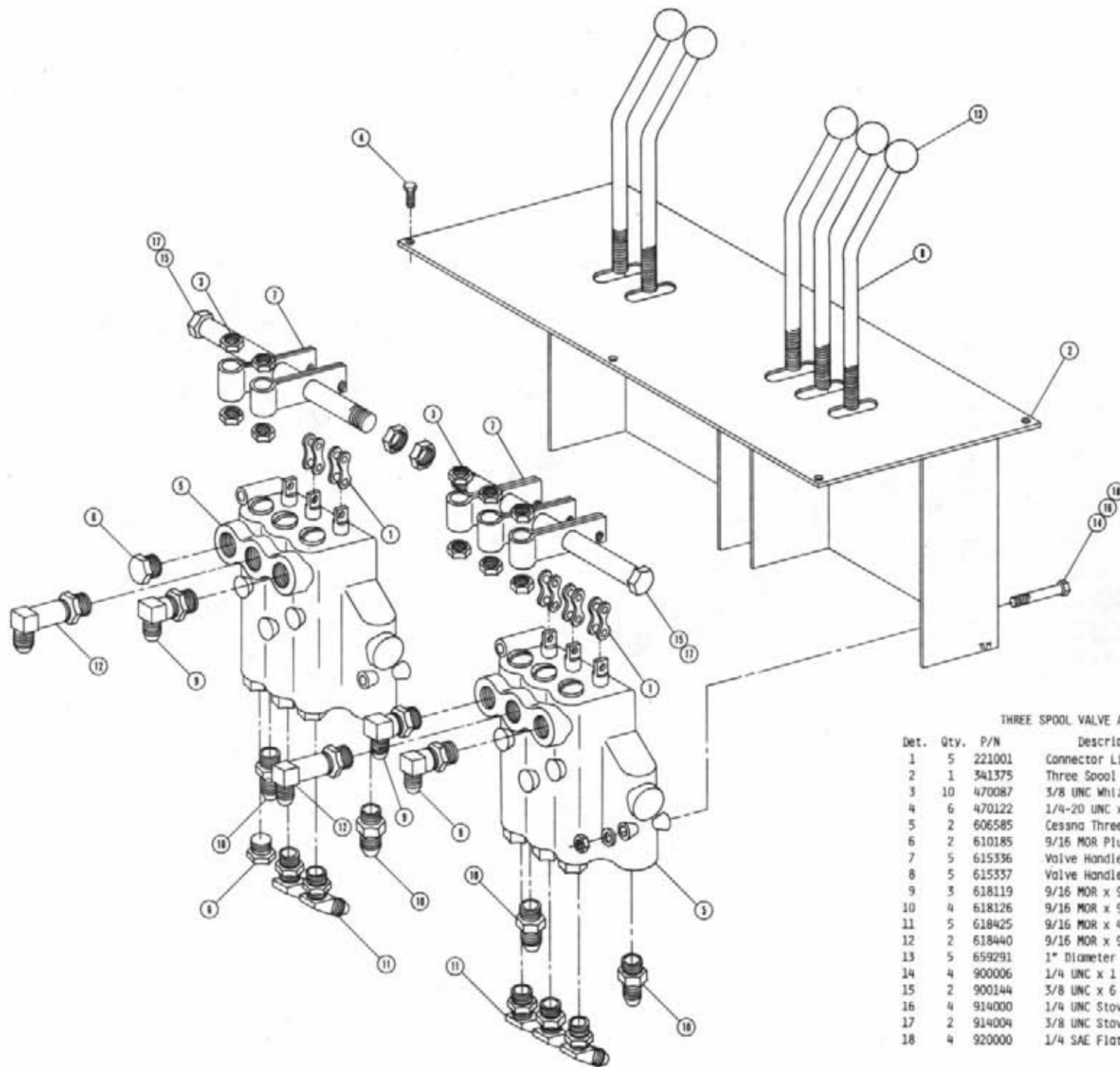
1	1	341503	THROTTLE LEVER MT 8540
2	1	341518	THROT LEVER WLD 8540
3	2	470118	1/4 UNC X 3/4 FLANGED H BOLT
4	2	470121	1/4-20 FLANGED WHIZ NUT
5	1	473921	BALL JOINT NO 10-32 THD
6	1	499001	SPRING HYDRO CONTROL
7	1	785046	FRICTION DISC 3-333 X .38
8	1	785056	CONTROL CABLE 4IN STROKE X 58
9	1	900170	3/8 UNC X 2 1/4 HEX BOLT
10	1	903893	10-32 X 1 SLT RD HD MACH SCR
11	2	910027	HEX NUT NO 10 UNF
12	1	914004	3/8 UNC STOVER NUT
13	1	914027	NO 10-32 STOVER NUT
14	1	920002	WASH FLAT 3/8 SAE
15	1	659292	1 7/8 DIA BALL KNOB 3/8-16
16	2	920510	LOCK WASH NO 10

OPERATOR STATION ASSEMBLY

DET. QTY PART NO. DESCRIPTION

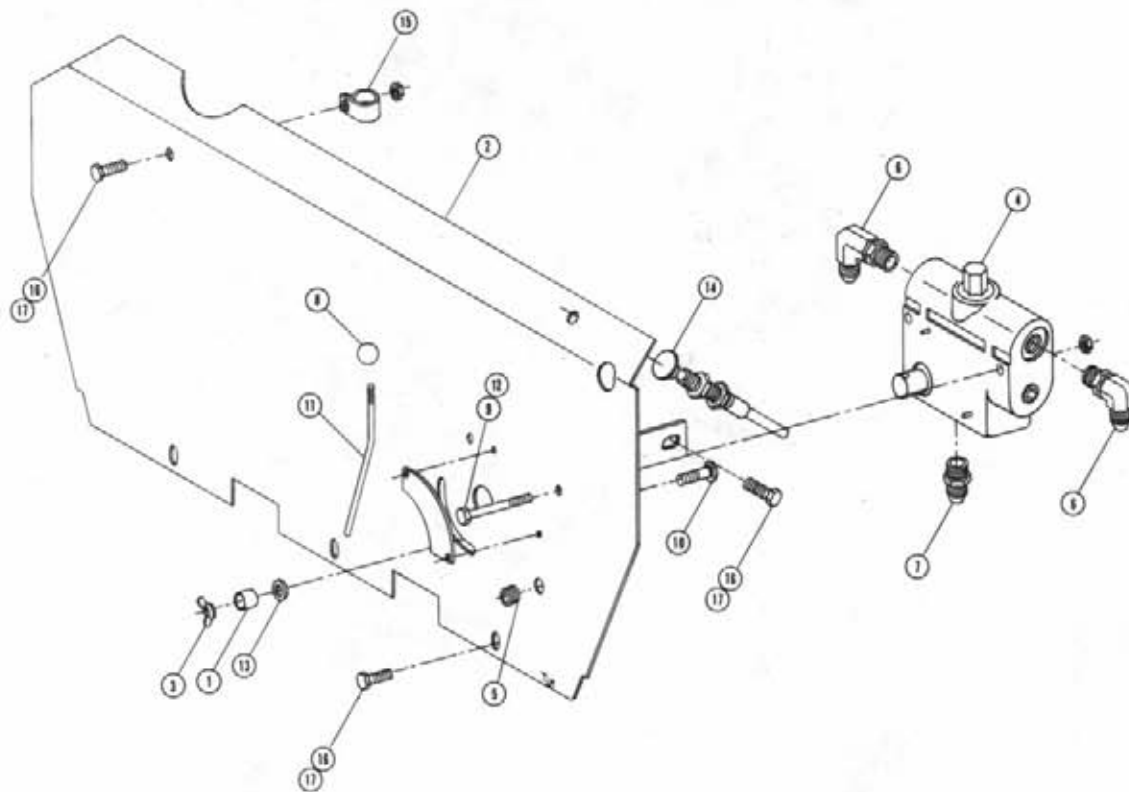
1	1	330002	SEAT
2	1	341336	SEAT MT WLD
3	1	341458	OP STN WLD 8540
4	1	341497	CONSOLE WLD 8540
5	25	470118	1/4 UNC X 3/4 FLANGED H BOLT
6	15	470121	1/4-20 FLANGED WHIZ NUT
7	10	470086	NUTSERT. 1/4UNC .020-.100GR
8	4	900064	5/16 UNC X 3/4 HEX BOLT
9	4	900128	3/8 UNC X 3/4 HEX BOLT
10	9	914002	5/16 UNC STOVER NUT
11	10	914004	3/8 UNC STOVER NUT
12	1	341504	RH OP STN PANEL 8540
13	1	341509	RH CONSOLE DEFLECTOR WLD 8540
14	1	826108	BRAKE LEVER ASSY
15	1	900067	5/16 UNC X 1 1/2 HEX BOLT
16	2	785057	BRAKE CABLE ASSY 150 IN
17	4	310841	ENG PAD
18	4	900131	3/8 UNC X 1 1/2 HEX BOLT
19	1	900003	1/4 UNC X 1 HEX BOLT
20	1	914000	1/4 UNC STOVER NUT
21	1	920000	1/4 FLAT WASH SAE
22	1	341466	LH CONSOLE DEFLECTOR WLD 8540
23	1	341506	LH OP STN PANEL WLD 8540
24	1	290013	BATT 12V 90AH LT WARRANTY
25	1	290052	BATT CABLE 56 IN POSITIVE
26	1	290111	GROUND STRAP
27	1	290212	HOLD DOWN BATT W/CLAMPS
28	2	901149	3/8 UNC X 8 1/2 CARR BOLT
29	1	290412	DIMMER SWITCH
30	2	903893	10-32 X 1 SLT RD HD MACH SCR
31	2	914027	NO 10-32 STOVER NUT
32	4	901064	5/16 UNC X 3/4 CARR BOLT





THREE SPOOL VALVE ASSEMBLY

Det.	Qty.	P/N	Description
1	5	221001	Connector Link Clip
2	1	341375	Three Spool Valve Mount Weldment
3	10	470087	3/8 UNC Whit Nut
4	6	470122	1/4-20 UNC x 1/2 Flanged Hex Bolt
5	2	606585	Cessna Three Spool Valve
6	2	610185	9/16 MOR Plug
7	5	615336	Valve Handle Link
8	5	615337	Valve Handle
9	3	618119	9/16 MOR x 90° x 9/16 MJIC
10	4	618126	9/16 MOR x 9/16 MJIC
11	5	618425	9/16 MOR x 45° x 9/16 MJIC
12	2	618440	9/16 MOR x 90° x 9/16 MJIC
13	5	659291	1" Diameter Ball Knob
14	4	900006	1/4 UNC x 1 3/4 Hex Bolt
15	2	900144	3/8 UNC x 6 1/2 Hex Bolt
16	4	914000	1/4 UNC Stover Nut
17	2	914004	3/8 UNC Stover Nut
18	4	920000	1/4 SAE Flat Washer



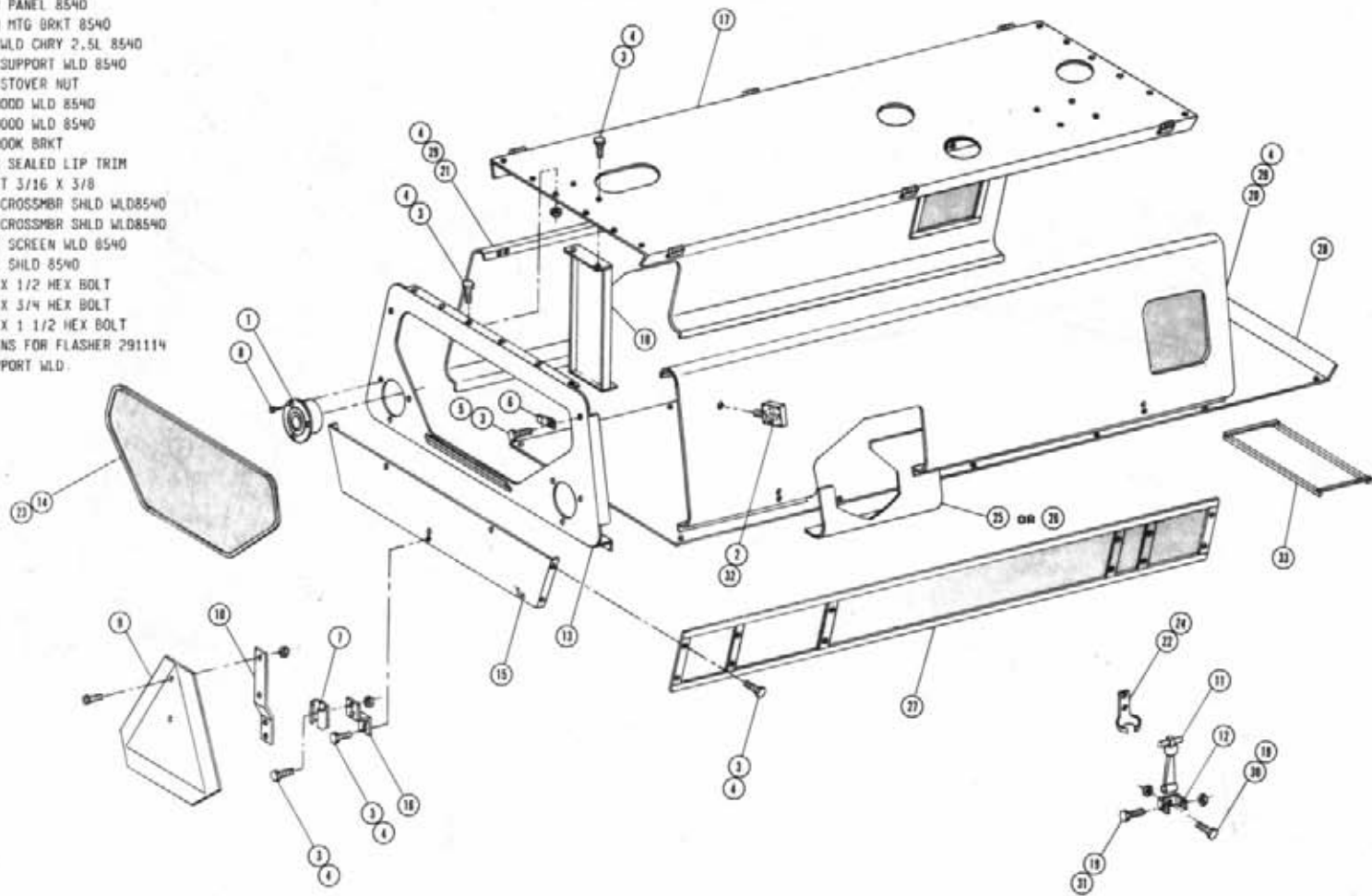
VARIABLE FLOW CONTROL ASSEMBLY

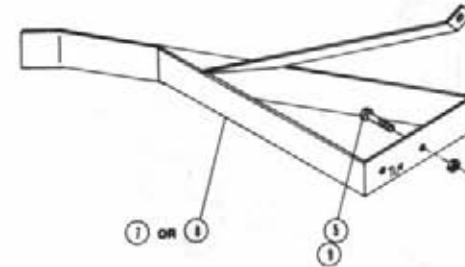
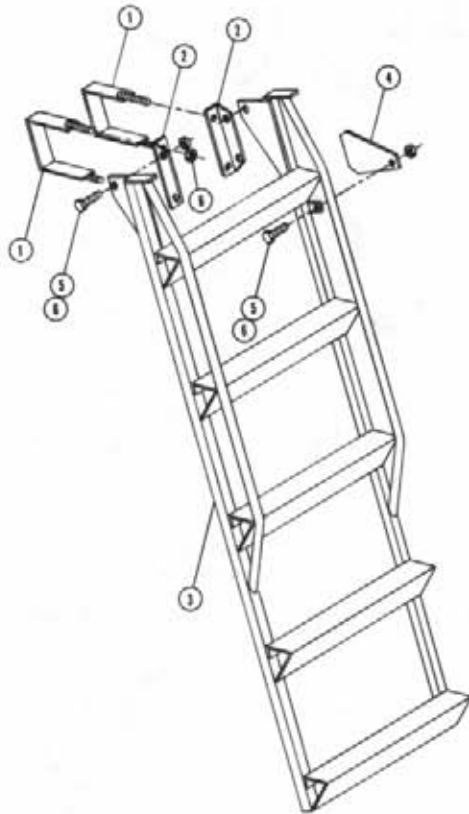
Det.	Qty.	P/N	Description
1	1	341465	.50 O.D. x .035 Wa. x .75 Bushing
2	1	341494	Kick Panel Weldment
3	1	473900	5/16 UNC Wing Nut
4	1	606818	FCRS1 0-16 Flow Control - 7/8 MDR Ports
5	1	470070	3/8 I.D. Grommet
6	2	618183	7/8 MDR x 90° x 3/4 MJIC
7	1	618327	7/8 MDR x 3/4 MJIC
8	1	659291	1 Dia. Ball Knob
9	1	900023	1/4 UNC x 2 1/4 Hex Bolt
10	1	901066	5/16 UNC x 1 1/4 Carriage Bolt
11	1	615491	Flow Control Lever Weldment
12	2	914000	1/4 UNC Stover Nut
13	1	920002	3/8 UNC Flat Washer
14	1	780101	144° Choke Control Cable
15	1	520121	1 Dia. Cushion Clamp
16	6	470118	1/4 UNC x 3/4 Flanged Hex Bolt
17	6	470121	1/4 UNC Flanged Nut

SHEET METAL ASSEMBLY

DET. QTY PART NO. DESCRIPTION

1	2	291036	BRAKE & TAIL TRAILER
2	2	291114	FLASHER & SIDE MARKER LIGHT
3	44	470118	1/4 UNC X 3/4 FLANGED H BOLT
4	50	470121	1/4-20 FLANGED WHIZ NUT
5	2	470086	NUTSERT, 1/4UNC .020-.100GR
6	2	470151	UPPER REAR PANEL SCREEN CLIP
7	1	472251	MTG SOCKET
8	6	472352	#10-24TND IN X 9/16 TEK TYP 5
9	1	472249	SLOW MOVING VEHICLE SIGN
10	1	472250	SPADE MTG BRKT
11	4	656998	RUBBER HOOK
12	4	656999	RUBBER HOOK ANCHOR BRKT
13	1	659679	UPPER REAR PANEL WLD 8540
14	1	659682	UPPER REAR PANEL SCREEN 8540
15	1	659683	LWR REAR PANEL 8540
16	1	659684	SMV SIGN MTG BRKT 8540
17	1	659779	MULLION WLD CHRY 2.5L 8540
18	1	659687	MULLION SUPPORT WLD 8540
19	8	914000	1/4 UNC STOVER NUT
20	1	659759	RH ENG HOOD WLD 8540
21	1	659763	LH ENG HOOD WLD 8540
22	4	656997	RUBBER HOOK BRKT
23	6	193016	FLEX BLK SEALED LIP TRIM
24	8	485053	POP RIVET 3/16 X 3/8
25	1	659698	RH REAR CROSSMBR SHLD WLD8540
26	1	659699	LH REAR CROSSMBR SHLD WLD8540
27	2	659703	LWR SIDE SCREEN WLD 8540
28	1	361290	LWR HOSE SHLD 8540
29	12	900000	1/4 UNC X 1/2 HEX BOLT
30	4	900002	1/4 UNC X 3/4 HEX BOLT
31	4	900005	1/4 UNC X 1 1/2 HEX BOLT
32	2	291186	AMBER LENS FOR FLASHER 291114
33	1	341578	HOSE SUPPORT WLD.





LADDER AND STALK GUIDE ASSEMBLY

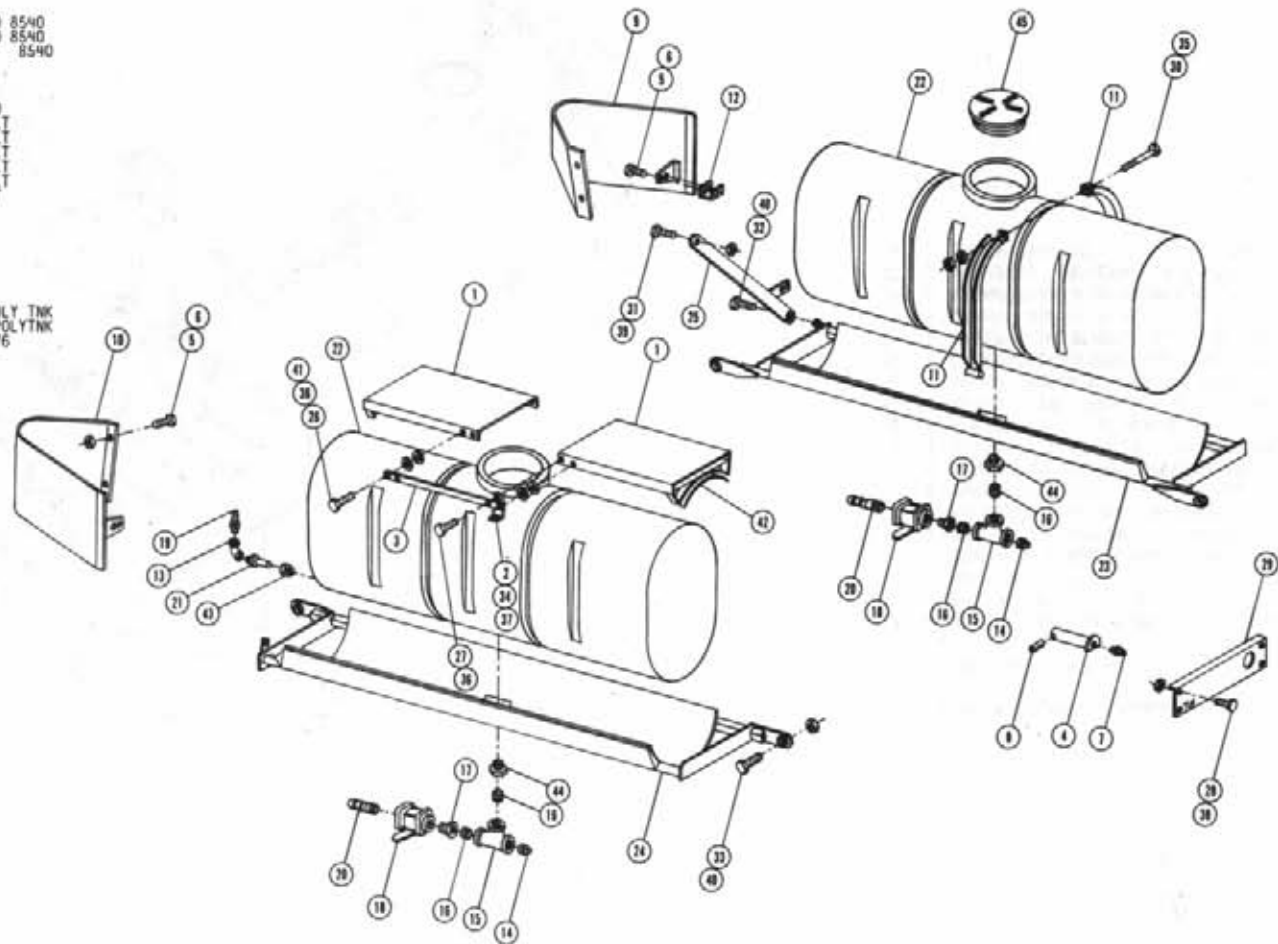
DET. QTY PART NO. DESCRIPTION

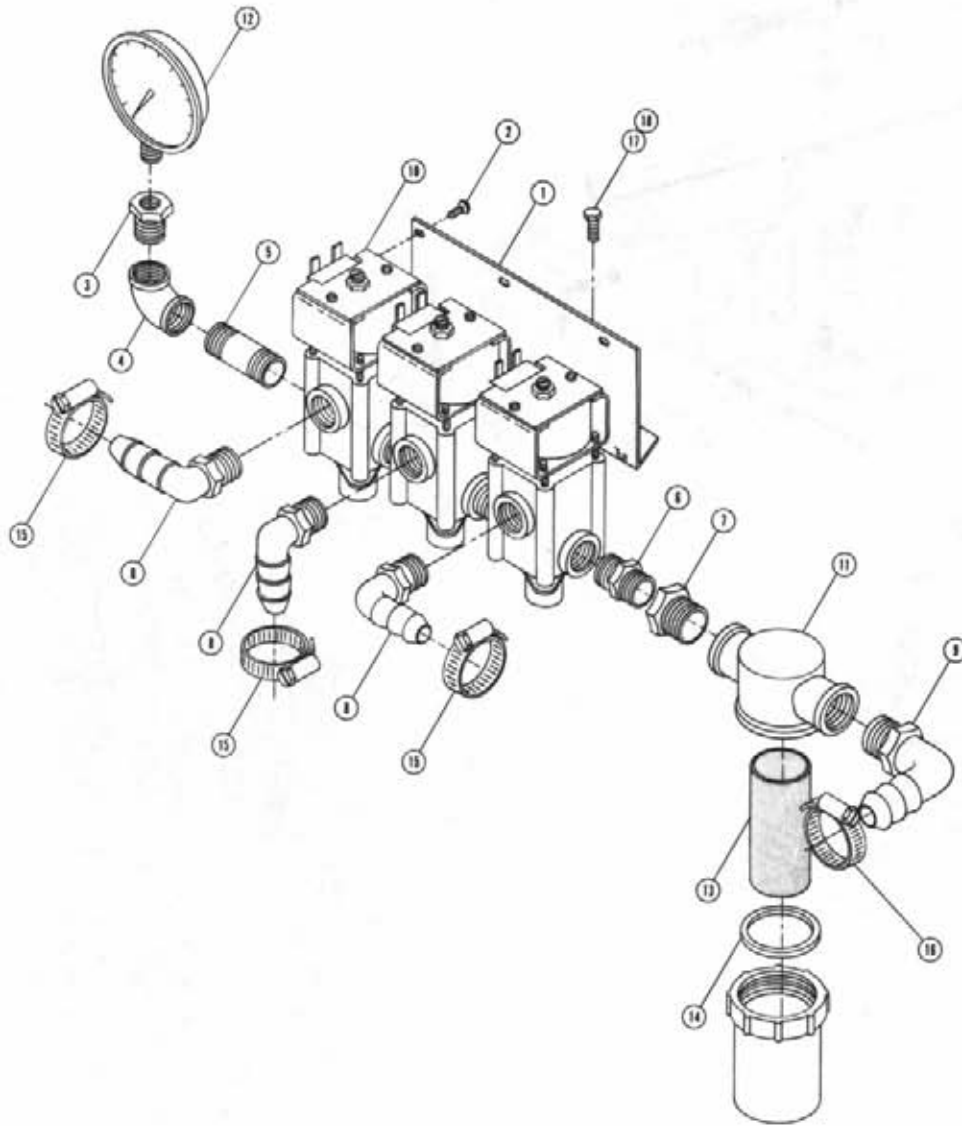
1	2	341469	LADDER MT STRAP WLD 8540
2	2	341470	LADDER MT WLD 8540
3	1	341544	LADDER WLD 8540
4	1	341552	LADDER PROP 8540
5	5	900129	3/8 UNC X 1 HEX BOLT
6	9	914004	3/8 UNC STOVER NUT
7	1	662164	LH STALK GUIDE WLD
8	1	662208	RH STALK GUIDE WLD

200 GAL POLY SOLUTION TANK ASSEMBLY

DET. QTY PART NO. DESCRIPTION

1	2	341339	CATWALK WLD POLY TANKS
2		341412	CATWALK MTG TAB POLY
3		341413	CATWALK BRACE POLY
4		341484	PIVOT PIN WLD 8540
5		470118	1/4 UNC X 3/4 FLANGED H BOLT
6		470121	1/4-20 FLANGED W/1/2 NUT
7		471005	1/4-28 X 1/2 GREASE ZERK
8		473805	ROLL PIN 1/4 X 1/2
9		659714	RH TANK SHLD WLD 8540
10		659717	LH TANK SHLD WLD 8540
11	8	763188	POLY TANK BAND WLD
12	1	659785	RH TANK SHLD EXTENSION BRKT
13		504501	BLK PIPE EL 90DEG 3/4NPT
14		506101	PIPE PLUG 1 1/4NPT SQ HD
15		506105	BLK PIPE TEE 1 1/4NPT
16		506200	CLOSE RIPPLE 1 1/4NPT
17		507015	RED BUSH 1 1/2 TO 1 1/4 MAL
18		506110	BALL VALVE 1 1/2NPT POLY
19		714350	1/2 HOSE BARB-3/4NPT POLY
20		716003	1 1/2 HOSE BARB-1 1/2NPT
21		760066	JET AGITATOR
22		763176	POLY TANK 200 GALLON
23		763221	RH POLY TANK CRADLE WLD 8540
24		763222	LH POLY TANK CRADLE WLD 8540
25		763231	CRADLE SUPPORT ARM WLD 8540
26		900002	1/4 UNC X 3/4 HEX BOLT
27		900003	1/4 UNC X 1 HEX BOLT
28		900129	3/8 UNC X 1 HEX BOLT
29		961271	CROSSMBR TIE ANGLE 8540
30		900143	5/8 UNC X 5 1/2 HEX BOLT
31		900265	1/2 UNC X 1 1/2 HEX BOLT
32		900352	5/8 UNC X 2 1/4 HEX BOLT
33		900336	5/8 UNC X 2 1/2 HEX BOLT
34		901064	5/16 UNC X 3/4 CARR BOLT
35		910004	NUT, HEX, 3/8UNC GRS PLT
36		914000	1/4 UNC STOVER NUT
37		914002	5/16 UNC STOVER NUT
38		914004	3/8 UNC STOVER NUT
39		914008	1/2 UNC STOVER NUT
40		914010	5/8 UNC STOVER NUT
41		920000	1/4 FLAT WASH SAE
42	10	193022	STICKERTITE 1/4 X 3/4
43		618549	.75 PLASTIC FTG ASSY POLY TNK
44		618548	1.25 PLASTIC FTG ASSY POLY TNK
45		763193	POLY TANK LID FOR 763176

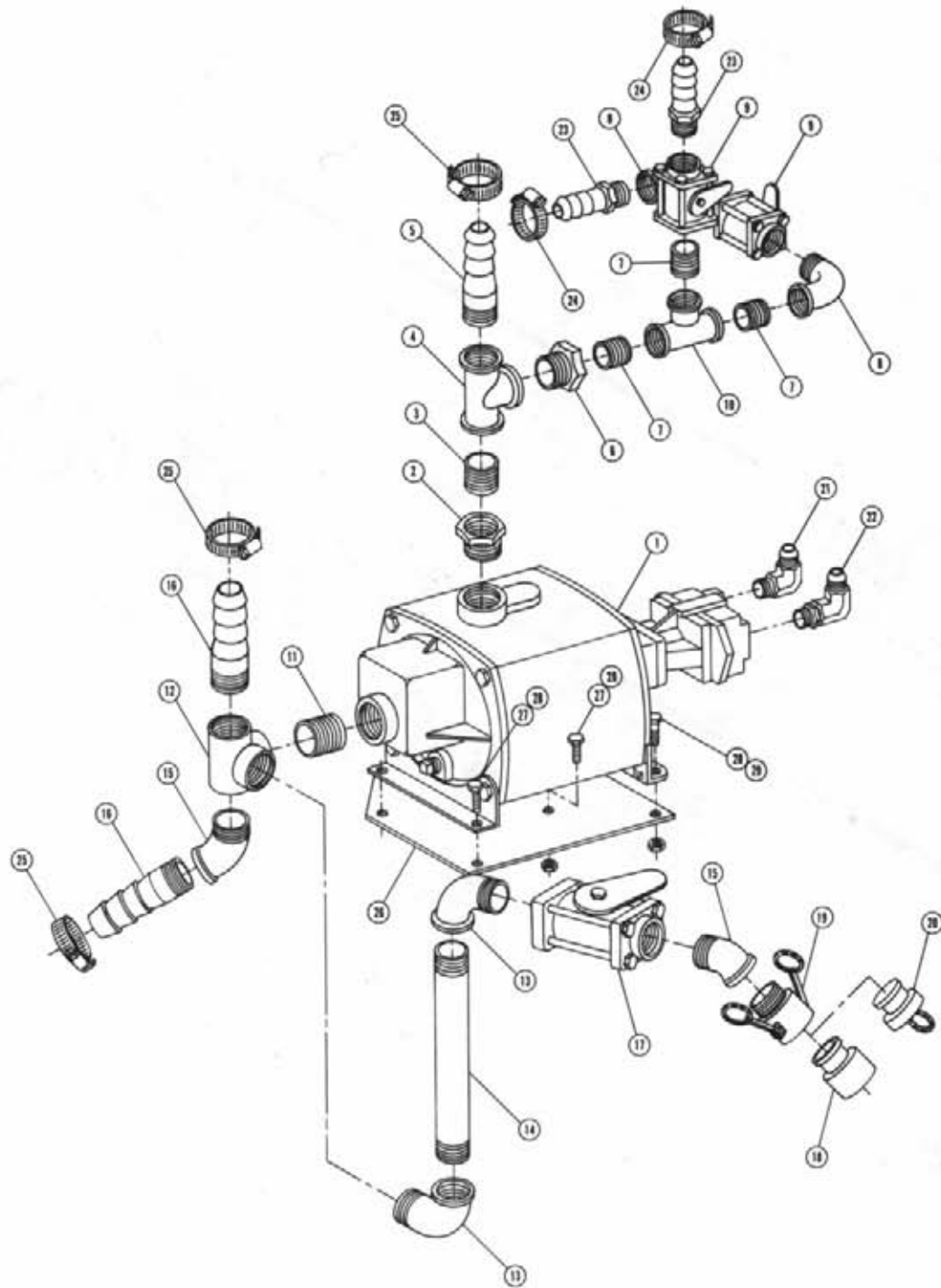




SOLUTION SOLENOID VALVE ASSEMBLY

DET. QTY PART NO. DESCRIPTION

1	1	160469	SOLU VLV HT BRKT	87
2	3	472199	10-24 X 1/2 RD HD MACH SCR	
3	1	504002	RED BUSH 3/4 TO 1/4 NYL	
4	1	504502	NYL PIPE EL 90DEG .75NPT	
5	1	504800	BLK PIPE NIPPLE 3/4NPT-1 3/4	
6	1	505219	3/4NPT HEX PIPE NIPPLE NYL	
7	1	506002	RED BUSH 1 1/4 TO 3/4 NYL	
8	3	618591	.50 NPT 90 X .75 HBARB NYL	
9	1	618592	1 1/4NPT 90 X 1 1/4 HBARB NYL	
10	1	690019	SOLU VALVE #144-3	
11	1	690060	LINE STRAINER, 1/4 HYPRO 40M	
12	1	690359	PRESSURE GA GLCERI 100 PSI	
13	1	690068	LINE STRAINER SCREEN 40MESH	
14	1	690067	LINE STRAINER GSKT 1.25 HYPRO	
15	3	520055	HOSE CLAMP NO 12 PLATED	
16	1	520067	HOSE CLAMP NO 28 PLATED	
17	2	470121	1/4-20 FLANGED WHIZ NUT	
18	2	470118	1/4 UNC X 3/4 FLANGED H BOLT	

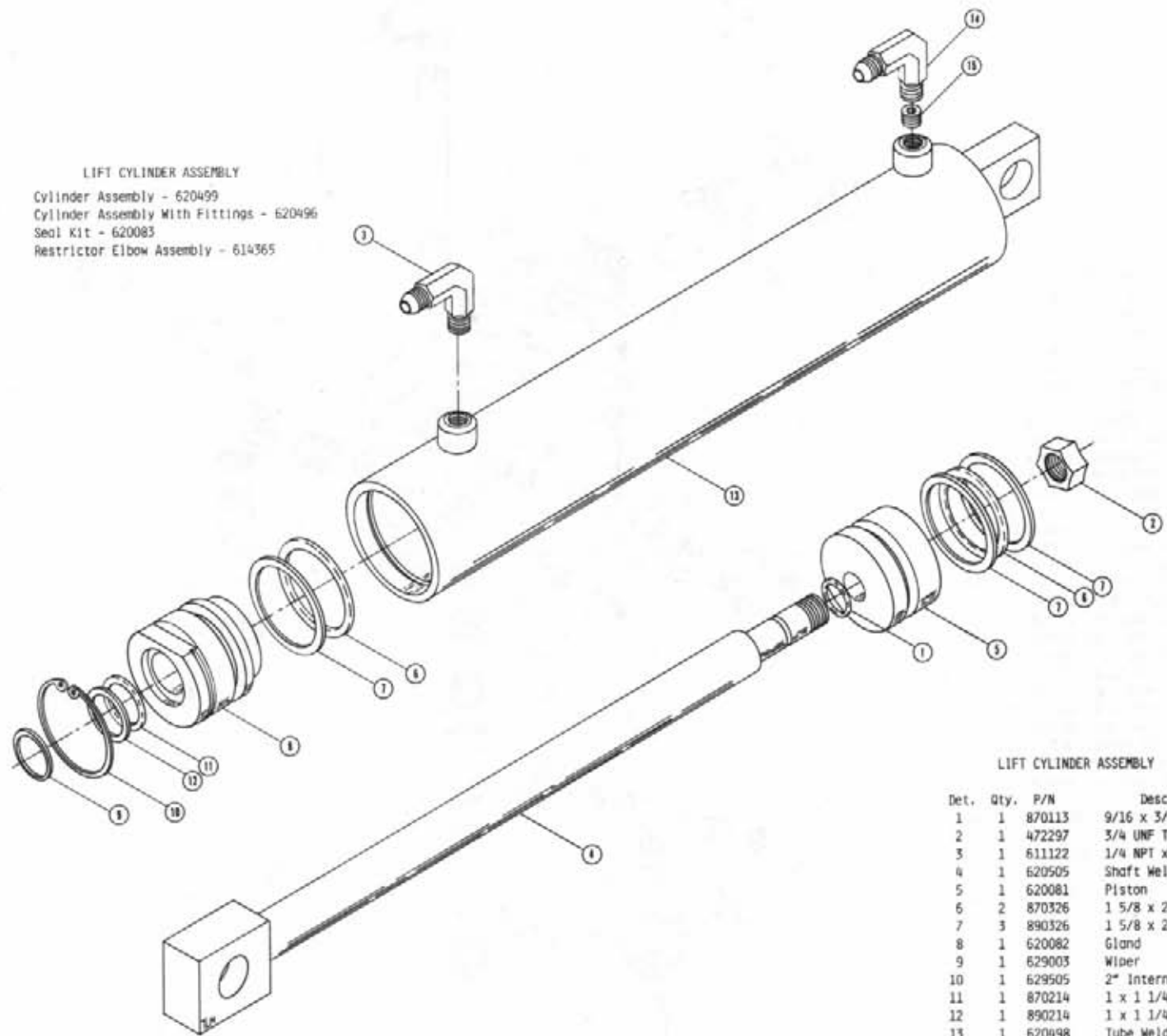


SOLUTION PUMP ASSEMBLY

DET. QTY PART NO. DESCRIPTION

1	1	690341	HYPRO CENTRIF PUMP 10GPM
2	1	507015	RED BUSH 1 1/2 TO 1 1/4 MAL
3	1	506200	CLOSE NIPPLE 1 1/4NPT
4	1	506105	BLK PIPE TEE 1 1/4NPT
5	1	715660	1 1/4 HOSE BARB-1 1/4MNPT
6	1	507027	RED BUSH 1 1/4 TO 1/2 BLK MAL
7	3	503600	CLOSE NIPPLE 1/2NPT
8	2	503400	BLK PIPE ST EL 90DEG 1/2NPT
9	2	696082	BALL VALVE 1/2FNPT POLY
10	1	503820	BLK PIPE TEE 1/2NPT
11	1	507019	CLOSE NIPPLE 1 1/2NPT
12	1	507255	BLK PIPE SIDE OUTLET TEE1 1/2
13	2	507018	BLK PIPE ST EL 90DEG 1 1/2NPT
14	1	506610	BLK PIPE NIPPLE 1.50NPT-10.00
15	2	507024	BLK PIPE ST EL 45DEG 1 1/2NPT
16	2	716003	1 1/2 HOSE BARB-1 1/2MNPT
17	1	696110	BALL VALVE 1 1/2FNPT POLY
18	1	690303	QUICK CONNECT CPLR 1 1/2MNPT
19	1	690302	QUICK CONNECT ADPTR 1 1/2FNPT
20	1	690304	QUICK CONNECT PLUG. 1 1/2
21	1	611145	3/4M3IC-90-1/2MNPT LBO
22	1	618241	3/4M3IC-90-3/4MOR LBO
23	2	714340	1/2 HOSE BARB-1/2MNPT
24	2	520080	HOSE CLAMP NO 10 PLATED
25	3	520067	HOSE CLAMP NO 28 PLATED
26	1	358514	SOLU PUMP ADPTR PLT B540 87
27	4	900129	3/8 UNC X 1 HEX BOLT
28	6	914004	3/8 UNC STOVER NUT
29	2	900130	3/8 UNC X 1 1/4 HEX BOLT

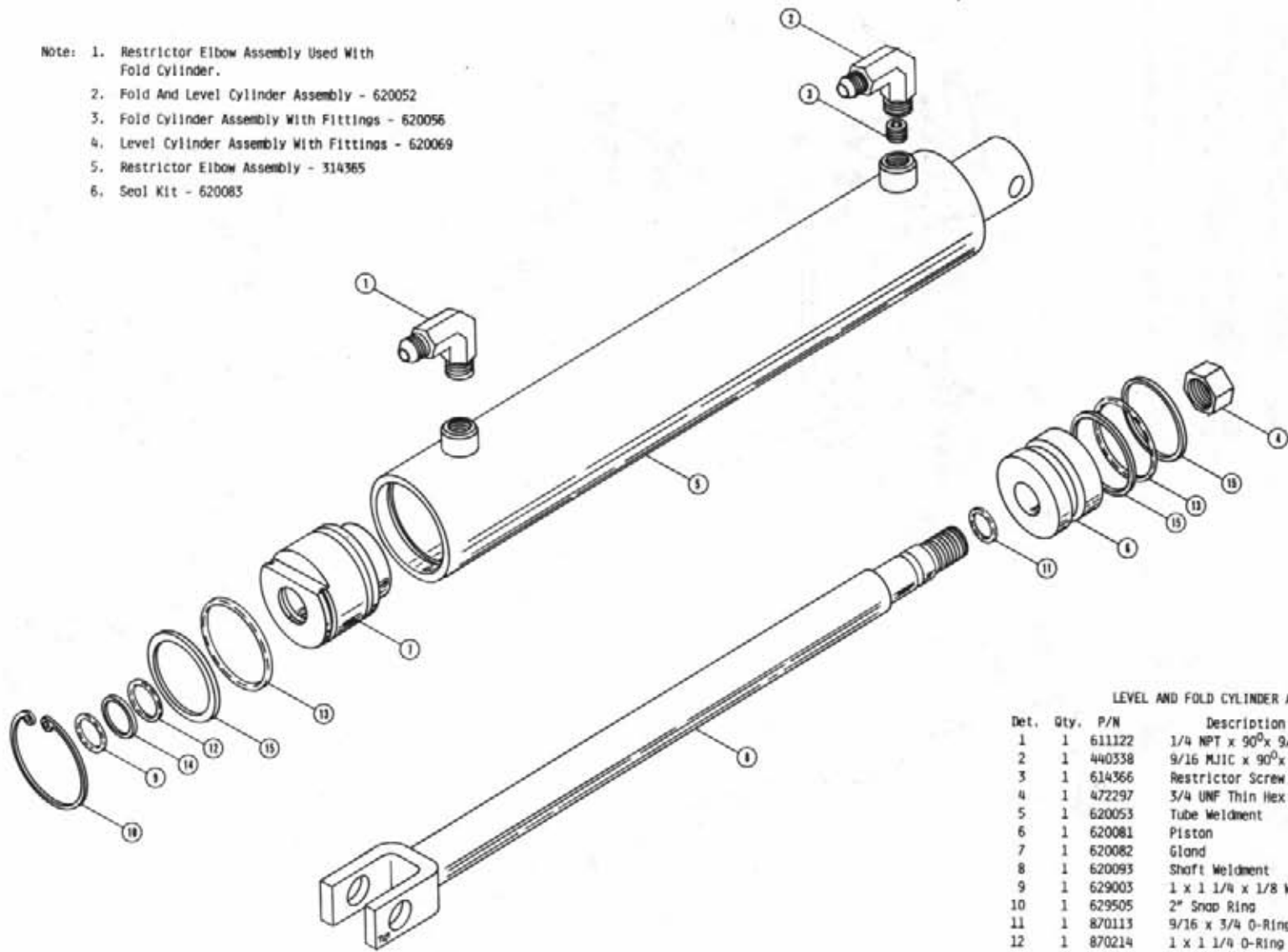
LIFT CYLINDER ASSEMBLY
 Cylinder Assembly - 620499
 Cylinder Assembly With Fittings - 620496
 Seal Kit - 620083
 Restrictor Elbow Assembly - 614365



LIFT CYLINDER ASSEMBLY

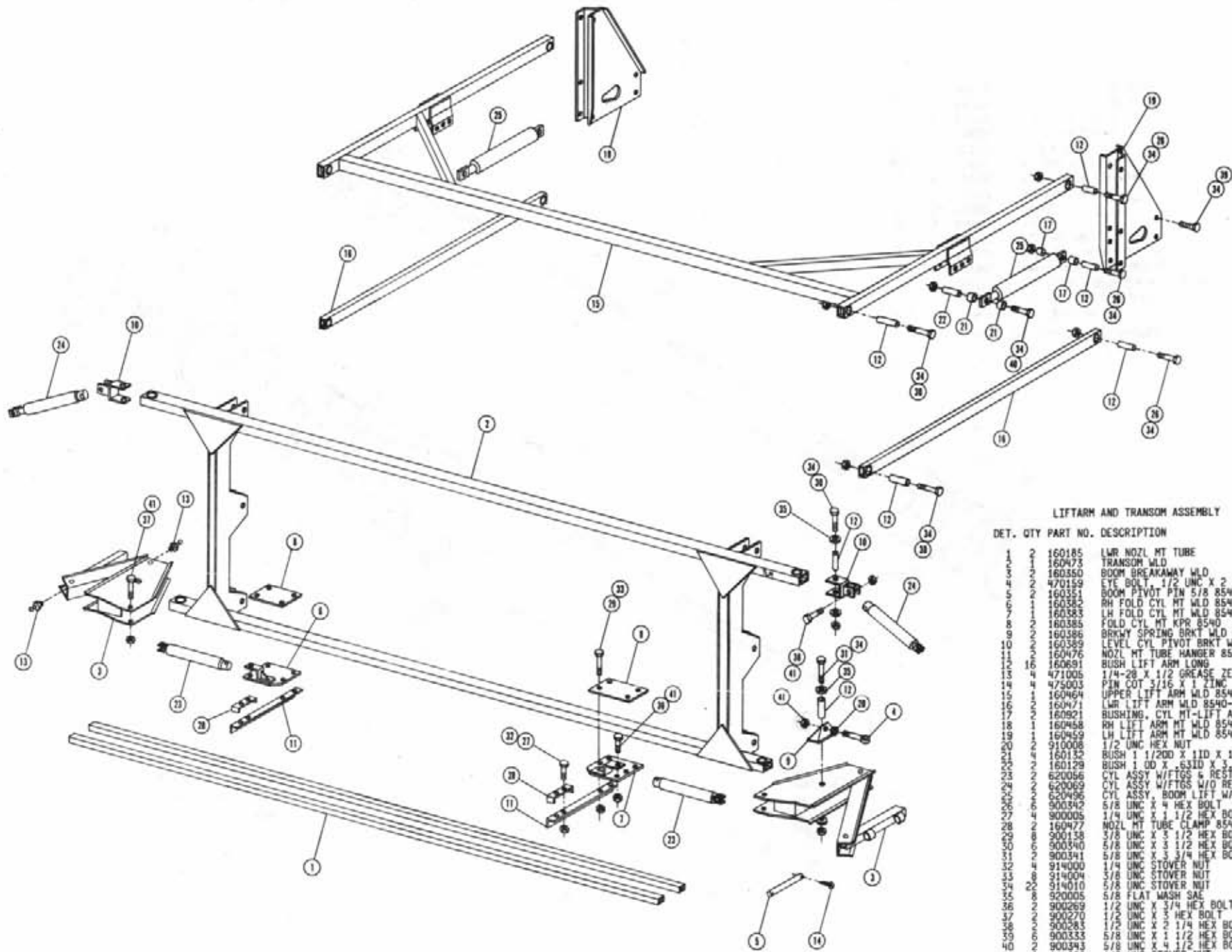
Det.	Qty.	P/N	Description
1	1	870113	9/16 x 3/4 O-Ring
2	1	472297	3/4 UNF Thin Hex Lock Nut
3	1	611122	1/4 NPT x 90° x 9/16 MJIC
4	1	620505	Shaft Weldment
5	1	620081	Piston
6	2	870326	1 5/8 x 2 O-Ring
7	3	890326	1 5/8 x 2 Back-Up Washer
8	1	620082	Gland
9	1	629003	Wiper
10	1	629505	2" Internal Snap Ring
11	1	870214	1 x 1 1/4 O-Ring
12	1	890214	1 x 1 1/4 Back-Up Washer
13	1	620498	Tube Weldment
14	1	440338	9/16 MJIC x 90° x 1/4 NPT - Tapped
15	1	614366	Restrictor Screw .042 Dia.

- Note: 1. Restrictor Elbow Assembly Used With Fold Cylinder.
 2. Fold And Level Cylinder Assembly - 620052
 3. Fold Cylinder Assembly With Fittings - 620056
 4. Level Cylinder Assembly With Fittings - 620069
 5. Restrictor Elbow Assembly - 314365
 6. Seal Kit - 620083



LEVEL AND FOLD CYLINDER ASSEMBLY

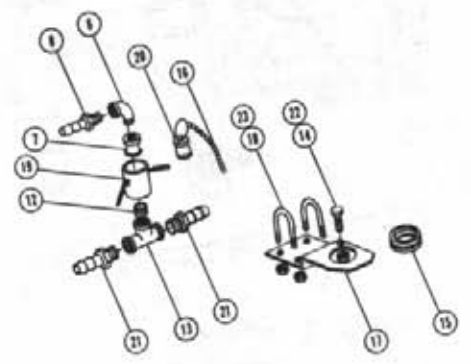
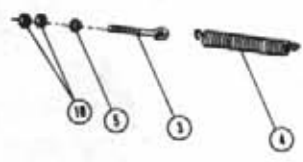
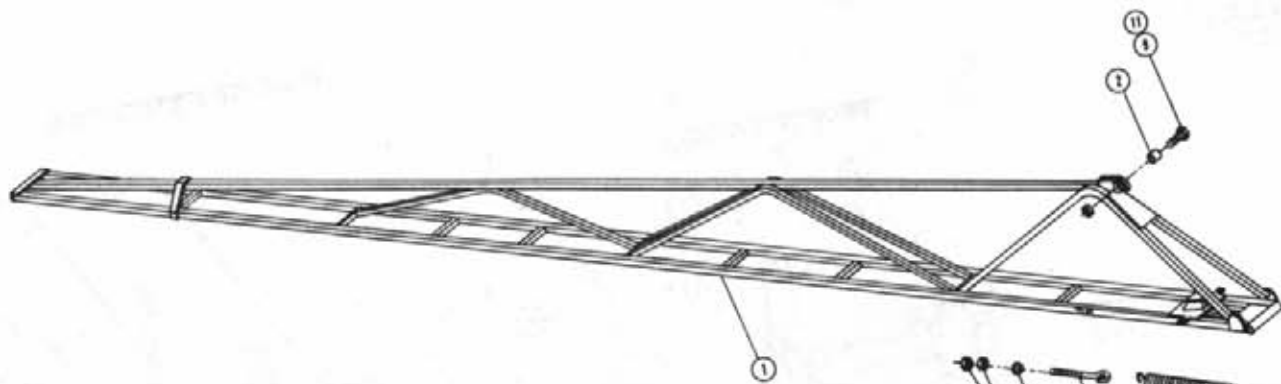
Det.	Qty.	P/N	Description
1	1	611122	1/4 NPT x 90° x 9/16 MJIC
2	1	440338	9/16 MJIC x 90° x 1/4 NPT Tapped
3	1	614366	Restrictor Screw .042 Dia.
4	1	472297	3/4 UNF Thin Hex Lock Nut
5	1	620053	Tube Weldment
6	1	620081	Piston
7	1	620082	Gland
8	1	620093	Shaft Weldment
9	1	629003	1 x 1 1/4 x 1/8 Wiper
10	1	629505	2" Snap Ring
11	1	870113	9/16 x 3/4 O-Ring
12	1	870214	1 x 1 1/4 O-Ring
13	2	870326	1 5/8 x 2 O-Ring
14	1	890214	1 x 1 1/4 Back Up Washer
15	3	890326	1 5/8 x 2 Back Up Washer



LIFTARM AND TRANSM ASSEMBLY

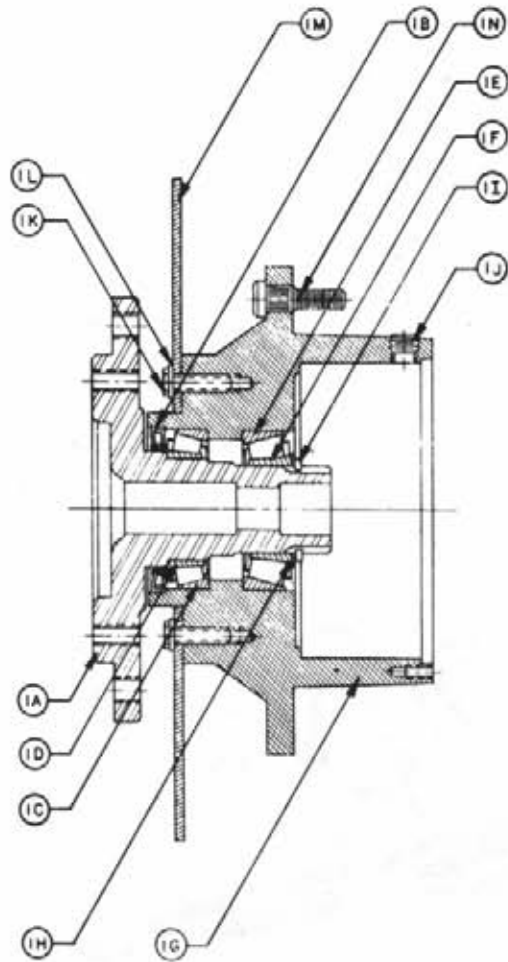
DET. QTY PART NO. DESCRIPTION

DET.	QTY	PART NO.	DESCRIPTION
1		160185	LWR NOZL MT TUBE
2		160473	TRANSM WLD
3		160350	BOOM BREAKAWAY WLD
4		470159	EYE BOLT 1/2 UNC X 2 1/2
5		160351	BOOM PIVOT PIN 5/8 8540
6		160382	RH FOLD CYL MT WLD 8540
7		160383	LH FOLD CYL MT WLD 8540
8		160385	FOLD CYL MT KPR 8540
9		160386	BRKMY SPRING BRKT WLD 8540
10		160389	LEVEL CYL PIVOT BRKT WLD 8540
11		160476	NOZL MT TUBE HANGER 8540 87
12		160691	BUSH LIFT ARM LONG
13		471005	1/4-28 X 1/2 GREASE ZERK
14		475003	PIN COT 3/16 X 1 ZINC
15		160464	UPPER LIFT ARM WLD 8540 87
16		160471	LWR LIFT ARM WLD 8540-8250 87
17		160921	BUSHING, CYL MT-LIFT ARM 5/8
18		160458	RH LIFT ARM MT WLD 8540 87
19		160459	LH LIFT ARM MT WLD 8540 87
20		910008	1/2 UNC HEX NUT
21		160132	BUSH 1 1/200 X 1 ID X 1 1/4
22		160129	BUSH 1 00 X 6310 X 3 38
23		620066	CYL ASSY W/FTGS & RESTR 2IN
24		620069	CYL ASSY W/FTGS W/O RESTR 2IN
25		620496	CYL ASSY, BOOM LIFT W/RESTRIC
26		900342	5/8 UNC X 4 HEX BOLT
27		900005	1/4 UNC X 1 1/2 HEX BOLT
28		160477	NOZL MT TUBE CLAMP 8540 87
29		900138	3/8 UNC X 3 1/2 HEX BOLT
30		900340	5/8 UNC X 3 1/2 HEX BOLT
31		900341	5/8 UNC X 3 3/4 HEX BOLT
32		914000	1/4 UNC STOVER NUT
33		914004	5/8 UNC STOVER NUT
34		914010	5/8 UNC STOVER NUT
35		920005	5/8 FLAT WASH SAE
36		900269	1/2 UNC X 3/4 HEX BOLT
37		900270	1/2 UNC X 5 HEX BOLT
38		900283	1/2 UNC X 2 1/4 HEX BOLT
39		900333	5/8 UNC X 1 1/2 HEX BOLT
40		900343	5/8 UNC X 4 1/2 HEX BOLT
41		914008	1/2 UNC STOVER NUT

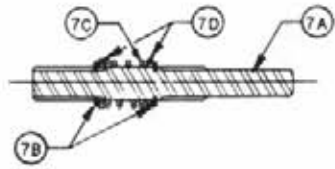


BOOM ASSEMBLY

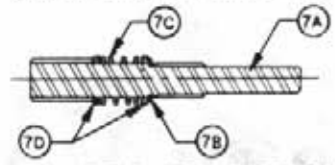
DET.	QTY	PART NO.	DESCRIPTION
1	1	160362	BOOM WLD 8540
2	1	160455	BUSH .625 OD X 18GA WA X .94
3	1	160979	EYE BOLT. 1/2UNC X 9
4	1	160980	SPRING. BOOM BRKWAY
5	1	160981	SWIVEL. BOOM EYEBOLT
6	1	504610	BLK PIPE ST EL 90DEG 3/4NPT
7	1	696202	QUICK CONNECT ADPTR 3/4FNPT
8	1	713220	3/4 HOSE BARB-3/4NPT
9	1	900267	1/2 UNC X 2 HEX BOLT
10	2	910008	1/2 UNC HEX NUT
11	1	914008	1/2 UNC STOVER NUT
12	1	504702	CLOSE NIPPLE 3/4NPT
13	1	504955	BLK PIPE TEE 3/4NPT
14	1	914000	1/4 UNC STOVER NUT
15	1	160015	2-.0610 GROMMET SLIT
16	1	160986	TWIN LOOP CHAIN 6 LINKS
17	1	160987	FEEDER T MTG BRKT
18	2	470094	U BOLT .31UNC X 1.38BL X 3 LG
19	1	696203	QUICK CONNECT CPLR MALE 3/4
20	1	696204	QUICK CONNECT PLUG, 3/4
21	2	714350	1/2 HOSE BARB-3/4NPT
22	1	900002	1/4 UNC X 3/4 HEX BOLT
23	4	914002	5/16 UNC STOVER NUT



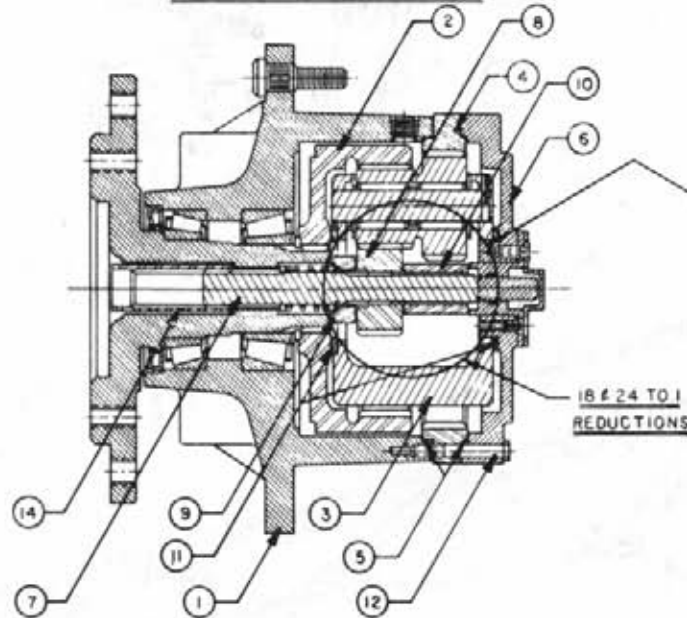
HUB-SPINDLE SUBASSEMBLY



WIA INPUT SHAFT SUBASSEMBLY



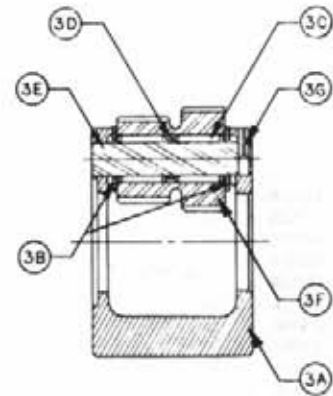
WIB INPUT SHAFT SUBASSEMBLY



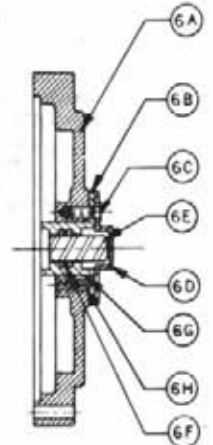
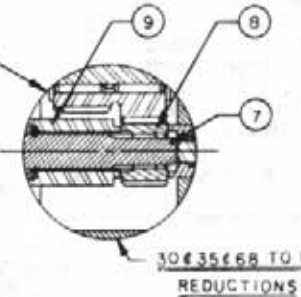
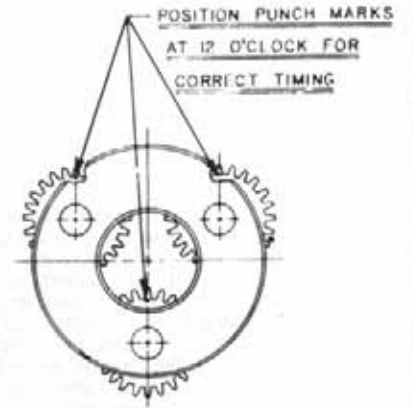
COMPLETE ASSEMBLY



VIEW OF SHOULDER BOLT



CARRIER SUBASSEMBLY



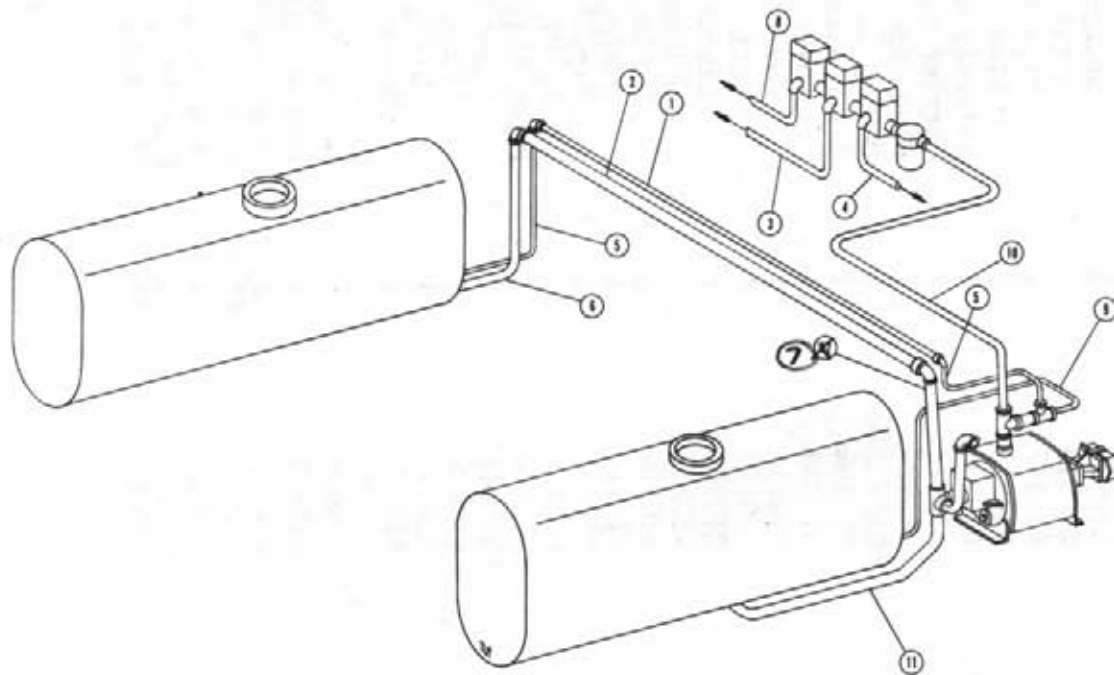
COVER SUBASSEMBLY

THIS DRAWING AND DESIGN IS THE PROPERTY OF /AND ALL PROPRIETARY RIGHTS ARE RESERVED TO / FAIRFIELD MFG. CO., INC. THE RECIPIENT AGREES NOT TO DISCLOSE TO ANY PERSON OR ORGANIZATION ANY INFORMATION REGARDING THE DESIGN OR MANUFACTURE OF THE ARTICLE REPRESENTED HEREON, OR USE SAME IN ANY WAY DETERMENTAL TO THE INTEREST OF FAIRFIELD MFG. CO., INC.

DRAFTSMAN Beck		DATE 10-8-73	FAIRFIELD MFG. Co., INC. LAFAYETTE, IND. 47305
CHECKER			
PROJECT ENG.			TITLE SERVICE LITERATURE
RELEASED			SCALE: DRAWING No. WIA & WIB

WHEEL DRIVE ASSEMBLY - 610032
 W1B140318

<u>ITEM</u>	<u>PART NO.</u>	<u>QTY.</u>	<u>DESCRIPTION</u>
1	610154	1	Hub-Spindle Sub-Assembly
1A	610038	1	Spindle
2B	610904	1	Seal
1C	610905	1	Bearing Cup
1D	610906	1	Bearing Cone
1E	610907	1	Bearing Cup
1F	610908	1	Bearing Cone
1G	610047	1	Hub
1H	610909	1	Spacer
1I	610910	1	Retainer Ring
1J	610147	2	Pipe Plug
1N	610911	9	Stud
2	610148	1	Internal Gear
3	610912	1	Carrier Assembly
4	610929	1	Ring Gear
5	610903	2	O-Ring
6	610155	1	Cover Assembly
6A	610149	1	Cover
6B	610914	1	Cover Cap
6C	610150	4	Bolt
6D	610901	1	Disconnect Cap
6E	610915	1	Disconnect Rod
6F	610916	1	O-Ring
6G	610917	1	O-Ring
6H	610151	1	Pipe Plug
6J	610152	1	ID Plate
7	610048	1	Input Shaft Assembly
7A	610046	1	Input Shaft
7B	610936	1	Retaining Ring
7C	610145	1	Spring
7D	610153	2	Spacer
8	610919	1	Input Gear
9	610920	1	Thrust Spacer
10	610921	1	Thrust Spacer
11	610922	2	Thrust Washer
12	610930	12	Bolt
13	610923	4	Shoulder Bolt
14	610037	1	Coupling
16	610049	15	Flat Washer



SOLUTION HOSEING

DET. QTY PART NO. DESCRIPTION

1	1	508100	BLK PIPE NIPPLE .50NPT-100.00
2	1	508101	BLK PIPE NIPPLE 1.50NPT-100
3	1	601172	HOSE, 3/4 X 75 1BR BLACK EPDM
4	1	601177	HOSE, 3/4 X 242 1BR BLK EPDM
5	2	601223	HOSE, 1/2 X 37 1/2 1 BR EPDM
6	1	601230	HOSE, 1 1/2 X 68 2BR EPDM
7	1	601283	HOSE, 1.50 2BR BLK EPDM X 20
8	1	601239	HOSE, 3/4 X 324 1BR EPDM
9	1	601259	HOSE, .50 1BR EPDM X 30.00
10	1	601294	HOSE, 1.25 2BR EPDM X 96.00
11	1	601274	HOSE, 1.50 2BR BLK EPDM X 37

NOTICE

The following three pages contain decals for the
1987 8540.

These decals can be obtained from Hagie Mfg. Co. and should be used whenever your machine is repainted or when the decals become worn, weathered or faded.

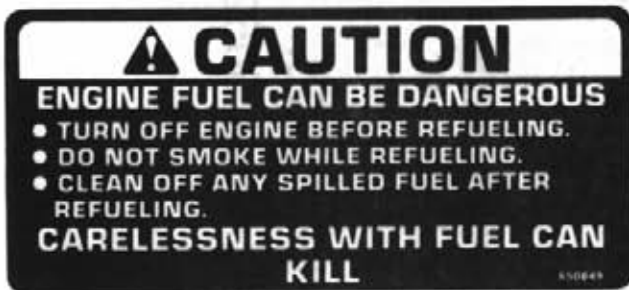
Special attention should be paid to decals involving personal safety. They have been attached for your protection.

KEEP THEM IN PLACE.

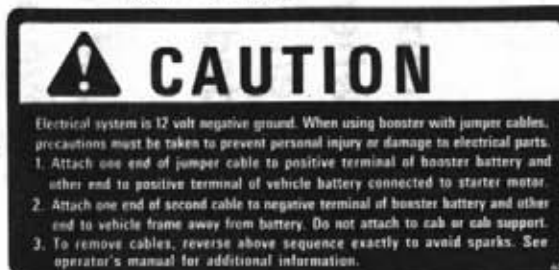
Contact: Hagie Manufacturing Co.
Box 273, Clarion, Iowa 50525

8540

650890 - 8540 Decal



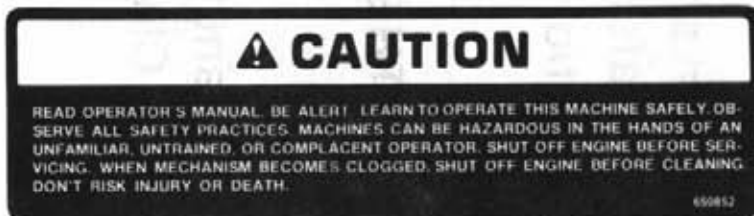
650849 - Engine Fuel Decal



650982 - Electrical System Decal



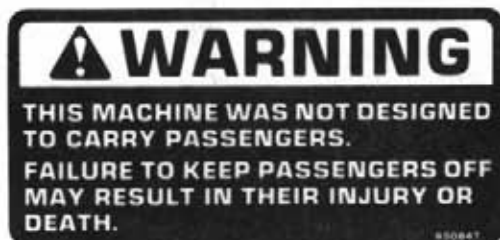
650817 - Emergency Stop Decal



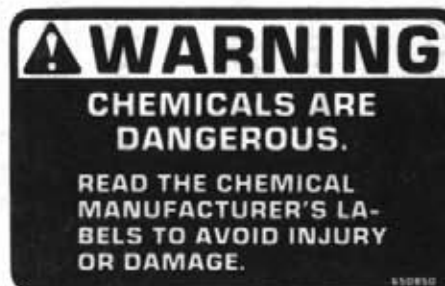
650852 - Read Manual Decal



650953 - Gasoline Decal



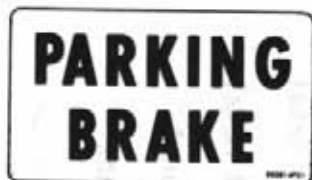
650847 - No Passenger Decal



650850 - Chemical Decal



650848 - Slip Or Fall Decal



650814 - Park Brake Decal



650822 - Solution Pump Decal



650851 - Shields Decal



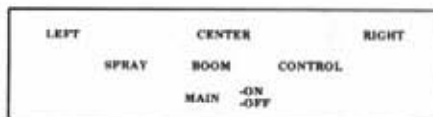
650981 - Cooling System Decal



650939 - Speed And Tach Decal



650935 - Speedometer Decal



650973 - Boom Spray Decal



650958 - Gen Decal



650957 - Oil Decal



650985 - Wheel Bolt Torque Decal



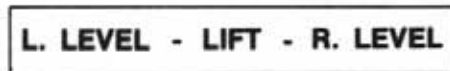
650868 - Boom Fold Decal



650881 - Choke Decal



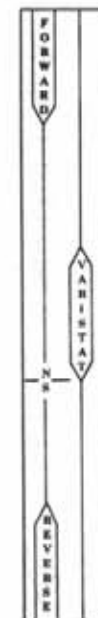
650977 - Flasher Decal



650869 - Boom Level And Lift Decal



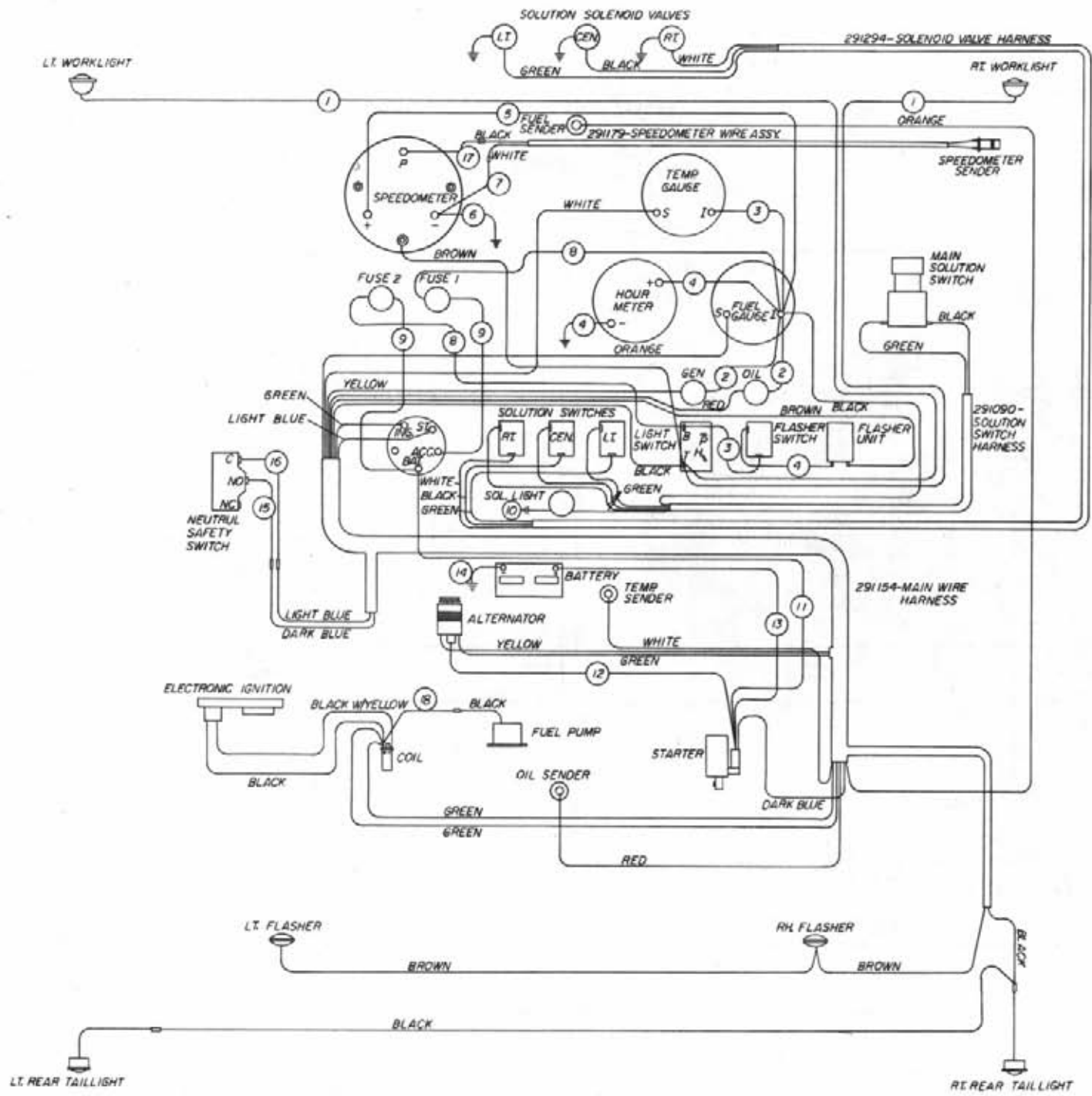
650967 - Throttle Decal



650968 - Hydrostatic Decal

8540 DECALS

Part No.	Qty.	Description	Location
650814	1	Park Brake Decal	Near Parking Brake Lever
650822	1	Solution Pump Decal	Near Variable Flow Control
650847	1	No Passenger Decal	On Left Side Of Instrument Panel
650848	2	Stip Or Fall Decal	{1} - Front Crossmember By Ladder {1} - Left Side Panel Op/Stn
650849	1	Engine Fuel Decal	Near Fuel Tank Neck
650850	2	Chemical Decal	On Solution Tank Lids
650852	1	Read Manual Decal	On Instrument Panel
650868	1	Boom Fold Decal	On Console Sheet Metal
650865	2	Hagie Decal	On Side Of Top Engine Cover
650869	1	Boom Level And Lift Decal	On Console Sheet Metal
650890	2	8540 Decal	On Side Of Top Engine Cover
650935	1	Speedometer Decal	On Speedometer Gauge
650881	1	Choke Decal	On Kick Panel
650939	1	Speed And Tack	On Instrument Panel
650953	1	Gasoline Decal	Near Fuel Filler Neck
650957	1	Oil Decal	On Instrument Panel
650958	1	Generator Decal	On Instrument Panel
650967	1	Throttle Decal	On Console Sheet Metal
650968	1	Hydrostatic Decal	On Console Sheet Metal
650973	1	Boom Spray Decal	On Instrument Panel
650977	1	Flasher Decal	On Instrument Panel
650981	1	Cooling System Decal	Near Radiator Cap
650982	1	Electrical System Decal	On Right Side Of Seat Mount
650985	4	Wheel Bolt Torque Decal	One Each Wheel Rim
650851	2	Shields Decal	{2} - On Side Of Rear Engine Cover
650817	1	Emergency Stop Decal	Right Side Of Instrument Panel

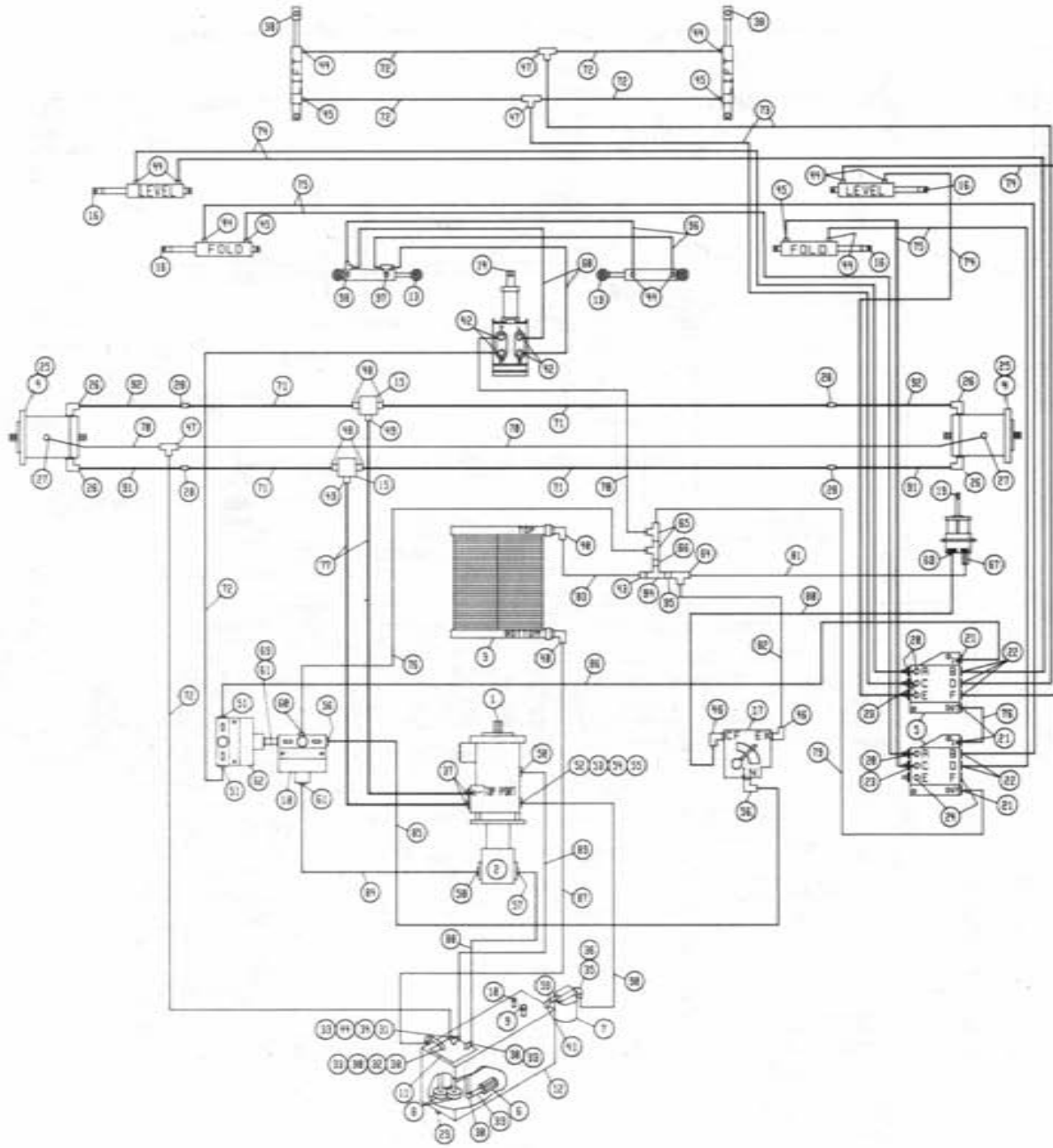


18	1	291182	14 GA. RED x 10"
17	1	291177	14 GA. BLACK x 36"
16	1	291171	14 GA. BLUE x 6"
15	1	291137	14 GA. BLUE x 6"
14	1	290111	GROUND STRAP
13	1	290052	POSITIVE CABLE 56"
12	1	291156	10 GA. RED x 98"
11	1	291157	10 GA. RED x 144"
10	1	291442	16 GA. RED x 9"
9	2	291147	14 GA. YELLOW x 8"
8	2	291480	14 GA. RED x 12"
7	1	291178	14 GA. WHITE x 36"
6	1	291430	16 GA. BLACK x 6"
5	1	291476	16 GA. RED x 14"
4	3	291140	16 GA. WHITE x 6"
3	2	291391	16 GA. WHITE x 4"
2	2	291117	16 GA. BLUE x 4"
1	1	291155	LIGHT WIRE ASSY

WIRING DIAGRAM-8540

498166

14CC 904
240
Revision Date 5-2-86



8540 HYDRAULIC SCHEMATIC 1987
REFERENCE DRAWING NO. 498250

JET. QTY PART NO. DESCRIPTION		DET. QTY PART NO. DESCRIPTION		
1	1 606865	50	1 618118	3/4 HOSE BARB-90-1 1/16MOR
2	1 610439	51	2 618310	9/16MJC-7/8MOR ADPTR
3	1 618088	52	1 618090	1 5/16MOR-1FNPT ADPTR
4	2 610030	53	1 505201	CLOSE NIPPLE INPT
5	2 606585	54	1 506301	BLK PIPE EL 45DEG INPT
6	1 606600	55	1 714561	1 1/4 HOSE BARB-1MNP
7	1 606601	56	2 618327	3/4MJC-7/8MOR ADPTR
8	2 605603	57	1 618567	1IN HOSE BARB-45-1 1/16MOR
9	1 611051	58	1 618535	7/8MJC-90-1 1/16MOR LBO
10	1 614453	59	1 506200	CLOSE NIPPLE 1 1/4NPT
11	1 760090	60	1 618011	9/16MJC-3/8MNP ADPTR
12	1 760106	61	2 611126	7/8MJC-7/8MOR ADPTR
13	2 620080	62	1 607504	FLO DIV B50 2-8GPM 7/8 FOR
14	1 749150	63	1 618241	3/4MJC-90-3/4MOR LBO
15	2 615602	64	1 618451	3/4FJJC SW RUN TEE-3/4MJC
16	4 620052	65	2 618486	9/16FJJC SW RUN TEE-9/16MJC
17	1 606818	66	1 618018	9/16MJC-1/2MNP ADPTR
18	1 607518	67	1 611145	3/4MJC-90-1/2MNP LBO
19	1 690344	68	2 616049	04CIA-06FJX-06FJX-26
20	3 618119	69	1 618594	7/8FJJC SWIV-78MOR ADPTR
21	4 618126	70	2 614158	04CIA-06FJX-06FJX-199
22	5 618425	71	4 614573	08C2AT-08FJX-10FJX-114
23	2 618440	72	6 611204	04CIT-06FJX-06FJX-78
24	2 610185	73	2 611206	04CIT-6FJX-6FJX-66
25	4 611159	74	4 614154	04CIT-06FJX-06FJX-221
26	4 618302	75	4 614098	04CIA-06FJX-06FJX-201
27	2 618496	76	2 616042	04CIA-06FJX-06FJX-13
28	4 618553	77	2 614588	12TWM-12FJX-12FJX90-114
29	1 501102	78	1 614077	04CIT-06FJX-06FJX-88
30	4 505300	79	1 616056	04CIA-06FJX-06FJX-32
31	1 505098	80	1 615464	08CIT-08FJX-08FJX-105
32	1 505210	81	1 614388	08RLA-08FJX-08FJX-129
33	2 714331	82	1 614383	08RLA-08FJX-08FJX-26
34	1 505006	83	1 601109	HOSE, 3/4 X 61 2BR RED
35	1 506410	84	1 610325	10CIT-10FJX-10FJX-105
36	1 715660	85	1 615465	08CIT-08FJX-08FJX-33
37	2 618308	86	1 616027	04CIA-06FJX-06FJX-39
38	2 620499	87	1 601198	HOSE, 3/4 2BR RED X 110
39	1 505202	88	1 601193	HOSE, 1.00 2 BR RED X 42 LG
40	2 716000	89	1 601276	HOSE, .75 2BR RED X 32
41	1 506303	90	1 601121	HOSE, 1 1/4 X 20 2BR RED
42	4 618109	91	2 614575	UPPER HYD TUBEASSY 8200FRILEG
43	1 712440	92	2 614574	HYD TUBE ASSY LWR 8200 FRILEG
44	11 611122	93	1 714560	1 HOSE BARB-1MNP
45	4 614365	94	1 503820	BLK PIPE TEE 1/2NPT
46	2 618183	95	1 611147	3/4MJC-1/2MNP ADPTR
47	3 618019	96	2 616043	04CIA-06FJX-06FJX-23
48	4 618474	97	1 618070	1/4MNP BRANCH TEE-9/16MJC
49	2 611127	98	1 618520	1/4MNP RUN TEE-9/16MJC

ABBREVIATIONS

ADPTR - Adaptor
DET - Detail
FNPT - Female National Pipe Thread
FOR - Female O-Ring
MJIC - Male J. I. C.
MOR - Male O-Ring
P/N - Part Number
QTY - Quantity
REF - Reference
REQ - Required
ST - Street
SWIV - Swivel
UNC - Unified National Course (Thread)
UNF - Unified National Fine (Thread)
W/ - With
WLD - Weldment

INDEX

-A-
 AGITATOR, JET.....29
 AIR CLEANER.....15
 BAND.....15
 FILTER.....15
 AIR INTAKE.....9
 ALTERNATOR.....4
 ADJUSTMENT ROD.....4
 MOUNT.....4
 SHEAVE.....4
 ARM, STEERING.....10
 PIVOT.....18

-B-
 BALL VALVE.....31
 BAND, AIR CLEANER.....15
 TANK.....29
 BATTERY.....24
 CABLE.....24
 BEARING
 CUP.....10, 11
 NYLON.....10
 BELLHOUSING.....5
 SHIELD.....5
 BELT.....4
 BRACKET, TIMING COVER.....4
 BRAKE

CABLE.....10, 24
 CLIP RETAINER.....10
 DISC.....10
 HUB.....10
 LEVER.....24
 PAD.....10
 BREATHER CAP.....15
 BOOM.....35
 BREAKAWAY.....34
 PIVOT PIN.....34

-C-
 CABLE, BATTERY.....24
 BRAKE.....10, 24
 CHOKE.....26
 HYDROSTATIC.....22
 THROTTLE.....23
 CAP, BREATHER.....15
 FUEL.....12

HUB.....11
 RADIATOR.....9
 STEERING WHEEL.....20
 CATWALK.....29
 BRACE.....29
 CLIP, CONNECTOR LINK.....25
 COLUMN STEERING.....20
 CONSOLE.....24
 DEFLECTOR.....24
 PANEL.....24
 CONTROL LEVER.....22
 COOLANT OUTLET TUBE.....5
 COUPLER, FLEX.....5
 CRADLE
 SUPPORT ARM.....29
 TANK.....29
 CYLINDER
 FOLD.....33
 LEVEL.....33
 LIFT.....32
 STEERING.....16

-D-
 DECALS.....40, 41
 DEFLECTOR, CONSOLE.....24
 DIFFUSER, LINE.....13
 DIMMER SWITCH.....24
 DIPSTICK.....13
 DISC,
 BRAKE.....10
 FRICTION.....23
 SENSOR.....10
 DRAIN COCK, RADIATOR.....9
 DRIVE SHAFT.....5

-E-
 ELECTRIC VALVE.....30
 ELECTRICAL SCHEMATIC.....43
 ENGINE.....4, 5
 HOOD.....27
 ISOLATOR BUSHING.....4, 5
 PAD.....24
 EXHAUST PIPE.....14
 GASKET.....14

-F-
 FAN.....4
 SPACER.....4

FILTER
 AIR CLEANER.....15
 FUEL.....5
 GRESSEN.....13
 MICHIGAN.....13
 OIL.....5
 FLASHER.....21
 LIGHT.....27
 FLOW CONTROL.....26
 LEVER.....26
 FLOW DIVIDER.....7
 FOAM.....9
 FOLD CYLINDER.....31
 FRICTION DISC.....23
 FRONT LEG.....10
 FUEL
 CAP.....12
 GAUGE.....21
 TANK.....12
 FUEL SENDER.....12
 GASKET.....12

-G-

GASKET,
 EXHAUST PIPE.....14
 FUEL.....12
 HYDRAULIC OIL.....13
 LINE STRAINER.....30
 GAUGE
 FUEL.....21
 PRESSURE.....30
 TEMPERATURE.....21
 GOVERNOR.....4
 LINKAGE ROD.....4
 GROUND STRAP.....5,24
 GROMMET.....26
 GUIDE STALK.....28

-H-

HEAD LIGHT.....20
 HOOD ENGINE.....27
 HOOK, RUBBER.....27
 HOUR METER.....21
 HUB,
 BRAKE.....10
 CAP.....11
 TORQUE.....10
 HYDRAULIC
 OIL TANK.....13
 OIL TANK GASKET.....13
 SCHEMATIC.....44,46

TUBE.....11
 HYDROSTATIC
 CABLE.....22
 CABLE MOUNT.....22
 CONTROL LEVER MOUNT.....22
 PUMP LEVER.....6
 HYPRO PUMP.....31

-I-

IGNITION SWITCH.....21
 INDICATOR LIGHT.....21
 INSTRUMENT PANEL.....21
 ISOLATOR BUSHING, ENGINE.....4,5

-K-

KICK PANEL.....26

-L-

LADDER.....28
 MOUNT.....28
 PROP.....28
 LEG,
 FRONT.....10
 REAR.....11
 V-PLATE.....10,11
 LEVEL CYLINDER.....33
 LEVER,
 CONTROL.....22
 FLOW CONTROL.....26
 HYDROSTATIC PUMP.....6
 LID, TANK.....29
 LIFTARM,
 MOUNT.....34
 UPPER.....34
 LIFT CYLINDER.....32
 LIGHT,
 FLASHER.....27
 HEAD.....20
 SWITCH.....21
 LINE DIFFUSER.....13
 LINE STRAINER.....30
 SCREEN.....30
 LINKAGE ROD, GOVERNOR.....4

-M-

MANIFOLD
 FRONT WHEEL DRIVE.....8
 SOLUTION.....30
 MICHIGAN FILTER.....13
 MICRO SWITCH.....22

MOTOR
MOUNT.....4
STEERING.....20
MOUNT,
ALTERNATOR.....4
CYLINDER.....34
HYDRAULIC CABLE.....22
LADDER.....28
LIFTARM.....34
SEAT.....24
SENSOR.....10
STEERING MOTOR.....20
THREE SPOOL VALVE.....25
MOUNTING

SOCKET.....27
MUFFLER.....16
MULLION.....27

-0-

OIL
COOLER.....9
FILTER.....5
SENDER.....5
TANK STRAP.....13
OPERATOR STATION.....24

-P-

PAD, BRAKE.....10
PANEL, CONSOLE.....24
PIVOT BRACKET, CYLINDER.....34
PIVOT PIN.....29, 34
PRESSURE GAUGE.....30
PROP, LADDER.....28
PUMP,
HYDRECO.....6
HYPRO.....31
SUNDSTRAND.....6

-R-

RADIATOR.....9
CAP.....9
DRAIN COCK.....9
HOSE.....5
RECOVERY TANK.....9
SHROUD.....9
REAR LEG.....11
RECEIVER PLATE.....13
RETAINER BRAKE CLIP.....10
RIM.....19

RUBBER HOOK.....27

-S-

SCHEMATIC
ELECTRICAL.....43
HYDRAULIC.....44, 46
SCREEN.....9
LINE STRAINER.....30
SEAL.....10, 11
SEAT.....24
MOUNT.....24
SENDER,
FUEL.....12
OIL.....5
TEMPERATURE.....5
SENSOR,
DISC.....10
MOUNT.....10
SPEEDOMETER.....10
SHEET METAL.....27
SHIELD,
BELLHOUSING.....5
TANK.....29
WHEEL MOTOR.....10
SHROUD, RADIATOR.....9
SLOW MOVING VEHICLE SIGN.....27
SOLUTION

HOSING.....28
MANIFOLD.....30
SPACER, FAN.....4
SPEEDOMETER.....21
SPRING.....24, 23
STALK GUIDE.....28
STARTER.....5
STEERING
ARM.....10
COLUMN.....20
CYLINDER.....16
MOTOR.....20
PIVOT.....18
PIVOT ARM.....18
WHEEL.....20
WHEEL CAP.....20
STRAP,
GROUND.....5, 24
OIL TANK.....13
SUNDSTRAND
PUMP.....6
WHEEL MOTOR.....10
WHEEL MOTOR.....10

WHEEL MOTOR.....10

SWITCH,	
DIMMER.....	24
IGNITION.....	21
LIGHT.....	21
MICRO.....	22
TOGGLE.....	21

-T-

TAILLIGHT.....	27
TANK,	
BAND.....	29
CRADLE.....	29
FUEL.....	12
HYDRAULIC OIL.....	13
LID.....	29
POLYETHYLENE.....	29
RADIATOR RECOVERY.....	9
SHIELD.....	29
TEMPERATURE	
GAUGE.....	21
SENDER.....	5
THREE-SPool VALVE.....	25
THROTTLE	
CABLE.....	23
LEVER.....	23
LEVER MOUNT.....	23
TIE PLATE.....	12, 29
TIE ROD.....	17
TIRE.....	19
TOGGLE SWITCH.....	21
TORQUE HUB.....	10
TRANSOM.....	34

-V-

VALVE,	
BALL.....	31
ELECTRIC.....	30
HANDLE.....	25
V-PLATE, LEG.....	10, 11

-W-

WHEEL MOTOR	
SHIELD.....	10
SUNSTRAND.....	10
WHEEL, STEERING.....	20

Memoranda

Memoranda
