

**PARTS MANUAL**  
**FOR**  
**HAGIE MODEL 8540 DETASSELERS**

**HAGIE MANUFACTURING COMPANY**

BOX 273 CLARION, IOWA 50525

(515) 532-2861

COVERS MACHINE SERIAL NUMBERS:

090458001 Thru 090458050  
060068001 Thru 060068050

3-86 493097

SPRAYER IDENTIFICATION

Each Hagie sprayer is identified by means of a frame serial number. This serial number denotes the model, year in which it was built, and the number of the sprayer. As for further identification, the engine has a serial number and the planetary hubs have identification plates that describe the type of mount and gear ratio. To insure prompt, efficient service when ordering parts or requesting service repairs from Hagie Manufacturing Company, record serial and identification numbers in the space provided below.

Note: Reference to left hand and right hand used throughout this manual refers to the position when seated in the operator's seat facing forward.

SPRAYER SERIAL NUMBER

\_\_\_\_\_

ENGINE SERIAL NUMBER

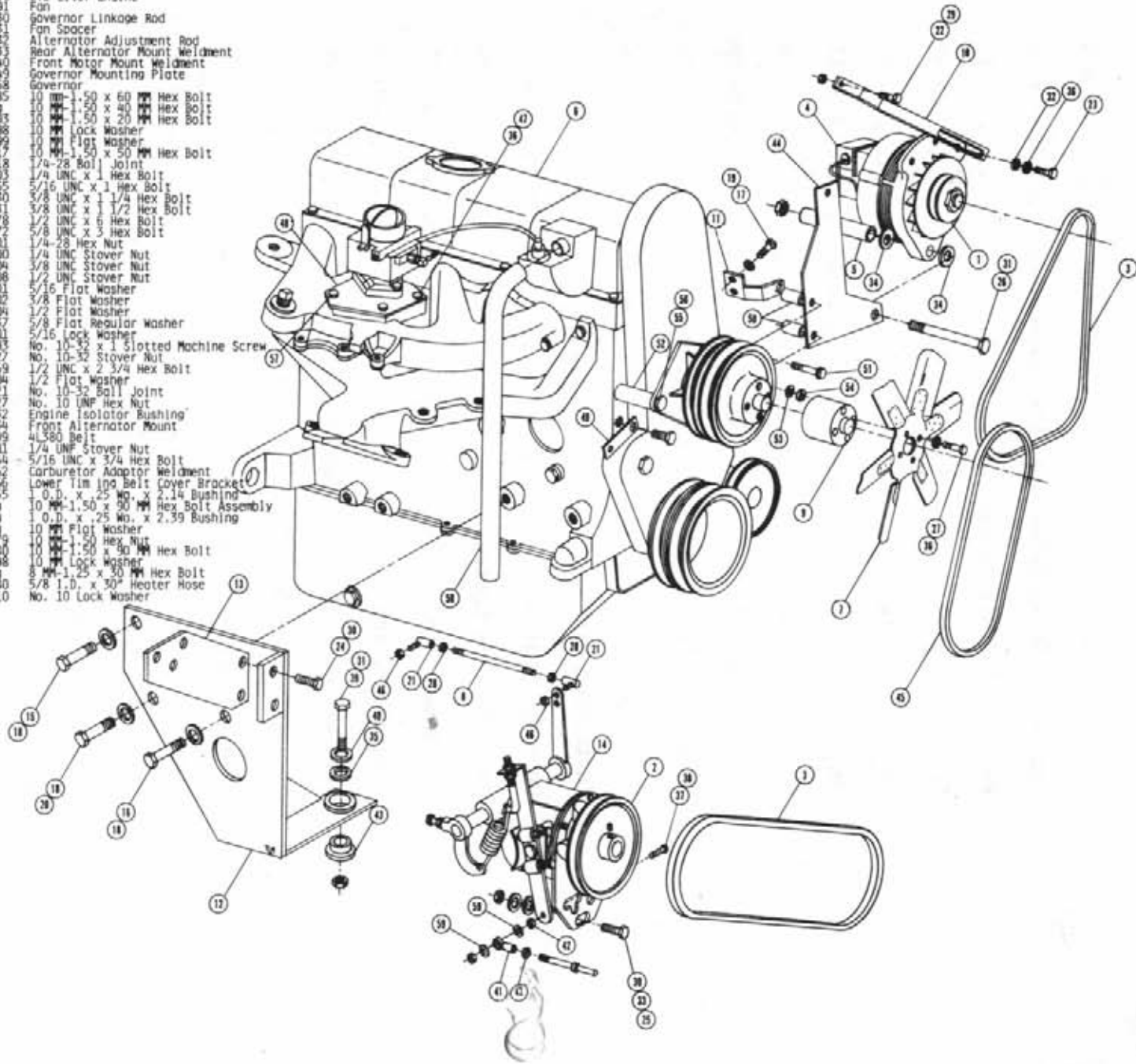
\_\_\_\_\_

TABLE OF CONTENTS

Engine Assembly.....	4-8
Four-Wheel Drive Valve And Flow Divider.....	9-10
Radiator And Oil Cooler.....	11
Leg Assembly.....	12-13
Fuel And Oil Tanks.....	14-15
Exhaust Pipe And Air Cleaner.....	16-17
Steering Cylinder.....	18
Tie Rod Assembly.....	19-20
Tire Assembly.....	21
Steering Wheel.....	22
Instrument Panel.....	23
Operator Station.....	24-27
Variable Flow Control.....	28
Sheet Metal And Ladder.....	29-30
Solution System.....	31-33
Transom, Boom, And Lift Components.....	34-37
Planetary Gear Assembly.....	38-39
Solution Hosing Diagram.....	40
Decals.....	41-44
Electrical Schematic.....	45
Hydraulic Schematic.....	46-49
Abbreviations.....	50
Index.....	51

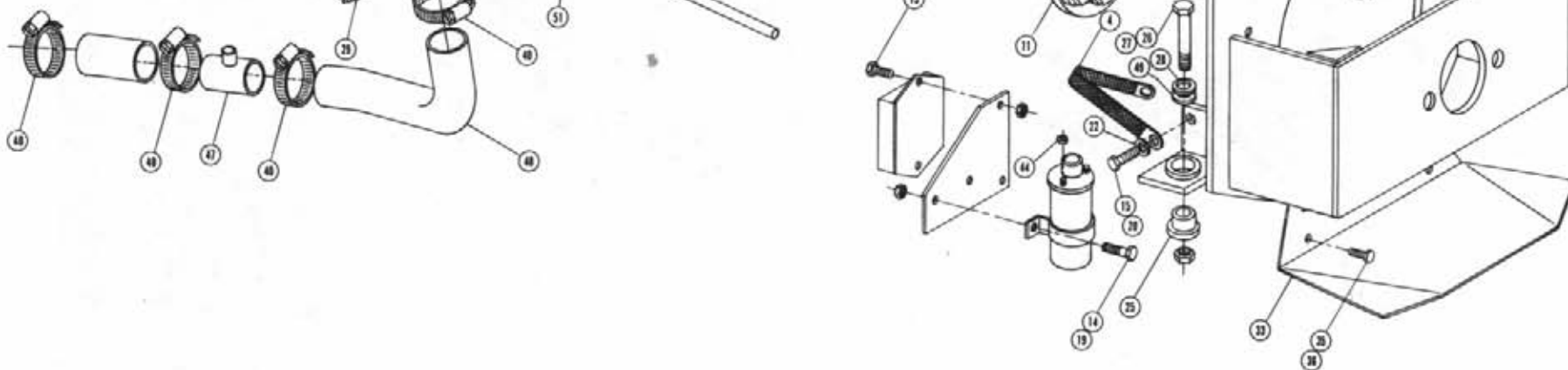
2.2 LITER ENGINE ASSEMBLY

Det. Qty.	P/N	Description
1	141022	Alternator Sheave
1	147025	5 O.D. x 5/8 Bore
1	147425	3V425 Belt
1	310093	55 Amp Alternator
1	310608	Alternator Spacer
1	312990	2.2 Liter Engine
1	312991	Fan
1	312430	Governor Linkage Rod
1	312431	Fan Spacer
10	312432	Alternator Adjustment Rod
1	312433	Rear Alternator Mount Weldment
1	312440	Front Motor Mount Weldment
1	312449	Governor Mounting Plate
1	312458	Governor
14	473785	10 mm-1.50 x 60 Hex Bolt
14	w/Eng	10 mm-1.50 x 40 Hex Bolt
14	473793	10 mm-1.50 x 20 Hex Bolt
14	473798	10 mm Lock Washer
14	473799	10 mm Flat Washer
14	473817	10 mm-1.25 x 50 Hex Bolt
1	473918	1/4-28 Ball Joint
1	900003	1/4 UNC x 1 Hex Bolt
1	900065	5/16 UNC x 1 Hex Bolt
1	900130	3/8 UNC x 1 1/4 Hex Bolt
1	900131	3/8 UNC x 1 1/2 Hex Bolt
1	900228	1/2 UNC x 6 Hex Bolt
1	900072	5/8 UNC x 3 Hex Bolt
1	910001	1/4-28 Hex Nut
1	914000	1/4 UNC Stover Nut
1	914004	3/8 UNC Stover Nut
1	914008	1/2 UNC Stover Nut
1	920001	5/16 Flat Washer
1	920002	3/8 Flat Washer
1	920004	1/2 Flat Washer
1	483037	5/8 Flat Regular Washer
1	920501	5/16 Lock Washer
1	903893	No. 10-32 x 1 Slotted Machine Screw
1	914027	No. 10-32 Stover Nut
1	900269	1/2 UNC x 2 3/4 Hex Bolt
1	920004	1/2 Flat Washer
1	473921	No. 10-32 Ball Joint
1	910027	No. 10 UNF Hex Nut
1	311032	Engine Isolator Bushing
1	312434	Front Alternator Mount
1	147009	4L380 Belt
1	914001	1/4 UNF Stover Nut
1	900064	5/16 UNC x 3/4 Hex Bolt
1	312462	Carburetor Adaptor Weldment
1	312466	Lower Timing Belt Cover Bracket
1	312465	1 O.D. x .25 Wd. x 2.14 Bushing
1	w/Eng	10 mm-1.50 x 90 Hex Bolt
1	w/Eng	1 O.D. x .25 Wd. x 2.39 Bushing
1	w/Eng	10 mm Flat Washer
1	473779	10 mm-1.50 Hex Nut
1	473780	10 mm-1.50 x 90 Hex Bolt
1	473798	10 mm Lock Washer
1	w/Eng	8 mm-1.25 x 30 Hex Bolt
1	601280	5/8 I.D. x 30" Heater Hose
1	920510	No. 10 Lock Washer



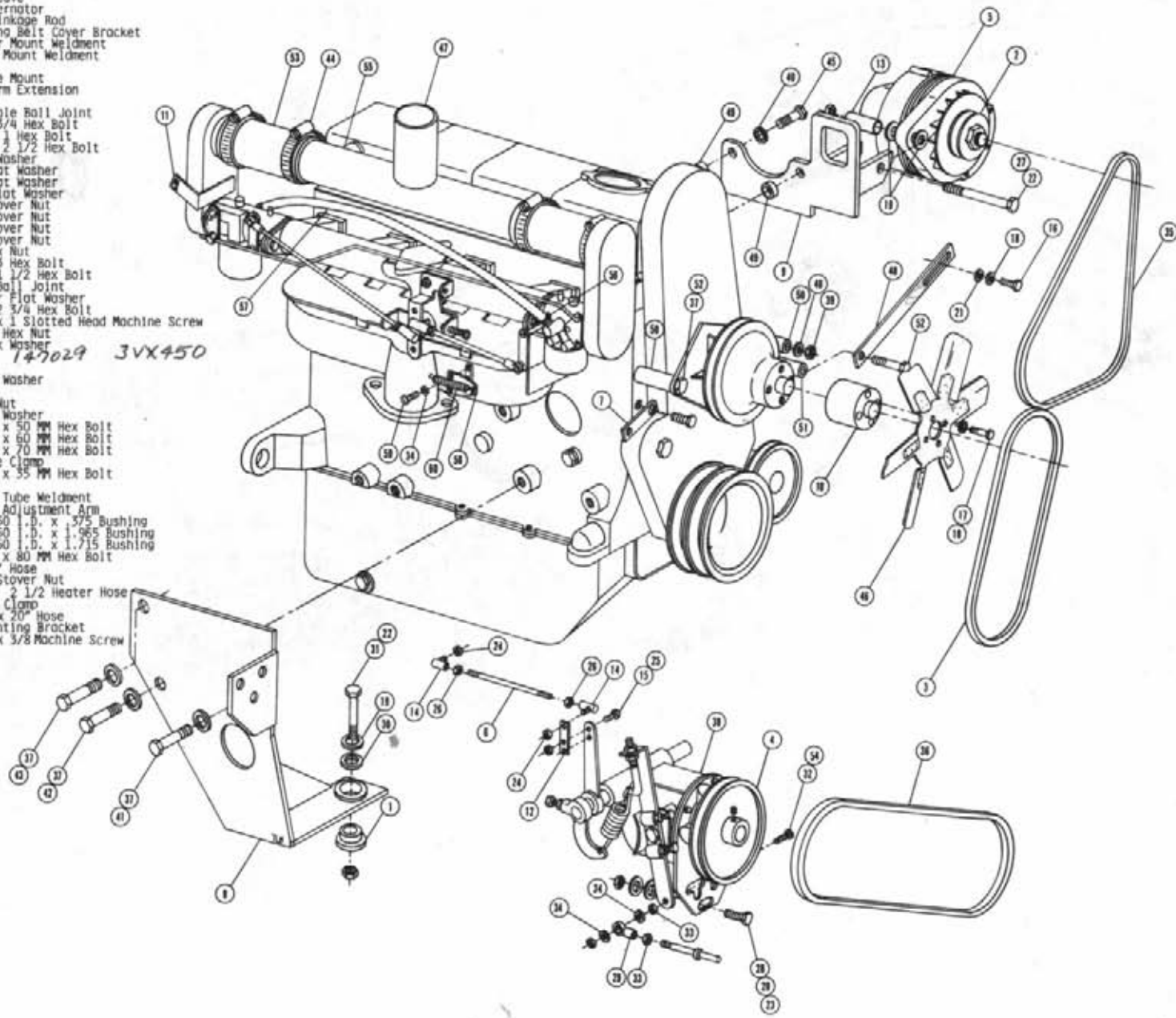
2.2 LITER ENGINE ASSEMBLY

Det.	Qty.	P/N	Description
1	1	312477	Coolant Outlet Tube Weldment
2	1	312484	Starter
3	1	711008	1/2 Inv. Flare x 5/16 Hose Barb
4	1	290109	8" Ground Strap
5	1	312395	Bellhousing Weldment
6	1	312474	Upper Radiator Hose
7	1	473775	12 MM-1.75 x 30 MM Hex Bolt
8	1	473798	10 MM Lock Washer
9	1	502800	3/8 NPT Square Head Pipe Plug
10	1	473776	10 MM-1.50 x 35 MM Hex Bolt
11	1	314457	Flex Coupler 8"
12	1	800478	Drive Shaft Weldment
13	1	w/Eng	1/4 UNC x 1 Hex Bolt
14	1	w/Eng	5/16 UNC x 3/4 Hex Bolt
15	1	900129	3/8 UNC x 1 Hex Bolt
16	1	900131	3/8 UNC x 1 1/2 Hex Bolt
17	1	900197	7/16 UNC x 1 1/2 Hex Bolt
18	1	w/Eng	1/4 UNC Stover Nut
19	1	w/Eng	5/16 UNC Stover Nut
20	1	914004	3/8 UNC Stover Nut
21	1	914006	7/16 UNC Stover Nut
22	1	920002	5/8 SAE Flat Washer
23	1	920504	1/2 Lock Washer
24	1	312390	2.2 Liter Engine
25	1	311032	Engine Isolator Bushing
26	1	900269	1/2 UNC x 2 3/4 Hex Bolt
27	1	914008	1/2 UNC Stover Nut
28	1	920004	1/2 Flat Washer
29	1	314361	Oil Sender
30	1	314471	Temperature Sender 3/8 NPT
31	1	312460	Oil Filter
32	1	312476	Fuel Filter
33	1	312476	Bellhousing Shield
34	1	920003	7/16 SAE Flat Washer
35	1	470118	1/4 UNC x 3/4 Flanged Hex Bolt
36	1	470121	1/4 UNC Flanged Whiz Nut
37	1	473777	4 MM-17 Hex Bolt
38	1	473778	8 MM-1.25 Hex Bolt
39	1	520095	No. 12 Hose Clamp
40	1	520085	No. 24 Hose Clamp
41	1	601282	3/4 I.D. 1-Braid Black x 3"
42	1	900072	5/4 UNC x 5 Hex Bolt
43	1	914002	5/16 UNC Stover Nut
44	1	910027	No. 10 UNF Hex Nut
45	1	601154	5/8 I.D. x 50" Heater Hose
46	1	618573	1/2 MNPT x 90° x 5/8 Hose Barb
47	1	312482	1 1/2 Run x 5/8 Radiator Hose Adaptor
48	1	312469	Lower Radiator Hose
49	1	983037	5/8 Regular Flat Washer
50	1	520120	No. 4 Hose Clamp
51	1	601257	5/16 I.D. x 120" Fuel Line Hose



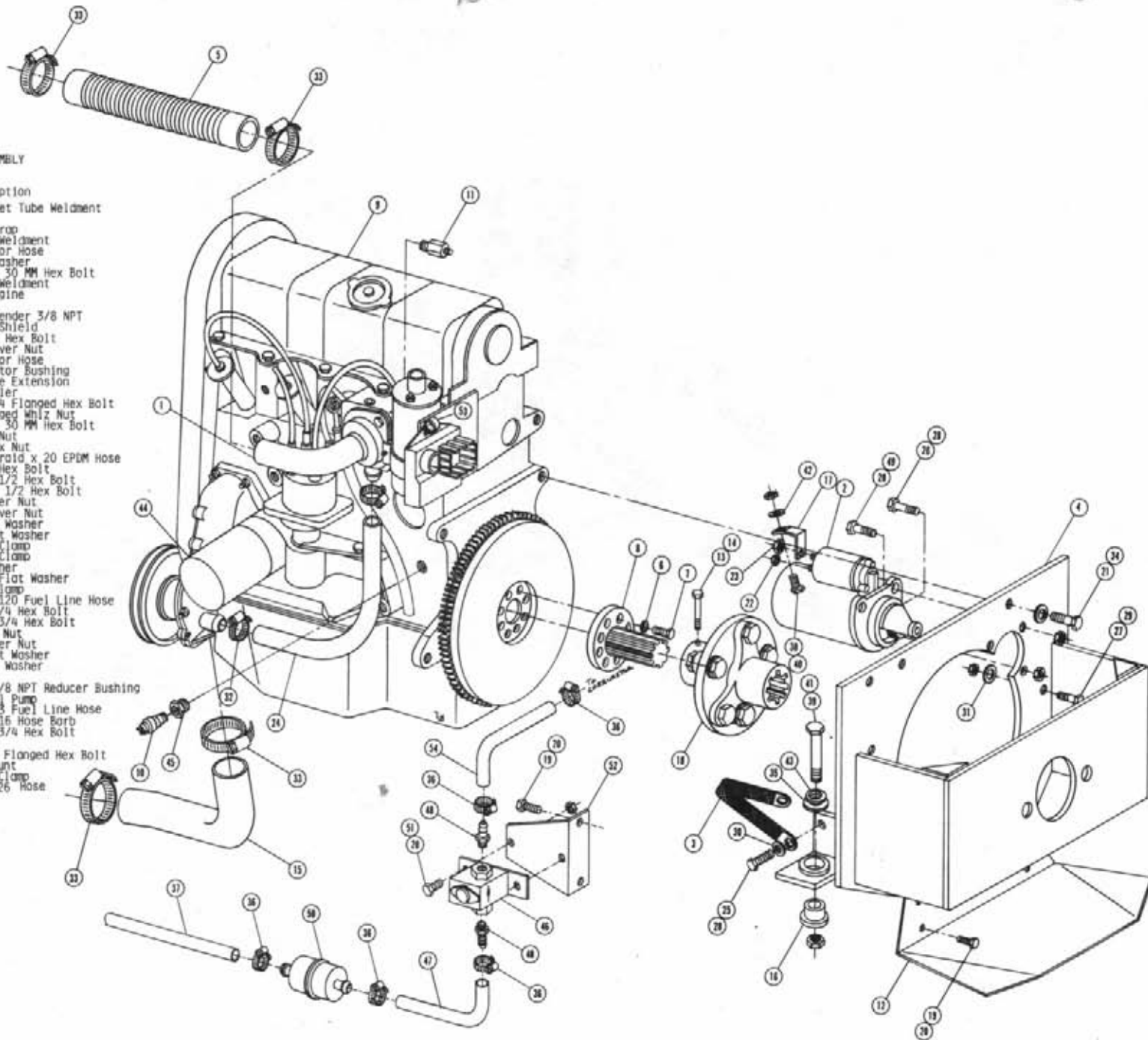
2.5 LITER ENGINE ASSEMBLY

Det.	Qty.	P/N	Description
1		311032	Engine Isolator Bushing
2		141022	Sheave
3		147015	2 1/2" Belt
4		147030	6" O.D. Sheave
5		310093	95 AMP Alternator
6		312430	Governor Linkage Rod
7		312466	Lower Timing Belt Cover Bracket
8		312497	Front Motor Mount Weldment
9		312504	Alternator Mount Weldment
10		312508	Fan Spacer
11		312510	Choke Cable Mount
12		312511	Governor Arm Extension
13		160336	Spacer
14		473918	1/4-28 Female Ball Joint
15		900002	1/4 UNC x 3/4 Hex Bolt
16		900065	5/16 UNC x 1 Hex Bolt
17		900070	5/16 UNC x 2 1/2 Hex Bolt
18		920501	5/16 Lock Washer
19		920004	1/2 SAE Flat Washer
20		920002	3/8 SAE Flat Washer
21		920001	5/16 SAE Flat Washer
22		914008	1/2 UNC Stover Nut
23		914004	3/8 UNC Stover Nut
24		914011	1/4 UNC Stover Nut
25		914000	1/4 UNC Stover Nut
26		910001	1/4 UNF Hex Nut
27		900270	1/2 UNC x 3 Hex Bolt
28		900131	3/8 UNC x 1 1/2 Hex Bolt
29		473921	No. 10-32 Ball Joint
30		485037	5/8 Regular Flat Washer
31		900269	1/2 UNC x 2 3/4 Hex Bolt
32		903893	No. 10-32 x 1 Slotted Head Machine Screw
33		910027	No. 10 UNF Hex Nut
34		920510	No. 10 Lock Washer
35		147029	147029 3VX450
36		147040	2400 Belt
37		473798	10 MM Lock Washer
38		312513	Governor
39		473779	10 MM Hex Nut
40		473799	10 MM Flat Washer
41		473817	10 MM-1.50 x 50 MM Hex Bolt
42		473785	10 MM-1.50 x 60 MM Hex Bolt
43		473773	10 MM-1.50 x 70 MM Hex Bolt
44		520068	No. 32 Hose Clamp
45		473776	10 MM-1.50 x 35 MM Hex Bolt
46		312391	Fan
47		312515	Air Intake Tube Weldment
48		312514	Alternator Adjustment Arm
49		312519	1 O.D. x .50 I.D. x 1.375 Bushing
50		312520	1 O.D. x .50 I.D. x 1.715 Bushing
51		473771	10 MM-1.50 x 80 MM Hex Bolt
52		601291	2 I.D. x 3" Hose
53		914027	No. 10-32 Stover Nut
54		601292	5/8 I.D. x 2 1/2 Heater Hose
55		520120	No. 4 Hose Clamp
56		601290	5/16 I.D. x 20" Hose
57		312523	Spring Mounting Bracket
58		472013	No. 10-24 x 3/8 Machine Screw
59		472014	Spring



2.5 LITER ENGINE ASSEMBLY

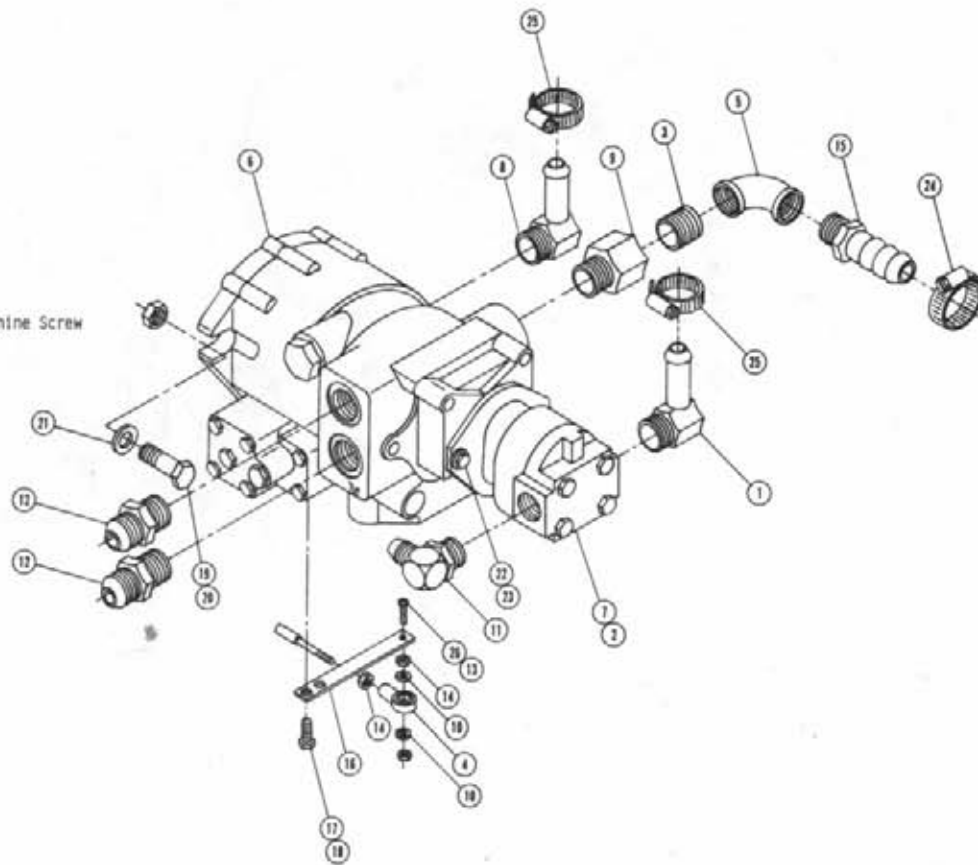
Det.	Qty.	P/N	Description
1	1	312477	Coolant Outlet Tube Weldment
2	1	312484	Starter
3	1	290109	8" Ground Strap
4	1	312595	Bellhousing Weldment
5	1	292474	Upper Radiator Hose
6	1	473756	10 MM Lock Washer
7	1	473772	10 MM-1.00 x 30 MM Hex Bolt
8	1	800482	Drive Shaft Weldment
9	1	312492	2.5 Liter Engine
10	1	314361	Oil Sender
11	1	314471	Temperature Sender 3/8 NPT
12	1	312476	Bellhousing Shield
13	1	900072	5/16 UNC x 3 Hex Bolt
14	1	914002	5/16 UNC Stover Nut
15	1	312469	Lower Radiator Hose
16	1	311052	Engine Isolator Bushing
17	1	312509	Battery Cable Extension
18	1	314457	6" Flex Coupler
19	1	470118	1/4 UNC x 3/4 Flanged Hex Bolt
20	1	470121	1/4 UNC Flanged Whit Nut
21	1	473775	12 MM-1.75 x 30 MM Hex Bolt
22	1	473777	4 MM-7 Hex Nut
23	1	473778	8 MM-1.25 Hex Nut
24	1	601286	3/4 I.D. 1-Braid x 20 EPDM Hose
25	1	900129	3/8 UNC x 1 Hex Bolt
26	1	900131	3/8 UNC x 1 1/2 Hex Bolt
27	1	900197	7/16 UNC x 1 1/2 Hex Bolt
28	1	914004	3/8 UNC Stover Nut
29	1	914006	7/16 UNC Stover Nut
30	1	920002	5/8 SAE Flat Washer
31	1	920003	7/16 SAE Flat Washer
32	1	920055	No. 12 Hose Clamp
33	1	920085	No. 24 Hose Clamp
34	1	920504	1/2 Lock Washer
35	1	483057	5/8 Regular Flat Washer
36	1	520120	No. 4 Hose Clamp
37	1	601257	5/16 I.D. x 120 Fuel Line Hose
38	1	900064	5/16 UNC x 3/4 Hex Bolt
39	1	900269	1/2 UNC x 2 3/4 Hex Bolt
40	1	910002	5/16 UNC Hex Nut
41	1	914008	1/2 UNC Stover Nut
42	1	920001	5/16 SAE Flat Washer
43	1	920004	1/2 SAE Flat Washer
44	1	312460	Oil Filter
45	1	501005	1/4 NPT To 1/8 NPT Reducer Bushing
46	1	512555	Electric Fuel Pump
47	1	601138	5/16 I.D. x 3 Fuel Line Hose
48	1	711001	1/8 NPT x 5/16 Hose Barb
49	1	900132	3/8 UNC x 1 3/4 Hex Bolt
50	1	312612	Fuel Filter
51	1	473521	1/4-20 x 1/2 Flanged Hex Bolt
52	1	520118	Fuel Pump Mount
53	1	601293	1/2 Cushion Clamp
54	1	601293	5/16 I.D. x 26 Hose



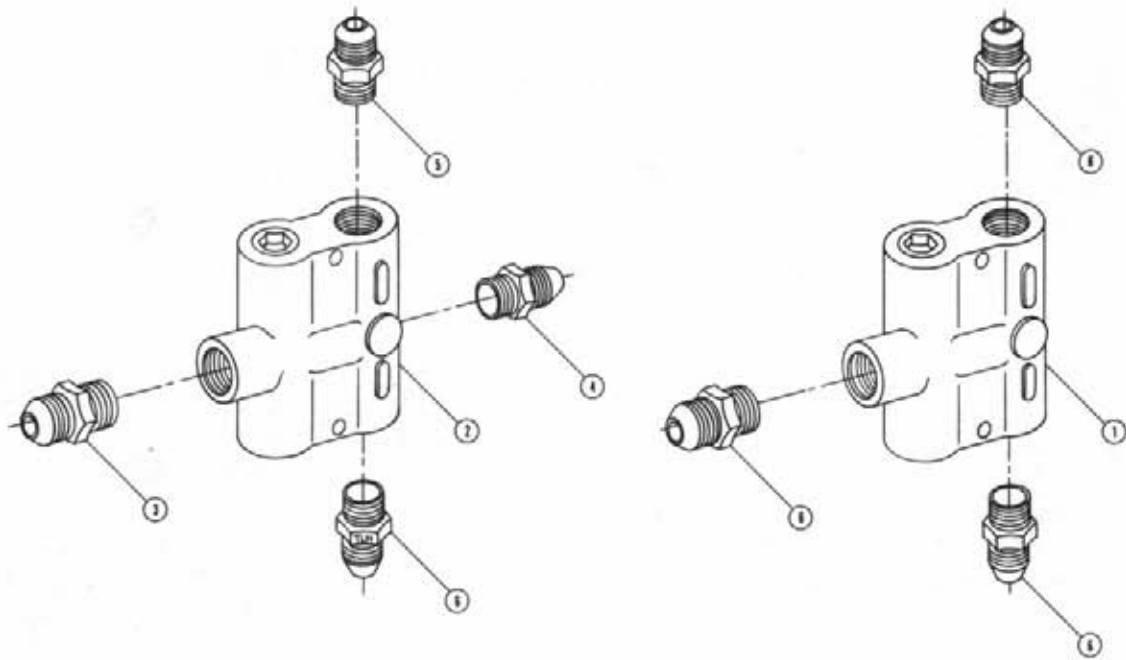


SUNDSTRAND PUMP ASSEMBLY

Det.	Qty.	P/N	Description
1	1	618567	1 1/16 MDR x 45° x 1 Hose Barb
2	1	606870	O-Ring
3	1	505201	1 NPT Close Nipple
4	1	473921	No. 10-32 Ball Joint
5	1	506301	1 NPT x 45° Elbow
6	1	606865	Sundstrand Pump 2.8 Cu.In.
7	1	610439	Hydreco Hydraulic Pump 1.47 Cu.In.
8	1	618118	1 1/16 MDR x 90° x 3/4 Hose Barb
9	1	618090	1 5/16 MDR x 1 FNPT
10	2	920510	No. 10 Lock Washer
11	1	618535	1 1/16 MDR x 90° x 7/8 M.J.I.C
12	2	618308	1 5/16 MDR x 1 1/16 M.J.I.C
13	1	914027	No. 10-32 Stover Nut
14	2	910027	No. 10 UNF Hex Nut
15	1	714561	1 NPT x 1 1/4 Hose Barb
16	1	312402	Hydrostatic Pump Lever Extension
17	2	900128	3/8 UNC x 3/4 Hex Bolt
18	2	914004	3/8 UNC Stover Nut
19	2	900267	1/2 UNC x 2 Hex Bolt
20	2	914008	1/2 UNC Stover Nut
21	2	920004	1/2 SAE Flat Washer
22	2	920504	1/2 Lock Washer
23	2	900264	1/2 UNC x 1 1/4 Hex Bolt
24	1	520067	No. 28 Hose Clamp
25	2	520055	No. 12 Hose Clamp
26	1	903893	No. 10-32 x 1 Slotted Round Head Machine Screw

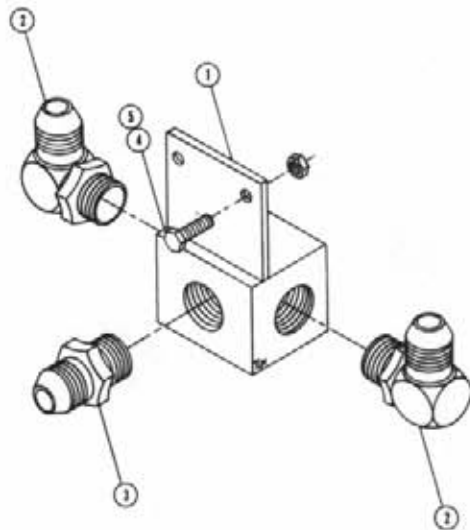






FLOW DIVIDER ASSEMBLY

Det.	Qty.	P/N	Description
1	1	607504	B50 Flow Divider
2	1	607518	AGR56 Flow Divider
3	1	611126	7/8 MOR x 7/8 MJIC
4	1	618011	3/8 NPT x 9/16 MJIC
5	1	618327	7/8 MOR x 3/4 MJIC
6	4	618310	7/8 MOR x 9/16 MJIC

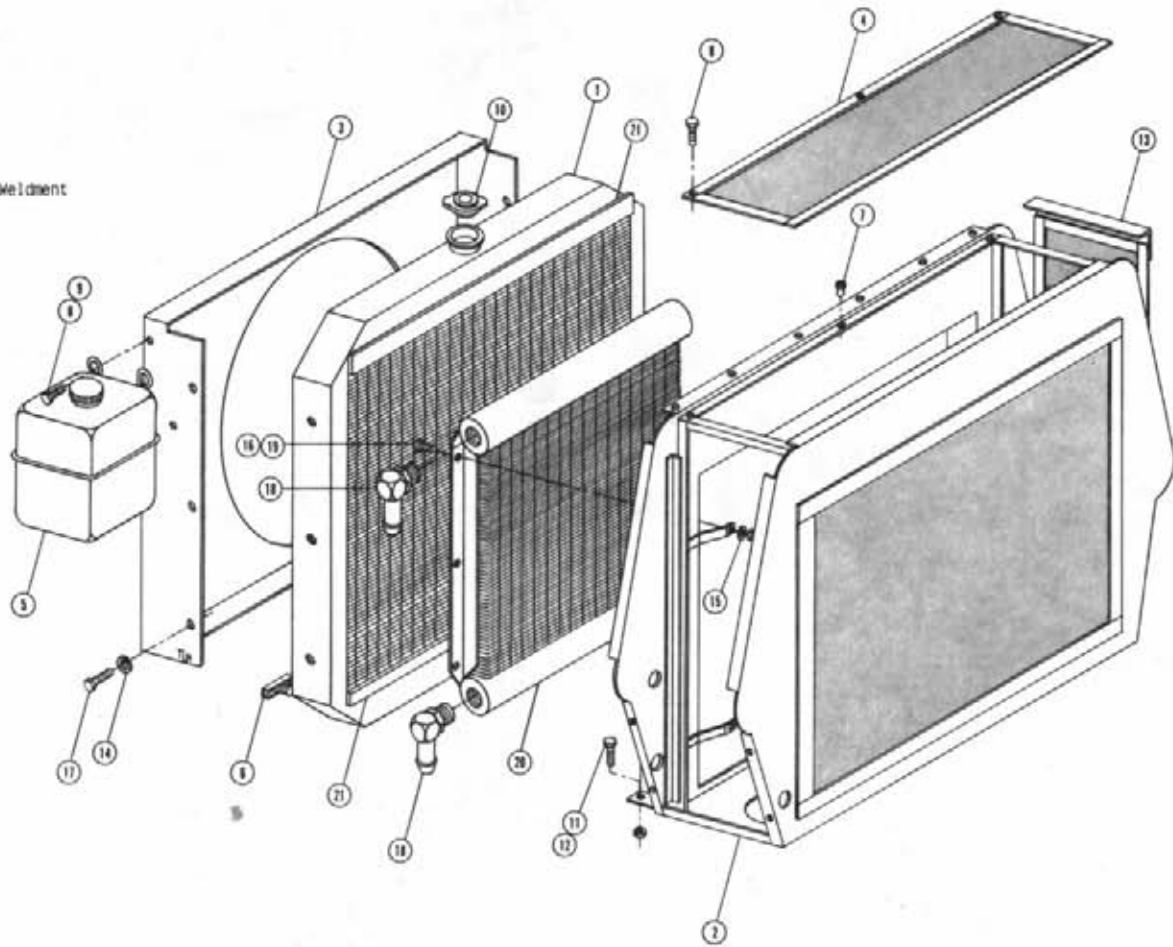


FRONT WHEEL DRIVE MANIFOLD ASSEMBLY

Det.	Qty.	P/N	Description
1	1	615602	Four Wheel Drive Manifold Weldment
2	2	618474	1 1/16 MDR x 90° x 3/4 MJIC
3	1	611127	1 1/16 MDR x 1 1/16 MJIC
4	2	470118	1/4 UNC x 3/4 Flanged Hex Bolt
5	2	470121	1/4 UNC Flanged Nut

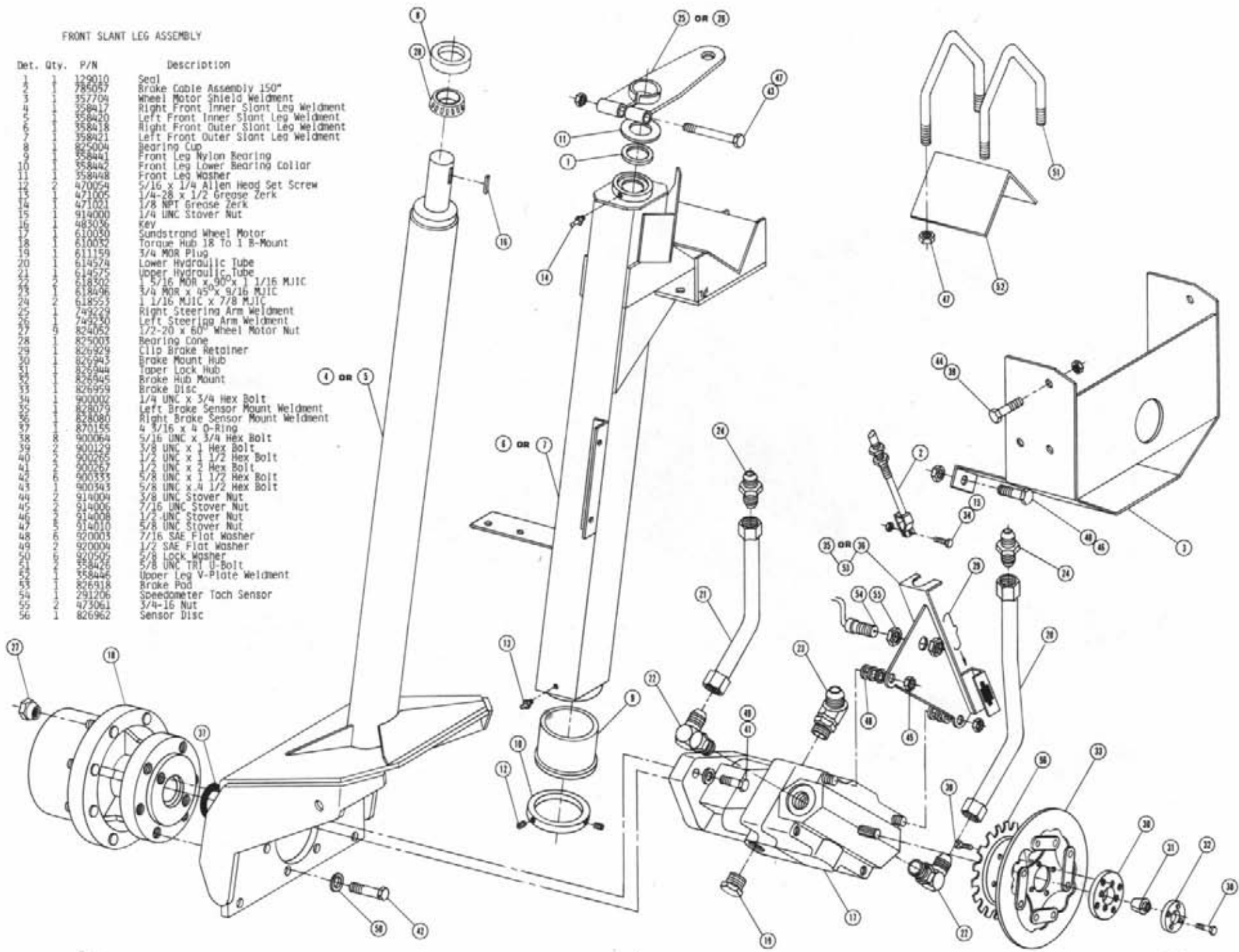
RADIATOR AND OIL COOLER ASSEMBLY

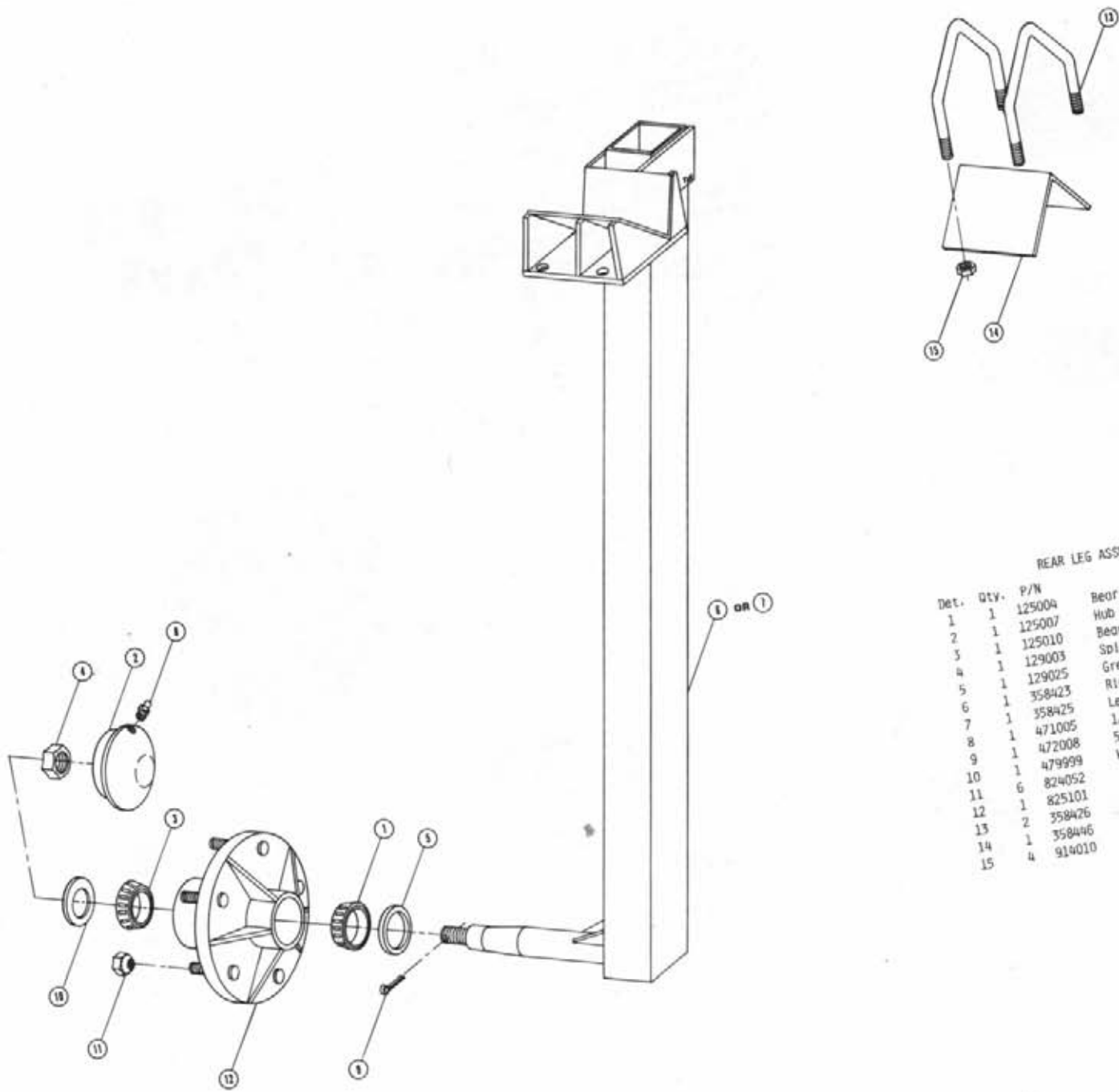
Det. Qty.	P/N	Description
1	312393	Radiator
2	312487	Air Intake Radiator & Cooler Mount Weldment
3	312420	Radiator Shroud
4	312421	Top Screen Weldment
5	314767	Radiator Recovery Tank
6	319559	Radiator Drain Cock
7	470086	1/4 UNC Nutsert
8	470118	1/4 UNC x 3/4 Flanged Hex Bolt
9	470121	1/4 UNC Flanged Nut
10	319257	Radiator Cap
11	914004	3/8 UNC Stover Nut
12	900129	3/8 UNC x 1 Hex Bolt
13	312490	Side Screen Weldment
14	920002	3/8 SAE Flat Washer
15	920001	5/16 SAE Flat Washer
16	914002	5/16 UNC Stover Nut
17	900126	3/8 UNC x 1/2 Hex Bolt
18	716000	1 NPT x 90° x 3/4 Hose Barb
19	900064	5/16 UNC x 3/4 Hex Bolt
20	618088	Oil Cooler
21	659579	2" Wide x 40" Long Foam



FRONT SLANT LEG ASSEMBLY

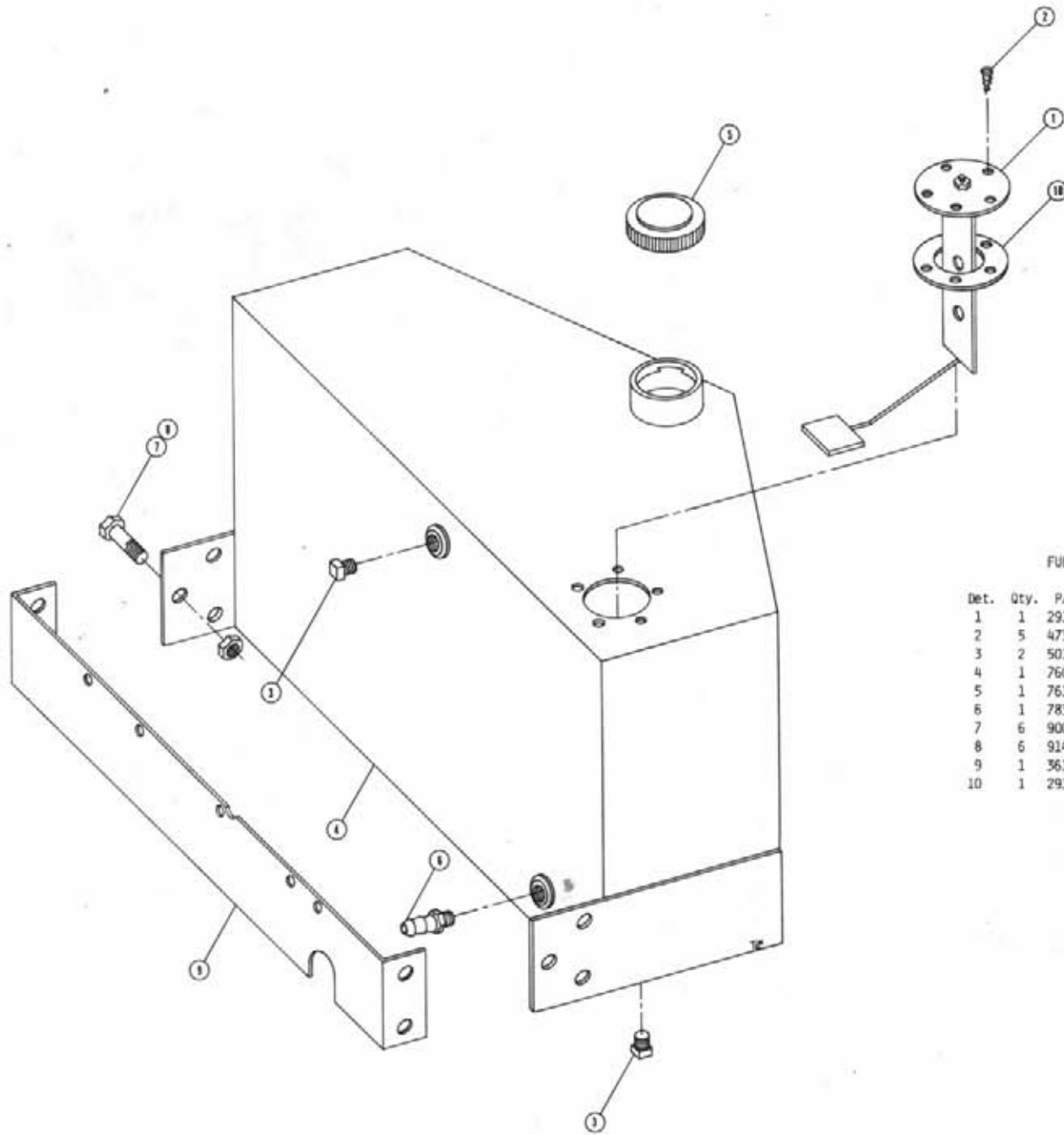
Det.	Qty.	P/N	Description
1	1	129010	Seal
2	1	785057	Brake Cable Assembly 150"
3	1	357704	Wheel Motor Shield Weldment
4	1	358417	Right Front Inner Slant Leg Weldment
5	1	358420	Left Front Inner Slant Leg Weldment
6	1	358418	Right Front Outer Slant Leg Weldment
7	1	358421	Left Front Outer Slant Leg Weldment
8	1	825004	Bearing Cup
9	1	358442	Front Leg Nylon Bearing
10	1	358442	Front Leg Lower Bearing Collar
11	1	358448	Front Leg Washer
12	2	470054	5/16 x 1/4 Allen Head Set Screw
13	1	471005	1/4-28 x 1/2 Grease Zerk
14	1	471021	1/8 NPT Grease Zerk
15	1	914000	1/4 UNC Stover Nut
16	1	483036	Key
17	1	610050	Sundstrand Wheel Motor
18	1	610052	Torque Hub 18 To 1 B-Mount
19	1	611159	3/4 MOR Plug
20	1	614524	Lower Hydraulic Tube
21	1	614575	Upper Hydraulic Tube
22	1	618302	1 5/16 MOR x 90° x 1 1/16 MJIC
23	1	618496	3/4 MOR x 45° x 9/16 MJIC
24	2	618553	1 1/16 MJIC x 7/8 MJIC
25	1	749229	Right Steering Arm Weldment
26	1	749230	Left Steering Arm Weldment
27	1	824052	1 7/2-20 x 60° Wheel Motor Nut
28	1	825003	Bearing Cone
29	1	826929	Clip Brake Retainer
30	1	826945	Brake Mount Hub
31	1	826944	Upper Lock Hub
32	1	826945	Brake Hub Mount
33	1	826959	Brake Disc
34	1	900002	1/4 UNC x 3/4 Hex Bolt
35	1	828079	Left Brake Sensor Mount Weldment
36	1	828080	Right Brake Sensor Mount Weldment
37	1	870155	4 3/16 x 4 O-Ring
38	1	900064	5/16 UNC x 3/4 Hex Bolt
39	1	900129	3/8 UNC x 1 Hex Bolt
40	1	900265	1/2 UNC x 1 1/2 Hex Bolt
41	1	900267	1/2 UNC x 2 Hex Bolt
42	1	900333	5/8 UNC x 1 1/2 Hex Bolt
43	1	900343	5/8 UNC x 4 1/2 Hex Bolt
44	1	914004	3/8 UNC Stover Nut
45	1	914006	7/16 UNC Stover Nut
46	1	914008	1/2 UNC Stover Nut
47	1	914010	5/8 UNC Stover Nut
48	1	920003	7/16 SAE Flat Washer
49	1	920004	1/2 SAE Flat Washer
50	1	920505	5/8 Lock Washer
51	1	358426	5/8 UNC TR1 U-Bolt
52	1	358446	Upper Leg V-Plate Weldment
53	1	826918	Brake Pad
54	1	291206	Speedometer Tach Sensor
55	1	473061	3/4-16 Nut
56	1	826962	Sensor Disc





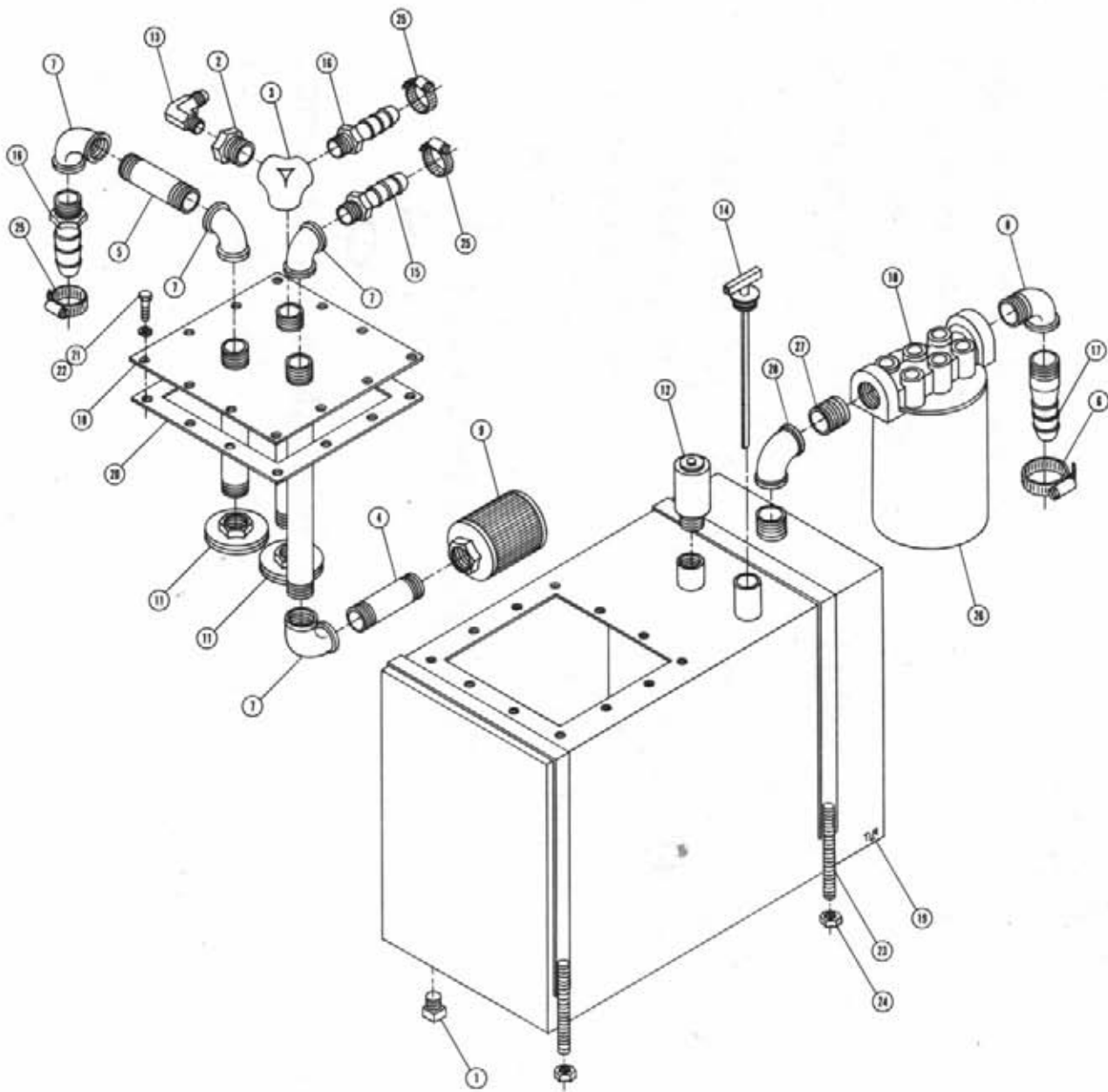
REAR LEG ASSEMBLY

Det.	Qty.	P/N	Description
1	1	125004	Bearing Cone
2	1	125007	Hub Cap
3	1	125010	Bearing Cone
4	1	129003	Spindle Nut
5	1	129025	Grease Seal
6	1	358423	Right Rear Leg Weldment
7	1	358425	Left Rear Leg Weldment
8	1	471005	1/4-28 x 1/2 Grease Zerk
9	1	472008	5/32 x 1 Cotter Pin
10	1	479999	Washer
11	6	824052	1/2-20 x 60P Wheel Stud Nut
12	1	825101	Hub With Cups
13	2	358426	5/8 UNC Tri Bend U-Bolt
14	1	358446	Upper Leg V-Plate Weldment
15	4	914010	5/8 UNC Lock Nut



FUEL TANK ASSEMBLY

Det.	Qty.	P/N	Description
1	1	291428	Fuel Sender
2	5	473902	No. 8 x 1/2 Pan Head Screw
3	2	501102	1/4 Pipe Nipple
4	1	760091	Fuel Tank Weldment
5	1	761200	Gas Cap
6	1	783303	1/4 NPT x 5/16 Hose Barb
7	6	900264	1/2 UNC x 1 1/4 Hex Bolt
8	6	914008	1/2 UNC Lock Nut
9	1	361294	Front Tie Plate
10	1	291464	Fuel Sender Gasket



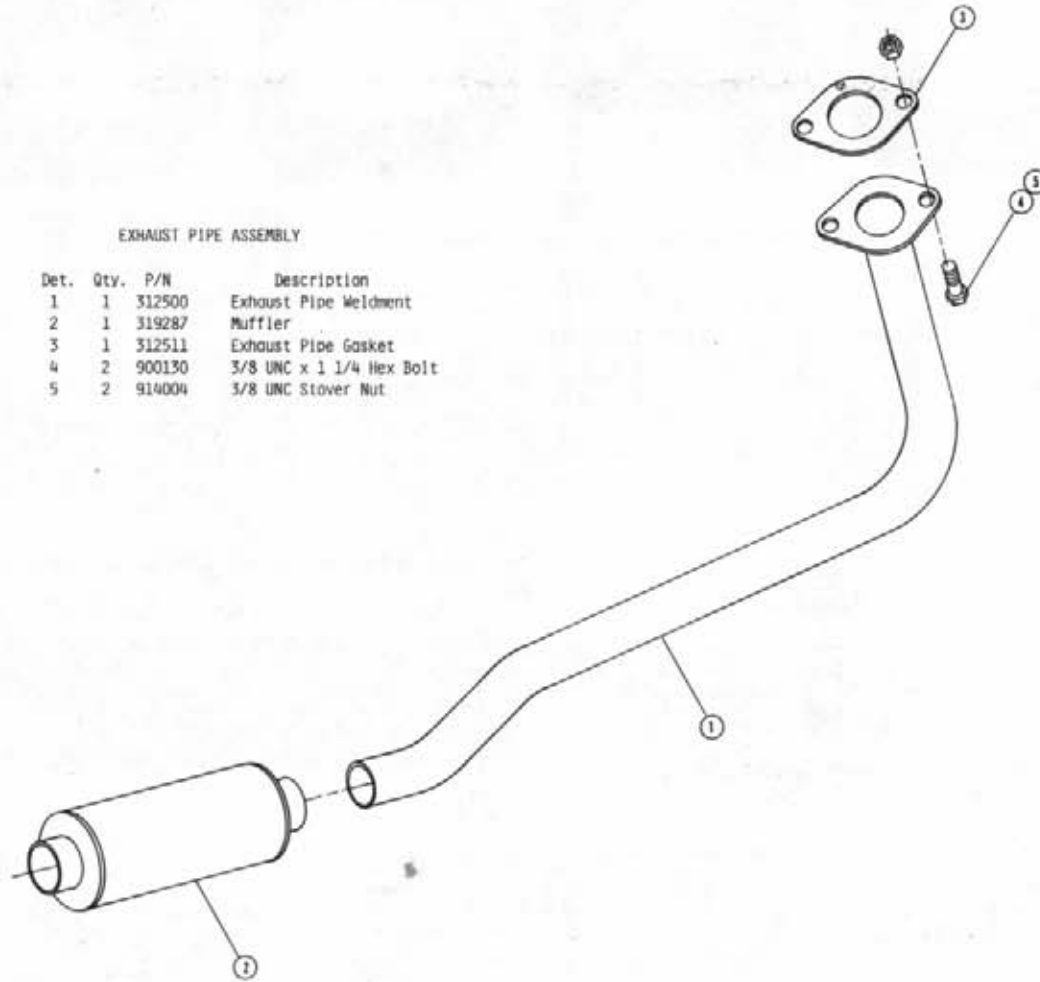
#### HYDRAULIC TANK ASSEMBLY

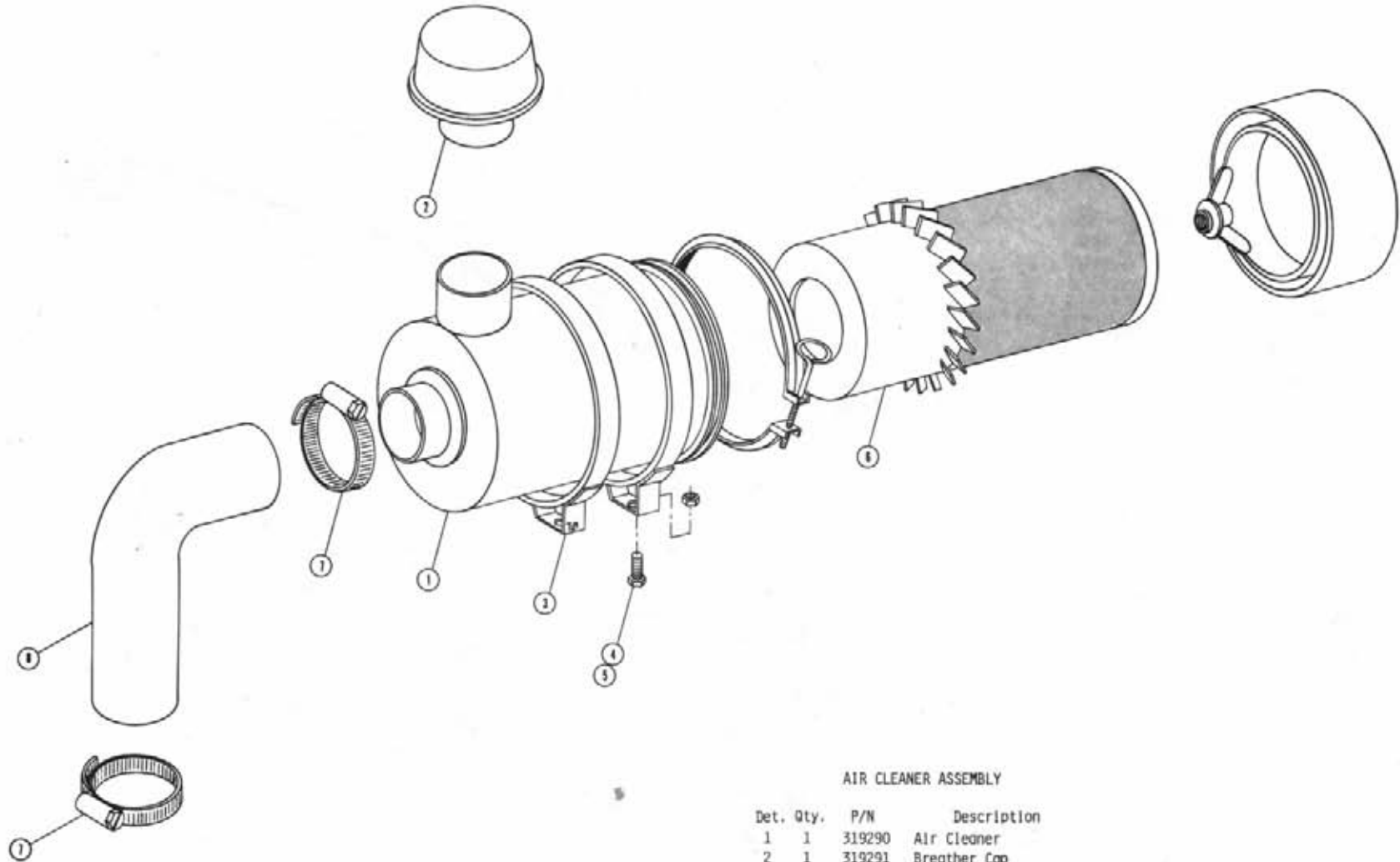
Det.	Qty.	P/N	Description
1	1	501102	1/4 NPT Pipe Plug
2	1	505006	1 NPT To 1/4 NPT Reducer Bushing
3	1	505098	1 NPT x 90° Side Outlet Elbow
4	1	505202	1 NPT x 2 Pipe Nipple
5	1	505210	1 NPT x 3 Pipe Nipple
6	1	520067	No. 28 Hose Clamp
7	4	505300	1 NPT x 90° Elbow
8	1	506410	1 1/4 NPT x 90° Street Elbow
9	1	605600	Michigan Filter
10	1	605601	Gresen Filter Element
11	2	605603	Line Diffuser
12	1	611051	3/4 NPT Pressure Cap
13	1	611122	1/4 NPT x 90° x 9/16 MJIC
14	1	614453	8 Inch Dipstick
15	1	714560	1 NPT x 1 Hose Barb
16	2	714331	1 NPT x 3/4 Hose Barb
17	1	715660	1 1/4 NPT x 1 1/4 Hose Barb
18	1	760090	Receiver Plate Weldment
19	1	760106	Hydraulic Oil Tank Weldment
20	1	763039	Gasket
21	12	900064	5/16 UNC x 3/4 Hex Bolt
22	12	920001	5/16 SAE Flat Washer
23	2	341360	Oil Tank Strap Weldment
24	4	914004	3/8 UNC Stover Nut
25	3	520055	No. 12 Hose Clamp
26	1	605602	Oil Filter Element
27	1	506200	1 1/4 NPT Close Nipple
28	1	506303	1 1/4 NPT Elbow



EXHAUST PIPE ASSEMBLY

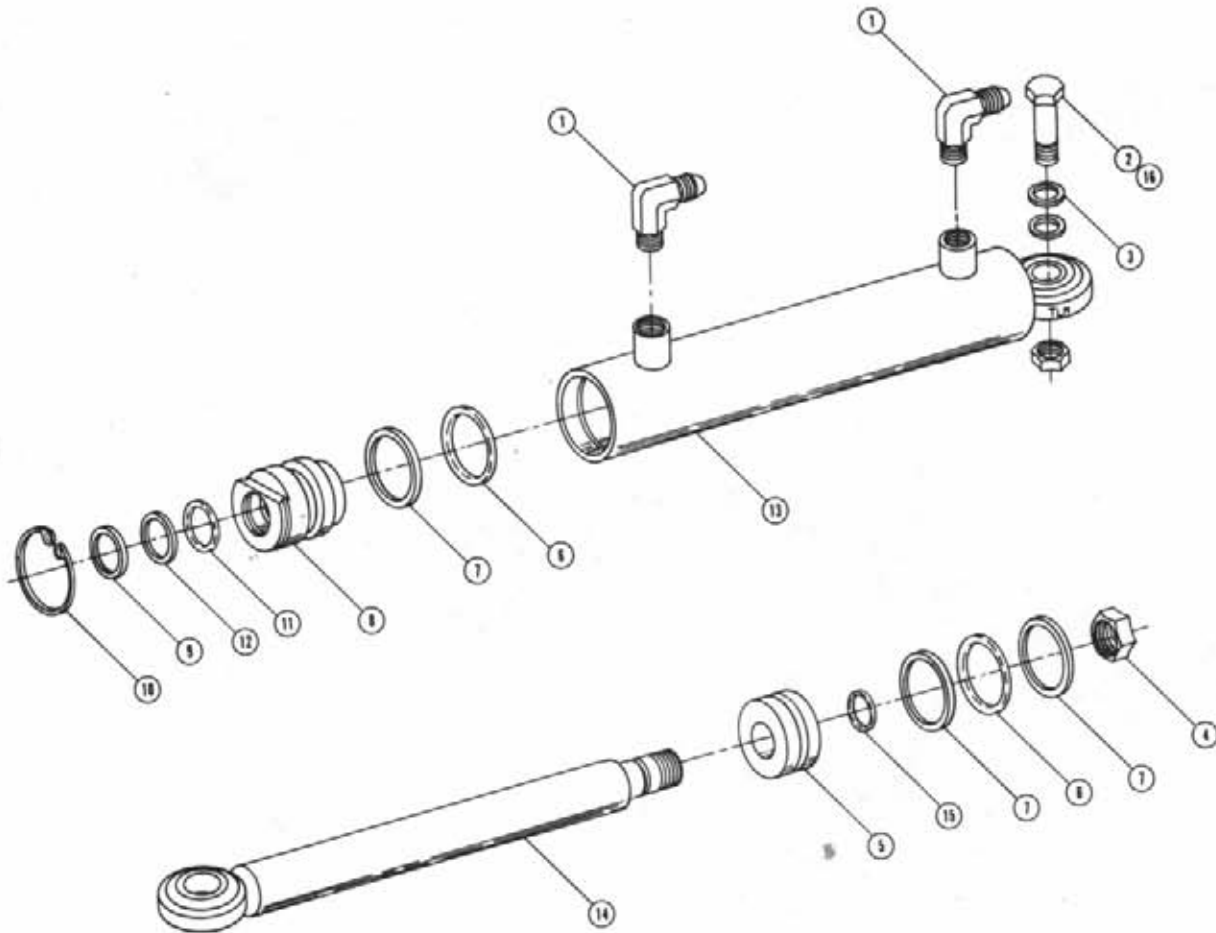
Det.	Qty.	P/N	Description
1	1	312500	Exhaust Pipe Weldment
2	1	319287	Muffler
3	1	312511	Exhaust Pipe Gasket
4	2	900130	3/8 UNC x 1 1/4 Hex Bolt
5	2	914004	3/8 UNC Stover Nut





AIR CLEANER ASSEMBLY

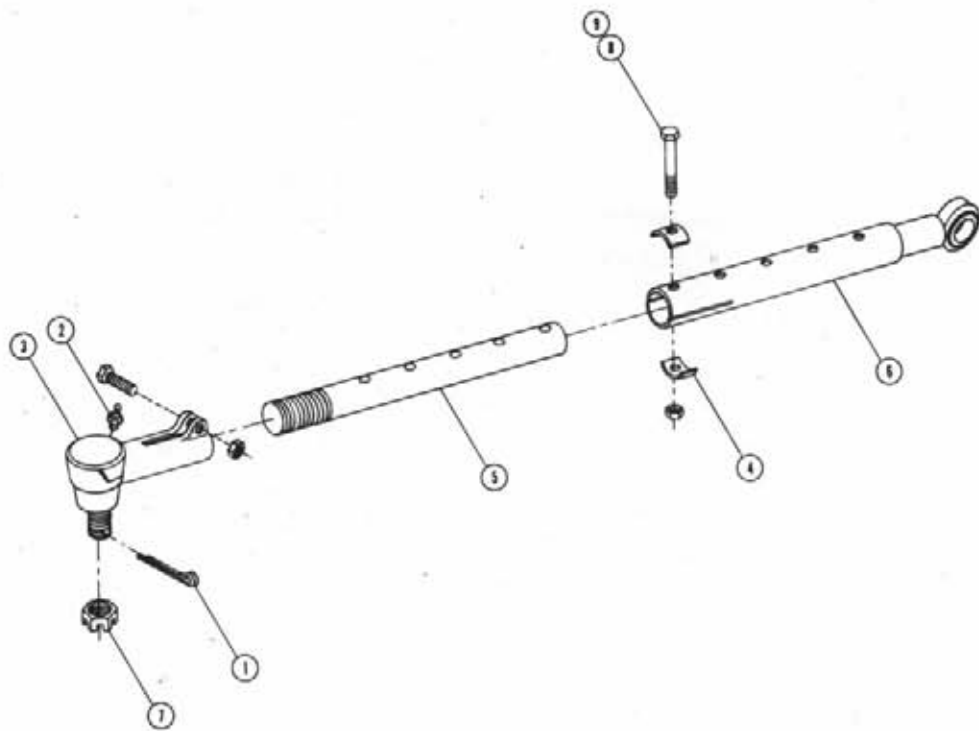
Det. Qty.	P/N	Description
1	1	319290 Air Cleaner
2	1	319291 Breather Cap
3	2	319292 Air Cleaner Band
4	4	470118 1/4 UNC x 3/4 Flanged Hex Bolt
5	4	470121 1/4 UNC Flanged Whiz Nut
6	1	319255 Air Cleaner Filter
7	2	520099 No. 40 Hose Clamp
8	1	312471 Air Cleaner Hose



STEERING CYLINDER ASSEMBLY

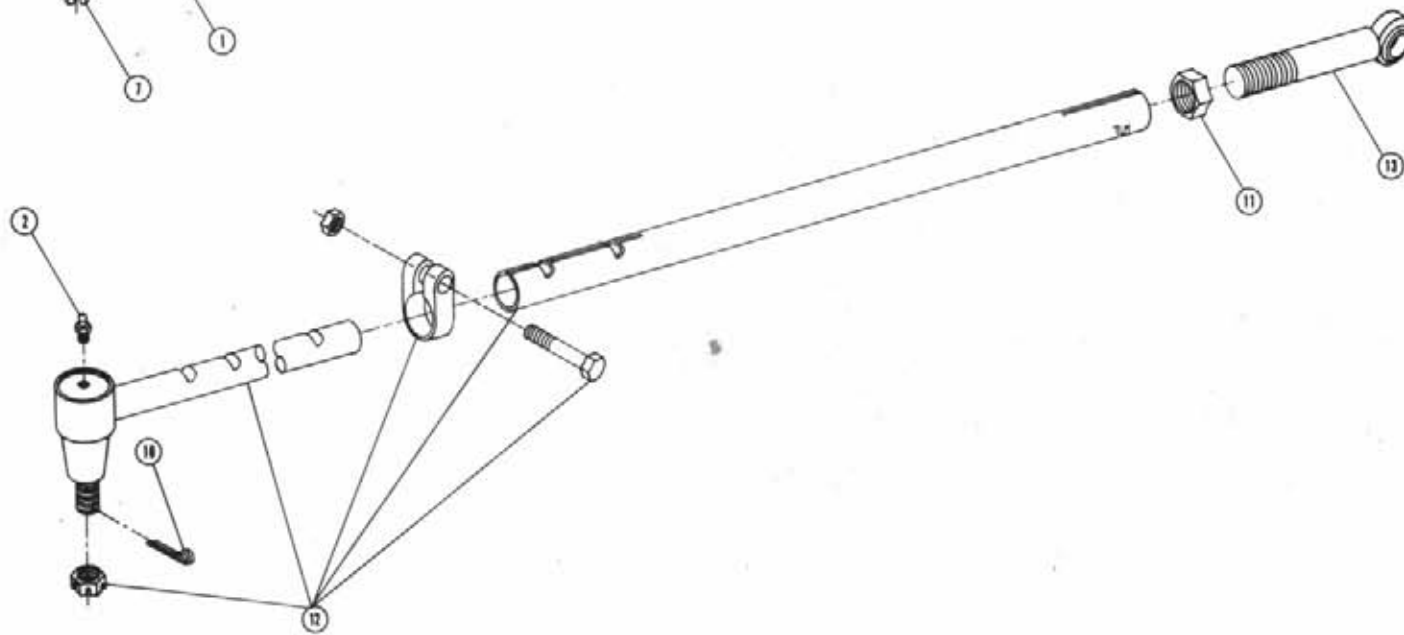
Det.	Qty.	P/N	Description
1	2	611122	1/4 NPT x 90° x 9/16 MJIC
2	1	914010	5/8 UNC Stover Nut
3	2	920005	5/8 Flat Washer
4	1	472297	3/4 UNF Thin Hex Nut
5	1	620081	Piston
6	2	870326	1 5/8 x 2 O-Ring
7	3	890326	1 5/8 x 2 Back Up Washer
8	1	620082	Gland
9	1	629003	1 x 1 1/4 x 1/8 Wiper
10	1	629505	2" Snap Ring
11	1	870214	1 x 1 1/4 O-Ring
12	1	890214	1 x 1 1/4 Back Up Washer
13	1	620157	Tube Weldment
14	1	620162	Shaft Weldment
15	1	870113	9/16 x 3/4 O-Ring
16	1	900352	5/8 UNC x 2 1/4 Hex Bolt

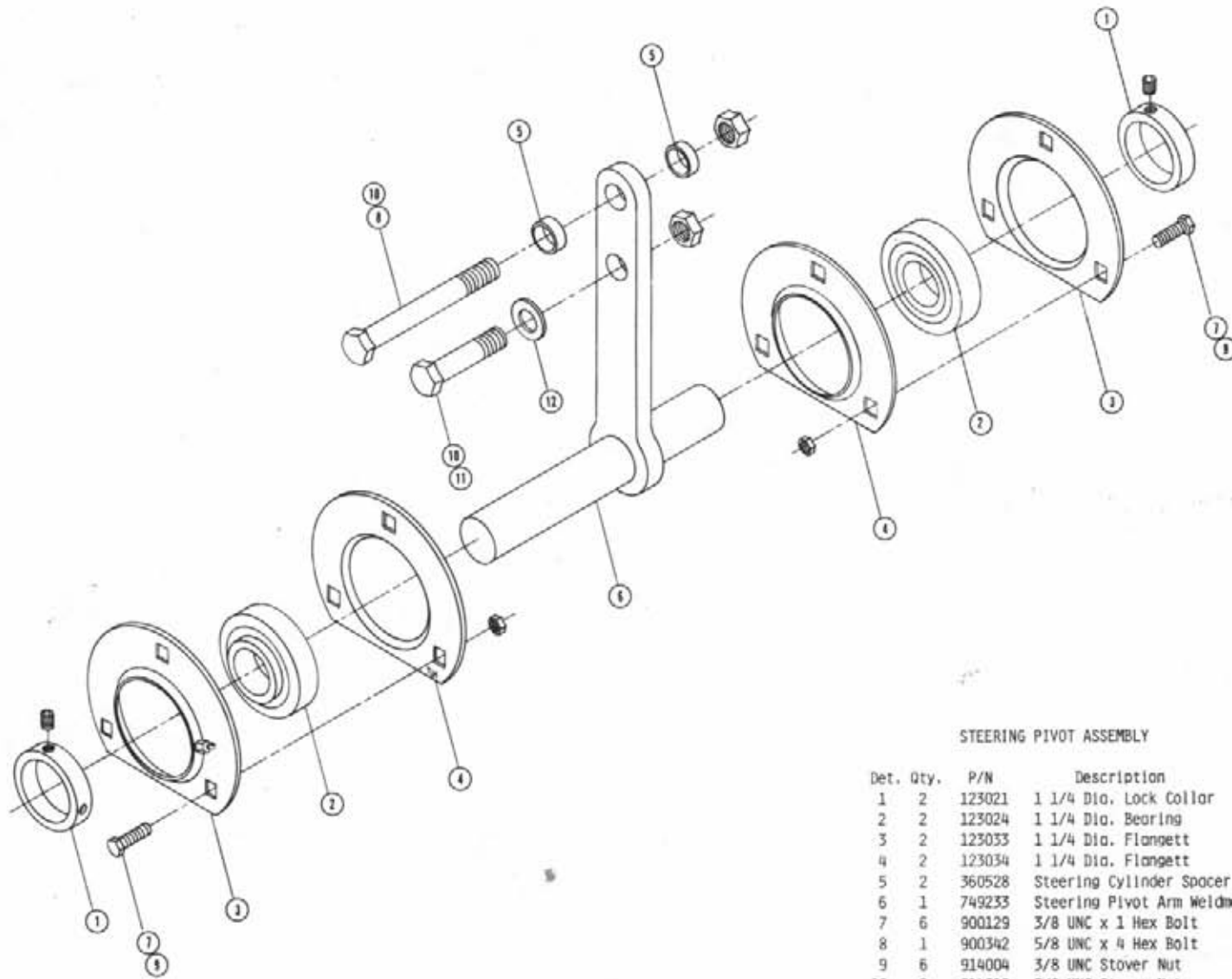
NOTE: Steering Cylinder Assembly Without Fittings - 620156  
 Steering Cylinder Assembly With Fittings - 620073  
 Seal Kit - 620083



TIE ROD ASSEMBLY

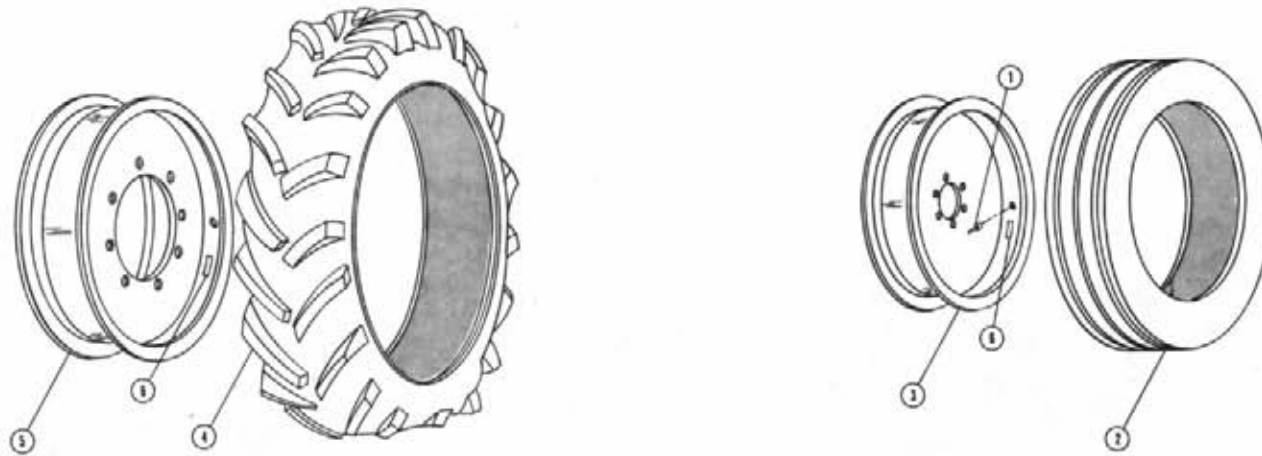
Det.	QTY.	P/N	Description
1	1	470032	1/8 x 1 1/2 Cotter Pin
2	2	471021	1/8 NPT Grease Zerk
3	1	749156	Female Socket Assembly
4	2	749208	Tie Rod Clamp
5	1	749238	Tie Rod
6	1	749239	Tie Rod Tube Weldment
7	1	822040	5/8 UNF Slotted Hex Nut
8	1	900170	3/8 UNC x 2 1/4 Hex Bolt
9	1	914004	3/8 UNC Stover Nut
10	1	470038	1/8 x 1 3/4 Cotter Pin
11	1	740426	Tie Rod Locking Nut
12	1	749164	Tie Rod Assembly
13	1	749242	Tie Rod End Weldment





STEERING PIVOT ASSEMBLY

Det. Qty.	P/N	Description
1	2	123021 1 1/4 Dia. Lock Collar
2	2	123024 1 1/4 Dia. Bearing
3	2	123033 1 1/4 Dia. Flangett
4	2	123034 1 1/4 Dia. Flangett
5	2	360528 Steering Cylinder Spacer
6	1	749233 Steering Pivot Arm Weldment
7	6	900129 3/8 UNC x 1 Hex Bolt
8	1	900342 5/8 UNC x 4 Hex Bolt
9	6	914004 3/8 UNC Stover Nut
10	2	914010 5/8 UNC Stover Nut
11	1	900336 5/8 UNC x 2 1/2 Hex Bolt
12	1	920005 5/8 Flat Washer

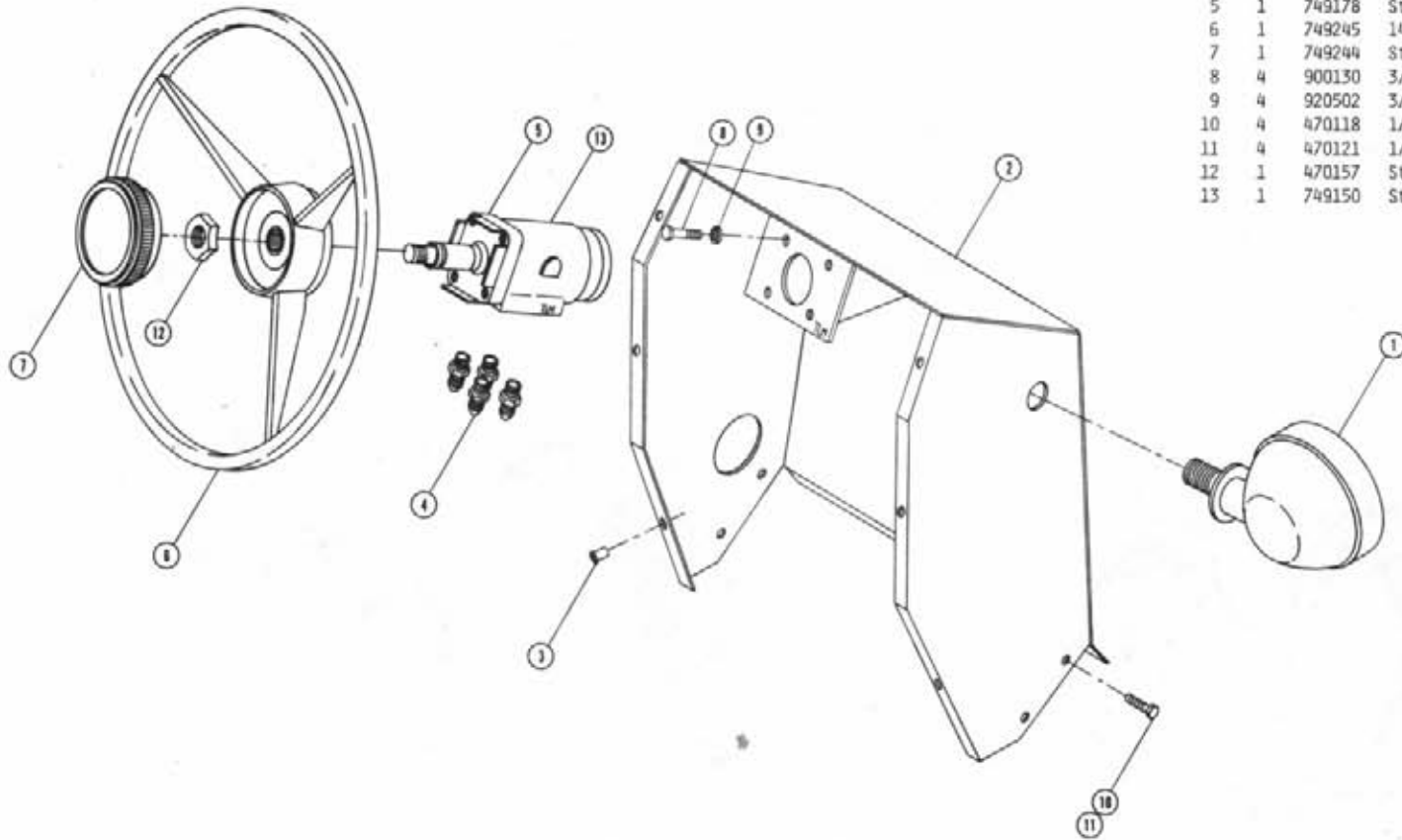


TIRE AND RIM ASSEMBLY

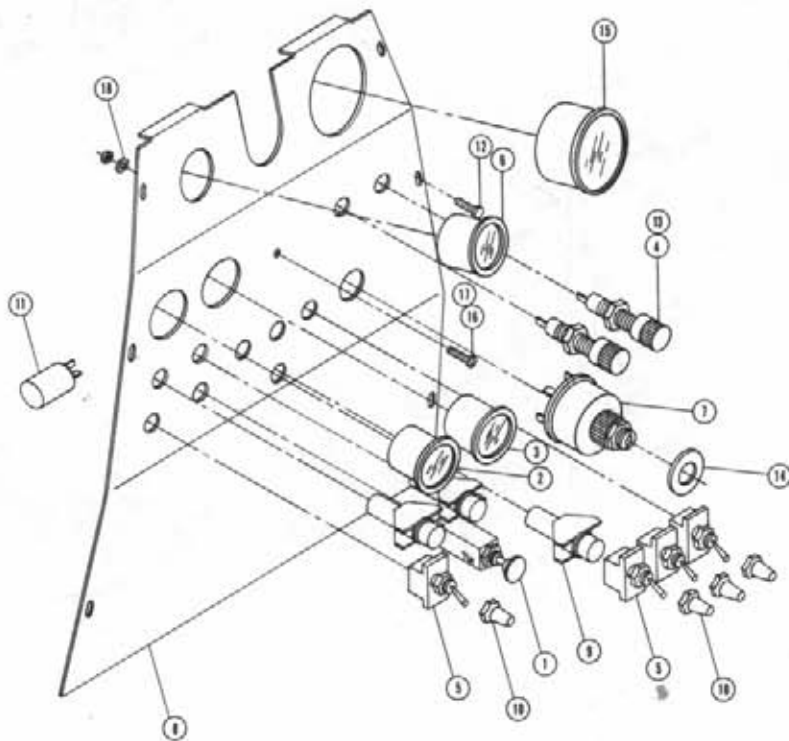
Det.	Qty.	P/N	Description
1	1	821252	Valve Stem
2	1	820508	7.50 x 20 4 Ply Rib Tire
3	1	825141	Rim
4	1	820201	11.2 x 24 Tire
5	1	820600	Rim Weldment
6	2	650985	Wheel Bolt Torque Decal

STEERING WHEEL ASSEMBLY

Det. Qty.	P/N	Description
1	2	291089 Adjustable Light
2	1	341487 Steering Motor Mount Weldment
3	6	470086 1/4 UNC Nutsert
4	4	618109 3/4 MOR x 9/16 MJIC
5	1	749178 Steering Column
6	1	749245 14" Dia Steering Wheel
7	1	749244 Steering Wheel Cap
8	4	900130 3/8 UNC x 1 1/4 Hex Bolt
9	4	920502 3/8 Lock Washer
10	4	470118 1/4 UNC x 3/4 Flanged Hex Bolt
11	4	470121 1/4 UNC Flanged Whiz Nut
12	1	470157 Steering Wheel Nut
13	1	749150 Steering Motor Non-Load Reacting

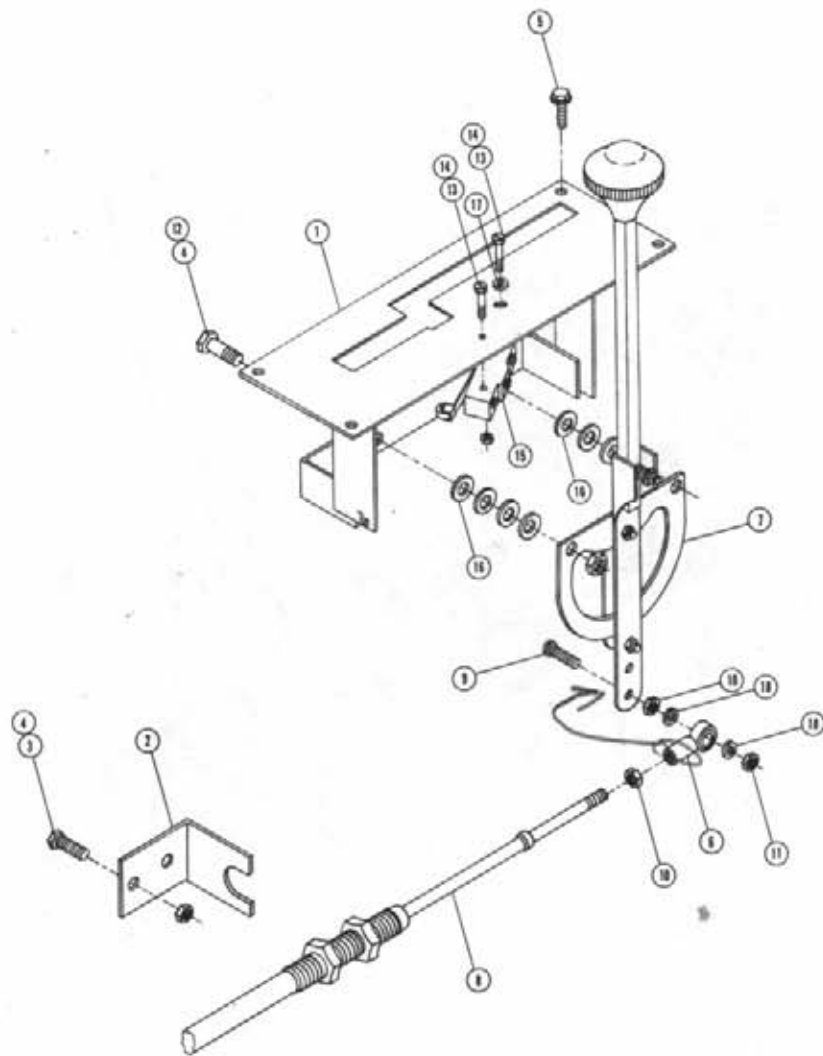






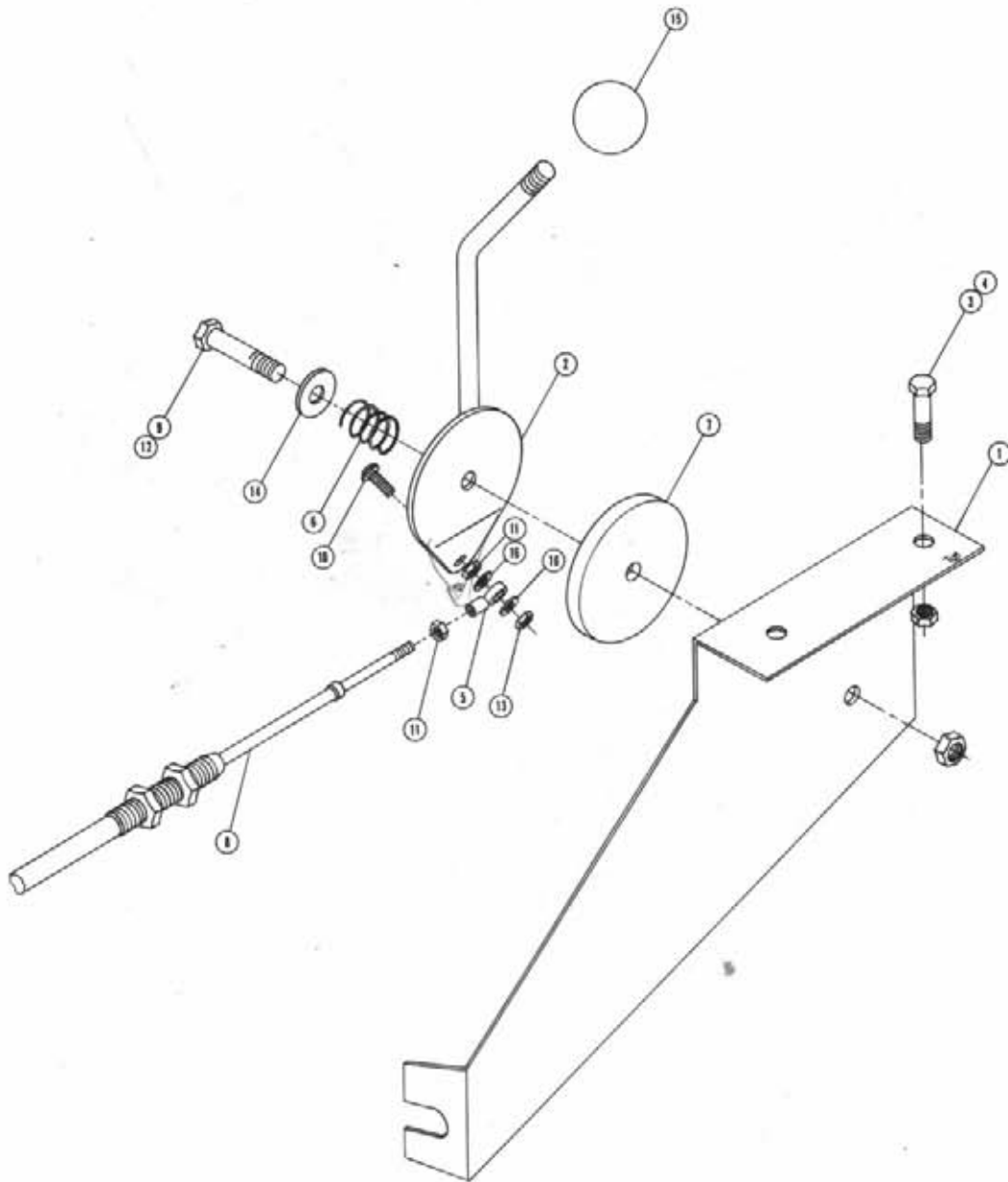
INSTRUMENT PANEL ASSEMBLY

Det.	Qty.	P/N	Description
1	1	290046	Light Switch
2	1	290401	Fuel Gauge
3	1	291203	Hour Meter
4	2	298011	Fuse Holder
5	4	298012	Toggle Switch
6	1	314436	Temperature Gauge
7	1	321020	Ignition Switch
8	1	341486	Instrument Panel
9	3	390318	Indicator Light
10	4	470001	Rubber Boot
11	1	473917	SAE 536 Flasher
12	6	470122	1/4-20 x 1/2 Flanged Hex Bolt
13	2	298004	20 Amp Fuse
14	1	483031	7/8 I.D. x 1 3/8 O.D. Washer
15	1	674000	Speedometer
16	1	903883	No. 10-32 x 1/2 Round Head Machine Screw
17	1	910027	No. 10 UNF Hex Nut
18	1	920510	No. 10 Lock Washer



HYDROSTATIC LEVER ASSEMBLY

Det.	Qty.	P/N	Description
1	1	341501	Hydrostatic Control Lever Mount
2	1	341502	Hydrostatic Cable Mount
3	2	470118	1/4 UNC x 3/4 Flanged Hex Bolt
4	4	470121	1/4 UNC Flanged Nut
5	4	470122	1/4-20 x 1/2 Flanged Hex Bolt
6	1	473921	No. 10-32 Ball Joint
7	1	606864	Control Lever
8	1	785058	Hydrostatic Cable 85"
9	1	472223	No. 10-32 x 1 Round Head Screw
10	2	910027	No. 10 UNF Hex Nut
11	1	914027	No. 10-32 Stover Nut
12	2	900003	1/4 UNC x 1 Hex Bolt
13	2	910022	No. 6-32 Hex Bolt
14	2	473993	No. 6-32 x 1 1/8 Hex Head Machine Screw
15	1	293006	Micro Switch
16	8	920000	1/4 Flat Washer SAE
17	1	920011	No. 6 SAE Flat Washer
18	2	920510	No. 10 Lock Washer

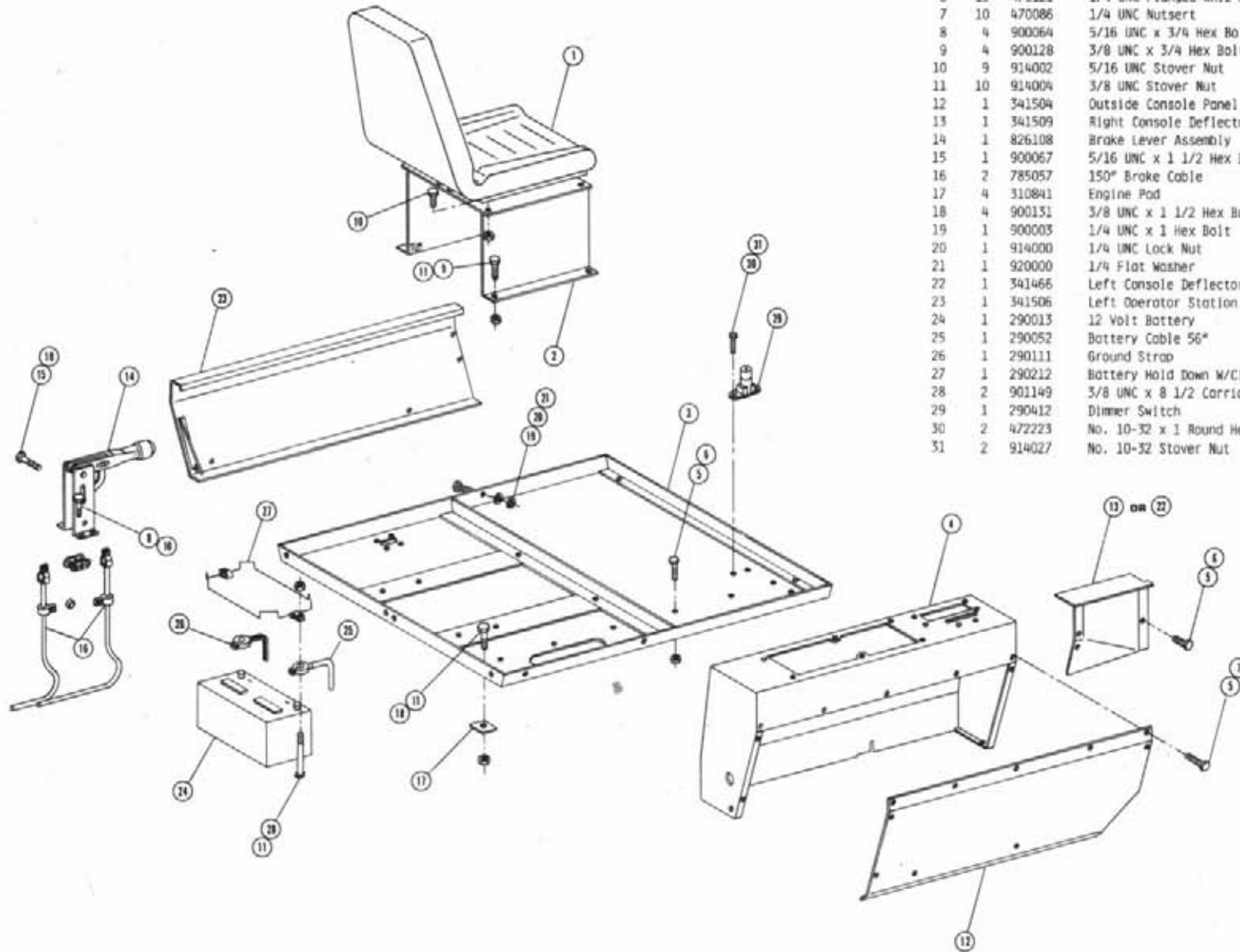


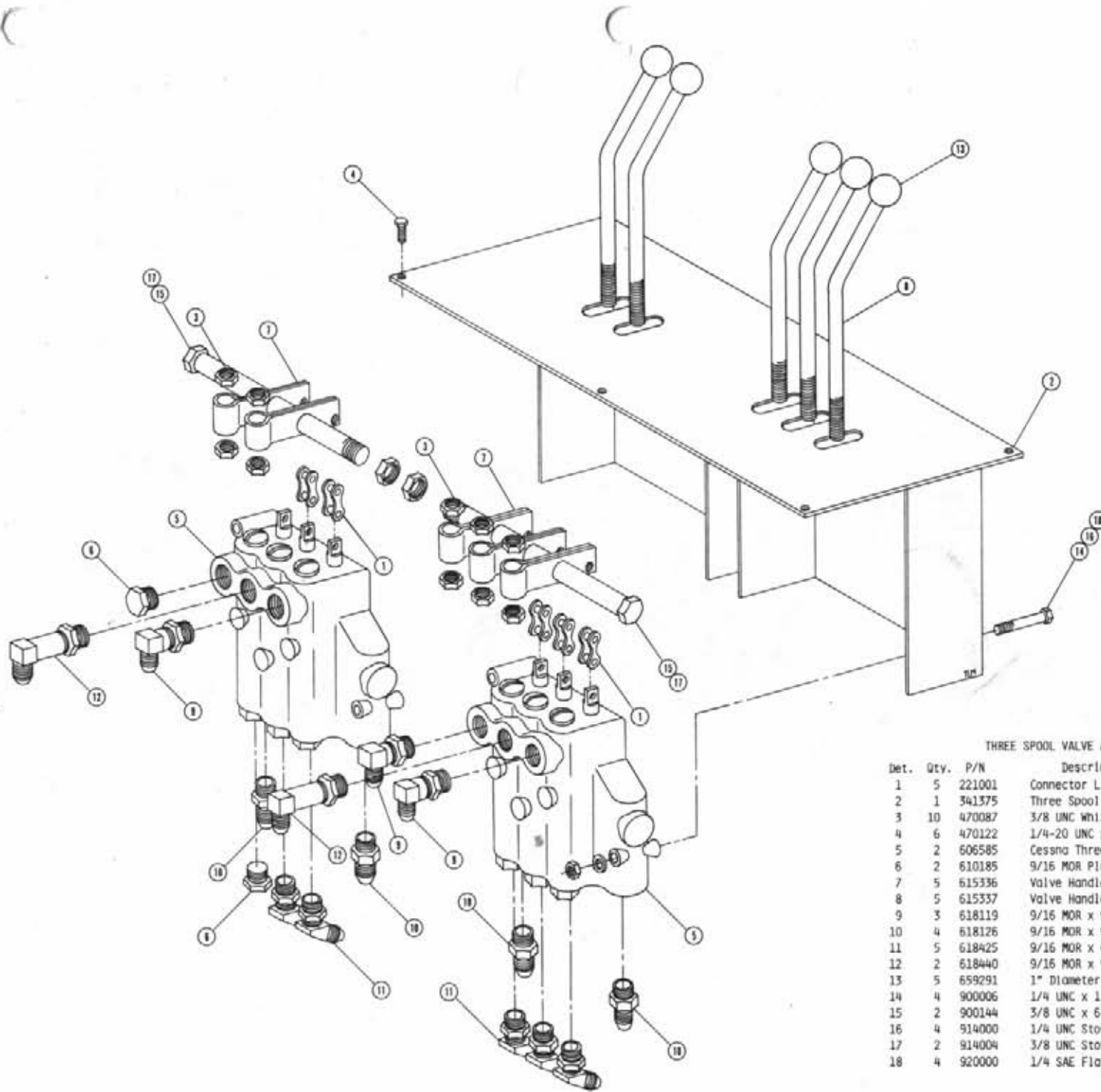
THROTTLE LEVER ASSEMBLY

Det.	Qty.	P/N	Description
1	1	341503	Throttle Lever Mount
2	1	341518	Throttle Lever Weldment
3	2	470118	1/4 UNC x 3/4 Flanged Hex Bolt
4	2	470121	1/4 UNC Flanged Whiz Nut
5	1	473921	No. 10-32 Ball Joint
6	1	499001	Spring
7	1	785046	Friction Disc
8	1	785056	4" Stroke x 58" Throttle Cable
9	1	900170	3/8 UNC x 2 1/4 Hex Bolt
10	1	472223	No. 10-32 x 1 Round Head Machine Screw
11	2	910027	No. 10 UNF Hex Nut
12	1	914004	3/8 UNC Stover Nut
13	1	914027	No. 10-32 Stover Nut
14	1	920002	3/8 SAE Flat Washer
15	1	659292	1 7/8 Dia. Ball Knob
16	2	920510	No. 10 Lock Washer

OPERATOR STATION ASSEMBLY

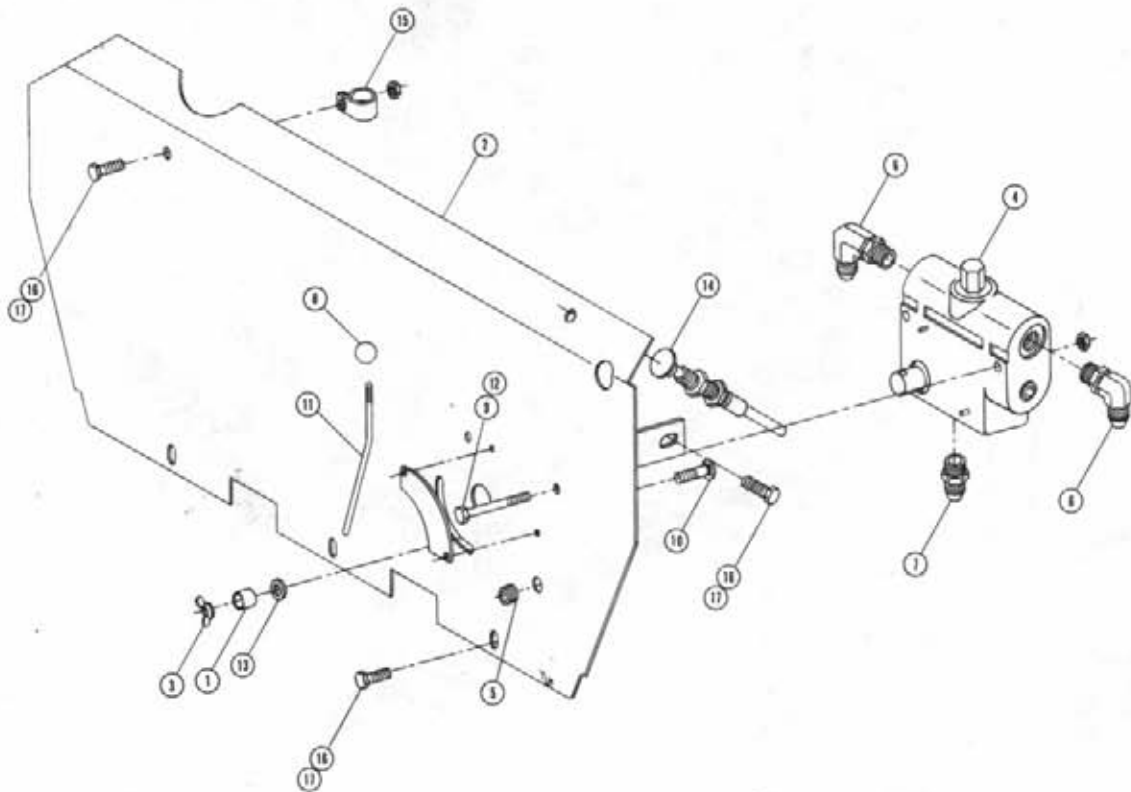
Det.	Qty.	P/N	Description
1	1	330002	Seat
2	1	341336	Seat Mount Weldment
3	1	341458	Operator Station Weldment
4	1	341497	Console Weldment
5	25	470118	1/4 UNC x 3/4 Flanged Bolt
6	15	470121	1/4 UNC Flanged Whiz Nut
7	10	470086	1/4 UNC Nutsert
8	4	900064	5/16 UNC x 3/4 Hex Bolt
9	4	900128	3/8 UNC x 3/4 Hex Bolt
10	9	914002	5/16 UNC Stover Nut
11	10	914004	3/8 UNC Stover Nut
12	1	341504	Outside Console Panel
13	1	341509	Right Console Deflector Weldment
14	1	826108	Brake Lever Assembly
15	1	900067	5/16 UNC x 1 1/2 Hex Bolt
16	2	785057	150" Brake Cable
17	4	310841	Engine Pod
18	4	900151	3/8 UNC x 1 1/2 Hex Bolt
19	1	900003	1/4 UNC x 1 Hex Bolt
20	1	914000	1/4 UNC Lock Nut
21	1	920000	1/4 Flat Washer
22	1	341466	Left Console Deflector Weldment
23	1	341506	Left Operator Station Panel Weldment
24	1	290013	12 Volt Battery
25	1	290052	Battery Cable 56"
26	1	290111	Ground Strap
27	1	290212	Battery Hold Down W/Clamps
28	2	901149	3/8 UNC x 8 1/2 Carriage Bolt
29	1	290412	Dimmer Switch
30	2	472223	No. 10-32 x 1 Round Head Machine Screw
31	2	914027	No. 10-32 Stover Nut





THREE SPOOL VALVE ASSEMBLY

Det.	Qty.	P/N	Description
1	5	221001	Connector Link Clip
2	1	341375	Three Spool Valve Mount Weldment
3	10	470087	3/8 UNC Whiz Nut
4	6	470122	1/4-20 UNC x 1/2 Flanged Hex Bolt
5	2	606585	Cessna Three Spool Valve
6	2	610185	9/16 MOR Plug
7	5	615336	Valve Handle Link
8	5	615337	Valve Handle
9	3	618119	9/16 MOR x 90° x 9/16 MJIC
10	4	618126	9/16 MOR x 9/16 MJIC
11	5	618425	9/16 MOR x 45° x 9/16 MJIC
12	2	618440	9/16 MOR x 90° x 9/16 MJIC
13	5	659291	1" Diameter Ball Knob
14	4	900006	1/4 UNC x 1 3/4 Hex Bolt
15	2	900144	3/8 UNC x 6 1/2 Hex Bolt
16	4	914000	1/4 UNC Stover Nut
17	2	914004	3/8 UNC Stover Nut
18	4	920000	1/4 SAE Flat Washer

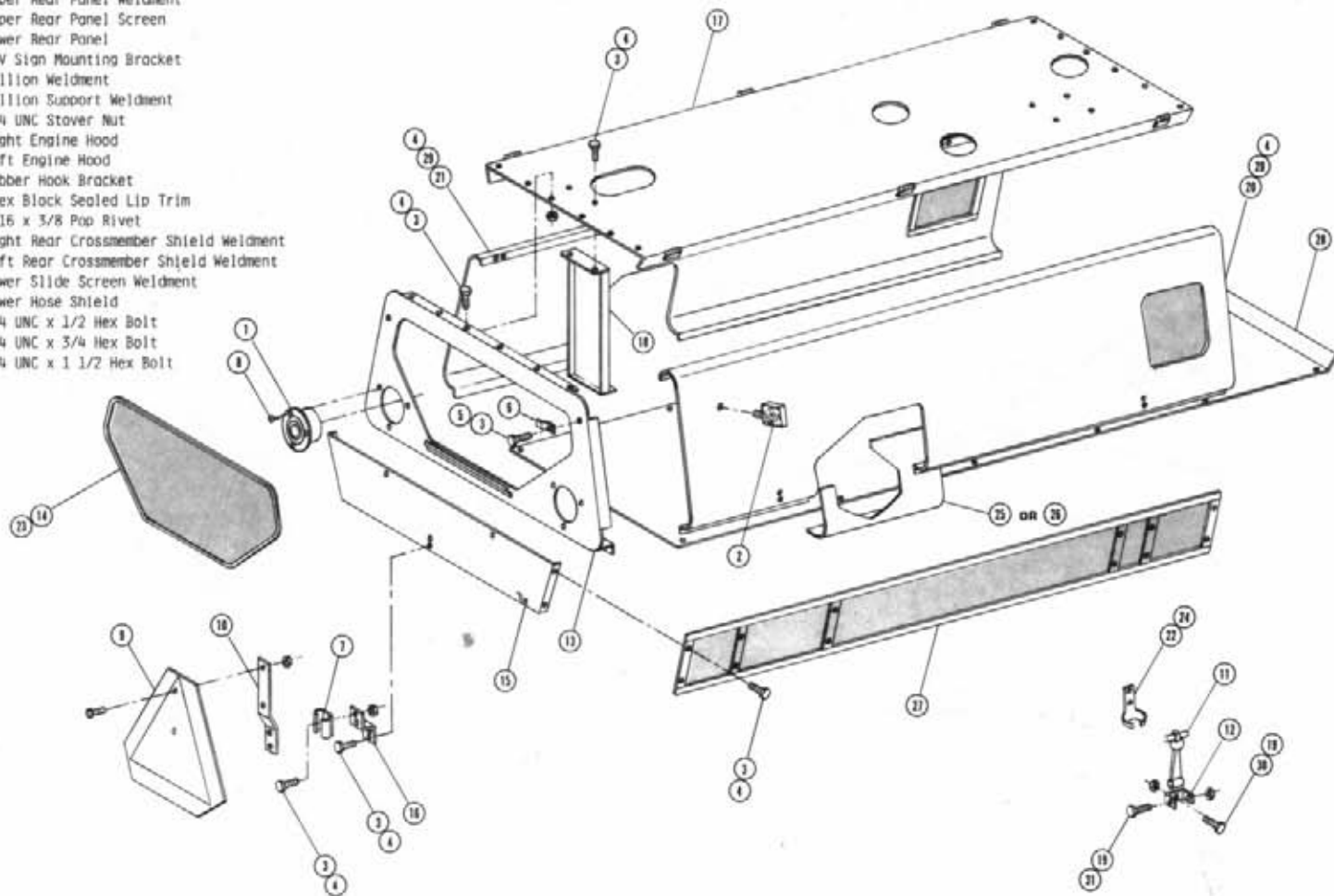


VARIABLE FLOW CONTROL ASSEMBLY

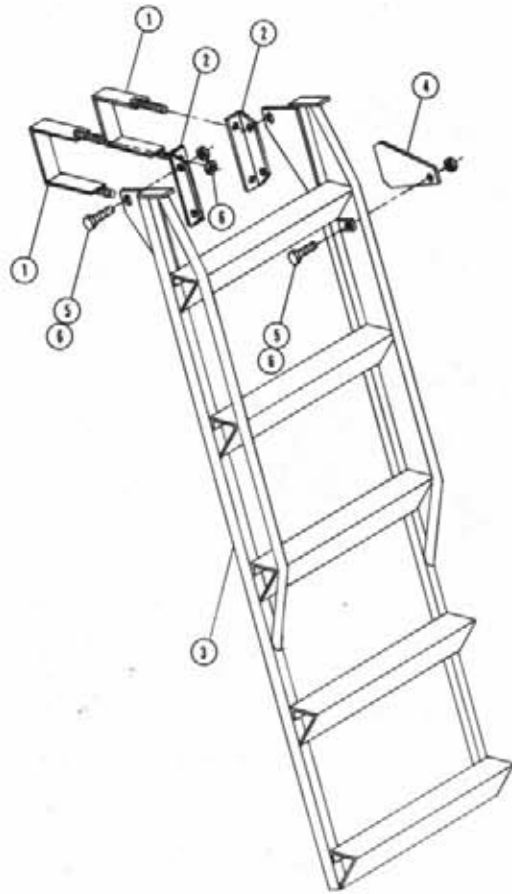
Det.	Qty.	P/N	Description
1	1	341465	.50 O.D. x .035 Wd. x .75 Bushing
2	1	341494	Kick Panel Weldment
3	1	473900	5/16 UNC Wing Nut
4	1	606818	FCRSI 0-16 Flow Control - 7/8 MDR Ports
5	1	470070	3/8 I.D. Grommet
6	2	618183	7/8 MDR x 90° x 3/4 MJIC
7	1	618327	7/8 MDR x 3/4 MJIC
8	1	659291	1 Dia. Ball Knob
9	1	900023	1/4 UNC x 2 1/4 Hex Bolt
10	1	901066	5/16 UNC x 1 1/4 Carriage Bolt
11	1	615491	Flow Control Lever Weldment
12	2	914000	1/4 UNC Stover Nut
13	1	920002	3/8 UNC Flat Washer
14	1	780101	144" Choke Control Cable
15	1	520121	1 Dia. Cushion Clamp
16	6	470118	1/4 UNC x 3/4 Flanged Hex Bolt
17	6	470121	1/4 UNC Flanged Nut

SHEET METAL ASSEMBLY

Det.	Qty.	P/N	Description
1	2	291036	Tail Light
2	2	291114	Flasher Light
3	44	470118	1/4 UNC x 1/4 Flanged Hex Bolt
4	50	470121	1/4-20 Flanged Whiz Nut
5	2	470086	1/4 UNC Nutsert
6	2	470151	Upper Rear Panel Screen Clip
7	1	472251	Mounting Socket
8	6	472352	No. 10 x 9/16 Self-Tapping Screw
9	1	472249	Slow Moving Vehicle Sign
10	1	472250	Spade Mounting Bracket
11	4	656998	Rubber Hook
12	4	656999	Rubber Hook Anchor Bracket
13	1	659679	Upper Rear Panel Weldment
14	1	659682	Upper Rear Panel Screen
15	1	659683	Lower Rear Panel
16	1	659684	SMV Sign Mounting Bracket
17	1	659779	Mullion Weldment
18	1	659687	Mullion Support Weldment
19	8	914000	1/4 UNC Stover Nut
20	1	659759	Right Engine Hood
21	1	659763	Left Engine Hood
22	4	656997	Rubber Hook Bracket
23	6	193016	Flex Block Sealed Lip Trim
24	8	485053	3/16 x 3/8 Pop Rivet
25	1	659698	Right Rear Crossmember Shield Weldment
26	1	659699	Left Rear Crossmember Shield Weldment
27	2	659703	Lower Slide Screen Weldment
28	1	361290	Lower Hose Shield
29	12	900000	1/4 UNC x 1/2 Hex Bolt
30	4	900002	1/4 UNC x 3/4 Hex Bolt
31	4	900005	1/4 UNC x 1 1/2 Hex Bolt

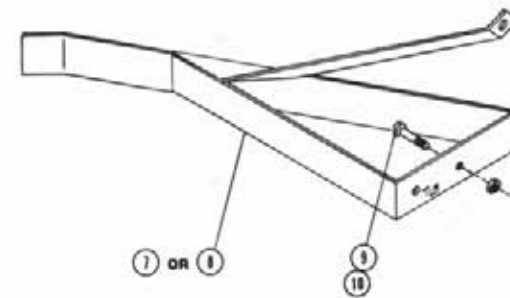






LADDER ASSEMBLY

Det. Qty.	P/N	Description
1	2	341469 Ladder Mount Strap Weldment
2	2	341470 Ladder Mount Weldment
3	1	341544 Ladder Weldment
4	1	341552 Ladder Prop
5	3	900129 3/8 UNC x 1 Hex Bolt
6	7	914004 3/8 UNC Stover Nut

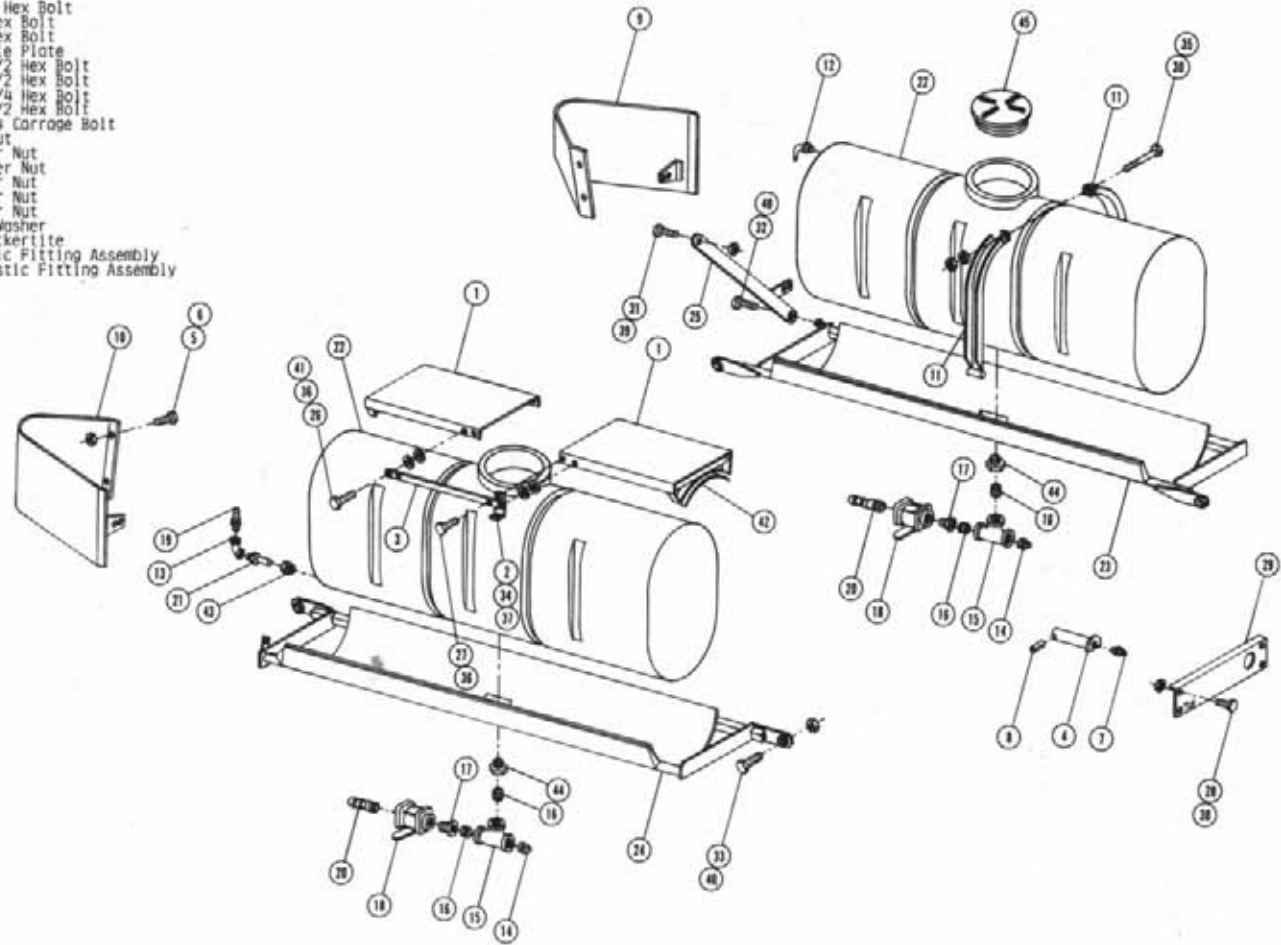


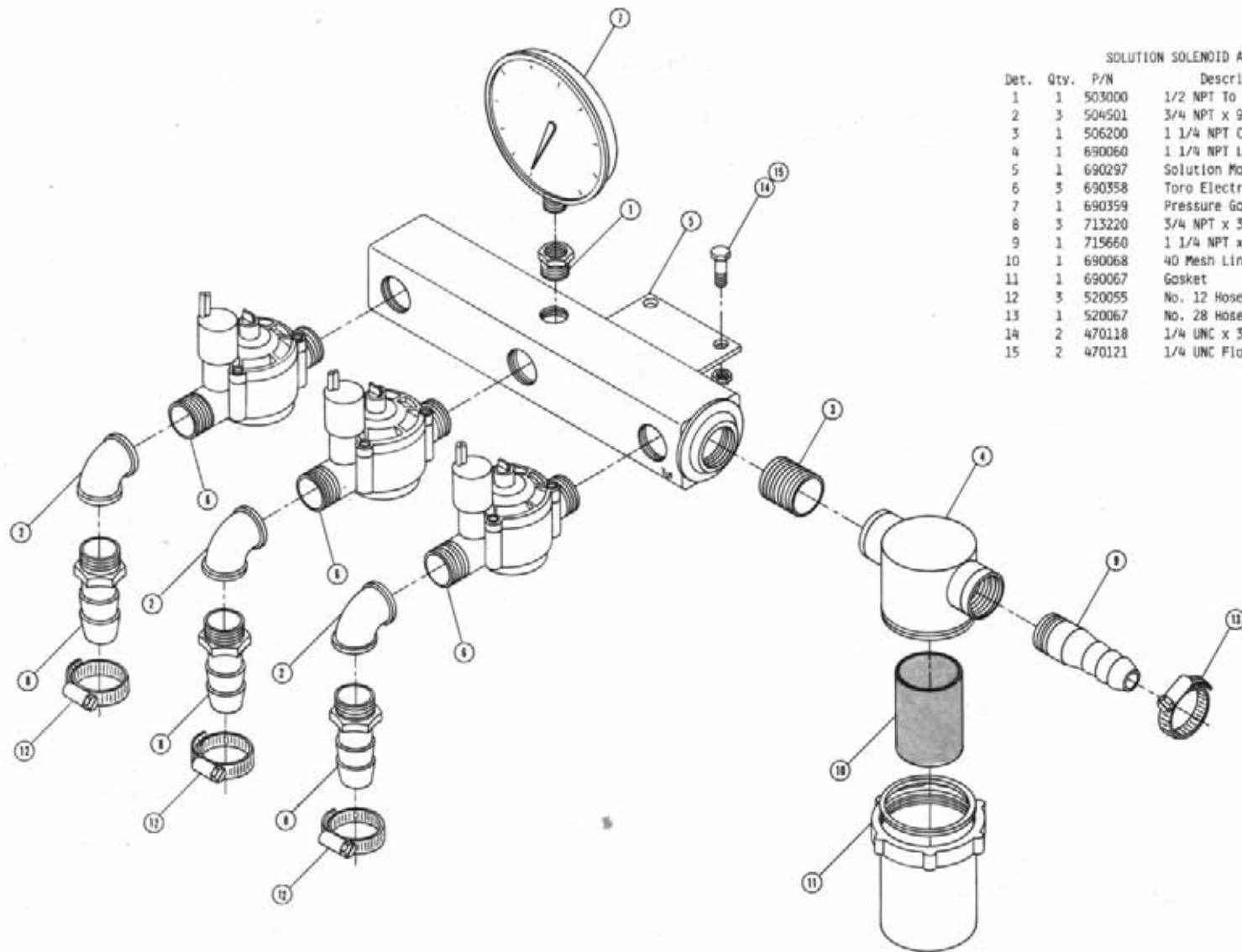
STALK GUIDE ASSEMBLY

Det. Qty.	P/N	Description
7	1	662164 Left Stalk Guide Weldment
8	1	662208 Right Stalk Guide Weldment
9	2	900129 3/8 UNC x 1 Hex Bolt
10	2	914004 3/8 UNC Stover Nut

POLYETHYLENE 200 GALLON SOLUTION TANK ASSEMBLY

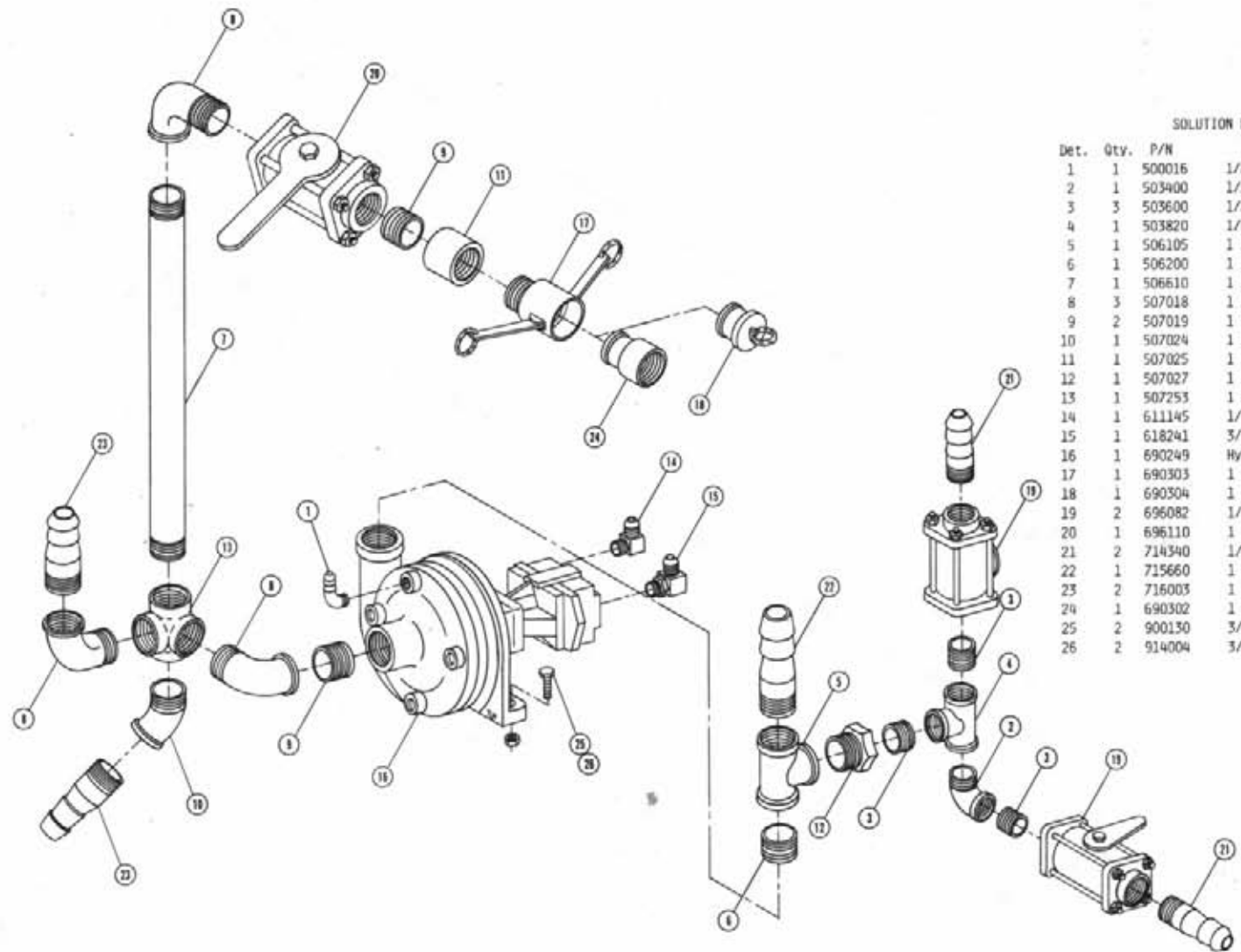
Det.	Qty.	P/N	Description
1	2	341339	Catwalk Weldment
2	4	341412	Catwalk Mounting Tab
3	2	341413	Catwalk Brace
4	1	341484	Pivot Pin Weldment
5	4	470118	1/4 UNC x 3/4 Flanged Hex Bolt
6	4	470121	1/4 UNC Flanged Nut
7	1	471005	1/4-28 x 1/2 Grease Zerk
8	1	475806	1/4 x 1 1/2 Roll Pin
9	1	655714	Right Tank Shield Weldment
10	1	655717	Left Tank Shield Weldment
11	8	765188	Poly Tank Bag Weldment
12	1	500017	1/4 NPT x 90° 1/4 Hose Barb
13	2	504501	3/4 NPT x 90° Elbow
14	2	506101	1 1/4 NPT Square Head Pipe Plug
15	2	506105	1 1/4 NPT Pipe Tee
16	4	506200	1 1/4 NPT Close Nipple
17	2	507015	1 1/2 NPT To 1 1/4 NPT Reducer Bushing
18	2	636110	1 1/2 FNPT Ball Valve
19	2	714350	3/4 NPT x 1/2 Hose Barb
20	2	715003	1 1/2 NPT x 1 1/2 Hose Barb
21	2	760066	Jet Agitator
22	2	765176	Polyethylene 200 Gallon Tank
23	1	765221	Right Poly Tank Cradle Weldment
24	1	765222	Left Poly Tank Cradle Weldment
25	1	765231	Cradle Support Arm Weldment
26	4	900002	1/4 UNC x 3/4 Hex Bolt
27	4	900003	1/4 UNC x 1 Hex Bolt
28	4	900129	3/8 UNC x 1 Hex Bolt
29	1	361271	Crossmember Tie Plate
30	4	900143	3/8 UNC x 5 1/2 Hex Bolt
31	2	900265	1/2 UNC x 1 1/2 Hex Bolt
32	2	900352	5/8 UNC x 2 1/4 Hex Bolt
33	4	900336	5/8 UNC x 2 1/2 Hex Bolt
34	4	901064	5/16 UNC x 3/4 Carrage Bolt
35	8	910004	3/8 UNC Hex Nut
36	8	914000	1/4 UNC Stover Nut
37	4	914002	5/16 UNC Stover Nut
38	2	914004	3/8 UNC Stover Nut
39	2	914008	1/2 UNC Stover Nut
40	6	914010	5/8 UNC Stover Nut
41	8	920000	1/4 Flat SAE Washer
42	10	195022	1/4 x 3/4 Stickertite
43	2	618549	3/4 NPT Plastic Fitting Assembly
44	2	618548	1 1/4 NPT Plastic Fitting Assembly
45	2	765193	Tank Lid





SOLUTION SOLENOID ASSEMBLY

Det.	Qty.	P/N	Description
1	1	503000	1/2 NPT To 1/4 NPT Reducer Bushing
2	3	504501	3/4 NPT x 90° Pipe Nipple
3	1	506200	1 1/4 NPT Close Nipple
4	1	690060	1 1/4 NPT Line Strainer
5	1	690297	Solution Manifold Weldment
6	3	690358	Toro Electric Valve
7	1	690359	Pressure Gauge
8	3	713220	3/4 NPT x 3/4 Hose Barb
9	1	715660	1 1/4 NPT x 1 1/4 Hose Barb
10	1	690068	40 Mesh Line Strainer Screen
11	1	690067	Gasket
12	3	520055	No. 12 Hose Clamp
13	1	520067	No. 28 Hose Clamp
14	2	470118	1/4 UNC x 3/4 Flanged Bolt
15	2	470121	1/4 UNC Flanged Nut

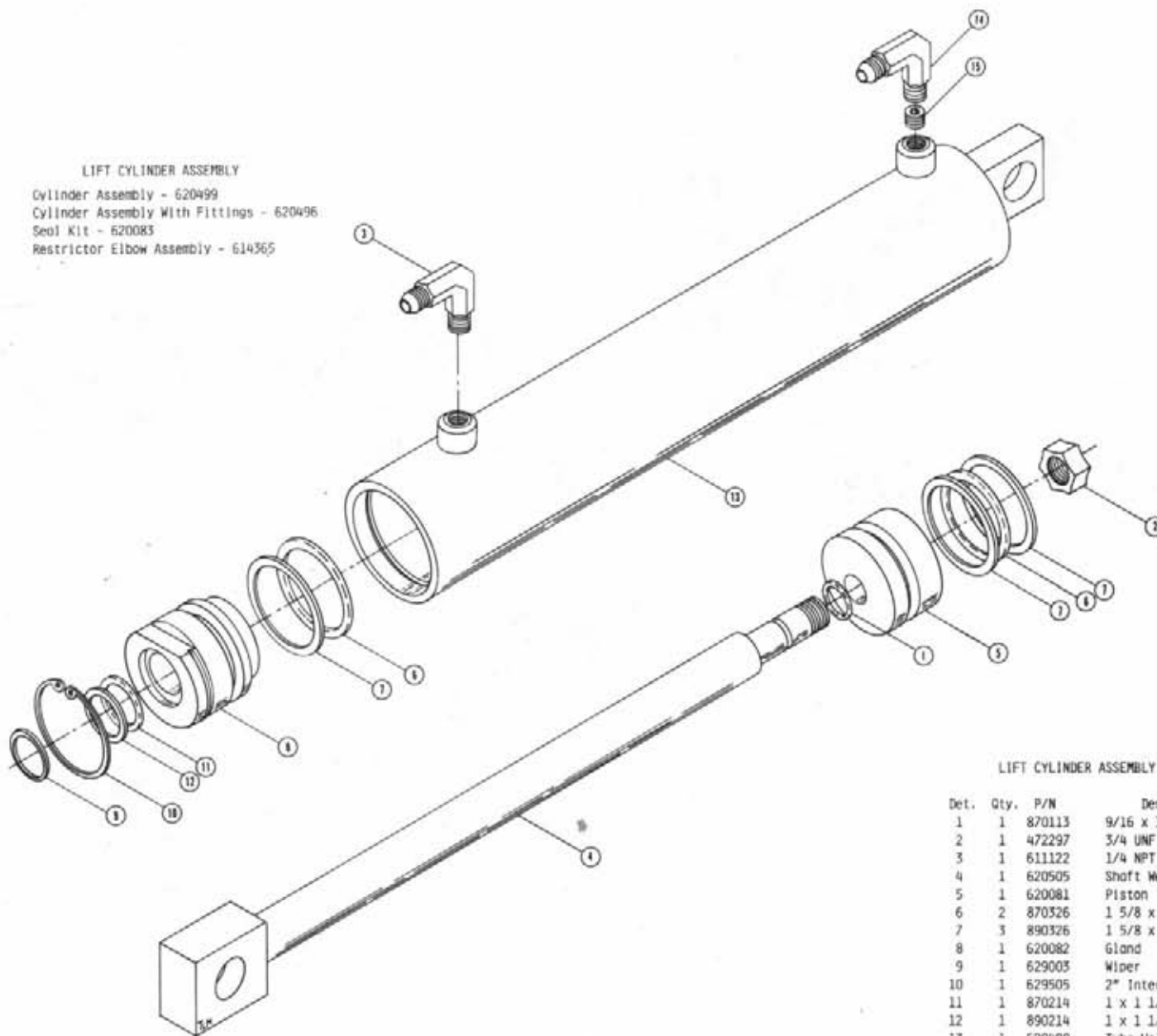


SOLUTION PUMP ASSEMBLY

Det.	Qty.	P/N	Description
1	1	500016	1/8 NPT x 90° x 1/4 Hose Barb
2	1	503400	1/2 NPT x 90° Street Elbow
3	3	503600	1/2 NPT Close Nipple
4	1	503820	1/2 NPT Pipe Tee
5	1	506105	1 1/4 NPT Pipe Tee
6	1	506200	1 1/4 NPT Close Nipple
7	1	506610	1 1/2 NPT x 10 Pipe Nipple
8	3	507018	1 1/2 NPT x 90° Street Elbow
9	2	507019	1 1/2 NPT Close Nipple
10	1	507024	1 1/2 NPT x 45° Street Elbow
11	1	507025	1 1/2 NPT Pipe Coupler
12	1	507027	1 1/4 NPT To 1/2 NPT Reducer Bushing
13	1	507253	1 1/2 NPT Side Outlet Tee
14	1	611145	1/2 NPT x 90° x 3/4 MJIC
15	1	618241	3/4 MOR x 90° x 3/4 MJIC
16	1	690249	Hydro Pump
17	1	690303	1 1/2 NPT Male Coupler
18	1	690304	1 1/2 NPT Adapter Plug
19	2	696082	1/2 FNPT Ball Valve
20	1	696110	1 1/2 FNPT Ball Valve
21	2	714340	1/2 NPT x 1/2 Hose Barb
22	1	715660	1 1/4 NPT x 1 1/4 Hose Barb
23	2	716003	1 1/2 NPT x 1 1/2 Hose Barb
24	1	690302	1 1/2 FNPT Adapter
25	2	900130	3/8 UNC x 1 1/4 Hex Bolt
26	2	914004	3/8 UNC Stover Nut

LIFT CYLINDER ASSEMBLY

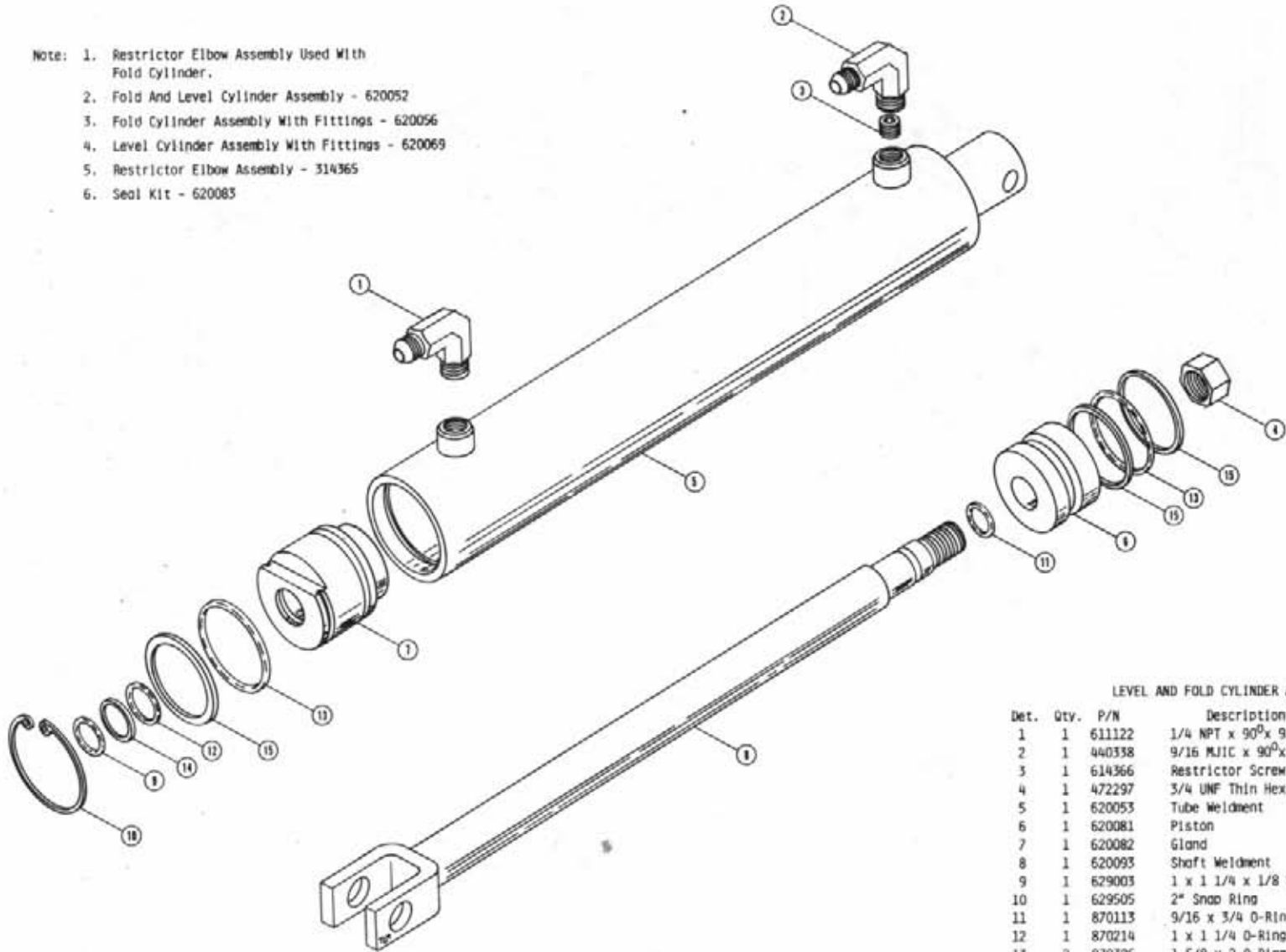
Cylinder Assembly - 620499  
 Cylinder Assembly With Fittings - 620496  
 Seal Kit - 620083  
 Restrictor Elbow Assembly - 614365



LIFT CYLINDER ASSEMBLY

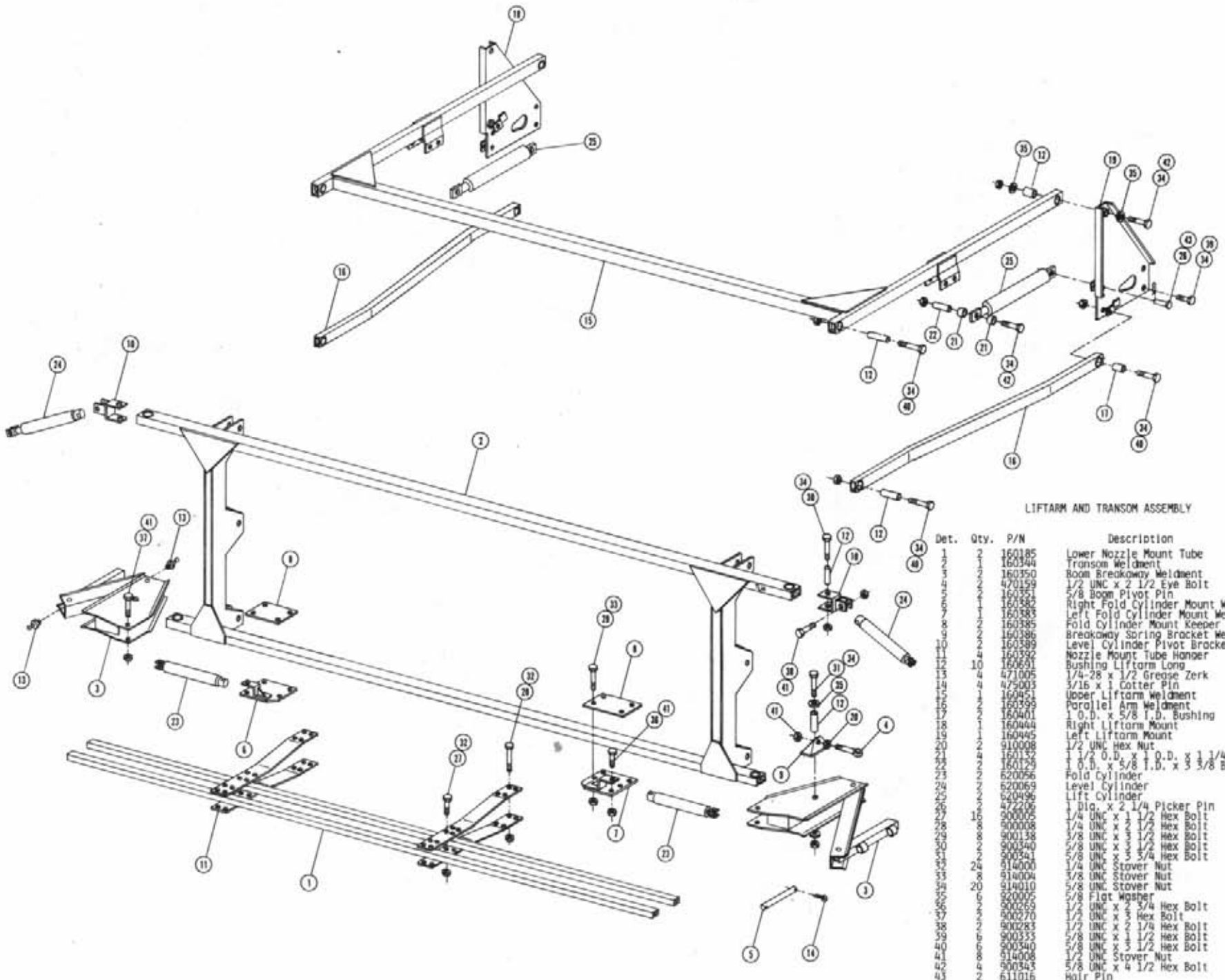
Det.	Qty.	P/N	Description
1	1	870113	9/16 x 3/4 O-Ring
2	1	472297	3/4 UNF Thin Hex Lock Nut
3	1	611122	1/4 NPT x 90° x 9/16 MJIC
4	1	620505	Shaft Weldment
5	1	620081	Piston
6	2	870326	1 5/8 x 2 O-Ring
7	3	890326	1 5/8 x 2 Back-Up Washer
8	1	620082	Gland
9	1	629003	Wiper
10	1	629505	2" Internal Snap Ring
11	1	870214	1 x 1 1/4 O-Ring
12	1	890214	1 x 1 1/4 Back-Up Washer
13	1	620498	Tube Weldment
14	1	440338	9/16 MJIC x 90° x 1/4 NPT - Tapped
15	1	614366	Restrictor Screw .042 Dia.

- Note: 1. Restrictor Elbow Assembly Used With Fold Cylinder.  
 2. Fold And Level Cylinder Assembly - 620052  
 3. Fold Cylinder Assembly With Fittings - 620056  
 4. Level Cylinder Assembly With Fittings - 620069  
 5. Restrictor Elbow Assembly - 314365  
 6. Seal Kit - 620083



LEVEL AND FOLD CYLINDER ASSEMBLY

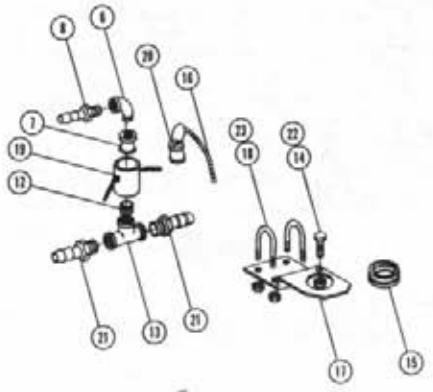
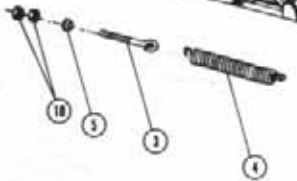
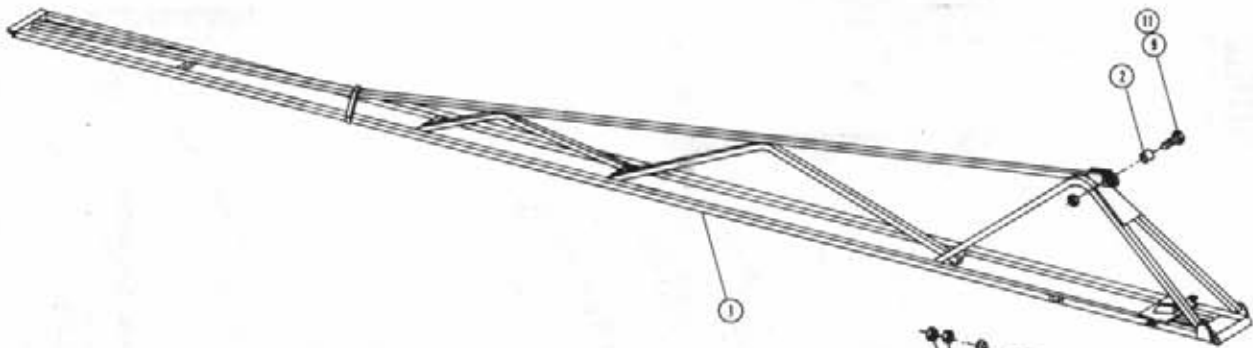
Det.	Qty.	P/N	Description
1	1	611122	1/4 NPT x 90° x 9/16 MJIC
2	1	440338	9/16 MJIC x 90° x 1/4 NPT Tapped
3	1	614366	Restrictor Screw .042 Dia.
4	1	472297	3/4 UNF Thin Hex Lock Nut
5	1	620053	Tube Weldment
6	1	620081	Piston
7	1	620082	Gland
8	1	620093	Shaft Weldment
9	1	629003	1 x 1 1/4 x 1/8 Wiper
10	1	629505	2" Snap Ring
11	1	870113	9/16 x 3/4 O-Ring
12	1	870214	1 x 1 1/4 O-Ring
13	2	870326	1 5/8 x 2 O-Ring
14	1	890214	1 x 1 1/4 Back Up Washer
15	3	890326	1 5/8 x 2 Back Up Washer



LIFTARM AND TRANSM ASSEMBLY

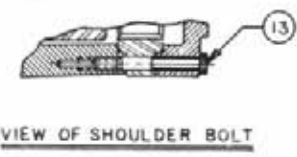
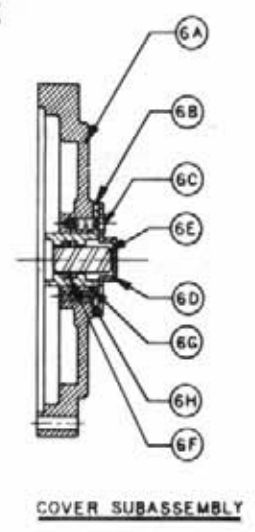
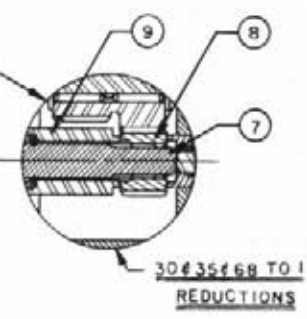
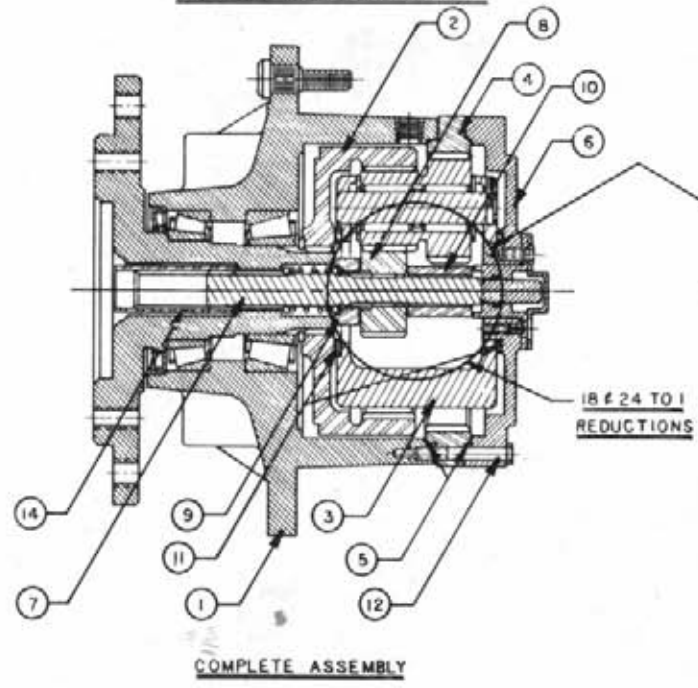
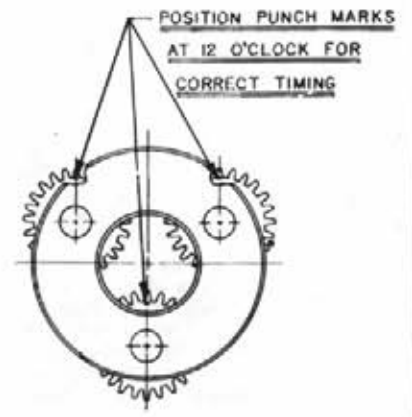
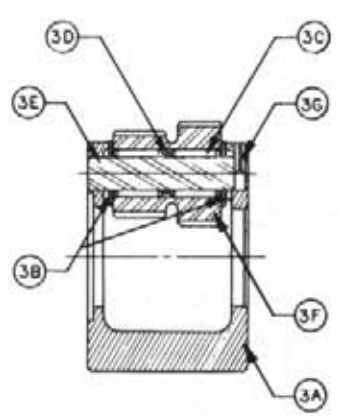
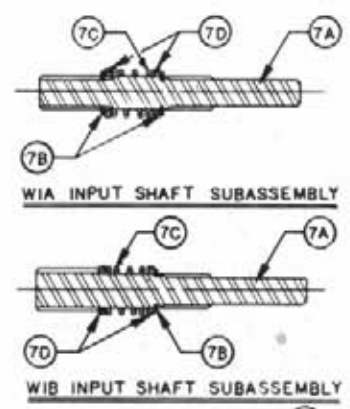
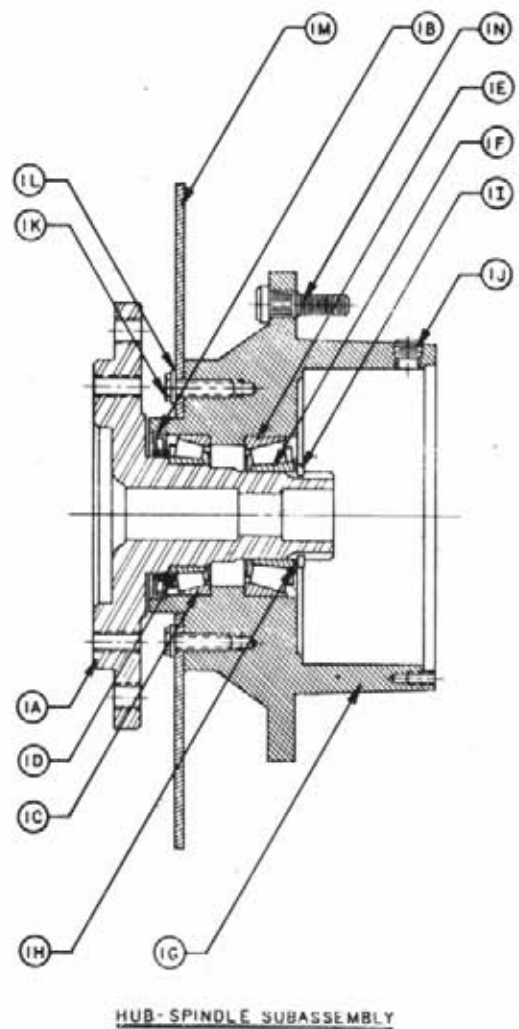
Det.	Qty.	P/N	Description
1	2	160185	Lower Nozzle Mount Tube
2	1	160344	Transom Weldment
3	2	160350	Boom Breakaway Weldment
4	2	470159	1/2 UNC x 2 1/2 Eye Bolt
5	2	160351	5/8 Boom Pivot Pin
6	2	160382	Right Fold Cylinder Mount Weldment
7	1	160383	Left Fold Cylinder Mount Weldment
8	3	160385	Fold Cylinder Mount Keeper
9	2	160386	Breakaway Spring Bracket Weldment
10	2	160389	Level Cylinder Pivot Bracket Weldment
11	4	160392	Nozzle Mount Tube Hanger
12	10	160691	Bushing Liftarm Long
13	4	471005	1/4-28 x 1/2 Grease Zerk
14	4	475003	3/16 x 1 Cotter Pin
15	1	160451	Upper Liftarm Weldment
16	1	160599	Parallel Arm Weldment
17	2	160401	1 O.D. x 5/8 I.D. Bushing
18	1	160444	Right Liftarm Mount
19	1	160445	Left Liftarm Mount
20	1	910008	1/2 UNC Hex Nut
21	1	160157	1 1/2 O.D. x 1 O.D. x 1 1/4 Bushing
22	1	160129	1 O.D. x 5/8 I.D. x 3 3/8 Bushing
23	2	620056	Fold Cylinder
24	2	620069	Level Cylinder
25	2	620496	Lift Cylinder
26	1	472206	1 Dia. x 2 1/4 Picker Pin
27	16	900005	1/4 UNC x 1 1/2 Hex Bolt
28	8	900008	1/4 UNC x 2 1/2 Hex Bolt
29	8	900138	3/8 UNC x 3 1/2 Hex Bolt
30	8	900340	5/8 UNC x 3 1/2 Hex Bolt
31	8	900541	5/8 UNC x 3 5/8 Hex Bolt
32	2	914000	1/4 UNC Stover Nut
33	8	914004	3/8 UNC Stover Nut
34	20	914010	5/8 UNC Stover Nut
35	6	920005	5/8 Flt Washer
36	2	900269	1/2 UNC x 2 3/4 Hex Bolt
37	2	900270	1/2 UNC x 3 Hex Bolt
38	2	900283	1/2 UNC x 2 1/4 Hex Bolt
39	2	900333	5/8 UNC x 1 1/2 Hex Bolt
40	2	900340	5/8 UNC x 3 1/2 Hex Bolt
41	2	914008	1/2 UNC Stover Nut
42	2	900343	5/8 UNC x 4 1/2 Hex Bolt
43	2	611016	Hair Pin





**BOOM ASSEMBLY**

Det.	Qty.	P/N	Description
1	1	160362	Boom Weldment
2	1	160455	.625 O.D. x 18 Ga. Wd. x .94 Bushing
3	1	160979	1/2 UNC x 9 Eye Bolt
4	1	160980	Spring
5	1	160981	Boom Eye Bolt Swivel
6	1	504610	3/4 NPT x 90° Street Elbow
7	1	696202	3/4 NPT Quick Connect Female Adaptor
8	1	713220	3/4 NPT x 3/4 Hose Barb
9	1	900267	1/2 NPT x 2 Hex Bolt
10	2	910008	1/2 UNC Hex Nut
11	1	914008	1/2 UNC Stover Nut
12	1	504702	3/4 Close Nipple
13	1	504955	3/4 Pipe Tee
14	1	914000	1/4 UNC Lock Nut
15	1	160015	Grommet
16	1	160986	Chain
17	1	160987	Feeder Tee Mounting Bracket
18	2	470094	5/16 UNC U-Bolt
19	1	696203	Quick Connect Female Coupler
20	1	696204	Quick Connect Plug
21	2	714350	3/4 NPT x 1/2 Hose Barb
22	1	900002	1/4 UNC x 3/4 Hex Bolt
23	4	914002	5/16 UNC Stover Nut

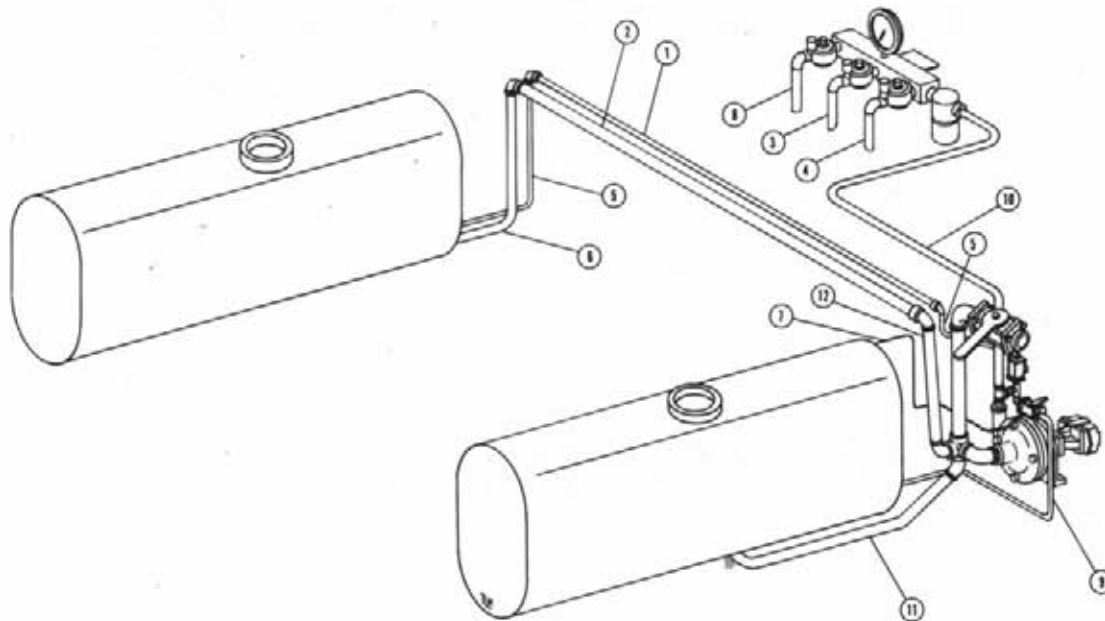


THIS DRAWING AND DESIGN IS THE PROPERTY OF / AND ALL PROPRIETARY RIGHTS ARE RESERVED TO / FAIRFIELD MFG. CO., INC. THE RECIPIENT AGREES NOT TO DISCLOSE TO ANY PERSON OR ORGANIZATION ANY INFORMATION REGARDING THE DESIGN OR MANUFACTURE OF THE ARTICLE REPRESENTED HEREON, OR USE SAME IN ANY WAY DETERMINAL TO THE INTEREST OF FAIRFIELD MFG. CO., INC.

DRAFTSMAN <b>Beck</b>		DATE 10-8-73	FAIRFIELD MFG. Co., INC. LAFAYETTE, IND. 47905
CHECKER			
PROJECT ENG.			TITLE SERVICE LITERATURE
RELEASED			SCALE: DRAWING NO. WIA & WIB

WHEEL DRIVE ASSEMBLY - 610032  
 WIB140318

<u>ITEM</u>	<u>PART NO.</u>	<u>QTY.</u>	<u>DESCRIPTION</u>
1	610154	1	Hub-Spindle Sub-Assembly
1A	610038	1	Spindle
2B	610904	1	Seal
1C	610905	1	Bearing Cup
1D	610906	1	Bearing Cone
1E	610907	1	Bearing Cup
1F	610908	1	Bearing Cone
1G	610047	1	Hub
1H	610909	1	Spacer
1I	610910	1	Retainer Ring
1J	610147	2	pipe Plug
1N	610911	9	Stud
2	610148	1	Internal Gear
3	610912	1	Carrier Assembly
4	610929	1	Ring Gear
5	610903	2	O-Ring
6	610155	1	Cover Assembly
6A	610149	1	Cover
6B	610914	1	Cover Cap
6C	610150	4	Bolt
6D	610901	1	Disconnect Cap
6E	610915	1	Disconnect Rod
6F	610916	1	O-Ring
6G	610917	1	O-Ring
6H	610151	1	pipe Plug
6J	610152	1	ID Plate
7	610048	1	Input Shaft Assembly
7A	610046	1	Input Shaft
7B	610936	1	Retaining Ring
7C	610145	1	Spring
7D	610153	2	Spacer
8	610919	1	Input Gear
9	610920	1	Thrust Spacer
10	610921	1	Thrust Spacer
11	610922	2	Thrust Washer
12	610930	12	Bolt
13	610923	4	Shoulder Bolt
14	610037	1	Coupling
16	610049	15	Flat Washer



SOLUTION HOISING

Det.	Qty.	P/N	Description
1	1	508100	1/2 Schedule 40 Pipe x 100"
2	1	508101	1 1/2 Schedule 40 Pipe x 100"
3	1	601172	3/4 I.D. 1-Braid x 60" EPDM Hose
4	1	601177	3/4 I.D. 1-Braid x 242" EPDM Hose
5	2	601223	1/2 I.D. 1-Braid x 37 1/2" EPDM Hose
6	1	601230	1 1/2 I.D. 2-Braid x 68" EPDM Hose
7	1	601238	1/4 I.D. x 40 EVA Transparent Hose
8	1	601239	3/4 I.D. 1-Braid x 324" EPDM Hose
9	1	601259	1/2 I.D. 1-Braid x 30" EPDM Hose
10	1	601264	1 1/4 I.D. 2-Braid x 70" EPDM Hose
11	1	601274	1 1/2 I.D. 2-Braid x 37" EPDM Hose
12	1	601283	1 1/2 I.D. 2-Braid x 18" EPDM Hose

# NOTICE

---

The following three pages contain decals for the  
1986 8540.

These decals can be obtained from Hagie Mfg. Co. and should be used whenever your machine is repainted or when the decals become worn, weathered or faded.

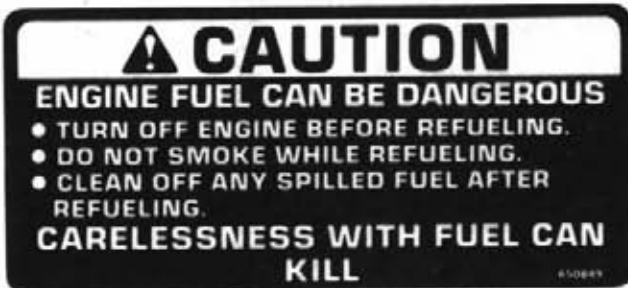
Special attention should be paid to decals involving personal safety. They have been attached for your protection.

**KEEP THEM IN PLACE.**

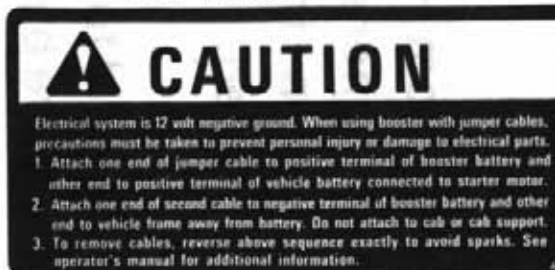
Contact: Hagie Manufacturing Co.  
Box 273, Clarion, Iowa 50525

# 8540

650890 - 8540 Decal



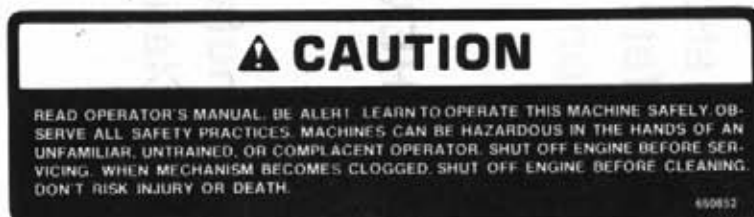
650849 - Engine Fuel Decal



650982 - Electrical System Decal



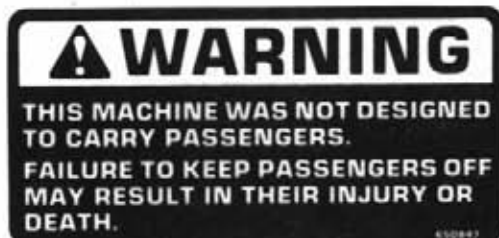
650817 - Emergency Stop Decal



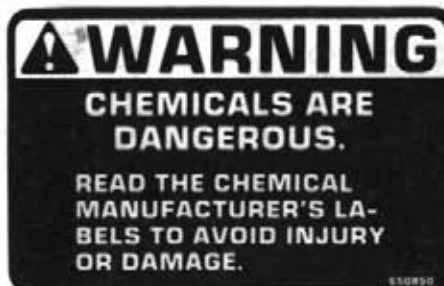
650852 - Read Manual Decal



650953 - Gasoline Decal



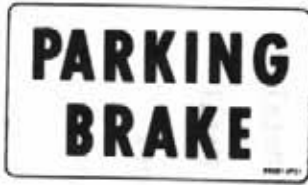
650847 - No Passenger Decal



650850 - Chemical Decal



650848 - Slip Or Fall Decal



650814 - Park Brake Decal



650822 - Solution Pump Decal



650851 - Shields Decal



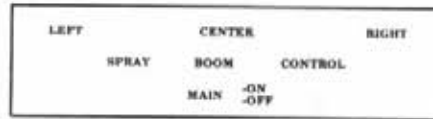
650981 - Cooling System Decal



650939 - Speed And Tach Decal



650935 - Speedometer Decal



650973 - Boom Spray Decal



650958 - Gen Decal



650957 - Oil Decal



650985 - Wheel Bolt Torque Decal



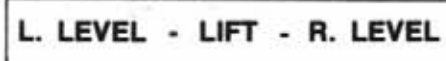
650868 - Boom Fold Decal



650881 - Choke Decal



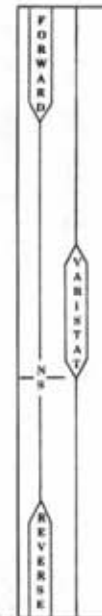
650977 - Flasher Decal



650869 - Boom Level And Lift Decal



650967 - Throttle Decal

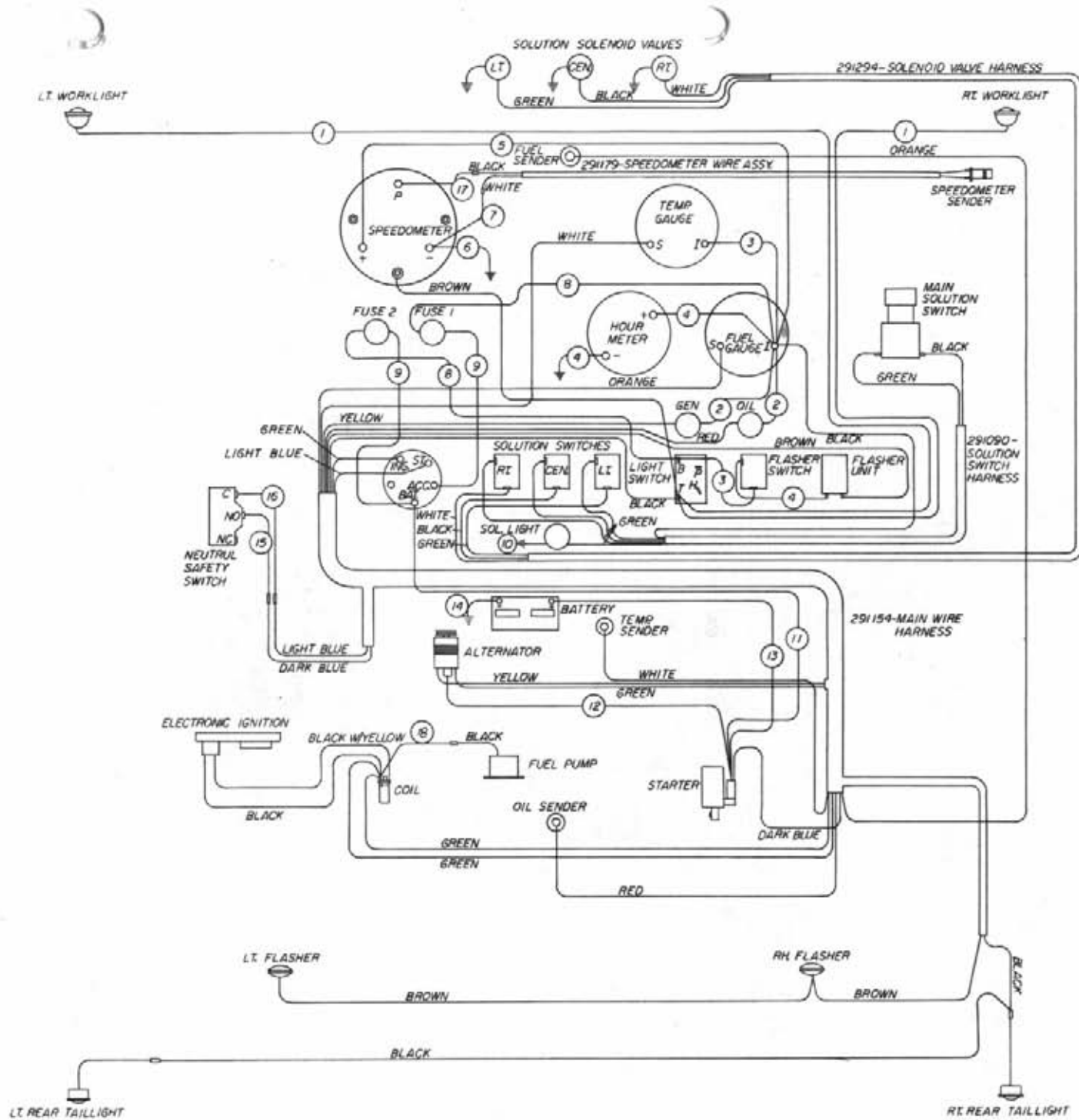


650968 - Hydrostatic Decal

8540 DECALS

Part No.	Qty.	Description	Location
650814	1	Park Brake Decal	Near Parking Brake Lever
650822	1	Solution Pump Decal	Near Variable Flow Control
650847	1	No Passenger Decal	On Left Side Of Instrument Panel
650848	2	Stip Or Fall Decal	(1) - Front Crossmember By Ladder (1) - Left Side Panel Op/Stn
650849	1	Engine Fuel Decal	Near Fuel Tank Neck
650850	2	Chemical Decal	On Solution Tank Lids
650852	1	Read Manual Decal	On Instrument Panel
650868	1	Boom Fold Decal	On Console Sheet Metal
650865	2	Hagie Decal	On Side Of Top Engine Cover
650869	1	Boom Level And Lift Decal	On Console Sheet Metal
650890	2	8540 Decal	On Side Of Top Engine Cover
650935	1	Speedometer Decal	On Speedometer Gauge
650881	1	Choke Decal	On Kick Panel
650939	1	Speed And Tack	On Instrument Panel
650953	1	Gasoline Decal	Near Fuel Filler Neck
650957	1	Oil Decal	On Instrument Panel
650958	1	Generator Decal	On Instrument Panel
650967	1	Throttle Decal	On Console Sheet Metal
650968	1	Hydrostatic Decal	On Console Sheet Metal
650973	1	Boom Spray Decal	On Instrument Panel
650977	1	Flasher Decal	On Instrument Panel
650981	1	Cooling System Decal	Near Radiator Cap
650982	1	Electrical System Decal	On Right Side Of Seat Mount
650985	4	Wheel Bolt Torque Decal	One Each Wheel Rim
650851	2	Shields Decal	(2) - On Side Of Rear Engine Cover
650817	1	Emergency Stop Decal	Right Side Of Instrument Panel



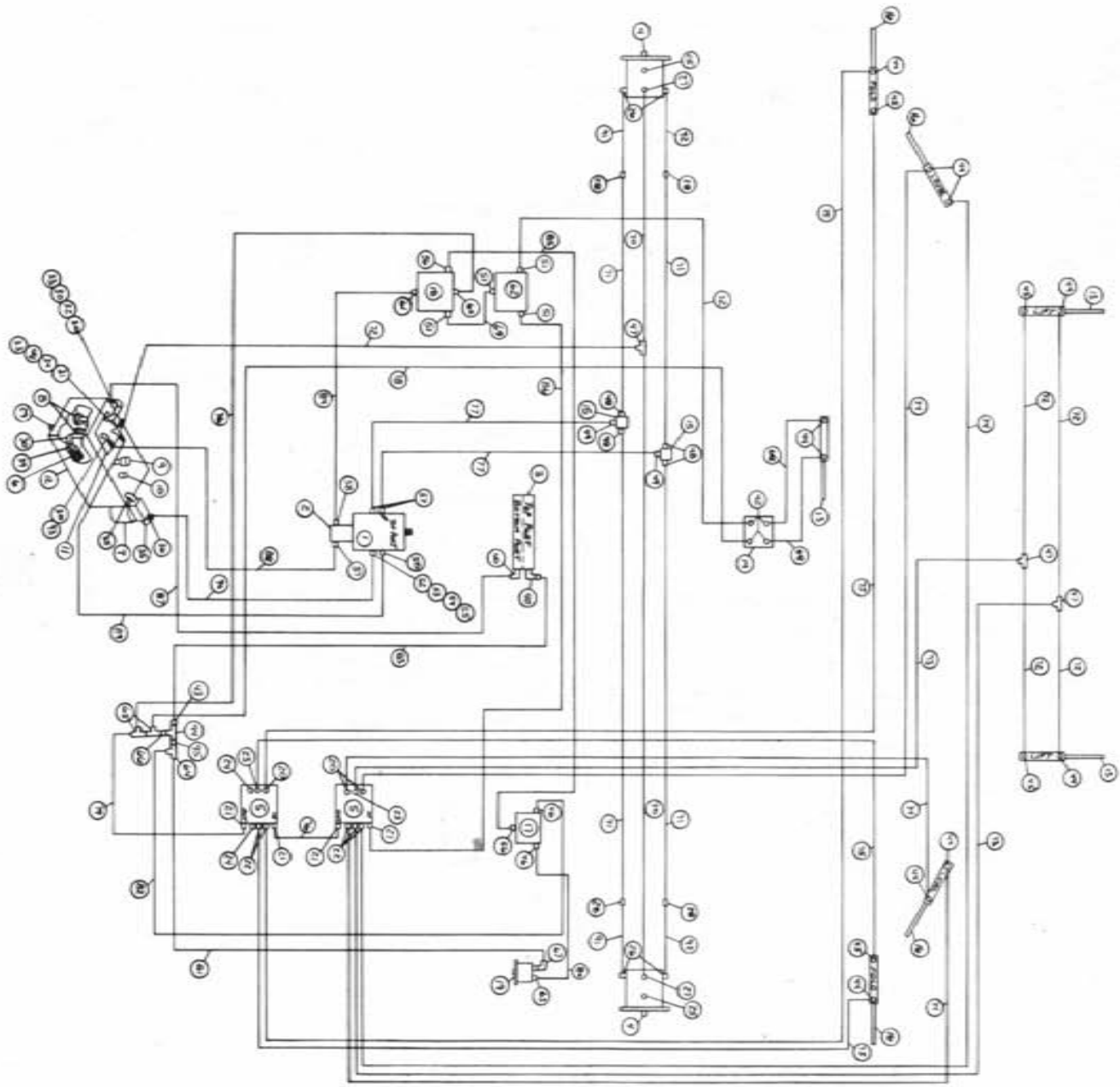


18	1	291182	14 GA. RED x 10"
17	1	291177	14 GA. BLACK x 36"
16	1	291171	14 GA. BLUE x 6"
15	1	291137	14 GA. BLUE x 6"
14	1	290111	GROUND STRAP
13	1	290052	POSITIVE CABLE 56"
12	1	291156	10 GA. RED x 48"
11	1	291157	10 GA. RED x 14"
10	1	291442	16 GA. RED x 9"
9	2	291147	14 GA. YELLOW x 8"
8	2	291480	14 GA. RED x 12"
7	1	291178	14 GA. WHITE x 36"
6	1	291430	16 GA. BLACK x 5"
5	1	291476	16 GA. RED x 14"
4	3	291140	16 GA. WHITE x 6"
3	2	291391	16 GA. WHITE x 4"
2	2	291117	16 GA. BLUE x 4"
1	1	291155	LIGHT WIRE ASSY

WIRING DIAGRAM-8540

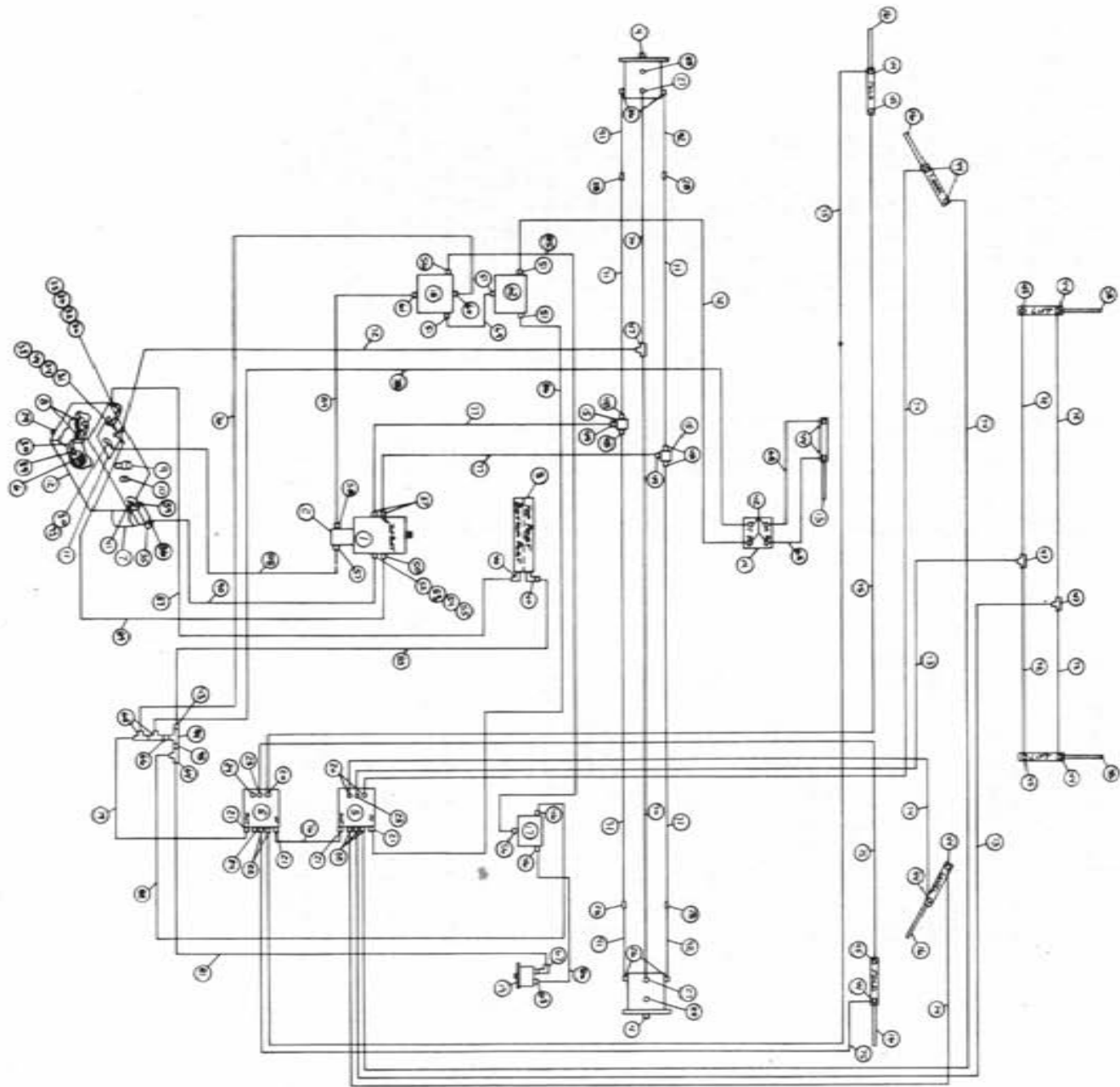
498166

DEC 20 1960  
 Revised Date 5-7-66



1985 8540 HYDRAULIC SCHEMATIC  
REFERENCE DRAWING NO. - 498168

Ref.	Part No.	Req.	Description	Ref.	Part No.	Req.	Description
1	606855	1	Sundstrand Pump 2.8	49	611127	2	1 1/16 MOR x 1 1/16 MJIC
2	610439	1	Hydrec Hydraulic Pump 1.47	50	618118	1	1 1/16 MOR x 90° x 3/4 Hose Barb
3	618088	1	Oil Cooler	51	618310	4	7/8 MOR x 9/16 MJIC
4	610030	2	Sundstrand Series 18 Wheel Motor	52	618090	1	1 5/16 MOR x 1 NPT Adaptor
5	606585	2	Cessna 3-Spool Valve	53	505201	1	1 NPT Pipe Nipple
6	605600	1	Michigan Filter	54	506301	1	1 NPT x 45° Elbow
7	605601	1	Gresen Filter 10 Micron 40 GPM	55	714561	1	1 NPT x 1 1/4 Hose Barb
8	605603	2	Line Diffuser	56	618327	2	7/8 MOR x 3/4 MJIC
9	611051	1	3/4 NPT Pressure Cap	57	618567	1	1 1/16 MOR x 45° x 1 Hose Barb
10	614453	1	Dipstick 8 in.	58	618535	1	1 1/16 MOR x 90° x 7/8 MJIC
11	760090	1	Receiver Plate Weldment	60	618011	1	3/8 NPT x 9/16 MJIC
12	760106	1	Hydraulic Oil Tank Weldment	61	611126	1	7/8 MOR x 7/8 MJIC
13	620156	3	Steering Cylinder	62	607504	1	B50 Flow Divider
14	749150	1	Steering Motor	63	618241	1	3/4 MOR x 90° x 3/4 MJIC
15	615602	1	4-Wheel Drive Manifold Weldment	64	618451	1	3/4 FJIC Run Tee x 3/4 MJIC
16	620052	4	Lever and Fold Cylinder	65	618486	2	9/16 FJIC Run Tee x 9/16 MJIC
17	606818	1	Flow Control with Relief FCR51	66	618018	1	1/2 NPT x 9/16 MJIC
18	607518	1	BGR56 Flow Divider	67	611145	1	1/2 NPT x 90° x 3/4 MJIC
19	690249	1	Hydraulic Pump	68	616049	2	4C1A-6FJX-6FJX-26
20	618119	3	9/16 MOR x 90° x 9/16 MJIC	69	615452	1	6C11-6FJX-6FJX-16
21	618126	4	9/16 MOR x 9/16 MJIC	70	614158	2	4C1A-6FJX-6FJX-199
22	618425	5	9/16 MOR x 45° x 9/16 MJIC	71	614573	4	8C21-8FJX-10FJX-114
23	618440	2	9/16 MOR x 90° x 9/16 MJIC Long	72	611204	6	4C11-6FJX-6FJX-78
24	610185	2	9/16 MOR Plug	73	611206	2	4C11-6FJX-6FJX-66
25	611159	2	3/4 MOR Plug	74	614154	4	4C11-6FJX-6FJX-221
26	618302	4	1 5/16 MOR x 90° x 1 1/16 MJIC	75	614098	4	4C11-6FJX-6FJX-201
27	618496	2	3/4 MOR x 45° x 9/16 MJIC	76	616042	2	4C1A-6FJX-6FJX-13
28	618553	4	1 1/16 MJIC x 7/8 MJIC	77	614588	2	12TM-12FJX-12FJX90-114
29	501102	1	1/4 NPT Plug	78	614077	1	4C11-6FJX-6FJX-88
30	505300	4	1 NPT x 90° Elbow	79	616056	1	4C1A-6FJX-6FJX-32
31	505098	1	1 NPT Side Outlet Elbow	80	615464	1	8C11-8FJX-8FJX-105
32	505210	1	1 NPT x 3.00 Pipe Nipple	81	614388	1	8RLA-8FJX-8FJX-129
33	714331	2	1 NPT x 3/4 Hose Barb	82	614383	1	8RLA-8FJX-8FJX-26
34	505006	1	1 NPT to 1/4 NPT Reducer Bushing	83	601109	1	3/4" 2-Braid Red Hose x 61
35	506410	1	1 1/4 NPT Street Elbow	84	610325	1	10C11-10FJX-10FJX-105
36	715660	1	1 1/4 NPT x 1 1/4 Hose Barb	85	615465	1	8C11-8FJX-8FJX-33
37	618308	2	1 5/16 MOR x 1 1/16 MJIC	86	616027	1	4C1A-6FJX-6FJX-39
39	505202	1	1 NPT x 2.00 Pipe Nipple	87	601198	1	3/4" 2-Braid Red Hose x 110
40	716000	2	1 NPT x 90° x 3/4 Hose Barb	88	601193	1	1" 2-Braid Red Hose x 42
42	618109	4	3/4 MOR x 9/16 MJIC	89	601276	1	3/4" 2-Braid Red Hose x 32
43	712440	1	1/2 NPT x 3/4 Hose Barb	90	601121	1	1 1/4" 2-Braid Red Hose x 20
44	611122	11	1/4 NPT x 90° x 9/16 MJIC	91	614575	2	Upper Front Leg Hydraulic Tube Assy.
45	614365	4	Restrictor Elbow Assembly	92	614574	2	Lower Front Leg Hydraulic Tube Assy.
46	618183	2	7/8 MOR x 90° x 3/4 MJIC	93	714560	1	1 NPT x 1 Hose Barb
47	618019	3	9/16 MJIC Tee	94	503820	1	3/4 NPT Pipe Tee
48	618474	4	1 1/16 MOR x 90° x 3/4 MJIC	95	611147	1	1/2 NPT x 3/4 MJIC



1986 8540 HYDRAULIC SCHEMATIC  
 REFERENCE DRAWING NO. - 498213

Ref.	Part No.	Req.	Description	Ref.	Part No.	Req.	Description
1	606865	1	Sundstrand Pump 2.8	49	611127	2	1 1/16 MOR x 1 1/16 MJIC
2	610439	1	Hydreco Hydraulic Pump 1.47	50	618118	1	1 1/16 MOR x 90° x 3/4 Hose Barb
3	618088	1	O11 Cooler	51	618310	4	7/8 MOR x 9/16 MJIC
4	610030	2	Sundstrand Series 18 Wheel Motor	52	618090	1	1 5/16 MOR x 1 NPT Adaptor
5	606585	2	Cessna 3-Spool Valve	53	505201	1	1 NPT Pipe Nipple
6	605600	1	Michigan Filter	54	506301	1	1 NPT x 45° Elbow
7	605601	1	Gresen Filter 10 Micron 40 GPM	55	714561	1	1 NPT x 1 1/4 Hose Barb
8	605603	2	Line Diffuser	56	618327	2	7/8 MOR x 1 1/4 MJIC
9	611051	1	3/4 NPT Pressure Cap	57	618567	1	1 1/16 MOR 45° x 1 Hose Barb
10	614453	1	Diststick 8 In.	58	618535	1	1 1/16 MOR x 90° x 7/8 MJIC
11	760090	1	Receiver Plate Weldment	59	506208	1	1 1/4 Close Nipple
12	760106	1	Hydraulic O11 Tank Weldment	60	618011	1	3/8 NPT x 9/16 MJIC
13	620156	1	Steering Cylinder	61	611126	1	7/8 MOR x 7/8 MJIC
14	749150	1	Steering Motor	62	607504	1	850 Flow Divider
15	615602	2	4-Wheel Drive Manifold Weldment	63	618241	1	3/4 MOR x 90° x 3/4 MJIC
16	620052	4	Level And Fold Cylinder	64	618451	1	3/4 FJIC Run Tee x 3/4 MJIC
17	606818	1	Flow Control With Relief FCR51	65	618486	2	9/16 FJIC Run Tee x 9/16 MJIC
18	607518	1	BGR56 Flow Divider	66	618018	1	1/2 NPT x 9/16 MJIC
19	690249	1	Hypro Pump	67	611145	1	1/2 NPT x 90° x 3/4 MJIC
20	618119	3	9/16 MOR x 90° x 9/16 MJIC	68	616049	2	AC1A-6FJX-6FJX-26
21	618126	4	9/16 MOR x 9/16 MJIC	69	615452	1	6C1T-6FJX-6FJX-16
22	618425	5	9/16 MOR x 45° x 9/16 MJIC	70	614158	2	AC1A-6FJX-6FJX-199
23	618440	2	9/16 MOR x 90° x 9/16 MJIC Long	71	614573	4	8C2AT-8FJX-10FJX-114
24	610185	2	9/16 MOR Plug	72	611204	6	AC1T-6FJX-6FJX-78
25	611159	2	3/4 MOR Plug	73	611206	2	AC1T-6FJX-6FJX-66
26	618302	4	1 5/16 MOR x 90° x 1 1/16 MJIC	74	614154	4	AC1T-6FJX-6FJX-221
27	618496	2	3/4 MOR x 45° x 9/16 MJIC	75	614098	4	AC1T-6FJX-6FJX-201
28	618553	4	1 1/16 MJIC x 7/8 MJIC	76	616042	2	AC1A-6FJX-6FJX-13
29	501102	1	1/4 NPT Plug	77	614588	2	12TMM-12FJX-12FJX90-114
30	505300	4	1 NPT x 90° Elbow	78	614077	1	AC1T-6FJX-6FJX-88
31	505098	1	1 NPT Side Outlet Elbow	79	616056	1	AC1A-6FJX-6FJX-32
32	505210	1	1 NPT x 3.00 Pipe Nipple	80	615464	1	8C1T-8FJX-8FJX-105
33	714331	2	1 NPT x 3/4 Hose Barb	81	614388	1	8R1A-8FJX-8FJX-129
34	505006	1	1 NPT To 1/4 NPT Reducer Bushing	82	614383	1	8R1A-8FJX-8FJX-26
35	506410	2	1 1/4 NPT Street Elbow	83	601109	1	3/4 I.D. 2-Braid Red Hose x 61
36	715660	1	1 1/4 NPT x 1 1/4 Hose Barb	84	610325	1	10C1T-10FJX-10FJX-105
37	618308	2	1 5/16 MOR x 1 1/16 MJIC	85	615465	1	8C1M-8FJX-8FJX-33
38	620499	2	Lite Cylinder	86	616027	1	4C1A-6FJX-6FJX-39
39	505202	1	1 NPT x 2.00 Pipe Nipple	87	601198	1	3/4 I.D. 2-Braid Red Hose x 110
40	716000	2	1 NPT x 90° x 3/4 Hose Barb	88	601193	1	1 I.D. 2-Braid Red Hose x 42
41	506303	1	1 1/4 NPT x 90° Elbow	89	610276	1	3/4 I.D. 2-Braid Red Hose x 32
42	618109	4	3/4 MOR x 9/16 MJIC	90	601121	1	1 1/4 I.D. 2-Braid Red Hose x 20
43	712440	1	1/2 NPT x 3/4 Hose Barb	91	614575	2	Upper Front Leg Hydraulic Tube Assy.
44	611122	11	1/4 NPT x 90° x 9/16 MJIC	92	614574	2	Lower Front Leg Hydraulic Tube Assy.
45	614365	4	Restrictor Elbow Assembly	93	714560	1	1 NPT x 1 Hose Barb
46	618183	2	7/8 MOR x 90° x 3/4 MJIC	94	503820	1	3/4 NPT Pipe Tee
47	618019	3	9/16 MJIC Tee	95	611147	1	1/2 NPT x 3/4 MJIC
48	618474	4	1 1/16 MOR x 90° x 3/4 MJIC				

ABBREVIATIONS

ADPTR - Adaptor  
DET - Detail  
FNPT - Female National Pipe Thread  
FOR - Female O-Ring  
MJIC - Male J. I. C.  
MOR - Male O-Ring  
P/N - Part Number  
QTY - Quantity  
REF - Reference  
REQ - Required  
ST - Street  
SWIV - Swivel  
UNC - Unified National Course (Thread)  
UNF - Unified National Fine (Thread)  
W/ - With  
WLD - Weldment

-A-

Adaptor, Carburetor.....	4
Agitator, Jet.....	31
Air Cleaner.....	17
Band.....	17
Filter.....	17
Air Intake.....	11
Alternator.....	4,6
Adjustment Rod.....	4,6
Mount.....	4,6
Sheave.....	4,6
Arm Steering.....	12
Pivot.....	20

-B-

Ball Valve.....	33
Band,	
Air Cleaner.....	17
Tank.....	31
Battery.....	26
Cable.....	26
Bearing	
Cup.....	12,13
Nylon.....	12
Bellhousing.....	5,7
Shield.....	5,7
Belt.....	4,6
Bracket, Timing Cover.....	4,6
Brake	
Cable.....	12,26
Clip Retainer.....	12
Disc.....	12
Hub.....	12
Lever.....	26
Pad.....	12
Breather Cap.....	17
Boom.....	37
Breakaway.....	36
Pivot Pin.....	36

-C-

Cable,	
Battery.....	26
Brake.....	26,12
Choke.....	28
Hydrostatic.....	24
Throttle.....	25
Cap,	
Breather.....	17
Fuel.....	14

Hub.....	13
Radiator.....	11
Steering Wheel.....	22
Carburetor Adaptor.....	4
Catwalk.....	31
Brace.....	31
Clip, Connector Link.....	27
Column Steering.....	22
Console.....	26
Deflector.....	26
Panel.....	26
Control Lever.....	24
Coolant Outlet Tube.....	5,7
Coupler, Flex.....	5,7
Cradle	
Support Arm.....	31
Tank.....	31
Cylinder	
Fold.....	35
Level.....	35
Lift.....	34
Steering.....	18

-D-

Decals.....	42,43
Deflector, Console.....	26
Diffuser, Line.....	15
Dimmer Switch.....	26
Dipstick.....	15
Disc,	
Brake.....	12
Friction.....	25
Sensor.....	12
Drain Cock, Radiator.....	11
Drive Shaft.....	5,7

-E-

Electric Valve.....	32
Electrical Schematic.....	45
Engine.....	4,5,6,7
Hood.....	29
Isolator Bushing.....	4,5,6,7
Pad.....	26
Exhaust Pipe.....	16
Gasket.....	16

-F-

Fan.....	4,6
Spacer.....	4,6



Filter	
Air Cleaner.....	17
Fuel.....	5, 7
Gresen.....	15
Michigan.....	15
Oil.....	5, 7
Flasher.....	23
Light.....	29
Flow Control.....	28
Lever.....	28
Flow Divider.....	9
Foam.....	11
Fold Cylinder.....	35
Friction Disc.....	25
Front Leg.....	12
Fuel	
Cap.....	14
Gauge.....	23
Tank.....	14
Fuel Sender.....	14
Gasket.....	14

-G-

Gasket,	
Exhaust Pipe.....	16
Fuel Sender.....	14
Hydraulic Oil.....	15
Line Strainer.....	32
Gauge	
Fuel.....	23
Pressure.....	32
Temperature.....	23
Governor.....	4, 6
Linkage Rod.....	4, 6
Mounting Plate.....	4
Ground Strap.....	5, 7, 26
Grommet.....	28
Guide Stalk.....	30

-H-

Head Light.....	22
Hood Engine.....	29
Hook, Rubber.....	29
Hour Meter.....	23
Hub,	
Brake.....	12
Cap.....	13
Torque.....	12
Hydraulic	
Oil Tank.....	15
Oil Tank Gasket.....	15
Schematic.....	46, 48

Tube.....	15
Hydrostatic	
Cable.....	24
Cable Mount.....	24
Control Lever Mount.....	24
Pump Lever.....	8
Hypno Pump.....	33

-I-

Ignition Switch.....	23
Indicator Light.....	23
Instrument Panel.....	23
Isolator Bushing, Engine.....	4, 5, 6, 7

-K-

Kick Panel.....	28
-----------------	----

-L-

Ladder.....	30
Mount.....	30
Prop.....	30
Leg,	
Front.....	12
Rear.....	13
V-Plate.....	12, 13
Level Cylinder.....	35
Lever,	
Control.....	24
Flow Control.....	28
Hydrostatic Pump.....	8
Lid, Tank.....	31
Liftarm,	
Mount.....	36
Upper.....	36
Lift Cylinder.....	34
Light,	
Flasher.....	29
Head.....	22
Switch.....	23
Line Diffuser.....	15
Line Strainer.....	32
Screen.....	32
Linkage Rod, Governor.....	4, 6

-M-

Manifold	
Front Wheel Drive.....	10
Solution.....	32
Michigan Filter.....	15
Micro Switch.....	24



Motor  
Mount.....4,6  
Steering.....22  
Mount,  
Alternator.....4,6  
Cylinder.....36  
Hydrostatic Cable.....24  
Ladder.....30  
Liftarm.....36  
Seat.....26  
Sensor.....12  
Steering Motor.....22  
Three Spool Valve.....27  
Mounting  
Plate, Gocernor.....4  
Socket.....29  
Muffler.....16  
Mullion.....29

-0-  
011  
Cooler.....11  
Filter.....5,7  
Sender.....5,7  
Tank Strap.....15  
Operator Station.....26

-P-  
Pad, Brake.....12  
Panel, Console.....26  
Pivot Bracket, Cylinder.....36  
Pivot Pin.....31,36  
Pressure Gauge.....32  
Prop, Ladder.....30  
Pump,  
Hydreco.....8  
Hypro.....33  
Sundstrand.....8

-R-  
Radiator.....11  
Cap.....11  
Drain Cock.....11  
Hose.....5,7  
Hose Adaptor.....5  
Recovery Tank.....11  
Shroud.....11  
Rear Leg.....13  
Receiver Plate.....15  
Retainer Brake Clip.....12  
Rim.....21

Rubber Hook.....29

-S-

Schematic  
Electrical.....45  
Hydraulic.....46,48  
Screen.....11  
Line Strainer.....32  
Seal.....12,13  
Seat.....26  
Mount.....26  
Sender,  
Fuel.....14  
011.....5,7  
Temperature.....5,7  
Sensor,  
Disc.....12  
Mount.....12  
Speedometer.....12  
Sheet Metal.....29  
Shield,  
Bellhousing.....5,7  
Tank.....31  
Wheel Motor.....12  
Shroud, Radiator.....11  
Slow Moving Vehicle Sign.....29  
Solution  
Hosing.....40  
Manifold.....32  
Spacer, Fan.....4,6  
Speedometer.....23  
Spring.....36,25  
Stalk Guide.....30  
Starter.....5,7  
Steering  
Aym.....12  
Column.....22  
Cylinder.....18  
Motor.....22  
Pivot.....20  
Pivot Aym.....20  
Wheel.....22  
Wheel Cap.....22  
Strap,  
Ground.....5,7,26  
Oil Tank.....15  
Sundstrand  
Pump.....8  
Wheel Motor.....12  
Switch,  
Dimmer.....26  
Ignition.....23  
Light.....23  
Micro.....24  
Toggle.....23

-T-

Tailight.....	29
Tank,	
Band.....	31
Cradle.....	31
Fuel.....	14
Hydraulic Oil.....	15
Lid.....	31
Polyethylene.....	31
Radiator Recovery.....	11
Shield.....	31
Temperature	
Gauge.....	23
Sender.....	5, 7
Three Spool Valve.....	27
Throttle	
Cable.....	25
Lever.....	25
Lever Mount.....	25
Tie Plate.....	14, 31
Tie Rod.....	19
Tire.....	21
Toggle Switch.....	23
Torque Hub.....	12
Transom.....	36

-V-

Valve,	
Ball.....	33
Electric.....	32
Handle.....	27
V-Plate, Leg.....	12, 13

-W-

Wheel Motor	
Shield.....	12
Sundstrand.....	12
Wheel, Steering.....	22

Memoranda

---

Memoranda

---