

**PARTS MANUAL**  
**FOR**

**HAGIE MODEL 8500 DETASSELERS**

**HAGIE MANUFACTURING COMPANY**  
BOX 273 CLARION, IOWA 50525 (515) 532-2861

**COVERS MACHINE SERIAL NUMBERS:**

060168001 Thru 060168100  
060268001 Thru 060268100

9-86 493093

#### DETASSELER IDENTIFICATION

Each Hagie detasseler is identified by means of a frame serial number.

This serial number denotes the model, year in which it was built, and the number of the detasseler. As for further identification, the engine has a serial number, the hydrostatic pump has a serial number, the wheel motors have identification tags, and the planetary hubs have identification plates that describe the type of mount and gear ratio. To insure prompt, efficient service when ordering parts or requesting service repairs from Hagie Manufacturing Company, record the serial and identification numbers in the space provided below.

Note: Reference to left hand and right hand used through this manual refers to the position when seated in the operator's seat facing forward.

DETASSELER SERIAL NUMBER

\_\_\_\_\_

ENGINE SERIAL NUMBER

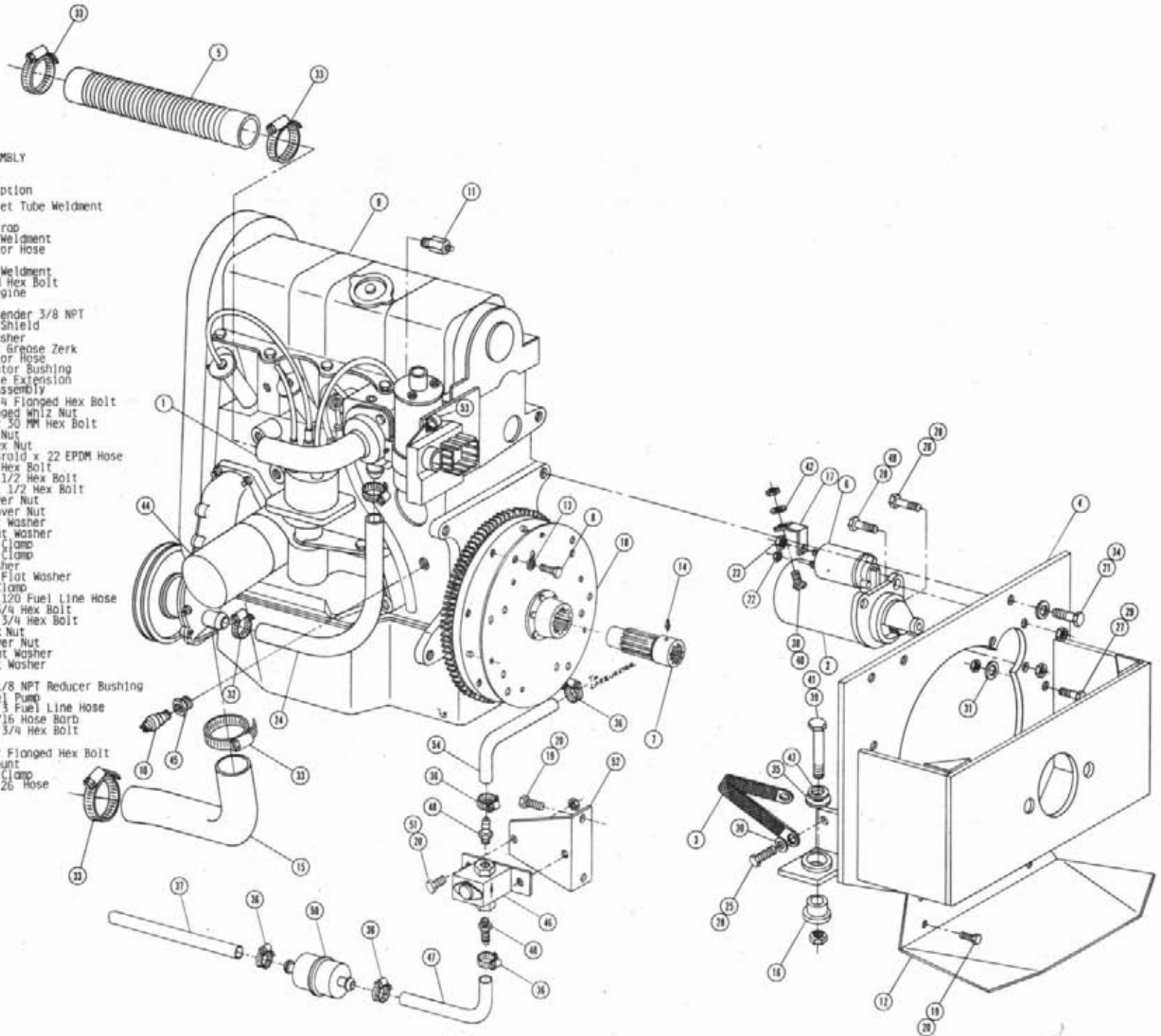
\_\_\_\_\_

TABLE OF CONTENTS

Engine Assembly.....	4-7
Four-Wheel Drive Valve And Flow Divider.....	8-10
Radiator And Oil Cooler.....	11
Legs Assemblies.....	12-17
Tire Assembly.....	18
Fuel And Oil Tanks.....	19-21
Exhaust Pipe And Air Cleaner.....	22-23
Steering Cylinder.....	24
Tie Rod Assembly.....	25
Miscellaneous Frame Components.....	26-27
Steering Wheel.....	28
Instrument Panel.....	29
Operator Station.....	30-32
Sheet Metal And Ladder.....	33-34
Motor Control Valve.....	35
Return Manifold.....	36-37
Three-Spool Valve Assembly.....	38
Tasselrol Cover Assembly.....	39
Flow Control.....	40-41
Electrohydraulic Valve.....	42-43
Outrigger And Left Assembly.....	44-47
Roller And Tire Pulver Assembly.....	48-49
Cutter Assembly.....	50-51
Male Corn Cutter.....	52
Personnel Carrier Assembly.....	53
Tasseltrol Components.....	54-55
Planetary Gear Assembly.....	56-58
Decals.....	59-62
Electrical Schematic.....	63-65
Hydraulic Schematic.....	66-81
Abbreviations.....	82
Index.....	83

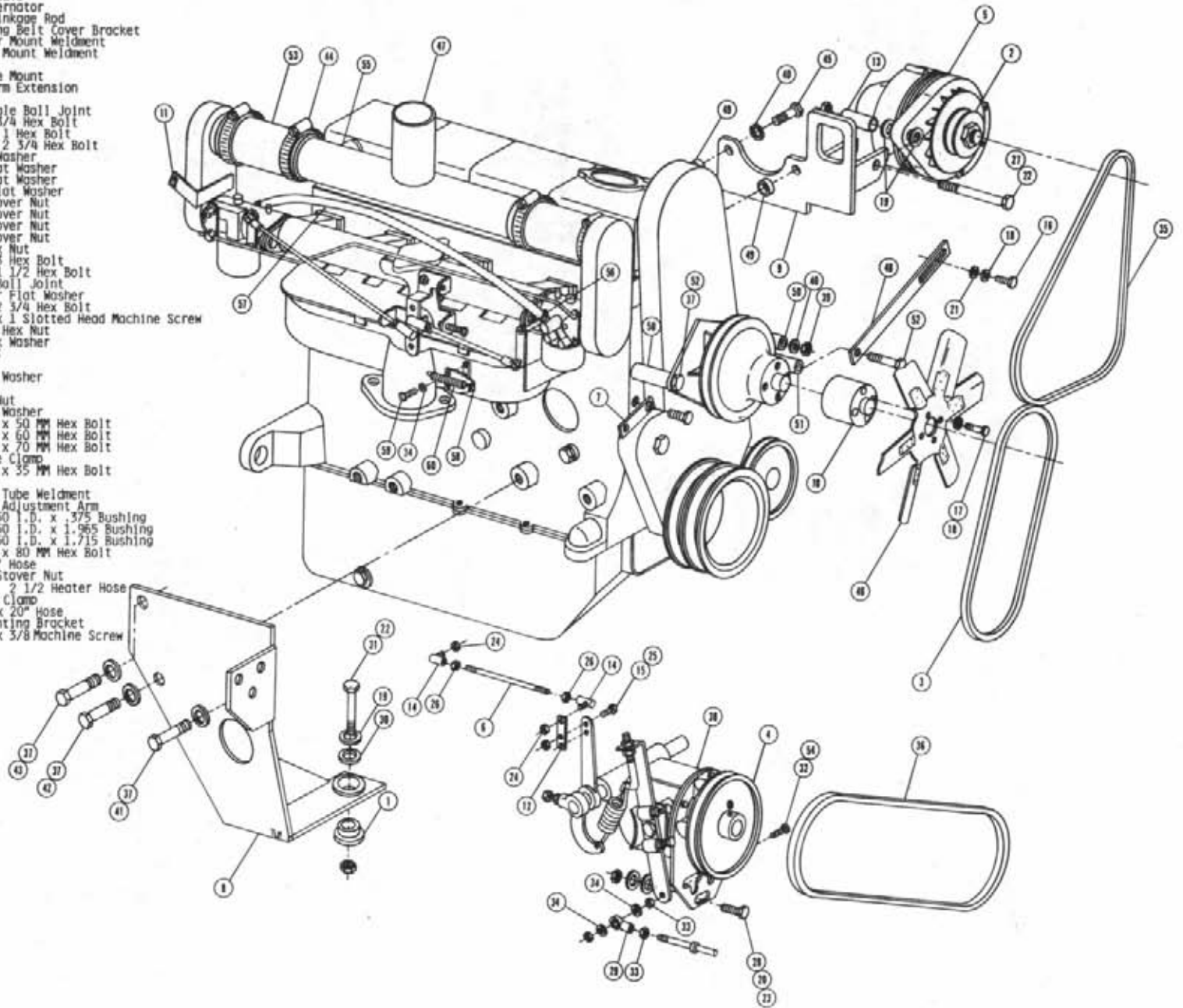
2.5 LITER ENGINE ASSEMBLY

Det.	Qty.	P/N	Description
1		312477	Coolant Outlet Tube Weldment
2		312526	Starter
3		290109	8" Ground Strap
4		312395	Bellhousing Weldment
5		312474	Upper Radiator Hose
6		312527	Solenoid
7		800484	Drive Shaft Weldment
8		473805	8 MM x 16 MM Hex Bolt
9		312492	2.5 Liter Engine
10		314361	Oil Sender
11		314471	Temperature Sender 3/8 NPT
12		312476	Bellhousing Shield
13		473804	8 MM Lock Washer
14		471005	1/4-28 x 1/2 Grease Zerk
15		312469	Lower Radiator Hose
16		311032	Engine Isolator Bushing
17		312509	Battery Cable Extension
18		312528	Drive Disc Assembly
19		470118	1/4 UNC x 3/4 Flanged Hex Bolt
20		470121	1/4 UNC Flanged Whiz Nut
21		473775	12 MM-1.75 x 30 MM Hex Bolt
22		473777	4 MM-7 Hex Nut
23		473778	8 MM-1.25 Hex Nut
24		601288	3/4 I.D. x 1-Braid x 22 EPDM Hose
25		900129	3/8 UNC x 1 Hex Bolt
26		900131	5/8 UNC x 1 1/2 Hex Bolt
27		900197	7/16 UNC x 1 1/2 Hex Bolt
28		914004	3/8 UNC Stover Nut
29		914006	7/16 UNC Stover Nut
30		920002	3/8 SAE Flat Washer
31		920003	7/16 SAE Flat Washer
32		520052	No. 12 Hose Clamp
33		520085	No. 24 Hose Clamp
34		920504	1/2 Lock Washer
35		483037	5/8 Regular Flat Washer
36		520120	No. 4 Hose Clamp
37		601257	5/16 I.D. x 120 Fuel Line Hose
38		900064	5/16 UNC x 3/4 Hex Bolt
39		900269	1/2 UNC x 2 3/4 Hex Bolt
40		910002	5/16 UNC Hex Nut
41		914008	1/2 UNC Stover Nut
42		920001	5/16 SAE Flat Washer
43		920004	1/2 SAE Flat Washer
44		312460	Oil Filter
45		501005	1/4 NPT to 1/8 NPT Reducer Bushing
46		312522	Electric Fuel Pump
47		601138	5/16 I.D. x 3 Fuel Line Hose
48		711001	1/8 NPT x 5/16 Hose Barb
49		900132	3/8 UNC x 1 3/4 Hex Bolt
50		319512	Fuel Filter
51		470122	1/4-20 x 1/2 Flanged Hex Bolt
52		312718	Fuel Pump Mount
53		520118	1/2 Cushion Clamp
54		601293	5/16 I.D. x 26 Hose



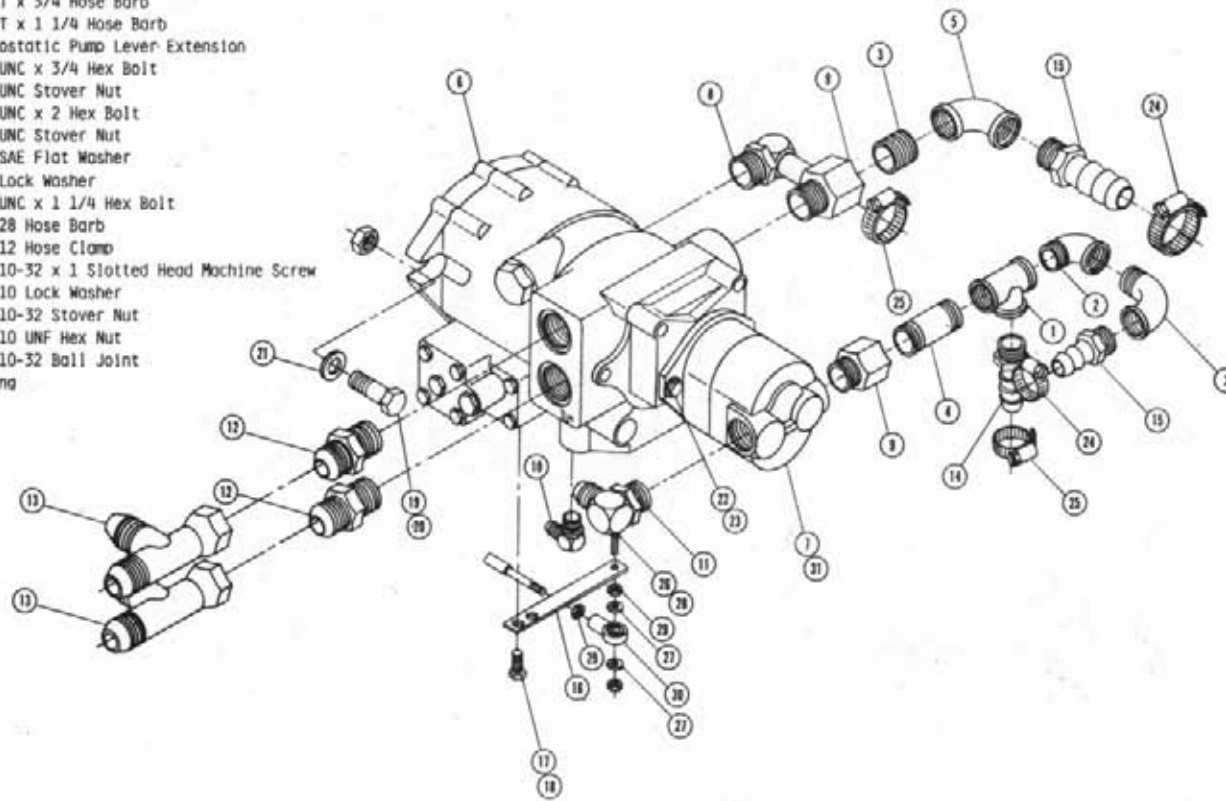
2.5 LITER ENGINE ASSEMBLY

Det.	Qty.	P/N	Description
1		311032	Engine Isolator Bushing
2		141022	Sheave
3		147013	7375 Belt
4		147050	6" O.D. Sheave
5		310993	55 AMP Alternator
6		312430	Governor Linkage Rod
7		312466	Lower Timing Belt Cover Bracket
8		312497	Front Motor Mount Weldment
9		312504	Alternator Mount Weldment
10		312508	Fan Spacer
11		312510	Choke Cable Mount
12		314341	Governor Arm Extension
13		160336	Spacer
14		473918	1/4-28 Female Ball Joint
15		900002	1/4 UNC x 3/4 Hex Bolt
16		900062	5/16 UNC x 1 Hex Bolt
17		900071	5/16 UNC x 2 3/4 Hex Bolt
18		920501	5/16 Lock Washer
19		920004	1/2 SAE Flat Washer
20		920002	3/8 SAE Flat Washer
21		920001	5/16 SAE Flat Washer
22		914008	1/2 UNC Stover Nut
23		914004	3/8 UNC Stover Nut
24		914001	1/4 UNF Stover Nut
25		914000	1/4 UNC Stover Nut
26		910001	1/4 UNF Hex Nut
27		900270	1/2 UNC x 3 Hex Bolt
28		900131	3/8 UNC x 1 1/2 Hex Bolt
29		473921	No. 10-32 Ball Joint
30		483037	5/8 Regular Flat Washer
31		900269	1/2 UNC x 2 3/4 Hex Bolt
32		903893	No. 10-32 x 1 Slotted Head Machine Screw
33		910027	No. 10 UNF Hex Nut
34		920510	No. 10 Lock Washer
35		147029	3/8x450 Belt
36		147040	2400 Belt
37		473798	10 MM Lock Washer
38		312513	Governor
39		473779	10 MM Hex Nut
40		473799	10 MM Flat Washer
41		473817	10 MM-1.50 x 50 MM Hex Bolt
42		473785	10 MM-1.50 x 60 MM Hex Bolt
43		473773	10 MM-1.50 x 70 MM Hex Bolt
44		520068	No. 32 Hose Clamp
45		473776	10 MM-1.50 x 35 MM Hex Bolt
46		312391	Fan
47		312515	Air Intake Tube Weldment
48		312514	Alternator Adjustment Arm
49		312518	1 O.D. x .50 I.D. x .375 Bushing
50		312519	1 O.D. x .50 I.D. x 1.965 Bushing
51		312520	1 O.D. x .50 I.D. x 1.715 Bushing
52		473771	10 MM-1.50 x 80 MM Hex Bolt
53		601291	2 I.D. x 3" Hose
54		601292	No. 10-32 Stover Nut
55		601290	5/8 I.D. x 2 1/2 Heater Hose
56		601290	No. 4 Hose Clamp
57		601290	5/16 I.D. x 20" Hose
58		312523	Spring Mounting Bracket
59		473013	No. 10-24 x 3/8 Machine Screw
60		472014	Spring



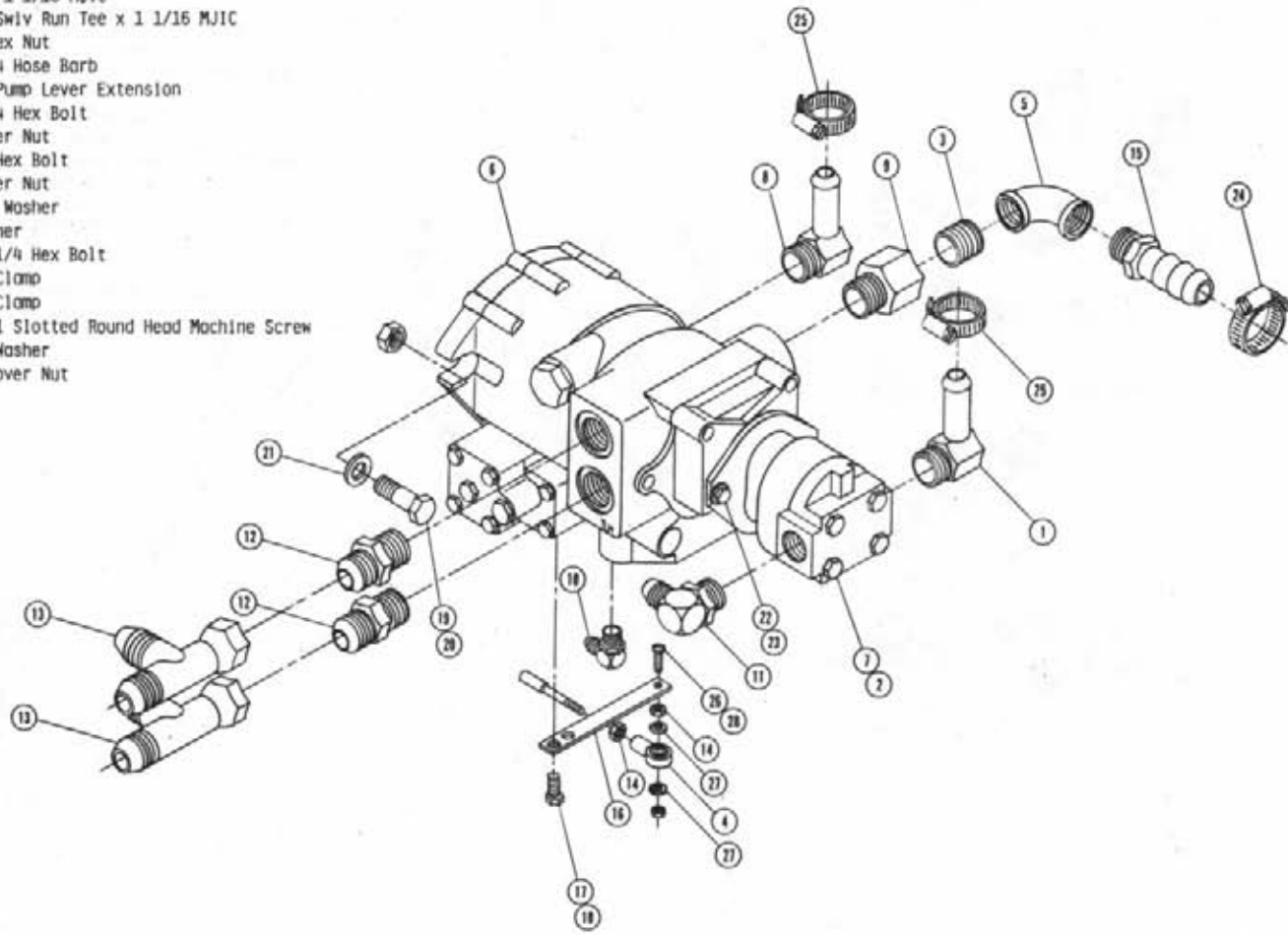
SUNDSTRAND PUMP ASSEMBLY

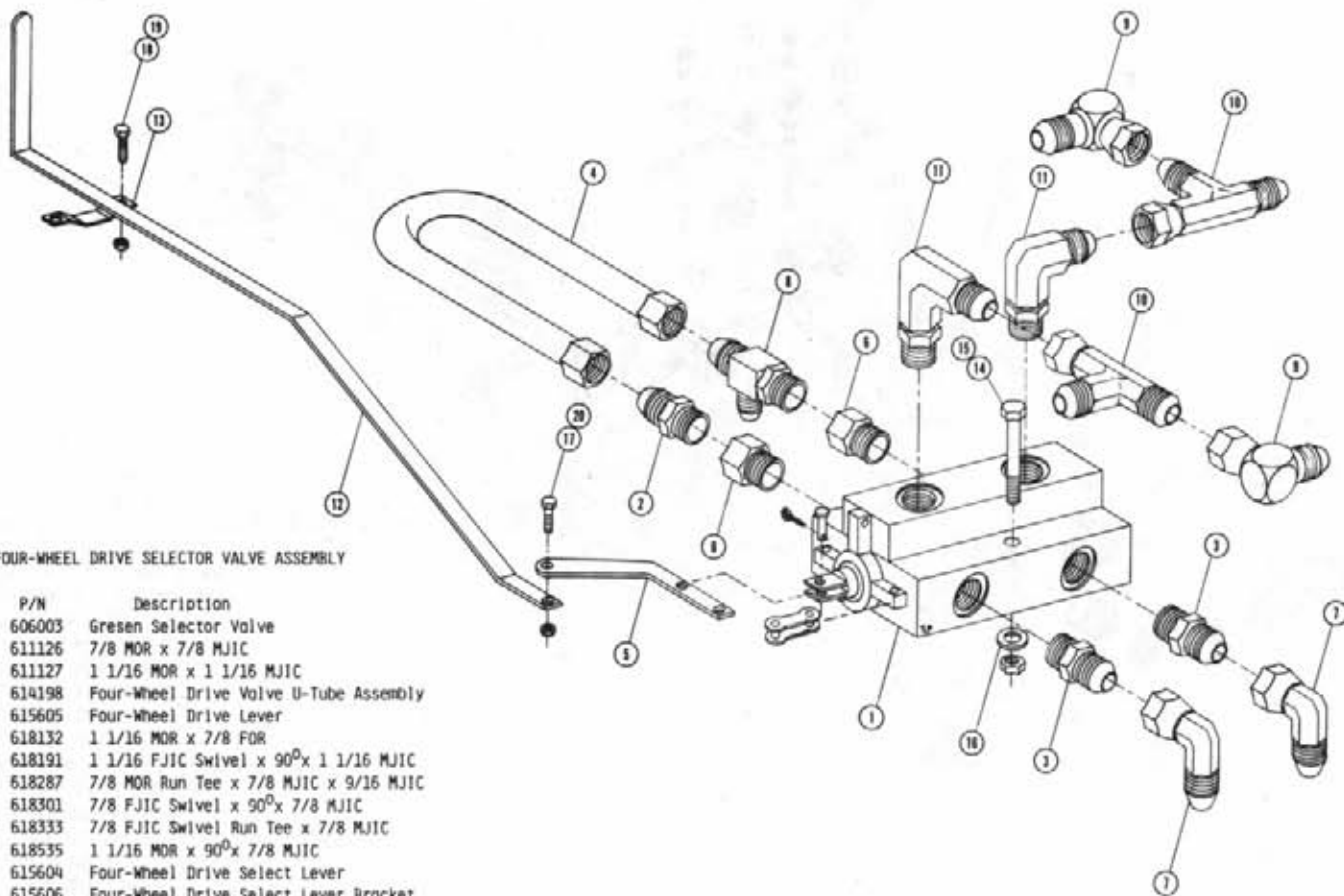
Det.	Qty.	P/N	Description
1	1	505101	1 NPT Pipe Tee
2	2	505200	1 NPT x 90 Street Elbow
3	1	505201	1 NPT Close Nipple
4	1	505202	1 NPT x 2 Pipe Nipple
5	1	506301	1 NPT x 45 Elbow
6	1	606865	Sundstrand Pump 2.8 Cu.In.
7	1	610444	Cross Hydraulic Pump 2.74 Cu.In. B-Mount
8	1	618474	1 1/16 MOR x 90 x 3/4 MJIC
9	2	618090	1 5/16 MOR x 1 FNPT
10	1	618119	9/16 MOR x 90 x 9/16 MJIC
11	1	618186	1 5/16 MOR x 90 x 1 5/16 MJIC
12	2	618308	1 5/16 MOR x 1 1/16 MJIC
13	2	618487	1 1/16 FJIC Run Tee x 1 1/16 MJIC
14	1	714331	1 NPT x 3/4 Hose Barb
15	2	714561	1 NPT x 1 1/4 Hose Barb
16	1	312402	Hydrostatic Pump Lever Extension
17	2	900128	3/8 UNC x 3/4 Hex Bolt
18	2	914004	3/8 UNC Stover Nut
19	2	900267	1/2 UNC x 2 Hex Bolt
20	2	914008	1/2 UNC Stover Nut
21	2	920004	1/2 SAE Flat Washer
22	2	920504	1/2 Lock Washer
23	2	900264	1/2 UNC x 1 1/4 Hex Bolt
24	2	520067	No. 28 Hose Barb
25	2	520055	No. 12 Hose Clamp
26	1	903893	No. 10-32 x 1 Slotted Head Machine Screw
27	2	920510	No. 10 Lock Washer
28	1	914027	No. 10-32 Stover Nut
29	2	910027	No. 10 UNF Hex Nut
30	1	473921	No. 10-32 Ball Joint
31	1	606870	O-Ring



SUNDSTRAND PUMP ASSEMBLY  
PERSONNEL CARRIER

Det. Qty.	P/N	Description
1	618567	1 1/16 MDR x 45° x 1 Hose Barb
2	606870	O-Ring
3	505201	1 NPT Close Nipple
4	473921	No. 10-32 Ball Joint
5	506301	1 NPT x 45° Elbow
6	606865	Sundstrand Pump 2.8 Cu.In.
7	610439	Hydreco Hydraulic Pump 1.47 Cu.In.
8	618118	1 1/16 MDR x 90° x 3/4 MJIC
9	618090	1 5/16 MDR x 1 FNPT
10	618119	9/16 MDR x 90° x 9/16 MJIC
11	610535	1 1/16 MDR x 90° x 7/8 MJIC
12	618308	1 5/16 MDR x 1 1/16 MJIC
13	618487	1 1/16 FJIC Swiv Run Tee x 1 1/16 MJIC
14	910027	No. 10 UNF Hex Nut
15	714561	1 NPT x 1 1/4 Hose Barb
16	312402	Hydrostatic Pump Lever Extension
17	900128	3/8 UNC x 3/4 Hex Bolt
18	914004	3/8 UNC Stover Nut
19	900267	1/2 UNC x 2 Hex Bolt
20	914008	1/2 UNC Stover Nut
21	920004	1/2 SAE Flat Washer
22	920504	1/2 Lock Washer
23	900264	1/2 UNC x 1 1/4 Hex Bolt
24	520087	No. 28 Hose Clamp
25	520055	No. 12 Hose Clamp
26	903893	No. 10-32 x 1 Slotted Round Head Machine Screw
27	920510	No. 10 Lock Washer
28	914027	No. 10-32 Stover Nut



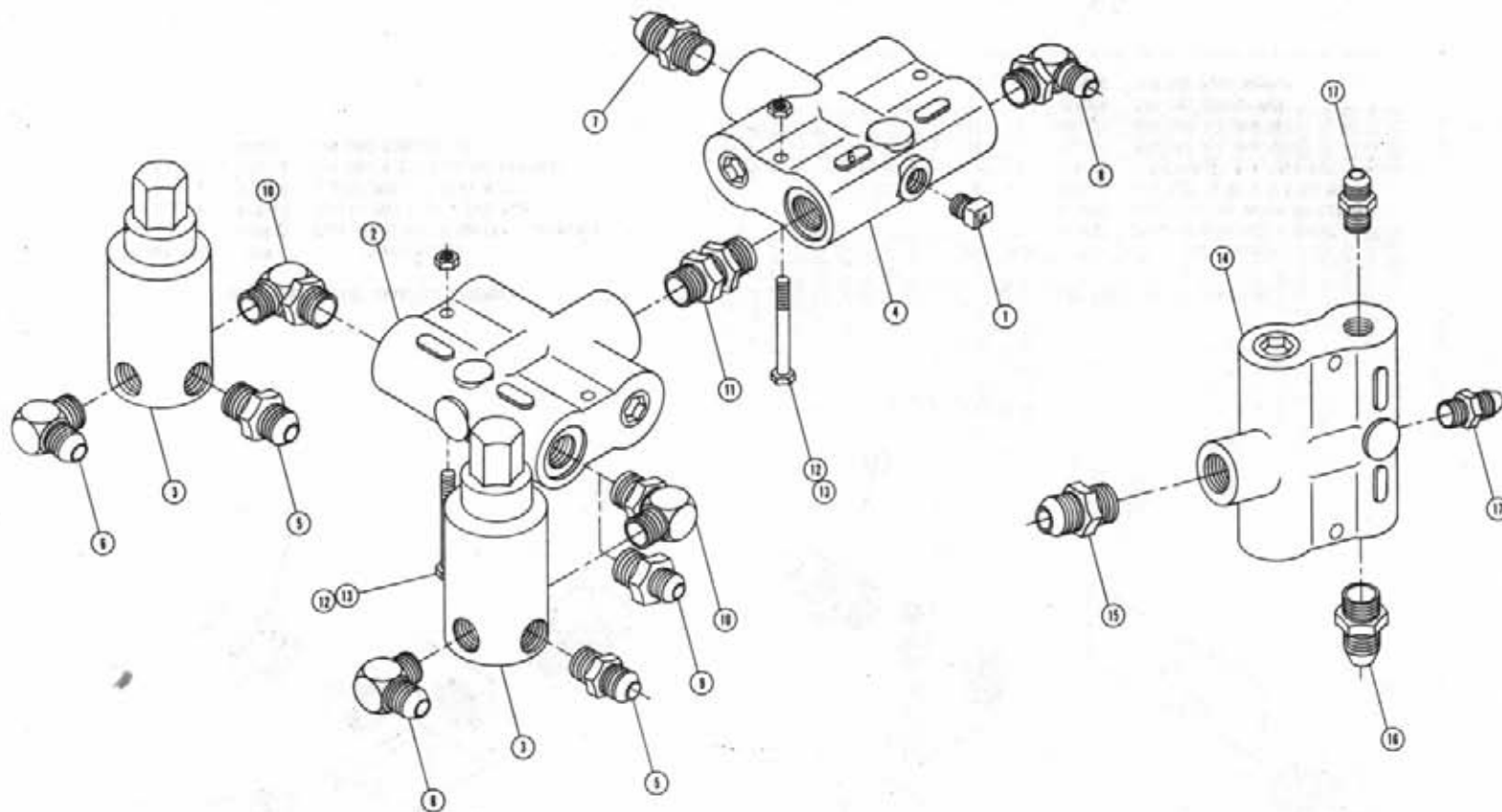


FOUR-WHEEL DRIVE SELECTOR VALVE ASSEMBLY

Det. Qty.	P/N	Description
1	606003	Gresen Selector Valve
2	611126	7/8 MOR x 7/8 MJIC
3	611127	1 1/16 MOR x 1 1/16 MJIC
4	614198	Four-Wheel Drive Valve U-Tube Assembly
5	615605	Four-Wheel Drive Lever
6	618132	1 1/16 MOR x 7/8 FOR
7	618191	1 1/16 FJIC Swivel x 90° x 1 1/16 MJIC
8	618287	7/8 MOR Run Tee x 7/8 MJIC x 9/16 MJIC
9	618301	7/8 FJIC Swivel x 90° x 7/8 MJIC
10	618333	7/8 FJIC Swivel Run Tee x 7/8 MJIC
11	618535	1 1/16 MOR x 90° x 7/8 MJIC
12	615604	Four-Wheel Drive Select Lever
13	615606	Four-Wheel Drive Select Lever Bracket
14	900136	3/8 UNC x 3 Hex Bolt
15	914004	3/8 UNC Stover Nut
16	920002	3/8 SAE Flat Washer
17	900003	1/4 UNC x 1 Hex Bolt
18	470118	1/4 UNC x 3/4 Flanged Hex Bolt
19	470121	1/4 UNC Flanged Whiz Nut
20	914000	1/4 UNC Stover Nut

Note: Detasseler Assembly Shown For Personnel Carrier  
 Delete Detail 2, 4, 6, 8, And Replace With (2)  
 611127 - 1 1/16 MOR x 1 1/16 MJIC And (1) 614290 -  
 Four-Wheel Drive U-Tube P/C.





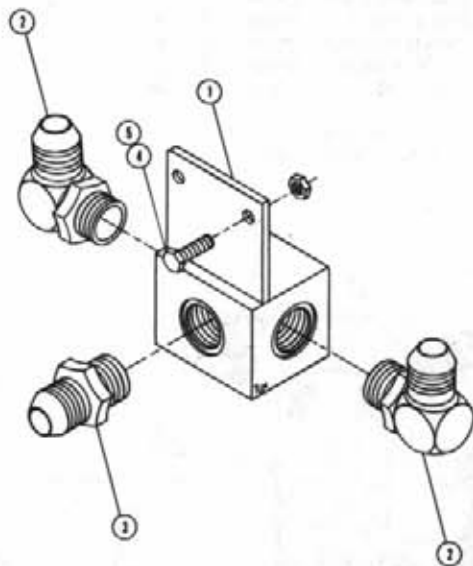
FLOW DIVIDER ASSEMBLY  
DETASSELER

Det. Qty.	P/N	Description
1	502800	3/8 NPT Pipe Plug
2	607504	B50 Flow Divider
3	607512	RL50 Relief Valve
4	607518	BGR56 Flow Divider
5	618018	9/16 MJIC x 1/2 MNPT
6	618107	9/16 MJIC x 90 x MNPT
7	618189	1 1/16 MJIC x 7/8 MOR
8	618279	1 1/16 MJIC x 90 x 7/8 MOR
*9	618310	9/16 MJIC x 7/8 MOR
10	618561	7/8 MOR x 90 x 1/2 MNPT
11	618586	7/8 MOR Union
12	900023	1/4 UNC x 2 1/4 Hex Bolt
13	914000	1/4 UNC Stover Nut

\*Note: Detail 9 is Used With Options That Use Tasselrol.

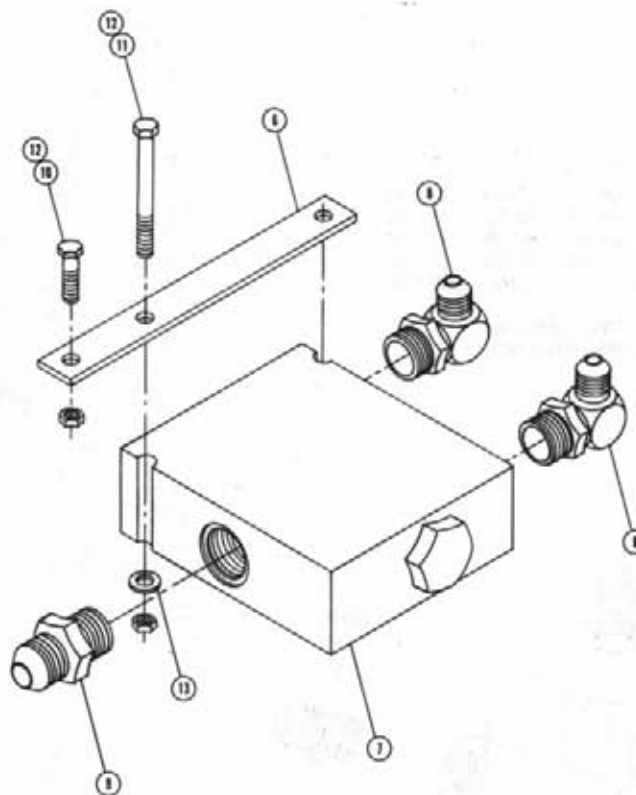
FLOW DIVIDER ASSEMBLY  
PERSONNEL CARRIER

Det. Qty.	P/N	Description
14	607500	BGR53 Flow Divider
15	618059	3/4 NPT x 7/8 MJIC
16	610300	3/4 NPT x 3/4 MJIC
17	618011	3/8 NPT x 9/16 MJIC



FOUR WHEEL DRIVE MANIFOLD ASSEMBLY

Det. Qty.	P/N	Description
1	615602	Four Wheel Drive Manifold Weldment
2	618474	1 1/16 MOR x 90 x 3/4 MJIC
3	618558	1 1/16 MOR x 1 5/16 MJIC
4	470118	1/4 UNC x 3/4 Flanged Hex Bolt
5	470121	1/4 UNC Flanged Nut



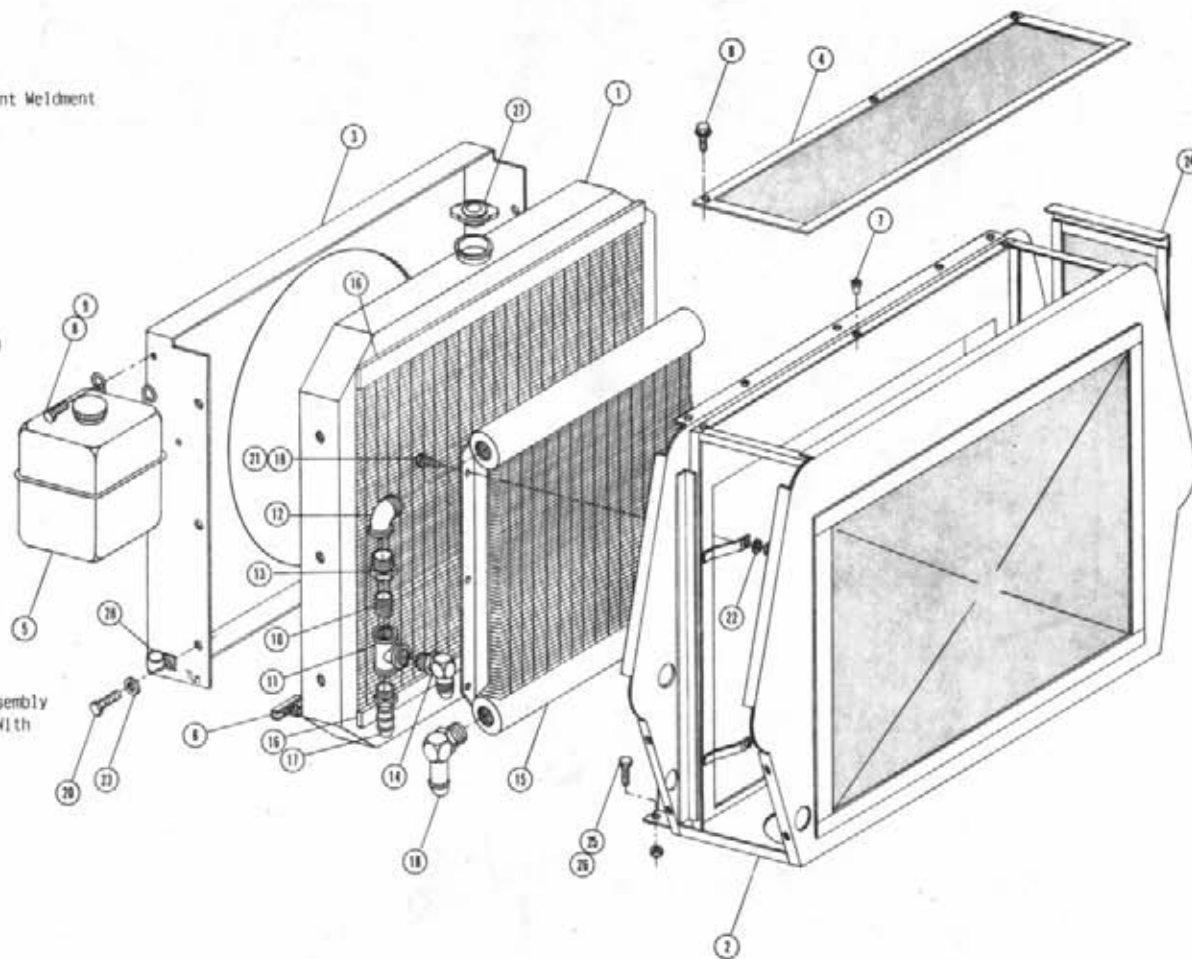
POSITRACTION VALVE ASSEMBLY

Det. Qty.	P/N	Description
6	341592	Positraction Valve Mount
7	610470	Positraction Valve 60 Gallon
8	618475	3/4 MJIC x 90 x 1 5/16 MOR
9	618186	1 5/16 MJIC x 1 5/16 MOR
10	900129	3/8 UNC x 1 Hex Bolt
11	900136	3/8 UNC x 3 Hex Bolt
12	914004	3/8 UNC Stover Nut
13	920002	3/8 SAE Flat Washer

RADIATOR AND OIL COOLER ASSEMBLY

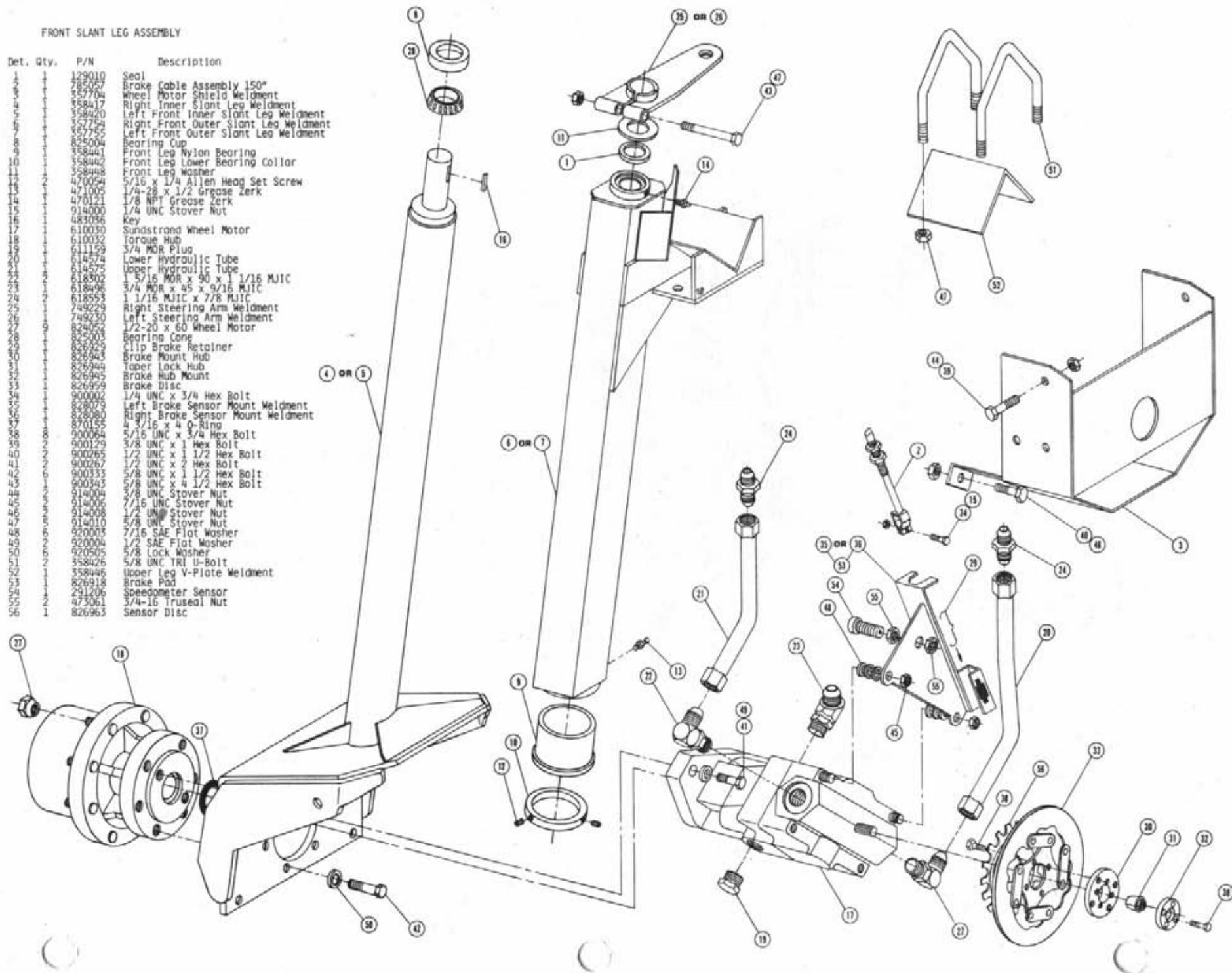
Det. Qty.	P/N	Description
1	312593	Radiator
2	312487	Air Intake Radiator & Cooler Mount Weldment
3	312420	Radiator Shroud
4	312421	Top Screen Weldment
5	314767	Radiator Recovery Tank
6	319559	Radiator Drain Cock
7	470086	1/4 UNC Nutsert
8	470118	1/4 UNC x 3/4 Flanged Hex Bolt
9	470121	1/4 UNC Whiz Nut
10	504702	3/4 NPT Close Nipple
11	504955	3/4 NPT Pipe Tee
12	505200	1 NPT x 90° Street Elbow
13	505213	1 NPT To 3/4 NPT Reducer Bushing
14	610305	3/4 NPT x 90° x 3/4 MJIC
15	618088	Oil Cooler
16	659579	2" Wide x 40" Long Foam
17	713220	3/4 NPT x 3/4 Hose Barb
18	716000	1 NPT x 90° x 3/4 Hose Barb
19	900064	5/16 UNC x 3/4 Hex Bolt
20	900126	3/8 UNC x 1/2 Hex Bolt
21	914002	5/16 UNC Stover Nut
22	920001	5/16 SAE Flat Washer
23	920002	3/8 SAE Flat Washer
24	312490	Side Screen Weldment
25	900129	3/8 UNC x 1 Hex Bolt
26	914004	3/8 UNC Stover Nut
27	319257	Radiator Cap
28	520118	1/2 Cushion Hose Clamp

Note: Personnel Carrier Radiator And Oil Cooler Assembly  
Delete Items 10,11,12,13,14. And 17 Replace With  
(1) 716000 - 1 NPT x 90° x 3/4 Hose Barb.



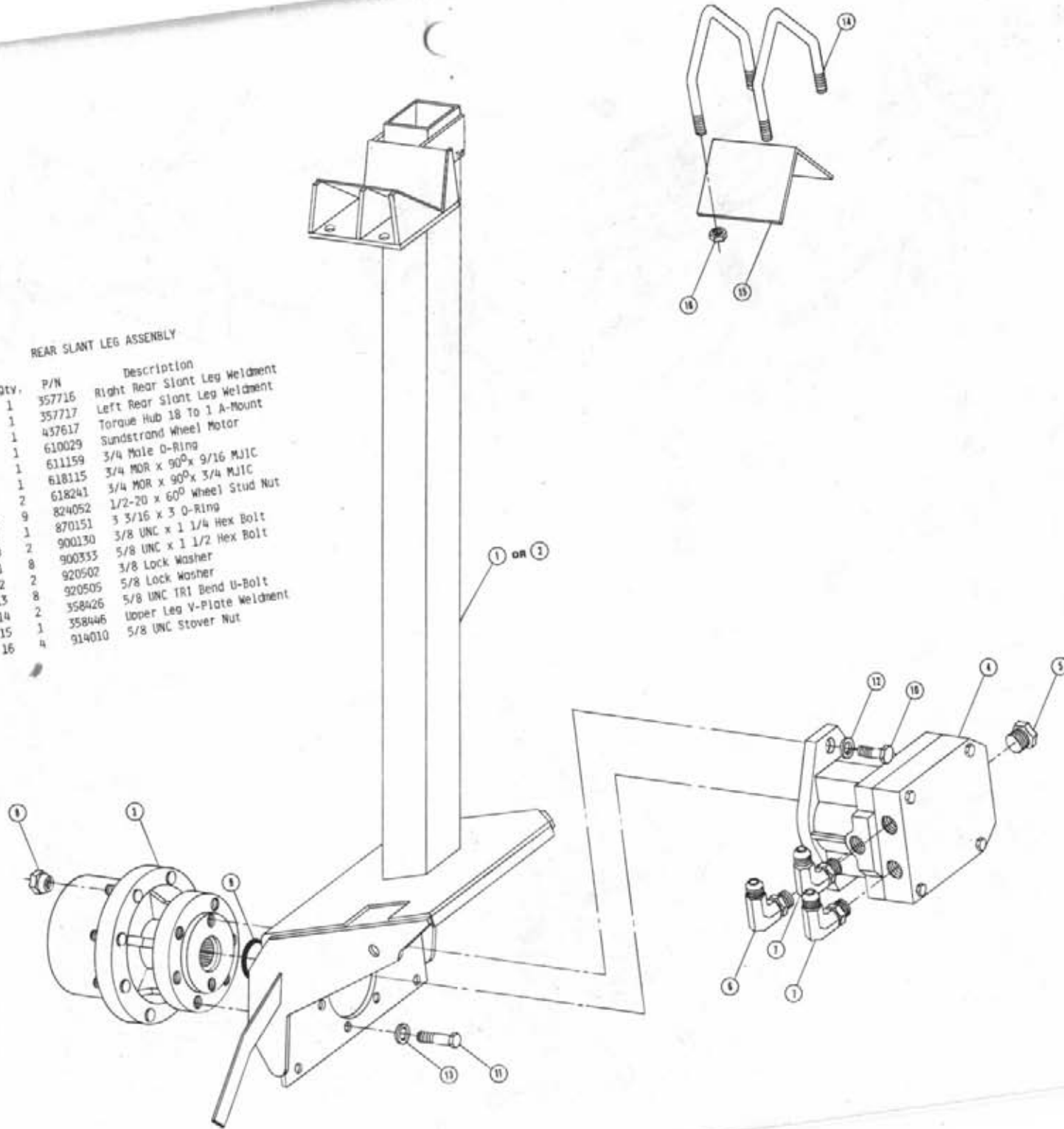
FRONT SLANT LEG ASSEMBLY

Det.	Qty.	P/N	Description
1		129010	Seal
2		785057	Brake Cable Assembly 150"
3		357704	Wheel Motor Shield Weldment
4		358417	Right Inner Slant Leg Weldment
5		358420	Left Front Inner Slant Leg Weldment
6		357754	Right Front Outer Slant Leg Weldment
7		357755	Left Front Outer Slant Leg Weldment
8		825004	Bearing Cup
9		358441	Front Leg Nylon Bearing
10		358442	Front Leg Lower Bearing Collar
11		358448	Front Leg Washer
12		470054	5/16 x 1/4 Allen Heag Set Screw
13		471005	1/4-28 x 1/2 Grease Zerk
14		470121	1/8 NPT Grease Zerk
15		914000	1/4 UNC Stover Nut
16		483036	Key
17		610030	Sundstrand Wheel Motor
18		610032	Torque Hub
19		611159	3/4 MOR Plug
20		614574	Lower Hydraulic Tube
21		614575	Upper Hydraulic Tube
22		618502	1 5/16 MOR x 90 x 1 1/16 MJIC
23		618496	3/4 MOR x 45 x 9/16 MJIC
24		618553	1 1/16 MJIC x 7/8 MJIC
25		749229	Right Steering Arm Weldment
26		749230	Left Steering Arm Weldment
27		824052	172-20 x 60 Wheel Motor
28		825003	Bearing Cone
29		826929	Clip Brake Retainer
30		826943	Brake Mount Hub
31		826944	Taper Lock Hub
32		826945	Brake Hub Mount
33		826959	Brake Disc
34		900002	1/4 UNC x 3/4 Hex Bolt
35		828079	Left Brake Sensor Mount Weldment
36		828080	Right Brake Sensor Mount Weldment
37		870155	4 3/16 x 4 O-Ring
38		900064	5/16 UNC x 3/4 Hex Bolt
39		900129	3/8 UNC x 1 Hex Bolt
40		900265	1/2 UNC x 1 1/2 Hex Bolt
41		900267	1/2 UNC x 2 Hex Bolt
42		900333	5/8 UNC x 1 1/2 Hex Bolt
43		900343	5/8 UNC x 4 1/2 Hex Bolt
44		814004	3/8 UNC Stover Nut
45		814005	7/16 UNC Stover Nut
46		814008	1/2 UNC Stover Nut
47		814010	5/8 UNC Stover Nut
48		820003	7/16 SAE Flat Washer
49		820004	1/2 SAE Flat Washer
50		820505	5/8 Lock Washer
51		358426	5/8 UNC TRI U-Bolt
52		358446	Upper Leg V-Plate Weldment
53		826918	Brake Pad
54		291206	Speedometer Sensor
55		473061	3/4-16 Truseal Nut
56		826963	Sensor Disc



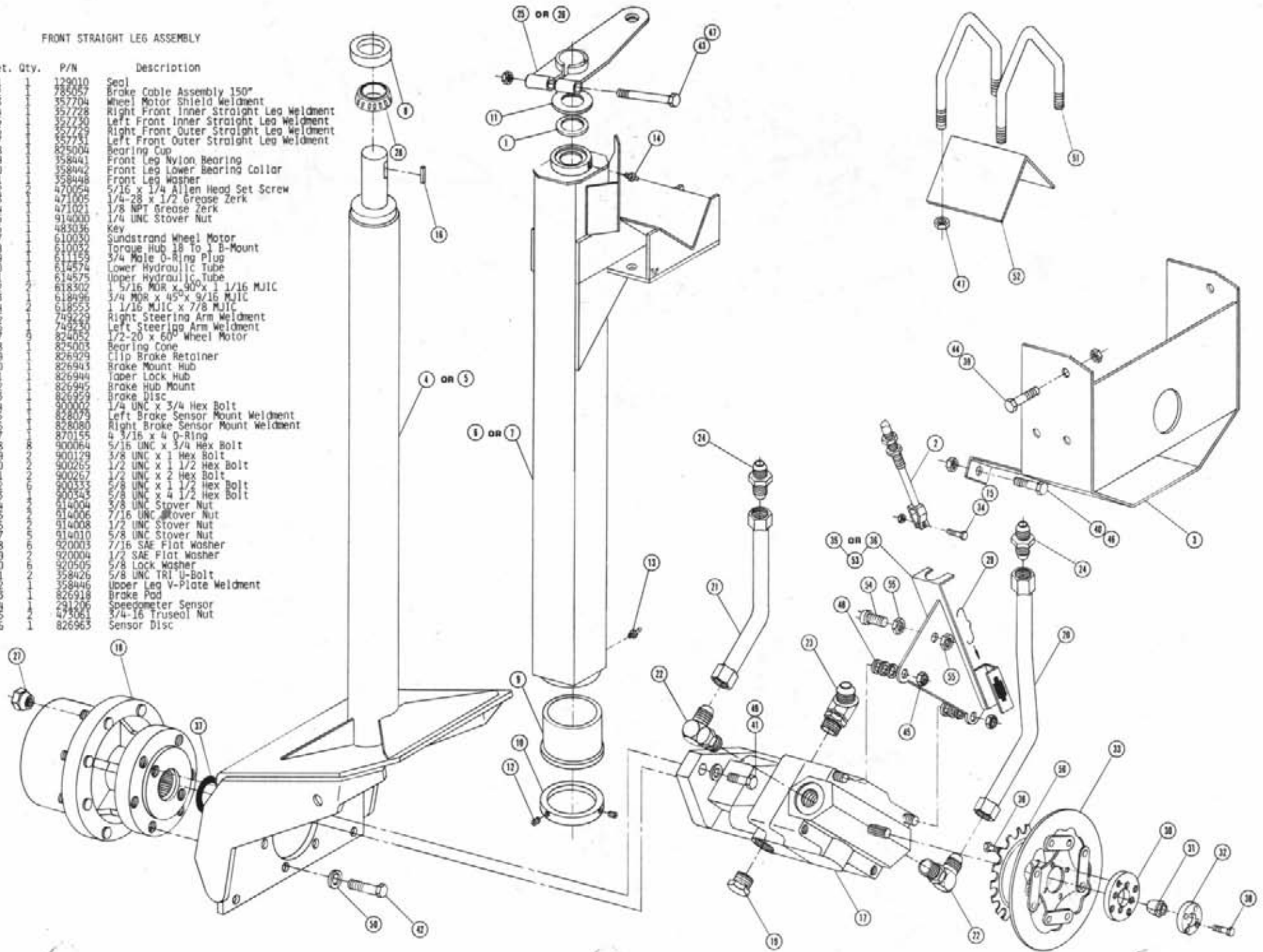
REAR SLANT LEG ASSEMBLY

Det.	Qty.	P/N	Description
1	1	357716	Right Rear Slant Leg Weldment
2	1	357717	Left Rear Slant Leg Weldment
3	1	437617	Torque Hub 18 To 1 A-Mount
4	1	610029	Sundstrand Wheel Motor
5	1	611159	3/4 Male O-Ring
6	1	618115	3/4 MOR x 90° x 9/16 MJIC
7	2	618241	3/4 MOR x 90° x 3/4 MJIC
8	9	824052	1/2-20 x 60° Wheel Stud Nut
9	1	870151	3 3/16 x 3 O-Ring
10	2	900130	3/8 UNC x 1 1/4 Hex Bolt
11	8	900333	5/8 UNC x 1 1/2 Hex Bolt
12	2	920502	3/8 Lock Washer
13	8	920505	5/8 Lock Washer
14	2	358426	5/8 UNC TRI Bend U-Bolt
15	1	358446	Upper Leg V-Plate Weldment
16	4	914010	5/8 UNC Stover Nut



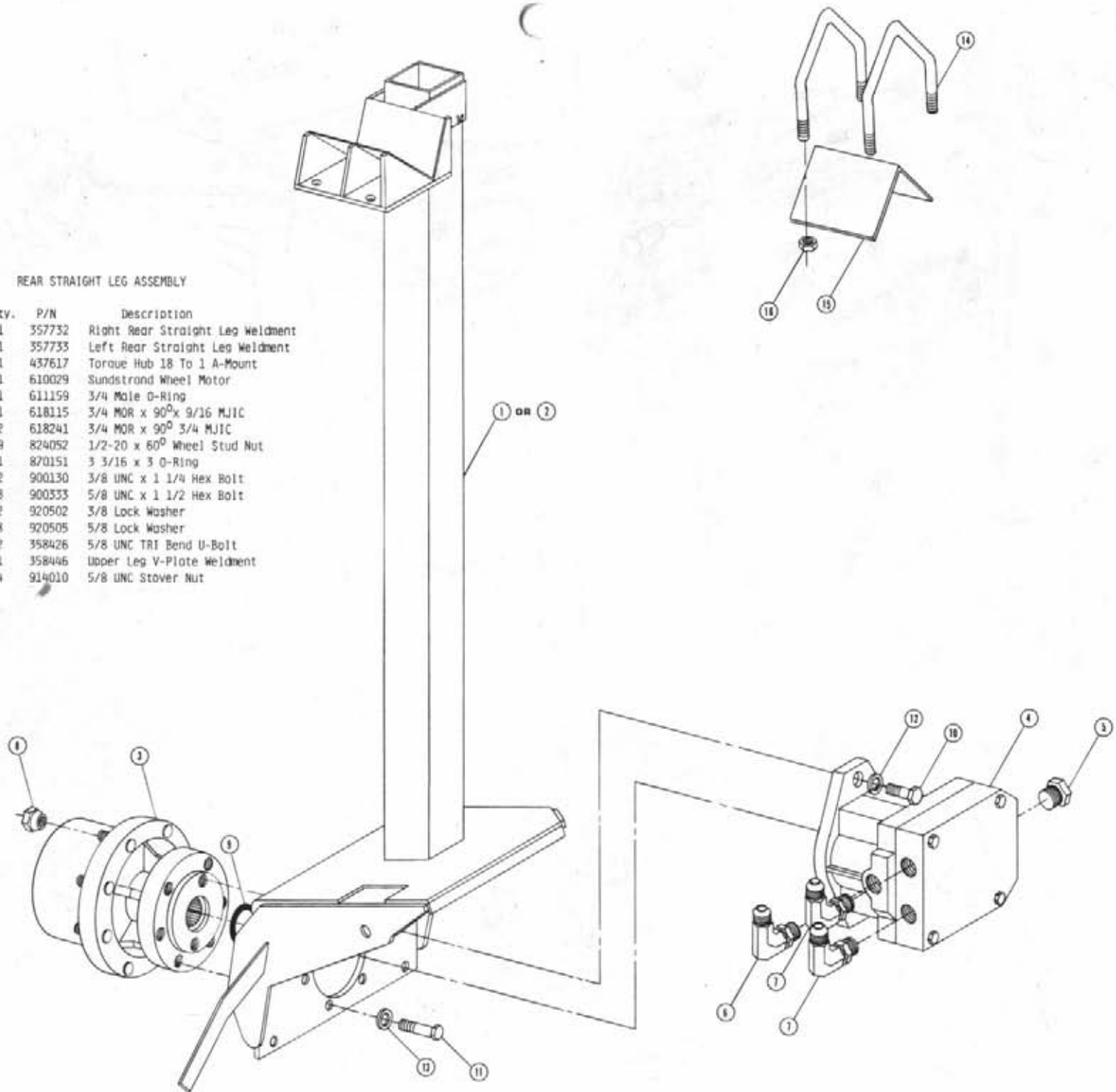
FRONT STRAIGHT LEG ASSEMBLY

Det.	Qty.	P/N	Description
1		129010	Seal
1		785057	Brake Cable Assembly 150"
1		357704	Wheel Motor Shield Weldment
1		357728	Right Front Inner Straight Leg Weldment
1		357730	Left Front Inner Straight Leg Weldment
1		357735	Right Front Outer Straight Leg Weldment
1		357741	Left Front Outer Straight Leg Weldment
1		825004	Bearing Cup
1		358441	Front Leg Nylon Bearing
10		358442	Front Leg Lower Bearing Collar
1		358448	Front Leg Washer
1		470054	5/16 x 1/4 Allen Head Set Screw
1		471005	1/4-28 x 1/2 Grease Zerk
1		471021	1/8 NPT Grease Zerk
1		914000	1/4 UNC Stover Nut
1		483036	Key
1		610030	Sundstrand Wheel Motor
1		610035	Torque Hub 18 To 1 B-Mount
1		611125	3/4 Male O-Ring Plug
1		614474	Lower Hydraulic Tube
1		614575	Upper Hydraulic Tube
1		618502	1 5/16 MOR x 90° x 1 1/16 MJIC
1		618496	3/4 MOR x 45° x 9/16 MJIC
1		618553	1 1/16 MJIC x 7/8 MJIC
1		749229	Right Steering Arm Weldment
1		749230	Left Steering Arm Weldment
1		824052	1/2-20 x 60° Wheel Motor
1		825003	Bearing Cone
1		826929	Clip Brake Retainer
1		826943	Brake Mount Hub
1		826944	Taber Lock Hub
1		826945	Brake Hub Mount
1		826959	Brake Disc
1		828072	1/4 UNC x 3/4 Hex Bolt
1		828079	Left Brake Sensor Mount Weldment
1		828080	Right Brake Sensor Mount Weldment
1		870155	4 3/16 x 4 O-Ring
1		900064	5/16 UNC x 3/4 Hex Bolt
1		900129	3/8 UNC x 1 Hex Bolt
1		900265	1/2 UNC x 1 1/2 Hex Bolt
1		900267	1/2 UNC x 2 Hex Bolt
1		900333	5/8 UNC x 1 1/2 Hex Bolt
1		900343	5/8 UNC x 4 1/2 Hex Bolt
1		914004	3/8 UNC Stover Nut
1		914006	7/16 UNC Stover Nut
1		914008	1/2 UNC Stover Nut
1		914010	5/8 UNC Stover Nut
1		920003	7/16 SAE Flat Washer
1		920004	1/2 SAE Flat Washer
1		920505	5/8 Lock Washer
1		358426	5/8 UNC TRI U-Bolt
1		358446	Upper Leg V-Plate Weldment
1		826918	Brake Pad
1		291206	Speedometer Sensor
1		473061	3/4-16 Truseal Nut
1		826963	Sensor Disc



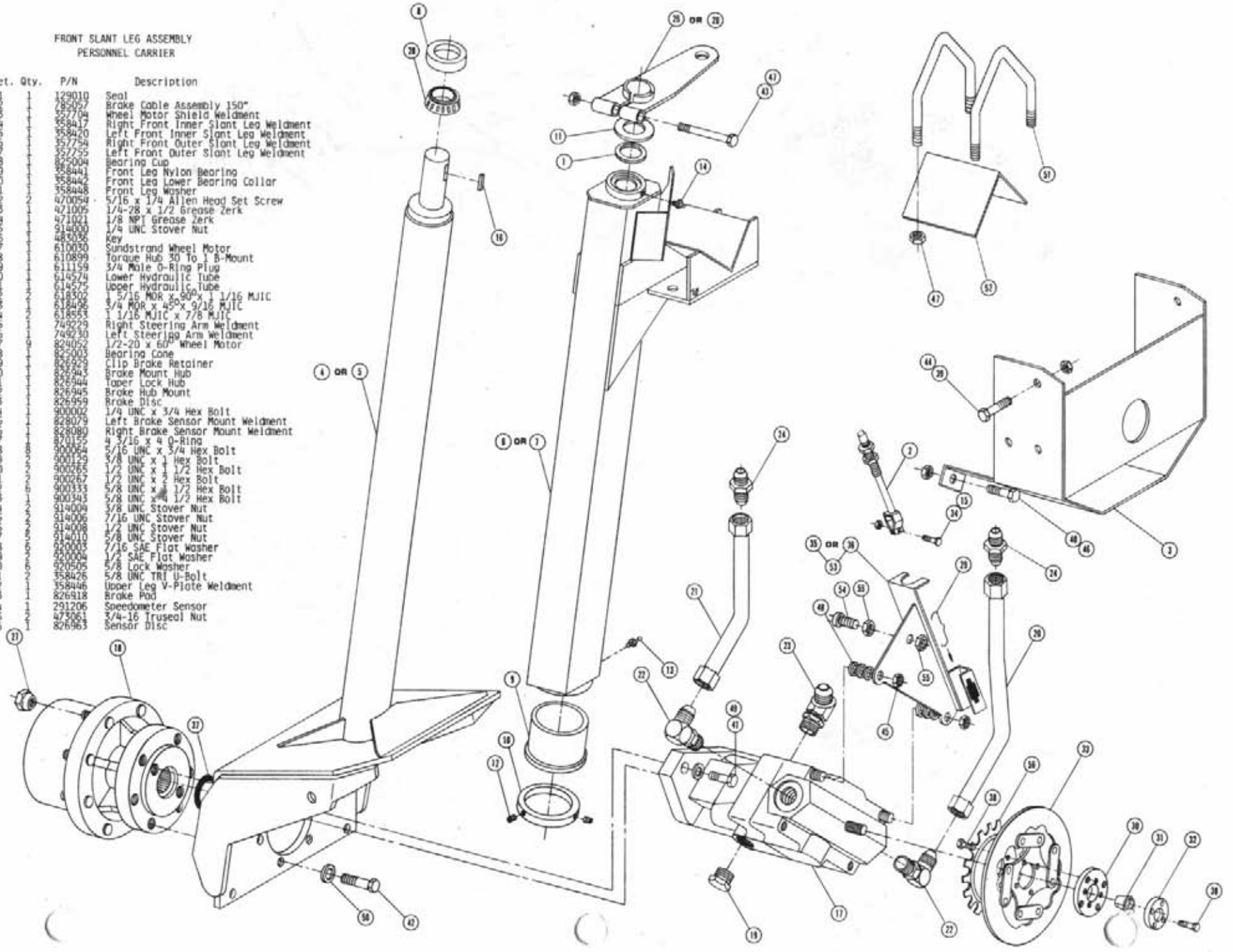
REAR STRAIGHT LEG ASSEMBLY

Det. Qty.	P/N	Description
1	357732	Right Rear Straight Leg Weldment
2	357733	Left Rear Straight Leg Weldment
3	437617	Torque Hub 18 To 1 A-Mount
4	610029	Sundstrand Wheel Motor
5	611159	3/4 Male O-Ring
6	618115	3/4 MOR x 90° x 9/16 MJIC
7	618241	3/4 MOR x 90° 3/4 MJIC
8	824052	1/2-20 x 60° Wheel Stud Nut
9	870151	3 3/16 x 3 O-Ring
10	900130	3/8 UNC x 1 1/4 Hex Bolt
11	900333	5/8 UNC x 1 1/2 Hex Bolt
12	920502	3/8 Lock Washer
13	920505	5/8 Lock Washer
14	358426	5/8 UNC TRI Bend U-Bolt
15	358446	Upper Leg V-Plate Weldment
16	914010	5/8 UNC Stover Nut



FRONT SLANT LEG ASSEMBLY  
PERSONNEL CARRIER

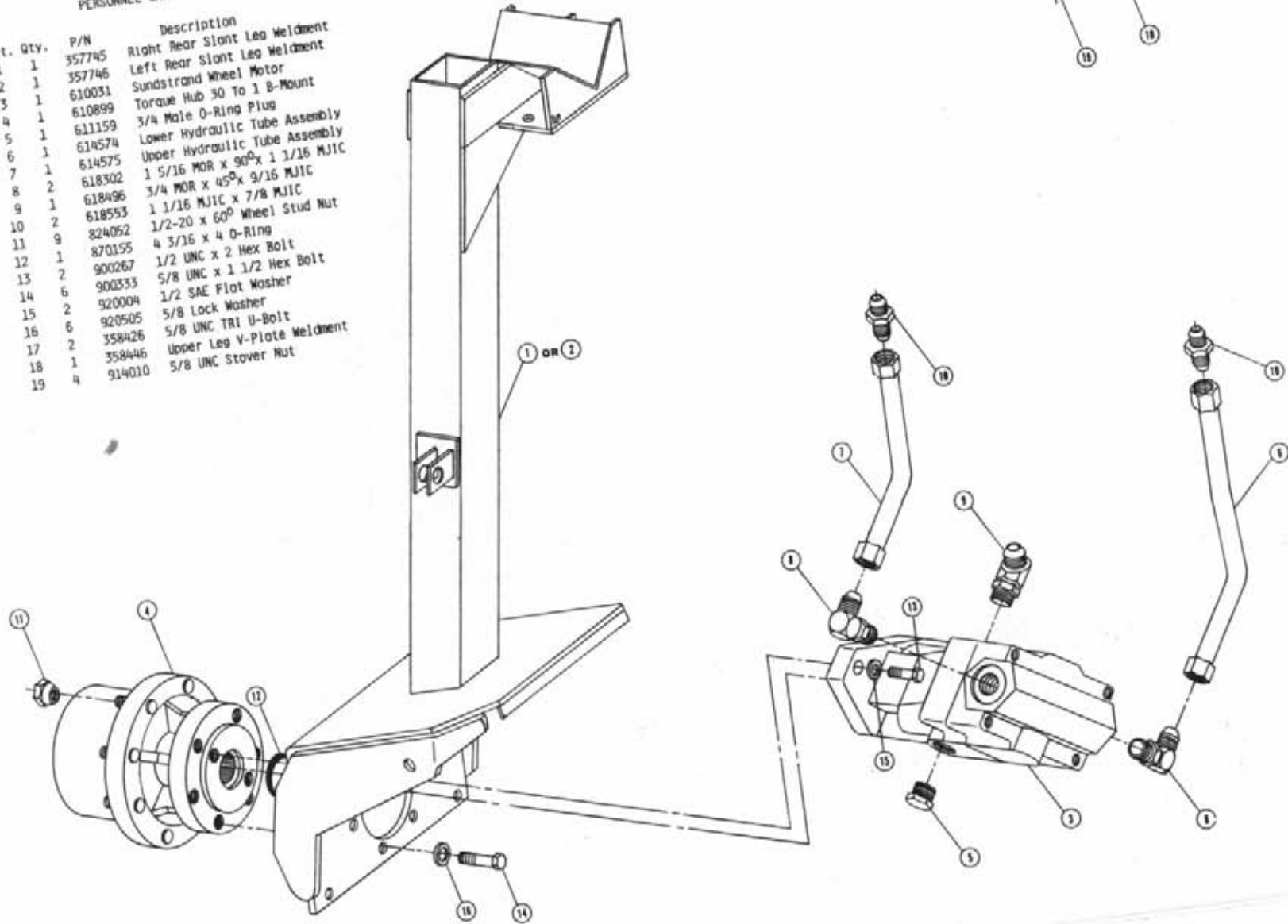
Det.	Qty.	P/N	Description
		129010	Seal
		785057	Brake Cable Assembly 150"
		557704	Wheel Motor Shield Weldment
		558417	Right Front Inner Slant Leg Weldment
		558420	Left Front Inner Slant Leg Weldment
		557754	Right Front Outer Slant Leg Weldment
		557755	Left Front Outer Slant Leg Weldment
		826204	Bearing Cup
		358444	Front Leg Nylon Bearing
		358442	Front Leg Lower Bearing Collar
		358448	Front Leg Washer
		470054	5/16 x 1/4 Allen Head Set Screw
		471005	1/4-28 x 1/2 Grease Zerk
		471021	1/8 NPT Grease Zerk
		914000	1/4 UNC Stover Nut
		483036	Key
		610030	Sandstrand Wheel Motor
		610899	Torque Hub 30 To 1 B-Mount
		611159	3/4 Male O-Ring Plug
		614574	Lower Hydraulic Tube
		614575	Upper Hydraulic Tube
		618502	5/16 MDR x 90° 1/16 MJIC
		618503	3/4 MDR x 45° x 5/16 MJIC
		618553	1/16 MJIC x 7/16 MJIC
		749229	Right Steering Arm Weldment
		749230	Left Steering Arm Weldment
		824052	1/2-20 x 60° Wheel Motor
		825003	Bearing Cone
		826929	Clip Brake Retainer
		826945	Brake Mount Hub
		826944	Taper Lock Hub
		826945	Brake Hub Mount
		826959	Brake Disc
		900002	1/4 UNC x 3/4 Hex Bolt
		828079	Left Brake Sensor Mount Weldment
		828080	Right Brake Sensor Mount Weldment
		900155	1/2-16 x 4 O-Ring
		900062	5/8 UNC x 3/4 Hex Bolt
		900159	3/8 UNC x 1/2 Hex Bolt
		900265	1/2 UNC x 1/2 Hex Bolt
		900267	1/2 UNC x 3/4 Hex Bolt
		900333	5/8 UNC x 1/2 Hex Bolt
		900343	5/8 UNC x 3/4 Hex Bolt
		914004	3/8 UNC Stover Nut
		914006	7/16 UNC Stover Nut
		914008	1/2 UNC Stover Nut
		914010	5/8 UNC Stover Nut
		920003	7/16 SAE Flat Washer
		920004	1/2 SAE Flat Washer
		920505	5/8 Lock Washer
		358426	5/8 UNC TRI U-Bolt
		358446	Upper Leg V-Plate Weldment
		826318	Brake Pad
		291206	Speedometer Sensor
		473061	3/4-16 Truseal Nut
		826363	Sensor Disc

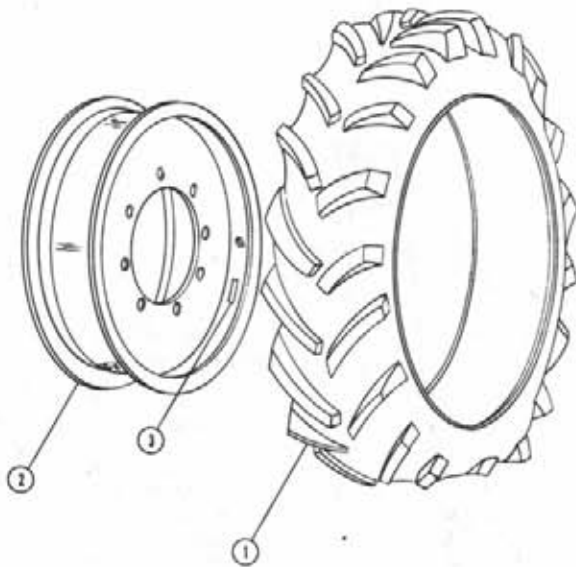




REAR SLANT LEG ASSEMBLY  
PERSONNEL CARRIER

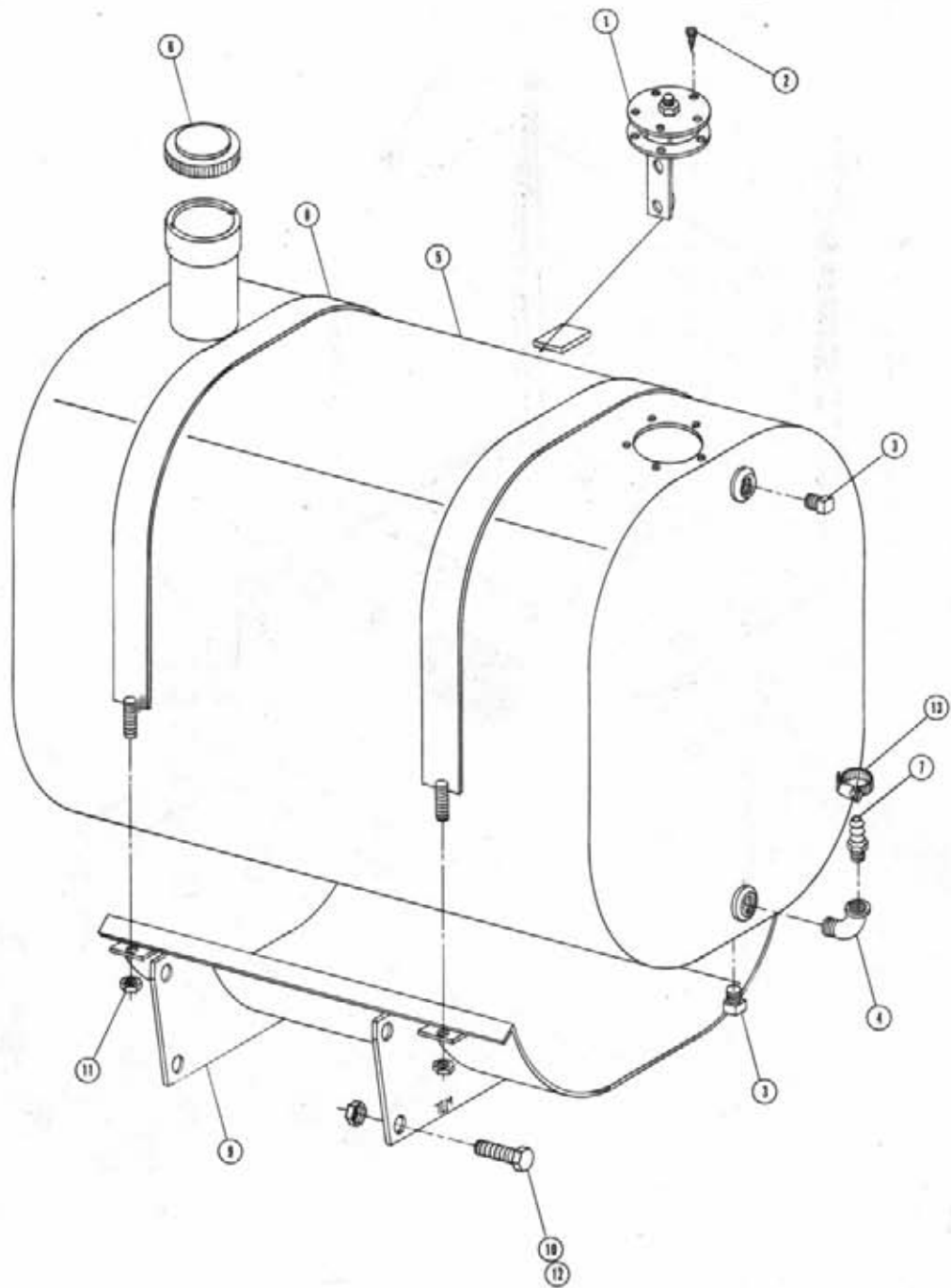
Part	Qty.	P/N	Description
1	1	357745	Right Rear Slant Leg Weldment
2	1	357746	Left Rear Slant Leg Weldment
3	1	610031	Sundstrand Wheel Motor
4	1	610899	Torque Hub 30 To 1 B-Mount
5	1	611159	3/4 Male O-Ring Plug
6	1	614574	Lower Hydraulic Tube Assembly
7	1	614575	Upper Hydraulic Tube Assembly
8	2	618302	1 5/16 MOR x 90° x 1 1/16 MJIC
9	1	618496	3/4 MOR x 45° x 9/16 MJIC
10	2	618553	1 1/16 MJIC x 7/8 MJIC
11	9	824052	1/2-20 x 60° Wheel Stud Nut
12	1	870155	4 3/16 x 4 O-Ring
13	2	900267	1/2 UNC x 2 Hex Bolt
14	6	900333	5/8 UNC x 1 1/2 Hex Bolt
15	2	920004	1/2 SAE Flat Washer
16	2	920505	5/8 Lock Washer
17	2	358426	5/8 UNC TRI U-Bolt
18	1	358446	Upper Leg V-Plate Weldment
19	4	914010	5/8 UNC Stover Nut





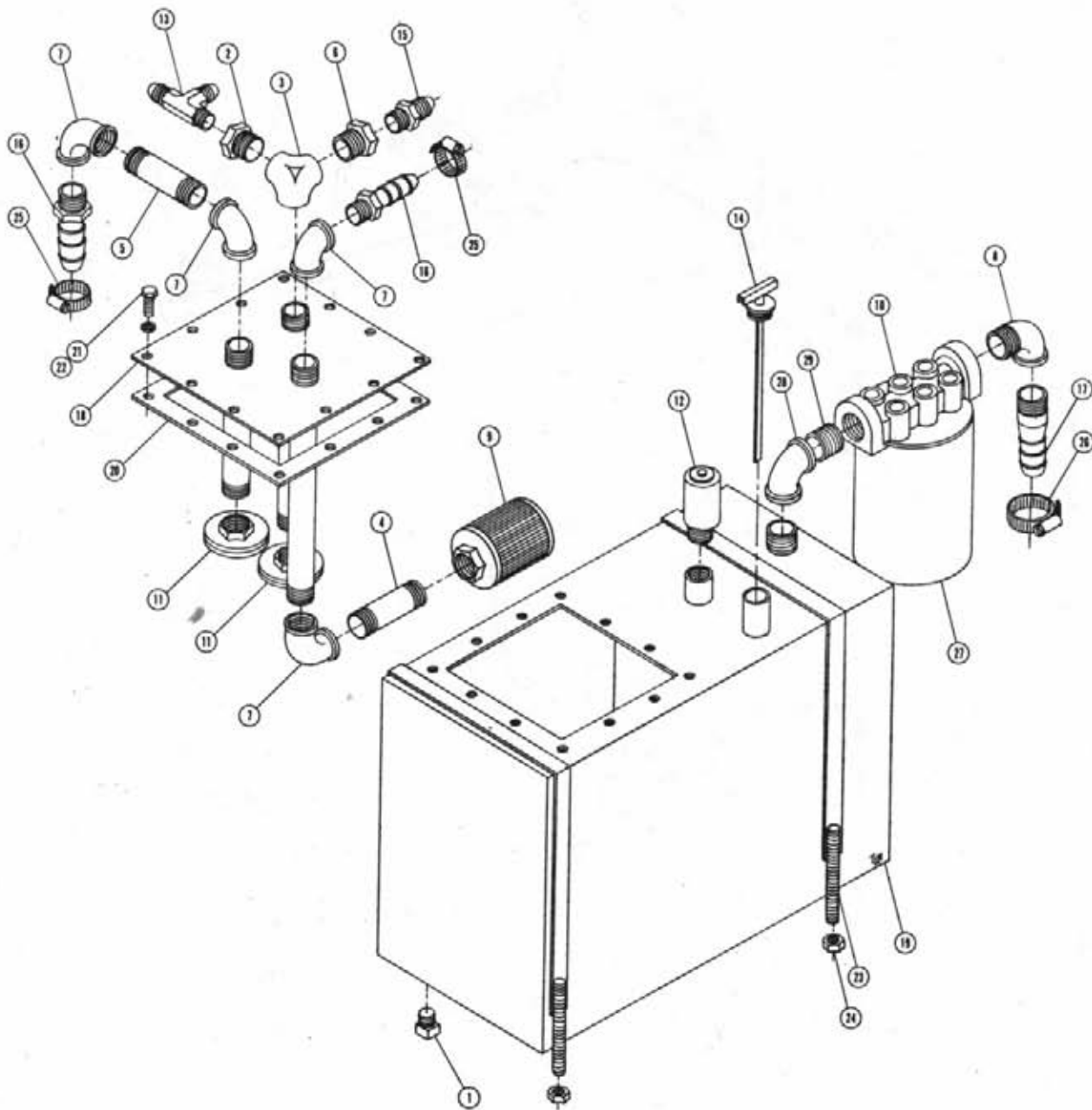
TIRE AND RIM ASSEMBLY

Det. Qty.	P/N	Description
1	1	820201 11.2 x 24 Tire
2	1	820600 Rim Weldment
3	2	650985 Wheel Bolt Torque Decal



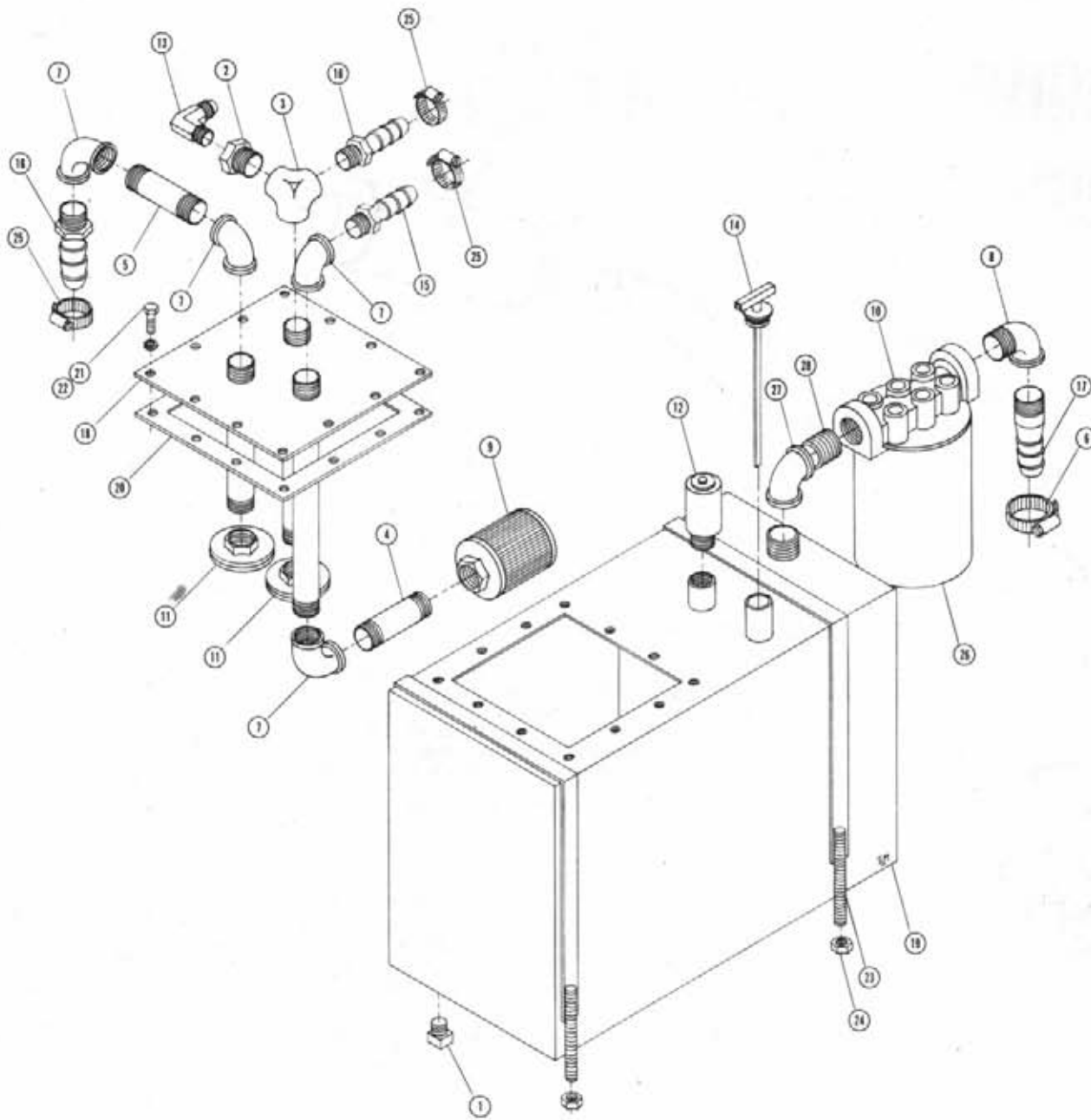
FUEL TANK ASSEMBLY

Det.	Qty.	P/N	Description
1	1	291428	Fuel Sender
2	5	473902	#8 x 1/2 Pan Head Metal Screw
3	2	501102	1/4 NPT Pipe Plug
4	1	501450	1/4 NPT x 90° Street Elbow
5	1	760444	Fuel Tank Weldment
6	1	761200	Gas Cap
7	1	783303	1/4 NPT x 5/16 Hose Barb
8	2	760449	Fuel Tank Band Weldment
9	1	760451	Fuel Tank Cradle Weldment
10	4	900263	1/2 UNC x 1 Hex Bolt
11	2	914004	3/8 UNC Stover Nut
12	4	914008	1/2 UNC Stover Nut
13	1	520120	#4 Hose Clamp



DETASSELER HYDRAULIC TANK ASSEMBLY

Det.	Qty.	P/N	Description
1	1	501102	1/4 NPT Pipe Plug
2	1	505006	1 NPT To 1/4 NPT Reducer Bushing
3	1	505098	1 NPT x 90° Side Outlet Elbow
4	1	505202	1 NPT x 2 Pipe Nipple
5	1	505210	1 NPT x 3 Pipe Nipple
6	1	505005	1 NPT To 1/2 NPT Reducer Bushing
7	4	505300	1 NPT x 90° Elbow
8	1	506410	1 1/4 NPT x 90° Street Elbow
9	1	605600	Michigan Filter
10	1	605601	Gresen Filter Element
11	2	605603	Line Diffuser
12	1	611051	3/4 NPT Pressure Cap
13	1	618520	1/4 NPT Run Tee x 9/16 MJIC
14	1	614453	8 Inch Dipstick
15	1	611147	1/2 NPT x 3/4 MJIC
16	2	714331	1 NPT x 3/4 Hose Barb
17	1	715660	1 1/4 NPT x 1 1/4 Hose Barb
18	1	760090	Receiver Plate Weldment
19	1	760106	Hydraulic Oil Tank Weldment
20	1	763039	Gasket
21	12	900064	5/16 UNC x 3/4 Hex Bolt
22	12	920001	5/16 Flat Washer
23	2	341360	Oil Tank Strap Weldment
24	4	914004	3/8 UNC Stover Nut
25	2	520055	No. 12 Hose Clamp
26	1	520067	No. 28 Hose Clamp
27	1	605602	Oil Filter Element
28	1	506303	1 1/4 NPT x 90 Elbow
29	1	506200	1 1/4 NPT Close Nipple

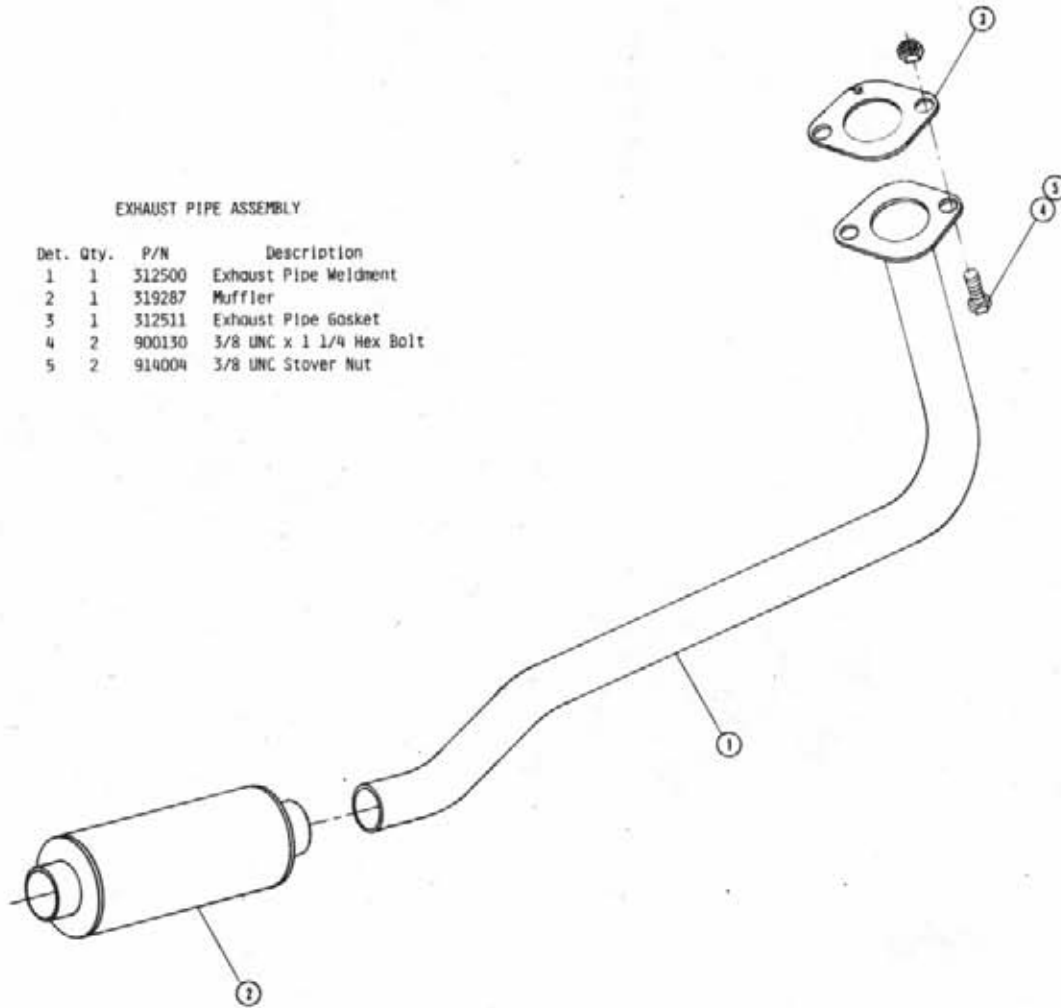


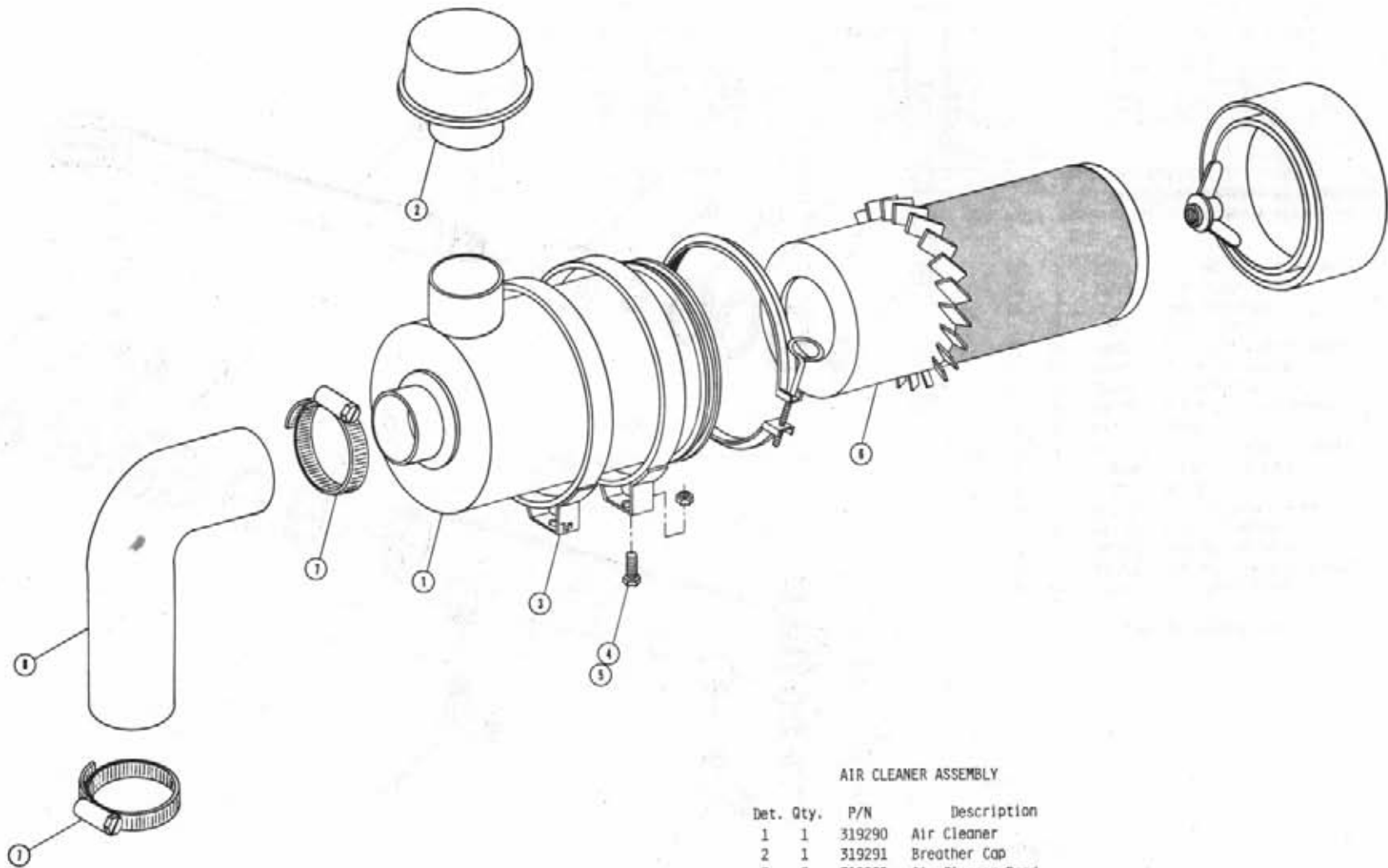
PERSONAL CARRIER HYDRAULIC TANK ASSEMBLY

Det. Qty.	P/N	Description
1	501102	1/4 NPT Pipe Plug
2	505006	1 NPT To 1/4 NPT Reducer Bushing
3	505098	1 NPT x 90° Side Outlet Elbow
4	505202	1 NPT x 2 Ploe Nipple
5	505210	1 NPT x 3 Ploe Nipple
6	520067	No. 28 Hose Clamp
7	505300	1 NPT x 90° Elbow
8	506410	1 1/4 NPT x 90° Street Elbow
9	605600	Michigan Filter
10	605601	Gresen Filter Element
11	605603	Line Diffuser
12	611051	3/4 NPT Pressure Cap
13	611122	1/4 NPT x 90°x 9/16 MJIC
14	614453	8 Inch Dipstick
15	714560	1 NPT x 1 Hose Barb
16	714331	1 NPT x 3/4 Hose Barb
17	715660	1 1/4 NPT x 1 1/4 Hose Barb
18	760090	Receiver Plate Weldment
19	760106	Hydraulic Oil Tank Weldment
20	763039	Gasket
21	900064	5/16 UNC x 3/4 Hex Bolt
22	920001	5/16 Flat Washer
23	341360	Oil Tank Strap Weldment
24	914004	3/8 UNC Stover Nut
25	520055	No. 12 Hose Clamp
26	605602	Oil Filter Element
27	506303	1 1/4 NPT x 90 Elbow
28	506200	1 1/4 NPT Close Nipple

EXHAUST PIPE ASSEMBLY

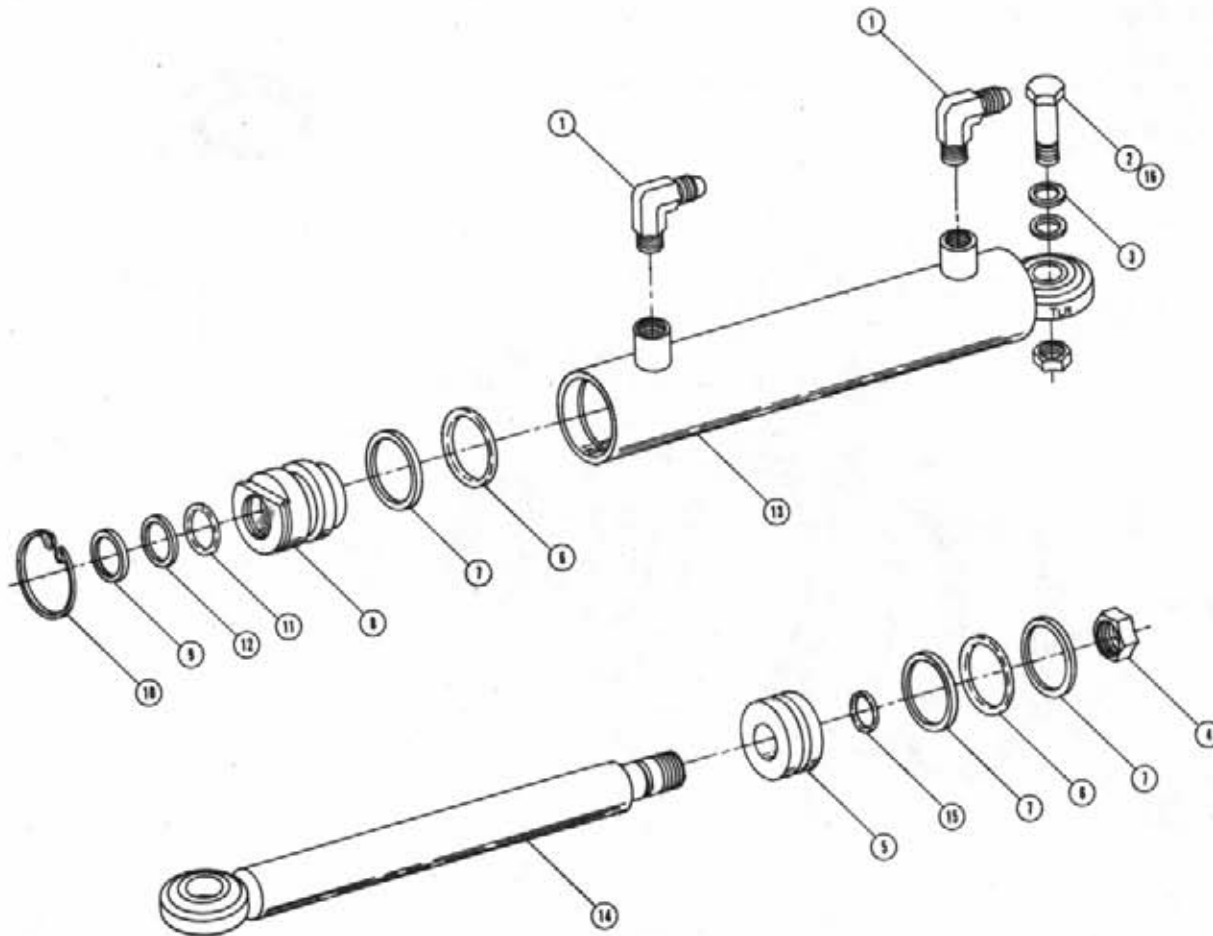
Det. Qty.	P/N	Description
1	312500	Exhaust Pipe Weldment
2	319287	Muffler
3	312511	Exhaust Pipe Gasket
4	900130	3/8 UNC x 1 1/4 Hex Bolt
5	914004	3/8 UNC Stover Nut





AIR CLEANER ASSEMBLY

Det. Qty.	P/N	Description
1	319290	Air Cleaner
2	319291	Breather Cap
3	319292	Air Cleaner Band
4	470118	1/4 UNC x 3/4 Flanged Hex Bolt
5	470121	1/4 UNC Flanged Whiz Nut
6	319255	Air Cleaner Filter
7	520099	No. 40 Hose Clamp
8	312471	Air Cleaner Hose

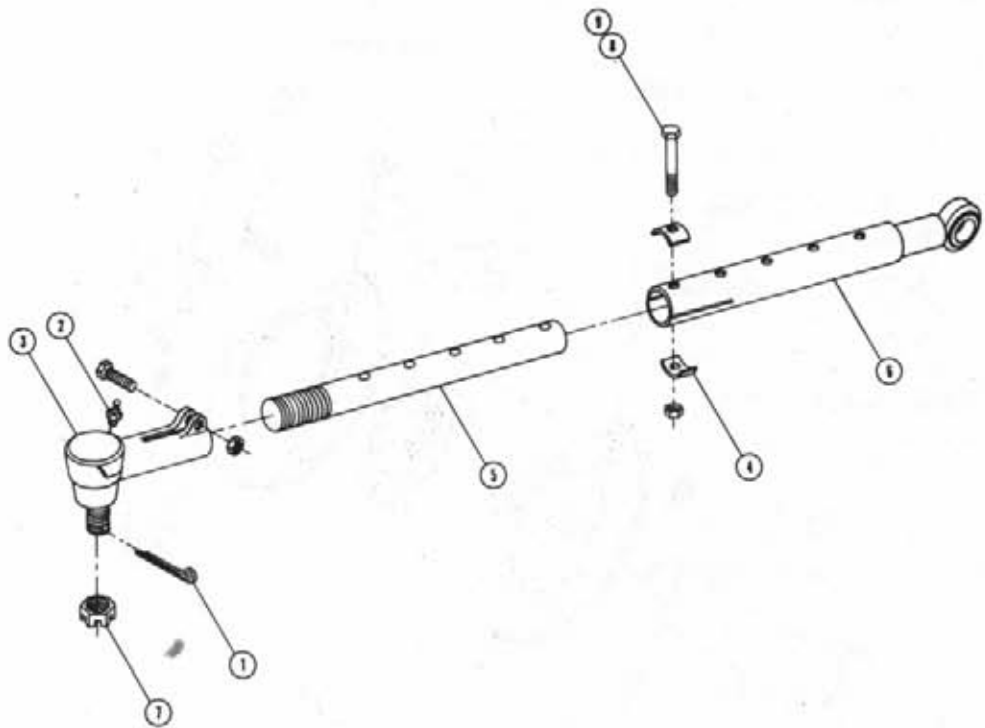


STEERING CYLINDER ASSEMBLY

Det.	Qty.	P/N	Description
1	2	611122	1/4 NPT x 90° x 9/16 MJIC
2	1	914010	5/8 UNC Stover Nut
3	2	920005	5/8 Flat Washer
4	1	472297	3/4 UNF Thin Hex Nut
5	1	620081	Piston
6	2	870326	1 5/8 x 2 O-Ring
7	3	890326	1 5/8 x 2 Back Up Washer
8	1	620082	Gland
9	1	629003	1 x 1 1/4 x 1/8 Wiper
10	1	629505	2" Snap Ring
11	1	870214	1 x 1 1/4 O-Ring
12	1	890214	1 x 1 1/4 Back Up Washer
13	1	620157	Tube Weldment
14	1	620162	Shaft Weldment
15	1	870113	9/16 x 3/4 O-Ring
16	1	900352	5/8 UNC x 2 1/4 Hex Bolt

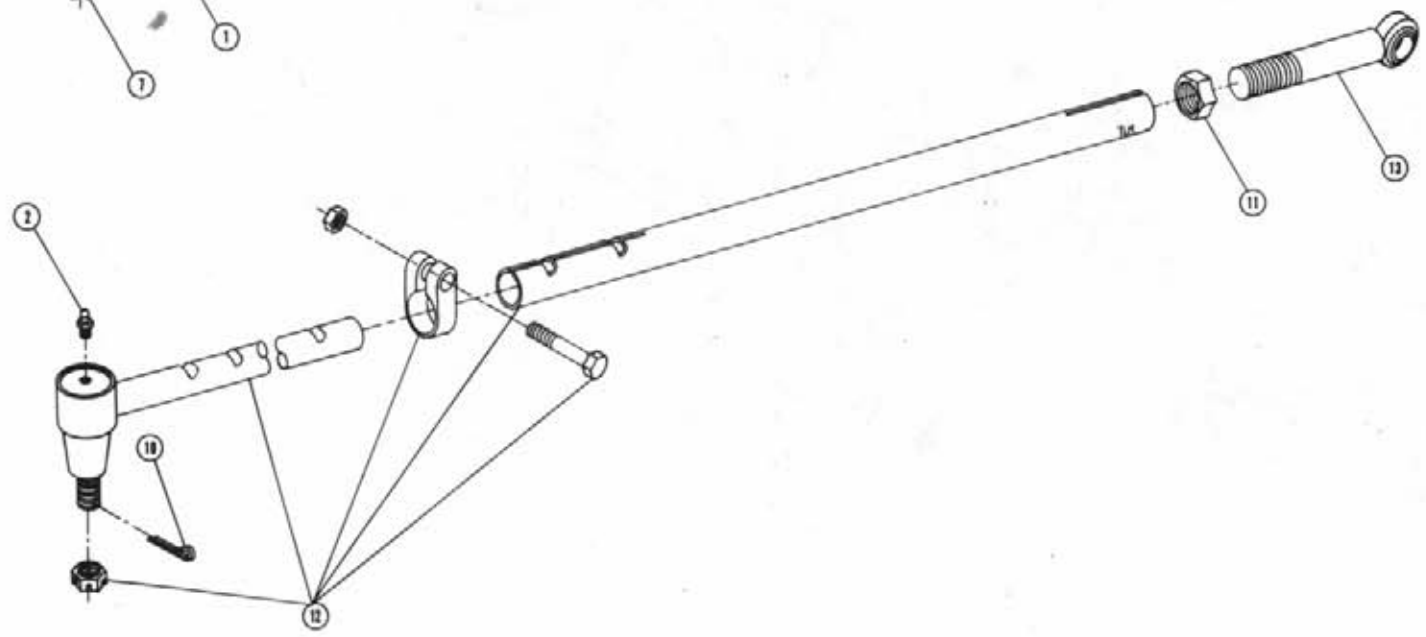
NOTE: Steering Cylinder Assembly Without Fittings - 620156  
 Steering Cylinder Assembly With Fittings - 620073  
 Seal Kit - 620083

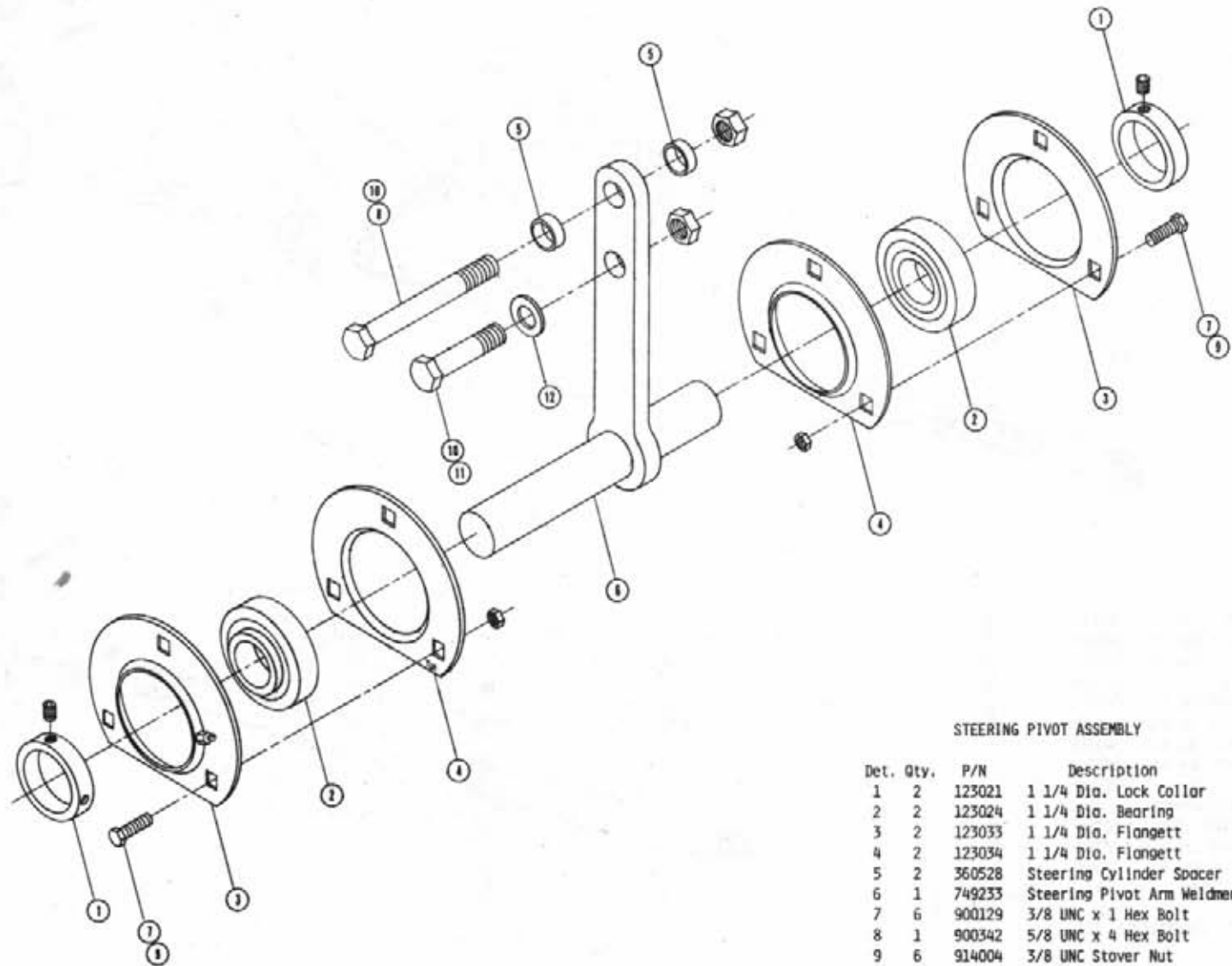




TIE ROD ASSEMBLY

Det.	QTY.	P/N	Description
1	1	470032	1/8 x 1 1/2 Cotter Pin
2	2	471021	1/8 NPT Grease Zerk
3	1	749156	Female Socket Assembly
4	2	749208	Tie Rod Clamp
5	1	749238	Tie Rod
6	1	749239	Tie Rod Tube Weldment
7	1	822040	5/8 UNF Slotted Hex Nut
8	1	900170	3/8 UNC x 2 1/4 Hex Bolt
9	1	914004	3/8 UNC Stover Nut
10	1	470038	1/8 x 1 3/4 Cotter Pin
11	1	740426	Tie Rod Locking Nut
12	1	749164	Tie Rod Assembly
13	1	749242	Tie Rod End Weldment



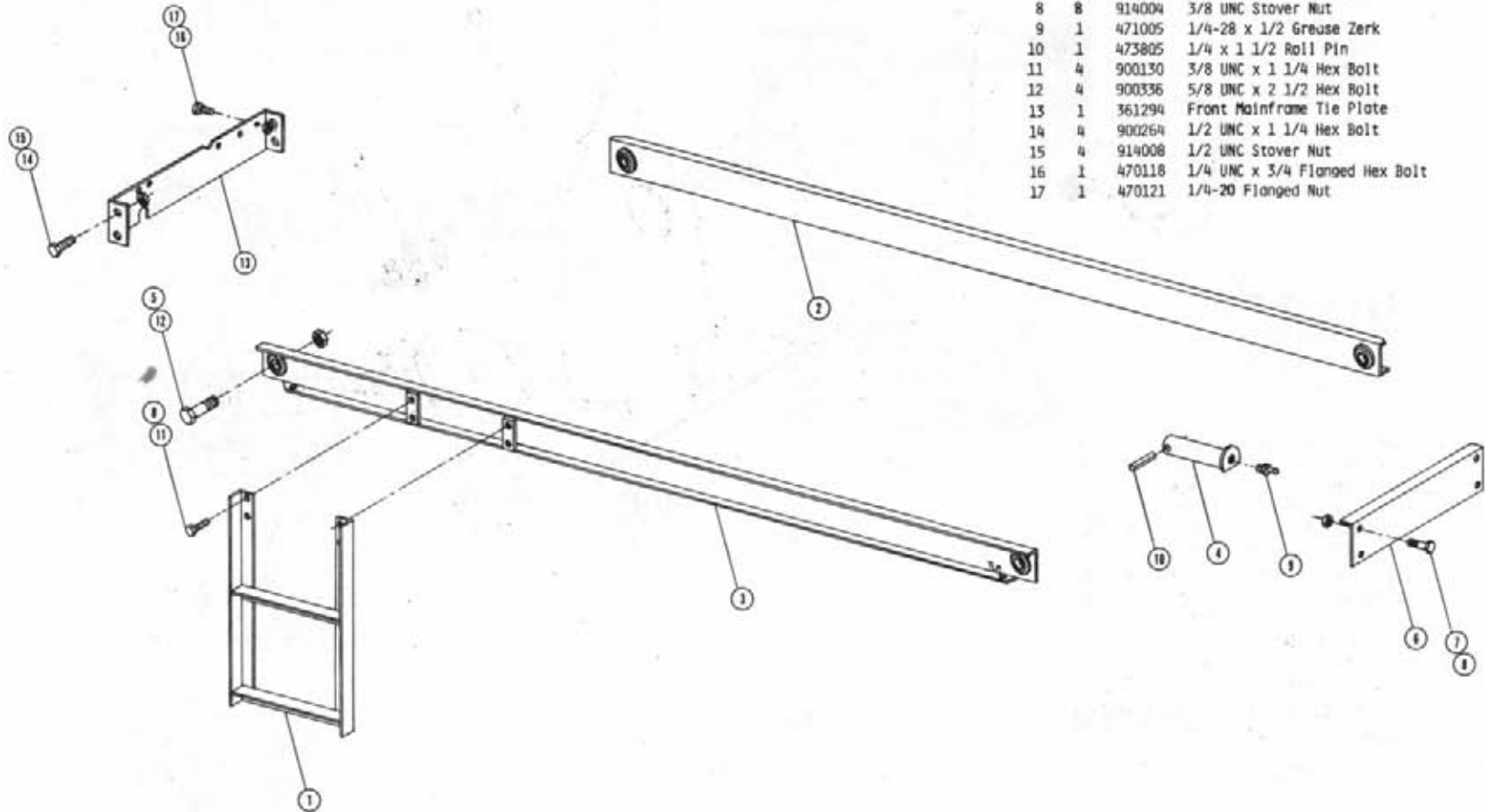


STEERING PIVOT ASSEMBLY

Det.	Qty.	P/N	Description
1	2	123021	1 1/4 Dia. Lock Collar
2	2	123024	1 1/4 Dia. Bearing
3	2	123033	1 1/4 Dia. Flangett
4	2	123034	1 1/4 Dia. Flangett
5	2	360528	Steering Cylinder Spacer
6	1	749233	Steering Pivot Arm Weldment
7	6	900129	3/8 UNC x 1 Hex Bolt
8	1	900342	5/8 UNC x 4 Hex Bolt
9	6	914004	3/8 UNC Stover Nut
10	2	914010	5/8 UNC Stover Nut
11	1	900336	5/8 UNC x 2 1/2 Hex Bolt
12	1	920005	5/8 Flat Washer

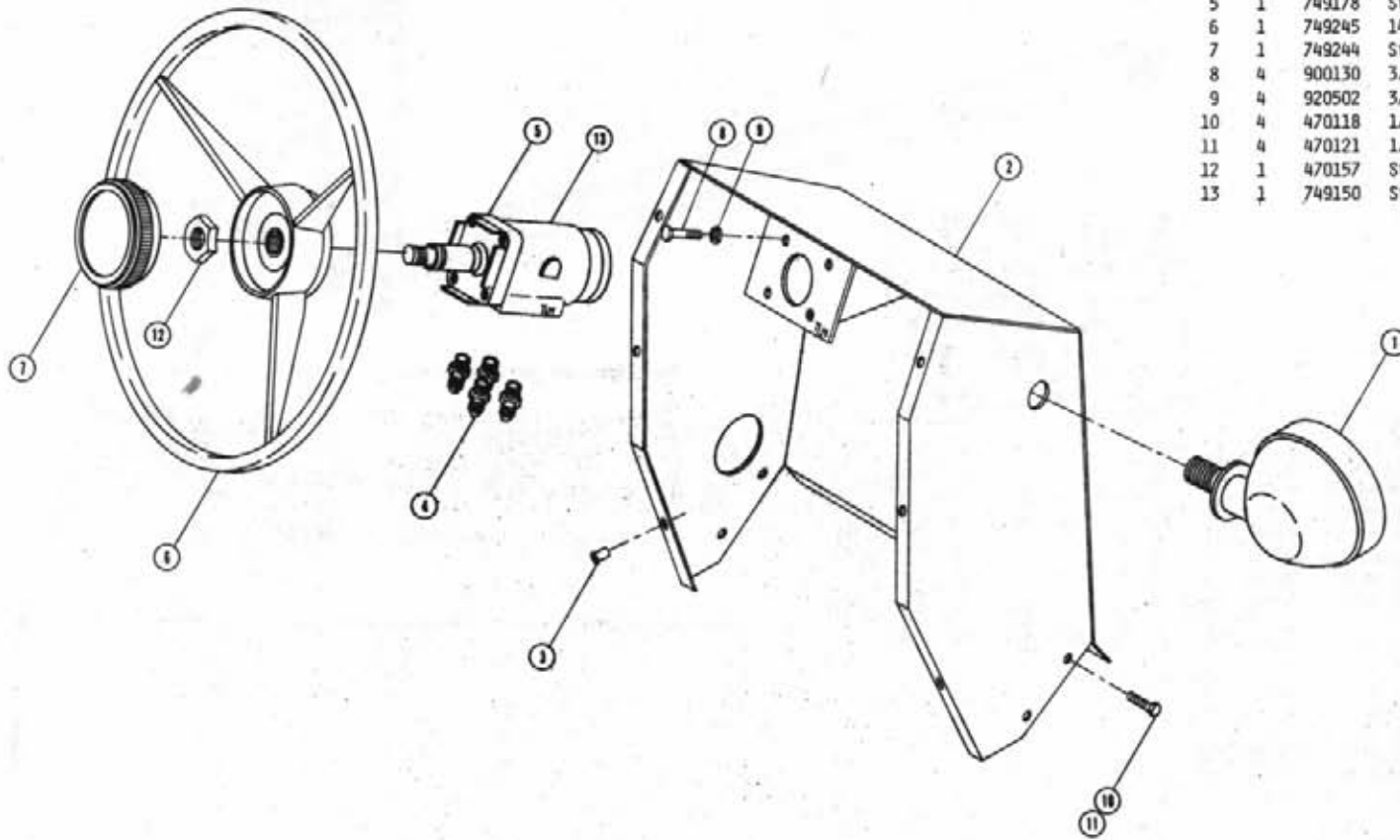
MISCELLANEOUS FRAME COMPONENTS

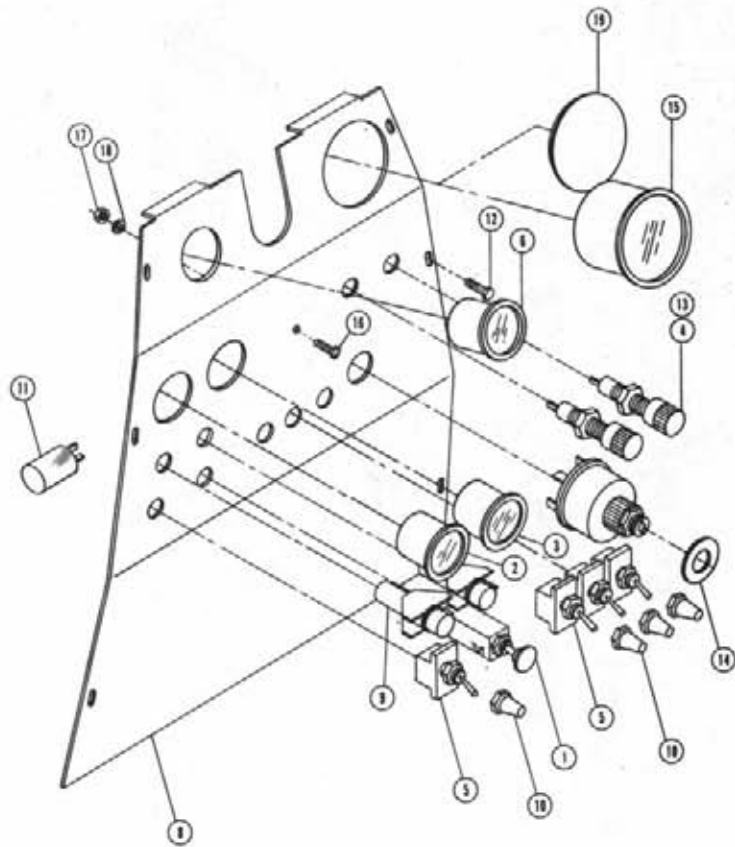
Det.	Qty.	P/N	Description
1	1	341473	Siderail Ladder Weldment
2	1	341478	Right Siderail Weldment
3	1	341479	Left Siderail Weldment
4	1	341484	Pivot Pin Weldment
5	4	914010	5/8 UNC Stover Nut
6	1	361271	Crossmember Tie Plate
7	4	900129	3/8 UNC x 1 Hex Bolt
8	8	914004	3/8 UNC Stover Nut
9	1	471005	1/4-28 x 1/2 Grease Zerk
10	1	473805	1/4 x 1 1/2 Roll Pin
11	4	900130	3/8 UNC x 1 1/4 Hex Bolt
12	4	900336	5/8 UNC x 2 1/2 Hex Bolt
13	1	361294	Front Mainframe Tie Plate
14	4	900264	1/2 UNC x 1 1/4 Hex Bolt
15	4	914008	1/2 UNC Stover Nut
16	1	470118	1/4 UNC x 3/4 Flanged Hex Bolt
17	1	470121	1/4-20 Flanged Nut



STEERING WHEEL ASSEMBLY

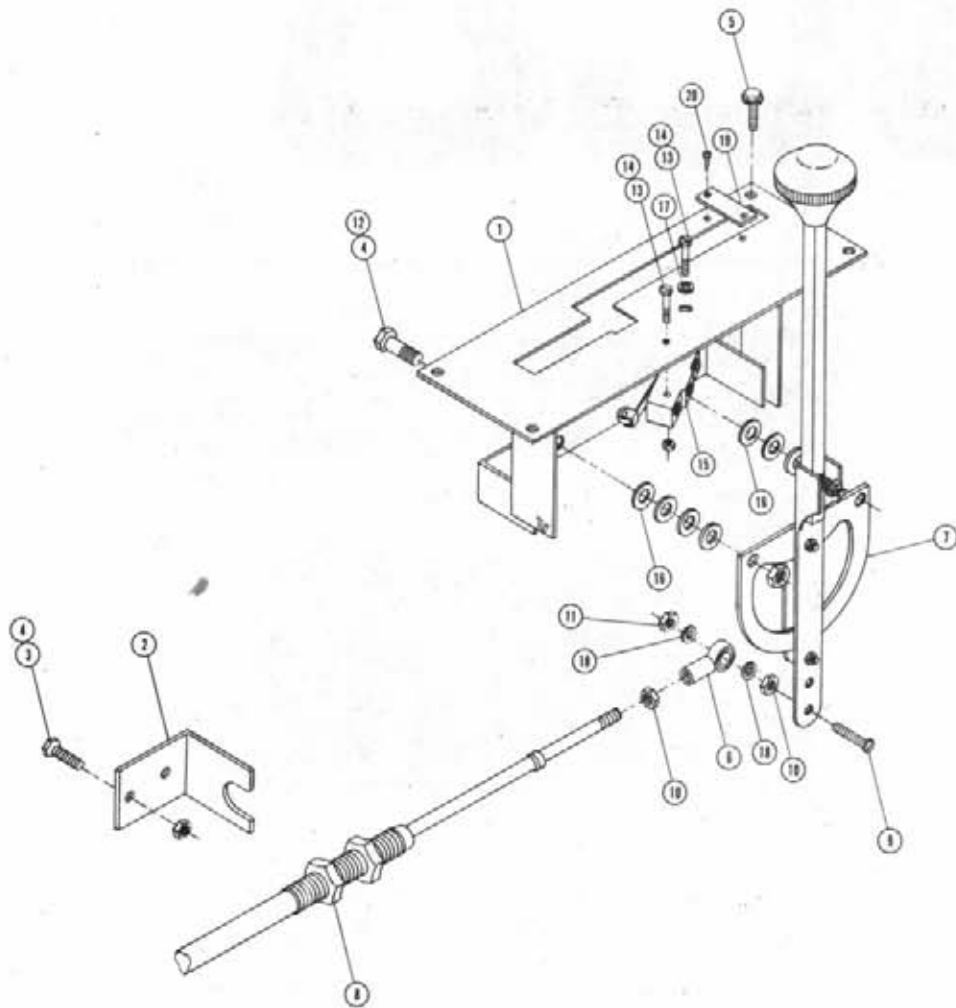
Det.	Qty.	P/N	Description
1	2	291089	Adjustable Light
2	1	341487	Steering Motor Mount Weldment
3	6	470086	1/4 UNC Nutsert
4	4	618109	3/4 MOR x 9/16 MJIC
5	1	749178	Steering Column
6	1	749245	14" Dia Steering Wheel
7	1	749244	Steering Wheel Cap
8	4	900130	3/8 UNC x 1 1/4 Hex Bolt
9	4	920502	3/8 Lock Washer
10	4	470118	1/4 UNC x 3/4 Flanged Hex Bolt
11	4	470121	1/4 UNC Flanged Whiz Nut
12	1	470157	Steering Wheel Nut
13	1	749150	Steering Motor Non-Load Reacting





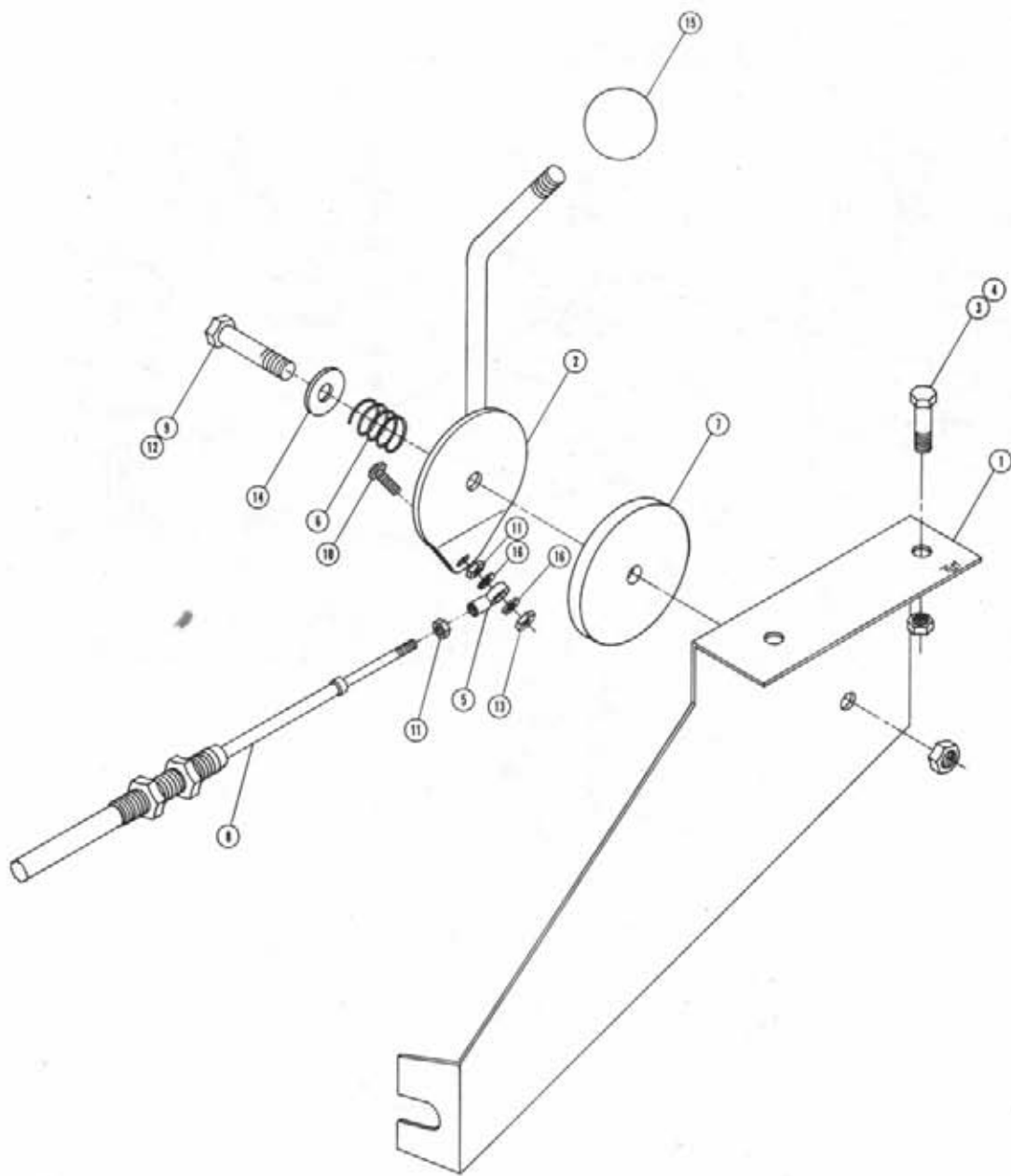
INSTRUMENT PANEL ASSEMBLY

Det.	Qty.	P/N	Description
1	1	290046	Light Switch
2	1	290401	Fuel Gauge
3	1	291203	Hour Meter
4	2	298011	Fuse Holder
5	4	298012	Toggle Switch
6	1	314436	Temperture Gauge
7	1	321020	Ignition Switch
8	1	340641	Instrument Panel
9	2	390518	Indicator Light
10	4	470001	Rubber Boot
11	1	473917	SAE 536 Flasher
12	6	470122	1/4-20 x 1/2 Flanged Hex Bolt
13	2	298004	20 Amp Fuse
14	1	483031	7/8 I.D. x 1 3/8 O.D. Washer
15	1	674000	Speedometer
16	1	903883	No. 10-32 x 1/2 Slotted Machine Screw
17	1	910027	No. 10 UNF Hex Nut
18	1	920510	No. 10 Lock Washer
19	1	629725	3 1/2 Dia. Cop Plug



HYDROSTATIC LEVER ASSEMBLY

Det. Qty.	P/N	Description
1	341501	Hydrostatic Control Lever Mount
2	341502	Hydrostatic Cable Mount
3	470118	1/4 UNC x 3/4 Flanged Hex Bolt
4	470121	1/4 UNC Flanged Nut
5	470122	1/4-20 x 1/2 Flanged Hex Bolt
6	473921	No. 10-32 Ball Joint
7	606864	Control Lever
8	785058	Hydrostatic Cable 85"
9	903893	No. 10-32 x 1.00 Slotted Round Head Screw
10	910027	No. 10 UNF Hex Nut
11	914027	No. 10-32 Stover Nut
12	900003	1/4 UNC x 1 Hex Bolt
13	910022	No. 6-32 Hex Bolt
14	473993	No. 6-32 x 1 1/8 Hex Head Machine Screw
15	293006	Micro Switch
16	920000	1/4 Flat Washer SAE
17	920011	No. 6 SAE Flat Washer
18	920510	No. 10 Lock Washer
19	341598	Hydrostatic Lever Stop
20	473994	6/32 x 3/8 Sheet Metal Screw



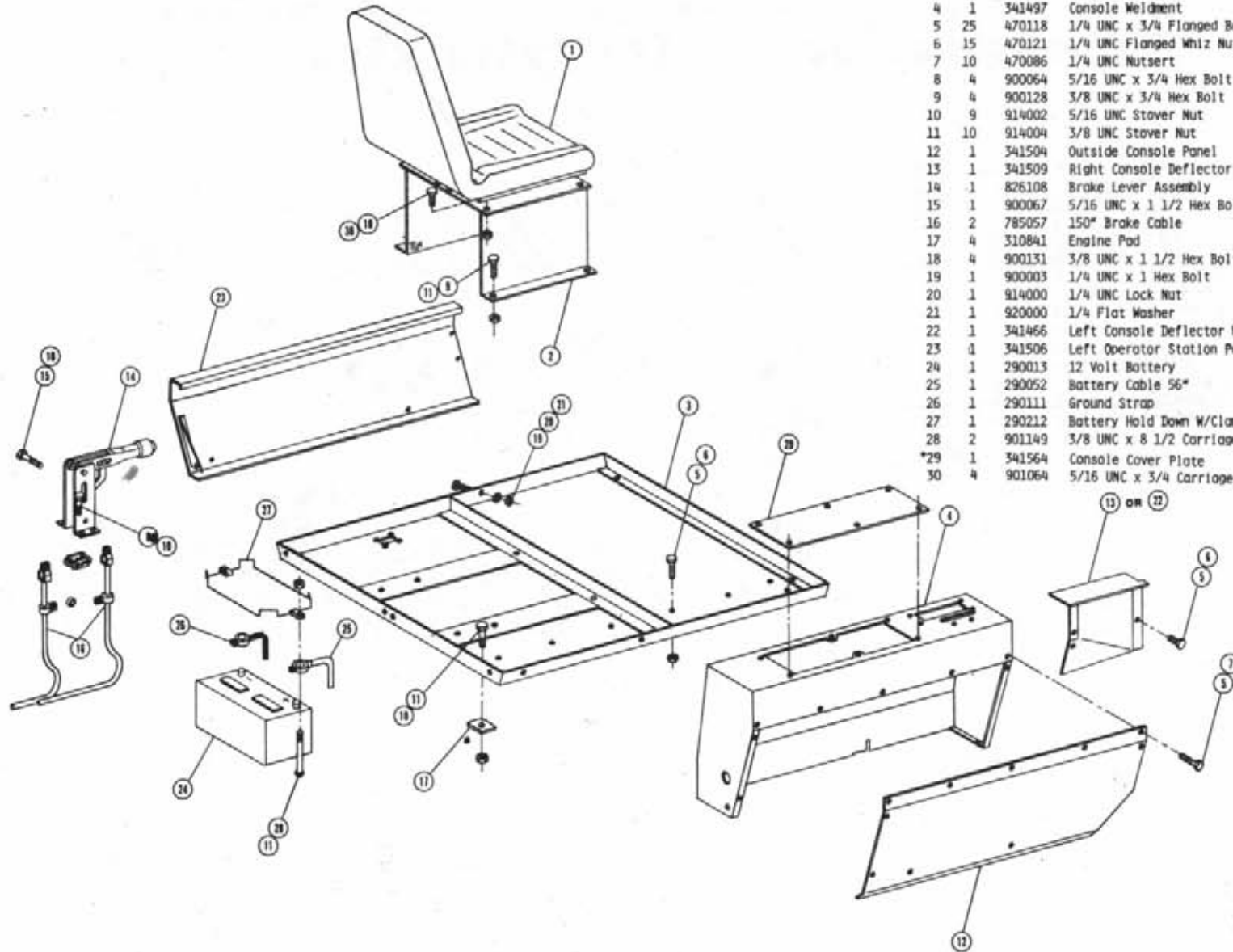
THROTTLE LEVER ASSEMBLY

Det.	Qty.	P/N	Description
1	1	341503	Throttle Lever Mount
2	1	341518	Throttle Lever Weldment
3	2	470118	1/4 UNC x 3/4 Flanged Hex Bolt
4	2	470121	1/4 UNC Flanged Whiz Nut
5	1	473921	No. 10-32 Ball Joint
6	1	499001	Spring
7	1	785046	Friction Disc
8	1	785056	4" Stroke x 58 Throttle Cable
9	1	900170	3/8 UNC x 2 1/4 Hex Bolt
10	1	903893	No. 10-32 x 1.00 Slotted Round Machine Screw
11	2	910027	No. 10 UNF Hex Nut
12	1	914004	3/8 UNC Stover Nut
13	1	914027	No. 10-32 Stover Nut
14	1	920002	3/8 SAE Flat Washer
15	1	659292	1 7/8 Dia. Ball Knob
16	2	920510	No. 10 Lock Washer

OPERATOR STATION ASSEMBLY

Note: Detail 29 is Used On Personnel Carrier Option.

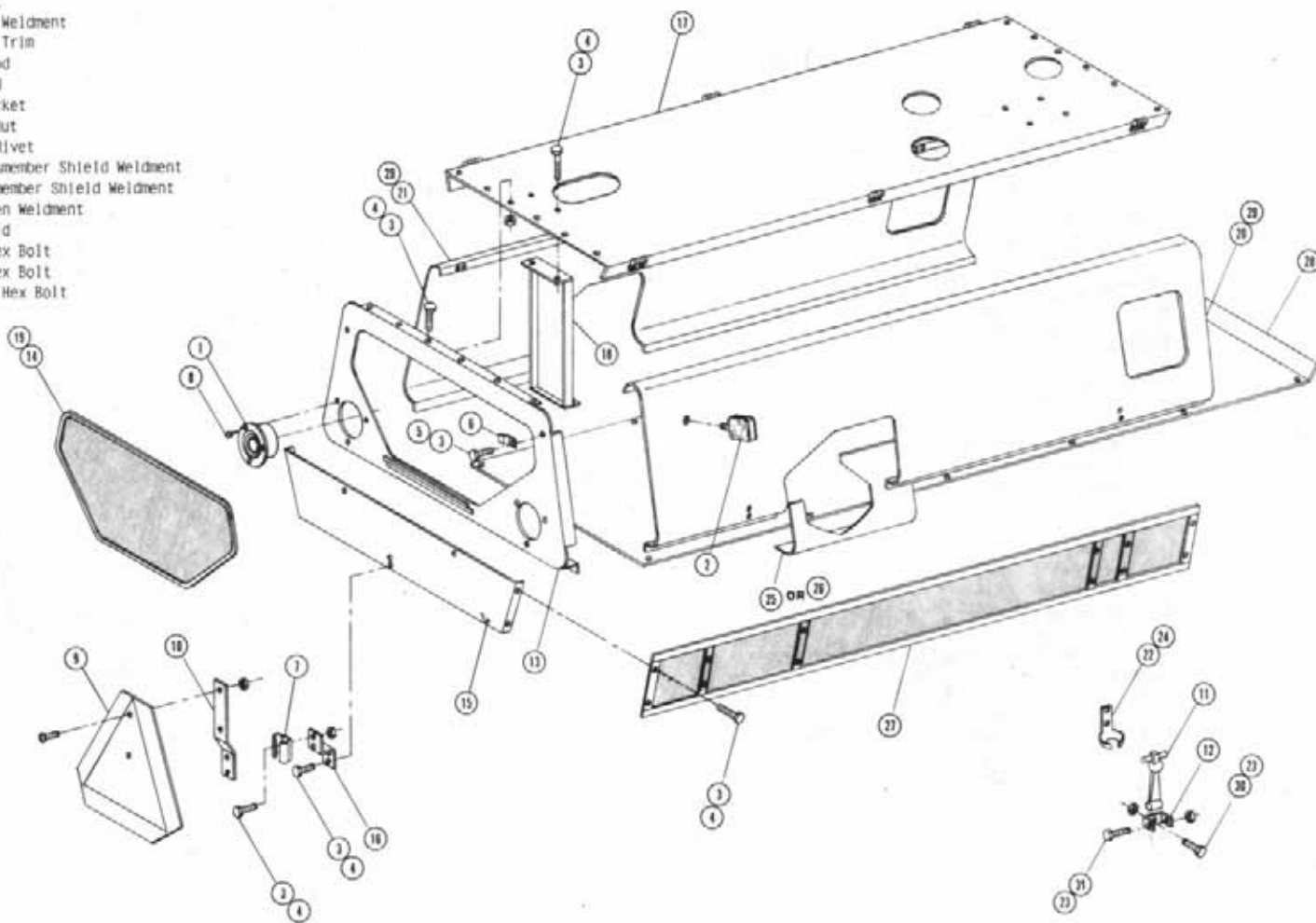
Det. Qty.	P/N	Description
1	330002	Seat
2	341336	Seat Mount Weldment
3	341458	Operator Station Weldment
4	341497	Console Weldment
5	470118	1/4 UNC x 3/4 Flanged Bolt
6	470121	1/4 UNC Flanged Whiz Nut
7	470086	1/4 UNC Nutsert
8	900064	5/16 UNC x 3/4 Hex Bolt
9	900128	3/8 UNC x 3/4 Hex Bolt
10	914002	5/16 UNC Stover Nut
11	914004	3/8 UNC Stover Nut
12	341504	Outside Console Panel
13	341509	Right Console Deflector Weldment
14	826108	Brake Lever Assembly
15	900067	5/16 UNC x 1 1/2 Hex Bolt
16	785057	150" Brake Cable
17	310841	Engine Pod
18	900131	3/8 UNC x 1 1/2 Hex Bolt
19	900003	1/4 UNC x 1 Hex Bolt
20	914000	1/4 UNC Lock Nut
21	920000	1/4 Flat Washer
22	341466	Left Console Deflector Weldment
23	341506	Left Operator Station Panel Weldment
24	290013	12 Volt Battery
25	290052	Battery Cable 56"
26	290111	Ground Strap
27	290212	Battery Hold Down W/Clamps
28	901149	3/8 UNC x 8 1/2 Carriage Bolt
*29	341564	Console Cover Plate
30	901064	5/16 UNC x 3/4 Carriage Bolt

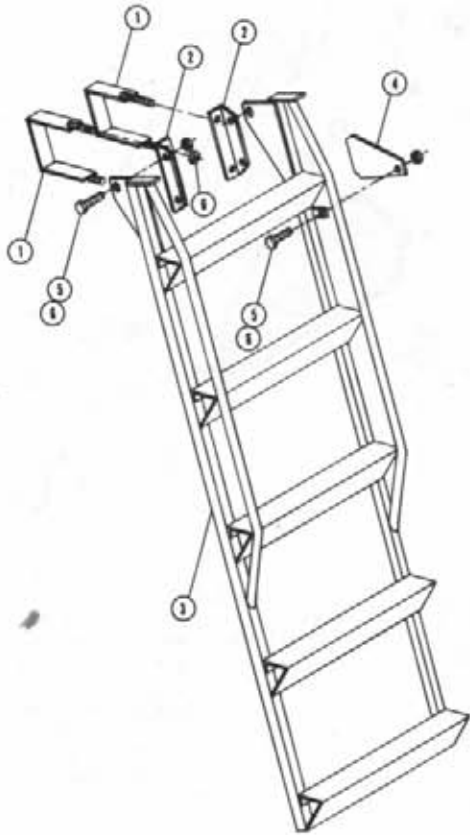




SHEET METAL ASSEMBLY

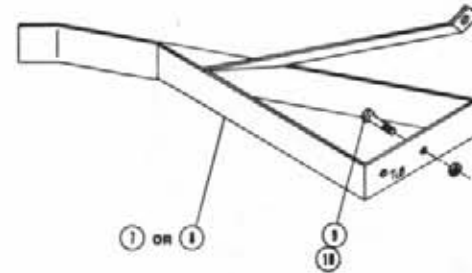
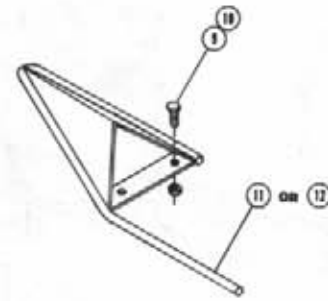
Det.	Qty.	P/N	Description
1	2	291036	Tail Light
2	2	291114	Flasher Light
3	44	470118	1/4 UNC x 1/4 Flanged Hex Bolt
4	48	470121	1/4-20 Flanged Whiz Nut
5	2	470086	1/4 UNC Nutsert
6	2	470151	Upper Rear Panel Screen Clip
7	1	472251	Mounting Socket
8	6	472352	No. 10 x 9/16 Self-Tapping Screw
9	1	472249	Slow Moving Vehicle Sign
10	1	472250	Spade Mounting Bracket
11	4	656998	Rubber Hook
12	4	656999	Rubber Hook Anchor Bracket
13	1	659679	Upper Rear Panel Weldment
14	1	659682	Upper Rear Panel Screen
15	1	659683	Lower Rear Panel
16	1	659684	SMV Sign Mounting Bracket
17	1	659779	Mullion Weldment
18	1	659687	Mullion Support Weldment
19	5'	195016	Flex Sealed Lip Trim
20	1	659759	Right Engine Hood
21	1	659763	Left Engine Hood
22	4	656997	Rubber Hook Bracket
23	8	914000	1/4 UNC Stover Nut
24	8	485053	3/16 x 3/8 Pop Rivet
25	1	659698	Right Rear Crossmember Shield Weldment
26	1	659699	Left Rear Crossmember Shield Weldment
27	2	659703	Lower Side Screen Weldment
28	1	361290	Lower Hose Shield
29	12	900000	1/4 UNC x 1/2 Hex Bolt
30	4	900002	1/4 UNC x 3/4 Hex Bolt
31	4	900005	1/4 UNC x 1 1/2 Hex Bolt





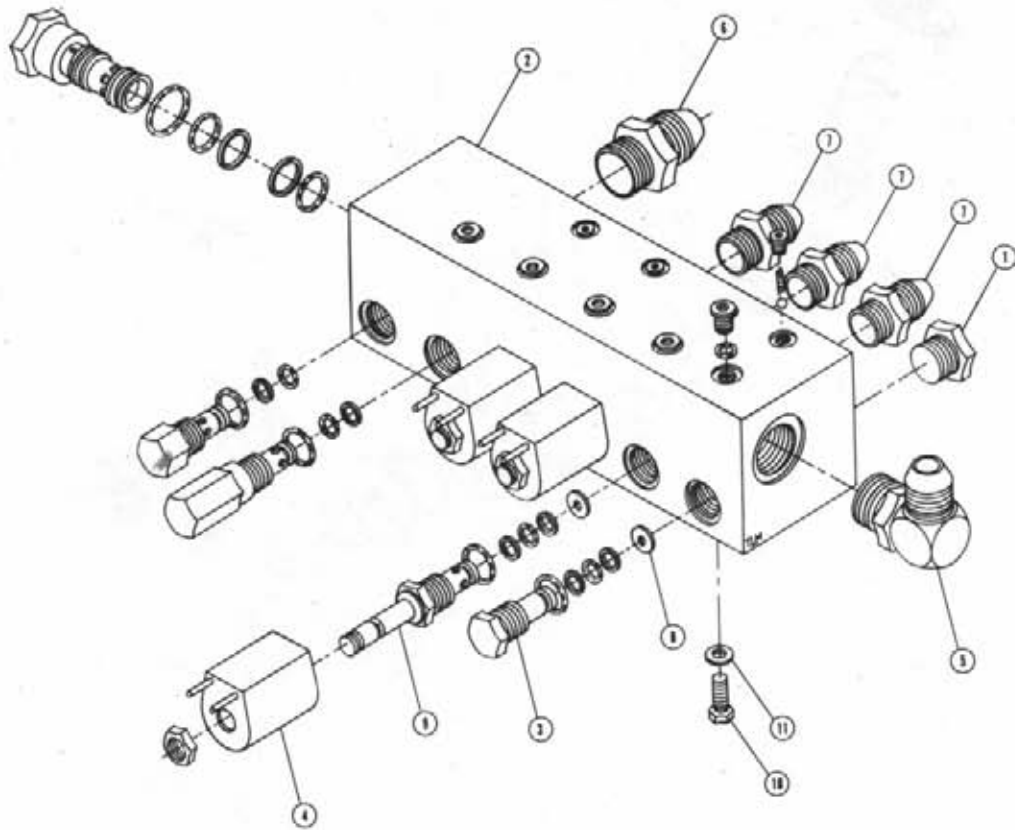
LADDER ASSEMBLY

Det. Qty.	P/N	Description
1	341469	Ladder Mount Strap Weldment
2	341470	Ladder Mount Weldment
3	341544	Ladder Weldment
4	341552	Ladder Prop
5	900129	3/8 UNC x 1 Hex Bolt
6	914004	3/8 UNC Stover Nut



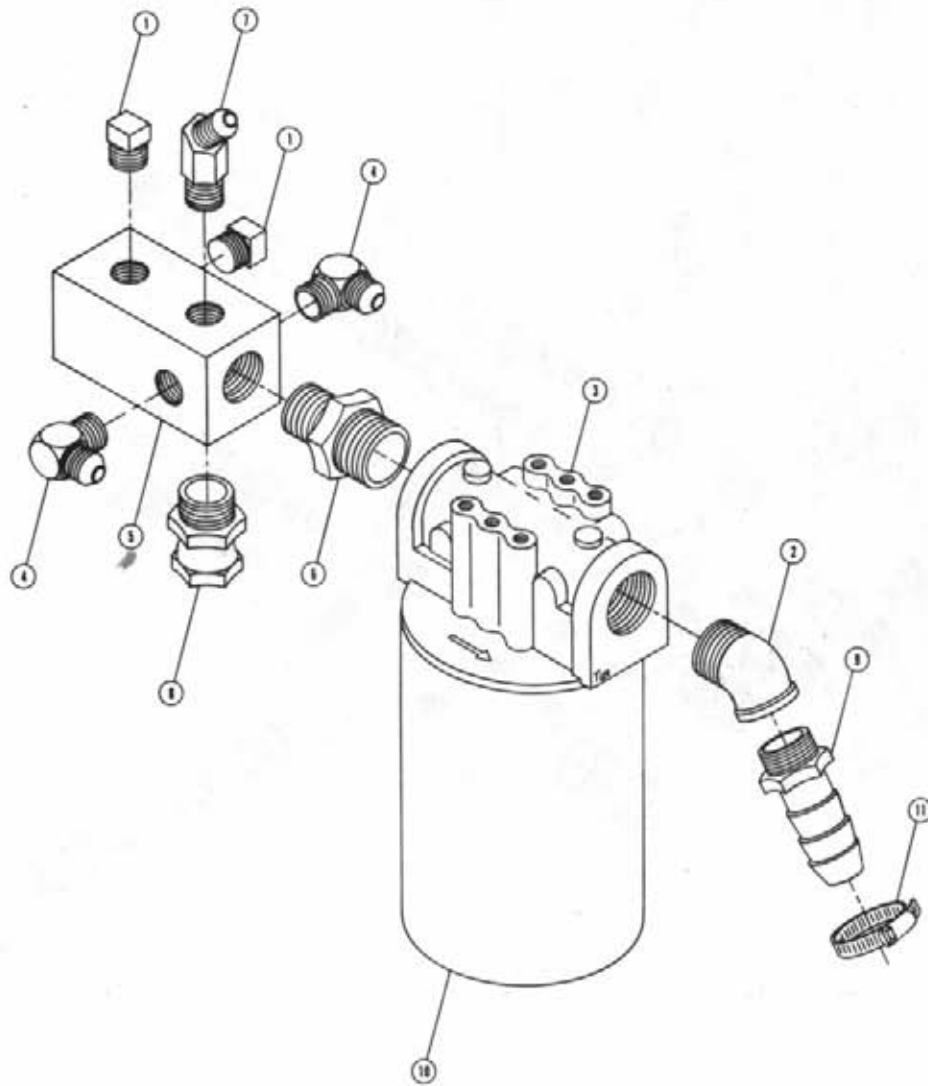
STALK GUIDE ASSEMBLY

Det. Qty.	P/N	Description
7	662164	Left Stalk Guide Weldment
8	662208	Right Stalk Guide Weldment
9	900129	3/8 UNC x 1 Hex Bolt
10	914004	3/8 UNC Stover Nut
11	662211	Right Front Leg Stalk Guide
12	662212	Left Front Leg Stalk Guide



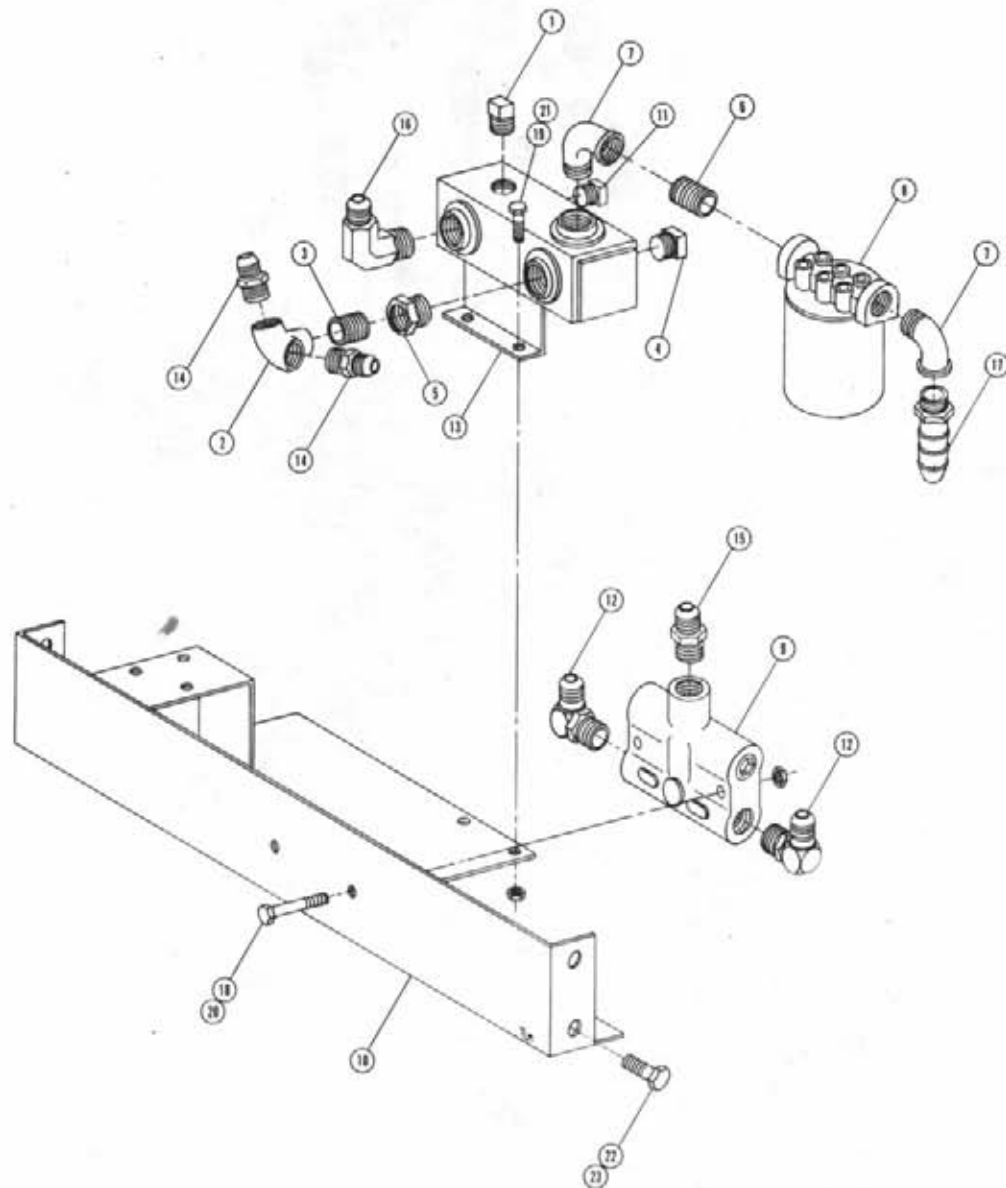
MOTOR CONTROL VALVE ASSEMBLY

Det.	Qty.	P/N	Description
1	1	610186	1 1/16 MOR Plug
2	1	610467	Electric Motor Control Valve
3	1	610477	Plug 10 Series 2-Way
4	3	610480	Solenoid Coil
5	1	618302	1 1/16 MJIC x 90 x 1 5/16 MOR
6	1	618186	1 5/16 MJIC x 1 5/16 MOR
7	3	618309	7/8 MJIC x 1 1/16 MOR
8	4	610478	.182 Disk Orifice
9	3	610481	Solenoid Valve
10	2	900129	3/8 UNC x 1 Hex Bolt
11	2	920502	3/8 Lock Washer



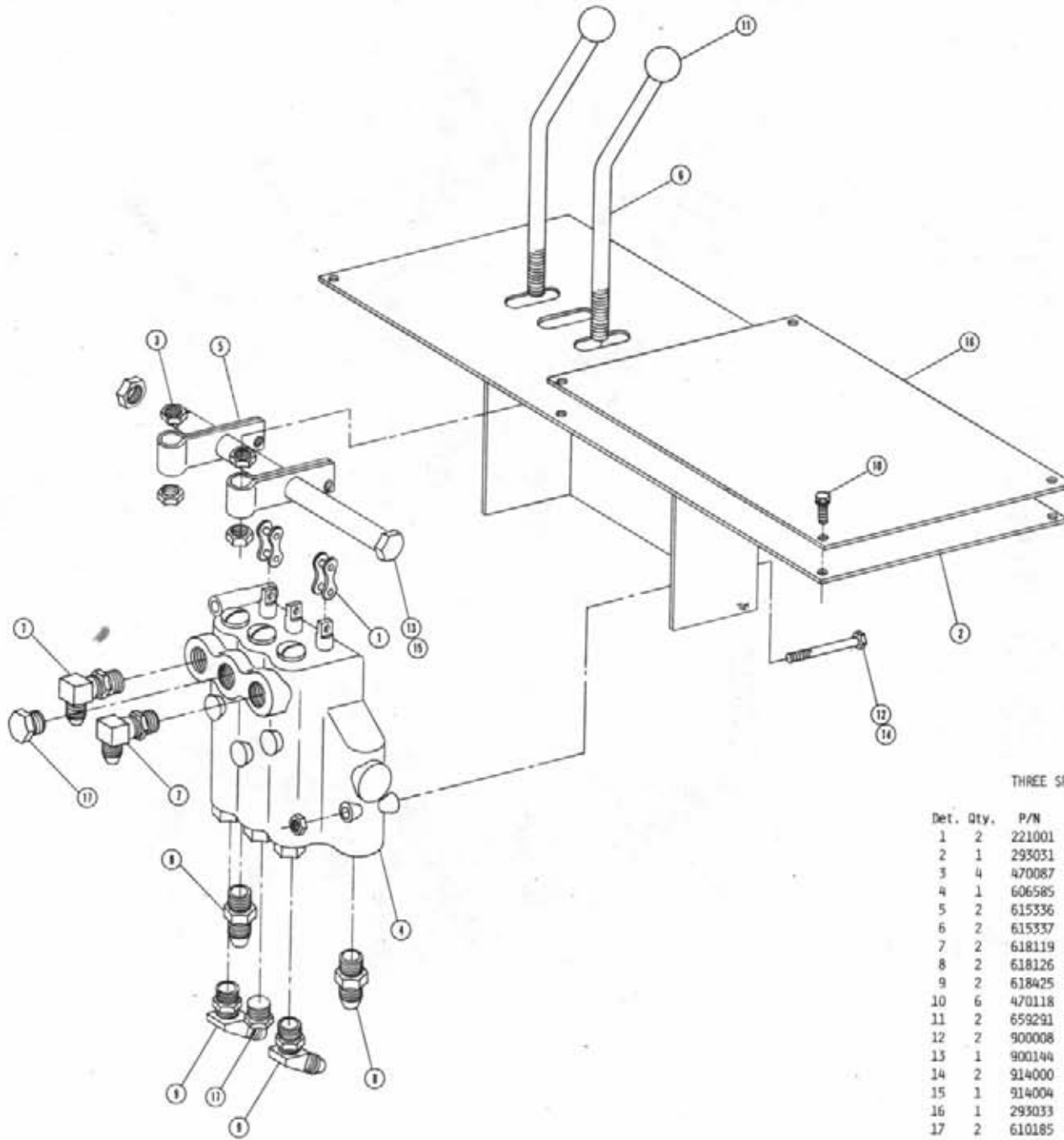
RETURN MANIFOLD FILTER ASSEMBLY

Det. Qty.	P/N	Description
1	2	503700 1/2 NPT Pipe Plug
2	1	506409 1 1/4 NPT x 45 Street Elbow
3	1	605601 Gresen Filter
4	2	611124 7/8 MJIC x 90 x 1/2 MNPT
5	1	614633 Hydraulic Manifold
6	1	618144 1 1/4 NPT x 1 NPT Hex Pipe Nipple
7	1	618323 7/8 MJIC x 45 x 1/2 MNPT
8	1	618587 1 5/16 FJIC Swivel x 1 MNPT
9	1	715660 1 1/4 x 1 1/4 Hose Barb
10	1	605602 Filter Element
11	1	520067 No. 28 Hose Clamp



BELT DRIVE RETURN MANIFOLD BRACKET ASSEMBLY

Det.	Qty.	P/N	Description
1	1	503700	1/2 NPT Square Head Pipe Plug
2	1	504511	3/4 NPT x 90° Side Outlet Elbow
3	1	504702	3/4 NPT Close Nipple
4	1	504900	3/4 NPT Square Head Pipe Plug
5	1	505213	1 NPT x 3/4 NPT Reducer Bushing
6	1	506200	1 1/4 NPT Close Nipple
7	2	506410	1 1/4 NPT x 90° Street Elbow
8	1	605601	Gresen 10 Micron Filter
9	1	610375	850 Flow Divider
10	1	610440	Return Manifold Mount Bracket Weldment
11	1	501102	1/4 NPT Pipe Plug
12	2	611128	7/8 MOR x 90° x 7/8 MJIC
13	1	614236	Manifold Weldment
14	2	618059	3/4 NPT x 7/8 MJIC
15	1	618189	7/8 MOR x 1 1/16 MJIC
16	1	618519	1 NPT x 90° x 1 1/16 MJIC
17	1	715660	1 1/4 NPT x 1 1/4 Hose Barb
18	2	900007	1/4 UNC x 2 Hex Bolt
19	2	900129	3/8 UNC x 1 Hex Bolt
20	2	914000	1/4 UNC Stover Nut
21	2	914004	3/8 UNC Stover Nut
22	4	900264	1/2 UNC x 1 1/4 Hex Bolt
23	4	914008	1/2 UNC Stover Nut

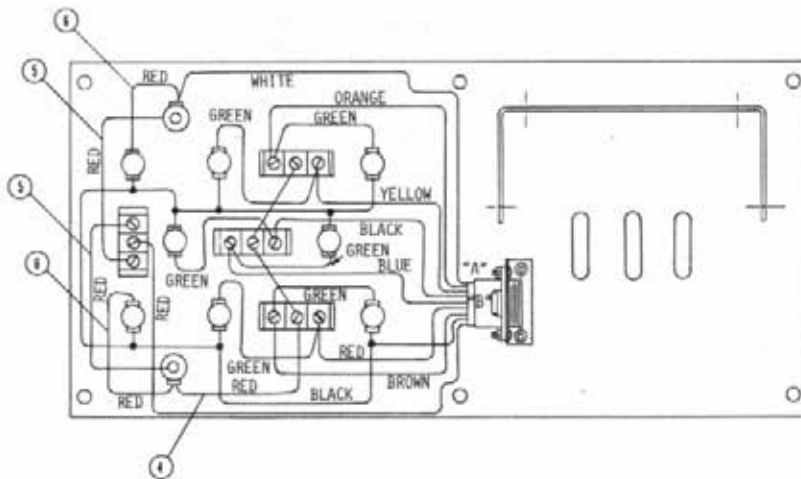
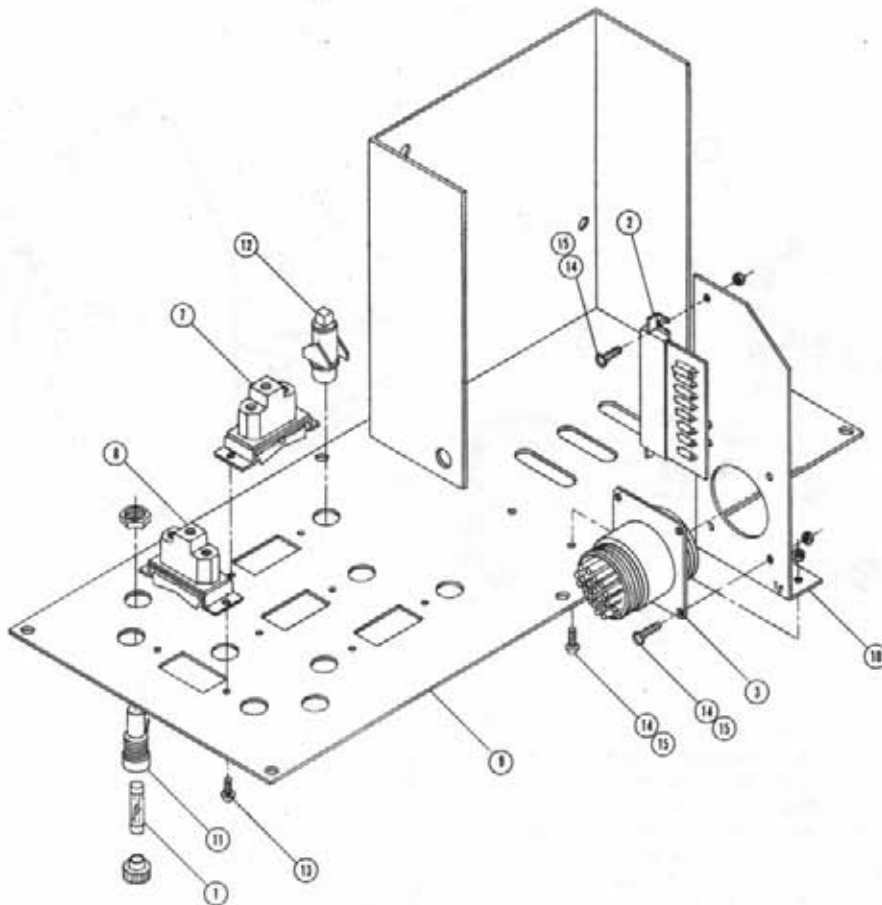


THREE SPOOL VALVE ASSEMBLY

Det. Qty.	P/N	Description
1	221001	Connector Link Clip
2	293031	Valve Mount Weldment
3	470087	3/8 UNC Whiz Nut
4	606585	Cessna Three Spool Valve
5	615336	Valve Handle Link
6	615337	Valve Handle
7	618119	9/16 MOR x 90° x 9/16 MJIC
8	618126	9/16 MOR x 9/16 MJIC
9	618425	9/16 MOR x 45° x 9/16 MJIC
10	470118	1/4 UNC x 3/4 Flanged Hex Bolt
11	659291	1" Dia. Ball Knob
12	900008	1/4 UNC x 2 1/2 Hex Bolt
13	900144	3/8 UNC x 6 1/2 Hex Bolt
14	914000	1/4 UNC Lock Nut
15	914004	3/8 UNC Lock Nut
16	293033	Switch Plate Cover
17	610185	9/16 O-Ring Plus

TASSELTROL COVER ASSEMBLY

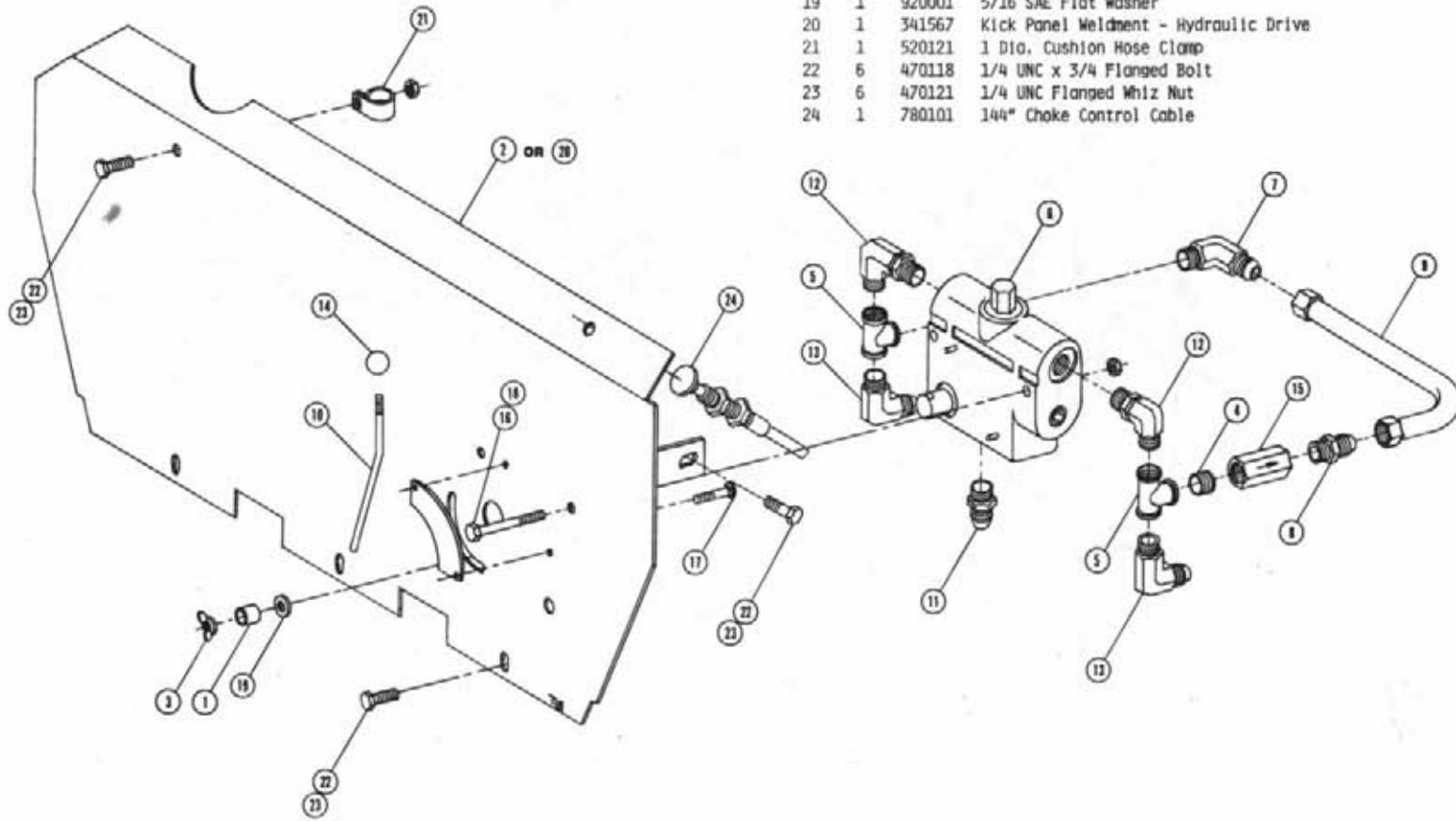
Det. Qty.	P/N	Description
1	291602	10 Amp Fuse
2	293005	Diode Circuit Board
3	293007	Control Box Wire Harness
4	293011	Manual Switch Harness
5	293012	Wire, Fuse To Switch
6	293019	Wire, Fuse To Light
7	293025	Manual Switch
8	293026	Auto And Manual Switch
9	293031	Switch Plate Weldment
10	293034	Circuit Board Mount
11	298011	Fuse Holder
12	390318	Indicator Light
13	903804	6-32 x 1/4 Slotted Round Head Screw
14	903812	6-32 x 1/2 Slotted Round Head Screw
15	910022	6-32 Hex Nut



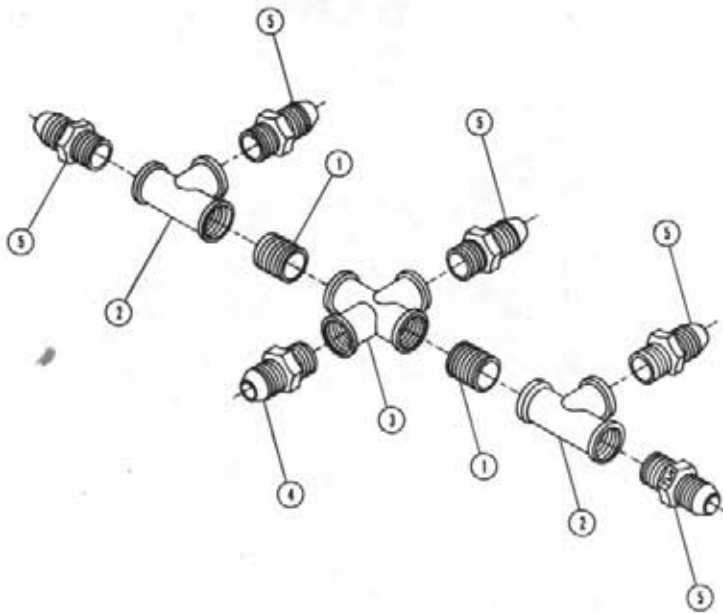
NOTE: The Diagram To The Left Shows How The Components Are Connected To Each Other Through Connector "A". Wires That Connect Circuit Board "B" To Connector "A" Are Not Shown.

VARIABLE FLOW CONTROL ASSEMBLY

Det. Qty.	P/N	Description
1	341465	.50 O.D. x .035 Wd. x .75 Long
2	341495	Kick Panel Weldment - Belt Drive
3	473900	5/16 UNC Wing Nut
4	503600	1/2 NPT Close Nipple
5	503819	1/2 NPT Steel Pipe Tee
6	607510	FCR51 Flow Divider
7	611145	1/2 NPT x 90° x 3/4 MJIC
8	611147	1/2 NPT x 3/4 MJIC
9	614594	Hydraulic Tube Assembly
10	615491	Flow Control Lever Weldment
11	618189	7/8 MOR x 1 1/16 MJIC
12	618561	7/8 MOR x 90° x 1/2 MNPT
13	618566	1 1/16 MJIC x 90° x 1/2 MNPT
14	569291	1 DIA. Ball Knob
15	690338	1/2 NPT Line Check Valve
16	900023	1/4 UNC x 2 1/4 Hex Bolt
17	901066	5/16 UNC x 1 1/4 Carriage Bolt
18	914000	1/4 UNC Stover Nut
19	920001	5/16 SAE Flat Washer
20	341567	Kick Panel Weldment - Hydraulic Drive
21	520121	1 Dia. Cushion Hose Clamp
22	470118	1/4 UNC x 3/4 Flanged Bolt
23	470121	1/4 UNC Flanged Whiz Nut
24	780101	144" Choke Control Cable

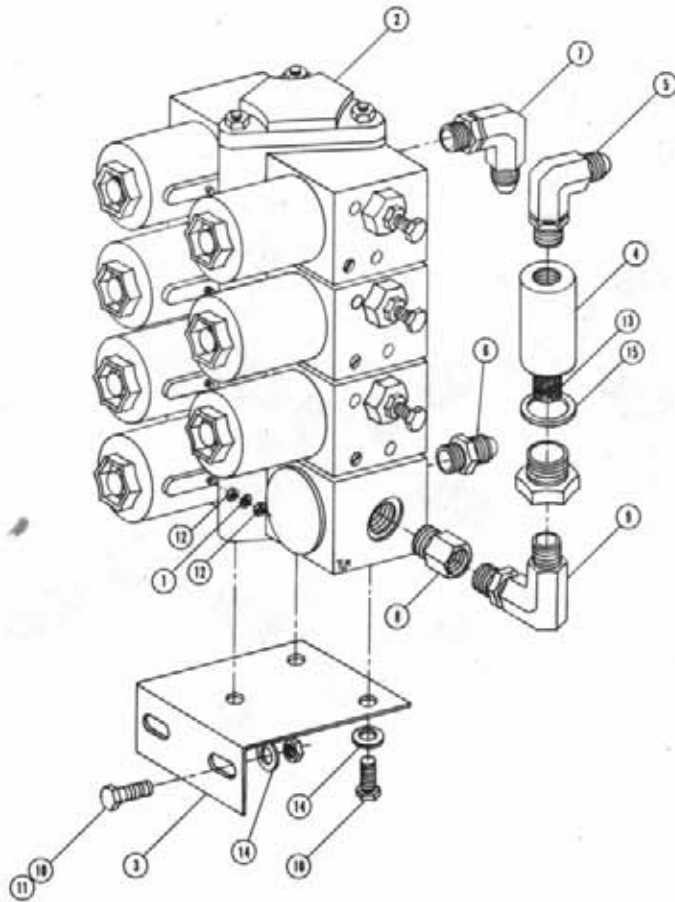






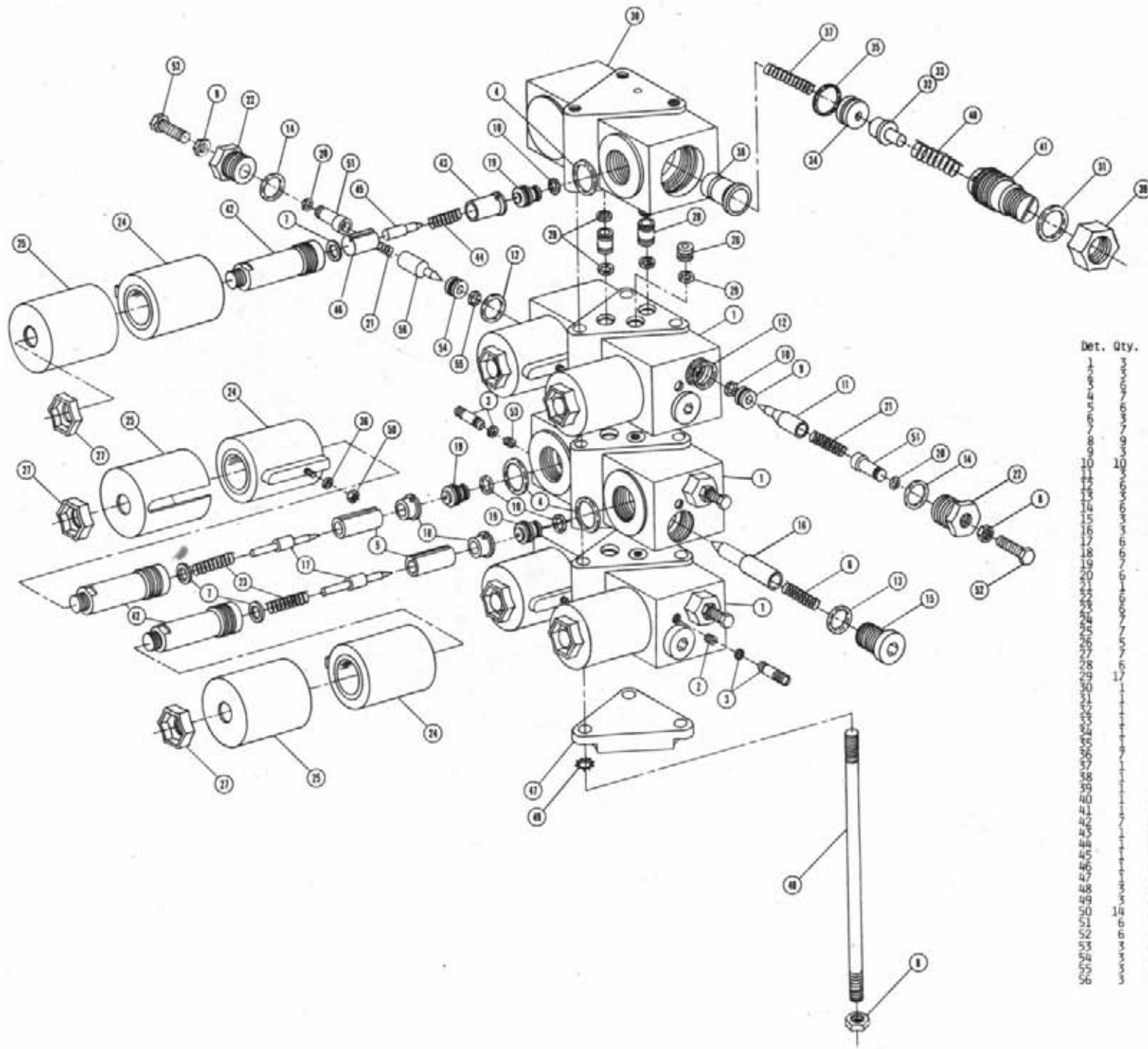
CASE DRAIN RETURN FITTING ASSEMBLY

Det.	Qty.	P/N	Description
1	2	503600	1/2 NPT Close Nipple
2	2	503820	1/2 NPT Pipe Tee
3	1	503824	1/2 NPT Pipe Cross
4	1	611147	1/2 NPT x 3/4 MJIC
5	5	618018	1/2 NPT x 9/16 MJIC



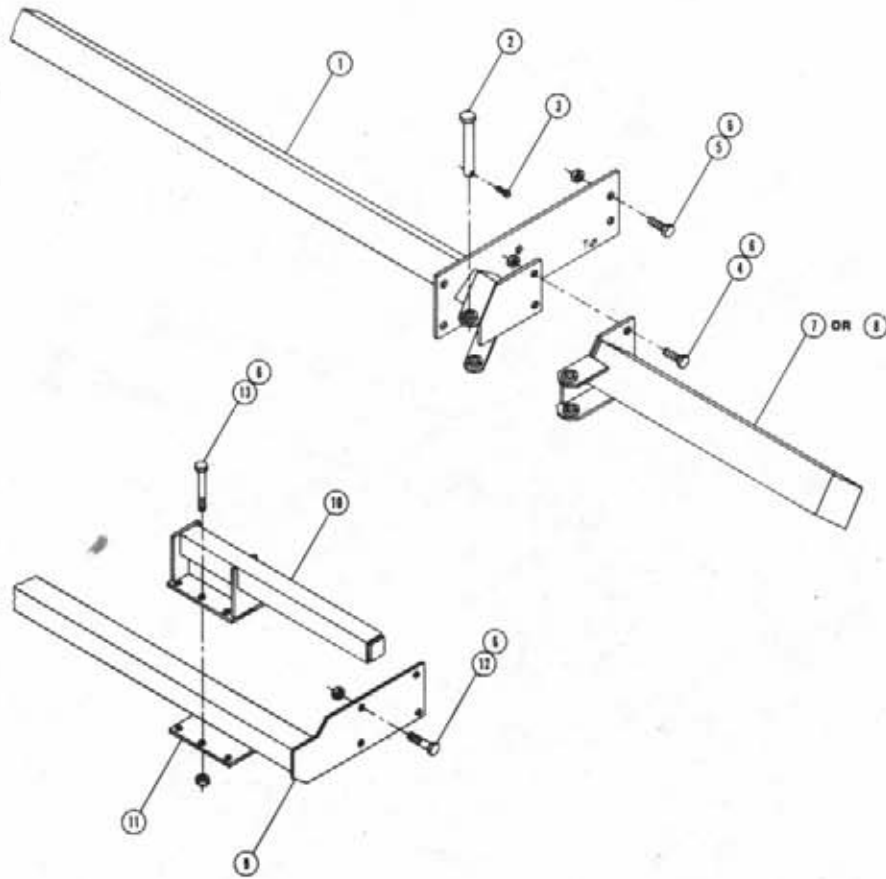
ELECTROHYDRAULIC VALVE ASSEMBLY

Det. Qty.	P/N	Description
1	7	473821 No. 10 Washer Internal Tooth
2	1	610483 Electric Hydraulic Stack Valve
3	1	614608 T-Trol Electric Valve Mount
4	1	610447 Hydraulic Inline Filter
5	1	611122 1/4 NPT x 90° x 9/16 MJIC
6	1	618109 3/4 MOR x 9/16 MJIC
7	3	618119 9/16 MOR x 90° x 9/16 MJIC
8	1	618170 3/4 MOR x 9/16 FOR
9	1	618562 9/16 MOR x 90° x 1/4 NPT
10	5	900064 5/16 UNC x 3/4 Hex Bolt
11	2	914002 5/16 UNC Stover Nut
12	14	910027 No. 10 UNF Hex Nut
13	1	610459 Filter Element 90 Micron
14	5	920001 5/16 SAE Flat Washer
15	1	610462 Gasket



ELECTROHYDRAULIC VALVE

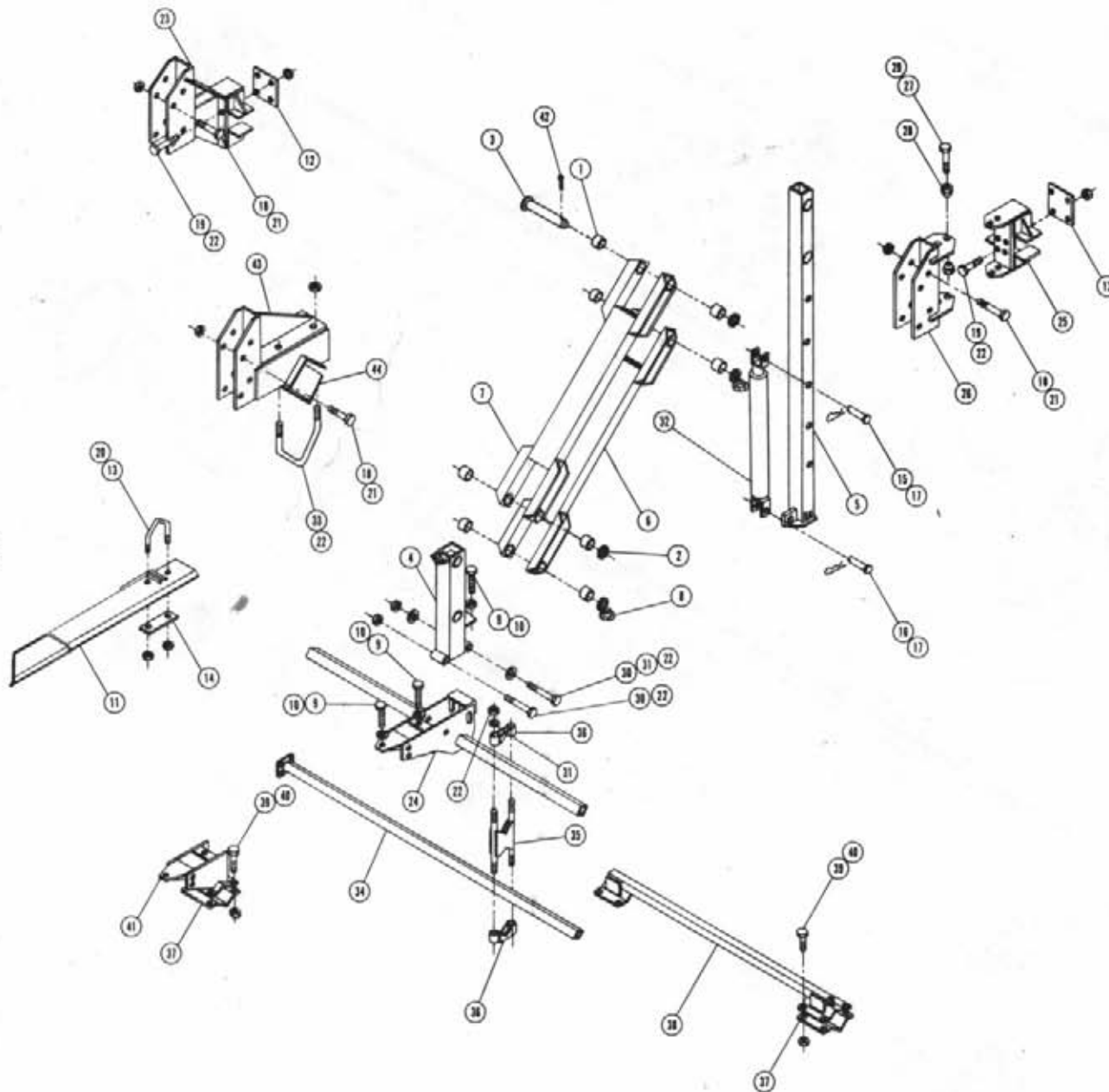
Det.	Qty.	P/N	Description
1		610486	Unbalance Load Body
2		610487	.031 Drift Plug
3		610487	Seal Plug Assembly
4		871019	3/16 x 15/16 O-Ring
5		610126	Armature
6		610491	Spring
7		610084	Washer
8		910000	1/4-20 Hex Jam Nut
9		610488	Drift
10	10	871010	1/4 x 3/8 O-Ring
11		610129	Poppet
12		870015	7/16 x 9/16 O-Ring
13		871904	.351 x .022 O-Ring
14		871906	.468 x .078 O-Ring
15		610130	Plug
16		610489	Check Valve Poppet
17		610490	Poppet
18		610133	Pole Piece
19		610108	.040 Drift
20		871008	O-Ring
21		610492	Spring
22		610493	Valve Cap
23		610127	Spring
24		610495	Coil
25		610115	Cover
26		610123	Plug Tube
27		610114	Pol Nut
28		610115	Thru Tube
29	17	610086	3/8 x 1/2 O-Ring
30		610098	Body
31		871910	.755 x .097 O-Ring
32		610099	Guide
33		610100	Steel Ball
34		610085	Drift
35		871014	1/3 x 5/8 O-Ring
36		475821	No. 10 Washer
37		610082	Spring
38		610104	Poppet
39		610105	Nut
40		610106	Spring
41		610107	Plug
42		610294	Sieve Assembly
43		610109	Pole Piece
44		610110	Spring
45		610111	Poppet
46		610112	Armature
47		610120	End Cap
48		610497	Tie Rod
49		610122	1/4 Lock Washer
50	14	910027	No. 10 UNF Hex Nut
51	6	610452	Adjustable Valve Stop
52	6	900003	1/4 UNC x 1 Hex Bolt
53		610496	.028 Drift Plug
54		610494	Drift
55		871056	O-Ring
56		610495	Poppet



OUTRIGGER ASSEMBLY

Det. Qty.	P/N	Description
1	438271	Tool Bar Weldment
2	438283	Outrigger Pivot Pin Weldment
3	470117	3/16 x 1 3/4 Cotter Pin
4	900333	5/8 UNC x 1 1/2 Hex Bolt
5	900334	5/8 UNC x 1 3/4 Hex Bolt
6	914010	5/8 UNC Stover Nut
7	438277	Right 32" Outrigger Weldment
8	438282	Left 32" Outrigger Weldment
*9	438256	Center Tool Bar Weldment
*10	001362	38" Rigid Outrigger Weldment
*11	001363	Rigid Outrigger Mounting Plate
*12	900335	5/8 UNC x 2 Hex Bolt
*13	900834	5/8 UNC x 5 1/2 Hex Bolt Grade 8

\*Note: Items 9, 10, 11, 12, And 13 Are Used Only With Belt Drive Options.

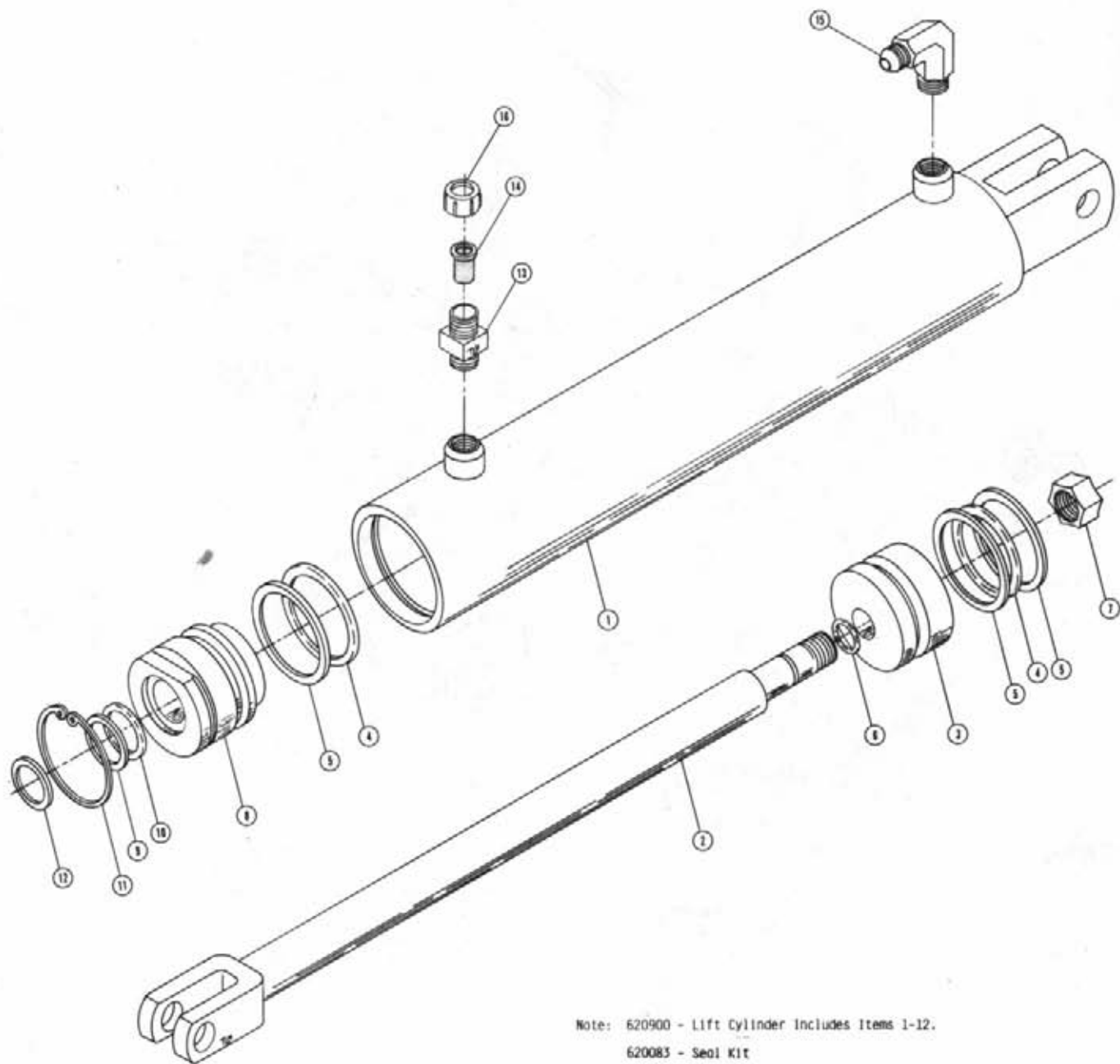


DETASSELER LIFT ASSEMBLY

Det.	Qty.	P/N	Description
1	8	121025	Journal Bearing
2	2	200004	Carriage Pivot Pin Washer
3	4	438300	Liftarm Pivot Pin
4	1	438177	Tool Bar Mount Weldment
5	1	438184	Hoist Column Weldment
6	1	438297	Lower Lift Arm Weldment
7	1	438294	Upper Lift Arm Weldment
8	2	438302	Hose Keeper Ring
9	3	900538	1/2 UNC x 3 1/2 Hex Bolt Full Threaded
10	3	910008	1/2 UNC Hex Nut
11	1	410048	Center Deflector Weldment
12	2	438165	Outrigger Hoist Hinge Keeper
13	1	410052	U-Bolt
14	1	410051	U-Bolt Clamp
15	1	472012	1 Dia. x 3 1/4 Picker Pin
16	1	472206	1 Dia. x 2 1/4 Picker Pin
17	2	611016	Hair Pin
18	12	900275	1/2 UNC x 4 1/2 Hex Bolt
19	8	900834	5/8 UNC x 5 1/2 Hex Bolt Grade 8
20	2	914002	5/16 UNC Stover Nut
21	12	914008	1/2 UNC Lock Nut
22	22	914010	5/8 UNC Stover Nut
23	1	438221	Center Hoist Bracket Weldment
24	1	438194	Tool Bar Weldment
25	1	438156	Outrigger Hoist Hinge Weldment
26	1	438161	Hoist Pivot Bracket Weldment
27	4	470145	Wheel Stud Nut
28	4	470146	Sleeve
29	4	900404	3/4 UNC x 2 1/2 Hex Bolt
30	2	900343	5/8 UNC x 4 1/2 Hex Bolt
31	10	920005	5/8 Flat Washer
32	1	620900	Lift Cylinder
33	2	438293	5/8 UNC Tri Bend U-Bolt
34	1	438258	Tool Bar Weldment
35	2	438261	Tool Bar Clamp Weldment
36	4	438264	Tool Bar Clamp Keeper Weldment
*37	3	410016	Hanger V
*38	1	438266	Solid Tool Bar Tie Weldment
*39	12	900265	1/2 UNC x 1 1/2 Hex Bolt
*40	12	914008	1/2 UNC Stover Nut
41	1	438269	T-Trol Sensor Arm Mount Weldment
42	1	470162	3/16 x 1 1/2 Cotter Pin
43	1	438286	Hoist Column Mounting Bracket Weldment
44	1	438292	Tool Bar V-Plate

\*Note: Items 37, 38, 39, And 40 Are For Tool Bar Tie Package.



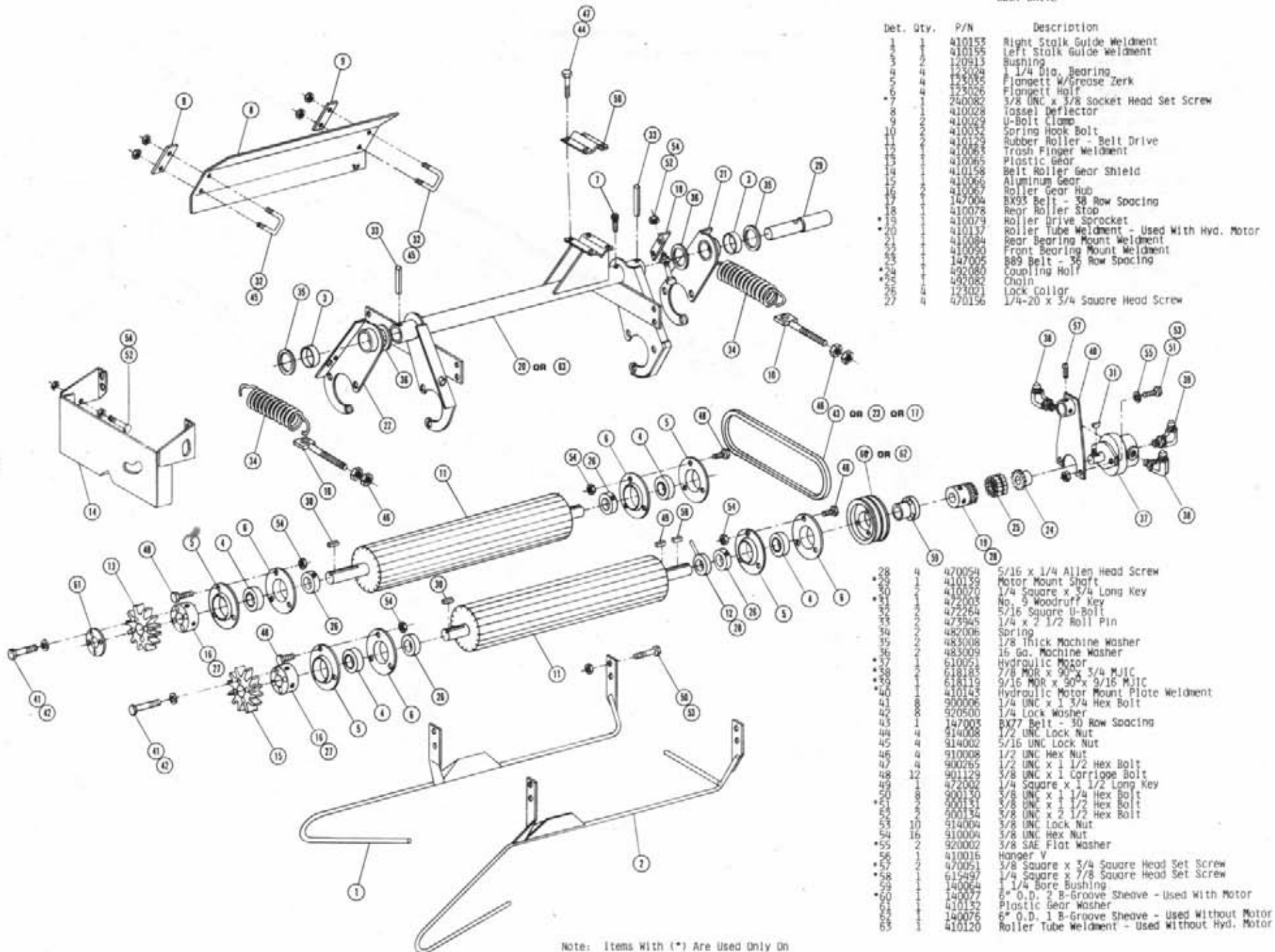


LIFT CYLINDER ASSEMBLY WITH T-TROL

Det.	Qty.	P/N	Description
1	1	620901	Tube Weldment
2	1	620905	Shaft Weldment
3	1	620081	Piston
4	2	870326	O-Ring
5	3	890326	Back-Up Washer
6	1	870113	O-Ring
7	1	472297	3/4 UNF Lock Nut
8	1	620082	Gland
9	1	890214	Back-Up Washer
10	1	870214	O-Ring
11	1	629505	Snap Ring
12	1	629003	Wiper
13	1	737810	1/4 NPT Nylon Nozzle Body
14	1	738859	50 Mesh Nylon Strainer
15	1	611122	1/4 NPT x 90° 9/16 MJIC
16	1	500005	11/16 FPS Nylon Cap Nut

Note: 620900 - Lift Cylinder Includes Items 1-12.  
620083 - Seal Kit

ROLLER PULLER HEAD ASSEMBLY  
BELT DRIVE

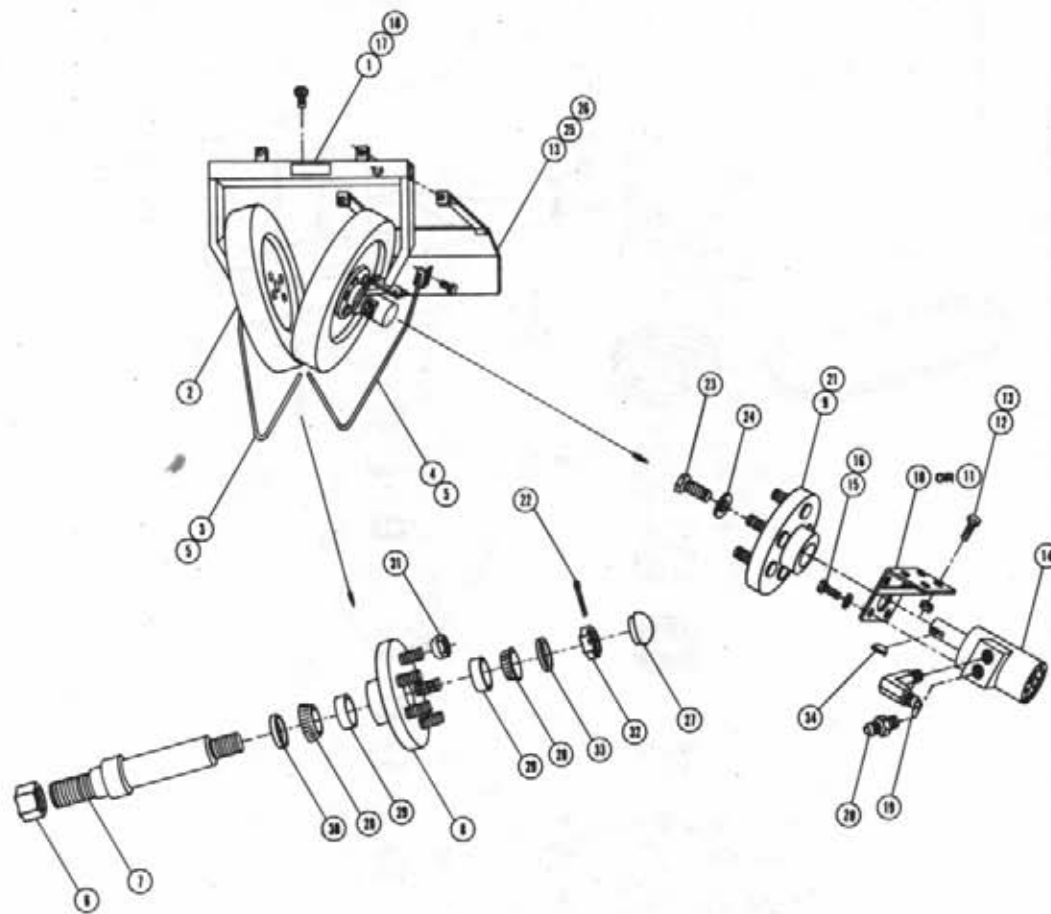


Det.	Qty.	P/N	Description
1	1	410153	Right Stalk Guide Weldment
1	1	410155	Left Stalk Guide Weldment
1	2	120913	Bushing
1	4	123024	1/4 Dia. Bearing
1	4	125055	Flangett W/Grease Zerk
1	4	125026	Flangett Half
1	4	240082	3/8 UNC x 3/8 Socket Head Set Screw
1	8	410028	Tassel Deflector
1	8	410029	U-Bolt Clamp
10	1	410032	Spring Hook Bolt
11	1	410129	Rubber Roller - Belt Drive
11	1	410083	Trough Flinger Weldment
14	1	410065	Plastic Gear
15	1	410158	Belt Roller Gear Shield
15	1	410066	Aluminum Gear
16	1	410067	Roller Gear Hub
17	1	147004	BX93 Belt - 38 Row Spacing
17	1	410078	Rear Roller Stop
17	1	410079	Roller Drive Sprocket
20	1	410137	Roller Tube Weldment - Used With Hyd. Motor
21	1	410084	Rear Bearing Mount Weldment
21	1	410090	Front Bearing Mount Weldment
21	1	147005	889 Belt - 36 Row Spacing
21	1	420080	Coupling Half
21	1	420082	Coupling Half
22	1	123021	Lock Collar
27	4	470156	1/4-20 x 3/4 Square Head Screw

28	4	470054	5/16 x 1/4 Allen Head Screw
29	1	410159	Motor Mount Shaft
30	1	410070	1/4 Square x 3/4 Long Key
31	1	422003	No. 9 Woodruff Key
32	1	472264	5/16 Square U-Bolt
33	1	473945	1/4 x 2 1/2 Roll Pin
34	1	482006	Spring
35	1	483008	1/8 Thick Machine Washer
36	1	483009	16 Ga. Machine Washer
37	1	610051	Hydraulic Motor
38	1	618185	7/8 MDR x 90° 3/4 M/JC
39	1	618119	9/16 MDR x 90° 3/4 M/JC
40	1	410143	Hydraulic Motor Mount Plate Weldment
41	1	900006	1/4 UNC x 1 3/4 Hex Bolt
42	1	920500	1/4 Lock Washer
43	1	147003	BX77 Belt - 30 Row Spacing
44	4	914008	1/2 UNC Lock Nut
45	4	914002	5/16 UNC Lock Nut
46	4	910008	1/2 UNC Hex Nut
47	4	900265	1/2 UNC x 1 1/2 Hex Bolt
48	12	901129	3/8 UNC x 1 Carriage Bolt
49	1	472002	1/4 Square x 1 1/2 Long Key
50	1	900130	3/8 UNC x 1 1/4 Hex Bolt
51	1	900131	3/8 UNC x 1 1/2 Hex Bolt
52	1	900134	3/8 UNC x 2 1/2 Hex Bolt
53	10	914004	3/8 UNC Lock Nut
54	16	910004	3/8 UNC Hex Nut
55	2	920002	3/8 SAE Flat Washer
56	1	410016	Hanger V
57	2	470051	3/8 Square x 3/4 Square Head Set Screw
58	1	615497	1/4 Square x 7/8 Square Head Set Screw
59	1	140064	1/4 Bore Bushing
60	1	140077	6" O.D. 2 B-Groove Sheave - Used With Motor
61	1	410132	Plastic Gear Washer
62	1	140076	6" O.D. 1 B-Groove Sheave - Used Without Motor
63	1	410120	Roller Tube Weldment - Used Without Hyd. Motor

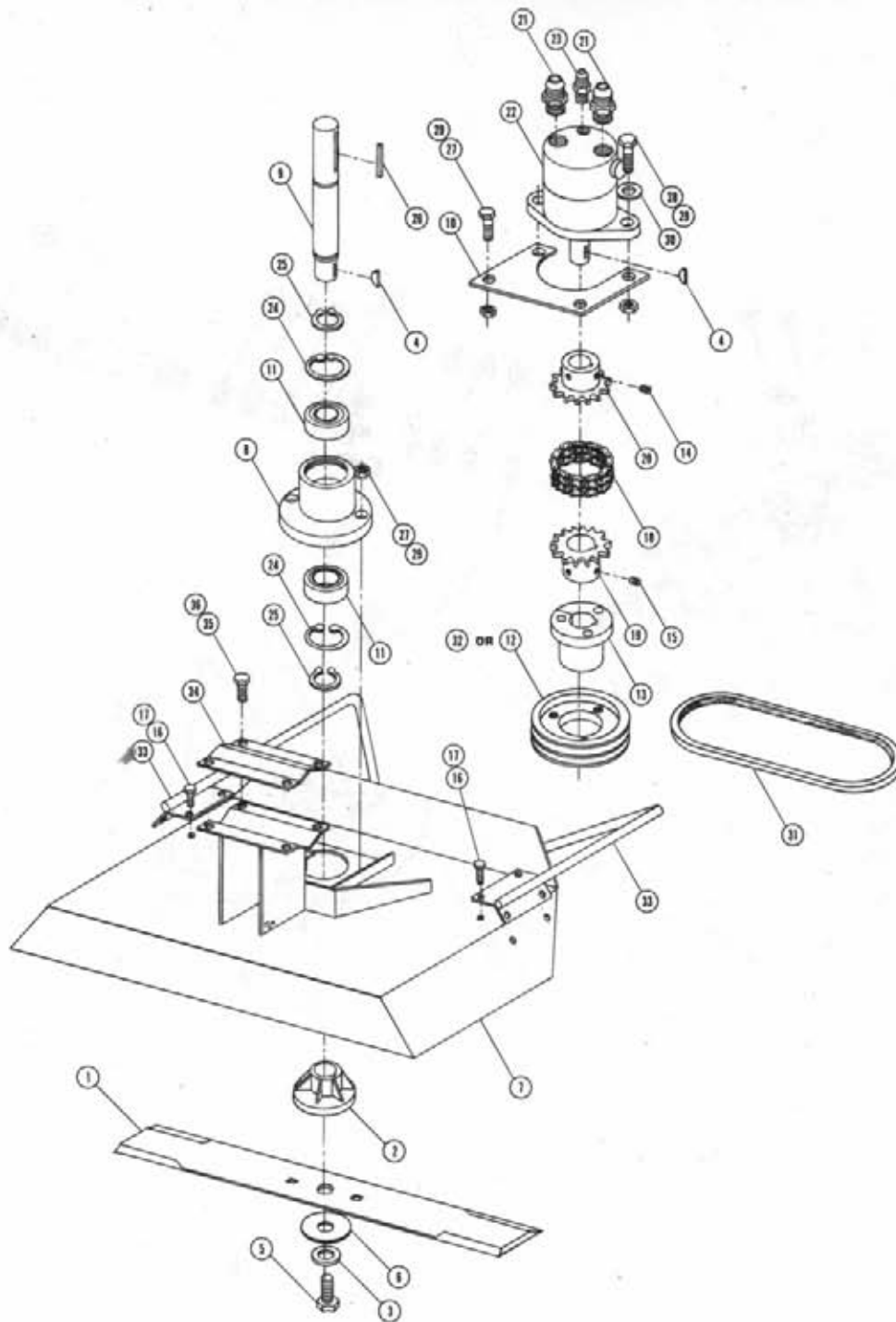
Note: Items With (\*) Are Used Only On  
Head Assemblies With Hydraulic Motor.





LEFT AND RIGHT PULLER HEAD ASSEMBLY

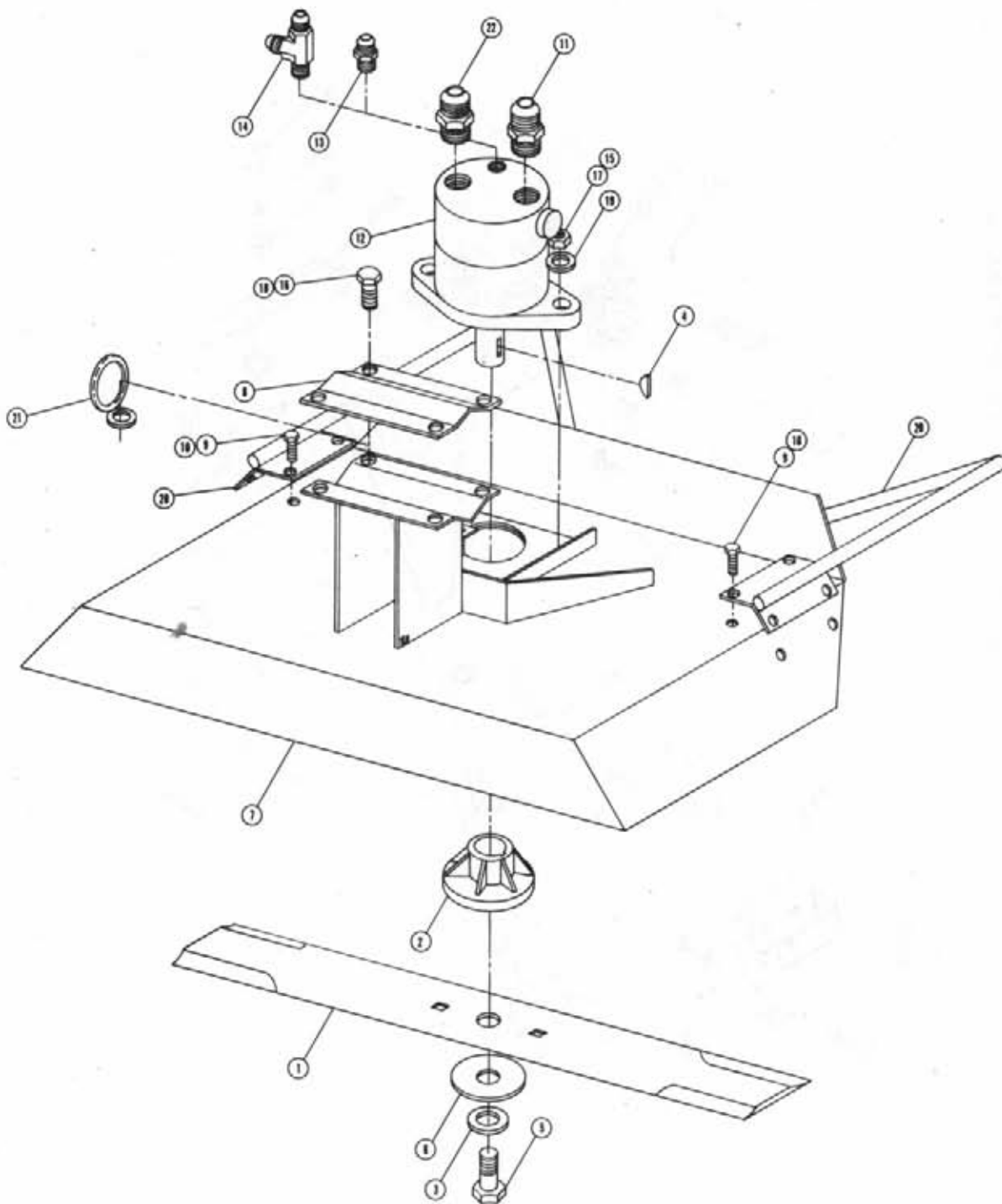
Det. Qty.	P/N	Description
1	438000	Tire Puller Weldment
2	824503	Wheel W/Rib Tire
3	438048	Outside Stalk Guide
4	438050	Inside Stalk Guide
5	900064	5/16 UNC x 3/4 Hex Bolt
6	473060	1"-14 SAE Hex Nut
7	438009	Puller Spindle
8	824501	1" Taper Hub Group
9	438015	Hydraulic Hub Weldment
10	438010	Right Hydraulic Motor Housing
11	438014	Left Hydraulic Motor Housing
12	900130	3/8 UNC x 1 1/4 Hex Bolt
13	914004	3/8 UNC Lock Nut
14	604005	Hydraulic Motor W/Key
15	900128	3/8 UNC x 3/4 Hex Bolt
16	920502	3/8 Lock Washer
17	900263	1/2 UNC x 1 Hex Bolt
18	650820	Decal Caution
19	611124	1/2 NPT x 90 x 7/8 MJIC
20	611147	1/2 NPT x 3/4 MJIC
21	470053	1/4-20 x 1/4 Allen Head Set Screw
22	472008	5/32 x 1 Cotter Pin
23	900006	1/4 UNC x 1 3/4 Hex Bolt
24	920500	1/4 Lock Washer
25	438173	Tire Puller Shield Weldment
26	900129	3/8 UNC x 1 Hex Bolt
27	824507	Dust Cap
28	824504	Bearing Cone
29	824506	Bearing Cup
30	824505	Seal
31	824052	1/2-20 x 60 Wheel Stud Nut
32	129003	3/4 UNF Spindle Nut
33	920006	3/4 SAE Flat Washer
34	472022	No. 15 Woodruff Key



BELT CUTTER HEAD ASSEMBLY

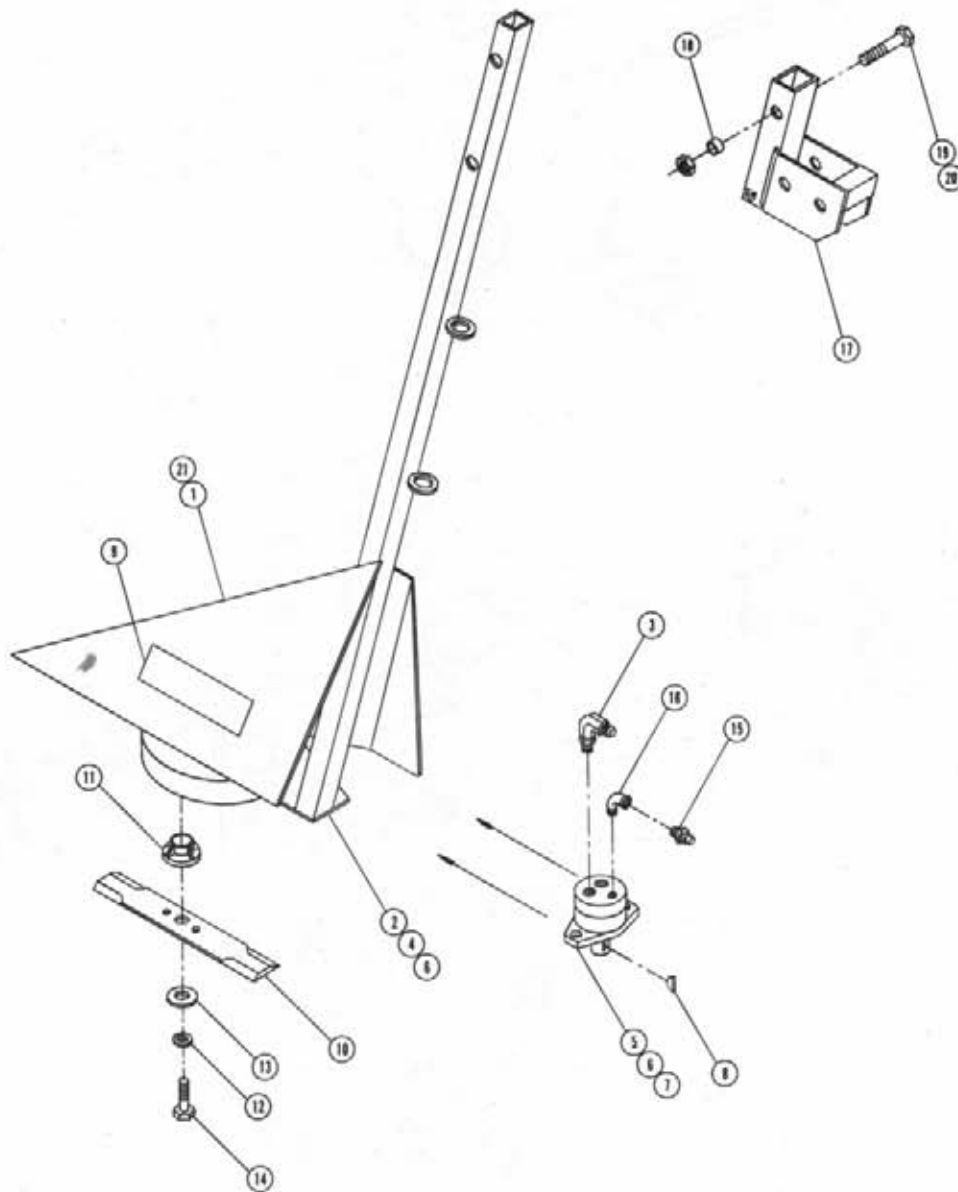
Det.	Qty.	P/N	Description
1	1	002103	Cutter Blade 18"
2	1	002104	Clutch Body Blade
3	1	002105	Steel Lock Washer
4	2	002106	Key
5	1	002107	3/8 UNF x 1 1/2 Hex Bolt
6	1	002108	Steel Washer
7	1	002210	Cutter Top Weldment
8	1	002219	Bearing Housing Weldment
9	1	002220	Belt Cutter Shaft
*10	1	002221	Belt Cutter Motor Mount Plate
11	2	123004	Bearing
*12	1	141519	3V600 2-Groove Sheave - Used With Hyd. Motor
13	1	149117	1" Bore Bushing
*14	2	470052	1/4-20 x 1/2 Allen Head Set Screw
*15	2	470060	5/16-18 x 3/8 Allen Head Set Screw
16	8	470118	1/4 UNC x 3/4 Flanged Hex Bolt
17	8	470121	1/4 UNC Flanged Whiz Nut
*18	1	492084	Chain
*19	1	492088	Chain Coupler Half 1" Bore
*20	1	492090	Chain Coupler Half 7/8 Bore
*21	2	611125	3/4 MQR x 3/4 MJIC
*22	1	618203	Barnes Hydraulic Motor
*23	1	618530	1/8 NPT x 9/16 MJIC
24	2	629505	2" Internal Snap Ring
25	2	629528	1" External Snap Ring
26	1	805105	1/4 Square x 2" Long Key
27	4	900129	3/8 UNC x 1 Hex Bolt
*28	2	900130	3/8 UNC x 1 1/4 Hex Bolt
29	6	914004	3/8 UNC Stover Nut
*30	2	920002	3/8 SAE Flat Washer
31	1	140029	3V800 Belt - 30 Row Spacing
32	1	141520	3V600 1-Groove Sheave - Used Without Hyd. Motor
33	2	002215	Cutter Stalk Guide Weldment
34	1	410016	Hanger V
35	4	914008	1/2 UNC Lock Nut
36	4	900265	1/2 UNC x 1 1/2 Hex Bolt

Note: Items With (\*) Are Used Only On Head Assemblies With Hydraulic Motor.



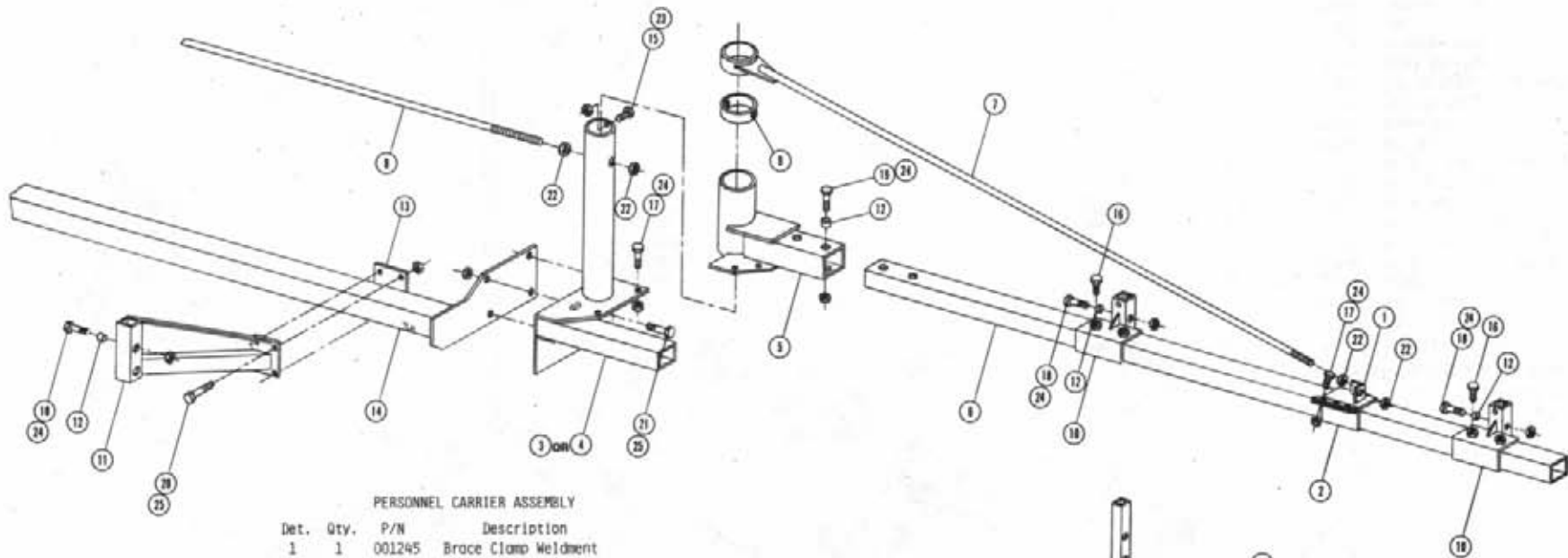
### CUTTER HEAD ASSEMBLY

Det.	Qty.	P/N	Description
1	1	002103	18" Cutter Blade
2	1	002104	Clutch Body Blade
3	1	002105	Steel Lock Washer
4	1	002106	Key
5	1	002107	3/8 UNF x 1 1/2 Hex Bolt
6	1	002108	Steel Washer
7	1	002210	Cutter Top Weldment
8	1	410016	Hanger V
9	8	470118	1/4 UNC x 3/4 Flanged Hex Bolt
10	8	470121	1/4 UNC Flanged Nut
11	1	611125	3/4 MOR x 3/4 MJIC
12	1	618203	Barnes Hydraulic Motor
13	1	618530	1/8 NPT x 9/16 MJIC
14	1	618546	1/8 NPT Run Tee x 9/16 MJIC
15	2	900130	3/8 UNC x 1 1/4 Hex Bolt
16	4	900265	1/2 UNC x 1 1/2 Hex Bolt
17	2	914004	3/8 UNC Stover Nut
18	4	914008	1/2 UNC Stover Nut
19	2	920002	3/8 SAE Flat Washer
20	2	002215	Cutter Stalk Guide Weldment
21	1	438303	Hose Keeper Ring Weldment
22	1	618574	7/8 MJIC x 3/4 MOR



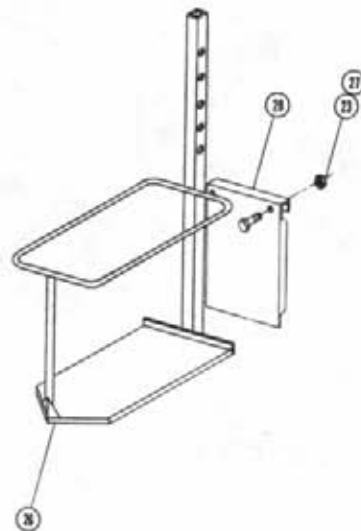
MALE CORN CUTTER ASSEMBLY

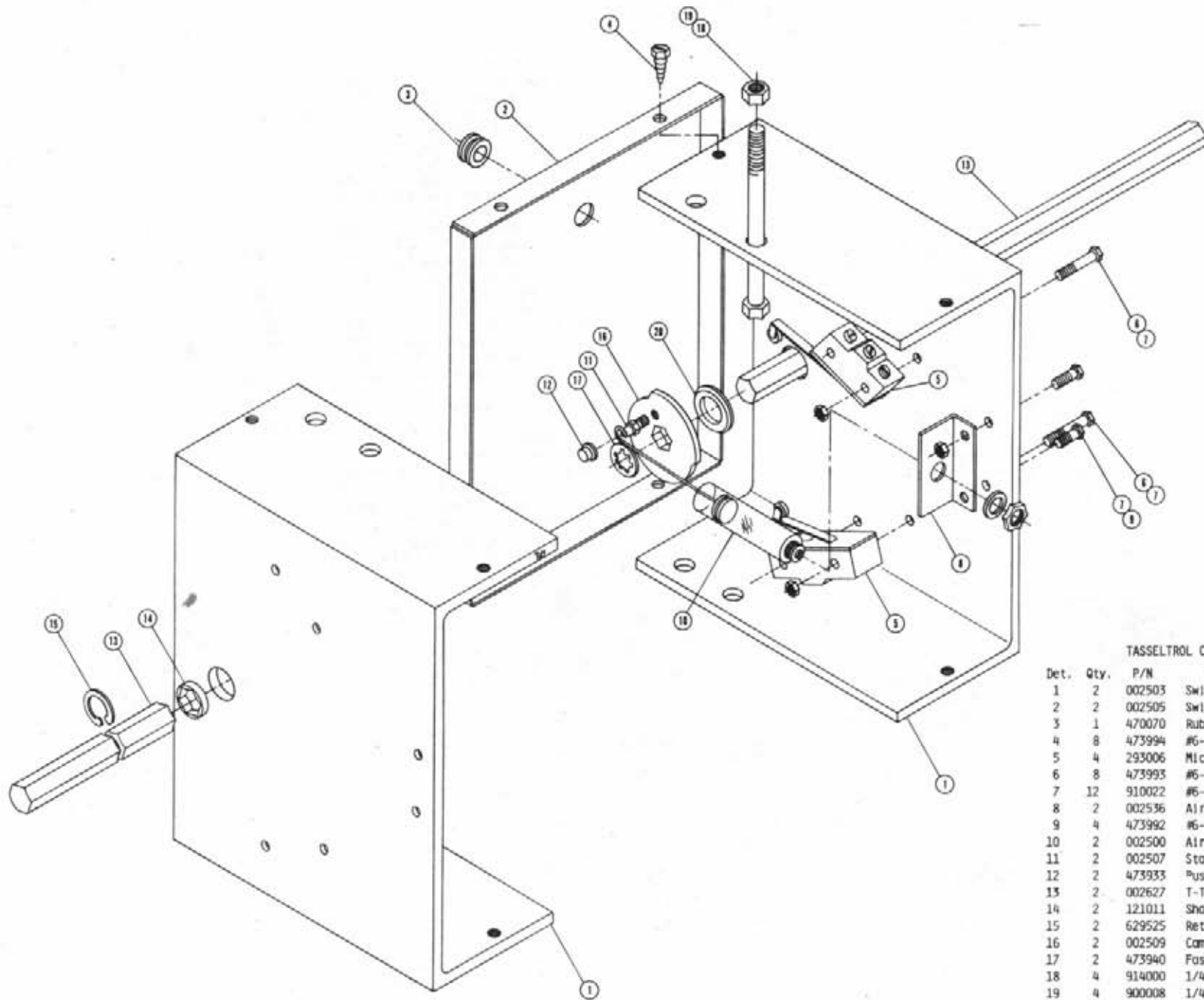
Det.	Qty.	P/N	Description
1	1	270800	Male Corn Cutter Weldment
2	1	270805	Drop Tube Weldment
3	2	618241	3/4 MDR x 90° x 3/4 MJIC
4	2	900129	3/8 UNC x 1 Hex Bolt
5	2	900132	3/8 UNC x 1 3/4 Hex Bolt
6	4	914004	3/8 UNC Lock Nut
7	1	618203	Hydraulic Motor
8	1	002106	5/32 x 5/8 Key
9	1	650819	Cutting Blades Decal
10	1	092103	Cutter Blade
11	1	002104	Clutch Adapter
12	1	002105	Lock Washer
13	1	002108	Flat Washer
14	1	002107	Cutter Blade Bolt
15	1	618530	1/8 NPT x 9/16 MJIC
16	1	500900	1/8 NPT x 90° Street Elbow
17	1	270809	Male Corn Cutter Bracket
18	1	200015	Adjustment Tube Spacer
19	1	900273	1/2 UNC x 3 3/4 Hex Bolt
20	1	914008	1/2 UNC Lock Nut
21	1	472349	1/4 x 3/4 Tek Screw



PERSONNEL CARRIER ASSEMBLY

Det.	Qty.	P/N	Description
1	1	001245	Brace Clamp Weldment
2	1	001246	Brace Clamp Plate
3	1	001369	Right Outrigger Mount Weldment
4	1	001370	Left Outrigger Mount Weldment
5	1	001377	Outrigger Pivot Weldment
6	1	001381	Outrigger Tube
7	1	001382	Tie Bar Weldment
8	1	001384	Center Tie Bar
9	1	001385	Center Tie Bar Collar
10	2	001386	Station Clamp Weldment
11	1	001388	Center Station Mount Weldment
12	5	200015	3/4 O.D. x 11 Ga. x 3/8 Spacer
13	1	438165	Outrigger Hoist Hinge Keeper
14	1	438256	Center Tool Bar Weldment
15	1	900002	1/4 UNC x 3/4 Hex Bolt
16	4	900263	1/2 UNC x 1 Hex Bolt
17	8	900265	1/2 UNC x 1 1/2 Hex Bolt
18	3	900271	1/2 UNC x 3 1/4 Hex Bolt
19	2	900276	1/2 UNC x 5 Hex Bolt
20	4	900343	5/8 UNC x 4 1/2 Hex Bolt
21	4	900352	5/8 UNC x 2 1/4 Hex Bolt
22	4	910010	5/8 UNC Hex Nut
23	3	914000	1/4 UNC Stover Nut
24	13	914008	1/2 UNC Stover Nut
25	8	914010	5/8 UNC Stover Nut
26	3	001316	Enclosed 2-Man Station
27	2	900006	1/4 UNC x 1 3/4 Hex Bolt
28	1	001359	Work Station Shield

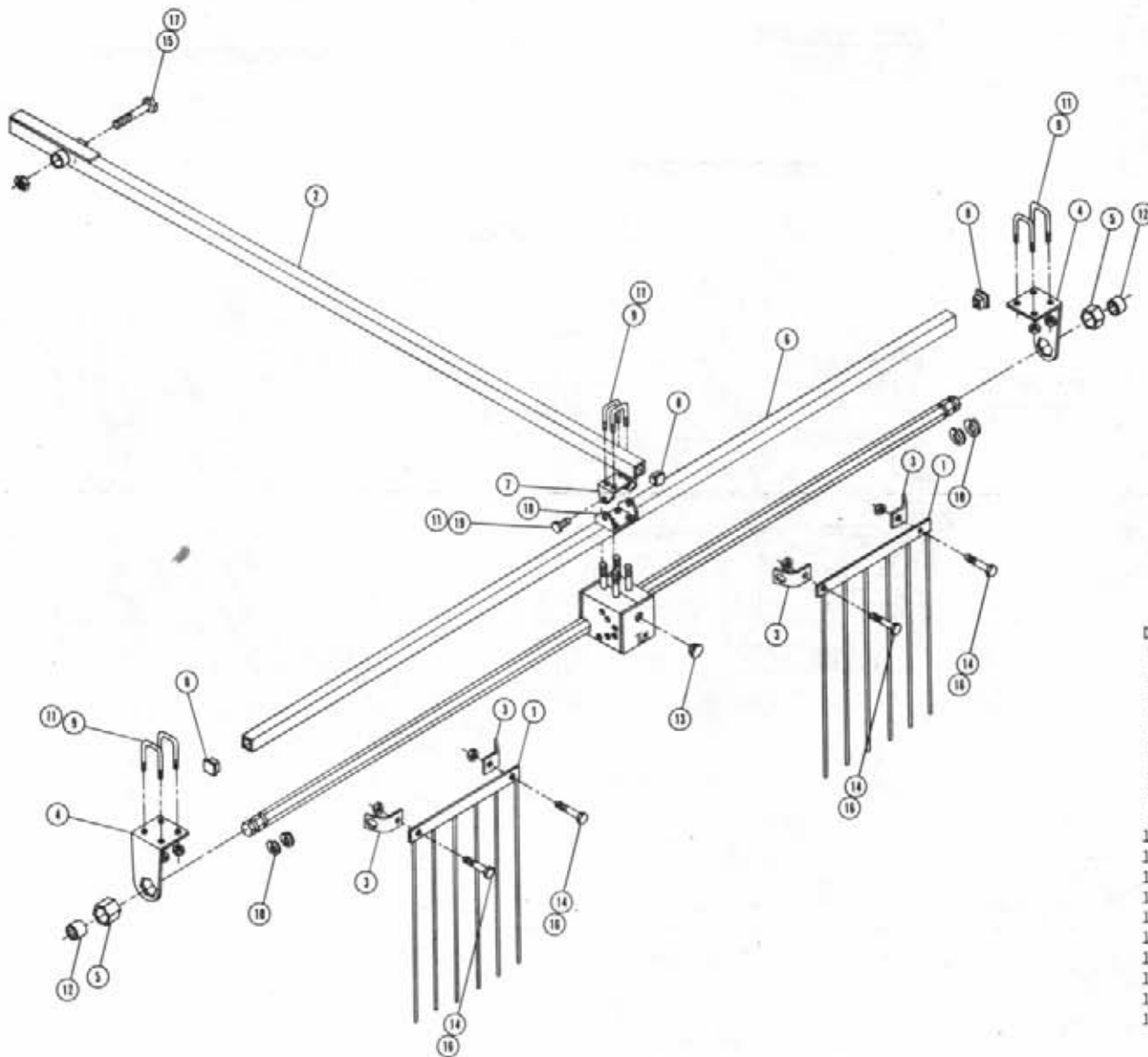




TASSELTRON CONTROL BOX ASSEMBLY

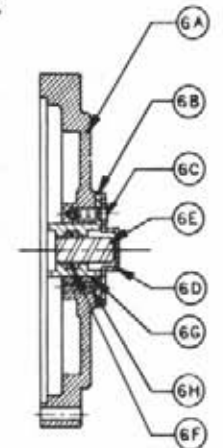
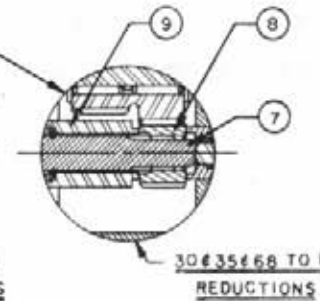
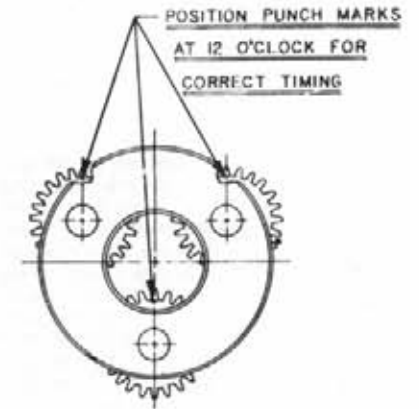
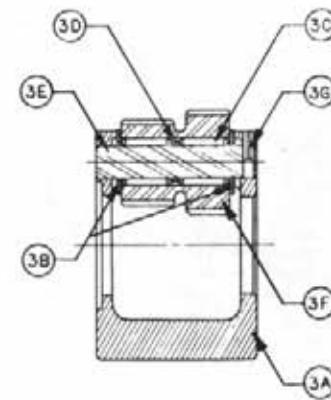
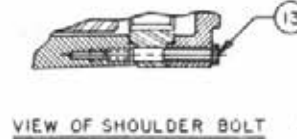
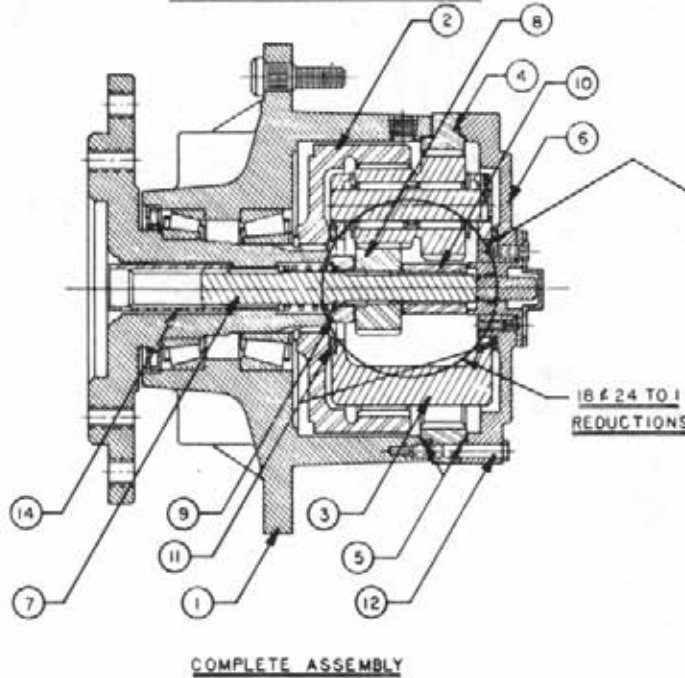
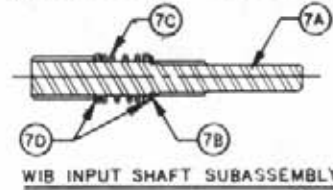
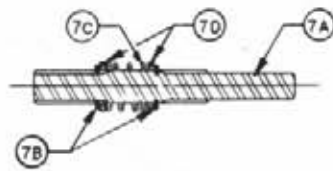
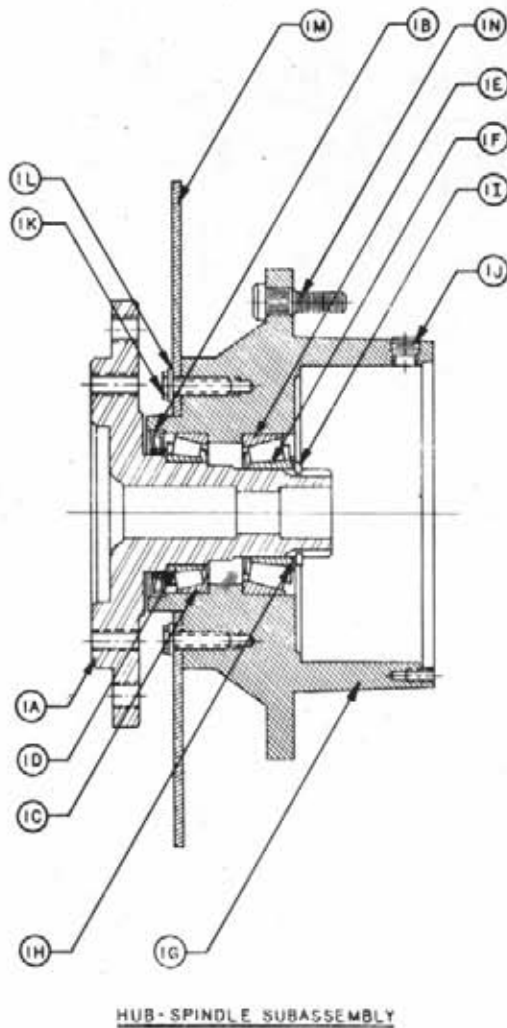
Det.	Qty.	P/N	Description
1	2	002503	Switch Box Half
2	2	002505	Switch Box End
3	1	470070	Rubber Grommet
4	8	473994	#6-32 x 3/8 Hex Head Screw
5	4	293006	Micro Switch
6	8	473993	#6-32 x 1 1/8 Hex Head Screw
7	12	910022	#6-32 Hex Nut
8	2	002536	Air Pot Bracket
9	4	473992	#6-32 x 3/8 Hex Head Screw
10	2	002500	Air Pot
11	2	002507	Stand Off
12	2	473933	Push On Fastener
13	2	002627	T-Trol Sensor Flag Shaft
14	2	121011	Shaft Bearing
15	2	629525	Retainer Ring
16	2	002509	Cam
17	2	473940	Fastener Ring
18	4	914000	1/4 UNC Lock Nut
19	4	900008	1/4 UNC x 2 1/2 Hex Bolt
20	2	002589	Spacer

Note: Each Switch Box Half Is Assembled Symmetrically Opposite.



TASSELTRON SENSOR ASSEMBLY

Det. Qty.	P/N	Description
1	2	002515 Sensor Flag Weldment
2	1	002630 T-Trol Sensor Arm Weldment
3	4	002663 Sensor Flag Clip
4	2	002587 Hex Bearing Hanger
5	2	002588 Hanger Bearing
6	1	002628 Sensor Cross Tube
7	1	002579 Pivot Bracket
8	3	473943 1 1/2 Sq. Plug
9	6	473949 5/16 UNC x 1 9/16 U-Bolt
10	4	629525 Retainer Ring
11	14	914002 5/16 UNC Lock Nut
12	2	121011 Shaft Bearing
13	1	658174 Rubber Plug
14	4	470121 1/4-20 Flanged Whiz Nut
15	1	900275 1/2 UNC x 4 1/2 Hex Bolt
16	4	470122 1/4-20 x 1/2 Flanged Hex Bolt
17	1	914008 1/2 UNC Lock Nut
18	1	002595 Small Pivot Bracket
19	2	900065 5/16 UNC x 1 Hex Bolt



THIS DRAWING AND DESIGN IS THE PROPERTY OF / AND ALL PROPRIETARY RIGHTS ARE RESERVED TO / FAIRFIELD MFG CO, INC. THE RECIPIENT AGREES NOT TO DISCLOSE TO ANY PERSON OR ORGANIZATION ANY INFORMATION REGARDING THE DESIGN OR MANUFACTURE OF THE ARTICLE REPRESENTED HEREON, OR USE SAME IN ANY WAY DETERMENTAL TO THE INTEREST OF FAIRFIELD MFG CO, INC.

DRAFTSMAN <b>Beck</b>		DATE 10-8-73	FAIRFIELD MFG. CO., INC. LAFAYETTE, IND. 47505
CHECKER			
PROJECT ENG.			TITLE SERVICE LITERATURE
RELEASED		SCALE:	DRAWING NO. WIA & WIB



WHEEL DRIVE ASSEMBLIES

ITEM	DESCRIPTION	REAR TORQUE HUB		FRONT TORQUE HUB	
		PART NO.	QTY.	PART NO.	QTY.
1	Hub-Spindle Sub-Assembly	610156	1	610154	1
1A	Spindle	610052	1	610038	1
1B	Seal	610904	1	610904	1
1C	Bearing Cup	610905	1	610905	1
1D	Bearing Cone	610906	1	610906	1
1E	Bearing Cup	610907	1	610907	1
1F	Bearing Cone	610908	1	610908	1
1G	Hub	610047	1	610047	1
1H	Spacer	610909	1	610909	1
1I	Retaining Ring	610910	1	610910	1
1J	Pipe Plug	610147	2	610147	2
1N	Stud	610911	9	610911	9
2	Internal Gear	610148	1	610148	1
3	Carrier Assembly	610912	1	610912	1
4	Ring Gear	610929	1	610929	1
5	O-Ring	610903	2	610903	2
6	Cover Assembly	610155	1	610155	1
6A	Cover	610149	1	610149	1
6B	Cover Cap	610914	1	610914	1
6C	Bolt	610150	4	610150	4
6D	Disconnect Cap	610901	1	610901	1
6E	Disconnect Rod	610915	1	610915	1
6F	O-Ring	610916	1	610916	1
6G	O-Ring	610917	1	610917	1
6H	Pipe Plug	610151	1	610151	1
6J	ID Plate	610152	1	610152	1
7	Input Shaft Assembly	610158	1	610048	1
7A	Input Shaft	610159	1	610046	1
7B	Retaining Ring	610936	2	610936	1
7C	Spring	610145	1	610145	1
7D	Spacer	610153	2	610153	2
8	Input Gear	610919	1	610919	1
9	Thrust Spacer	610920	1	610920	1
10	Thrust Spacer	610921	1	610921	1
11	Thrust Washer	610922	2	610922	2
12	Bolt	610930	12	610930	12
13	Shoulder Bolt	610923	4	610923	4
14	Coupling	610931	1	610037	1
16	Flat Washer	610049	16	610049	1
17	Retaining Ring	610160	1	610160	15

WHEEL DRIVE ASSEMBLY - 610899  
 WIB140330

<u>ITEM</u>	<u>PART NO.</u>	<u>QTY.</u>	<u>DESCRIPTION</u>
1	610154	1	Hub-Spindle Sub-Assembly
1A	610038	1	Spindle
1B	610904	1	Seal
1C	610905	1	Bearing Cup
1D	610906	1	Bearing Cone
1E	610907	1	Bearing Cup
1F	610908	1	Bearing Cone
1G	610047	1	Hub
1H	610909	1	Spacer
1I	610910	1	Retaining Ring
1J	610147	2	Pipe Plug
1N	610911	9	Stud
2	610148	1	Internal Gear
3	610912	1	Carrier Assembly
4	610929	1	Ring Gear
5	610903	2	O-Ring
6	610155	1	Cover Assembly
6A	610149	1	Cover
6B	610914	1	Cover Cap
6C	610150	4	Bolt
6D	610901	1	Disconnect Cap
6E	610915	1	Disconnect Rod
6F	610916	1	O-Ring
6G	610917	1	O-Ring
6H	610151	1	Pipe Plug
6J	610152	1	ID Plate
7	610380	1	Input Shaft Assembly
7A	610465	1	Input Shaft
7B	610936	1	Retaining Ring
7C	610145	1	Spring
7D	610153	2	Spacer
8	610925	1	Input Gear
9	610926	1	Thrust Spacer
11	610922	2	Thrust Washer
12	610930	12	Bolt
13	610923	4	Shoulder Bolt
14	610037	1	Coupling
16	610049	15	Flat Washer

# NOTICE

---

The following four pages contain decals for the  
1986 8500.

These decals can be obtained from Hagie Mfg. Co. and should be used whenever your machine is repainted or when the decals become worn, weathered or faded.

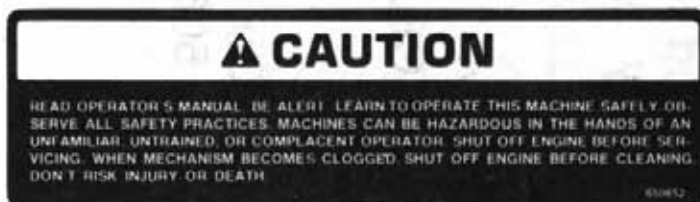
Special attention should be paid to decals involving personal safety. They have been attached for your protection.

**KEEP THEM IN PLACE.**

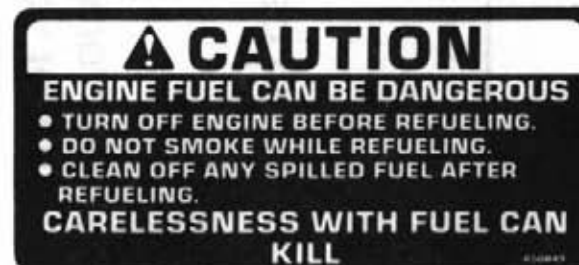
Contact: Hagie Manufacturing Co.  
Box 273, Clarion, Iowa 50525

# 8500

650306 - 8500 Decal



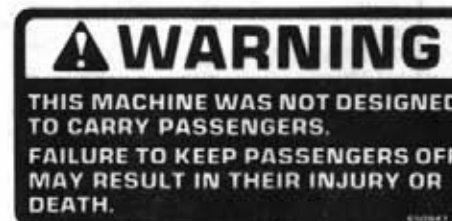
650852 - Read Manual Decal



650849 - Engine Fuel Decal



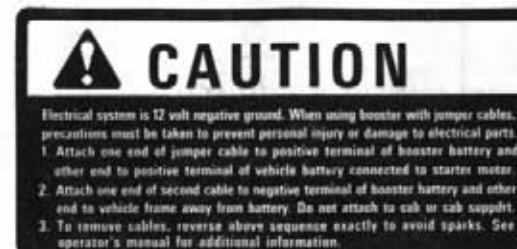
650848 - Slip Or Fall Decal



650847 - No Passenger Decal



650303 - Cutter Blade Rotation Decal



650982 - Electrical System Decal



650819 - Cutting Blade Decal



650953 - Gasoline Decal



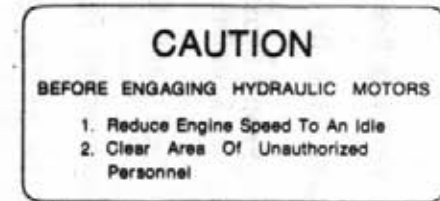
650820 - Moving Parts Decal



650817 - Emergency Stop Decal



650931 - 1 3/4 x 4 Hagie Decal



650955 - Slow Engine To Idle Decal



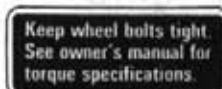
650851 - Shields Decal



650814 - Park Brake Decal



650981 - Cooling System Decal



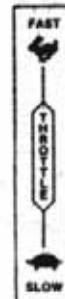
650985 - Wheel Bolt Torque Decal



650935 - Speedometer Decal



650968 - Hydrostatic Decal



650967 - Throttle Decal



650879 - Up And Down Decal



650871 - Left, Center, And Right Decal



650957 - Oil Decal



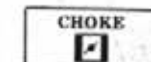
650677 - Flasher Decal



650870 - Auto/Manual Decal



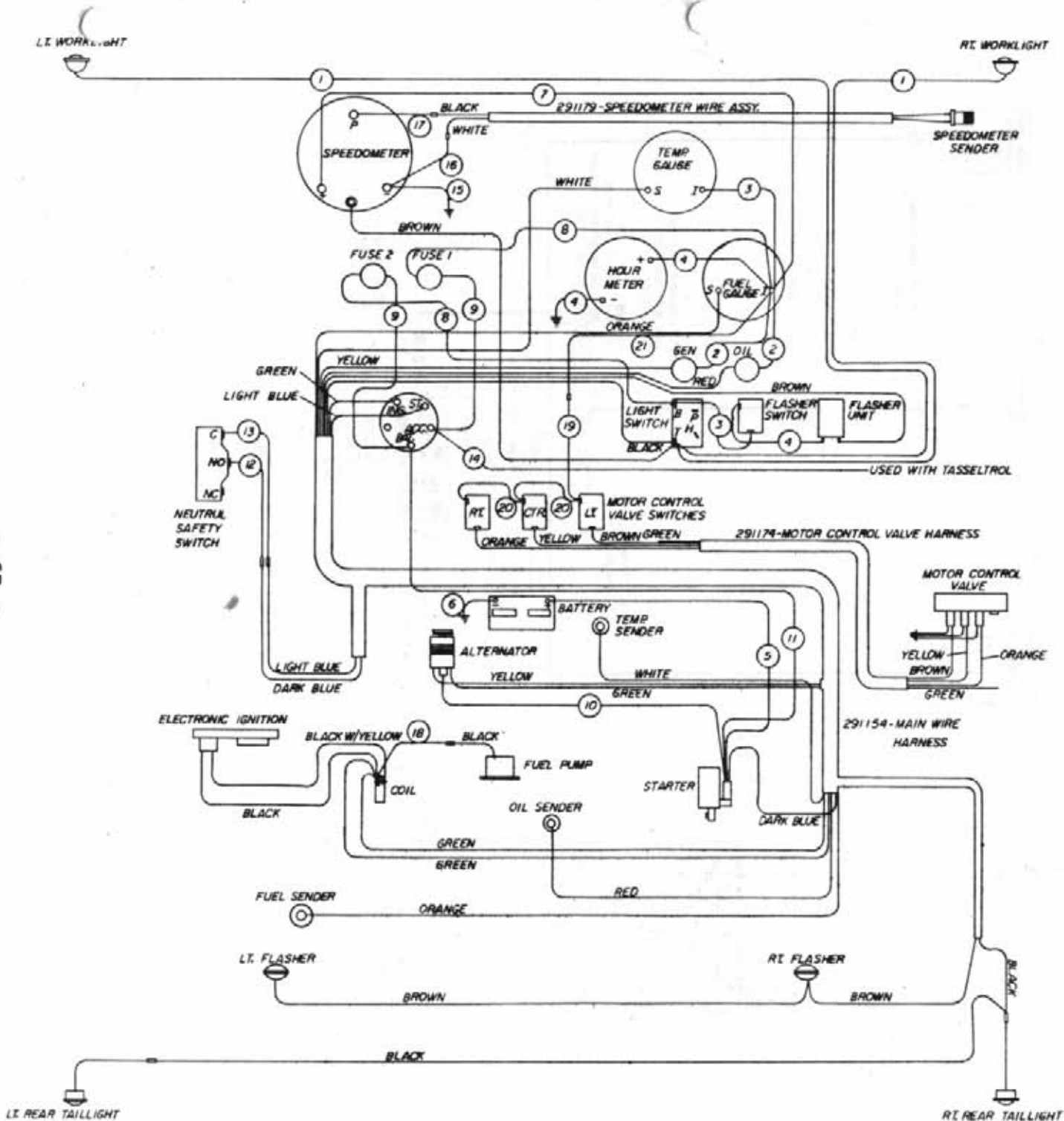
650958 - Generator Decal



650881 - Choke Decal

8500 DECALS

Part No.	Qty.	Description	Location
650814	1	Park Brake Decal	Near Parking Brake Lever
650847	1	No Passenger Decal	On Left Side Of Instrument Panel
650848	2	Slip Or Fall Decal	(1) - Front Crossmember By Ladder (1) - On SideRail By Step
650849	1	Engine Fuel Decal	Near Fuel Tank Neck
650852	1	Read Manual Decal	On Instrument Panel
650865	2	Hagie Decal	On Side Of Top Engine Cover
650306	2	8500 Decal	On Side Of Top Engine Cover
650881	1	Choke Decal	On Kick Panel
650953	1	Gasoline Decal	Near Fuel Filler Neck
650955	1	Slow Engine To Idle Decal	On Console Sheet Metal
650957	1	Oil Decal	On Instrument Panel
650958	1	Generator Decal	On Instrument Panel
650967	1	Throttle Decal	On Console Sheet Metal
650968	1	Hydrostatic Decal	On Console Sheet Metal
650977	1	Flasher Decal	On Instrument Panel
650981	1	Cooling System Decal	Near Radiator Cap
650982	1	Electrical System Decal	On Right Side Of Seat Mount
650985	4	Wheel Bolt Torque Decal	One Each Wheel Rim
650870	1	Auto/Manual Decal	On Console Sheet Metal
650871	1	LH, CTR, And RH Decal	On Console Sheet Metal
650879	1	Up And Down Decal	On Console Sheet Metal
650820	6	Caution - Moving Parts	Roller Head Tassel Deflector
650931	6	Hagie Decal 1 3/4 x 4	Roller Head Tassel Deflector
650819	6	Danger - Cutting Blades	RH Or LH Side Of Cutter Shield
650851	2	Shield Decal	(2) - On Side Of Rear Mainframe
650303	1	Cutter Blades Rotation	On Center Of Cutter Heads
650817	1	Emergency Stop Decal	Right Side Of Instrument Panel



21	1	291175	14 GA. RED • 4"
20	2	291484	14 GA. RED • 3"
19	1	291176	14 GA. RED • 4"
18	1	291182	14 GA. RED • 10"
17	1	291177	14 GA. BLACK • 36"
16	1	291178	14 GA. WHITE • 36"
15	1	291421	16 GA. GREEN • 6"
14	1	291172	16 GA. RED • 96"
13	1	291171	14 GA. BLUE • 6"
12	1	291137	14 GA. BLUE • 6"
11	1	291157	10 GA. RED • 144"
10	1	291156	10 GA. RED • 48"
9	2	291147	14 GA. YELLOW • 8"
8	2	291480	14 GA. RED • 12"
7	1	291476	16 GA. RED • 14"
6	1	290111	GROUND STRAP
5	1	290052	BATTERY CABLE • 96"
4	3	291140	16 GA. WHITE • 6"
3	2	291391	16 GA. WHITE • 4"
2	2	291117	16 GA. BLUE • 4"
1	1	291155	LIGHT WIRE ASSEMBLY

WIRING DIAGRAM 8500  
1986

USE PART  
NO.

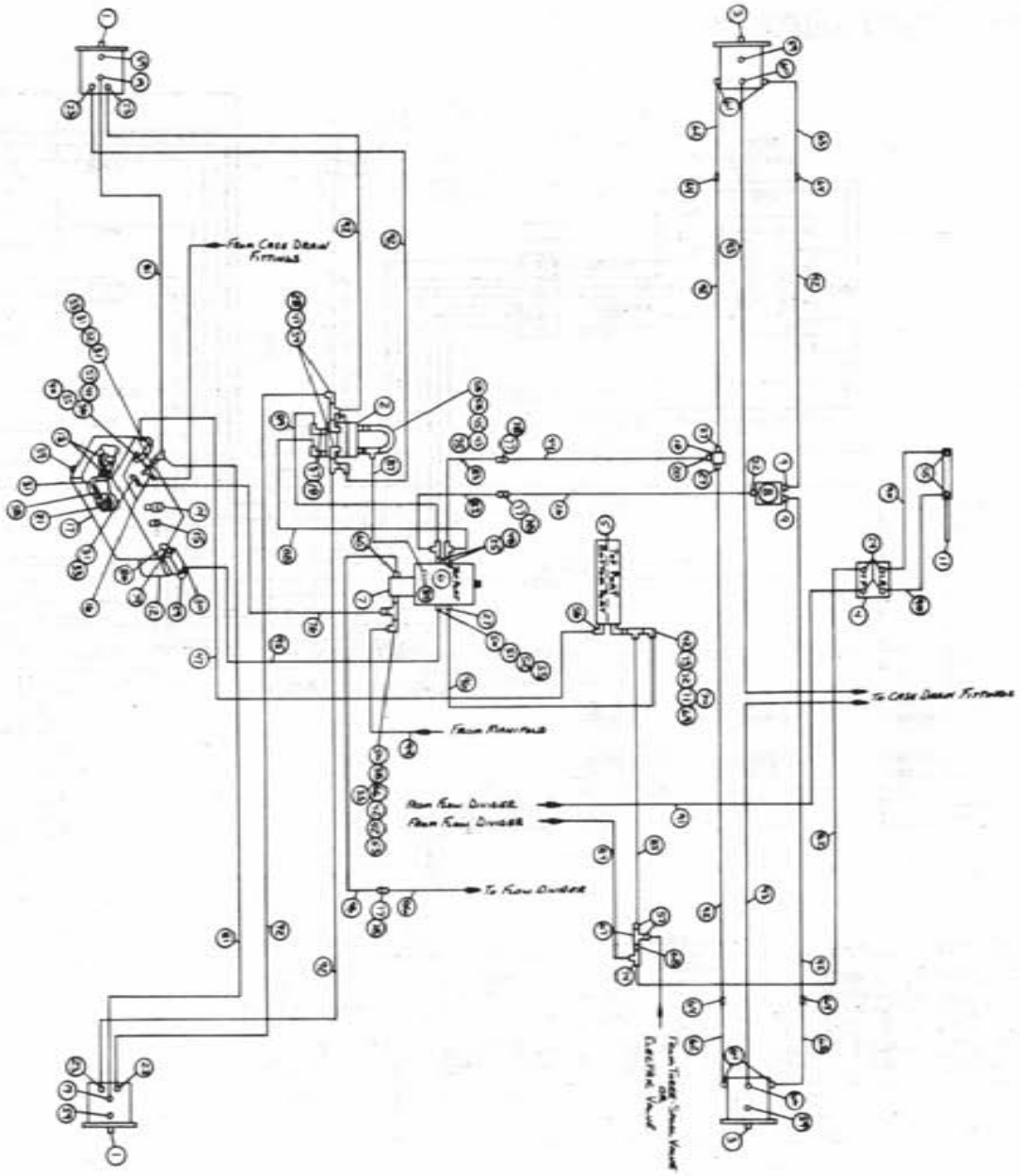
498241

Revised Date \_\_\_\_\_







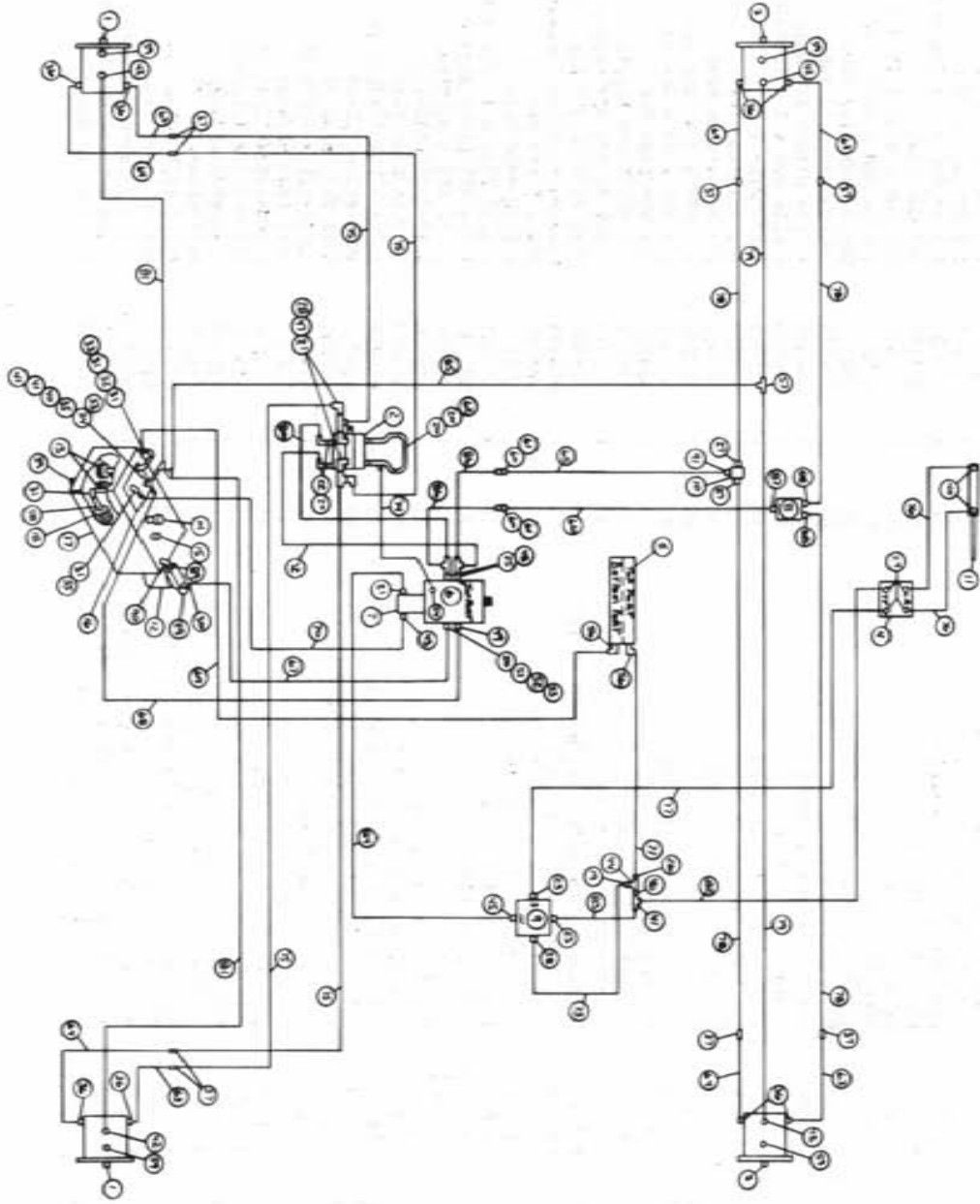


## 1986 8500 HYDRAULIC SCHEMATIC

## BASIC UNIT

REFERENCE DRAWING NO. - 498242

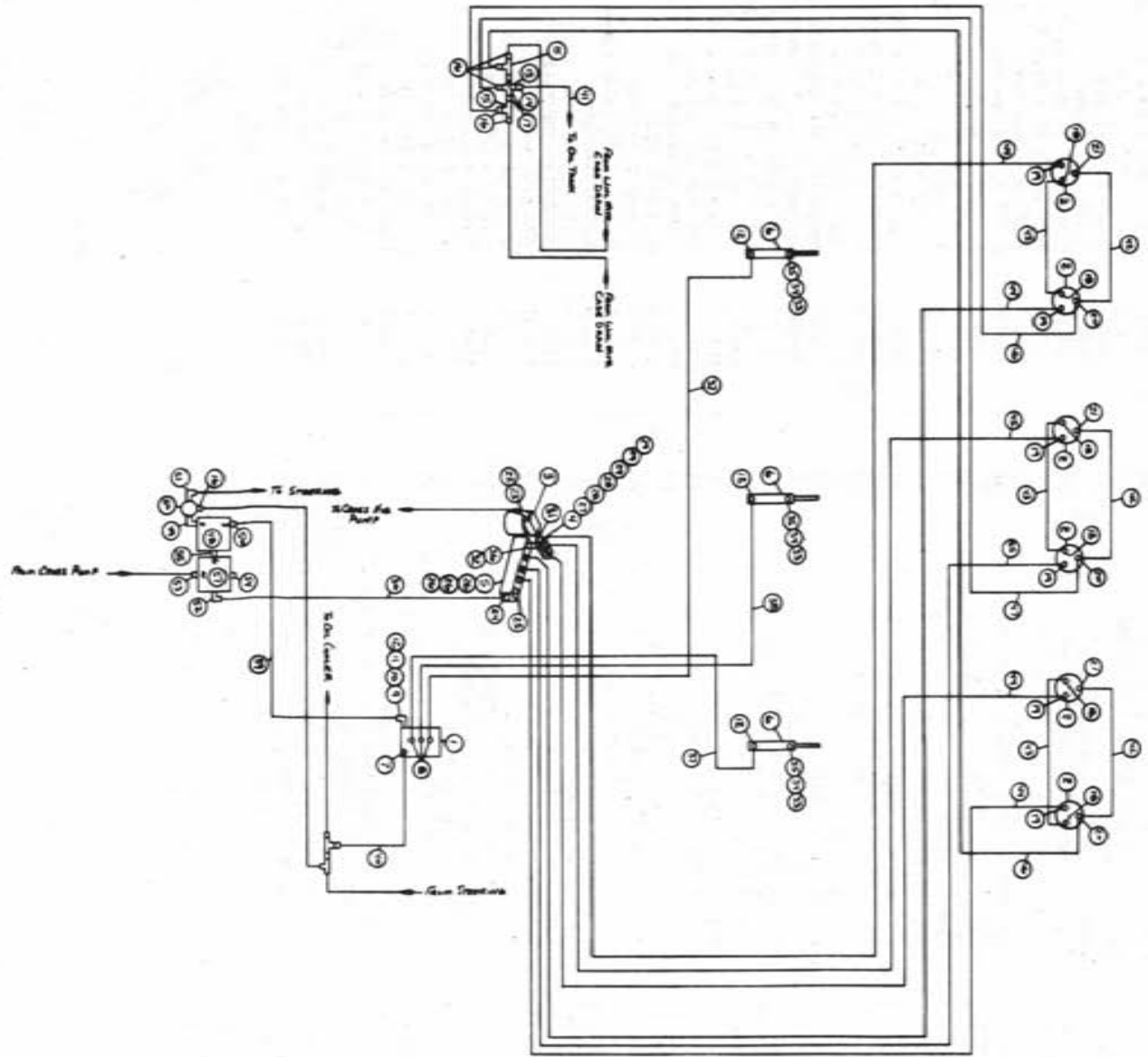
Ref.	Req.	P/N	Description	Ref.	Req.	P/N	Description
1	2	610029	Sundstrand Wheel Motor 15 Series	49	1	601198	3/4 2-Braid Red Hose x 110
2	1	606003	Four-Wheel Drive Selector Valve	50	2	618090	1 5/16 HOR x 1 ENPT
3	2	610030	Sundstrand Wheel Motor 18 Series	51	1	505201	1 NPT Pipe Nipple
4	1	749150	Steering Motor Non-Load Reacting	52	1	506301	1 NPT x 45 Elbow
5	1	618088	Oil Cooler	53	2	714561	1 NPT x 1 1/4 Hose Barb
6	1	606865	Cross Hydraulic Pump 2.8 Pump	54	1	618119	9/16 HOR x 90 x 9/16 MJIC
7	1	610444	Modular Control Valve 60 Gallon	55	2	611122	1/4 NPT x 90 x 9/16 MJIC
8	1	610470	Four-Wheel Drive Handfold	56	1	716000	1 NPT x 90 x 3/4 Hose Barb
9	2	618475	Steering Cylinder	57	3	611147	1/2 NPT x 3/4 MJIC
10	1	615602	Greens Filter	58	2	618132	1 1/16 HOR x 7/8 FOR Reducer
11	1	620156	Line Diffuser	59	4	611159	3/4 HOR Plug
12	1	605601	8" Dipstick	60	2	618496	3/4 HOR x 45 x 9/16 MJIC
13	2	605603	Receiver Plate Weldment	61	4	618302	1 5/16 HOR x 90 x 1 1/16 MJIC
14	1	611051	Hydraulic Oil Tank	62	2	614575	Upper Hydraulic Tube
15	1	614453	3/4 NPT Pressure Cap	63	2	614574	Lower Hydraulic Tube
16	1	760090	8" Dipstick	64	4	618553	1 1/16 MJIC x 7/8 MJIC
17	1	760106	Receiver Plate Weldment	65	5	618186	1 5/16 HOR x 1 5/16 MJIC
18	2	611127	Hydraulic Oil Tank	66	1	505101	1 NPT Pipe Tee
19	2	618115	1 1/16 HOR x 1 1/16 MJIC	67	1	503820	1/2 NPT Pipe Tee
20	1	618558	3/4 HOR x 90 x 9/16 MJIC	68	1	618018	1/2 NPT x 9/16 MJIC
21	1	605600	1 5/16 MJIC x 1 1/16 HOR	69	1	713220	3/4 NPT x 3/4 Hose Barb
22	1	618186	Michigan Filter	70	1	610305	3/4 NPT x 90 x 3/4 MJIC
23	4	618241	1 5/16 HOR x 1 5/16 MJIC	71	1	504955	3/4 NPT Pipe Tee
24	4	618109	3/4 HOR x 90 x 3/4 MJIC	72	1	504702	3/4 NPT Close Nipple
25	2	618308	1 5/16 HOR x 1 1/16 MJIC	73	1	505213	1 NPT To 3/4 NPT Reducer Bushing
26	1	616647	Hydraulic Tube Assembly Forward 8500	74	1	618486	9/16 FJIC Swivel Run x 9/16 MJIC
27	3	618474	1 1/16 HOR x 90 x 3/4 MJIC	75	1	614198	Four-Wheel Drive Hydraulic Tube
28	2	618301	7/8 FJIC Swivel x 90 x 7/8 MJIC	76	1	601285	3/4 2-Braid Red x 27
29	1	506410	1 1/4 NPT x 90 Steel Elbow	77	3	618577	1 5/16 MJIC Union
30	1	715660	1 1/4 NPT x 1 1/4 Hose Barb	78	3	618541	1 5/16 FJIC x 1 1/16 MJIC
31	4	505300	1 NPT x 90 Elbow	79	1	506200	1 1/4 NPT Close Nipple
32	1	505210	1 NPT x 3 Pipe Nipple	80	2	506303	1 1/4 NPT x 90 Elbow
33	3	714331	1 NPT x 3/4 Hose Barb	81	1	614076	4CIT-6FJX-6FJX-119
34	2	618535	1 1/16 HOR x 90 x 7/8 MJIC	82	1	614077	4CIT-6FJX-6FJX-88
35	1	505006	1 NPT x 1/4 NPT Reducer Bushing	83	2	610356	12C2A-12FJX-12FJX90-19
36	1	505098	1 NPT Side Outlet Elbow	84	1	611260	4C1A-6FJX-6FJX-44
37	2	618191	1 1/16 MJIC x 90 x 1 1/16 FJIC Swivel	85	1	616032	8C1A-8FJX-8FJX-66
38	2	505202	1 NPT x 2 Pipe Nipple	86	1	614523	12C1T-12FJX-12FJX-38
39	1	501102	1/4 NPT Plug	87	1	616027	4C1T-6FJX-6FJX-39
40	1	618520	1/4 NPT Run x 9/16 MJIC	88	1	614586	12TWH-12FJX-12FJX-16
41	1	505005	1 NPT To 1/2 NPT Reducer Bushing	89	1	614587	12TWH-12FJX-12FJX90-18
42	3	505200	1 NPT x 90 Street Elbow	90	2	616049	4C1A-6FJX-6FJX-26
43	1	618287	7/8 HOR x 7/8 MJIC x 9/16 MJIC	91	1	611204	4C1T-6FJX-6FJX-78
44	1	616648	Hydraulic Tube Assembly Reverse 8500	92	8	614573	8C2AT-8FJX-10FJX-114
45	1	611126	7/8 HOR x 7/8 MJIC	93	2	614101	4C1A-6FJX-6FJX-133
46	1	616645	Hydraulic Tube Assembly Reverse 8500	94	1	601289	1 1/4 2-Braid Red Hose x 134
47	2	618333	7/8 FJIC Swivel Run x 7/8 MJIC Tee	95	1	601121	1 1/4 2-Braid Red Hose x 20
48	2	618487	1 1/16 FJIC Swivel x 1 1/16 MJIC	96	1	601284	3/4 2-Braid Red Hose x 120



1986 HYDRAULIC SCHEMATIC  
PERSONNEL CARRIER

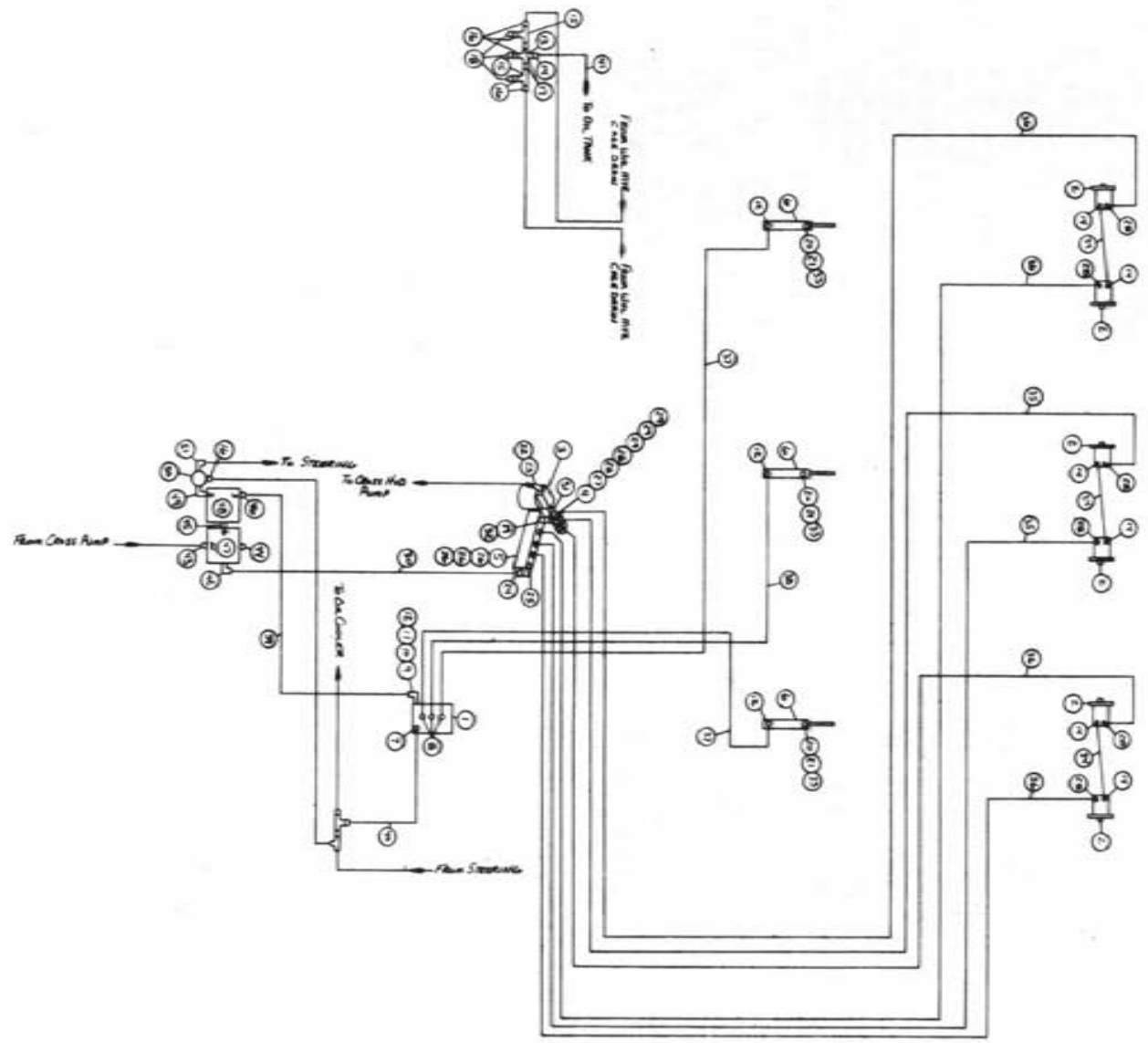
REFERENCE DRAWING NO. - 498243

Ref.	Req.	P/N	Description	Ref.	Req.	P/N	Description
1	2	610031	Sundastrand Wheel Motor 18 Series	47	2	618333	7/8 FJIC Swivel Run x 7/8 MJIC Tee
2	1	606003	Four-Wheel Drive Selector Valve	48	2	618487	1 1/16 FJIC Swivel Run x 1 1/16 MJIC
3	2	610030	Sundastrand Wheel Motor Ext. 18 Series	49	1	618118	1 1/16 MOR x 90 x 3/4 Hose Barb
4	1	749150	Steering Motor Non-Load Reacting	50	1	618090	1 5/16 MOR x 1 FNPT
5	1	618088	Oil Cooler	51	1	505201	1 NPT Pipe Nipple
6	1	606865	Sundastrand Pump 2.8 Pump	52	1	506301	1 NPT x 45 Elbow
7	1	610439	Hydraco Hydraulic Pump B-Mount	53	1	714561	1 NPT x 1 1/4 Hose Barb
8	1	610470	Modular Control Valve 60 Gallon	54	1	618119	9/16 MOR x 90 x 9/16 MJIC
9	1	607500	BGR53 Flow Divider	55	1	714560	1 NPT x 1 Hose Barb
10	1	615602	Four-Wheel Drive Hanifold Weldment	56	2	716000	1 NPT x 90 x 3/4 Hose Barb
11	1	620156	Steering Cylinder	57	1	618019	9/16 MJIC Tee
12	1	605601	Greenen Filter	58	1	505202	1 NPT x 2 Pipe Nipple
13	2	605603	Line Diffuser	59	4	611159	3/4 MOR Plug
14	1	611051	3/4 NPT Pressure Cap	60	2	618577	1 5/16 MJIC Union
15	1	614453	8" Dipstick	61	2	618541	1 5/16 FJIC x 1 1/16 MJIC
16	1	760090	Receiver Plate Weldment	62	1	614290	Four-Wheel Drive Hydraulic Tube P/C
17	1	760106	Hydraulic Oil Tank Weldment	63	4	614574	Lower Hydraulic Tube
18	1	605600	Michigan Filter	64	4	614575	Upper Hydraulic Tube
19	1	611147	1/2 NPT x 3/4 MJIC	65	1	614648	Hydraulic Tube Assembly Reverse 8500
20	4	611127	1 1/16 MOR x 1 1/16 MJIC	66	1	614647	Hydraulic Tube Assembly Forward 8500
21	3	618535	1 1/16 MOR x 90 x 7/8 MJIC	67	1	601121	1 1/4 2-Braid Red Hose x 20
22	2	618191	1 1/16 MJIC x 90 x 1 1/16 FJIC Swivel	68	1	601276	3/4 2-Braid Red Hose x 32
23	2	618011	3/8 NPT x 9/16 MJIC	69	1	601198	3/4 2-Braid Red Hose x 110
24	4	618109	3/4 MOR x 9/16 MJIC	70	1	601193	1 2-Braid Red Hose x 42
25	2	618308	1 5/16 MOR x 1 1/16 MJIC	71	1	601109	3/4 2-Braid Red Hose x 61
26	2	712440	1/2 NPT x 3/4 Hose Barb	72	1	614586	12TWM-12FJX-12FJX-16
27	1	618474	1 1/16 MOR x 90 x 3/4 MJIC	73	1	616034	8C1A-8FJX-8FJX-17
28	2	618301	7/8 FJIC Swivel x 90 x 7/8 MJIC	74	1	616027	8C1A-8FJX-8FJX-17
29	1	506410	1 1/4 NPT x 90 Street Elbow	75	4	614620	4C1A-6FJX-6FJX-39
30	1	715660	1 1/4 NPT x 1 1/4 Hose Barb	76	2	616049	10CGAT-10FJX-10FJX-114
31	4	505300	1 NPT x 90 Elbow	77	1	611204	4C1T-6FJX-6FJX-78
32	1	505210	1 NPT x 3 Pipe Nipple	78	4	614573	8C2AT-8FJX-10FJX-114
33	2	714331	1 NPT x 3/4 Hose Barb	79	1	614158	4C1A-6FJX-6FJX-199
34	1	505098	1 NPT Side Outlet Elbow	80	1	614587	12TWM-12FJX-12FJX90-18
35	1	505006	1 NPT x 1/4 NPT Reducer Bushing	81	1	614076	4C1T-6FJX-6FJX-119
36	8	618302	1 5/16 MOR x 90 x 1 1/16 MJIC	82	1	614077	4C1T-6FJX-6FJX-88
37	8	618553	1 1/16 MJIC x 7/8 MJIC	83	1	616042	4C1A-6FJX-6FJX-13
38	1	610300	3/4 NPT x 3/4 MJIC	84	1	610325	10C1T-10FJX-10FJX-105
39	1	501102	1/4 NPT Plug	85	1	614621	6C1T-6FJX-6FJX-78
40	3	611122	1/4 NPT x 90 x 9/16 MJIC	86	2	610356	12C2A-12FJX-12FJX90-19
41	3	618486	9/16 FJIC Swivel Run Tee x 9/16 MJIC	87	1	618186	1 5/16 MOR x 1 5/16 MJIC
42	4	618496	3/4 MOR x 45 x 9/16 MJIC	88	2	618475	1 5/16 MOR x 90 x 3/4 MJIC
43	1	618567	1 1/16 MOR x 45 x 1 Hose Barb	89	1	506200	1 1/4 NPT Close Nipple
44	1	503820	1/2 NPT Pipe Tee	90	1	506303	1 1/4 x 90 Elbow
45	1	618059	3/4 NPT x 7/8 MJIC	91	1	618558	1 5/16 x 1 1/16 MOR
46	1	618018	1/2 NPT x 9/16 MJIC				



1986 8500 HYDRAULIC SCHEMATIC  
 SIX-ROW CUTTER WITH TASSELTROL  
 REFERENCE DRAWING NO. - 498244

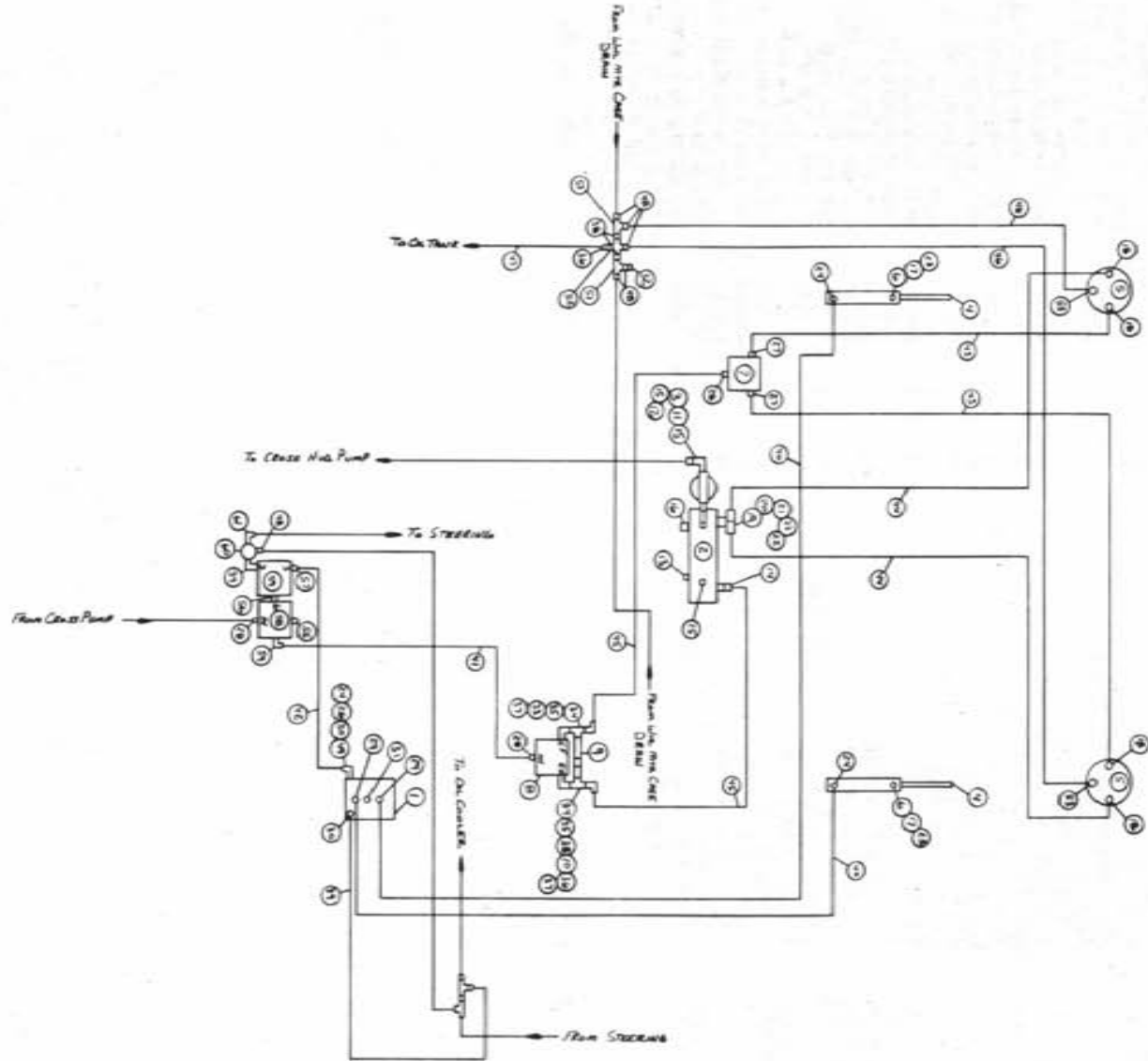
Ref.	Req.	P/N	Description	Ref.	Req.	P/N	Description
1	1	610483	Hydraulic Stack Valve	30	1	614646	Hydraulic Tube Assembly Control Valve
2	6	618203	Barnes Hydraulic Motor	31	1	618144	1 1/4 NPT x 1 NPT Reducer Nipple
3	1	605601	Gresen Filter	32	1	618186	1 5/16 HOR x 1 5/16 MJIC
4	1	614633	Manifold	33	3	500005	1 1/16 FPS Cap Nut
5	1	610467	Motor Control Valve	34	3	738859	50 Mesh Strainer
6	3	620900	Hydraulic Cylinder	35	3	737810	Nozzle Body 1/4 NPT
7	1	618109	3/4 MOR x 9/16 MJIC	36	1	618587	1 NPT x 1 5/16 FJIC Swivel
8	3	618119	9/16 MOR x 90 x 9/16 MJIC	37	2	614101	4C1A-6FJX-6FJX-133
9	1	618170	3/4 MOR x 9/16 FOR	38	1	614077	4C1T-6FJX-6FJX-88
10	1	618562	9/16 HOR x 90 x 1/4 MNPT	39	1	611260	4C1T-6FJX-6FJX-44
11	1	610447	Hydraulic Inline Filter	40	1	615473	6C1T-6FJX-8FJX-18
12	4	611122	1/4 NPT x 90 x 9/16 MJIC	41	1	614376	8R1A-8FJX-8FJX-177
13	1	503824	1/2 NPT Pipe Cross	42	3	611206	4C1T-6FJX-6FJX-66
14	1	611147	1/2 NPT x 3/4 MJIX	43	3	614368	8C1T-8FJX-8FJX-60
15	2	503820	1/2 NPT Pipe Tee	44	4	614624	10C1T-10FJX-10FJX-192
16	6	618018	1/2 NPT x 9/16 MJIC	45	2	614501	10C1T-10FJX-10FJX-139
17	2	503600	1/2 NPT Close Nipple	46	2	611210	4C1A-6FJX-6FJX-156
18	6	611125	3/4 MOR x 3/4 MJIC	47	1	614077	4C1T-6FJX-6FJX-88
19	6	618574	3/4 MOR x 7/8 MJIC	48	1	607504	B50 Flow Divider
20	3	618546	1/8 NPT x 9/16 MJIC Run Tee	49	1	618561	7/8 MOR x 90 x 1/2 MNPT
21	3	618530	1/8 NPT x 9/16 MJIC	50	1	607512	RL50 Relief
22	1	715660	1/4 NPT x 1 1/4 Hose Barb	51	1	618107	1/2 MNPT x 90 x 9/16 MJIC
23	1	506409	1 1/4 NPT x 45 Street Elbow	52	1	618279	7/8 MOR x 90 x 1 1/16 MJIC
24	1	618302	1 5/16 MOR x 90 x 1 1/16 MJIC	53	1	618189	7/8 MOR x 1 1/16 MJIC
25	1	610186	1 1/16 MOR Plug	54	1	502800	3/8 NPT Pipe Plug
26	3	618309	1 1/16 MOR x 7/8 MJIC	55	1	618586	7/8 MOR x 7/8 MOR
27	1	618323	1/2 NPT x 45 x 7/8 MJIC	56	1	618310	7/8 MOR x 9/16 MJIC
28	2	611124	1/2 NPT x 90 x 7/8 MJIC	57	1	607518	BGR56 Flow Divider
29	3	503700	1/2 NPT Pipe Plug				





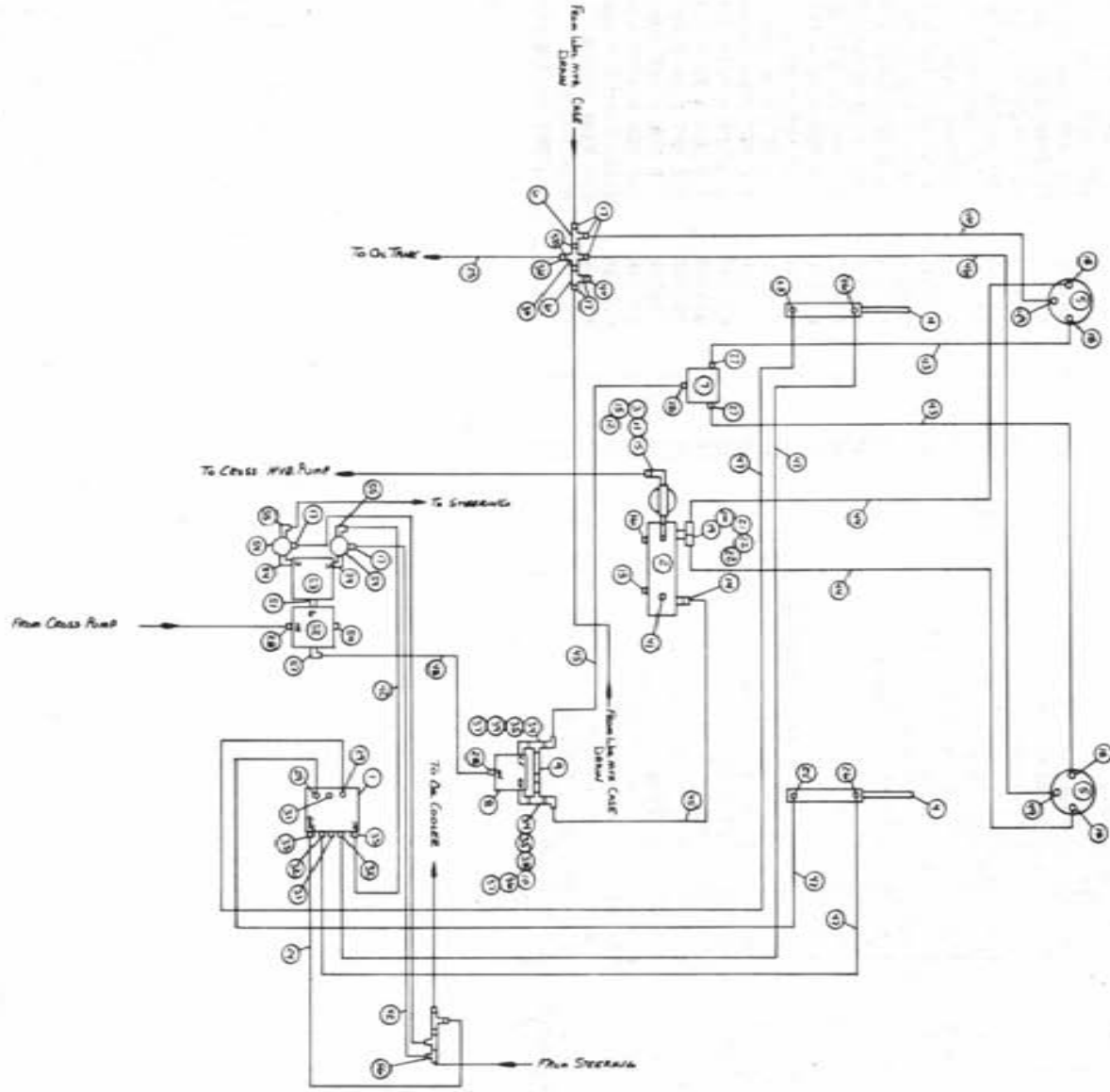
1986 8500 HYDRAULIC SCHEMATIC  
 SIX-ROW TIRE PULLER WITH TASSELTRROL  
 REFERENCE DRAWING NO. - 498245

Req.	P/N	Description	Ref.	Req.	P/N	Description
1	610483	Hydraulic Stack Valve	27	1	618323	1/2 NPT x 45 x 7/8 MJIC
6	604005	Orbit Hydraulic Motor	28	8	611124	1/2 NPT x 90 x 7/8 MJIC
1	605601	Green Filter	29	3	503700	1/2 NPT Pipe Plug
1	614633	Manifold	30	1	614646	Hydraulic Tube Assembly Control Valve
1	610467	Motor Control Valve	31	1	618144	1 1/4 NPT x 1 NPT Reducer Nipple
3	620900	Hydraulic Cylinder	32	1	618186	1 5/16 MOR x 1 5/16 MJIC
1	618109	3/4 MOR x 9/16 MJIC	33	3	500005	11/16 Fps Cap Nut
3	618119	9/16 MOR x 90 x 9/16 MJIC	34	3	614382	RCIT-8FJX-8FJX-40
1	618170	3/4 MOR x 9/16 FOR	35	2	614501	10CIT-10FJX-10FJX-139
1	618562	9/16 MOR x 90 x 1/4 HNPT	36	4	614624	10CIT-10FJX-10FJX-192
1	610447	Hydraulic Inline Filter	37	2	614101	4C1A-6FJX-6FJX-133
4	611122	1/4 NPT x 90 x 9/16 MJIC	38	1	614077	4CIT-6FJX-6FJX-88
1	503824	1/2 NPT Pipe Cross	39	1	611260	4CIT-6FJX-6FJX-44
7	611147	1/2 NPT x 3/4 MJIC	40	1	615473	6CIT-6FJX-8FJX-18
2	503820	1/2 NPT Pipe Tee	41	1	614376	8R1A-6FJX-8FJX-177
6	618018	1/2 NPT x 9/16 MJIC	42	1	618279	7/8 MOR x 90 x 1 1/16 MJIC
2	503600	1/2 NPT Close Nipple	43	1	618189	7/8 MOR x 1 1/16 MJIC
3	618531	9/16 FJIC Cap	44	1	502800	3/8 NPT Pipe Plug
1	618587	1 NPT x 1 5/16 FJIC Swivel	45	1	618586	7/8 MOR x 7/8 MOR
1	737810	1/4 NPT Nozzle Body	46	1	618310	7/8 MOR x 9/16 MJIC
3	738859	50 Mesh Strainer	47	1	607518	BGR56 Flow Divider
1	715660	1/4 NPT x 1 1/4 Hose Barb	48	1	607504	B50 Flow Divider
1	506409	1 1/4 NPT x 45 Street Elbow	49	1	618561	7/8 MOR x 90 x 1/2 HNPT
1	618302	1 5/16 MOR x 90 x 1 1/16 MJIC	50	1	607512	RL50 Relief
1	610186	1 1/16 MOR Plug	51	1	618107	1/2 HNPT x 90 x 9/16 MJIC
3	618309	1 1/16 MOR x 7/8 MJIC				



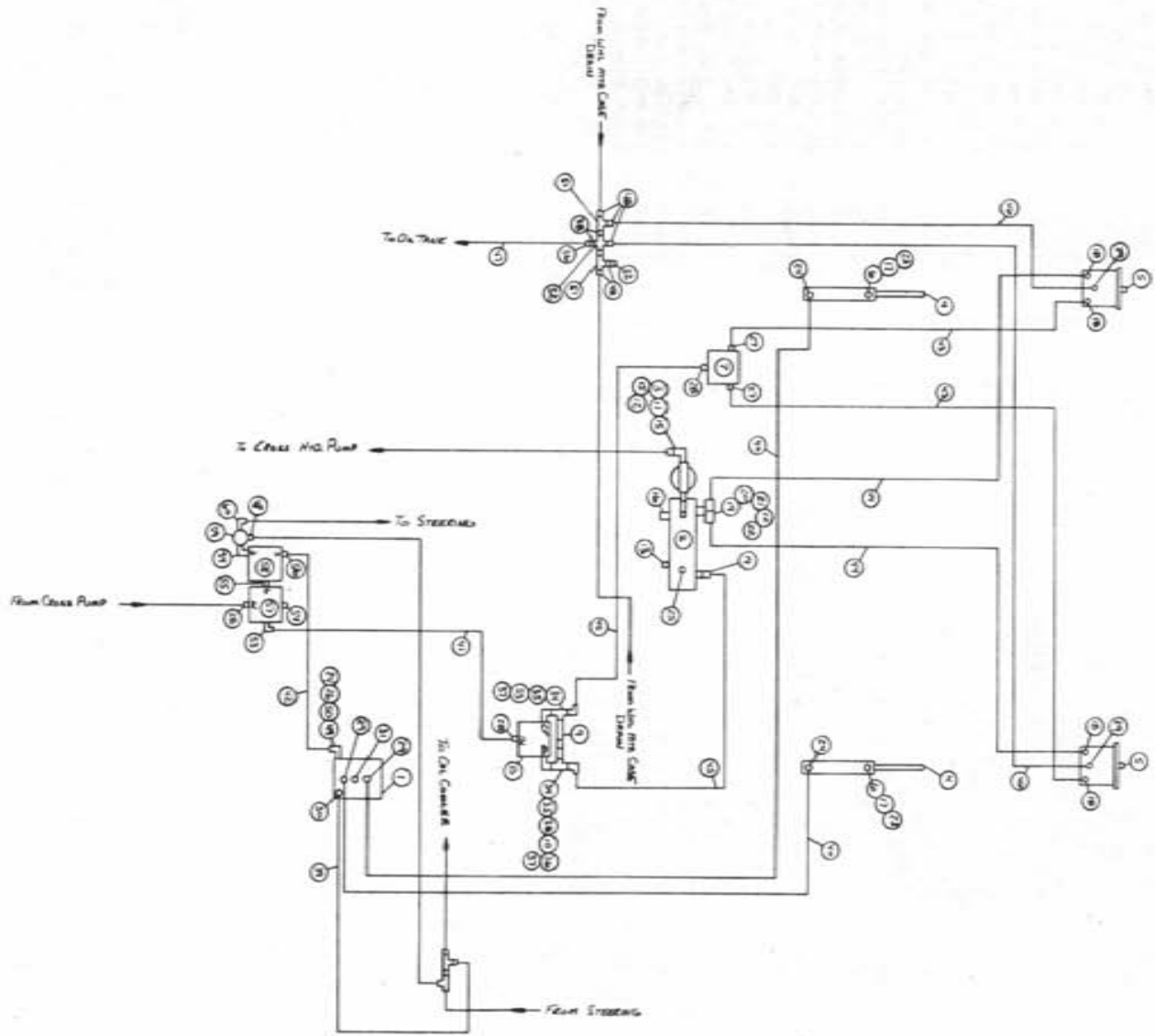
1986 8500 HYDRAULIC SCHEMATIC  
 BELT DRIVEN CUTTER WITH TASSELTRIOI  
 REFERENCE DRAWING NO. - 498246

Ref. Req.	P/N	Description	Ref. Req.	P/N	Description
1	610483	Hydraulic Stalk Valve	32	618531	9/16 FJIC Cap
2	614236	Manifold Weldment	33	611145	1/2 HNPT x 90 x 3/4 MJIC
3	605601	Gresen Filter	34	618561	7/8 MOR x 90 x 1/2 NPT
4	620900	Hydraulic Lift Cylinder	35	503819	1/2 NPT Pipe Tee Steel
5	618203	Barnes Hydraulic Motor	36	611147	1/2 HNPT x 3/4 MJIC
6	500005	11/16 FPS Cap Nut	37	618566	1/2 HNPT x 90 x 1 1/16 MJIC
7	610375	B50 Flow Divider	38	503600	1/2 NPT Close Nipple
8	607510	FCR51 Variable Flow Control	39	615473	6C1T-6FJX-8FJX-18
9	614594	Hydraulic Tube Assembly	40	614101	4C1A-6FJX-6FJX-133
10	690338	Line Check Valve	41	614523	12C1A-12FJX-12FJX-38
11	506200	1 1/4 NPT Pipe Nipple	42	611260	4C1T-6FJX-6FJX-44
12	715660	1 1/4 NPT x 1 1/4 Hose Barb	43	614577	10C1T-8FJX-10FJX-200
13	501102	1/4 NPT Pipe Plug	44	614582	10RLA-8FJX-10FJX-192
14	618519	1 NPT x 90 x 1 1/16 MJIC	45	610356	12C2A-12FJX-12FJX90-19
15	506410	1 1/4 NPT x 90 Street Elbow	46	611210	4C1A-6FJX-6FJX-156
16	504900	3/4 NPT Plug	47	614376	8RLA-8FJX-8FJX-177
17	737810	1/4 NPT Nozzle Body	48	618018	1/2 NPT To 9/16 MJIC
18	611125	3/4 MOR x 3/4 MJIC	49	618170	3/4 MOR x 9/16 FOR
19	505213	1 NPT To 3/4 NPT Reducer Bushing	50	618562	9/16 MOR x 90 x 1/4 NPT
20	504702	3/4 NPT Close Nipple	51	503820	1/2 NPT Pipe Tee
21	504511	3/4 NPT Side Outlet Elbow	52	503824	1/2 NPT Pipe Cross
22	618059	3/4 NPT x 7/8 MJIC	53	618530	1/2 NPT x 9/16 MJIC
23	738859	50 Mesh Strainer	54	618279	7/8 MOR x 90 x 1 1/16 MJIC
24	611122	1/4 NPT x 90 x 9/16 MJIC	55	502800	3/8 NPT Pipe Plug
25	503700	1/2 NPT Pipe Plug	56	618586	7/8 MOR x 7/8 MOR
26	610447	Hydraulic Inline Filter	57	618310	7/8 MOR x 9/16 MJIC
27	611128	7/8 MOR x 90 x 7/8 MJIC	58	607518	BGR56 Flow Divider
28	618189	7/8 MOR x 1 1/16 MJIC	59	607504	B50 Flow Divider
29	618119	9/16 MOR x 90 x 9/16 MJIC	60	607512	RL50 Relief
30	618109	3/4 MOR x 9/16 MJIC	61	618107	1/2 NPT x 90 x 9/16 MJIC
31	610185	9/16 MOR Plug			



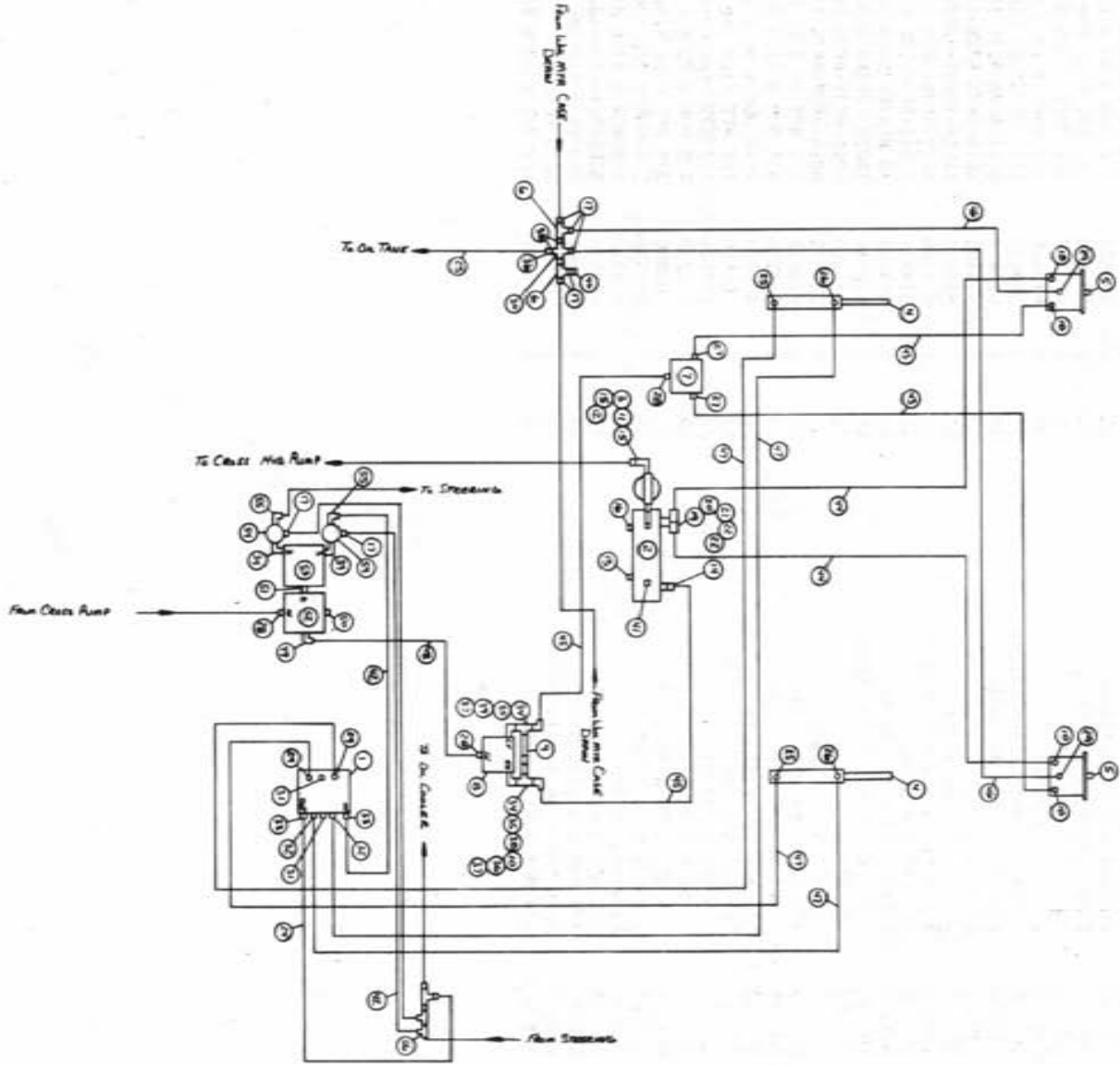
1986 8500 HYDRAULIC SCHEMATIC  
 BELT DRIVEN CUTTER WITHOUT TASSELTRON  
 REFERENCE DRAWING NO. - 498247

Ref. Req.	P/N	Description	Ref. Req.	P/N	Description
1	606585	Cessna 3-Spool Valve	30	503824	1/2 NPT Pipe Cross
2	614236	Manifold Weldment	31	610185	9/16 MOR Plug
3	605601	Gresen Filter	32	618425	9/16 MOR x 45 x 9/16 MJIC
4	620900	Hydraulic Lift Cylinder	33	618126	9/16 MOR x 9/16 MJIC
5	618203	Barnes Hydraulic Motor	34	618561	7/8 MOR x 90 x 1/2 NPT
6	503820	1/2 NPT Pipe Tee	35	503819	1/2 NPT Steel Pipe Tee
7	610375	B50 Flow Divider	36	611147	1/2 MNPT x 3/4 MJIC
8	607510	PKR51 Variable Flow Divider	37	618566	1/2 MNPT x 90 x 1 1/16 MJIC
9	614594	Hydraulic Tube Assembly	38	503600	1/2 NPT Close Nipple
10	690338	Line Check Valve	39	611145	1/2 NPT x 90 x 3/4 MJIC
11	506200	1 1/4 NPT Pipe Nipple	40	618531	9/16 FJIC Cap
12	715660	1 1/4 NPT x 1 1/4 Hose Barb	41	503700	1/2 NPT Pipe Plug
13	501102	1/4 NPT Pipe Plug	42	611260	4C1T-6FJX-6FJX-44
14	618519	1 NPT x 90 x 1 1/16 MJIC	43	614577	10C1T-8FJX-10FJX-200
15	506410	1 1/4 NPT Street Elbow	44	614582	10RLA-8FJX-10FJX-198
16	504900	3/4 NPT Plug	45	610356	12C2A-12FJX-12FJX90-19
17	618018	1/2 NPT x 9/16 MJIC	46	611210	4C1A-6FJX-6FJX-156
18	611125	7/8 MOR x 3/4 MJIC	47	614101	4C1A-6FJX-6FJX-133
19	505213	1 NPT To 3/4 NPT Reducer Bushing	48	614523	12C1A-12FJX-12FJX-38
20	504702	3/4 Close Nipple	49	618530	1/8 NPT x 9/16 MJIC
21	504511	3/4 NPT Side Outlet	50	502800	3/8 NPT Pipe Plug
22	618059	3/4 NPT x 7/8 MJIC	51	618586	7/8 MOR x 7/8 MOR
23	614376	8RLA-8FJX-8FJX-177	52	607518	BGR56 Flow Divider
24	615473	6C1T-6FJX-8FJX-13	53	607504	B50 Flow Divider
25	614649	Restrictor Elbow Assembly 1-Way	54	607512	RL50 Relief
26	611122	1/4 NPT x 90 x 9/16 MJIC	55	618107	1/2 MNPT x 90 x 9/16 MJIC
27	611128	7/8 MOR x 90 x 7/8 MJIC	56	618486	9/16 FJIC Run x 9/16 MJIC
28	618189	7/8 MOR x 1 1/16 MJIC	57	618279	7/8 MOR x 90 x 1 1/16 MJIC
29	618119	9/16 MOR x 90 x 9/16 MJIC			



1986 8500 HYDRAULIC SCHEMATIC  
 BELT DRIVEN ROLLER WITH TASSELTRON  
 REFERENCE DRAWING NO. - 498248

Ref. Req.	P/N	Description	Ref. Req.	P/N	Description
1	610483	Hydraulic Stalk Valve	31	610185	9/16 MOR Plug
2	614236	Manifold Weldment	32	618531	9/16 FJIC Cap
3	605601	Gresen Filter	33	611145	1/2 MNPT x 90 x 3/4 MJIC
4	620900	Hydraulic Lift Cylinder	34	618561	7/8 MOR x 90 x 1/2 NPT
5	610051	Barnes Hydraulic Motor	35	503819	1/2 NPT Pipe Tee Steel
6	500005	11/16 FPS Cap Nut	36	611147	1/2 MNPT x 3/4 MJIC
7	610375	B50 Flow Divider	37	618566	1/2 MNPT x 90 x 1 1/16 MJIC
8	607510	FCR51 Variable Flow Divider	38	503600	1/2 NPT Close Nipple
9	614594	Hydraulic Tube Assembly	39	615473	6C1T-6FJX-8FJX-18
10	690338	Line Check Valve	40	614101	4C1A-6FJX-6FJX-133
11	506200	1 1/4 NPT Pipe Nipple	41	614523	12C1A-12FJX-12FJX-38
12	715660	1 1/4 NPT x 1 1/4 Hose Barb	42	611260	4C1T-6FJX-6FJX-44
13	501102	1/4 NPT Pipe Plug	43	614577	10C1T-8FJX-10FJX-200
14	618519	1 NPT x 90 x 1 1/16 MJIC	44	614582	10 RLA-8FJX-10FJX-198
15	506610	1 1/4 NPT x 90 Street Elbow	45	610356	12C2A-12FJX-12FJX90-19
16	504900	3/4 NPT Plug	46	611210	4C1A-6FJX-6FJX-156
17	737810	1/4 NPT Nozzle Body	47	614376	8RLA-8FJX-8FJX-177
18	618183	7/8 MOR x 90 x 3/4 MJIC	48	618018	1/2 NPT To 9/16 MJIC
19	505213	1 NPT To 3/4 NPT Reducer	49	618170	3/4 MOR x 9/16 FOR
20	504702	3/4 NPT Close Nipple	50	618562	9/16 MOR x 90 x 1 1/4 NPT
21	504511	3/4 NPT Side Outlet Elbow	51	503820	1/2 NPT Pipe Tee
22	618059	3/4 NPT x 7/8 MJIC	52	503824	1/2 NPT Pipe Cross
23	738859	50 Mesh Strainer	53	618279	7/8 MOR x 90 x 1 1/16 MJIC
24	611122	1/4 NPT x 90 x 9/16 MJIC	54	502800	3/8 NPT Pipe Plug
25	503700	1/2 NPT Pipe Plug	55	618586	7/8 MOR x 7/8 MOR
26	610447	Hydraulic Filter	56	618310	7/8 MOR x 9/16 MJIC
27	611128	7/8 MOR x 90 x 7/8 MJIC	57	607518	BGR56 Flow Divider
28	618189	7/8 MOR x 1 1/16 MJIC	58	607504	B50 Flow Divider
29	618119	9/16 MOR x 90 x 9/16 MJIC	59	607512	RL50 Relief
30	618109	3/4 MOR x 9/16 MJIC	60	618107	1/2 NPT x 90 x 9/16 MJIC





1986 8500 HYDRAULIC SCHEMATIC  
 BELT DRIVEN ROLLER WITHOUT TASSELTRON  
 REFERENCE DRAWING NO. - 498249

Ref. Req.	P/N	Description	Ref.	Req.	P/N	Description
1	1	606585 Cassna 3-Spool Valve	29	4	618119	9/16 MOR x 90 x 9/16 MJIC
2	1	614236 Hanifeld Weldment	30	1	503824	1/2 NPT Pipe Cross
3	1	605601 Gresen Filter	31	2	610185	9/16 MOR Plug
4	2	620900 Hydraulic Lift Cylinder	32	2	618425	9/16 MOR x 45 x 9/16 MJIC
5	2	610051 Barnes Hydraulic Motor	33	2	618126	9/16 MOR x 9/16 MJIC
6	2	503820 1/2 NPT Pipe Tee	34	4	618561	7/8 MOR x 90 x 1/2 NPT
7	1	610375 B50 Flow Divider	35	2	503819	1/2 NPT Steel Pipe Tee
8	1	607510 PCRS1 Variable Flow Control	36	2	611147	1/2 NNPT x 3/4 MJIC
9	1	614594 Hydraulic Tube Assembly	37	2	618566	1/2 NNPT x 90 x 1 1/16 MJIC
10	1	690338 Lane Check Valve	38	3	503600	1/2 NPT Close Nipple
11	1	506200 1 1/4 NPT Pipe Nipple	39	1	611145	1/2 NPT x 90 x 3/4 MJIC
12	1	715660 1 1/4 NPT x 1 1/4 Hose Barb	40	1	618531	9/16 FJIC Cap
13	1	501102 1/4 NPT Pipe Plug	41	1	503700	1/2 NPT Pipe Plug
14	1	618519 1 NPT x 90 x 1 1/16 MJIC	42	2	611260	4C1T-6FJX-6FJX-44
15	2	506410 1 1/4 NPT Street Elbow	43	2	614577	10C1T-8FJX-10FJX-200
16	1	504900 3/4 NPT Plug	44	2	614582	10RLA-8FJX-10FJX-198
17	7	618018 1/2 NPT x 9/16 MJIC	45	2	610356	12C2A-12FJX-12FJX90-19
18	4	618183 7/8 MOR x 90 x 3/4 MJIC	46	2	611210	4C1A-6FJX-6FJX-156
19	1	505213 1 NPT To 3/4 NPT Reducer Bushing	47	4	614101	4C1A-6FJX-6FJX-133
20	1	504702 3/4 NPT Close Nipple	48	1	614523	12C1A-12FJX-12FJX-38
21	1	504511 3/4 NPT Side Outlet Elbow	49	1	618279	7/8 MOR x 90 x 1 1/16 MJIC
22	2	618059 3/4 NPT x 7/8 MJIC	50	1	502800	3/8 NPT Pipe Plug
23	1	614376 8RLA-8FJX-8FJX-177	51	1	618586	7/8 MOR x 7/8 MOR
24	1	615473 6C1T-6FJX-6FJX-13	52	1	607518	BGR56 Flow Divider
25	2	614649 Restrictor Elbow Assembly 1-Way	53	1	607504	B50 Flow Divider
26	2	611122 1/4 NPT x 90 x 9/16 MJIC	54	2	607512	RL50 Relief
27	2	611128 7/8 MOR x 90 x 7/8 MJIC	55	2	618107	1/2 NNPT x 90 x 9/16 MJIC
28	3	618189 7/8 MOR x 1 1/16 MJIC	56	1	618486	9/16 FJIC Run Tee x 9/16 MJIC

ABBREVIATIONS

ADPTR - Adaptor  
DET - Detail  
FNPT - Female National Pipe Thread  
FOR - Female O-Ring  
MJIC - Male J. I. C.  
MOR - Male O-Ring  
P/N - Part Number  
QTY - Quantity  
REF - Reference  
REQ - Required  
ST - Street  
SMIV - Swivel  
UNC - Unified National Course (Thread)  
UNF - Unified National Fine (Thread)  
W/ - With  
WLD - Weldment

INDEX

-A-

Air Cleaner.....	23
Band.....	23
Filter.....	23
Hose.....	23
Air Intake.....	11
Tube.....	5
Air Pot.....	54
Bracket.....	54
Alternator.....	5
Mount.....	5

-B-

Band,	
Air Cleaner.....	23
Fuel Tank.....	19
Battery.....	32
Cable.....	32
Cable Extension.....	4
Hold Down.....	32
Bearing	
Cone.....	12,14,16
Cup.....	12,14,16
Shaft.....	55
Bellhousing.....	4
Shield.....	4
Belt.....	5,48,50
Bracket,	
Air Pot.....	54
Pivot.....	55
Brake	
Cable.....	12,14,16
Disc.....	12,14,16
Lever.....	32
Pad.....	12,14,16
Retainer Clip.....	12,14,16
Breather Cap.....	23

-C-

Cable,	
Battery.....	32
Brake.....	12,14,16
Hydrostatic.....	30
Throttle.....	31
Cam.....	54
Cap	
Breather.....	23
Gas.....	19
Pressure.....	20,21
Radiator.....	11
Steering Wheel.....	28

Center Tie Bar.....	53
Check Valve.....	40
Choke Cable.....	40
Mount.....	5
Circuit Board, Diode.....	39
Clip, Sensor Flag.....	55
Column, Steering.....	28
Connector Link.....	38
Console.....	32
Cover.....	32
Deflector.....	32
Control Lever.....	30
Coolant Tube.....	4
Coupler Flex.....	4
Cover, Switch Plate.....	38
Cradle, Fuel Tank.....	19
Cross Tube.....	55
Cup, Bearing.....	12,16,16
Cutter Head.....	50,51
Cylinder,	
Lift.....	45,46,47
Steering.....	24

-D-

Decals.....	60,61
Deflector.....	45
Console.....	32
Tassel.....	48
Diode Circuit Board.....	39
Dipstick.....	20,21
Disc,	
Brake.....	12,14,16
Friction.....	31
Sensor.....	12,14,16
Drain Cock.....	11
Drive Shaft.....	4

-E-

Electric Valve.....	42
Engine.....	4
Hood.....	33
Isolator.....	4,5
Pad.....	32
Exhaust Pipe	
Gasket.....	22
Extension, Battery Cable.....	4

-F-

Fan Spacer.....	5
Filter	
Air Cleaner.....	23

Filter (Cont)

Element.....	36
Michigan.....	20,21
Oil.....	4,20,21
Flag, Sensor.....	55
Flasher.....	29
Light.....	33
Flex Coupler.....	4
Flow Divider.....	9,37,40
Foam.....	11
Friction Disc.....	31
Front Leg.....	12,14,16
Fuel,	
Filter.....	4
Gauge.....	29
Pump.....	4
Pump Mount.....	4
Sender.....	19
Tank.....	19
Tank Band.....	19
Fuse Holder.....	29

-G-

Gas Cap.....	19
Gasket.....	20,21
Exhaust Pipe.....	22
Gauge,	
Fuel.....	29
Temperature.....	29
Governor.....	5
Arm.....	5
Ground Strap.....	4,32

-H-

Handle, Valve.....	38
Hanger Bearing.....	55
Head,	
Cutter.....	50,51
Roller.....	48
Tire Puller.....	49
Hoist Column.....	45
Hold Down, Battery.....	32
Holder Fuse.....	29
Hood, Engine.....	33
Hook Rubber.....	33
Hose,	
Air Cleaner.....	23
Keeper Ring.....	45
Radiator.....	4
Shield.....	33
Hour Meter.....	29

Hydraulic

Manifold.....	36
Tube.....	40
Hydrostatic	
Cable.....	30
Cable Mount.....	30
Control Lever.....	30
Pump Lever.....	6,7

-I-

Ignition, Switch.....	29
Indicator Light.....	29,39
Instrument Panel.....	29
Isolator, Engine.....	4,5

-K-

Kick Panel.....	40
-----------------	----

-L-

Ladder.....	34
Mount.....	34
Prop.....	34
Siderrail.....	27
Leg,	
Front.....	12,14,16
Rear.....	13,15,17
V-Plate.....	12,13,14,15,16,17
Lever	
Brake.....	32
Control.....	30
Hydrostatic Pump.....	6,7
Throttle.....	31
4-Wheel Drive.....	8
Liftarm.....	45
Lift Cylinder.....	45,46,47
Light.....	28
Flasher.....	33
Indicator.....	29
Switch.....	29
Tail.....	33
Line Diffuser.....	20,21
Linkage Rod.....	5
Link, Connector.....	38

-M-

Male Corn Cutter.....	52
Manifold.....	10,37
Hydraulic.....	36

Meter, Hour.....29  
 Michigan Filter.....20,21  
 Micro Switch.....30

Motor,

Control Valve.....35  
 Hydraulic.....48,49,50,51,52  
 Motor.....5  
 Steering.....28

Mount,

Alternator.....5  
 Choke Cable.....5  
 Circuit Board.....39  
 Fuel Pump.....4  
 Seat.....32  
 Sensor.....12,14,16  
 Spring.....5  
 Valve.....38  
 Muffler.....22  
 Mullion.....33

-O-

Oil

Cooler.....11  
 Filter.....4,20,21  
 Tank.....20,21  
 Tank Strap.....20,21  
 Operator Station.....32  
 Outrigger.....44,53

-P-

Pad,

Brake.....12,14,16  
 Engine.....32  
 Panel, Console.....32  
 Pivot

Arm.....26  
 Bracket.....55  
 Pin.....27,44,45  
 Pressure Cap.....20,21  
 Pump,

Cross.....6  
 Hydreco.....7  
 Fuel.....4  
 Sundstrand.....6,7

-R-

Radiator.....11  
 Cap.....11  
 Hose.....4  
 Receiver Plate.....20,21  
 Recovery Tank.....11  
 Relief Valve.....9  
 Retainer Ring.....55

Rim.....18  
 Roller Head.....48  
 Rubber Hook.....33

-S-

Screen.....11  
 Seal.....12,14,16  
 Seat.....32  
 Mount.....32  
 Selector Valve.....8  
 Sender  
 Fuel.....19  
 Temperature.....4  
 Sensor  
 Disc.....12,14,16  
 Flag.....55  
 Mount.....12,14,16  
 Speedometer.....12,14,16  
 Shaft  
 Bearing.....55  
 Motor Mount.....48  
 Sheave.....5  
 Sheet Metal.....33  
 Shield,

Bellhousing.....4  
 Hose.....33  
 Wheel Motor.....12,14,16  
 Siderail.....27  
 Ladder.....27  
 Slow Moving Vehicle Sign.....33  
 Solenoid.....4  
 Spacer, Fan.....5  
 Speedometer.....29  
 Spring.....5,31  
 Mount.....5  
 Stalk Guide.....48,49,50,51  
 Stand Off.....54  
 Starter.....4  
 Station,

Operator.....32  
 Work.....53  
 Strap,  
 Ground.....4,32  
 Oil Tank.....20,21  
 Steering

Column.....28  
 Cylinder.....24  
 Motor.....28  
 Wheel.....28  
 Sundstrand Pump.....6,7  
 Switch.....39  
 Ignition.....29  
 Light.....29  
 Micro.....30,54  
 Plate Cover.....38

-T-

Tail Light.....	33
Tank	
Oil.....	20, 21
Recovery.....	11
Tassel Deflector.....	48
Temperature	
Gauge.....	29
Sender.....	4
Throttle	
Cable.....	31
Lever.....	31
Lever Mount.....	31
Tie Plate.....	27
Tie Rod.....	25
Tire.....	18
Pulley.....	49
Tool Bar.....	44, 45, 53
Torque Hub.....	12, 13, 14, 15, 16, 17
Traction Valve.....	10

-V-

Valve,	
Check.....	40
Electric.....	42
Handle.....	38
Motor Control.....	35
Mount.....	38
Relief.....	9
Selector.....	8
Traction.....	10
3-Spool.....	38

-W-

Wiring.....	63, 64
Wheel	
Motor.....	12, 13, 14, 15, 16, 17
Motor Shield.....	12, 14, 16
Steering.....	28
Steering Cap.....	28
Work Station.....	53

Memoranda

---

Memoranda

---