

PARTS MANUAL

FOR

HAGIE MODEL 8370 & 8380

HAGIE MANUFACTURING COMPANY

BOX 273 CLARION, IOWA 50525

(515) 532-2861

COVERS MACHINE SERIAL NUMBERS:

096798001 THRU 096798100

**&
096898001 THRU 096898100**

8-89 493116

SPRAYER IDENTIFICATION

Each Hagie sprayer is identified by means of a frame serial number. This serial number denotes the model, year in which it was built, and the number of the sprayer. As for further identification, the engine has a serial number, the hydrostatic pump has a serial number, the wheel motors have identification tags, and the planetary hubs have identification plates that describe the type of mount and gear ratio. To insure prompt, efficient service when ordering parts or requesting service repairs from Hagie Manufacturing Company, record the serial and identification numbers in the space provided below.

SPRAYER SERIAL NUMBER

ENGINE SERIAL NUMBER

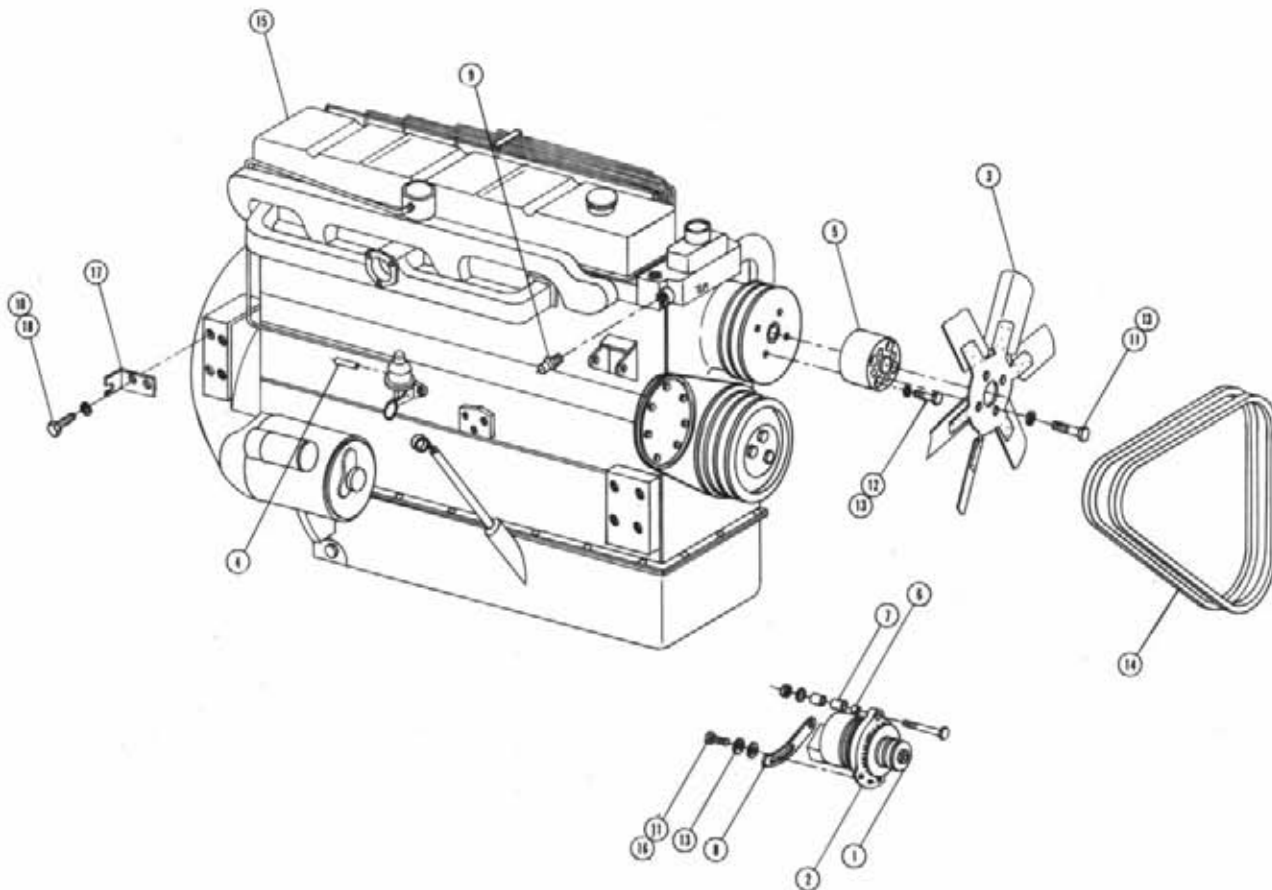
TABLE OF CONTENTS

Engine Assembly.....	4-11
Radiator & Oil Cooler Assembly.....	12
Flow Divider.....	13
Leg Assembly.....	14-16
Steering Cylinder.....	17-18
Tie Rod Assembly.....	19
Fuel And Oil Tank.....	20-21
Operator Station.....	22-30
Four Wheel Drive Valve.....	31
Three-Spool Valve Assembly.....	32
Variable Flow Control.....	33
Solution System.....	34-37
Sheet Metal.....	38-39
Transom, Boom, & Lift.....	40-43
Ladder And Tread Adjustment.....	44
Tire And Rim Assembly.....	45
Stalk Guide And Cropshield.....	46
Solution Hosing Diagram.....	47
Decals.....	48-51
Planetary Gear Assembly.....	52-55
Hydraulic Schematic.....	56-57
Electrical Schematic.....	58-59
Abbreviations.....	60
Index.....	61

DIESEL ENGINE ASSEMBLY

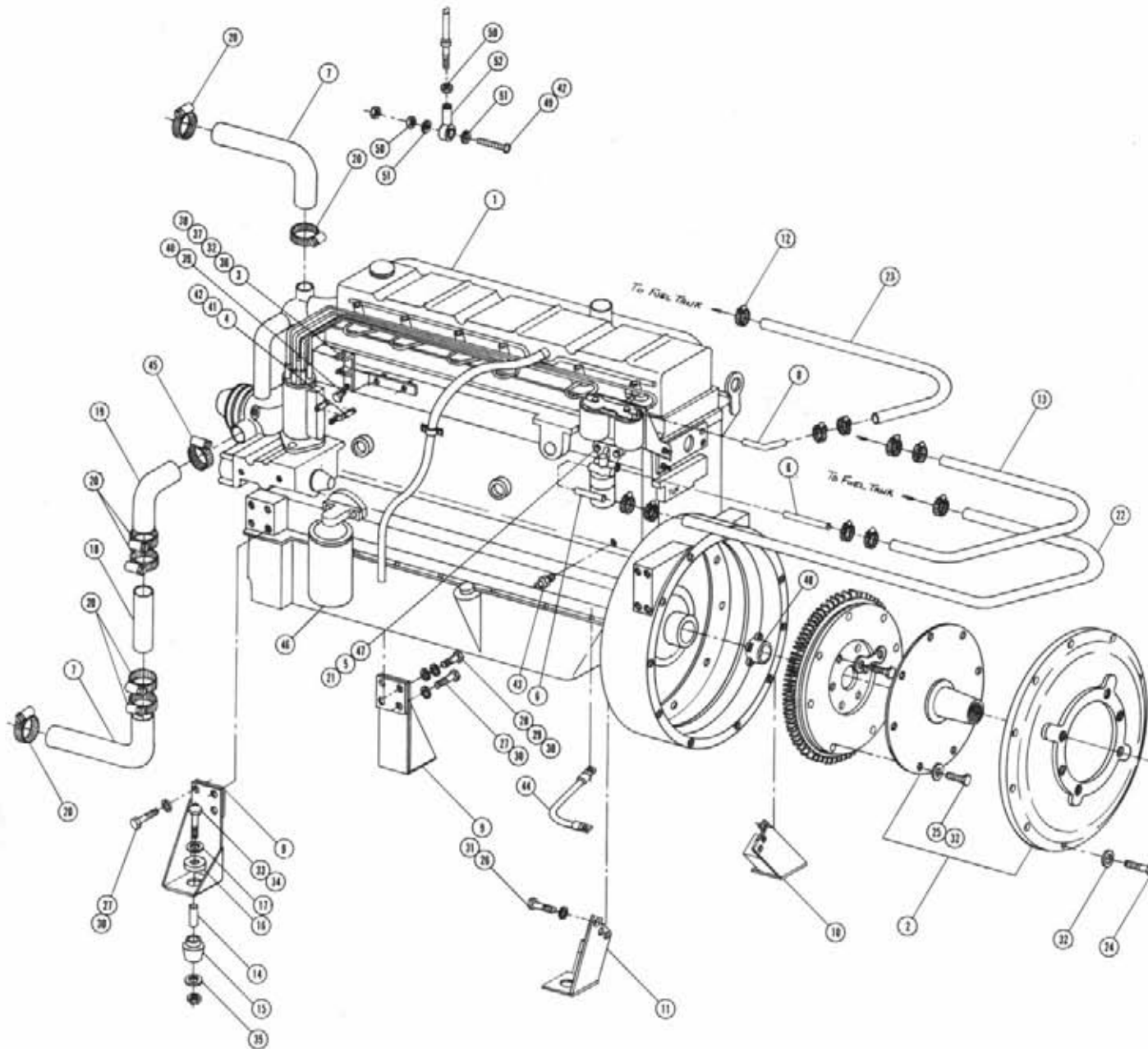
DET. QTY PART NO. DESCRIPTION

1	1	140065	SHEAVE, 2AGR .625 BORE 3.2500
2	1	291487	72 AMP ALT W/ REGULATOR
3	1	314435	19 IN PLR FAN W/2.25 PITCH
4	1	314527	FUEL FILT H BARB 647 PERK
5	1	314792	FAN-SPCR 8.370/80 PERK 6 85
6	1	314742	ALT BUSH .50 X .049 WS X .875
7	1	314744	ALT BUSH .675 OD X .126 WA
8	1	314743	ALT ADJ BRKT PERK 6.3544
9	1	314836	TEMP SENDR 2800 1/2NPT FOR GA
10	2	920504	LOCK WASH 1/2
11	5	900065	5/16 UNC X 1 HEX BOLT
12	4	900103	5/16 UNF X 2 HBOLT GR5 PLT
13	9	920501	LOCK WASH 5/16
14	2	140022	BELT GATES N9530 PERK 647
15	1	314793	PERK 6.3544 ENG 1985
16	1	920001	5/16 FLAT WASHER SAE PLT
17	1	606851	HYDST CONT CABLE HT 8240 PERK
18	2	900263	HEX BOLT 1/2 X 1 GR 5



DIESEL ENGINE ASSEMBLY

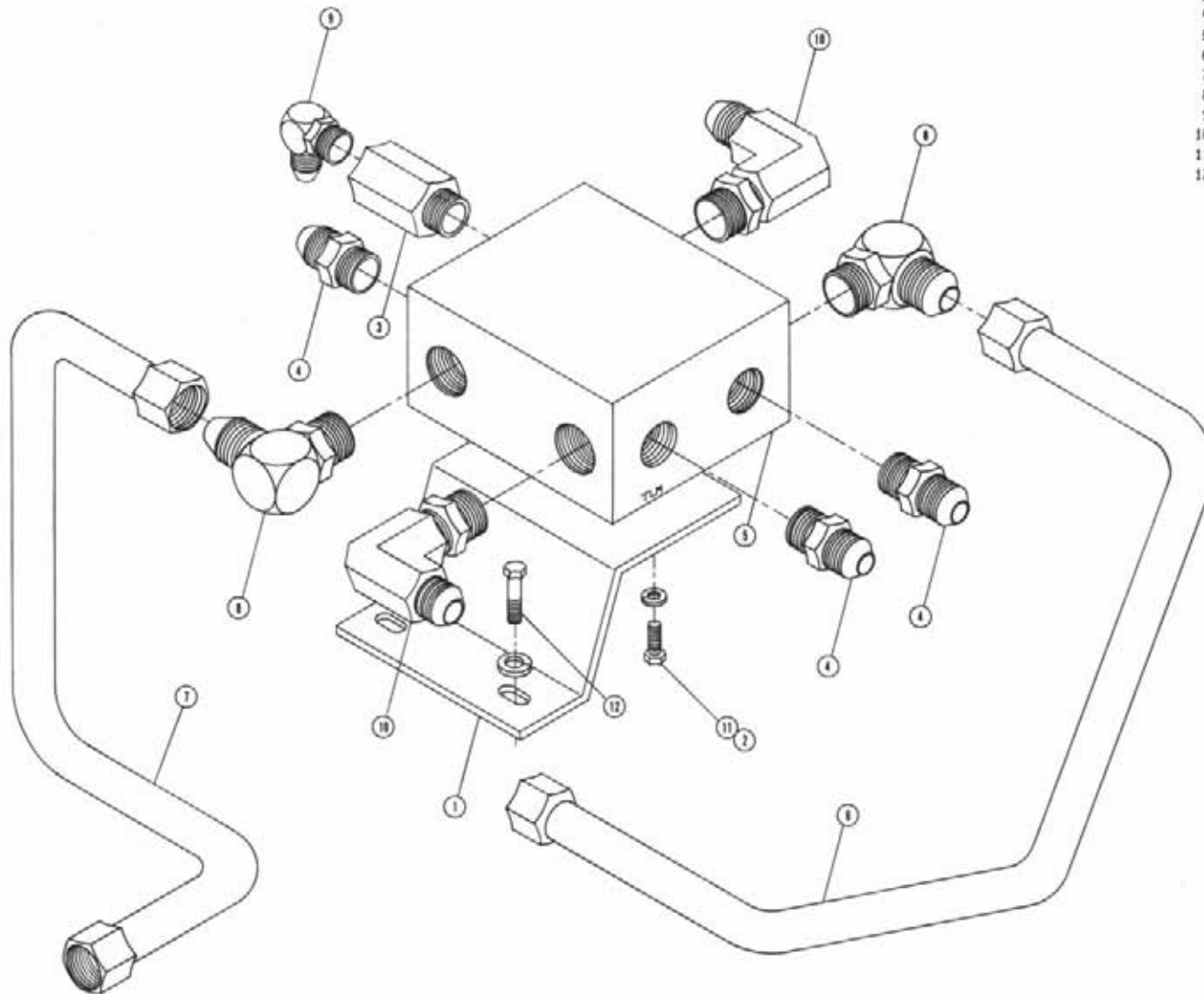
DET.	QTY	PART NO.	DESCRIPTION
1	1	314793	PERK 6.354 ENGINE
2	1	800496	PERK TO SUND DRIVE ASSY 14T
3	1	314520	THROT CABLE BRKT WLD PERK
4	1	314546	THROT CONT ARM
5	1	920501	LOCK WASH 5/16
6	1	314527	FUEL FILT H BARR
7	1	314547	TOP RADIATOR HOSE
8	1	314552	1/4 OD HOSE BARR
9	1	314772	FRT ENG MT WLD
10	1	314776	RH REAR ENG MT WLD
11	1	314777	LH REAR ENG MT WLD
12	10	520120	HOSE CLAMP NO 4 MINIATURE PLT
13	1	601141	HOSE, 5/16 X 29 FUEL LINE
14	4	310046	SLEEVE & SPACER REAR MT
15	4	310047	LWR INSULATOR
16	4	310048	INSULATOR PAD ASSY
17	4	310631	LARGE KEEPER WASHER
18	4	314448	2.00 OD X 1.40A WA TUBE X 8.00
19	1	314551	BOT WATER PUMP HOSE
20	1	520068	HOSE CLAMP NO 32 PLATED
21	2	920001	5/16 FLAT WASHER SAE PLT
22	2	601252	HOSE, 5/16 X 120 IN FUEL LINE
23	1	601263	FUEL LINE HOSE
24	1	900130	3/8 UNC X 1 1/4 HEX BOLT
25	1	900163	3/8 UNF X 1 HEX BOLT
26	1	900264	1/2 UNC X 1 1/4 HEX BOLT
27	1	900333	5/8 UNC X 1 1/2 HEX BOLT
28	1	900335	5/8 UNC X 2 HEX BOLT
29	1	920005	5/8 FLAT WASH SAE
30	1	920505	LOCK WASHER 5/8
31	1	920504	LOCK WASH 1/2
32	1	920502	LOCK WASH 5/8
33	1	900272	1/2 UNC X 3 1/2 HEX BOLT
34	1	914008	1/2 UNC STOVER NUT
35	1	483041	1/2 REGULAR FLAT WASH PLT
36	1	900821	58UNF X 2 H BOLT GR8 PLT
37	1	615287	THROTTLE BRKT SPACER
38	1	340330	RUSH, .38 SCH 40 BP X 1.25 LG
39	1	900002	1/4 UNC X 3/4 H BOLT GR5 PLT
40	1	914000	1/4 UNC STOVER NUT
41	1	903889	10-32 X 3/4 SLT RDHD MACH SCR
42	1	914027	NO 10-32 STOVER NUT
43	1	314788	OIL SENDER .125NPT PERK6.3544
44	1	290051	SOLENOID CABLE 12 IN LONG
45	1	520099	HOSE CLAMP NO 40 PLATED
46	1	314540	OIL FILT PERK 6CYL DIESEL
47	1	900099	BOLT, 5/16 UNF X 1 HM GR5 PLT
48	1	800481	DRIVE DISK ADPTR HSGNG PERKINS
49	1	903895	10-32 X 1 SLT RD HD MACH SCR
50	1	910027	HEX NUT 40 10 UNF
51	1	920510	LOCK WASH NO 10
52	1	473921	BALL JOINT NO 10-32 THD

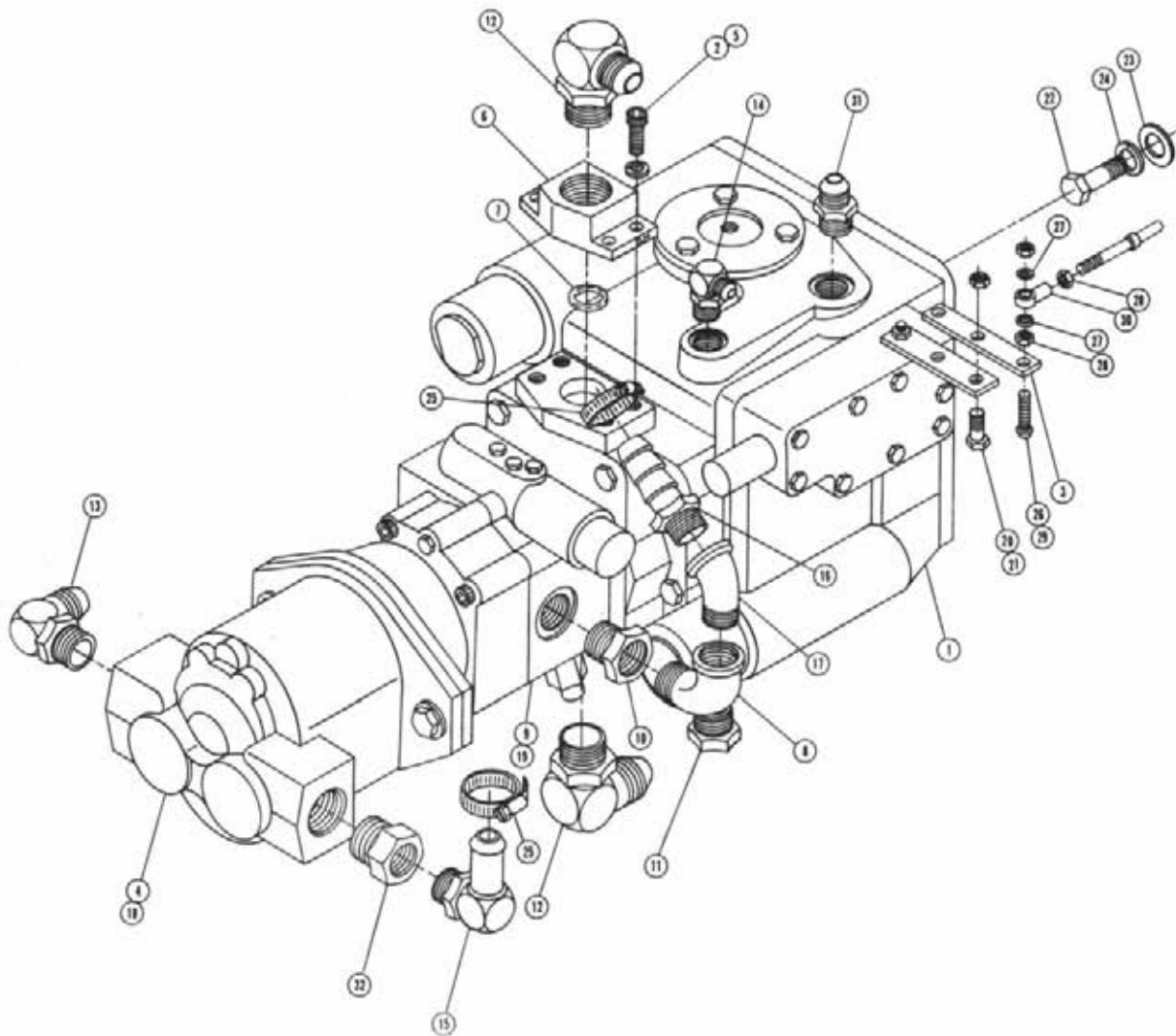


HYDRAULIC MANIFOLD ASSEMBLY

DET. QTY PART NO. DESCRIPTION

1	1	606849	LARGE HYD MANIFOLD MT 8240 82
2	1	920501	LOCK WASH 5/16
3	1	610028	FLO CONTROL 16 GPM INLINE CES
4	3	611127	1 1/16MJC-1 1/16MOR ADPTR
5	1	615612	8200 HYD MANIF BLOCK 88
6	1	615568	HYD TUBE SUND PUMP 8240 RH
7	1	615569	HYD TUBE SUND PUMP 8240 LH
8	2	618178	1 5/16MJC-90-1 5/16MOR LBO
9	1	618279	1 1/16MJC-90-7/8MOR LBO
10	2	618248	1 1/16MJC-90-1 1/16MOR LBO
11	2	900065	5/16 UNC X 1 HEX BOLT
12	2	900196	7/16 UNCX1 1/4 H BOLT GR5 PLT

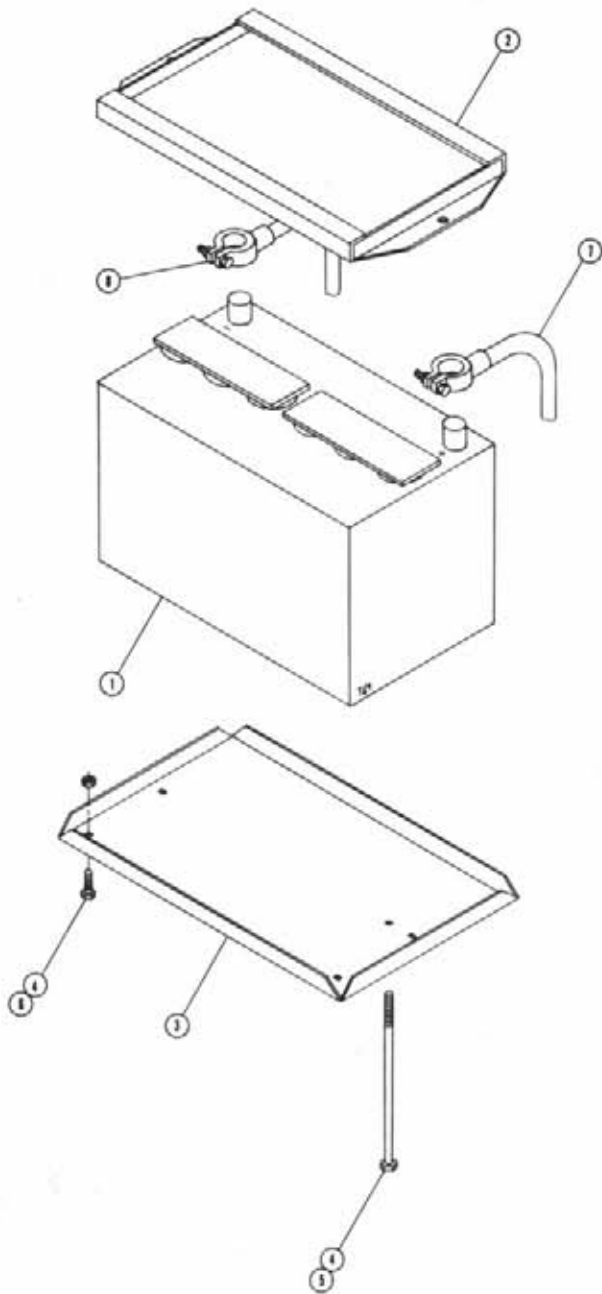




SUNDSTRAND PUMP ASSEMBLY

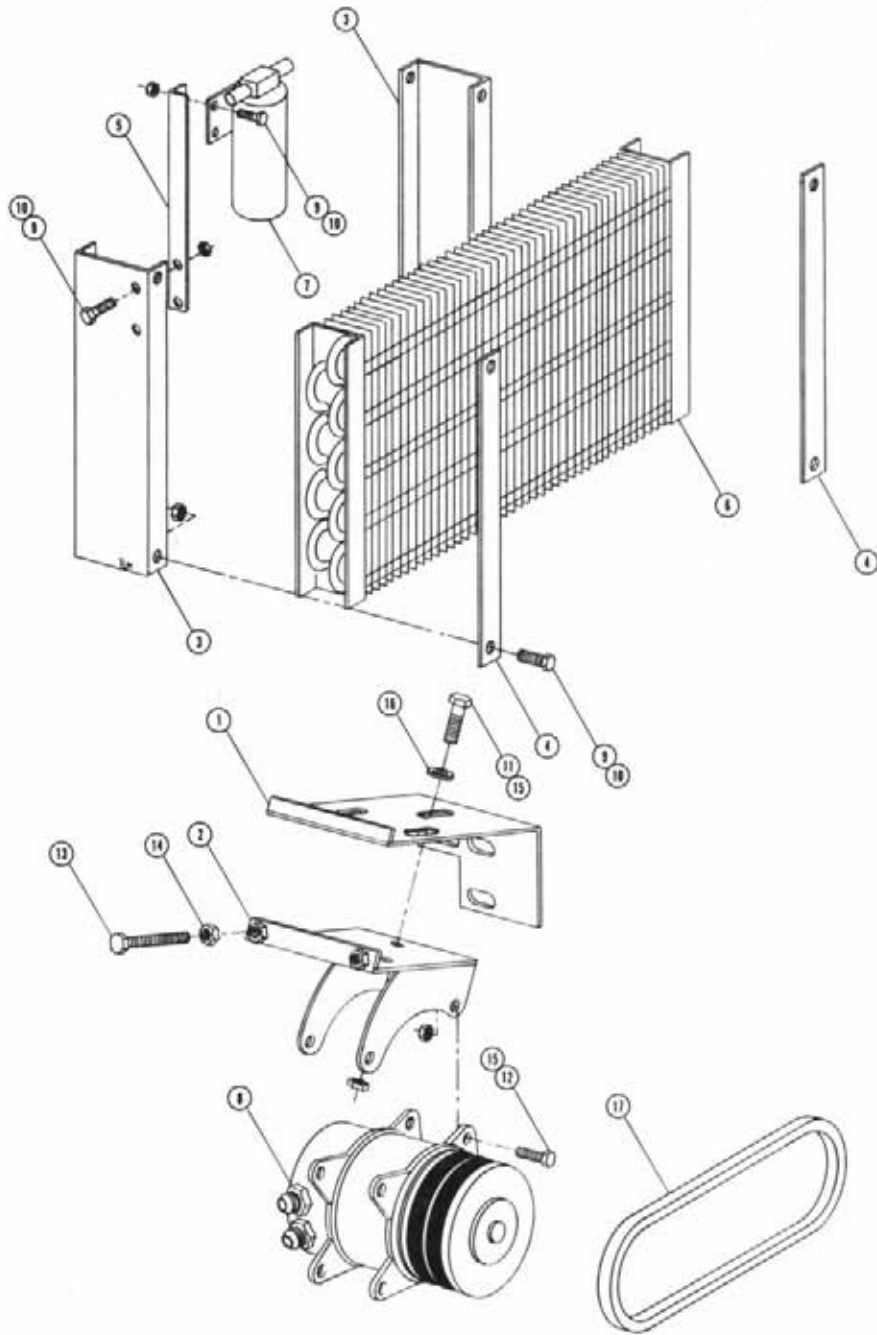
DET. QTY PART NO. DESCRIPTION

1	1	606882	SUND 23 SER PUMP 8-MT 1.06CHG
2	8	472243	CAP SCREW 3/8 UNCX1 3/4 ALLEN
3	1	606848	PUMP CONTROL LEVER EXT
4	1	606885	CESSNA GEAR PUMP 1.78CI SPINE
5	8	618167	LOCK WASHER FOR 4BOLT FLG
6	2	618176	1 5/16FOR 4-BOLT FLANGE. LESS
7	2	870219	BUNA ORING 1 5/16 X 1 9/16
8	1	505200	BLK PIPE ST EL 90DEG 1NPT
9	1	606888	CHG PUMP FOR 606882 8-MT 1.06
10	1	618090	1 5/16MOR-1FNPT ADPTR
11	1	618540	7/8MOR PLUG
12	2	618178	1 5/16MJIC-90-1 5/16MOR LBO
13	1	618535	7/8MJIC-90-1 1/16MOR LBO
14	1	618114	9/16MJIC-90-7/16MOR LBO
15	1	618563	1IN HOSE BARB-90-1 1/16MOR
16	1	714560	1 HOSE BARB-1MNPT
17	1	505110	BLK PIPE ST EL 45DEG 1NPT
18	1	606870	O-RING FOR 606865 SUND 8-MT
19	1	606889	GSKT 1.06 8-MT CHG TO MAIN
20	2	900003	1/4 UNC X 1 HEX BOLT
21	2	914000	1/4 UNC STOVER NUT
22	4	900265	1/2 UNC X 1 1/2 HEX BOLT
23	4	920004	1/2 FLAT WASHER SAE
24	4	920504	LOCK WASH 1/2
25	2	520087	HOSE CLAMP NO 20 PLATED
26	1	903893	10 32 X 1 SLT RD HD MACH SCR
27	2	920510	LOCK WASH NO 10
28	2	910027	HEX NUT NO 10 UNF
29	1	914027	NO 10-32 STOVER NUT
30	1	473921	BALL JOINT NO 10-32 THD
31	1	618527	3/4MJIC-7/8MOR ADPTR
32	1	618595	1 5/8MOR-1 1/16FOR ADPTR



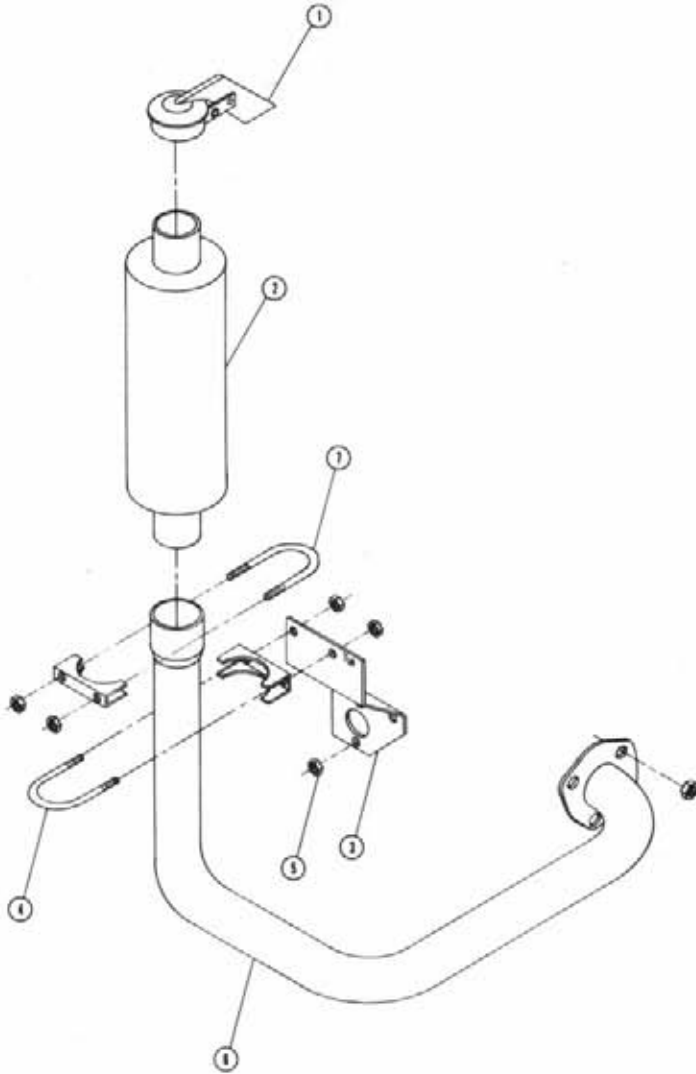
BATTERY BOX ASSEMBLY

Det.	Qty.	P/N	Description
1	1	291122	Battery
2	1	341322	Battery Hold Down Weldment
3	1	361149	Battery Box
4	4	914004	3/8 UNC Lock Nut
5	2	901149	3/8 UNC x 8 1/2 Carriage Bolt
6	2	900128	3/8 UNC x 3/4 Hex Bolt
7	1	290052	Positive Battery Cable - 56 in.
8	1	291128	Negative Battery Cable - 48 in.



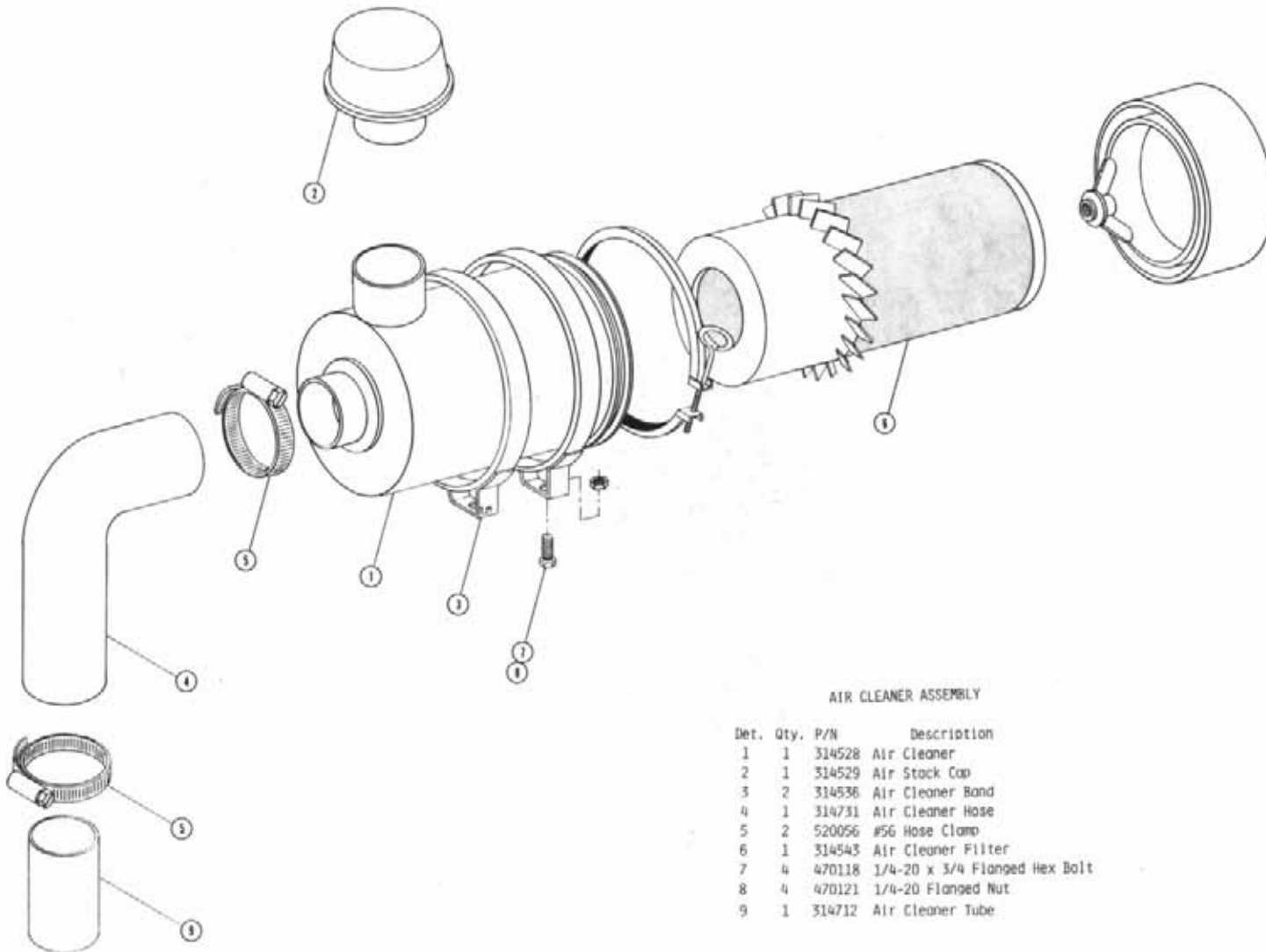
AIR CONDITIONER COMPRESSOR PUMP ASSEMBLY

Det.	Qty.	P/N	Description
1	1	314785	Air Conditioner Compressor Mount
2	1	657329	Air Conditioner Tightener Weldment
3	2	314413	Air Conditioner Condenser Mount
4	2	314418	Air Conditioner Condenser Keeper
5	1	314420	Air Conditioner Dryer Bracket
6	1	657309	Air Conditioner Condenser Kit
7	1	657309	Air Conditioner Dryer
8	1	657310	Air Conditioner Compressor
9	8	900064	5/16 UNC x 3/4 Hex Bolt
10	8	914002	5/16 UNC Lock Nut
11	3	900130	3/8 UNC x 1 1/4 Hex Bolt
12	4	900131	3/8 UNC x 1 1/2 Hex Bolt
13	2	906136	3/8 UNC x 3 Full Thread Hex Bolt
14	2	910004	3/8 UNC Hex Nut
15	7	914004	3/8 UNC Stover Nut
16	3	920002	3/8 Flat Washer
17	1	147002	2430 Gates Belt



EXHAUST PIPE ASSEMBLY

Det.	Qty.	P/N	Description
1	1	314537	2 1/2 I.D. Rain Cap
2	1	314554	Muffler
3	1	314782	Exhaust Pipe Mounting Bracket
4	1	470150	5/16 x 2 1/4 Muffler Clamp
5	3	910003	5/16 UNF Hex Nut
6	1	314781	Exhaust Pipe Weldment
7	1	472216	5/16 x 2 1/2 Muffler Clamp

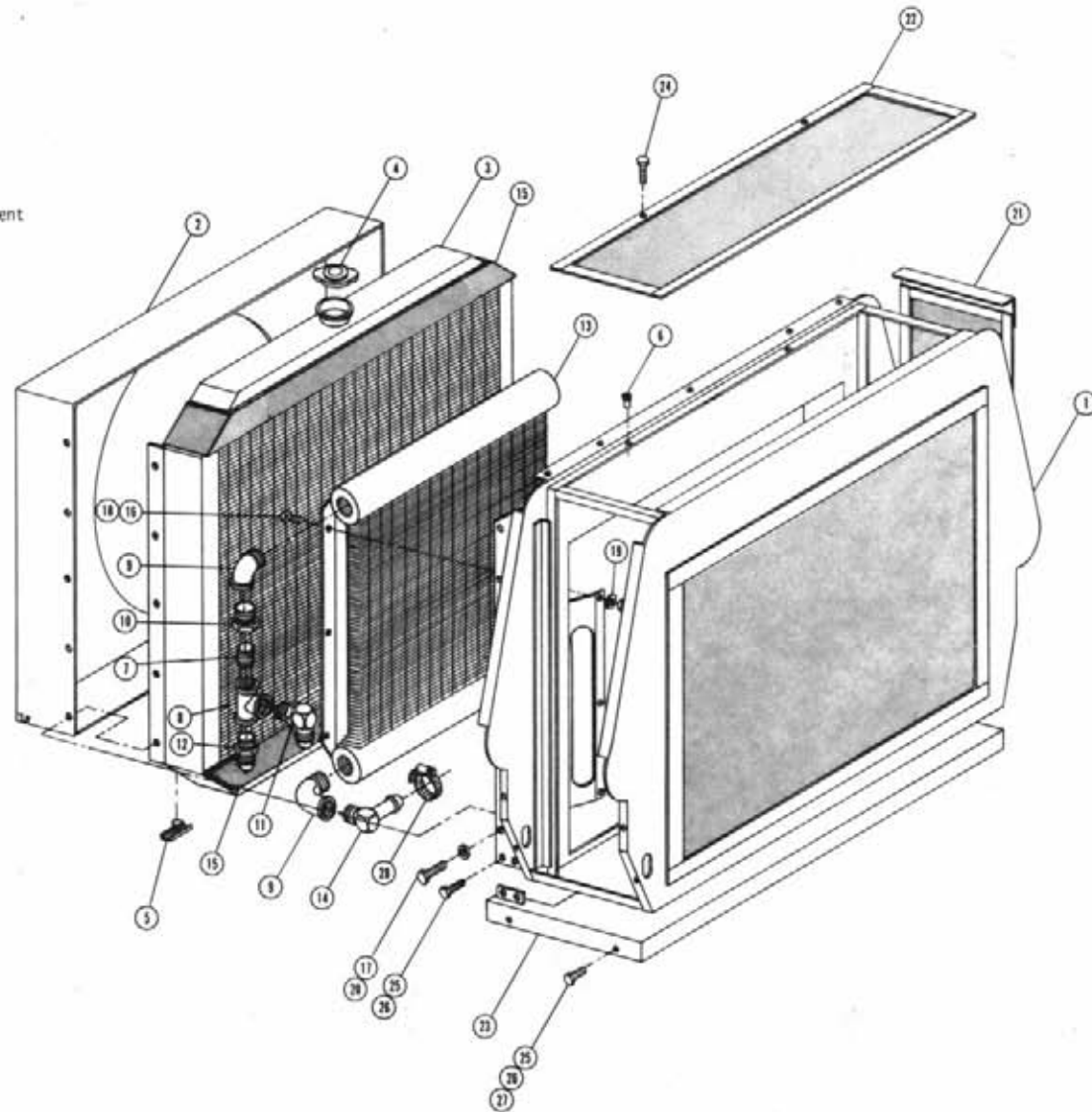


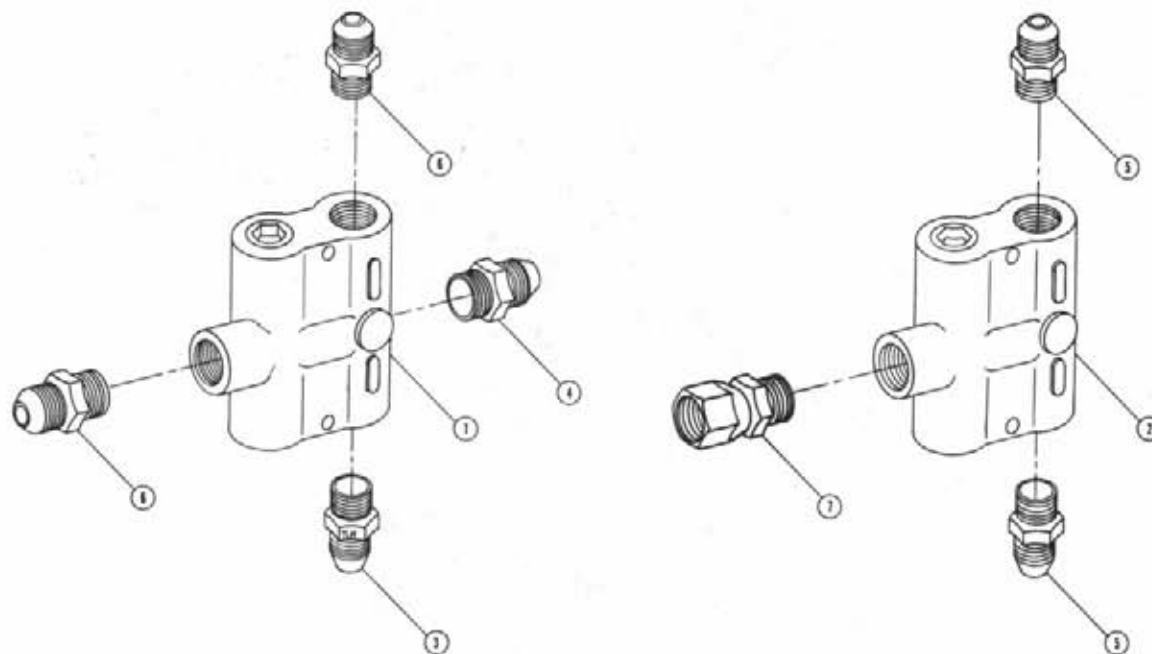
AIR CLEANER ASSEMBLY

Det.	Qty.	P/N	Description
1	1	314528	Air Cleaner
2	1	314529	Air Stock Cap
3	2	314536	Air Cleaner Band
4	1	314731	Air Cleaner Hose
5	2	520056	#56 Hose Clamp
6	1	314543	Air Cleaner Filter
7	4	470118	1/4-20 x 3/4 Flanged Hex Bolt
8	4	470121	1/4-20 Flanged Nut
9	1	314712	Air Cleaner Tube

RADIATOR AND OIL COOLER ASSEMBLY

Det.	Qty.	P/N	Description
1	1	314477	Radiator And Oil Cooler Mount Weldment
2	1	314775	Radiator Shroud
3	1	314791	Radiator
4	1	319257	Radiator Cap
5	1	319559	Radiator Drain Cock
6	10	470086	1/4 UNC Nutsert
7	1	504702	3/4 NPT Close Nipple
8	1	504955	3/4 NPT Pipe Nipple
9	2	505200	1 NPT x 90° Street Elbow
10	1	505213	1 NPT To 3/4 Reducer Bushing
11	1	610305	3/4 NPT x 90° x 3/4 MJIC
12	1	618059	3/4 NPT x 7/8 MJIC
13	1	618088	Oil Cooler
14	1	618138	1 NPT x 90° x 1 Hose Barb
15	2	659579	2" Wide x 40" Long Foam
16	6	900064	5/16 UNC x 3/4 Hex Bolt
17	10	900128	3/8 UNC x 3/4 Hex Bolt
18	6	914002	5/16 UNC Stover Nut
19	12	920001	5/16 SAE Flat Washer
20	10	920002	3/8 SAE Flat Washer
21	2	314490	Side Screen Weldment
22	1	314495	Top Screen Weldment
23	1	341577	Radiator Riser Weldment
24	2	470118	1/4 UNC x 3/4 Flanged Bolt
25	8	900129	3/8 UNC x 1 Hex Bolt
26	8	914004	3/8 UNC Stover Nut
27	4	920002	3/8 SAE Flat Washer
28	1	520087	No. 20 Hose Clamp

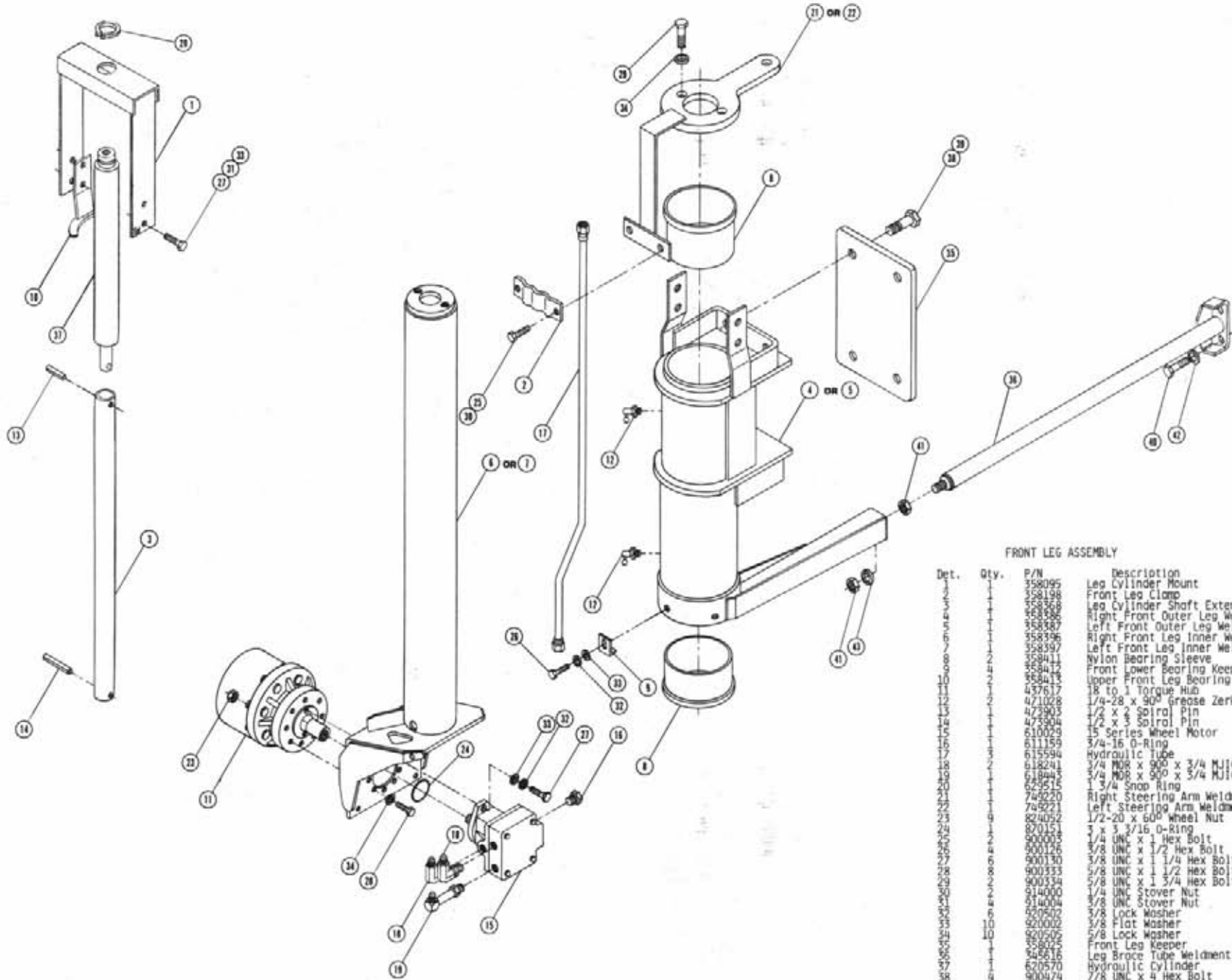




FLOW DIVIDER ASSEMBLY

DET. QTY PART NO. DESCRIPTION

1	1	607518	FLO DIV BDR56 6GPM PRI 7/8FOR
2	1	607504	FLO DIV B5D 2-8GPM 7/8 FOR
3	1	618327	3/4MJIC-7/8MOR ADPTR
4	1	618011	9/16MJIC-3/8MNPT ADPTR
5	2	618310	9/16MJIC-7/8MOR ADPTR
6	2	611126	7/8MJIC-7/8MOR ADPTR
7	1	618594	7/8FJIC SWIV-78MOR ADPTR

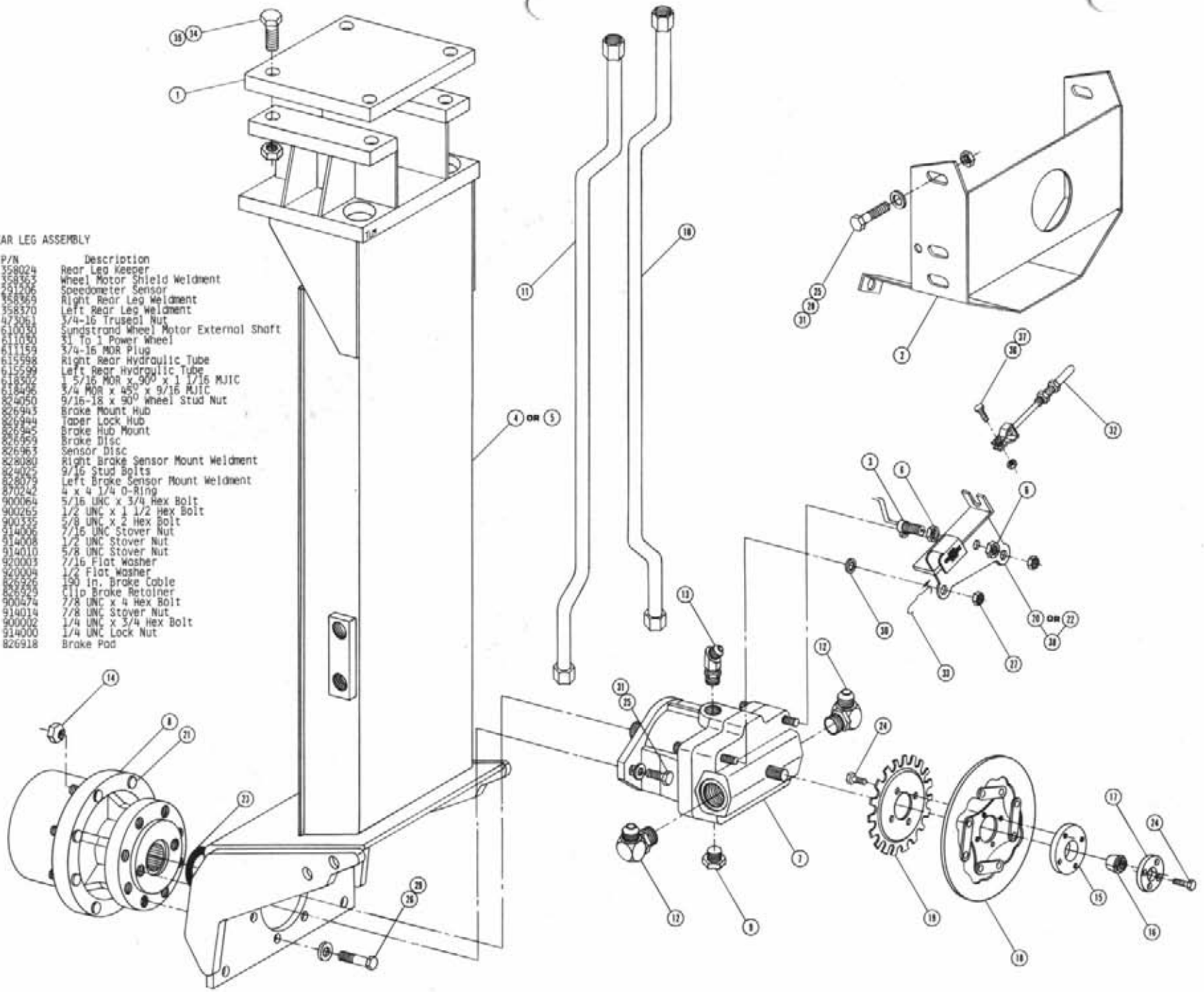


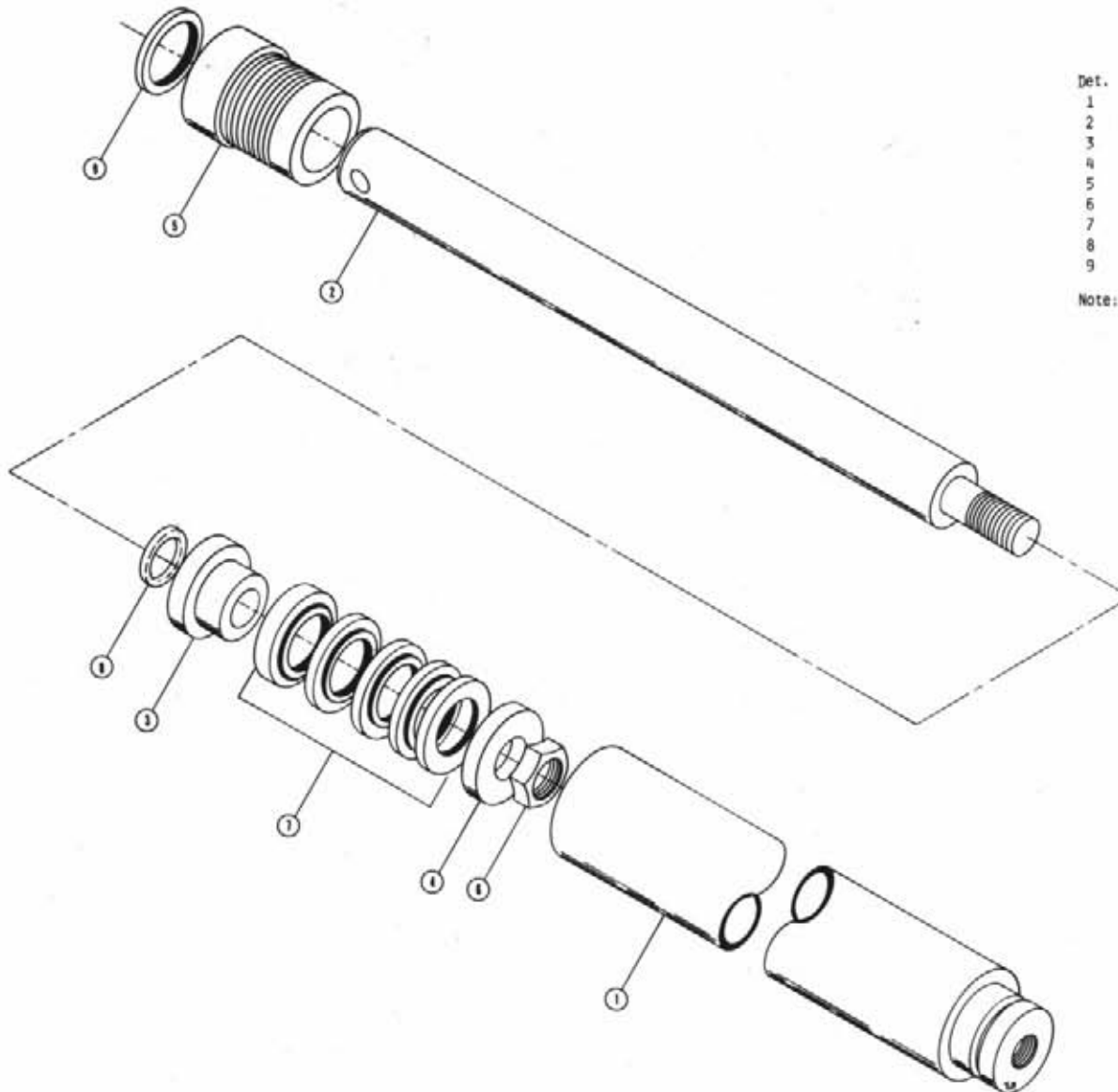
FRONT LEG ASSEMBLY

Det.	Qty.	P/N	Description
	1	358095	Leg Cylinder Mount
	1	358198	Front Leg Clamp
	1	358368	Leg Cylinder Shaft Extension
	1	358386	Right Front Outer Leg Weldment
	1	358387	Left Front Outer Leg Weldment
	1	358396	Right Front Leg Inner Weldment
	1	358397	Left Front Leg Inner Weldment
	2	358411	Wylon Bearing Sleeve
	4	358412	Front Lower Bearing Keeper
	2	358413	Upper Front Leg Bearing Keeper
	1	437617	18 to 1 Torque Hub
	2	471028	1/4-28 x 90° Grease Zerk
	1	473903	1/2 x 2 Sprocket Pin
	1	473904	1/2 x 3 Sprocket Pin
	1	610029	15 Series Wheel Motor
	1	611159	3/4-16 O-Ring
	1	615594	Hydraulic Tube
	1	618241	3/4 MDR x 900 x 3/4 MJIC
	1	618443	3/4 MDR x 900 x 3/4 MJIC Long
	1	629515	1 3/4 Snap Ring
	1	748220	Right Steering Arm Weldment
	1	748221	Left Steering Arm Weldment
	9	824052	1/2-20 x 60° Wheel Nut
	1	870151	3 x 3 3/16 O-Ring
	2	900003	1/4 UNC x 1 Hex Bolt
	4	900126	3/8 UNC x 1/2 Hex Bolt
	8	900130	3/8 UNC x 1 1/4 Hex Bolt
	8	900333	5/8 UNC x 1 1/2 Hex Bolt
	2	900334	5/8 UNC x 1 3/4 Hex Bolt
	2	914000	1/4 UNC Stover Nut
	4	914004	3/8 UNC Stover Nut
	6	920502	3/8 Lock Washer
	10	920002	3/8 Flat Washer
	10	920509	5/8 Lock Washer
	1	958025	Front Leg Keeper
	1	945616	Leg Brace Tube Weldment
	1	620570	Hydraulic Cylinder
	4	900474	7/8 UNC x 4 Hex Bolt
	4	914014	7/8 UNC Stover Nut
	5	920532	5/8 UNC x 1 1/4 Hex Bolt
	5	910014	7/8 UNC Hex Nut
	5	920505	5/8 Lock Washer
	1	920507	7/8 Lock Washer

Det.	Qty.	P/N	Description
1	1	358024	Rear Leg Keeper
2	1	358025	Wheel Motor Shield Weldment
3	1	358026	Speedometer Sensor
4	1	358369	Right Rear Leg Weldment
5	1	358370	Left Rear Leg Weldment
6	1	473061	3/4-16 Trusegl Nut
7	1	610030	Sundstrand Wheel Motor External Shaft
8	1	611050	3:1 To 1 Power Wheel
9	1	611159	3/4-16 MOR Plug
10	1	615598	Right Rear Hydraulic Tube
11	1	615599	Left Rear Hydraulic Tube
12	1	618502	1 5/16 MOR x 90° x 1 1/16 MJIC
13	1	618496	3/4 MOR x 45° x 9/16 MJIC
14	1	824050	9/16-18 x 90° Wheel Stud Nut
15	1	826943	Brake Mount Hub
16	1	826944	Taber Lock Hub
17	1	826945	Brake Hub Mount
18	1	826959	Brake Disc
19	1	826963	Sensor Disc
20	1	828080	Right Brake Sensor Mount Weldment
21	1	824025	9/16 Stud Bolts
22	1	828079	Left Brake Sensor Mount Weldment
23	1	870242	4 x 4 1/4 O-Ring
24	1	900064	5/16 UNC x 3/4 Hex Bolt
25	1	900265	1/2 UNC x 1 1/2 Hex Bolt
26	1	900339	5/8 UNC x 2 Hex Bolt
27	1	914006	7/16 UNC Stover Nut
28	1	914008	1/2 UNC Stover Nut
29	1	914010	5/8 UNC Stover Nut
30	1	920003	7/16 Flat Washer
31	1	920004	1/2 Flat Washer
32	1	826926	190 in. Brake Cable
33	1	826925	Clip Brake Retainer
34	1	900474	7/8 UNC x 4 Hex Bolt
35	1	914014	7/8 UNC Stover Nut
36	1	900002	1/4 UNC x 3/4 Hex Bolt
37	1	914000	1/4 UNC Lock Nut
38	1	826918	Brake Pad

REAR LEG ASSEMBLY

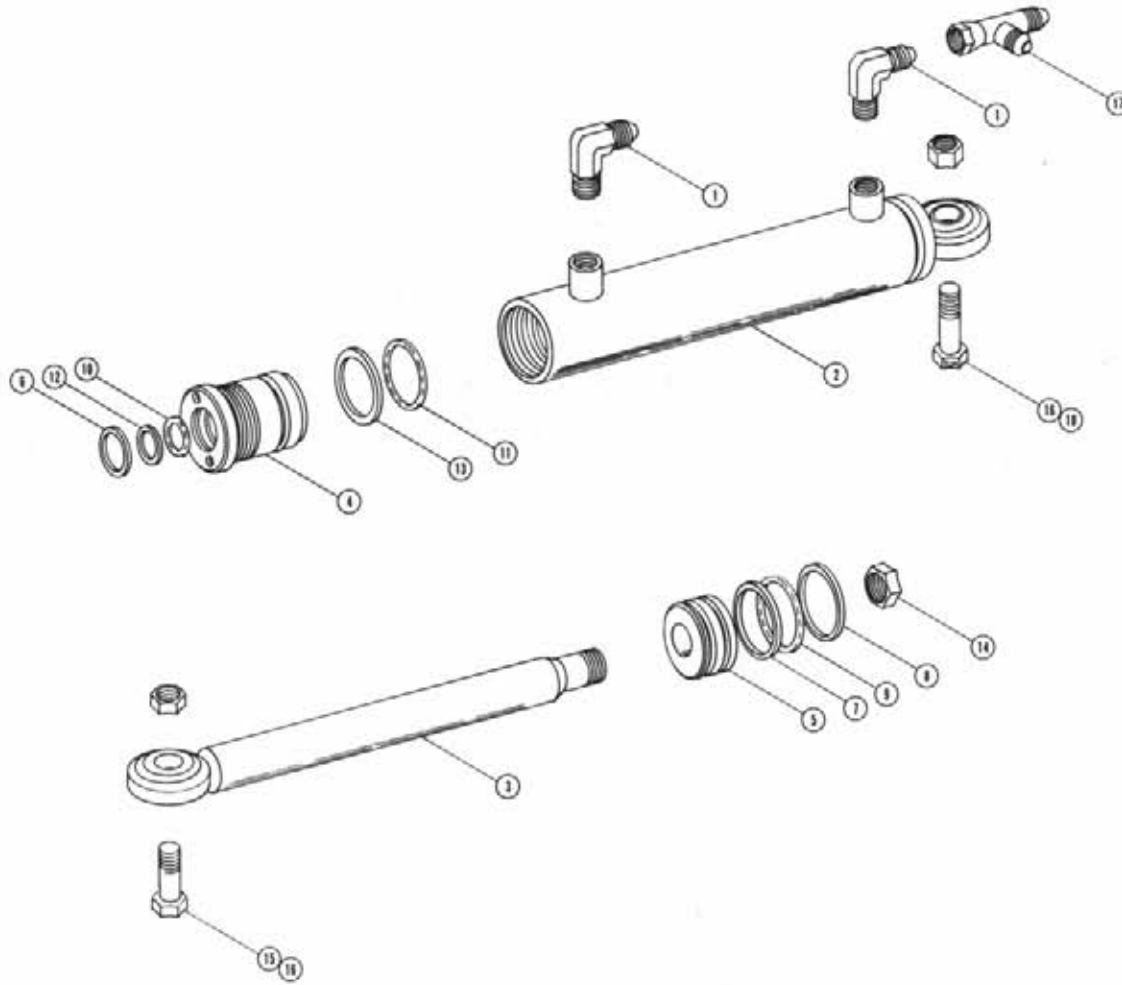




FRONT LEG CYLINDER ASSEMBLY

Det.	Qty.	P/N	Description
1	1	620571	Tube Weldment
2	1	620573	Shaft
3	1	620578	Piston
4	1	620579	Retainer Ring
5	1	620574	Bearing Head
6	1	472297	Lock Nut
7	1	620321	Vee Pack
8	1	870018	O-Ring
9	1	629002	Rod Wiper

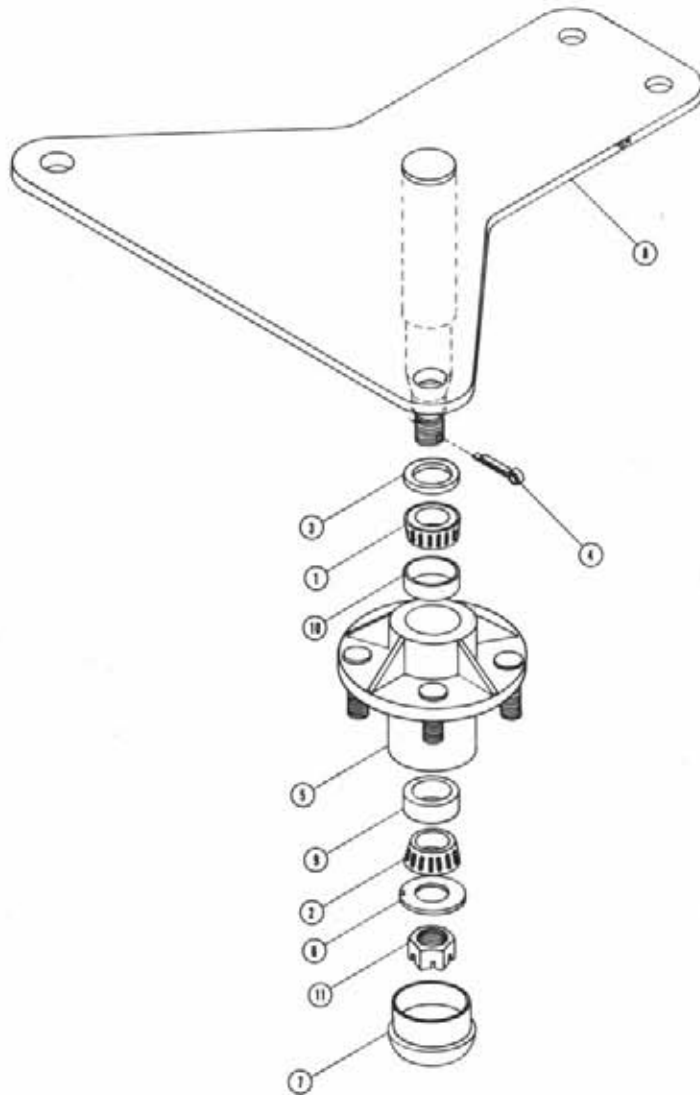
Note: Cylinder Assembly - 620570
Seal Kit - 620575



STEERING CYLINDER ASSEMBLY

Det.	Qty.	P/N	Description
1.	2	611122	1/4 NPT x 90° x 9/16 MJIC
2.	1	620089	Steering Cylinder Tube Weldment
3.	1	620148	Steering Cylinder Shaft Weldment
4.	1	620109	Gland
5.	1	620129	Piston
6.	1	629028	Wiper
7.	1	629618	Wear Ring
8.	1	629616	Piston Seal
9.	1	870025	1 3/16 x 1 5/16 O-Ring
10.	1	870210	3/4 x 1 Neoprene O-Ring
11.	1	870218	1 1/4 x 1 1/2 Neoprene O-Ring
12.	1	890210	3/4 x 1 Back-Up Washer
13.	1	890218	1 1/4 x 1 1/2 Back-Up Washer
14.	1	914009	1/2 UNF Lock Nut
15.	1	900536	5/8 UNC x 2 1/2 Hex Bolt
16.	2	914010	5/8 UNC Lock Nut
17.	1	618486	9/16 FJIC Swivel Run Tee
18.	1	900538	5/8 UNC x 3 Hex Bolt

Note: Cylinder Assembly With Fittings-620080
Seal Kit-620998



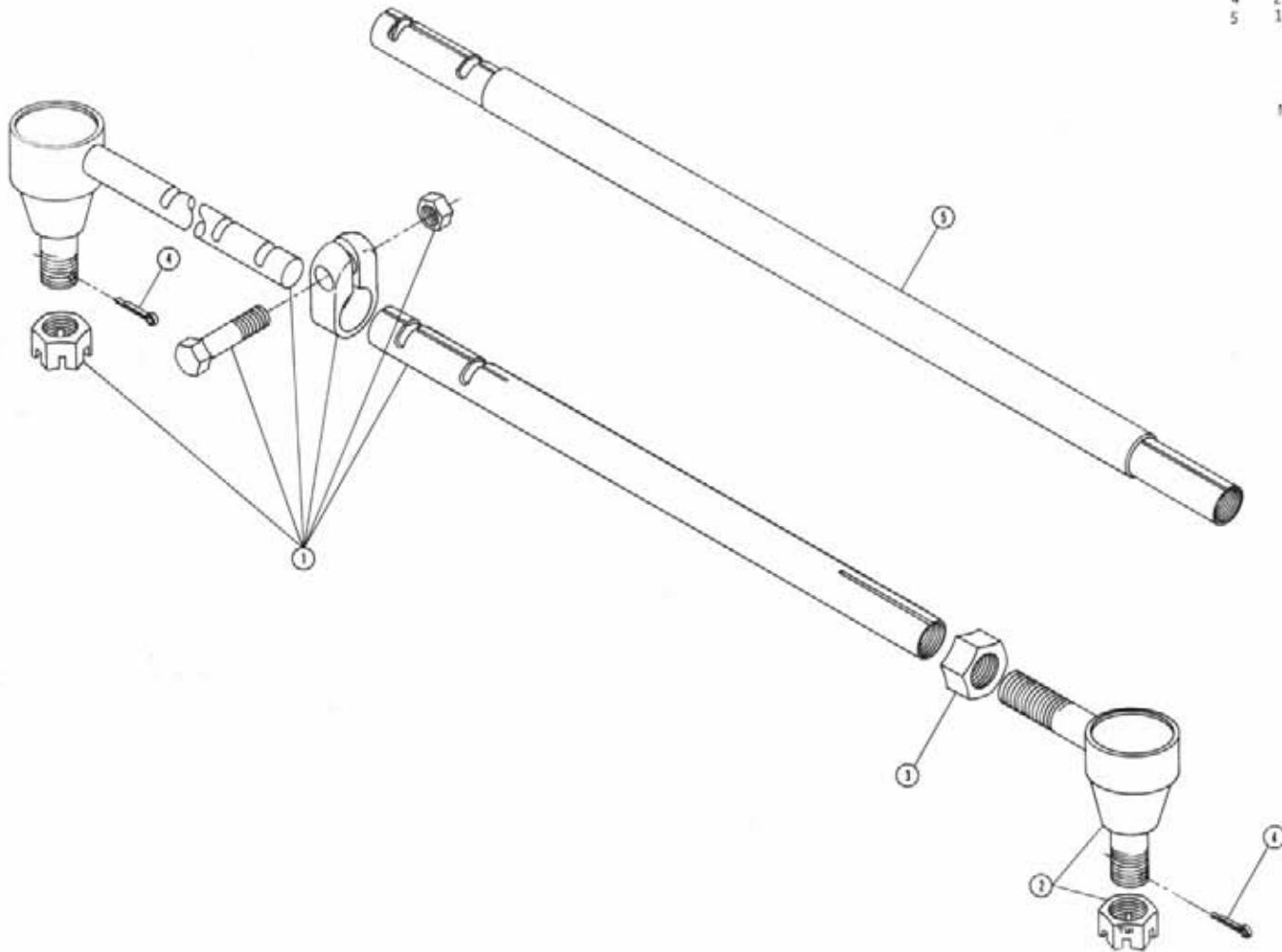
STEERING HUB ASSEMBLY

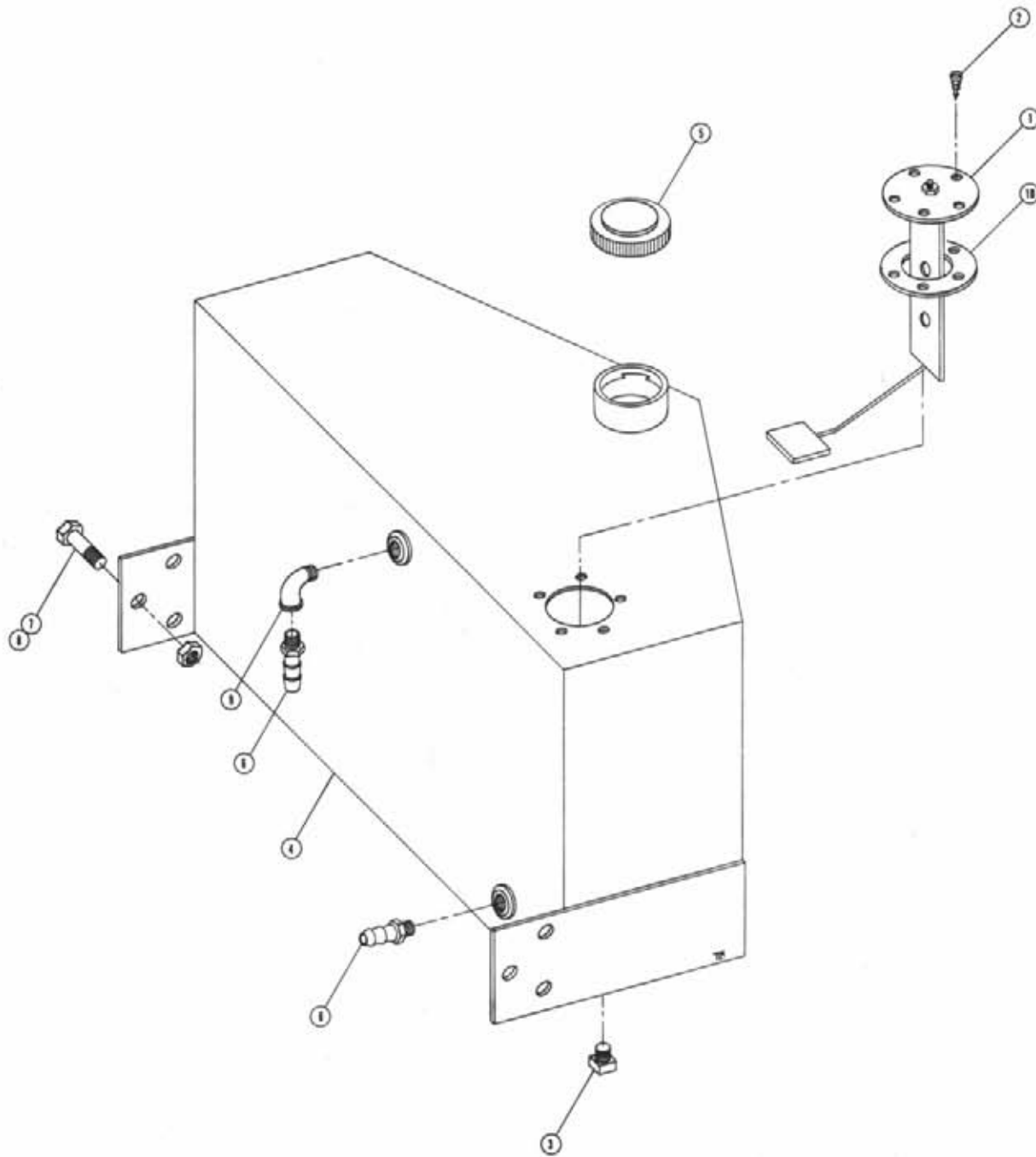
Det.	Qty.	P/N	Description
1	1	125010	Inner Bearing Cone
2	1	125015	Outer Bearing Cone
3	1	129010	Grease Seal
4	1	472008	5/32 x 1 Cotter Pin
5	1	822010	Hub
6	1	822031	Spindle Washer
7	1	822060	Hub Cap
8	1	749225	Pivot Weldment
9	1	125016	Outer Bearing Cup
10	1	125028	Inner Bearing Cup
11	1	822040	Spindle Nut

TIE ROD ASSEMBLY

Det.	Qty.	P/N	Description
1	1	749164	Tie Rod Assembly
2	1	740413	Socket Assembly
3	1	740426	Tie Rod Lock Nut
4	2	470038	1/8 x 1 3/4 Cotter Pin
5	1	749209	Tie Rod Weldment

Note: Item 5 is used only on
8380 machines





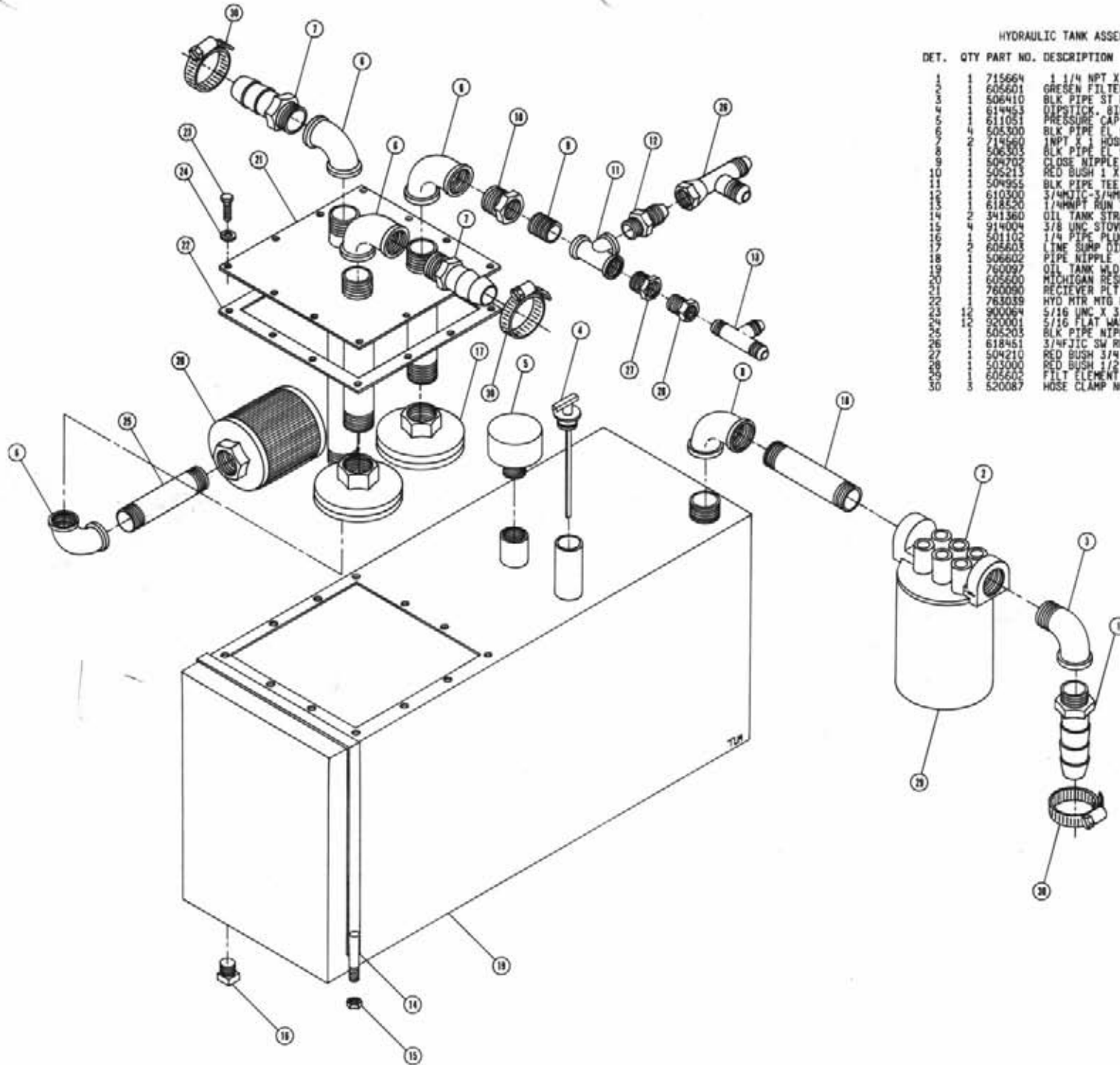
FUEL TANK ASSEMBLY

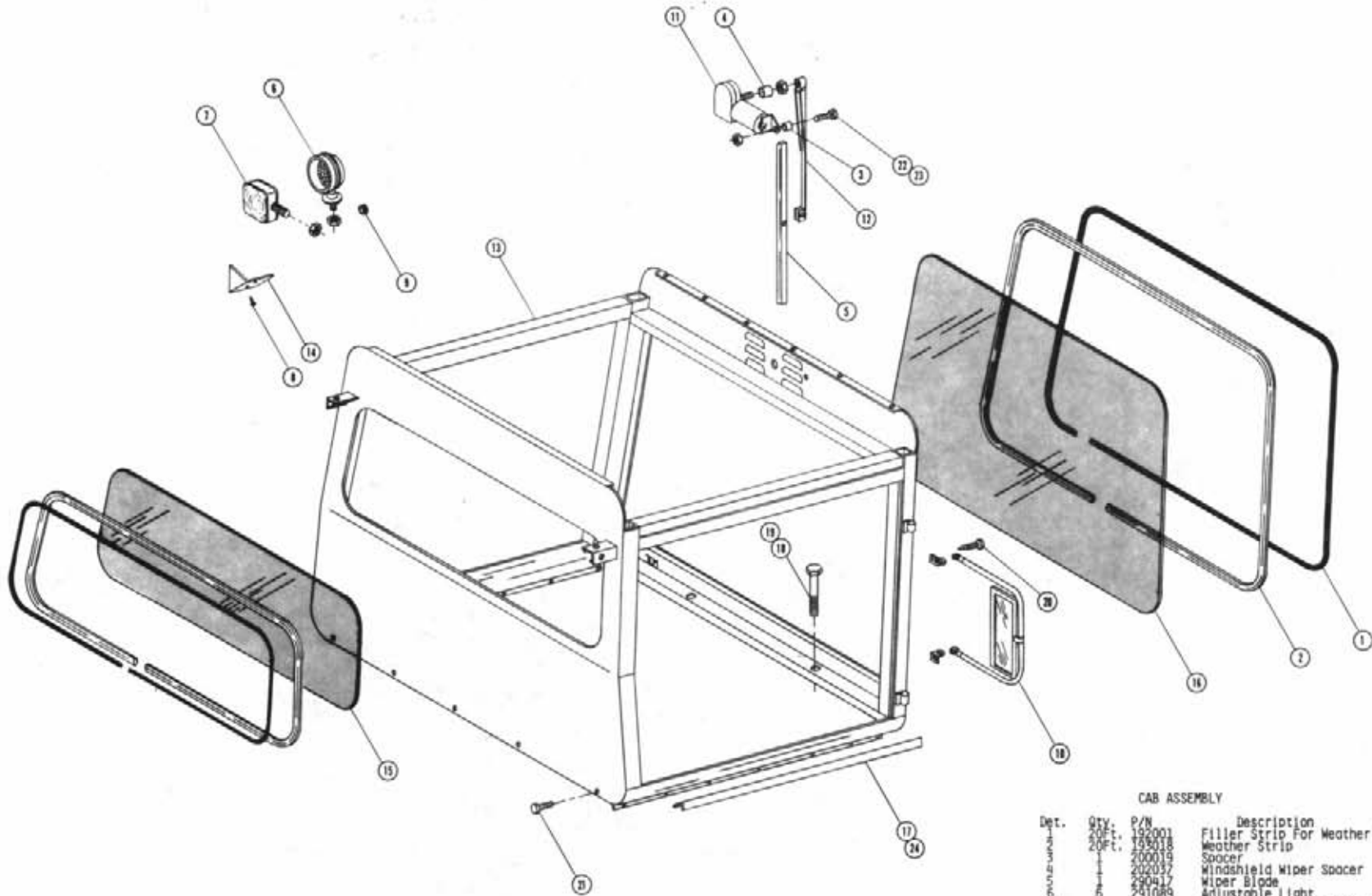
Det.	Qty.	P/N	Description
1	1	291428	Fuel Sender
2	5	473902	No. 8 x 1/2 Pan Head Screw
3	1	501102	1/4 Pipe Nipple
4	1	750120	Fuel Tank Weldment 47 Gallon
5	1	761200	Gas Cap
6	2	783303	1/4 NPT x 5/16 Hose Barb
7	6	900264	1/2 UNC x 1 1/4 Hex Bolt
8	6	914008	1/2 UNC Lock Nut
9	1	501450	1/4 UNC x 90° Street Elbow
10	1	291464	Fuel Sender Gasket

HYDRAULIC TANK ASSEMBLY

DET. QTY PART NO. DESCRIPTION

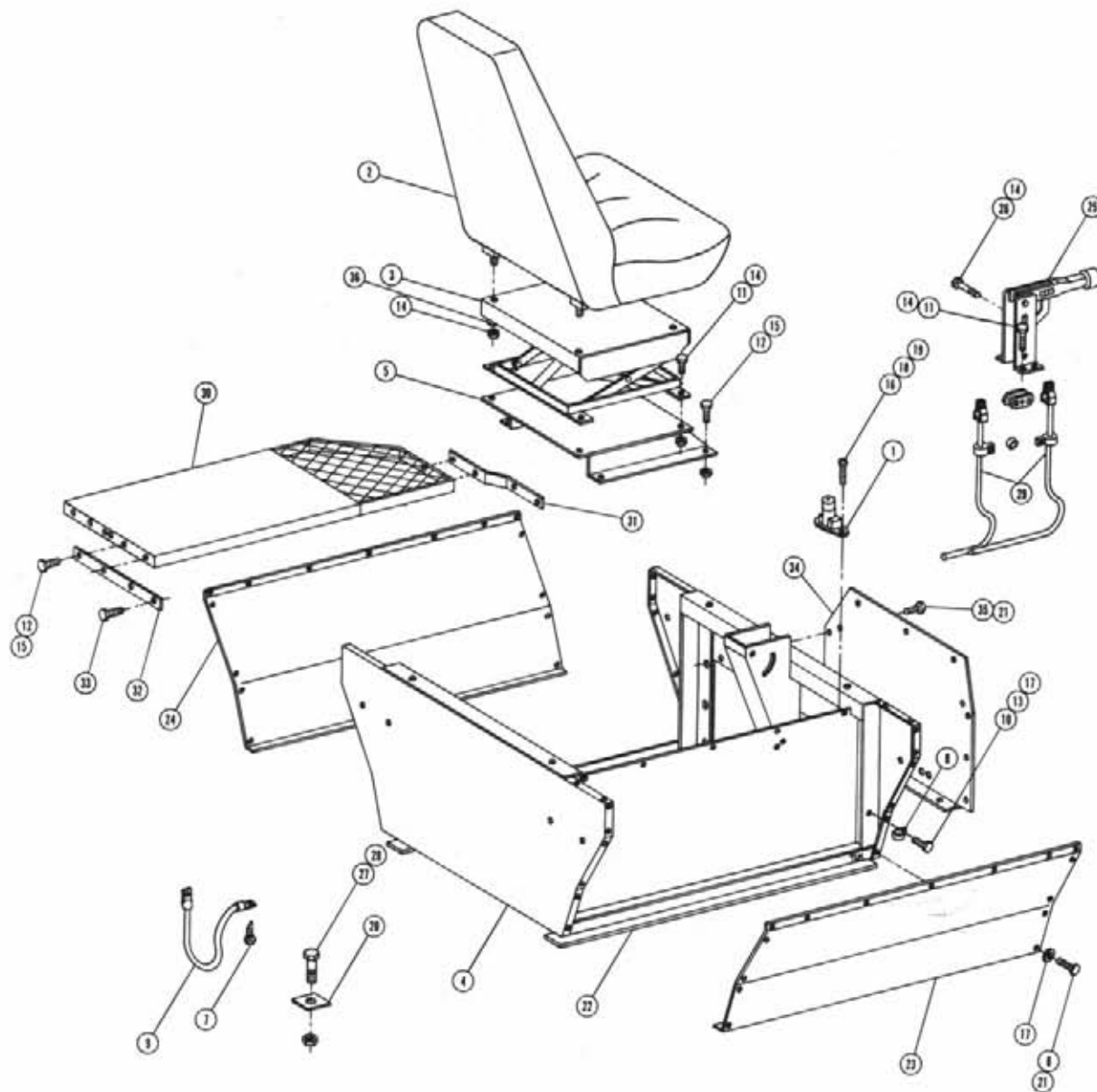
1	1	715664	1 1/4 NPT X 1 HOSE BARB
2	1	605601	GREEN FILTER 10 MICRON 40GPM
3	1	606410	BLK PIPE ST EL 90DEG 1.25NPT
4	1	614463	DISPICK 6IN
5	1	611051	PRESSURE CAP 3/4NPT SLB
6	4	605300	BLK PIPE EL 90DEG 1.00NPT
7	2	714660	1NPT X 1 HOSE BARB
8	2	606303	BLK PIPE EL 90DEG 1.25NPT
9	2	604702	CLOSE NIPPLE 75NPT
10	2	605213	RED BUSH 1 X 3/4 BLK MAL
11	3	604955	BLK PIPE TEE 75NPT
12	1	610300	3/4MJIC 3/4NPT ADPTR
13	1	618550	1/4NPT RUN TEE-9/16MJIC
14	2	341360	OIL TANK STRAP W/D 8240 1982
15	4	914004	3/8 UNC STOVER NUT
16	1	601102	1/4 PIPE PLUG
17	2	605603	LIME SUMP DIFFUSER
18	1	606602	PIPE NIPPLE 1 1/4NPT-2 1/2
19	1	760097	OIL TANK W/D 8240 1982
20	1	605600	MICHIGAN RESERVOIR FILTER
21	1	760090	RECEIVER PLT W/D 8240
22	1	763039	HYD HTR MTG PLT BSKT
23	1	900064	5/16 UNC X 3/4 HEX BOLT
24	1	920001	2/16 FLAT WASHER SAE PLT
25	1	605203	BLK PIPE NIPPLE 1.00NPT-4.00
26	1	618451	3/4FJIC SW RUN TEE-3/4MJIC
27	1	604210	RED BUSH 3/4 NPT X 1/2 NPT
28	1	603000	RED BUSH 1/2 TO 1/4 BLK MAL
29	1	605602	FILT ELEMENT 10MICRON 40GPM
30	3	620087	HOSE CLAMP NO 20 PLATED





CAB ASSEMBLY

Det.	Qty.	P/N	Description
1	20 Ft.	192001	Filler Strip For Weather Strip
2	20 Ft.	193018	Weather Strip
3	1	200019	Spacer
4	1	202037	Windshield Wiper Spacer
5	1	204017	Wiper Blade
6	1	201089	Adjustable Light
7	1	201114	Flasher and Side Marker Light
8	1	473994	6/32 x 3/8 Hex Head Metal Screw
9	4	470070	3/8 I.D. Rubber Grommet
10	2	650524	Rear View Mirror
11	1	658008	Windshield Wiper Motor
12	1	658013	Wiper Arm
13	1	659402	Cab Weldment
14	1	659421	Worklight Bracket Cover
15	1	659424	Rear Cab Glass
16	1	659425	Front Cab Glass
17	1	659467	Cab Foam Keeper Angle
18	4	900270	1/2 UNC x 3 Hex Bolt
19	4	914008	1/2 UNC Lock Nut
20	8	472349	1/4 x 3/4 Self-Tapping Screw
21	10	470118	1/4 UNC x 3/4 Flanged Bolt
22	1	914000	1/4 UNC Lock Nut
23	1	900005	1/4 UNC x 1 1/2 Hex Bolt
24	10	485052	1/8 x 3/8 Pop Rivet

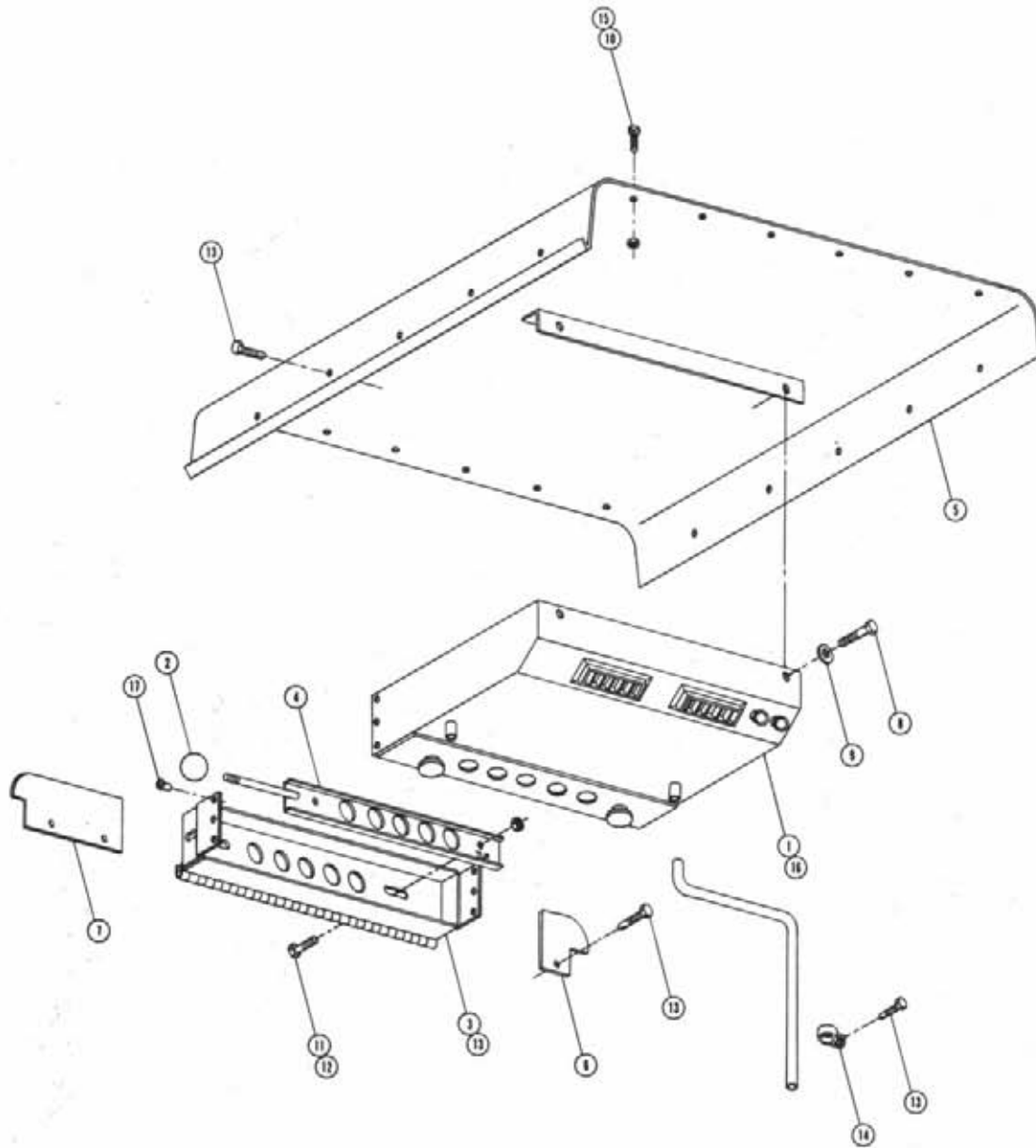


OPERATOR STATION ASSEMBLY

DET. QTY PART NO. DESCRIPTION

1	1	290412	DIMMER SWITCH
2	1	330014	TRIMLINE SEAT
3	1	330015	SUSPENSION ASSY TRIMLINE SEAT
4	1	341652	OP STN WLD
5	1	341554	SEAT MT WLD TRIMLINE SEAT
6	39	470086	NUTSERT, 1/4UNC .020-.100GR
7	2	472349	1/4 X 3/4 20THD-IN TEX TYPE
8	1	520121	CUSHION HOSE CLAMP 1 IN DIA
9	1	290107	8" GROUND STRAP
10	1	900002	1/4 UNC X 3/4 HEX BOLT
11	8	900064	5/16 UNC X 3/4 HEX BOLT
12	8	900129	3/8 UNC X 1 HEX BOLT
13	1	914000	1/4 UNC STOVER NUT
14	13	914002	5/16 UNC STOVER NUT
15	8	914004	3/8 UNC STOVER NUT
16	2	914027	NO 10-32 STOVER NUT
17	31	920000	1/4 FLAT WASH SAE
18	2	920510	LOCK WASH NO 10
19	2	903893	10-32 X 1 SLT RD HD MACH SCR
20	4	310841	ENG PAD
21	40	470118	1/4 UNC X 3/4 FLANGED H BOLT
22	2	659579	FOAM, 2IN WIDE X 40IN LONG
23	1	659628	RH OP STN PNL WLD 8370-8380
24	1	659629	LH OP STN PNL WLD 8370-8380
25	1	826108	BRAKE LEVER ASSY
26	1	900067	5/16 UNC X 1 1/2 HEX BOLT
27	4	900266	1/2 UNC X 1 3/4 HEX BOLT
28	4	914008	1/2 UNC STOVER NUT
29	2	826926	190 IN BRAKE CABLE
30	1	341616	LH CATWALK WLD
31	1	341624	FRT MTG STRIP CATWALK
32	1	341625	REAR MTG STRIP CATWALK
33	4	900128	3/8 UNC X 3/4 HEX BOLT
34	1	341639	FRT OP STN COVER
35	10	470121	1/4-20 FLANGED WHIZ NUT
36	2	920001	5/16 FLAT WASHER SAE PLT

NOTE: ITEMS 30, 31, AND 32 ARE USED ONLY ON THE 8370 MACHINES.



AIR CONDITIONER ASSEMBLY AND ROOF

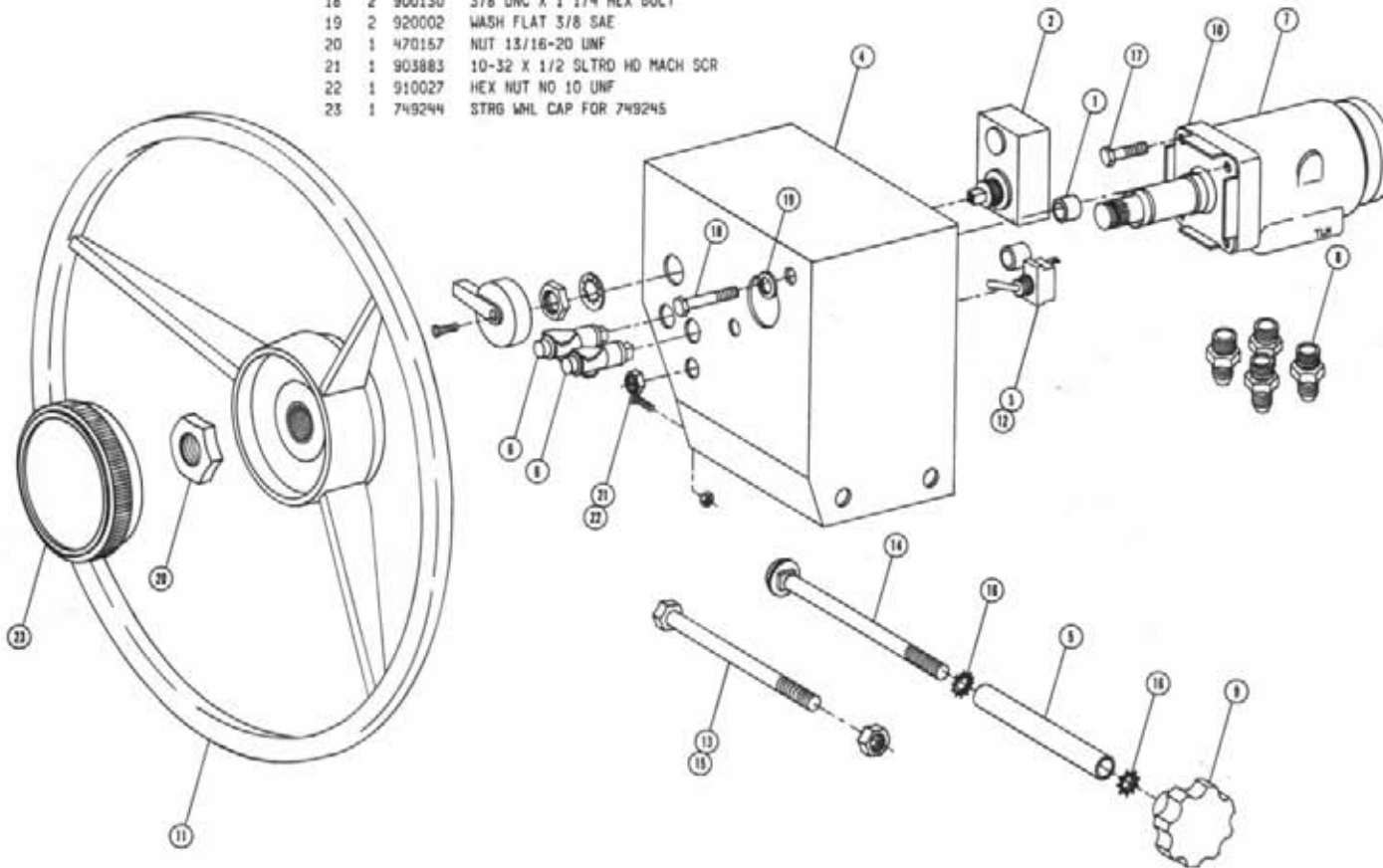
DET. QTY PART NO. DESCRIPTION

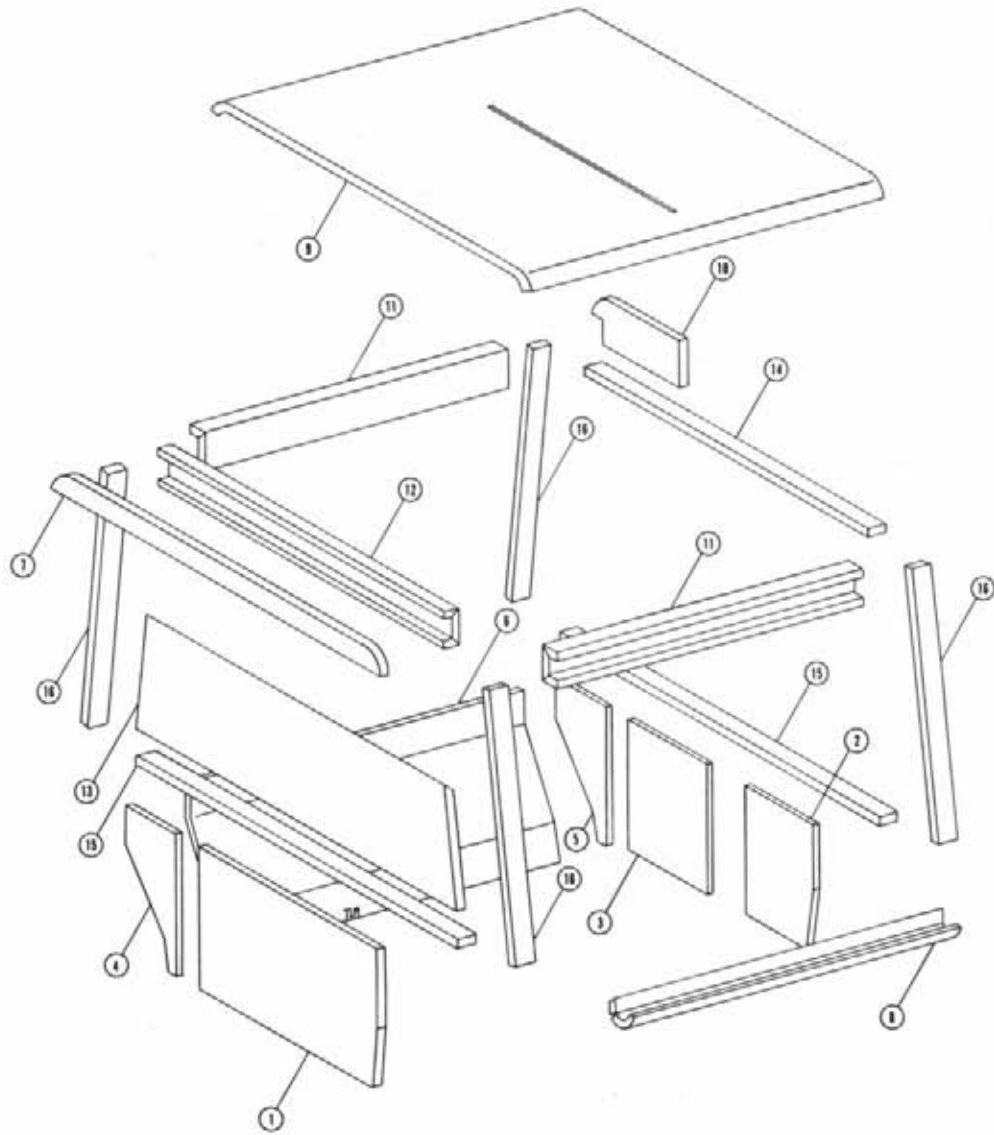
1	1	657303	A/C EVAPORATOR INSTALL KIT
2	1	659291	1 DIA BALL KNOB 3/8-16INSERT
3	1	659439	A/C BLOWER HSNG HT WLD 8400
4	1	659442	A/C OUTSIDE AIR SLIDE WLD8400
5	1	659445	CAB ROOF WLD 8400
6	1	659448	RH CAB ROOF GUSSET 8400
7	1	659449	LH CAB ROOF GUSSET 8400
8	2	900170	3/8 UNC X 2 1/4 HH BOLT
9	2	920002	WASH FLAT 3/8 SAE
10	12	470118	1/4 UNC X 3/4 FLANGED H BOLT
11	2	914000	1/4 UNC STOVER NUT
12	2	900000	1/4 UNC X 1/2 HEX BOLT
13	19	472349	1/4 X 3/4 20THD-IN TEK TYPE
14	4	520117	CUSHION HOSE CLAMP 5/8 IN
15	12	470121	1/4-20 FLANGED WHIZ NUT
16	1	657333	A/C BLOWER & EVAPORATOR EAGLE
17	6	485053	POP RIVET 3/16 X 3/8

STEERING WHEEL ASSEMBLY

DET. QTY PART NO. DESCRIPTION

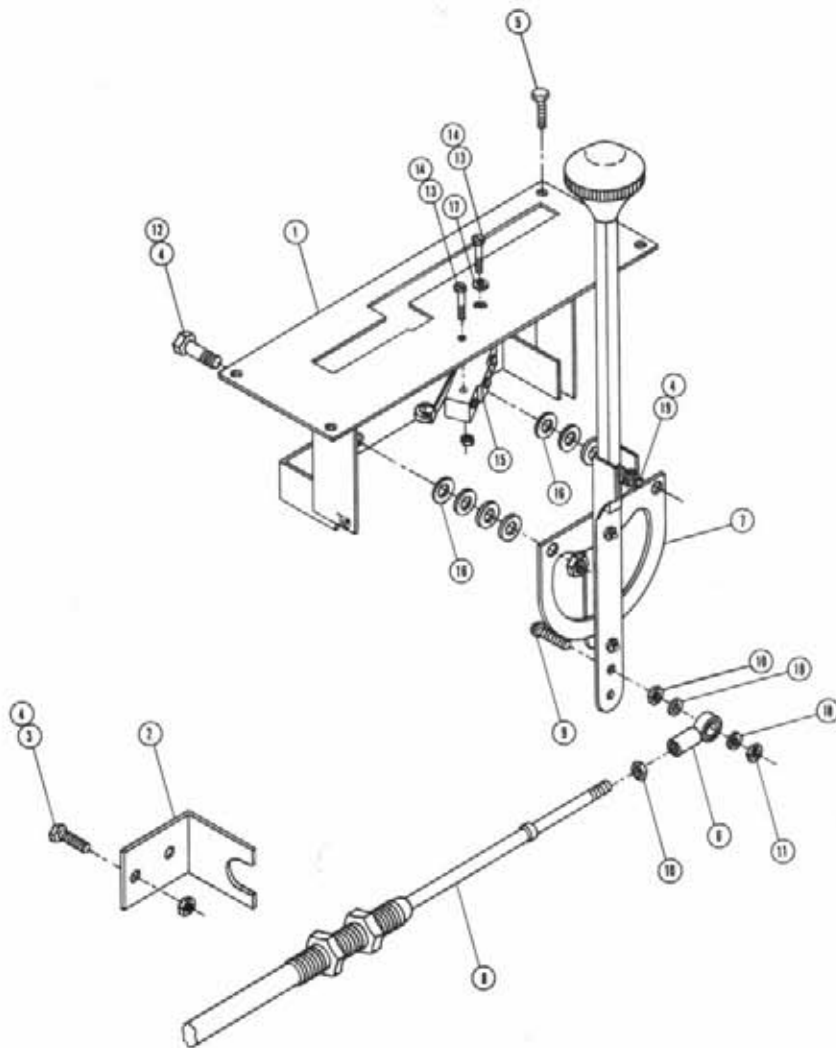
1	2	200464	PARK BRAKE SPACER
2	1	291088	FLASHER / TURN SIGNAL SWITCH
3	1	298012	TOGGLE SWITCH
4	1	341631	STRG COLUMN COVER WLD
5	1	001266	SPACER TUBE
6	2	390318	HEADLIGHT HIGHBEAM INDICATOR
7	1	749150	STRG MTR NON-LOAD REACT 100B
8	4	618109	9/16M31C-3/4MOR ADPTR
9	1	742502	STRG ADJ KNOB
10	1	749178	STRG COLUMN 2.5IN LONG
11	1	749245	STRG WHL 14.0 DIA W/CAP
12	1	470001	RUBBER BOOT W NUT FOR 298012
13	1	900277	1/2 UNC X 5 1/2 HEX BOLT
14	1	901276	1/2 UNC X 5 CARR BOLT
15	1	914008	1/2 UNC STOVER NUT
16	2	470123	1/2 EXTERN TOOTH LOCK WASH
17	2	900128	3/8 UNC X 3/4 HEX BOLT
18	2	900130	3/8 UNC X 1 1/4 HEX BOLT
19	2	920002	WASH FLAT 3/8 SAE
20	1	470157	NUT 13/16-20 UNF
21	1	903883	10-32 X 1/2 SLTRD HD MACH SCR
22	1	910027	HEX NUT NO 10 UNF
23	1	749244	STRG WHL CAP FOR 749245





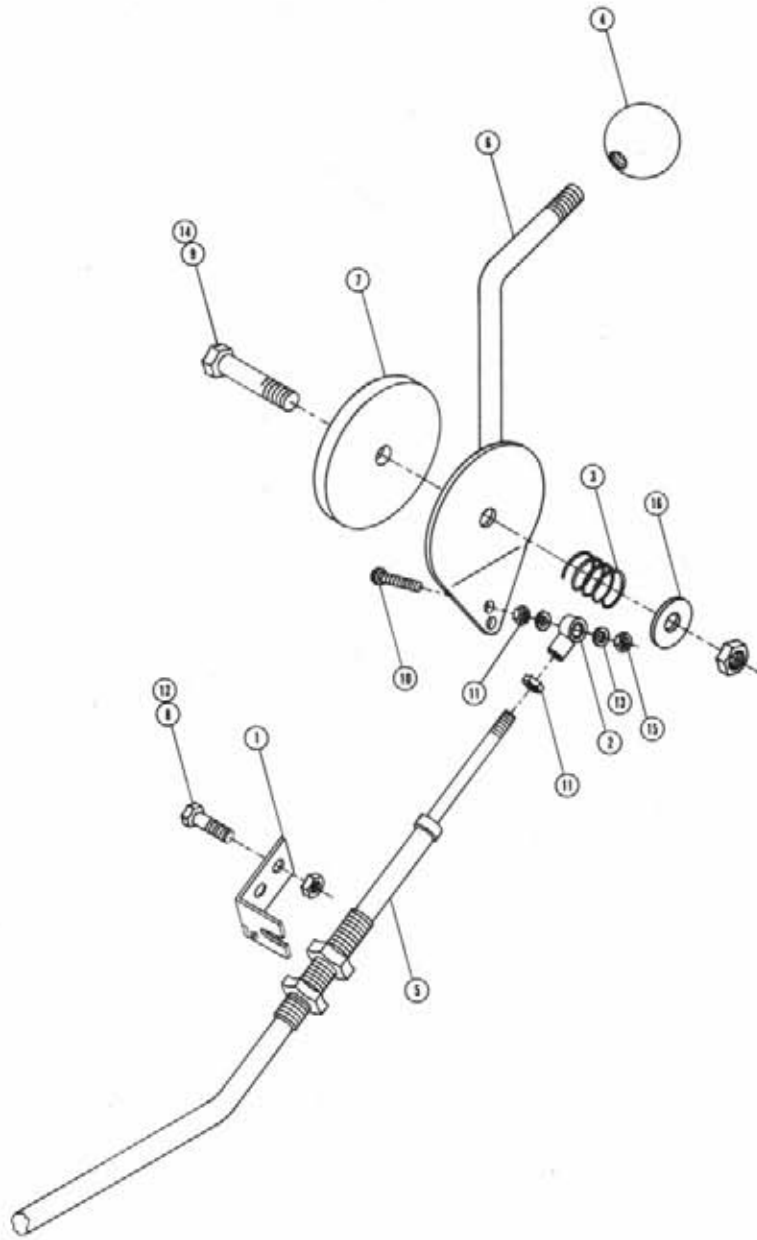
CAB FOAM

Det.	Qty.	P/N	Description
1	1	659597	Foam, Center Rear Operator Station
2	1	659594	Foam, Right Front Operator Station
3	1	659593	Foam, Center Front Operator Station
4	1	659596	Foam, Left Rear Operator Station
5	1	659595	Foam, Left Front Operator Station
6	1	659598	Foam, Left Side Panel
7	1	659381	Foam, Rear Top Crossmember
8	1	659599	Foam, Console Side
9	1	659383	Foam, Cab Roof
10	1	659385	Foam, Left Top Cab Corner
11	2	659392	Foam, Upper Side Frame
12	1	659393	Foam, Upper Rear Frame
13	1	659394	Foam, Lower Rear Window Panel
14	1	659396	Foam, Cab Tube 37.25 Long
15	2	659397	Foam, Cab Tube 42.75 Long
16	4	659398	Foam, Cab Tube 32.25 Long



HYDROSTATIC LEVER ASSEMBLY

Det.	Qty.	P/N	Description
1	1	341501	Hydrostatic Control Lever Mount
2	1	341188	Console Throttle Cable Bracket
3	2	900000	1/4 UNC x 1/2 Hex Bolt
4	5	914000	1/4 UNC Stover Nut
5	4	470122	1/4-20 x 1/2 Flanged Hex Bolt
6	1	473921	No. 10-32 Ball Joint
7	1	606864	Control Lever
8	1	785053	Hydrostatic Cable 95"
9	1	903893	No. 10-32 x 1 Round Head Screw
10	2	910027	No. 10 UNF Hex Nut
11	1	914027	No. 10-32 Stover Nut
12	2	900003	1/4 UNC x 1 Hex Bolt
13	2	910022	No. 6-32 Hex Bolt
14	2	473993	No. 6-32 x 1 1/8 Hex Head Machine Screw
15	1	293006	Micro Switch
16	8	920000	1/4 Flat Washer
17	1	920011	No. 6 SAE Flat Washer
18	2	920510	No. 10 Lock Washer
19	1	900005	1/4 UNC x 1 1/2 Hex Bolt



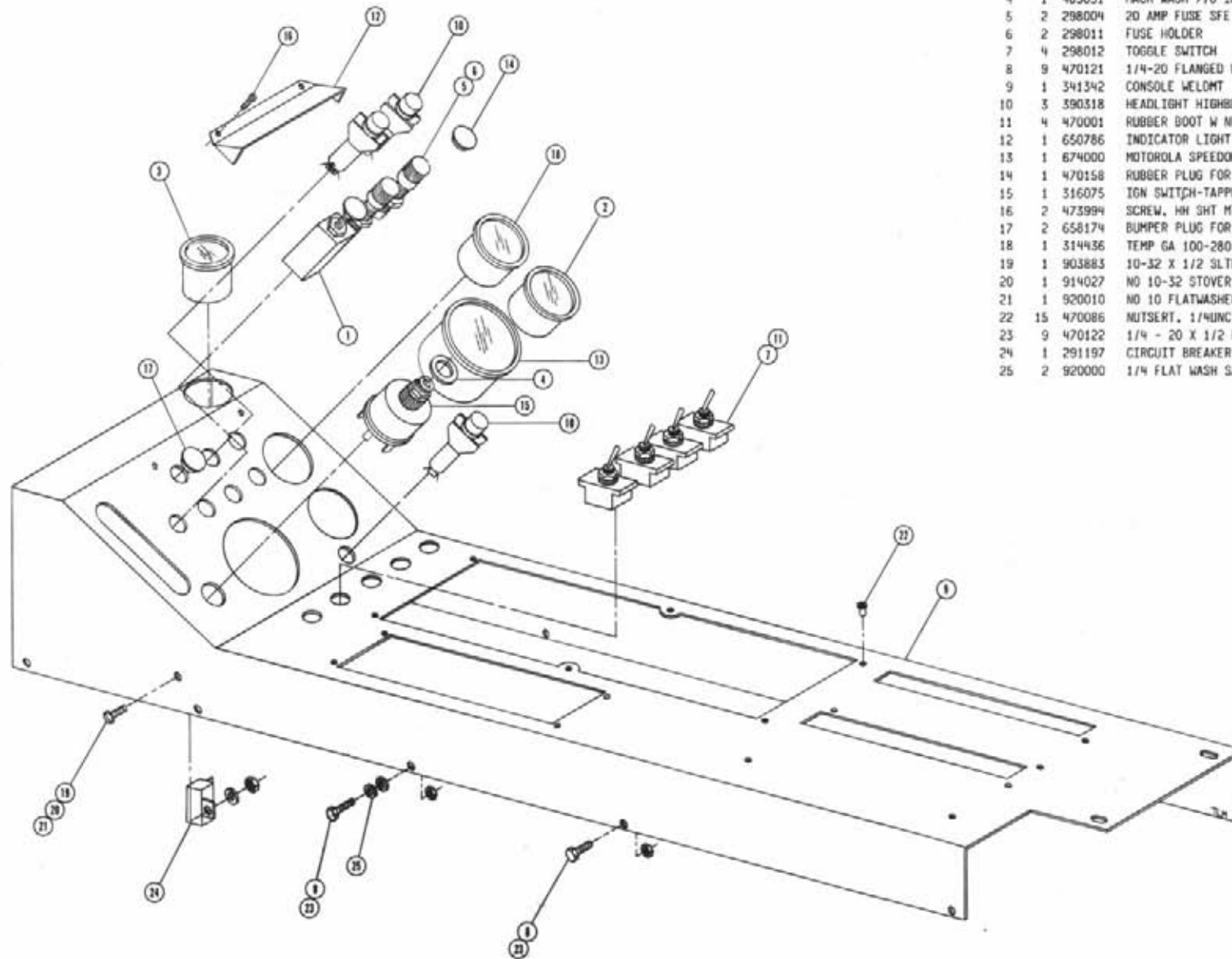
THROTTLE LEVER ASSEMBLY

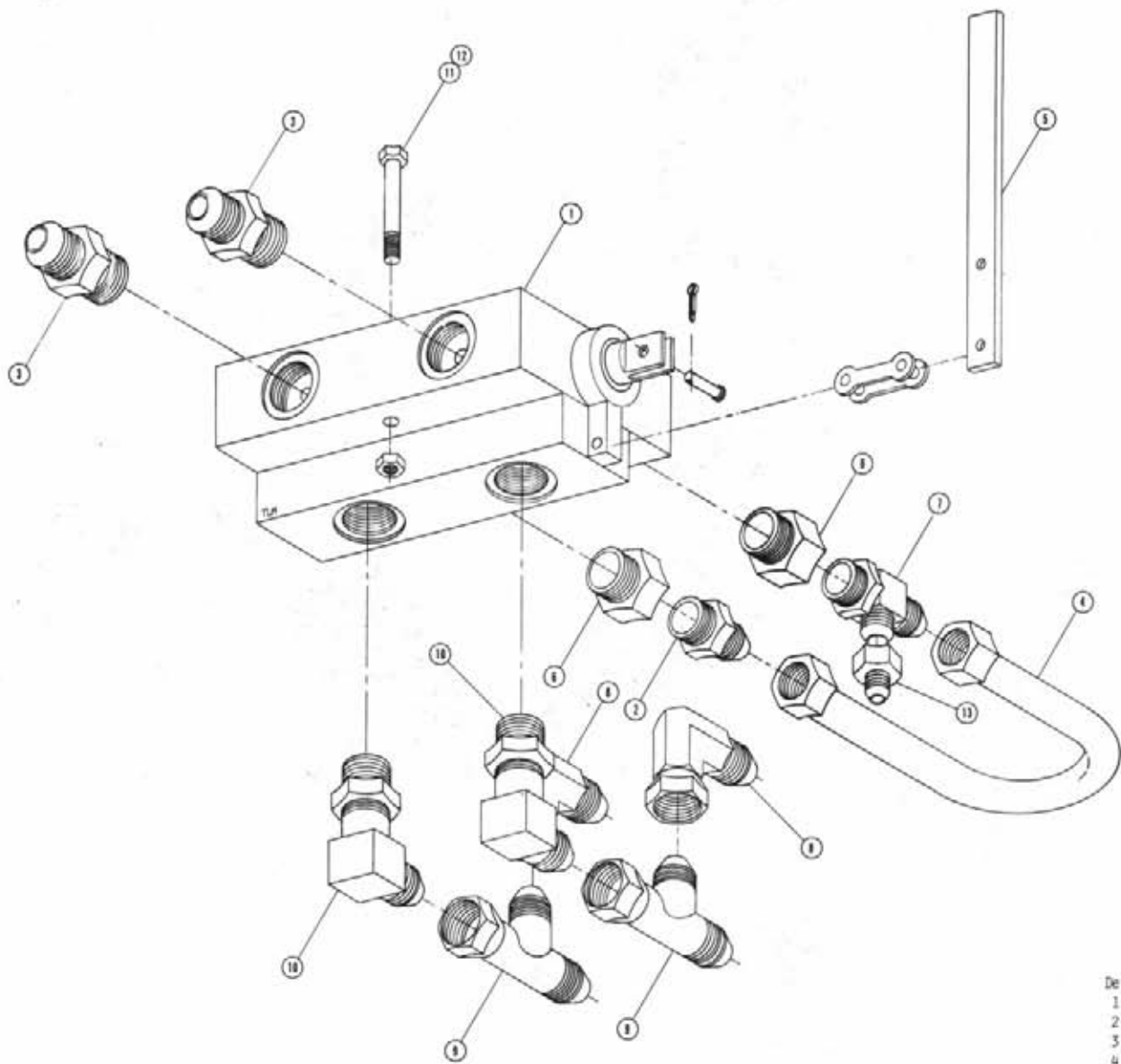
Det. Qty.	P/N	Description
1	341188	Throttle Cable Mount Angle
2	473921	No. 10-32 Ball Joint
3	499001	Spring
4	659292	1 7/8 Dia. Ball Knob
5	785054	Throttle Cable 128"
6	785040	Throttle Lever Weldment
7	785046	Friction Disc
8	900000	1/4 UNC x 1/2 Hex Bolt
9	900170	3/8 UNC x 2 1/4 Hex Bolt
10	903893	No. 10-32 x 1 Round Head Machine Screw
11	910027	No. 10 UNF Hex Nut
12	914000	1/4 UNC Stover Nut
13	920510	No. 10 Lock Washer
14	914004	3/8 UNC Stover Nut
15	914027	No. 10-32 Stover Nut
16	920002	3/8 SAE Flat Washer

CONSOLE ASSEMBLY

DET. QTY PART NO. DESCRIPTION

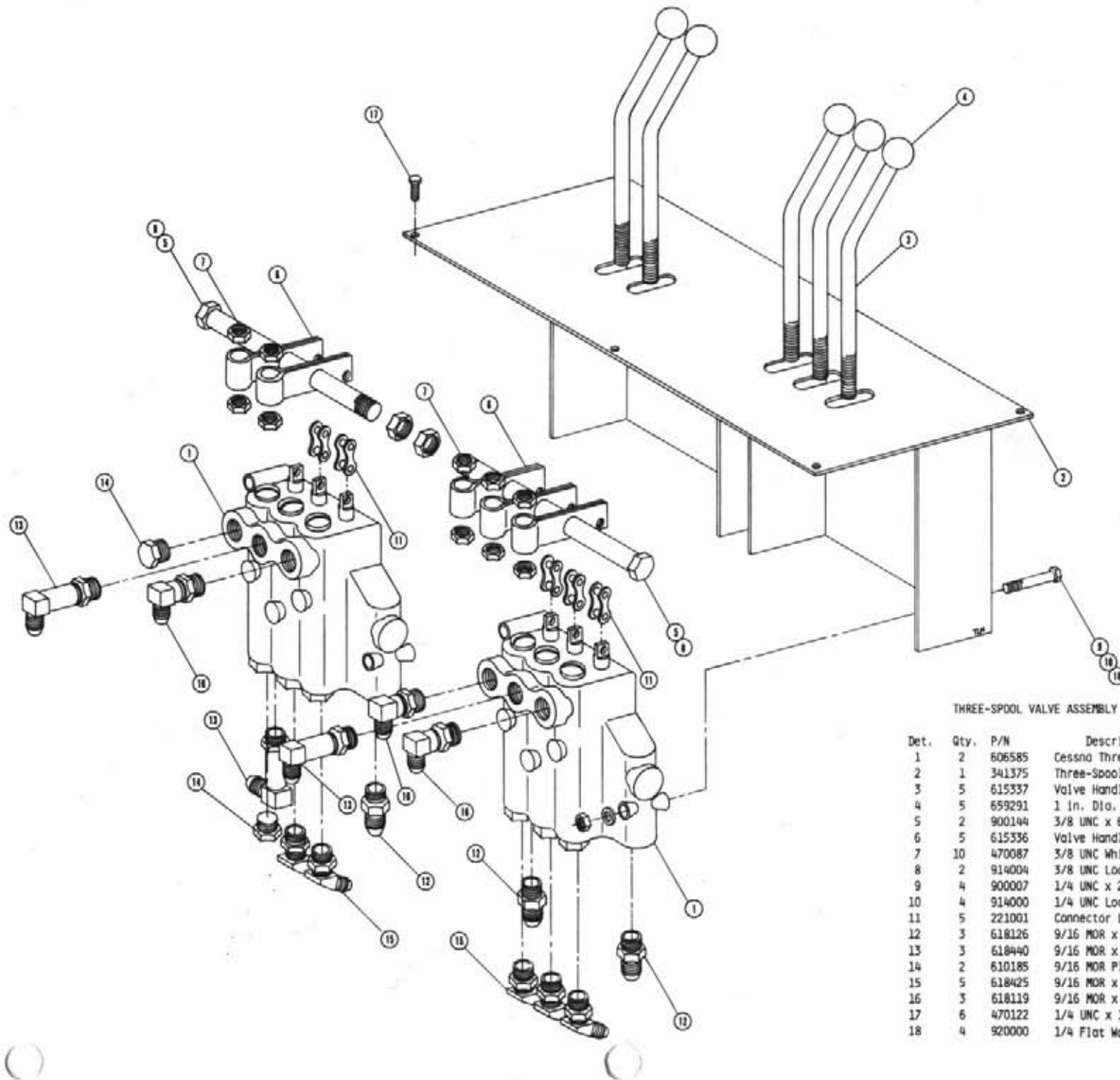
1	1	290046	LIGHT SWITCH TWO POSITION
2	1	290401	FUEL GAUGE FOR 2.125 DIA HOLE
3	1	291203	HOUR METER 640
4	1	483031	MACH WASH 7/8 ID 1 3/8 OD
5	2	298004	20 AMP FUSE SFE 20
6	2	298011	FUSE HOLDER
7	4	298012	TOGGLE SWITCH
8	9	470121	1/4-20 FLANGED WHIZ NUT
9	1	341342	CONSOLE WELDMT 8240 SPRAYER
10	3	390318	HEADLIGHT HIGHBEAM INDICATOR
11	4	470001	RUBBER BOOT W NUT FOR 298012
12	1	650786	INDICATOR LIGHT SUN SHIELD
13	1	674000	MOTOROLA SPEEDOMETER
14	1	470158	RUBBER PLUG FOR 5/16 HOLE
15	1	316075	IGN SWITCH-TAPPED, PERK
16	2	473994	SCREW, HH SHT MTL 6/32X 3/8AD
17	2	658174	BUMPER PLUG FOR 640 CAB
18	1	314436	TEMP GA 100-280 DEG LIGHTED
19	1	903883	10-32 X 1/2 3LTRD HD MACH SCR
20	1	914027	NO 10-32 STOVER NUT
21	1	920010	NO 10 FLATWASHER SAE
22	15	470086	NUTSERT, 1/4UNC .020-.100GR
23	9	470122	1/4 - 20 X 1/2 FLANGED H BOLT
24	1	291197	CIRCUIT BREAKER, 30AMP
25	2	920000	1/4 FLAT WASH SAE





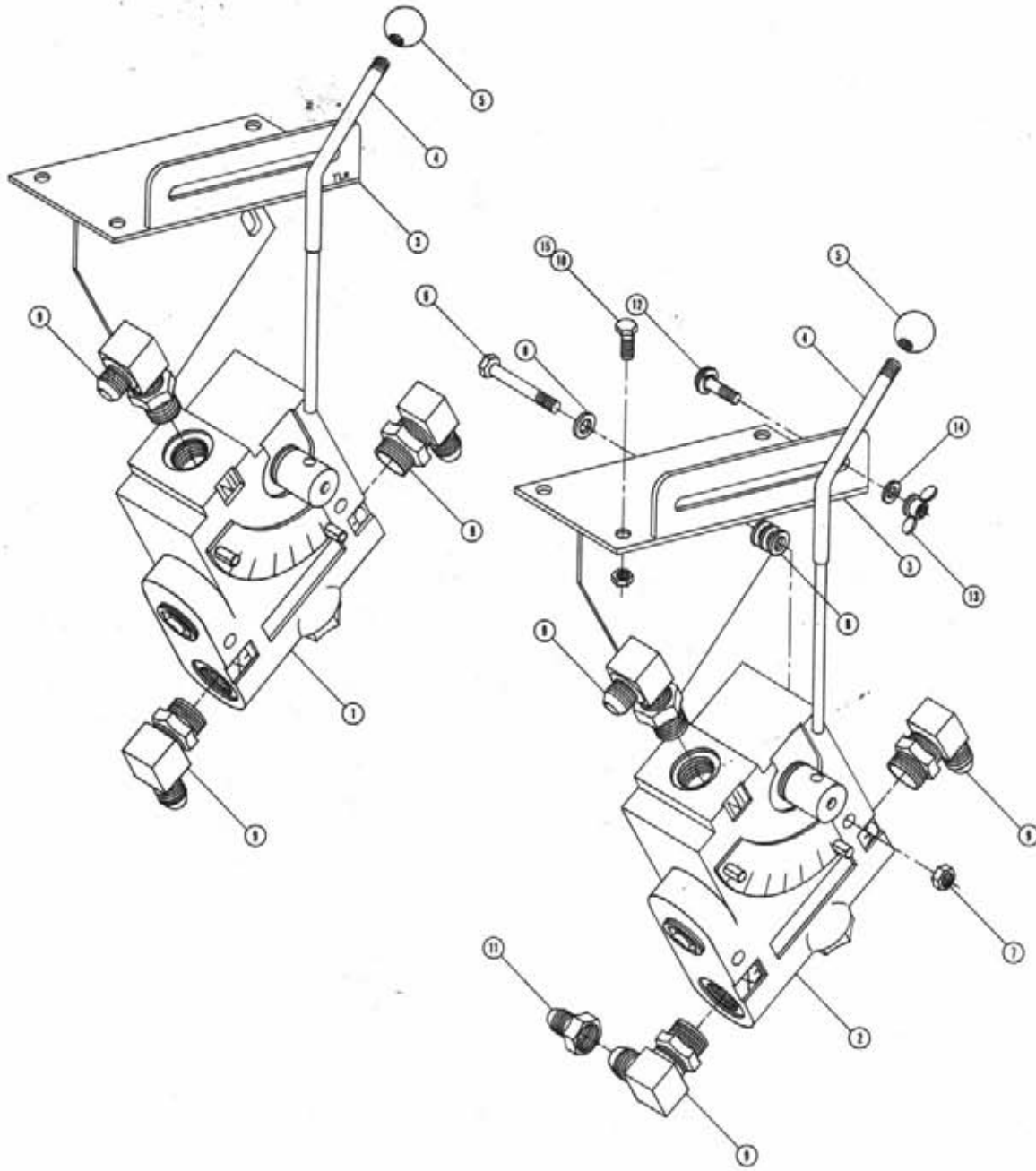
Four-Wheel Drive Selector Valve Assembly

Det. Qty.	P/N	Description
1	606003	Gresen Selector Valve
2	611126	7/8 MOR x 7/8 MJIC
3	611127	1 1/16 MOR x 1 1/16 MJIC
4	614198	Four-Wheel Drive U-Tube
5	615592	Four-Wheel Drive Selector Valve Handle
6	618132	1 1/16 MOR x 7/8 FOR Reducer
7	618130	7/8 MOR x 7/8 MJIC RUN TEE
8	618301	7/8 MJIC x 90° x 7/8 FJIC Swivel
9	618333	7/8 MJIC Swivel Run Tee
10	618535	1 1/16 MOR x 90° x 7/8 MJIC
11	900135	3/8 UNC x 2 3/4 Hex Bolt
12	914004	3/8 UNC Lock Nut
13	618557	7/8 FJIC x 9/16 MJIC



THREE-SPOOL VALVE ASSEMBLY

Det.	Qty.	P/N	Description
1	2	606585	Cessna Three-Spool Valve
2	1	341375	Three-Spool Valve Mount Weldment
3	5	615337	Valve Handle
4	5	659291	1 in. Dia. Ball
5	2	900144	3/8 UNC x 6 1/2 Hex Bolt
6	5	615336	Valve Handle Link
7	10	470087	3/8 UNC Whiz Nut
8	2	914004	3/8 UNC Lock Nut
9	4	900007	1/4 UNC x 2 Hex Bolt
10	4	914000	1/4 UNC Lock Nut
11	5	221001	Connector Link Clip
12	3	618126	9/16 MOR x 9/16 MJIC
13	3	618440	9/16 MOR x 90° x 9/16 MJIC Long
14	2	610185	9/16 MOR Plug
15	5	618425	9/16 MOR x 45° x 9/16 MJIC
16	3	618119	9/16 MOR x 90° x 9/16 MJIC
17	6	470122	1/4 UNC x 1/2 Flange Head Bolt
18	4	920000	1/4 Flat Washer



VARIABLE FLOW CONTROL ASSEMBLIES

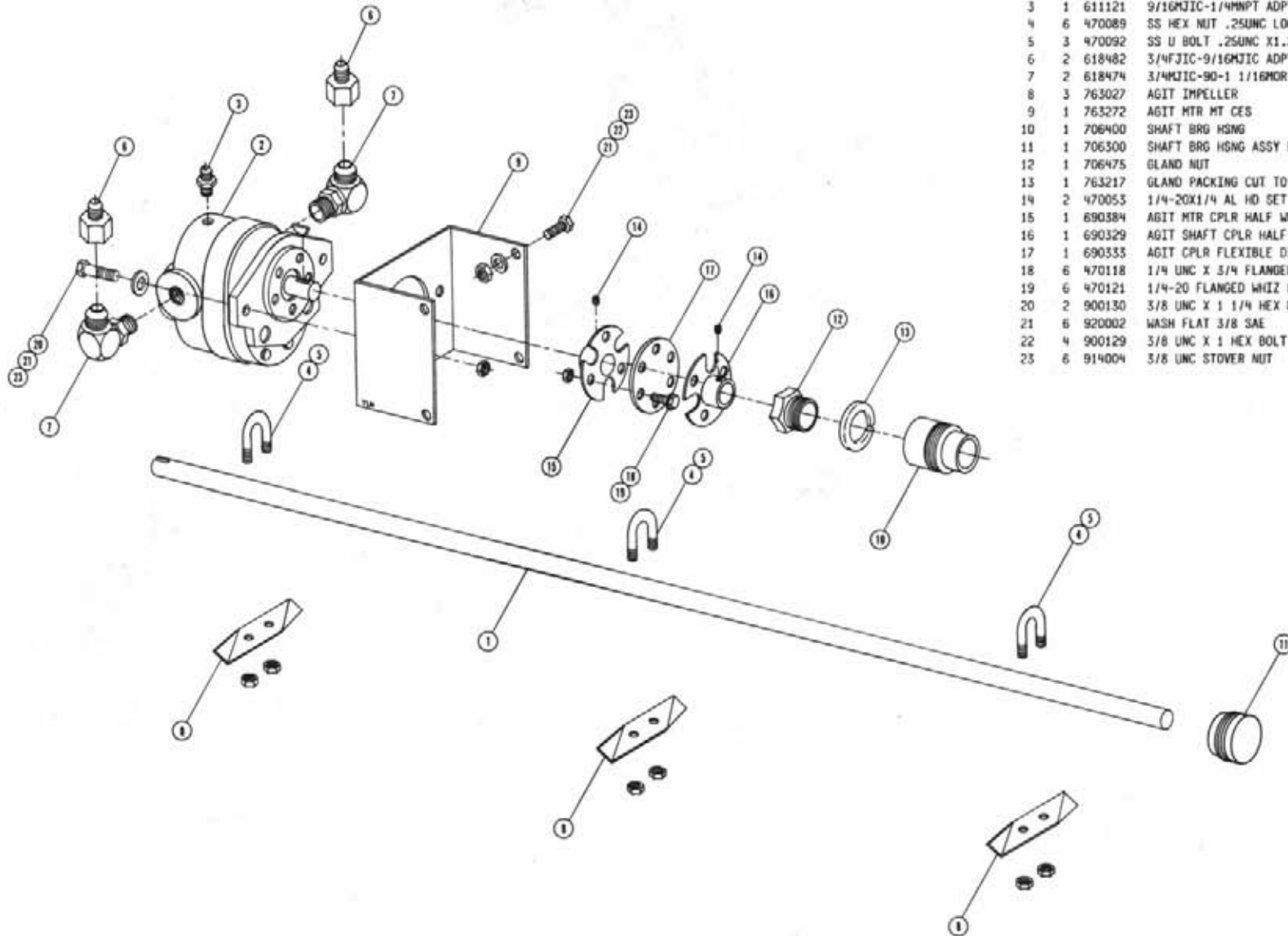
DET. QTY PART NO. DESCRIPTION

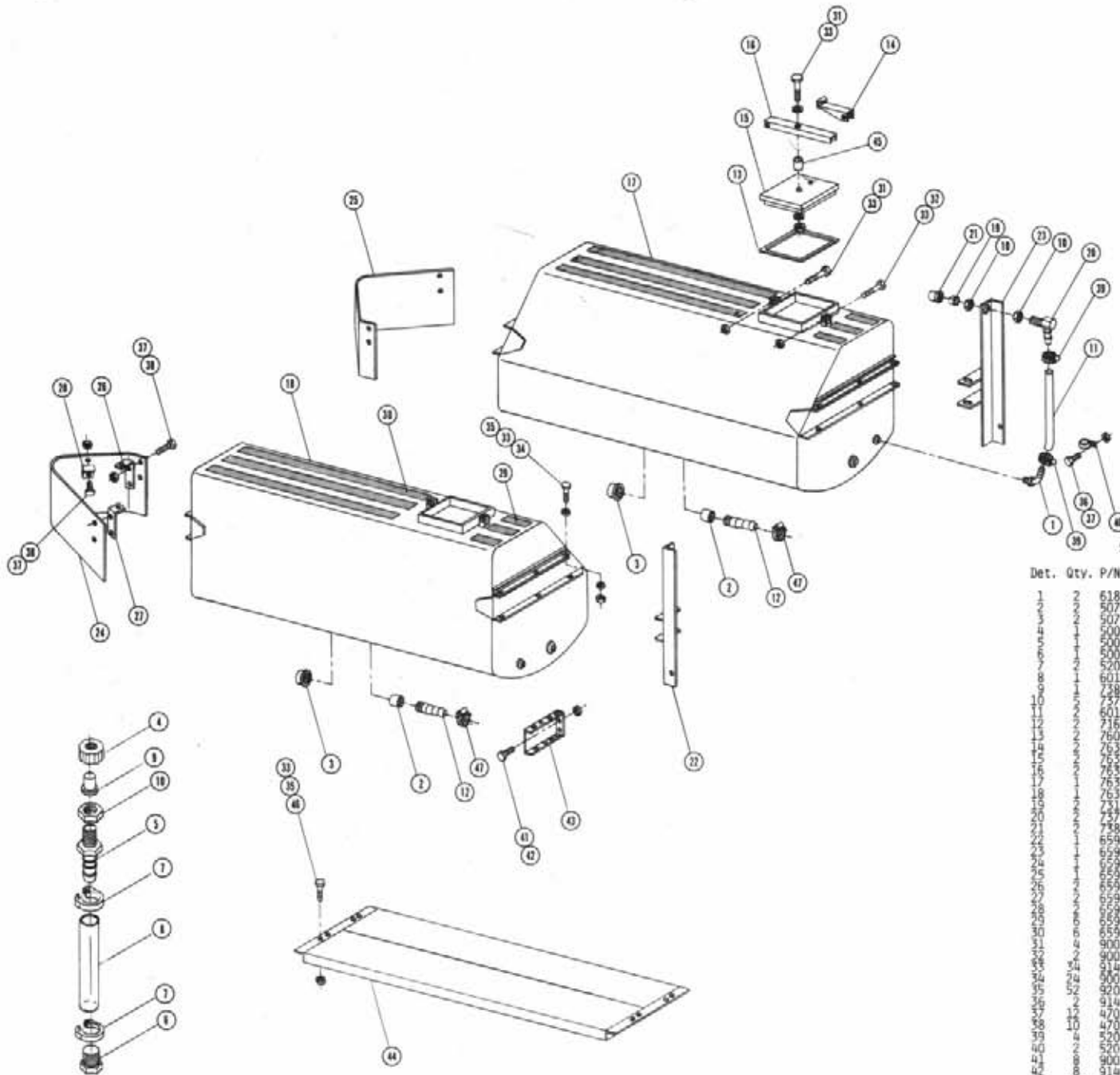
1	1	606818	FLO CONT FCR51 0-16GPM 7/8FOR
2	1	606827	FLO CONT FCS1 0-3 VARI 7/8FOR
3	2	606837	FLOW CONT MT WLD
4	2	615491	FLOW CONT LEVER WLD
5	2	659291	1 DIA BALL KNOB 3/8-16INSERT
6	4	900009	1/4 UNC X 2 3/4 HEX BOLT
7	4	914000	1/4 UNC STOVER NUT
8	16	920000	1/4 FLAT WASH SAE
9	6	618183	3/4MTC-90-7/8MOR LBO
10	6	470118	1/4 UNC X 3/4 FLANGED H BOLT
11	1	618482	3/4FJIC-9/16MTC ADPTR
12	2	901064	5/16 UNC X 3/4 CARR BOLT
13	2	473900	5/16 PLATED WING NUT
14	2	920002	WASH FLAT 3/8 SAE
15	6	470121	1/4-20 FLANGED WHIZ NUT

AGITATOR ASSEMBLY

DET. QTY PART NO. DESCRIPTION

1	1	763216	AGITATOR SHAFT
2	1	610510	CESSNA GEAR MOTOR 1.48CI
3	1	611121	9/16MJIC-1/4MNPT ADPTR
4	6	470089	SS HEX NUT .25UNC LOCK
5	3	470092	SS U BOLT .25UNC X1.25 X.75
6	2	618482	3/4FJIC-9/16MJIC ADPTR
7	2	618474	3/4MJIC-90-1 1/16MOR LBO
8	3	763027	AGIT IMPELLER
9	1	763272	AGIT MTR MT CES
10	1	706400	SHAFT BRG HSG
11	1	706300	SHAFT BRG HSG ASSY BLIND END
12	1	706475	GLAND NUT
13	1	763217	GLAND PACKING CUT TO UNKNOWN
14	2	470053	1/4-20X1/4 AL HD SET SC CUP
15	1	690384	AGIT MTR CPLR HALF WLD CES
16	1	690329	AGIT SHAFT CPLR HALF WLD
17	1	690333	AGIT CPLR FLEXIBLE DISK
18	6	470118	1/4 UNC X 3/4 FLANGED H BOLT
19	6	470121	1/4-20 FLANGED WGEZ NUT
20	2	900130	3/8 UNC X 1 1/4 HEX BOLT
21	6	920002	WASH FLAT 3/8 SAE
22	4	900129	3/8 UNC X 1 HEX BOLT
23	6	914004	3/8 UNC STOVER NUT





SOLUTION TANK ASSEMBLY

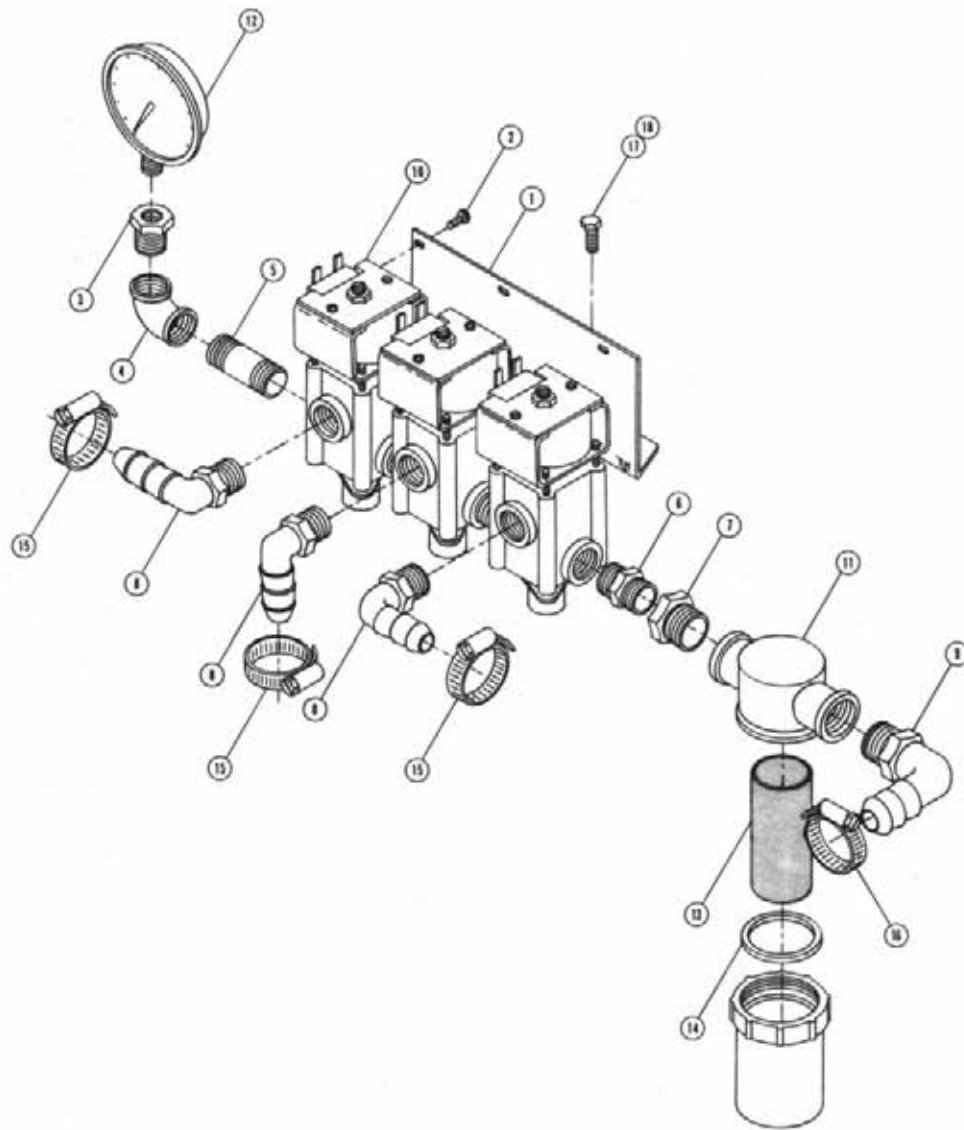
Det.	Qty.	P/N	Description
1	1	618556	1/4 NPT x 90° x 1/2 Nylon Hose Barb
1	1	507025	1 1/2 NPT Pipe Coupler
1	1	507100	1 1/2 NPT Pipe Cap
1	1	500002	1 1/16 Nylon Swivel Nut
1	1	500006	1 1/16 NPS x 3/8 Hose Barb
1	1	500007	1/8 NPT Nylon Hex Plug
1	1	520003	No. 6 Vinyl Snap Clamp
8	8	601216	Vent Hose
10	10	238859	Nylon Screen Assembly
11	11	757858	1 1/16 Nut
12	12	601245	1/2 x 42 in. Sight Gauge Hose
14	14	716003	1 1/2 x 1 1/2 Hose Barb
14	14	760651	Tank Lid Hasket
14	14	763163	Spray Tank Latch Handle
16	16	763164	Spray Tank Lid Weldment
17	17	763166	Tank Lid Channel
17	17	763196	Right Spray Tank Weldment
18	18	763197	Left Spray Tank Weldment
19	19	751109	FS9 80 Nylon Tip
20	20	757856	1/2 Connector Nozzle
21	21	758866	1 1/16 Steel Cap Nut
22	22	659670	Left Sight Gauge Mount
23	23	659669	Right Sight Gauge Mount
24	24	659668	Left Solution Tank Shield
25	25	659667	Right Solution Tank Shield
26	26	659666	Inside Mounting Bracket Tank Shield
28	28	659665	Outside Mounting Bracket Tank Shield
29	29	659664	Tap Bracket Solution Tank Shield
30	30	659677	4 x 9 Safety Walk
30	30	659678	4 x 40 Safety Walk
31	4	900134	3/8 UNC x 2 1/2 Hex Bolt
32	2	900138	3/8 UNC x 3 1/2 Hex Bolt
33	34	914004	3/8 UNC Lock Nut
34	24	900130	3/8 UNC x 1 3/4 Hex Bolt
35	52	920002	3/8 Flat Washer
36	15	914000	1/4 UNC Stover Nut
37	15	470118	1/4 UNC x 3/4 Flanged Hex Bolt
38	10	470121	1/4 UNC Flanged Whiz Nut
39	4	520069	No. 8 Hose Clamp
40	2	520117	5/8 Cushion Hose Clamp
41	8	900333	5/8 UNC x 1 1/2 Hex Bolt
42	8	914010	5/8 UNC Stover Nut
43	4	941434	Tank Mount Extension Channel Weldment
44	1	941437	Catwalk Weldment
45	1	601231	3/4 x 2 High Pressure EPDM Hose
46	2	900129	3/8 UNC x 1 Hex Bolt
47	2	520067	No. 28 Hose Clamp

Note: Item 44 is used with 8380 Machines

SOLUTION SOLENOID VALVE ASSEMBLY

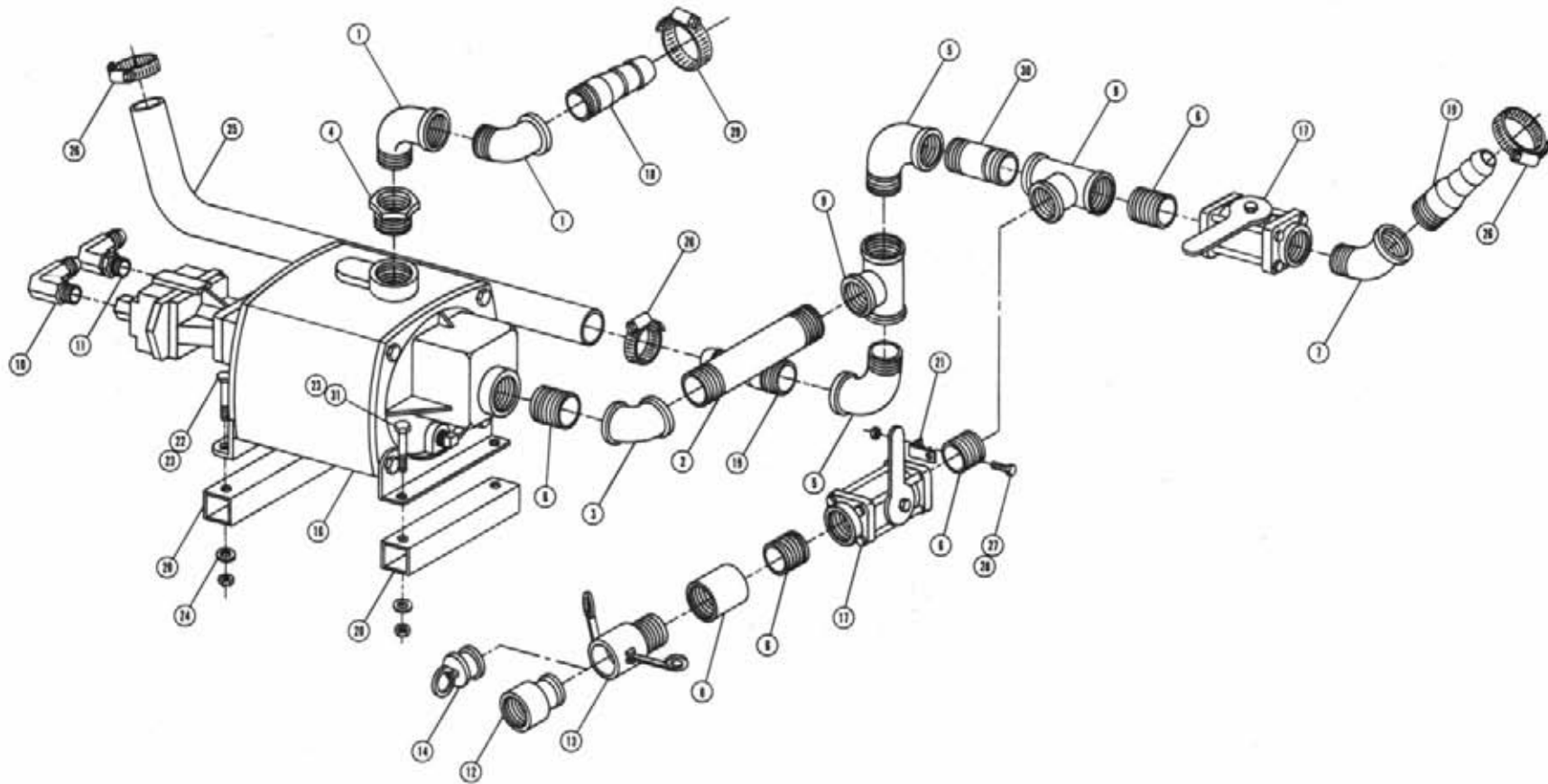
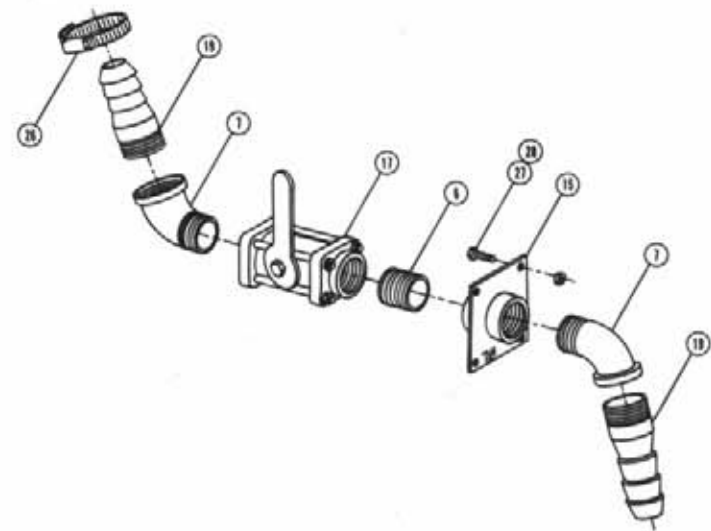
DET. QTY PART NO. DESCRIPTION

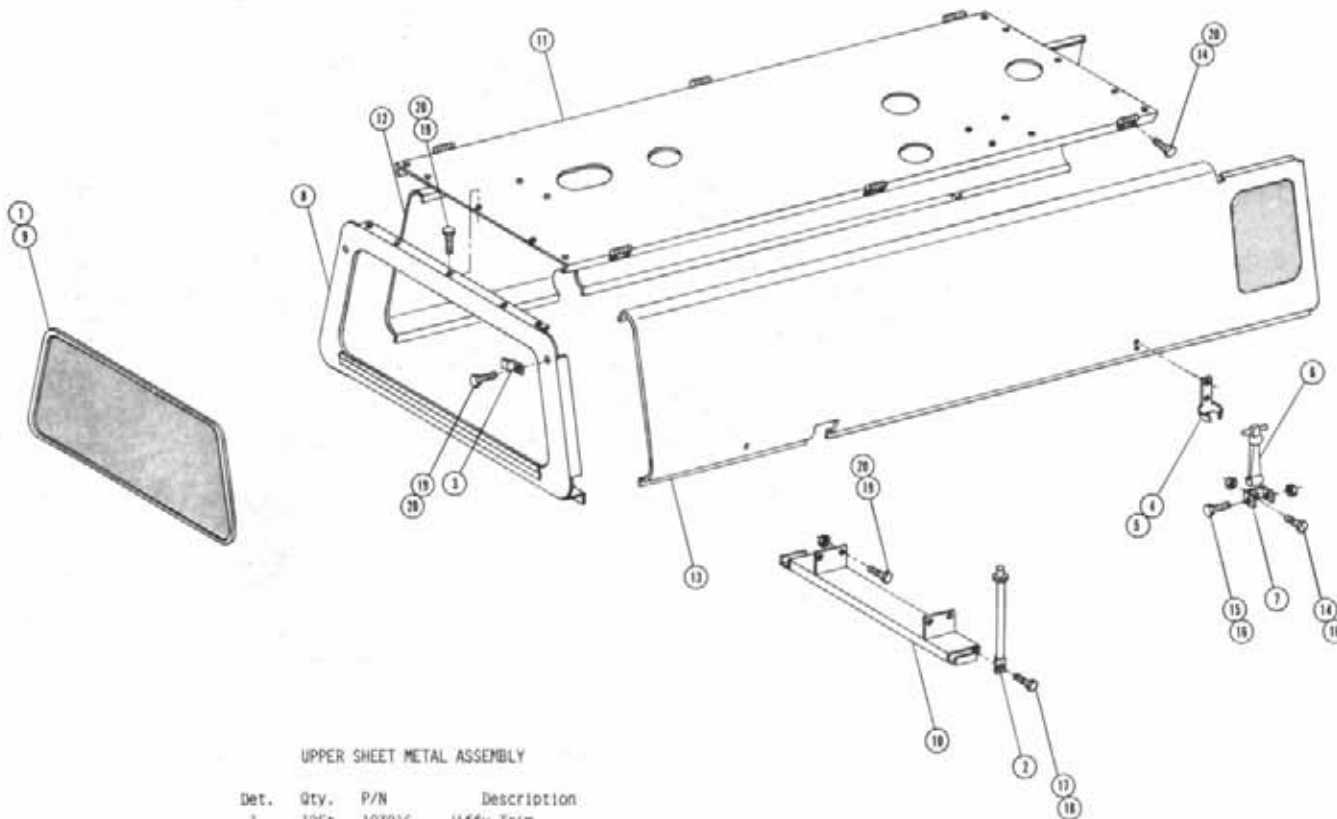
1	1	160469	SOLU VLV MT BRKT	87
2	3	472199	10-24 X 1/2 RD HD MACH SCR	
3	1	504002	RED BUSH 3/4 TO 1/4 NYL	
4	1	504502	NYL PIPE EL 90DEG .75NPT	
5	1	504800	BLK PIPE NIPPLE .75NPT-1.75	
6	1	505219	NYL HEX PIPE NIPPLE .75NPT	
7	1	506002	RED BUSH 1 1/4 TO 3/4 NYL	
8	3	618591	.50 NPT 90 X .75 HBARB NYL	
9	1	618592	1 1/4NPT 90 X 1 1/4 HBARB NYL	
10	1	690019	SOLU VALVE #144-3	
11	1	690060	LINE STRAINER.1 1/4 HYPRO 40M	
12	1	690359	PRESSURE GA GLYCERI 100 PSI	
13	1	690068	LINE STRAINER SCREEN 40MESH	
14	1	690067	LINE STRAINER GSKT 1.25 HYPRO	
15	3	520055	HOSE CLAMP NO 12 PLATED	
16	1	520087	HOSE CLAMP NO 20 PLATED	
17	2	470121	1/4-20 FLANGED WHIZ NUT	
18	2	470188	7/16-14 X 1 1/2 SOCHD CAP SCR	



SOLUTION PUMP ASSEMBLY

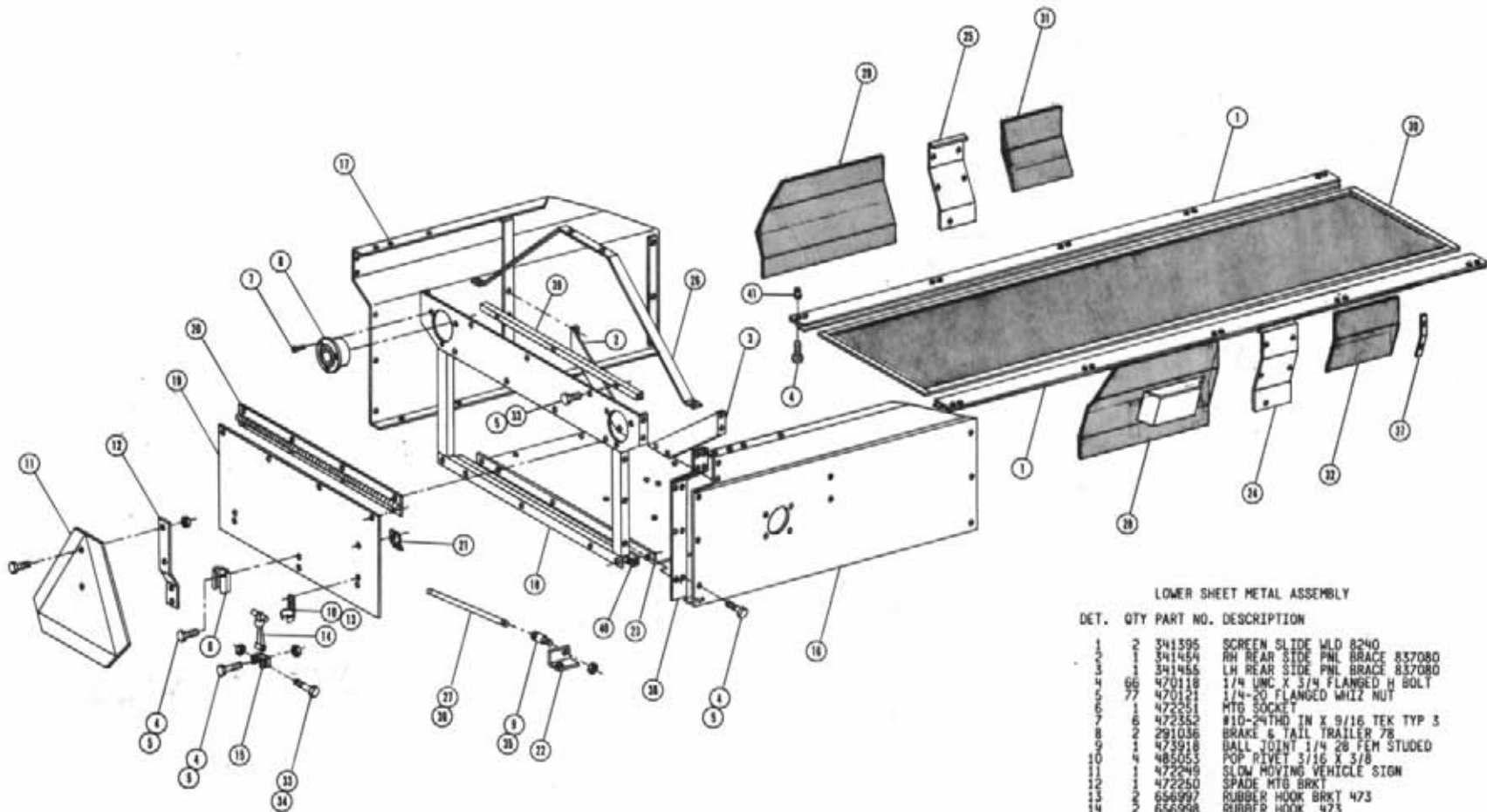
DET.	QTY	PART NO.	DESCRIPTION
1	2	506410	BLK PIPE ST EL 90DEG 1.25NPT
2	1	507008	BLK PIPE NIPPLE 1.50NPT-5.50
3	1	507014	BLK PIPE EL 90DEG 1.50NPT
4	1	507015	RED BUSH 1.50NPT - 1.25FNPT
5	2	507018	BLK PIPE ST EL 90DEG 1.50NPT
6	1	507019	CLOSE NIPPLE 1.50NPT
7	1	507024	BLK PIPE ST EL 45DEG 1.50NPT
8	1	507025	BLK PIPE CPLG 1.50NPT
9	2	507250	BLK PIPE TEL 1.50NPT
10	1	611145	3/4MPTIC-90-1/2MPT LBO
11	1	618241	3/4MPTIC-90-3/4MPT LBO
12	1	690302	1.50 FEMALE NPT ADPTR
13	1	690303	1.50 MALE NPT COUPLER
14	1	690304	ADPTR PLG FOR 1.50 NPT COUPLR
15	1	690320	SOLU PUMP TO VLV CPLR PLT WLD
16	1	690341	HYPRO CENTRIF PUMP 10GPM
17	1	696110	BALL VALVE 1 1/2FNPT POLY
18	1	715660	HOSE BARB 1 1/4NPT X 1 1/4
19	4	716003	1 1/2 X 1 1/2 HOSE BARB
20	2	690342	HYPRO SOLU PMP SPC8370-80 86
21	1	690319	SOLU VLV ASSY BRKT 8370-80 83
22	3	900135	3/8 UNC X 2 3/4 HEX HEAD
23	4	914004	3/8 UNC STOWER NUT
24	4	920002	WASH FLAT 3/8 SAE
25	1	601268	HOSE 1.50 2BR BLK EPDM X 22
26	4	520067	HOSE CLAMP NO 28 PLATED
27	5	470118	1/4 UNC X 3/4 FLANGED H BOLT
28	5	470121	1/4-20 FLANGED WHIZ NUT
29	1	520087	HOSE CLAMP NO 20 PLATED
30	1	507615	BLK PIPE NIPPLE 1.50NPT-3.00
31	2	900170	3/8 UNC X 2 1/4 HH BOLT





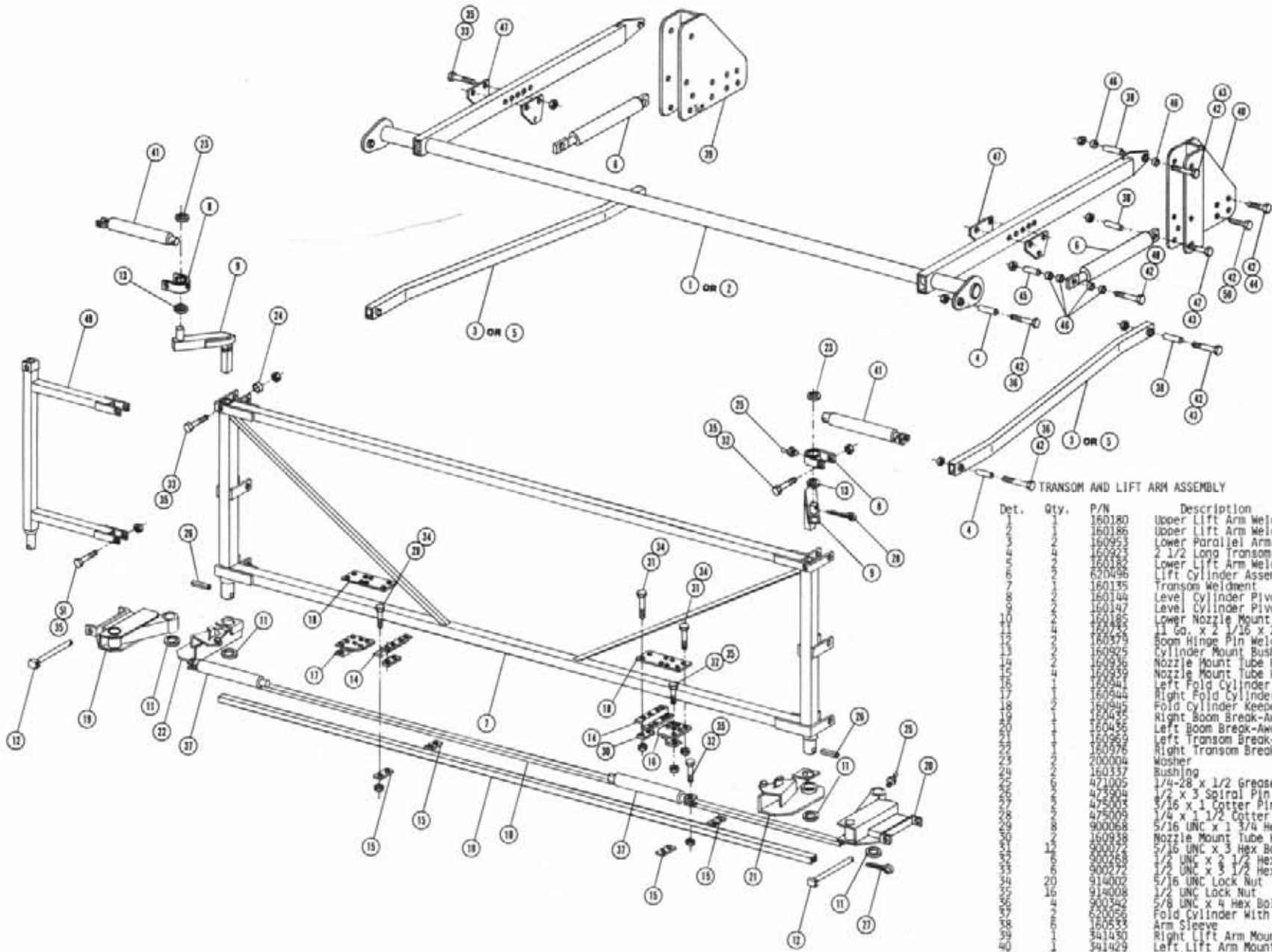
UPPER SHEET METAL ASSEMBLY

Det.	Qty.	P/N	Description
1	12Ft.	193016	Jiffy Trim
2	2	341356	Engine Hood Prop
3	2	470151	Upper Rear Panel Screen Clip
4	8	485053	3/16 x 3/8 Pop Rivet
5	4	656997	Rubber Hook Bracket
6	4	656998	Rubber Hook
7	4	656999	Rubber Hook Anchor Bracket
8	1	659575	Upper Rear Panel Weldment
9	1	659578	Upper Rear Panel Screen
10	1	659649	Engine Hood Prop Mounting Bracket
11	1	659752	Mullion Weldment
12	1	659756	Left Engine Hood
13	1	659755	Right Engine Hood Weldment
14	16	900000	1/4 UNC x 1 1/2 Hex Bolt
15	4	900005	1/4 UNC x 1 1/2 Hex Bolt
16	8	914000	1/4 UNC Stover Nut
17	2	914004	3/8 UNC Stover Nut
18	2	900129	3/8 UNC x 1 Hex Bolt
19	16	470118	1/4 UNC x 3/4 Flanged Hex Bolt
20	28	470121	1/4 UNC Flanged Hex Nut



LOWER SHEET METAL ASSEMBLY

DET.	QTY	PART NO.	DESCRIPTION
1	2	341395	SCREEN SLIDE WLD 8240
2		341454	RH REAR SIDE PNL BRACE 837080
3		341455	LH REAR SIDE PNL BRACE 837080
4	86	470118	1/4 UNC X 3/4 FLANGED H BOLT
5	77	470121	1/4-20 FLANGED W/IZ NUT
6	1	472251	MTG SOCKET
7	6	472252	#10-24THD IN X 9/16 TEK TYP 3
8	2	291036	BRAKE & TAIL TRAILER 78
9	1	473918	BALL JOINT 1/4 28 FEM STUDED
10	4	485053	POP RIVET 3/16 X 3/8
11		472248	SLOW MOVING VEHICLE SIGN
12		472250	SPADE MTG BRKT
13		656997	RUBBER HOOK BRKT 473
14		656998	RUBBER HOOK 473
15		656999	RUBBER HOOK ANCHOR BRKT 473
16		659630	RH REAR SIDE PNL WLD 8370-80
17		659631	LH REAR SIDE PNL WLD 8370-80
18		659637	LWR REAR PNL WLD 8370-80 83
19		659641	LWR REAR ACCESS DOOR 8370-80
20		659642	LWR REAR ACCESS DOOR HINGE
21		659643	REAR ACCESS DOOR PROP MT
22		659644	REAR ACCESS DOOR PROP STOP
23		659645	SOLUTION PUMP BASE 8370-80 83
24		659646	RH RAD MT COVER 8370-80 83
25		659647	LH RAD MT COVER 8370-80 83
26		659648	MULLION REAR SUPPORT 8370-80
27		659658	REAR ACCESS DOOR PROP 8370-80
28		659712	RH SIDE SCREEN WLD 8370-8380
29		659660	LH SIDE SCREEN 8370-80 83
30		659676	LWR SCREEN WLD 8370-80
31		659777	LH SIDE SCRNS 8370/80 86
32		659776	RH SIDE SCRNS 8370/80 86
33	10	900005	1/4 UNC X 1 1/2 HEX BOLT
34		914000	1/4 UNC STOWER NUT
35		914001	1/4 UNF STOWER NUT
36		910001	1/4-28 H H NUT GR 5
37		659778	SIDE SCRNS KPR
38		659826	REAR PANEL EXTENSION 8370/80
39	1	659827	UPR REAR PNL EXT TUBE 8370/80
40		659828	LWR REAR PNL EXT TUBE 8370/80
41	10	470086	NUTSERT. 1/4UNC .020-.100GR

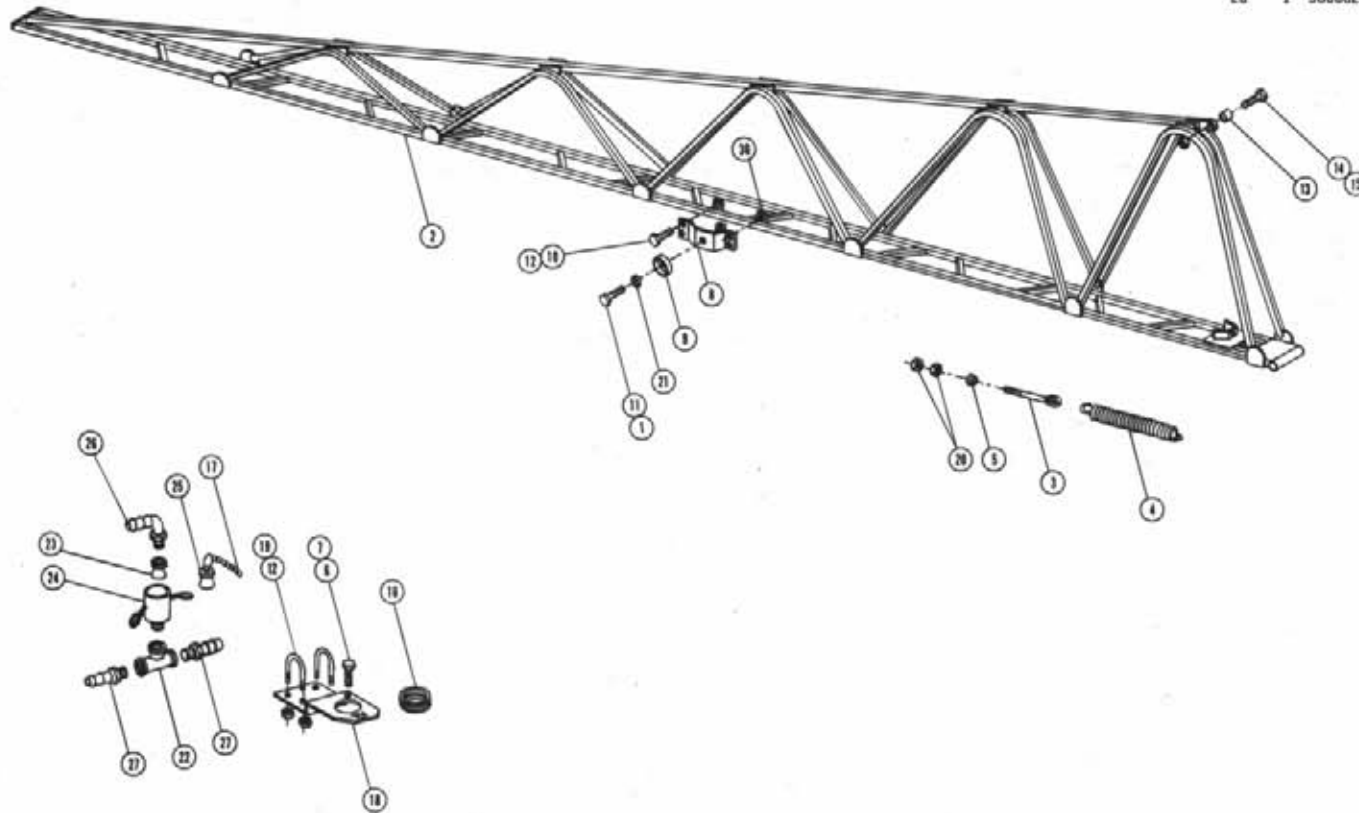


TRANSOM AND LIFT ARM ASSEMBLY

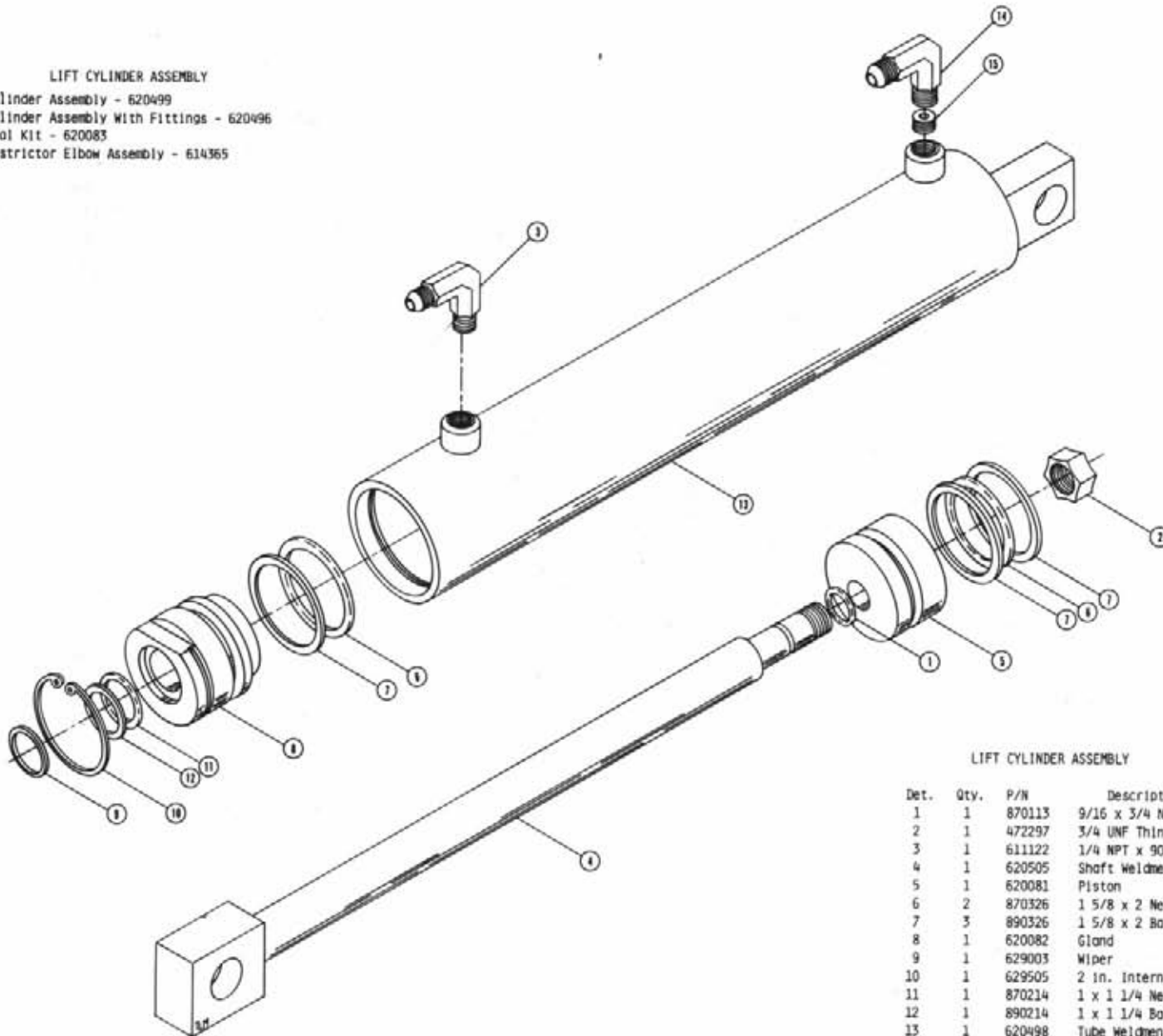
Det.	Qty.	P/N	Description
1	1	160180	Upper Lift Arm Weldment - 8370
2	1	160186	Upper Lift Arm Weldment - 8380
3	1	160953	Lower Parallel Arm Weldment - 8380
4	1	160923	2 1/2 Long Transom Bushing
5	1	160182	Lower Lift Arm Weldment - 8570
6	1	620496	Lift Cylinder Assembly With Fittings
7	1	160135	Transom Weldment
8	1	160144	Level Cylinder Pivot Weldment
9	1	160147	Level Cylinder Pivot Mount Weldment
10	1	160185	Lower Nozzle Mount Tube
11	1	160145	1 1/2 In. x 2 1/16 x 2 5/8 Washer
12	1	160379	Boom Hinge Pin Weldment
13	1	160925	Cylinder Mount Bushing
14	1	160936	Nozzle Mount Tube Hanger
15	1	160939	Nozzle Mount Tube Keeper, Lower
16	1	160941	Left Fold Cylinder Mount Weldment
17	1	160944	Right Fold Cylinder Mount Weldment
18	1	160945	Fold Cylinder Keeper Plate
19	1	160492	Right Boom Break-Away Hinge Weldment
20	1	160496	Left Boom Break-Away Hinge Weldment
21	1	160969	Left Transom Break-Away
22	1	160976	Right Transom Break-Away
23	1	200004	Washer
24	1	160337	Bushing
25	1	471005	1/4-28 x 1/2 Grease Zerk
26	1	473904	1/2 x 3 Spiral Pin
27	1	475003	3/16 x 1 Cotter Pin
28	1	475009	1/4 x 1 1/2 Cotter Pin
29	1	900068	5/16 UNC x 1 3/4 Hex Bolt
30	1	160938	Nozzle Mount Tube Keeper
31	13	900072	5/16 UNC x 3 Hex Bolt
32	6	900068	1/2 UNC x 1/2 Hex Bolt
33	6	900272	1/2 UNC x 5/8 Hex Bolt
34	20	914002	5/16 UNC Lock Nut
35	16	914008	1/2 UNC Lock Nut
36	4	900342	5/8 UNC x 4 Hex Bolt
37	4	620056	Fold Cylinder With Fittings
38	6	160533	Arm Sleeve
39	1	341430	Right Lift Arm Mount Weldment
40	1	341429	Left Lift Arm Mount Weldment
41	1	620069	Level Cylinder With Fittings
42	20	914010	5/8 UNC Lock Nut
43	6	900388	5/8 UNC x 4 Hex Bolt
44	4	900333	5/8 UNC x 1 1/2 Hex Bolt
45	2	160922	Bushing
46	12	160924	1/4 Long Transom Bushing
47	4	160920	Cylinder Mount
48	2	900340	5/8 UNC x 3 1/2 Hex Bolt
49	2	160339	Transom Extension Weldment
50	4	900335	5/8 UNC x 2 Hex Bolt
51	4	900275	1/2 UNC x 4 1/2 Hex Bolt

BOOM ASSEMBLY

DET.	QTY	PART NO.	DESCRIPTION
1	1	914004	3/8 UNC STOVER NUT
2	1	160440	OUTER BOOM WLD 60 FT
3	1	160979	EYE BOLT, 1/2UNC X 9
4	1	160980	SPRING, BOOM BRKWAY
5	1	160981	SWIVEL, BOOM EYEBOLT
6	1	914000	1/4 UNC STOVER NUT
7	1	160959	KEEPER, NOZL MT TUBE, LWR
8	1	160991	BOOM BUMPER MT 647
9	1	470098	RUBBER BUMPER 2,5000 X .38ID
10	4	900063	BOLT 5/16 UNC X2IN HH
11	1	900130	3/8 UNC X 1 1/4 HEX BOLT
12	8	914002	5/16 UNC STOVER NUT
13	1	160336	CLEVIS BUSH .812 LONG
14	1	914008	1/2 UNC STOVER NUT
15	1	900267	1/2 X 2 H H BOLT GR 5
16	1	160015	2.06ID GROMMET SLIT
17	1	160986	TWIN LOOP CHAIN 6 LINKS
18	1	160987	FEEDER T MTG BRKT 470 647
19	1	470094	U BOLT .51UNC X 1.388L X 3 LG
20	1	910008	1/2 UNC HEX NUT
21	1	920002	WASH FLAT 3/8 SAE
22	1	505218	NYL PIPE TEE .75NPT
23	1	696202	QUICK CONNECT FEM ADPTR 3/4NPT
24	1	696203	QUICK CONNECT CPLR MALE 3/4
25	1	696204	QUICK CONNECT PLUG, 3/4
26	1	500020	3/4NPT-3/4HOSE BARB 90 NYLON
27	1	500019	3/4NPT-1/2HOSE BARB NYLON
28	1	900002	1/4 UNC X 3/4 H BOLT GR5 PLT



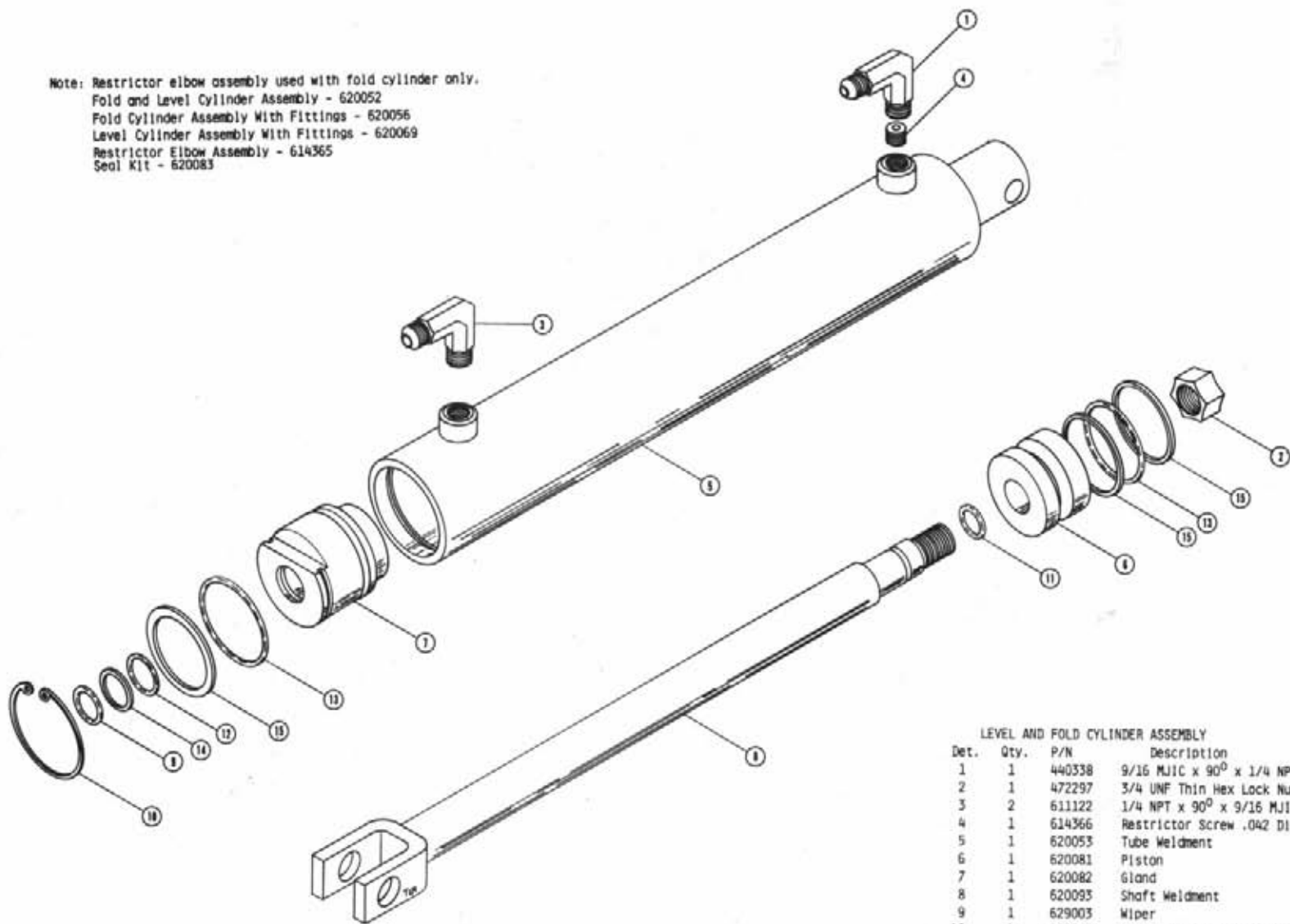
LIFT CYLINDER ASSEMBLY
 Cylinder Assembly - 620499
 Cylinder Assembly With Fittings - 620496
 Seal Kit - 620083
 Restrictor Elbow Assembly - 614365



LIFT CYLINDER ASSEMBLY

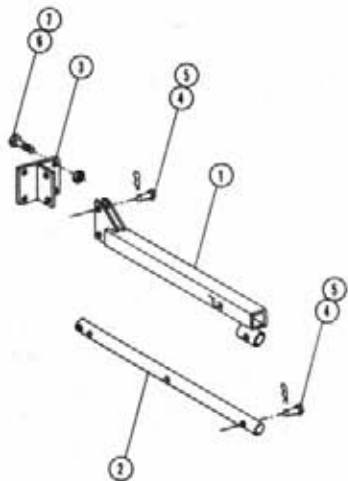
Det.	Qty.	P/N	Description
1	1	870113	9/16 x 3/4 Neoprene O-Ring
2	1	472297	3/4 UNF Thin Hex Lock Nut
3	1	611122	1/4 NPT x 90° x 9/16 MJIC
4	1	620505	Shaft Weldment
5	1	620081	Piston
6	2	870326	1 5/8 x 2 Neoprene O-Ring
7	3	890326	1 5/8 x 2 Back-up Washer
8	1	620082	Gland
9	1	629003	Wiper
10	1	629505	2 in. Internal Snap Ring
11	1	870214	1 x 1 1/4 Neoprene O-Ring
12	1	890214	1 x 1 1/4 Back-up Washer
13	1	620498	Tube Weldment
14	1	440538	9/16 MJIC x 90° x 1/4 NPT - Tapped
15	1	614366	Restrictor Screw .042 Dia.

Note: Restrictor elbow assembly used with fold cylinder only.
 Fold and Level Cylinder Assembly - 620052
 Fold Cylinder Assembly With Fittings - 620056
 Level Cylinder Assembly With Fittings - 620069
 Restrictor Elbow Assembly - 614365
 Seal Kit - 620083



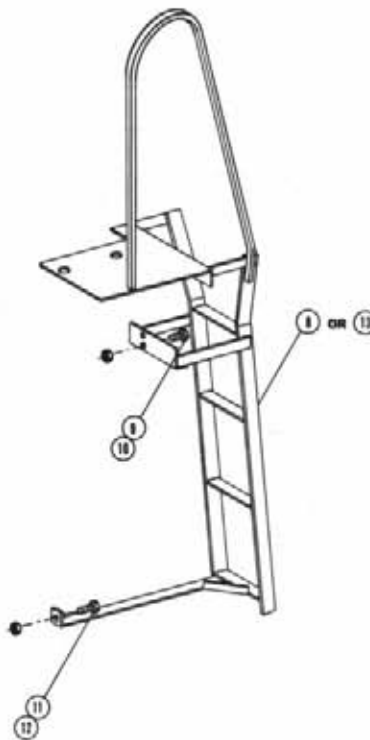
LEVEL AND FOLD CYLINDER ASSEMBLY

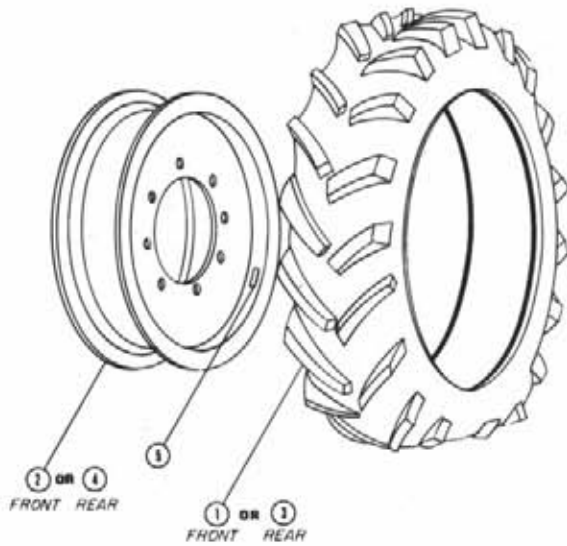
Det.	Qty.	P/N	Description
1	1	440338	9/16 MJIC x 90° x 1/4 NPT - Tapped
2	1	472297	3/4 UNF Thin Hex Lock Nut
3	2	611122	1/4 NPT x 90° x 9/16 MJIC
4	1	614366	Restrictor Screw .042 Dia.
5	1	620053	Tube Weldment
6	1	620081	Piston
7	1	620082	Gland
8	1	620093	Shaft Weldment
9	1	629003	Wiper
10	1	629505	2 in. Internal Snap Ring
11	1	870113	9/16 x 3/4 Neoprene O-Ring
12	1	870214	1 x 1 1/4 Neoprene O-Ring
13	2	870326	1 5/8 x 2 Neoprene O-Ring
14	1	890214	1 x 1 1/4 Back-up Washer
15	3	890326	1 5/8 x 2 Back-up Washer



TREAD ADJUSTMENT AND LADDER ASSEMBLY

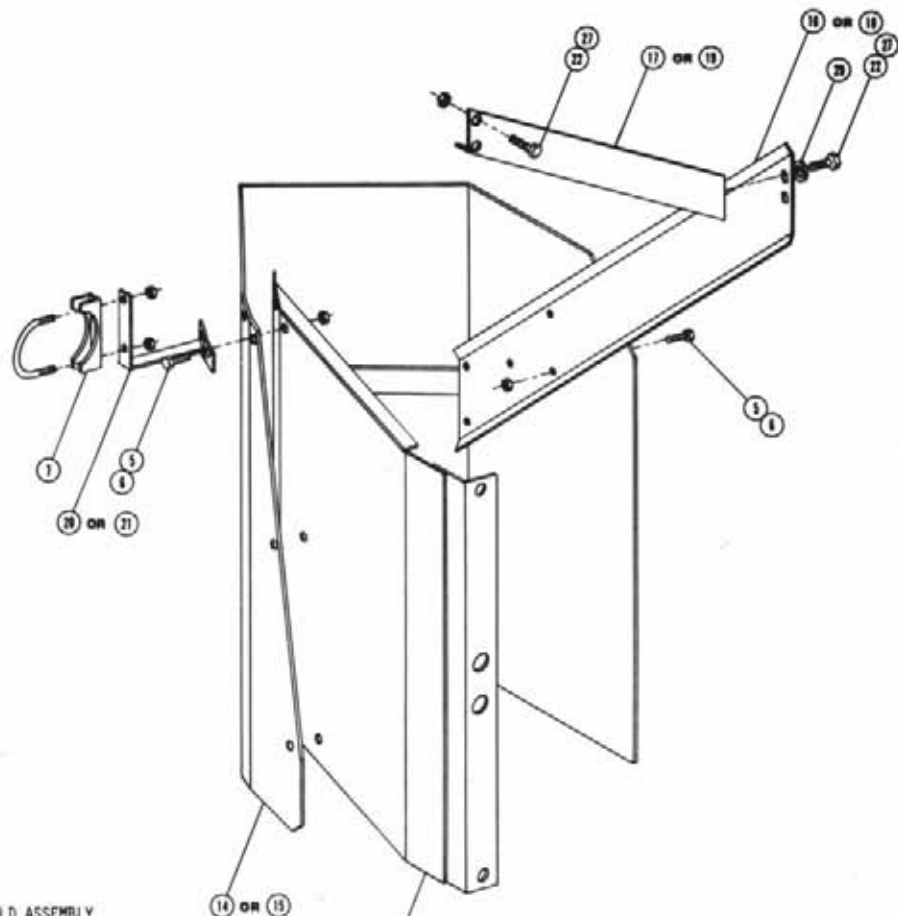
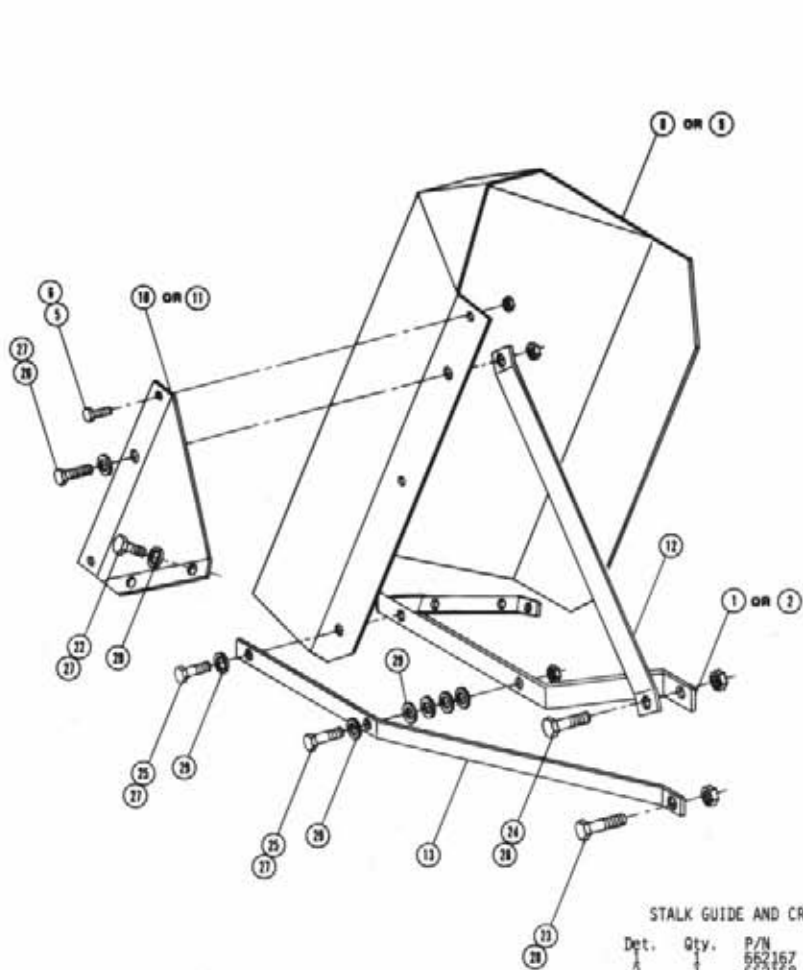
DET.	QTY	PART NO.	DESCRIPTION
1	1	341142	TREAD ADJ TUBE WLD 8400
2	1	341147	TREAD ADJ SLIDING TUBE 8400
3	1	341102	TREAD ADJ BAR MT WLD UPPER
4	5	470119	PICKER PIN 1/2DIA X 2 1/4
5	5	470120	HAIR PIN 3/32 DIA WIRE
6	2	900335	5/8 UNC X 2 HEX BOLT
7	2	914010	5/8 UNC STOVER NUT
8	8	341441	LH LADDER WLD 8370-8380
9	2	900065	5/16 UNC X 1 HEX BOLT
10	2	914002	5/16 UNC STOVER NUT
11	1	900265	1/2 X 1 1/2 HH BOLT GR 5 PL
12	1	914008	1/2 UNC STOVER NUT
13	1	341817	RH LADDER WLD 8370-8380





TIRE AND RIM ASSEMBLY

Det.	Qty.	P/N	Description
1	1	820604	11.2 x 24 6-Ply Traction Tire
2	1	820600	24 in. Rim Weldment
3	1	820001	12.4 x 28 4-Ply Traction Tire
4	1	820609	12.4 x 28 Rim Weldment
5	1	650985	Wheel Bolt Torque Decal

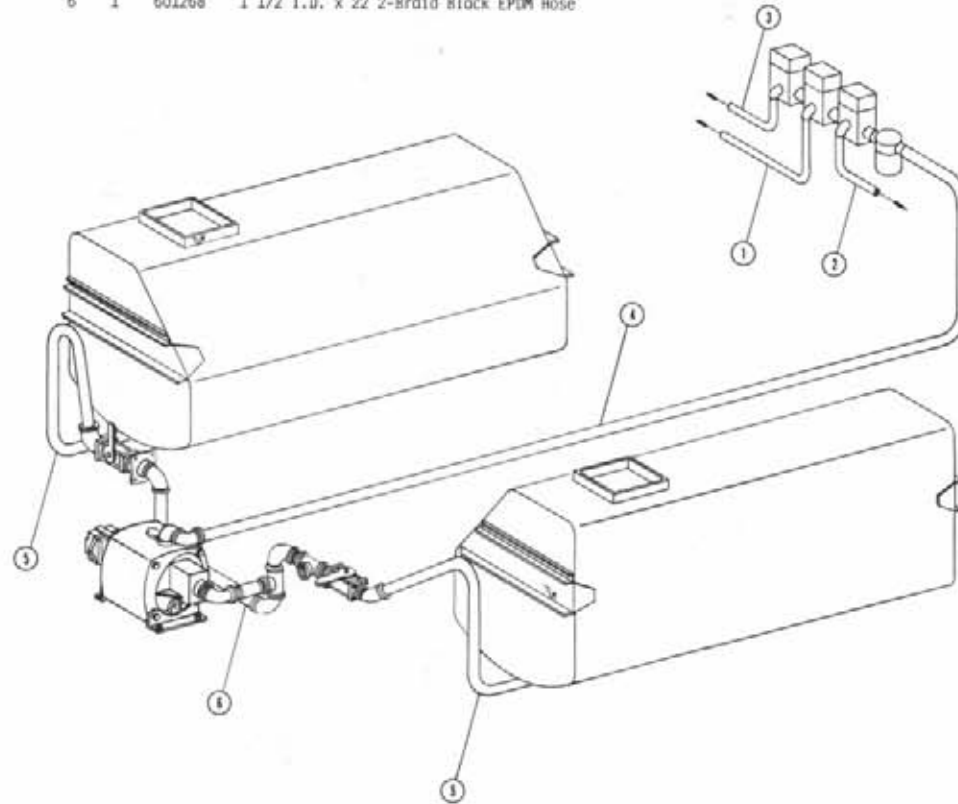


STALK GUIDE AND CROPSHIELD ASSEMBLY

Det.	Qty.	P/N	Description
1	1	662167	Right Front Leg Stalk Guide Weldment
2	1	662168	Left Front Leg Stalk Guide Weldment
3	1	662199	Right Rear Crop Deflector Weldment
4	1	662200	Left Rear Crop Deflector Weldment
5	12	470118	1/4 UNC x 3/4 Flanged Hex Bolt
6	12	470121	1/4 UNC Flanged Whit Nut
7	1	472216	5/16 UNC x 2 1/2 Muffler Clamp
8	1	662172	Right Front Crop Shield Weldment
9	1	662173	Left Front Crop Shield Weldment
10	1	662180	Right Front Lower Crop Deflector
11	1	662181	Left Front Lower Crop Deflector
12	1	662182	Front Cropshield Mounting Bracket
13	1	662183	Front Cropshield Stabilizer Bar
14	1	662184	Right Rear Cropshield Weldment
15	1	662185	Left Rear Cropshield Weldment
16	1	662189	Right Lower Rear Cropshield Mounting Bracket
17	1	662190	Right Upper Rear Cropshield Mounting Bracket
18	1	662191	Left Lower Rear Cropshield Mounting Bracket
19	1	662192	Left Upper Rear Cropshield Mounting Bracket
20	1	662193	Right Rear Cropshield Support Weldment
21	1	662194	Left Rear Cropshield Support Weldment
22	6	900129	3/8 UNC x 1 Hex Bolt
23	1	900262	1/2 UNC x 1/2 Hex Bolt
24	3	900283	1/2 UNC x 1/4 Hex Bolt
25	3	900182	3/8 UNC x 3/4 Hex Bolt
26	4	900131	3/8 UNC x 1 1/2 Hex Bolt
27	6	914004	3/8 UNC Stover Nut
28	2	914008	1/2 UNC Stover Nut
29	11	920002	3/8 Flat Washer

SOLUTION HOISING

Det.	Qty.	P/N	Description
1	1	601172	3/4 I.D. x 60 1-Braid Black EPDM Hose
2	1	601177	3/4 I.D. x 242 1-Braid Black EPDM Hose
3	1	601239	3/4 I.D. x 324 1-Braid Black EPDM Hose
4	1	601266	1 1/4 I.D. x 288 2-Braid Black EPDM Hose
5	2	601267	1 1/2 I.D. x 96 2-Braid Black EPDM Hose
6	1	601268	1 1/2 I.D. x 22 2-Braid Black EPDM Hose



NOTICE

The following three pages contain decals for the 1989 8370 and 8380.

These decals can be obtained from Hagie Mfg. Co. and should be used whenever your machine is repainted or when the decals become worn, weathered or faded.

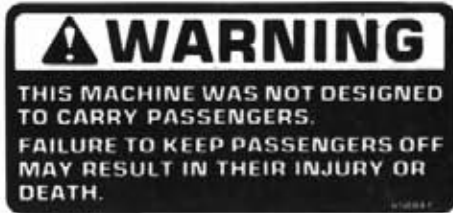
Special attention should be paid to decals involving personal safety. They have been attached for your protection.

KEEP THEM IN PLACE.

Contact: Hagie Manufacturing Co.
Box 273, Clarion, Iowa 50525

8370 & 8380 DECALS

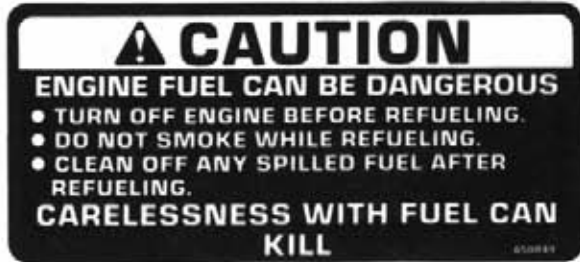
Part No.	Qty.	Description	Location
650300	2	8370 Decal	On Sides of Top Engine Cover
650301	2	8380 Decal	On Sides of Top Engine Cover
650302	2	Sight Gauge Decal	On Sight Gauge Mounts
650814	1	Park Brake Decal	Near Parking Brake Lever
650847	2	No Passenger Decal	1 - Left Rear Leg 1 - Left Inside Door Channel
650848	1	Strip or Fall Decal	On Ladder
650822	1	Solution Pump Decal	Lower Right Corner on Windshield
650849	1	Engine Fuel Decal	Near Fuel Filler Neck
650850	2	Chemical Decal	On Solution Tank Lids
650851	2	Shields Decal	On Side of Top Engine Cover
650852	1	Read Manual Decal	On Front Cab Mounting Angle to Right of Steering
650853	1	Steering Console Decal	On Steering Column Cover
650858	1	Do Not Use Ether Decal	Near Air Cleaner Tube
650861	1	Vent Slide Decal	On Air Conditioner Console
650865	2	Hagie Decal	On Sides of Solution Tanks
650868	1	Boom Fold Decal	On Console Sheet Metal
650869	1	Boom Level & Lift Decal	On Console Sheet Metal
650882	1	Wiper Decal	On Console Sheet Metal
650893	1	Diesel Start Decal	On Console Sheet Metal
650935	1	Speedometer Decal	On Console Sheet Metal
650954	1	Diesel Decal	On Speedometer Gauge
650957	1	Oil Decal	Near Fuel Filler Neck
650958	1	Gen Decal	On Console Sheet Metal
650967	1	Throttle Decal	On Console Sheet Metal
650968	1	Hydrostatic Decal	On Console Sheet Metal
650969	1	Spray Pressure Decal	On Console Sheet Metal
650970	1	Agitator Decal	On Console Sheet Metal
650973	1	Boom Spray Decal	On Console Sheet Metal
650981	1	Cooling System Decal	On Console Sheet Metal
650982	1	Electrical System Decal	Near Radiator Cap
650985	4	Wheel Bolt Torque Decal	Right Hand Side of Oil Tank On Each Wheel Rim



650847 - No Passenger Decal



650848 - Slip Or Fall Decal



650849 - Engine Fuel Decal



650850 - Chemicals Decal



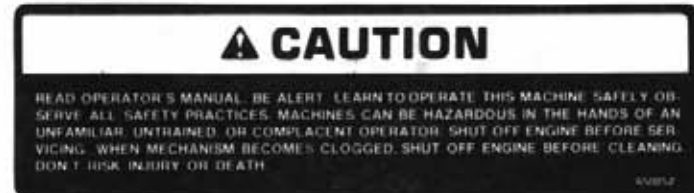
650853 - Steering Console Decal



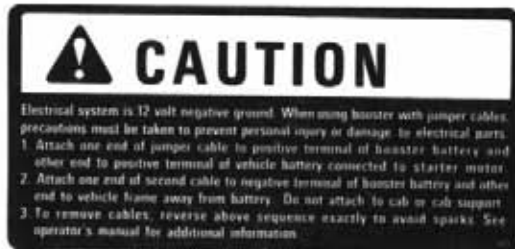
650851 - Shields Decal



650858 - Do Not Use Ether Decal



650852 - Read Manual Decal



650982 - Electrical System Decal



650981 - Cooling System Decal



650954 - Diesel Decal



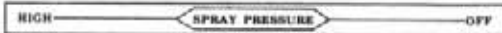
650968 - Hydrostatic Decal



650967 - Throttle Decal



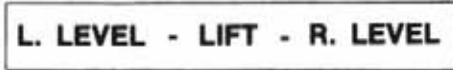
650957 - Oil Decal



650969 - Spray Pressure Decal



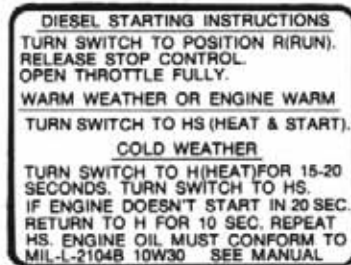
650970 - Agitation Decal



650869 - Boom Level And Lift Decal



650822 - Solution Pump Decal



650893 - Diesel Start Decal



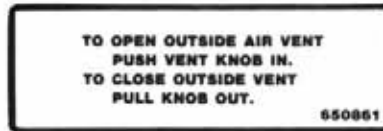
650958 - Gen Decal



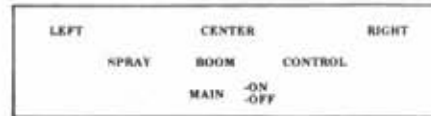
650882 - Wiper Decal



650935 - Speedometer Decal



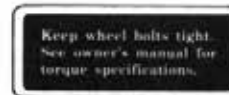
650861 - Vent Slide Decal



650973 - Boom Spray Decal



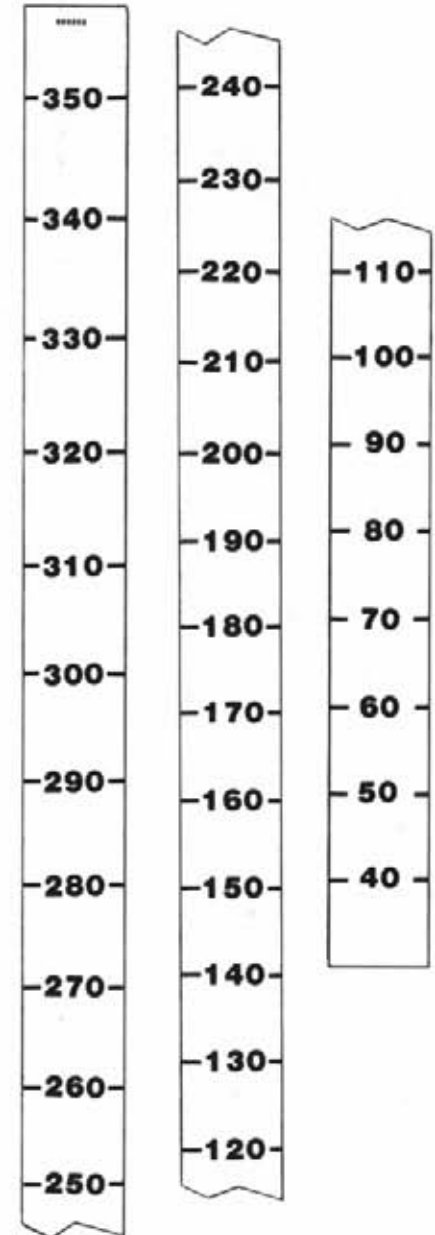
650868 - Boom Fold Decal



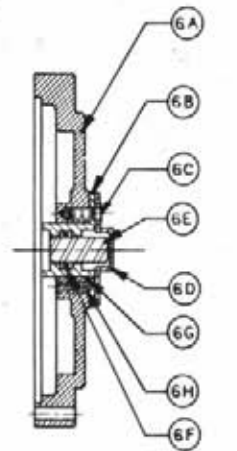
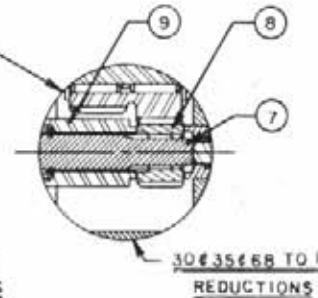
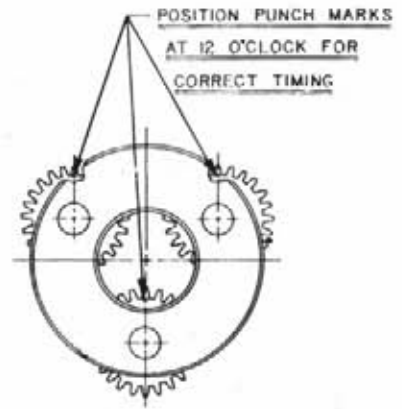
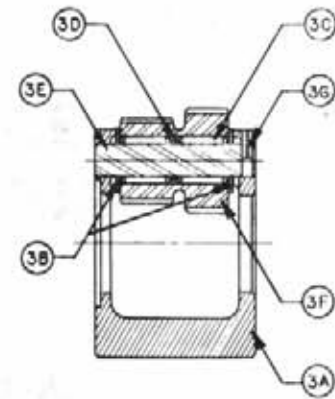
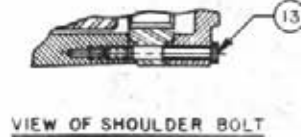
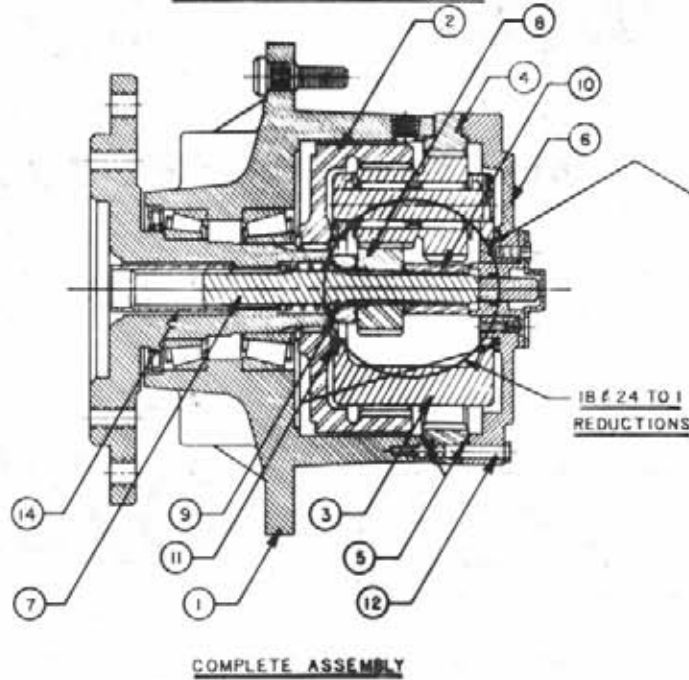
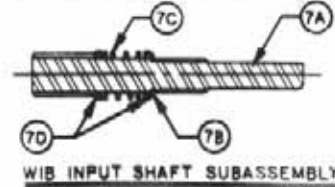
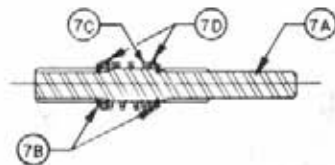
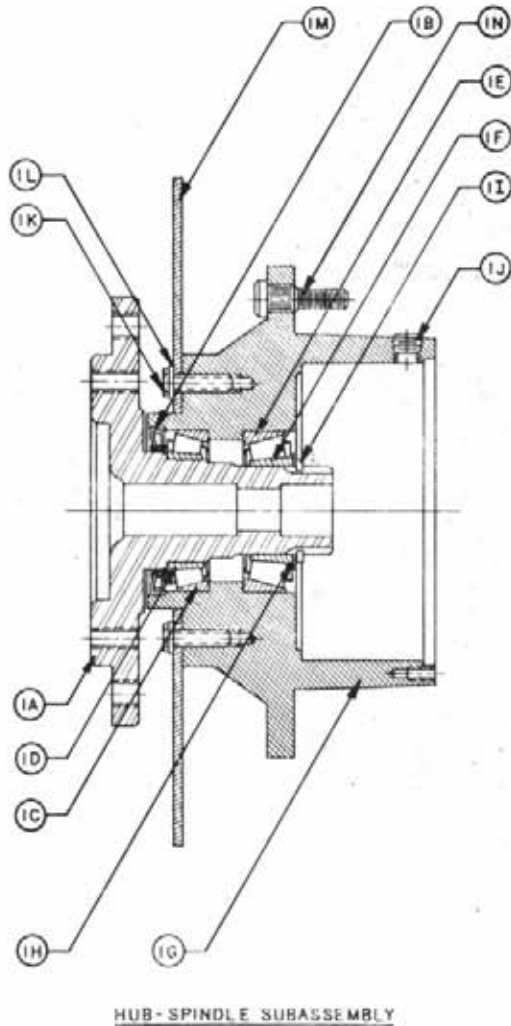
650985 - Wheel Bolt Torque Decal



650814 - Park Brake Decal



650302 - Sight Gauge Decal

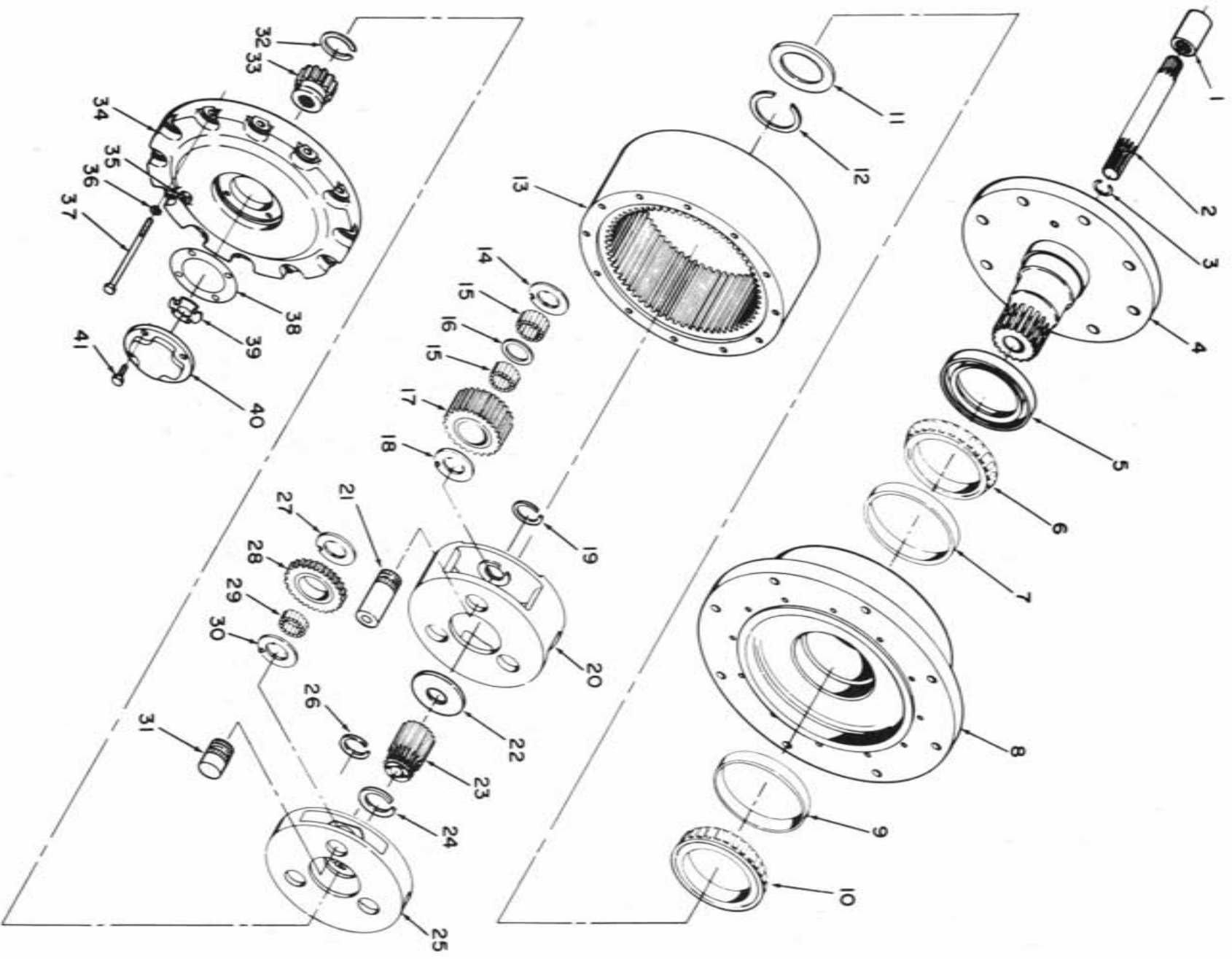


THIS DRAWING AND DESIGN IS THE PROPERTY OF / AND ALL PROPRIETARY RIGHTS ARE RESERVED TO / FAIRFIELD MFG. CO., INC. THE RECIPIENT AGREES NOT TO DISCLOSE TO ANY PERSON OR ORGANIZATION ANY INFORMATION REGARDING THE DESIGN OR MANUFACTURE OF THE ARTICLE REPRESENTED HEREON, OR USE SAME IN ANY WAY DETRIMENTAL TO THE INTEREST OF FAIRFIELD MFG. CO., INC.

DRAFTSMAN <i>Beck</i>		DATE 10-8-73	FAIRFIELD MFG. CO., INC. LAFAYETTE, IND. 47505
CHECKER			
PROJECT ENG.			TITLE SERVICE LITERATURE
RELEASED			SCALE: DRAWING No. WIA & WIB

WHEEL DRIVE ASSEMBLY - 437617
W1A440118

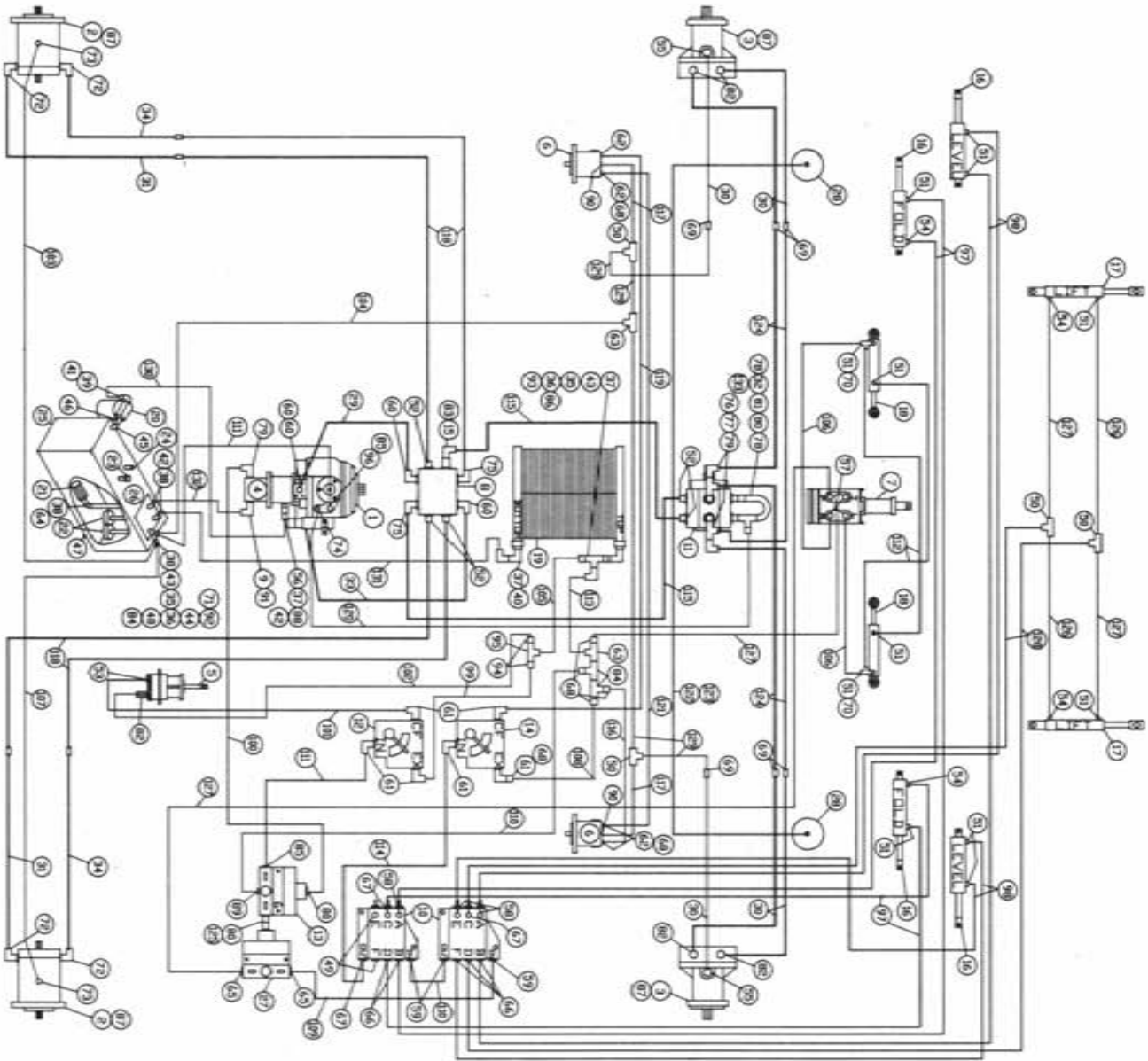
<u>ITEM</u>	<u>PART NO.</u>	<u>QTY.</u>	<u>DESCRIPTION</u>
1			Hub-Spindle Sub-Assembly
1A	610156	1	Spindle
1B	610904	1	Seal
1C	610905	1	Bearing Cup
1D	610906	1	Bearing Cone
1E	610907	1	Bearing Cup
1F	610908	1	Bearing Cone
1G	610047	1	Hub
1H	610909	1	Spacer
1I	610910	1	Retaining Ring
1J	610147	2	pipe Plug
1N	610911	9	Stud
2	610148	1	Internal Gear
3	610912	1	Carrier Assembly
4	610929	1	Ring Gear
5	610903	2	O-Ring
6	610155	1	Cover Assembly
	610149	1	Cover
6A	610914	1	Cover Cap
6B	610150	4	Bolt
6C	610901	1	Disconnect Cap
6D	610915	1	Disconnect Rod
6E	610916	1	O-Ring
6F	610917	1	O-Ring
6G	610151	1	Pipe Plug
6H	610152	1	ID Plate
6J	610158	1	Input Shaft Assembly
7			Input Shaft
7A	610159	1	Retaining Ring
7B	610936	2	Spring
7C	610145	1	Spacer
7D	610153	2	Spacer
8	610919	1	Input Gear
9	610920	1	Thrust Spacer
10	610921	1	Thrust Spacer
11	610922	2	Thrust Washer
12	610930	12	Bolt
13	610923	4	Shoulder Bolt
14	610931	1	Coupling
16	610049	16	Flat Washer
17	610160	1	Retaining Ring



Power Wheel Assembly - 611030

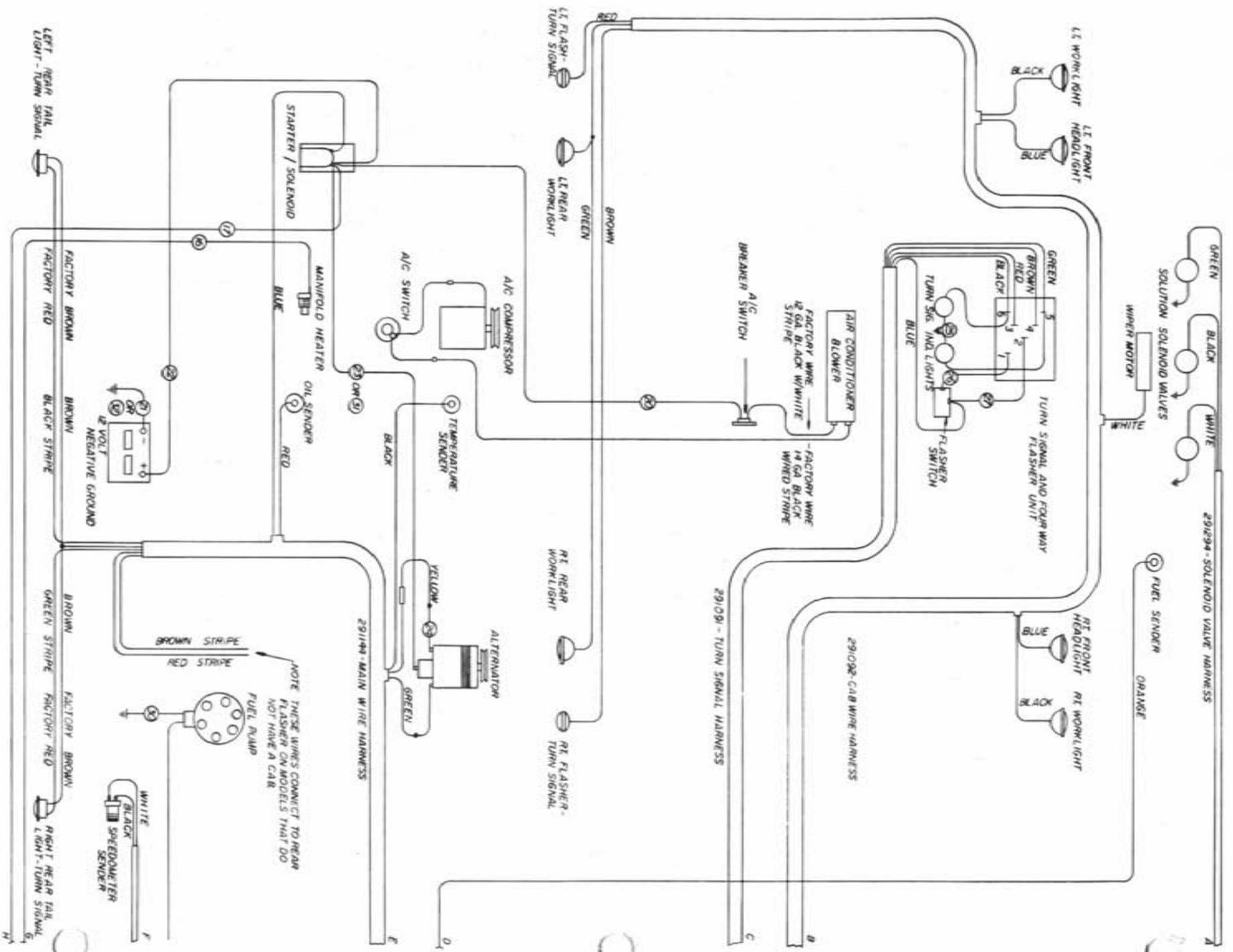
INDEX NO.	PART NUMBER	PART NAME	QUANTITY
1	610165	Internal Coupling	1
2	610166	Input Shaft Assembly	1
3	610167	Retaining Ring	1
4	610168	Spindle	1
5	129012	Oil Seal	1
6	610169	Bearing Cone	1
7	610170	Bearing Cup	1
8	610171	Hub	1
9	610172	Bearing Cup	1
10	610173	Bearing Cone	1
11	610234	Thrust Washer	1
12	610174	Retaining Ring	1
	610175	Retaining Ring	1
	610176	Retaining Ring	1
	610202	Ring Gear	1
13	610203	Thrust Washer	3
14	610996	Needle Roller	3
15	610204	Separator	96
16	610204	Planet Gear	3
17	610997	Planet Gear	3
18	610203	Thrust Washer	3
19	610235	Retaining Ring	3
20	610237	Secondary Carrier	1
21	610238	Pinion Shaft	3
22	610239	Thrust Washer	1
23	610210	Large Sun Gear	1
24	610211	Retaining Ring	1
25	610241	Primary Carrier	1
26	610235	Retaining Ring	3
27	610203	Thrust Washer	3
28	610215	Planet Gear	3
29	610216	Needle Roller	48
30	610203	Thrust Washer	3
31	610242	Pinion Shaft	3
32	610243	Retaining Ring	1
33	611003	Small Sun Gear	1
34	610218	Large Cover	1
35	610244	Drain & Filler Plug	1
36	610206	3/8 Lock Washer	12
37	610220	3/8-16x5½ Hex Head Bolt	12
38	610221	Gasket	1
39	610995	Thrust Washer	1
40	610935	Small Cover	1
41	610245	5/16-18x3/4 Hex Head Bolt	4
	610240	Primary Carrier Assembly	
	610236	Secondary Carrier Assembly	

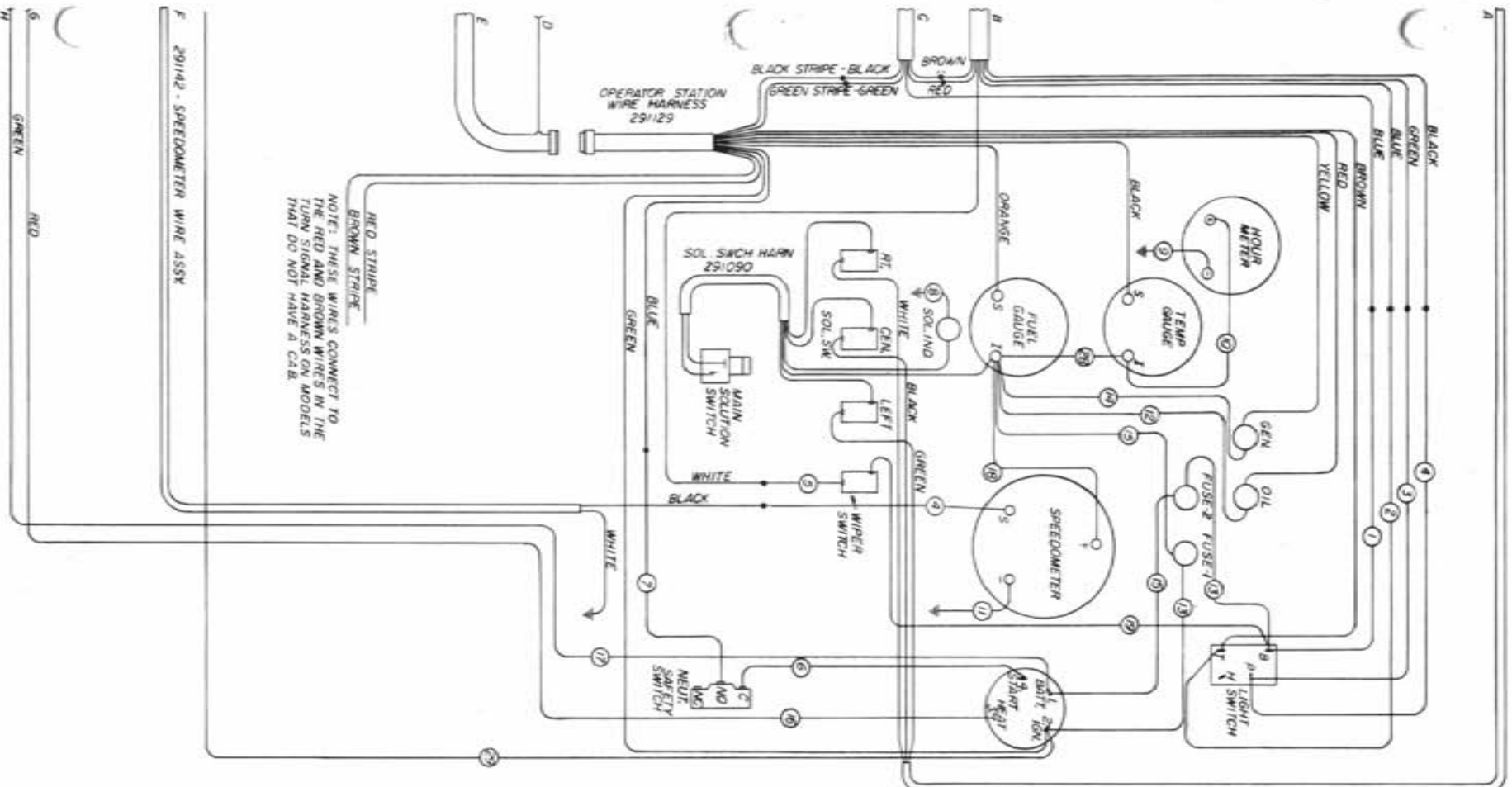
Use
As
Required



8370 & 8380 HYDRAULIC SCHEMATIC 1989
 REFERENCE DRAWING NO. 498281

DET.	QTY	PART NO.	DESCRIPTION	DET.	QTY	PART NO.	DESCRIPTION
1	1	606882	SUND 23 SER PUMP B-MT 1.06CHG	68	8	618482	3/4FJIC-9/16MJIC ADPTR
2	2	610030	SUND WHL MTR EXTEN SHAFT 18	69	6	618314	3/4MJIC UNION
3	2	610029	SUND WHL MTR 15 SERIES	70	2	618486	9/16FJIC SW RUN TEE-9/16MJIC
4	1	606885	CESSNA GEAR PUMP 1.78CI SPINE	71	1	618520	1/4MNPT RUN TEE-9/16MJIC
5	1	690341	HYPRO CENTRIF PUMP 10GPM	72	4	618302	1/16MJIC-90-1 5/16MOR LBO
6	2	610510	CESSNA GEAR MOTOR 1.48CI	73	2	618496	9/16MJIC-45-3/4MOR LBO
7	1	749150	STRG MTR NON-LOAD REACT 1008	74	1	618114	9/16MJIC-90-7/16MOR LBO
8	1	615612	8200 HYD MANIF BLOCK 88	75	2	618248	1/16MJIC-90-1 1/16MOR LBO
9	1	618595	1 5/8MOR-1 1/16FOR ADPTR	76	2	618301	7/8MJIC-90-7/8FJIC SW/IV LBO
10	2	606585	CESSNA 35PL VALVE W/O RELIEF	77	2	618333	7/8FJIC SW RUN TEE-7/8MJIC
11	1	606003	GRESEN SELECTOR VALVE DS-12	78	2	618132	1 1/16MOR-7/8FOR ADPTR
12	1	606818	FLO CONT FCR51 0-16GPM 7/8FOR	79	3	618535	7/8MJIC-90-1 1/16MOR LBO
13	1	607518	FLO DIV BGR56 6GPM PRI 7/8FOR	80	3	611126	7/8MOR RUN TEE-7/8MJIC
14	1	606827	FLO CONT FCS1 0-3 VARI 7/8FOR	81	1	618130	3/4MJIC-90-3/4MOR LBO
15	1	610028	FLO CONTROL 16 GPM INLINE CES	82	5	618241	1 1/16MJIC-90-7/8MOR LBO
16	4	620052	HYD CYL. 2IN FOLD & LEVEL	83	1	618279	1 1/16MJIC-90-7/8MOR LBO
17	2	620499	LIFT CYLINDER 2.00 X 10.00	84	3	618451	3/4FJIC SW RUN TEE-3/4MJIC
18	2	620080	STRG CYL ASSY 1.50 X 6.0 1985	85	2	618327	3/4MJIC-7/8MOR ADPTR
19	1	618088	OIL COOLER BLISSFIELD	86	1	610305	3/4MJIC-90-3/4MNPT LBO
20	1	605601	GRESEN FILTER 10 MICRON 40GPM	87	4	611159	3/4MOR PLUG
21	1	605600	MICHIGAN RESERVOIR FILTER	88	1	505110	BLK PIPE ST EL 45DEG 1.00NPT
22	2	605603	LINE SUMP DIFFUSER	89	1	618011	9/16MJIC-3/8MNPT ADPTR
23	1	611051	PRESSURE CAP 3/4NPT 5LB	90	2	611121	9/16MJIC-1/4MNPT ADPTR
24	1	614453	DIPSTICK, 8IN	91	1	618563	1IN HOSE BARB-90-1 1/16MOR
25	1	760097	OIL TANK WLD 8240 1982	92	1	503000	RED BUSH 1/2 TO 1/4 BLK MAL
26	1	760090	RECIEVER PLT WLD 8240	93	1	618059	7/8MJIC-3/4MNPT ADPTR
27	1	607504	FLO DIV B50 2-8GPM 7/8 FOR	94	2	618523	7/8FJIC-3/4MJIC ADPTR
28	2	620570	HYD CYL LEG LEVEL 2.00 X 12	95	1	618581	7/8MJIC UNION TEE
29	1	615699	HYD TUBE SUND PUMP 8240 LH	96	1	618540	7/8MOR PLUG
30	6	615594	HYD TUBE ASSY FRT LEG 8370-80	97	4	614098	04C1A-06FJX-06FJX-201
31	2	615598	REAR LEG HYD TUBE 8370-80 RH	98	4	614154	04C1T-06FJX-06FJX-221
32	1	614198	FMD VALVE U-TYD ASSY	99	1	614382	08C1T-08FJX-08FJX-40
33	1	615568	HYD TUBE SUND PUMP 8240 RH	100	1	610325	10C1T-10FJX-10FJX-105
34	2	615599	REAR LEG HYD TUBE 8370-80 LH	101	1	614547	08C1T-08FJX-08FJX-144
35	2	504702	CLOSE NIPPLE .75NPT	102	1	614548	08C1T-08FJX-08FJX-120
36	2	504955	BLK PIPE TEE .75NPT	103	1	614549	06C1T-06FJX-06FJX-126
37	3	505200	BLK PIPE ST EL 90DEG 1.00NPT	104	1	614425	08C1T-08FJX-08FJX-140
38	4	505300	BLK PIPE EL 90DEG 1.00NPT	105	1	615511	10C1T-10FJX-10FJX-60
39	1	506410	BLK PIPE ST EL 90DEG 1.25NPT	106	2	615442	04C1T-06FJX-06FJX-55
40	1	618138	1IN HOSE BARB-90-1MNPT	107	1	615449	06C1T-06FJX-06FJX-126
41	1	715664	1 1/4 NPT X 1 HOSE BARB	108	1	616028	04C1A-06FJX-06FJX-47
42	3	714560	1NPT X 1 HOSE BARB	109	1	616026	04C1A-06FJX-06FJX-37
43	2	505213	RED BUSH 1 X 3/4 BLK MAL	110	2	616042	04C1A-06FJX-06FJX-13
44	1	504210	RED BUSH 3/4 NPT X 1/2 NPT	111	2	615465	08C1T-08FJX-08FJX-33
45	1	506303	BLK PIPE EL 90DEG 1.25NPT	112	2	616039	04C1A-06FJX-06FJX-19
46	1	506602	PIPE NIPPLE 1 1/4NPT-2 1/2	113	1	614368	08C1T-08FJX-08FJX-60
47	1	501102	1/4 PIPE PLUG	114	1	615473	06C1T-06FJX-08FJX-18
48	1	610300	3/4MJIC-3/4MNPT ADPTR	115	2	615589	08TMM-12FJX-12FJX-126
49	2	610185	9/16MOR PLUG	116	1	614076	04C1T-06FJX-06FJX-119
50	4	610193	9/16MJIC BLKHD BRANCH TEE	117	2	615475	04C1T-06FJX-06FJX-58
51	12	611122	9/16MJIC-90-1/4MNPT LBO	118	4	611141	12TMM-12FJX-12MJ-53
52	5	611127	1 1/16MJIC-1 1/16MOR ADPTR	119	1	615454	06C1T-08FJX-08FJX-147
53	1	611145	3/4MJIC-90-1/2MNPT LBO	120	1	614101	04C1A-06FJX-06FJX-133
54	4	614365	RESTRICTOR ELBOW ASSY .042DIA	121	1	614159	04C1T-06FJX-06FJX-169
55	2	618443	3/4MJIC-90-3/4MOR EX LG LBO	122	1	615495	FRT LEG CYL JUMPER HOSE X 126
56	1	618090	1 5/16MOR-1FNPT ADPTR	123	1	615283	FRT LEG CYL JUMPER HOSE X 102
57	4	618109	9/16MJIC-3/4MOR ADPTR	124	4	615596	08C2AT-8FJX-90-10FJX-76
58	3	618119	9/16MJIC-90-9/16MOR LBO	125	1	618594	7/8FJIC SW/IV-7/8MOR ADPTR
59	3	618126	9/16MJIC-9/16MOR ADPTR	126	4	611208	04C1A-06FJX-06FJX-98
60	4	618178	1 5/16MJIC-90-1 5/16MOR LBO	127	2	611204	04C1T-06FJX-06FJX-78
61	6	618183	3/4MJIC-90-7/8MOR LBO	128	2	611206	04C1T-6FJX-6FJX-66
62	4	618474	3/4MJIC-90-1 1/16MOR LBO	129	4	615444	06C1T-06FJX-08FJX-90-60
63	4	618311	3/4MJIC UNION TEE	130	1	601193	HOSE, 1.00 2BR RED X 42 LG
64	1	505203	BLK PIPE NIPPLE 1.00NPT-4.00	131	1	601255	HOSE, 1.00 2BR RED X 104 LG
65	2	618310	9/16MJIC-7/8MOR ADPTR	132	1	601256	HOSE, 1.00 2BR RED X 31 LG
66	5	618425	9/16MJIC-45-9/16MOR LBO	133	1	618557	7/8FJIC-9/16MJIC ADPTR
67	3	618440	9/16MJIC-90-9/16MOR EX LG LBO				





57	1	291011	GROUND STRAP (8250)
57	1	291180	10 GA. RED * 15" (8250)
57	1	291220	12 GA. BLACK * 18"
29	1	29168	1/2 GA. RED * 24"
29	1	291435	1/8 GA. RED * 6"
27	1	291109	1/4 GA. RED * 5"
26	1	291108	1/4 GA. BLUE * 5"
29	2	291107	1/4 GA. BLUE * 5"
29	1	291147	1/4 GA. YELLOW * 8"
23	1	291029	10 GA. BLUE * 30" (8370/8380)
22	1	290052	56" BATTERY CABLE (8370/8380)
21	1	291128	48" BATTERY CABLE (8370/8380)
20	1	291141	10 GA. WHITE * 135"
19	1	291422	16 GA. RED * 12"
18	1	291401	14 GA. RED * 6"
17	1	291146	10 GA. GREEN * 110"
16	1	291145	12 GA. RED * 107"
15	2	291443	14 GA. RED * 10"
14	1	291442	16 GA. RED * 9"
13	2	291441	14 GA. GREEN * 9"
12	1	291440	16 GA. RED * 6"
11	1	291421	16 GA. GREEN * 6"
10	1	291140	16 GA. WHITE * 6"
9	1	291139	16 GA. WHITE * 16"
8	1	291138	16 GA. WHITE * 10"
7	1	291137	14 GA. BLUE * 6"
6	1	291136	14 GA. BLUE * 12"
5	1	291135	14 GA. WHITE * 5"
4	2	291134	14 GA. BLACK * 5"
3	1	291133	14 GA. GREEN * 5"
2	1	29132	14 GA. BLUE * 5"
1	1	29131	14 GA. BLUE * 10"

WIRING DIAGRAM - 8370 - DIESEL - 1985
 PERKINS
 8380
 8250

498206

UFC, 944, 678
 Revision Date 1.8.87

ABBREVIATIONS

ADPTR - Adapter
DET - Detail
FNPT - Female National Pipe Thread
FOR - Female O-Ring
MJIC - Male J.I.C.
MOR - Male O-Ring
P/N - Part Number
QTY - Quantity
REF - Reference
REQ - Required
ST - Street
SMIV - Swivel
UNC - Unified National Course (Thread)
UNF - Unified National Fine (Thread)
W/ - With
WLD - Weldment

-A-

Adaptor Plug.....	37
Agitator.....	
Impeller.....	34
Motor Mount.....	34
Shaft.....	34
Air Cleaner.....	11
Band.....	11
Cap.....	11
Filter.....	11
Hose.....	11
Air Conditioner.....	9
Compressor.....	9
Condensor.....	9
Dryer.....	9
Evaporator.....	24
Air Slide.....	24
Alternator.....	4
Bushing.....	4
Arm, Steering.....	14
Wiper.....	22

-B-

Band, Air Cleaner.....	11
Battery.....	8
Box.....	8
Cable.....	8
Hold Down.....	8
Bearing, Leg.....	14
Belt.....	4, 9
Blade, Wiper.....	22
Boom.....	41
Bumper.....	41
Brace, Leg.....	14
Bracket, Exhaust Pipe.....	10
Throttle Cable.....	5
Brake, Cable.....	15, 23
Disc.....	15
Lever.....	23
Pad.....	15
Retainer Clip.....	15
Break-Away.....	40
Bushing, Alternator.....	4

-C-

Cab.....	22
Roof.....	24
Cable, Battery.....	8

Brake.....	15, 23
Ground.....	5
Hydrostatic.....	28
Throttle.....	29
Cap, Air Cleaner.....	11
Fuel.....	20
Hub.....	18
Pressure.....	21
Radiator.....	12
Steering Wheel.....	26
Catwalk.....	35
Cessna Hydraulic Pump.....	7
Circuit, Breaker.....	30
Clamp, Leg.....	14
Muffler.....	10
Column, Steering.....	26
Console.....	30
Control Arm Throttle.....	5
Control Lever.....	28
Extension.....	7
Mount.....	28
Coupler, Half.....	34
Cover, Worklight.....	22
Cropshield.....	46
Cylinder, Fold.....	40, 43
Leg.....	14, 17
Level.....	40, 43
Lift.....	40, 42
Steering.....	17

-D-

Difuser, Line.....	21
Dip Stick.....	21
Disc, Brake.....	15
Friction.....	29
Sensor.....	15
Door.....	25
Catch Slide.....	25
Drain Cock, Radiator.....	12
Drive, Sundstrand.....	5

-E-

Electric Valve.....	36
Engine.....	4, 5
Mount.....	5
Exhaust Pipe.....	10
Bracket.....	10

Extension	
Control Lever.....	7
Transom.....	40

-F-

Fan.....	4
Spacer.....	4
Filter	
Air Cleaner.....	11
Oil.....	5,21
Flasher	
Light.....	22
Switch.....	26
Flex Disk.....	34
Flow Control.....	6
Valve.....	33
Flow Divider.....	13
Foam.....	27
Fold Cylinder.....	40,43
Friction Disc.....	29
Front Leg.....	14
Fuel	
Cap.....	20
Gauge.....	30
Sender.....	20
Tank.....	20
Fuse Holder.....	30

-G-

Gasket	
Charge Pump.....	7
Fuel Sender.....	20
Receiver Plate.....	21
Tank Lid.....	35
Gauge,	
Fuel.....	30
Pressure.....	36
Temperature.....	30
Gland Packing.....	34
Glass, Cab.....	22,25
Grease Seal.....	18
Ground	
Cable.....	5
Strap.....	23
Gusset, Cab Roof.....	24

-H-

Handle,	
Selector Valve.....	31
Valve.....	32
Headlight.....	22

Hinge Pin.....	40
Hold Down, Battery.....	8
Hose,	
Air Cleaner.....	11
Radiator.....	5
Hosing, Solution.....	47
Hour Meter.....	30
Housing Mount A/C.....	24
Hub.....	18
Brake.....	15
Cap.....	18

Hydraulic

Cylinder.....	14
Manifold Mount.....	6
Relief Valve.....	6
Schematic.....	56
Tank.....	21
Tube.....	6,14,15,31
Hydrostatic Cable Mount.....	4

-I-

Ignition Switch.....	30
Impeller, Agitator.....	34
Indicator Light.....	30
Insulator Pad.....	5

-L-

Ladder.....	44
Leg	
Clamp.....	14
Cylinder.....	16
Cylinder Mount.....	14
Front.....	14
Rear.....	15
Level	
Cylinder.....	40,43
Throttle.....	29
Liftarm.....	40
Lift Cylinder.....	40,43
Light Switch.....	30
Line Diffuser.....	21
Link, Valve Handle.....	32

-M-

Manifold,	
Large.....	6
Solution.....	36
Meter Hour.....	30
Micro Switch.....	28
Mirror, Rear View.....	22
Motor	
Hydraulic.....	34

Motor
 Mount, Agitator.....34
 Steering.....26
 Wheel.....14,15
 Windshield Wiper.....22
 Mount,

A/C Housing.....24
 Brake Hub.....15
 Control Lever.....28
 Engine.....5
 Flow Control.....33
 Hydraulic Manifold.....6
 Hydrostatic Cable.....4
 Leg Cylinder.....14
 Liftarm.....40
 Radiator.....12
 Seat.....23
 Sensor.....15
 Throttle Cable.....29
 3-Spool Valve.....32
 Muffler.....10
 Clamp.....10

-O-

Oil
 Cooler.....12
 Filter.....5,21
 Pressure Sender.....5
 Tank Strap.....21
 Operator Station.....23

-P-

Pad,
 Brake.....15
 Engine.....23
 Insulator.....5
 Panel, Operator Station.....23
 Pin, Hinge.....40
 Pivot, Steering.....18
 Plug, Rubber.....30
 Power Wheel.....15
 Pressure
 Cap.....21
 Gauge.....36
 Pump,
 Cessna.....7
 Charge.....7
 Solution.....37
 Sundstrand.....7

-R-

Radiator.....12
 Cap.....12
 Hose.....5

Mount.....12
 Tube.....5
 Rear Leg.....15
 Rear View Mirror.....22
 Retainer Clip, Brake.....15
 Rim.....45
 Riser, Radiator.....12
 Roof, Cab.....24
 Rubber Hook.....38

-S-

Screen, Slide.....12
 Seal
 Grease.....18
 Kit.....6,16,17,42,43
 Seat.....23
 Mount.....23
 Sender
 Fuel.....20
 Oil Pressure.....5
 Temperature.....4
 Sensor,
 Disc.....15
 Mount.....15
 Speedometer.....15
 Shaft, Agitator.....34
 Sheet Metal.....38,39
 Shield,
 Indicator Light.....30
 Tank.....35
 Wheel Motor.....15
 Shroud.....12
 Slow Moving Vehicle Sign.....39
 Solution,
 Hosing.....47
 Manifold.....36
 Pump.....37
 Tank.....35
 Spacer,
 Fan.....4
 Throttle Bracket.....5
 Windshield Wiper.....22
 Speedometer.....30
 Spring.....29
 Stalk Guide.....46
 Steering
 Arm.....14
 Column.....26
 Cylinder.....17
 Motor.....26
 Pivot.....18
 Wheel.....26
 Wheel Cap.....26
 Step, Operator Station.....23

Strap,	
Oil Tank.....	21
Ground.....	23
Sundstrand	
Drive.....	5
Pump.....	7
Switch,	
Dimmer.....	23
Flasher.....	26
Ignition.....	30
Light.....	30
Micro.....	28
Toggle.....	30

-P-

Taillight.....	39
Tank	
Fuel.....	20
Hydraulic.....	21
Latch.....	35
Lid.....	35
Shield.....	35
Solution.....	35
Temperature	
Gauge.....	30
Sender.....	4
Throttle	
Bracket Spacer.....	5
Control Arm.....	5
Lever.....	29
Throttle Cable.....	29
Bracket.....	5
Mount.....	29
Tie Rod.....	19
Tire.....	45
Toggle Switch.....	30
Torque Hub.....	14
Transom.....	40
Extension.....	40
Tread Adjustment.....	44
Tube,	
Hydraulic.....	6,14,15,31
Radiator.....	5

-V-

Valve,	
Cessna 3-Spool.....	32
Electric.....	36
Flow Control.....	33
Gresen Selector.....	31
Handle.....	32
Hydraulic Relief.....	6

Wheel	
Motor.....	5,14
Motor Shield.....	15
Power.....	15
Steering.....	26
Windshield Wiper Motor.....	22
Wiper Blade.....	22
Wiring Diagram.....	58,59

-W-