

PARTS MANUAL

FOR

HAGIE MODEL 8250 HI-TRACTOR

HAGIE MANUFACTURING COMPANY

BOX 273 CLARION, IOWA 50525

(515) 532-2861

COVERS MACHINE SERIAL NUMBERS:

068288001 thru 068288100

6-88 493113

SPRAYER IDENTIFICATION

Each Hagie sprayer is identified by means of a frame serial number. This serial number denotes the model, year in which it was built, and the number of the sprayer. As for further identification, the engine has a serial number and the planetary hubs have identification plates that describe the type of mount and gear ratio. To insure prompt, efficient service when ordering parts or requesting service repairs from Hagie Manufacturing Company, record the serial and identification numbers in the space provided below.

Note: Reference to left hand and right hand used throughout this manual refers to the position when seated in the operator's seat facing forward.



SPRAYER SERIAL NUMBER



ENGINE SERIAL NUMBER



ENGINE SERIAL NUMBER



PLANETARY HUB IDENTIFICATION NUMBERS

TABLE OF CONTENTS

ABBREVIATIONS.....4

ENGINE ASSEMBLIES.....5-17

LEG ASSEMBLIES.....18-20

TIRE ASSEMBLY.....21

STEERING CYLINDER.....22

TIE ROD ASSEMBLY.....23

FUEL AND OIL TANKS.....24-25

OPERATOR STATION.....26-30

CONSOLE ASSEMBLY.....31-34

FLOW DIVIDER AND SELECTOR VALVE.....35-37

STEERING WHEEL ASSEMBLY.....38

OPERATOR STATION FOAM.....39

SOLUTION SYSTEM.....40-45

SHEET METAL.....46

TRANSOM, BOOM, AND LIFT COMPONENTS.....47-50

LADDER AND TREAD ADJUSTMENT.....51

SOLUTION HOISING DIAGRAM.....52

CROP SHIELDS AND STALK GUIDE.....53

WHEEL DRIVE ASSEMBLY.....54-57

DECALS.....58-61

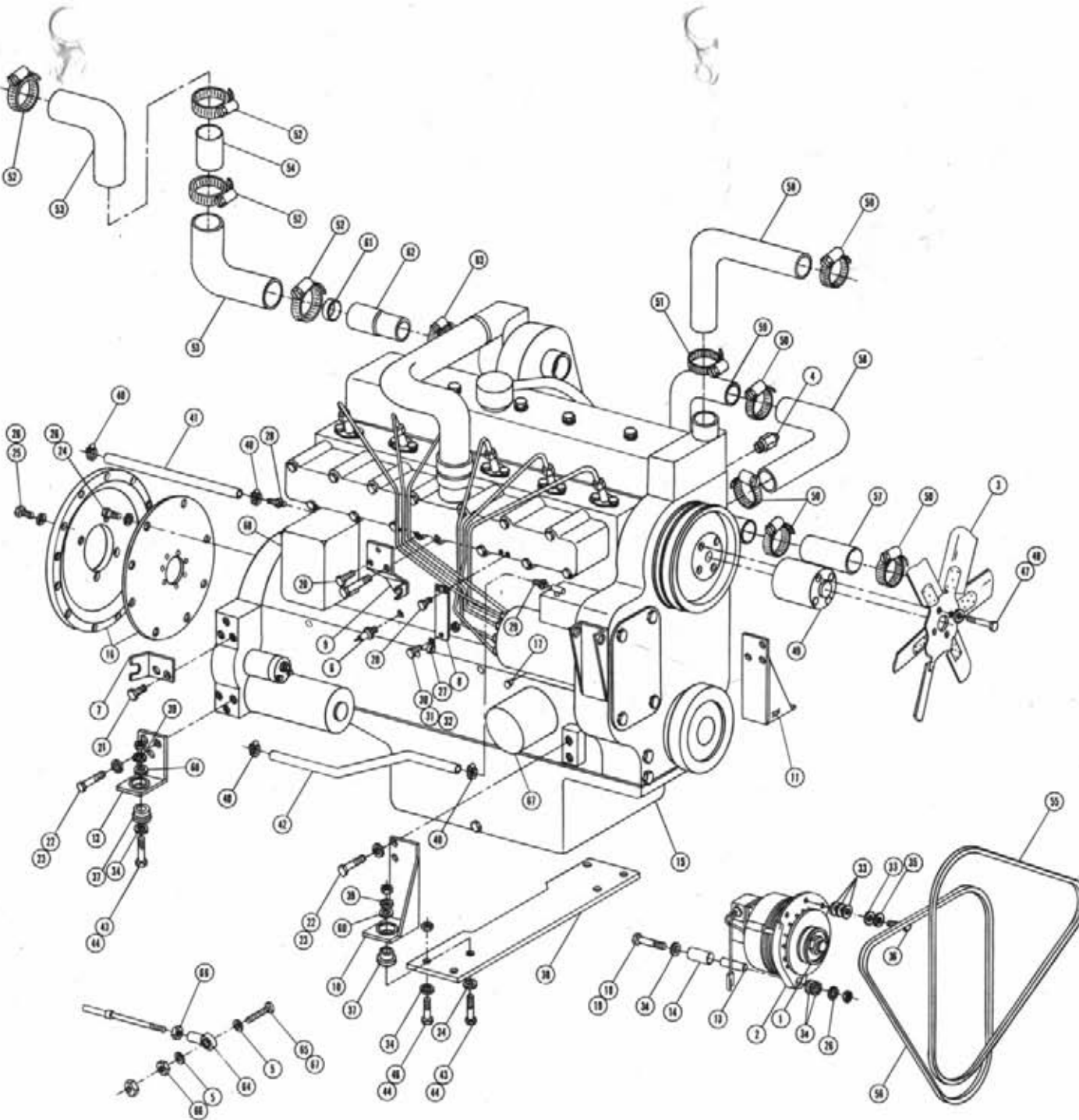
HYDRAULIC SCHEMATIC.....62-69

ELECTRICAL SCHEMATIC.....70-75

INDEX.....76

ABBREVIATIONS

A/C - Air Conditioner	MT - Mount
ADPTR - Adapter	MTR - Motor
AGI - Agitator	P/N - Part Number
ALT - Alternator	PLT - Plate
ASSY - Assembly	QTY - Quantity
BRKT - Bracket	RED - Reducer
DET - Detail	REF - Reference
DISPL - Displacement	REST - Restrictor
EL - Elbow	REQ - Required
EXT - Extension	SHFT - Shaft
FLO - Flow	SOL - Solution
FNPT - Female National Pipe Thread	STRG - Steering
FOR - Female O-ring	ST - Street
FRT - Front	SMIV - Swivel
HYD - Hydraulic	UNC - Unified National Course (Thread)
HYDR0 - Hydrostatic	UNF - Unified National Fine (Thread)
LG - Long	V - Volt
LWR - Lower	W/ - With
MJIC - Male J. I. C.	WHL - Wheel
MOR - Male O-ring	WLD - Weldment



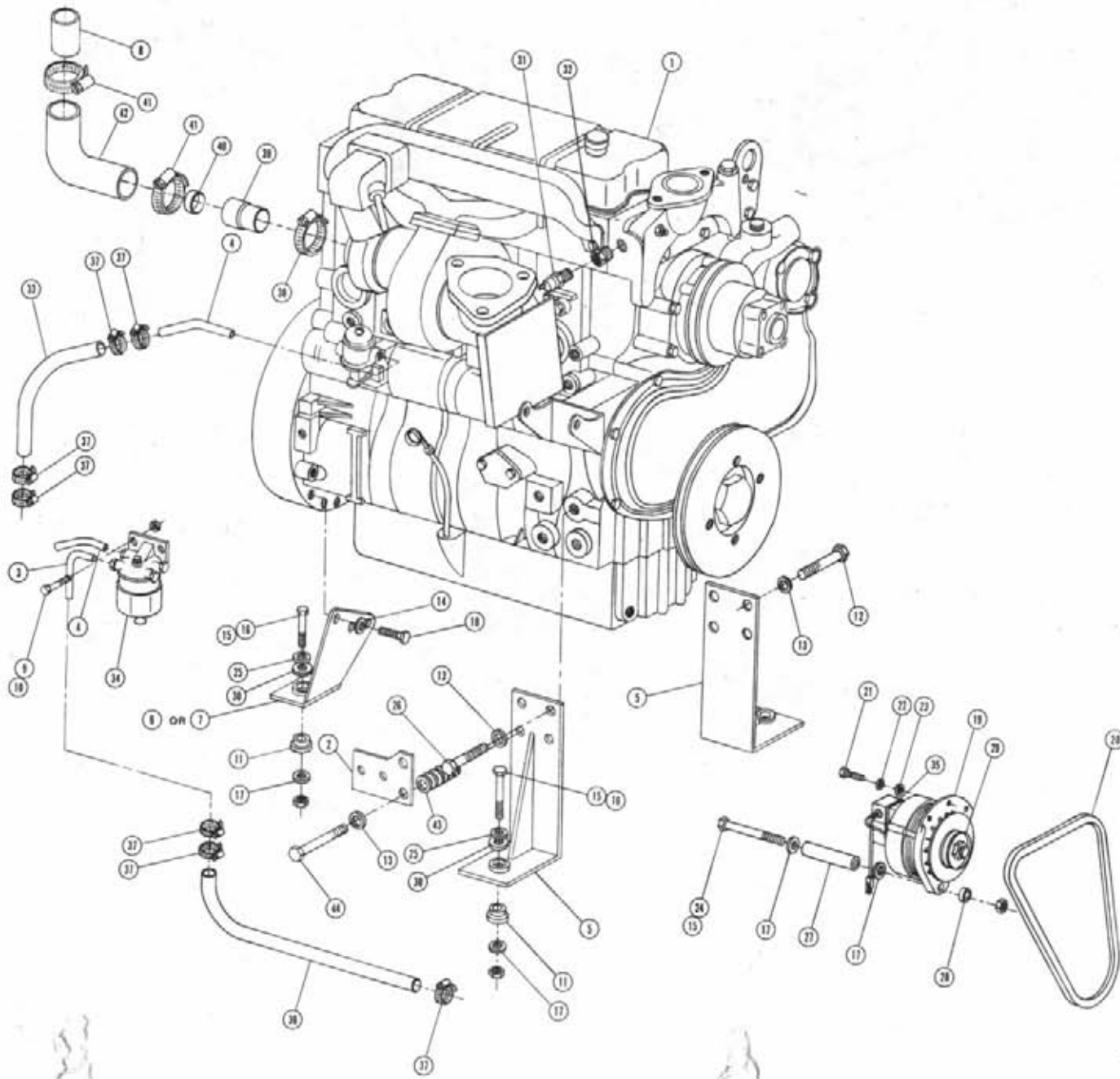
ONAN ENGINE ASSEMBLY

DET.	QTY	PART NO.	DESCRIPTION
1	1	141022	SHEAVE ALT MOTOROLA
2	1	310093	55 AMP ALT W/12V REGULATOR
3	1	314435	19 IN PWR FAN W/2 5 PITCH
4	1	314471	TEMP SENDER 2800 3/8NPT FOR GA
5	5	920510	LOCK WASH NO 10
6	1	314788	OIL SENDER .125 NPT PERK
7	1	316122	HYDST CABLE MT ONAN ENG
8	1	316123	FUEL SHUTOFF CABLE MT ONAN
9	1	316124	THROTTLE CABLE MT WLD ONAN
10	1	316127	RH FRT MTR MT WLD ONAN
11	1	316128	LH FRT MTR MT WLD ONAN
12	1	316133	REAR MTR MT WLD ONAN ENG
13	1	316137	TUBE .50 OD X .035WA X 2.50LG
14	1	316138	TUBE .875 OD X .156 X 1.25LG
15	1	316139	ONAN ENGINE
16	1	316140	ONAN TO SUND DRIVE ASSY
17	1	390486	THROT CABLE HOLDER
18	1	473779	10MM HEX NUT
19	1	473780	HH BOLT 10MM X 1.50THD X 90MM
20	1	473781	HH BOLT 6MM X 1.00THD X 12MM
21	1	473782	HH BOLT 12MM X 1.75THD X 18MM
22	11	473783	HH BOLT 12MM X 1.75THD X 25MM
23	11	473784	LOCKWASHER 12MM PL
24	1	473793	HH BOLT 10MM X 20MM GR5 PL
25	1	473792	HH BOLT 10MM X 1.50THD X 30MM
26	1	473798	LOCKWASHER 10MM PL TB2
27	1	520119	CUSHION HOSE CLAMP 3/16 IN
28	1	783303	5/16 HOSE BARB-1/4MNPY BR3
29	1	711001	5/16 HOSE BARB-1/8MNPY BR3
30	1	914000	1/4 UNC STOVER NUT
31	1	900002	1/4 UNC X 3/4 HEX BOLT
32	1	920000	1/4 FLAT WASH SAE
33	1	920001	5/16 FLAT WASH SAE PLT
34	2	920004	1/2 FLAT WASH SAE
35	1	920501	LOCK WASH 5/16
36	1	900065	5/16 UNC X 1 HEX BOLT
37	4	311032	ENG ISOLATOR
38	1	341562	MAINFRAME TIE PLT ONAN
39	4	483041	1/2 REGULAR FLAT WASH PLT
40	4	520120	HOSE CLAMP NO 4 MINIATURE PLT
41	1	601257	HOSE .5/16 X 120 IN FUEL LINE
42	1	601263	HOSE .5/16 X 144 IN FUEL LINE
43	4	900269	1/2 UNC 2 3/4 HEX BOLT
44	8	914008	1/2 UNC STOVER NUT
45	1	914027	NO 10-32 STOVER NUT
46	4	900264	1/2 UNC X 1 1/4 HEX BOLT
47	4	473804	6MM LOCKWASHER
48	4	473774	HHBOLT 8MM X 1.25THD X 100MM
49	1	316142	FAN SPCHR ONAN ENGINE
50	5	520067	HOSE CLAMP NO 28 PLATED
51	1	520068	HOSE CLAMP NO 32 PLATED
52	4	520052	HOSE CLAMP NO 25 PLATED
53	1	314731	ATR CLEANER HOSE
54	1	314628	ATR CLEANER TUBE 3.00 X 6.00
55	1	147018	7541 BELT
56	1	147014	BELT 7508
57	1	601251	HOSE .1.75 X 6.00
58	2	314801	RAD HOSE GATES 20271
59	1	316144	LWR RAD TUBE ONAN
60	4	483037	FLAT WASH 5/8 REGULAR
61	1	316146	HOSE INSERT AIR INTK ONAN
62	1	313295	RUBBER ADPTR 2 1/4IDX2 1/2
63	1	520099	HOSE CLAMP NO 40 PLATED
64	1	473921	BALL JOINT NO 10-32 THD
65	1	903893	10-32 X 1 SLT RD HD MACH SCR
66	2	910027	HEX NUT NO 10 UNF
67	1	316141	OIL FILTER ONAN L634S ENG
68	1	316148	FUEL FILTER ONAN L634S ENG

PERKINS DIESEL ENGINE ASSEMBLY

DET. QTY PART NO. DESCRIPTION

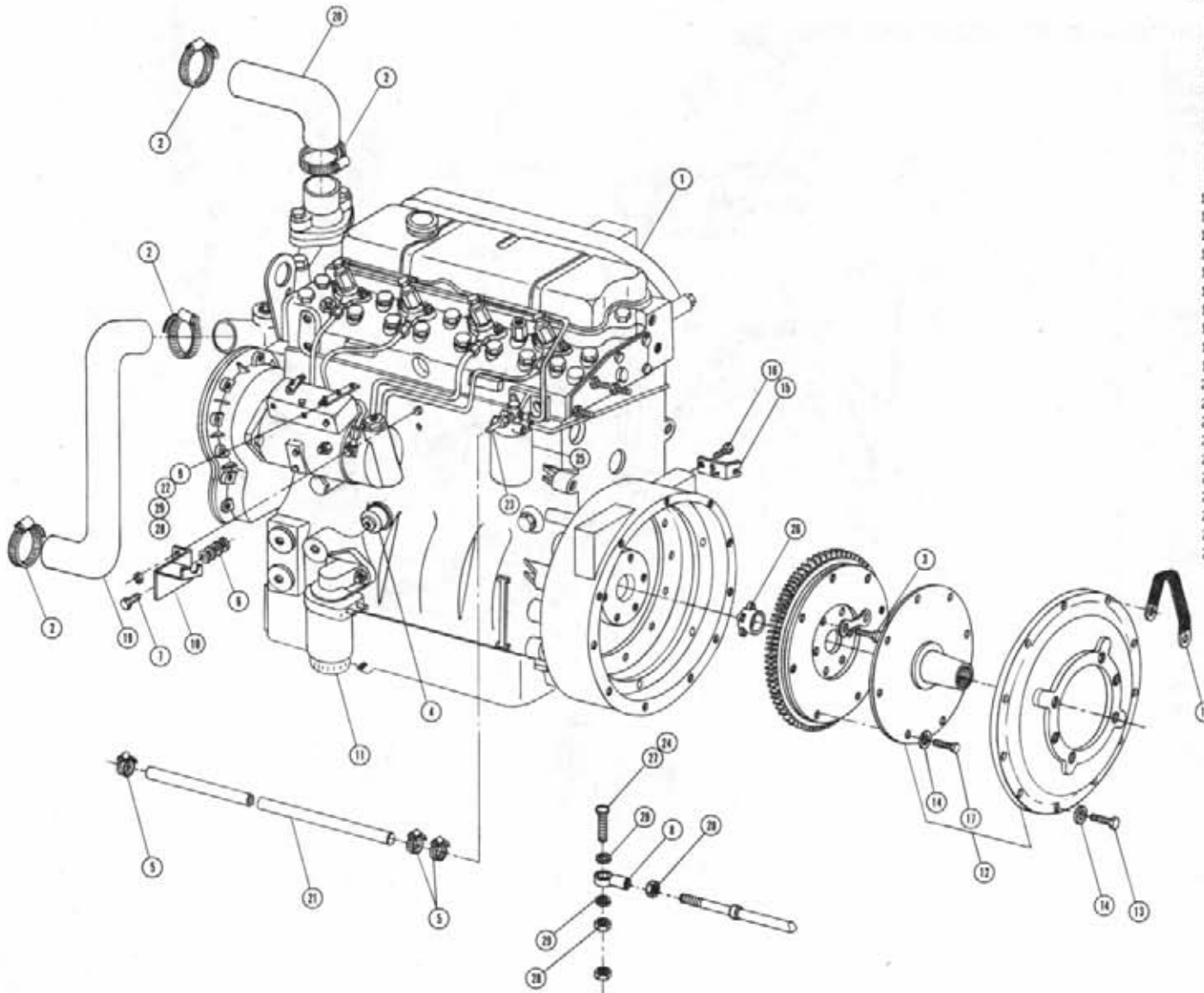
1	1	314807	PERK T4.236 ENG
2	1	314811	WATER TRAP MT PERK T4.236
3	1	314619	WATER TRAP INLET TUBE
4	2	314620	WATER TRAP OUTLET TUBE
5	2	314745	FRT MTR MT WLD PERK
6	1	314748	RH REAR MTR MT WLD PERK
7	1	314749	LH REAR MTR MT WLD PERK
8	1	314628	AIR CLEANER TUBE 3.00 X 6.00
9	2	914004	3/8 UNC STOVER NUT
10	2	900180	3/8 UNC X 1 1/4 HEX BOLT
11	4	311032	ENG ISOLATOR
12	4	900231	7/16 UNF X 1 HEX BOLT
13	8	920503	LOCK WASH 7/16
14	6	920504	LOCK WASH 1/2
15	5	914008	1/2 UNC STOVER NUT
16	4	900269	1/2 UNC X 2 3/4 HEX BOLT
17	6	920004	1/2 FLAT WASHER SAE
18	6	900265	1/2 UNC X 1 1/2 HEX BOLT
19	1	310093	55 AMP ALT W/12V REGULATOR
20	1	140056	BELT GATE 9510
21	1	900065	5/16 UNC X 1 HEX BOLT
22	1	920501	LOCK WASH 5/16
23	1	920001	5/16 FLAT WASHER SAE PLT
24	1	900275	1/2 UNC X 4 1/2 HEX BOLT
25	4	483041	1/2 REGULAR FLAT WASH PLT
26	2	900232	7/16 UNF X 1 1/4 HEX BOLT
27	1	314612	ALT SPACER .62 OD X 2.31
28	1	314613	ALT SPACER .62 OD X .19
29	1	141022	SHEAVE ALT MOTOROLA
30	4	483037	FLAT WASH 5/8 REGULAR
31	1	314437	TEMP SENSDR 280D 1/8NPT FOR GA
32	1	503012	RED BUSH 1/2 MNPT TO 1/8 FNPT
33	1	601290	HOSE, 5/16 X 20 FUEL LINE
34	1	314657	WATER TRAP ASSY PERK 4.236
35	1	310102	V REG FOR MOTOROLA ALT R7-1
36	1	601257	HOSE, 5/16 X 120 IN FUEL LINE
37	7	520120	HOSE CLAMP NO 4 MINIATURE PLT
38	1	520099	HOSE CLAMP NO 40 PLATED
39	1	319293	RUBBER ADPTR 2 1/4 ID X 2 1/2
40	1	316146	HOSE INSERT, AIR INTK QMAN
41	2	520052	HOSE CLAMP NO 52 PLATED
42	1	314731	AIR CLEANER HOSE
43	6	920003	7/16 FLATWASHER SAE
44	2	900233	7/16 UNF X 1 1/2 HEX BOLT

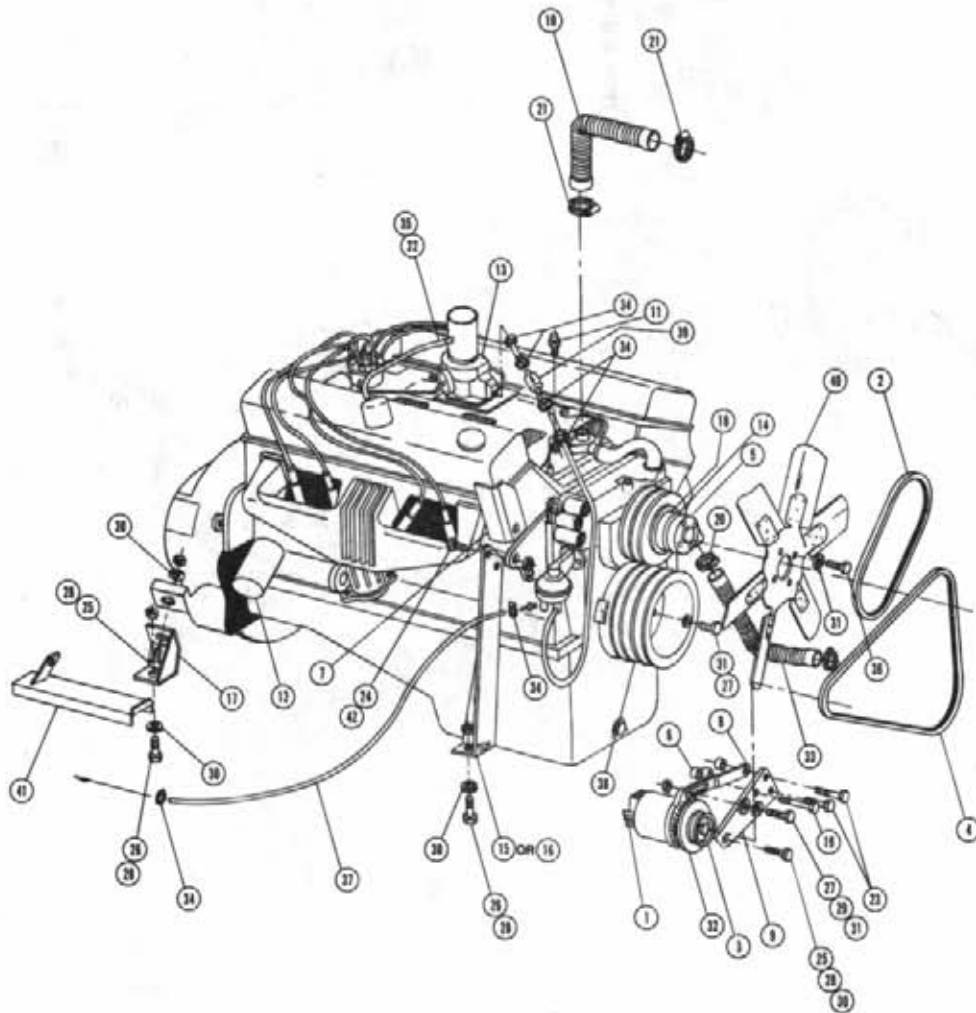


PERKINS DIESEL ENGINE ASSEMBLY

DET. QTY PART NO. DESCRIPTION

1	1	314807	PERK T4.236 ENG 8250	87
2	4	520067	HOSE CLAMP NO 28 PLATED	
3	6	900301	1/2 UNF X 1 HEX BOLT	
4	1	314788	OIL SENDER 1/8NPT PERK	
5	5	520120	HOSE CLAMP NO 4 MINIATURE PLT	
6	4	920001	5/16 FLAT WASHER SAE PLT	
7	1	900098	5/16 UNF X 3/4 HEX BOLT	
8	1	473921	BALL JOINT NO 10-32 THD	
9	1	314644	FUEL SHUTOFF PIVOT PERK4236	
10	1	314812	THROT CABLE MT WLD T4.236 87	
11	1	314671	ENG OIL FLT ELEMENT PERK4236	
12	1	800472	PERK 4.236 TO SUND DRIVE ASSY	
13	12	900130	3/8 UNC X 1 1/4 HEX BOLT	
14	20	920502	LOCK WASH 3/8	
15	1	606851	HYDST CONT CABLE MT	
16	2	900263	1/2 UNC X 1 HEX BOLT	
17	8	900162	3/8 UNF X 3/4 HEX BOLT	
18	1	290107	6 IN GROUND STRAP	
19	1	314757	GATES 20811 RADIATOR HOSE	
20	1	314758	GATES 20608 RADIATOR HOSE	
21	1	601263	FUEL LINE HOSE 5/16 X 144	
22	1	472251	10-32 X 3/4 PAN HD MACH SCREW	
23	1	314725	FUEL RETURN TUBE PERK 4.23681	
24	1	914027	NO 10-32 STOVER NUT	
25	1	314558	FUEL FILTER ELEMENT PERK	
26	1	800481	DRIVE DISK ADPTR HSNG PERKINS	
27	1	903893	10-32 X 1 SLT RD HD MACH SCR	
28	3	910027	HEX NUT NO 10 UNF	
29	3	920510	LOCK WASH NO 10	





CHRYSLER ENGINE ASSEMBLY

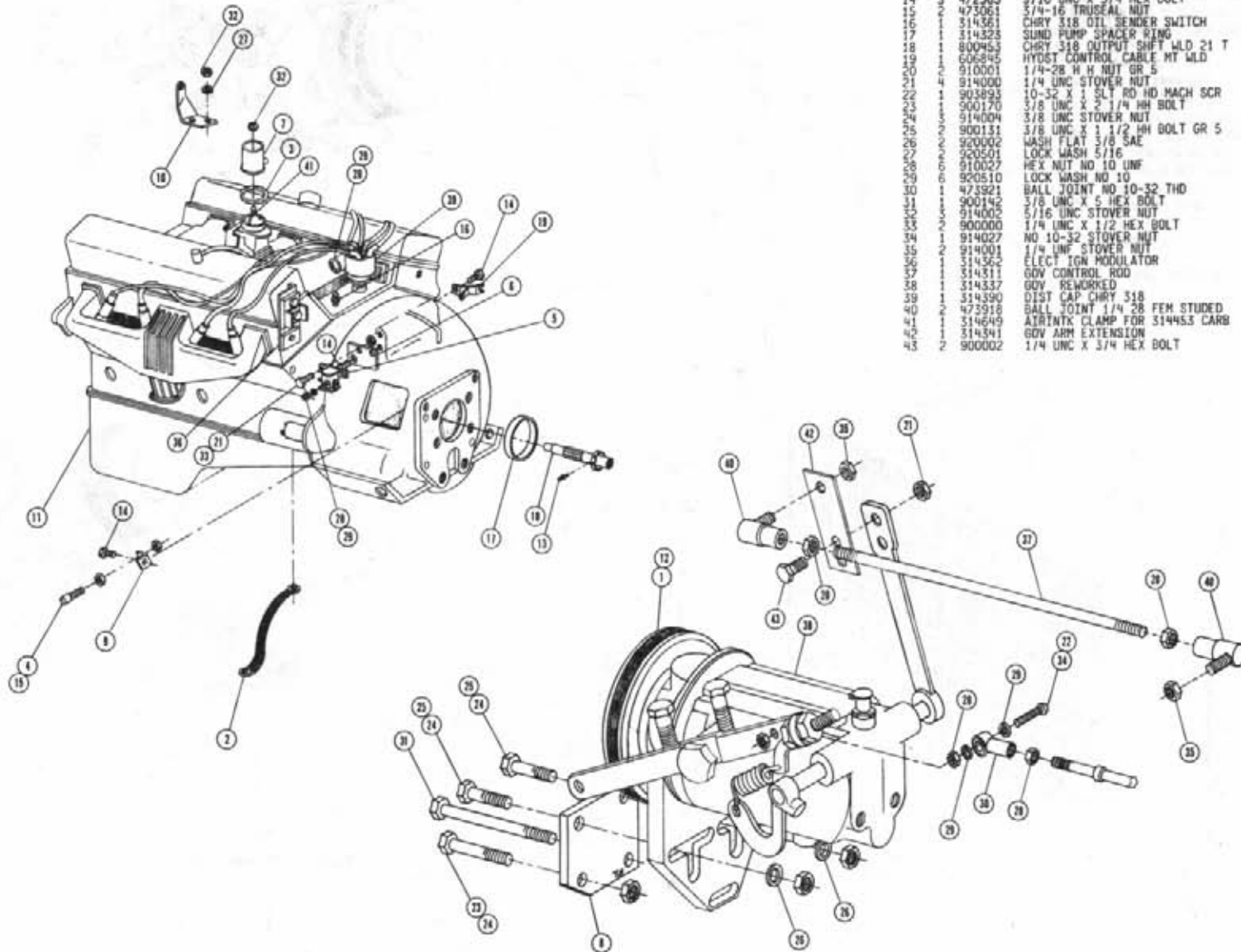
DET. QTY PART NO. DESCRIPTION

1	1	310102	VOLTAGE REGULATOR
2	1	147000	BELT GATES 2490 TRUFLEX
3	1	141022	SHEAVE ALT MOTOROLA
4	1	147001	BELT GATES 2520 TRUFLEX
5	1	311039	FAN SPACER
6	3	200015	SPACER, 3/4 OD X 11 GA X 3/8
7	1	314303	EXHAUST MANIF HEAT SHIELD
8	1	314309	ALT ADJ ARM
9	1	314310	ALT MT
10	1	314327	RAD HOSE TOP CHRY 318
11	1	314437	TEMP SENSDR 2800 1/8NPT FOR GA
12	1	319260	OIL FILTER
13	1	314825	CARTER CARBURETOR
14	1	319614	SHORT ADPTR FOR 19 IN FAN
15	1	341348	LH FRT MTR MT WLD CHRY
16	1	341351	RH FRT MTR MT WLD CHRY
17	2	341353	REAR MTR MT WLD CHRY
18	1	311038	SPACER, FAN SHEAVE
19	1	900132	3/8 UNC X 1 3/4 HEX BOLT
20	2	520067	HOSE CLAMP NO 28 PLATED
21	2	520085	HOSE CLAMP NO 24 PLATED
22	1	601151	HOSE, 5/8 X 12 HEATER
23	2	900142	3/8 UNC X 5 HEX BOLT
24	4	900198	7/16 UNC X 1 3/4 HEX BOLT
25	3	900283	1/2 UNC X 2 1/4 HEX BOLT
26	4	900265	1/2 UNC X 1 1/2 HEX BOLT
27	7	900064	5/16 UNC X 3/4 HEX BOLT
28	7	914008	1/2 UNC STOVER NUT
29	1	920001	5/16 FLAT WASHER SAE PLT
30	7	920004	1/2 FLAT WASHER SAE
31	11	920501	LOCK WASH 5/16
32	1	310093	55 AMP ALT W/12V REGULATOR
33	1	314417	LWR RAD HOSE CHRY 318
34	6	520120	HOSE CLAMP NO 4 MINIATURE PLT
35	2	520070	HOSE CLAMP NO 8 PLATED
36	4	900086	5/16 UNC X 2 1/4 HEX BOLT
37	1	601257	HOSE, 5/16 X 120 IN FUEL LINE
38	1	314824	3GR CRANK PULLEY
39	1	314388	FUEL LINE W/ FILT CHRY 318
40	1	314435	19 IN PLR FAN W/2.25 PITCH
41	1	314428	CABLE HEAT SHLD WLD CHRY 318
42	4	914006	7/16 UNC STOVER NUT

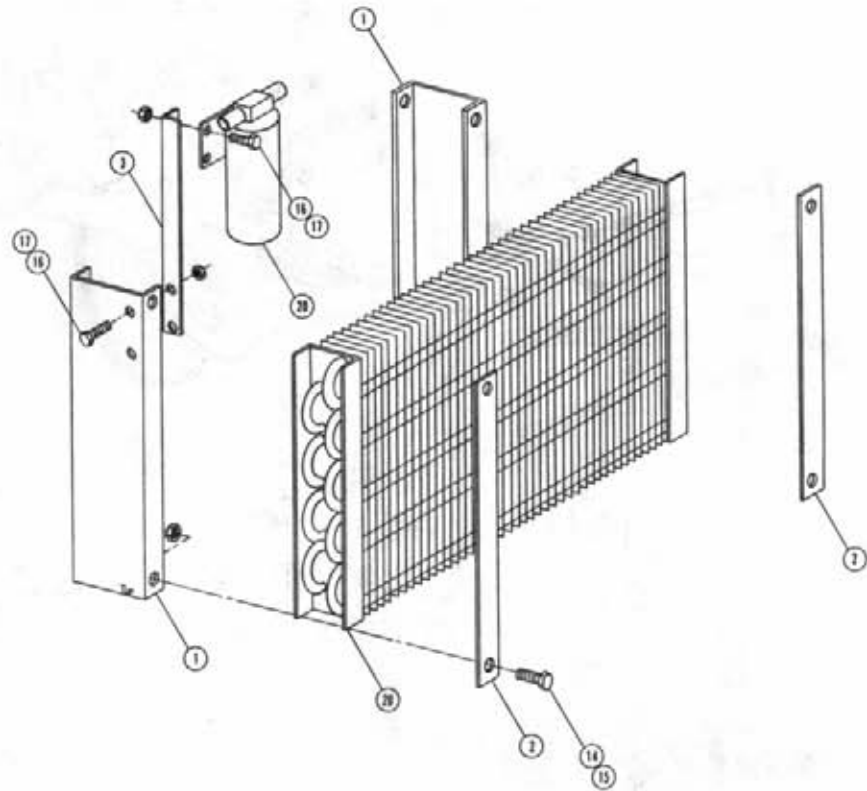
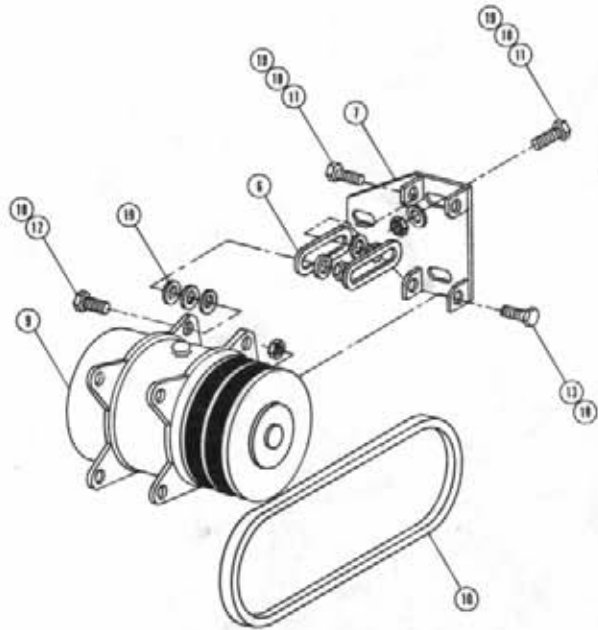
CHRYSLER ENGINE ASSEMBLY

DET. QTY PART NO. DESCRIPTION

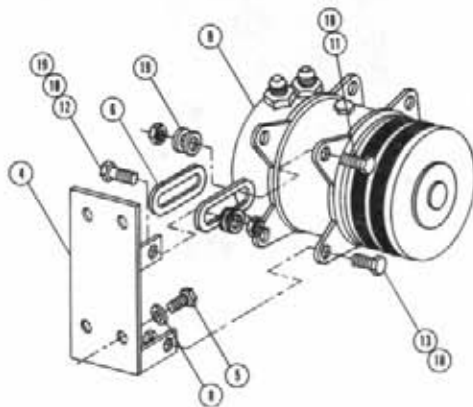
1	147030	SHEAVE, 6TH MACH
2	290109	GROUND STRAP, 8IN 17/32 HOLES
3	870334	MED GRING 2 5/8 X 3
4	291206	SENSOR SPEEDO TACH
5	510491	STARTER SOLENOID
6	311021	STARTER SOLENOID MT CHRY
7	314732	AIR INTAKE TUBE WLD
8	311044	GOV MT WLD
9	314302	TACH SENSOR MT
10	314421	THROT CABLE BRKT WLD CHRY 86
11	314728	CHRY 318 X-8 STUD ENGINE
12	470054	SET SCREW 5/16X 1/4 AL HD CUP
13	471005	1/4-28 X 1/2 GREASE ZERK
14	472363	9/16 UNC X 3/4 HEX BOLT
15	475061	3/4-16 TRUSEAL NUT
16	314361	CHRY 318 OIL SENDER SWITCH
17	314325	SUND PUMP SPACER RING
18	800453	CHRY 318 OUTPUT SHFT WLD 21 T
19	606845	HYDST CONTROL CABLE MT WLD
20	910001	1/4-28 N H NUT GR 5
21	914000	1/4 UNC STOVER NUT
22	903893	10-32 X 1 SLT RD HD MACH SCR
23	900170	3/8 UNC X 2 1/4 HH BOLT
24	914004	3/8 UNC STOVER NUT
25	900131	3/8 UNC X 1 1/2 HH BOLT GR 5
26	920002	WASH FLAT 3/8 SAE
27	920501	LOCK WASH 5/16
28	910027	HEX NUT NO 10 UNF
29	920510	LOCK WASH NO 10
30	475921	BALL JOINT NO 10-32 THD
31	900142	3/8 UNC X 5 HEX BOLT
32	914002	3/16 UNC STOVER NUT
33	900000	1/4 UNC X 1/2 HEX BOLT
34	914027	NO 10-32 STOVER NUT
35	914001	1/4 UNF STOVER NUT
36	314362	ELECT IGN MODULATOR
37	314311	GOV CONTROL ROD
38	314337	GOV REWORKED
39	314390	DIST CAP CHRY 318
40	475916	BALL JOINT 1/4 28 FEM STUDED
41	314649	AIRINTX CLAMP FOR 314453 CARB
42	314341	GOV ARM EXTENSION
43	900002	1/4 UNC X 3/4 HEX BOLT



CHRYSLER A/C COMPRESSOR ASSEMBLY



A/C COMPRESSOR PUMP ASSEMBLY

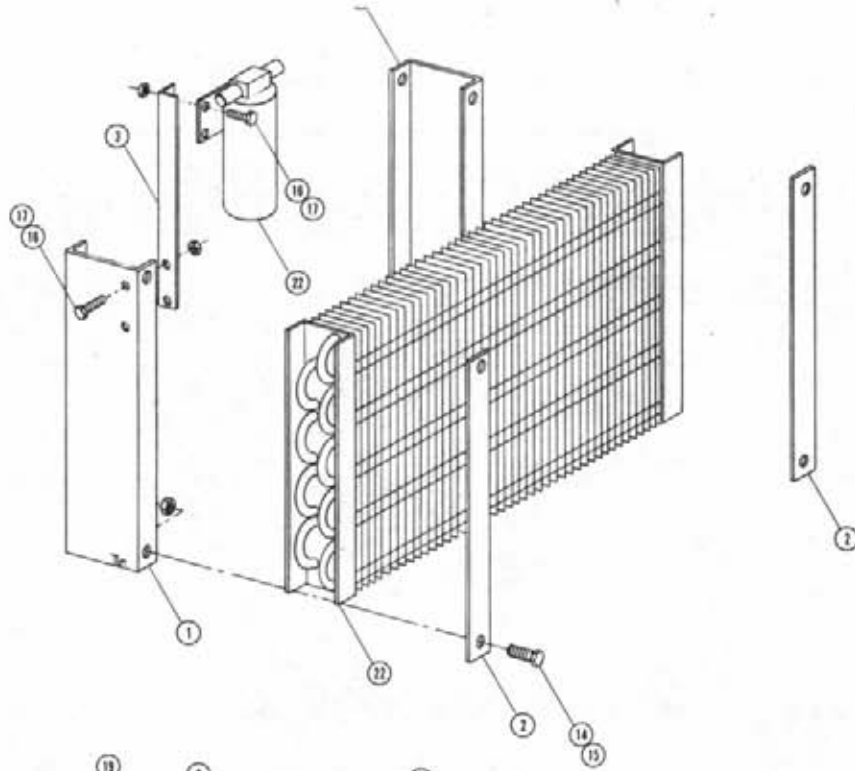


ONAN A/C COMPRESSOR ASSEMBLY

DET. QTY PART NO. DESCRIPTION

1	2	314413	CONDENSER MOUNT
2	2	314418	CONDENSER KEEPER
3	1	314420	A/C DRYER MTD BRKT
4	1	657330	A/C COMPRES MT WLD ONAN
5	4	475803	8MM X 1.25THD X 16MM HEX BOLT
6	2	657315	A/C COMPRES ADJ TAB
7	1	657317	A/C COMPRES MT WLD
8	4	475804	8MM LOCKWASHER
9	1	657310	COMPRESSOR, A/C
10	1	147040	2400 BELT
11	5	900129	3/8 UNC X 1 HEX BOLT
12	2	900131	3/8 UNC X 1 1/2 HEX BOLT
13	2	900130	3/8 UNC X 1 1/4 HEX BOLT
14	4	900064	5/16 UNC X 3/4 HEX BOLT
15	4	914002	5/16 UNC STOVER NUT
16	4	900002	1/4 UNC X 3/4 HEX BOLT
17	4	914000	1/4 UNC STOVER NUT
18	9	914004	3/8 UNC STOVER NUT
19	13	920002	WASH FLAT 3/8 SAE
20	2	657309	CONDENSER KIT

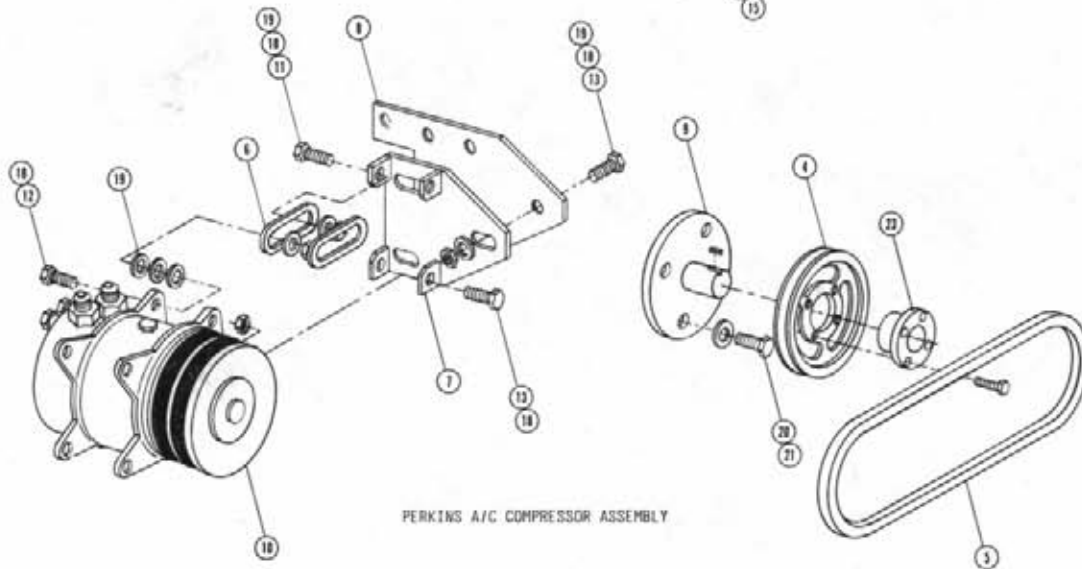
NOTE: FOR ONAN OPTION USE ITEMS: 1-2-3-4-5-6-8-9-11-12-13-14-15-16-17-18-19-20-21.
FOR CHRYSLER OPTION USE ITEMS: 1-2-9-10-11-12-13-14-15-16-17-18-19-20-21.



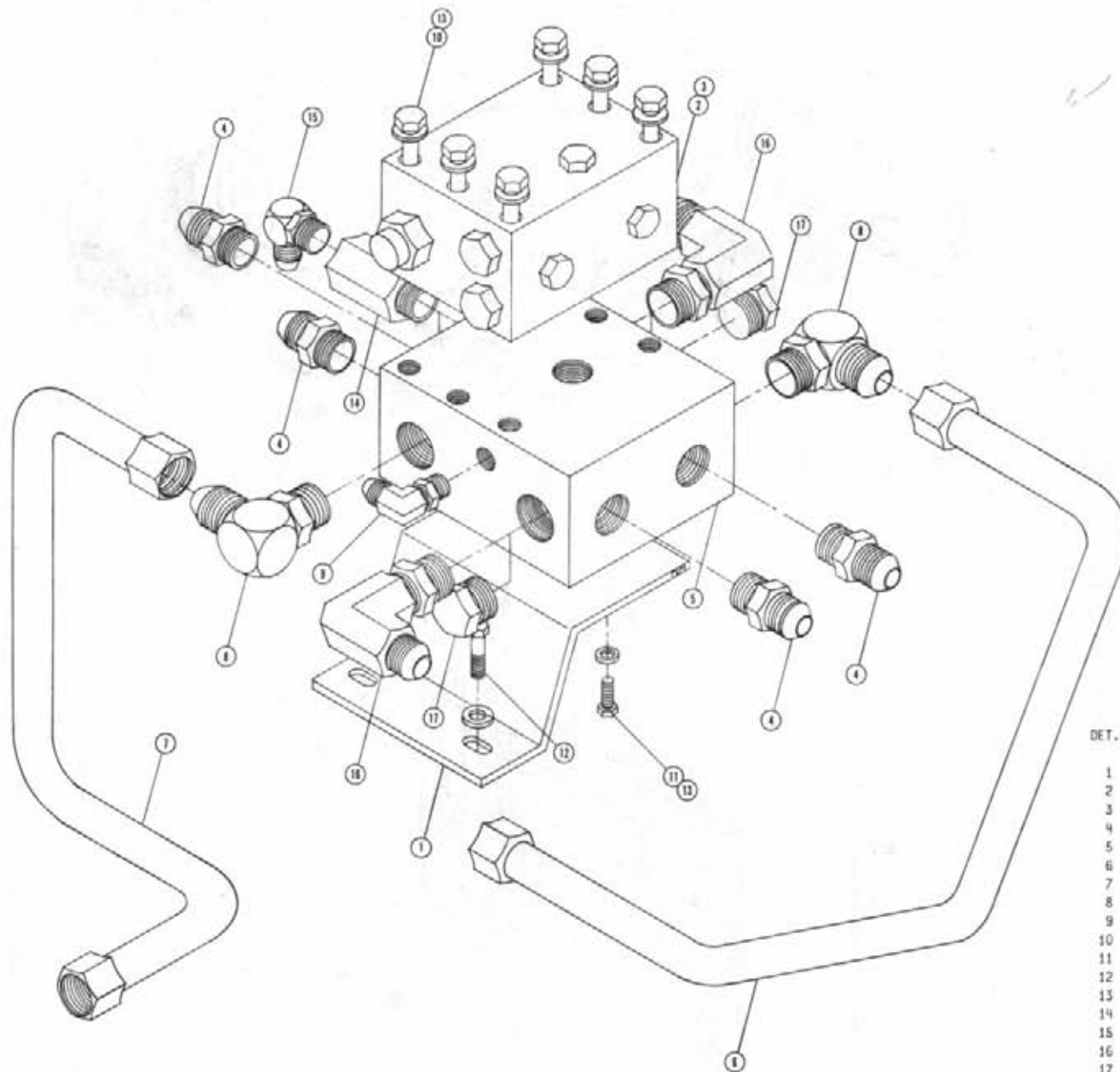
PERKINS A/C COMPRESSOR PUMP ASSEMBLY

DET. QTY PART NO. DESCRIPTION

1	2	314413	CONDENSER MOUNT
2	2	314418	CONDENSER KEEPER
3	1	314420	A/C DRYER MTG BRKT
4	1	140066	SHEAVE, 1GR 6.25 OD 0-A TYPE
5	1	147009	BELT 4L380
6	2	657315	A/C COMPJR ADJ TAB
7	1	657317	A/C COMPJR MT WLD
8	1	657320	A/C COMPJR MT ADPTR PERK
9	1	657321	A/C DRIVE SHAFT WLD PERK
10	1	657310	COMPRESSOR, A/C
11	2	900129	3/8 UNC X 1 HEX BOLT
12	2	900131	3/8 UNC X 1 1/2 HEX BOLT
13	5	900130	3/8 UNC X 1 1/4 HEX BOLT
14	4	900064	5/16 UNC X 3/4 HEX BOLT
15	4	914002	5/16 UNC STOVER NUT
16	4	900002	1/4 UNC X 3/4 HEX BOLT
17	4	914000	1/4 UNC STOVER NUT
18	9	914004	3/8 UNC STOVER NUT
19	13	920002	WASH FLAT 3/8 SAE
20	4	900231	7/16 UNF X 1 HEX BOLT
21	4	920503	LOCK WASH 7/16
22	1	657309	CONDENSER KIT
23	1	140067	TAPER BUSH TYPE D 1.50 BORE



PERKINS A/C COMPRESSOR ASSEMBLY

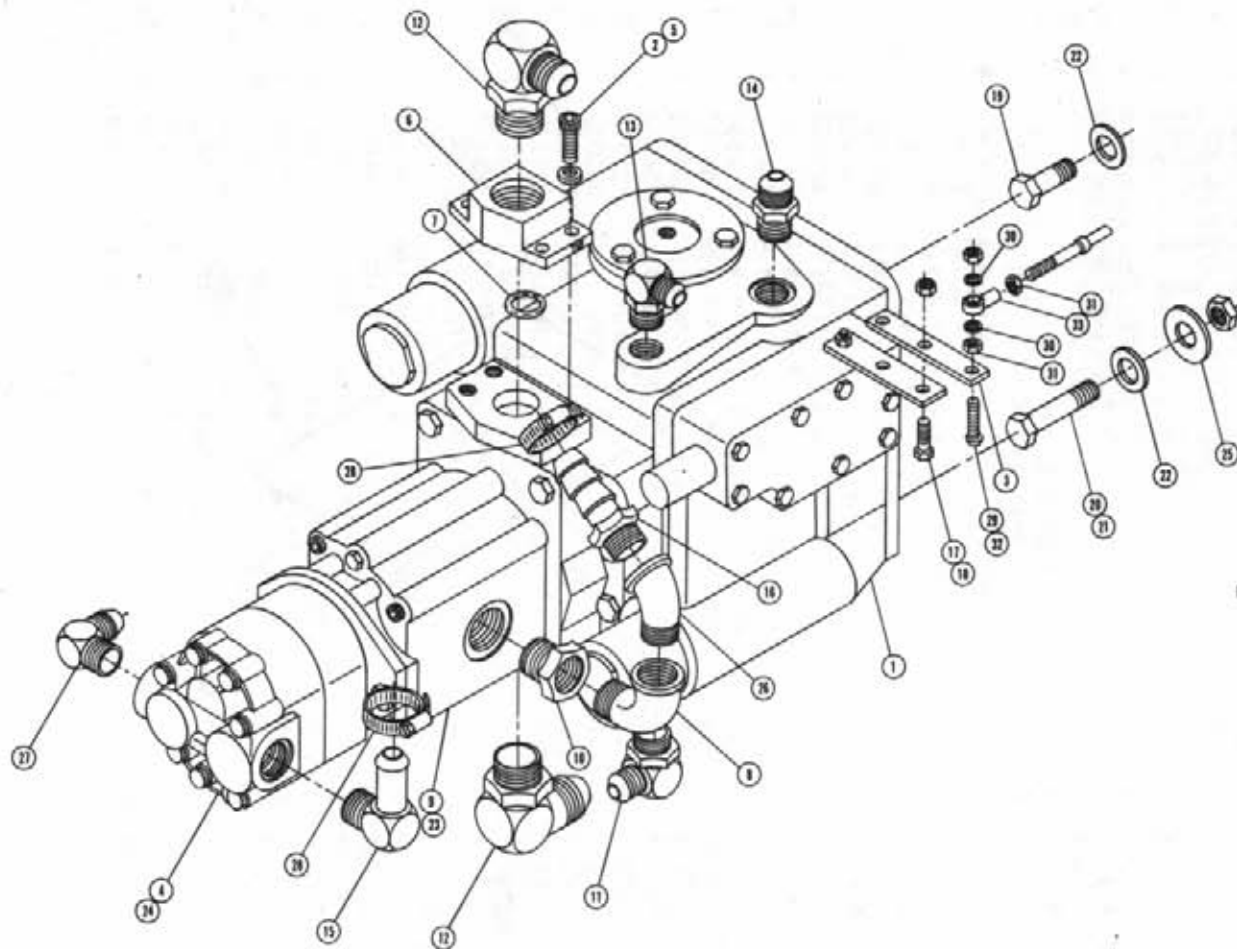


HYDRAULIC MANIFOLD ASSEMBLY

DET. QTY PART NO. DESCRIPTION

1	1	606849	LARGE HYD MANIFOLD HT
2	1	611009	SEAL KIT SUND SERIES 23
3	1	611013	HYD RELIEF VALVE ASSY
4	4	611127	1 1/16M2IC-1 1/16MOR ADPTR
5	1	615003	LARGE HYDRAULIC MANIFOLD
6	1	615568	HYD TUBE SUND PUMP RH
7	1	615569	HYD TUBE SUND PUMP LH
8	2	618178	1 5/16M2IC-90-1 5/16MOR LBO
9	1	618241	3/4M2IC-90-3/4MOR LBO
10	6	900075	5/16 UNC X 3 3/4 HEX BOLT
11	2	900065	5/16 UNC X 1 HEX BOLT
12	2	900196	7/16 UNC X 1 1/4 HEX BOLT
13	8	920501	LOCK WASH 5/16
14	1	610028	FLO CONTROL 16 GPM INLINE CES
15	1	618279	1 1/16M2IC-90-7/8MOR LBO
16	2	618248	1 1/16M2IC-90-1 1/16MOR LBO
17	2	610186	1 1/16MOR PLUG

NOTE: FOR TWO-WHEEL DRIVE ASSEMBLY ITEMS 14, 15, AND 16 ARE REPLACED BY 17 AND 4.

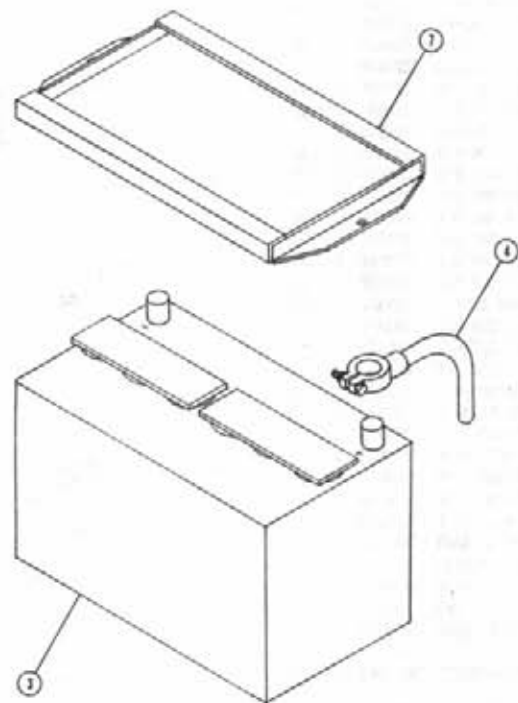
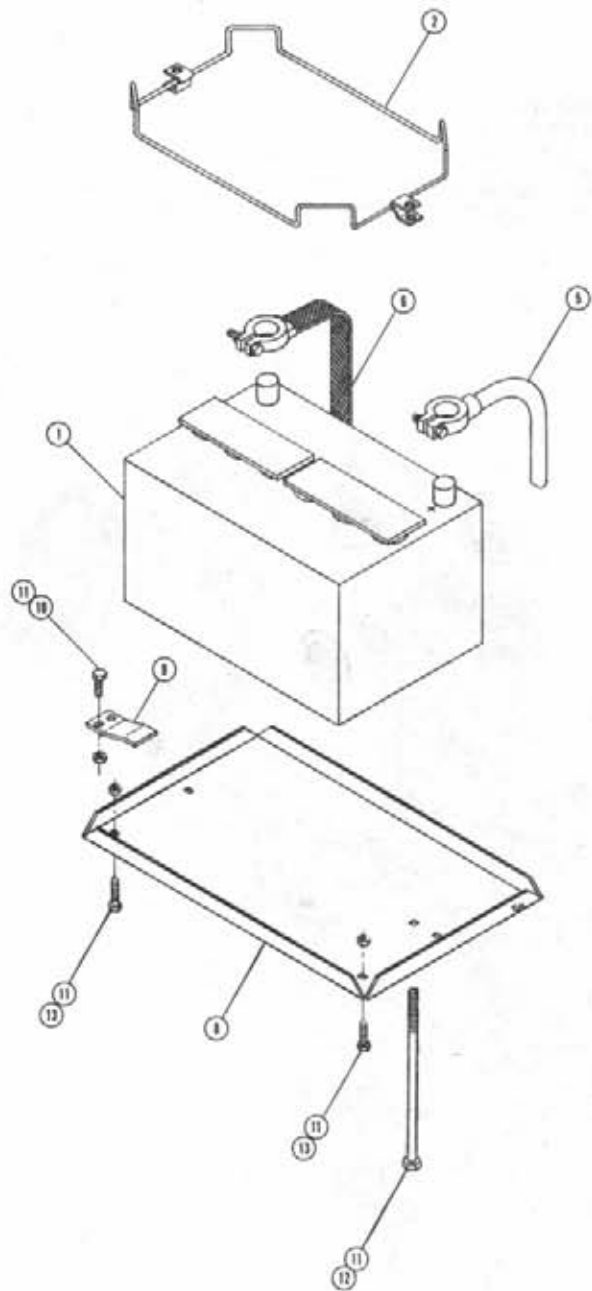


NOTE: 1. ITEMS 13 USED WITH FWD OPTION.
 2. ASSEMBLY SHOWN IS FOR GAS OPTION.
 FOR DIESEL OPTION REPLACE ITEMS 19, 20
 21, 22, & 25 WITH (4) 900265 - 1/2 UNC
 X 1 1/2 HEX BOLT AND (4) 920004 - 1/2
 SAE FLAT WASHER.

SUNDSTRAND PUMP ASSEMBLY

DET. QTY PART NO. DESCRIPTION

1	1	606866	SUND 23 SER PUMP A-MT 1.06CHG
2	8	472243	CAP SCREW 3/8 UNC X 1 3/4 ALLEN
3	1	606848	PUMP CONTROL LEVER EXT
4	1	610514	CESSNA PUMP 1.77CI SPLINED
5	8	618167	LOCK WASHER FOR 4-BOLT FLG
6	2	618176	1 5/16 FOR 4-BOLT FLANGE. LESS
7	2	870219	BUNA ORING 1 5/16 X 1 9/16
8	1	505200	BLK PIPE ST EL 90DEG INPT
9	1	606867	SUND 1.06 CHG PUMP FOR 606866
10	1	618090	1 5/16 MOR-1 FNPT ADPTR
11	1	618183	3/4 M JIC-90-7/8 MOR LBO
12	2	618178	1 5/16 M JIC-90-1 5/16 MOR LBO
13	1	618114	9/16 M JIC-90-7/16 MOR LBO
14	1	618327	3/4 M JIC-7/8 MOR ADPTR
15	1	618563	1IN HOSE BARB-90-1 1/16 MOR
16	1	714560	1 HOSE BARB-1MMPT
17	2	900003	1/4 UNC X 1 HEX BOLT
18	2	914000	1/4 UNC STOVER NUT
19	2	900266	1/2 UNC X 1 3/4 HEX BOLT
20	2	900267	1/2 UNC X 2 HEX BOLT
21	2	914008	1/2 UNC STOVER NUT
22	4	920004	1/2 FLAT WASHER SAE
23	1	610387	O-RING
24	1	618261	O-RING
25	2	483041	1/2 REGULAR FLAT WASH PLT
26	1	505110	BLK PIPE ST EL 45DEG INPT
27	1	611128	7/8 M JIC-90-7/8 MOR LBO
28	2	520087	HOSE CLAMP NO 20 PLATED
29	1	903893	10-32 X 1 SLT RD HD MACH SCR
30	2	920510	LOCK WASH NO 10
31	2	910027	HEX NUT NO 10 UNF
32	1	914027	NO 10-32 STOVER NUT
33	1	473921	BALL JOINT NO 10-32 THD



BATTERY BOX ASSEMBLY

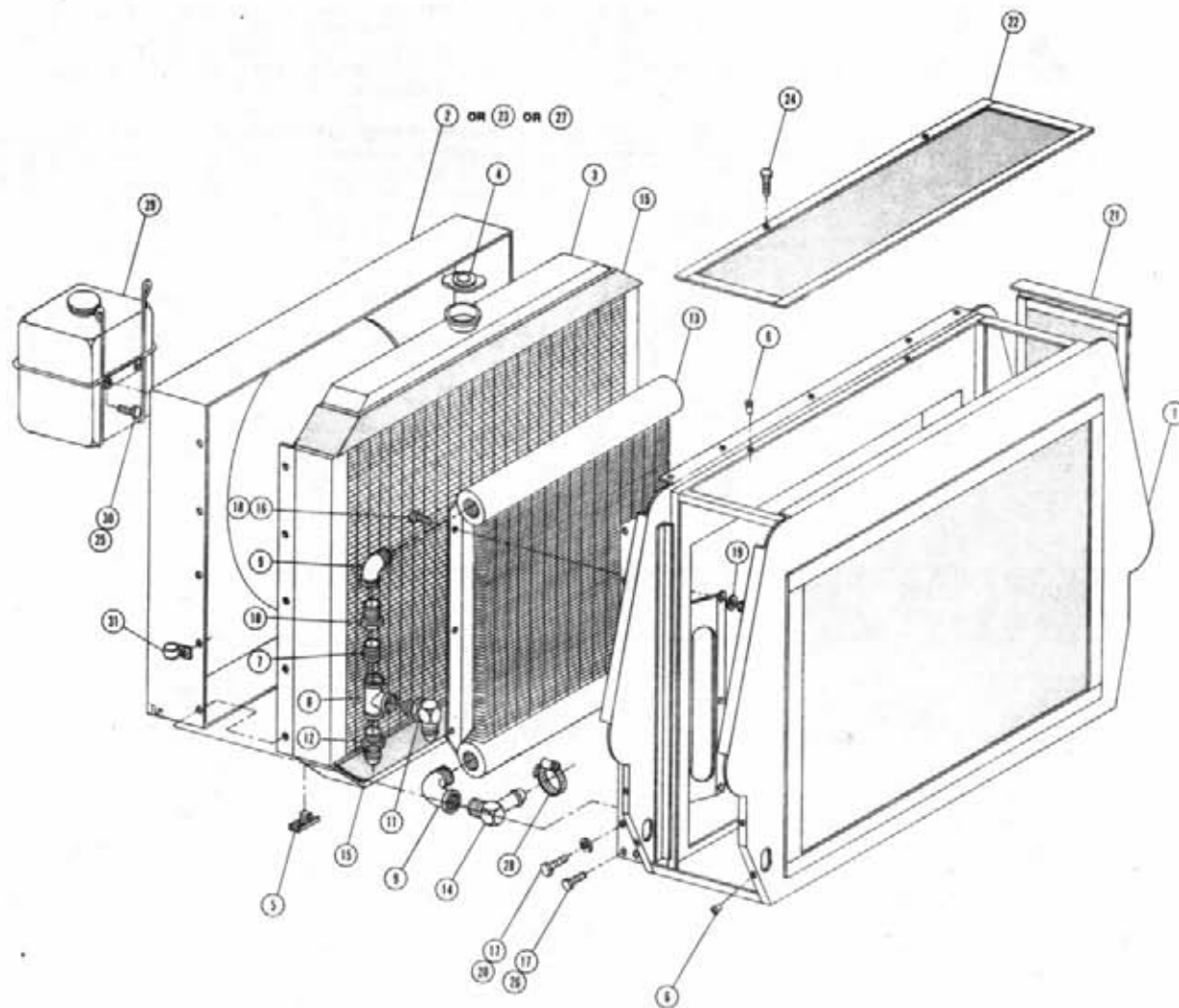
Det.	Qty.	P/N	Description
1	1	290013	Battery "Gas Engine"
2	1	290212	Battery Hold Down w/Clamps
3	1	291122	Battery "Diesel Engine"
4	1	290052	Battery Cable 56"
5	1	291128	Battery Cable 48"
6	1	290111	Ground Strap
7	1	341322	Battery Hold Down Weldment
8	1	361149	Battery Box
9	1	361192	Battery Box Support
10	2	900129	3/8 UNC x 1" Hex Bolt
11	6	914004	3/8 UNC Lock Nut
12	2	901149	3/8 UNC x 8 1/2 Carriage Bolt
13	2	900128	3/8 UNC x 3/4 Hex Bolt

Note: Items 6, 8, 11, and 12 are used with both engines.

RADIATOR AND OIL COOLER ASSEMBLY

DET. QTY PART NO. DESCRIPTION

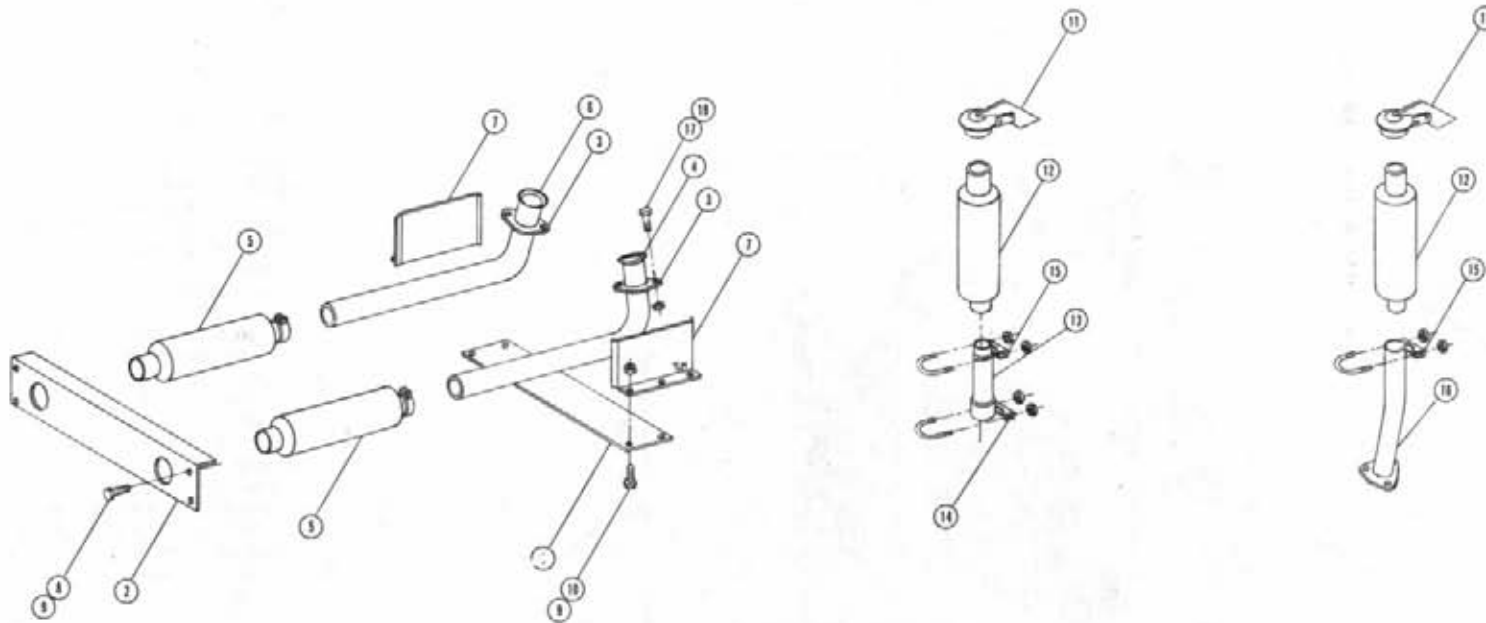
1	1	314477	RAD-OIL COOLER HT WLD
2	1	314440	RAD SHROUD CHRY
3	1	314791	RADIATOR LONG MFG
4	1	319257	RAD CAP 7LB X 3/4FREE BRTH SM
5	1	319559	RADIATOR DRAIN COCK
6	10	470086	NUTSERT, 1/4UNC .020-.100GR
7	1	504702	CLOSE NIPPLE 3/4NPT
8	1	504955	BLK PIPE TEE 3/4NPT
9	2	505200	BLK PIPE ST EL 90DEG INPT
10	1	505213	RED BUSH 1 TO 3/4 BLK MAL
11	1	610305	3/4MJIC-90-3/4MNPT LBO
12	1	618059	7/8MJIC-3/4MNPT ADPTR
13	1	618088	OIL COOLER BLISSFIELD
14	1	618138	1IN HOSE BARB-90-1MNPT
15	2	659579	FOAM, 2IN WIDE X 40IN LONG
16	6	900064	5/16 UNC X 3/4 HEX BOLT
17	14	900128	3/8 UNC X 3/4 HEX BOLT
18	6	914002	5/16 UNC STOVER NUT
19	12	920001	5/16 FLAT WASHER SAE PLT
20	10	920002	3/8 FLAT WASHER SAE
21	2	314490	SIDE SCR N WLD INTAKE
22	1	314495	TOP SCR N WLD INTAKE
23	1	316136	RAD SHROUD ONAN ENG
24	2	470118	1/4 UNC X 3/4 FLANGED H BOLT
25	2	914000	1/4 UNC STOVER NUT
26	4	914004	3/8 UNC STOVER NUT
27	1	314768	RAD SHROUD PERK
28	1	520087	HOSE CLAMP NO 20 PLATED
29	1	314767	RAD RECOVERY TANK & HTG WLD
30	2	900003	1/4 UNC X 1 HEX BOLT
31	1	520118	CUSHION HOSE CLAMP 1/2



CHRYSLER ENGINE EXHAUST PIPE ASSEMBLY

ONAN ENGINE EXHAUST PIPE ASSEMBLY

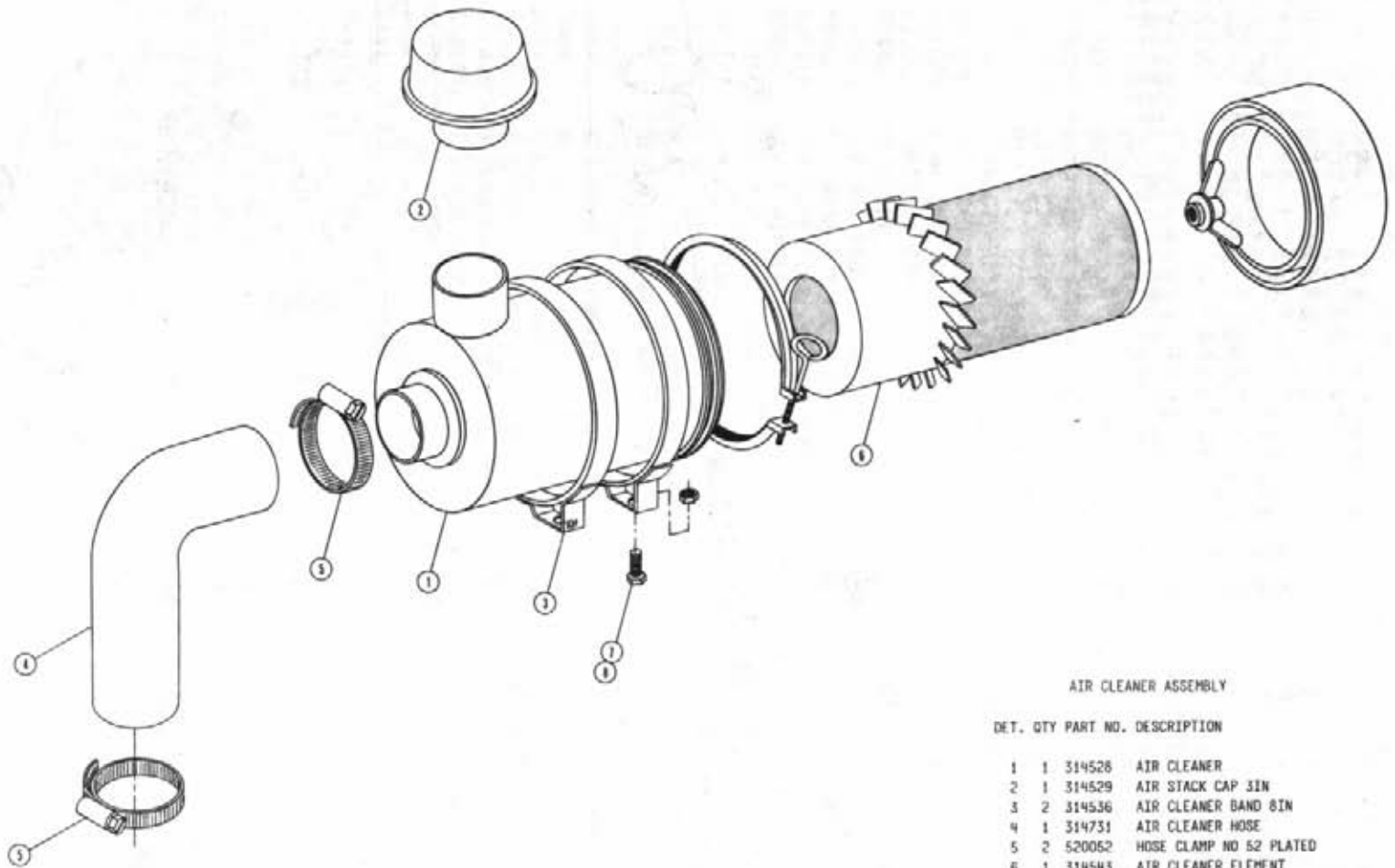
PERKINS ENGINE EXHAUST PIPE ASSEMBLY



EXHAUST PIPE ASSEMBLIES

DET. QTY PART NO. DESCRIPTION

1	1	361189	MAINFRAME TIE PLATE
2	1	361190	MAINFRAME REAR TIE - ANGLE
3	2	314735	EXHAUST PIPE FLG CHRY 318
4	1	314425	RH EXH PIPE 318 SHORT
5	2	319287	MUFFLER CHRY 318
6	1	314736	LH EXH PIPE 318 LONG
7	2	341359	HEAT SHIELD MAINFRAME
8	4	900265	1/2 UNC X 1 1/2 HEX BOLT
9	8	914008	1/2 UNC STOVER NUT
10	4	900264	1/2 UNC X 1 1/4 HEX BOLT
11	2	314637	2 1/2 ID RAIN CAP
12	2	314554	MUFFLER SAWED
15	1	316147	EXHAUST PIPE ONAN
14	1	470160	MUFFLER CLAMP 3.00 IN
15	2	472216	2.50 MUFFLER CLAMP .31 UNC
16	1	314809	EXHAUST PIPE WLD PERK
17	4	900170	3/8 UNC X 2 1/4 HEX BOLT
18	4	914004	3/8 UNC STOVER NUT

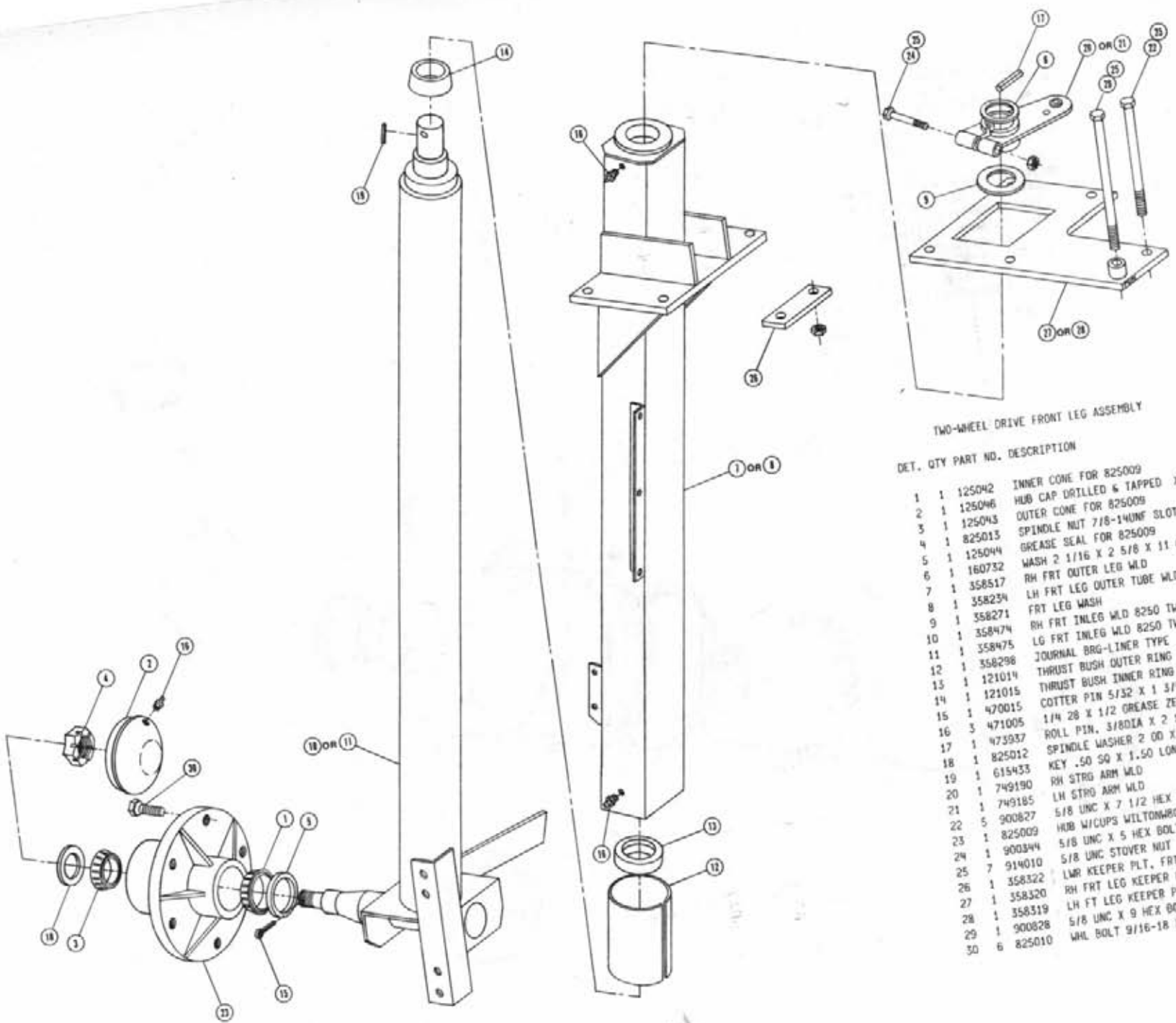


AIR CLEANER ASSEMBLY

DET. QTY PART NO. DESCRIPTION

DET.	QTY	PART NO.	DESCRIPTION
1	1	314528	AIR CLEANER
2	1	314529	AIR STACK CAP 3IN
3	2	314536	AIR CLEANER BAND 8IN
4	1	314731	AIR CLEANER HOSE
5	2	520052	HOSE CLAMP NO 52 PLATED
6	1	314543	AIR CLEANER ELEMENT
7	4	470118	1/4 UNC X 3/4 FLANGED H BOLT
8	4	470121	1/4-20 FLANGED WHIZ NUT
9			

NOTE: 1. ITEMS 4 & 5 ARE USED WITH THE CHRYSLER & PERKINS ENGINE OPTION.
2. FOR ONAN ENGINE OPTION (AIR CLEANER HOSE) REFER TO ENGINE DRAWINGS.



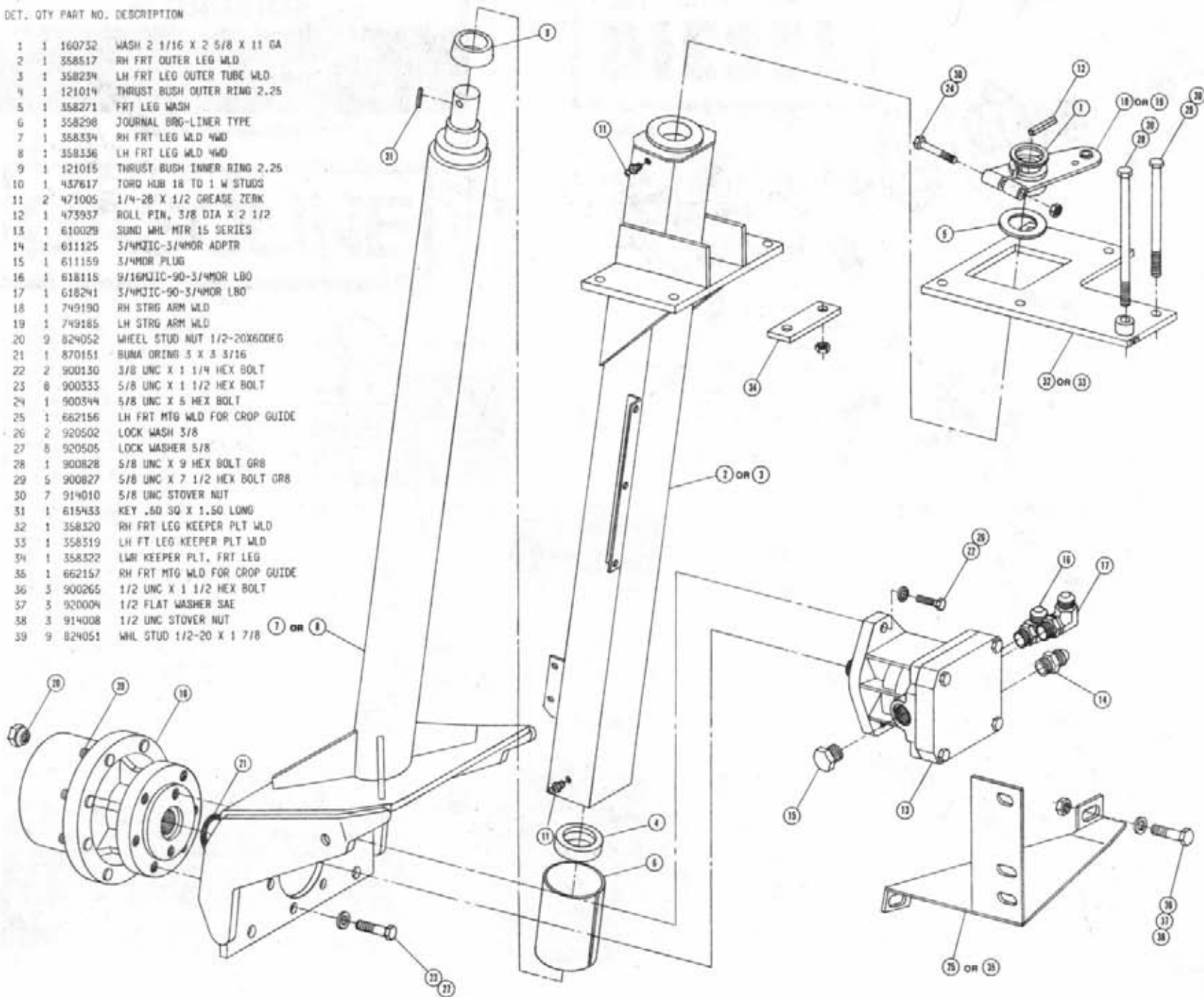
TWO-WHEEL DRIVE FRONT LEG ASSEMBLY
DET. QTY PART NO. DESCRIPTION

DET.	QTY	PART NO.	DESCRIPTION
1	1	125042	INNER CONE FOR 825009
2	1	125046	HUB CAP DRILLED & TAPPED XHD
3	1	125043	OUTER CONE FOR 825009
4	1	825013	SPINDLE NUT 7/8-14UNF SLOTTED
5	1	125044	GREASE SEAL FOR 825009
6	1	160732	WASH 2 1/16 X 2 5/8 X 11 GA
7	1	358517	RH FRT OUTER LEG WLD
8	1	358234	LH FRT LEG OUTER TUBE WLD
9	1	358271	FRT LEG WASH
10	1	358474	RH FRT INLEG WLD 8250 TWO XHD
11	1	358475	LG FRT INLEG WLD 8250 TWO XHD
12	1	358298	JOURNAL BRG-LINER TYPE
13	1	121014	THRUST BUSH OUTER RING 2.25
14	1	121015	THRUST BUSH INNER RING 2.25
15	1	470015	COTTER PIN 5/32 X 1 3/4 LG
16	3	471005	1/4 28 X 1/2 GREASE ZERK
17	1	473937	ROLL PIN, 3/8DIA X 2 1/2
18	1	825012	SPINDLE WASHER 2 OD X .937 ID
19	1	615433	KEY .50 SQ X 1.50 LONG
20	1	749190	RH STRG ARM WLD
21	1	749185	LH STRG ARM WLD
22	5	900827	5/8 UNC X 7 1/2 HEX BOLT GR8
23	1	825009	HUB W/CUPS WILTON#803 8250XHD
24	1	900344	5/8 UNC X 5 HEX BOLT
25	7	914010	5/8 UNC STOVER NUT
26	1	358322	LWR KEEPER PLT, FRT LEG
27	1	358320	RH FRT LEG KEEPER PLT WLD
28	1	358319	LH FT LEG KEEPER PLT WLD
29	1	900828	5/8 UNC X 9 HEX BOLT GR8
30	6	825010	WHL BOLT 9/16-18 X 1 1/8 900

FOUR-WHEEL DRIVE FRONT LEG ASSEMBLY

DET. QTY PART NO. DESCRIPTION

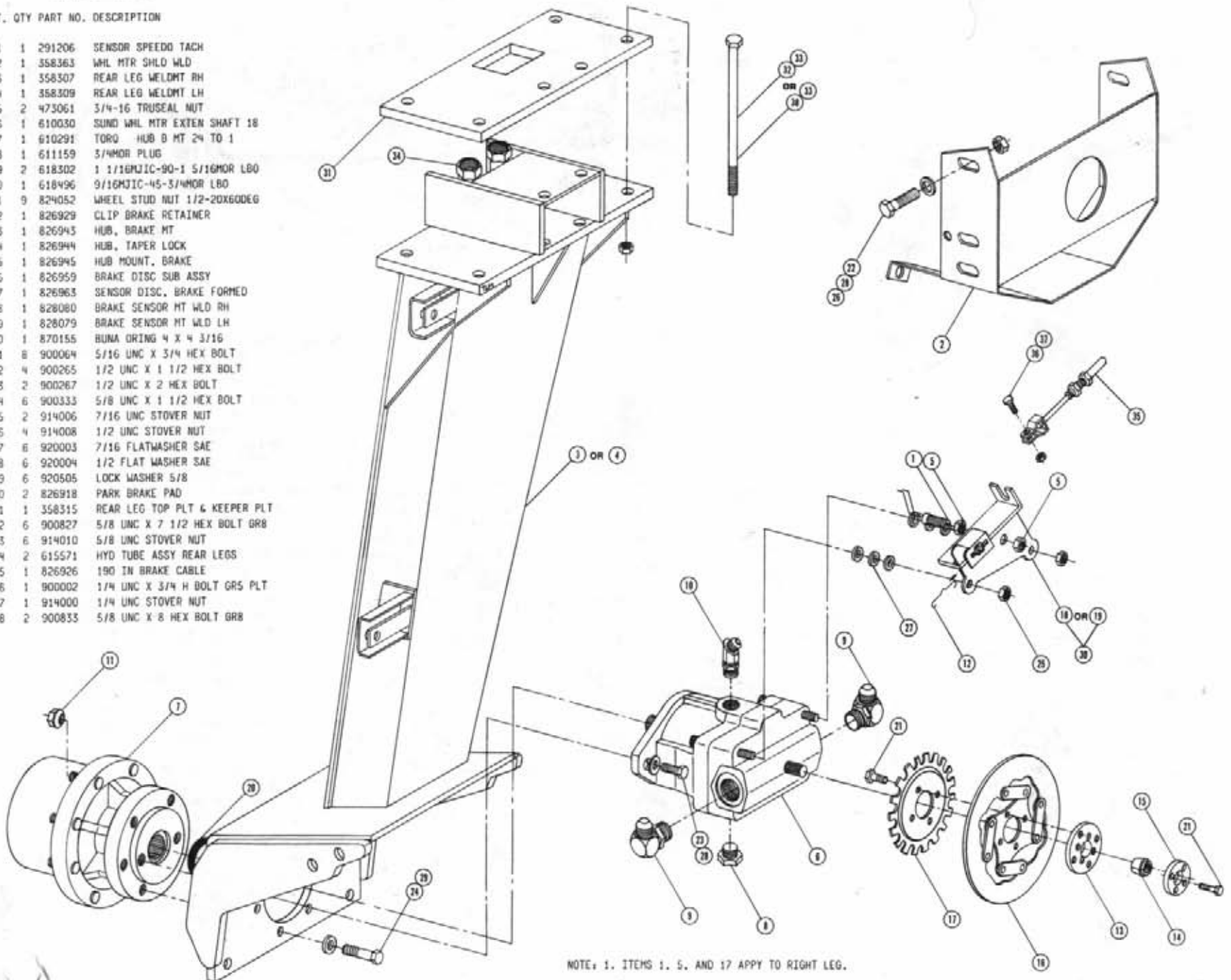
1	1	160732	WASH 2 1/16 X 2 5/8 X 11 GA
2	1	358517	RH FRT OUTER LEG WLD
3	1	358234	LH FRT LEG OUTER TUBE WLD
4	1	121014	THRUST BUSH OUTER RING 2.25
5	1	358271	FRT LEG WASH
6	1	358298	JOURNAL BRG-LINER TYPE
7	1	358334	RH FRT LEG WLD 4WD
8	1	358336	LH FRT LEG WLD 4WD
9	1	121015	THRUST BUSH INNER RING 2.25
10	1	437617	TORQ HUB 18 TO 1 W STUDS
11	2	471005	1/4-28 X 1/2 GREASE ZERK
12	1	473937	ROLL PIN, 3/8 DIA X 2 1/2
13	1	610029	SUND WHL MTR 15 SERIES
14	1	611125	3/4M2IC-3/4MOR ADPTR
15	1	611159	3/4MOR PLUG
16	1	618115	9/16M2IC-90-3/4MOR LBO
17	1	618241	3/4M2IC-90-3/4MOR LBO
18	1	749190	RH STRG ARM WLD
19	1	749185	LH STRG ARM WLD
20	9	824052	WHEEL STUD NUT 1/2-20X60DEG
21	1	870151	BUNA ORING 3 X 3 3/16
22	2	900130	3/8 UNC X 1 1/4 HEX BOLT
23	8	900333	5/8 UNC X 1 1/2 HEX BOLT
24	1	900344	5/8 UNC X 5 HEX BOLT
25	1	662156	LH FRT MTG WLD FOR CROP GUIDE
26	2	920502	LOCK WASH 3/8
27	8	920505	LOCK WASHER 5/8
28	1	900828	5/8 UNC X 9 HEX BOLT GR8
29	5	900827	5/8 UNC X 7 1/2 HEX BOLT GR8
30	7	914010	5/8 UNC STOVER NUT
31	1	615433	KEY .60 30 X 1.50 LONG
32	1	358320	RH FRT LEG KEEPER PLT WLD
33	1	358319	LH FT LEG KEEPER PLT WLD
34	1	358322	LWR KEEPER PLT, FRT LEG
35	1	662157	RH FRT MTG WLD FOR CROP GUIDE
36	3	900265	1/2 UNC X 1 1/2 HEX BOLT
37	3	920004	1/2 FLAT WASHER SAE
38	3	914008	1/2 UNC STOVER NUT
39	9	824051	WHL STUD 1/2-20 X 1 7/8



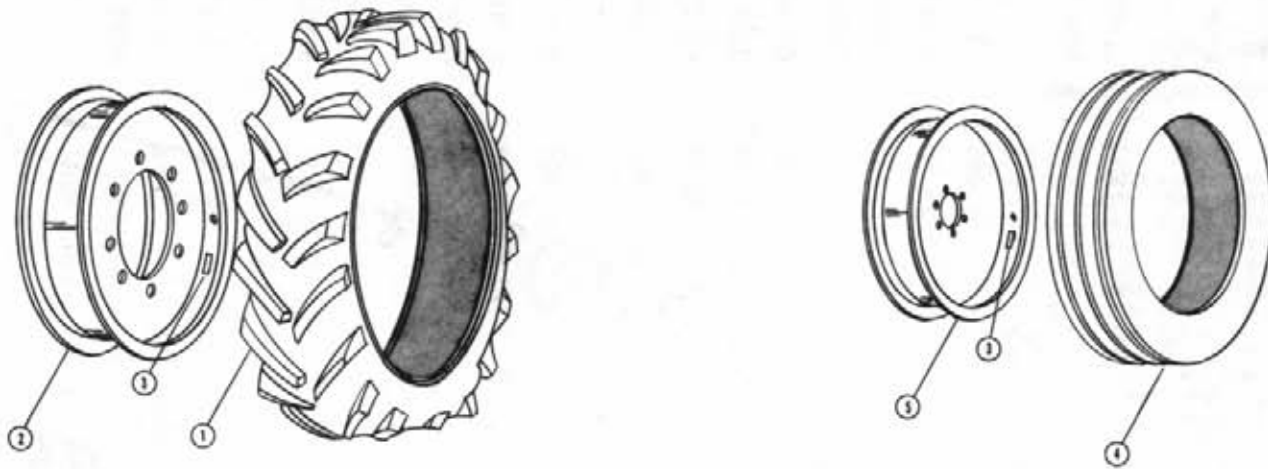
REAR LEG ASSEMBLY

DET. QTY PART NO. DESCRIPTION

1	1	291206	SENSOR SPEEDO TACH
2	1	358363	WHL MTR SHLD WLD
3	1	358307	REAR LEG WELDMT RH
4	1	358309	REAR LEG WELDMT LH
5	2	473061	3/4-16 TRUSEAL NUT
6	1	610030	SUND WHL MTR EXTEN SHAFT 18
7	1	610291	TORO HUB Ø MT 24 TO 1
8	1	611159	3/4MOR PLUG
9	2	618302	1 1/16MJIC-90-1 5/16MOR LBO
10	1	618496	9/16MJIC-45-3/4MOR LBO
11	9	824052	WHEEL STUD NUT 1/2-20X60DEG
12	1	826929	CLIP BRAKE RETAINER
13	1	826943	HUB, BRAKE MT
14	1	826944	HUB, TAPER LOCK
15	1	826945	HUB MOUNT, BRAKE
16	1	826959	BRAKE DISC SUB ASSY
17	1	826963	SENSOR DISC, BRAKE FORMED
18	1	828080	BRAKE SENSOR MT WLD RH
19	1	828079	BRAKE SENSOR MT WLD LH
20	1	870155	BUNA ORING 4 X 4 3/16
21	8	900064	5/16 UNC X 3/4 HEX BOLT
22	4	900265	1/2 UNC X 1 1/2 HEX BOLT
23	2	900267	1/2 UNC X 2 HEX BOLT
24	6	900333	5/8 UNC X 1 1/2 HEX BOLT
25	2	914006	7/16 UNC STOVER NUT
26	4	914008	1/2 UNC STOVER NUT
27	6	920003	7/16 FLATWASHER SAE
28	6	920004	1/2 FLAT WASHER SAE
29	6	920505	LOCK WASHER 5/8
30	2	826918	PARK BRAKE PAD
31	1	358315	REAR LEG TOP PLT & KEEPER PLT
32	6	900827	5/8 UNC X 7 1/2 HEX BOLT GR8
33	6	914010	5/8 UNC STOVER NUT
34	2	615571	HYD TUBE ASSY REAR LEGS
35	1	826926	190 IN BRAKE CABLE
36	1	900002	1/4 UNC X 3/4 H BOLT GR5 PLT
37	1	914000	1/4 UNC STOVER NUT
38	2	900833	5/8 UNC X 8 HEX BOLT GR8

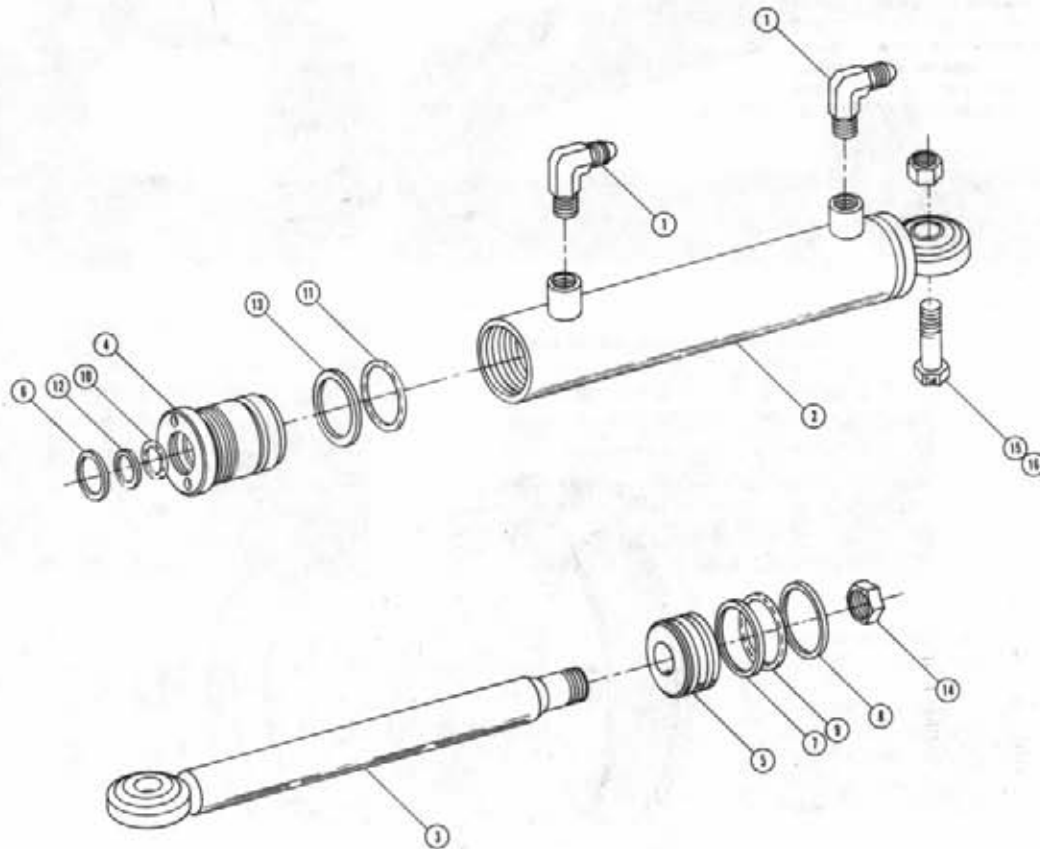


NOTE: 1, ITEMS 1, 5, AND 17 APPY TO RIGHT LEG.



TIRE AND RIM ASSEMBLY

Det.	Qty.	P/N	Description
1	1	820201	11.2 x 24 Tractor Tire
2	1	820600	Rim Weldment
3	2	650985	Wheel Bolt Torque Decal
4	1	820611	Front Tire 9 x 24
5	1	820015	Front Rim Weldment

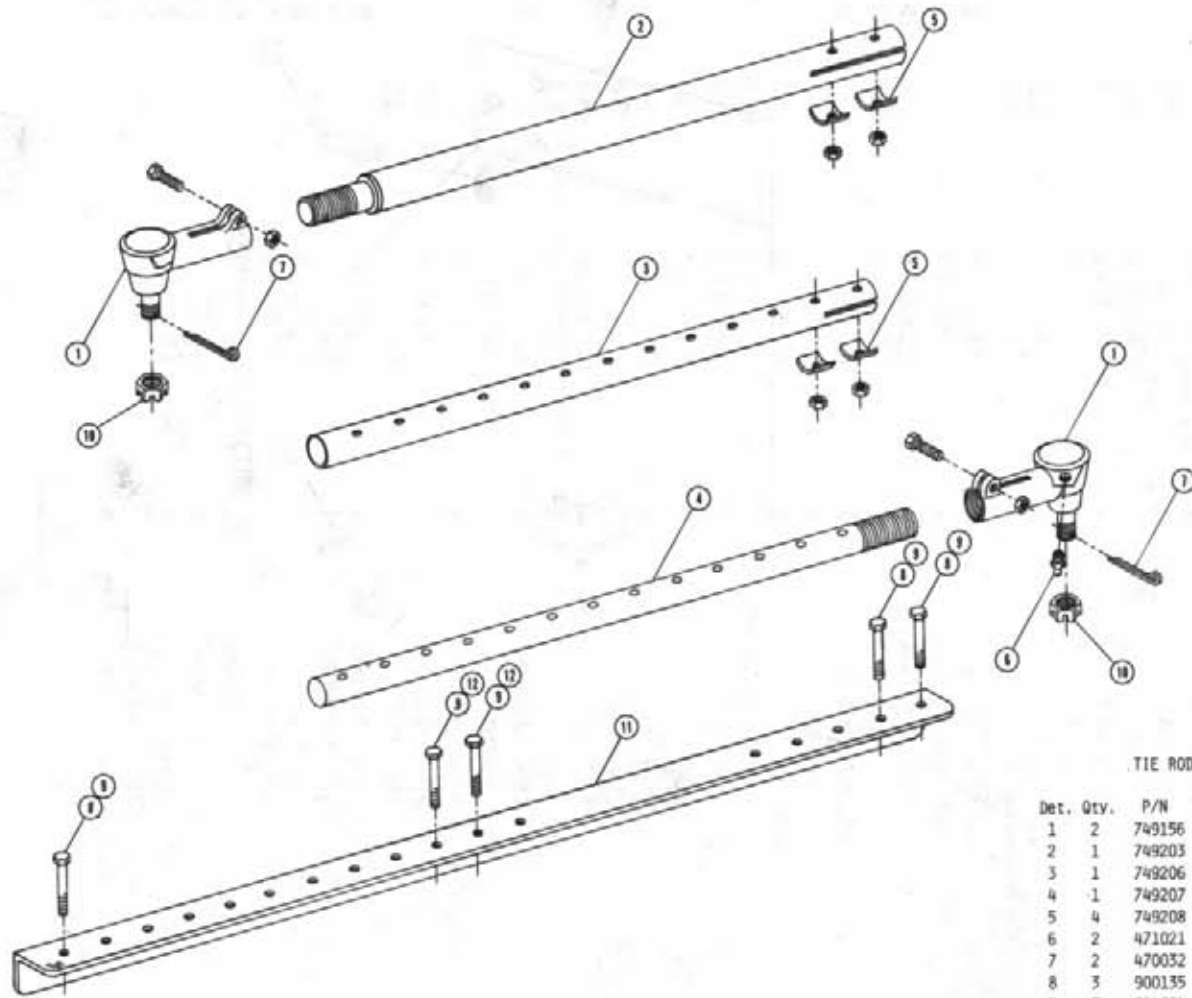


STEERING CYLINDER ASSEMBLY

Det.	Qty.	P/N	Description
1	2	611122	1/4 NPT x 90 x 9/16 MJIC
2	1	620089	Steering Cylinder Tube Weldment
3	1	620148	Steering Cylinder Shaft Weldment
4	1	620109	Gland
5	1	620129	Piston
6	1	629028	Wiper
7	1	629618	Wear Ring
8	1	629616	Piston Seal
9	1	870025	1 3/16 x 1 5/16 O-Ring
10	1	870210	3/4 x 1 O-Ring
11	1	870218	1 1/4 x 1 1/2 O-Ring
12	1	890210	3/4 x 1 Back-Up Washer
13	1	890218	1 1/4 x 1 1/2 Back-Up Washer
14	1	914009	1/2 UNF Lock Nut
15	1	900337	5/8 UNC x 2 3/4 Hex Bolt
16	1	914010	5/8 UNC Lock Nut

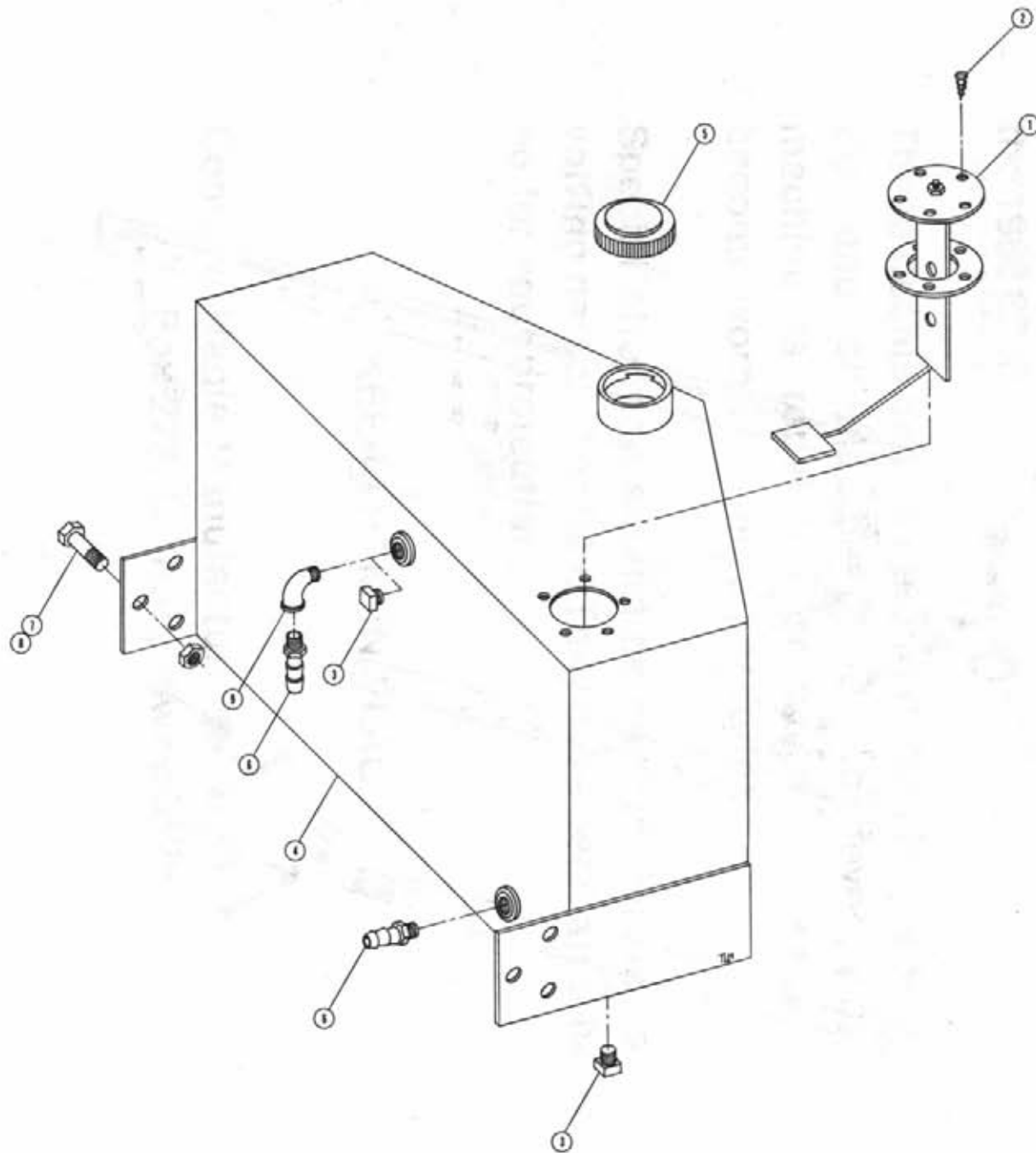
Note: 1. Cylinder Assembly - 620080

2. Seal Kit - 620998



TIE ROD ASSEMBLY

Det.	Qty.	P/N	Description
1	2	749156	Female Socket Assembly
2	1	749203	Tie Rod Outer Tube Weldment
3	1	749206	Tie Rod Inner Tube
4	1	749207	Tie Rod Inner Shaft
5	4	749208	Tie Rod Clamp
6	2	471021	Grease Zerk
7	2	470032	1/8 x 1 1/2 Cotter Pin
8	3	900135	3/8 UNC x 2 3/4 Hex Bolt
9	5	914004	5/8 UNC Lock Nut
10	2	822040	5/8 UNF Slotted Hex Nut
11	1	749214	Tie Rod Stiffener Angle
12	2	900134	3/8 UNC x 2 1/2 Hex Bolt



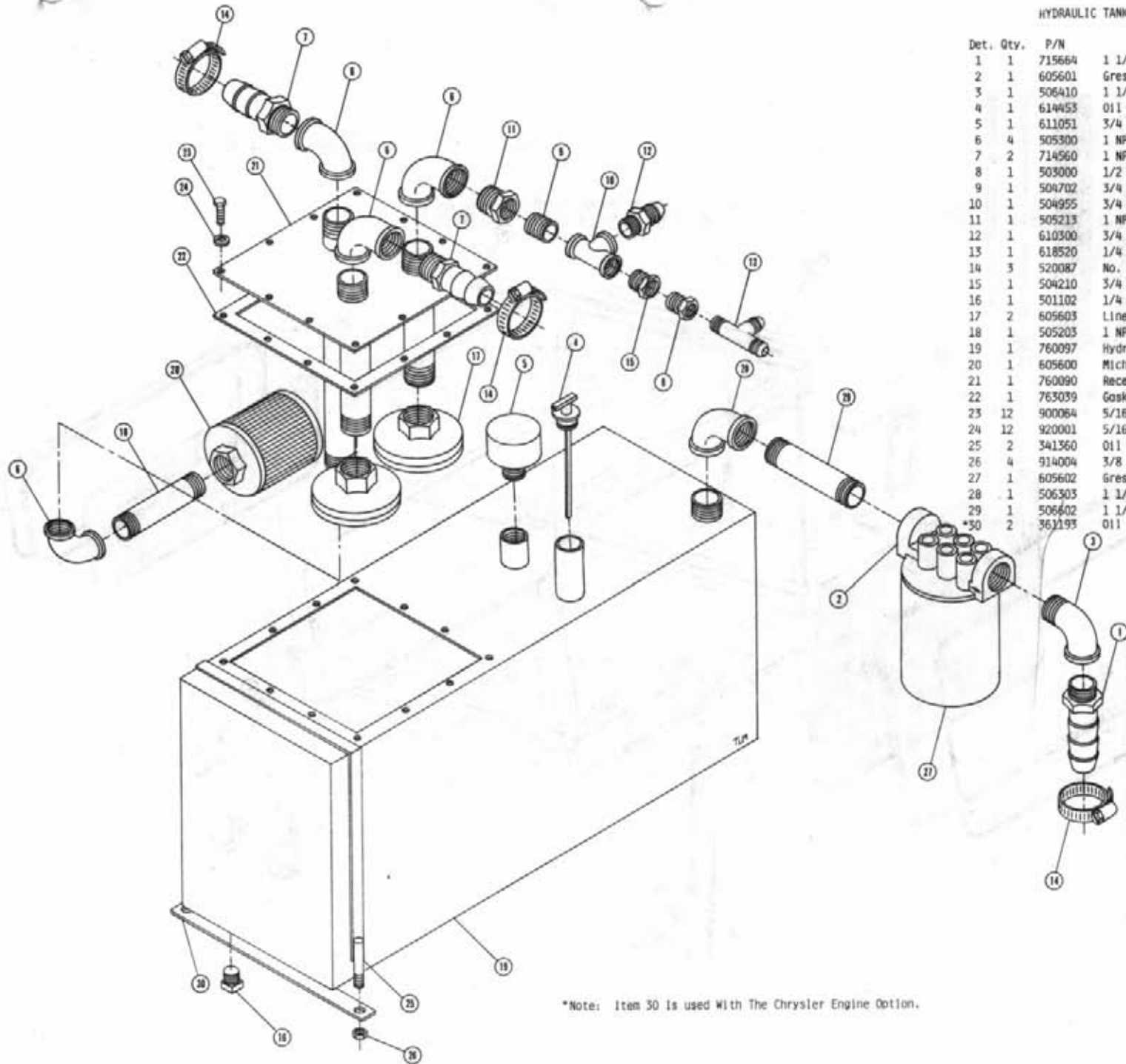
FUEL TANK ASSEMBLY

DET. QTY PART NO. DESCRIPTION

1	1	291428	FUEL SENDER 19
2	5	473902	NO 8 X 1/2 PAN HD MET SCREW
3	2	501102	1/4 PIPE PLUG
4	1	760120	FUEL TANK WLD 47 GAL
5	1	761200	GAS CAP
6	2	783303	5/16 HOSE BARB-1/4MNPT BRG
7	6	900264	1/2 UNC X 1 1/4 HEX BOLT
8	6	914008	1/2 UNC STOVER NUT
9	1	501450	BLK PIPE ST EL 90DEG 1/4NPT

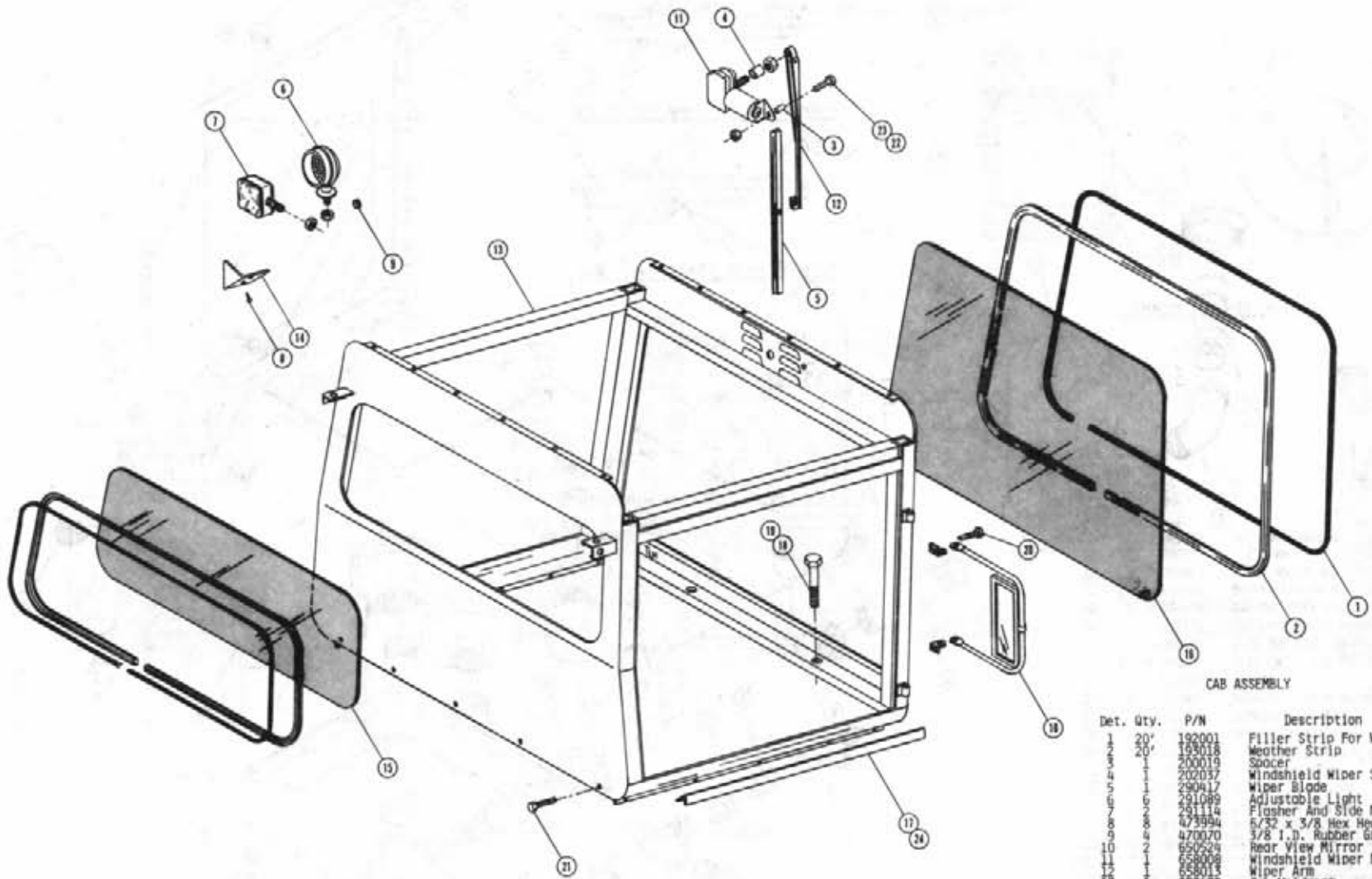
NOTE: 1. ITEMS 6 AND 9 ARE USED WITH THE DIESEL OPTION.
2. ITEM 5 IS USED WITH THE GAS OPTION.

HYDRAULIC TANK ASSEMBLY



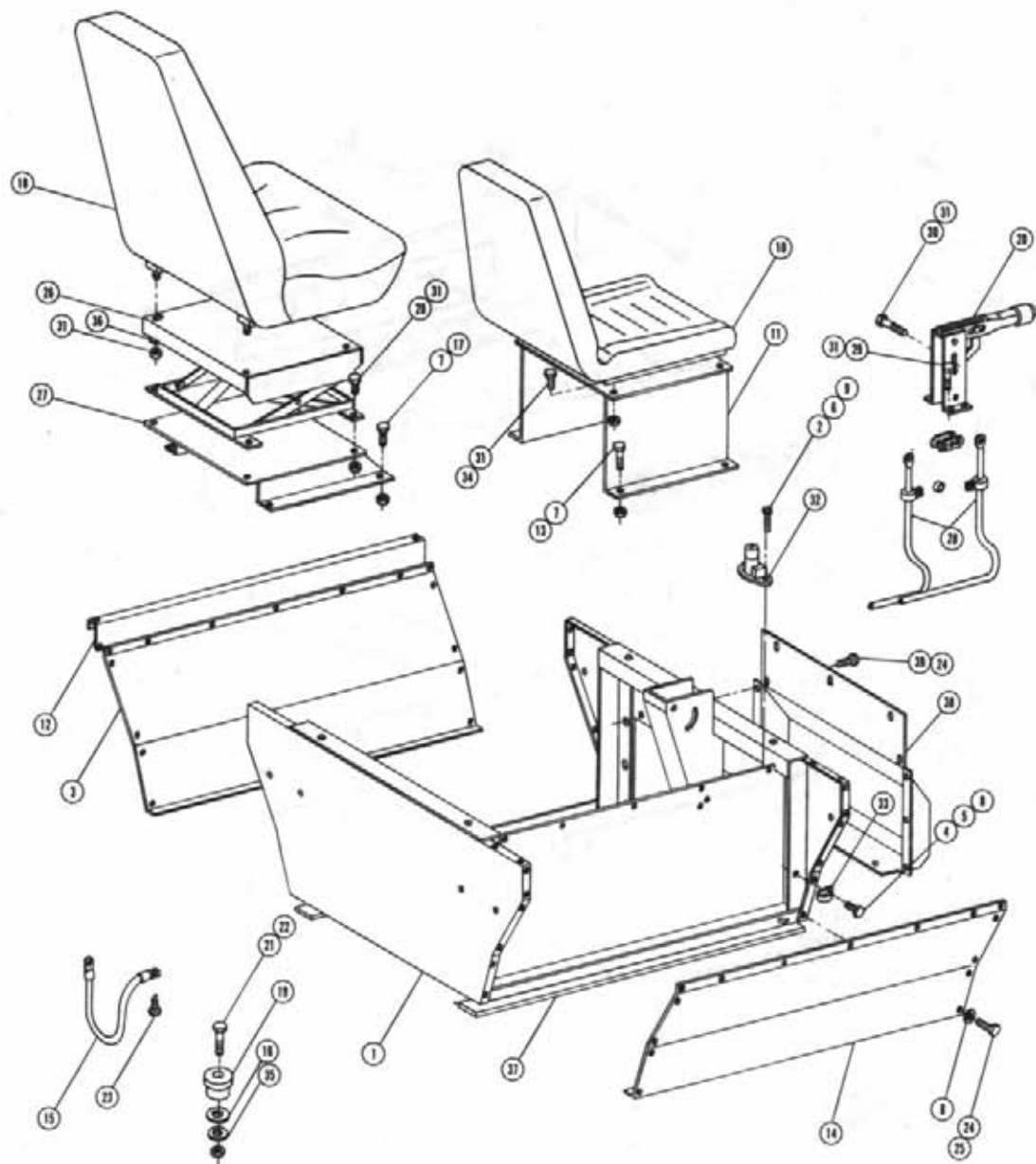
Det. Qty.	P/N	Description
1	715664	1 1/4 NPT x 1 Hose Barb
2	605601	Gresen Filter
3	506410	1 1/4 NPT x 90° Street Elbow
4	614453	Oil Dip Stick
5	611051	3/4 NPT Pressure Cap
6	505300	1 NPT x 90° Elbow
7	714560	1 NPT x 1 Hose Barb
8	503000	1/2 NPT To 1/4 NPT Reducer Bushing
9	504702	3/4 NPT Close Nipple
10	504955	3/4 NPT Pipe Tee
11	505213	1 NPT To 3/4 NPT Reducer Bushing
12	610300	3/4 NPT x 3/4 MJIC
13	618520	1/4 NPT Run Tee x 9/16 MJIC
14	520087	No. 20 Hose Clamp
15	504210	3/4 NPT To 1/2 NPT Reducer Bushing
16	501102	1/4 NPT Pipe Plug
17	605603	Line Diffuser
18	505203	1 NPT x 4 Pipe Nipple
19	760097	Hydraulic Oil Tank Weldment
20	605600	Michigan Filter
21	760090	Receiver Plate Weldment
22	763039	Gasket
23	900064	5/16 UNC x 3/4 Hex Bolt
24	920001	5/16 SAE Flat Washer
25	341360	Oil Tank Strap Weldment
26	914004	3/8 UNC Lock Nut
27	605602	Gresen Filter Element
28	506303	1 1/4 NPT x 90° Elbow
29	506602	1 1/4 NPT x 2 1/2 Pipe Nipple
*30	361193	Oil Tank Spacer

*Note: Item 30 is used With The Chrysler Engine Option.



CAB ASSEMBLY

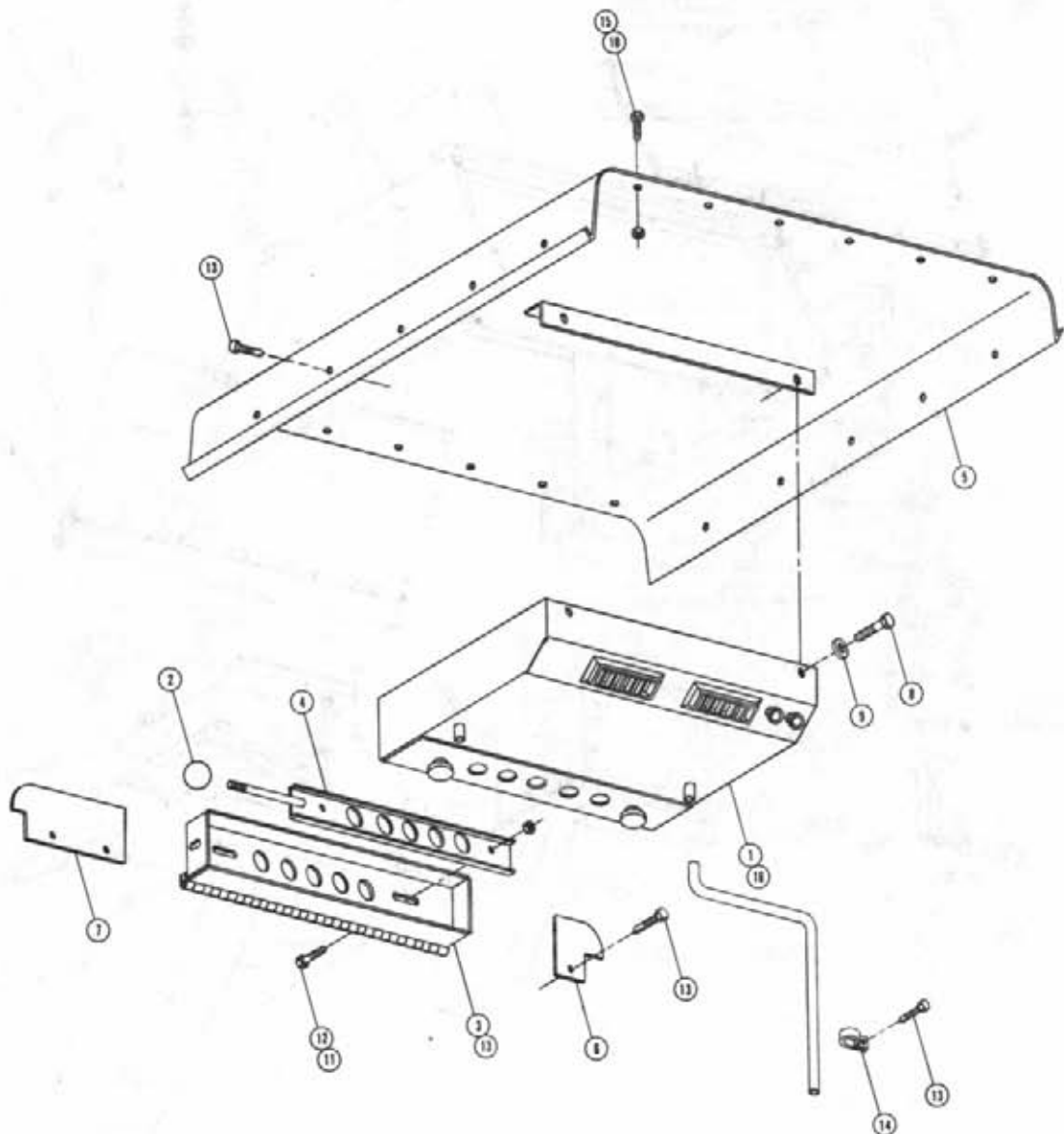
Det.	Qty.	P/N	Description
1	20'	192001	Filler Strip For Weather Strip
2	20'	193018	Weather Strip
3	1	200019	Spacer
4	1	202037	Windshield Wiper Spacer
5	1	290417	Wiper Blade
6	1	291089	Adjustable Light
7	2	291114	Flasher And Side Marker Light
8	8	473994	5/32 x 3/8 Hex Head Metal Screw
9	4	470070	3/8 I.D. Rubber Grommet
10	2	650524	Rear View Mirror
11	1	658008	Windshield Wiper Motor
12	1	658013	Wiper Arm
13	1	659402	Cab Weldment
14	4	659421	Worklight Bracket Cover
15	1	659424	Rear Cab Glass
16	1	659425	Front Cab Glass
17	2	659467	Cab Foam Keeper Angle
18	4	900270	1/2 UNC x 3 Hex Bolt
19	4	918008	1/2 UNC Lock Nut
20	8	472349	1/4 x 3/4 Self-Tapping Screw
21	10	470118	1/4 UNC x 3/4 Flanged Bolt
22	1	914000	1/4 UNC Lock Nut
23	1	900005	1/4 UNC x 1 1/2 Hex Bolt
24	10	485052	1/8 x 3/8 Pop Rivet



OPERATOR STATION ASSEMBLY

DET. QTY PART NO. DESCRIPTION

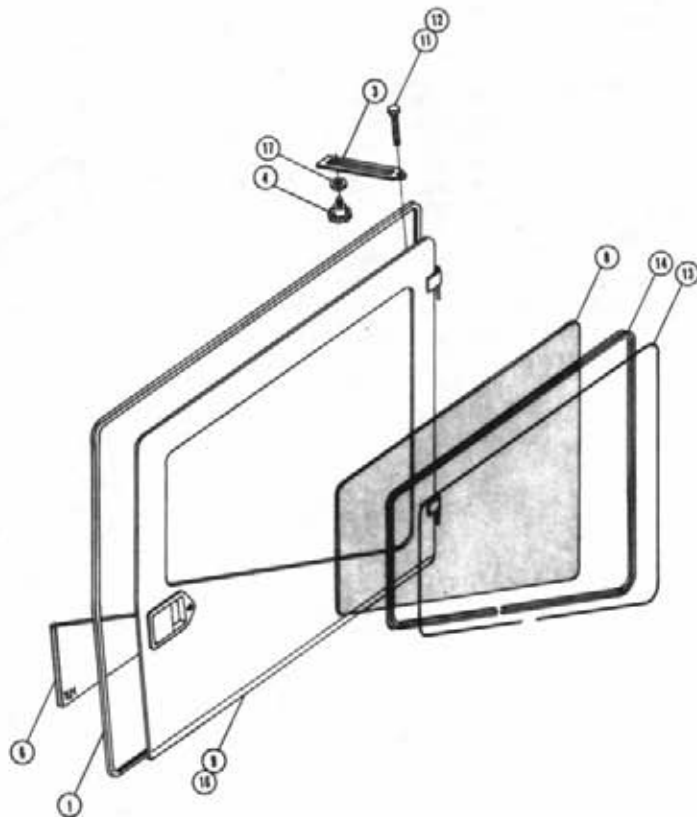
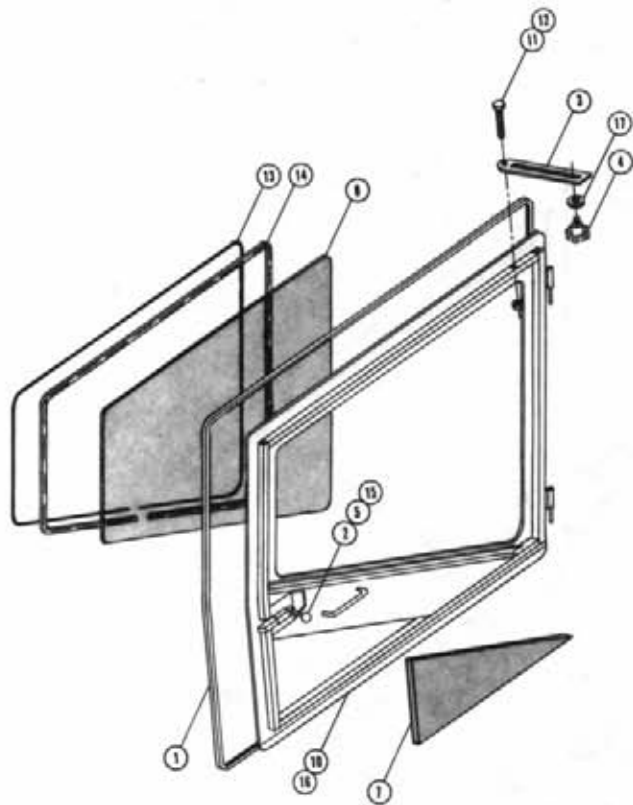
1	1	341652	OP STN WLD
2	2	903893	10-32 X 1 SLT RD HD MACH SCR
3	1	659600	LH OUTSIDE STN PANEL
4	1	914000	1/4 UNC STOVER NUT
5	1	900002	1/4 UNC X 3/4 HEX BOLT
6	2	914027	NO 10-32 STOVER NUT
7	8	914004	3/8 UNC STOVER NUT
8	31	920000	1/4 FLAT WASH SAE
9	2	920610	LOCK WASH NO 10
10	1	330002	SEAT
11	1	341336	SEAT MT WLD
12	1	659664	LH LWR CANOPY DEFLECTOR SHLD
13	4	900128	3/8 UNC X 3/4 HEX BOLT
14	1	659572	RH OUTSIDE STN PANEL
15	1	290107	8 IN GROUND STRAP
16	4	483037	FLAT WASH 5/8 REGULAR
17	4	900129	3/8 UNC X 1 HEX BOLT
18	1	330014	TRIMLINE SEAT
19	4	311032	ENG ISOLATOR
20	1	826108	BRAKE LEVER ASSY
21	4	900269	1/2 UNC X 3/4 HEX BOLT
22	4	914008	1/2 UNC STOVER NUT
23	2	472349	1/4 X 3/4 20THD-IN TEK TYPE
24	42	470118	1/4 UNC X 3/4 FLANGED H BOLT
25	25	470086	NUTSERT. 1/4UNC .020-.100GR
26	1	330015	SUSPENSION ASSY TRIMLINE SEAT
27	1	341554	SEAT MT WLD TRIMLINE SEAT
28	2	826926	190 IN BRAKE CABLE
29	8	900064	5/16 UNC X 3/4 HEX BOLT
30	1	900067	5/16 UNC X 1 1/2 HEX BOLT
31	17	914002	5/16 UNC STOVER NUT
32	1	290412	DIMMER SWITCH
33	1	520121	CUSHION HOSE CLAMP 1 IN DIA
34	4	901064	5/16 UNC X 3/4 CARR BOLT
35	4	483041	1/2 REGULAR FLAT WASH PLT
36	2	920001	5/16 SAE FLAT WASHER
37	2	659579	2" WIDE X 40" FOAM
38	1	341635	OP STN BOOT WLD
39	13	470121	1/4-20 FLANGED WHIZ NUT



AIR CONDITIONER ASSEMBLY AND ROOF

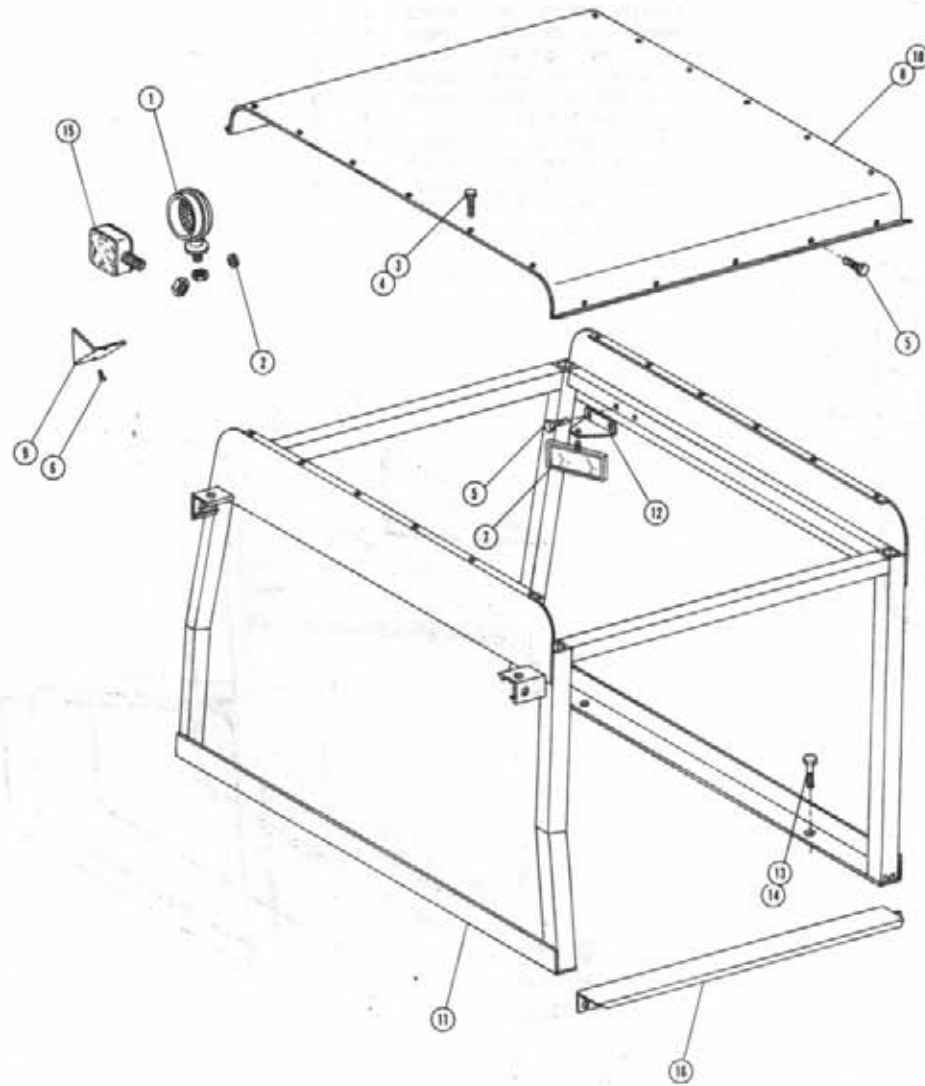
DET. QTY PART NO. DESCRIPTION

1	1	657303	A/C EVAPORATOR INSTALL KIT
2	1	659291	1 DIA BALL KNOB 3/8-16INSERT
3	1	659439	A/C BLOWER HSGN MT WLD
4	1	659442	A/C OUTSIDE AIR SLIDE WLD
5	1	659445	CAB ROOF WLD
6	1	659448	RH CAB ROOF GUSSET
7	1	659449	LH CAB ROOF GUSSET
8	2	900132	3/8 UNC X 1 3/4 HEX BOLT
9	2	920002	WASH FLAT 3/8 SAE
10	12	470118	1/4 UNC X 3/4 FLANGED H BOLT
11	2	914000	1/4 UNC STOVER NUT
12	2	900000	1/4 UNC X 1/2 HEX BOLT
13	22	472349	1/4 X 3/4 20THD-IN TEK TYPE
14	4	520117	CUSHION HOSE CLAMP 5/8 IN
15	12	470121	1/4-20 FLANGED WHIZ NUT
16	1	657333	A/C BLOWER & EVAPORATOR EAGLE



DOOR ASSEMBLY

Det.	Qty.	P/N	Description
1	24'	195028	Snap-On Seal
2	2	470077	3/8 UNC x 1 3/4 Stud
3	2	659159	Door Catch Slide
4	2	470024	3/8 UNC Plastic Knob
5	2	659292	1 7/8 Ball Knob
6	1	659384	Foam, Right Door Panel
7	1	659386	Foam, Left Door Panel
8	2	659426	Cab Door Glass
9	1	659427	Right Cab Door Weldment
10	1	659436	Left Cab Door Weldment
11	2	900004	1/4 UNC x 1 1/4 Hex Bolt
12	2	914000	1/4 UNC Lock Nut
13	10'	192001	Filler Strip
14	18'	193010	Self Seal Weather Strip
15	2	910004	3/8 UNC Hex Nut
16	4	485052	1/8 x 3/8 Pop Rivet
17	2	920002	3/8 Flat Washer



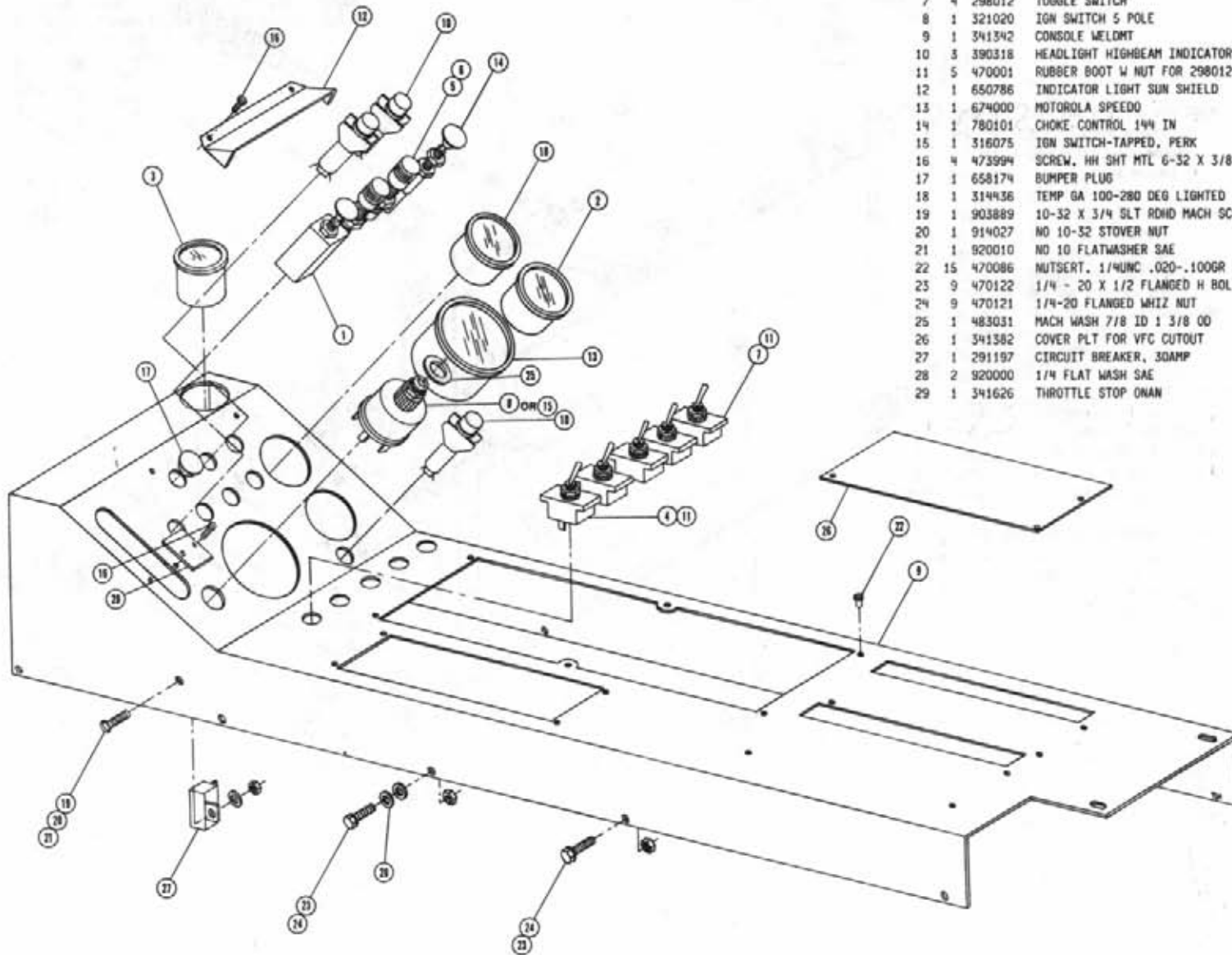
CANOPY ASSEMBLY

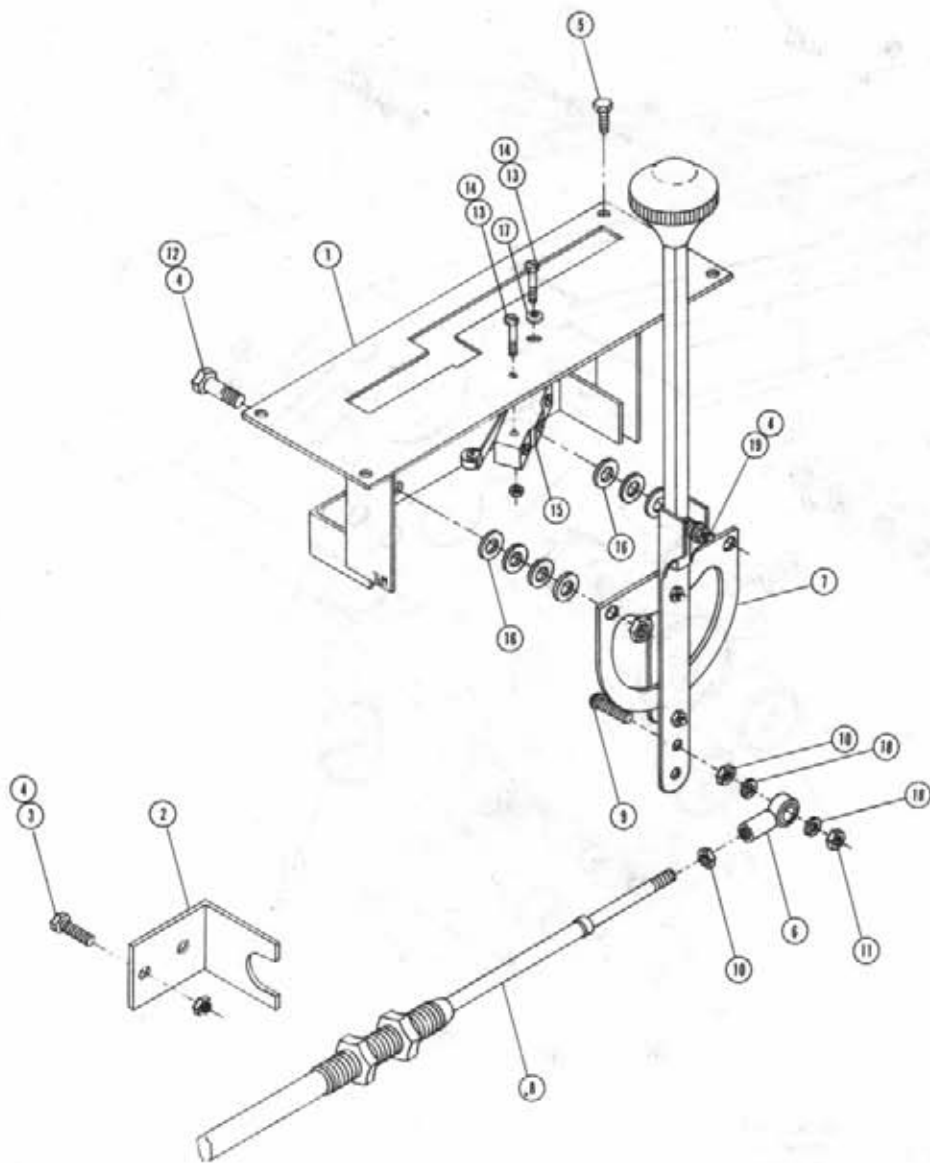
Det.	Qty.	P/N	Description
1	6	291089	Adjustable Light
2	4	470067	1/4 I.D. Rubber Grommet
3	12	470118	1/4 UNC x 3/4 Flanged Hex Bolt
4	12	470121	1/4-20 Flanged Nut
5	12	472349	1/4-3/4 Self-Tapping Screw
6	8	473902	No. 8 x 12 Pan Head Metal Screw
7	1	650524	Outside Rear View Mirror
8	1	659383	Roof Foam
9	4	659421	Work Light Bracket Cover
10	1	659446	Cab Roof
11	1	659508	Canopy Weldment
12	1	659565	Rear View Mirror Mounting Bracket
13	4	900265	1/2 x 1 1/2 Hex Bolt
14	4	914008	1/2 UNC Lock Nut
15	2	291114	Flasher and Side Marker Light
16	1	659603	Right Lower Canopy Deflector Shield

CONSOLE ASSEMBLY

NOTE: 1. FOR CHRY OPTION DELETE ITEM 15 & 29.
 2. FOR ONAN OPTION DELETE ITEM 4 AND 8.
 3. FOR PERKINS OPTION DELETE ITEMS
 4, 6, 14, AND 29.
 4. FOR STAINLESS STEEL TANK OPTION
 DELETE ITEM 26.

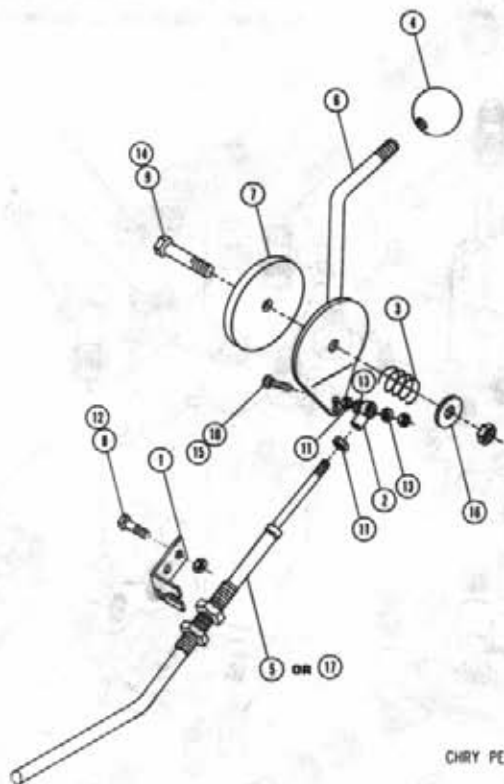
DET.	QTY	PART NO.	DESCRIPTION
1	1	290046	LIGHT SWITCH TWO POSITION
2	1	290401	FUEL GAUGE
3	1	291203	HOUR METER
4	1	291204	TOGGLE SWITCH 2 P.D.T.
5	2	298004	20 AMP FUSE SFE 20
6	2	298011	FUSE HOLDER
7	4	298012	TOGGLE SWITCH
8	1	321020	IGN SWITCH 5 POLE
9	1	341342	CONSOLE WELDMT
10	3	390318	HEADLIGHT HIGHBEAM INDICATOR
11	5	470001	RUBBER BOOT W NUT FOR 298012
12	1	650786	INDICATOR LIGHT SUN SHIELD
13	1	674000	MOTOROLA SPEEDO
14	1	780101	CHOKE CONTROL 1 1/4 IN
15	1	316075	IGN SWITCH-TAPPED, PERK
16	4	473994	SCREW, HH SHT MTL 6-32 X 3/8
17	1	658174	BUMPER PLUG
18	1	314436	TEMP GA 100-280 DEG LIGHTED
19	1	903889	10-32 X 3/4 SLT RDND MACH SCR
20	1	914027	NO 10-32 STOVER NUT
21	1	920010	NO 10 FLATWASHER SAE
22	15	470086	NUTSERT, 1/4UNC .020-.100GR
23	9	470122	1/4 - 20 X 1/2 FLANGED H BOLT
24	9	470121	1/4-20 FLANGED WHIZ NUT
25	1	483031	MACH WASH 7/8 ID 1 3/8 OO
26	1	341362	COVER PLT FOR VFC CUTOUT
27	1	291197	CIRCUIT BREAKER, 30AMP
28	2	920000	1/4 FLAT WASH SAE
29	1	341626	THROTTLE STOP ONAN



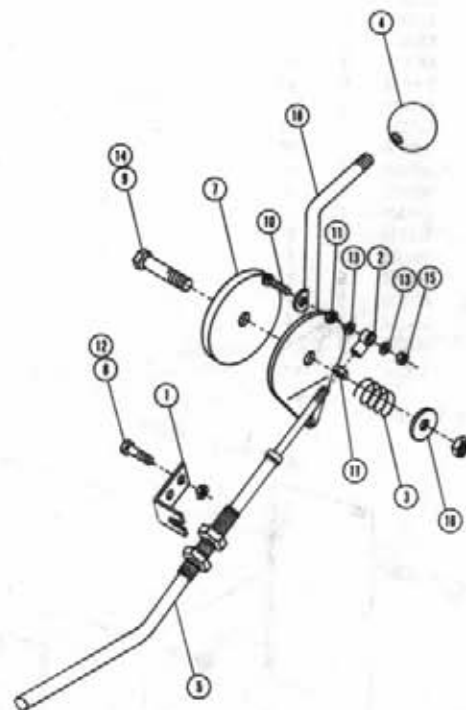


HYDROSTATIC LEVER ASSEMBLY

Det.	Qty.	P/N	Description
1	1	341501	Hydrostatic Control Lever Mount
2	1	341188	Console Throttle Cable Bracket
3	2	900000	1/4 UNC x 1/2 Hex Bolt
4	5	914000	1/4 UNC Stover Nut
5	4	470122	1/4-20 x 1/2 Flanged Hex Bolt
6	1	473921	No. 10-32 Ball Joint
7	1	606864	Control Lever
8	1	785053	Hydrostatic Cable 95"
9	1	903893	No. 10-32 x 1 Round Head Screw
10	2	910027	No. 10 UNF Hex Nut
11	1	914027	No. 10-32 Stover Nut
12	2	900003	1/4 UNC x 1 Hex Bolt
13	2	910022	No. 6-32 Hex Bolt
14	2	473993	No. 6-32 x 1 1/8 Hex Head Machine Screw
15	1	293006	Micro Switch
16	8	920000	1/4 SAE Flat Washer
17	1	920011	No. 6 SAE Flat Washer
18	2	920510	No. 10 Lock Washer
19	1	900005	1/4 UNC x 1 1/2 Hex Bolt



CHRY & PERK THROTTLE LEVER ASSEMBLY



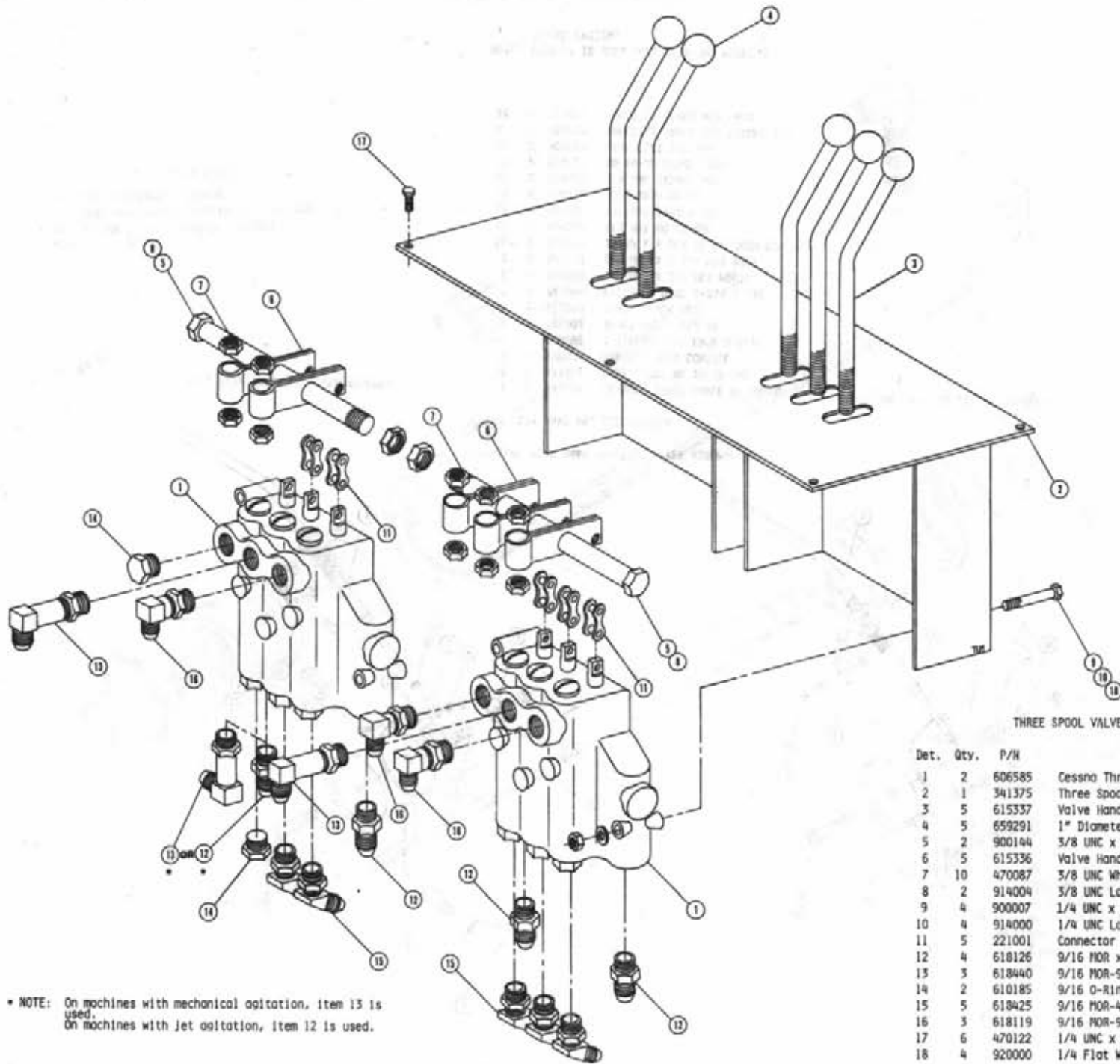
ONAN THROTTLE LEVER ASSEMBLY

CHRY PERK ONAN THROTTLE LEVER ASSEMBLY

DET. QTY PART NO. DESCRIPTION

1	2	341188	CONSOLE THROT CABLE MT ANGLE
2	2	473921	BALL JOINT NO 10-32 THD
3	2	499001	SPRING HYDRO CONTROL
4	2	659292	1 7/8 DIA BALL KNOB 3/8-16
5	2	785003	THROT CABLE 112 IN
6	1	785040	THROT LEVER WLD
7	2	785046	FRICTION DISC 3-333 X .38
8	4	900000	1/4 UNC X 1/2 HEX BOLT
9	2	900170	3/8 UNC X 2 1/4 HEX BOLT
10	2	903893	10-32 X 1 SLT RD HD MACH SCR
11	4	910027	HEX NUT NO 10 UNF
12	4	914000	1/4 UNC STOVER NUT
13	4	920510	LOCK WASH NO 10
14	2	914004	3/8 UNC STOVER NUT
15	2	914027	NO 10-32 STOVER NUT
16	2	920002	WASH FLAT 3/8 SAE
17	1	785054	THROTTLE CABLE 21N STROKE 12B
18	1	785060	THROTTLE LEVER WLD ONAN

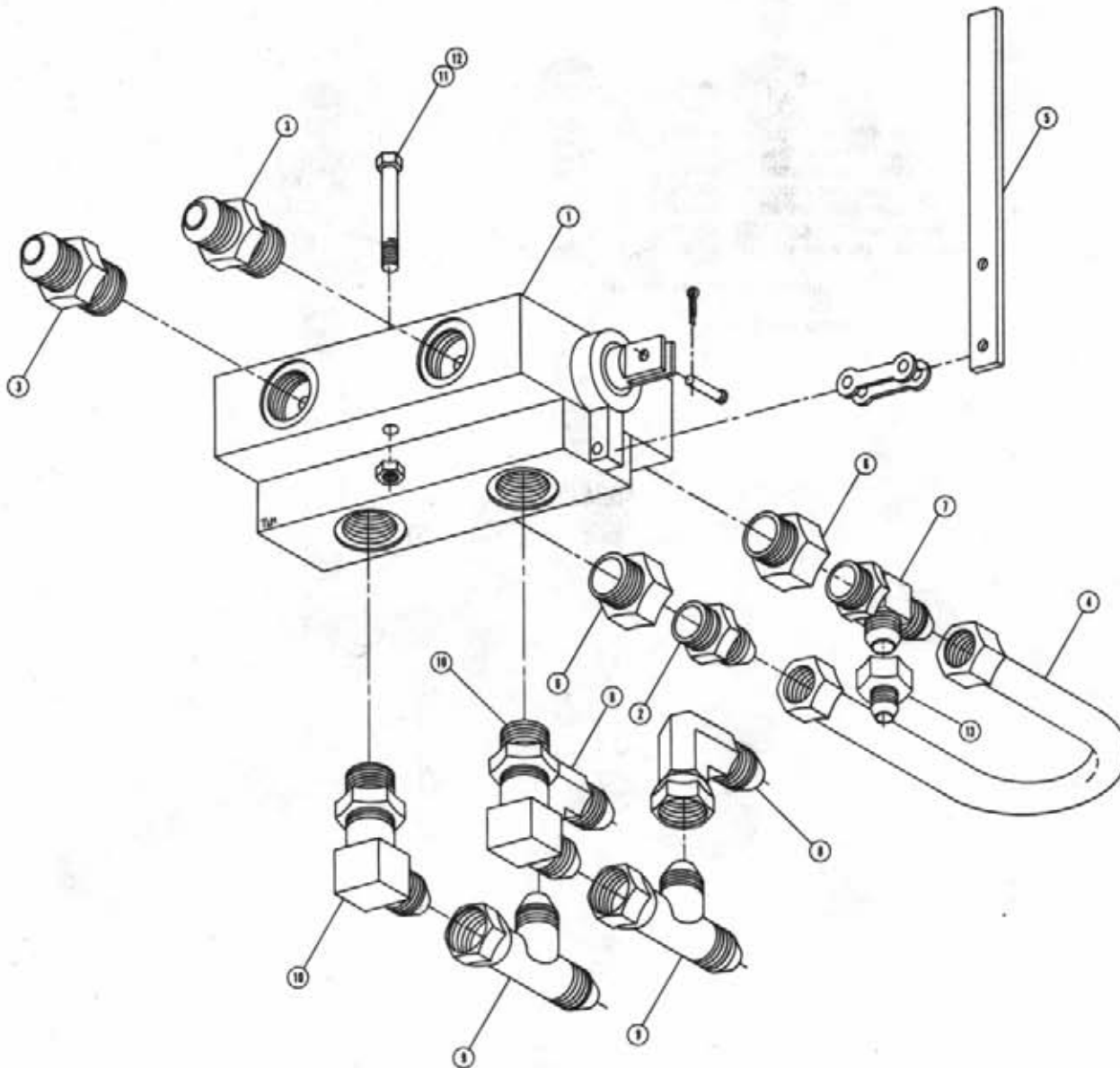
NOTE: ITEM 17 IS USED ONLY WITH THE PERKINS ENGINE OPTION.



THREE SPOOL VALVE ASSEMBLY

Det.	Qty.	P/W	Description
1	2	606585	Cessna Three Spool Valve
2	1	341375	Three Spool Valve Mount Weldment
3	5	615337	Valve Handle
4	5	659291	1" Diameter Ball
5	2	900144	3/8 UNC x 6 1/2 Hex Bolt
6	5	615336	Valve Handle Link
7	10	470087	3/8 UNC Whiz Nut
8	2	914004	3/8 UNC Lock Nut
9	4	900007	1/4 UNC x 2 Hex Bolt
10	4	914000	1/4 UNC Lock Nut
11	5	221001	Connector Link Clip
12	4	618126	9/16 MOR x 9/16 MJIC
13	3	618440	9/16 MOR-90°-9/16 Long JIC
14	2	610185	9/16 O-Ring Plug
15	5	618425	9/16 MOR-45°-9/16 MJIC
16	3	618119	9/16 MOR-90°-9/16 MJIC
17	6	470122	1/4 UNC x 1/2 Flange Head Bolt
18	4	920000	1/4 Flat Washer

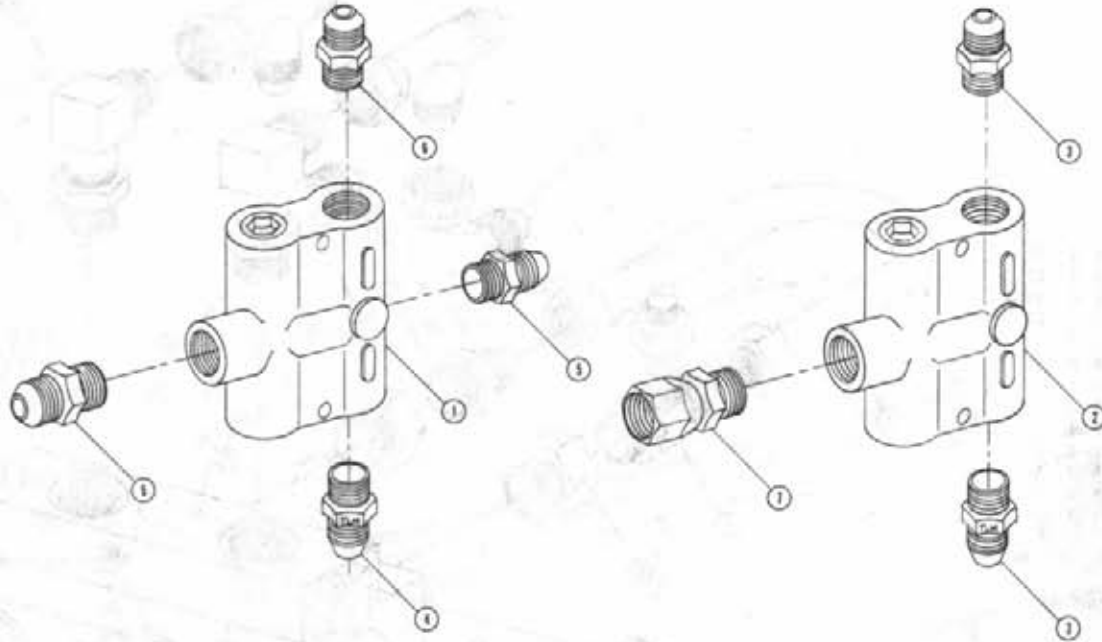
* NOTE: On machines with mechanical agitation, item 13 is used.
On machines with jet agitation, item 12 is used.



FOUR-WHEEL DRIVE SELECTOR VALVE ASSEMBLY

DET. QTY PART NO. DESCRIPTION

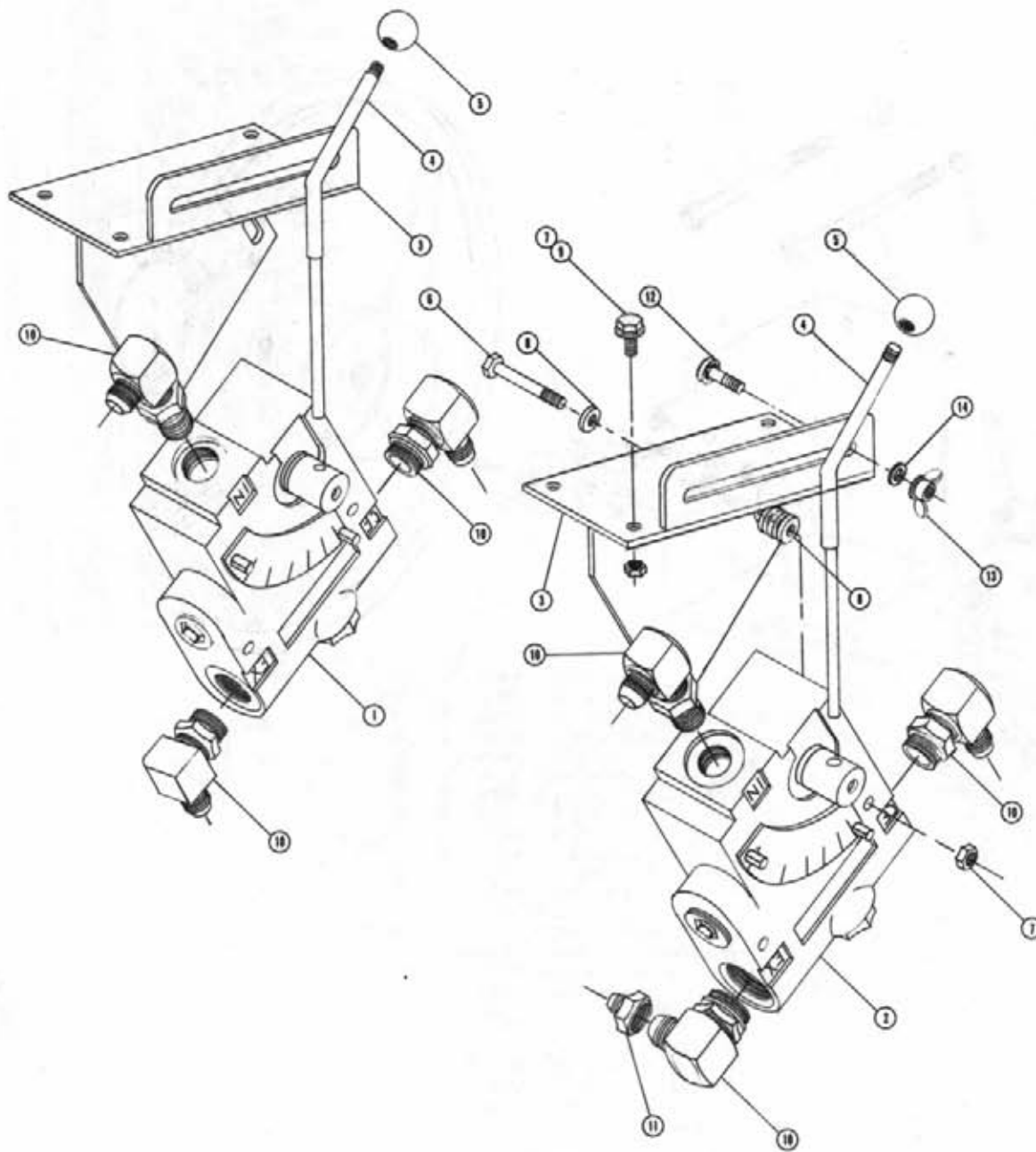
1	1	606003	GRESEN SELECTOR VALVE DS-12
2	1	611126	7/8MJIC-7/8MOR ADPTR
3	2	611127	1 1/16MJIC-1 1/16MOR ADPTR
4	1	614198	FWD VALVE U-TUBE ASSY
5	1	615592	FWD SELECTOR VLV LEVER
6	2	618132	1 1/16MOR-7/8FOR ADPTR
7	1	618130	7/8MOR RUN TEE-7/8MJIC
8	2	618301	7/8MJIC-90-7/8FJIC SWIV LBO
9	2	618333	7/8FJIC SW RUN TEE-7/8MJIC
10	2	618535	7/8MJIC-90-1 1/16MOR LBO
11	2	900135	3/8 UNC X 2 3/4 HEX HEAD
12	2	914004	3/8 UNC STOVER NUT
13	1	618557	7/8FJIC-9/16MJIC ADPTR



FLOW DIVIDER ASSEMBLY

DET. QTY PART NO. DESCRIPTION

1	1	607518	FLO DIV BGR56 6GPM PRI 7/8FOR
2	1	607504	FLO DIV B50 2-8GPM 7/8 FOR
3	2	618310	9/16MJIC-7/8MOR ADPTR
4	1	618527	3/4MJIC-7/8MOR ADPTR
5	1	618011	9/16MJIC-3/8MNPT ADPTR
6	2	611126	7/8MJIC-7/8MOR ADPTR
7	1	618594	7/8FJIC SWIV-7/8MOR ADPTR

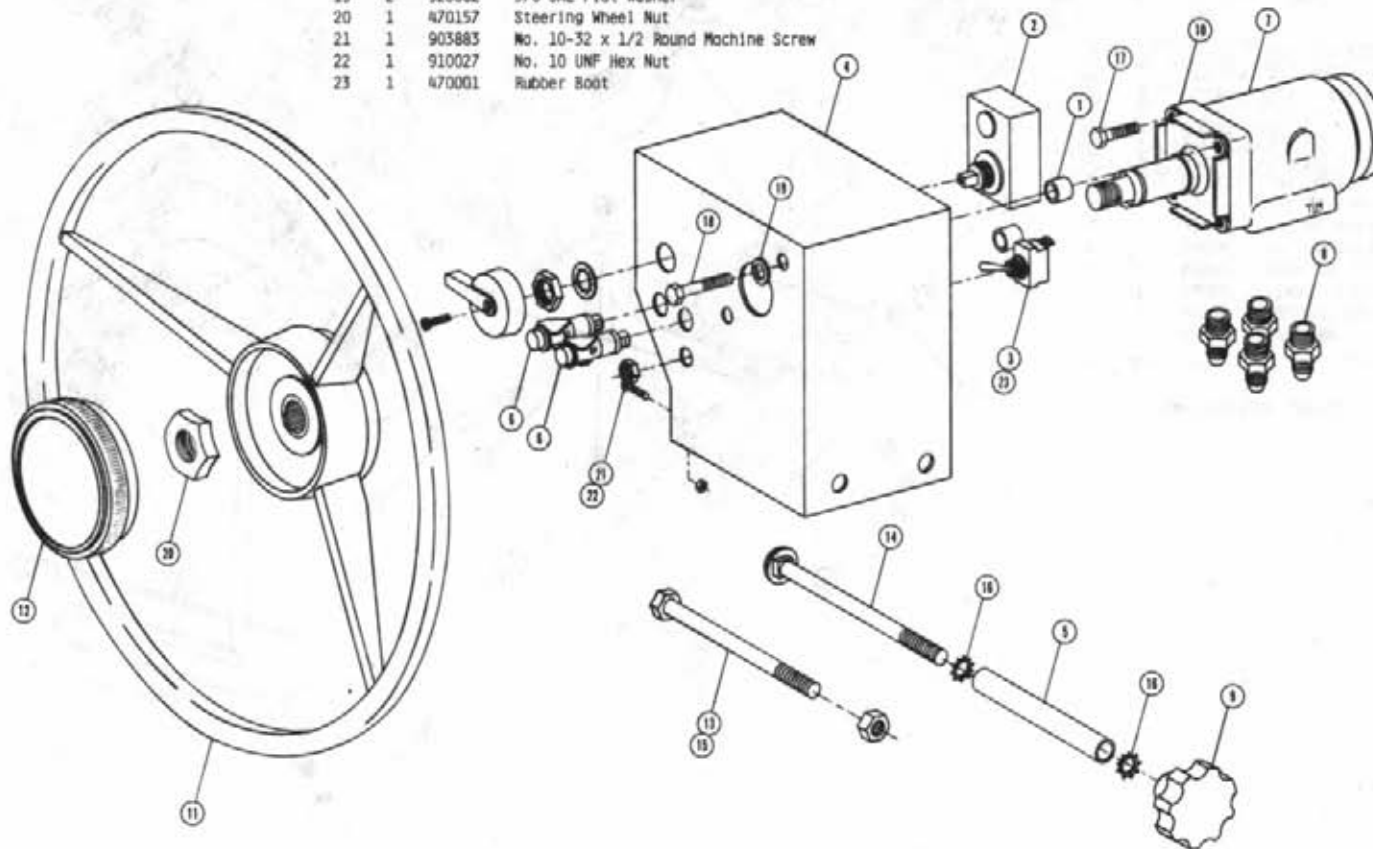


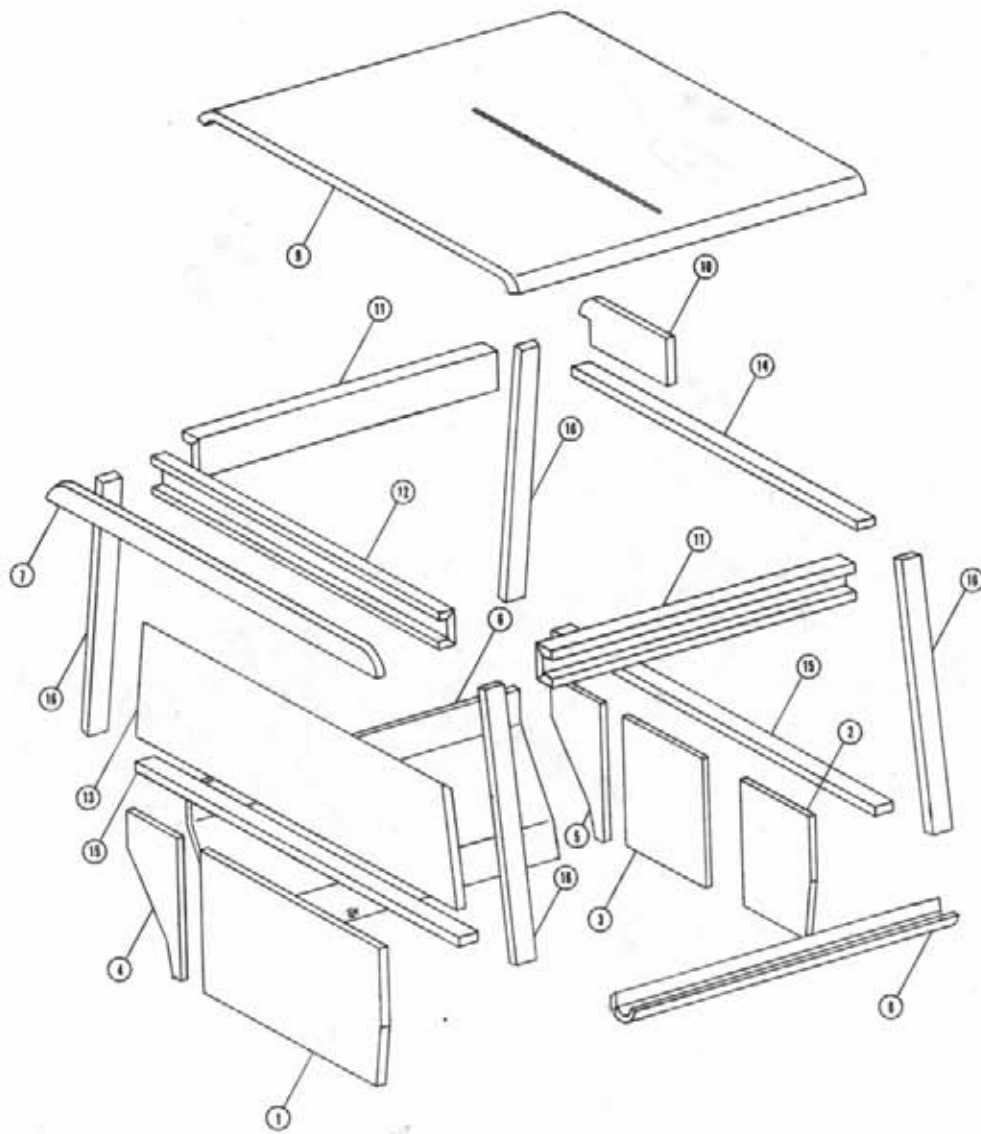
VARIABLE FLOW CONTROL ASSEMBLIES

Det.	Qty.	P/N	Description
1	1	606818	Solution Variable Flow Control
2	1	606827	Agitator Variable Flow Control
3	2	606837	Flow Control Mount Weldment
4	2	615491	Flow Control Lever Weldment
5	2	659291	1" Diameter Ball Knob
6	4	900010	1/4 UNC x 3 Hex Bolt
7	10	914000	1/4 UNC Lock Nut
8	16	920000	1/4 SAE Flat Washer
9	6	470118	1/4 UNC x 3/4 Flanged Head Bolt
10	6	618103	7/8 MDR-90 ⁰ -3/4 MJIC
11	1	618402	3/4 FJIC x 9/16 MJIC
12	2	901064	5/16 UNC x 3/4 Carriage Bolt
13	2	473900	5/16 UNC Wing Nut
14	2	920002	3/8 Flat Washer

STEERING WHEEL ASSEMBLY

Det. Qty.	P/N	Description
1	2	200464 Spacer
2	1	291088 Flasher/Turn Signal Switch
3	1	298012 Toggle Switch
4	1	341180 Steering Column Cover Weldment
5	1	001266 Spacer Tube
6	2	390318 Indicator Light
7	1	749150 Steering Motor
8	4	618109 3/4 MDR x 9/16 MJIC
9	1	742502 Steering Adjustment Knob
10	1	749178 Steering Column
11	1	749245 Steering Wheel
12	1	749244 Steering Wheel Cap
13	1	900277 1/2 UNC x 5 1/2 Hex Bolt
14	1	901276 1/2 UNC x 5 Carriage Bolt
15	1	914008 1/2 UNC Lock Nut
16	2	470123 Star Washer
17	2	900128 3/8 UNC x 3/4 Hex Bolt
18	2	900130 3/8 UNC x 1 1/4 Hex Bolt
19	2	920002 3/8 SAE Flat Washer
20	1	470157 Steering Wheel Nut
21	1	903883 No. 10-32 x 1/2 Round Machine Screw
22	1	910027 No. 10 UNF Hex Nut
23	1	470001 Rubber Boot





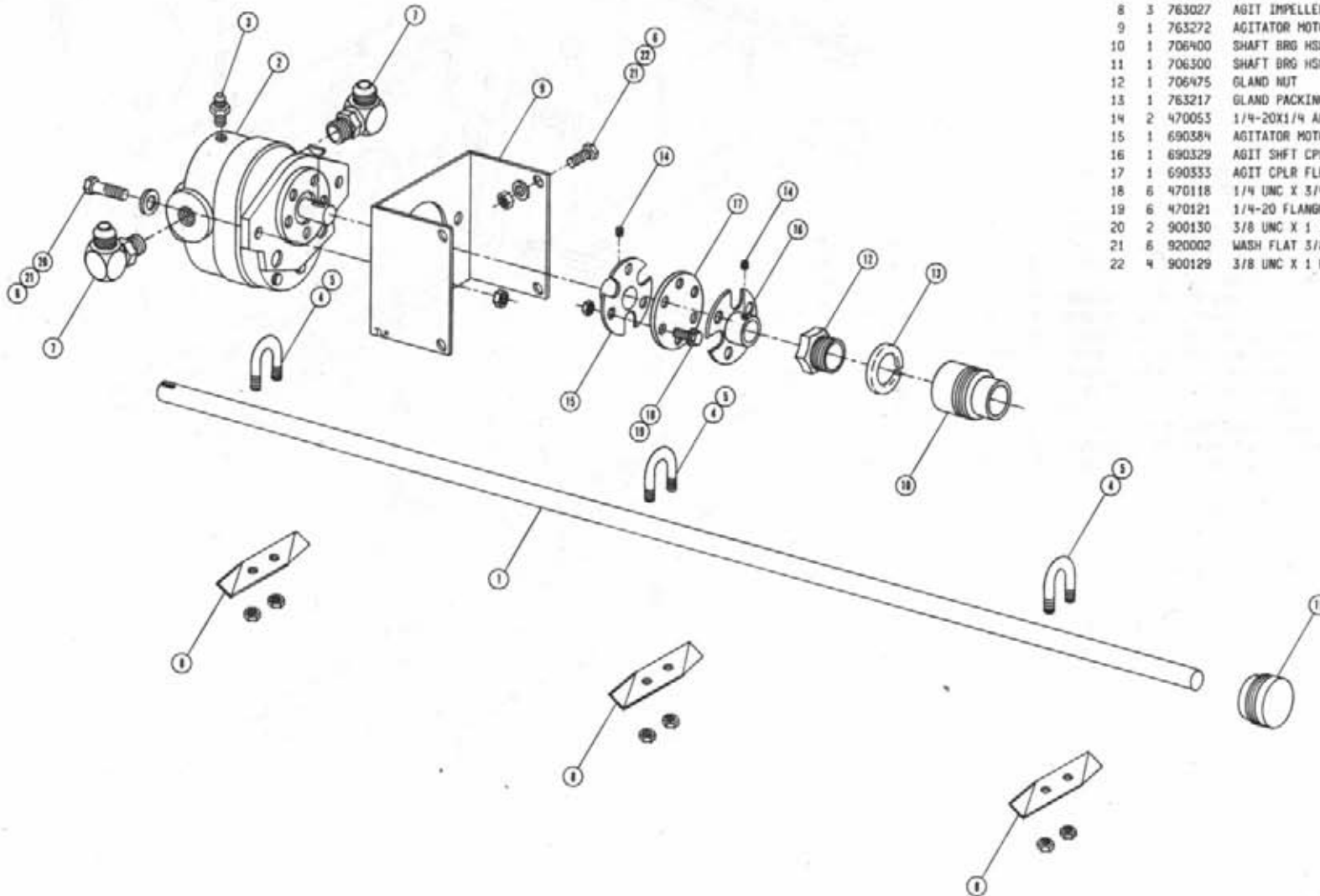
CAB FOAM

Det.	Qty.	P/N	Description
1	1	659597	Foam, Center Rear Operator Station
2	1	659594	Foam, Right Front Operator Station
3	1	659593	Foam, Center Front Operator Station
4	1	659596	Foam, Left Rear Operator Station
5	1	659595	Foam, Left Front Operator Station
6	1	659598	Foam, Left Side Panel
7	1	659381	Foam, Rear Top Crossmember
8	1	659599	Foam, Console Side
9	1	659383	Foam, Cab Roof
10	1	659385	Foam, Left Top Cab Corner
11	2	659392	Foam, Upper Side Frame
12	1	659393	Foam, Upper Rear Frame
13	1	659394	Foam, Lower Rear Window Panel
14	1	659396	Foam, Cab Tube 37.25 Long
15	2	659397	Foam, Cab Tube 42.75 Long
16	4	659398	Foam, Cab Tube 32.25 Long

AGITATOR ASSEMBLY

DET. QTY PART NO. DESCRIPTION

1	1	763216	AGIT SHAFT
2	1	610510	HYDRAULIC MOTOR
3	1	611121	9/16 MJIC X 1/4 MNPT ADPTR
4	6	470089	SS HEX NUT .25UNC LOCK
5	3	470092	SS U BOLT .25UNC X1.25 X.75
6	6	914004	3/8 UNC LOCK NUT
7	2	618474	3/4 MJIC X 90 X 1 1/16 MOR
8	3	763027	AGIT IMPELLER
9	1	763272	AGITATOR MOTOR MOUNT
10	1	706400	SHAFT BRG HSNG
11	1	706300	SHAFT BRG HSNG ASSY BLIND END
12	1	706475	GLAND NUT
13	1	763217	GLAND PACKING CUT TO UNKNOWN
14	2	470053	1/4-20X1/4 AL HD SET SC CUP
15	1	690384	AGITATOR MOTOR COUPLER HALF
16	1	690329	AGIT SHFT CPLR HALF WLD
17	1	690333	AGIT CPLR FLEXIBLE DISK
18	6	470118	1/4 UNC X 3/4 FLANGED H BOLT
19	6	470121	1/4-20 FLANGED WHIZ NUT
20	2	900130	3/8 UNC X 1 1/4 HEX BOLT
21	6	920002	WASH FLAT 3/8 SAE
22	4	900129	3/8 UNC X 1 HEX BOLT

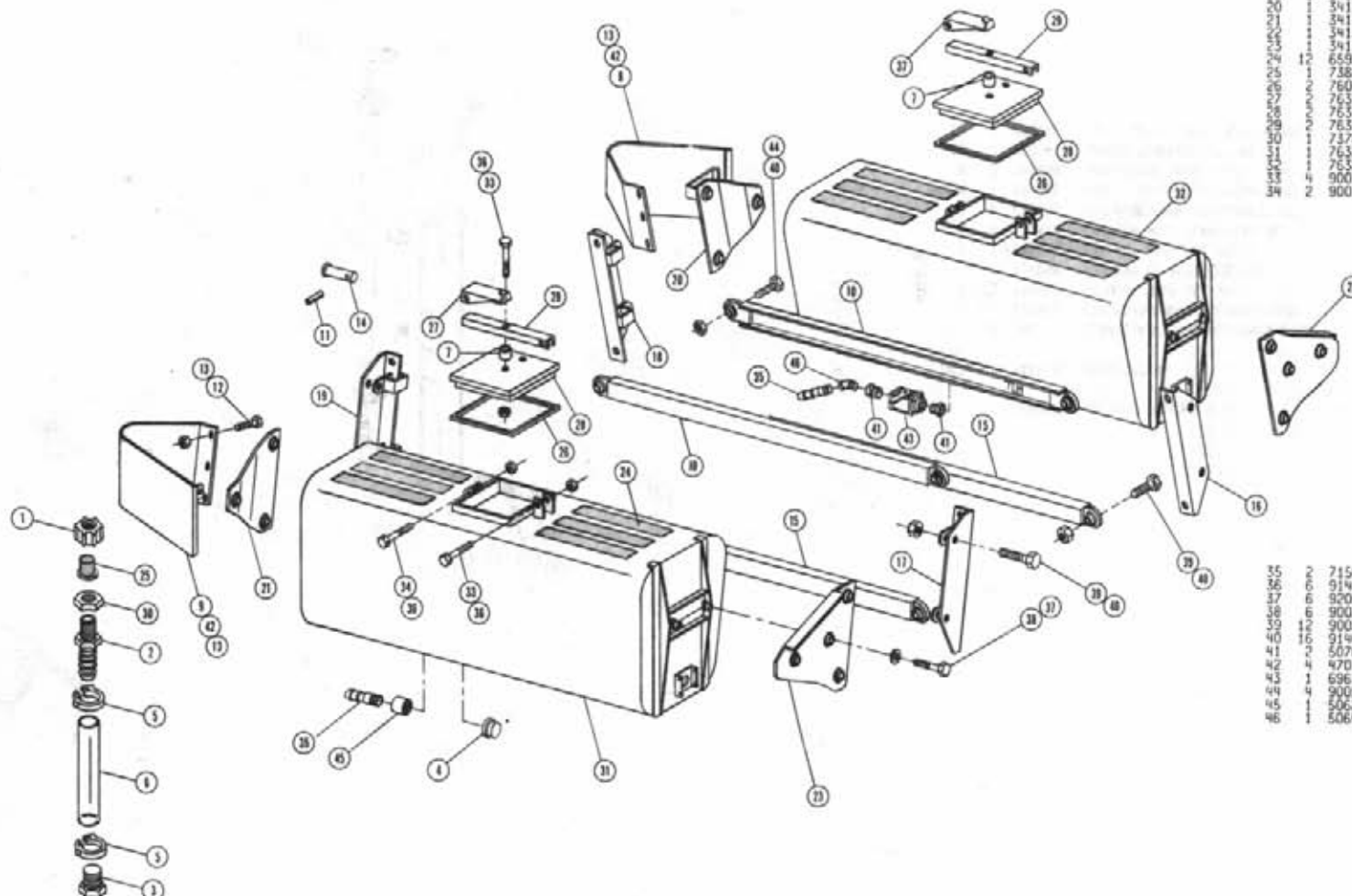


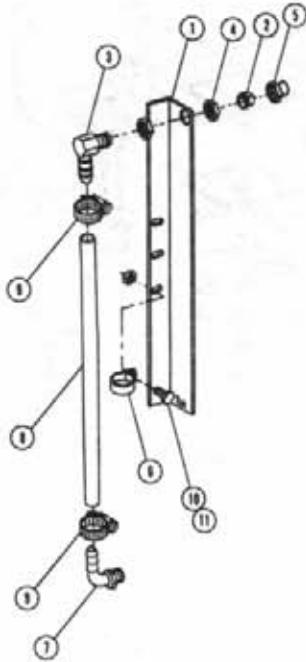
STAINLESS STEEL SOLUTION TANK ASSEMBLY

DET. QTY PART NO. DESCRIPTION

1	1	500005	CAP NUT .688FPS NYLON
2	1	500006	.38 H BARB X .29 MPS NYLON
3	1	500007	1/8NPT HEX PLUG NYL
4	1	506203	PIPE CAP 1 1/4NPT
5	1	520003	HOSE CLAMP SNAP ON #6
6	1	601216	SPRAY TANK VENT HOSE .38X3.50
7	1	601231	HOSE 3/4 X 2 HI PRESS EPDM
8	1	659781	RH TANK SHLD WLD
9	1	659805	LH POLY G SS TANK SHLD WLD
10	1	341641	UPPER SIDERAIL CHAN WLD
11	1	473937	ROLL PIN 5/801A X 2 1/2
12	1	470122	1/4 - 20 X 1 1/2 FLANGED H BOLT
13	10	470121	1/4-20 FLANGED WHIZ NUT
14	1	361162	CARRIAGE PIVOT PIN WLD
15	1	341643	SIDERAIL TUBE WLD
16	1	341108	RH REAR TANK MT ANGLE WLD
17	1	341111	LH REAR TANK MT ANGLE WLD
18	1	341112	RH FRONT TANK MT ANGLE WLD
19	1	341115	LH FRONT TANK MT ANGLE WLD
20	1	341116	RH FT TANK MT PLT WLD
21	1	341118	LH FT TANK MT PLT WLD
22	1	341540	RH REAR 250 TANK MTG PLT WLD
23	1	341541	LH REAR 250 TANK MT PLT WLD
24	1	659279	SAFETY WALK .4 X 21
25	1	738859	STRAINER 50 MESH NYLON
26	1	760651	TANK LID GSKT
27	1	763163	SPRAY TANK LATCH HANDLE
28	1	763164	SPRAY TANK LID WLD
29	1	763166	TANK LTD CHAN
30	1	737856	TEE AND EL NUT .688 FPS
31	1	763237	LH SPRAY TANK WLD 250 GAL
32	1	763236	RH SPRAY TANK WLD 250 GAL
33	4	900134	3/8 UNC X 1 1/2 HEX BOLT
34	2	900138	3/8 UNC X 3 1/2 HEX BOLT

35	2	715660	1 1/4 HOSE BARB-1 1/4NPT
36	1	914004	3/8 UNC STOVER NUT
37	1	920005	5/8 FLAT WASH SAE
38	1	900331	5/8 UNC X 1 HEX BOLT
39	1	900534	1 UNC X 3 HEX BOLT
40	1	914016	1 UNC STOVER NUT
41	1	507015	RED BUSH 1 1/2 TO 1 1/4 MAL
42	1	470118	1/4 UNC X 5/4 FLANGED H BOLT
43	1	696110	BALL VALVE 1 1/2NPT POLY
44	4	900535	1 UNC X 4 HEX BOLT
45	1	506201	BLK PIPE CPLG 1 1/4NPT
46	1	506409	BLK PIPE ST EL 45DEG 1 1/4NPT





SIGHT GAUGE HOSE ASSEMBLY

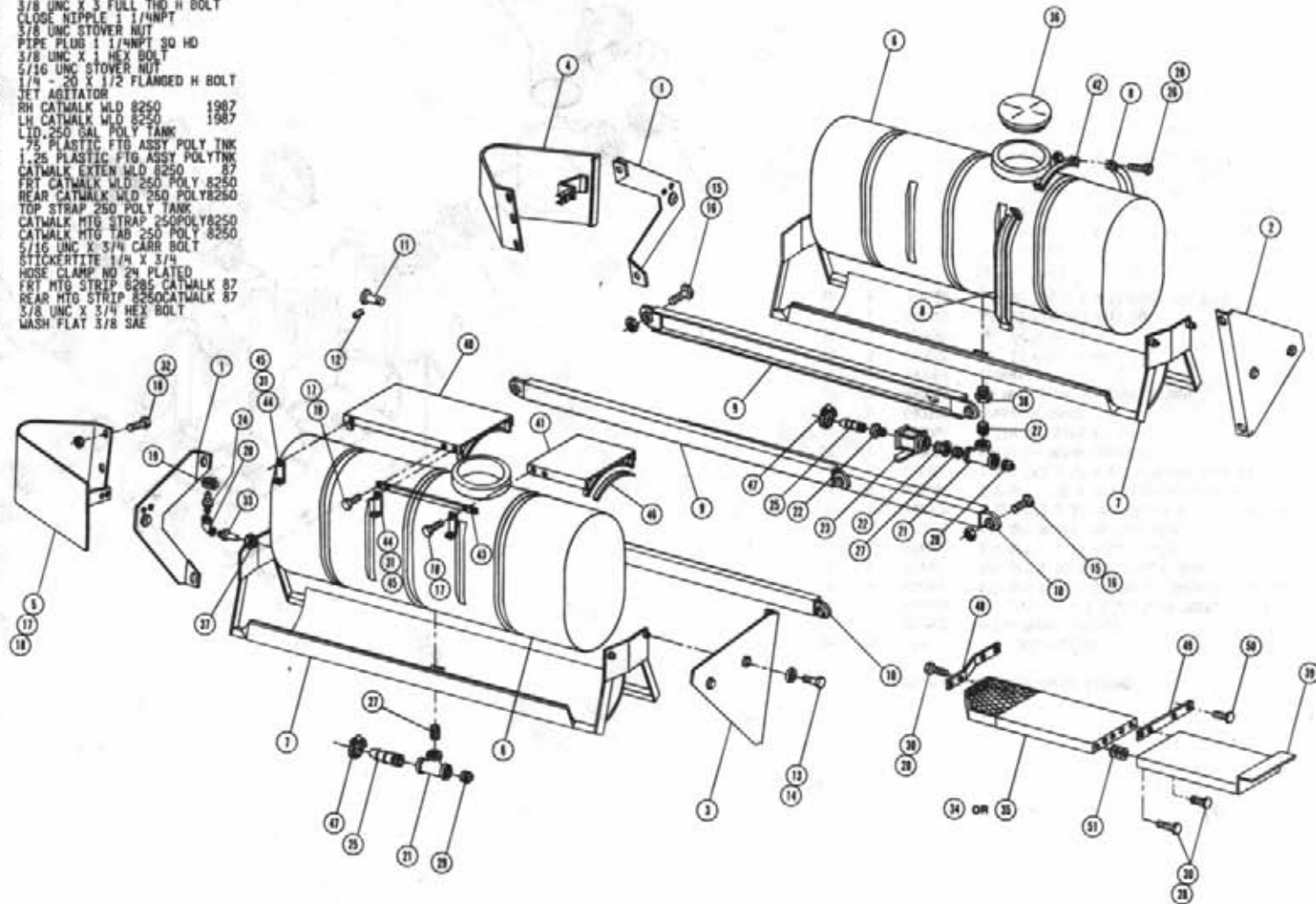
DET. QTY PART NO. DESCRIPTION

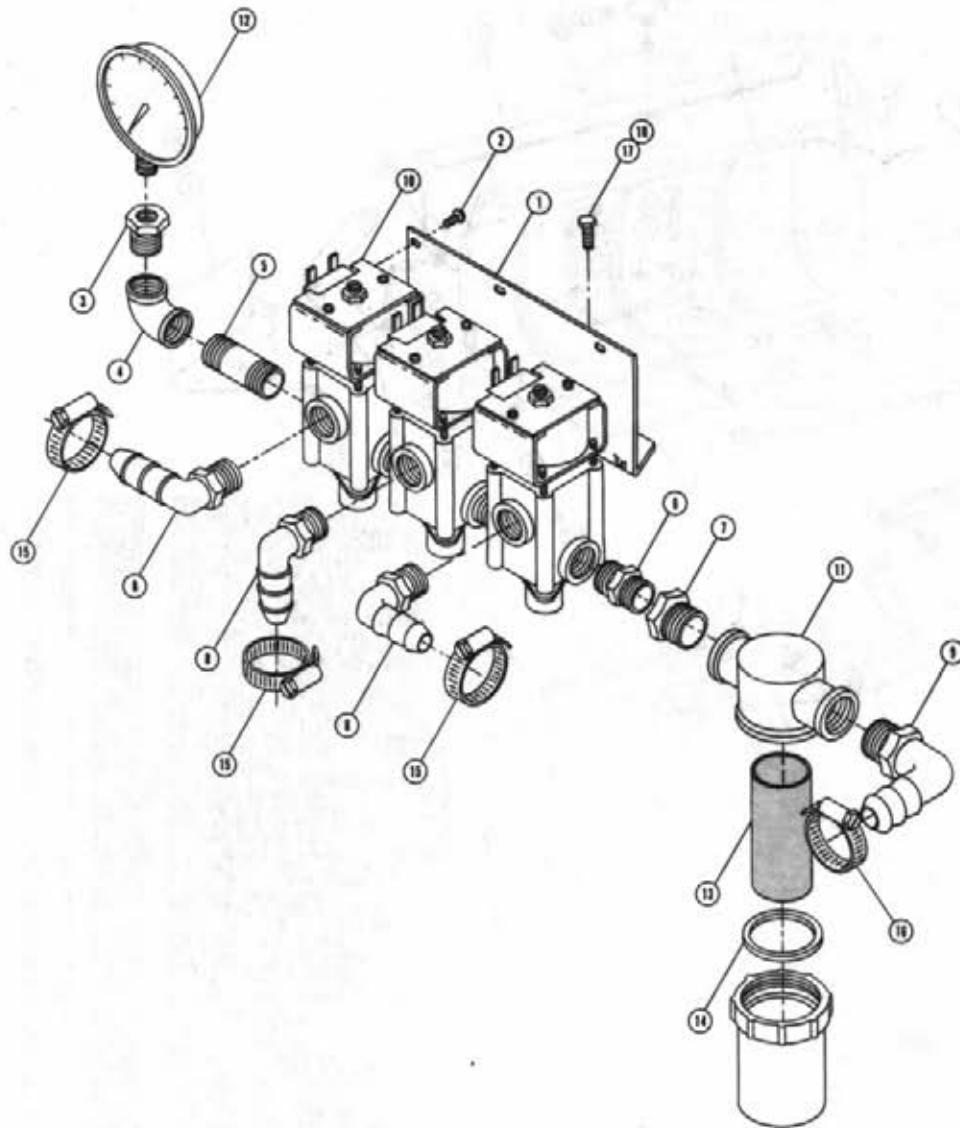
1	1	763253	SIGHT GA MT 250GAL TANKS 8250
2	1	751109	TIP,FS-9 80DEG NYL SNGL DRF
3	1	737856	EL NOZL BODY .50 STEEL
4	1	737858	TEE AND EL NUT .688 FPS
5	1	738866	CAP NUT .688 FPS STEEL
6	1	520117	CUSHION HOSE CLAMP 5/8 IN
7	1	618556	1/2 HOSE BARB-90-1/4MNPT NYL
8	1	601245	HOSE, .50 X 42.00 SIGHT GAUGE
9	2	520069	HOSE CLAMP NO 6 PLATED
10	2	470121	1/4-20 FLANGED WHIZ NUT
11	2	470122	1/4 - 20 X 1/2 FLANGED H BOLT

POLY 250 GALLON SOLUTION TANK ASSEMBLY

DET. QTY PART NO. DESCRIPTION

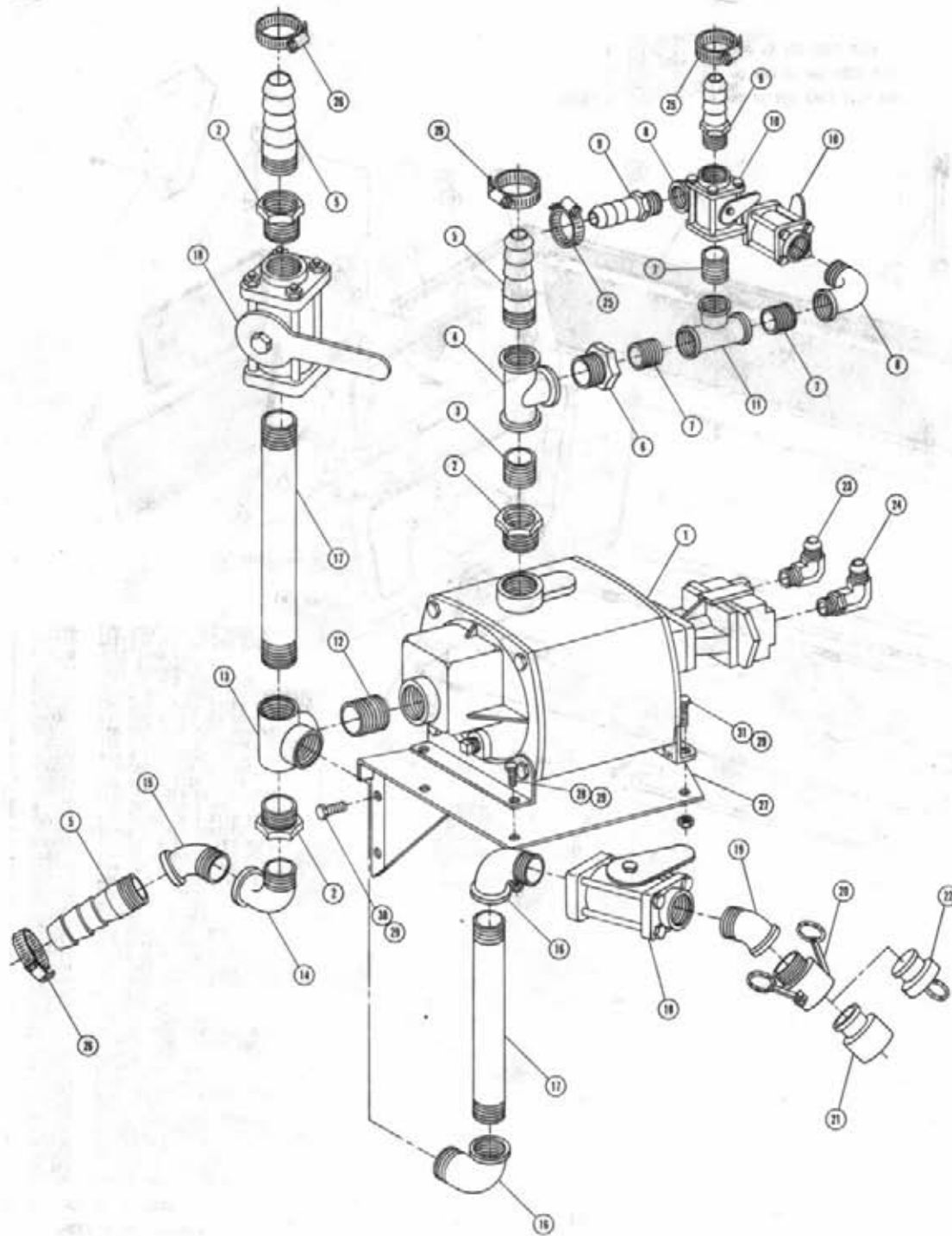
1	341398	FRT TANK MTG PLT WLD POLY
2	341400	RH REAR TANK MTG PLT WLD
3	341402	LH REAR TANK MTG PLT WLD
4	658781	RH TANK SHLD WLD 8250
5	659605	LH POLY 6 50 TANK SHLD WLD
6	763254	250 GAL POLY TANK
7	763177	POLY TANK CRADLE WLD
8	763257	POLY TANK BAND WLD 250 GAL
9	341841	UPPER SIDERAIL CHAN WLD
10	341643	SIDERAIL TUBE WLD
11	361162	CARRIAGE TYPWT PTN WLD
12	473337	ROLL PIN 3/8 DIA X 2 1/2
13	900331	5/8 UNC X 1 HEX BOLT
14	920005	5/8 FLAT WASH SAE
15	900535	1 UNC X 4 HEX BOLT
16	914016	1 IN STOVER NUT
17	470118	1/4 UNC X 3/4 FLANGED H BOLT
18	470121	1/4-20 FLANGED WHIZ NUT
19	520070	HOSE CLAMP NO 8 PLATED
20	504501	BLK PIPE EL 90DEG 3/4NPT
21	506105	BLK PIPE TEE 1 1/4NPT
22	507015	RED BUSH 1/2 TO 1 1/4 MAL
23	696110	BALL VALVE 1 1/2FNPT POLY
24	714550	1/2 HOSE BARB-3/4NPT
25	715660	1 1/4 HOSE BARB-1 1/4NPT
26	906136	3/8 UNC X 3 FULL THD H BOLT
27	506200	CLOSE NIPPLE 1 1/4NPT
28	914004	3/8 UNC STOVER NUT
29	506101	PIPE PLUG 1 1/4NPT 30 HD
30	900129	3/8 UNC X 1 HEX BOLT
31	914002	5/16 UNC STOVER NUT
32	470122	1/4 - 20 X 1/2 FLANGED H BOLT
33	760066	JET AGITATOR
34	341615	RH CATWALK WLD 8250 1987
35	341616	LH CATWALK WLD 8250 1987
36	763259	LID 250 GAL POLY TANK
37	618549	.75 PLASTIC FTG ASSY POLYTNK
38	618548	1.25 PLASTIC FTG ASSY POLYTNK
39	341621	CATWALK EXTEN WLD 8250 87
40	763261	FRT CATWALK WLD 250 POLY 8250
41	763264	REAR CATWALK WLD 250 POLY 8250
42	763260	TOP STRAP 250 POLY TANK
43	763266	CATWALK MTG STRAP 250POLY8250
44	763267	CATWALK MTG TAB 250 POLY 8250
45	901064	5/16 UNC X 3/4 CARR BOLT
46	193022	STICKERTITE 1/4 X 3/4
47	520085	HOSE CLAMP NO 24 PLATED
48	341624	FRT MTG STRIP 8250CATWALK 87
49	341625	REAR MTG STRIP 8250CATWALK 87
50	900128	3/8 UNC X 3/4 HEX BOLT
51	920002	WASH FLAT 3/8 SAE





SOLUTION SOLENOID VALVE ASSEMBLY

Det.	Qty.	P/N	Description
1	1	160A69	Valve Mount Bracket
2	3	472199	No. 10-24 x 1/2 Round Head Mach. Screw
3	1	504002	3/4 NPT To 1/4 NPT Nylon Reducer Bushing
4	1	504502	3/4 NPT x 90 Nylon Pipe Nipple
5	1	504800	3/4 NPT x 1.75 Pipe Nipple
6	1	505219	3/4 NPT Nylon Hex Pipe Nipple
7	1	506002	1 1/4 NPT x 3/4 NPT Nylon Reducer Bushing
8	3	618591	1/2 NPT x 90 x 3/4 Nylon Hose Barb
9	1	618592	1 1/4 NPT x 90 x 1 1/4 Nylon Hose Barb
10	1	690019	Solution Valve Assembly
11	1	690060	1 1/4 NPT Line Strainer
12	1	690359	Pressure Gauge
13	1	690068	40 Mesh Line Strainer Screen
14	1	690067	Gasket
15	3	520055	No. 12 Hose Clamp
16	1	520085	No. 24 Hose Clamp
17	2	470121	1/4-20 Flanged Whiz Nut
18	2	470118	1/4-20 UNC x 3/4 Flanged Hex Bolt



SOLUTION PUMP ASSEMBLY

DET. QTY PART NO. DESCRIPTION

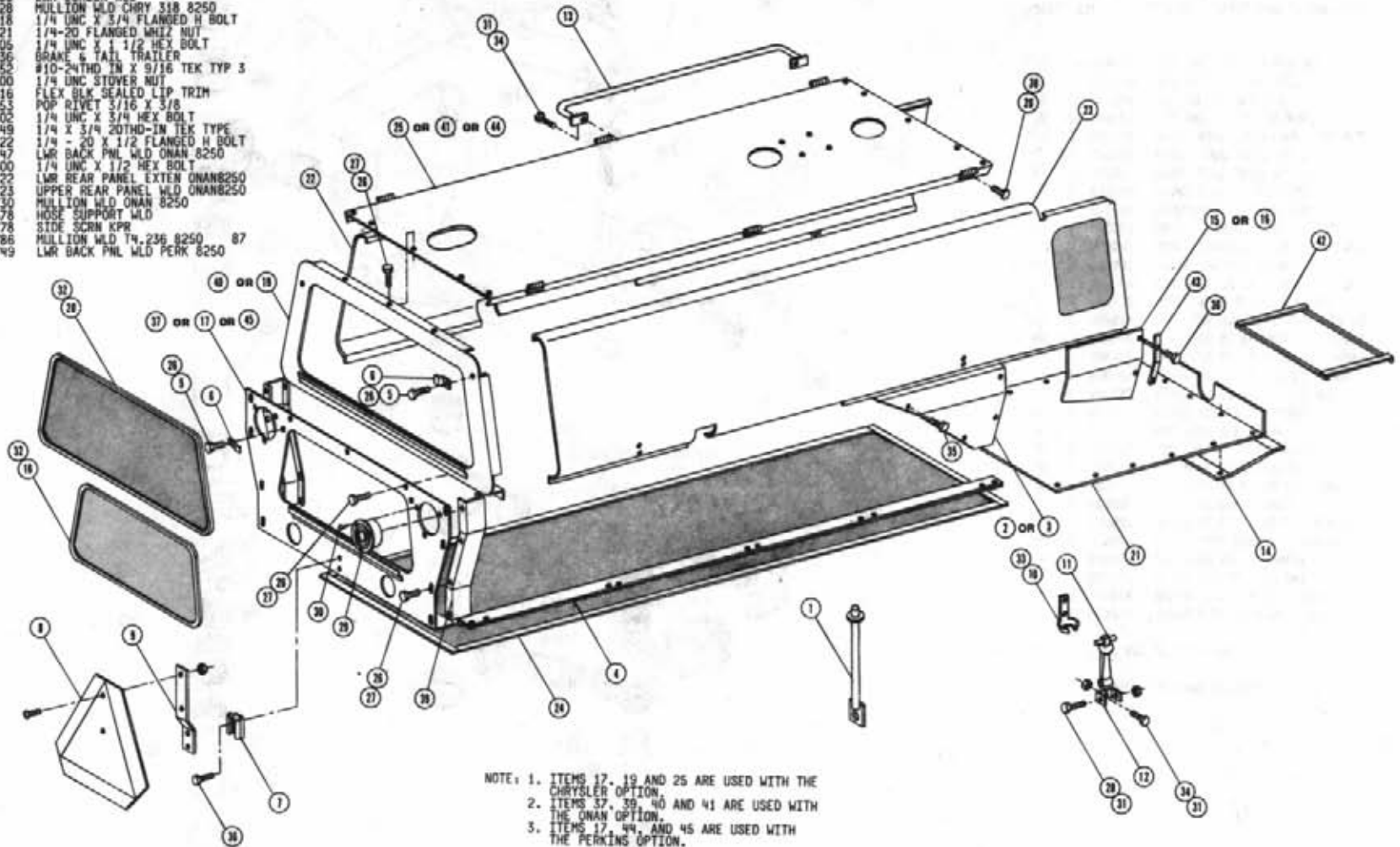
1	1	690341	HYPRO CENTRIF PUMP 10GPM
2	3	507015	RED BUSH 1 1/2 TO 1 1/4 MAL
3	1	506200	CLOSE NIPPLE 1 1/4NPT
4	1	506105	BLK PIPE TEE 1 1/4NPT
5	3	715660	1 1/4 HOSE BARB-1 1/4NPT
6	1	507027	RED BUSH 1 1/4 TO 1/2 BLK MAL
7	3	503600	CLOSE NIPPLE 1/2NPT
8	2	503400	BLK PIPE ST EL 90DEG 1/2NPT
9	2	714540	1/2 HOSE BARB-1/2NPT
10	2	696082	BALL VALVE 1/2FNPT POLY
11	1	503820	BLK PIPE TEE 1/2NPT
12	1	507019	CLOSE NIPPLE 1 1/2NPT
13	1	507253	SIDE OUTLET TEE 1 1/2 NPT
14	1	506410	1 1/4 NPT X 90 STREET ELBOW
15	1	506409	BLK PIPE ST EL 45DEG 1 1/4NPT
16	2	507018	BLK PIPE ST EL 90DEG 1 1/2NPT
17	2	507614	BLK PIPE NIPPLE 1.50NPT-12.00
18	2	696110	BALL VALVE 1 1/2FNPT POLY
19	1	507024	BLK PIPE ST EL 45DEG 1 1/2NPT
20	1	690303	QUICK CONNECT CPLR 1 1/2NPT
21	1	690302	QUICK CONNECT ADPTR 1 1/2FNPT
22	1	690304	QUICK CONNECT PLUG, 1 1/2
23	1	611145	3/4MJIC-90-1/2NPT LBO
24	1	618241	3/4MJIC-90-3/4NDR LBO
25	2	520070	HOSE CLAMP NO 8 PLATED
26	3	520085	HOSE CLAMP NO 24 PLATED
27	1	690365	SELF-PRIME SOLU PUMP BASE WLD
28	2	900128	3/8 UNC X 3/4 HEX BOLT
29	8	914004	3/8 UNC STOVER NUT
30	4	900129	3/8 UNC X 1 HEX BOLT
31	2	900130	3/8 UNC X 1 1/4 HEX BOLT

NOTE: ITEMS 3,4,6,7,8,9,10,11, AND 25 ARE USED WITH JET AGITATION.

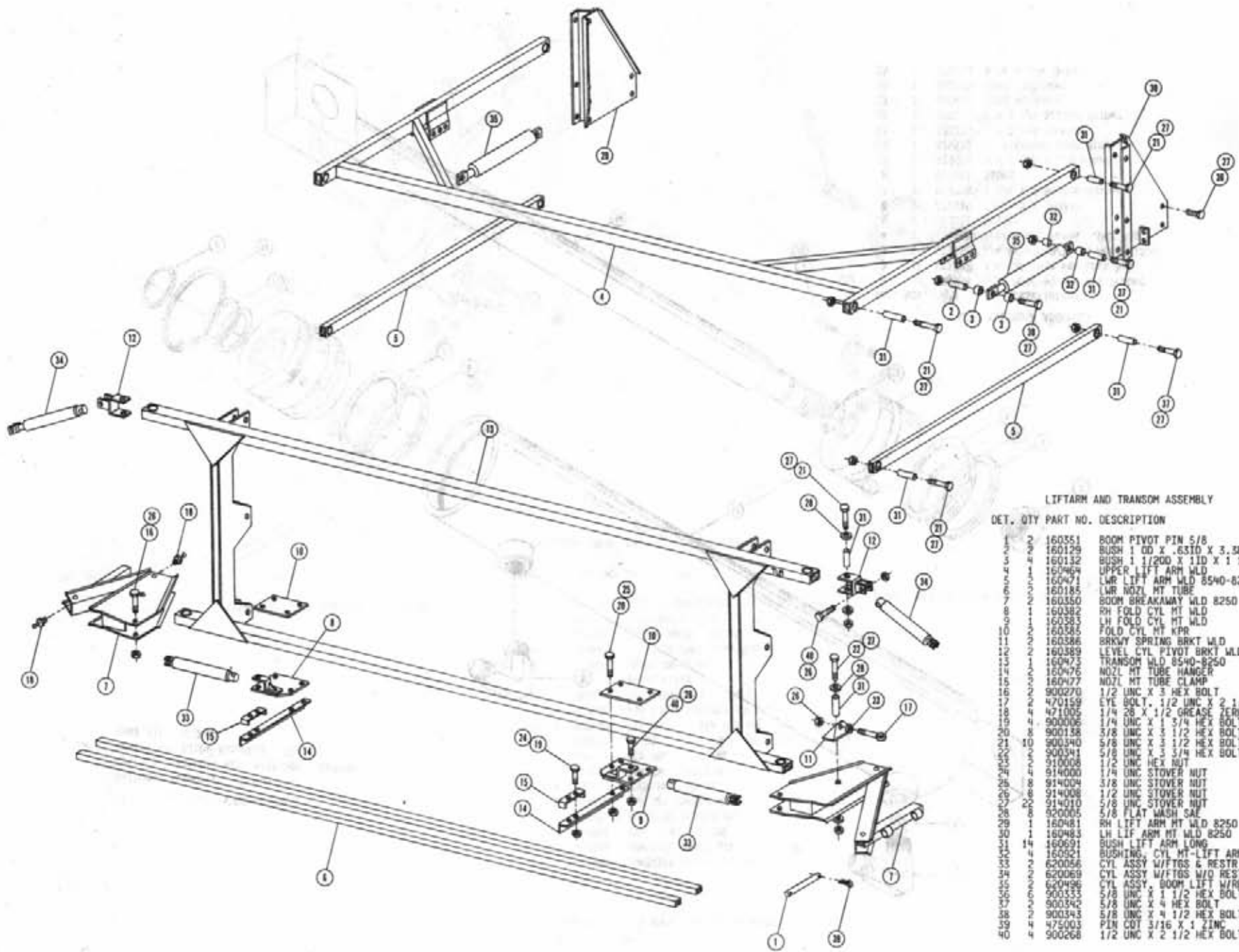
SHEET METAL ASSEMBLY

DET. QTY PART NO. DESCRIPTION

1	341356	ENGINE HOOD PROP WLD
2	341362	LH SIDE PLT EXTEN
3	341363	RH SIDE PLT EXTEN
4	341395	SCREEN SLIDE WLD
5	470086	NUTSERT, 1/4UNC .020-100GR
6	470151	UPPER REAR PANEL SCREEN CLIP
7	472251	MTG SOCKET
8	472249	SLOW MOVING VEHICLE SIGN
9	472250	SPADE MTG BRKT
10	656957	RUBBER HOOK BRKT
11	656958	RUBBER HOOK
12	656999	RUBBER HOOK ANCHOR BRKT
13	659378	RH ENG HOOD HANDRAIL WLD
14	659565	LWR FRT HOSE SHLD
15	659775	LH SIDE SCRNL
16	659774	RH SIDE SCRNL
17	659743	LWR BACK PNL WLD CHRY 8250
18	659751	LWR BACK PANEL SCRNL 8250
19	659575	UPPER REAR PANEL WLD
20	659578	UPPER REAR PANEL SCREEN
21	659586	FRT HOSE COVER WLD
22	659735	LH ENG HOOD WLD
23	659734	RH ENG HOOD WLD
24	659589	LWR SCREEN WLD
25	659728	MULLION WLD CHRY 318 8250
26	470118	1/4 UNC X 3/4 FLANGED H BOLT
27	470121	1/4-20 FLANGED W/1/2 NUT
28	900006	1/4 UNC X 1 1/2 HEX BOLT
29	472036	BRAKE TAIL TRAILER
30	472362	#10-24THD IN X 9/16 TEK TYP 3
31	914000	1/4 UNC STOVER NUT
32	193016	FLEX BLK SEALED LIP TRIM
33	485053	POP RIVET 3/16 X 3/8
34	900002	1/4 UNC X 3/4 HEX BOLT
35	472349	1/4 X 3/4 20THD-IN TEK TYPE
36	470122	1/4 - 20 X 1/2 FLANGED H BOLT
37	659747	LWR BACK PNL WLD ONAN 8250
38	900000	1/4 UNC X 1 1/2 HEX BOLT
39	659722	LWR REAR PANEL EXTEN ONAN8250
40	659723	UPPER REAR PANEL WLD ONAN8250
41	659730	MULLION WLD ONAN 8250
42	341578	HOSE SUPPORT WLD
43	659778	SIDE SCRNL KPR
44	659786	MULLION WLD T4.236 8250
45	659749	LWR BACK PNL WLD PERK 8250



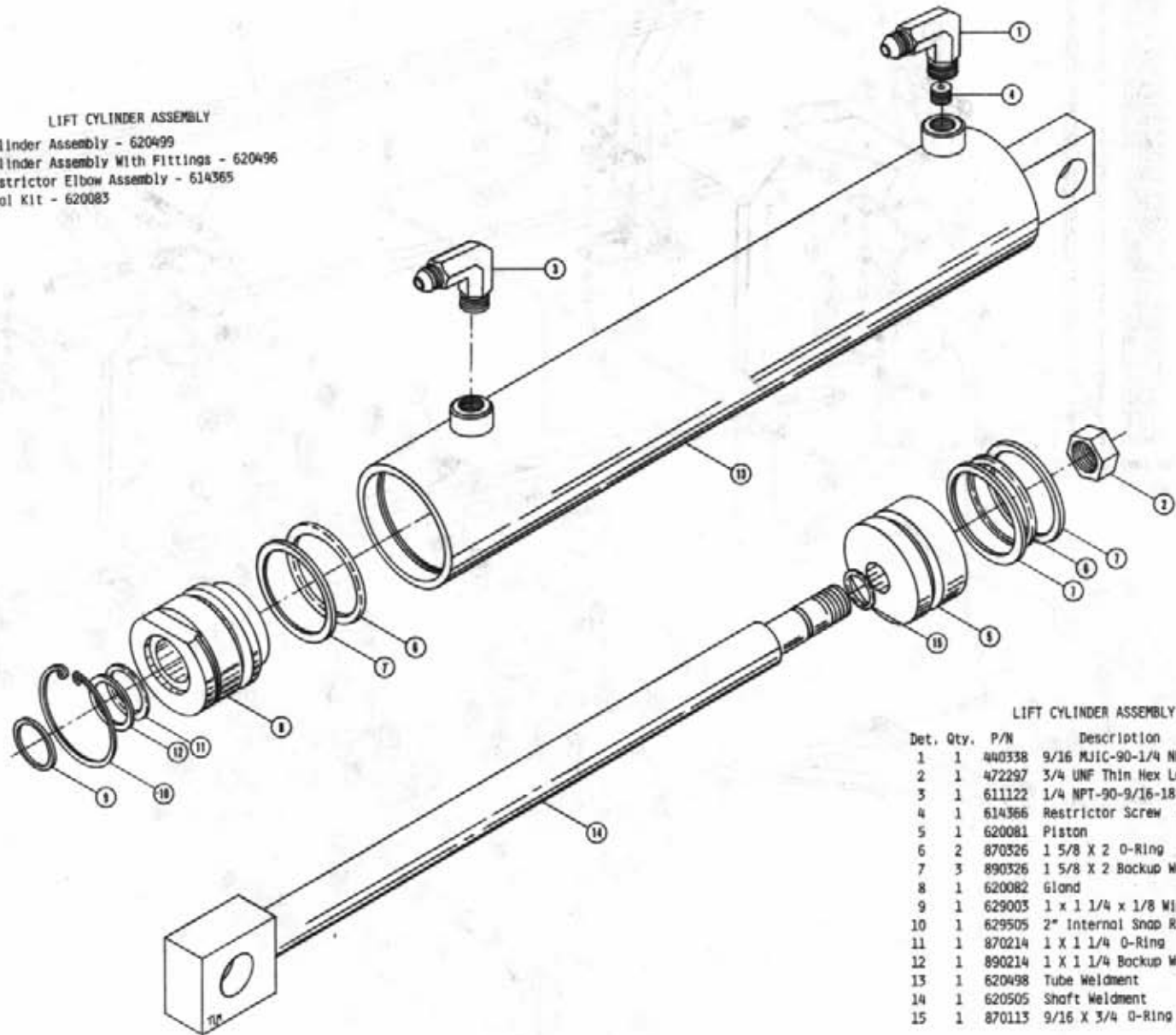
NOTE: 1. ITEMS 17, 19 AND 25 ARE USED WITH THE CHRYSLER OPTION.
 2. ITEMS 37, 39, 40 AND 41 ARE USED WITH THE ONAN OPTION.
 3. ITEMS 17, 44, AND 45 ARE USED WITH THE PERKINS OPTION.



LIFTARM AND TRANSOM ASSEMBLY

DET.	QTY	PART NO.	DESCRIPTION
160351	1	160351	BOOM PIVOT PIN 5/8
160129	1	160129	BUSH 1 OD X .6310 X 3.58
160132	1	160132	BUSH 1 1/2OD X 1ID X 1 1/4
160464	1	160464	UPPER LIFT ARM WLD
160471	1	160471	LWR LIFT ARM WLD 8540-8250 87
160185	1	160185	LWR NOZL MT TUBE
160350	1	160350	BOOM BREAKAWAY WLD 8250
160382	1	160382	RH FOLD CYL MT WLD
160383	1	160383	LH FOLD CYL MT WLD
160385	1	160385	FOLD CYL MT KFR
160386	1	160386	BRKBY SPRING BRKT WLD
160389	1	160389	LEVEL CYL PIVOT BRKT WLD
160473	1	160473	TRANSOM WLD 8540-8250 87
160476	1	160476	NOZL MT TUBE HANGER
160477	1	160477	NOZL MT TUBE CLAMP
900270	1	900270	1/2 UNC X 3 HEX BOLT
470159	1	470159	EYE BOLT, 1/2 UNC X 2 1/2
471005	1	471005	1/4 28 X 1/2 GREASE ZERK
900006	1	900006	1/4 UNC X 1 3/4 HEX BOLT
900138	1	900138	3/8 UNC X 3 1/2 HEX BOLT
900340	1	900340	5/8 UNC X 3 1/2 HEX BOLT
900341	1	900341	5/8 UNC X 3 1/4 HEX BOLT
910008	1	910008	1/2 UNC HEX NUT
914000	1	914000	1/4 UNC STOVER NUT
914004	1	914004	3/8 UNC STOVER NUT
914008	1	914008	1/2 UNC STOVER NUT
914010	1	914010	5/8 UNC STOVER NUT
920005	1	920005	5/8 FLAT WASH SAE
160481	1	160481	RH LIFT ARM MT WLD 8250 87
160483	1	160483	LH LIF ARM MT WLD 8250 87
160591	1	160591	BUSH LIFT ARM LONG
160521	1	160521	BUSH LING, CYL MT-LIFT ARM 5/8
620056	1	620056	CYL ASSY W/FTGS & RESTR 2IN
620069	1	620069	CYL ASSY W/FTGS W/O RESTR 2IN
620496	1	620496	CYL ASSY, BOOM LIFT W/RESTRIC
900333	1	900333	5/8 UNC X 1 1/2 HEX BOLT
900342	1	900342	5/8 UNC X 4 HEX BOLT
900343	1	900343	5/8 UNC X 4 1/2 HEX BOLT
475003	1	475003	PIN COT 3/16 X 1 ZINC
900268	1	900268	1/2 UNC X 2 1/2 HEX BOLT

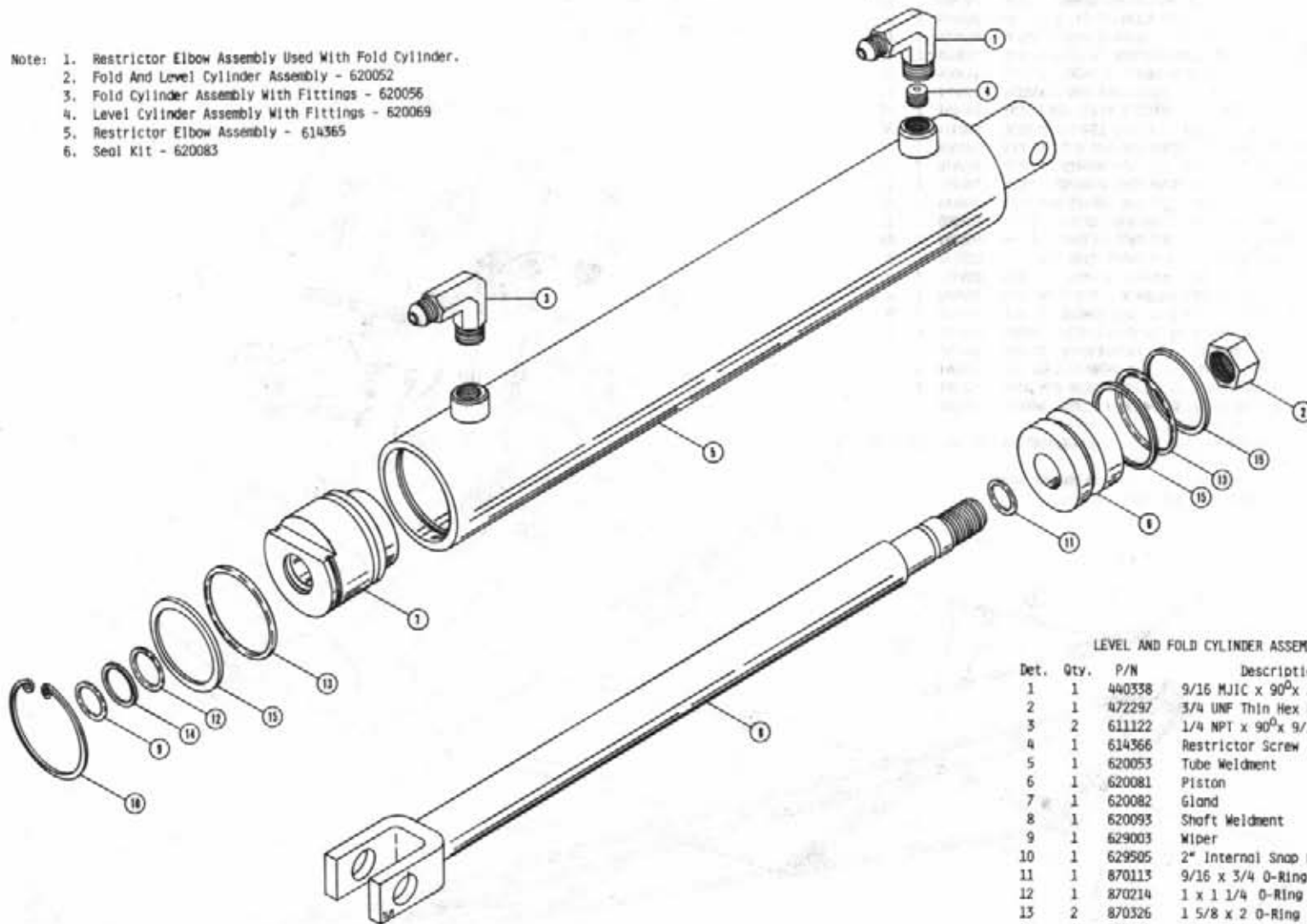
LIFT CYLINDER ASSEMBLY
 Cylinder Assembly - 620499
 Cylinder Assembly With Fittings - 620496
 Restrictor Elbow Assembly - 614365
 Seal Kit - 620083



LIFT CYLINDER ASSEMBLY

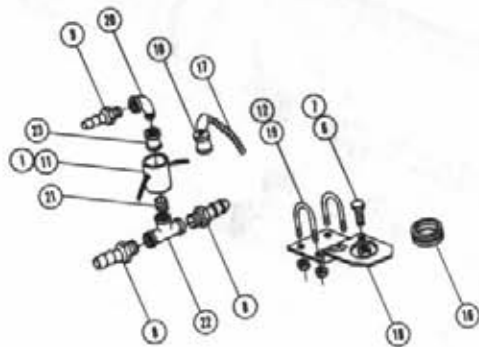
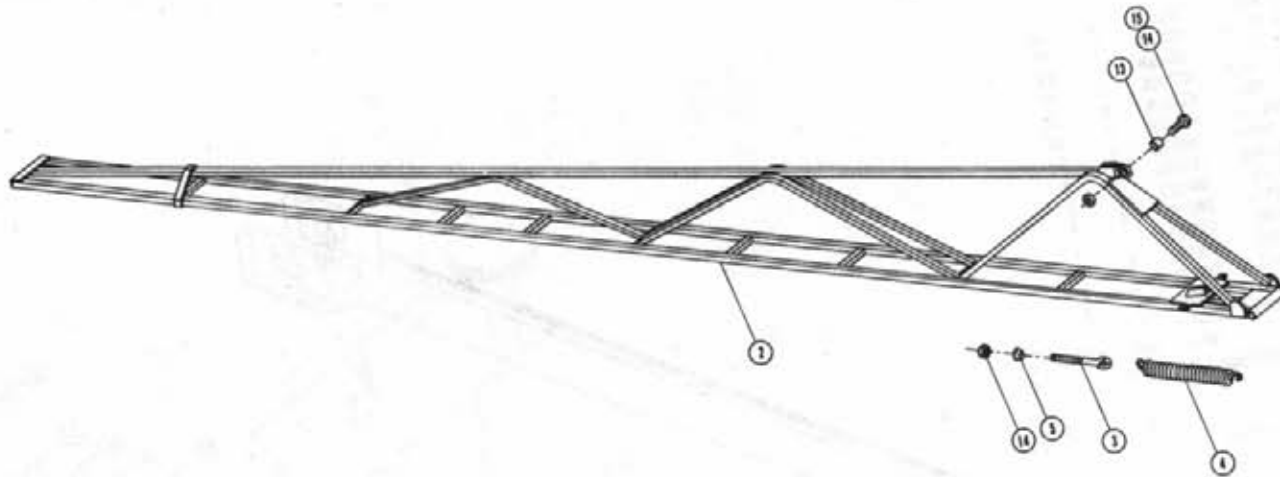
Det.	Qty.	P/N	Description
1	1	440338	9/16 MJIC-90-1/4 NPT Tapped
2	1	472297	3/4 UNF Thin Hex Lock Nut
3	1	611122	1/4 NPT-90-9/16-18 Male Elbow
4	1	614366	Restrictor Screw .042 Dia.
5	1	620081	Piston
6	2	870326	1 5/8 X 2 O-Ring
7	3	890326	1 5/8 X 2 Backup Washer
8	1	620082	Gland
9	1	629003	1 x 1 1/4 x 1/8 Wiper
10	1	629505	2" Internal Snap Ring
11	1	870214	1 X 1 1/4 O-Ring
12	1	890214	1 X 1 1/4 Backup Washer
13	1	620498	Tube Weldment
14	1	620505	Shaft Weldment
15	1	870113	9/16 X 3/4 O-Ring

- Note:
1. Restrictor Elbow Assembly Used With Fold Cylinder.
 2. Fold And Level Cylinder Assembly - 620052
 3. Fold Cylinder Assembly With Fittings - 620056
 4. Level Cylinder Assembly With Fittings - 620069
 5. Restrictor Elbow Assembly - 614365
 6. Seal Kit - 620083



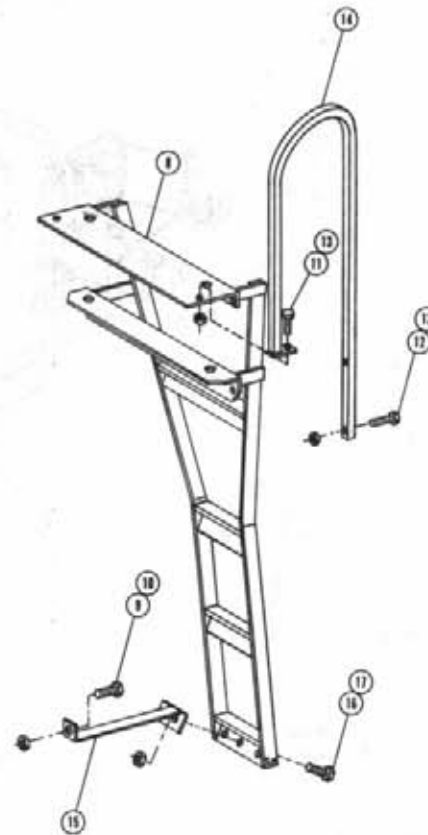
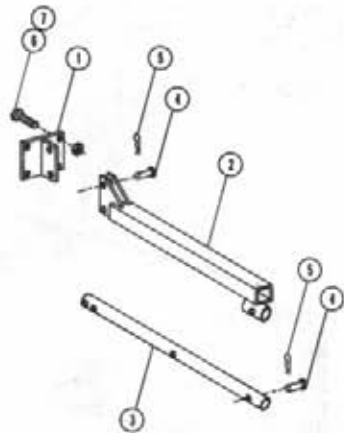
LEVEL AND FOLD CYLINDER ASSEMBLY

Det.	Qty.	P/N	Description
1	1	440338	9/16 MJIC x 90° x 1/4 NPT Tapped
2	1	472297	3/4 UNF Thin Hex Lock Nut
3	2	611122	1/4 NPT x 90° x 9/16 MJIC
4	1	614366	Restrictor Screw .042 Dia.
5	1	620053	Tube Weldment
6	1	620081	Piston
7	1	620082	Gland
8	1	620093	Shaft Weldment
9	1	629003	Wiper
10	1	629505	2" Internal Snap Ring
11	1	870113	9/16 x 3/4 O-Ring
12	1	870214	1 x 1 1/4 O-Ring
13	2	870326	1 5/8 x 2 O-Ring
14	1	890214	1 x 1 1/4 Back-Up Washer
15	3	890326	1 5/8 x 2 Back-Up Washer



BOOM ASSEMBLY

DET.	QTY	PART NO.	DESCRIPTION
1	1	690327	O-RING GASKET FOR 696203
2	1	160362	BOOM WLD 8540 - 8250
3	1	160979	EYE BOLT, 1/2UNC X 9
4	1	160980	SPRING, BOOM BRKWAY
5	1	160981	SWIVEL, BOOM EYEBOLT
6	1	914000	1/4 UNC STOVER NUT
7	1	900002	1/4 UNC X 3/4 HEX BOLT
8	2	714350	1/2 HOSE BARB-3/4MMPT
9	1	713220	3/4 HOSE BARB-3/4MMPT
10	1	696204	QUICK CONNECT PLUG, 3/4
11	1	696203	QUICK CONNECT CPLR MALE 3/4
12	4	914002	5/16 UNC STOVER NUT
13	1	160465	BUSH .625 OD X 18GA WA X .94
14	2	914008	1/2 UNC STOVER NUT
15	1	900283	1/2 UNC X 2 1/4 HEX BOLT
16	1	160015	2.06ID GROMMET SLIT
17	1	160986	TWIN LOOP CHAIN 6 LINKS
18	1	160987	FEEDER T MTG BRKT
19	2	470094	U BOLT .31UNC X 1.38BL X 3 LG
20	1	504610	BLK PIPE ST EL 90DEG 3/4NPT
21	1	504702	CLOSE NIPPLE 3/4NPT
22	1	504955	BLK PIPE TEE 3/4NPT
23	1	696202	QUICK CONNECT ADPTR 3/4FNPT



TREAD ADJUSTMENT & LADDER ASSEMBLY

DET. QTY PART NO. DESCRIPTION

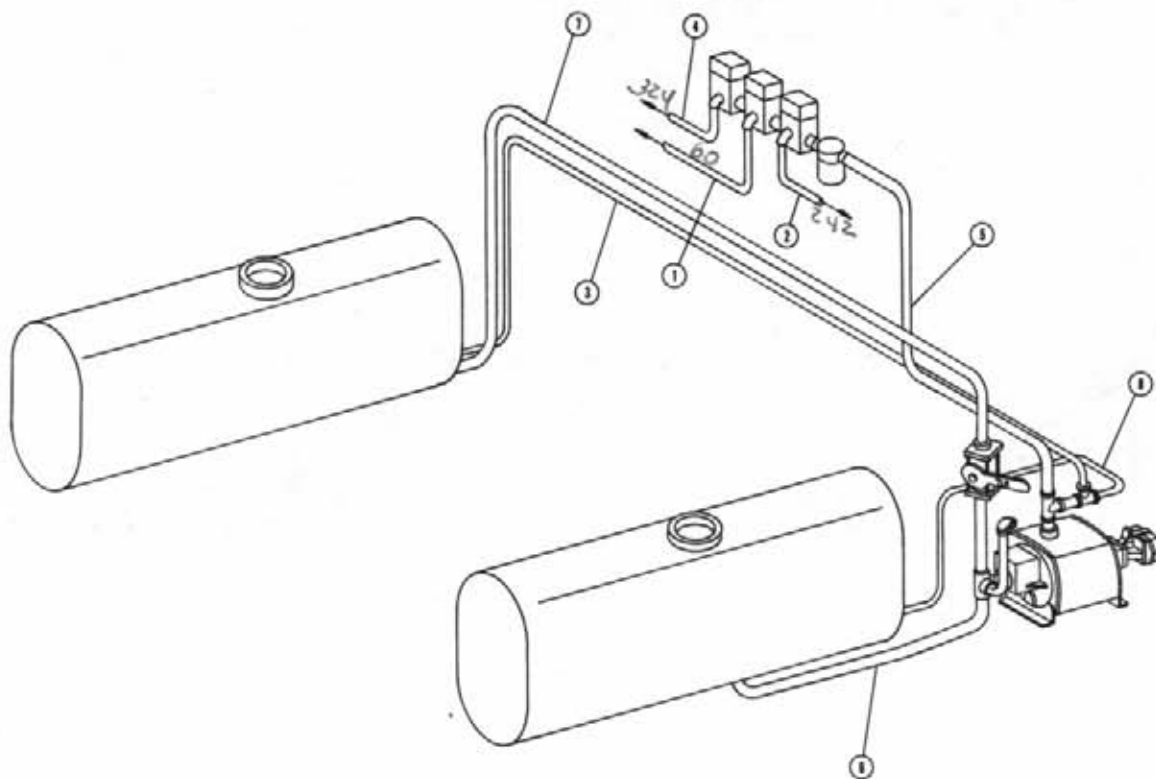
1	1	341102	TREAD ADJ BAR MT WLD UPPER	
2	1	341142	TREAD ADJ TUBE WLD	
3	1	341147	TREAD ADJ SLIDING TUBE	
4	5	470119	PICKER PIN 1/2DIA X 2 1/4	
5	5	470120	HAIR PIN 3/32 DIA WIRE	
6	4	900333	5/8 UNC X 1 1/2 HEX BOLT	
7	4	914010	5/8 UNC STOVER NUT	
8	1	341602	LADDER WLD 8250	1987
9	1	900264	1/2 UNC X 1 1/4 HEX BOLT	
10	1	914008	1/2 UNC STOVER NUT	
11	1	900003	1/4 UNC X 1 HEX BOLT	
12	2	900005	1/4 UNC X 1 1/2 HEX BOLT	
13	3	914000	1/4 UNC STOVER NUT	
14	1	341613	LADDER HANDRAIL WLD 8250	87
15	1	341610	LWR LADDER BRACE WLD 8250	87
16	2	900129	3/8 UNC X 1 HEX BOLT	
17	2	914004	3/8 UNC STOVER NUT	

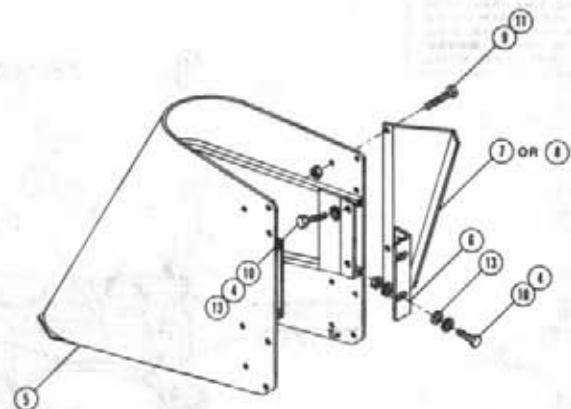
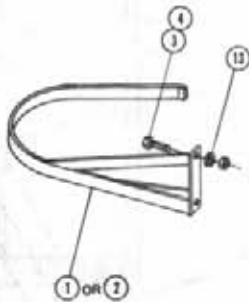
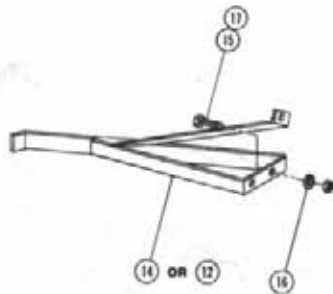
SOLUTION HOISING

DET. QTY PART NO. DESCRIPTION

1	1	601172	HOSE, 3/4 X 60 1BR BLACK EPDM
2	1	601177	HOSE, 3/4 X 242 1BR BLK EPDM
3	1	601260	HOSE, .50 1 BR EPDM X 180.00
4	1	601239	HOSE, 3/4 X 324 1BR EPDM
5	1	601294	HOSE, 1.25 2BR EPDM X 96.00
6	1	601261	HOSE, 1.25 2BR EPDM X 36.00
7	1	601262	HOSE, 1.25 2BR EPDM X 204.00
8	1	601259	HOSE, .50 1BR EPDM X 30.00

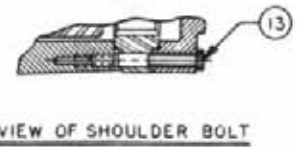
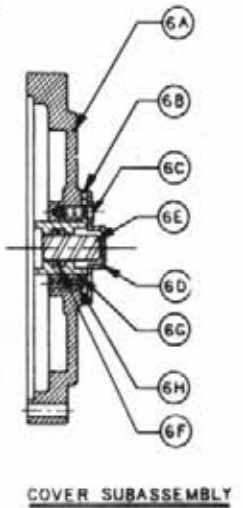
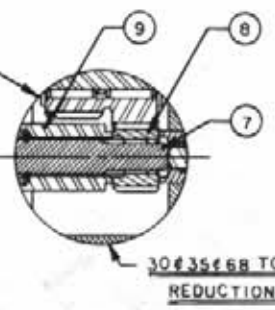
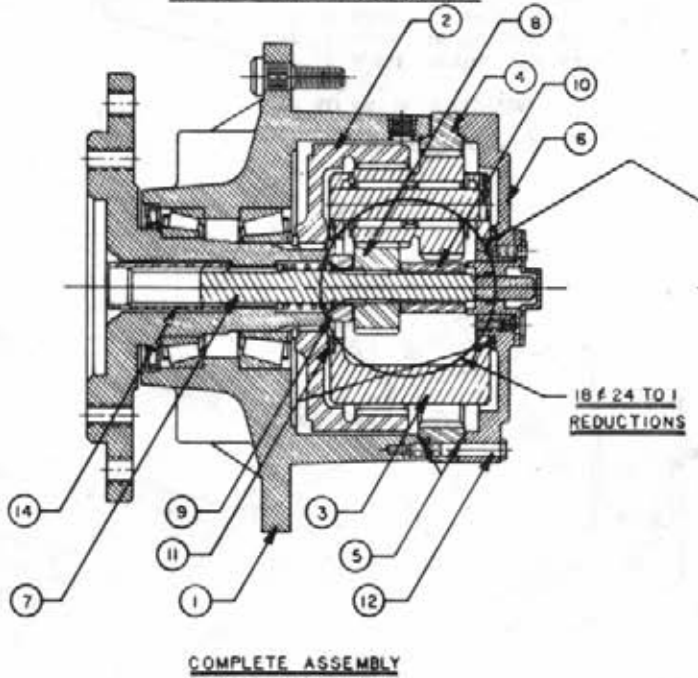
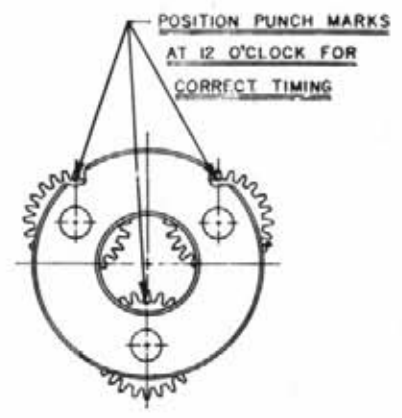
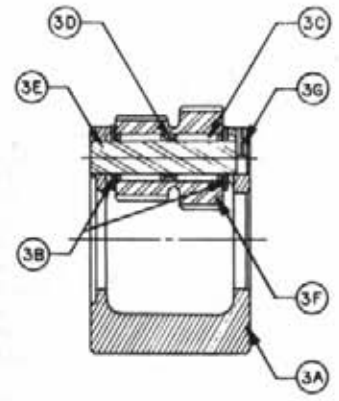
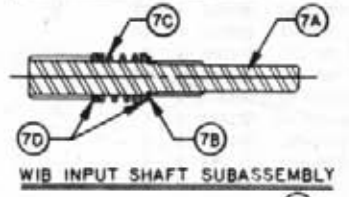
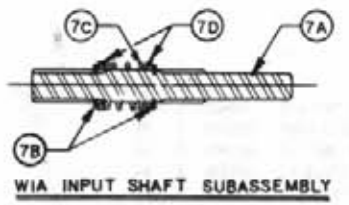
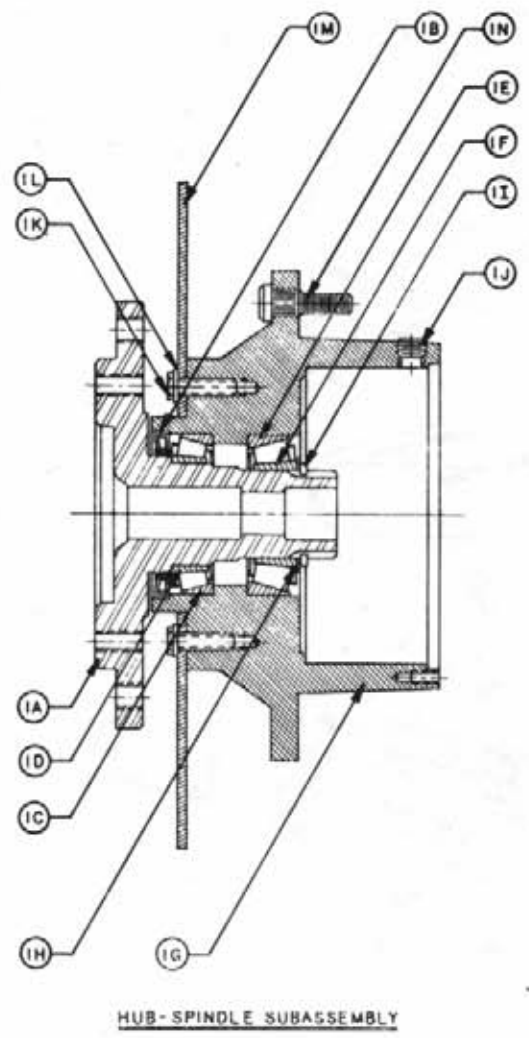
NOTE: ITEM 8 AND 9 ARE USED ONLY WITH
POLYETHYLENE TANKS.





CROP GUIDES AND SHIELDS

DET.	QTY	PART NO.	DESCRIPTION
1	1	662150	RH STALK GUIDE WLD
2	1	662151	LH STALK GUIDE WLD
3	2	900264	1/2 UNC X 1 1/4 HEX BOLT
4	6	914008	1/2 UNC STOVER NUT
5	1	662122	CROPSHLD WLD
6	1	662146	CROPSHLD MTG ANGLE
7	1	662135	RH CROPSHIELD SKIRT
8	1	662136	LH CROPSHIELD SKIRT
9	3	900002	1/4 UNC X 3/4 HEX BOLT
10	4	900265	1/2 UNC X 1 1/2 HEX BOLT
11	3	914000	1/4 UNC STOVER NUT
12	1	662208	RH STALK GUIDE WLD
13	8	920004	1/2 FLAT WASHER SAE
14	1	662164	LH STALK GUIDE WLD
15	2	900129	3/8 UNC X 1 HEX BOLT
16	1	920002	WASH FLAT 3/8 SAE
17	2	914004	3/8 UNC STOVER NUT

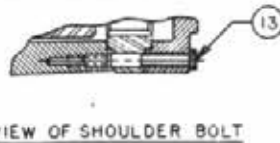
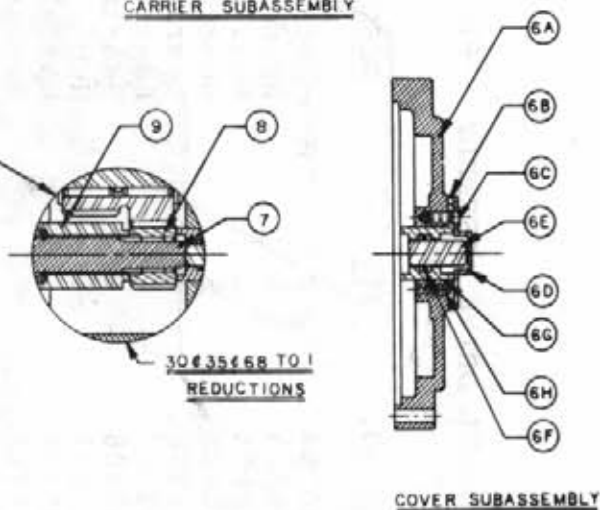
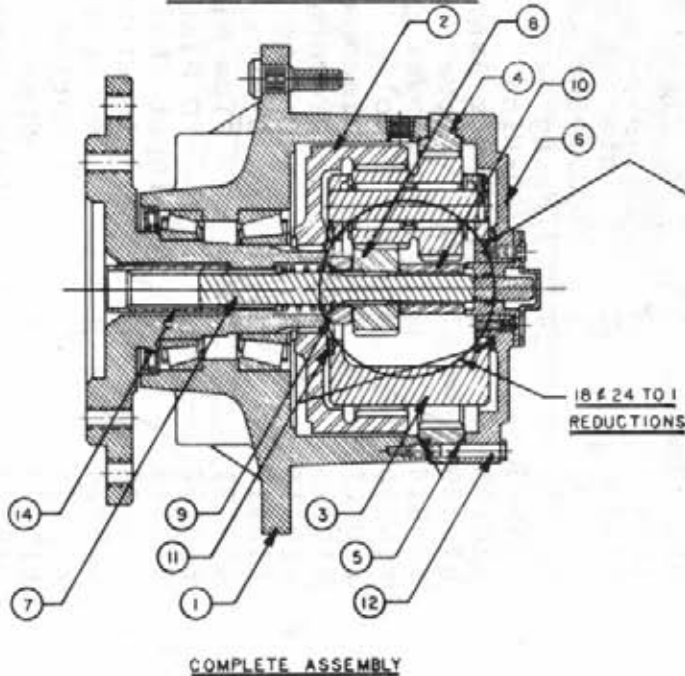
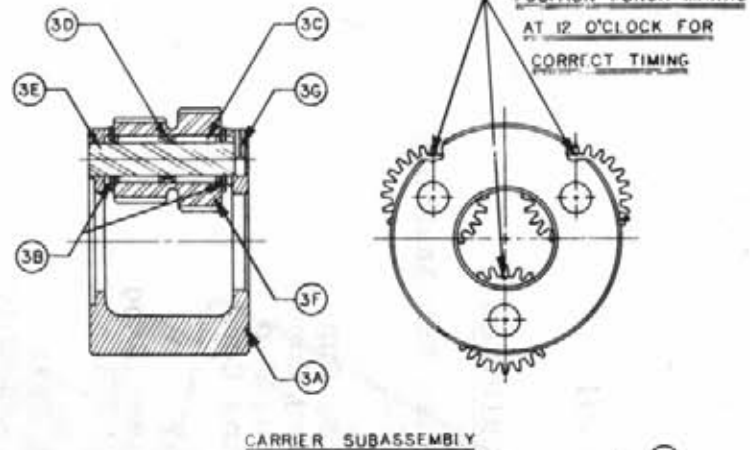
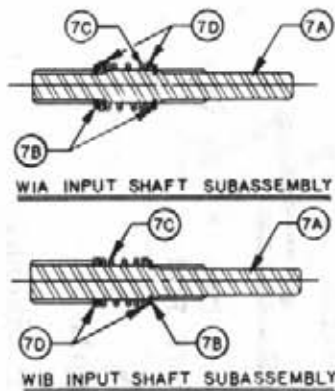
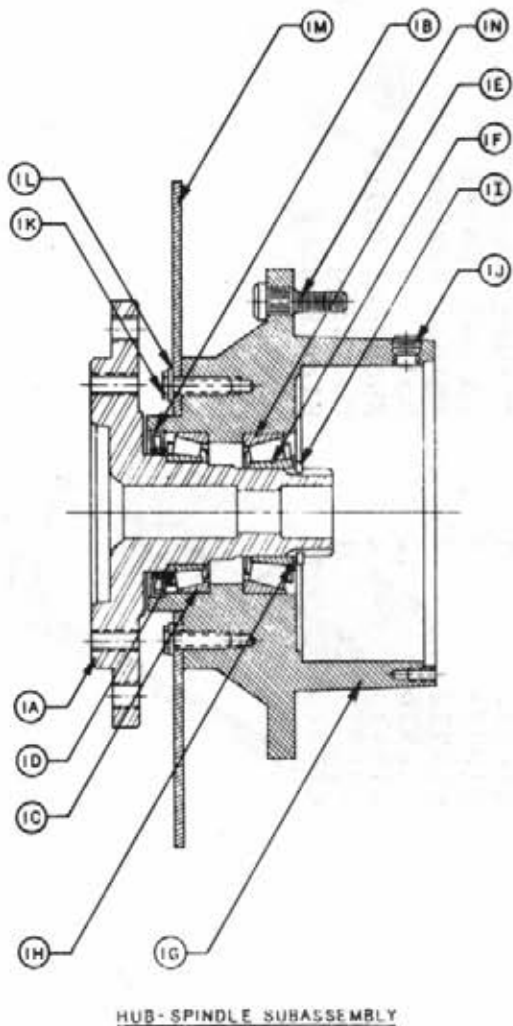


THIS DRAWING AND DESIGN IS THE PROPERTY OF / AND ALL PROPRIETARY RIGHTS ARE RESERVED TO / FAIRFIELD MFG. CO., INC. THE RECIPIENT AGREES NOT TO DISCLOSE TO ANY PERSON OR ORGANIZATION ANY INFORMATION REGARDING THE DESIGN OR MANUFACTURE OF THE ARTICLE REPRESENTED HEREON, OR USE SAME IN ANY WAY DETRIMENTAL TO THE INTEREST OF FAIRFIELD MFG. CO., INC.

DRAFTSMAN Beck		DATE 10-8-73	FAIRFIELD MFG. CO., INC. LAFAYETTE, IND. 47505	
CHECKER			TITLE SERVICE LITERATURE	
PROJECT ENG.			SCALE:	DRAWING NO.
RELEASED				WIA & WIB

WHEEL DRIVE ASSEMBLY - 610291
 WIB140324

<u>ITEM</u>	<u>PART NO.</u>	<u>QTY.</u>	<u>DESCRIPTION</u>
1	610154	1	Hub-Spindle Sub-Assembly
	610038	1	Spindle
	610904	1	Seal
	610905	1	Bearing Cup
	610906	1	Bearing Cone
	610907	1	Bearing Cup
	610908	1	Bearing Cone
	610047	1	Hub
	610909	1	Spacer
	610910	1	Retainer Ring
	610147	2	Pipe Plug
	160911	9	Stud
	610148	1	Internal Gear
2	610933	1	Carrier Assembly
3	610937	1	Ring Gear
4	610903	1	O-Ring
5	610155	2	Cover Assembly
6	610149	1	Cover
	610914	1	Cover Cap
	610150	4	Bolt
	610901	1	Disconnect Cap
	610915	1	Disconnect Rod
	610916	1	O-Ring
	610917	1	O-Ring
	610151	1	Pipe Nipple
	610152	1	ID Plate
7	610048	1	Input Shaft Assembly
	610046	1	Input Shaft
	7A	1	Retaining Ring
	7B	1	Spring
	7C	1	Spacer
	7D	2	Spacer
8	610919	1	Input Gear
9	610920	1	Thrust Spacer
10	610921	1	Thrust Spacer
11	610922	1	Thrust Washer
12	610930	2	Bolt
13	610923	12	Shoulder Bolt
14	610037	4	Coupling
16	610049	1	Flat Washer
		15	



THIS DRAWING AND DESIGN IS THE PROPERTY OF / AND ALL PROPRIETARY RIGHTS ARE RESERVED TO / FAIRFIELD MFG. CO., INC. THE RECIPIENT AGREES NOT TO DISCLOSE TO ANY PERSON OR ORGANIZATION ANY INFORMATION REGARDING THE DESIGN OR MANUFACTURE OF THE ARTICLE REPRESENTED HEREON, OR USE SAME IN ANY WAY DETRIMENTAL TO THE INTEREST OF FAIRFIELD MFG. CO., INC.

DRAFTSMAN Beck		DATE 10-8-73	FAIRFIELD MFG. Co., INC. LAFAYETTE, IND. 47505
CHECKER			
PROJECT ENG.			TITLE SERVICE LITERATURE
RELEASED			SCALE: DRAWING NO. WIA & WIB

WHEEL DRIVE ASSEMBLY - 437617

W1A440118

<u>ITEM</u>	<u>PART NO.</u>	<u>QTY.</u>	<u>DESCRIPTION</u>
1		1	Hub-Spindle Sub-Assembly
	1A	1	Spindle
	1B	1	Seal
	1C	1	Bearing Cup
	1D	1	Bearing Cone
	1E	1	Bearing Cup
	1F	1	Bearing Cone
	1G	1	Hub
	1H	1	Spacer
	1I	1	Retaining Ring
	1J	2	pipe plug
	1N	9	stud
2		1	Internal Gear
3		1	Carrier Assembly
4		1	Ring Gear
5		2	O-Ring
6		1	Cover Assembly
	6A	1	Cover
	6B	1	Cover Cap
	6C	4	Bolt
	6D	1	Disconnect Cap
	6E	1	Disconnect Rod
	6F	1	O-Ring
	6G	1	O-Ring
	6H	1	Pipe Plug
	6J	1	ID Plate
7		1	Input Shaft Assembly
	7A	1	Input Shaft
	7B	2	Retaining Ring
	7C	1	Spring
	7D	2	Spacer
8		1	Input Gear
9		1	Thrust Spacer
10		1	Thrust Spacer
11		2	Thrust Washer
12		12	Bolt
13		4	Shoulder Bolt
14		1	Coupling
16		16	Flat Washer
17		1	Retaining Ring

NOTICE

The following three pages contain decals for the 1988 8250.

These decals can be obtained from Hagie Mfg. Co. and should be used whenever your machine is repainted or when the decals become worn, weathered or faded.

Special attention should be paid to decals involving personal safety. They have been attached for your protection.

KEEP THEM IN PLACE.

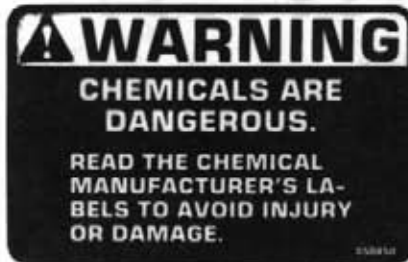
Contact: Hagie Manufacturing Co.
Box 273, Clarion, Iowa 50525

8250 DECAL

QTY	P/N	DESCRIPTION	LOCATION
1	650814	PARK BRAKE DECAL	NEAR PARKING BRAKE LEVER
2	650847	NO PASSENGER DECAL	(1) - LEFT REAR LEG (1) - LEFT INSIDE DOOR CHANNEL
1	650848	SLIP OR FALL DECAL	ON LEFT REAR LEG
1	650849	ENGINE FUEL DECAL	NEAR FUEL FILLER NECK
2	650850	CHEMICAL DECAL	ON SOLUTION TANK LIDS
2	650851	SHIELDS DECAL	ON SIDE OF TOP ENGINE COVER
1	650852	READ MANUAL DECAL	ON FRONT CAB MOUNTING ANGLE
1	650853	STEERING CONSOLE DECAL	ON STEERING COLUMN COVER
2	650777	250 GAL. SIGHT GAUGE	(1) - ON EACH SIGHT GAUGE MOUNT NEAR AIR CLEANER TUBE
1	650858	DO NOT USE ETHER DECAL	ON AIR CONDITIONER CONSOLE
1	650861	VENT SLIDE DECAL	ON SIDES OF TOP ENGINE COVER
2	650865	HAGIE DECAL	ON SIDES OF TOP ENGINE COVER
2	650305	8250 DECAL	ON SIDES OF TOP ENGINE COVER
1	650868	BOOM FOLD DECAL	ON CONSOLE SHEET METAL
1	650869	BOOM LEVEL & LIFT DECAL	ON CONSOLE SHEET METAL
1	650881	CHOKE DECAL	ON CONSOLE SHEET METAL
1	650882	WIPER DECAL	ON CONSOLE SHEET METAL
1	650935	SPEEDOMETER	ON SPEEDOMETER GAUGE
1	650939	SPEED & TACH DECAL	ON CONSOLE SHEET METAL
1	650953	GASOLINE DECAL	NEAR FUEL FILLER NECK
1	650954	DIESEL DECAL	NEAR FUEL FILLER NECK
1	650957	OIL DECAL	ON CONSOLE SHEET METAL
1	650958	GEN DECAL	ON CONSOLE SHEET METAL
1	650967	THROTTLE DECAL	ON CONSOLE SHEET METAL
1	650968	HYDROSTATIC DECAL	ON CONSOLE SHEET METAL
1	650969	SPRAY PRESSURE DECAL	ON CONSOLE SHEET METAL
1	650970	AGITATOR DECAL	ON CONSOLE SHEET METAL
1	650973	BOOM SPRAY DECAL	ON CONSOLE SHEET METAL
1	650981	COOLING SYSTEM DECAL	NEAR RADIATOR CAP
1	650982	ELECTRICAL DECAL	LEFT HAND SIDE OF OIL TANK
4	650985	WHEEL BOLT TORQUE DECAL	ON EACH WHEEL RIM
1	650893	DIESEL START DECAL	CAB MOUNTING ANGLE

82550

650305 - 8250 DECAL



650850 - CHEMICAL DECAL



650848 - SLIP OR FALL DECAL



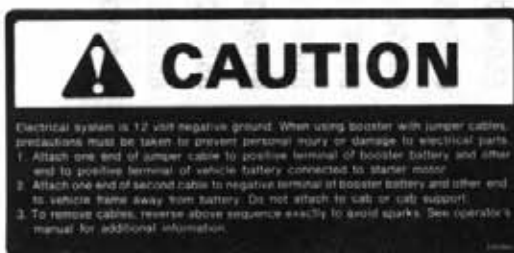
650814 - PARK BRAKE DECAL



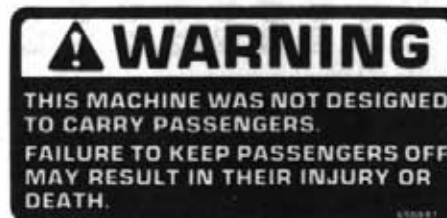
650981 - COOLING SYSTEM DECAL



650851 - SHIELDS DECAL



650982 - ELECTRICAL SYSTEM DECAL



650847 - NO PASSENGER DECAL



650853 - STEERING CONSOLE DECAL

CAUTION

READ OPERATOR'S MANUAL. BE ALERT. LEARN TO OPERATE THIS MACHINE SAFELY. OBSERVE ALL SAFETY PRACTICES. MACHINES CAN BE HAZARDOUS IN THE HANDS OF AN UNFAMILIAR, UNTRAINED, OR COMPLACENT OPERATOR. SHUT OFF ENGINE BEFORE SERVICING. WHEN MECHANISM BECOMES CLOGGED SHUT OFF ENGINE BEFORE CLEANING. DON'T RISK INJURY OR DEATH.

650852 - READ MANUAL DECAL

GASOLINE

650953 - GASOLINE DECAL

DIESEL STARTING INSTRUCTIONS

TURN SWITCH TO POSITION (R/RUN).
RELEASE STOP CONTROL.
OPEN THROTTLE FULLY.

WARM WEATHER OR ENGINE WARM
TURN SWITCH TO HS (HEAT & START).

COLD WEATHER

TURN SWITCH TO H (HEAT) FOR 15-20 SECONDS. TURN SWITCH TO HS.
IF ENGINE DOESN'T START IN 20 SEC. RETURN TO H FOR 10 SEC. REPEAT HS. ENGINE OIL MUST CONFORM TO MIL-L-2104B 10W30 SEE MANUAL.

650983 - DIESEL START DECAL

CAUTION

DO NOT USE ETHER AS A STARTING FLUID WITH THIS ENGINE. IT IS EQUIPPED WITH A GLOW PLUG IGNITER. USE OF ETHER MAY RESULT IN INJURY OR DEATH. SEE OPERATOR'S MANUAL FOR STARTING INSTRUCTIONS.

650858

650858 - DO NOT USE ETHER DECAL

Keep wheel bolts tight.
See owner's manual for torque specifications.

650985 - WHEEL BOLT TORQUE DECAL

L FOLD R

650868 - BOOM FOLD DECAL

CHOKE



650881 - CHOKE DECAL

HIGH SPRAY PRESSURE OFF

650969 - SPRAY PRESSURE DECAL

FAST AGITATOR STOP

650970 - AGITATOR DECAL

OIL

650957 - OIL DECAL

WIPER



650882 - WIPER DECAL

GEN.

650958 - GEN DECAL

CAUTION

ENGINE FUEL CAN BE DANGEROUS

- TURN OFF ENGINE BEFORE REFUELING.
- DO NOT SMOKE WHILE REFUELING.
- CLEAN OFF ANY SPILLED FUEL AFTER REFUELING.

CARELESSNESS WITH FUEL CAN KILL

650849

650849 - ENGINE FUEL DECAL



650935 - SPEEDOMETER DECAL

DIESEL

650954 - DIESEL DECAL

L. LEVEL - LIFT - R. LEVEL

650869 - BOOM LEVEL AND LIFT DECAL

LEFT	CENTER	RIGHT
SPRAY	BOOM	CONTROL
	MAIN	ON
		OFF

650973 - BOOM SPRAY DECAL

TO OPEN OUTSIDE AIR VENT
PUSH VENT KNOB IN.
TO CLOSE OUTSIDE VENT
PULL KNOB OUT.

650861

650861 - VENT SLIDE DECAL

M.P.H.
OFF
R.P.M.

650939 - SPEED AND TACH DECAL

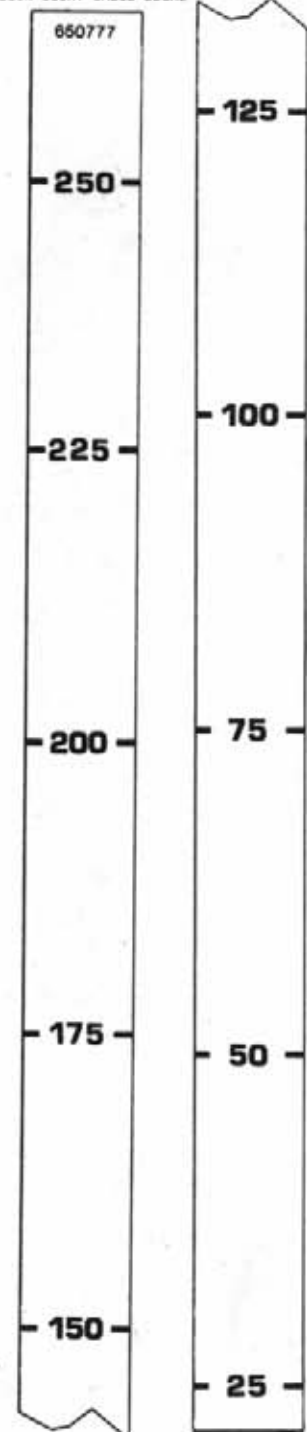
FAST
THROTTLE
SLOW

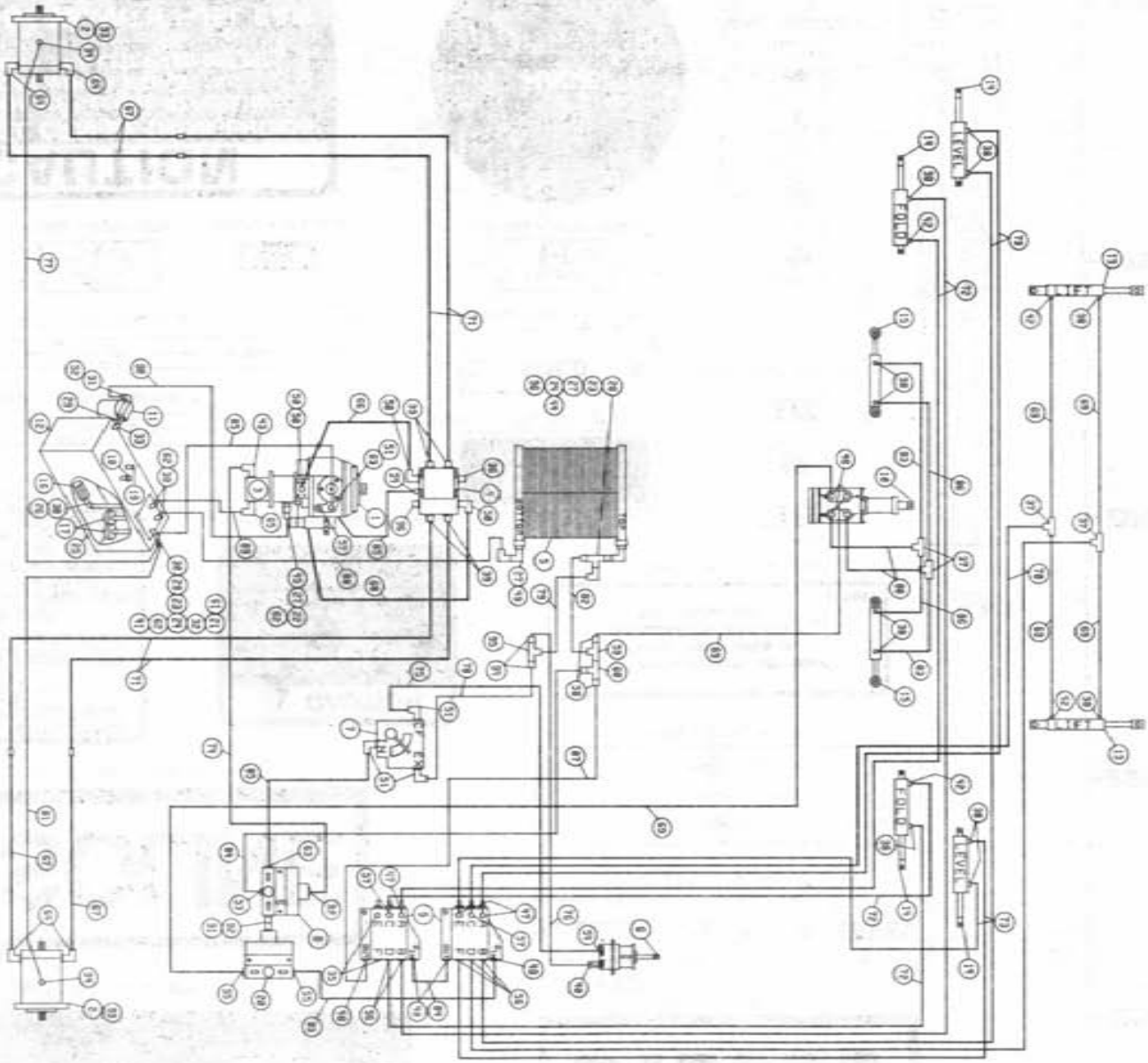
650967 - THROTTLE DECAL



650968 - HYDROSTATIC DECAL

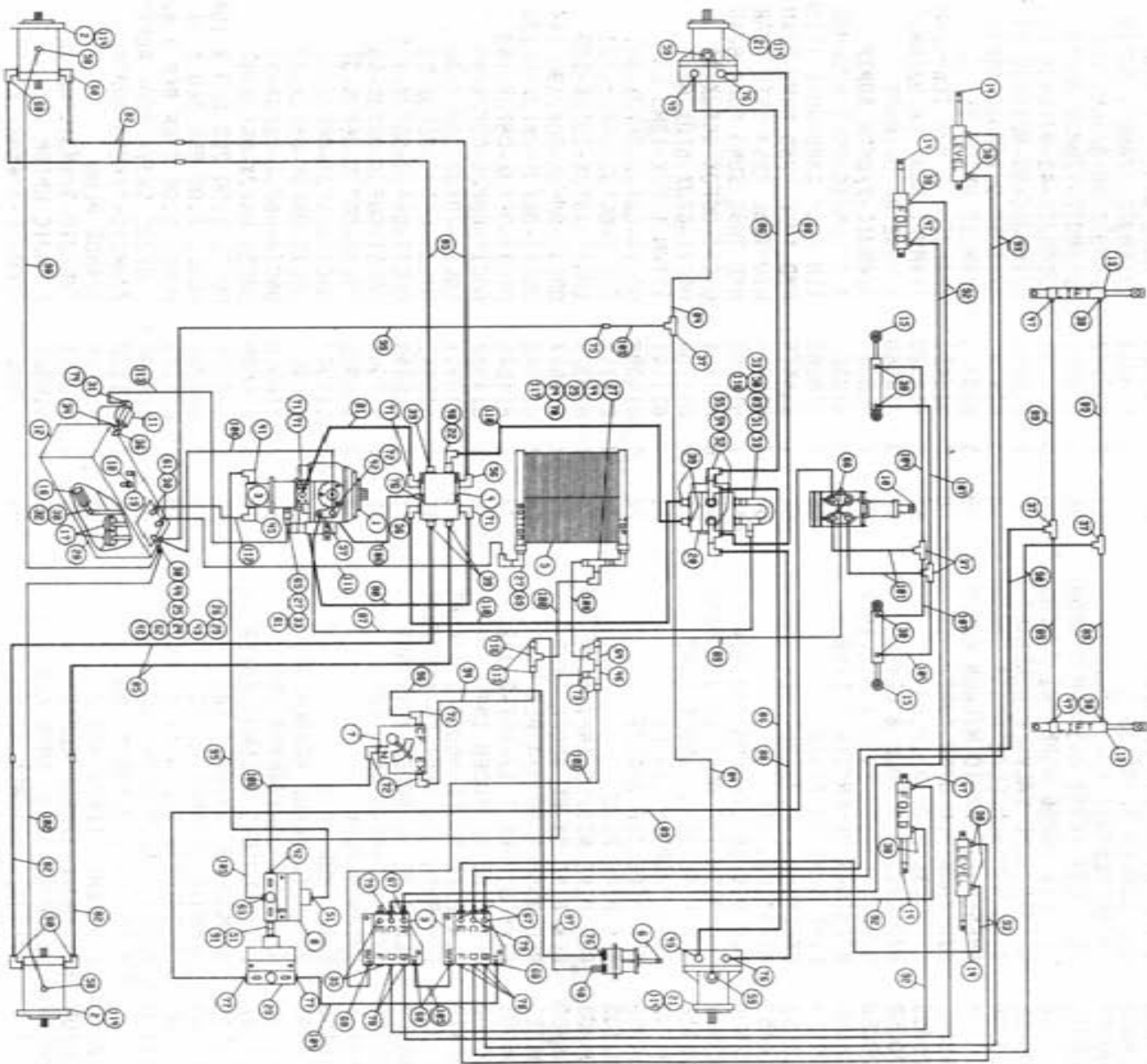
650777 - 250 GALLON SIGHT GAUGE DECAL





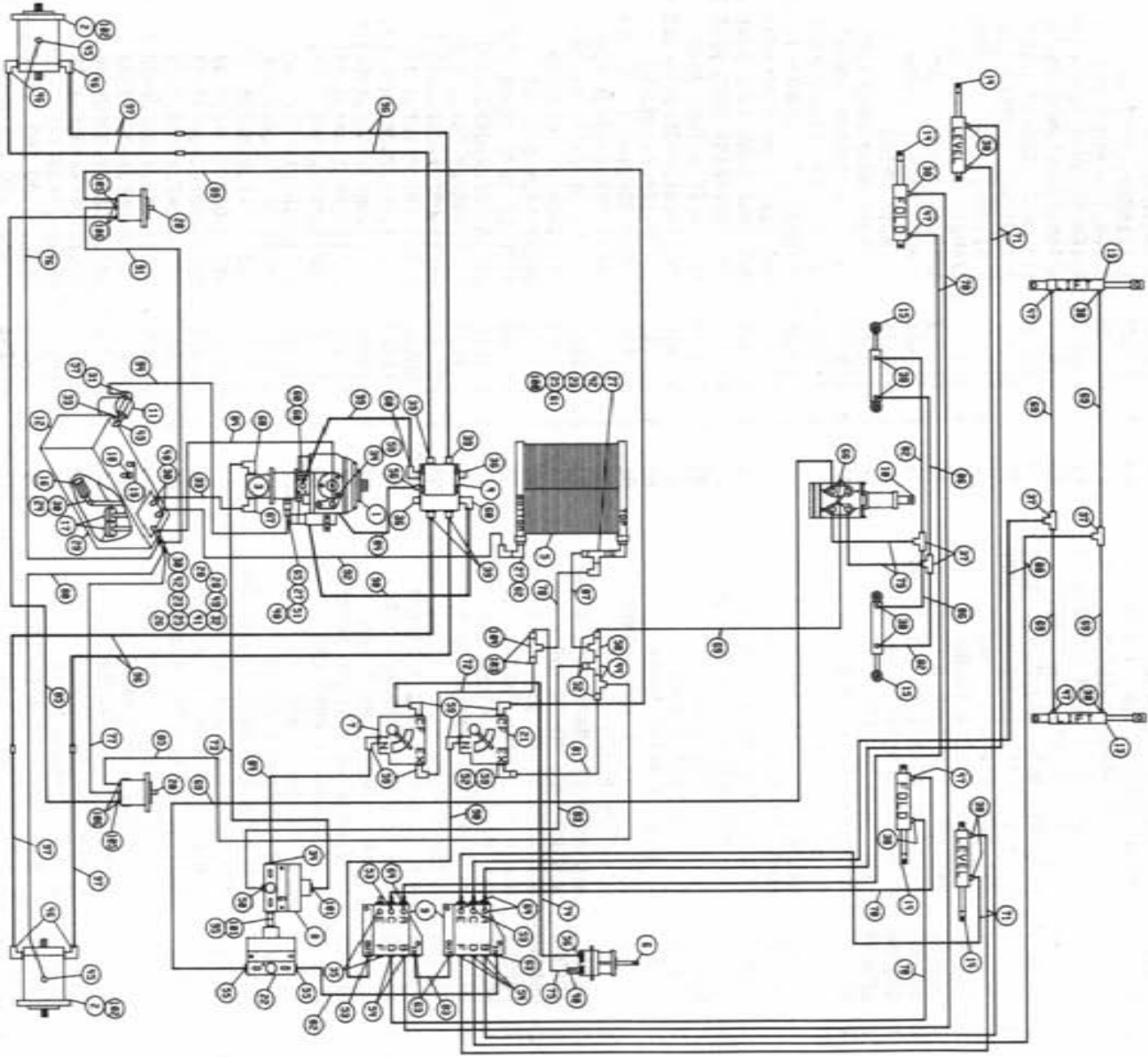
8250 TMD POLY TANK HYD SCHEMATIC 1988
 REFERENCE DRAWING NO. 498271

DET.	QTY	PART NO.	DESCRIPTION	DET.	QTY	PART NO.	DESCRIPTION
1	1	606866	SUND 23 SER PUMP A-MT 1.06CHG	49	1	618138	1IN HOSE BARB-90-1MNPT
2	2	610030	SUND WHL MTR EXTEN SHAFT 18	50	4	618178	1 5/16MJIC-90-1 5/16MOR LBO
3	1	610514	CESSNA PUMP 1.77CI SPLINED	51	4	618183	3/4MJIC-90-7/8MOR LBO
4	1	615003	LARGE HYDRAULIC MANIFOLD	52	1	715664	1 HOSE BARB-1 1/4MNPT
5	1	618088	OIL COOLER BLISSFIELD	53	1	618011	9/16MJIC-3/8MNPT ADPTR
6	1	690341	HYPRO CENTRIF PUMP 10GPM	54	2	618241	3/4MJIC-90-3/4MOR LBO
7	1	606818	FLO CONT FCR51 0-16GPM 7/8FOR	55	2	618310	9/16MJIC-7/8MOR ADPTR
8	1	607518	FLO DIV BGR56 6GPM PRI 7/8FOR	56	5	618425	9/16MJIC-45-9/16MOR LBO
9	2	606585	CESSNA 3SPL VALVE W/O RELIEF	57	2	618440	9/16MJIC-90-9/16MOR EX LG LBO
10	1	749150	STRG MTR NON-LOAD REACT 1008	58	3	618482	3/4FJIC-9/16MJIC ADPTR
11	1	605601	GRESEN FILTER 10 MICRON 40GPM	59	1	618311	3/4MJIC UNION TEE
12	1	760097	OIL TANK WLD 8240 1982	60	1	618451	3/4FJIC SW RUN TEE-3/4MJIC
13	2	620499	LIFT CYL 2.00 X 10.00	61	1	618520	1/4MNPT RUN TEE-9/16MJIC
14	4	620052	HYD CYL, 2IN FOLD & LEVEL	62	3	714560	1 HOSE BARB-1MNPT
15	2	620080	STRG CYL ASSY 1.50 X 6.0 1985	63	2	618327	3/4MJIC-7/8MOR ADPTR
16	1	605600	MICHIGAN RESERVOIR FILTER	64	4	618302	1 1/16MJIC-90-1 5/16MOR LBO
17	2	605603	LINE SUMP DIFFUSER	65	1	618563	1IN HOSE BARB-90-1 1/16MOR
18	1	611051	PRESSURE CAP 3/4NPT 5LB	66	1	615569	HYD TUBE SUND PUMP 8240 LH
19	1	614453	DIPSTICK, 8IN	67	4	615571	HYD TUBE ASSY 8240 REAR LEGS
20	1	607504	FLO DIV B50 2-8GPM 7/8 FOR	68	1	615568	HYD TUBE SUND PUMP 8240 RH
21	1	503000	RED BUSH 1/2 MNPT TO 1/4 FNPT	69	6	611204	04C1T-06FJX-06FJX-78
22	1	505110	BLK PIPE ST EL 45DEG INPT	70	2	611206	04C1T-6FJX-6FJX-66
23	2	504702	CLOSE NIPPLE 3/4NPT	71	4	611141	12TWM-12FJX-12MJ-53
24	2	504955	BLK PIPE TEE 3/4NPT	72	4	614098	04C1A-06FJX-06FJX-201
25	1	501102	1/4 PIPE PLUG	73	4	614154	04C1T-06FJX-06FJX-221
26	1	505203	BLK PIPE NIPPLE 1NPT-4 IN	74	1	610325	10C1T-10FJX-10FJX-105
27	3	505200	BLK PIPE ST EL 90DEG INPT	75	1	614547	08C1T-08FJX-08FJX90-144
28	2	505612	RED BUSH 1 TO 3/4 BLK MAL	76	1	614548	08C1T-08FJX-08FJX90-120
29	1	506203	PIPE NIPPLE 1 1/4NPT-2 1/2	77	1	614549	06C1T-06FJX-06FJX-140
30	4	505300	BLK PIPE EL 90DEG INPT	78	1	614382	08C1T-08FJX-08FJX-40
31	1	506410	BLK PIPE ST EL 90DEG 1 1/4NPT	79	1	614511	10C1T-10FJX-10FJX-60
32	1	504210	RED BUSH 3/4 MNPT TO 1/2 FNPT	80	2	615442	04C1T-06FJX-06FJX-55
33	1	506303	BLK PIPE EL 90DEG 1 1/4NPT	81	1	615449	06C1T-06FJX-06FJX-126
34	2	618496	9/16MJIC-45-3/4MOR LBO	82	1	614368	08C1T-08FJX-08FJX-60
35	2	610185	9/16MOR PLUG	83	3	616026	04C1A-06FJX-06FJX-37
36	2	610186	1 1/16MOR PLUG	84	2	616042	04C1A-06FJX-06FJX-13
37	4	610193	9/16MJIC BLKHD BRANCH TEE	85	3	615465	08C1T-08FJX-08FJX-33
38	12	611122	9/16MJIC-90-1/4MNPT LBO	86	2	616056	04C1A-06FJX-06FJX-32
39	4	611127	1 1/16MJIC-1 1/16MOR ADPTR	87	1	616028	04C1A-06FJX-06FJX-47
40	1	611145	3/4MJIC-90-1/2MNPT LBO	88	1	601255	HOSE, 1.00 2BR RED X 104 LG
41	1	610300	3/4MJIC-3/4MNPT ADPTR	89	1	601256	HOSE, 1.00 2BR RED X 31 LG
42	4	614365	RESTRICTOR ELBOW ASSY .042DIA	90	1	601193	HOSE, 1.00 2 BR RED X 42 LG
43	1	611128	7/8MJIC-90-7/8MOR LBO	91	1	618594	7/8FJIC SWIV-78MOR ADPTR
44	1	610305	3/4MJIC-90-3/4MNPT LBO	92	2	611126	7/8MJIC-7/8MOR ADPTR
45	1	618090	1 5/16MOR-1FNPT ADPTR	93	2	611159	3/4MOR PLUG
46	4	618109	9/16MJIC-3/4MOR ADPTR	94	2	618523	7/8FJIC-3/4MJIC ADPTR
47	3	618119	9/16MJIC-90-9/16MOR LBO	95	1	618581	7/8MJIC UNION TEE
48	4	618126	9/16MJIC-9/16MOR ADPTR	96	1	618059	7/8MJIC-3/4MNPT ADPTR



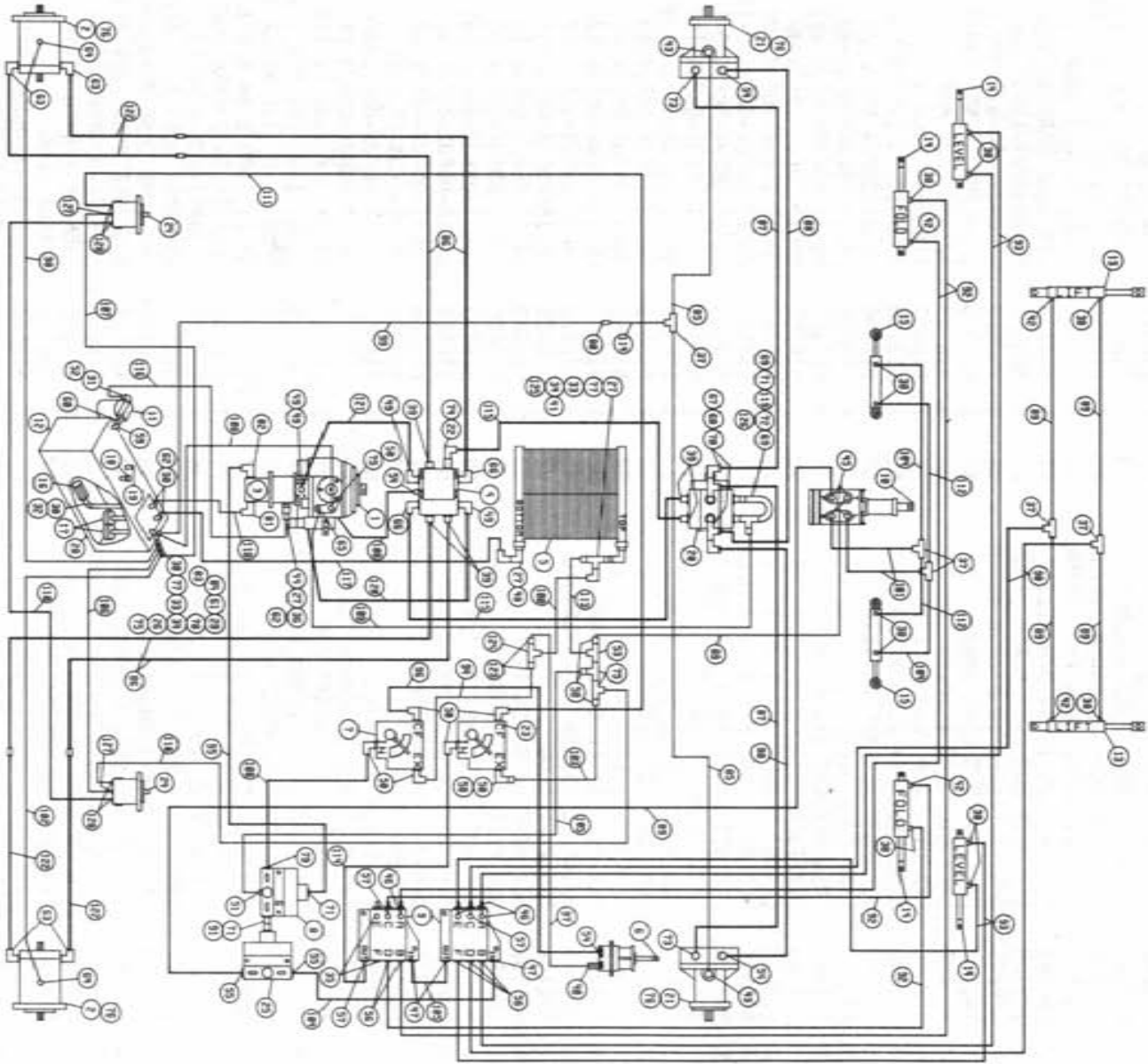
8250 FMD POLY TANK HYD SCHEMATIC 1988
REFERENCE DRAWING NO. 498272

DET.	QTY	PART NO.	DESCRIPTION	DET.	QTY	PART NO.	DESCRIPTION
1	1	606866	SUND 23 SER PUMP A-MT 1.06CHG	60	4	618302	1 1/16MJC-90-1 5/16MOR LBO
2	2	610030	SUND WHL MTR EXTEN SHAFT 18	61	3	714560	1 HOSE BARB-1MNP
3	1	610514	CESSNA PUMP 1.77CI SPLINED	62	1	618520	1/4MNP RUN TEE-9/16MJC
4	1	615003	LARGE HYDRAULIC MANIFOLD	63	1	618011	9/16MJC-3/8MNP ADPTR
5	1	618088	OIL COOLER BLISSFIELD	64	1	618311	3/4MJC UNION TEE
6	1	690341	HYPRO CENTRIF PUMP 10GPM	65	1	618090	1 5/16MOR-1FNPT ADPTR
7	1	606818	FLO CONT FCR51 0-16GPM 7/8FOR	66	4	618109	9/16MJC-3/4MOR ADPTR
8	1	607518	FLO DIV BGR56 6GPM PRI 7/8FOR	67	3	618119	9/16MJC-90-9/16MOR LBO
9	2	606585	CESSNA 3SPL VALVE W/O RELIEF	68	4	618126	9/16MJC-9/16MOR ADPTR
10	1	749150	STRG MTR NON-LOAD REACT 1008	69	1	618138	1IN HOSE BARB-90-1MNP
11	1	605601	GRESEN FILTER 10 MICRON 40GPM	70	1	610305	3/4MJC-90-3/4MNP LBO
12	1	760097	OIL TANK WLD 8240 1982	71	4	618178	1 5/16MJC-90-1 5/16MOR LBO
13	2	620499	LIFT CYL 2.00 X 10.00	72	4	618183	3/4MJC-90-7/8MOR LBO
14	4	620052	HYD CYL, ZIN FOLD & LEVEL	73	3	618482	3/4FJIC-9/16MJC ADPTR
15	2	620080	STRG CYL ASSY 1.50 X 6.0 1985	74	1	715664	1 HOSE BARB-1 1/4MNP
16	1	605600	MICHIGAN RESERVOIR FILTER	75	1	618314	3/4MJC UNION
17	2	605603	LINE SUMP DIFUSER	76	4	618241	3/4MJC-90-3/4MOR LBO
18	1	611051	PRESSURE CAP 3/4NPT 5LB	77	2	618310	9/16MJC-7/8MOR ADPTR
19	1	614453	DIPSTICK, 8IN	78	5	618425	9/16MJC-45-9/16MOR LBO
20	1	606003	GRESEN SELECTOR VALVE DS-12	79	2	618440	9/16MJC-90-9/16MOR EX LG LBO
21	2	610029	SUND WHL MTR 15 SERIES	80	1	615568	HYD TUBE SUND PUMP 8240 RH
22	1	610028	FLO CONTROL 16 GPM INLINE CES	81	1	615569	HYD TUBE SUND PUMP 8240 LH
23	1	607504	FLO DIV B50 2-6GPM 7/8 FOR	82	4	615571	HYD TUBE ASSY 8240 REAR LEGS
24	2	504955	BLK PIPE TEE 3/4NPT	83	1	614198	FMD VALVE U-TUBE ASSY
25	2	504702	CLOSE NIPPLE 3/4NPT	84	2	615450	06CIT-06FJX-06FJX45-112
26	1	610300	3/4MJC-3/4MNP ADPTR	85	4	611141	12TWM-12FJX-12MJ-53
27	3	505200	BLK PIPE ST EL 90DEG INPT	86	2	615426	08TWM-08FJX90-10FJX-114
28	1	501102	1/4 PIPE PLUG	87	1	614076	04CIT-06FJX-06FJX-119
29	1	503000	RED BUSH 1/2 MNPT TO 1/4 FNPT	88	2	615427	08TWM-08FJX-10FJX-107
30	4	505300	BLK PIPE EL 90DEG INPT	89	6	611204	04CIT-06FJX-06FJX-78
31	1	506410	BLK PIPE ST EL 90DEG 1 1/4NPT	90	2	611206	04CIT-06FJX-6FJX-66
32	1	505203	BLK PIPE NIPPLE INPT-4 IN	91	1	618594	7/8FJIC SMIV-78MOR ADPTR
33	1	505110	BLK PIPE ST EL 45DEG INPT	92	4	614098	04C1A-06FJX-06FJX-201
34	1	506602	PIPE NIPPLE 1 1/4NPT-2 1/2	93	4	614154	04CIT-06FJX-06FJX-221
35	2	610185	9/16MOR PLUG	94	1	614382	08CIT-08FJX-08FJX-40
36	1	506303	BLK PIPE EL 90DEG 1 1/4NPT	95	1	610325	10CIT-10FJX-10FJX-105
37	5	610193	9/16MJC BLKHD BRANCH TEE	96	1	614547	08CIT-08FJX-08FJX90-144
38	12	611122	9/16MJC-90-1/4MNP LBO	97	1	614548	08CIT-08FJX-08FJX90-120
39	5	611127	1 1/16MJC-1 1/16MOR ADPTR	98	1	614549	06CIT-06FJX-06FJX-140
40	1	611145	3/4MJC-90-1/2MNP LBO	99	1	614425	08CIT-08FJX-08FJX-132
41	1	611128	7/8MJC-90-7/8MOR LBO	100	1	615511	10CIT-10FJX-10FJX-60
42	2	618327	3/4MJC-7/8MOR ADPTR	101	2	615442	04CIT-06FJX-06FJX-55
43	1	504210	RED BUSH 3/4 MNPT TO 1/2 FNPT	102	1	615449	06CIT-06FJX-06FJX-126
44	2	505213	RED BUSH 1 TO 3/4 BLK MAL	103	1	616028	04C1A-06FJX-06FJX-47
45	1	618563	1IN HOSE BARB-90-1 1/16MOR	104	3	616026	04C1A-06FJX-06FJX-37
46	2	618451	3/4FJIC SW RUN TEE-3/4MJC	105	2	616042	04C1A-06FJX-06FJX-13
47	4	614365	RESTRICTOR ELBOW ASSY .042DIA	106	3	615465	08CIT-08FJX-08FJX-33
48	1	618279	1 1/16MJC-90-7/8MOR LBO	107	2	616056	04C1A-06FJX-06FJX-32
49	2	611125	3/4MJC-3/4MOR ADPTR	108	1	615473	08CIT-08FJX-08FJX-60
50	1	618130	7/8MOR RUN TEE-7/8MJC	109	1	614368	06CIT-06FJX-08FJX-18
51	3	611126	7/8MJC-7/8MOR ADPTR	110	2	615589	08TWM-12FJX-12FJX-126
52	2	618535	7/8MJC-90-1 1/16MOR LBO	111	1	601255	HOSE, 1.00 2BR RED X 104 LG
53	2	618132	1 1/16MOR-7/8FOR ADPTR	112	1	601256	HOSE, 1.00 2BR RED X 31 LG
54	2	618333	7/8FJIC SW RUN TEE-7/8MJC	113	1	601193	HOSE, 1.00 2 BR RED X 42 LG
55	2	618301	7/8MJC-90-7/8FJIC SMIV LBO	114	4	611159	3/4MOR PLUG
56	2	618248	1 1/16MJC-90-1 1/16MOR LBO	115	2	618523	7/8FJIC-3/4MJC ADPTR
57	1	618114	9/16MJC-90-7/16MOR LBO	116	1	618581	7/8MJC UNION TEE
58	2	618496	9/16MJC-45-3/4MOR LBO	117	1	618059	7/8MJC-3/4MNP ADPTR
59	2	618115	9/16MJC-90-3/4MOR LBO	118	1	618557	7/8FJIC-9/16MJC ADPTR



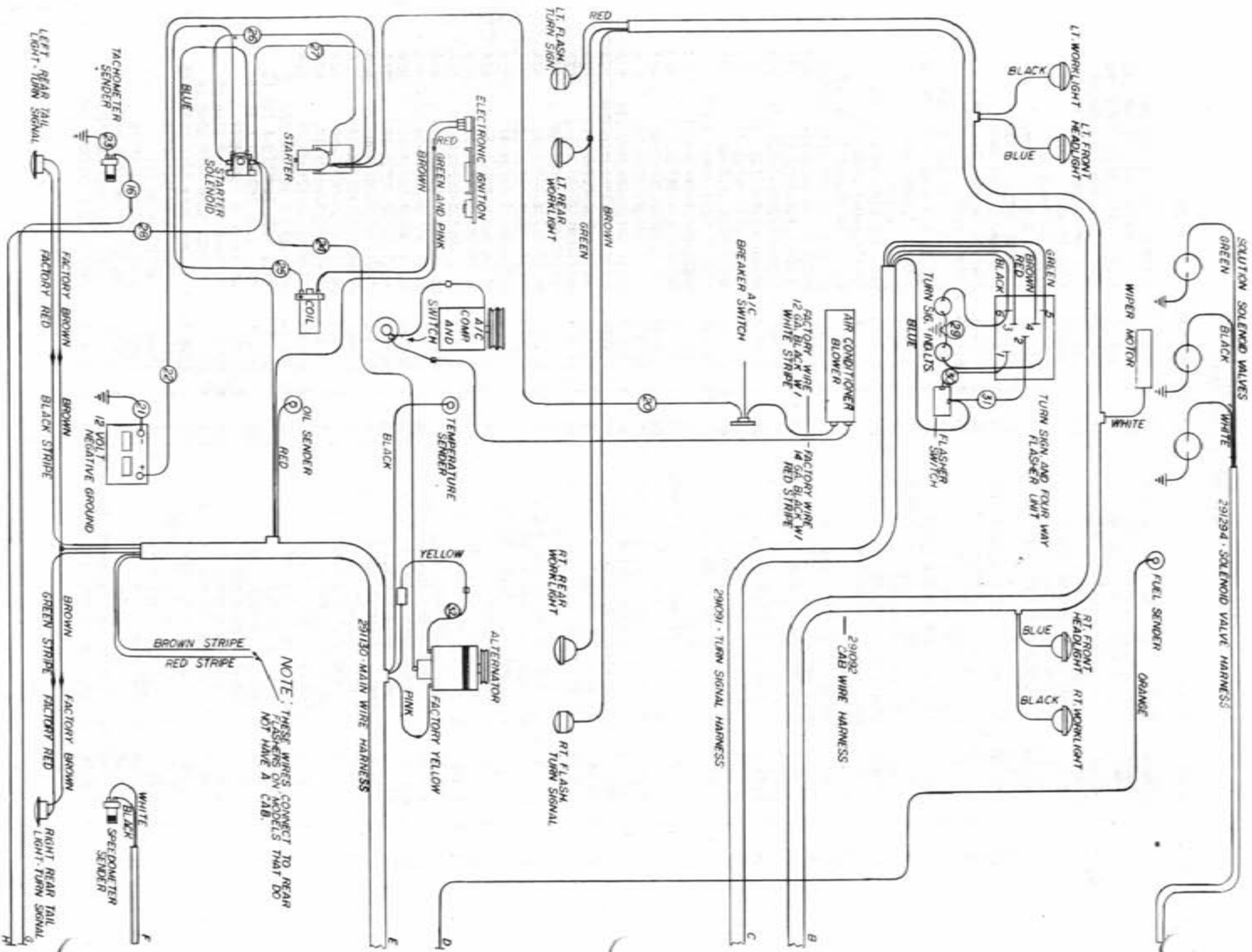
8250 TWD SS 250 GAL W/AGIT HYD SCHEM 88
REFERENCE DRAWING NO. 498263

DET.	QTY	PART NO.	DESCRIPTION	DET.	QTY	PART NO.	DESCRIPTION
1	1	606866	SUND 23 SER PUMP A-MT 1.06CHG	54	5	618425	9/16MJIC-45-9/16MOR LBO
2	2	610030	SUND WHL MTR EXTEN SHAFT 18	55	2	618310	9/16MJIC-7/8MOR ADPTR
3	1	610514	CESSNA PUMP 1.77CI SPLINED	56	6	618241	3/4MJIC-90-3/4MOR LBO
4	1	615003	LARGE HYDRAULIC MANIFOLD	57	1	715664	1 HOSE BARB-1 1/4MNP
5	1	618088	OIL COOLER BLISSFIELD	58	1	618311	3/4MJIC UNION TEE
6	1	690341	HYPRO CENTRIF PUMP 10GPM	59	7	618183	3/4MJIC-90-7/8MOR LBO
7	1	606818	FLO CONT FCR51 0-16GPM 7/8FOR	60	4	618178	1 5/16MJIC-90-1 5/16MOR LBO
8	1	607518	FLO DIV BGR56 6GPM PRI 7/8FOR	61	1	610305	3/4MJIC-90-3/4MNP LBO
9	2	606585	CESSNA 3SPL VALVE W/O RELIEF	62	1	618138	1IN HOSE BARB-90-1MNP
10	1	749150	STRG MTR NON-LOAD REACT 1008	63	3	618126	9/16MJIC-9/16MOR ADPTR
11	1	605601	GRESEN FILTER 10 MICRON 40GPM	64	3	618119	9/16MJIC-90-9/16MOR LBO
12	1	760097	OIL TANK WLD 8240 1982	65	1	618090	1 5/16MOR-1FNPT ADPTR
13	2	620499	LIFT CYL 2.00 X 10.00	66	4	618109	9/16MJIC-3/4MOR ADPTR
14	4	620052	HYD CYL, 2IN FOLD & LEVEL	67	1	618563	1IN HOSE BARB-90-1 1/16MOR
15	2	620080	STRG CYL ASSY 1.50 X 6.0 1985	68	1	611128	7/8MJIC-90-7/8MOR LBO
16	1	605600	MICHIGAN RESERVOIR FILTER	69	6	611204	04C1T-06FJX-06FJX-78
17	2	605603	LINE SUMP DIFFUSER	70	4	614098	04C1A-06FJX-06FJX-201
18	1	611051	PRESSURE CAP 3/4NPT 5LB	71	4	614154	04C1T-06FJX-06FJX-221
19	1	614453	DIPSTICK, 8IN	72	1	614382	08C1T-08FJX-08FJX-40
20	2	610510	CESSNA GEAR MOTOR 1.48CI	73	1	610325	10C1T-10FJX-10FJX-105
21	1	606827	FLO CONT FCS1 0-3 VARI 7/8FOR	74	1	614547	08C1T-08FJX-08FJX90-144
22	1	607504	FLO DIV B50 2-8GPM 7/8 FOR	75	1	614548	08C1T-08FJX-08FJX90-120
23	2	504702	CLOSE NIPPLE 3/4NPT	76	1	614549	06C1T-06FJX-06FJX-140
24	1	505203	BLK PIPE NIPPLE 1NPT-4 IN	77	1	615474	04C1T-06FJX-06FJX45-90
25	2	504955	BLK PIPE TEE 3/4NPT	78	1	615511	10C1T-10FJX-10FJX-60
26	1	610300	3/4MJIC-3/4MNP ADPTR	79	2	615442	04C1T-06FJX-06FJX-55
27	3	505200	BLK PIPE ST EL 90DEG 1NPT	80	1	615449	06C1T-06FJX-06FJX-126
28	2	618486	9/16FJIC SW RUN TEE-9/16MJIC	81	1	616028	04C1A-06FJX-06FJX-47
29	1	501102	1/4 PIPE PLUG	82	3	616026	04C1A-06FJX-06FJX-37
30	4	505300	BLK PIPE EL 90DEG 1NPT	83	2	616042	04C1A-06FJX-06FJX-13
31	1	506410	BLK PIPE ST EL 90DEG 1 1/4NPT	84	3	615465	08C1T-08FJX-08FJX-33
32	1	503000	RED BUSH 1/2 MNP TO 1/4 FNPT	85	2	615455	06C1T-08FJX-08FJX-185
33	1	506602	PIPE NIPPLE 1 1/4NPT-2 1/2	86	2	616056	04C1A-06FJX-06FJX-32
34	2	618327	3/4MJIC-7/8MOR ADPTR	87	1	614368	08C1T-08FJX-08FJX-60
35	2	610185	9/16MOR PLUG	88	2	611206	04C1T-6FJX-6FJX-66
36	2	610186	1 1/16MOR PLUG	89	1	615462	08C1T-08FJX-08FJX90-180
37	4	610193	9/16MJIC BLKHD BRANCH TEE	90	1	615473	06C1T-06FJX-08FJX-18
38	12	611122	9/16MJIC-90-1/4MNP LBO	91	1	614152	04C1A-06FJX-06FJX-114
39	4	611127	1 1/16MJIC-1 1/16MOR ADPTR	92	1	601255	HOSE, 1.00 2BR RED X 104 LG
40	1	611145	3/4MJIC-90-1/2MNP LBO	93	1	601256	HOSE, 1.00 2 BR RED X 31 LG
41	1	504210	RED BUSH 3/4 MNP TO 1/2 FNPT	94	1	601193	HOSE, 1.00 2 BR RED X 42 L3
42	2	505213	RED BUSH 1 TO 3/4 BLK MAL	95	1	618594	7/8FJIC SMIV-78MOR ADPTR
43	1	506303	BLK PIPE EL 90DEG 1 1/4NPT	96	4	611141	12TWM-12FJX-12MJ-53
44	2	618451	3/4FJIC SW RUN TEE-3/4MJIC	97	4	615571	HYD TUBE ASSY 8240 REAR LEGS
45	2	618496	9/16MJIC-45-3/4MOR LBO	98	1	615568	HYD TUBE SUND PUMP 8240 RH
46	4	618302	1 1/16MJIC-90-1 5/16MOR LBO	99	1	615569	HYD TUBE SUND PUMP 8240 LH
47	4	614365	RESTRICTOR ELBOW ASSY .042D1A	100	1	618059	7/8MJIC-3/4MNP ADPTR
48	3	714560	1 HOSE BARB-1MNP	101	2	611126	7/8MJIC-7/8MOR ADPTR
49	1	618520	1/4MNP RUN TEE-9/16MJIC	102	2	611159	3/4MOR PLUG
50	1	618011	9/16MJIC-3/8MNP ADPTR	103	2	618523	7/8FJIC-3/4MJIC ADPTR
51	1	505110	BLK PIPE ST EL 45DEG 1NPT	104	1	618581	7/8MJIC UNION TEE
52	4	618482	3/4FJIC-9/16MJIC ADPTR	105	2	611121	9/16MJIC-1/4MNP ADPTR
53	3	618440	9/16MJIC-90-9/16MOR EX LG LBO	106	4	618474	3/4MJIC-90-1 1/16MOR LBO

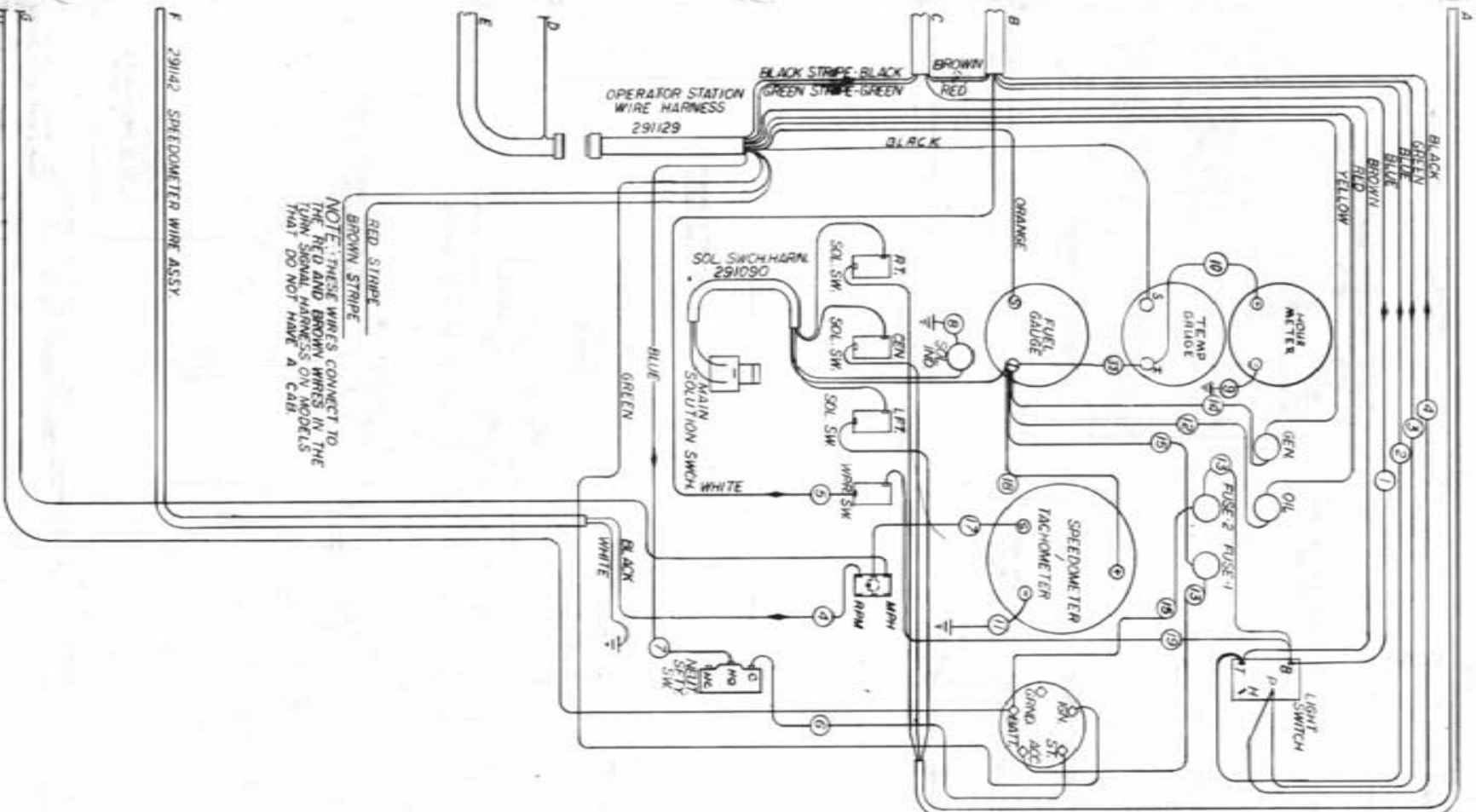


8250 FMD SS 250 GAL W/AGIT HYD SCHEM 88
REFERENCE DRAWING NO. 498264

DET.	QTY	PART NO.	DESCRIPTION	DET.	QTY	PART NO.	DESCRIPTION
1	1	606866	SUND 23 SER PUMP A-MT 1.06CHG	65	1	618114	9/16MJIC-90-7/16MOR LBO
2	1	610030	SUND WHL MTR EXTEN SHAFT 18	66	2	618248	1/16MJIC-90-1 1/16MOR LBO
3	1	610514	CESSNA PUMP 1.77CI SPLINED	67	2	618301	7/8MJIC-90-7/8FJIC SWIV LBO
4	1	615003	LARGE HYDRAULIC MANIFOLD	68	2	618333	7/8FJIC SW RUN TEE-7/8MJIC
5	1	618088	OIL COOLER BLISSFIELD	69	2	618132	1 1/16MOR-7/8FOR ADPTR
6	1	690341	HYPRO CENTRIF PUMP 10GPM	70	2	618535	7/8MJIC-90-1 1/16MOR LBO
7	1	606818	FLO CONT FCR51 0-16 VARI 7/80	71	3	611126	7/8MJIC-7/8MOR ADPTR
8	1	607518	FLO DIV 6R56 66PM PRI 7/8FOR	72	1	618130	7/8MOR RUN TEE-7/8MJIC
9	2	606585	CES 3SPL VALVE 1978	73	2	611125	3/4MJIC-3/4MOR ADPTR
10	1	605601	STRG MTR NON-LOAD REACT 1008	74	1	618279	1 1/16MJIC-90-7/8MOR LBO
11	1	749150	GRESENFILT 10MICRON 40GPM	75	3	618451	3/4FJIC SW RUN TEE-3/4MJIC
12	1	760097	OIL TANK WLD 8240 1982	76	4	611159	3/4MOR PLUG
13	2	620499	LIFT CYL 647 470 1978	77	2	505213	RED BUSH 1 TO 3/4 BLK MAL
14	4	620052	HYD CYL, 2IN FOLD & LEVEL	78	1	504210	RED BUSH 3/4 MNPT TO 1/2 FNPT
15	2	620080	STRG CYL ASSY 1.50 X 6.0 1985	79	2	618327	3/4MJIC-7/8MOR ADPTR
16	1	605600	MICHIGAN RESERVOIR FILT	80	1	618314	3/4MJIC UNION
17	2	605603	LINE SUMP DIFFUSER	81	1	618563	1IN HOSE BARB-90-1 1/16MOR
18	1	611051	PRESSURE CAP 3/4NPT SLB	82	1	611128	7/8MJIC-90-7/8MOR LBO
19	1	614453	DIPSTICK, 8IN	83	1	618514	9/16FJIC SW BRANCH TEE-9/16MJ
20	1	606003	GRESEN SELECTOR VALVE DS-12	84	1	618486	9/16FJIC SW RUN TEE-9/16MJIC
21	2	610029	SUND WHL MTR 15 SERIES	85	2	615450	06C1T-06FJX-06FJX45-112
22	1	610028	FLOW CONTROL 16 GPM 640FMD SU	86	4	611141	12TMM-12FJX-12MJ-53
23	1	606827	FLO CONT FCS1 0-3 VARI 7/8FOR	87	2	615426	08TMM-08FJX90-10FJX-114
24	2	610510	CESSNA GEAR MOTOR 1.48C1	88	2	615427	08TMM-08FJX-10FJX-107
25	1	607504	FLO DIV 850 2-8GPM 7/8 FOR	89	6	611204	04C1T-06FJX-06FJX-78
26	1	610300	3/4MJIC-3/4MNPT ADPTR	90	2	611206	04C1T-6FJX-6FJX-66
27	3	505200	BLK PIPE ST EL 90DEG INPT	91	1	618594	7/8FJIC SWIV-78MOR ADPTR
28	1	501102	1/4 PIPE PLUG	92	4	614098	04C1A-06FJX-06FJX-201
29	1	503000	RED BUSH 1/2 MNPT TO 1/4 FNPT	93	4	614154	04C1T-06FJX-06FJX-221
30	4	505300	BLK PIPE EL 90DEG INPT	94	1	614382	08C1T-08FJX-08FJX-40
31	1	506410	BLK PIPE ST EL 90DEG 1 1/4NPT	95	1	610325	10C1T-10FJX-10FJX-105
32	1	505203	BLK PIPE NIPPLE INPT-4 IN	96	1	614547	08C1T-08FJX-08FJX90-144
33	2	504702	CLOSE NIPPLE 3/4NPT	97	1	614548	08C1T-08FJX-08FJX90-120
34	2	504955	BLK PIPE TEE 3/4NPT	98	1	614549	06C1T-06FJX-06FJX-140
35	2	610185	9/16MOR PLUG	99	1	614425	08C1T-08FJX-08FJX-132
36	1	505110	BLK PIPE ST EL 45DEG INPT	100	1	615511	10C1T-10FJX-10FJX-60
37	5	610193	9/16MJIC BLKHD BRANCH TEE	101	2	615442	04C1T-06FJX-06FJX-55
38	12	611122	9/16MJIC-90-1/4MNPT LBO	102	1	615449	06C1T-06FJX-06FJX-126
39	5	611127	1 1/16MJIC-1 1/16MOR ADPTR	103	1	616028	04C1A-06FJX-06FJX-47
40	1	611145	3/4MJIC-90-1/2MNPT LBO	104	3	616026	04C1A-06FJX-06FJX-37
41	1	610305	3/4MJIC-90-3/4MNPT LBO	105	2	616042	04C1A-06FJX-06FJX-13
42	4	618135	RESTRICTOR EL ASSY..04201A	106	1	615474	04C1T-06FJX-06FJX45-90
43	2	618115	9/16MJIC-90-3/4MOR LBO	107	1	614152	04C1A-06FJX-06FJX-114
44	1	618090	1 5/16MOR-1FNPT ADPTR	108	3	615465	08C1T-08FJX-08FJX-33
45	4	618109	9/16MJIC-3/4MOR ADPTR	109	1	614076	04C1T-06FJX-06FJX-119
46	5	618119	9/16MJIC-90-9/16MOR LBO	110	2	615455	06C1T-08FJX-08FJX-185
47	3	618126	9/16MJIC-9/16MOR ADPTR	111	1	615462	08C1T-08FJX-08FJX90-180
48	1	618138	1IN HOSE BARB-90-1MNPT	112	2	616056	04C1A-06FJX-06FJX-32
49	4	618178	1 5/16MJIC-90-1 5/16MOR LBO	113	1	614368	08C1T-08FJX-08FJX-60
50	7	618183	3/4MJIC-90-7/8MOR LBO	114	2	615473	06C1T-06FJX-08FJX-18
51	1	618011	9/16MJIC-3/8MNPT ADPTR	115	2	615589	08TMM-12FJX-12FJX-126
52	1	715664	1 HOSE BARB-1 1/4MNPT	116	1	601193	HOSE, 1IN X 42 2BR RED
53	1	618311	3/4MJIC UNION TEE	117	1	601255	HOSE, 1.00 2BR RED X 104 LG
54	4	618241	3/4MJIC-90-3/4MOR LBO	118	1	601256	HOSE, 1.00 2BR RED X 31 LG
55	2	618310	9/16MJIC-7/8MOR ADPTR	119	1	614198	FMD VALVE U TUBE ASSY
56	5	618425	9/16MJIC-45-9/16MOR LBO	120	1	615568	HYD TUBE SUND PUMP 8240 RH
57	3	618440	9/16MJIC-90-9/16MOR EX LG LBO	121	1	615569	HYD TUBE SUND PUMP 8240 LH
58	4	618482	3/4FJIC-9/16MJIC ADPTR	122	4	615571	HYD TUBE ASSY 8240 REAR LEGS
59	1	506303	BLK PIPE EL 90DEG 1 1/4NPT	123	2	618523	7/8FJIC-3/4MJIC ADPTR
60	1	506602	PIPE NIPPLE 1 1/4 NPT-2 1/2	124	1	618059	7/8MJIC UNION TEE
61	1	618520	1 AMNPT RUN TEE-9/16MJIC	125	1	618581	7/8MJIC-3/4MNPT ADPTR
62	3	714560	1 HOSE BARB-1MNPT	126	1	618557	7/8FJIC-9/16MJIC ADPTR
63	4	618302	1 1/16MJIC-90-1 5/16MOR LBO	127	2	611121	9/16MJIC-1/4MNPT ADPTR
64	2	618496	9/16MJIC-45-3/4MOR LBO	128	4	618474	3/4MJIC-90-1 1/16MOR LBO



NOTE: THESE WIRES CONNECT TO REAR FLASHERS ON MODELS THAT DO NOT HAVE A CAB.



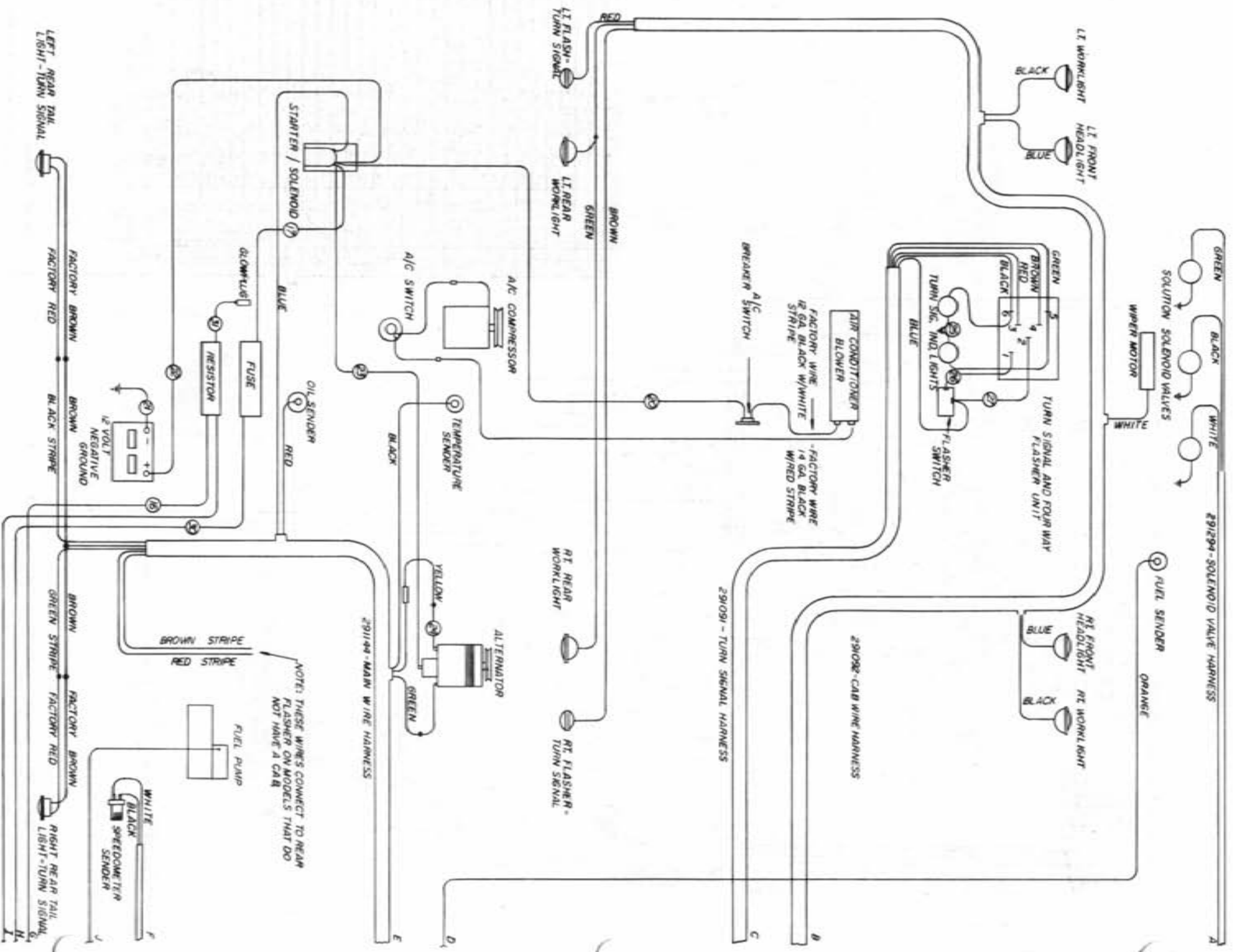
NOTE: THESE WIRES CONNECT TO THE RED AND BROWN WIRES IN THE MAIN SIGNAL HARNESS ON MODELS THAT DO NOT HAVE A CAB.

37/291435	1/2 GA. Yellow x 6"
32/291147	1/4 GA. Yellow x 6"
37/291103	1/4 GA. RED x 5"
30/291108	1/4 GA. BLUE x 5"
29/291107	1/4 GA. BLACK x 3"
28/291454	1/4 GA. WHITE x 17"
27/291278	10 GA. BLUE x 12"
26/291276	10 GA. BLUE x 14"
25/291461	1/4 GA. RED x 18"
24/291453	10 GA. BLUE x 5.3"
23/291277	1/4 GA. BLUE x 14"
22/291128	4/8" BATTERY CABLE
21/296717	6/8 BUNDLED S. RRP
20/291141	10 GA. WHITE x 12.5"
19/291452	1/2 GA. RED x 12"
18/291451	1/4 GA. RED x 6"
17/291476	1/2 GA. RED x 14"
16/291476	1/2 GA. BLUE x 15.9"
15/291443	1/4 GA. RED x 10"
14/291442	1/2 GA. RED x 9"
13/291441	1/4 GA. GREEN x 9"
12/291440	1/2 GA. RED x 6"
11/291421	1/2 GA. GREEN x 6"
10/291420	1/2 GA. WHITE x 6"
9/291139	1/2 GA. WHITE x 18"
8/291138	1/2 GA. WHITE x 10"
7/291137	1/4 GA. BLUE x 6"
6/291136	1/4 GA. BLUE x 12"
5/291135	1/4 GA. WHITE x 5"
4/291134	1/4 GA. BLACK x 5"
3/291133	1/4 GA. GREEN x 5"
2/291132	1/4 GA. BLUE x 5"
1/291131	1/4 GA. BLUE x 10"

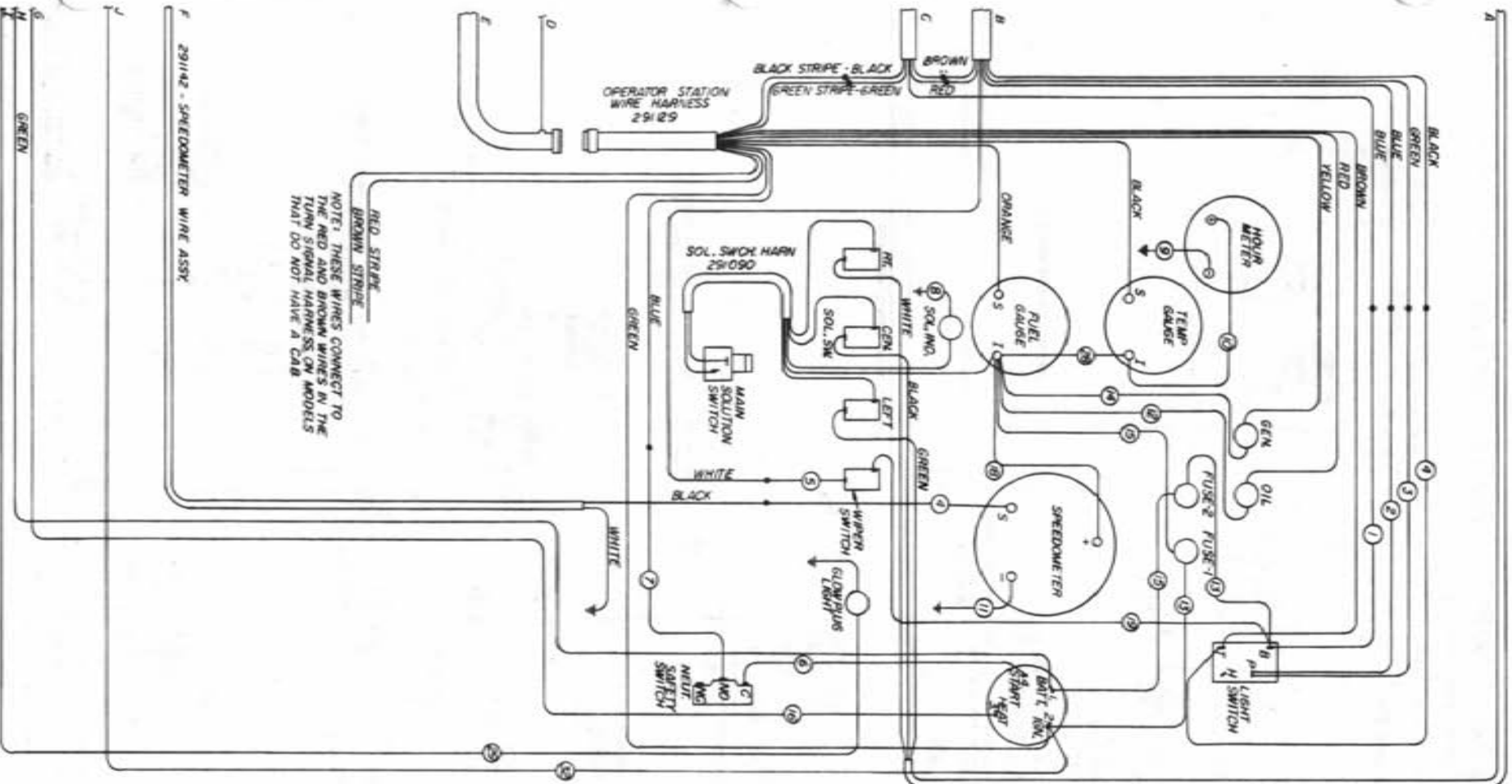
WIRING DIAGRAM - 8240 - GAS
CHRYSLER 8250

498132

Revised Date Limit



NOTE: THESE WIRES CONNECT TO REAR FLASHER ON MODELS THAT DO NOT HAVE A CAB

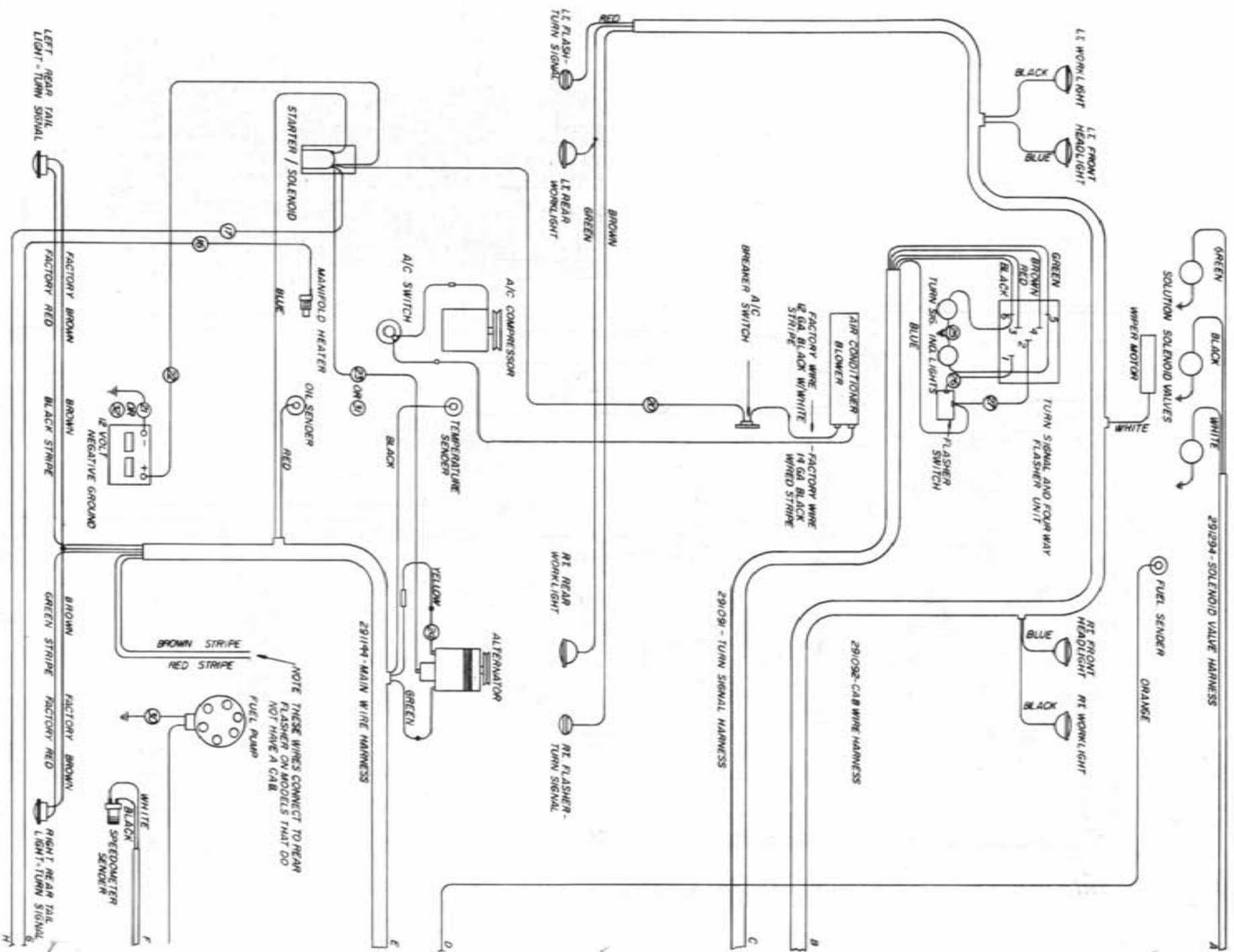


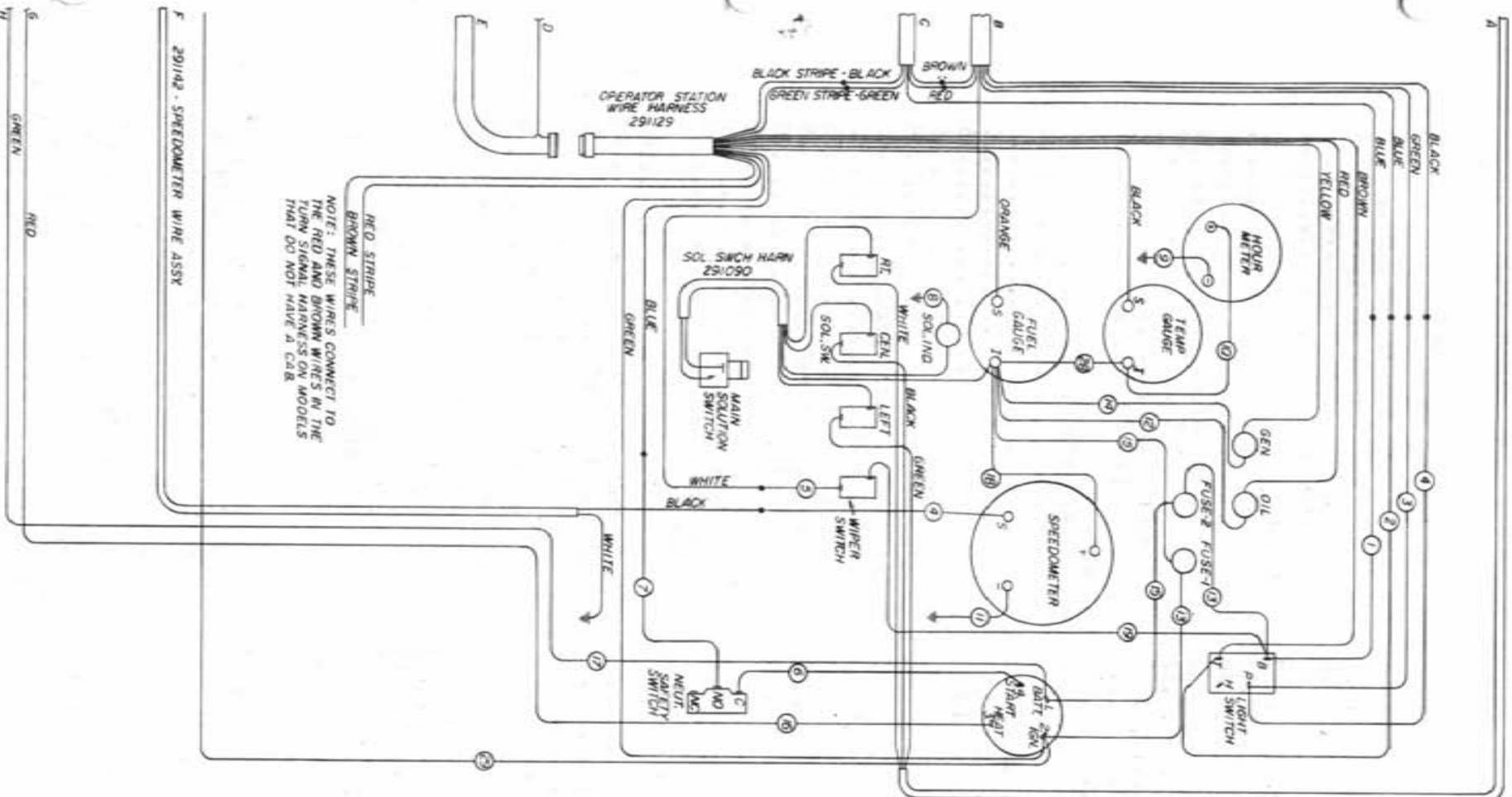
271	291107	12 GA. RED * 10"
311	291190	10 GA. WHITE * 20"
301	291186	10 GA. GREEN * 10"
291	291189	10 GA. ORANGE * 10"
281	291435	16 GA. RED * 6"
271	291109	14 GA. RED * 5"
261	291108	14 GA. BLUE * 5"
252	291107	14 GA. BLUE * 3"
241	291147	14 GA. YELLOW * 8"
231	291029	10 GA. BLUE * 30"
221	290052	56 BATTERY CABLE
211	290111	60 GA. GROUND STRAP
201	291141	10 GA. WHITE * 105"
191	291422	16 GA. RED * 12"
181	291401	14 GA. RED * 6"
171	291188	10 GA. GREEN * 12"
161	291145	12 GA. RED * 10"
152	291443	14 GA. RED * 10"
141	291442	16 GA. RED * 9"
132	291441	14 GA. RED * 9"
121	291440	16 GA. RED * 6"
111	291421	16 GA. GREEN * 6"
101	291140	16 GA. WHITE * 6"
91	291139	16 GA. WHITE * 16"
81	291138	16 GA. WHITE * 10"
71	291137	14 GA. BLUE * 6"
61	291136	14 GA. BLUE * 12"
51	291135	14 GA. WHITE * 5"
42	291134	14 GA. BLACK * 5"
31	291133	14 GA. GREEN * 5"
21	291132	14 GA. BLUE * 5"
11	291131	14 GA. BLUE * 10"

WIRING DIAGRAM - 8250 - DIESEL - 1985
ONAN

498211

Revised Date 1/1/87





NOTE: THESE WIRES CONNECT TO THE RED AND BROWN WIRES IN THE TURN SIGNAL HARNESS ON MODELS THAT DO NOT HAVE A CAR.

F 291142 - SPEEDOMETER WIRE ASSY

G 291143 - GARTEN
RED
GREEN

251	291011	GROUND STRAP (R290)
311	291180	10 GA. RED * 15" (R290)
301	291220	12 GA. BLACK * 14"
291	291168	12 GA. RED * 24"
281	291135	16 GA. RED * 6"
271	291109	14 GA. RED * 5"
261	291108	14 GA. BLUE * 5"
292	291107	14 GA. BLUE * 5"
241	291117	14 GA. YELLOW * 8"
231	291029	10 GA. BLUE * 30" (R370/8380)
221	290052	56' BATTERY CABLE
211	291126	48' BATTERY CABLE (R370/8380)
201	291141	10 GA. WHITE * 15"
191	291128	16 GA. RED * 12"
181	291101	14 GA. RED * 6"
171	291146	10 GA. GREEN * 110"
161	291145	12 GA. RED * 30"
152	291143	14 GA. RED * 10"
141	291142	16 GA. RED * 9"
132	291141	14 GA. GREEN * 9"
121	291140	16 GA. RED * 6"
111	2911421	16 GA. GREEN * 6"
101	291140	16 GA. WHITE * 6"
91	291139	16 GA. WHITE * 16"
81	291138	16 GA. WHITE * 10"
71	291137	14 GA. BLUE * 6"
61	291136	14 GA. BLUE * 12"
51	291135	14 GA. WHITE * 5"
42	291134	14 GA. BLACK * 5"
31	291133	14 GA. GREEN * 5"
21	291132	14 GA. BLUE * 5"
11	291131	14 GA. BLUE * 10"

WIRING DIAGRAM - 8370 - DIESEL - 1985
PERKINS
8380
8250

498206

UIC, Wm. G. B.
Revision Date 1.8.83

INDEX

-A-

ADAPTOR, DRIVE DISK.....7
 FAN.....8
 AGITATOR, IMPELLER.....40
 JET.....42,43
 MOTOR MOUNT.....40
 SHAFT.....40
 AIR CLEANER.....17
 BAND.....17
 CLAMP.....17
 FILTER.....17
 HOSE.....17
 AIR CONDITIONER, COMPRESSOR.....10,11
 CONDENSOR.....10,11
 DRYER.....10,11
 EVAPORATOR.....28
 AIR INTAKE.....9
 AIR STACK CAP.....17
 ALTERNATOR.....5,6,8
 MOUNT.....8
 ARM, STEERING.....18,19
 ARM, WIPER.....26

-B-

BALL VALVE.....41,43
 BAND, AIR CLEANER.....17
 TANK.....43
 BATTERY.....14
 BOX.....14
 CABLE.....14
 BEARING CONE.....18,19
 LINER.....18,19
 BELT.....5,6,8,10,11
 BLADE WIPER.....26
 BRACKET, AIR CONDITIONER.....10,11
 THROTTLE CABLE.....9
 BRAKE, CABLE.....20,27
 DISC.....20
 LEVER.....27
 MOUNT HUB.....20
 PAD.....20
 BREAK-AWAY HINGE.....47
 BOOM.....50

-C-

CAB.....26
 DOOR.....29
 ROOF.....28,30
 ROOF GUSSET.....28
 CABLE, BATTERY.....14
 CHOKE.....31
 HYDROSTATIC.....32
 THROTTLE.....33
 CANOPY.....30
 DEFLECTOR.....27
 CAP, AIR STACK.....17
 FUEL.....24
 HUB.....18
 PRESSURE.....25
 RADIATOR.....15
 RAIN.....16
 CARBURATOR.....8
 CATWALK.....43
 CESSNA PUMP.....13
 CIRCUIT BREAKER.....31
 CLAMP, AIR INTAKE.....9
 CLIP BRAKE RETAINER.....20
 COLUMN STEERING.....38
 CONSOLE.....31
 CONTROL LEVER.....32
 COUPLER, FLEX DISC.....40
 HALF.....40
 COVER, WORKLIGHT.....26,30
 CRANK PULLEY.....8
 CROP GUIDE.....53
 MOUNT.....19
 CROPSHIELD.....53
 CYLINDER, FOLD.....47,49
 LEVEL.....47,49
 LIFT.....47,48
 STEERING.....22

-D-

DEFLECTOR, CANOPY.....27
 DIFFUSER.....25
 DIMMER SWITCH.....27
 DIPSTICK.....25
 DISC, BRAKE.....20
 FRICTION.....33
 SENSOR.....20
 DISTRIBUTOR CAP.....9

DOOR CATCH SLIDE.....29
 DRAIN COCK.....15
 DRIVE DISK ADAPTOR.....7
 DRYER, AIR CONDITIONER.....10,11

-E-

ELECTRONIC IGNITION MODULATOR...9
 ENGINE,
 CHRYSLER.....9
 HOOD.....46
 ISOLATOR.....5,6,27
 ONAN.....5
 PERKINS.....6,7
 EXHAUST
 MANIFOLD HEAT SHIELD.....8
 PIPE.....16
 PIPE FLANGE.....16

-F-

FAN.....5,8
 ADAPTER.....8
 SPACER.....5,8
 FILTER.....7
 AIR CLEANER.....17
 FUEL.....8
 GRESSEN.....25
 MICHIGAN.....25
 OIL.....8
 FLASHER
 LIGHT.....26,30
 SWITCH.....38

FLOW CONTROL.....37
 FLOW DIVIDER.....36
 FOAM.....26,29,30,39
 FOLD CYLINDER.....47,49
 FRICTION DISC.....33
 FUEL
 CAP.....24
 GAUGE.....31
 SENDER.....24
 SHUT OFF PIVOT.....7
 TANK.....24
 FUSE.....31

-G-

GASKET.....9,25,44
 CHARGE PUMP.....13
 TANK LID.....41
 GAUGE,
 FUEL.....31
 PRESSURE.....44
 TEMPERATURE.....31

GLASS.....26,29
 GOVERNOR.....9
 CONTROL ROD.....9
 MOUNT.....9
 GREASE SEAL.....18
 GROUND STRAP.....4,7,27
 GUSSET, CAB ROOF.....28

-H-

HANDLE, SELECTOR VALVE.....35
 HANDRAIL.....51,46
 HEAT SHIELD.....8,16
 HOLD DOWN, BATTERY.....14
 HOOD, ENGINE.....46
 HOOD, PROP.....46
 HOSE,
 AIR CLEANER.....17
 RADIATOR.....5,7,8
 SHIELD.....46
 HOISING, SOLUTION.....52
 HOUR METER.....31
 HUB.....18
 CAP.....18
 TAPER LOCK.....20
 TORQUE.....19
 HYDRAULIC TUBE.....12
 HYDROSTATIC CABLE.....32
 MOUNT.....5,7,9
 HYPRO PUMP.....45

-I-

IGNITION SWITCH.....31
 IMPELLER AGITATOR.....40
 INDICATOR LIGHT.....31,38
 SUN SHIELD.....31
 ISOLATOR, ENGINE.....5,6,27

-J-

JET AGITATOR.....43

-K-

KEEPER FRONT LEG.....18,19

-L-

LADDER.....51
 LEG,
 FRONT.....18,19
 REAR.....20

LEVEL CYLINDER.....47, 49
 PIVOT.....47
 LEVER,
 BRAKE.....27
 CONTROL.....32
 PUMP CONTROL.....13
 THROTTLE.....33
 LIFTARM.....47
 MOUNT.....47
 LIFT CYLINDER.....47, 48
 LIGHT.....26, 30
 FLASHER.....26, 30
 SWITCH.....31
 LINE DIFFUSER.....25
 LINER, BEARING.....18, 19

-M-

MANIFOLD
 LARGE.....12
 SOLUTION.....44
 MICRO SWITCH.....32
 REAR VIEW MIRROR.....26, 30
 MOTOR,
 STEERING.....38
 WINDSHIELD WIPER.....26
 MOUNT,
 AIR CONDITIONER.....10, 11
 A/C HOUSING.....28
 ALTERNATOR.....8
 BRAKE HUB.....20
 CROP GUIDE.....19
 FLOW CONTROL.....37
 FUEL SHUT OFF.....5
 GOVERNOR.....9
 HYDRAULIC MANIFOLD.....12
 HYDROSTATIC CABLE.....5, 7, 9
 HYDROSTATIC LEVER.....32
 LIFTARM.....47
 MOTOR.....5, 6
 RADIATOR.....15
 SEAT.....27
 SENSOR.....20
 SIGHT GAUGE.....42
 TACH SENSOR.....9
 THROTTLE CABLE.....5, 7, 33
 MOUNTING
 ANGLE, TANK.....41, 43
 SOCKET.....46
 MUFFLER.....16
 MULLION.....46

OIL COOLER.....15
 OIL SENDER.....5, 7, 9
 OIL TANK.....25
 STRAP.....25
 OPERATOR STATION.....27
 OUTPUT SHAFT.....9

-P-

PAD, BRAKE.....20
 PIN, HINGE.....47
 PIVOT PIN.....41, 43
 PUMP,
 CESSNA.....13
 HYPRO.....45
 SUNDSTRAND.....13
 PLUG, RUBBER.....31

-R-

RADIATOR.....15
 CAP.....15
 DRAIN COCK.....15
 HOSE.....5, 7, 8
 MOUNT.....15
 RECOVERY TANK.....15
 SHROUD.....15
 RAIN CAP.....16
 RECEIVER PLATE.....25
 RIM.....21
 RUBBER HOOK.....41

-S-

SAFTY WALK.....41, 43
 SCREEN SLIDE.....46
 SEAL,
 GREASE.....18
 KIT.....12, 22
 SEAT.....27
 MOUNT.....27
 SENDER,
 FUEL.....24
 OIL.....5, 7, 9
 TEMPERATURE.....5, 6, 8
 SENSOR,
 DISC.....20
 MOUNT.....20
 SPEEDOMETER.....9, 20
 SHAFT,
 AGITATOR.....40
 OUTPUT.....9

SHEAVE.....5,6,8,9
 SHIELD.....8
 EXHAUST MANIFOLD.....8,16
 HEAT.....46
 HOSE.....31
 INDICATOR LIGHT SUN.....41,43
 TANK.....20
 WHEEL MOTOR.....15
 SHROUD, RADIATOR.....41,43
 SIDERAIL.....15
 SIDE SCREEN.....15
 SIGHT GAUGE MOUNT.....42
 SOCKET, FEMALE.....23
 SOLUTION.....54
 HOISING.....44
 MANIFOLD.....5,8
 SPACER, FAN.....25
 OIL TANK.....26
 WINDSHIELD WIPER.....31
 SPEEDOMETER.....7,33
 SPRING.....53
 STALK GUIDE.....9
 STARTER SOLENOID.....18,19
 STEERING ARM.....38
 COLUMN COVER.....22
 CYLINDER.....38
 MOTOR.....38
 WHEEL.....27
 STEP, OPERATOR STATION.....7,14,27
 STRAP, GROUND.....25
 OIL TANK.....5,7
 SUNDSTRAND DRIVE SHAFT.....9
 FILLER RING.....13
 PUMP.....19,20
 WHEEL MOTOR.....27
 SWITCH, DIMMER.....38
 FLASHER.....31
 IGNITION.....32
 MICRO.....46

-T-

TAILLIGHT.....24
 TANK, FUEL.....40
 GLAND BEARING.....41,43
 LID.....25
 OIL.....25

RADIATOR RECOVERY.....41,43
 SHIELD.....41,43
 SOLUTION.....41,43
 TEMPERATURE GAUGE.....31
 SENDER.....5,6,8
 THROTTLE CABLE.....33
 CABLE, MOUNT.....7
 LEVER.....33
 STOP.....31
 TIE PLATE MAINFRAME.....5,16
 TIE ROD.....23
 STIFFENER ANGLE.....23
 TIRE.....21
 TORQUE HUB.....19,20
 TREAD ADJUSTMENT.....51
 TRANSOM.....47
 TUBE HYDRAULIC.....12

-V-

VALVE, BALL.....41,43
 CESSNA 3-SPool.....34
 ELECTRIC.....44
 GRESSEN SELECTOR.....35
 HANDLE.....34
 RELIEF.....12
 VOLTAGE REGULATOR.....6,8

-W-

WATER TRAP.....6
 MOUNT.....6
 WHEEL MOTOR, SHIELD.....20
 SUNDSTRAND.....19,20
 WHEEL, STEERING.....38
 WINDSHIELD WIPER, MOTOR.....26
 WIPER ARM.....26
 WIPER BLADE.....26

Memoranda
