

PARTS MANUAL
FOR
HAGIE MODEL 8250 HI-TRACTOR

HAGIE MANUFACTURING COMPANY
BOX 273 CLARION, IOWA 50525
(515)532-2861

COVERS MACHINE SERIAL NUMBERS:

096958001 thru 096958050

6-85 493099

SPRAYER IDENTIFICATION

Each Hagie sprayer is identified by means of a frame serial number. This serial number denotes the model, year in which it was built, and the number of the sprayer. As for further identification, the engine has a serial number and the planetary hubs have identification plates that describe the type of mount and gear ratio. To insure prompt, efficient service when ordering parts or requesting service repairs from Hagie Manufacturing Company, record the serial and identification numbers in the space provided below.

Note: Reference to left hand and right hand used throughout this manual refers to the position when seated in the operator's seat facing forward.



SPRAYER SERIAL NUMBER



ENGINE SERIAL NUMBER



ENGINE SERIAL NUMBER



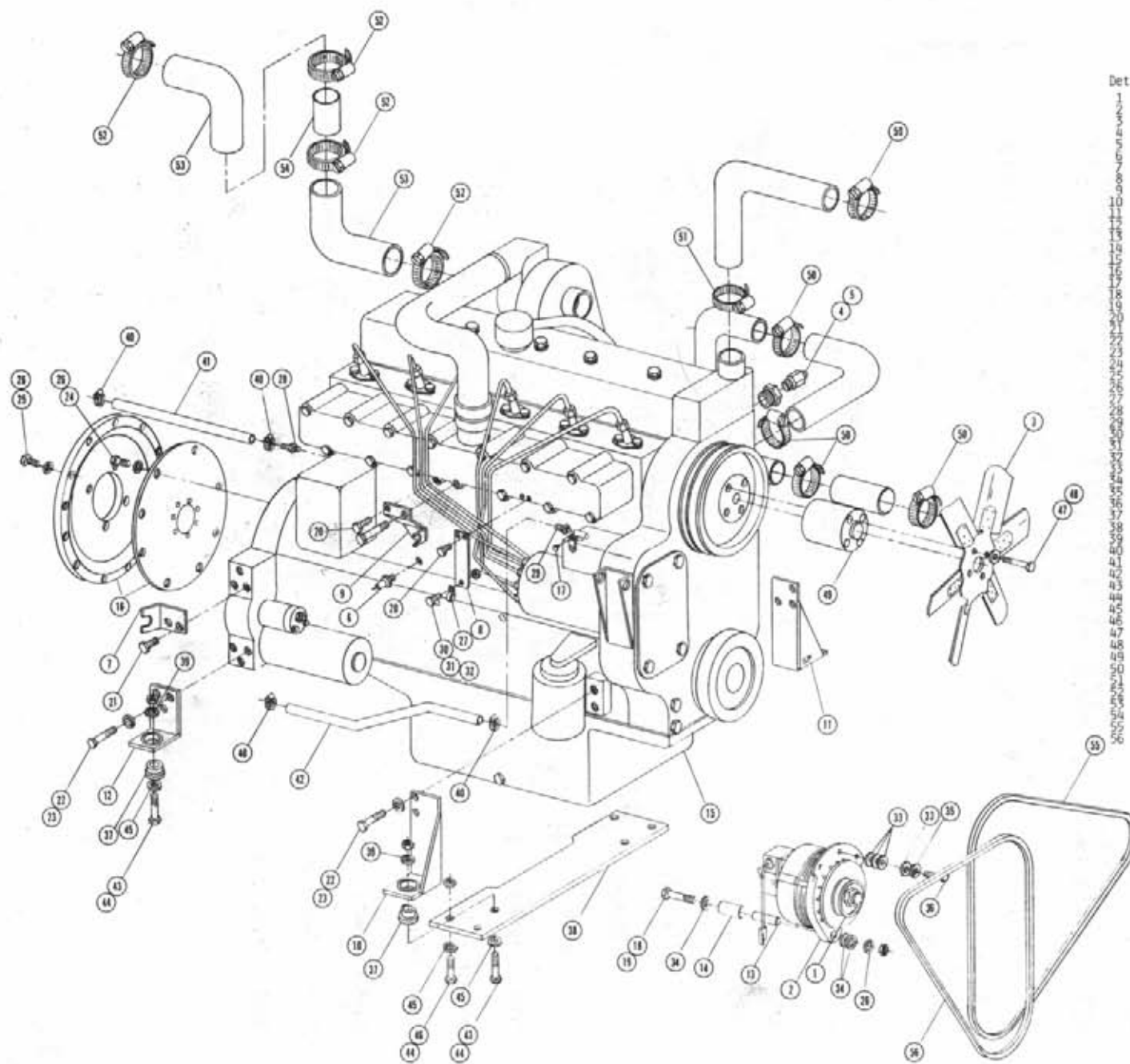
PLANETARY HUB IDENTIFICATION NUMBERS

TABLE OF CONTENTS

Abbreviations	4
Engine Assemblies	5-15
Leg Assemblies	16-18
Tire Assembly	19
Steering Cylinder	20
Tie Rod Assembly	21
Fuel And Oil Tanks	22-23
Operator Station	24-28
Console Assembly	29-32
Flow Divider And Selector Valve	33-35
Steering Wheel Assembly	36
Operator Station Foam	37
Solution System	38-43
Sheet Metal	44
Transom, Boom, And Lift Components	45-48
Ladder And Accessories	49-50
Solution Hosing Diagram	51
Planetary Gear Assembly	52-55
Decals	56-59
Hydraulic Schematic	60-67
Electrical Schematic	68-71
Index	72

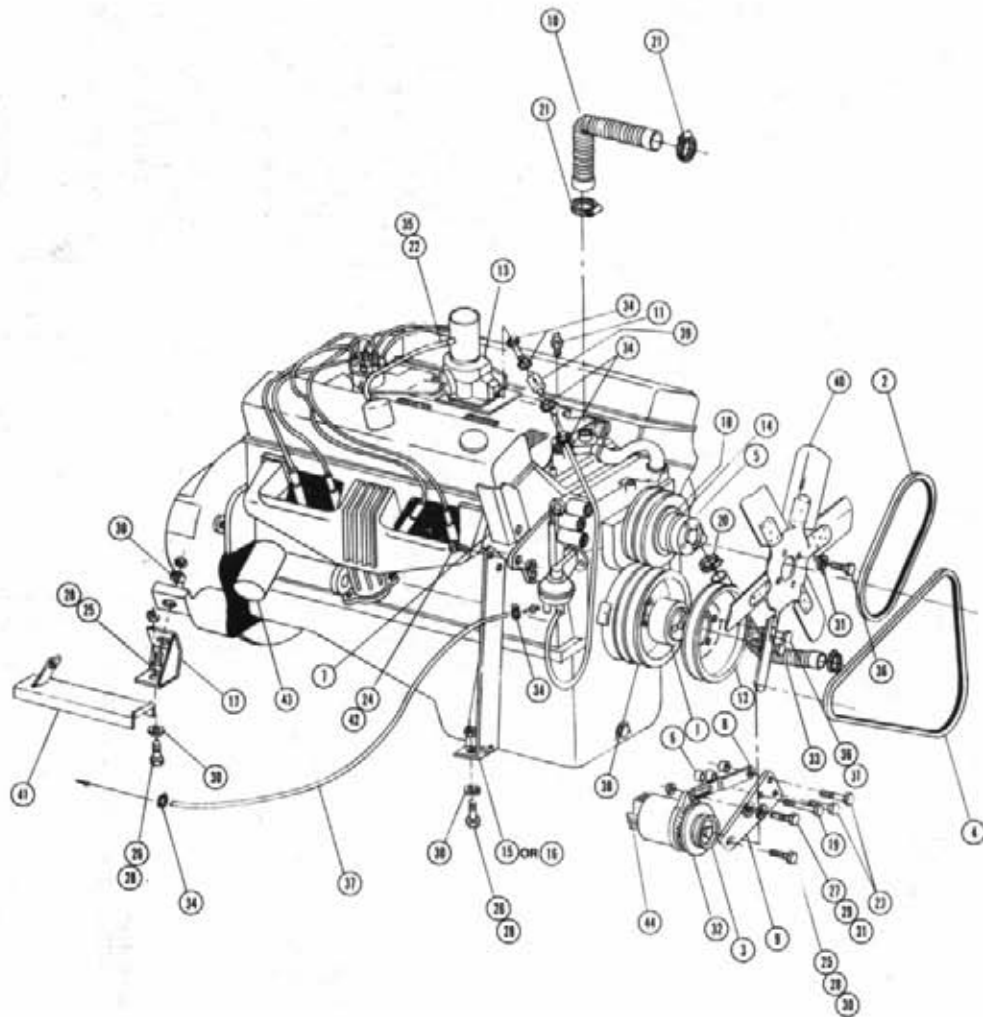
ABBREVIATIONS

A/C - Air Conditioner	MT - Mount
ADPTR - Adapter	MTR - Motor
AGI - Agitator	P/N - Part Number
ALT - Alternator	PLT - Plate
ASSY - Assembly	QTY - Quantity
BRKT - Bracket	RED - Reducer
DET - Detail	REF - Reference
DISPL - Displacement	REST - Restrictor
EL - Elbow	REQ - Required
EXT - Extension	SHFT - Shaft
FLO - Flow	SOL - Solution
FNPT - Female National Pipe Thread	STRG - Steering
FOR - Female O-ring	ST - Street
FRT - Front	SWIV - Swivel
HYD - Hydraulic	UNC - Unified National Course (Thread)
HYDRO - Hydrostatic	UNF - Unified National Fine (Thread)
LG - Long	V - Volt
LWR - Lower	W/ - With
MJIC - Male J. I. C.	WHL - Wheel
MOR - Male O-ring	WLD - Weldment



ONAN ENGINE ASSEMBLY

Det.	Qty.	P/N	Description
1	1	141022	Sheave
2	1	310053	25 AMP Alternator
3	1	314436	19" Pir Fan W/2.25 Pitch
4	1	314437	Temperature Sender
5	1	503012	1/2 NPT x 1/8 Reducer Bushing
6	1	314788	Oil Sender
7	1	316122	Hydrostatic Cable Mount
8	1	316123	Fuel Shut Off Cable Mount
9	1	316124	Throttle Cable Mount Weldment
10	1	316127	Right Front Motor Mount Weldment
11	1	316128	Left Front Motor Mount Weldment
12	1	316135	Rear Motor Mount Plate
13	1	316137	1/2 O.D. x .035 Wd. x 2.50
14	1	316138	7/8 O.D. x .156 x 1.25
15	1	316139	Onan Engine
16	1	316140	Onan To Sundstrand Drive Assembly
17	1	390486	Throttle Cable Holder
18	1	473779	10 MM Hex Nut
19	1	473780	10 MM-1 1/2 x 90 MM
20	1	473781	6 MM-1 x 12 MM
21	1	473782	12 MM-1 3/4 x 18 MM
22	1	473783	12 MM-1 3/4 x 25 MM
23	1	473784	12 MM Lock Washer
24	1	473785	10 MM-1 1/2 x 20 MM
25	1	473786	10 MM-1 1/2 x 25 MM 30 mm
26	1	473798	10 MM Lock Washer
27	1	520119	3/16 Cushion Hose Clamp
28	1	783303	1/4 NPT x 5/16 Hose Barb
29	1	711001	1/8 NPT x 5/16 Hose Barb
30	1	914000	1/4 UNC Stover Nut
31	1	800002	1/4 UNC x 3/4 Hex Bolt
32	1	920000	1/4 SAE Flat Washer
33	1	920001	7/16 SAE Flat Washer
34	1	920004	1/2 SAE Flat Washer
35	1	820001	8/16 Lock Washer
36	1	800005	5/16 UNC x 1 Hex Bolt
37	1	311032	Engine Isolator
38	1	341562	Mainframe Tie Plate
39	1	483041	1/2 Regular Flat Washer
40	1	520120	#4 Miniature Hose Clamp
41	1	601257	5/16 I.D. x 120" Fuel Line Hose
42	1	601253	5/16 I.D. x 144" Fuel Line Hose
43	1	900269	1/2 UNC x 2 3/4 Hex Bolt
44	1	314008	1/2 UNC Stover Nut
45	1	920004	1/2 SAE Flat Washer
46	1	900264	1/2 UNC x 1 3/4 Hex Bolt
47	1	473804	8MM Lock Washer
48	1	473774	8MM-1 1/4 x 100 MM
49	1	316142	Onan Fan Spacer
50	1	520067	#6 Hose Clamp
51	1	520068	#2 Hose Clamp
52	1	520062	#2 Hose Clamp
53	1	314731	Air Cleaner Hose
54	1	314628	Air Cleaner Tube
55	1	147010	4L550 Belt
56	1	147055	4L550 Belt

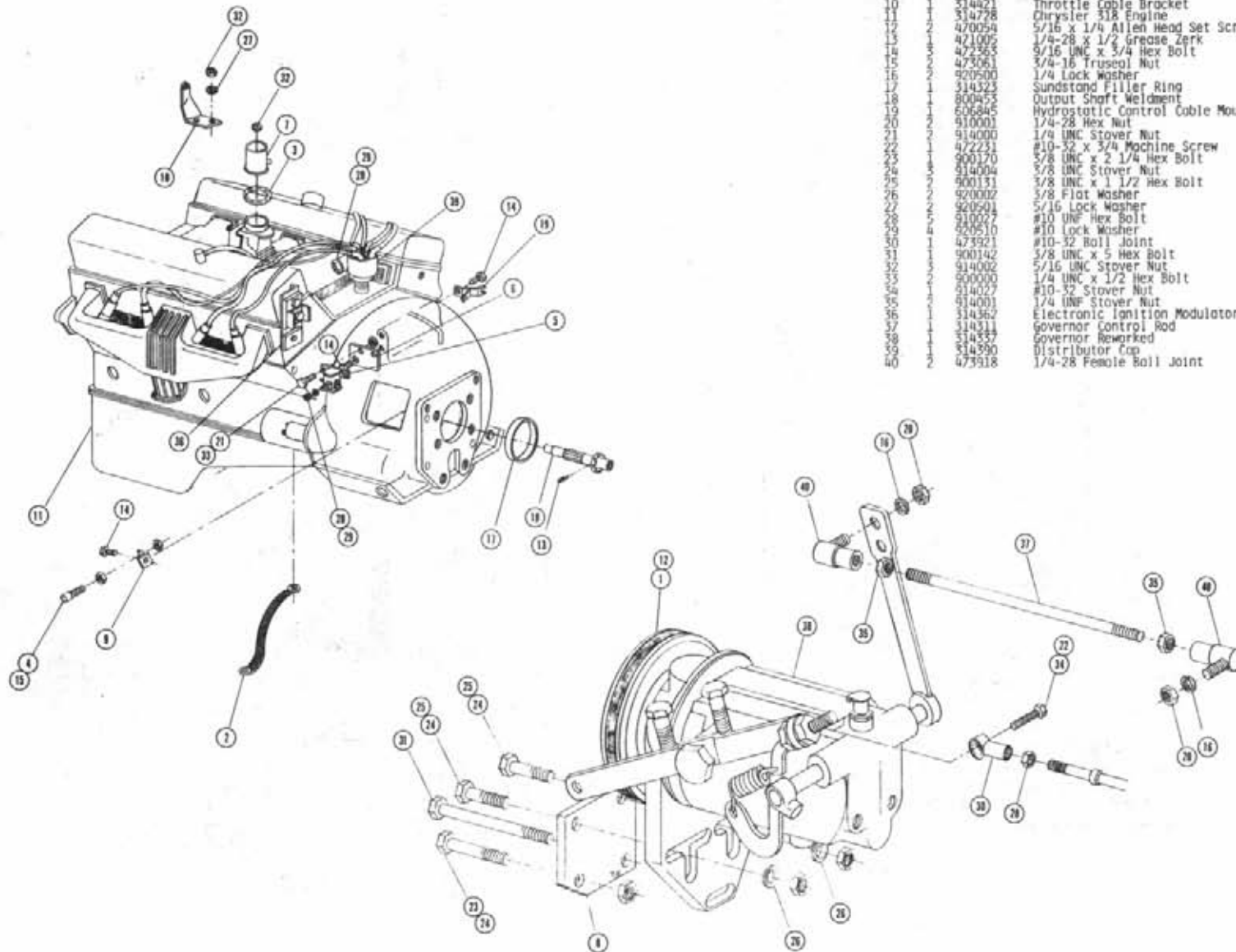


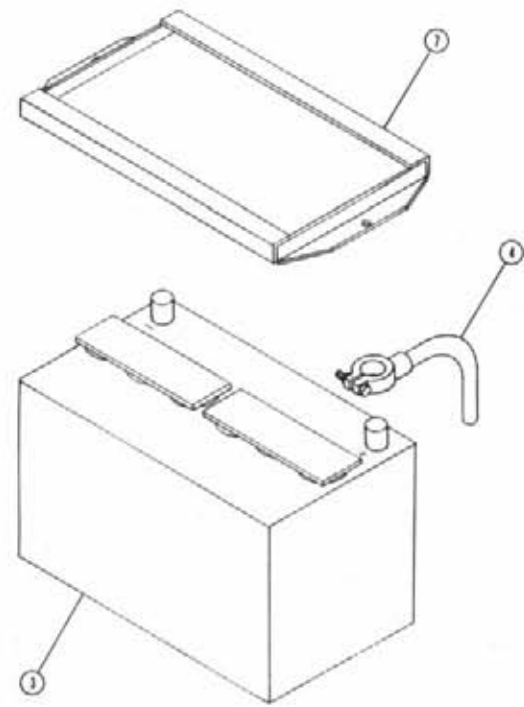
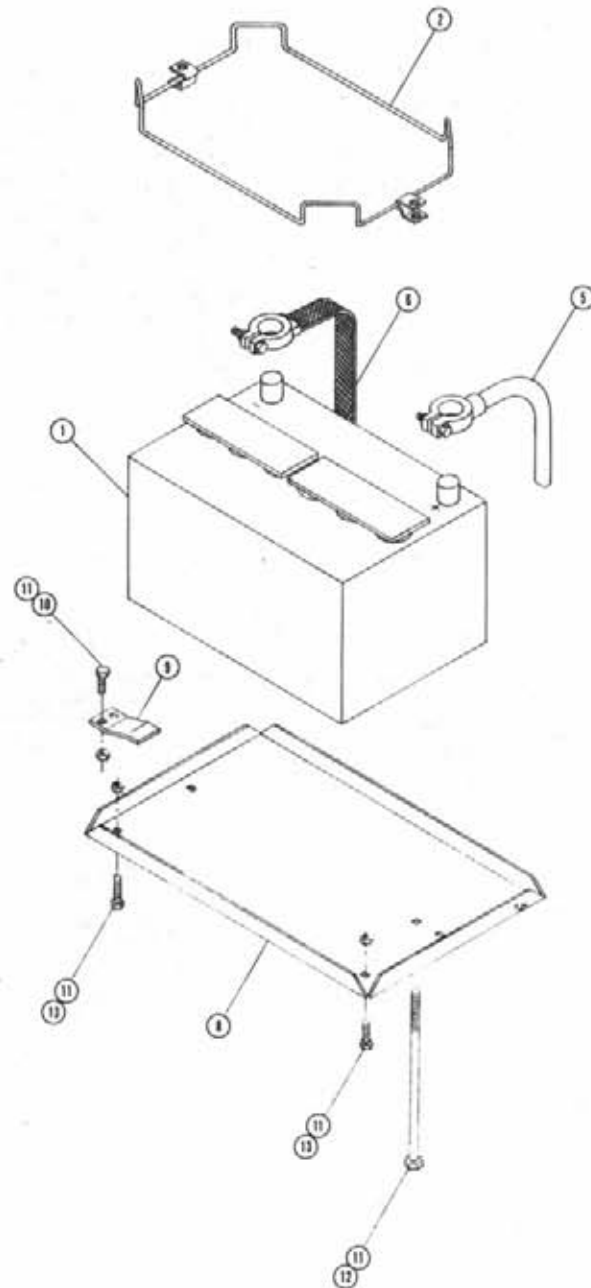
CHRYSLER ENGINE ASSEMBLY

Det.	Qty.	P/N	Description
1	1	090357	Spacer
2	1	147000	Gates 2490 Belt
3	1	141022	Alternator Sheave
4	1	147001	Gates 2520 Belt
5	1	311039	Fan Spacer
6	3	200015	Alternator Spacer
7	1	314303	Exhaust Manifold Heat Shield
8	1	314309	Alternator Adjustment Arm
9	1	314310	Alternator Mount
10	1	314327	Upper Radiator Hose
11	1	314437	Temperature Sender
12	1	314419	Crank Pulley
13	1	314453	Holley Carburetor
14	1	319614	Fan Adapter
15	1	341348	Left Front Motor Mount Weldment
16	1	341351	Right Front Motor Mount Weldment
17	2	341353	Rear Motor Mount Weldment
18	1	311038	Fan Spacer
19	1	900132	3/8 UNC x 1 3/4 Hex Bolt
20	2	520067	#28 Hose Clamp
21	2	520085	#24 Hose Clamp
22	1	601151	5/8 x 12 Heater Hose
23	2	900142	3/8 UNC x 5 Hex Bolt
24	4	900198	7/16 UNC x 1 3/4 Hex Bolt
25	3	900283	1/2 UNC x 2 1/4 Hex Bolt
26	4	900265	1/2 UNC x 1 1/2 Hex Bolt
27	1	900064	5/16 UNC x 3/4 Hex Bolt
28	7	914008	1/2 UNC Stover Nut
29	1	920001	5/16 Flat Washer
30	7	920004	1/2 Flat Washer
31	11	920501	5/16 Lock Washer
32	1	310093	55 Amp Alternator
33	1	314417	Lower Radiator Hose
34	6	520120	#4 Hose Clamp
35	2	520070	#8 Hose Clamp
36	10	900086	5/16 UNC x 2 1/2 Hex Bolt
37	1	601257	5/16 x 120" Hose
38	1	090359	Crankshaft Pulley
39	1	314388	Fuel Filter
40	1	314435	19" Pir Fan W/2.25 Pitch
41	1	314428	Cable Heat Shield Weldment
42	4	914006	7/16 UNC Stover Nut
43	1	319260	Oil Filter
44	1	310102	Voltage Regulator

CHRYSLER ENGINE ASSEMBLY

Det.	Qty.	P/N	Description
1	1	147030	6" O.D. Sheave
2	1	290109	8" Ground Strap
3	1	870354	Gasket
4	1	291206	Speedometer Tach Sensor
5	1	310491	Starter Solenoid
6	1	311021	Starter Solenoid Mount
7	1	314732	Air Intake Tube Weldment
8	1	311044	Governor Mount Weldment
9	1	314302	Tach Sensor Mount
10	1	314421	Throttle Cable Bracket
11	1	314728	Chrysler 318 Engine
12	2	420054	5/16 x 1/4 Allen Head Set Screw
13	1	421005	1/4-28 x 1/2 Grease Zerk
14	1	422365	9/16 UNC x 3/4 Hex Bolt
15	1	425061	3/4-16 Truseal Nut
16	2	920500	1/4 Lock Washer
17	1	314323	Sundstad Filler Ring
18	1	800453	Output Shaft Weldment
19	1	606845	Hydrostatic Control Cable Mount Weld.
20	2	910001	1/4-28 Hex Nut
21	1	914000	1/4 UNC Stover Nut
22	1	422231	#10-32 x 3/4 Machine Screw
23	1	900170	5/8 UNC x 2 1/4 Hex Bolt
24	1	914004	5/8 UNC Stover Nut
25	1	900131	3/8 UNC x 1 1/2 Hex Bolt
26	2	920002	5/8 Flat Washer
27	2	920501	5/16 Lock Washer
28	1	910027	#10 UNF Hex Bolt
29	4	920510	#10 Lock Washer
30	1	473921	#10-32 Ball Joint
31	1	900142	5/8 UNC x 5 Hex Bolt
32	1	914002	5/16 UNC Stover Nut
33	1	900000	1/4 UNC x 1/2 Hex Bolt
34	1	914027	#10-32 Stover Nut
35	1	914001	1/4 UNF Stover Nut
36	1	314362	Electronic Ignition Modulator
37	1	314311	Governor Control Rod
38	1	314337	Governor Reworked
39	1	314390	Distributor Cap
40	2	473918	1/4-28 Female Ball Joint



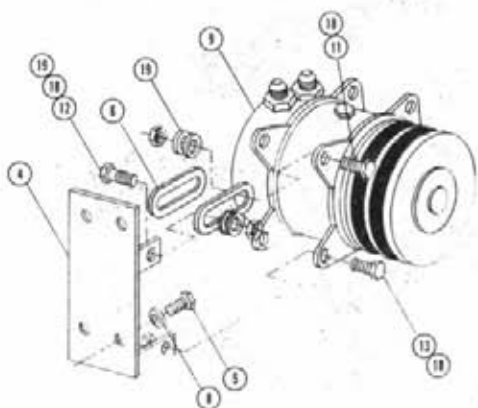
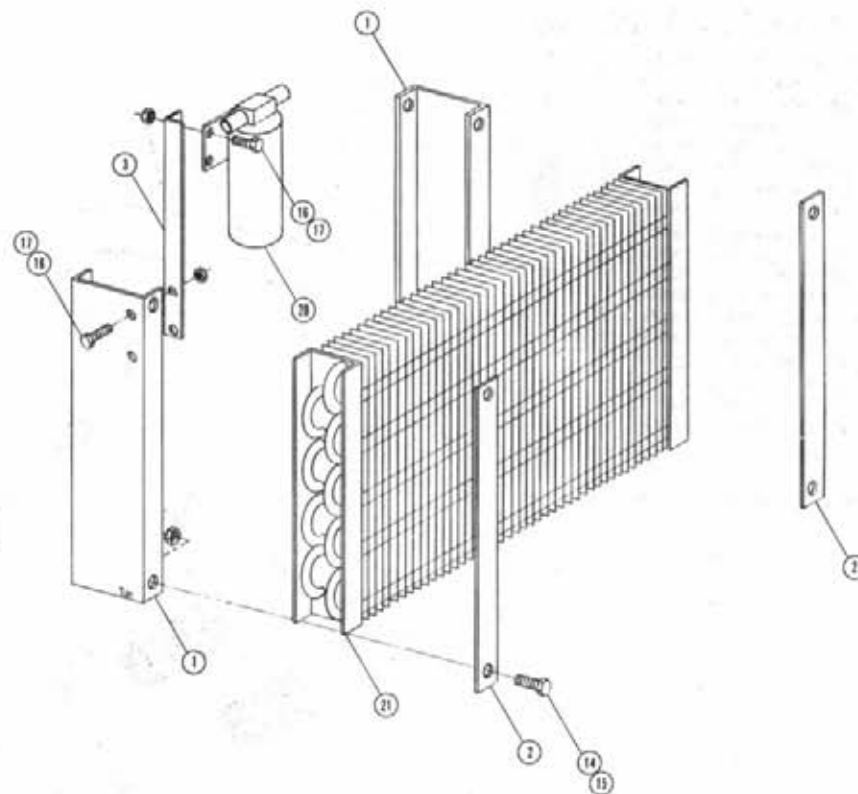
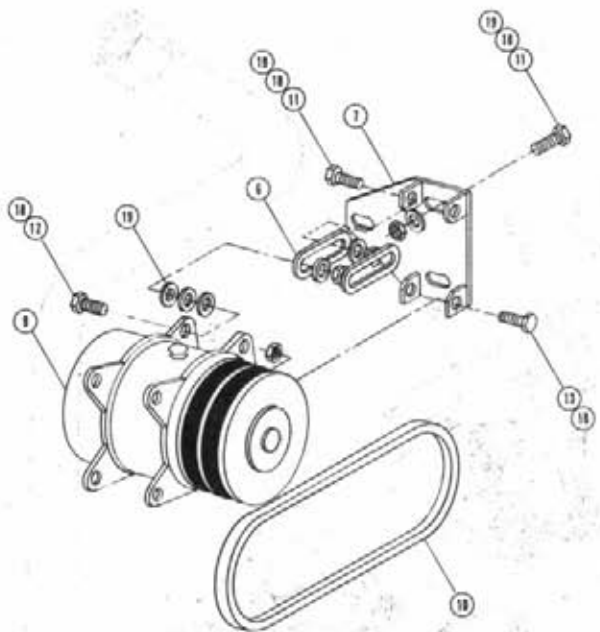


BATTERY BOX ASSEMBLY

Det.	Qty.	P/N	Description
1	1	290015	Battery "Gas Engine"
2	1	290212	Battery Hold Down w/Clamps
3	1	291122	Battery "Diesel Engine"
4	1	290052	Battery Cable 56"
5	1	291128	Battery Cable 48"
6	1	290111	Ground Strap
7	1	341322	Battery Hold Down Weldment
8	1	361149	Battery Box
9	1	361192	Battery Box Support
10	2	900129	3/8 UNC x 1" Hex Bolt
11	6	914004	3/8 UNC Lock Nut
12	2	901149	3/8 UNC x 8 1/2 Carriage Bolt
13	2	900128	3/8 UNC x 3/4 Hex Bolt

Note: Items 6, 8, 11, and 12 are used with both engines.

GAS AIR CONDITIONER COMPRESSOR ASSEMBLY

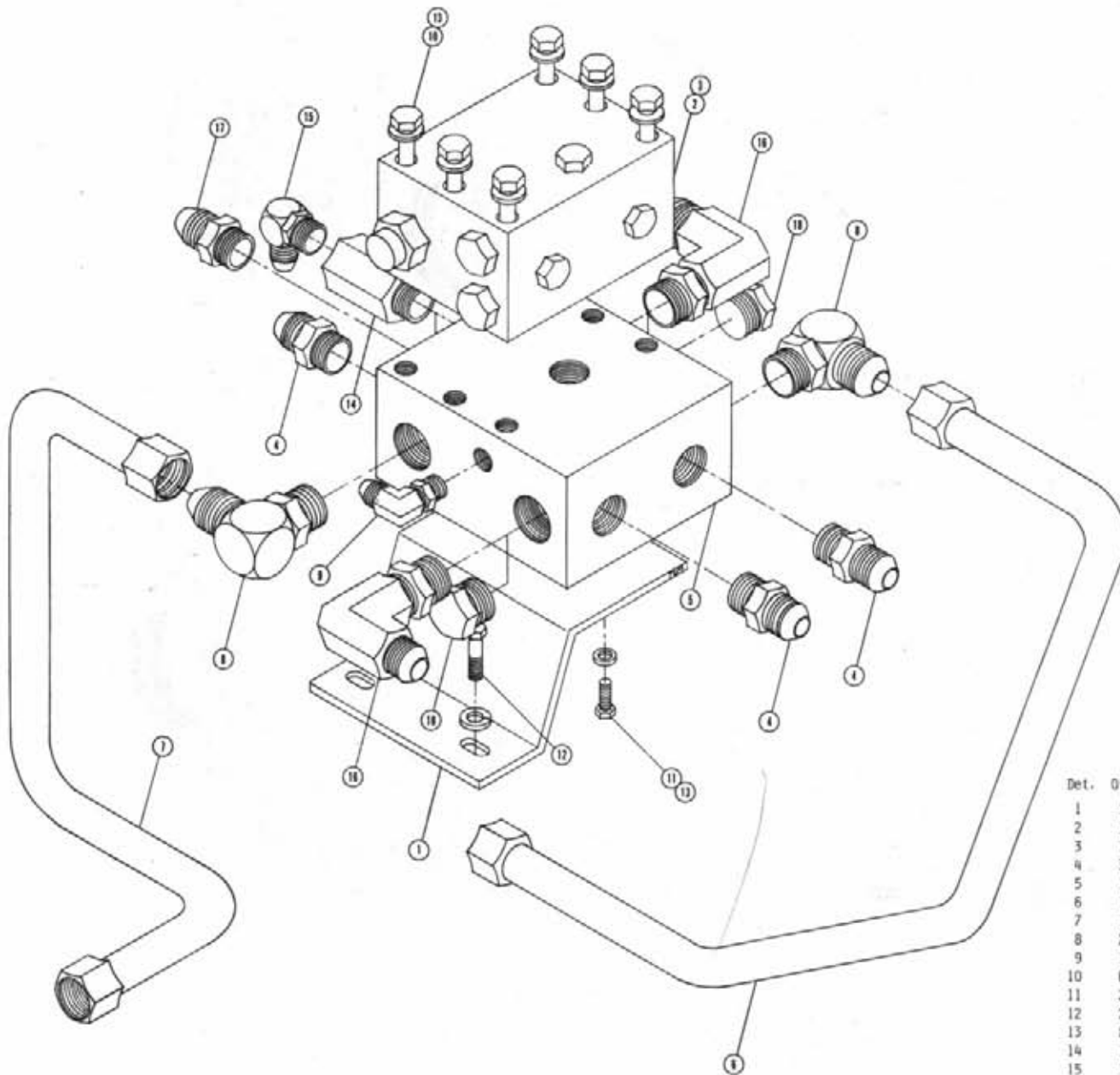


DIESEL AIR CONDITIONER COMPRESSOR ASSEMBLY

AIR CONDITIONER COMPRESSOR PUMP ASSEMBLY

Det.	Qty.	P/N	Description
1	2	314413	Air Conditioner Condenser Mount
2	2	314418	Air Conditioner Condenser Keeper
3	1	314420	Air Conditioner Dryer Bracket
4	1	657330	Air Conditioner Compressor Mount Weldment
5	4	473803	8 MM x 16 MM Hex Bolt
6	2	657315	Air Conditioner Compressor Adj. Tab
7	1	657317	Air Conditioner Compressor Mount Weldment
8	4	473804	8 MM LockWasher
9	1	657310	Air Conditioner Compressor
10	1	147040	2400 Belt
11	5	900129	3/8 UNC x 1 Hex Bolt
12	2	900131	3/8 UNC x 1 1/2 Hex Bolt
13	2	900130	3/8 UNC x 1 1/4 Hex Bolt
14	4	900064	5/16 UNC x 3/4 Hex Bolt
15	4	914002	5/16 UNC Lock Nut
16	4	900002	1/4 UNC x 3/4 Hex Bolt
17	4	914000	1/4 UNC Lock Nut
18	9	914004	3/8 UNC Lock Nut
19	15	920002	3/8 Flat Washer
20	1	657309	Air Conditioner Dryer
21	1	657309	Air Conditioner Condenser Kit

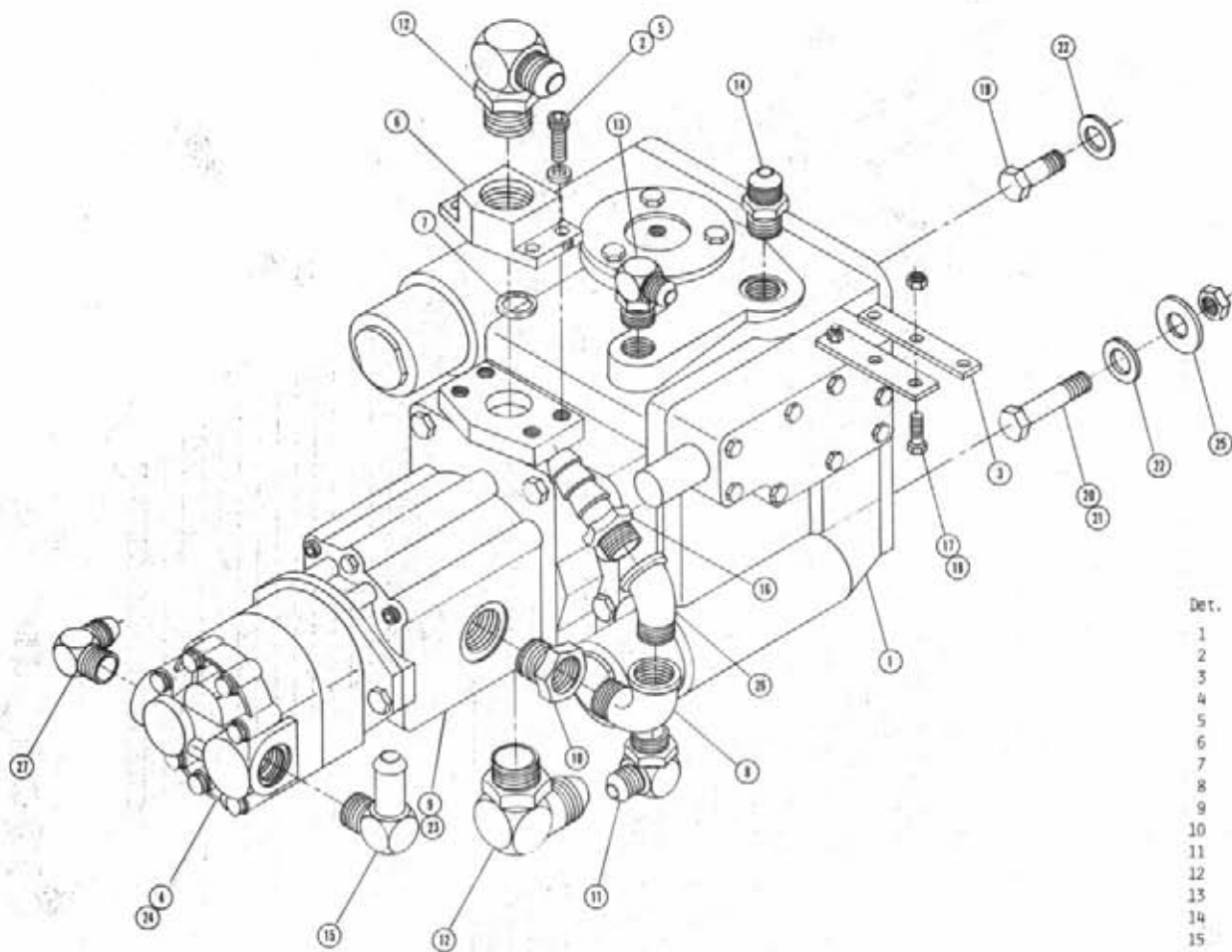
Note: For Diesel Option Use The Following Items:
 1-2-3-4-5-6-8-9-11-12-13-14-15-16-17-18-19-20-21
 For Gas Option Use The Following Items:
 1-2-3-6-7-9-10-11-12-13-14-15-16-17-18-19-20-21



HYDRAULIC MANIFOLD ASSEMBLY

Det.	Qty.	P/N	Description
1	1	606849	Hydraulic Manifold Mount
2	1	611009	Seal Kit
3	1	611013	Hydraulic Relief Valve Assembly
4	3	611127	1 1/16 MOR x 1 1/16 MJIC
5	1	615005	Large Manifold
6	1	615568	Right Hydraulic Tube
7	1	615569	Left Hydraulic Tube
8	2	618178	1 5/16 MOR x 90° x 1 5/16 MJIC
9	1	618241	3/4 MOR x 90° x 3/4 JIC
10	6	900075	5/16 UNC x 3 3/4 Hex Bolt
11	2	900065	5/16 UNC x 1 Hex Bolt
12	2	900196	7/16 UNC x 1 1/4 Hex Bolt
13	8	920501	5/16 Lock Washer
14	1	610028	Flow Control
15	1	618279	7/8 MOR x 90° x 1 1/16 JIC
16	2	618248	1 1/16 MOR x 90° x 1 1/16 MJIC
17	1	611127	1 1/16 MOR x 1 1/16 MJIC
18	2	610186	1 1/16 O-Ring Plug

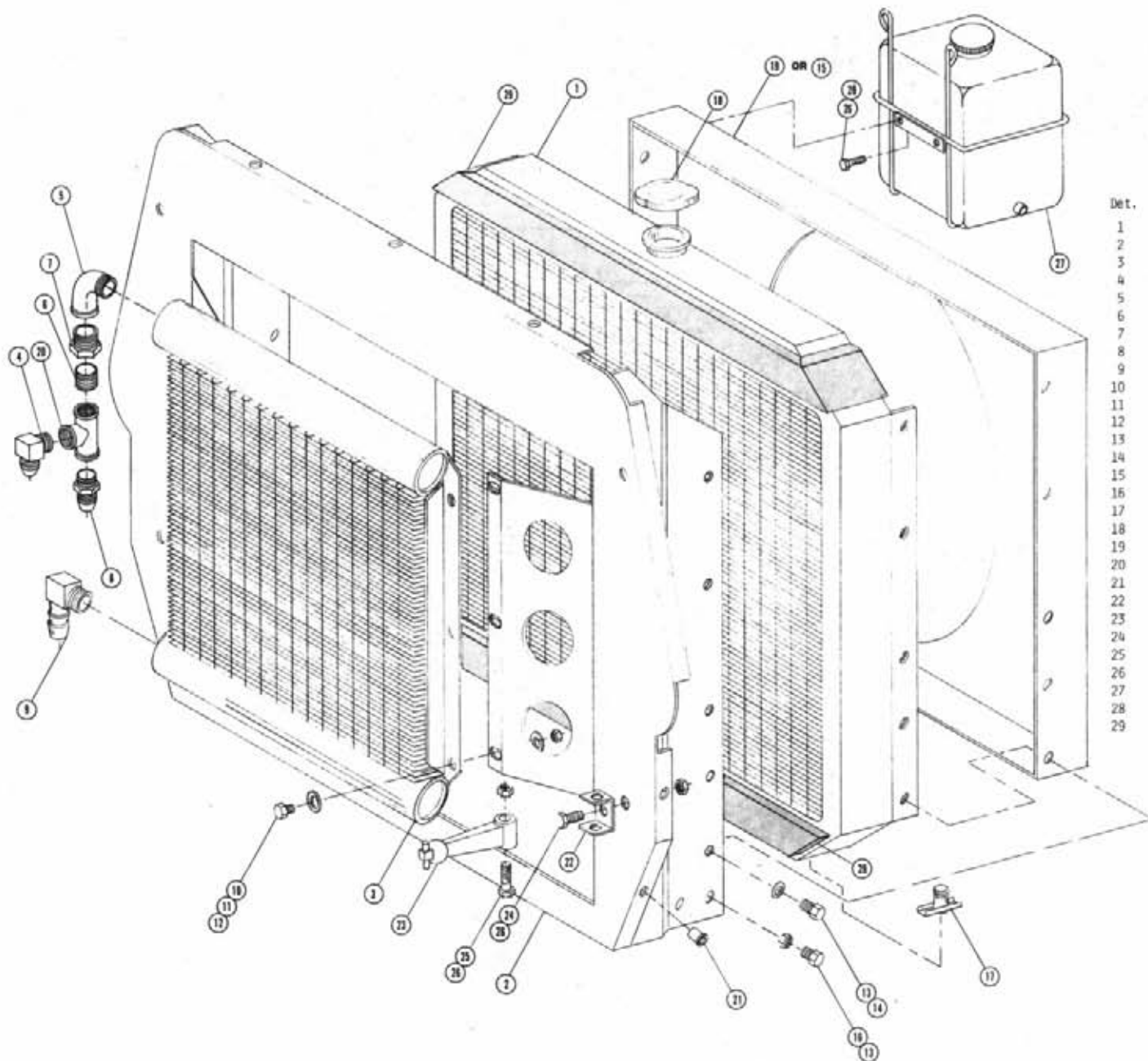
NOTE: For two-wheel drive assembly items 14, 15 and 16 are replaced by 17 and 18.



SUNDSTRAND PUMP ASSEMBLY

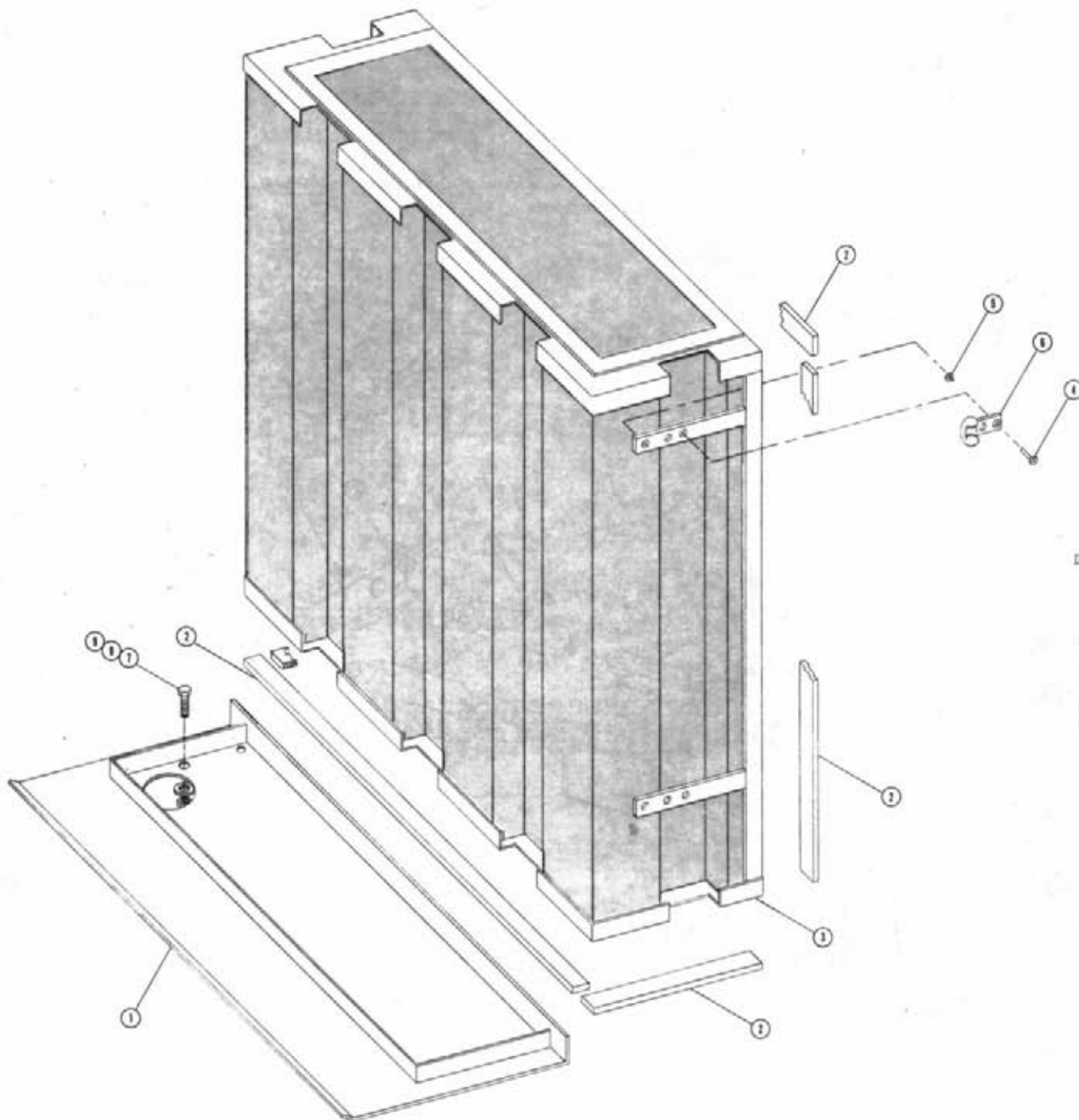
Det.	Qty.	P/N	Description
1	1	606866	Sundstrand 23 Series Pump
2	8	472243	3/8 UNC x 1 3/4 Allen Cap Screw
3	1	606848	Pump Control Lever Extension
4	1	610446	Cessna Hydraulic Pump
5	8	618167	Lock Washer
6	2	168176	1" 4-Bolt Flange x 1 5/16 MOR
7	2	870219	O-Ring
8	1	505200	1 NPT x 90° Street Elbow
9	1	606867	1.06 Charge Pump
10	1	618090	1 5/16 MOR x 1 NPT Adaptor
11	1	618183	7/8 MOR x 90° x 3/4 MJIC
12	2	618178	1 5/16 MOR x 90° x 1 5/16 MJIC
13	1	618114	7/16 MOR x 90° x 9/16 MJIC
14	1	618327	7/8 MOR x 3/4 MJIC
15	1	618563	1 1/16 MOR x 90° x 1 Hose Barb
16	1	714560	1 NPT x 1 Hose Barb
17	2	900003	1/4 UNC x 1 Hex Bolt
18	2	914000	1/4 UNC Stover Nut
*19	2	900266	1/2 UNC x 1 3/4 Hex Bolt
*20	2	900267	1/2 UNC x 2 Hex Bolt
*21	2	914008	1/2 UNC Lock Nut
*22	4	920004	1/2 Flat Washer
23	1	610387	Charge Pump Gasket
24	1	618261	O-Ring
*25	2	483041	1/2 Regular Flat Washer
26	1	505110	1 NPT x 45° Street Elbow
27	1	611128	7/8 MOR x 90° x 7/8 MJIC

Note: 1. Item 13 Used Only With Four-Wheel Drive Option.
 *2. Assembly Shown Is For Gas Engine Option. For Diesel Option Replace Items 19, 20, 21, 22, And 25 With (4) 900265-1/2 UNC x 1 1/2 Hex Bolt And (4) 920004-1/2 SAE Flat Washer.



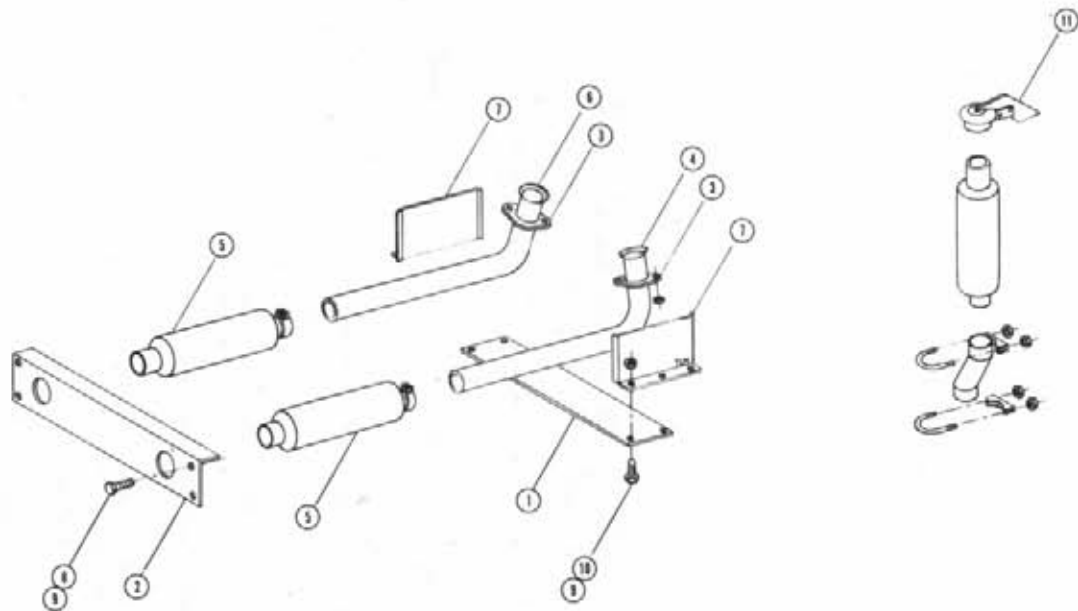
RADIATOR AND OIL COOLER ASSEMBLY

Det.	Qty.	P/N	Description
1	1	314791	Radiator
2	1	314443	Radiator-Oil Cooler Mount Weldment
3	1	618088	Oil Cooler
4	1	610305	3/4 NPT x 90° x 3/4 MJIC
5	1	505200	1 NPT x 90° Street Elbow
6	1	504702	3/4 NPT Close Nipple
7	1	505213	1 NPT to 3/4 NPT Reducer
8	1	610300	3/4 NPT x 3/4 MJIC
9	1	618138	1 NPT x 90° x 1 Hose Barb
10	6	900064	5/16 UNC x 3/4 Hex Bolt
11	6	914002	5/16 Lock Nut
12	12	920001	5/16 Flat Washer
13	14	900128	3/8 UNC x 3/4 Hex Bolt
14	10	920002	3/8 Flat Washer
15	1	316136	Radiator Shroud-Diesel Engine
16	4	914004	3/8 UNC Lock Nut
17	1	319559	Drain Cock
18	1	319257	Radiator Cap
19	1	314440	Radiator Shroud-Gas Engine
20	1	504955	3/4 NPT Pipe Tee
21	4	470086	1/4 UNC Nutsert
22	4	656999	Rubber Hook Anchor Bracket
23	4	656998	Rubber Hook
24	4	900000	1/4 UNC x 1/2 Hex Bolt
25	4	900005	1/4 UNC x 1 1/2 Hex Bolt
26	10	914000	1/4 UNC Lock Nut
27	1	314767	Radiator Recovery Tank
28	2	900003	1/4 UNC x 1 Hex Bolt
29	2	659579	Foam 2" Wide x 40" Long



AIR INTAKE ASSEMBLY

Det.	Qty.	P/N	Description
1	1	341379	Bottom Air Intake Plate Weldment
2	12'	193022	Stickertite
3	1	314397	Air Intake Weldment
4	12	485053	3/16 x 3/8 Pop Rivet
5	4	920010	#10 Flat Washer
6	4	656997	Rubber Hook Bracket
7	4	914000	1/4 UHC Lock Nut
8	4	900002	1/4 UHC x 3/4 Hex Bolt
9	4	920000	1/4 SAE Flat Washer

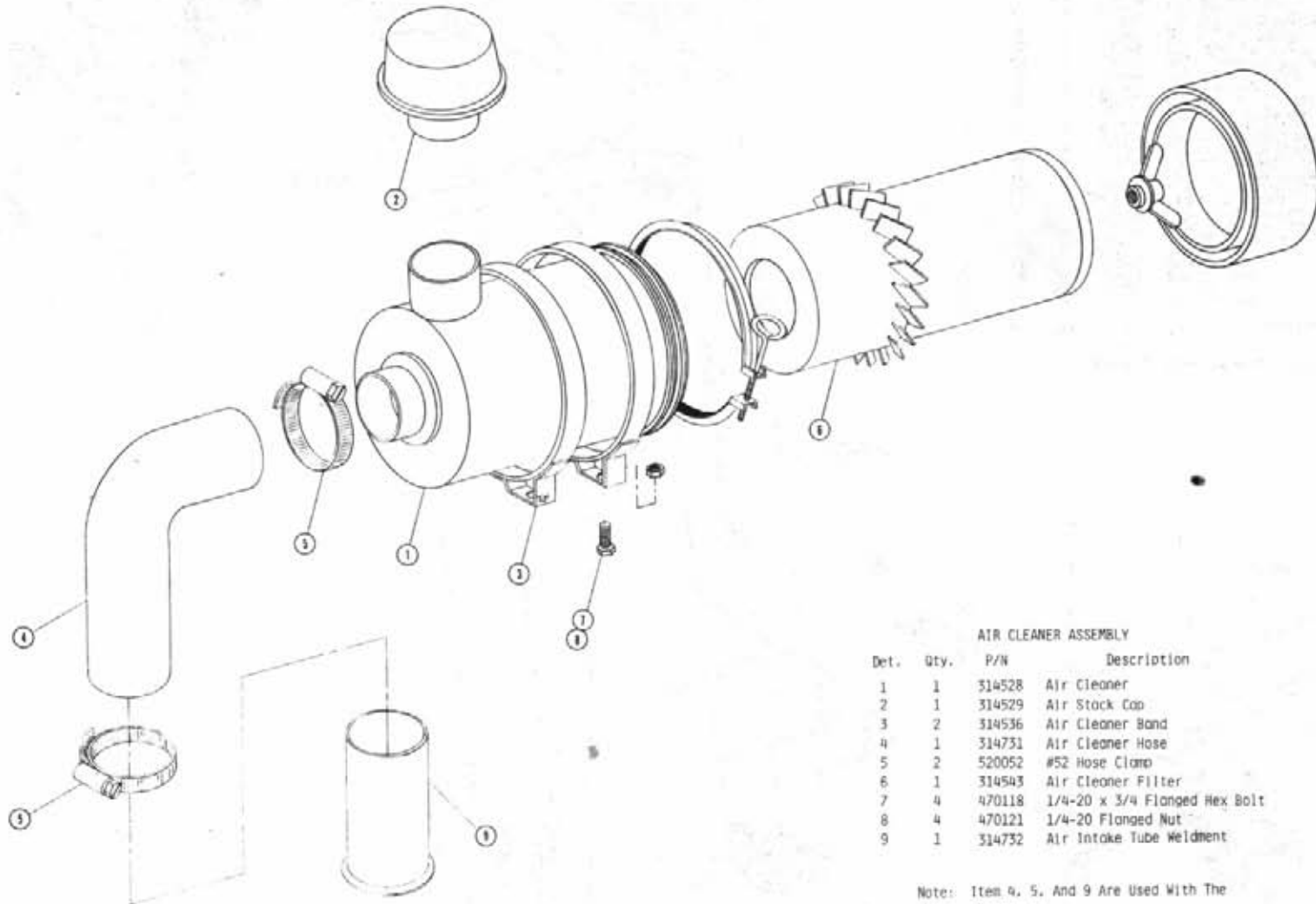


GAS ENGINE EXHAUST PIPE ASSEMBLY

Det.	Qty.	P/N	Description
1	1	361189	Main Frame Tie Plate
2	1	361190	Main Frame Rear Tie Angle
3	2	314735	Exhaust Pipe Flange
4	1	314425	Right Exhaust Pipe
5	2	319287	Muffler
6	1	314736	Left Exhaust Pipe
7	2	341359	Heat Shield
8	4	900265	1/2 UNC x 1 1/2 Hex Bolt
9	8	914008	1/2 UNC Lock Nut
10	4	900264	1/2 UNC x 1 1/4 Hex Bolt

DIESEL ENGINE EXHAUST PIPE ASSEMBLY

Det.	Qty.	P/N	Description
11	1	314537	Rain Cap



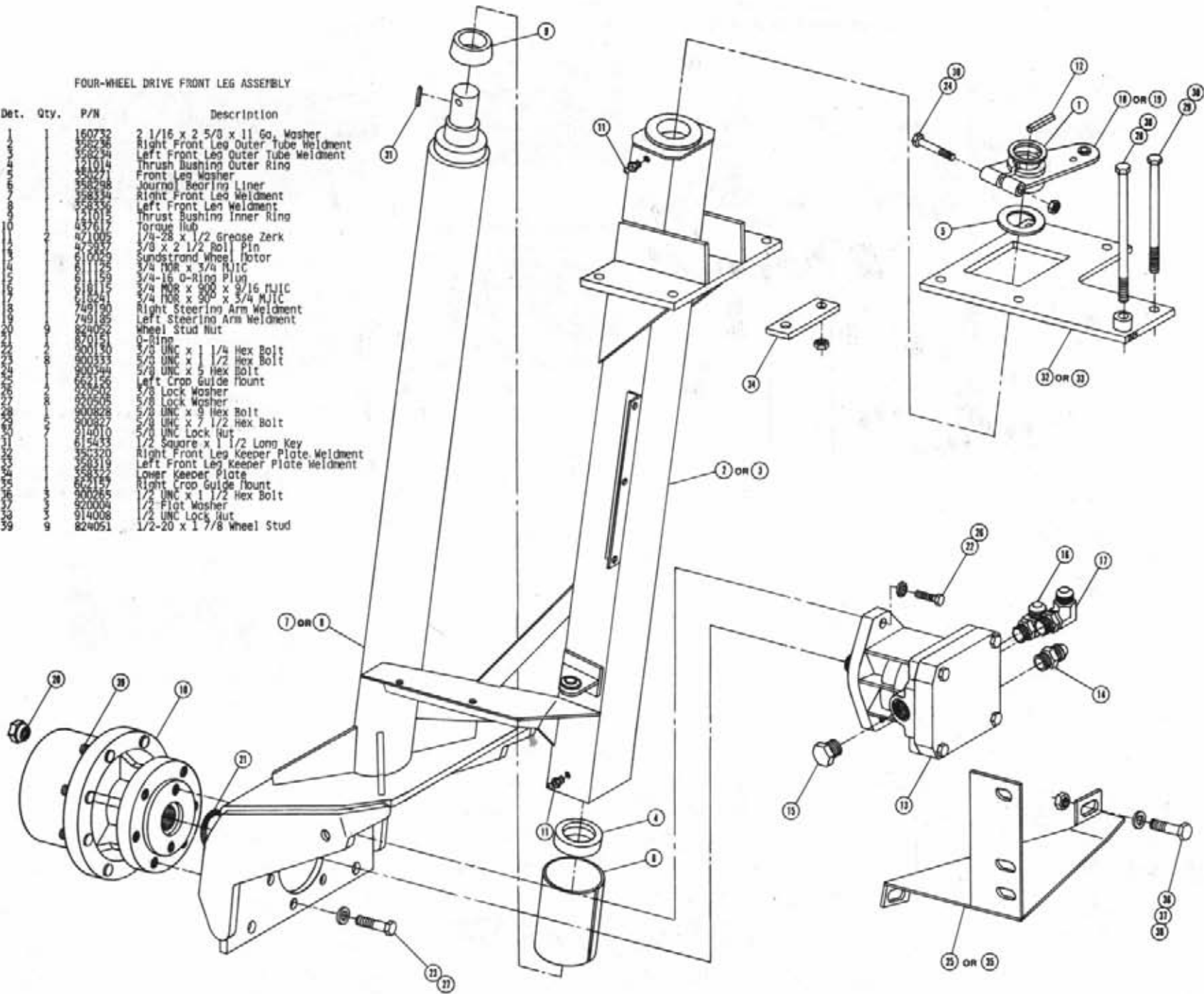
AIR CLEANER ASSEMBLY

Det.	Qty.	P/N	Description
1	1	314528	Air Cleaner
2	1	314529	Air Stock Cap
3	2	314536	Air Cleaner Band
4	1	314731	Air Cleaner Hose
5	2	520052	#52 Hose Clamp
6	1	314543	Air Cleaner Filter
7	4	470118	1/4-20 x 3/4 Flanged Hex Bolt
8	4	470121	1/4-20 Flanged Nut
9	1	314732	Air Intake Tube Weldment

Note: Item 4, 5, and 9 are used with the Gas Option.

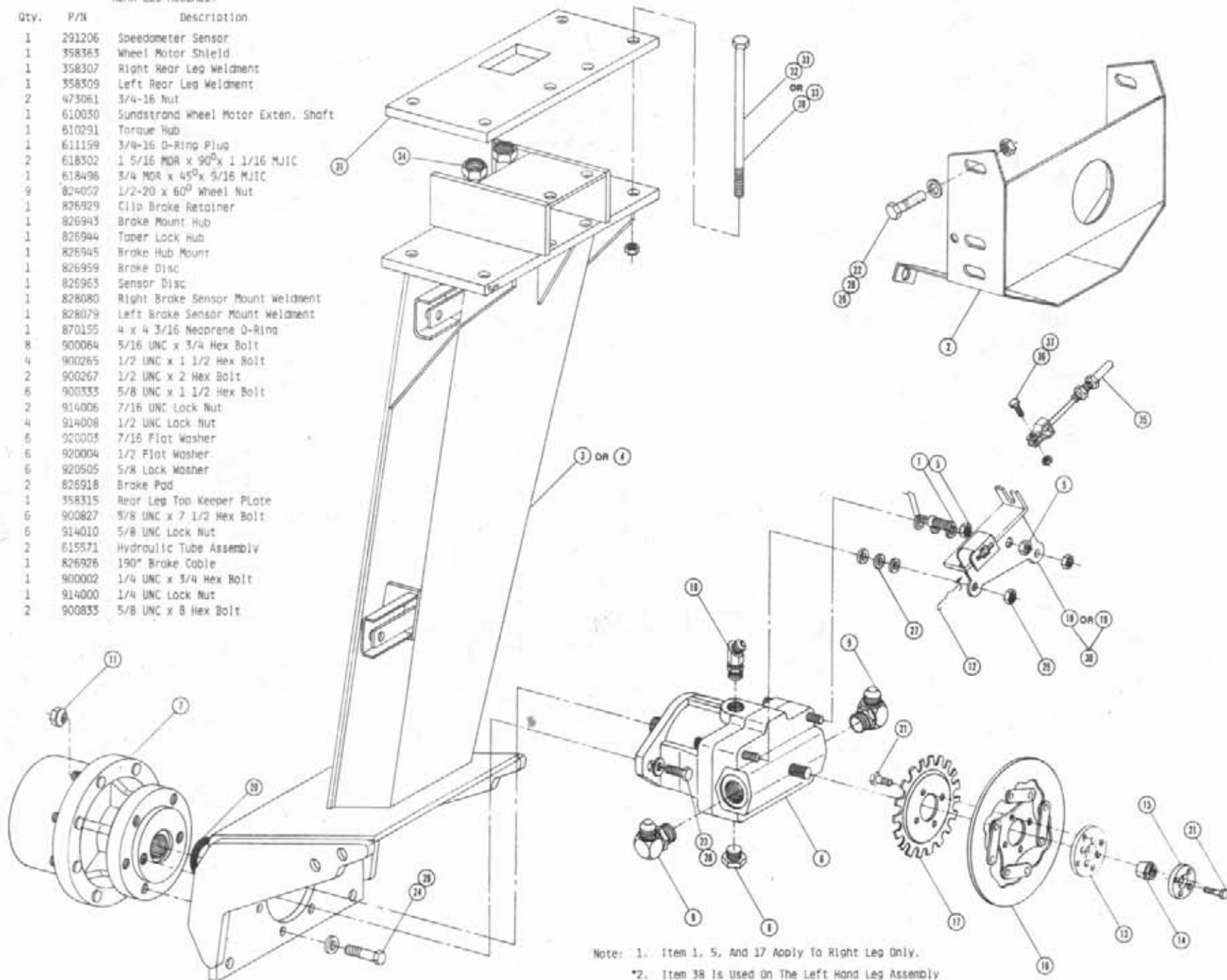
FOUR-WHEEL DRIVE FRONT LEG ASSEMBLY

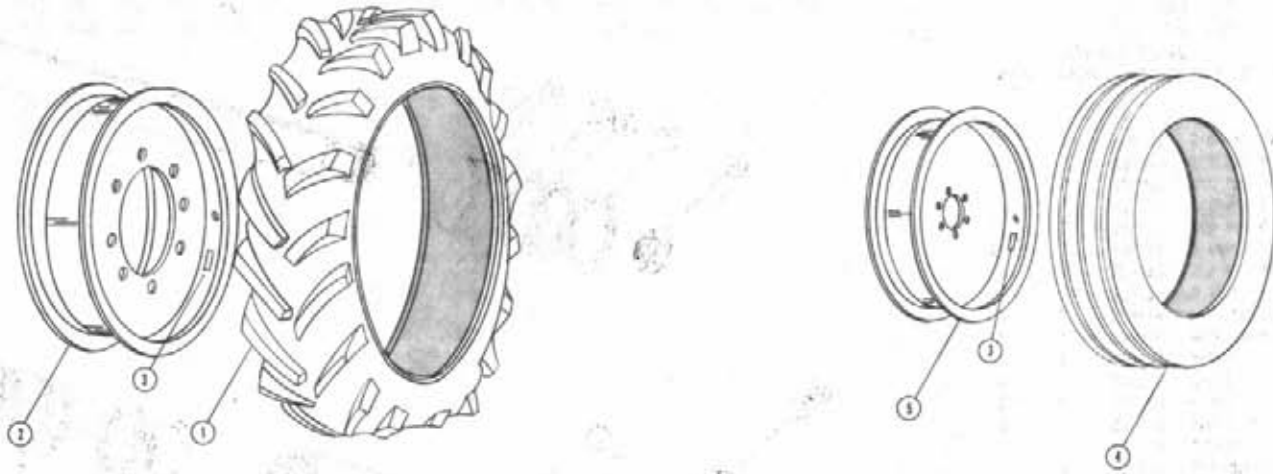
Det.	Qty.	P/N	Description
160732			2 1/16 x 2 5/8 x 11 Ga. Washer
358298			Right Front Leg Outer Tube Weldment
358334			Left Front Leg Outer Tube Weldment
121014			Thrust Bushing Outer Ring
358271			Front Leg Washer
358298			Journal Bearing Liner
358334			Right Front Leg Weldment
358334			Left Front Leg Weldment
457017			Thrust Bushing Inner Ring
457017			Torque Hub
471005			1/4-28 x 1/2 Grease Zerk
475937			5/8 x 2 1/2 Roll Pin
610029			Sundstrand Wheel Motor
611125			3/4 NBR x 3/4 NJC
611159			3/4-16 O-Ring Plug
618115			3/4 NBR x 900 x 9/16 NJC
618241			3/4 NBR x 90 x 3/4 NJC
749190			Right Steering Arm Weldment
749190			Left Steering Arm Weldment
824051			Wheel Stud Nut
824051			O-Ring
800190			5/8 UNC x 1 1/4 Hex Bolt
900333			5/8 UNC x 1 1/2 Hex Bolt
900344			5/8 UNC x 5 Hex Bolt
662156			Left Crop Guide Flount
622502			5/8 Lock Washer
622505			5/8 Lock Washer
900828			5/8 UNC x 9 Hex Bolt
900827			5/8 UNC x 7 1/2 Hex Bolt
814010			1/2 UNC Lock Nut
815433			1/2 Square x 1 1/2 Long Key
358320			Right Front Leg Keeper Plate Weldment
358319			Left Front Leg Keeper Plate Weldment
558322			Lower Keeper Plate
662157			Right Crop Guide Flount
900265			1/2 UNC x 1 1/2 Hex Bolt
920004			1/2 Flat Washer
914008			1/2 UNC Lock Nut
824051			1/2-20 x 1 7/8 Wheel Stud



REAR LEG ASSEMBLY

Det.	Qty.	P/N	Description
1	1	291206	Speedometer Sensor
2	1	358363	Wheel Motor Shield
3	1	358307	Right Rear Leg Weldment
4	1	358309	Left Rear Leg Weldment
5	2	473061	3/4-16 Nut
6	1	610030	Sundstrand Wheel Motor Exten. Shaft
7	1	610291	Torque Hub
8	1	611159	3/4-16 O-Ring Plug
9	2	618302	1 5/16 MDR x 90° x 1 1/16 MJIC
10	1	618496	3/4 MDR x 45° x 5/16 MJIC
11	9	824052	1/2-20 x 60° Wheel Nut
12	1	826929	Clip Brake Retainer
13	1	826943	Brake Mount Hub
14	1	826944	Taper Lock Hub
15	1	826945	Brake Hub Mount
16	1	826959	Brake Disc
17	1	826963	Sensor Disc
18	1	828080	Right Brake Sensor Mount Weldment
19	1	828079	Left Brake Sensor Mount Weldment
20	1	870155	4 x 4 3/16 Neoprene O-Ring
21	8	900064	5/16 UNC x 3/4 Hex Bolt
22	4	900265	1/2 UNC x 1 1/2 Hex Bolt
23	2	900267	1/2 UNC x 2 Hex Bolt
24	6	900333	5/8 UNC x 1 1/2 Hex Bolt
25	2	914006	7/16 UNC Lock Nut
26	4	914008	1/2 UNC Lock Nut
27	6	920003	7/16 Flat Washer
28	6	920004	1/2 Flat Washer
29	6	920505	5/8 Lock Washer
30	2	826918	Brake Pad
31	1	358315	Rear Leg Top Keeper PLate
32	6	900827	5/8 UNC x 7 1/2 Hex Bolt
33	6	914010	5/8 UNC Lock Nut
34	2	615571	Hydraulic Tube Assembly
35	1	826926	190" Brake Cable
36	1	900002	1/4 UNC x 3/4 Hex Bolt
37	1	914000	1/4 UNC Lock Nut
*38	2	900833	5/8 UNC x 8 Hex Bolt

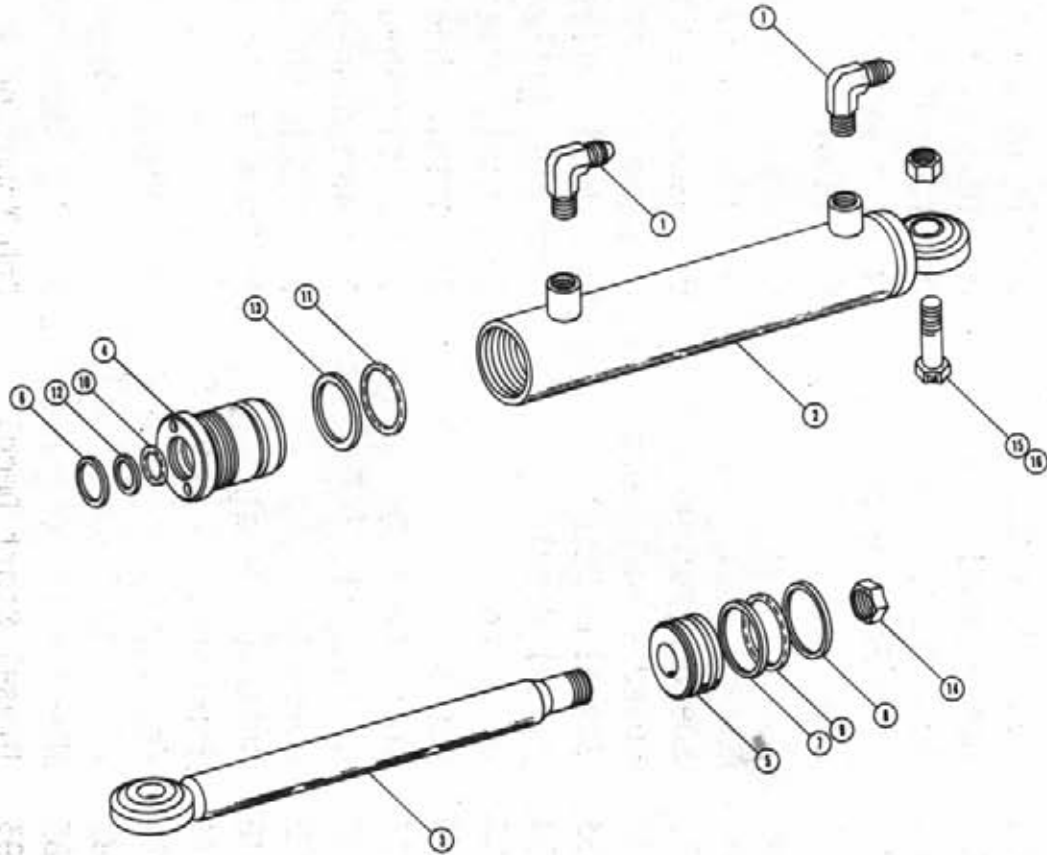




TIRE AND RIM ASSEMBLY

Det.	Qty.	P/N	Description
1	1	820201	11.2 x 24 Tractor Tire
2	1	820600	Rim Weldment
3	2	650985	Wheel Bolt Torque Decal
4	1	820611	Front Tire 9.00 x 24
5	1	820009	Front Rim Weldment

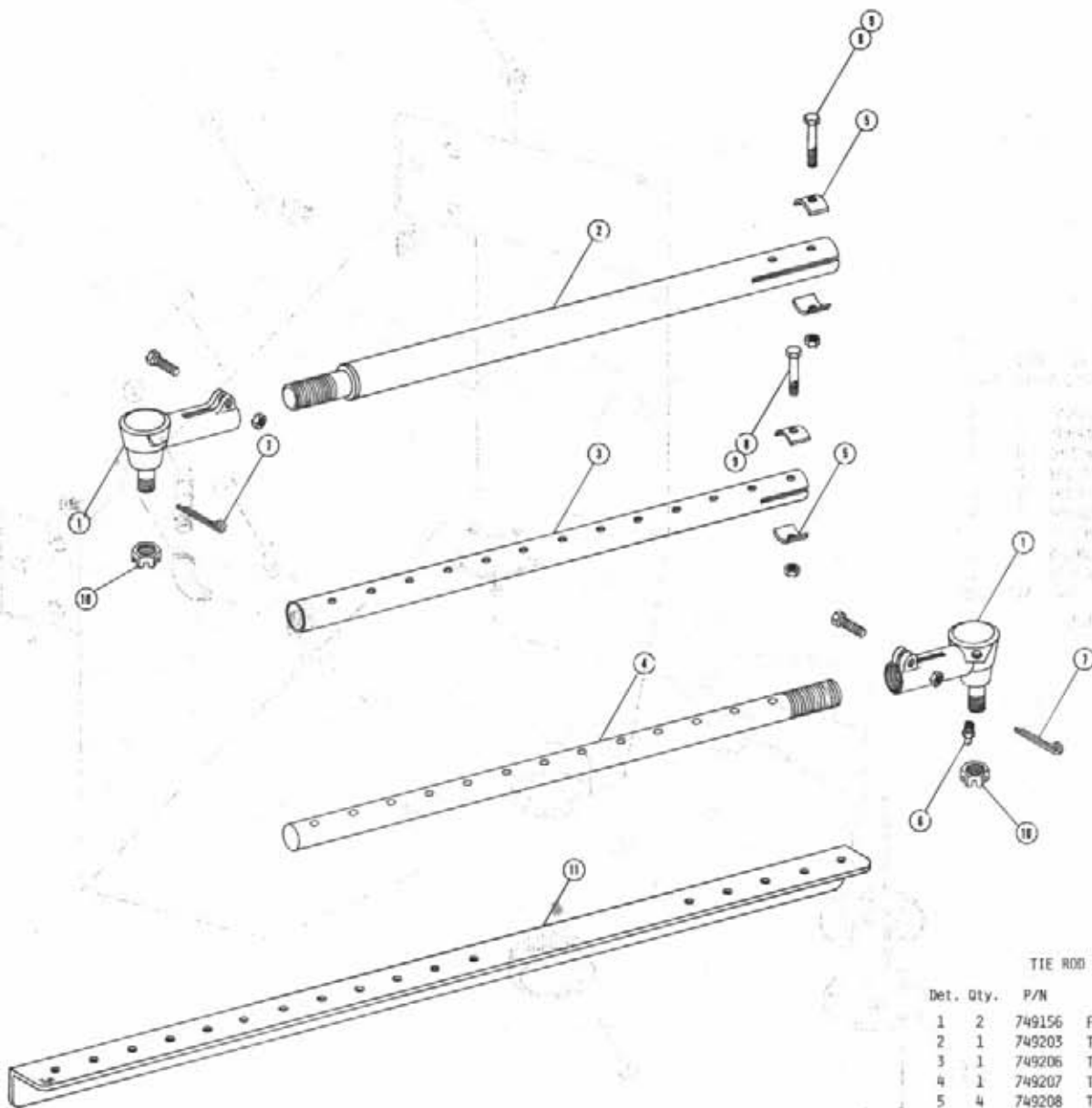
821026 RETAINER NUT (FOR TUBE)



STEERING CYLINDER ASSEMBLY

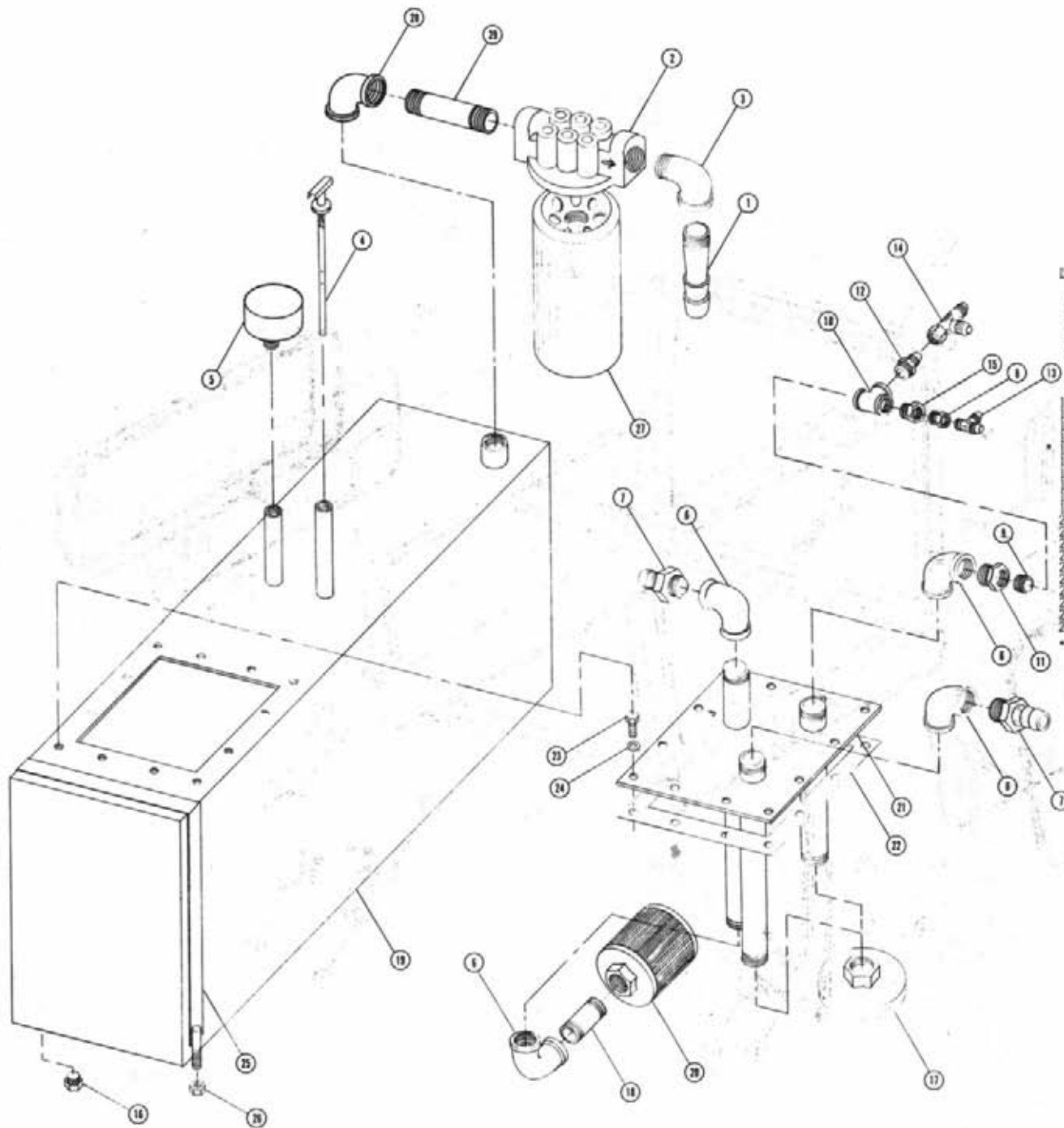
Det.	Qty.	P/N	Description
1	2	611122	1/4 NPT x 90° x 9/16 MJIC
2	1	620089	Steering Cylinder Tube Weldment
3	1	620148	Steering Cylinder Shaft Weldment
4	1	620109	Gland
5	1	620129	Piston
6	1	629028	Wiper
7	1	629618	Wear Ring
8	1	629616	Piston Seal
9	1	870025	1 3/16 x 1 5/16 O-Ring
10	1	870210	3/4 x 1 Neoprene O-Ring
11	1	870218	1 1/4 x 1 1/2 Neoprene O-Ring
12	1	890210	3/4 x 1 Back-Up Washer
13	1	890218	1 1/4 x 1 1/2 Back-Up Washer
14	1	914009	1/2 UNF Lock Nut
15	1	900337	5/8 UNC x 2 3/4 Hex Bolt
16	1	914010	5/8 UNC Lock Nut

Note: Cylinder Assembly With Fittings 620080
Seal Kit 620998



TIE ROD ASSEMBLY

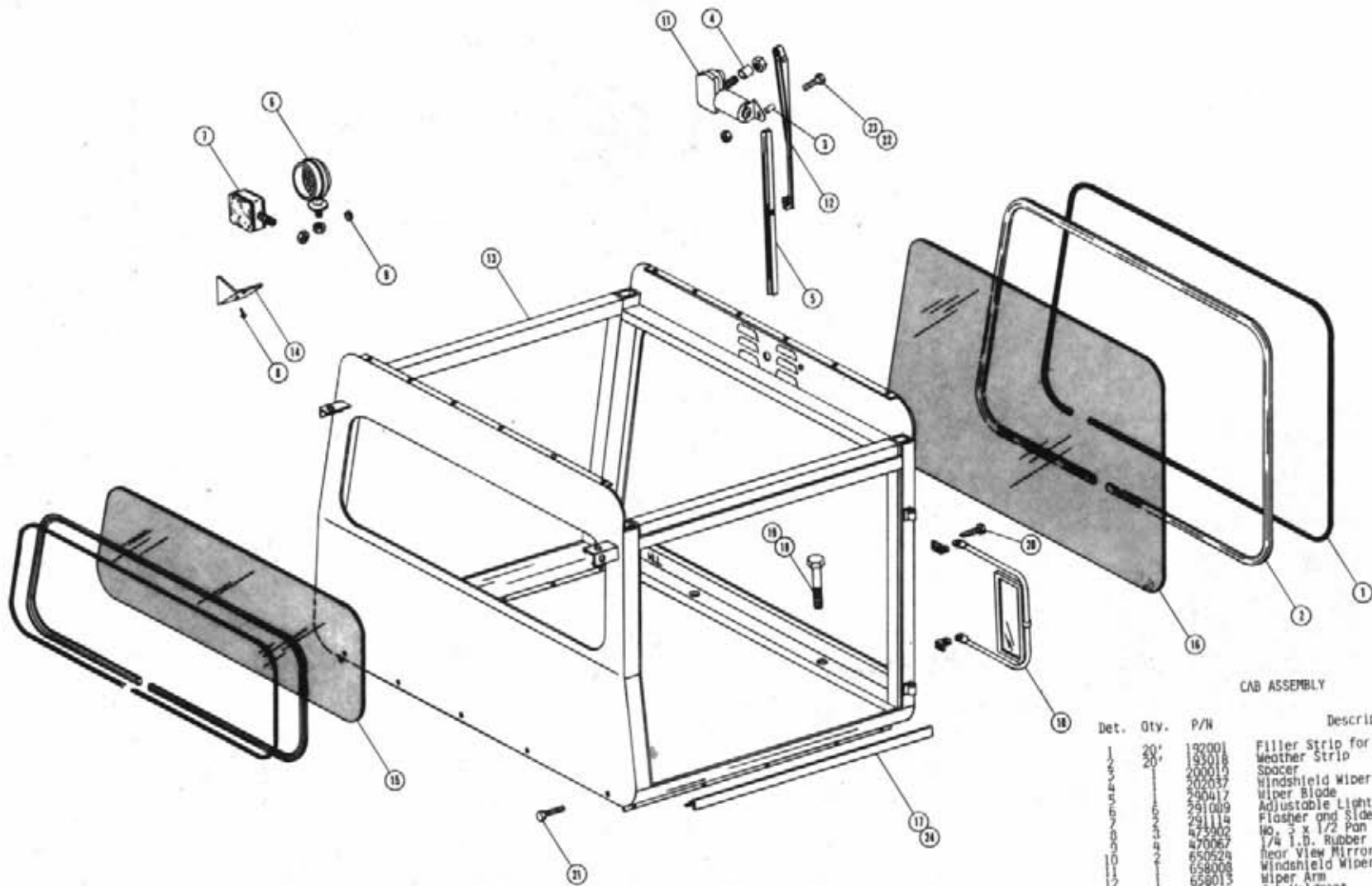
Det. Qty.	P/N	Description
1	2	749156 Female Socket Assembly
2	1	749203 Tie Rod Outer Tube Weldment
3	1	749206 Tie Rod Inner Tube
4	1	749207 Tie Rod Inner Shaft
5	4	749208 Tie Rod Clamp
6	2	471021 Grease Zerk
7	2	470032 1/8 X 1 1/2 Cotter Pin
8	2	900135 3/8 UNC X 2 3/4 Hex Bolt
9	2	914004 3/8 UNC Lock Nut
10	2	822040 5/8 UNF Slotted Hex Nut
11	1	749214 Tie Rod Stiffener Angle



HYDRAULIC TANK ASSEMBLY

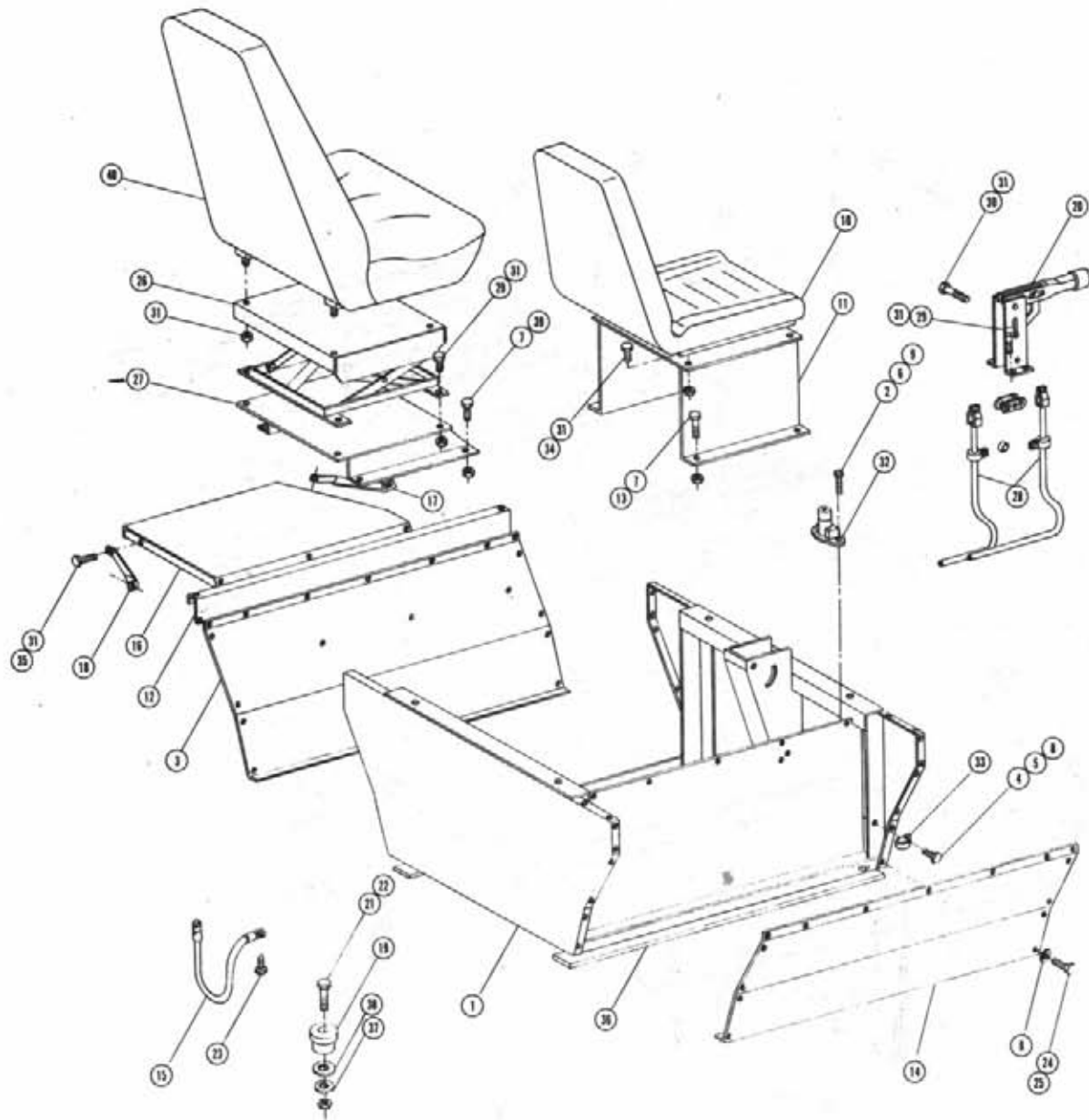
Det.	Qty.	P/N	Description
	1	715664	1/4 NPT x 1" Hose Barb
	1	605601	Green Filter
	1	506410	1/4 NPT-90° Street Elbow
	1	614455	Oil Dip Stick
	1	611051	3/4 NPT Pressure Cap
	1	505300	1" NPT-90° Elbow
	1	715660	1" NPT x 1" Hose Barb
	1	505000	1/2" to 1/4" Reducer Bushing
	1	504702	3/4 NPT Close Nipple
	1	504955	3/4 NPT Pipe Tee
	1	505213	1 to 3/4 Reducer Bushing
	1	610300	3/4 NPT x 3/4 NJC
	1	613520	1/4 NPT x 5/16 NJC Tee
	1	613451	3/4 FJIC Swivel Run Tee
	1	504210	3/4 to 1/2 Reducer Bushing
	1	501102	1/4 NPT Pipe Plug
	1	605603	Line Diffuser
	1	505205	1 NPT x 4 Pipe Nipple
	1	760097	Hydraulic Oil Tank Weldment
	1	605600	Michigan Filter
	1	760090	Receiver Plate Weldment
	1	763059	Hydraulic Motor Mounting Plate Gasket
	1	900064	5/16 UNC x 3/4 Hex Bolt
	1	920001	5/16 SAE Flat Washer
	1	341360	Oil Tank Strap Weldment
	1	614094	3/8 UNC Lock Nut
	1	605602	Green Filter Element
	1	505305	1/4 x 90° Elbow
	1	506602	1/4 x 2 1/2 Pipe Nipple

* Two-wheel drive units without rotation unit P/N 618451



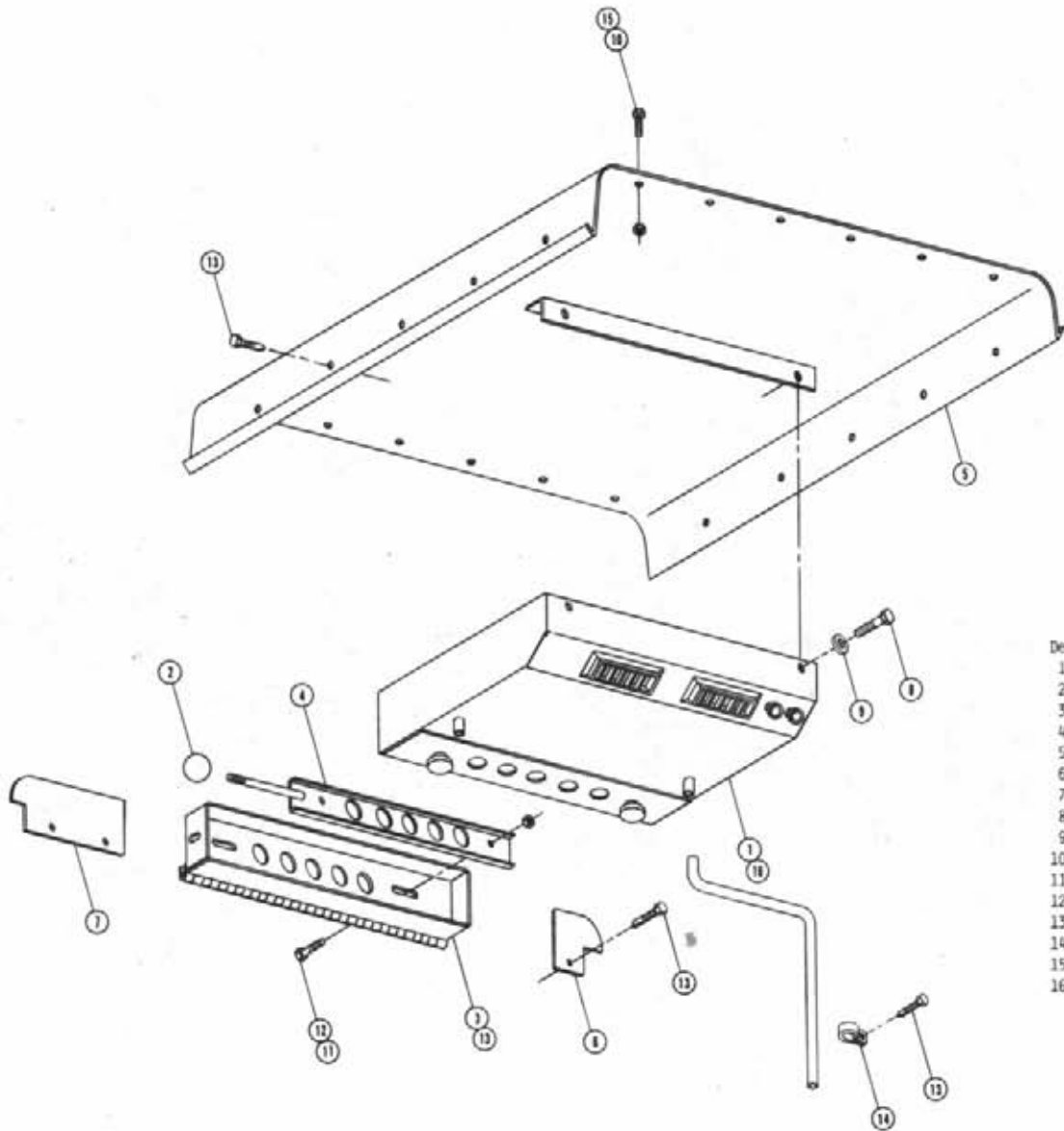
CAB ASSEMBLY

Det.	Qty.	P/N	Description
	20	192001	Filler Strip for Weather Strip
	20	193018	Weather Strip
		200019	Spacer
		202037	Windshield Wiper Spacer
		200412	Wiper Blade
		291089	Adjustable Light
		291114	Flasher and Side Marker Light
		473902	No. 3 x 1/2 Pan Head Metal Screw
		470067	1/4 I.D. Rubber Grommet
		650524	Rear View Mirror
		658008	Windshield Wiper Motor
		658013	Wiper Arm
		659402	Cab Weldment
		659421	Worklight Bracket Cover
		659424	Rear Cab Glass
		659425	Front Cab Glass
		659467	Cab Foam Keeper Angle
	2	900270	1/2 UNC x 3 Hex Bolt
	4	914000	1/2 UNC Lock Nut
	4	422349	1/4 x 3/4 Self-Tapping Screw
	10	470118	1/4 UNC x 3/4 Flanged Bolt
	10	914000	1/4 UNC Lock Nut
	10	900005	1/4 UNC x 1 1/2 Hex Bolt
	10	485052	1/8 x 3/8 Pop Rivet



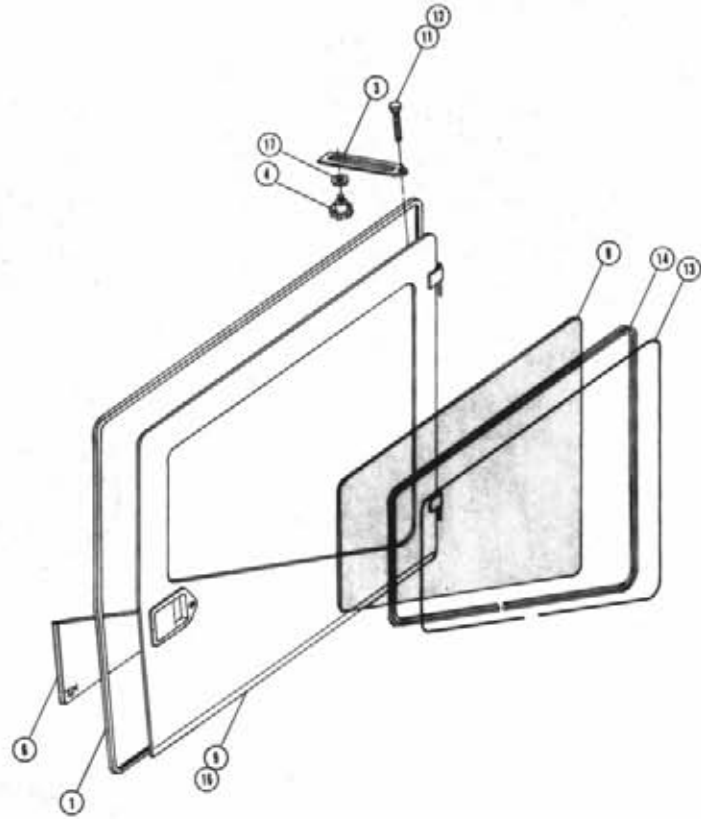
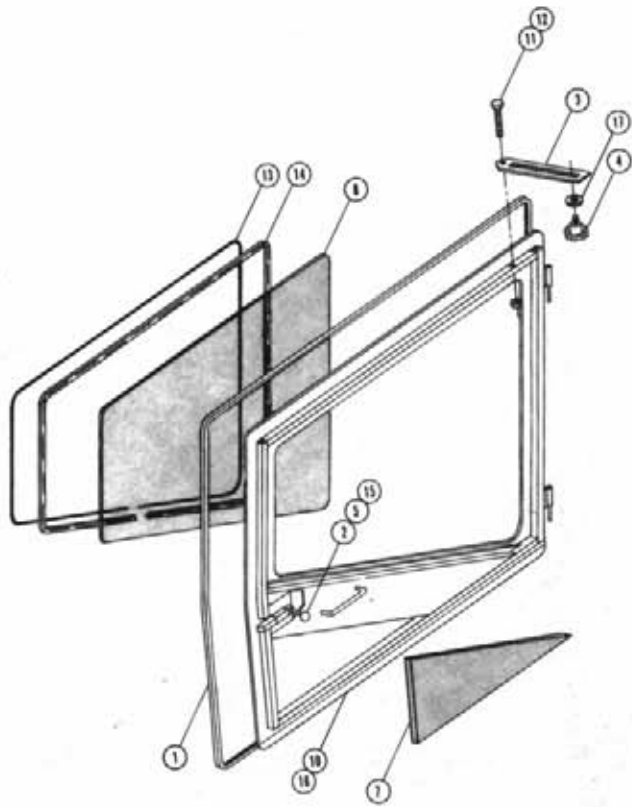
OPERATOR STATION ASSEMBLY

Det.	Qty.	P/N	Description
1	1	341368	Operator Station Weldment
2	2	472225	#10-32 x 1 Round Head Machine Screw
3	1	659600	Left Outside Station Panel
4	1	914000	1/4 UNC Lock Nut
5	1	900002	1/4 UNC x 3/4 Hex Bolt
6	2	914027	#10-32 Lock Nut
7	8	914004	3/8 UNC Lock Nut
8	51	920000	1/4 Flat Washer
9	2	920510	#10 Lock Washer
10	1	330002	Seat
11	1	341336	Seat Mount Weldment
12	1	659564	Lower Canopy Deflector
13	4	900128	3/8 UNC x 3/4 Hex Bolt
14	1	659572	Right Outside Station Panel
15	1	290107	Ground Strap
16	1	341404	Operator Station Step Weldment
17	1	341414	Front Operator Station Step Brace
18	1	341415	Rear Operator Station Step Brace
19	4	311032	Engine Isolator
20	1	826108	Brake Lever Assembly
21	4	900269	1/2 UNC x 2 3/4 Hex Bolt
22	4	914008	1/2 UNC Lock Nut
23	2	472349	1/4 UNC x 3/4 Self-Tapping Screw
24	30	470118	1/4 UNC x 3/4 Flanged Hex Bolt
25	28	470086	1/4 UNC Nutsert
26	1	330015	Suspension Assembly
27	1	341554	Seat Mount Weldment
28	2	826926	190" Brake Cable
29	8	900064	5/16 UNC x 3/4 Hex Bolt
30	1	900067	5/16 UNC x 1 1/2 Hex Bolt
31	21	914002	5/16 UNC Lock Nut
32	1	290412	Dimmer Switch
33	1	520121	Cushion Hose Clamp
34	4	901064	5/16 UNC x 3/4 Corrage Bolt
35	4	900065	5/16 UNC x 1 Hex Bolt
36	2	659579	Foam 2" x 40"
37	4	920004	1/2 Flat Washer
38	4	483037	5/8 Regular Flat Washer
39	4	900129	3/8 UNC x 1 Hex Bolt
40	1	330014	Trimline Seat



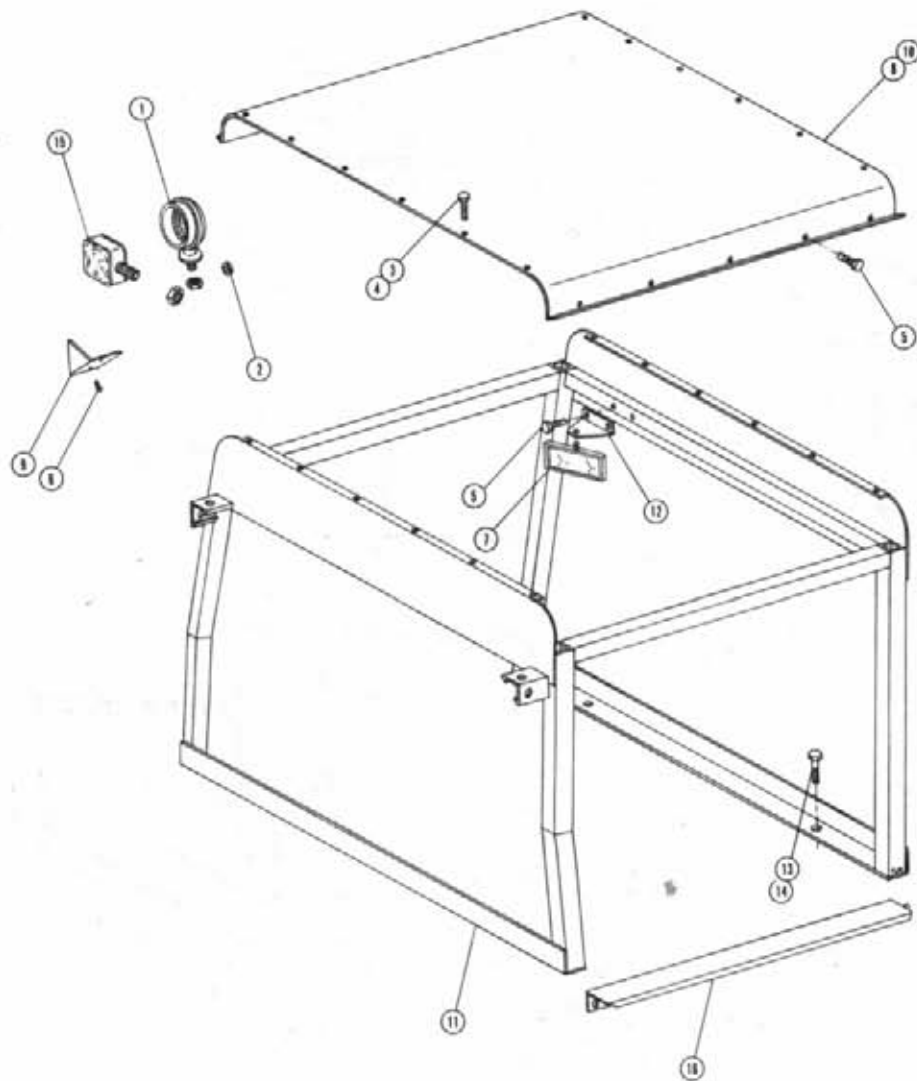
AIR CONDITIONER ASSEMBLY AND ROOF

Det.	Qty.	P/N	Description
1	1	657303	A/C Evaporator Installation Kit
2	1	659291	3/8 x 1 Ball Knob
3	1	659439	Air Conditioner Housing Mount Weldment
4	1	659442	Outside Air Slide Weldment
5	1	659445	Cab Roof Weldment
6	1	659448	Right Cab Roof Gusset
7	1	759449	Left Cab Roof Gusset
8	2	900130	3/8 UNC x 1 1/4 Hex Bolt
9	2	920002	3/8 SAE Flat Washer
10	12	470118	1/4 UNC x 3/4 Flanged Hex Bolt
11	2	914000	1/4 UNC Lock Nut
12	2	900000	1/4 UNC x 1/2 Hex Bolt
13	22	472349	1/4 x 3/4 Self-Tapping Screw
14	4	520117	5/8 Cushion Hose Clamp
15	12	470121	1/4-20 Flanged Lock Nut
16	1	657333	A/C Blower And Evaporator Kit



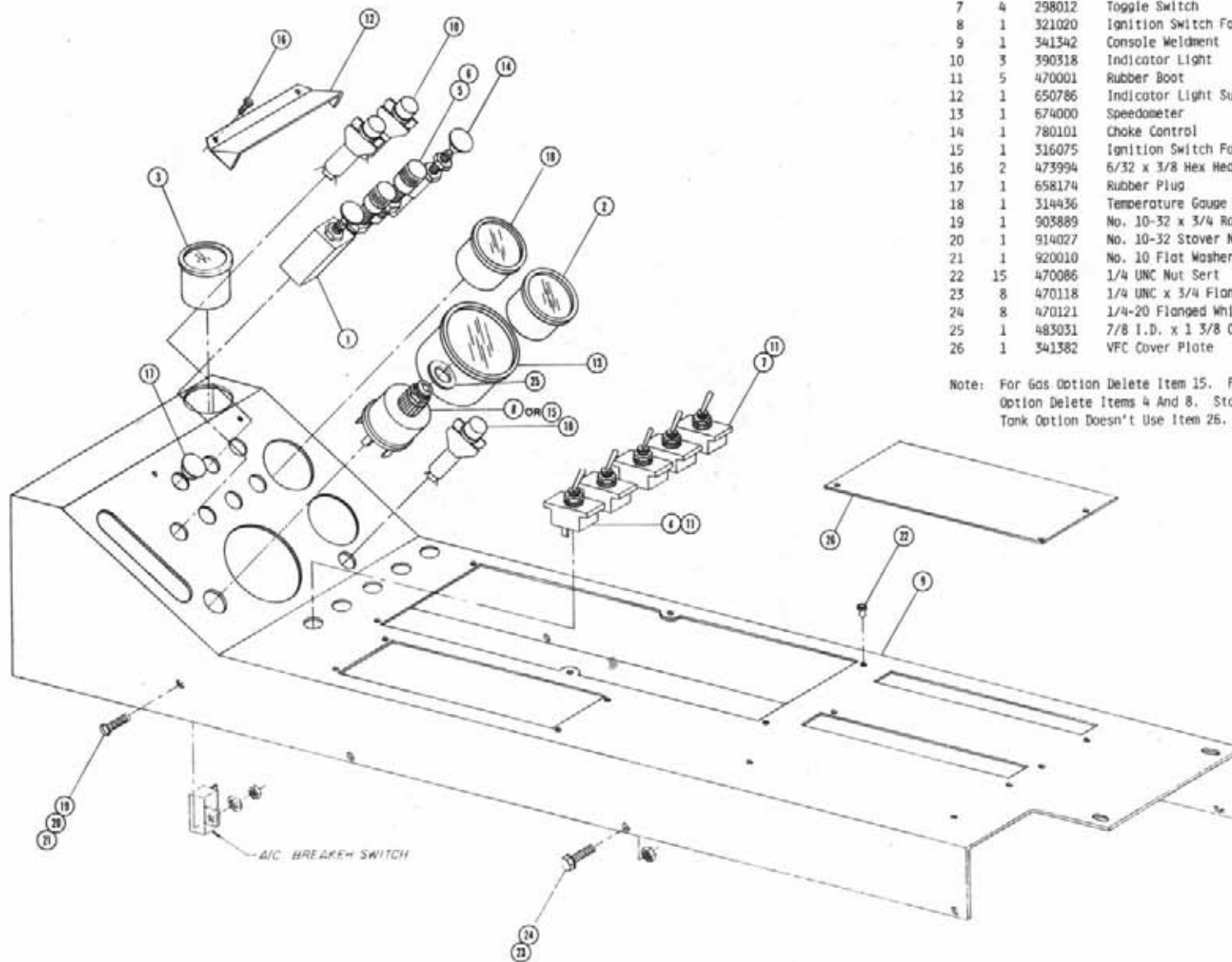
DOOR ASSEMBLY

Det.	Qty.	P/N	Description
1	24	193028	Snap-On Seal
2	2	470077	3/8 UNC x 1 3/4 Stud
3	2	659159	Door Catch Slide
4	2	470024	3/8 UNC Plastic Knob
5	2	659292	1 7/8 Ball Knob
6	1	659384	Foam, Right Door Panel
7	1	659386	Foam, Left Door Panel
8	2	659426	Cab Door Glass
9	1	659427	Right Cab Door Weldment
10	1	659436	Left Cab Door Weldment
11	2	900004	1/4 UNC x 1 1/4 Hex Bolt
12	2	914000	1/4 UNC Lock Nut
13	10'	192001	Filler Strip
14	18'	193010	Self Seal Weather Strip
15	2	910004	3/8 UNC Hex Nut
16	4	435052	1/8 x 3/8 Pop Rivet
17	2	920002	3/8 Flat Washer



CANOPY ASSEMBLY

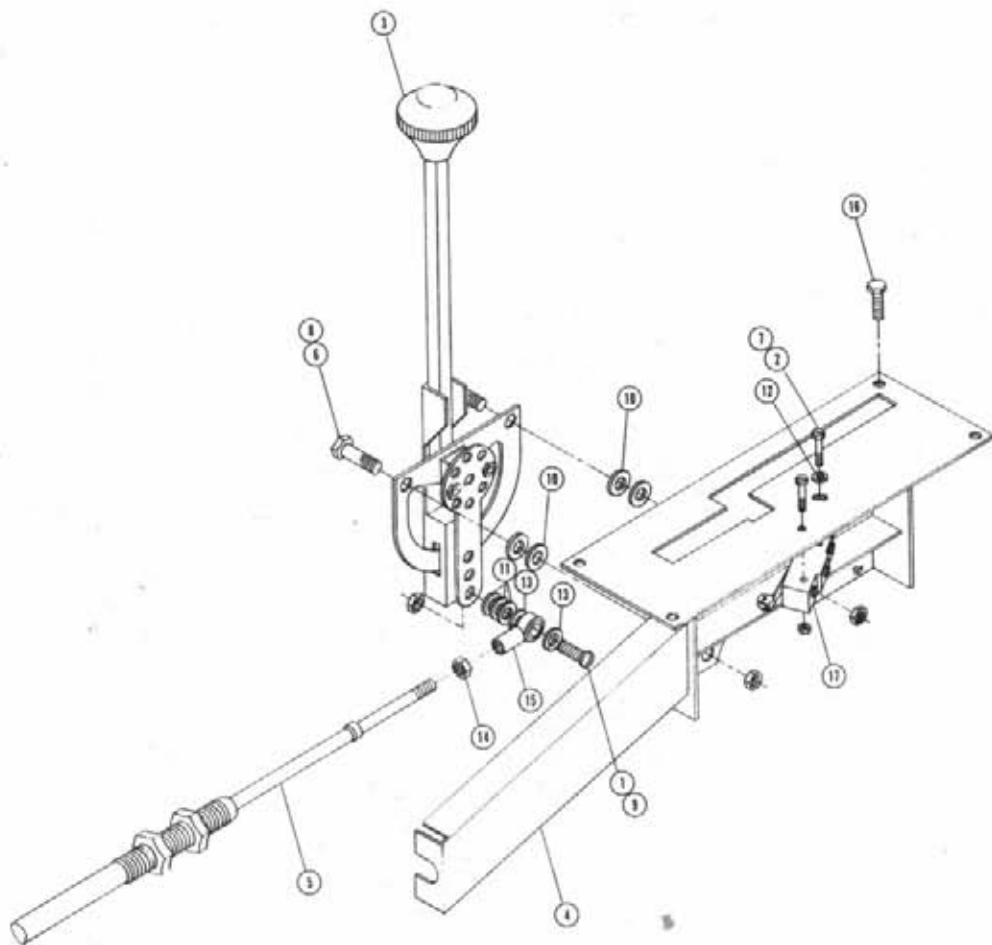
Det.	Qty.	P/N	Description
1	6	291089	Adjustable Light
2	4	470067	1/4 I.D. Rubber Grommet
3	12	470118	1/4 UNC x 3/4 Flanged Hex Bolt
4	12	470121	1/4-20 Flanged Nut
5	12	472349	1/4-3/4 Self-Tapping Screw
6	8	473902	No. 8 x 12 Pan Head Metal Screw
7	1	650524	Outside Rear View Mirror
8	1	659383	Roof Foam
9	4	659421	Work Light Bracket Cover
10	1	659446	Cab Roof
11	1	659508	Canopy Weldment
12	1	659565	Rear View Mirror Mounting Bracket
13	4	900265	1/2 x 1 1/2 Hex Bolt
14	4	914008	1/2 UNC Lock Nut
15	2	291114	Flasher and Side Marker Light
16	1	659603	Right Lower Canopy Deflector Shield



CONSOLE ASSEMBLY

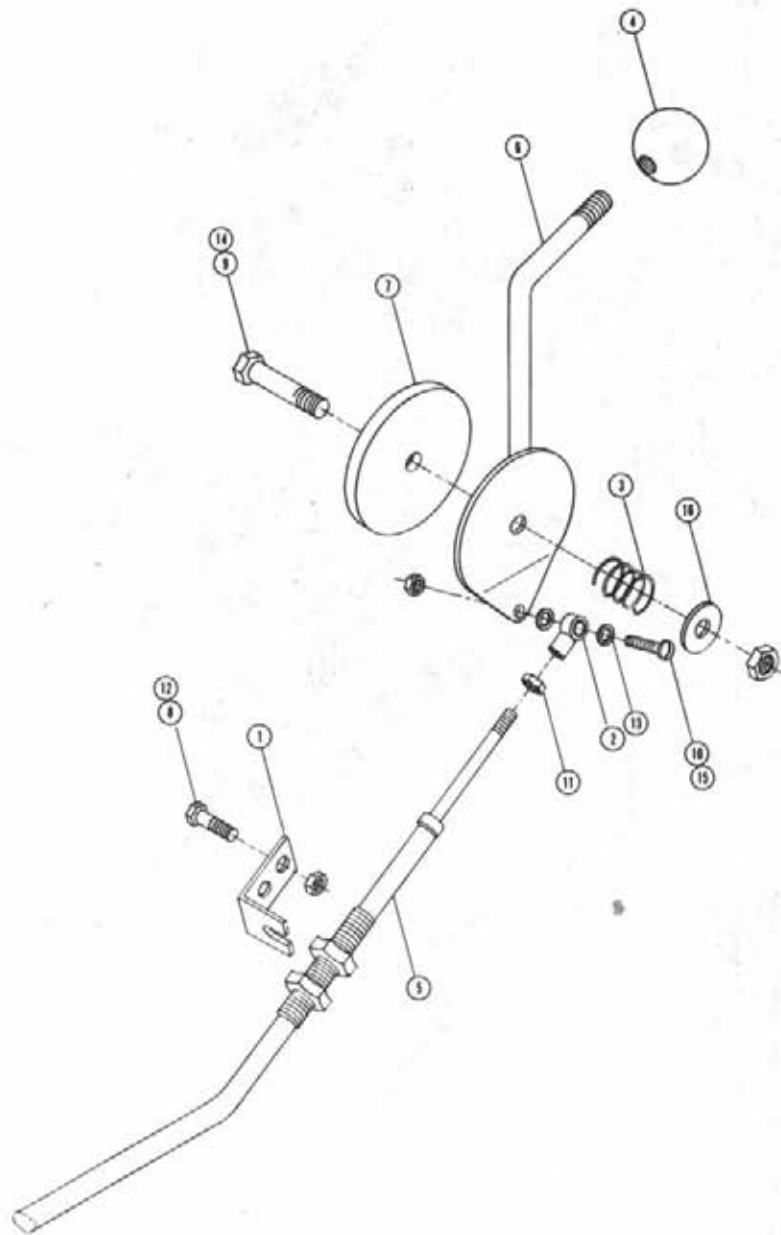
Det.	Qty.	P/N	Description
1	1	290046	Two Position Light Switch
2	1	290401	Fuel Gauge
3	1	291203	Hour Meter
4	1	291204	RPM-MPH Switch
5	2	298004	20 Amp Fuse
6	2	298011	Fuse Holder
7	4	298012	Toggle Switch
8	1	321020	Ignition Switch For Gas Option
9	1	341342	Console Weldment
10	3	390318	Indicator Light
11	5	470001	Rubber Boot
12	1	650786	Indicator Light Sun Shield
13	1	674000	Speedometer
14	1	780101	Choke Control
15	1	316075	Ignition Switch For Diesel Engine
16	2	473994	6/32 x 3/8 Hex Head Metal Screw
17	1	658174	Rubber Plug
18	1	314436	Temperature Gauge
19	1	903889	No. 10-32 x 3/4 Round Head Machine Screw
20	1	914027	No. 10-32 Stover Nut
21	1	920010	No. 10 Flat Washer
22	15	470086	1/4 UNC Nut Sert
23	8	470118	1/4 UNC x 3/4 Flanged Hex Bolt
24	8	470121	1/4-20 Flanged Whiz Nut
25	1	483031	7/8 I.D. x 1 3/8 O.D. Washer
26	1	341382	VFC Cover Plate

Note: For Gas Option Delete Item 15. For Diesel Option Delete Items 4 And 8. Stainless Steel Tank Option Doesn't Use Item 26.



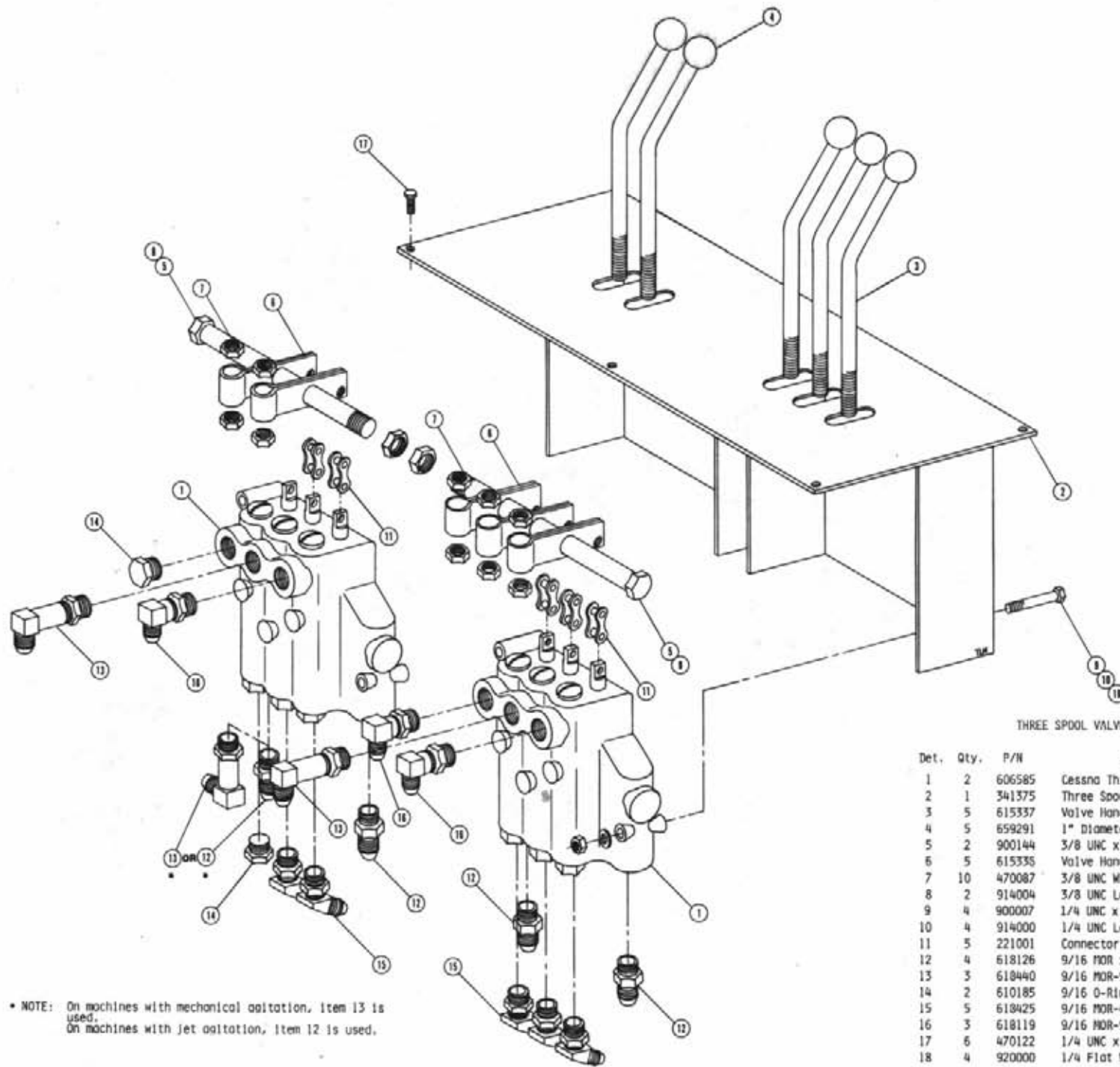
HYDROSTATIC LEVER ASSEMBLY

Det.	Qty.	P/N	Description
1	1	472225	#10-32 x 1" Round Head Machine Screw
2	2	473993	#6-32 x 1 1/8 Hex Head Machine Screw
3	1	606772	Hydrostatic Control Head
4	1	785051	Hydrostatic Control Head Weldment
5	1	785053	Throttle Cable 95"
6	2	900003	1/4 UNC x 1 Hex Bolt
7	2	910022	#6-32 Hex Nut
8	2	914000	1/4 UNC Stover Nut
9	1	914027	#10-32 Stover Nut
10	4	920000	1/4 SAE Flat Washer
11	3	920010	#10 SAE Flat Washer
12	1	920011	#6 SAE Flat Washer
13	2	920510	#10 Lock Washer
14	1	910027	#10 UNF Hex Nut
15	1	473921	#10-32 Ball Joint
16	4	470122	1/4-20 x 1/2 Flanged Hex Bolt
17	1	293006	Micro Switch



THROTTLE LEVER ASSEMBLY

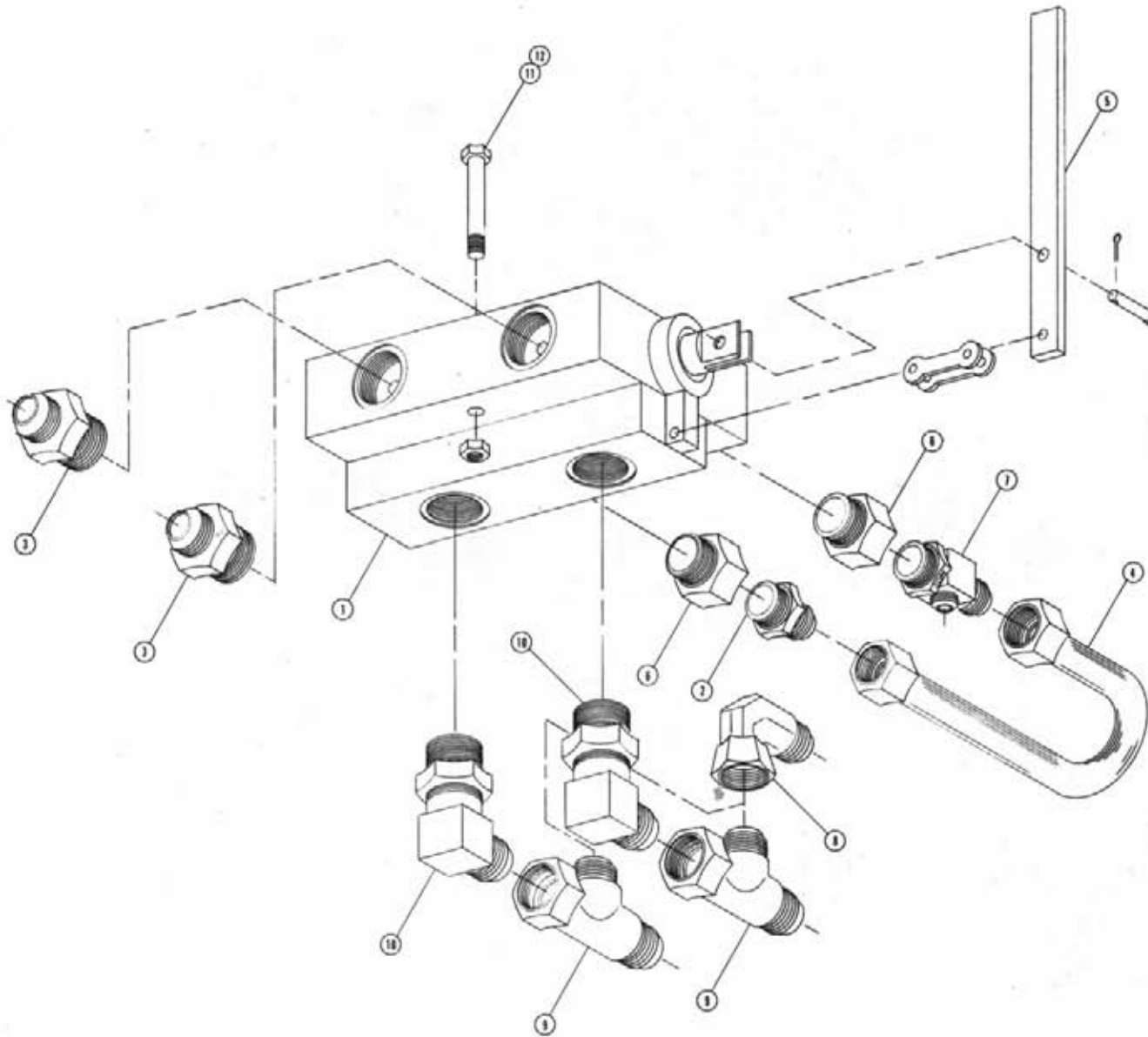
Det.	Qty.	P/N	Description
1	1	341188	Throttle Cable Mount Angle
2	1	473921	#10-32 Ball Joint
3	1	499001	Spring
4	1	659292	1 7/8 Dia Ball Knob
5	1	785003	Throttle Cable 112"
6	1	785040	Throttle Lever Weldment
7	1	785046	Friction Disc
8	2	900000	1/4 UNC x 1/2 Hex Bolt
9	1	900170	3/8 UNC x 2 1/4 Hex Bolt
10	1	903889	#10-32 x 3/4 Slotted Round Head Machine Screw
11	1	910027	#10 UNF Hex Nut
12	2	914000	1/4 UNC Stover Nut
13	2	920510	#10 Lock Washer
14	1	914004	3/8 UNC Stover Nut
15	1	914027	#10-32 Stover Nut
16	1	920002	3/8 SAE Flat Washer



THREE SPOOL VALVE ASSEMBLY

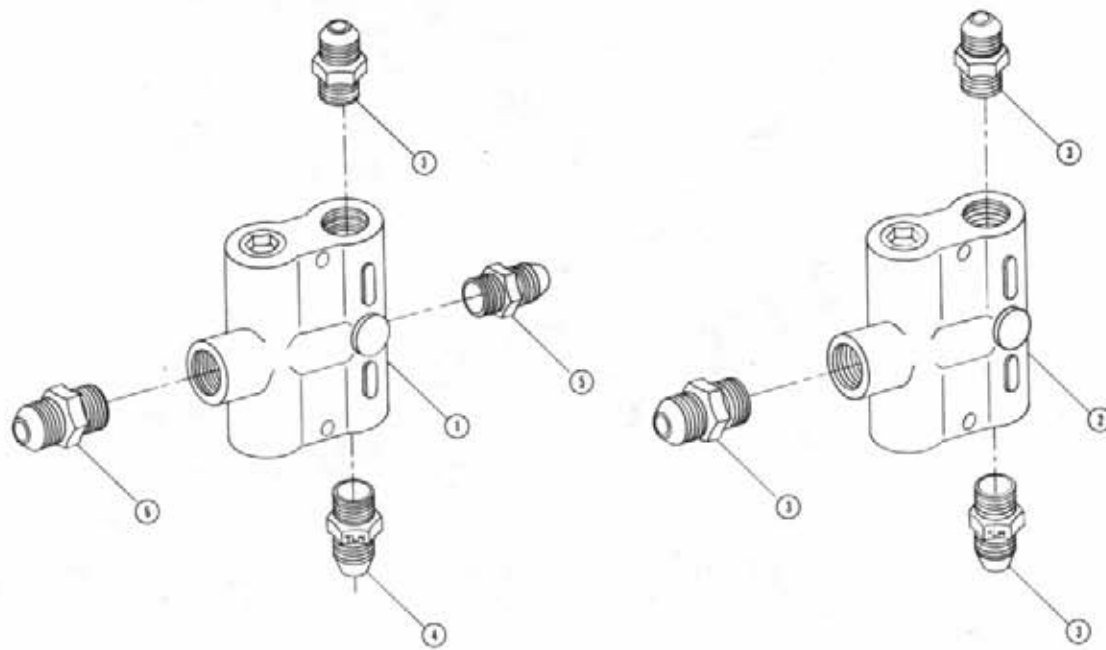
Det.	Qty.	P/N	Description
1	2	606585	Cessna Three Spool Valve
2	1	341375	Three Spool Valve Mount Weldment
3	5	615337	Valve Handle
4	5	659291	1" Diameter Ball
5	2	900144	3/8 UNC x 6 1/2 Hex Bolt
6	5	615335	Valve Handle Link
7	10	470087	3/8 UNC Whiz Nut
8	2	914004	3/8 UNC Lock Nut
9	4	900007	1/4 UNC x 2 Hex Bolt
10	4	914000	1/4 UNC Lock Nut
11	5	221001	Connector Link Clip
12	4	618126	9/16 MDR x 9/16 MJIC
13	3	618440	9/16 MDR-90°-9/16 Long JIC
14	2	610185	9/16 O-Ring Plug
15	5	618425	9/16 MDR-45°-9/16 MJIC
16	3	618119	9/16 MDR-90°-9/16 MJIC
17	6	470122	1/4 UNC x 1/2 Flange Head Bolt
18	4	920000	1/4 Flat Washer

• NOTE: On machines with mechanical agitation, item 13 is used.
On machines with jet agitation, item 12 is used.



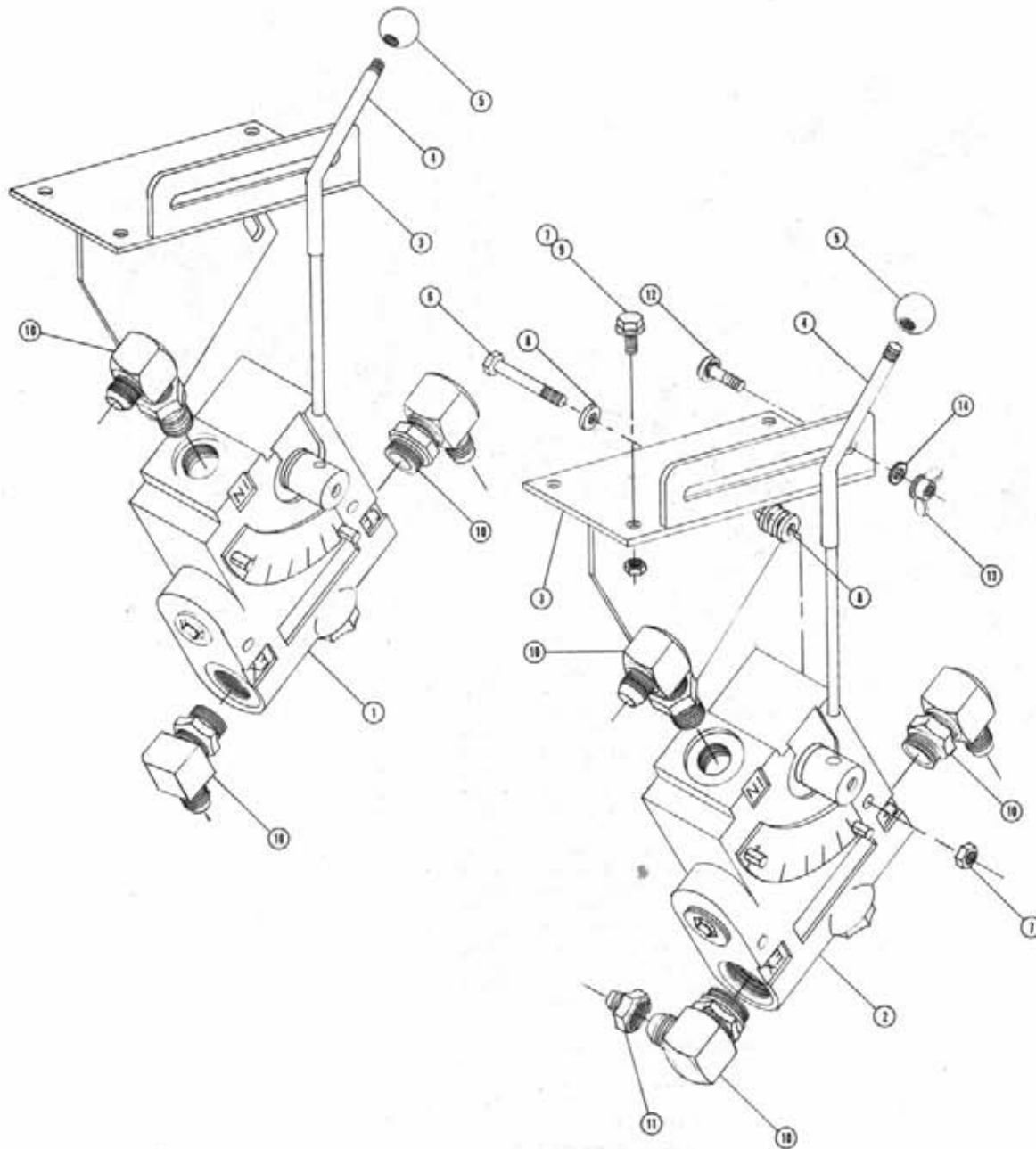
FOUR-WHEEL DRIVE SELECTOR VALVE ASSEMBLY

Det.	Qty.	P/N	Description
1	1	606003	Gresen Selector Valve
2	1	611126	7/8 MOR x 7/8 MJIC
3	2	611127	1 1/16 MOR x 1 1/16 MJIC
4	1	614193	Four-Wheel Drive U-Tube
5	1	615502	Four-Wheel Drive Selector Valve Handle
6	2	616132	1 1/16 MOR x 7/8 FOR Reducer
7	1	618287	7/8 MOR x 7/8 MJIC x 9/16 JIC Branch Tee
8	2	618301	7/8 MJIC x 90° x 7/8 FJIC Swivel
9	2	618333	7/8 JIC Swivel Run Tee
10	2	618535	1 1/16 MOR x 90° x 7/8 MJIC
11	2	900135	3/8 UNC x 2 3/4 Hex Bolt
12	2	914004	3/8 UNC Lock Nut



FLOW DIVIDER ASSEMBLY

Det.	Qty.	P/N	Description
1	1	607518	BGR56 Flow Divider
2	1	607504	B50 Flow Divider
3	4	618310	7/8 MOR x 9/16 MJIC
4	1	618327	7/8 MOR x 3/4 MJIC
5	1	618011	3/8 NPT x 9/16 MJIC
6	1	611126	7/8 MOR x 7/8 MJIC

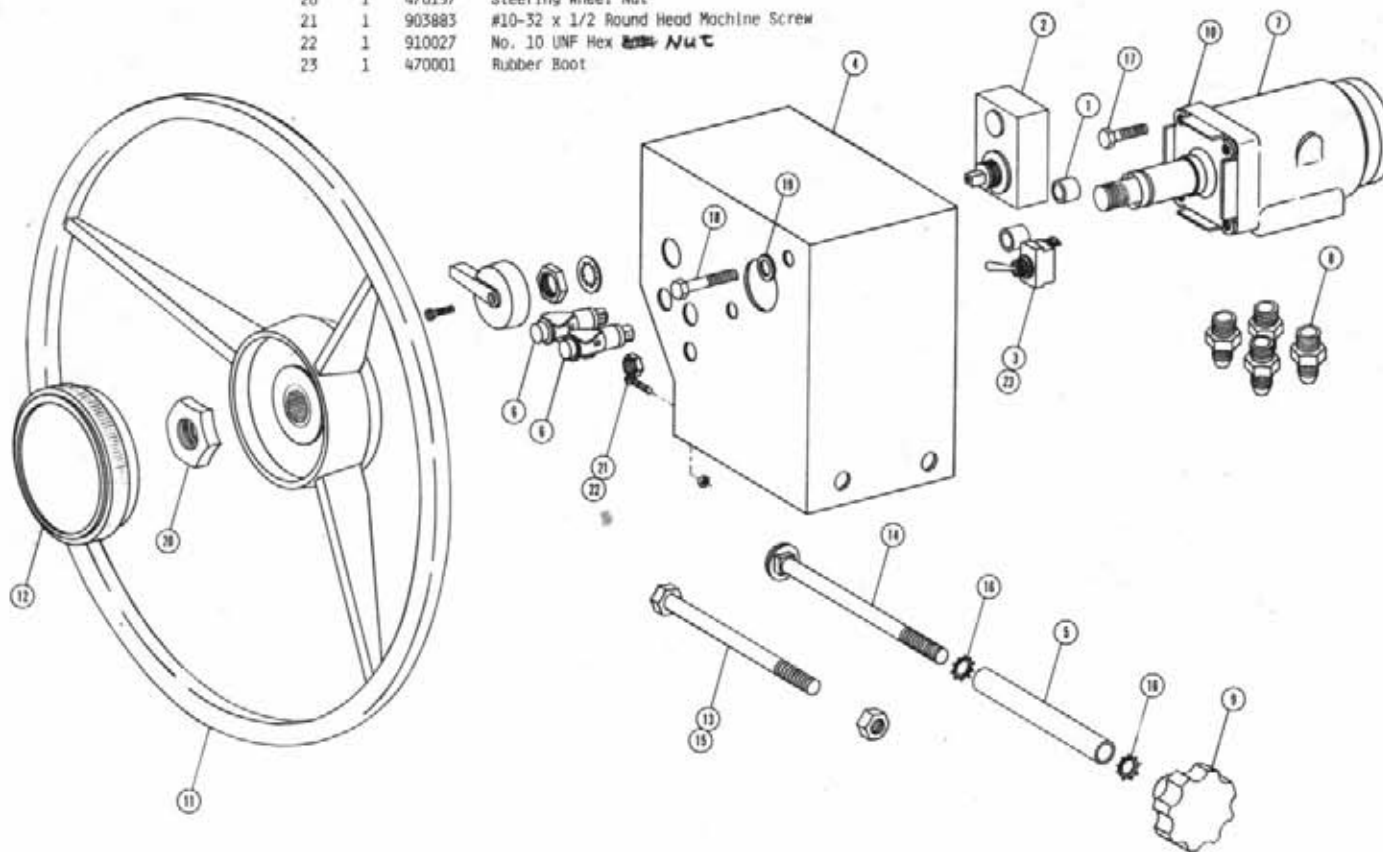


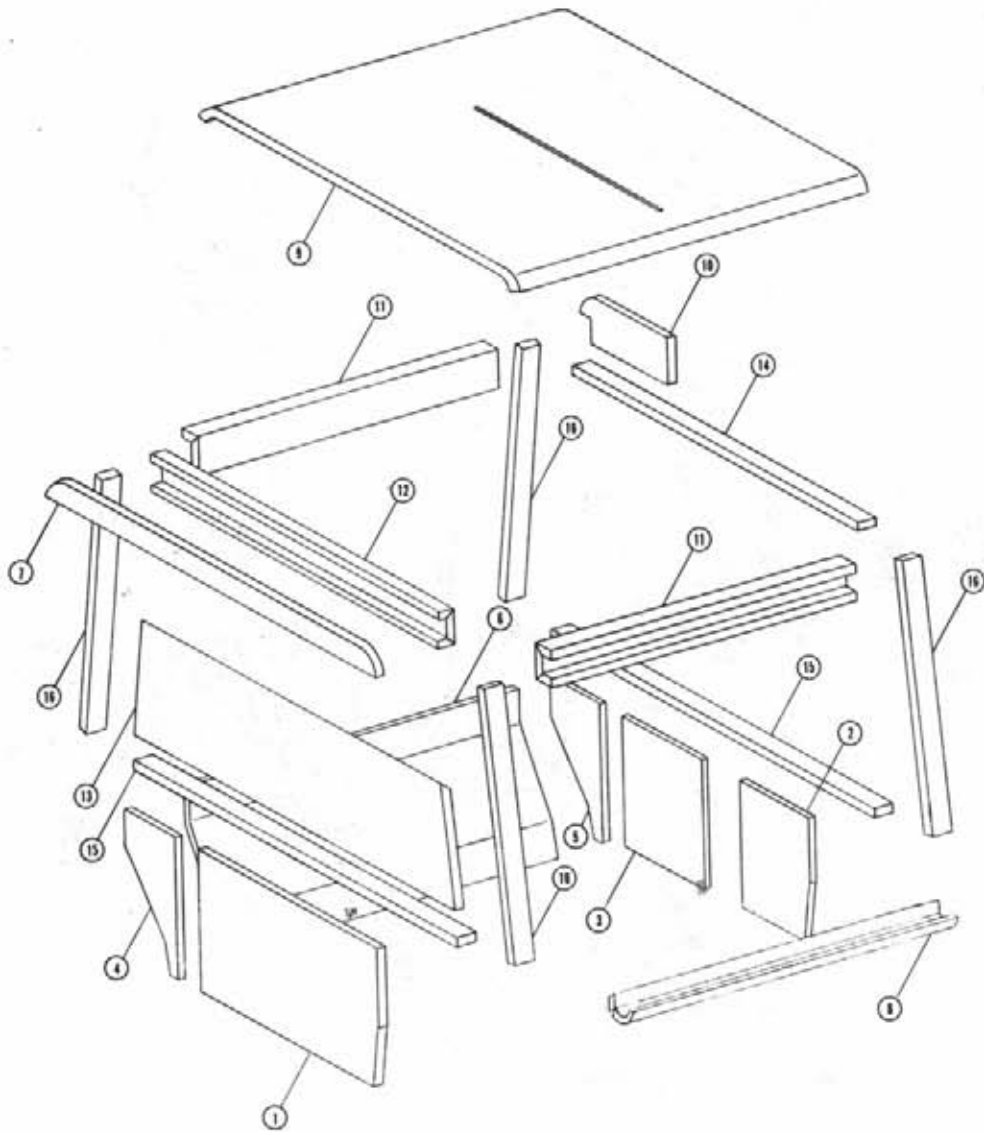
VARIABLE FLOW CONTROL ASSEMBLIES

Det.	Dty.	P/W	Description
1	1	606010	Solution Variable Flow Control
2	1	606827	Agitator Variable Flow Control
3	2	606837	Flow Control Mount Weldment
4	2	615491	Flow Control Lever Weldment
5	2	659291	1" Diameter Ball Knob
6	4	900010	1/4 UNC x 3 Hex Bolt
7	10	914000	1/4 UNC Lock Nut
8	16	920000	1/4 SAE Flat Washer
9	6	470118	1/4 UNC x 3/4 Flanged Head Bolt
10	6	618103	7/8 MOR-90°-3/4 MJIC
11	1	618402	3/4 FJIC x 9/16 MJIC
12	2	901064	5/16 UNC x 3/4 Carriage Bolt
13	2	473900	5/16 UNC Wing Nut
14	2	920002	3/8 Flat Washer

STEERING WHEEL ASSEMBLY

Det.	Qty.	P/N	Description
1	2	200464	Spacer
2	1	291088	Flasher/Turn Signal Switch
3	1	298012	Toggle Switch
4	1	341180	Steering Column Cover Weldment
5	1	001266	Spacer Tube
6	2	390318	Indicator Light
7	1	749150	Steering Motor
8	4	618109	3/4 MOR x 9/16 MJIC
9	1	742502	Steering Adjustment Knob
10	1	749178	Steering Column
11	1	749245	Steering Wheel
12	1	749244	Steering Wheel Cap
13	1	900277	1/2 UNC x 5 1/2 Hex Bolt
14	1	901276	1/2 UNC x 5 Carriage Bolt
15	1	914008	1/2 UNC Lock Nut
16	2	470123	Star Washer
17	2	900128	3/8 UNC x 3/4 Hex Bolt
18	2	900130	3/8 UNC x 1 1/4 Hex Bolt
19	2	920002	3/8 SAE Flat Washer
20	1	470157	Steering Wheel Nut
21	1	903883	#10-32 x 1/2 Round Head Machine Screw
22	1	910027	No. 10 UNF Hex Washer Nut
23	1	470001	Rubber Boot



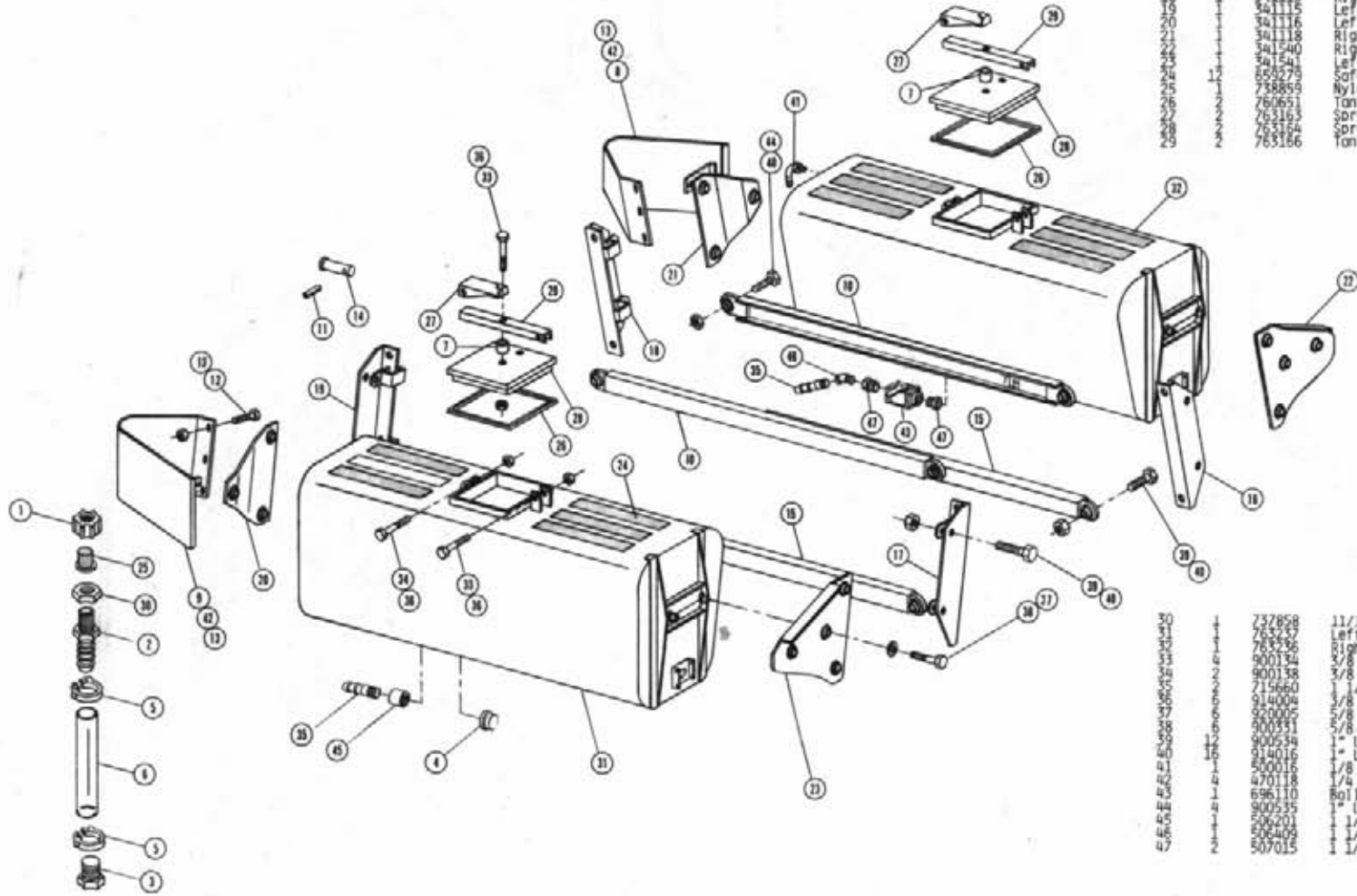


CAB FOAM

Det.	Qty.	P/N	Description
1	1	659597	Foam, Center Rear Operator Station
2	1	659594	Foam, Right Front Operator Station
3	1	659593	Foam, Center Front Operator Station
4	1	659596	Foam, Left Rear Operator Station
5	1	659595	Foam, Left Front Operator Station
6	1	659598	Foam, Left Side Panel
7	1	659581	Foam, Rear Top Crossmember
8	1	659599	Foam, Console Side
9	1	659383	Foam, Cab Roof
10	1	659383	Foam, Left Top Cab Corner
11	2	659392	Foam, Upper Side Frame
12	1	659393	Foam, Upper Rear Frame
13	1	659394	Foam, Lower Rear Window Panel
14	1	659396	Foam, Cab Tube 37.25 Long
15	2	659397	Foam, Cab Tube 42.75 Long
16	4	659398	Foam, Cab Tube 32.25 Long

STAINLESS STEEL SOLUTION TANK ASSEMBLY

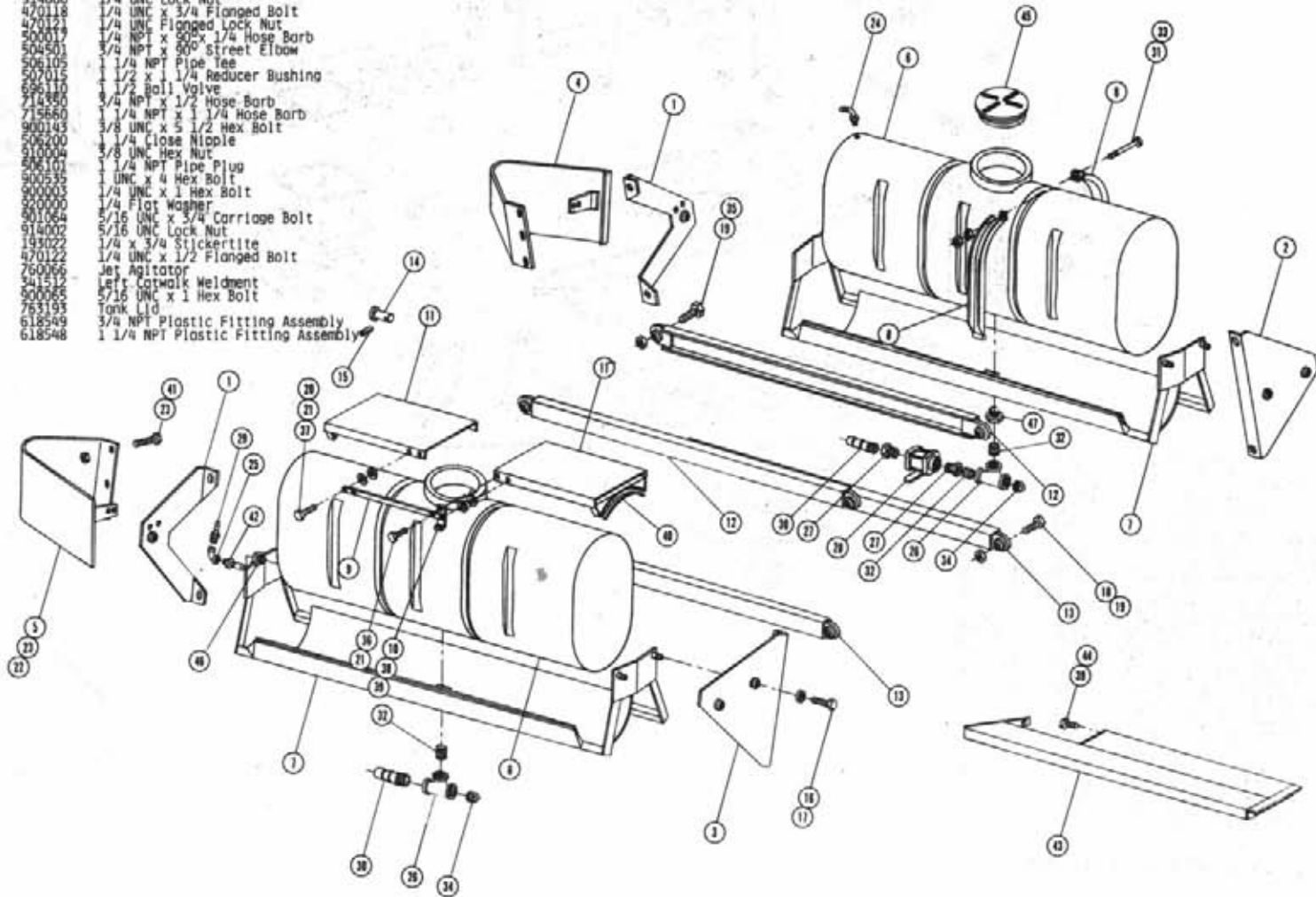
Det.	Qty.	P/N	Description
1	1	500005	1 1/16 Nylon Swivel Nut
2	1	500006	1 1/4 NPS x 3/8 Hose Barb
3	1	500007	1/8 NPT Nylon Hex Plug
4	2	506205	1/4 NPT Pipe Cap
5	2	520003	#6 Vinyl Snap Clamp
6	1	601216	Vent Hose
7	2	601231	3/4 x 1 1/2 Hose
8	1	659604	Right Front Tank Shield
9	1	659605	Left Front Tank Shield
10	1	341311	Upper Side Rail Channel Weldment
11	2	470122	3/8 x 2 5/8 Ball Pin
12	2	470122	1/4 UNC x 1 1/2 Flanged Bolt
13	10	470121	1/4 UNC Flanged Lock Nut
14	1	361162	Carriage Pivot Pin Weldment
15	1	341099	Side Rail Tube Weldment
16	1	341108	Right Rear Tank Mounting Angle Weld.
17	1	341111	Left Rear Tank Mounting Angle Weld.
18	1	341112	Right Front Tank Mounting Angle Weld.
19	1	341115	Left Front Tank Mounting Angle Weld.
20	1	341116	Left Front Tank Mounting Plate
21	1	341118	Right Front Tank Mounting Plate
22	1	341540	Right Rear 250 Gal. Tank Mounting Plate
23	1	341541	Left Rear 250 Gal. Tank Mounting Plate
24	12	659279	Safety Walk
25	1	738859	Nylon Screen Assembly
26	2	760651	Tank Lid Gasket
27	2	763163	Spray Tank Latch Handle
28	2	763164	Spray Tank Lid
29	2	763166	Tank Lid Channel



30	1	732858	1 1/16 Nut
31	4	763167	Left Spray Tank Weldment 250 Gallon
32	4	763168	Right Spray Tank Weldment 250 Gallon
33	2	900134	3/8 UNC x 5 1/2 Hex Bolt
34	2	900138	3/8 UNC x 5 1/2 Hex Bolt
35	2	715660	1 1/4 NPT x 1 1/4 Hose Barb
36	6	914004	3/8 UNC Lock Nut
37	6	920005	5/8 Flat Washer
38	6	900531	5/8 UNC x 1 Hex Bolt
39	1	900534	1- UNC x 3 Hex Bolt
40	1	914016	1- UNC Lock Nut
41	1	500016	1/8 NPT x 90 x 1/4 Hose Barb
42	1	470118	1/4 UNC x 3/4 Flanged Bolt
43	1	696110	Ball Valve
44	1	900535	1- UNC x 4 Hex Bolt
45	1	506201	1 1/4 NPT Coupling
46	1	506409	1 1/4 NPT x 45 Street Elbow
47	2	507015	1 1/2 To 1 1/4 Reducer Bushing

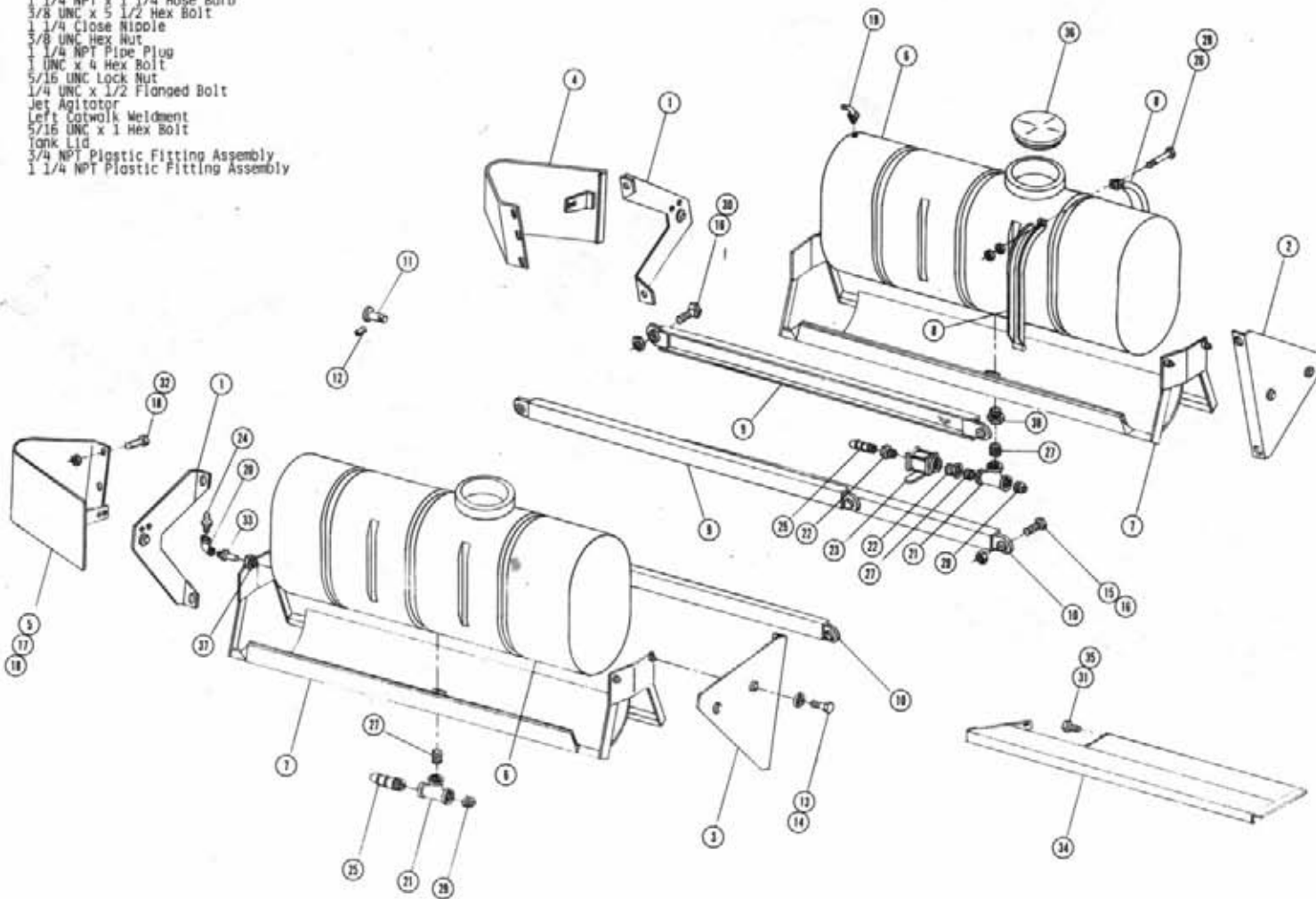
POLYETHYLENE 200 GALLON SOLUTION TANK ASSEMBLY

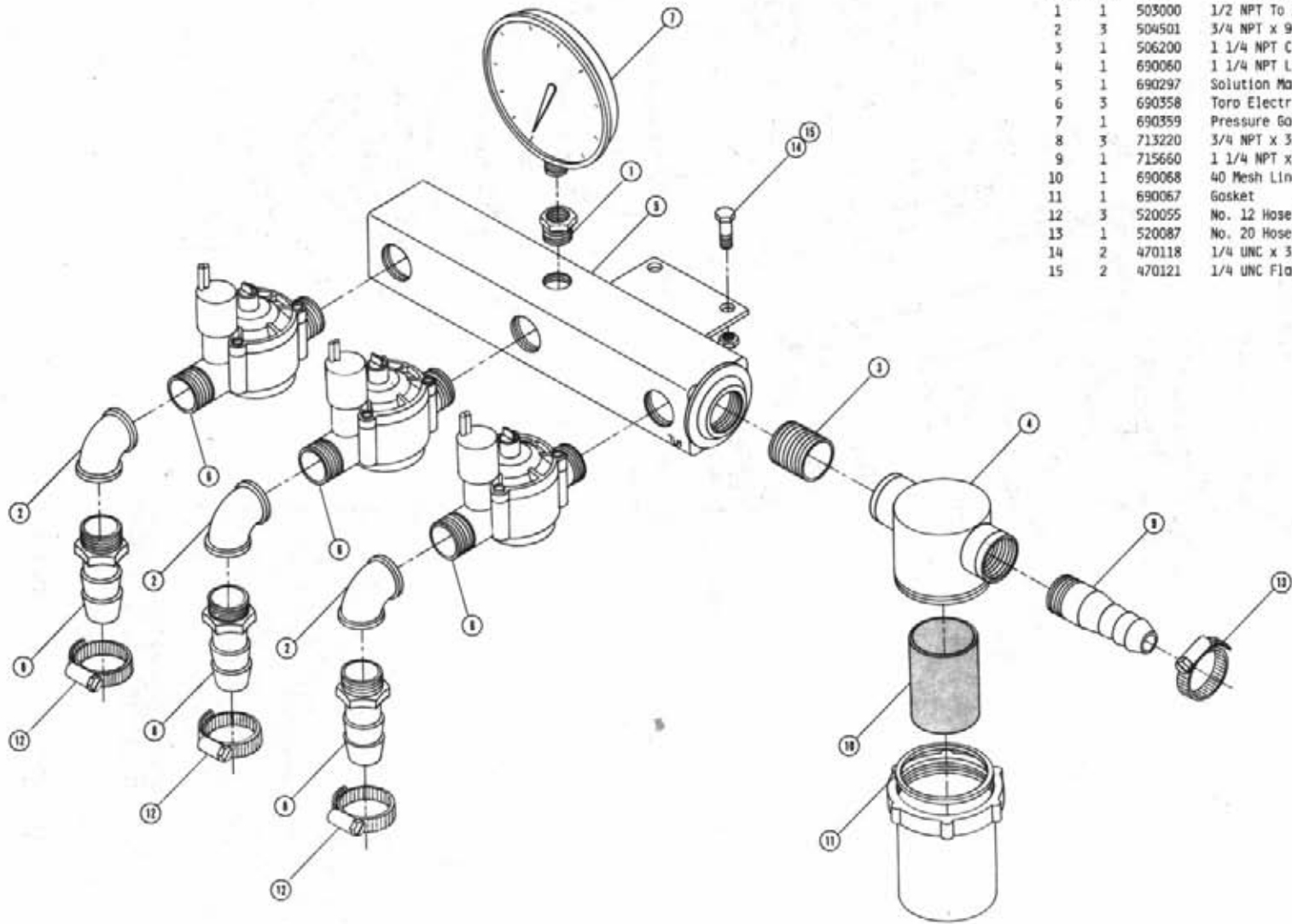
Det.	Qty.	P/N	Description
1		341398	Front Tank Mounting Plate Weldment
2		341400	Right Rear Tank Mounting Plate Weldment
3		341402	Left Rear Tank Mounting Plate Weldment
4		659604	Right Front Tank Shield
5		659602	Left Front Tank Shield
6		763176	Polyethylene Tank 200 Gallon
7		763177	Polyethylene Tank Cradle Weldment
8		763188	Polyethylene Tank Band Weldment
9		341413	Catwalk Brace
10		341415	Catwalk Mounting Tab
11		341399	Catwalk Weldment
12		341311	Upper Side Rail Channel Weldment
13		341099	Side Rail Tube Weldment
14		761162	Carriage Pivot Pin Weldment
15		475937	3/8 x 2 Roll Pin
16		900331	5/8 UNC x 1 Hex Bolt
17		920025	5/8 Flat Washer
18		900534	1 UNC x 3 Hex Bolt
19		914016	1 UNC Lock Nut
20		900002	1/4 UNC x 3/4 Hex Bolt
21		914000	1/4 UNC Lock Nut
22		470118	1/4 UNC x 3/4 Flanged Bolt
23		470121	1/4 UNC Flanged Lock Nut
24		900017	1/4 NPT x 90° x 1/4 Hose Barb
25		504501	3/4 NPT x 90° Street Elbow
26		506105	1 1/4 NPT Pipe Tee
27		507015	1 1/2 x 1 1/4 Reducer Bushing
28		506110	1 1/2 Ball Valve
29		714850	3/4 NPT x 1/2 Hose Barb
30		715660	1 1/4 NPT x 1 1/4 Hose Barb
31		900143	3/8 UNC x 5 1/2 Hex Bolt
32		506200	1 1/4 Close Nipple
33		910004	3/8 UNC Hex Nut
34		906101	1 1/4 NPT Pipe Plug
35		900535	1 UNC x 4 Hex Bolt
36		900003	1/4 UNC x 1 Hex Bolt
37		920000	1/4 Flat Washer
38		801364	5/16 UNC x 3/4 Carriage Bolt
39		914002	5/16 UNC Lock Nut
40		193022	1/4 x 3/4 Silcockrite
41		470122	1/4 UNC x 1/2 Flanged Bolt
42		760066	Jet Agitator
43		341512	Left Catwalk Weldment
44		900065	5/16 UNC x 1 Hex Bolt
45		763193	Tank Lid
46		618549	3/4 NPT Plastic Fitting Assembly
47		618548	1 1/4 NPT Plastic Fitting Assembly



POLYETHYLENE 250 GALLON SOLUTION TANK ASSEMBLY

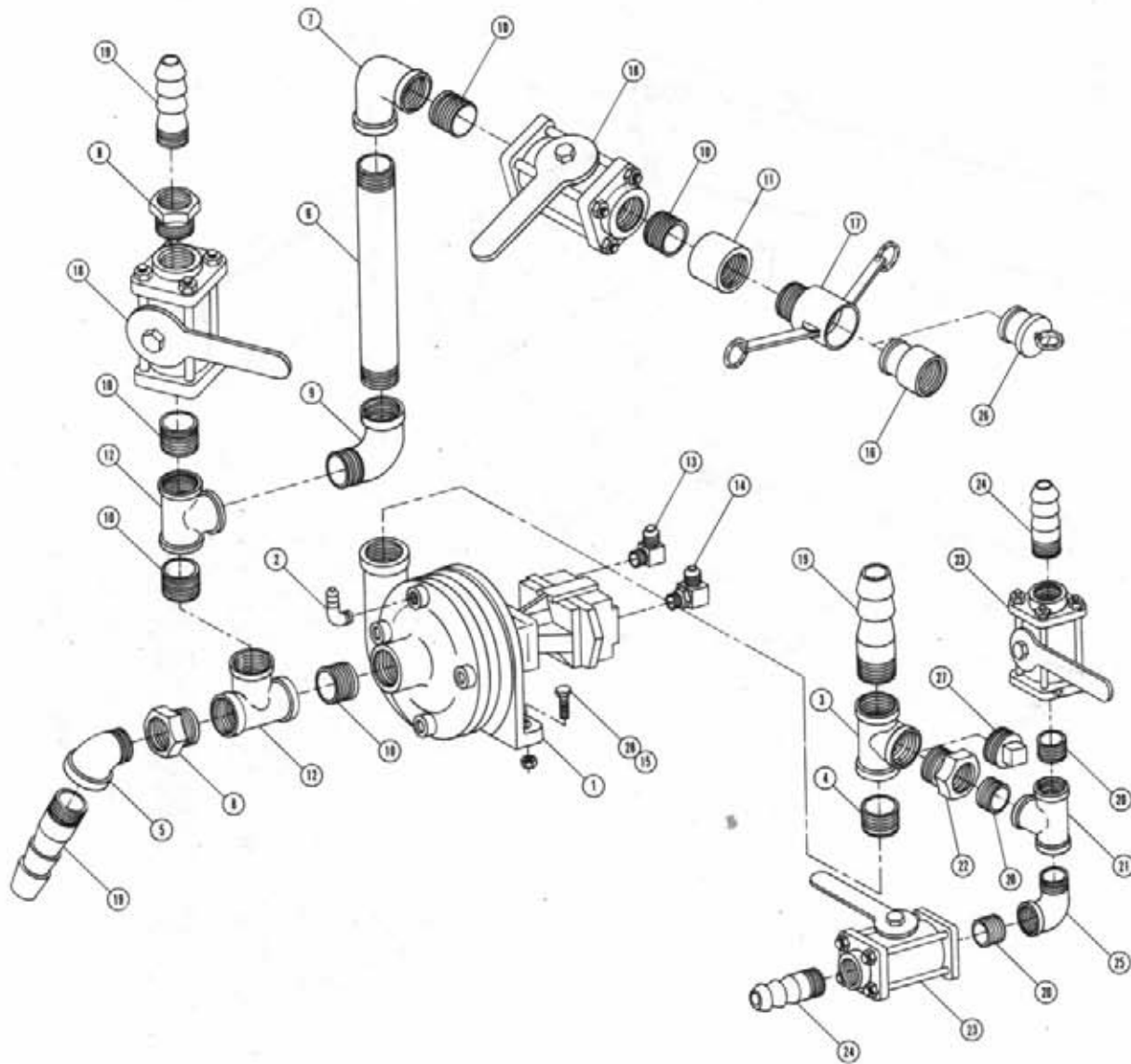
Det.	Qty.	P/N	Description
1	3	341398	Front Tank Mounting Plate Weldment
2	3	341400	Right Rear Tank Mounting Plate Weldment
3	3	341402	Left Rear Tank Mounting Plate Weldment
4	3	659604	Right Front Tank Shield
5	3	659605	Left Front Tank Shield
6	1	763254	Polyethylene 250 Gallon Tank
7	1	763177	Polyethylene Tank Cradle Weldment
8	1	763257	Polyethylene Tank Band Weldment
9	1	341311	Upper Side Rail Channel Weldment
10	1	341099	Side Rail Tube Weldment
11	1	521192	Carriage Pivot Pin Weldment
12	1	473937	3/8 x 2 3/8 Roll Pin
13	1	900331	5/8 UNC x 1 Hex Bolt
14	1	920005	5/8 Flat Washer
15	1	900535	1 UNC x 3 Hex Bolt
16	1	914016	1 UNC Lock Nut
17	1	470118	1/4 UNC x 3/4 Flanged Bolt
18	10	470121	1/4 UNC Flanged Lock Nut
19	1	500017	1/4 NPT x 90 x 1/4 Hose Barb
20	1	804501	3/4 NPT x 90 Street Elbow
21	1	506105	1 1/4 NPT Pipe Tee
22	1	507015	1 1/2 x 1 1/4 Reducer Bushing
23	1	696110	1 1/2 Ball Valve
24	1	714350	3/4 NPT x 1/2 Hose Barb
25	1	715650	1 1/4 NPT x 1 1/4 Hose Barb
26	1	900143	3/8 UNC x 5 1/2 Hex Bolt
27	1	506200	1 1/4 Close Nipple
28	1	910004	3/8 UNC Hex Nut
29	1	506101	1 1/4 NPT Pipe Plug
30	1	900535	1 UNC x 4 Hex Bolt
31	1	914002	5/16 UNC Lock Nut
32	1	470122	1/4 UNC x 1/2 Flanged Bolt
33	1	760066	Jet Agitator
34	1	341512	Left Catwalk Weldment
35	1	900065	5/16 UNC x 1 Hex Bolt
36	1	763259	Tank Lid
37	1	618549	3/4 NPT Plastic Fitting Assembly
38	1	618548	1 1/4 NPT Plastic Fitting Assembly





SOLUTION SOLENOID ASSEMBLY

Det.	Qty.	P/N	Description
1	1	503000	1/2 NPT To 1/4 NPT Reducer Bushing
2	3	504501	3/4 NPT x 90° Pipe Nipple
3	1	506200	1/4 NPT Close Nipple
4	1	690060	1/4 NPT Line Strainer
5	1	690297	Solution Manifold Weldment
6	3	690358	Toro Electric Valve
7	1	690359	Pressure Gauge
8	3	713220	3/4 NPT x 3/4 Hose Barb
9	1	715660	1/4 NPT x 1/4 Hose Barb
10	1	690068	40 Mesh Line Strainer Screen
11	1	690067	Gasket
12	3	520055	No. 12 Hose Clamp
13	1	520087	No. 20 Hose Clamp
14	2	470118	1/4 UNC x 3/4 Flanged Bolt
15	2	470121	1/4 UNC Flanged Nut



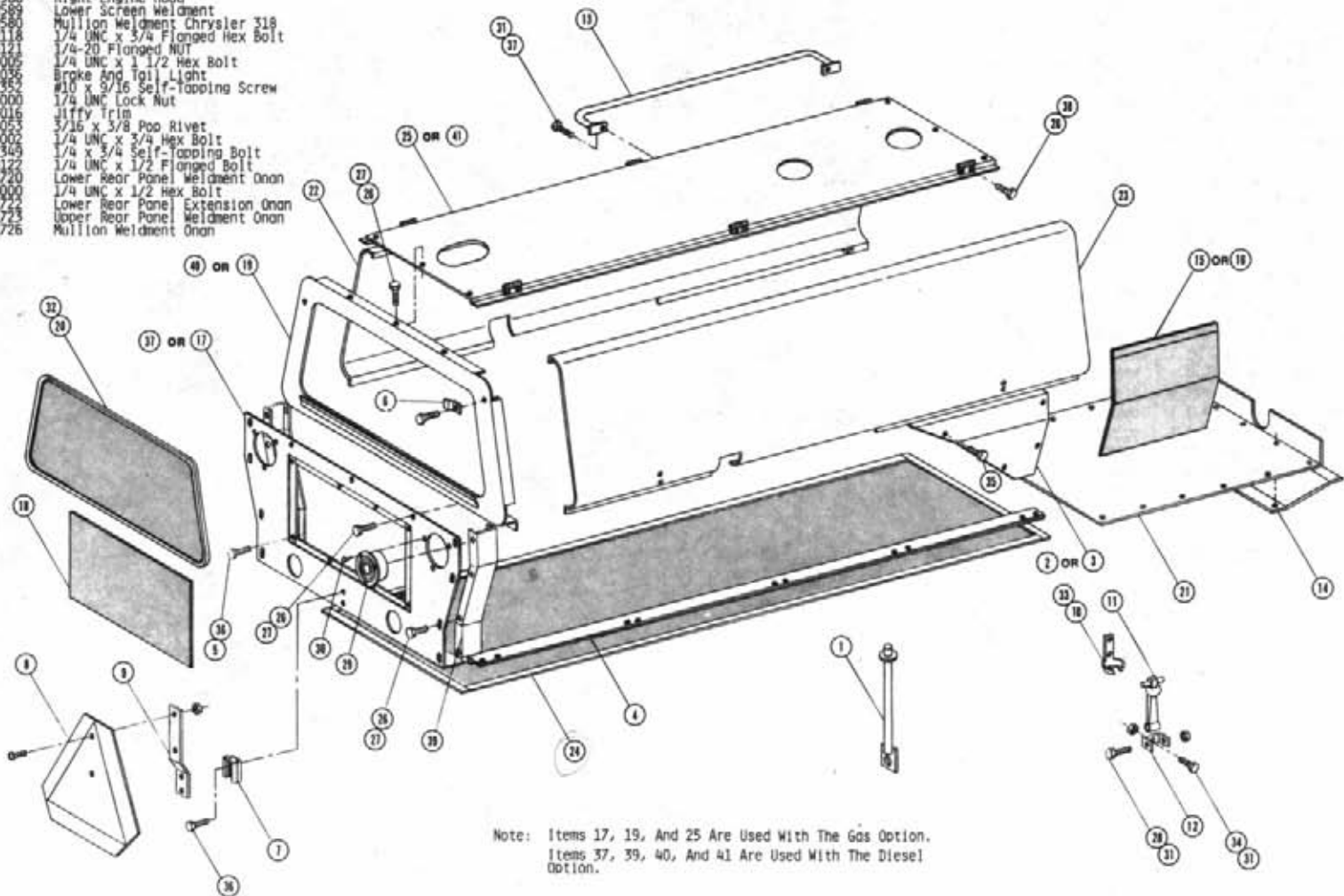
SOLUTION PUMP ASSEMBLY

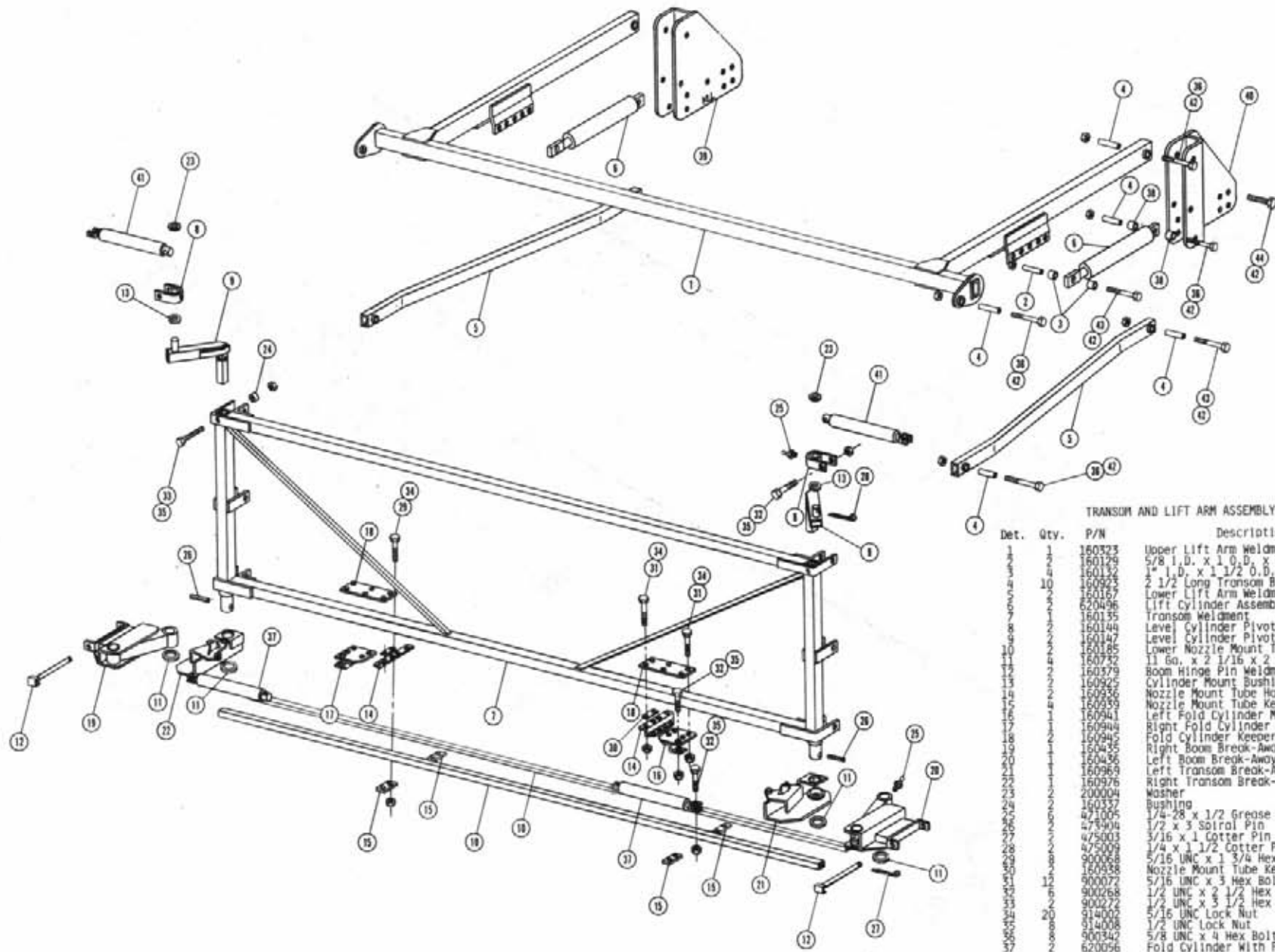
Det.	Qty.	P/N	Description
1	1	690249	Hydro Pump
2	1	500016	1/4 NPT-90°-1/4 Hose Barb
3	1	506105	1 1/4 NPT Pipe Tee
4	1	506200	1 1/4 NPT Close Nipple
5	1	506409	1 1/4 NPT-45° Street Elbow
6	1	506610	1 1/2 NPT x 10" Pipe Nipple
7	1	507014	1 1/2 NPT-90°-Elbow
8	2	507015	1 1/2 NPT to 1 1/4 Reducer
9	1	507013	1 1/2 NPT-90°-Street Elbow
10	5	507019	1 1/2 NPT Close Nipple
11	1	507025	1 1/2 NPT Pipe Coupler
12	2	507250	1 1/2 NPT Pipe Tee
13	1	611145	1/2 NPT-90°-3/4 MJIC
14	1	618241	3/4 MDR-90°-3/4 MJIC
15	2	914004	3/8 UNC Stover Nut
16	1	690302	1 1/2 FNPT Adapter
17	1	690303	1 1/2 Male NPT Coupler
18	2	696110	1 1/2 Ball Valve
19	3	715660	1 1/4 NPT x 1 1/4 Hose Barb
* 20	3	503600	1/2 NPT Close Nipple
* 21	1	503820	1/2 NPT Pipe Tee
* 22	1	507027	1 1/4 NPT to 1/2 NPT Reducer
* 23	2	696032	1/2 NPT Ball Valve
* 24	2	714340	1/2 NPT x 1/2 Hose Barb
* 25	1	503400	1/2 NPT Street Elbow
26	1	690304	1 1/2 NPT Adapter Plug
27	1	506101	1 1/4 NPT Pipe Plug
28	2	900130	3/8 UNC x 1 1/4 Hex Bolt

NOTE: Items 20, 21, 22, 23, 24 and 25 are used with Jet agitation only.

SHEET METAL ASSEMBLY

Det.	Qty.	P/N	Description
1	2	341356	Engine Hood Prop Weldment
2	1	341362	Left Side Plate Extension
3	1	341363	Right Side Plate Extension
4	2	341395	Screen Side Weldment
5	10	470086	1/4 UNC Nutsert
6	2	470151	Upper Rear Panel Screen Clip
7	1	472251	Mounting Socket
8	1	472249	Slow Moving Vehicle Sign
9	1	472250	Spade Mounting Bracket
10	4	656997	Rubber Hook Bracket
11	4	656998	Rubber Hook
12	4	656999	Rubber Hook Anchor Bracket
13	1	569378	Right Engine Hook Hand Roll
14	1	659555	Lower Front Hose Shield
15	1	659560	Left Side Screen
16	1	659561	Right Side Screen
17	1	659568	Lower Back Panel Weldment
18	1	659571	Lower Rear Panel Screen
19	1	659575	Upper Rear Panel Weldment
20	1	659578	Upper Rear Panel Screen
21	1	659586	Front Hose Cover Weldment
22	1	659587	Left Engine Hood
23	1	659588	Right Engine Hood
24	1	659589	Lower Screen Weldment
25	1	659580	Mullion Weldment Chrysler 318
26	5	470118	1/4 UNC x 3/4 Flanged Hex Bolt
27	4	470121	1/4-20 Flanged Nut
28	1	900002	1/4 UNC x 1 1/2 Hex Bolt
29	1	291062	Brake And Tail Light
30	1	472252	#10 x 3/16 Self-Tapping Screw
31	10	914000	1/4 UNC Lock Nut
32	12	193016	Jiffy Trim
33	1	485053	3/16 x 3/8 Pop Rivet
34	1	900002	1/4 UNC x 3/4 Hex Bolt
35	1	472349	1/4 x 3/4 Self-Tapping Bolt
36	10	470122	1/4 UNC x 1/2 Flanged Bolt
37	1	659720	Lower Rear Panel Weldment Onan
38	1	900000	1/4 UNC x 1/2 Hex Bolt
39	1	659721	Lower Rear Panel Extension Onan
40	1	659723	Upper Rear Panel Weldment Onan
41	1	659726	Mullion Weldment Onan

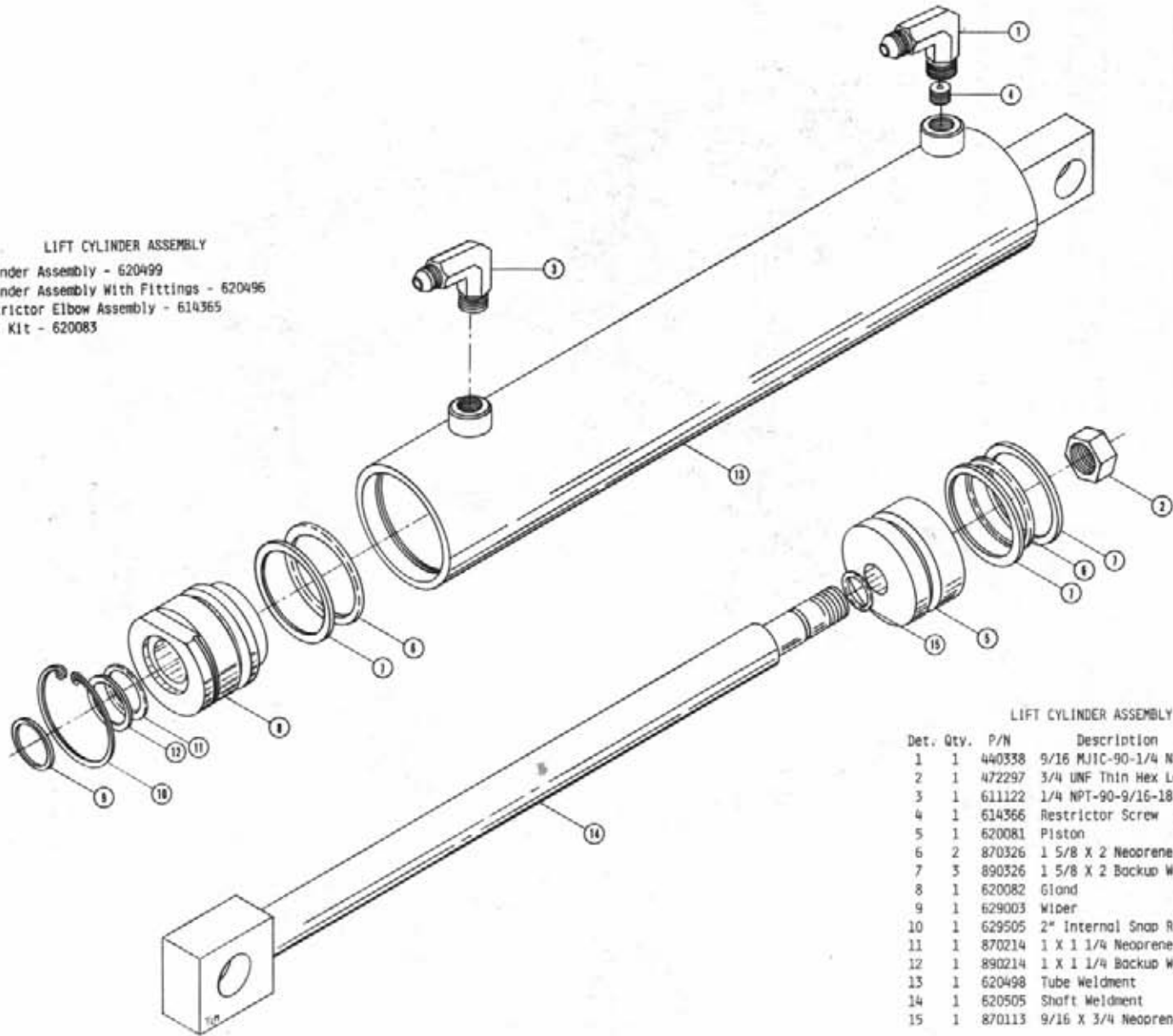




TRANSM AND LIFT ARM ASSEMBLY

Det.	Qty.	P/W	Description
1	1	160323	Upper Lift Arm Weldment
2	1	160129	5/8 I.D. x 1 0.D. x 3 Bushing
3	1	160132	1" I.D. x 1 1/2 O.D. x 1 1/4 Bushing
4	10	160923	2 1/2 Long Transom Bushing
5	1	160167	Lower Lift Arm Weldment
6	1	620496	Lift Cylinder Assembly With Fittings
7	1	160135	Transom Weldment
8	1	160144	Level Cylinder Pivot Weldment
9	1	160147	Level Cylinder Pivot Mount Weldment
10	1	160185	Lower Nozzle Mount Tube
11	1	160732	11 Ga. x 2 1/16 x 2 5/8 Washer
12	1	160379	Boom Hinge Pin Weldment
13	1	160925	Cylinder Mount Bushing
14	1	160936	Nozzle Mount Tube Hanger
15	1	160939	Nozzle Mount Tube Keeper
16	1	160941	Left Fold Cylinder Mount Weldment
17	1	160944	Right Fold Cylinder Mount Weldment
18	1	160945	Fold Cylinder Keeper Plate
19	1	160435	Right Boom Break-Away Hinge Weldment
20	1	160436	Left Boom Break-Away Hinge Weldment
21	1	160969	Left Transom Break-Away
22	1	160976	Right Transom Break-Away
23	20	200004	Washer
24	1	160337	Bushing
25	1	471005	1/4-28 x 1/2 Grease Zerk
26	1	478404	1/2 x 3 Ssrol Pin
27	1	475003	3/16 x 1 Cotter Pin
28	1	475009	1/4 x 1 1/2 Cotter Pin
29	1	900068	5/16 UNC x 1 3/4 Hex Bolt
30	1	160538	Nozzle Mount Tube Keeper
31	13	900077	5/16 UNC x 3 Hex Bolt
32	1	900268	1/2 UNC x 2 1/2 Hex Bolt
33	1	900272	1/2 UNC x 3 1/2 Hex Bolt
34	20	914002	5/16 UNC Lock Nut
35	1	914008	1/2 UNC Lock Nut
36	1	900342	5/8 UNC x 4 Hex Bolt
37	2	620056	Fold Cylinder With Fitting
38	4	438109	Bushing
39	1	341085	Right Lift Arm Mount Weldment
40	1	341090	Left Lift Arm Mount Weldment
41	3	620069	Level Cylinder With Fittings
42	16	914010	5/8 UNC Lock Nut
43	4	900343	5/8 UNC x 4 1/2 Hex Bolt
44	6	900333	5/8 UNC x 1 1/2 Hex Bolt

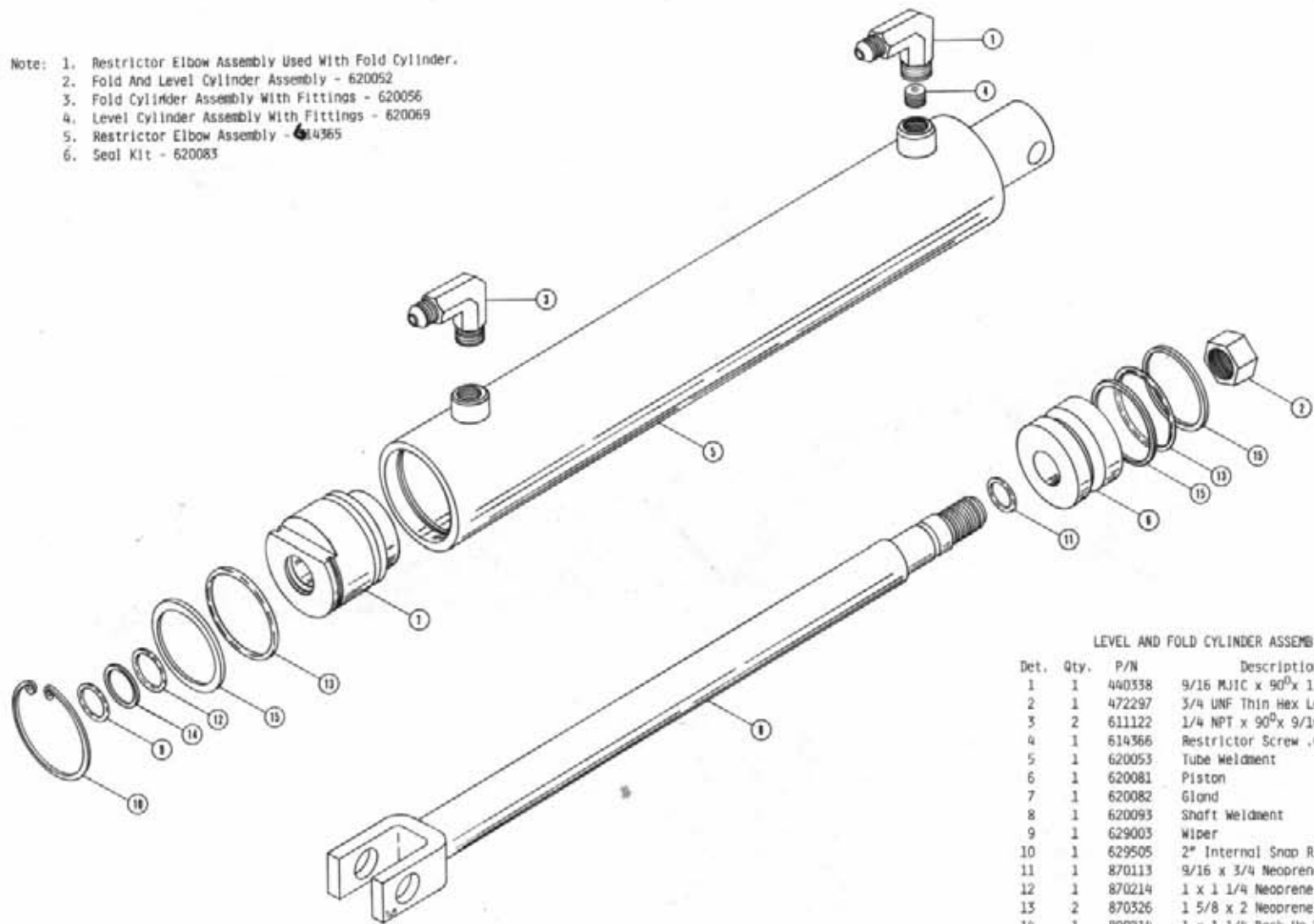
LIFT CYLINDER ASSEMBLY
 Cylinder Assembly - 620499
 Cylinder Assembly With Fittings - 620496
 Restrictor Elbow Assembly - 614365
 Seal Kit - 620083



LIFT CYLINDER ASSEMBLY

Det.	Qty.	P/N	Description
1	1	440338	9/16 MJIC-90-1/4 NPT Topped
2	1	472297	3/4 UNF Thin Hex Lock Nut
3	1	611122	1/4 NPT-90-9/16-18 Male Elbow
4	1	614366	Restrictor Screw .042 Dio.
5	1	620081	Piston
6	2	870326	1 5/8 X 2 Neoprene O-Ring
7	3	890326	1 5/8 X 2 Backup Washer
8	1	620082	Gland
9	1	629003	Wiper
10	1	629505	2" Internal Snap Ring
11	1	870214	1 X 1 1/4 Neoprene O-Ring
12	1	890214	1 X 1 1/4 Backup Washer
13	1	620498	Tube Weldment
14	1	620505	Shaft Weldment
15	1	870113	9/16 X 3/4 Neoprene O-Ring

- Note: 1. Restrictor Elbow Assembly Used With Fold Cylinder.
 2. Fold And Level Cylinder Assembly - 620052
 3. Fold Cylinder Assembly With Fittings - 620056
 4. Level Cylinder Assembly With Fittings - 620069
 5. Restrictor Elbow Assembly - 614365
 6. Seal Kit - 620083

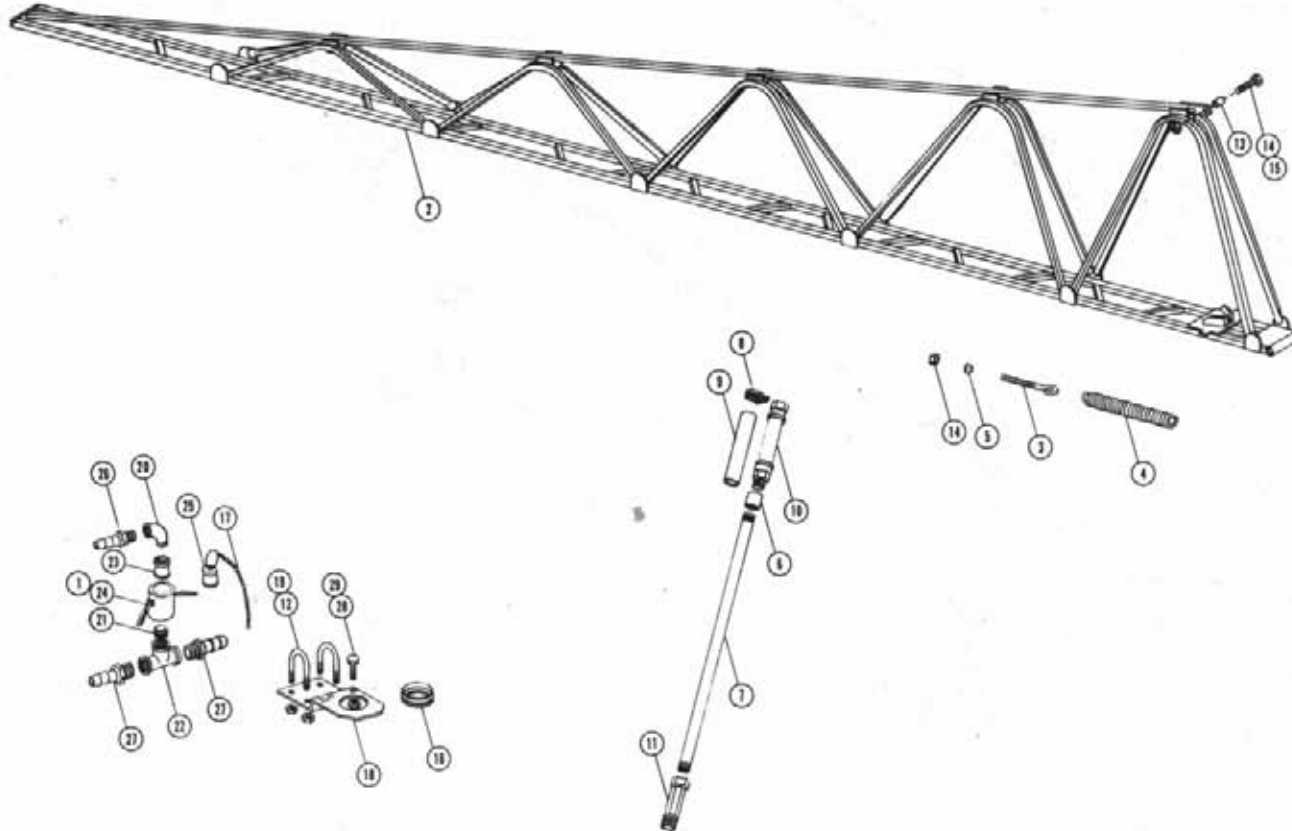


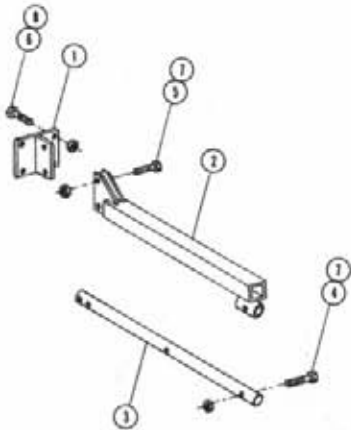
LEVEL AND FOLD CYLINDER ASSEMBLY

Det.	Qty.	P/N	Description
1	1	440338	9/16 MJIC x 90° x 1/4 NPT Tapped
2	1	472297	3/4 UNF Thin Hex Lock Nut
3	2	611122	1/4 NPT x 90° x 9/16 MJIC
4	1	614366	Restrictor Screw .042 Dia.
5	1	620053	Tube Weldment
6	1	620081	Piston
7	1	620082	Gland
8	1	620093	Shaft Weldment
9	1	629003	Wiper
10	1	629505	2" Internal Snap Ring
11	1	870113	9/16 x 3/4 Neoprene O-Ring
12	1	870214	1 x 1 1/4 Neoprene O-Ring
13	2	870326	1 5/8 x 2 Neoprene O-Ring
14	1	890214	1 x 1 1/4 Back-Up Washer
15	3	890326	1 5/8 x 2 Back-Up Washer

BOOM ASSEMBLY AND SPRAY COMPONENTS

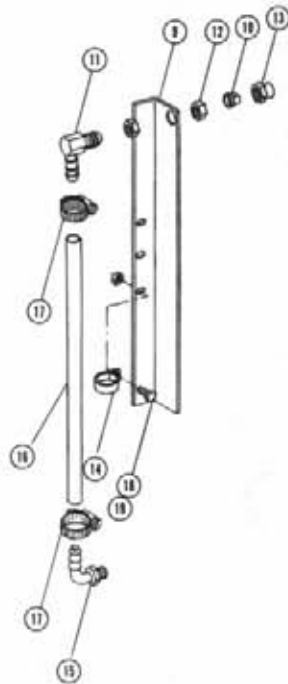
Det.	Qty.	P/N	Description	Det.	Qty.	P/N	Description
1	1	690327	Gasket	16	1	160015	Grommet
2	1	160440	Outer Boom Weldment	17	1	160986	Chain
3	1	160979	1/2 UNC x 9 Eye Bolt	18	1	160987	Feeder Tee Mounting Bracket
4	1	160980	Boom Break-Away Spring	19	2	470094	5/16 UNC "U" Bolt
5	1	160981	Boom Bolt Swivel	20	1	504610	3/4 NPT Street Elbow
6	1	501212	1/4 Pipe Coupling	21	1	504702	3/4 Close Nipple
7	1	501618	1/4 x 18" Pipe Nipple	22	1	504956	3/4 Pipe Tee
8	1	520087	#20 Hose Clamp	23	1	696202	Quick Connect Female Adapter
9	1	601178	Hose 1 x 3 1/2	24	1	696203	Quick Connect Female Coupler
10	1	720019	Flex Coupling	25	1	696204	Quick Connect Plug
11	1	739702	Female Nozzle Body	26	1	713220	3/4 NPT x 3/4 Hose Barb
12	4	914002	5/16 UNC Lock Nut	27	2	714350	3/4 NPT x 1/2 Hose Barb
13	1	160336	Clevis Bushing	28	1	900002	1/4 UNC x 3/4 Hex Bolt
14	2	914008	1/2 UNC Lock Nut	29	1	914000	1/4 UNC Lock Nut
15	1	900267	1/2 UNC x 2 Hex Bolt				





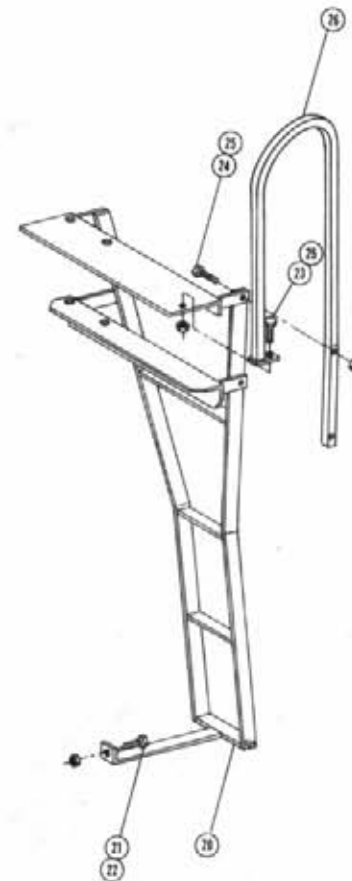
TREAD ADJUSTMENT ASSEMBLY

Det.	Qty.	P/N	Description
1	1	341102	Tread Adjustment Bar Mount
2	1	341142	Tread Adjustment Tube Weldment
3	1	341147	Tread Adjustment Sliding Tube
4	1	900268	1/2 UNC x 2 1/2 Hex Bolt
5	2	900265	1/2 UNC x 1 1/2 Hex Bolt
6	4	900333	5/8 UNC x 1 1/2 Hex Bolt
7	3	914008	1/2 UNC Lock Nut
8	4	914010	5/8 UNC Lock Nut



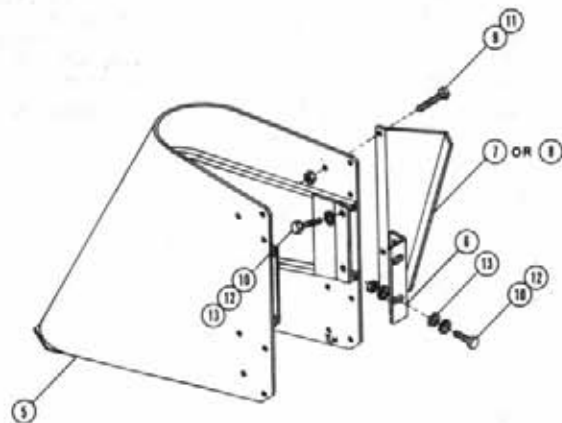
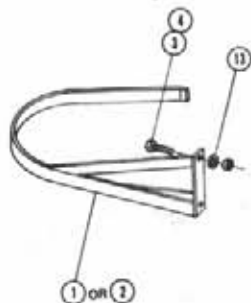
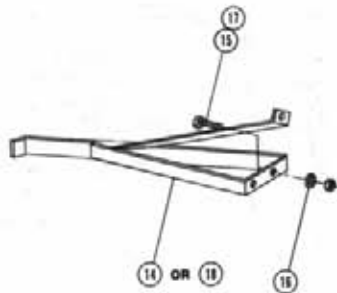
SIGHT GAUGE HOSE ASSEMBLY

Det.	Qty.	P/N	Description
9	1	763253	Sight Gauge Mount
10	1	731109	Nylon Tip
11	1	737859	1/2 Connector Nozzle
12	1	737858	11/16 Nut
13	1	738866	11/16 Steel Cap Nut
14	1	520117	Cushion Hose Clamp
15	1	618556	1/4 NPT x 90° x 1/2 Hose Barb
16	1	601245	1/2 x 42 Sight Gauge Hose
17	2	520069	#6 Hose Clamp
18	2	470121	1/4-20 Flanged Nut
19	2	470122	1/4-20 x 1/2 Flanged Bolt



LADDER ASSEMBLY

Det.	Qty.	P/N	Description
20	1	341385	Ladder Weldment
21	1	900264	1/2 UNC x 1 1/4 Hex Bolt
22	1	914008	1/2 UNC Lock Nut
23	1	900003	1/4 UNC x 1 Hex Bolt
24	2	900005	1/4 UNC x 1 1/2 Hex Bolt
25	3	914000	1/4 UNC Lock Nut
26	1	341383	Ladder Hand Rail Weldment



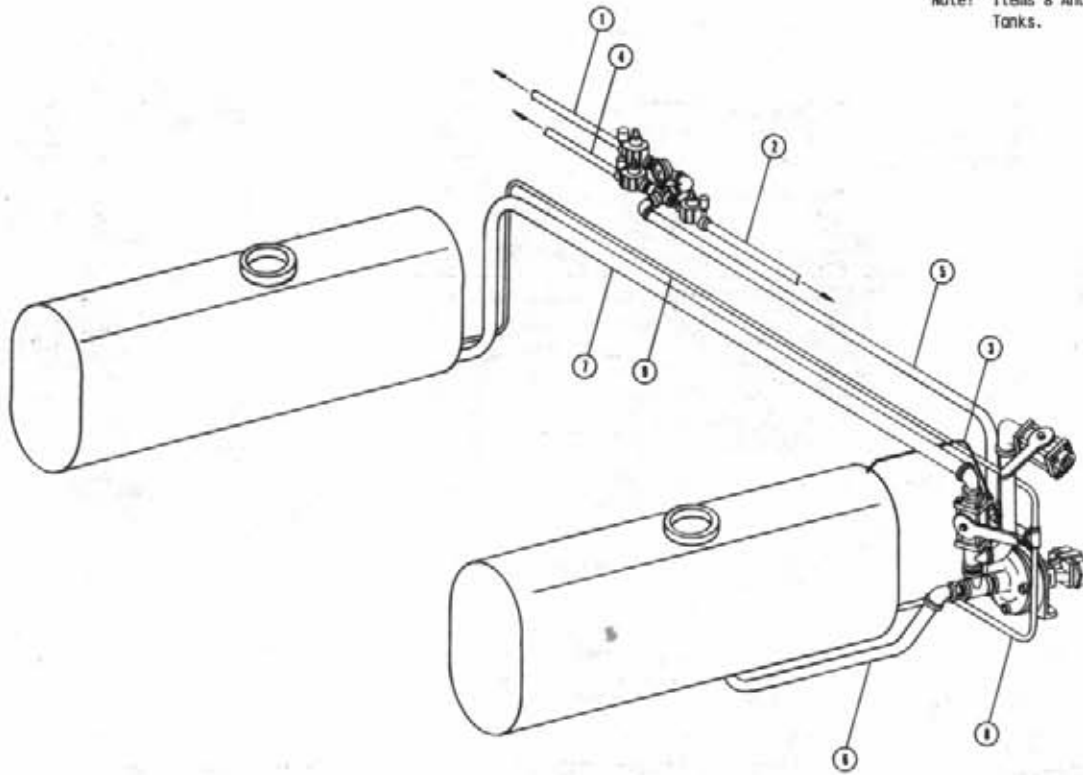
CROP GUIDES AND SHIELDS

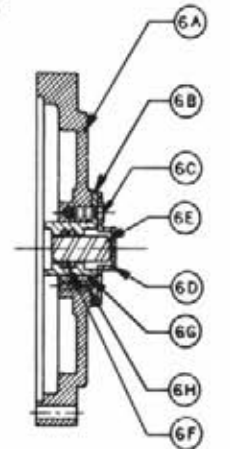
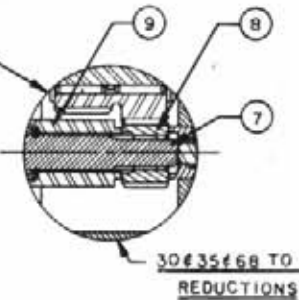
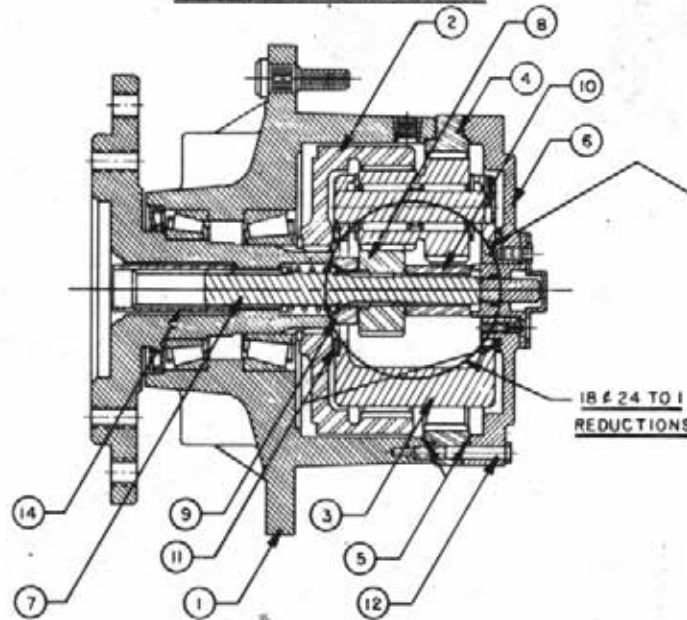
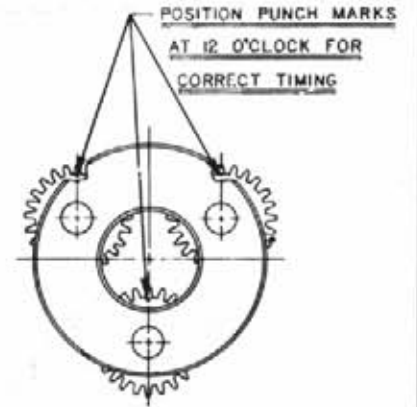
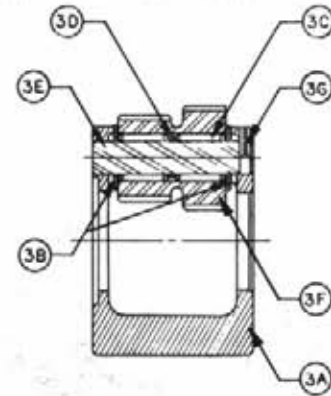
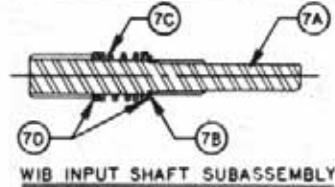
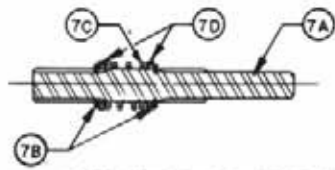
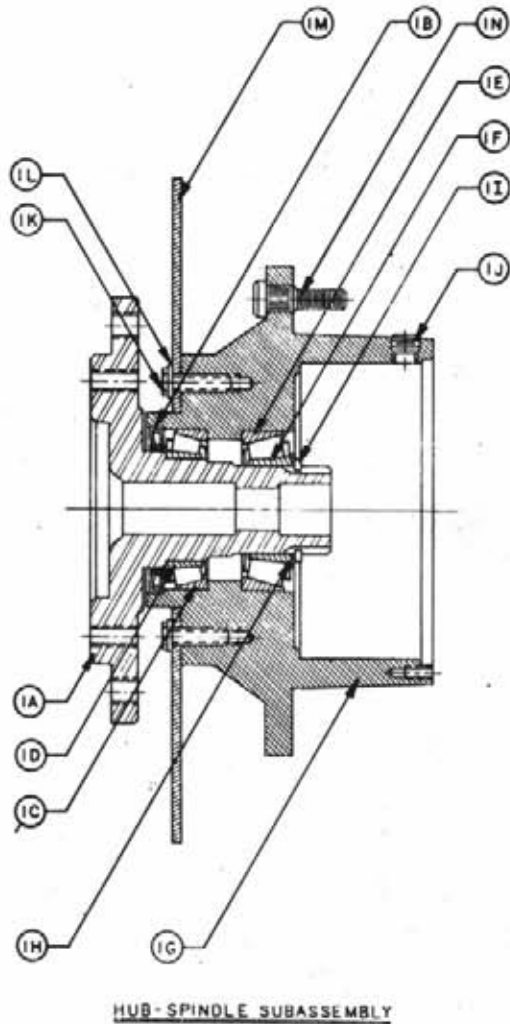
Det.	Qty.	P/N	Description
1	1	662150	Right Stalk Guide Weldment
2	1	662151	Left Stalk Guide Weldment
3	2	900264	1/2 UNC x 1 1/4 Hex Bolt
4	2	914008	1/2 UNC Lock Nut
5	1	662122	Cropshield Weldment
6	1	662145	Cropshield Mount Angle
7	1	662135	Right Cropshield Skirt
8	1	662136	Left Cropshield Skirt
9	3	900002	1/4 UNC x 3/4 Hex Bolt
10	4	900265	1/2 UNC x 1 1/2 Hex Bolt
11	3	914000	1/4 UNC Lock Nut
12	4	914008	1/2 UNC Lock Nut
13	8	920004	1/2 Flat Washer
14	1	662164	Left Stalk Guide Weldment
15	2	900129	3/8 UNC x 1 Hex Bolt
16	1	920002	3/8 Flat Washer
17	2	914004	3/8 UNC Lock Nut
18	1	662208	Right Stalk Guide Weldment

SOLUTION HOISING

Det.	Qty.	P/N	Description
1	1	601172	3/4 I.D. 1-Braid x 60" EPDM Hose
2	1	601177	3/4 I.D. 1-Braid x 242" EPDM Hose
3	1	601238	1/4 I.D. x 36" EVA Transparent Hose
4	1	601239	3/4 I.D. 1-Braid x 324" EPDM Hose
5	1	601264	1 1/4 I.D. 2-Braid x 70" EPDM Hose
6	1	601261	1 1/4 I.D. 2-Braid x 36" EPDM Hose
7	1	601262	1 1/4 I.D. 2-Braid x 204" EPDM Hose
8	1	601259	1/2 I.D. 1-Braid x 30" EPDM Hose
9	1	601260	1/2 I.D. 1-Braid x 180" EPDM Hose

Note: Items 8 And 9 Are Used Only With Polyethylene Tanks.



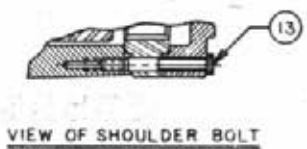
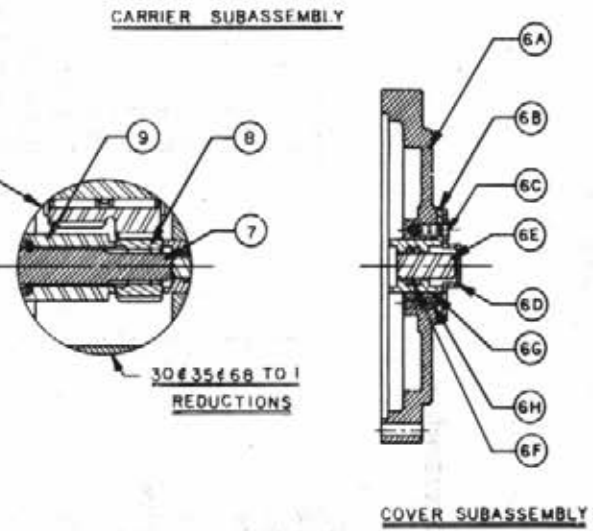
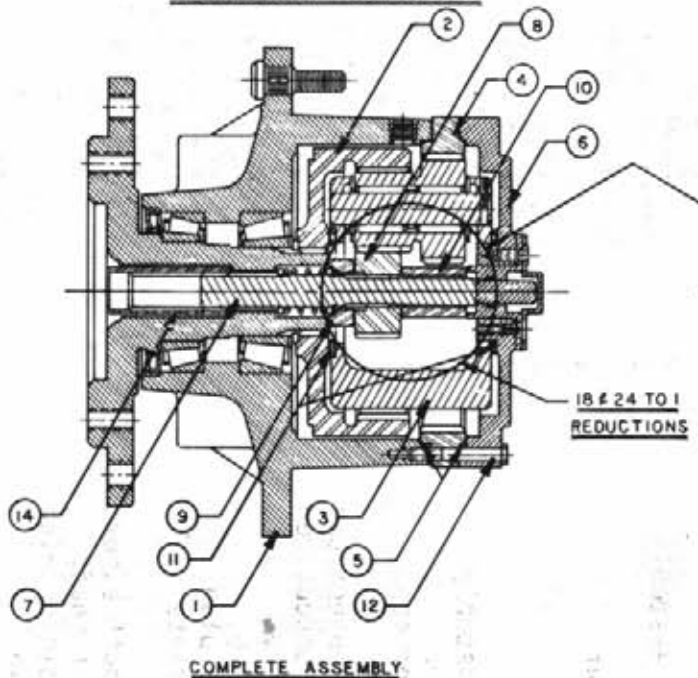
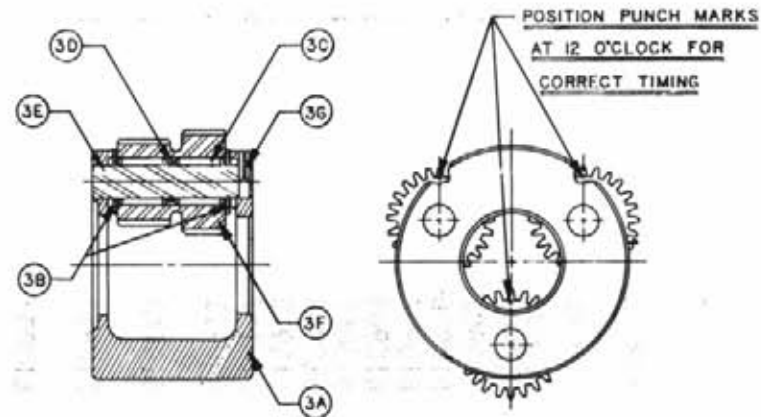
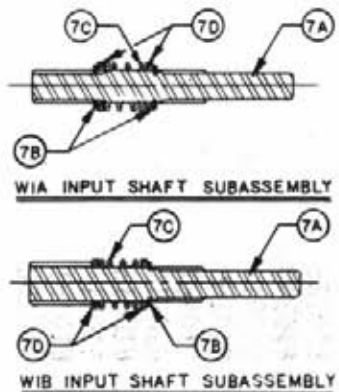
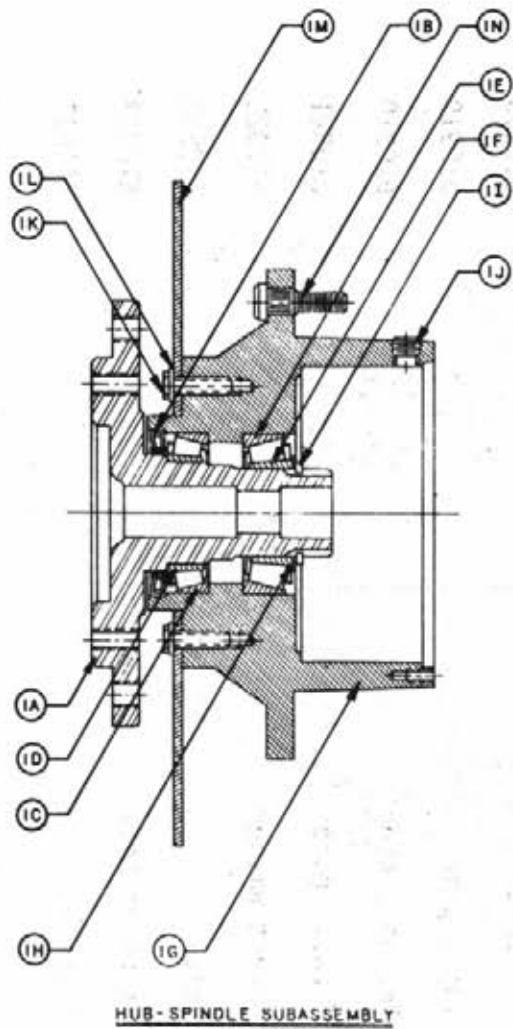


THIS DRAWING AND DESIGN IS THE PROPERTY OF / AND ALL PROPRIETARY RIGHTS ARE RESERVED TO / FAIRFIELD MFG. CO., INC. THE RECIPIENT AGREES NOT TO DISCLOSE TO ANY PERSON OR ORGANIZATION ANY INFORMATION REGARDING THE DESIGN OR MANUFACTURE OF THE ARTICLE REPRESENTED HEREON, OR USE SAME IN ANY WAY DETERMENTAL TO THE INTEREST OF FAIRFIELD MFG. CO., INC.

DRAFTSMAN Beck		DATE 10-8-73	FAIRFIELD MFG. Co., INC. LAFAYETTE, IND. 47905
CHECKER			
PROJECT ENG.			TITLE SERVICE LITERATURE
RELEASED			SCALE: DRAWING No. WIA & WIB

610291 - PLANETARY GEAR ASSEMBLY

ITEM	DESCRIPTION	PART NO.	QTY.
1	Hub-spindle sub-assembly	610154	1
1A	Spindle	610038	1
1B	Seal	610904	1
1C	Bearing cup	610905	1
1D	Bearing cone	610906	1
1E	Bearing cup	610907	1
1F	Bearing cone	610908	1
1G	Hub	610047	1
1H	Spacer	610909	1
1I	Retaining ring	610910	1
1J	Pipe plug	610147	2
1N	Stud	160911	9
2	Internal gear	610148	1
3	Carrier assembly	610933	1
4	Ring gear	610937	1
5	O-ring	610903	2
6	Cover assembly	610155	1
6A	Cover	610149	1
6B	Cover cap	610914	1
6C	Bolt	610150	4
6D	Disconnect cap	610901	1
6E	Disconnect rod	610915	1
6F	O-ring	610916	1
6G	O-ring	610917	1
6H	Pipe plug	610151	1
6J	ID plate	610152	1
7	Input shaft assembly	610048	1
7A	Input shaft	610046	1
7B	Retaining ring	610936	1
7C	Spring	610145	1
7D	Spacer	610153	2
8	Input gear	610919	1
9	Thrust spacer	610920	1
10	Thrust spacer	610921	1
11	Thrust washer	610922	2
12	Bolt	610930	12
13	Shoulder bolt	610923	4
14	Coupling	610037	1
16	Flat washer	610049	15



THIS DRAWING AND DESIGN IS THE PROPERTY OF / AND ALL PROPRIETARY RIGHTS ARE RESERVED TO / FAIRFIELD MFG. CO., INC. THE RECIPIENT AGREES NOT TO DISCLOSE TO ANY PERSON OR ORGANIZATION ANY INFORMATION REGARDING THE DESIGN OR MANUFACTURE OF THE ARTICLE REPRESENTED HEREON, OR USE SAME IN ANY WAY DETRIMENTAL TO THE INTEREST OF FAIRFIELD MFG. CO., INC.

DRAFTSMAN Beck		DATE 10-8-73	FAIRFIELD MFG. Co., Inc. LAFAYETTE, IND. 47505
CHECKER			
PROJECT ENG.			TITLE SERVICE LITERATURE
RELEASED			SCALE: DRAWING NO. WIA & WIB

WHEEL DRIVE ASSEMBLY - 437617

<u>ITEM</u>	<u>PART NO.</u>	<u>QTY.</u>	<u>DESCRIPTION</u>
1		1	Hub-spindle sub-assembly
	1A	1	Spindle
	1B	1	Seal
	1C	1	Brg. cup
	1D	1	Brg. cone
	1E	1	Brg. cup
	1F	1	Brg. cone
	1G	1	Hub
	1H	1	Spacer
	1I	1	Retaining ring
	1J	2	Pipe plug
	1N	9	Stud
2		1	Internal gear
3		1	Carrier assembly
4		1	Ring gear
5		2	'0' ring
6		1	Cover assembly
	6A	1	Cover
	6B	1	Cover cap
	6C	4	Bolt
	6D	1	Disconnect cap
	6E	1	Disconnect rod
	6F	1	'0' ring
	6G	1	'0' ring
	6H	1	pipe plug
	6J	1	ID plate
7		1	Input shaft assembly
	7A	1	Input shaft
	7B	2	Retaining ring
	7C	1	Spring
	7D	2	Spacer
8		1	Input gear
9		1	Thrust spacer
10		1	Thrust spacer
11		1	Thrust washer
12		2	Bolt
13		12	Shoulder bolt
14		4	Coupling
16		1	Flat washer
17		16	Retaining ring
	610156	1	
	610052	1	
	610904	1	
	610905	1	
	610906	1	
	610907	1	
	610908	1	
	610047	1	
	610909	1	
	610910	1	
	610147	2	
	610911	9	
	610148	1	
	610912	1	
	610929	1	
	610903	2	
	610157	1	
	610149	1	
	610914	1	
	610150	4	
	610901	1	
	610915	1	
	610916	1	
	610917	1	
	610151	1	
	610152	1	
	610158	1	
	610159	1	
	610936	2	
	610145	1	
	610153	1	
	610919	2	
	610920	1	
	610921	1	
	610922	1	
	610930	2	
	610923	12	
	610931	4	
	610049	1	
	610160	16	

NOTICE

The following three pages contain decals for the 1985 8250.

These decals can be obtained from Hagie Mfg. Co. and should be used whenever your machine is repainted or when the decals become worn, weathered or faded.

Special attention should be paid to decals involving personal safety. They have been attached for your protection.

KEEP THEM IN PLACE.

Contact: Hagie Manufacturing Co.
Box 273, Clarion, Iowa 50525

8250 DECALS

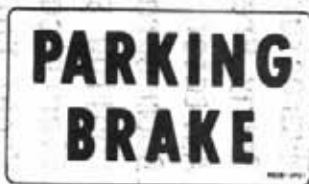
Qty.	P/N	Description	Location
1	650814	Park Brake Decal	Near Parking Brake Lever
2	650847	No Passenger Decal	(1) - Left Rear Leg (1) - Left Inside Door Channel
1	650848	Slip Or Fall Decal	On Left Rear Leg
1	650849	Engine Fuel Decal	Near Fuel Filler Neck
2	650850	Chemical Decal	On Solution Tank Lids
2	650851	Shields Decal	On Side Of Top Engine Cover
1	650852	Read Manual Decal	On Front Cab Mounting Angle To Right Of Steering
1	650853	Steering Console Decal	On Steering Column Cover
2	650777	Sight Gauge Decal	(1) - On Each Sight Gauge Mount
1	650858	Do Not Use Ether Decal	Near Air Cleaner Tube
1	650861	Vent Slide Decal	On Air Conditioner Console
2	650865	Hagie Decal	On Sides Of Top Engine Cover
2	650305	8250 Decal	On Sides Of Top Engine Cover
1	650868	Boom Fold Decal	On Console Sheet Metal
1	650869	Boom Level & Lift Decal	On Console Sheet Metal
1	650881	Choke Decal	On Console Sheet Metal
1	650832	Wiper Decal	On Console Sheet Metal
1	650935	Speedometer Decal	On Speedometer Gauge
1	650939	Speed & Tach Decal	On Console Sheet Metal
1	650953	Gasoline Decal	Near Fuel Filler Neck
1	650954	Diesel Decal	Near Fuel Filler Neck
1	650957	Oil Decal	On Console Sheet Metal
1	650958	Gen Decal	On Console Sheet Metal
1	650967	Throttle Decal	On Console Sheet Metal
1	650968	Hydrostatic Decal	On Console Sheet Metal
1	650969	Spray Pressure Decal	On Console Sheet Metal
1	650970	Agitator Decal	On Console Sheet Metal
1	650973	Boom Spray Decal	On Console Sheet Metal
1	650981	Cooling System Decal	Near Radiator Cap
1	650982	Electrical System Decal	Left Hand Side Of Oil Tank
4	650985	Wheel Bolt Torque Decal	On Each Wheel Rim
1	650893	Diesel Start Decal	Cab Mounting Angle

8250

650305 - 8250 Decal



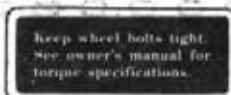
650850 - Chemicals Decal



650814 - Park Brake Decal



650848 - Slip Or Fall Decal



650985 - Wheel Bolt Torque Decal



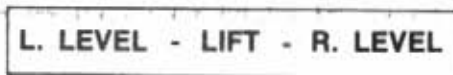
650981 - Cooling System Decal



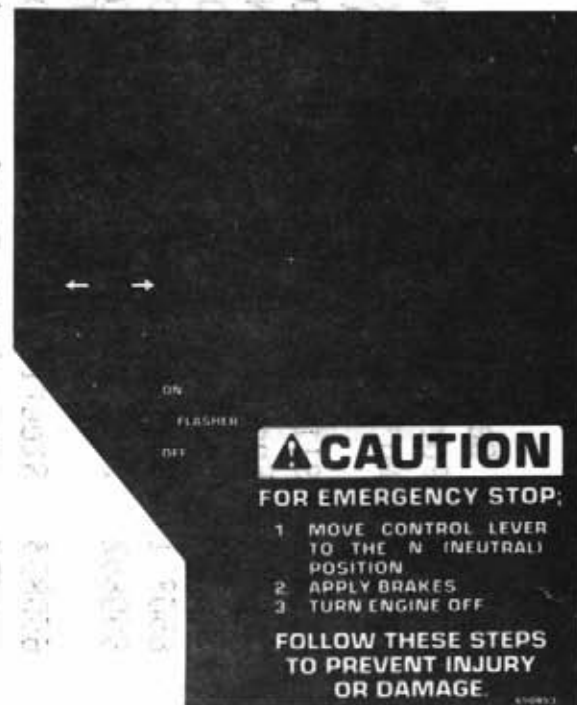
650935 - Speedometer Decal



650968 - Hydrostatic Decal



650869 - Boom Level And Lift Decal



650853 - Steering Console Decal



CAUTION

Electrical system is 12 volt negative ground. When using booster with jump starting, precautions must be taken to prevent personal injury or damage to electrical parts.

1. Attach one end of jumper cable to positive terminal of booster battery and other end to positive terminal of vehicle battery connected to starter motor.
2. Attach one end of second cable to negative terminal of booster battery and other end to vehicle frame away from battery. Do not attach to carb or cable support.
3. To remove cables, reverse above sequence exactly to avoid sparks. See operator's manual for additional information.

650982 - Electrical System Decal



WARNING

THIS MACHINE WAS NOT DESIGNED TO CARRY PASSENGERS. FAILURE TO KEEP PASSENGERS OFF MAY RESULT IN THEIR INJURY OR DEATH.

650847 - No Passenger Decal

GASOLINE

650953 - Gasoline Decal

DIESEL

650954 - Diesel Decal

HIGH — SPRAY PRESSURE — OFF

650969 - Spray Pressure Decal

FAST — AGITATOR — STOP

650970 - Agitator Decal



CAUTION

ENGINE FUEL CAN BE DANGEROUS

- TURN OFF ENGINE BEFORE REFUELING
- DO NOT SMOKE WHILE REFUELING
- CLEAN OFF ANY SPILLED FUEL AFTER REFUELING.

CARELESSNESS WITH FUEL CAN KILL

650849 - Engine Fuel Decal



CAUTION

SHIELDS ARE FOR YOUR PROTECTION. KEEP THEM IN PLACE.

650851 - Shields Decal



CAUTION

DO NOT USE ETHER AS A STARTING FLUID WITH THIS ENGINE. IT IS EQUIPPED WITH A GLOW PLUG IGNITER. USE OF ETHER MAY RESULT IN INJURY OR DEATH. SEE OPERATOR'S MANUAL FOR STARTING INSTRUCTIONS.

650858

650858 - Do Not Use Ether Decal

DIESEL STARTING INSTRUCTIONS

TURN SWITCH TO POSITION R(RUN).
RELEASE STOP CONTROL.
OPEN THROTTLE FULLY.

WARM WEATHER OR ENGINE WARM

TURN SWITCH TO HS (HEAT & START)

COLD WEATHER

TURN SWITCH TO H(HEAT)FOR 15-20 SECONDS. TURN SWITCH TO HS. IF ENGINE DOESN'T START IN 20 SEC. RETURN TO H FOR 10 SEC. REPEAT HS. ENGINE OIL MUST CONFORM TO MIL-L-2104B 10W30 SEE MANUAL

650893 - Diesel Start Decal

OIL

650957 - Oil Decal

GEN.

650958 - Gen Decal

WIPER

650882 - Wiper Decal

CHOKE

650881 - Choke Decal



650967 - Throttle Decal

L FOLD R

650868 - Boom Fold Decal

M.P.H.

OFF

R.P.M.

650939 - Speed And Tach Decal

LEFT CENTER RIGHT

SPRAY BOOM CONTROL
MAIN -ON -OFF

650973 - Boom Spray Decal



CAUTION

READ OPERATOR'S MANUAL BE ALERT! LEARN TO OPERATE THIS MACHINE SAFELY. OBSERVE ALL SAFETY PRACTICES. MACHINE'S CAN BE HAZARDOUS IN THE HANDS OF AN UNFAMILIAR, UNTRAINED, OR COMPLICENT OPERATOR. SHUT OFF ENGINE BEFORE SERVICING. WHEN MECHANISM BECOMES CLOGGED, SHUT OFF ENGINE BEFORE CLEANING. DON'T RISK INJURY OR DEATH.

650852

650852 - Read Manual Decal

650777

125

250

100

225

75

200

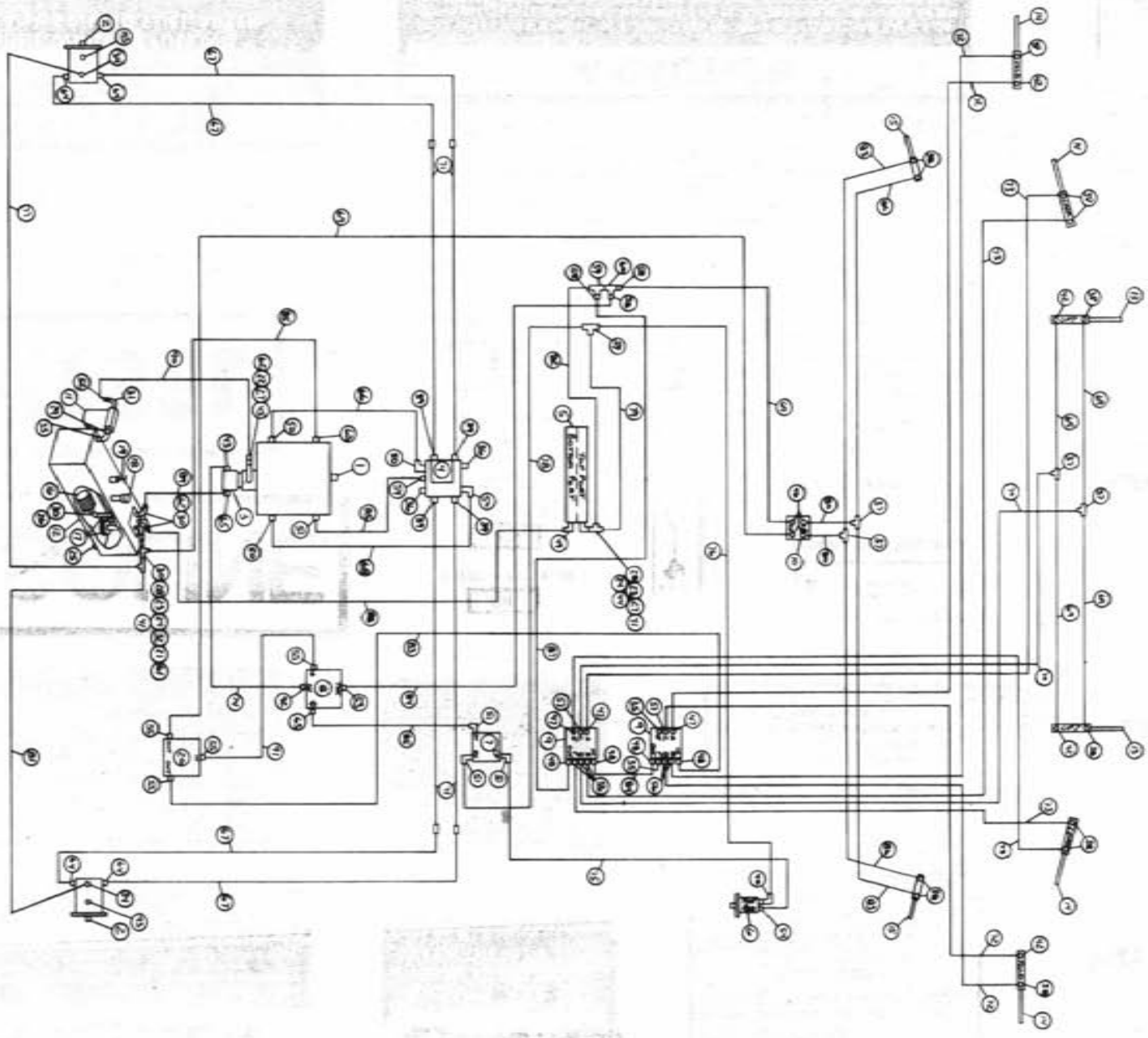
50

175

150

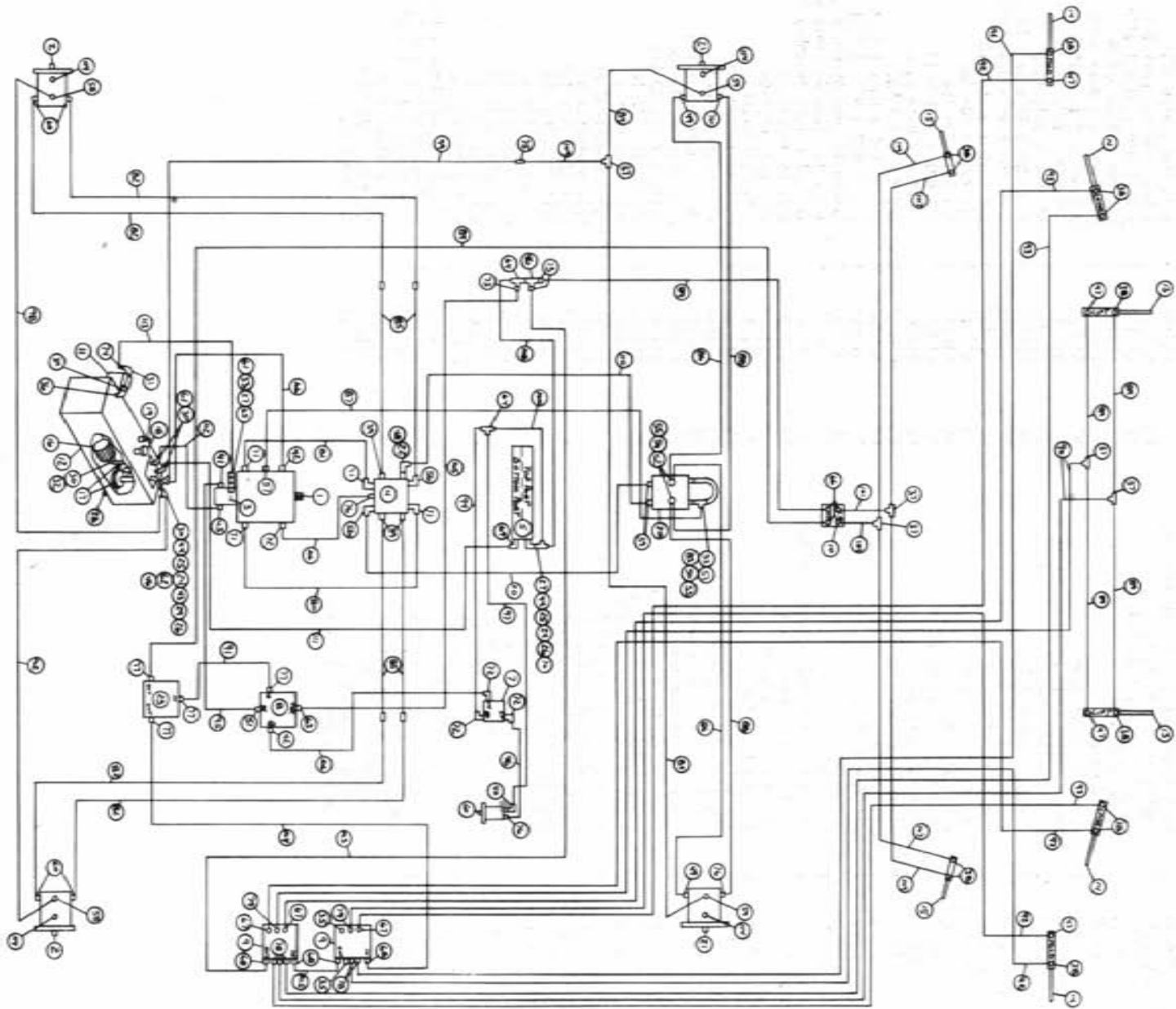
25

650777 - Sight Gauge Decal



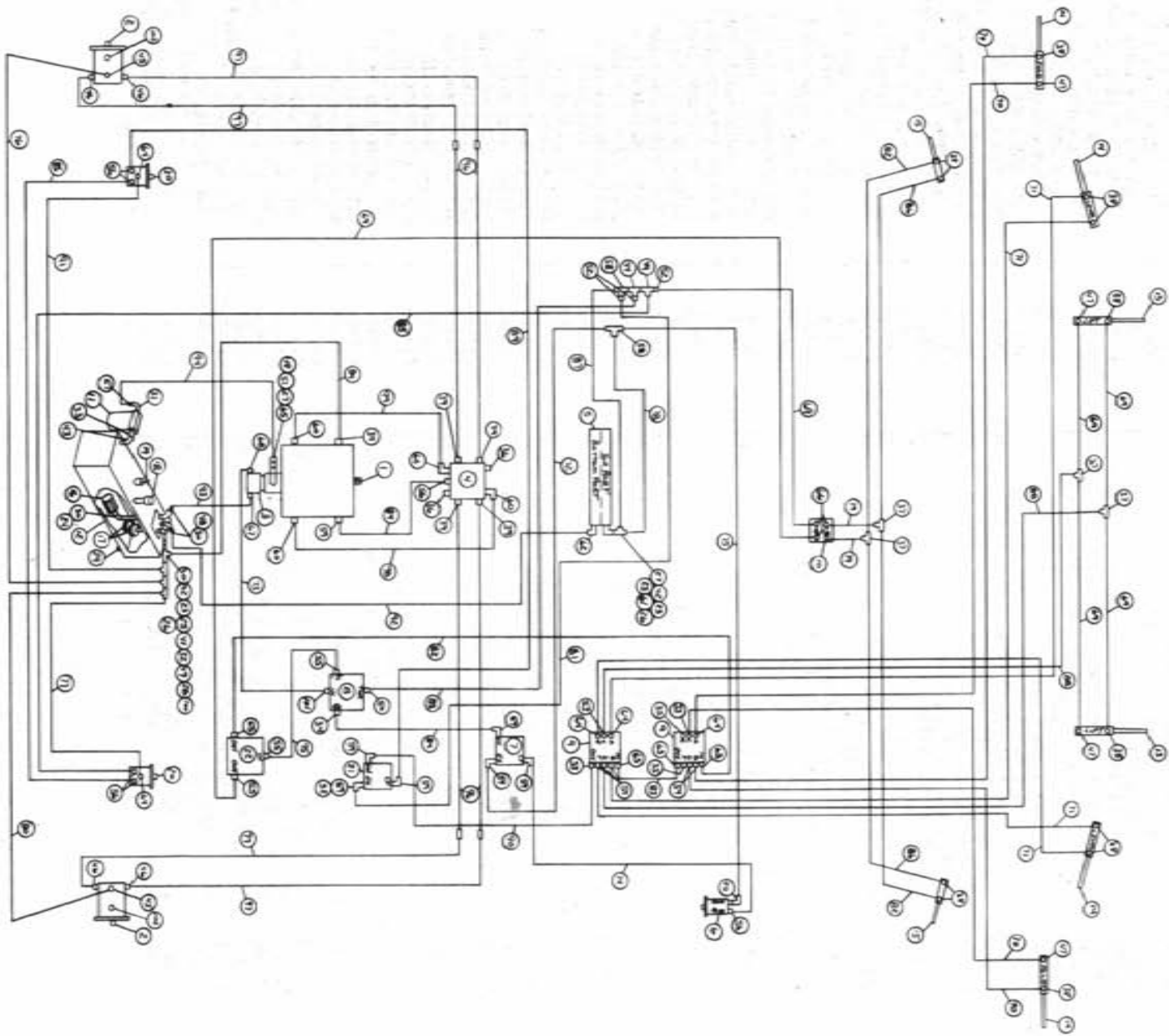
1985 8250 HYDRAULIC SCHEMATIC
 TWO-WHEEL DRIVE WITH POLY TANKS
 REFERENCE DRAWING NO. 498179
 SERIAL NUMBER
 096958001 Thru 096958100

Ref.	Part No.	Req.	Description	Ref.	Part No.	Req.	Description
1	606866	1	Sundstrand Series 23 Pump A-Mount	48	618126	4	9/16 MOR x 9/16 MJIC
2	610030	2	Sundstrand Wheel Motor	49	618138	1	1 NPT x 90° x 1 Hose Barb
3	610446	1	Cessna Auxiliary Pump 1.48	50	618178	4	1 5/16 MOR x 90° x 1 5/16 MJIC
4	615003	1	Large Manifold	51	618183	4	7/8 MOR x 90° x 3/4 MJIC
5	618088	1	Oil Cooler	52	715664	1	1 1/4 NPT x 1 Hose Barb
6	690249	1	Hypro Solution Pump	53	618011	1	3/8 NPT x 9/16 MJIC
7	606818	1	Flow Control 0-16 FCR51 W/Relief	54	618241	2	3/4 MOR x 90° x 3/4 MJIC
8	607518	1	Flow Divider BGR56	55	618310	4	7/8 MOR x 9/16 MJIC
9	606585	2	Cessna 3-Spool Valve	56	618425	5	9/16 MOR x 45° x 9/16 MJIC
10	749150	1	Steering Motor	57	618440	2	9/16 MOR x 90° x 9/16 MJIC Long
11	605601	1	Gresen Filter	58	618482	3	3/4 FJIC x 9/16 MJIC
12	760097	1	Hydraulic Oil Tank	59	618311	2	3/4 MJIC Union Tee
13	620499	2	Lift Cylinder	60	618451	1	3/4 FJIC Run Tee
14	620052	4	Fold & Level Cylinder	61	618520	1	1/4 NPT x 9/16 MJIC
15	620080	2	Steering Cylinder	62	714560	3	1 NPT x 1 Hose Barb
16	605600	2	Michigan Filter	63	618327	2	7/8 MOR x 3/4 MJIC
17	605603	2	Line Diffuser	64	618302	4	1 5/16 MOR x 90° x 1 1/16 MJIC
18	611051	1	Oil Pressure Cap	65	618563	1	1 1/16 MOR x 90° x 1 Hose Barb
19	614453	1	Dipstick	66	615569	1	Hydraulic Tube Assembly Left
20	607504	1	Flow Divider B50	67	615571	4	Hydraulic Tube Assembly Rear Legs
21	503000	1	1/2 NPT To 1/4 NPT Reducer Bushing	68	615568	1	Hydraulic Tube Assembly Right
22	505110	1	1 NPT x 45° Street Elbow	69	611204	6	4C1T-6FJX-6FJX-78
23	504702	2	3/4 NPT Close Nipple	70	611206	2	4C1T-6FJX-6FJX-66
24	504955	2	3/4 NPT Pipe Tee	71	611141	4	12TW3-12FJX-12FJX-53
25	501102	1	1/4 NPT Pipe	72	614098	4	4C1T-6FJX-6FJX-201
26	505203	1	1 NPT x 4" Pipe Nipple	73	614154	4	4C1T-6FJX-6FJX-221
27	505200	2	1 NPT x 90° Street Elbow	74	610325	1	10C1T-10FJX-10FJX-105
28	505213	2	1 NPT To 3/4 Reducer Bushing	75	614547	1	8C1T-8FJX-8FJX90-144
29	506602	1	1 1/4 NPT x 2 1/2 Pipe Nipple	76	614548	1	8C1T-8FJX-8FJX90-120
30	505300	4	1 NPT x 90° Elbow	77	614549	1	6C1T-6FJX-6FJX-140
31	506410	1	1 1/4 NPT x 90° Street Elbow	78	614382	1	8C1T-8FJX-8FJX-40
32	504210	1	3/4 NPT To 1/2 Reducer Bushing	79	615590	1	10RLB-8FJX-8FJX-66
33	506303	1	1 1/4 NPT x 90° Elbow	80	615442	1	4C1T-6FJX-6FJX-55
34	618496	2	3/4 MOR x 45° x 9/16 MJIC	81	615449	1	6C1T-6FJX-6FJX-126
35	610185	2	9/16 MOR Plug	82	614368	1	8C1T-8FJX-8FJX-60
36	610186	2	1 1/16 MOR Plug	83	616026	3	4C1A-6FJX-6FJX-37
37	610193	4	9/16 MJIC Bulkhead Tee	84	616042	2	4C1A-6FJX-6FJX-13
38	611122	12	1/4 NPT x 90° x 9/16 MJIC	85	615465	3	8C1T-8FJX-8FJX-33
39	611127	4	1 1/16 MOR x 1 1/16 MJIC	86	616056	2	4C1T-6FJX-6FJX-32
40	611145	1	1/2 NPT x 90° x 3/4 MJIC	87	616028	1	4C1T-6FJX-6FJX-46
41	610300	2	3/4 NPT x 3/4 MJIC	88	601255	1	1" 2-Braid Red Hose x 104
42	614365	4	Restrictor Elbow Assembly	89	601256	1	1" 2-Braid Red Hose x 31
43	611128	1	7/8 MOR x 90° x 7/8 MJIC	90	611193	1	1" 2-Braid Red Hose x 42
44	610305	1	3/4 NPT x 90° x 3/4 MJIC	91	615452	1	6C1T-6FJX-6FJX-16
45	618090	1	1 5/16 MOR x 1 FNPT	92	611126	1	7/8 MOR x 7/8 MJIC
46	618109	4	3/4 MOR x 9/16 MJIC	93	611159	2	3/4 MOR Plug
47	618119	3	9/16 MOR x 90° x 9/16 MJIC				



1985 8250 HYDRAULIC SCHEMATIC
 FOUR-WHEEL DRIVE WITH POLY TANKS
 REFERENCE DRAWING NO. 498180
 SERIAL NUMBER
 096958001 Thru 096958100

Ref.	Part No.	Req.	Description	Ref.	Part No.	Req.	Description
1	606866	1	Sundstrand Series 23 Pump A-Mount	58	618496	2	3/4 MOR x 45° x 9/16 MJIC
2	610030	2	Sundstrand Wheel Motor	59	618115	2	3/4 MOR x 90° x 9/16 MJIC
3	610446	1	Cessna Auxiliary Pump 1.48	60	618302	4	1 5/16 MOR x 90° x 1 1/16 MJIC
4	615003	1	Large Manifold	61	714560	3	1 NPT x 1 Hose Barb
5	618088	1	Oil Cooler	62	618520	1	1/4 NPT x 9/16 MJIC Run Tee
6	606249	1	Hypro Solution Pump	63	618011	1	3/8 NPT x 9/16 MJIC
7	606818	1	Flow Control 0-16 FCR51 W/Relief	64	618311	2	3/4 MJIC Union Tee
8	607518	1	Flow Divider BGR56	65	618090	1	1 5/16 MOR x 1 NPT
9	606585	2	Cessna 3-Spool Valve	66	618109	4	3/4 MOR x 9/16 MJIC
10	749150	1	Steering Motor	67	618119	3	9/16 MOR x 90° x 9/16 MJIC
11	605601	1	Gresen Filter	68	618126	4	9/16 MOR x 9/16 MJIC
12	760097	1	Hydraulic Oil Tank	69	618138	1	1 NPT x 90° x 1 Hose Barb
13	620499	1	Lift Cylinder	70	610305	1	3/4 NPT x 90° x 3/4 MJIC
14	620052	4	Fold & Level Cylinder	71	618178	4	1 5/16 MOR x 90° x 1 5/16 MJIC
15	620080	2	Steering Cylinder	72	618183	4	7/8 MOR x 90° x 3/4 MJIC
16	605600	1	Michigan Filter	73	618482	3	3/4 FJIC x 9/16 MJIC
17	605603	2	Line Diffuser	74	715664	3	1 1/4 NPT x 1 Hose Barb
18	611051	1	Oil Pressure Cap	75	618314	1	3/4 MJIC Union
19	614453	1	Oil Dipstick	76	618241	4	3/4 MOR x 90° x 3/4 MJIC
20	606603	1	4-Wheel Drive Selector Valve	77	618310	4	7/8 MOR x 9/16 MJIC
21	610029	1	Sundstrand Series 15 Wheel Motor	78	618425	4	9/16 MOR x 45° x 9/16 MJIC
22	610028	1	Flow Control 16 Gallon	79	618440	2	9/16 MOR x 90° x 9/16 MJIC
23	607504	1	Flow Divider B50	80	615568	1	Left Hydraulic Tube Assembly
24	504955	2	3/4 NPT Pipe Tee	81	615669	1	Right Hydraulic Tube Assembly
25	504702	2	3/4 Close Nipple	82	615571	4	Rear Leg Hydraulic Tube Assembly
26	610300	2	3/4 NPT x 3/4 MJIC	83	614198	1	4-Wheel Drive U-Tube
27	505200	2	1 NPT x 90° Street Elbow	84	615450	2	6CIT-6FJX-6FJX45-112
28	501102	1	1/4 NPT Pipe Plug	85	611141	4	12TWM-12FJX-12FJX-53
29	503000	1	1/2 NPT To 1/4 NPT Reducer Bushing	86	615426	2	8TWM-8FJX90-10FJX-114
30	505500	4	1 NPT x 90° Elbow	87	614076	1	4CIT-6FJX-6FJX-119
31	506410	1	1 1/4 NPT x 90° Street Elbow	88	615427	2	8TWM-8FJX-10FJX-107
32	505203	1	1 NPT x 4 Pipe Nipple	89	611204	6	4CIT-6FJX-6FJX-78
33	505110	1	1 NPT x 45° Street Elbow	90	611206	2	4CIT-6FJX-6FJX-66
34	506602	1	1 1/4 NPT x 2 1/2 Pipe Nipple	91	615452	1	6CIT-6FJX-6FJX-16
35	610185	2	9/16 MOR Plug	92	614098	4	4CIT-6FJX-6FJX-201
36	506303	1	1 1/4 NPT x 90° Elbow	93	614154	4	4CIT-6FJX-6FJX-221
37	610193	5	9/16 MJIC Bulkhead Tee	94	614382	1	8CIT-8FJX-8FJX-40
38	611122	12	1/4 NPT x 90° x 9/16 MJIC	95	610325	1	10CIT-10FJX-10FJX-105
39	611127	5	1 1/16 MOR x 1 1/16 MJIC	96	614547	1	8CIT-8FJX-8FJX90-144
40	611145	1	1/2 NPT x 90° x 3/4 MJIC	97	614548	1	8CIT-8FJX-8FJX90-120
41	611128	1	7/8 MOR x 90° x 7/8 MJIC	98	614549	1	6CIT-6FJX-6FJX-140
42	618327	2	7/8 MOR x 3/4 MJIC	99	614425	1	8CIT-8FJX-8FJX-132
43	504210	1	3/4 NPT To 1/2 NPT Reducer Bushing	100	615590	1	10RLB-8FJX-8FJX-66
44	505213	2	1 NPT To 3/4 NPT Reducer Bushing	101	615442	2	4CIT-6FJX-6FJX-55
45	618563	1	1 1/16 MOR x 90° x 1 Hose Barb	102	615449	1	6CIT-6FJX-6FJX-126
46	618451	2	3/4 FJIC Swivel Run Tee	103	616028	1	4C1A-6FJX-6FJX-47
47	614365	4	Restrictor Elbow Assembly	104	616026	3	4C1A-6FJX-6FJX-37
48	618279	1	7/8 MOR x 90° x 1 1/16 MJIC	105	616042	2	4C1T-6FJX-6FJX-13
49	611125	2	3/4 MOR x 3/4 MJIC	106	615465	3	8C1T-8FJX-8FJX-33
50	618287	1	7/8 MOR x 7/8 MJIC x 9/16 MJIC	107	616056	2	4C1T-6FJX-6FJX-32
51	611126	1	7/8 MOR x 7/8 MJIC	108	614368	1	8C1T-8FJX-8FJX-60
52	618535	2	1 1/16 MOR x 90° x 7/8 MJIC	109	615473	1	6C1T-6FJX-6FJX-18
53	618132	2	1 1/16 MOR x 7/8 FOR	110	615589	2	8TWM-12FJX-12FJX-126
54	618333	2	7/8 FJIC Swivel Run Tee	111	601255	1	1" 2-Braid Red Hose x 104"
55	618301	2	7/8 MJIC x 90° x 7/8 FJIC Swivel	112	601256	1	1" 2-Braid Red Hose x 31"
56	618248	2	1 1/16 MOR x 90° x 1 1/16 MJIC	113	601193	1	1" 2-Braid Red Hose x 42"
57	618114	1	7/16 MOR x 90° x 9/16 MJIC	114	611159	4	3/4 MOR Plug



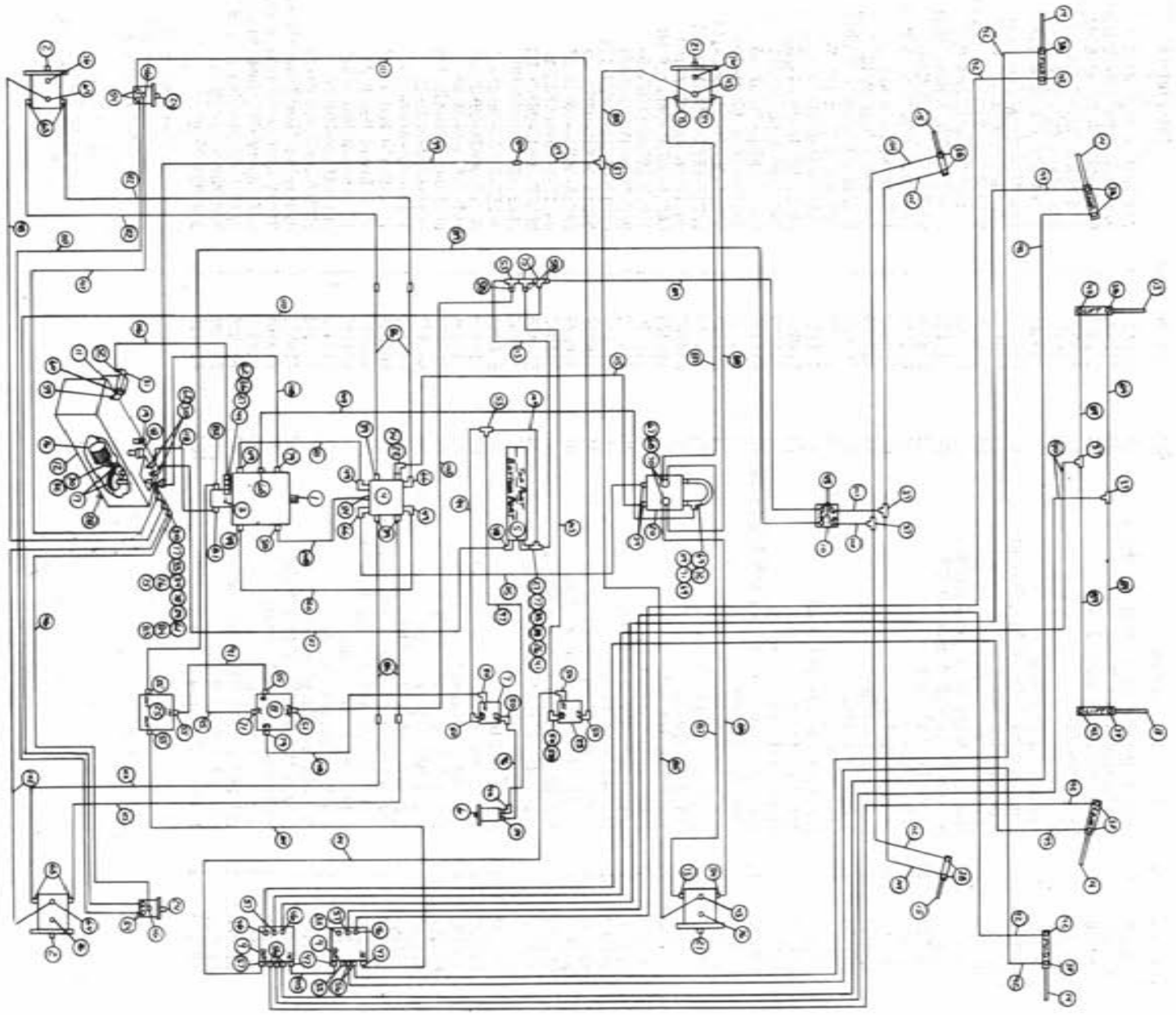
1985 8250 HYDRAULIC SCHEMATIC

TWO-WHEEL DRIVE STAINLESS STEEL TANKS

REFERENCE DRAWING NO. 498181

SERIAL NUMBER
096958001 Thru 096958100

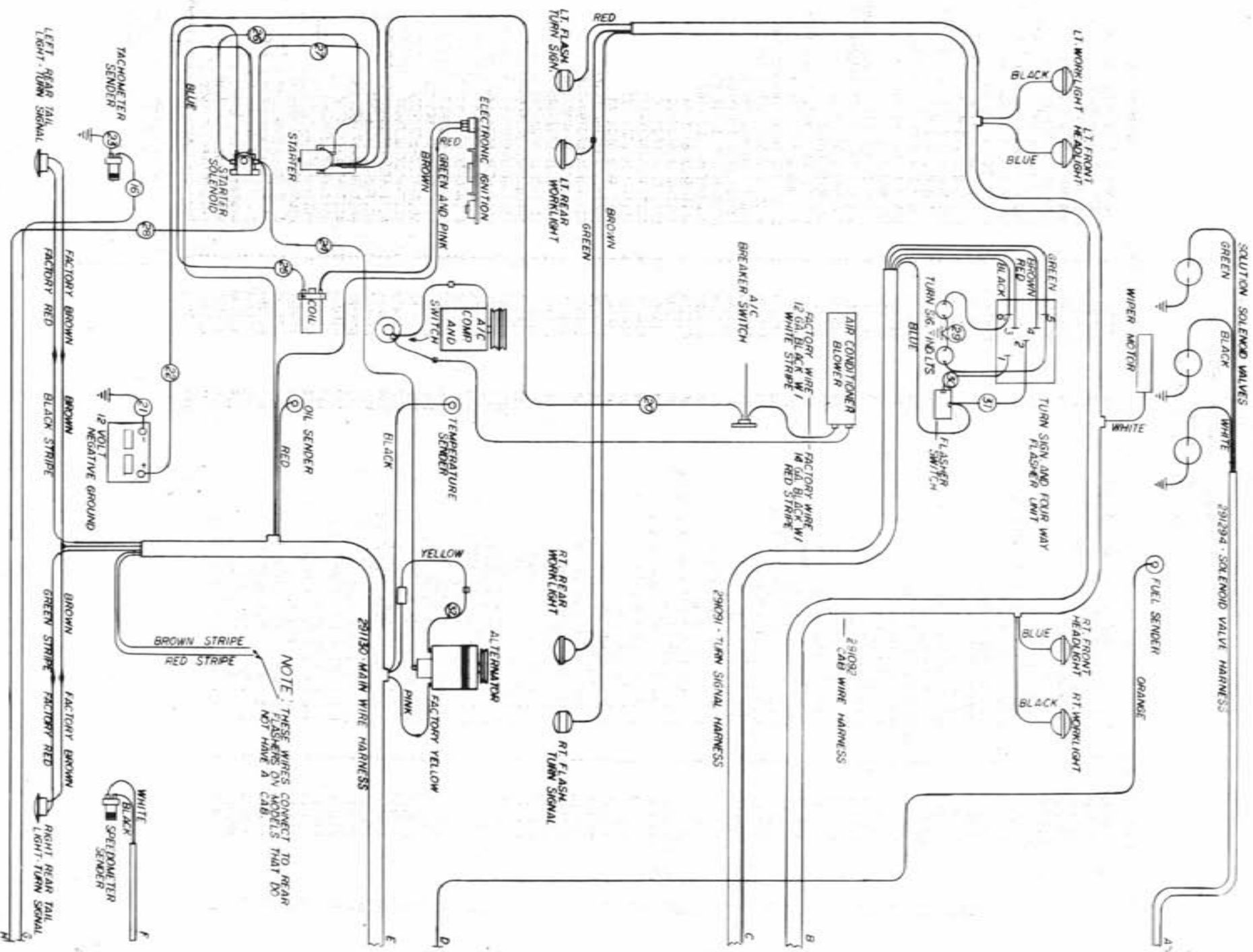
Ref.	Part No.	Req.	Description	Ref.	Part No.	Req.	Description
1	606866	1	Sundstrand Series 23 Pump A-Mount	52	618482	4	3/4 FJIC x 9/16 MJIC
2	610030	2	Sundstrand Wheel Motor	53	618440	3	9/16 MOR x 90° x 9/16 MJIC
3	610446	1	Cessna Auxiliary Pump 1.48	54	618425	5	9/16 MOR x 45° x 9/16 MJIC
4	615003	1	Large Manifold	55	618310	4	7/8 MOR x 9/16 MJIC
5	618088	1	Oil Cooler	56	618241	6	1/4 MOR x 90° x 3/4 MJIC
6	690249	1	Hypro Solution Pump	57	715664	1	1 1/4 NPT x 1 Hose Barb
7	606818	1	Flow Control 0-16 FCR51 w/Relief	58	618311	2	3/4 MJIC Union Tee
8	607518	2	Flow Divider BGR56	59	618183	2	7/8 MOR x 90° x 3/4 MJIC
9	606585	1	Cessna 3-Spool Valve	60	618178	4	1 5/16 MOR x 90° x 1 5/16 MJIC
10	749150	1	Steering Motor Non-Load Reacting	61	610305	1	3/4 NPT x 90° x 3/4 MJIC
11	605601	1	Gresen Filter 10 Micron 40 GPM	62	618138	1	1 NPT x 90° x 1 Hose Barb
12	760097	1	Hydraulic Oil Tank	63	618126	3	9/16 MOR x 9/16 MJIC
13	620499	2	Lift Cylinder	64	618119	5	9/16 MOR x 90° x 9/16 MJIC
14	620052	4	Fold & Level Cylinder	65	618090	1	1 5/16 MOR x 1 NPT
15	620080	2	Steering Cylinder	66	618109	4	3/4 MOR x 9/16 MJIC
16	605600	1	Michigan Filter	67	618563	1	1 1/16 MOR x 90° x 1 Hose Barb
17	605603	2	Line Diffuser	68	611128	1	7/8 MOR x 90° x 7/8 MJIC
18	611051	1	Pressure Cap 3/4 NPT 5 Lb.	69	611204	6	4C1T-6FJX-6FJX-78
19	614453	1	011 Dipstick 8 in.	70	614098	4	04C1T-06FJX-06FJX-201
20	610044	2	Barnes Agitator Motor	71	614154	4	04C1T-6FJX-06FJX-221
21	606827	1	Variable Flow Control 0-3 GPM 7/8 Ports	72	614382	1	08C1T-08FJX-08FJX-40
22	607504	1	Flow Divider 850	73	610325	1	10C1T-10FJX-10FJX-105
23	504702	2	3/4 NPT Close Nipple	74	614547	1	08C1T-08FJX-08FJX90-144
24	505203	1	1 NPT x 4" pipe Nipple	75	614548	1	08C1T-08FJX-08FJX90-120
25	504955	2	3/4 NPT Pipe Tee	76	614549	1	06C1T-06FJX-06FJX-140
26	610300	2	3/4 NPT x 3/4 MJIC	77	615474	1	04C1T-06FJX-06FJX45-90
27	505200	2	1 NPT x 90° Street Elbow	78	615590	1	10R1B-08FJX-08FJX-66
28	618486	1	9/16 FJIC Swivel Run Tee	79	615442	2	04C1T-06FJX-06FJX-55
29	501102	1	1/4 NPT Pipe Plug	80	615449	1	06C1T-06FJX-06FJX-126
30	505300	4	1 NPT x 90° Elbow	81	616028	1	04C1A-06FJX-06FJX-47
31	506410	1	1 1/4 NPT x 90° Street Elbow	82	616026	3	04C1A-06FJX-06FJX-37
32	503000	1	1/2 to 1/4 NPT Reducer Bushing	83	616042	2	04C1T-06FJX-06FJX-13
33	506602	1	1 1/4 NPT x 2 1/2 Pipe Nipple	84	615465	3	08C1T-08FJX-08FJX-33
34	618327	1	7/8 MOR x 3/4 MJIC	85	615455	2	06C1T-8FJX-8FJX-185
35	610185	2	9/16 MOR Plug	86	616056	2	04C1T-06FJX-06FJX-32
36	610186	2	1 1/16 MOR Plug	87	614368	1	08C1T-08FJX-08FJX-60
37	610193	4	9/16 MJIC Bulkhead Tee	88	611206	2	4C1T-6FJX-6FJX-66
38	611127	12	1/4 NPT x 90° x 9/16 MJIC	89	615462	1	6C1T-8FJX-8FJX90-180
39	611127	4	1 1/6 MOR x 1 1/16 MJIC	90	615473	1	6C1T-6FJX-8FJX-18
40	611145	1	1/2 NPT x 90° x 3/4 MJIC	91	614152	1	4C1A-6FJX-6FJX-114
41	504210	1	3/4 NPT to 1/2 NPT Reducer Bushing	92	601255	1	1" 2-Braid Red x 104"
42	505213	2	1 NPT to 3/4 NPT Reducer Bushing	93	601256	1	1" 2-Braid Red x 31"
43	506303	1	1 1/4 NPT x 90° Elbow	94	601193	1	1" 2-Braid Red x 42"
44	618451	2	3/4 FJIC Swivel Run Tee	95	615452	1	6C1T-6FJX-6FJX-16
45	618496	2	3/4 MOR x 45° x 9/16 MJIC	96	611141	4	12TWS-12FJX-12FJX-53
46	618302	4	1 5/16 MOR x 90° x 1 1/16 MJIC	97	615571	4	Hydraulic Tube Assembly-Rear Legs
47	614365	4	Restrictor Elbow Assembly	98	615568	1	Right Hydraulic Tube Assembly
48	714560	3	1 NPT x 1 Hose Barb	99	615569	1	Left Hydraulic Tube Assembly
49	618520	1	1/4 NPT x 9/16 MJIC Run Tee	100	618486	1	9/16 FJIC Run Tee x 9/16 MJIC
50	618011	1	3/8 NPT x 9/16 MJIC	101	611126	1	7/8 MOR x 7/8 MJIC
51	505110	1	1 NPT x 45° Street Elbow	102	611159	2	3/4 MOR Plug



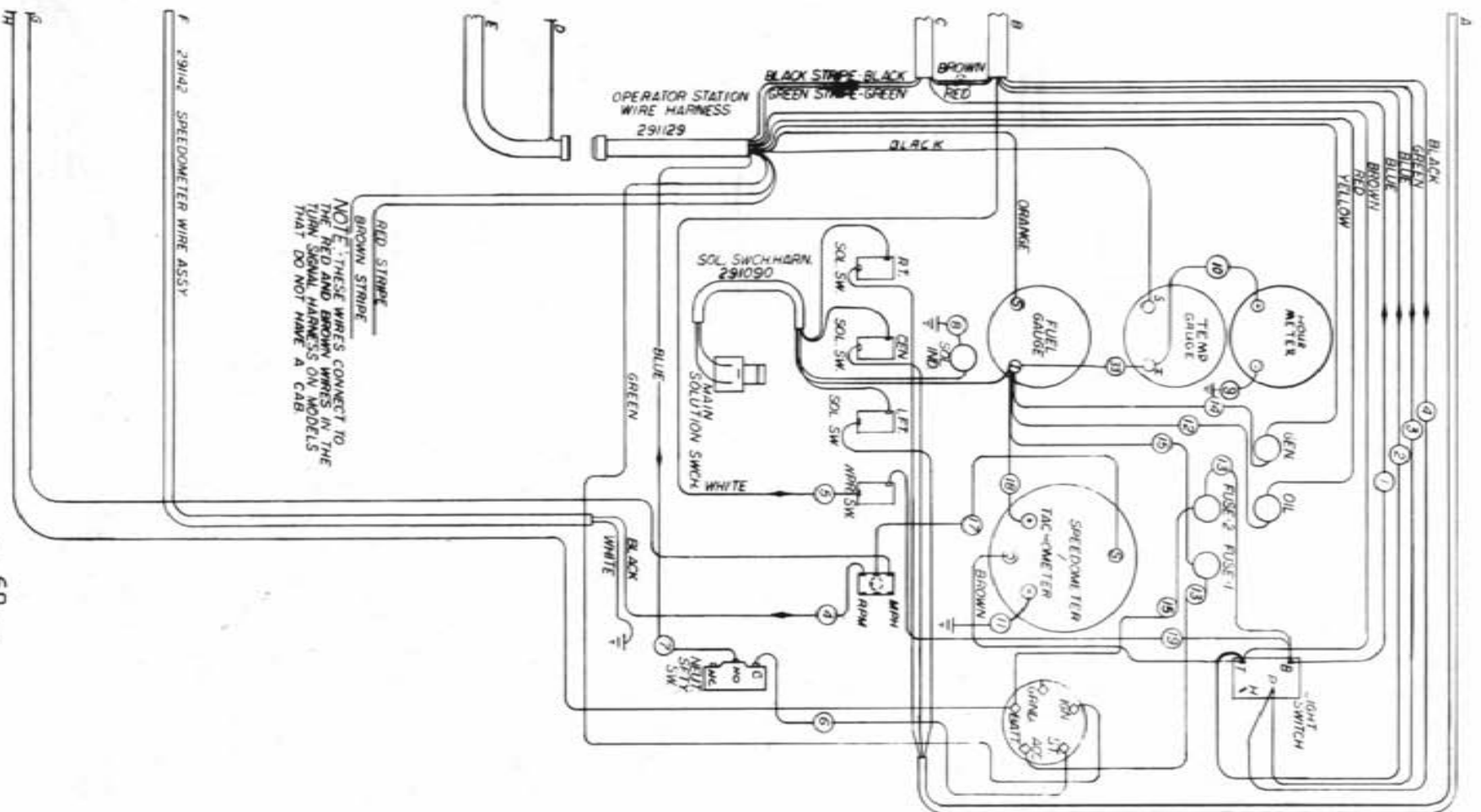
1985 8250 HYDRAULIC SCHEMATIC
 FOUR-WHEEL DRIVE WITH STAINLESS STEEL TANKS
 REFERENCE DRAWING NO. 498182

SERIAL NUMBER
 096958001 Thru 096958100

Ref.	Part No.	Req.	Description	Ref.	Part No.	Req.	Description
1	606666	1	Sundstrand Series 23 Pump A-Mount	61	618520	1	1/4 NPT x 9/16 MJIC Run Tee
2	610030	2	Sundstrand Wheel Motor	62	714560	3	1 NPT x 1 Hose Barb
3	610446	1	Cassma Auxiliary Pump 1.48	63	618302	4	1 5/16 MOR x 90° x 1 1/16 MJIC
4	615003	1	Large Manifold	64	618496	2	3/4 MOR x 45° x 9/16 MJIC
5	618088	1	011 Cooler	65	618114	2	7/16 MOR x 90° x 9/16 MJIC
6	690249	1	Hydro Solution Pump	66	618248	2	1 1/16 MOR x 90° x 1 1/16 MJIC
7	606818	1	Flow Control 0-16 FCRS1 W/Relief	67	618301	2	7/8 FJIC Swivel x 90° x 7/8 MJIC
8	607518	2	Flow Divider BGR56	68	618333	2	7/8 FJIC Swivel Run Tee
9	606585	1	Cassma 3-Spool Valve	69	618132	2	1 1/16 MOR x 7/8 FOR
10	749150	2	Steering Motor	70	618535	2	1 1/16 MOR x 90° x 7/8 MJIC
11	605601	1	Gresen Filter	71	611126	2	7/8 MOR x 7/8 MJIC
12	760097	1	Hydraulic 011 Tank	72	618287	1	7/8 MOR x 7/8 MJIC x 9/16 MJIC
13	620499	1	Lift Cylinder	73	611125	2	3/4 MOR x 3/4 MJIC
14	620052	4	Fold & Level Cylinder	74	618279	1	7/8 MOR x 90° x 1 1/16 MJIC
15	620080	2	Steering Cylinder	75	618451	3	3/4 FJIC Swivel Run Tee
16	605600	2	Michigan Filter	76	611159	4	3/4 MOR Plug
17	605603	2	Line Diffuser	77	505213	4	1 NPT To 3/4 NPT Reducer Bushing
18	611051	1	011 Pressure Cap	78	504210	1	3/4 NPT To 1/2 NPT Reducer Bushing
19	614453	1	011 Dipstick	79	618327	2	7/8 MOR x 3/4 MJIC
20	606003	1	4-Wheel Drive Selector Valve	80	618314	2	3/4 MJIC Union
21	610029	2	Sundstrand Series 15 Wheel Motor	81	618563	1	1 1/16 MOR x 90° x 1 Hose Barb
22	610028	1	Flow Control 16 GPM	82	611128	1	7/8 MOR x 90° x 7/8 MJIC
23	606827	1	Flow Control 0-3 GPM 7/8 Ports	83	618514	1	9/16 FJIC Swivel Branch Tee
24	610044	2	Barnes Agitator Motor	84	618486	1	9/16 FJIC Swivel Run Tee
25	607504	1	Flow Divider B50	85	615450	2	06C1T-6FJX-6FJX45-112
26	610300	2	3/4 NPT x 3/4 MJIC	86	611141	4	12TW3-12FJX-12FJX-53
27	505200	2	1 NPT x 90° Street Elbow	87	615426	4	8TMM-8FJX90-10FJX-114
28	501102	1	1/4 NPT Pipe Plug	88	615427	2	8TMM-8FJX-10FJX-107
29	503000	1	1/2 NPT To 1/4 NPT Reducer Bushing	89	611204	6	4C1T-6FJX-6FJX-78
30	505300	4	1 NPT x 90° Elbow	90	611206	2	4C1T-6FJX-6FJX-66
31	506410	1	1 1/4 NPT x 90° Street Elbow	91	615452	1	6C1T-6FJX-6FJX-16
32	505203	1	1 NPT x 4 Pipe Nipple	92	614098	4	4C1T-6FJX-6FJX-201
33	504702	2	3/4 Close Nipple	93	614154	4	4C1T-6FJX-6FJX-221
34	504955	2	3/4 NPT Pipe Plug	94	614362	1	8C1T-8FJX-8FJX-40
35	610185	2	9/16 MOR Plug	95	610325	1	10C1T-10FJX-10FJX-105
36	505110	1	1 NPT x 45° Street Elbow	96	615447	1	8C1T-8FJX-8FJX90-114
37	610193	5	9/16 MJIC Bulkhead Tee	97	614548	1	8C1T-8FJX-8FJX90-120
38	611122	12	1/4 NPT x 90° x 9/16 MJIC	98	614425	1	6C1T-6FJX-6FJX-140
39	611127	5	1 1/16 MOR x 1 1/16 MJIC	99	614425	1	8C1T-8FJX-8FJX-132
40	611145	1	1/2 NPT x 90° x 3/4 MJIC	100	615590	1	10RLB-8FJX-8FJX-66
41	610305	1	3/4 NPT x 90° x 3/4 MJIC	101	615442	2	4C1T-6FJX-6FJX-55
42	614365	4	Restrictor Elbow Assembly	102	615449	1	6C1T-6FJX-6FJX-126
43	618115	4	3/4 MOR x 90° x 9/16 MJIC	103	616028	1	4C1A-6FJX-6FJX-47
44	618090	1	1 5/16 MOR x 1 FNPT	104	616026	3	4C1A-6FJX-6FJX-47
45	618109	1	3/4 MOR x 9/16 MJIC	105	616042	2	4C1T-6FJX-6FJX-37
46	618119	5	9/16 MOR x 90° x 9/16 MJIC	106	615474	2	4C1T-6FJX-6FJX-37
47	618126	3	9/16 MOR x 90° x 9/16 MJIC	107	614152	1	4C1T-6FJX-6FJX45-90
48	618138	1	1 NPT x 90° x 1 Hose Barb	108	615465	3	4C1A-6FJX-6FJX-114
49	618178	4	1 5/16 MOR x 90° x 1 5/16 MJIC	109	614076	1	8C1T-8FJX-8FJX-33
50	618183	7	7/8 MOR x 90° x 3/4 MJIC	110	615445	2	4C1T-6FJX-6FJX-119
51	618011	1	3/8 NPT x 9/16 MJIC	111	615462	1	6C1T-8FJX-8FJX-185
52	715664	1	1 1/4 NPT x 1 Hose Barb	112	616056	2	6C1T-8FJX-8FJX90-180
53	618311	2	3/4 MOR x 90° x 3/4 MJIC	113	614368	2	4C1T-6FJX-6FJX-32
54	618241	8	3/4 MOR x 90° x 3/4 MJIC	114	615473	1	8C1T-8FJX-8FJX-60
55	618310	4	7/8 MOR x 9/16 MJIC	115	615589	2	6C1T-8FJX-8FJX-18
56	618425	5	9/16 MOR x 45° x 9/16 MJIC	116	601193	1	8TMM-12FJX-12FJX-126
57	618440	3	9/16 MOR x 90° x 9/16 MJIC	117	601255	1	1" 2-Braid Red Hose x 42"
58	618482	4	3/4 FJIC x 9/16 MJIC	118	601258	1	1" 2-Braid Red Hose x 104"
59	506303	1	1 1/4 NPT x 90° Elbow	119	614198	1	1" 2-Braid Red Hose x 31"
60	506602	1	1 1/4 NPT x 2 1/2 Pipe Nipple	120	615568	1	4-Wheel Drive Tube
				121	615569	1	Right Hydraulic Tube
				122	615571	4	Left Hydraulic Tube Rear Leg Hydraulic Tube Assembly



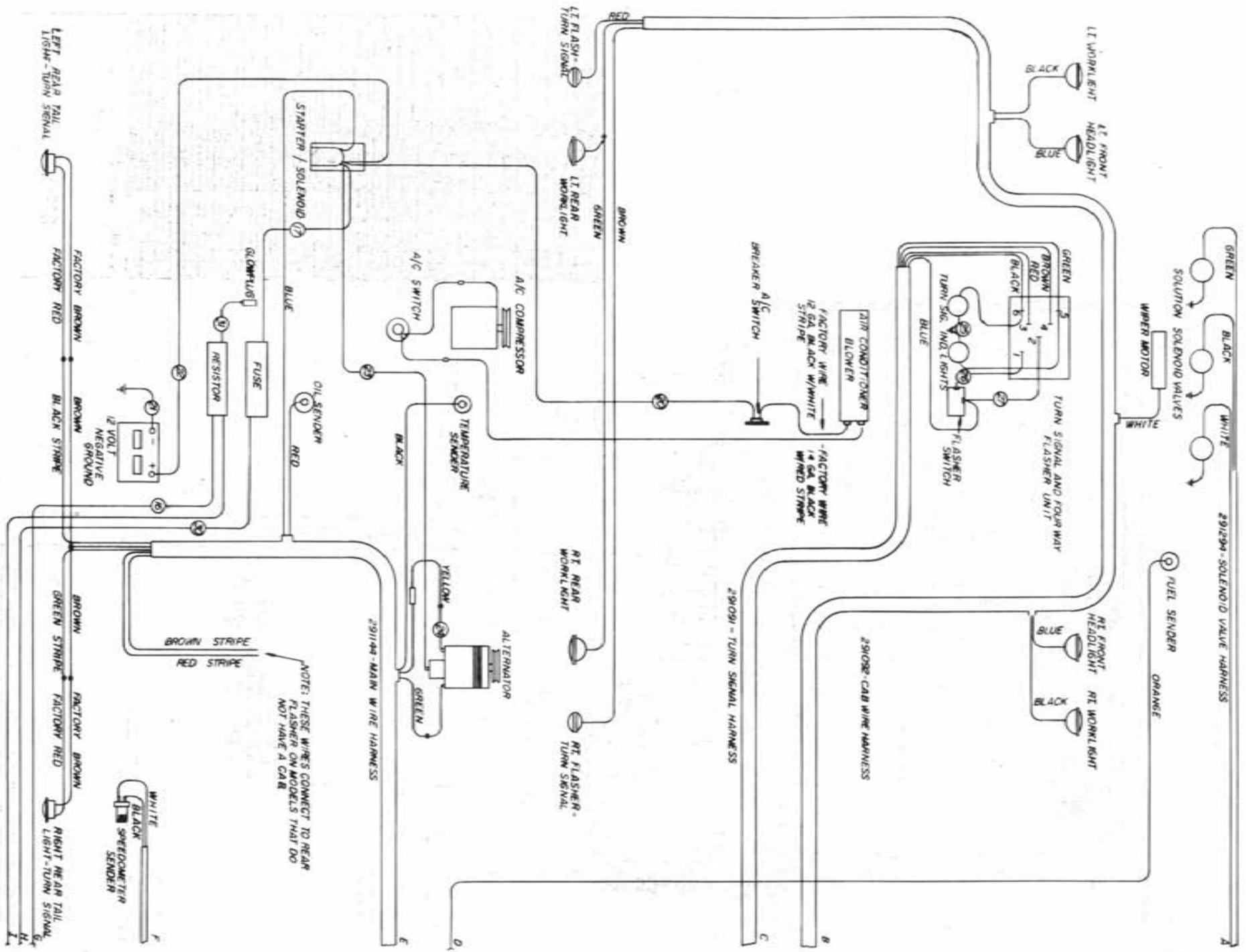
NOTE: THESE WIRES CONNECT TO REAR HEADLIGHTS ON MODELS THAT DO NOT HAVE A CAB.

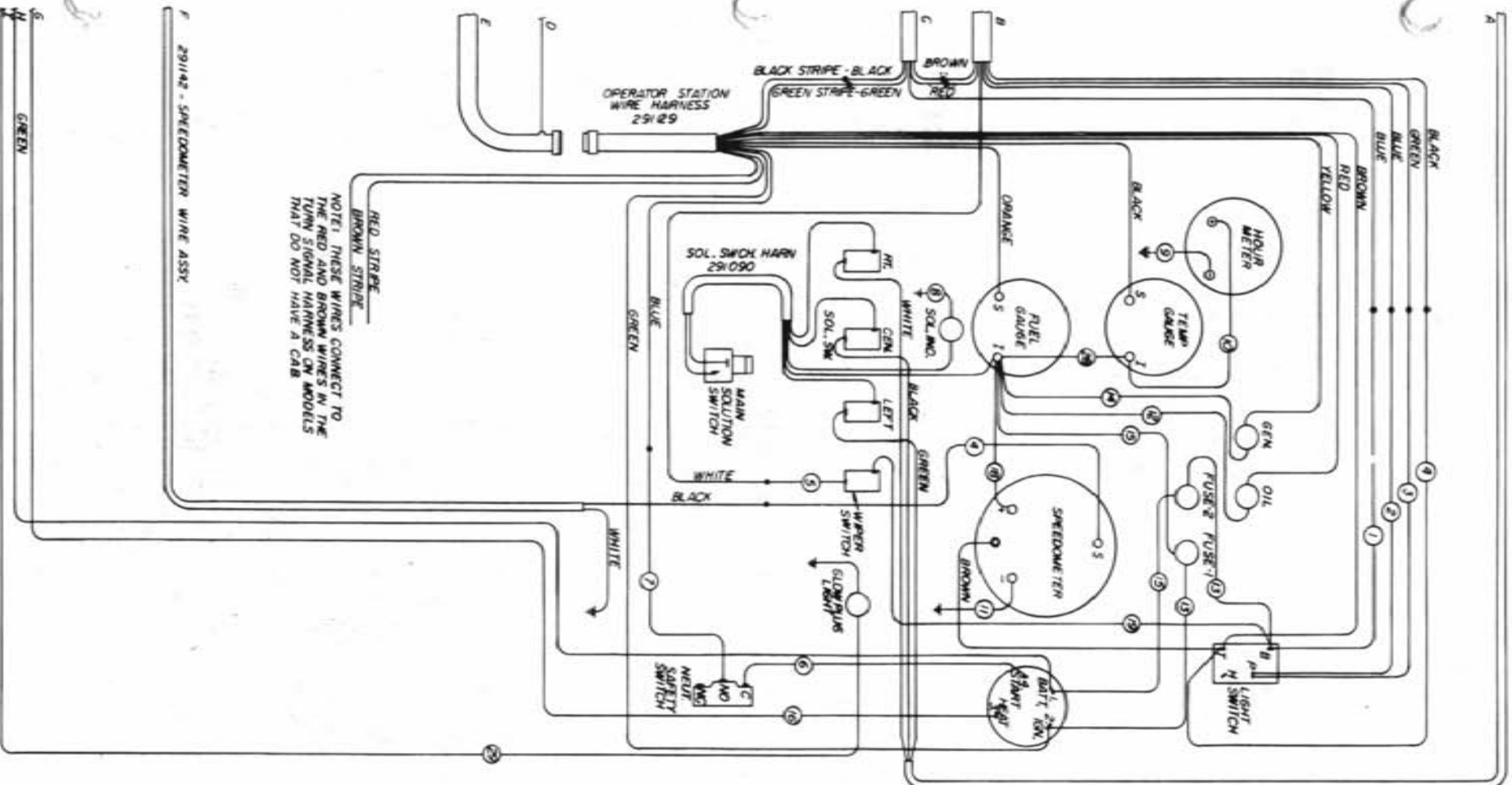


33/291435	16 GA. B&W X 6"
32/291417	14 GA. YELLOW X 8"
31/291109	14 GA. RED X 11"
30/291108	14 GA. BLUE X 11"
29/291107	14 GA. BLUE X 2"
28/291454	14 GA. X 17"
27/291278	10 GA. RED X 12"
26/291276	10 GA. BLUE X 14"
25/291481	14 GA. RED X 18"
24/291453	10 GA. BLUE X 5.3"
23/291297	16 GA. BLUE X 14"
22/291128	14" BATTERY C&S-5
21/290117	GROUND CABLE
20/291141	10 GA. WHITE X 13"
19/291422	14 GA. RED X 12"
18/291484	14 GA. RED X 2.2"
17/291476	16 GA. RED X 14"
16/291460	16 GA. BLUE X 15.9"
15/291443	14 GA. RED X 10"
14/291442	16 GA. RED X 9"
13/291441	14 GA. GREEN X 9"
12/291440	16 GA. RED X 6"
11/291421	16 GA. GREEN X 6"
10/291410	16 GA. WHITE X 6"
9/291139	16 GA. WHITE X 16"
8/291138	16 GA. WHITE X 16"
7/291137	14 GA. BLUE X 6"
6/291136	14 GA. WHITE X 12"
5/291135	14 GA. WHITE X 5"
4/291134	14 GA. B-PT. X 5"
3/291133	14 GA. GREEN X 5"
2/291132	14 GA. BLUE X 5"
1/291131	14 GA. BLUE X 10"

WIRING DIAGRAM - 3240 - 645
8250

498132





31	1	10 GA. WHITE * 20"
30	1	10 GA. GREEN * 105"
29	1	14 GA. ORANGE * 105"
29	1	16 GA. RED * 6"
27	1	14 GA. RED * 4"
26	1	14 GA. BLUE * 4"
25	2	14 GA. BLUE * 5"
24	1	14 GA. YELLOW * 8"
23	1	12" SOLENOID CABLE
24	1	56" BATTERY CABLE
21	1	GROUND STRAP
20	1	0 GA. WHITE * 135"
19	1	14 GA. RED * 12"
18	1	14 GA. RED * 5"
17	1	10 GA. GREEN * 12"
16	1	12 GA. RED * 10"
15	2	14 GA. RED * 9"
13	2	14 GA. RED * 10"
12	1	14 GA. GREEN * 9"
11	1	16 GA. RED * 6"
10	1	16 GA. GREEN * 6"
9	1	16 GA. WHITE * 6"
8	1	16 GA. WHITE * 16"
7	1	14 GA. BLUE * 6"
6	1	14 GA. BLUE * 12"
5	1	14 GA. WHITE * 5"
4	2	14 GA. BLACK * 5"
3	1	14 GA. GREEN * 5"
2	1	14 GA. BLUE * 5"
1	1	14 GA. BLUE * 10"

WIRING DIAGRAM - 8250 - DIESEL - 1985

498211

INDEX

-A-

Adaptor, Fan.....6
 Agitator,
 Impeller.....38
 Jet.....40,41
 Motor Mount.....38
 Shaft.....38
 Air Cleaner.....15
 Band.....15
 Clamp.....15
 Filter.....15
 Hose.....15
 Air Conditioner,
 Compressor.....9
 Condensor.....9
 Dryer.....9
 Evaporator.....26
 Housing Mount.....26
 Air Intake.....13
 Plate.....13
 Screen.....13
 Tube.....7,15
 Air Stack Cap.....15
 Alternator.....5,6
 Adjustment Arm.....6
 Bushing.....6
 Mount.....6
 Sheave.....6

-B-

Back Panel.....44
 Ball Valve.....39,40,41
 Band,
 Air Cleaner.....15
 Tank.....40,41
 Battery.....8
 Box.....8
 Box Support.....8
 Cable.....8
 Hold Down.....8
 Bearing Liner.....16,17
 Belt.....5,6,9
 Blade,Wiper.....24
 Bracket,
 A/C Condensor.....9
 Mirror.....28
 Throttle Cable.....7
 Worklight Cover.....24,28

Brake,
 Cable.....18,25
 Disc.....18
 Lever.....25
 Mount Hub.....18
 Pad.....18
 Retainer Clip.....18
 Sensor Mount.....18
 Break-Away Hinge.....45
 Boom.....48

-C-

Cab.....24,28
 Door.....27
 Glass.....24,28
 Roof.....26,28
 Cable,
 Battery.....8
 Brake.....18
 Hydrostatic.....31
 Throttle.....30
 Canopy.....28
 Deflector Shield.....25
 Cap,
 Fuel.....22
 Hub.....16
 Pressure.....23
 Radiator.....12
 Rain.....14
 Steering Wheel.....36
 Carburetor.....6
 Catwalk.....40,41
 Choke Control.....29
 Clip,Brake Retainer.....18
 Console.....29
 Control Head Hydrostatic.....30
 Cover, Steering Column.....36
 Coupler,
 Half.....38
 Flex Disc.....38
 Cradle, Polytank.....40
 Crank Pulley.....6
 Crop,
 Guide.....17
 Shield.....50
 Compressor.....9
 A/C Mount.....9

Cylinder,	
Fold.....	45,47
Level.....	45,47
Lift.....	45,46
Mount.....	45
Steering.....	20

-D-

Deflector Shield.....	28
Diffuser.....	23
Dimmer Switch.....	25
Dipstick, Oil.....	23
Disc,	
Brake.....	18
Coupler Flex.....	38
Sensor.....	18
Distributor Cap.....	7
Door,	
Cab.....	27
Catch Slide.....	27
Panel Foam.....	27
Drain Cock.....	12
Drive Assembly.....	5
Dryer, A/C.....	9

-E-

Engine.....	5,7
Hood.....	44
Hood Prop.....	44
Isolator.....	5,25
Electronic Modulator.....	7
Exhaust	
Pipe.....	14
Pipe Flange.....	14
Manifold Shield.....	6
Extension,	
Plate.....	44
Pump Lever.....	11

-F-

Fan.....	5,6
Adapter.....	6
Spacer.....	5,6
Filler Ring.....	7
Filter,	
Air Cleaner.....	15
Gresen.....	23
Michigan.....	23
Oil.....	6

Flasher Light.....	36
Flow Control.....	10
Lever.....	35
Mount.....	35
Variable.....	35
Flow Divider.....	34
Foam.....	37
Fold Cylinder.....	45,47
Friction Disc.....	31
Front Leg.....	16,17
Fuel	
Gauge.....	29
Filter.....	6
Sender.....	22
Shut Off Mount.....	5
Tank.....	22
Fuse.....	29
Holder.....	29

-G-

Gas Cap.....	22
Gasket,	
Charge Pump.....	7
Intake.....	7
Receiver Plate.....	23
Tank Lid.....	39
Gauge,	
Fuel.....	29
Pressure.....	47
Temperature.....	29
Glass.....	24,27
Gland Packing.....	38
Governor.....	7
Control Rod.....	7
Mount.....	7
Grease Seal.....	16
Ground Strap.....	7,8,25
Gusset, Cab Roof.....	26

-H-

Handle, Selector Valve.....	33
Engine Hood.....	44
Ladder.....	49
Heat Shield.....	14
Hinge Pin.....	45
Hold Down Battery.....	8
Holder, Fuse.....	29
Hood,	
Handrail.....	44
Engine.....	44
Prop Engine.....	44

Hook, Rubber.....	12,44
Hose,	
Air Cleaner.....	15
Radiator.....	6
Hour Meter.....	29
Hub.....	16
Brake Mount.....	18
Cap.....	16
Taper Lock.....	17,18
Torque.....	17,18
Hydraulic,	
Manifold Mount.....	10
Motor.....	38
Pump Cessna.....	11
Relief Valve.....	10
Hypro Pump.....	43
Hydrostatic,	
Cable.....	31
Cable Mount.....	5,7
Control Head.....	30

-I-

Ignition Switch.....	29
Impeller Agitator.....	38
Indicator Light.....	29
Sun Shield.....	29
Isolator, Engine.....	5

-J-

Jet Agitator.....	40,41
-------------------	-------

-K-

Keeper Plate.....	16,17,18
-------------------	----------

-L-

Ladder.....	49
Handrail.....	49
Leg,	
Front.....	16,17
Rear.....	18
Level Cylinder.....	45,47
Lever, Throttle.....	31
Lid, Spray Tank.....	39,40,41
Liftarm.....	45
Mount.....	45
Lift Cylinder.....	45,46

Light.....	24,28
Bracket Cover.....	24,28
Indicator.....	29,36
Switch.....	29
Line Diffuser.....	23

-M-

Mainifold Hydraulic.....	10
Mainframe Tie Plate.....	5,14
Meter, Hour.....	29
Michigan Filter.....	23
Micro Switch.....	30
Mirror.....	24,28
Bracket.....	28
Motor,	
Hydraulic.....	38
Mount.....	5,6
Steering.....	36
Wheel.....	17,18
Wiper.....	24
Mount,	
A/C Compressor.....	9
A/C Condensor.....	9
A/C Housing.....	26
Agitator Motor.....	38
Alternator.....	6
Brake Sensor.....	18
Crop Guide.....	17
Cylinder.....	45
Flow Control.....	35
Fuel Shut Off.....	5
Governor.....	7
Hydraulic Manifold.....	10
Hydrostatic Cable.....	5,7
Liftarm.....	45
Radiator.....	12
Seat.....	25
Sight Gauge.....	49
Socket.....	44
Starter Solenoid.....	7
Three Spool.....	32
Throttle Cable.....	5,31
Muffler.....	14
Mullion.....	44

-N-

Nozzle Mount Tube.....	45
Hanger.....	45
Keeper.....	45

Oil,	
Cooler.....	12
Dipstick.....	23
Filter.....	6
Pressure Sender.....	5,6
Tank.....	23
Tank Strap.....	23
Operator Station.....	25
Brake.....	25
Step.....	25
Output Shaft.....	7

-P-

Pad, Brake.....	18
Panel, Station.....	25
Pin, Hinge.....	45
Pivot, Level Cylinder.....	45
Pivot Pin.....	39,40,41
Plate, Air Intake.....	13
Pressure,	
Cap.....	23
Gauge.....	42
Pump,	
Cessna.....	11
Hypro.....	43
Lever.....	11
Sundstrand.....	7

-R-

Radiator.....	12
Cap.....	12
Hose.....	5,6
Mount.....	12
Shroud.....	12
Rain Cap.....	14
Rain, Side.....	39,40,41
Recovery Tank.....	12
Regulator, Voltage.....	6
Relief Valve, Hydraulic.....	10
Rim, Wheel.....	19
Rubber Hook.....	12,44
Roof Cab.....	26,28

-S-

Seat.....	25
Mount.....	25

Selector Valve.....	33
Handle.....	33
Seal,	
Grease.....	16
Kit.....	10
Sender	
Fuel.....	22
Oil Pressure.....	5
Temperature.....	5,6
Sensor,	
Disc.....	18
Speedometer.....	7,18
Tach.....	7
Screen,	
Clip.....	44
Line Strainer.....	42
Slide.....	44
Shaft,	
Agitator.....	38
Output.....	7
Shield,	
Deflector.....	28
Exhaust Manifold.....	6
Hose.....	44
Indicator Sun.....	29
Tank.....	39,40,41
Wheel Motor.....	18
Shroud, Radiator.....	12
Siderails.....	39,40,41
Sight Gauge Mount.....	49
Sign, Slow Moving Vehicle.....	44
Sheave.....	5,6,7
Sheet Metal.....	44
Socket Mounting.....	44
Solution	
Manifold.....	42
Tank.....	39,40,41
Spacer,	
Alternator.....	6
Fan.....	6
Speedometer.....	29
Spray Tank,	
Lid.....	39,40,41
Latch.....	39
Spring.....	31
Stalk Guide.....	50
Starter Solenoid.....	7
Mount.....	7
Station Panel.....	25
Steering,	
Arm.....	16,17
Cap.....	36
Column.....	36

Steering,	
Column Cover.....	36
Cylinder.....	20
Motor.....	36
Wheel.....	36
Step, Operator Station.....	25
Strap, Oil Tank.....	23
Support, Battery Box.....	8
Switch	
Dimmer.....	25
Flasher.....	36
Ignition.....	29
Light.....	29
Micro.....	30
Toggle.....	29,36

-T-

Tach Sensor.....	7
Taillight.....	44
Tank,	
Band.....	40
Cradle.....	40
Fuel.....	22
Mounting Angle.....	39
Oil.....	23
Radiator Recovery.....	12
Shield.....	39,40
Solution.....	39,40
Temperature,	
Gauge.....	29
Sender.....	5,6
Throttle Cable.....	31
Bracket.....	7
Mount.....	5,31
Throttle Lever.....	31
Tie Plate, Mainframe.....	5,14
Tie Rod.....	21
Clamp.....	21
Stiffener Angle.....	21
Tire.....	19
Toggle Switch.....	29,36
Torque Hub.....	17,18
Transom.....	45
Tread Adjustment.....	49

-V-

Valve,	
Ball.....	39
Cessna Three Spool.....	32
Electric.....	42
Handle.....	32
Handle Link.....	32
Selector.....	33
Voltage Regulator.....	6

-W-

Wheel,	
Motor.....	17,18
Shield.....	18
Steering.....	36
Wiper,	
Arm.....	24
Blade.....	24
Motor.....	24