

# PARTS MANUAL

FOR

HAGIE MODEL 8200 DETASSELERS

**HAGIE MANUFACTURING COMPANY**

BOX 273 CLARION, IOWA 50525

(515) 532-2861

COVERS MACHINE SERIAL NUMBERS:

068688001 THRU 068688100  
068988001 THRU 068988100

7-88 493114

## DETASSELER IDENTIFICATION

Each Hagie detasseler is identified by means of a frame serial number. This serial number denotes the model, year in which it was built, and the number of the detasseler. As for further identification, the engine has a serial number, the hydrostatic pump has a serial number, the wheel motors have identification tags, and the planetary hubs have identification plates that describe the type of mount and gear ratio. To insure prompt, efficient service when ordering parts or requesting service repairs from Hagie Manufacturing Company, record the serial and identification numbers in the space provided below.

**Note:** Reference to left hand and right hand used throughout this manual refers to the position when seated in the operator's seat facing forward.



DETASSELER SERIAL NUMBER

\_\_\_\_\_



ENGINE SERIAL NUMBER

\_\_\_\_\_

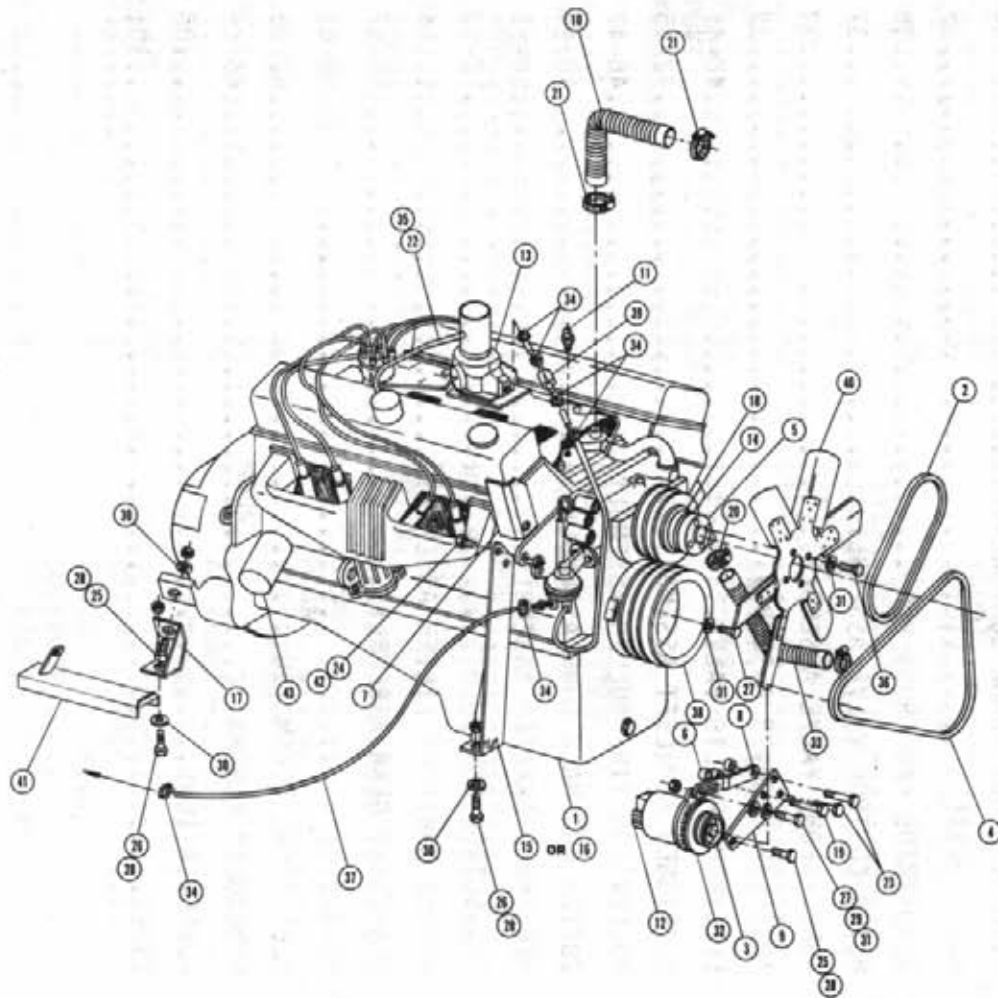
TABLE OF CONTENTS

ENGINE ASSEMBLY.....	4-10
RADIATOR AND OIL COOLER ASSEMBLY.....	11
FLOW DIVIDER AND SOLENOID VALVE.....	12-14
EXHAUST PIPE.....	15
LEG ASSEMBLY.....	16-20
TIRE ASSEMBLY AND STALK GUIDE.....	21-22
FUEL AND OIL TANKS.....	23-24
AIR CLEANER.....	25
STEERING CYLINDER.....	26
TIE ROD ASSEMBLY.....	27
OPERATOR STATION.....	28-32
BATTERY.....	33
MISCELLANEOUS FRAME COMPONENTS.....	34
SHEET METAL.....	35
SUNDSTRAND AND CROSS PUMP.....	36
MOTOR CONTROL VALVE ASSEMBLY.....	37
THREE-SPOOL VALVE ASSEMBLY.....	38
TASSELLTROL COVER ASSEMBLY.....	39
ELECTROHYDRAULIC VALVE.....	40-41
OUTRIGGER AND LIFT ASSEMBLY.....	42-45
ROLLER AND TIRE PULLER ASSEMBLY.....	46-47
CUTTER AND MALE CORN ASSEMBLY.....	48-49
PERSONNEL CARRIER ASSEMBLY.....	50-51
TASSELLTROL COMPONENTS.....	52-53
RETURN MANIFOLD FILTER ASSEMBLY.....	54
PLANETARY GEAR ASSEMBLY.....	55-57
DECAL.....	58-61
ELECTRICAL SCHEMATIC.....	62-65
HYDRAULIC SCHEMATIC.....	66-69
ABBREVIATIONS.....	100
INDEX.....	101

CHRY ENG ASSY - DIRECT DRIVE AUX PUMP

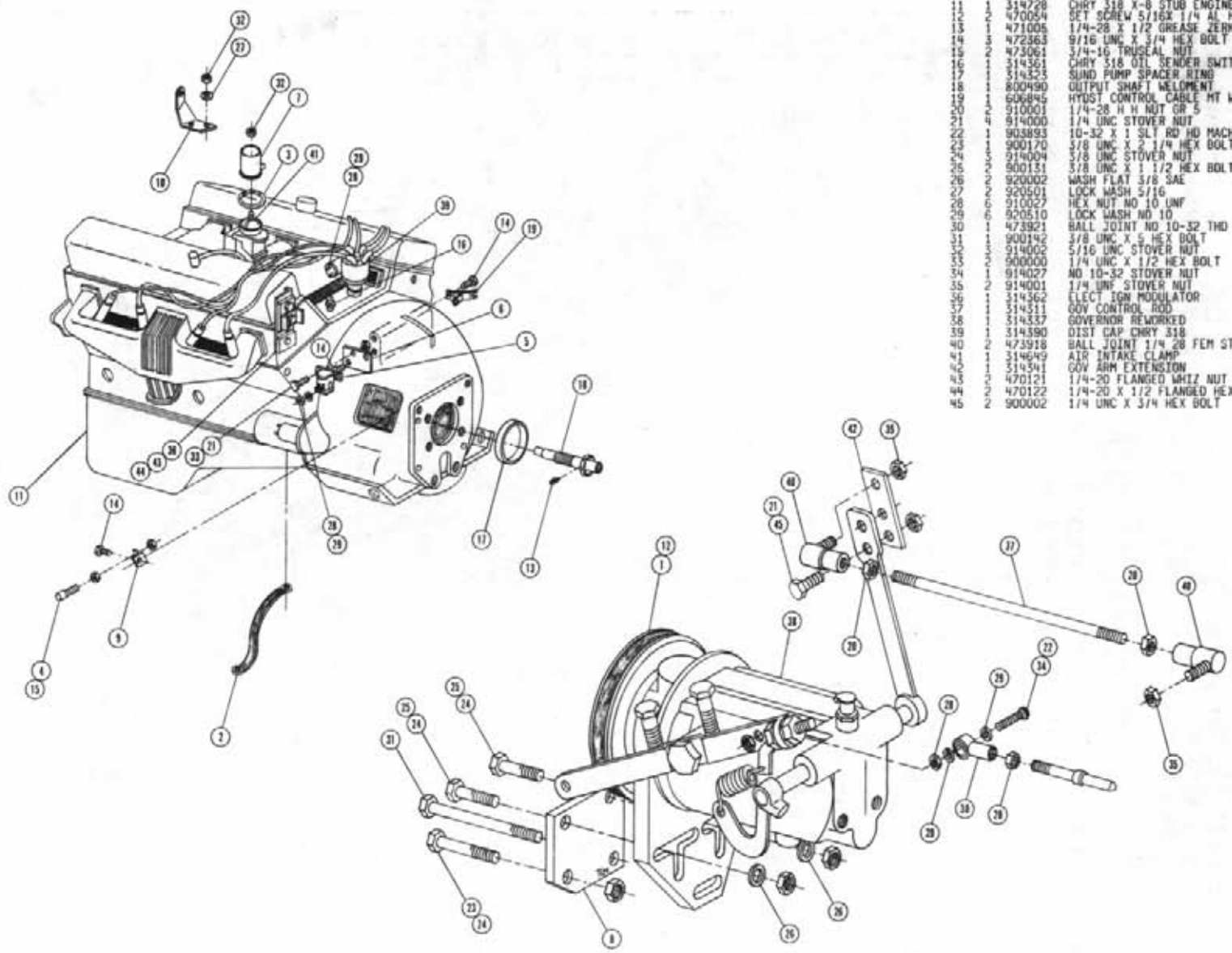
DET. QTY PART NO. DESCRIPTION

1	1	314728	CHRY 318 X-8 STUB ENGINE
2	1	147000	BELT GATES 2490 TRUFLEX
3	1	141022	SHEAVE ALT MOTOROLA
4	1	147001	BELT GATES 2520 TRUFLEX
5	1	311039	FAN SPACER
6	3	200015	SPACER 3/4 00 X 11 GA X 3/8
7	1	314303	EXHAUST MANIF HEAT SHIELD
8	1	314309	ALT ADJ ARM
9	1	314310	ALT HT
10	1	314327	RAD HOSE TOP CHRY 318
11	1	314437	TEMP SENSDR 2800 1/8NPT FOR GA
12	1	310102	V REG FOR MOTOROLA ALT R7-1
13	1	314825	CARTER CARBURETOR
14	1	319614	SHORT ADPTR FOR 19 IN FAN
15	1	341348	LH FRT MTR MT WLD
16	1	341351	RH FRT MTR MT WLD
17	2	341353	REAR MTR MT WLD
18	1	311038	SPACER, FAN SHEAVE
19	1	900132	3/8 UNC X 1 3/4 HEX BOLT
20	2	520067	HOSE CLAMP NO 28 PLATED
21	2	520065	HOSE CLAMP NO 24 PLATED
22	1	601151	HOSE, 5/8 X 12 HEATER
23	2	900142	3/8 UNC X 5 HEX BOLT
24	4	900198	7/16 UNC X 1 3/4 HEX BOLT
25	3	900283	1/2 UNC X 2 1/4 HEX BOLT
26	4	900265	1/2 UNC X 1 1/2 HEX BOLT
27	7	900064	5/16 UNC X 3/4 HEX BOLT
28	7	914008	1/2 UNC STOVER NUT
29	1	920001	5/16 FLAT WASHER SAE PLT
30	6	920004	1/2 FLAT WASHER SAE
31	11	920501	LOCK WASH 5/16
32	1	310093	55 AMP ALT W/12V REGULATOR
33	1	314417	LWR RAD HOSE CHRY 318
34	6	520120	HOSE CLAMP NO 4 MINIATURE PLT
35	2	520070	HOSE CLAMP NO 8 PLATED
36	4	900086	5/16 UNC X 2 1/4 HEX BOLT
37	1	601263	FUEL LINE HOSE 144 IN
38	1	314824	3GR CRANK PULLEY
39	1	314388	FUEL LINE W/ FILT CHRY 318
40	1	314435	19 IN PLR FAN W/2.25 PITCH
41	1	314428	CABLE HEAT SHLD WLD CHRY 318
42	4	914006	7/16 UNC STOVER NUT
43	1	319260	PH8 FRAM FILT OIL



CHRY ENG ASSY - DIRECT DRIVE AUX PUMP

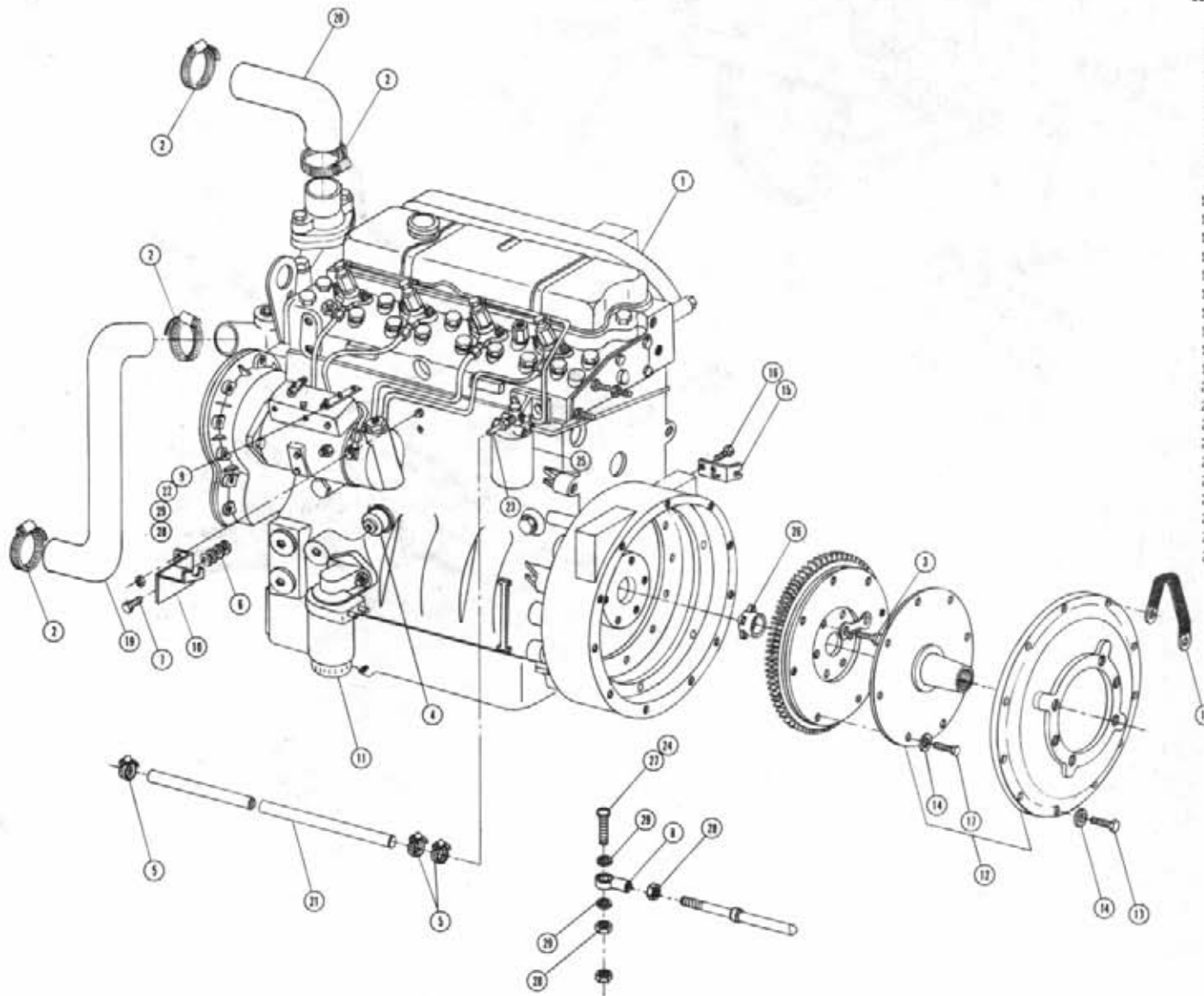
DET.	QTY	PART NO.	DESCRIPTION
1	1	147030	SHEAVE, 6IN MACH
2	1	290109	GROUND STRAP, 8IN 17/32 HOLES
3	1	870334	NEO ORING 2 5/8 X 3
4	1	291206	SENSOR SPEEDO TACH
5	1	310491	STARTER SOLENOID
6	1	311021	STARTER SOLENOID MT
7	1	314732	AIR INTAKE TUBE MLD
8	1	311044	GOV MT MLD
9	1	314502	TACH SENSOR MT
10	1	314421	THROT CABLE BRKT WLD
11	1	314728	CHRY 318 X-8 STUB ENGINE
12	2	470054	SET SCREW 5/16X 1/4 AL PD CUP
13	1	471005	1/4-28 X 1/2 GREASE ZERK
14	3	472363	9/16 UNC X 3/4 HEX BOLT
15	2	473061	3/4-16 TRUSEAL NUT
16	1	314361	CHRY 318 OIL SENDER SWITCH
17	1	314353	SUND PUMP SPACER STNG
18	1	800490	OUTPUT SHAFT MOUNT
19	1	606845	HYDST CONTROL CABLE MT WLD
20	2	910001	1/4-28 H H NUT CR 5
21	4	914000	1/4 UNC STOVER NUT
22	1	903893	10-32 X 1 SLT RD HD MACH SCR
23	1	900170	3/8 UNC X 2 1/4 HEX BOLT
24	1	914004	3/8 UNC STOVER NUT
25	2	900131	3/8 UNC X 1 1/2 HEX BOLT
26	2	920002	WASH FLAT 3/8 SAE
27	1	920501	LOCK WASH 5/16
28	1	910027	HEX NUT NO 10 UNF
29	1	920510	LOCK WASH NO 10
30	1	473921	BALL JOINT NO 10-32 THD
31	1	900142	3/8 UNC X 5 HEX BOLT
32	1	914002	5/16 UNC STOVER NUT
33	2	900000	1/4 UNC X 1/2 HEX BOLT
34	1	914027	NO 10-32 STOVER NUT
35	2	914001	1/4 UNF STOVER NUT
36	1	314362	ELECT IGN MODULATOR
37	1	314311	GOV CONTROL ROD
38	1	314337	GOVERNOR REWORKED
39	1	314390	DIST CAP CHRY 318
40	2	473918	BALL JOINT 1/4 28 FEM STUDED
41	1	314649	AIR INTAKE CLAMP
42	1	314341	GOV ARM EXTENSION
43	2	470121	1/4-20 FLANGED WHIZ NUT
44	2	470122	1/4-20 X 1/2 FLANGED HEX BOLT
45	2	900002	1/4 UNC X 3/4 HEX BOLT



PERKINS DIESEL ENGINE ASSEMBLY

DET. QTY PART NO. DESCRIPTION

1	1	314807	PERK T4.236 ENG 8250	87
2	4	520067	HOSE CLAMP NO 28 PLATED	
3	6	900301	1/2 UNF X 1 HEX BOLT	
4	1	314788	OIL SENDER 1/8NPT PERK	
5	3	520120	HOSE CLAMP NO 4 MINIATURE PLT	
6	4	920001	5/16 FLAT WASHER SAE PLT	
7	1	900098	5/16 UNF X 3/4 HEX BOLT	
8	1	473921	BALL JOINT NO 10-32 THD	
9	1	314644	FUEL SHUTOFF PIVOT PERK4236	
10	1	314812	THROT CABLE MT WLD T4.236 87	
11	1	314671	ENG OIL FILT ELEMENT PERK4236	
12	1	800472	PERK 4.236 TO SUND DRIVE ASSY	
13	12	900130	3/8 UNC X 1 1/4 HEX BOLT	
14	20	920502	LOCK WASH 3/8	
15	1	606851	HYDST CONT CABLE MT	
16	2	900263	1/2 UNC X 1 HEX BOLT	
17	8	900162	3/8 UNF X 3/4 HEX BOLT	
18	1	290107	8 IN GROUND STRAP	
19	1	314757	GATES 20811 RADIATOR HOSE	
20	1	314758	GATES 20608 RADIATOR HOSE	
21	1	601263	FUEL LINE HOSE 5/16 X 144	
22	1	472231	10-32 X 3/4 PAN HD MACH SCREW	
23	1	314725	FUEL RETURN TUBE PERK 4.23681	
24	1	914027	NO 10-32 STOVER NUT	
25	1	314558	FUEL FILTER ELEMENT PERK	
26	1	800481	DRIVE DISK ADPTR HSGG PERKINS	
27	1	903898	10-32 X 1 SLT RD HD MACH SCR	
28	3	910027	HEX NUT NO 10 UNF	
29	3	920510	LOCK WASH NO 10	

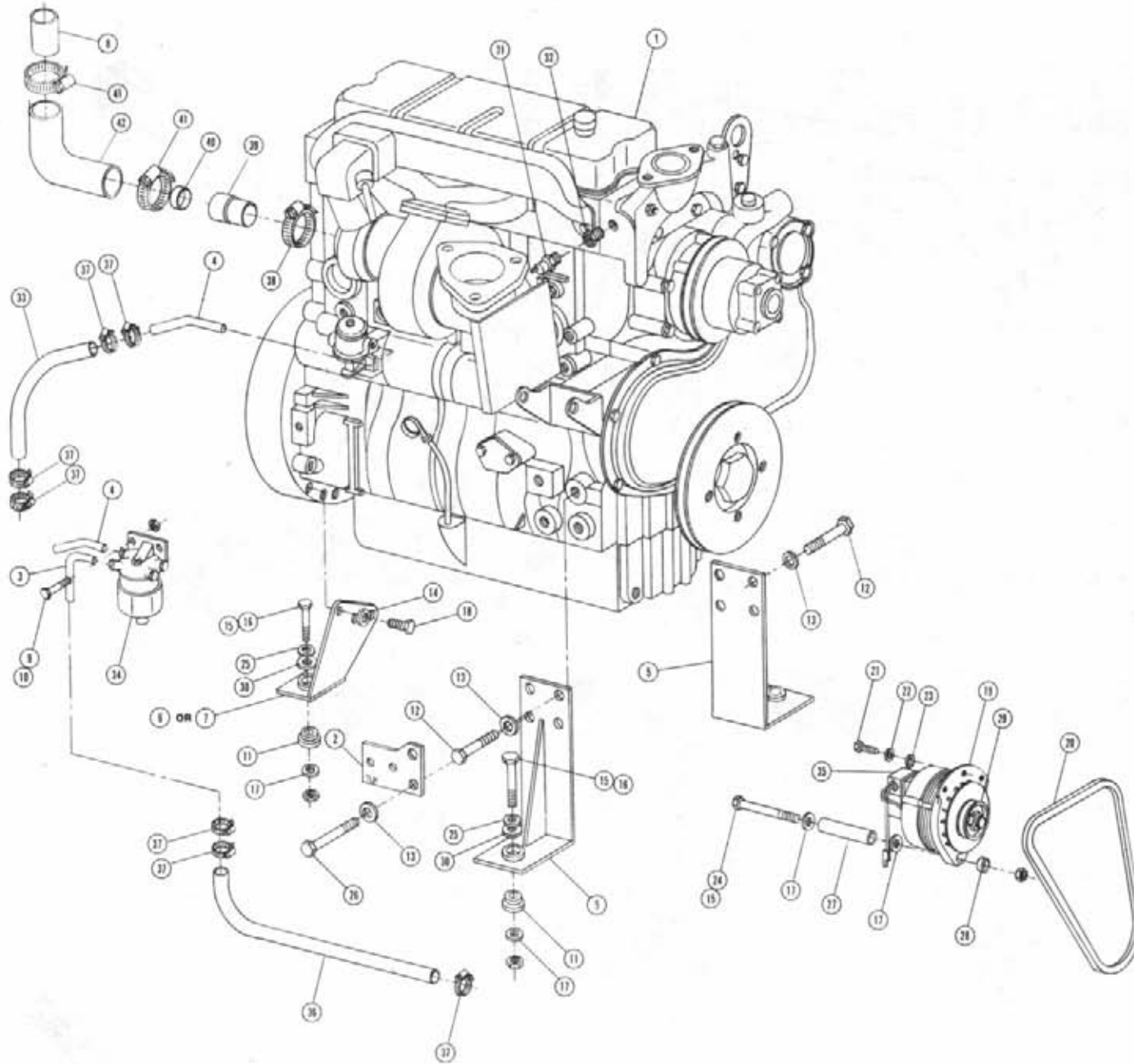


PERKINS DIESEL ENGINE ASSEMBLY

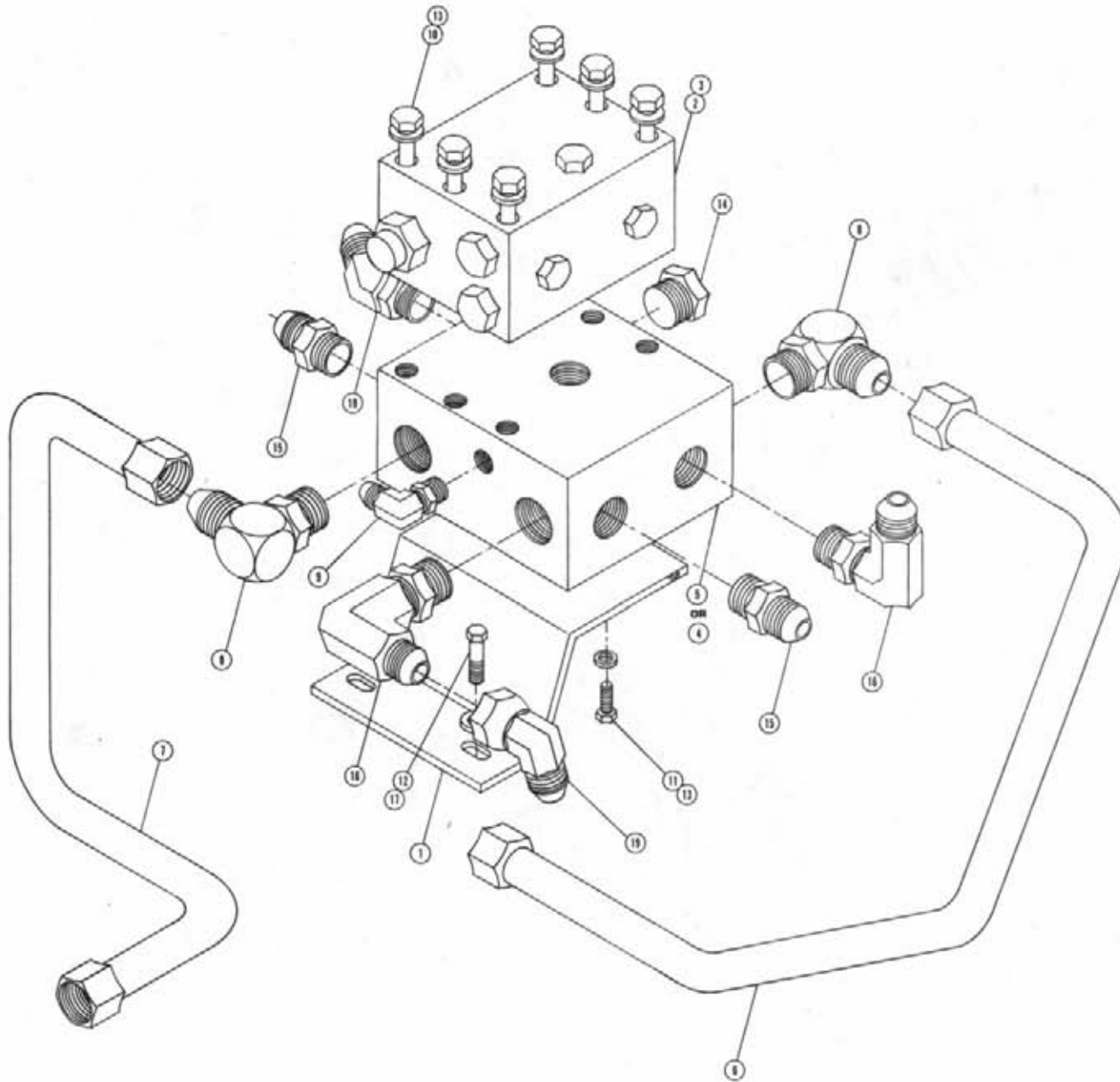
DET. QTY PART NO. DESCRIPTION

1	1	314807	PERK T4.236 ENG 8250	87
2	1	314811	WATER TRAP MT PERK T4.236	87
3	1	314619	WATER TRAP INLET TUBE	
4	2	314620	WATER TRAP OUTLET TUBE	
5	2	314746	FRT MTR MT WLD	
6	1	314748	RH REAR MTR MT WLD	
7	1	314749	LH REAR MTR MT WLD	
8	1	314628	AIR CLEANER TUBE 3.00 X 6.00	
9	2	914004	3/8 UNC STOVER NUT	
10	2	900130	3/8 UNC X 1 1/4 HEX BOLT	
11	4	311032	ENG ISOLATOR	
12	6	900251	7/16 UNF X 1 HEX BOLT	
13	8	920503	LOCK WASH 7/16	
14	6	920504	LOCK WASH 1/2	
15	5	914008	1/2 UNC STOVER NUT	
16	4	900269	1/2 UNC X 3/4 HEX BOLT	
17	6	920004	1/2 FLAT WASHER SAE	
18	6	900265	1/2 UNC X 1 1/2 HEX BOLT	
19	1	310093	55 AMP ALT W/12V REGULATOR	
20	1	140056	BELT GATE 9510	
21	1	900065	5/16 UNC X 1 HEX BOLT	
22	1	920501	LOCK WASH 5/16	
23	1	920001	5/16 FLAT WASHER SAE PLT	
24	1	900275	1/2 UNC X 4 1/2 HEX BOLT	
25	4	483041	1/2 REGULAR FLAT WASH PLT	
26	2	900232	7/16 UNF X 1 1/4 HEX BOLT	
27	1	314612	ALT SPACER .62 OD X 2.31	
28	1	314613	ALT SPACER .62 OD X .19	
29	1	141022	SHEAVE ALT MOTOROLA	
30	4	483057	FLAT WASH 5/8 REGULAR	
31	1	314437	TEMP SENDR 280D 1/8NPT FOR GA	
32	1	503012	RED BUSH 1/2 MNPT TO 1/8 FNPT	
33	1	601290	FUEL LINE HOSE 5/16 X 20	
34	1	314657	WATER TRAP ASSY PERK 4.236	
35	1	310102	V REG FOR MOTOROLA ALT R7-1	
36	1	601257	HOSE, 5/16 X 120 IN FUEL LINE	
37	7	520120	HOSE CLAMP NO 4 MINIATURE PLT	
38	1	520099	HOSE CLAMP NO 40 PLATED	
39	1	319293	RUBBER ADPTR 2 1/4 ID X 1/2	
40	1	316146	HOSE INSERT, AIR INTAKE	
41	2	520052	HOSE CLAMP NO 52 PLATED	
42	1	314731	AIR CLEANER HOSE	

- 7 -







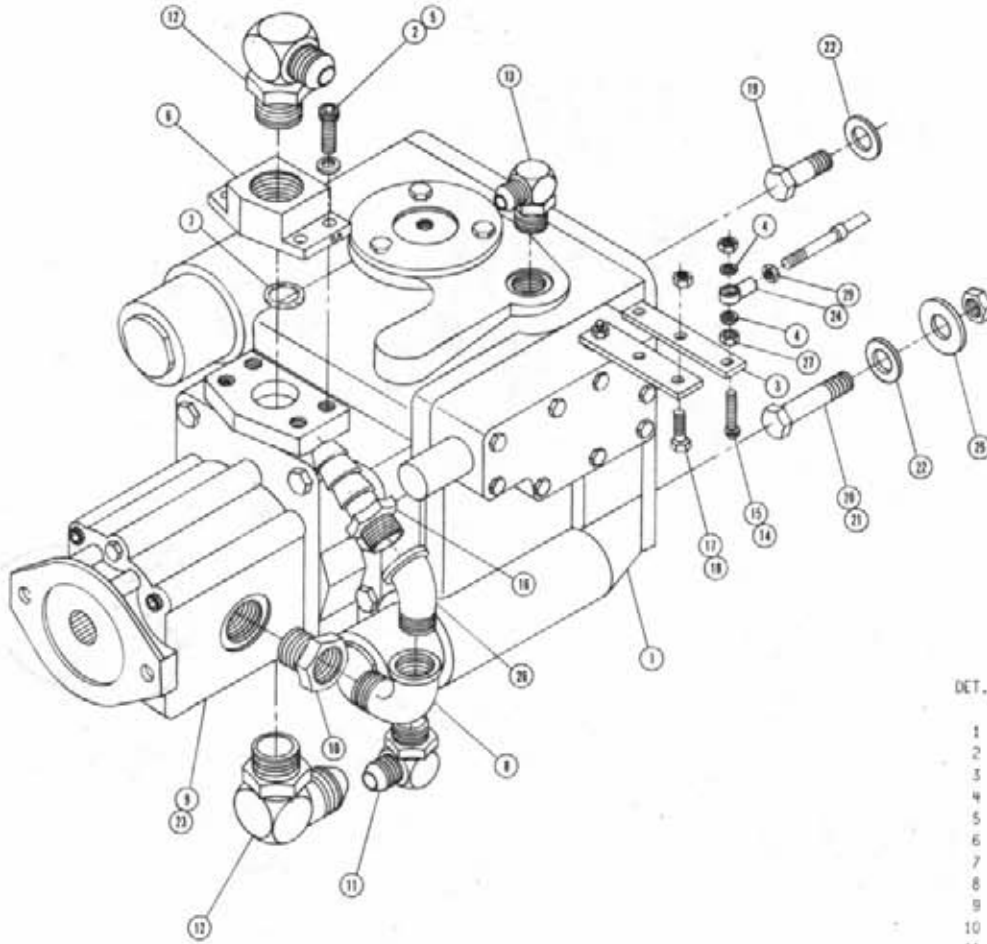
HYDRAULIC MANIFOLD ASSEMBLY

DET. QTY PART NO. DESCRIPTION

1	1	606849	LARGE HYDRAULIC MANIFOLD MT
2	1	611009	SEAL KIT SUND SERIES 23
3	1	611013	HYD RELIEF VALVE ASSY
4	1	615612	8200 HYD MANIF BLOCK SUND
5	1	615003	LARGE MANIF BLOCK EATON
6	1	615568	HYD TUBE SUND PUMP RH
7	1	615569	HYD TUBE SUND PUMP LH
8	2	618178	1 5/16MJIC-90-1 5/16MOR LBO
9	1	618241	3/4MJIC-90-3/4MOR LBO
10	6	900075	5/16 UNC X 3 3/4 HEX BOLT
11	2	900065	5/16 UNC X 1 HEX BOLT
12	2	900196	7/16 UNC X 1 1/4 HEX BOLT
13	8	920501	LOCK WASH 5/16
14	1	610186	1 1/16MOR PLUG
15	2	618309	7/8MJIC-1 1/16MOR ADPTR
16	2	618248	1 1/16MJIC-90-1 1/16MOR LBO
17	2	920003	7/16 FLATWASHER SAE
18	1	618313	1 1/16MJIC-45-1 1/16MOR
19	1	618529	1 1/16MJ-45-1 1/16FJ SWIV LBO

NOTE: EATON PUMP ASSEMBLY SHOWN FOR  
SUNDSTRAND PUMP DELETE ITEMS 2,3,5,10, &  
13 REPLACE WITH DETAIL 4.

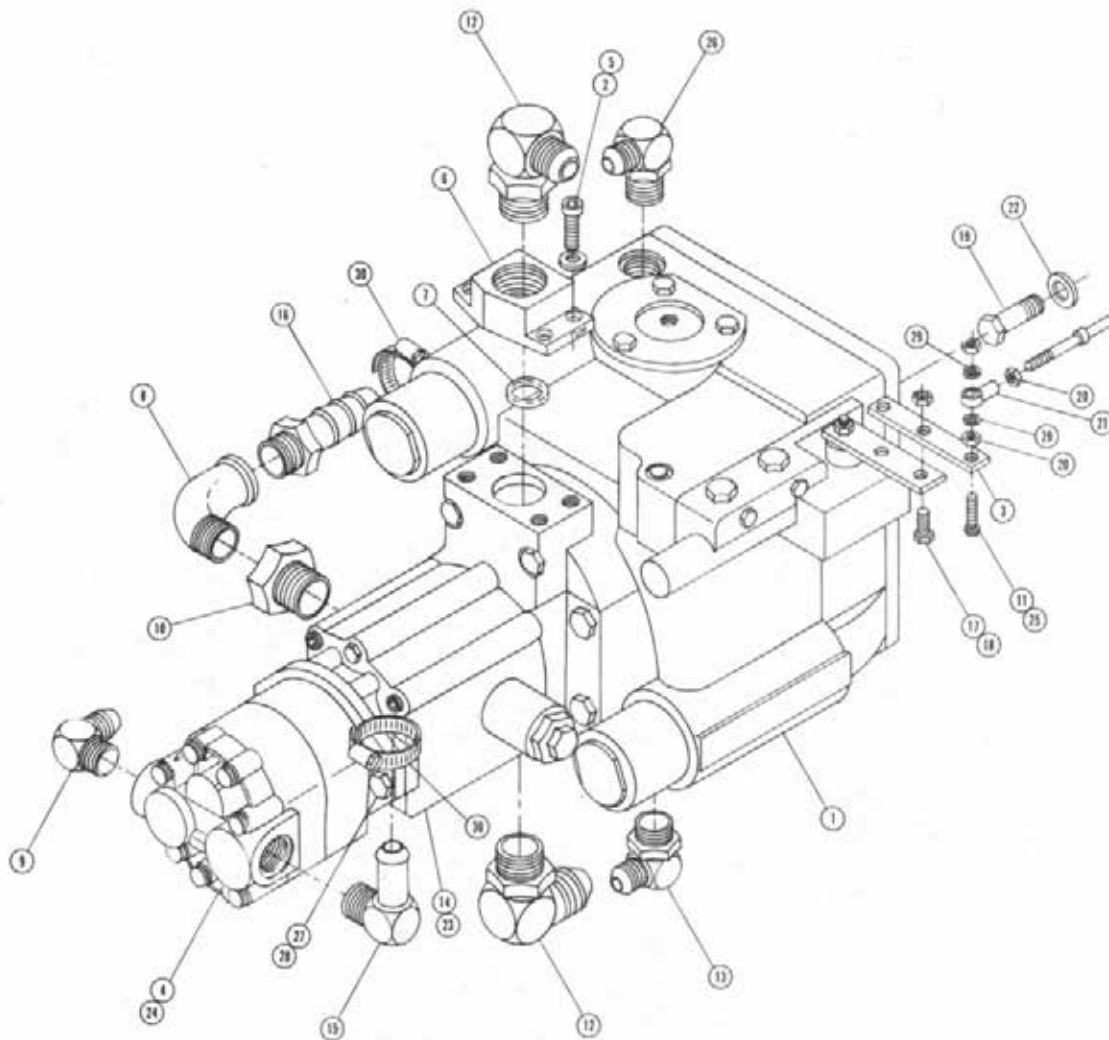




SUNDSTRAND PUMP ASSEMBLY

DET. QTY PART NO. DESCRIPTION

1	1	606882	SUNDSTRAND 23 SERIES PUMP 8-M
2	8	472243	CAP SCREW 3/8 UNC X 1 3/4 ALLEN
3	1	606848	PUMP CONTROL LEVER EXT
4	2	920510	NO. 10 LOCK WASHER
5	8	618167	LOCK WASHER FOR 4-BOLT FLG
6	2	618176	1 5/16 FOR 4-BOLT FLANGE, LESS
7	2	870219	BUNA ORING 1 5/16 X 1 9/16
8	1	505200	BLK PIPE ST EL 90DEG INPT
9	1	606867	SUND 1.06 CHG PUMP FOR 606886
10	1	618090	1 5/16 MOR-1FNPT ADPTR
11	1	618474	1 1/16 MOR-90-3/4MJIC
12	2	618178	1 5/16MJIC-90-1 5/16MOR LBO
13	1	618535	1 1/16MOR-90-7/8MJIC
14	1	903893	NO.10-32 X 1 SLOTTED MACH SCR
15	1	914027	NO. 10-32 STOVER NUT
16	1	714560	1 HOSE BARB-1MNPT
17	2	900003	1/4 UNC X 1 HEX BOLT
18	2	914000	1/4 UNC STOVER NUT
19	2	900266	1/2 UNC X 1 3/4 HEX BOLT
20	2	900267	1/2 UNC X 2 HEX BOLT
21	2	914008	1/2 UNC STOVER NUT
22	4	920004	1/2 FLAT WASHER SAE
23	1	606881	SUND CHG PUMP GSKT
24	1	473921	BALL JOINT NO 10-32 THD
25	2	483041	1/2 REGULAR FLAT WASH PLT
26	1	505110	BLK PIPE ST EL 45DEG INPT
27	2	910027	NO.10 UNF HEX NUT



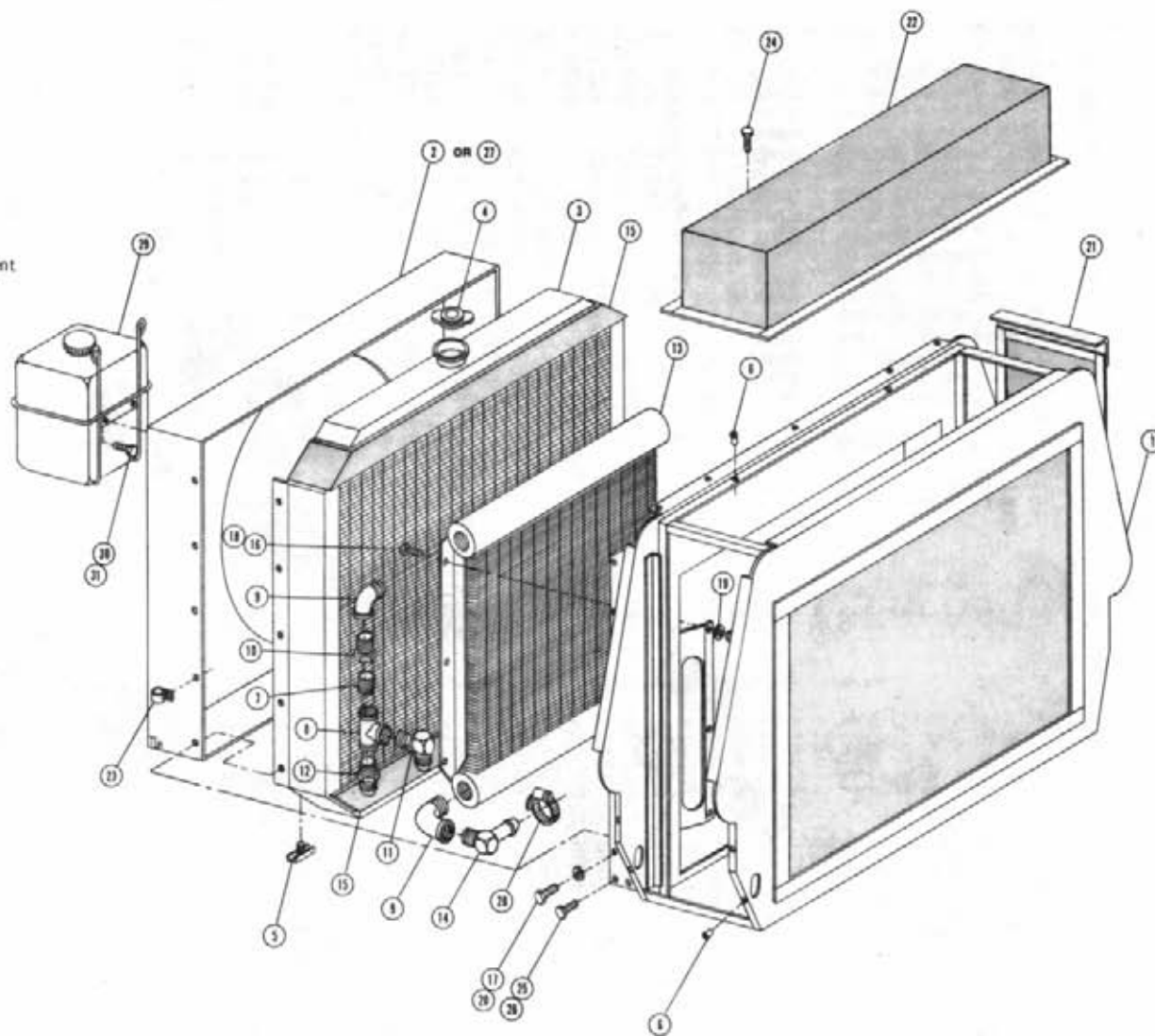
PERSONNEL CARRIER EATON PUMP ASSEMBLY

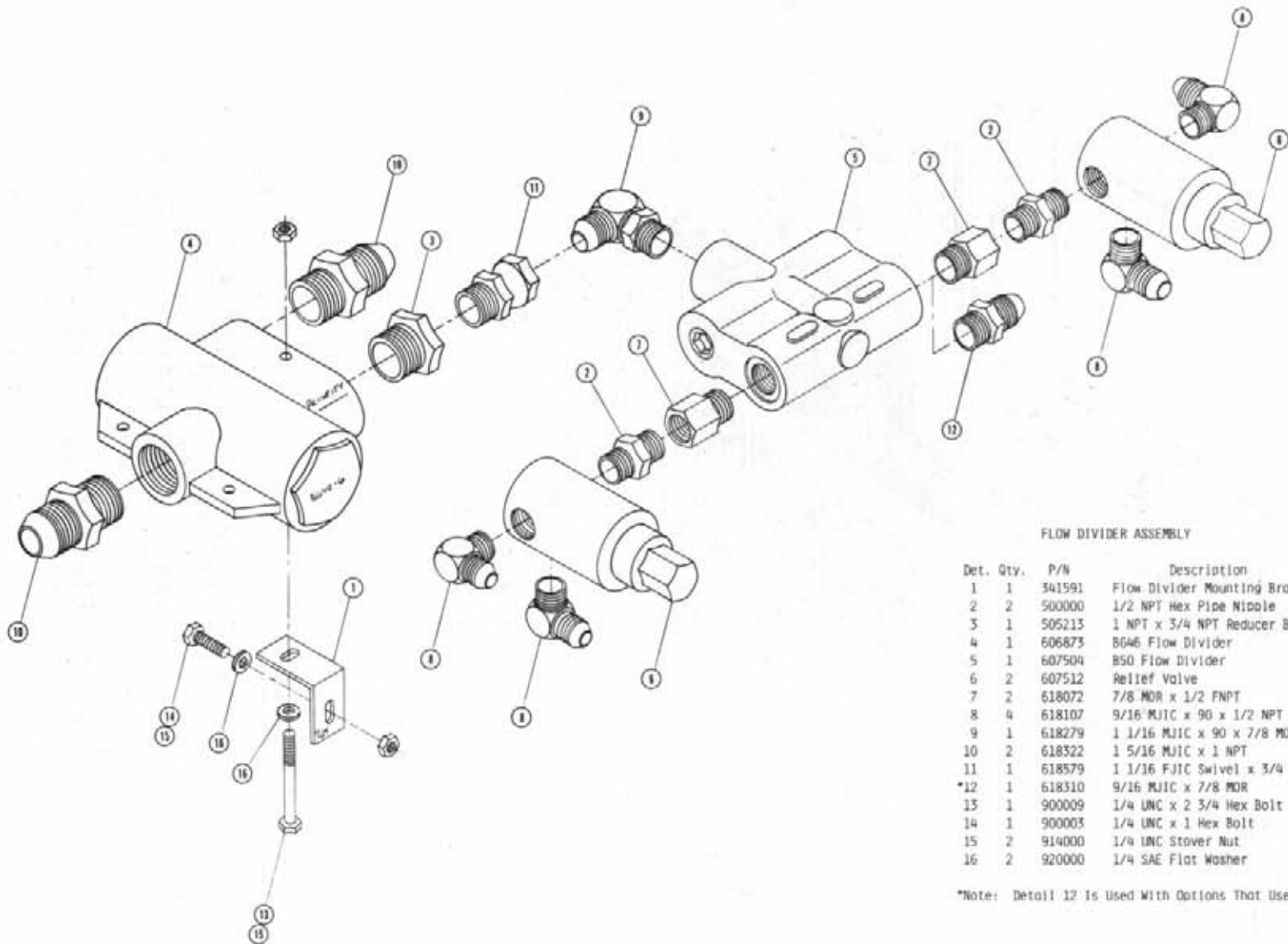
DET. QTY PART NO. DESCRIPTION

1	1	606868	EATON 54 VARIABLE PUMP A-MT
2	8	472243	CAP SCREW 3/8 UNC X 1 3/4 ALLEN
3	1	606848	PUMP CONTROL LEVER EXT
4	1	610446	CESSNA PUMP 1.48CI SPLINED
5	8	618167	LOCK WASHER FOR 4-BOLT FLG
6	2	618176	1 5/16 FOR 4-BOLT FLANGE, LESS
7	2	870219	BUNA ORING 1 5/16 X 1 9/16
8	1	505200	BLK PIPE ST EL 90DEG 1NPT
9	1	611128	7/8MJIC-90-7/8MOR LBO
10	1	618090	1 5/16MOR-1FNPT ADPTR
11	1	903893	10-32 X 1 SLT RD HD MACH SCR
12	2	618178	1 5/16MJIC-90-1 5/16MOR LBO
13	1	618474	3/4MJIC-90-1 1/16MOR LBO
14	1	606869	GASKET FOR 606868 EATON PUMP
15	1	618563	1IN HOSE BARB-90-1 1/16MOR
16	1	714560	1 HOSE BARB-1MNPT
17	2	900003	1/4 UNC X 1 HEX BOLT
18	2	914000	1/4 UNC STOVER NUT
19	4	900265	1/2 UNC X 1 1/2 HEX BOLT
20	2	910027	HEX NUT NO 10 UNF
21	1	473921	BALL JOINT NO 10-32 THD
22	4	920004	1/2 FLAT WASHER SAE
23	1	606879	CHG PUMP A-MT FOR 606868
24	1	618261	O RING BETWN PUMP 618260P01
25	1	914027	NO 10-32 STOVER NUT
26	1	618535	7/8MJIC-90-1 1/16MOR LBO
27	2	900130	3/8 UNC X 1 1/4 HEX BOLT
28	2	920002	WASH FLAT 3/8 SAE
29	2	920510	LOCK WASH NO 10
30	2	520087	HOSE CLAMP NO. 20

RADIATOR AND OIL COOLER ASSEMBLY

Det.	Qty.	P/N	Description
1	1	314477	Radiator And Oil Cooler Mount Weldment
2	1	314440	Radiator Shroud - Chrysler
3	1	314791	Radiator
4	1	319257	Radiator Cap
5	1	319559	Radiator Drain Cock
6	10	470086	1/4 UNC Nutsert
7	1	504702	3/4 NPT Close Nipple
8	1	504955	3/4 NPT Pipe Nipple
9	2	505200	1 NPT x 90 Street Elbow
10	1	505213	1 NPT To 3/4 NPT Reducer Bushing
11	1	610305	3/4 NPT x 90 x 3/4 MJIC
12	1	618059	3/4 NPT x 7/8 MJIC
13	1	618088	Oil Cooler
14	1	716000	1 NPT x 90 x 3/4 Hose Barb
15	2	659579	2" Wide x 40 Long Foam
16	6	900064	5/16 UNC x 3/4 Hex Bolt
17	10	900128	3/8 UNC x 3/4 Hex Bolt
18	6	914002	5/16 UNC Stover Nut
19	12	920001	5/16 SAE Flat Washer
20	10	920002	3/8 SAE Flat Washer
21	2	314490	Side Screen Weldment
22	1	314499	Top Screen Weldment
23	1	520118	1/2 I.D. Cushion Hose Clamp
24	2	470118	1/4 UNC x 3/4 Flanged Bolt
25	4	900129	3/8 UNC x 1 Hex Bolt
26	4	914004	3/8 UNC Stover Nut
27	1	314768	Radiator Shroud - Perkins
28	1	520087	No. 20 Hose Clamp
29	1	314767	Radiator Recovery Tank
30	2	900003	1/4 UNC x 1 Hex Bolt
31	2	914000	1/4 UNC Stover Nut

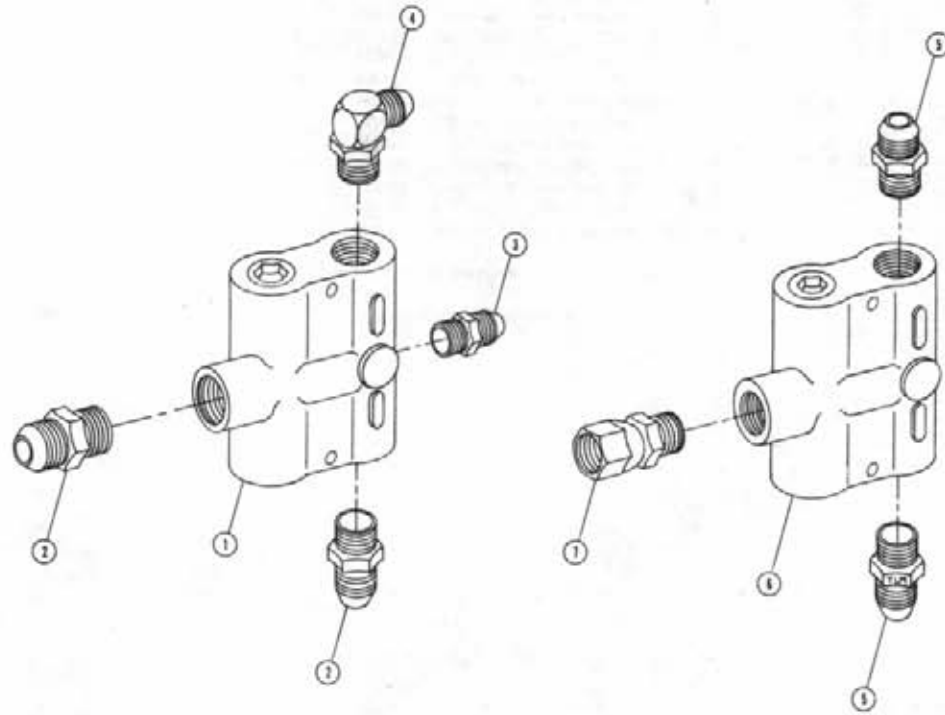




FLOW DIVIDER ASSEMBLY

Det. Qty.	P/N	Description
1	341591	Flow Divider Mounting Bracket
2	500000	1/2 NPT Hex Pipe Nipple
3	505213	1 NPT x 3/4 NPT Reducer Bushing
4	606873	B646 Flow Divider
5	607504	B50 Flow Divider
6	607512	Relief Valve
7	618072	7/8 MDR x 1/2 FNPT
8	618107	9/16 MJIC x 90 x 1/2 NPT
9	618279	1 1/16 MJIC x 90 x 7/8 MDR
10	618322	1 5/16 MJIC x 1 NPT
11	618579	1 1/16 FJIC Swivel x 3/4 NPT
12	618310	9/16 MJIC x 7/8 MDR
13	900009	1/4 UNC x 2 3/4 Hex Bolt
14	900003	1/4 UNC x 1 Hex Bolt
15	914000	1/4 UNC Stover Nut
16	920000	1/4 SAE Flat Washer

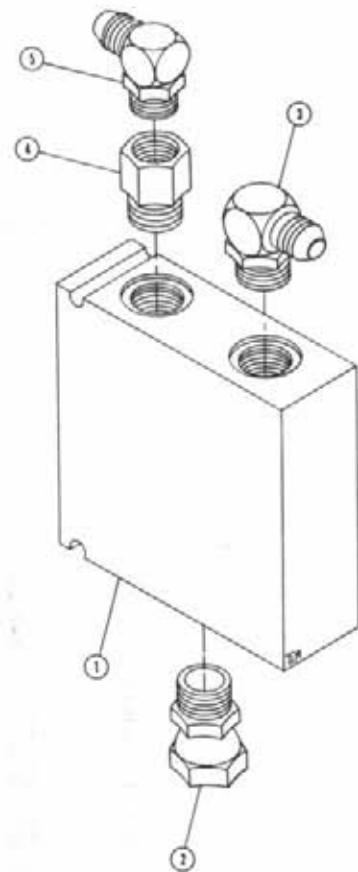
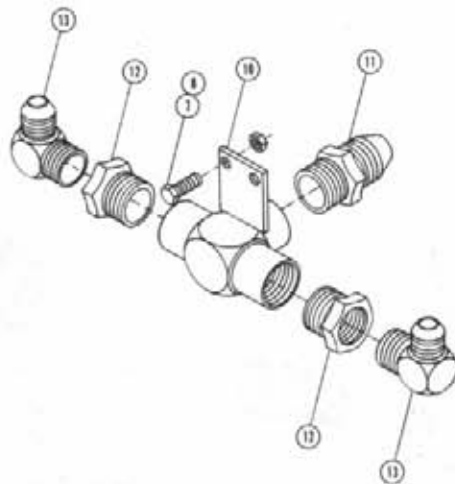
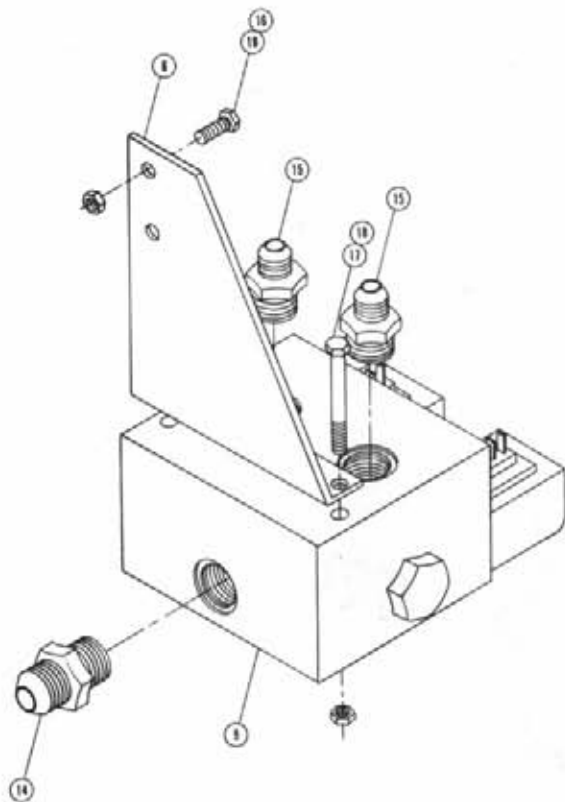
\*Note: Detail 12 is Used With Options That Use Tasselrol.



FLOW DIVIDER ASSEMBLY

DET. QTY PART NO. DESCRIPTION

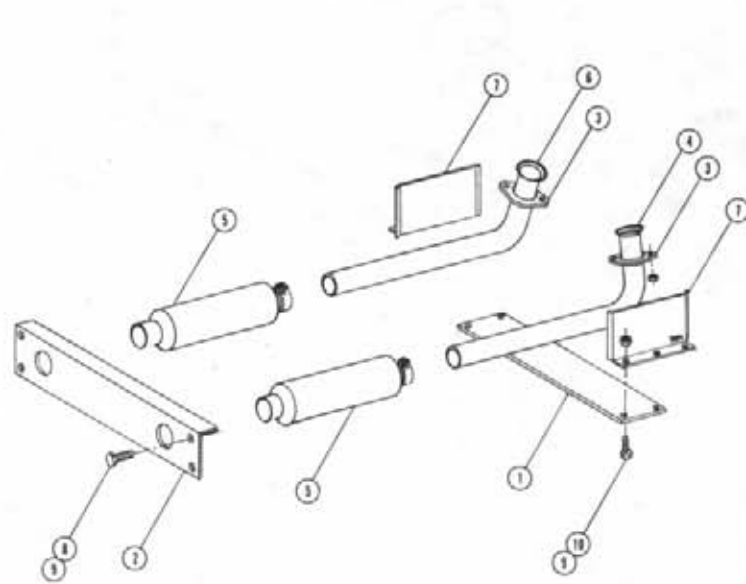
1	1	607518	FLO DIV BGR56 6GPM PRI 7/8FOR
2	2	611126	7/8MJIC-7/8MOR ADPTR
3	1	618011	9/16MJIC-3/8MNPT ADPTR
4	1	618185	3/4MJIC-90-7/8MOR LBO
5	2	618310	9/16MJIC-7/8MOR ADPTR
6	1	607504	FLO DIV BSD 2-8GPM 7/8 FOR
7	1	618594	7/8FJIC SWIV-7/8MOR ADPTR



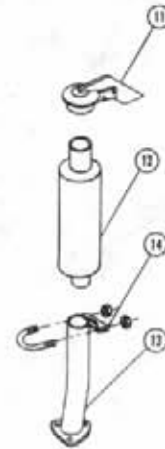
POSITRACTION VALVE ASSEMBLY

DET. QTY PART NO. DESCRIPTION

1	1	610468	POSITRACTION VLV MUD CONT 20G
2	1	618588	1 1/16FJIC SWIV-1 5/16MOR
3	1	618589	7/8MJIC-90-1 5/16MOR LBD
4	1	618312	1 5/16MOR-1 1/16FOR ADPTR
5	1	618535	7/8MJIC-90-1 1/16MOR LBD
6	1	341663	POSITRACTION VALVE MOUNT
7	2	470118	1/4 UNC X 3/4 FLANGED H BOLT
8	2	470121	1/4-20 FLANGED WHIZ NUT
9	1	610513	POSITRACTION VLV W/BY PASS
10	1	614634	STEEL PIPE TEE WLD S200
11	1	618322	1 5/16MJIC-1HMPT ADPTR
12	2	505213	RED BUSH 1 TO 3/4 BLK MAL
13	2	610305	3/4MJIC-90-3/4HMPT LBD
14	1	618186	1 5/16MJIC-1 5/16MOR
15	2	618470	3/4MJIC-1 5/16MOR ADPTR
16	2	900065	5/16 UNC X 1 HEX BOLT
17	2	900075	5/16 UNC X 3 3/4 HEX BOLT
18	4	914002	5/16 UNC STOVER NUT



GAS ENGINE EXHAUST PIPE ASSEMBLY



DIESEL ENGINE EXHAUST PIPE ASSEMBLY

EXHAUST PIPE ASSEMBLY

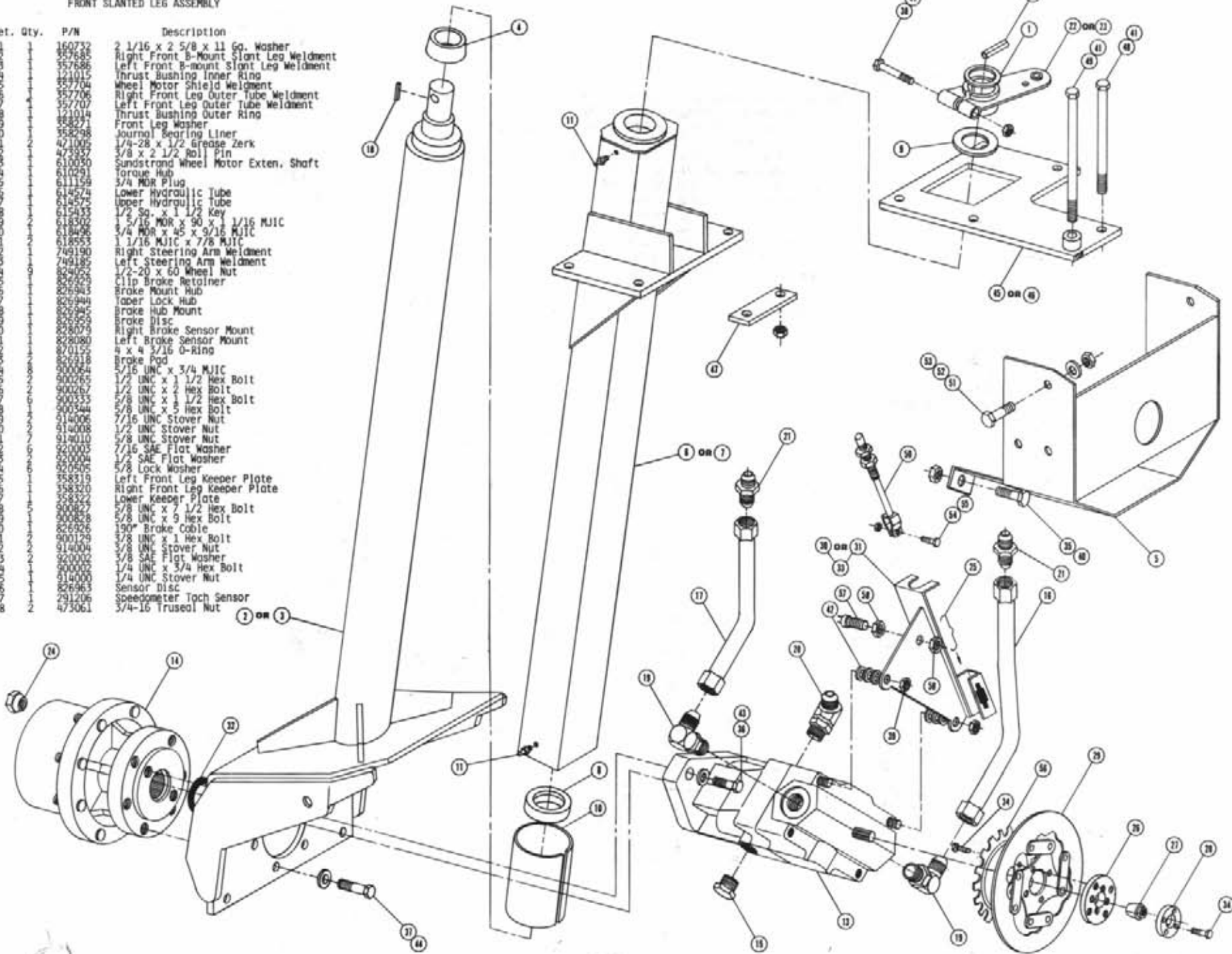
DET. QTY PART NO. DESCRIPTION

1	1	361189	MAINFRAME TIE PLATE
2	1	361190	MAINFRAME REAR TIE - ANGLE
3	2	314735	EXHAUST PIPE FLG
4	1	314425	RH EXH PIPE 318 SHORT
5	2	319287	MUFFLER CHRY
6	1	314736	LH EXH PIPE 318 LONG
7	2	341359	HEAT SHIELD MAINFRAME
8	4	900265	1/2 UNC X 1 1/2 HEX BOLT
9	8	914008	1/2 UNC STOVER NUT
10	4	900264	1/2 UNC X 1 1/4 HEX BOLT
11	1	314537	2 1/2 ID RAIN CAP
12	1	314554	PERK MUFFLER SAMEO
13	1	314809	EXHAUST PIPE WLD PERK
14	1	472216	2.50 MUFFLER CLAMP .31 UNC



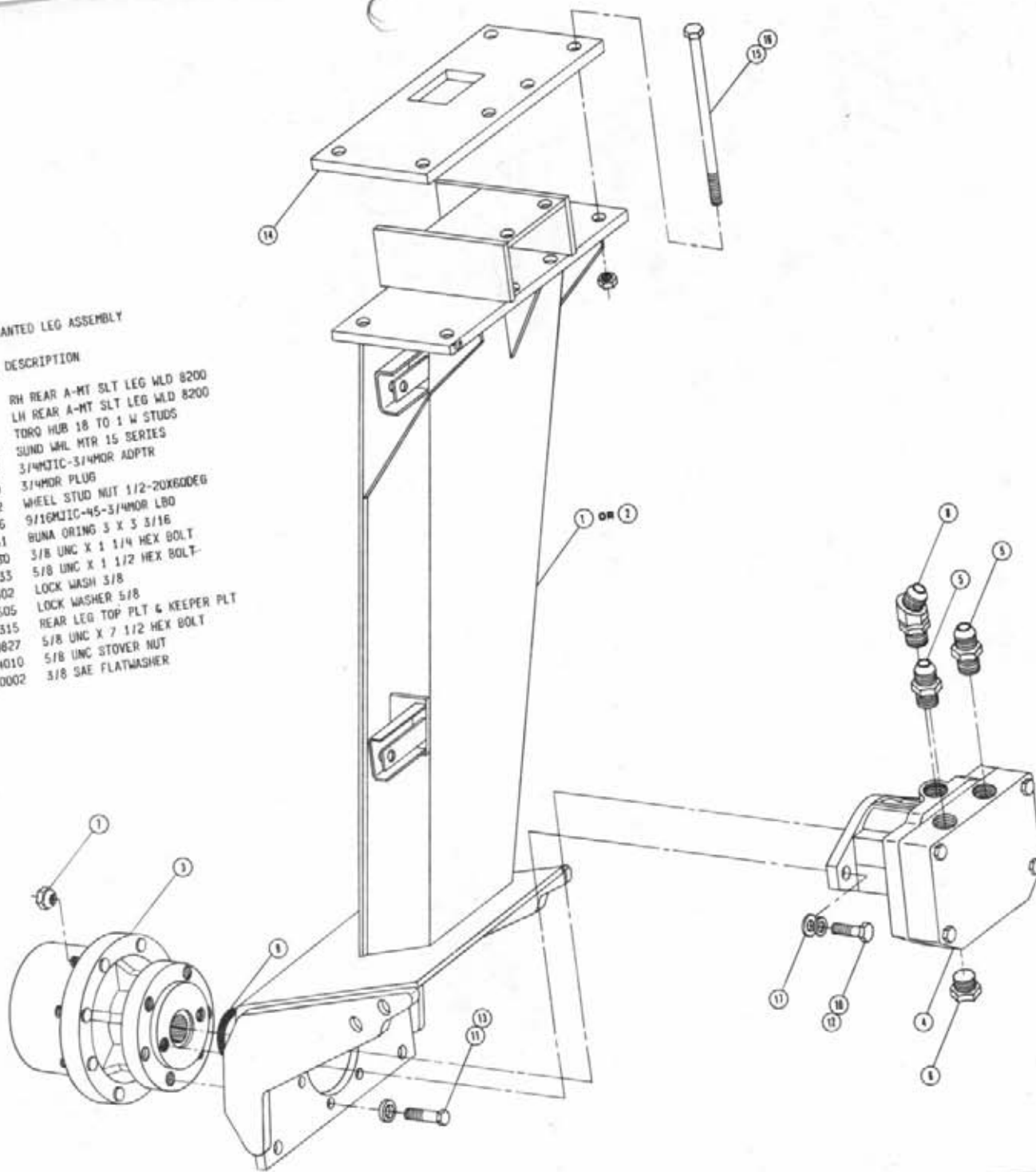
DETASSELER AND PERSONNEL CARRIER  
FRONT SLANTED LEG ASSEMBLY

Det. Qty.	P/N	Description
1	160732	2 1/16 x 2 5/8 x 11 Gg. Washer
1	357685	Right Front B-Mount Slant Leg Weldment
1	357686	Left Front B-Mount Slant Leg Weldment
1	21015	Thrust Bushing Inner Ring
1	357704	Wheel Motor Shield Weldment
1	357706	Right Front Leg Outer Tube Weldment
1	357707	Left Front Leg Outer Tube Weldment
1	121014	Thrust Bushing Outer Ring
1	358271	Front Leg Washer
1	358298	Journal Bearing Liner
1	421002	1/4-28 x 1/2 Grease Zerk
1	473937	3/8 x 2 1/2 Roll Pin
1	610050	Sundstrand Wheel Motor Exten. Shaft
1	610291	Torque Hub
1	611159	3/4 MDR Plug
1	614574	Lower Hydraulic Tube
1	614575	Upper Hydraulic Tube
1	615433	1/2 Sq. x 1 1/2 Key
1	618302	1 5/16 MDR x 90 x 1 1/16 MJIC
1	618496	3/4 MDR x 45 x 9/16 MJIC
1	618553	1 1/16 MJIC x 7/8 MJIC
1	749190	Right Steering Arm Weldment
1	749185	Left Steering Arm Weldment
1	824052	1/2-20 x 60 Wheel Nut
1	826929	Clip Brake Retainer
1	826943	Brake Mount Hub
1	826944	Taper Lock Hub
1	826945	Brake Hub Mount
1	826959	Brake Disc
1	828079	Right Brake Sensor Mount
1	828080	Left Brake Sensor Mount
1	870155	4 x 4 3/16 O-Ring
1	826918	Brake Pad
1	900064	5/16 UNC x 3/4 MJIC
1	900265	1/2 UNC x 1 1/2 Hex Bolt
1	900267	1/2 UNC x 2 Hex Bolt
1	900355	3/8 UNC x 1 1/2 Hex Bolt
1	900344	5/8 UNC x 3 Hex Bolt
1	914006	7/16 UNC Stover Nut
1	914008	1/2 UNC Stover Nut
1	914010	5/8 UNC Stover Nut
1	920003	7/16 SAE Flat Washer
1	920004	1/2 SAE Flat Washer
1	920505	5/8 Lock Washer
1	358319	Left Front Leg Keeper Plate
1	358320	Right Front Leg Keeper Plate
1	358322	Lower Keeper Plate
1	900827	5/8 UNC x 1 1/2 Hex Bolt
1	900828	5/8 UNC x 9 Hex Bolt
1	826926	190" Brake Cable
1	900129	3/8 UNC x 1 Hex Bolt
1	914004	5/8 UNC Stover Nut
1	920002	3/8 SAE Flat Washer
1	900002	1/4 UNC x 3/4 Hex Bolt
1	914000	1/4 UNC Stover Nut
1	826963	Sensor Disc
1	291206	Speedometer Tach Sensor
1	473061	3/4-16 Truseal Nut



REAR SLANTED LEG ASSEMBLY

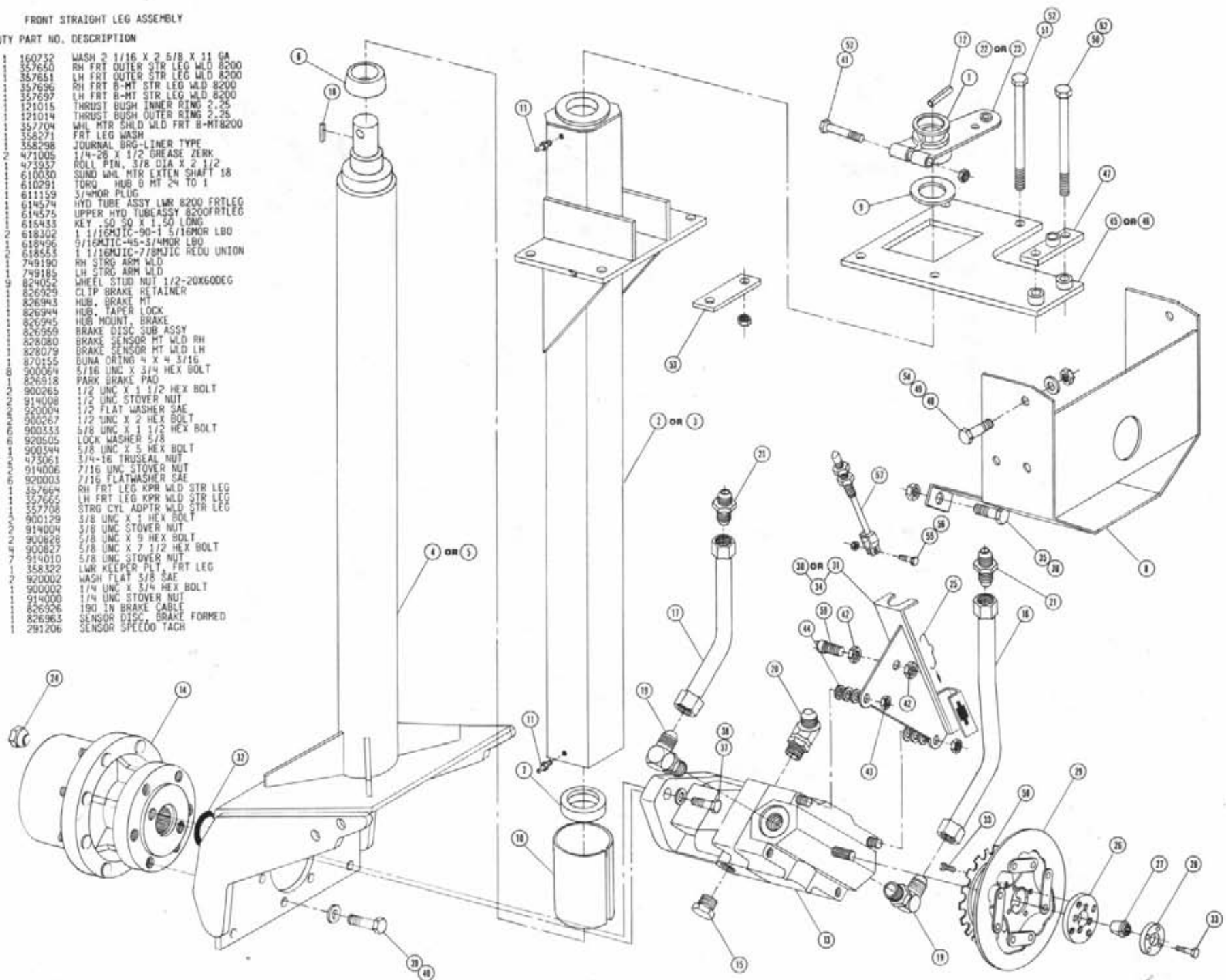
DET.	QTY	PART NO.	DESCRIPTION
1	1	357683	RH REAR A-MT SLT LEG WLD 8200
2	1	357684	LH REAR A-MT SLT LEG WLD 8200
3	1	437617	TORO HUB 18 TO 1 W STUDS
4	1	610029	SUND WHL MTR 15 SERIES
5	2	611125	3/4MMTC-3/4MOR ADPTR
6	1	611159	3/4MOR PLUG
7	9	824052	WHEEL STUD NUT 1/2-20X60DEG
8	1	618496	9/16MMTC-45-3/4MOR LBD
9	1	870151	BUNA ORING 3 X 3 3/16
10	2	900130	3/8 UNC X 1 1/4 HEX BOLT
11	8	900333	5/8 UNC X 1 1/2 HEX BOLT
12	2	920502	LOCK WASH 3/8
13	8	920505	LOCK WASH 5/8
14	1	358315	REAR LEG TOP PLT & KEEPER PLT
15	6	900827	5/8 UNC X 7 1/2 HEX BOLT
16	6	914010	5/8 UNC STOVER NUT
17	2	920002	3/8 SAE FLATWASHER



FRONT STRAIGHT LEG ASSEMBLY

DET. QTY PART NO. DESCRIPTION

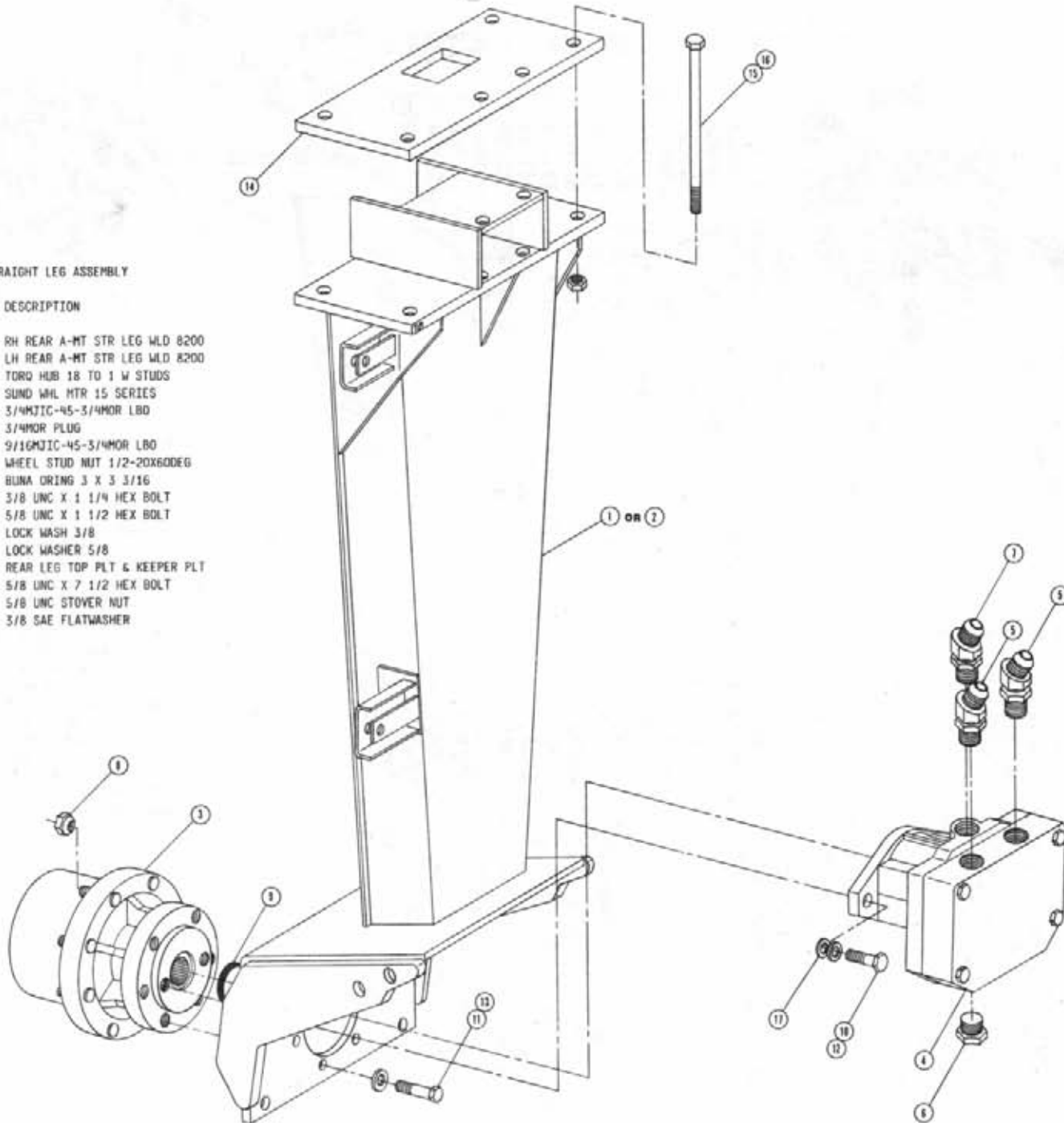
1	160732	WASH 2 1/16 X 2 5/8 X 11 GA
2	357650	RH FRT OUTER STR LEG WLD 8200
3	357651	LH FRT OUTER STR LEG WLD 8200
4	357696	RH FRT B-MT STR LEG WLD 8200
5	357697	LH FRT B-MT STR LEG WLD 8200
6	121015	THRUST BUSH INNER RING 2.25
7	121014	THRUST BUSH OUTER RING 2.25
8	357704	WHL MTR SHLD WLD FRT B-MTB200
9	358271	FRT LEG WASH
10	358298	JOURNAL BRG-LINER TYPE
11	471006	1/4-28 X 1/2 GREASE ZERK
12	473937	ROLL PIN, 3/8 DIA X 2 1/2
13	610030	SUND WHL MTR EXTEN SHAFT 18
14	610291	TORU HUB 8 MT 24 TO 1
15	611159	3/4MOR PLUG
16	614574	HYD TUBE ASSY LWR 8200 FRTLEG
17	614575	UPPER HYD TUBE ASSY 8200FRTLEG
18	615433	KEY 50 50 X 1.50 LONG
19	618302	1 1/16MJC-90-1 5/16MOR LBO
20	618306	1 1/16MJC-45-5/16MOR LBO
21	618553	1 1/16MJC-7/8MJC REDU UNION
22	749190	RH STRG ARM WLD
23	749185	LH STRG ARM WLD
24	824052	WHEEL STUD NUT 1/2-20X60DEG
25	826929	CLIP BRAKE RETAINER
26	826943	HUB, BRAKE MT
27	826944	HUB, TAPER LOCK
28	826945	HUB MOUNT, BRAKE
29	826959	BRAKE DISC SUB ASSY
30	828080	BRAKE SENSOR MT WLD RH
31	828079	BRAKE SENSOR MT WLD LH
32	870155	GUNA ORING 4 X 4 3/16
33	900064	5/16 UNC X 3/4 HEX BOLT
34	826918	PARK BRAKE PAD
35	900265	1/2 UNC X 1 1/2 HEX BOLT
36	914008	1/2 UNC STOVER NUT
37	920004	1/2 FLAT WASHER SAE
38	900267	1/2 UNC X 2 HEX BOLT
39	900333	5/8 UNC X 1 1/2 HEX BOLT
40	920605	LOCK WASHER 5/8
41	900344	5/8 UNC X 5 HEX BOLT
42	473061	3/4-16 TRUSEAL NUT
43	914006	7/16 UNC STOVER NUT
44	920003	7/16 FLATWASHER SAE
45	357664	RH FRT LEG KPR WLD STR LEG
46	357665	LH FRT LEG KPR WLD STR LEG
47	357708	STRG CYL ADPTR WLD STR LEG
48	900129	3/8 UNC X 1 HEX BOLT
49	914004	3/8 UNC STOVER NUT
50	900828	5/8 UNC X 9 HEX BOLT
51	900827	5/8 UNC X 7 1/2 HEX BOLT
52	914010	5/8 UNC STOVER NUT
53	358322	LWR KEEPER PLT, FRT LEG
54	920002	WASH FLAT 5/8 SAE
55	900002	1/4 UNC X 3/4 HEX BOLT
56	914000	1/4 UNC STOVER NUT
57	826926	190 IN BRAKE CABLE
58	826963	SENSOR DISC, BRAKE FORMED
59	291206	SENSOR SPEEDO TACH



REAR STRAIGHT LEG ASSEMBLY

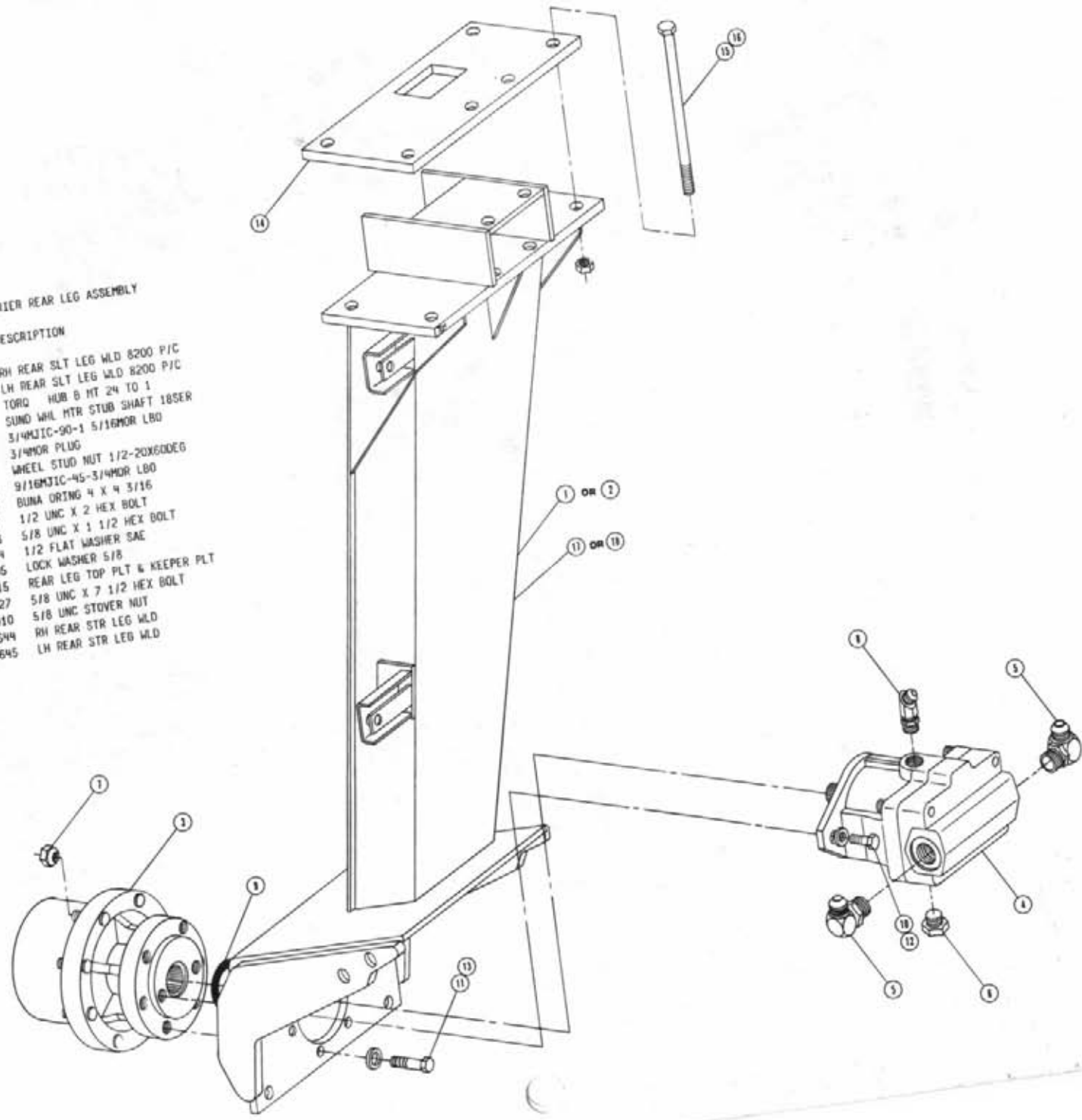
DET. QTY PART NO. DESCRIPTION

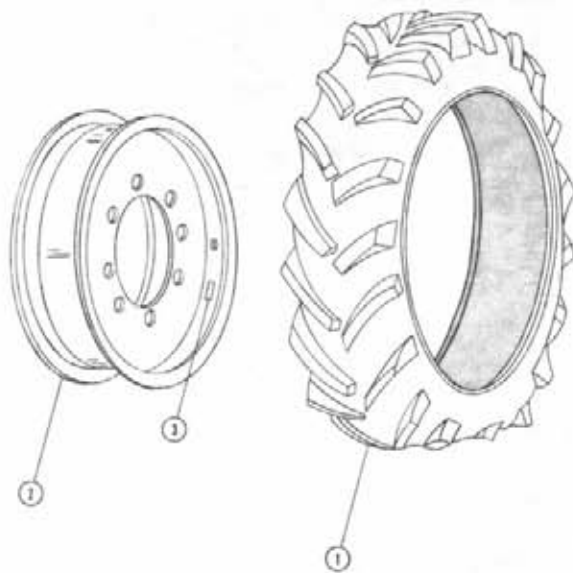
1	1	357694	RH REAR A-MT STR LEG WLD 8200
2	1	357695	LH REAR A-MT STR LEG WLD 8200
3	1	437617	TDRG HUB 18 TO 1 W STUDS
4	1	610029	SUND WHL MTR 15 SERIES
5	2	618315	3/4MMJIC-45-3/4MOR LBD
6	1	611159	3/4MOR PLUG
7	1	618496	9/16MMJIC-45-3/4MOR LBD
8	9	824052	WHEEL STUD NUT 1/2-20X60DEG
9	1	870151	BUNA ORING 3 X 3 3/16
10	2	900130	3/8 UNC X 1 1/4 HEX BOLT
11	8	900333	5/8 UNC X 1 1/2 HEX BOLT
12	2	920502	LOCK WASH 3/8
13	8	920505	LOCK WASHER 5/8
14	1	358315	REAR LEG TOP PLT & KEEPER PLT
15	6	900827	5/8 UNC X 7 1/2 HEX BOLT
16	6	914010	5/8 UNC STOVER NUT
17	2	920002	3/8 SAE FLATWASHER



PERSONNEL CARRIER REAR LEG ASSEMBLY

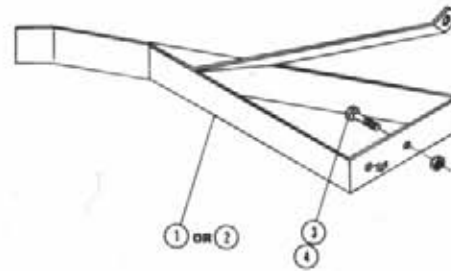
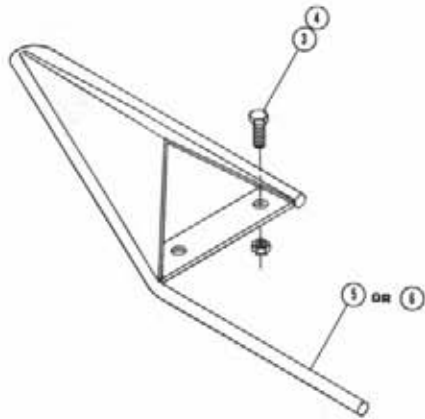
DET.	QTY	PART NO.	DESCRIPTION
1	1	357712	RH REAR SLT LEG WLD 8200 P/C
2	1	357713	LH REAR SLT LEG WLD 8200 P/C
3	1	610291	TORG HUB 8 HT 24 TO 1
4	1	610031	SUND WHL MTR STUB SHAFT 18SER
5	2	618475	3/4MJC-90-1 5/16MOR LBO
6	1	611159	3/4MOR PLUG
7	9	824052	WHEEL STUD NUT 1/2-20X60DEG
8	1	618496	9/16MJC-45-3/4MOR LBO
9	1	870155	BUNA ORING 4 X 4 3/16
10	1	900267	1/2 UNC X 2 HEX BOLT
11	8	900333	5/8 UNC X 1 1/2 HEX BOLT
12	2	920004	1/2 FLAT WASHER SAE
13	8	920505	LOCK WASHER 5/8
14	1	358315	REAR LEG TOP PLT & KEEPER PLT
15	6	900827	5/8 UNC X 7 1/2 HEX BOLT
16	6	914010	5/8 UNC STOVER NUT
17	1	357644	RH REAR STR LEG WLD
18	1	357645	LH REAR STR LEG WLD





TIRE AND WHEEL ASSEMBLY

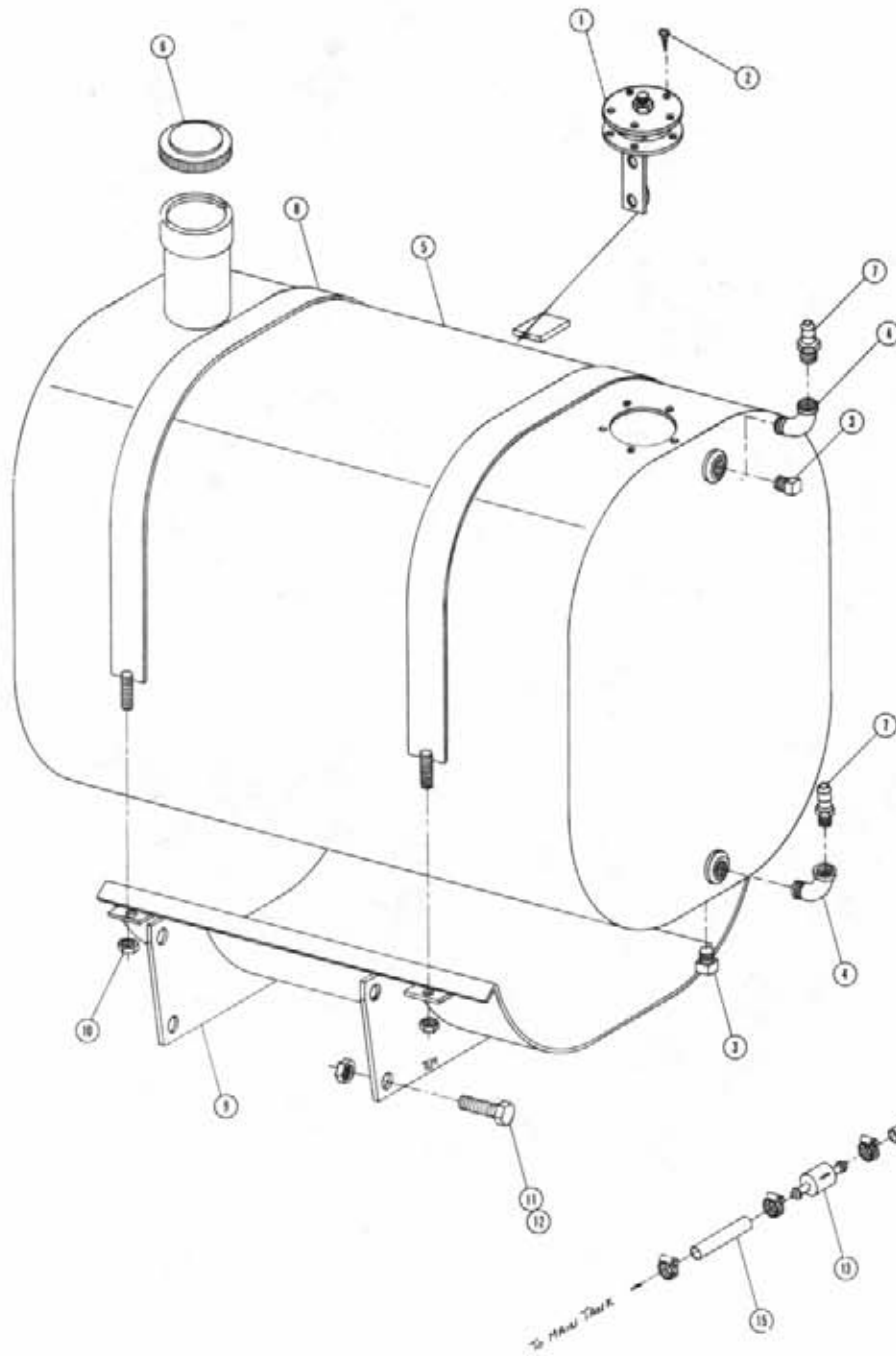
Det.	Qty.	P/N	Description
1	1	020201	11.2 x 24 Tractor Tire
2	1	020600	Wheel Weldment
3	1	650905	Wheel Bolt Torque Decal



STALK GUIDE ASSEMBLY

Det.	Qty.	P/N	Description
1	1	662164	Left Stalk Guide Weldment
2	1	662208	Right Stalk Guide Weldment
3	4	900129	3/8 UNC x 1 Hex Bolt
4	4	914004	3/8 UNC Stover Nut
5	1	662211	Right Front Leg Stalk Guide
6	1	662212	Left Front Leg Stalk Guide



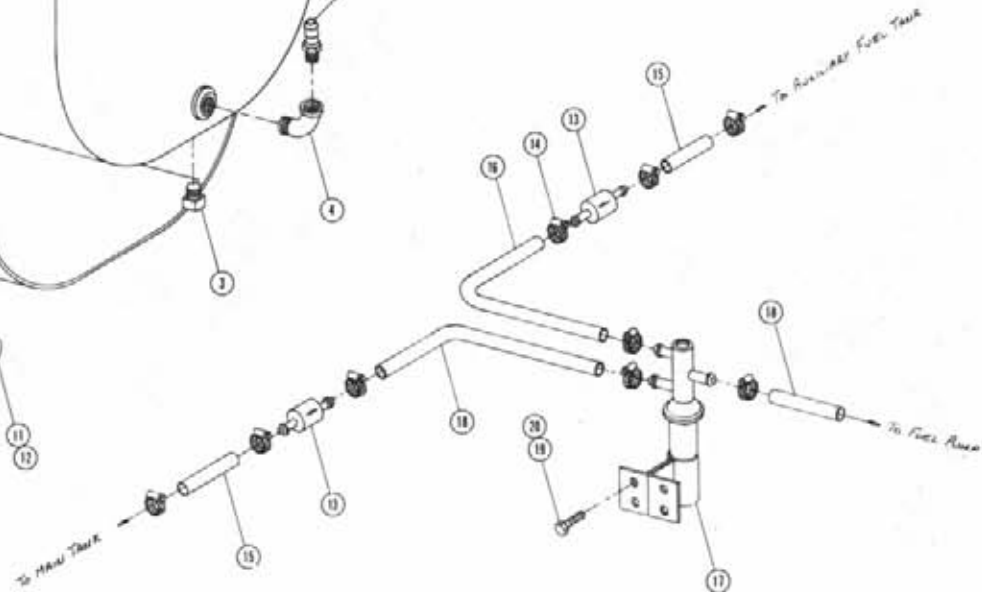


FUEL TANK ASSEMBLY

Det. Qty.	P/N	Description
1	291428	Fuel Sender
2	473902	No. 8 x 1/2 Pan Head Metal Screw
3	501102	1/4 Pipe Plug
**4	501450	1/4 NPT x 90 Street Elbow
5	760444	Fuel Tank Weldment
6	761200	Gas Cap
**7	783303	1/4 NPT x 5/16 Hose Barb
8	760449	Fuel Tank Band Weldment
9	760451	Fuel Tank Cradle Weldment
10	914004	3/8 UNC Stover Nut
11	914008	1/2 UNC Stover Nut
12	900263	1/2 UNC x 1 Hex Bolt
*13	319612	Gas Line Filter
*14	520120	No. 4 Hose Clamp
*15	601138	5/16 x 3 Fuel Line Hose
*16	601257	5/16 x 120 Fuel Line Hose
*17	610411	Fuel Selector Valve
18	601263	5/16 x 144 Fuel Line Hose
*19	900002	1/4 UNC x 3/4 Hex Bolt
*20	914000	1/4 UNC Stover Nut

Note: \*1. Items 13,14,15,16,17,19, And 20 Are Used With Auxiliary Fuel Tank.

\*\*2. For Diesel Option Replace Detail 3 With (1) Of Detail 4 And 7.

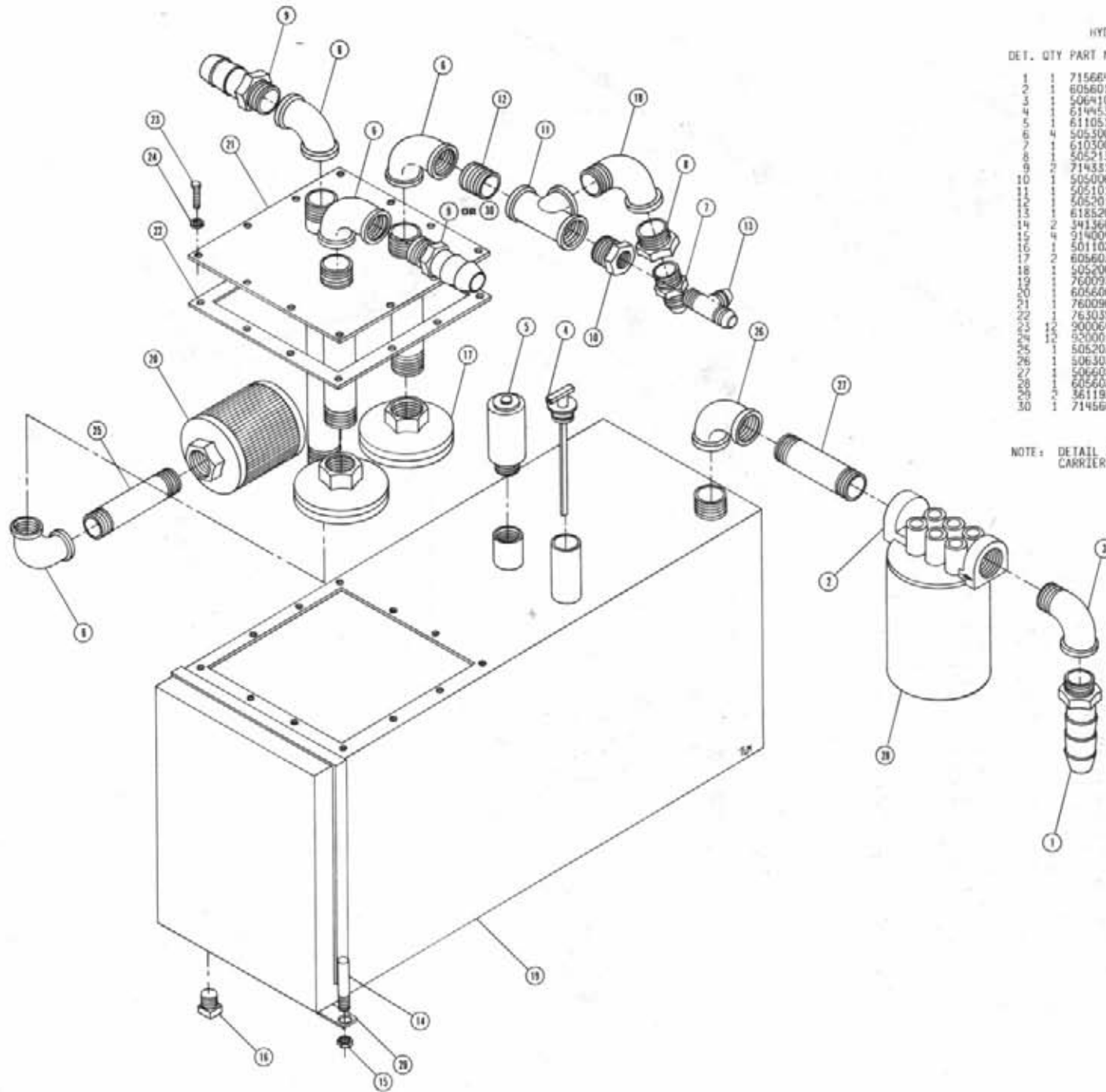


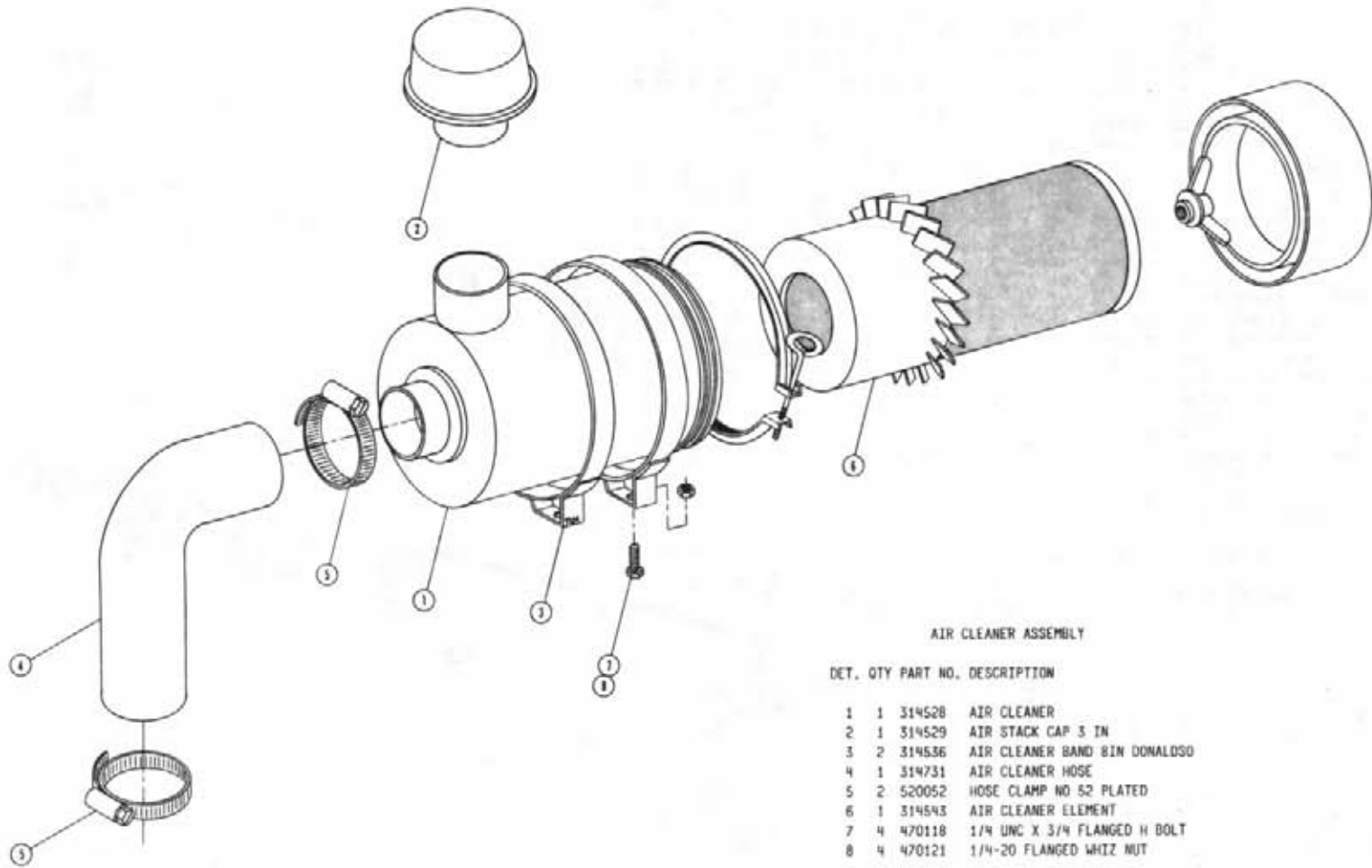
HYDRAULIC TANK ASSEMBLY

DET. QTY PART NO. DESCRIPTION

1	1	715604	1 HOSE BARB-1 1/4MNPT
2	1	605601	GREEN FILTER 10 MICRON 40GPM
3	1	506410	BLK PIPE ST EL 90DEG 1 1/4NPT
4	1	614453	DIPSTICK, 8IN
5	1	611051	PRESSURE CAP 3/4NPT 5LB
6	4	505500	BLK PIPE EL 90DEG INPT
7	1	610300	3/4MNPT-3/4MNPT ADPTR
8	1	505215	RED BUSH 1 TO 3/4 BLK MAL
9	2	714331	3/4 HOSE BARB-1MNPT
10	1	505006	RED BUSH 1 MNPT TO 1/4 FNPT
11	1	505101	BLK PIPE TEE INPT
12	1	505201	CLOSE NIPPLE 1NPT
13	1	618520	1/4MNPT RUN TEE-9/16MNPT
14	2	341360	OIL TANK STRAP WLD
15	4	914004	3/8 UNC STOVER NUT
16	1	501102	1/4 PIPE PLUG
17	2	605603	LINE SUMP DIFFUSER
18	1	505200	BLK PIPE ST EL 90DEG INPT
19	1	760097	OIL TANK W/D
20	1	605600	MICHIGAN RESERVOIR FILTER
21	1	760090	RECEIVER PLT WLD
22	1	763039	HYD MTR MTG PLT GSXT
23	12	900064	5/16 UNC X 3/4 HEX BOLT
24	12	920001	5/16 FLAT WASHER SAE PLT
25	1	505203	BLK PIPE NIPPLE 1NPT-4 IN
26	1	506303	BLK PIPE EL 90DEG 1 1/4NPT
27	1	506602	PIPE NIPPLE 1 1/4NPT-2 1/2
28	1	605602	FILT ELEMENT 10MICRON 40GPM
29	1	341193	OIL TANK SPACER
30	1	714560	1 HOSE BARB-1MNPT

NOTE: DETAIL 30 IS USED WITH PERSONNEL CARRIER.

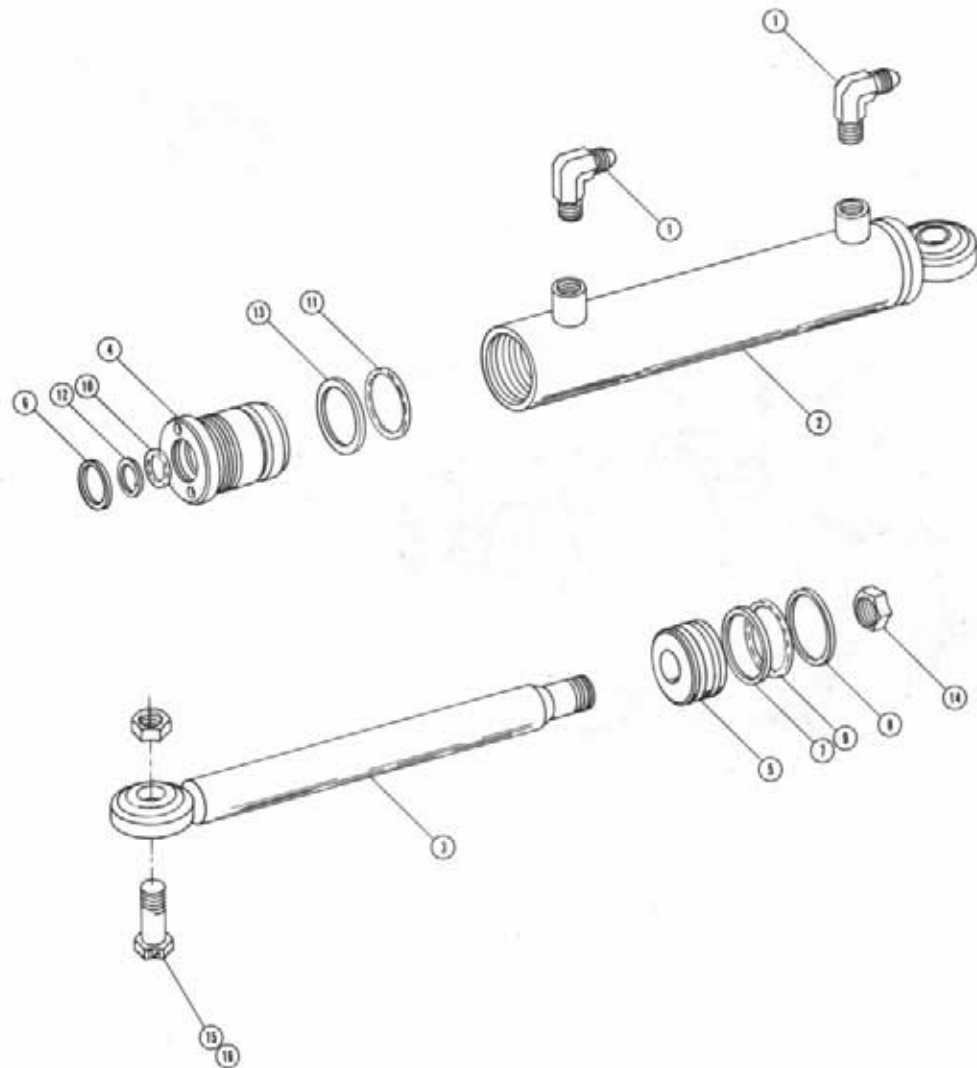




AIR CLEANER ASSEMBLY

DET. QTY PART NO. DESCRIPTION

DET.	QTY	PART NO.	DESCRIPTION
1	1	314528	AIR CLEANER
2	1	314529	AIR STACK CAP 3 IN
3	2	314536	AIR CLEANER BAND 8IN DONALDSON
4	1	314731	AIR CLEANER HOSE
5	2	520052	HOSE CLAMP NO 52 PLATED
6	1	314543	AIR CLEANER ELEMENT
7	4	470118	1/4 UNC X 3/4 FLANGED H BOLT
8	4	470121	1/4-20 FLANGED WHIZ NUT



STEERING CYLINDER ASSEMBLY

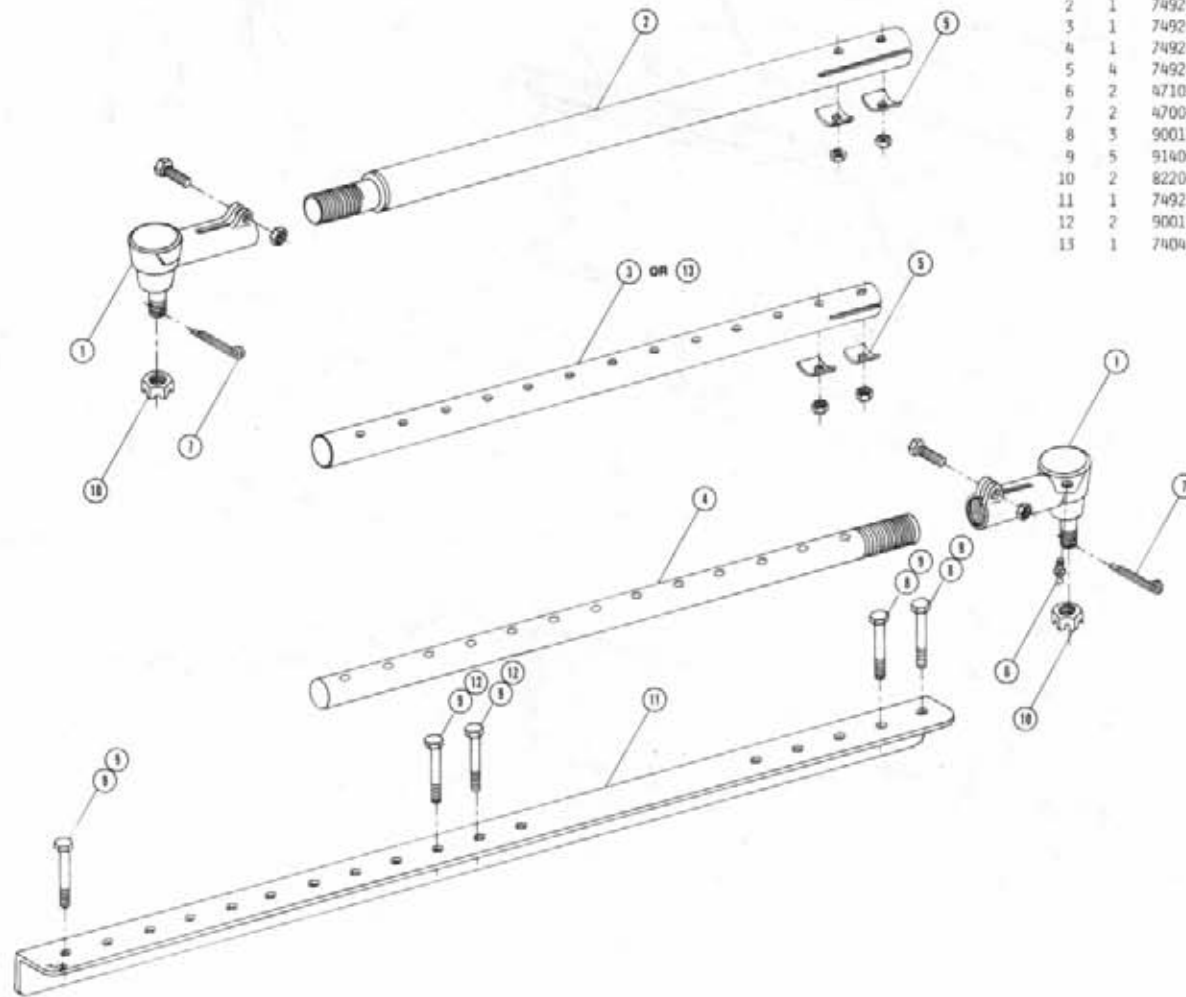
DET. QTY PART NO. DESCRIPTION

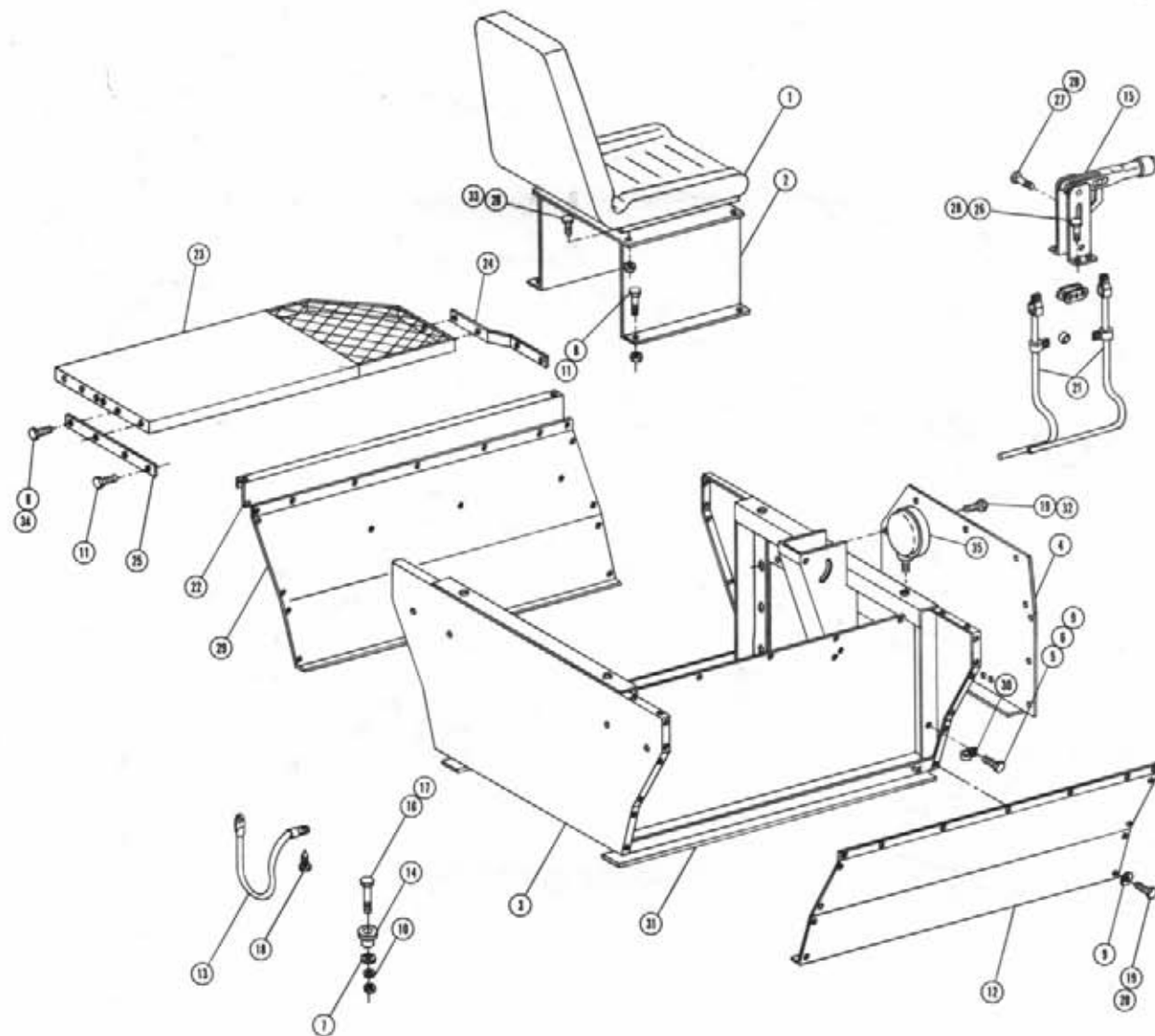
1	2	611122	9/16MJIC-90-1/4MNPT LBD
2	1	620089	STRG CYL TUBE WLD 1.5 X 6
3	1	620148	STRG CYL SHAFT WLD
4	1	620109	GLAND HYD CYL 1.5 X .75
5	1	620129	PISTON HYD CYL 1.5 X .5
6	1	629028	WIPER, 100 X 3/4ID X 1/8
7	1	629618	WEAR RING HYD CYL
8	1	629616	SEAL, 1704-24 HT205SOR POLYHON
9	1	870025	BUNA ORING 1 3/16 X 1 5/16
10	1	870210	BUNA ORING 3/4 X 1
11	1	870218	BUNA ORING 1 1/4 X 1 1/2
12	1	890210	BACKUP WASH 3/4 X1 HT2022
13	1	890218	BACKUP WASH1 1/4X1 1/2 HT2022
14	1	914009	1/2 UNF STOVER NUT
15	1	900337	5/8 UNC X 2 3/4 HEX BOLT
16	1	914010	5/8 UNC STOVER NUT

NOTE: 620080 - CYLINDER ASSEMBLY  
620998 - SEAL KIT

TIE ROD ASSEMBLY

Det. Qty.	P/N	Description
1	2	749156 Female Socket Assembly
2	1	749205 Tie Rod Outer Tube Weldment
3	1	749206 Tie Rod Inner Tube - Slant Leg
4	1	749207 Tie Rod Inner Shaft
5	4	749208 Tie Rod Clamp
6	2	471021 Grease Zerk
7	2	470032 1/8 x 1 1/2 Cotter Pin
8	3	900135 3/8 UNC x 2 3/4 Hex Bolt
9	5	914004 3/8 UNC Lock Nut
10	2	822040 5/8 UNF Slotted Hex Nut
11	1	749214 Tie Rod Stiffener Angle
12	2	900134 3/8 UNC x 2 1/2 Hex Bolt
13	1	740442 Inner Tie Rod Tube - Straight Leg





OPERATOR STATION ASSEMBLY

DET. QTY PART NO. DESCRIPTION

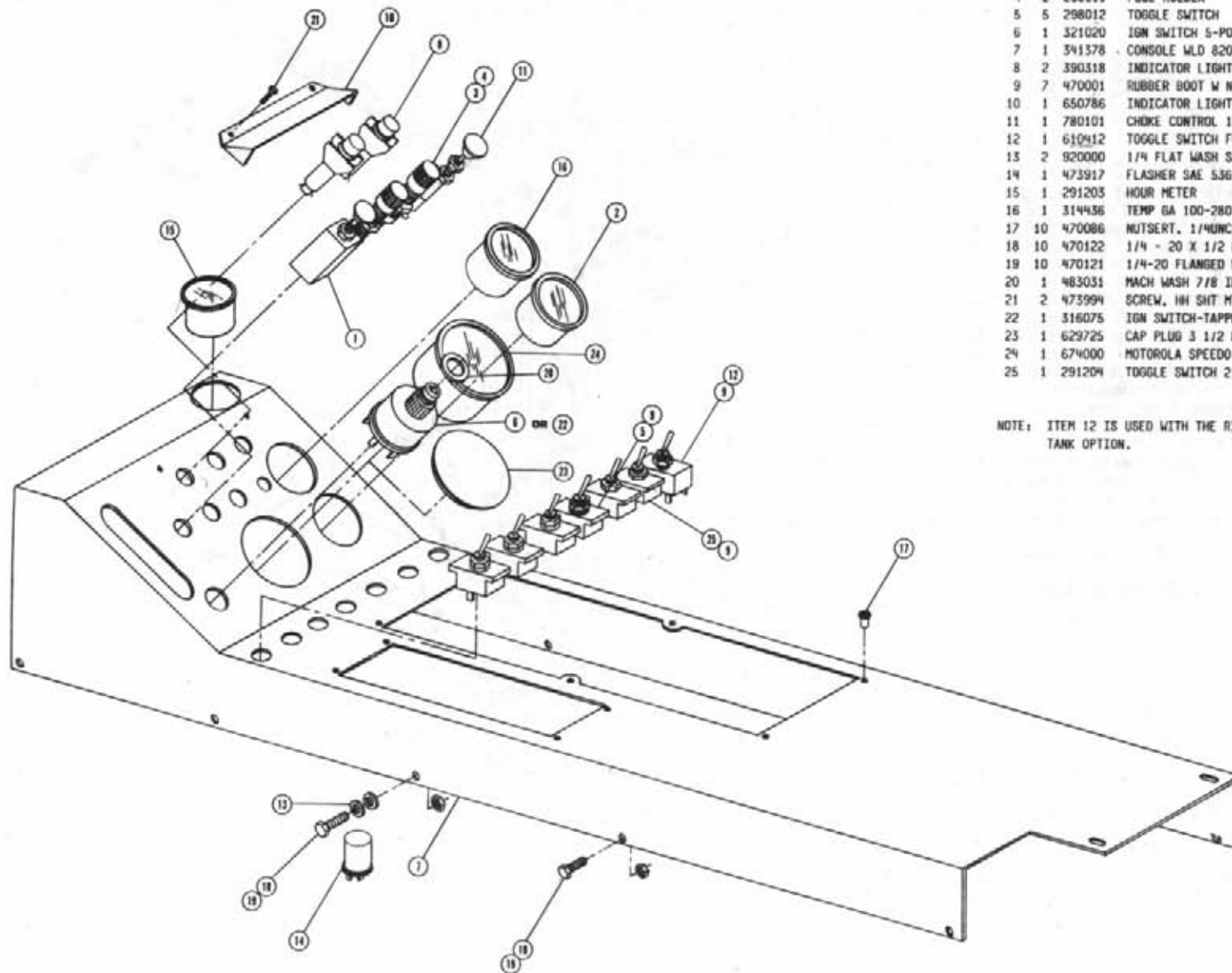
1	1	330002	SEAT
2	1	341336	SEAT MT WLD
3	1	341652	OP STN WLD
4	1	341639	FRT DP STN COVER
5	1	914000	1/4 UNC STOVER NUT
6	1	900002	1/4 UNC X 3/4 HEX BOLT
7	4	483037	FLAT WASH 5/8 REGULAR
8	8	914004	3/8 UNC STOVER NUT
9	31	920000	1/4 FLAT WASH SAE
10	4	920004	1/2 FLAT WASHER SAE
11	8	900128	3/8 UNC X 3/4 HEX BOLT
12	1	659572	RH OUTSIDE STN PANEL
13	1	290107	8 IN GROUND STOP
14	4	311032	ENGINE ISOLATOR
15	1	826108	BRAKE LEVER ASSY
16	4	900269	1/2 UNC X 3/4 HEX BOLT
17	4	914008	1/2 UNC STOVER NUT
18	2	472349	1/4 X 3/4 20THD-IN TEK TYPE
19	40	470118	1/4 UNC X 3/4 FLANGED H BOLT
20	30	470086	NUTSERT. 1/4UNC .020-.100GR
21	2	826926	190 IN BRAKE CABLE
22	1	659564	LH LWR CANOPY DEFLECTOR SHLD
23	1	341616	LH CATWALK WLD
24	1	341624	FRT HTG STRIP CATWALK
25	1	341625	REAR HTG STRIP CATWALK
26	4	900064	5/16 UNC X 3/4 HEX BOLT
27	1	900067	5/16 UNC X 1 1/2 HEX BOLT
28	9	914002	5/16 UNC STOVER NUT
29	1	659600	LH OUTSIDE STN PANEL
30	1	520121	CUSHION HOSE CLAMP 1 IN DIA
31	2	659579	FOAM, 2IN WIDE X 40IN LONG
32	10	470121	1/4-20 FLANGED WHIZ NUT
33	4	901064	5/16 UNC X 3/4 CARR BOLT
34	4	900129	3/8 UNC X 1 HEX BOLT
35	2	291089	ADJUSTABLE LIGHT W/ GUARD

CONSOLE ASSEMBLY

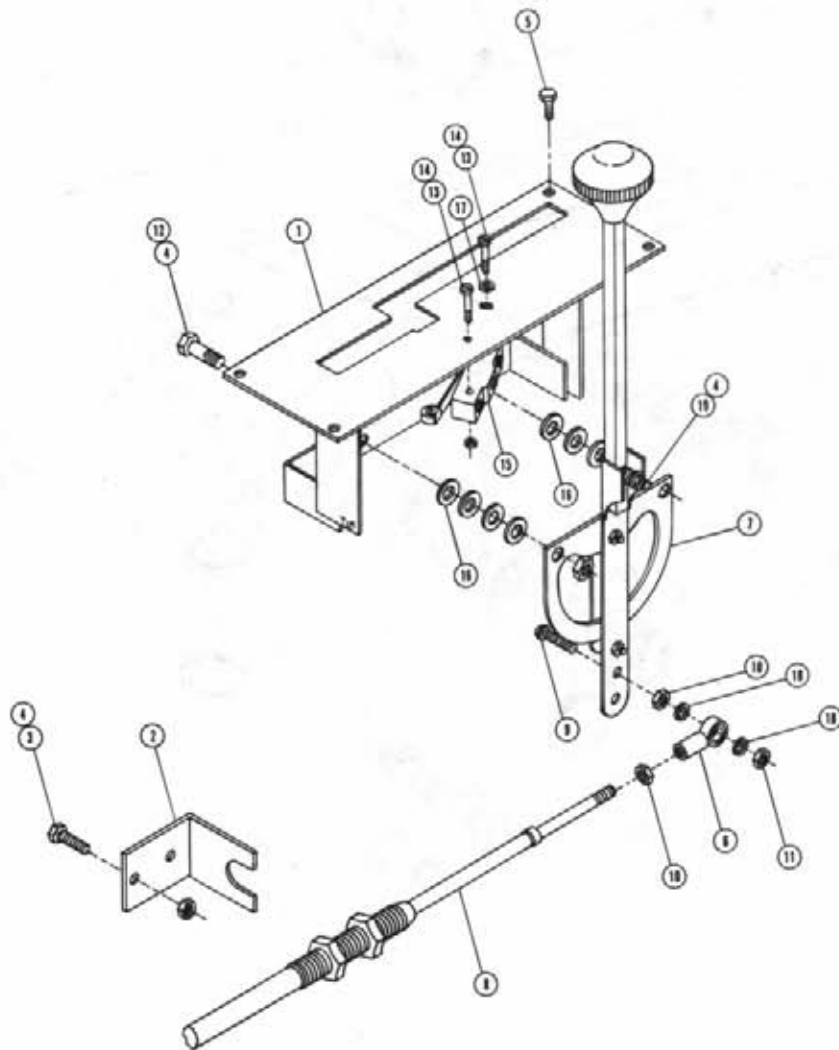
DET. QTY PART NO. DESCRIPTION

1	1	290046	LIGHT SWITCH TWO POSITION
2	1	290401	FUEL GAUGE FOR 2.125 DIA HOLE
3	2	298004	20 AMP FUSE SFE 20
4	2	298011	FUSE HOLDER
5	5	298012	TOGGLE SWITCH
6	1	321020	IGN SWITCH 5-POLE
7	1	341378	CONSOLE MLD 8200 DETASSELER
8	2	390318	INDICATOR LIGHT
9	7	470001	RUBBER BOOT W NUT FOR 298012
10	1	650786	INDICATOR LIGHT SUN SHIELD
11	1	780101	CHOKE CONTROL 144 IN
12	1	610412	TOGGLE SWITCH FOR FUEL VLV
13	2	920000	1/4 FLAT WASH SAE
14	1	473917	FLASHER SAE 536
15	1	291203	HOUR METER
16	1	314436	TEMP GA 100-280 DEG LIGHTED
17	10	470086	NUTSERT, 1/4UNC .020-.100GR
18	10	470122	1/4 - 20 X 1/2 FLANGED H BOLT
19	10	470121	1/4-20 FLANGED WHIZ NUT
20	1	483031	MACH WASH 7/8 ID 1 3/8 OD
21	2	473994	SCREW, HH SHIT HTL 6/32X 3/8AB
22	1	316075	IGN SWITCH-TAPPED, PERK
23	1	629725	CAP PLUD 3 1/2 DIA BPF 3 1/2
24	1	674000	MOTOROLA SPEEDO
25	1	291204	TOGGLE SWITCH 2 P.D.T.

NOTE: ITEM 12 IS USED WITH THE RIGHT FUEL TANK OPTION.



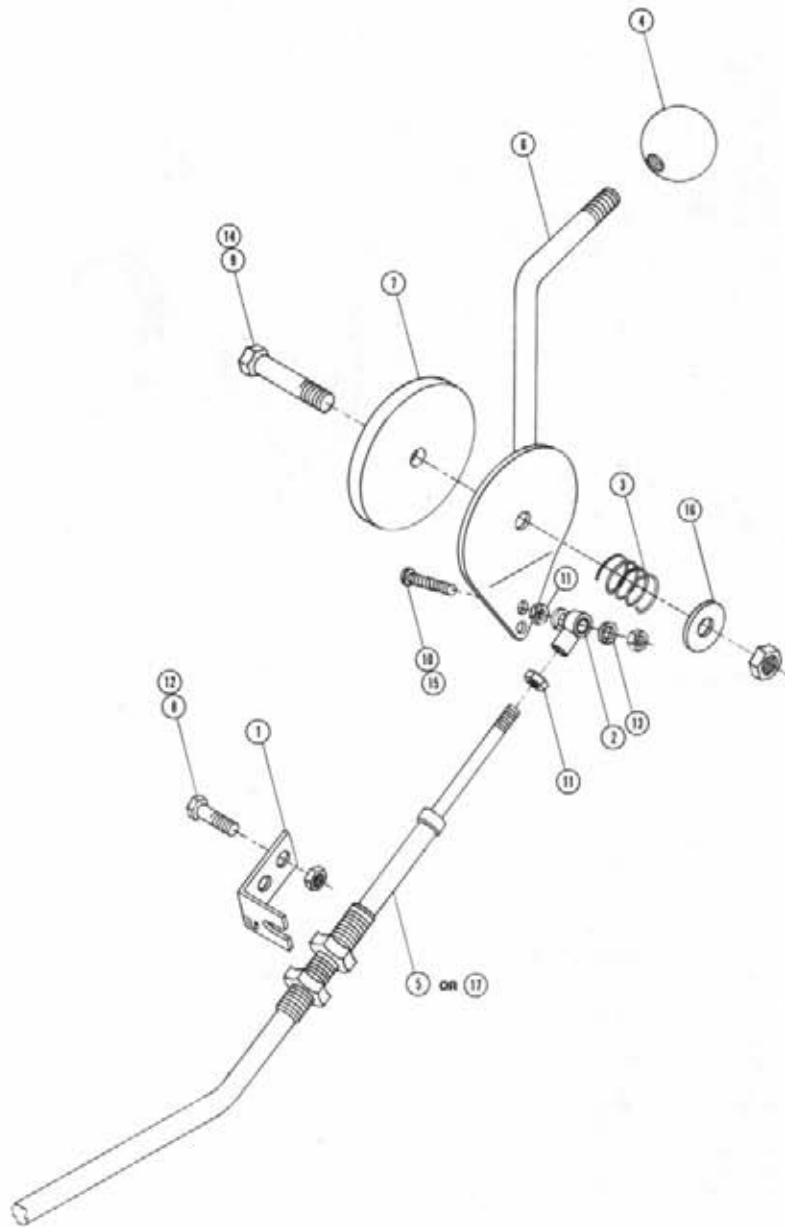




HYDROSTATIC LEVER ASSEMBLY

DET. QTY PART NO. DESCRIPTION

1	1	341501	HYDST CONT LEVER MT WLD
2	1	341188	CONSOLE THROT CABLE MT ANGLE
3	2	900000	1/4 UNC X 1/2 HEX BOLT
4	5	914000	1/4 UNC STOVER NUT
5	4	470122	1/4 - 20 X 1/2 FLANGED H BOLT
6	1	473921	BALL JOINT NO 10-32 THD
7	1	606864	HYDST CONTROL LEVER MODIFIED
8	1	785053	THROT CABLE 95 IN
9	1	903893	10-32 X 1 SLT RD HD MACH SCR
10	2	910027	HEX NUT NO 10 UNF
11	1	914027	NO 10-32 STOVER NUT
12	2	900003	1/4 UNC X 1 HEX BOLT
13	2	910022	6-32 HEX NUT PLATED
14	2	473993	SCREW HH MACH, 6-32 X 1 1/8
15	1	293006	MICRO SWITCH #BZ-2RL25551-A2
16	8	920000	1/4 FLAT WASH SAE
17	1	920011	WASHER, #6 SAE FLAT PLATED
18	2	920510	LOCK WASH NO 10
19	1	900005	1/4 UNC X 1 1/2 HEX BOLT



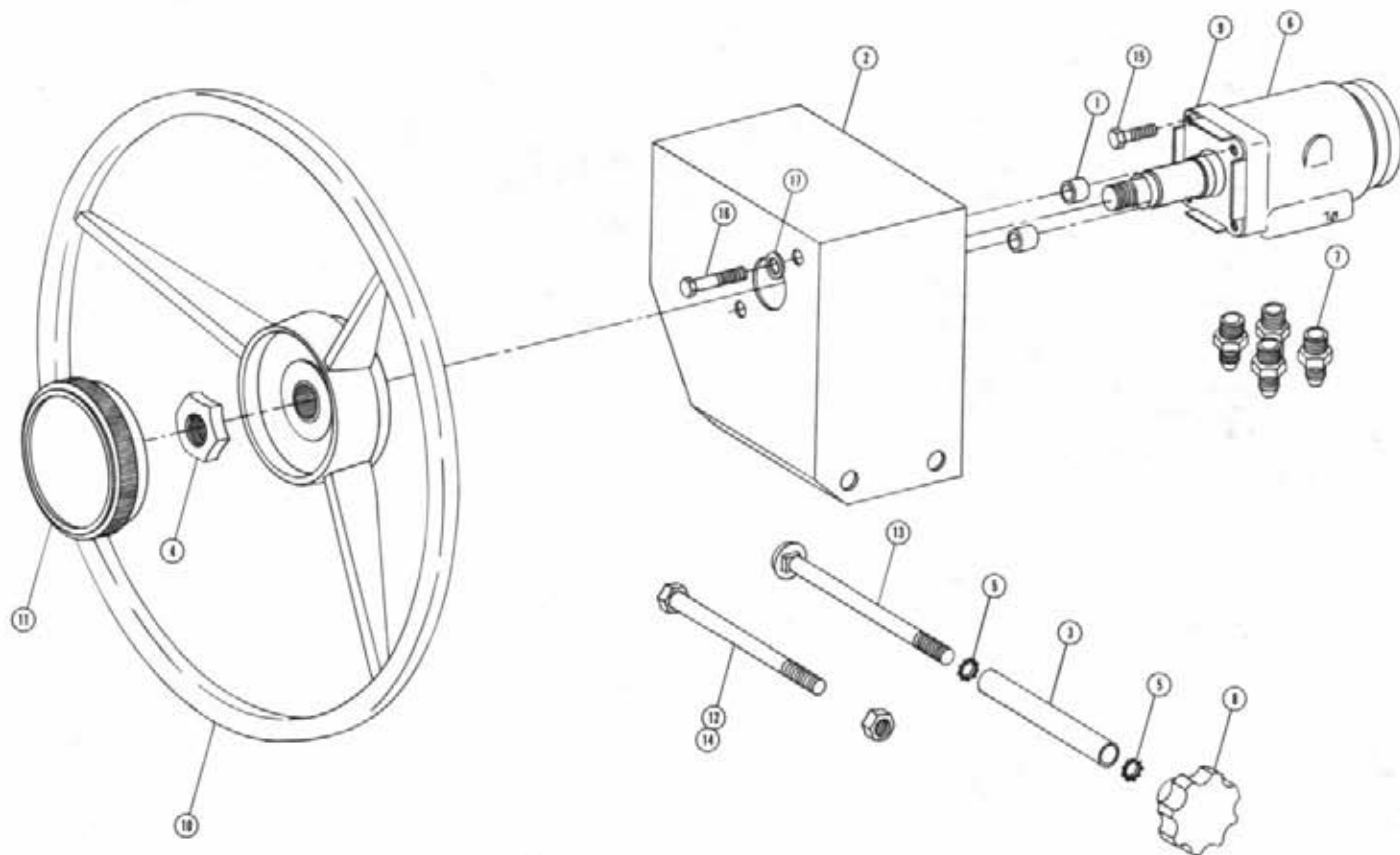
#### THROTTLE LEVER ASSEMBLY

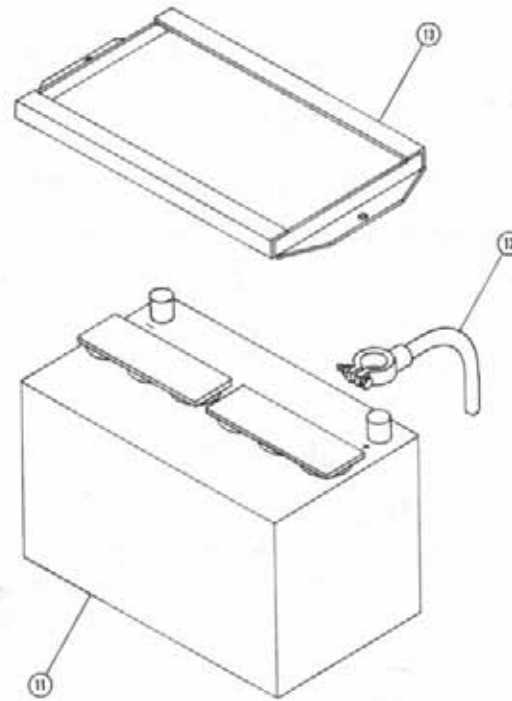
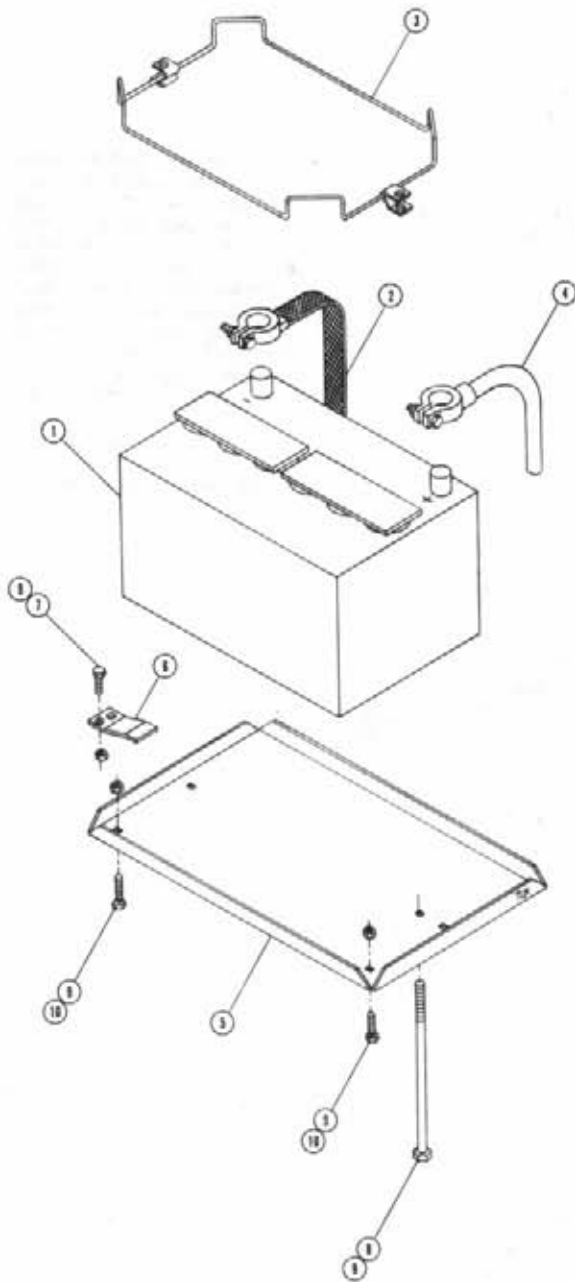
Det. Qty.	P/N	Description
1	341188	Throttle Cable Mount Angle
2	473921	No. 10-32 Ball Joint
3	499001	Spring
4	659292	1 7/8 Dia. Ball Valve
5	785003	Throttle Cable 112" - Chrysler
6	785040	Throttle Lever Weldment
7	785046	Friction Disc
8	900000	1/4 UNC x 1/2 Hex Bolt
9	900170	3/8 UNC x 2 1/4 Hex Bolt
10	903893	No. 10-32 x 1 Slotted Round Head Machine Screw
11	910027	No. 10 UNF Hex Nut
12	914000	1/4 UNC Stover Nut
13	920510	No. 10 Lock Washer
14	914004	3/8 UNC Stover Nut
15	914027	No. 10-32 Stover Nut
16	920002	3/8 SAE Flat Washer
17	785054	Throttle Cable 128" - Perkins

STEERING WHEEL ASSEMBLY

DET. QTY PART NO. DESCRIPTION

1	2	200464	PARK BRAKE SPACER
2	1	341661	STRG COLUMN COVER WLD
3	1	001266	TIE CLAMP TUBE OUTRIGGER
4	1	470157	NUT 13/16-20 UNEF FOR 749245
5	2	470123	1/2 EXTERN TOOTH LOCK WASH
6	1	749150	STRG MTR NON-LOAD REACT 1008
7	4	618109	9/16MVIC-3/4MOR ADPTR
8	1	742502	STRG ADJ KNOB
9	1	749178	STRG COLUMN 2.5IN LONG
10	1	749245	STRG WHL 14.0 DIA W/CAP
11	1	749244	STRG WHL CAP FOR 749245
12	1	900277	1/2 UNC X 5 1/2 HEX BOLT
13	1	901276	1/2 UNC X 5 CARR HEAD BOLT
14	1	914008	1/2 UNC STOVER NUT
15	2	900128	3/8 UNC X 3/4 HEX BOLT
16	2	900130	3/8 UNC X 1 1/4 HEX BOLT
17	2	920002	WASH FLAT 3/8 SAE

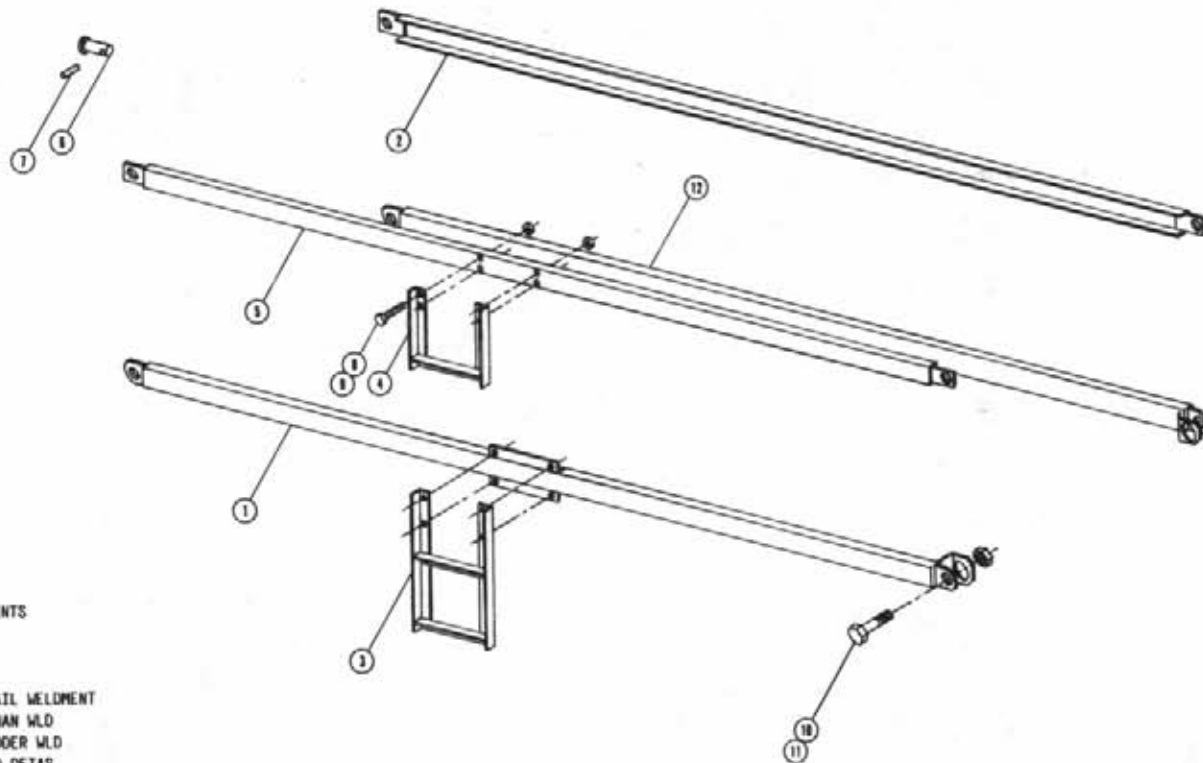




BATTERY BOX ASSEMBLY

Det. Qty.	P/N	Description
1	290013	Battery - Chrysler
2	290111	Ground Strap
3	290212	Battery Hold Down With Clamps
4	291128	Battery Cable 48"
5	361149	Battery Box
6	361192	Battery Box Support
7	900129	3/8 UNC x 1 Hex Bolt
8	901149	3/8 UNC x 8 1/2 Carriage Bolt
9	914004	3/8 UNC Stover Nut
10	900128	3/8 UNC x 3/4 Hex Bolt
11	291122	Battery - Perkins
12	290052	Battery Cable 56"
13	341322	Battery Hold Down Weldment

Note: Items 2,5,6,7,8,9, And 10 Are Used With Both Engines.



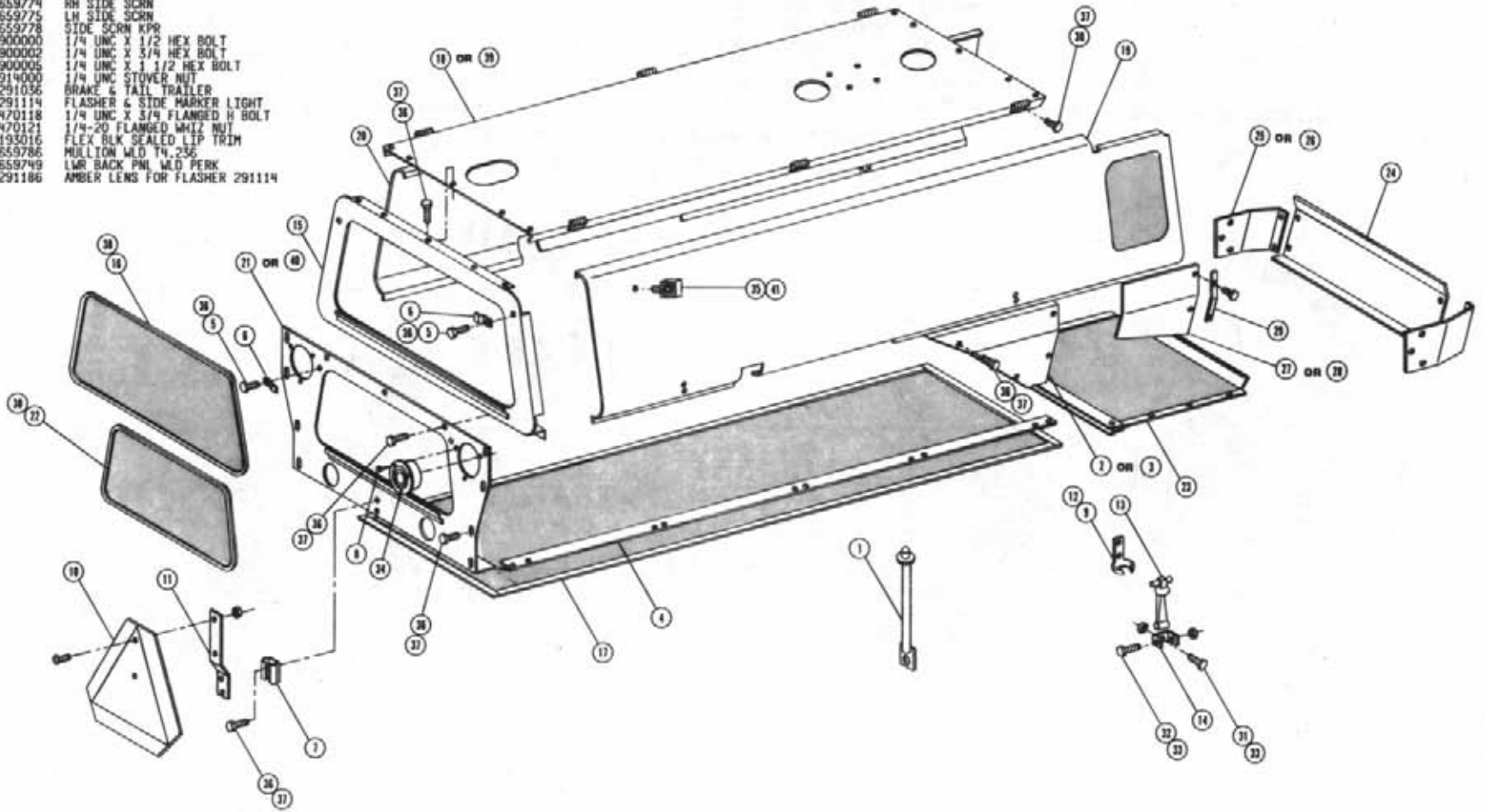
MISCELLANEOUS FRAME COMPONENTS

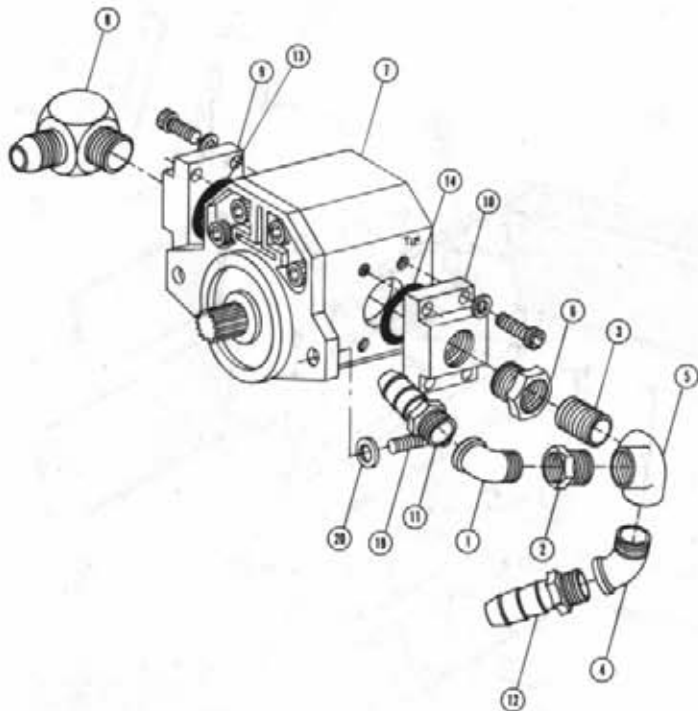
DET. QTY PART NO. DESCRIPTION

1	1	341660	LEFT LOWER SIDERAIL WELDMENT
2	1	341641	UPPER SIDERAIL CHAN WLD
3	1	360305	DEKALB 2 STEP LADDER WLD
4	1	360441	1-STEP LADDER WLD DETAS
5	1	341657	LEFT UPPER SIDERAIL CHAN WLD
6	1	361162	CARRIAGE PIVOT PIN WLD
7	1	473937	ROLL PIN, 3/8 DIA X 2 1/2
8	8	900129	3/8 UNC X 1 HEX BOLT
9	8	914004	3/8 UNC STOVER NUT
10	8	900534	1 UNC X 3 HEX BOLT
11	8	914016	1 IN STOVER NUT
12	1	341659	RH LOWER SIDERAIL WLD

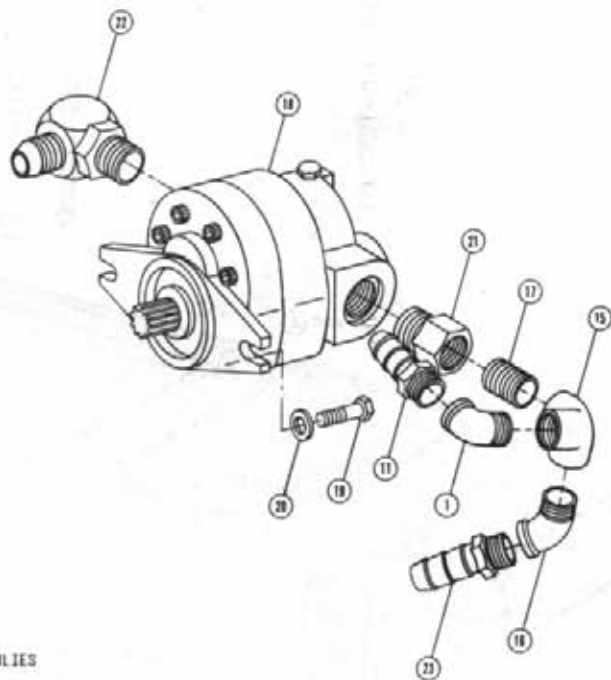
SHEET METAL ASSEMBLY

DET.	QTY	PART NO.	DESCRIPTION
1	2	341356	ENGINE HOOD PROP WLD
2	1	341362	LH SIDE PLT EXTEN
3	1	341363	RH SIDE PLT EXTEN
4	2	341395	SCREEN SLIDE WLD
5	4	470086	NUTSERT, 1/4UNC .020-100GR
6	4	470151	UPPER REAR PANEL SCREEN CLIP
7	1	472251	MTG SOCKET
8	6	472352	#10-24THD IN X 9/16 TEK TYP 3
9	8	485053	POP RIVET 3/16 X 3/8
10	1	472249	SLOW MOVING VEHICLE SIGN
11	1	472250	SPADE MTG BRKT
12	4	656997	RUBBER HOOK BRKT
13	4	656998	RUBBER HOOK
14	4	656999	RUBBER HOOK ANCHOR BRKT
15	1	659675	UPPER REAR PANEL WLD
16	1	659578	UPPER REAR PANEL SCREEN
17	1	659589	LWR SCREEN WLD
18	1	659728	MULLION WLD CHRY 318
19	1	659734	RH ENG HOOD WLD
20	1	659735	LH ENG HOOD WLD
21	1	659743	LWR BACK PNL WLD CHRY
22	1	659751	LWR BACK PANEL SCRIN
23	1	659765	LWR FRT HOSE COVER SCRIN WLD
24	1	659771	LWR FRT SHLD
25	1	659772	RH LWR FRT SHLD MT
26	1	659773	LH LWR FRT SHLD MT
27	1	659774	RH SIDE SCRIN
28	1	659775	LH SIDE SCRIN
29	2	659778	SIDE SCRIN KPR
30	12	900000	1/4 UNC X 1/2 HEX BOLT
31	4	900002	1/4 UNC X 3/4 HEX BOLT
32	4	900005	1/4 UNC X 1 1/2 HEX BOLT
33	8	914000	1/4 UNC STOVER NUT
34	2	291036	BRAKE & TAIL TRAILER
35	1	291114	FLASHER & SIDE MARKER LIGHT
36	53	470118	1/4 UNC X 3/8 FLANGED H BOLT
37	51	470121	1/4-20 FLANGED W/12 NUT
38	14	195016	FLEX BLK SEALED LIP TRIM
39	1	659786	MULLION WLD TH.236
40	1	659749	LWR BACK PNL WLD PERK
41	2	291186	AMBER LENS FOR FLASHER 291114





SUNDSTRAND 4.58 CU.IN. PUMP ASSEMBLY



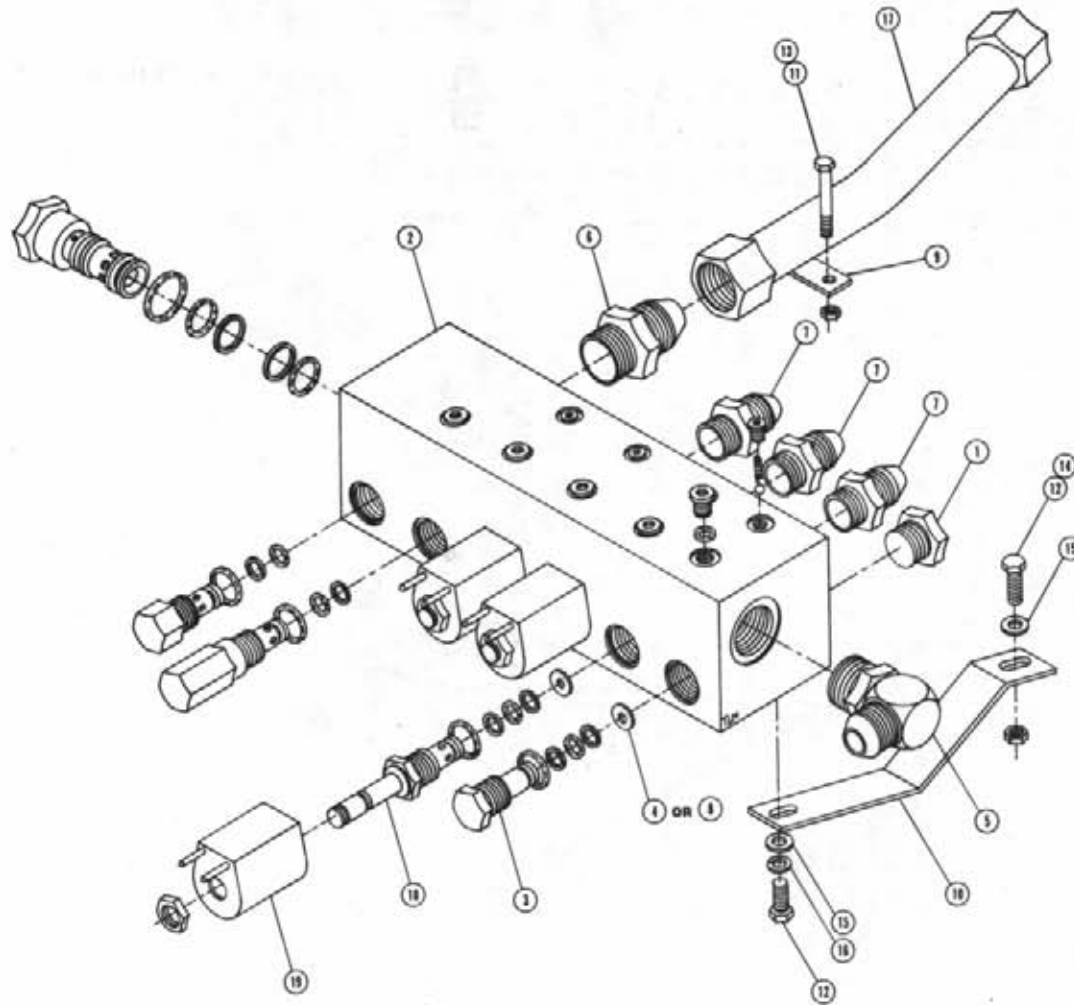
CROSS 2.74 CU.IN. PUMP ASSEMBLY

PUMP ASSEMBLIES

DET. QTY PART NO. DESCRIPTION

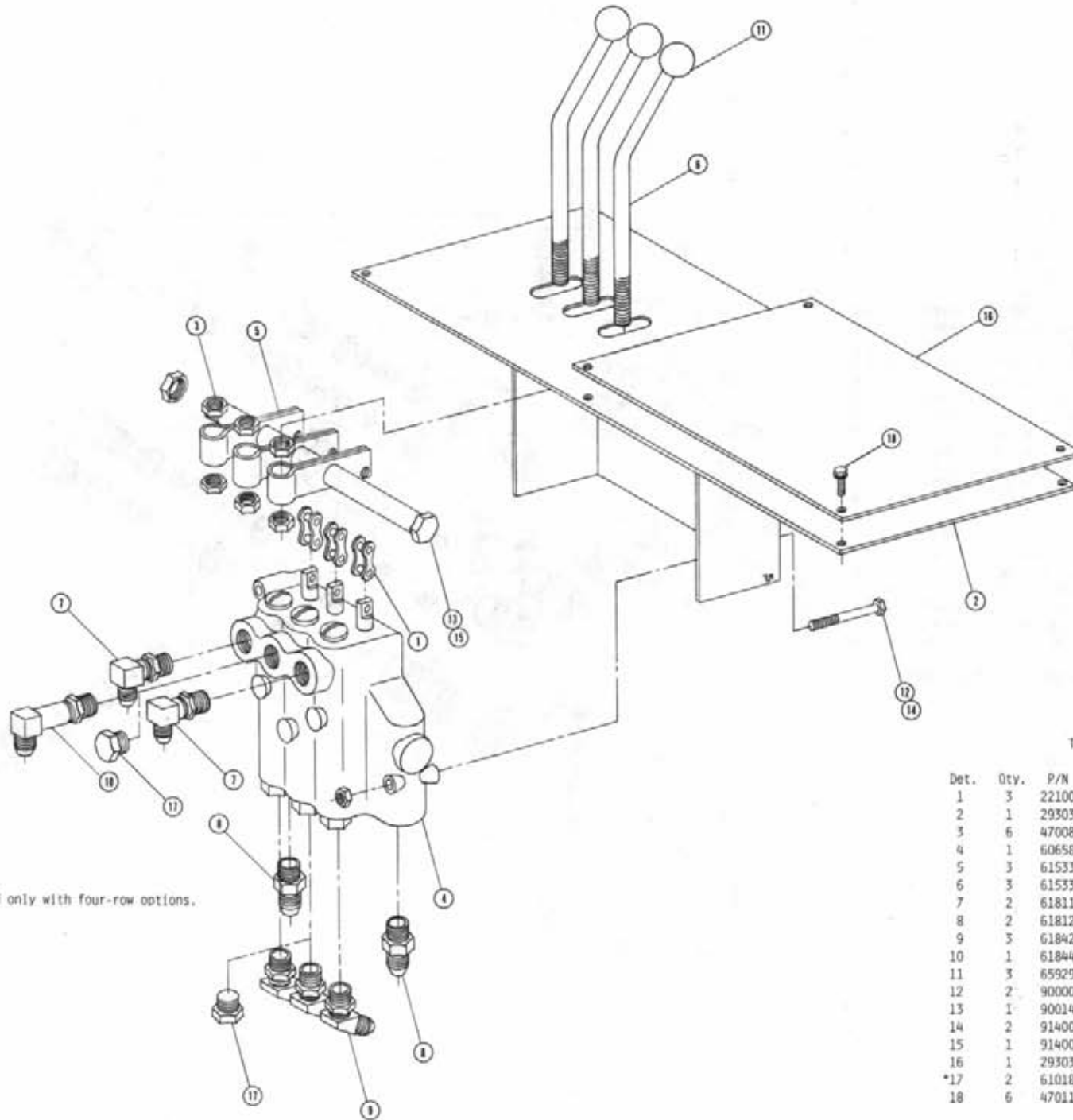
1	2	505200	BLK PIPE ST EL 90DEG 1NPT
2	1	506005	RED BUSH 1 1/4 TO 1 BLK MAL
3	1	506200	CLOSE NIPPLE 1 1/4NPT
4	1	506409	BLK PIPE ST EL 45DEG 1 1/4NPT
5	1	506701	SIDE OUTLET EL 90DEG 1 1/4NPT
6	1	507015	RED BUSH 1 1/2 TO 1 1/4 MAL
7	1	610484	SUND GEAR PMP 4.58 CI SPLINED
8	1	618324	1 5/16M3IC-90-1 1/4MNPT LBO
9	1	618550	1 1/4FNPT 4-BOLT FLANGE W/HDW
10	1	618568	1.50 4-BOLT FLG X 1.50 NPTF
11	2	714331	3/4 HOSE BARB-1MNPT
12	1	715660	1 1/4 HOSE BARB-1 1/4MNPT
13	1	870222	NEO ORING 1 1/2 X 1 3/4
14	1	870225	ORING 1 7/8 ID X 2 1/8 OD
15	1	505098	SIDE OUTLET EL 90DEG 1 NPT
16	1	505110	BLK PIPE ST EL 45DEG 1NPT
17	1	505201	CLOSE NIPPLE 1NPT
18	1	610444	CROSS PMP 2.74CI 8-MT SPLINED
19	4	900130	3/8 UNC X 1 1/4 HEX BOLT
20	4	920002	WASH FLAT 3/8 SAE
21	1	618090	1 5/16MOR-1FNPT ADPTR
22	1	618178	1 5/16M3IC-90-1 5/16MOR LBO
23	1	714561	1 1/4 HOSE BARB-1MNPT





MOTOR CONTROL VALVE ASSEMBLY

Det.	Qty.	P/N	Description
1	1	610186	1 1/16 MOR Plug
2	1	610467	Electric Motor Control Valve
3	1	610477	Plug 10 Series 2-Way
4	4	610479	.287 Disk Orifice
5	1	618178	1 5/16 MJIC x 90 x 1 5/16 MOR
6	1	618186	1 5/16 MJIC x 1 5/16 MOR
7	3	618309	7/8 MJIC x 1 1/16 MOR
8	4	610478	.182 Disk Orifice
9	1	341589	Hydraulic Tube Mount Keeper
10	1	341590	Motor Control Valve Mounting Bracket
11	2	900007	1/4 UNC x 2 Hex Bolt
12	2	900129	3/8 UNC x 1 Hex Bolt
13	2	914000	1/4 UNC Stover Nut
14	1	914004	3/8 UNC Stover Nut
15	2	920002	3/8 SAE Flat Washer
16	1	920502	3/8 Lock Washer
17	1	614632	Hydraulic Tube Assembly Return Manifold
18	3	610481	Solenoid Valve
19	3	610480	Solenoid Coil



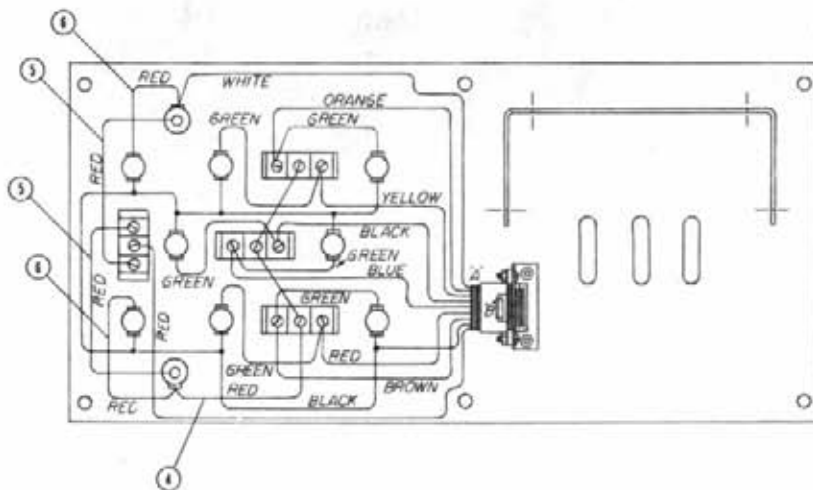
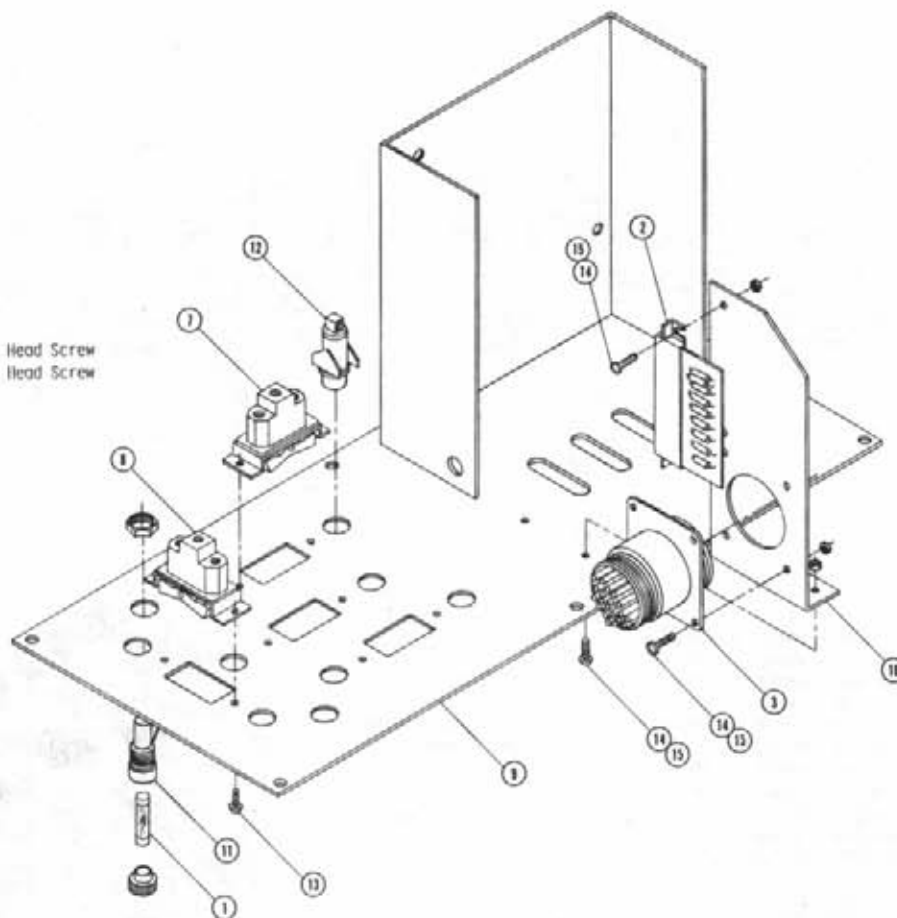
NOTE: Item 17 is used only with four-row options.

THREE SPOOL VALVE ASSEMBLY

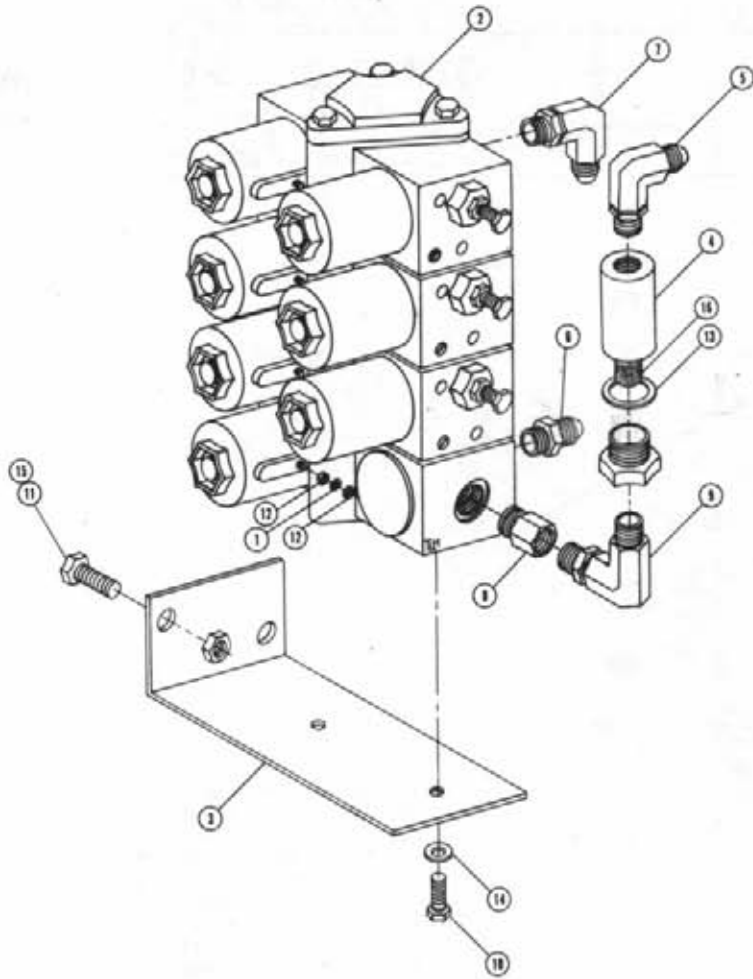
Det.	Qty.	P/N	Description
1	3	221001	Connector Link Clip
2	1	293031	Valve Mount Weldment
3	6	470087	3/8 UNC Whiz Nut
4	1	606585	Cessna Three Spool Valve
5	3	615336	Valve Handle Link
6	3	615337	Valve Handle
7	2	618119	9/16 MOR-90°-9/16 MJIC
8	2	618126	9/16 MOR x 9/16 MJIC
9	3	618425	9/16 MOR-45°-9/16 MJIC
10	1	618440	9/16 MOR-90°-9/16 Long JIC
11	3	659291	1" Dia. Ball Knob
12	2	900008	1/4 UNC x 2 1/2 Hex Bolt
13	1	900144	3/8 UNC x 6 1/2 Hex Bolt
14	2	914000	1/4 UNC Lock Nut
15	1	914004	3/8 UNC Lock Nut
16	1	293033	Switch Plate Cover
*17	2	610185	9/16 O-Ring Plug
18	6	470110	1/4 UNC x 3/4 Flanged Hex Bolt

TASSELTROL COVER ASSEMBLY

Det.	Qty.	P/N	Description
1	2	291602	10 Amp Fuse
2	1	293005	Diode Circuit Board
3	1	293007	Control Box Wire Harness
4	1	293011	Manual Switch Harness
5	2	293012	Wire, Fuse to Switch
6	2	293019	Wire, Fuse to Light
7	3	293025	Manual Switch
8	1	293026	Auto and Manual Switch
9	1	293031	Switch Plate Weldment
10	1	293034	Circuit Board Mount
11	2	298011	Fuse Holder
12	8	390318	Indicator Light
13	8	903804	6-32 x 1/4 Slotted Round Head Screw
14	8	903812	6-32 x 1/2 Slotted Round Head Screw
15	8	910022	6-32 Hex Nut



NOTE: The diagram to the left shows how the components are connected to each other through connector "A" wires. That connect circuit board "B" to connector "A" are not shown.

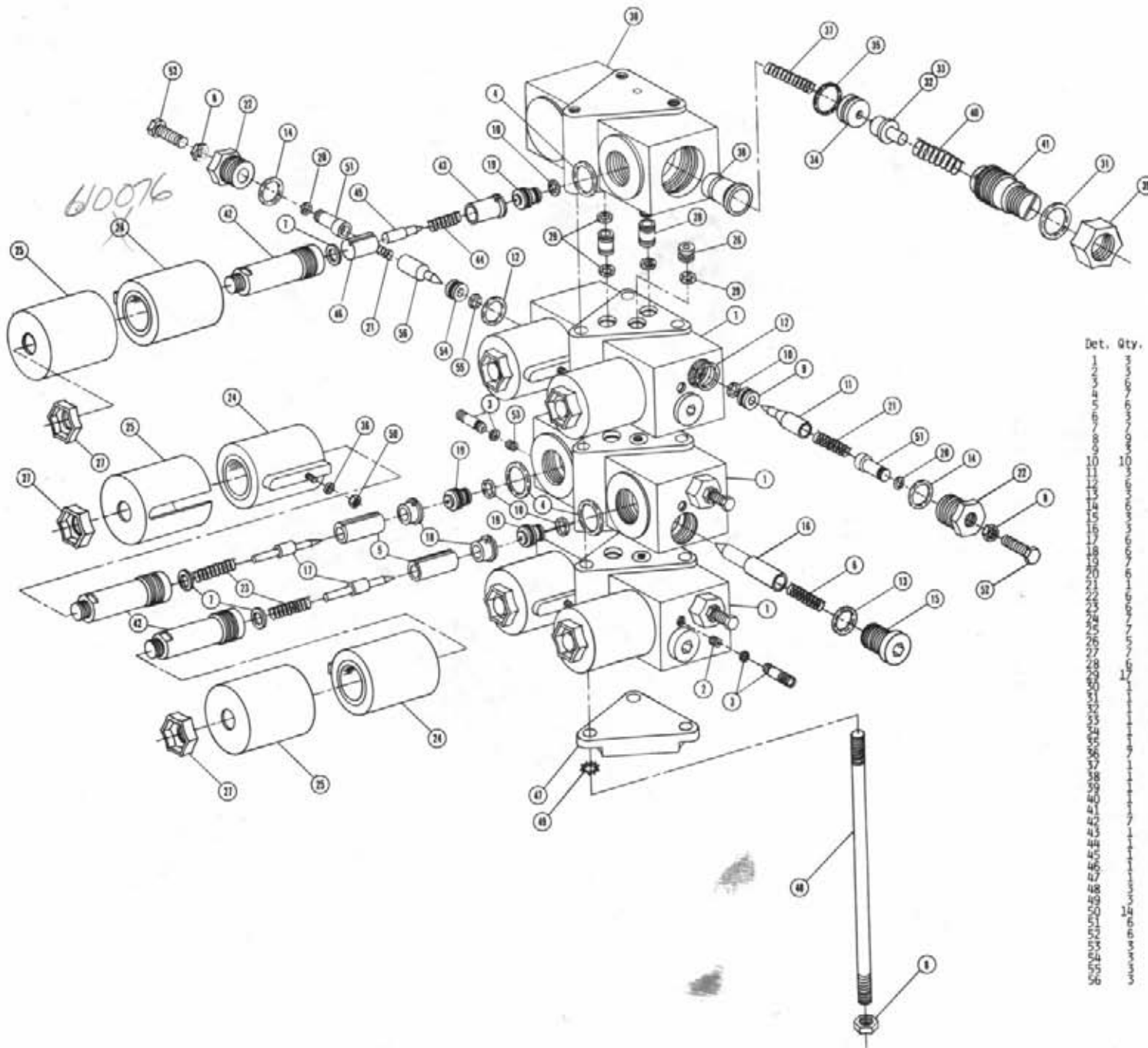


ELECTROHYDRAULIC VALVE ASSEMBLY

DET. QTY PART NO. DESCRIPTION

1	7	473821	WASHER, INT TDOOTH #10
2	1	610483	ELECT HYD STACK VLV W/ADJ
3	1	614636	ELECT T-TROL VLV HT BRKT
4	1	610447	HYD FILTER, INLINE 1/4FNPT 90M
5	1	611122	9/16MJIC-90-1/4MNPT LBO
6	1	618109	9/16MJIC-3/4MOR ADPTR
7	3	618119	9/16MJIC-90-9/16MOR LBO
8	1	618170	3/4MOR-9/16FOR ADPTR
9	1	618562	9/16MOR-90-1/4MNPT LBO
10	2	900064	5/16 UNC X 3/4 HEX BOLT
11	2	914008	1/2 UNC STOVER NUT
12	14	910027	HEX NUT NO 10 UNF
13	1	610462	GASKET FOR 610447 ARROW FILT
14	2	920501	LOCK WASH 5/16
15	2	900263	1/2 UNC X 1 HEX BOLT
16	1	610459	FILTER ELEMENT FOR 610447 90M

60076



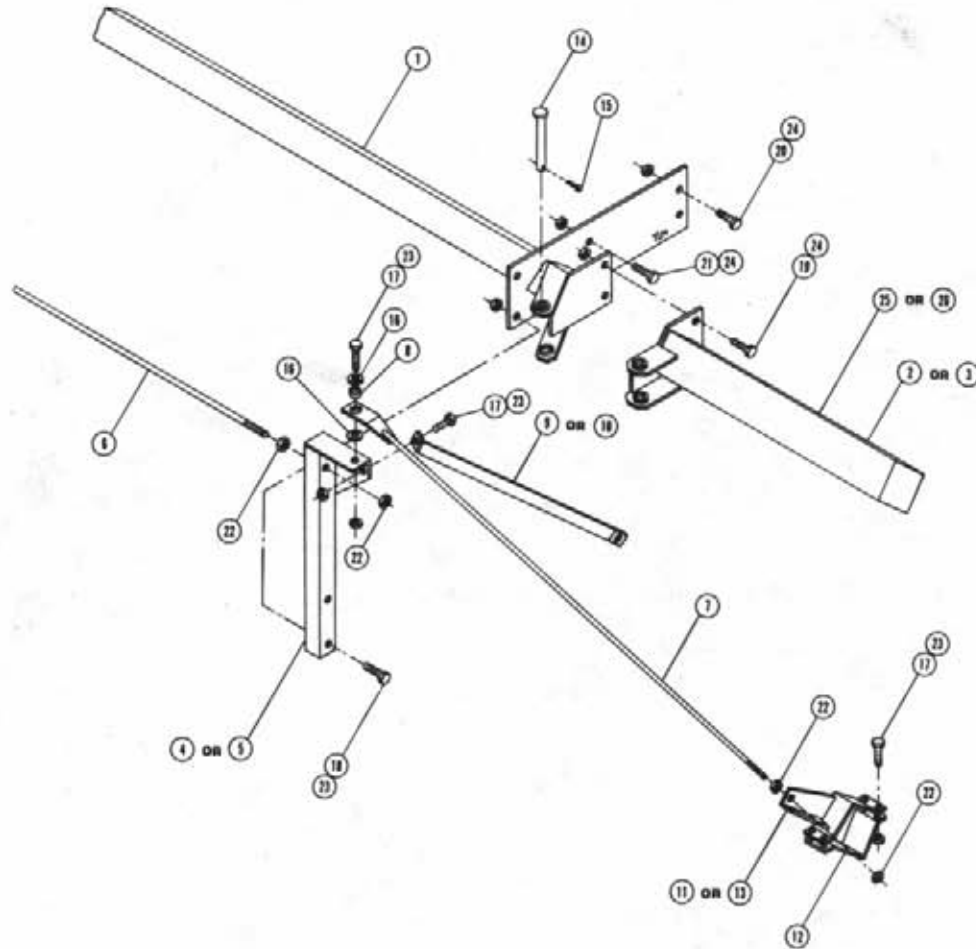
ELECTROHYDRAULIC VALVE

Det.	Qty.	P/N	Description
1		610486	Unbalance Load Body
1		610487	.031 Orifice Plug
1		610257	Seal Plug Assembly
1		871019	1 3/16 x 15/16 O-Ring
1		610126	Armature
1		610491	Spring
1		610084	Washer
1		910000	1/4-20 Hex Jam Nut
1		610488	Orifice
10		871010	1/4 x 3/8 O-Ring
1		610129	Poppet
1		870013	7/16 x 9/16 O-Ring
1		871904	.53 x .072 O-Ring
1		871896	.068 x .078 O-Ring
1		610130	Plug
1		610489	Check Valve Poppet
1		610490	Poppet
1		610133	Pole Piece
1		610108	.040 Orifice
1		871008	O-Ring
1		610492	Spring
1		610453	Valve Cap
1		610127	Spring
1		610493	Coil
1		610113	Cover
1		610123	Plug Tube
1		610114	Pol Nut
1		610115	Thru Tube
1		610086	3/8 x 1/2 O-Ring
1		610098	Body
1		871910	.755 x .097 O-Ring
1		610099	Guide
1		610100	Steel Ball
1		610085	Orifice
1		871014	1/3 x 5/8 O-Ring
1		473821	No. 10 Washer
1		610082	Spring
1		610104	Poppet
1		610105	Nut
1		610106	Spring
1		610107	Plug
1		610294	Sleeve Assembly
1		610109	Pole Piece
1		610110	Spring
1		610111	Poppet
1		610112	Armature
1		610120	End Cap
1		610497	Tie Rod
1		610122	1/4 Lock Washer
1		910027	No. 10 UNF Hex Nut
1		610452	Adjustable Valve Stop
1		900003	1/4 UNC x 1 Hex Bolt
1		610496	1/4 O-Ring
1		610494	Orifice
1		871056	O-Ring
1		610495	Poppet

OUTRIGGER ASSEMBLY

DET. QTY PART NO. DESCRIPTION

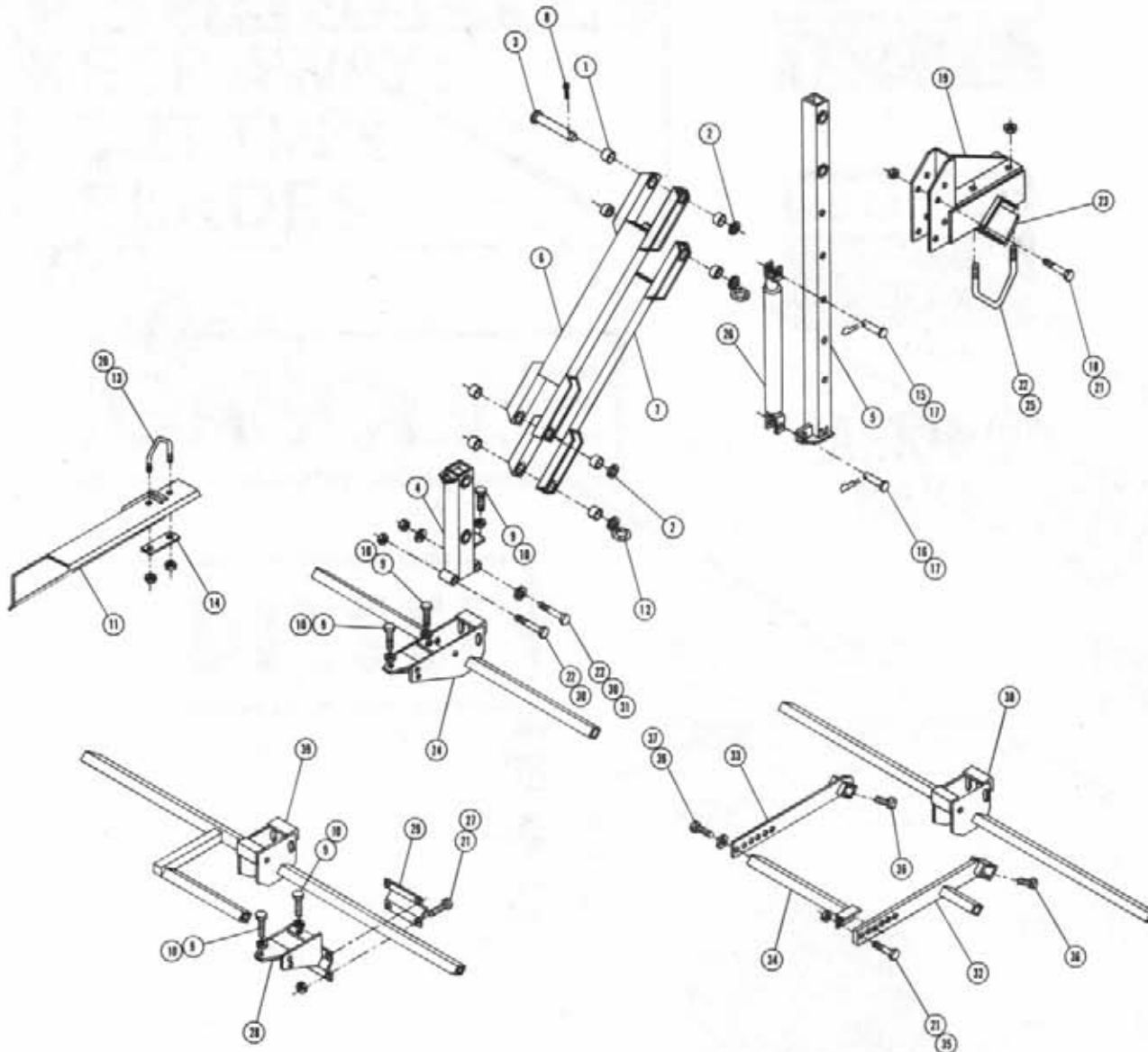
1	1	438271	TOOL BAR WLD
2	1	438307	RH 75IN OUTGR WLD
3	1	438309	LH 75IN OUTGR WLD
4	1	438310	RH 75IN OUTGR SUPP POST WLD
5	1	438314	LH 75IN OUTGR SUPP POST WLD
6	1	438316	CTR TIE BAR 75IN OUTGR
7	1	438317	75IN OUTGR SUPP ROD WLD
8	1	438320	BUSH 1.00 OD X .531ID X.28LG
9	1	438321	RH 75IN OUTGR SUPP POSTBRACE
10	1	438322	LH 75IN OUTGR SUPP POSTBRACE
11	1	438323	RH 75IN OUTGR BRACE CLAMPWLD
12	1	438324	75IN OUTGR BRACE CLAMP
13	1	438326	LH 75IN OUTGR BRACE CLAMPWLD
14	1	438283	OUTGR PIVOT PIN WLD
15	1	470117	COTTER PIN 3/16 X 1 3/4
16	2	483041	1/2 REGULAR FLAT WASH PLT
17	6	900265	1/2 UNC X 1 1/2 HEX BOLT
18	2	900270	1/2 UNC X 3.00 HEX BOLT
19	2	900333	5/8 UNC X 1 1/2 HEX BOLT
20	3	900334	5/8 UNC X 1 3/4 HEX BOLT
21	1	900335	5/8 UNC X 2 HEX BOLT
22	4	910008	1/2 UNC HEX NUT
23	8	914008	1/2 UNC STOVER NUT
24	6	914010	5/8 UNC STOVER NUT
25	1	438277	RH 32IN OUTGR WLD
26	1	438282	LH 32IN OUTGR WLD

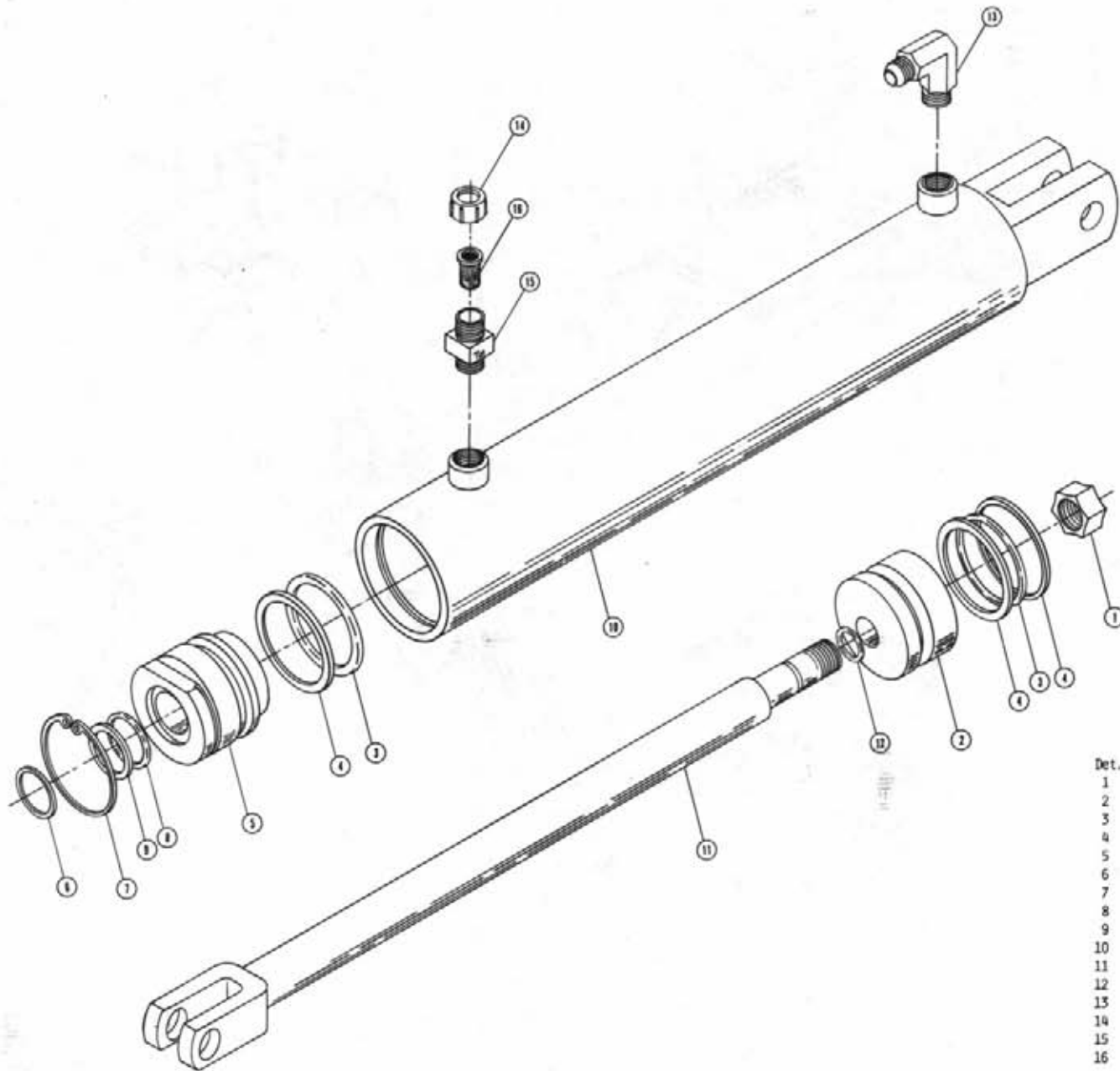


DETAISSLER LIFT ASSEMBLY

DET. QTY PART NO. DESCRIPTION

1	8	121025	JOURNAL BRG FOR 1IN SHFT1.5LG
2	2	200004	CARRIAGE PIVOT PIN WASHER
3	4	438300	LIFT ARM PIVOT PIN WLD
4	1	438177	TOOL BAR MT WLD DETAS
5	1	438184	HOIST COL WLD DETAS LIFT
6	1	438294	UPPER LIFT ARM WLD
7	1	438297	LWR LIFT ARM WLD
8	4	470162	COTTER PIN 3/16 X 1 1/2
9	5	900538	1/2 UNC X 3 1/2 FULL THD BOLT
10	5	910008	1/2 UNC HEX NUT
11	1	410048	CENTER DEFLECTOR WLD
12	2	438302	HOSE KPR RING WLD W/WASHER
13	1	410052	U-BOLT CLAMP ROLLER CENTER
14	1	410051	U BOLT CLAMP CENTER DEFLECTOR
15	1	472012	PICKER PIN 1 X 3 1/4
16	1	472206	PICKER PIN 1 DIA X 2 1/4
17	2	611016	HAIR PIN
18	4	900275	1/2 UNC X 4 1/2 HEX BOLT
19	1	438286	HOIST COL MTG BRKT WLD 8200
20	2	914002	5/16 UNC STOVER NUT
21	10	914008	1/2 UNC STOVER NUT
22	6	914010	5/8 UNC STOVER NUT
23	1	438292	TOOL BAR V-PLATE WLD 8200
24	1	438194	TOOL BAR WLD DETAS 4-6R
25	2	438293	U-BOLT 5/8 UNC TRIBEND X 6.25
26	1	620900	CYL ASSY CC2016 D00 SRC 180
27	4	900265	1/2 UNC X 1 1/2 HEX BOLT
28	1	438199	T-TROL MT WLD 8R DETAS
29	1	410016	RLR HANGER V
30	2	900343	5/8 UNC X 4 1/2 HEX BOLT
31	2	920005	5/8 FLAT WASH SAE
32	1	438209	8R PLR OUTER MT ARM WLD 8200
33	1	438214	8R PLR INNER MT ARM WLD 8200
34	1	438216	8R PLR MT WLD 8200
35	2	900268	1/2 UNC X 2 1/2 HEX BOLT
36	3	900263	1/2 UNC X 1 HEX BOLT
37	1	920504	LOCK WASH 1/2
38	1	438220	8R TIRE PLR TOOL BAR WLD
39	1	438201	TOOL BAR WLD 8R DETAS



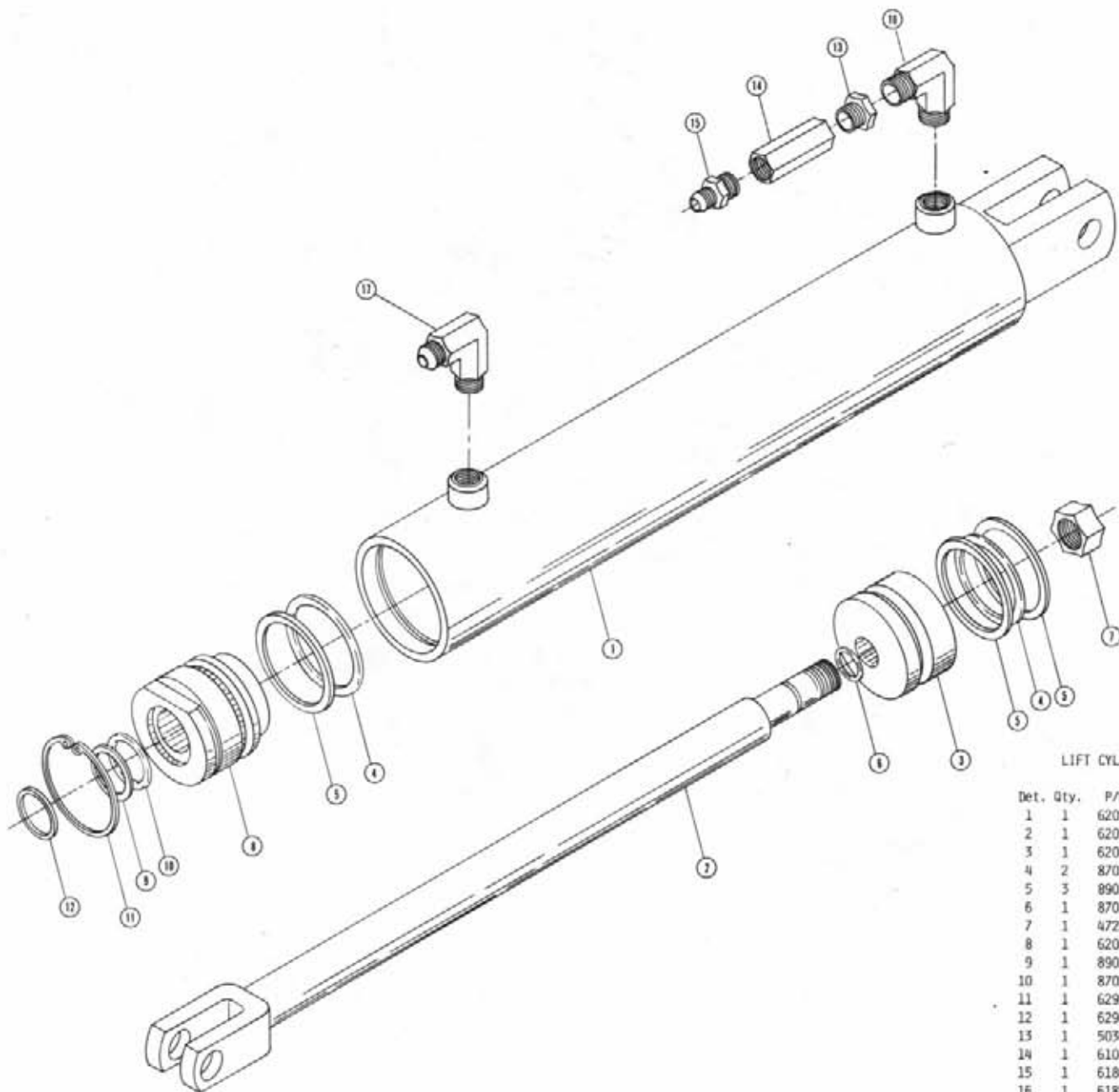


LIFT CYLINDER ASSEMBLY WITH T-TROL

Det.	Qty.	P/N	Description
1	1	472297	3/4 UNF Stover Thin Hex Nut
2	1	620081	Piston
3	2	870326	1 5/8 x 2 O-Ring
4	3	890326	Back-Up Washer 1 5/8 x 2
5	1	620082	Gland
6	1	629003	1 x 1 1/4 x 1/8 Wiper
7	1	629505	2" Snap Ring
8	1	870214	1 x 1 1/4 O-Ring
9	1	890214	1 x 1 1/4 Back-Up Washer
10	1	620901	Tube Weldment
11	1	620905	Shaft Weldment
12	1	870113	9/16 x 3/4 O-Ring
13	1	611122	9/16 MJIC x 90 x 1/4 NPT
14	1	500005	11/16 FPS Cap Nut
15	1	737810	1/4 NPT Nylon Nozzle Body
16	1	738859	50 Mesh Strainer

Note: 620900 - Lift Cylinder Includes Items 1-12.  
620085 - Seal Kit





LIFT CYLINDER ASSEMBLY WITHOUT T-TRAIL

Det. Qty.	P/N	Description
1	620901	Tube Weldment
2	620905	Shaft Weldment
3	620081	Piston
4	870326	1 5/8 x 2 O-Ring
5	890326	1 5/8 x 2 Back-Up Washer
6	870113	9/16 x 3/4 O-Ring
7	472297	3/4 UNF Lock Nut
8	620082	Gland
9	890214	1 x 1 1/4 Back-Up Washer
10	870214	1 x 1 1/4 O-Ring
11	629505	Snap Ring
12	629003	Wiper
13	503000	1/2 NPT To 1/4 NPT Reducer Bushing
14	610449	.062 1-Way Restrictor 1/2 NPT
15	618018	9/16 MJIC x 1/2 NPT
16	618571	1/4 NPT x 90 x 1/4 NPT
17	611122	1/4 NPT x 90 x 9/16 MJIC

Note: 620900 - Lift Cylinder Includes Items 1-12.

620083 - Seal Kit

614649 - 1-Way Restrictor Assembly Includes Items 13-16.

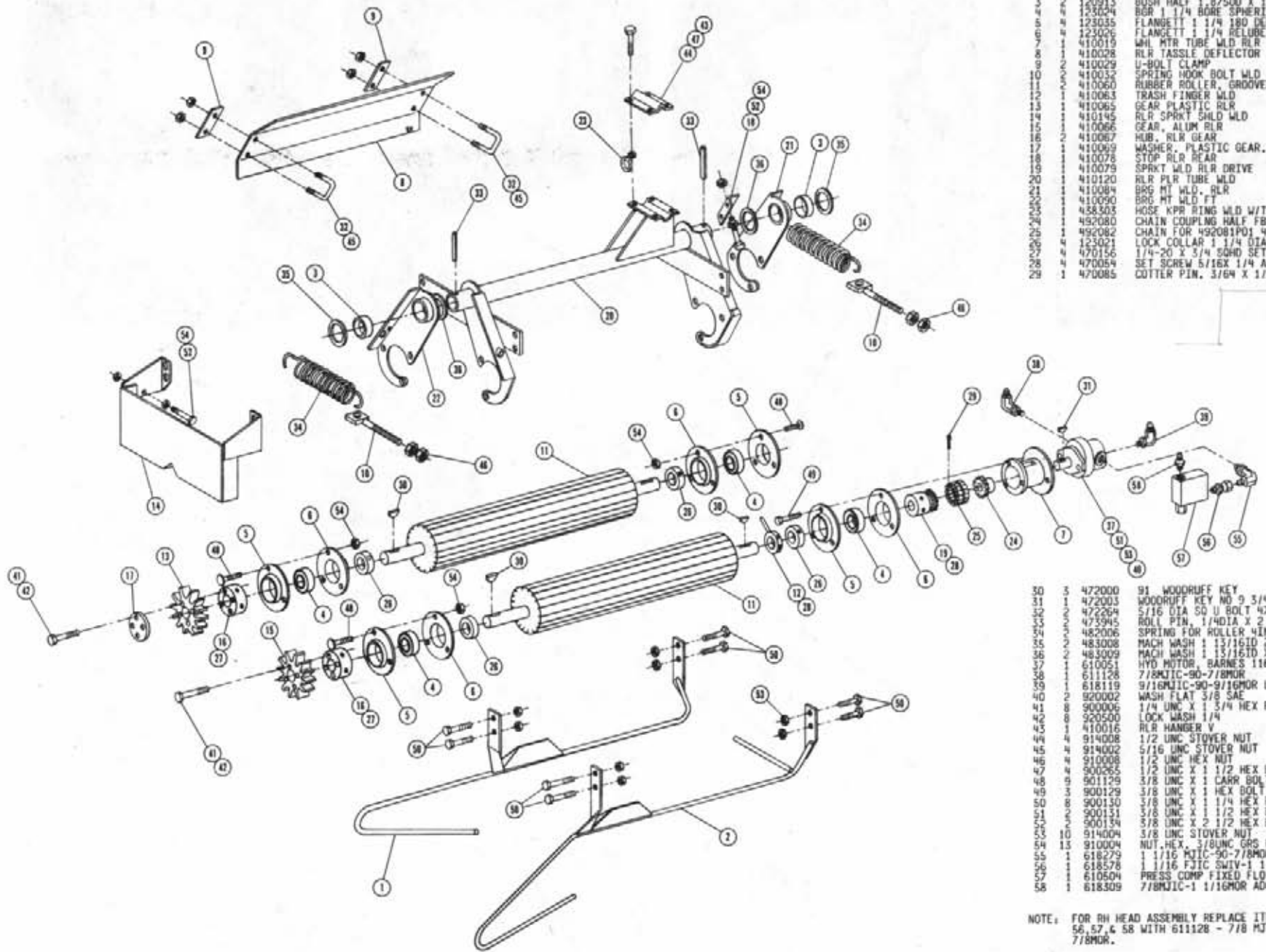
ROLLER PULLER HEAD ASSEMBLY

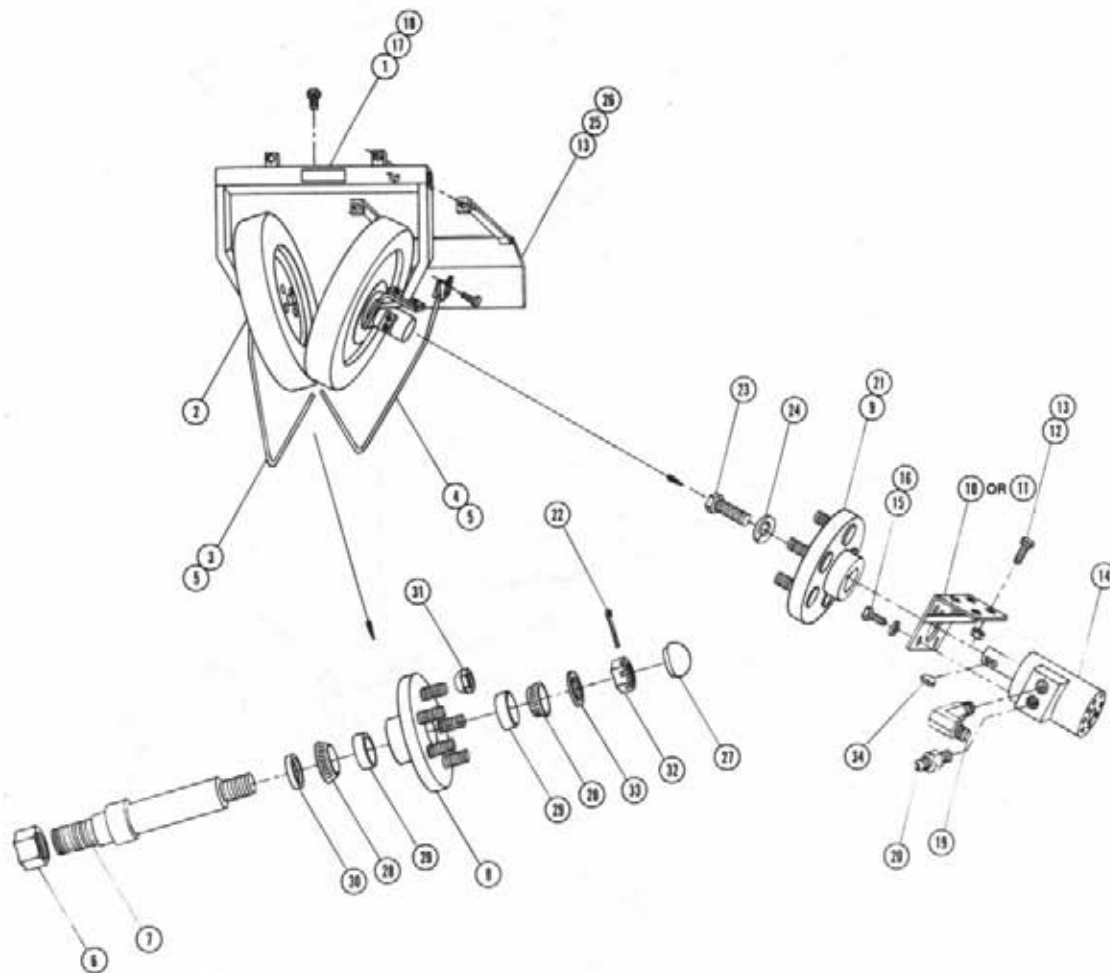
DET. QTY PART NO. DESCRIPTION

1	410153	RH STALK GUIDE WLD S200 RLR
1	410155	LF STALK GUIDE WLD S200 RLR
1	120913	BUSH HALF 1/87500 X 1LG
1	125044	BGR 1/4 BORE SPHERICAL BELOB
5	123035	FLANGETT 1/4 180 DEG ZERK
5	123026	FLANGETT 1/4 RELUBE
5	410019	WHI MTR TUBE WLD RLR
8	410028	RLR TASSLE DEFLECTOR
8	410029	U-BOLT CLAMP
10	410032	SPRING HOOK BOLT WLD
10	410060	RUBBER ROLLER, GROOVED
10	410063	TRASH FINGER WLD
10	410065	GEAR PLASTIC RLR
10	410145	RLR SPRKT SHLD WLD
15	410066	GEAR, ALUM RLR
18	410067	HUB, RLR GEAR
17	410069	WASHER, PLASTIC GEAR, ROLLER
18	410078	STOP RLR REAR
18	410079	SPRXT WLD RLR DRIVE
20	410120	RLR PLR TUBE WLD
20	410084	BRS HT WLD RLR
20	410090	BRS HT WLD FT
20	438335	HOSE KPR RING WLD W/TAR
20	492080	CHAIN COUPLING HALF FB4012 3/4
20	492082	CHAIN FOR 492081P01 4012
20	123021	LOCK COLLAR 1/4 DIA
20	470156	1/4-20 X 3/4 SQHD SET SCR CUP
28	470054	SET SCREW 5/16X 1/4 AL HD CUP
28	470085	COTTER PIN, 3/64 X 1/2 SQ CUT

30	472000	91 WOODRUFF KEY
31	472003	WOODRUFF KEY NO 9 3/4 X 3/16
32	472264	5/16 DIA 50 U BOLT 475
33	475945	ROLL PIN, 1/401A X 2 1/2 LONG
34	482006	SPRING FOR ROLLER 4IN LONG
35	483008	MACH WASH 1 13/16ID X 2 3/8OD
36	483009	MACH WASH 1 13/16ID X 2 3/8OD
37	610051	HYD MOTOR, BARNES 1160047
38	611128	7/8MJIC-90-7/8MOR
39	618119	9/16MJIC-90-9/16MOR LBO
40	920002	WASH FLAT 3/8 SAE
41	900006	1/4 UNC X 1 3/4 HEX BOLT
42	920500	LOCK WASH 1/4
43	410016	RLR HANGER V
44	914008	1/2 UNC STOVER NUT
45	914002	5/16 UNC STOVER NUT
46	910008	1/2 UNC HEX NUT
47	900065	1/2 UNC X 1 1/2 HEX BOLT
48	901129	3/8 UNC X 1 CARR BOLT
48	900129	3/8 UNC X 1 HEX BOLT
50	900130	3/8 UNC X 1 1/4 HEX BOLT
51	900131	3/8 UNC X 1 1/2 HEX BOLT
52	900134	3/8 UNC X 2 1/2 HEX BOLT
53	914004	3/8 UNC STOVER NUT
54	910004	NUT, HEX, 3/8UNC GR5 PLT
55	618279	1 1/16 MJIC-90-7/8MOR LBO
56	618578	1 1/16 F3IC SWIV-1 1/16MOR
57	610504	PRESS COMP FIXED FLD REG M/C
58	618309	7/8MJIC-1 1/16MOR ADPTR

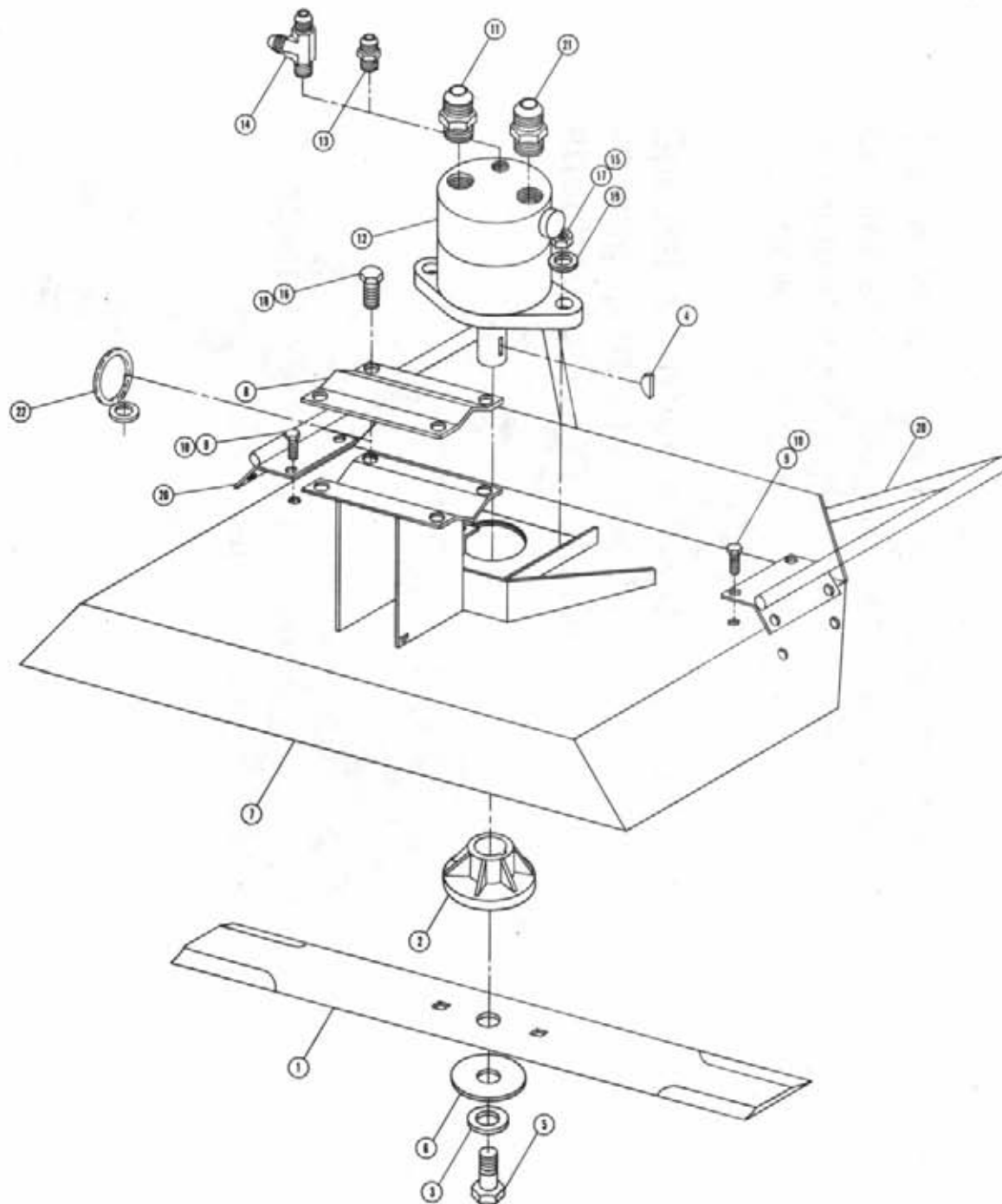
NOTE: FOR RH HEAD ASSEMBLY REPLACE ITEMS 55, 56, 57, & 58 WITH 611128 - 7/8 MJIC-90-7/8MOR.





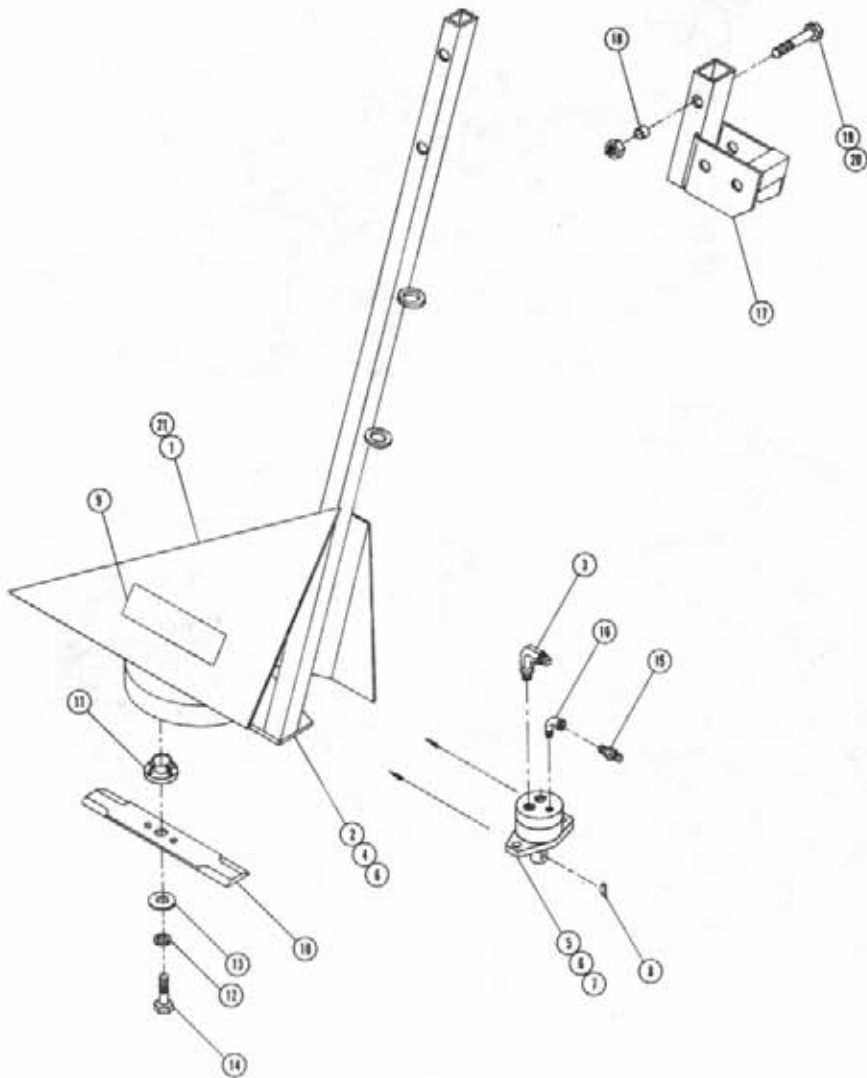
LEFT AND RIGHT PULLER HEAD ASSEMBLY

Det. Qty.	P/N	Description
1	438000	Tire Puller Weldment
2	824503	Wheel W/Rib Tire
3	438048	Outside Stalk Guide
4	438050	Inside Stalk Guide
5	900064	5/16 UNC x 3/4 Hex Bolt
6	473060	1"-14 SAE Hex Nut
7	438009	Puller Spindle
8	824501	1" Taper Hub Group
9	438015	Hydraulic Hub Weldment
10	438010	Right Hydraulic Motor Housing
11	438014	Left Hydraulic Motor Housing
12	900130	3/8 UNC x 1 1/4 Hex Bolt
13	914004	3/8 UNC Lock Nut
14	604005	Hydraulic Motor W/Key
15	900128	3/8 UNC x 3/4 Hex Bolt
16	920502	3/8 Lock Washer
17	900263	1/2 UNC x 1 Hex Bolt
18	650820	Decal Caution
19	611124	1/2 NPT x 90 x 7/8 MJIC
20	611147	1/2 NPT x 3/4 MJIC
21	470053	1/4-20 x 1/4 Allen Head Set Screw
22	472008	5/32 x 1 Cotter Pin
23	900006	1/4 UNC x 1 3/4 Hex Bolt
24	920500	1/4 Lock Washer
25	438173	Tire Puller Shield Weldment
26	900129	3/8 UNC x 1 Hex Bolt
27	824507	Dust Cap
28	824504	Bearing Cone
29	824506	Bearing Cup
30	824505	Seal
31	824052	1/2-20 x 60 Wheel Stud Nut
32	129003	3/4 UNF Spindle Nut
33	920006	3/4 SAE Flat Washer
34	472022	No. 15 Woodruff Key



CUTTER HEAD ASSEMBLY

Det.	Qty.	P/N	Description
1	1	002103	18" Cutter Blade
2	1	002104	Clutch Body Blade
3	1	002105	Steel Lock Washer
4	1	002106	Key
5	1	002107	3/8 UNF x 1 1/2 Hex Bolt
6	1	002108	Steel Washer
7	1	002210	Cutter Top Weldment
8	1	410016	Hanger V
9	8	470118	1/4 UNC x 3/4 Flanged Hex Bolt
10	8	470121	1/4 UNC Flanged Nut
11	1	611125	3/4 MOR x 3/4 MJIC
12	1	618203	Barnes Hydraulic Motor
13	1	618530	1/8 NPT x 9/16 MJIC
14	1	618546	1/8 NPT Run Tee x 9/16 MJIC
15	2	900130	3/8 UNC x 1 1/4 Hex Bolt
16	4	900265	1/2 UNC x 1 1/2 Hex Bolt
17	2	914004	3/8 UNC Stover Nut
18	4	914008	1/2 UNC Stover Nut
19	2	920002	3/8 SAE Flat Washer
20	2	002215	Cutter Stalk Guide Weldment
21	1	618574	7/8 MJIC x 3/4 MOR
22	1	438303	Hose Keeper Ring



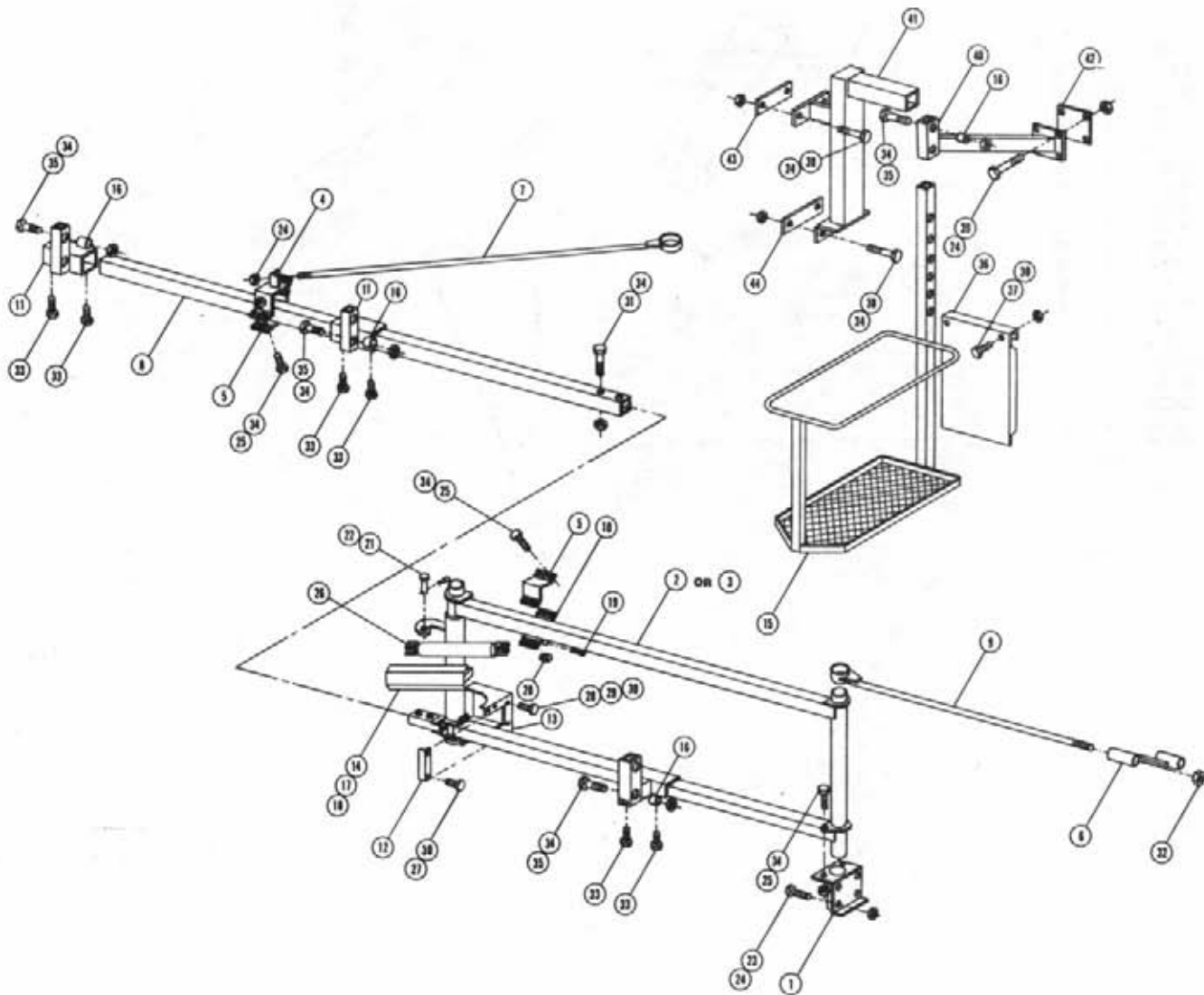
MALE CORN CUTTER ASSEMBLY

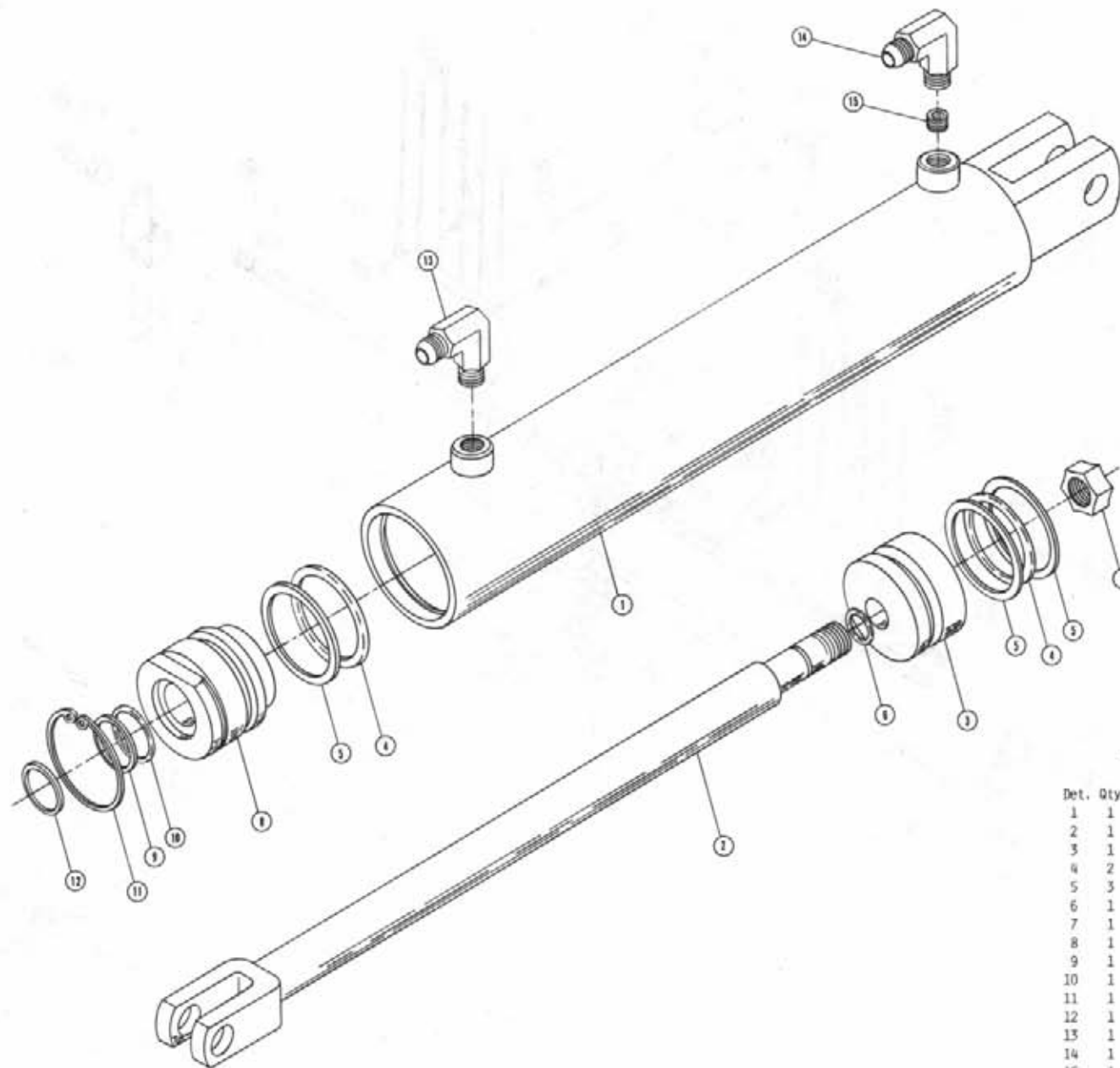
Det.	Qty.	P/N	Description
1	1	270800	Male Corn Cutter Weldment
2	1	270805	Drop Tube Weldment
3	2	618241	3/4 MOR x 90° x 3/4 MJIC
4	2	900129	3/8 UNC x 1 Hex Bolt
5	2	900132	3/8 UNC x 1 3/4 Hex Bolt
6	4	914004	3/8 UNC Lock Nut
7	1	618203	Hydraulic Motor
8	1	002106	5/32 x 5/8 Key
9	1	650819	Cutting Blades Decal
10	1	092103	Cutter Blade
11	1	002104	Clutch Adapter
12	1	002105	Lock Washer
13	1	002108	Flat Washer
14	1	002107	Cutter Blade Bolt
15	1	618530	1/8 NPT x 9/16 MJIC
16	1	500900	1/8 NPT x 90° Street Elbow
17	1	270809	Male Corn Cutter Bracket
18	1	200015	Adjustment Tube Spacer
19	1	900273	1/2 UNC x 3 3/4 Hex Bolt
20	1	914008	1/2 UNC Lock Nut
21	1	472349	1/4 x 3/4 Tek Screw

PERSONNEL CARRIER ASSEMBLY

DET. QTY PART NO. DESCRIPTION

1	1	001195	OUTGR MT WLD
2	1	001224	FRAME WLD RH OUTGR P/C
3	1	001225	FRAME WLD LH OUTGR P/C
4	1	001245	BRACE CLAMP WLD FOLD OUTGR
5	2	001246	BRACE CLAMP PLT FOLD OUTGR
6	1	001358	TIE CLAMP WLD FOR .75 ROD
7	1	001251	ARM BRACE WLD P/C FOLD OUTGR
8	1	001276	EXTEN ARM WLD P/C FOLD OUTGR
9	1	001255	CENTER TIE BAR WLD P/C
10	1	001257	CYL PIN CLAMP WLD FOLD OUTGR
11	2	001259	STATION CLAMP WLD FOLD OUTGR
12	1	001287	BACK PLT P/C HINGE GUARD
13	1	001283	HINGE GUARD WLD P/C
14	1	656961	FOLD CYL GUARD W/DPER CARRIER
15	4	001401	ENCLOSED 2-MAN STATION
16	4	200015	ADJ TUBE SPACERS/400X11GAX3/8
17	1	470002	COTTER PIN 5/32 X 3 1/2
18	1	470032	1/8 X 1 1/2 COTTER PIN
19	1	470038	COTTER PIN 1/8 X 1 3/4 LG
20	1	920008	1 FLATWASHER SAE
21	1	811016	HAIR PIN
22	1	472206	PICKER PIN 1 DIA X 2 1/4
23	4	900333	5/8 UNC X 1 1/2 HEX BOLT
24	9	914010	5/8 UNC STOVER NUT
25	14	900266	1/2 UNC X 1 3/4 HEX BOLT
26	1	620372	CUTR LIFT CYL 2 IN
27	2	900000	1/4 UNC X 1/2 HEX BOLT
28	2	900002	1/4 UNC X 3/4 HEX BOLT
29	1	920000	1/4 FLAT WASH SAE
30	6	914000	1/4 UNC STOVER NUT
31	2	900276	1/2 UNC X 5 HEX BOLT
32	1	914012	3/4 UNC STOVER NUT
33	6	900263	1/2 UNC X 1 HEX BOLT
34	24	914008	1/2 UNC STOVER NUT
35	4	900271	1/2 UNC X 3 1/4 HEX BOLT GRS
36	1	001359	P/C WORK STN SHLD WLD
37	2	900006	1/4 UNC X 1 3/4 HEX BOLT
38	4	900279	1/2 UNC X 6 1/2 HEX BOLT
39	4	900345	5/8 UNC X 5 1/2 HEX BOLT
40	1	001391	OUTER STN MT WLD 8200 LEG
41	1	001393	OUTER STN LEG BRKT WLD 8200
42	1	458165	OUTGR HOIST HINGE KEEPER
43	1	001397	OUTER STN LEG BRKT UPPER KPR
44	1	001399	OUTER STN LEG BRKT LWR KPR

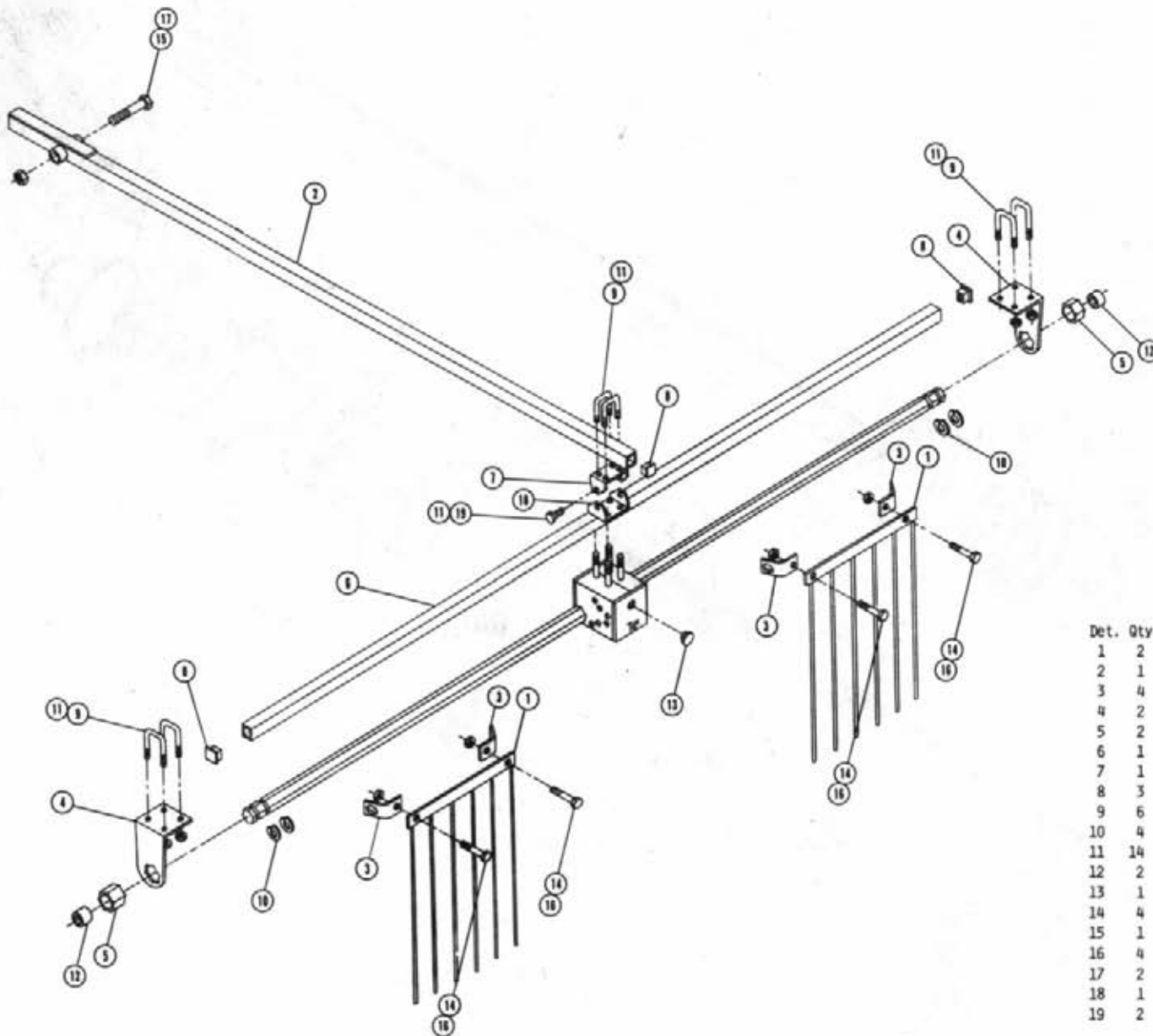




FOLD CYLINDER PERSONNEL CARRIER

Det. Qty.	P/N	Description
1	620371	Tube Weldment
2	620078	Shaft Weldment
3	620081	Piston
4	870326	1 5/8 x 2 O-Ring
5	890326	1 5/8 x 2 Back-Up Washer
6	870113	9/16 x 3/4 O-Ring
7	472297	3/4 UNF Lock Nut
8	620082	Gland
9	890214	1 x 1 1/4 Back-Up Washer
10	870214	1 x 1 1/4 O-Ring
11	629505	2" Snap Ring
12	629003	1 x 1 1/4 x 1/8 Wiper
13	611122	9/16 MJIC x 90 x 1/4 NPT
14	440338	9/16 MJIC x 90 x 1/4 NPT Tapped
15	614366	.042 Restrictor Elbow

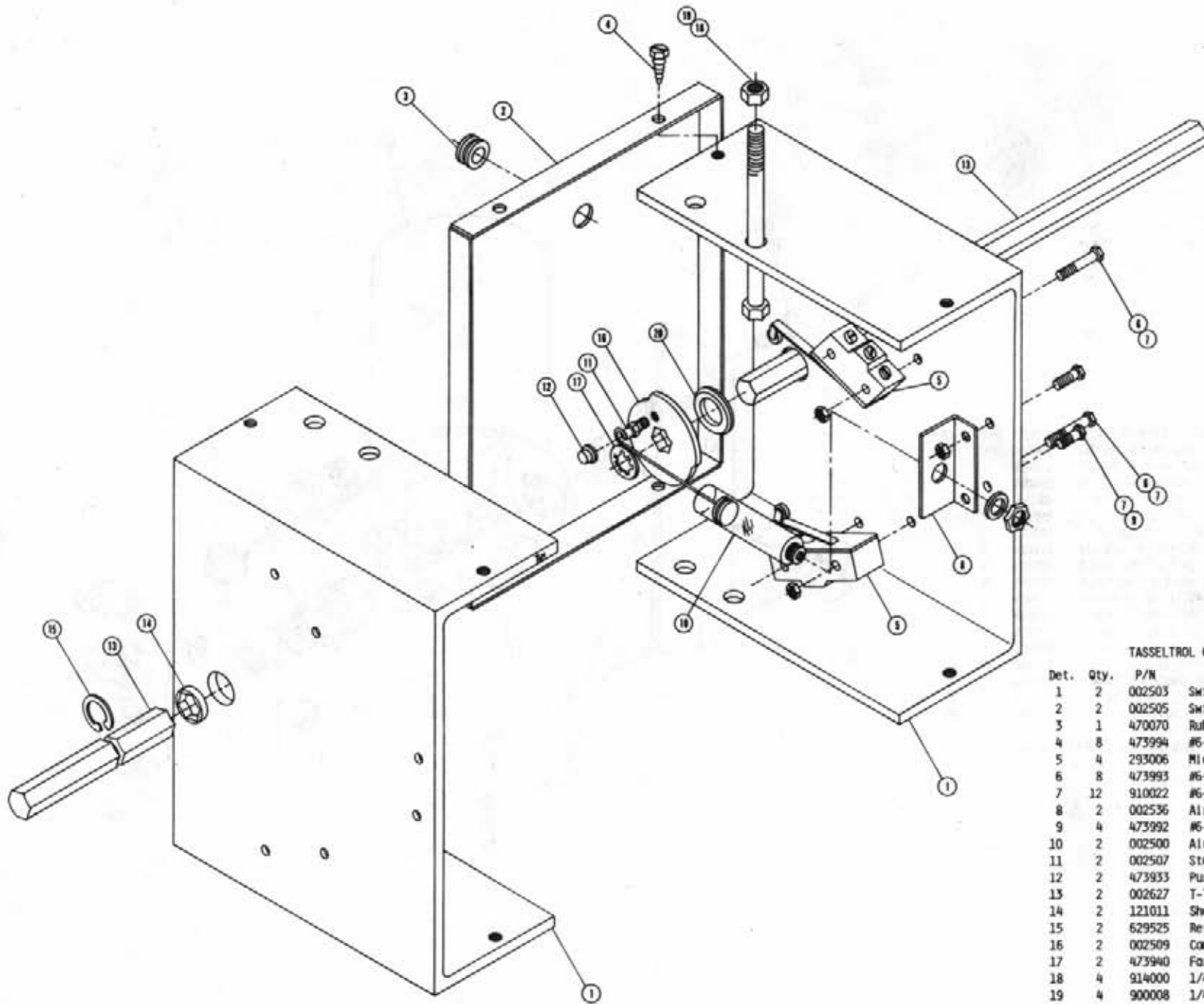
Note: 620372 - Cylinder Assembly  
620083 - Seal Kit



TASSELROL SENSOR ASSEMBLY

Det.	Qty.	P/N	Description
1	2	002515	Sensor Flag Weldment
2	1	002630	T-Trol Sensor Arm Weldment
3	4	002663	Sensor Clamp
4	2	002587	Hex Bearing Hanger
5	2	002588	Hanger Bearing
6	1	002628	Sensor Cross Tube
7	1	002579	Pivot Bracket
8	3	473943	1 1/2 Sq. Plug
9	6	473949	5/16 UNC x 1 9/16 U-Bolt
10	4	629525	Retainer Ring
11	14	914002	5/16 UNC Lock Nut
12	2	121011	Shaft Bearing
13	1	658174	Rubber Plug
14	4	470122	1/4-20 x 1/2 Flanged Hex Bolt
15	1	900275	1/2 UNC x 4 1/2 Hex Bolt
16	4	470121	1/4-20 Flanged Whiz Nut
17	2	914008	1/2 UNC Lock Nut
18	1	002595	Small Pivot Bracket
19	2	900065	5/16 UNC x 1 Hex Bolt

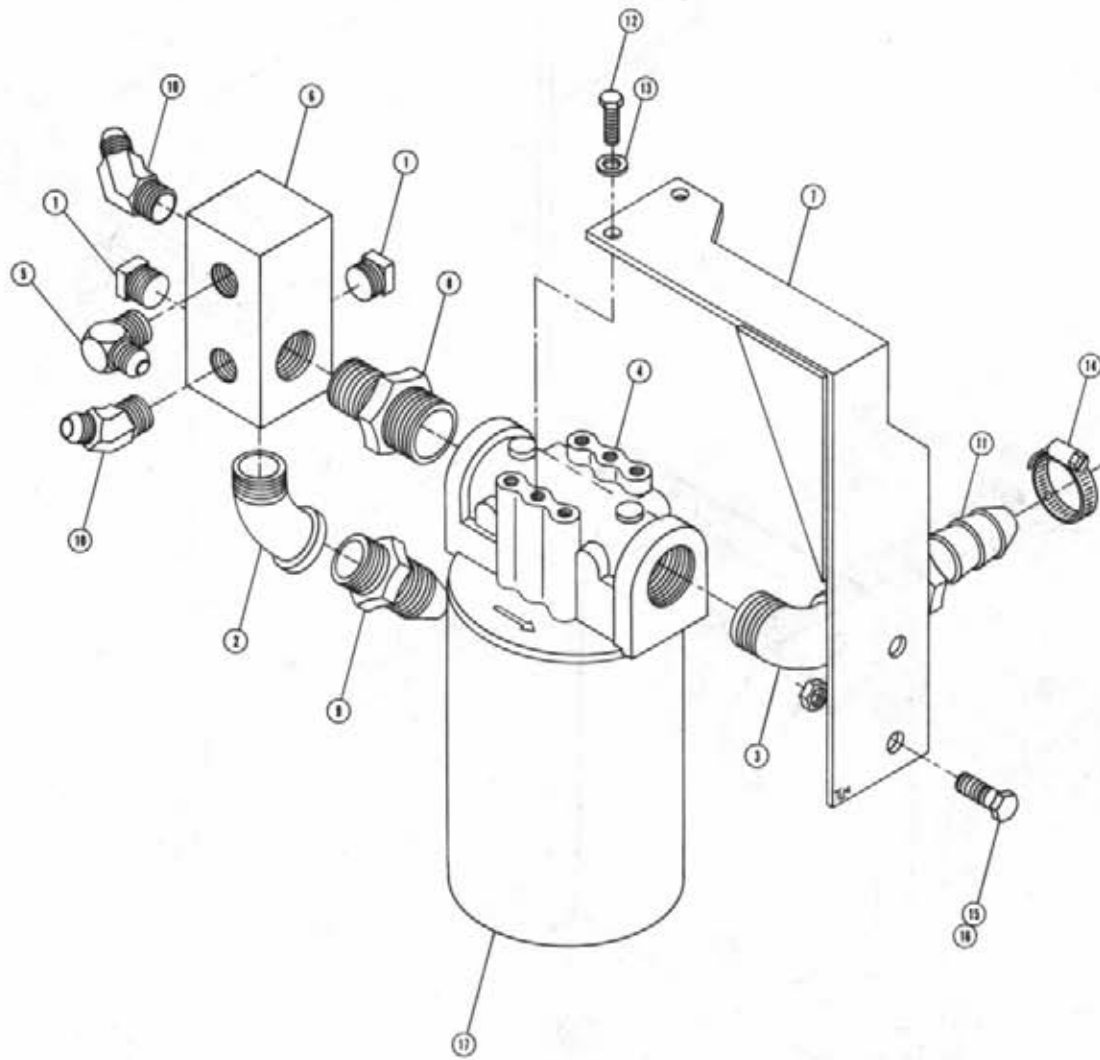




TASSELTROL CONTROL BOX ASSEMBLY

Det.	Qty.	P/N	Description
1	2	002503	Switch Box Half
2	2	002505	Switch Box End
3	1	470070	Rubber Grommet
4	8	473994	#6-32 x 3/8 Hex Head Screw
5	4	293006	Micro Switch
6	8	473993	#6-32 x 1 1/8 Hex Head Screw
7	12	910022	#6-32 Hex Nut
8	2	002536	Air Pot Bracket
9	4	473992	#6-32 x 3/8 Hex Head Screw
10	2	002500	Air Pot
11	2	002507	Stand Off
12	2	473933	Push On Fastener
13	2	002627	T-Trol Sensor Flag Shaft
14	2	121011	Shaft Bearing
15	2	629525	Retainer Ring
16	2	002509	Cam
17	2	473940	Fastener Ring
18	4	914000	1/4 UNC Lock Nut
19	4	900008	1/4 UNC x 2 1/2 Hex Bolt
20	2	002589	Spacer

Note: Each Switch Box Half is Assembled Symmetrically Opposite.

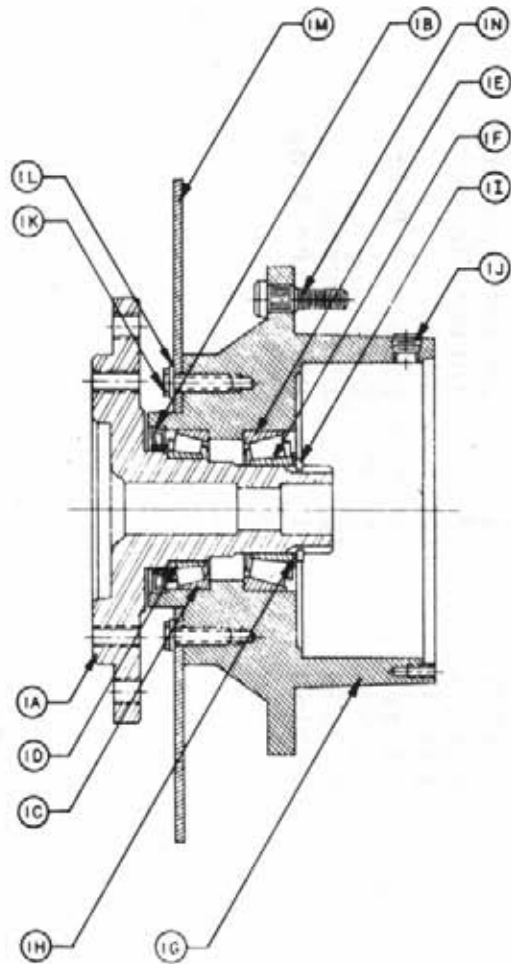


RETURN MANIFOLD FILTER ASSEMBLY

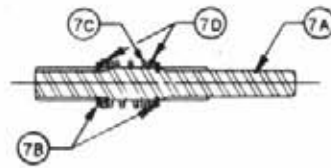
Det.	Qty.	P/N	Description
1	2	503700	1/2 NPT Pipe Plug
2	1	505110	1 NPT x 45 Street Elbow
3	1	506410	1 1/4 NPT x 90 Street Elbow
4	1	605601	Gresen Filter
5	1	611124	7/8 MJIC x 90 x 1/2 NPT
6	1	614633	Hydraulic Manifold
7	1	614637	Hydraulic Oil Filter Mounting Bracket
8	1	618144	1 1/4 To 1 NPT Hex Pipe Nipple
9	1	618322	1 5/16 MJIC x 1 NPT
10	2	618323	7/8 MJIC x 45 x 1/2 NPT
11	1	715660	1 1/4 NPT x 1 1/4 Hose Barb
12	2	900064	5/16 UNC x 3/4 Hex Bolt
13	2	920501	5/16 Lock Washer
14	1	520085	No. 24 Hose Clamp
15	2	900263	1/2 UNC x 1 Hex Bolt
16	2	914008	1/2 UNC Stover Nut
17	2	605602	Filter Element

WHEEL DRIVE ASSEMBLY - 437617  
WIA440118

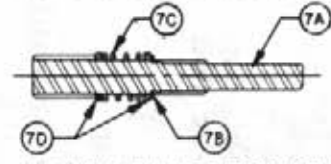
<u>ITEM</u>	<u>PART NO.</u>	<u>QTY.</u>	<u>DESCRIPTION</u>
1			Hub-Spindle Sub-Assembly
	1A	1	Spindle
	1B	1	Seal
	1C	1	Bearing Cup
	1D	1	Bearing Cone
	1E	1	Bearing Cup
	1F	1	Bearing Cone
	1G	1	Hub
	1H	1	Spacer
	1I	1	Retaining Ring
	1J	2	pipe plug
	1N	9	stud
2			Internal Gear
3			Carrier Assembly
4			Ring Gear
5			O-Ring
6			Cover Assembly
	6A	1	Cover
	6B	1	Cover Cap
	6C	4	Bolt
	6D	1	Disconnect Cap
	6E	1	Disconnect Rod
	6F	1	O-Ring
	6G	1	O-Ring
	6H	1	Pipe Plug
	6J	1	ID Plate
7			Input Shaft Assembly
	7A	1	Input Shaft
	7B	2	Retaining Ring
	7C	1	Spring
	7D	2	Spacer
8			Input Gear
9			Thrust Spacer
10			Thrust Spacer
11			Thrust Washer
12			Bolt
13			Shoulder Bolt
14			Coupling
16			Flat Washer
17			Retaining Ring



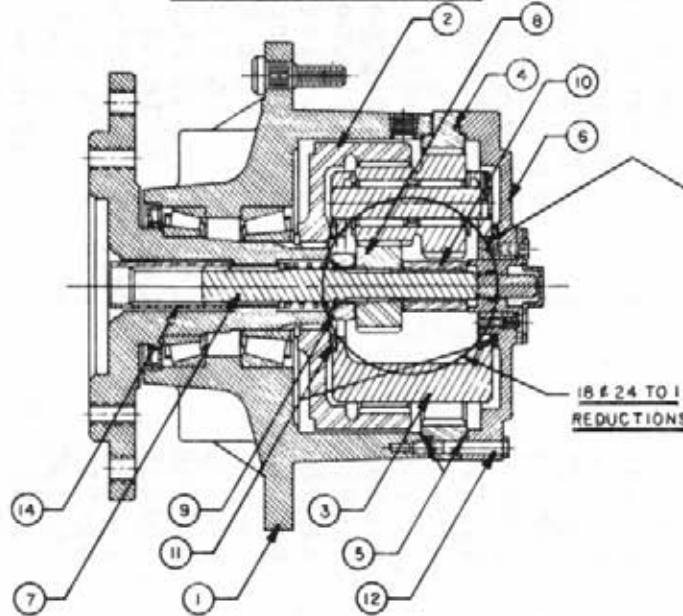
HUB-SPINDLE SUBASSEMBLY



WIA INPUT SHAFT SUBASSEMBLY



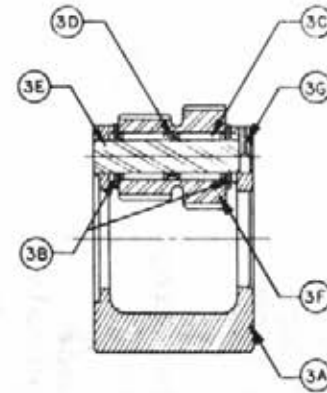
WIB INPUT SHAFT SUBASSEMBLY



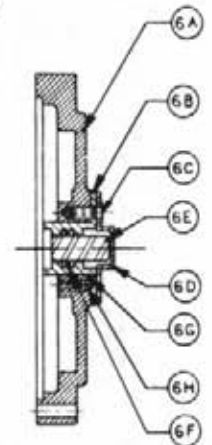
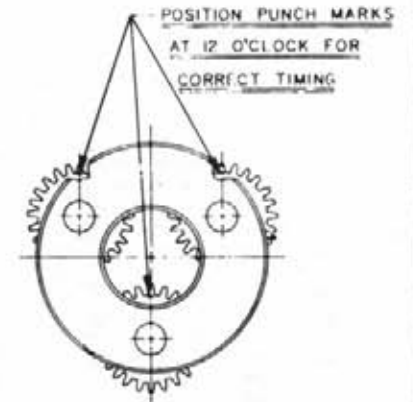
COMPLETE ASSEMBLY



VIEW OF SHOULDER BOLT



CARRIER SUBASSEMBLY



COVER SUBASSEMBLY

THIS DRAWING AND DESIGN IS THE PROPERTY OF / AND ALL PROPRIETARY RIGHTS ARE RESERVED TO / FAIRFIELD MFG. CO., INC. THE RECIPIENT AGREES NOT TO DISCLOSE TO ANY PERSON OR ORGANIZATION ANY INFORMATION REGARDING THE DESIGN OR MANUFACTURE OF THE ARTICLE REPRESENTED HEREON, OR USE SAME IN ANY WAY DETERIMENTAL TO THE INTEREST OF FAIRFIELD MFG. CO., INC.

DRAFTSMAN <b>Beck</b>		DATE 10-8-73	FAIRFIELD MFG. CO., INC. LAFAYETTE, I I D. 47505
CHECKER			
PROJECT ENG			TITLE SERVICE LITERATURE
RELEASED			SCALE: DRAWING NO. WIA & WIB

WHEEL DRIVE ASSEMBLY - 610291  
 WIB140324

<u>ITEM</u>	<u>PART NO.</u>	<u>QTY.</u>	<u>DESCRIPTION</u>
1	610154	1	Hub-Spindle Sub-Assembly
	610038	1	Spindle
	610904	1	Seal
	610905	1	Bearing Cup
	610906	1	Bearing Cone
	610907	1	Bearing Cup
	610908	1	Bearing Cone
	610047	1	Hub
	610909	1	Spacer
	610910	1	Retainer Ring
	610147	2	Pipe Plug
	160911	9	Stud
2	610148	1	Internal Gear
3	610933	1	Carrier Assembly
4	610937	1	Ring Gear
5	610903	2	O-Ring
6	610155	1	Cover Assembly
	610149	1	Cover
	610914	1	Cover Cap
	610150	4	Bolt
	610901	1	Disconnect Cap
	610915	1	Disconnect Rod
	610916	1	O-Ring
	610917	1	O-Ring
	610151	1	Pipe Nipple
	610152	1	ID Plate
7	610048	1	Input Shaft Assembly
	610046	1	Input Shaft
	610936	1	Retaining Ring
	610145	1	Spring
	610153	2	Spacer
8	610919	1	Input Gear
9	610920	1	Thrust Spacer
10	610921	1	Thrust Spacer
11	610922	2	Thrust Washer
12	610930	12	Bolt
13	610923	4	Shoulder Bolt
14	610037	1	Coupling
16	610049	15	Flat Washer

# NOTICE

---

The following four pages contain decals for the  
1988 8200

These decals can be obtained from Hagie Mfg. Co. and should be used whenever your machine is repainted or when the decals become worn, weathered or faded.

Special attention should be paid to decals involving personal safety. They have been attached for your protection.

**KEEP THEM IN PLACE.**

Contact: Hagie Manufacturing Co.  
Box 273, Clarion, Iowa 50525

8200 Decals

<u>Part No.</u>	<u>Qty.</u>	<u>Description</u>	<u>Location</u>
650814	1	Park Brake Decal	Near Parking Brake Lever
650847	2	No Passenger Decal	(1) - Left Rear Leg (1) - Left Of Operator Station
650848	1	Slip Or Fall Decal	On Upper Left Side Rail
650849	1	Engine Fuel Decal	Near Fuel Tank Neck
650852	1	Read Manual Decal	Top Of Operator Station
650865	2	Hagle Decal	On Side Of Top Engine Cover
650867	2	8200 Decal	On Side Of Top Engine Cover
650881	1	Choke Decal	On Console Sheet Metal
650953	1	Gasoline Decal	Near Fuel Filler Neck
650872	1	Traction Valve Decal	On Console Sheet Metal
650957	1	Oil Decal	On Console Sheet Metal
650958	1	Generator Decal	On Console Sheet Metal
650967	1	Throttle Decal	On Console Sheet Metal
650968	1	Hydrostatic Decal	On Console Sheet Metal
650977	1	Flasher Decal	On Console Sheet Metal
650981	1	Cooling System Decal	Near Radiator Cap
650982	1	Electrical System Decal	Left Hand Side Of Oil Tank
650985	4	Wheel Bolt Torque Decal	One Each Wheel Rim
650870	1	Auto/Manual Decal	On Console Sheet Metal
650871	1	LH, CTR, And RH Decal	On Console Sheet Metal
650891	1	Fold Decal	On Console Sheet Metal
650879	1	Up And Down Decal	On Console Sheet Metal
650308	1	Left, LCTR, RCTR, Right	On Console Sheet Metal
650820	6	Caution - Moving Parts	Puller Head Mounting Bar
650821	1	Warning Outrigger Decal	On Front Of Operator Station
650931	6	Hagle Decal 1 3/4 x 4	Front Shield Of Roller Assembly
650819	8	Danger - Cutting Blades	RH And LH Side Of Cutter Shields
650851	8	Shield Decal	(2) - On Side Of Top Engine Cover (6) - On Roller Shields
650307	1	Left-Right Decal	On Console Sheet Metal
650303	6	Cutter Blade Rotation	On Center Of Cutter Heads
650939	1	Speed & Tach Decal	On Console Sheet Metal
650955	1	Slow Engine To Idle	Top Front Of Operator Station
650858	1	Do Not Use Either	Top Front Of Operator Station
650954	1	Diesel Decal	Near Fuel Filler Neck



# 8200

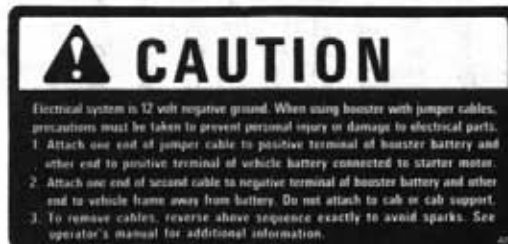
650867 - 8200 Decal



650303 - Cutter Blade Rotation Decal



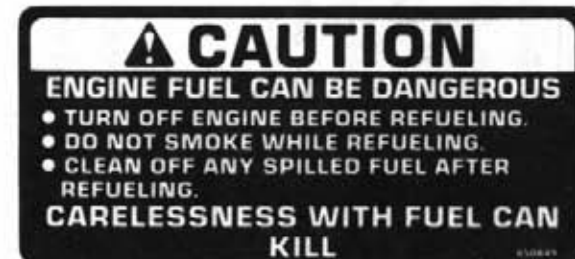
650821 - Folding Outrigger Decal



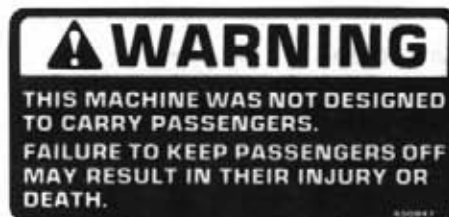
650982 - Electrical System Decal



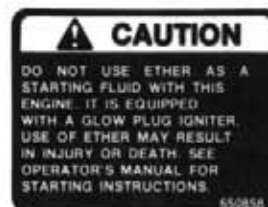
650848 - Slip Or Fall Decal



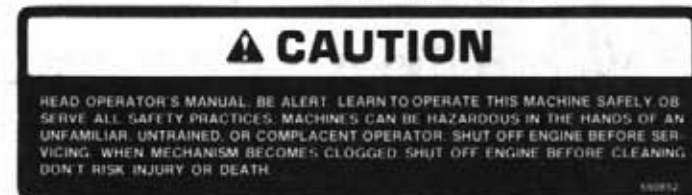
650849 - Engine Fuel Decal



650847 - No Passenger Decal



650858 - Ether Decal



650852 - Read Manual Decal





650819 - Cutting Blade Decal



650953 - Gasoline Decal



650954 - Diesel Decal



650307 - Left/Right Decal



650870 - Auto/Manual Decal



650881 - Choke Decal



650985 - Wheel Bolt Torque Decal



650879 - Up And Down Decal



650820 - Moving Parts Decal



650851 - Shields Decal



650814 - Park Brake Decal



650871 - Left, Center, And Right Decal



650977 - Flasher Decal



650872 - Traction Valve Decal



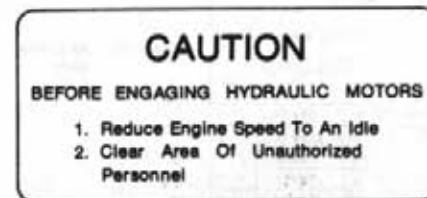
650958 - Generator Decal



650957 - Oil Decal



650935 - Speedometer Decal



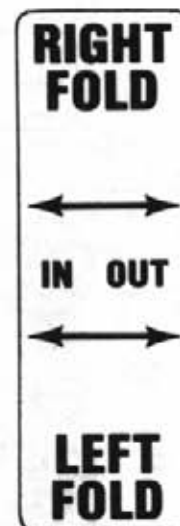
650955 - Slow Engine To Idle Decal



650981 - Cooling System Decal



650931 - 1 3/4 x 4 Hagie Decal



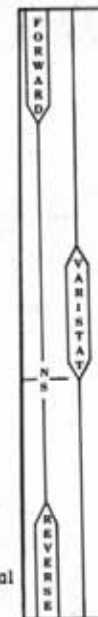
650891 - Outrigger Fold Decal



650967 - Throttle Decal



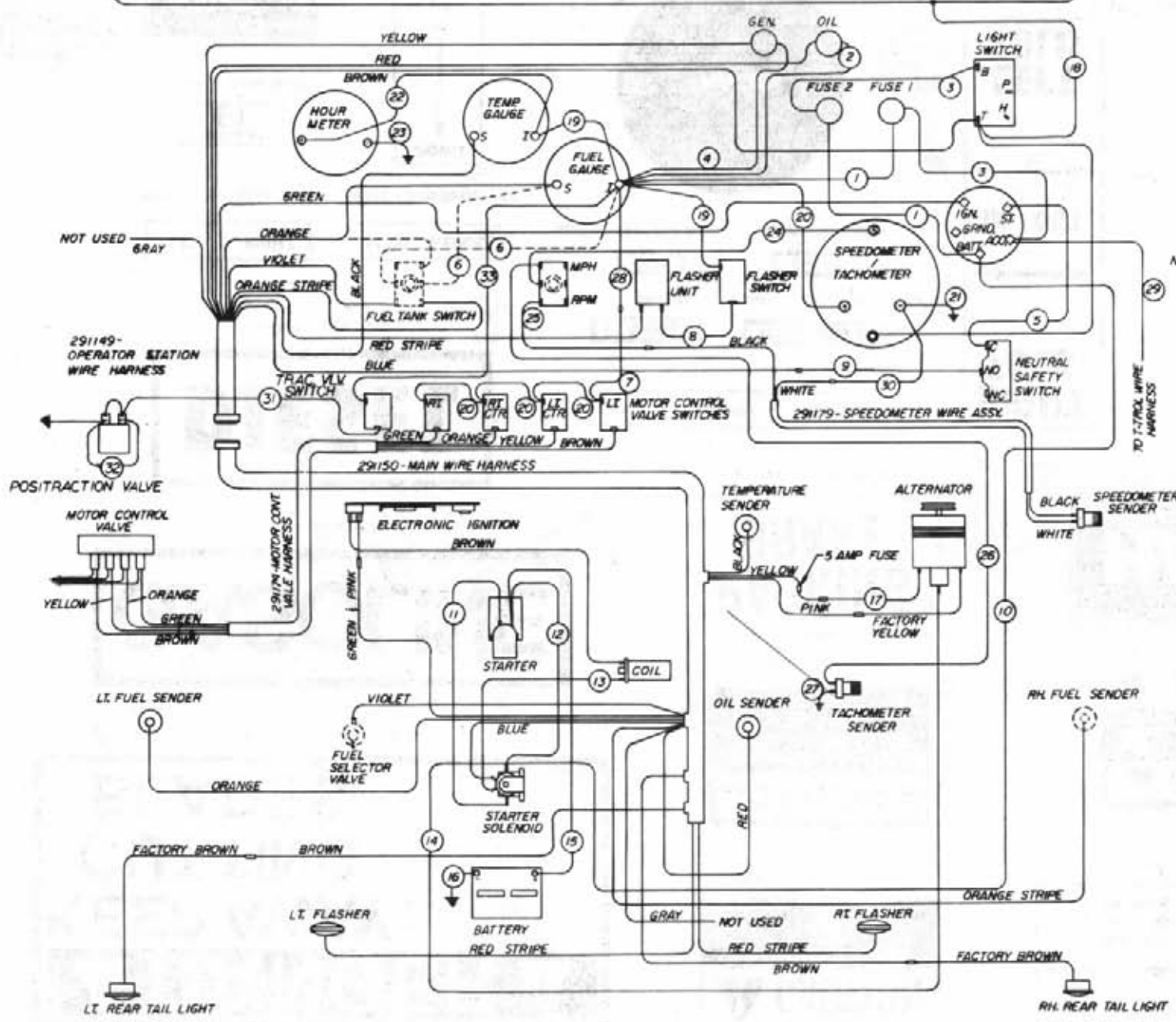
650939 - Speedometer & Tach Decal



650968 - Hydrostatic Decal

LT. WORKLIGHT

RH WORKLIGHT



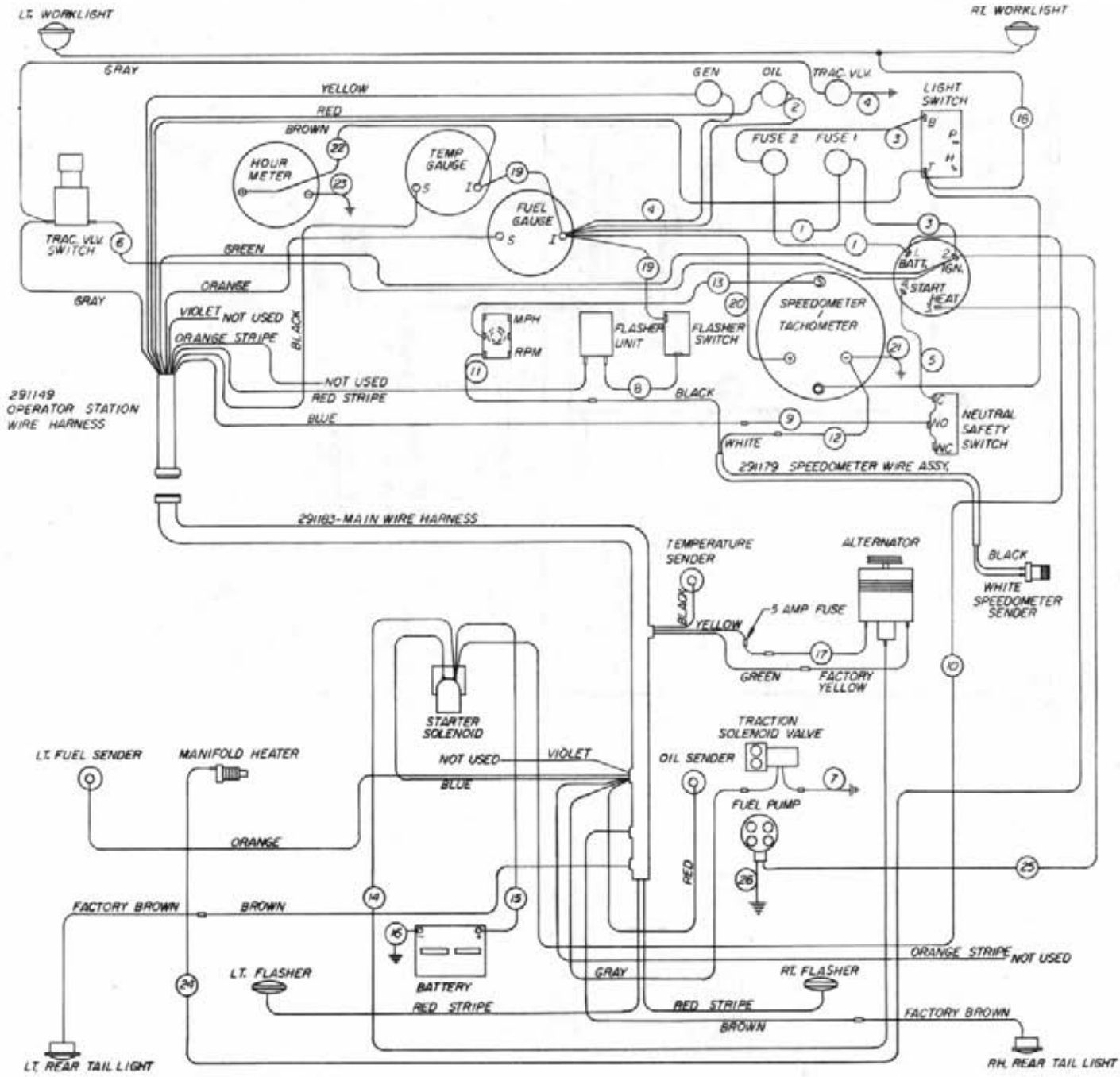
NOTE: ITEMS SHOWN AS DASHED LINES ARE USED WITH RIGHT HAND FUEL TANK OPTION

33	1	291422	16 GA. RED x 12"
32	1	291468	TRACT. VLV. GR. WIRE ASSY
31	1	291467	TRACT. VLV. WIRE ASSY
30	1	291135	14 GA. WHITE x 5"
29	1	291173	16 GA. RED x 24"
28	1	291175	14 GA. RED x 4"
27	1	291277	16 GA. BLUE x 14"
26	1	291460	16 GA. BLUE x 159"
25	1	291134	14 GA. BLACK x 5"
24	1	291476	16 GA. RED x 14"
23	1	291139	16 GA. WHITE x 16"
22	1	291140	16 GA. WHITE x 6"
21	1	291421	16 GA. GREEN x 6"
20	4	291484	14 GA. RED x 3"
19	2	291435	16 GA. RED x 6"
18	1	291151	HEADLIGHT WIRE ASSY
17	1	291147	14 GA. YELLOW x 8"
16	1	290111	GROUND STRAP
15	1	291128	48" BATTERY CABLE
14	1	291453	10 GA. BLUE x 53"
13	1	291461	14 GA. RED x 18"
12	1	291278	10 GA. RED x 12"
11	1	291276	10 GA. BLUE x 14"
10	1	291454	14 GA. WHITE x 17"
9	1	291137	14 GA. BLUE x 6"
8	1	291148	16 GA. RED x 8"
7	1	291176	14 GA. RED x 4"
6	2	291037	16 GA. BLUE x 9"
5	1	291136	14 GA. BLUE x 12"
4	1	291442	16 GA. RED x 9"
3	2	291441	14 GA. GREEN x 9"
2	1	291440	16 GA. RED x 6"
1	2	291443	14 GA. RED x 10"

WIRING DIAGRAM - B200 - B6  
- CHRYSLER

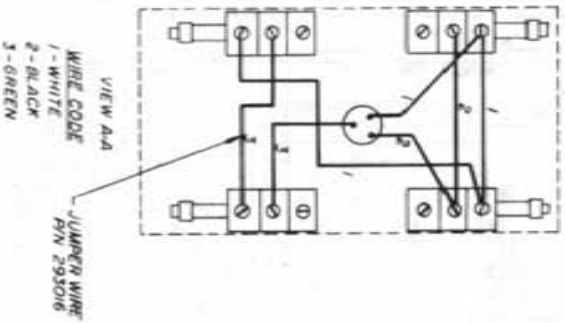
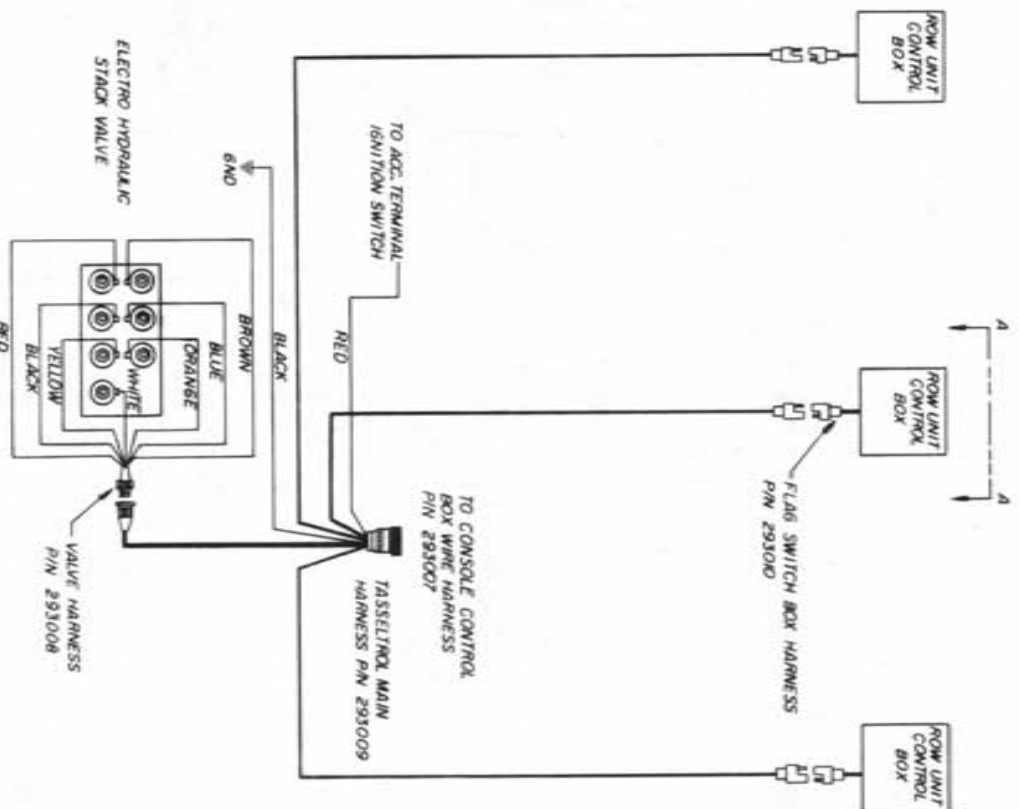
Revised DATE 7-7-88

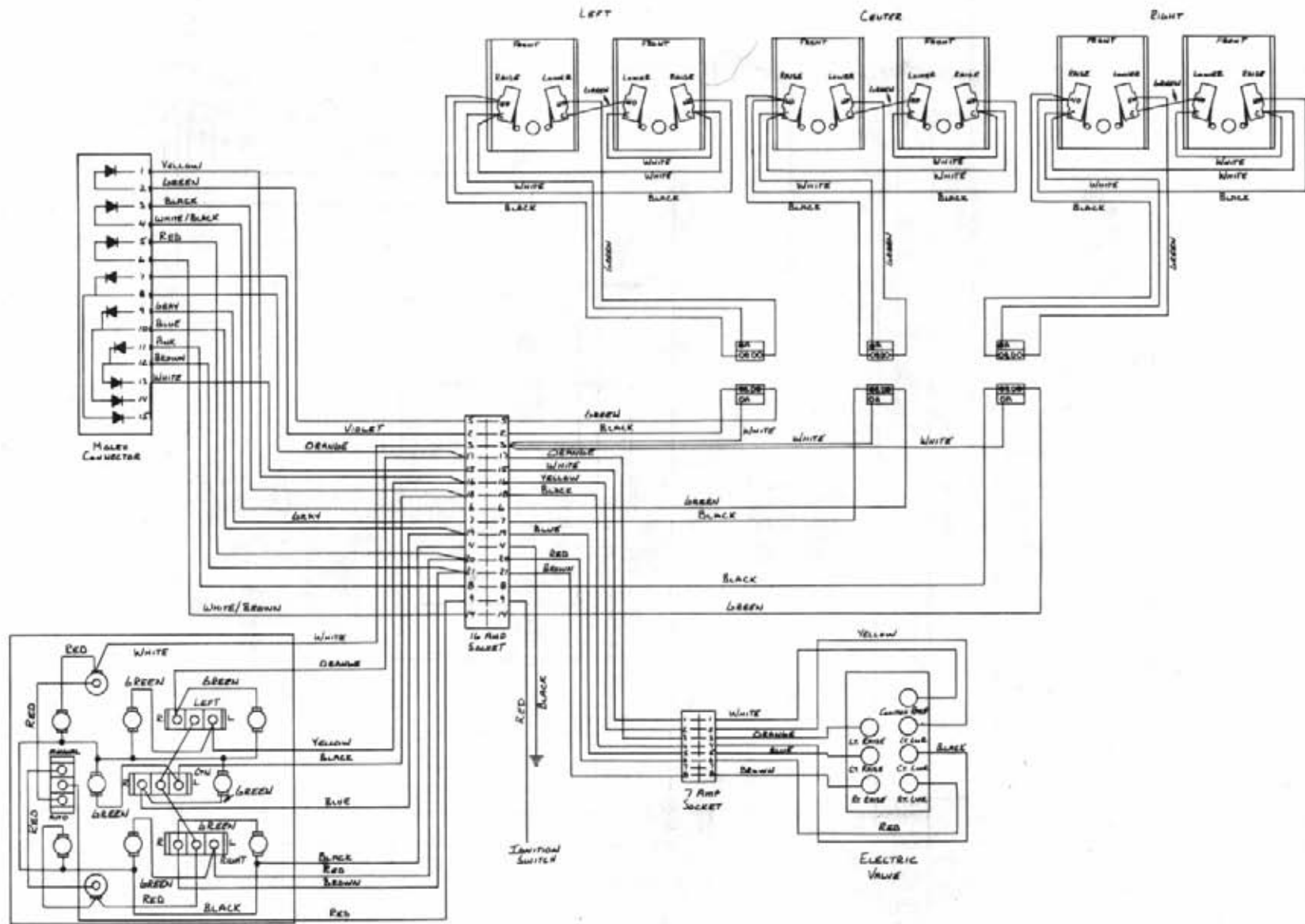
498222



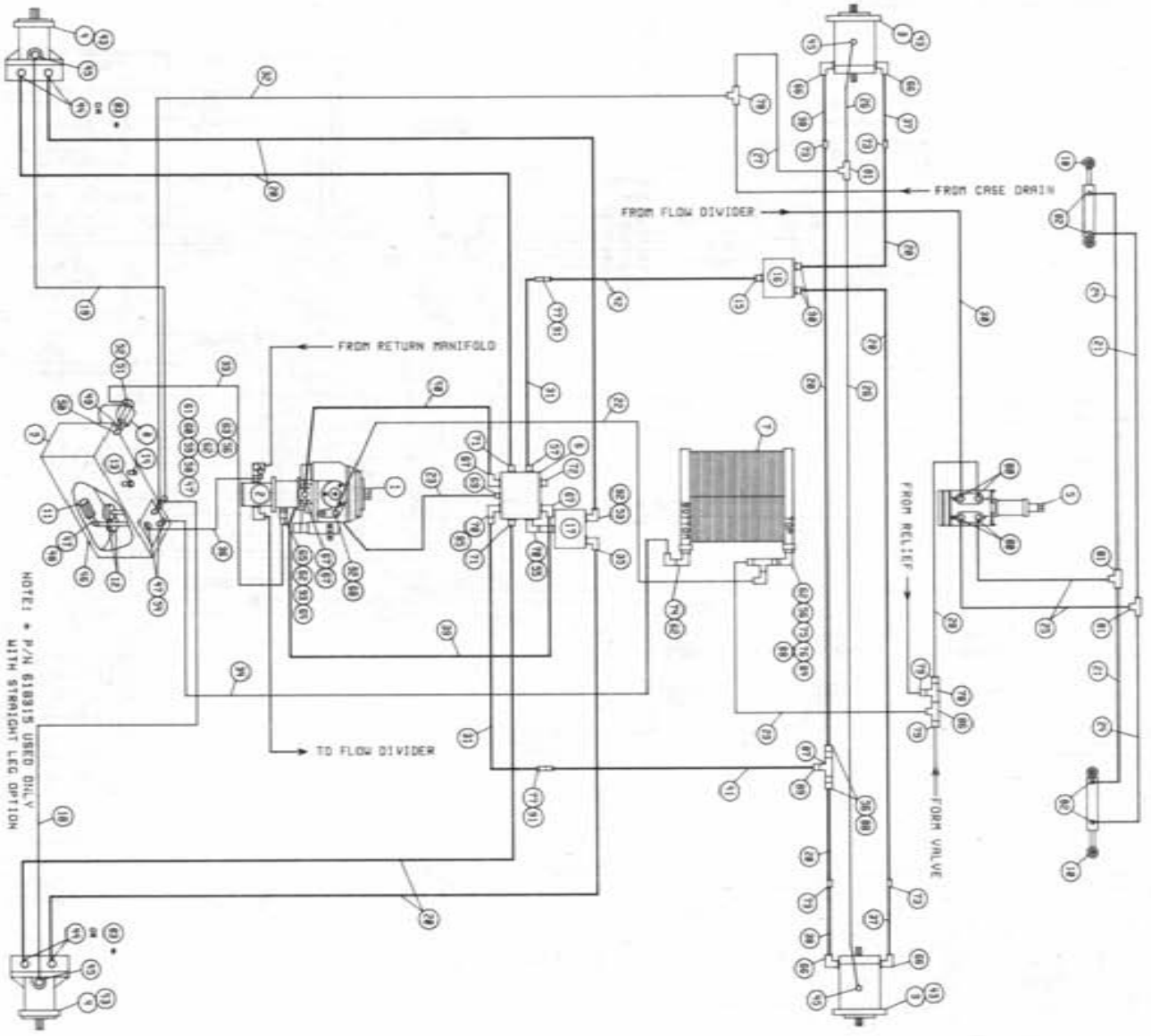
26	1	291220	12 GA. BLACK • 14"
25	1	291168	12 GA. RED • 124"
24	1	291145	12 GA. RED • 130"
23	1	291139	16 GA. WHITE • 16"
22	1	291140	16 GA. WHITE • 6"
21	1	291421	16 GA. GREEN • 6"
20	1	291484	14 GA. RED • 3"
19	2	291435	16 GA. RED • 6"
18	1	291151	HEADLIGHT WIRE ASSY.
17	1	291147	14 GA. YELLOW • 8"
16	1	290111	GROUND STRAP
15	1	290052	36" BATTERY CABLE
14	1	291180	10 GA. RED • 15"
13	1	291476	16 GA. RED • 14"
12	1	291135	14 GA. WHITE • 5"
11	1	291134	14 GA. BLACK • 5"
10	1	291454	14 GA. WHITE • 17"
9	1	291137	14 GA. BLUE • 6"
8	1	291148	16 GA. RED • 8"
7	1	291462	16 GA. BLACK • 10"
6	1	291166	16 GA. RED • 48"
5	1	291136	14 GA. BLUE • 12"
4	2	291442	16 GA. RED • 9"
3	2	291441	14 GA. GREEN • 9"
2	1	291440	16 GA. RED • 6"
1	2	291443	14 GA. RED • 10"

WIRING DIAGRAM-8200-86  
 PERKINS  
 REVISION DATE \_\_\_\_\_  
 U.S. & C. 478 498223





TASSELROL CURCUIT DIAGRAM

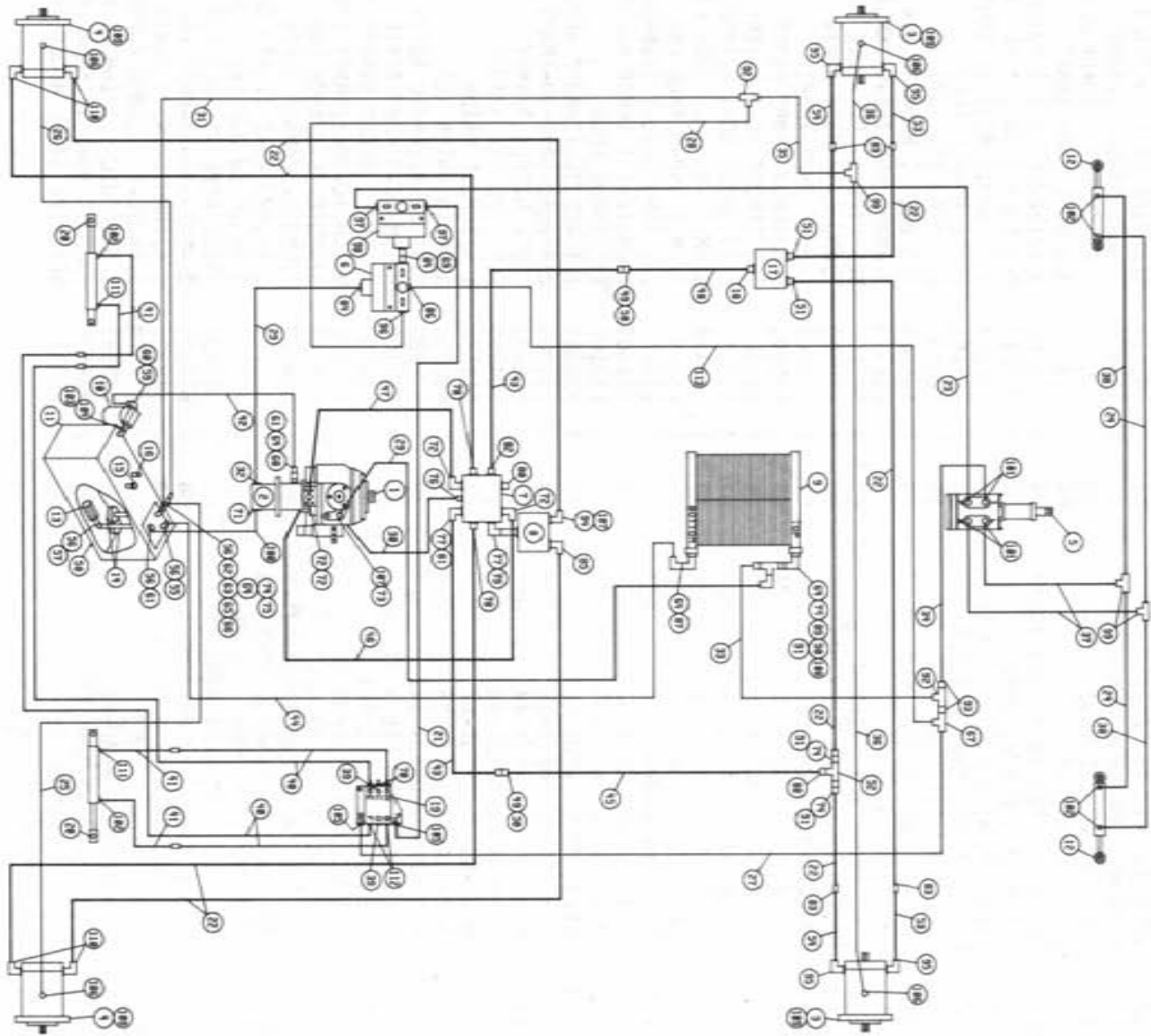


NOTE: P/N 618815 USED ONLY WITH STRAIGHT LEG OPTION

8200 BASIC MACHINE HYD. SCHEMATIC 1988  
 REFERENCE DRAWING NO. 498273

DET.	QTY	PART NO.	DESCRIPTION	DET.	QTY	PART NO.	DESCRIPTION
1	1	606882	SUND 23 SER PUMP B-MT	48	1	505203	BLK PIPE NIPPLE INPT-4 IN
2	1	610030	REFER TO OPTIION HYD SCHEMATIC	49	1	506602	PIPE NIPPLE 1 1/4NPT-2 1/2
3	2	610029	SUND WHL MTR EXTEN SHAFT 18	50	1	506303	BLK PIPE EL 90DEG 1 1/4NPT
4	2	749150	STRG WHL MTR 15 SERIES	51	1	506410	BLK PIPE ST EL 90DEG 1 1/4NPT
5	1	615612	STRG MTR NON-LOAD REACT 1008	52	1	715664	1 HOSE BARB-1 1/4MNPT
6	1	618088	LARGE HYDRAULIC MANIFOLD	53	1	618312	1 5/16MOR-1 1/16FOR ADPTR
7	1	618088	OIL COOLER BLISSFIELD	54	2	714331	3/4 HOSE BARB-1MNPT
8	1	605601	GRESEN FILTER 10 MICRON 40GPM	55	1	618588	1 1/16FJIC SWIV-1 5/16MOR
9	1	760097	OIL TANK WLD 8240 1982	56	4	505213	RED BUSH 1 TO 3/4 BLK MAL
10	2	620080	STRG CYL ASSY 1.50 X 6.0 1985	57	1	618313	1 1/16MOR-1 1/16MOR LBO
11	1	605600	MICHIGAN RESERVOIR FILTER	58	1	505201	CLOSE NIPPLE INPT
12	2	605603	LINE SUMP DIFFUSER	59	1	505101	BLK PIPE TEE INPT
13	1	611051	PRESSURE CAP 3/4NPT 5LB	60	1	505006	RED BUSH 1 MNPT TO 1/4 FNPT
14	1	614453	DIPSTICK, 8IN	61	1	618520	1/4MNPT RUN TEE-9/16MJIC
15	1	618186	1 5/16MJIC X 1 5/16MOR	62	4	505200	BLK PIPE ST EL 90DEG INPT
16	1	610513	POSITRACTION VLV W/BY PASS	63	1	610300	3/4MJIC-3/4MNPT ADPTR
17	1	610468	POSITRACTION VLV MOD CONT 20G	64	1	714560	1 HOSE BARB-1MNPT
18	1	614571	06RLA-06FJX-06FJX-126	65	1	618090	1 5/16MOR-1FNPT ADPTR
19	1	614572	06RLA-06FJX-06FJX-140	66	4	618302	1 1/16MJIC-90-1 5/16MOR LBO
20	8	614573	08C2AT-08FJX-10FJX-114	67	4	618178	1 5/16MJIC-90-1 1/16MOR LBO
21	2	610576	04CIA-06FJX-06FJX-32	68	1	618474	3/4MJIC-90-1 1/16MOR LBO
22	1	610325	10CIT-10FJX-10FJX-105	69	1	618241	3/4MJIC-90-3/4MOR LBO
23	1	615465	08CIT-08FJX-08FJX-33	70	2	618248	1 1/16MJIC-90-1 1/16MOR LBO
24	2	616026	04CIA-06FJX-06FJX-37	71	2	618309	7/8MJIC-1 1/16MOR ADPTR
25	2	615442	04CIT-06FJX-06FJX-55	72	1	610186	1 1/16MOR PLUG
26	2	614570	06RLA-06FJX-06FJX-112	73	4	618553	1 1/16MJIC-7/8MJIC REDU UNION
27	1	615473	06CIT-06FJX-08FJX-18	74	1	716000	3/4 HOSE BARB-90-1MNPT
28	1	611260	04CIA-06FJX-06FJX-44	75	1	504702	CLOSE NIPPLE 3/4NPT
29	1	616032	08CIA-08FJX-08FJX-66	76	1	504955	BLK PIPE TEE 3/4NPT
30	1	616040	04CIA-06FJX-06FJX-67	77	2	618577	1 5/16MJIC UNION
31	2	614289	12C12-12FJX-12FJX-19	78	2	618311	3/4MJIC UNION TEE
32	1	614622	08CIT-08FJX-08FJX-142	79	3	618482	3/4FJIC-9/16MJIC ADPTR
33	1	601117	HOSE, 1.00 2BR RED X 37 LG	80	4	618109	9/16MJIC-3/4MOR ADPTR
34	1	601198	HOSE, 3/4 2BR RED X 110	81	3	610193	9/16MJIC BLKHD BRANCH TEE
35	1	618589	7/8MJIC-90-1 5/16MOR LBO	82	4	611122	9/16MJIC-90-1/4MNPT LBO
36	1	601288	HOSE, 3/4 X 32 2BR RED	83	4	618315	3/4MJIC-45-3/4MOR LBO
37	2	614574	HYD TUBE ASSY LMR 8200 FRTLEG	84	1	618059	7/8MJIC-3/4MNPT ADPTR
38	2	614575	UPPER HYD TUBEASSY 8200FRTLEG	85	1	618529	1 1/16MJ-45-1 1/16FJ SWIV LBO
39	1	615568	HYD TUBE SUND PUMP 8240 RH	86	1	618451	3/4FJIC SW RUN TEE-3/4MJIC
40	1	615569	HYD TUBE SUND PUMP 8240 LH	87	1	614634	STEEL PIPE TEE WLD 8200
41	1	614628	RH HYD TUBE ASSY 8200 MAIN DR	88	3	610305	3/4MJIC-90-3/4MNPT LBO
42	1	614629	LH HYD TUBE ASSY 8200 MAIN DR	89	1	618322	1 5/16MJIC-1MNPT ADPTR
43	4	611159	3/4MOR PLUG	90	2	618470	3/4MJIC-1 5/16MOR ADPTR
44	4	611125	3/4MJIC-3/4MOR ADPTR	91	2	618541	1 5/16FJIC-1 1/16MJIC ADPTR
45	4	618496	9/16MJIC-45-3/4MOR LBO	92	2	618535	7/8MJIC-90-1 1/16MOR LBO
46	1	501102	1/4 PIPE PLUG	93	1	505110	BLK PIPE ST EL 45DEG INPT
47	4	505300	BLK PIPE EL 90DEG INPT				

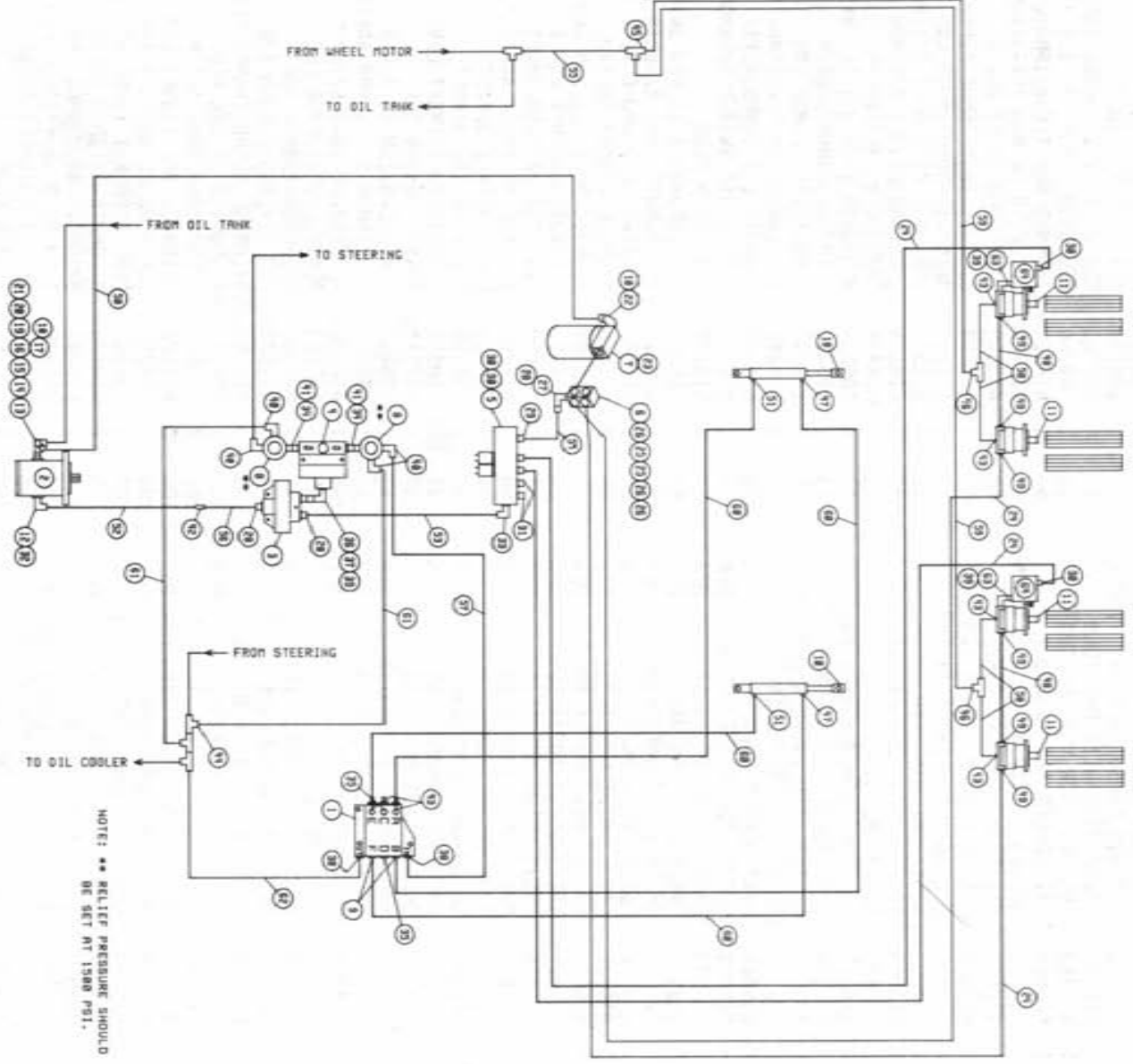






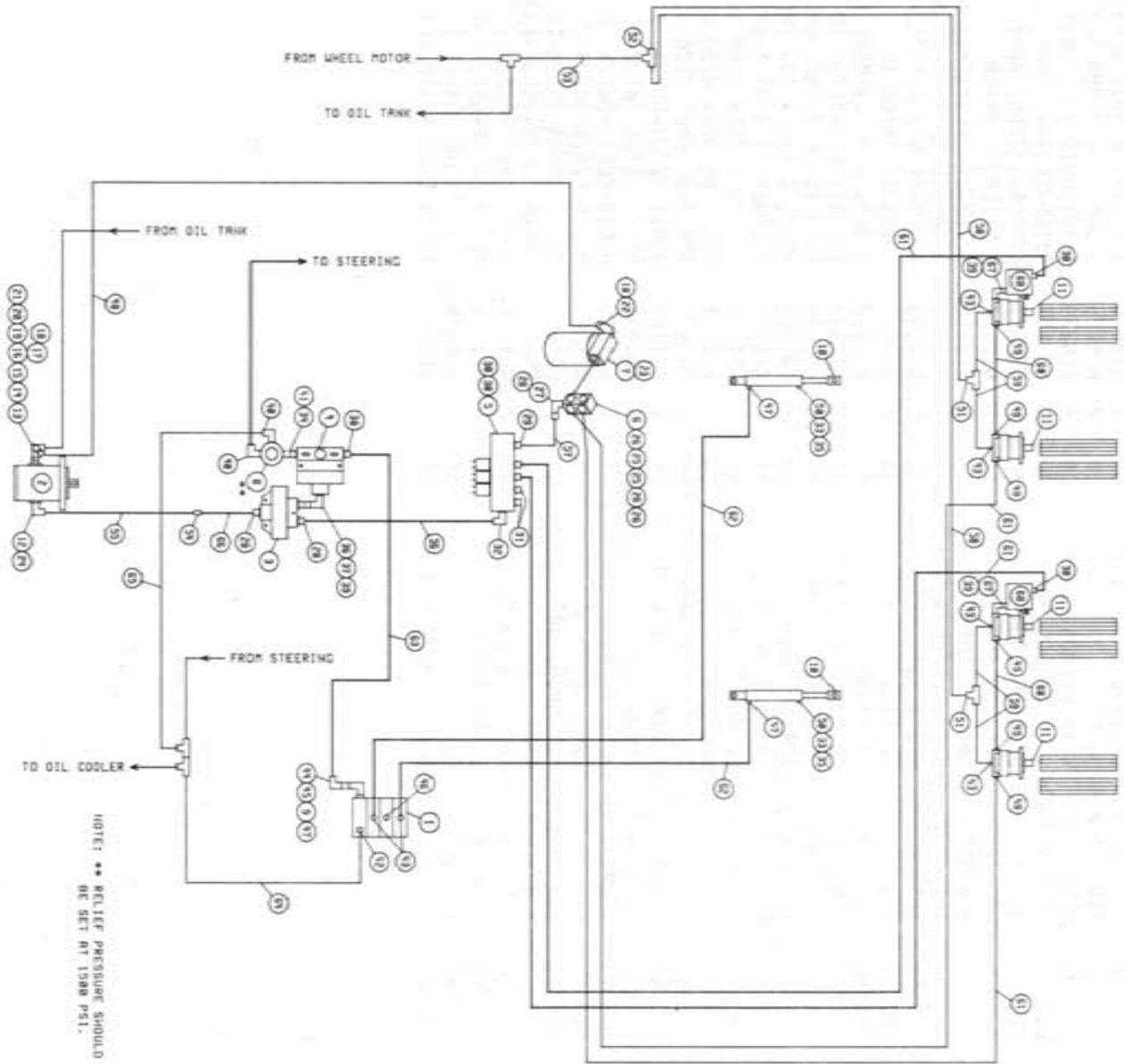
8200 PERSONNEL CARRIER HYD SCHEM 1988  
 REFERENCE DRAWING NO. 498274

DET.	QTY	PART NO.	DESCRIPTION	DET.	QTY	PART NO.	DESCRIPTION
1	1	606868	EATON 54 VARIABLE PUMP A-MT	58	1	501102	1/4 PIPE PLUG
2	1	610446	CESSNA PUMP 1.48CI SPLINED	59	1	506410	BLK PIPE ST EL 90DEG 1 1/4NPT
3	2	610030	SUND WHL MTR EXTEN SHAFT 18	60	1	715664	1 HOSE BARB-1 1/4MNPT
4	2	610031	SUND WHL MTR STUB SHAFT 18SER	61	2	714560	1 HOSE BARB-1MNPT
5	1	749150	STRG MTR NON-LOAD REACT 1008	62	1	505201	CLOSE NIPPLE INPT
6	1	607518	FLO DIV BGR56 66PM PRI 7/8FOR	63	1	505101	BLK PIPE TEE INPT
7	1	615003	LARGE HYDRAULIC MANIFOLD	64	4	505200	BLK PIPE ST EL 90DEG INPT
8	1	610468	POSITIONACTION VLV MOD CONT 206	65	1	505006	RED BUSH 1 MNPT TO 1/4 FNPT
9	1	618088	OIL COOLER BLISSFIELD	66	1	618520	1/4MNPT RUN TEE-9/16MJIC
10	1	605601	GRESEN FILTER 10 MICRON 40GPM	67	1	618486	9/16FJIC SW RUN TEE-9/16MJIC
11	1	760097	OIL TANK WLD 8240 1982	68	1	618090	7/8FJIC SWIV-78MOR ADPTR
12	2	620080	STRG CYL ASSY 1.50 X 6.0 1985	69	1	618594	9/16MJIC-90-9/16MOR LBO
13	1	605600	MICHIGAN RESERVOIR FILTER	70	2	618119	11N HOSE BARB-90-1 1/16MOR
14	2	605603	LINE SUMP DIFFUSER	71	1	618563	1 5/16MJIC-90-1 5/16MOR LBO
15	1	611051	PRESSURE CAP 3/4NPT 5LB	72	4	618178	3/4MJIC-90-1 1/16MOR LBO
16	1	614453	DIPSTICK, 8IN	73	1	618474	RED BUSH 1 TO 3/4 BLK MAL
17	1	610513	POSITIONACTION VLV W/BY PASS	74	4	505213	3/4MJIC-3/4MNPT ADPTR
18	1	618186	1 5/16MJIC X 1 5/16MOR	75	1	610300	3/4MJIC-90-3/4MOR LBO
19	1	606585	CESSNA 3SPV VALVE W/O RELIEF	76	1	618241	1 1/16MJIC-1 1/16MOR ADPTR
20	2	620372	CUTR LIFT CYL 2 IN	77	2	618248	7/8MJIC-1 1/16MOR ADPTR
21	1	614627	06C1T-06FJX-06FJX-45	78	2	618309	1 1/16MOR PLUG
22	8	614573	08C2AT-08FJX-10FJX-114	79	1	618588	1 1/16FJIC SWIV-1 5/16MOR
23	1	616040	04C1A-06FJX-06FJX-67	80	1	610186	1 1/16MOR PLUG
24	2	616056	04C1A-06FJX-06FJX-32	81	1	618529	1 1/16MJ-45-1 1/16FJ SWIV LBO
25	1	614571	06RLA-06FJX-06FJX-126	82	1	618313	1 1/16MJIC-45-1 1/16MOR LBO
26	1	614572	06RLA-06FJX-06FJX-140	83	4	618553	1 1/16MJIC-7/8MJIC REDU UNION
27	1	614626	06C1T-06FJX-06FJX-38	84	2	611126	7/8MJIC-7/8MOR ADPTR
28	1	616034	08C1A-08FJX-08FJX-17	85	1	618589	7/8MJIC-90-1 5/16MOR LBO
29	2	610325	10C1T-10FJX-10FJX-105	86	1	618011	9/16MJIC-3/8MNPT ADPTR
30	1	615465	08C1T-08FJX-08FJX-33	87	1	716000	3/4 HOSE BARB-90-1MNPT
31	1	614622	08C1T-08FJX-08FJX-142	88	1	618322	1 5/16MJIC-1MNPT ADPTR
32	1	611128	7/8MJIC-90-7/8MOR LBO	89	1	504702	CLOSE NIPPLE 3/4NPT
33	1	616032	08C1A-08FJX-08FJX-66	90	1	504955	BLK PIPE TEE 3/4NPT
34	1	611260	04C1A-06FJX-06FJX-44	91	3	610305	3/4MJIC-90-3/4MNPT LBO
35	1	615473	06C1T-06FJX-08FJX-18	92	2	618311	3/4MJIC UNION TEE
36	2	614570	06RLA-06FJX-06FJX-112	93	2	618482	3/4FJIC-9/16MJIC ADPTR
37	2	615442	04C1T-06FJX-06FJX-55	94	1	618312	1 5/16MOR-1 1/16FOR ADPTR
38	2	616026	04C1A-06FJX-06FJX-37	95	4	618302	1 1/16MJIC-90-1 5/16MOR LBO
39	2	610185	9/16MOR PLUG	96	1	618183	3/4MJIC-90-7/8MOR LBO
40	4	6141212	04C1T-06FJX-06FJX-164	97	1	618310	9/16MJIC-7/8MOR ADPTR
41	4	614335	04C1T-06FJX-06MJ-24	98	2	6107504	FLO DIV B50 2-8GPM 7/8 FOR
42	1	601256	HOSE, 1.00 2BR RED X 31 LG	99	3	610193	9/16MJIC BLKHD BRANCH TEE
43	2	614289	12C12-12FJX-12FJX-19	100	1	601117	HOSE, 1 X 37 2BR RED
44	1	601198	HOSE, 3/4 2BR RED X 110	101	4	618109	9/16MJIC-3/4MOR ADPTR
45	1	614652	RH HYD TUBE ASSY 8200 P/C 88	102	6	611122	9/16MJIC-90-1/4MNPT LBO
46	1	615568	HYD TUBE SUND PUMP 8240 RH	103	1	506303	BLK PIPE EL 90DEG 1 1/4NPT
47	1	615569	HYD TUBE SUND PUMP 8240 LH	104	1	506602	PIPE NIPPLE 1 1/4NPT-2 1/2
48	1	614653	LH HYD TUBE ASSY 8200 P/C 88	105	2	618126	9/16MJIC-9/16MOR ADPTR
49	2	618577	1 5/16MJIC UNION	106	4	618496	9/16MJIC-45-3/4MOR LBO
50	2	618541	1 5/16FJIC-1 1/16MJIC ADPTR	107	2	618535	7/8MJIC-90-1 1/16MOR LBO
51	2	618470	3/4MJIC-1 5/16MOR ADPTR	108	1	618059	7/8MJIC-3/4MNPT ADPTR
52	1	614634	STEEL PIPE TEE WLD 8200	109	4	611159	3/4MOR PLUG
53	2	614574	HYD TUBE ASSY LWR 8200 FRILEG	110	4	618475	3/4MJIC-90-1 5/16MOR LBO
54	2	614575	UPPER HYD TUBEASSY 8200FRILEG	111	2	614365	RESTRICTOR ELBOW ASSY .04201A
55	1	714331	3/4 HOSE BARB-1MNPT	112	2	618425	9/16MJIC-45-9/16MOR LBO
56	4	505300	BLK PIPE EL 90DEG INPT	113	1	615401	06C1T-06FJX-06FJX-22
57	1	505203	BLK PIPE NIPPLE INPT-4 IN				



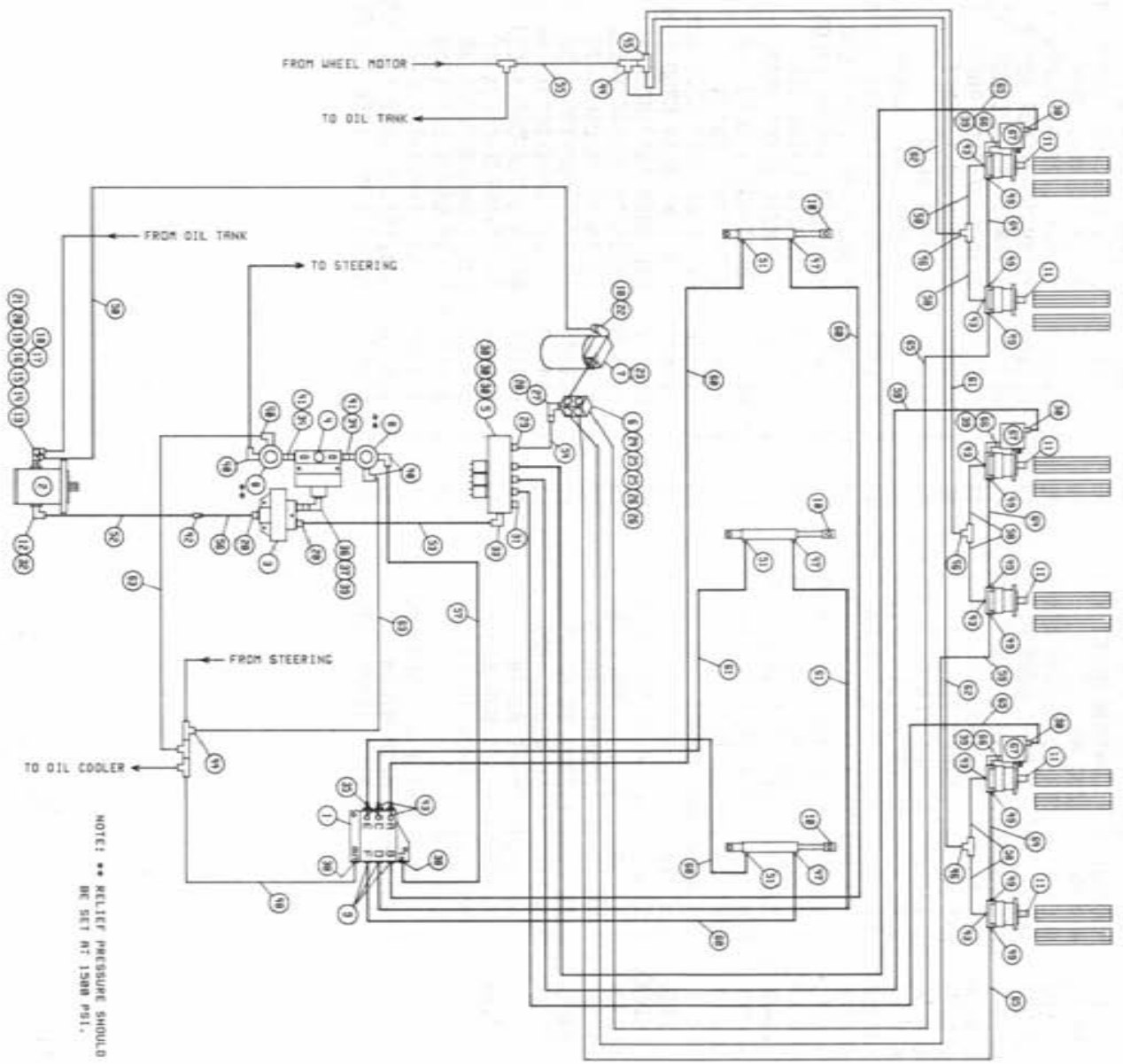
8200 4R ROLLER W/O T-TROL HYD SCHEM 88  
REFERENCE DRAWING NO. 498277

DET.	QTY	PART NO.	DESCRIPTION	DET.	QTY	PART NO.	DESCRIPTION
1	1	606585	CESSNA 3SPL VALVE W/O RELIEF	33	1	618178	1 5/16MJIC-90-1 5/16MOR LBO
2	1	610484	SUND GEAR PMP 4.58 CI SPLINED	34	2	500000	1/2MNPT HEX PIPE NIPPLE STL
3	1	606873	FLO DIV B646 6GPM PRI 1 NPT	35	2	610185	9/16MOR PLUG
4	1	607504	FLO DIV B50 2-8GPM 7/8 FOR	36	1	505213	RED BUSH 1 TO 3/4 BLK MAL
5	1	610467	MODULAR MTR CONTROL ELECT VLV	37	1	618579	1 1/16FJIC SWIV-3/4MNPT
6	1	614633	HYD MANIF 8200 86	38	2	618126	9/16MJIC-9/16MOR ADPTR
7	1	605601	GRESEN FILTER 10 MICRON 40GPM	39	3	618279	1 1/16MJIC-90-7/8MOR LBO
8	2	607512	RELIEF VALVE, RLSO 1500 PSI	40	4	618107	9/16MJIC-90-1/2MNPT LBO
9	2	618425	9/16MJIC-45-9/16MOR LBO	41	2	618072	7/8MOR-1/2FNPT ADPTR
10	2	620900	CYL ASSY CC2016 D00 SRG 180	42	1	618577	1 5/16MJIC UNION
11	4	610051	HYD MOTOR, BARNES 1160047	43	6	618119	9/16MJIC-90-9/16MOR LBO
12	1	618550	1 1/4FNPT 4-BOLT FLANGE W/HDW	44	1	618486	9/16FJIC SW RUN TEE-9/16MJIC
13	1	618568	1.50 4-BOLT FLG X 1.50 NPTF	45	1	610193	9/16MJIC BLKHD BRANCH TEE
14	1	507015	RED BUSH 1 1/2 TO 1 1/4 MAL	46	2	618019	9/16MJIC UNION TEE
15	1	506200	CLOSE NIPPLE 1 1/4NPT	47	2	611122	9/16MJIC-90-1/4MNPT LBO
16	1	506701	SIDE OUTLET EL 90DEG 1 1/4NPT	48	2	614623	10C1T-10FJX-10FJX-80
17	1	506409	BLK PIPE ST EL 45DEG 1 1/4NPT	49	6	611128	7/8MJIC-90-7/8MOR LBO
18	2	715660	1 1/4 HOSE BARB-1 1/4MNPT	50	1	601289	HOSE, 1 1/4 X 144 2BR RED
19	1	506005	RED BUSH 1 1/4 TO 1 BLK MAL	51	2	614649	RESTRICTOR ASSY 1-MAY
20	1	505200	BLK PIPE ST EL 90DEG INPT	52	1	614630	HYD TUBE ASSY 8200 AUX DRIVE
21	1	714331	3/4 HOSE BARB-1MNPT	53	1	614631	HYD TUBE ASSY 8200 CTRL VLV
22	1	506410	BLK PIPE ST EL 90DEG 1 1/4NPT	54	1	614632	HYD TUBE ASSY 8200 RET MANIF
23	1	618144	1 1/4-IMP HEX PIPE NIPPLE STL	55	1	615473	06C1T-06FJX-08FJX-18
24	4	614507	10C1A-10FJX-10FJX-168 H/A	56	1	614348	16C1T-16FJX-16FJX-25
25	2	618323	7/8MJIC-45-1/2MNPT LBO	57	1	614627	06C1T-06FJX-06FJX-45
26	3	503700	PIPE PLUG 1/2NPT SQ HD	58	4	616027	04C1A-06FJX-06FJX-39
27	1	505110	BLK PIPE ST EL 45DEG INPT	59	2	614639	04C1A-06FJX-06FJX-126
28	3	618322	1 5/16MJIC-1MNPT ADPTR	60	4	614101	04C1A-06FJX-06FJX-133
29	1	618186	1 5/16MJIC-1 5/16MOR ADPTR	61	2	614625	06C1T-06FJX-06FJX-30
30	4	618309	7/8MJIC-1 1/16MOR ADPTR	62	1	614626	06C1T-06FJX-06FJX-38
31	2	610186	1 1/16MOR PLUG	63	2	618578	1 1/16FJIC SWIV-1 1/16 MOR
32	1	618324	1 5/16MJIC-90-1 1/4MNPT LBO	64	2	610504	PRESS COMP FIXED FLO REG M/C



8200 4R ROLLER W/T-TROL HYD SCHEM 88  
 REFERENCE DRAWING NO. 498278

DET. QTY	PART NO.	DESCRIPTION	DET. QTY	PART NO.	DESCRIPTION
1	610483	ELECT HYD STACK VLV W/ADJ 86	35	500005	CAP NUT .688FPS NYLON
2	610484	SUND GEAR PMP 4.58 CI SPLINED	36	505213	RED BUSH 1 TO 3/4 BLK MAL
3	606873	FLO DIV BG46 6GPM PRI 1 NPT	37	618579	1 1/16FJIC SWIV-3/4MNP
4	607504	FLO DIV 850 2-8GPM 7/8 FOR	38	618310	9/16MJIC-7/8MOR ADPTR
5	610467	MODULAR MTR CONTROL ELECT VLV	39	618279	1 1/16MJIC-90-7/8MOR LBO
6	614633	HYD MANIF 8200 86	40	618107	9/16MJIC-90-1/2MNP LBO
7	605601	GRESEN FILTER 10 MICRON 40GPM	41	618072	7/8MOR-1/2FNPT ADPTR
8	607512	RELIEF VALVE, RL50 1500 PSI	42	618109	9/16MJIC-3/4MOR ADPTR
9	610447	HYD FILTER, INLINE 1/4FNPT 90M	43	618119	9/16MJIC-90-9/16MOR LBO
10	620900	CYL ASSY CC2016 D00 SRG 180	44	618170	3/4MOR-9/16FOR ADPTR
11	610051	HYD MOTOR, BARNES 1160047	45	618562	9/16MOR-90-1/4MNP LBO
12	618550	1 1/4FNPT 4-BOLT FLANGE W/HDM	46	610185	9/16MOR PLUG
13	618568	1.50 4-BOLT FLG X 1.50 NPTF	47	611122	9/16MJIC-90-1/4MNP LBO
14	507015	RED BUSH 1 1/2 TO 1 1/4 MAL	48	601289	HOSE, 1 1/4 X 144 2BR RED
15	506200	CLOSE NIPPLE 1 1/4NPT	49	611128	7/8MJIC-90-7/8MOR LBO
16	506701	SIDE OUTLET EL 90DEG 1 1/4NPT	50	737810	NOZL BODY .25NPT NYLON
17	506409	BLK PIPE ST EL 45DEG 1 1/4NPT	51	618019	9/16MJIC UNION TEE
18	715660	1 1/4-HOSE BARB-1 1/4MNP	52	610193	9/16MJIC BLKHD BRANCH TEE
19	506005	RED BUSH 1 1/4 TO 1 BLK MAL	53	615473	06CIT-06FJX-08FJX-18
20	505200	BLK PIPE ST EL 90DEG 1NPT	54	618577	1 5/16MJIC UNION
21	714331	3/4 HOSE BARB-1MNP	55	614630	HYD TUBE ASSY 8200 AUX DRIVE
22	506410	BLK PIPE ST EL 90DEG 1 1/4NPT	56	614631	HYD TUBE ASSY 8200 CTRL VLV
23	618144	1 1/4-IMP HEX PIPE NIPPLE STL	57	614632	HYD TUBE ASSY 8200 RET MANIF
24	618324	1 5/16MJIC-90-1 1/4MNP LBO	58	614639	04C1A-06FJX-06FJX-126
25	618323	7/8MJIC-45-1/2MNP LBO	59	616027	04C1A-06FJX-06FJX-39
26	503700	PIPE PLUG 1/2NPT SQ HD	60	614623	10C1T-10FJX-10FJX-80
27	505110	BLK PIPE ST EL 45DEG 1NPT	61	614507	10C1A-10FJX-10FJX-168
28	618322	1 5/16MJIC-1MNP ADPTR	62	614101	04C1A-06FJX-06FJX-133
29	618186	1 5/16MJIC-1 5/16MOR ADPTR	63	614627	06C1T-06FJX-06FJX-45
30	618309	7/8MJIC-1 1/16MOR ADPTR	64	614626	06C1T-06FJX-06FJX-38
31	610186	1 1/16MOR PLUG	65	614625	06C1T-06FJX-06FJX-30
32	618178	1 5/16MJIC-90-1 5/16MOR LBO	66	614348	16C1T-16FJX-16FJX-25
33	738859	STRAINER 50 MESH NYLON	67	618578	1 1/16FJIC SWIV-1 1/16MOR
34	500000	1/2MNP HEX PIPE NIPPLE STL	68	610504	PRESS COMP FIXED FLO REG M/C



NOTE: \*\* RELIEF PRESSURE SHOULD BE SET AT 1500 PSI.



8200 6R ROLLER W/O T-TROL HYD SCHEM 88  
 REFERENCE DRAWING NO. 498279

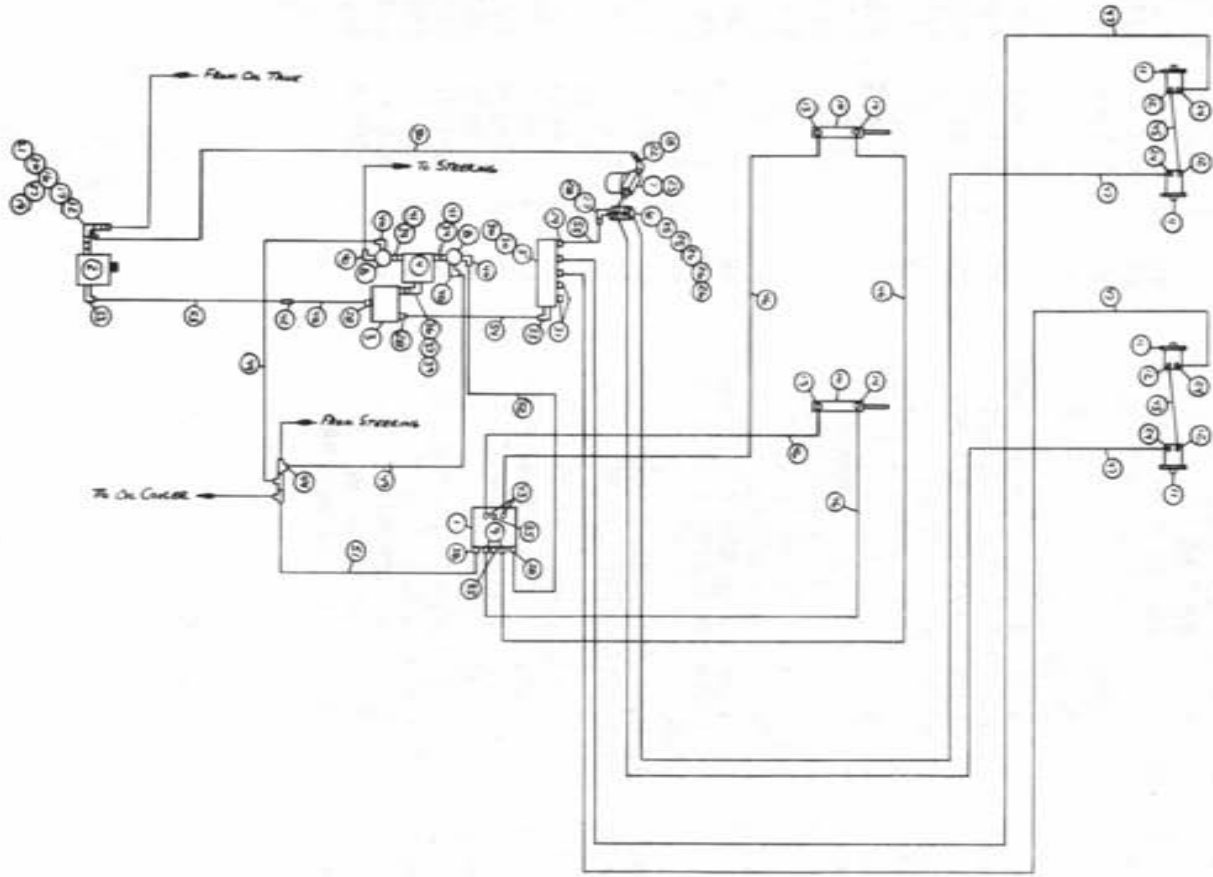
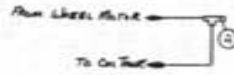
DET.	QTY	PART NO.	DESCRIPTION	DET.	QTY	PART NO.	DESCRIPTION
1	1	606585	CESSNA 3SPL VALVE W/O RELIEF	35	1	618440	9/16MJIC-90-9/16MOR EX LG LBO
2	1	610484	SUND GEAR PMP 4.58 CI SPLINED	36	1	505213	RED BUSH 1 TO 3/4 BLK MAL
3	1	606873	FLO DIV BG46 6GPM PRI 1 NPT	37	1	618579	1 1/16FJIC SWIV-3/4MNPT
4	1	607504	FLO DIV 850 2-8GPM 7/8 FOR	38	2	618126	9/16MJIC-9/16MOR ADPTR
5	1	610467	MODULAR MTR CONTROL ELECT VLV	39	4	618279	1 1/16MJIC-90-7/8MOR LBO
6	1	614633	HYD MANIF 8200 86	40	4	618107	9/16MJIC-90-1/2MNPT LBO
7	1	605601	GRESEN FILTER 10 MICRON 40GPM	41	2	618072	7/8MOR-1/2FNPT ADPTR
8	2	607512	RELIEF VALVE, RL50 1500 PSI	42	1	618577	1 5/16MJIC UNION
9	3	618425	9/16MJIC-45-9/16MOR LBO	43	8	618119	9/16MJIC-90-9/16MOR LBO
10	3	629000	WIPER 1 1/8 X 1 3/8 X 1/8	44	2	618486	9/16FJIC SW RUN TEE-9/16MJIC
11	6	610051	HYD MOTOR, BARNES 1160047	45	1	610193	9/16MJIC BLKHD BRANCH TEE
12	1	618550	1 1/4FNPT 4-BOLT FLANGE W/HDW	46	3	618019	9/16MJIC UNION TEE
13	1	618568	1.50 4-BOLT FLG X 1.50 NPTF	47	3	611122	9/16MJIC-90-1/4MNPT LBO
14	1	507015	RED BUSH 1 1/2 TO 1 1/4 MAL	48	1	614626	06C1T-06FJX-06FJX-38
15	1	506200	CLOSE NIPPLE 1 1/4NPT	49	9	611128	7/8MJIC-90-7/8MOR LBO
16	1	506701	SIDE OUTLET EL 90DEG 1 1/4NPT	50	1	601289	HOSE, 1 1/4 X 144 2BR RED
17	1	506409	BLK PIPE ST EL 45DEG 1 1/4NPT	51	3	614649	HYD TUBE ASSY 8200 AUX DRIVE
18	2	715660	1 1/4-HOSE BARB-1 1/4MNPT	52	1	614630	HYD TUBE ASSY 8200 CTRL VLV
19	1	506005	RED BUSH 1 1/4 TO 1 BLK MAL	53	1	614631	HYD TUBE ASSY 8200 RET MANIF
20	1	505200	BLK PIPE ST EL 90DEG INPT	54	1	614632	06C1T-06FJX-08FJX-18
21	1	714331	3/4 HOSE BARB-1MNPT	55	1	615473	16C1T-16FJX-16FJX-25
22	1	506410	BLK PIPE ST EL 90DEG 1 1/4NPT	56	1	614348	06C1T-06FJX-06FJX-45
23	1	618144	1 1/4-1MP HEX PIPE NIPPLE STL	57	1	614627	04C1A-06FJX-06FJX-39
24	1	611124	7/8MJIC-90-1/2MNPT LBO	58	6	616027	10C1T-10FJX-10FJX-139
25	2	618323	7/8MJIC-45-1/2MNPT LBO	59	2	614501	04C1T-06FJX-06FJX-164
26	2	503700	PIPE PLUG 1/2NPT SQ HD	60	4	611212	04C1T-06FJX-06FJX-88
27	1	505110	BLK PIPE ST EL 45DEG INPT	61	3	614077	04C1A-06FJX-06FJX-156
28	3	618322	1 5/16MJIC-1MNPT ADPTR	62	2	611210	06C1T-06FJX-06FJX-30
29	1	618186	1 5/16MJIC-1 5/16MOR ADPTR	63	2	614625	10C1T-10FJX-10FJX-80
30	6	618309	7/8MJIC-1 1/16MOR ADPTR	64	3	614623	10C1T-10FJX-10FJX-192
31	1	610186	1 1/16MOR PLUG	65	4	614624	1 1/16 FJIC SWIV-1 1/16MOR
32	1	618324	1 5/16MJIC-90-1 1/4MNPT LBO	66	3	618578	PRESS COMP FIXED FLO REG M/C
33	1	618178	1 5/16MJIC-90-1 5/16MOR LBO	67	3	610504	
34	2	500000	1/2MNPT HEX PIPE NIPPLE STL				





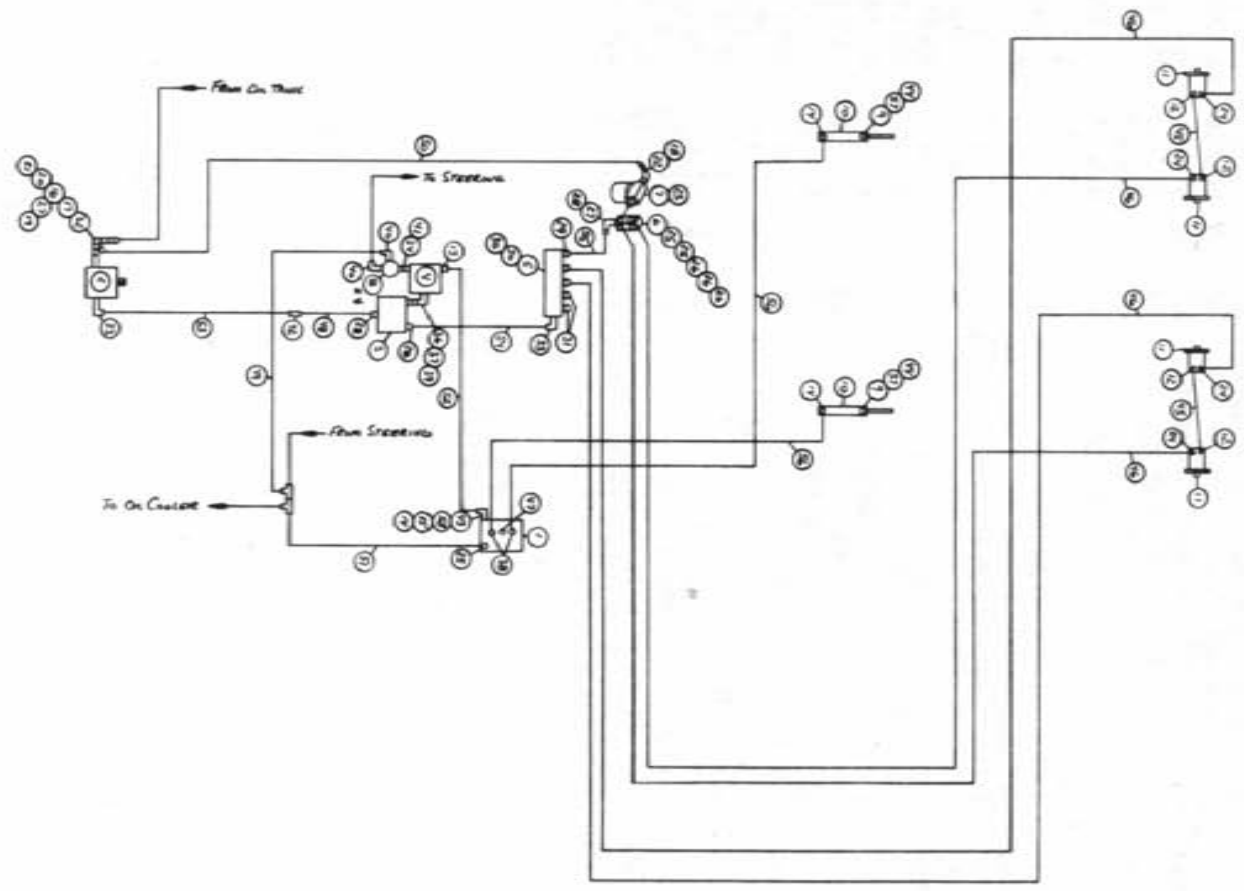
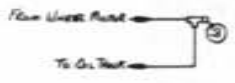
8200 GR ROLLER W/T-TROL HYD SCHEM 88  
REFERENCE DRAWING NO. 498280

DET. QTY	PART NO.	DESCRIPTION	DET. QTY	PART NO.	DESCRIPTION
1	610483	ELECT HYD STACK VLV W/ADJ 86	37	618579	1 1/16FJIC SWIV-3/4MNPT
2	610484	SUND GEAR PMP 4.58 CI SPLINED	38	618310	9/16MJIC-7/8MOR ADPTR
3	606873	FLO DIV B646 66PM PRI 1 NPT	39	618279	1 1/16MJIC-90-7/8MOR LBO
4	607504	FLO DIV 850 2-8GPM 7/8 FOR	40	618107	9/16MJIC-90-1/2MNPT LBO
5	610467	MODULAR MTR CONTROL ELECT VLV	41	618072	7/8MOR-1/2FNPT ADPTR
6	614633	HYD MANIF 8200 86	42	618109	9/16MJIC-3/4MOR ADPTR
7	605601	GRESEN FILTER 10 MICRON 40GPM	43	618119	9/16MJIC-90-9/16MOR LBO
8	607512	RELIEF VALVE, RL50 1500 PSI	44	618170	3/4MOR-9/16FOR ADPTR
9	737810	NOZL BODY .25NPT NYLON	45	618562	9/16MOR-90-1/4MNPT LBO
10	620900	CYL ASSY CC2016 D00 SRG 180	46	610447	HYD FILTER, INLINE 1/4FNPT 90M
11	610051	HYD MOTOR, BARNES 1160047	47	611122	9/16MJIC-90-1/4MNPT LBO
12	618550	1 1/4FNPT 4-BOLT FLANGE W/HDM	48	601289	HOSE, 1 1/4 X 144 2BR RED
13	618568	1.50 4-BOLT FLG X 1.50 NPTF	49	611128	7/8MJIC-90-7/8MOR LBO
14	507015	RED BUSH 1 1/2 TO 1 1/4 MAL	50	615473	06CIT-06FJX-08FJX-18
15	506200	CLOSE NIPPLE 1 1/4NPT	51	618019	9/16MJIC UNION TEE
16	506701	SIDE OUTLET EL 90DEG 1 1/4NPT	52	610193	9/16MJIC BLKHD BRANCH TEE
17	506409	BLK PIPE ST EL 45DEG 1 1/4NPT	53	618486	9/16FJIC SW RUN TEE-9/16MJIC
18	715660	1 1/4 HOSE BARB-1 1/4MNPT	54	618577	1 5/16MJIC UNION
19	506005	RED BUSH 1 1/4 TO 1 BLK MAL	55	614630	HYD TUBE ASSY 8200 AUX DRIVE
20	505200	BLK PIPE ST EL 90DEG INPT	56	614631	HYD TUBE ASSY 8200 CTRL VLV
21	714331	3/4 HOSE BARB-1MNPT	57	614632	HYD TUBE ASSY 8200 RET MANIF
22	506410	BLK PIPE ST EL 90DEG 1 1/4NPT	58	616027	04C1A-06FJX-06FJX-39
23	618144	1 1/4-IMP HEX PIPE NIPPLE STL	59	614501	10CIT-10FJX-10FJX-139
24	611124	7/8MJIC-90-1/2MNPT LBO	60	614101	04C1A-06FJX-06FJX-133
25	618323	7/8MJIC-45-1/2MNPT LBO	61	614077	04CIT-06FJX-06FJX-88
26	503700	PIPE PLUG 1/2NPT SQ HD	62	611210	04C1A-06FJX-06FJX-156
27	505110	BLK PIPE ST EL 45DEG INPT	63	618324	1 5/16MJIC-90-1 1/4MNPT LBO
28	618322	1 5/16MJIC-1MNPT ADPTR	64	614623	10CIT-10FJX-10FJX-80
29	618186	1 5/16MJIC-1 5/16MOR ADPTR	65	614624	10CIT-10FJX-10FJX-192
30	618309	7/8MJIC-1 1/16MOR ADPTR	66	614625	06CIT-06FJX-06FJX-30
31	610186	1 1/16MOR PLUG	67	614626	06CIT-06FJX-06FJX-38
32	618178	1 5/16MJIC-90-1 5/16MOR LBO	68	614627	06CIT-06FJX-06FJX-45
33	738859	STRAINER 50 MESH NYLON	69	614348	16CIT-16FJX-16FJX-25
34	500000	1/2MNPT HEX PIPE NIPPLE STL	70	618578	1 1/16FJIC SWIV-1 1/16MOR
35	500005	CAP NUT .688FPS NYLON	71	610504	PRESS COMP FIXED FLO REG M/C
36	505213	RED BUSH 1 TO 3/4 BLK MAL			



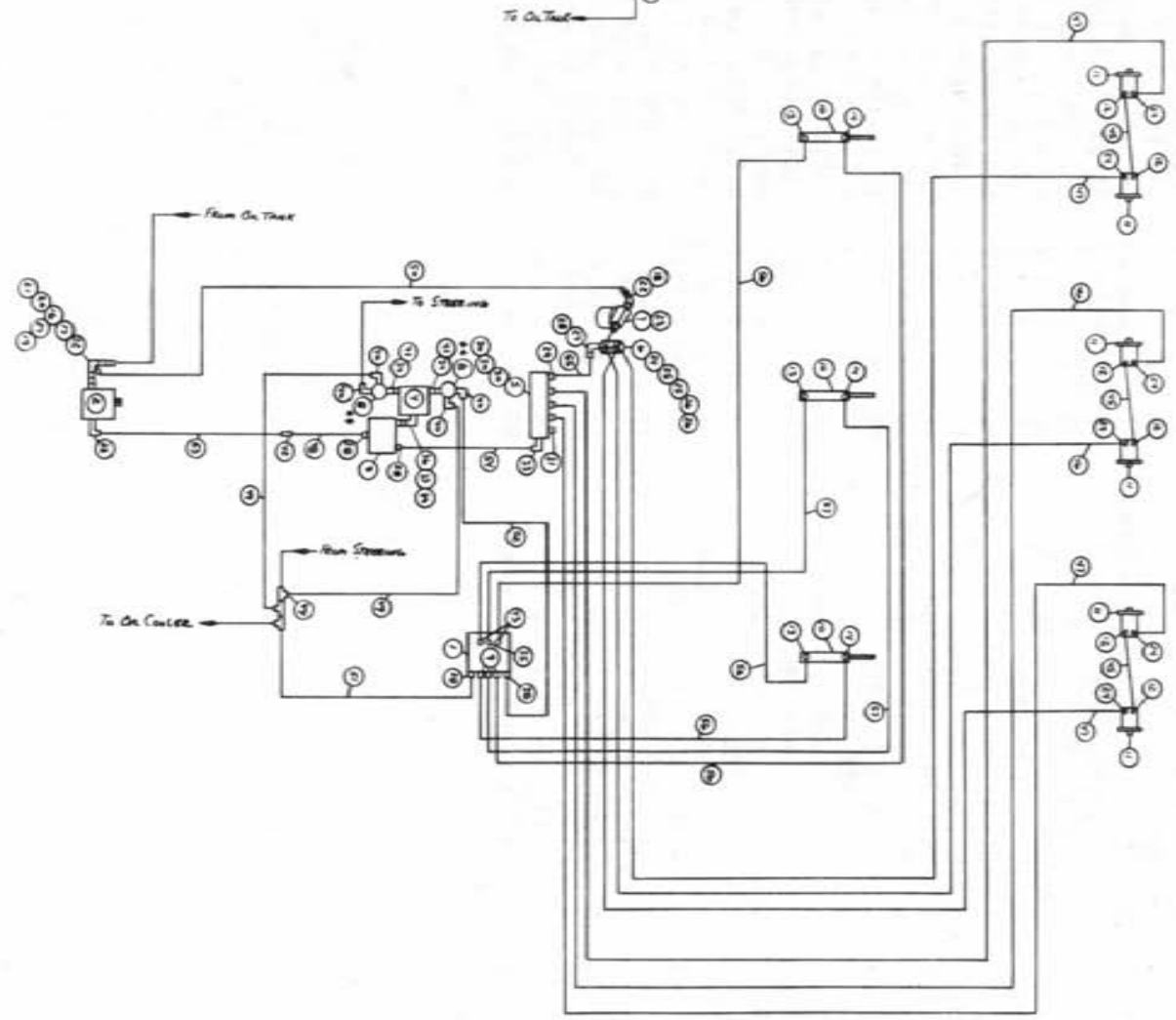
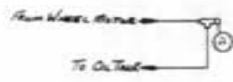
8200 4R PULLER W/O T-TROL HYD SCHEM 86  
 REFERENCE DRAWING NO. 498230

DET.	QTY	PART NO.	DESCRIPTION	DET.	QTY	PART NO.	DESCRIPTION
1	1	606585	CESSMA 3SPL VALVE W/O RELIEF	29	1	618186	1 5/16MJIC-1 5/16MOR ADPTR
2	1	610444	CROSS PMP 2.74CI B-MT SPLINED	30	2	618309	7/8MJIC-1 1/16MOR ADPTR
3	1	606873	FLO DIV BG46 6GPM PRI 1 NPT	31	2	610186	1 1/16MOR PLUG
4	1	607504	FLO DIV B50 2-8GPM 7/8 FOR	32	1	618090	1 5/16MOR-1FNPT ADPTR
5	1	610467	MODULAR MTR CONTROL ELECT VLV	33	2	618178	1 5/16MJIC-90-1 5/16MOR LBO
6	1	614633	HYD MANIF 8200 86	34	2	500000	1/2MNPT HEX PIPE NIPPLE STL
7	1	605601	GRESEN FILTER 10 MICRON 40GPM	35	2	610185	9/16MOR PLUG
8	2	607512	RELIEF VALVE, RL50 1500 PSI	36	1	505213	RED BUSH 1 TO 3/4 BLK MAL
9	2	618425	9/16MJIC-45-9/16MOR LBO	37	1	618579	1 1/16FJIC SMIV-3/4MNPT
10	2	620900	CYL ASSY CC2016 D00 SRG 180	38	2	618126	9/16MJIC-9/16MOR ADPTR
11	4	604005	ORBIT MOTOR A5E	39	1	618279	1 1/16MJIC-90-7/8MOR LBO
12	4	611147	3/4MJIC-1/2MNPT ADPTR	40	4	618107	9/16MJIC-90-1/2MNPT LBO
13	2	614649	RESTRICTOR ASSY 1-WAY	41	2	618072	7/8MOR-1/2FNPT ADPTR
14	2	611122	9/16MJIC-90-1/4MNPT LBO	42	1	618577	1 5/16MJIC UNION
15	1	618532	3/4FJIC CAP NUT	43	2	618119	9/16MJIC-90-9/16MOR LBO
16	1	505098	SIDE OUTLET EL 90DEG 1 NPT	44	1	618486	9/16FJIC SW RUN TEE-9/16MJIC
17	1	505201	CLOSE NIPPLE INPT	45	2	614382	08C1T-08FJX-08FJX-40
18	1	715660	1 1/4 HOSE BARB-1 1/4MNPT	46	4	614101	04C1A-06FJX-06FJX-133
19	1	714561	1 1/4 HOSE BARB-1MNPT	47	4	614507	10C1A-10FJX-10FJX-168
20	1	505200	BLK PIPE ST EL 90DEG INPT	48	1	614348	16C1T-16FJX-16FJX-25
21	1	714331	3/4 HOSE BARB-1MNPT	49	2	614625	06C1T-06FJX-06FJX-30
22	1	506410	BLK PIPE ST EL 90DEG 1 1/4NPT	50	1	601289	HOSE, 1 1/4 X 144 2BR RED
23	1	618144	1 1/4-IMP HEX PIPE NIPPLE STL	51	1	614626	06C1T-06FJX-06FJX-38
24	4	611124	7/8MJIC-90-1/2MNPT LBO	52	1	614627	06C1T-06FJX-06FJX-45
25	2	618323	7/8MJIC-45-1/2MNPT LBO	53	1	614630	HYD TUBE ASSY 8200 AUX DRIVE
26	3	503700	PIPE PLUG 1/2NPT SQ HD	54	1	614631	HYD TUBE ASSY 8200 CTRL VLV
27	2	505110	BLK PIPE ST EL 45DEG INPT	55	1	614632	HYD TUBE ASSY 8200 RET MANIF
28	3	618322	1 5/16MJIC-1MNPT ADPTR				



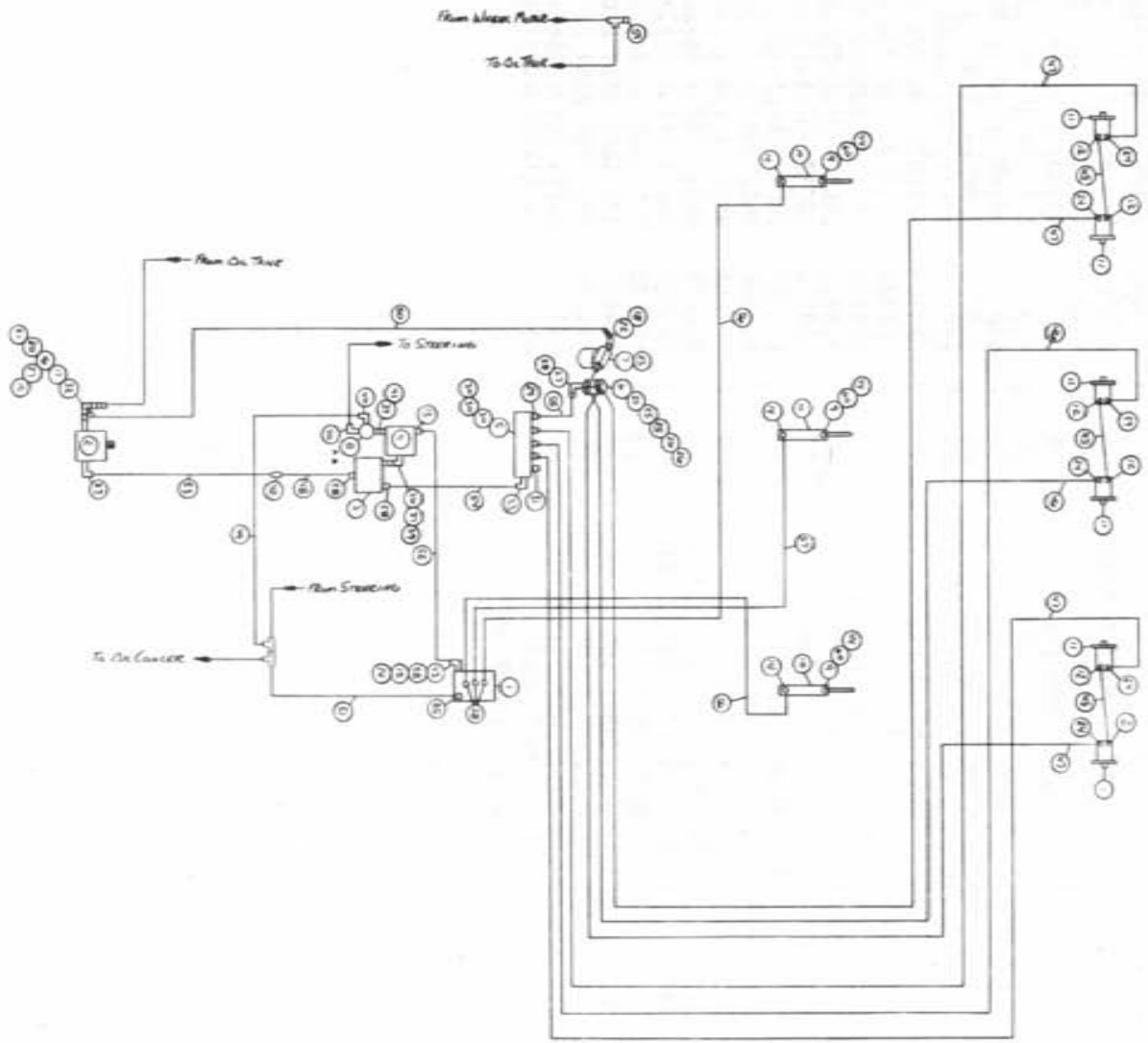
8200 4R PULLER W/T-TROL HYD SCHEM 86  
 REFERENCE DRAWING NO. 498231

DET.	QTY	PART NO.	DESCRIPTION	DET.	QTY	PART NO.	DESCRIPTION
1	1	610483	ELECT HYD STACK VLV W/ADJ 86	31	2	610186	1 1/16MOR PLUG
2	1	610444	CROSS PMP 2.74CI B-MT SPLINED	32	1	618090	1 5/16MOR-1FNPT ADPTR
3	1	606873	FLO DIV B646 6GPM PRI 1 NPT	33	2	618178	1 5/16MJC-90-1 5/16MOR LBO
4	1	607504	FLO DIV 850 2-8GPM 7/8 FOR	34	1	500000	1/2MNP HEX PIPE NIPPLE STL
5	1	610467	MODULAR MTR CONTROL ELECT VLV	35	1	618109	9/16MJC-3/4MOR ADPTR
6	1	614633	HYD MANIF 8200 86	36	1	505213	RED BUSH 1 TO 3/4 BLK MAL
7	1	605601	GREEN FILTER 10 MICRON 40GPM	37	1	618579	1 1/16FJIC SWIV-3/4MNP
8	1	607512	RELIEF VALVE, RL50 1500 PSI	38	2	618119	9/16MJC-90-9/16MOR LBO
9	2	737810	NOZL BODY .25NPT NYLON	39	1	618279	1 1/16MJC-90-7/8MOR LBO
10	2	620900	CYL ASSY CC2016 D00 SRG 180	40	2	618107	9/16MJC-90-1/2MNP LBO
11	4	604005	ORBIT MOTOR ASE	41	1	618072	7/8MOR-1/2FNPT ADPTR
12	4	611147	3/4MJC-1/2MNP ADPTR	42	1	618577	1 5/16MJC UNION
13	1	618310	9/16MJC-7/8MOR ADPTR	43	1	618170	3/4MOR-9/16FOR ADPTR
14	3	611122	9/16MJC-90-1/4MNP LBO	44	2	500005	CAP NUT .688FPS NYLON
15	1	610447	HYD FILTER, INLINE 1/4FNPT 90M	45	2	614382	08CI1-08FJX-08FJX-40
16	1	505098	SIDE OUTLET EL 90DEG 1 NPT	46	4	614507	10CI1A-10FJX-10FJX-168
17	1	505201	CLOSE NIPPLE INPT	47	1	610185	9/16MOR PLUG
18	1	715660	1 1/4 HOSE BARB-1 1/4MNP	48	1	614348	16CI1-16FJX-16FJX-25
19	1	714561	1 1/4 HOSE BARB-1MNP	49	1	614625	06CI1-06FJX-06FJX-30
20	1	505200	BLK PIPE ST EL 90DEG INPT	50	1	601289	HOSE, 1 1/4 X 144 2BR RED
21	1	714331	3/4 HOSE BARB-1MNP	51	1	614626	06CI1-06FJX-06FJX-38
22	1	506410	BLK PIPE ST EL 90DEG 1 1/4NPT	52	1	614627	06CI1-06FJX-06FJX-45
23	1	618144	1 1/4-1MP HEX PIPE NIPPLE STL	53	1	614630	HYD TUBE ASSY 8200 AUX DRIVE
24	4	611124	7/8MJC-90-1/2MNP LBO	54	1	614631	HYD TUBE ASSY 8200 CTRL VLV
25	2	618323	7/8MJC-45-1/2MNP LBO	55	1	614632	HYD TUBE ASSY 8200 RET MANIF
26	3	503700	PIPE PLUG 1/2NPT SQ HD	56	2	614101	04CI1A-06FJX-06FJX-133
27	2	505110	BLK PIPE ST EL 45DEG INPT	57	2	738859	STRAINER 50 MESH NYLON
28	3	618322	1 5/16MJC-1MNP ADPTR	58	1	618562	9/16MOR-90-1/4MNP LBO
29	1	618186	1 5/16MJC-1 5/16MOR ADPTR	59	1	618532	3/4FJIC CAP NUT
30	2	618309	7/8MJC-1 1/16MOR ADPTR				



8200 6R PULLER W/O T-TROL HYD SCHEM 86  
 REFERENCE DRAWING NO. 498232

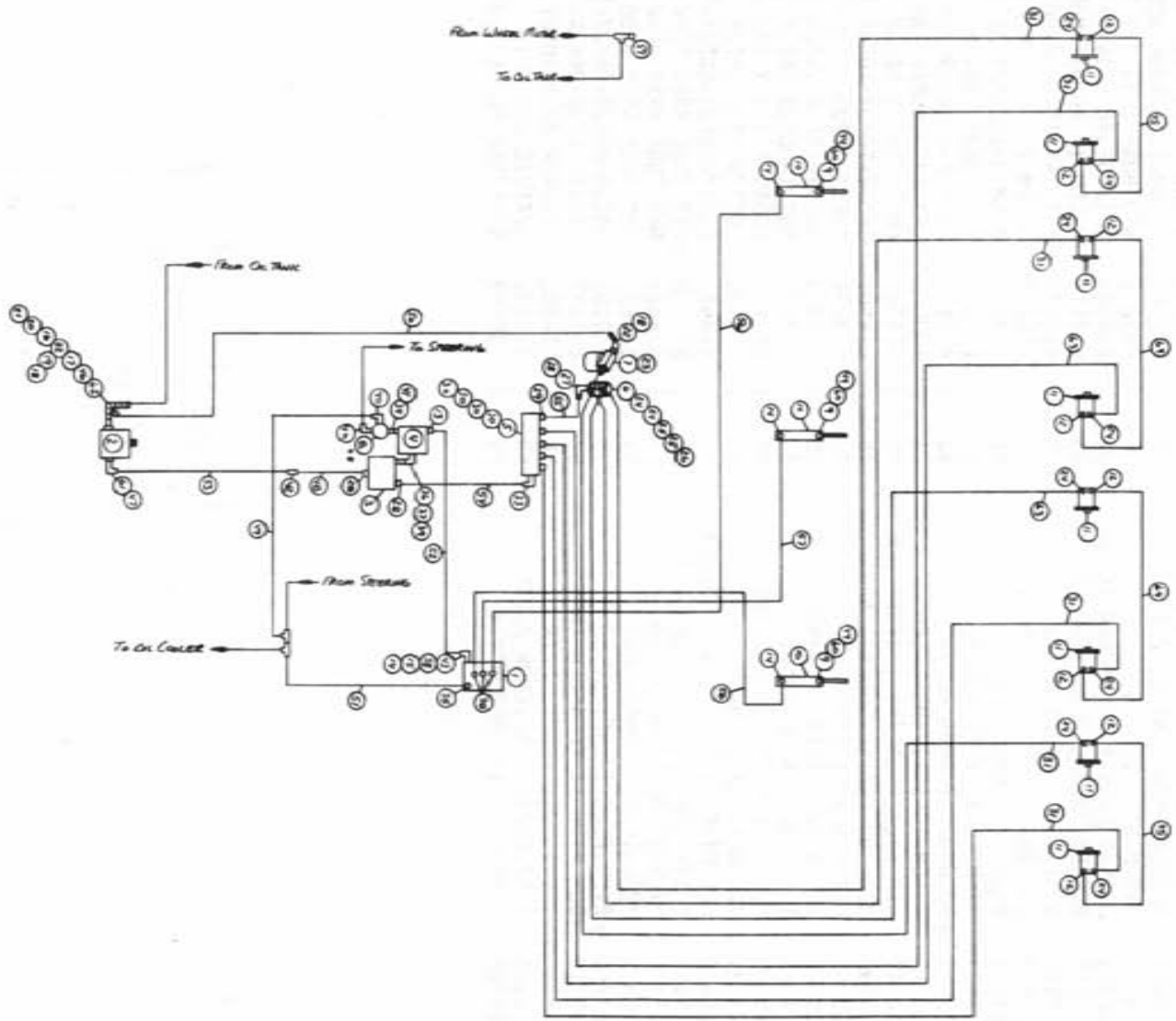
DET. QTY PART NO. DESCRIPTION	DET. QTY PART NO. DESCRIPTION
1 1 606585 CESSNA 3SPL VALVE W/O RELIEF	30 3 618309 7/8MJIC-1 1/16MOR ADPTR
2 1 610444 CROSS PMP 2.74CI B-MT SPLINED	31 1 610186 1 1/16MOR PLUG
3 1 606873 FLO DIV B646 6GPM PRI 1 NPT	32 1 618090 1 5/16MOR-1FNPT ADPTR
4 1 607504 FLO DIV B50 2-8GPM 7/8 FOR	33 2 618178 1 5/16MJIC-90-1 5/16MOR LBO
5 1 610467 MODULAR MTR CONTROL ELECT VLV	34 2 500000 1/2MNPPT HEX PIPE NIPPLE STL
6 1 614633 HYD MANIF 8200 86	35 1 618440 9/16MJIC-90-9/16MOR EX LG LBO
7 1 605601 GREENE FILTER 10 MICRON 40GPM	36 1 505213 RED BUSH 1 TO 3/4 BLK MAL
8 2 607512 RELIEF VALVE, RL50 1500 PSI	37 1 618579 1 1/16FJIC SWIV-3/4MNPPT
9 3 618425 9/16MJIC-45-9/16MOR LBO	38 2 618126 9/16MJIC-9/16MOR ADPTR
10 3 620900 CYL ASSY CC2016 D00 SRG 180	39 1 618279 1 1/16MJIC-90-1/2MNPPT LBO
11 6 604005 ORBIT MOTOR ASE	40 4 618107 9/16MJIC-90-1/2MNPPT LBO
12 6 611147 3/4MJIC-1/2MNP ADPTR	41 2 618072 7/8MOR-1/2FNPT ADPTR
13 3 614649 RESTRICTOR ASSY 1-WAY	42 1 618577 1 5/16MJIC UNION
14 3 611122 9/16MJIC-90-1/4MNPPT LBO	43 2 618119 9/16MJIC-90-9/16MOR LBO
15 1 618532 3/4FJIC CAP NUT	44 1 618486 9/16FJIC SW RUN TEE-9/16MJIC
16 1 505098 SIDE OUTLET EL 90DEG 1 NPT	45 3 614382 08CIT-08FJX-08FJX-40
17 1 505201 CLOSE NIPPLE INPT	46 2 614501 10CIT-10FJX-10FJX-139
18 1 715660 1 1/4 HOSE BARB-1 1/4MNPPT	47 4 614624 10CIT-10FJX-10FJX-192
19 1 714561 1 1/4 HOSE BARB-1MNPPT	48 1 614348 16CIT-16FJX-16FJX-25
20 1 505200 BLK PIPE ST EL 90DEG INPT	49 2 614625 06CIT-06FJX-06FJX-30
21 1 714331 3/4 HOSE BARB-1MNPPT	50 1 601289 HOSE, 1 1/4 X 144 2BR RED
22 1 506410 BLK PIPE ST EL 90DEG 1 1/4NPT	51 1 614626 06CIT-06FJX-06FJX-38
23 1 618144 1 1/4-IMP HEX PIPE NIPPLE STL	52 1 614627 06CIT-06FJX-06FJX-45
24 7 611124 7/8MJIC-90-1/2MNPPT LBO	53 1 614630 HYD TUBE ASSY 8200 AUX DRIVE
25 2 618323 7/8MJIC-45-1/2MNPPT LBO	54 1 614631 HYD TUBE ASSY 8200 CTRL VLV
26 2 503700 PIPE PLUG 1/2NPT SQ HD	55 1 614632 HYD TUBE ASSY 8200 RET MANIF
27 2 505110 BLK PIPE ST EL 45DEG INPT	56 4 611212 04CIT-06FJX-06FJX-164
28 3 618322 1 5/16MJIC-1MNP ADPTR	57 2 614077 04CIT-06FJX-06FJX-88
29 1 618186 1 5/16MJIC-1 5/16MOR ADPTR	





8200 6R PULLER W/T-TROL HYD SCHEM 86  
 REFERENCE DRAWING NO. 498233

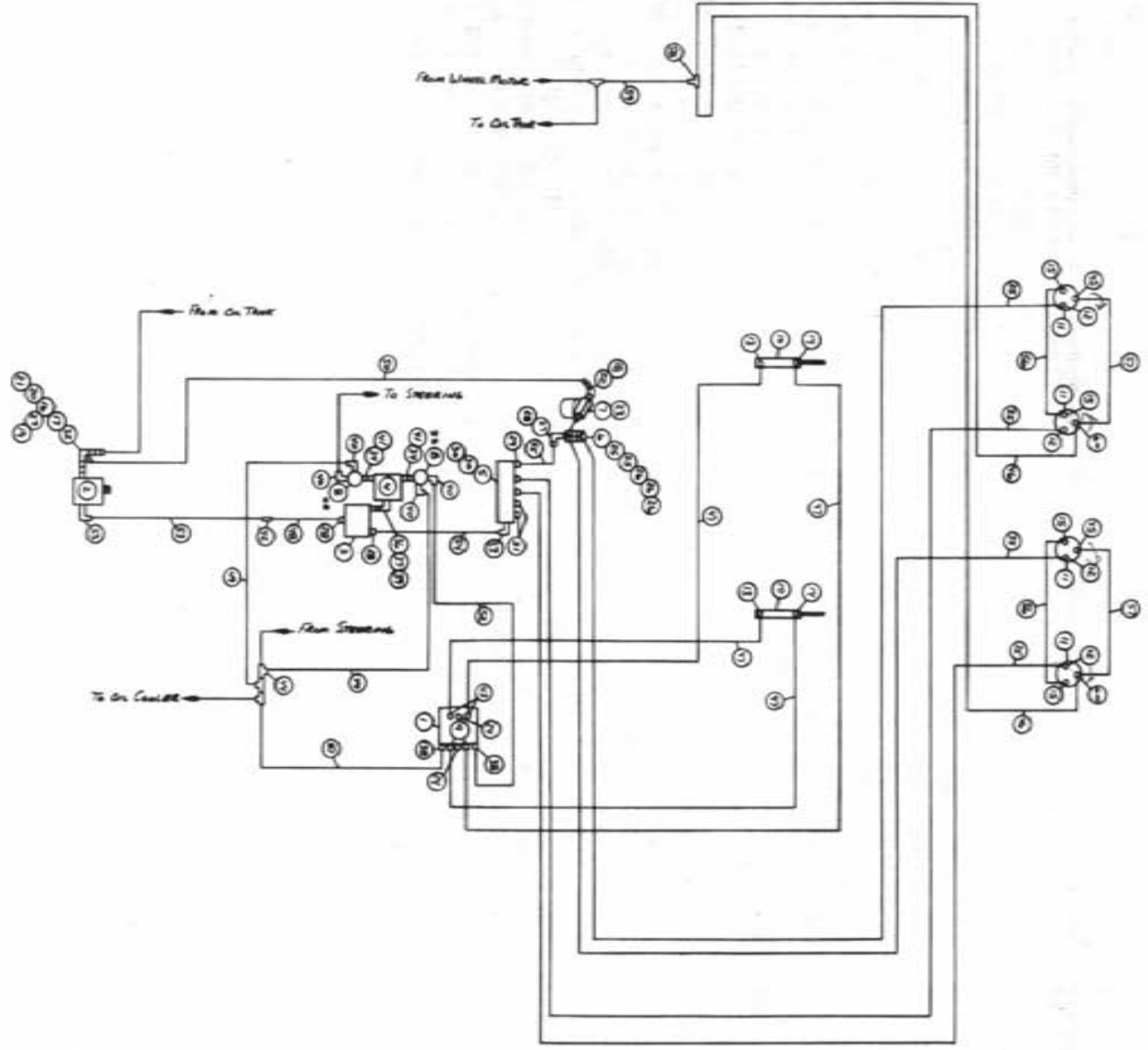
DET.	QTY	PART NO.	DESCRIPTION	DET.	QTY	PART NO.	DESCRIPTION
1	1	610483	ELECT HYD STACK VLV W/ADJ 86	31	1	610186	1 1/16MOR PLUG
2	1	610444	CROSS PMP 2.74CI 8-MT SPLINED	32	1	618090	1 5/16MOR-1FNPT ADPTR
3	1	606873	FLO DIV B646 66PM PRI 1 NPT	33	2	618178	1 5/16MJIC-90-1 5/16MOR LBO
4	1	607504	FLO DIV 850 2-8GPM 7/8 FOR	34	1	500000	1/2MNPT HEX PIPE NIPPLE STL
5	1	610467	MODULAR MTR CONTROL ELECT VLV	35	1	618109	9/16MJIC-3/4MOR ADPTR
6	1	614633	HYD MANIF 8200 86	36	1	505213	RED BUSH 1 TO 3/4 BLK MAL
7	1	605601	GRESEN FILTER 10 MICRON 40GPM	37	1	618579	1 1/16FJIC SMIV-3/4MNPT
8	1	607512	RELIEF VALVE, RL50 1500 PSI	38	3	618119	9/16MJIC-90-9/16MOR LBO
9	3	737810	NOZL BODY .25NPT NYLON	39	1	618279	1 1/16MJIC-90-7/8MOR LBO
10	3	620900	CYL ASSY CG2016 D00 SRG 180	40	2	618107	9/16MJIC-90-1/2MNPT LBO
11	6	604005	ORBIT MOTOR ASE	41	1	618072	7/8MOR-1/2FNPT ADPTR
12	6	611147	3/4MJIC-1/2MNPT ADPTR	42	1	618577	1 5/16MJIC UNION
13	1	618310	9/16MJIC-7/8MOR ADPTR	43	1	618170	3/4MOR-9/16FOR ADPTR
14	4	611122	9/16MJIC-90-1/4MNPT LBO	44	3	500005	CAP NUT .688FPS NYLON
15	1	610447	HYD FILTER, INLINE 1/4FNPT 90M	45	3	614382	08CIT-08FJX-08FJX-40
16	1	505098	SIDE OUTLET EL 90DEG 1 NPT	46	2	614501	10CIT-10FJX-10FJX-139
17	1	505201	CLOSE NIPPLE INPT	47	4	614624	10CIT-10FJX-10FJX-192
18	1	715660	1 1/4 HOSE BARB-1 1/4MNPT	48	1	614348	16CIT-16FJX-16FJX-25
19	1	714561	1 1/4 HOSE BARB-1MNPT	49	1	614625	06CIT-06FJX-06FJX-30
20	1	505200	BLK PIPE ST EL 90DEG INPT	50	1	601289	HOSE, 1 1/4 X 144 2BR RED
21	1	714331	3/4 HOSE BARB-1MNPT	51	1	614626	06CIT-06FJX-06FJX-38
22	1	506410	BLK PIPE ST EL 90DEG 1 1/4NPT	52	1	614627	06CIT-06FJX-06FJX-45
23	1	618144	1 1/4-IMP HEX PIPE NIPPLE STL	53	1	614630	HYD TUBE ASSY 8200 AUX DRIVE
24	7	611124	7/8MJIC-90-1/2MNPT LBO	54	1	614631	HYD TUBE ASSY 8200 CTRL VLV
25	2	618323	7/8MJIC-45-1/2MNPT LBO	55	1	614632	HYD TUBE ASSY 8200 RET MANIF
26	2	503700	PIPE PLUG 1/2NPT SQ HD	56	2	614101	04CIA-06FJX-06FJX-133
27	2	505110	BLK PIPE ST EL 45DEG INPT	57	1	614077	04CIT-06FJX-06FJX-88
28	3	618322	1 5/16MJIC-1MNPT ADPTR	58	1	618562	9/16MOR-90-1/4MNPT LBO
29	1	618186	1 5/16MJIC-1 5/16MOR ADPTR	59	1	618532	3/4FJIC CAP NUT
30	3	618309	7/8MJIC-1 1/16MOR ADPTR	60	3	738859	STRAINER 50 MESH NYLON



8200 8R PULLER W/T-TROL HYD SCHEM 86  
 REFERENCE DRAWING NO. 498234

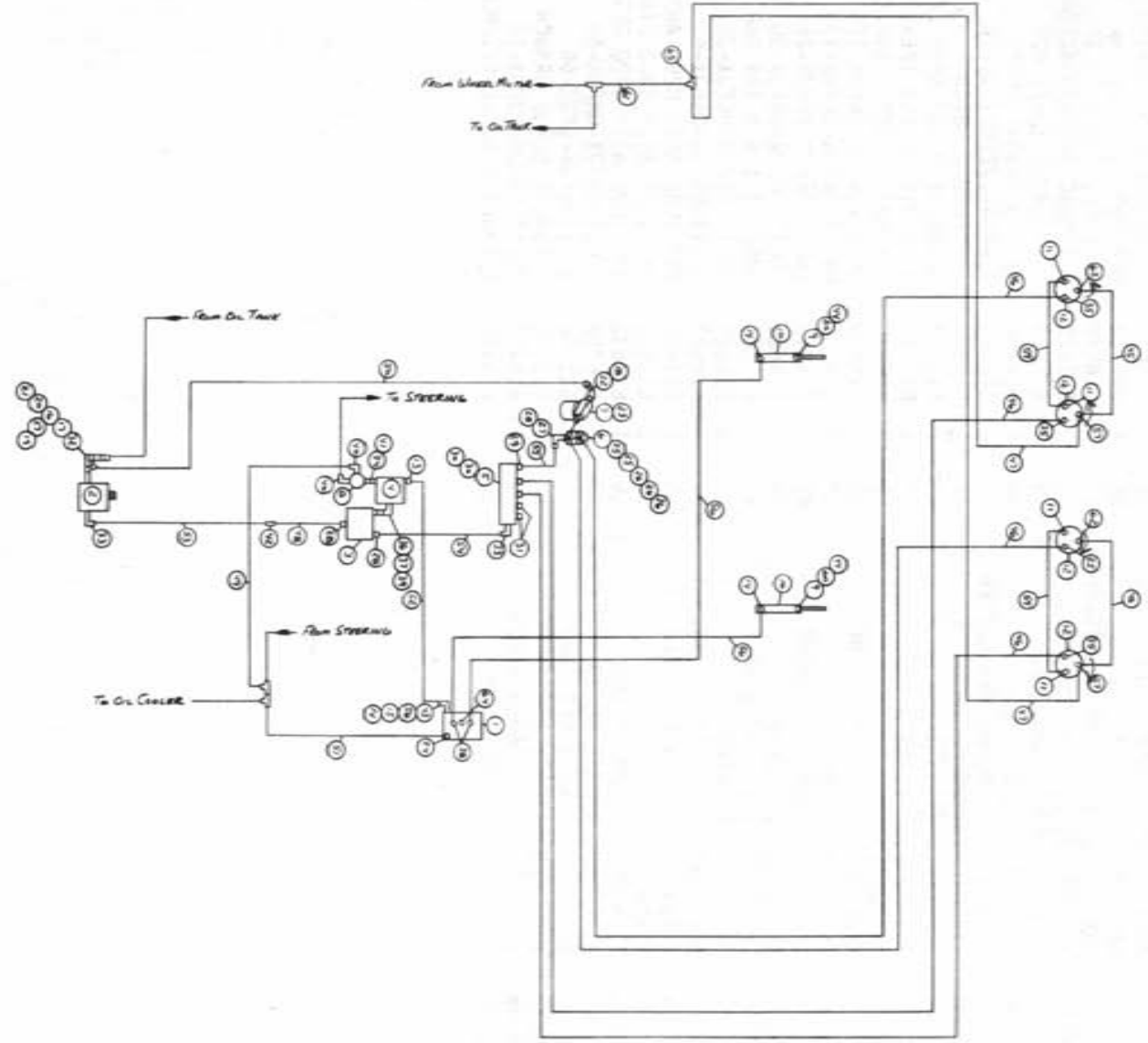
DET. QTY	PART NO.	DESCRIPTION	DET. QTY	PART NO.	DESCRIPTION
1	1	610483	33	1	618178
2	1	610484	34	1	500000
3	1	606873	35	1	618109
4	1	607504	36	1	505213
5	1	610467	37	1	618579
6	1	614633	38	3	618119
7	1	605601	39	1	618279
8	1	607512	40	2	618107
9	3	737810	41	1	618072
10	3	620900	42	1	618577
11	8	604005	43	1	618170
12	8	611147	44	3	500005
13	1	618310	45	2	614382
14	4	611122	46	1	507015
15	1	610447	47	1	618324
16	1	506005	48	1	614348
17	1	506200	49	1	614625
18	2	715660	50	1	601289
19	1	506409	51	1	614626
20	1	505200	52	1	614627
21	1	714331	53	1	614630
22	1	506410	54	1	614631
23	1	618144	55	1	614632
24	10	611124	56	2	614101
25	2	618323	57	1	614077
26	1	503700	58	1	618562
27	1	505110	59	1	618532
28	3	618322	60	3	738859
29	1	618186	61	1	618550
30	4	618309	62	1	618568
31	6	614640	63	2	614501
32	1	506701	64	2	614384

ELECT HYD STACK VLV W/ADJ 86	1 5/16MJIC-90-1 5/16MOR LBO
SUND GEAR PMP 4.58 CI SPLINED	1/2MNPT HEX PIPE NIPPLE STL
FLO DIV B646 6GPM PRI 1 NPT	9/16MJIC-3/4MOR ADPTR
FLO DIV B50 2-8GPM 7/8 FOR	RED BUSH 1 TO 3/4 BLK MAL
MODULAR MTR CONTROL ELECT VLV	1 1/16FJIC SWIV-3/4MNPT
HYD MANIF 8200 86	9/16MJIC-90-9/16MOR LBO
GRESEN FILTER 10 MICRON 40GPM	1 1/16MJIC-90-7/8MOR LBO
RELIEF VALVE, RL50 1500 PSI	9/16MJIC-90-1/2MNPT LBO
NOZL BODY .25NPT NYLON	7/8MOR-1/2FNPT ADPTR
CYL ASSY CC2016 D00 SRG 180	1 5/16MJIC UNION
ORBIT MOTOR ASE	3/4MOR-9/16FOR ADPTR
3/4MJIC-1/2MNPT ADPTR	CAP NUT .688FPS NYLON
9/16MJIC-7/8MOR ADPTR	08CIT-08FJX-08FJX-40
9/16MJIC-90-1/4MNPT LBO	RED BUSH 1 1/2 TO 1 1/4 MAL
HYD FILTER, INLINE 1/4FNPT 90M	1 5/16MJIC-90-1 1/4MNPT LBO
RED BUSH 1 1/4 TO 1 BLK MAL	16CIT-16FJX-16FJX-25
CLOSE NIPPLE 1 1/4NPT	06CIT-06FJX-06FJX-30
1 1/4 HOSE BARB-1 1/4MNPT	HOSE, 1 1/4 X 144 2BR RED
BLK PIPE ST EL 45DEG 1 1/4NPT	06CIT-06FJX-06FJX-38
BLK PIPE ST EL 90DEG INPT	06CIT-06FJX-06FJX-45
3/4 HOSE BARB-1MNPT	HYD TUBE ASSY 8200 AUX DRIVE
BLK PIPE ST EL 90DEG 1 1/4NPT	HYD TUBE ASSY 8200 CTRL VLV
1 1/4-1MP HEX PIPE NIPPLE STL	HYD TUBE ASSY 8200 RET MANIF
7/8MJIC-90-1/2MNPT LBO	04C1A-06FJX-06FJX-133
7/8MJIC-45-1/2MNPT LBO	04C1T-06FJX-06FJX-88
PIPE PLUG 1/2NPT SQ HD	9/16MOR-90-1/4MNPT LBO
BLK PIPE ST EL 45DEG INPT	3/4FJIC CAP NUT
1 5/16MJIC-1MNPT ADPTR	STRAINER 50 MESH NYLON
1 5/16MJIC-1 5/16MOR ADPTR	1 1/4FNPT 4-BOLT FLANGE W/HDM
7/8MJIC-1 1/16MOR ADPTR	1.50 4-BOLT FLG X 1.50 NPTF
10C1T-10FJX-10FJX-230	10C1T-10FJX-10FJX-139
H/A	H/A
1 1/4NPT	H/A



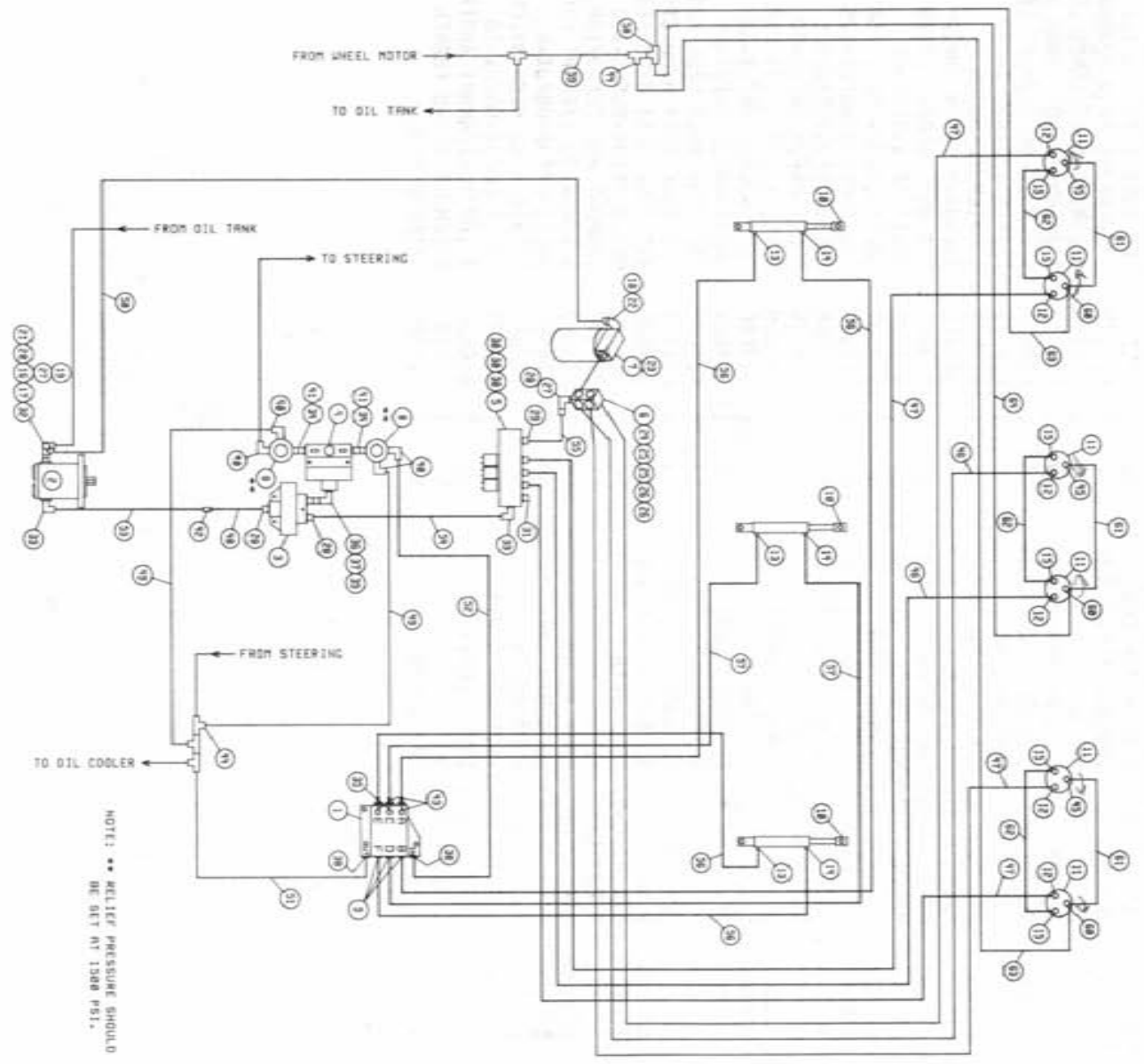
8200 4R CUTTER W/O T-TROL HYD SCHEM 86  
REFERENCE DRAWING NO. 498235

DET.	QTY	PART NO.	DESCRIPTION	DET.	QTY	PART NO.	DESCRIPTION
1	1	606585	CESSNA 3SPL VALVE W/O RELIEF	31	2	610186	1 1/16MOR PLUG
2	1	610444	CROSS PMP 2.74CI B-MT SPLINED	32	1	618090	1 5/16MOR-1FNPT ADPTR
3	1	606873	FLO DIV BG46 6GPM PRI 1 NPT	33	2	618178	1 5/16MJIC-90-1 5/16MOR LBO
4	1	607504	FLO DIV B50 2-8GPM 7/8 FOR	34	2	500000	1/2MNPT HEX PIPE NIPPLE STL
5	1	610467	MODULAR MTR CONTROL ELECT VLV	35	4	614507	10CIA-10FJX-10FJX-168
6	1	614633	HYD MANIF 8200 86	36	1	505213	RED BUSH 1 TO 3/4 BLK MAL
7	1	605601	GRESEN FILTER 10 MICRON 40GPM	37	1	618579	1 1/16FJIC SWIV-3/4MNPT
8	2	607512	RELIEF VALVE, RLSO 1500 PSI	38	2	618126	9/16MJIC-9/16MOR ADPTR
9	2	618425	9/16MJIC-45-9/16MOR LBO	39	1	618279	1 1/16MJIC-90-7/8MOR LBO
10	2	620900	CYL ASSY CC2016 D00 SRG 180	40	4	618107	9/16MJIC-90-1/2MNPT LBO
11	4	618203	BARNES FLUID MOTOR HYD CUTTER	41	2	618072	7/8MOR-1/2FNPT ADPTR
12	4	618574	7/8MJIC-3/4MOR ADPTR	42	1	618577	1 5/16MJIC UNION
13	2	614649	RESTRICTOR ASSY 1-WAY	43	2	618119	9/16MJIC-90-9/16MOR LBO
14	2	611122	9/16MJIC-90-1/4MNPT LBO	44	1	618486	9/16FJIC SW RUN TEE-9/16MJIC
15	4	611125	3/4MJIC-3/4MOR ADPTR	45	2	618530	9/16MJIC-1/8MNPT ADPTR
16	1	505098	SIDE OUTLET EL 90DEG 1 NPT	46	2	614639	04CIA-06FJX-06FJX-126
17	1	505201	CLOSE NIPPLE INPT	47	4	614101	04CIA-06FJX-06FJX-133
18	1	715660	1 1/4 HOSE BARB-1 1/4MNPT	48	1	614348	16CIT-16FJX-16FJX-25
19	1	714561	1 1/4 HOSE BARB-1MNPT	49	2	614625	06CIT-06FJX-06FJX-30
20	1	505200	BLK PIPE ST EL 90DEG INPT	50	1	601289	HOSE, 1 1/4 X 144 2BR RED
21	1	714331	3/4 HOSE BARB-1MNPT	51	1	614626	06CIT-06FJX-06FJX-38
22	1	506410	BLK PIPE ST EL 90DEG 1 1/4NPT	52	1	614627	06CIT-06FJX-06FJX-45
23	1	618144	1 1/4-1MP HEX PIPE NIPPLE STL	53	1	614630	HYD TUBE ASSY 8200 AUX DRIVE
24	2	610185	9/16MOR PLUG	54	1	614631	HYD TUBE ASSY 8200 CTRL VLV
25	2	618323	7/8MJIC-45-1/2MNPT LBO	55	1	614632	HYD TUBE ASSY 8200 RET MANIF
26	3	503700	PIPE PLUG 1/2NPT SQ HD	56	2	614368	08CIT-08FJX-08FJX-60
27	2	505110	BLK PIPE ST EL 45DEG INPT	57	2	611206	04CIT-6FJX-6FJX-66
28	3	618322	1 5/16MJIC-1MNPT ADPTR	58	1	610193	9/16MJIC BLKHD BRANCH TEE
29	1	618186	1 5/16MJIC-1 5/16MOR ADPTR	59	1	615473	06CIT-06FJX-08FJX-18
30	2	618309	7/8MJIC-1 1/16MOR ADPTR	60	2	618546	1/8MNPT RUN TEE-9/16MJIC



8200 4R CUTTER W/T-TROL HYD SCHEM 86  
REFERENCE DRAWING NO. 498236

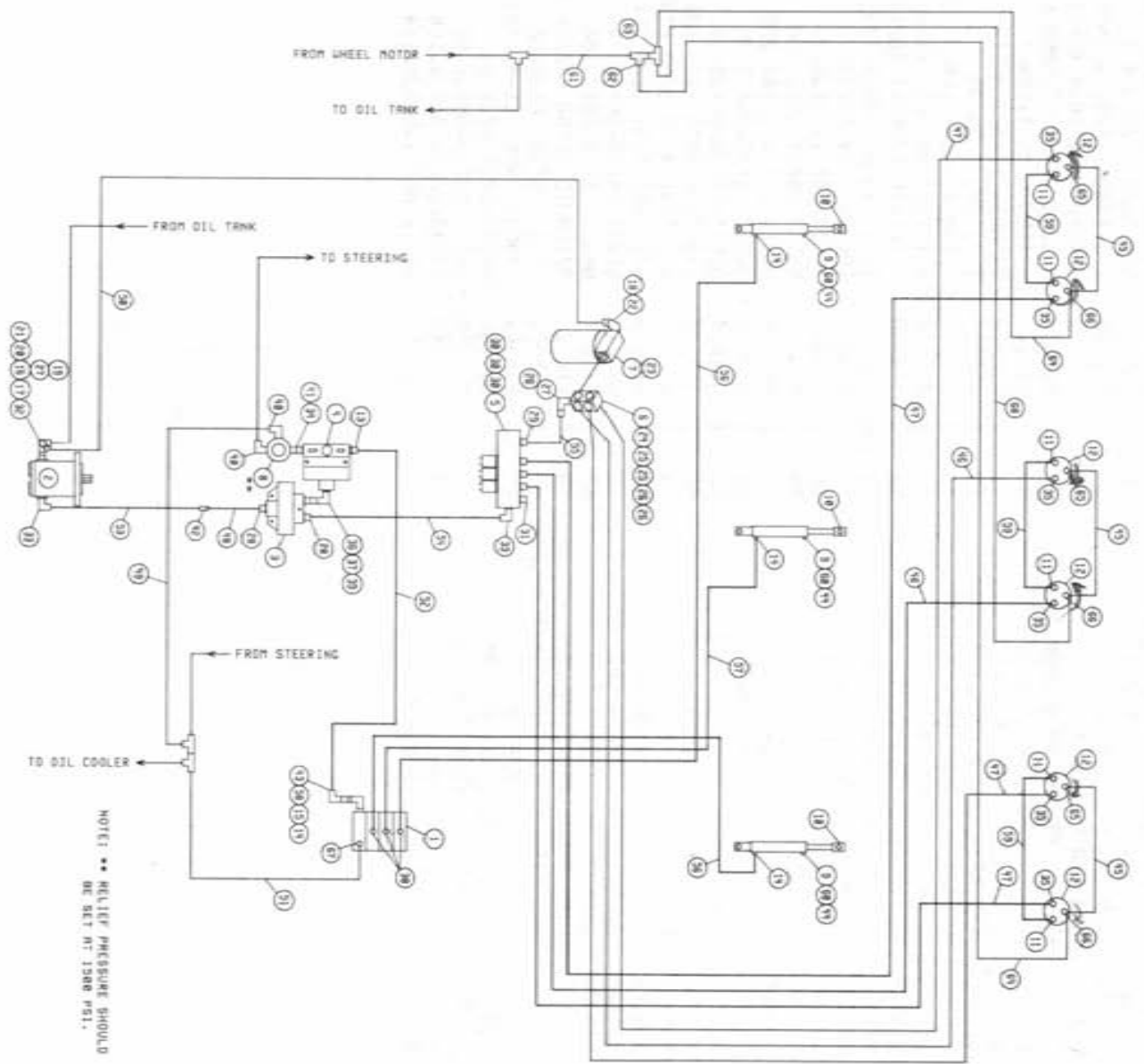
DET.	QTY	PART NO.	DESCRIPTION	DET.	QTY	PART NO.	DESCRIPTION
1	1	610483	ELECT HYD STACK VLV W/ADJ 86	33	2	618178	1 5/16MJIC-90-1 5/16MOR LBO
2	1	610444	CROSS PMP 2.74CI B-MT SPLINED	34	1	500000	1/2MNPT HEX PIPE NIPPLE STL
3	1	606873	FLO DIV BG46 66PM PRI 1 NPT	35	4	618574	7/8MJIC-3/4MOR ADPTR
4	1	607504	FLO DIV B50 2-86PM 7/8 FOR	36	1	505213	RED BUSH 1 TO 3/4 BLK MAL
5	1	610467	MODULAR MTR CONTROL ELECT VLV	37	1	618579	1 1/16FJIC SWIV-3/4MNPT
6	1	614633	HYD MANIF 8200 86	38	2	618119	9/16MJIC-90-9/16MOR LBO
7	1	605601	GRESEN FILTER 10 MICRON 40GPM	39	1	618279	1 1/16MJIC-90-7/8MOR LBO
8	1	607512	RELIEF VALVE, RL50 1500 PSI	40	2	618107	9/16MJIC-90-1/2MNPT LBO
9	2	737810	NOZL BODY .25NPT NYLON	41	1	618072	7/8MOR-1/2FNPT ADPTR
10	2	620900	CYL ASSY CC2016 D00 SRG 180	42	1	618577	1 5/16MJIC UNION
11	4	611125	3/4MJIC-3/4MOR ADPTR	43	1	618170	3/4MOR-9/16FOR ADPTR
12	4	618203	BARNES FLUID MOTOR HYD CUTTER	44	2	500005	CAP NUT .688FPS NYLON
13	1	618310	9/16MJIC-7/8MOR ADPTR	45	2	611206	04C1T-6FJX-6FJX-66
14	3	611122	9/16MJIC-90-1/4MNPT LBO	46	4	614507	10C1A-10FJX-10FJX-168
15	1	610447	HYD FILTER, INLINE 1/4FNPT 90M	47	2	614639	04C1A-06FJX-06FJX-126
16	1	505098	SIDE OUTLET EL 90DEG 1 NPT	48	1	614348	16C1T-16FJX-16FJX-25
17	1	505201	CLOSE NIPPLE INPT	49	1	614625	06C1T-06FJX-06FJX-30
18	1	715660	1 1/4 HOSE BARB-1 1/4MNPT	50	1	601289	HOSE, 1 1/4 X 144 2BR RED
19	1	714561	1 1/4 HOSE BARB-1MNPT	51	1	614626	06C1T-06FJX-06FJX-38
20	1	505200	BLK PIPE ST EL 90DEG INPT	52	1	614627	06C1T-06FJX-06FJX-45
21	1	714331	3/4 HOSE BARB-1MNPT	53	1	614630	HYD TUBE ASSY 8200 AUX DRIVE
22	1	506410	BLK PIPE ST EL 90DEG 1 1/4NPT	54	1	614631	HYD TUBE ASSY 8200 CTRL VLV
23	1	618144	1 1/4-1MP HEX PIPE NIPPLE STL	55	1	614632	HYD TUBE ASSY 8200 RET MANIF
24	1	618109	9/16MJIC-3/4MOR ADPTR	56	2	614101	04C1A-06FJX-06FJX-133
25	2	618323	7/8MJIC-45-1/2MNPT LBO	57	2	618546	1/8MNPT RUN TEE-9/16MJIC
26	3	503700	PIPE PLUG 1/2NPT SQ HD	58	1	618562	9/16MOR-90-1/4MNPT LBO
27	2	505110	BLK PIPE ST EL 45DEG INPT	59	2	614368	08C1T-08FJX-08FJX-60
28	3	618322	1 5/16MJIC-1MNPT ADPTR	60	2	738859	STRAINER 50 MESH NYLON
29	1	618186	1 5/16MJIC-1 5/16MOR ADPTR	61	1	615473	06C1T-06FJX-08FJX-18
30	2	618309	7/8MJIC-1 1/16MOR ADPTR	62	2	618530	9/16MJIC-1/8MNPT ADPTR
31	2	610186	1 1/16MOR PLUG	63	1	610193	9/16MJIC BLKHD BRANCH TEE
32	1	618090	1 5/16MOR-1FNPT ADPTR	64	1	610185	9/16MOR PLUG





8200 6R CUTTER W/O T-TROL HYD SCHEM 86  
REFERENCE DRAWING NO. 498237

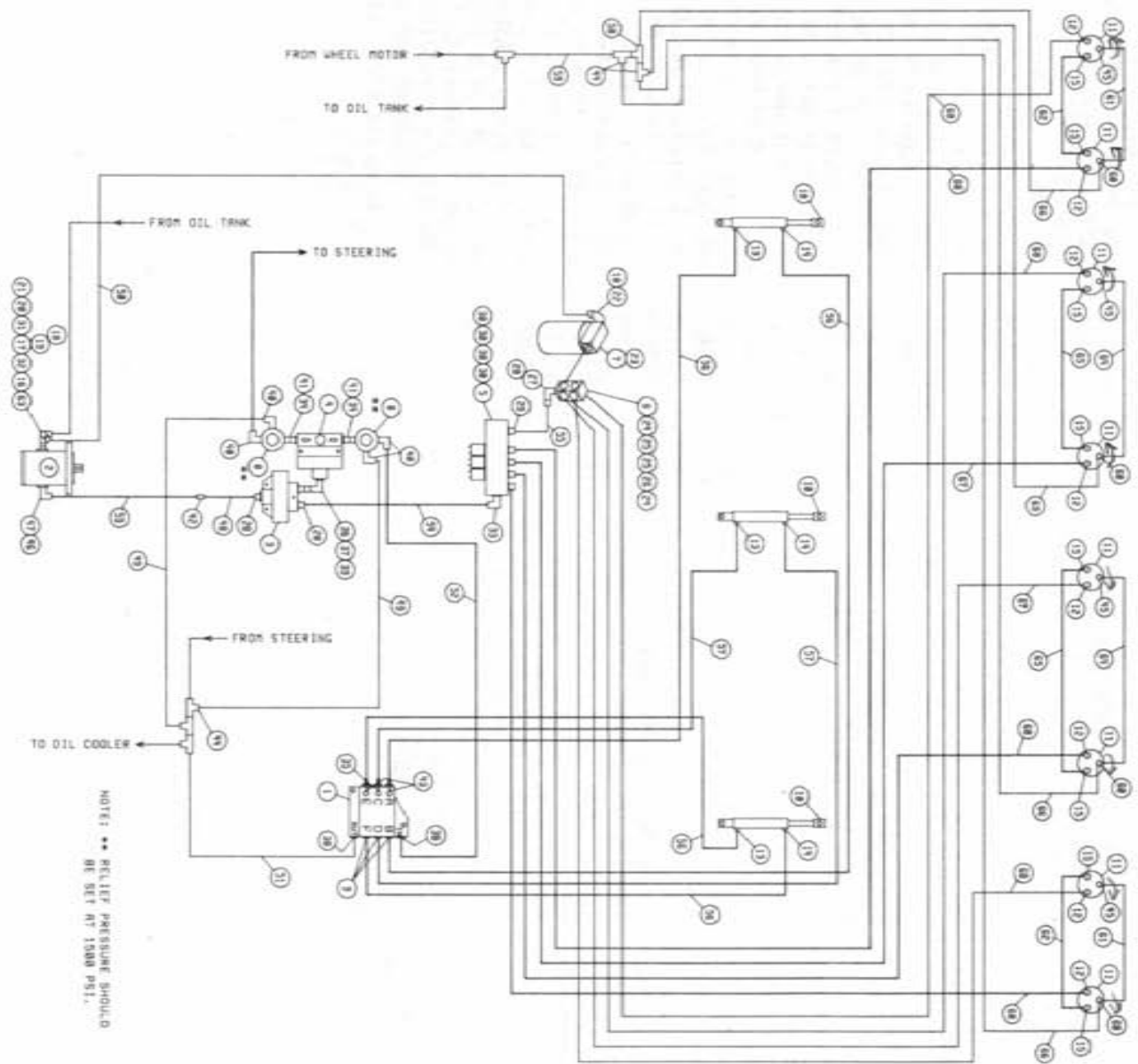
DET.	QTY	PART NO.	DESCRIPTION	DET.	QTY	PART NO.	DESCRIPTION
1	1	606585	CESSNA 3SPL VALVE W/O RELIEF	33	2	618178	1 5/16MJIC-90-1 5/16MOR LBO
2	1	610444	CROSS PMP 2.74CI B-MT SPLINED	34	2	500000	1/2MNP HEX PIPE NIPPLE STL
3	1	606873	FLO DIV B646 66PM PRI 1 NPT	35	1	618440	9/16MJIC-90-9/16MOR EX LG LBO
4	1	607504	FLO DIV 850 2-86PM 7/8 FOR	36	1	505213	RED BUSH 1 TO 3/4 BLK MAL
5	1	610467	MODULAR MTR CONTROL ELECT VLV	37	1	618579	1 1/16FJIC SWIV-3/4MNP
6	1	614633	HYD MANIF 8200 86	38	2	618126	9/16MJIC-9/16MOR ADPTR
7	1	605601	GRESSEN FILTER 10 MICRON 40GPM	39	1	618279	1 1/16MJIC-90-7/8MOR LBO
8	1	607512	RELIEF VALVE, RL50 1500 PSI	40	4	618107	9/16MJIC-90-1/2MNP LBO
9	3	618425	9/16MJIC-45-9/16MOR LBO	41	2	618072	7/8MOR-1/2FNPT ADPTR
10	3	620900	CYL ASSY CC2016 D00 SRG 180	42	1	618577	1 5/16MJIC UNION
11	6	618203	BARNES FLUID MOTOR HYD CUTTER	43	2	618119	9/16MJIC-90-9/16MOR LBO
12	6	618574	7/8MJIC-3/4MOR ADPTR	44	2	618486	9/16FJIC SW RUN TEE-9/16MJIC
13	3	614649	RESTRICTOR ASSY 1-WAY	45	3	618530	9/16MJIC-1/8MNP ADPTR
14	3	611122	9/16MJIC-90-1/4MNP LBO	46	2	614501	10CIT-10FJX-10FJX-139
15	6	611125	3/4MJIC-3/4MOR ADPTR	47	4	614624	10CIT-10FJX-10FJX-192
16	1	505098	SIDE OUTLET EL 90DEG 1 NPT	48	1	614348	16CIT-16FJX-16FJX-25
17	1	505201	CLOSE NIPPLE 1NPT	49	2	614625	06CIT-06FJX-06FJX-30
18	1	715660	1 1/4 HOSE BARB-1 1/4MNP	50	1	601289	HOSE, 1 1/4 X 144 2BR RED
19	1	714561	1 1/4 HOSE BARB-1MNP	51	1	614626	06CIT-06FJX-06FJX-38
20	1	505200	BLK PIPE ST EL 90DEG 1NPT	52	1	614627	06CIT-06FJX-06FJX-45
21	1	714331	3/4 HOSE BARB-1MNP	53	1	614630	HYD TUBE ASSY 8200 AUX DRIVE
22	1	506410	BLK PIPE ST EL 90DEG 1 1/4NPT	54	1	614631	HYD TUBE ASSY 8200 CTRL VLV
23	1	618144	1 1/4-1MP HEX PIPE NIPPLE STL	55	1	614632	HYD TUBE ASSY 8200 RET MANIF
24	1	611124	7/8MJIC-90-1/2MNP LBO	56	4	611212	04CIT-06FJX-06FJX-164
25	2	618323	7/8MJIC-45-1/2MNP LBO	57	2	614077	04CIT-06FJX-06FJX-88
26	2	503700	PIPE PLUG 1/2NPT SQ HD	58	1	610193	9/16MJIC BLKHD BRANCH TEE
27	2	505110	BLK PIPE ST EL 45DEG 1NPT	59	1	615473	06CIT-06FJX-08FJX-18
28	3	618322	1 5/16MJIC-1MNP ADPTR	60	3	618546	1/8MNP RUN TEE-9/16MJIC
29	1	618186	1 5/16MJIC-1 5/16MOR ADPTR	61	3	611206	04CIT-6FJX-6FJX-66
30	3	618309	7/8MJIC-1 1/16MOR ADPTR	62	3	614368	08CIT-08FJX-08FJX-60
31	1	610186	1 1/16MOR PLUG	63	2	611210	04CIA-06FJX-06FJX-156
32	1	618090	1 5/16MOR-1FNPT ADPTR	64	1	614152	04CIA-06FJX-06FJX-114



NOTE: \*\* RELIEF PRESSURE SHOULD BE SET AT 1500 PSI.

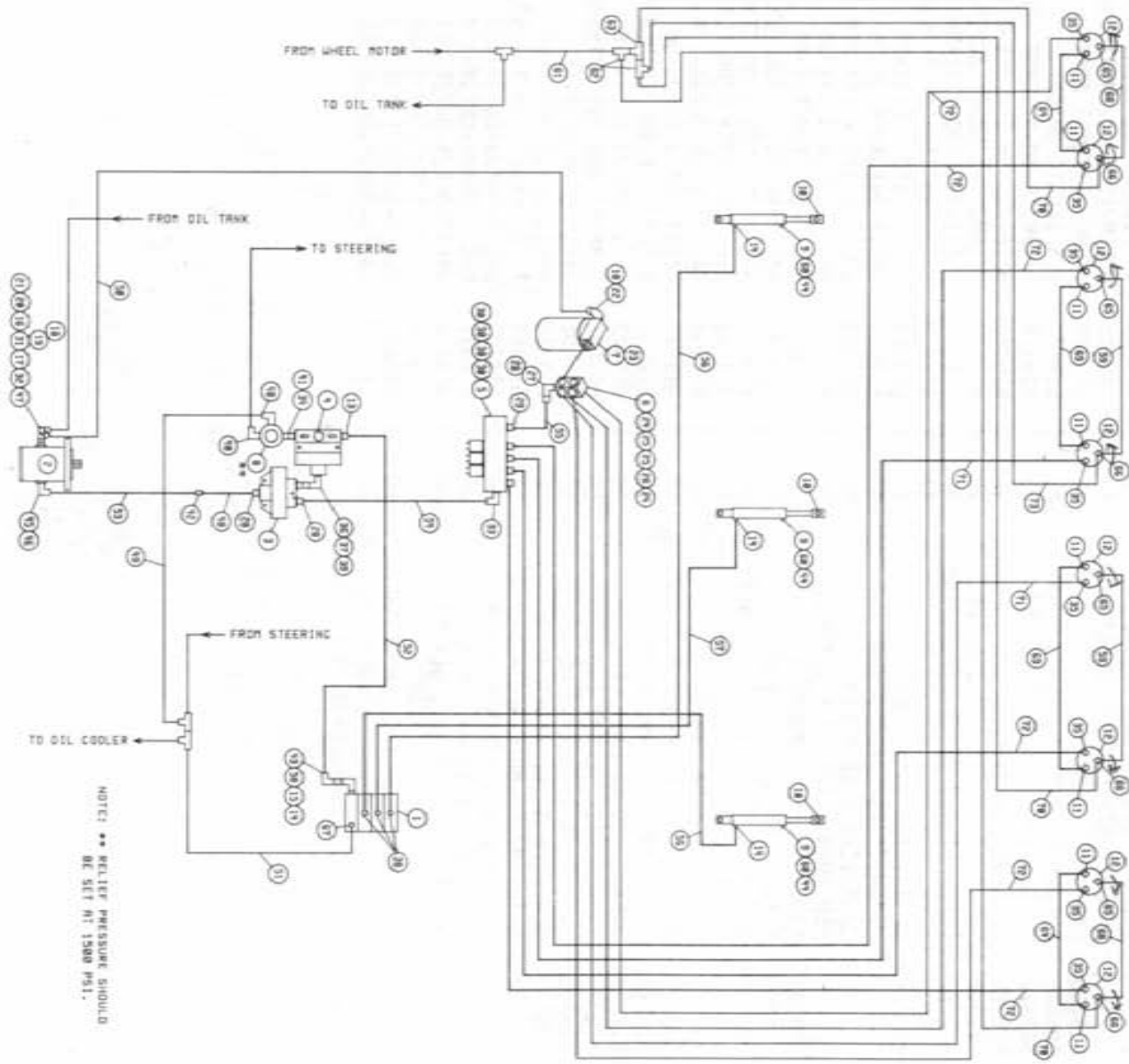
8200 GR CUTTER W/T-TRRL HYD SCHEM 86  
REFERENCE DRAWING NO. 498238

DET.	QTY	PART NO.	DESCRIPTION	DET.	QTY	PART NO.	DESCRIPTION
1	1	610483	ELECT HYD STACK VLV W/ADJ 86	35	6	618574	7/8MJIC-3/4MOR ADPTR
2	1	610444	CROSS PMP 2.74CI B-MT SPLINED	36	1	505213	RED BUSH 1 TO 3/4 BLK MAL
3	1	606873	FLO DIV BG46 6GPM PRI 1 NPT	37	1	618579	1 1/16FJIC SWIV-3/4MNPT
4	1	607504	FLO DIV 850 2-8GPM 7/8 FOR	38	3	618119	9/16MJIC-90-9/16MOR LBO
5	1	610467	MODULAR MTR CONTROL ELECT VLV	39	1	618279	1 1/16MJIC-90-7/8MOR LBO
6	1	614633	HYD MANIF 8200 86	40	2	618107	9/16MJIC-90-1/2MNPT LBO
7	1	605601	GRESEN FILTER 10 MICRON 40GPM	41	1	618072	7/8MOR-1/2FNPT ADPTR
8	1	607512	RELIEF VALVE, RL50 1500 PSI	42	1	618577	1 5/16MJIC UNION
9	3	737810	NOZL BODY .25NPT NYLON	43	1	618170	3/4MOR-9/16FOR ADPTR
10	3	620900	CYL ASSY CC2016 D00 SRG 180	44	3	500005	CAP NUT .688FPS NYLON
11	6	611125	3/4MJIC-3/4MOR ADPTR	45	3	611206	04C1T-6FJX-6FJX-66
12	6	618203	BARNES FLUID MOTOR HYD CUTTER	46	2	614501	10C1T-10FJX-10FJX-139
13	-1	618310	9/16MJIC-7/8MOR ADPTR	47	4	614624	10C1T-10FJX-10FJX-192
14	-4	611122	9/16MJIC-90-1/4MNPT LBO	48	1	614348	16C1T-16FJX-16FJX-25
15	1	610447	HYD FILTER, INLINE 1/4FNPT 90M	49	1	614625	06C1T-06FJX-06FJX-30
16	1	505098	SIDE OUTLET EL 90DEG 1 NPT	50	1	601289	HOSE, 1 1/4 X 144 2BR RED
17	1	505201	CLOSE NIPPLE 1NPT	51	1	614626	06C1T-06FJX-06FJX-38
18	1	715660	1 1/4 HOSE BARB-1 1/4MNPT	52	1	614627	06C1T-06FJX-06FJX-45
19	1	714561	1 1/4 HOSE BARB-1MNPT	53	1	614630	HYD TUBE ASSY 8200 AUX DRIVE
20	1	505200	BLK PIPE ST EL 90DEG 1NPT	54	1	614631	HYD TUBE ASSY 8200 CTRL VLV
21	1	714331	3/4 HOSE BARB-1MNPT	55	1	614632	HYD TUBE ASSY 8200 RET MANIF
22	1	506410	BLK PIPE ST EL 90DEG 1 1/4NPT	56	2	614101	04C1A-06FJX-06FJX-133
23	1	618144	1 1/4-1MP HEX PIPE NIPPLE STL	57	1	614077	04C1T-06FJX-06FJX-88
24	1	611124	7/8MJIC-90-1/2MNPT LBO	58	1	618562	9/16MOR-90-1/4MNPT LBO
25	2	618323	7/8MJIC-45-1/2MNPT LBO	59	3	614368	08C1T-08FJX-08FJX-60
26	2	503700	PIPE PLUG 1/2NPT SQ HD	60	3	738859	STRAINER 50 MESH NYLON
27	2	505110	BLK PIPE ST EL 45DEG 1NPT	61	1	615473	06C1T-06FJX-08FJX-18
28	3	618322	1 5/16MJIC-1MNPT ADPTR	62	1	618486	9/16FJIC SW RUN TEE-9/16MJIC
29	1	618186	1 5/16MJIC-1 5/16MOR ADPTR	63	1	610193	9/16MJIC BLKHD BRANCH TEE
30	3	618309	7/8MJIC-1 1/16MOR ADPTR	64	2	611210	04C1A-06FJX-06FJX-156
31	1	610186	1 1/16MOR PLUG	65	3	618530	9/16MJIC-1/8MNPT ADPTR
32	1	618090	1 5/16MOR-1FNPT ADPTR	66	3	618546	1/8MNPT RUN TEE-9/16MJIC
33	2	618178	1 5/16MJIC-90-1 5/16MOR LBO	67	1	618109	9/16MJIC-3/4MOR ADPTR
34	1	500000	1/2MNPT HEX PIPE NIPPLE STL	68	1	614152	04C1A-06FJX-06FJX-114



8200 BR CUTTER W/O T-TROL HYD SCHEM 86  
REFERENCE DRAWING NO. 498239

DET. QTY	PART NO.	DESCRIPTION	DET. QTY	PART NO.	DESCRIPTION
1	606585	CESSNA 3SPL VALVE W/O RELIEF	36	505213	RED BUSH 1 TO 3/4 BLK MAL
2	610484	SUND GEAR PMP 4.58 CI SPLINED	1	618579	1 1/16FJIC SWIV-3/4MNPT
3	606873	FLO DIV B646 6GPM PRI 1 NPT	2	618126	9/16MJIC-9/16MOR ADPTR
4	607504	FLO DIV B50 2-8GPM 7/8 FOR	1	618279	1 1/16MJIC-90-7/8MOR LBO
5	610467	MODULAR MTR CONTROL ELECT VLV	4	618107	9/16MJIC-90-1/2MNPT LBO
6	614633	HYD MANIF 8200 86	2	618072	7/8MOR-1/2FNPT ADPTR
7	605601	GRESEN FILTER 10 MICRON 40GPM	1	618577	1 5/16MJIC UNION
8	607512	RELIEF VALVE, RL50 1500 PSI	2	618119	9/16MJIC-90-9/16MOR LBO
9	618425	9/16MJIC-45-9/16MOR LBO	3	618486	9/16FJIC SW RUN TEE-9/16MJIC
10	620900	CYL ASSY CC2016 D00 SRG 180	4	618530	9/16MJIC-1/8MNPT ADPTR
11	618203	BARNES FLUID MOTOR HYD CUTTER	1	618324	1 5/16MJIC-90-1 1/4MNPT LBO
12	618574	7/8MJIC-3/4MOR ADPTR	47	618550	1 1/4FNPT 4-BOLT FLANGE W/HDM
13	614649	RESTRICTOR ASSY 1-WAY	1	614348	16CIT-16FJX-16FJX-25
14	611122	9/16MJIC-90-1/4MNPT LBO	49	614625	06CIT-06FJX-06FJX-30
15	611125	3/4MJIC-3/4MOR ADPTR	50	601289	HOSE, 1 1/4 X 144 2BR RED
16	507015	RED BUSH 1 1/2 TO 1 1/4 MAL	51	614626	06CIT-06FJX-06FJX-38
17	506701	SIDE OUTLET EL 90DEG 1 1/4NPT	52	614627	06CIT-06FJX-06FJX-45
18	715660	1 1/4 HOSE BARB-1 1/4MNPT	53	614630	HYD TUBE ASSY 8200 AUX DRIVE
19	506409	BLK PIPE ST EL 45DEG 1 1/4NPT	54	614631	HYD TUBE ASSY 8200 CTRL VLV
20	505200	BLK PIPE ST EL 90DEG 1NPT	55	614632	HYD TUBE ASSY 8200 RET MANIF
21	714331	3/4 HOSE BARB-1MNPT	56	611246	04C1A-06FJX-06FJX-174
22	506410	BLK PIPE ST EL 90DEG 1 1/4NPT	57	614077	04C1T-06FJX-06FJX-88
23	618144	1 1/4-IMP HEX PIPE NIPPLE STL	58	610193	9/16MJIC BLKHD BRANCH TEE
24	611124	7/8MJIC-90-1/2MNPT LBO	59	615473	06CIT-06FJX-08FJX-18
25	618323	7/8MJIC-45-1/2MNPT LBO	60	618546	1/8MNPT RUN TEE-9/16MJIC
26	503700	PIPE PLUG 1/2NPT SQ HD	61	611206	04C1T-6FJX-6FJX-66
27	505110	BLK PIPE ST EL 45DEG 1NPT	62	614368	08C1T-08FJX-08FJX-60
28	618322	1 5/16MJIC-1MNPT ADPTR	63	618568	1.50 4-BOLT FLG X 1.50 NPTF
29	618186	1 5/16MJIC-1 5/16MOR ADPTR	64	614101	04C1A-06FJX-06FJX-133
30	618309	7/8MJIC-1 1/16MOR ADPTR	65	614425	08C1T-08FJX-08FJX-132
31	506005	RED BUSH 1 1/4 TO 1 BLK MAL	66	614154	04C1T-06FJX-06FJX-221
32	506200	CLOSE NIPPLE 1 1/4NPT	67	614501	10C1T-10FJX-10FJX-139
33	618178	1 5/16MJIC-90-1 5/16MOR LBO	68	614641	10C1T-10FJX-10FJX-276
34	500000	1/2MNPT HEX PIPE NIPPLE STL	69	614152	04C1A-06FJX-06FJX-114
35	618440	9/16MJIC-90-9/16MOR EX LG LBO			



8200 BR CUTTER W/T-TROL HYD SCHEM 86  
REFERENCE DRAWING NO. 498240

DET.	QTY	PART NO.	DESCRIPTION	DET.	QTY	PART NO.	DESCRIPTION
1	1	610483	ELECT HYD STACK VLV W/ADJ 86	38	3	618119	9/16MJIC-90-9/16MOR LBO
2	1	610484	SUND GEAR PMP 4.58 CI SPLINED	39	1	618279	1 1/16MJIC-90-7/8MOR LBO
3	1	606873	FLO DIV B646 66PM PRI 1 NPT	40	2	618107	9/16MJIC-90-1/2MNP LBO
4	1	607504	FLO DIV B50 2-86PM 7/8 FOR	41	1	618072	7/8MOR-1/2FNPT ADPTR
5	1	610467	MODULAR MTR CONTROL ELECT VLV	42	1	618577	1 5/16MJIC UNION
6	1	614633	HYD MANIF 8200 86	43	1	618170	3/4MOR-9/16FOR ADPTR
7	1	605601	GRESEN FILTER 10 MICRON 40GPM	44	3	500005	CAP NUT .688FPS NYLON
8	1	607512	RELIEF VALVE, RL50 1500 PSI	45	1	618550	1 1/4FNPT 4-BOLT FLANGE W/HDM
9	3	737810	NOZL BODY .25NPT NYLON	46	1	618324	1 5/16MJIC-90-1 1/4MNP LBO
10	3	620900	CYL ASSY CC2016 D00 SRG 180	47	1	618568	1.50 4-BOLT FLG X 1.50 NPTF
11	8	611125	3/4MJIC-3/4MOR ADPTR	48	1	614348	16CIT-16FJX-16FJX-25
12	8	618203	BARNES FLUID MOTOR HYD CUTTER	49	1	614625	06CIT-06FJX-06FJX-30
13	1	618310	9/16MJIC-7/8MOR ADPTR	50	1	601289	HOSE, 1 1/4 X 144 2BR RED
14	4	611122	9/16MJIC-90-1/4MNP LBO	51	1	614626	06CIT-06FJX-06FJX-38
15	1	610447	HYD FILTER, INLINE 1/4FNPT 90M	52	1	614627	06CIT-06FJX-06FJX-45
16	1	506005	RED BUSH 1 1/4 TO 1 BLK MAL	53	1	614630	HYD TUBE ASSY 8200 AUX DRIVE
17	1	506200	CLOSE NIPPLE 1 1/4NPT	54	1	614631	HYD TUBE ASSY 8200 RET MANIF
18	2	715660	1 1/4 HOSE BARB-1 1/4MNP	55	1	614632	HYD TUBE ASSY 8200 RET MANIF
19	1	506409	BLK PIPE ST EL 45DEG 1 1/4NPT	56	2	611246	04C1A-06FJX-06FJX-174
20	1	505200	BLK PIPE ST EL 90DEG INPT	57	1	614077	04C1T-06FJX-06FJX-88
21	1	714331	3/4 HOSE BARB-1MNP	58	1	618562	9/16MOR-90-1/4MNP LBO
22	1	506410	BLK PIPE ST EL 90DEG 1 1/4NPT	59	2	614101	04C1A-06FJX-06FJX-133
23	1	618144	1 1/4-1MP HEX PIPE NIPPLE STL	60	3	738859	STRAINER 50 MESH NYLON
24	2	611124	7/8MJIC-90-1/2MNP LBO	61	1	615473	06CIT-06FJX-08FJX-18
25	2	618323	7/8MJIC-45-1/2MNP LBO	62	2	618486	9/16FJIC SW RUN TEE-9/16MJIC
26	1	503700	PIPE PLUG 1/2NPT SQ HD	63	1	610193	9/16MJIC BLKHD BRANCH TEE
27	1	505110	BLK PIPE ST EL 45DEG INPT	64	2	614368	08C1T-08FJX-08FJX-50
28	3	618322	1 5/16MJIC-1MNP ADPTR	65	4	618530	9/16MJIC-1/8MNP ADPTR
29	1	618186	1 5/16MJIC-1 5/16MOR ADPTR	66	4	618546	1/8MNP RUN TEE-9/16MJIC
30	4	618309	7/8MJIC-1 1/16MOR ADPTR	67	1	618109	9/16MJIC-3/4MOR ADPTR
31	1	506701	SIDE OUTLET EL 90DEG 1 1/4NPT	68	2	611206	04C1T-6FJX-6FJX-66
32	1	507015	RED BUSH 1 1/2 TO 1 1/4 MAL	69	2	614425	08C1T-08FJX-08FJX-132
33	1	618178	1 5/16MJIC-90-1 5/16MOR LBO	70	3	614154	04C1T-06FJX-06FJX-221
34	1	500000	1/2MNP HEX PIPE NIPPLE STL	71	2	614501	10C1T-10FJX-10FJX-139
35	8	618574	7/8MJIC-3/4MOR ADPTR	72	6	614641	10C1T-10FJX-10FJX-276
36	1	505213	RED BUSH 1 TO 3/4 BLK MAL	73	1	614152	04C1A-06FJX-06FJX-114
37	1	618579	1 1/16FJIC SWIV-3/4MNP				

ABBREVIATIONS

ADPTR - Adapter  
DET - Detail  
FNPT - Female National Pipe Thread  
FOR - Female O-Ring  
MJIC - Male J.I.C.  
MOR - Male O-Ring  
P/N - Part Number  
QTY - Quantity  
REF - Reference  
REQ - Required  
ST - Street  
SMIV - Swivel  
UNC - Unified National Course (Thread)  
UNF - Unified National Fine (Thread)  
W/ - With  
WLD - Weldment



INDEX

-A-

ADAPTOR, FAN.....4  
 AIR CLEANER.....25  
     BAND.....25  
     FILTER.....25  
     HOSE.....25  
 AIR INTAKE  
     CLAMP.....5  
     TUBE.....5  
 AIR POT.....52  
     BRACKET.....52  
 AIR STACK CAP.....25  
 ALTERNATOR.....4,6  
     ADJUSTMENT ARM.....4  
     SPACER.....4  
 ARM, STEERING.....16,18  
 AUXILIARY PUMP.....36

-B-

BAND,  
     AIR CLEANER.....25  
     FUEL TANK.....23  
 BATTERY.....33  
     BOX.....33  
     BOX SUPPORT.....33  
     CABLE.....33  
     BATTERY HOLD DOWN.....33  
     BEARING.....47  
     LINER.....16,18  
 BELT.....4,6  
 BRACKET,  
     MALE CORN CUTTER.....49  
     MOTOR CONTROL VALVE.....37  
     PIVOT.....53  
     THROTTLE CABLE.....5,30  
 BRAKE,  
     CABLE.....16,18,28  
     CLIP RETAINER.....16,18  
     DISC.....16,18  
     HUB.....16,18  
     LEVER.....28  
     PAD.....16,18

-C-

CABLE,  
     BATTERY.....33  
     BRAKE.....16,18  
     HYDROSTATIC.....7,30  
     THROTTLE.....31  
 CAM.....52  
 CANOPY DEFLECTOR.....28

CAP,

    AIR STACK.....25  
     DISTRIBUTOR.....5  
     GAS.....23  
     PLUG.....29  
     RADIATOR.....11  
     STEERING WHEEL.....32  
 CARBURATOR.....4  
 CARRIAGE PIN.....34  
 CHARGE PUMP.....9,10  
 CHOKE CONTROL.....29  
 CIRCUIT BOARD.....39  
     MOUNT.....39  
 CLAMP, SENSOR.....53  
 COLUMN, STEERING.....32  
 CONSOLE.....29  
 CONTROL LEVER.....30  
     EXTENSION.....9,10  
     MOUNT.....30  
 CRADLE, FUEL TANK.....23  
 CUTTER  
     BLADE.....48,49  
     HEAD.....48  
     TOP.....48,49  
 CYLINDER  
     LIFT.....44,45  
     STEERING.....26

-D-

DECALS.....60,61  
 DEFLECTOR,  
     CANOPY.....28  
     CENTER.....43  
     TASSSEL.....46  
 DIFFUSER, LINE.....24  
 DIPSTICK.....24  
 DISC,  
     BRAKE.....16,18  
     FRICTION.....31  
     SENSOR.....16,18  
     DISTRIBUTOR CAP.....5  
     DUST CAP.....47

-E-

ELECTRIC STACK VALVE.....40,41  
 ENGINE,  
     CHRYSLER.....4,5  
     ISOLATOR.....6  
     PERKINS.....6,7  
     EXHAUST PIPE.....15  
     MOUNTING BRACKET.....15

-F-

FAN.....4  
 ADAPTER.....4  
 FILTER,.....7  
 AIR CLEANER.....25  
 INLINE.....40  
 OIL.....4,24  
 FILLER RING.....5  
 FLAG SENSOR.....53  
 FLASHER.....29  
 LIGHT.....35  
 FLOW DIVIDER.....12,13  
 MOUNTING BRACKET.....12,13  
 FOLD CYLINDER.....51  
 FRICTION DISC.....31  
 FUEL

FILTER.....4,23  
 GAUGE.....29  
 SELECTOR VALVE.....23  
 SENDER.....23  
 FUEL TANK.....23  
 BAND.....23  
 CRADLE.....23  
 FUSE.....29

-G-

GAS CAP.....23  
 GASKET.....5  
 AUX PUMP.....9,10  
 CHARGE PUMP.....9,10  
 OIL TANK.....24  
 GAUGE,

FUEL.....29  
 TEMPERATURE.....29  
 GOVERNOR.....5  
 CONTROL ROD.....5  
 MOUNTS.....5  
 SPACER.....5  
 GROUND STRAP.....5,33

-H-

HANDLE VALVE.....38  
 HANGER BEARING.....53  
 HEAT SHIELD.....15  
 EXHAUST SHIELD.....4  
 HINGE GUARD PLATE.....50  
 HOIST COLUMN.....43  
 HOOD PROP.....35  
 HOSE,  
 KEEPER RING.....43  
 RADIATOR.....4

HYDRAULIC,.....29

HOUR METER.....29  
 MANIFOLD.....54  
 MOTOR.....46,47,48,49  
 TUBE.....16,18  
 HYDROSTATIC CABLE.....7,30

-I-

IGNITION  
 MODULATOR.....5  
 SWITCH.....29  
 INDICATOR LIGHT.....29,39  
 SUN SHIELD.....29  
 INLINE FILTER.....40  
 INSULATOR, ENGINE.....6

-L-

LADDER.....34  
 LARGE MANIFOLD.....8  
 LEG,  
 FRONT.....16,18  
 KEEPER.....16,17,18,19,20  
 REAR.....17,19,20  
 LEVER, THROTTLE.....31  
 LIFTARM.....43  
 LIFT CYLINDER.....44,45  
 LIGHT.....28  
 SWITCH.....29  
 LINE DIFFUSER.....24

-M-

MALE CORN CUTTER.....49  
 MANIFOLD,  
 HYDRAULIC.....54  
 MOUNT.....8  
 METER, HOUR.....29  
 MICRO SWITCH.....30,52  
 MOTOR,  
 CONTROL VALVE.....37  
 HYDRAULIC.....46,47,48,49  
 MOUNT.....4,6  
 STEERING.....32  
 MOUNT,  
 ALTERNATOR.....4  
 BRAKE HUB.....16,18  
 CIRCUIT BOARD.....39  
 CONTROL CABLE.....5  
 CONTROL LEVER.....30  
 GOVERNOR.....5  
 POSITRACTION VALVE.....14  
 RADIATOR.....11

SEAT.....28  
 SENSOR.....16,18  
 STARTER SOLENOID.....5  
 TACH SENSOR.....5  
 THROTTLE CABLE.....7,31  
 TOOL BAR.....43  
 WATER TRAP.....7  
 MOUNTING  
 BRACKET, FLOW DIVIDER.....12  
 SOCKET.....35  
 MUFFLER.....15

-0-

OIL  
 COOLER.....11  
 SENDER.....5,7  
 OIL TANK.....24  
 SPACER.....24  
 STRAP.....24  
 OPERATOR STATION STEP.....28  
 OUTPUT SHAFT.....5  
 OUTRIGGER.....42,50

-P-

PIN CARRIAGE.....34  
 PRESSURE CAP.....24  
 PUMP,  
 AUXILIARY.....36  
 EATON.....10  
 SUNDSTRAND.....9

-R-

RADIATOR.....11  
 CAP.....11  
 DRAIN COCK.....11  
 HOSE.....4  
 MOUNT.....11  
 RECOVERY TANK.....11  
 SHROUD.....11  
 RAIN CAP.....15  
 RELIEF VALVE.....8,12  
 RIM.....21  
 ROLLER HEAD.....46  
 RUBBER HOOK.....35

-S-

SEAL KIT.....8  
 SEAT.....28  
 MOUNT.....28

SENDER,  
 FUEL.....23  
 OIL.....5,7  
 TEMPERATURE.....4,6  
 SENSOR,  
 ARM, T-TROL.....53  
 CLAMP.....53  
 DISC.....16,18  
 FLAG.....53  
 MOUNT.....16,18  
 SPEEDOMETER TACH.....16,18  
 SHEAVE.....4,5  
 SHEET METAL.....35  
 SHIELD,

HEAT.....15  
 INDICATOR LIGHT SUN.....29  
 WORK STATION.....50  
 SHROUD, RADIATOR.....11  
 SIDERAIL.....34  
 SIDE SCREEN.....11  
 SLOW MOVING VEHICLE SIGN.....35  
 SOCKET, MOUNTING.....35  
 SOLENOID  
 COIL.....37  
 VALVE.....37

SPACER,  
 ALTERNATOR.....4  
 FAN.....4  
 OIL TANK.....24  
 SPEEDOMETER.....29  
 STALK GUIDE.....22,46,47,48  
 STARTER SOLENOID.....5  
 STATION PANEL.....28  
 STEERING,  
 ARM.....16,18  
 COLUMN.....32  
 COLUMN COVER.....32  
 CYLINDER.....26  
 MOTOR.....32  
 WHEEL.....32  
 WHEEL CAP.....32

STRAP,  
 GROUND.....5,33  
 OIL TANK.....24  
 SUPPORT, BATTERY BOX.....33  
 SWITCH,  
 IGNITION.....29  
 LIGHT.....29  
 MICRO.....30  
 PLATE COVER.....38  
 TOGGLE.....29  
 TRACTION VALVE.....28

-T-

TACH SENSOR MOUNT.....	5
TAILLIGHT.....	35
TANK,	
FUEL.....	23
OIL.....	24
TASSEL DEFLECTOR.....	46
TASSEL TROL BOX.....	52
TEMPERATURE	
GAUGE.....	29
SENDER.....	4,6
THROTTLE CABLE.....	31
BRACKET.....	5
THROTTLE LEVER.....	31
TIE ANGLE.....	15
TIE PLATE.....	15
TIE ROD.....	27
TIRE.....	21,27
TIRE PULLER.....	47
TOGGLE SWITCH.....	29
TOOL BAR.....	42,43
MOUNT.....	43
TORQUE HUB.....	16,18
TRACTION VALVE.....	14

-V-

VALVE,	
CESSNA 3-SPool.....	38
ELECTRIC STALK.....	40,41
FUEL SELECTOR.....	23
HANDLE.....	38
HANDLE LINK.....	38
MOTOR CONTROL.....	37
POSITRACTION.....	14
RELIEF.....	12
TRACTION.....	14
TRACTION SWITCH.....	28
VOLTAGE REGULATOR.....	4,6

-W-

WATER TRAP.....	6
MOUNT.....	6
WHEEL MOTOR.....	16,17,18,19,20
SHIELD.....	16,18
WHEEL, STEERING.....	32
WORK STATION SHIELD.....	50