

PARTS MANUAL
FOR

HAGIE MODEL 8200 DETASSELERS

HAGIE MANUFACTURING COMPANY

BOX 273 CLARION, IOWA 50525

(515) 532-2861

COVERS MACHINE SERIAL NUMBERS:

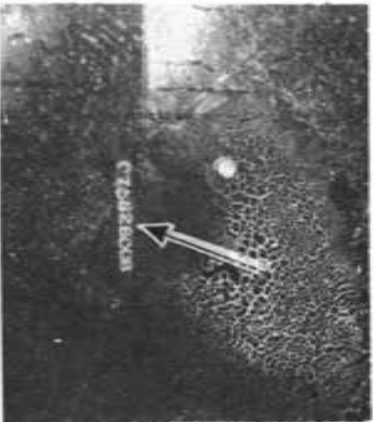
061668001 THRU 061668100
061768001 THRU 061768100
064568001 THRU 064568100

8-86 493104

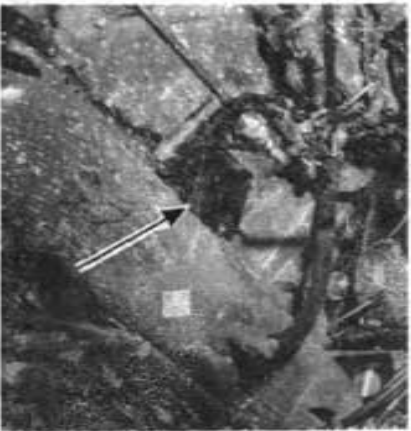
DETASSELER IDENTIFICATION

Each Hagie detasseler is identified by means of a frame serial number. This serial number denotes the model, year in which it was built, and the number of the detasseler. As for further identification, the engine has a serial number, the hydrostatic pump has a serial number, the wheel motors have identification tags, and the planetary hubs have identification plates that describe the type of mount and gear ratio. To insure prompt, efficient service when ordering parts or requesting service repairs from Hagie Manufacturing Company, record the serial and identification numbers in the space provided below.

Note: Reference to left hand and right hand used throughout this manual refers to the position when seated in the operator's seat facing forward.



DETASSELER SERIAL NUMBER



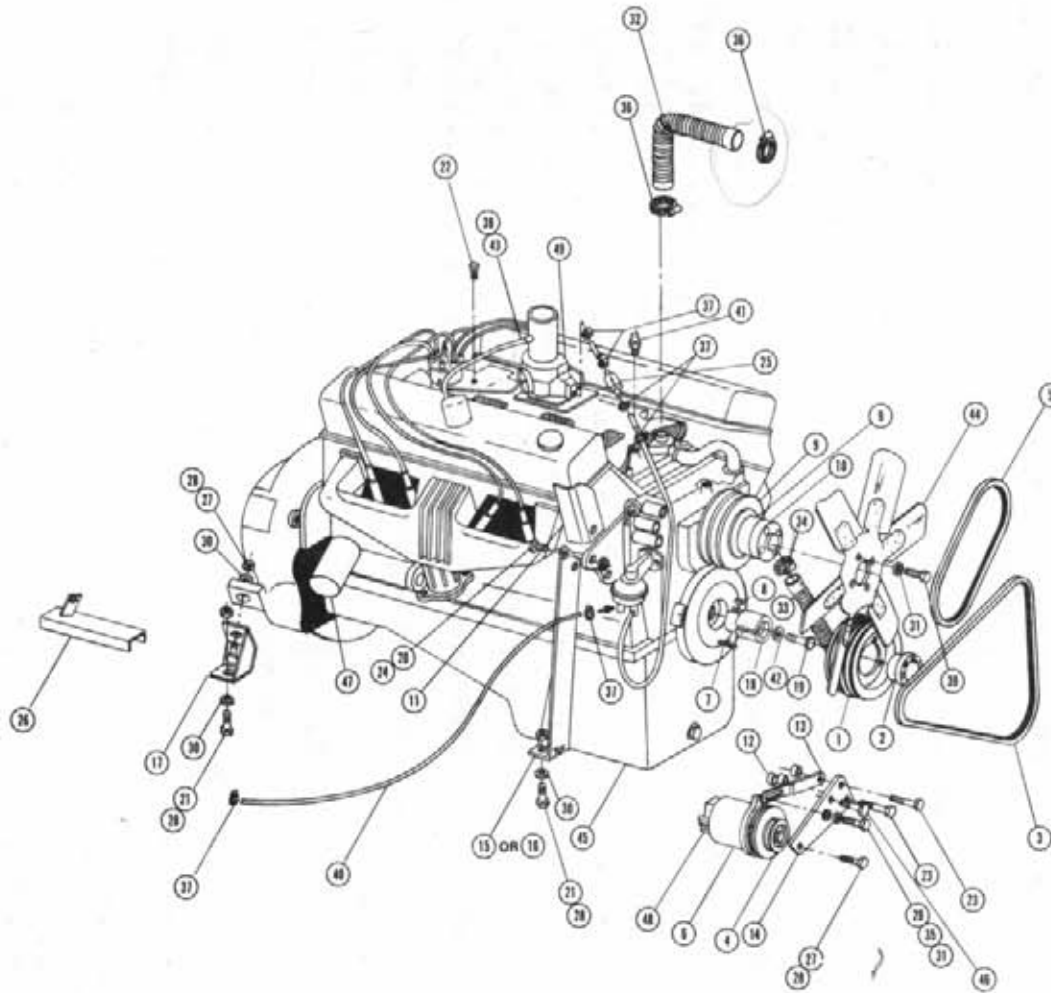
ENGINE SERIAL NUMBER

TABLE OF CONTENTS

Engine Assembly.....	4-14
Radiator And Oil Cooler Assembly.....	15
Flow Divider And Solenoid Valve.....	16-18
Exhaust Pipe.....	19
Leg Assembly.....	20-24
Tire Assembly And Stalk Guide.....	25-26
Fuel And Oil Tanks.....	27-29
Steering Cylinder.....	30
Tie Rod Assembly.....	31
Operator Station.....	32-36
Battery And Air Cleaner.....	37-38
Miscellaneous Frame Components.....	39
Sheet Metal.....	40
Motor Control Valve Assembly.....	41
Sundstrand And Cross Pump.....	42
Return Manifold Filter Assembly.....	43
Three-Spool Valve Assembly.....	44
Tasselrol Cover Assembly.....	45
Electrohydraulic Valve.....	46-47
Outrigger And Lift Assembly.....	48-51
Roller And Tire Puller Assembly.....	52-53
Cutter And Male Corn Cutter Assembly.....	54-55
Personnel Carrier Assembly.....	56-57
Tasselrol Components.....	58-59
Planetary Gear Assembly.....	60-63
Decals.....	64-67
Electrical Schematic.....	68-69
Hydraulic Schematic.....	70-106
Abbreviations.....	107
Index.....	108

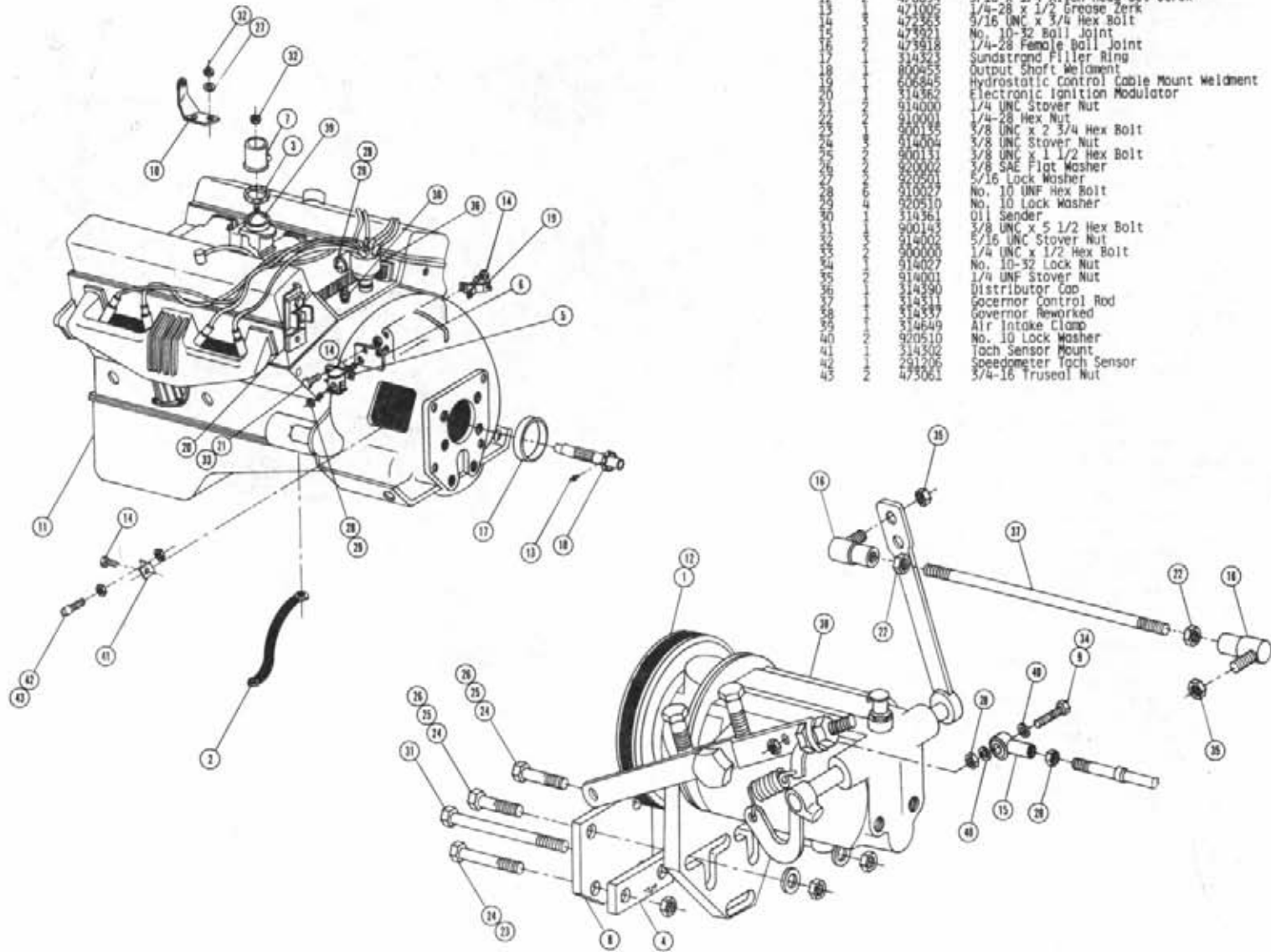
CHRYSLER ENGINE ASSEMBLY FOR BELT DRIVE AUX PUMP

Det.	Qty.	P/N	Description
1	1	140068	5 Groove Sheave
2	1	140020	2" Bore Bushing
3	1	140021	N7520 Gates Belt
4	1	141022	Alternator Sheave
5	1	149109	3V500 Belt
6	1	310093	55 AMP Alternator
7	1	311030	Sheave Key
8	1	311031	Crank Adapter Key
9	2	311038	Fan Spacer
10	1	319614	Fan Adapter
11	1	314303	Exhaust Manifold Heat Shield
12	3	311041	Alternator Spacer
13	1	314309	Alternator Adjusting Arm
14	1	314310	Alternator Mount
15	1	341348	Left Front Motor Mount Weldment
16	1	341351	Right Front Motor Mount Weldment
17	2	341353	Rear Motor Mount Weldment
18	1	314424	Engine Sheave Adaptor
19	1	470153	3/4 UNF x 4 1/2 Hex Bolt
20	4	914006	7/16 UNC Stover Nut
21	4	900265	1/2 UNC x 1 1/2 Hex Bolt
22	1	502800	3/8 Pipe Plug
23	2	900143	3/8 UNC x 5 1/2 Hex Bolt
24	4	900198	7/16 UNC x 1 3/4 Hex Bolt
25	1	314388	Fuel Filter
26	1	314428	Cable Heat Shield Weldment
27	3	900283	1/2 UNC x 2 1/4 Hex Bolt
28	7	914008	1/2 UNC Lock Nut
29	1	920001	5/16 Flat Washer
30	6	920004	1/2 Flat Washer
31	5	920501	5/16 Lock Washer
32	1	314327	Upper Radiator Hose
33	1	314417	Lower Radiator Hose
34	2	520067	#28 Hose Clamp
35	1	900064	5/16 UNC x 3/4 Hex Bolt
36	2	520085	#24 Hose Clamp
37	6	520120	#6 Hose Clamp
38	2	520070	#8 Hose Clamp
39	4	900086	5/16 UNC x 2 1/4 Hex Bolt
40	1	601263	5/16 UNC x 144" Hose
41	1	314437	Temperature Sender
42	1	920006	3/4 SAE Flat Washer
43	1	601151	5/8 x 12" Heater Hose
44	1	314435	19 Inch PLR Fan W/2.25 Pitch
45	1	314728	Chrysler 318 Engine
46	1	900132	3/8 UNC x 1 3/4 Hex Bolt
47	1	319260	Oil Filter
48	1	310102	Voltage Regulator
49	1	314453	Holley Carburetor

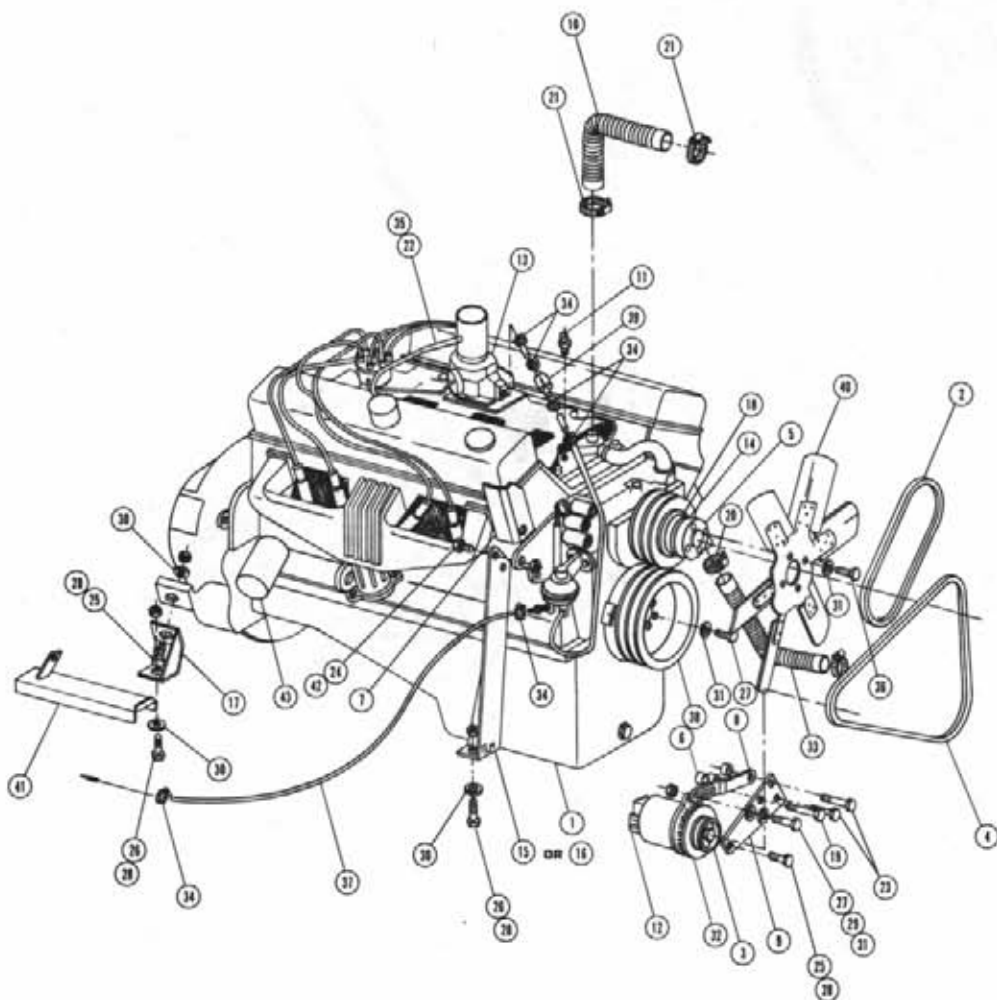


CHRYSLER ENGINE ASSEMBLY FOR BELT DRIVE AUX. PUMP

Det.	Qty.	P/N	Description
1	1	147030	6" O.D. Sheave
2	1	290109	8" Ground Strap
3	1	870334	Gasket
4	1	311040	Governor Spacer
5	1	310491	Starter Solenoid
6	1	311021	Starter Solenoid Mount
7	1	314732	Air Intake Tube Weldment
8	1	311044	Governor Mount Weldment
9	1	303833	No. 10-32 x 1 Round Head Machine Screw
10	1	314421	Throttle Cable Bracket
11	1	314778	Chrysler 318 Engine
12	1	470054	5/16 x 1/4 Allen Head Set Screw
13	1	421005	1/4-28 x 1/2 Grease Zerk
14	1	422555	9/16 UNC x 3/4 Hex Bolt
15	1	473921	No. 10-32 Ball Joint
16	1	473918	1/4-28 Female Ball Joint
17	1	314323	Sundastrand Filler Ring
18	1	800453	Output Shaft Weldment
19	1	606505	Hydrostatic Control Cable Mount Weldment
20	1	314362	Electronic Ignition Modulator
21	1	914000	1/4 UNC Stover Nut
22	1	910001	1/4-28 Hex Nut
23	1	900135	3/8 UNC x 2 3/4 Hex Bolt
24	1	914004	3/8 UNC Stover Nut
25	1	900131	3/8 UNC x 1 1/2 Hex Bolt
26	1	920002	3/8 SAE Flat Washer
27	1	920501	5/16 Lock Washer
28	1	910027	No. 10 UNF Hex Bolt
29	1	920510	No. 10 Lock Washer
30	1	314361	Oil Sender
31	1	900183	3/8 UNC x 5 1/2 Hex Bolt
32	1	914002	5/16 UNC Stover Nut
33	1	900000	1/4 UNC x 1/2 Hex Bolt
34	1	914027	No. 10-32 Lock Nut
35	1	914001	1/4 UNF Stover Nut
36	1	314390	Distributor Cap
37	1	314311	Governor Control Rod
38	1	314337	Governor Reworked
39	1	314649	Air Intake Clamp
40	1	920510	No. 10 Lock Washer
41	1	314302	Tach Sensor Mount
42	1	251209	Speedometer Tach Sensor
43	1	473061	3/4-16 Trused Nut



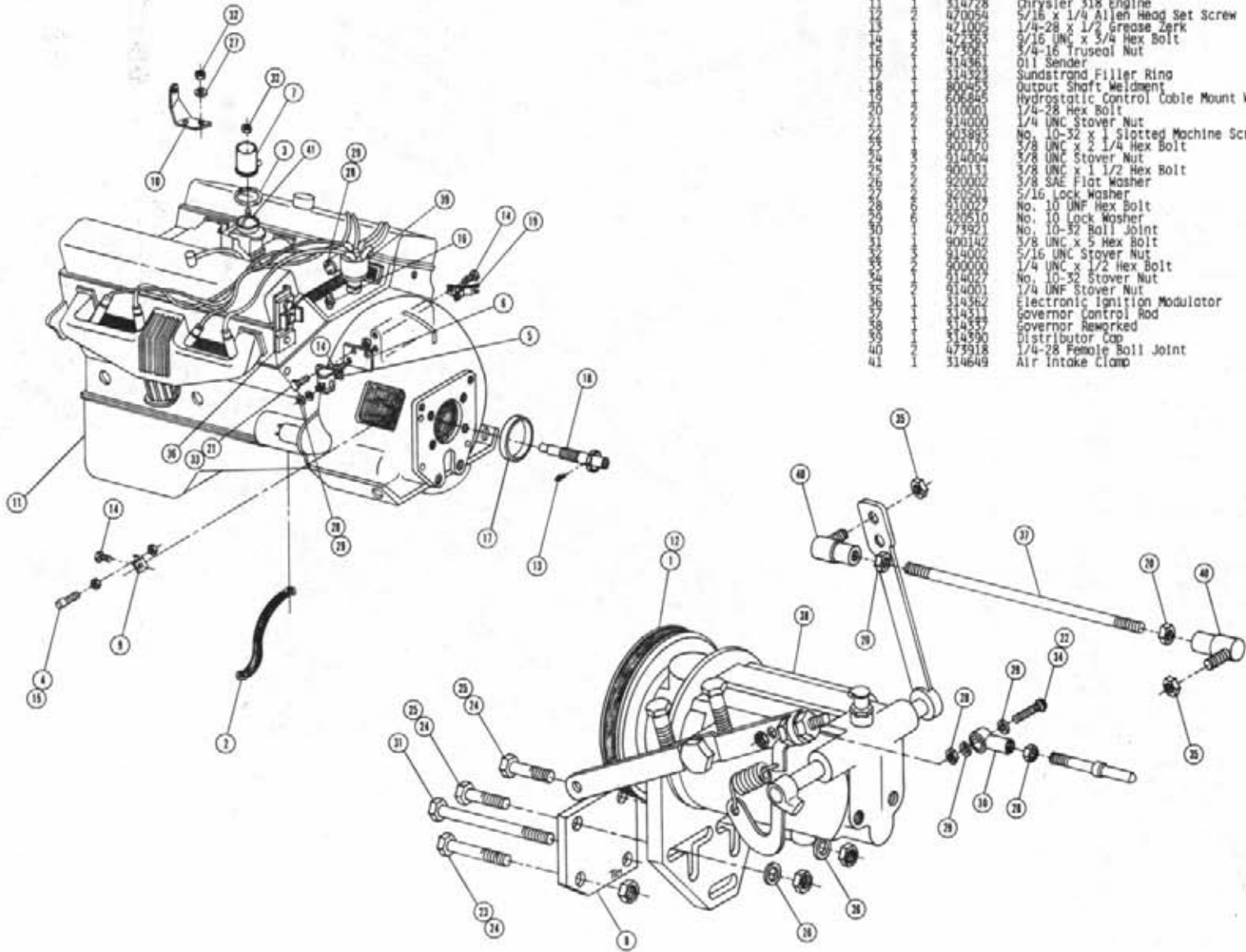
CHRYSLER ENGINE ASSEMBLY FOR DIRECT DRIVE AUX PUMP



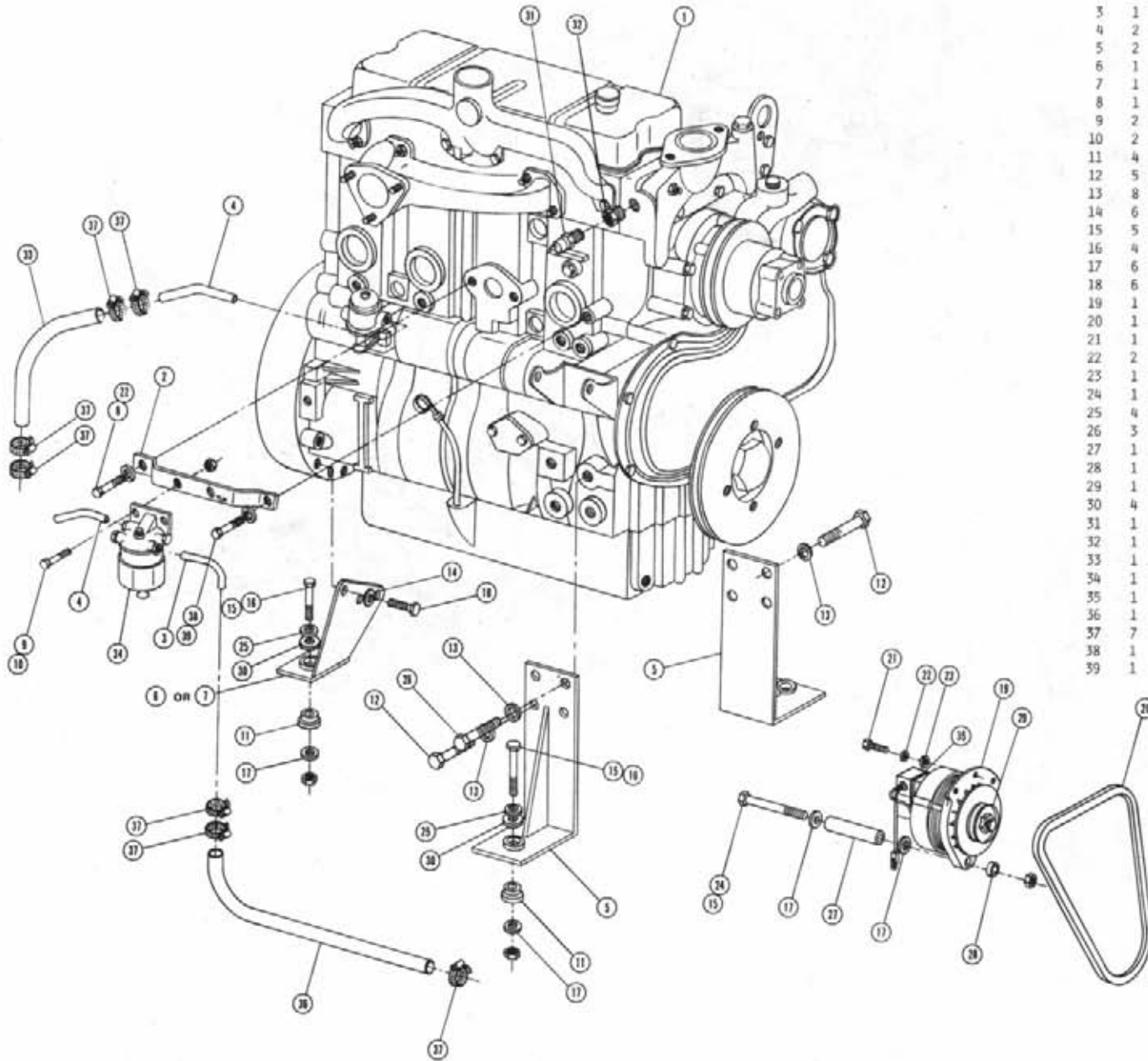
Det.	Qty.	P/N	Description
1	1	314728	Chrysler 318 Engine
2	1	147000	Gates 2490 Belt
3	1	141022	Alternator Sheave
4	1	147001	Gates 2520 Belt
5	1	311039	Fan Spacer
6	3	200015	Alternator Spacer
7	1	314303	Exhaust Manifold Heat Shield
8	1	314309	Alternator Adjustment Arm
9	1	314310	Alternator Mount
10	1	314327	Upper Radiator Hose
11	1	314437	Temperature Sender
12	1	310102	Voltage Regulator
13	1	314453	Holley Carburetor
14	1	319614	Fan Adapter
15	1	341348	Left Front Motor Mount Weldment
16	1	341351	Right Front Motor Mount Weldment
17	2	341353	Rear Motor Mount Weldment
18	1	311038	Fan Spacer
19	1	900132	3/8 UNC x 1 3/4 Hex Bolt
20	2	520067	No. 28 Hose Clamp
21	2	520085	No. 24 Hose Clamp
22	1	601151	5/8 x 12 Heater Hose
23	2	900142	3/8 UNC x 5 Hex Bolt
24	4	900198	7/16 UNC x 1 3/4 Hex Bolt
25	3	900283	1/2 UNC x 2 1/4 Hex Bolt
26	4	900265	1/2 UNC x 1 1/2 Hex Bolt
27	7	900064	5/16 UNC x 3/4 Hex Bolt
28	7	914008	1/2 UNC Stover Nut
29	1	920001	5/16 SAE Flat Washer
30	6	920004	1/2 SAE Flat Washer
31	11	920501	5/16 Lock Washer
32	1	310093	55 AMP Alternator
33	1	314417	Lower Radiator Hose
34	6	520120	No. 4 Hose Clamp
35	2	520070	No. 8 Hose Clamp
36	4	900086	5/16 UNC x 2 1/4 Hex Bolt
37	1	601263	5/16 x 144 Hose
38	1	090359	Crankshaft Pulley
39	1	314388	Fuel Filter
40	1	314435	19" Pir Pon W/2.25 Pitch
41	1	314428	Cable Heat Shield Weldment
42	4	914006	7/16 UNC Stover Nut
43	1	319260	Oil Filter

CHRYSLER ENGINE ASSEMBLY FOR DIRECT DRIVE AUX PUMP

Det. Qty.	P/N	Description
1	147030	6" O.D. Sheave
1	290102	8" Ground Strap
2	870392	Gasket 2 5/8 x 3 O-Ring
4	791206	Speedometer Tach Sensor
5	310491	Starter Solenoid
6	311021	Starter Solenoid Mount
7	314732	Air Intake Tube Weldment
8	311044	Governor Mount Weldment
9	314302	Tach Sensor Mount
10	314423	Throttle Cable Bracket
11	314728	Chrysler 318 Engine
12	470054	5/16 x 1/4 Allen Head Set Screw
13	471005	1/4-28 x 1/2 Grease Zerk
14	472363	5/16 UNC x 3/4 Hex Bolt
15	473061	3/4-16 Truseal Nut
16	314361	Oil Sender
17	314323	Sundstrand Filler Ring
18	800453	Output Shaft Weldment
19	606845	Hydrostatic Control Cable Mount Weldment
20	910001	1/4-28 Hex Bolt
21	914000	1/4 UNC Stover Nut
22	903993	No. 10-32 x 1 Slotted Machine Screw
23	900170	3/8 UNC x 2 1/4 Hex Bolt
24	914004	3/8 UNC Stover Nut
25	900131	3/8 UNC x 1 1/2 Hex Bolt
26	920002	3/8 SAE Flat Washer
27	920501	5/16 Lock Washer
28	910027	No. 10 UNF Hex Bolt
29	920510	No. 10 Lock Washer
30	473921	No. 10-32 Ball Joint
31	900142	3/8 UNC x 5 Hex Bolt
32	914002	5/16 UNC Stover Nut
33	900000	1/4 UNC x 1/2 Hex Bolt
34	914027	No. 10-32 Stover Nut
35	914001	1/4 UNF Stover Nut
36	314362	Electronic Ignition Modulator
37	314311	Governor Control Rod
38	314337	Governor Reworked
39	314390	Distributor Cap
40	473918	1/4-28 Female Ball Joint
41	314649	Air Intake Clamp



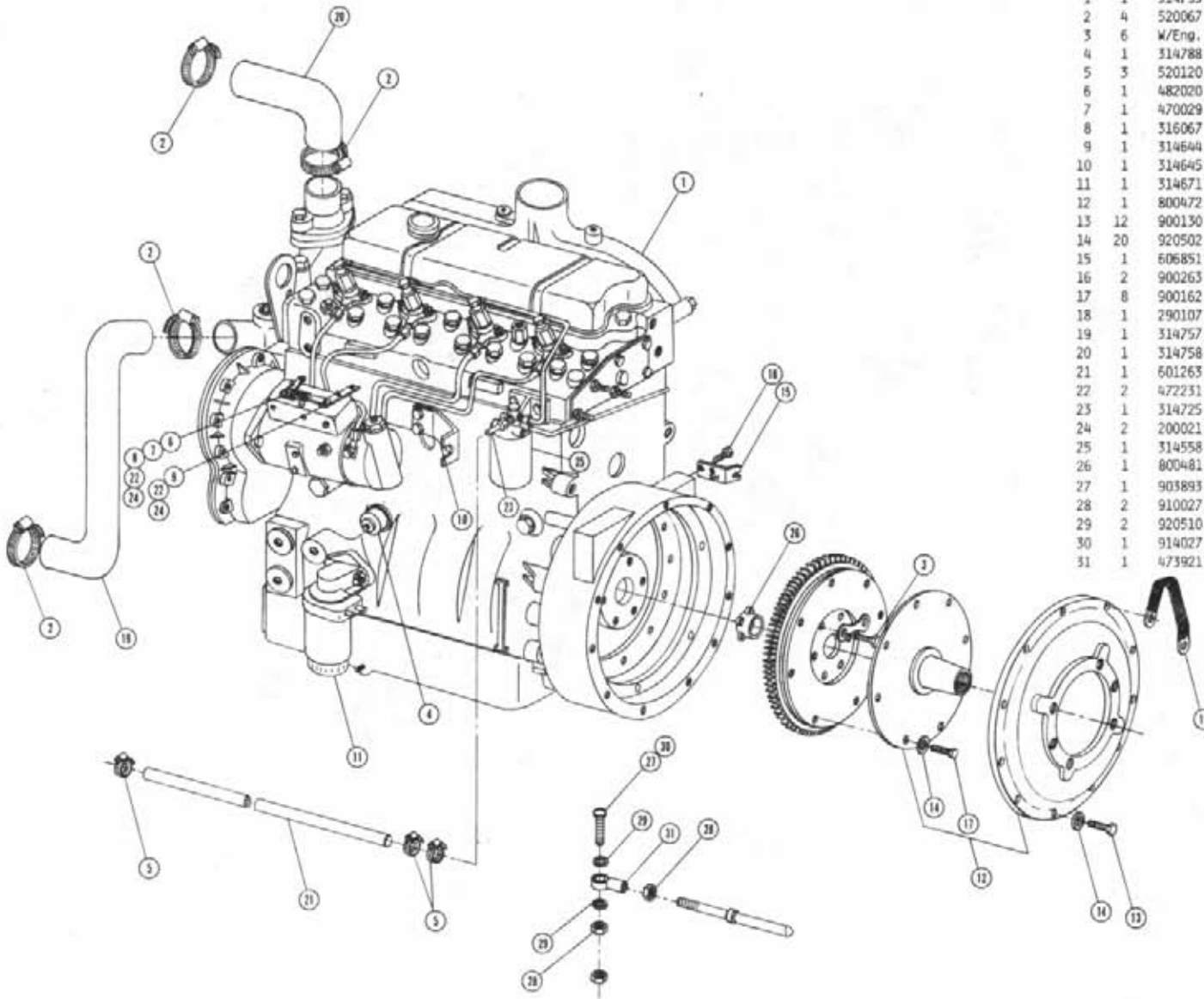
PERKINS DIESEL ENGINE ASSEMBLY



Det. Qty.	P/N	Description
1 1	314795	Perkins Engine
2 1	314617	Water Trap Mount
3 1	314619	Water Trap Inlet Tube
4 2	314620	Water Trap Outlet Tube
5 2	314745	Front Motor Mount Weldment
6 1	314748	Right Rear Motor Mount Weldment
7 1	314749	Left Rear Motor Mount Weldment
8 1	900098	5/16 UNF x 3/4 Hex Bolt
9 2	914004	3/8 UNC Stover Nut
10 2	900130	3/8 UNC x 1 1/4 Hex Bolt
11 4	311032	Engine Isolator
12 5	900231	7/16 UNF x 1 Hex Bolt
13 8	920503	7/16 Lock Washer
14 6	920504	1/2 Lock Washer
15 5	914008	1/2 UNC Stover Nut
16 4	900269	1/2 UNC x 2 3/4 Hex Bolt
17 6	920004	1/2 SAE Flat Washer
18 6	900265	1/2 UNC x 1 1/2 Hex Bolt
19 1	310093	55 AMP Alternator
20 1	140056	9510 Belt
21 1	900065	5/16 UNC x 1 Hex Bolt
22 2	920501	5/16 Lock Washer
23 1	920001	5/16 SAE Flat Washer
24 1	900275	1/2 UNC x 4 1/2 Hex Bolt
25 4	483041	1/2 Regular Flat Washer
26 3	900232	7/16 UNF x 1 1/4 Hex Bolt
27 1	314612	Alternator Bushing Long
28 1	314613	Alternator Bushing Short
29 1	141022	Sheave
30 4	483037	5/8 Regular Flat Washer
31 1	314437	Temperature Sender
32 1	503012	1/2 NPT x 1/8 NPT Reducer Bushing
33 1	601290	5/16 x 10 Fuel Line Hose
34 1	314657	Water Trap
35 1	310102	Voltage Regulator
36 1	601257	5/16 I.D. x 120 Fuel Line Hose
37 7	520120	No. 4 Hose Clamp
38 1	900162	3/8 UNF x 3/4 Hex Bolt
39 1	920502	3/8 Lock Washer

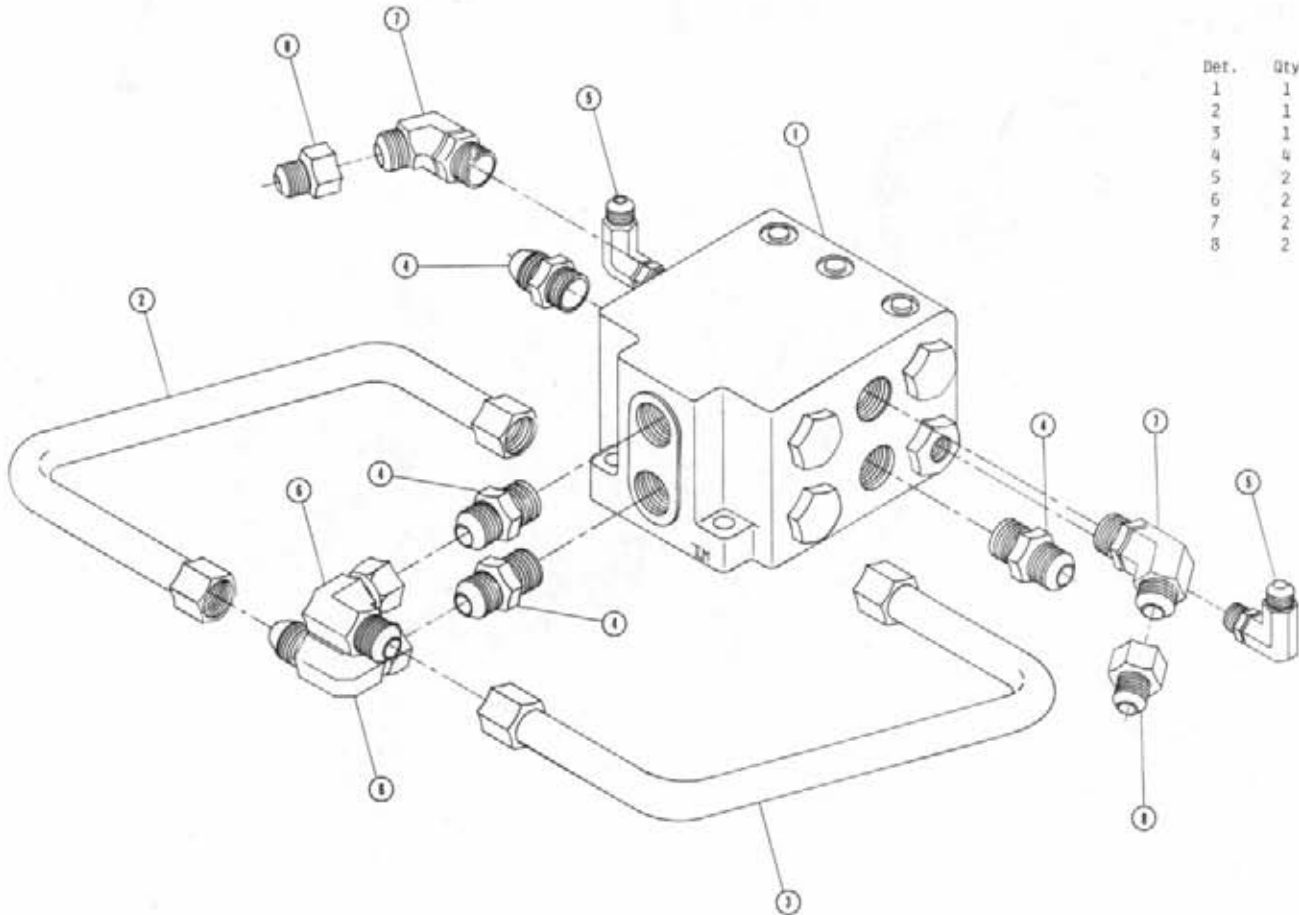
PERKINS DIESEL ENGINE ASSEMBLY

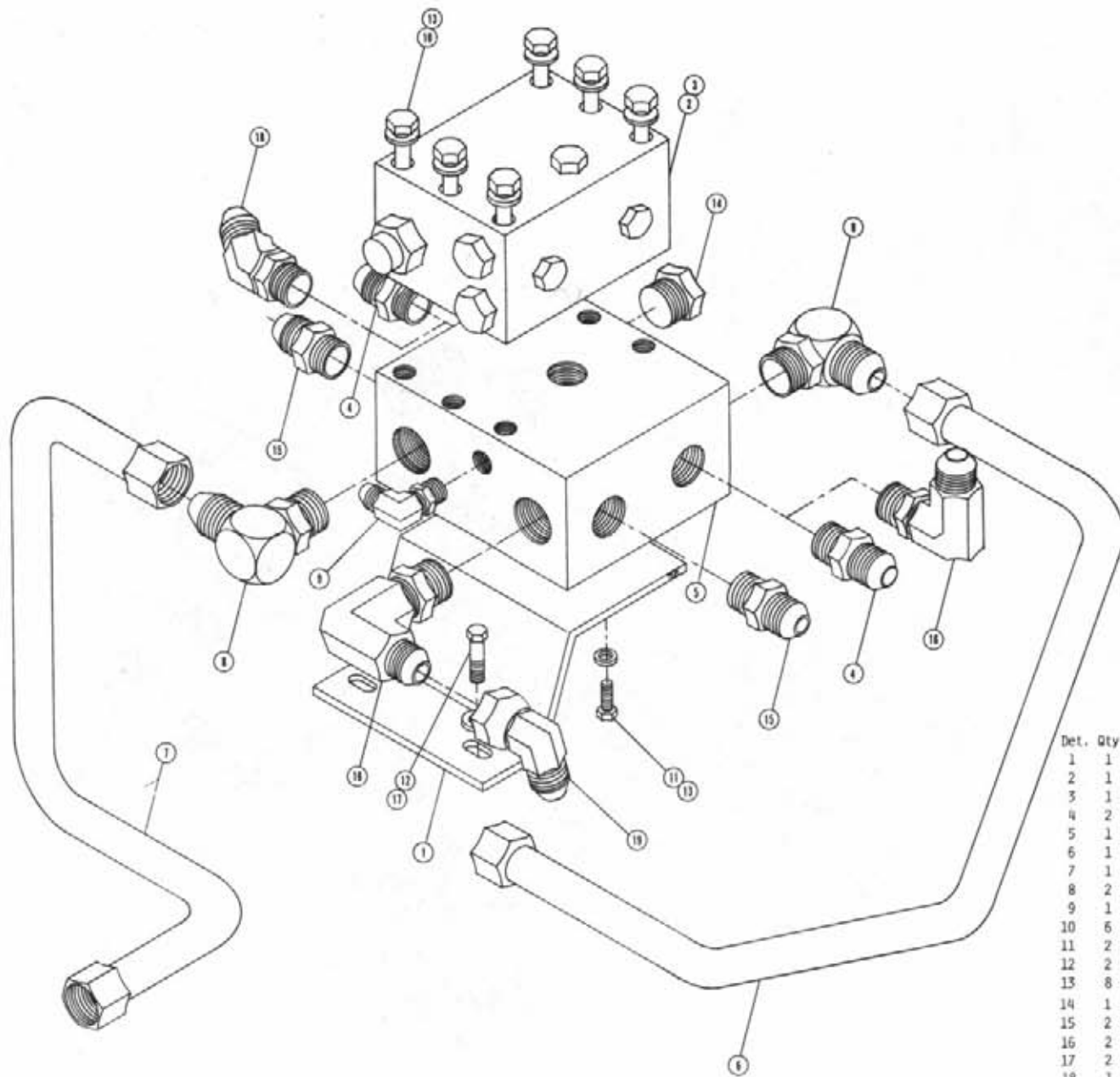
Det.	Qty.	P/N	Description
1	1	314795	Perkins Engine
2	4	520067	No. 28 Hose Clamp
3	6	W/Eng.	1/2 UNF x 1 Hex Bolt
4	1	314788	Oil Pressure Sender
5	3	520120	No. 4 Hose Clamp
6	1	482020	Spring
7	1	470029	1/16 x 1/2 Cotter Pin
8	1	316067	Fuel Shut Off Connect
9	1	314644	Fuel Shut Off Pivot
10	1	314645	Throttle Cable Mount
11	1	314671	Filter
12	1	800472	Perkins To Sundstrand Drive Assembly
13	12	900130	3/8 UNC x 1 1/4 Hex Bolt
14	20	920502	3/8 Lock Washer
15	1	606851	Hydrostatic Control Cable Mount
16	2	900263	1/2 UNC x 1 Hex Bolt
17	8	900162	3/8 UNF x 3/4 Hex Bolt
18	1	290107	Ground Strap
19	1	314757	Long Radiator Hose
20	1	314758	Short Radiator Hose
21	1	601263	5/16 x 144 Fuel Line Hose
22	2	472231	No. 10 x 3/4 Pan Head Machine Screw
23	1	314725	Fuel Return Tube
24	2	200021	1/4 O.D. x 3/16 Bushing
25	1	314558	Fuel Filter Element
26	1	800481	Drive Disk Adaptor Housing
27	1	903893	No. 10-32 x 1 Slotted Machine Screw
28	2	910027	No. 10 UNF Hex Nut
29	2	920510	No. 10 Lock Washer
30	1	914027	No. 10-32 Stover Nut
31	1	473921	No. 10-32 Ball Joint



TRACTION VALVE ASSEMBLY

Def.	Qty.	P/N	Description
1	1	606853	Traction Valve
2	1	606854	Right Traction Valve Tube Assembly
3	1	606855	Left Traction Valve Tube Assembly
4	4	611127	1 1/16 MOR x 1 1/16 MJIC
5	2	618114	7/16 MOR-90°-9/16 MJIC
6	2	618191	1 1/16 MJIC-90°-1 1/16 FJIC
7	2	618313	1 1/16 MOR-45°-1 1/16 MJIC
8	2	618518	1 1/16 FJIC - 7/8 MJIC

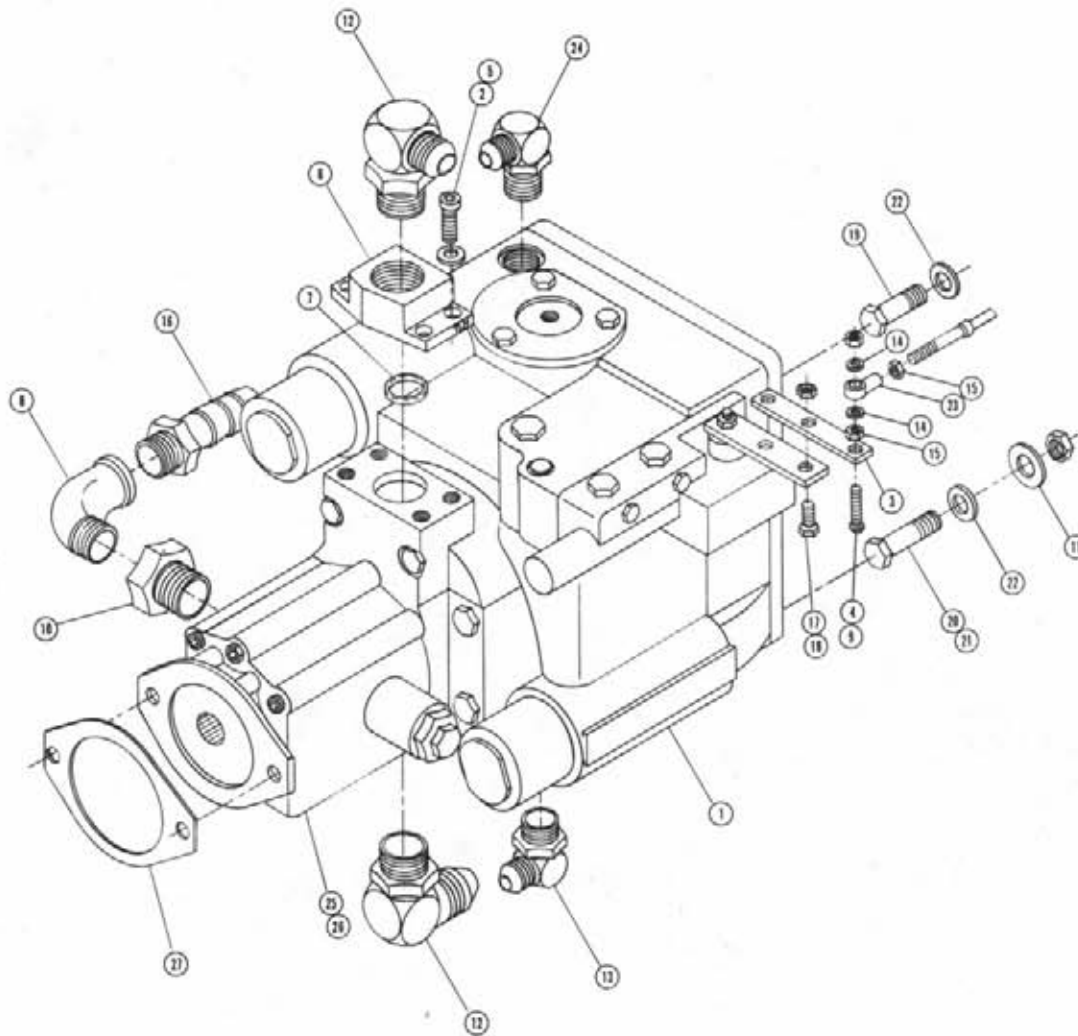




HYDRAULIC MANIFOLD ASSEMBLY

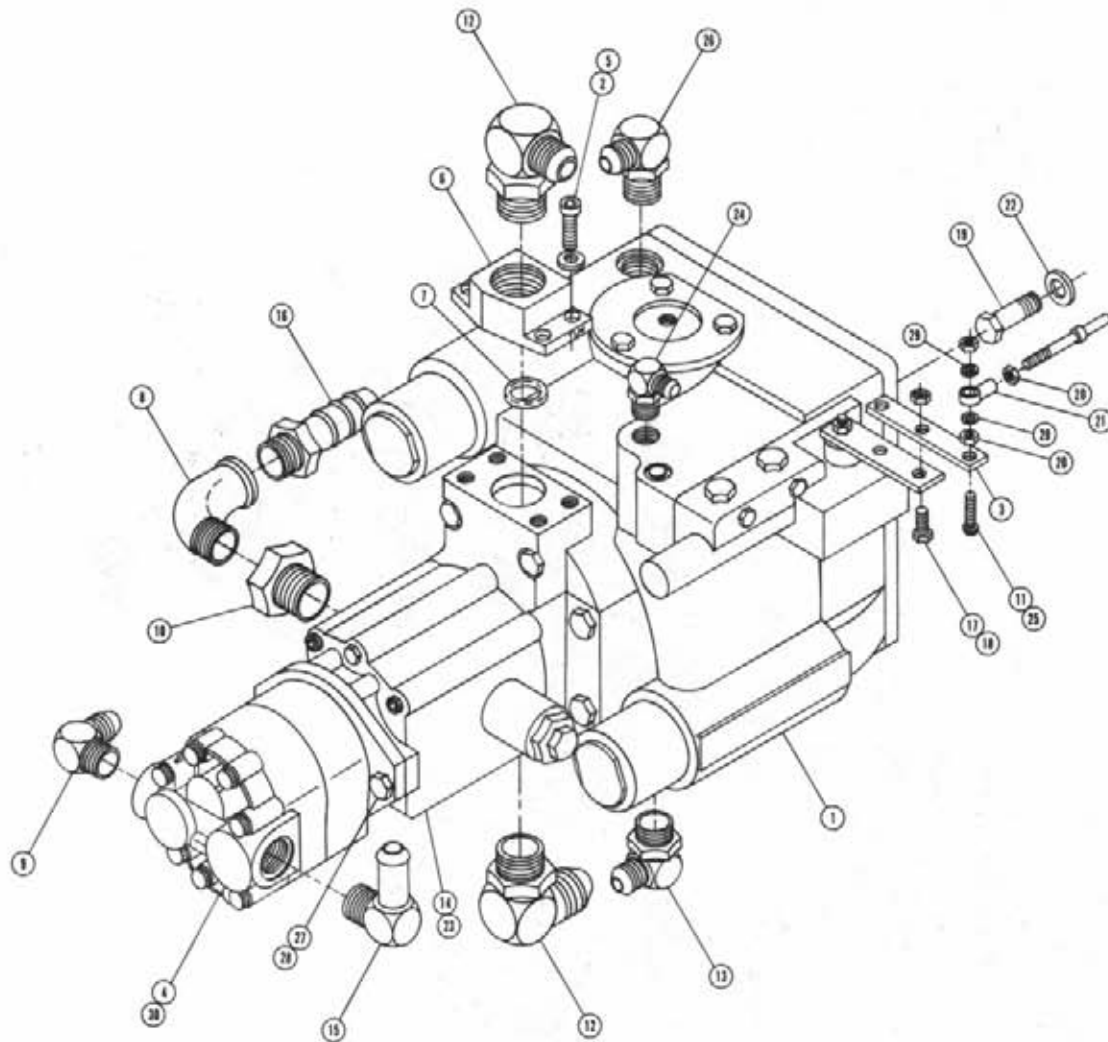
Det.	Qty.	P/N	Description
1	1	606849	Hydraulic Manifold Mount
2	1	611009	Seal Kit
3	1	611013	Hydraulic Relief Valve Assembly
4	2	611127	1 1/16 MDR x 1 1/16 MJIC
5	1	615003	Large Manifold
6	1	615568	Right Hydraulic Tube
7	1	615569	Left Hydraulic Tube
8	2	618178	1 5/16 MDR x 90 x 1 5/16 MJIC
9	1	618241	3/4 MDR x 90 x 3/4 MJIC
10	6	900075	5/16 UNC x 3/4 Hex Bolt
11	2	900065	5/16 UNC x 1 Hex Bolt
12	2	900196	7/16 UNC x 1 1/4 Hex Bolt
13	8	920501	5/16 Lock Washer
14	1	610186	1 1/16 O-Ring Plug
15	2	618309	1 1/16 MDR x 7/8 MJIC
16	2	618248	1 1/16 MDR x 90 x 1 1/16 MJIC
17	2	920003	7/16 SAE Flat Washer
18	1	618313	1 1/16 MDR x 45 x 1 1/16 MJIC
19	1	618529	1 1/16 MJIC x 45 x 1 1/16 FJIC Swivel

Note: For Personnel Carrier Delete Detail 16, 19, and 18
Replace With Detail 4.



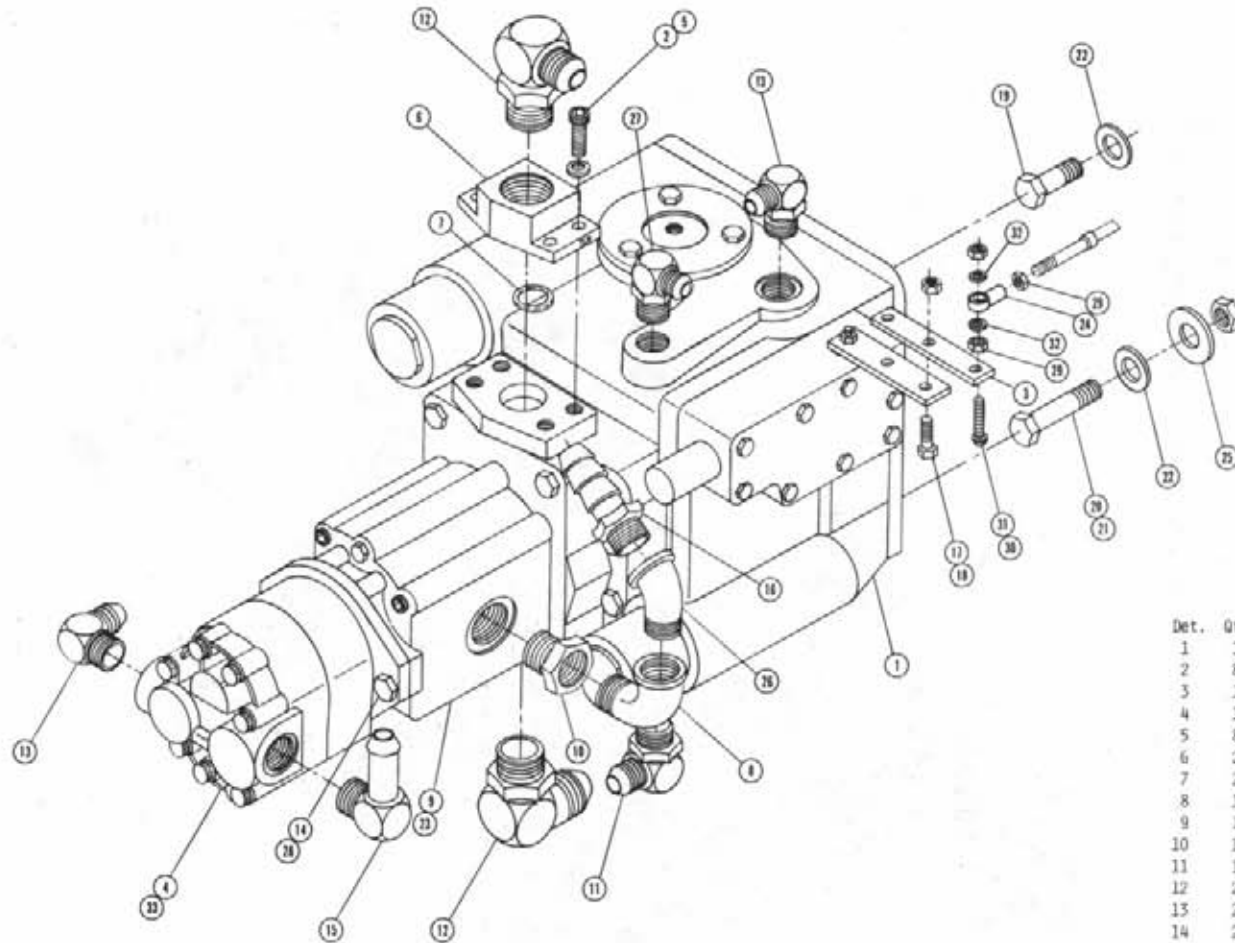
EATON PUMP ASSEMBLY

Det.	Qty.	P/N	Description
1	1	606872	Eaton 54 Variable Pump B-Mount
2	8	472293	3/8 x 1 3/4 Allen Cap Screw
3	1	606848	Pump Control Lever Extension
4	1	903893	No. 10-32 x 1 Slotted Machine Screw
5	8	618167	Lock Washer
6	2	618176	1 NPT 4-Bolt Flange x 1 5/16 MDR
7	2	870219	O-Ring
8	1	505200	1 NPT x 90 Street Elbow
9	1	914027	No. 10-32 Stover Nut
10	1	618090	1 5/16 MDR x 1 FNPT
11	2	483041	1/2 Regular Flat Washer
12	2	618178	1 5/16 MDR x 90 x 1 5/16 MJIC
13	1	618474	1 1/16 MDR x 90 x 3/4 MJIC
14	2	920510	No. 10 Lock Washer
15	2	910027	No. 10 UNF Hex Nut
16	1	714560	1 NPT x 1 Hose Barb
17	2	900003	1/4 UNC x 1 Hex Bolt
18	2	914000	1/4 UNC Stover Nut
19	2	900266	1/2 UNC x 1 3/4 Hex Bolt
20	2	900267	1/2 UNC x 2 Hex Bolt
21	2	914008	1/2 UNC Stover Nut
22	4	920004	1/2 SAE Flat Washer
23	1	473921	No. 10-32 Ball Joint
24	1	618535	1 1/16 MDR x 90 x 7/8 MJIC
25	1	606880	Charge Pump
26	1	606869	Gasket Charge Pump
27	1	606878	Gasket Aux Pump



PERSONNEL CARRIER EATON PUMP ASSEMBLY

Det.	Qty.	P/N	Description
1	1	606868	Eaton 54 Variable Pump A-Mount
2	8	472243	3/8 x 1 3/4 Allen Cap Screw
3	1	606848	Pump Control Lever Extension
4	1	610446	1.48 Cessna Pump
5	8	618167	Lock Washer
6	2	618176	1 NPT 4-Bolt Flanged x 1 5/16 MOR
7	2	870219	O-Ring
8	1	505200	1 NPT x 90 Street Elbow
9	1	611128	7/8 MOR x 90 x 7/8 MJIC
10	1	618090	1 5/16 MOR x 1 FNPT
11	1	903893	No. 10-32 x 1 Slotted Machine Screw
12	2	618178	1 5/16 MOR x 90 x 1 5/16 MJIC
13	1	618474	1 1/16 MOR x 90 x 3/4 MJIC
14	1	606869	Charge Pump Gasket
15	1	618563	1 1/16 MOR x 90 x 1 Hose Barb
16	1	714560	1 NPT x 1 Hose Barb
17	2	900003	1/4 UNC x 1 Hex Bolt
18	2	914000	1/4 UNC Stover Nut
19	2	900265	1/2 UNC x 1 1/2 Hex Bolt
20	2	910027	No. 10 UNF Hex Nut
21	1	473921	No. 10-32 Ball Joint
22	4	920004	1/2 SAE Flat Washer
23	1	606879	Charge Pump
24	1	618114	7/16 MOR x 90 x 9/16 MJIC
25	1	914027	No. 10-32 Stover Nut
26	1	618535	1 1/16 MOR x 90 x 7/8 MJIC
27	2	900130	3/8 UNC x 1 1/4 Hex Bolt
28	2	920002	3/8 SAE Flat Washer
29	2	920510	No. 10 Lock Washer
30	1	618261	O-Ring Aux. Pump

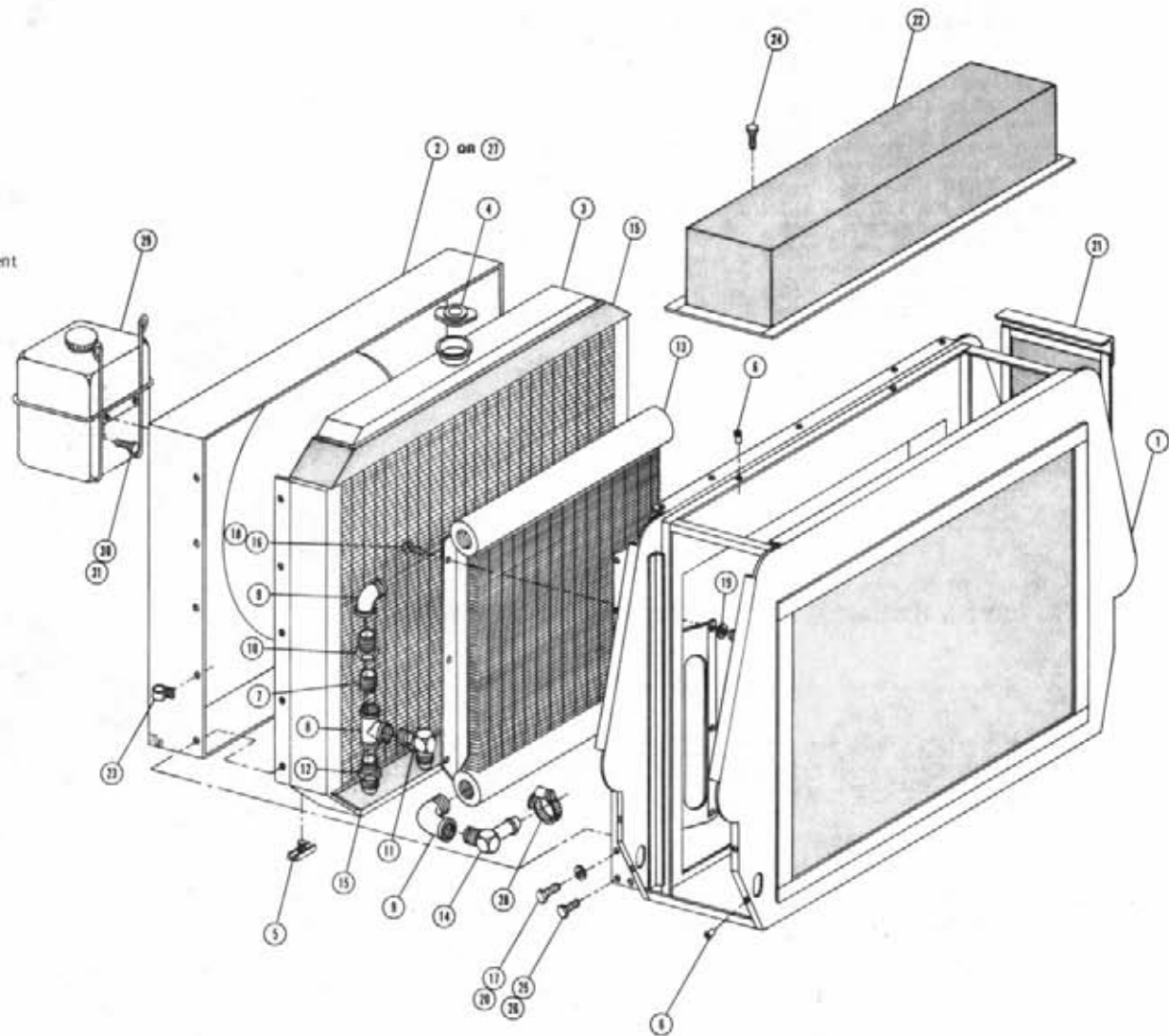


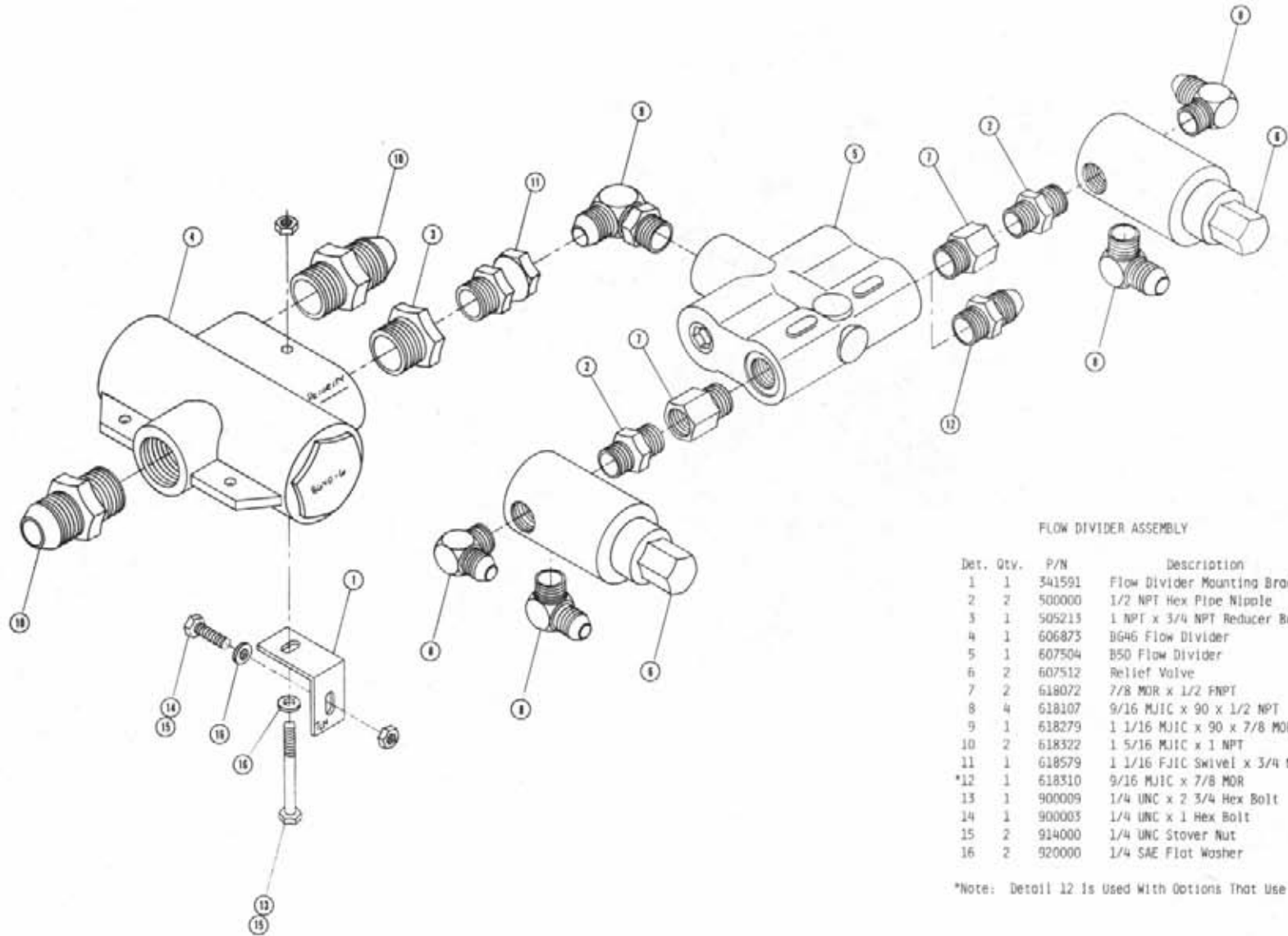
SUNDSTRAND PUMP ASSEMBLY

Det.	Qty.	P/N	Description
1	1	606866	Sundstrand 23 Series Pump
2	8	472243	3/8 UNC x 1 3/4 Allen Cap Screw
3	1	606848	Pump Control Lever Extension
4	1	610446	1.48 Cessna Pump
5	8	618167	Lock Washer
6	2	618176	1" 4-Bolt Flange x 1 5/16 MOR
7	2	870219	O-Ring
8	1	505200	1 NPT x 90° Street Elbow
9	1	606867	1.06 Charge Pump
10	1	618090	1 5/16 MOR x 1 FNPT
11	1	618183	7/8 MOR x 90° x 3/4 MJIC
12	2	618178	1 5/16 MOR x 90° x 1 5/16 MJIC
13	2	611128	7/8 MOR x 90° x 7/8 MJIC
14	2	900130	3/8 UNC x 1 1/4 Hex Bolt
15	1	618563	1 1/16 MOR x 90° x 1 Hose Barb
16	1	714560	1 NPT x 1 Hose Barb
17	2	900003	1/4 UNC x 1 Hex Bolt
18	2	914000	1/4 UNC Stover Nut
19	2	900266	1/2 UNC x 1 3/4 Hex Bolt
20	2	900267	1/2 UNC x 2 Hex Bolt
21	2	914008	1/2 UNC Lock Nut
22	4	920004	1/2 Flat Washer
23	1	606881	Charge Pump Gasket
24	1	473921	No. 10-32 Ball Joint
25	2	483041	1/2 Regular Flat Washer
26	1	505110	1 NPT x 45° Street Elbow
27	1	618114	7/16 MOR x 90° x 9/16 MJIC
28	2	920002	3/8 SAE Flat Washer
29	2	910027	No. 10 UNF Hex Nut
30	1	903893	No. 10-32 x 1 Slotted Machine Screw
31	1	914027	No. 10-32 Stover Nut
32	2	920510	No. 10 Lock Washer
33	1	618261	O-Ring Aux. Pump

RADIATOR AND OIL COOLER ASSEMBLY

Det.	Qty.	P/W	Description
1	1	314477	Radiator And Oil Cooler Mount Weldment
2	1	314440	Radiator Shroud - Chrysler
3	1	314791	Radiator
4	1	319257	Radiator Cap
5	1	319559	Radiator Drain Cock
6	10	470086	1/4 UNC Nutsert
7	1	504702	3/4 NPT Close Nipple
8	1	504955	3/4 NPT Pipe Nipple
9	2	505200	1 NPT x 90 Street Elbow
10	1	505213	1 NPT To 3/4 NPT Reducer Bushing
11	1	610305	3/4 NPT x 90 x 3/4 MJIC
12	1	618059	3/4 NPT x 7/8 MJIC
13	1	618088	Oil Cooler
14	1	716000	1 NPT x 90 x 3/4 Hose Barb
15	2	659579	2" Wide x 40 Long Foam
16	6	900064	5/16 UNC x 3/4 Hex Bolt
17	10	900128	3/8 UNC x 3/4 Hex Bolt
18	6	914002	5/16 UNC Stover Nut
19	12	920001	5/16 SAE Flat Washer
20	10	920002	3/8 SAE Flat Washer
21	2	314490	Side Screen Weldment
22	1	314499	Top Screen Weldment
23	1	520118	1/2 I.D. Cushion Hose Clamp
24	2	470118	1/4 UNC x 3/4 Flanged Bolt
25	4	900129	3/8 UNC x 1 Hex Bolt
26	4	914004	3/8 UNC Stover Nut
27	1	314768	Radiator Shroud - Perkins
28	1	520087	No. 20 Hose Clamp
29	1	314767	Radiator Recovery Tank
30	2	900003	1/4 UNC x 1 Hex Bolt
31	2	914000	1/4 UNC Stover Nut

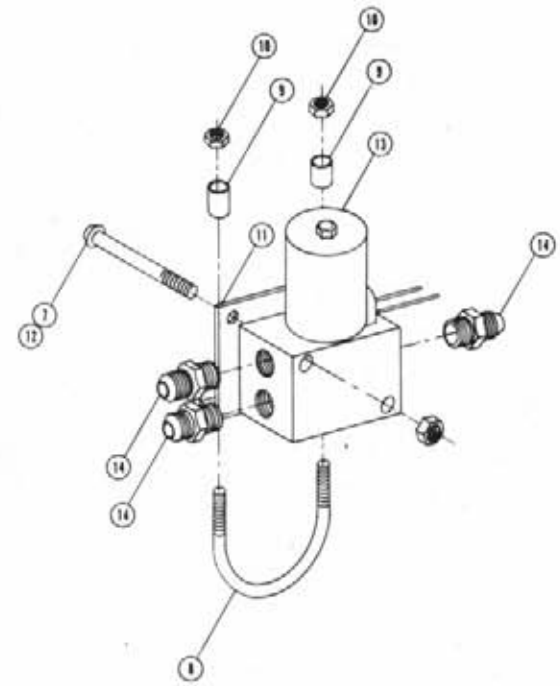
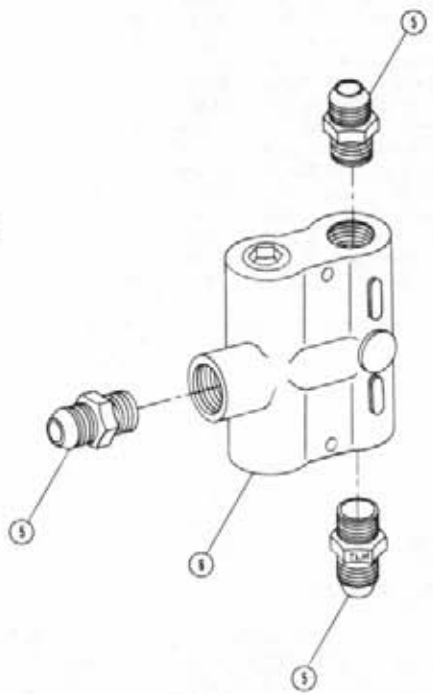
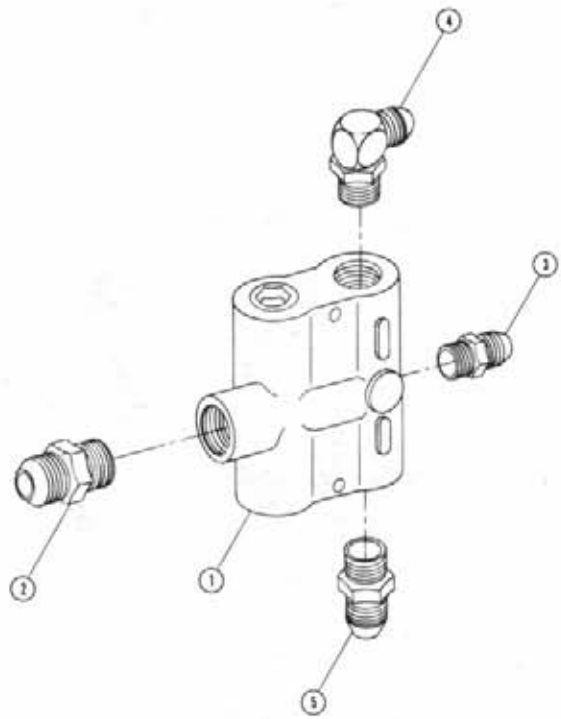




FLOW DIVIDER ASSEMBLY

Det.	Qty.	P/N	Description
1	1	341591	Flow Divider Mounting Bracket
2	2	500000	1/2 NPT Hex Pipe Nipple
3	1	505213	1 NPT x 3/4 NPT Reducer Bushing
4	1	606875	DG46 Flow Divider
5	1	607504	B50 Flow Divider
6	2	607512	Relief Valve
7	2	618072	7/8 MOR x 1/2 FNPT
8	4	618107	9/16 MJIC x 90 x 1/2 NPT
9	1	618279	1 1/16 MJIC x 90 x 7/8 MOR
10	2	618322	1 5/16 MJIC x 1 NPT
11	1	618579	1 1/16 FJIC Swivel x 3/4 NPT
*12	1	618310	9/16 MJIC x 7/8 MOR
13	1	900009	1/4 UNC x 2 3/4 Hex Bolt
14	1	900003	1/4 UNC x 1 Hex Bolt
15	2	914000	1/4 UNC Stover Nut
16	2	920000	1/4 SAE Flat Washer

*Note: Detail 12 is Used With Options That Use Tasselrol.

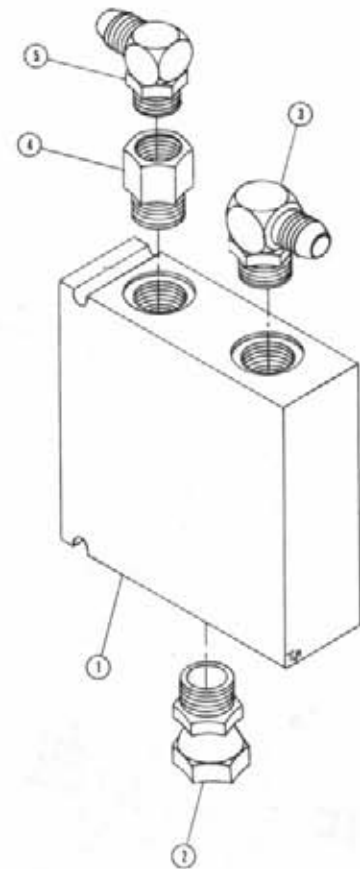
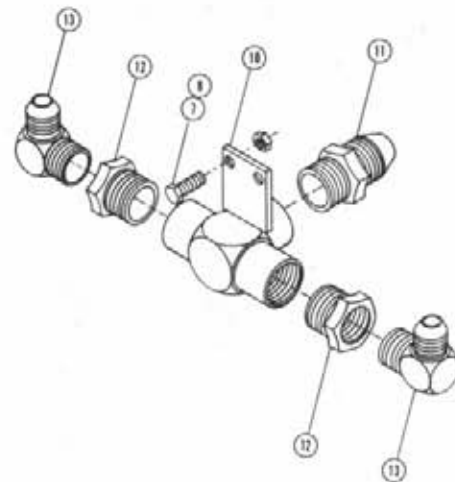
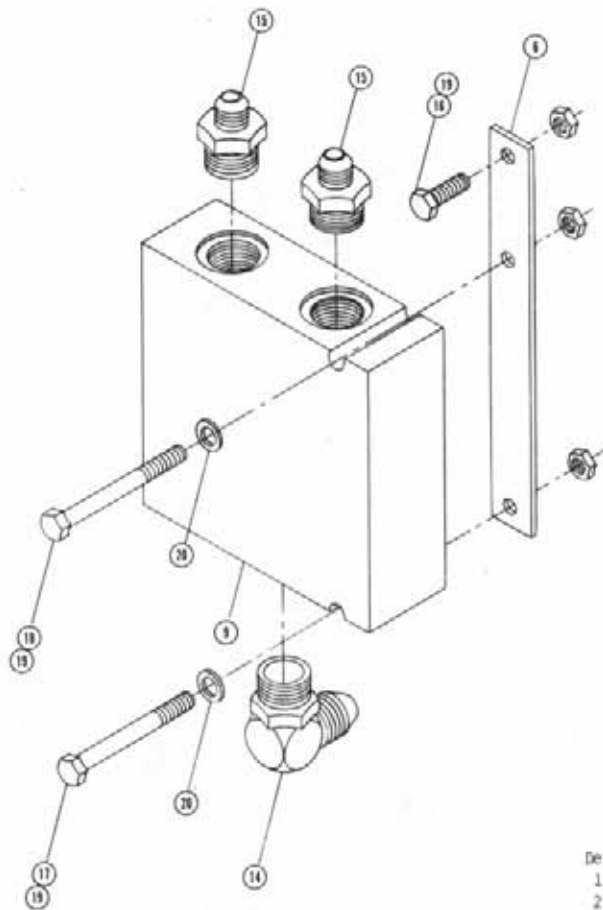


FLOW DIVIDER ASSEMBLY

Det.	Qty.	P/N	Description
1	1	607518	Flow Divider BGR56
2	1	611126	7/8 MOR x 7/8 MJIC
3	1	618011	3/8 NPT x 9/16 MJIC
4	1	618183	7/8 MOR x 90° x 3/4 MJIC
5	4	618310	7/8 MOR x 9/16 MJIC
6	1	607504	B50 Flow Divider

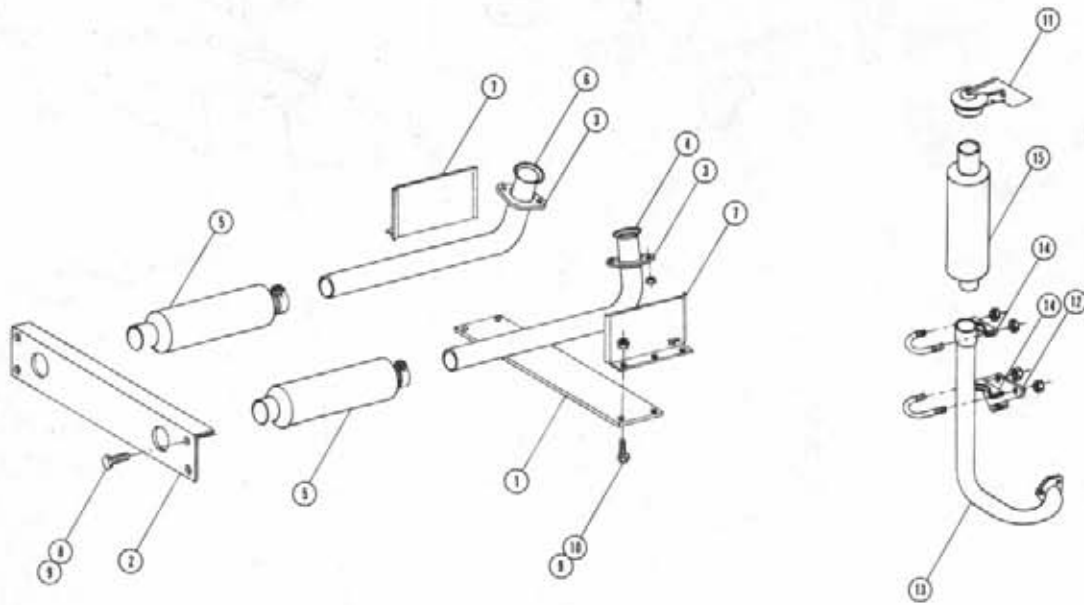
SOLENOID VALVE ASSEMBLY

Det.	Qty.	P/N	Description
7	2	903902	#10-32 x 2 Slotted Round Head Screw
8	1	470094	5/16 UNC x 1 3/8 B.C. x 3 Long
9	2	200019	Spacer
10	2	914002	5/16 UNC Lock Nut
11	1	606856	Solenoid Mount
12	2	914027	#10-32 Stover Nut
13	1	610302	Hydraulic Solenoid Valve
14	3	611121	1/4 NPT x 9/16 MJIC



POSITRACTION VALVE ASSEMBLY

Det.	Qty.	P/N	Description
1	1	610468	Positraction Valve 20 Gallon
2	1	618588	1 1/16 FJIC Swivel x 1 5/16 MOR
3	1	618589	7/8 MJIC x 90 x 1 5/16 MOR
4	1	618312	1 5/16 MOR x 1 1/16 FOR
5	1	618535	1 1/16 MOR x 90 x 7/8 MJIC
6	1	341592	Positraction Valve Mount
7	2	470118	1/4 UNC x 3/4 Flanged Hex Bolt
8	2	470121	1/4 UNC Flanged Hex Bolt
9	1	610470	Positraction Valve 60 Gallon
10	1	614634	Steel Pipe Tee Weldment
11	1	618322	1 5/16 MJIC x 1 NPT
12	2	505213	1 NPT To 3/4 NPT Reducer Bushing
13	2	610305	3/4 MJIC x 90 x 3/4 NPT
14	1	618178	1 5/16 MJIC x 90 x 1 5/16 MOR
15	2	618470	3/4 MJIC x 1 5/16 MOR
16	1	900065	5/16 UNC x 1 Hex Bolt
17	1	900070	5/16 UNC x 2 1/2 Hex Bolt
18	1	900071	5/16 UNC x 2 3/4 Hex Bolt
19	3	914002	5/16 UNC Stover Nut
20	2	920001	5/16 SAE Flat Washer



GAS ENGINE EXHAUST PIPE ASSEMBLY

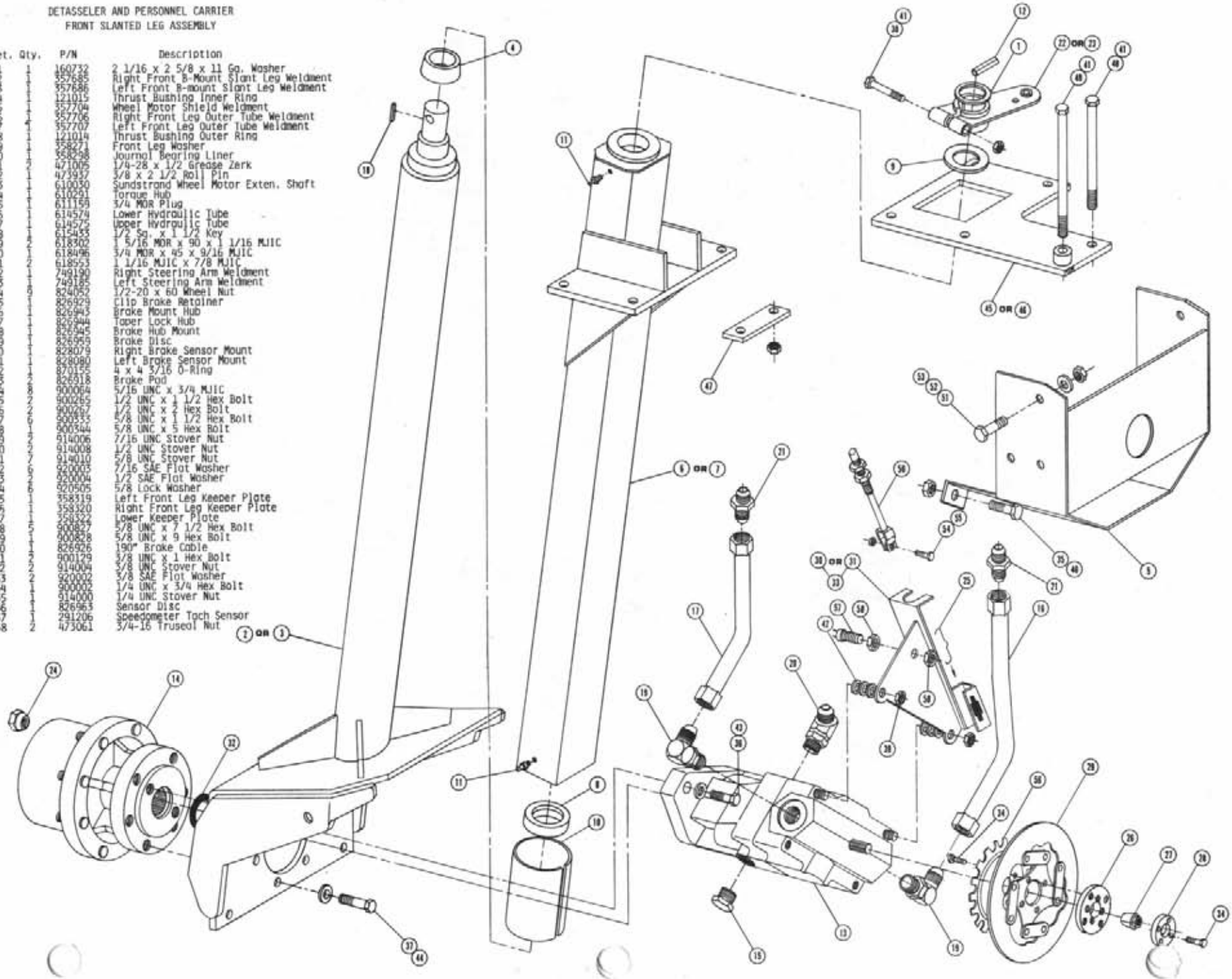
Det. Qty.	P/N	Description
1	361189	Main Frame Tie Plate
2	361190	Main Frame Rear Tie Angle
3	314735	Exhaust Pipe Flange
4	314425	Right Exhaust Pipe
5	319287	Muffler
6	314736	Left Exhaust Pipe
7	341359	Heat Shield
8	900265	1/2 UNC x 1 1/2 Hex Bolt
9	914008	1/2 UNC Lock Nut
10	900264	1/2 UNC x 1 1/4 Hex Bolt

DIESEL ENGINE EXHAUST PIPE ASSEMBLY

Det. Qty.	P/N	Description
11	314537	Rain Cap
12	314756	Exhaust Pipe Mounting Bracket
13	314759	Exhaust Pipe Weldment
14	472216	2.50 Muffler Clamp
15	314554	Muffler

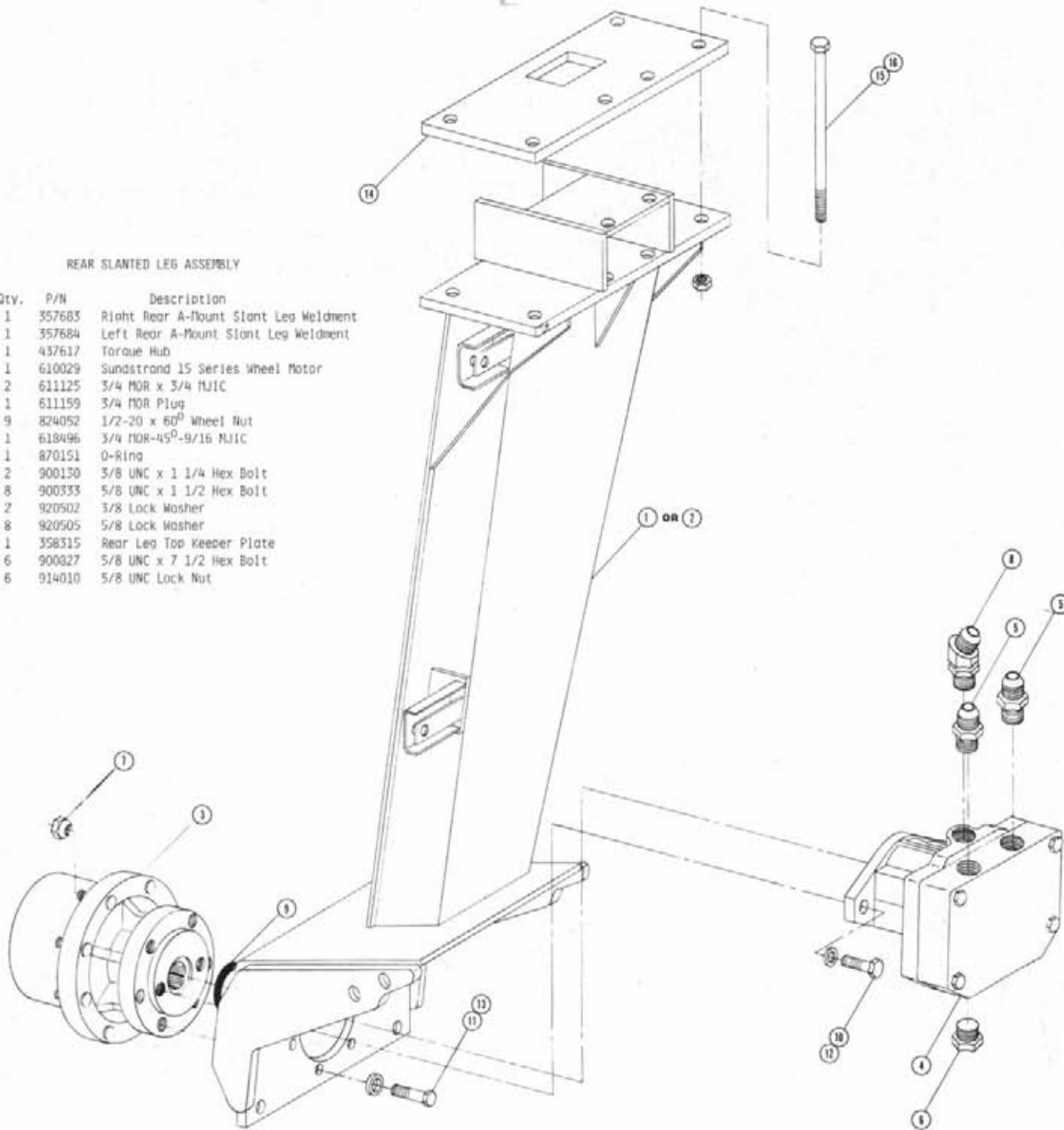
DETASSELER AND PERSONNEL CARRIER
FRONT SLANTED LEG ASSEMBLY

Det. Qty.	P/N	Description
1	160732	2 1/16 x 2 5/8 x 11 Ga. Washer
1	357685	Right Front 8-Mount Slant Leg Weldment
1	357686	Left Front 8-Mount Slant Leg Weldment
1	121015	Thrust Bushing Inner Ring
1	357704	Wheel Motor Shield Weldment
1	357706	Right Front Leg Outer Tube Weldment
1	357707	Left Front Leg Outer Tube Weldment
1	121014	Thrust Bushing Outer Ring
1	358271	Front Leg Washer
1	358278	Journal Bearing Liner
1	471005	1/4-28 x 1/2 Grease Zerk
1	473937	3/8 x 2 1/2 Roll Pin
1	610030	Sundstrand Wheel Motor Exten. Shaft
1	610291	Torque Hub
1	611159	3/4 MOR Plug
1	614574	Lower Hydraulic Tube
1	614575	Upper Hydraulic Tube
1	615458	1/2 Sq x 1 1/4 Key
1	618302	5/16 MOR x 90 x 1 1/16 MJIC
1	618496	3/8 MOR x 45 x 9/16 MJIC
1	618553	1 1/16 MJIC x 7/8 MJIC
1	749190	Right Steering Arm Weldment
1	749185	Left Steering Arm Weldment
1	824052	1/2-20 x 60 Wheel Nut
1	826929	Clip Brake Retainer
1	826945	Brake Mount Hub
1	826944	Taper Lock Hub
1	826945	Brake Hub Mount
1	826952	Brake Disc
1	828079	Right Brake Sensor Mount
1	828080	Left Brake Sensor Mount
1	870155	4 x 4 5/16 O-Ring
1	826918	Brake Pad
1	900064	5/16 UNC x 3/4 MJIC
1	900265	1/2 UNC x 1 1/2 Hex Bolt
1	900267	1/2 UNC x 2 Hex Bolt
1	900535	5/8 UNC x 1 1/2 Hex Bolt
1	900544	5/8 UNC x 5 Hex Bolt
1	914006	7/16 UNC Stover Nut
1	914008	1/2 UNC Stover Nut
1	914010	5/8 UNC Stover Nut
1	920003	7/16 SAE Flat Washer
1	920004	1/2 SAE Flat Washer
1	920505	5/8 Lock Washer
1	358319	Left Front Leg Keeper Plate
1	358320	Right Front Leg Keeper Plate
1	358322	Lower Keeper Plate
1	900827	5/8 UNC x 7 1/2 Hex Bolt
1	900828	5/8 UNC x 9 Hex Bolt
1	826926	190" Brake Cable
1	900179	3/8 UNC x 1 Hex Bolt
1	914004	3/8 UNC Stover Nut
1	920002	5/8 SAE Flat Washer
1	900002	1/4 UNC x 3/4 Hex Bolt
1	914000	1/4 UNC Stover Nut
1	826963	Sensor Disc
1	291206	Speedometer Tach Sensor
1	473061	3/4-16 Truseal Nut



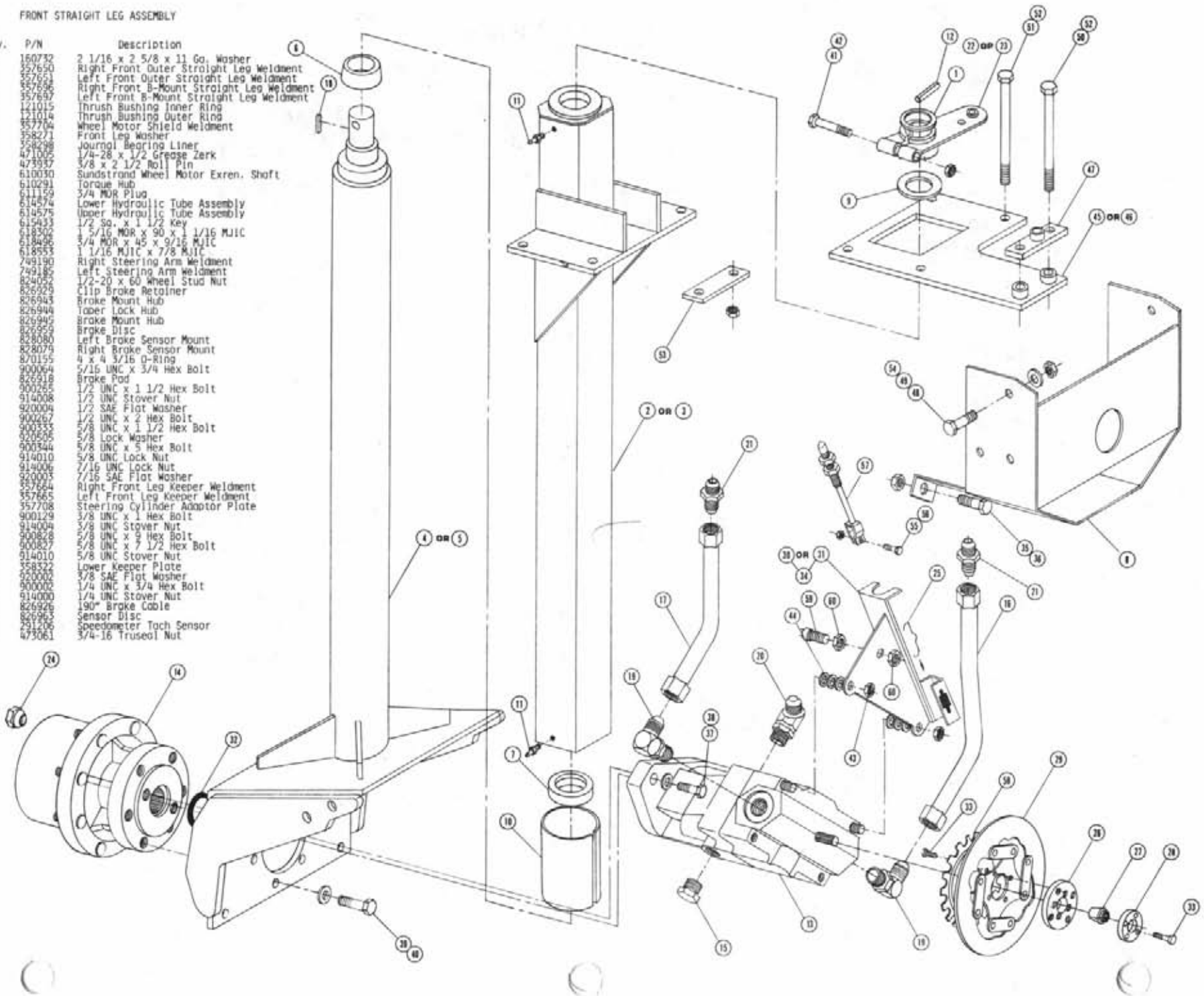
REAR SLANTED LEG ASSEMBLY

Det.	Qty.	P/N	Description
1	1	357683	Right Rear A-Mount Slant Leg Weldment
2	1	357684	Left Rear A-Mount Slant Leg Weldment
3	1	437617	Torque Hub
4	1	610029	Sundstrand 15 Series Wheel Motor
5	2	611125	3/4 MOR x 3/4 NJIC
6	1	611159	3/4 MOR Plug
7	9	824052	1/2-20 x 60° Wheel Nut
8	1	618496	3/4 MOR-45°-9/16 NJIC
9	1	870151	O-Ring
10	2	900130	3/8 UNC x 1 1/4 Hex Bolt
11	8	900333	5/8 UNC x 1 1/2 Hex Bolt
12	2	920502	3/8 Lock Washer
13	8	920505	5/8 Lock Washer
14	1	358315	Rear Leg Top Keeper Plate
15	6	900327	5/8 UNC x 7 1/2 Hex Bolt
16	6	914010	5/8 UNC Lock Nut



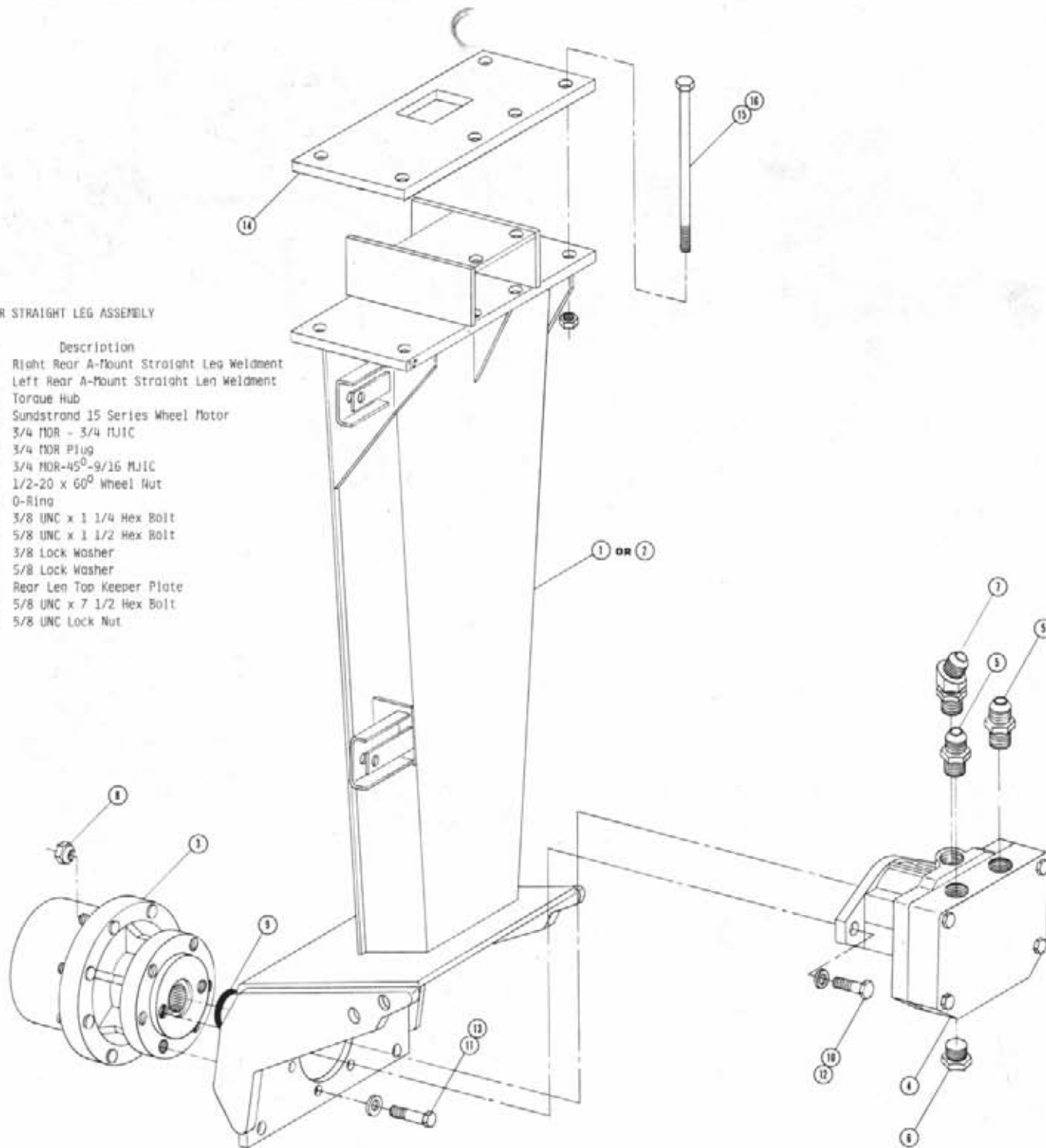
FRONT STRAIGHT LEG ASSEMBLY

Det. Qty.	P/N	Description
1	160732	2 1/16 x 2 5/8 x 11 Ga. Washer
1	357650	Right Front Outer Straight Leg Weldment
1	357651	Left Front Outer Straight Leg Weldment
1	357656	Right Front B-Mount Straight Leg Weldment
1	357697	Left Front B-Mount Straight Leg Weldment
1	121015	Thrush Bushing Inner Ring
1	121014	Thrush Bushing Outer Ring
1	357704	Wheel Motor Shield Weldment
1	358271	Front Leg Washer
1	358298	Journal Bearing Liner
1	471005	1/4-28 x 1/2 Grease Zerk
1	473937	3/8 x 2 1/2 Roll Pin
1	610030	Sundstrand Wheel Motor Exten. Shaft
1	610291	Torque Hub
1	611159	3/4 NUR Plug
1	614574	Lower Hydraulic Tube Assembly
1	614575	Upper Hydraulic Tube Assembly
1	615433	1/2 Sq. x 1 1/2 Key
1	618302	3/4 MUR x 90 x 1 1/16 MJIC
1	618496	3/4 MUR x 45 x 9/16 MJIC
1	618553	1 1/16 MJIC x 7/8 MJIC
1	799190	Right Steering Arm Weldment
1	799185	Left Steering Arm Weldment
1	824052	1/2-20 x 60 Wheel Stud Nut
1	826929	Clip Brake Retainer
1	826943	Brake Mount Hub
1	826944	Upper Lock Hub
1	826945	Brake Mount Hub
1	826959	Brake Disc
1	828080	Left Brake Sensor Mount
1	828079	Right Brake Sensor Mount
1	870155	4 x 4 3/16 O-Ring
1	900064	5/16 UNC x 3/4 Hex Bolt
1	826918	Brake Pad
1	900255	1/2 UNC x 1 1/2 Hex Bolt
1	914008	1/2 UNC Stover Nut
1	920004	1/2 SAE Flat Washer
1	900267	1/2 UNC x 2 Hex Bolt
1	900333	5/8 UNC x 1 1/2 Hex Bolt
1	920505	5/8 Lock Washer
1	900344	5/8 UNC x 5 Hex Bolt
1	914010	5/8 UNC Lock Nut
1	914006	7/16 UNC Lock Washer
1	920003	7/16 SAE Flat Washer
1	357664	Right Front Leg Keeper Weldment
1	357665	Left Front Leg Keeper Weldment
1	357708	Steering Cylinder Adaptor Plate
1	900129	3/8 UNC x 1 Hex Bolt
1	914004	3/8 UNC Stover Nut
1	900828	5/8 UNC x 9 Hex Bolt
1	900827	5/8 UNC x 7 1/2 Hex Bolt
1	914010	5/8 UNC Stover Nut
1	358322	Lower Keeper Plate
1	920002	3/8 SAE Flat Washer
1	900002	1/4 UNC x 3/4 Hex Bolt
1	914000	1/4 UNC Stover Nut
1	826926	190" Brake Cable
1	826925	Sensor Disc
1	351106	Speedometer Tach Sensor
1	473061	3/4-16 Truseal Nut



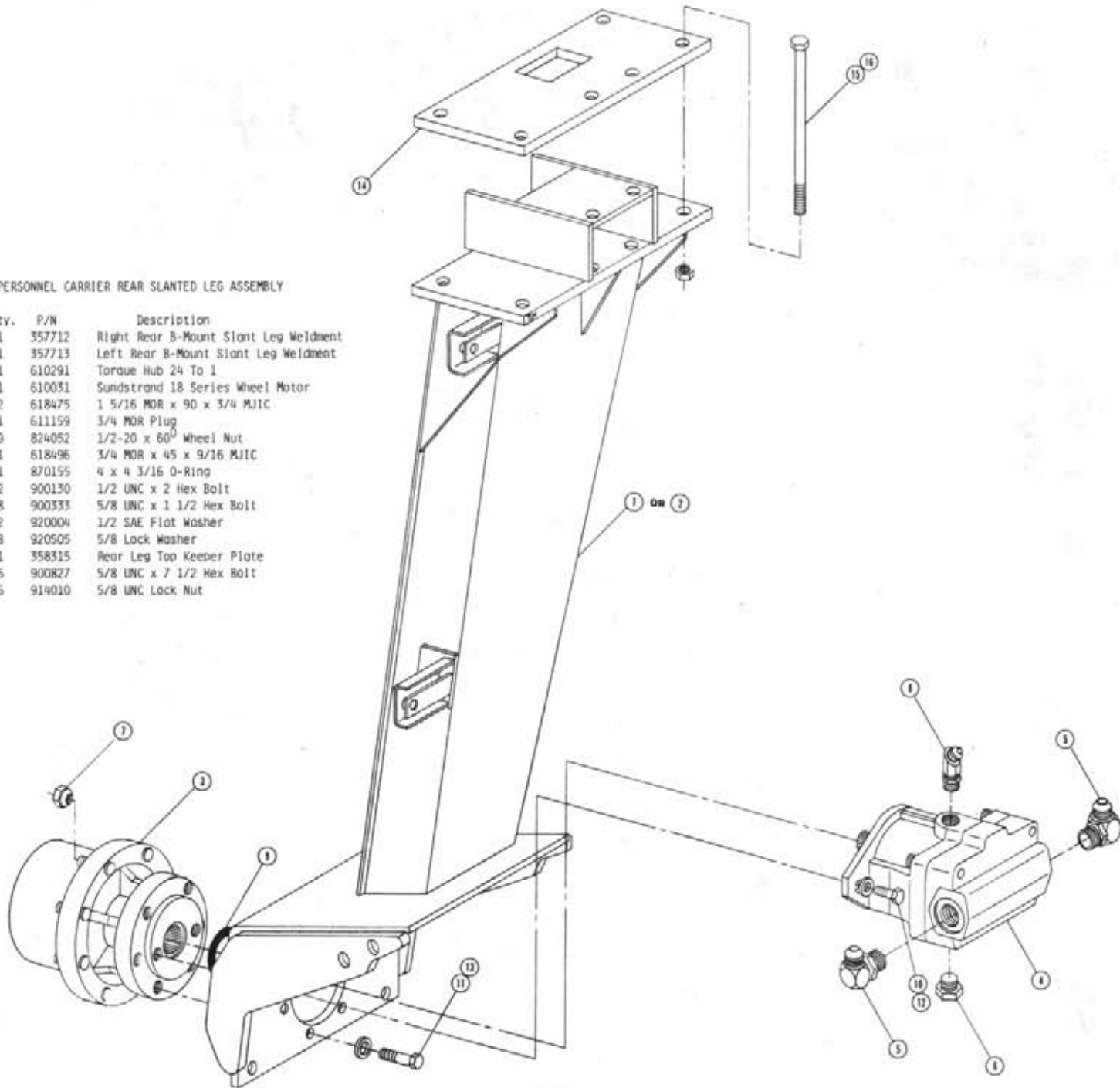
REAR STRAIGHT LEG ASSEMBLY

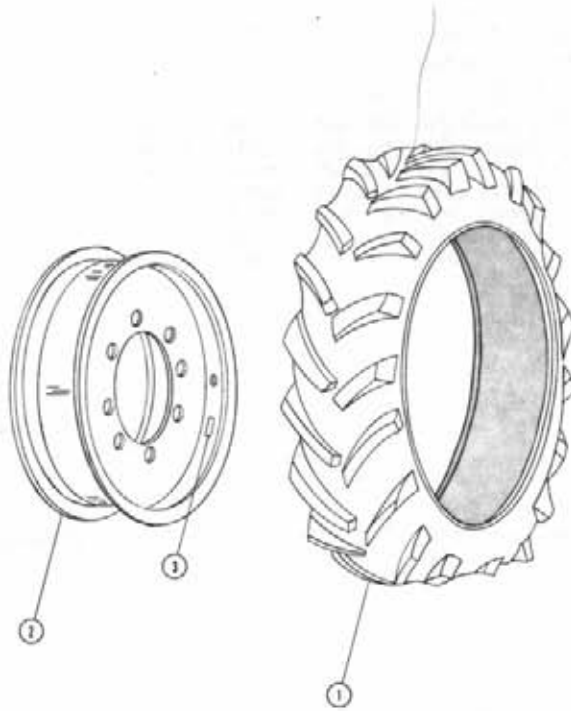
Det.	Qty.	P/N	Description
1	1	357694	Right Rear A-Mount Straight Leg Weldment
2	1	357695	Left Rear A-Mount Straight Leg Weldment
3	1	437617	Torque Hub
4	1	610029	Sundstrand 15 Series Wheel Motor
5	2	611125	3/4 MOR - 3/4 NJIC
6	1	611159	3/4 MOR Plug
7	1	610496	3/4 MOR-45°-9/16 NJIC
8	9	824052	1/2-20 x 60° Wheel Nut
9	1	870151	O-Ring
10	2	900130	3/8 UNC x 1 1/4 Hex Bolt
11	8	900333	5/8 UNC x 1 1/2 Hex Bolt
12	2	920502	3/8 Lock Washer
13	8	920505	5/8 Lock Washer
14	1	358315	Rear Leg Top Keeper Plate
15	6	900827	5/8 UNC x 7 1/2 Hex Bolt
16	6	914010	5/8 UNC Lock Nut



PERSONNEL CARRIER REAR SLANTED LEG ASSEMBLY

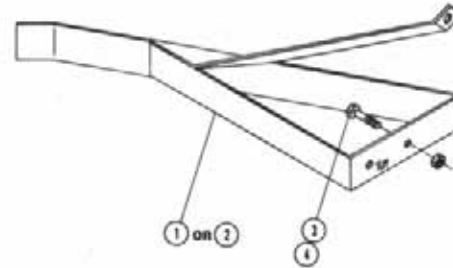
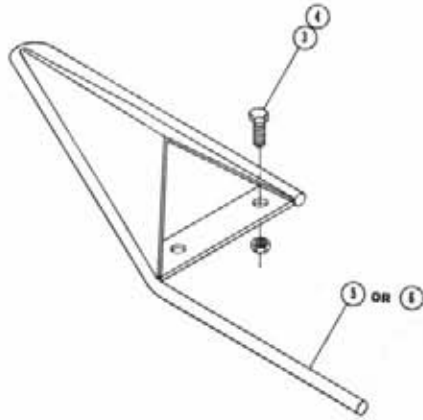
Det.	Qty.	P/N	Description
1	1	357712	Right Rear B-Mount Slant Leg Weldment
2	1	357713	Left Rear B-Mount Slant Leg Weldment
3	1	610291	Torque Hub 24 To 1
4	1	610051	Sundstrand 18 Series Wheel Motor
5	2	618475	1 5/16 MDR x 90 x 3/4 MJIC
6	1	611159	3/4 MDR Plug
7	9	824052	1/2-20 x 60 Wheel Nut
8	1	618496	3/4 MDR x 45 x 9/16 MJIC
9	1	870155	4 x 4 3/16 O-Ring
10	2	900130	1/2 UNC x 2 Hex Bolt
11	8	900333	5/8 UNC x 1 1/2 Hex Bolt
12	2	920004	1/2 SAE Flat Washer
13	8	920505	5/8 Lock Washer
14	1	358315	Rear Leg Top Keeper Plate
15	6	900827	5/8 UNC x 7 1/2 Hex Bolt
16	6	914010	5/8 UNC Lock Nut





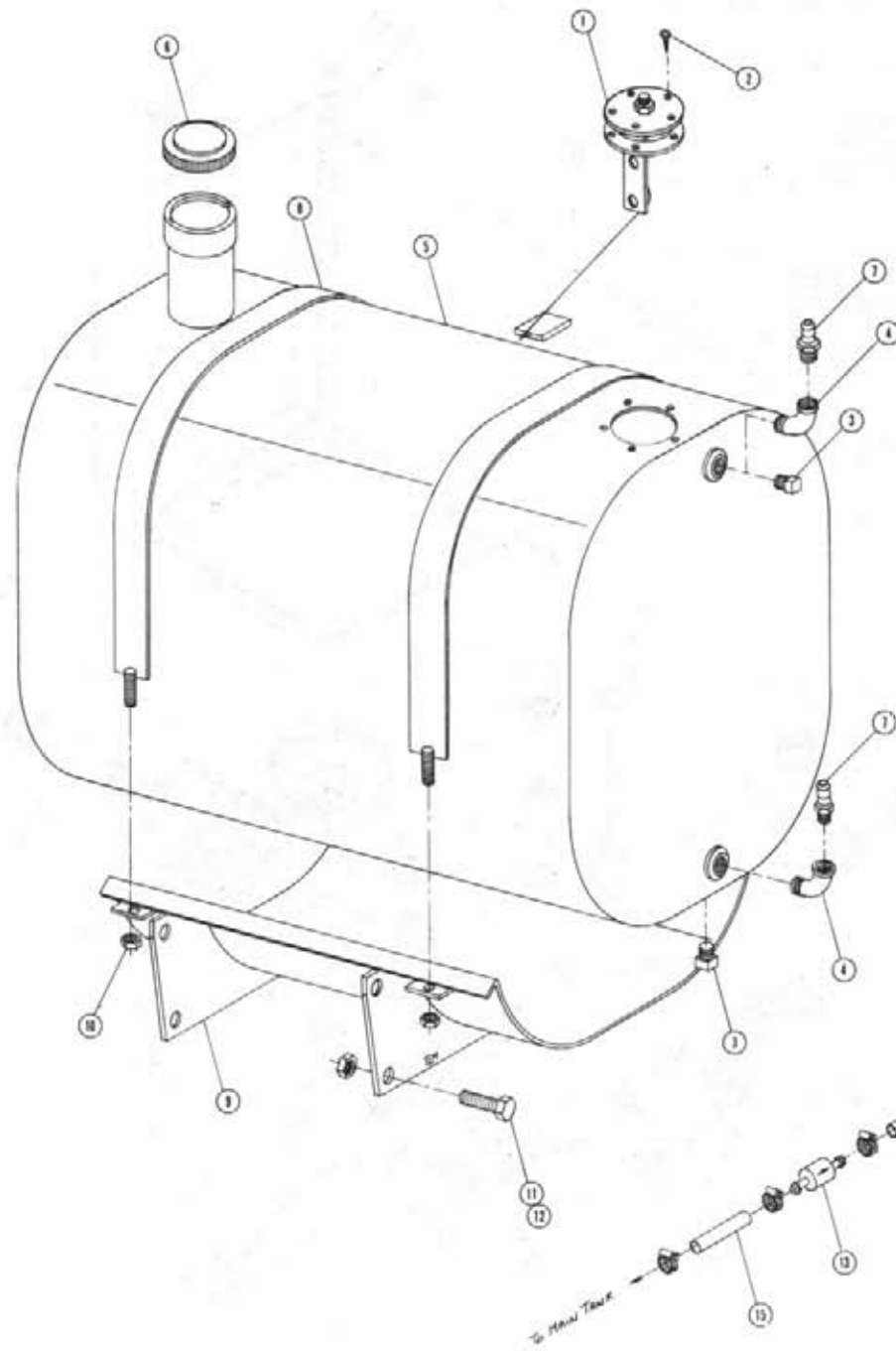
TIRE AND WHEEL ASSEMBLY

Det.	Qty.	P/N	Description
1	1	020201	11.2 x 24 Tractor Tire
2	1	820600	Wheel Weldment
3	1	650905	Wheel Bolt Torque Decal



STALK GUIDE ASSEMBLY

Det.	Qty.	P/N	Description
1	1	662164	Left Stalk Guide Weldment
2	1	662208	Right Stalk Guide Weldment
3	4	900129	3/8 UNC x 1 Hex Bolt
4	4	914004	3/8 UNC Stover Nut
5	1	662211	Right Front Leg Stalk Guide
6	1	662212	Left Front Leg Stalk Guide



FUEL TANK ASSEMBLY

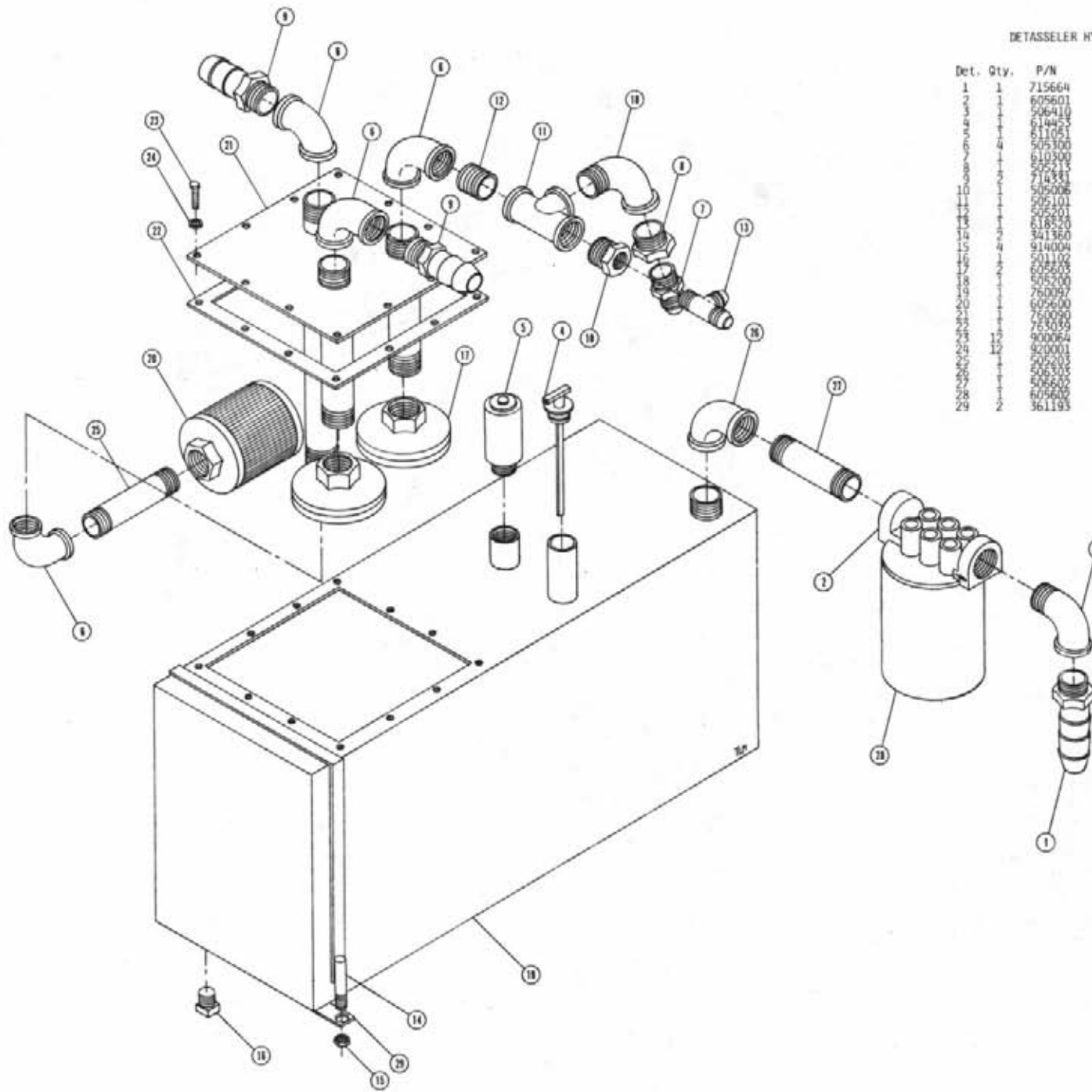
Det. Qty.	P/N	Description
1	291428	Fuel Sender
2	473902	No. 8 x 1/2 Pan Head Metal Screw
3	501102	1/4 Pipe Plug
**4	501450	1/4 NPT x 90 Street Elbow
5	760444	Fuel Tank Weldment
6	761200	Gas Cap
**7	783303	1/4 NPT x 5/16 Hose Barb
8	760449	Fuel Tank Band Weldment
9	760451	Fuel Tank Cradle Weldment
10	914004	3/8 UNC Stover Nut
11	914008	1/2 UNC Stover Nut
12	900263	1/2 UNC x 1 Hex Bolt
*13	319612	Gas Line Filter
*14	520120	No. 4 Hose Clamp
*15	601138	5/16 x 3 Fuel Line Hose
*16	601257	5/16 x 120 Fuel Line Hose
*17	610411	Fuel Selector Valve
18	601263	5/16 x 144 Fuel Line Hose
*19	900002	1/4 UNC x 3/4 Hex Bolt
*20	914000	1/4 UNC Stover Nut

Note: *1. Items 13,14,15,16,17,19, And 20 Are Used With Auxiliary Fuel Tank.

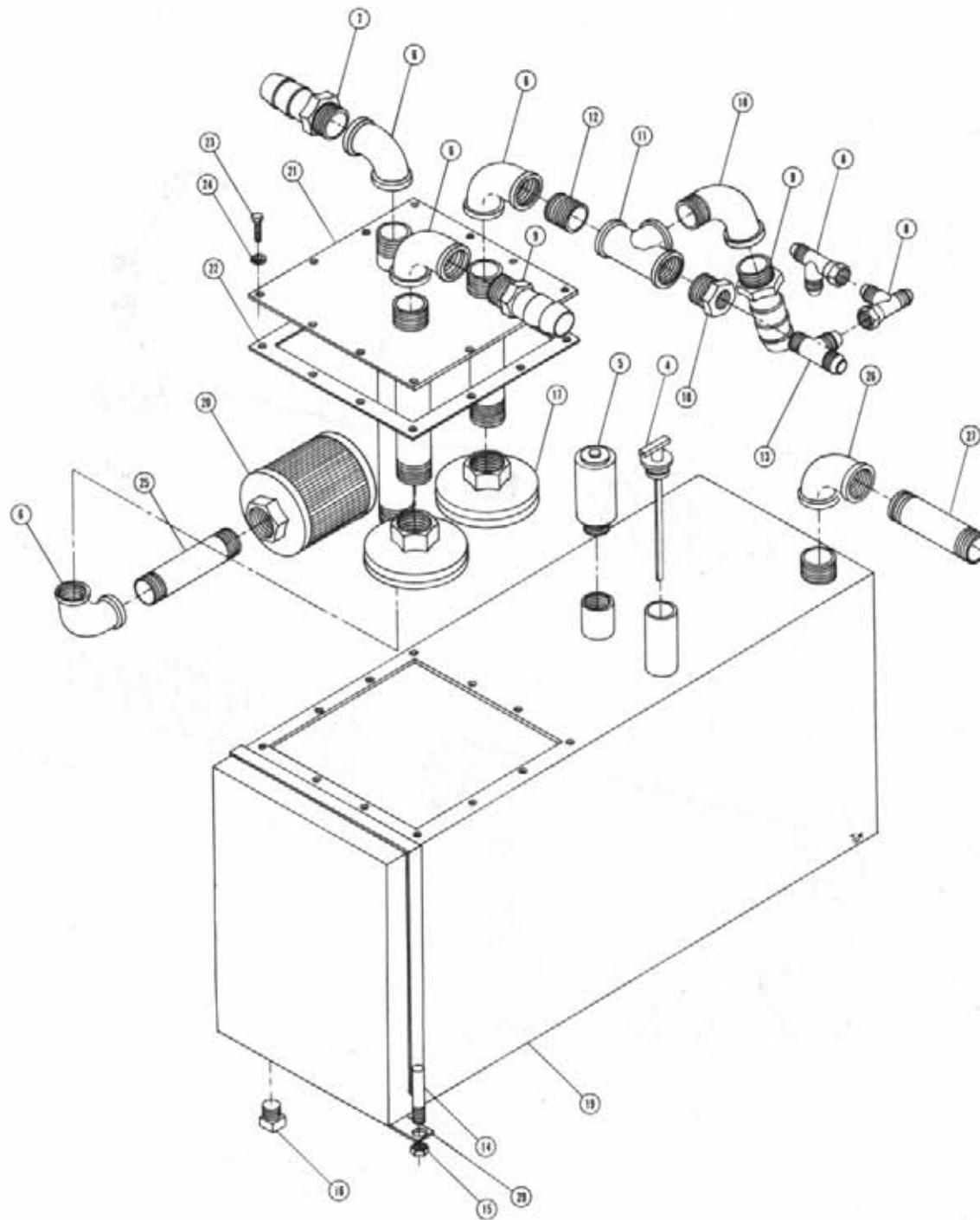
**2. For Diesel Option Replace Detail 3 With (1) Of Detail 4 And 7.

DETASSELER HYDRAULIC TANK ASSEMBLY

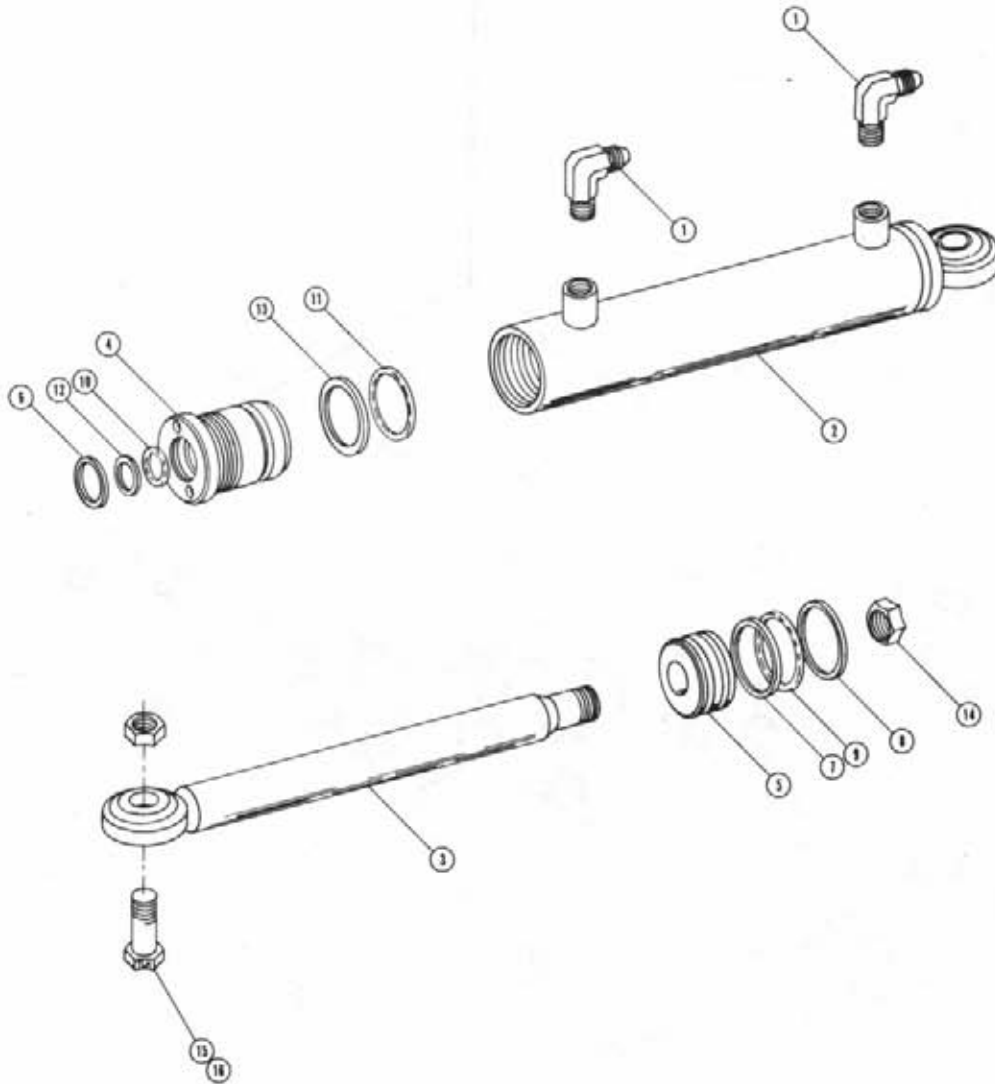
Det.	Qty.	P/N	Description
1	1	715664	1 1/4 NPT x 1 Hose Barb
2	1	605601	Green Filter
3	1	506410	1 1/4 NPT x 90 Steert Elbow
4	1	614455	Oil Dip Stick
5	1	611051	Pressure Cap
6	4	505300	1 NPT x 90 Elbow
7	1	610300	3/4 NPT x 3/4 MJIC
8	1	505213	3/4 NPT x 1 NPT Reducer Bushing
9	3	714381	1 NPT x 3/4 Hose Barb
10	1	505006	1 NPT To 1/4 NPT Reducer Bushing
11	1	505101	1 NPT Pipe Tee
12	1	505201	1 NPT Pipe Nipple
13	1	618520	1/4 NPT Run Tee x 3/16 MJIC
14	2	341360	Oil Tank Strap Weldment
15	4	914004	3/8 UNC Lock Washer
16	1	501102	1/4 NPT Pipe Plug
17	1	605605	Line Diffuser
18	1	505200	1 NPT x 90 Street Elbow
19	1	750097	Hydraulic Oil Tank Weldment
20	1	605600	Michigan Filter
21	1	750090	Receiver Plate Weldment
22	1	750099	Hydraulic Motor Mounting Plate Gasket
23	12	900064	5/16 UNC x 3/4 Hex Bolt
24	12	920001	5/16 SAE Flat Washer
25	1	505205	1 NPT x 4 Pipe Nipple
26	1	505305	1 1/4 NPT x 90 Elbow
27	1	505602	1/4 x 2 1/2 Pipe Nipple
28	1	605602	Oil Filter Element
29	2	361193	Oil Tank Spacer



PERSONNEL CARRIER HYDRAULIC TANK ASSEMBLY



Det.	Qty.	P/N	Description
1	1	715664	1 1/4 NPT x 1 Hose Barb
2	1	625601	Green Filter
3	1	506410	1 1/4 NPT x 90° Street Elbow
4	1	614453	Oil Dip Stick
5	1	611051	Pressure Cap
6	1	505300	1 NPT x 90° Elbow
7	1	714560	1 NPT x 1 Hose Barb
8	1	618486	9/16 FJIC Swivel Run Tee
9	1	714533	1 NPT x 3/4 Hose Barb
10	1	505308	1 NPT To 1/4 NPT Reducer Bushing
11	1	505101	1 NPT Pipe Tee
12	1	505201	1 NPT Pipe Nipple
13	1	618520	1/4 NPT Run Tee x 9/16 MJIC
14	1	541560	Oil Tank Strap Weldment
15	4	914004	3/8 UNC Lock Nut
16	1	501102	1/4 NPT Pipe Plug
17	2	602603	Line Diffuser
18	1	505200	1 NPT x 90° Street Elbow
19	1	760097	Hydraulic Oil Tank Weldment
20	1	605600	Michigan Filter
21	1	760090	Receiver Filter
22	1	763039	Hydraulic Motor Mounting Plate Gasket
23	15	600064	5/16 UNC x 3/4 Hex Bolt
24	15	620001	5/16 SAE Flat Washer
25	1	505203	1 NPT x 4 Pipe Nipple
26	1	506303	1 1/4 NPT x 90° Elbow
27	1	506302	1 1/4 NPT x 2 1/2 Pipe Nipple
28	1	605602	Oil Filter Element
29	2	361193	Oil Tank Spacer



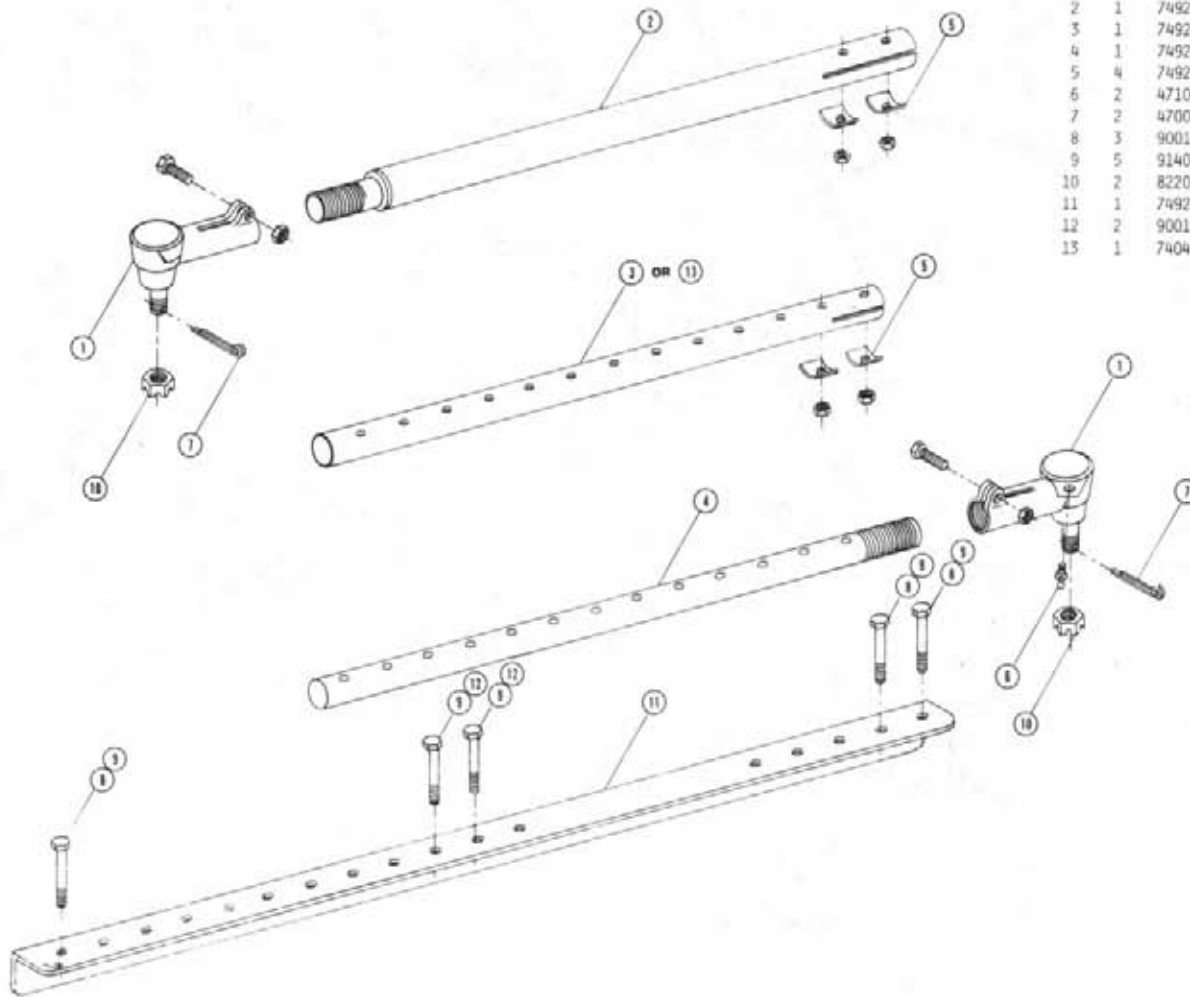
STEERING CYLINDER ASSEMBLY

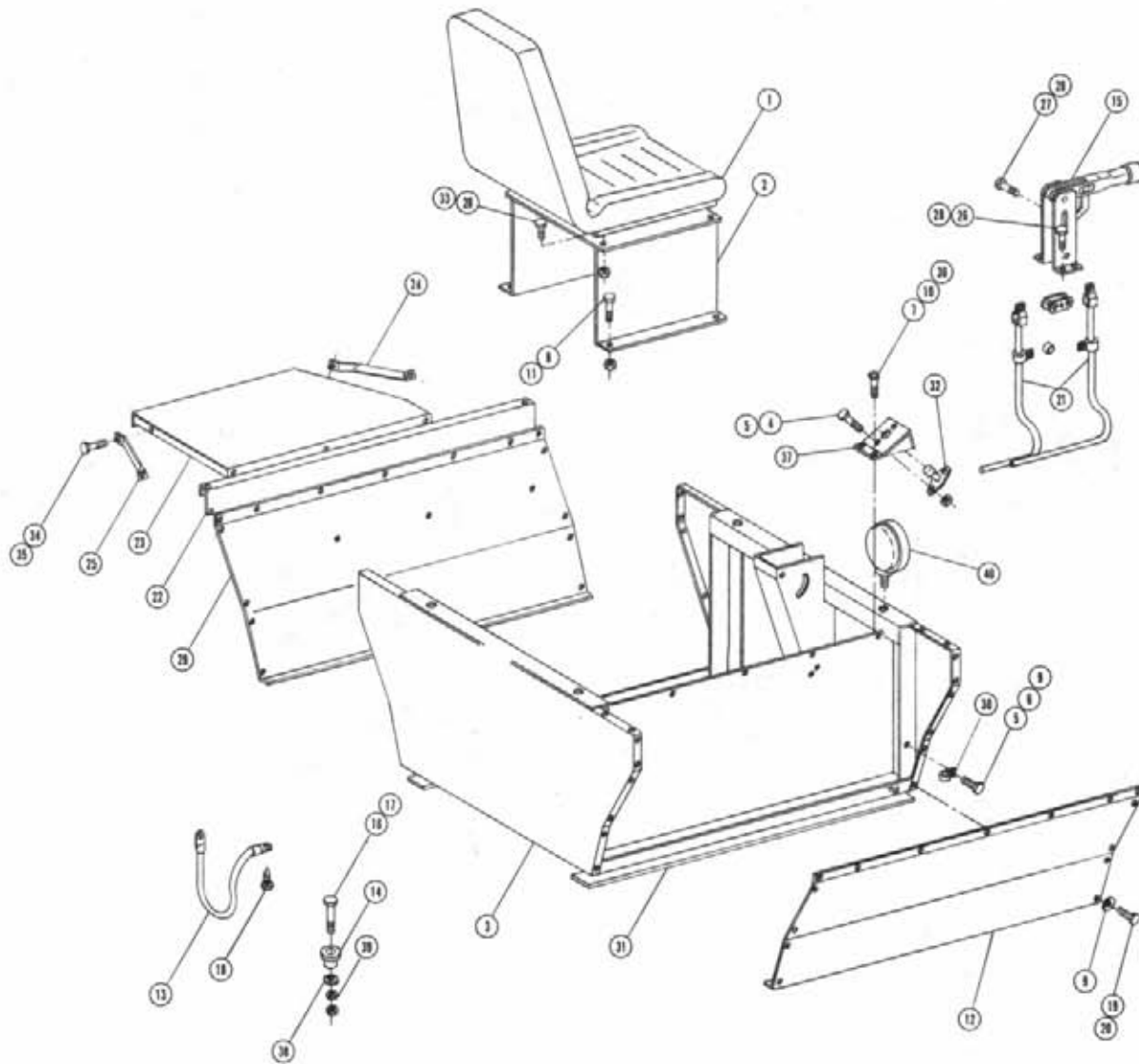
Det.	Qty.	P/N	Description
1	2	611122	1/4 NPT x 90° x 9/16 MJIC
2	1	620089	Steering Cylinder Tube Weldment
3	1	620148	Steering Cylinder Shaft Weldment
4	1	620109	Gland
5	1	620129	Piston
6	1	629028	Wiper
7	1	629618	Wear Ring
8	1	629616	Piston Seal
9	1	870025	1 3/16 x 1 5/16 O-Ring
10	1	870210	3/4 x 1 Neoprene O-Ring
11	1	870218	1 1/4 x 1 1/2 Neoprene O-Ring
12	1	890210	3/4 x 1 Back-Up Washer
13	1	890218	1 1/4 x 1 1/2 Back-Up Washer
14	1	914009	1/2 UNF Lock Nut
15	1	900337	5/8 UNC x 2 3/4 Hex Bolt
16	1	914010	5/8 UNC Lock Nut

Note: Cylinder Assembly With Fittings 620080.
Seal Kit 620998

TIE ROD ASSEMBLY

Det.	Qty.	P/N	Description
1	2	749156	Female Socket Assembly
2	1	749203	Tie Rod Outer Tube Weldment
3	1	749206	Tie Rod Inner Tube - Slant Leg
4	1	749207	Tie Rod Inner Shaft
5	4	749208	Tie Rod Clamp
6	2	471021	Grease Zerk
7	2	470032	1/8 x 1 1/2 Cotter Pin
8	3	900135	3/8 UNC x 2 3/4 Hex Bolt
9	5	914004	3/8 UNC Lock Nut
10	2	822040	5/8 UNF Slotted Hex Nut
11	1	749214	Tie Rod Stiffener Angle
12	2	900134	3/8 UNC x 2 1/2 Hex Bolt
15	1	740442	Inner Tie Rod Tube - Straight Leg





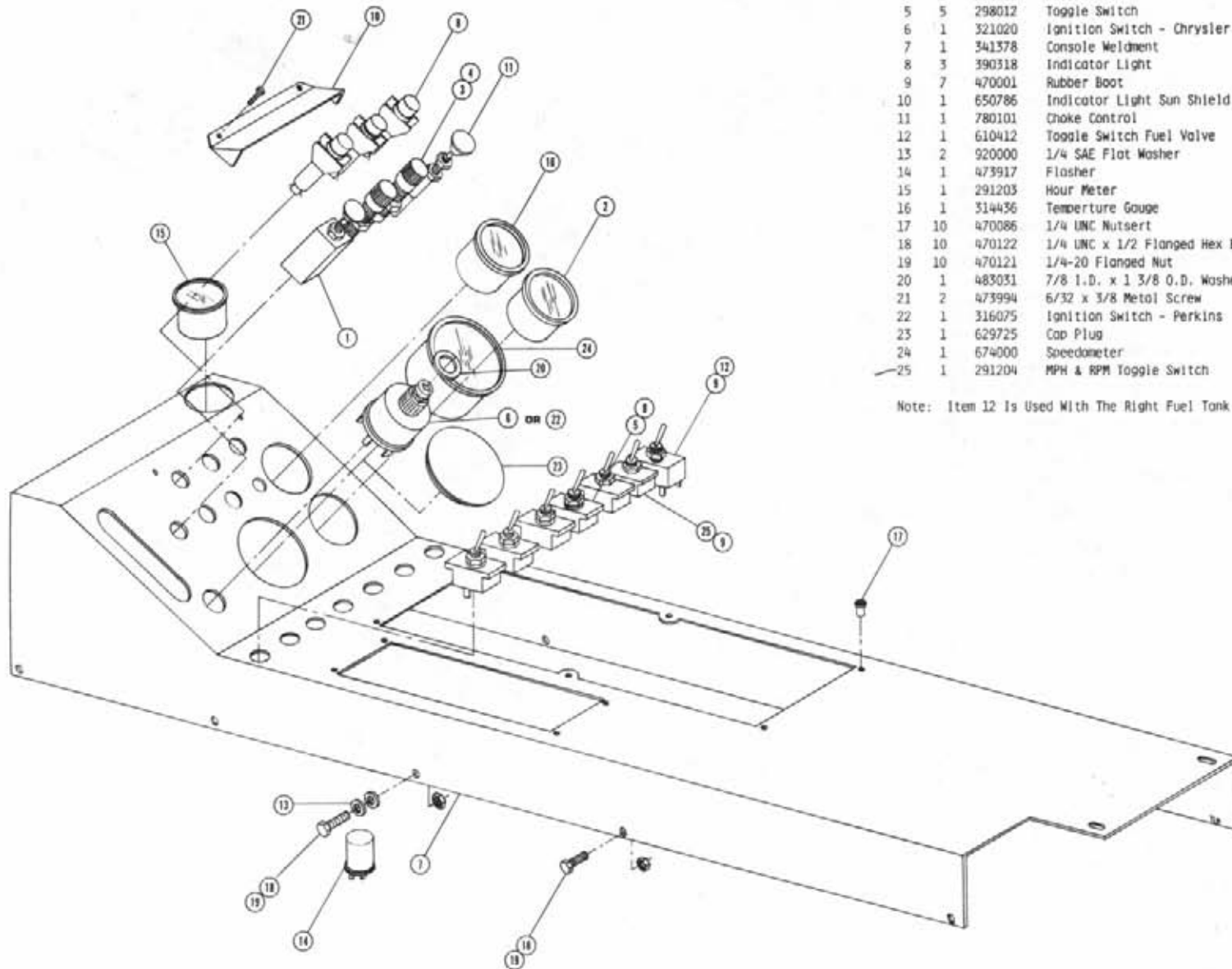
OPERATOR STATION ASSEMBLY

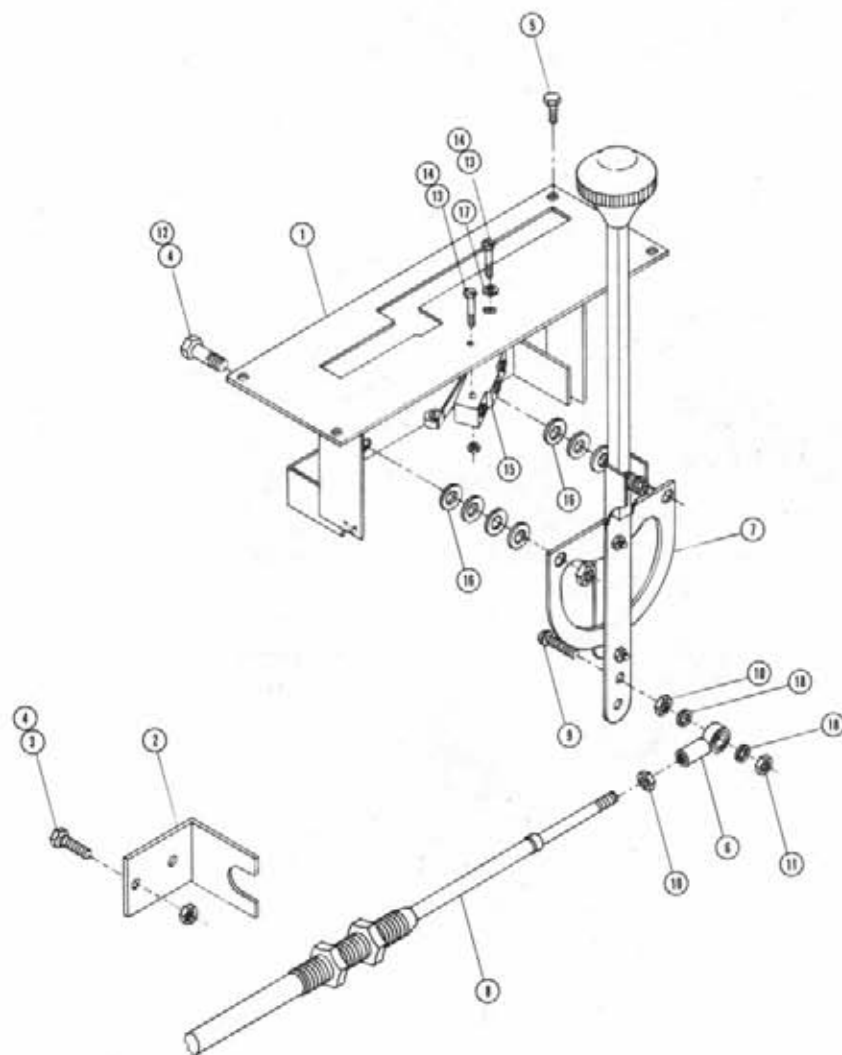
Det.	Qty.	P/N	Description
1	1	330002	Seat
2	1	341336	Seat Mount Weldment
3	1	341368	Operator Station Weldment
4	2	900000	1/4 UNC x 1/2 Hex Bolt
5	3	914000	1/4 UNC Lock Nut
6	1	900002	1/4 UNC x 3/4 Hex Bolt
7	2	914027	#10-32 Lock Nut
8	4	914004	3/8 UNC Lock Nut
9	31	920000	1/4 Flat Washer
10	2	920510	#10 Lock Washer
11	4	900128	3/8 UNC x 3/4 Hex Bolt
12	1	659572	Right Outside Station Panel
13	1	290107	Ground Strap
14	4	311032	Engine Isolator
15	1	826108	Brake Lever Assembly
16	4	900269	1/2 UNC x 2 3/4 Hex Bolt
17	4	914008	1/2 UNC Lock Nut
18	2	472349	1/4 x 3/4 Self-Tapping
19	33	470118	1/4 UNC x 3/4 Flanged Hex Bolt
20	33	470086	1/4 UNC Nutsert
21	2	826926	190° Brake Cable
22	1	659564	Lower Canopy Deflector
23	1	341404	Operator Station Step Weldment
24	1	341414	Front Operator Station Step Brace
25	1	341415	Rear Operator Station Step Brace
26	4	900064	5/16 UNC x 3/4 Hex Bolt
27	1	900067	5/16 UNC x 1 1/2 Hex Bolt
28	9	914002	5/16 UNC Lock Nut
29	1	659600	Left Outside Station Panel
30	1	520121	1" Cushion Clamp
31	2	659579	2" Wide Foam
32	1	290424	Traction Valve Switch
33	4	901064	5/16 UNC x 3/4 Carriage Bolt
34	4	900065	5/16 UNC x 1 Hex Bolt
35	4	910002	5/16 UNC Hex Nut
36	2	472231	#10-32 x 3/4 Pan Head Machine Screw
37	1	340635	Floor Switch Mount Weldment
38	4	483037	Regular Flat Washer
39	4	920004	1/2 SAE Flat Washer
40	2	291089	Adjustable Light

CONSOLE ASSEMBLY

Det. Qty.	P/N	Description
1	290046	Two Position Light Switch
2	290401	Fuel Gauge
3	298004	20 AMP Fuse
4	298011	Fuse Holder
5	298012	Toggle Switch
6	321020	Ignition Switch - Chrysler
7	341378	Console Weldment
8	390318	Indicator Light
9	470001	Rubber Boot
10	650786	Indicator Light Sun Shield
11	780101	Choke Control
12	610412	Toggle Switch Fuel Valve
13	920000	1/4 SAE Flat Washer
14	473917	Flasher
15	291203	Hour Meter
16	314436	Temperature Gauge
17	470086	1/4 UNC Nutsert
18	470122	1/4 UNC x 1/2 Flanged Hex Bolt
19	470121	1/4-20 Flanged Nut
20	483031	7/8 I.D. x 1 3/8 O.D. Washer
21	473994	6/32 x 3/8 Metal Screw
22	316075	Ignition Switch - Perkins
23	629725	Cap Plug
24	674000	Speedometer
25	291204	MPH & RPM Toggle Switch

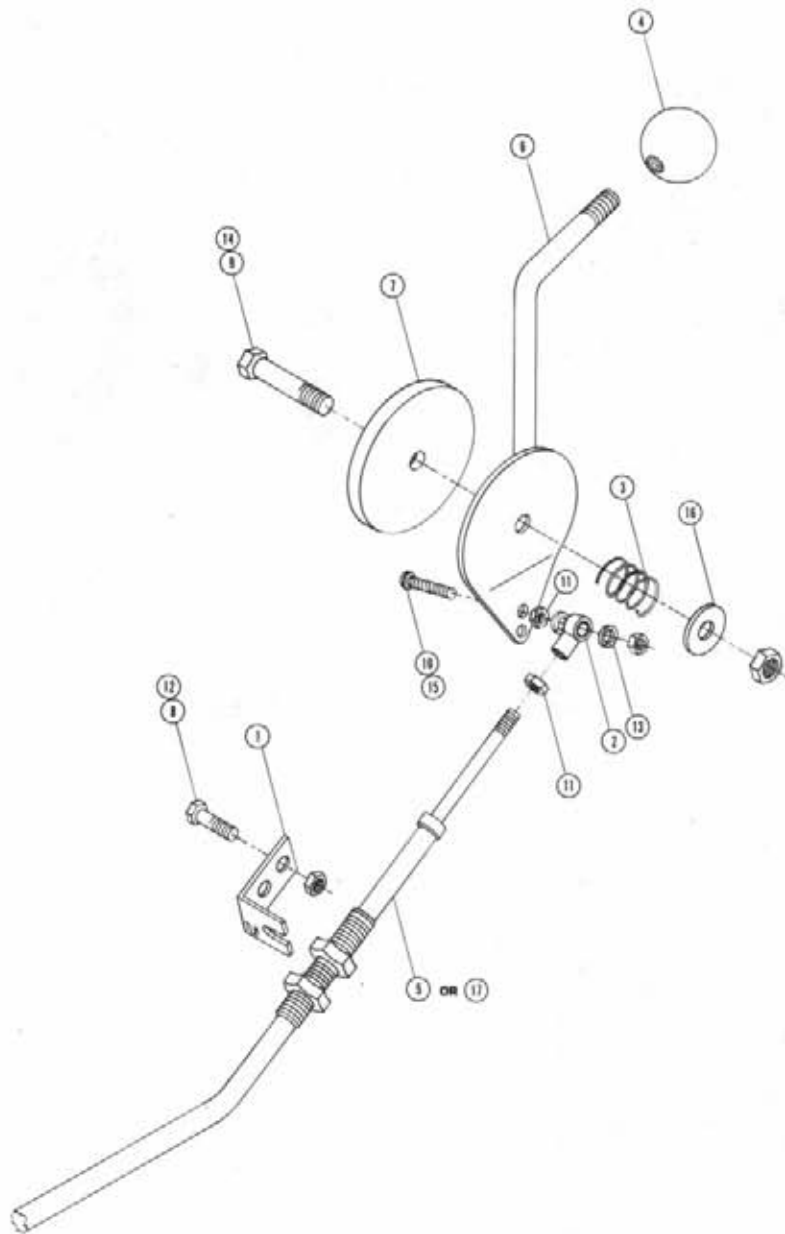
Note: Item 12 Is Used With The Right Fuel Tank Option.





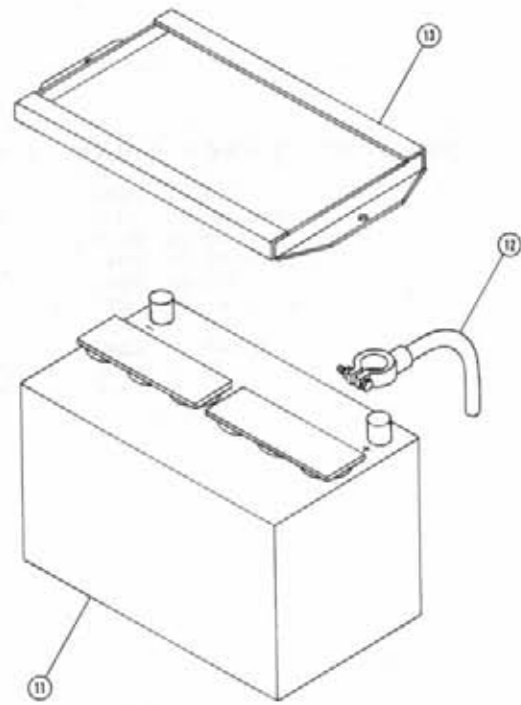
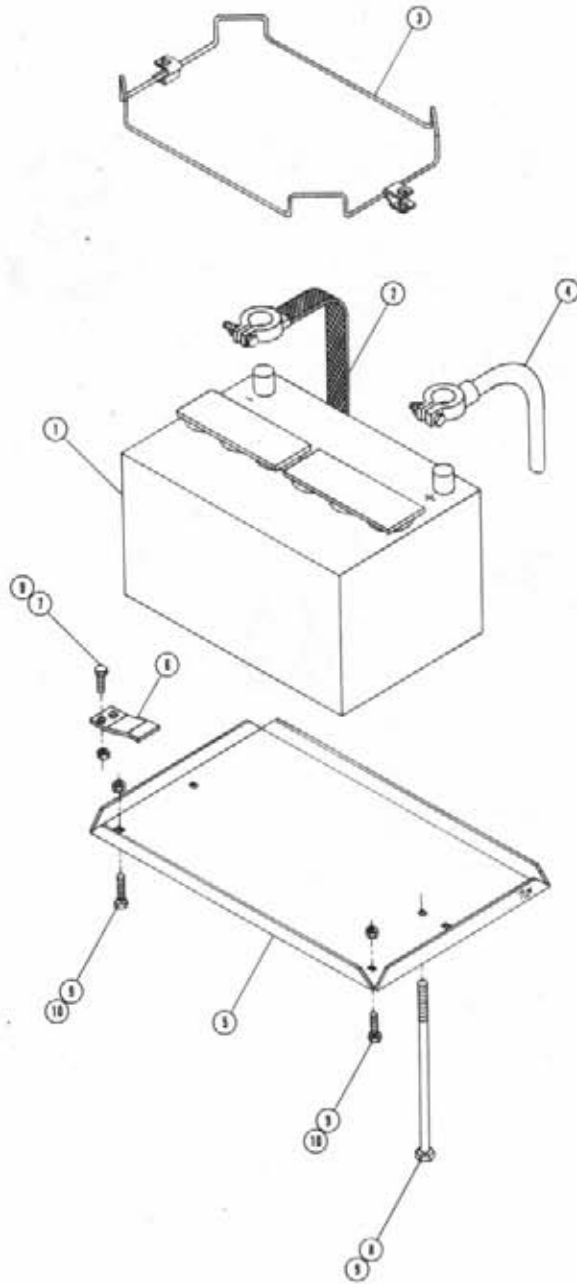
HYDROSTATIC LEVER ASSEMBLY

Det.	Qty.	P/N	Description
1	1	341501	Hydrostatic Control Lever Mount
2	1	341188	Console Throttle Cable Bracket
3	2	900000	1/4 UNC x 1/2 Hex Bolt
4	4	914000	1/4 UNC Stover Nut
5	4	470122	1/4-20 x 1/2 Flanged Hex Bolt
6	1	473921	No. 10-32 Ball Joint
7	1	606864	Control Lever
8	1	785053	Hydrostatic Cable 95"
9	1	903893	No. 10-32 x 1 Round Head Screw
10	2	910027	No. 10 UNF Hex Nut
11	1	914027	No. 10-32 Stover Nut
12	2	900003	1/4 UNC x 1 Hex Bolt
13	2	910022	No. 6-32 Hex Nut
14	2	473993	No. 6-32 x 1 1/8 Hex Head Machine Screw
15	1	293006	Micro Switch
16	8	920000	1/4 SAE Flat Washer
17	1	920011	No. 6 SAE Flat Washer
18	2	920510	No. 10 Lock Washer



THROTTLE LEVER ASSEMBLY

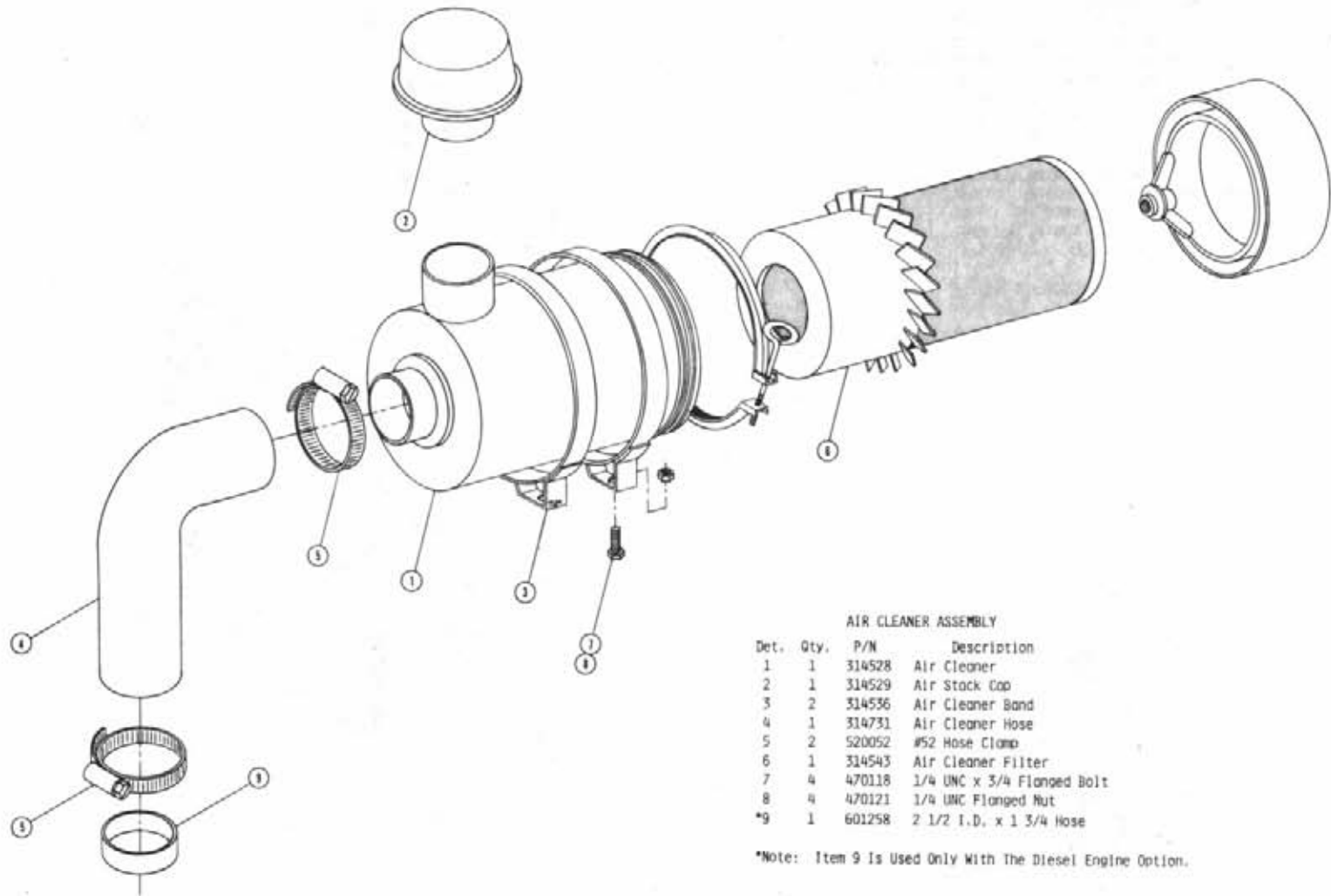
Det.	Qty.	P/N	Description
1	1	341188	Throttle Cable Mount Angle
2	1	473921	No. 10-32 Ball Joint
3	1	499001	Spring
4	1	659292	1 7/8 Dia. Ball Valve
5	1	785003	Throttle Cable 112" - Chrysler
6	1	785040	Throttle Lever Weldment
7	1	785046	Friction Disc
8	2	900000	1/4 UNC x 1/2 Hex Bolt
9	1	900170	3/8 UNC x 2 1/4 Hex Bolt
10	1	903893	No. 10-32 x 1 Slotted Round Head Machine Screw
11	2	910027	No. 10 UNF Hex Nut
12	2	914000	1/4 UNC Stover Nut
13	2	920510	No. 10 Lock Washer
14	1	914004	3/8 UNC Stover Nut
15	1	914027	No. 10-32 Stover Nut
16	1	920002	3/8 SAE Flat Washer
17	1	785054	Throttle Cable 128" - Perkins



BATTERY BOX ASSEMBLY

Det. Qty.	P/N	Description
1	290013	Battery - Chrysler
2	290111	Ground Strap
3	290212	Battery Hold Down With Clamps
4	291128	Battery Cable 48"
5	361149	Battery Box
6	361192	Battery Box Support
7	900129	3/8 UNC x 1 Hex Bolt
8	901149	3/8 UNC x 8 1/2 Carriage Bolt
9	914004	3/8 UNC Stover Nut
10	900128	3/8 UNC x 3/4 Hex Bolt
11	291122	Battery - Perkins
12	290052	Battery Cable 56"
13	341322	Battery Hold Down Weldment

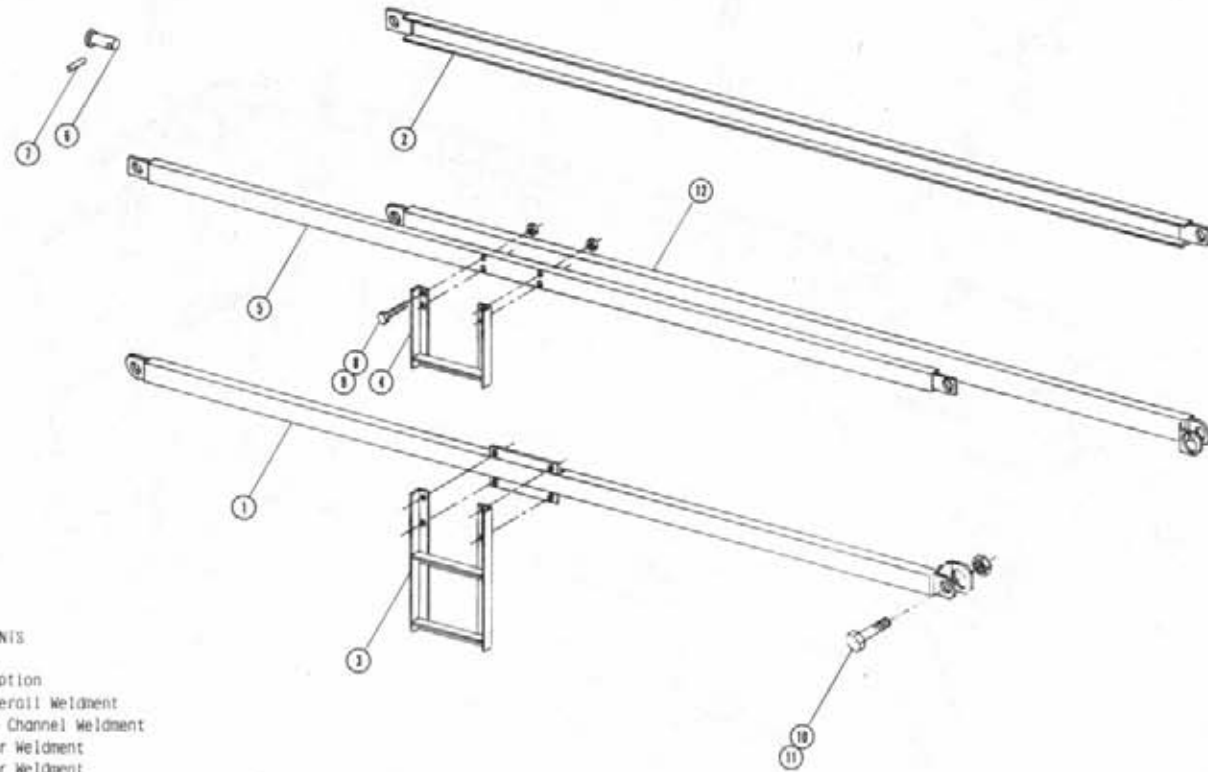
Note: Items 2,5,6,7,8,9, And 10 Are Used With Both Engines.



AIR CLEANER ASSEMBLY

Det.	Qty.	P/N	Description
1	1	314528	Air Cleaner
2	1	314529	Air Stock Cap
3	2	314536	Air Cleaner Band
4	1	314731	Air Cleaner Hose
5	2	520052	#52 Hose Clamp
6	1	314543	Air Cleaner Filter
7	4	470118	1/4 UNC x 3/4 Flanged Bolt
8	4	470121	1/4 UNC Flanged Nut
*9	1	601258	2 1/2 I.D. x 1 3/4 Hose

*Note: Item 9 is Used Only With The Diesel Engine Option.

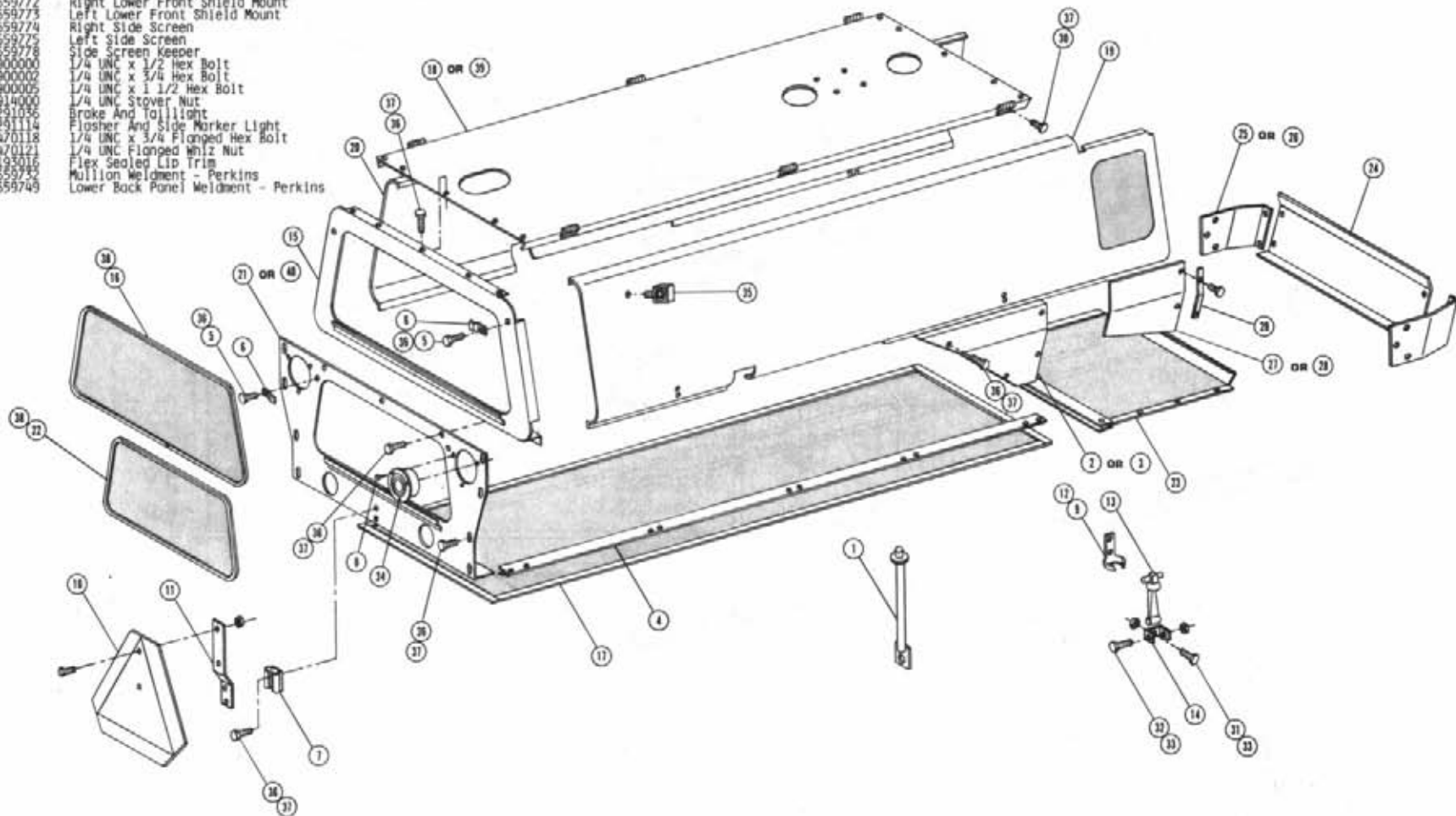


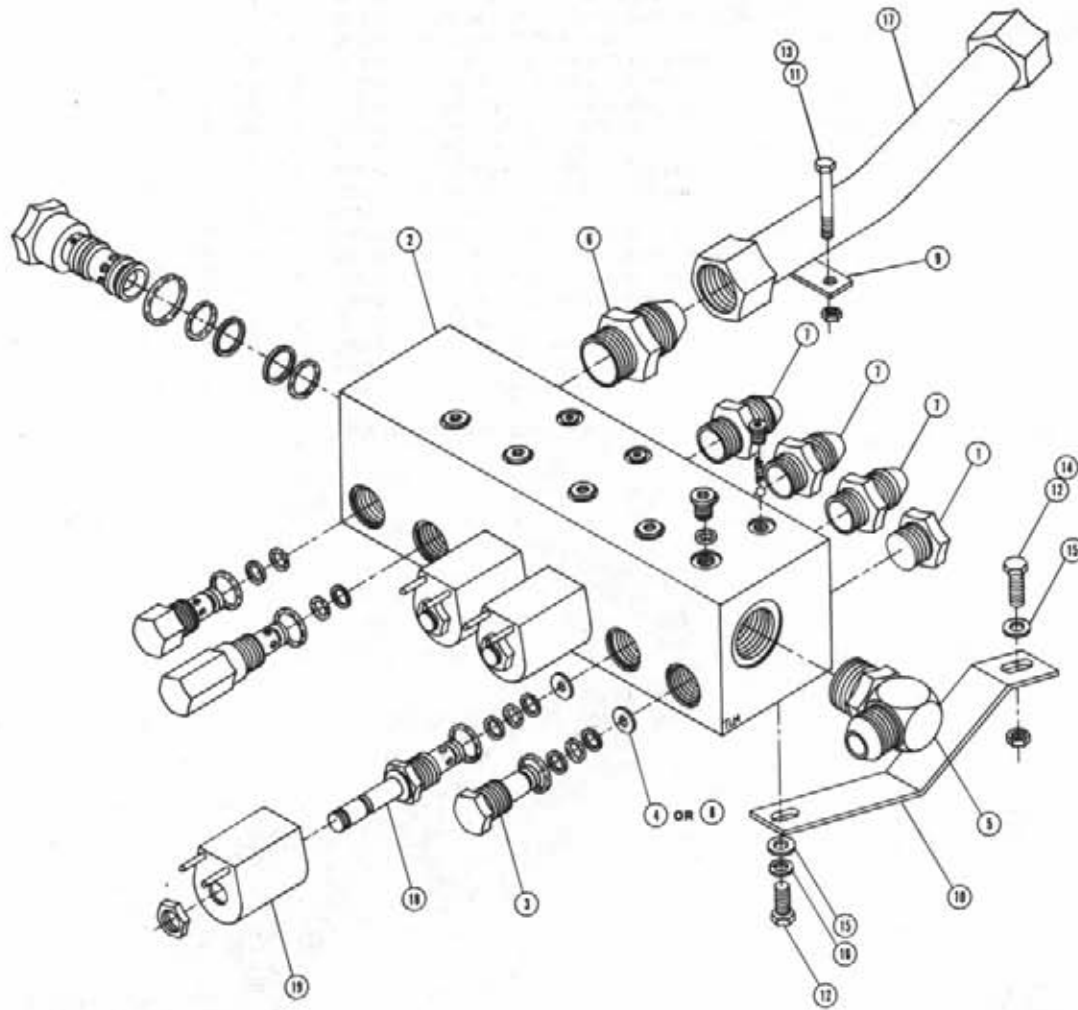
MISCELLANEOUS FRAME COMPONENTS

Det.	Qty.	P/N	Description
1	1	341584	Left Lower Siderail Weldment
2	1	341511	Upper Siderail Channel Weldment
3	1	360305	Two Step Ladder Weldment
4	1	360441	One Step Ladder Weldment
5	1	341581	Left Upper Siderail Channel Weldment
6	1	361162	Carriage Pin Weldment
7	1	473937	3/8 Dia. x 2 1/2 Roll Pin
8	8	900129	3/8 UNC x 1 Hex Bolt
9	8	914004	3/8 UNC Lock Nut
10	8	900534	1 UNC x 3 Hex Bolt
11	8	914016	1 UNC Lock Nut
12	1	341585	Right Lower Siderail Weldment

SHEET METAL ASSEMBLY

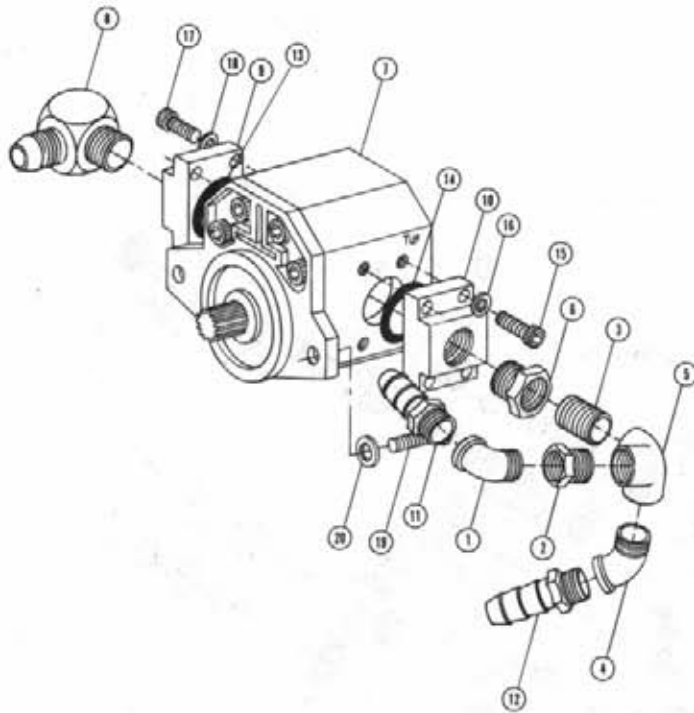
Det.	Qty.	P/N	Description
1	2	341356	Engine Hood Prop Weldment
2	1	341362	Left Side Plate Extension
3	1	341363	Right Side Plate Extension
4	2	341395	Screen Slide Weldment
5	4	470086	1/4 UNC Nutsert
6	4	470151	Upper Rear Panel Screen Clip
7	4	472251	Mounting Socket
8	8	472253	No. 10-24 x 3/16 Self-Tapping Screw
9	1	485053	3/16 x 3/8 Pop Rivet
10	1	472249	Slow Moving Vehicle Sign
11	1	472250	Spade Mounting Bracket
12	4	656997	Rubber Hook Bracket
13	4	656998	Rubber Hook
14	4	656999	Rubber Hook Anchor Bracket
15	1	659775	Upper Rear Panel Weldment
16	1	659776	Upper Rear Panel Screen
17	1	659589	Lower Screen Weldment
18	1	659728	Mullion Weldment - Chrysler
19	1	659734	Right Engine Hood Weldment
20	1	659735	Left Engine Hood Weldment
21	1	659743	Lower Back Panel Weldment- Chrysler
22	1	659751	Lower Back Panel Screen
23	1	659765	Lower Front Hose Cover Screen
24	1	659771	Lower Front Shield
25	1	659772	Right Lower Front Shield Mount
26	1	659773	Left Lower Front Shield Mount
27	1	659774	Right Side Screen
28	1	659775	Left Side Screen
29	1	659778	Side Screen Keeper
30	12	900000	1/4 UNC x 1/2 Hex Bolt
31	4	900002	1/4 UNC x 3/4 Hex Bolt
32	4	900005	1/4 UNC x 1 1/2 Hex Bolt
33	8	914000	1/4 UNC Stover Nut
34	2	251036	Brake And Taillight
35	2	251114	Flasher And Side Marker Light
36	3	470118	1/4 UNC x 3/4 Flanged Hex Bolt
37	1	470121	1/4 UNC Flanged Nut
38	1	193016	Flex Sealed Lip Trim
39	1	659752	Mullion Weldment - Perkins
40	1	659749	Lower Back Panel Weldment - Perkins





MOTOR CONTROL VALVE ASSEMBLY

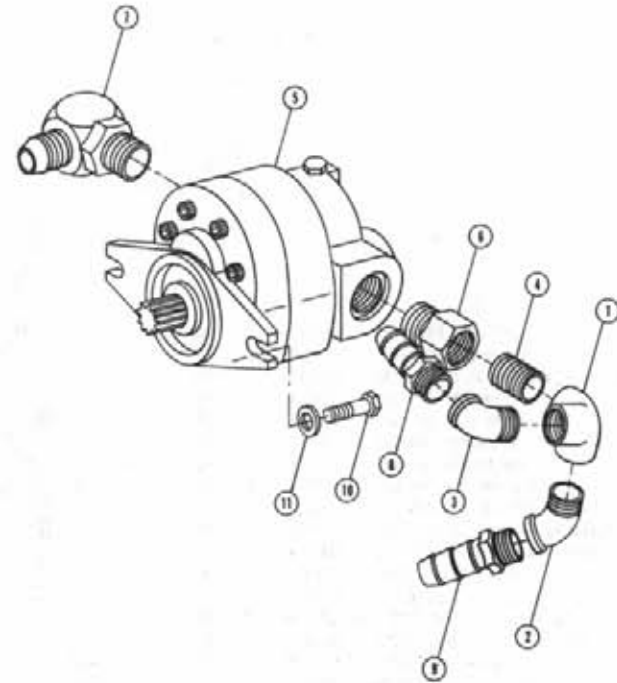
Det.	Qty.	P/N	Description
1	1	610186	1 1/16 MOR Plug
2	1	610467	Electric Motor Control Valve
3	1	610477	Plug 10 Series 2-Way
4	4	610479	.287 Disk Orifice
5	1	618178	1 5/16 MJIC x 90 x 1 5/16 MOR
6	1	618186	1 5/16 MJIC x 1 5/16 MOR
7	3	618309	7/8 MJIC x 1 1/16 MOR
8	4	610478	.182 Disk Orifice
9	1	341589	Hydraulic Tube Mount Keeper
10	1	341590	Motor Control Valve Mounting Bracket
11	2	900007	1/4 UNC x 2 Hex Bolt
12	2	900129	3/8 UNC x 1 Hex Bolt
13	2	914000	1/4 UNC Stover Nut
14	1	914004	3/8 UNC Stover Nut
15	2	920002	3/8 SAE Flat Washer
16	1	920502	3/8 Lock Washer
17	1	614632	Hydraulic Tube Assembly Return Manifold
18	3	610481	Solenoid Valve
19	3	610480	Solenoid Coil



SUNDSTRAND 4.58 CU.IN. ASSEMBLY

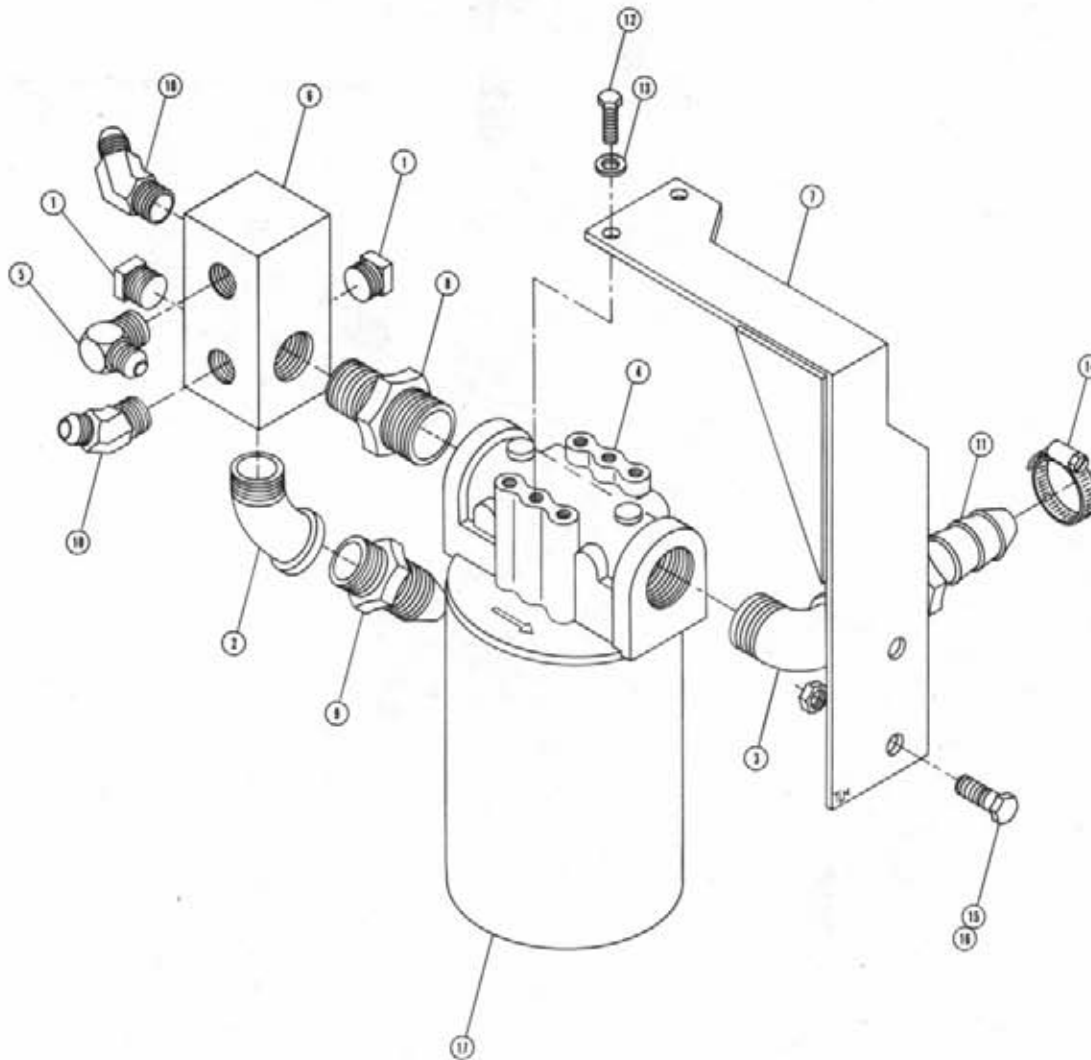
Det. Qty.	P/N	Description
1	505200	1 NPT x 90 Street Elbow
2	506005	1 1/4 NPT To 1 NPT Reducer Bushing
3	506200	1 1/4 NPT Close Nipple
4	506409	1 1/4 NPT x 45 Street Elbow
5	506701	1 1/4 NPT x 90 Side Outlet Elbow
6	507015	1 1/2 NPT To 1 1/4 NPT Reducer Bushing
7	610484	Sundstrand Gear Pump 4.58 Cu.In.
8	618324	1 5/16 MJIC x 90 x 1 1/4 NPT
9	618550	1 1/4 4-Bolt Flange x 1 1/4 FNPT
10	618568	1 1/2 4-Bolt Flange x 1 1/2 FNPT
11	714331	1 NPT x 3/4 Hose Barb
12	715660	1 1/4 NPT x 1 1/4 Hose Barb
*13	870222	1 3/4 O.D. x 1 1/2 I.D. O-Ring
*14	870225	2 1/8 O.D. x 1 7/8 I.D. O-Ring
*15	No P/N	1/2 UNC x 2 Socket Head Cap Screw
*16	No P/N	1/2 High Collar Lock Washer
*17	No P/N	7/16 UNC x 1 3/4 Socket Head Cap Screw
*18	No P/N	7/16 High Collar Lock Washer
19	900130	3/8 UNC x 1 1/4 Hex Bolt
20	920002	3/8 SAE Flat Washer

*Note: Items 14, 15, And 16 Come With 618568 - 1 1/2 4-Bolt Flange.
 Items 13, 17, And 18 Come With 618550 - 1 1/4 4-Bolt Flange.



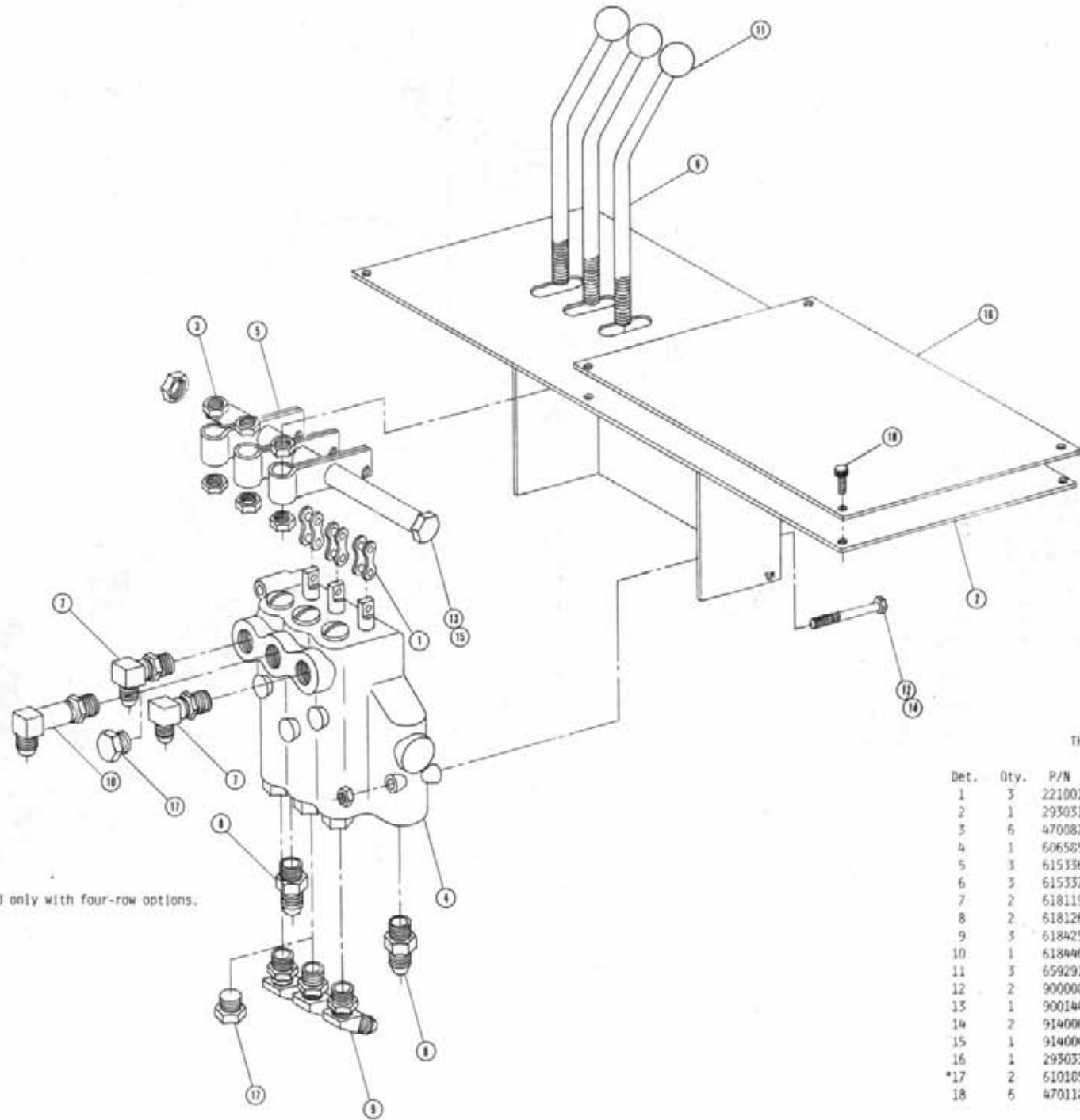
CROSS 2.74 CU.IN. PUMP ASSEMBLY

Det. Qty.	P/N	Description
1	505098	1 NPT x 90 Side Outlet Elbow
2	505110	1 NPT x 45 Street Elbow
3	505200	1 NPT x 90 Street Elbow
4	505201	1 NPT Close Nipple
5	610444	Cross Hydraulic Pump 2.74 Cu.In.
6	618090	1 5/16 MOR x 1 FNPT
7	618178	1 5/16 MJIC x 90 x 1 5/16 MOR
8	714331	1 NPT x 3/4 Hose Barb
9	714561	1 NPT x 1 1/4 Hose Barb
10	900130	3/8 UNC x 1 1/4 Hex Bolt
11	920002	3/8 SAE Flat Washer



RETURN MANIFOLD FILTER ASSEMBLY

Det. Qty.	P/N	Description
1	2	503700 1/2 NPT Pipe Plug
2	1	505110 1 NPT x 45 Street Elbow
3	1	506410 1 1/4 NPT x 90 Street Elbow
4	1	605601 Gresen Filter
5	1	611124 7/8 MJIC x 90 x 1/2 NPT
6	1	614633 Hydraulic Manifold
7	1	614637 Hydraulic Oil Filter Mounting Bracket
8	1	618144 1 1/4 To 1 NPT Hex Pipe Nipple
9	1	618322 1 5/16 MJIC x 1 NPT
10	2	618323 7/8 MJIC x 45 x 1/2 NPT
11	1	715660 1 1/4 NPT x 1 1/4 Hose Barb
12	2	900064 5/16 UNC x 3/4 Hex Bolt
13	2	920501 5/16 Lock Washer
14	1	520085 No. 24 Hose Clamp
15	2	900263 1/2 UNC x 1 Hex Bolt
16	2	914008 1/2 UNC Stover Nut
17	2	605602 Filter Element



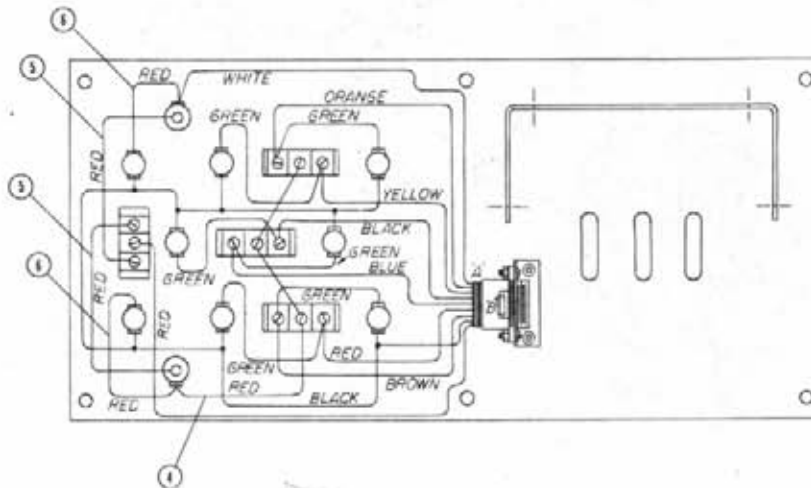
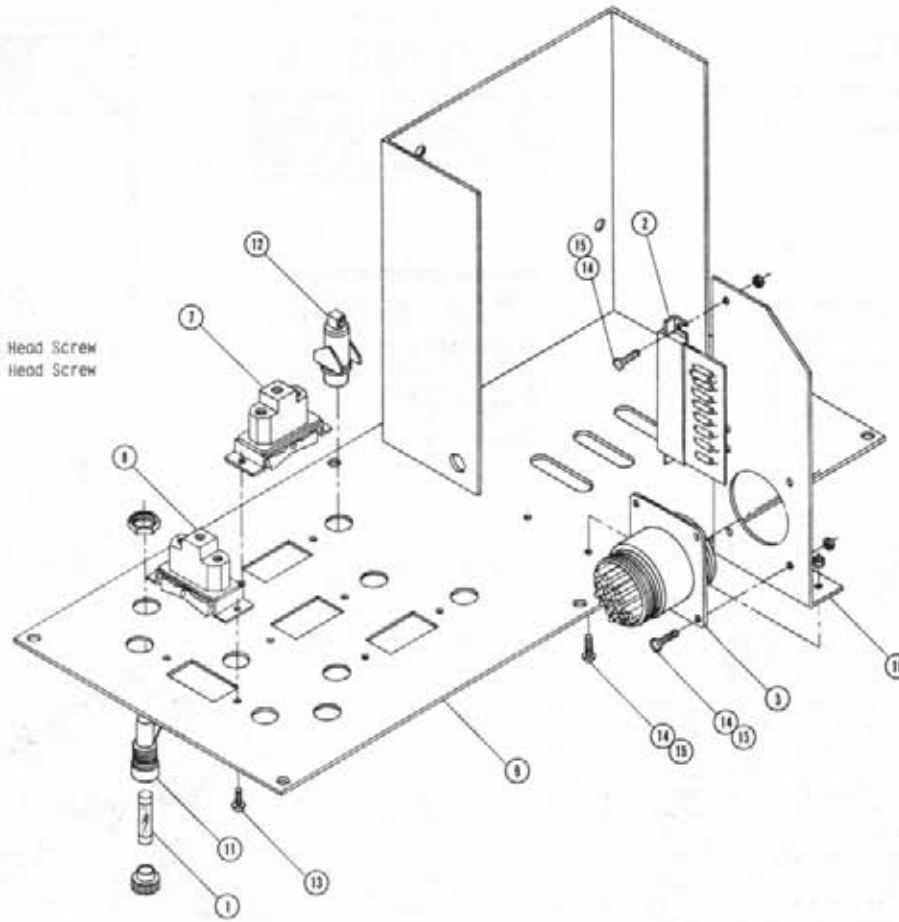
NOTE: Item 17 is used only with four-row options.

THREE SPOOL VALVE ASSEMBLY

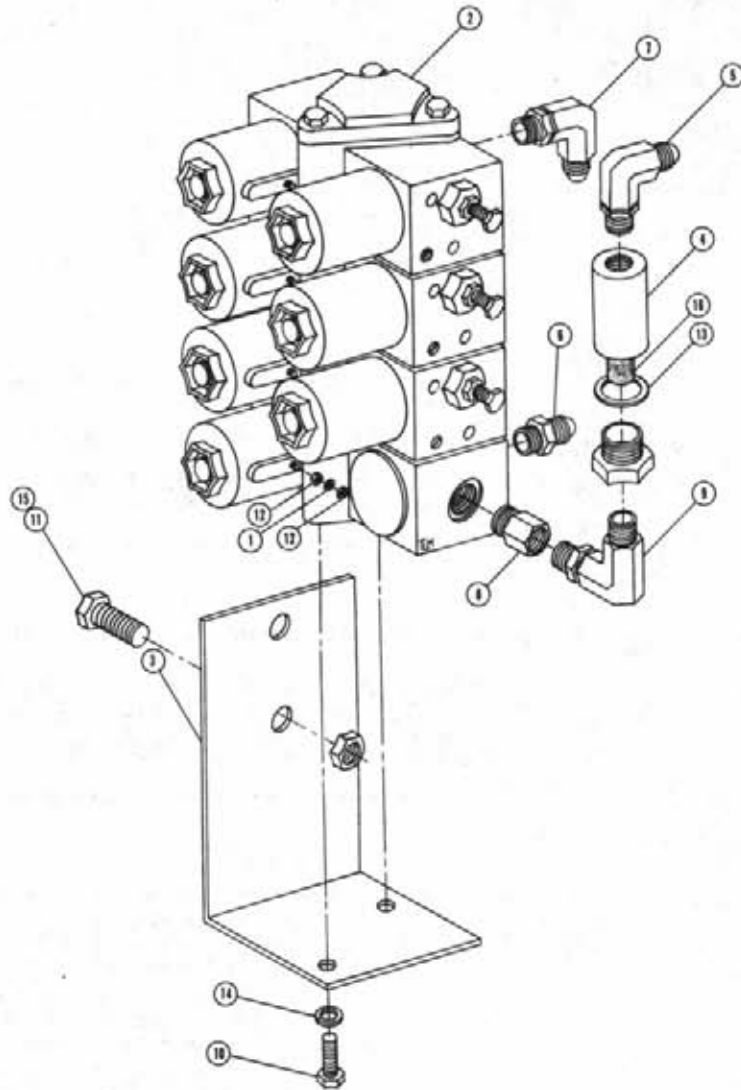
Det.	Qty.	P/N	Description
1	3	221001	Connector Link Clip
2	1	293031	Valve Mount Weldment
3	6	470087	3/8 UNC Whiz Nut
4	1	606585	Cessna Three Spool Valve
5	3	615336	Valve Handle Link
6	3	615337	Valve Handle
7	2	618119	9/16 NBR-90°-9/16 MJIC
8	2	618126	9/16 NBR x 9/16 MJIC
9	3	618425	9/16 NBR-45°-9/16 MJIC
10	1	618440	9/16 NBR-90°-9/16 Long JIC
11	3	659291	1" Dia. Ball Knob
12	2	900000	1/4 UNC x 2 1/2 Hex Bolt
13	1	900144	3/8 UNC x 6 1/2 Hex Bolt
14	2	914000	1/4 UNC Lock Nut
15	1	914004	3/8 UNC Lock Nut
16	1	293033	Switch Plate Cover
*17	2	610185	9/16 O-Ring Plug
18	6	470113	1/4 UNC x 3/4 Flanged Hex Bolt

TASSELTRON COVER ASSEMBLY

Det.	Qty.	P/N	Description
1	2	291602	10 Amp Fuse
2	1	293005	Diode Circuit Board
3	1	293007	Control Box Wire Harness
4	1	293011	Manual Switch Harness
5	2	293012	Wire, Fuse to Switch
6	2	293019	Wire, Fuse to Light
7	3	293025	Manual Switch
8	1	293026	Auto and Manual Switch
9	1	293031	Switch Plate Weldment
10	1	293034	Circuit Board Mount
11	2	298011	Fuse Holder
12	8	390318	Indicator Light
13	8	903804	6-32 x 1/4 Slotted Round Head Screw
14	8	903812	6-32 x 1/2 Slotted Round Head Screw
15	8	910022	6-32 Hex Nut

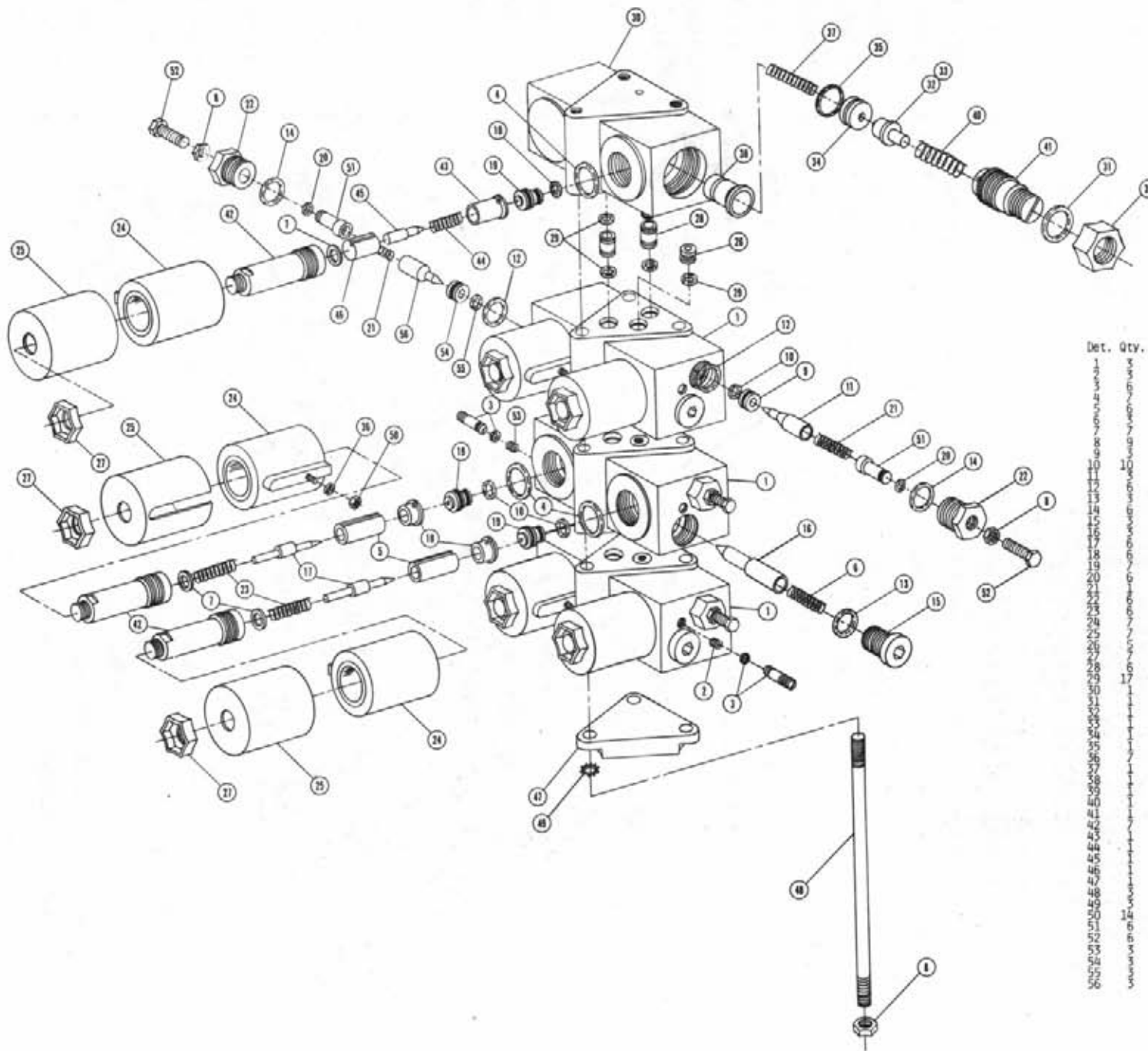


NOTE: The diagram to the left shows how the components are connected to each other through connector "A" wires. That connect circuit board "B" to connector "A" are not shown.



ELECTROHYDRAULIC VALVE ASSEMBLY

Det. Qty.	P/N	Description
1	7	473821 No. 10 Washer Internal Tooth
2	1	610483 Electric Hydraulic Solenoid Valve
3	1	614636 T-Trol Electric Valve Mount Bracket
4	1	610447 Hydraulic Inline Filter
5	1	611122 1/4 NPT x 90 x 9/16 MJIC
6	1	618109 3/4 MDR x 9/16 MJIC
7	3	618119 9/16 MDR x 90 x 9/16 MJIC
8	1	618170 3/4 MDR x 9/16 MJIC
9	1	618562 9/16 MDR x 90 x 1/4 NPT
10	2	900064 5/16 UNC x 3/4 Hex Bolt
11	2	914008 1/2 UNC Stover Nut
12	14	910027 No. 10 UNF Hex Nut
13	1	610462 Gasket
14	2	920501 5/16 Lock Washer
15	2	900263 1/2 UNC x 1 Hex Bolt
16	1	610459 Filter Element 90 Micron

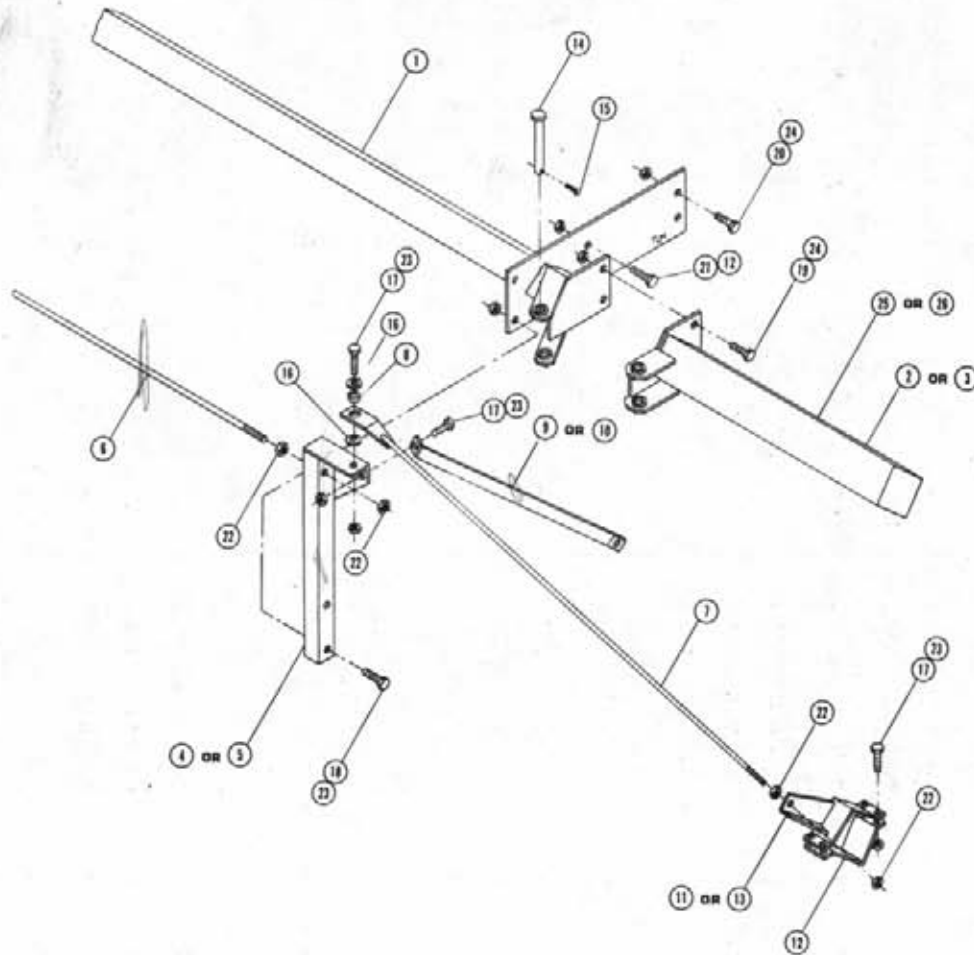


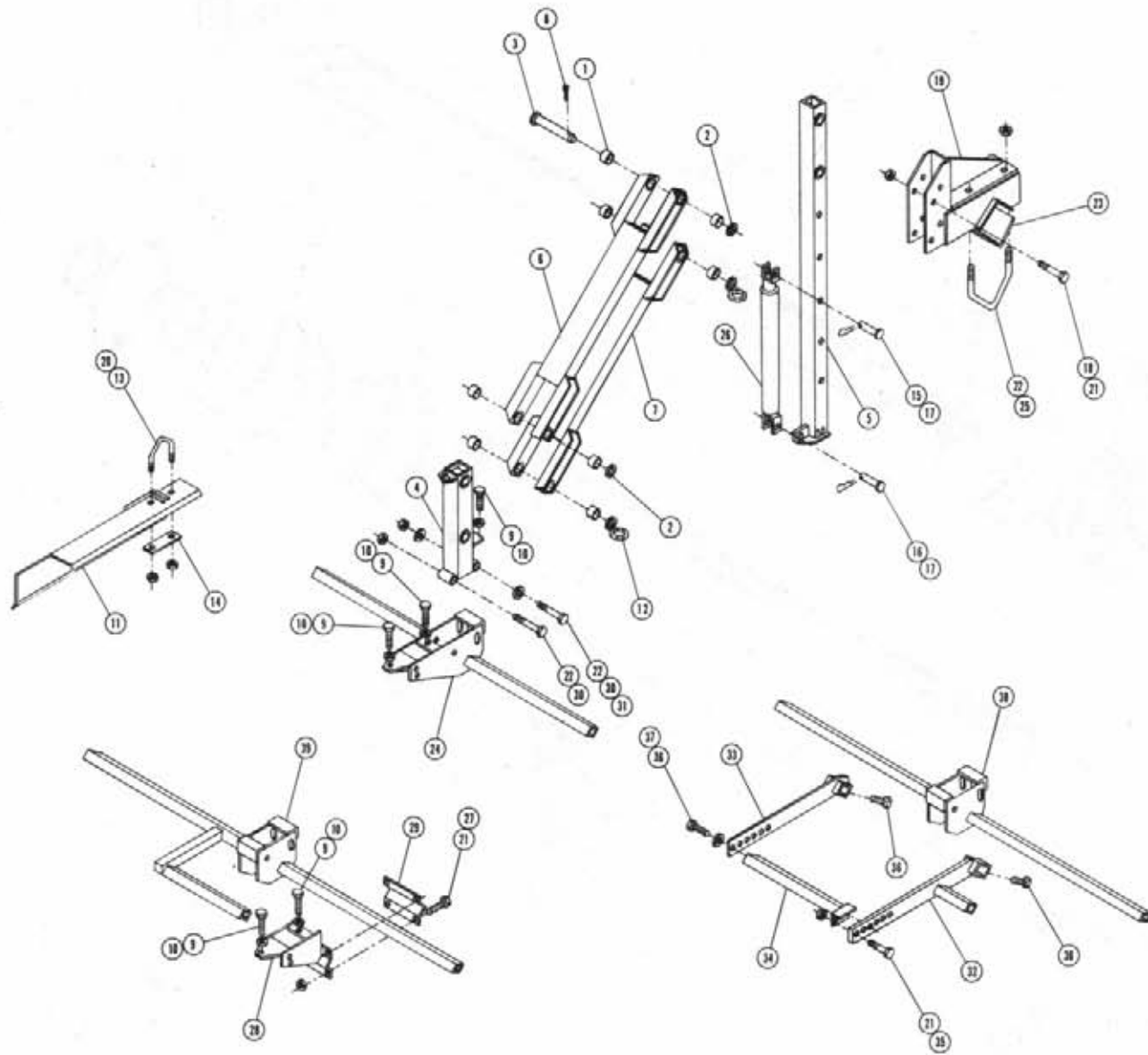
ELECTROHYDRAULIC VALVE

Det.	Qty.	P/N	Description
1	1	610486	Unbalance Load Body
2	1	610487	.031 Orifice Plug
3	1	610267	Seal Plug Assembly
4	1	871019	13/16 x 15/16 O-Ring
5	1	610126	Armature
6	1	610491	Spring
7	1	610084	Washer
8	1	910020	1/4-20 Hex Jam Nut
9	1	610488	Orifice
10	10	871010	1/4 x 3/8 O-Ring
11	1	610124	Poppet
12	1	870013	7/16 x 9/16 O-Ring
13	1	871904	.351 x .072 O-Ring
14	1	871906	.468 x .078 O-Ring
15	1	610130	Plug
16	1	610489	Check Valve Poppet
17	1	610490	Poppet
18	1	610133	Pole Piece
19	1	610108	.040 Orifice
20	1	871008	O-Ring
21	1	610492	Spring
22	1	610453	Valve Cap
23	1	610127	Spring
24	1	610493	Coil
25	1	610113	Cover
26	1	610123	Plug Tube
27	1	610114	Pol Nut
28	1	610115	Thru Tube
29	17	610086	3/8 x 1/2 O-Ring
30	1	610098	Body
31	1	871910	.755 x .097 O-Ring
32	1	610099	Guide
33	1	610100	Steel Ball
34	1	610083	Orifice
35	1	871014	1/3 x 5/8 O-Ring
36	1	473821	No. 10 Washer
37	1	610082	Spring
38	1	610104	Poppet
39	1	610105	Nut
40	1	610106	Spring
41	1	610107	Plug
42	1	610294	Sleeve Assembly
43	1	610109	Pole Piece
44	1	610110	Spring
45	1	610111	Poppet
46	1	610112	Armature
47	1	610120	End Cap
48	1	610497	Tie Rod
49	1	610122	1/4 Lock Washer
50	1	910027	No. 10 UNF Hex Nut
51	1	610452	Adjustable Valve Stop
52	1	900003	1/4 UNC x 1 Hex Bolt
53	1	610496	.028 Orifice Plug
54	1	610494	Orifice
55	1	871056	O-Ring
56	1	610495	Poppet

OUTRIGGER ASSEMBLY

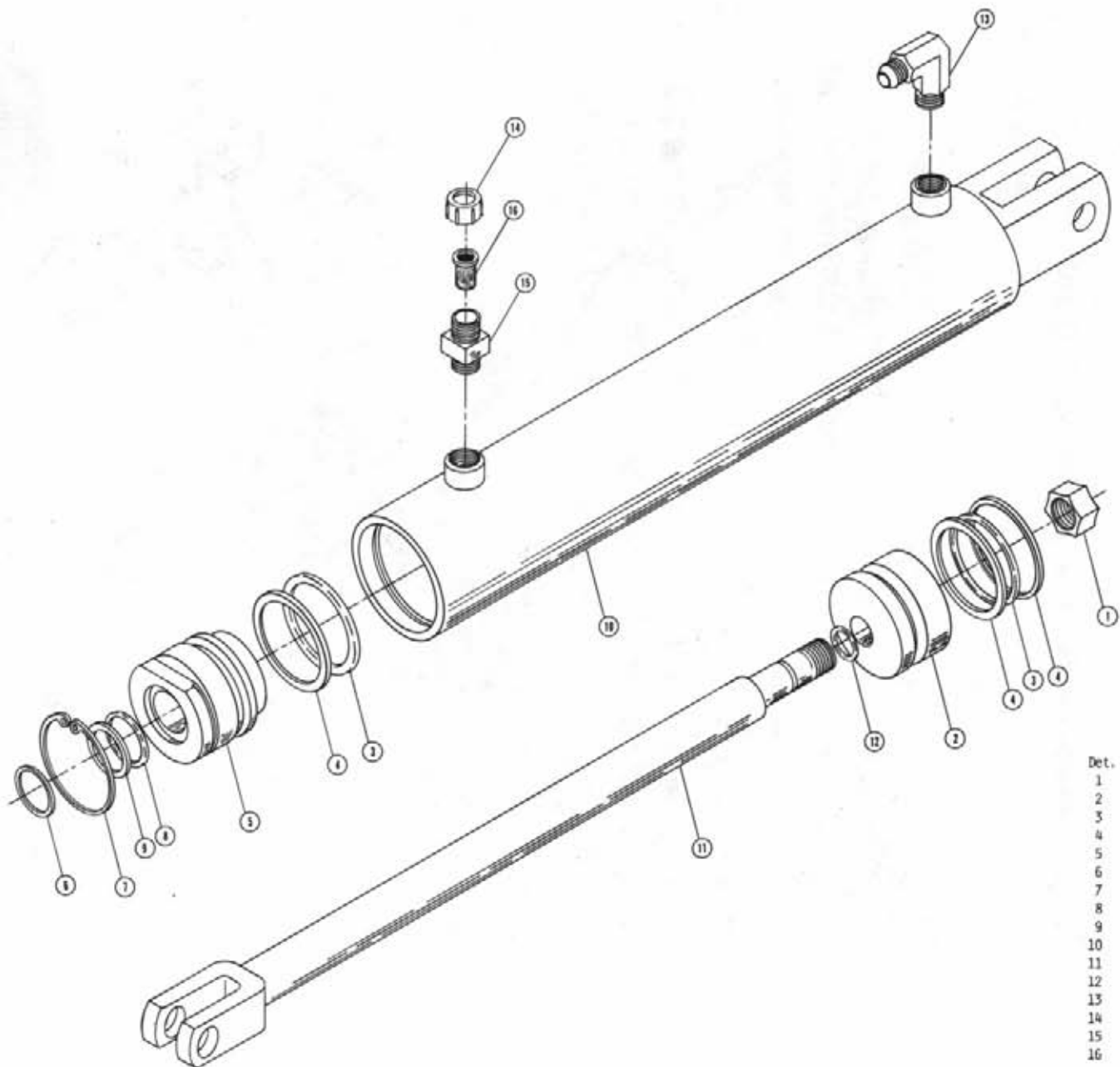
Det. Qty.	P/N	Description
1	438271	Tool Bar Weldment
2	438307	Right 75° Outrigger Weldment
3	438309	Left 75° Outrigger Weldment
4	438310	Right 75° Outrigger Support Post
5	438314	Left 75° Outrigger Support Post
6	438316	Center Tie Bar 75° Outrigger
7	438317	75° Outrigger Support Rod Weldment
8	438320	1 O.D. x .531 I.D. x .28 Long
9	438321	Right 75° Outrigger Support Post Brace
10	438322	Left 75° Outrigger Support Post Brace
11	438323	Right 75° Outrigger Brace Clamp Weldment
12	438324	75° Outrigger Brace Clamp
13	438326	Left 75° Outrigger Brace Clamp Weldment
14	438283	Outrigger Pivot Pin Weldment
15	470117	3/16 x 1 3/4 Cotter Pin
16	483041	1/2 Regular Flat Washer
17	900265	1/2 UNC x 1 1/2 Hex Bolt
18	900268	1/2 UNC x 2 1/2 Hex Bolt
19	900333	5/8 UNC x 1 1/2 Hex Bolt
20	900334	5/8 UNC x 1 3/4 Hex Bolt
21	900335	5/8 UNC x 2 Hex Bolt
22	910008	1/2 UNC Hex Nut
23	914008	1/2 UNC Stover Nut
24	914010	5/8 UNC Stover Nut
25	438277	Right 32° Outrigger Weldment
26	438282	Left 32° Outrigger Weldment





DETASSELER LIFT ASSEMBLY

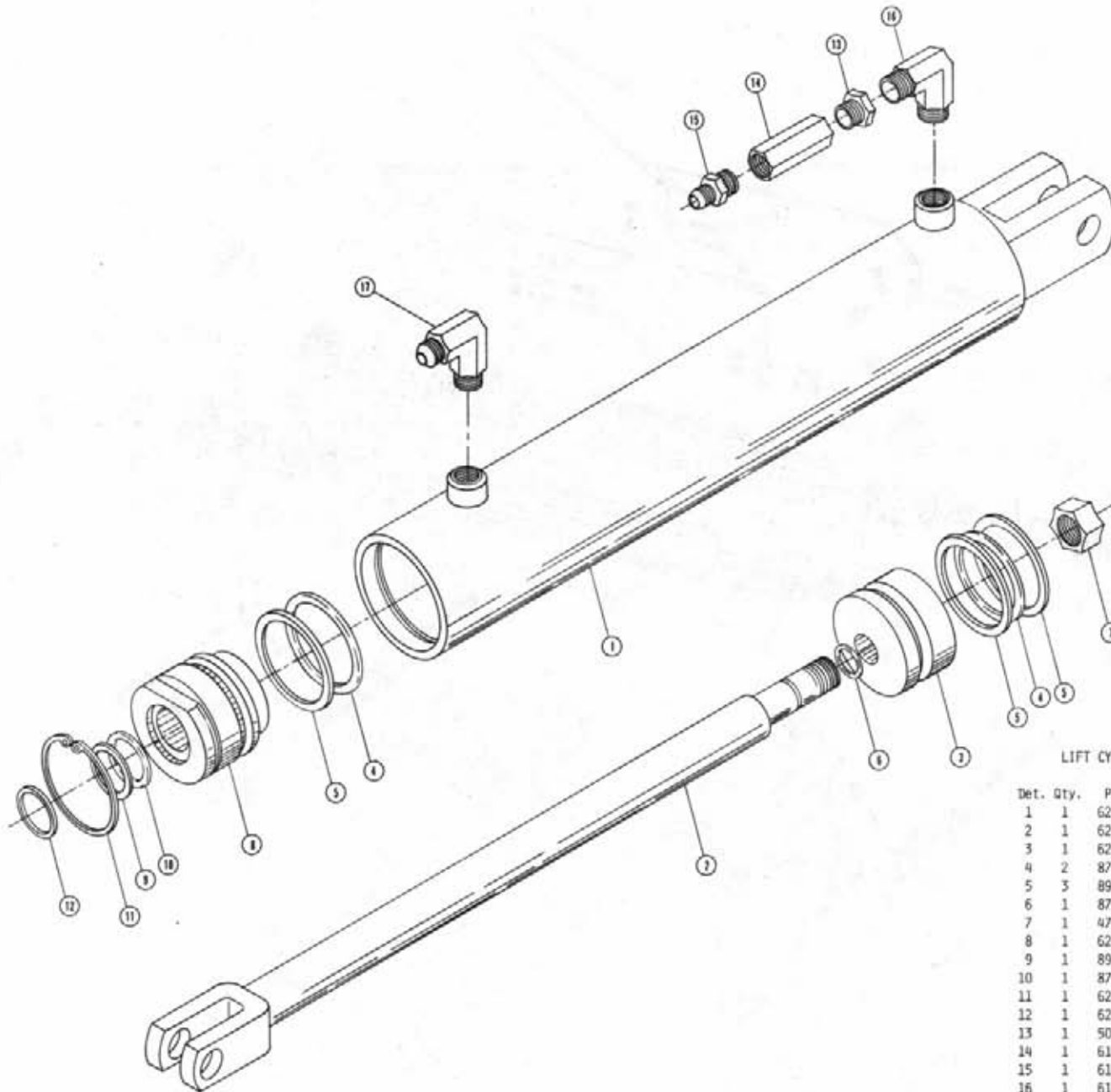
Det.	Qty.	P/N	Description
1	8	121025	Journal Bearing
2	2	200004	Carriage Pivot Pin Washer
3	4	438300	Liftorm Pivot Pin Weldment
4	1	438177	Tool Bar Mount Weldment
5	1	438184	Hoist Column Weldment
6	1	438294	Upper Liftorm Weldment
7	1	438297	Lower Liftorm Weldment
8	1	470162	3/16 x 1 1/2 Cotter Key
9	5	900538	1/2 UNC x 3 1/2 Hex Bolt Full Threaded
10	5	910008	1/2 UNC Hex Bolt
11	1	410048	Center Deflector Weldment
12	2	438302	Hose Keeper Ring Weldment
13	1	410052	U-Bolt
14	1	410051	U-Bolt Clamp
15	1	472012	1 x 3 1/4 Picker Pin
16	1	472206	1 x 2 1/4 Picker Pin
17	2	611016	Hair Pin
18	4	900275	1/2 UNC x 4 1/2 Hex Bolt
19	1	438286	Hoist Column Mounting Bracket
20	2	914002	5/16 UNC Stover Nut
21	10	914008	1/2 UNC Lock Nut
22	6	914010	5/8 UNC Stover Nut
23	1	438292	Tool Bar V-Plate
24	1	438194	Tool Bar Weldment
25	2	438293	5/8 UNC x 6 1/4 Tri Bend U-Bolt
26	1	620900	Lift Cylinder
27	4	900265	1/2 UNC x 1 1/2 Hex Bolt
28	1	438199	T-Trol Mount Weldment
29	1	410016	Hanger V
30	2	900343	5/8 UNC x 4 1/2 Hex Bolt
31	2	920005	5/8 SAE Flat Washer
32	1	438209	8-Row Puller Outer Arm Mount
33	1	438214	8-Row Puller Inner Arm Mount
34	1	438216	8-Row Puller Mount Weldment
35	2	900268	1/2 UNC x 2 1/2 Hex Bolt
36	3	900263	1/2 UNC x 1 Hex Bolt
37	1	920504	1/2 Lock Washer
38	1	438220	8-Row Tire Puller Tool Bar
39	1	438201	8-Row Cutter Tool Bar



LIFT CYLINDER ASSEMBLY WITH T-TROL

Det.	Qty.	P/N	Description
1	1	472297	3/4 UNF Stover Thin Hex Nut
2	1	620081	Piston
3	2	870326	1 5/8 x 2 O-Ring
4	3	890526	Back-Up Washer 1 5/8 x 2
5	1	620082	Gland
6	1	629003	1 x 1 1/4 x 1/8 Wiper
7	1	629505	2" Snap Ring
8	1	870214	1 x 1 1/4 O-Ring
9	1	890214	1 x 1 1/4 Back-Up Washer
10	1	620901	Tube Weldment
11	1	620905	Shaft Weldment
12	1	870113	9/16 x 3/4 O-Ring
13	1	611122	9/16 MJIC x 90 x 1/4 NPT
14	1	500005	11/16 FPS Cap Nut
15	1	737810	1/4 NPT Nylon Nozzle Body
16	1	738859	50 Mesh Strainer

Note: 620900 - Lift Cylinder Includes Items 1-12.
620083 - Seal Kit



LIFT CYLINDER ASSEMBLY WITHOUT T-TROL

Det.	Qty.	P/N	Description
1	1	620901	Tube Weldment
2	1	620905	Shaft Weldment
3	1	620081	Piston
4	2	870326	1 5/8 x 2 O-Ring
5	3	890326	1 5/8 x 2 Back-Up Washer
6	1	870113	9/16 x 3/4 O-Ring
7	1	472297	3/4 UNF Lock Nut
8	1	620082	Gland
9	1	890214	1 x 1 1/4 Back-Up Washer
10	1	870214	1 x 1 1/4 O-Ring
11	1	629505	Snap Ring
12	1	629005	Wiper
13	1	503000	1/2 NPT To 1/4 NPT Reducer Bushing
14	1	610449	.062 1-Way Restrictor 1/2 NPT
15	1	618018	9/16 MJIC x 1/2 NPT
16	1	618571	1/4 NPT x 90 x 1/4 NPT
17	1	611122	1/4 NPT x 90 x 9/16 MJIC

Note: 620900 - Lift Cylinder Includes Items 1-12.

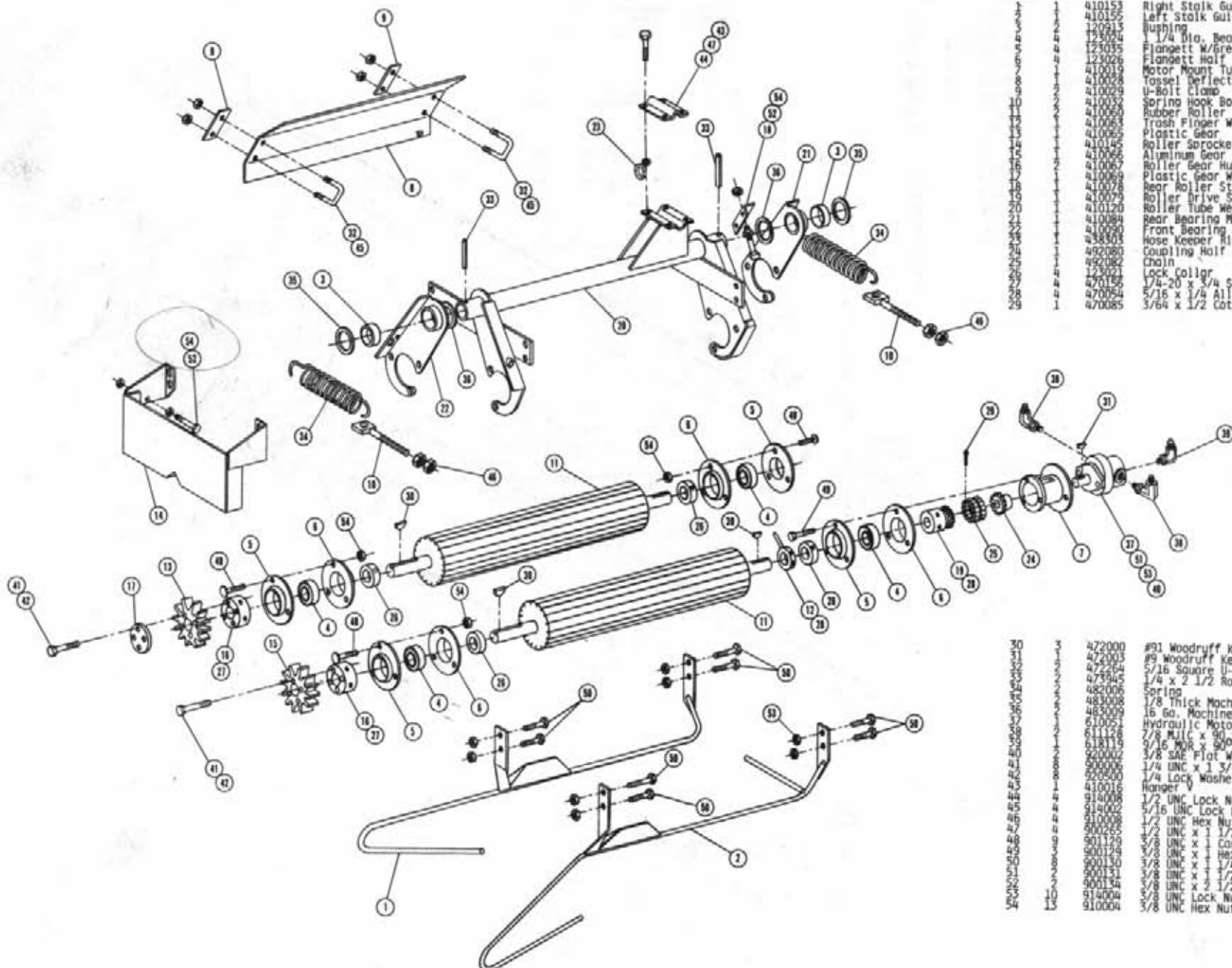
620083 - Seal Kit

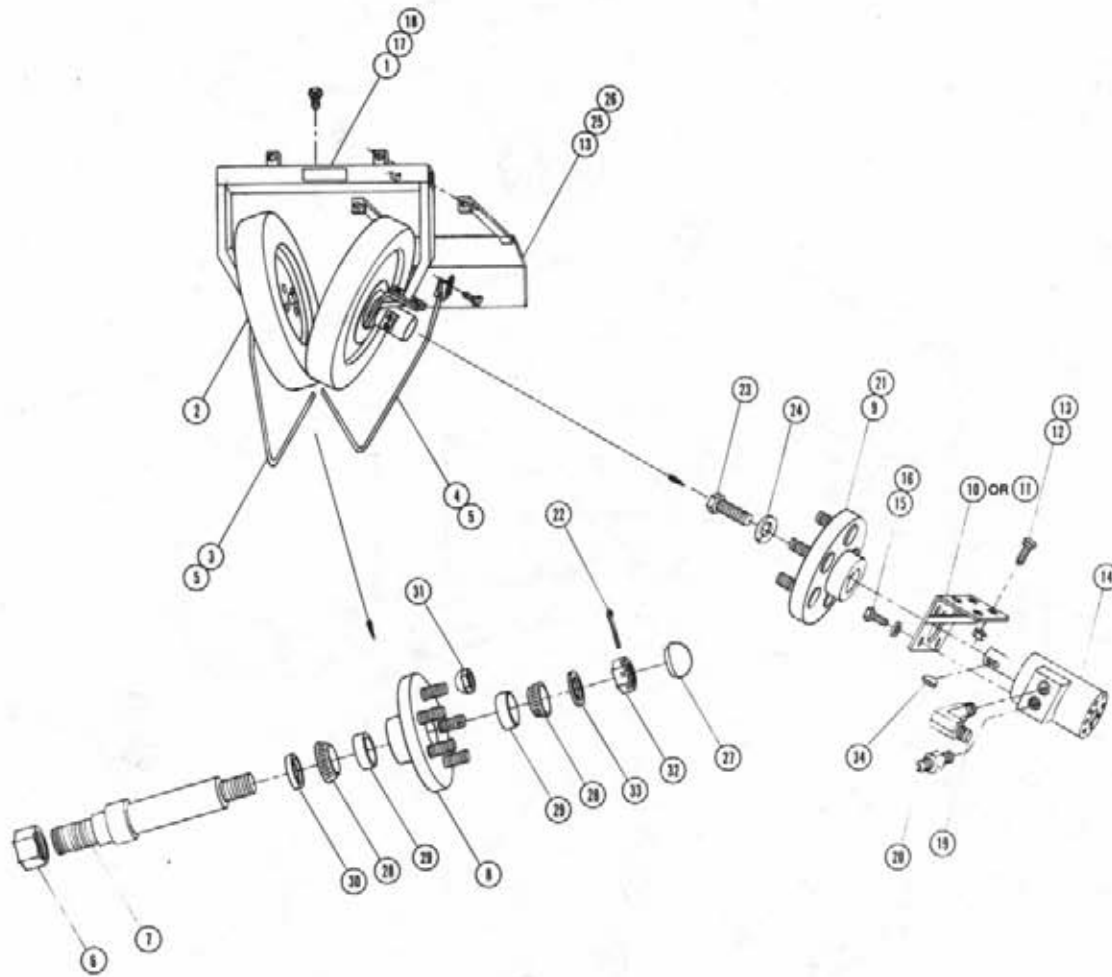
614649 - 1-Way Restrictor Assembly Includes Items 13-16.

ROLLER PULLER HEAD ASSEMBLY

Det.	Qty.	P/N	Description
1	1	410153	Right Stalk Guide Weldment
2	1	410155	Left Stalk Guide Weldment
3	1	120913	Pushing
4	4	125024	1 1/4 Dia. Bearing
5	4	125035	Flangett W/Grease Zerk
6	4	125026	Flangett Half
7	1	410019	Motor Mount Tube Weldment
8	1	410028	Tassel Deflector
9	1	410029	U-Bolt Clamp
10	1	410032	Spring Hook Bolt
11	1	410060	Rubber Roller
12	1	410063	Trash Finger Weldment
13	1	410065	Plastic Gear
14	1	410145	Roller Sprocket Shield
15	1	410066	Aluminum Gear
16	2	410067	Roller Gear Hub
17	1	410069	Plastic Gear Washer
18	1	410078	Rear Roller Stop
19	1	410079	Roller Drive Sprocket
20	1	410120	Roller Tube Weldment
21	1	410084	Rear Bearing Mount Weldment
22	1	410090	Front Bearing Mount Weldment
23	1	438303	Hose Keeper Ring
24	1	492080	Coupling Half
25	1	492082	Chain
26	1	123021	Lock Collar
27	4	470156	1/4-20 x 3/4 Square Head Screw
28	4	470054	5/16 x 1/4 Allen Head Screw
29	1	470085	3/64 x 1/2 Cotter Pin

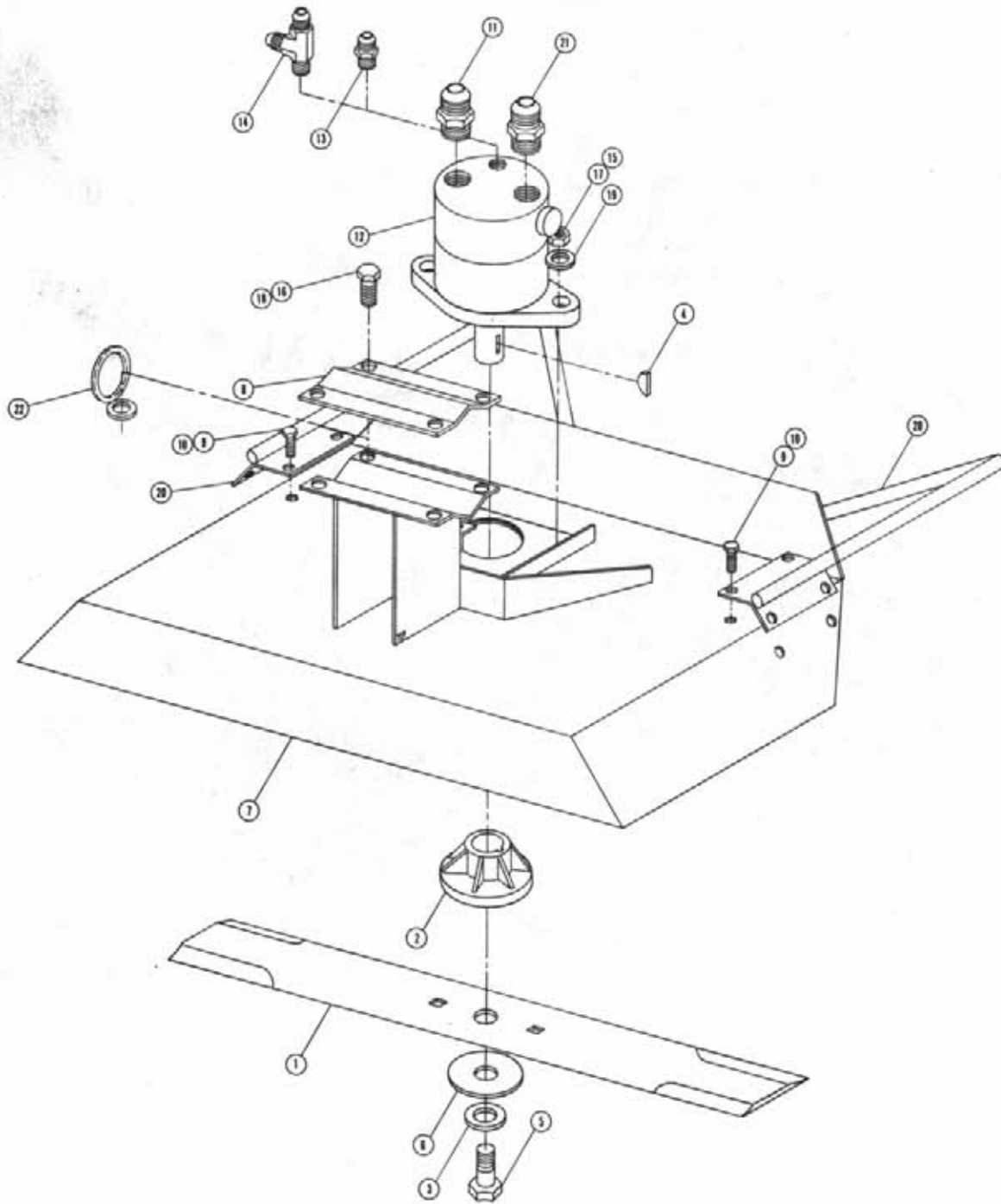
30	3	472000	#91 Woodruff Key
31	1	472003	#9 Woodruff Key
32	1	472264	5/16 Square U-Bolt
33	1	475945	1/4 x 2 1/2 Roll Pin
34	1	482006	Spring
35	1	483008	1/8 Thick Machine Washer
36	1	483009	16 Ga. Machine Washer
37	1	610051	Hydraulic Motor
38	1	611126	7/8 MJC x 90 x 7/8 MOR
39	1	618119	9/16 MOR x 90 x 9/16 MJC
40	1	920002	3/8 SAE Flat Washer
41	1	900006	1/4 UNC x 1 3/4 Hex Bolt
42	1	920500	1/4 Lock Washer
43	1	410016	Hanger Y
44	4	914008	1/2 UNC Lock Nut
45	4	914002	1/2 UNC Lock Nut
46	4	910008	1/2 UNC Hex Nut
47	4	900265	1/2 UNC x 1 1/2 Hex Bolt
48	4	901129	3/8 UNC x 1 Carriage Bolt
49	4	900129	3/8 UNC x 1 Hex Bolt
50	4	900130	3/8 UNC x 1 1/4 Hex Bolt
51	4	900131	3/8 UNC x 1 1/2 Hex Bolt
52	4	900134	3/8 UNC x 2 1/2 Hex Bolt
53	4	914704	3/8 UNC Lock Nut
54	15	910004	3/8 UNC Hex Nut





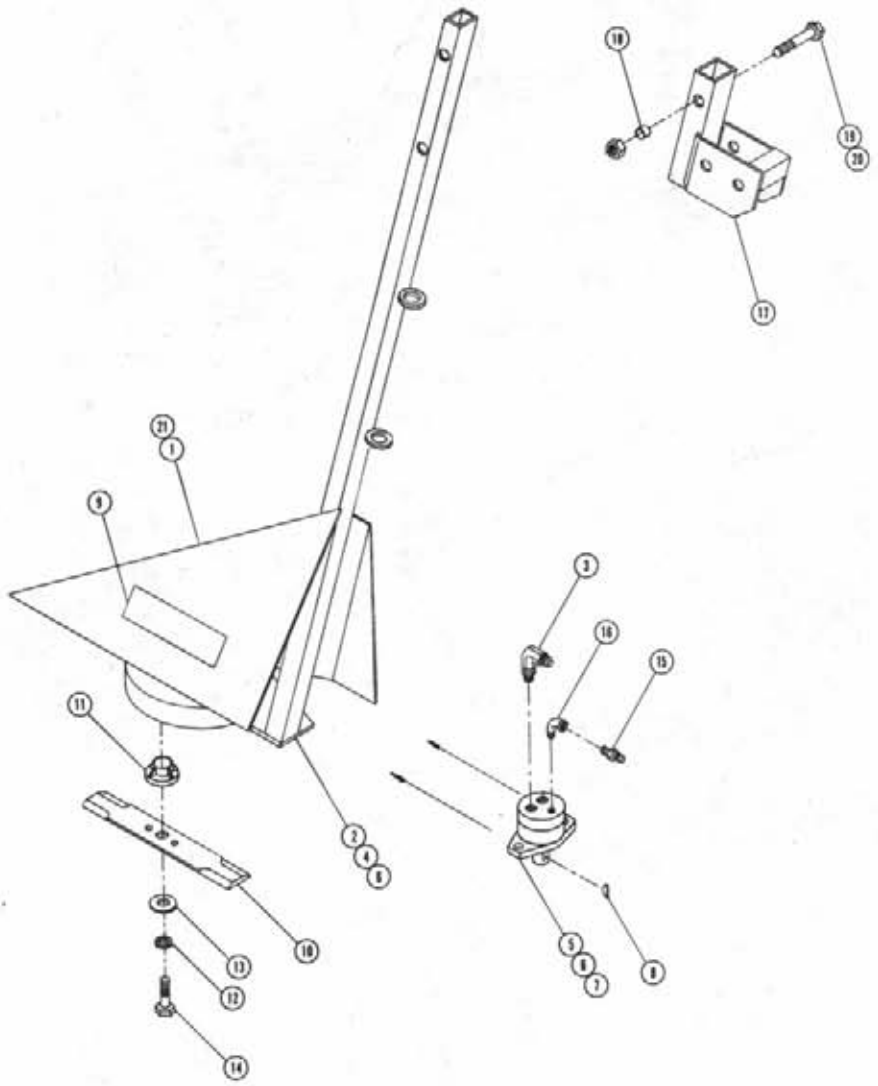
LEFT AND RIGHT PULLER HEAD ASSEMBLY

Det. Qty.	P/N	Description
1	438000	Tire Puller Weldment
2	824505	Wheel W/Rib Tire
3	438048	Outside Stalk Guide
4	438050	Inside Stalk Guide
5	900064	5/16 UNC x 3/4 Hex Bolt
6	473060	1" -14 SAE Hex Nut
7	438009	Puller Spindle
8	824501	1" Taper Hub Group
9	438015	Hydraulic Hub Weldment
10	438010	Right Hydraulic Motor Housing
11	438014	Left Hydraulic Motor Housing
12	900150	3/8 UNC x 1 1/4 Hex Bolt
13	914004	3/8 UNC Lock Nut
14	604005	Hydraulic Motor W/Key
15	900128	3/8 UNC x 3/4 Hex Bolt
16	920502	3/8 Lock Washer
17	900263	1/2 UNC x 1 Hex Bolt
18	650820	Decal Caution
19	611124	1/2 NPT x 90 x 7/8 MJIC
20	611147	1/2 NPT x 3/4 MJIC
21	470053	1/4-20 x 1/4 Allen Head Set Screw
22	472008	5/32 x 1 Cotter Pin
23	900006	1/4 UNC x 1 3/4 Hex Bolt
24	920500	1/4 Lock Washer
25	438173	Tire Puller Shield Weldment
26	900129	3/8 UNC x 1 Hex Bolt
27	824507	Dust Cap
28	824504	Bearing Cone
29	824506	Bearing Cup
30	824505	Seal
31	824052	1/2-20 x 60 Wheel Stud Nut
32	129003	3/4 UNF Spindle Nut
33	920006	3/4 SAE Flat Washer
34	472022	No. 15 Woodruff Key



CUTTER HEAD ASSEMBLY

Det.	Qty.	P/N	Description
1	1	002103	18" Cutter Blade
2	1	002104	Clutch Body Blade
3	1	002105	Steel Lock Washer
4	1	002106	Key
5	1	002107	3/8 UNF x 1 1/2 Hex Bolt
6	1	002108	Steel Washer
7	1	002210	Cutter Top Weldment
8	1	410016	Hanger V
9	8	470118	1/4 UNC x 3/4 Flanged Hex Bolt
10	8	470121	1/4 UNC Flanged Nut
11	1	611125	3/4 MDR x 3/4 MJIC
12	1	618203	Barnes Hydraulic Motor
13	1	618530	1/8 NPT x 9/16 MJIC
14	1	618546	1/8 NPT Run Tee x 9/16 MJIC
15	2	900130	3/8 UNC x 1 1/4 Hex Bolt
16	4	900265	1/2 UNC x 1 1/2 Hex Bolt
17	2	914004	3/8 UNC Stover Nut
18	4	914008	1/2 UNC Stover Nut
19	2	920002	3/8 SAE Flat Washer
20	2	002215	Cutter Stalk Guide Weldment
21	1	618574	7/8 MJIC x 3/4 MDR
22	1	438303	Hose Keeper Ring



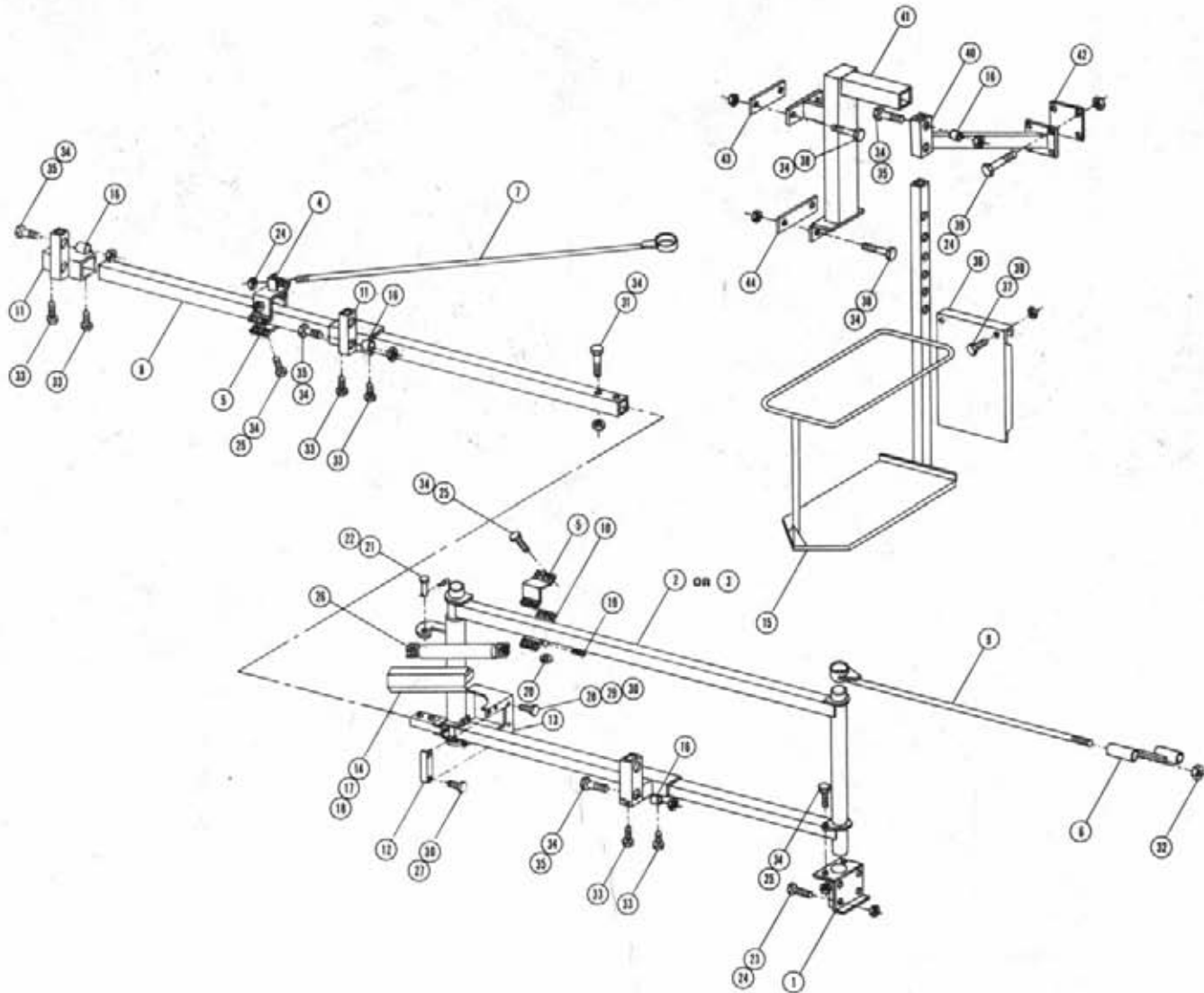
MALE CORN CUTTER ASSEMBLY

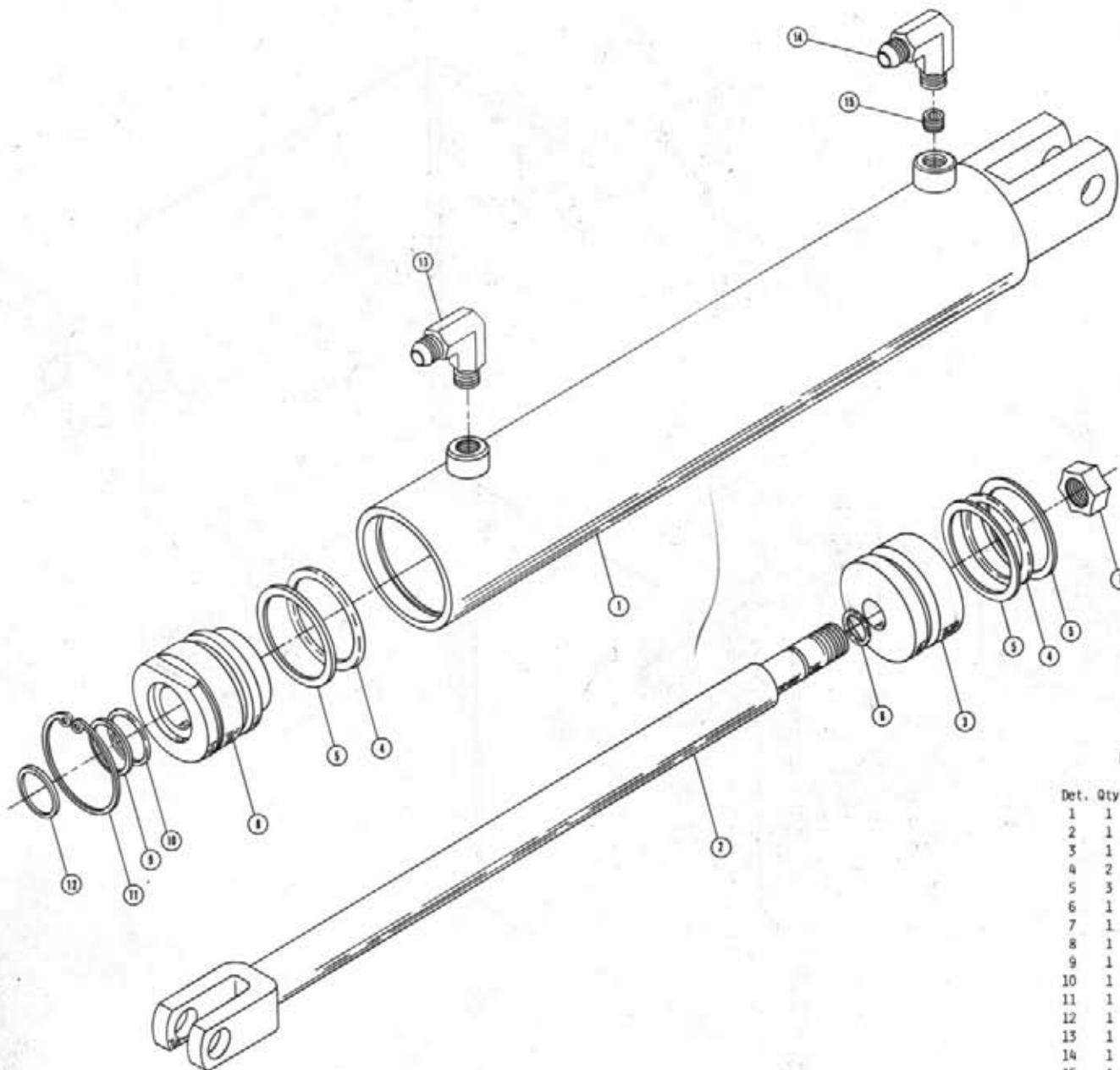
Det.	Qty.	P/N	Description
1	1	270800	Male Corn Cutter Weldment
2	1	270805	Drop Tube Weldment
3	2	618241	3/4 MDR x 90° x 3/4 M.JIC
4	2	900129	3/8 UNC x 1 Hex Bolt
5	2	900132	3/8 UNC x 1 3/4 Hex Bolt
6	4	914004	3/8 UNC Lock Nut
7	1	618203	Hydraulic Motor
8	1	002106	5/32 x 5/8 Key
9	1	650819	Cutting Blades Decal
10	1	092103	Cutter Blade
11	1	002104	Clutch Adapter
12	1	002105	Lock Washer
13	1	002108	Flat Washer
14	1	002107	Cutter Blade Bolt
15	1	618530	1/8 NPT x 9/16 M.JIC
16	1	500900	1/8 NPT x 90° Street Elbow
17	1	270809	Male Corn Cutter Bracket
18	1	200015	Adjustment Tube Spacer
19	1	900273	1/2 UNC x 3 3/4 Hex Bolt
20	1	914008	1/2 UNC Lock Nut
21	1	472349	1/4 x 3/4 Tek Screw

PERSONNEL CARRIER ASSEMBLY

Det.	Qty.	P/N	Description
1	1	001195	Outrigger Mount Weldment
2	1	001224	Right Outrigger Frame Weldment
3	1	001225	Left Outrigger Frame Weldment
4	1	001245	Brace Clamp Weldment
5	2	001246	Brace Clamp Plate
6	1	001358	Tie Clamp Weldment
7	1	001251	Outrigger Arm Brace Weldment
8	1	001276	Outrigger Extension Arm Weldment
9	1	001255	Center Tie Bar Weldment
10	1	001257	Cylinder Pin Clamp Weldment
11	2	001259	Outrigger Station Clamp Weldment
12	1	001287	Hinge Guard Back Plate
13	1	001283	Hinge Guard Weldment
14	1	656961	Fold Cylinder Guard Weldment
15	4	001316	Enclosed 2-Man Station
16	4	200015	Adjustable Tube Spacer
17	1	470002	5/32 x 3 1/2 Cotter Pin
18	1	470032	1/8 x 1 1/2 Cotter Pin
19	1	470038	1/8 x 1 3/4 Cotter Pin
20	1	920008	1 SAE Flat Washer
21	1	611016	Hair Pin
22	1	472206	1 x 2 1/4 Picker Pin
23	4	900333	5/8 UNC x 1 1/2 Hex Bolt
24	9	914010	5/8 UNC Stover Nut
25	14	900266	1/2 UNC x 1 3/4 Hex Bolt
26	1	620372	Fold Cylinder
27	2	900000	1/4 UNC x 1/2 Hex Bolt
28	2	900002	1/4 UNC x 3/4 Hex Bolt
29	1	920000	1/4 SAE Flat Washer
30	6	914000	1/4 UNC Stover Nut
31	2	900276	1/2 UNC x 5 Hex Bolt
32	1	914012	3/4 UNC Stover Nut
33	6	900263	1/2 UNC x 1 Hex Bolt
34	24	914008	1/2 UNC Stover Nut
35	4	900271	1/2 UNC x 3 1/4 Hex Bolt
36	1	001359	Work Station Shield
37	2	900006	1/4 UNC x 1 3/4 Hex Bolt
38	4	900279	1/2 UNC x 6 1/2 Hex Bolt
39	4	900345	5/8 UNC x 5 1/2 Hex Bolt
40	1	001391	Outrigger Station Mount Weldment
41	1	001393	Outrigger Station Leg Bracket Weldment
42	1	438165	Keeper Plate
43	1	001397	Upper Leg Bracket Keeper
44	1	001399	Lower Leg Bracket Keeper

- 56 -

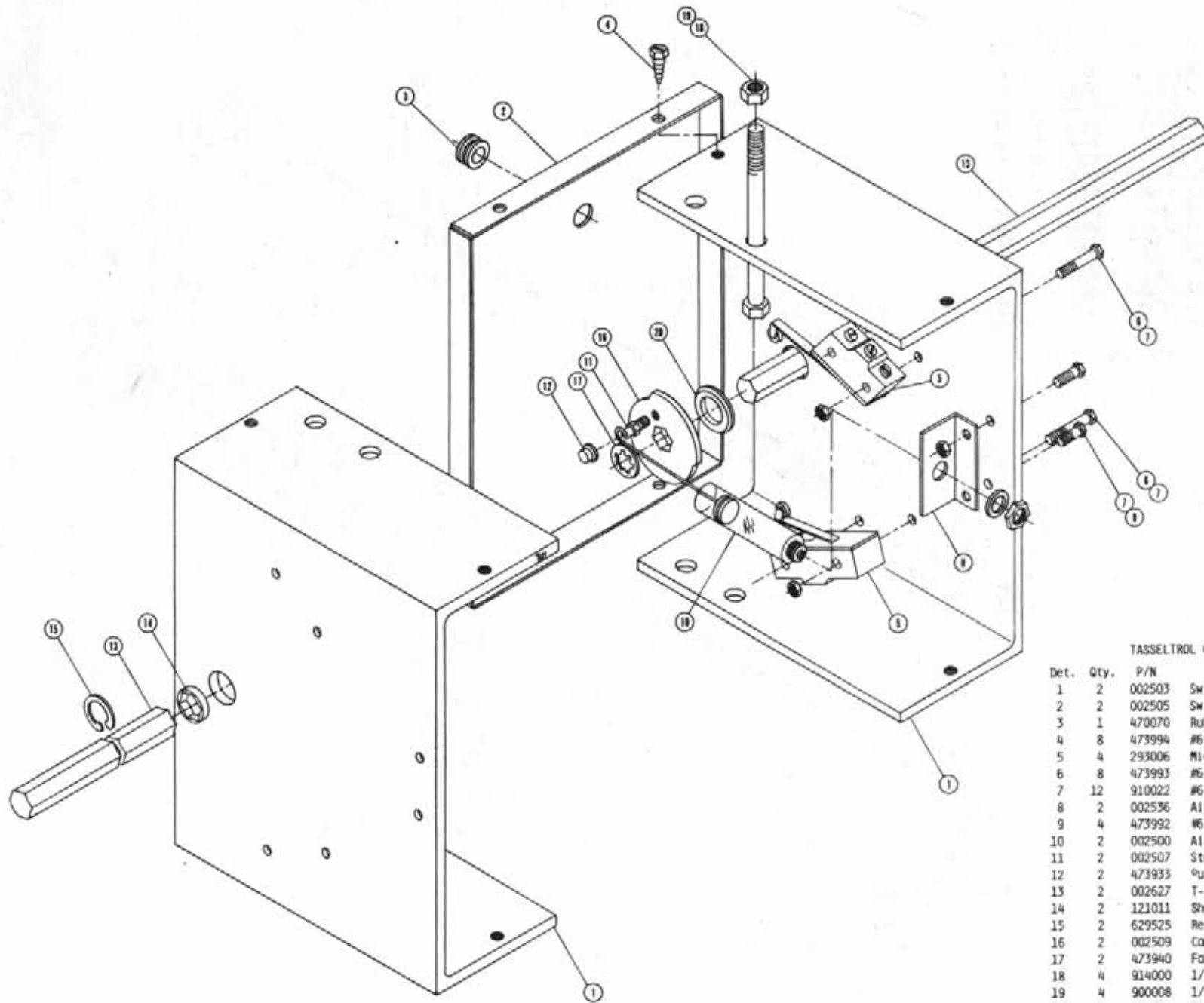




FOLD CYLINDER PERSONNEL CARRIER

Det. Qty.	P/N	Description
1	620371	Tube Weldment
2	620078	Shaft Weldment
3	620081	Piston
4	870326	1 5/8 x 2 O-Ring
5	890326	1 5/8 x 2 Back-Up Washer
6	870113	9/16 x 3/4 O-Ring
7	472297	3/4 UNF Lock Nut
8	620082	Gland
9	890214	1 x 1 1/4 Back-Up Washer
10	870214	1 x 1 1/4 O-Ring
11	629505	2" Snap Ring
12	629003	1 x 1 1/4 x 1/8 Wiper
13	611122	9/16 MJIC x 90 x 1/4 NPT
14	440338	9/16 MJIC x 90 x 1/4 NPT Tapped
15	614366	.042 Restrictor Elbow

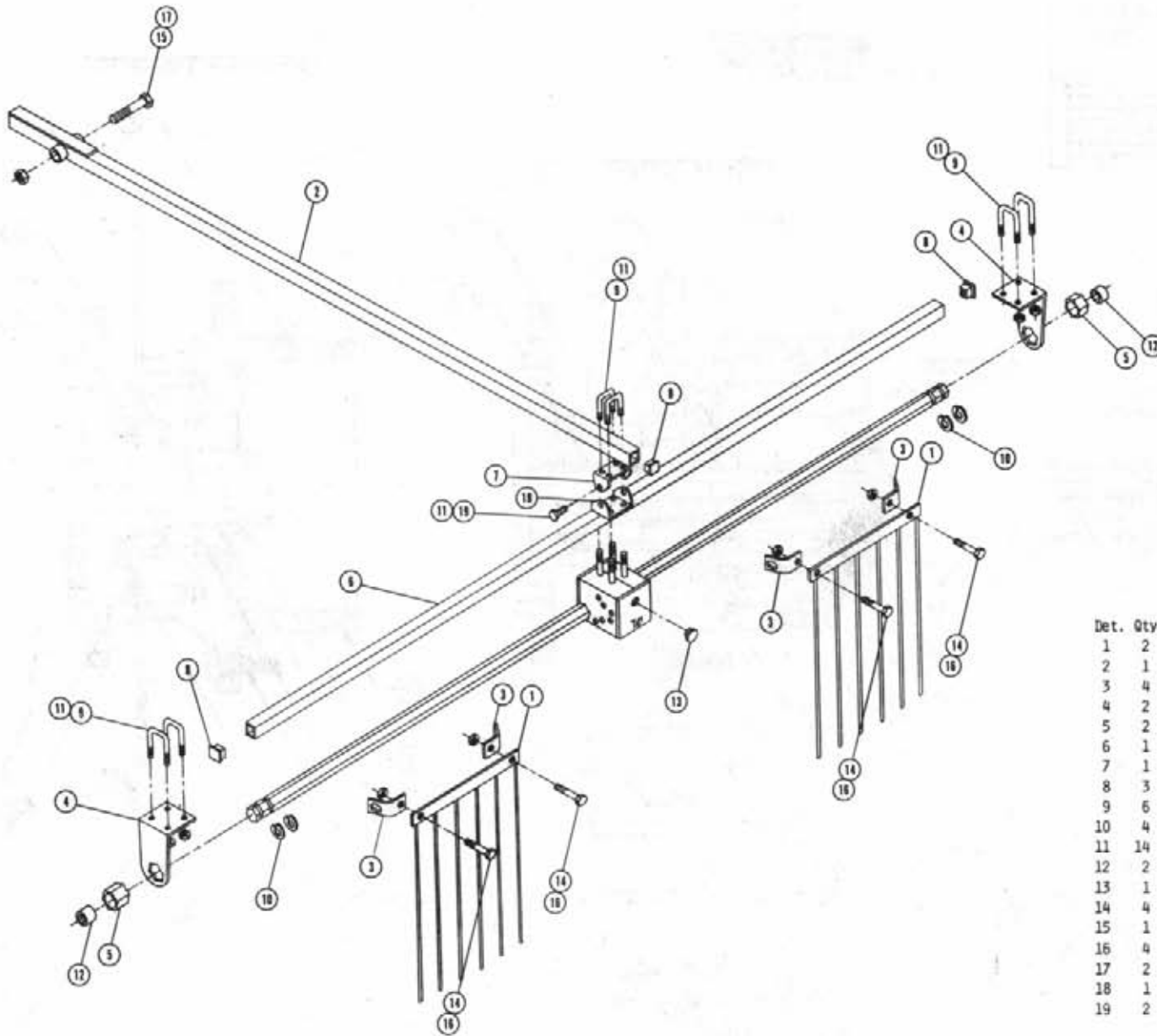
Note: 620372 - Cylinder Assembly
620083 - Seal Kit



TASSELTRDL CONTROL BOX ASSEMBLY

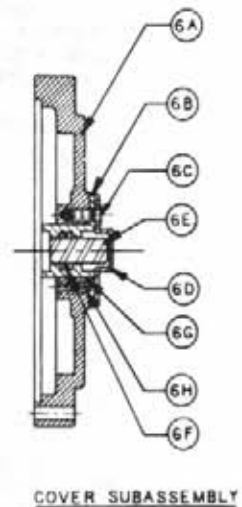
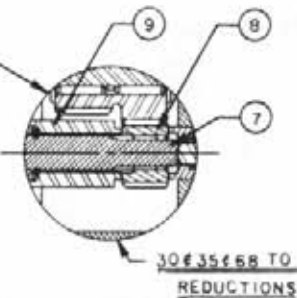
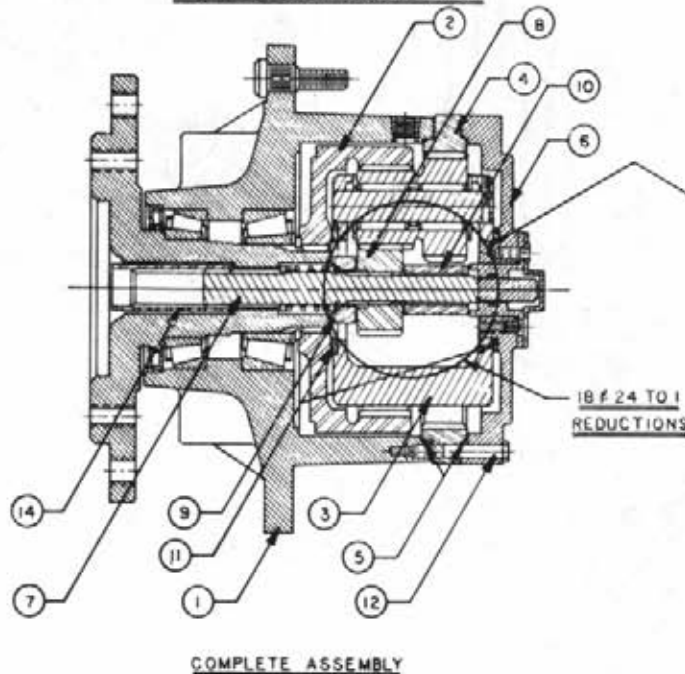
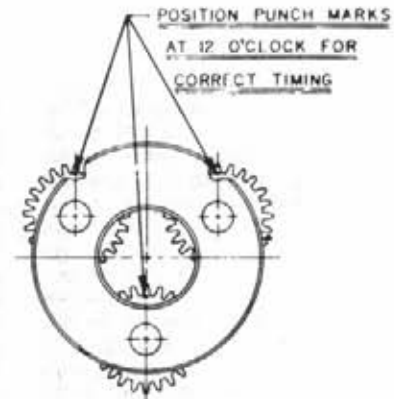
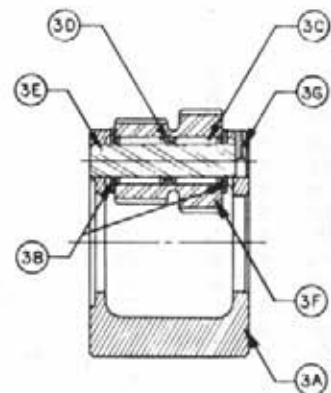
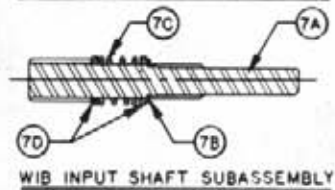
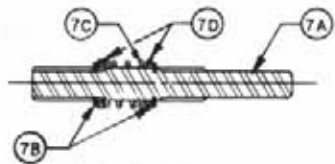
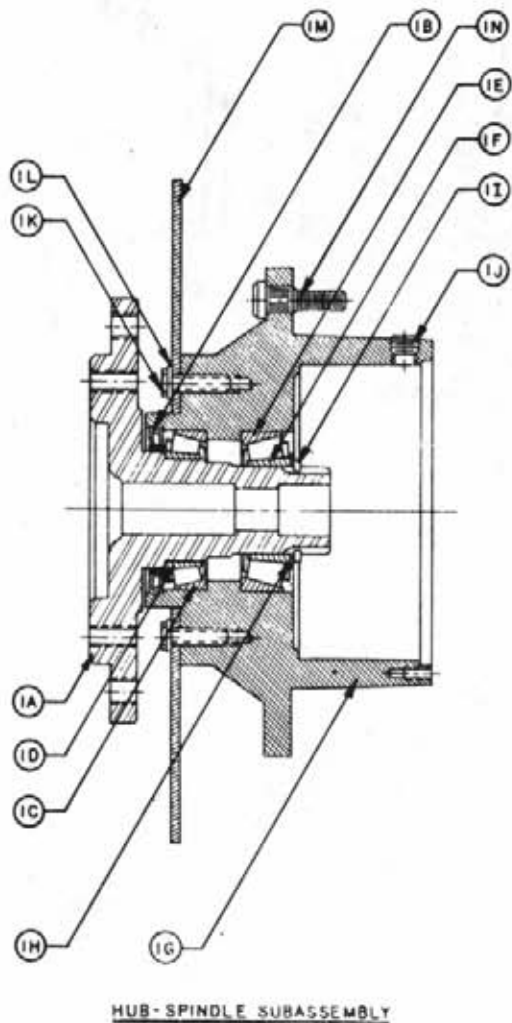
Det.	Qty.	P/N	Description
1	2	002503	Switch Box Half
2	2	002505	Switch Box End
3	1	470070	Rubber Grommet
4	8	473994	#6-32 x 3/8 Hex Head Screw
5	4	293006	Micro Switch
6	8	473993	#6-32 x 1 1/8 Hex Head Screw
7	12	910022	#6-32 Hex Nut
8	2	002536	Air Pot Bracket
9	4	473992	#6-32 x 3/8 Hex Head Screw
10	2	002500	Air Pot
11	2	002507	Stand Off
12	2	473933	Push On Fastener
13	2	002627	T-Trol Sensor Flag Shaft
14	2	121011	Shaft Bearing
15	2	629525	Retainer Ring
16	2	002509	Cam
17	2	473940	Fastener Ring
18	4	914000	1/4 UNC Lock Nut
19	4	900008	1/4 UNC x 2 1/2 Hex Bolt
20	2	002589	Spacer

Note: Each Switch Box Half is Assembled Symmetrically Opposite.



TASSELROL SENSOR ASSEMBLY

Det.	Qty.	P/N	Description
1	2	002515	Sensor Flag Weldment
2	1	002630	T-Trol Sensor Arm Weldment
3	4	002663	Sensor Clamp
4	2	002587	Hex Bearing Hanger
5	2	002588	Hanger Bearing
6	1	002628	Sensor Cross Tube
7	1	002579	Pivot Bracket
8	3	473943	1 1/2 Sq. Plug
9	6	473949	5/16 UNC x 1 9/16 U-Bolt
10	4	629525	Retainer Ring
11	14	914002	5/16 UNC Lock Nut
12	2	121011	Shaft Bearing
13	1	658174	Rubber Plug
14	4	470122	1/4-20 x 1/2 Flanged Hex Bolt
15	1	900275	1/2 UNC x 4 1/2 Hex Bolt
16	4	470121	1/4-20 Flanged Whiz Nut
17	2	914008	1/2 UNC Lock Nut
18	1	002595	Small Pivot Bracket
19	2	900065	5/16 UNC x 1 Hex Bolt

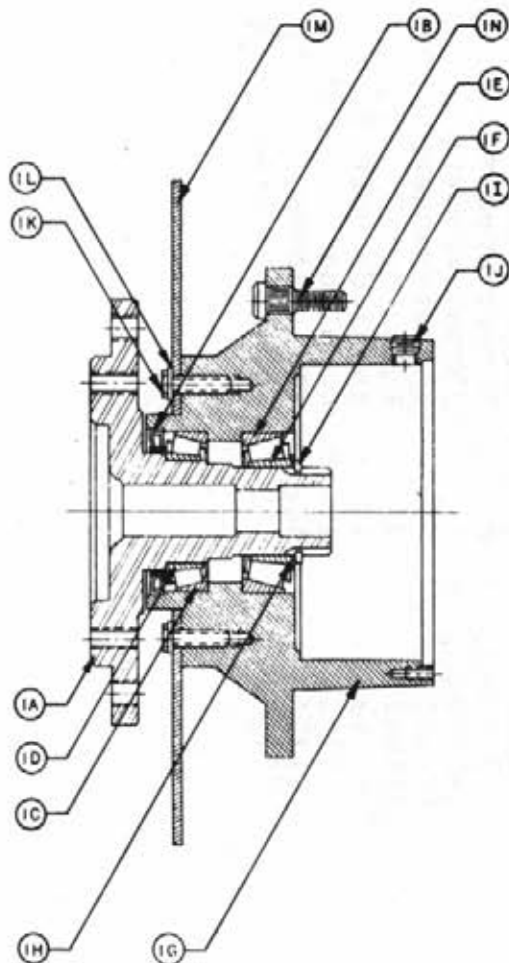


THIS DRAWING AND DESIGN IS THE PROPERTY OF / AND ALL PROPRIETARY RIGHTS ARE RESERVED TO / FAIRFIELD MFG. CO., INC. THE RECIPIENT AGREES NOT TO DISCLOSE TO ANY PERSON OR ORGANIZATION ANY INFORMATION REGARDING THE DESIGN OR MANUFACTURE OF THE ARTICLE REPRESENTED HEREON, OR USE SAME IN ANY WAY DETERMINAL TO THE INTEREST OF FAIRFIELD MFG. CO., INC.

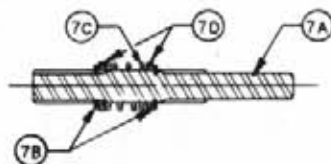
DRAFTSMAN Beck		DATE 10-8-73	FAIRFIELD MFG. Co., Inc. LAFAYETTE, IND. 47505
CHECKER			
PROJECT ENG.			TITLE SERVICE LITERATURE
RELEASED			SCALE: DRAWING NO. WIA & WIB

WHEEL DRIVE ASSEMBLY - 437617
WIA440118

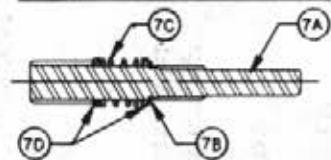
<u>ITEM</u>	<u>PART NO.</u>	<u>QTY.</u>	<u>DESCRIPTION</u>
1	610156	1	Hub-Spindle Sub-Assembly
1A	610052	1	Spindle
1B	610904	1	Seal
1C	610905	1	Bearing Cup
1D	610906	1	Bearing Cone
1E	610907	1	Bearing Cup
1F	610908	1	Bearing Cone
1G	610047	1	Hub
1H	610909	1	Spacer
1I	610910	1	Retaining Ring
1J	610147	2	Pipe Plug
1N	610911	9	Stud
2	610148	1	Internal Gear
3	610912	1	Carrier Assembly
4	610929	1	Ring Gear
5	610903	2	O-Ring
6	610155	1	Cover Assembly
6A	610149	1	Cover
6B	610914	1	Cover Cap
6C	610150	4	Bolt
6D	610901	1	Disconnect Cap
6E	610915	1	Disconnect Rod
6F	610916	1	O-Ring
6G	610917	1	O-Ring
6H	610151	1	Pipe Plug
6J	610152	1	ID Plate
7	610158	1	Input Shaft Assembly
7A	610159	1	Input Shaft
7B	610936	2	Retaining Ring
7C	610145	1	Spring
7D	610153	2	Spacer
8	610919	1	Input Gear
9	610920	1	Thrust Spacer
10	610921	1	Thrust Spacer
11	610922	2	Thrust Washer
12	610930	12	Bolt
13	610923	4	Shoulder Bolt
14	610931	1	Coupling
16	610049	16	Flat Washer
17	610160	1	Retaining Ring



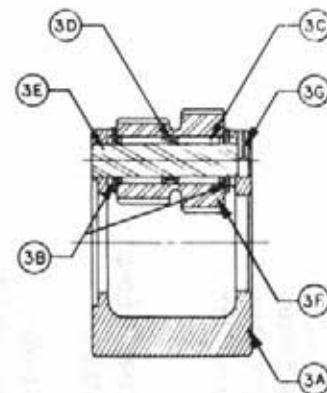
HUB-SPINDLE SUBASSEMBLY



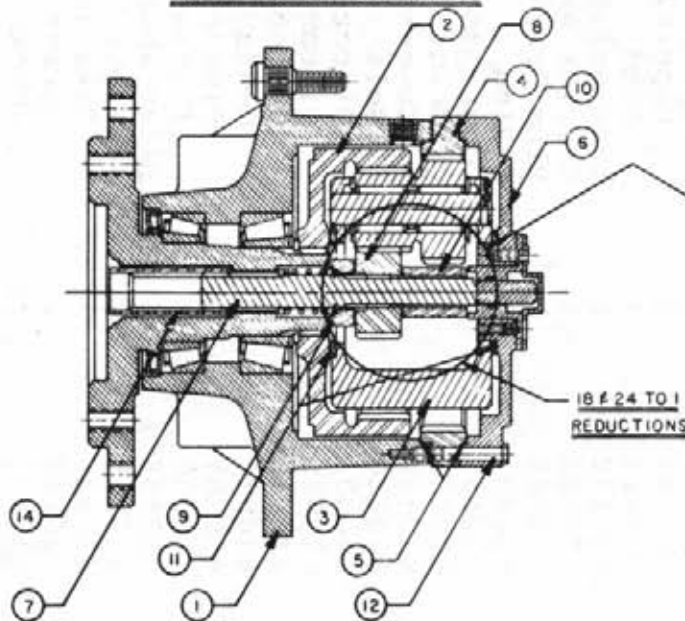
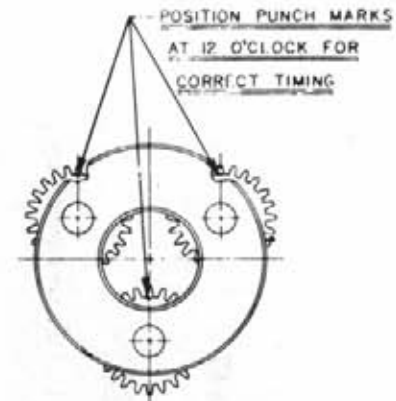
WIA INPUT SHAFT SUBASSEMBLY



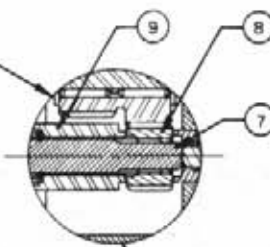
WIB INPUT SHAFT SUBASSEMBLY



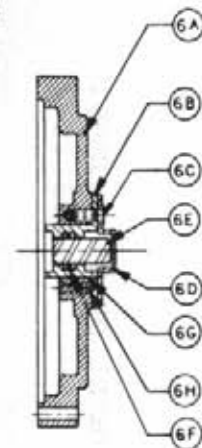
CARRIER SUBASSEMBLY



COMPLETE ASSEMBLY



30 & 35 & 68 TO 1 REDUCTIONS



COVER SUBASSEMBLY



VIEW OF SHOULDER BOLT

THIS DRAWING AND DESIGN IS THE PROPERTY OF / AND ALL PROPRIETARY RIGHTS ARE RESERVED TO / FAIRFIELD MFG. CO., INC. THE RECIPIENT AGREES NOT TO DISCLOSE TO ANY PERSON OR ORGANIZATION ANY INFORMATION REGARDING THE DESIGN OR MANUFACTURE OF THE ARTICLE REPRESENTED HEREON, OR USE SAME IN ANY WAY DETRIMENTAL TO THE INTEREST OF FAIRFIELD MFG. CO., INC.

DRAFTSMAN Beck		DATE 10-8-73	FAIRFIELD MFG. CO., INC. LAFAYETTE, I. ID. 47505
CHECKER			
PROJECT ENG.			TITLE SERVICE LITERATURE
RELEASED			SCALE: DRAWING NO. WIA & WIB

WHEEL DRIVE ASSEMBLY - 610291
WIB140324

<u>ITEM</u>	<u>PART NO.</u>	<u>QTY.</u>	<u>DESCRIPTION</u>
1	610154	1	Hub-Spindle Sub-Assembly
	1A	1	Spindle
	1B	1	Seal
	1C	1	Bearing Cup
	1D	1	Bearing Cone
	1E	1	Bearing Cup
	1F	1	Bearing Cone
	1G	1	Hub
	1H	1	Spacer
	1I	1	Retainer Ring
	1J	2	pipe Plug
	1N	9	stud
2	610148	1	Internal Gear
3	610933	1	Carrier Assembly
4	610937	1	Ring Gear
5	610903	2	O-Ring
6	610155	1	Cover Assembly
	6A	1	Cover
	6B	1	Cover Cap
	6C	4	Bolt
	6D	1	Disconnect Cap
	6E	1	Disconnect Rod
	6F	1	O-Ring
	6G	1	O-Ring
	6H	1	pipe Nipple
	6I	1	ID Plate
7	610048	1	Input Shaft Assembly
	7A	1	Input Shaft
	7B	1	Retaining Ring
	7C	1	Spring
	7D	2	Spacer
8	610919	1	Input Gear
9	610920	1	Thrust Spacer
10	610921	1	Thrust Spacer
11	610922	2	Thrust Washer
12	610930	12	Bolt
13	610923	4	Shoulder Bolt
14	610037	1	Coupling
16	610049	15	Flat Washer

NOTICE

The following four pages contain decals for the
1986 8200

These decals can be obtained from Hagie Mfg. Co. and should be used whenever your machine is repainted or when the decals become worn, weathered or faded.

Special attention should be paid to decals involving personal safety. They have been attached for your protection.

KEEP THEM IN PLACE.

Contact: Hagie Manufacturing Co.
Box 273, Clarion, Iowa 50525

8200 Decals

<u>Part No.</u>	<u>Qty.</u>	<u>Description</u>	<u>Location</u>
650814	1	Park Brake Decal	Near Parking Brake Lever
650847	2	No Passenger Decal	(1) - Left Rear Leg (1) - Left Of Operator Station
650848	1	Slip Or Fall Decal	On Upper Left Side Rail
650849	1	Engine Fuel Decal	Near Fuel Tank Neck
650852	1	Read Manual Decal	Top Of Operator Station
650865	2	Hagie Decal	On Side Of Top Engine Cover
650867	2	8200 Decal	On Side Of Top Engine Cover
650881	1	Choke Decal	On Console Sheet Metal
650953	1	Gasoline Decal	Near Fuel Filler Neck
650872	1	Traction Valve Decal	On Console Sheet Metal
650957	1	Oil Decal	On Console Sheet Metal
650958	1	Generator Decal	On Console Sheet Metal
650967	1	Throttle Decal	On Console Sheet Metal
650968	1	Hydrostatic Decal	On Console Sheet Metal
650977	1	Flasher Decal	On Console Sheet Metal
650981	1	Cooling System Decal	Near Radiator Cap
650982	1	Electrical System Decal	Left Hand Side Of Oil Tank
650985	4	Wheel Bolt Torque Decal	One Each Wheel Rim
650870	1	Auto/Manual Decal	On Console Sheet Metal
650871	1	LH, CTR, And RH Decal	On Console Sheet Metal
650891	1	Fold Decal	On Console Sheet Metal
650879	1	Up And Down Decal	On Console Sheet Metal
650308	1	Left, LCTR, RCTR, Right	On Console Sheet Metal
650820	6	Caution - Moving Parts	Puller Head Mounting Bar
650821	1	Warning Outrigger Decal	On Front Of Operator Station
650931	6	Hagie Decal 1 3/4 x 4	Front Shield Of Roller Assembly
650819	8	Danger - Cutting Blades	RH And LH Side Of Cutter Shields
650851	8	Shield Decal	(2) - On Side Of Top Engine Cover (6) - On Roller Shields
650307	1	Left-Right Decal	On Console Sheet Metal
650303	6	Cutter Blade Rotation	On Center Of Cutter Heads
650939	1	Speed & Tach Decal	On Console Sheet Metal
650955	1	Slow Engine To Idle	Top Front Of Operator Station
650858	1	Do Not Use Either	Top Front Of Operator Station
650954	1	Diesel Decal	Near Fuel Filler Neck

8200

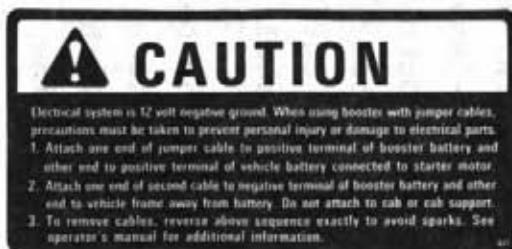
650867 - 8200 Decal



650303 - Cutter Blade Rotation Decal



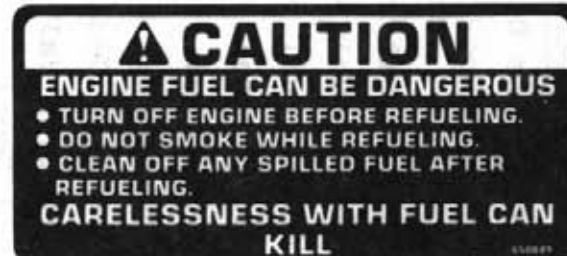
650821 - Folding Outrigger Decal



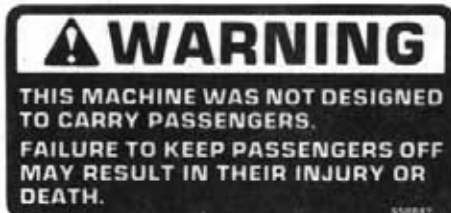
650982 - Electrical System Decal



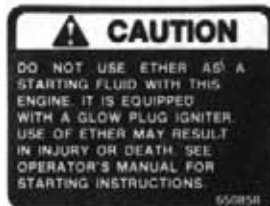
650848 - Slip Or Fall Decal



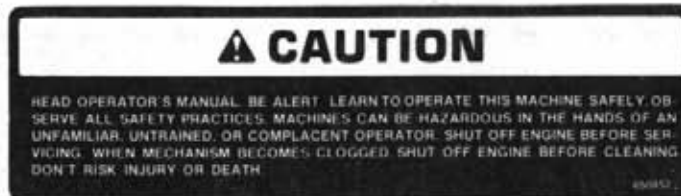
650849 - Engine Fuel Decal



650847 - No Passenger Decal



650858 - Ether Decal



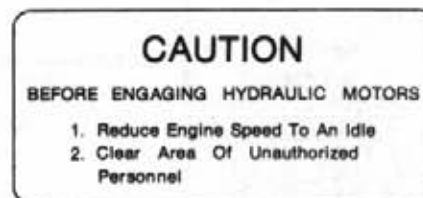
650852 - Read Manual Decal



650819 - Cutting Blade Decal



650820 - Moving Parts Decal



650955 - Slow Engine To Idle Decal



650851 - Shields Decal



650981 - Cooling System Decal



650953 - Gasoline Decal



650814 - Park Brake Decal



650931 - 1 3/4 x 4 Hagie Decal



650954 - Diesel Decal



650871 - Left, Center, And Right Decal



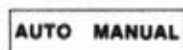
650977 - Flasher Decal 650872 - Traction Valve Decal



650958 - Generator Decal 650957 - Oil Decal



650307 - Left/Right Decal



650870 - Auto/Manual Decal



650881 - Choke Decal



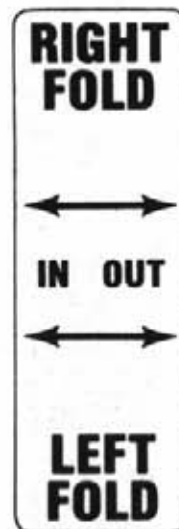
650879 - Up And Down Decal



650985 - Wheel Bolt Torque Decal



650935 - Speedometer Decal



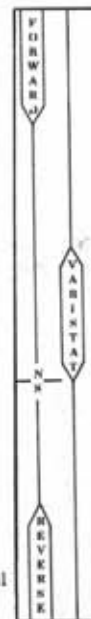
650891 - Outrigger Fold Decal



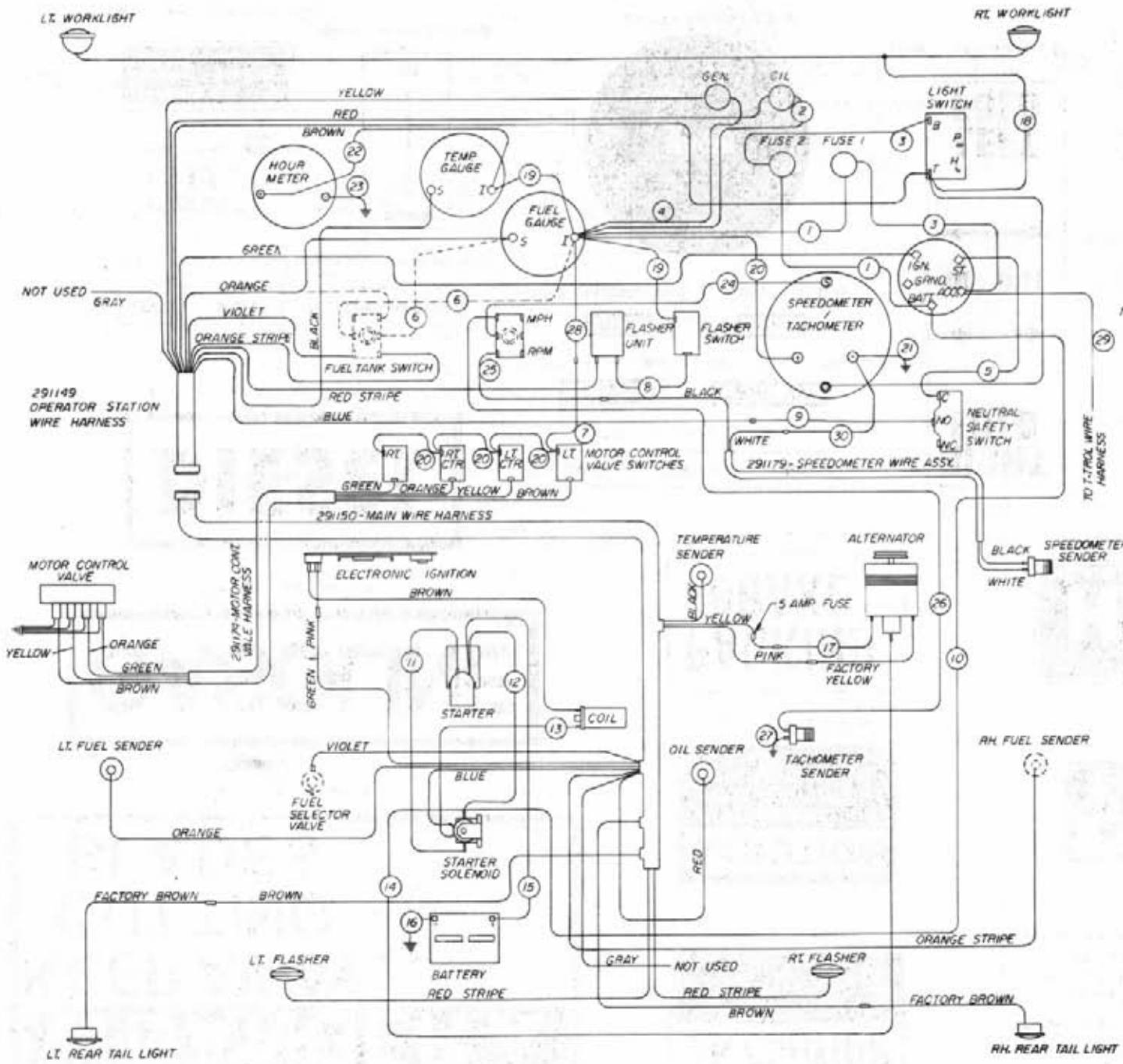
650967 - Throttle Decal



650939 - Speedometer & Tach Decal



650968 - Hydrostatic Decal



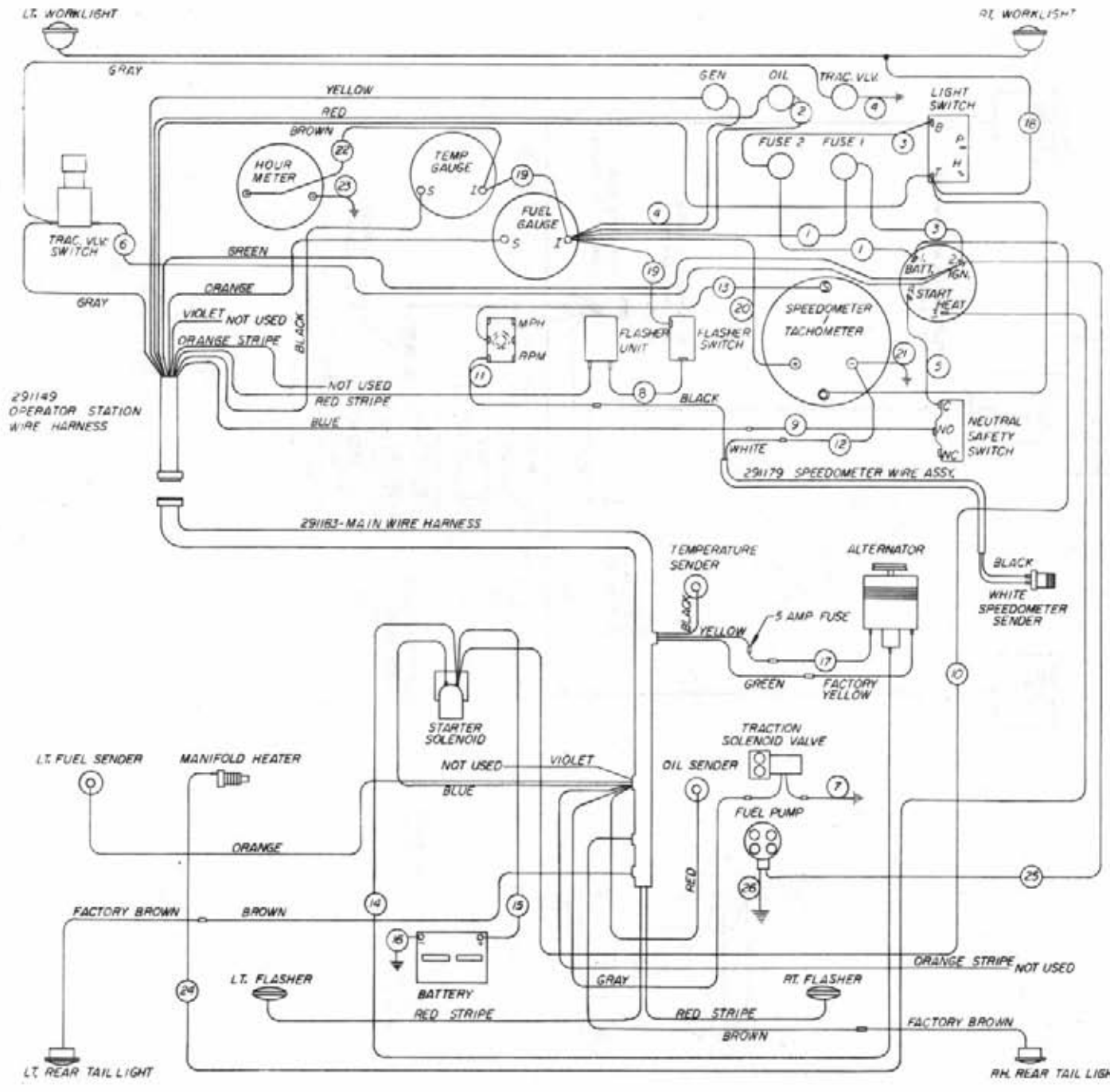
NOTE: ITEMS SHOWN AS DASHED LINES ARE USED WITH RIGHT HAND FUEL TANK OPTION

30	1	291135	14 GA. WHITE * 5'
29	1	291173	16 GA. RED * 24'
28	1	291175	14 GA. RED * 4'
27	1	291277	16 GA. BLUE * 14'
26	1	291460	16 GA. BLUE * 159'
25	1	291134	14 GA. BLACK * 5'
24	1	291476	16 GA. RED * 14'
23	1	291139	16 GA. WHITE * 16'
22	1	291140	16 GA. WHITE * 6'
21	1	291421	16 GA. GREEN * 6'
20	4	291484	14 GA. RED * 3'
19	2	291435	16 GA. RED * 6'
18	1	291151	HEADLIGHT WIRE ASSY
17	1	291147	14 GA. YELLOW * 8'
16	1	290111	GROUND STRAP
15	1	291128	48 BATTERY CABLE
14	1	291453	10 GA. BLUE * 53'
13	1	291461	14 GA. RED * 18'
12	1	291278	10 GA. RED * 12'
11	1	291276	10 GA. BLUE * 14'
10	1	291454	14 GA. WHITE * 17'
9	1	291137	14 GA. BLUE * 6'
8	1	291148	16 GA. RED * 8'
7	1	291176	14 GA. RED * 4'
6	2	291037	16 GA. BLUE * 9'
5	1	291136	14 GA. BLUE * 12'
4	1	291442	16 GA. RED * 9'
3	2	291441	14 GA. GREEN * 9'
2	1	291440	16 GA. RED * 6'
1	2	291443	14 GA. RED * 10'

WIRING DIAGRAM-8200-86
CHRYSLER

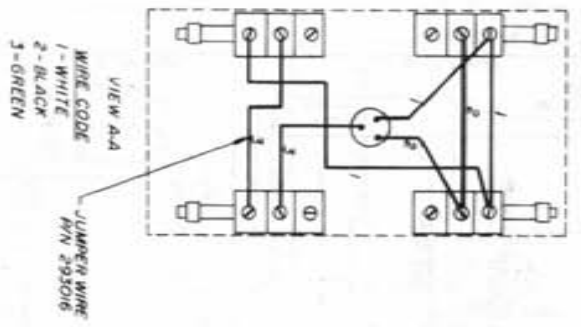
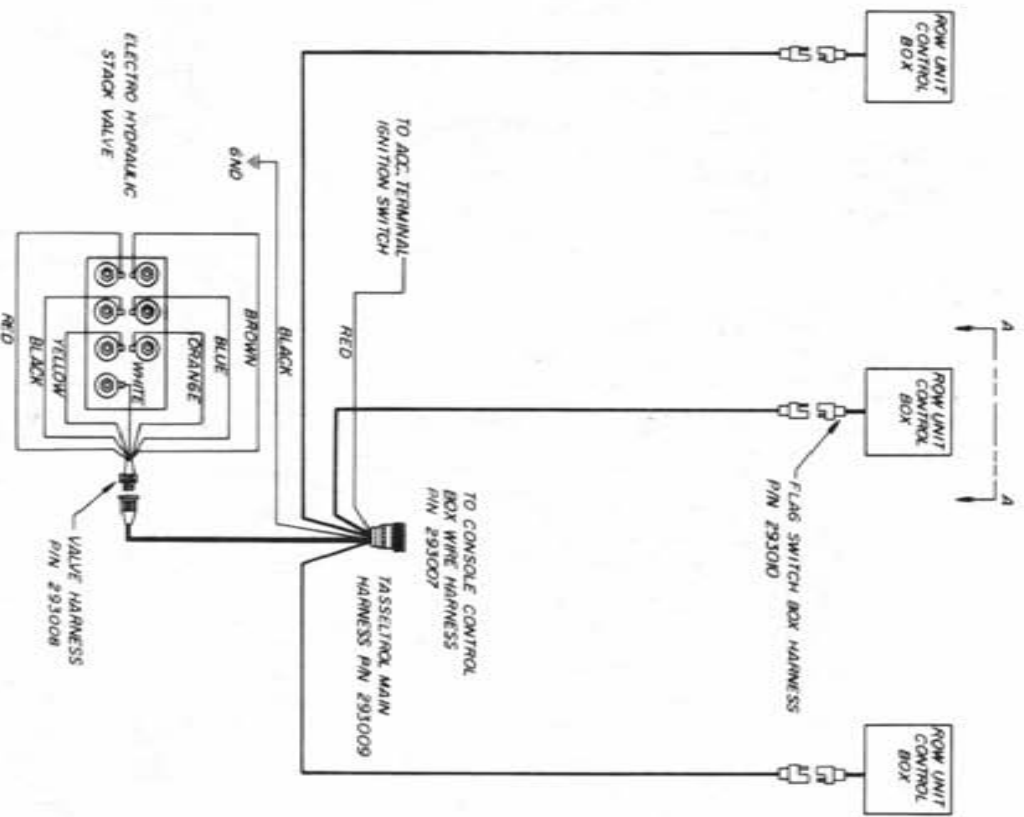
Revision Date 2-68

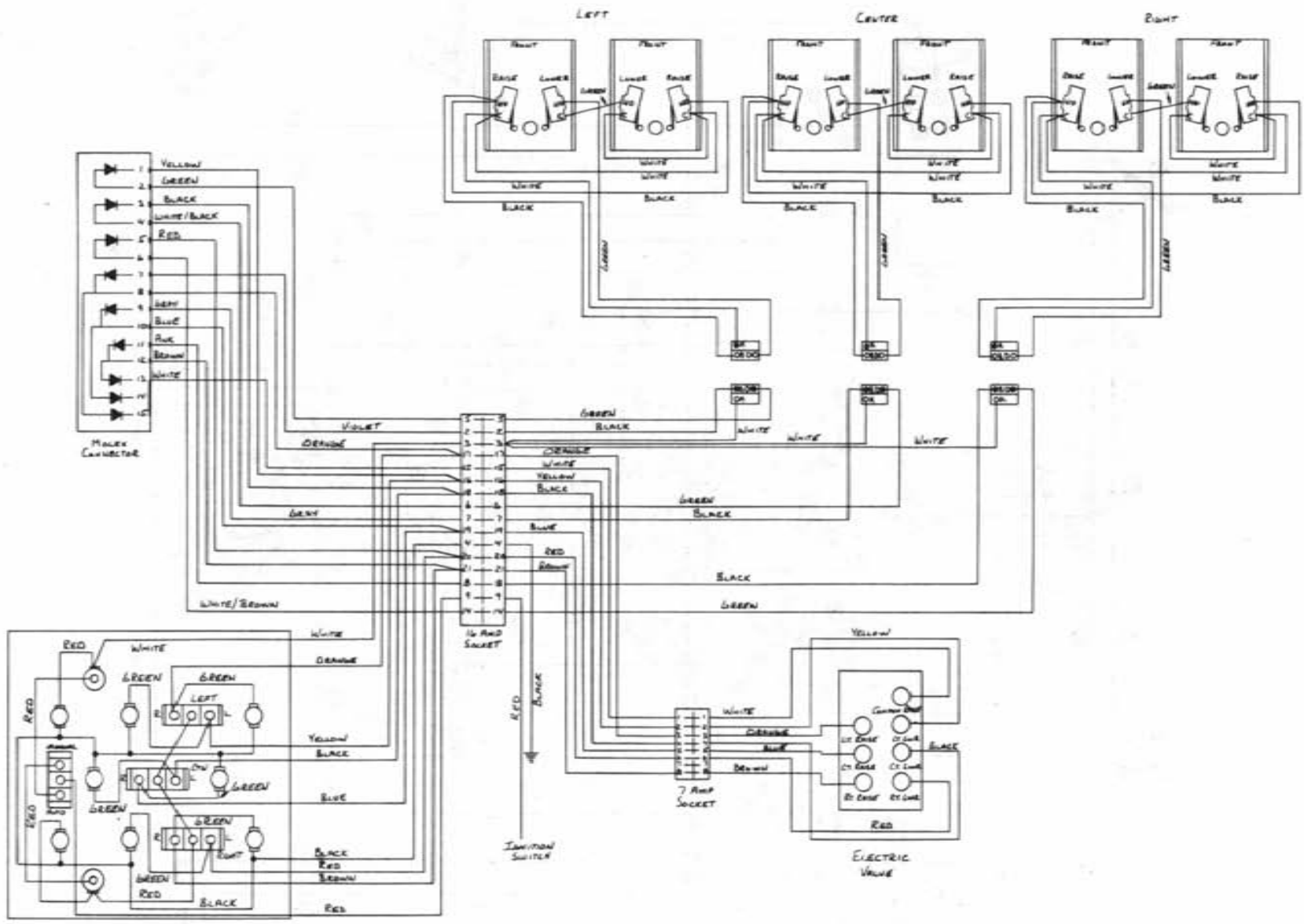
498222



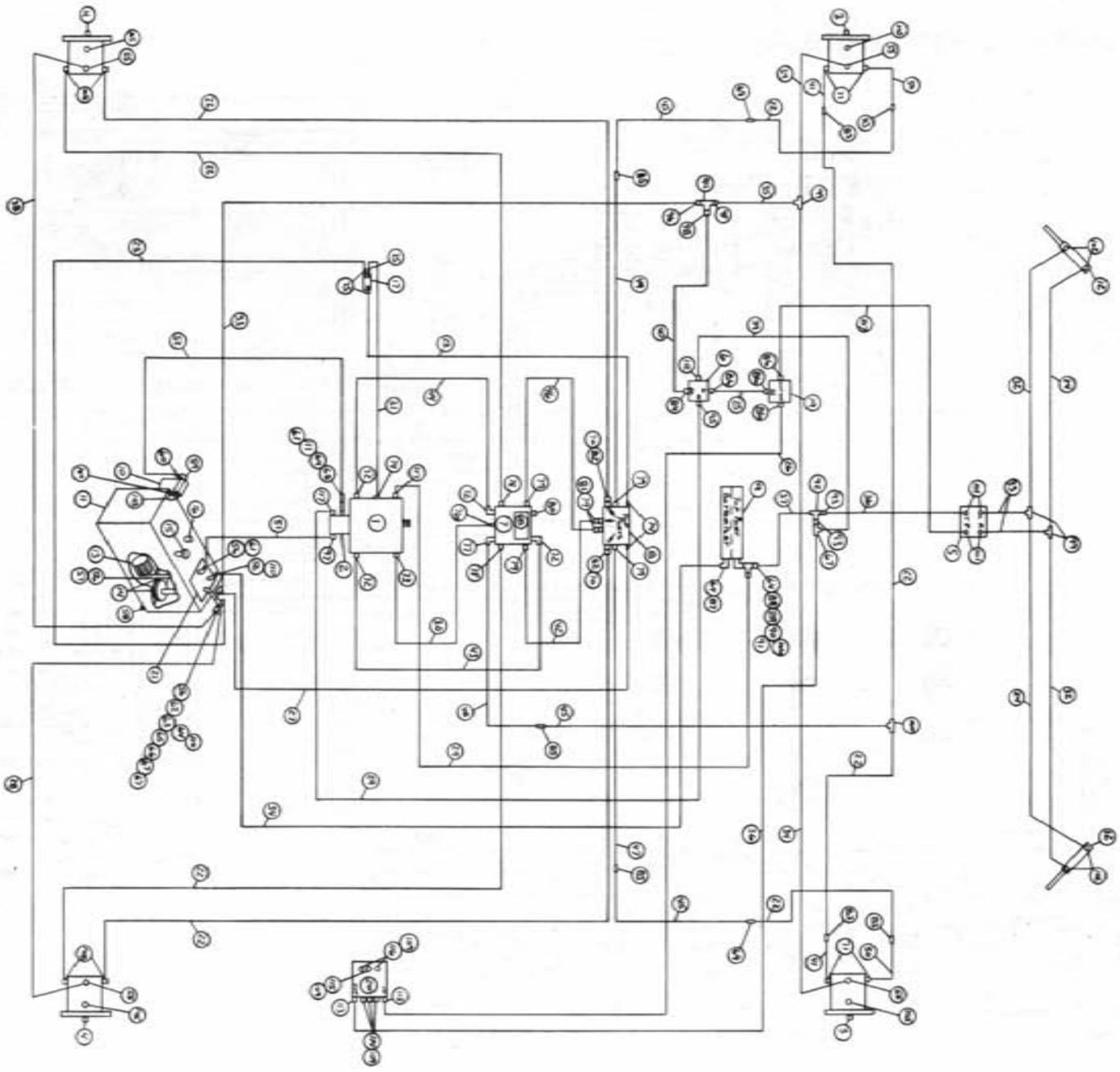
26	1	291220	12 GA. BLACK * 14"
25	1	291168	12 GA. RED * 12"
24	1	291145	12 GA. RED * 180"
23	1	291139	18 GA. WHITE * 16"
22	1	291140	18 GA. WHITE * 8"
21	1	291421	16 GA. GREEN * 6"
20	1	291464	14 GA. RED * 3"
19	2	291435	16 GA. RED * 6"
18	1	291151	HEADLIGHT WIRE ASSY.
17	1	291147	14 GA. YELLOW * 8"
16	1	290111	GROUND STRAP
15	1	290052	56" BATTERY CABLE
14	1	291180	10 GA. RED * 15"
13	1	291476	16 GA. RED * 14"
12	1	291135	14 GA. WHITE * 5"
11	1	291134	14 GA. BLACK * 5"
10	1	291454	14 GA. WHITE * 17"
9	1	291137	14 GA. BLUE * 6"
8	1	291148	16 GA. RED * 8"
7	1	291462	16 GA. BLACK * 10"
6	1	291166	16 GA. RED * 48"
5	1	291136	14 GA. BLUE * 12"
4	2	291442	16 GA. RED * 9"
3	2	291441	14 GA. GREEN * 9"
2	1	291440	16 GA. RED * 6"
1	2	291443	14 GA. RED * 10"

WIRING DIAGRAM-8200-86
 PERKINS
 Revision Date _____
 DEC 4 1964 498223





TASSETROL CURCUIT DIAGRAM

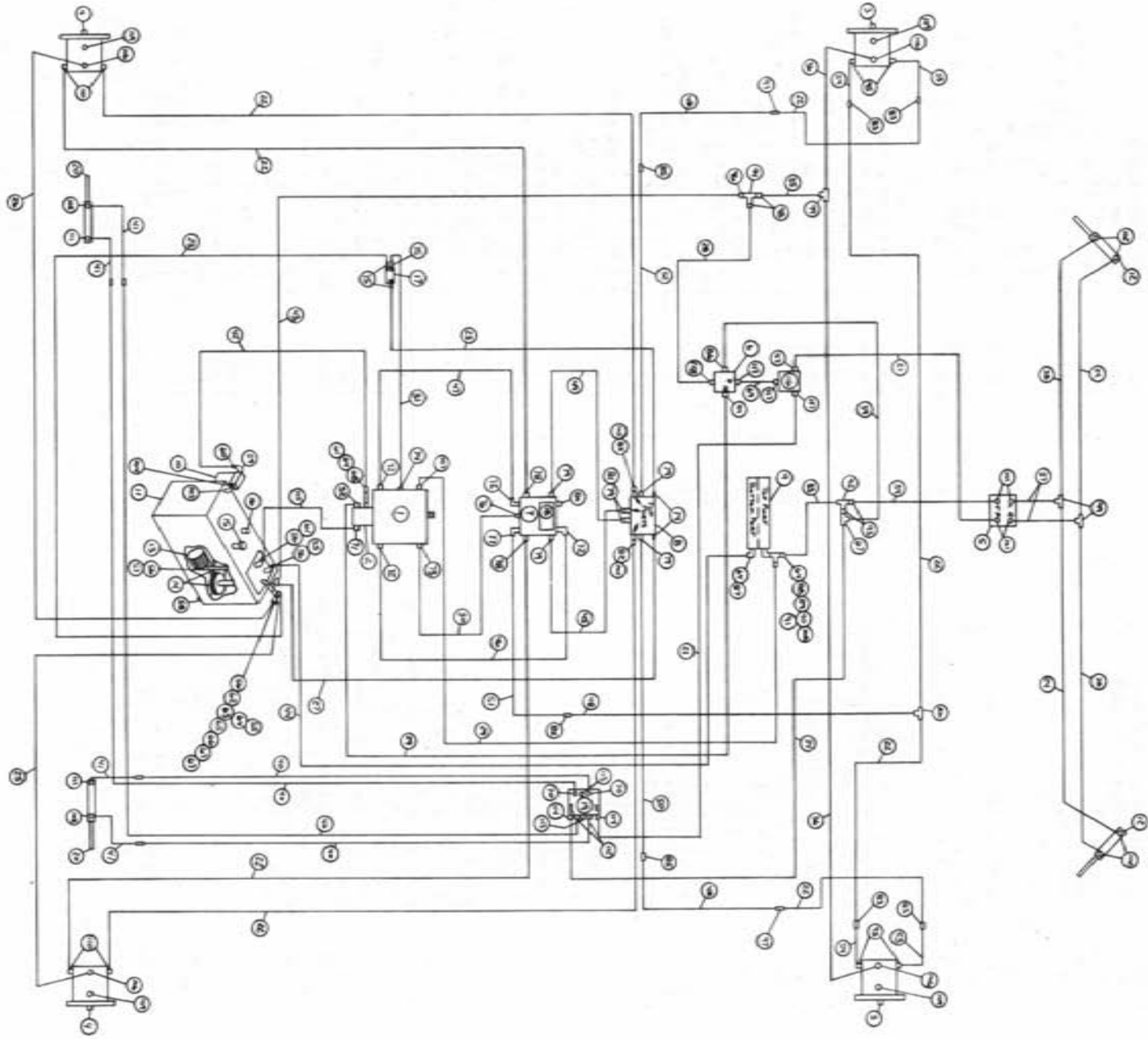


1986 8200 HYDRAULIC SCHEMATIC

PIONEER TRACTOR

REFERENCE DRAWING NO. - 498202

Ref. Req.	P/N	Description	Ref. Req.	P/N	Description
1	606866	Sundstrand 23 Series Pump	60	715664	1 1/4 NPT x 1 Hose Barb
2	610446	Cassara Hydraulic Pump 1.48	61	714560	1 NPT x 1 Hose Barb
3	610030	18 Series Sundstrand Wheel Motor	62	505201	1 NPT Close Nipple
4	610029	15 Series Sundstrand Wheel Motor	63	505101	1 NPT Pipe Tee
5	749150	Steering Motor	64	505200	1 NPT x 90 Street Elbow
6	607518	HGR56 Flow Divider	65	505006	1 NPT To 1/4 NPT Reducer Bushing
7	615003	Large Manifold	66	618520	1/4 NPT Run Tee x 9/16 MJIC
8	606853	Traction Valve	67	618486	9/16 FJIC Swivel Run Tee
9	618088	Oil Cooler	68	618090	1 5/16 HOR x 1 FNPT
10	605601	Green Filter	69	618554	1 1/16 MJIC x 3/4 MJIC
11	760097	Hydraulic Tank Weldment	70	618518	1 1/16 HOR x 7/8 MJIC
12	620080	Steering Cylinder	71	618302	1 5/16 HOR x 90 x 1 1/16 MJIC
13	605600	Michigan Filter	72	618178	1 5/16 HOR x 90 x 1 5/16 MJIC
14	605603	Line Diffuser	73	618183	7/8 HOR x 90 x 3/4 MJIC
15	611051	Pressure Cap	74	618114	7/16 HOR x 90 x 9/16 MJIC
16	614453	Dipstick	75	611121	1/4 NPT x 9/16 MJIC
17	610302	Solenoid Valve 3-Way	76	618241	3/4 HOR x 90 x 3/4 MJIC
18	611013	Hydraulic Relief Valve Assembly	77	618248	1 1/16 HOR x 90 x 1 1/16 MJIC
19	607504	B50 Flow Divider	78	618309	1 1/16 HOR x 7/8 MJIC
20	606585	3-Spool Valve	79	611127	1 1/16 HOR x 1 1/16 MJIC
21	760090	Receiver Plate Weldment	80	610186	1 1/16 HOR Plug
22	614573	RC2AT-8FJX-10FJX-114	81	618191	1 1/16 FJIC Swivel x 90 x 1 1/16 MJIC
23	616043	4C1A-6FJX-6JX-23	82	618313	1 1/16 HOR x 45 x 1 1/16 MJIC
24	616056	4C1A-6FJX-6FJX-32	83	618553	1 1/16 MJIC x 7/8 MJIC
25	615452	6C1T-6FJX-6FJX-16	84	618183	7/8 HOR x 90 x 3/4 MJIC
26	611204	4C1T-6FJX-6FJX-78	85	618177	1 1/16 MJIC x 1 1/16 MJIC
27	616036	4C1T-6FJX-6FJX-12	86	618310	7/8 HOR x 9/16 MJIC
28	614571	6RLA-6FJX-6FJX-126	87	716000	1 NPT x 90 x 3/4 Hose Barb
29	610325	10C1T-10FJX-10FJX-105	88	505213	1 NPT x 3/4 NPT Reducer Bushing
30	615465	8C1T-8FJX-8FJX-33	89	504702	3/4 NPT Close Nipple
31	616059	4C1A-6FJX-6FJX-33	90	504955	3/4 NPT Pipe Tee
32	616026	4C1A-6FJX-6FJX-37	91	610305	3/4 NPT x 90 x 3/4 MJIC
33	615442	4C1T-6FJX-6FJX-55	92	618311	3/4 MJIC Union Tee
34	614570	6RLA-6FJX-6FJX-112	93	618482	3/4 FJIC x 9/16 MJIC
35	615473	6C1T-6FJX-8FJX-18	94	503820	1/2 NPT Pipe Tee
36	611260	4C1T-6FJX-6FJX-44	95	611126	7/8 HOR x 7/8 MJIC
37	616032	8C1A-8FJX-8FJX-66	96	712440	1/2 NPT x 3/4 Hose Barb
38	614572	6RLA-6FJX-6FJX-140	97	618563	1 1/16 HOR x 90 x 1 Hose Barb
39	615401	6C1T-6FJX-6FJX-22	98	611147	1/2 NPT x 3/4 MJIC
40	615385	8C1T-8FJX-8FJX-29	99	610193	9/16 MJIC Bulkhead Tee
41	614575	Upper Hydraulic Tube Assembly 8200	100	618555	3/4 MJIC x 3/4 MJIC x 1 1/16 MJIC Tee
42	606854	Right Traction Valve Tube	101	618109	3/4 HOR x 9/16 MJIC
43	615568	Right Hydraulic Tube Assembly	102	611122	1/4 NPT x 90 x 9/16 MJIC
44	615569	Left Hydraulic Tube Assembly	103	506303	1 1/4 NPT x 90 Elbow
45	606857	Front Hydrostatic Tube Assembly	104	506602	1 1/4 NPT x 2 1/2 Pipe Nipple
46	606859	Left Traction Valve Assembly	105	611159	3/4 HOR Plug
47	606859	Right Rear Hydrostatic Tube Assembly	106	618059	3/4 NPT x 7/8 MJIC
48	606860	Center Rear Hydrostatic Tube Assembly	107	616040	4C1A-6FJX-6FJX-67
49	606858	Left Rear Hydrostatic Tube Assembly	108	618315	3/4 HOR x 45 x 3/4 MJIC
50	614574	Lower Hydraulic Tube Assembly	109	618531	9/16 MJIC Cap
51	601117	1-2-Braid Red Hose x 37	110	714331	1 NPT x 3/4 Hose Barb
52	601193	1-2-Braid Red Hose x 42	111	505110	1 NPT x 45 Street Elbow
53	601265	3/4-2-Braid Red Hose x 140	112	618011	7/8 NPT x 9/16 MJIC
54	601198	3/4-2-Braid Red Hose x 110	113	618126	9/16 HOR x 9/16 MJIC
55	618496	3/4 HOR x 45 x 9/16 MJIC	114	618425	9/16 HOR x 45 x 9/16 MJIC
56	505300	1 NPT x 90 Elbow	115	618440	9/16 HOR x 90 x 9/16 MJIC Long
57	505203	1 NPT x 4 Pipe Nipple	116	618119	9/16 HOR x 90 9/16 MJIC
58	501102	1/4 NPT Pipe Plug	117	611128	7/8 HOR x 90 x 7/8 MJIC
59	506410	1 1/4 NPT x 90 Street Elbow			

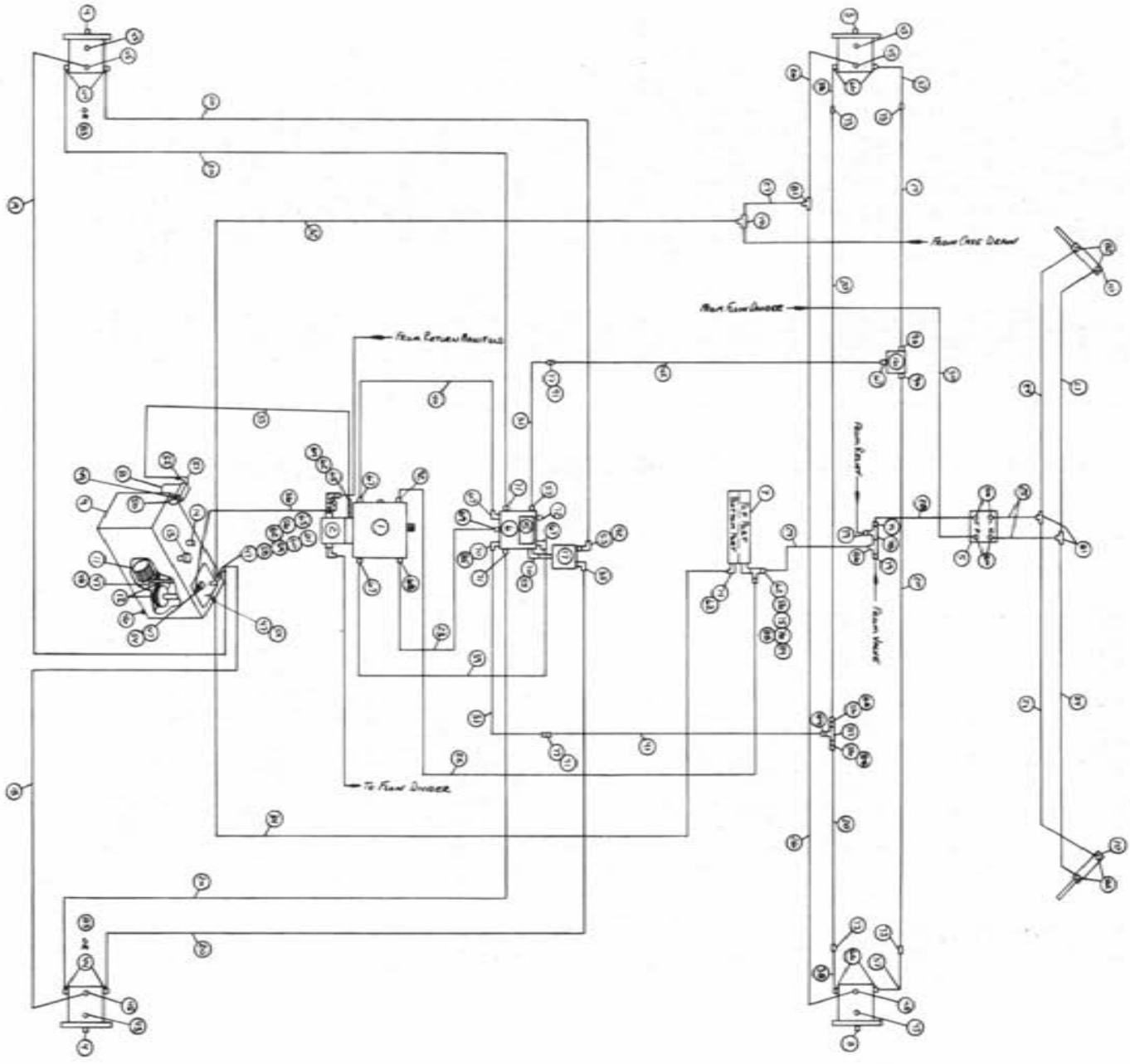


1986 8200 HYDRAULIC SCHEMATIC

PERSONNEL CARRIER

REFERENCE DRAWING NO. - 498224

Ref. Req.	P/N	Description	Ref. Req.	P/N	Description
1	606868	Eaton Pump	60	715664	1 1/4 NPT x 1 Hose Barb
2	610446	Cessna Aux Pump 1.48	61	714560	1 NPT x 1 Hose Barb
3	610030	18 Series Sundstrand Wheel Motor Exten.	62	505261	1 NPT Close Nipple
4	610031	18 Series Sundstrand Wheel Motor Stub	63	505101	1 NPT Pipe Tee
5	749150	Steering Motor	64	505200	1 NPT x 90 Street Elbow
6	607518	BGR56 Flow Divider	65	505006	1 NPT To 1 1/4 NPT Reducer Bushing
7	615003	Large Manifold	66	618520	1 1/4 NPT Run Tee x 9/16 MJIC
8	606853	Traction Valve	67	618486	9/16 FJIC Swivel Run Tee
9	618088	Oil Cooler	68	618090	1 5/16 HOR x 1 FNPT
10	605601	Gresen Filter	69	615452	6CIT-6FJX-6FJX-16
11	760097	Hydraulic Tank Weldment	70	618119	9/16 HOR x 90 x 9/16 MJIC
12	620080	Steering Cylinder	71	618563	1 1/16 HOR x 90 x 1 Hose Barb
13	605600	Michigan Filter	72	618178	1 5/16 HOR x 90 x 1 5/16 MJIC
14	605603	Line Diffuser	73	618474	1 1/16 HOR x 90 x 3/4 MJIC
15	611051	Pressure Cap	74	618114	7/16 HOR x 90 x 9/16 MJIC
16	614453	Dipstick	75	611121	1/4 NPT x 9/16 MJIC
17	610302	Solenoid Valve 3-Way	76	618241	3/4 HOR x 90 x 3/4 MJIC
18	611013	Hydraulic Relief Valve Assembly	77	618248	1 1/16 HOR x 90 x 1 1/16 MJIC
19	606585	Three-Spool Valve	78	618309	1 1/16 HOR x 7/8 MJIC
20	620372	Hydraulic Cylinder	79	611127	1 1/16 HOR Plug
21	611204	4CIT-6FJX-6FJX-78	80	610186	1 1/16 HOR Plug
22	614573	RC2AT-8FJX-10FJX-114	81	618191	1 1/16 FJIC x 90 x 1 1/16 MJIC
23	616043	4C1A-6FJX-6FJX-23	82	618313	1 1/16 HOR x 45 x 1 1/16 MJIC
24	616056	4C1A-6FJX-6FJX-32	83	618553	1 1/16 MJIC x 7/8 MJIC
25	614571	6RLA-6FJX-6FJX-126	84	611126	7/8 HOR x 7/8 MJIC
26	614572	6RLA-6FJX-6FJX-140	85	618177	1 1/16 MJIC x 1 1/16 MJIC
27	616036	4C1T-6FJX-6FJX-12	86	618011	3/8 NPT x 9/16 MJIC
28	616034	8C1A-8FJX-8FJX-17	87	716000	1 NPT x 90 x 3/4 Hose Barb
29	610325	10C1T-10FJX-10FJX-105	88	505213	1 NPT x 3/4 NPT Reducer Bushing
30	615465	8C1T-8FJX-8FJX-33	89	504702	3/4 NPT Close Nipple
31	616059	4C1T-6FJX-6FJX-33	90	504955	3/4 NPT Pipe Tee
32	611128	7/8 HOR x 90 x 7/8 MJIC	91	610305	3/4 NPT x 90 x 3/4 MJIC
33	616032	8C1A-8FJX-8FJX-66	92	618311	3/4 MJIC Union Tee
34	611260	4C1A-6FJX-6FJX-44	93	618482	3/4 FJIC x 9/16 MJIC
35	615473	6C1T-6FJX-6FJX-18	94	503820	1/2 NPT Pipe Tee
36	614570	6RLA-6FJX-6FJX-112	95	618302	1 5/16 HOR x 90 x 1 1/16 MJIC
37	615442	4C1T-6FJX-6FJX-55	96	712440	1/2 NPT x 3/4 Hose Barb
38	616026	4C1A-6FJX-6FJX-37	97	618554	1 1/16 MJIC x 3/4 MJIC
39	615401	6C1T-6FJX-6FJX-22	98	611147	1 1/2 NPT x 3/4 MJIC
40	611212	4C1T-6FJX-6FJX-164	99	610193	9/16 MJIC Bulkhead Tee
41	614335	4C1T-6FJX-6HJ-24	100	618555	3/4 MJIC x 3/4 MJIC x 1 1/16 MJIC Tee
42	601256	1 2-Braid Red Hose x 31	101	618109	3/4 HOR x 9/16 MJIC
43	601265	3/4 2-Braid Red Hose x 140	102	611122	1/4 NPT x 90 x 9/16 MJIC
44	601198	3/4 2-Braid Red Hose x 110	103	506303	1 1/4 NPT x 2 1/2 Pipe Nipple
45	606854	Right Traction Valve Tube	104	506602	1 1/4 NPT x 90 Elbow
46	615568	Right Hydraulic Tube Assembly	105	618518	1 1/16 FJIC x 7/8 MJIC
47	615569	Left Hydraulic Tube Assembly	106	618496	3/4 HOR x 45 x 9/16 MJIC
48	606857	Front Hydrostatic Tube Assembly	107	618535	1 1/16 HOR x 90 x 7/8 MJIC
49	606855	Left Traction Valve Tube	108	618059	3/4 NPT x 7/8 MJIC
50	606859	Right Rear Hydrostatic Tube	109	611159	3/4 HOR Plug
51	606860	Center Rear Hydrostatic Tube	110	618475	1 5/16 HOR x 90 x 3/4 MJIC
52	606858	Left Rear Hydrostatic Tube	111	614365	Restrictor Elbow Assembly
53	614574	Lower Hydraulic Tube Assembly	112	618425	9/16 HOR x 45 x 9/16 MJIC
54	614575	Upper Hydraulic Tube Assembly	113	610185	9/16 HOR Plug
55	714331	1 NPT x 3/4 Hose Barb	114	618126	9/16 HOR x 9/16 MJIC
56	505300	1 NPT x 90 Elbow	115	601117	1 2-Braid Red Hose x 37
57	505203	1 NPT x 4 Pipe Nipple	116	607504	B50 Flow Divider
58	501102	1/4 NPT Pipe Plug	117	618310	7/8 HOR x 9/16 MJIC
59	506410	1 1/4 NPT x 90 Street Elbow	118	618183	7/8 HOR x 90 x 3/4 MJIC



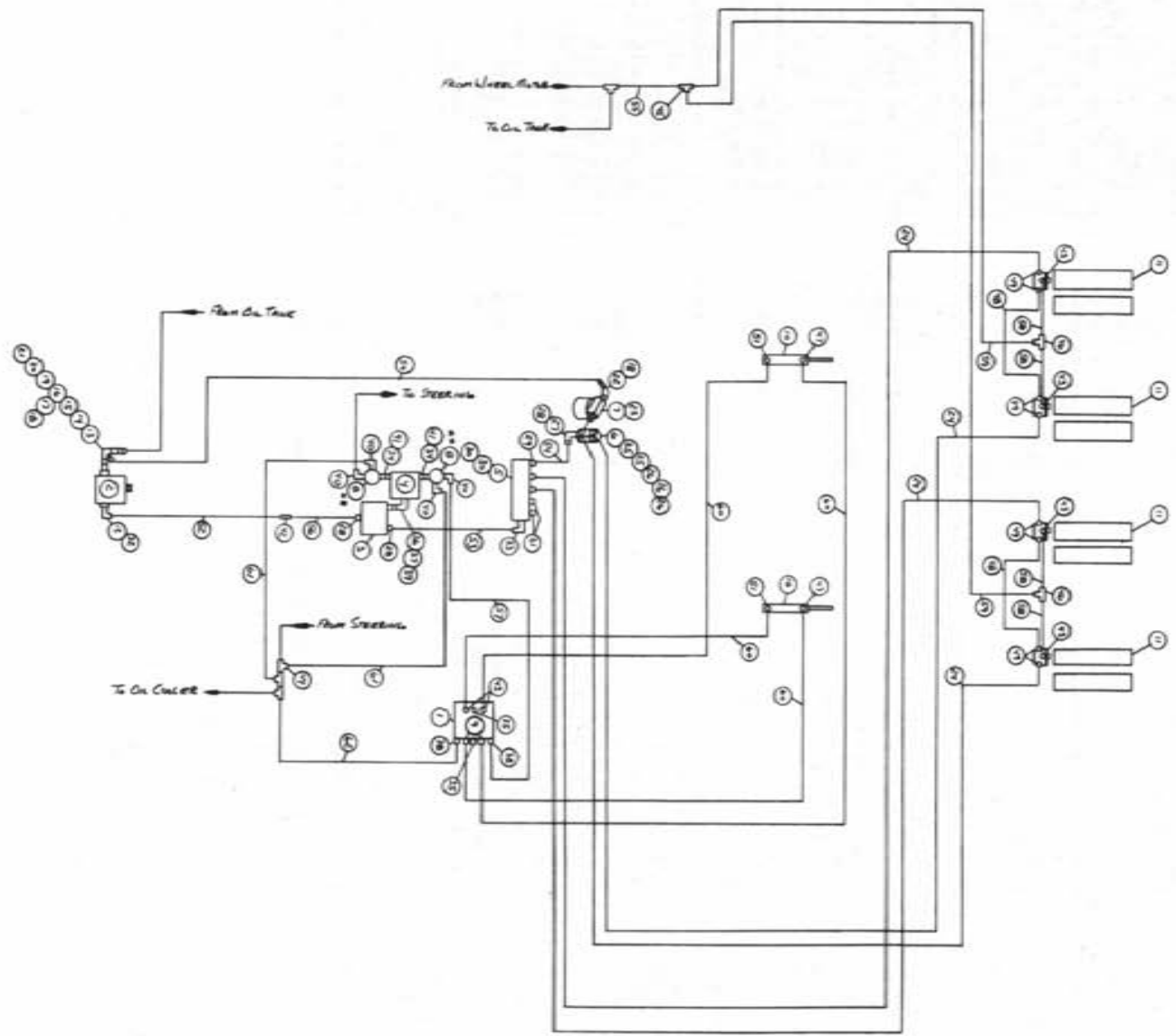
1986 8200 HYDRAULIC SCHEMATIC

BASIC MACHINE

REFERENCE DRAWING NO. - 498225

Ref. Req.	P/N	Description	Ref.	Req.	P/N	Description
1	606872	Eaton Pump	47	4	505300	1 NPT x 90 Elbow
2	Refer To Option	Hydraulic Schematic	48	1	505203	1 NPT x 4 Pipe Nipple
3	610030	18 Series Sundstrand Wheel Motor	49	1	506602	1 1/4 NPT x 2 1/2 Pipe Nipple
4	610029	15 Series Sundstrand Wheel Motor	50	1	506303	1 1/4 NPT x 90 Elbow
5	749150	Steering Motor	51	1	506410	1 1/4 NPT x 90 Street Elbow
6	615003	Large Manifold	52	1	715664	1 1/4 NPT x 1 Hose Barb
7	618088	Oil Cooler	53	1	618312	1 5/16 HOR x 1 1/16 FOR
8	605601	Greenen Filter	54	2	714331	1 NPT x 3/4 Hose Barb
9	760097	Hydraulic Tank Weldment	55	1	618588	1 5/16 HOR x 1 1/16 FJIC Swivel
10	620080	Steering Cylinder	56	4	505213	1 NPT To 3/4 NPT Reducer Bushing
11	605600	Michigan Filter	57	1	618313	1 1/16 HOR x 45 x 1 1/16 MJIC
12	605603	Line Diffuser	58	1	505201	1 NPT Close Nipple
13	611051	Pressure Cap	59	1	505101	1 NPT Pipe Tee
14	614453	Dipstick	60	1	505006	1 NPT To 1/4 NPT Reducer Bushing
15	611013	Hydraulic Relief Valve Assembly	61	1	618520	1/4 NPT Run Tee x 9/16 MJIC
16	610470	Modular Control Valve 60 Gallon	62	4	505200	1 NPT x 90 Street Elbow
17	610468	Modular Control Valve 20 Gallon	63	1	610300	1 NPT x 1 Hose Barb
18	614571	6RLA-6FJX-6FJX-126	64	1	714560	3/4 NPT x 3/4 MJIC
19	614572	6RLA-6FJX-6FJX-140	65	1	618090	1 5/16 HOR x 1 FNPT
20	614573	8C2AT-8FJX-10FJX-114	66	4	618302	1 5/16 HOR x 90 x 1 1/16 MJIC
21	616056	4CIA-6FJX-6FJX-32	67	6	618178	1 5/16 HOR x 90 x 1 5/16 MJIC
22	610325	10C1T-10FJX-10FJX-105	68	5	618474	1 1/16 HOR x 90 x 3/4 MJIC
23	615465	8C1T-8FJX-8FJX-33	69	69	618241	3/4 HOR x 90 x 3/4 MJIC
24	616026	4CIA-6FJX-6FJX-37	70	2	618248	1 1/16 HOR x 90 x 1 1/16 MJIC
25	615442	4C1T-6FJX-6FJX-55	71	2	618309	1 1/16 HOR x 7/8 MJIC
26	614570	6RLA-6FJX-6FJX-112	72	1	610186	1 1/16 HOR Plug
27	615473	6C1T-6FJX-6FJX-18	74	4	618553	1 NPT x 90 x 3/4 Hose Barb
28	611260	5CIA-6FJX-6FJX-44	74	1	716000	1 NPT x 90 x 3/4 Hose Barb
29	616032	8CIA-8FJX-8FJX-66	75	1	504702	3/4 NPT Close Nipple
30	616040	4CIA-6FJX-6FJX-67	76	1	504955	3/4 NPT Pipe Tee
31	614289	12C12-12FJX-12FJX-19	77	2	618577	1 5/16 MJIC x 1 5/16 MJIC
32	614622	8C1T-8FJX-8FJX-142	78	2	618311	3/4 MJIC Union Tee
33	601256	1-2-Braid Red Hose x 31	79	3	618482	3/4 FJIC x 9/16 MJIC
34	601198	3/4-2-Braid Red Hose x 110	80	4	618109	3/4 HOR x 9/16 MJIC
35	618589	7/8 MJIC x 90 x 1 5/16 MJIC	81	3	610193	9/16 MJIC Bulkhead Tee
36	601288	3/4-2-Braid Red Hose x 32	82	4	611122	1/4 NPT x 90 x 9/16 MJIC
37	614574	Lower Hydraulic Tube Assembly 8200	83	4	618315	3/4 HOR x 45 x 3/4 MJIC
38	614575	Upper Hydraulic Tube Assembly 8200	84	1	618059	3/4 NPT x 7/8 MJIC
39	615568	Right Hydraulic Tube Assembly	85	1	618529	1 1/16 FJIC Swivel x 45 x 1 1/16 MJIC
40	615569	Left Hydraulic Tube Assembly	86	1	618451	3/4 FJIC Swivel Run x 3/4 MJIC
41	614628	Right Hydraulic Tube Main Drive	87	1	614634	1 NPT Steel Pipe Tee
42	614629	Left Hydraulic Tube Assembly Main Drive	88	3	610305	3/4 NPT x 90 x 3/4 MJIC
43	611139	3/4 HOR Plug	89	1	618322	1 NPT x 1 5/16 MJIC
44	611125	3/4 MOR x 3/4 MJIC	90	2	618470	1 5/16 HOR x 3/4 MJIC
45	618496	3/4 MOR x 45 x 9/16 MJIC	91	2	618541	1 5/16 FJIC x 1 1/16 MJIC
46	501102	1/4 NPT Pipe Plug	92	2	618535	1 1/16 HOR x 90 x 7/8 MJIC

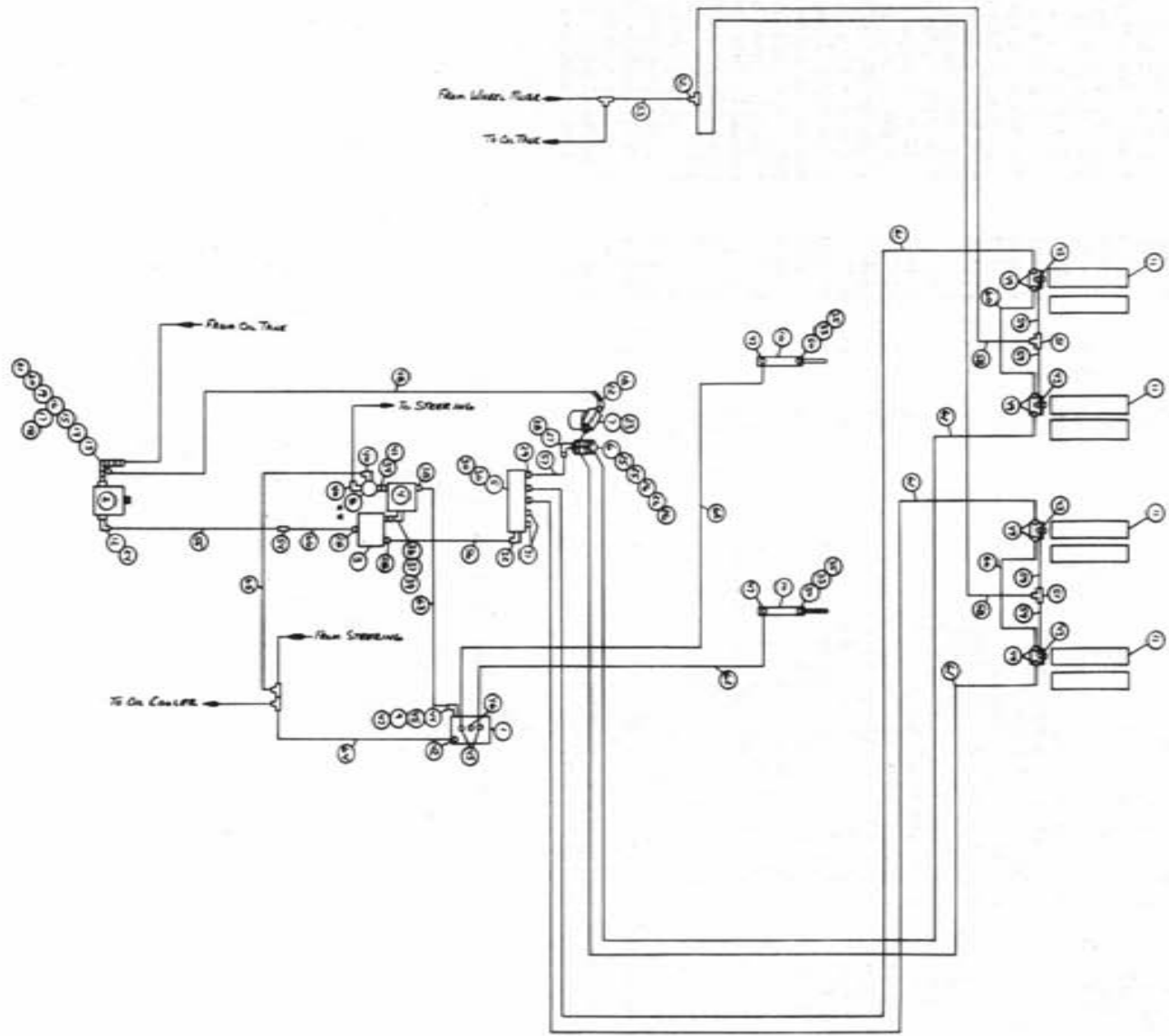
NOTE: * Part No. 618315 Used Only With Straight Leg Option.



1986 8200 HYDRAULIC SCHEMATIC
 FOUR-ROW ROLLER WITHOUT TASSELTRAIL
 REFERENCE DRAWING NO. - 498226

Ref. Req.	P/N	Description	Ref. Req.	P/N	Description
1	606585	Cessna 3-Spool Valve	32	618324	1 1/4 MNPT x 90 x 1 5/16 MJIC
2	610484	Sundstrand Pump 4.58 Cu.In.	33	618178	1 5/16 MOR x 90 x 1 5/16 MJIC
3	606873	BG46 Flow Divider	34	500000	1/2 NPT Hex Pipe Nipple
4	607504	B50 Flow Divider	35	610185	1 NPT x 3/4 NPT Reducer Bushing
5	610467	Motor Control Valve	36	505213	1 NPT x 3/4 NPT Reducer Bushing
6	614633	Manifold	37	618579	3/4 NPT x 1 1/16 FJIC Swivel
7	605601	Gresen Filter	38	618126	9/16 MJIC x 9/16 MOR
8	607512	RL50 Relief Valve	39	618279	7/8 MOR x 90 x 1 1/16 MJIC
9	618425	9/16 MOR x 45 x 9/16 MJIC	40	618107	1/2 NPT x 90 x 9/16 MJIC
10	620900	Hydraulic Cylinder	41	618072	7/8 MOR x 1/2 FNPT
11	610051	Branes Hydraulic Motor	42	618577	1 5/16 MJIC Union
12	618550	4-Bolt Flange x 1 1/4 FNPT	43	618119	9/16 MJIC x 90 x 9/16 MOR
13	507015	4-Bolt Flange x 1 1/2 FNPT	44	618486	9/16 MJIC Swivel Run Tee
14	506200	1 1/2 NPT To 1 1/4 NPT Reducer Bushing	45	610193	9/16 MJIC Bulkhead Tee
15	506701	1 1/4 NPT Close Nipple	46	618019	9/16 MJIC Union Tee
16	506409	1 1/4 NPT Side Outlet Elbow	47	611122	1/4 NPT x 90 x 9/16 MJIC
17	715660	1 1/4 NPT x 45 Street Elbow	48	614623	10C1T-10FJX-10FJX-80
18	506005	1 1/4 NPT x 1 1/4 Hose Barb	49	611128	7/8 MOR x 90 x 7/8 MJIC
19	505200	1 NPT To 1 NPT Reducer Bushing	50	601289	1 1/4-2-Braid Red Hose x 134
20	714331	1 NPT x 90 Street Elbow	51	614649	Restrictor Elbow 1-Way
21	506410	1 1/4 NPT x 90 Street Elbow	52	614630	Hydraulic Tube Aux Drive
22	618144	1 1/4 NPT x 1 NPT Hex Pipe Nipple	53	614631	Hydraulic Tube Control Valve
23	614507	10C1A-10FJX-10FJX-168	54	614632	Hydraulic Tube Return Manifold
24	618323	7/8 MJIC x 45 x 1/2 MNPT	55	615473	6C1T-6FJX-8FJX-18
25	503700	1/2 NPT Pipe Plug	56	614348	16C1T-16FJX-16FJX-25
26	505110	1 NPT x 45 Street Elbow	57	614627	6C1T-6FJX-6FJX-45
27	618322	1 5/16 MJIC x 1 NPT	58	616027	4C1A-6FJX-6FJX-39
28	618186	1 5/16 MOR x 1 5/16 MJIC	59	614639	4C1A-6FJX-6FJX-126
29	618309	1 1/16 MOR x 7/8 MJIC	60	614101	4C1A-6FJX-6FJX-133
30	610186	1 1/16 MOR Plug	61	614625	6C1T-6FJX-6FJX-30
31			62	614626	6C1T-6FJX-6FJX-38

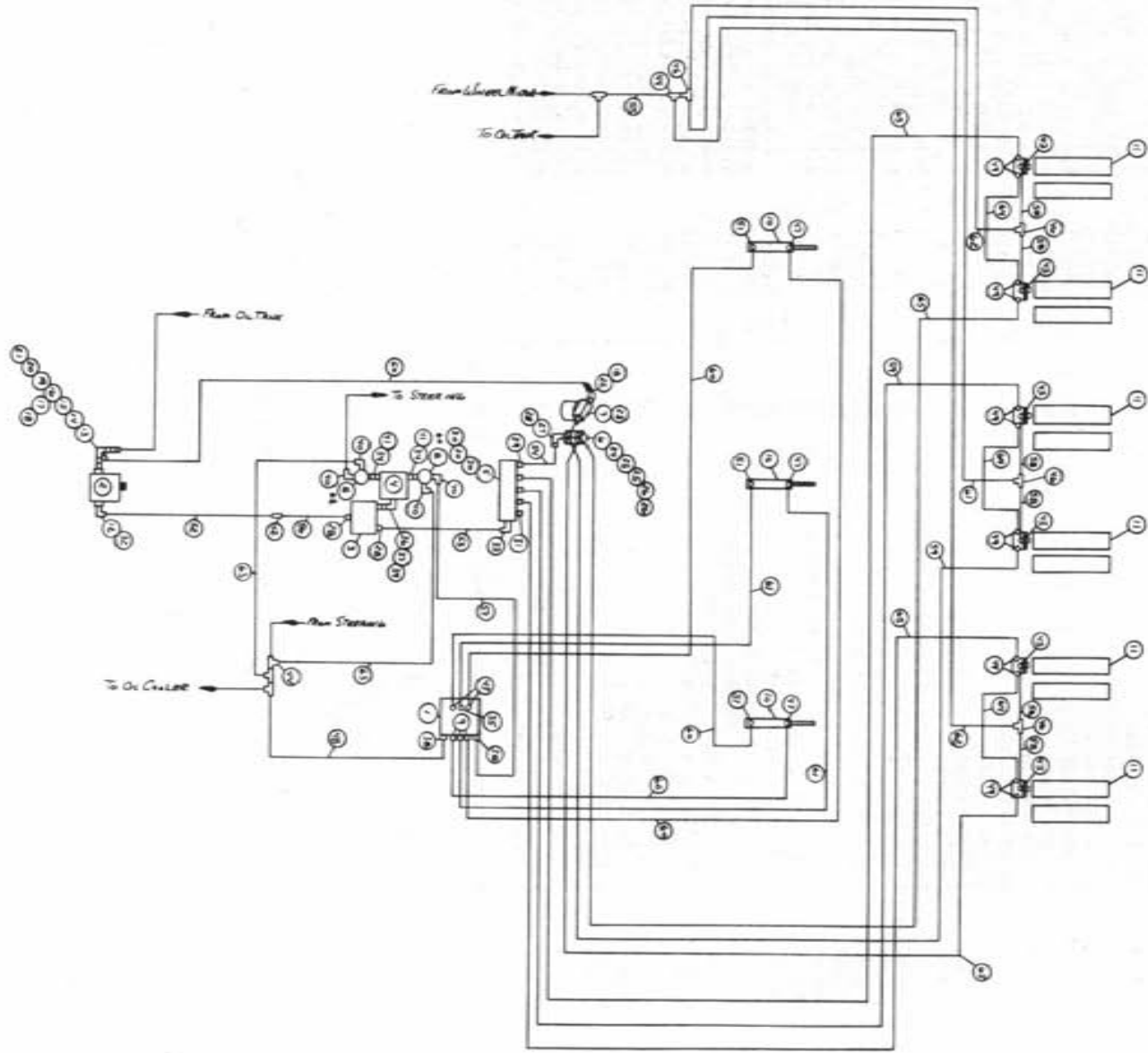
NOTE: *Relief Pressure Should Be Set At 1500 PSI.



1986 8200 HYDRAULIC SCHEMATIC
 FOUR-ROW ROLLER WITH TASSELTROL
 REFERENCE DRAWING NO. - 498227

Ref. Req.	P/N	Description	Ref. Req.	P/N	Description
1	610483	Electric Hydraulic Valve	34	500000	1/2 MNPT Hex Pipe Nipple
2	610484	Sandstrand Pump 4,58 Cu.In.	35	500005	1 1/16 FPS Cap Nut
3	606873	BG46 Flow Divider	36	505213	1 NPT To 3/4 Reducer Bushing
4	607504	B50 Flow Divider	37	618579	1 1/16 FJIC Swivel x 3/4 NPT
5	610467	Motor Control Valve	38	618310	9/16 MJIC x 7/8 MOR
6	614633	Hydraulic Manifold	39	618279	1 1/16 MJIC x 90 x 7/8 MOR
7	605601	Gresen Filter	40	618107	9/16 MJIC x 90 x 1/2 MNPT
8	607512	Relief Valve	41	618072	7/8 MOR x 1/2 FNPT
9	610447	Inline Hydraulic Filter	42	618109	3/4 MOR x 9/16 MJIC
10	620900	Hydraulic Cylinder	43	618119	9/16 MJIC x 90 x 9/16 MOR
11	610051	Hydraulic Motor	44	618170	3/4 MOR x 9/16 FOR
12	618550	4-Bolt Flange x 1 1/4 FNPT	45	618562	9/16 MOR x 90 x 1/4 MNPT
13	618568	4-Bolt Flange x 1 1/4 FNPT	46	610185	9/16 MOR Plug
14	507015	1 1/2 NPT x 1 1/4 NPT Reducer Bushing	47	611122	9/16 MJIC x 90 x 1/4 MNPT
15	506200	1 1/4 Close Nipple	48	601289	1 1/4 2-Braid x 134 Hose
16	506701	1 1/4 NPT x 90 Side Outlet Elbow	49	611128	7/8 MJIC x 90 x 7/8 MJIC
17	506409	1 1/4 NPT x 45 Street Elbow	50	737810	1/4 NPT Nozzle Body
18	715660	1 1/4 NPT x 1 1/4 Hose Barb	51	618019	9/16 MJIC Union Tee
19	506005	1 1/4 NPT To 1 NPT Reducer Bushing	52	610193	9/16 MJIC Bulkhead Tee
20	505200	1 NPT x 90 Street Elbow	53	615473	6CT-6FJX-8FJX-18
21	714331	1 NPT x 3/4 Hose Barb	54	618577	1 5/16 MJIC Union
22	506410	1 1/4 NPT x 90 Street Elbow	55	614630	Hydraulic Tube Aux Drive
23	618144	1 1/4 NPT To 1 NPT Hex Pipe Nipple	56	614631	Hydraulic Tube Center Valve
24	618324	1 1/4 NPT x 90 x 1 5/16 MJIC	57	614632	Hydraulic Tube Return Manifold
25	618323	7/8 MJIC 45 x 1/2 MNPT	58	614639	4C1A-6FJX-6FJX-126
26	503700	1/2 NPT Pipe Plug	59	616027	4C1A-6FJX-6FJX-39
27	505110	1 NPT x 45 Street Elbow	60	614623	10C1T-10FJX-10FJX-80
28	618322	1 5/16 MJIC x 1 NPT	61	614507	10C1A-10FJX-10FJX-168
29	618186	1 5/16 MJIC x 1 5/16 MOR	62	614101	4C1A-6FJX-6FJX-133
30	618309	7/8 MJIC x 1 1/16 MOR	63	614627	6C1T-6FJX-6FJX-45
31	610186	1 1/16 MOR Plug	64	614626	6C1T-6FJX-6FJX-38
32	618178	1 5/16 MJIC x 90 x 1 5/16 MOR	65	614625	6C1T-6FJX-6FJX-30
33	738859	50 Mesh Strainer	66	614348	16C1T-16FJX-16FJX-25

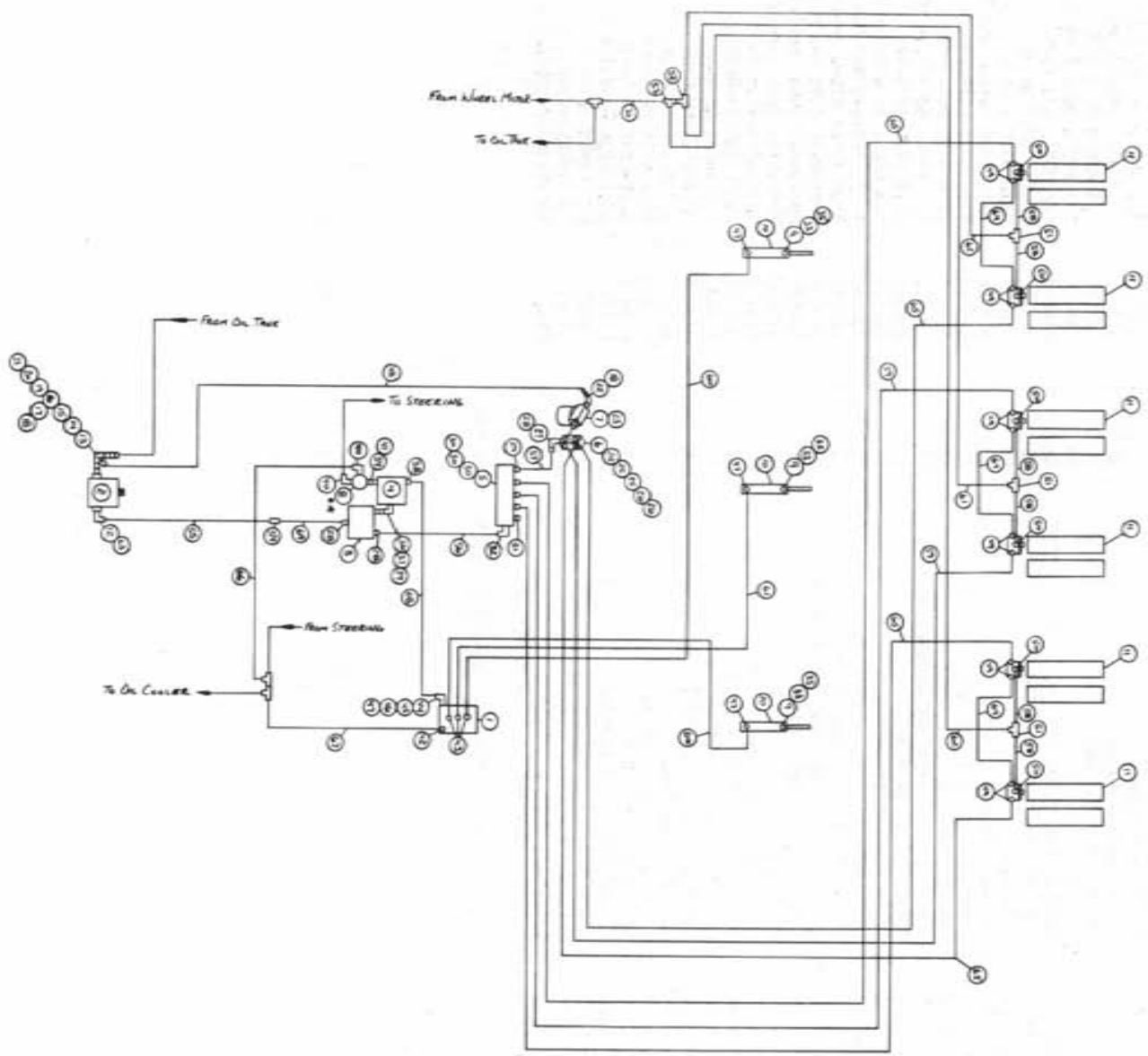
NOTE: ** Relief Pressure Should Be Set At 1500 PSI.



1986 8200 HYDRAULIC SCHEMATIC
 SIX-ROW ROLLER WITHOUT TASSELTRON
 REFERENCE DRAWING NO. - 498228

Ref. Req.	P/N	Description	Ref. Req.	P/N	Description
1	606585	Cessna 3-Spool Valve	34	500000	1/2 NPT Hex Pipe Nipple
2	610484	Sandstrand Pump 4.58 Cu.In.	35	618440	9/16 MJIC x 90 x 9/16 MOR
3	606873	BG46 Flow Divider	36	505213	1 NPT x 3/4 NPT Reducer Bushing
4	607504	B50 Flow Divider	37	618579	3/4 NPT x 1 1/16 FJIC Swivel
5	610467	Motor Control Valve	38	618126	9/16 MJIC x 9/16 MOR
6	614633	Hydraulic Manifold	39	618279	7/8 MOR x 90 x 1 1/16 MJIC
7	605601	Gresen Filter	40	618107	1/2 NPT x 90 x 9/16 MJIC
8	607512	RL50 Relief Valve	41	618072	7/8 MOR x 1/2 FNPT
9	618425	9/16 MOR x 45 x 9/16 MJIC	42	618577	1 5/16 MJIC Union
10	620900	Hydraulic Cylinder	43	618119	9/16 MJIC x 90 x 9/16 MOR
11	610051	Barnes Hydraulic Motor	44	618486	9/16 MJIC Swivel Run Tee
12	618550	4-Bolt Flange x 1 1/4 FNPT	45	610193	9/16 MJIC Bulkhead Tee
13	507015	1 1/2 NPT To 1 1/4 NPT Reducer Bushing	46	618019	9/16 MJIC Union Tee
14	506200	1 1/4 NPT Close Nipple	47	611122	1/4 NPT x 90 x 9/16 MJIC
15	506701	1 1/4 Side Outlet Elbow	48	614626	6C1T-6FJX-6FJX-38
16	506409	1 1/4 NPT x 45 Street Elbow	49	611128	7/8 MOR x 90 x 7/8 MJIC
17	715660	1 1/4 NPT x 1 1/4 Hose Barb	50	601289	1 1/4 2-Braid Red Hose x 134
18	506005	1 1/4 NPT To 1 NPT Reducer Bushing	51	614649	Restrictor Elbow 1-Way
19	505200	1 NPT x 90 Street Elbow	52	614630	Hydraulic Tube Aux Drive
20	714331	1 NPT x 3/4 Hose Barb	53	614631	Hydraulic Tube Control Valve
21	506410	1 1/4 NPT x 90 Street Elbow	54	614632	Hydraulic Tube Return Manifold
22	618144	1 1/4 NPT Hex Pipe Nipple	55	615473	6C1T-6FJX-8FJX-18
23	611124	1/2 NPT x 90 x 7/8 MJIC	56	614348	16C1T-16FJX-16FJX-25
24	618323	7/8 MJIC x 45 x 1/2 FNPT	57	614627	6C1T-6FJX-6FJX-45
25	503700	1/2 NPT Pipe Plug	58	616027	4C1A-6FJX-6FJX-39
26	505110	1 NPT x 45 Street Elbow	59	614501	10C1T-10FJX-10FJX-139
27	618322	1 5/16 MJIC x 1 NPT	60	611212	4C1A-6FJX-6FJX-164
28	618186	1 5/16 MOR x 1 5/16 MJIC	61	614077	4C1T-6FJX-6FJX-88
29	618309	1 1/4 MOR x 7/8 MJIC	62	611210	4C1A-6FJX-6FJX-156
30	610186	1 1/16 MOR Plug	63	614625	6C1T-6FJX-6FJX-30
31	618324	1 1/4 NPT x 90 x 1 5/16 MJIC	64	614623	10C1T-10FJX-10FJX-80
32	618178	1 5/16 MOR x 90 x 1 5/16 MJIC	65	614624	10C1T-10FJX-10FJX-192
33					

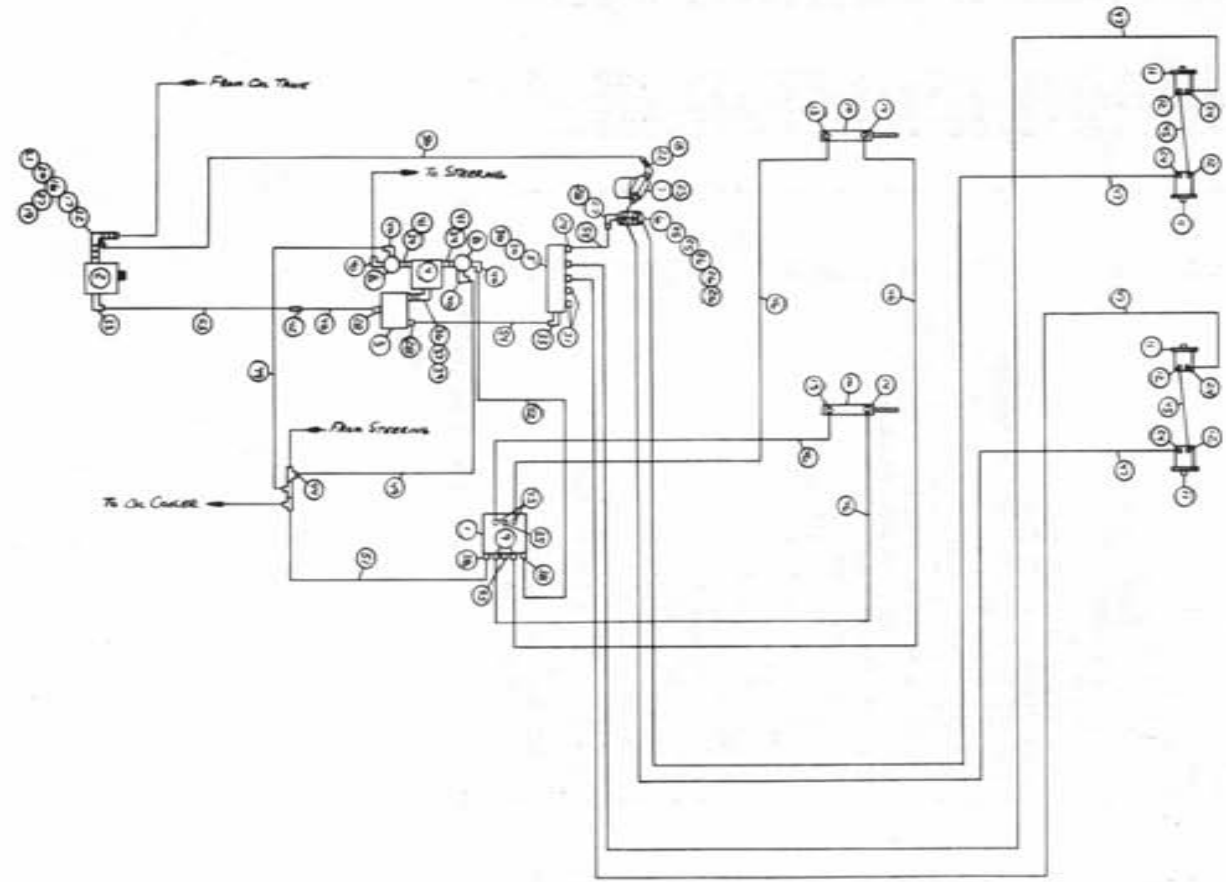
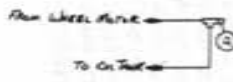
NOTE: ** Relief Pressure Should Be Set At 1500 PSI.



1986 8200 HYDRAULIC SCHEMATIC
 SIX-ROW ROLLER WITH TASSEL/TROL
 REFERENCE DRAWING NO. - 498229

Ref. Req.	P/N	Description	Ref. Req.	P/N	Description
1	610483	Electric Hydraulic Stack Valve	36	505213	1 NPT x 3/4 NPT Reducer Bushing
2	610484	Sundstrand Pump 4.58 Cu.In.	37	618579	3/4 NPT x 1 1/16 FJIC Swivel
3	606873	B50 Flow Divider	38	618310	7/8 MOR x 9/16 MJIC
4	607504	B50 Flow Divider	39	618279	7/8 MOR x 90 x 1 1/16 MJIC
5	610467	Motor Control Valve	40	618107	1/2 NPT x 90 x 9/16 MJIC
6	614633	Hydraulic Manifold	41	618072	7/8 MOR x 1/2 FNPT
7	605601	Gresen Filter	42	618109	3/4 MOR x 9/16 MJIC
8	607512	RL50 Relief Valve	43	618119	9/16 MOR x 90 x 9/16 MJIC
9	737810	1/4 NPT Nozzle Body	44	618170	3/4 MOR x 9/16 FOR
10	620900	Hydraulic Cylinder	45	618562	9/16 MOR x 90 x 1/4 NMPPT
11	610051	Hydraulic Motor	46	610447	9/16 MJIC Bulbhead Tee
12	618550	4-Bolt Flange x 1 1/4 FNPT	47	611122	1/4 NMPPT x 90 x 9/16 MJIC
13	618568	4-Bolt Flange x 1 1/2 FNPT	48	601289	1 1/4 2-Braid Red Hose x 134
14	507015	1 1/2 NPT To 1 1/4 NPT Reducer Bushing	49	611128	7/8 MOR x 90 x 7/8 MJIC
15	506200	1 1/4 NPT Close Nipple	50	618119	9/16 MOR x 90 x 9/16 MJIC
16	506701	1 1/4 Side Outlet Elbow	51	618019	9/16 MJIC Union Tee
17	506409	1 1/4 NPT x 45 Street Elbow	52	610193	9/16 MJIC Bulbhead Tee
18	715660	1 1/4 NPT x 1 1/4 Hose Barb	53	618486	9/16 MJIC Swivel Run Tee
19	506005	1 1/4 NPT To 1 NPT Reducer Bushing	54	618577	1 5/16 MJIC Union
20	505200	1 NPT x 90 Street Elbow	55	614630	Hydraulic Tube Aux Drive
21	714331	1 NPT x 3/4 Hose Barb	56	614631	Hydraulic Tube Control Valve
22	506410	1 1/4 NPT x 90 Street Elbow	57	614632	Hydraulic Tube Return Manifold
23	618144	1 1/4 NPT To 1 Hex Pipe Nipple	58	616027	4C1A-6FJX-6FJX-39
24	611124	1/2 NPT x 90 x 7/8 MJIC	59	614501	4C1A-6FJX-6FJX-133
25	618323	1/2 NPT x 45 x 7/8 MJIC	60	614101	4C1A-6FJX-6FJX-88
26	503700	1/2 NPT Pipe Plug	61	614077	4C1A-6FJX-6FJX-156
27	505110	1 NPT x 45 Street Elbow	62	611210	1 1/4 NMPPT x 90 x 1 5/16 MJIC
28	618322	1 NPT x 1 5/16 MJIC	63	618324	10C1T-10FJX-10FJX-192
29	618186	1 5/16 MOR x 1 5/16 MJIC	64	614623	10C1T-10FJX-10FJX-80
30	618309	1 1/16 MOR x 7/8 MJIC	65	614624	10C1T-10FJX-10FJX-30
31	610186	1 1/16 MOR Plug	66	614625	6C1T-6FJX-6FJX-38
32	618178	1 5/16 MOR x 90 x 1 5/16 MJIC	67	614626	6C1T-6FJX-6FJX-45
33	738859	50 Mesh Strainer	68	614627	16C1T-16FJX-16FJX-25
34	500000	1/2 NPT Hex Pipe Nipple	69	614348	6C1T-6FJX-8FJX-18
35	500005	11/16 FPS Nylon Cap Nut	70	615473	

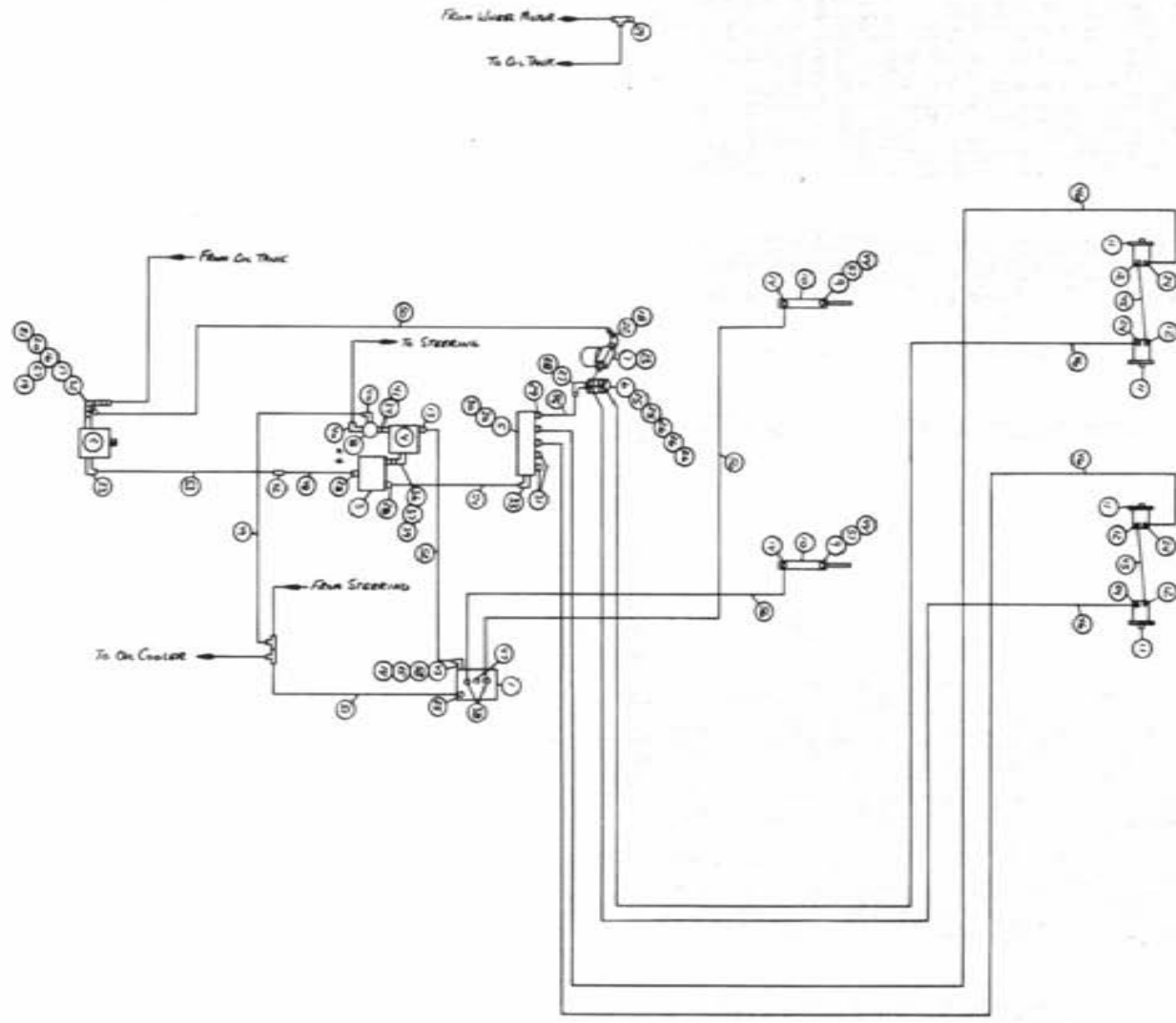
NOTE: ** Relief Pressure Should Be Set At 1500 PSI.



1986 8200 HYDRAULIC SCHEMATIC
 FOUR-ROW TIRE PULLER WITHOUT TASSEL/TROL
 REFERENCE DRAWING NO. - 498230

Ref. Req.	P/N	Description	Ref. Req.	P/N	Description
1	606585	Cessna 3-Spool Valve	29	618186	1 5/16 MOR x 1 5/16 MJIC
2	610444	Cross Pump 2.74 Cu. In.	30	618309	1 1/16 MOR x 7/8 MJIC
3	606873	BG46 Flow Divider	31	610186	1 1/16 MOR Plug
4	607504	B50 Flow Divider	32	618090	1 5/16 MOR x 1 FNPT
5	610467	Motor Control Valve	33	618178	1 5/16 MOR x 90 x 1 5/16 MJIC
6	614633	Hydraulic Manifold	34	500000	1/2 NPT Hex Pipe Nipple
7	605601	Gresen Filter	35	610185	9/16 MOR Plug
8	607512	RL50 Relief Valve	36	505213	1 NPT To 3/4 NPT Reducer Bushing
9	618425	9/16 MOR x 45 x 9/16 MJIC	37	618579	3/4 NPT x 1 1/16 FJIC Swivel
10	620900	Hydraulic Cylinder	38	618126	9/16 MJIC x 9/16 MOR
11	604005	Orbit Hydraulic Motor	39	618279	7/8 MOR x 90 x 1 1/16 MJIC
12	611147	3/4 MJIC x 1/2 NPT	40	618107	1/2 NPT x 90 x 9/16 MJIC
13	614649	Restrictor Elbow 1-Way	41	618072	7/8 MOR x 1/2 FNPT
14	611122	1/4 NPT x 90 x 9/16 MJIC	42	618577	1 5/16 MJIC Union
15	618532	3/4 FJIC Cap Nut	43	618119	9/16 MJIC x 90 x 9/16 MOR
16	505098	1 NPT Side Outlet Elbow	44	618486	9/16 MJIC Swivel Run Tee
17	505201	1 NPT Close Nipple	45	614382	8C1T-8FJX-8FJX-40
18	715660	1 1/4 NPT x 1 1/4 Hose Barb	46	614101	4C1A-6FJX-6FJX-133
19	714561	1 NPT x 1 1/4 Hose Barb	47	614507	10C1A-10FJX-10FJX-168
20	505200	1 NPT x 90 Street Elbow	48	614348	16C1T-16FJX-16FJX-25
21	714331	1 NPT x 3/4 Hose Barb	49	614625	6C1T-6FJX-6FJX-30
22	506410	1 1/4 NPT x 90 Street Elbow	50	601289	1 1/4 2-Braid Red Hose x 134
23	618144	1 1/4 NPT x 1 NPT Hex Pipe Nipple	51	614626	6C1T-6FJX-6FJX-38
24	611124	1/2 NPT x 90 x 7/8 MJIC	52	614627	6C1T-6FJX-6FJX-45
25	618323	7/8 MJIC x 45 x 1/2 NNPT	53	614630	Hydraulic Tube Aux Drive
26	503700	1/2 NPT Pipe Plug	54	614631	Hydraulic Tube Control Valve
27	505110	1 NPT x 45 Street Elbow	55	614632	Hydraulic Tube Return Manifold
28	618322	1 5/16 MJIC x 1 NPT			

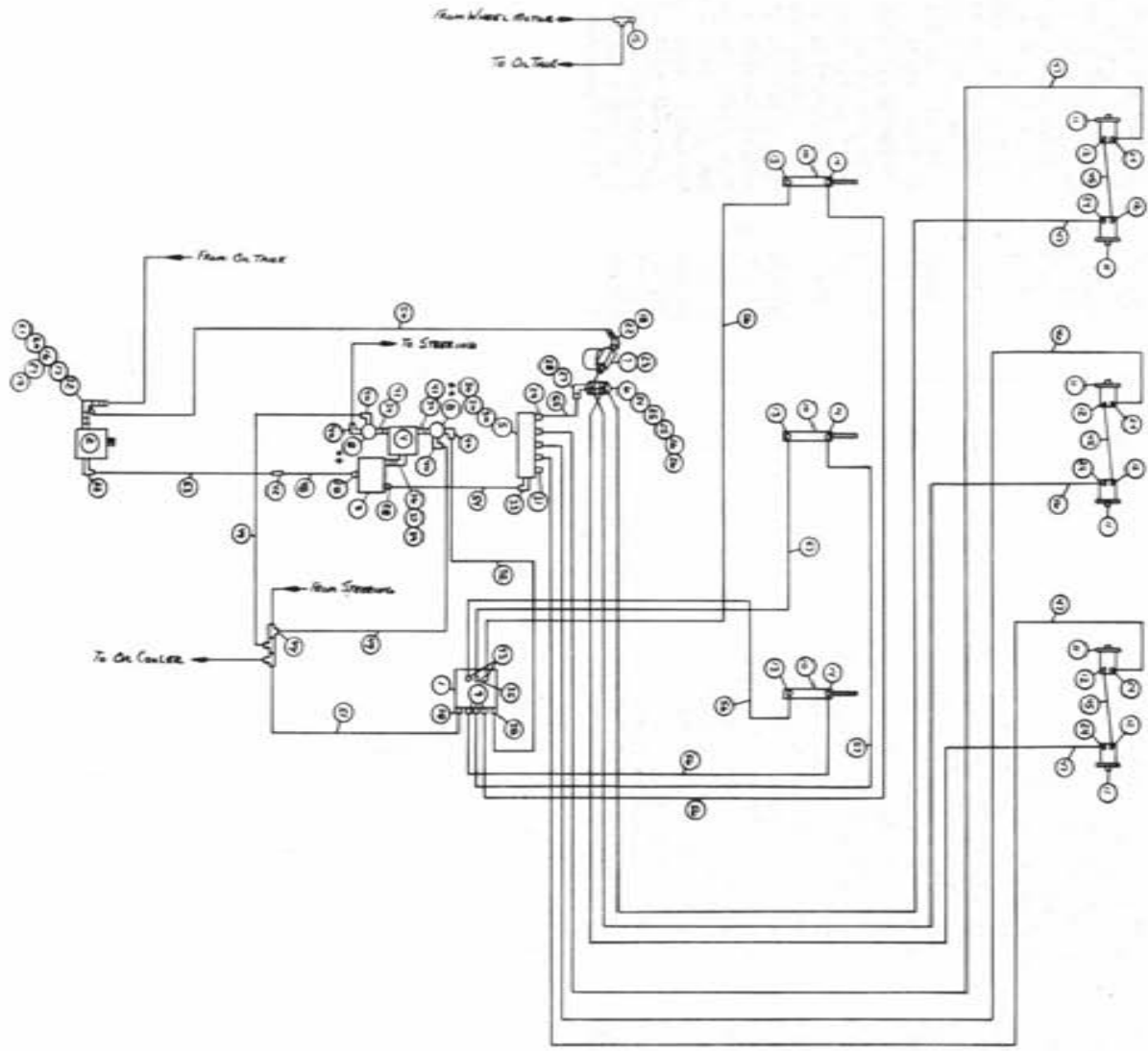
NOTE: *th Relief Pressure Should Be Set At 1500 PSI.



1986 8200 HYDRAULIC SCHEMATIC
 FOUR-ROW TIRE PULLER WITH TASSEL/TROL
 REFERENCE DRAWING NO. - 498231

Ref. Req.	P/N	Description	Ref. Req.	P/N	Description
1	610483	Electric Hydraulic Valve	31	610186	1 1/16 MOR Plug
2	610444	Gross Hydraulic Pump	32	618090	1 5/16 MJIC x 1 FNPT
3	606873	Flow Divider BG46	33	618178	1 5/16 MJIC x 90 x 1 5/16 MOR
4	607504	Flow Divider B50	34	500000	1/2 MNPT Hex Pipe Nipple
5	610467	Motor Control Valve	35	618109	3/4 MOR x 9/16 MJIC
6	614633	Hydraulic Manifold	36	505213	1 NPT To 3/4 NPT Reducer Bushing
7	605601	Gresen Filter	37	618579	1 1/16 FJIC Swivel x 3/4 NPT
8	607512	Relief Valve	38	618119	9/16 MJIC x 90 x 9/16 MOR
9	737810	1/4 NPT Nozzle Body	39	618279	1 1/16 MJIC x 90 x 7/8 MOR
10	620900	Hydraulic Cylinder	40	618107	7/8 MOR x 1/2 FNPT
11	604005	Orbit Hydraulic Motor	41	618072	9/16 FFS Cap Nut
12	611147	3/4 MJIC x 1/2 MNPT	42	618577	1 5/16 MJIC Union
13	618310	9/16 MJIC x 7/8 MOR	43	618170	3/4 MOR x 9/16 FOR
14	611122	9/16 MJIC x 90 x 1/4 MNPT	44	500005	11/16 FFS Cap Nut
15	610447	Hydraulic Filter	45	614382	8C1T-8FJX-8FJX-40
16	505098	1 NPT Side Outlet Elbow	46	614507	10C1A-10FJX-10FJX-168
17	505201	1 NPT Close Nipple	47	610185	9/16 MOR Plug
18	715660	1 1/4 NPT x 1 1/4 Hose Barb	48	614348	16C1T-16FJX-16FJX-25
19	714561	1 NPT x 1 1/4 Hose Barb	49	614625	6C1T-6FJX-6FJX-30
20	505200	1 NPT x 90 Street Elbow	50	601289	1 1/4 2-Braid Red Hose x 134
21	714331	1 NPT x 3/4 Hose Barb	51	614626	6C1T-6FJX-6FJX-38
22	506410	1 1/4 NPT x 90 Street Elbow	52	614627	6C1T-6FJX-6FJX-45
23	618144	1 1/4 NPT x 1 NPT Hex Pipe Nipple	53	614630	Hydraulic Tube Aux Drive
24	611124	7/8 MJIC x 90 x 1/2 MNPT	54	614631	Hydraulic Tube Control Valve
25	618323	7/8 MJIC x 45 x 1/2 MNPT	55	614632	Hydraulic Tube Return Manifold
26	503700	1/2 NPT Pipe Plug	56	614101	4C1A-6FJX-6FJX-133
27	505110	1 NPT x 45 Street Elbow	57	738859	50 Mesh Strainer
28	618322	1 5/16 MJIC x 1 NPT	58	618562	9/16 MOR x 90 x 1/4 MNPT
29	618186	1 5/16 MJIC x 1 5/16 MOR	59	618532	3/4 FJIC Cap Nut
30	618309	1 1/16 MOR x 7/8 MJIC			

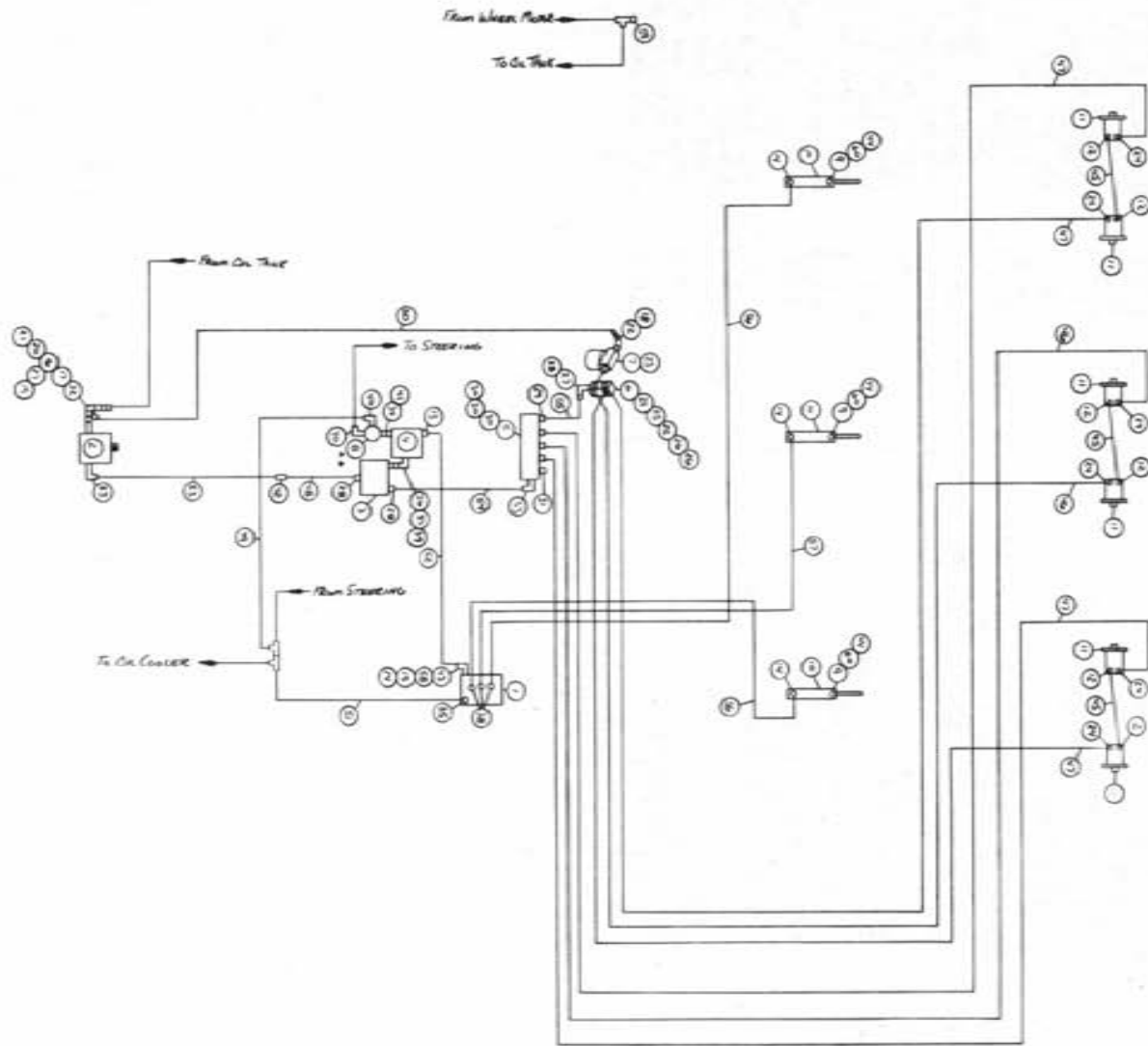
NOTE: ** Relief Pressure Should Be Set At 1500 PSI.



1986 8200 HYDRAULIC SCHEMATIC
 SIX-ROW TIRE PULLER WITHOUT TASSELTRAIL
 REFERENCE DRAWING NO. = 498232

Ref. Req.	P/N	Description	Ref. Req.	P/N	Description
1	606585	Cessna 3-Spool Valve	30	618309	1 1/16 MOR x 7/8 MJIC
2	610444	Cross Pump 2.74 Cu.In.	31	610186	1 1/16 MOR Plug
3	606873	BG46 Flow Divider	32	618090	1 5/16 MOR x 1 FNPT
4	607504	B50 Flow Divider	33	618178	1 5/16 MOR x 90 x 1 5/16 MJIC
5	610467	Motor Control Valve	34	500000	1/2 NPT Hex Pipe Nipple
6	614633	Hydraulic Manifold	35	618440	9/16 MJIC x 90 x 9/16 MOR
7	605601	Gresen Filter	36	505213	1 NPT x 3/4 NPT Reducer Bushing
8	607512	RL50 Relief Valve	37	618579	3/4 NPT x 1 1/16 FJIC Swivel
9	618425	9/16 MOR x 45 x 9/16 MJIC	38	618126	9/16 MJIC x 9/16 MOR
10	620900	Hydraulic Cylinder	39	618279	7/8 MOR x 90 x 1 1/16 MJIC
11	604005	Orbit Hydraulic Motor	40	618107	1/2 NPT x 90 x 9/16 MJIC
12	611147	3/4 MJIC x 1/2 NPT	41	618072	7/8 MOR x 1/2 FNPT
13	614649	Restrictor Elbow 1-Way	42	618577	1 5/16 MJIC Union
14	611122	1/4 NPT x 90 x 9/16 MJIC	43	618119	9/16 MJIC x 90 x 9/16 MOR
15	618532	3/4 FJIC Cap Nut	44	618486	9/16 MJIC Swivel Run Tee
16	505098	1 NPT Side Outlet Elbow	45	614382	8C1T-8FJX-8FJX-40
17	505201	1 NPT Close Nipple	46	614501	10C1T-10FJX-10FJX-139
18	715660	1 1/4 NPT x 1 1/4 Hose Barb	47	614624	10C1T-10FJX-10FJX-192
19	714561	1 NPT x 1 1/4 Hose Barb	48	614348	16C1T-16FJX-16FJX-25
20	505200	1 NPT x 90 Street Elbow	49	614625	6C1T-6FJX-6FJX-30
21	714331	1 NPT x 3/4 Hose Barb	50	601289	1 1/4 2-Braid Red Hose x 134
22	506410	1 1/4 x 90 Street Elbow	51	614626	6C1T-6FJX-6FJX-38
23	618144	1 1/4 NPT x 1 NPT Hex Pipe Nipple	52	614627	6C1T-6FJX-6FJX-45
24	611124	1/2 NPT x 90 x 7/8 MJIC	53	614630	Hydraulic Tube Aux Drive
25	618323	7/8 MJIC x 45 x 1/2 MNPT	54	614631	Hydraulic Tube Control Valve
26	503700	1/2 NPT Pipe Plug	55	614632	Hydraulic Tube Return Manifold
27	505110	1 NPT x 45 Street Elbow	56	611212	4C1T-6FJX-6FJX-164
28	618322	1 5/16 MJIC x 1 NPT	57	614077	4C1T-6FJX-6FJX-88
29	618186	1 5/16 MOR x 1 5/16 MJIC			

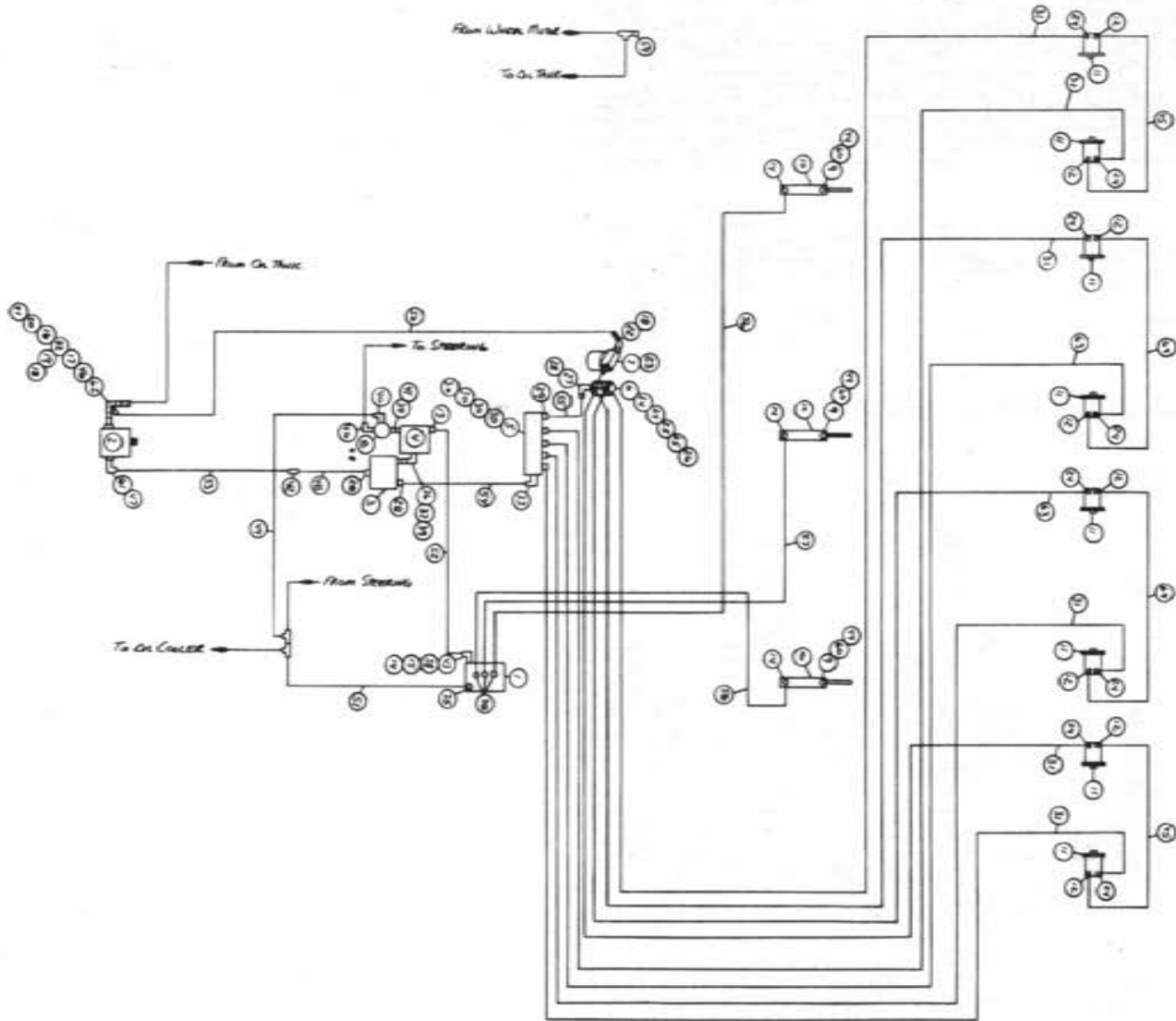
NOTE: ** Relief Pressure Should Be Set At 1500 PSI.



1986 8200 HYDRAULIC SCHEMATIC
 SIX-ROW TIRE PULLER WITH TASSEL/TROL
 REFERENCE DRAWING NO. - 498233

Ref. Req.	P/N	Description	Ref. Req.	P/N	Description
1	6104483	Electric Hydraulic Valve	31	610186	1 1/16 MOR Plug
2	610444	Cross Hydraulic Pump	32	618090	1 5/16 MOR x 1 FNPT
3	606873	Flow Divider BG46	33	618178	1 5/16 MJIC x 90 x 1 5/16 MOR
4	607504	Flow Divider	34	500000	1/2 FNPT Hex Pipe Nipple
5	610467	Motor Control Valve	35	618109	3/4 MOR x 9/16 MJIC
6	614633	Hydraulic Manifold	36	505213	1 NPT To 3/4 NPT Reducer Bushing
7	605601	Gresen Filter	37	618579	1 1/16 FJIC Swivel x 3/4 NPT
8	607512	Relief Valve	38	618119	9/16 MJIC x 90 x 9/16 MOR
9	737810	1/4 NPT Nozzle Body	39	618279	1 1/16 MJIC x 90 x 7/8 MOR
10	620900	Hydraulic Cylinder	40	618107	9/16 MJIC x 90 x 1/2 FNPT
11	604005	Orbit Hydraulic Motor	41	618072	7/8 MOR x 1/2 FNPT
12	611147	3/4 MJIC x 1/2 MNPT	42	618577	1 5/16 MJIC Union
13	618310	9/16 MJIC x 7/8 MOR	43	618170	3/4 MOR x 9/16 FOR
14	611122	9/16 MJIC x 90 x 1/4 MNPT	44	500005	1 1/16 FPS Cap Nut
15	610447	Hydraulic Filter	45	614382	8CIT-8FJX-8FJX-40
16	505098	1 NPT Side Outlet Elbow	46	614501	10CIT-10FJ-10FJX-139
17	505201	1 NPT Close Nipple	47	614624	10CIT-10FJX-10FJX-192
18	715660	1 1/4 NPT x 1 1/4 Hose Barb	48	614348	16CIT-16FJX-16FJX-25
19	714561	1 NPT x 1 1/4 Hose Barb	49	614625	6CIT-6FJX-6FJX-30
20	505200	1 NPT x 90 Street Elbow	50	601289	1 1/4 2-Braid Red Hose x 134
21	714331	1 NPT x 3/4 Hose Barb	51	614626	6CIT-6FJX-6FJX-38
22	506410	1 1/4 NPT x 90 Street Elbow	52	614627	6CIT-6FJX-6FJX-45
23	618144	1 1/4 NPT x 1 NPT Hex Pipe Nipple	53	614630	Hydraulic Tube Aux Drive
24	611124	7/8 MJIC x 90 x 1/2 FNPT	54	614631	Hydraulic Tube Control Valve
25	618323	7/8 MJIC x 45 x 1/2 FNPT	55	614632	Hydraulic Tube Return Manifold
26	503700	1/2 NPT Pipe Plug	56	614101	4C1A-6FJX-6FJX-133
27	505110	1 NPT x 45 Street Elbow	57	614077	4C1T-6FJX-6FJX-88
28	618322	1 5/16 MJIC x 1 NPT	58	618562	9/16 MOR x 90 x 1/4 FNPT
29	618186	1 5/16 MJIC x 1 5/16 MOR	59	618532	3/4 FJIC Cap Nut
30	618309	1 1/16 MOR x 7/8 MJIC	60	738859	50 Mesh Strainer

NOTE: ** Relief Pressure Should Be Set At 1500 PSI.



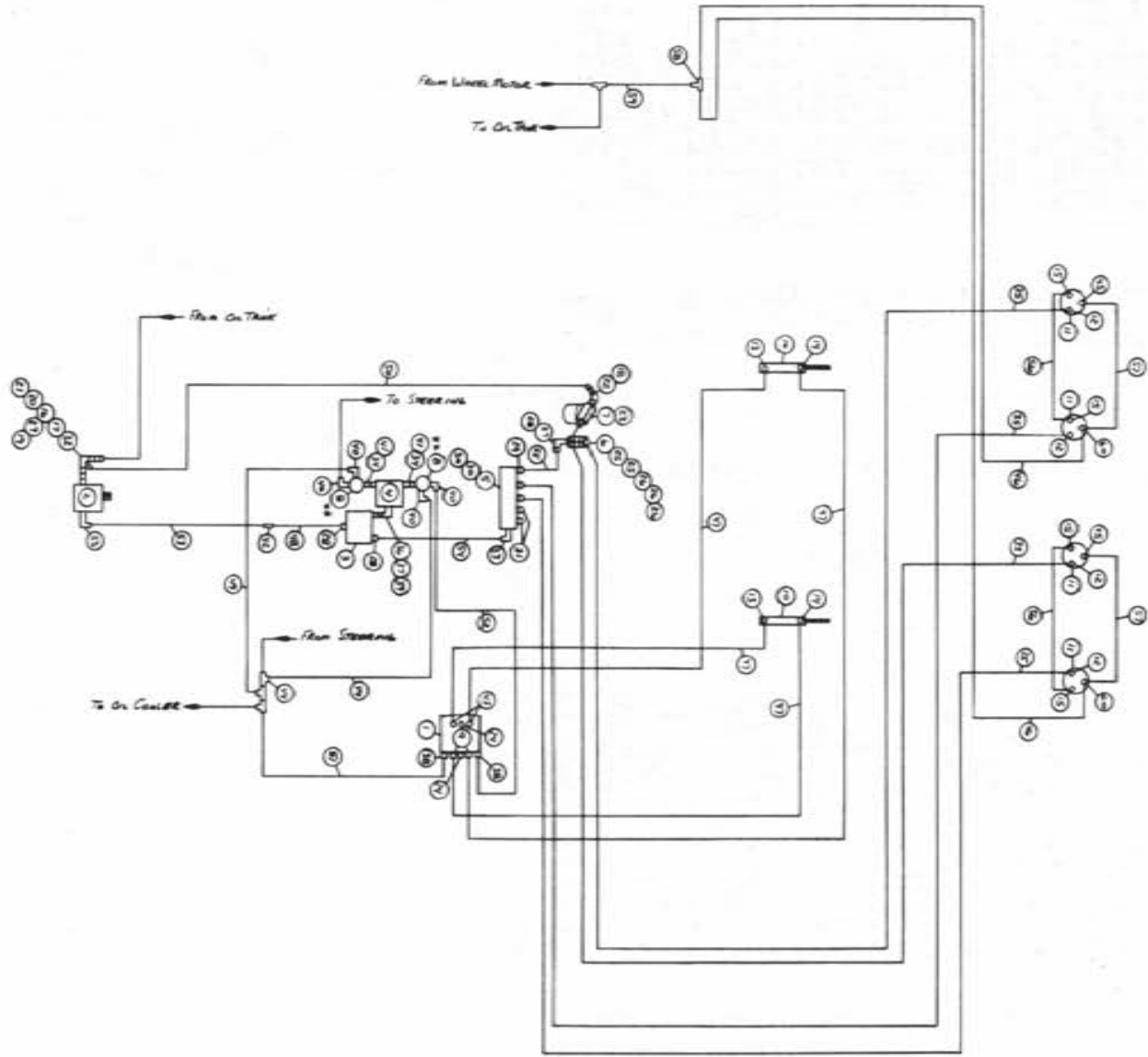
1986 8200 HYDRAULIC SCHEMATIC

EIGHT-ROW TIRE PULLER WITH TASSELTROL

REFERENCE DRAWING NO. - 498234

Ref. Req.	P/N	Description	Ref. Req.	P/N	Description
1	610483	Electric Hydraulic Stack Valve	33	618178	1 5/16 MJIC x 90 x 1 5/16 MJIC
2	610484	Sundstrand Hydraulic Pump	34	500000	1/2 MNPT Hex Pipe Nipple
3	606873	Flow Divider B646	35	618109	3/4 MOR x 9/16 MJIC
4	607504	Flow Divider B50	36	505213	1 NPT To 3/4 NPT Reducer Bushing
5	610467	Motor Control Valve	37	618579	1 1/16 FJIC Swivel x 3/4 NPT
6	614633	Hydraulic Manifold	38	618119	9/16 MJIC x 90 x 9/16 MOR
7	605601	Gresen Filter	39	618279	1 1/16 MJIC x 90 x 7/8 MOR
8	607512	Relief Valve	40	618107	9/16 MJIC x 90 x 1/2 MNPT
9	737810	1/4 NPT Nozzle Body	41	618072	7/8 MOR x 1/2 FNPT
10	620900	Hydraulic Cylinder	42	618577	1 5/16 MJIC Union
11	604005	Orbit Hydraulic Motor	43	618170	3/4 MOR x 9/16 FOR
12	611147	3/4 MJIC x 1/2 MNPT	44	500005	1/16 FFS Cap Nut
13	618310	9/16 MJIC x 7/8 MOR	45	614382	8CT-8FJX-8FJX-40
14	611122	9/16 MJIC x 90 x 1/4 MNPT	46	507015	1 1/2 NPT To 1 1/4 Reducer Bushing
15	610447	Hydraulic Filter	47	618324	1 5/16 MJIC x 90 x 1 1/4 NPT
16	506005	1 1/4 NPT To 1 NPT Reducer Bushing	48	614348	16CT-16FJX-16FJX-25
17	506200	1 1/4 NPT Close Nipple	49	614625	6CT-6FJX-6FJX-30
18	715660	1/4 NPT x 1 1/4 Hose Barb	50	601289	1 1/4 2-Braid Red Hose x 134
19	506409	1 1/4 NPT x 45 Street Elbow	51	614626	6CT-6FJX-6FJX-38
20	505200	1 NPT x 90 Street Elbow	52	614627	6CT-6FJX-6FJX-45
21	714331	1 NPT x 3/4 Hose Barb	53	614630	Hydraulic Tube Aux Drive
22	506410	1 1/4 x 90 Street Elbow	54	614631	Hydraulic Tube Control Valve
23	618144	1 1/4 NPT x 1 NPT Pipe Nipple	55	614632	Hydraulic Tube Return Manifold
24	611124	7/8 MJIC x 90 x 1/2 MNPT	56	614101	4CT-6FJX-6FJX-133
25	618323	7/8 MJIC x 45 x 1/2 MNPT	57	614077	4CT-6FJX-6FJX-88
26	503700	1/2 NPT Pipe Nipple	58	618562	9/16 MOR x 90 x 1/4 MNPT
27	505110	1 NPT x 45 Street Elbow	59	618532	3/4 FJIC Cap Nut
28	618322	1 5/16 MJIC x 1 NPT	60	738839	50 Mesh Screen
29	618186	1 5/16 MJIC x 1 5/16 MOR	61	618550	1 1/4 4-Bolt Flange x 1 1/4 FNPT
30	618309	1 1/16 MOR x 7/8 MJIC	62	618568	1 1/2 4-Bolt Flange x 1 1/2 FNPT
31	614640	10CT-10FJX-10FJX-230	63	614501	10CT-10FJX-10FJX-139
32	506701	1 1/4 NPT Side Outlet Elbow	64	614384	8CT-8FJX-8FJX-237

NOTE: ** Relief Pressure Should Be Set At 1500 PSI.



1986 8200 HYDRAULIC SCHEMATIC
 FOUR-ROW CUTTER WITHOUT TASSLETTROL
 REFERENCE DRAWING NO. - 498235

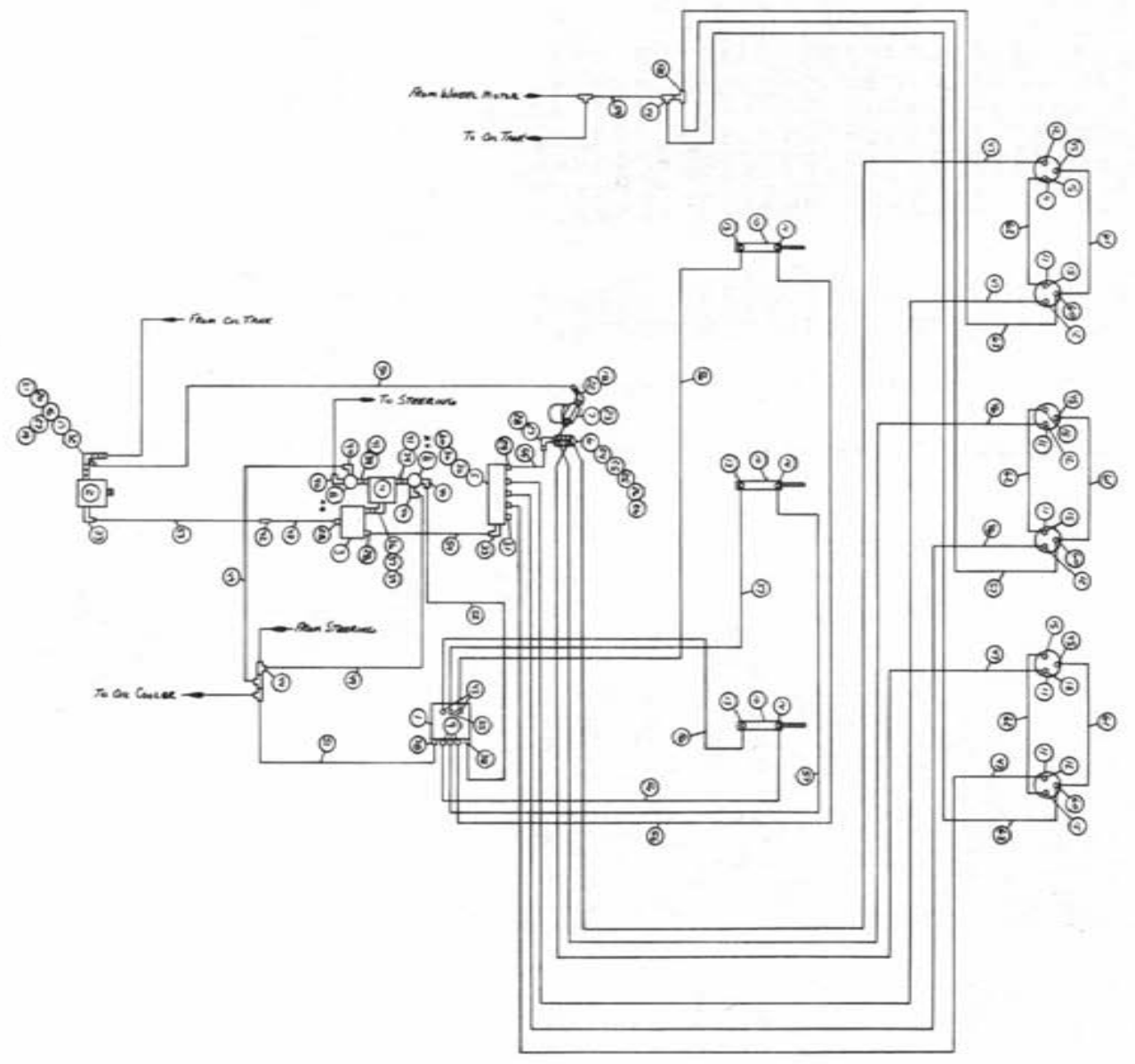
Ref. Req.	P/N	Description	Ref. Req.	P/N	Description
1	606585	Cessna 3-Spool Valve	31	610186	1 1/16 MOR Plug
2	610444	Cross Pump 2.74 Cu.In.	32	618090	1 5/16 MOR x 1 FNPT
3	606873	BG46 Flow Divider	33	618178	1 5/16 MOR x 90 x 1 5/16 MJIC
4	607504	B50 Flow Divider	34	500000	1/2 NPT Hex Pipe Nipple
5	610467	Motor Control Valve	35	614507	10C1A-10FJX-10FJX-160
6	614633	Hydraulic Manifold	36	505213	1 NPT x 3/4 NPT Reducer Bushing
7	605601	Gresen Filter	37	618579	3/4 NPT x 1 1/16 FJIC Swivel
8	607512	RL50 Relief Valve	38	618126	9/16 MJIC x 9/16 MOR
9	618425	9/16 MOR x 45 x 9/16 MJIC	39	618279	7/8 MOR x 90 x 1 1/16 MJIC
10	620900	Hydraulic Cylinder	40	618107	1/2 NPT x 90 x 9/16 MJIC
11	618203	Barnes Hydraulic Motor	41	618072	7/8 MOR x 1/2 FNPT
12	618574	7/8 MJIC x 3/4 MOR	42	618577	1 5/16 MJIC Union
13	614649	Restrictor Elbow 1-Way	43	618119	9/16 MJIC x 90 x 9/16 MOR
14	611122	1/4 NPT x 90 x 9/16 MJIC	44	618486	9/16 MJIC Swivel Run Tee
15	611125	3/4 MJIC x 3/4 MOR	45	618530	9/16 MJIC x 1/8 NPT
16	505098	1 NPT Side Outlet Elbow	46	614639	4C1A-6FJX-6FJX-126
17	505201	1 NPT Close Nipple	47	614101	4C1A-6FJX-6FJX-133
18	715660	1 1/4 NPT x 1 1/4 Hose Barb	48	614348	16C1T-16FJX-16FJX-25
19	714561	1 NPT x 1 1/4 Hose Barb	49	614625	6C1T-6FJX-6FJX-30
20	505200	1 NPT x 90 Street Elbow	50	601289	1 1/4 2-Braid Red Hose x 134
21	714331	1 NPT x 3/4 Hose Barb	51	614626	6C1T-6FJX-6FJX-38
22	506410	1 1/4 NPT x 90 Street Elbow	52	614627	6C1T-6FJX-6FJX-45
23	618144	1 1/4 NPT x 1 NPT Hex Pipe Nipple	53	614630	Hydraulic Tube Aux Drive
24	610185	9/16 MOR Plug	54	614631	Hydraulic Tube Control Valve
25	618323	7/8 MJIC x 45 x 1/2 MNPT	55	614632	Hydraulic Tube Return Manifold
26	503700	1/2 NPT Pipe Plug	56	614368	8C1T-8FJX-8FJX-60
27	505110	1 NPT x 45 Street Elbow	57	611206	4C1T-6FJX-6FJX-66
28	618322	1 5/16 MJIC x 1 NPT	58	610193	9/16 MJIC Bulkhead Tee
29	618186	1 5/16 MOR x 1 5/16 MJIC	59	615473	6C1T-6FJX-8FJX-18
30	618309	1 1/16 MOR x 7/8 MJIC	60	618546	1/8 Run Tee x 9/16 MJIC

NOTE: ** Relief Pressure Should Be Set At 1500 PSI.

1986 8200 HYDRAULIC SCHEMATIC
 FOUR-ROW CUTTER WITH TASSEL/TROL
 REFERENCE DRAWING NO. - 498236

Ref. Req.	P/N	Description	Ref. Req.	P/N	Description
1	610483	Electric Hydraulic Valve	33	618178	1 5/16 MJIC x 90 x 1 5/16 MOR
2	610444	Cross Hydraulic Pump 2.74 Cu. In.	34	500000	1/2 NPT Hex Pipe Nipple
3	606873	BG46 Flow Divider	35	618574	7/8 MJIC x 3/4 MOR
4	607504	B50 Flow Divider	36	505213	1 NPT To 3/4 NPT Reducer Bushing
5	610467	Motor Control Valve	37	618579	1 1/16 FITC Swivel x 3/4 NPT
6	614633	Hydraulic Manifold	38	618119	9/16 MJIC x 90 x 9/16 MOR
7	605601	Gresen Filter	39	618279	1 1/16 MJIC x 90 x 7/8 MOR
8	607512	RL50 Relief Valve	40	618107	9/16 MJIC x 90 x 1/2 NPT
9	737810	1/4 NPT Nozzle Body	41	618072	7/8 MOR x 1/2 FNPT
10	620900	Hydraulic Cylinder	42	618577	1 5/16 MJIC Union
11	611125	3/4 MJIC x 3/4 MOR	43	618170	3/4 MOR x 9/16 FOR
12	618203	Barnes Hydraulic Motor	44	500005	11/16 FPS Cap Nut
13	618310	9/16 MJIC x 7/8 MOR	45	611206	4C1T-6FJX-6FJX-66
14	611122	9/16 MJIC x 90 x 1/4 NPT	46	614507	10C1A-10FJX-10FJX-168
15	610447	Hydraulic Filter	47	614639	4C1A-6FJX-6FJX-126
16	505098	1 NPT Side Outlet Elbow	48	614348	16C1T-16FJX-16FJX-25
17	505201	1 NPT Close Nipple	49	614625	6C1T-6FJX-6FJX-30
18	715660	1 1/4 NPT x 1 1/4 Hose Barb	50	601289	1 1/4 2-Braid Red Hose x 134
19	714561	1 NPT x 1 1/4 Hose Barb	51	614626	6C1T-6FJX-6FJX-38
20	505200	1 NPT x 90 Street Elbow	52	614627	6C1T-6FJX-6FJX-45
21	714331	1 NPT x 3/4 Hose Barb	53	614630	Hydraulic Tube Aux Drive
22	506410	1 1/4 NPT x 90 Street Elbow	54	614631	Hydraulic Tube Control Valve
23	618144	1 1/4 NPT x 1 Hex Pipe Nipple	55	614632	Hydraulic Tube Return Manifold
24	618109	3/4 MOR x 9/16 MJIC	56	614101	4C1A-6FJX-6FJX-133
25	618323	7/8 MJIC x 45 x 1/2 MNPT	57	618546	1/8 NPT Run Tee x 9/16 MJIC
26	503700	1/2 NPT Pipe Plug	58	618562	9/16 MOR x 90 x 1/4 NPT
27	505110	1 NPT x 45 Street Elbow	59	614368	8C1T-8FJX-8FJX-60
28	618322	1 5/16 MJIC x 1 NPT	60	738859	50 Mesh Screen
29	618186	1 5/16 MJIC x 1 5/16 MOR	61	615473	6C1T-6FJX-6FJX-18
30	618309	7/8 MJIC x 1 1/16 MOR	62	618530	9/16 MJIC x 1/8 NPT
31	610186	1 1/16 MOR Plug	63	610193	9/16 MJIC Bulkhead Tee
32	618090	1 5/16 MOR x 1 FNPT	64	610185	9/16 MOR Plug

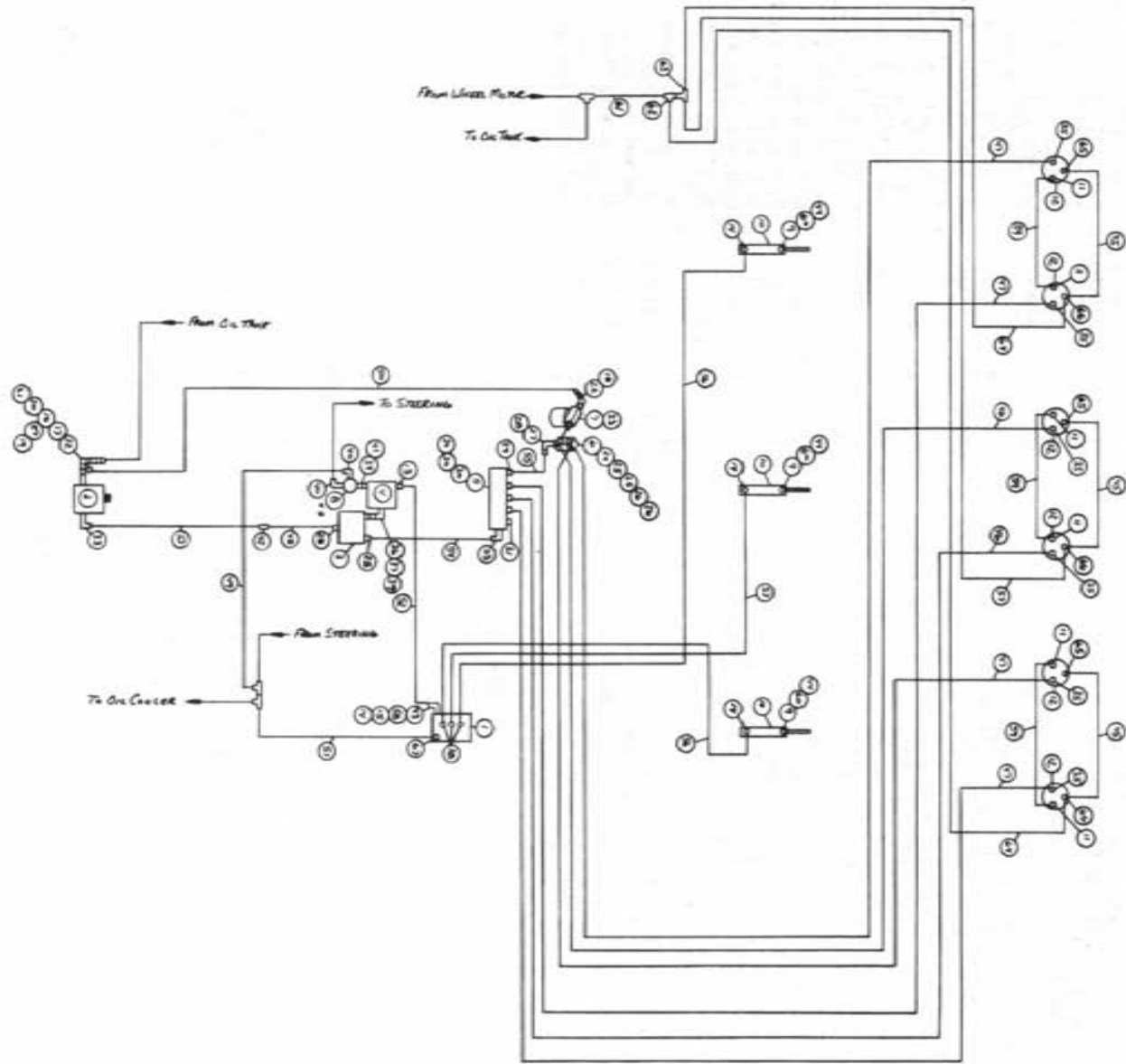
NOTE: ** Relief Pressure Should Be Set At 1500 PSI.



1986 8200 HYDRAULIC SCHEMATIC
 SIX-ROW CUTTER WITHOUT TASSELTROL
 REFERENCE DRAWING NO. - 498237

Ref. Req.	P/N	Description	Ref. Req.	P/N	Description
1	606585	Cessna 3-Spool Valve	33	618178	1 5/16 MJIC x 90 x 1 5/16 MOR
2	610444	Cross Hydraulic Pump 2.74 Cu.In.	34	500000	1/2 NPT Hex Pipe Nipple
3	606873	BG46 Flow Divider	35	618440	9/16 MJIC x 90 x 9/16 MJIC Long
4	607504	B50 Flow Divider	36	505213	1 NPT To 3/4 NPT Reducer Bushing
5	610467	Motor Control Valve	37	618579	1 1/16 FJIC Swivel x 3/4 NPT
6	614633	Hydraulic Manifold	38	618126	9/16 MJIC x 9/16 MOR
7	605601	Gresen Filter	39	618279	1 1/16 MJIC x 90 x 7/8 MOR
8	607912	RL50 Relief Valve	40	618107	9/16 MJIC x 90 x 1/2 NPT
9	618425	9/16 MOR x 45 x 9/16 MJIC	41	618072	7/8 MOR x 1/2 FNPT
10	620900	Hydraulic Cylinder	42	618577	1 5/16 MJIC Union
11	618203	Branes Hydraulic Motor	43	618119	9/16 MJIC x 90 x 9/16 MOR
12	618574	7/8 MJIC x 3/4 MOR	44	618486	9/16 MJIC Swivel Run Tee
13	614649	Restrictor Elbow 1-Way	45	618530	9/16 MJIC x 1/8 NPT
14	611122	9/16 MJIC x 90 x 1/4 NPT	46	614501	10C1T-10FJX-10FJX-13
15	611125	3/4 MJIC x 3/4 MOR	47	614624	10C1T-10FJX-10FJX-192
16	505098	1 NPT Side Outlet Elbow	48	614348	16C1T-16FJX-16FJX-25
17	505201	1 NPT Close Nipple	49	614625	6C1T-6FJX-6FJX-30
18	715660	1 1/4 NPT x 1 1/4 Hose Barb	50	601289	1 1/4-2-Braid Red Hose x 134
19	714561	1 NPT x 1 1/4 Hose Barb	51	614626	6C1T-6FJX-6FJX-38
20	505200	1 NPT x 90 Street Elbow	52	614627	6C1T-6FJX-6FJX-45
21	714331	1 NPT x 3/4 Hose Barb	53	614630	Hydraulic Tube Aux Drive
22	506410	1 1/4 NPT x 90 Street Elbow	54	614631	Hydraulic Tube Control Valve
23	618144	1 1/4 NPT x 1 Hex Pipe Nipple	55	614632	Hydraulic Tube Return Manifold
24	611124	1/2 NPT x 90 x 7/8 MJIC	56	611212	4C1A-6FJX-6FJX-164
25	618323	7/8 MJIC x 45 x 1/2 MNPT	57	614077	4C1T-6FJX-6FJX-88
26	503700	1/2 NPT Pipe Plug	58	610193	9/16 MJIC Bulkhead Tee
27	505110	1 NPT x 45 Street Elbow	59	615473	6C1T-6FJX-8FJX-18
28	618322	1 5/16 MJIC x 1 NPT	60	618546	1/8 NPT Run Tee x 9/16 MJIC
29	618186	1 5/16 MJIC x 1 5/16 MOR	61	611206	4C1T-6FJX-6FJX-66
30	618309	7/8 MJIC x 1 1/16 MOR	62	614368	8C1T-8FJX-8FJX-60
31	610186	1 1/16 MOR Plug	63	611210	4C1A-6FJX-6FJX-156
32	618090	1 5/16 MOR x 1 FNPT			

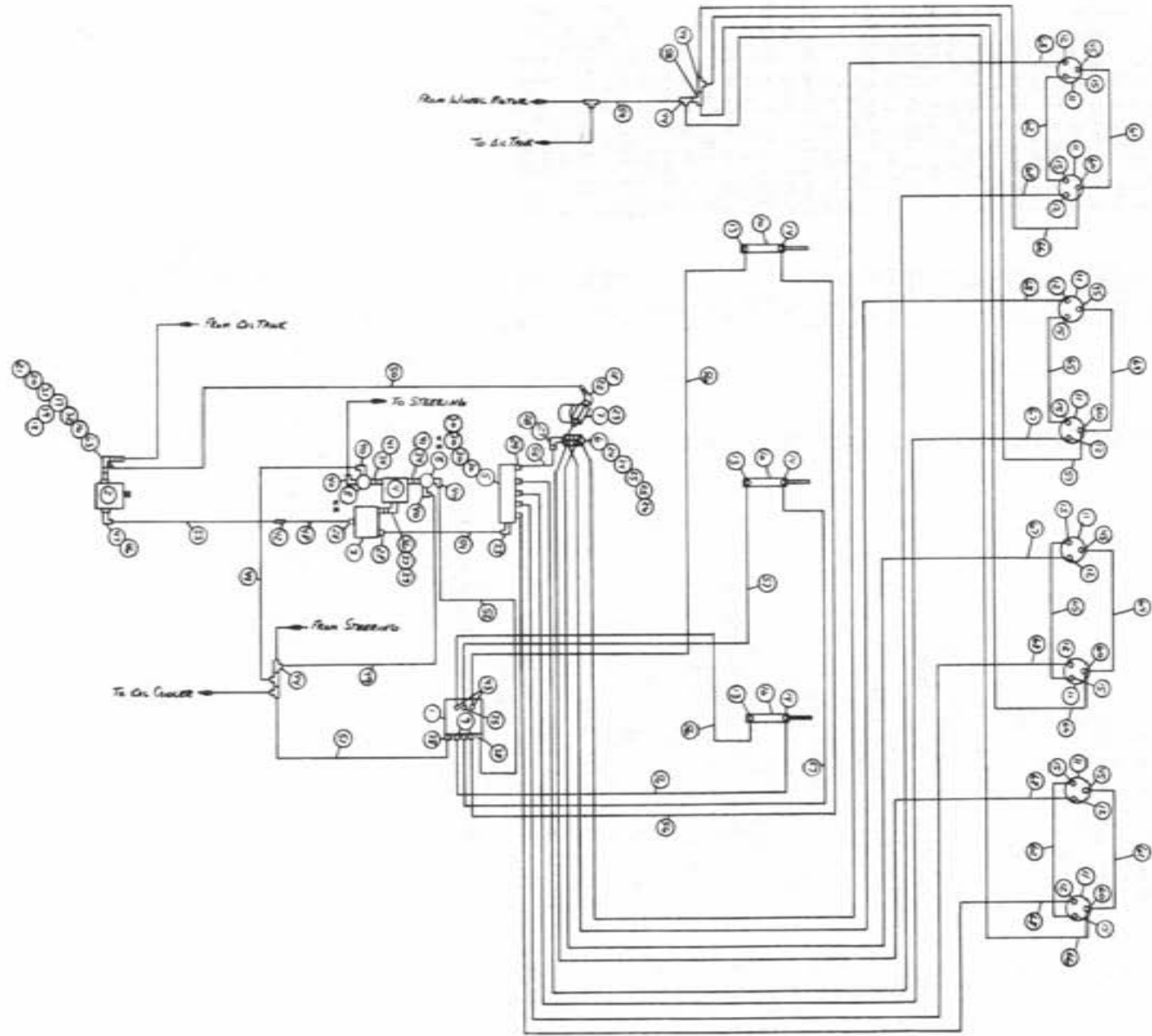
NOTE: ** Relief Pressure Should Be Set At 1500 PSI.



1986 8200 HYDRAULIC SCHEMATIC
 6-ROW CUTTER WITH TASSELLTROL
 REFERENCE DRAWING NO. - 498238

Ref. Req.	P/N	Description	Ref. Req.	P/N	Description
1	610483	Electric Hydraulic Stack Valve	6	618574	7/8 MJIC x 3/4 MOR
2	610444	Cross Hydraulic Pump	36	505213	1 NPT To 3/4 NPT Reducer Bushing
3	606873	BG46 Flow Divider	37	618579	1 1/16 FJIC Swivel x 3/4 NPT
4	607504	B50 Flow Divider	38	618119	9/16 MJIC x 90 x 9/16 MJIC
5	610467	Motor Control Valve	39	618279	1 1/16 MJIC x 90 x 7/8 MOR
6	614633	Hydraulic Manifold	40	618107	9/16 MJIC x 90 x 1/2 MNPT
7	605601	Gresen Filter	41	618072	7/8 MOR x 1/2 FNPT
8	607512	RL50 Relief Valve	42	618577	1 5/16 MJIC Union
9	737810	1/4 NPT Nozzle Body	43	618170	3/4 MOR x 9/16 FOR
10	620900	Hydraulic Cylinder	44	500005	11/16 EPS Cap Nut
11	611125	3/4 MJIC x 3/4 MOR	45	611206	4C1T-6FJX-6FJX-66
12	618203	Barnes Hydraulic Motor	46	614501	10C1T-10FJX-10FJX-139
13	618310	9/16 MJIC x 7/8 MOR	47	614624	10C1T-10FJX-10FJX-192
14	611122	9/16 MJIC x 90 x 1/4 MNPT	48	614348	16C1T-16FJX-16FJX-25
15	610447	Hydraulic Filter	49	614625	6C1T-6FJX-6FJX-30
16	505098	1 NPT Side Outlet Elbow	50	601289	1 1/4 2-Braid Red Hose x 134
17	505201	1 NPT Close Nipple	51	614626	6C1T-6FJX-6FJX-38
18	715660	1 1/4 x 1 1/4 Hose Barb	52	614627	6C1T-6FJX-6FJX-45
19	714561	1 NPT x 1 1/4 Hose Barb	53	614630	Hydraulic Tube Aux Drive
20	505200	1 NPT x 90 Street Elbow	54	614631	Hydraulic Tube Control Valve
21	714331	1 NPT x 3/4 Hose Barb	55	614632	Hydraulic Tube Return Manifold
22	506410	1 1/4 NPT x 90 Street Elbow	56	614101	4C1A-6FJX-6FJX-133
23	618144	1 1/4 NPT x 1 NPT Pipe Nipple	57	614077	4C1T-6FJX-6FJX-88
24	611124	7/8 MJIC x 90 x 1/2 MNPT	58	618562	9/16 MOR x 90 x 1/4 MNPT
25	618323	7/8 MJIC x 45 x 1/2 FNPT	59	614368	8C1T-8FJX-8FJX-60
26	503700	1/2 NPT Pipe Plug	60	738859	50 Mesh Screen
27	505110	1 NPT x 45 Street Elbow	61	615473	6C1T-6FJX-6FJX-18
28	618322	1 5/16 MJIC x 1 NPT	62	618486	9/16 FJIC Swivel Run Tee
29	618186	1 5/16 MJIC x 1 5/16 MOR	63	610193	9/16 MJIC Bulk Head Tee
30	618309	1 1/16 MOR x 7/8 MJIC	64	611210	4C1A-6FJX-6FJX-156
31	610186	1 1/16 MOR Plug	65	618530	9/16 MJIC x 1/8 MNPT
32	618090	1 5/16 MOR x 1 FNPT	66	618546	1/8 MNPT Run Tee 9/16 MJIC
33	618178	1 5/16 MJIC x 90 x 1 5/16 MOR	67	618109	3/4 MOR x 9/16 MJIC
34	500000	1/2 HNPT Hex Pipe Nipple			

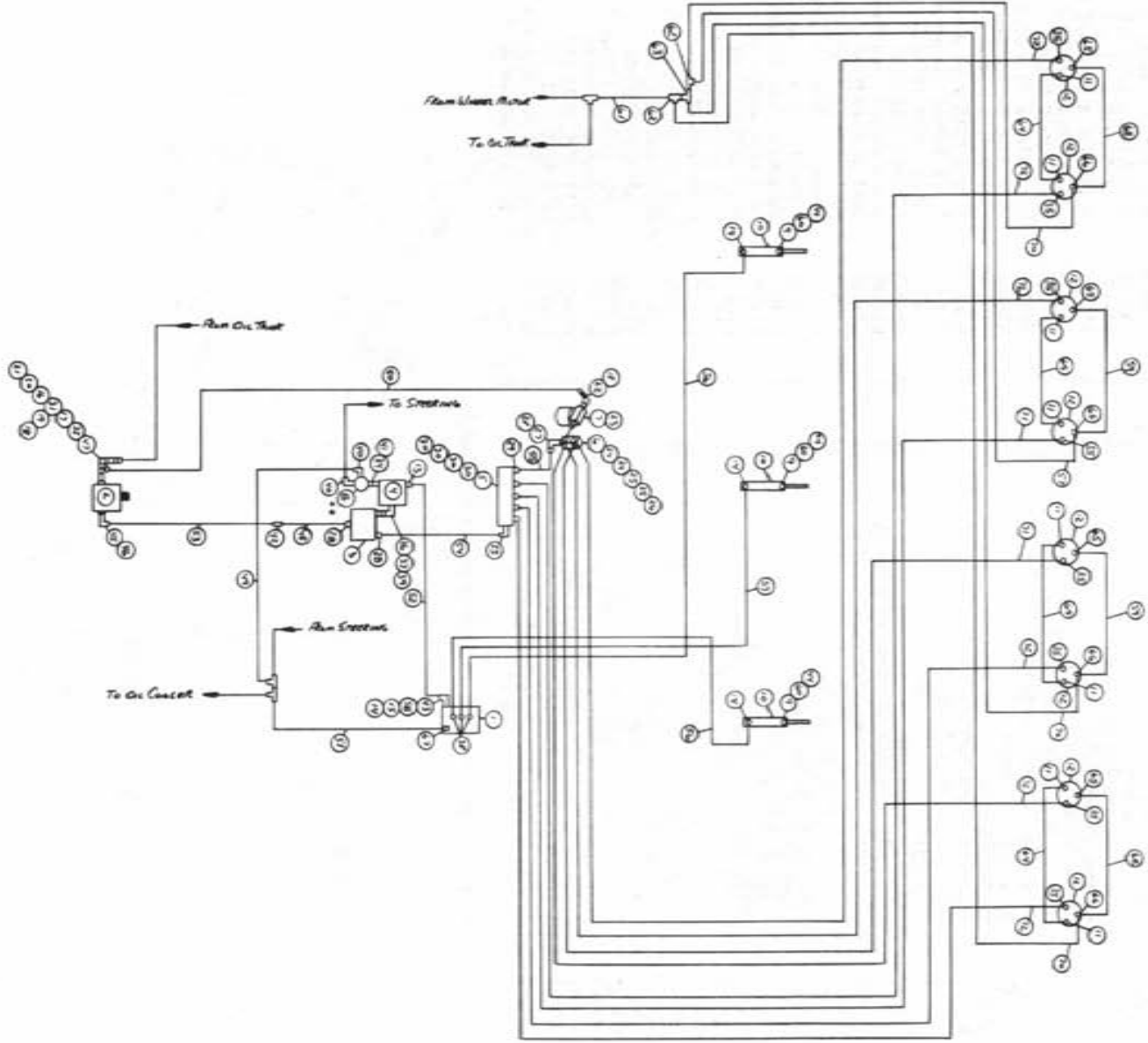
NOTE: *w/ Relief Pressure Should Be Set At 1500 PSI.



1986 8200 HYDRAULIC SCHEMATIC
8-ROW CUTTER WITHOUT TASSLE/TROL
REFERENCE DRAWING NO. - 498239

Ref. Req.	P/N	Description	Ref. Req.	P/N	Description
1	606585	Cessna 3-8pool Valve	35	618440	9/16 MJIC x 90 x 9/16 MOR Tong
2	610484	Sundstrand Pump 4.58 Cu.In.	36	505213	1 NPT To 3/4 NPT Reducer Bushing
3	606873	R646 Flow Divider	37	618579	1 1/16 FJIC Swivel x 3/4 NPT
4	607504	R50 Flow Divider	38	618126	9/16 MJIC x 9/16 MOR
5	610467	Motor Control Valve	39	618279	1 1/16 MJIC x 90 x 7/8 MOR
6	614633	Hydraulic Manifold	40	618107	9/16 MJIC x 90 x 1 1/2 MNPT
7	605601	Gresen Filter	41	618072	7/8 MOR x 1/2 FNPT
8	607512	RL50 Relief Valve	42	618577	1 5/16 MJIC Union
9	618425	9/16 MOR x 45 x 9/16 MJIC	43	618119	9/16 MJIC x 90 x 9/16 MOR
10	620900	Hydraulic Cylinder	44	618486	9/16 MJIC Swivel Run Tee
11	618203	Barnes Hydraulic Motor	45	618530	9/16 MJIC x 1/8 NPT
12	618574	7/8 MJIC x 3/4 MOR	46	618324	1 5/16 MJIC x 90 x 1 1/4 MNPT
13	614649	Restrictor Elbow 1-Way	47	618550	1 1/4 4-Bolt Flange x 1 1/4 FNPT
14	611122	9/16 MJIC x 90 x 1/4 MNPT	48	614348	16C1T-16FJX-16FJX-25
15	611125	3/4 MJIC x 3/4 MOR	49	614625	6C1T-6FJX-6FJX-30
16	507015	1 1/2 NPT To 1 1/4 NPT Reducer Bushing	50	601289	1 1/4 2-Braid Red Hose x 134
17	506701	1 1/4 NPT Side Outlet Elbow	51	614626	6C1T-6FJX-6FJX-38
18	715660	1 1/4 x 1 1/4 Hose Barb	52	614627	6C1T-6FJX-6FJX-45
19	506409	1 1/4 NPT x 45 Street Elbow	53	614630	Hydraulic Tube Aux Drive
20	505200	1 NPT x 90 Street Elbow	54	614631	Hydraulic Tube Return Manifold
21	714331	1 NPT x 3/4 Hose Barb	55	614632	4C1A-6FJX-6FJX-174
22	506410	1 1/4 NPT x 90 Street Elbow	56	611246	4C1T-6FJX-6FJX-88
23	618144	1 1/4 NPT x 1 NPT Pipe Nipple	57	614077	9/16 MJIC Bulkhead Tee
24	611124	7/8 MJIC x 90 x 1/2 MNPT	58	610193	6C1T-6FJX-6FJX-18
25	618323	7/8 MJIC x 45 x 1/2 MNPT	59	615473	1/8 NPT Run Tee x 9/16 MJIC
26	503700	1/2 NPT Pipe Plug	60	618546	4C1T-6FJX-6FJX-66
27	505110	1 NPT x 45 Street Elbow	61	611206	8C1T-8FJX-8FJX-60
28	618322	1 5/16 MJIC x 1 NPT	62	614368	1 1/2 4-Bolt Flange x 1 1/2 FNPT
29	618186	1 5/16 MJIC x 1 5/16 MOR	63	618568	4C1A-6FJX-6FJX-133
30	618309	1 1/16 MOR x 7/8 MJIC	64	614101	8C1T-8FJX-8FJX-132
31	506005	1 1/4 NPT To 1 NPT Reducer Bushing	65	614425	4C1T-6FJX-6FJX-221
32	506200	1 1/4 NPT Close Nipple	66	614154	10C1T-10FJX-10FJX-139
33	618178	1 5/16 MJIC x 90 x 1 5/16 MOR	67	614501	10C1T-10FJX-10FJX-276
34	500000	1/2 MNPT Hex Pipe Nipple	68	614641	

NOTE: ** Relief Pressure Should Be Set At 1500 PSI.



1986 8200 HYDRAULIC SCHEMATIC
 8-ROW CUTTER WITH TASSELTRAIL
 REFERENCE DRAWING NO. - 498240

Ref. Req.	P/N	Description	Ref. Req.	P/N	Description
1	610483	Electric Hydraulic Stack Valve	37	618579	1 1/16 FJIC Swivel x 3/4 NPT
2	610484	Sundstrand Pump 4.58 Cu.In.	38	618119	9/16 MJIC x 90 x 9/16 MOR
3	606873	BG46 Flow Divider	39	618279	1 1/16 MJIC x 90 x 7/8 MOR
4	607504	B50 Flow Divider	40	618107	9/16 MJIC x 90 x 1/2 MNPT
5	610467	Motor Control Valve	41	618072	7/8 MOR x 1/2 FNPT
6	614633	Hydraulic Manifold	42	618577	1 5/16 MJIC Union
7	605601	Gresen Filter	43	618170	3/4 MOR x 9/16 FOR
8	607512	RL50 Relief Valve	44	500005	11/16 FPS Cap Nut
9	737810	1/4 NPT Nozzle Body	45	618550	1 1/4 4-Bolt Flange x 1 1/4 MNPT
10	620900	Hydraulic Cylinder	46	618324	1 5/16 MJIC x 90 x 1 1/4 MNPT
11	611125	3/4 MJIC x 3/4 MOR	47	618568	1 1/2 4-Bolt Flange x 1 1/2 FNPT
12	618203	Barnes Hydraulic Motor	48	624348	16CIT-16FJX-16FJX-25
13	618310	9/16 MJIC x 7/8 MOR	49	614625	6CIT-6FJX-6FJX-30
14	611122	9/16 MJIC x 90 x 1/4 MNPT	50	601289	1 1/4 2-Braid Red Hose x 134
15	610447	Inline Hydraulic Filter	51	614626	6CIT-6FJX-6FJX-38
16	506005	1 1/4 NPT To 1 NPT Reducer Bushing	52	614627	6CIT-6FJX-6FJX-45
17	506200	1 1/4 NPT Close Nipple	53	614630	Hydraulic Tube Aux Drive
18	715660	1 1/4 NPT x 1 1/4 Hose Barb	54	614631	Hydraulic Tube Control Valve
19	506409	1 1/4 NPT x 45 Street Elbow	55	614632	Hydraulic Tube Return Manifold
20	505200	1 NPT x 90 Street Elbow	56	611246	4C1A-6FJX-6FJX-174
21	714331	1 NPT x 3/4 Hose Barb	57	614077	4CIT-6FJX-6FJX-88
22	506410	1 1/4 x 90 Street Elbow	58	618562	9/16 MOR x 90 x 1/4 MNPT
23	618144	1 1/4 NPT x 1 Hex NPT Pipe Nipple	59	614101	4C1A-6FJX-6FJX-133
24	611124	7/8 MJIC x 90 x 1/2 MNPT	60	738859	50 Mesh Strainer
25	618323	7/8 MJIC x 45 x 1/2 MNPT	61	615473	6CIT-6FJX-8FJX-18
26	503700	1/2 NPT Pipe Plug	62	618486	9/16 FJIC Swivel Run Tee x 9/16 MJIC
27	505110	1 NPT x 45 Street Elbow	63	610193	9/16 MJIC Bulkhead Tee
28	618322	1 5/16 MJIC x 1 NPT	64	614368	8CIT-8FJX-8FJX-60
29	618186	1 5/16 MJIC x 1 5/16 MOR	65	618530	9/16 MJIC x 1/8 MNPT
30	618309	7/8 MJIC x 1 1/16 MOR	66	618546	1/8 MNPT Run Tee x 9/16 MJIC
31	506701	1 1/4 NPT x 90 Side Outlet Elbow	67	618109	3/4 MOR x 9/16 MJIC
32	507015	1 1/2 NPT To 1 1/4 Reducer Bushing	68	614425	4CIT-6FJX-6FJX-66
33	618178	1 5/16 MJIC x 90 x 1 5/16 MOR	69	614154	8CIT-8FJX-8FJX-132
34	500000	1/2 MNPT Hex Pipe Nipple	70	614501	4CIT-6FJX-6FJX-221
35	618574	7/8 MJIC x 3/4 MOR	71	614501	10CIT-10FJX-10FJX-139
36	505213	1 NPT x 3/4 NPT Reducer Bushing	72	614641	10CIT-10FJX-10FJX-276

NOTE: ** Relief Pressure Should Be At 1500 PSI.

ABBREVIATIONS

ADPTR - Adaptor
DET - Detail
FNPT - Female National Pipe Thread
FOR - Female O-Ring
MJIC - Male J. I. C.
MOR - Male O-Ring
P/N - Part Number
QTY - Quantity
REF - Reference
REQ - Required
ST - Street
SMIV - Swivel
UNC - Unified National Course (Thread)
UNF - Unified National Fine (Thread)
W/ - With
WLD - Weldment

-A-

Adapter, Fan.....4,6
 Air Cleaner.....38
 Band.....38
 Filter.....38
 Hose.....38
 Air Intake
 Clamp.....5
 Tube.....5,7
 Air Pot.....58
 Bracket.....58
 Air Stack Cap.....38
 Alternator.....4,6,8
 Adjusting Arm.....4,6
 Spacer.....4,6
 Arm, Steering.....20,22
 Auxiliary Pump.....42

-B-

Band,
 Air Cleaner.....38
 Fuel Tank.....27
 Battery.....37
 Box.....37
 Box Support.....37
 Cable.....37
 Battery Hold Down.....37
 Bearing.....53
 Liner.....20,22
 Belt.....4,6,8
 Bracket,
 Male Corn Cutter.....55
 Motor Control Valve.....41
 Pivot.....59
 Throttle Cable.....5,7,34
 Brake,
 Cable.....20,22,32
 Clip Retainer.....20,22
 Disc.....20,22
 Hub.....20,22
 Lever.....32
 Pad.....20,22

-C-

Cable,
 Battery.....37
 Brake.....20,22
 Hydrostatic.....9,34
 Throttle.....35
 Cam.....58
 Canopy Deflector.....32

Cap,

Air Stack.....38
 Distributor.....5,7
 Gas.....27
 Plug.....33
 Radiator.....15
 Steering Wheel.....36
 Carburetor.....4,6
 Carriage Pln.....39
 Charge Pump.....12,13,14
 Choke Control.....33
 Circuit Board.....45
 Mount.....45
 Clamp, Sensor.....59
 Column, Steering.....36
 Console.....33
 Control Lever.....34
 Extension.....12,13,14
 Mount.....34
 Cradle, Fuel Tank.....27
 Cutter
 Blade.....54,55
 Head.....54
 Top.....54,55
 Cylinder
 Lift.....50,51
 Steering.....30

-D-

Decals.....66,67
 Deflector,
 Canopy.....32
 Center.....49
 Tassel.....52
 Diffuser, Line.....28,29
 Dipstick.....28,29
 Disc,
 Brake.....20,22
 Friction.....35
 Sensor.....20,22
 Distributor Cap.....5,7
 Dust Cap.....53

-E-

Electric Stalk Valve.....46,47
 Engine,
 Chrysler.....4,5,6,7
 Isolator.....8
 Perkins.....8,9
 Exhaust Pipe.....19
 Mounting Bracket.....19

-F-

Fan.....4,6
 Adapter.....4,6
 Filter.....9
 Air Cleaner.....38
 Inline.....46
 Oil.....4,6,28,29
 Filler Ring.....5,7
 Flap Sensor.....59
 Flasher.....33
 Light.....40
 Flow Divider.....16,17
 Mounting Bracket.....16,17
 Fold Cylinder.....57
 Friction Disc.....35
 Fuel

Filter.....4,6,27
 Gauge.....33
 Selector Valve.....27
 Sender.....27
 Fuel Tank.....27
 Band.....27
 Cradle.....27
 Fuse.....33

-G-

Gas Cap.....27
 Gasket.....5,7
 Aux Pump.....12,13,14
 Charge Pump.....12,13,14
 Oil Tank.....28,29

Gauge,
 Fuel.....33
 Temperature.....33
 Governor.....5,7
 Control Rod.....5,7
 Mounts.....5,7
 Spacer.....5
 Ground Strap.....5,7,37

-H-

Handle Valve.....44
 Hanger Bearing.....59
 Heat Shield.....19
 Exhaust Shield.....4,6
 Hinge Guard Plate.....56
 Hoist Column.....49
 Hood Prop.....40
 Hose,
 Keeper Ring.....49
 Radiator.....4,6

Hour Meter.....33
 Hydraulic,
 Manifold.....43
 Motor.....52,53,54,55
 Tube.....20,22
 Hydrostatic Cable.....9,34

-I-

Ignition
 Modulator.....5,7
 Switch.....33
 Indicator Light.....33,45
 Sun Shield.....33
 Inline Filter.....46
 Isolator, Engine.....8

-L-

Ladder.....39
 Large Manifold.....11
 Leg,
 Front.....20,22
 Keeper.....20,21,22,23,24
 Rear.....21,23,25
 Lever, Throttle.....35
 Liftarm.....49
 Lift Cylinder.....50,51
 Light.....32
 Switch.....33
 Line Diffuser.....28,29

-M-

Male Corn Cutter.....55
 Manifold,
 Hydraulic.....43
 Mount.....11
 Meter, Hour.....33
 Micro Switch.....34,58
 Motor,
 Control Valve.....41
 Hydraulic.....52,53,54,55
 Mount.....4,6,8
 Steering.....36
 Mount,
 Alternator.....4,6
 Brake Hub.....20,22
 Circuit Board.....45
 Control Cable.....5,7
 Control Lever.....34
 Governor.....5,7
 Positraction Valve.....18
 Radiator.....15

Seat.....	32
Sensor.....	20,22
Solenoid.....	17
Starter Solenoid.....	5,7
Tach Sensor.....	5,7
Throttle Cable.....	9,35
Tool Bar.....	49
Water Trap.....	2
Mounting	
Bracket, Flow Divider.....	16
Socket.....	40
Muffler.....	19

-O-

Oil	
Cooler.....	15
Sender.....	5,7,9
Oil Tank.....	28,29
Spacer.....	28,29
Sprap.....	28,29
Operator Station Step.....	32
Output Shaft.....	5,7
Outrigger.....	48,56

-P-

pin Carriage.....	39
Pressure Cap.....	28,29
Pump,	
Auxiliary.....	42
Eaton.....	12,13
Sundstrand.....	14

-R-

Radiator.....	15
Cap.....	15
Drain Cock.....	15
Hose.....	4,6
Mount.....	15
Recovery Tank.....	15
Shroud.....	15
Rain Cap.....	19
Relief Valve.....	11,16
Rim.....	25
Roller Head.....	52
Rubber Hook.....	49

-S-

Seal Kit.....	11
Seat.....	32
Mount.....	32

Sender,	
Fuel.....	27
Oil.....	5,7,9
Temperature.....	4,6,8
Sensor,	
Arm, T-trol.....	59
Clamp.....	59
Disc.....	20,22
Flag.....	59
Mount.....	20,22
Speedometer Tach.....	20,22
Sheave.....	4,5,6,7
Sheet Metal.....	40
Shield,	
Heat.....	19
Indicator Light Sun.....	33
Work Station.....	56
Shroud, Radiator.....	15
Siderail.....	39
Side Screen.....	15
Slow Moving Vehicle Sign.....	40
Socket, Mounting.....	40
Solenoid	
Coil.....	41
Mount.....	17
Valve.....	17,41

Spacer,

Alternator.....	4,6
Fan.....	4,6
Oil Tank.....	28,29
Speedometer.....	33
Stalk Guide.....	26,52,53,54
Starter Solenoid.....	5,7
Station Panel.....	32
Steering,	
Arm.....	20,22
Column.....	36
Column Cover.....	36
Cylinder.....	30
Motor.....	36
Wheel.....	36
Wheel Cap.....	36
Step, Operator Station.....	32
Strap,	
Ground.....	5,7,37
Oil Tank.....	28,29
Support, Battery Box.....	37
Switch,	
Ignition.....	33
Light.....	33
Micro.....	34
Plate Cover.....	44
Toggle.....	33
Traction Valve.....	32

-T-

Tach Sensor Mount.....	5,7
Taillight.....	40
Tank,	
Fuel.....	27
Oil.....	28,29
Tassel Deflector.....	52
Tasselrol Box.....	58
Temperature	
Gauge.....	33
Sender.....	4,6,8
Throttle Cable.....	35
Bracket.....	5,7
Throttle Lever.....	35
Tie Angle.....	19
Tie plate.....	19
Tie Rod.....	31
Tire.....	25,53
Tire Puller.....	53
Toggle Switch.....	33
Tool Bar.....	48,49
Mount.....	49
Torque Hub.....	20,22
Traction Valve.....	10

-V-

Valve,	
Cessna 3-Spool.....	44
Electric Stalk.....	46,47
Fuel Selector.....	27
Handle.....	44
Handle Link.....	44
Motor Control.....	41
Positraction.....	18
Relief.....	11,16
Solenoid.....	17
Traction.....	10
Traction Switch.....	32
Voltage Regulator.....	4,6,8

-W-

Water Trap.....	8
Mount.....	8
Wheel Motor.....	20,21,22,23,24
Shield.....	20,22
Wheel, Steering.....	36
Work Station Shield.....	56