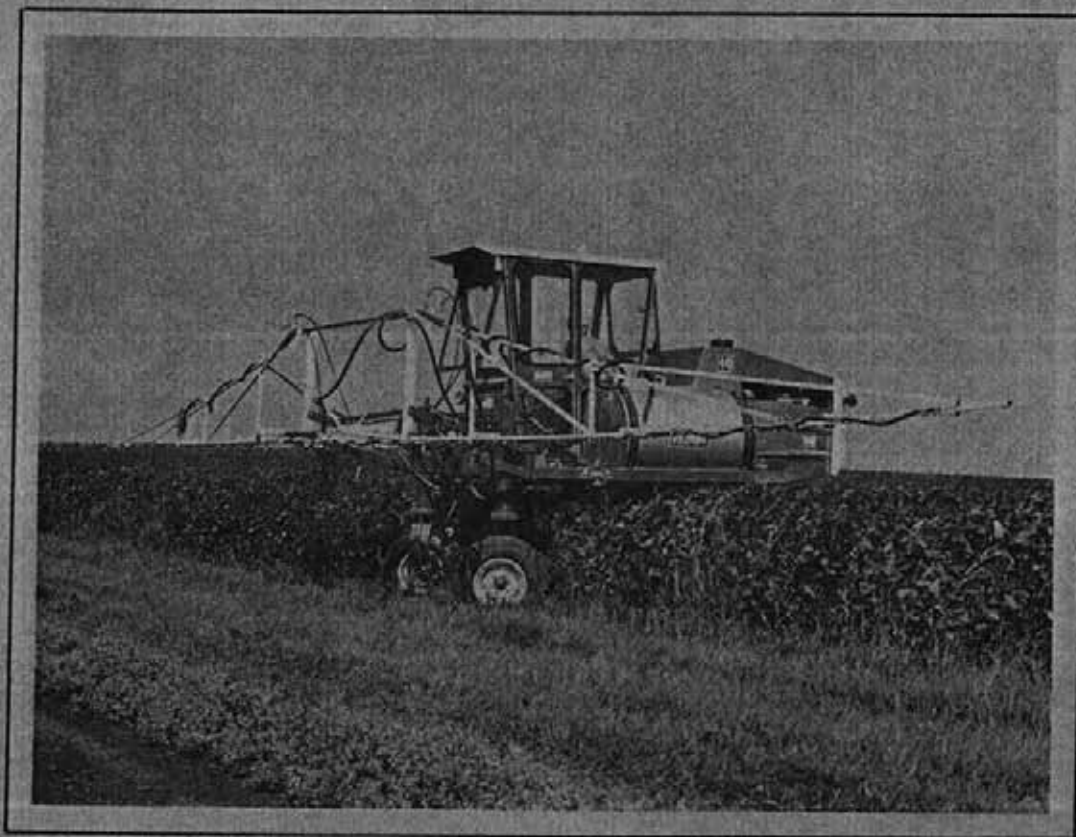


PARTS BOOK

MODEL 440 HI-TRACTOR SPRAYER



Effective with Serial Number 441001

HAGIE MANUFACTURING COMPANY

CLARION, IOWA

50525

Phone 515-532-2861



Warranty

Like all products of the Hagie Manufacturing Company, your new Model 440 Hi-Tractor Sprayer has been designed and built of carefully selected materials with conscientious workmanship. The company warrants the machine to be free from defects in material and workmanship under normal use and service. Our obligation under this warranty shall be limited to replacing at our plant any parts thereof which shall, within one year after delivery to the original purchaser, be demonstrated to be defective. THIS WARRANTY IS EXPRESSLY IN LIEU OF ALL OTHER WARRANTIES, EXPRESS OR IMPLIED, INCLUDING THE WARRANTY OF MERCHANTABILITY AND FITNESS. No person, firm or corporation is authorized to assume for us any other liability in connection with the sale of these machines.

Index

440 Main Frame Group	3	Hydrostatic Systems	16
Power Wheel Group	4	Tractor Control Group	17
Front Wheel Group	5	Hydraulic System	18
Front Leg Group	6	Hydraulic Boom Control	19
Steering Group	7	Parallel Arm Group	20
Steering Wheel Group	8	Dash Panel Group	21
Miscellaneous Group	9	Tank Group	22
Engine Group	10	Solutions Pump	23
Exhaust Pipe Group	11	Sprayer Hose Group	24
Gas Tank Group	12	Tool Bar Group	25
Engine Hood Group	13	Outer Boom Group	26
Engine Accessory Group	14	Disc Marker Group	27
Countershaft Group	15		

Introduction

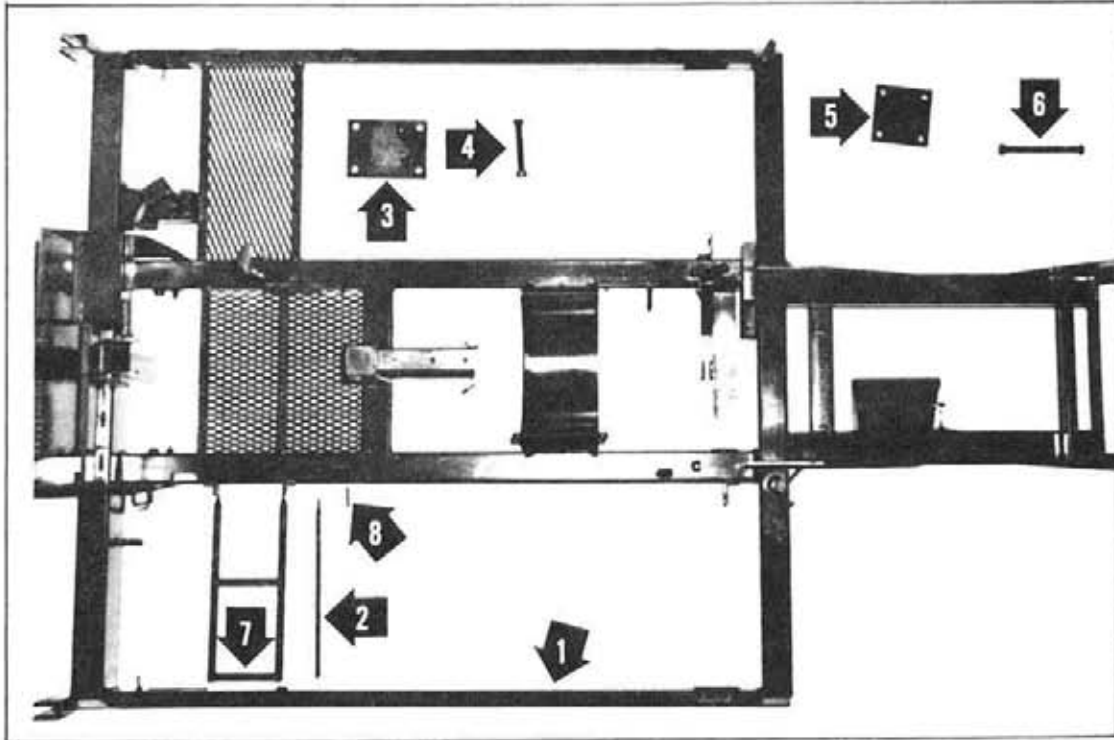
Your Hagie Model 440 Hi-Tractor Sprayer is a special purpose machine designed and built for the transport and precision application of farm chemicals. Research, Development and Manufacturing functions for these machines have all been performed with the skills, attention to detail and careful workmanship that justify a full one year warranty to the original purchaser on all parts made by the Hagie Manufacturing Company.

Like all machines, however, these Sprayers are not indestructible. Wear parts will wear and structural parts can be damaged or broken. It is to facilitate replacements of such parts that we have compiled this Parts Book. Use this book to help reduce down time and improve the profitability of your investment.

An inventory of replacement parts is maintained by the Company for your convenience. However, unexpected demands may find that inventory depleted at times. To avoid inconveniences occasioned by such situations we suggest that you examine your equipment thoroughly at the end of each season of use. Order such replacements as may be needed and complete your maintenance duties before your next season.

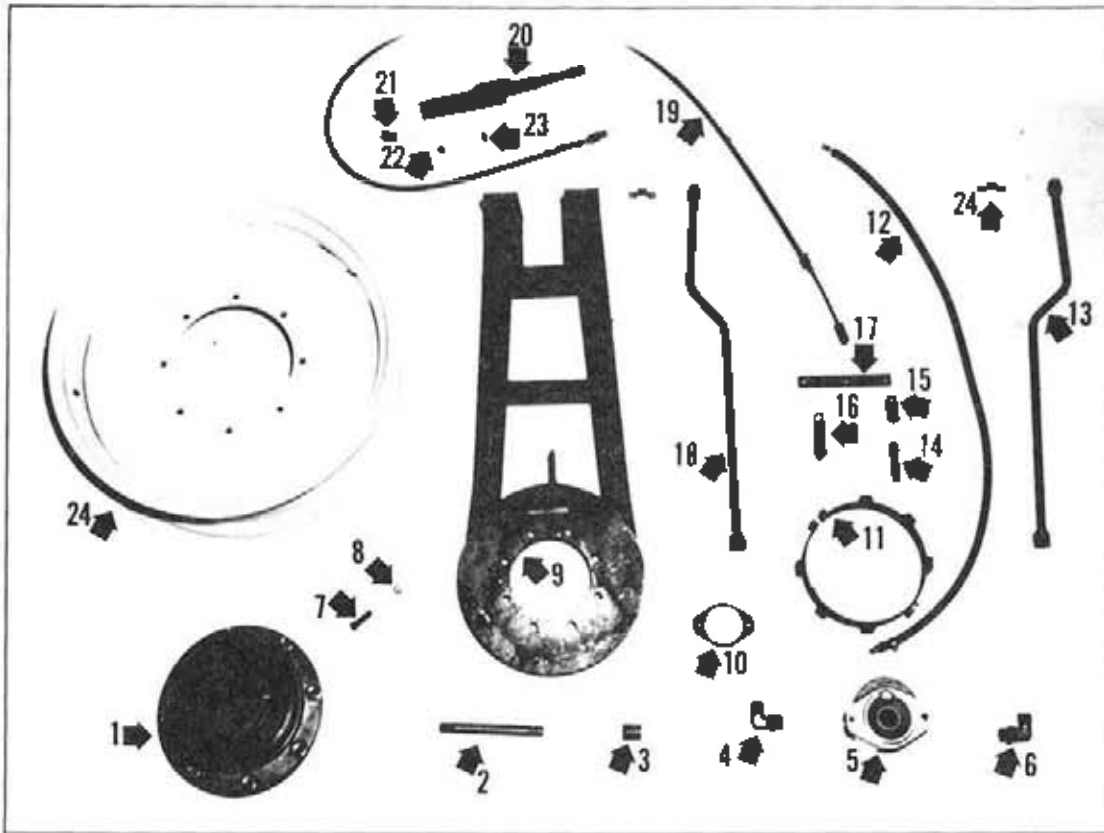
Own this equipment with pride. Use it with judgment and personal safety and you will realize the potential for profit the Manufacturer built into it.

Hagie Manufacturing Company, Clarion, Iowa



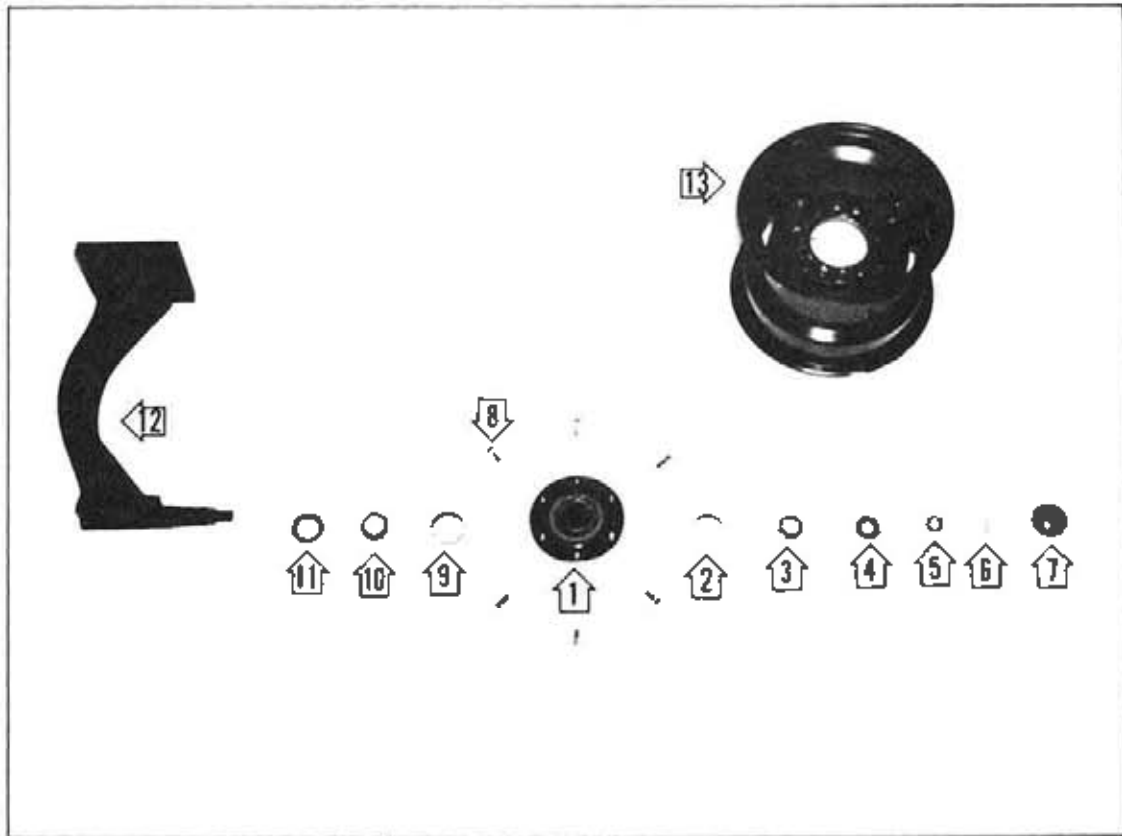
440 Main Frame Group

Ref. Part	Name	Req.
1 36-4005K01	Main frame	1
2 36-4009M01	Ladder latch	1
3 35-3103M01	Keeper, front leg	2
4 59-8011P01	Keeper bolt, front	8
5 35-3102M01	Keeper, rear leg	2
6 59-8012P01	Keeper bolt, rear	8
7 36-4017K01	Ladder	1
8 50-0905P01	Spring	1



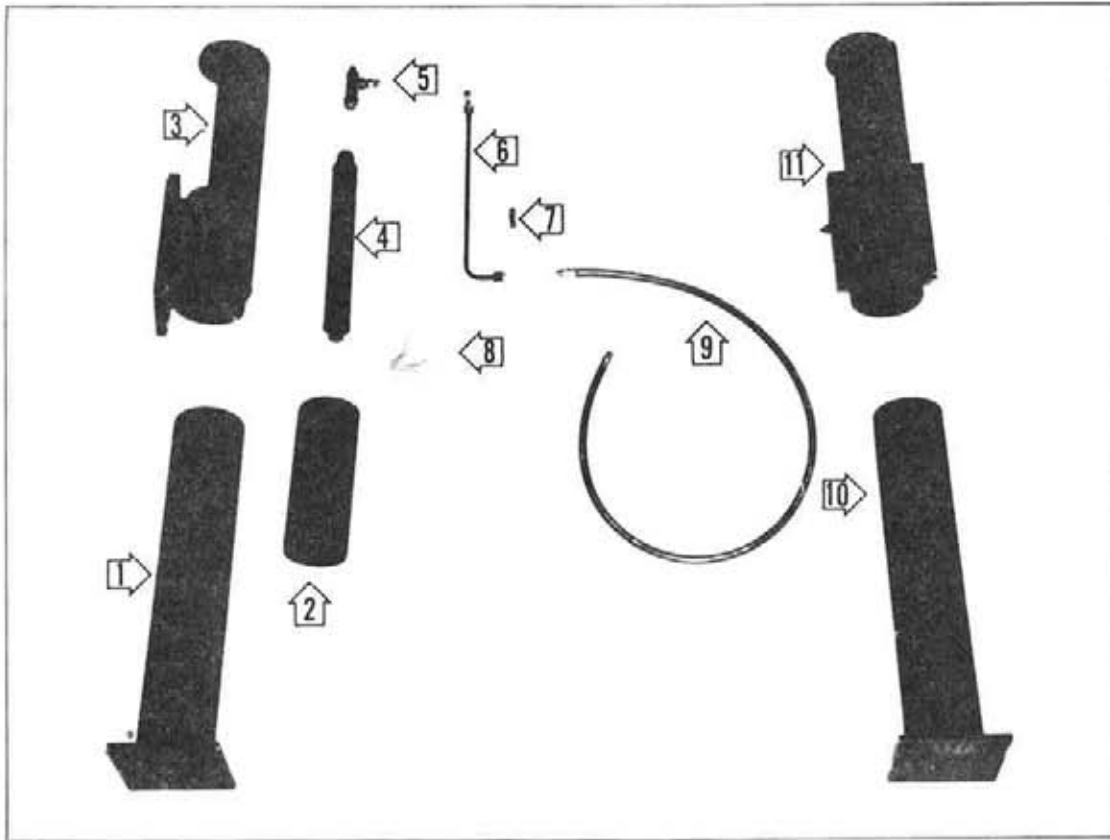
Power Wheel Group

Ref. Part	Name	Req.	Ref. Part	Name	Req.
1	61-1000P01	Power wheel	2		
2	61-1001P01	Shaft, hydraulic drive to wheel	2		
3	61-1002P01	Coupling, shaft hydraulic drive	2		
4	61-1130P01	Elbow, hydraulic motor	2		
5	61-0199P01	Motor, hydraulic power wheel (Vickers)	2		
7	82-4051P01	Stud bolt, rear wheel	16		
8	82-4052P01	Nut, stud bolt, rear wheel	16		
9	35-3105K01	Right rear leg	1		
NS	35-3101K01	Left rear leg	1		
10	61-1004P01	Gasket, hydraulic drive motor	2		
11	82-4074K01	Brake band	1		
12	61-1164P01	Hose, hydraulic motor	2		
13	61-1107P01	Hydraulic tube, power wheel	4		
14	82-7045M01	Pin, brake	1		
15	82-7048M01	Clevis	2		
16	48-8000P01	Spring, brake	1		
17	82-7046M01	Pivot bar brake	1		
18		Same as No. 13			
19	82-7012P01	Cable, brake	1		
20	82-7011K01	Lever, brake	1		
21	82-7027P01	Clamp, cable	1		
22	21-7044M01	Spacer, short	1		
23	21-7022M01	Spacer, long	1		
24	82-1003K01	28" rear wheel	2		
NS	82-0201P01	Rear tire w/tube	2		
NS		Wheel motor spacer	2		



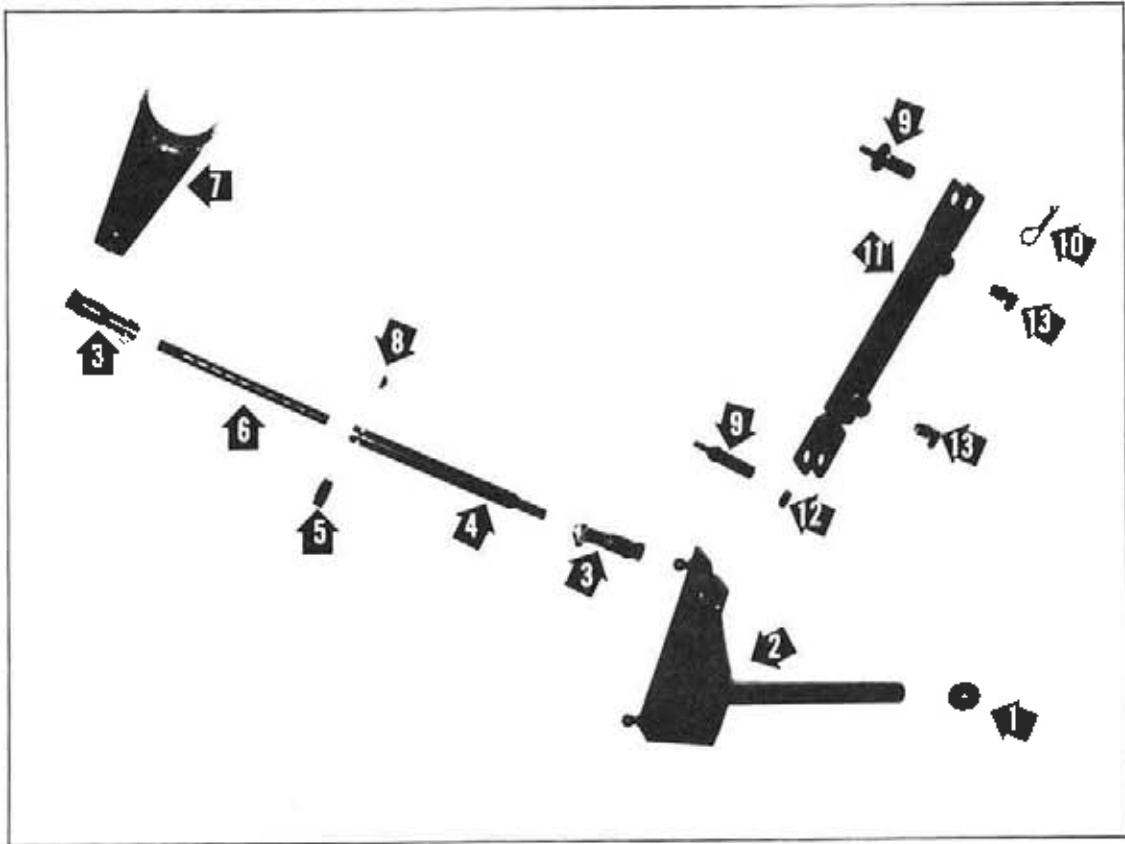
Front Wheel Group

Ref. Part	Name	Req.	Ref. Part	Name	Req.
1	82-5101K01 Hub, front	2	8	82-5040P01 Bolt, front wheel	12
2	12-5011P01 Bearing cup	1	9	12-5028P01 Bearing cup	1
3	12-5010P01 Bearing, cone, outer	2	10	12-5004P01 Bearing conc, inner	2
4	47-9999P01 Washer	2	11	12-9025P01 Seal	2
5	12-9003P01 Nut, spindle	2	12	35-3106K01 Front leg	2
6	Cotter pin	2	NS	82-0552P01 Front tire with tube	2
7	12-5007M01 Hub cap	2	13	82-0553P01 Front wheel, 15"	2



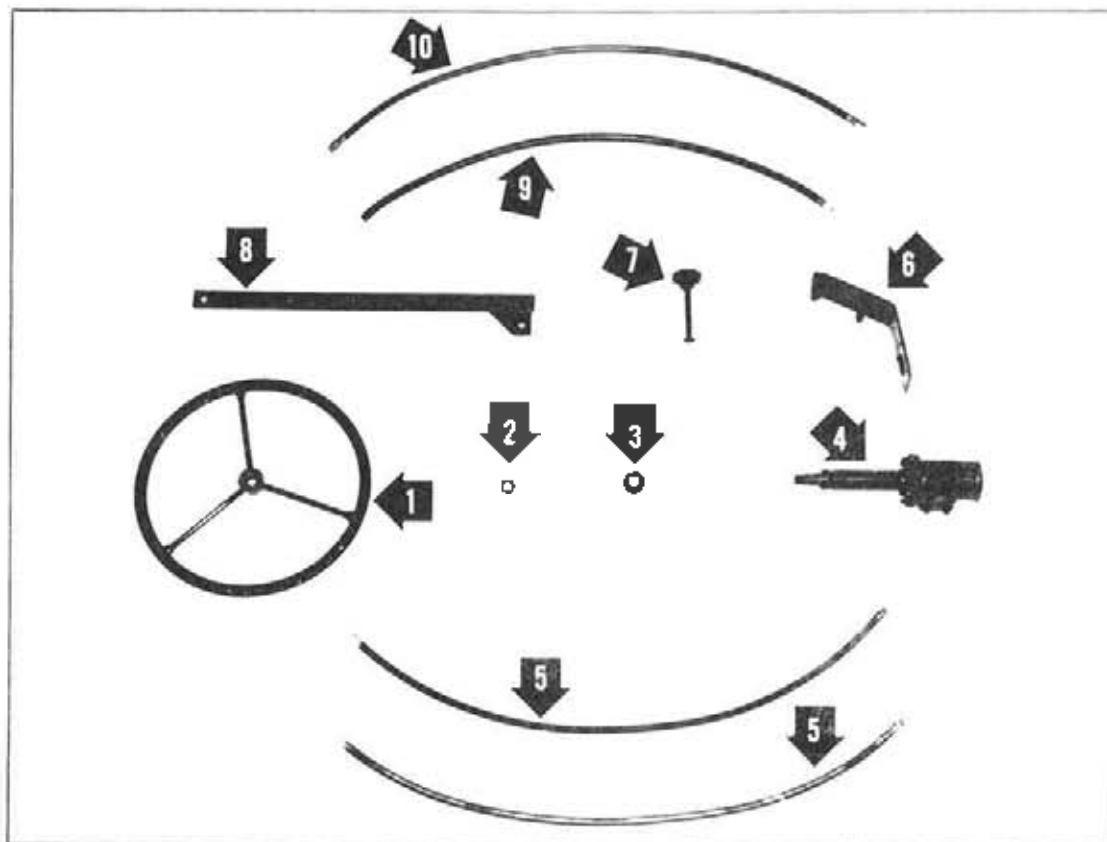
Front Leg Group

Ref. Part	Name	Req.	Ref. Part	Name	Req.
1	35-3109K01 Front leg pipe, l.h.	1	NS 61-1100P01	Hyd. tube Hydro-Hug cylinder, r.h.	1
2	21-1004M01 Front leg spacer	2	7	61-0020M01 Clamp, hyd. tube, 1/2"	2
3	35-3111K01 Front leg housing, l.h.	1	8	60-1062P01 Hydro-Hug cylinder canvas	2
4	61-1061K01 Hydro-Hug cylinder	2	9	61-1143P01 Hyd. hose connecting Hydro-Hug cylinder, 70"	1
5	61-1040K01 Cylinder manifold	2	10	35-3110K01 Front leg pipe, r.h.	1
6	61-1101P01 Hyd. tube Hydro-Hug cylinder, l.h.	1	11	35-3112K01 Front leg housing, r.h.	1



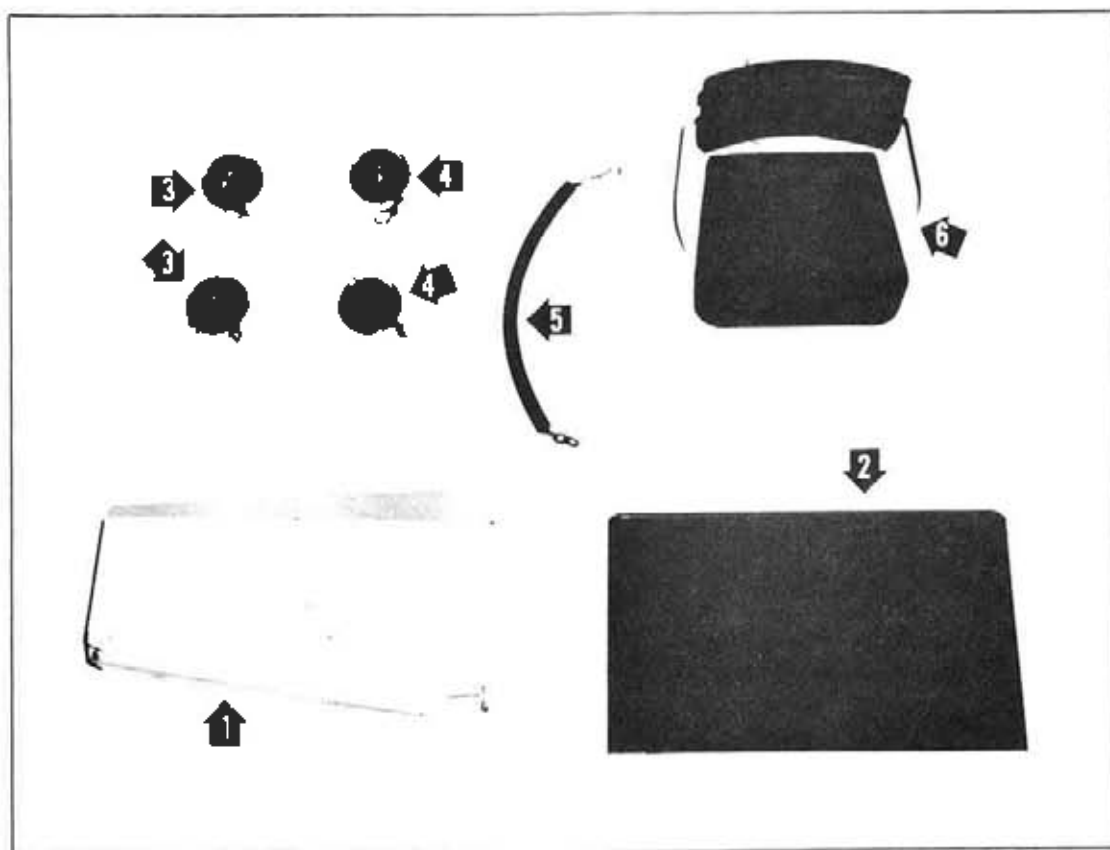
Steering Group

Ref. Part	Name	Req.	Ref. Part	Name	Req.	
1	74-0607M01	Keeper, steering triangle	1			
2	74-0606M01	Steering triangle	1			
3	74-0600M01	Ball socket	4			
4	74-7508M01	Drag link, female	2			
5	74-7509M01	Collar, drag link	2			
6	74-7506M01	Drag link, male	2			
7	74-7507M01	Steering arm w/ball studs	2			
			8	59-8000M01	Woodruff key	1
			9	61-1021K01	Cyl. pin w/bolt (P.S. Cyl.)	2
			10	61-1016P01	Pin	1
			11	60-1013P01	Hyd. cylinder, 2"	3
			12	21-1003M01	Spacer	1
			13	61-1122P01	Male elbow for 3/8" tube, 1/4" NPTF	7



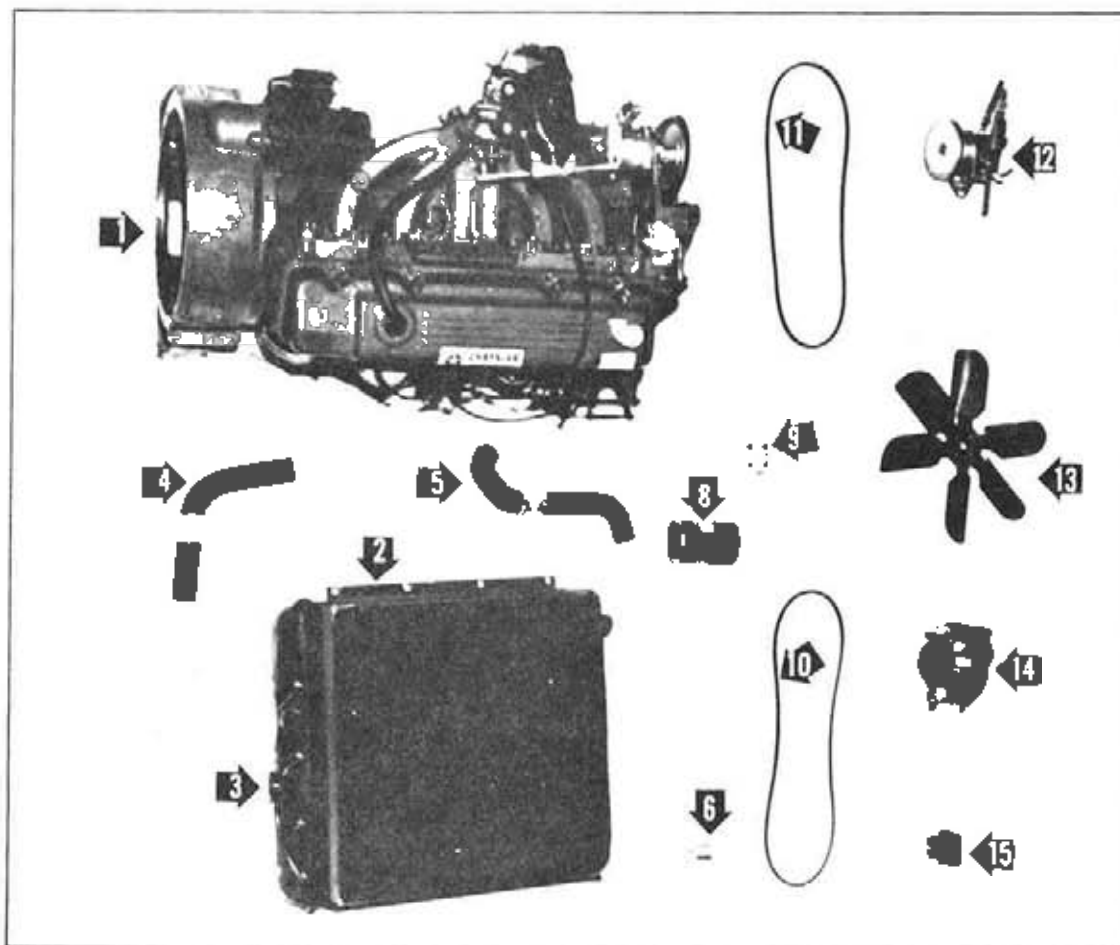
Steering Wheel Group

Ref. Part	Name	Req.
1 74-2001P01	Steering wheel	1
2 74-2500P01	Nut, steering wheel	1
3 74-1155P01	Wheel skirt cap	1
4 61-1010P01	Steering gear	1
5 61-1134P01	Hyd. hose, steering cylinder to steering gear, 48"	2
6 74-2504M01	Bracket, steering gear	1
7 74-2502P01	Knob, steering adjusting	1
8 75-1000K01	Steering locking bar	1
9 61-1158P01	Hose, power steering return, 3/8" x 40"	1
10 61-1135P01	Hyd. hose, flow divider to steering gear	1



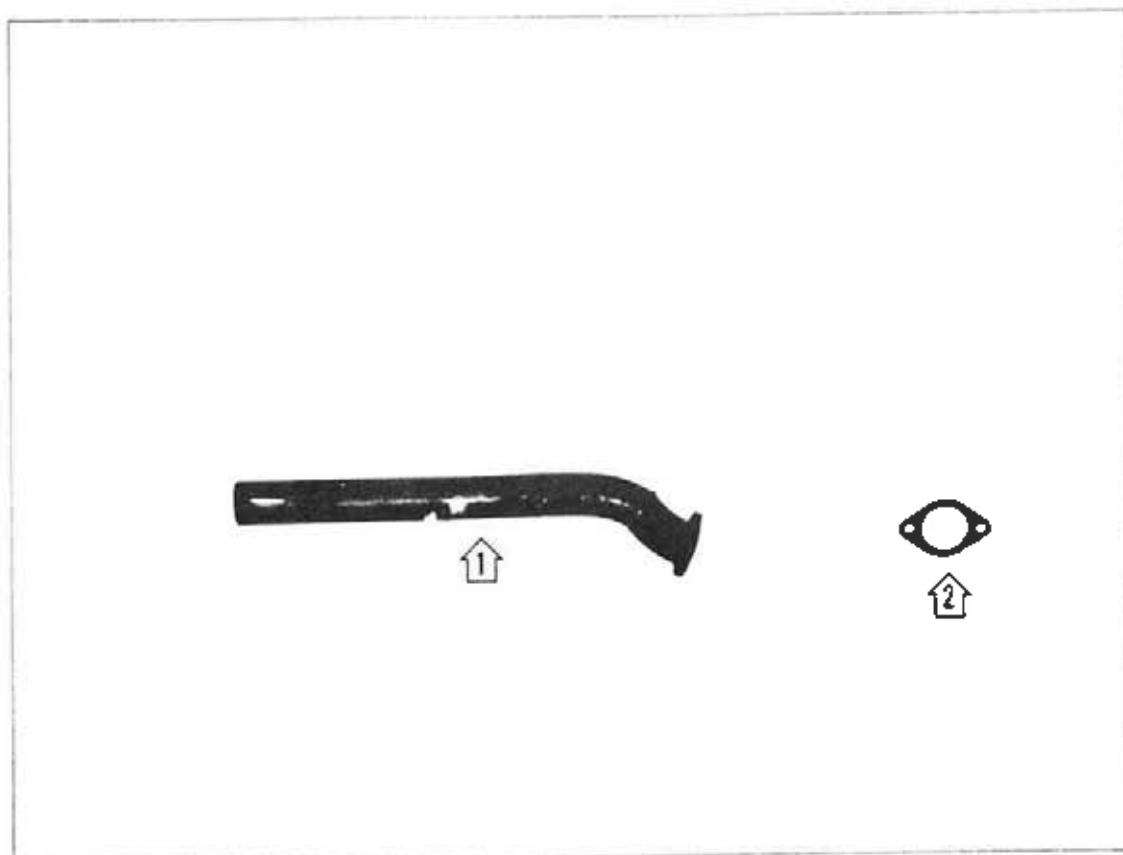
Miscellaneous Group

Ref. Part	Name	Req.
1 65-0133M01	Rear leg shield	2
2 65-0132M01	Dash panel cover	1
3 29-0021P01	Tail light w/bracket	2
4 29-0032P01	Head light w/bracket	2
5 16-1170K01	Cradle chain	2
6 33-0400P01	Buffalo seat	1



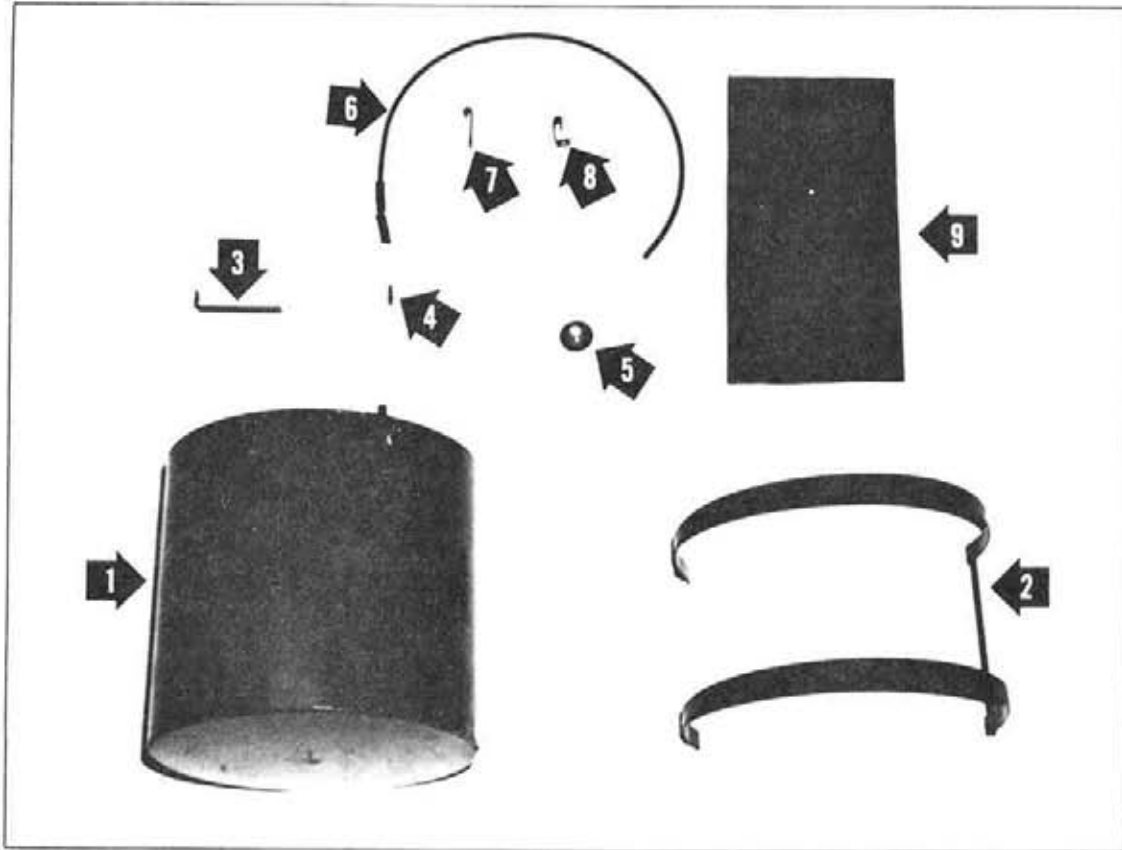
Engine Group

Ref. Part	Name	Req.	Ref. Part	Name	Req.	
1	31-9251P01	Chrysler engine, 80 h. p.	1			
2	31-9604P01	Radiator	1			
3	31-9257P01	Radiator cap	1			
4	31-9254P01	Hose, radiator, top	1			
5	31-9256P01	Hose, radiator, bottom	1			
6	32-1010P01	Sender, oil pressure	1			
NS	32-1015P01	Sender, temperature	1			
8	31-9260P01	Engine oil filter	1			
			9	31-9609P01	Spacer hub, fan blade w/4 bolts	1
			10	15-1004P01	Belt, alternator	1
			11	15-1005P01	Belt, governor (1420)	1
			12	31-3194P01	Governor	1
			13	31-9608P01	Fan blade	1
			14	30-1001P01	Alternator	1
			15	29-5000P01	Voltage regulator	1
			NS	31-9559P01	Drain cock, radiator	1



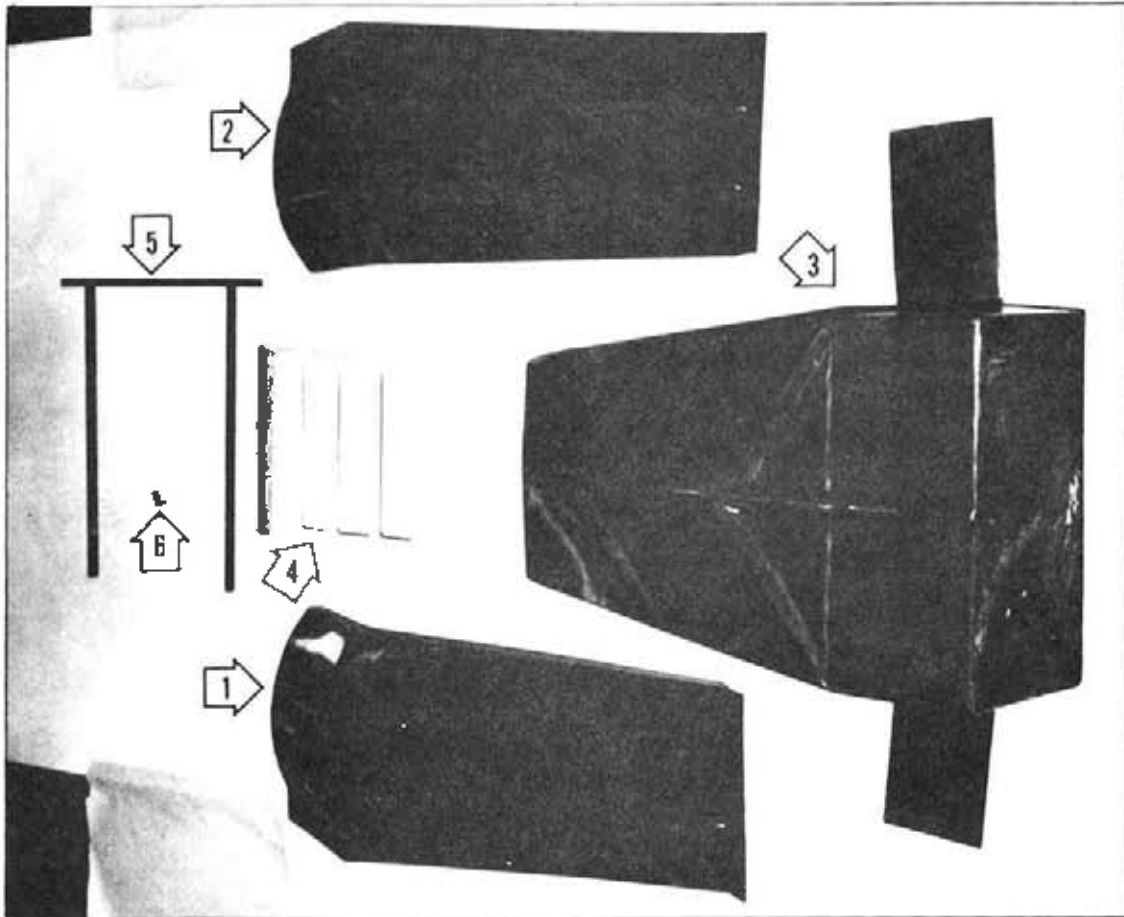
Exhaust Pipe Group

Ref. Part	Name
1 31-9610P01	Exhaust pipe
2 31-8086P01	Gasket, exhaust flange



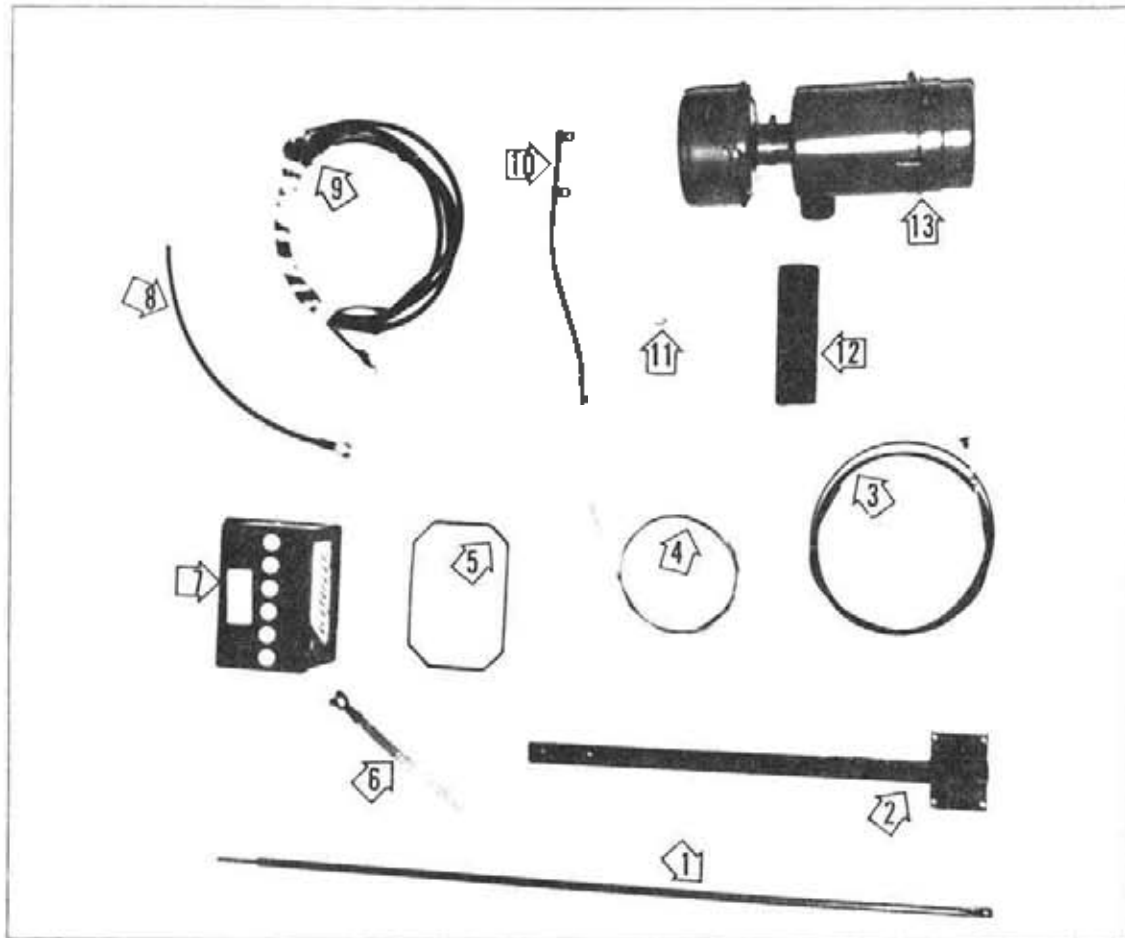
Gas Tank Group

Ref. Part	Name	Req.
1 76-1003K01	Gas tank	1
2 76-1002K01	Band, gas tank	1
3 78-2002P01	Bracket, choke	1
4 78-3303P01	Hose barb, fuel line	1
5 76-1200P01	Gas cap	1
6 78-3301P01	Hose, fuel line	1
7 78-3302M01	Bracket, fuel line support clamp	1
8 78-1130P01	Bracket, fuel line support clamp	1
9 76-1203M01	Pad, gas tank	1



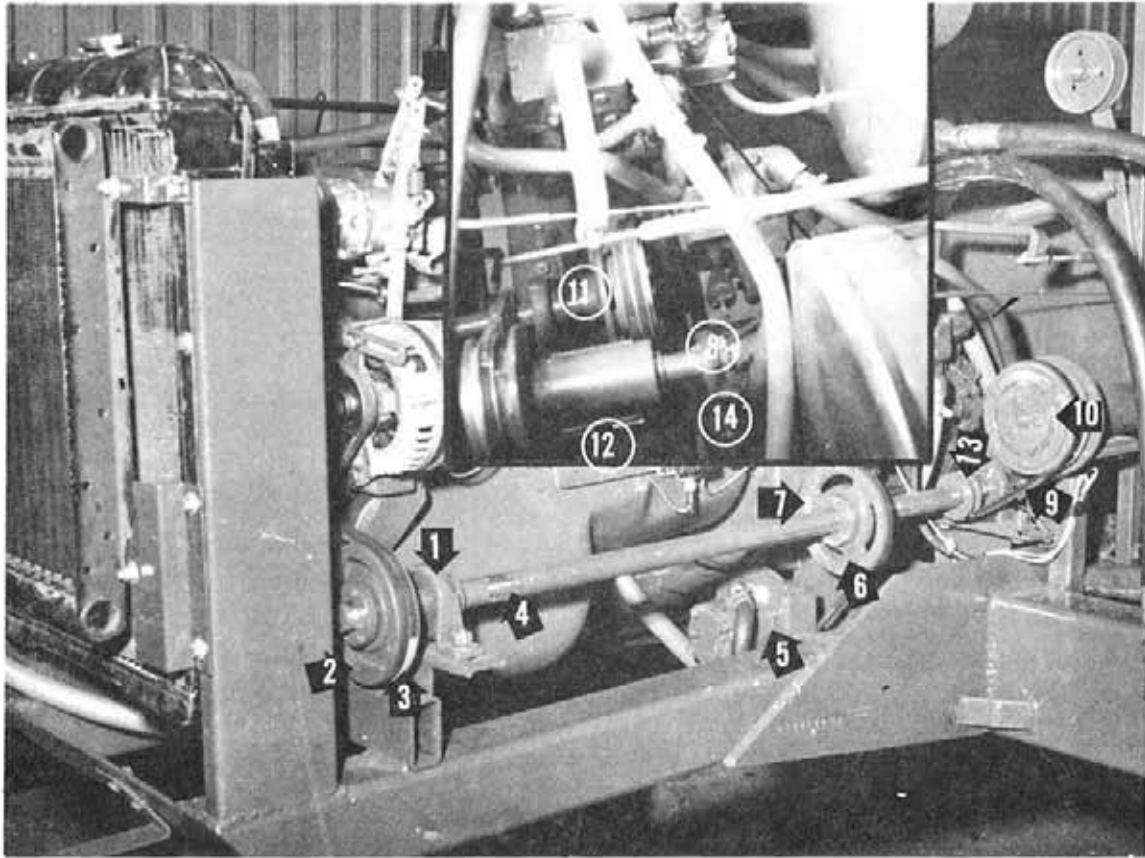
Engine Hood Group

Ref. Part	Name	Req.
1 65-7055P01	Engine side shield, left	1
2 65-7054P01	Engine side shield, right	1
3 65-7056P01	Engine hood	1
4 65-7053P01	Grill	1
5 65-5061M01	Hood mounting bracket	1
6 65-7052M01	Grill mounting bracket	4



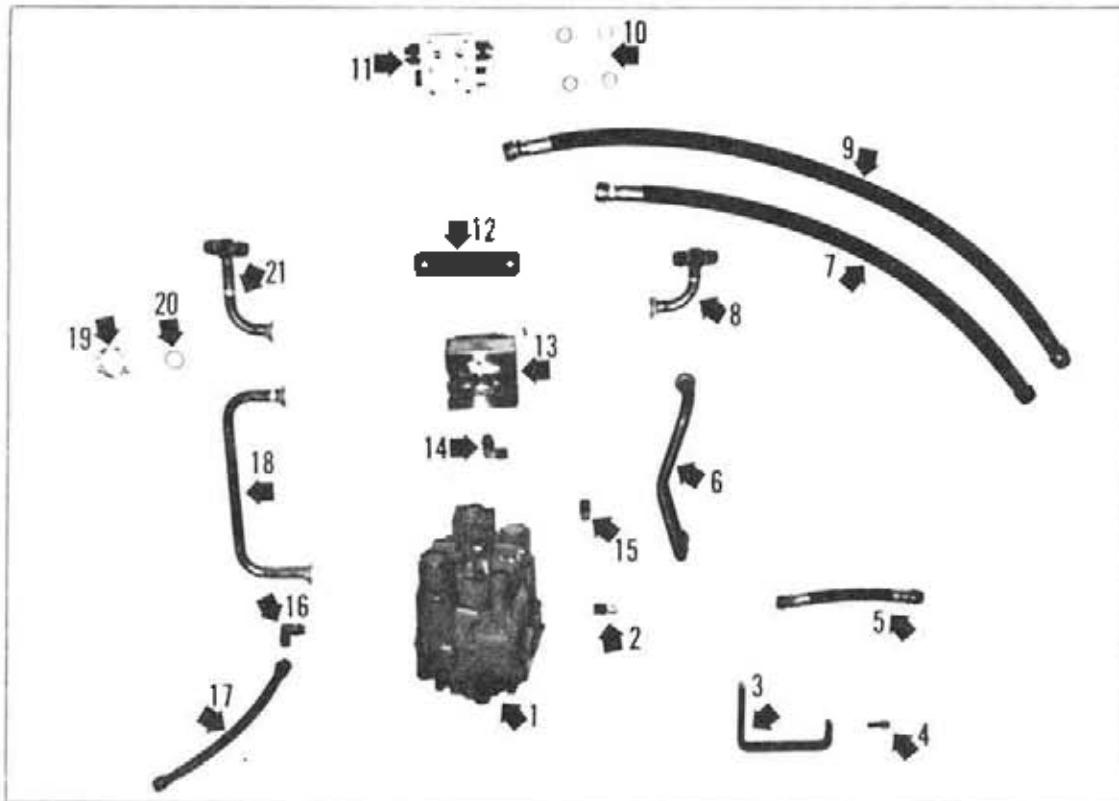
Engine Accessory Group

Ref. Part	Name	Req.	Ref. Part	Name	Req.		
1	61-1050P01	Hydrostatic control linkage	2	8	29-0022P01	Cable, battery, 24"	1
2	31-9252K01	Mounting bracket, air cleaner	1	9	29-1021P01	Wire harness	1
3	78-2001P01	Choke cable, 144"	1	10	78-1524M01	Guide bracket, throttle	1
4	47-3302P01	Cable, throttle	1	11	25-0107P01	Hose clamp	2
5	29-0212P01	Hold down, battery	1	12	52-0100P01	Hose, air cleaner, 2 5/8" x 11"	1
6	29-0111P01	Ground strap	1	13	31-9253P01	Air cleaner	1
7	29-0012P01	12 volt battery	1				



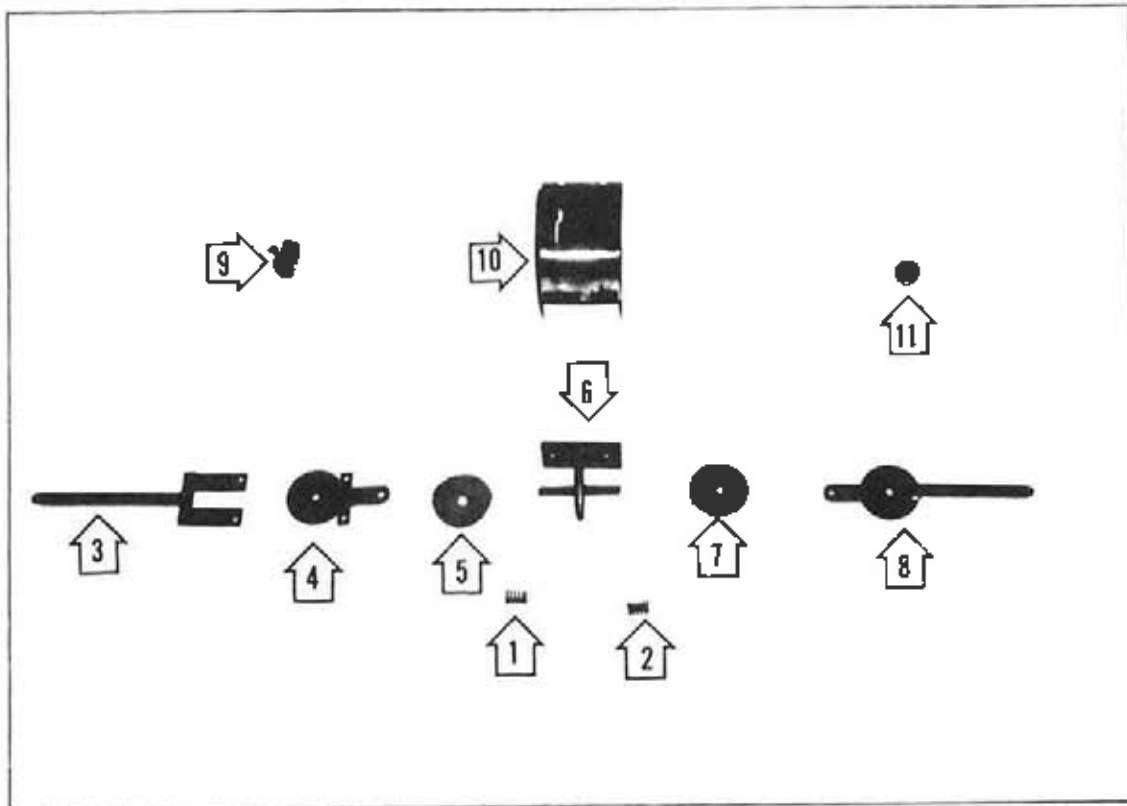
Countershaft Group

Ref. Part	Name	Req.	Ref. Part	Name	Req.
1 12-4001P01	Pillow block bearing	1	8 14-9102P01	Sheave, agitator drive	1
2 14-1519P01	Driven sheave	1	9 14-1536P01	Belt, agitator drive	1
3 14-7340P01	Belts—3 V-400	2	10 24-7002P01	Electro-magnetic clutch	2
4 44-0499M02	Countershaft	1	11 44-0137K02	Tube assembly	1
5 61-1015P01	Hydraulic pump	1	12 44-0509K02	Tube plate assembly	1
6 14-1520P01	Sheave, hydraulic oil pump drive	1	13 14-9102P01	Sheave, agitator counter-shaft drive	1
7 14-7750P01	Belt, 3-V-75, hydraulic oil pump drive	1	14 15-1538P01	Belt, agitator drive	1



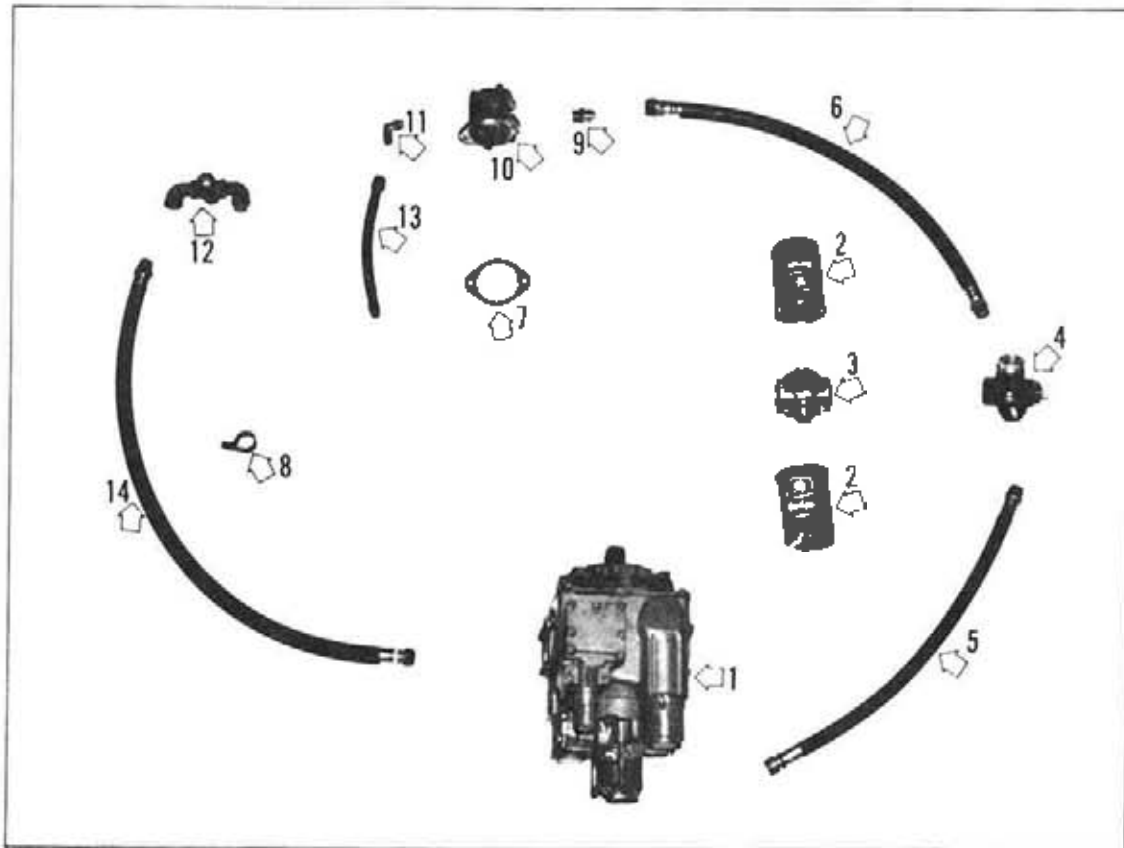
Hydraulic Pump Group, Hydrostatic

Ref. Part	Name	Req.	Ref. Part	Name	Req.
1 61-1020P01	Hyd. transmission pump	1	12 61-1006M01	Keeper, mtg. block	1
2 61-1126P01	Male connector w/o-ring for $\frac{5}{8}$ " tube	4	13 61-1017K01	Mounting block	1
3 61-1056M01	Lever, power transmission control	1	14 61-1128P01	Male elbow w/o-ring for $\frac{5}{8}$ " tube	3
4 82-6040M01	Adjusting linkage	2	15 61-1126P01	Male connection w/o-ring for $\frac{5}{8}$ " tube	4
5 61-1139P01	Hyd. hose, charge pump to main pump, 12"	1	16 61-1130P01	Male elbow w/o-ring for $\frac{3}{4}$ " tube	4
6 61-1106P01	Hyd. tube, pump to mtg. block, right, 1"	1	17 61-1131P01	Hyd. hose, valve to flow divider, 17"	1
7 61-1140P01	Hyd. hose to drive motor, left, 40"	2	18 61-1105P01	Hyd. tube, pump to mtg. block, left, 1" tube	1
8 61-1103P01	Hyd. tube, mtg. block, right, short, 1"	1	19 61-1149P01	Clamp for 1" hyd. tube with o-ring	6
9 61-1141P01	Hyd. hose to drive motor, right, 50"	2	20 61-1150P01	O-ring for clamp	6
10 61-1009P01	O-ring kit	1	21 61-1104P01	Hyd. tube, mtg. block, left, long	1
11 61-1013P01	Relief valve assembly	1	NS 61-1014P01	Plug w/o-ring for relief valve	1
NS 61-1012P01	Hyd. transmission relief valve	2			



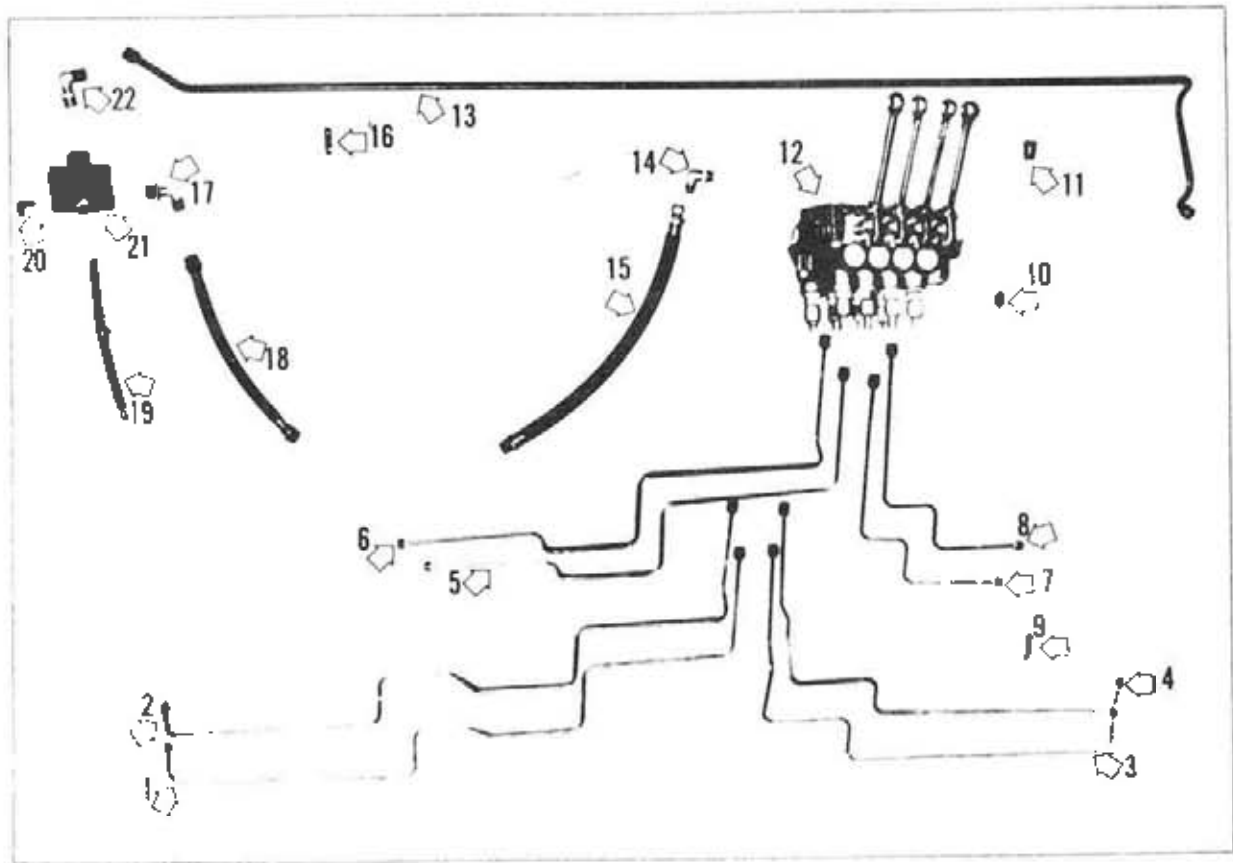
Tractor Control Group

Ref. Part	Name	Req.
1	49-9001P01 Spring, hydrostatic control	2
2	Same as No. 1	
3	66-8001K01 Hydrostatic control lever	1
4	66-8002K01 Hydrostatic control plate	1
5	26-9001M01 Friction plate	2
6	45-9021K01 Mounting frame	1
7	Same as No. 5	
8	79-9001P01 Throttle lever	1
9	30-1008P01 Safety switch	1
10	66-9002K01 Control cover	1
11	47-3151M01 Sheave, cable	1



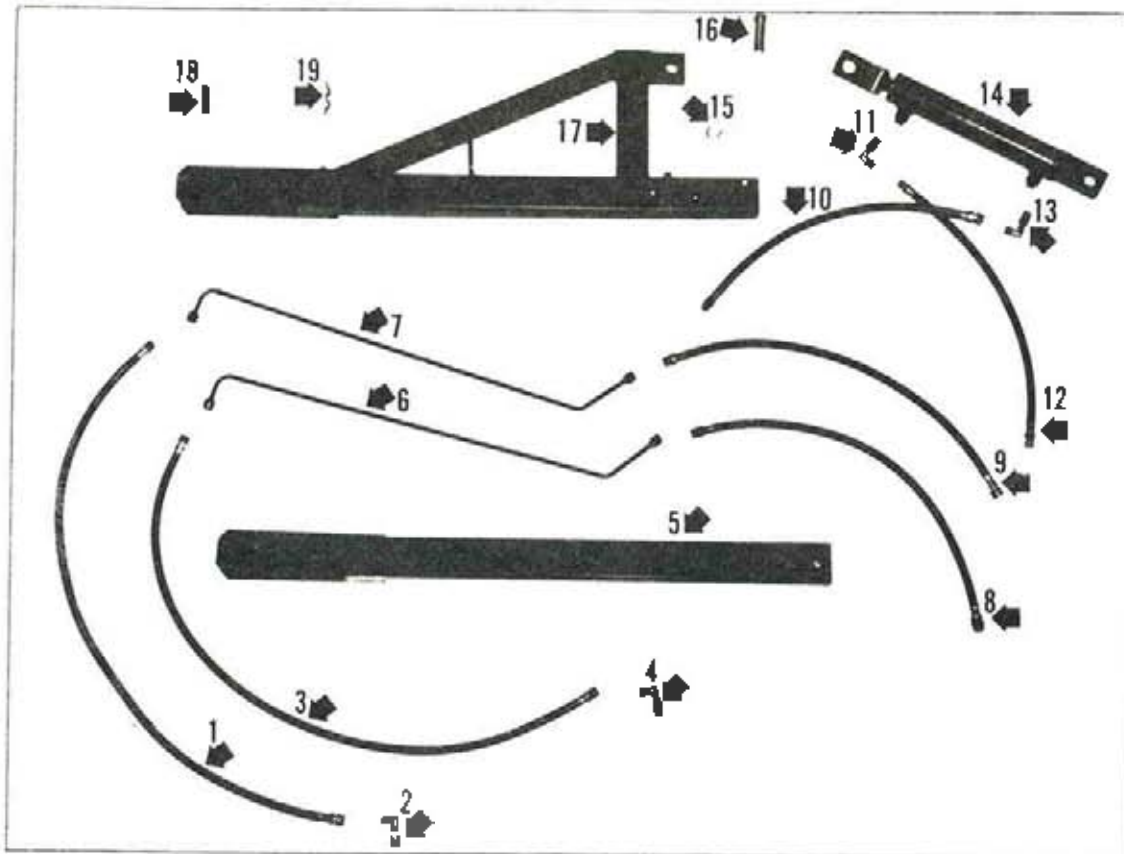
Hydraulic Pump Group, Secondary

Ref. Part	Name	Req.	Ref. Part	Name	Req.
1 61-1020P01	Hydraulic transmission pump	1	9 61-1127P01	Male connector w/o-ring for 3/4" tube	1
2 60-5303P01	Filter, hyd. oil	2	10	Hyd. pump	1
3 60-5308K01	By-pass assembly	1	11 61-1123P01	Male elbow w/o-ring for 1/2" tube	2
4 60-5307K01	Oil suction manifold	1	12 61-1030P01	Oil return manifold	1
5 61-1137P01	Hyd. hose, tank to pump, 28" long	1	13 61-1136P01	Hyd. hose, pump to flow divider, 12"	1
6 61-1138P01	Hyd. hose, tank to pump, 33" long	1	14	Hyd. hose to manifold, 45" long	2
7 31-9356P01	Hyd. pump gasket	1			
8 70-4400P01	Support clamp, hyd. hose	1			



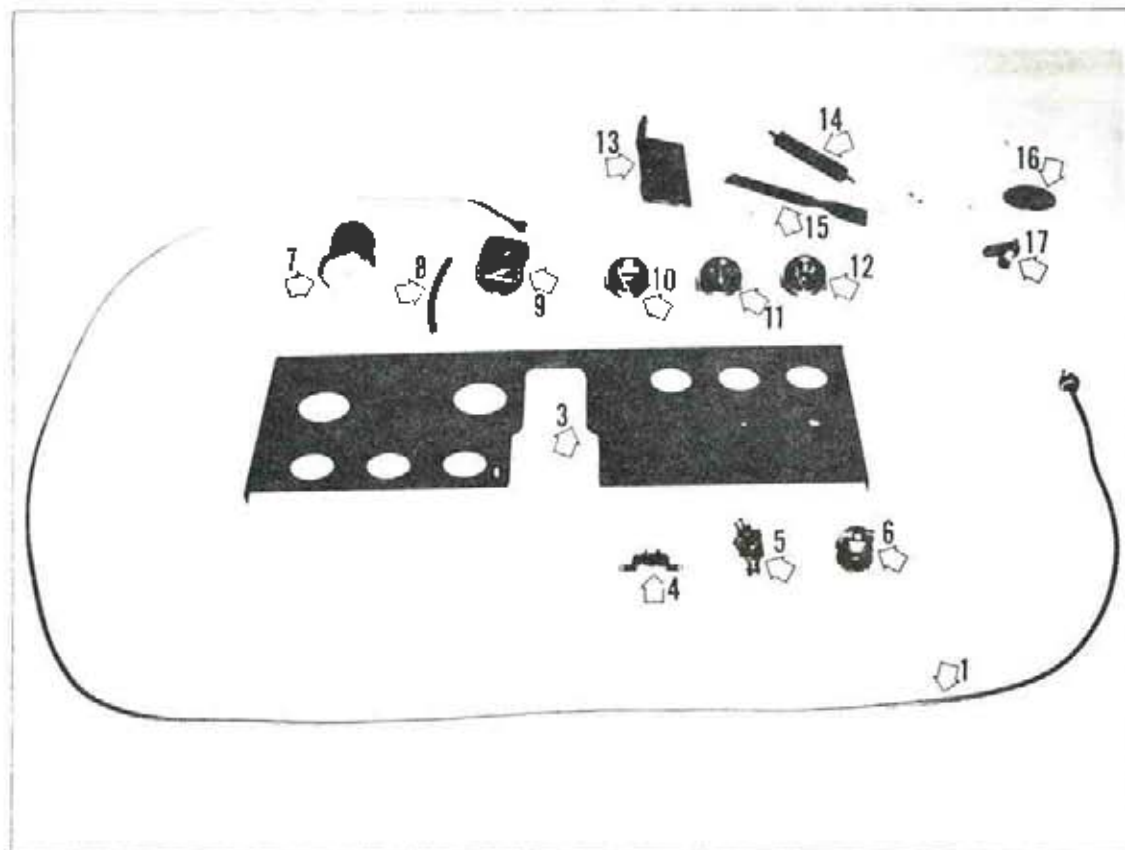
Hydraulic Boom Control

Ref. Part	Name	Req.	Ref. Part	Name	Req.
1 61-1110P01	Hydraulic tube, left boom lift, rear No. 2 valve	1	9 61-0015M01	Clamp, hydraulic tube $\frac{3}{8}$ "	4
2 61-1109P01	Hydraulic tube, left boom lift, front No. 2 valve	1	10 61-1125P01	Fitting, tube to valve	8
3 61-1112P01	Hydraulic tube, HBPC, right, rear No. 3 valve	1	11 61-1120P01	Fitting, valve plug	1
4 61-1111P01	Hydraulic tube, HBPC, right, front No. 3 valve	1	12 61-1025P01	Cresen 4-spool valve	1
5 61-1116P01	Hydraulic tube, IIBPC, left, rear No. 4 valve	1	13 61-1102P01	Tube, pump to divider	1
6 61-1115P01	Hydraulic tube, HBPC, left, front No. 4 valve	1	14 61-1128P01	Elbow, hydraulic valve	1
7 61-1113P01	Hydraulic tube, right boom lift, front No. 5 valve	1	15 61-1144P01	Hose	1
8 61-1114P01	Hydraulic tube, right boom lift, rear No. 5 valve	1	16 61-0020M01	Clamp	5
			17 61-1145P01	Elbow, flow divider	2
			18 61-1131P01	Hose	1
			19 60-2156K01	Hose, divider to tank	1
			20 61-1122P01	Fitting, elbow	1
			21 60-7500P01	Flow divider	1
			22	Same as No. 17	
			NS 61-1159P01	Plug, detent valve	2



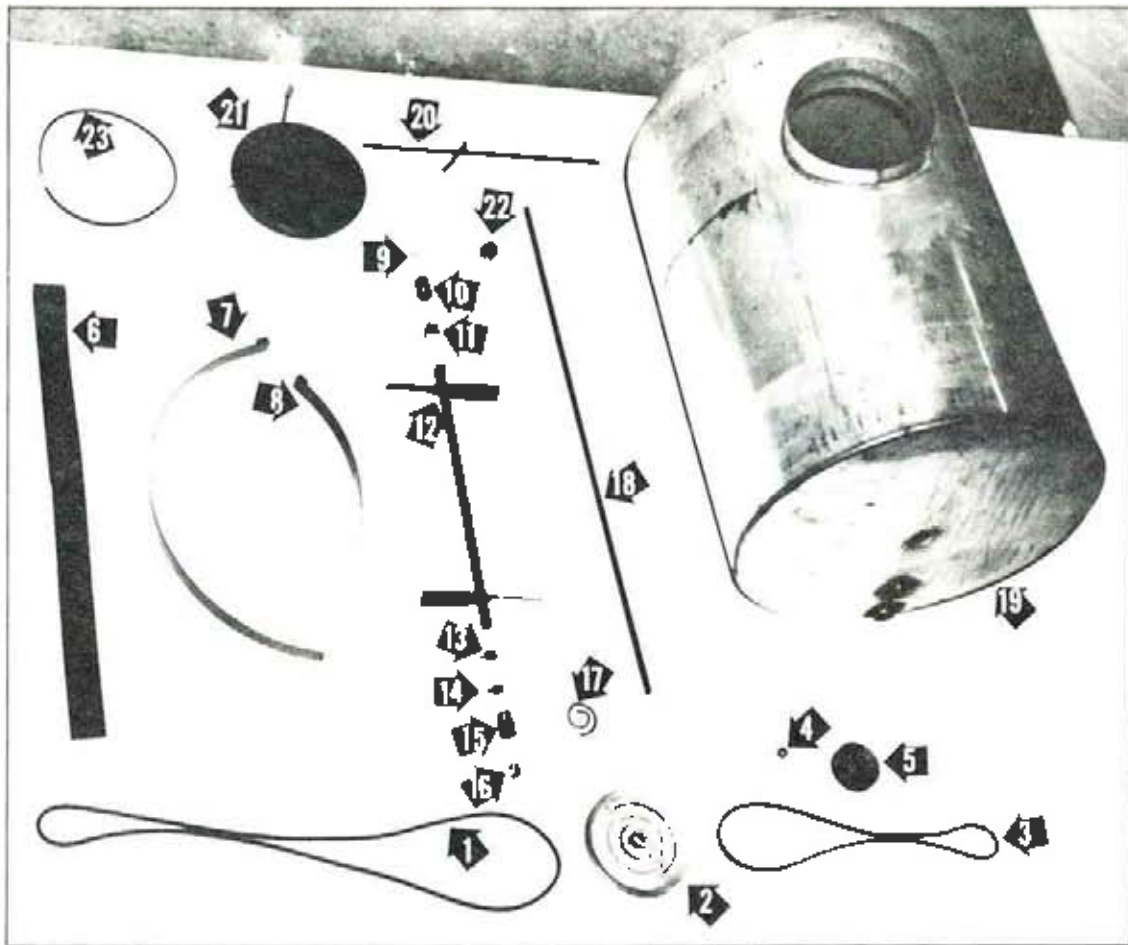
Parallel Arm Group

Ref. Part	Name	Req.	Ref. Part	Name	Req.		
1	61-1132P01	Hose to HBPC	4	11	61-1122P01	Elbow w/1/2" to 1/4" reducer	2
2	60-3500M01	1/2" to 3/8" reducer w/restrictor w/3/8" to 1/4" reducer	2	12		Same as No. 8	
3		Same as No. 1		13	61-1099P01	Elbow w/restrictor w/1/2" to 1/4" reducer	2
4		1/2" to 1/4" reducer w/o restrictor	2	14	60-1013P01	Hydraulic cylinder 2"	2
5	16-0038K01	Lower parallel arm	2	15	61-1016P01	Lock pin	4
6	61-1108P01	Hydraulic tube to HBPC	4	16	61-1011P01	Cylinder pin	4
7		Same as No. 6		17	16-0037K01	Upper parallel arm, right	1
8	61-1133P01	Hose to HBPC tube	8	NS	16-0036K01	Upper parallel arm, left	1
9		Same as No. 8		18	21-3108M01	Bushing, boom carrier arm	4
10		Same as No. 8		19	61-0015M01	Hydraulic clamp 1/2"	3



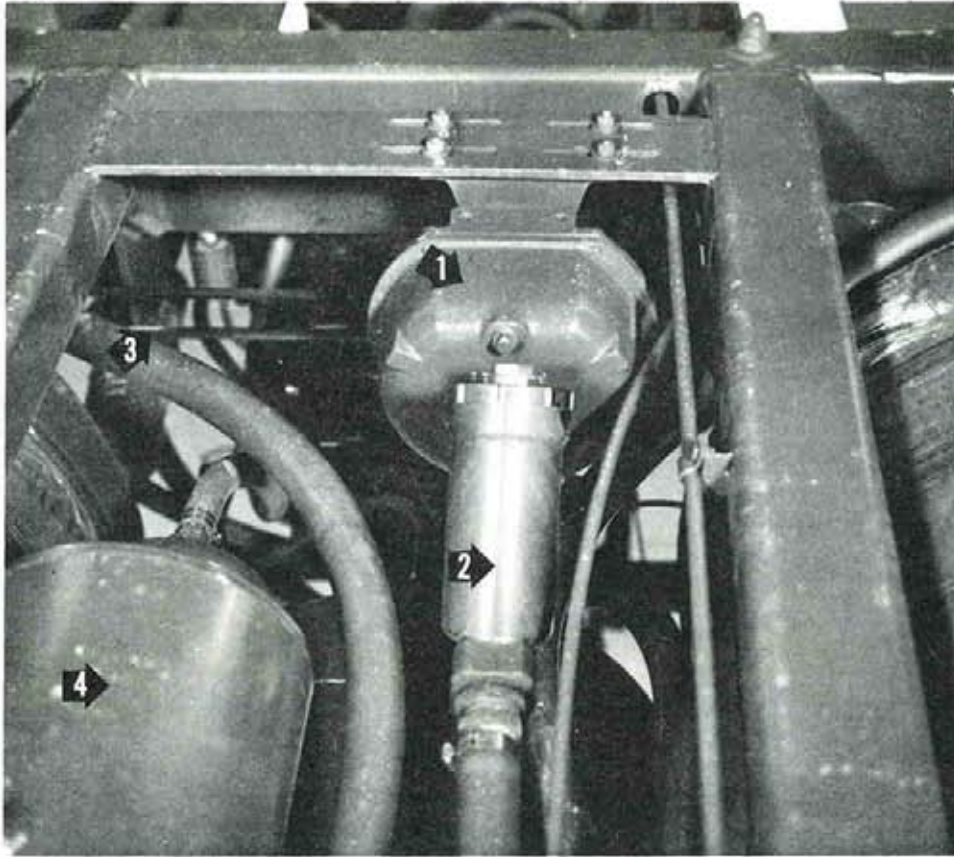
Dash Panel Group

Ref. Part	Name	Req.	Ref. Part	Name	Req.
1	67-3020P01	Speedometer cable, 72"	1		
3	65-0101M01	Dash panel	12	32-1000P01	Gauge, oil pressure
4	29-5001P01	Voltage control	13	67-2001P01	Bracket, speedometer travel wheel
5	29-0045P01	Switch, light	14	48-2010P01	Spring, speedometer bracket
6	32-1020P01	Switch, ignition	15	67-2002M01	Arm, travel wheel
7	70-1303P01	Pressure gauge w/damper	16	67-2010P01	Travel wheel, speedometer
8	67-1001M01	Rubber mounting for speedometer	17	67-2000P01	Drive, speedometer
9	67-1000P01	Speedometer	NS	31-1008P01	2 switches: (1) engages electromagnetic clutch (2) engages agitation
10	32-1005P01	Gauge, temperature			
11	29-0026P01	Gauge, ammeter	NS	69-6108P01	Control valves



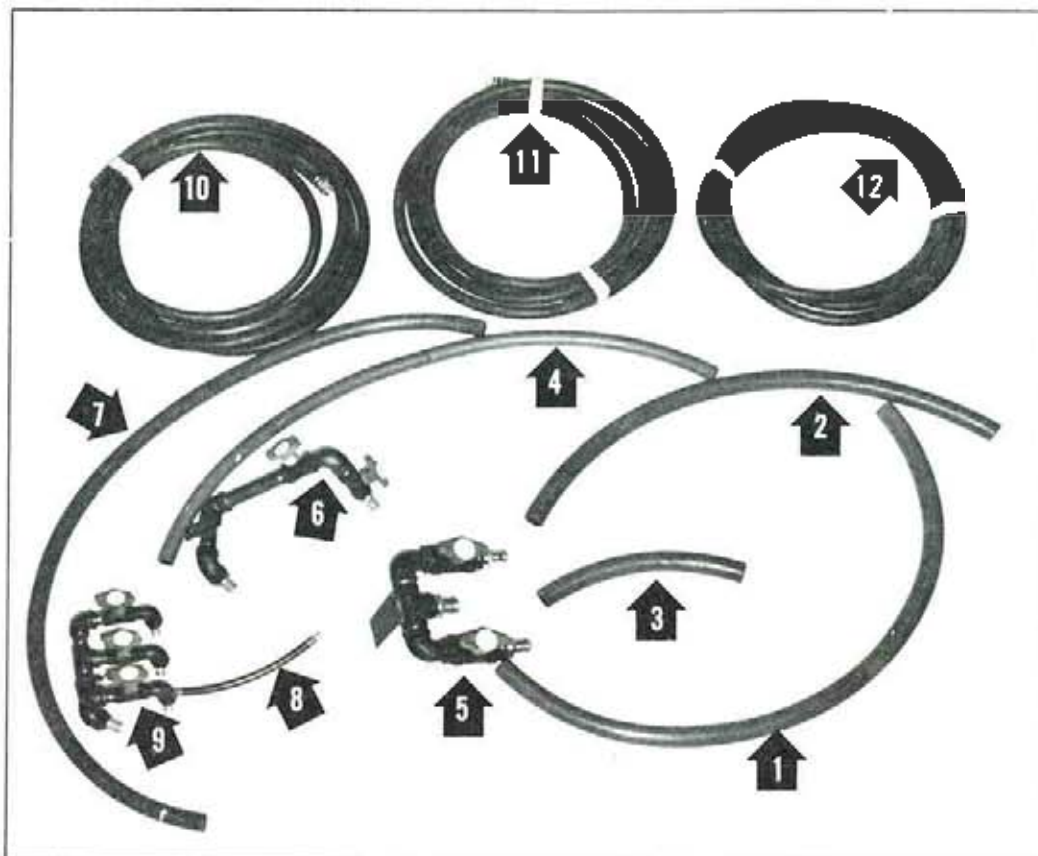
Tank Group

Ref. Part	Name	Req.	Ref. Part	Name	Req.	
1	14-7094P01	Agitator belt	1			
2	14-0535P01	Pulley, agitator	2			
3	15-1002P01	Agitator drive belt	1			
4	21-1002M01	Spacer	1			
5	14-6010P01	Pulley, idler	1			
6	76-1201P01	Tank pad	4			
7	76-3401K01	Tank strap, long	4			
8	76-3403K01	Tank strap, short	4			
9	50-3821P01	Pipe plug	1			
10	70-6300K01	Bearing, agitator blind end	1			
11	70-6200K01	Drive collar, impeller	2			
12	70-6051K01	Impeller	2			
13	47-6012K01	Set collar 3/4"	4			
			14	Same as No. 13		
			15	70-6400K01	Bearing, agitator pulley end	2
			16	70-6475P01	Gland nut	2
			17	47-9000M01	Gland packing	4
			18	70-6050P01	Agitator shaft	2
			19	76-3400K01	210 gallon tank	2
			20	70-5002M01	Sight gauge hose	2
			21	76-3050K01	Tank lid	2
			22	50-7400P01	Pipe plug, 1 1/2"	2
			23	76-3051P01	Tank lid gasket	2
			NS	14-6011P01	Idler pulley tire	1
			NS	14-1535P01	Agitator driven pulley—10"	1



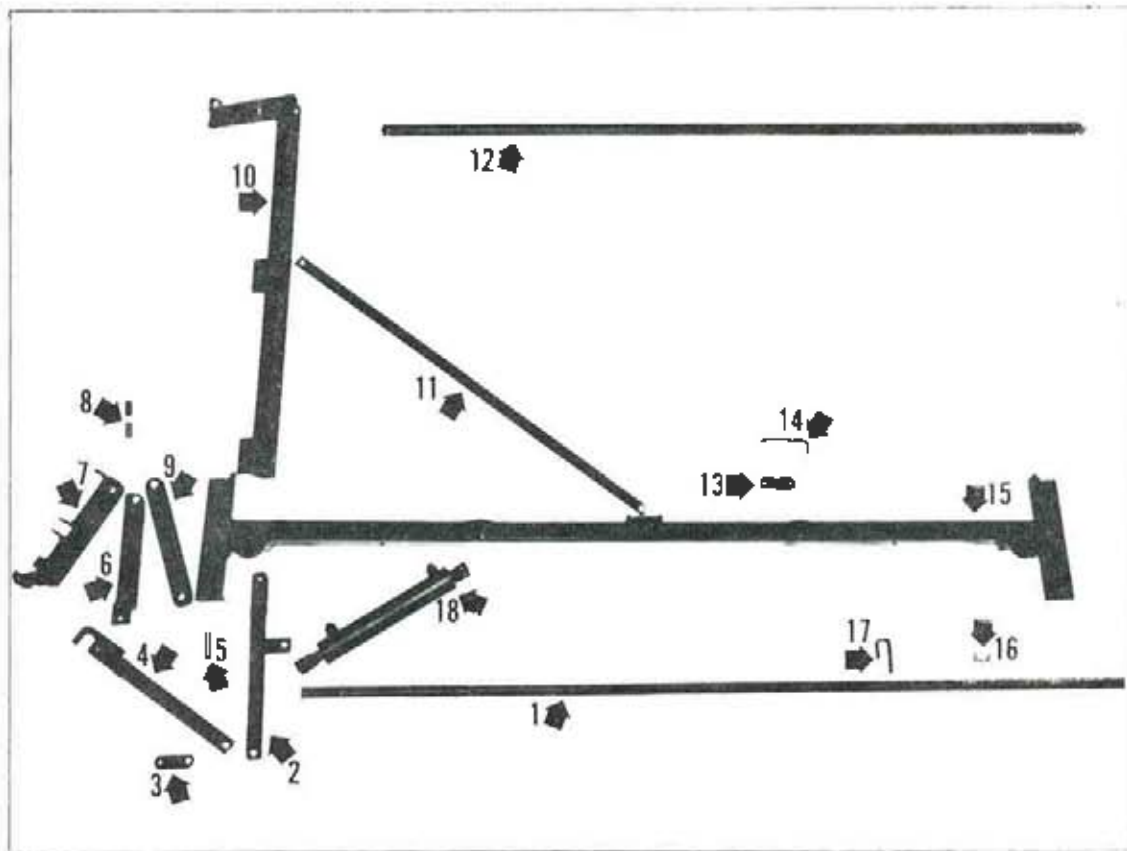
Solutions Pump

Ref. Part	Name	Req.
1 69-1296P01	Crown pump	1
2 69-4003P01	Line strainer	1
3 14-7033P01	Drive belt—solutions pump	1
4 44-0351K01	Oil reservoir	1



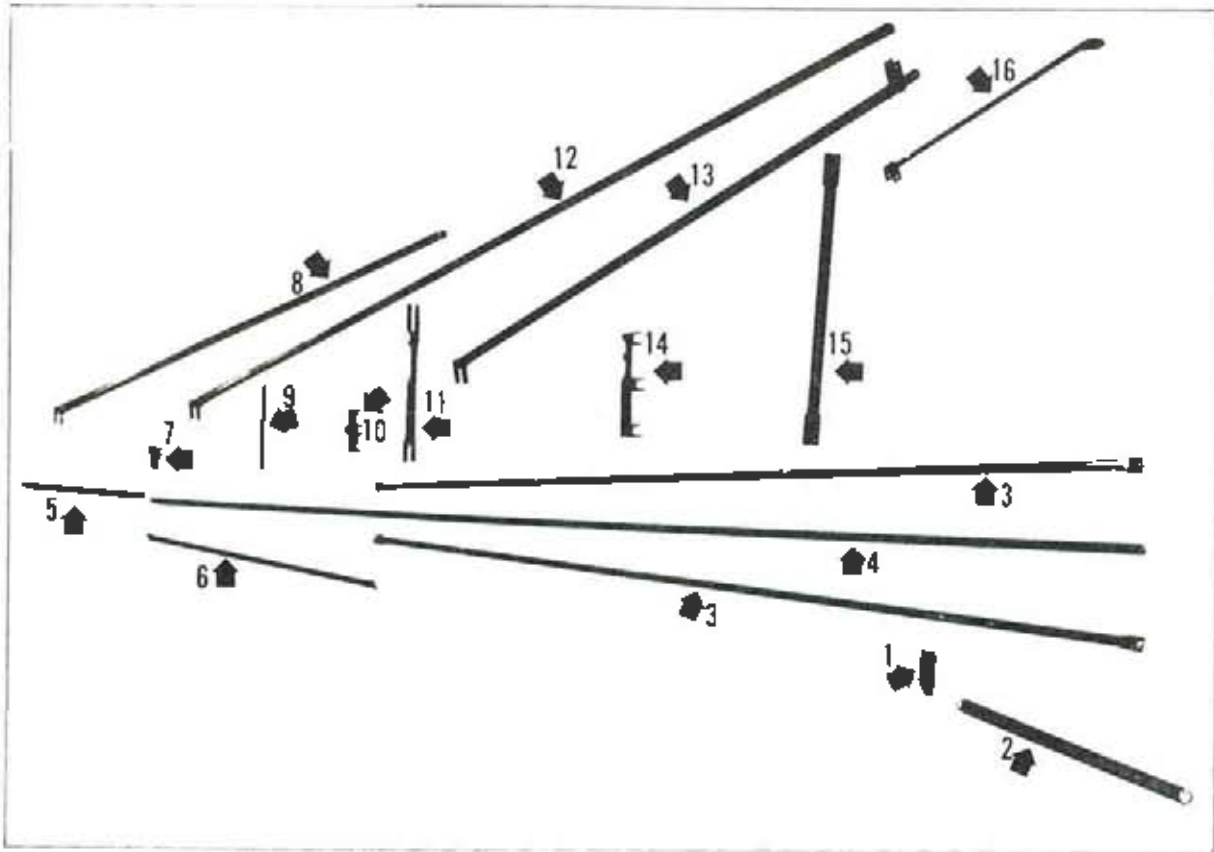
Sprayer Hose Group

Ref. Part	Name	Req.
1 44-0232M01	Hose: Left tank to shut-off valve, 58" long	
2 44-0501M01	Hose: Right tank to shut-off valve, 48" long	1
3 44-0502M01	Suction hose, 17 1/2"	1
4 44-0504M01	Pressure hose: Pump to control valve, 55"	1
5 44-0493K01	Tank selector valve manifold, 1 1/2"	1
6 44-0249K02	Solutions control valve, 1"	1
7 44-0240M01	Hose: Control valve to boom selector manifold, 75"	1
8 69-5031K01	Hose: Boom selector manifold to pressure gauge	1
9 44-0246K01	Boom selector valve, 3/4"	1
10 44-0261K01	Right outer boom feeder hose, 300"	1
11 44-0257K01	Center boom feeder hose, 288"	1
12 40-0261K01	Left outer boom feeder hose, 300"	1



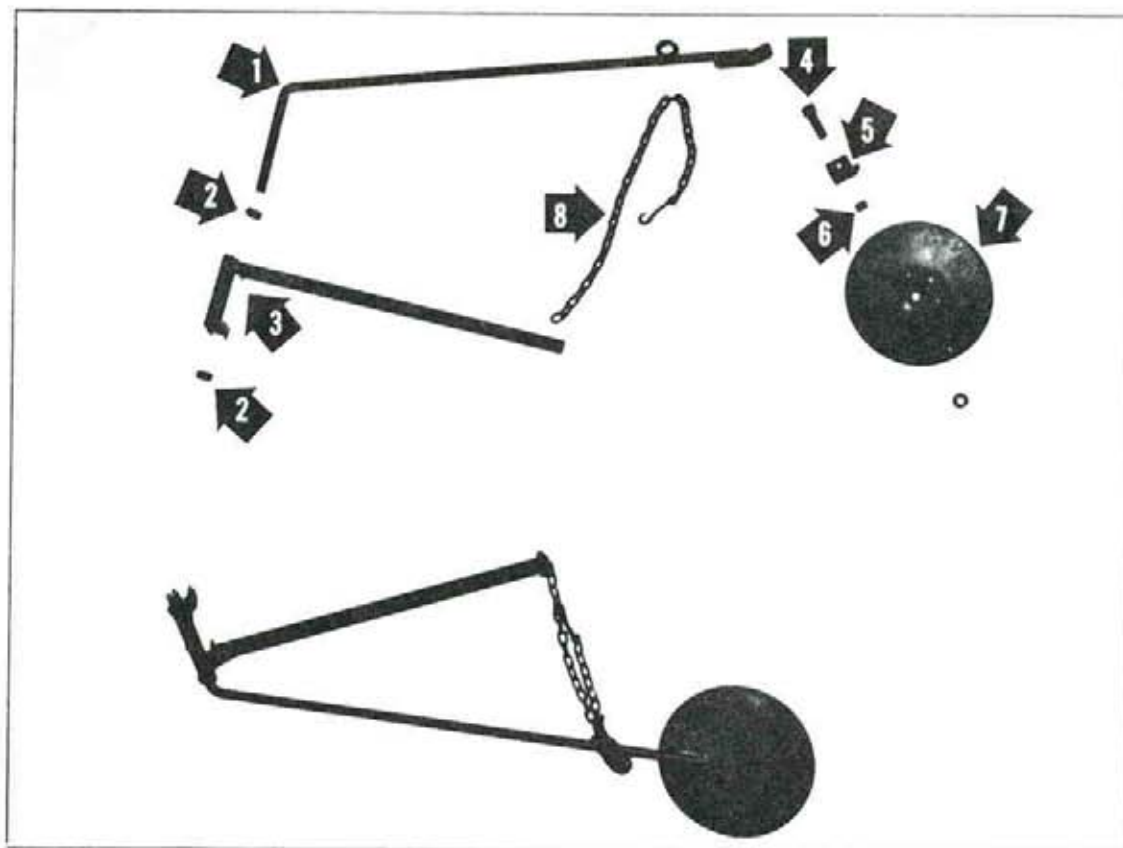
Tool Bar Group

Ref. Part	Name	Req.	Ref. Part	Name	Req.		
1	16-1013M01	Center boom	1	8	20-0905M01	Bushing	2
NS	16-0130M01	Boom position control pivot bar, l.h.	1	9	16-0120M01	Boom hinge bar	2
2	16-0131M01	Boom position control pivot bar, r.h.	1	10	16-0035K01	Boom carrier support arm, r.h.	1
3	16-0058M01	Spring bracket, short	2	NS	16-0036K01	Boom carrier support arm, l.h.	1
NS	16-0140M01	Boom position control bar, l.h.	1	11	16-0051M01	Boom tie bar	2
4	16-0141M01	Boom position control bar, r.h.	1	12	16-0046K01	Tool bar angle	1
5	16-0125M01	Boom hinge bar pin	2	13	16-0060M01	Spring bracket keeper	2
NS	16-0150M01	Hyd. push bar, l.h.	1	14	16-0059M01	Spring bracket, long	2
6	16-0151M01	Hyd. push bar, r.h.	1	15	16-0057K01	Boom tool bar	1
NS	16-0110M01	Boom hinge, l.h.	1	16	16-1012M01	Center boom spacer	2
7	16-0111M01	Boom hinge, r.h.	1	17	73-7859P01	Bracket nozzle	15
				18	60-1012P01	Hyd. cylinder, boom position control	2
				NS	69-9001F01	Roll pin	4
				NS	61-1099P01	Elbow restrictor	2



Outer Boom Group

Ref. Part	Name	Req.	Ref. Part	Name	Req.
1	16-0080P01	4	9	16-1137K01	4
2	48-2035P01	4	10	16-1150K01	2
3	16-1136K01	4	11	16-1166K01	2
4	16-1100K01	2	12	16-1125K01	2
5	16-1110K01	2	13	16-1135K01	2
6	16-1139K01	2	14	16-1145K01	2
7	16-1141K01	1	15	16-1156K01	2
NS	16-1138K01	1	16	16-0095M01	2
8	16-1130K01	2			



Disc Marker Group

Ref. Part	Name	Req.
1 16-9058M01	Disc marker frame, right	1
NS 16-9062K01	Disc marker frame, left	1
2 47-6012K01	Set collar, $\frac{3}{4}$ "	4
3 16-9057M01	Disc marker frame mounting bracket, right	1
NS 16-9063K01	Disc marker frame mounting bracket, left	1
4 59-1012P01	Bolt and nut	2
5 16-9060M01	Disc mounting bracket	2
6 16-9059M01	Disc spacer	2
7 16-9056P01	Disc	2
8 16-9061M01	Chain, disc marker	2

0

0

440 Parts Book Supplement to start with machine SN 010127001

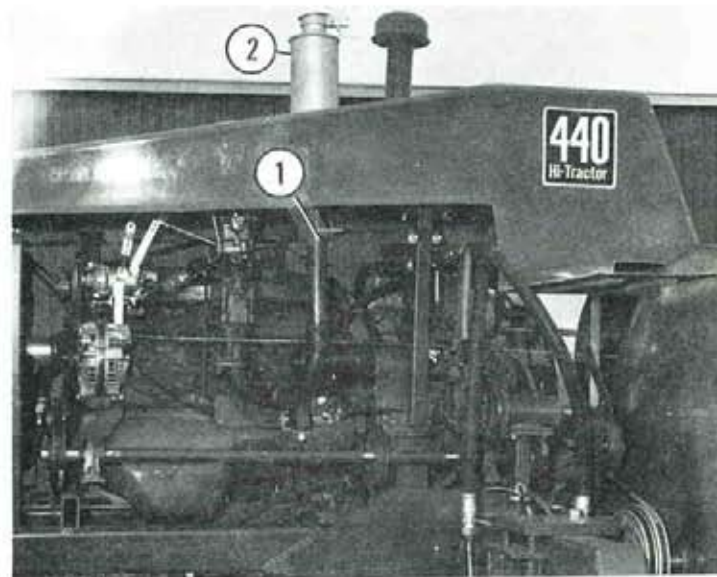


Photo 5

Ref No.	Part No.	Name	Req.
1	440333K02	Exhaust Pipe	1
2	319287P01	Muffler	1
NS	319255P01	Air Filter Element	1

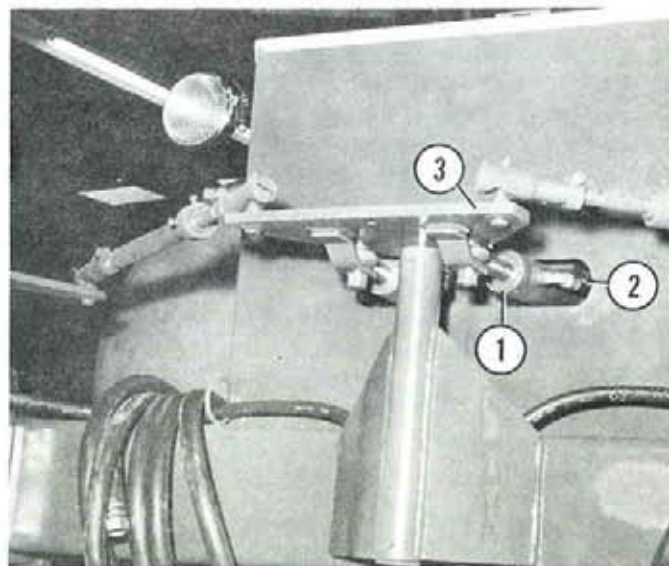


Photo 6

1	620156R01	Steering Cylinder	2
2	440653K01	Hydraulic Hose (cross feed)	1
3	440537K03	Steering Triangle & Shaft	1
NS	611146K01	Hydraulic Hose (P.S. control to cylinder)	1

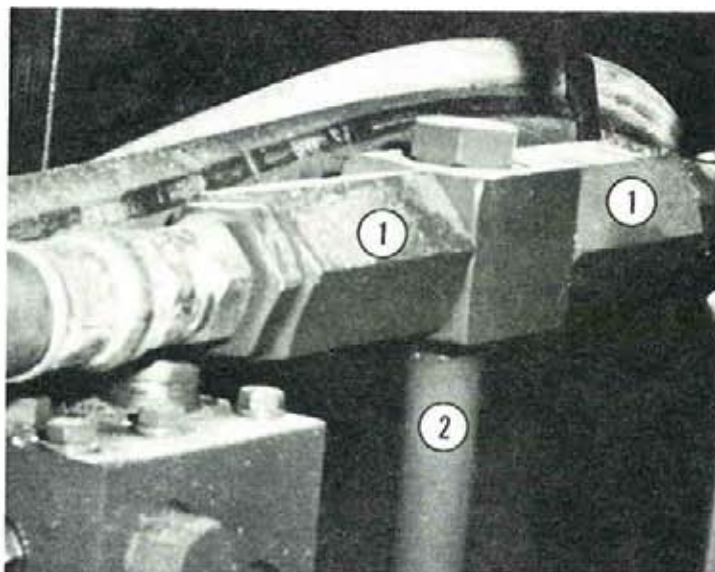


Photo 3

Ref. No.	Part No.	Name	Req.
1	611992P01	Flow Control	2
2	611998K01	Tube w/mounting block	2
NS	618210P01	Motor (Cessna)	2

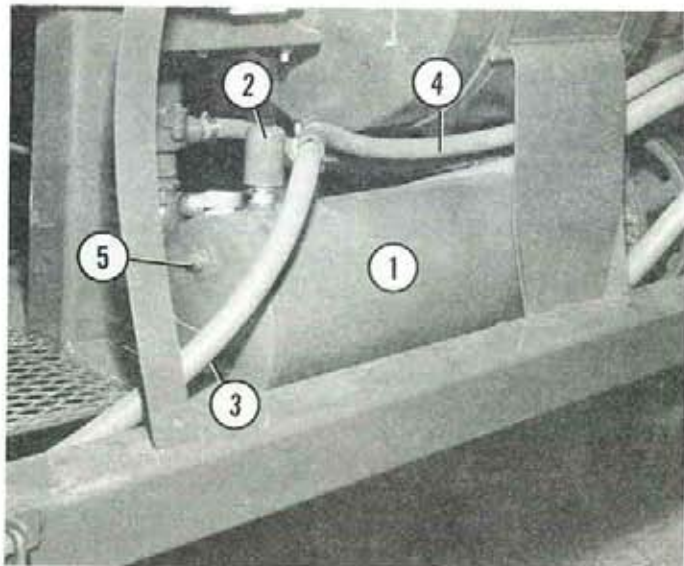


Photo 4

1	440351K01	Oil reservoir	1
2	611051P01	5 PSI Release valve	1
3	952120660	Oil return hose (secondary system)	1
4	952121080	Oil return hose (cooler to reservoir)	1
5		Oil level check plug	1
NS	952120480	Hose return manifold to cooler	1

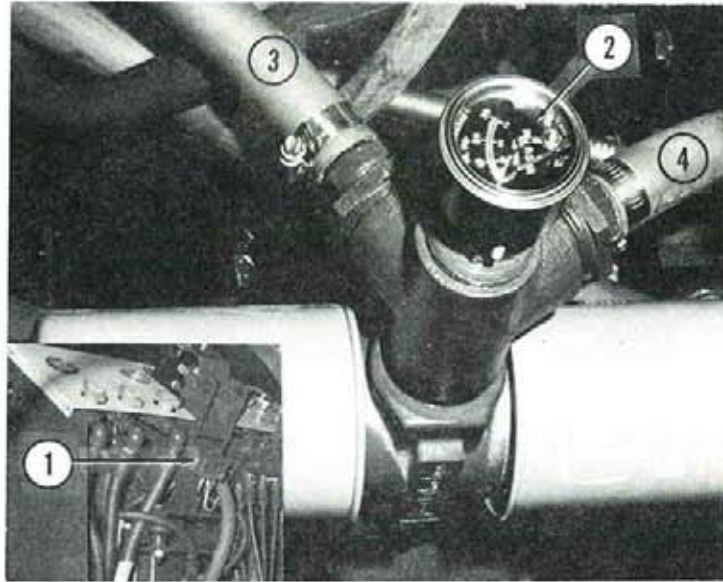


Photo 1

Ref No.	Part No.	Name	Req.
1	298041P01	Magnetic Switch	1
2	298042P01	Switch Gauge	1
3	952120140	Suction Hose (hydrostatic)	1
4	952120330	Suction Hose (secondary)	1

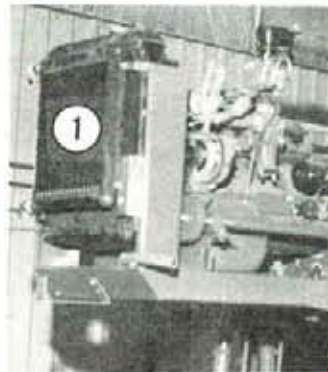


Photo 2

1	618088P01	Heat Exchanger	1
NS	440666K01	Oil Return Manifold	1





PARTS BOOK



MODEL 440 HI-TRACTOR SPRAYER

HAGIE MANUFACTURING COMPANY

CLARION, IOWA 50525

515-532-2861