

PARTS MANUAL
FOR
HAGIE MODEL 284 HI-TRACTOR
DETAASSELLER OPTION

HAGIE MANUFACTURING COMPANY

BOX 273 CLARION, IOWA 50525 (515) 532-2861

COVERS MACHINE SERIAL NUMBERS: 083779001 thru 083779200

08-96 493170
02-08

SPRAYER IDENTIFICATION

Each Hagie sprayer is identified by means of a frame serial number. This serial number denotes the model, the year in which it was built, and the number of the sprayer. As for further identification, the engine has a serial number and the planetary hubs have identification plates that describe the type of mount and gear ratio. To insure prompt, efficient service when ordering parts or requesting service repairs from Hagie Manufacturing Company, record the serial and identification numbers in the space provided below.

NOTE: Reference to left hand and right hand used throughout this manual refers to the position when seated in the operator's seat facing forward.

SPRAYER SERIAL NUMBER

ENGINE SERIAL NUMBER

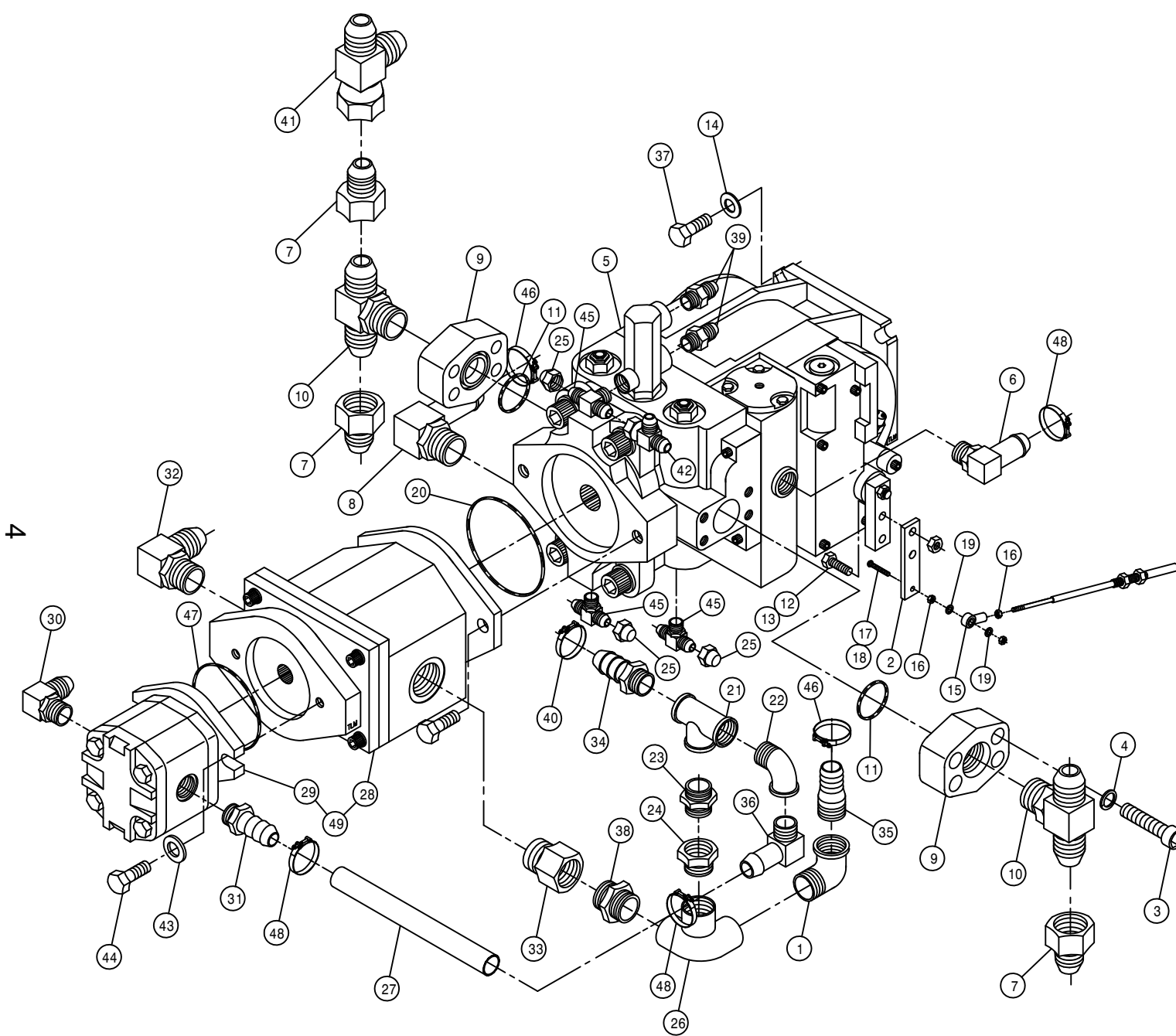
PLANETARY HUB IDENTIFICATION NUMBERS

TABLE OF CONTENTS

HYDRAULIC PUMP ASSEMBLY	4
FLOW DIVIDER AND VFC VALVE	5
HYDRAULIC TANK	6
FILTER ASSEMBLY	7
OUTRIGGER ASSEMBLY	8-9
CUTTER HEAD ASSEMBLY	10
QUAD HEAD ASSEMBLY	11
LIFT CYLINDER ASSEMBLY	12
LS CONTROL ASSEMBLY	13-15
MOTOR CONTROL VALVE ASSEMBLY	16-17
ELECTRIC VALVE ASSEMBLY	18-20
TRACTION VALVE	21
DEPTH COMMAND	22-23
HYDRAULIC SCHEMATIC	24-41
ELECTRIC SCHEMATIC	42-56
ABBREVIATIONS	57
INDEX	58

SUNDSTRAND PUMP ASSEMBLY

DET. QTY PART NO. DESCRIPTION



DET.	QTY	PART NO.	DESCRIPTION
1	1	506410	BLK PIPE ST EL 90DEG 1.25NPT
2	1	316160	PUMP CONT LEVER EXT 280 CUMM
3	8	470188	7/16-14 X 1 1/2 SKTHD CAP SCR
4	8	470189	7/16 HC LOCK WASH FOR 618598
5	1	606902	SUND 100CC PUMP,B-MT W/FILT
6	1	618118	3/4 HOSE BARB-90-1 1/16MOR
7	3	618541	1 5/16FJIC-1 1/16MJIC ADPTR
8	1	618626	1 1/4 HOSE BARB-45-1 5/8MOR
9	2	618598	1" 4-BOLT FLG X 1 5/16 FOR
10	2	618599	1 5/16MOR BRANCH TEE-1 5/16MJ
11	2	870219	BUNA ORING 1 5/16 X 1 9/16
12	2	900003	1/4UNC X 1" HEX BOLT
13	2	914000	1/4UNC HEX STOVER NUT
14	4	920004	1/2 SAE FLAT WASHER
15	1	473921	BALL JOINT NO 10-32 THD
16	2	910027	10-32 HEX NUT
17	1	903893	10-32 X 1" SLT RD HD MACH SCR
18	1	914027	10-32 HEX STOVER NUT
19	2	920510	#10 LOCK WASHER
20	1	606870	O-RING FOR 606865 SUND B-MT
21	1	505101	BLK PIPE TEE 1.00NPT
22	1	505200	BLK PIPE ST EL 90DEG 1.00NPT
23	1	505105	1MNPT HEX PIPE NIPPLE STL
24	1	506005	1 1/4 TO 1 RED BUSH BLK MAL
25	3	618531	9/16FJIC CAP NUT
26	1	506701	SIDE OUTLET EL 90DEG 1.25NPT
27	1	601383	HOSE, 3/4 X 8 1FBR-1SPI
28	1	606894	SUND GEAR PUMP 3.40CI SPLINED
29	1	606891	SUND GEAR PMP .52CI SPLINED
30	1	611128	7/8MJIC-90-7/8MOR LBO
31	1	618075	3/4 HOSE BARB-1 1/16MOR
32	1	618178	1 5/16MJIC-90-1 5/16MOR LBO
33	1	618596	1 5/8MOR-1 1/4FNPT ADPTR
34	1	714560	1NPT X 1 HOSE BARB
35	1	715660	HOSE BARB 1 1/4NPT X 1 1/4
36	1	716000	3/4 HOSE BARB-90-1MNPT
37	4	900265	1/2UNC X 1 1/2 HEX BOLT
38	1	507026	1 1/4MNPT HEX PIPE NIPPLE STL
39	2	618327	3/4MJIC-7/8MOR ADPTR
40	1	520138	1.00 T-BOLT HOSE CLAMP
41	1	618487	1 1/16FJ SW RUN TEE-1 1/16MJ
42	1	618486	9/16FJIC SW RUN TEE-9/16MJIC
43	2	920002	3/8 SAE FLAT WASHER
44	2	900130	3/8UNC X 1 1/4 HEX BOLT
45	3	618629	9/16MOR BRANCH TEE-9/16MJIC
46	2	520132	1.62/1.87 T-BOLT HOSE CLAMP
47	1	606924	O-RING FOR SUND A-MT
48	3	520137	.75 T-BOLT HOSE CLAMP
49	1	606942	TANDEM PUMP, 606891 & 606894

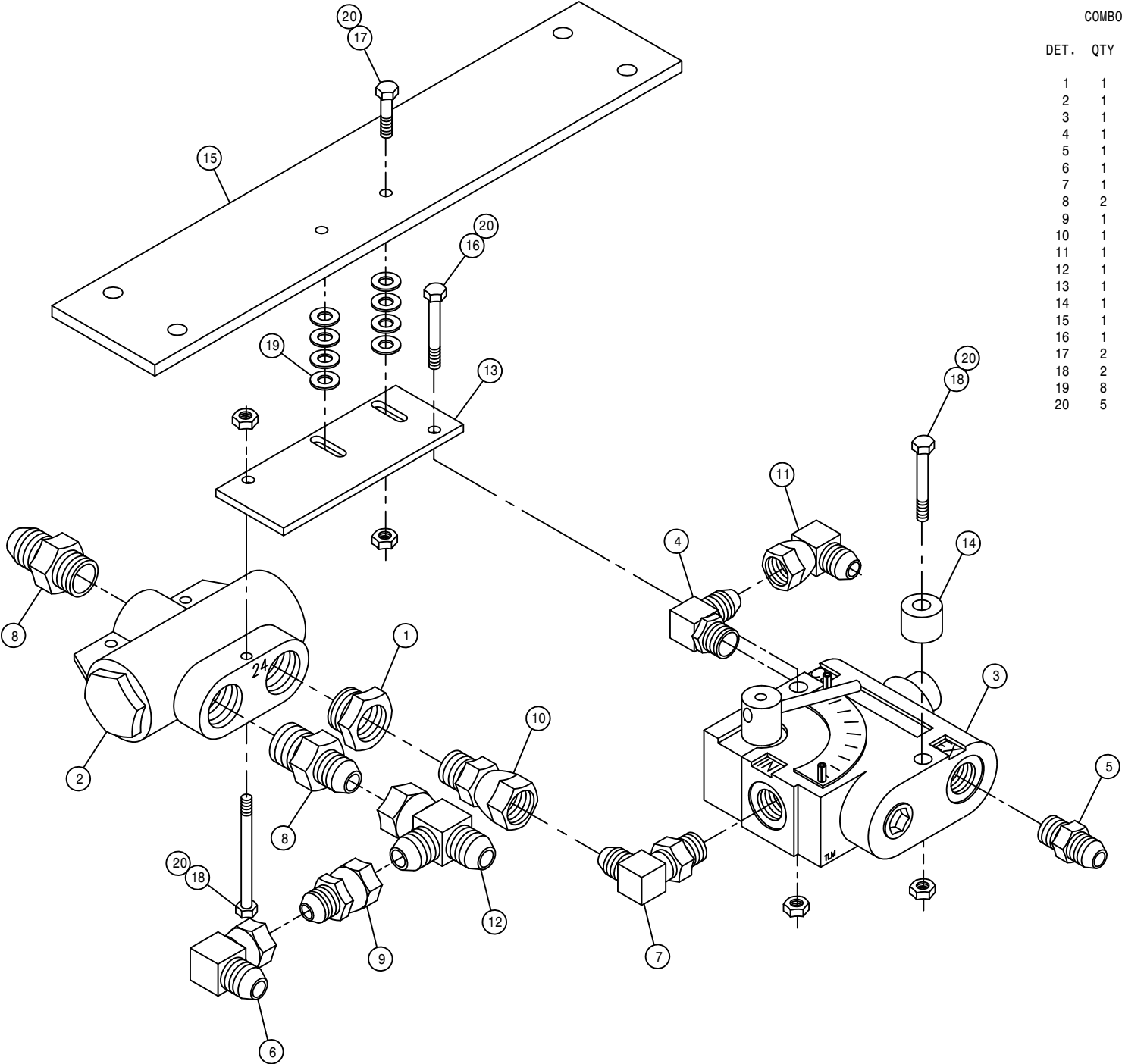
4

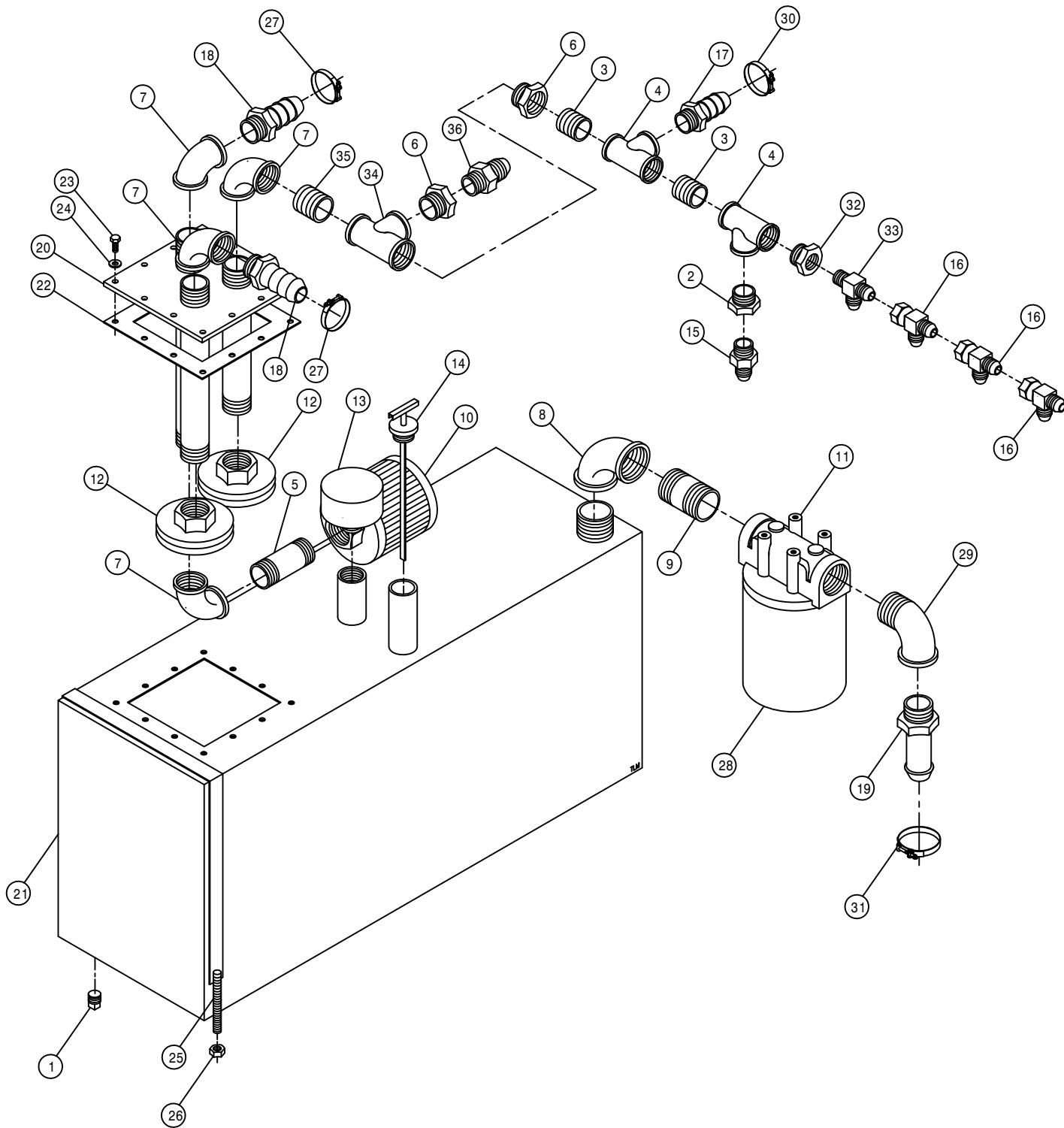
170004

COMBO FLOW DIVIDER AND VFC ASSEMBLY

DET. QTY PART NO. DESCRIPTION

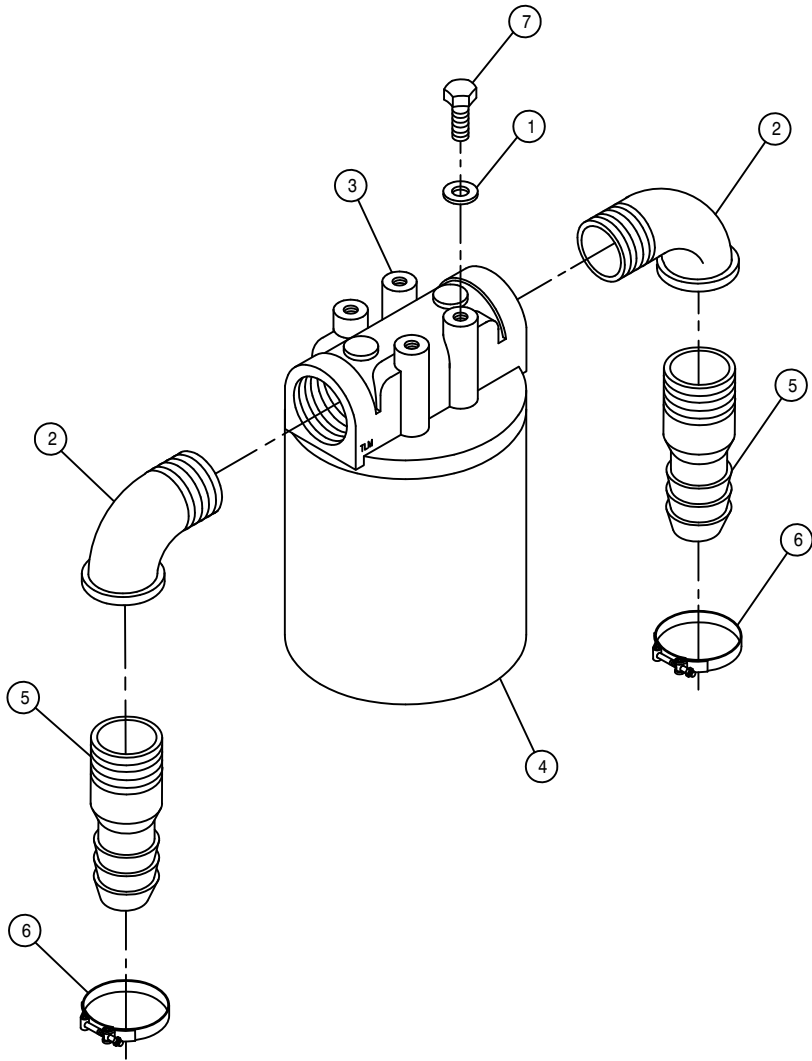
1	1	505213	RED BUSH 1 X 3/4 BLK MAL	
2	1	606836	FLO DIV BG424 24GPM PRI 1NPT	
3	1	607510	FLO CONT FCR51 0-30VARI 7/8OR	
4	1	618183	3/4MJIC-90-7/8MOR LBO	
5	1	618189	1 1/16MJIC-7/8MOR ADPTR	
6	1	618191	1 1/16MJ-90-1 1/16FJ SWIV LBO	
7	1	618279	1 1/16MJIC-90-7/8MOR LBO	
8	2	618322	1 5/16MJIC-1MNPT ADPTR	
9	1	618541	1 5/16FJIC-1 1/16MJIC ADPTR	
10	1	618579	1 1/16FJIC SWIV-3/4MNPT	
11	1	618609	3/4MJIC-90-3/4FJIC SWIV LBO	
12	1	618619	1 5/16FJ SW RUN TEE-15/16MJ	
13	1	438452	VFC/BG424 MTG BRKT 280 COMBO	
14	1	438453	VFC STOP, 280 COMBO	92
15	1	341968	TIE PLT 250/280 CUMM	92
16	1	900008	1/4UNC X 2 1/2 HEX BOLT	
17	2	900004	1/4UNC X 1 1/4 HEX BOLT	
18	2	900010	1/4UNC X 3" HEX BOLT	
19	8	920000	1/4 SAE FLAT WASHER	
20	5	914000	1/4UNC HEX STOVER NUT	





COMBO HYDRAULIC TANK ASSEMBLY

DET.	QTY	PART NO.	DESCRIPTION
1	1	501102	1/4 PIPE PLUG
2	1	504210	RED BUSH 3/4 NPT X 1/2 NPT
3	2	504702	CLOSE NIPPLE .75NPT
4	2	504955	BLK PIPE TEE .75NPT
5	1	505203	BLK PIPE NIPPLE 1.00NPT-4.00
6	2	505213	RED BUSH 1 X 3/4 BLK MAL
7	4	505300	BLK PIPE EL 90DEG 1.00NPT
8	1	506303	BLK PIPE EL 90DEG 1.25NPT
9	1	506602	PIPE NIPPLE 1 1/4NPT-2 1/2
10	1	605600	MICHIGAN RESERVOIR FILTER
11	1	605601	GRESEN FILTER 10 MICRON 40GPM
12	2	605603	LINE SUMP DIFFUSER
13	1	611052	FILLER BREATHER 3/4NPT
14	1	614453	DIPSTICK, 8IN
15	1	618018	9/16MJIC-1/2MNPT ADPTR
16	3	618486	9/16FJIC SW RUN TEE-9/16MJIC
17	1	713220	HOSE BARB 3/4 NPT X 3/4
18	2	714560	1NPT X 1 HOSE BARB
19	1	715660	HOSE BARB 1 1/4NPT X 1 1/4
20	1	760090	RECIEVER PLT WLD 8240
21	1	760097	OIL TANK WLD 8240 1982
22	1	763039	HYD MTR MTG PLT GSKT
23	12	900064	5/16UNC X 3/4 HEX BOLT
24	12	920001	5/16 SAE FLAT WASHER
25	2	341360	OIL TANK STRAP WLD 8240 1982
26	4	914004	3/8UNC HEX STOVER NUT
27	2	520138	1.00 T-BOLT HOSE CLAMP
28	1	605602	FILT ELEMENT 10MICRON 40GPM
29	1	506410	BLK PIPE ST EL 90DEG 1.25NPT
30	1	520137	.75 T-BOLT HOSE CLAMP
31	1	520132	1.62/1.87 T-BOLT HOSE CLAMP
32	1	504001	RED BUSH 3/4 X 1/4 BLK MAL
33	1	618520	1/4MNPT RUN TEE-9/16MJIC
34	1	505101	BLK PIPE TEE 1.00NPT
35	1	505201	CLOSE NIPPLE 1.00NPT
36	1	610300	3/4MJIC-3/4MNPT ADPTR

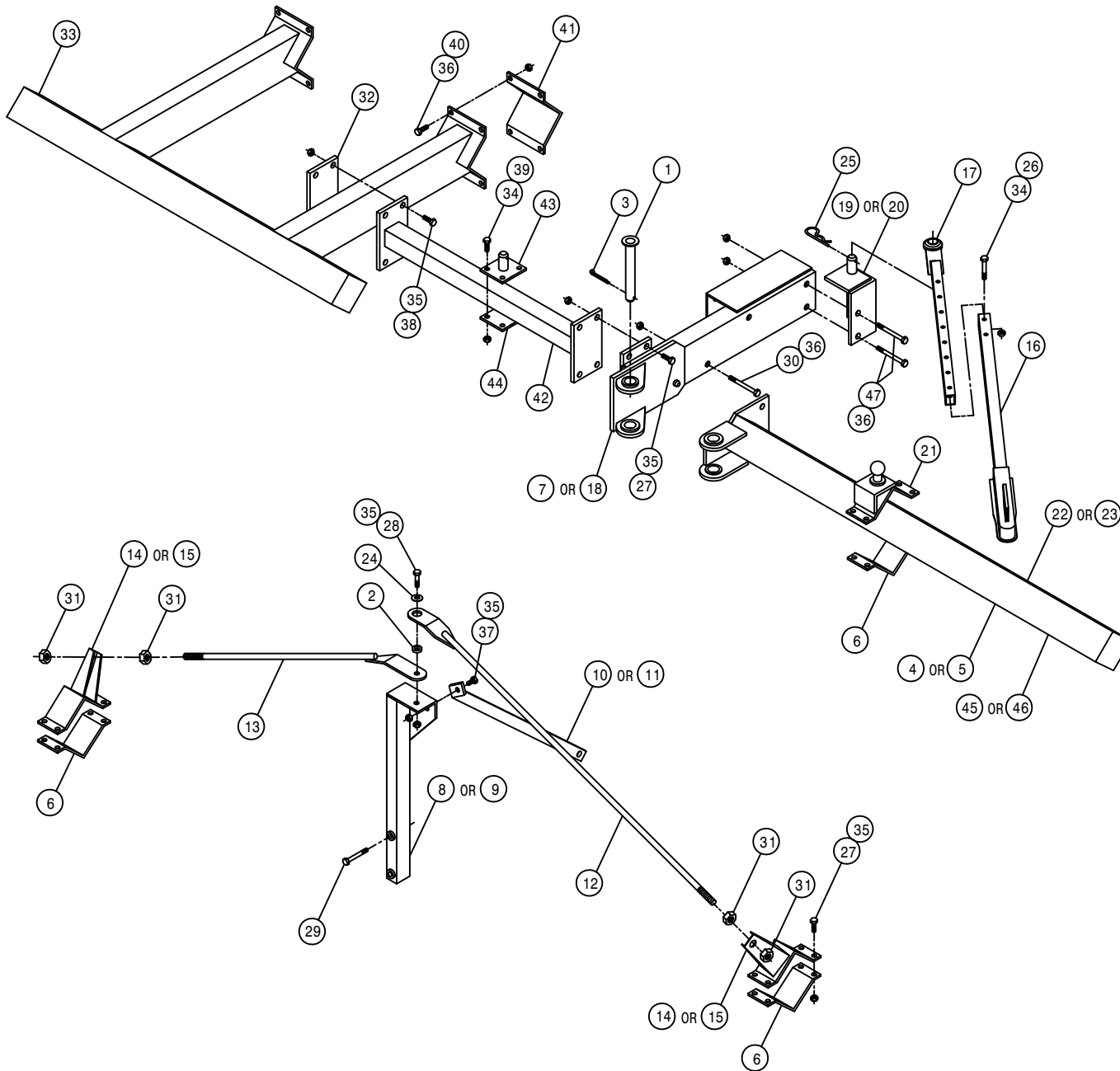


DETASSELER OPTION FILTER ASSEMBLY

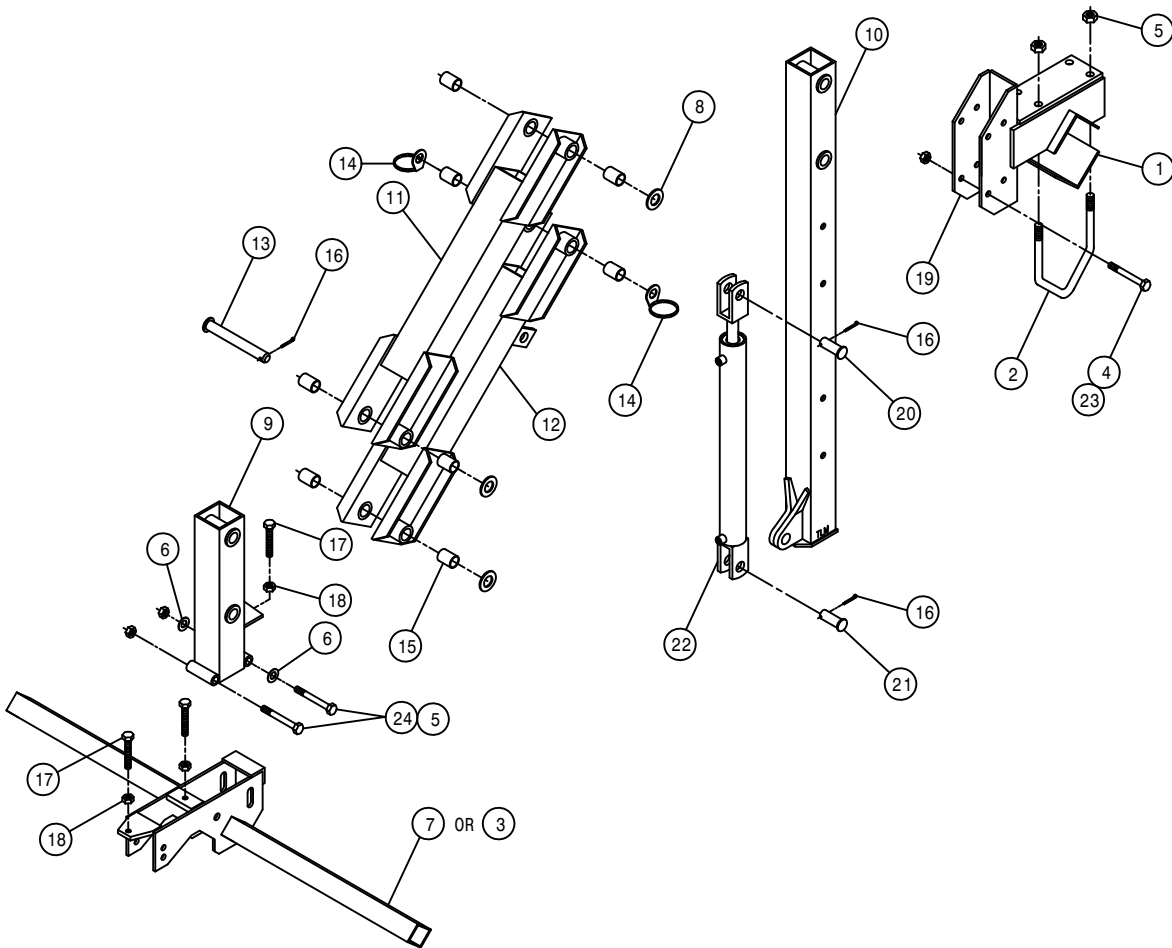
DET. QTY PART NO. DESCRIPTION

1	4	920501	5/16 LOCK WASHER
2	2	506410	BLK PIPE ST EL 90DEG 1.25NPT
3	1	605601	GRESEN FILTER 10 MICRON 40GPM
4	1	605602	FILT ELEMENT 10MICRON 40GPM
5	2	715660	HOSE BARB 1 1/4NPT X 1 1/4
6	2	520132	1.62/1.87 T-BOLT HOSE CLAMP
7	4	900062	5/16UNC X 1/2 HEX BOLT

COMBO OUTRIGGER ASSEMBLY

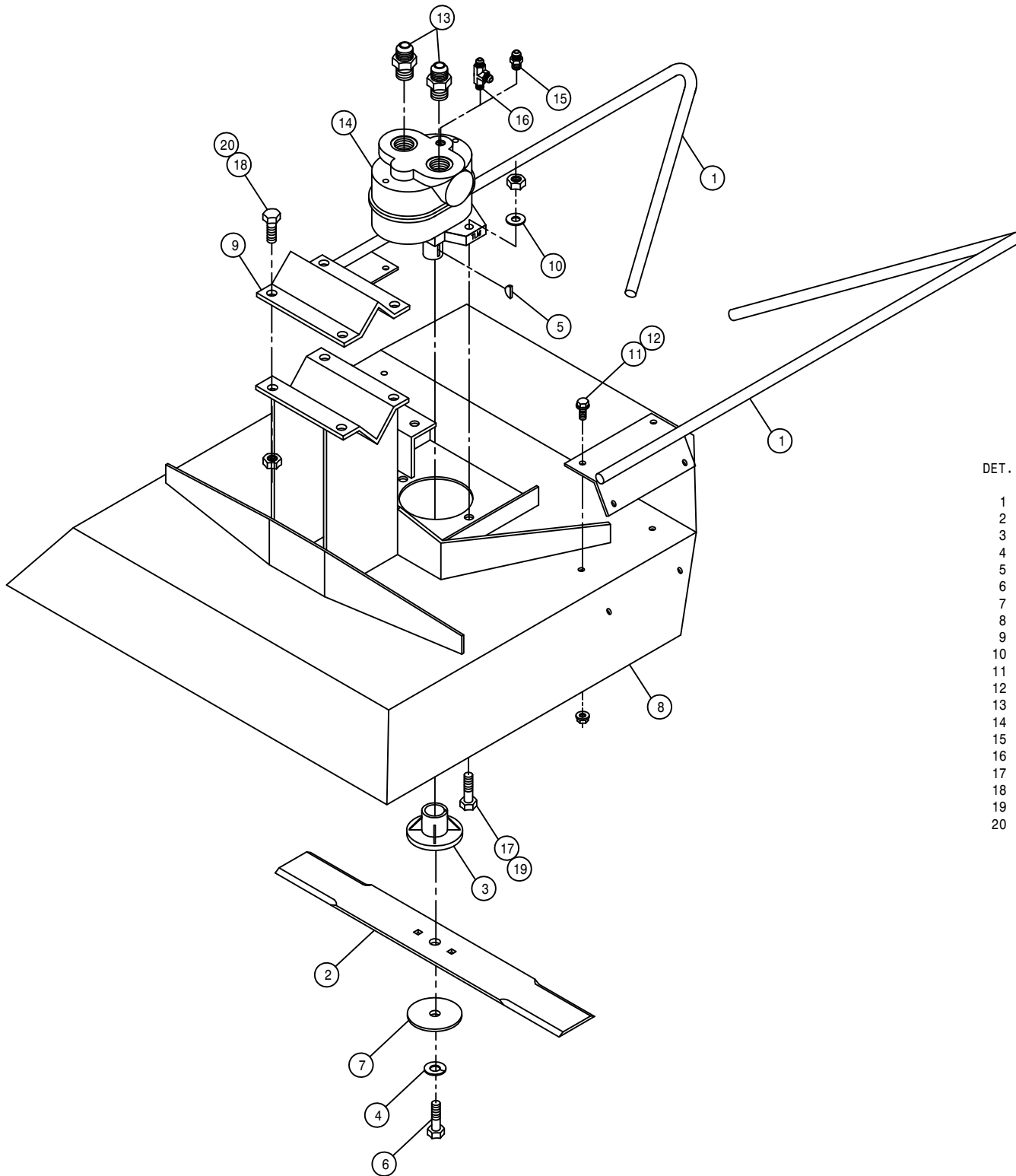


DET.	QTY	PART NO.	DESCRIPTION
1	1	438283	OUTRGR PIVOT PIN WLD 8200 86
2	1	438320	BUSH 1.00 OD X .531ID X.28LG
3	1	470117	COTTER PIN 3/16 1 3/4 SQ CUT
4	1	438307	RH 75IN OUTRGR WLD8200-850086
5	1	438309	LH 75IN OUTRGR WLD8200-850086
6	3	438324	75IN OUTRGR BRACE CLAMP
7	1	438523	RH OUTRGR MT WLD,284 COMBO 95
8	1	438349	RH OUTRGR SUPP POST WLD200 89
9	1	438350	LH OUTRGR SUPP POST WLD200 89
10	1	438447	RH OUTRGR SUPP BRACE COMBO 92
11	1	438448	LH OUTRGR SUPP BRACE COMBO 92
12	1	438357	OUTRGR SUPP ROD WLD 200 89
13	1	438359	OUTRGR TIE BAR WLD 200 89
14	1	438362	RH OUTRGR CLAMP WLD 200 89
15	1	438363	LH OUTRGR CLAMP WLD 200 89
16	1	438390	OUTER STABILIZER TUBE WLD 90
17	1	438393	INNER STABILIZER TUBE WLD 90
18	1	438524	LH OUTRGR MT WLD,284 COMBO 95
19	1	438400	RH STABILIZER PIN MT WLD 90
20	1	438403	LH STABILIZER PIN MT WLD 90
21	1	438405	STABILIZER BALL MT WLD 90
22	1	438277	RH 32IN OUTRGR WLD8200-850086
23	1	438282	LH 32IN OUTRGR WLD8200-850086
24	1	483041	1/2 REGULAR FLAT WASH PLT
25	1	611016	HAIR PIN #6
26	2	900133	3/8UNC X 2 HEX BOLT
27	16	900265	1/2UNC X 1 1/2 HEX BOLT
28	1	900266	1/2UNC X 1 3/4 HEX BOLT
29	2	900271	1/2UNC X 3 1/4 HEX BOLT
30	2	900347	5/8UNC X 6 1/2 HEX BOLT
31	4	910012	3/4UNC HEX NUT
32	1	438439	OUTRGR MT SUPP PLT 92
33	1	438441	CTR TOOL BAR WLD 280 COMBO 92
34	6	914004	3/8UNC HEX STOVER NUT
35	18	914008	1/2UNC HEX STOVER NUT
36	8	914010	5/8UNC HEX STOVER NUT
37	1	900264	1/2UNC X 1 1/4 HEX BOLT
38	4	900272	1/2UNC X 3 1/2 HEX BOLT
39	4	900138	3/8UNC X 3 1/2 HEX BOLT
40	8	900334	5/8UNC X 1 3/4 HEX BOLT
41	2	438444	CTR TOOL BAR CLMP PLT COMBO92
42	1	438445	OUTRGR MT SUPP WLD COMBO 92
43	1	438449	STABILIZER PIN MT WLD COMBO92
44	1	438451	STABILIZER MT PLATE COMBO 92
45	1	438458	RH 101IN OUTRGR WLD 10-12R 92
46	1	438459	LH 101IN OUTRGR WLD 10-12R 92
47	2	900382	5/8UNC X 7 HEX BOLT



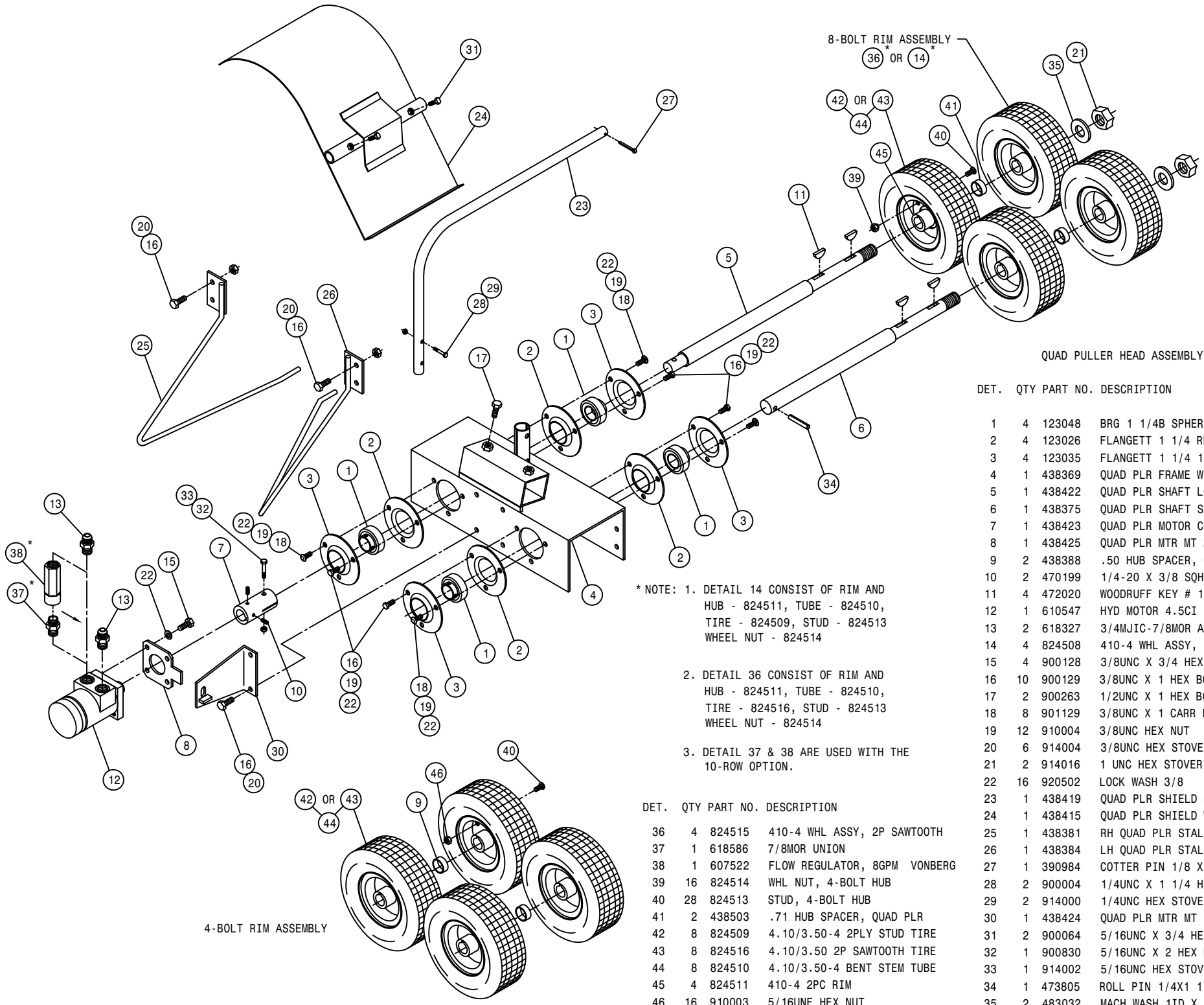
COMBO DETASSLER LIFT ASSEMBLY

DET.	QTY	PART NO.	DESCRIPTION
1	1	438292	TOOL BAR V-PLT WLD 8200 86
2	2	438293	5/8UNC X 6 1/4 CTR U-BOLT TRI
3	1	438478	TOOL BAR WLD 10-12R DETASSLR
4	4	914008	1/2UNC HEX STOVER NUT
5	6	914010	5/8UNC HEX STOVER NUT
6	2	920005	5/8 SAE FLAT WASHER
7	1	438194	TOOL BAR WLD DETAS 4-6R 83
8	3	920008	1" SAE FLAT WASHER
9	1	438177	TOOL BAR MT WLD DETAS 83
10	1	438184	HOIST COL WLD DETAS LIFT 83
11	1	438294	UPPER LIFT ARM WLD 8200 86
12	1	438297	LWR LIFT ARM WLD 8200 86
13	4	438300	LIFT ARM PIVOT PIN WLD8200 86
14	1	438302	HOSE SUPPORT RING WLD W/WASHER
15	8	121025	JOURNAL BRG FOR 1IN SHFT1.5LG
16	6	470162	COTTER PIN 3/16 X 1 1/2 SQCUT
17	2	900538	1/2UNC X 3 1/2 HEX BOLT FULL
18	2	910008	1/2UNC HEX NUT
19	1	438367	HOIST COL MT BRKT WLD 200 90
20	1	472012	CLEVIS PIN, 1.00 X 3.25 PLT
21	1	472206	PICKER PIN 1 DIA X 2 1/4
22	1	620900	CYL ASSY CC2016 D00 SRG 180
23	4	900275	1/2UNC X 4 1/2 HEX BOLT
24	2	900343	5/8UNC X 4 1/2 HEX BOLT



CUTTER HEAD ASSEMBLY

DET.	QTY	PART NO.	DESCRIPTION
	2	002215	CUTR STALK GUIDE WLD 8200 85
	1	002103	CUTR BLADE 18 IN
	1	002104	CLUTCH BODY BLADE
	1	002105	STEEL LOCK WASH CUTR BLADE
	1	002106	WOODRUFF KEY #6 .156 X .625
	1	002107	3/8UNF X 1 1/2 HEX BOLT CUTR
	1	002108	STEEL WASHER CUTTER BLADE
	1	002210	CUTR TOP WLD 8200 85
	1	410016	RLR HANGER V 473
	2	920002	3/8 SAE FLAT WASHER
	8	470118	1/4UNC X 3/4 FLANGE HEX BOLT
	8	470121	1/4UNC HEX FLANGE LOCK NUT
	2	611125	3/4MJIC-3/4MOR ADPTR
	1	610590	SUB>610755:BARNES HYD MOTOR
	1	618530	9/16MJIC-1/8MNPT ADPTR
	1	618546	1/8MNPT RUN TEE-9/16MJIC
	2	900130	3/8UNC X 1 1/4 HEX BOLT
	4	900265	1/2UNC X 1 1/2 HEX BOLT
	2	914004	3/8UNC HEX STOVER NUT
	4	914008	1/2UNC HEX STOVER NUT



QUAD PULLER HEAD ASSEMBLY

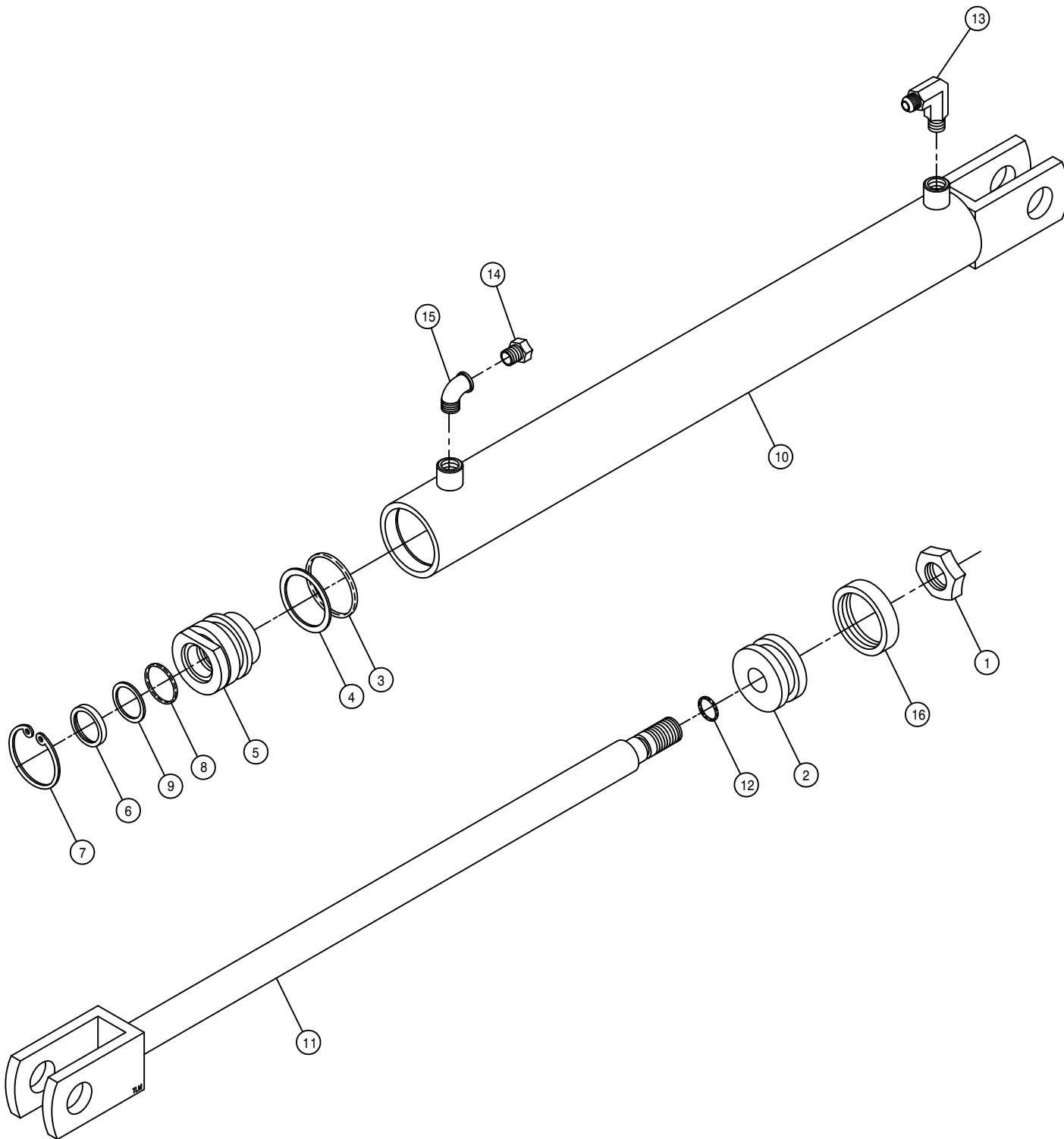
DET.	QTY	PART NO.	DESCRIPTION
1	4	123048	BRG 1 1/4B SPHER RELUB SCRLOC
2	4	123026	FLANGETT 1 1/4 RELUBE
3	4	123035	FLANGETT 1 1/4 180 DEG ZERK
4	1	438369	QUAD PLR FRAME WLD 200 90
5	1	438422	QUAD PLR SHAFT LONG 200 91
6	1	438375	QUAD PLR SHAFT SHORT 200 90
7	1	438423	QUAD PLR MOTOR COUPLER 200 91
8	1	438425	QUAD PLR MTR MT 200 91
9	2	438388	.50 HUB SPACER, QUAD PLR
10	2	470199	1/4-20 X 3/8 SQHD CUP SET SCR
11	4	472020	WOODRUFF KEY # 18 1/4 X 1 1/8
12	1	610547	HYD MOTOR 4.5CI 1IN SHFT
13	2	618327	3/4MJIC-7/8MOR ADPTR
14	4	824508	410-4 WHL ASSY, 2P STUD
15	4	900128	3/8UNC X 3/4 HEX BOLT
16	10	900129	3/8UNC X 1 HEX BOLT
17	2	900263	1/2UNC X 1 HEX BOLT
18	8	901129	3/8UNC X 1 CARR BOLT
19	12	910004	3/8UNC HEX NUT
20	6	914004	3/8UNC HEX STOVER NUT
21	2	914016	1 UNC HEX STOVER NUT
22	16	920502	LOCK WASH 3/8
23	1	438419	QUAD PLR SHIELD MT TUBE 91
24	1	438415	QUAD PLR SHIELD WLD 200 91
25	1	438381	RH QUAD PLR STALK GUIDE WLD90
26	1	438384	LH QUAD PLR STALK GUIDE WLD90
27	1	390984	COTTER PIN 1/8 X 1 1/4
28	2	900004	1/4UNC X 1 1/4 HEX BOLT
29	2	914000	1/4UNC HEX STOVER NUT
30	1	438424	QUAD PLR MTR MT PLT WLD
31	2	900064	5/16UNC X 3/4 HEX BOLT
32	1	900830	5/16UNC X 2 HEX BOLT GR8
33	1	914002	5/16UNC HEX STOVER NUT
34	1	473805	ROLL PIN 1/4X1 1/2
35	2	483032	MACH WASH 1ID X 1.50D X.134TH

* NOTE: 1. DETAIL 14 CONSIST OF RIM AND HUB - 824511, TUBE - 824510, TIRE - 824509, STUD - 824513 WHEEL NUT - 824514

2. DETAIL 36 CONSIST OF RIM AND HUB - 824511, TUBE - 824510, TIRE - 824516, STUD - 824513 WHEEL NUT - 824514

3. DETAIL 37 & 38 ARE USED WITH THE 10-ROW OPTION.

DET.	QTY	PART NO.	DESCRIPTION
36	4	824515	410-4 WHL ASSY, 2P SAWTOOTH
37	1	618586	7/8MOR UNION
38	1	607522	FLOW REGULATOR, 8GPM VONBERG
39	16	824514	WHL NUT, 4-BOLT HUB
40	28	824513	STUD, 4-BOLT HUB
41	2	438503	.71 HUB SPACER, QUAD PLR
42	8	824509	4.10/3.50-4 2PLY STUD TIRE
43	8	824516	4.10/3.50 2P SAWTOOTH TIRE
44	8	824510	4.10/3.50-4 BENT STEM TUBE
45	4	824511	410-4 2PC RIM
46	16	910003	5/16UNF HEX NUT



COMBO LIFT CYLINDER ASSEMBLY WITH T-TROL

DET. QTY PART NO. DESCRIPTION

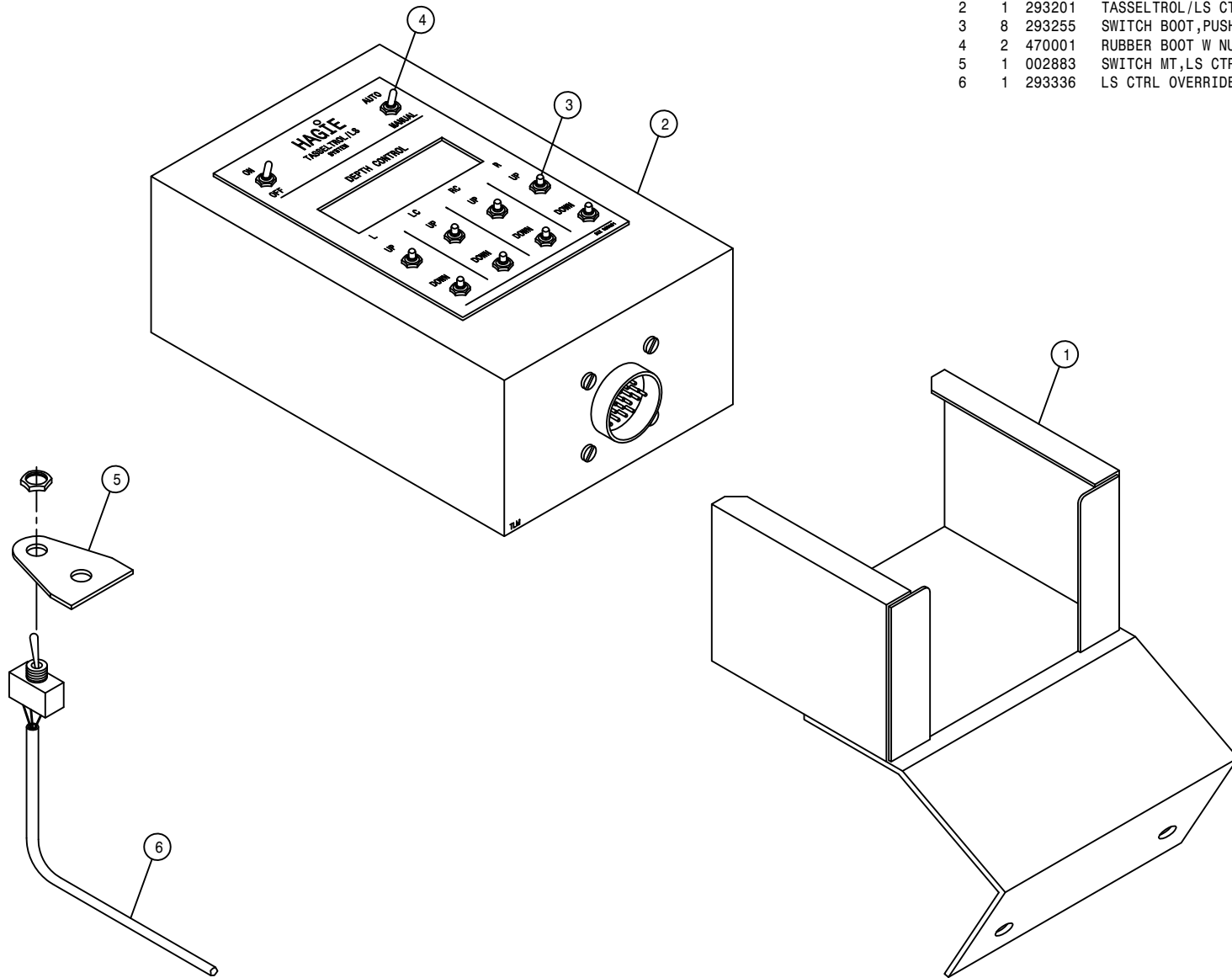
1	1	472297	3/4UNF HEX STOVER NUT THIN
2	1	620081	PISTON 2 X 1 ZAMAC ORING TYPE
3	1	870326	BUNA ORING 1 5/8 X 2
4	1	890326	BACKUP WASH 1 5/8 X 2 LEATH
5	1	620082	GLAND 2 IN X 1 IN ZAMAC
6	1	629003	WIPER 1 X 1 1/4 X 1/8
7	1	629505	SNAP RING 2 IN INTRN
8	1	870214	BUNA ORING 1 X 1 1/4
9	1	890214	BACKUP WASH 1 X 1 1/4 HT2022
10	1	620901	TUBE WLD CC2016 D00 SRG 180
11	1	620905	SHAFT WLD CC2016 D00 SRG180
12	1	870113	BUNA ORING 9/16 X 3/4
13	1	611122	9/16MJIC-90-1/4MNPT LBO
14	1	470114	BREATHER FILTER VENT, 1/4 NPT
15	1	501452	ST EL 90DEG .25NPT, STEEL,PLT
16	1	860326	CROWN SEAL, 2" PISTON, HYD

NOTE: 620900 - LIFT CYLINDER INCLUDES ITEMS 1-12.
620083 - SEAL KIT

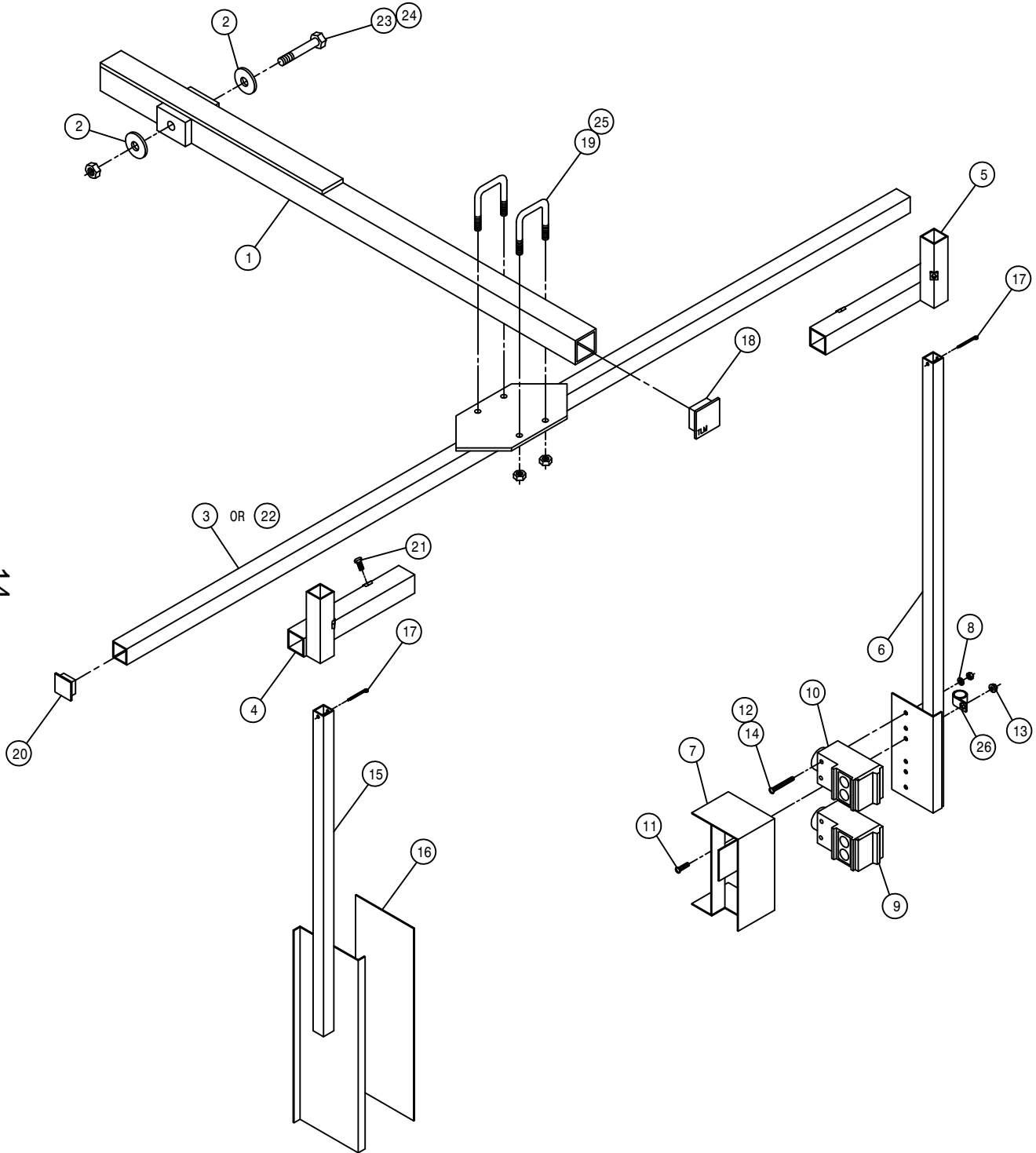
COMBO TASSELTR0L/LS BOX CONTROL ASSEMBLY

DET. QTY PART NO. DESCRIPTION

1	1	002869	LS CTRL BOX MT WLD, COMBO 94
2	1	293201	TASSELTR0L/LS CTRL BOX ASSY
3	8	293255	SWITCH BOOT,PUSHBUTTON,1/4-40
4	2	470001	RUBBER BOOT W NUT FOR 298012
5	1	002883	SWITCH MT,LS CTRL OVERRIDE284
6	1	293336	LS CTRL OVERRIDE WIRE ASSY284

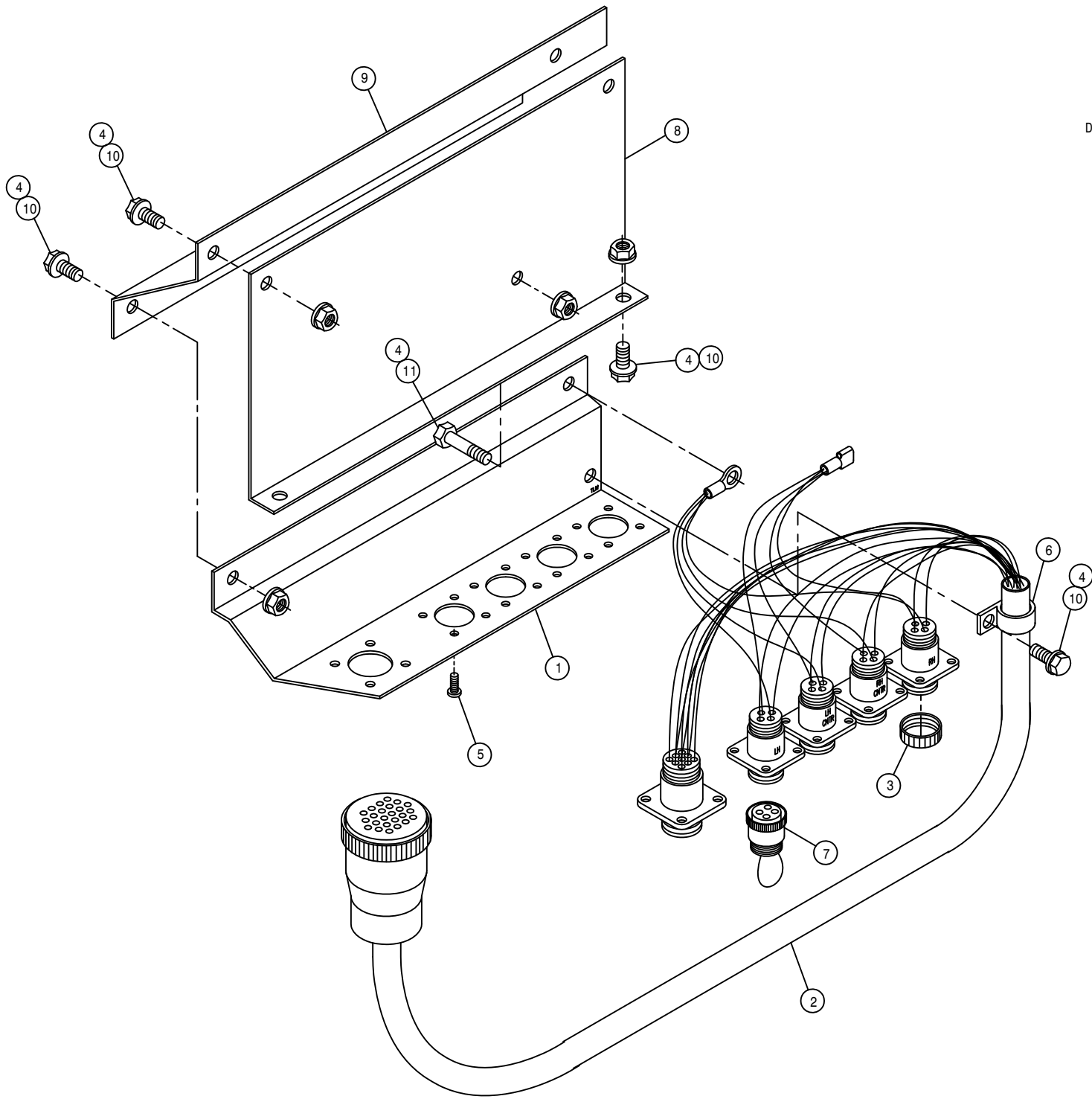


14



TASSELTROL SENSOR ASSEMBLY

DET.	QTY	PART NO.	DESCRIPTION	
1	1	002813	SENSOR ARM WELD 200 DET	92
2	2	002815	SENSOR ARM WASH, NYL	
3	1	002709	LS CROSTUBE WLD	90
4	1	002712	LS REFLECTOR SLIDE MT WLD	90
5	1	002713	LS SENSOR SLIDE MT WLD	90
6	1	002839	LS 42GRU PHOTOSW SENSR MT WLD	
7	1	002841	LS 42GRU SENSOR SHIELD WLD	
8	4	920510	#10 LOCK WASHER	
9	1	293258	LWR LS 9000 SENSOR ASSY, FEM	
10	1	293259	UPR LS 9000 SENSOR ASSY, MALE	
11	2	903883	10-32 X 1/2 SLT RDHD MACH SCR	
12	4	910027	10-32 HEX NUT	
13	2	470175	10-32 HEX FLANGE LOCK NUT	
14	4	903902	10-32 X 2" SLT RD HD MACH SCR	
15	1	002723	LS REFLECTOR MT WLD	90
16	1	650310	LS REFLECTOR 4 X 12	90
17	2	390984	COTTER PIN 1/8 X 1 1/4	
18	1	473943	FINISH PLUG 1 1/2 SQ	
19	2	473949	5/16UNC-1 9/16ID-1 15/16U-BOLT	
20	2	629727	FINISH PLUG FOR 1 IN X 16 GA	
21	4	900000	1/4UNC X 1/2 HEX BOLT	
22	1	002834	LS CROSTUBE WLD 10-12R	92
23	1	900275	1/2UNC X 4 1/2 HEX BOLT	
24	1	914008	1/2UNC HEX STOVER NUT	
25	4	914002	5/16UNC HEX STOVER NUT	
26	1	520117	CUSH HOSE CLAMP 5/8D X 1/2W	



COMBO T-TROL/LS RECEPTACLE ASSEMBLY

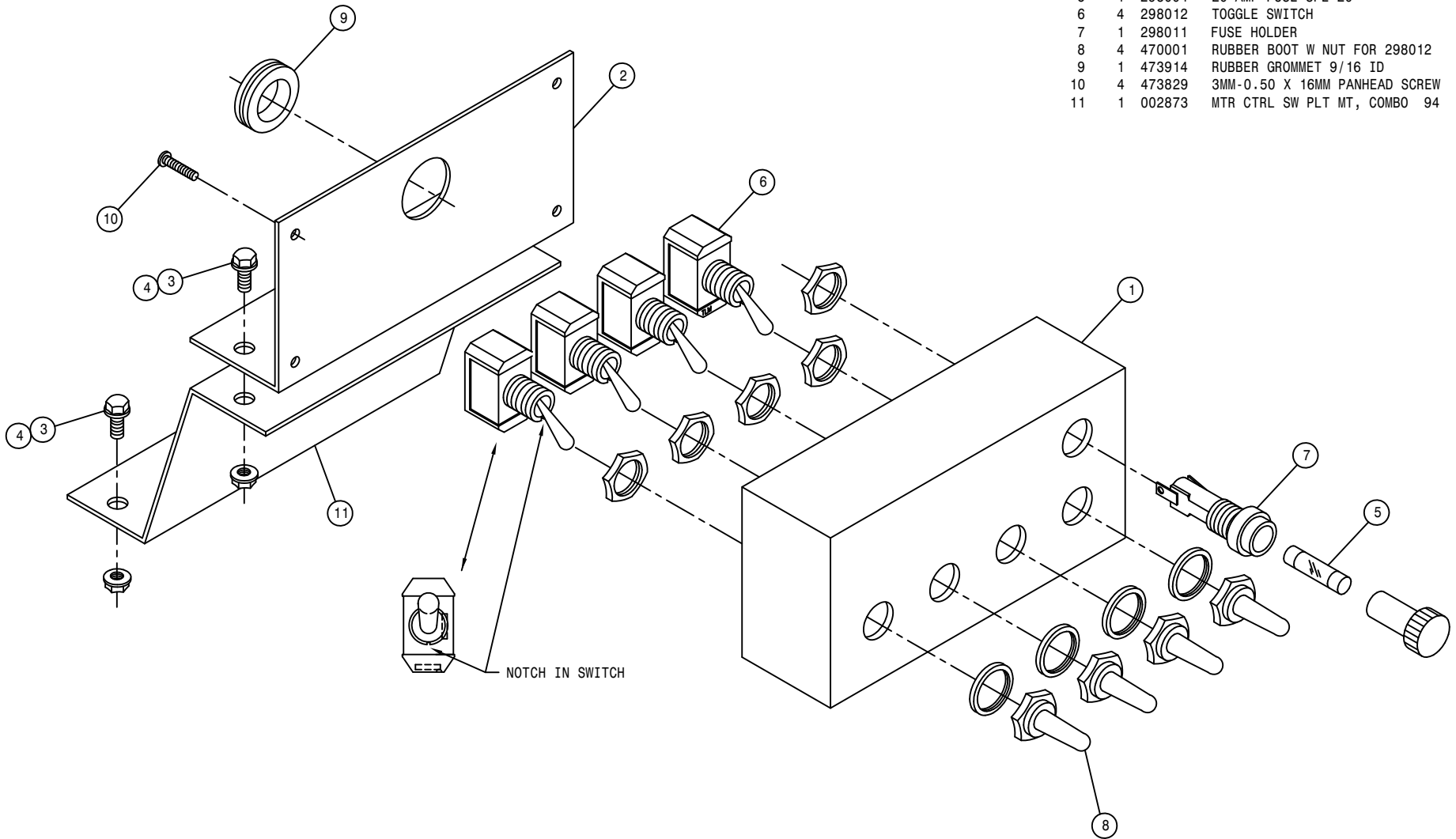
DET.	QTY	PART NO.	DESCRIPTION
1	1	002777	T-TROL/LS RECEPTACLE MT
2	1	293200	MAIN CONTROL WIRE ASSY LS 90
3	4	293046	CAP FOR #11 SHELL RECEPTACLE
4	8	470121	1/4UNC HEX FLANGED LOCK NUT
5	20	473932	SCREW, SELF TAP 6/32 X 3/8PAN
6	1	520118	CUSH HOSE CLAMP 1/2D X 1/2W
7	1	293211	JUMPER PLUG, T-TROL/LS SYS
8	1	002874	LS RECPCL MT PLT 284COMBO 94
9	1	002875	LS RECEPTCL MT COVR,284 COMBO
10	7	470122	1/4UNC X 1/2 FLANGED HEX BOLT
11	1	900004	1/4UNC X 1 1/4 HEX BOLT

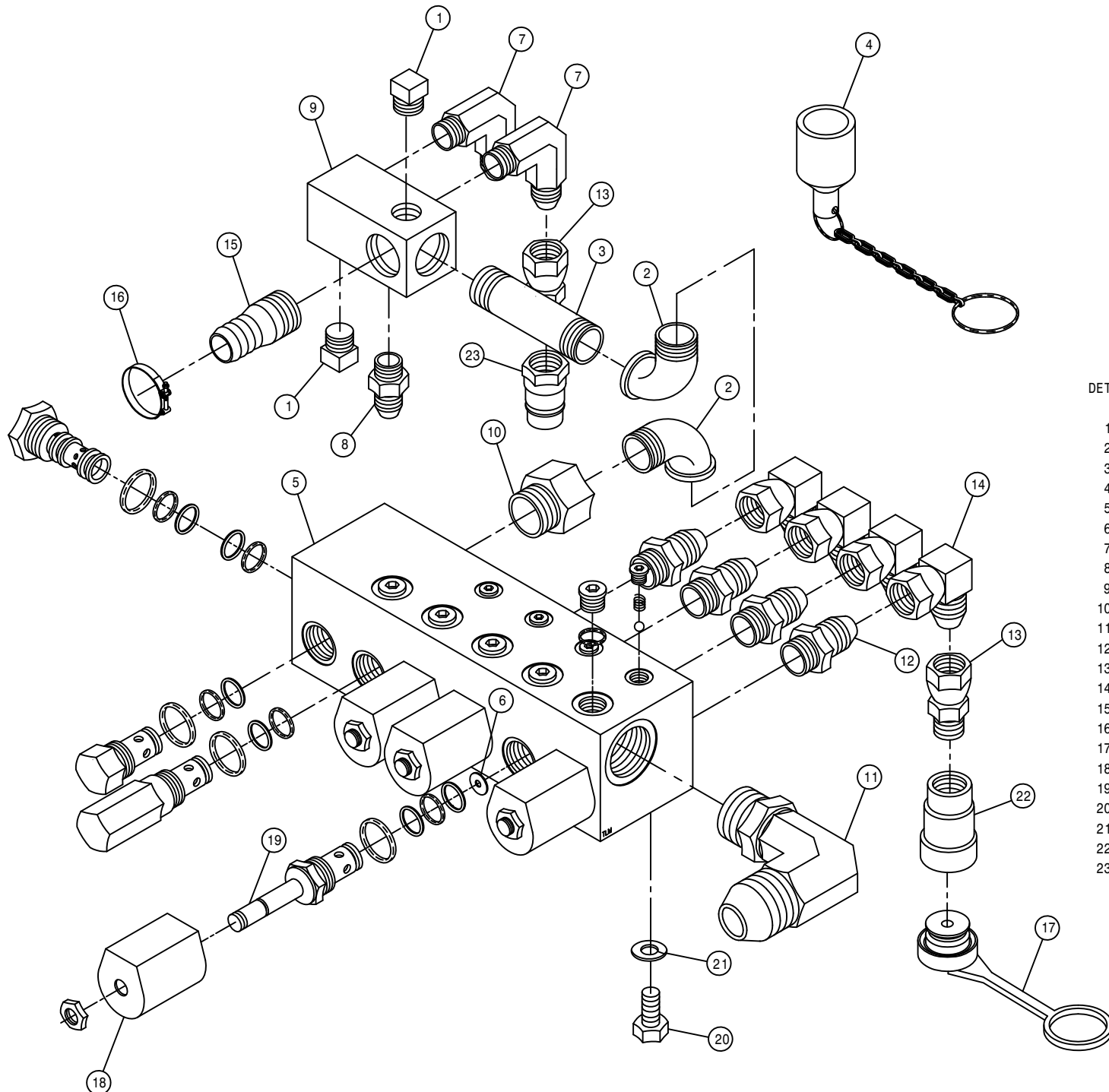
NOTE: DETAIL 7 IS USED (1) WITH 3-LIFT OPTION AND (2) WITH 2-LIFT OPTION.

COMBO MOTOR CONTROL VALVE SWITCH ASSEMBLY

DET. QTY PART NO. DESCRIPTION

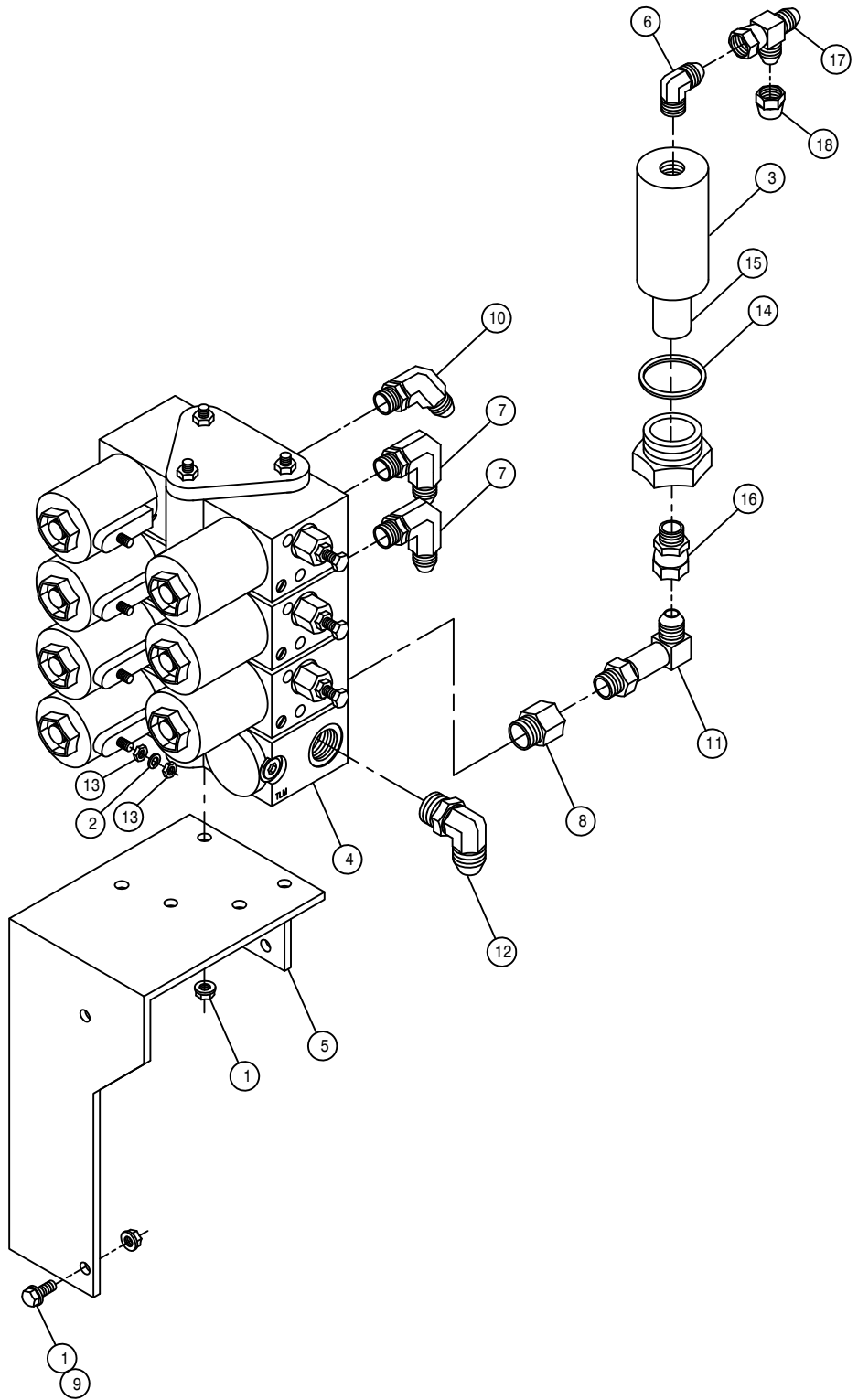
DET.	QTY	PART NO.	DESCRIPTION
1	1	002744	SWITCH BOX, DEPTH CMD
2	1	002745	SWITCH BOX MT, DEPTH CMD
3	4	470121	1/4UNC HEX FLANGE LOCK NUT
4	4	470122	1/4UNC X 1/2 FLANGE HEX BOLT
5	1	298004	20 AMP FUSE SFE 20
6	4	298012	TOGGLE SWITCH
7	1	298011	FUSE HOLDER
8	4	470001	RUBBER BOOT W NUT FOR 298012
9	1	473914	RUBBER GROMMET 9/16 ID
10	4	473829	3MM-0.50 X 16MM PANHEAD SCREW
11	1	002873	MTR CTRL SW PLT MT, COMBO 94





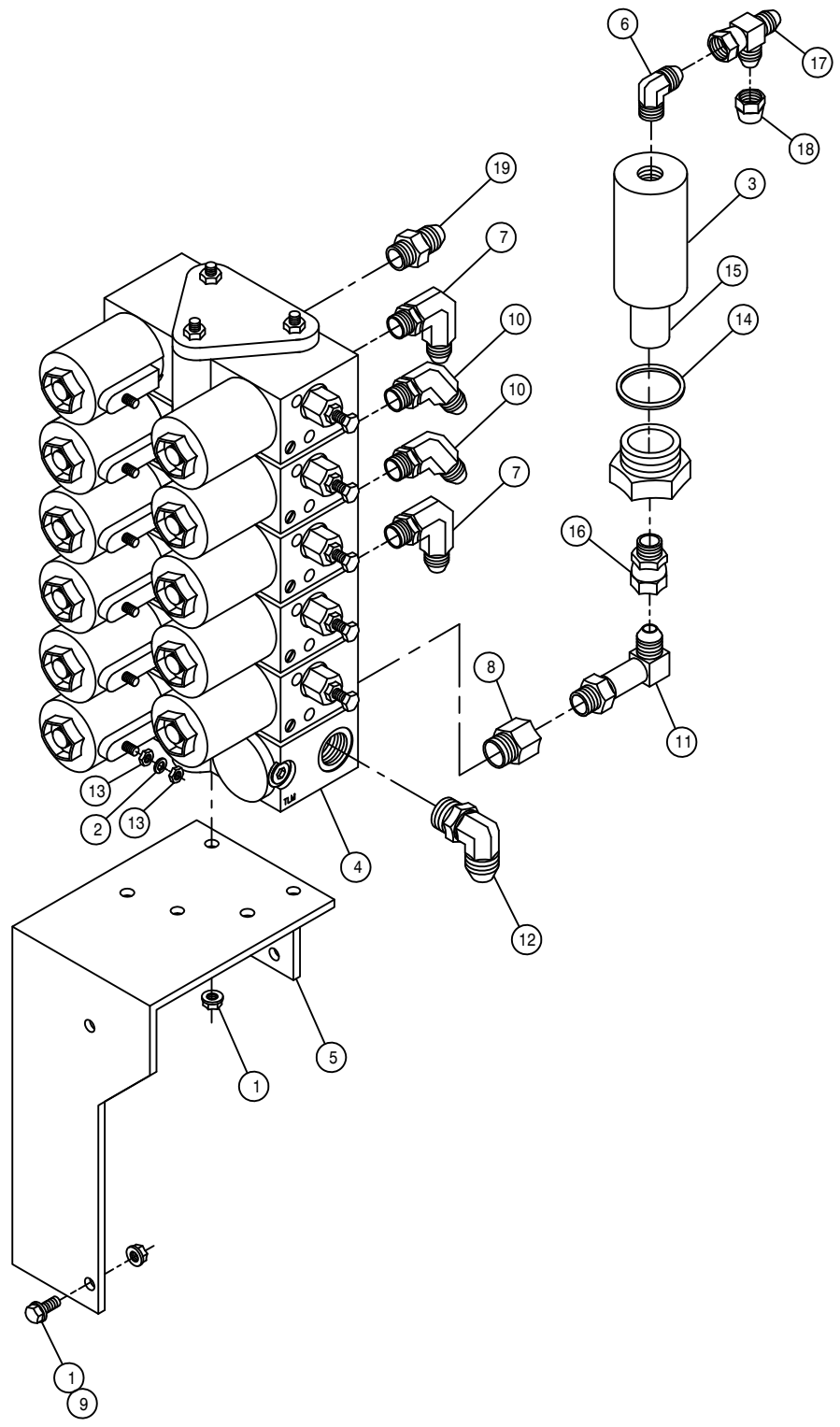
COMBO MOTOR CONTROL VALVE ASSEMBLY

DET.	QTY	PART NO.	DESCRIPTION
1	2	503700	PIPE PLUG .50NPT SQ HD
2	2	505200	BLK PIPE ST EL 90DEG 1.00NPT
3	1	505210	BLK PIPE NIPPLE 1.00NPT-3.00
4	3	618636	RUBBER DUST CAP FOR 618622
5	1	610467	MODULAR MTR CONTROL ELECT VLV
6	4	610478	DISK .182 ORIFICE MOD CTRL
7	2	611145	3/4MJIC-90-1/2MNPT LBO
8	1	611147	3/4MJIC-1/2MNPT ADPTR
9	1	614633	HYD MANIF 8200 86
10	1	618090	1 5/16MOR-1FNPT ADPTR
11	1	618178	1 5/16MJIC-90-1 5/16MOR LBO
12	4	618469	3/4MJIC-1 1/16MOR ADPTR
13	7	618623	3/4FJIC-SWIV-1/2MNPT
14	4	618609	3/4MJIC-90-3/4FJIC SWIV LBO
15	1	714561	1.00NPT-1.25 HOSE BARB
16	1	520132	1.62/1.87 T-BOLT HOSE CLAMP
17	4	618635	RUBBER DUST PLUG FOR 618621
18	4	610480	SOLENOID COIL FOR610476REPAIR
19	4	610481	SOLENOID VLV FOR 610476REPAIR
20	2	900128	3/8UNC X 3/4 HEX BOLT
21	2	920502	3/8 LOCK WASHER
22	4	618621	HYD QUICK CPLR, FEMALE, .50FNPS
23	3	618622	HYD QUICK CPLR, MALE, .50FNPS



3-SECTION ELECTRIC VALVE ASSEMBLY

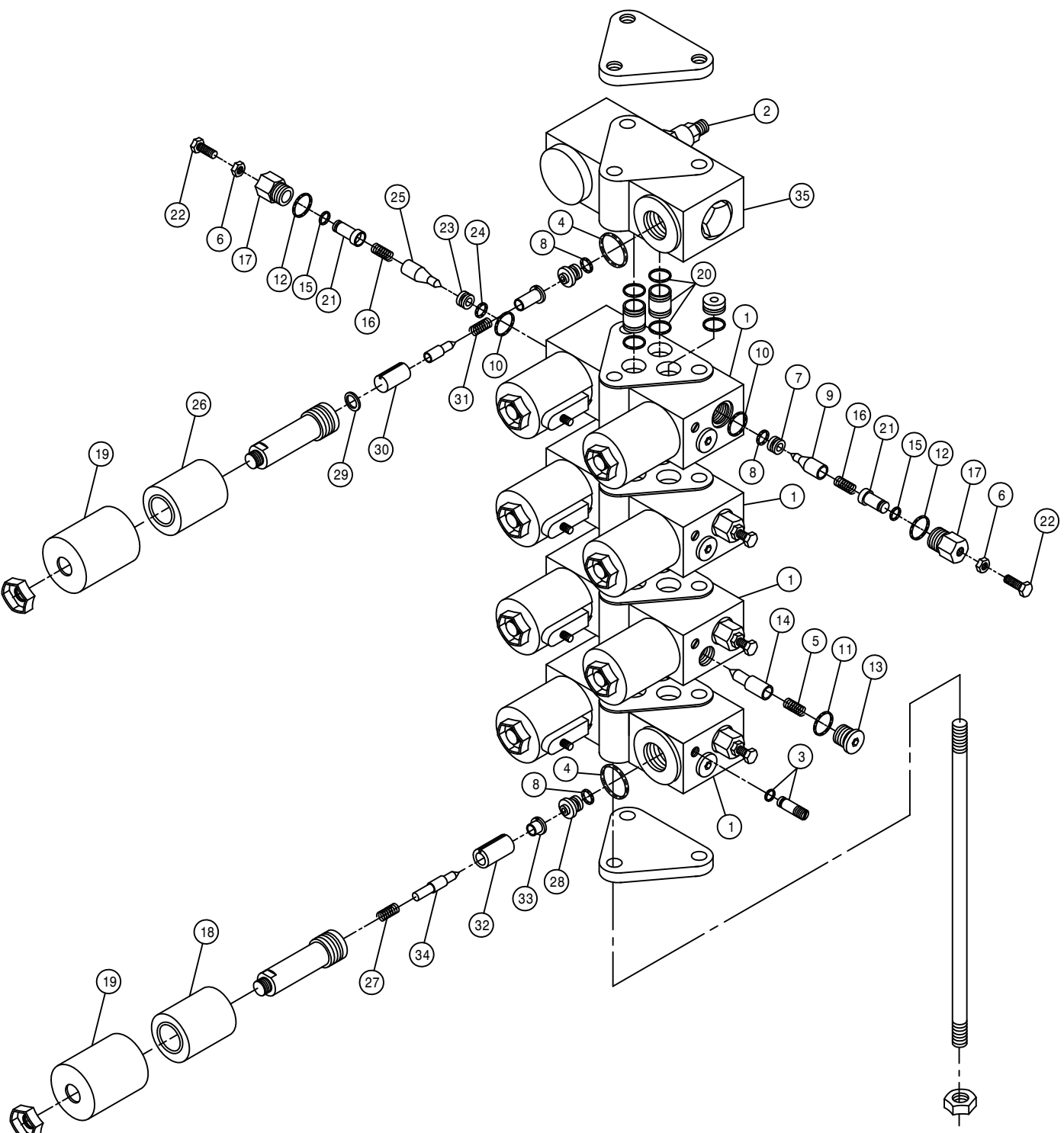
DET.	QTY	PART NO.	DESCRIPTION
	1	6 470121	1/4UNC HEX FLANGE LOCK NUT
	2	7 473821	#10 INT TOOTH WASHER
	3	1 610447	HYD FILTER, INLINE 1/4FNPT 90M
	4	1 610532	ELECT HYD STACK VLV, 3 SECT
	5	1 610602	284 ELECT VLV MT WLD, LS SYS94
	6	1 611122	9/16MJIC-90-1/4MNPT LBO
	7	2 618119	9/16MJIC-90-9/16MOR LBO
	8	1 618170	3/4MOR-9/16FOR ADPTR
	9	3 470118	1/4UNC X 3/4 FLANGE HEX BOLT
	10	1 618425	9/16MJIC-45-9/16MOR LBO
	11	1 618440	9/16MJIC-90-9/16MOR EX LG LBO
	12	1 618600	9/16MJIC-90-7/8MOR LBO
	13	14 910027	10-32 HEX NUT
	14	1 610462	GASKET FOR 610447 ARROW FILT
	15	1 610459	90M FILTER & GASKET FOR610447
	16	1 618608	9/16FJIC SWIV-1/4MNPT
	17	1 618486	9/16FJIC SW RUN TEE-9/16MJIC
	18	1 618531	9/16FJIC CAP NUT



4-SECTION ELECTRIC VALVE ASSEMBLY

DET.	QTY	PART NO.	DESCRIPTION
1	6	470121	1/4UNC HEX FLANGE LOCK NUT
2	11	473821	#10 INT TOOTH WASHER
3	1	610447	HYD FILTER, INLINE 1/4FNPT 90M
4	1	610614	ELECT HYD STACT VLV, 5 SECT
5	1	610602	284 ELECT VLV MT WLD, LS SYS94
6	1	611122	9/16MJIC-90-1/4MNPT LBO
7	2	618119	9/16MJIC-90-9/16MOR LBO
8	1	618170	3/4MOR-9/16FOR ADPTR
9	3	470118	1/4UNC X 3/4 FLANGE HEX BOLT
10	2	618425	9/16MJIC-45-9/16MOR LBO
11	1	618440	9/16MJIC-90-9/16MOR EX LG LBO
12	1	618600	9/16MJIC-90-7/8MOR LBO
13	22	910027	10-32 HEX NUT
14	1	610462	GASKET FOR 610447 ARROW FILT
15	1	610459	90M FILTER & GASKET FOR610447
16	1	618608	9/16FJIC SWIV-1/4MNPT
17	1	618486	9/16FJIC SW RUN TEE-9/16MJIC
18	1	618531	9/16FJIC CAP NUT
19	1	618126	9/16MJIC-9/16MOR ADPTR

20



ELECTROHYDRAULIC VALVE

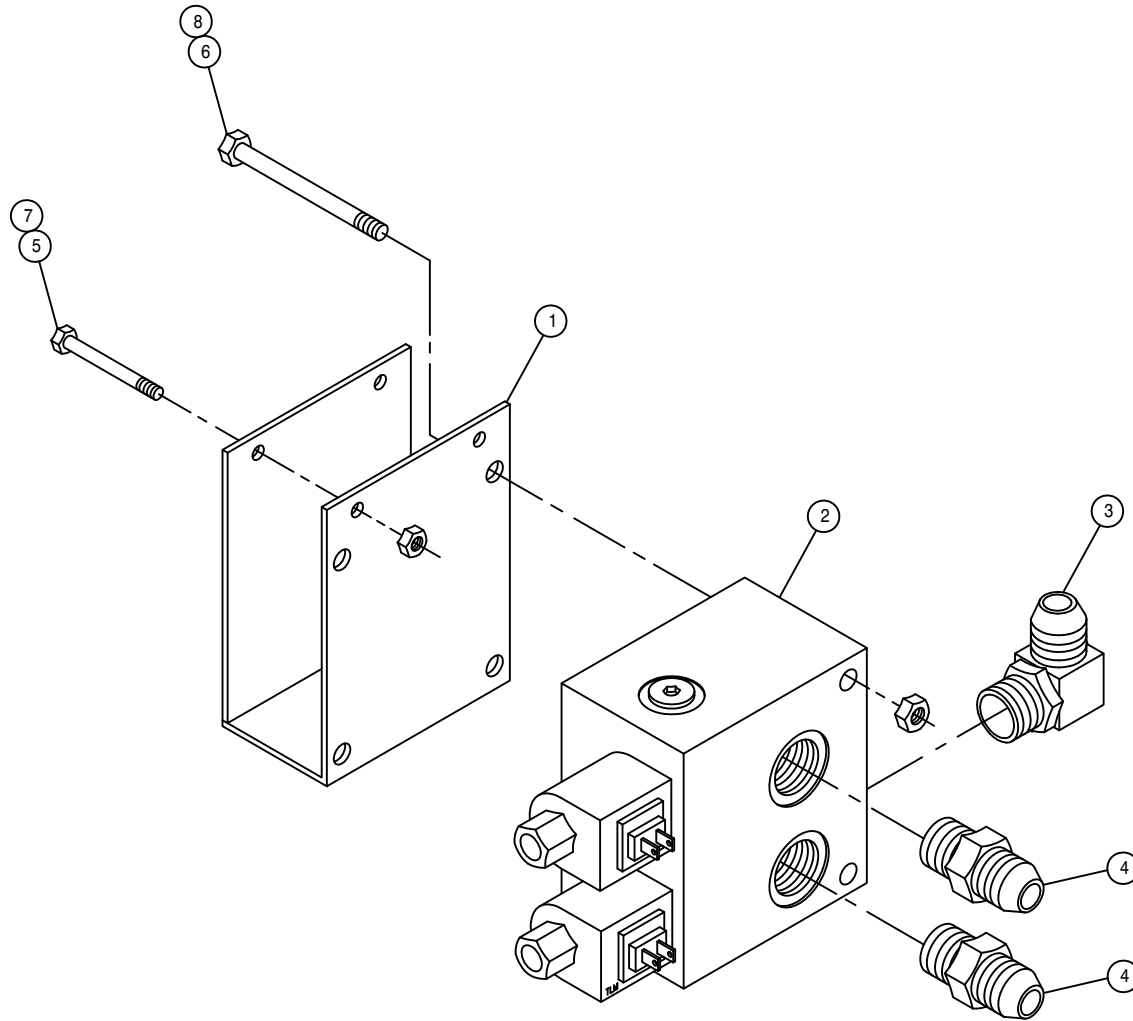
DET.	QTY	PART NO.	DESCRIPTION		
	1	4	610533	UNBALANCED LOAD VALVE	89
	2	1	610551	R.V. CARTRIDGE FOR 610532	90
	3	8	610267	SEAL PLUG ASSY FOR 610257	
	4	9	871019	ORING, 13/16 X 15/16 NEO 90D	
	5	4	610491	SPRING AM-501-3-035 FOR610485	
	6	8	910000	1/4UNC HEX NUT	
	7	4	610488	ORIFICE PRESSED IN BLACK	
	8	13	871010	ORING 1/4 X 3/8 VITON 90D	
	9	4	610129	POPPET,ELECT VALVE,UNBAL LOAD	
	10	8	870013	ORING, 7/16 X 9/16 NEO 70D	
	11	4	871904	ORING, .351 X .072CS NEO 90D	
	12	8	871906	ORING, .468ID X .078CS NEO 90D	
	13	4	610130	PLUG, SAE4,ELECT VALVE,UNBAL	
	14	4	610489	CHECK VLV POPPET	
	15	8	871008	O-RING 3/16 X 5/16 90D	
	16	8	610492	SPRING AM-570-3-126 FOR610485	
	17	8	610453	VLV CAP	
	18	8	610493	COIL FOR 610485	86
	19	9	610113	COVER, ELECT VALVE, NON ADJ	
	20	8	610534	THRU TUBE ASSY ELEC VLV	89
	21	8	610452	ADJ VLV STOP	
	22	8	900003	1/4UNC X 1" HEX BOLT	
	23	4	610494	ORIFICE FOR 610485	
	24	4	871056	O-RING	90D
	25	4	610495	POPPET FOR 610485AM-570-3-654	
	26	1	610076	COIL, ELECT STACK VALVE	
	27	8	610127	SPRING,ELECT VALVE,UNBAL LOAD	
	28	8	610108	ORIFICE 040, ELECT VALVE	
	29	1	610084	WASHER, ELECT-HYD VALVE	
	30	1	610112	ARMATURE, ELECT VALVE	
	31	1	610110	SPRING, ELECT VALVE, NON ADJ	
	32	8	610126	ARMATURE, ELECT VALVE, UNBAL	
	33	8	610133	POLE PIECE,ELECT VALVE, UNBAL	
	34	8	610490	POPPET FOR 610485AM-501-3-033	
	35	1	610679	UNLOAD RELIEF VALVE	

170020

TRACTION VALVE ASSEMBLY

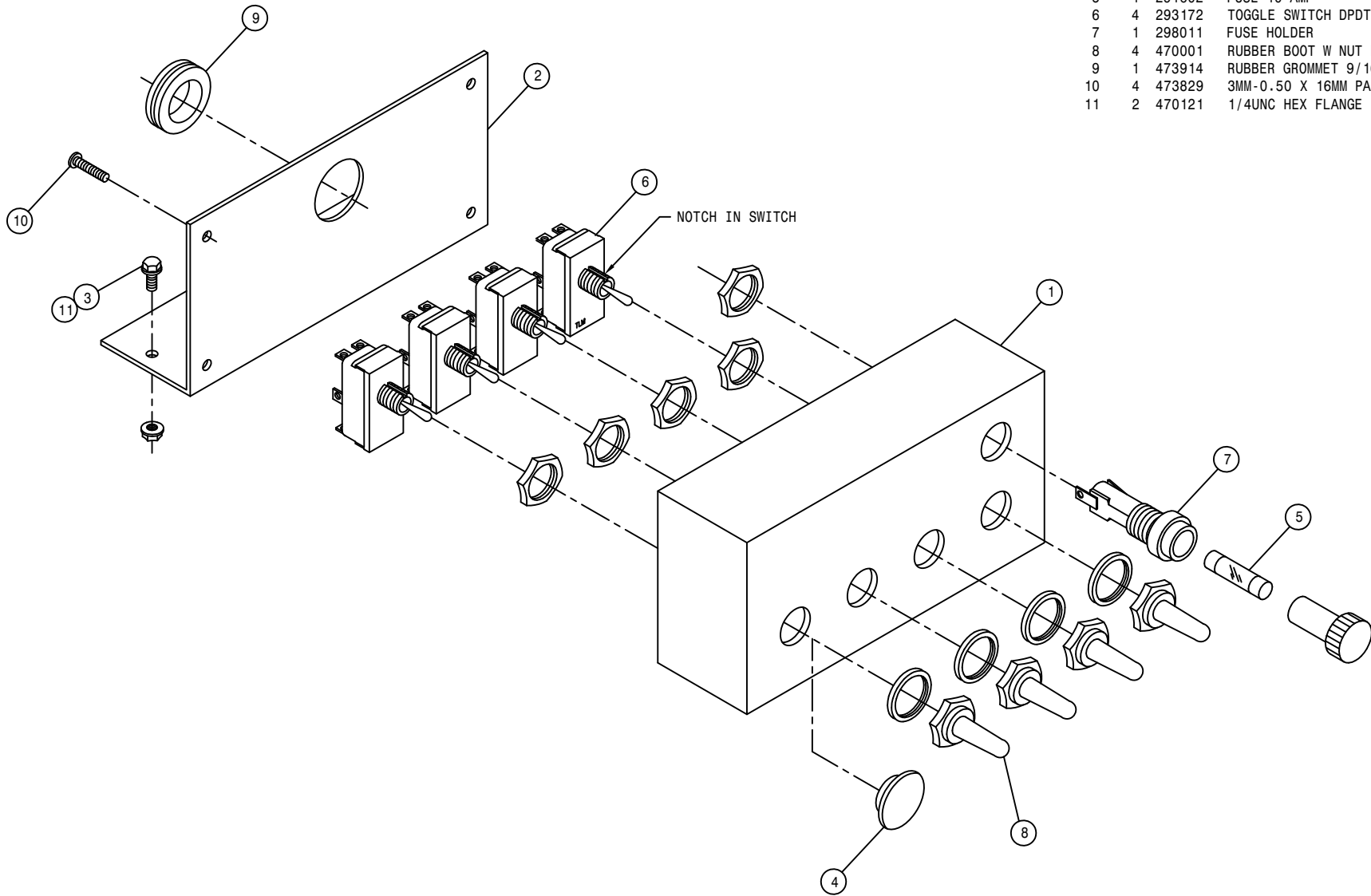
DET. QTY PART NO. DESCRIPTION

1	1	342311	TRACT VLV MT WLD,284 COMBO 96
2	1	610618	POSITRACTION VLV,STL,88SP 60G
3	1	618178	1 5/16MJIC-90-1 5/16MOR LBO
4	2	618308	1 1/16MJIC-1 5/16MOR ADPTR
5	2	900010	1/4UNC X 3" HEX BOLT
6	2	900075	5/16UNC X 3 3/4 HEX BOLT
7	2	914000	1/4UNC HEX STOVER NUT
8	2	914002	5/16UNC HEX STOVER NUT



2-3-4 LIFT, DEPTH COMMAND SWITCH ASSEMBLY

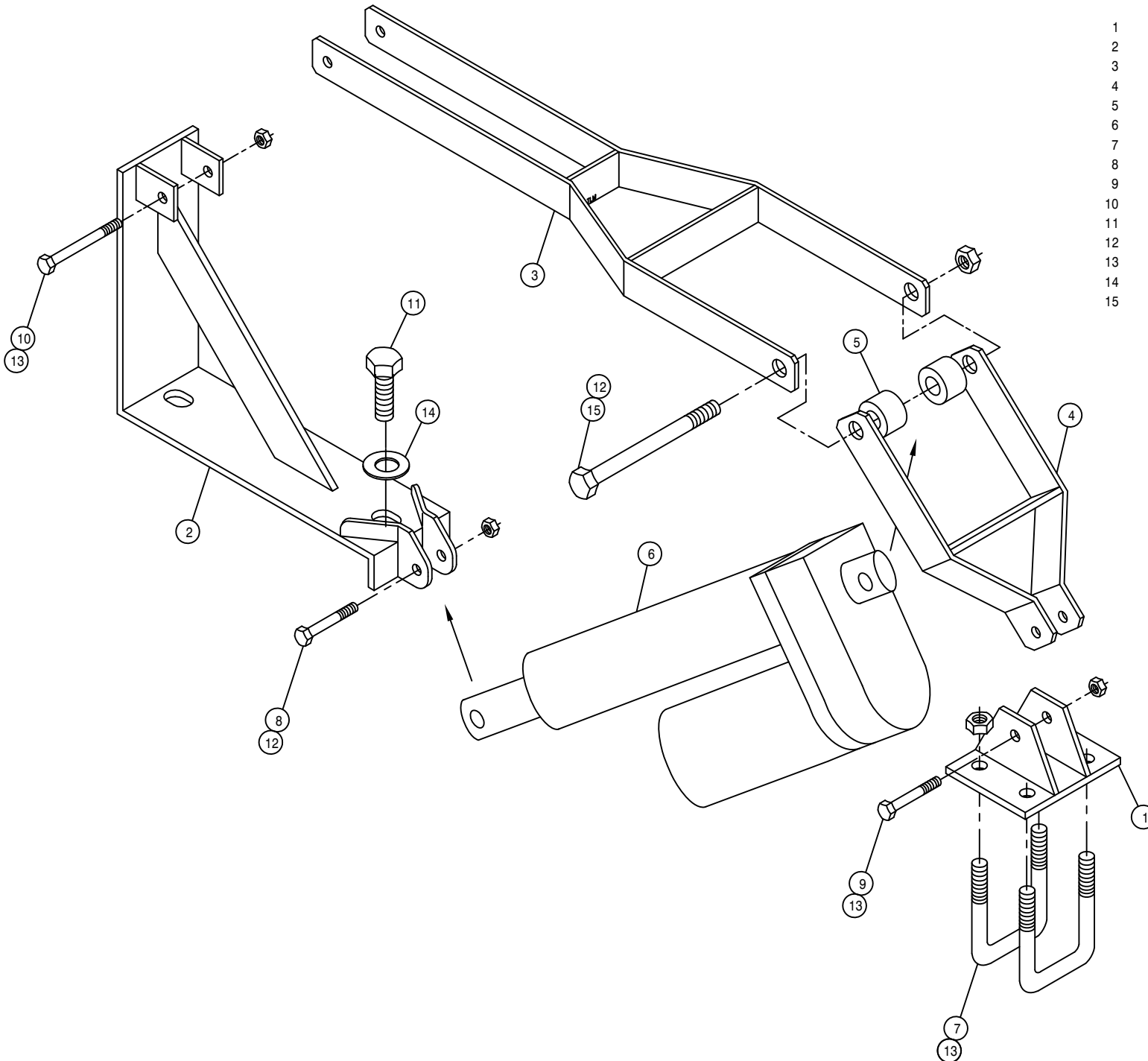
DET.	QTY	PART NO.	DESCRIPTION
1	1	002744	SWITCH BOX, DEPTH CMD
2	1	002745	SWITCH BOX MT, DEPTH CMD
3	2	470122	1/4UNC X 1/2 FLANGE HEX BOLT
4	1	658174	BUMPER PLUG FOR 1/2 HOLE
5	1	291602	FUSE 10 AMP
6	4	293172	TOGGLE SWITCH DPDT W/JUMPERS
7	1	298011	FUSE HOLDER
8	4	470001	RUBBER BOOT W NUT FOR 298012
9	1	473914	RUBBER GROMMET 9/16 ID
10	4	473829	3MM-0.50 X 16MM PANHEAD SCREW
11	2	470121	1/4UNC HEX FLANGE LOCK NUT

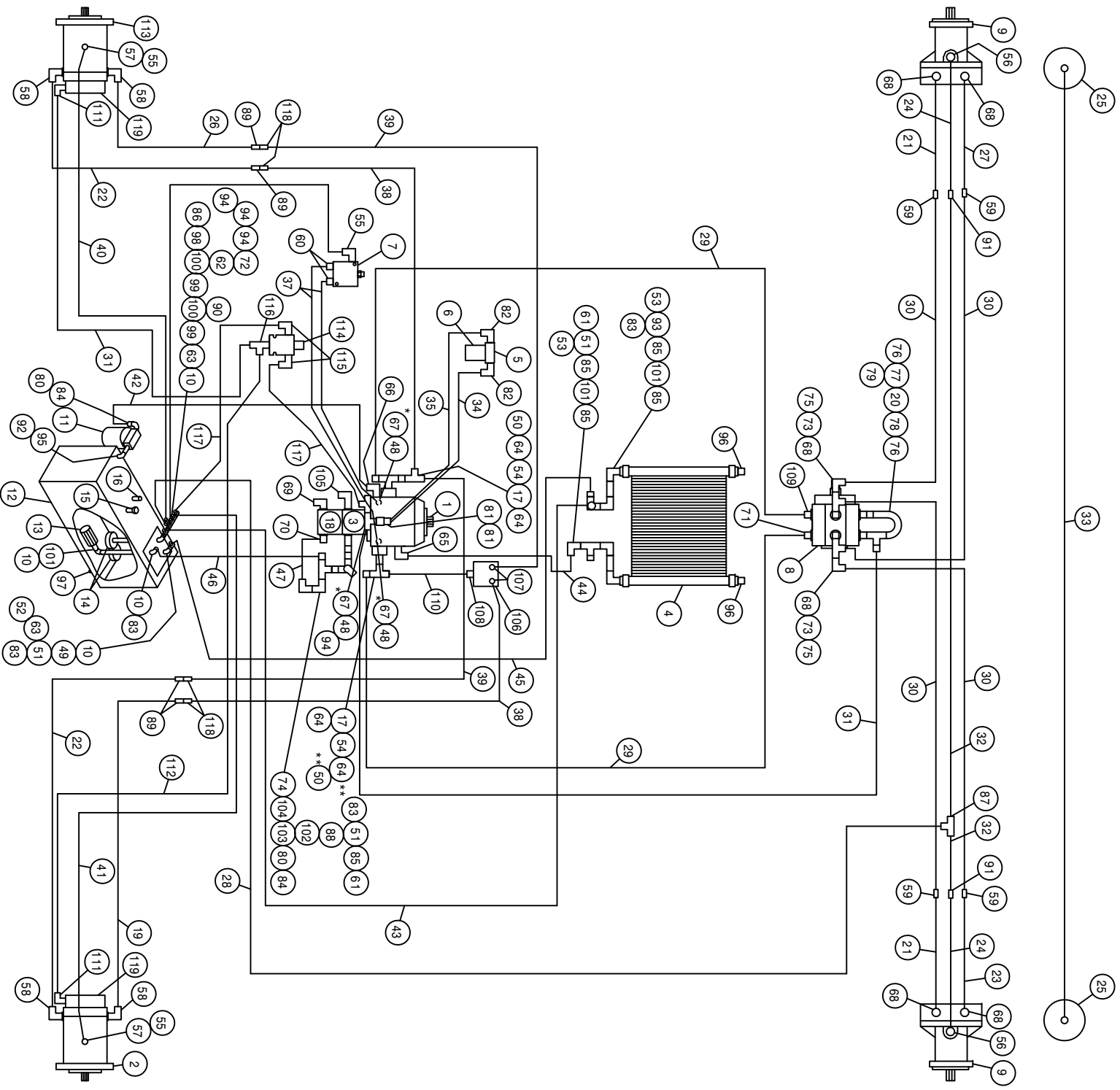


DEPTH COMMAND ACTUATOR ASSEMBLY

DET. QTY PART NO. DESCRIPTION

1	1	002849	HD DEPTH CMD ARM MT WLD	94
2	1	002846	HD DEPTH CMD MTG BRKT WLD	94
3	1	002851	HD DEPTH CMD UPR ARM WLD	94
4	1	002855	HD DEPTH CMD LWR ARM WLD	94
5	2	002858	HD DEPTH CMD ARM BUSH	94
6	1	291634	LINEAR ACTUATOR, 12V 4" 250LB	
7	2	473949	5/16UNC-1 9/16ID-1 15/16BOLT	
8	1	900267	1/2UNC X 2 HEX BOLT	
9	1	900069	5/16UNC X 2 HEX BOLT	
10	1	900070	5/16UNC X 2 1/2 BOLT	
11	2	900263	1/2UNC X 1 HEX BOLT	
12	2	914008	1/2UNC HEX STOVER NUT	
13	6	914002	5/16UNC HEX STOVER NUT	
14	2	920004	1/2 FLAT WASHER SAE	
15	1	900275	1/2UNC X 4 1/2 HEX BOLT	

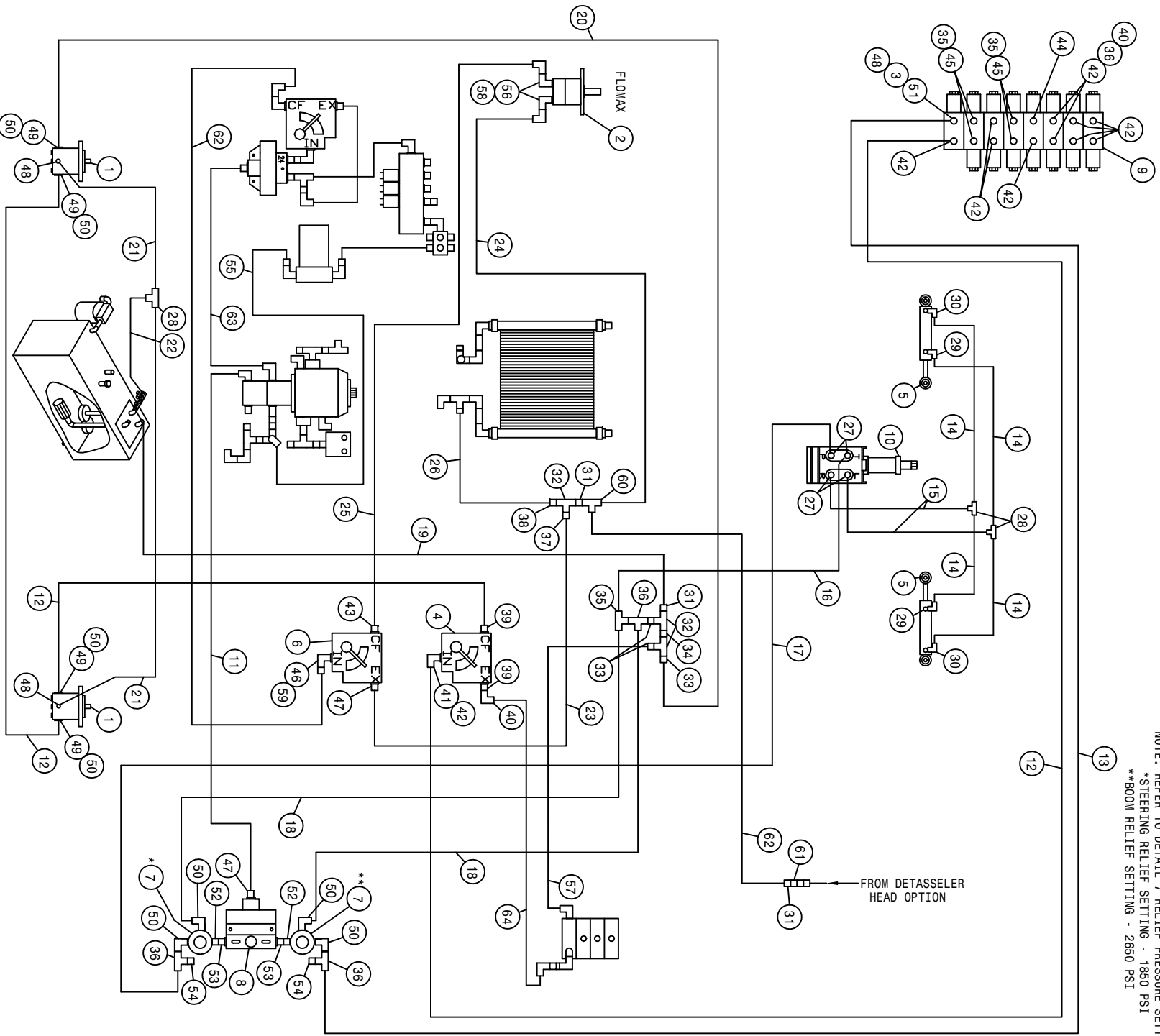




*NOTE:
 REFER TO DETAIL 67 TO CHECK LIMIT SETTING - 4500 PSI
 REFER TO DETAIL 67 TO CHECK CHARGE PRESSURE - 380 PSI
 **DETAIL 50 AND 64 ARE USED WITHOUT TRACTION VALVE.

284 COMBO HYD SCHEM 97
REFERENCE DRAWING NO. 498517S1

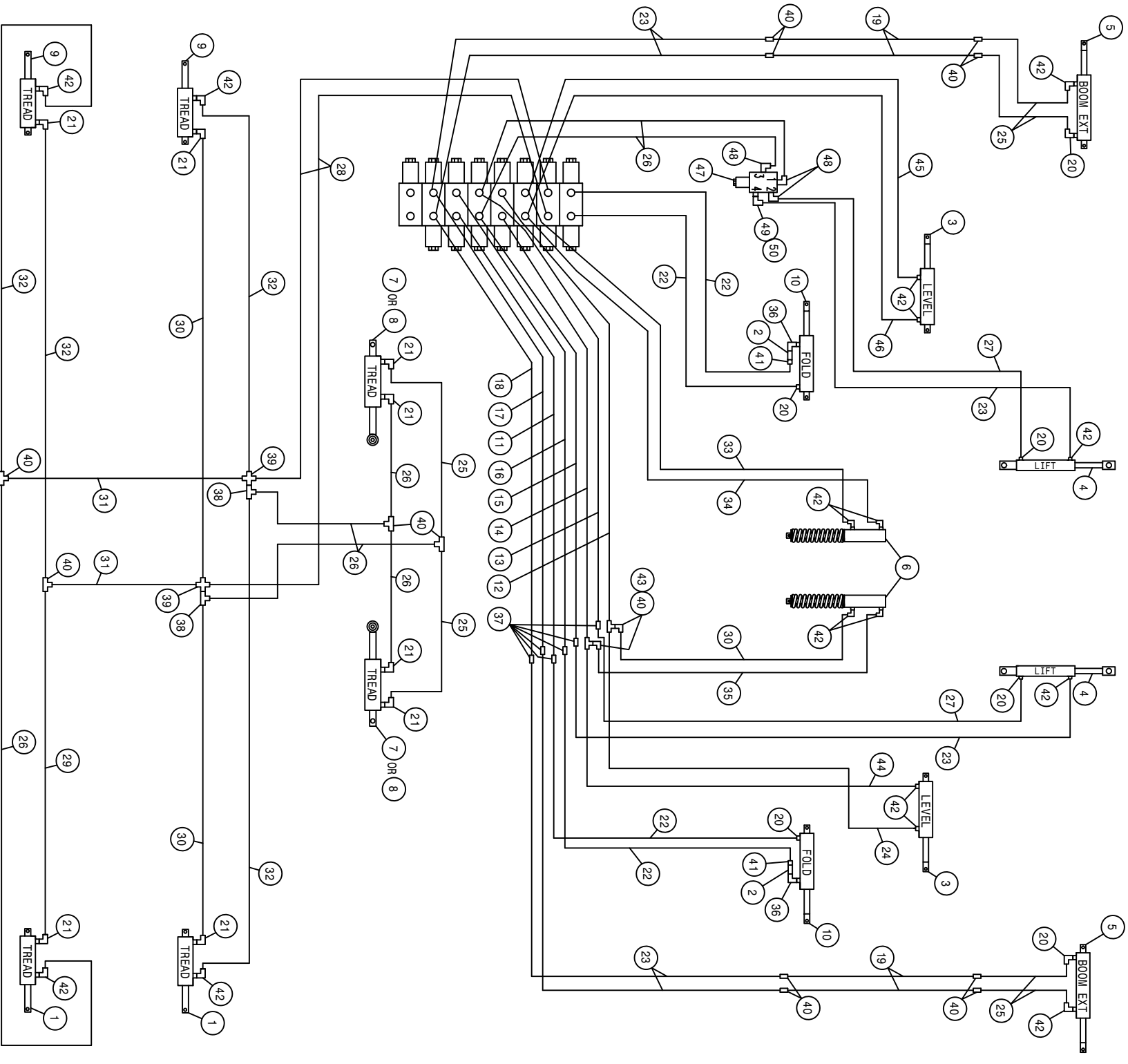
DET.	QTY	PART NO.	DESCRIPTION	DET.	QTY	PART NO.	DESCRIPTION
1	1	606902	SUND 100CC PUMP-B-MT W/FILT	61	2	716000	3/4 HOSE BARB-90-1MNP
2	1	610557	SUND M35-3102 WHL MTR W/SHFT	62	1	504001	RED BUSH 3/4 X 1/4 BLK MAL
3	1	606894	SUND GEAR PUMP 3.40CI SPLINED	63	2	505213	RED BUSH 1 X 3/4 BLK MAL
4	1	618606	OIL COOLER, BLISSFIELD 65027	64	3	618541	1 5/16FJIC-1 1/16MJIC ADPTR
5	1	605608	HYD FILTER HEAD, DONALDSON	65	1	618118	3/4 HOSE BARB-90-1 1/16MOR
6	1	605609	HYD FILTER ELEMENT, DONALDSON	66	1	618626	1 1/4 HOSE BARB-45-1 5/8MOR
7	1	610580	REMOTE FLUSHING VALVE, SUND	67	3	618629	9/16MOR BRANCH TEE-9/16MJIC
8	1	606003	GRESN SELECTOR VALVE DS-12	68	6	618535	7/8MJIC-90-1 1/16MOR LBO
9	2	610571	SUND M35-3002 WHL MTR	69	1	611128	7/8MJIC-90-7/8MOR LBO
10	4	505300	BLK PIPE EL 90DEG 1.00NPT	70	1	618075	3/4 HOSE BARB-1 1/16MOR
11	1	605601	GRESN FILTER 10 MICRON 40GPM	71	1	611127	1 1/16MJIC-1 1/16MOR ADPTR
12	1	760097	OIL TANK WLD 8240 1982	72	1	618520	1/4MNP RUN TEE-9/16MJIC
13	1	605600	MICHIGAN RESERVOIR FILTER	73	2	618333	7/8FJIC SW RUN TEE-7/8MJIC
14	2	605603	LINE SUMP DIFFUSER	74	1	618596	1 5/8MOR-1 1/4FNPT ADPTR
15	1	611052	FILLER BREATHER 3/4NPT	75	2	618301	7/8MJIC-90-7/8FJIC SWIV LBO
16	1	614453	DIPSTICK, 8IN	76	2	618132	1 1/16MOR-7/8FOR ADPTR
17	2	618598	1" 4-BOLT FLG X 1 5/16 FOR	77	1	611126	7/8MJIC-7/8MOR ADPTR
18	1	606891	SUND GEAR PMP .52CI SPLINED	78	1	618130	7/8MOR RUN TEE-7/8MJIC
19	1	615706	RH REAR LEG HYDTUBE ASSY28497	79	1	618557	7/8FJIC-9/16MJIC ADPTR
20	1	614198	FWD VALVE U-TUBE ASSY	80	2	506410	BLK PIPE ST EL 90DEG 1.25NPT
21	2	615655	FRT LEG INNER HYD TUBE ASY284	81	2	618327	3/4MJIC-7/8MOR ADPTR
22	2	615705	REAR LEG HYD TUBE ASSY 284 97	82	2	618474	3/4MJIC-90-1 1/16MOR LBO
23	1	615657	RH FRTLEG OUTR HYDTUBE ASY284	83	4	714560	1NPT X 1 HOSE BARB
24	1	615656	FRT LEG CNTR HYD TUBE ASSY284	84	2	715660	HOSE BARB 1 1/4NPT X 1 1/4
25	2	620570	HYD CYL LEG LEVEL 2.00 X 12	85	5	505200	BLK PIPE ST EL 90DEG 1.00NPT
26	1	615707	LH REAR LEG HYDTUBE ASSY28497	86	1	618018	9/16MJIC-1/2MNP ADPTR
27	1	615658	LH FRTLEG OUTR HYDTUBE ASY284	87	1	618019	9/16MJIC UNION TEE
28	1	614704	06CIT-06FJX-06FJX-156 H/A	88	1	505105	1MNP HEX PIPE NIPPLE STL
29	2	614724	12TWM-12FJX-12FJX-106 H/A	89	4	618640	1 5/16MJ-90-1 5/16FJ SWIV LBO
30	4	614686	08C2AT-08FJX90-10FJX-70 H/A	90	1	713220	HOSE BARB 3/4 NPT X 3/4
31	2	614101	04C1T-06FJX-06FJX-133 H/A	91	2	618314	3/4MJIC UNION
32	2	615444	06C1T-06FJX-08FJX90-60 H/A	92	1	506602	PIPE NIPPLE 1 1/4NPT-2 1/2
33	1	615614	FRT LEG CYL JUMPER HOSE280 89	93	1	505098	SIDE OUTLET EL 90DEG 1.00NPT
34	1	616034	08C1T-08FJX-08FJX-17 H/A	94	4	618486	9/16FJIC SW RUN TEE-9/16MJIC
35	1	615633	08C1T-08FJX-08FJX-23 H/A	95	1	506303	BLK PIPE EL 90DEG 1.25NPT
36	1	616048	04C1T-06FJX-06FJX-35 H/A	96	2	505102	PIPE PLUG 1.00NPT SQ HD
37	2	616043	04C1T-06FJX-06FJX-23 H/A	97	1	501102	1/4 PIPE PLUG
38	2	614721	12TWM-12MJ-12FJX90-60 H/A	98	1	504210	RED BUSH 3/4 NPT X 1/2 NPT
39	2	614722	12TWM-12MJ-12FJX90-70 H/A	99	2	504702	CLOSE NIPPLE .75NPT
40	1	614549	06C1T-06FJX-06FJX-140 H/A	100	2	504955	BLK PIPE TEE .75NPT
41	1	615449	06C1T-06FJX-06FJX-126 H/A	101	3	505203	BLK PIPE NIPPLE 1.00NPT-4.00
42	1	601380	HOSE, 1 1/4 X 35 1FBR-1SPI	102	1	506005	1 1/4 TO 1 RED BUSH BLK MAL
43	1	601386	HOSE, 3/4 X 100 1FBR-1SPI	103	1	506701	SIDE OUTLET EL 90DEG 1.25NPT
44	1	601385	HOSE, 3/4 X 65 1FBR-1SPI	104	1	507026	1 1/4MNP HEX PIPE NIPPLE STL
45	1	601387	HOSE, 1" X 104 1FBR-1SPI	105	1	618178	1 5/16MJIC-90-1 5/16MOR LBO
46	1	601382	HOSE, 1 X 50 1FBR-1SPI	106	1	610618	POSITRACTION VLV, STL, 88SP 60G
47	1	601383	HOSE, 3/4 X 8 1FBR-1SPI	107	2	618308	1 1/16MJIC-1 5/16MOR ADPTR
48	3	618531	9/16FJIC CAP NUT	108	1	618178	1 5/16MJIC-90-1 5/16MOR LBO
49	1	505201	CLOSE NIPPLE 1.00NPT	109	1	607526	FLOW CTRL VALVE, 28GPM IN-LINE
50	1	618487	1 1/16FJ SW RUN TEE-1 1/16MJ	110	1	615263	16TWM-16FJX-16FJX90L-18 H/A
51	3	505101	BLK PIPE TEE 1.00NPT	111	2	618114	9/16MJIC-90-7/16MOR LBO
52	1	7140300	3/4MJIC-3/4MNP ADPTR	112	1	614639	04C1T-06FJX-06FJX-126 H/A
53	2	714331	1 NPT X 3/4 HOSE BARB	113	1	610621	SUND HYD MOTOR
54	2	618599	1 5/16MOR BRANCH TEE-1 5/16MJ	114	1	610302	HYD SOLENOID VALVE 3WAY 12VDC
55	3	618119	9/16MJIC-90-9/16MOR LBO	115	2	611122	9/16MJIC-90-1/4MNP LBO
56	2	618183	3/4MJIC-90-7/8MOR LBO	116	1	618520	1/4MNP RUN TEE-9/16MJIC
57	2	618172	7/8MOR-9/16FOR ADPTR	117	2	616056	04C1T-06FJX-06FJX-32 H/A
58	4	618576	1 5/16MJIC-90-1 1/16MOR LBO	118	4	618641	1 1/16FJIC-1 5/16MJIC ADPTR
59	4	618627	7/8MJIC-3/4JIC REDU UNION	119	2	828092	MICRO HYD BRAKE
60	2	618126	9/16MJIC-9/16MOR ADPTR				



NOTE: REFER TO DETAIL 7 RELIEF PRESSURE SETTING.
 *STEERING RELIEF SETTING - 1850 PSI
 **BOOM RELIEF SETTING - 2650 PSI

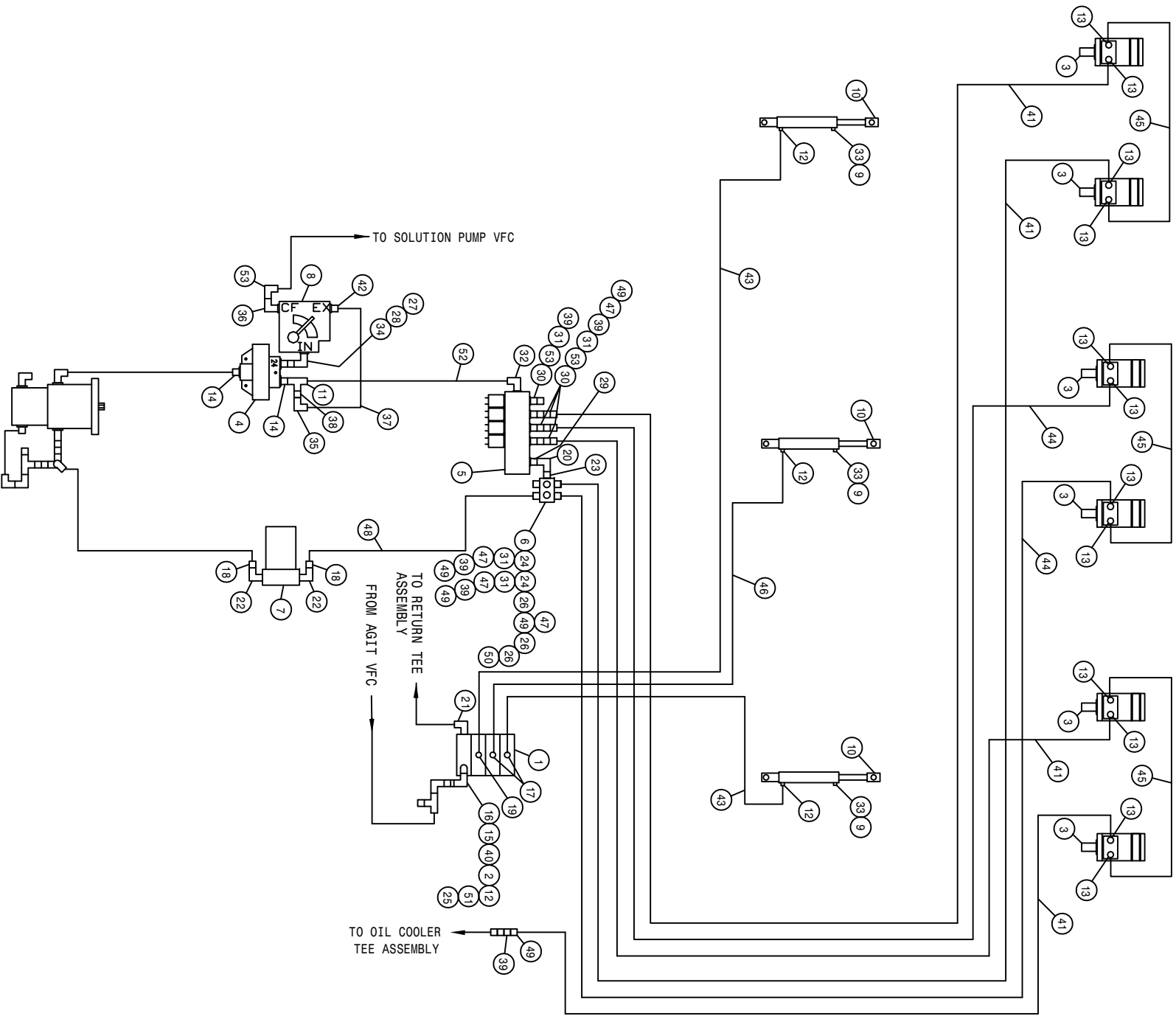
284 COMBO HYD SCHEM 96
REFERENCE DRAWING NO. 498517S2

DET.	QTY	PART NO.	DESCRIPTION	DET.	QTY	PART NO.	DESCRIPTION
1	2	610510	CESSNA GEAR MOTOR 1.48CI	33	618018	9/16MJIC-1/2MNPT ADPTR	
2	1	690573	HYD MOTOR, FLOMAX HI-SPEED	34	503600	CLOSE NIPPLE .50NPT	
3	1	610447	HYD FILTER, INLINE 1/4FNPT 90M	35	618514	9/16FJ SW BRANCH TEE-9/16MJ	
4	1	606827	FLO CONT FC51 0-3 VARI 7/8FOR	36	618486	9/16FJIC SW RUN TEE-9/16MJIC	
5	2	620080	STRG CYL ASSY 1.50 X 6.0 1985	37	618325	7/8MJIC-1/2MNPT ADPTR	
6	1	606818	FLO CONT FCR51 0-16GPM 7/8FOR	38	712440	1/2 NPT X 3/4 HOSE BARB	
7	2	607512	RELIEF VALVE, RL50, 1850 PSI	39	618310	9/16MJIC-7/8MOR ADPTR	
8	1	607504	FLO DIV B50 2-8GPM 7/8 FOR	40	618618	9/16MJIC-90-9/16FJIC SWIV LBO	
9	1	610569	6 SECT, 5 FUCTION HYD VLV, EATON	41	618172	7/8MOR-9/16FOR ADPTR	
10	1	749150	STRG MTR NON-LOAD REACT 1008	42	618119	9/16MJIC-90-9/16MOR LBO	
11	1	614664	10C1T-10FJX-10FJX-98	43	618327	3/4MJIC-7/8MOR ADPTR	
12	3	614693	06C1T-06FJX-06FJX-168	44	618440	9/16MJIC-90-9/16MOR EX LG LBO	
13	1	614159	04C1T-06FJX-06FJX-169	45	618126	9/16MJIC-9/16MOR ADPTR	
14	4	614663	04C1T-06FJX-06FJX-16	46	611128	7/8MJIC-90-7/8MOR LBO	
15	2	616028	04C1T-06FJX-06FJX-47	47	611126	7/8MJIC-7/8MOR ADPTR	
16	1	611204	04C1T-06FJX-06FJX-78	48	611121	9/16MJIC-1/4MNPT ADPTR	
17	1	616040	04C1T-06FJX-06FJX-67	49	618092	1 1/16MOR-1/2FNPT ADPTR	
18	2	616026	04C1T-06FJX-06FJX-37	50	618107	9/16MJIC-90-1/2MNPT LBO	
19	1	616057	08C1T-08FJX-08FJX-88	51	618562	9/16MOR-90-1/4MNPT LBO	
20	1	614571	06C1T-06FJX-06FJX-126	52	500000	1/2MNPT HEX PIPE NIPPLE STL	
21	2	611208	04C1T-06FJX-06FJX-98	53	618072	7/8MOR-1/2FNPT ADPTR	
22	1	615452	06C1T-06FJX-06FJX-16	54	618531	9/16FJIC CAP NUT	
23	1	615521	10C1T-10FJX-10FJX-18	55	601388	HOSE, 1 1/4 X 33 1FBR-1SPI	
24	1	615465	08C1T-08FJX-08FJX-33	56	618241	3/4MJIC-90-3/4MOR LBO	
25	1	614662	08C1T-08FJX-08FJX-72	57	614621	06C1T-06FJX-06FJX-78	
26	1	601384	HOSE, 3/4 X 40 1FBR-1SPI	58	618609	3/4MJIC-90-3/4FJIC SWIV LBO	
27	4	618496	9/16MJIC-45-3/4MOR LBO	59	618523	7/8FJIC-3/4MJIC ADPTR	
28	3	618019	9/16MJIC UNION TEE	60	618451	3/4FJIC SW RUN TEE-3/4MJIC	
29	2	611122	9/16MJIC-90-1/4MNPT LBO	61	618622	HYD QUICK CPLR, MALE, .50FNPS	
30	2	618338	9/16MJIC-45-1/4MNPT LBO	62	614382	08C1T-08FJX-08FJX-40	
31	3	611147	3/4MJIC-1/2MNPT ADPTR	63	614350	16C2AT-16FJX-16FJX-55	
32	3	503820	BLK PIPE TEE .50NPT	64	615442	04C1T-06FJX-06FJX-55	



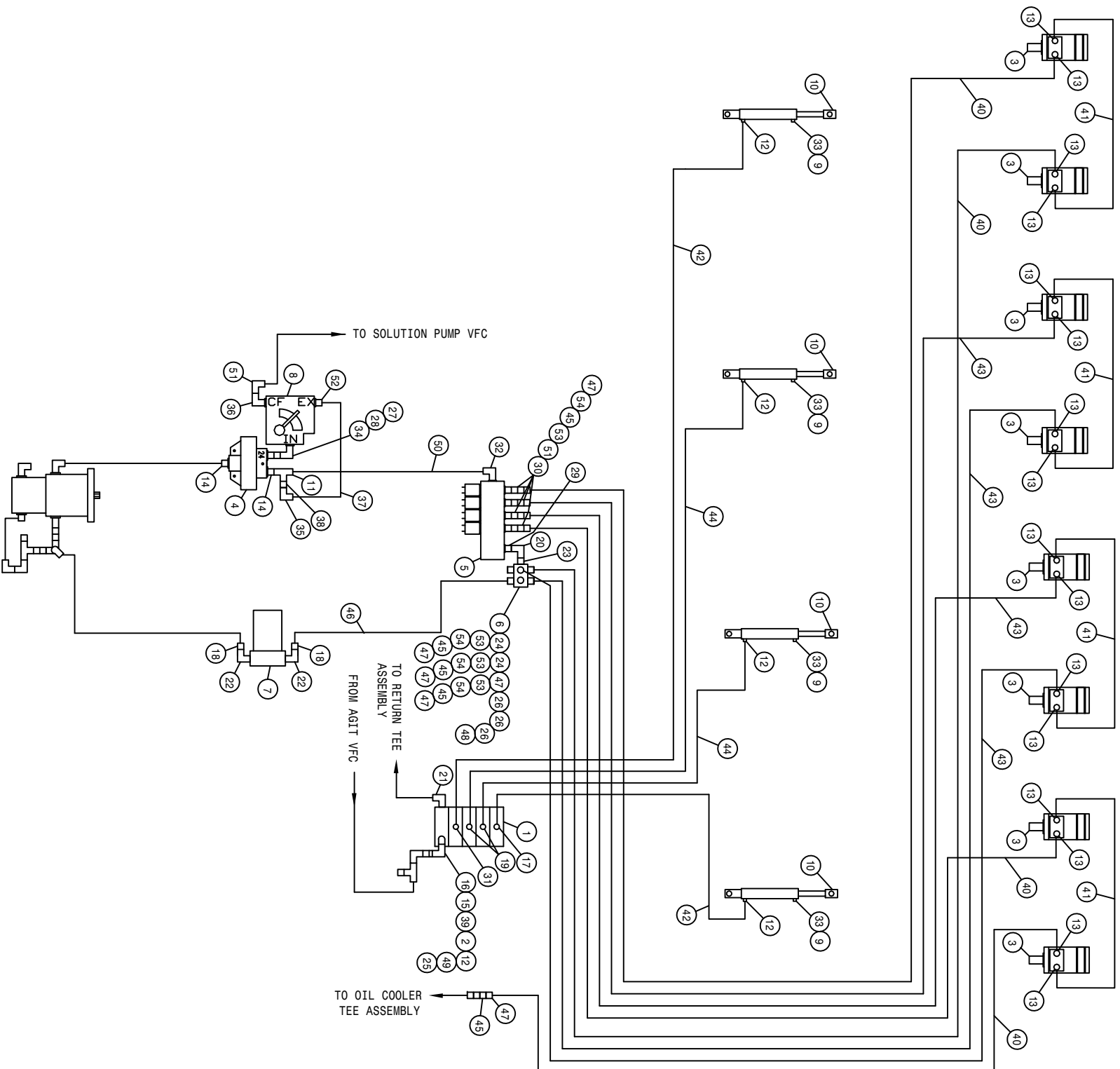
284 COMBO HYD SCHEM 97
REFERENCE DRAWING NO. 498517S3

DET.	QTY	PART NO.	DESCRIPTION	DET.	QTY	PART NO.	DESCRIPTION
1	2	620120	CYL ASSY, RH LEG, TREAD ADJ 94	26	7	614663	04C1T-06FJX-06FJX-16
2	2	610450	RESTRICTOR .025 1-WAY, 1/2ENPT	27	2	615616	04C1T-06FJX-06FJX-65
3	2	620585	LEVEL CYL ASSY, 2 X 10	28	2	611210	04C1T-06FJX-06FJX-156
4	2	620581	LIFT CYL ASSY, 2 X 14 HD	29	1	616042	04C1T-06FJX-06FJX-13
5	2	620900	CYL ASSY CC2016 DDO SRG 180	30	3	616049	04C1T-06FJX-06FJX-26
6	2	620632	ACCUMULATOR CYL ASSY	31	2	614308	04C1T-06FJX-06FJX-109
7	2	620123	CYL ASSY, STRG, 125" TREAD ADJ 94	32	4	616026	04C1T-06FJX-06FJX-37
8	2	620122	CYL ASSY, STRG, 90" TREAD ADJ 94	33	1	616037	04C1T-06FJX-06FJX-29
9	2	620121	CYL ASSY, LH LEG, TREAD ADJ 94	34	1	614713	04C1T-06FJX-06FJX-24
10	2	620652	FOLD CYL ASSY, 2 X 10 IN	35	1	614712	04C1T-06FJX-06FJX-20
11	1	615641	FOLD HYD TUBE ASSY, IN 254/284	36	2	618633	1/2MNPPT-90-1/4MNPPT REDU LBO
12	1	615639	LEVEL HYD TUBE ASSY, UP254/284	37	14	619010	9/16MJIC UNION
13	1	615637	LIFT HYD TUBE ASSY, UP 254/284	38	2	618486	9/16FJIC SW RUN TEE-9/16MJIC
14	1	615640	LEVEL HYD TUBE ASSY, DN254/284	39	2	618320	9/16MJIC UNION CROSS
15	1	615638	LIFT HYD TUBE ASSY, DN 254/284	40	6	618019	9/16MJIC UNION TEE
16	1	615642	FOLD HYD TUBE ASSY, OUT254/284	41	2	618018	9/16MJIC-1/2MNPPT ADPTR
17	1	615683	FOLD BOOM HYD TUBE ASSY, OUT	42	16	611122	9/16MJIC-90-1/4MNPPT LBO
18	1	615682	FOLD BOOM HYD TUBE ASSY, IN	43	2	618618	9/16MJIC-90-9/16FJIC SMITV LBO
19	4	615684	HYD TUBE ASSY, BOOM EXT FOLD96	44	1	614714	04C1T-06FJX-06FJX-34
20	6	614365	RESTRICTOR ELBOW ASSY .042DIA	45	1	614715	04C1T-06FJX-06FJX-43
21	8	614710	RESTRICTOR ELBOW ASSY .025DIA	46	1	616059	04C1T-06FJX-06FJX-33
22	4	615442	04C1T-06FJX-06FJX-55	47	1	610628	4-WAY, 2-POSITION SOL VLV
23	6	616040	04C1T-06FJX-06FJX-67	48	3	618115	9/16MJIC-90-3/4MOR LBO
24	1	616028	04C1T-06FJX-06FJX-47	49	1	618109	9/16MJIC-3/4MOR ADPTR
25	6	616043	04C1T-06FJX-06FJX-23	50	1	618618	9/16MJIC-90-9/16FJIC SMITV LBO



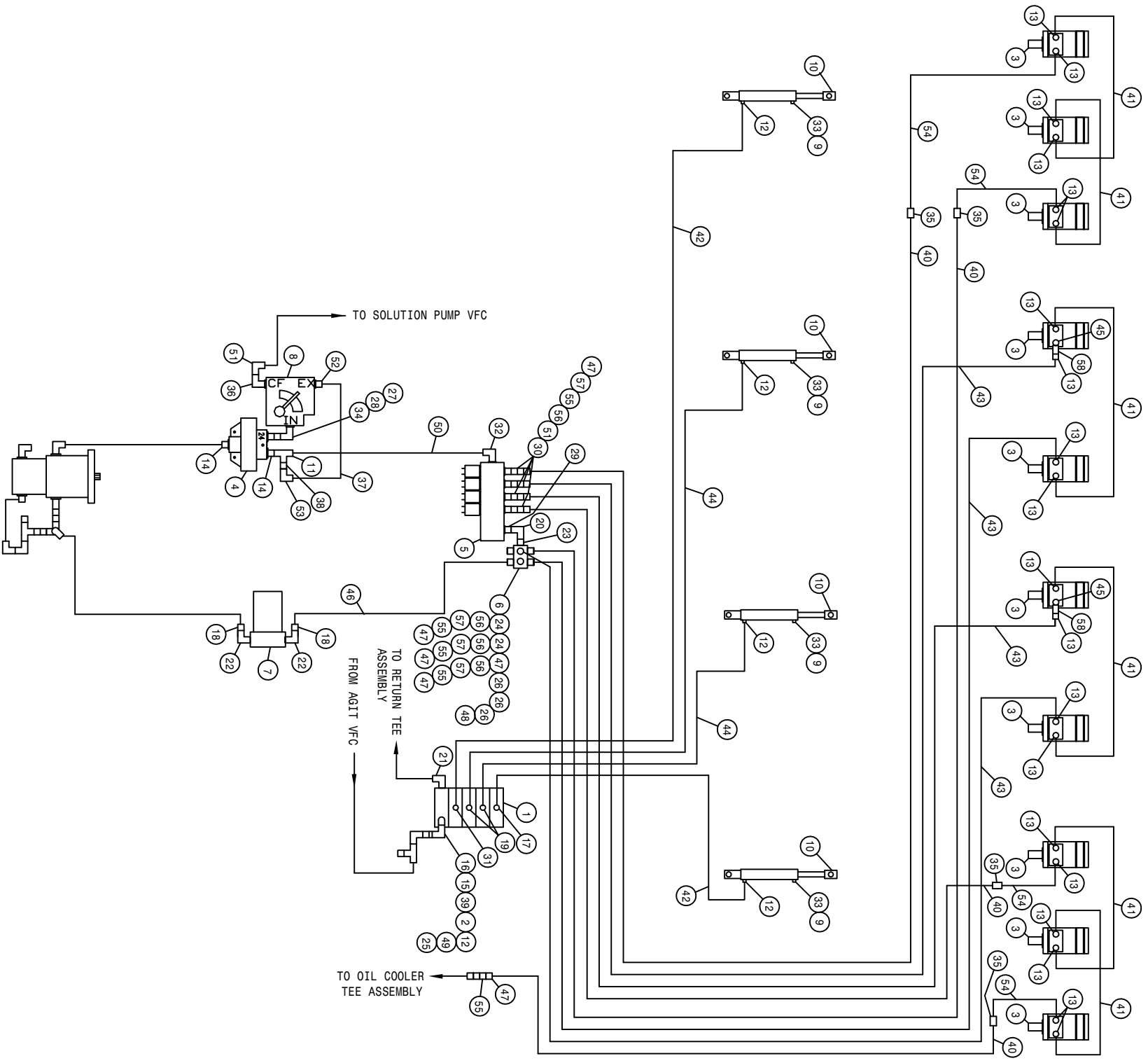
280 COMB 6R QUAD 3L W/T-TROL HYD SCHEM 92
REFERENCE DRAWING NO. 498408

DET.	QTY	PART NO.	DESCRIPTION	DET.	QTY	PART NO.	DESCRIPTION
1	1	610532	ELECT HYD STACK VLV, 3 SECT	28	1	618579	1 1/16FJIC SWIV-3/4MNPT
2	1	610447	HYD FILTER, INLINE 1/4FNPT 90M	29	1	618090	1 5/16MOR-1FNPT ADPTR
3	6	610947	HYD MOTOR 4.5CI 1IN SHFT	30	4	618469	3/4MJIC-1 1/16MOR ADPTR
4	1	606836	FLO DIV BG424 24GPM PRI INPT	31	6	618623	3/4FJIC-SWIV-1/2MNPT
5	1	610467	MODULAR MTR CONTROL ELECT VLV	32	1	618178	1 5/16MJIC-90-1 5/16MOR LBO
6	1	614633	HYD MANIF 8200 86	33	3	501452	ST EL 90DEG .25NPT, STEEL,PLT
* 7	1	605601	GRESEN FILTER 10 MICRON 40GPM	34	1	505213	RED BUSH 1 X 3/4 BLK MAL
8	1	607510	FLO CONT FCR51 0-30VARI 7/8OR	35	1	618191	1 1/16MJ-90-1 1/16FJ SWIV LBO
9	3	470114	BREATHER FILTER VENT, 1/4 NPT	36	1	618183	3/4MJIC-90-7/8MOR LBO
10	3	620900	CYL ASSY CC2016 D00 SRG 180	*37	1	610357	12C2AT-12FJX-12FJX-33
11	1	618619	1 5/16FJ SW RUN TEE-15/16MJ	38	1	618541	1 5/16FJIC-1 1/16MJIC ADPTR
12	4	611122	9/16MJIC-90-1/4MNPT LBO	39	7	618621	HYD QUITCK CPLR,FEMALE, .50FNPS
13	12	618327	3/4MJIC-7/8MOR ADPTR	40	1	618608	9/16FJIC SWIV-1/4MNPT
14	2	618322	1 5/16MJIC-1MNPT ADPTR	41	4	614690	08C1T-08FJX-08FJX-192
15	1	618440	9/16MJIC-90-9/16MOR EX LG LBO	42	1	618189	1 1/16MJIC-7/8MOR ADPTR
16	1	618170	3/4MOR-9/16FOR ADPTR	43	2	614101	04C1T-06FJX-06FJX-133
17	2	618119	9/16MJIC-90-9/16MOR LBO	44	2	614688	08C1T-08FJX-08FJX-108
*18	2	715660	HOSE BARB 1 1/4NPT X 1 1/4	45	3	616025	08C1T-08FJX-08FJX-50
19	1	618425	9/16MJIC-45-9/16MOR LBO	46	1	614077	04C1T-06FJX-06FJX-88
20	1	505200	BLK PIPE ST EL 90DEG 1.00NPT	47	5	618622	HYD QUITCK CPLR, MALE, .50FNPS
21	1	618600	9/16MJIC-90-7/8MOR LBO	*48	1	601378	HOSE, 1 1/4 X 156 IEBR-1SPI
*22	2	506410	BLK PIPE ST EL 90DEG 1.25NPT	49	7	611147	3/4MJIC-1/2MNPT ADPTR
23	1	505210	BLK PIPE NIPPLE 1.00NPT-3.00	50	1	714561	1.00NPT-1.25 HOSE BARB
24	2	611145	3/4MJIC-90-1/2MNPT LBO	51	1	618486	9/16FJIC SW RUN TEE-9/16MJIC
25	1	618531	9/16FJIC CAP NUT	*52	1	614702	HYD TUBE ASSY, 280 COMBO
26	3	503700	PIPE PLUG .50NPT SQ HD	53	1	618609	3/4MJIC-90-3/4FJIC SWIV LBO
27	1	618279	1 1/16MJIC-90-7/8MOR LBO				



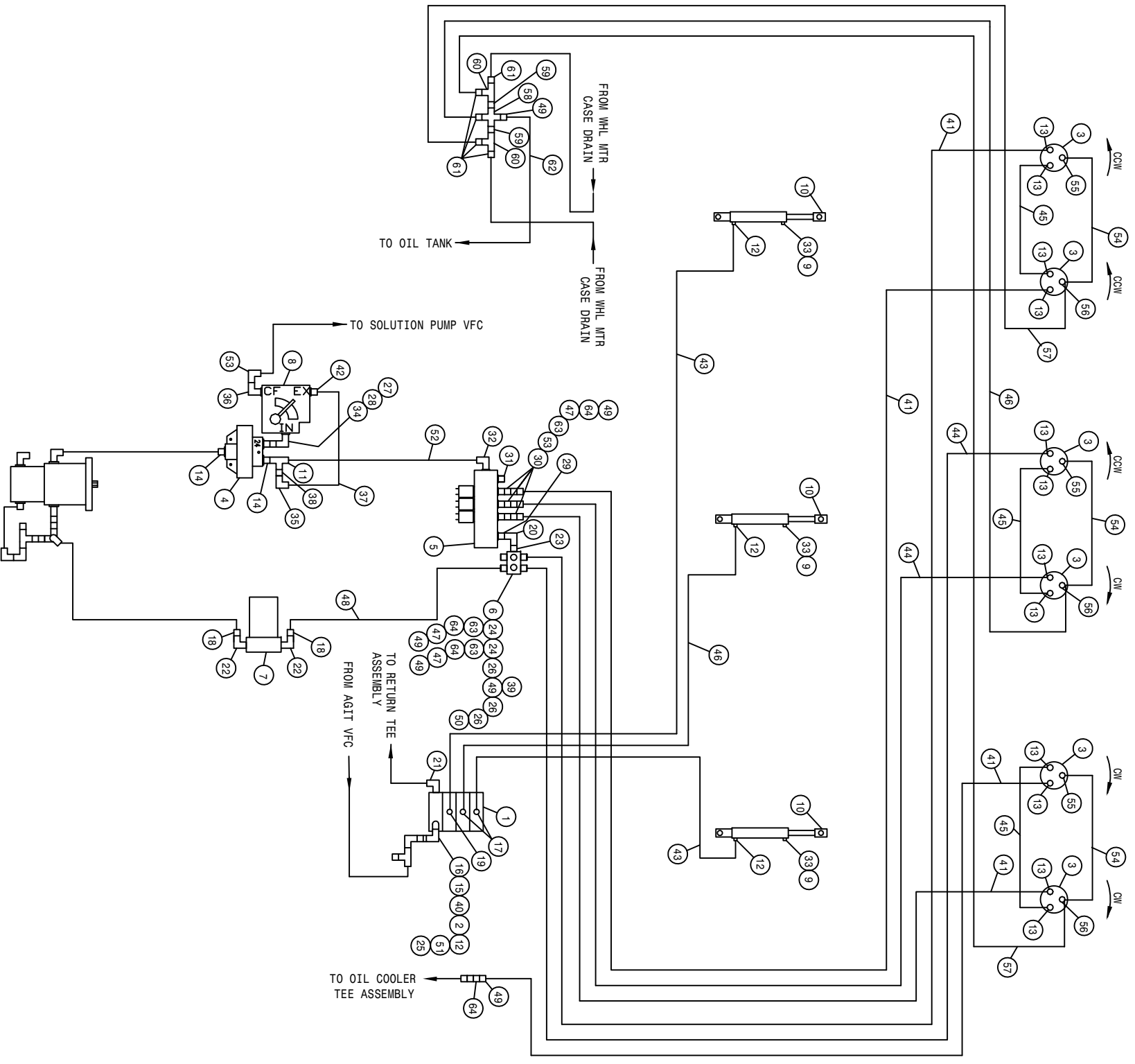
280 COMBO 8R QUAD 4L W/T-TROL HYD SCHEM 92
REFERENCE DRAWING NO. 498409

DET.	QTY	PART NO.	DESCRIPTION	DET.	QTY	PART NO.	DESCRIPTION
1	1	610532	ELECT HYD STACK VLV, 3 SECT	28	1	618579	1 1/16FJIC SWIV-3/4MNPT
2	1	610447	HYD FILTER, INLINE 1/4FNPT 90M	29	1	618090	1 5/16MOR-1FNPT ADPTR
3	8	610547	HYD MOTOR 4.5CI LIN SHFT	30	4	618469	3/4MJIC-1 1/16MOR ADPTR
4	1	606836	FLO DIV BG424 24GPM PRI INPT	31	1	618126	9/16MJIC-9/16MOR ADPTR
5	1	610467	MODULAR MTR CONTROL ELECT VLV	32	1	618178	1 5/16MJIC-90-1 5/16MOR LBO
6	1	614633	HYD MANIF 8200 86	33	4	501452	ST EL 90DEG .25NPT, STEEL, PLT
* 7	1	605601	GREEN FILTER 10 MICRON 40GPM	34	1	505213	RED BUSH 1 X 3/4 BLK MAL
8	1	607510	FLO CONT FOR51 0-30VARI 7/8OR	35	1	618191	1 1/16MJ-90-1 1/16FJ SWIV LBO
9	4	470114	BREATHER FILTER VENT, 1/4 NPT	36	1	618183	3/4MJIC-90-7/8MOR LBO
10	4	620900	CYL ASSY CG2016 D00 SRG 180	*37	1	610357	12C2AT-12FJX-12FJX-33
11	1	618619	9/16FJ SW RUN TEE-15/16MJ	38	1	618541	1 5/16FJIC-1 1/16MJIC ADPTR
12	5	611122	9/16MJIC-90-1/4MNPT LBO	39	1	618608	9/16FJIC SWIV-1/4MNPT
13	16	618327	3/4MJIC-7/8MOR ADPTR	40	4	614691	08C1T-08FJX-08FJX-220
14	2	618322	1 5/16MJIC-1MNPT ADPTR	41	4	616025	08C1T-08FJX-08FJX-50
15	1	618440	9/16MJIC-90-9/16MOR EX LG LBO	42	2	611246	04C1T-06FJX-06FJX-174
16	1	618170	3/4MOR-9/16FOR ADPTR	43	4	614689	08C1T-08FJX-08FJX-120
17	1	618119	9/16MJIC-90-9/16MOR LBO	44	2	614101	04C1T-06FJX-06FJX-133
*18	2	715660	HOSE BARB 1 1/4NPT X 1 1/4	45	8	618621	HYD QUICK CPLR, FEMALE, .50FNPS
19	2	618425	9/16MJIC-45-9/16MOR LBO	*46	1	601378	HOSE, 1 1/4 X 156 1FBR-1SPI
20	1	505200	BLK PIPE ST EL 90DEG 1.00NPT	47	9	611147	3/4MJIC-1/2MNPT ADPTR
21	1	618600	9/16MJIC-90-7/8MOR LBO	48	1	714561	1.00NPT-1.25 HOSE BARB
*22	2	506410	BLK PIPE ST EL 90DEG 1.25NPT	49	1	618486	9/16FJIC SW RUN TEE-9/16MJIC
23	1	505210	BLK PIPE NIPPLE 1.00NPT-3.00	*50	1	614702	HYD TUBE ASSY, 280 COMBO 92
24	2	611145	3/4MJIC-90-1/2MNPT LBO	51	5	618609	3/4MJIC-90-3/4FJIC SWIV LBO
25	1	618531	9/16FJIC CAP NUT	52	1	618189	1 1/16MJIC-7/8MOR ADPTR
26	3	503700	PIPE PLUG .50NPT SQ HD	53	7	618623	3/4FJIC-SWIV-1/2MNPT
27	1	618279	1 1/16MJIC-90-7/8MOR LBO	54	7	618622	HYD QUICK CPLR, MALE, .50FNPS



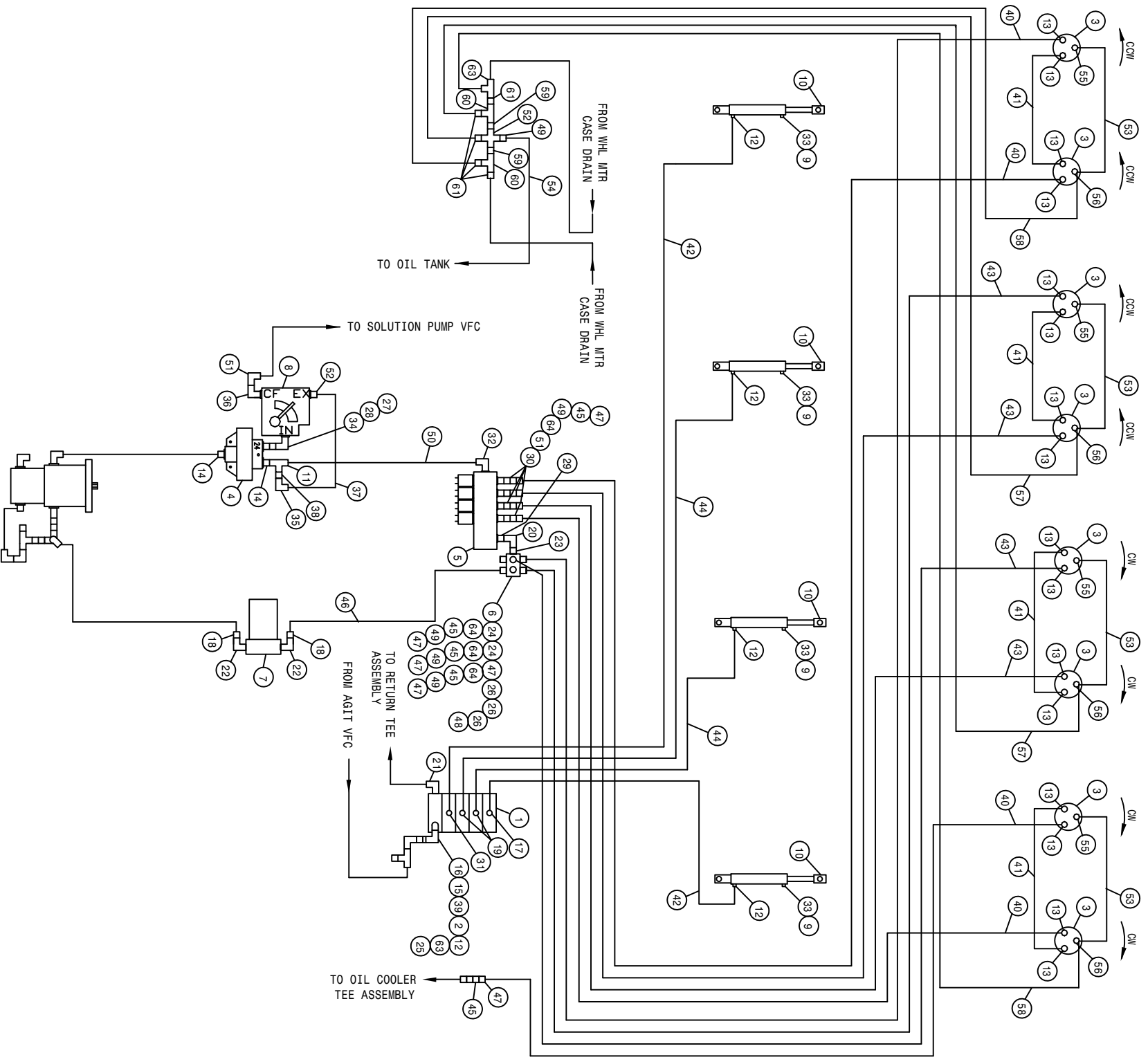
280 COMBO 10R QUAD 4L W/T-TROL HYD SCHEM 93
REFERENCE DRAWING NO. 498426

DET.	QTY	PART NO.	DESCRIPTION	DET.	QTY	PART NO.	DESCRIPTION
1	1	610532	ELECT HYD STACK VLV, 3 SECT	30	4	618469	3/4MJC-1 1/16MOR ADPTR
2	1	610447	HYD FILTER, INLINE 1/4FNPT 90M	31	1	618126	9/16MJC-9/16MOR ADPTR
3	10	610547	HYD MOTOR 4.5CI 1IN SHFT	32	1	618178	1 5/16MJC-90-1 5/16MOR LBO
4	1	606836	FLO DIV BG424 24GPM PRI 1NPT	33	4	501452	ST EL 90DEG .25NPT, STEEL,PLT
5	1	610467	MODULAR MTR CONTROL ELECT VLV	34	1	505213	RED BUSH 1 X 3/4 BLK MAL
6	1	614633	HYD MANIF 8200 86	35	4	618314	3/4MJC UNION
* 7	1	605601	GRESEN FILTER 10 MICRON 40GPM	36	1	618183	3/4MJC-90-7/8MOR LBO
8	1	607510	FLO CONT FCR51 0-30VARI 7/8OR	*37	1	610357	12C2AT-12FCX-12FCX-33
9	4	470114	BREATHER FILTER VENT, 1/4 NPT	38	1	618541	1 5/16FJIC-1 1/16MJC ADPTR
10	4	620900	CYL ASSY CC2016 DOO SRG 180	39	1	618608	9/16FJIC SWIV-1/4MNPT
11	4	618619	1 5/16FJ SW RUN TEE-15/16MJ	40	4	614691	08C1T-08FJX-08FJX-220
12	5	611122	9/16MJC-90-1/4MNPT LBO	41	6	616025	08C1T-08FJX-08FJX-50
13	20	618327	3/4MJC-7/8MOR ADPTR	42	2	611246	04C1T-06FJX-06FJX-174
14	2	618322	1 5/16MJC-1MNPT ADPTR	43	4	614689	08C1T-08FJX-08FJX-120
15	1	618440	9/16MJC-90-9/16MOR EX LG LBO	44	2	614101	04C1T-06FJX-06FJX-133
16	1	618170	3/4MOR-9/16FOR ADPTR	45	2	618586	7/8MOR UNION
17	1	618119	9/16MJC-90-9/16MOR LBO	*46	1	601378	HOSE, 1 1/4 X 156 1FBR-1SP1
*18	2	715660	HOSE BARB 1 1/4NPT X 1 1/4	47	9	611147	3/4MJC-1/2MNPT ADPTR
19	2	618425	9/16MJC-45-9/16MOR LBO	48	1	714561	1.00NPT-1.25 HOSE BARB
20	1	505200	BLK PIPE ST EL 90DEG 1.00NPT	49	1	618486	9/16FJIC SW RUN TEE-9/16MJC
21	1	618600	9/16MJC-90-7/8MOR LBO	*50	5	618609	HYD TUBE ASSY, 280 COMBO 92
*22	2	506410	BLK PIPE ST EL 90DEG 1.25NPT	51	1	614702	3/4MJC-90-3/4FJIC SWIV LBO
23	1	505210	BLK PIPE NIPPLE 1.00NPT-3.00	52	1	618189	1 1/16MJC-7/8MOR ADPTR
24	2	611145	3/4MJC-90-1/2MNPT LBO	53	1	618191	1 1/16MJ-90-1 1/16FJ SWIV LBO
25	1	618531	9/16FJIC CAP NUT	54	4	615385	08C1T-08FJX-08FJX-29
26	3	503700	PIPE PLUG .50NPT SQ HD	55	8	618621	HYD QUICK CPLR,FEMALE,.50FNPS
27	1	618279	1 1/16MJC-90-7/8MOR LBO	56	7	618623	3/4FJIC-SWIV-1/2MNPT
28	1	618579	1 1/16FJIC SWIV-3/4MNPT	57	7	618622	HYD QUICK CPLR, MALE, .50FNPS
29	1	618090	1 5/16MOR-1FNPT ADPTR	58	2	607522	FLOW REGULATOR, 8GPM VONBERG



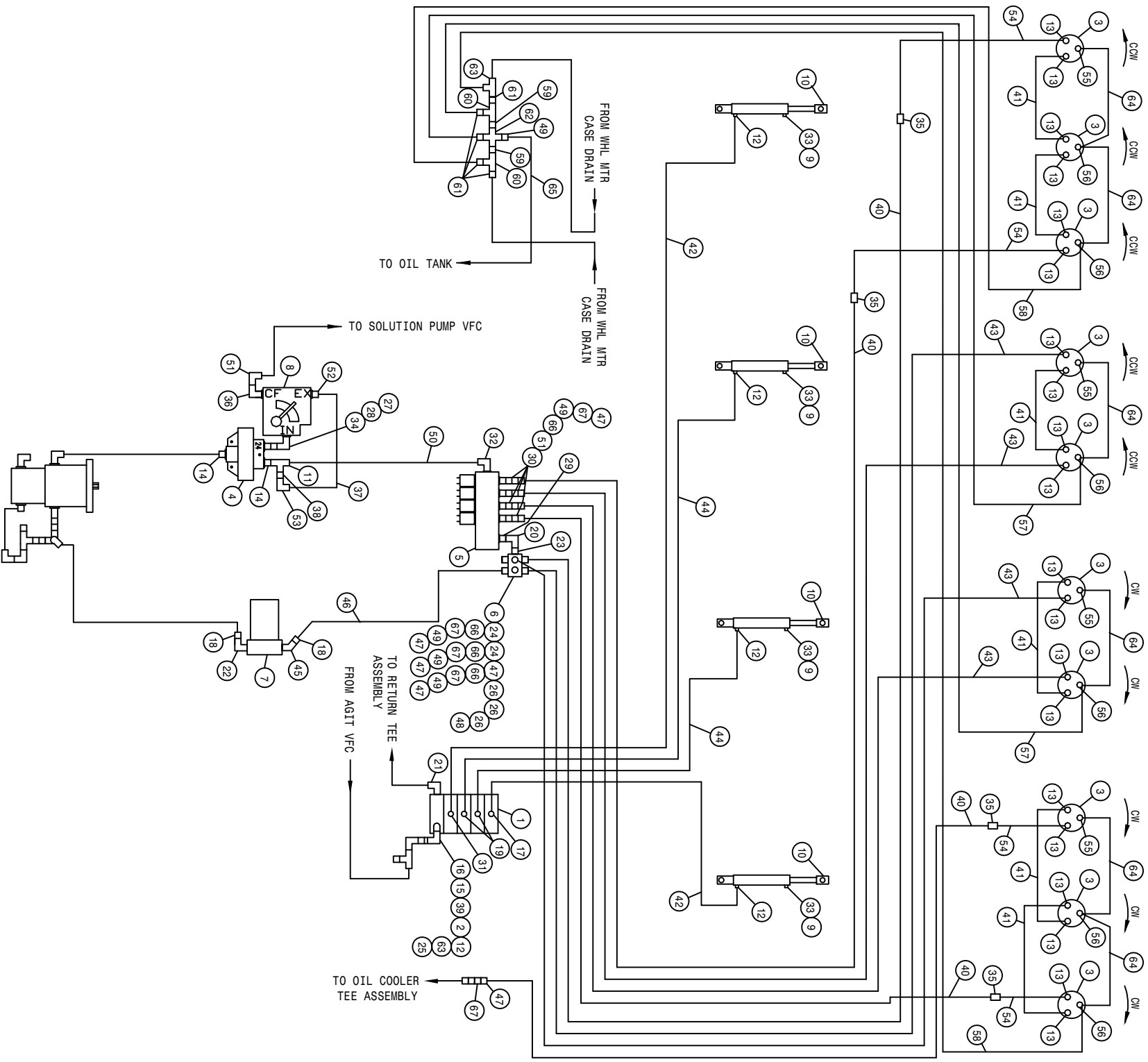
284 COMBO 6R CUTR 3L W/T-TROL HYD SCHEM 94
REFERENCE DRAWING NO. 498444

DET.	QTY	PART NO.	DESCRIPTION	DET.	QTY	PART NO.	DESCRIPTION
1	1	610532	ELECT HYD STACK VLV, 3 SECT	33	3	501452	ST EL 90DEG .25NPT, STEEL,PLT
2	1	610447	HYD FILTER, INLINE 1/4FNPT 90M	34	1	505213	RED BUSH 1 X 3/4 BLK MAL
3	6	610590	BARNES HYD MOTOR	35	1	618191	1 1/16MJ-90-1 1/16FJ SWIV LBO
4	1	606836	FLO DIV BG424 24GPM PRI 1NPT	36	1	618183	3/4MJIC-90-7/8MOR LBO
5	1	610467	MODULAR MTR CONTROL ELECT VLV	*37	1	610357	12C2AT-12FJX-12FJX-33
6	1	614633	HYD MANIF 8200 86	38	1	618541	1 5/16FJIC-1 1/16MJIC ADPTR
*7	1	605601	GRESEN FILTER 10 MICRON 40GPM	39	1	618532	3/4FJIC CAP NUT
8	1	607510	FLO CONT FGR51 0-30VARI 7/8OR	40	1	618608	9/16FJIC SWIV-1/4MNPT
9	3	470114	BREATHER FILTER VENT, 1/4 NPT	41	4	614690	08C1T-08FJX-08FJX-192
10	3	620900	CYL ASSY CC2016 DOD SRG 180	42	2	614101	1 1/16MJIC-7/8MOR ADPTR
11	1	618619	1 5/16FJ SW RUN TEE-15/16MJ	43	2	614688	04C1T-06FJX-06FJX-133
12	4	611122	9/16MJIC-90-1/4MNPT LBO	44	2	614688	08C1T-08FJX-08FJX-108
13	12	611125	3/4MJIC-3/4MOR ADPTR	45	3	614368	08C1T-08FJX-08FJX-60
14	2	618322	1 5/16MJIC-1MNPT ADPTR	46	2	614077	04C1T-06FJX-06FJX-88
15	1	618440	9/16MJIC-90-9/16MOR EX LG LBO	47	5	618621	HYD QUICK CPLR,FEMALE, .50FNPS
16	1	618170	3/4MOR-9/16FOR ADPTR	*48	1	601378	HOSE, 1 1/4 X 156 1FBR-1SPI
17	2	618119	9/16MJIC-90-9/16MOR LBO	49	8	611147	3/4MJIC-1/2MNPT ADPTR
*18	2	715660	HOSE BARB 1 1/4NPT X 1 1/4	50	1	714561	1.00NPT-1.25 HOSE BARB
19	1	618425	9/16MJIC-45-9/16MOR LBO	51	1	618486	9/16FJIC SW RUN TEE-9/16MJIC
20	1	505200	BLK PIPE ST EL 90DEG 1.00NPT	*52	1	614702	HYD TUBE ASSY, 280 COMBO 92
21	1	618600	9/16MJIC-90-7/8MOR LBO	53	4	618609	3/4MJIC-90-3/4FJIC SWIV LBO
*22	2	506410	BLK PIPE ST EL 90DEG 1.25NPT	54	3	611206	04C1T-06FJX-06FJX-66
23	1	505210	BLK PIPE NIPPLE 1.00NPT-3.00	55	3	618530	9/16MJIC-1/8MNPT ADPTR
24	2	611145	3/4MJIC-90-1/2MNPT LBO	56	3	618546	1/8MNPT RUN TEE-9/16MJIC
25	1	618531	9/16FJIC CAP NUT	57	2	611210	04C1T-06FJX-06FJX-156
26	3	503700	PIPE PLUG .50NPT SQ HD	58	1	503824	BLK PIPE CROSS .50NPT
27	1	618279	1 1/16MJIC-90-7/8MOR LBO	59	2	503600	CLOSE NIPPLE .50NPT
28	1	618579	1 1/16FJIC SWIV-3/4MNPT	60	2	503820	BLK PIPE TEE .50NPT
29	1	618090	1 5/16MOR-1FNPT ADPTR	61	5	618018	9/16MJIC-1/2MNPT ADPTR
30	3	618469	3/4MJIC-1 1/16MOR ADPTR	62	1	614376	08C1T-08FJX-08FJX-177
31	1	610186	1 1/16MOR PLUG	63	5	618623	3/4FJIC-SWIV-1/2MNPT
32	1	618178	1 5/16MJIC-90-1 5/16MOR LBO	64	6	618622	HYD QUICK CPLR, MALE, .50FNPS



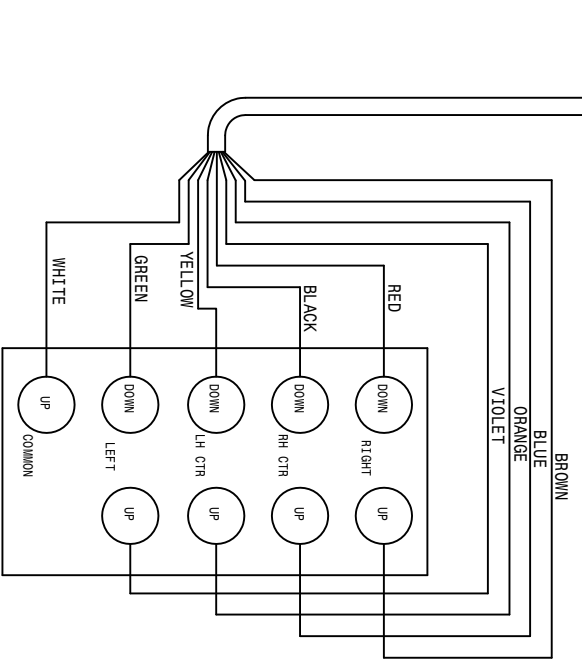
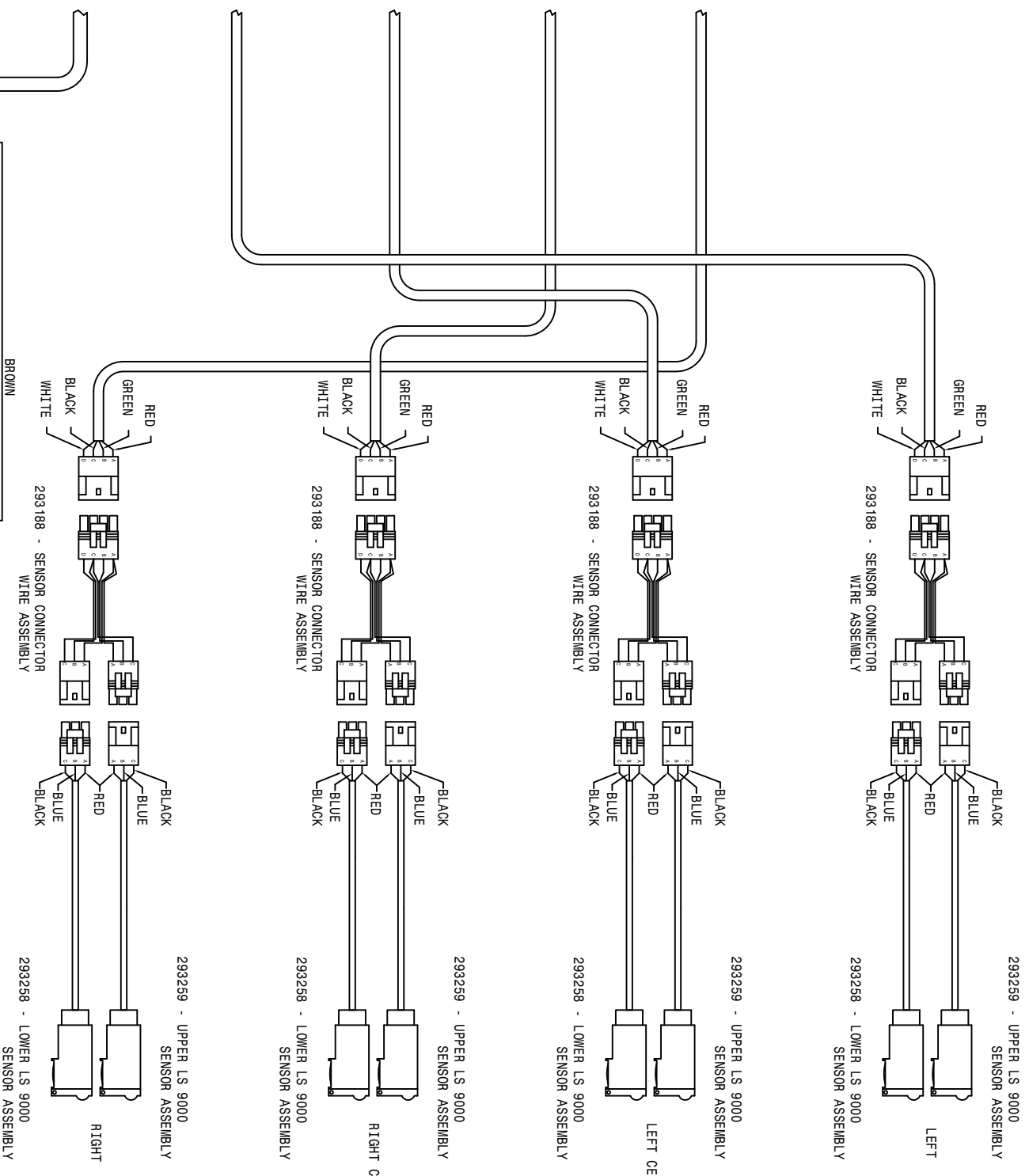
284 COMBO 8R CUTR 4L W/T-TROL HYD SCHEM 94
REFERENCE DRAWING NO. 498445

DET.	QTY	PART NO.	DESCRIPTION	DET.	QTY	PART NO.	DESCRIPTION
1	1	610532	ELECT HYD STACK VLV, 3 SECT	33	4	501452	ST EL 90DEG .25NPT, STEEL,PLT
2	1	610447	HYD FILTER, INLINE 1/4FNPT 90M	34	1	505213	RED BUSH 1 X 3/4 BLK MAL
3	8	610590	BARNES HYD MOTOR	35	1	618191	1 1/16MJ-90-1 1/16FJ SWIV LBO
4	1	606836	FLO DIV BG424 24GPM PRI INPT	36	1	618183	3/4MJIC-90-7/8MOR LBO
5	1	610467	MODULAR MTR CONTROL ELECT VLV	*37	1	610357	12C2AT-12FJX-12FJX-33
6	1	614633	HYD MANIF 8200 86	38	1	618541	1 5/16FJIC-1 1/16MJIC ADPTR
* 7	1	605601	GRESEN FILTER 10 MICRON 40GPM	39	1	618608	9/16FJIC SWIV-1/4MNPT
8	1	607510	FLO CONT FCR51 0-30VARI 7/8OR	40	4	614691	08C1T-08FJX-08FJX-220
9	4	470114	BREATHER FILTER VENT, 1/4 NPT	41	4	614368	08C1T-08FJX-08FJX-60
10	4	620900	CYL ASSY CC2016 D00 SRG 180	42	2	611246	04C1T-06FJX-06FJX-174
11	1	618619	1 5/16FJ SW RUN TEE-15/16MJ	43	4	614689	08C1T-08FJX-08FJX-120
12	5	611122	9/16MJIC-90-1/4MNPT LBO	44	2	614101	04C1T-06FJX-06FJX-133
13	16	611125	3/4MJIC-3/4MOR ADPTR	45	8	618622	HYD QUICK CPLR, MALE, .50FNPS
14	2	618322	1 5/16MJIC-1MNPT ADPTR	*46	1	601378	HOSE, 1 1/4 X 156 IFBR-1SPT
15	1	618440	9/16MJIC-90-9/16MOR EX LG LBO	47	9	611147	3/4MJIC-1/2MNPT ADPTR
16	1	618170	3/4MOR-9/16FOR ADPTR	48	1	714561	1.00NPT-1.25 HOSE BARB
17	1	618119	9/16MJIC-90-9/16MOR LBO	49	7	618621	HYD QUICK CPLR,FEMALE,.50FNPS
*18	2	715660	HOSE BARB 1 1/4NPT X 1 1/4	*50	1	614702	HYD TUBE ASSY, 280 COMBO 92
19	2	618425	9/16MJIC-45-9/16MOR LBO	51	4	618609	3/4MJIC-90-3/4FJIC SWIV LBO
20	1	505200	BLK PIPE ST EL 90DEG 1.00NPT	52	1	618189	1 1/16MJIC-7/8MOR ADPTR
21	1	618600	9/16MJIC-90-7/8MOR LBO	53	4	611206	04C1T-06FJX-06FJX-66
*22	2	506410	BLK PIPE ST EL 90DEG 1.25NPT	54	1	614376	08C1T-08FJX-08FJX-177
23	1	505210	BLK PIPE NIPPLE 1.00NPT-3.00	55	4	618530	9/16MJIC-1/8MNPT ADPTR
24	2	611145	3/4MJIC-90-1/2MNPT LBO	56	3	618546	1/8MNPT RUN TEE-9/16MJIC
25	1	618531	9/16FJIC CAP NUT	57	2	611212	04C1T-06FJX-06FJX-164
26	3	503700	PIPE PLUG .50NPT SQ HD	58	2	614154	04C1T-06FJX-06FJX-221
27	1	618279	1 1/16MJIC-90-7/8MOR LBO	59	2	503600	CLOSE NIPPLE .50NPT
28	1	618579	1 1/16FJIC SWIV-3/4MNPT	60	2	503820	BLK PIPE TEE .50NPT
29	1	618090	1 5/16MOR-1FNPT ADPTR	61	5	618018	9/16MJIC-1/2MNPT ADPTR
30	4	618469	3/4MJIC-1 1/16MOR ADPTR	62	1	503824	BLK PIPE CROSS .50NPT
31	1	618126	9/16MJIC-9/16MOR ADPTR	63	2	618486	9/16FJIC SW RUN TEE-9/16MJIC
32	1	618178	1 5/16MJIC-90-1 5/16MOR LBO	64	7	618623	3/4FJIC-SWIV-1/2MNPT

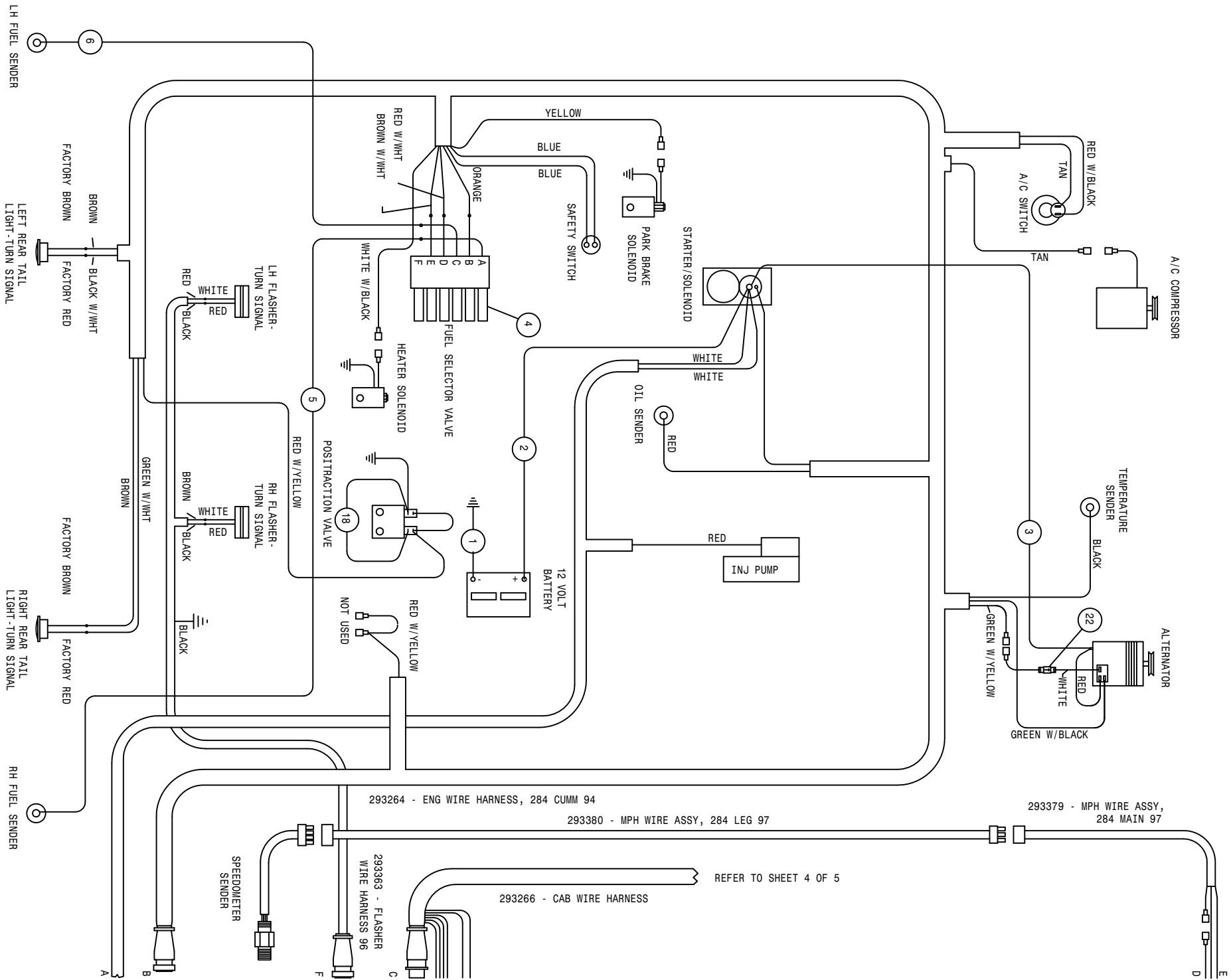


284 COMBO 10R CUTR 4L W/T-TROL HYD SCHEM 94
REFERENCE DRAWING NO. 498446

DET.	QTY	PART NO.	DESCRIPTION	DET.	QTY	PART NO.	DESCRIPTION
1	1	610532	ELECT HYD STACK VLV, 3 SECT	34	1	505213	RED BUSH 1 X 3/4 BLK MAL
2	1	610447	HYD FILLTER, INLINE 1/4FNPT 90M	35	4	618314	3/4MJIC UNION
3	10	610590	BARNES HYD MOTOR	36	1	618183	3/4MJIC-90-7/8MOR LBO
4	1	606836	FLO DIV BG424 24GPM PRI INPT	*37	1	610357	12C2AT-12FJX-12FJX-33
5	1	610467	MODULAR MTR CONTROL ELECT VLV	38	1	618541	1 5/16FJIC-1 1/16MJIC ADPTR
6	1	614633	HYD MANIF 8200 86	39	1	618608	9/16FJIC SWIV-1/4MNP
* 7	1	605601	GRESN FILTER 10 MICRON 40GPM	40	4	614691	08CIT-08FJX-08FJX-220
8	1	607510	FLO CONT FOR51 0-30VARI 7/8OR	41	6	614368	08CIT-08FJX-08FJX-60
9	4	470114	BREATHR FILTER VENT, 1/4 NPT	42	2	611246	04CIT-06FJX-06FJX-174
10	4	620900	CYL ASSY CC2016 D00 SRG 180	43	4	614689	08CIT-08FJX-08FJX-120
11	1	618619	1 5/16FJ SW RUN TEE-15/16MJ	44	2	614101	04CIT-06FJX-06FJX-133
12	5	611122	9/16MJIC-90-1/4MNP LBO	45	8	618622	HYD QUICK CPLR, MALE, .50FNPS
13	20	611125	3/4MJIC-3/4MOR ADPTR	*46	1	601378	HOSE, 1 1/4 X 156 1FBR-1SPI
14	2	618322	1 5/16MJIC-1MNP ADPTR	47	9	611147	3/4MJIC-1/2MNP ADPTR
15	1	618440	9/16MJIC-90-9/16MOR EX LG LBO	48	1	714561	1.00NPT-1.25 HOSE BARB
16	1	618170	3/4MOR-9/16FOR ADPTR	49	7	618621	HYD TUBE ASSY, 280 COMBO 92
17	1	618119	9/16MJIC-90-9/16MOR LBO	*50	1	614702	3/4MJIC-90-3/4FJIC SWIV LBO
*18	2	715660	HOSE BARB 1 1/4NPT X 1 1/4	51	5	618609	1 1/16MJIC-7/8MOR ADPTR
19	1	618425	9/16MJIC-45-9/16MOR LBO	52	1	618189	1 1/16MJIC-90-1 1/16FJ SWIV LBO
20	1	505200	BLK PIPE ST EL 90DEG 1.00NPT	53	1	618191	06CIT-08FJX-08FJX-28
21	1	618600	9/16MJIC-90-7/8MOR LBO	54	4	615624	9/16MJIC-1/8MNP ADPTR
*22	2	506410	BLK PIPE ST EL 90DEG 1.25NPT	55	4	618530	1/8MNP RUN TEE-9/16MJIC
23	1	505210	BLK PIPE NIPPLE 1.00NPT-3.00	56	6	618546	04CIT-06FJX-06FJX-164
24	2	611145	3/4MJIC-90-1/2MNP LBO	57	2	611212	04CIT-06FJX-06FJX-164
25	1	618531	9/16FJIC GAP NUT	58	2	614154	04CIT-06FJX-06FJX-221
26	3	503700	PIPE PLUG .50NPT SQ HD	59	2	503600	CLOSE NIPPLE .50NPT
27	1	618279	1 1/16MJIC-90-7/8MOR LBO	60	2	503820	BLK PIPE TEE .50NPT
28	1	618579	1 1/16FJIC SWIV-3/4MNP	61	5	618018	9/16MJIC-1/2MNP ADPTR
29	1	618090	1 5/16MOR-1FNPT ADPTR	62	1	503824	BLK PIPE CROSS .50NPT
30	4	618469	3/4MJIC-1 1/16MOR ADPTR	63	2	618486	9/16FJIC SW RUN TEE-9/16MJIC
31	1	618126	9/16MJIC-9/16MOR ADPTR	64	4	611206	04CIT-06FJX-06FJX-66
32	1	618178	1 5/16MJIC-90-1 5/16MOR LBO	65	1	614576	08CIT-08FJX-08FJX-177
33	4	501452	ST EL 90DEG .25NPT, STEEL,PLT	66	7	618623	3/4FJIC-SWIV-1/2MNP



2	1	293337	LS PWR WIRE ASSY W/USE 284
REV	HEAD	DESCRIPTION	
HAGIE MANUFACTURING COMPANY			
CLARION, IOWA 50525			
REMOVE ALL SHARP CORNERS & BURRS			
TOLERANCE UNLESS OTHERWISE SPECIFIED			
FINISH	1:102	DECIMALS	X.XX .103
			X.XXX .003
ANGLES	: 1°		
DESCRIPTION	SCALE		
LS S/S WIRE DIAG. 284 94	HALF		
DRAWN BY	T. WANKER	APPROVED BY	
CHECKED BY		DATE	03-30-94
SHEET	OF	DRAWING NUMBER	498453



293264 - ENG WIRE HARNESS, 284 CUMM 94

293380 - MPH WIRE ASSY, 284 LEG 97

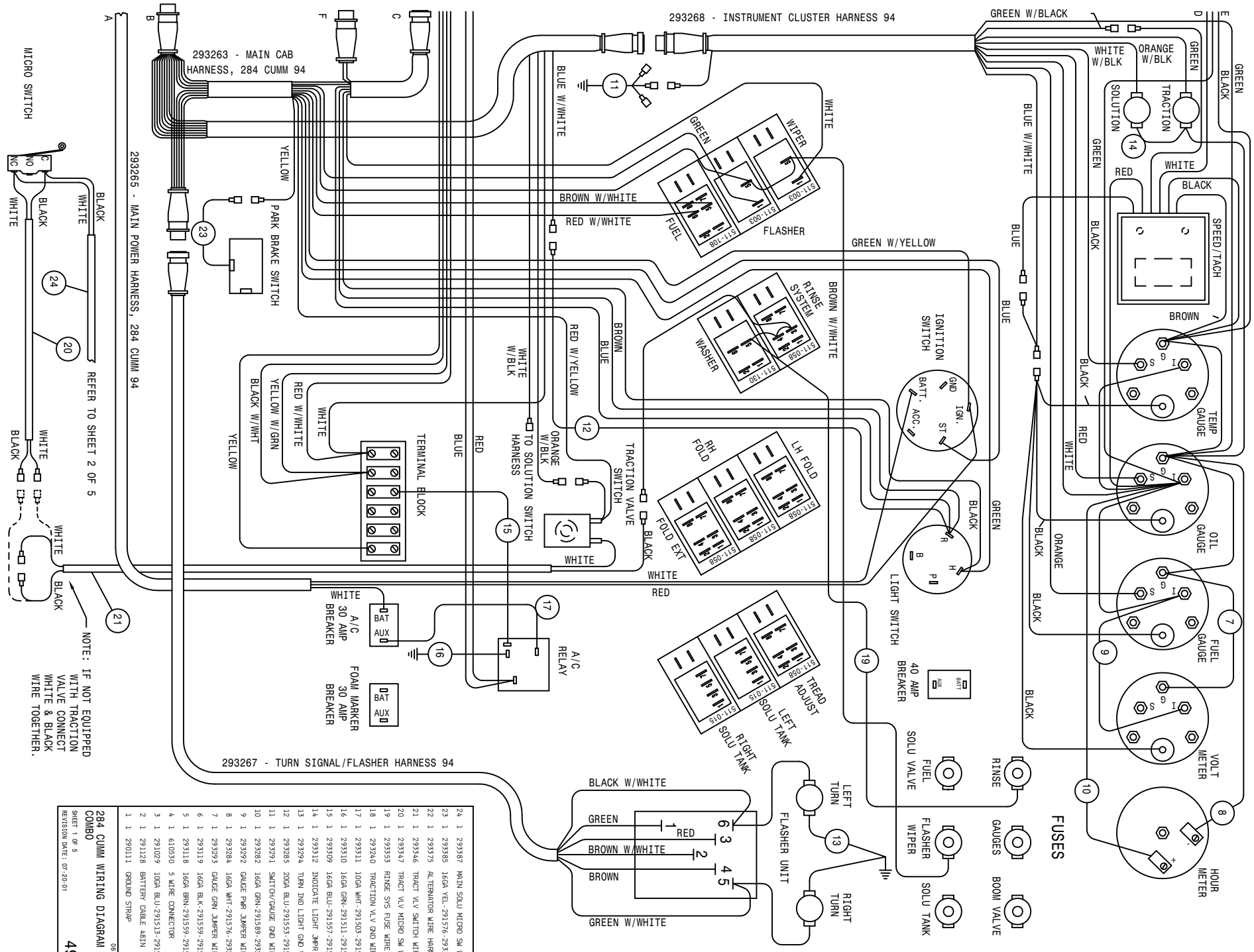
293379 - MPH WIRE ASSY,
284 MAIN 97

REFER TO SHEET 4 OF 5

293266 - CAB WIRE HARNESS

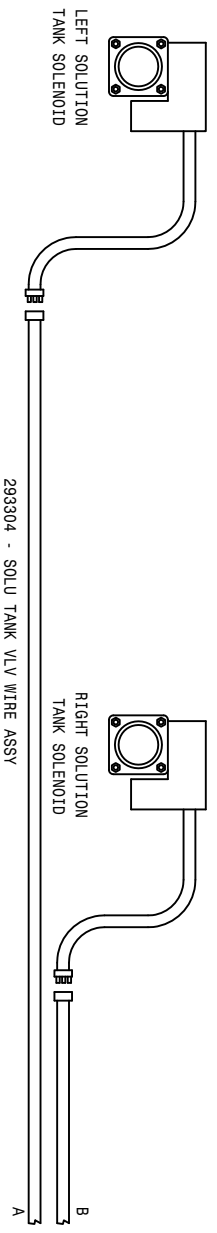
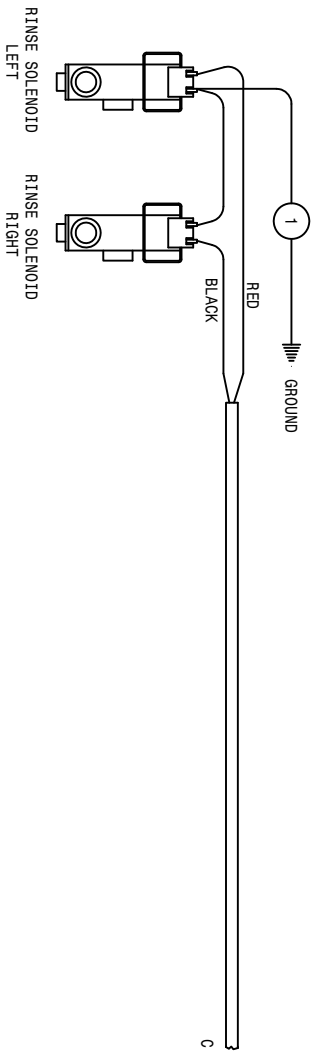
293363 - FLASHER
W/RE HARNESS 96

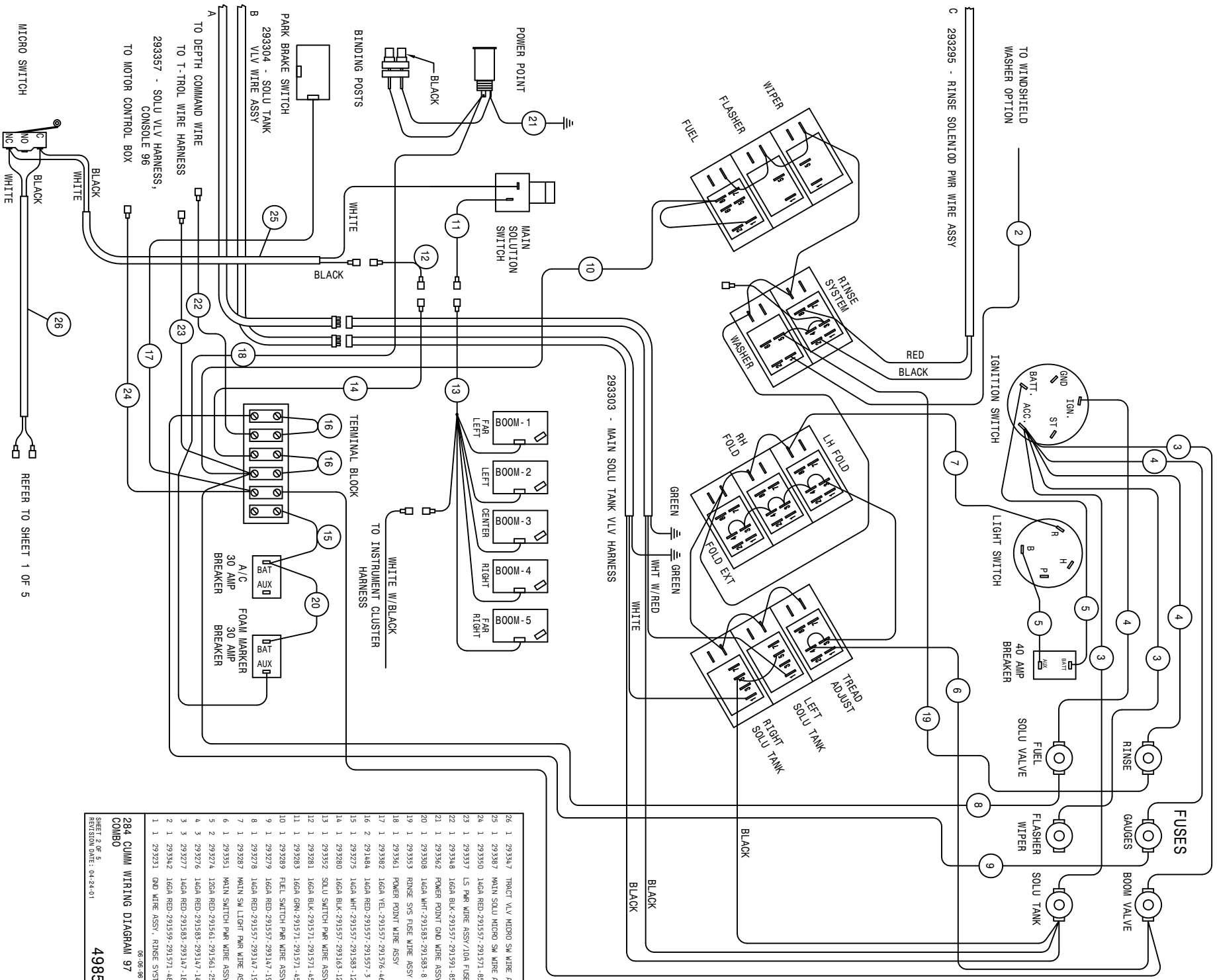
SPEEDOMETER
SENDER



24	1	293387	MAIN SOLU MICRO SM WIRE ASSY
23	1	293385	16GA YEL-291576-293163-12
22	1	293375	ALTERNATOR WIRE HARNESS-DELCO
21	1	293346	TRACT VLV SWITCH WIRE ASSY
20	1	293347	TRACT VLV MICRO SM WIRE ASSY
19	1	293353	RINSE SNG FUSE WIRE ASSY 96
18	1	293240	TRACTION VLV GND WIRE ASSY 92
17	1	293311	10GA WHT-291503-291561-6
16	1	293310	16GA GRN-291511-291571-15
15	1	293309	16GA BLU-291537-291571-10
14	1	293312	INDICATE LIGHT JMR WIRE ASSY
13	1	293294	TORN MD LIGHT GND WIRE ASSY
12	1	293285	20GA BLU-291533-291597-16
11	1	293291	SWTCH/GAUCE GND WIRE ASSY
10	1	293282	16GA GRN-291589-292253-10
9	1	293292	GAUCE PWR JAMPER WIRE ASSY
8	1	293284	16GA WHT-291576-292253-10
7	1	293293	GAUCE GRN JAMPER WIRE ASSY
6	1	293319	16GA BLK-291599-291583-80
5	1	293318	16GA BRN-291599-291583-72
4	1	610350	5 WIRE CONNECTOR
3	1	291029	10GA BLU-291513-291587-30
2	1	291128	BATTERY CABLE 481N
1	1	290311	GROUND STRAP

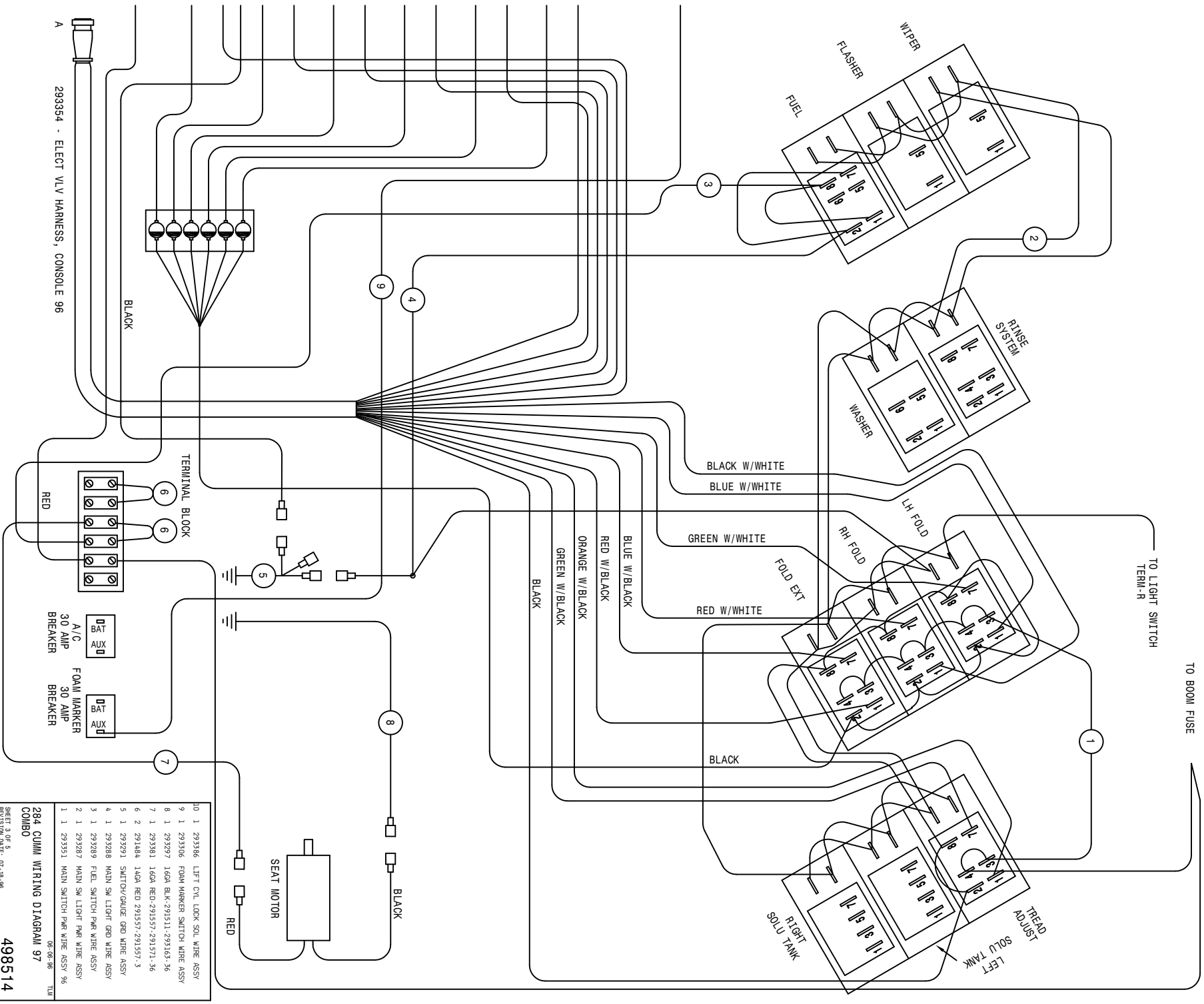
284 CUMM WIRING DIAGRAM 97
 COMBO
 SHEET 1 OF 5
 REVISION DATE: 07-20-01
 498514





26	1	293347	TRACT VLV MICRO SW WIRE ASSY
25	1	293387	MAIN SOLU MICRO SW WIRE ASSY
24	1	293350	16GA RED-291557-291571-85
23	1	293357	LS PWR WIRE ASSY/10A FUSE
22	1	293348	16GA BLK-291557-291591-85
21	1	293362	POWER POINT GND WIRE ASSY
20	1	293308	16GA WHT-291583-291583-8
19	1	293353	RINSE SIS FUSE WIRE ASSY 96
18	1	293361	POWER POINT WIRE ASSY
17	1	293382	16GA YEL-291557-291576-46
16	2	291484	16GA RED-291557-291557-3
15	1	293275	16GA WHT-291557-291583-12
14	1	293280	16GA BLK-291557-291563-12
13	1	293352	SOLU SWITCH PWR WIRE ASSY 96
12	1	293281	16GA BLK-291571-291571-45
11	1	293283	16GA GRN-291571-291571-45
10	1	293289	FUEL SWITCH PWR WIRE ASSY
9	1	293279	16GA RED-291557-291571-19
8	1	293278	16GA RED-291557-291571-19
7	1	293287	MAIN SW LIGHT PWR WIRE ASSY 94
6	1	293351	MAIN SWITCH PWR WIRE ASSY 96
5	2	293274	12GA RED-291561-291561-25
4	3	293276	16GA RED-291583-291571-14
3	3	293277	16GA RED-291583-291571-18
2	1	293342	16GA RED-291559-291571-48
1	1	293291	GND WIRE ASSY, RINSE SYSTEM

284 CUHM WIRING DIAGRAM 97
COMBO
498514



293354 - ELECT VLV HARNESS, CONSOLE 96

BLACK

TERMINAL BLOCK

RED

BAT A/C
AUX 30 AMP
BREAKER

BAT A/C
AUX 30 AMP
BREAKER

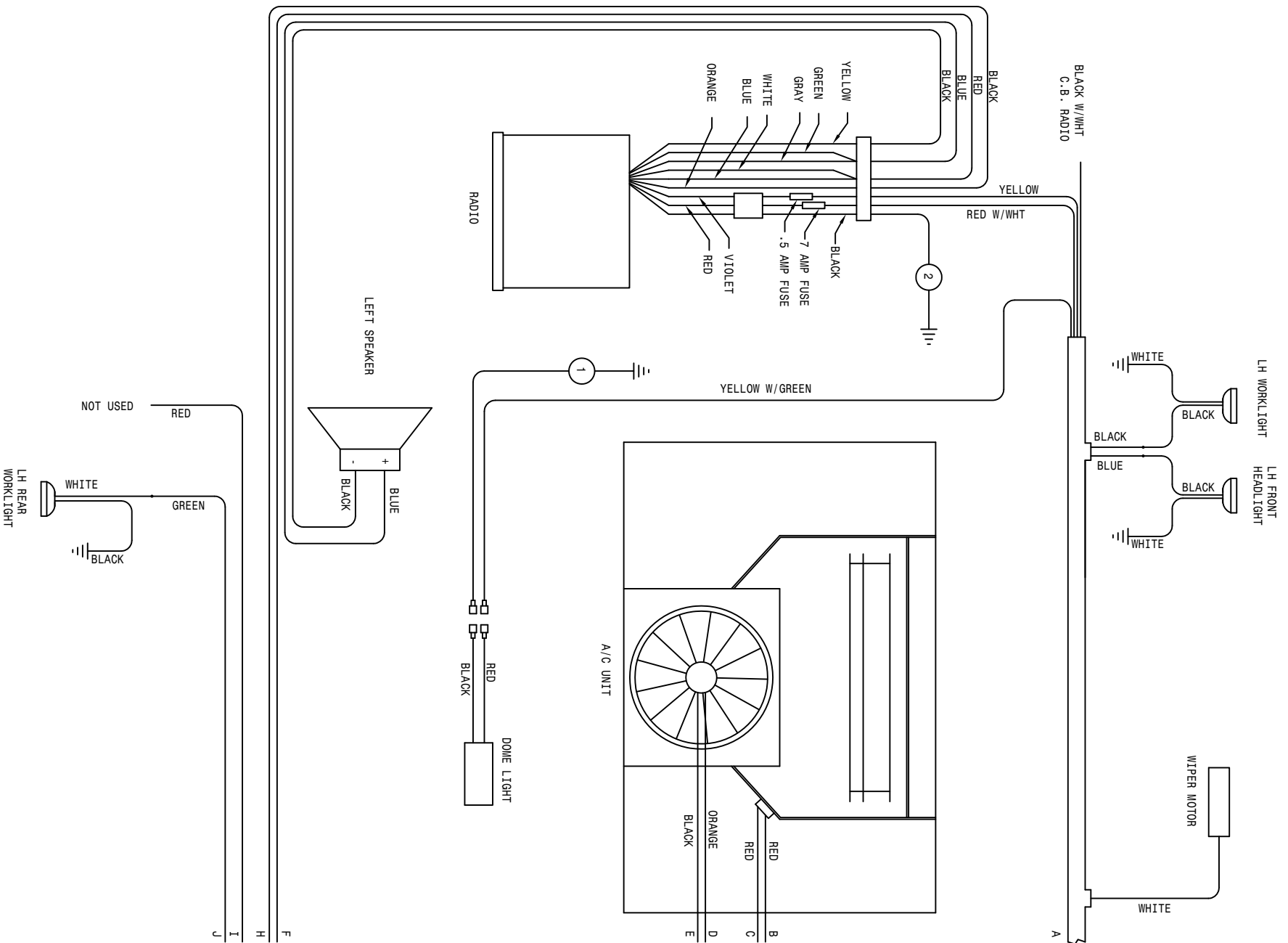
SEAT MOTOR

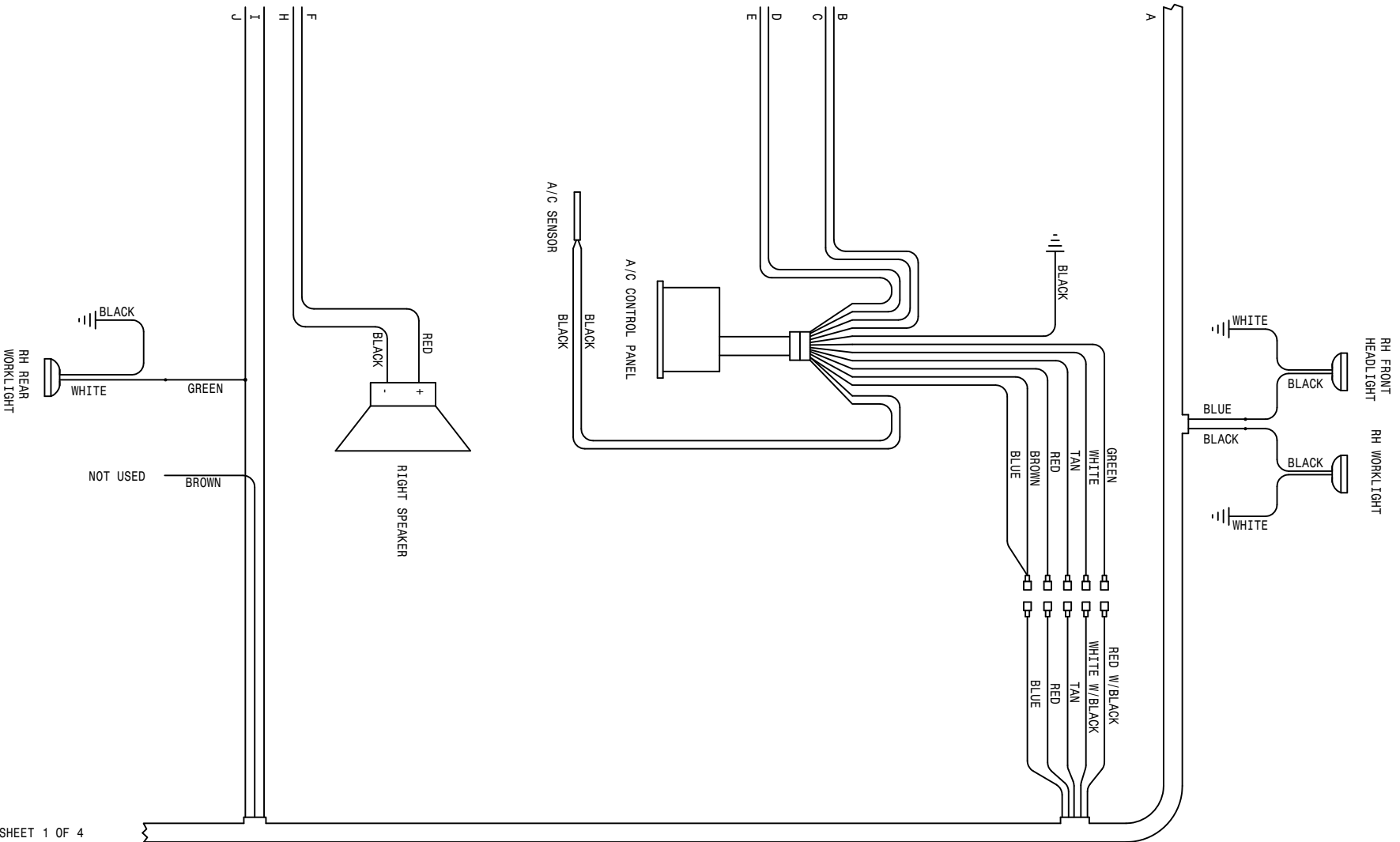
RED

BLACK

10	1	293386	LIFT CYL LOCK SOLU WIRE ASSY
9	1	293306	FOAM MARKER SWITCH WIRE ASSY
8	1	293297	16GN BLK-291511-293163-36
7	1	293381	16GN RED-291597-291571-36
6	2	291484	14GN RED 291557-291557-3
5	1	293291	SWITCH/GAUGE GRD WIRE ASSY
4	1	293288	MAIN SW LIGHT GRD WIRE ASSY
3	1	293289	FUEL SWITCH PWR WIRE ASSY
2	1	293287	MAIN SW LIGHT PWR WIRE ASSY
1	1	293351	MAIN SWITCH PWR WIRE ASSY 96

284 CUMM WIRING DIAGRAM 97
COMBO
06-06-96
498514

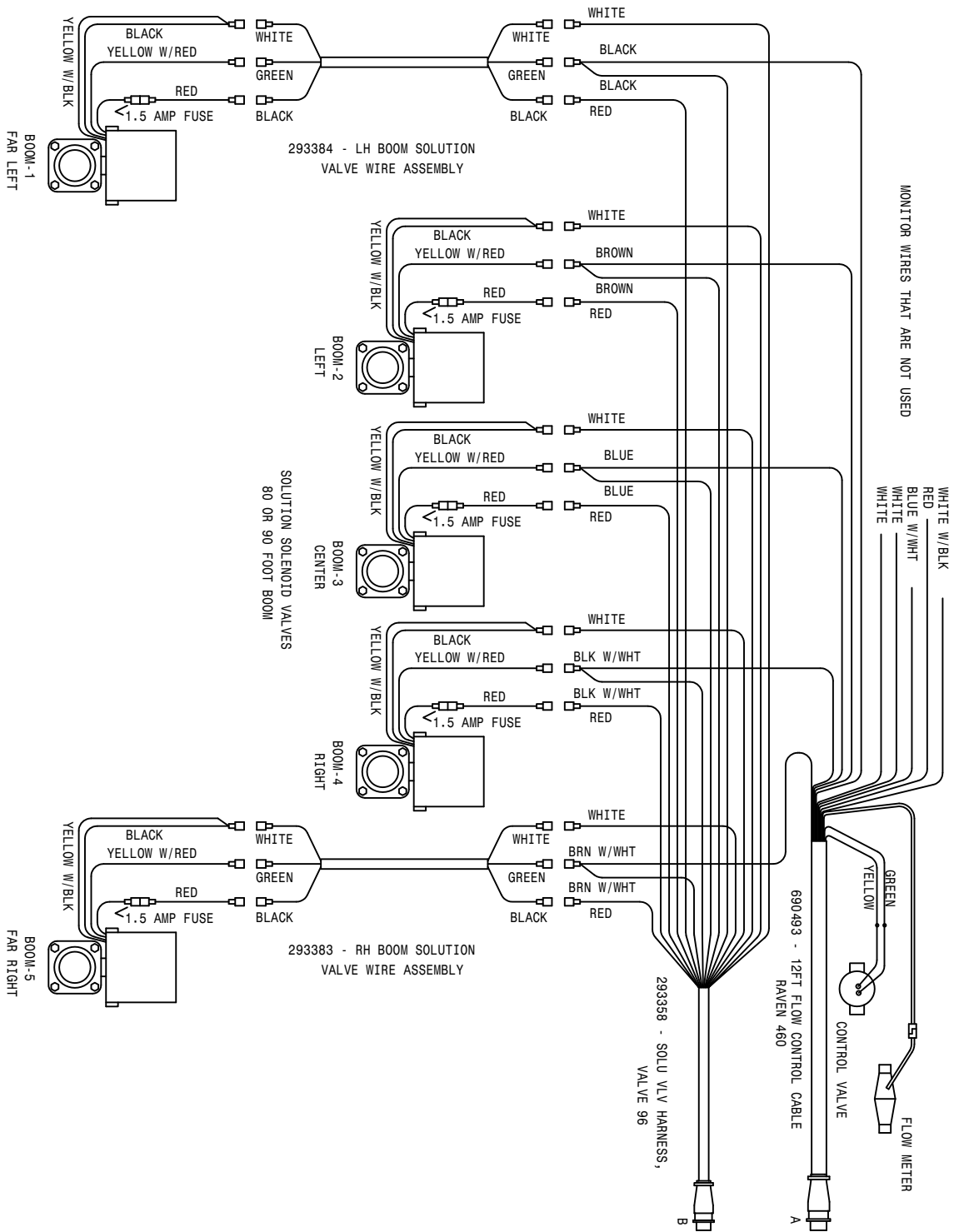
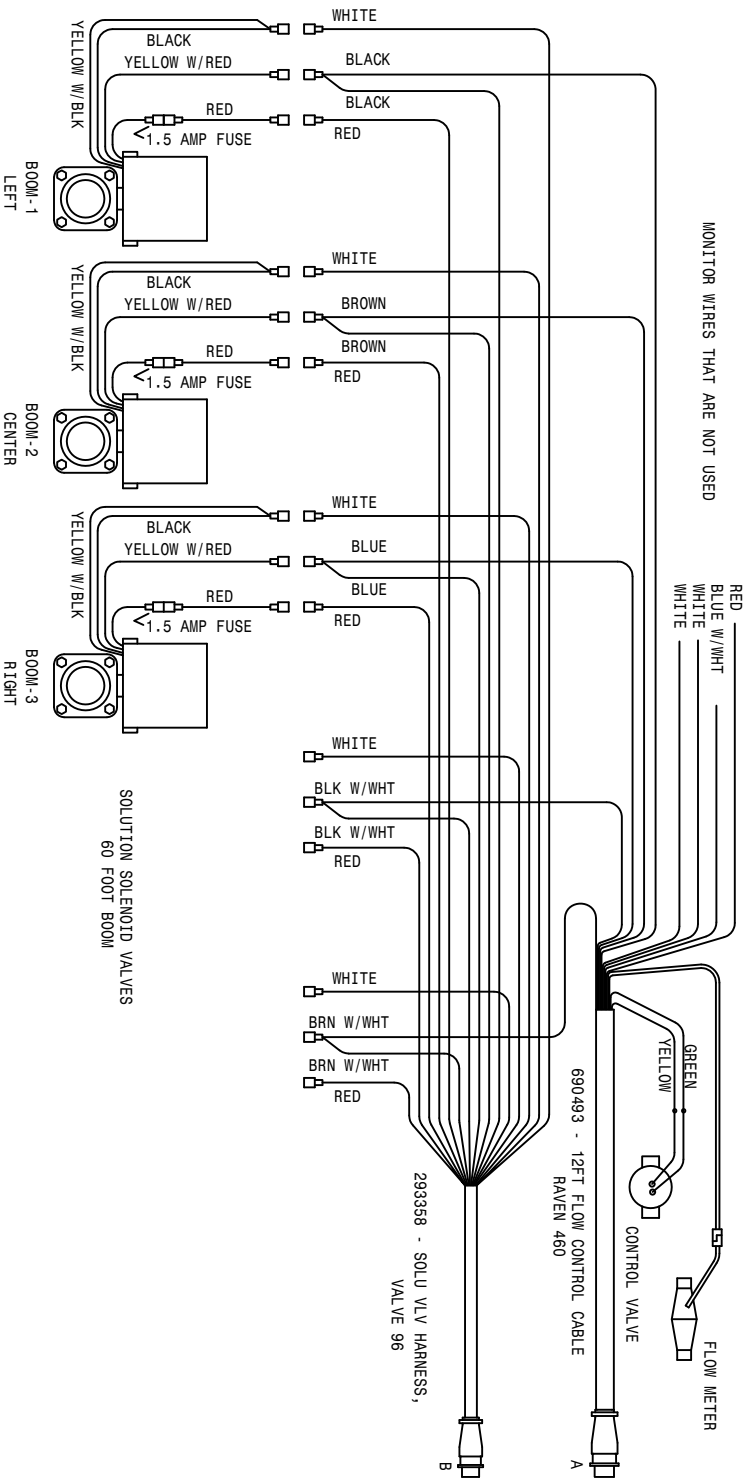


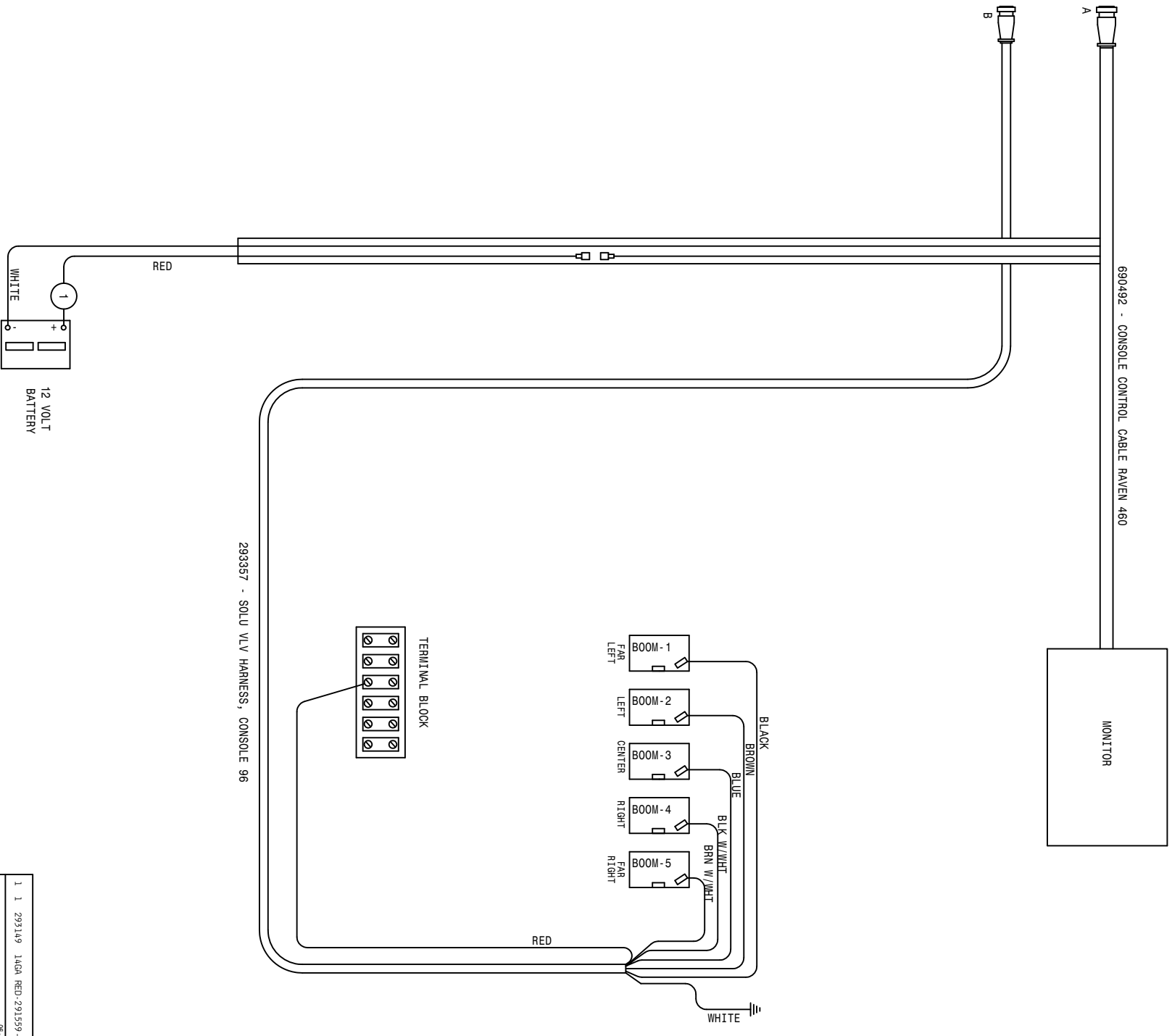


293266 - CAB WIRE HARNESS

REFER TO SHEET 1 OF 4

2	1	293300	16GA	BLK-291511-291571-18
1	1	293299	16GA	BLK-291511-291571-30
08-08-98 TLM				
284 CUMM WIRING DIAGRAM 97				
COMBO				
SHEET 4 OF 5				
REVISION DATE:				
				498514



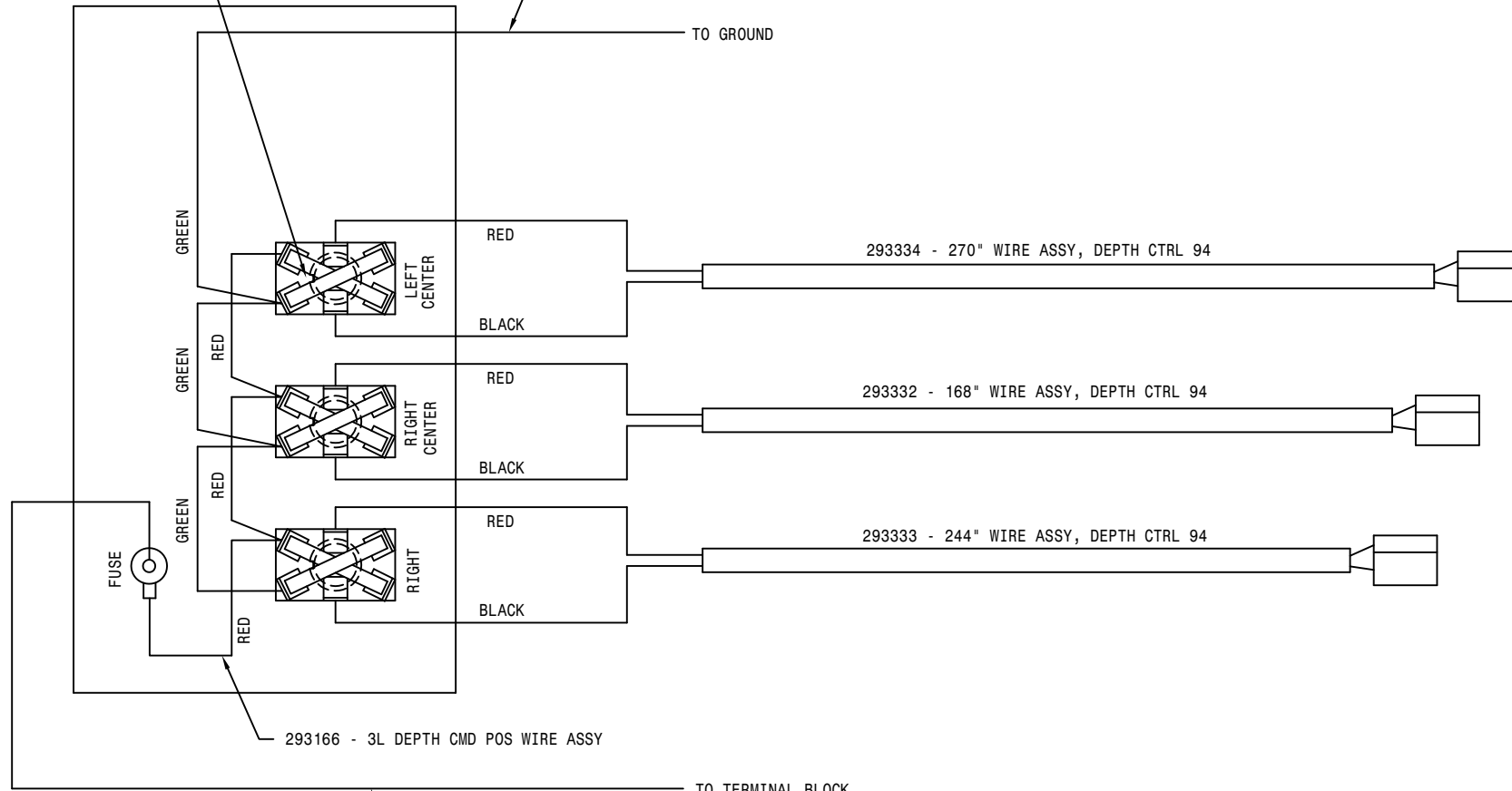


1	1	293149	1AQA	RED	291359	291390	26
284 CUHM WIRING DIAGRAM 97							
COMBO							
SHEET 5 OF 5							
REVISION DATE:							
							498514

NOTE: NOTCH IN SWITCH

293169 - 3L DEPTH CMD NEG WIRE ASSY

TO GROUND



293166 - 3L DEPTH CMD POS WIRE ASSY

TO TERMINAL BLOCK

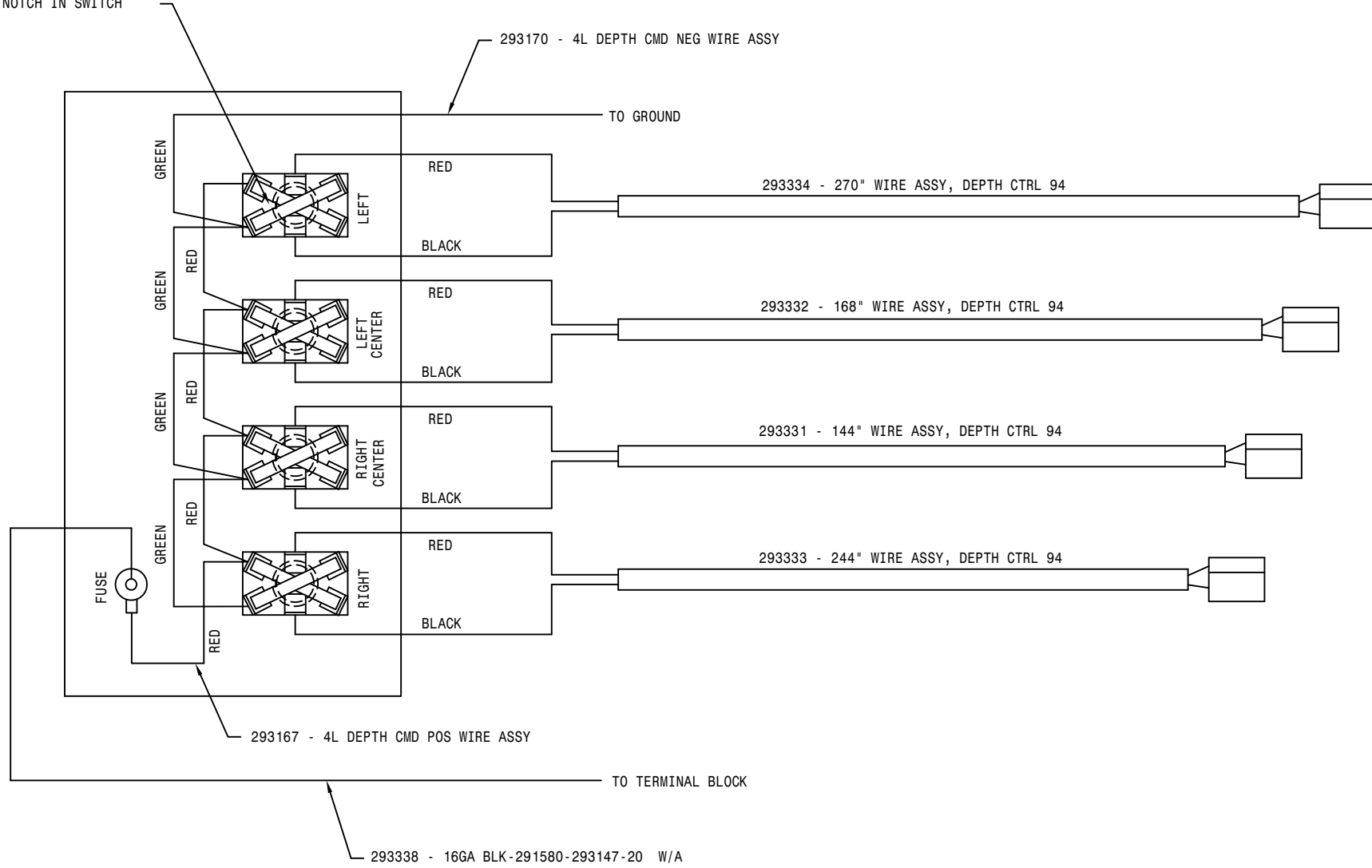
293338 - 16GA BLK-291580-293147-20 W/A

54

DET	REQ	DESCRIPTION
		HAGIE HAGIE MANUFACTURING COMPANY CLARION, IOWA 50525
REMOVE ALL SHARP CORNERS & BURRS		
TOLERANCE UNLESS OTHERWISE SPECIFIED		
FRACTION	DECIMALS	ANGLES
1/32	X.XX X.XXX	°.03 °.005
DESCRIPTION		
WIRE DIAG, 3-LIFT DEPTH CMD 94		
DRAWN BY	SCALE	
T. MARKER	NONE	
CHECKED BY	APPROVED BY	
DATE	DRAWING NUMBER	
03-29-94	498451	
SHEET	OF	

170054

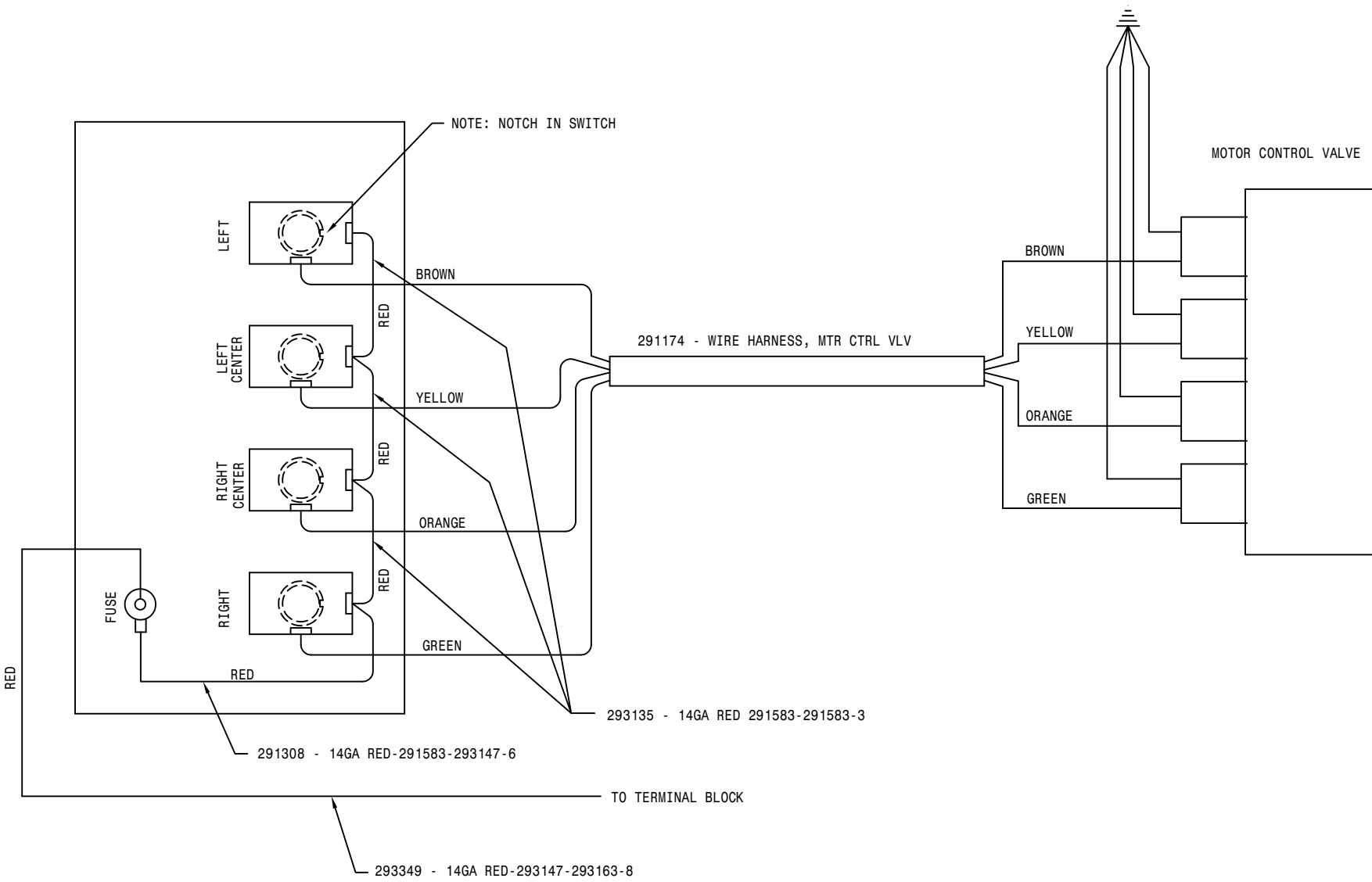
NOTE: NOTCH IN SWITCH



55

DET	REQ	DESCRIPTION
HAGIE HAGIE MANUFACTURING COMPANY <small>CLARION, IOWA 50525</small>		
REMOVE ALL SHARP CORNERS & BURRS		
TOLERANCE UNLESS OTHERWISE SPECIFIED		
FRACTION	DECIMALS	ANGLES
1/32	.03125	1°
	.005	1/2°
DESCRIPTION		
WIRE DIAG, 4-LIFT DEPTH CMD 94		
DRAWN BY	SCALE	
T. MARKER	NONE	
CHECKED BY	APPROVED BY	
DATE	DRAWING NUMBER	
03-29-94	498452	
SHEET	OF	

170055



DET	REQ	DESCRIPTION	
 HAGIE MANUFACTURING COMPANY CLARION, IOWA 50525			
REMOVE ALL SHARP CORNERS & BURRS			
TOLERANCE UNLESS OTHERWISE SPECIFIED			
FRACTION	1/32	DECIMALS	X.XX ±.03 X.XXX ±.005
DESCRIPTION	WIRE DIAG 284 COMBO MTR CTRL		
DRAWN BY	T. MARKER	SCALE	NONE
CHECKED BY		APPROVED BY	
DATE	01-18-94	DRAWING NUMBER	498443
SHEET	OF		

ABBREVIATIONS

ADPTR - ADAPTER	P/N - PART NUMBER
ASSY - ASSEMBLY	PLT - PLATE
BRKT - BRACKET	QTY - QUANTITY
DET - DETAIL	RED - REDUCER
EL - ELBOW	REF - REFERENCE
EXT - EXTENSION	REST - RESTRICTOR
FLO - FLOW	REQ - REQUIRED
FNPT - FEMALE NATIONAL PIPE THREAD	SHFT - SHAFT
FOR - FEMALE O-RING	STRG - STEERING
FRT - FRONT	ST - STREET
HYD - HYDRAULIC	SWIV - SWIVEL
HYDRO - HYDROSTATIC	UNC - UNIFIED NATIONAL COURSE
LG - LONG	UNF - UNIFIED NATIONAL FINE
LWR - LOWER	V - VOLT
MJIC - MALE J.I.C.	VFC - VARIABLE FLOW CONTROL
MOR - MALE O-RING	W/ - WITH
MT - MOUNT	WHL - WHEEL
MTR - MOTOR	WLD - WELDMENT

INDEX

-A-	ABBREVIATIONS.....	51	-J-	JOURNAL BEARING.....	9
	ACTUATOR.....	23	-K-	KIT, SEAL.....	12
	ARM,		-L-	LIFT CYLINDER.....	12
	SENSOR.....	14			
	STABILIZER.....	8			
-B-					
	BEARING.....	11			
	JOURNAL.....	9			
	BLADE, CUTTER.....	10	-M-	MANIFOLD, HYDRAULIC.....	17
	BOOT, SWITCH.....	13, 16, 22		MOTOR, HYDRAULIC.....	11
	BOX,			MOUNT, RECRPTACLE.....	15
	CONTROL.....	13			
	SWITCH.....	16, 22	-O-		
	BRACKET, VFC.....	5		OIL TANK.....	6
	BREATHER.....	6		OUTRIGGER.....	8
-C-					
	COIL, VALVE.....	19			
	CONTROL BOX.....	13	-P-	PIVOT PIN.....	8, 9
	CYLINDER, LIFT.....	12		PLUG.....	22
	CUTTER HEAD.....	10		POSITRACTION VALVE.....	4
-D-				PULLER,	
	DEPTH COMMAND.....	21		QUAD.....	11
	DIAGRAM, WIRING.....	42, 54, 55, 56		SHIELD.....	11
	DIFFUSER, SUMP.....	6		PUMP, HYDRAULIC.....	4
	DIPSTICK.....	6			
-F-			-Q-		
	FILTER.....	6, 7, 18		QUAD PULLER.....	11
	VENT.....	12			
	FLOW DIVIDER.....	5	-R-		
	FUSE.....	16, 22		RECEPTACLE MT.....	15
	HOLDER.....	16, 22		REFLECTOR.....	14
-G-				RIM.....	11
	GUIDE STALK.....	10, 11	-S-		
-H-				SCHEMATIC, HYDRAULIC.....	24
	HOLDER, FUSE.....	16		SEAL KIT.....	12
	HYDRAULIC			SENSOR.....	14
	MANIFOLD.....	17		ARM.....	14
	MOTOR.....	10, 11		SHAFT, PULLER.....	11
	PUMP.....	4		SHIELD, PULLER.....	11
	SCHEMATIC.....	24		STABILIZER ARM.....	8
				STALK VALVE.....	18, 19
				STALK GUIDE.....	10, 11

SUMP DIFFUSER.....6
SWITCH
BOX.....16,22
TOGGLE.....16,22

-T-

TANK, OIL.....6
TIE PLATE.....5
TIRE.....11
TOGGLE SWITCH.....16,17
TOOL BAR.....8,9
TRACTION VALVE.....21

-V-

VALVE,
MOTOR CONTROL.....17
POSITION.....4
STALK.....18,19
TRACTION.....21
VARIABLE FLOW CONTROL.....5
VENT FILTER.....12

-W-

WIRING DIAGRAM.....42,54,55,56

Notes:

