

**PARTS MANUAL**  
**FOR**  
**HAGIE MODEL 284 HI-TRACTOR**

**HAGIE MANUFACTURING COMPANY**

BOX 273 CLARION, IOWA 50525

(515) 532-2861

COVERS MACHINE SERIAL NUMBERS: 080569001 thru 080569100  
080769001 thru 080769100

09-95 493162  
REV. 06-02

## SPRAYER IDENTIFICATION

Each Hagie sprayer is identified by means of a frame serial number. This serial number denotes the model, the year in which it was built, and the number of the sprayer. As for further identification, the engine has a serial number and the planetary hubs have identification plates that describe the type of mount and gear ratio. To insure prompt, efficient service when ordering parts or requesting service repairs from Hagie Manufacturing Company, record the serial and identification numbers in the space provided below.

NOTE: Reference to left hand and right hand used throughout this manual refers to the position when seated in the operator's seat facing forward.

SPRAYER SERIAL NUMBER

---

ENGINE SERIAL NUMBER

---

PLANETARY HUB IDENTIFICATION NUMBERS

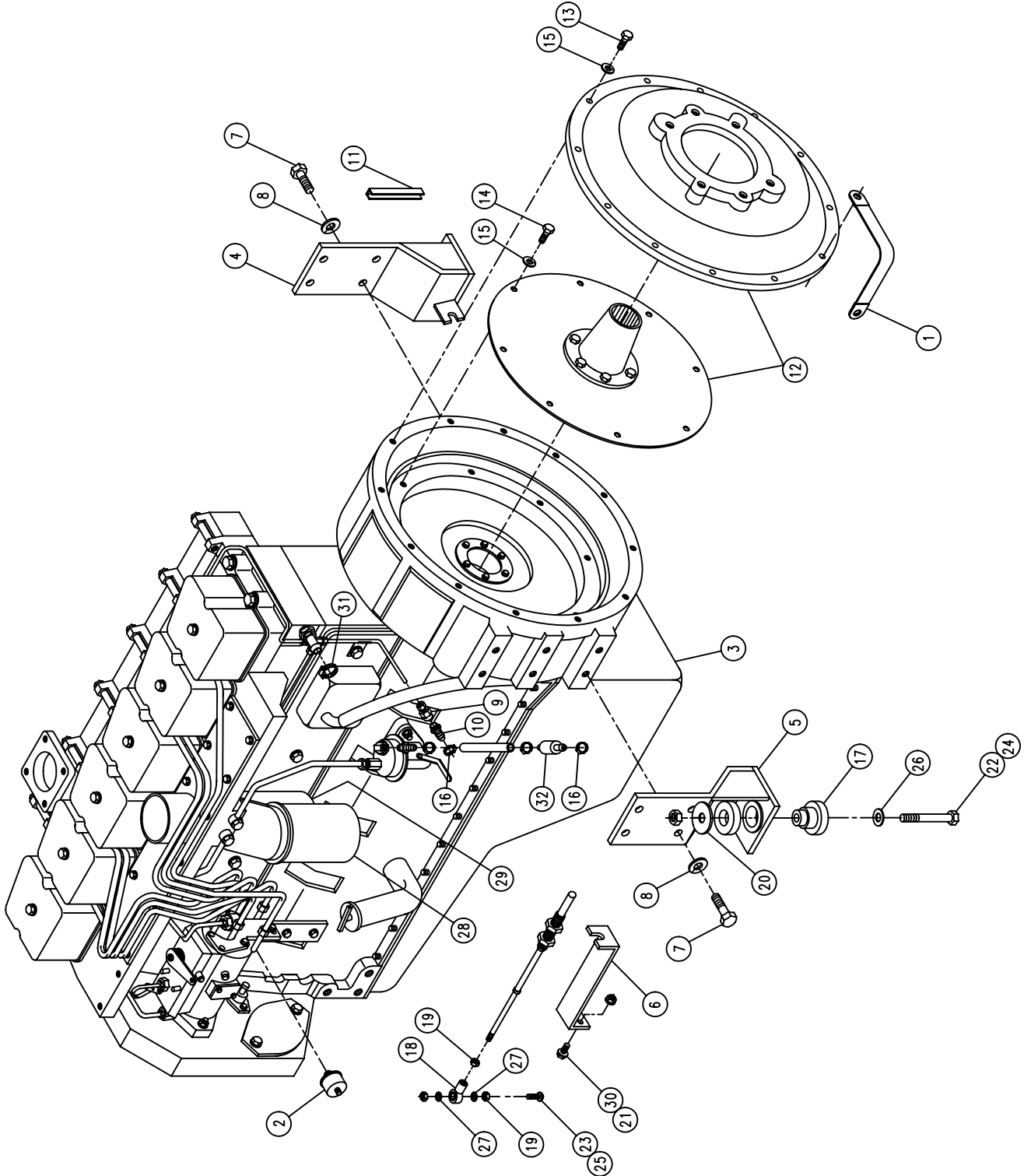
---

TABLE OF CONTENTS

|   |         |
|---|---------|
| ENGINE ASSEMBLIES . . . . .                   | 4-6     |
| FLOW DIVIDER AND FLUSHING VALVE . . . . .     | 7-9     |
| A/C AND RADIATOR. . . . .                     | 10-11   |
| AIR CLEANER AND EXHAUST PIPE. . . . .         | 12      |
| BATTERY . . . . .                             | 13      |
| LEG ASSEMBLIES. . . . .                       | 14-15   |
| TIRE AND CROP GUIDES. . . . .                 | 16-17   |
| LEG AND STEERING CYLINDER . . . . .           | 18-19   |
| TIE ROD ASSEMBLY. . . . .                     | 20-23   |
| FUEL AND OIL TANKS. . . . .                   | 24-25   |
| CAB ASSEMBLY. . . . .                         | 26-30   |
| INSTRUMENT PANEL ASSEMBLY . . . . .           | 31      |
| SWITCH PANEL ASSEMBLY . . . . .               | 32      |
| CONSOLE ASSEMBLY. . . . .                     | 33-35   |
| BRAKE LEVER AND SEAT. . . . .                 | 36-38   |
| SELECTOR VALVE AND VFC. . . . .               | 39-40   |
| BOOM CRADLE . . . . .                         | 41      |
| SHEET METAL . . . . .                         | 42-43   |
| TANK SHIELDS. . . . .                         | 44-45   |
| LADDER AND SERVICE PLATFORM ASSEMBLY. . . . . | 46      |
| BOOM VALVE. . . . .                           | 47      |
| TRANSOM, BOOM AND LIFT COMPONENTS . . . . .   | 48-61   |
| SOLUTION SYSTEM . . . . .                     | 61-71   |
| RINSE OPTION. . . . .                         | 72-73   |
| TREAD ADJUSTMENT OPTION . . . . .             | 74-77   |
| FOAMER OPTION . . . . .                       | 78-82   |
| INJECTION PLATFORM. . . . .                   | 83      |
| HYPRO D-230 OPTION. . . . .                   | 84-87   |
| WINDSHIELD WASHER OPTION . . . . .            | 88      |
| CROPSHIELD. . . . .                           | 89      |
| PRESSURE WASHER OPTION. . . . .               | 90-91   |
| SOLUTION HOISING . . . . .                    | 92-93   |
| WHEEL DRIVE ASSEMBLY. . . . .                 | 94-97   |
| HYDRAULIC SCHEMATIC . . . . .                 | 98-103  |
| ELECTRICAL SCHEMATIC. . . . .                 | 104-111 |
| DECALS. . . . .                               | 112-113 |
| ABBREVIATIONS . . . . .                       | 114     |
| INDEX . . . . .                               | 115     |

ENGINE ASSEMBLY

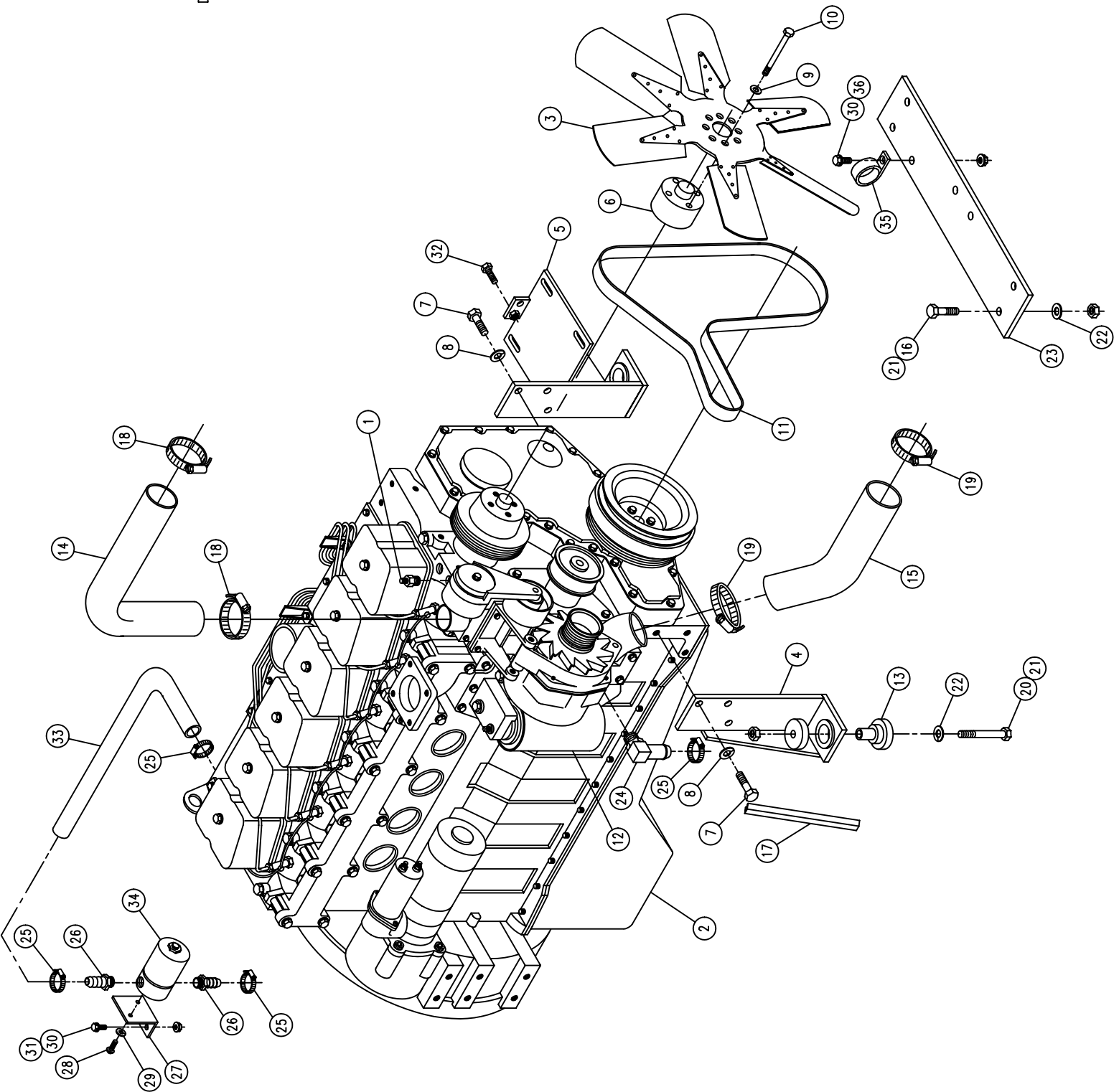
| DET. | QTY | PART NO. | DESCRIPTION                    |
|------|-----|----------|--------------------------------|
| 1    | 1   | 290107   | ENG TO GROUND STRAP 8 IN       |
| 2    | 1   | 291610   | OIL PRESS SENDER, 1/8NPT       |
| 3    | 1   | 316185   | CUMMINS ENGINE 6B5.9           |
| 4    | 1   | 316252   | RH REAR ENG MT WLD, CUMM 94    |
| 5    | 1   | 316253   | LH REAR ENG MT WLD, CUMM 94    |
| 6    | 1   | 316198   | THROTTLE CABLE MT 6CYL CUMM92  |
| 7    | 8   | 473775   | 12MM-1.75 X 30MM HEX BOLT      |
| 8    | 8   | 473784   | LOCKWASHER 12MM PL             |
| 9    | 1   | 618611   | 1/8FNPT-3/16 TUBE ADPTR, BRASS |
| 10   | 1   | 711001   | 1/8 NPT X 5/16 HOSE BARB       |
| 11   | 1   | 193012   | QUICKEDGE TRIM .135 TO .250    |
| 12   | 1   | 800495   | SUND DRIVE ASSY, 2.83PILOT 14T |
| 13   | 12  | 473792   | 10MM-1.50 X 30MM HEX BOLT      |
| 14   | 8   | 473793   | 10MM-1.50 X 20MM HEX BOLT      |
| 15   | 20  | 473798   | LOCKWASHER 10MM PL             |
| 16   | 2   | 520120   | HOSE CLAMP NO 4 PLATED MINI    |
| 17   | 2   | 311054   | RUBBER MOUNT SET, CB-2202-4    |
| 18   | 1   | 473921   | BALL JOINT NO 10-32 THD        |
| 19   | 2   | 910027   | #10-32 HEX NUT                 |
| 20   | 2   | 311055   | REBOUND WASHER FOR 311054      |
| 21   | 2   | 470121   | 1/4UNC HEX FLANGED LOCK NUT    |
| 22   | 2   | 900271   | 1/2UNC X 3 1/4 HEX BOLT        |
| 23   | 1   | 903893   | 10.32 X 1 SLT RD HD MACH SCR   |
| 24   | 2   | 914008   | 1/2UNC HEX STOVER NUT          |
| 25   | 1   | 914027   | #10-32 HEX STOVER NUT          |
| 26   | 2   | 920004   | 1/2 FLAT WASHER SAE            |
| 27   | 2   | 920510   | LOCK WASH NO 10                |
| 28   | 1   | 316208   | FUEL FILTER, PRIMARY CUMM 92   |
| 29   | 1   | 316209   | FUEL FILTER, SECONDARY CUMM92  |
| 30   | 2   | 470118   | 1/4UNC X 3/4 FLANGED HEX BOLT  |
| 31   | 1   | 520055   | HOSE CLAMP NO 12 PLATED        |
| 32   | 1   | 316281   | FUEL STRAINER, DIESEL          |



ENGINE ASSEMBLY

DET. QTY PART NO. DESCRIPTION

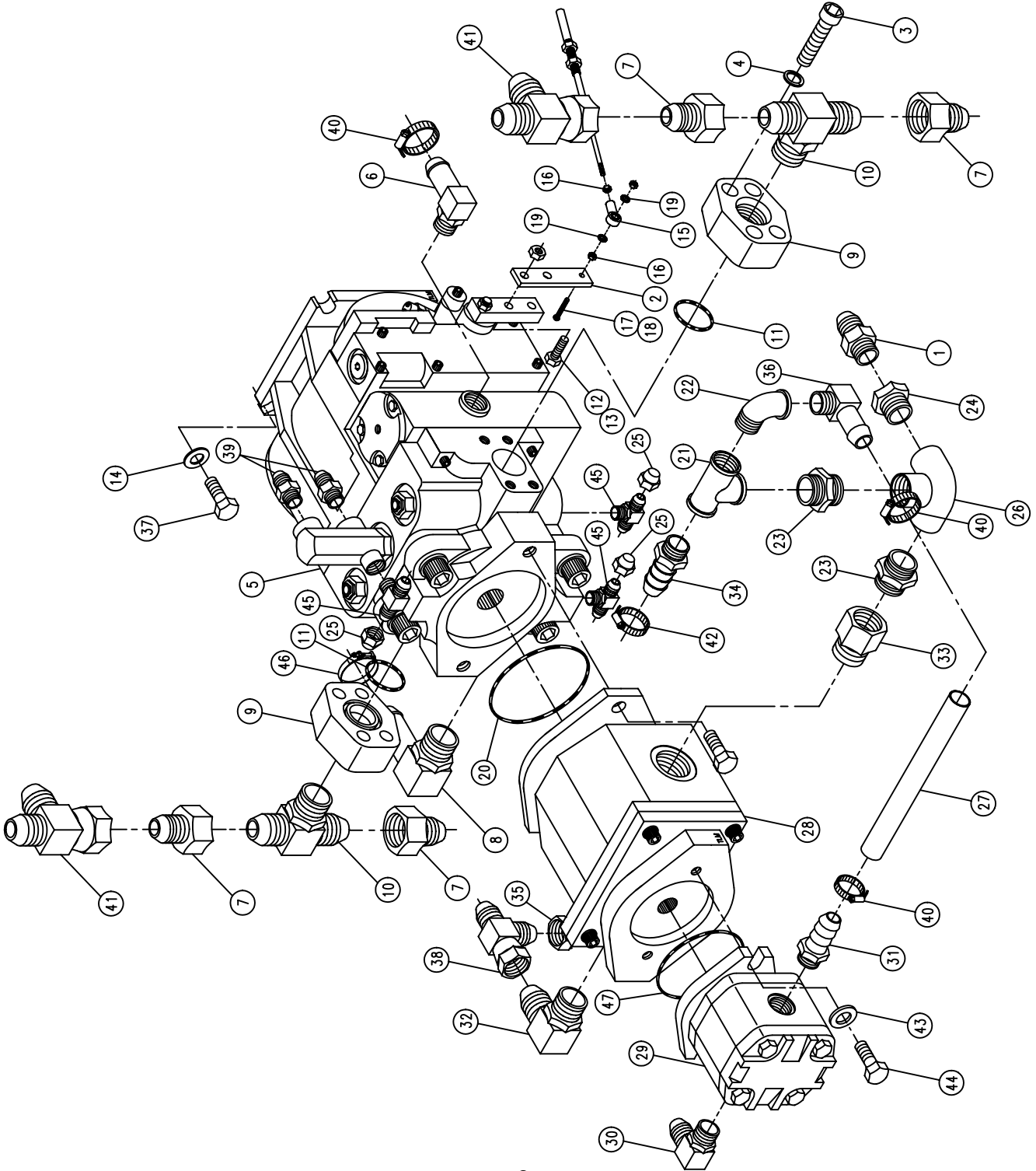
| DET. | QTY | PART NO. | DESCRIPTION                   |
|------|-----|----------|-------------------------------|
| 1    | 1   | 314836   | TEMP SENDR 280D 1/2NPT FOR GA |
| 2    | 1   | 316185   | CUMMINS ENGINE 6B5.9          |
| 3    | 1   | 316180   | 22 IN DIA 6 BLADE 2.25 PITCH  |
| 4    | 1   | 316250   | RH FRT ENG MT WLD, CUMM 94    |
| 5    | 1   | 316251   | LH FRT ENG MT WLD, CUMM 94    |
| 6    | 1   | 316199   | 22IN FAN SPACER CUMM 92       |
| 7    | 6   | 473775   | 12MM-1.75 X 30MM HEX BOLT     |
| 8    | 6   | 473784   | LOCKWASHER 12MM PL            |
| 9    | 4   | 473804   | 8MM LOCKWASHER                |
| 10   | 4   | 473822   | 08MM-1.25 X 70MM HEX BOLT     |
| 11   | 1   | 316206   | POLY V BELT CUMMINS DIESEL 92 |
| 12   | 1   | 316207   | LUBE FILTER CUMMINS DIESEL 92 |
| 13   | 2   | 311053   | RUBBER MOUNT SET,SSB26-1000-1 |
| 14   | 1   | 314832   | RADIATOR HOSE 1.75 X 19       |
| 15   | 1   | 314886   | RADIATOR HOSE 2 1/4 20717     |
| 16   | 4   | 900265   | 1/2UNC X 1 1/2 HEX BOLT       |
| 17   | 1   | 193012   | QUICKEDGE TRIM .135 TO .250   |
| 18   | 2   | 520067   | HOSE CLAMP NO 28 PLATED       |
| 19   | 2   | 520099   | HOSE CLAMP NO 40 PLATED       |
| 20   | 2   | 900271   | 1/2UNC X 3 1/4 HEX BOLT       |
| 21   | 6   | 914008   | 1/2UNC HEX STOVER NUT         |
| 22   | 6   | 920004   | 1/2 FLAT WASHER SAE           |
| 23   | 1   | 341968   | TIE PLT 250/280 CUMM 92       |
| 24   | 1   | 618573   | 5/8 HOSE BARB-90-1/2MNP       |
| 25   | 4   | 520055   | HOSE CLAMP NO 12 PLATED       |
| 26   | 2   | 711013   | 1/4 NPT X 1/2 HOSE BARB, BRS  |
| 27   | 1   | 657361   | HEATER SOL VLV MT             |
| 28   | 2   | 903710   | MACH SCR 10-32X1/2 PHIL PANHD |
| 29   | 2   | 920510   | LOCK WASH NO 10               |
| 30   | 3   | 470121   | 1/4UNC HEX FLANGED LOCK NUT   |
| 31   | 2   | 470122   | 1/4UNC X 1/2 FLANGED HEX BOLT |
| 32   | 1   | 900130   | 3/8UNC X 1 1/4 HEX BOLT       |
| 33   | 1   | 601349   | HOSE, 5/8 X 15" HEATER        |
| 34   | 1   | 657370   | HEATER SOLENOID VLV W/O HBARR |
| 35   | 1   | 520126   | CUSH HOSE CLAMP 2 IN X 5/8W   |
| 36   | 1   | 470118   | 1/4UNC X 3/4 FLANGED HEX BOLT |

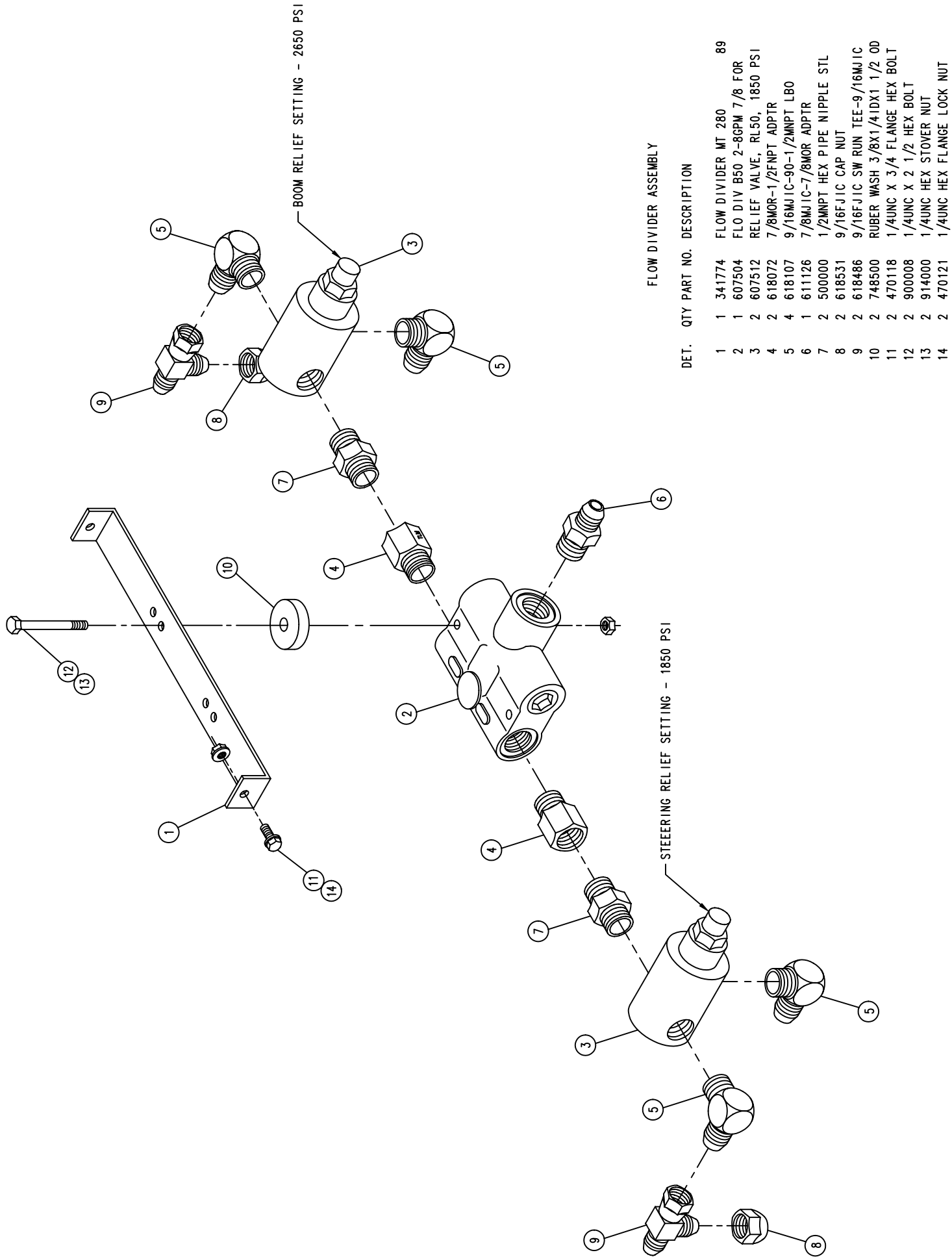


SUNDSTRAND PUMP ASSEMBLY

DET. QTY PART NO. DESCRIPTION

|    |   |        |                                |
|----|---|--------|--------------------------------|
| 1  | 1 | 610300 | 3/4MJIC-3/4MNPT ADPTR          |
| 2  | 1 | 316160 | PUMP CONT LEVER EXT 280 CUMM   |
| 3  | 8 | 470188 | 7/16-14 X 1 1/2 SOCHD CAP SCR  |
| 4  | 8 | 470189 | 7/16 HC LOCK WASH FOR 618598   |
| 5  | 1 | 606902 | SUND 100CC PUMP, B-MT W/FILT   |
| 6  | 1 | 618118 | 3/4 HOSE BARB-90-1 1/16MOR     |
| 7  | 4 | 618541 | 1 5/16FJIC-1 1/16MJIC ADPTR    |
| 8  | 1 | 618626 | 1 1/4 HOSE BARB-45-1 5/8MOR    |
| 9  | 2 | 618598 | 1 IN 4-BOLT FLG X 1 5/16FOR    |
| 10 | 2 | 618599 | 1 5/16MOR BRANCH TEE-1 5/16MJ  |
| 11 | 2 | 870219 | BUNA ORING 1 5/16 X 1 9/16     |
| 12 | 2 | 900003 | 1/4UNC X 1 HEX BOLT            |
| 13 | 2 | 914000 | 1/4UNC HEX STOVER NUT          |
| 14 | 4 | 920004 | 1/2 FLAT WASHER SAE            |
| 15 | 1 | 473921 | BALL JOINT NO 10-32 THD        |
| 16 | 2 | 910027 | #10-32 HEX NUT                 |
| 17 | 1 | 903893 | 10 32 X 1 SLT RD HD MACH SCR   |
| 18 | 1 | 914027 | #10-32 HEX STOVER NUT          |
| 19 | 2 | 920510 | LOCK WASH NO 10                |
| 20 | 1 | 606870 | O-RING FOR 606865 SUND B-MT    |
| 21 | 1 | 505101 | BLK PIPE TEE 1.00NPT           |
| 22 | 1 | 505200 | BLK PIPE ST EL 90DEG 1.00NPT   |
| 23 | 2 | 505105 | 1MNPT HEX PIPE NIPPLE STL      |
| 24 | 1 | 505213 | RED BUSH 1 X 3/4 BLK MAL       |
| 25 | 3 | 618531 | 9/16FJIC CAP NUT               |
| 26 | 1 | 505098 | SIDE OUTLET EL 90DEG 1.00NPT   |
| 27 | 1 | 601311 | HOSE, 3/4 X 8 2BR RED          |
| 28 | 1 | 606897 | SUND GEAR PUMP 1.34CI SPL INED |
| 29 | 1 | 606891 | SUND GEAR PMP .52CI SPL INED   |
| 30 | 1 | 611128 | 7/8MJIC-90-7/8MOR LBO          |
| 31 | 1 | 618075 | 3/4 HOSE BARB-1 1/16MOR        |
| 32 | 1 | 618535 | 7/8MJIC-90-1 1/16MOR LBO       |
| 33 | 1 | 618090 | 1 5/16MOR-1FNPT ADPTR          |
| 34 | 1 | 714560 | 1NPT X 1 HOSE BARB             |
| 35 | 1 | 618328 | 7/8FJIC CAP NUT                |
| 36 | 1 | 716000 | 3/4 HOSE BARB-90-1MNPT         |
| 37 | 4 | 900265 | 1/2UNC X 1 1/2 HEX BOLT        |
| 38 | 1 | 618333 | 7/8FJIC SW RUN TEE-7/8MJIC     |
| 39 | 2 | 618327 | 3/4MJIC-7/8MOR ADPTR           |
| 40 | 3 | 520055 | HOSE CLAMP NO 12 PLATED        |
| 41 | 2 | 618487 | 1 1/16FJ SW RUN TEE-1 1/16MJ   |
| 42 | 1 | 520087 | HOSE CLAMP NO 20 PLATED        |
| 43 | 2 | 920002 | WASH FLAT 3/8 SAE              |
| 44 | 2 | 900130 | 3/8UNC X 1 1/4 HEX BOLT        |
| 45 | 3 | 618629 | 9/16MOR BRANCH TEE-9/16MJIC    |
| 46 | 1 | 520132 | 1.62/1.87 T-BOLT HOSE CLAMP    |
| 47 | 1 | 606924 | O-RING FOR SUND A-MT           |





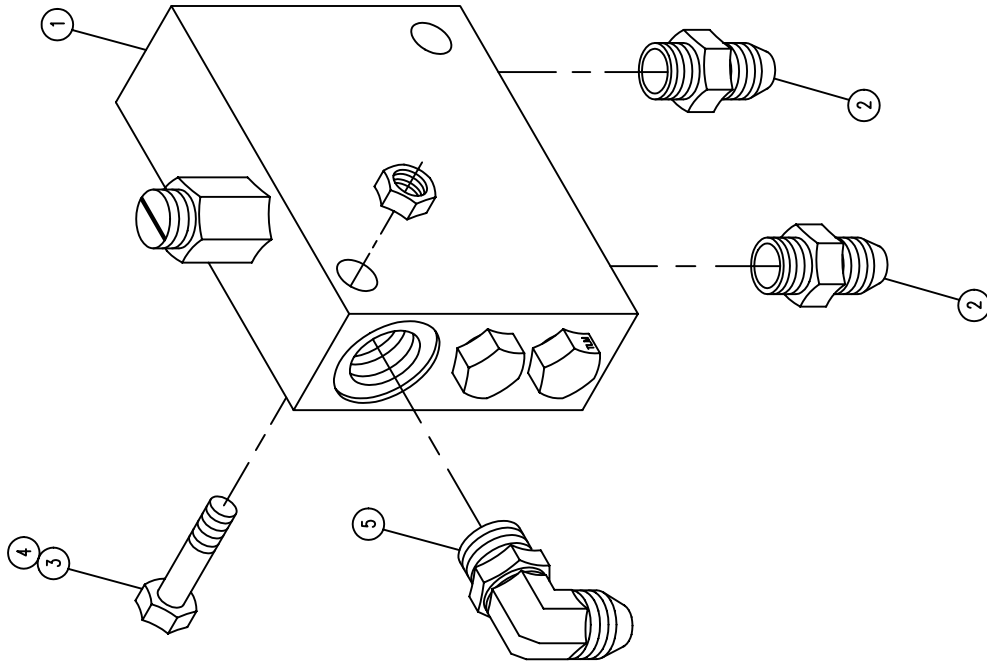
FLOW DIVIDER ASSEMBLY

DET. QTY PART NO. DESCRIPTION

| DET. | QTY | PART NO. | DESCRIPTION                   |
|------|-----|----------|-------------------------------|
| 1    | 1   | 341774   | FLOW DIVIDER MT 280 89        |
| 2    | 1   | 607504   | FLO DIV B50 2-8GPM 7/8 FOR    |
| 3    | 2   | 607512   | RELIEF VALVE, RL50, 1850 PSI  |
| 4    | 2   | 618072   | 7/8MOR-1/2FNPT ADPTR          |
| 5    | 4   | 618107   | 9/16MJIC-90-1/2MNPT LBO       |
| 6    | 1   | 611126   | 7/8MJIC-7/8MOR ADPTR          |
| 7    | 2   | 500000   | 1/2MNPT HEX PIPE NIPPLE STL   |
| 8    | 2   | 618531   | 9/16FJIC CAP NUT              |
| 9    | 2   | 618486   | 9/16FJIC SW RUN TEE-9/16MJIC  |
| 10   | 2   | 748500   | RUBER WASH 3/8X1/4IDX1 1/2 OD |
| 11   | 2   | 470118   | 1/4UNC X 3/4 FLANGE HEX BOLT  |
| 12   | 2   | 900008   | 1/4UNC X 2 1/2 HEX BOLT       |
| 13   | 2   | 914000   | 1/4UNC HEX STOVER NUT         |
| 14   | 2   | 470121   | 1/4UNC HEX FLANGE LOCK NUT    |

LOOP FLUSHING VALVE ASSEMBLY

| DET. | QTY | PART NO. | DESCRIPTION                 |
|------|-----|----------|-----------------------------|
| 1    | 1   | 610580   | REMOTE FLUSHING VALVE, SUND |
| 2    | 2   | 618126   | 9/16MJIC-9/16MOR ADPTR      |
| 3    | 2   | 900133   | 3/8UNC X 2 HEX BOLT         |
| 4    | 2   | 914004   | 3/8UNC HEX STOVER NUT       |
| 5    | 1   | 618119   | 9/16MJIC-90-9/16MOR LBO     |

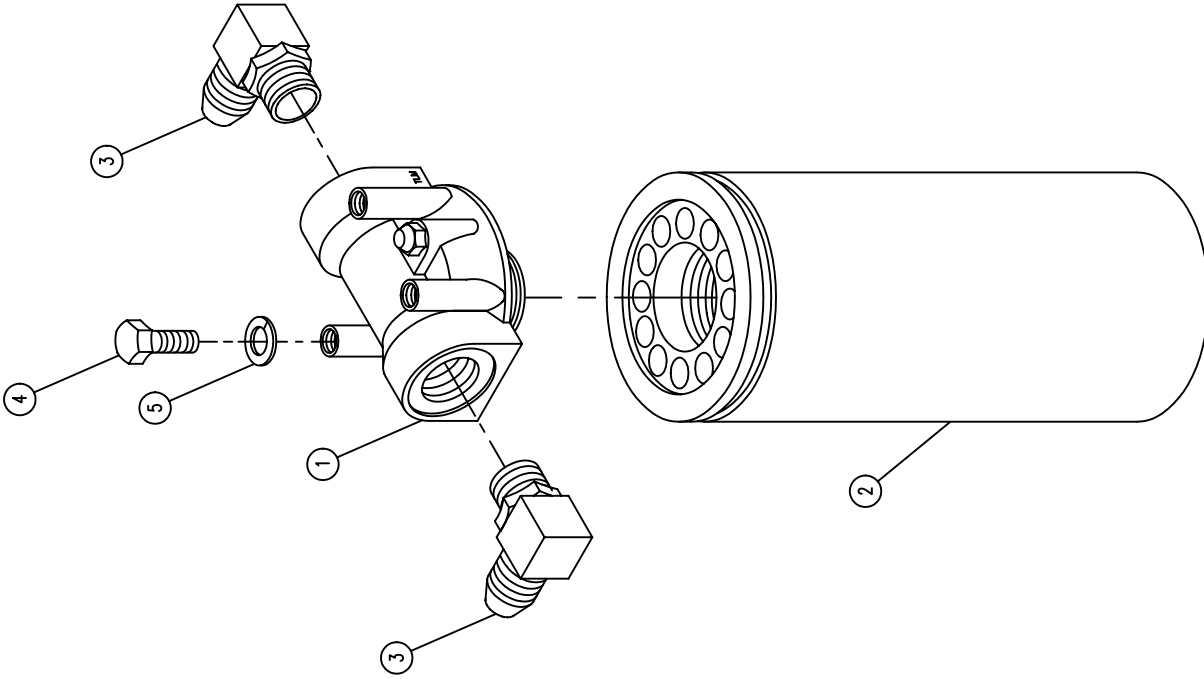


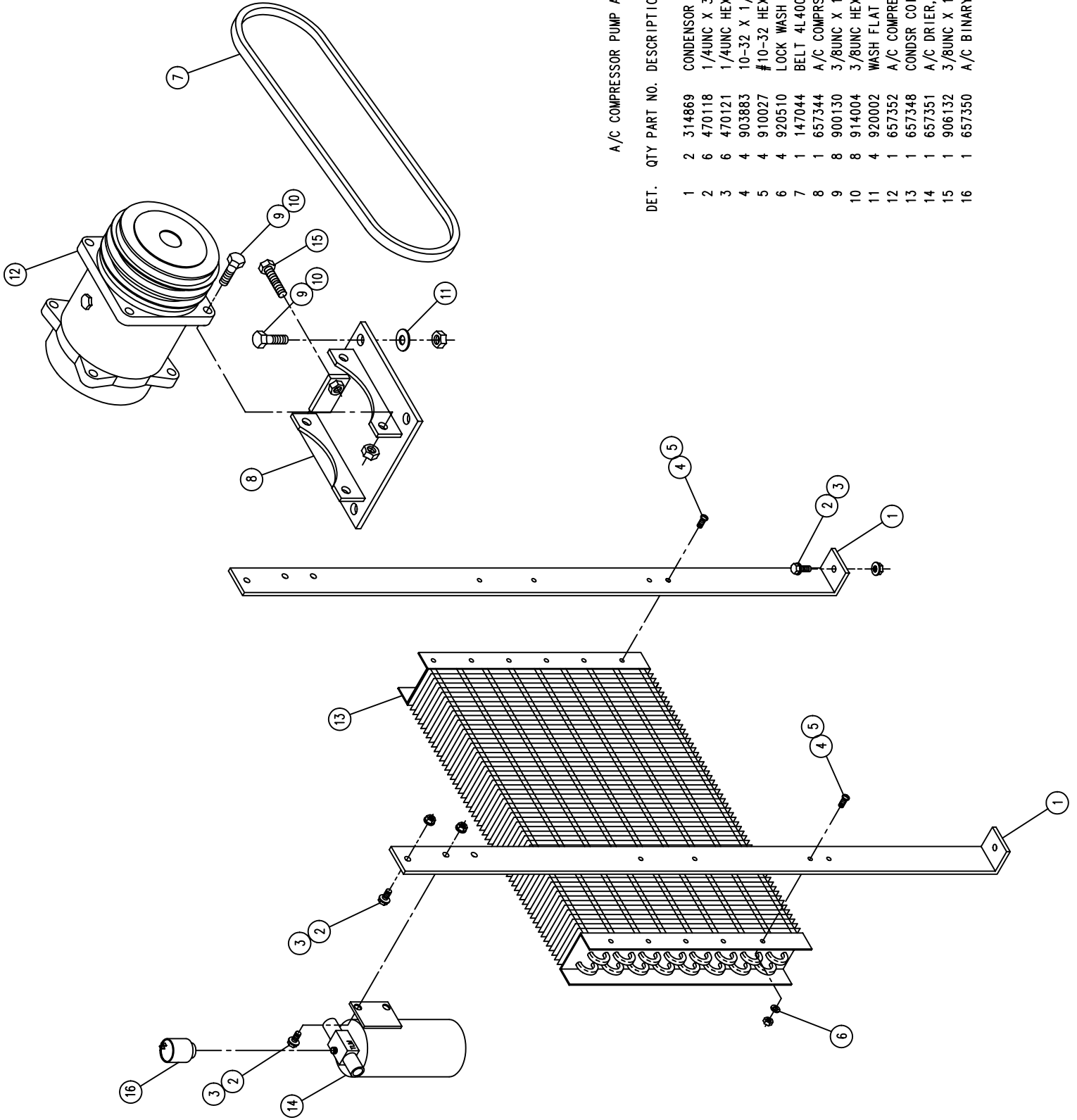


HI-PRESS FILTER ASSEMBLY

DET. QTY PART NO. DESCRIPTION

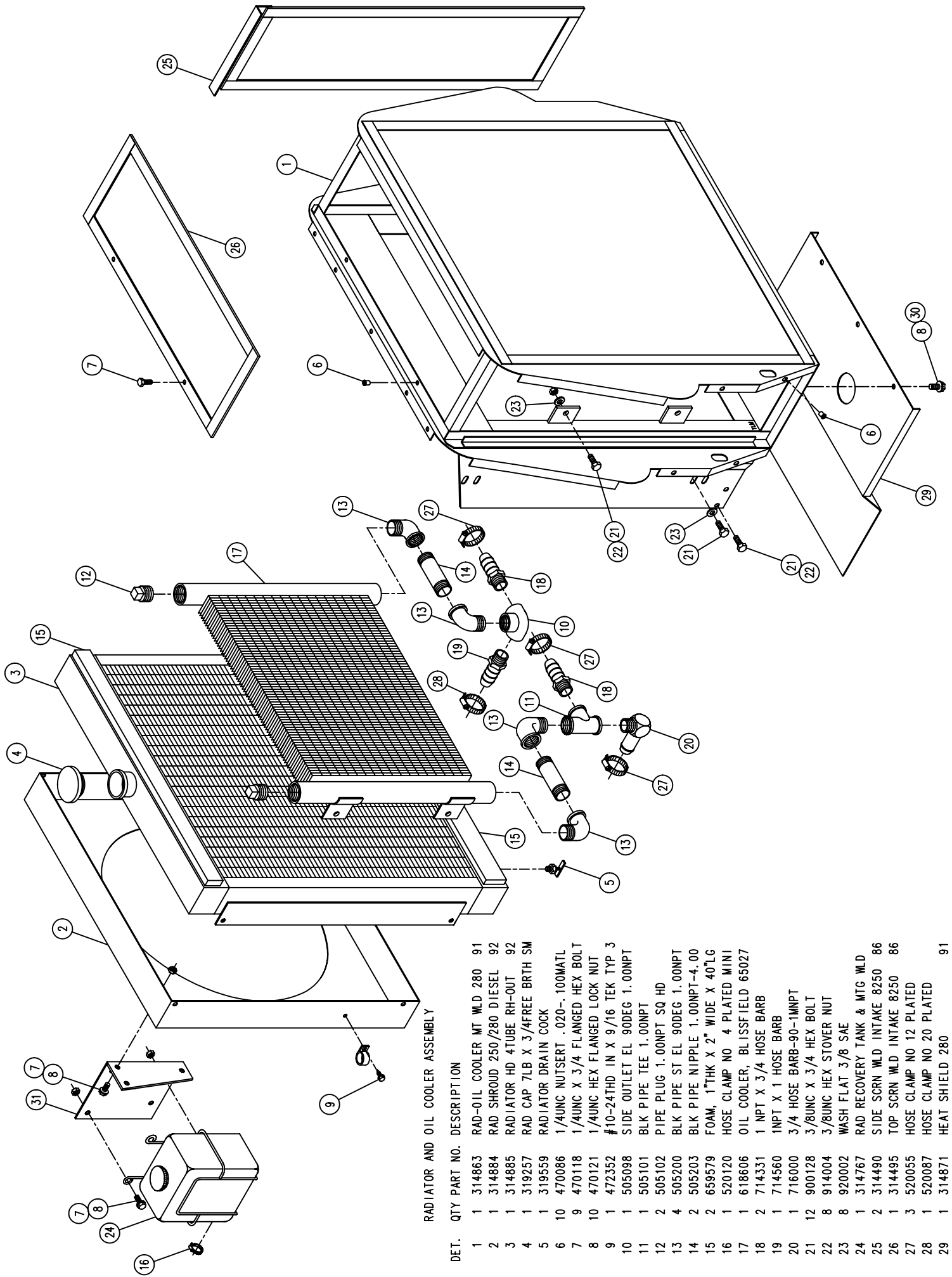
|   |   |        |                                |
|---|---|--------|--------------------------------|
| 1 | 1 | 605606 | FILTER HEAD, ZINZA HI-PRESS    |
| 2 | 1 | 605607 | FILTER, 10MICRON ZINGA HI-PRES |
| 3 | 2 | 618474 | 3/4MJIC-90-1 1/16MOR LBO       |
| 4 | 3 | 900064 | 5/16UNC X 3/4 HEX BOLT         |
| 5 | 3 | 920501 | LOCK WASH 5/16                 |





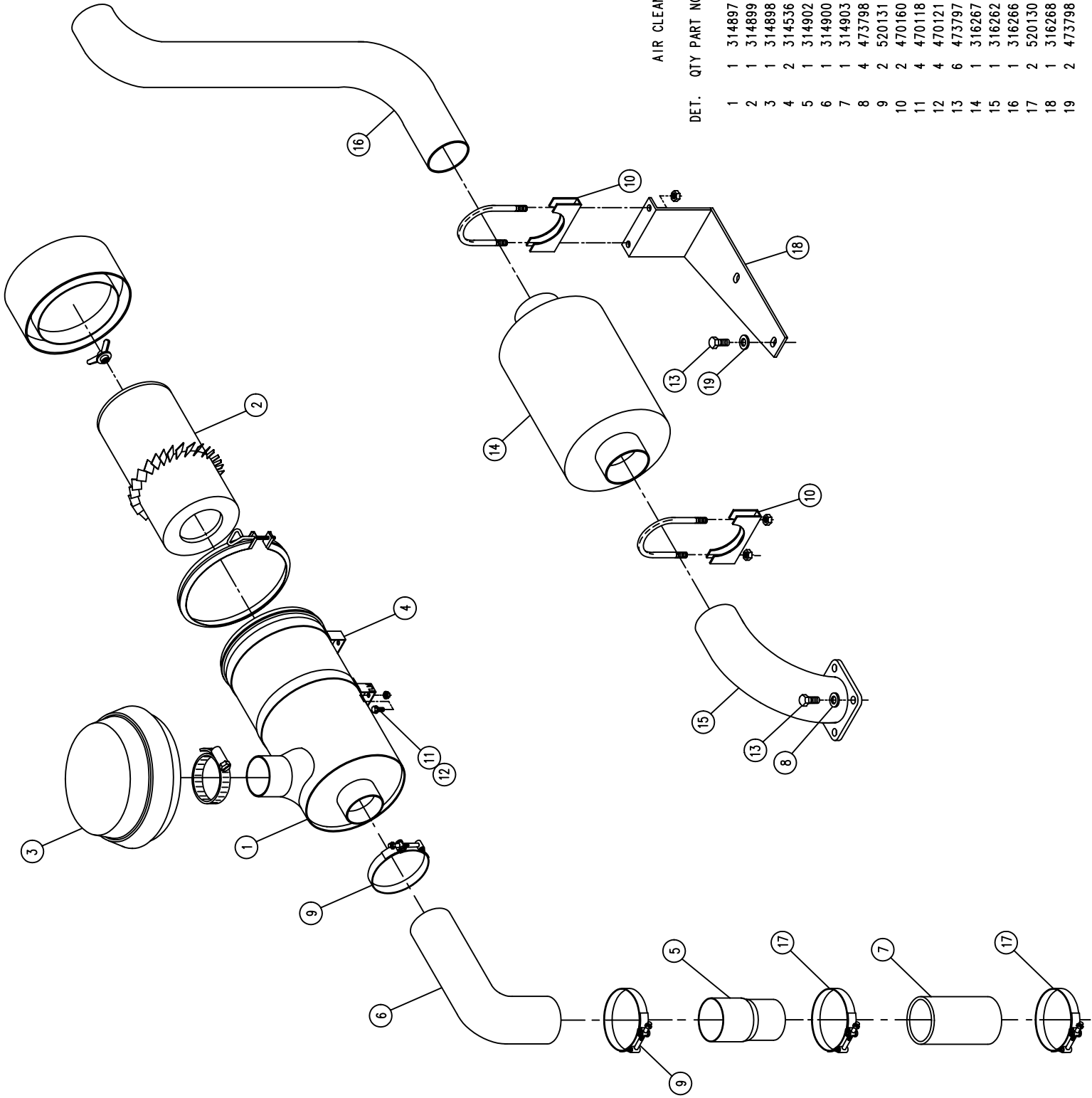
A/C COMPRESSOR PUMP ASSEMBLY

| DET. | QTY | PART NO. | DESCRIPTION                   |
|------|-----|----------|-------------------------------|
| 1    | 2   | 314869   | CONDENSOR MTG BRKT 280 91     |
| 2    | 6   | 470118   | 1/4UNC X 3/4 FLANGED HEX BOLT |
| 3    | 6   | 470121   | 1/4UNC HEX FLANGED LOCK NUT   |
| 4    | 4   | 903883   | 10-32 X 1/2 SLTRD HD MACH SCR |
| 5    | 4   | 910027   | #10-32 HEX NUT                |
| 6    | 4   | 920510   | LOCK WASH NO 10               |
| 7    | 1   | 147044   | BELT 4L400                    |
| 8    | 1   | 657344   | A/C COMPRESR MT WLD CUMM 92   |
| 9    | 8   | 900130   | 3/8UNC X 1 1/4 HEX BOLT       |
| 10   | 8   | 914004   | 3/8UNC HEX STOVER NUT         |
| 11   | 4   | 920002   | WASH FLAT 3/8 SAE             |
| 12   | 1   | 657352   | A/C COMPRESSOR, R134A         |
| 13   | 1   | 657348   | CONDNR COIL FOR 657309        |
| 14   | 1   | 657351   | A/C DRIER, O-RING TYPE        |
| 15   | 1   | 906132   | 3/8UNC X 1 3/4 HEX BOLT FULL  |
| 16   | 1   | 657350   | A/C BINARY SWITCH             |



RADIATOR AND OIL COOLER ASSEMBLY

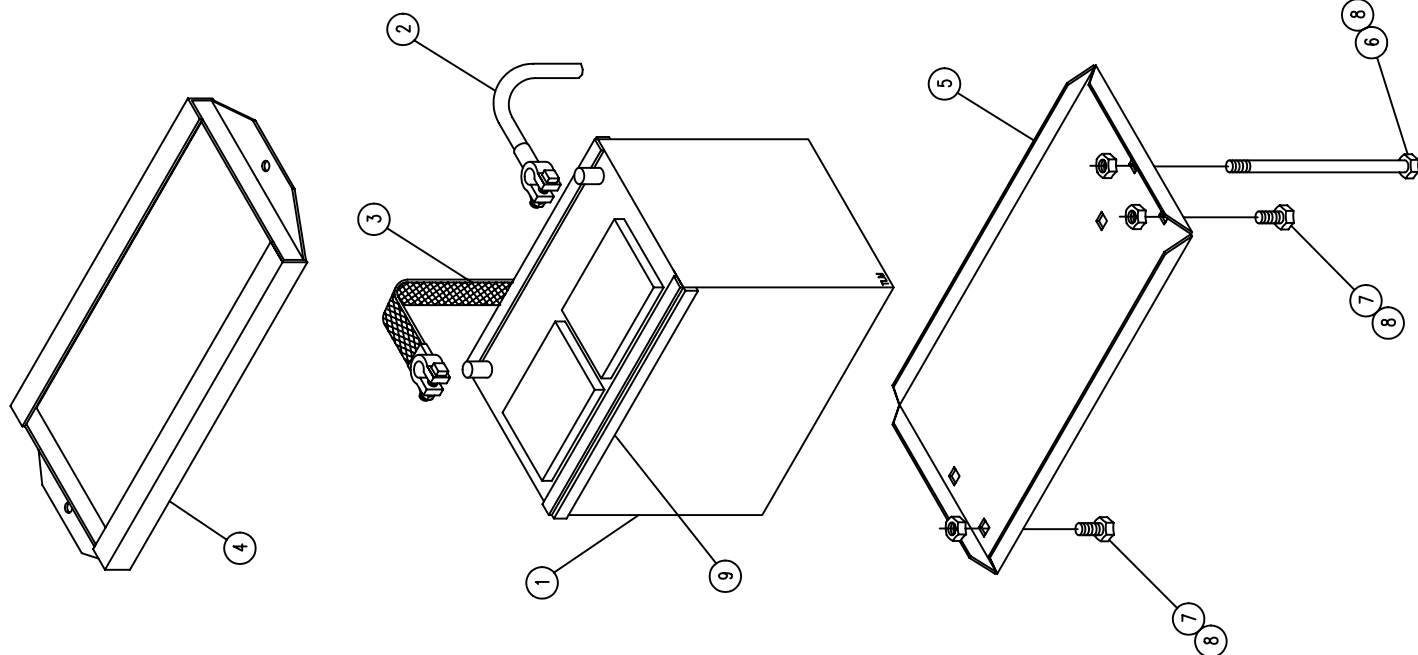
| DET. | QTY | PART NO. | DESCRIPTION                   |
|------|-----|----------|-------------------------------|
| 1    | 1   | 314863   | RAD-OIL COOLER MT WLD 280 91  |
| 2    | 1   | 314884   | RAD SHROUD 250/280 DIESEL 92  |
| 3    | 1   | 314885   | RADIATOR HD 4TUBE RH-OUT 92   |
| 4    | 1   | 319257   | RAD CAP 7LB X 3/4FREE BRTH SM |
| 5    | 1   | 319559   | RADIATOR DRAIN COCK           |
| 6    | 10  | 470086   | 1/4UNC NUTSERT .020-.100MATL  |
| 7    | 9   | 470118   | 1/4UNC X 3/4 FLANGED HEX BOLT |
| 8    | 10  | 470121   | 1/4UNC HEX FLANGED LOCK NUT   |
| 9    | 1   | 472352   | #10-24THD IN X 9/16 TEK TYP 3 |
| 10   | 1   | 505098   | SIDE OUTLET EL 90DEG 1.00NPT  |
| 11   | 1   | 505101   | BLK PIPE TEE 1.00NPT          |
| 12   | 2   | 505102   | PIPE PLUG 1.00NPT SQ HD       |
| 13   | 4   | 505200   | BLK PIPE ST EL 90DEG 1.00NPT  |
| 14   | 2   | 505203   | BLK PIPE NIPPLE 1.00NPT-4.00  |
| 15   | 2   | 659579   | FOAM, 1"THK X 2" WIDE X 40"LG |
| 16   | 1   | 520120   | HOSE CLAMP NO 4 PLATED MINI   |
| 17   | 1   | 618606   | OIL COOLER, BLISSFIELD 65027  |
| 18   | 2   | 714331   | 1 NPT X 3/4 HOSE BARB         |
| 19   | 1   | 714560   | 1NPT X 1 HOSE BARB            |
| 20   | 1   | 716000   | 3/4 HOSE BARB-90-1MNPT        |
| 21   | 12  | 900128   | 3/8UNC X 3/4 HEX BOLT         |
| 22   | 8   | 914004   | 3/8UNC HEX STOVER NUT         |
| 23   | 8   | 920002   | WASH FLAT 3/8 SAE             |
| 24   | 1   | 314767   | RAD RECOVERY TANK & MTG WLD   |
| 25   | 2   | 314490   | SIDE SCR N WLD INTAKE 8250 86 |
| 26   | 1   | 314495   | TOP SCR N WLD INTAKE 8250 86  |
| 27   | 3   | 520055   | HOSE CLAMP NO 12 PLATED       |
| 28   | 1   | 520087   | HOSE CLAMP NO 20 PLATED       |
| 29   | 1   | 314871   | HEAT SHIELD 280 91            |
| 30   | 3   | 470122   | 1/4UNC X 1/2 FLANGED HEX BOLT |
| 31   | 1   | 314893   | RECOVERY TANK MTG BRKT 280 92 |



AIR CLEANER AND EXHAUST PIPE

DET. QTY PART NO. DESCRIPTION

|    |   |        |                                 |
|----|---|--------|---------------------------------|
| 1  | 1 | 314897 | AIR CLEANER, 280 CFM            |
| 2  | 1 | 314899 | AIR CLEANER ELEMENT FOR 314897  |
| 3  | 1 | 314898 | AIR CLEANER HOOD FOR 314897     |
| 4  | 2 | 314536 | AIR CLEANER BAND 8 IN DONALDSON |
| 5  | 1 | 314902 | 3.50 - 3.00 X 6.00LG PIPE       |
| 6  | 1 | 314900 | 3.50 90 DEG AIR INTAKE HOSE     |
| 7  | 1 | 314903 | AIR CLEANER HOSE 3ID X 6.50LG   |
| 8  | 4 | 473798 | LOCKWASHER 10MM PL              |
| 9  | 2 | 520131 | 3.50 T-BOLT HOSE CLAMP          |
| 10 | 2 | 470160 | MUFFLER CLAMP 3.00 IN           |
| 11 | 4 | 470118 | 1/4UNC X 3/4 FLANGED HEX BOLT   |
| 12 | 4 | 470121 | 1/4UNC HEX FLANGED LOCK NUT     |
| 13 | 6 | 473797 | 10MM-1.50 X 25MM HEX BOLT       |
| 14 | 1 | 316267 | MUFFLER, 3"                     |
| 15 | 1 | 316262 | 3"-90 DEG EXH PIPE WLD          |
| 16 | 1 | 316266 | 3" EXHAUST STACK                |
| 17 | 2 | 520130 | 3.00 T-BOLT HOSE CLAMP          |
| 18 | 1 | 316268 | MUFFLER SUPPORT WLD, CUMM 6 95  |
| 19 | 2 | 473798 | LOCKWASHER 10MM PL              |

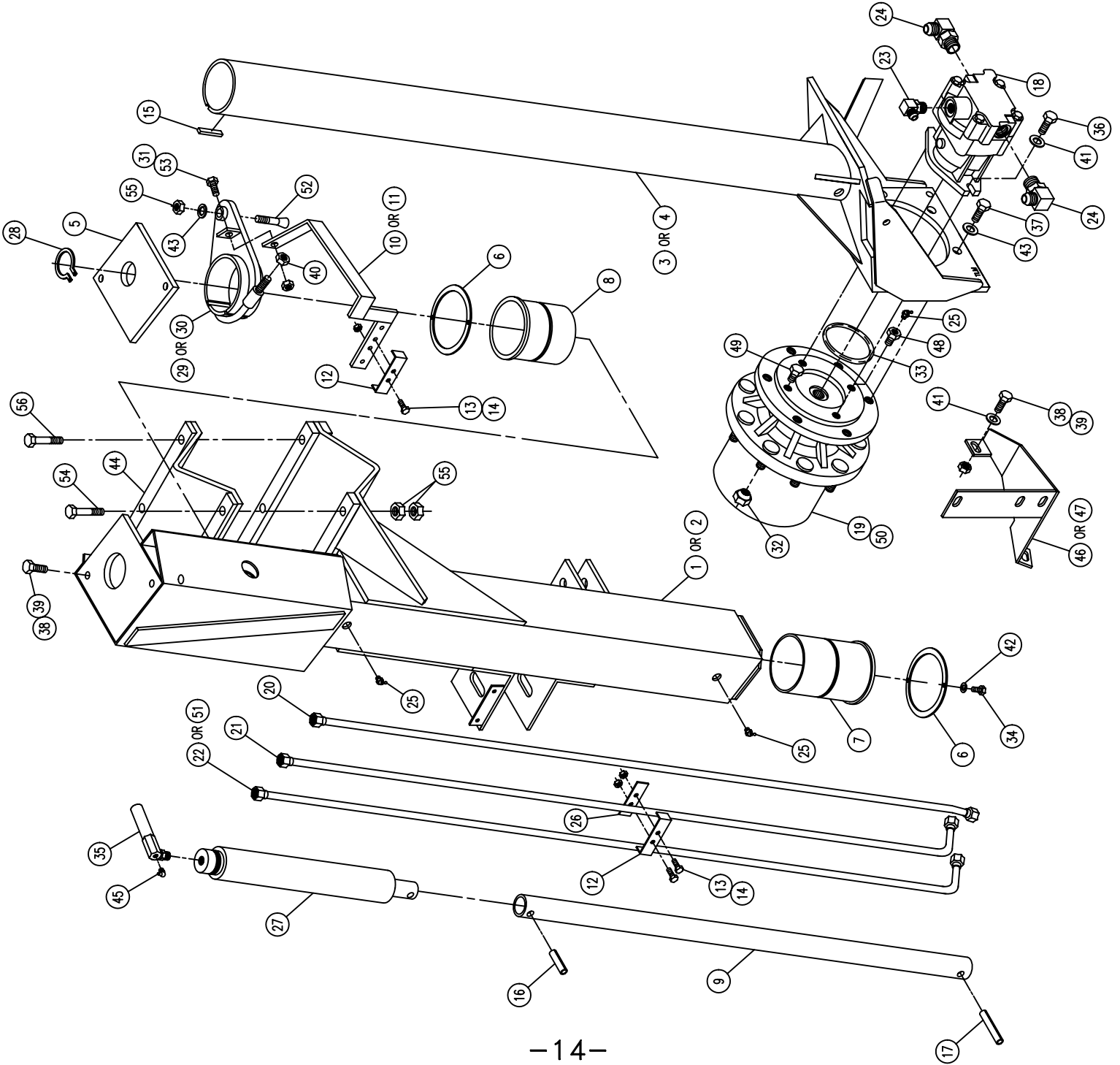


BATTERY BOX ASSEMBLY

| DET. | QTY | PART NO. | DESCRIPTION                |
|------|-----|----------|----------------------------|
| 1    | 1   | 291122   | BATTERY, 575 AMP 160 RES   |
| 2    | 1   | 291128   | BATTERY CABLE 48 IN        |
| 3    | 1   | 290111   | GROUND STRAP               |
| 4    | 1   | 341322   | BATTERY HOLD DOWN WLD 1981 |
| 5    | 1   | 361149   | BATTERY BOX 8300-8400 1981 |
| 6    | 2   | 901150   | 3/8UNC X 9 CARR BOLT       |
| 7    | 2   | 900129   | 3/8UNC X 1 HEX BOLT        |
| 8    | 4   | 914004   | 3/8UNC HEX STOVER NUT      |
| 9    | 4   | 193022   | STICKERTITE 1/4 X 3/4      |

FRONT LEG ASSEMBLY

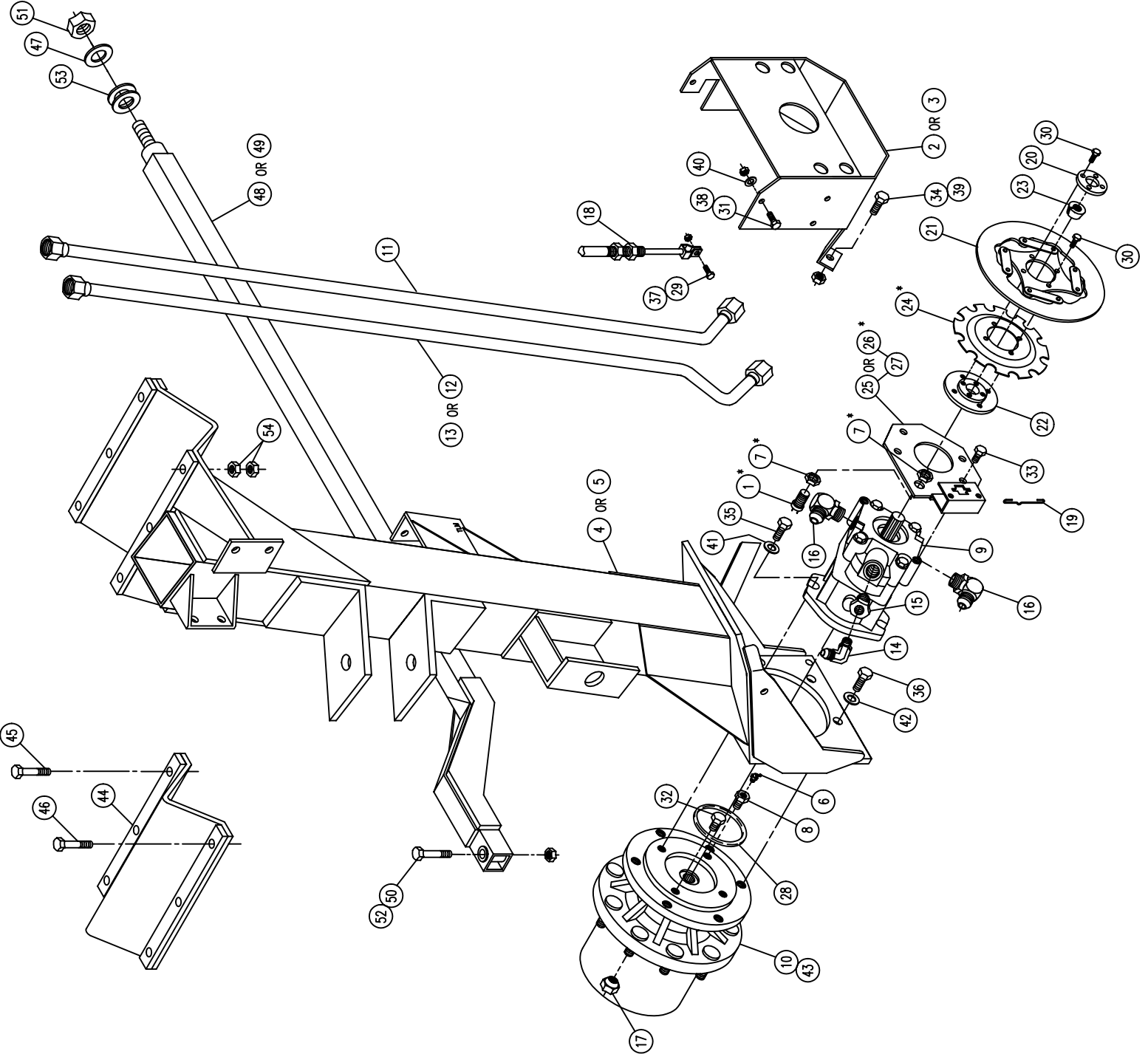
| DET. | QTY | PART NO. | DESCRIPTION                    |
|------|-----|----------|--------------------------------|
| 1    | 1   | 358755   | RH FRT OUTER LEG WLD, 284T 94  |
| 2    | 1   | 358756   | LH FRT OUTER LEG WLD, 284T 94  |
| 3    | 1   | 358535   | RH FRT INNER LEG WLD 280 89    |
| 4    | 1   | 358536   | LH FRT INNER LEG WLD 280 89    |
| 5    | 1   | 358562   | LEG CYL MTG PLATE 280 89       |
| 6    | 2   | 358563   | FRT LEG BRG KPR 280 89         |
| 7    | 1   | 358564   | FRT LEG LWR NYL SLEEVE 280 89  |
| 8    | 1   | 358565   | FRT LEG UPR NYL SLEEVE 280 89  |
| 9    | 1   | 358566   | LEG CYL SHAFT EXTENSION 280 89 |
| 10   | 1   | 358707   | RH FRT LEG TUBE BRKT WLD280TA  |
| 11   | 1   | 358708   | LH FRT LEG TUBE BRKT WLD280TA  |
| 12   | 2   | 358739   | FRT LEG HYD TUBE CLMP, 284 94  |
| 13   | 4   | 900004   | 1/4UNC X 1 1/4 HEX BOLT        |
| 14   | 4   | 470121   | 1/4UNC HEX FLANGED LOCK NUT    |
| 15   | 1   | 470185   | KEY .25 X .375 X 2.00 LG       |
| 16   | 1   | 473903   | SPIRAL PIN 1/2 X 2 640         |
| 17   | 1   | 473904   | SPIRAL PIN 1/2 X 3 640         |
| 18   | 1   | 610571   | SUND M35-3002 WHL MTR          |
| 19   | 1   | 610568   | TORQ HUB 13 TO 1, B-MT W2B2FZ  |
| 20   | 1   | 615655   | FRT LEG INNER HYD TUBE ASY284  |
| 21   | 1   | 615656   | FRT LEG CNTR HYD TUBE ASY284   |
| 22   | 1   | 615658   | LH FRTLEG OTR HYDTUBE ASY284   |
| 23   | 1   | 618183   | 3/4MJIC-90-7/8MOR LBO          |
| 24   | 2   | 618535   | 7/8MJIC-90-1 1/16MOR LBO       |
| 25   | 3   | 471023   | GREASE ZERK 1/4-28 X 45        |
| 26   | 1   | 358740   | FRT LEG HYD TUBE KPR, 284 94   |
| 27   | 1   | 620570   | HYD CYL LEG LEVEL 2.00 X 12    |
| 28   | 1   | 629515   | SNAP RING 1 3/4 EXTRN HDUTY    |
| 29   | 1   | 749290   | RH STRG ARM WLD,280 TREAD ADJ  |
| 30   | 1   | 749291   | LH STRG ARM WLD,280 TREAD ADJ  |
| 31   | 1   | 914004   | 3/8UNC HEX STOVER NUT          |
| 32   | 9   | 824053   | 5/8-18 60 DEG WHL NUT          |
| 33   | 1   | 870045   | O RING 4 1/8 OD X 4 ID         |
| 34   | 4   | 900000   | 1/4UNC X 1/2 HEX BOLT          |
| 35   | 1   | 615614   | FRT LEG CYL JUMPER HOSE280 89  |
| 36   | 2   | 900266   | 1/2UNC X 1 3/4 HEX BOLT        |
| 37   | 6   | 900333   | 5/8UNC X 1 1/2 HEX BOLT        |
| 38   | 5   | 914008   | 1/2UNC HEX STOVER NUT          |
| 39   | 5   | 900265   | 1/2UNC X 1 1/2 HEX BOLT        |
| 40   | 1   | 914010   | 5/8UNC HEX STOVER NUT          |
| 41   | 5   | 920004   | 1/2 FLAT WASHER SAE            |
| 42   | 4   | 920500   | LOCK WASH 1 1/4                |
| 43   | 7   | 920505   | LOCK WASHER 5/8                |
| 44   | 1   | 358759   | LEG MT V-PLT WLD, 284T 94      |
| 45   | 1   | 471027   | GREASE ZERK 1/8NPT 90DEG LP    |
| 46   | 1   | 662157   | RH FRT MTG WLD FOR CROP GUIDE  |
| 47   | 1   | 662156   | LH FRT MTG WLD FOR CROP GUIDE  |
| 48   | 1   | 610556   | 1/2UNC X 1/2 ZERK BOLT T-HUB   |
| 49   | 1   | 900260   | 1/2UNC X 1/2 HBOLT, GR2 UNPLT  |
| 50   | 1   | 610552   | SEAL BOOT FOR WIFBNZ, W2B2FZ   |
| 51   | 1   | 615657   | RH FRTLEG OTR HYDTUBE ASY284   |
| 52   | 1   | 749293   | STRG ARM BOLT, 280 TREAD ADJ   |
| 53   | 1   | 900129   | 3/8UNC X 1 HEX BOLT            |
| 54   | 3   | 900836   | 5/8UNF X 3 1/4 HEX BOLT GR8    |
| 55   | 13  | 914811   | 5/8UNF HEX NUT GR8             |
| 56   | 3   | 900837   | 5/8UNF X 3 1/2 HEX BOLT GR8    |

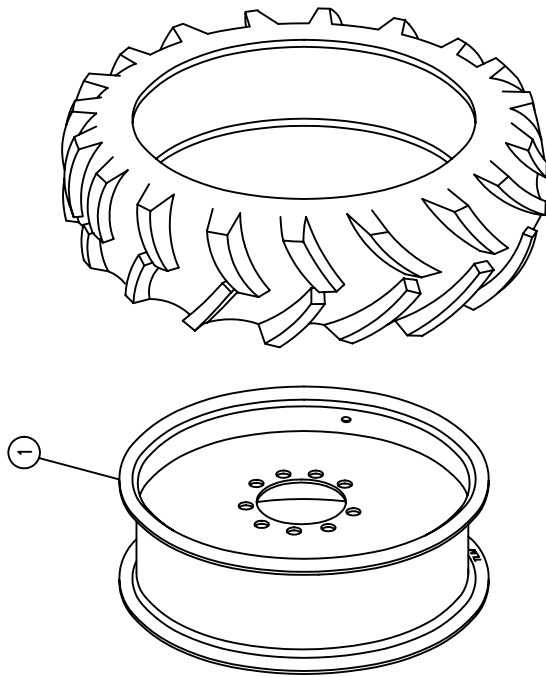


REAR LEG ASSEMBLY

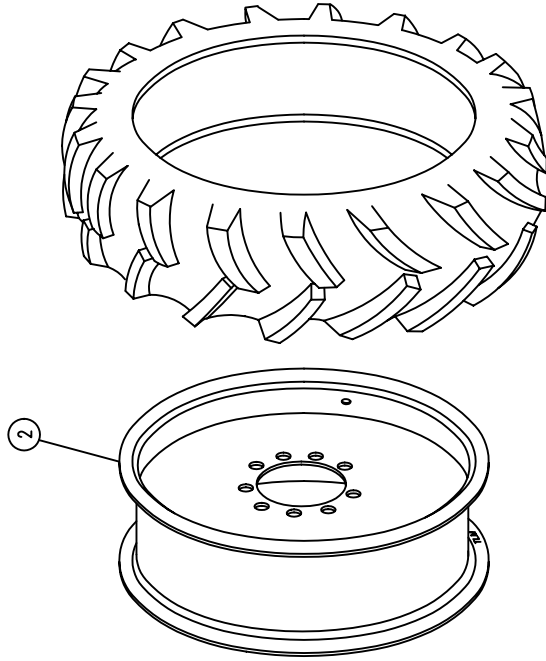
| DET. | QTY | PART NO. | DESCRIPTION                    |
|------|-----|----------|--------------------------------|
| 1    | 1   | 291206   | SENSOR, SPEEDO/TACH W/NUT      |
| 2    | 1   | 358596   | RH REAR WHL MTR SHLD WLD 280   |
| 3    | 1   | 358597   | LH REAR WHL MTR SHLD WLD 280   |
| 4    | 1   | 358757   | RH REAR LEG WLD, 284T 94       |
| 5    | 1   | 358758   | LH REAR LEG WLD, 284T 94       |
| 6    | 1   | 471023   | GREASE ZERK 1/4-28 X 45        |
| 7    | 2   | 473061   | 3/4UNF TRUSEAL HEX NUT         |
| 8    | 1   | 610556   | 1/2UNC X 1/2 ZERK BOLT T-HUB   |
| 9    | 1   | 610557   | SUND M35-3102 WHL MTR W/SHFT   |
| 10   | 1   | 610565   | TORQ HUB 28 TO 1, B-MT W2B2FZ  |
| 11   | 1   | 614680   | REAR LEG HYD TUBE ASSY 280     |
| 12   | 1   | 614681   | RH REAR LEG HYD TUBE ASSY 280  |
| 13   | 1   | 614682   | LH REAR LEG HYD TUBE ASSY 280  |
| 14   | 1   | 618119   | 9/16MJIC-90-9/16MOR LBO        |
| 15   | 1   | 618172   | 7/8MOR-9/16FOR ADPTR           |
| 16   | 2   | 618248   | 1 1/16MJIC-90-1 1/16MOR LBO    |
| 17   | 9   | 824053   | 5/8-18 60 DEG WHL NUT          |
| 18   | 1   | 826926   | 190 IN BRAKE CABLE             |
| 19   | 1   | 826929   | CLIP BRAKE RETAINER            |
| 20   | 1   | 826945   | HUB MOUNT, BRAKE               |
| 21   | 1   | 826959   | BRAKE DISC SUB ASSY            |
| 22   | 1   | 826975   | TAPER LOCK HUB                 |
| 23   | 1   | 826988   | HUB, TAPER LOCK 13 TEETH       |
| 24   | 1   | 826991   | SENSOR DISC, 11N, 280 BRAKE 93 |
| 25   | 1   | 828086   | RH BRAKE MT WLD 280 93         |
| 26   | 1   | 828087   | LH BRAKE MT WLD 280 93         |
| 27   | 2   | 826918   | PARK BRAKE PAD                 |
| 28   | 1   | 870045   | O RING 4 1/8 OD X 4 ID         |
| 29   | 1   | 900002   | 1/4UNC X 3/4 HEX BOLT          |
| 30   | 8   | 900064   | 5/16UNC X 3/4 HEX BOLT         |
| 31   | 2   | 900130   | 3/8UNC X 1 1/4 HEX BOLT        |
| 32   | 1   | 900260   | 1/2UNC X 1/2 HBOLT, GR2 UNPLT  |
| 33   | 2   | 900262   | 1/2UNC X 3/4 HEX BOLT          |
| 34   | 2   | 900265   | 1/2UNC X 1 1/2 HEX BOLT        |
| 35   | 2   | 900267   | 1/2UNC X 2 HEX BOLT            |
| 36   | 6   | 900333   | 5/8UNC X 1 1/2 HEX BOLT        |
| 37   | 1   | 914000   | 1/4UNC HEX STOVER NUT          |
| 38   | 2   | 914004   | 3/8UNC HEX STOVER NUT          |
| 39   | 2   | 914008   | 1/2UNC HEX STOVER NUT          |
| 40   | 2   | 920002   | WASH FLAT 3/8 SAE              |
| 41   | 2   | 920004   | 1/2 FLAT WASHER SAE            |
| 42   | 6   | 920505   | LOCK WASHER 5/8                |
| 43   | 1   | 610552   | SEAL BOOT FOR W1BFNZ, W2B2FZ   |
| 44   | 1   | 358759   | LEG MT V-PLT WLD, 284T 94      |
| 45   | 3   | 900837   | 5/8UNF X 3 1/2 HEX BOLT GR8    |
| 46   | 3   | 900836   | 5/8UNF X 3 1/4 HEX BOLT GR8    |
| 47   | 1   | 920508   | LOCK WASH 1 IN                 |
| 48   | 1   | 358670   | RH LEG BRACE WLD 280 92        |
| 49   | 1   | 358671   | LH LEG BRACE WLD 280 92        |
| 50   | 1   | 900410   | 3/4UNC X 4 HEX BOLT            |
| 51   | 1   | 910017   | 1 UNC HEX NUT                  |
| 52   | 1   | 914012   | 3/4UNC HEX STOVER NUT          |
| 53   | 2   | 920008   | 1" SAE FLAT WASHER, PLATED     |
| 54   | 12  | 914811   | 5/8UNF HEX NUT GR8             |

\* NOTE: ITEMS 1, 7, 24, AND 26 ARE USED ON THE LEFT HAND LEG ASSEMBLY.

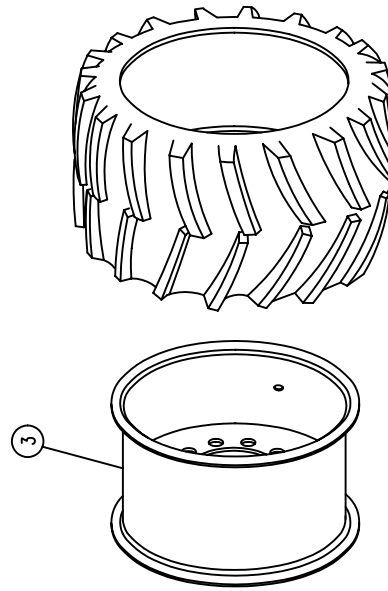




13.6-28 RADIAL TIRE



12.4-28 BIAS TIRE

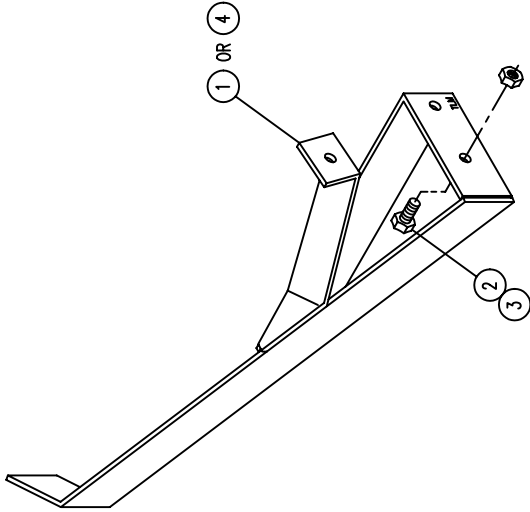


42/25.00-20 FLOTATION TIRE

TIRE AND RIM ASSEMBLIES

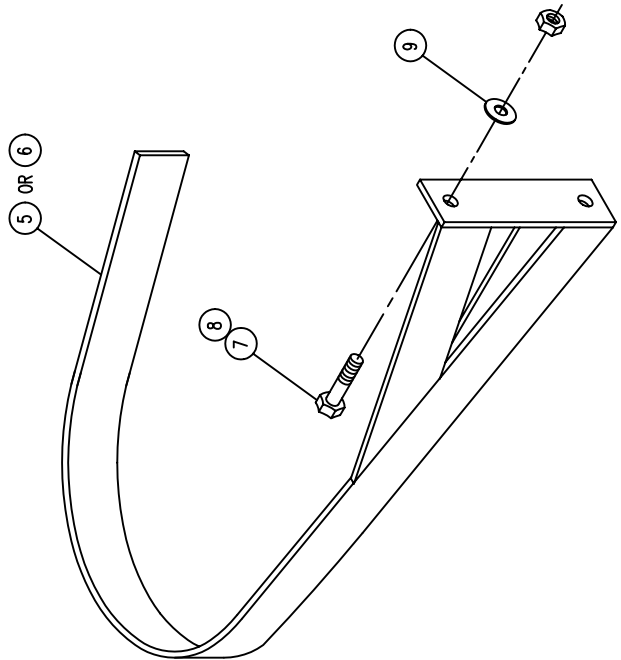
| DET. | QTY | PART NO. | DESCRIPTION                   |
|------|-----|----------|-------------------------------|
| 1    | 1   | 821030   | RIM WLD, W12-28, 284 W2B 94   |
| 2    | 1   | 820024   | RIM WLD, W10 X 28 W2B 280     |
| 3    | 1   | 821031   | RIM WLD, 20.5 X 20 284 W2B 94 |





CROP GUIDES

| DET. | QTY | PART NO. | DESCRIPTION                   |
|------|-----|----------|-------------------------------|
| 1    | 1   | 662217   | RH REAR STALK GUIDE WLD280 89 |
| 2    | 2   | 900129   | 3/8UNC X 1 HEX BOLT           |
| 3    | 2   | 914004   | 3/8UNC HEX STOVER NUT         |
| 4    | 1   | 662218   | LH REAR STALK GUIDE WLD280 89 |
| 5    | 1   | 662221   | RH STALK GUIDE WLD 284 94     |
| 6    | 1   | 662222   | LH STALK GUIDE WLD 284 94     |
| 7    | 2   | 900264   | 1/2UNC X 1 1/4 HEX BOLT       |
| 8    | 2   | 914008   | 1/2UNC HEX STOVER NUT         |
| 9    | 2   | 920004   | 1/2 FLAT WASHER SAE           |

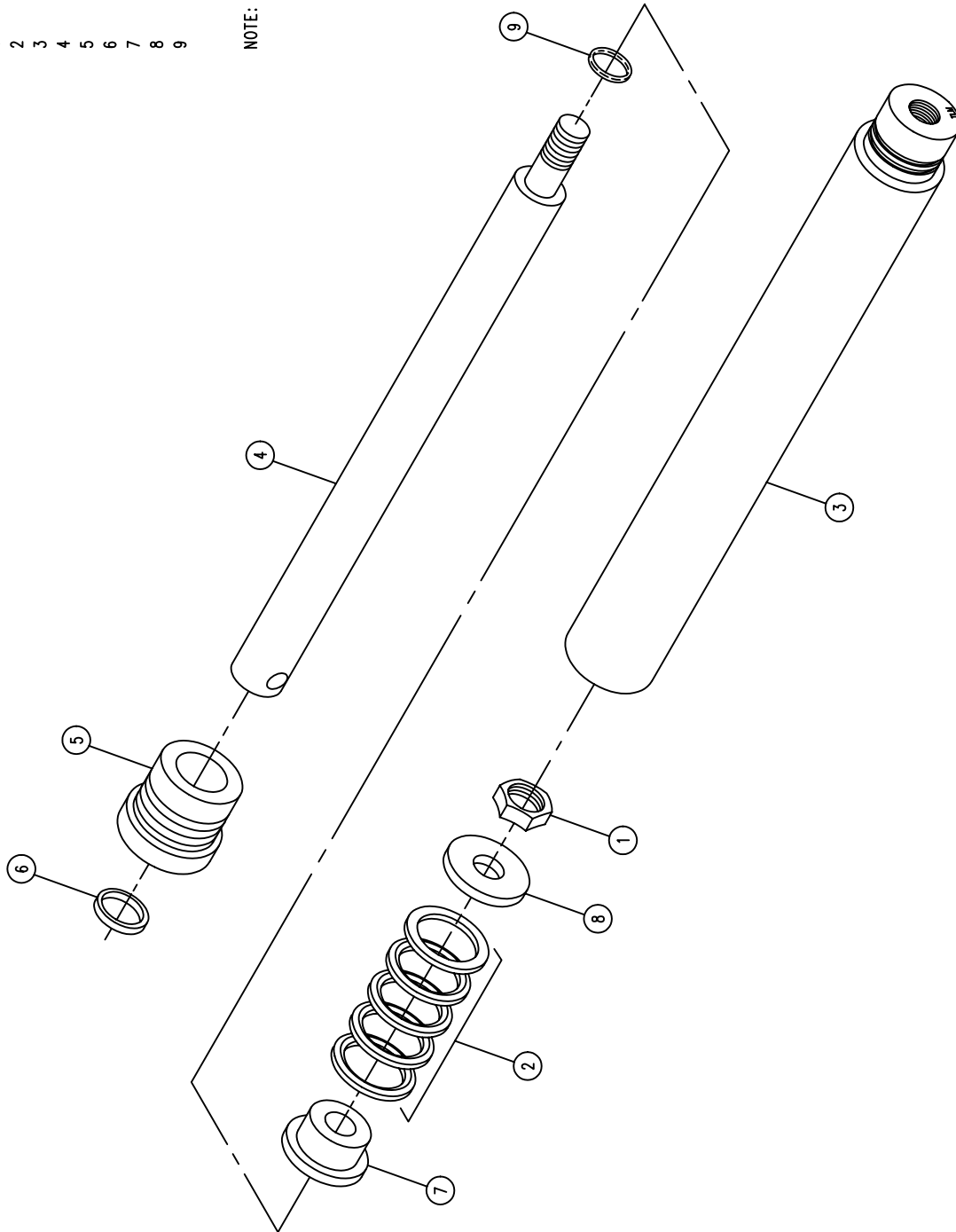


FRONT LEG CYLINDER ASSEMBLY

DET. QTY PART NO. DESCRIPTION

|   |   |        |                            |
|---|---|--------|----------------------------|
| 1 | 1 | 472297 | 3/4UNF HEX STOVER NUT THIN |
| 2 | 1 | 620321 | VEE PACK 1 1/2 X 2         |
| 3 | 1 | 620571 | TUBE WLD                   |
| 4 | 1 | 620573 | SHAFT 1 1/4 X 17 3/8       |
| 5 | 1 | 620574 | BRG HEAD 2 X 1 1/4         |
| 6 | 1 | 629002 | WIPER 1 1/4 X 1 1/2 X 1/8  |
| 7 | 1 | 620578 | PISTON 2 X 3/4 VPX         |
| 8 | 1 | 620579 | RETAINER 2 X 3/4 X 1/4     |
| 9 | 1 | 870018 | NEO ORING 3/4 X 7/8        |

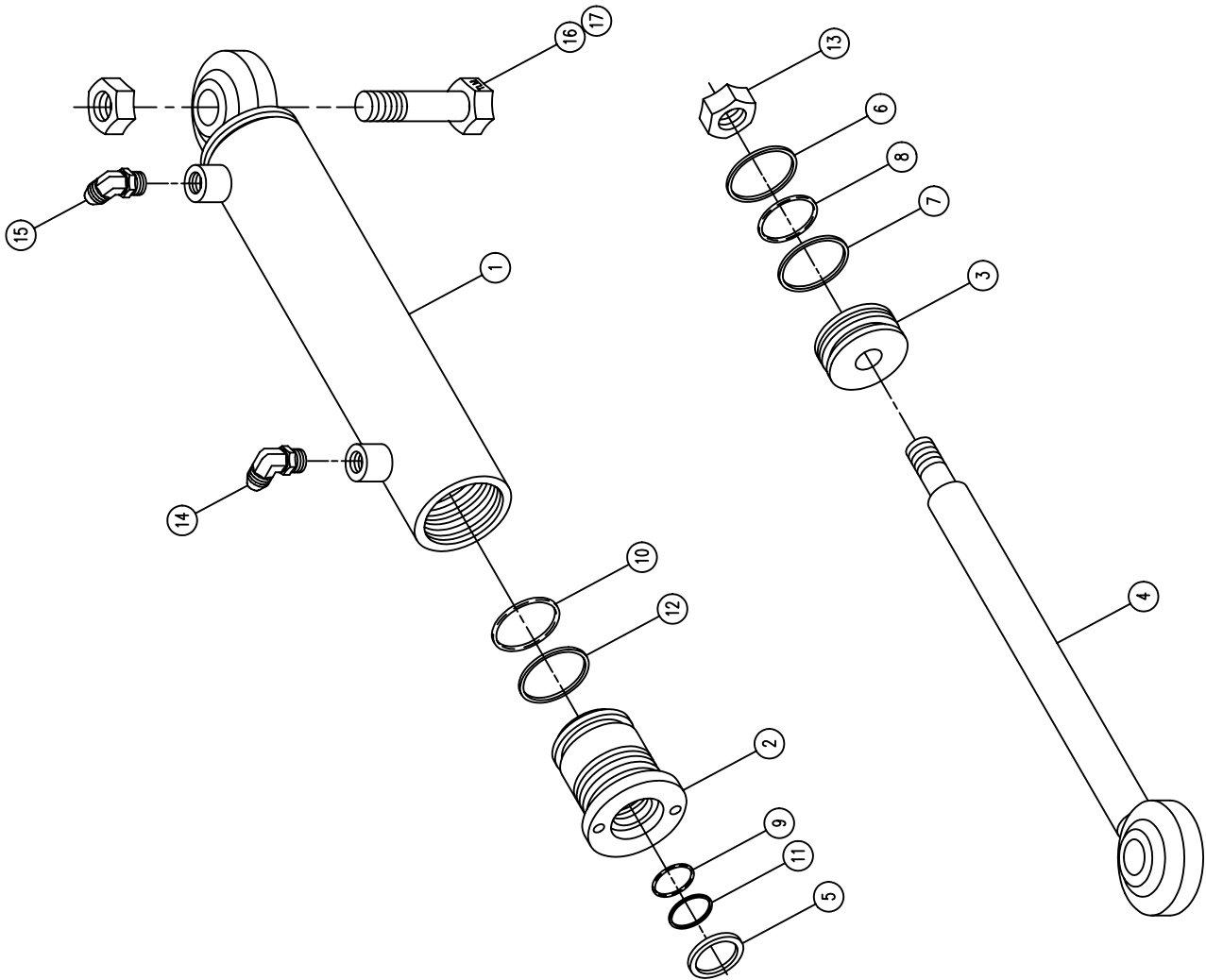
NOTE: 620570 - CYLINDER ASSEMBLY  
620575 - SEAL KIT

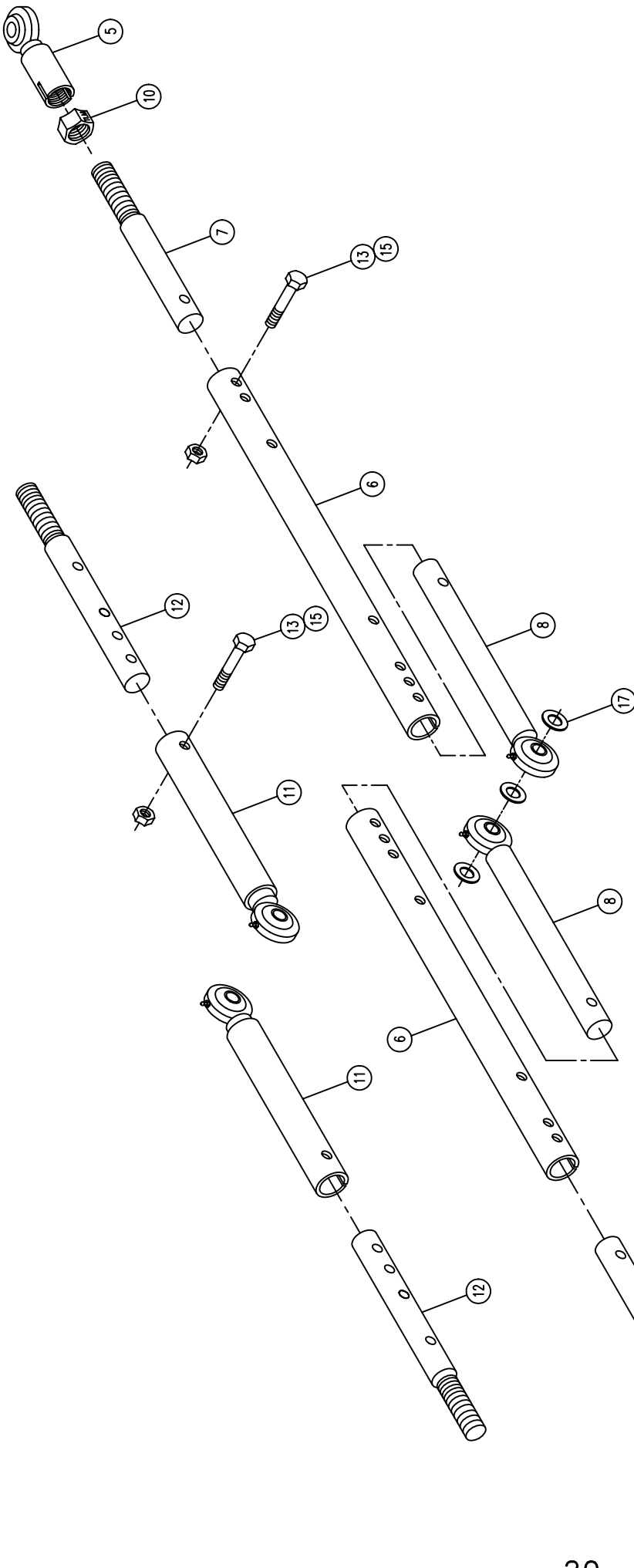


STEERING CYLINDER ASSEMBLY

| DET. | QTY | PART NO. | DESCRIPTION                    |
|------|-----|----------|--------------------------------|
| 1    | 1   | 620089   | STRG CYL TUBE WLD 1.5 X 6. 85  |
| 2    | 1   | 620109   | GLAND HYD CYL 1.5 X .75 1985   |
| 3    | 1   | 620129   | PISTON HYD CYL 1.5 X .5 1985   |
| 4    | 1   | 620148   | STRG CYL SHAFT WLD             |
| 5    | 1   | 629028   | WIPER, 10D X 3/4 ID X 1/8      |
| 6    | 1   | 629616   | SEAL, 1704-24 HT2055OR POLYHON |
| 7    | 1   | 629618   | WEAR RING, 1.5" HYD CYL        |
| 8    | 1   | 870025   | BUNA ORING 1 3/16 X 1 5/16     |
| 9    | 1   | 870210   | BUNA ORING 3/4 X 1             |
| 10   | 1   | 870218   | BUNA ORING 1 1/4 X 1 1/2       |
| 11   | 1   | 890210   | BACKUP WASH 3/4 X1 HT2022      |
| 12   | 1   | 890218   | BACKUP WASH1 1/4X1 1/2 HT2022  |
| 13   | 1   | 914009   | 1/2UNF HEX STOVER NUT          |
| 14   | 1   | 611122   | 9/16MJIC-90-1/4MNPT LBO        |
| 15   | 1   | 618338   | 9/16MJIC-45-1/4MNPT LBO        |
| 16   | 1   | 900336   | 5/8UNC X 2 1/2 HEX BOLT        |
| 17   | 1   | 914010   | 5/8UNC HEX STOVER NUT          |

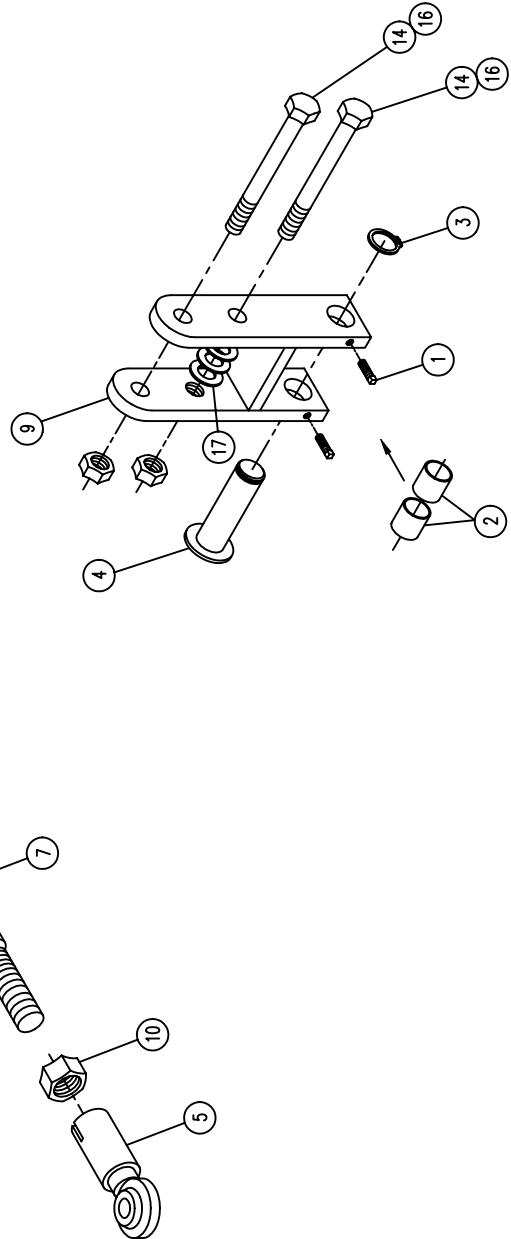
NOTE: 1. 620080 - CYLINDER ASSEMBLY  
 2. 620998 - SEAL KIT

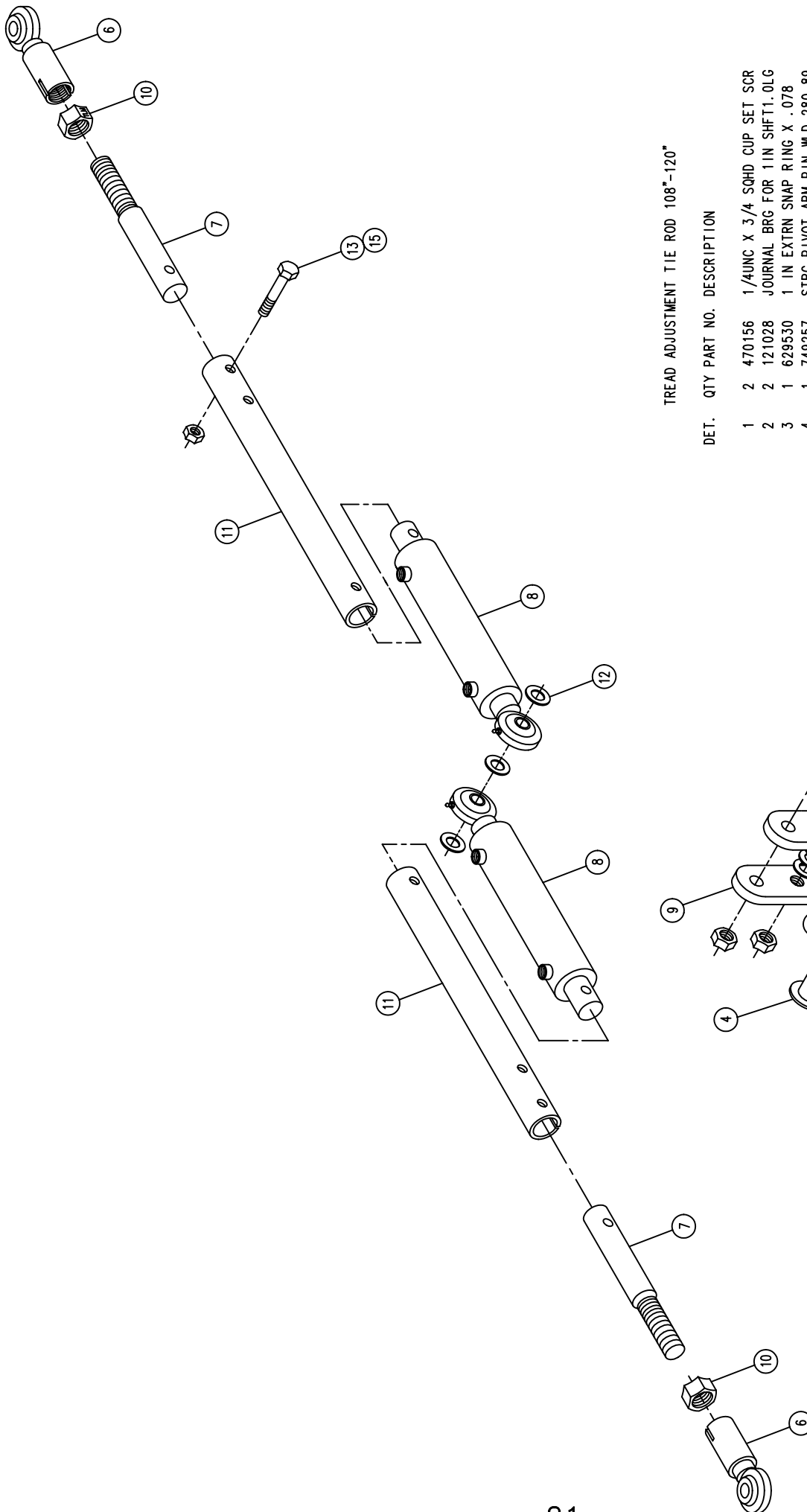




STANDARD TIE ROD ASSEMBLY

| DET. | QTY | PART NO. | DESCRIPTION                     |
|------|-----|----------|---------------------------------|
| 1    | 2   | 470156   | 1/4-20 X 3/4 SQHD SET SCR CUP   |
| 2    | 2   | 121028   | JOURNAL BRG FOR 1 IN SHFT1.OLG  |
| 3    | 1   | 629530   | 1 IN EXTRN SNAP RING X .078     |
| 4    | 1   | 749257   | STRG PIVOT ARM PIN WLD 280 89   |
| 5    | 2   | 749271   | SHORT TIE ROD TUBE WLD 280 90   |
| 6    | 2   | 749296   | FEMALE TIE ROD, 125" 94         |
| 7    | 2   | 749297   | MALE TIE ROD, 125" 94           |
| 8    | 2   | 749298   | MALE TIE ROD WLD, 125" 94       |
| 9    | 1   | 749306   | STRG PIVOT ARM WLD TIE ROD      |
| 10   | 2   | 740426   | 1-16 UNEF LOC NUT               |
| 11   | 2   | 749300   | FEMALE TIE ROD WLD, 90"/125" 94 |
| 12   | 2   | 749303   | MALE TIE ROD, 90"/125" 94       |
| 13   | 6   | 900268   | 1/2UNC X 2 1/2 HEX BOLT         |
| 14   | 2   | 900829   | 5/8UNC X 4 HEX BOLT GR8         |
| 15   | 6   | 914008   | 1/2UNC HEX STOVER NUT           |
| 16   | 2   | 914010   | 5/8UNC HEX STOVER NUT           |
| 17   | 6   | 920005   | 5/8 FLAT WASH SAE               |

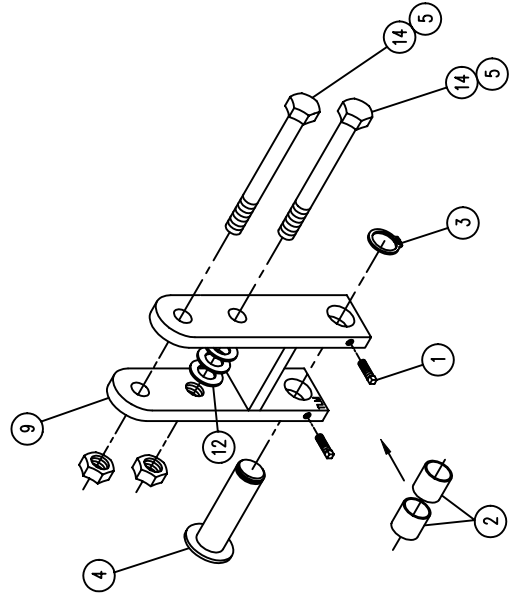


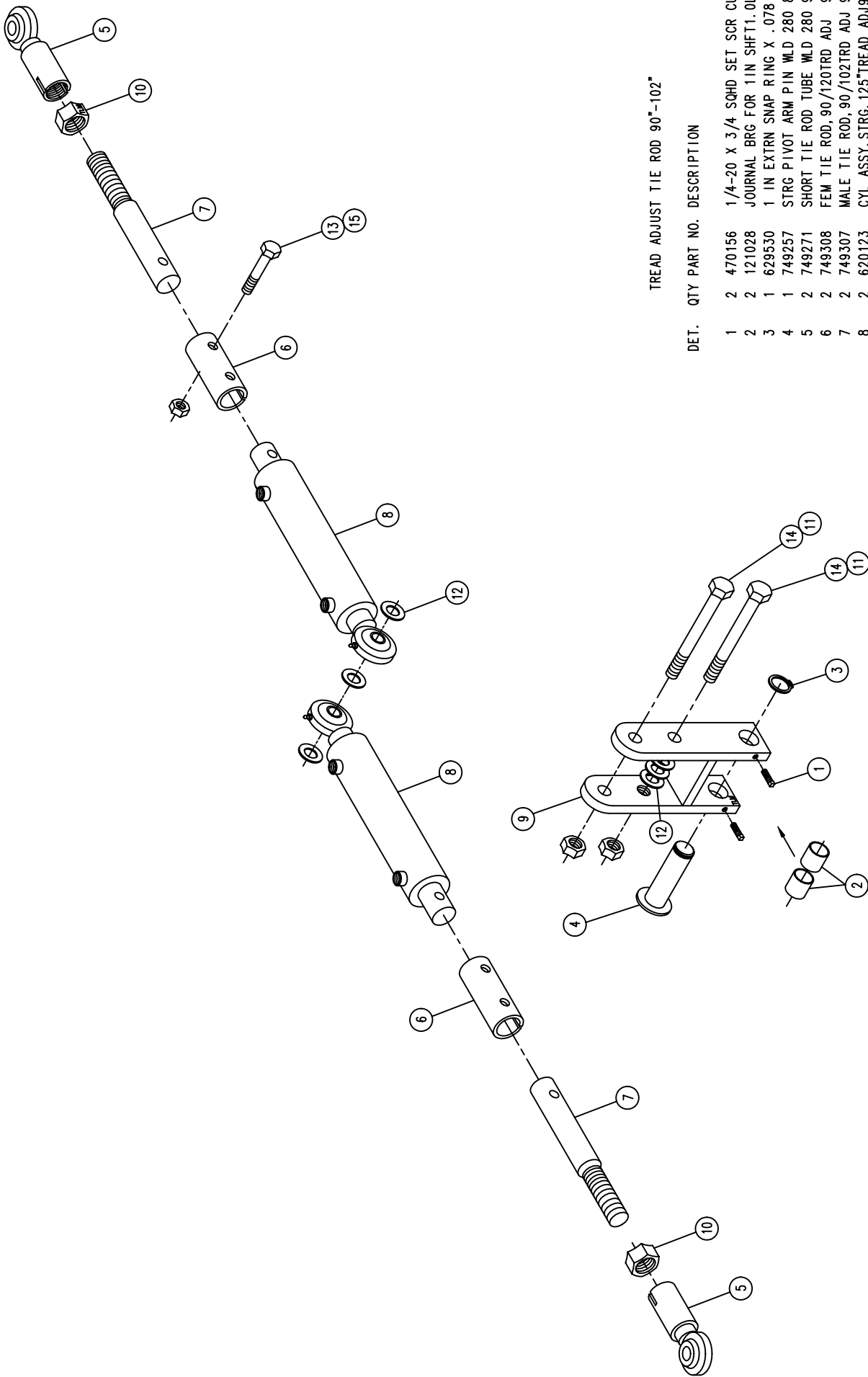


TREAD ADJUSTMENT TIE ROD 108"-120"

DET. QTY PART NO. DESCRIPTION

| DET. | QTY | PART NO. | DESCRIPTION                      |
|------|-----|----------|----------------------------------|
| 1    | 2   | 470156   | 1/4UNC X 3/4 SQHD CUP SET SCR    |
| 2    | 2   | 121028   | JOURNAL BRG FOR 1IN SHFT1. OLG   |
| 3    | 1   | 629530   | 1 IN EXTRN SNAP RING X .078      |
| 4    | 1   | 749257   | STRG PIVOT ARM P IN WLD 280 89   |
| 5    | 2   | 914010   | 5/8UNC HEX STOVER NUT            |
| 6    | 2   | 749271   | SHORT TIE ROD TUBE WLD 280 90    |
| 7    | 2   | 749297   | MALE TIE ROD, 125"               |
| 8    | 2   | 620123   | CYL ASSY, STRG, 125" TREAD ADJ94 |
| 9    | 1   | 749306   | STRG PIVOT ARM WLD 94            |
| 10   | 2   | 740426   | 1-16UNEF LOC NUT TIE ROD         |
| 11   | 2   | 749305   | FEMALE TIE ROD, 125" TRD ADJ 94  |
| 12   | 6   | 920005   | 5/8 SAE FLAT WASHER              |
| 13   | 4   | 900268   | 1/2UNC X 2 1/2 HEX BOLT          |
| 14   | 2   | 900829   | 5/8UNC X 4" HEX BOLT GR8         |
| 15   | 4   | 914008   | 1/2UNC HEX STOVER NUT            |

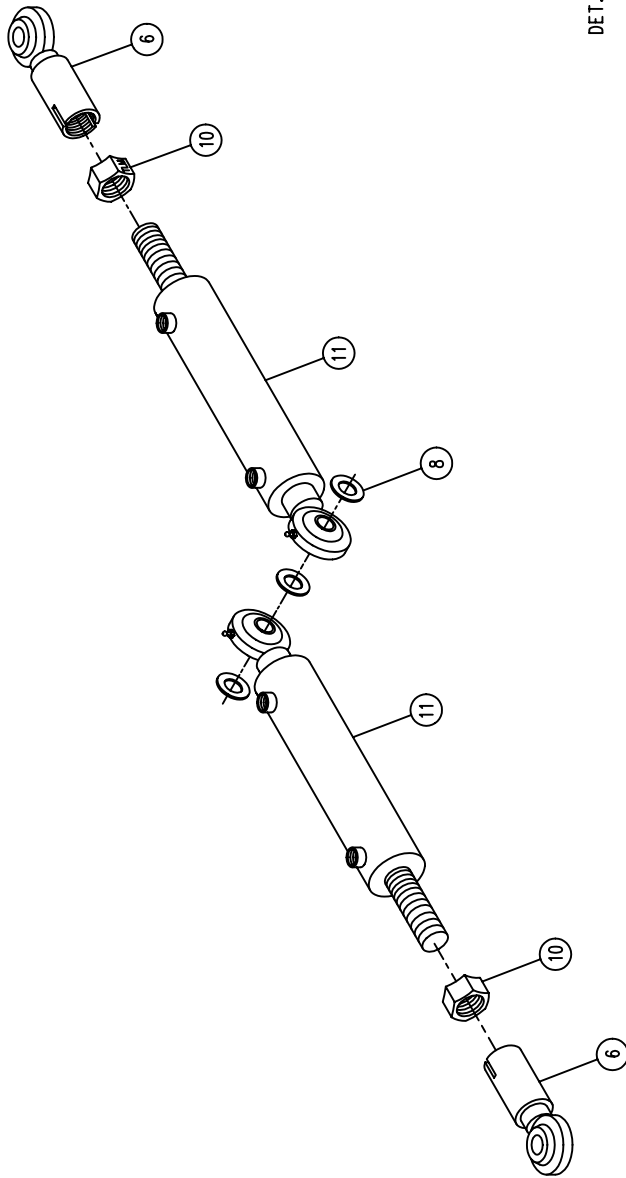




TREAD ADJUST TIE ROD 90°-102"

DET. QTY PART NO. DESCRIPTION

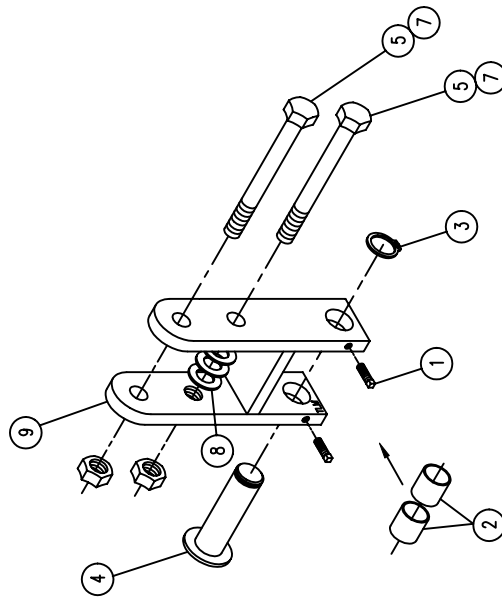
| DET. | QTY | PART NO. | DESCRIPTION                      |
|------|-----|----------|----------------------------------|
| 1    | 2   | 470156   | 1/4-20 X 3/4 SQHD SET SCR CUP    |
| 2    | 2   | 121028   | JOURNAL BRG FOR 1IN SHFT1. OLG   |
| 3    | 1   | 629530   | 1 IN EXTRN SNAP RING X .078      |
| 4    | 1   | 749257   | STRG PIVOT ARM PIN WLD 280 89    |
| 5    | 2   | 749271   | SHORT TIE ROD TUBE WLD 280 90    |
| 6    | 2   | 749308   | FEM TIE ROD, 90/120TRD ADJ 94    |
| 7    | 2   | 749307   | MALE TIE ROD, 90/102TRD ADJ 94   |
| 8    | 2   | 620123   | CYL ASSY, STRG, 125" TREAD ADJ94 |
| 9    | 1   | 749306   | STRG PIVOT ARM WLD 94            |
| 10   | 2   | 740426   | 1-16 UNEF LOC NUT TIE ROD        |
| 11   | 2   | 914010   | 5/8UNC HEX STOVER NUT            |
| 12   | 6   | 920005   | 5/8 FLAT WASH SAE                |
| 13   | 4   | 900268   | 1/2UNC X 2 1/2 HEX BOLT          |
| 14   | 2   | 900829   | 5/8UNC X 4 HEX BOLT GR8          |
| 15   | 4   | 914008   | 1/2UNC HEX STOVER NUT            |



TREAD ADJUST TIE ROD 78"-90"

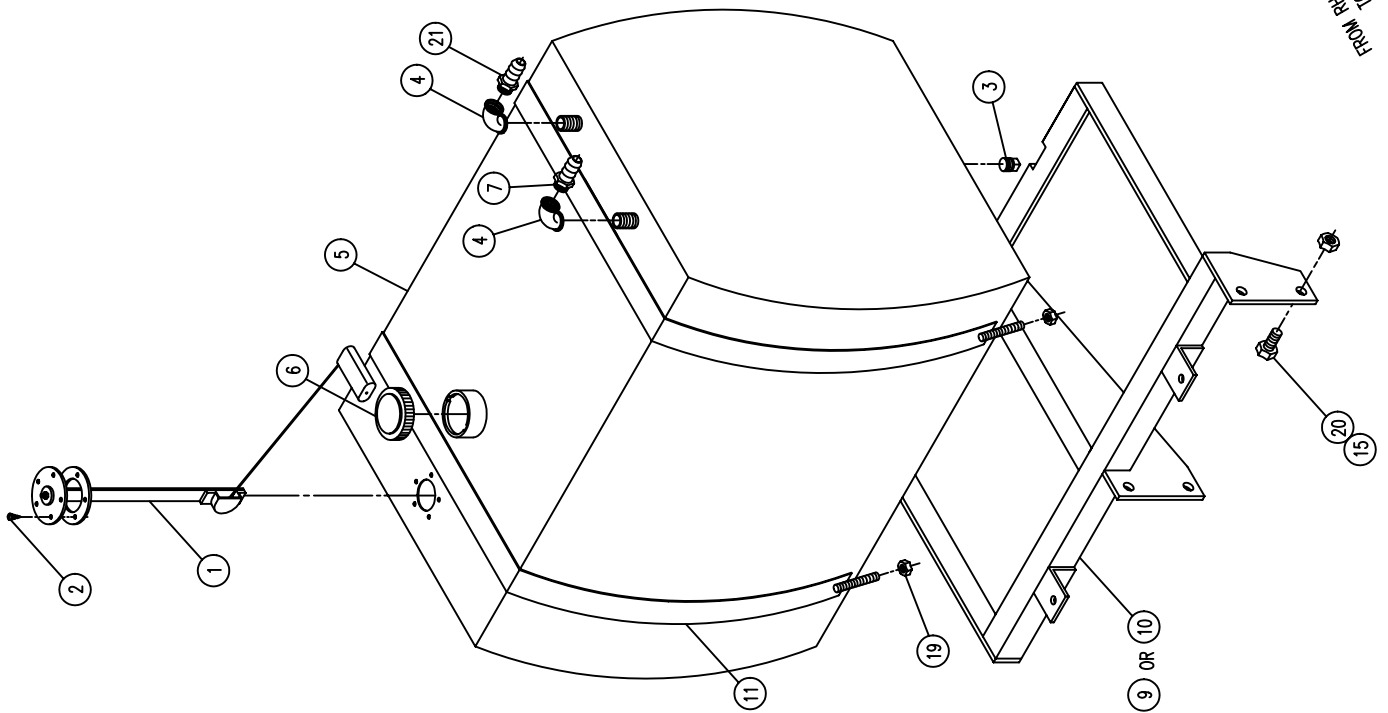
DET. QTY PART NO. DESCRIPTION

| DET. | QTY | PART NO. | DESCRIPTION                     |
|------|-----|----------|---------------------------------|
| 1    | 2   | 470156   | 1/4-20 X 3/4 SQHD SET SCR CUP   |
| 2    | 2   | 121028   | JOURNAL BRG FOR 1IN SHFT1.0LG   |
| 3    | 1   | 629530   | 1 IN EXTRN SNAP RING X .078     |
| 4    | 1   | 749257   | STRG PIVOT ARM PIN WLD 280 89   |
| 5    | 2   | 900829   | 5/8UNC X 4 HEX BOLT GR8         |
| 6    | 2   | 749271   | SHORT TIE ROD TUBE WLD 280 90   |
| 7    | 2   | 914010   | 5/8UNC HEX STOVER NUT           |
| 8    | 6   | 920005   | 5/8 FLAT WASH SAE               |
| 9    | 1   | 749306   | STRG PIVOT ARM WLD 94           |
| 10   | 2   | 740426   | 1-16 UNEF LOC NUT TIE ROD       |
| 11   | 2   | 620122   | CYL ASSY, STRG, 90*TREAD ADJ 94 |



FUEL TANK ASSEMBLY

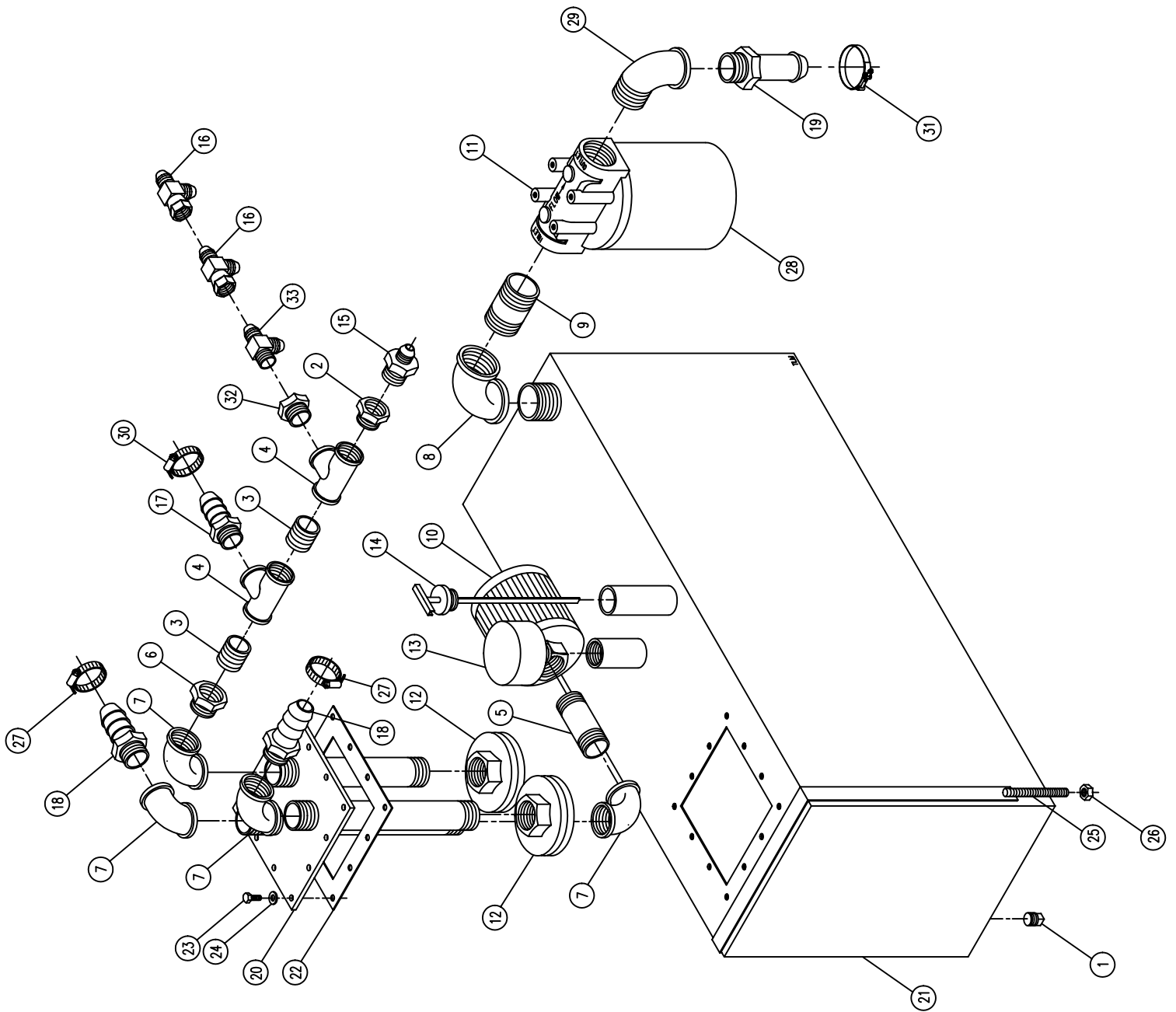
| DET. | QTY | PART NO. | DESCRIPTION                   |
|------|-----|----------|-------------------------------|
| 1    | 1   | 291428   | FUEL SENDER 19 IN.            |
| 2    | 5   | 473902   | NO 8 X 1/2 PAN HD MET SC      |
| 3    | 1   | 501102   | 1/4 PIPE PLUG                 |
| 4    | 2   | 501451   | BLK PIPE EL 90DEG .25NPT      |
| 5    | 1   | 760149   | FUEL TANK WLD 200-280 90      |
| 6    | 1   | 761200   | GAS CAP                       |
| 7    | 1   | 783303   | HOSE BARB 1/4 NPT X 5/16 HOSE |
| 8    | 2   | 601324   | HOSE, 3/8 X 90 IN FUEL LINE   |
| 9    | 1   | 760153   | RH FUEL TNK MT WLD 200-280 90 |
| 10   | 1   | 760154   | LH FUEL TNK MT WLD 200-280 90 |
| 11   | 2   | 760162   | FUEL TANK BAND WLD 200-280 90 |
| 12   | 1   | 610529   | FUEL SELECTOR VALVE W/RETURN  |
| 13   | 1   | 610530   | 5 WIRE CONNECTOR FOR 610529   |
| 14   | 1   | 601293   | HOSE, 5/16 X 26 FUEL LINE     |
| 15   | 4   | 914008   | 1/2UNC HEX STOVER NUT         |
| 16   | 2   | 601301   | HOSE, 5/16 X 90 IN FUEL LINE  |
| 17   | 10  | 520120   | HOSE CLAMP NO 4 PLATED MINI   |
| 18   | 2   | 900064   | 5/16UNC X 3/4 HEX BOLT        |
| 19   | 2   | 914004   | 3/8UNC HEX STOVER NUT         |
| 20   | 4   | 900264   | 1/2UNC X 1 1/4 HEX BOLT       |
| 21   | 1   | 783304   | HOSE BARB 1/4 NPT X 3/8 HOSE  |
| 22   | 1   | 601322   | HOSE, 3/8 X 26 IN FUEL LINE   |





HYDRAULIC TANK ASSEMBLY

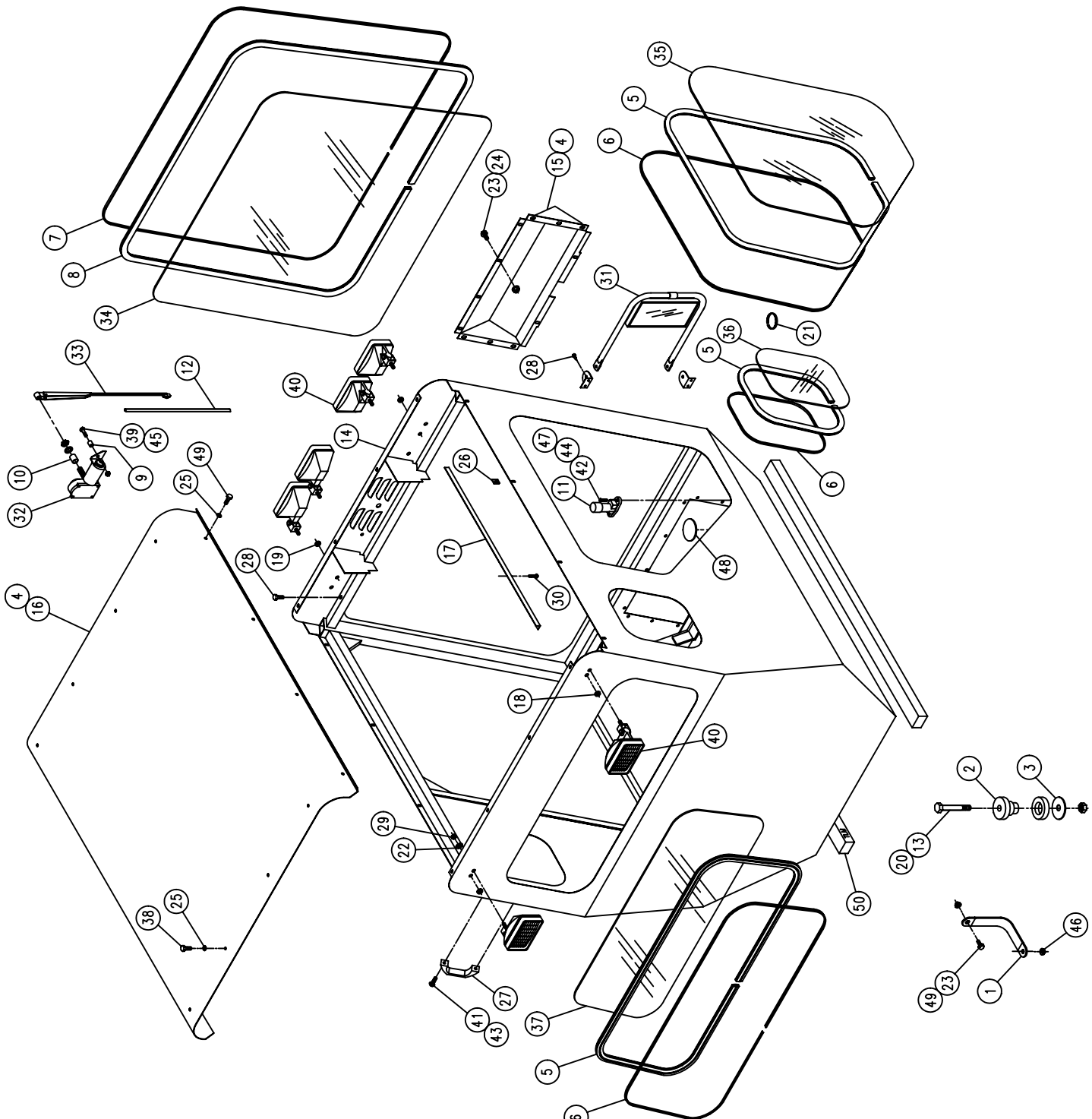
| DET. | QTY | PART NO. | DESCRIPTION                   |
|------|-----|----------|-------------------------------|
| 1    | 1   | 501102   | 1/4 PIPE PLUG                 |
| 2    | 1   | 504210   | RED BUSH 3/4 NPT X 1/2 NPT    |
| 3    | 2   | 504702   | CLOSE NIPPLE .75NPT           |
| 4    | 2   | 504955   | BLK PIPE TEE .75NPT           |
| 5    | 1   | 505203   | BLK PIPE NIPPLE 1.00NPT-4.00  |
| 6    | 1   | 505213   | RED BUSH 1 X 3/4 BLK MAL      |
| 7    | 4   | 505300   | BLK PIPE EL 90DEG 1.00NPT     |
| 8    | 1   | 506303   | BLK PIPE EL 90DEG 1.25NPT     |
| 9    | 1   | 506602   | PIPE NIPPLE 1 1/4NPT-2 1/2    |
| 10   | 1   | 605600   | MICHIGAN RESERVOIR FILTER     |
| 11   | 1   | 605601   | GRESEN FILTER 10 MICRON 40GPM |
| 12   | 2   | 605603   | LINE SUMP DIFFUSER            |
| 13   | 1   | 611052   | FILLER BREATHER 3/4NPT        |
| 14   | 1   | 614453   | DIPSTICK, 8IN                 |
| 15   | 1   | 618018   | 9/16MJIC-1/2MNPT ADPTR        |
| 16   | 2   | 618486   | 9/16FJIC SW RUN TEE-9/16MJIC  |
| 17   | 1   | 713220   | HOSE BARB 3/4 NPT X 3/4       |
| 18   | 2   | 714560   | 1NPT X 1 HOSE BARB            |
| 19   | 1   | 715660   | HOSE BARB 1 1/4NPT X 1 1/4    |
| 20   | 1   | 760090   | RECIEVER PLT WLD 8240         |
| 21   | 1   | 760097   | OIL TANK WLD 8240 1982        |
| 22   | 1   | 763039   | HYD MTR MTG PLT GSKT          |
| 23   | 12  | 900064   | 5/16UNC X 3/4 HEX BOLT        |
| 24   | 12  | 920001   | 5/16 FLAT WASHER SAE PLT      |
| 25   | 2   | 341360   | OIL TANK STRAP WLD 8240 1982  |
| 26   | 4   | 914004   | 3/8UNC HEX STOVER NUT         |
| 27   | 2   | 520087   | HOSE CLAMP NO 20 PLATED       |
| 28   | 1   | 605602   | FILT ELEMENT 10MICRON 40GPM   |
| 29   | 1   | 506410   | BLK PIPE ST EL 90DEG 1.25NPT  |
| 30   | 1   | 520055   | HOSE CLAMP NO 12 PLATED       |
| 31   | 1   | 520132   | 1.62/1.87 T-BOLT HOSE CLAMP   |
| 32   | 1   | 504001   | RED BUSH 3/4 X 1/4 BLK MAL    |
| 33   | 1   | 618520   | 1/4MNPT RUN TEE-9/16MJIC      |

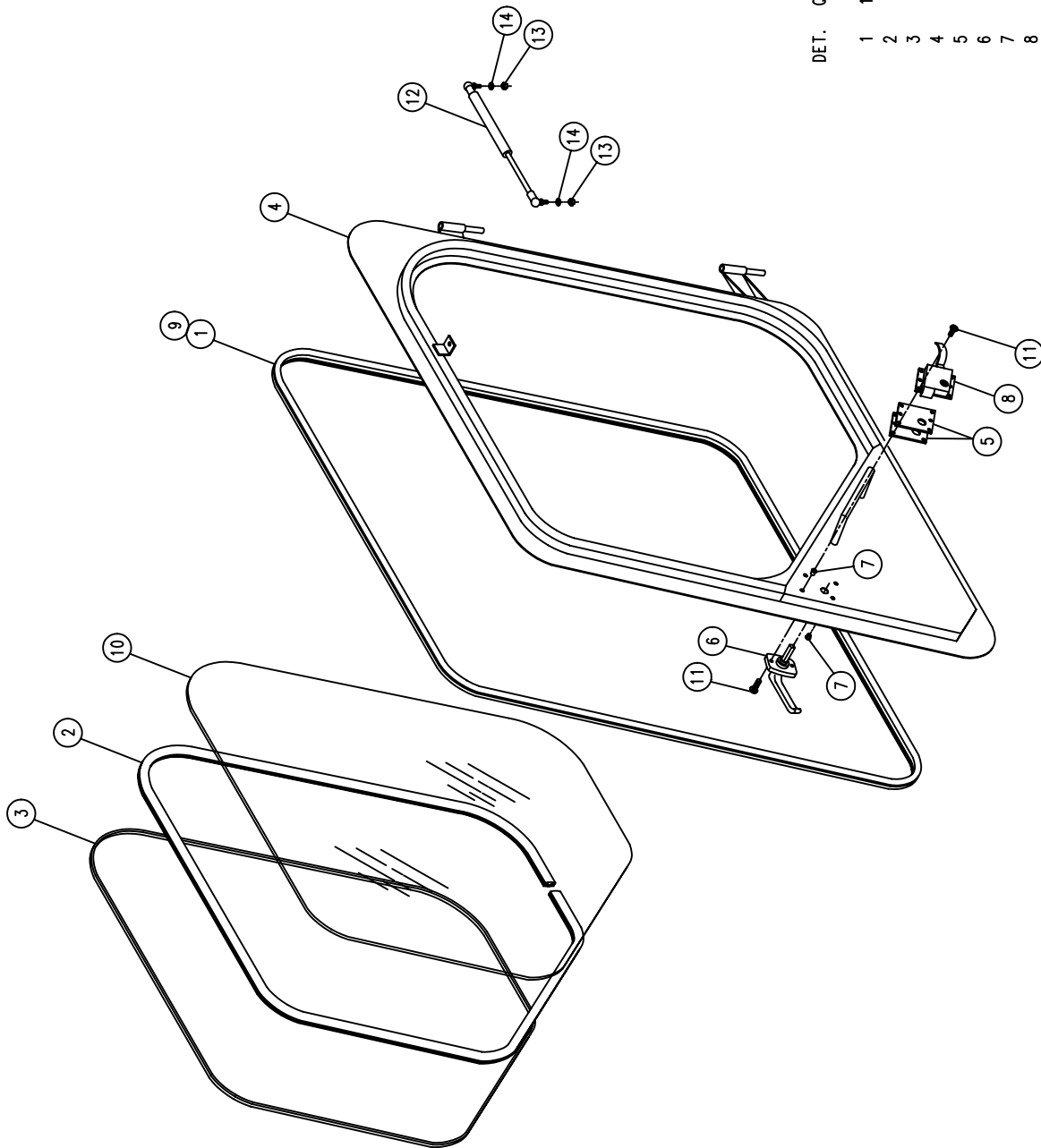


CAB ASSEMBLY

DET. QTY PART NO. DESCRIPTION

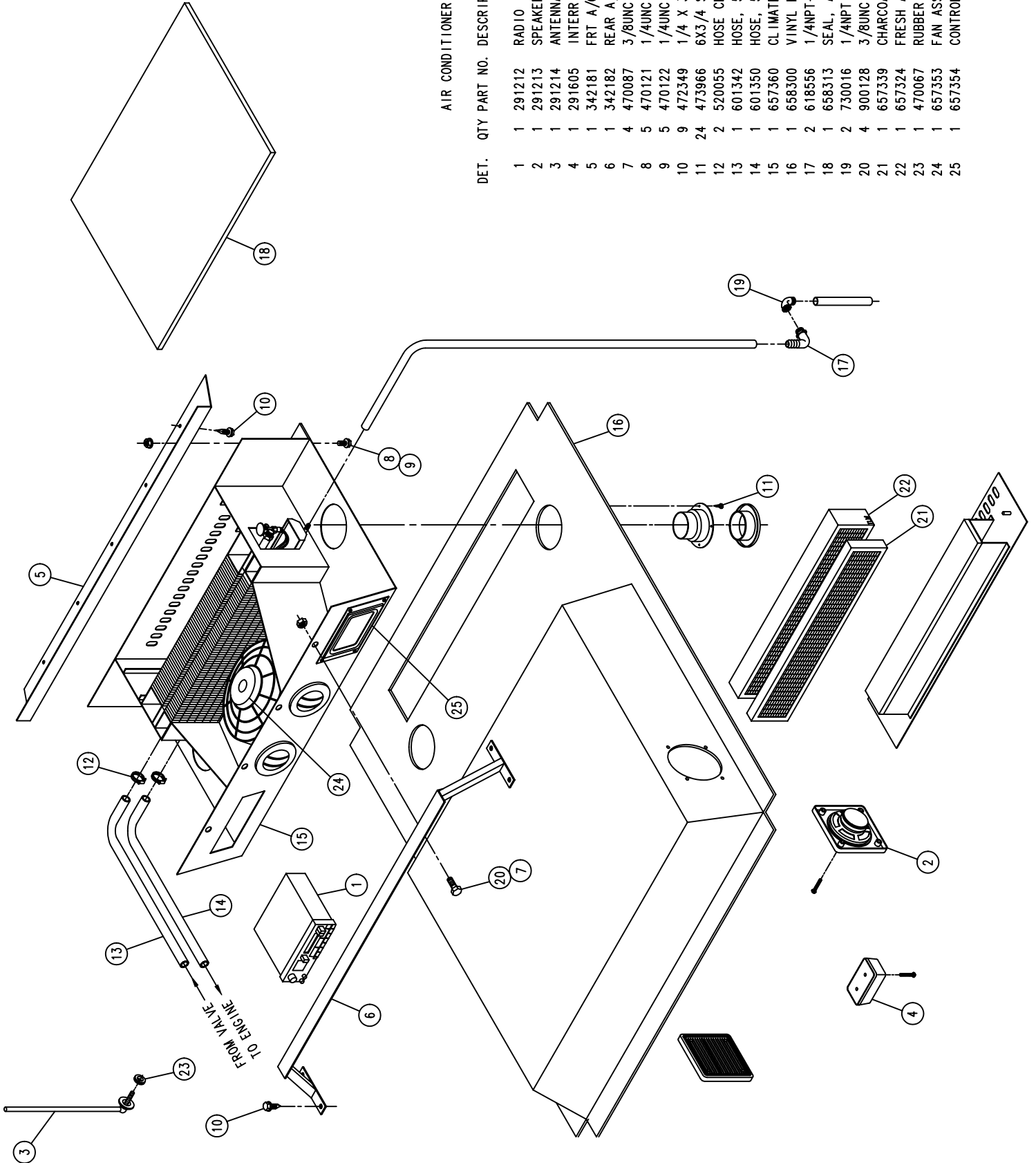
|    |    |        |                                |
|----|----|--------|--------------------------------|
| 1  | 1  | 290107 | ENG TO GROUND STRAP 8 IN       |
| 2  | 4  | 311051 | RUBBER MOUNT, RB3-350          |
| 3  | 4  | 311052 | SNUBBING WASHER FOR 311051     |
| 4  | 24 | 193037 | STICKERTITE 1/8 X 3/4          |
| 5  | 25 | 193044 | WINDOW WEATHERSTRIP            |
| 6  | 25 | 193045 | LOCK STRIP FOR 193044          |
| 7  | 13 | 192001 | FILLR STRIP FOR WEATHERSTRIP   |
| 8  | 13 | 193018 | 2 P/C SELF SEAL WEATHERSTRIP   |
| 9  | 1  | 200019 | .25 SCH 40BP X 1.00 LG C/L     |
| 10 | 1  | 202037 | WINDSHIELD WIPER SPACER        |
| 11 | 1  | 290412 | DIMMER SWITCH                  |
| 12 | 1  | 290417 | 18" WIPER BLADE                |
| 13 | 4  | 900343 | 5/8UNC X 4 1/2 HEX BOLT        |
| 14 | 1  | 342100 | CAB WLD 254-284                |
| 15 | 1  | 342146 | KICK PANEL WLD, 284 CAB        |
| 16 | 1  | 342150 | CAB ROOF WLD, 284              |
| 17 | 1  | 342180 | HEADLINER KPR ANGLE, 284CAB    |
| 18 | 2  | 470067 | RUBBER GROMMET 1/4 ID          |
| 19 | 2  | 470070 | RUBBER GROMMET 3/8 ID          |
| 20 | 4  | 914010 | 5/8UNC HEX STOVER NUT          |
| 21 | 1  | 470229 | IDENTIFICATION TIE, 3/4"       |
| 22 | 6  | 470100 | LOCKWASH, .38 INT TOOTH        |
| 23 | 13 | 470121 | 1/4UNC HEX FLANGED LOCK NUT    |
| 24 | 12 | 470122 | 1/4UNC X 1/2 FLANGED HEX BOLT  |
| 25 | 16 | 470212 | 1/4 BONDED NEO SEALING WASH    |
| 26 | 16 | 470218 | 1/4-20 NUT, J-TYPE CAGE CLIP   |
| 27 | 1  | 470222 | GRAB HANDLE, BLACK MOULDED     |
| 28 | 12 | 472349 | 1/4 X 3/4 20THD-IN TEK TYPE    |
| 29 | 6  | 473779 | 10MM-1.50 HEX NUT              |
| 30 | 2  | 473910 | SHT MTL SCR, 1/AX1 1/2 PHIL HD |
| 31 | 2  | 650524 | OUTSIDE REAR VIEW MIRROR       |
| 32 | 1  | 658008 | WINDSHIELD WIPER MOTOR         |
| 33 | 1  | 658013 | WIPER ARM                      |
| 34 | 1  | 658014 | FRONT CAB GLASS                |
| 35 | 1  | 658015 | FRONT SIDE CAB/DOOR GLASS      |
| 36 | 2  | 658016 | REAR SIDE CAB GLASS            |
| 37 | 1  | 658017 | REAR CAB GLASS                 |
| 38 | 8  | 900002 | 1/4UNC X 3/4 HEX BOLT          |
| 39 | 1  | 900005 | 1/4UNC X 1 1/2 HEX BOLT        |
| 40 | 6  | 291603 | WORKLAMP, SIDE MT 12V HALOGEN  |
| 41 | 2  | 903883 | 10-32 X 1/2 SLTRD HD MACH SCR  |
| 42 | 2  | 903889 | 10-32 X 3/4 SLT RDHD MACH SCR  |
| 43 | 2  | 470175 | #10-32 HEX FLANGED LOCK NUT    |
| 44 | 2  | 910027 | #10-32 HEX NUT                 |
| 45 | 1  | 914000 | 1/4UNC HEX STOVER NUT          |
| 46 | 1  | 914004 | 3/8UNC HEX STOVER NUT          |
| 47 | 2  | 920510 | LOCK WASH NO 10                |
| 48 | 1  | 629728 | FINISH PLUG FOR 2.12 HOLE      |
| 49 | 9  | 470118 | 1/4UNC X 3/4 FLANGED HEX BOLT  |
| 50 | 2  | 659704 | FOAM, 2"THK X 2" WIDE X 42"LG  |





DOOR ASSEMBLY

| DET. | QTY | PART NO. | DESCRIPTION                   |
|------|-----|----------|-------------------------------|
| 1    | 12  | 193028   | PUSH-ON TRIM SEAL RS-130-FX   |
| 2    | 9   | 193044   | WINDOW WEATHERSTRIP 94        |
| 3    | 9   | 193045   | LOCK STRIP FOR 193044 94      |
| 4    | 1   | 342153   | LH DOOR WLD, 284 CAB 94       |
| 5    | 2   | 342163   | CAB DOOR LATCH SHIM, .06 94   |
| 6    | 1   | 342217   | DOOR HANDLE, 254/284 CAB 94   |
| 7    | 6   | 470165   | 10-32 NUTSERT .020-.100 MATL  |
| 8    | 1   | 470219   | CAB LOCK, LH #55              |
| 9    | 2   | 485052   | POP RIVET 1/8 X 3/8           |
| 10   | 1   | 658015   | FRONT SIDE CAB/DOOR GLASS 94  |
| 11   | 6   | 903710   | 10-32X1/2 PHIL PANHD MACH SCR |
| 12   | 1   | 470221   | GAS SPRING, 60LB 3.5 STROKE   |
| 13   | 2   | 910002   | 5/16UNC HEX NUT               |
| 14   | 2   | 920501   | 5/16 LOCK WASHER              |



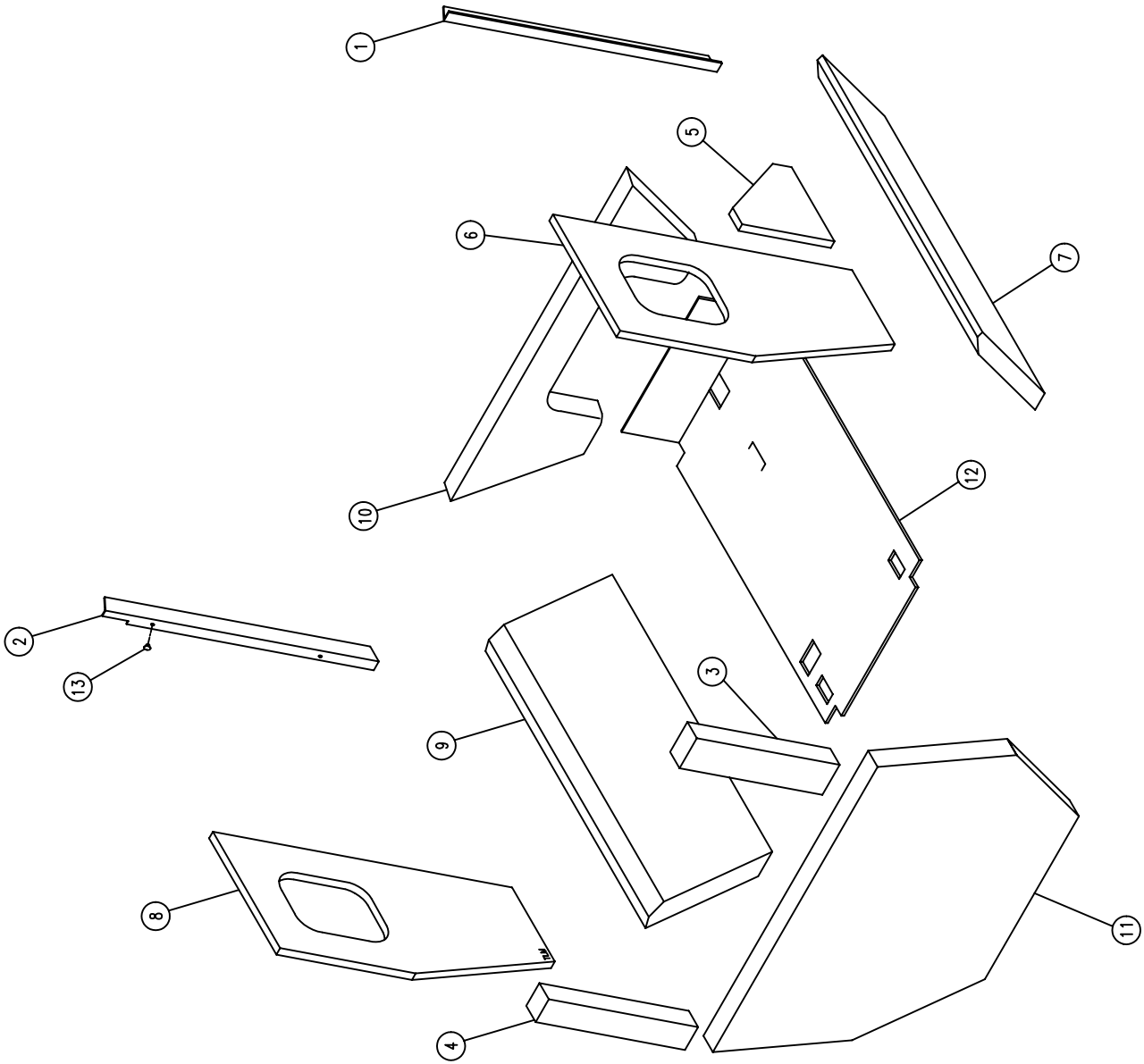
AIR CONDITIONER ASSEMBLY

| DET. | QTY | PART NO. | DESCRIPTION                    |    |
|------|-----|----------|--------------------------------|----|
| 1    | 1   | 291212   | RADIO                          | 94 |
| 2    | 1   | 291213   | SPEAKERS (PAIR)                | 94 |
| 3    | 1   | 291214   | ANTENNA                        | 94 |
| 4    | 1   | 291605   | INTERIOR LIGHT W/SWITCH        |    |
| 5    | 1   | 342181   | FRT A/C BLOWER MT ANG, CAB 94  |    |
| 6    | 1   | 342182   | REAR A/C BLOWER MT WLD, CAB 94 |    |
| 7    | 4   | 470087   | 3/8UNC HEX FLANGED LOCK NUT    |    |
| 8    | 5   | 470121   | 1/4UNC X 1/2 FLANGED LOCK NUT  |    |
| 9    | 5   | 470122   | 1/4 X 3/4 20THD-IN TEK TYPE    |    |
| 10   | 9   | 472349   | 6X3/4 SHT MTL SCR, FLT HD PHIL |    |
| 11   | 24  | 473966   | HOSE CLAMP NO 12 PLATED        |    |
| 12   | 2   | 520055   | HOSE, 5/8 X 160" HEATER        |    |
| 13   | 1   | 601342   | HOSE, 5/8 X 160" HEATER        |    |
| 14   | 1   | 601350   | CLIMATE CTRL, A/C & HTR R134A  |    |
| 15   | 1   | 657360   | VINYL HEAD LINER               | 94 |
| 16   | 1   | 658300   | 1/4NPT-90-1/2 HOSE BARB, POLY  |    |
| 17   | 2   | 618556   | SEAL, AIR CONDITIONER          | 94 |
| 18   | 1   | 658313   | 1/4NPT ST EL, 90 DEG POLY      |    |
| 19   | 2   | 730016   | 3/8UNC X 3/4 HEX BOLT          |    |
| 20   | 4   | 900128   | CHARCOAL FILTER FOR 657333     |    |
| 21   | 1   | 657339   | FRESH AIR FILTER EAGLE         |    |
| 22   | 1   | 657324   | RUBBER GROMMET 1/4 ID          |    |
| 23   | 1   | 470067   | FAN ASSY, CLIMATE CTRL R134A   |    |
| 24   | 1   | 657353   | CONTROLLER ASSY, CLIMATE CTRL  |    |
| 25   | 1   | 657354   |                                |    |

CAB FOAM

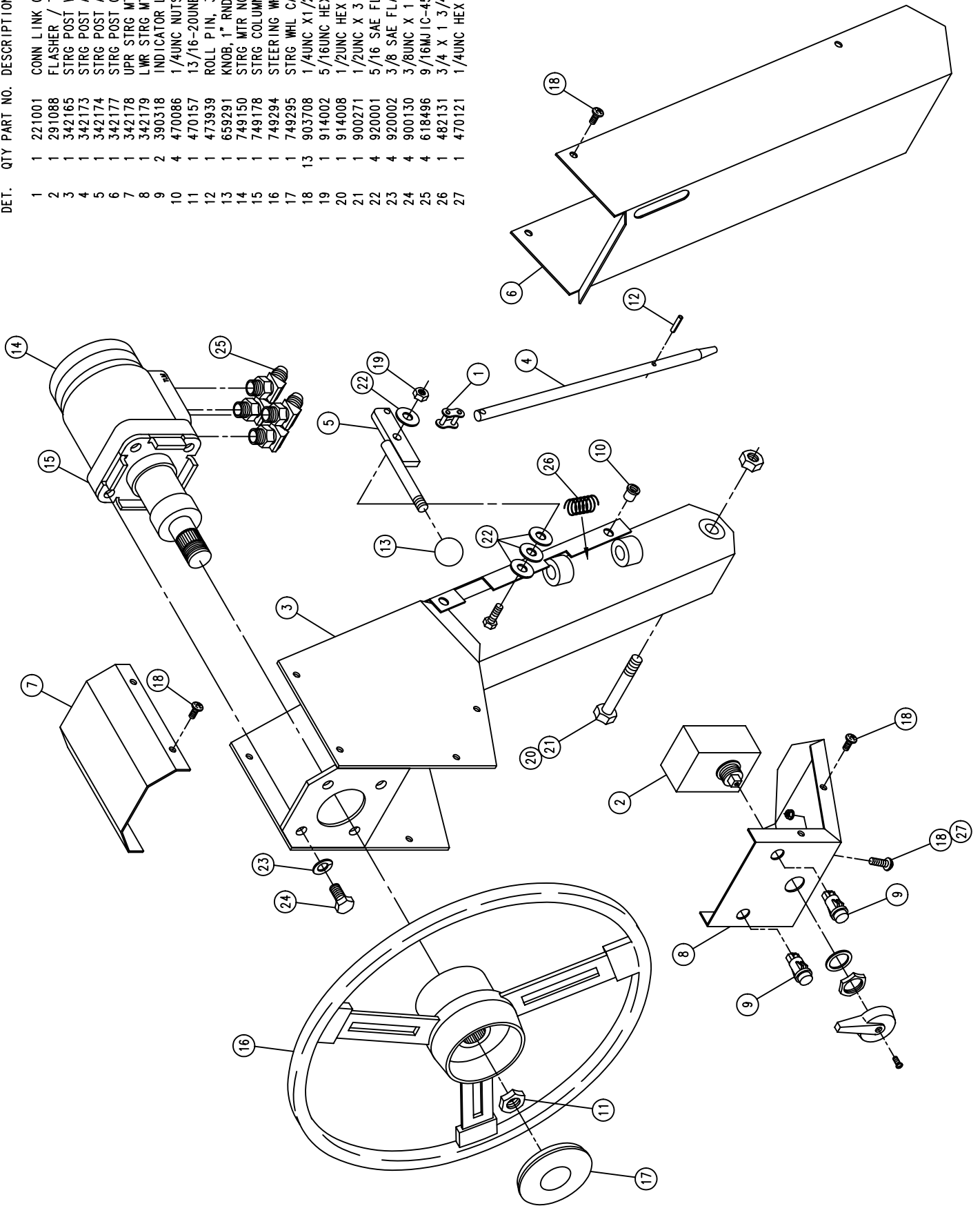
DET. QTY PART NO. DESCRIPTION

|    |   |        |                               |
|----|---|--------|-------------------------------|
| 1  | 1 | 658301 | VINYL POST COVER, RH FRONT 94 |
| 2  | 1 | 658302 | VINYL POST COVER, LH FRONT 94 |
| 3  | 1 | 658303 | VINYL POST COVER, RH REAR 94  |
| 4  | 1 | 658304 | VINYL POST COVER, LH REAR 94  |
| 5  | 1 | 658305 | VINYL SIDE PANEL, RH 94       |
| 6  | 1 | 658306 | VINYL SIDE PANEL, RH UPPER 94 |
| 7  | 1 | 658307 | VINYL SIDE PANEL, RH LOWER 94 |
| 8  | 1 | 658308 | VINYL SIDE PANEL, LH UPPER 94 |
| 9  | 1 | 658309 | VINYL SIDE PANEL, LH LOWER 94 |
| 10 | 1 | 658310 | VINYL FRONT COVER PANEL 94    |
| 11 | 1 | 658311 | VINYL REAR COVER PANEL 94     |
| 12 | 1 | 658315 | CAB FLOORMAT 254/284 95       |
| 13 | 2 | 470225 | TRIM CLIP, 11/16 BLK NYL HEAD |



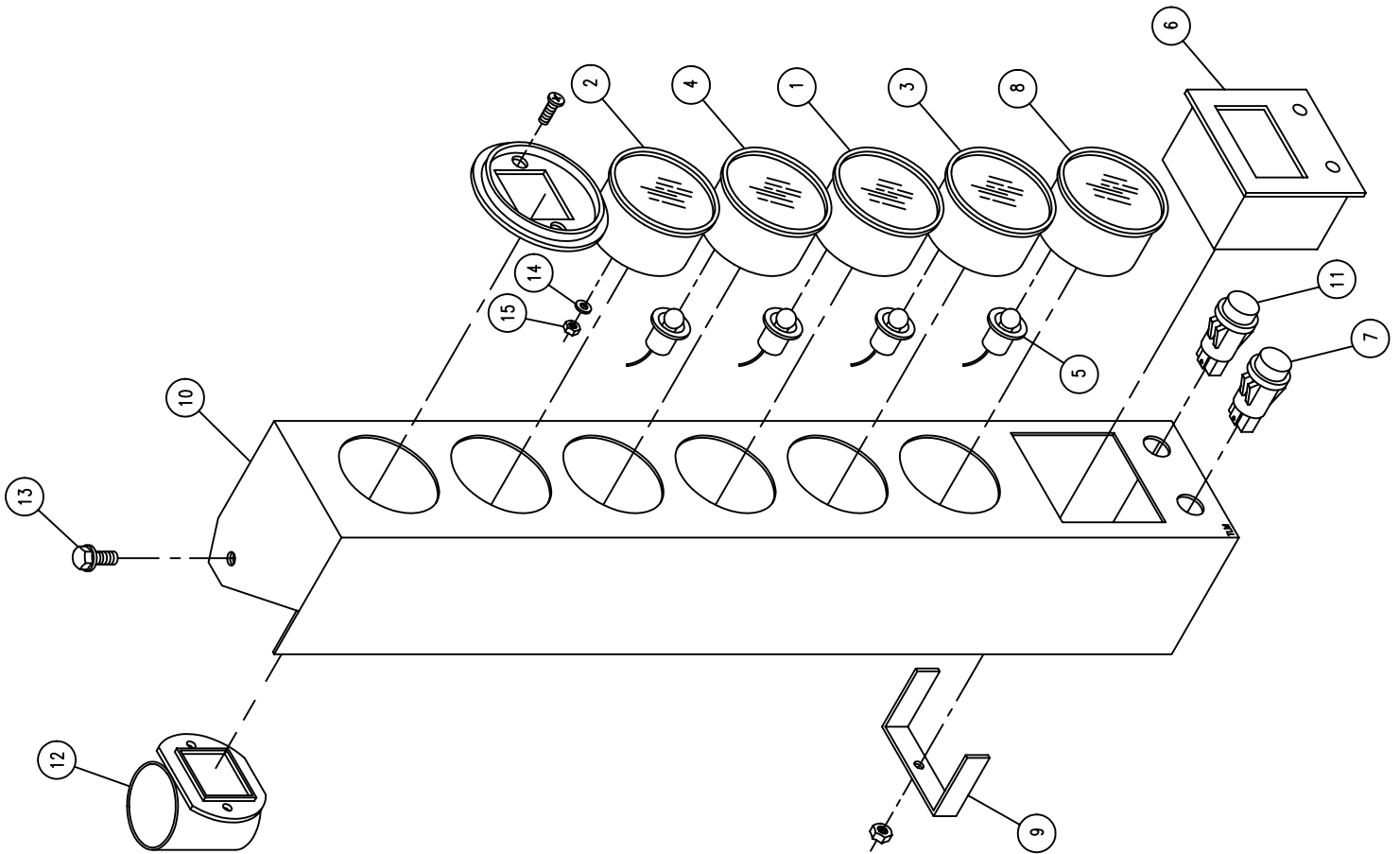
STEERING POST ASSEMBLY

| DET. | QTY | PART NO. | DESCRIPTION                   |
|------|-----|----------|-------------------------------|
| 1    | 1   | 221001   | CONN LINK CLIP TYPE RC50      |
| 2    | 1   | 291088   | FLASHER / TURN SIGNAL SWITCH  |
| 3    | 1   | 342165   | STRG POST WLD, 284 CAB 94     |
| 4    | 1   | 342173   | STRG POST ADJ PIN, 284 CAB 94 |
| 5    | 1   | 342174   | STRG POST ADJ PIN LEVER WLD94 |
| 6    | 1   | 342177   | STRG POST COVER, 284 CAB 94   |
| 7    | 1   | 342178   | UPR STRG MTR HSNG COVER 94    |
| 8    | 1   | 342179   | LWR STRG MTR HSNG COVER 94    |
| 9    | 2   | 390318   | INDICATOR LIGHT, RED          |
| 10   | 4   | 470086   | 1/4UNC NUTSERT .020-.100MATL  |
| 11   | 1   | 470157   | 13/16-20UNEF HEX NUT STRG WHL |
| 12   | 1   | 473939   | ROLL PIN, 3/16DIA X 7/8       |
| 13   | 1   | 659291   | KNOB, 1" RND, BLK, 3/8-16     |
| 14   | 1   | 749150   | STRG MTR NON-LOAD REACT 1008  |
| 15   | 1   | 749178   | STRG COLUMN 2.5 IN LONG       |
| 16   | 1   | 749294   | STEERING WHEEL, VIP 14"       |
| 17   | 1   | 749295   | STRG WHL CAP W/HAGIE EMBLEM   |
| 18   | 13  | 903708   | 1/4UNC X1/2 PHIL PNHD MACHSCR |
| 19   | 1   | 914002   | 5/16UNC HEX STOVER NUT        |
| 20   | 1   | 914008   | 1/2UNC HEX STOVER NUT         |
| 21   | 1   | 900271   | 1/2UNC X 3 1/4 HEX BOLT       |
| 22   | 4   | 920001   | 5/16 SAE FLAT WASHER          |
| 23   | 4   | 920002   | 3/8 SAE FLAT WASHER           |
| 24   | 4   | 900130   | 3/8UNC X 1 1/4 HEX BOLT       |
| 25   | 4   | 618496   | 9/16MJIC-45-3/4MOR LBO        |
| 26   | 1   | 482131   | 3/4 X 1 3/4 COMPRN SPRING     |
| 27   | 1   | 470121   | 1/4UNC HEX FLANGE LOCK NUT    |



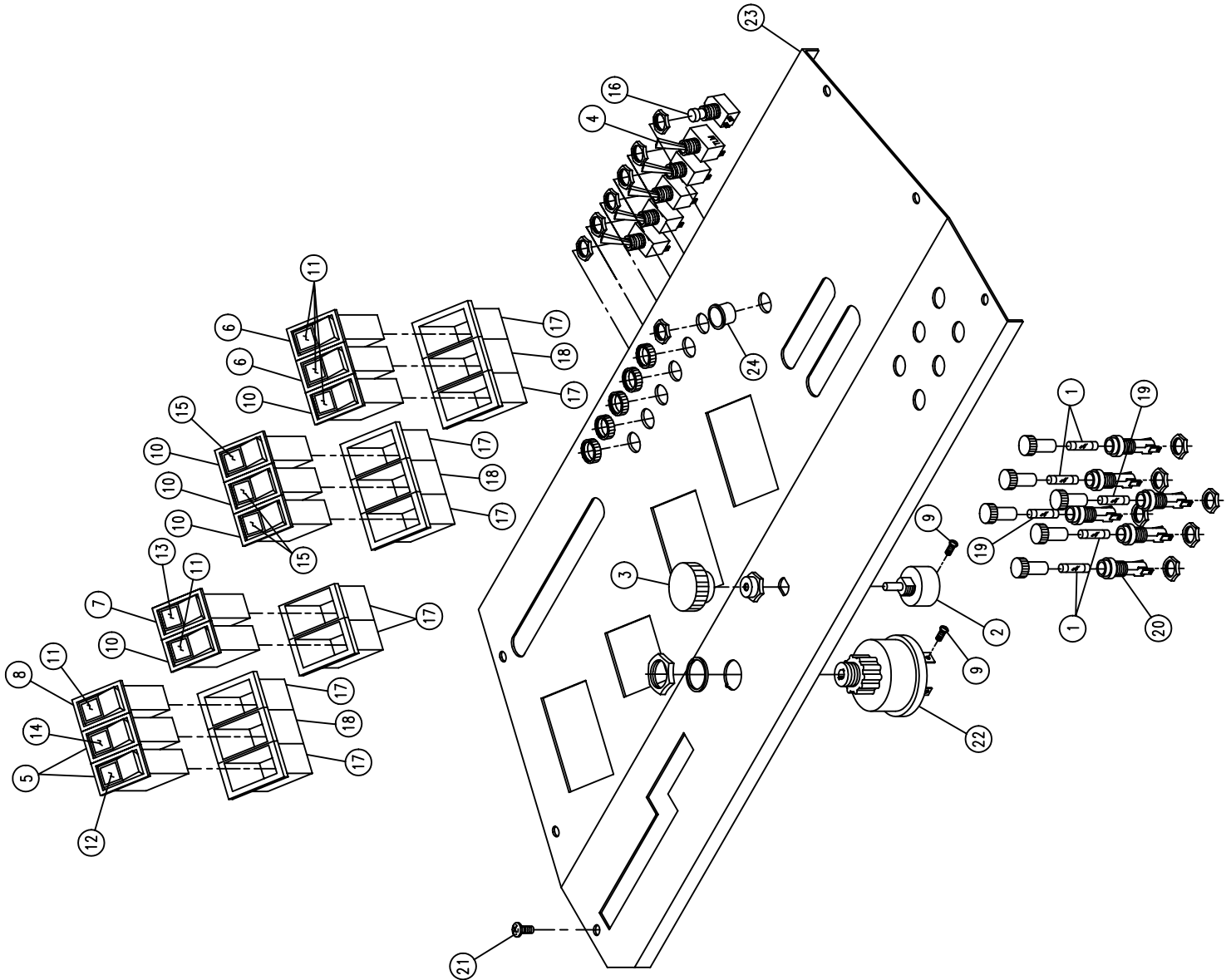
INSTRUMENT PANEL ASSEMBLY

| DET. | QTY | PART NO. | DESCRIPTION                   |
|------|-----|----------|-------------------------------|
| 1    | 1   | 290401   | FUEL GAUGE FOR 2.125 DIA HOLE |
| 2    | 1   | 291203   | HOUR METER                    |
| 3    | 1   | 291609   | OIL PRESS GAUGE, 80PSI        |
| 4    | 1   | 291611   | VOLTMETER, 8V TO 18V DC       |
| 5    | 4   | 291612   | LIGHT KIT FOR 2" GAUGE        |
| 6    | 1   | 291635   | DIGITAL MPH/RPM INDICATOR     |
| 7    | 1   | 291638   | INDICATOR LIGHT, GREEN        |
| 8    | 1   | 314436   | TEMP GA 100-280 DEG LIGHTED   |
| 9    | 1   | 342068   | DIGITAL MPH/RPM IND KEEPER 94 |
| 10   | 1   | 342186   | INSTRU HSG WLD, 284 CAB 94    |
| 11   | 1   | 390318   | INDICATOR LIGHT RED SNAP-IN   |
| 12   | 1   | 314901   | FILTER MINDER AIR RESTRICT GA |
| 13   | 2   | 470122   | 1/4UNC X 1/2 FLANGED HEX BOLT |
| 14   | 8   | 473802   | NO 8 INT TOOTH STARWASHER     |
| 15   | 8   | 910024   | #8-32 HEX NUT                 |



CONSOLE PANEL ASSEMBLY

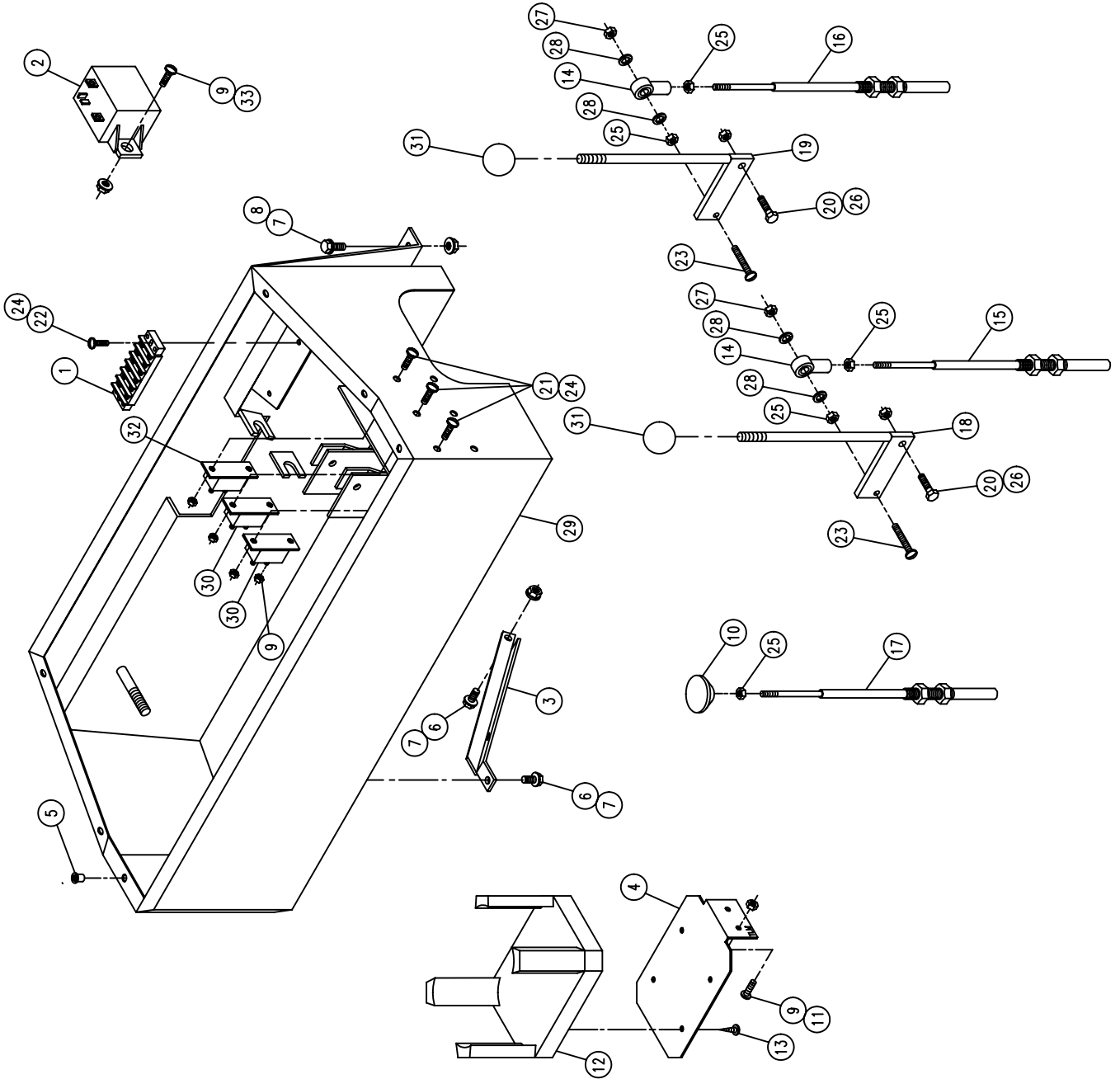
| DET. | QTY | PART NO. | DESCRIPTION                    |
|------|-----|----------|--------------------------------|
| 1    | 4   | 291602   | FUSE 10 AMP                    |
| 2    | 1   | 291606   | ROTARY HEADLAMP SWITCH         |
| 3    | 1   | 291607   | SWITCH KNOB FOR 291606         |
| 4    | 5   | 291608   | TOGGLE SWITCH, ON-OFF, UNL IT  |
| 5    | 2   | 291622   | SWITCH 1P ON/OFF 511-003       |
| 6    | 2   | 291623   | SWITCH 2P ON/OFF 511-015       |
| 7    | 1   | 291624   | SWITCH 2P(ON)/OFF 511-130      |
| 8    | 1   | 291625   | SWITCH 2P ON/ON 511-108        |
| 9    | 2   | 903844   | 8-32 X 1/2 SLT RD HD MACH SCR  |
| 10   | 5   | 291627   | SWITCH 2P(ON)/OFF(ON) 511-058  |
| 11   | 5   | 291628   | LENS, GREEN                    |
| 12   | 1   | 291629   | LENS, WIPER                    |
| 13   | 1   | 291630   | LENS, WINDSHIELD WASHER        |
| 14   | 1   | 291631   | LENS, HAZARD                   |
| 15   | 3   | 291632   | LENS, DIRECTION INDICATOR      |
| 16   | 1   | 291639   | PUSHBUTTON SWITCH, ON/OFF SPST |
| 17   | 8   | 293246   | END BEZEL                      |
| 18   | 3   | 293247   | CENTER BEZEL                   |
| 19   | 2   | 298004   | 20 AMP FUSE SFE 20             |
| 20   | 6   | 298011   | FUSE HOLDER                    |
| 21   | 6   | 903708   | 1/4UNC X1/2 PHIL PNHD MACHSCR  |
| 22   | 1   | 321020   | IGN SWITCH 5 POLE              |
| 23   | 1   | 342189   | CONSOLE COVER PNL, 284 CAB 94  |
| 24   | 1   | 470224   | SNAP PLUG, BLK NYL, .50 DIA    |





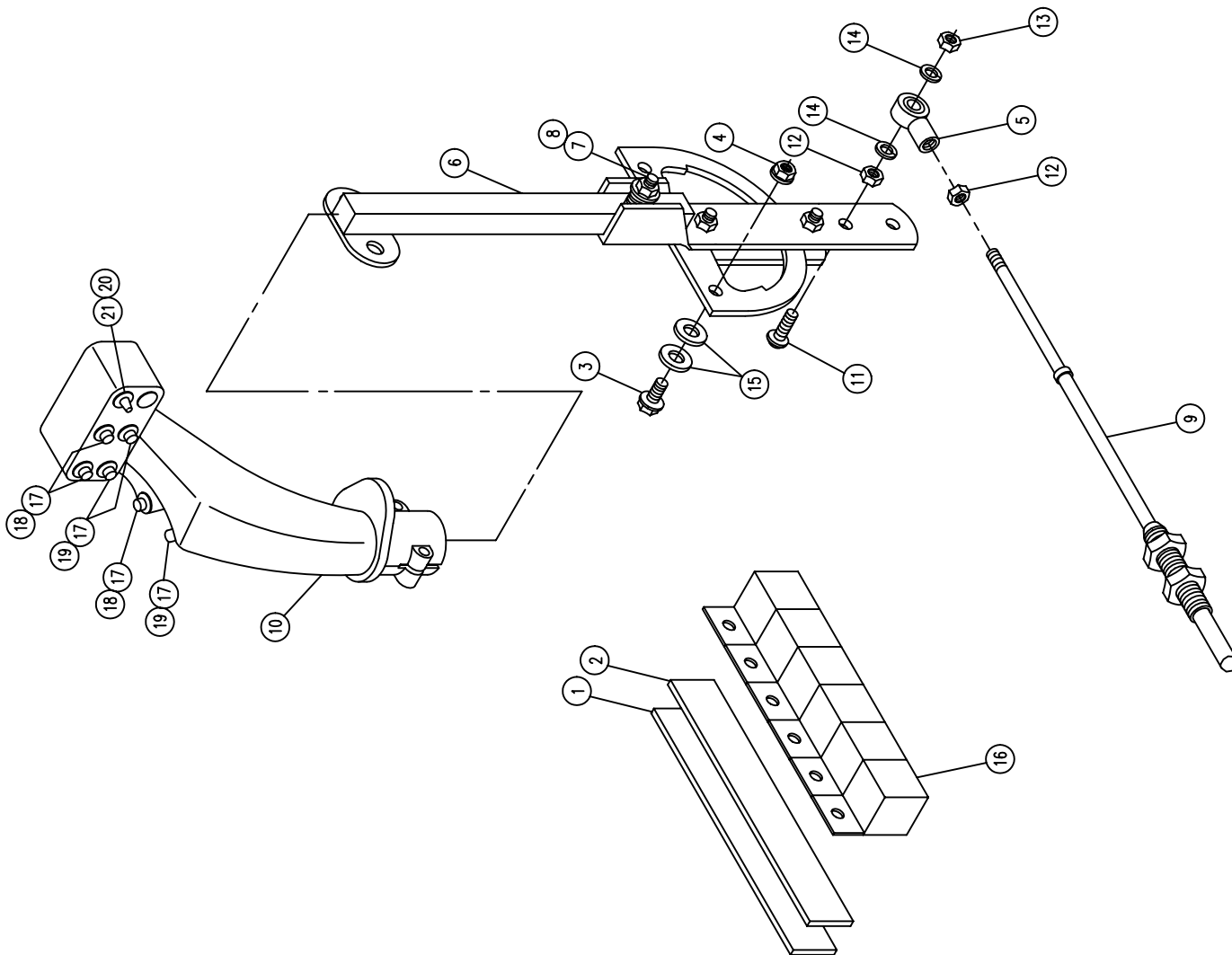
CONSOLE ASSEMBLY

| DET. | QTY | PART NO. | DESCRIPTION                   |
|------|-----|----------|-------------------------------|
| 1    | 1   | 293093   | TERMINAL BLOCK 6 POS - 2 ROW  |
| 2    | 1   | 657371   | RELAY, 12 VOLT 75 AMP         |
| 3    | 1   | 342282   | CONSOLE BRACE 254/284 95      |
| 4    | 1   | 342216   | DRINK HOLDER MT BRKT 94       |
| 5    | 6   | 470086   | 1/4UNC NUTSERT .020-.100MATL  |
| 6    | 3   | 470118   | 1/4UNC X 3/4 FLANGED HEX BOLT |
| 7    | 5   | 470121   | 1/4UNC HEX FLANGED LOCK NUT   |
| 8    | 2   | 470122   | 1/4UNC X 1/2 FLANGED HEX BOLT |
| 9    | 8   | 470175   | #10-32 HEX FLANGED LOCK NUT   |
| 10   | 1   | 470190   | KNOB, 1 3/8" LIFT, BLK 10-32  |
| 11   | 2   | 903710   | MACH SCR 10-32X1/2 PHIL PANHD |
| 12   | 1   | 470214   | SPILLMASTER DRINK HOLDER      |
| 13   | 4   | 473902   | NO 8 X 1/2 PAN HD MET SC      |
| 14   | 2   | 473921   | BALL JOINT NO 10-32 THD       |
| 15   | 1   | 785063   | CTRL CABLE 10-32 2IN X 42 LG  |
| 16   | 1   | 785064   | CTRL CABLE 10-32 2IN X 53 LG  |
| 17   | 1   | 785065   | CTRL CABLE 10-32 4IN X 68 LG  |
| 18   | 1   | 785070   | SOLU PRESS CTRL LEVER WLD 94  |
| 19   | 1   | 785073   | AGIT CTRL LEVER WLD 94        |
| 20   | 2   | 900003   | 1/4UNC X 1 HEX BOLT           |
| 21   | 6   | 903812   | 6-32 X 1/2 SLT RD HD MACH SCR |
| 22   | 2   | 903814   | 6-32 X 3/4 SLT RD HD MACH SCR |
| 23   | 2   | 903893   | 10 32 X 1 SLT RD HD MACH SCR  |
| 24   | 8   | 910022   | #6-32 HEX NUT                 |
| 25   | 5   | 910027   | #10-32 HEX NUT                |
| 26   | 2   | 914000   | 1/4UNC HEX STOVER NUT         |
| 27   | 2   | 914027   | #10-32 HEX STOVER NUT         |
| 28   | 4   | 920510   | LOCK WASH NO 10               |
| 29   | 1   | 342191   | CONSOLE WLD, 284 CAB 94       |
| 30   | 2   | 291197   | CIRCUIT BREAKER, 30AMP        |
| 31   | 2   | 659291   | KNOB, 1" RND, BLK, 3/8-16     |
| 32   | 1   | 291024   | CIRCUIT BREAKER, 40AMP        |
| 33   | 2   | 903883   | 10-32 X 1/2 SLTRD HD MACH SCR |



HYDROSTATIC LEVER ASSEMBLY

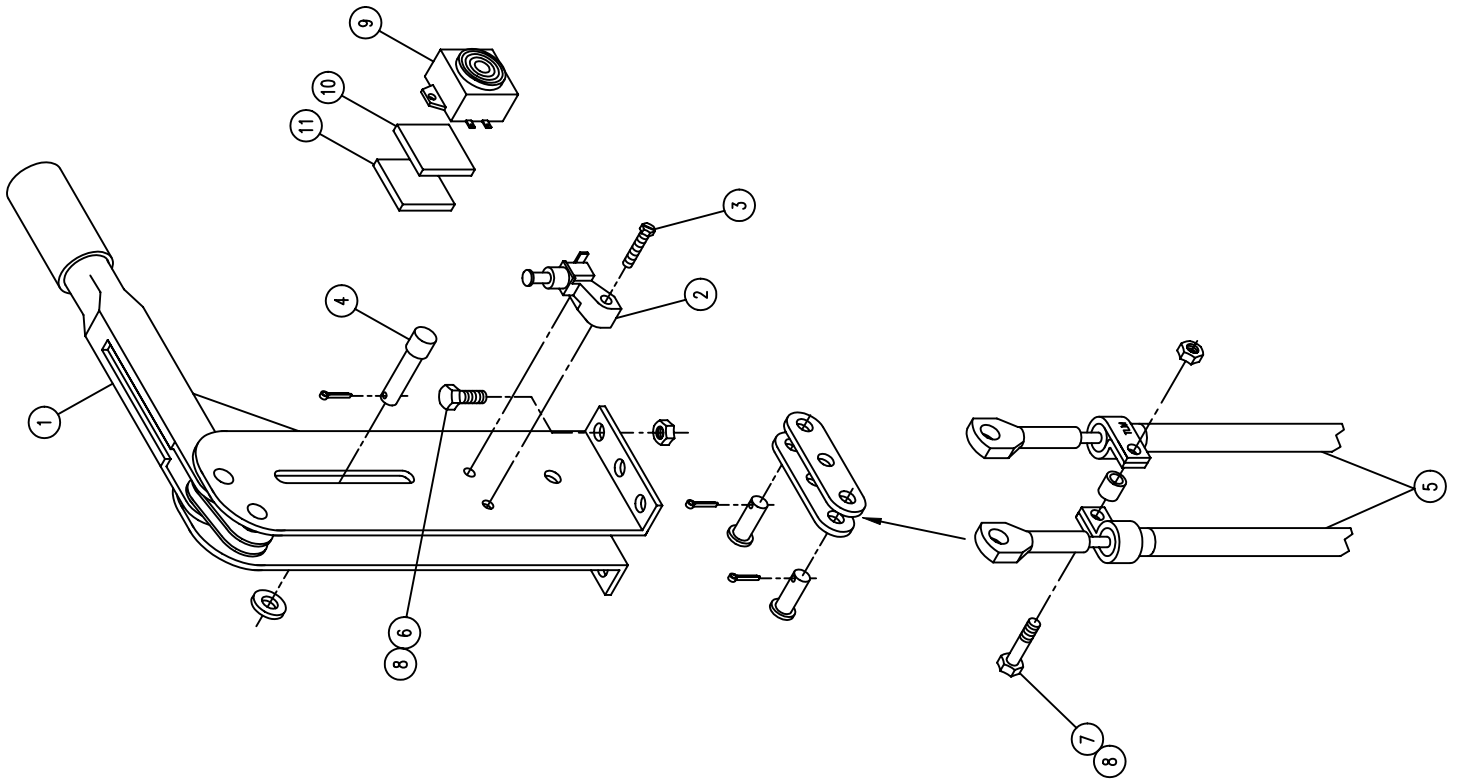
| DET. | QTY | PART NO. | DESCRIPTION                    |
|------|-----|----------|--------------------------------|
| 1    | 1   | 193038   | DUAL LOCK 1IN SJ3541 TYPE 400  |
| 2    | 1   | 193039   | DUAL LOCK 1IN SJ3542 TYPE 400  |
| 3    | 2   | 470118   | 1/4UNC X 3/4 FLANGE HEX BOLT   |
| 4    | 2   | 470121   | 1/4UNC HEX FLANGE LOCK NUT     |
| 5    | 1   | 473921   | BALL JOINT NO 10-32 THD        |
| 6    | 1   | 606907   | HYDST CTRL LEVER, 204-284 94   |
| 7    | 1   | 900005   | 1/4UNC X 1 1/2 HEX BOLT        |
| 8    | 1   | 914000   | 1/4UNC HEX STOVER NUT          |
| 9    | 1   | 785003   | CTRL CABLE 10-32 4IN X 112 LG  |
| 10   | 1   | 785078   | FASSE EZ-3 CTRL HANDLE, 284 96 |
| 11   | 1   | 903893   | 10-32 X 1" SLT RD HD MACH SCR  |
| 12   | 2   | 910027   | 10-32 HEX NUT                  |
| 13   | 1   | 914027   | 10-32 HEX STOVER NUT           |
| 14   | 2   | 920510   | #10 LOCK WASHER                |
| 15   | 4   | 920000   | 1/4 SAE FLAT WASHER            |
| 16   | 6   | 291640   | RELAY FOR FASSE CTRL HANDLE    |
| 17   | 6   | 291650   | SWITCH, SPDT MOM MICRO         |
| 18   | 3   | 291651   | SWITCH BOOT, GRAY -FOR 291650  |
| 19   | 3   | 291652   | SWITCH BOOT, RED -FOR 291650   |
| 20   | 1   | 291654   | SWITCH BOOT, BLACK-FOR 291653  |
| 21   | 1   | 291653   | SWITCH, TOG SPDT 3POS STAT     |

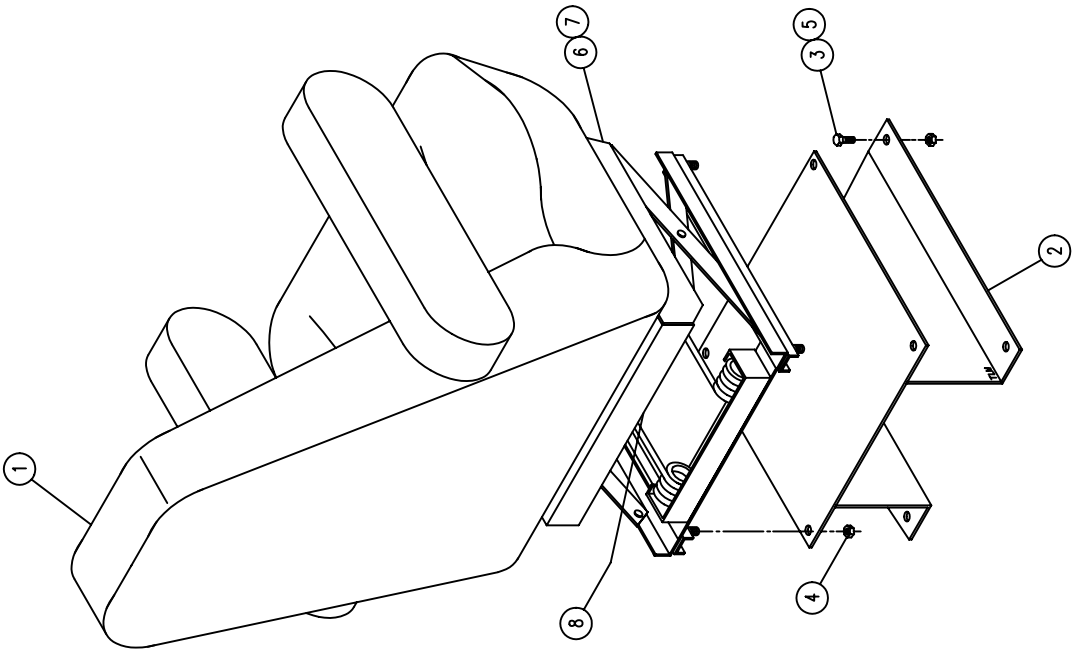




BRAKE LEVER ASSEMBLY

| DET. | QTY | PART NO. | DESCRIPTION                   |
|------|-----|----------|-------------------------------|
| 1    | 1   | 826108   | BRAKE LEVER ASSY              |
| 2    | 1   | 826138   | PARK BRAKE SWITCH FOR 826108  |
| 3    | 1   | 826139   | PARK BRAKE SWITCH SCREW       |
| 4    | 1   | 826140   | PARK BRAKE SWITCH PIN         |
| 5    | 2   | 826926   | 190 IN BRAKE CABLE            |
| 6    | 4   | 900064   | 5/16UNC X 3/4 HEX BOLT        |
| 7    | 1   | 900067   | 5/16UNC X 1 1/2 HEX BOLT      |
| 8    | 5   | 914002   | 5/16UNC HEX STOVER NUT        |
| 9    | 1   | 291636   | BUZZER, 12V ELECTRONIC        |
| 10   | 1   | 193038   | DUAL LOCK 1IN SJ3541 TYPE 400 |
| 11   | 1   | 193039   | DUAL LOCK 1IN SJ3542 TYPE 400 |



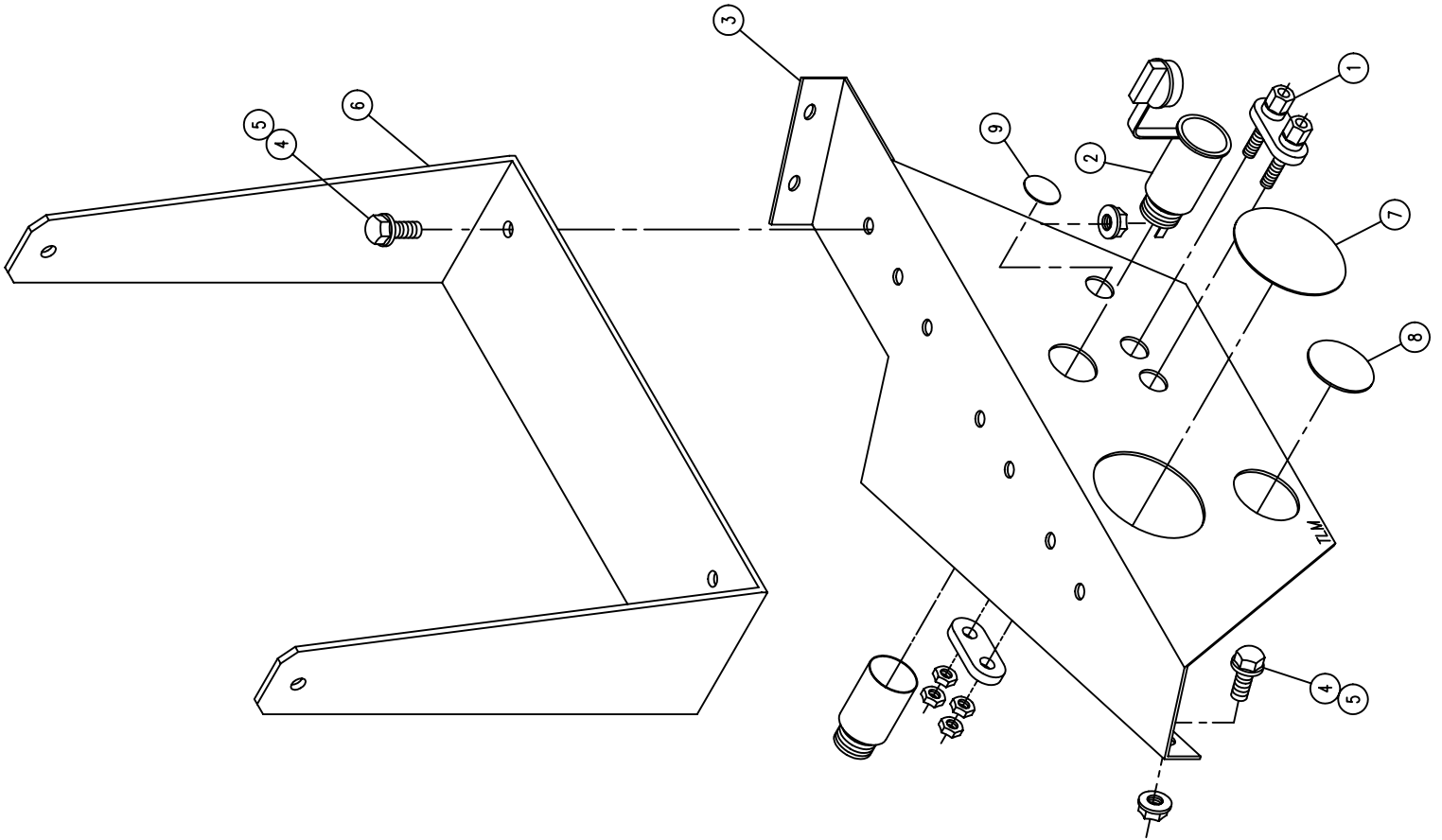


SEAT ASSEMBLY

| DET. | QTY | PART NO. | DESCRIPTION                    |
|------|-----|----------|--------------------------------|
| 1    | 1   | 330022   | SEAT, MAGNUM-100 AIR SUSPEND95 |
| 2    | 1   | 342090   | SEAT MT WELD, 254/284 95       |
| 3    | 4   | 900129   | 3/8UNC X 1" HEX BOLT           |
| 4    | 4   | 914002   | 5/16UNC HEX STOVER NUT         |
| 5    | 4   | 914004   | 3/8UNC HEX STOVER NUT          |
| 6    | 1   | 330024   | HEIGHT ADJ LATCH, SEAT 330022  |
| 7    | 1   | 330025   | ADJ LATCH SPRING, SEAT 330022  |
| 8    | 1   | 330023   | AIR BAG PKG, SEAT 330022       |

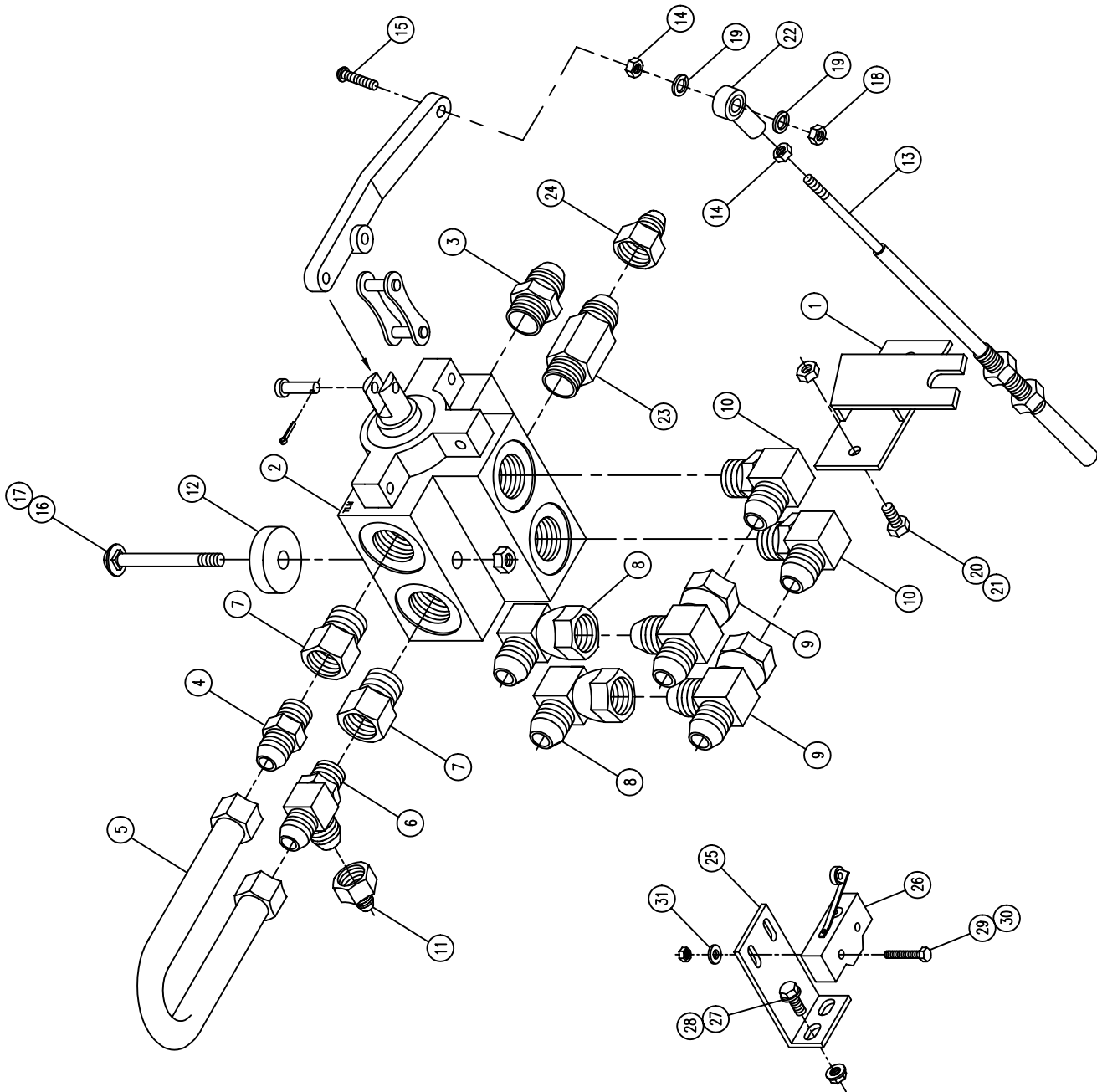
MONITOR MOUNTING BRACKET ASSEMBLY

| DET. | QTY | PART NO. | DESCRIPTION                   |
|------|-----|----------|-------------------------------|
| 1    | 1   | 291647   | DUAL BINDING POSTS            |
| 2    | 1   | 291648   | POWER POINT RECEPTACLE        |
| 3    | 1   | 342215   | MONITOR MT, 284 CAB 94        |
| 4    | 6   | 470121   | 1/4UNC HEX FLANGED LOCK NUT   |
| 5    | 6   | 470122   | 1/4UNC X 1/2 FLANGED HEX BOLT |
| 6    | 1   | 690498   | CONSOLE MT, RAVEN 460         |
| 7    | 1   | 629728   | FINISH PLUG FOR 2.12 HOLE     |
| 8    | 1   | 629730   | FINISH PLUG FOR 1.25 HOLE     |
| 9    | 1   | 658174   | BUMPER PLUG FOR 1/2 HOLE      |



FOUR-WHEEL DRIVE SELECTOR VALVE ASSEMBLY

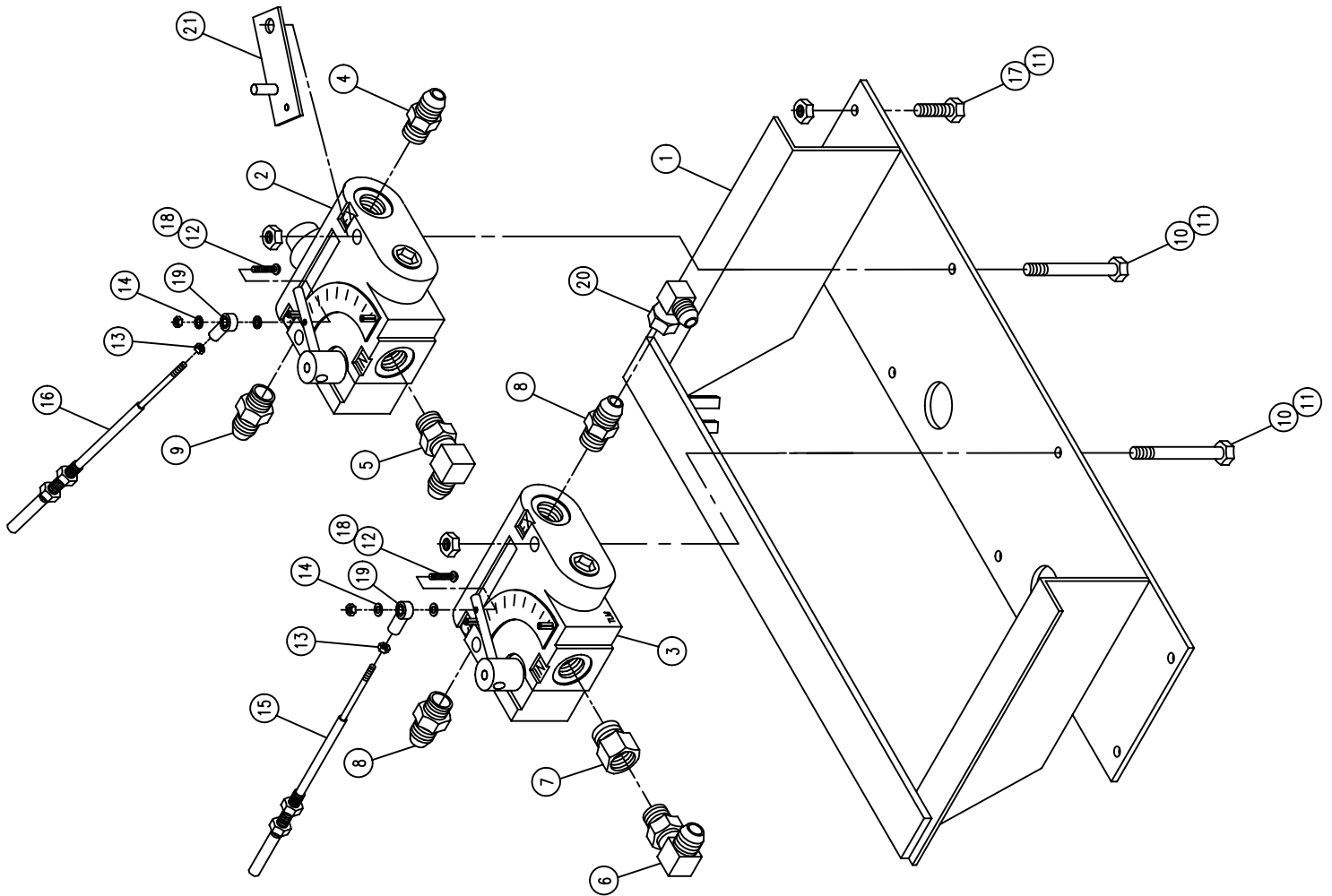
| DET. | QTY | PART NO. | DESCRIPTION                   |
|------|-----|----------|-------------------------------|
| 1    | 1   | 341861   | FWD CABLE MT WLD 280 89       |
| 2    | 1   | 606003   | GRESEN SELECTOR VALVE DS-12   |
| 3    | 1   | 611127   | 1 1/16MJIC-1 1/16MOR ADPTR    |
| 4    | 1   | 611126   | 7/8MJIC-7/8MOR ADPTR          |
| 5    | 1   | 614198   | FWD VALVE U-TUBE ASSY         |
| 6    | 1   | 618130   | 7/8MOR RUN TEE-7/8MJIC        |
| 7    | 2   | 618132   | 1 1/16MOR-7/8FOR ADPTR        |
| 8    | 2   | 618301   | 7/8MJIC-90-7/8FJIC SWIV LBO   |
| 9    | 2   | 618333   | 7/8FJIC SW RUN TEE-7/8MJIC    |
| 10   | 2   | 618535   | 7/8MJIC-90-1 1/16MOR LBO      |
| 11   | 1   | 618557   | 7/8FJIC-9/16MJIC ADPTR        |
| 12   | 2   | 748501   | RUBBER WASH .38 X .406 X 1.50 |
| 13   | 1   | 785065   | CTRL CABLE 10-32 4IN X 68 LG  |
| 14   | 2   | 910027   | #10-32 HEX NUT                |
| 15   | 1   | 903893   | 10 32 X 1 SLT RD HD MACH SCR  |
| 16   | 2   | 901136   | 3/8UNC X 3 CARR BOLT          |
| 17   | 2   | 914004   | 3/8UNC HEX STOVER NUT         |
| 18   | 1   | 914027   | #10-32 HEX STOVER NUT         |
| 19   | 2   | 920510   | LOCK WASH NO 10               |
| 20   | 2   | 900002   | 1/4UNC X 3/4 HEX BOLT         |
| 21   | 2   | 914000   | 1/4UNC HEX STOVER NUT         |
| 22   | 1   | 473921   | BALL JOINT NO 10-32 THD       |
| 23   | 1   | 607524   | FLOW REGULATOR, 28GPM VONBERG |
| 24   | 1   | 618541   | 1 5/16FJIC-1 1/16MJIC ADPTR   |
| 25   | 1   | 291646   | TRACT VLV MICRO SWITCH MT     |
| 26   | 1   | 293006   | MICRO SWITCH #BZ-2RL25551-A2  |
| 27   | 2   | 470118   | 1/4UNC X 3/4 FLANGED HEX BOLT |
| 28   | 2   | 470121   | 1/4UNC HEX FLANGED LOCK NUT   |
| 29   | 2   | 473993   | SCREW HH MACH, 6-32 X 1 1/8   |
| 30   | 2   | 910022   | #6-32 HEX NUT                 |
| 31   | 2   | 920011   | WASHER, #6 SAE FLAT PLATED    |



VARIABLE FLOW CONTROL ASSEMBLY

| DET. | QTY | PART NO. | DESCRIPTION                    | 94 |
|------|-----|----------|--------------------------------|----|
| 1    | 1   | 342209   | SOLU VFC MT WLD                |    |
| 2    | 1   | 606818   | FLO CONT FCR51 0-16GPM 7/8FOR  |    |
| 3    | 1   | 606827   | FLO CONT FC51 0-3 VAR1 7/8FOR  |    |
| 4    | 1   | 611126   | 7/8MJ IC-7/8MOR ADPTR          |    |
| 5    | 1   | 611128   | 7/8MJ IC-90-7/8MOR LBO         |    |
| 6    | 1   | 618119   | 9/16MJ IC-90-9/16MOR LBO       |    |
| 7    | 1   | 618172   | 7/8MOR-9/16FOR ADPTR           |    |
| 8    | 2   | 618310   | 9/16MJ IC-7/8MOR ADPTR         |    |
| 9    | 1   | 618327   | 3/4MJ IC-7/8MOR ADPTR          |    |
| 10   | 4   | 900008   | 1/4UNC X 2 1/2 HEX BOLT        |    |
| 11   | 8   | 914000   | 1/4UNC HEX STOVER NUT          |    |
| 12   | 2   | 903893   | 10-32 X 1" SLT RD HD MACH SCR  |    |
| 13   | 2   | 910027   | 10-32 HEX NUT                  |    |
| 14   | 4   | 920510   | #10 LOCK WASHER                |    |
| 15   | 1   | 785064   | CTRL CABLE 10-32 2IN X 53 LG   |    |
| 16   | 1   | 785063   | CTRL CABLE 10-32 2IN X 42 LG   |    |
| 17   | 4   | 470118   | 1/4UNC X 3/4 FLANGE HEX BOLT   |    |
| 18   | 2   | 914027   | 10-32 HEX STOVER NUT           |    |
| 19   | 2   | 473921   | BALL JOINT NO 10-32 THD        |    |
| 20   | 1   | 618618   | 9/16MJ IC-90-9/16FJIC SWIV LBO |    |
| 21   | 1   | 342306   | SOLU PUMP VFC STOP WLD, 9C     | 96 |

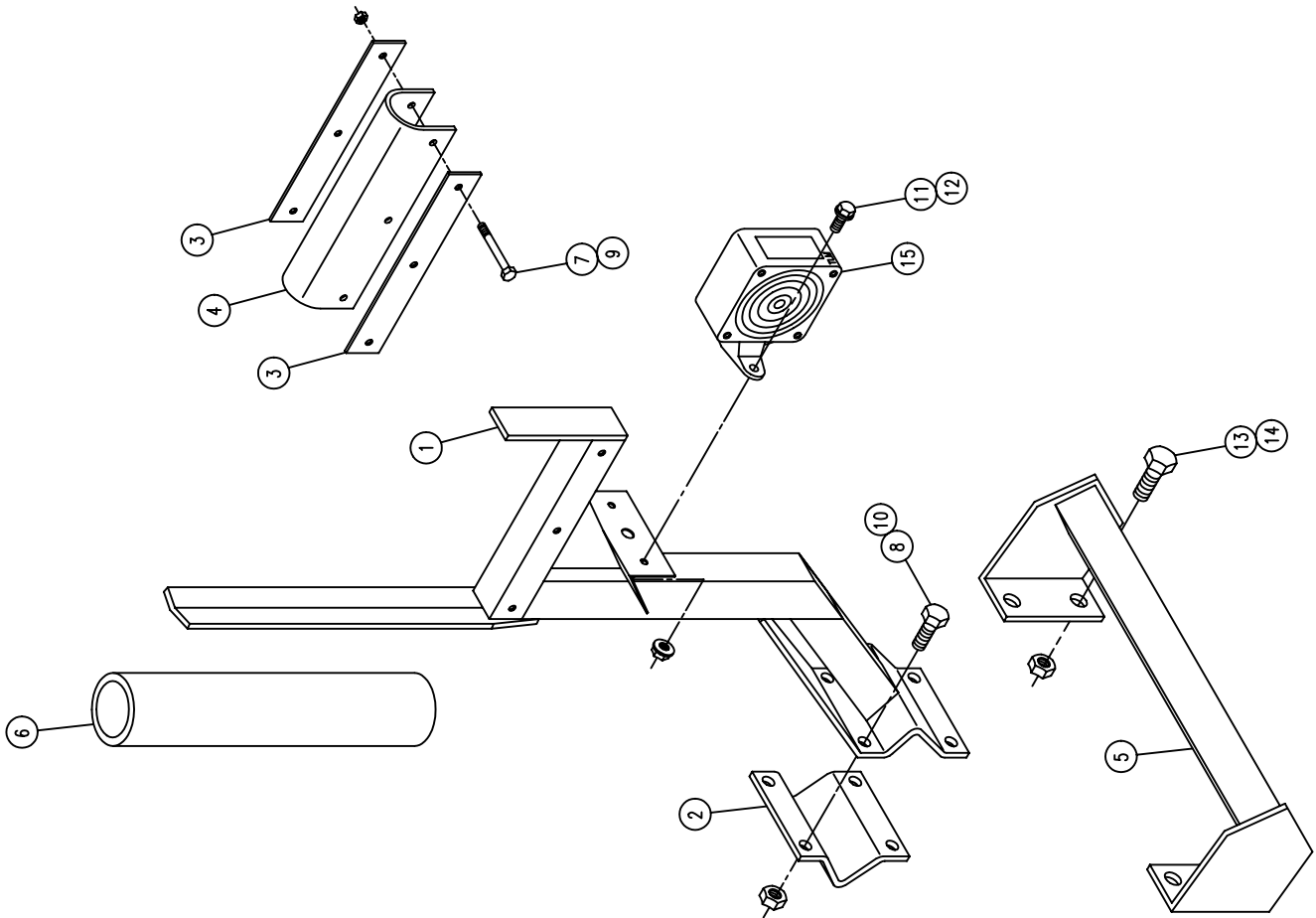
NOTE: DETAIL 21 IS USED WITH THE FLOMAX PUMP ASSEMBLY.

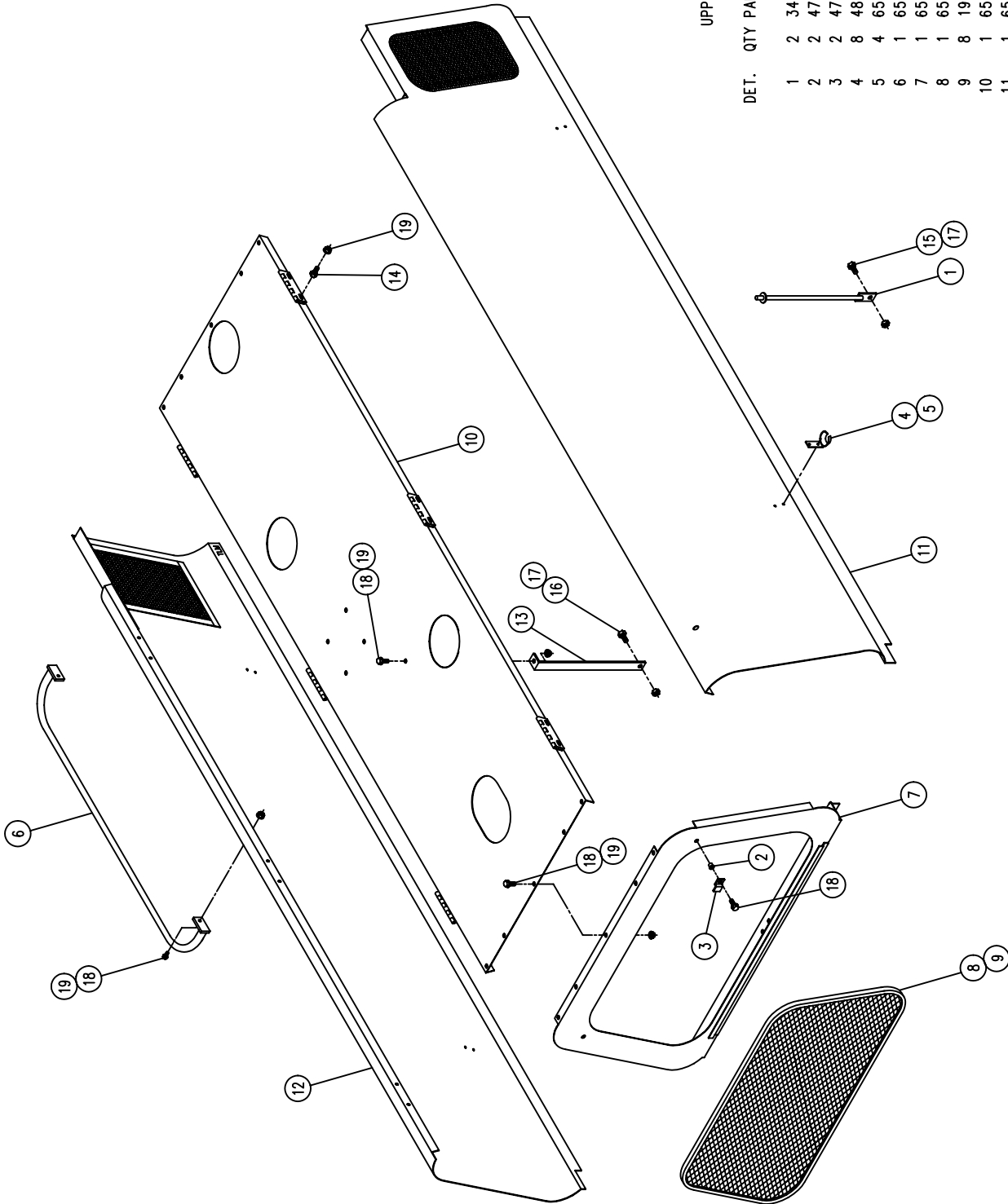




BOOM CRADLE ASSEMBLY

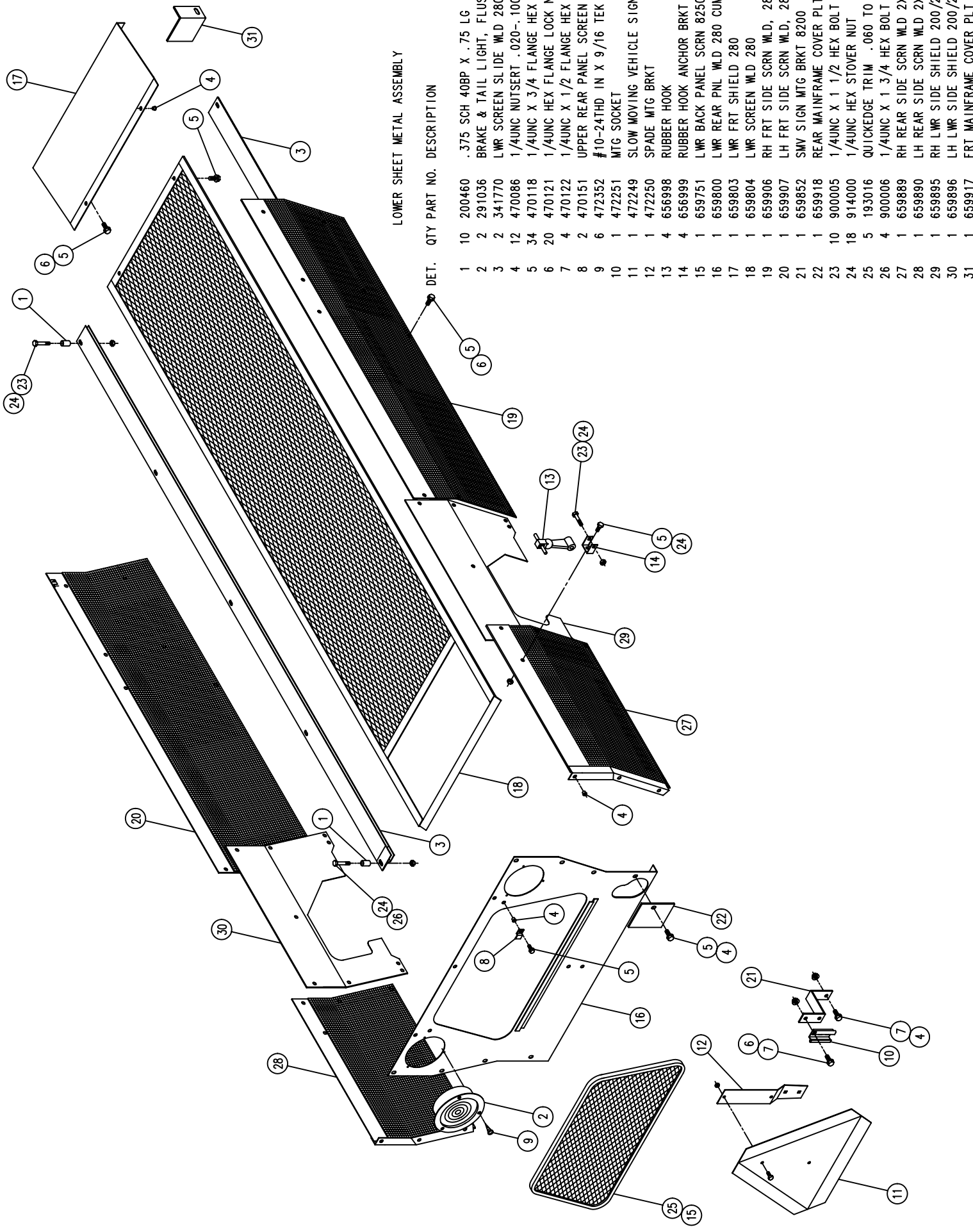
| DET. | QTY | PART NO. | DESCRIPTION                    |
|------|-----|----------|--------------------------------|
| 1    | 1   | 164245   | BOOM CRADLE WLD 96             |
| 2    | 1   | 164253   | BOOM CRADLE V-PLATE KEEPER 96  |
| 3    | 2   | 164254   | CRADLE CUSHION KEEPER 96       |
| 4    | 1   | 164256   | BOOM CRADLE CUSHION 96         |
| 5    | 1   | 164258   | BOOM CRADLE MT WLD 96          |
| 6    | 1   | 601184   | HOSE, 1 1/2 X 14 2BR BLK EPDM  |
| 7    | 3   | 900008   | 1/4UNC X 2 1/2 HEX BOLT        |
| 8    | 4   | 900265   | 1/2UNC X 1 1/2 HEX BOLT        |
| 9    | 3   | 914000   | 1/4UNC HEX STOVER NUT          |
| 10   | 4   | 914008   | 1/2UNC HEX STOVER NUT          |
| 11   | 2   | 470121   | 1/4UNC HEX FLANGE LOCK NUT     |
| 12   | 2   | 470118   | 1/4UNC X 3/4 FLANGE HEX BOLT   |
| 13   | 4   | 900334   | 5/8UNC X 1 3/4 HEX BOLT        |
| 14   | 4   | 914010   | 5/8UNC HEX STOVER NUT          |
| 15   | 1   | 291604   | TURN SIGNAL LIGHT, PED MT, YEL |





UPPER SHEET METAL ASSEMBLY

| DET. | QTY | PART NO. | DESCRIPTION                   |
|------|-----|----------|-------------------------------|
| 1    | 2   | 341356   | ENGINE HOOD PROP WLD 8240 82  |
| 2    | 2   | 470086   | 1/4UNC NUTSERT .020-.100MATL  |
| 3    | 2   | 470151   | UPPER REAR PANEL SCREEN CLIP  |
| 4    | 8   | 485053   | POP RIVET 3/16 X 3/8          |
| 5    | 4   | 656997   | RUBBER HOOK BRKT 473          |
| 6    | 1   | 659378   | RH ENG HOOD HANDRAIL WLD 6475 |
| 7    | 1   | 659575   | UPPER REAR PANEL WLD 8240 82  |
| 8    | 1   | 659578   | UPPER REAR PANEL SCREEN 8240  |
| 9    | 8   | 193016   | QUICKEDGE TRIM .060 TO .170   |
| 10   | 1   | 659915   | MULLION WLD CUMM 204/284 95   |
| 11   | 1   | 659796   | RH ENGINE HOOD WLD 280 89     |
| 12   | 1   | 659797   | LH ENGINE HOOD WLD 280 89     |
| 13   | 1   | 659835   | MULLION SUPPORT 200           |
| 14   | 12  | 900000   | 1/4UNC X 1/2 HEX BOLT         |
| 15   | 2   | 900128   | 3/8UNC X 3/4 HEX BOLT         |
| 16   | 1   | 900129   | 3/8UNC X 1 HEX BOLT           |
| 17   | 3   | 914004   | 3/8UNC HEX STOVER NUT         |
| 18   | 15  | 470118   | 1/4UNC X 3/4 FLANGED HEX BOLT |
| 19   | 25  | 470121   | 1/4UNC HEX FLANGED LOCK NUT   |

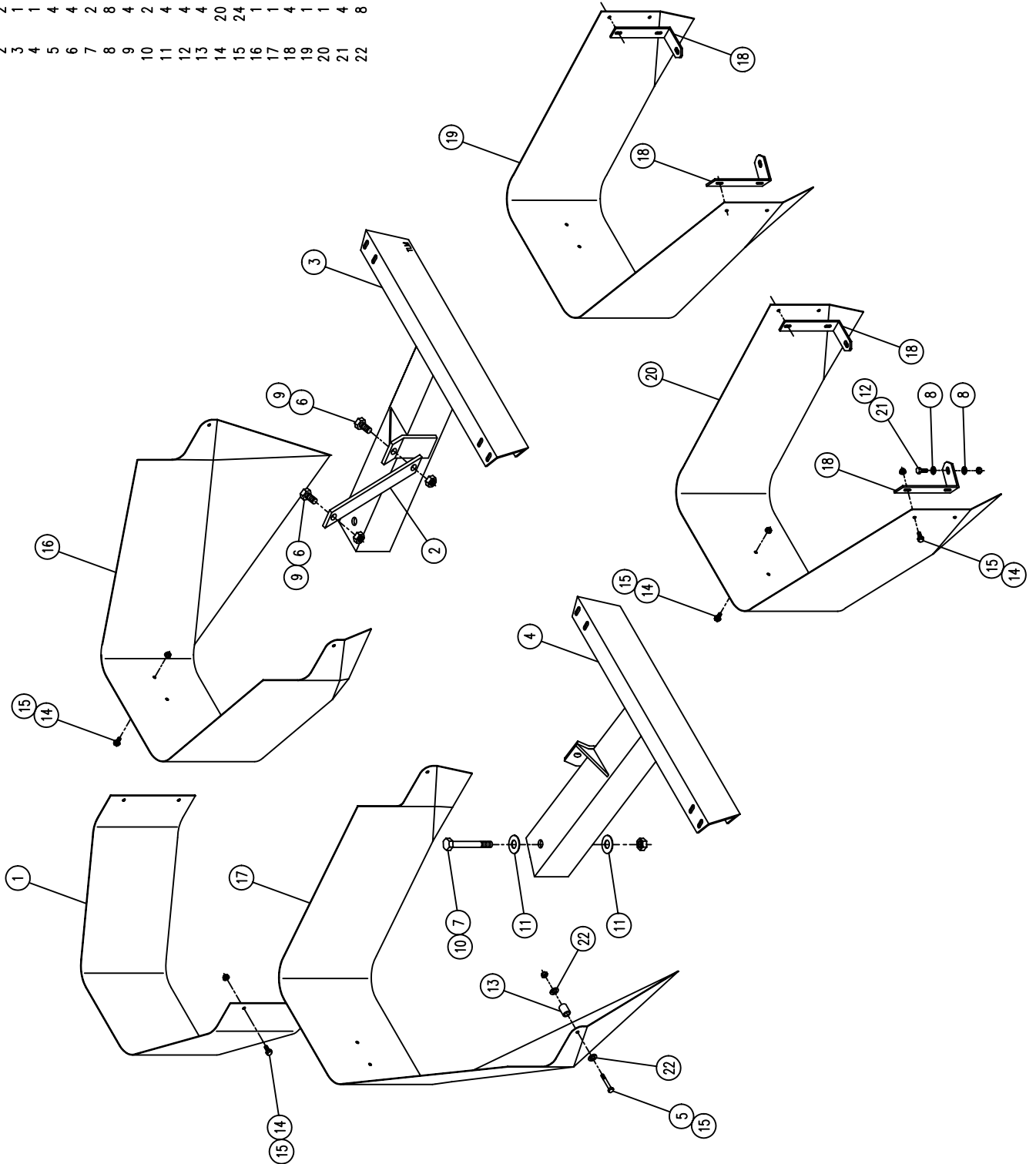


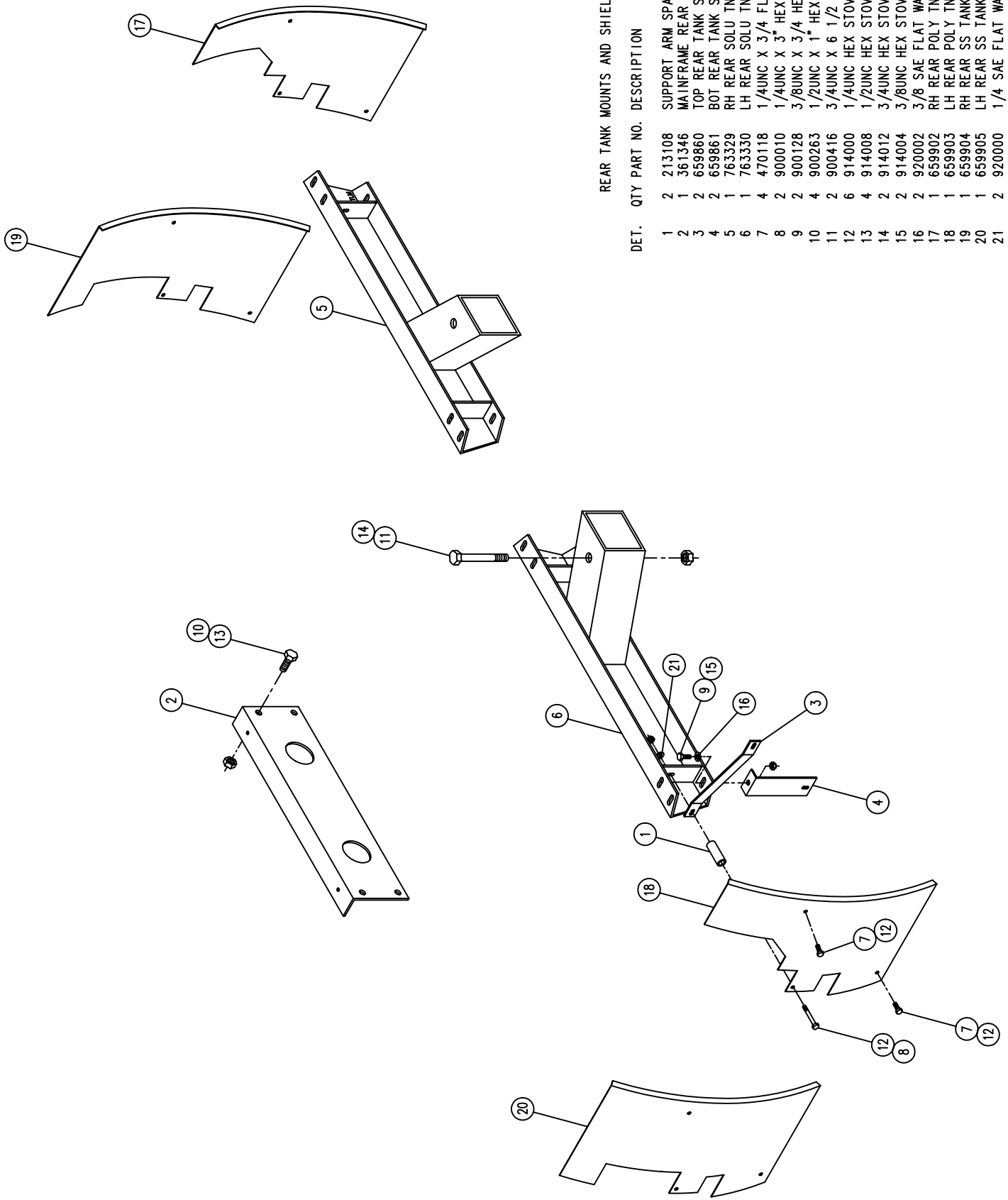
LOWER SHEET METAL ASSEMBLY

| QTY | PART NO.  | DESCRIPTION                   |
|-----|-----------|-------------------------------|
| 1   | 10 200460 | .375 SCH 40BP X .75 LG C/L    |
| 2   | 2 291036  | BRAKE & TAIL LIGHT, FLUSH MT  |
| 3   | 2 341770  | LWR SCREEN SLIDE WLD 280 89   |
| 4   | 12 470086 | 1/4UNC NUTSERT .020-.100MATL  |
| 5   | 34 470118 | 1/4UNC X 3/4 FLANGE HEX BOLT  |
| 6   | 20 470121 | 1/4UNC HEX FLANGE LOCK NUT    |
| 7   | 4 470122  | 1/4UNC X 1/2 FLANGE HEX BOLT  |
| 8   | 2 470151  | UPPER REAR PANEL SCREEN CLIP  |
| 9   | 6 472352  | #10-24THD IN X 9/16 TEK TYP 3 |
| 10  | 1 472251  | MTG SOCKET                    |
| 11  | 1 472249  | SLOW MOVING VEHICLE SIGN      |
| 12  | 1 472250  | SPADE MTG BRKT                |
| 13  | 4 656998  | RUBBER HOOK                   |
| 14  | 4 656999  | RUBBER HOOK ANCHOR BRKT       |
| 15  | 1 659751  | LWR BACK PANEL SCRNL 8250 86  |
| 16  | 1 659800  | LWR REAR PNL WLD 280 CUMM 89  |
| 17  | 1 659803  | LWR FRT SHIELD 280 89         |
| 18  | 1 659804  | LWR SCREEN WLD 280 89         |
| 19  | 1 659906  | RH FRT SIDE SCRNL WLD, 284 94 |
| 20  | 1 659907  | LH FRT SIDE SCRNL WLD, 284 94 |
| 21  | 1 659852  | SMV SIGN MTG BRKT 8200 89     |
| 22  | 1 659918  | REAR MAINFRAME COVER PLT 95   |
| 23  | 10 900005 | 1/4UNC X 1 1/2 HEX BOLT       |
| 24  | 18 914000 | 1/4UNC HEX STOVER NUT         |
| 25  | 5 193016  | QUICKEDGE TRIM .060 TO .170   |
| 26  | 4 900006  | 1/4UNC X 1 3/4 HEX BOLT       |
| 27  | 1 659889  | RH REAR SIDE SCRNL WLD 2XX 92 |
| 28  | 1 659890  | LH REAR SIDE SCRNL WLD 2XX 92 |
| 29  | 1 659895  | RH LWR SIDE SHIELD 200/280 92 |
| 30  | 1 659896  | LH LWR SIDE SHIELD 200/280 92 |
| 31  | 1 659917  | FRT MAINFRAME COVER PLT 95    |

FRONT TANK MOUNTS AND SHIELDS

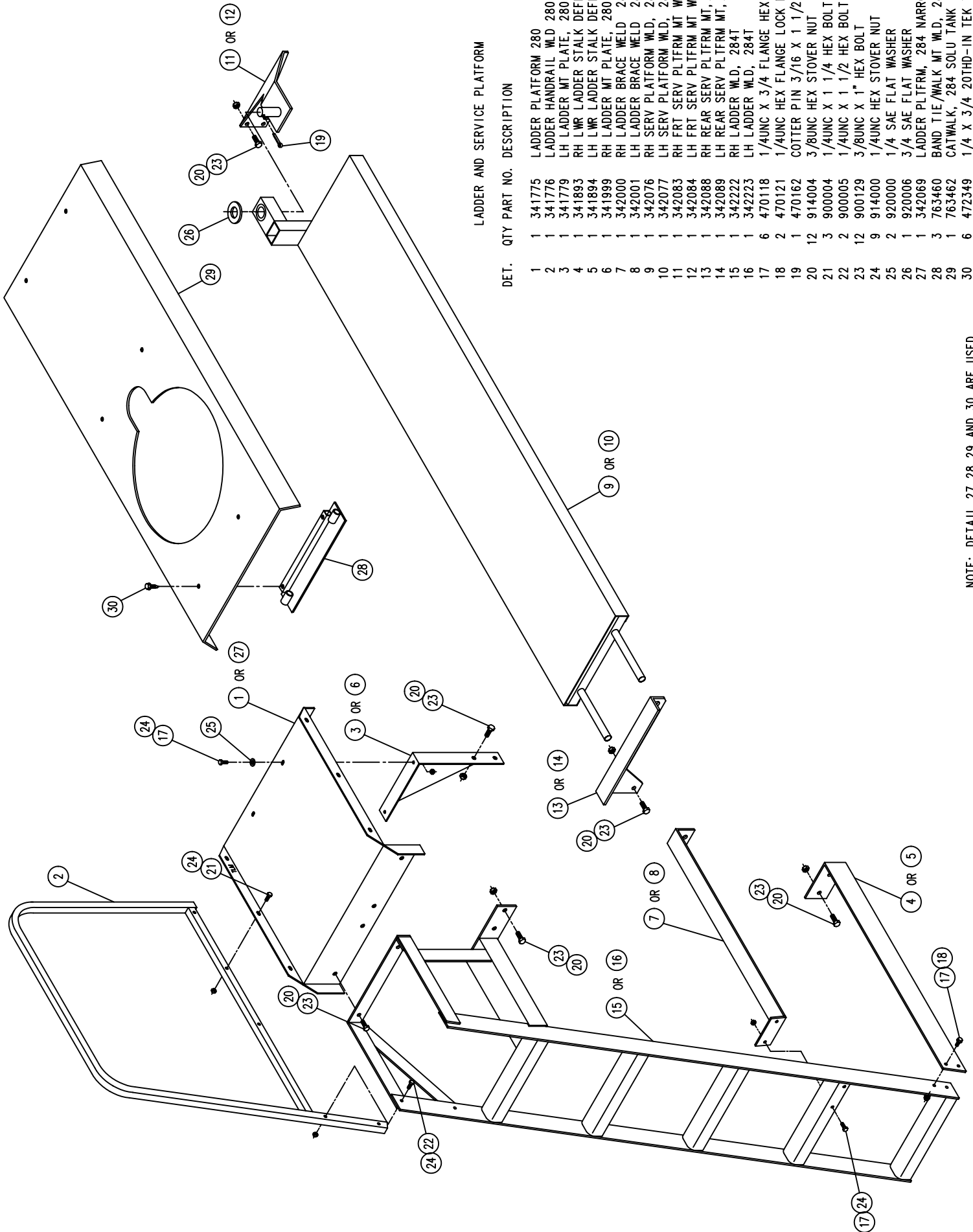
| DET. | QTY | PART NO. | DESCRIPTION                   |    |
|------|-----|----------|-------------------------------|----|
| 1    | 1   | 659831   | LWR FRONT SHIELD 280          | 89 |
| 2    | 2   | 763453   | TANK SUPPORT ARM, 284T        | 94 |
| 3    | 1   | 763447   | RH FRT SOLU TANK MT WLD284 94 |    |
| 4    | 1   | 763448   | LH FRT SOLU TANK MT WLD284 94 |    |
| 5    | 4   | 900006   | 1/4UNC X 1 3/4 HEX BOLT       |    |
| 6    | 4   | 900333   | 5/8UNC X 1 1/2 HEX BOLT       |    |
| 7    | 2   | 900416   | 3/4UNC X 6 1/2 HEX BOLT       |    |
| 8    | 8   | 920002   | 3/8 SAE FLAT WASHER           |    |
| 9    | 4   | 914010   | 5/8UNC HEX STOVER NUT         |    |
| 10   | 2   | 914012   | 3/4UNC HEX STOVER NUT         |    |
| 11   | 4   | 920006   | 3/4 SAE FLAT WASHER           |    |
| 12   | 4   | 914004   | 3/8UNC HEX STOVER NUT         |    |
| 13   | 4   | 160621   | SPRING TIGHTENER HOOK BUSH    |    |
| 14   | 20  | 470118   | 1/4UNC X 3/4 FLANGE HEX BOLT  |    |
| 15   | 24  | 470121   | 1/4UNC HEX FLANGE LOCK NUT    |    |
| 16   | 1   | 659856   | RH FRT POLY TANK SHLD WLD 280 |    |
| 17   | 1   | 659857   | LH FRT POLY TANK SHLD WLD 280 |    |
| 18   | 4   | 659834   | FRT LEG SHIELD MTG BRKT280 89 |    |
| 19   | 1   | 659854   | RH FRT SS TANK SHIELD 280 90  |    |
| 20   | 1   | 659855   | LH FRT SS TANK SHIELD 280 90  |    |
| 21   | 4   | 900130   | 3/8UNC X 1 1/4 HEX BOLT       |    |
| 22   | 8   | 920000   | 1/4 SAE FLAT WASHER           |    |





REAR TANK MOUNTS AND SHIELDS

| DET. | QTY | PART NO. | DESCRIPTION                   |
|------|-----|----------|-------------------------------|
| 1    | 2   | 213108   | SUPPORT ARM SPACER            |
| 2    | 1   | 361346   | MAINFRAME REAR TIE ANGLE 280  |
| 3    | 2   | 659860   | TOP REAR TANK SHLD BRKT280 90 |
| 4    | 2   | 659861   | BOT REAR TANK SHLD BRKT280 90 |
| 5    | 1   | 763329   | RH REAR SOLU Tnk MT WLD280 90 |
| 6    | 1   | 763330   | LH REAR SOLU Tnk MT WLD280 90 |
| 7    | 4   | 470118   | 1/4UNC X 3/4" FLANGE HEX BOLT |
| 8    | 2   | 900010   | 1/4UNC X 3" HEX BOLT          |
| 9    | 2   | 900128   | 3/8UNC X 3/4" HEX BOLT        |
| 10   | 4   | 900263   | 1/2UNC X 1" HEX BOLT          |
| 11   | 2   | 900416   | 3/4UNC X 6 1/2" HEX BOLT      |
| 12   | 6   | 914000   | 1/4UNC HEX STOVER NUT         |
| 13   | 4   | 914008   | 1/2UNC HEX STOVER NUT         |
| 14   | 2   | 914012   | 3/4UNC HEX STOVER NUT         |
| 15   | 2   | 914004   | 3/8UNC HEX STOVER NUT         |
| 16   | 2   | 920002   | 3/8 SAE FLAT WASHER           |
| 17   | 1   | 659902   | RH REAR POLY Tnk SHIELD284 94 |
| 18   | 1   | 659903   | LH REAR POLY Tnk SHIELD284 94 |
| 19   | 1   | 659904   | RH REAR SS Tnk SHIELD 284 94  |
| 20   | 1   | 659905   | LH REAR SS Tnk SHIELD 284 94  |
| 21   | 2   | 920000   | 1/4 SAE FLAT WASHER           |

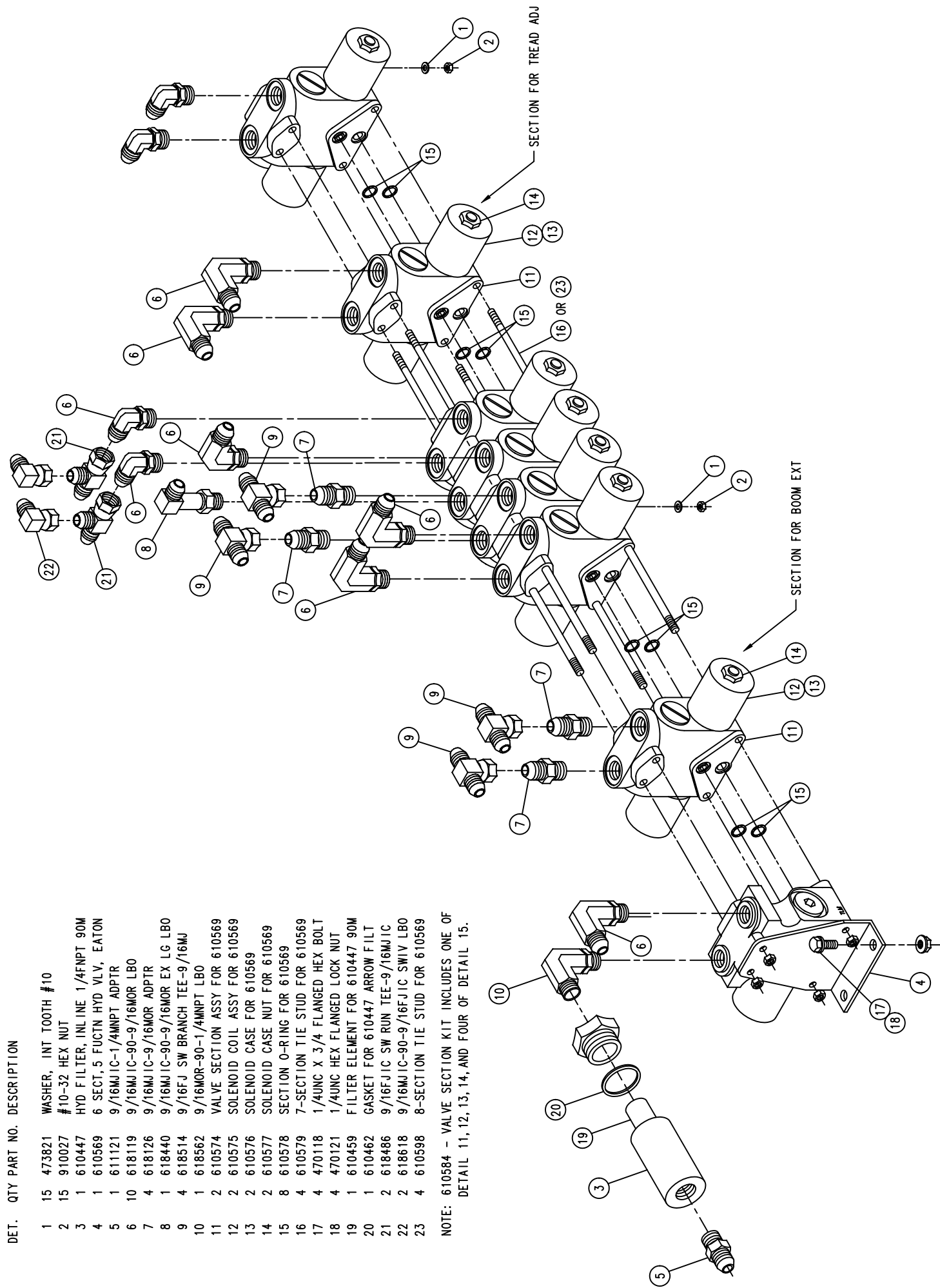


LADDER AND SERVICE PLATFORM

| DET. | QTY | PART NO. | DESCRIPTION                   |
|------|-----|----------|-------------------------------|
| 1    | 1   | 341775   | LADDER PLATFORM 280           |
| 2    | 1   | 341776   | LADDER HANDRAIL WLD 280       |
| 3    | 1   | 341779   | LH LADDER MT PLATE, 280       |
| 4    | 1   | 341893   | RH LWR LADDER STALK DEFLEC280 |
| 5    | 1   | 341894   | LH LWR LADDER STALK DEFLEC280 |
| 6    | 1   | 341999   | RH LADDER MT PLATE, 280       |
| 7    | 1   | 342000   | RH LADDER BRACE WELD, 280     |
| 8    | 1   | 342001   | LH LADDER BRACE WELD, 280     |
| 9    | 1   | 342076   | RH SERV PLATFORM WLD, 284     |
| 10   | 1   | 342077   | LH SERV PLATFORM WLD, 284     |
| 11   | 1   | 342083   | RH FRT SERV PLTRFM MT WLD 95  |
| 12   | 1   | 342084   | LH FRT SERV PLTRFM MT WLD 95  |
| 13   | 1   | 342088   | RH REAR SERV PLTRFM MT, 284   |
| 14   | 1   | 342089   | LH REAR SERV PLTRFM MT, 284   |
| 15   | 1   | 342222   | RH LADDER WLD, 284T           |
| 16   | 1   | 342223   | LH LADDER WLD, 284T           |
| 17   | 6   | 470118   | 1/4UNC X 3/4 FLANGE HEX BOLT  |
| 18   | 2   | 470121   | 1/4UNC HEX FLANGE LOCK NUT    |
| 19   | 1   | 470162   | COTTER PIN 3/16 X 1 1/2 SOCUT |
| 20   | 12  | 914004   | 3/8UNC HEX STOVER NUT         |
| 21   | 3   | 900004   | 1/4UNC X 1 1/4 HEX BOLT       |
| 22   | 2   | 900005   | 1/4UNC X 1 1/2 HEX BOLT       |
| 23   | 12  | 900129   | 3/8UNC X 1" HEX BOLT          |
| 24   | 9   | 914000   | 1/4UNC HEX STOVER NUT         |
| 25   | 2   | 920000   | 1/4 SAE FLAT WASHER           |
| 26   | 1   | 920006   | 3/4 SAE FLAT WASHER           |
| 27   | 1   | 342069   | LADDER PLTRFM, 284 NARROW     |
| 28   | 3   | 763460   | BAND TIE/WALK MT WLD, 284     |
| 29   | 1   | 763462   | CATWALK, 284 SOLU TANK        |
| 30   | 6   | 472349   | 1/4 X 3/4 20THD-IN TEK TYPE   |

NOTE: DETAIL 27, 28, 29 AND 30 ARE USED WITH THE NARROW TREAD OPTION.

ELECTRIC BOOM VALVE ASSEMBLY



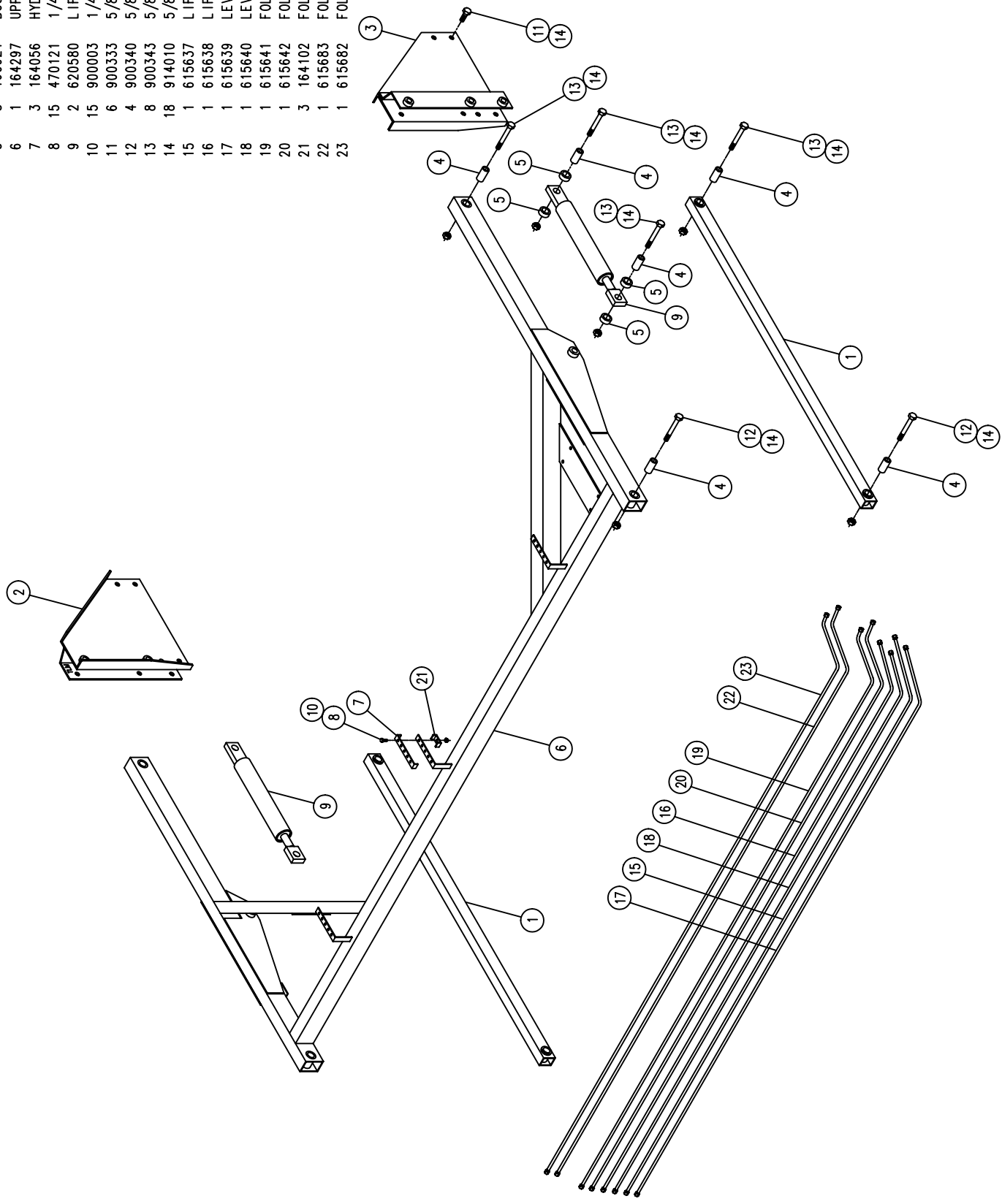
| DET. | QTY | PART NO. | DESCRIPTION                    |
|------|-----|----------|--------------------------------|
| 1    | 15  | 473821   | WASHER, INT T00TH #10          |
| 2    | 15  | 910027   | #10-32 HEX NUT                 |
| 3    | 1   | 610447   | HYD FILTER, INLINE 1/4FNPT 90M |
| 4    | 1   | 610569   | 6 SECT, 5 FUCTN HYD VLV, EATON |
| 5    | 1   | 611121   | 9/16MJIC-1/4MNPT ADPTR         |
| 6    | 10  | 618119   | 9/16MJIC-90-9/16MOR LBO        |
| 7    | 4   | 618126   | 9/16MJIC-9/16MOR ADPTR         |
| 8    | 1   | 618440   | 9/16MJIC-90-9/16MOR EX LG LBO  |
| 9    | 4   | 618514   | 9/16FJ SW BRANCH TEE-9/16MJ    |
| 10   | 1   | 618562   | 9/16MOR-90-1/4MNPT LBO         |
| 11   | 2   | 610574   | VALVE SECTION ASSY FOR 610569  |
| 12   | 2   | 610575   | SOLENOID COIL ASSY FOR 610569  |
| 13   | 2   | 610576   | SOLENOID CASE FOR 610569       |
| 14   | 2   | 610577   | SOLENOID CASE NUT FOR 610569   |
| 15   | 8   | 610578   | SECTION O-RING FOR 610569      |
| 16   | 4   | 610579   | 7-SECTION TIE STUD FOR 610569  |
| 17   | 4   | 470118   | 1/4UNC X 3/4 FLANGED HEX BOLT  |
| 18   | 4   | 470121   | 1/4UNC HEX FLANGED LOCK NUT    |
| 19   | 1   | 610459   | FILTER ELEMENT FOR 610447 90M  |
| 20   | 1   | 610462   | GASKET FOR 610447 ARROW FILT   |
| 21   | 2   | 618486   | 9/16FJIC SW RUN TEE-9/16MJIC   |
| 22   | 2   | 618618   | 9/16MJIC-90-9/16FJIC SWIV LBO  |
| 23   | 4   | 610598   | 8-SECTION TIE STUD FOR 610569  |

NOTE: 610584 - VALVE SECTION KIT INCLUDES ONE OF  
DETAIL 11, 12, 13, 14, AND FOUR OF DETAIL 15.

LIFTARM ASSEMBLY

DET. QTY PART NO. DESCRIPTION

|    |    |        |                                |    |
|----|----|--------|--------------------------------|----|
| 1  | 2  | 160471 | LWR LIFT ARM WLD 8540-8250     | 87 |
| 2  | 1  | 160495 | RH LIFT ARM MT WLD 280         | 89 |
| 3  | 1  | 160496 | LH LIFT ARM MT WLD 280         | 89 |
| 4  | 12 | 160691 | BUSH LIFT ARM LONG 470         |    |
| 5  | 8  | 160921 | BUSHING, CYL MT-LIFT ARMS5/8   |    |
| 6  | 1  | 164297 | UPPER LIFT ARM WLD, 284        | 97 |
| 7  | 3  | 164056 | HYD TUBE KPR, UPR LIFT ARM 94  |    |
| 8  | 15 | 470121 | 1/4UNC HEX FLANGE LOCK NUT     |    |
| 9  | 2  | 620580 | LIFT CYL ASSY W/FTGS           | 96 |
| 10 | 15 | 900003 | 1/4UNC X 1" HEX BOLT           |    |
| 11 | 6  | 900333 | 5/8UNC X 1 1/2 HEX BOLT        |    |
| 12 | 4  | 900340 | 5/8UNC X 3 1/2 HEX BOLT        |    |
| 13 | 8  | 900343 | 5/8UNC X 4 1/2 HEX BOLT        |    |
| 14 | 18 | 914010 | 5/8UNC HEX STOVER NUT          |    |
| 15 | 1  | 615637 | LIFT HYD TUBE ASSY,UP 254/284  |    |
| 16 | 1  | 615638 | LIFT HYD TUBE ASSY,DN 254/284  |    |
| 17 | 1  | 615639 | LEVEL HYD TUBE ASSY,UP254/284  |    |
| 18 | 1  | 615640 | LEVEL HYD TUBE ASSY, DN254/284 |    |
| 19 | 1  | 615641 | FOLD HYD TUBE ASSY, IN 254/284 |    |
| 20 | 1  | 615642 | FOLD HYD TUBE ASSY,OUT254/284  |    |
| 21 | 3  | 164102 | FOLD BOOM HYD TUBE KPR         | 96 |
| 22 | 1  | 615683 | FOLD BOOM HYD TUBE ASSY, OUT   |    |
| 23 | 1  | 615682 | FOLD BOOM HYD TUBE ASSY, IN    |    |

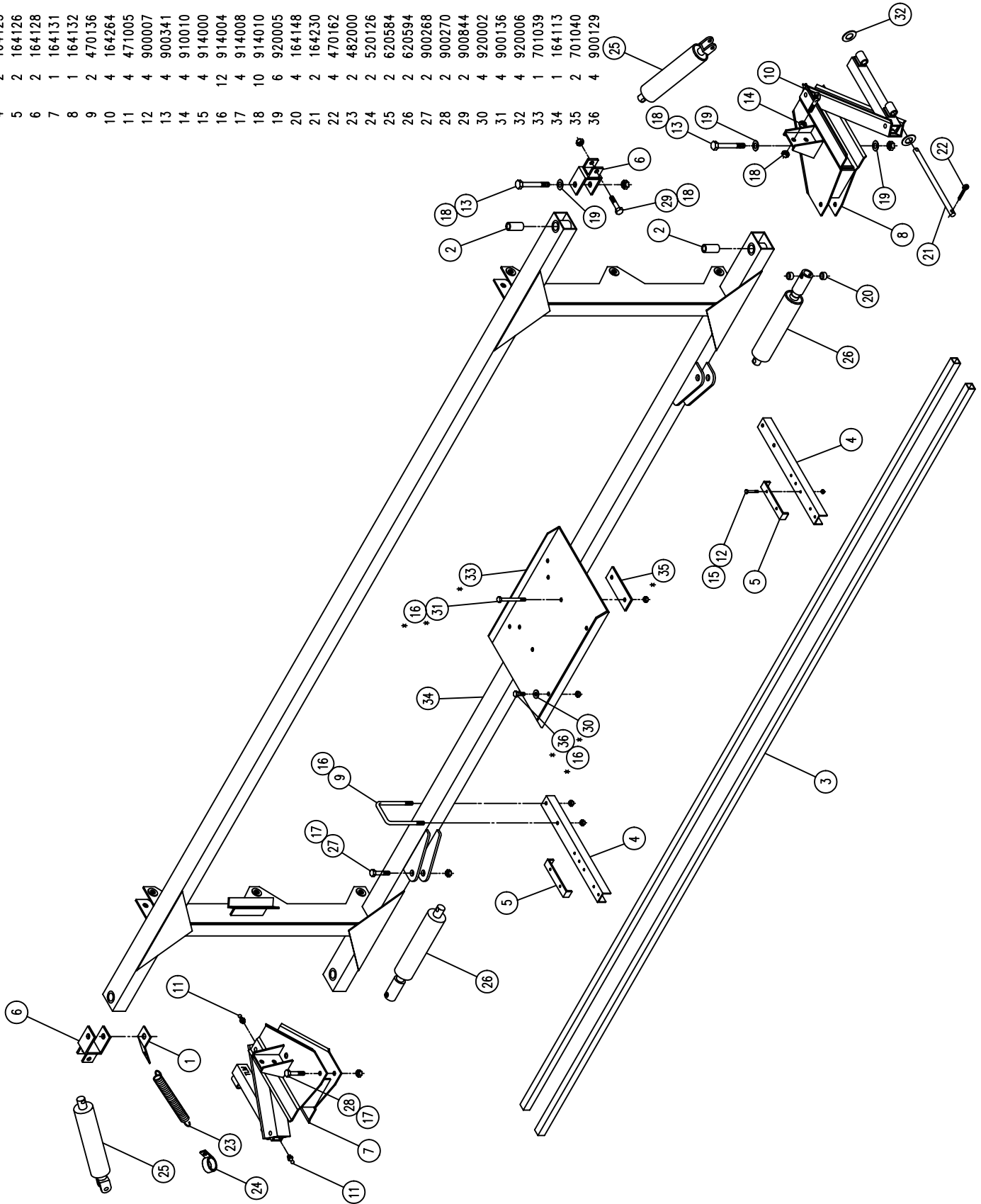


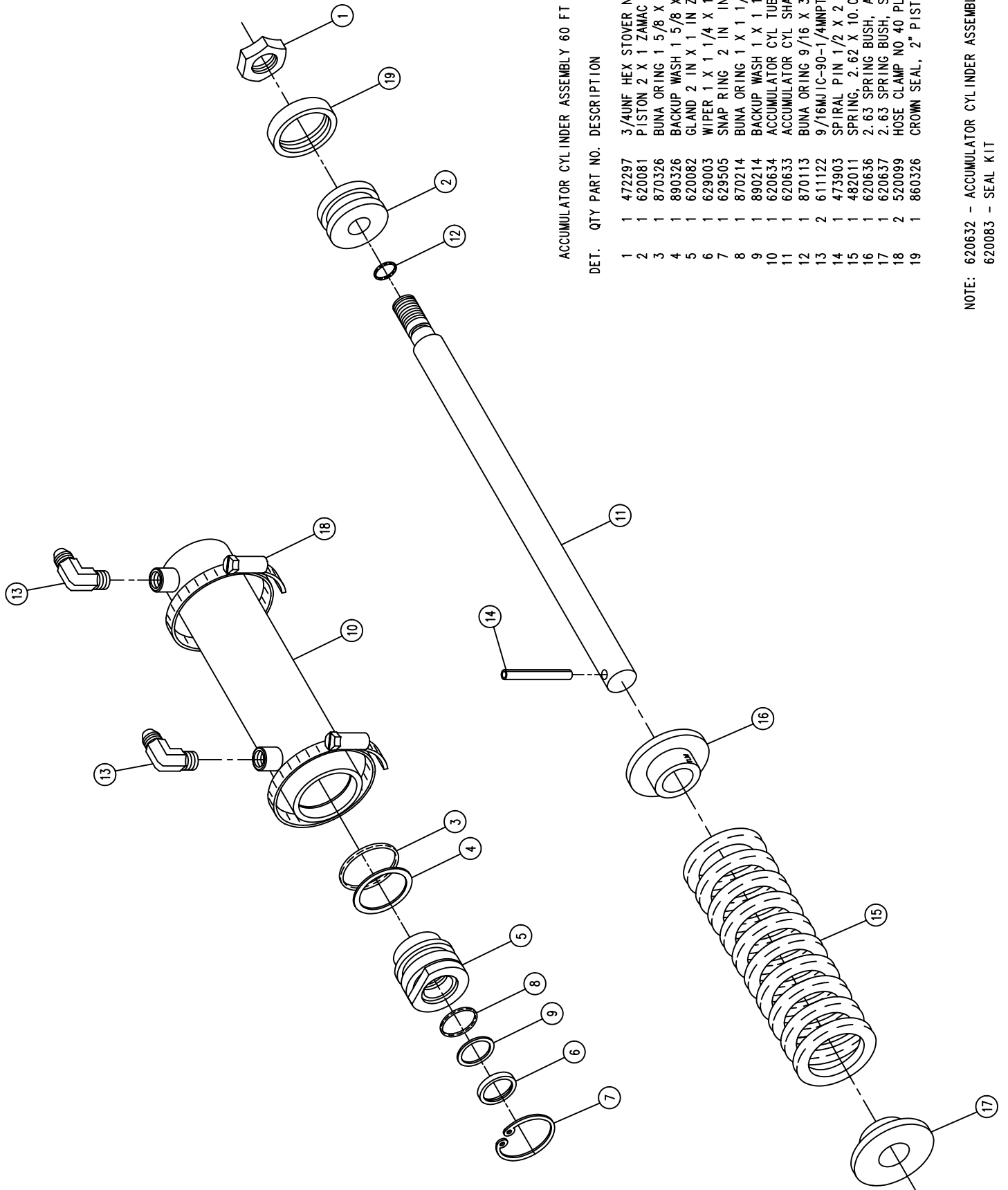


TRANSOM ASSEMBLY

NOTE: DETAILS MARKED WITH A (\*) ARE USED WITH THE FOAM MARKER OPTION.

| DET. | QTY | PART NO. | DESCRIPTION                     |
|------|-----|----------|---------------------------------|
| 1    | 2   | 160429   | FEEDER HOSE SUPPORT SPRING MT   |
| 2    | 4   | 160691   | BUSH LIFT ARM LONG 470          |
| 3    | 2   | 164123   | NOZL MT TUBE, 254/284 96        |
| 4    | 2   | 164125   | NOZL MT TUBE HANGER CHAN 96     |
| 5    | 2   | 164126   | NOZL MT TUBE CLAMP 254/284 96   |
| 6    | 2   | 164128   | LEVEL CYL PIVOT BRKT WLD 96     |
| 7    | 1   | 164131   | RH BOOM BREAKAWAY WLD 96        |
| 8    | 1   | 164132   | LH BOOM BREAKAWAY WLD 96        |
| 9    | 2   | 470136   | 3/8UNC-3 1/16 ID-3 SQ U-BOLT    |
| 10   | 4   | 164264   | 5/8UNC X 3" EYE BOLT            |
| 11   | 4   | 471005   | 1/4 28 X 1/2 GREASE ZERK        |
| 12   | 4   | 900007   | 1/4UNC X 2 HEX BOLT             |
| 13   | 4   | 900341   | 5/8UNC X 3 3/4 HEX BOLT         |
| 14   | 4   | 910010   | 5/8UNC HEX NUT                  |
| 15   | 4   | 914000   | 1/4UNC HEX STOVER NUT           |
| 16   | 12  | 914004   | 3/8UNC HEX STOVER NUT           |
| 17   | 4   | 914008   | 1/2UNC HEX STOVER NUT           |
| 18   | 10  | 914010   | 5/8UNC HEX STOVER NUT           |
| 19   | 6   | 920005   | 5/8 FLAT WASH SAE               |
| 20   | 4   | 164148   | FOLD CYL/BREAKAWAY SPACER 96    |
| 21   | 2   | 164230   | BOOM PIVOT PIN, .75 X 13.31 96  |
| 22   | 4   | 470162   | COTTER PIN 3/16 X 1 1/2 SQCUT   |
| 23   | 2   | 482000   | SPRING, .930D X 8.5LG, .072WIRE |
| 24   | 2   | 520126   | CUSH HOSE CLAMP 2IN X 5/8W      |
| 25   | 2   | 620584   | LEVEL CYL ASSY W/FTGS 96        |
| 26   | 2   | 620594   | FOLD CYL ASSY W/FTGS 96         |
| 27   | 2   | 900268   | 1/2UNC X 2 1/2 HEX BOLT         |
| 28   | 2   | 900270   | 1/2UNC X 3 HEX BOLT             |
| 29   | 2   | 900844   | 5/8UNC X 2 3/4 HEX BOLT GR8     |
| 30   | 4   | 920002   | WASH FLAT 3/8 SAE               |
| 31   | 4   | 900136   | 3/8UNC X 3 HEX BOLT             |
| 32   | 4   | 920006   | 3/4 FLAT WASH SAE               |
| 33   | 1   | 701039   | FOAM MARKER BASE CHAN, TRANSOM  |
| 34   | 1   | 164113   | TRANSOM WLD, 254/284 96         |
| 35   | 2   | 701040   | FOAM MARKER BASE KPR, TRANSOM   |
| 36   | 4   | 900129   | 3/8UNC X 1 HEX BOLT             |



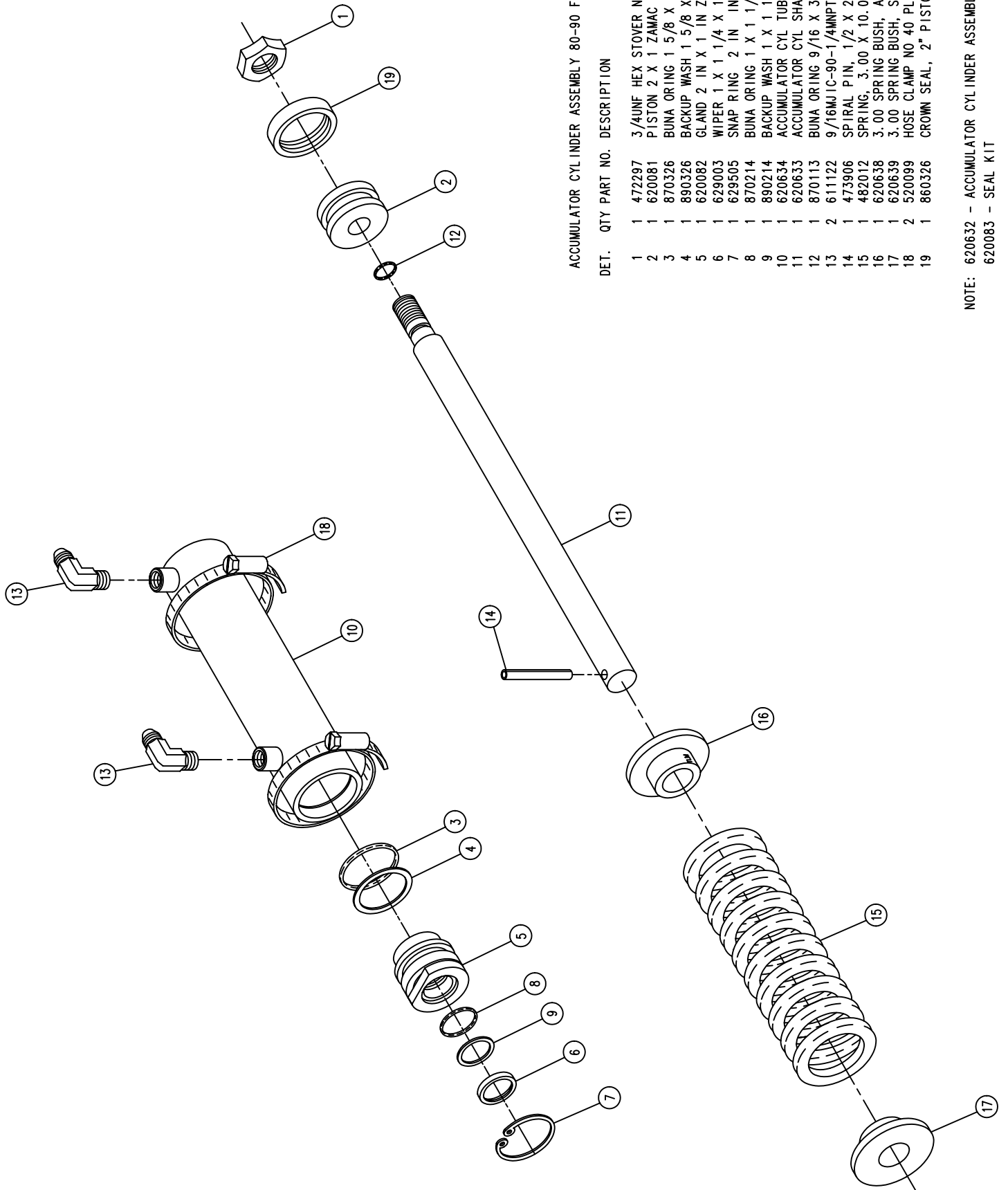


ACCUMULATOR CYLINDER ASSEMBLY 60 FT BOOM

DET. QTY PART NO. DESCRIPTION

| DET. | QTY | PART NO. | DESCRIPTION                   |
|------|-----|----------|-------------------------------|
| 1    | 1   | 472297   | 3/4UNF HEX STOVER NUT THIN    |
| 2    | 1   | 620081   | PISTON 2 X 1 ZAMAC ORING TYPE |
| 3    | 1   | 870326   | BUNA ORING 1 5/8 X 2          |
| 4    | 1   | 890326   | BACKUP WASH 1 5/8 X 2 LEATH   |
| 5    | 1   | 620082   | GLAND 2 IN X 1 IN ZAMAC       |
| 6    | 1   | 629003   | WIPER 1 X 1 1/4 X 1/8         |
| 7    | 1   | 629505   | SNAP RING 2 IN INTRN          |
| 8    | 1   | 870214   | BUNA ORING 1 X 1 1/4          |
| 9    | 1   | 890214   | BACKUP WASH 1 X 1 1/4 HT2022  |
| 10   | 1   | 620634   | ACCUMULATOR CYL TUBE MLD 96   |
| 11   | 1   | 620633   | ACCUMULATOR CYL SHAFT 96      |
| 12   | 1   | 870113   | BUNA ORING 9/16 X 3/4         |
| 13   | 2   | 611122   | 9/16MJIC-90-1/4MNPT LBO       |
| 14   | 1   | 473903   | SPIRAL PIN 1/2 X 2 640        |
| 15   | 1   | 482011   | SPRING, 2.62 X 10.00 COMPRN   |
| 16   | 1   | 620636   | 2.63 SPRING BUSH, ALUM 96     |
| 17   | 1   | 620637   | 2.63 SPRING BUSH, STEEL 96    |
| 18   | 2   | 520099   | HOSE CLAMP NO 40 PLATED       |
| 19   | 1   | 860326   | CROWN SEAL, 2" PISTON, HYD    |

NOTE: 620632 - ACCUMULATOR CYLINDER ASSEMBLY 1-12  
 620083 - SEAL KIT



ACCUMULATOR CYLINDER ASSEMBLY 80-90 FT BOOM

DET. QTY PART NO. DESCRIPTION

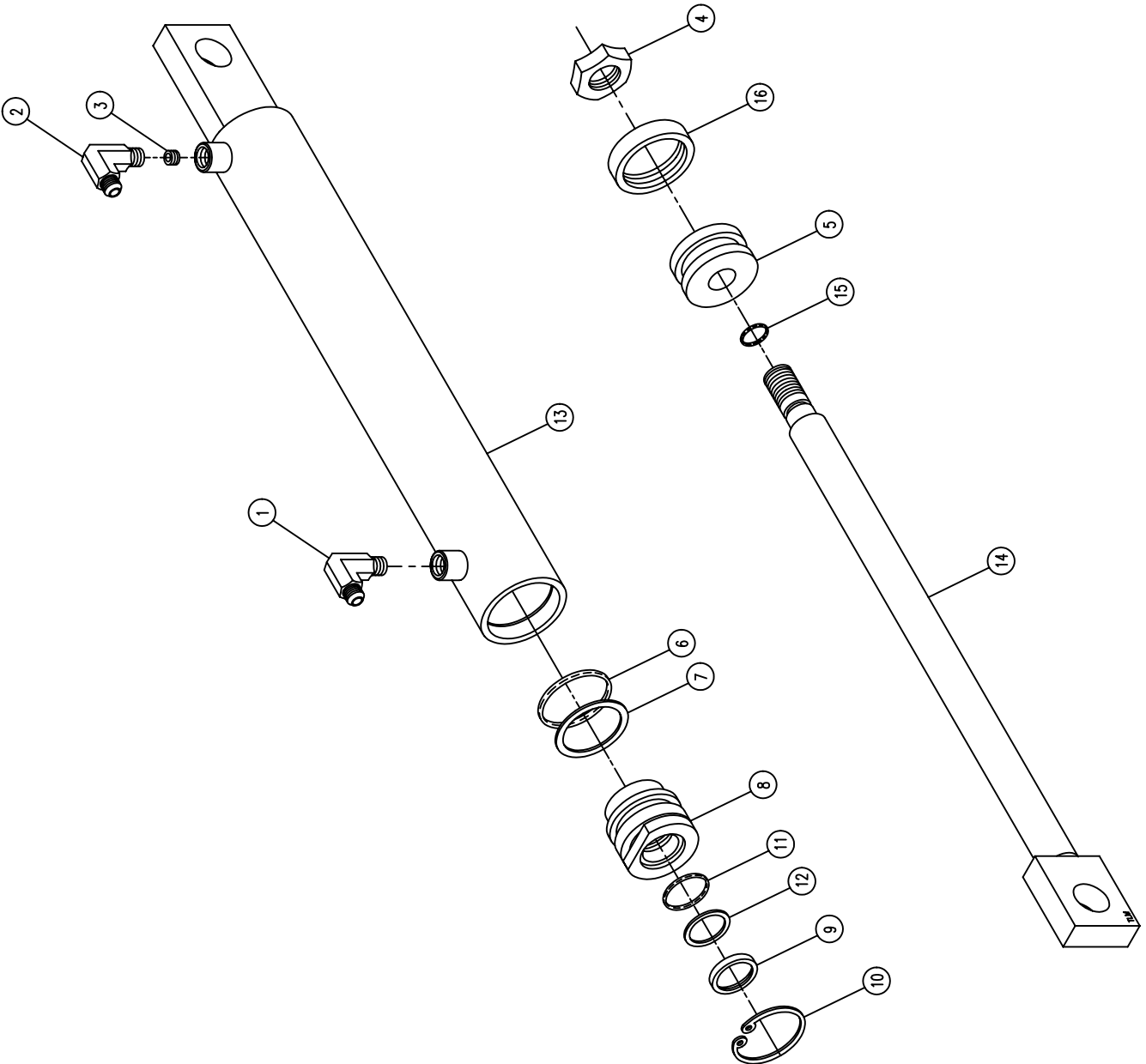
| DET. | QTY | PART NO. | DESCRIPTION                   |
|------|-----|----------|-------------------------------|
| 1    | 1   | 472297   | 3/4UNF HEX STOVER NUT THIN    |
| 2    | 1   | 620081   | PISTON 2 X 1 ZAMAC ORING TYPE |
| 3    | 1   | 870326   | BUNA ORING 1 5/8 X 2          |
| 4    | 1   | 890326   | BACKUP WASH 1 5/8 X 2 LEATH   |
| 5    | 1   | 620082   | GLAND 2 IN X 1 IN ZAMAC       |
| 6    | 1   | 629003   | WIPER 1 X 1 1/4 X 1/8         |
| 7    | 1   | 629505   | SNAP RING 2 IN INTRN          |
| 8    | 1   | 870214   | BUNA ORING 1 X 1 1/4          |
| 9    | 1   | 890214   | BACKUP WASH 1 X 1 1/4 HT2022  |
| 10   | 1   | 620634   | ACCUMULATOR CYL TUBE WLD 96   |
| 11   | 1   | 620633   | ACCUMULATOR CYL SHAFT 96      |
| 12   | 1   | 870113   | BUNA ORING 9/16 X 3/4         |
| 13   | 2   | 611122   | 9/16MJIC-90-1/4MNPT LBO       |
| 14   | 1   | 473906   | SPIRAL PIN, 1/2 X 2 1/2 LG    |
| 15   | 1   | 482012   | SPRING, 3.00 X 10.00 COMPRSN  |
| 16   | 1   | 620638   | 3.00 SPRING BUSH, ALUM 96     |
| 17   | 1   | 620639   | 3.00 SPRING BUSH, STEEL 96    |
| 18   | 2   | 520099   | HOSE CLAMP NO 40 PLATED       |
| 19   | 1   | 860326   | CROWN SEAL, 2" PISTON, HYD    |

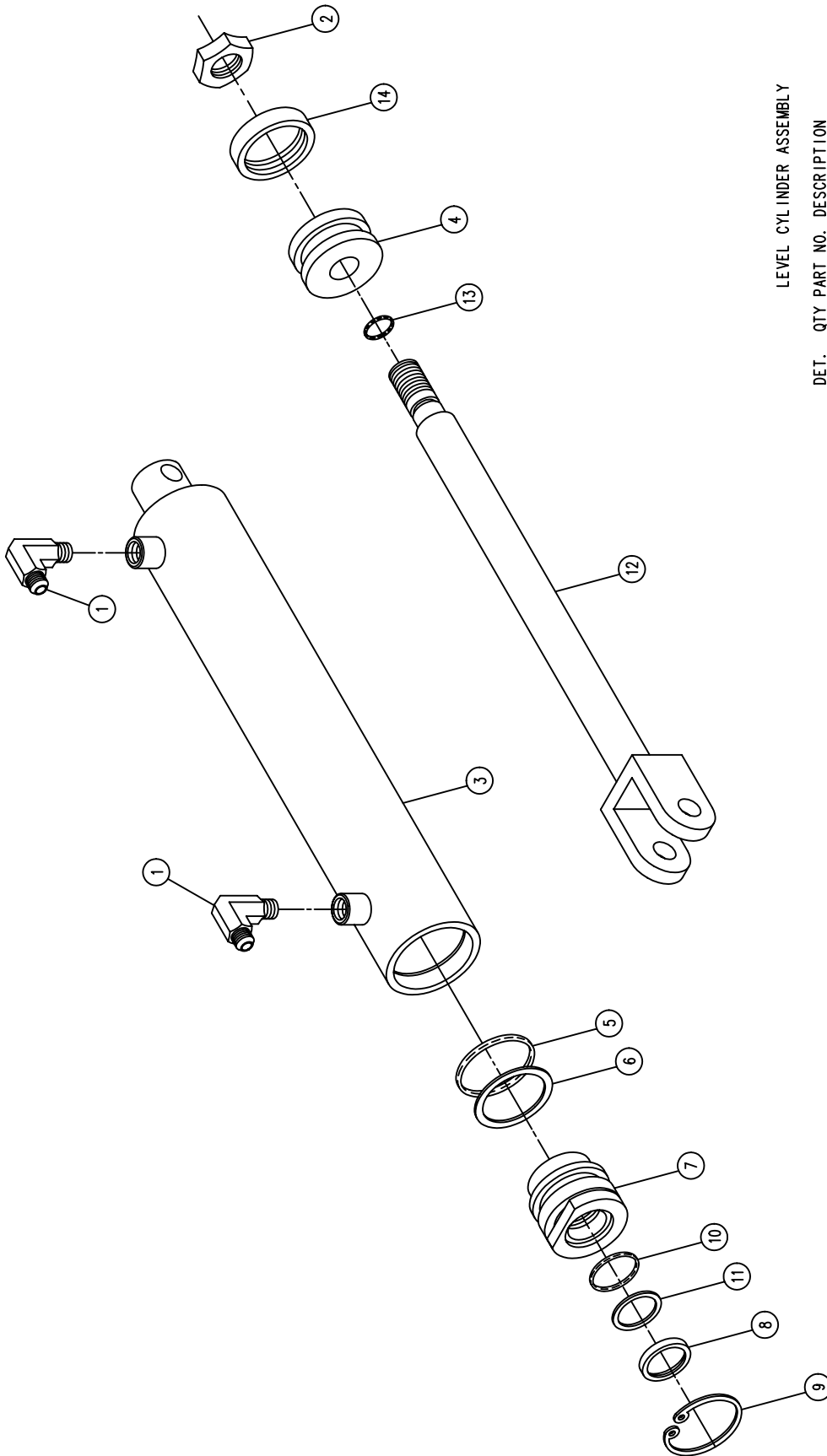
NOTE: 620632 - ACCUMULATOR CYLINDER ASSEMBLY 1-12  
620083 - SEAL KIT

LIFT CYLINDER ASSEMBLY

| DET. | QTY | PART NO. | DESCRIPTION                    |
|------|-----|----------|--------------------------------|
| 1    | 1   | 611122   | 9/16MJIC-90-1/4MNPT LBO        |
| 2    | 1   | 440338   | 9/16 JIC W/90X1/4 NPT TAPPED   |
| 3    | 1   | 614366   | RESTRICTOR SCREW, .042 DIA     |
| 4    | 1   | 472297   | 3/4UNF HEX STOVER NUT THIN     |
| 5    | 1   | 620081   | PISTON 2 X 1 ZAMAC ORING TYPE  |
| 6    | 1   | 870326   | BUNA ORING 1 5/8 X 2           |
| 7    | 1   | 890326   | BACKUP WASH 1 5/8 X 2 LEATH    |
| 8    | 1   | 620126   | GLAND 2.00 OD X 1.25 ID, ALUM  |
| 9    | 1   | 629002   | WIPER 1 1/4 X 1 1/2 X 1/8      |
| 10   | 1   | 629505   | SNAP RING 2 IN INTRN           |
| 11   | 1   | 870218   | BUNA ORING 1 1/4 X 1 1/2       |
| 12   | 1   | 890218   | BACKUP WASH 1 1/4X1 1/2 HT2022 |
| 13   | 1   | 620514   | LIFT CYL TUBE WLD 94           |
| 14   | 1   | 620582   | LIFT CYL SHAFT WLD HD 96       |
| 15   | 1   | 870113   | BUNA ORING 9/16 X 3/4          |
| 16   | 1   | 860326   | CROWN SEAL, 2" PISTON, HYD     |

NOTE: 1. 620581 - LIFT CYLINDER ASSEMBLY  
 2. 620580 - LIFT CYLINDER ASSEMBLY WITH FITTINGS  
 3. 614365 - RESTRICTOR ELBOW ASSEMBLY  
 4. 620132 - SEAL KIT





LEVEL CYLINDER ASSEMBLY

DET. QTY PART NO. DESCRIPTION

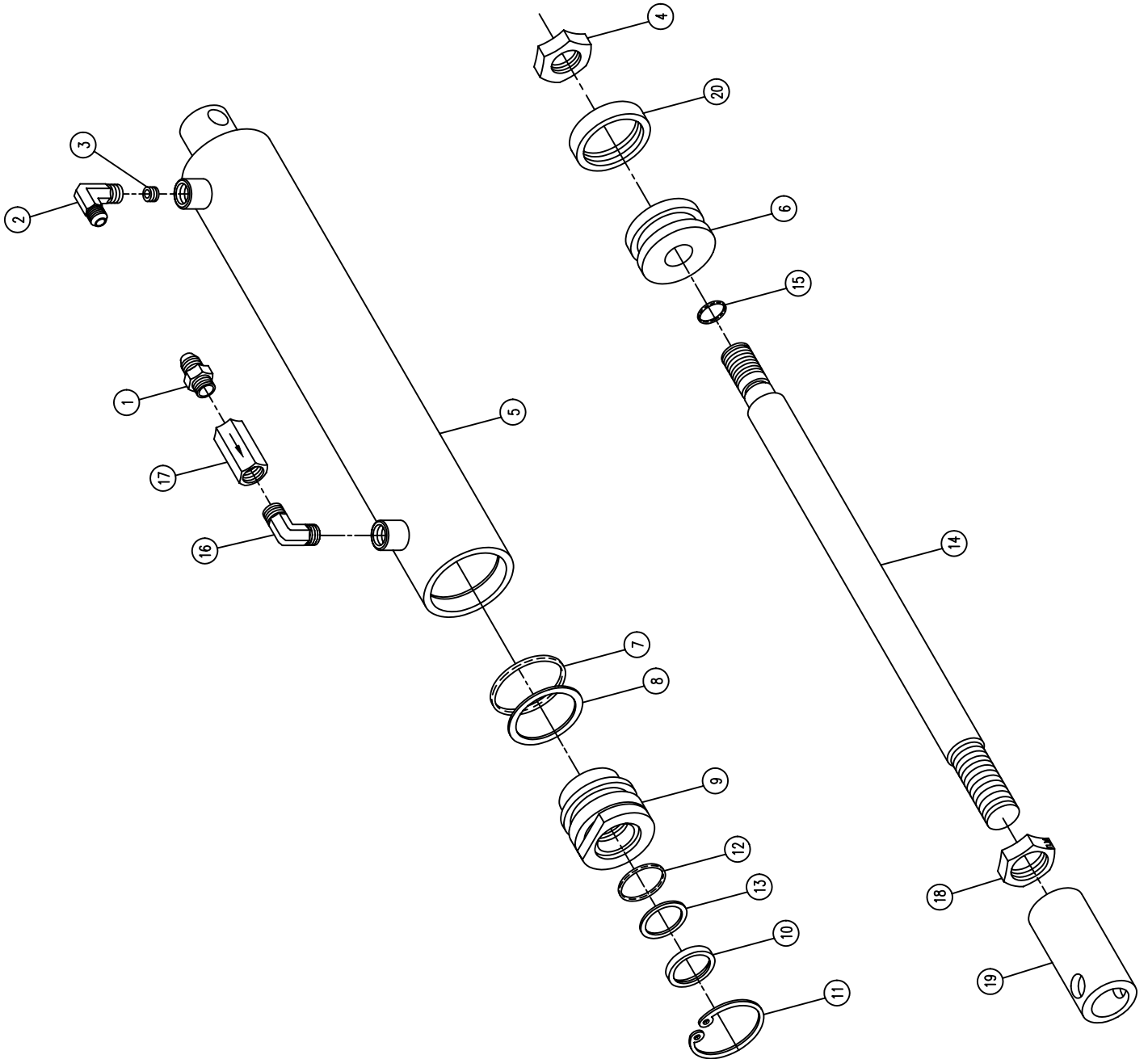
|    |   |        |                                 |
|----|---|--------|---------------------------------|
| 1  | 2 | 611122 | 9/16M JIC-90-1/4MNPT LB0        |
| 2  | 1 | 472297 | 3/4UNF HEX STOVER NUT THIN      |
| 3  | 1 | 620586 | LEVEL CYL TUBE WLD 96           |
| 4  | 1 | 620081 | PISTON 2 X 1 ZAMAC ORING TYPE   |
| 5  | 1 | 870326 | BUNA ORING 1 5/8 X 2            |
| 6  | 1 | 890326 | BACKUP WASH 1 5/8 X 2 LEATH     |
| 7  | 1 | 620082 | GLAND 2 IN X 1 IN ZAMAC         |
| 8  | 1 | 629003 | WIPER 1 X 1 1/4 X 1/8           |
| 9  | 1 | 629505 | SNAP RING 2 IN INTRN            |
| 10 | 1 | 870214 | BUNA ORING 1 X 1 1/4            |
| 11 | 1 | 890214 | BACKUP WASH 1 X 1 1/4 HT2022 96 |
| 12 | 1 | 620591 | LEVEL CYL SHAFT WLD             |
| 13 | 1 | 870113 | BUNA ORING 9/16 X 3/4           |
| 14 | 1 | 860326 | CROWN SEAL, 2" PISTON, HYD      |

NOTE: 1. 620585 - LEVEL CL INDER ASSEMBLY  
 2. 620584 - LEVEL CYLINDER ASSEMBLY W/FTGS  
 3. 620083 - SEAL KIT

FOLD CYLINDER ASSEMBLY

| DET. | QTY | PART NO. | DESCRIPTION                    |
|------|-----|----------|--------------------------------|
| 1    | 1   | 618018   | 9/16MJIC-1/2MNPT ADPTR         |
| 2    | 1   | 440338   | 9/16 JIC W/90X1/4 NPT TAPPED   |
| 3    | 1   | 614366   | RESTRICTOR SCREW, .042 DIA     |
| 4    | 1   | 472297   | 3/4UNF HEX STOVER NUT THIN     |
| 5    | 1   | 620053   | TUBE WLD, 2 IN FOLD & LEVEL    |
| 6    | 1   | 620081   | PISTON 2 X 1 ZAMAC ORING TYPE  |
| 7    | 1   | 870326   | BUNA ORING 1 5/8 X 2           |
| 8    | 1   | 890326   | BACKUP WASH 1 5/8 X 2 LEATH    |
| 9    | 1   | 620082   | GLAND 2 IN X 1 IN ZAMAC        |
| 10   | 1   | 629003   | WIPER 1 X 1 1/4 X 1/8          |
| 11   | 1   | 629505   | SNAP RING 2 IN INTRN           |
| 12   | 1   | 870214   | BUNA ORING 1 X 1 1/4           |
| 13   | 1   | 890214   | BACKUP WASH 1 X 1 1/4 HT2022   |
| 14   | 1   | 620596   | FOLD CYL SHAFT                 |
| 15   | 1   | 870113   | BUNA ORING 9/16 X 3/4          |
| 16   | 1   | 618633   | 1/2MNPT-90-1/4MNPT REDU LBO    |
| 17   | 1   | 610450   | RESTRICTOR .025 1-WAY, 1/2FNPT |
| 18   | 1   | 472322   | 7/8UNF HEX JAM NUT             |
| 19   | 1   | 620597   | FOLD CYL ADJ SLEEVE 96         |
| 20   | 1   | 860326   | CROWN SEAL, 2" PISTON, HYD     |

NOTE: 1. 620595 - FOLD CLINDER ASSEMBLY  
 2. 620594 - FOLD CYLINDER ASSEMBLY WITH FITTINGS  
 3. 614365 - RESTRICTOR ELBOW ASSEMBLY  
 4. 620083 - SEAL KIT

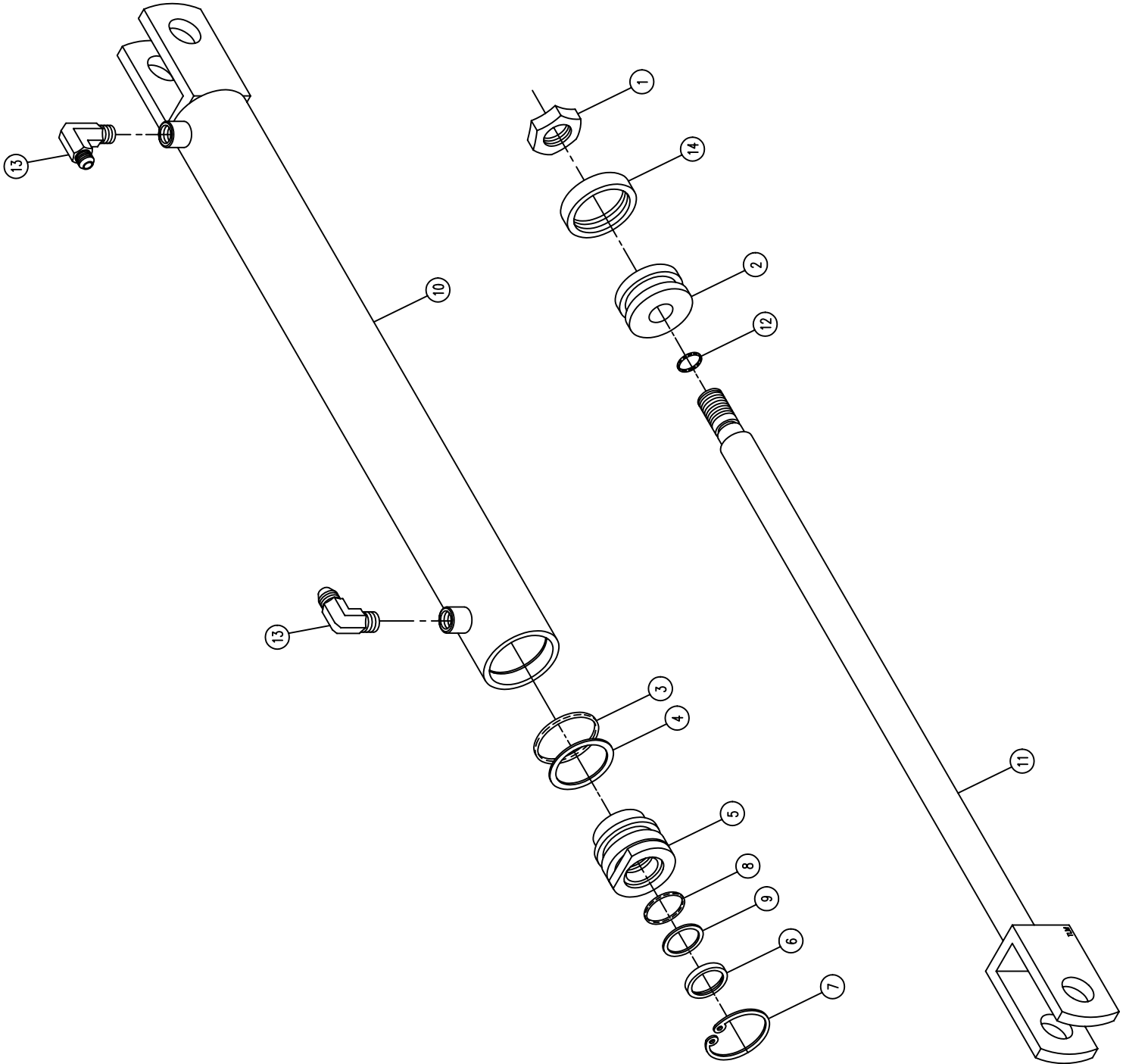


BOOM EXTENSION FOLD CYLINDER ASSEMBLY

DET. QTY PART NO. DESCRIPTION

| DET. | QTY | PART NO. | DESCRIPTION                   |
|------|-----|----------|-------------------------------|
| 1    | 1   | 472297   | 3/4UNF HEX STOVER NUT THIN    |
| 2    | 1   | 620081   | PISTON 2 X 1 ZAMAC ORING TYPE |
| 3    | 1   | 870326   | BUNA ORING 1 5/8 X 2          |
| 4    | 1   | 890326   | BACKUP WASH 1 5/8 X 2 LEATH   |
| 5    | 1   | 620082   | GLAND 2 IN X 1 IN ZAMAC       |
| 6    | 1   | 629003   | WIPER 1 X 1 1/4 X 1/8         |
| 7    | 1   | 629505   | SNAP RING 2 IN INTRN          |
| 8    | 1   | 870214   | BUNA ORING 1 X 1 1/4          |
| 9    | 1   | 890214   | BACKUP WASH 1 X 1 1/4 HT2022  |
| 10   | 1   | 620901   | TUBE WLD CC2016 DOO SRG 180   |
| 11   | 1   | 620905   | SHAFT WLD CC2016 DOO SRG180   |
| 12   | 1   | 870113   | BUNA ORING 9/16 X 3/4         |
| 13   | 2   | 614365   | RESTRICTOR ELBOW ASSY .042DIA |
| 14   | 1   | 860326   | CROWN SEAL, 2" PISTON, HYD    |

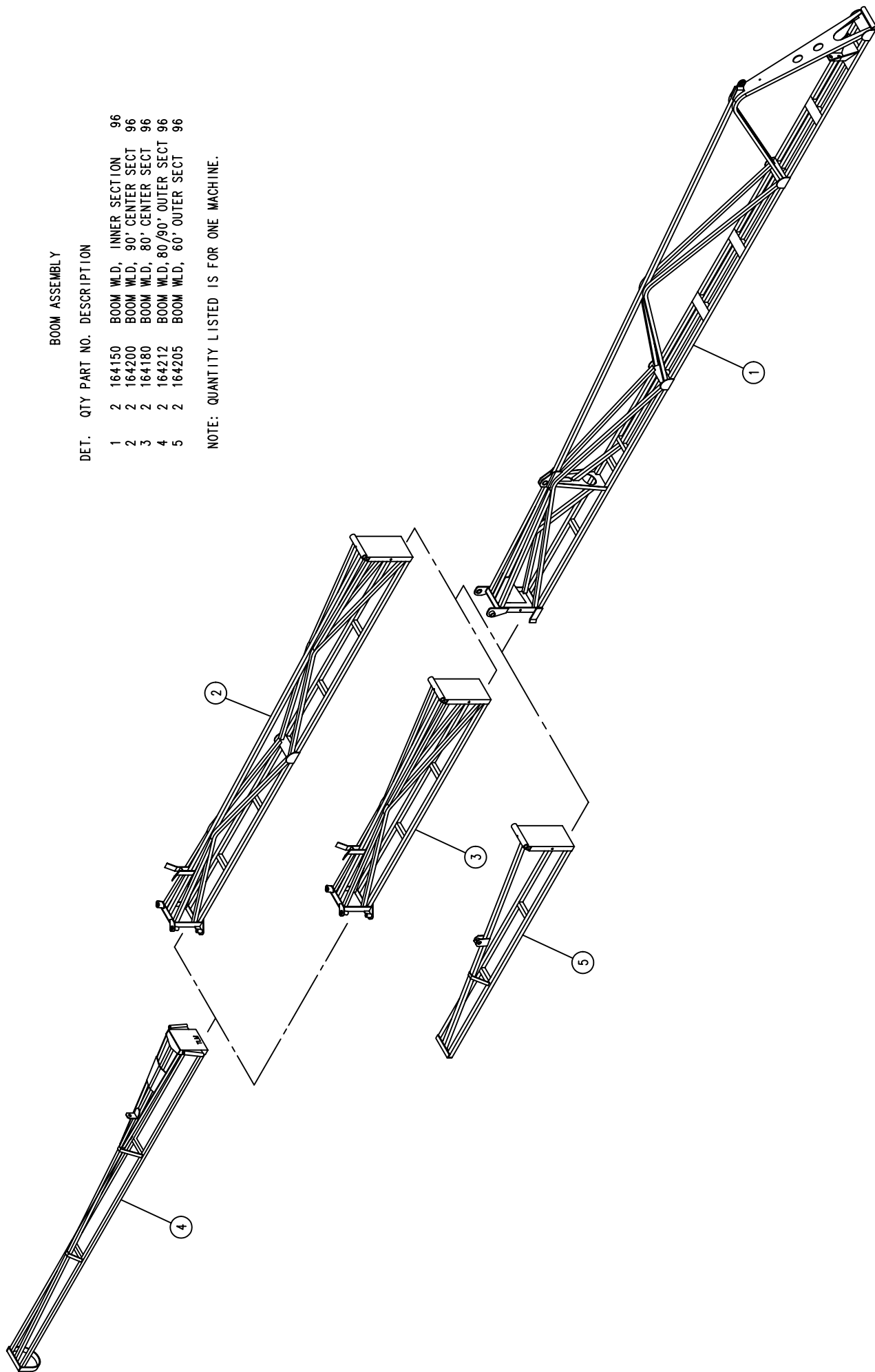
NOTE: 620900 - LIFT CYLINDER INCLUDES ITEMS 1-12.  
620083 - SEAL KIT



BOOM ASSEMBLY

| DET. | QTY | PART NO. | DESCRIPTION                    |
|------|-----|----------|--------------------------------|
| 1    | 2   | 164150   | BOOM WLD, INNER SECTION 96     |
| 2    | 2   | 164200   | BOOM WLD, 90° CENTER SECT 96   |
| 3    | 2   | 164180   | BOOM WLD, 80° CENTER SECT 96   |
| 4    | 2   | 164212   | BOOM WLD, 80/90° OUTER SECT 96 |
| 5    | 2   | 164205   | BOOM WLD, 60° OUTER SECT 96    |

NOTE: QUANTITY LISTED IS FOR ONE MACHINE.

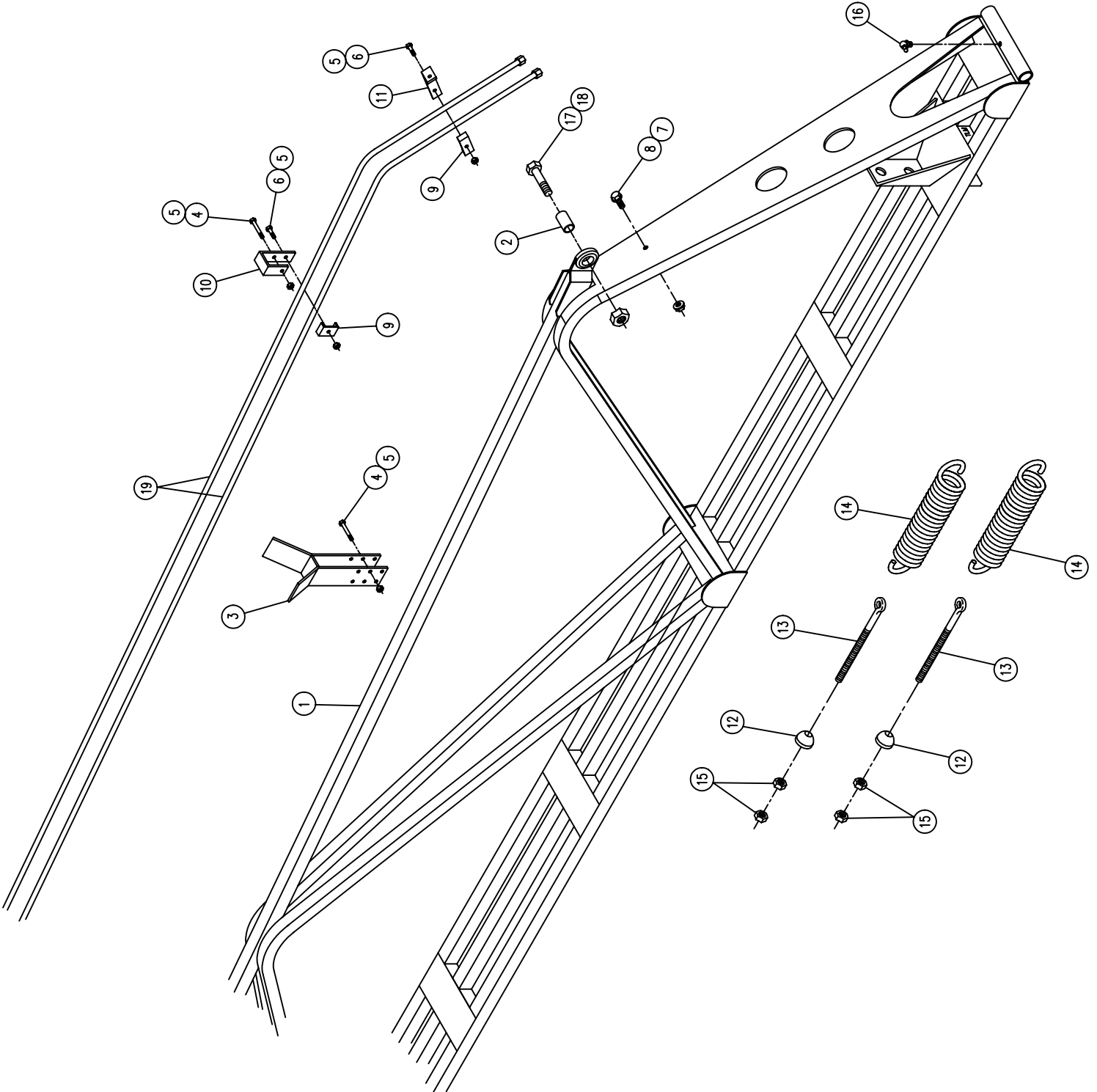




INNER BOOM ASSEMBLY

| DET. | QTY | PART NO. | DESCRIPTION                   |
|------|-----|----------|-------------------------------|
| 1    | 1   | 164150   | BOOM WLD, INNER SECTION 96    |
| 2    | 1   | 164227   | BOOM BALL JOINT BUSH 96       |
| 3    | 1   | 164266   | OUTER BOOM SUPP WLD.80/90° 96 |
| 4    | 7   | 900007   | 1/4UNC X 2" HEX BOLT          |
| 5    | 11  | 914000   | 1/4UNC HEX STOWER NUT         |
| 6    | 4   | 900003   | 1/4UNC X 1" HEX BOLT          |
| 7    | 1   | 470121   | 1/4UNC HEX FLANGE LOCK NUT    |
| 8    | 1   | 470118   | 1/4UNC X 3/4 FLANGE HEX BOLT  |
| 9    | 4   | 164102   | FOLD BOOM HYD TUBE KPR 96     |
| 10   | 3   | 164242   | HYD TUBE HANGER CLEVIS,BOOM96 |
| 11   | 1   | 164243   | HYD TUBE HANGER ANGLE,BOOM 96 |
| 12   | 2   | 164263   | SWIVEL, 5/8 BOOM EYEBOLT      |
| 13   | 2   | 164265   | 5/8UNC X 7 1/2 EYE BOLT       |
| 14   | 2   | 482014   | SPRING,3.25 X 11.50 EXTENSION |
| 15   | 4   | 910010   | 5/8UNC HEX NUT                |
| 16   | 1   | 471028   | GREASE ZERK, 1/4-28 90DEG     |
| 17   | 1   | 900844   | 5/8UNC X 2 3/4 HEX BOLT CR8   |
| 18   | 1   | 914010   | 5/8UNC HEX STOWER NUT         |
| 19   | 2   | 615684   | HYD TUBE ASSY,BOOM EXT FOLD96 |

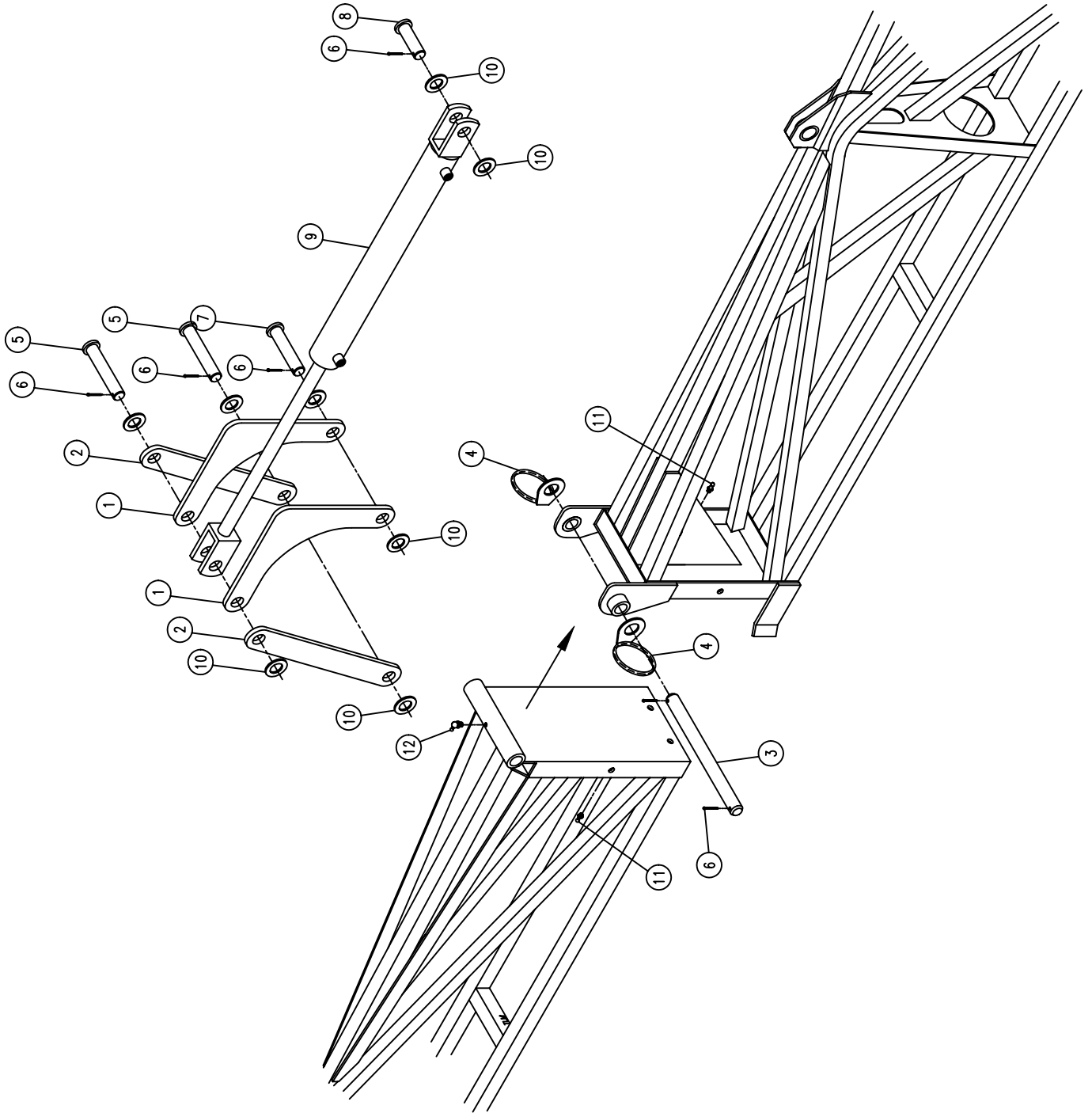
NOTE: 60 FOOT BOOM USES ONE SPRING

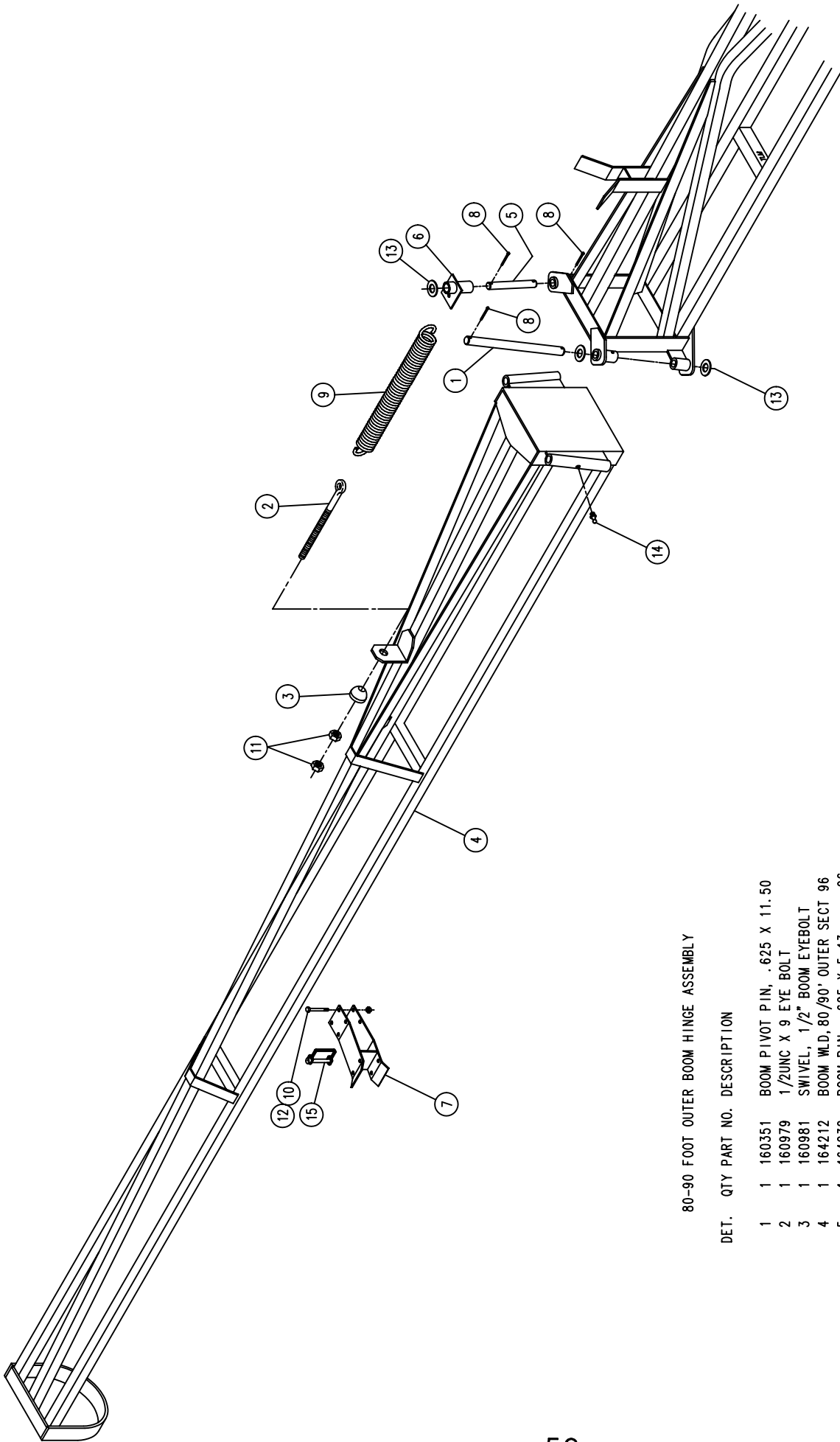


80-90 FOOT BOOM HINGE PIVOT ASSEMBLY

DET. QTY PART NO. DESCRIPTION

|    |   |        |                              |       |
|----|---|--------|------------------------------|-------|
| 1  | 2 | 164228 | FOLDING LINK, INNER BOOM     | 96    |
| 2  | 2 | 164229 | FOLDING LINK, BOOM CNTR SECT | 96    |
| 3  | 1 | 164231 | BOOM PIN, 1.00 X 11.88       | 96    |
| 4  | 2 | 438302 | HOSE SUPPORT RING W/WASHER   |       |
| 5  | 2 | 470155 | CLEVIS PIN, 1.00 X 4.00      | PLT   |
| 6  | 6 | 470162 | COTTER PIN 3/16 X 1 1/2      | SQCUT |
| 7  | 1 | 472012 | CLEVIS PIN, 1.00 X 3.25      | PLT   |
| 8  | 1 | 472270 | CLEVIS PIN, 1.00 X 2.50      | PLT   |
| 9  | 1 | 620900 | CYL ASSY CC2016 D00 SRG 180  |       |
| 10 | 8 | 920008 | 1" SAE FLAT WASHER, PLATED   |       |
| 11 | 2 | 471005 | 1/4 28 X 1/2 GREASE ZERK     |       |
| 12 | 1 | 471028 | GREASE ZERK, 1/4-28 90DEG    |       |





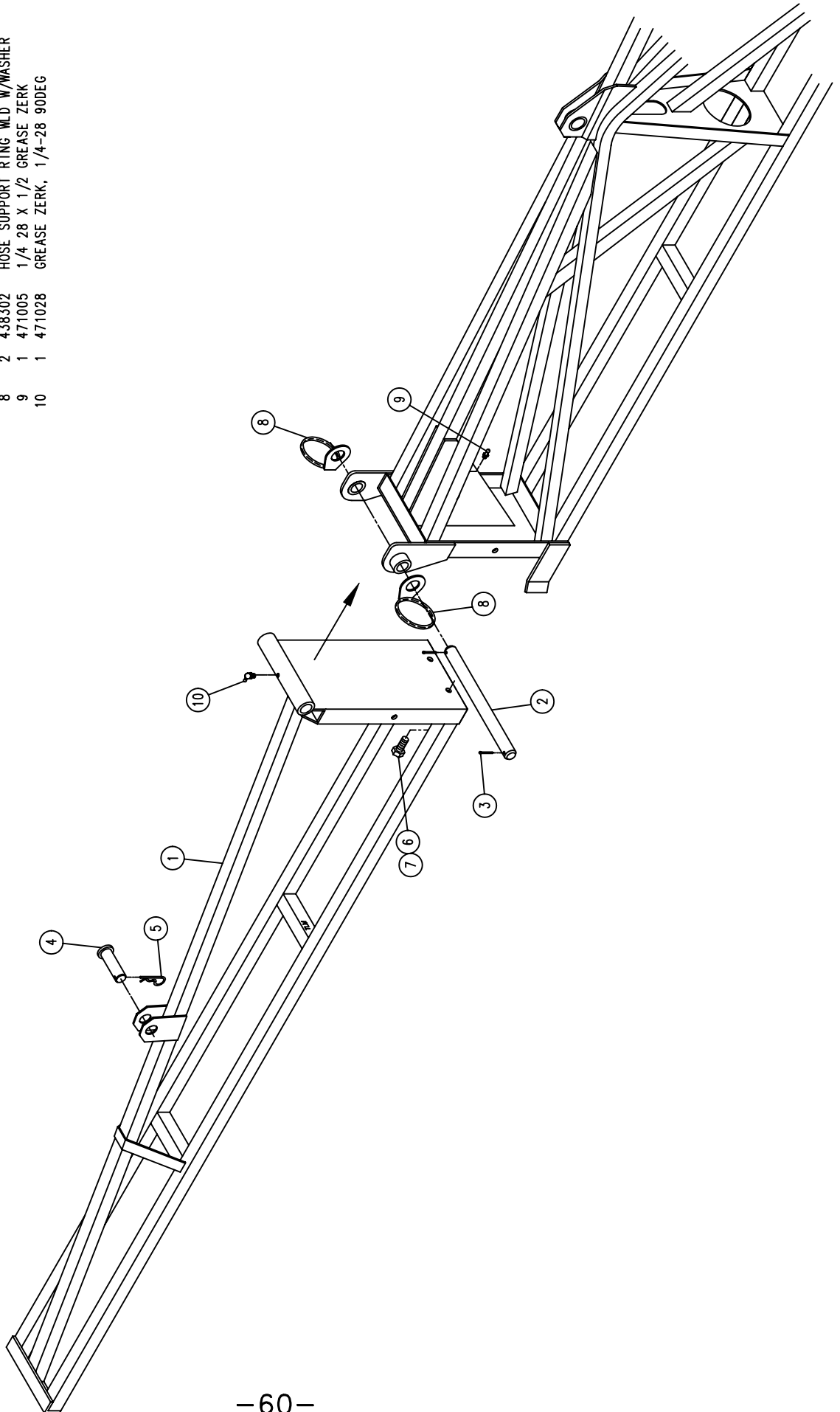
80-90 FOOT OUTER BOOM HINGE ASSEMBLY

DET. QTY PART NO. DESCRIPTION

|    |   |        |                                |
|----|---|--------|--------------------------------|
| 1  | 1 | 160351 | BOOM PIVOT PIN, .625 X 11.50   |
| 2  | 1 | 160979 | 1/2UNC X 9 EYE BOLT            |
| 3  | 1 | 160981 | SWIVEL, 1/2" BOOM EYEBOLT      |
| 4  | 1 | 164212 | BOOM WLD, 80/90' OUTER SECT 96 |
| 5  | 1 | 164232 | BOOM PIN, .625 X 5.13 96       |
| 6  | 1 | 164233 | SPRING HOOK WLD, OUTER BOOM 96 |
| 7  | 1 | 164236 | OUTER BOOM SUPPORT WLD 96      |
| 8  | 4 | 470162 | COTTER PIN 3/16 X 1 1/2 SOCKET |
| 9  | 1 | 482013 | SPRING, 2.50 X 17.00 EXTENSION |
| 10 | 4 | 900006 | 1/4UNC X 1 3/4 HEX BOLT        |
| 11 | 2 | 910008 | 1/2UNC HEX NUT                 |
| 12 | 4 | 914000 | 1/4UNC HEX STOVER NUT          |
| 13 | 3 | 920005 | 5/8 FLAT WASH SAE              |
| 14 | 1 | 471005 | 1/4 28 X 1/2 GREASE ZERK       |
| 15 | 1 | 473895 | 1/4 X 1 3/4 LYNCH PIN          |

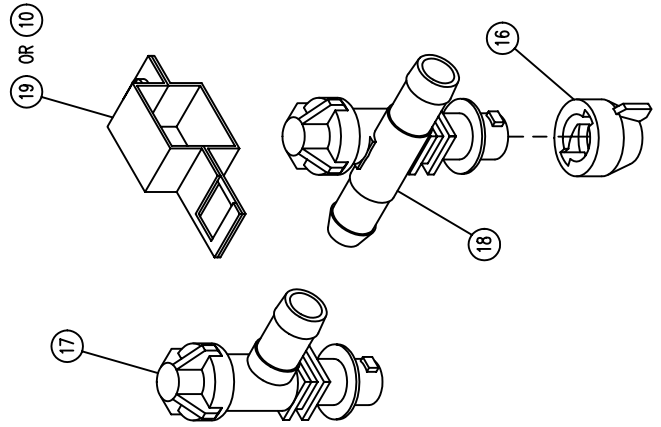
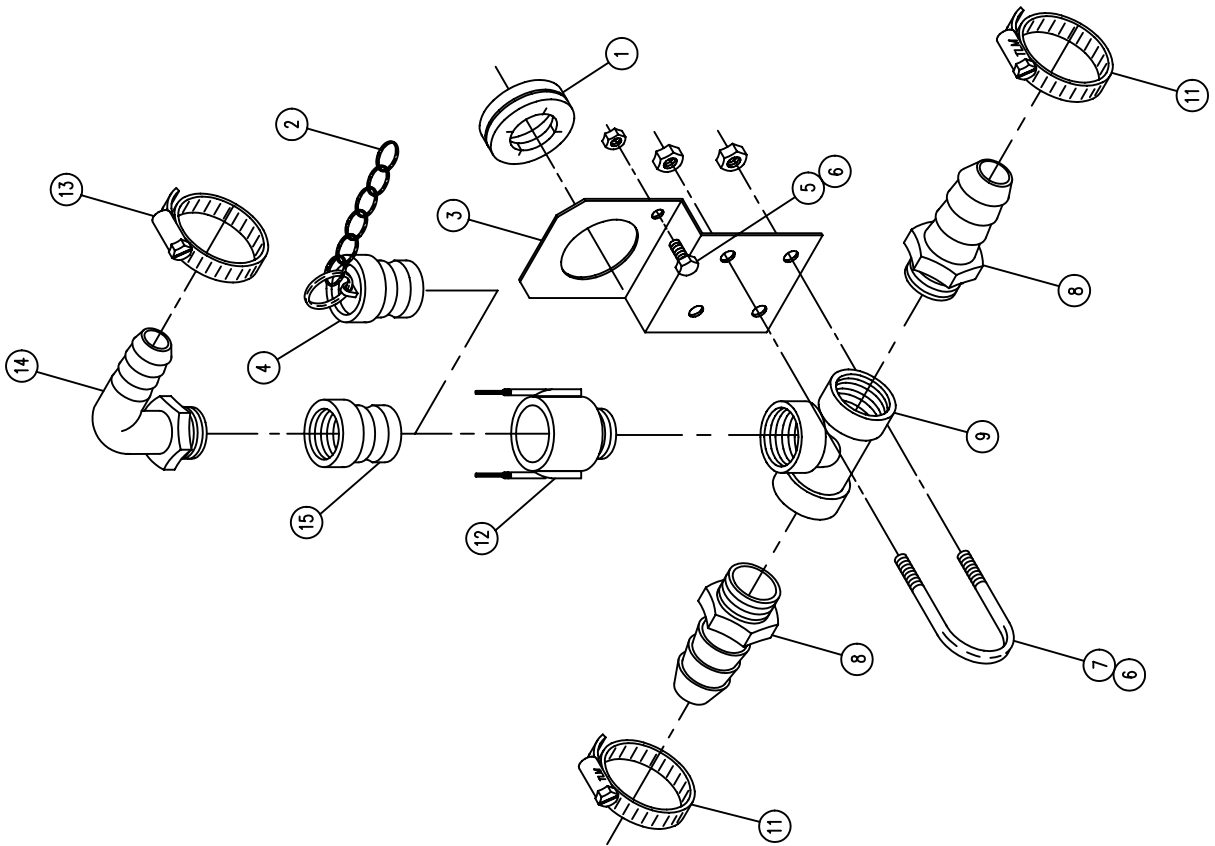
60 FOOT BOOM HINGE PIVOT ASSEMBLY

| DET. | QTY | PART NO. | DESCRIPTION                    |
|------|-----|----------|--------------------------------|
| 1    | 1   | 164205   | BOOM WLD, 60' OUTER SECT 96    |
| 2    | 1   | 164231   | BOOM PIN, 1.00 X 11.75 96      |
| 3    | 2   | 470162   | COTTER PIN 3/16 X 1 1/2 SOCUT  |
| 4    | 1   | 472276   | CLEVIS PIN, 1.00 X 2.00 PLT    |
| 5    | 1   | 611016   | HAIR PIN #6                    |
| 6    | 2   | 900128   | 3/8UNC X 3/4 HEX BOLT          |
| 7    | 2   | 914004   | 3/8UNC HEX STOVER NUT          |
| 8    | 2   | 438302   | HOSE SUPPORT RING WLD W/WASHER |
| 9    | 1   | 471005   | 1/4 28 X 1/2 GREASE ZERK       |
| 10   | 1   | 471028   | GREASE ZERK, 1/4-28 90DEG      |



BOOM FEEDER TEE ASSEMBLY

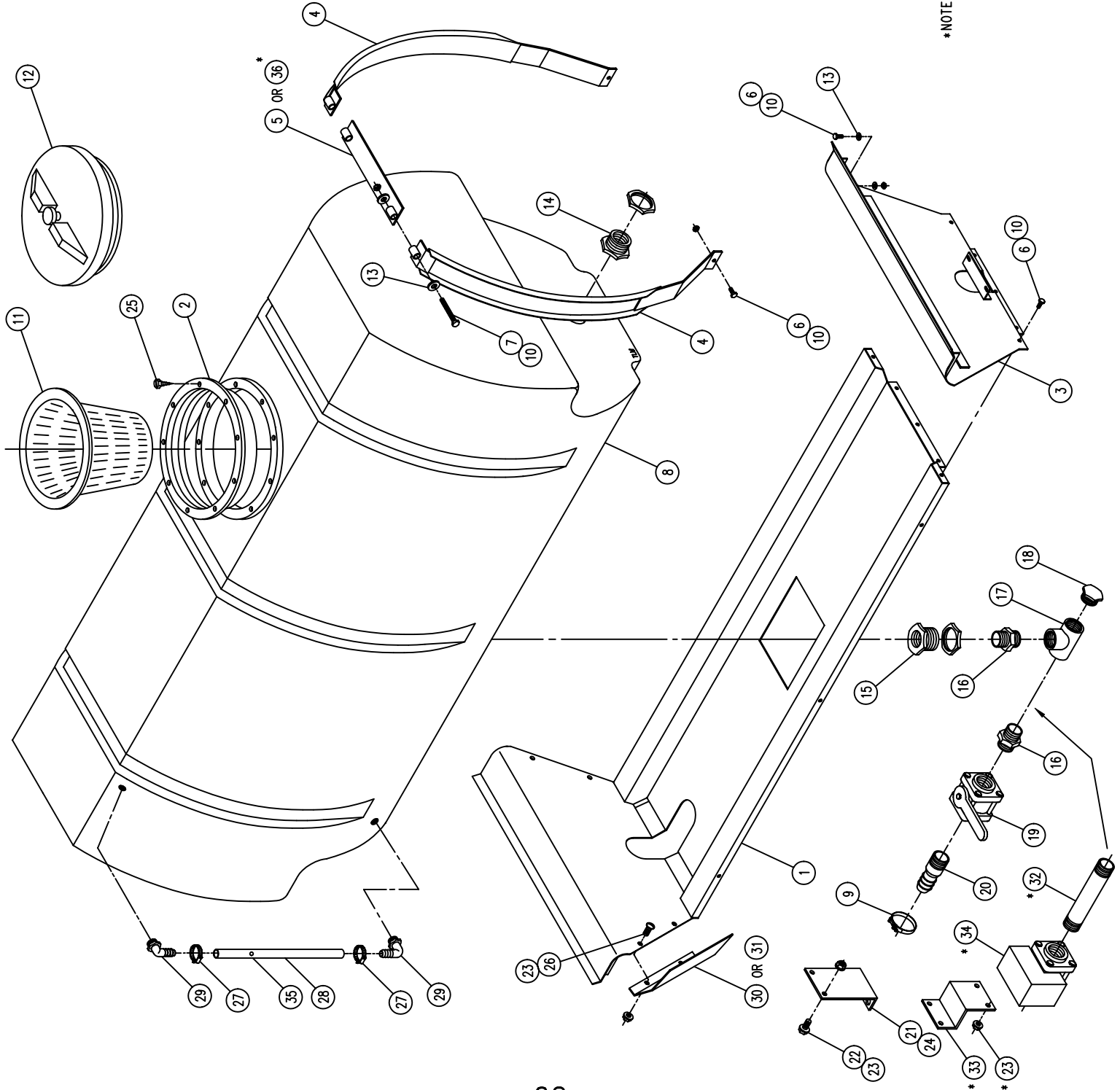
| DET. | QTY | PART NO. | DESCRIPTION                      |
|------|-----|----------|----------------------------------|
| 1    | 1   | 160015   | 2.06 ID GROMMET SLIT             |
| 2    | 1   | 160986   | CHAIN, 12.00 LONG                |
| 3    | 1   | 164262   | FEEDER T MTG BRKT                |
| 4    | 1   | 696204   | QUICK CONNECT PLUG, 3/4          |
| 5    | 1   | 900002   | 1/4UNC X 3/4 HEX BOLT            |
| 6    | 5   | 914000   | 1/4UNC HEX STOVER NUT            |
| 7    | 2   | 470237   | 1/4UNC-1 1/2ID-3 1/4 U-BOLT      |
| 8    | 2   | 500022   | 3/4NPT-3/4HOSE BARB, POLY        |
| 9    | 1   | 505218   | 3/4 NPT PIPE TEE, POLY           |
| 10   | 1   | 737817   | NOZL MT CLMP, 1.00 SQ SS, Q-TJET |
| 11   | 2   | 520055   | HOSE CLAMP NO 12 STAINLESS       |
| 12   | 1   | 696203   | QUICK CONNECT CPLR MALE 3/4      |
| 13   | 1   | 520087   | HOSE CLAMP NO 20 STAINLESS       |
| 14   | 1   | 500026   | 3/4NPT-90-1"HOSE BARB, POLY      |
| 15   | 1   | 696202   | QUICK CONNECT FEM ADPTR 3/4NP    |
| 16   | 1   | 737822   | QUICK TEEJET CAP YELLOW 19115    |
| 17   | 1   | 737829   | QUICK TJET EL BODY DIAPH .75     |
| 18   | 1   | 737830   | QUICK TJET TEE BODY DIAPH .75    |
| 19   | 1   | 737832   | NOZL MT CLMP, 1.25 SQ, SS Q-TJET |



POLY 400 GALLON SOLUTION TANK ASSEMBLY

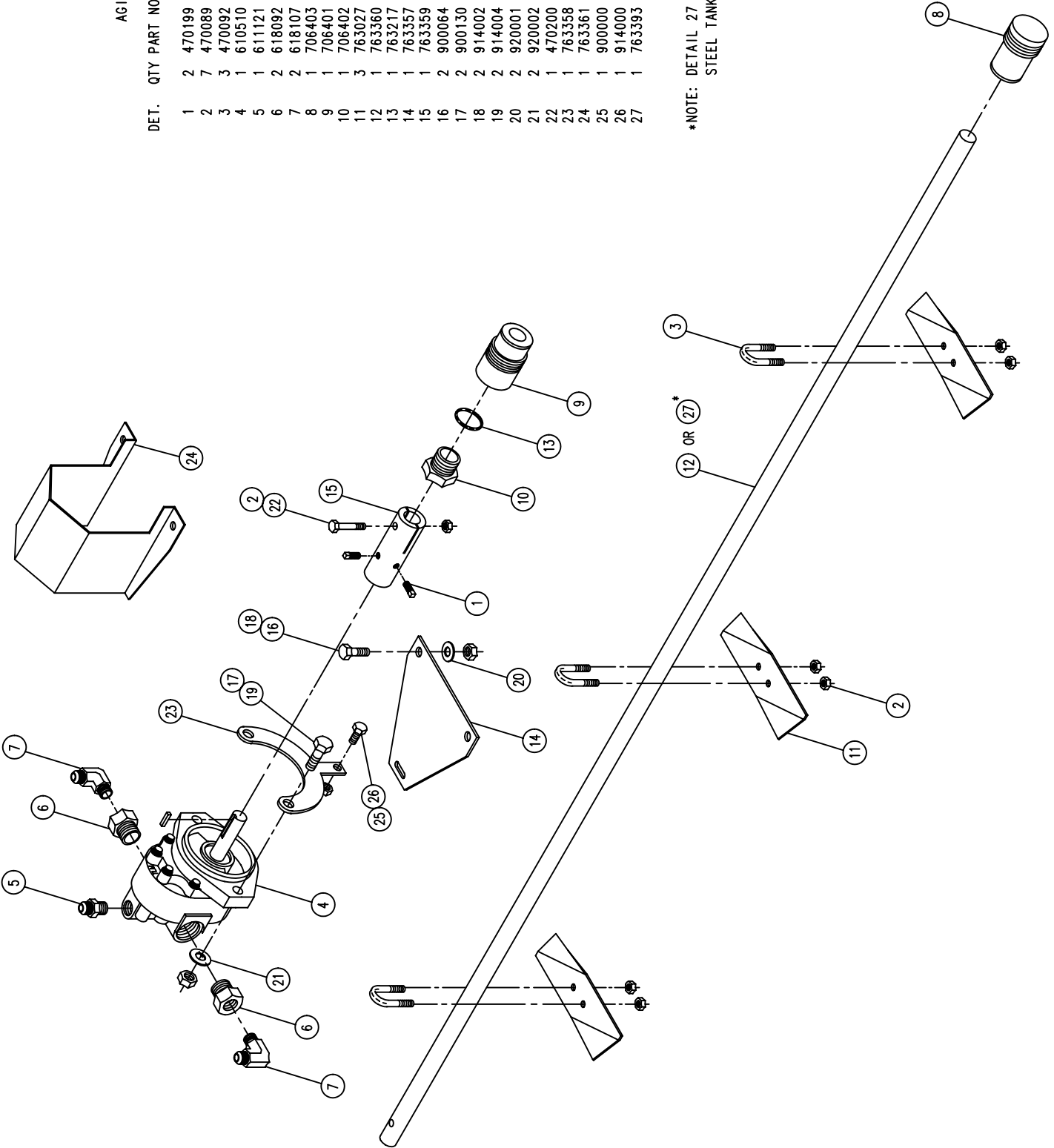
| DET. | QTY | PART NO. | DESCRIPTION                    |
|------|-----|----------|--------------------------------|
| 1    | 1   | 763434   | POLY TANK CRADLE WELD, 284 94  |
| 2    | 1   | 763409   | 10" THDD RING FOR TANK LID     |
| 3    | 1   | 763340   | REAR POLY CRADLE MT WLD280 90  |
| 4    | 6   | 763454   | TANK BAND WLD, 284 POLY 95     |
| 5    | 3   | 763456   | TANK BAND TIE WLD, 284 POLY 95 |
| 6    | 15  | 900129   | 3/8UNC X 1 HEX BOLT            |
| 7    | 6   | 906138   | 3/8UNC X 3 1/2 HEX BOLT FULL   |
| 8    | 1   | 763440   | 400 GAL POLY SOLU TANK 94      |
| 9    | 1   | 520133   | 1-.81/2.06 T-BOLT HOSE CLAMP   |
| 10   | 21  | 914004   | 3/8UNC HEX STOVER NUT          |
| 11   | 1   | 763431   | 8" STRAINER BASKET, SOLU TANK  |
| 12   | 1   | 763408   | LID, THDD W/VENT, POLY TANK    |
| 13   | 20  | 920002   | WASH FLAT 3/8 SAE              |
| 14   | 2   | 618548   | 1.25 PLASTIC FTG ASSY POLYTANK |
| 15   | 1   | 618604   | 1.50 PLASTIC FTG ASSY-POLYTANK |
| 16   | 2   | 500028   | 1/2NPT PIPE NIPPLE, POLY       |
| 17   | 1   | 500030   | 1/2"NPT PIPE TEE, POLY         |
| 18   | 1   | 500031   | 1/2NPT PIPE PLUG, POLY         |
| 19   | 1   | 696110   | BALL VALVE 1 1/2FNPT POLY      |
| 20   | 1   | 500032   | 1 1/2NPT X 1 1/2 H BARB, POLY  |
| 21   | 1   | 763363   | SOLU HOSE SUPPORT 280 POLY 91  |
| 22   | 2   | 470118   | 1/4UNC X 3/4 FLANGED HEX BOLT  |
| 23   | 6   | 470121   | 1/4UNC HEX FLANGED LOCK NUT    |
| 24   | 1   | 470000   | CABLE TIE, 21" BLACK PLASTIC   |
| 25   | 8   | 763410   | S.S. SCREW FOR CAP RING        |
| 26   | 2   | 472269   | 1/4UNCX1/2 FLT HD MACH SCREW   |
| 27   | 2   | 520069   | HOSE CLAMP NO 6 PLATED         |
| 28   | 1   | 601245   | HOSE, .50 X 42.00 SIGHT GAUGE  |
| 29   | 2   | 618556   | 1/4NPT-90-1/2 HOSE BARB,POLY   |
| 30   | 1   | 763436   | RH SIGHT GAGE SHLD,POLY284 94  |
| 31   | 1   | 763437   | LH SIGHT GAGE SHLD,POLY284 94  |
| 32   | 1   | 500029   | 1 1/2NPT X 6 PIPE NIPPLE,POLY  |
| 33   | 1   | 763445   | ELECT SOLU VLV SUPPORT 94      |
| 34   | 1   | 696161   | 1 1/2NPT ELECT SOLU VALVE      |
| 35   | 1   | 763446   | RED POLYPROPYLENE BALL 25/64"  |
| 36   | 3   | 763460   | BAND TIE/WALK MT WLD, 284 95   |

\*NOTE: ITEMS 23, 32, 33, AND 34 ARE USED WITH THE ELECTRIC SOLUTION VALVE OPTION.  
ITEM 36 IS USED WITH THE NARROW TREAD OPTION.



AGITATOR ASSEMBLY

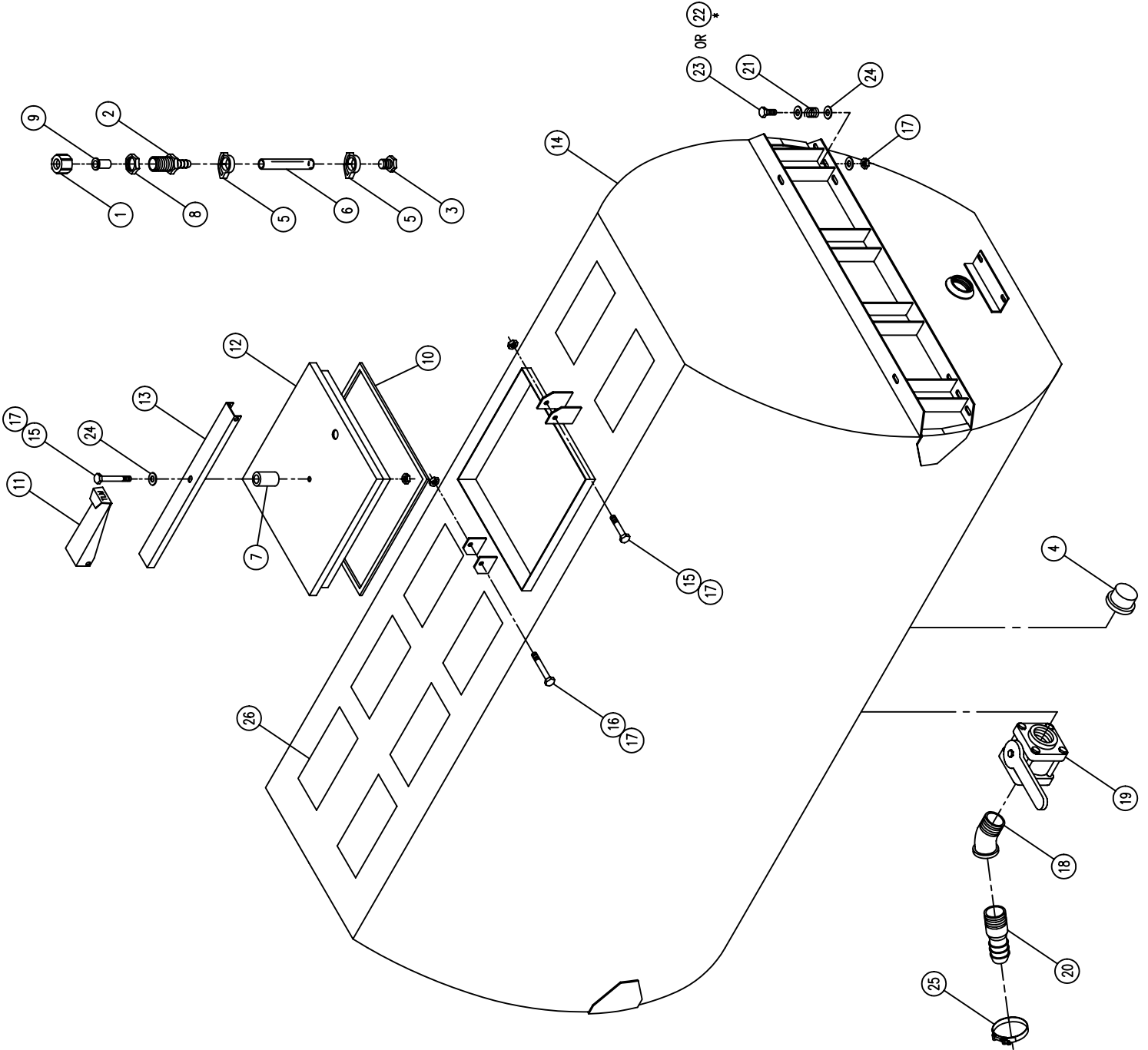
| DET. | QTY | PART NO. | DESCRIPTION                   |
|------|-----|----------|-------------------------------|
| 1    | 2   | 470199   | 1/4UNC X 3/8 SQHD CUP SET SCR |
| 2    | 7   | 470089   | 1/4UNC HEX LOC NUT NYL INS SS |
| 3    | 3   | 470092   | 1/4UNC-3/4ID-1 1/4 U-BOLT SS  |
| 4    | 1   | 610510   | CESSNA GEAR MOTOR 1.48CI      |
| 5    | 1   | 611121   | 9/16MJIC-1/4MNPT ADPTR        |
| 6    | 2   | 618092   | 1 1/16MOR-1/2FNPT ADPTR       |
| 7    | 2   | 618107   | 9/16MJIC-90-1/2MNPT LBO       |
| 8    | 1   | 706403   | FRT AGIT SHFT BRG, NYLON      |
| 9    | 1   | 706401   | REAR AGIT SHFT BRG, NYLON     |
| 10   | 1   | 706402   | AGIT SHFT GLAND NUT, NYLON    |
| 11   | 3   | 763027   | AGIT IMPELLER                 |
| 12   | 1   | 763360   | AGIT SHAFT 280                |
| 13   | 1   | 763217   | GLAND PACKING, 13 IN. LONG    |
| 14   | 1   | 763357   | AGIT MTR MT PLT CES 280 91    |
| 15   | 1   | 763359   | AGIT MTR CPLR 280 91          |
| 16   | 2   | 900084   | 5/16UNC X 3/4 HEX BOLT        |
| 17   | 2   | 900130   | 3/8UNC X 1 1/4 HEX BOLT       |
| 18   | 2   | 914002   | 5/16UNC HEX STOVER NUT        |
| 19   | 2   | 914004   | 3/8UNC HEX STOVER NUT         |
| 20   | 2   | 920001   | 5/16 SAE FLAT WASHER          |
| 21   | 2   | 920002   | 3/8 SAE FLAT WASHER           |
| 22   | 1   | 470200   | 1/4UNC X 1 3/4 HEX BOLT SS    |
| 23   | 1   | 763358   | AGIT MTR MT YOKE CES 280 91   |
| 24   | 1   | 763361   | AGIT CPLR SHIELD 280 91       |
| 25   | 1   | 900000   | 1/4UNC X 1/2 HEX BOLT         |
| 26   | 1   | 914000   | 1/4UNC HEX STOVER NUT         |
| 27   | 1   | 763393   | AGIT SHAFT 250 91             |



STAINLESS STEEL SOLUTION TANK ASSEMBLY

DET. QTY PART NO. DESCRIPTION

|    |    |        |                               |
|----|----|--------|-------------------------------|
| 1  | 1  | 500005 | CAP NUT .688FPS NYLON         |
| 2  | 1  | 500006 | .38 H BARB X .69 MPS NYLON    |
| 3  | 1  | 500007 | FTG. 12 MNPT HEX PLUG NYLON   |
| 4  | 1  | 507100 | PIPE CAP 1.50NPT              |
| 5  | 2  | 520003 | HOSE CLAMP NO 6 PLASTIC SNAP  |
| 6  | 1  | 601216 | SPRAY TANK VENT HOSE .38X3.50 |
| 7  | 1  | 601231 | HOSE, 3/4 X 2 HI PRESS EPDM   |
| 8  | 1  | 737858 | TEE AND EL NUT .688 FPS       |
| 9  | 1  | 738859 | STRAINER 50 MESH NYLON        |
| 10 | 1  | 760651 | TANK LID GSKT 647             |
| 11 | 1  | 763163 | SPRAY TANK LATCH HANDLE 647S  |
| 12 | 1  | 763164 | SPRAY TANK LID WLD 647S       |
| 13 | 1  | 763166 | TANK LID CHAN 647-S SIDE      |
| 14 | 1  | 763294 | SS SPRAY TANK WLD 400 GAL 280 |
| 15 | 2  | 900134 | 3/8UNC X 2 1/2 HEX BOLT       |
| 16 | 1  | 900138 | 3/8UNC X 3 1/2 HEX BOLT       |
| 17 | 7  | 914004 | 3/8UNC HEX STOVER NUT         |
| 18 | 1  | 507024 | BLK PIPE ST EL 45DEG 1.50NPT  |
| 19 | 1  | 696110 | BALL VALVE 1 1/2FNPT POLY     |
| 20 | 1  | 716003 | 1 1/2 X 1 1/2 HOSE BARB       |
| 21 | 2  | 499001 | SPRING HYDRO CONTROL          |
| 22 | 2  | 900129 | 3/8UNC X 1 HEX BOLT           |
| 23 | 2  | 900170 | 3/8UNC X 2 1/4 HEX BOLT       |
| 24 | 11 | 920002 | WASH FLAT 3/8 SAE             |
| 25 | 1  | 520133 | 1.81/2.06 T-BOLT HOSE CLAMP   |
| 26 | 8  | 659677 | 4X9 SAFETY WALK               |



\*NOTE: HARDWARE SHOWN IS FOR REAR OF SOLUTION TANK.

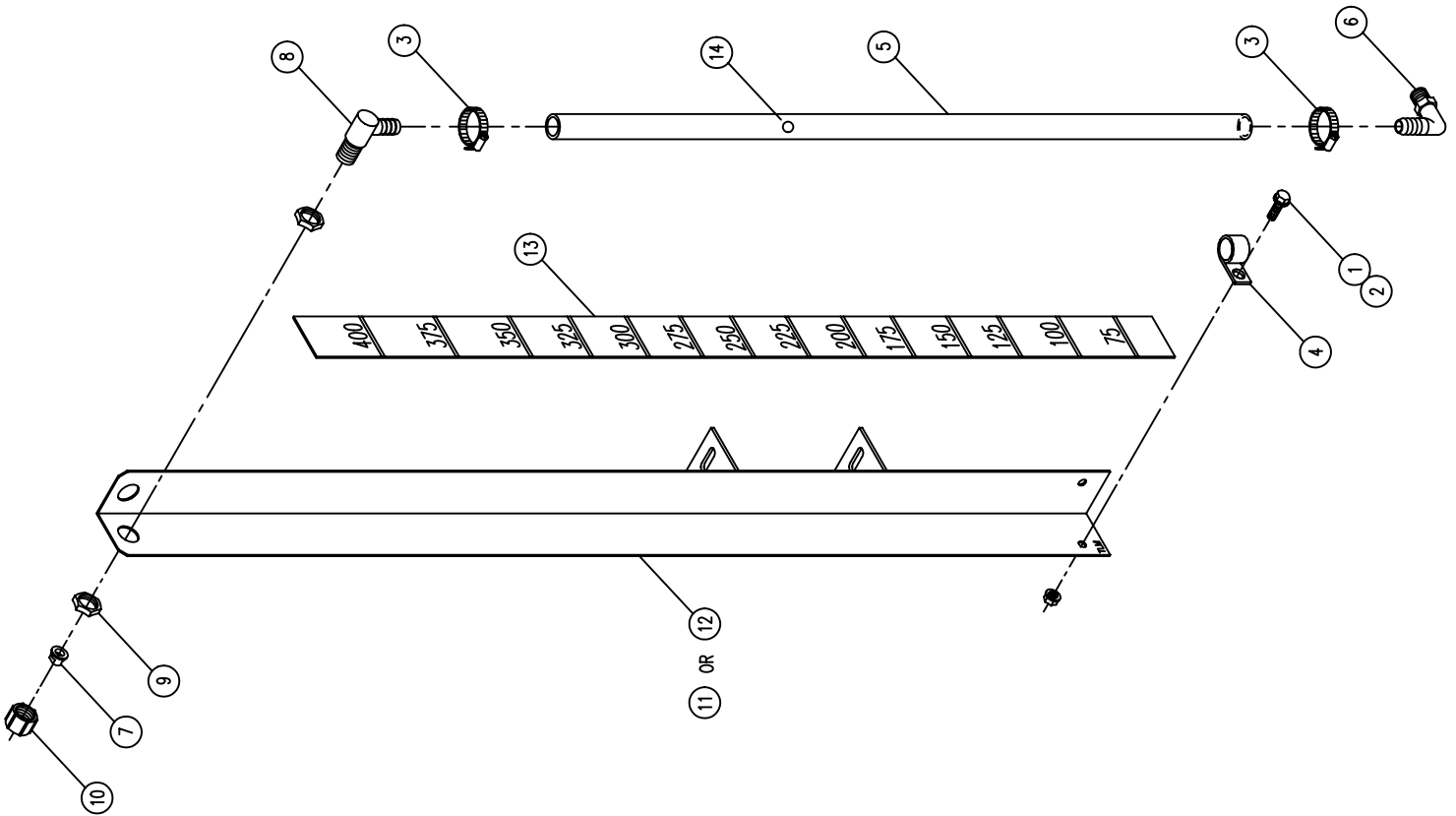
FRONT SIDE USES DETAIL 22 AND NO SPRINGS.

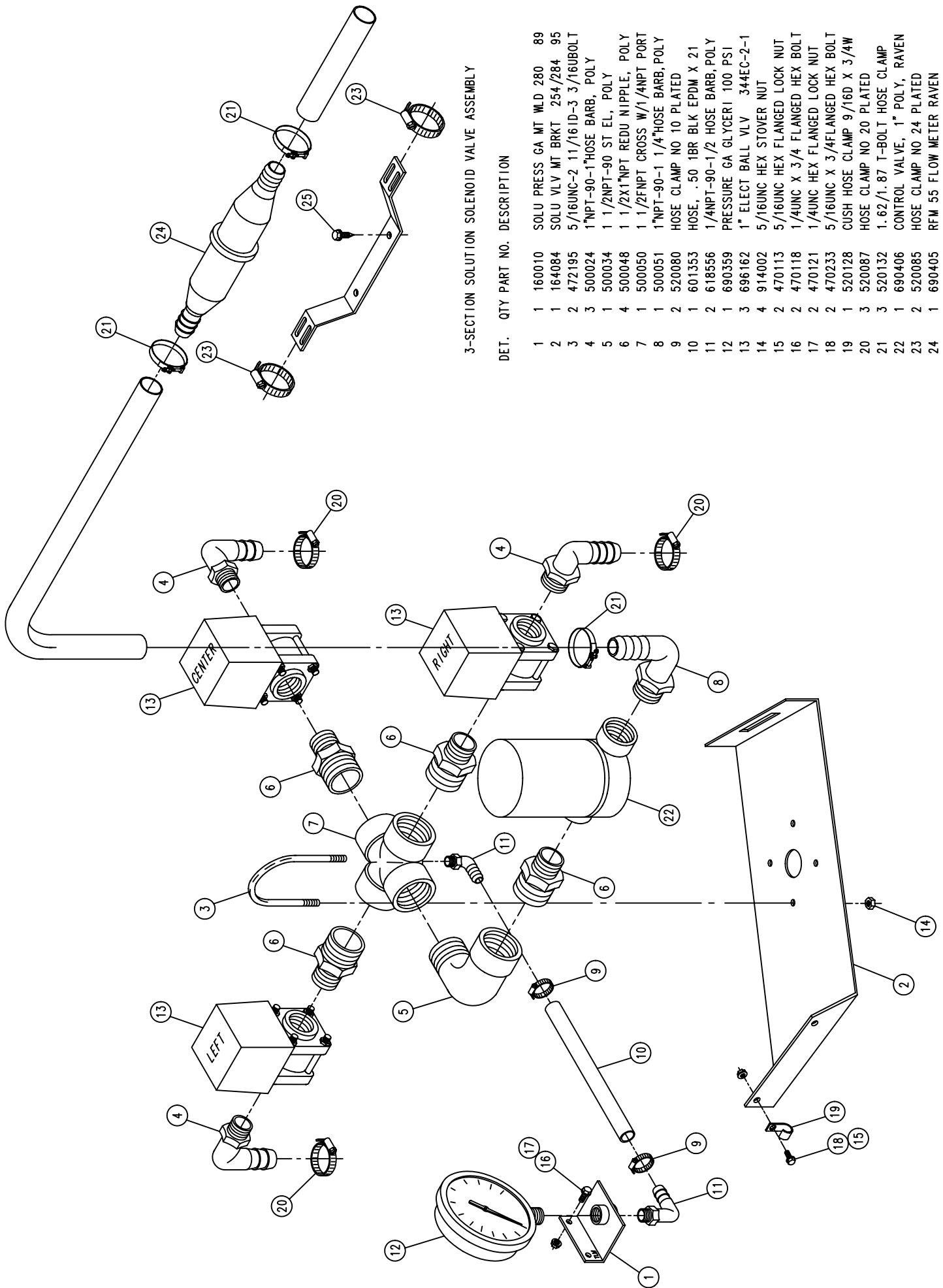


SIGHT GAUGE HOSE ASSEMBLY

DET. QTY PART NO. DESCRIPTION

|    |   |        |                                |
|----|---|--------|--------------------------------|
| 1  | 1 | 470122 | 1/4UNC X 1/2 FLANGED HEX BOLT  |
| 2  | 1 | 470121 | 1/4UNC HEX FLANGED LOCK NUT    |
| 3  | 2 | 520069 | HOSE CLAMP NO 6 PLATED         |
| 4  | 1 | 520117 | CUSH HOSE CLAMP 5/8D X 1/2W    |
| 5  | 1 | 601302 | HOSE, 1/2 X 52 SIGHT GAUGE     |
| 6  | 1 | 618556 | 1/4NPT-90-1/2 HOSE BARB, POLY  |
| 7  | 1 | 731109 | TIP, FS-9 80DEG NYL SINGL ORF  |
| 8  | 1 | 737856 | EL NOZL BODY .50 STEEL         |
| 9  | 1 | 737858 | TEE AND EL NUT .688 FPS        |
| 10 | 1 | 738866 | CAP NUT .688 FPS STEEL         |
| 11 | 1 | 763316 | RH SIGHT GAUGE MT WLD 280 89   |
| 12 | 1 | 763317 | LH SIGHT GAUGE MT WLD 280 89   |
| 13 | 1 | 650334 | DECAL, SS TANK SIGHT GAUGE 280 |
| 14 | 1 | 763446 | RED POLYPROPYLENE BALL 25/64"  |





3-SECTION SOLENOID VALVE ASSEMBLY

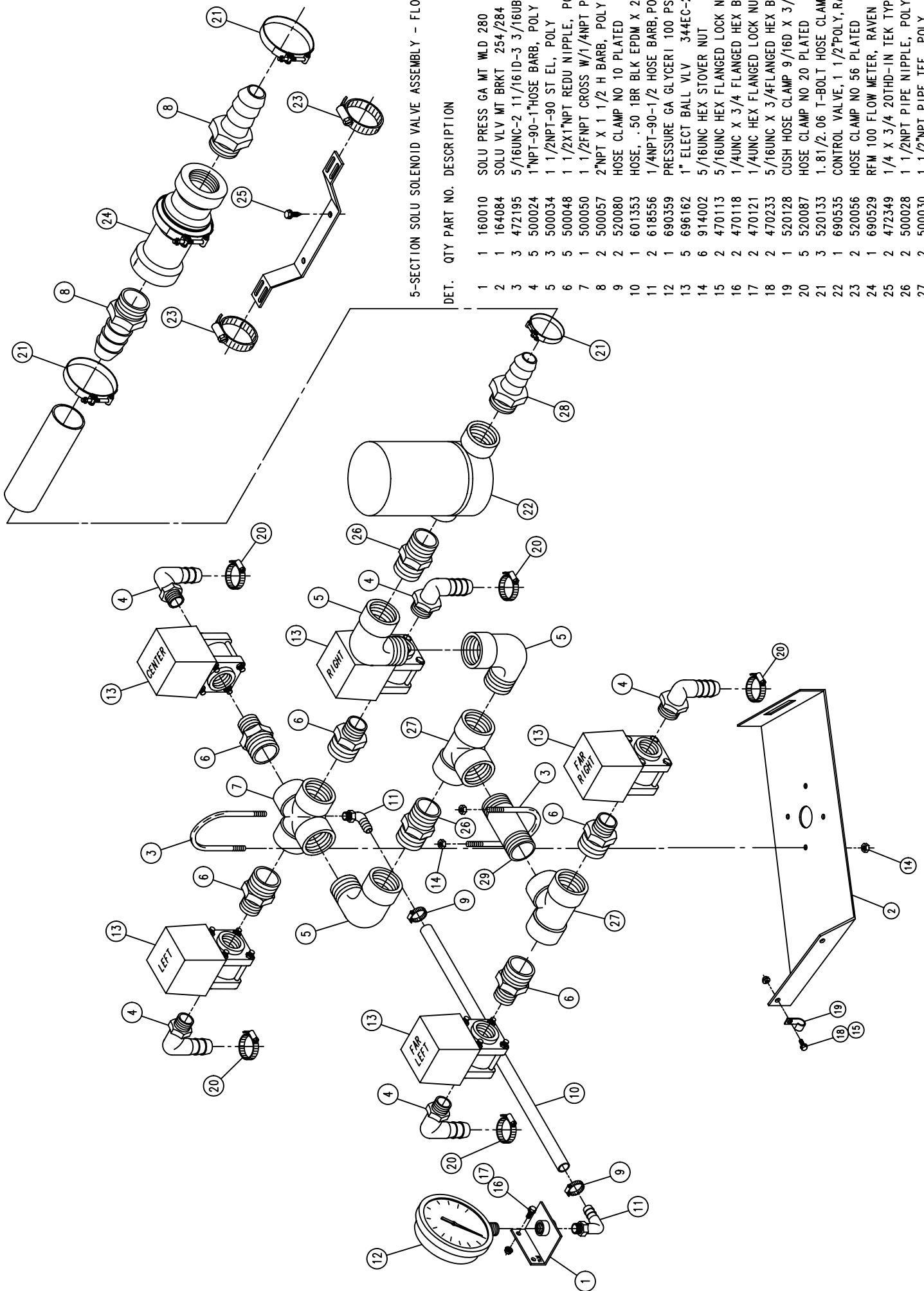
DET. QTY PART NO. DESCRIPTION

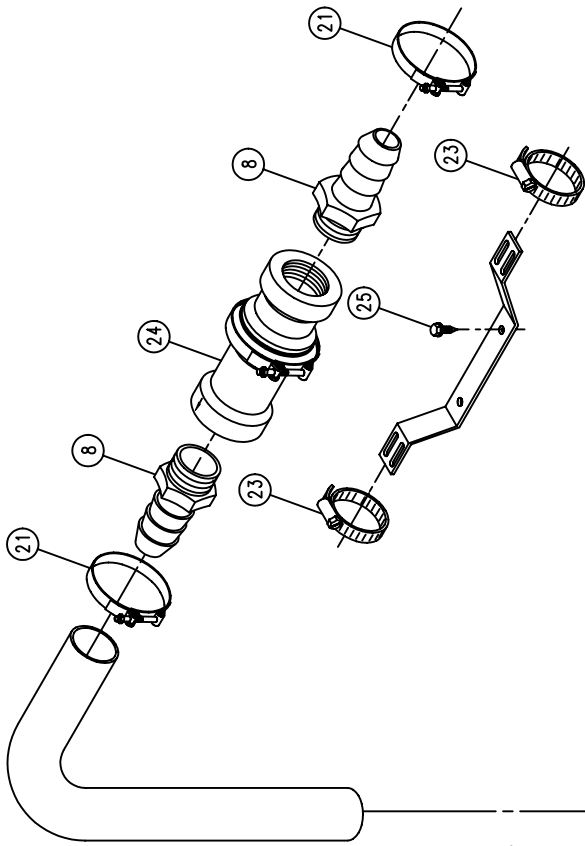
| DET. | QTY | PART NO. | DESCRIPTION                    |
|------|-----|----------|--------------------------------|
| 1    | 1   | 160010   | SOLU PRESS GA MT WLD 280 89    |
| 2    | 1   | 164084   | SOLU VLV MT BRKT 254/284 95    |
| 3    | 2   | 472195   | 5/16UNC-2 11/16 ID-3 3/16 BOLT |
| 4    | 3   | 500024   | 1"NPT-90-1"HOSE BARB, POLY     |
| 5    | 1   | 500034   | 1/2"NPT-90 ST EL, POLY         |
| 6    | 4   | 500048   | 1 1/2X1"NPT REDU NIPPLE, POLY  |
| 7    | 1   | 500050   | 1/2FNPT CROSS W/1/4NPT PORT    |
| 8    | 1   | 500051   | 1"NPT-90-1 1/4"HOSE BARB, POLY |
| 9    | 2   | 520080   | HOSE CLAMP NO 10 PLATED        |
| 10   | 1   | 601353   | HOSE, .50 1BR BLK EPDM X 21    |
| 11   | 2   | 618556   | 1/4NPT-90-1/2 HOSE BARB, POLY  |
| 12   | 1   | 690359   | PRESSURE GA GLYCER  100 PSI    |
| 13   | 3   | 696162   | 1" ELECT BALL VLV 344EC-2-1    |
| 14   | 4   | 914002   | 5/16UNC HEX STOVER NUT         |
| 15   | 2   | 470113   | 5/16UNC HEX FLANGED LOCK NUT   |
| 16   | 2   | 470118   | 1/4UNC X 3/4 FLANGED HEX BOLT  |
| 17   | 2   | 470121   | 1/4UNC HEX FLANGED LOCK NUT    |
| 18   | 2   | 470233   | 5/16UNC X 3/4 FLANGED HEX BOLT |
| 19   | 1   | 520128   | CUSH HOSE CLAMP 9/16D X 3/4W   |
| 20   | 3   | 520087   | HOSE CLAMP NO 20 PLATED        |
| 21   | 3   | 520132   | 1.62/1.87 T-BOLT HOSE CLAMP    |
| 22   | 1   | 690406   | CONTROL VALVE, 1" POLY, RAVEN  |
| 23   | 2   | 520085   | HOSE CLAMP NO 24 PLATED        |
| 24   | 1   | 690405   | RFM 55 FLOW METER RAVEN        |
| 25   | 2   | 472349   | 1/4 X 3/4 20THD-IN TEK TYPE    |

5-SECTION SOLU SOLENOID VALVE ASSEMBLY - FLOWMAX

DET. QTY PART NO. DESCRIPTION

| DET. | QTY | PART NO. | DESCRIPTION                      |
|------|-----|----------|----------------------------------|
| 1    | 1   | 160010   | SOLU PRESS GA MT WLD 280 89      |
| 2    | 1   | 164084   | SOLU VLV MT BRKT 254/284 95      |
| 3    | 3   | 472195   | 5/16UNC-2 1 1/16 ID-3 3/16 UBOLT |
| 4    | 5   | 500024   | 1"NPT-90-1"HOSE BARB, POLY       |
| 5    | 3   | 500034   | 1 1/2"NPT-90 ST EL, POLY         |
| 6    | 5   | 500048   | 1 1/2X1"NPT REDU NIPPLE, POLY    |
| 7    | 1   | 500050   | 1 1/2"NPT CROSS W/1/4"NPT PORT   |
| 8    | 2   | 500057   | 2"NPT X 1 1/2 H BARB, POLY       |
| 9    | 2   | 520080   | HOSE CLAMP NO 10 PLATED          |
| 10   | 1   | 601353   | HOSE, .50 1BR BLK EPDM X 21      |
| 11   | 2   | 618556   | 1/4NPT-90-1/2 HOSE BARB, POLY    |
| 12   | 1   | 690359   | PRESSURE GA GLYCERI 100 PSI      |
| 13   | 5   | 696162   | 1" ELECT BALL VLV 344EC-2-1      |
| 14   | 6   | 914002   | 5/16UNC HEX STOVER NUT           |
| 15   | 2   | 470113   | 5/16UNC HEX FLANGED LOCK NUT     |
| 16   | 2   | 470118   | 1/4UNC X 3/4 FLANGED HEX BOLT    |
| 17   | 2   | 470121   | 1/4UNC HEX FLANGED LOCK NUT      |
| 18   | 2   | 470233   | 5/16UNC X 3/4FLANGED HEX BOLT    |
| 19   | 1   | 520128   | CUSH HOSE CLAMP 9/16D X 3/4W     |
| 20   | 5   | 520087   | HOSE CLAMP NO 20 PLATED          |
| 21   | 3   | 520133   | 1.81/2-.06 T-BOLT HOSE CLAMP     |
| 22   | 1   | 690535   | CONTROL VALVE, 1 1/2"POLY, RAWN  |
| 23   | 2   | 520056   | HOSE CLAMP NO 56 PLATED          |
| 24   | 1   | 690529   | RFM 100 FLOW METER, RAVEN        |
| 25   | 2   | 472349   | 1/4 X 3/4 20THD-IN TEK TYPE      |
| 26   | 2   | 500028   | 1 1/2"NPT PIPE NIPPLE, POLY      |
| 27   | 2   | 500030   | 1 1/2"NPT PIPE TEE, POLY         |
| 28   | 1   | 500032   | 1 1/2"NPT X 1 1/2 H BARB, POLY   |
| 29   | 1   | 500068   | 1 1/2"NPT X 4 PIPE NIPPLE, POLY  |

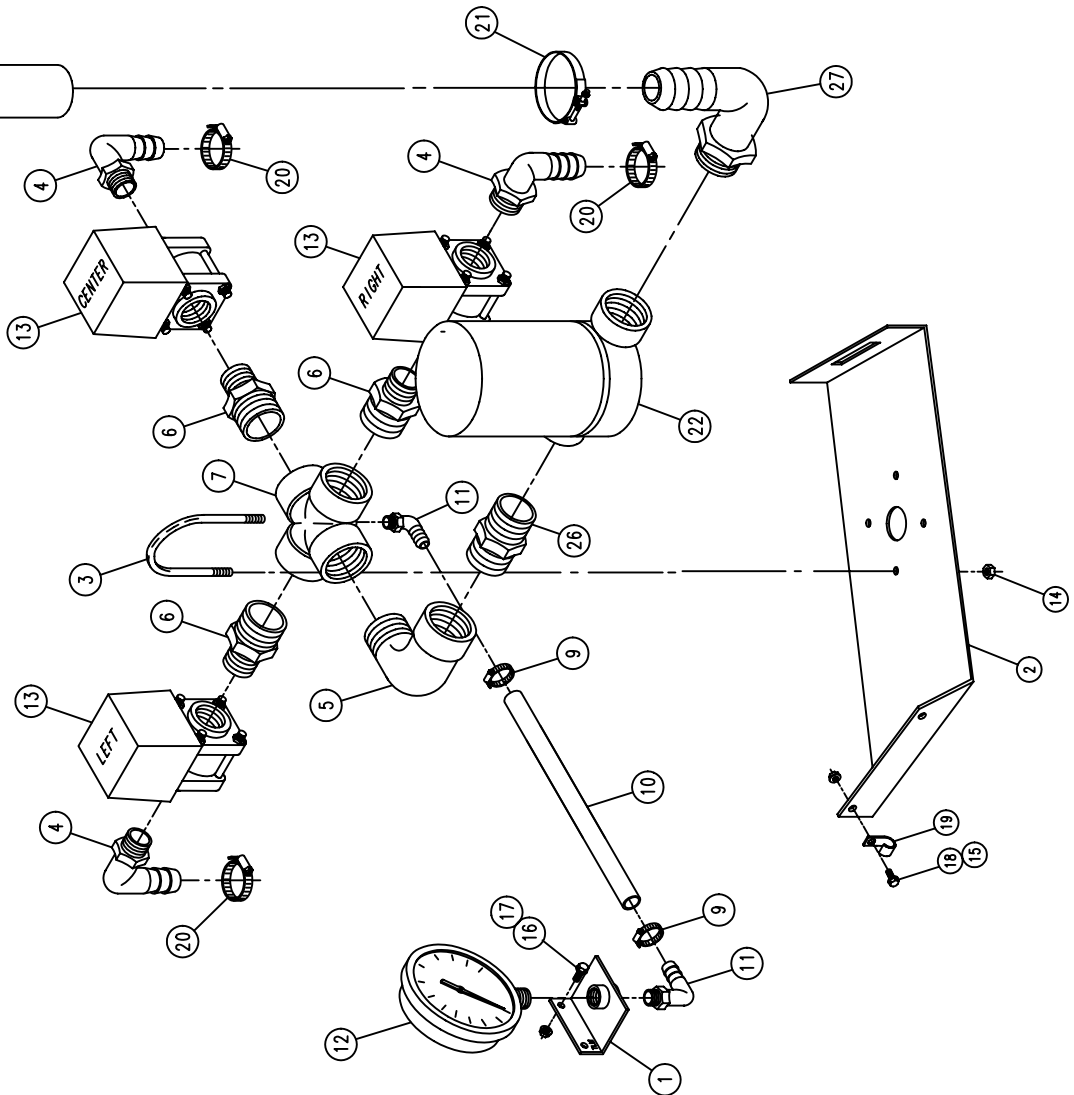




3-SECTION SOLU SOLENOID VALVE ASSEMBLY - FLOWMAX

DET. QTY PART NO. DESCRIPTION

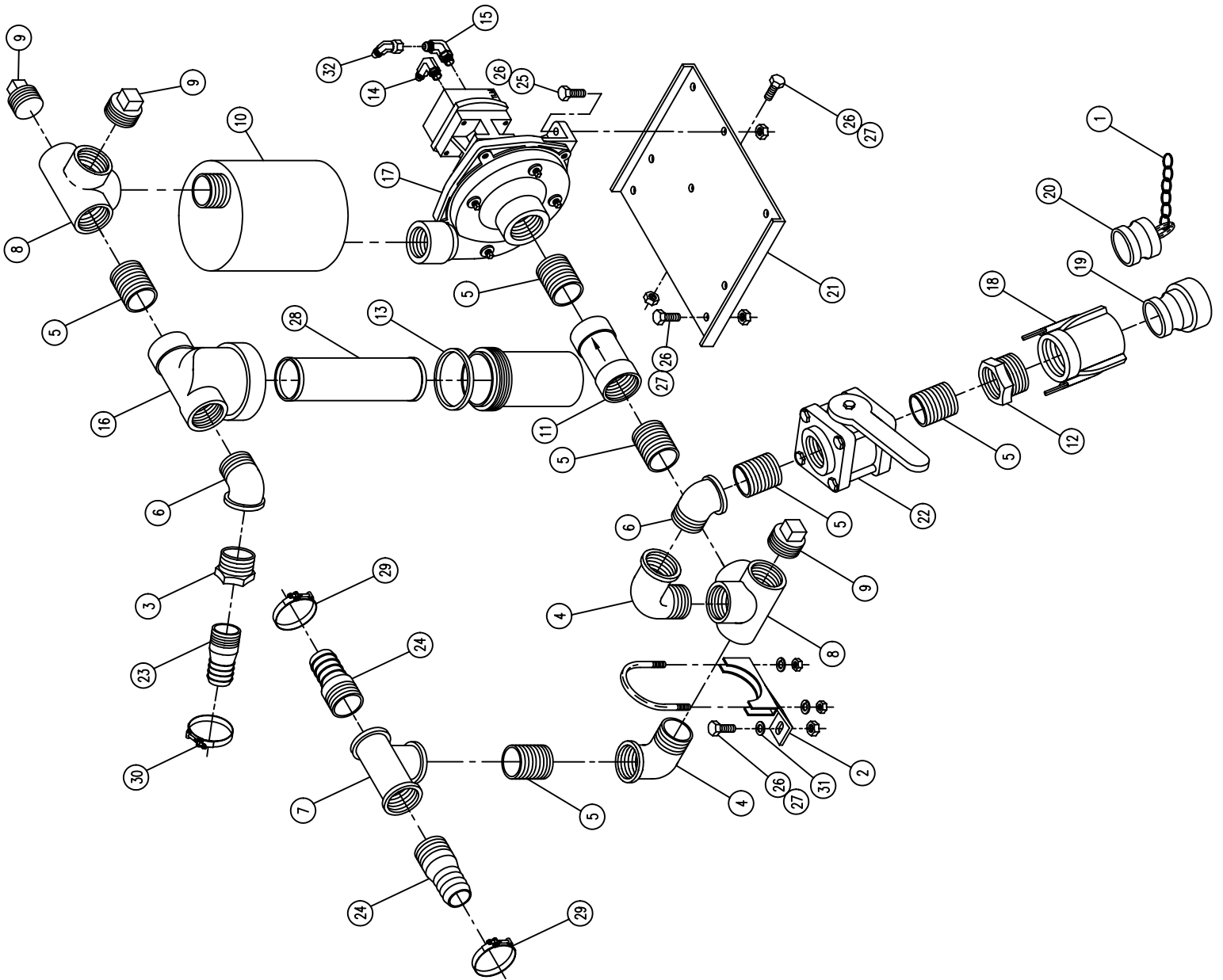
|    |   |        |                                 |    |
|----|---|--------|---------------------------------|----|
| 1  | 1 | 160010 | SOLU PRESS GA MT WLD 280        | 89 |
| 2  | 1 | 164084 | SOLU VLV MT BRKT 254/284        | 95 |
| 3  | 2 | 472195 | 5/16UNC-2 11/16ID-3 3/16UBOLT   |    |
| 4  | 3 | 500024 | 1"NPT-90-1"HOSE BARB, POLY      |    |
| 5  | 1 | 500034 | 1 1/2NPT-90 ST EL, POLY         |    |
| 6  | 3 | 500048 | 1 1/2X1"NPT REDU NIPPLE, POLY   |    |
| 7  | 1 | 500050 | 1 1/2FNPT CROSS W/1/4NPT PORT   |    |
| 8  | 2 | 500057 | 2"NPT X 1 1/2 H BARB, POLY      |    |
| 9  | 2 | 520080 | HOSE CLAMP NO 10 PLATED         |    |
| 10 | 1 | 601353 | HOSE, .50 1BR BLK EPDM X 21     |    |
| 11 | 2 | 618556 | 1/4NPT-90-1/2 HOSE BARB, POLY   |    |
| 12 | 1 | 690359 | PRESSURE GA GLYCERI 100 PSI     |    |
| 13 | 3 | 696162 | 1" ELECT BALL VLV 344EC-2-1     |    |
| 14 | 4 | 914002 | 5/16 UNC HEX STOVER NUT         |    |
| 15 | 2 | 470113 | 5/16UNC HEX FLANGED LOCK NUT    |    |
| 16 | 2 | 470118 | 1/4UNC X 3/4 FLANGED HEX BOLT   |    |
| 17 | 2 | 470121 | 1/4UNC HEX FLANGED LOCK NUT     |    |
| 18 | 2 | 470233 | 5/16UNC X 3/4FLANGED HEX BOLT   |    |
| 19 | 1 | 520128 | CUSH HOSE CLAMP 9/16D X 3/4W    |    |
| 20 | 3 | 520087 | HOSE CLAMP NO 20 PLATED         |    |
| 21 | 3 | 520133 | 1.81/2.06 T-BOLT HOSE CLAMP     |    |
| 22 | 1 | 690535 | CONTROL VALVE, 1 1/2"POLY, RAVN |    |
| 23 | 2 | 520056 | HOSE CLAMP NO 56 PLATED         |    |
| 24 | 1 | 690529 | RFM 100 FLOW METER, RAVEN       |    |
| 25 | 2 | 472349 | 1/4 X 3/4 20THD-IN TEK TYPE     |    |
| 26 | 1 | 500028 | 1 1/2NPT PIPE NIPPLE, POLY      |    |
| 27 | 1 | 500066 | 1 1/2NPT-90-1 1/2 H BARB POLY   |    |

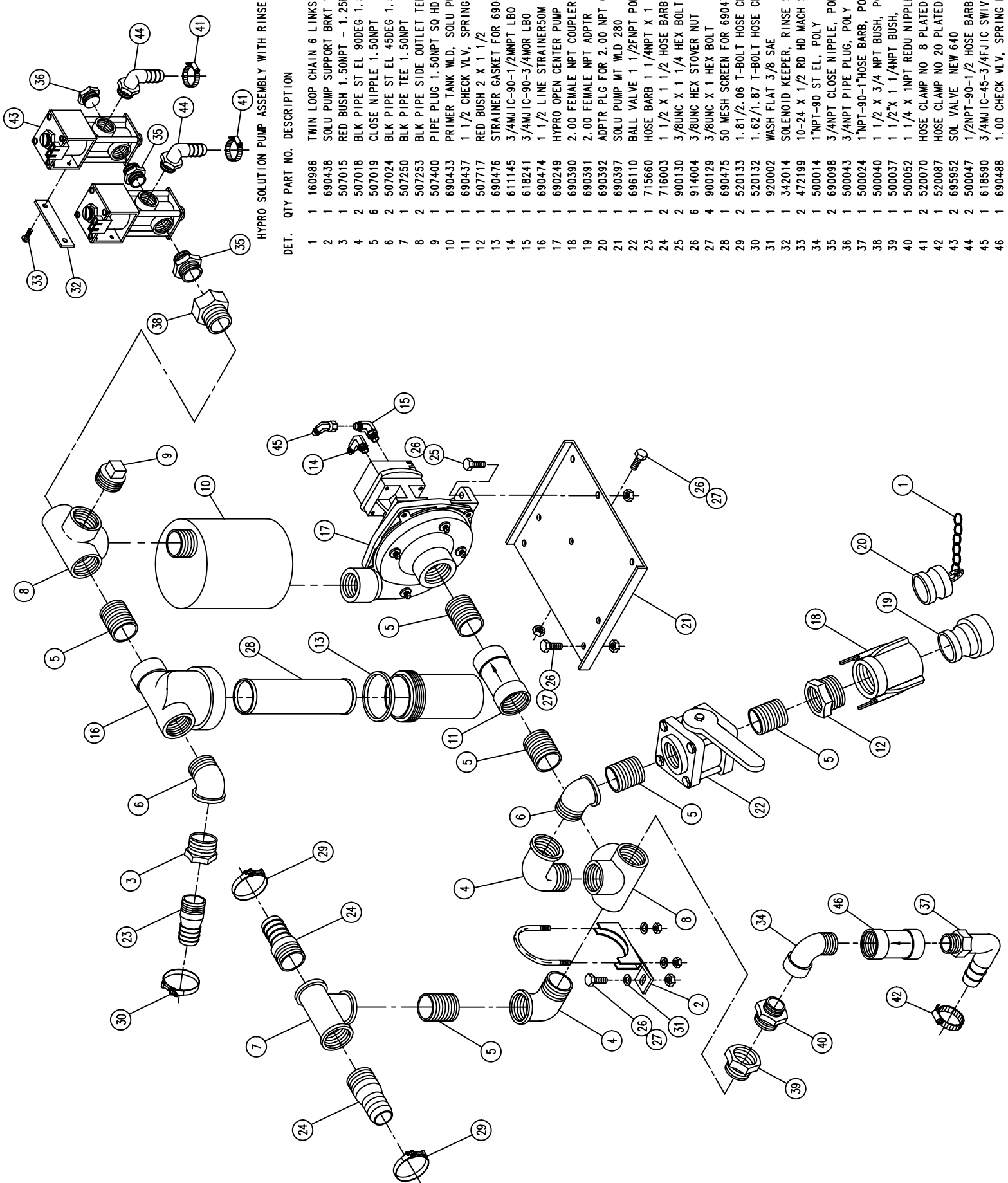


This Page Intentionally Blank

HYPRO SOLUTION PUMP ASSEMBLY

| DET. | QTY | PART NO. | DESCRIPTION                   |
|------|-----|----------|-------------------------------|
| 1    | 1   | 160986   | TWIN LOOP CHAIN 6 LINKS       |
| 2    | 1   | 690438   | SOLU PUMP SUPPORT BRKT WLD 92 |
| 3    | 1   | 507015   | RED BUSH 1.50NPT - 1.25FNPT   |
| 4    | 2   | 507018   | BLK PIPE ST EL 90DEG 1.50NPT  |
| 5    | 6   | 507019   | CLOSE NIPPLE 1.50NPT          |
| 6    | 2   | 507024   | BLK PIPE ST EL 45DEG 1.50NPT  |
| 7    | 1   | 507250   | BLK PIPE TEE 1.50NPT          |
| 8    | 2   | 507253   | BLK PIPE SIDE OUTLET TEE 1.50 |
| 9    | 3   | 507400   | PIPE PLUG 1.50NPT SQ HD       |
| 10   | 1   | 690433   | PRIMER TANK WLD, SOLU PUMP    |
| 11   | 1   | 690437   | 1 1/2 CHECK VLV, SPRING LOAD  |
| 12   | 1   | 507717   | RED BUSH 2 X 1 1/2            |
| 13   | 1   | 690476   | STRAINER GASKET FOR 690474    |
| 14   | 1   | 611145   | 3/4M/JIC-90-1/2MNPT LBO       |
| 15   | 1   | 618241   | 3/4M/JIC-90-3/4MOR LBO        |
| 16   | 1   | 690474   | 1 1/2 LINE STRAINER50M 150PSI |
| 17   | 1   | 690249   | HYPRO OPEN CENTER PUMP        |
| 18   | 1   | 690390   | 2.00 FEMALE NPT COUPLER       |
| 19   | 1   | 690391   | 2.00 FEMALE NPT ADPTR         |
| 20   | 1   | 690392   | ADPTR PLG FOR 2.00 NPT COUPLR |
| 21   | 1   | 690397   | SOLU PUMP MT WLD 280 89       |
| 22   | 1   | 696110   | BALL VALVE 1 1/2FNPT POLY     |
| 23   | 1   | 715660   | HOSE BARB 1 1/4NPT X 1 1/4    |
| 24   | 2   | 716003   | 1 1/2 X 1 1/2 HOSE BARB       |
| 25   | 2   | 900130   | 3/8UNC X 1 1/4 HEX BOLT       |
| 26   | 6   | 914004   | 3/8UNC HEX STOVER NUT         |
| 27   | 4   | 900129   | 3/8UNC X 1 HEX BOLT           |
| 28   | 1   | 690475   | 50 MESH SCREEN FOR 690474     |
| 29   | 2   | 520133   | 1.81/2.06 T-BOLT HOSE CLAMP   |
| 30   | 1   | 520132   | 1.62/1.87 T-BOLT HOSE CLAMP   |
| 31   | 1   | 920002   | WASH FLAT 3/8 SAE             |
| 32   | 1   | 618590   | 3/4M/JIC-45-3/4FJIC SWIV LBO  |



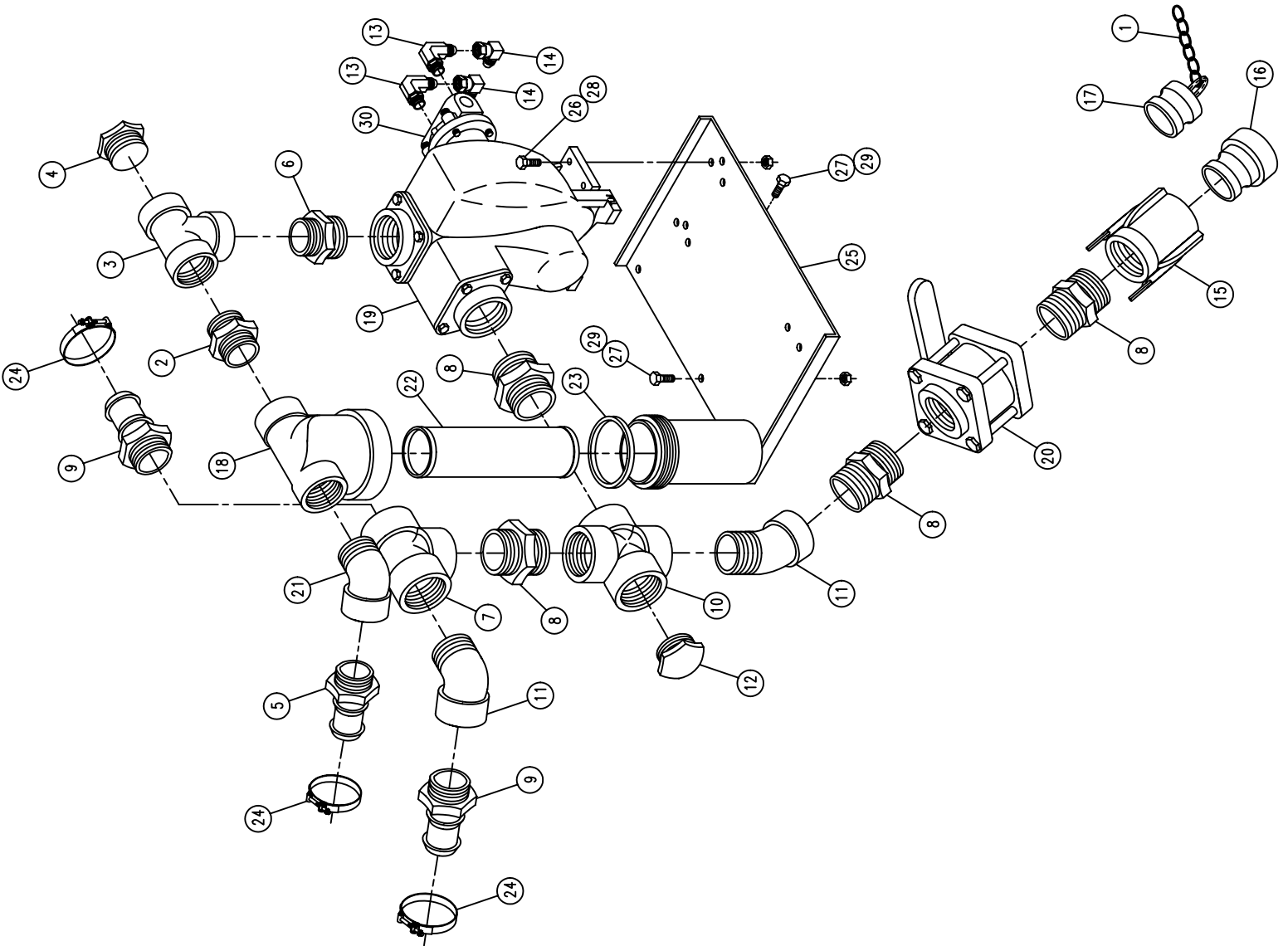


HYPRO SOLUTION PUMP ASSEMBLY WITH RINSE

| DET. | QTY | PART NO. | DESCRIPTION                    |
|------|-----|----------|--------------------------------|
| 1    | 1   | 160986   | TWIN LOOP CHAIN 6 LINKS        |
| 2    | 1   | 690438   | SOLU PUMP SUPPORT BRKT WLD 92  |
| 3    | 1   | 507015   | RED BUSH 1.50NPT - 1.25FNPT    |
| 4    | 2   | 507018   | BLK PIPE ST EL 90DEG 1.50NPT   |
| 5    | 6   | 507019   | CLOSE NIPPLE 1.50NPT           |
| 6    | 2   | 507024   | BLK PIPE ST EL 45DEG 1.50NPT   |
| 7    | 1   | 507250   | BLK PIPE TEE 1.50NPT           |
| 8    | 2   | 507253   | BLK PIPE SIDE OUTLET TEE 1.50  |
| 9    | 1   | 507400   | PIPE PLUG 1.50NPT SQ HD        |
| 10   | 1   | 690433   | PRIMER TANK WLD, SOLU PUMP     |
| 11   | 1   | 690437   | 1 1/2 CHECK VLV, SPRING LOAD   |
| 12   | 1   | 507717   | RED BUSH 2 X 1 1/2             |
| 13   | 1   | 690476   | STRAINER GASKET FOR 690474     |
| 14   | 1   | 611145   | 3/4MJIC-90-1/2NPT LBO          |
| 15   | 1   | 618241   | 3/4MJIC-90-3/4MOR LBO          |
| 16   | 1   | 690474   | 1 1/2 LINE STRAINERSOM 150PSI  |
| 17   | 1   | 690249   | HYPRO OPEN CENTER PUMP         |
| 18   | 1   | 690390   | 2.00 FEMALE NPT COUPLER        |
| 19   | 1   | 690391   | 2.00 FEMALE NPT ADPTR          |
| 20   | 1   | 690392   | ADPTR PLG FOR 2.00 NPT COUPLR  |
| 21   | 1   | 690397   | SOLU PUMP MT WLD 280           |
| 22   | 1   | 696110   | BALL VALVE 1 1/2FNPT POLY      |
| 23   | 1   | 715660   | HOSE VALVE 1 1/4NPT X 1 1/4    |
| 24   | 2   | 716003   | 1 1/2 X 1 1/2 HOSE BARB        |
| 25   | 2   | 900130   | 3/8UNC X 1 1/4 HEX BOLT        |
| 26   | 6   | 914004   | 3/8UNC HEX STOVER NUT          |
| 27   | 4   | 900129   | 3/8UNC X 1 HEX BOLT            |
| 28   | 1   | 690475   | 50 MESH SCREEN FOR 690474      |
| 29   | 2   | 520133   | 1.81/2.06 T-BOLT HOSE CLAMP    |
| 30   | 1   | 520132   | 1.62/1.87 T-BOLT HOSE CLAMP    |
| 31   | 1   | 920002   | WASH FLAT 3/8 SAE              |
| 32   | 1   | 342014   | SOLENOID KEEPER, RINSE SYS     |
| 33   | 2   | 472199   | 10-24 X 1/2 RD HD MACH SCR     |
| 34   | 1   | 500014   | 1"NPT-90 ST EL, POLY           |
| 35   | 2   | 690098   | 3/4NPT CLOSE NIPPLE, POLY      |
| 36   | 1   | 500043   | 3/4NPT PIPE PLUG, POLY         |
| 37   | 1   | 500024   | 1"NPT-90-1"HOSE BARB, POLY     |
| 38   | 1   | 500040   | 1 1/2 X 3/4 NPT BUSH, POLY     |
| 39   | 1   | 500037   | 1 1/2" X 1 1/4NPT BUSH, POLY   |
| 40   | 1   | 500052   | 1 1/4 X 1NPT REDU NIPPLE, POLY |
| 41   | 2   | 520070   | HOSE CLAMP NO 8 PLATED         |
| 42   | 1   | 520087   | HOSE CLAMP NO 20 PLATED        |
| 43   | 2   | 695952   | SOL VALVE NEW 640              |
| 44   | 2   | 500047   | 1/2NPT-90-1/2 HOSE BARB, POLY  |
| 45   | 1   | 618590   | 3/4MJIC-45-3/4FJIC SWIV LBO    |
| 46   | 1   | 690488   | 1.00 CHECK VLV, SPRING LOADED  |

FLOMAX SOLUTION PUMP ASSEMBLY

| DET. | QTY | PART NO. | DESCRIPTION                    |
|------|-----|----------|--------------------------------|
| 1    | 1   | 160986   | CHAIN, 12.00 LONG              |
| 2    | 1   | 500028   | 1 1/2NPT PIPE NIPPLE, POLY     |
| 3    | 1   | 500030   | 1 1/2"NPT PIPE TEE, POLY       |
| 4    | 1   | 500031   | 1 1/2NPT PIPE PLUG, POLY       |
| 5    | 1   | 500032   | 1 1/2NPT X 1 1/2 H BARB, POLY  |
| 6    | 1   | 500038   | 2"X 1 1/2NPT REDU NIPPLE, POLY |
| 7    | 1   | 500055   | 2" NPT PIPE TEE, POLY          |
| 8    | 4   | 500056   | 2" NPT CLOSE HEX NIPPLE, POLY  |
| 9    | 2   | 500057   | 2"NPT X 1 1/2 H BARB, POLY     |
| 10   | 1   | 500060   | 2"FNPT CROSS, POLY             |
| 11   | 2   | 500061   | 2"NPT-45 ST EL, POLY           |
| 12   | 1   | 500065   | 2"NPT PIPE PLUG, POLY          |
| 13   | 2   | 618241   | 3/4MJIC-90-3/4MOR LBO          |
| 14   | 2   | 618609   | 3/4MJIC-90-3/4FJIC SWIV LBO    |
| 15   | 1   | 690390   | 2.00 FEMALE NPT COUPLER        |
| 16   | 1   | 690391   | 2.00 FEMALE NPT ADPTR          |
| 17   | 1   | 690392   | ADPTR PLG FOR 2.00 NPT COUPLR  |
| 18   | 1   | 690474   | 1 1/2 LINE STRAINER50M 150PSI  |
| 19   | 1   | 690552   | FLOMAX 8, 2" PUMP              |
| 20   | 1   | 696134   | BALL VALVE 2IN FNPT POLY       |
| 21   | 1   | 500035   | 1 1/2NPT-45 ST EL, POLY        |
| 22   | 1   | 690475   | 50 MESH SCREEN FOR 690474      |
| 23   | 1   | 690476   | STRAINER GASKET FOR 690474     |
| 24   | 3   | 520133   | 1.81/2.06 T-BOLT HOSE CLAMP    |
| 25   | 1   | 690530   | 2" SOLU PUMP MT WLD            |
| 26   | 4   | 900066   | 5/16UNC X 1 1/4 HEX BOLT       |
| 27   | 3   | 900129   | 3/8UNC X 1" HEX BOLT           |
| 28   | 4   | 914002   | 5/16UNC HEX STOVER NUT         |
| 29   | 3   | 914004   | 3/8UNC HEX STOVER NUT          |
| 30   | 1   | 690573   | HYD MOTOR, FLOMAX HI-SPEED     |

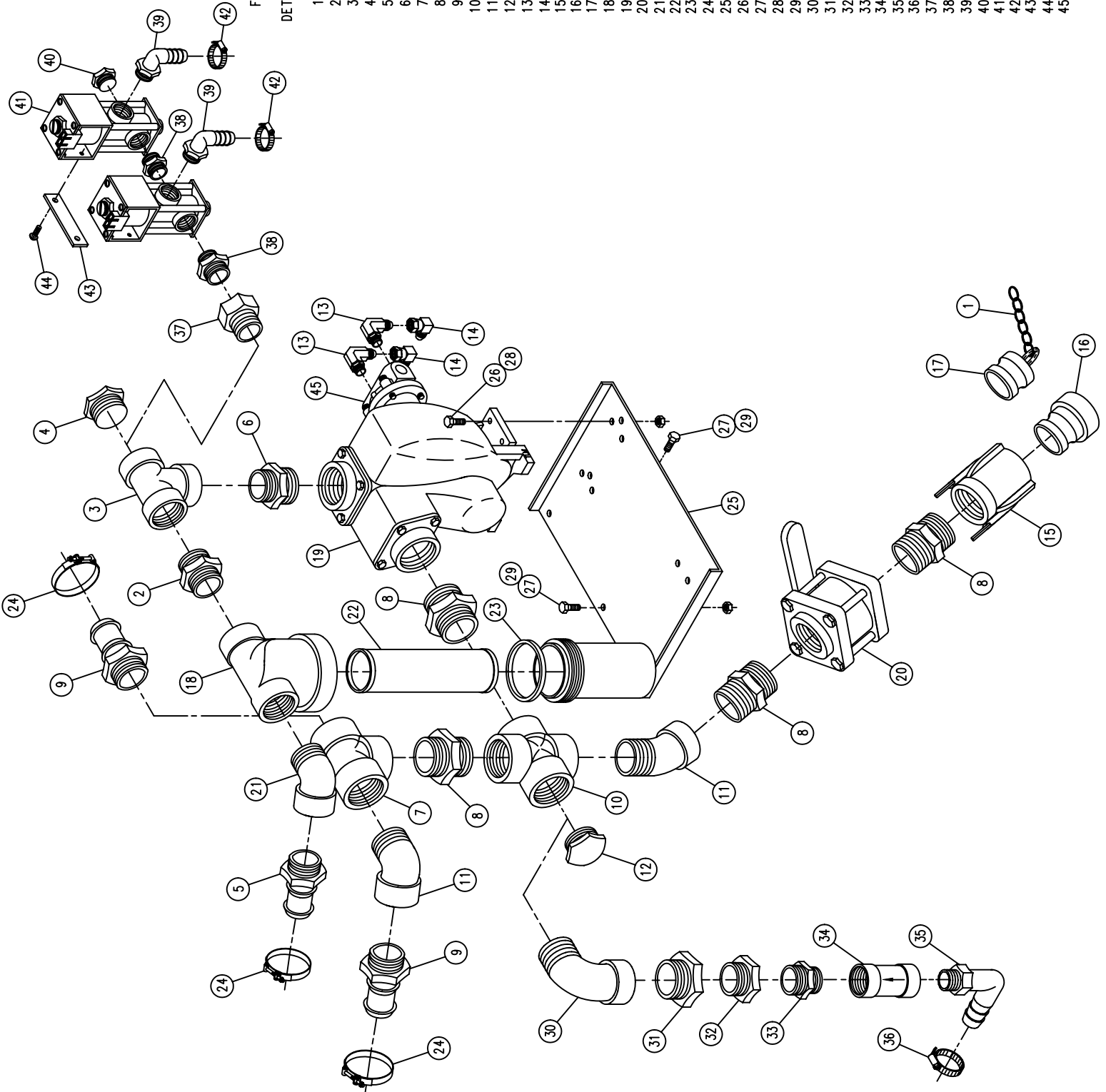


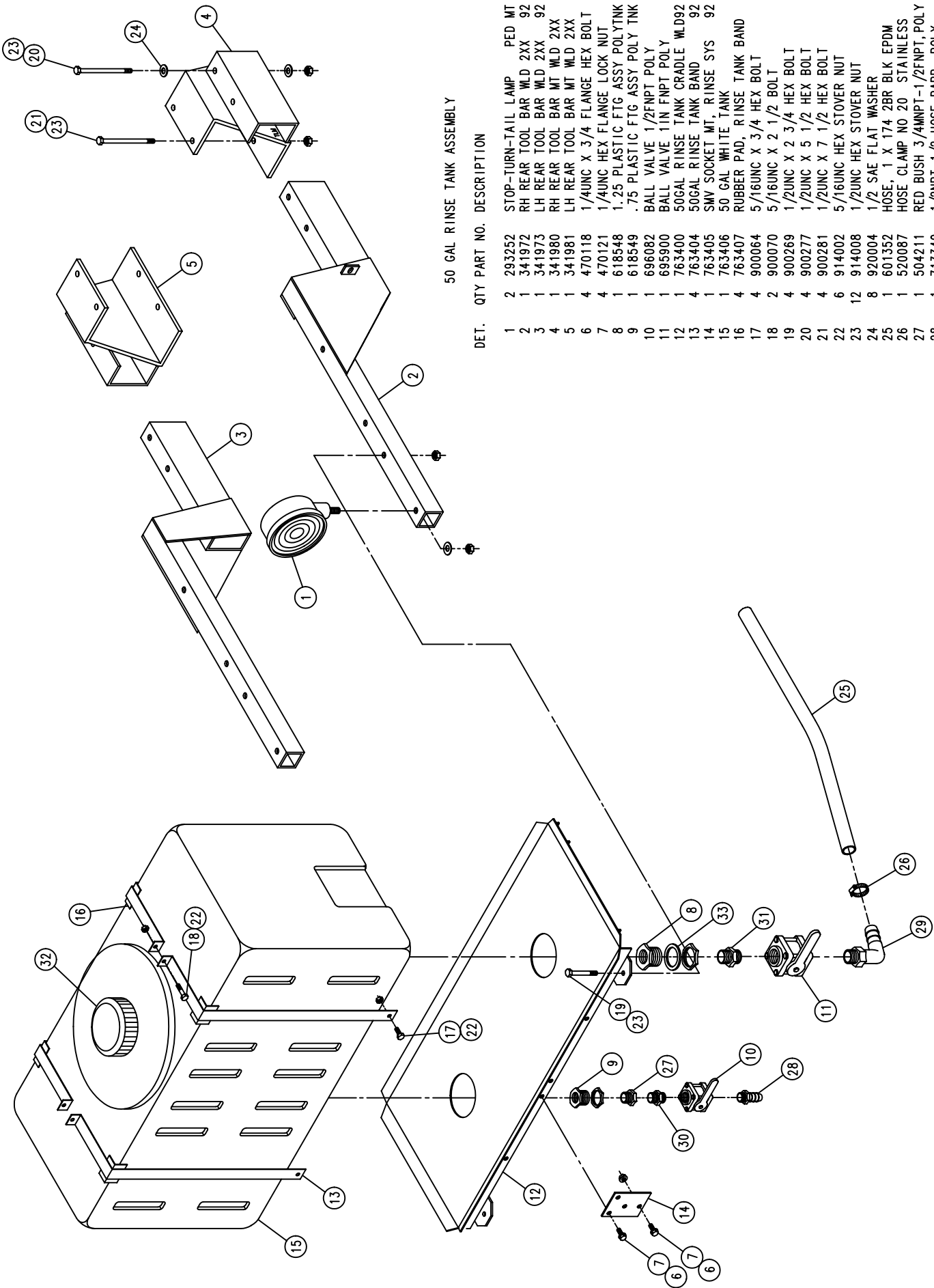


FLOWMAX SOLUTION PUMP ASSEMBLY WITH RINSE

DET. QTY PART NO. DESCRIPTION

|    |        |                                 |
|----|--------|---------------------------------|
| 1  | 160986 | CHAIN, 12.00 LONG               |
| 2  | 500028 | 1 1/2NPT PIPE NIPPLE, POLY      |
| 3  | 500030 | 1 1/2NPT PIPE TEE, POLY         |
| 4  | 500031 | 1 1/2NPT PIPE PLUG, POLY        |
| 5  | 500032 | 1 1/2NPT X 1 1/2 H BARB, POLY   |
| 6  | 500038 | 2" X 1 1/2NPT REDU NIPPLE, POLY |
| 7  | 500055 | 2" NPT PIPE TEE, POLY           |
| 8  | 500056 | 2" NPT CLOSE HEX NIPPLE, POLY   |
| 9  | 500057 | 2" NPT X 1 1/2 H BARB, POLY     |
| 10 | 500060 | 2"FNPT CROSS, POLY              |
| 11 | 500061 | 2"NPT-45 ST EL, POLY            |
| 12 | 500065 | 2"NPT PIPE PLUG, POLY           |
| 13 | 618241 | 3/4MJIC-90-3/4MOR LBO           |
| 14 | 618609 | 3/4MJIC-90-3/4FJIC SWIV LBO     |
| 15 | 690390 | 2.00 FEMALE NPT COUPLER         |
| 16 | 690391 | 2.00 FEMALE NPT ADPTR           |
| 17 | 690392 | ADPTR PLG FOR 2.00 NPT COUPLR   |
| 18 | 690474 | 1 1/2 LINE STRAINER50M 150PSI   |
| 19 | 690552 | FLOWAX 8, 2" PUMP               |
| 20 | 696134 | BALL VALVE 2IN FNPT POLY        |
| 21 | 500035 | 1 1/2NPT-45 ST EL, POLY         |
| 22 | 690475 | 50 MESH SCREEN FOR 690474       |
| 23 | 690476 | STRAINER GASKET FOR 690474      |
| 24 | 520133 | 1.81/2.06 T-BOLT HOSE CLAMP     |
| 25 | 690530 | 2" SOLU PUMP MT WLD 95          |
| 26 | 900066 | 5/16UNC X 1 1/4 HEX BOLT        |
| 27 | 900129 | 3/8UNC X 1" HEX BOLT            |
| 28 | 914002 | 5/16UNC HEX STOVER NUT          |
| 29 | 914004 | 3/8UNC HEX STOVER NUT           |
| 30 | 500053 | 2"NPT-90 ST EL, POLY            |
| 31 | 500071 | 2" X 1 1/2NPT REDU BUSH, POLY   |
| 32 | 500037 | 1 1/2" X 1 1/4NPT BUSH, POLY    |
| 33 | 500052 | 1 1/4 X 1NPT REDU NIPPLE, POLY  |
| 34 | 690488 | 1.00 CHECK VLV, SPRING LOADED   |
| 35 | 500024 | 1"NPT-90-1"HOSE BARB, POLY      |
| 36 | 520087 | HOSE CLAMP NO 20 STAINLESS      |
| 37 | 500040 | 1 1/2 X 3/4 NPT BUSH, POLY      |
| 38 | 690098 | 3/4NPT CLOSE NIPPLE, POLY       |
| 39 | 500047 | 1/2NPT-90-1/2 HOSE BARB, POLY   |
| 40 | 500043 | 3/4NPT PIPE PLUG, POLY          |
| 41 | 695952 | SOLUTION VALVE, AA144-1 VITON   |
| 42 | 520070 | HOSE CLAMP NO 8 STAINLESS       |
| 43 | 342014 | SOLENOID KEEPER, RINSE SYS      |
| 44 | 472199 | 10-24 X 1 1/2 RD HD MACH SCR    |
| 45 | 690573 | HYD MOTOR, FLOWAX HI-SPEED      |





50 GAL RINSE TANK ASSEMBLY

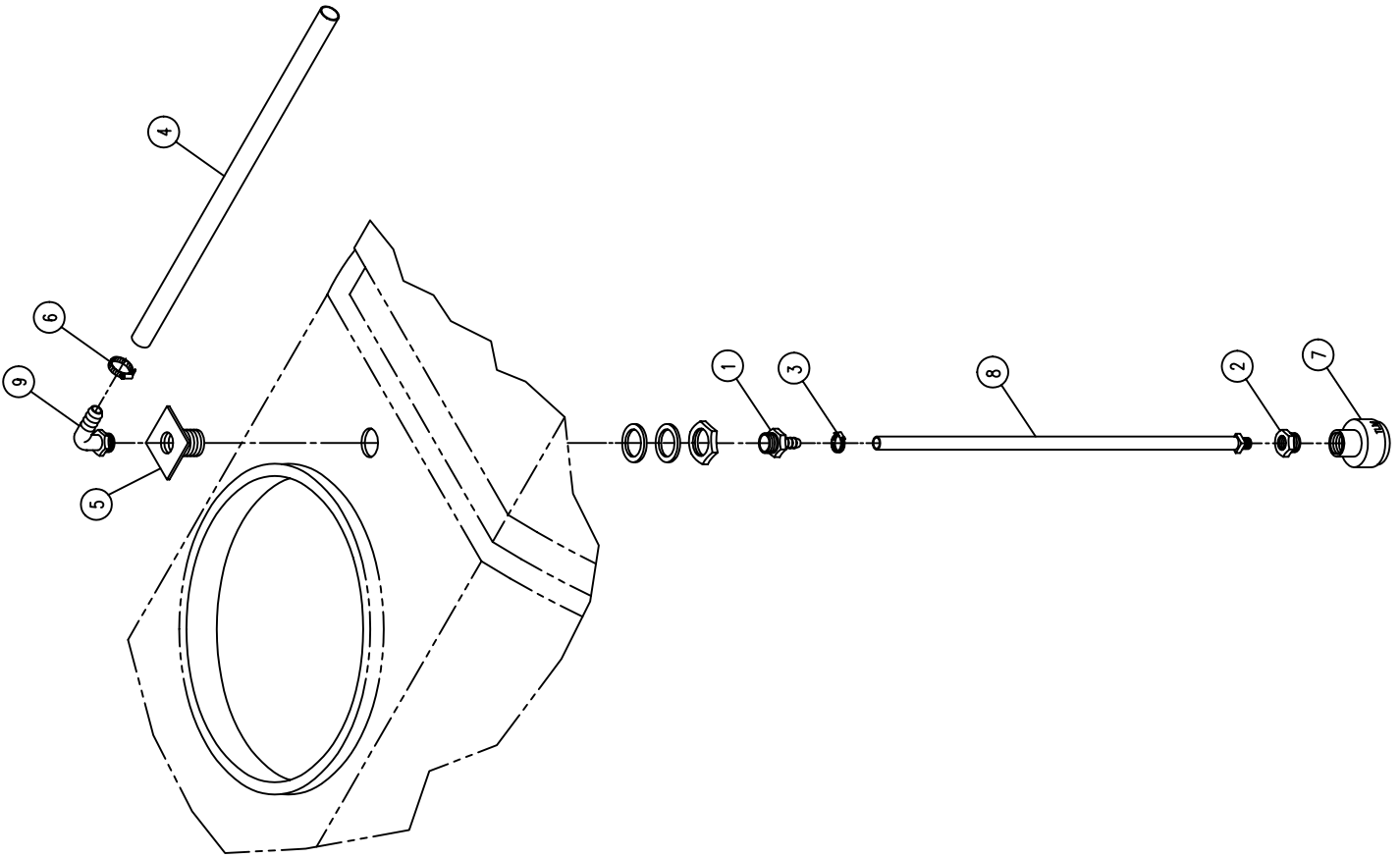
DET. QTY PART NO. DESCRIPTION

| DET. | QTY | PART NO. | DESCRIPTION                    |
|------|-----|----------|--------------------------------|
| 1    | 2   | 293252   | STOP-TURN-TAIL LAMP PED MT     |
| 2    | 1   | 341972   | RH REAR TOOL BAR WLD 2XX 92    |
| 3    | 1   | 341973   | LH REAR TOOL BAR WLD 2XX 92    |
| 4    | 1   | 341980   | RH REAR TOOL BAR MT WLD 2XX    |
| 5    | 1   | 341981   | LH REAR TOOL BAR MT WLD 2XX    |
| 6    | 4   | 470118   | 1/4UNC X 3/4 FLANGE HEX BOLT   |
| 7    | 4   | 470121   | 1/4UNC HEX FLANGE LOCK NUT     |
| 8    | 1   | 618548   | 1.25 PLASTIC FTG ASSY POLY TKN |
| 9    | 1   | 618549   | .75 PLASTIC FTG ASSY POLY TKN  |
| 10   | 1   | 696082   | BALL VALVE 1/2FNPT POLY        |
| 11   | 1   | 695900   | BALL VALVE 1IN FNPT POLY       |
| 12   | 1   | 763400   | 50GAL RINSE TANK CRADLE WLD92  |
| 13   | 4   | 763404   | 50GAL RINSE TANK BAND 92       |
| 14   | 1   | 763405   | SW SOCKET MT. RINSE SYS 92     |
| 15   | 1   | 763406   | 50 GAL WHITE TANK              |
| 16   | 4   | 763407   | RUBBER PAD, RINSE TANK BAND    |
| 17   | 4   | 900064   | 5/16UNC X 3/4 HEX BOLT         |
| 18   | 2   | 900070   | 5/16UNC X 2 1/2 BOLT           |
| 19   | 4   | 900269   | 1/2UNC X 2 3/4 HEX BOLT        |
| 20   | 4   | 900277   | 1/2UNC X 5 1/2 HEX BOLT        |
| 21   | 4   | 900281   | 1/2UNC X 7 1/2 HEX BOLT        |
| 22   | 6   | 914002   | 5/16UNC HEX STOVER NUT         |
| 23   | 12  | 914008   | 1/2UNC HEX STOVER NUT          |
| 24   | 8   | 920004   | 1/2 SAE FLAT WASHER            |
| 25   | 1   | 601352   | HOSE, 1 X 174 ZBR BLK EPDM     |
| 26   | 1   | 520087   | HOSE CLAMP NO 20 STAINLESS     |
| 27   | 1   | 504211   | RED BUSH 3/4MNPT-1/2FNPT, POLY |
| 28   | 1   | 713340   | 1/2NPT-1/2 HOSE BARB, POLY     |
| 29   | 1   | 500024   | 1NPT-90-1HOSE BARB, POLY       |
| 30   | 1   | 503101   | 1/2NPT CLOSE NIPPLE, POLY      |
| 31   | 1   | 500052   | 1 1/4 X 1NPT REDU NIPPLE, POLY |
| 32   | 1   | 690511   | LID, RAVEN RINSE TANK 763406   |
| 33   | 1   | 763430   | 1 1/4 TANK FLANGE RUBBER SEAL  |

RINSE NOZZLE ASSEMBLY

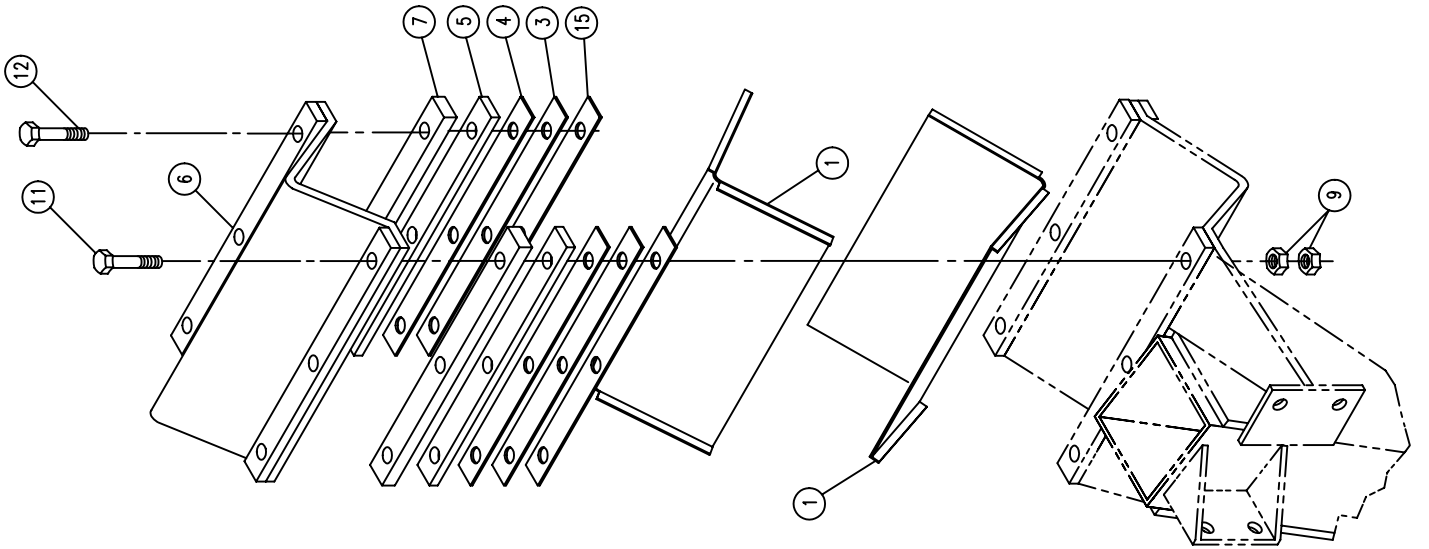
DET. QTY PART NO. DESCRIPTION

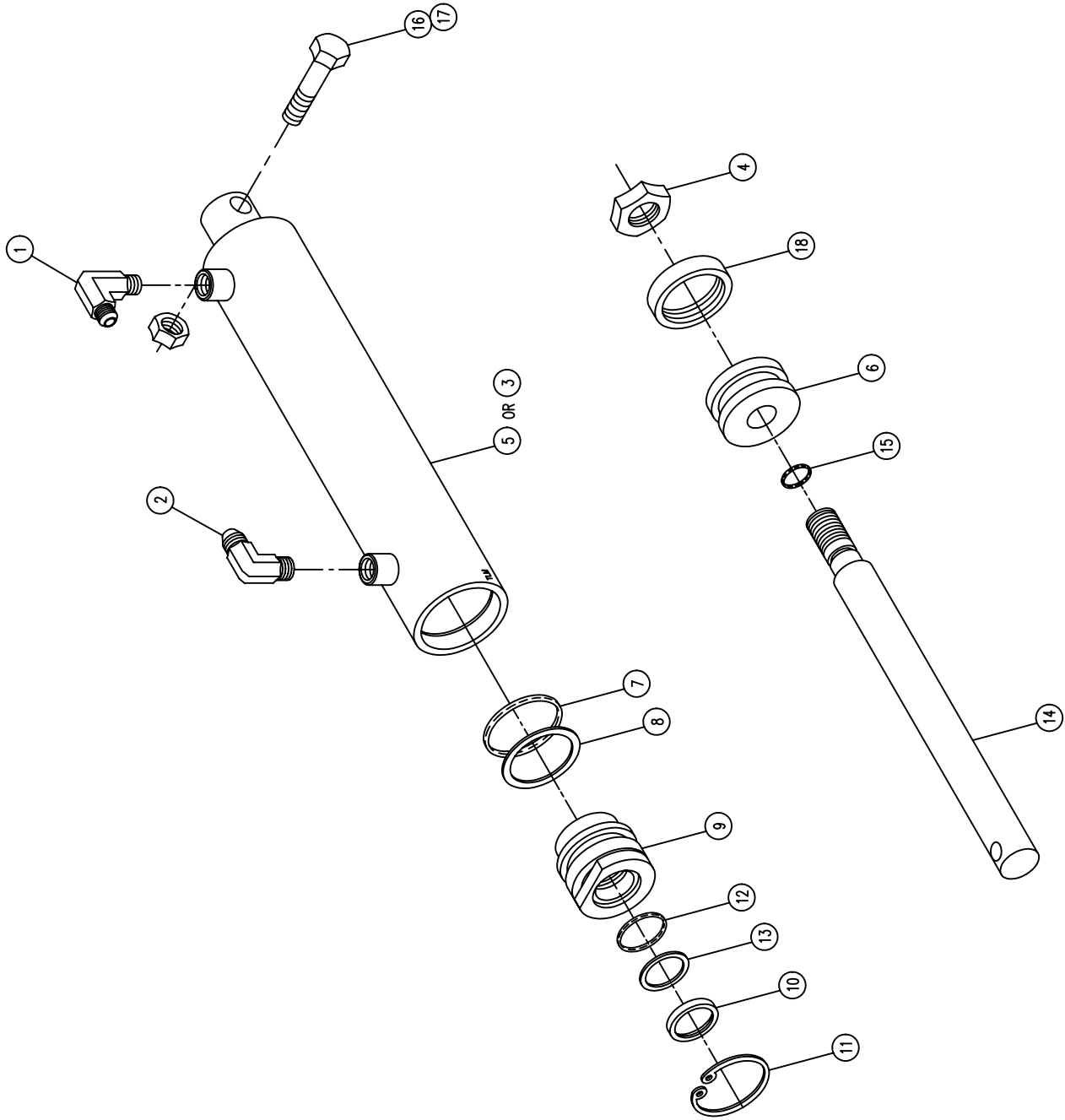
|   |   |        |                               |
|---|---|--------|-------------------------------|
| 1 | 1 | 500027 | 3/4NPT-3/8 HOSE BARB, POLY    |
| 2 | 1 | 504002 | RED BUSH 3/4 TO 1/4, POLY     |
| 3 | 1 | 520120 | HOSE CLAMP NO 4 PLATED MINI   |
| 4 | 1 | 601164 | HOSE, 1/2 X 117 1BR BLK EPD   |
| 5 | 1 | 618549 | .75 PLASTIC FTG ASSY POLY TNK |
| 6 | 1 | 520070 | HOSE CLAMP NO 8 PLATED        |
| 7 | 1 | 737873 | ROTARY NOZZLE, TEFLON         |
| 8 | 1 | 737821 | QUICK TEEJET HOSE DROP 24IN   |
| 9 | 1 | 500041 | 3/4NPT-90-1/2*HOSE BARB, POLY |



TREAD ADJUSTMENT ASSEMBLY

| DET. | QTY | PART NO. | DESCRIPTION                    |
|------|-----|----------|--------------------------------|
| 1    | 2   | 358703   | TREAD ADJ XMBR BEARING ASSY    |
| 2    | 1   | 358747   | TREAD ADJ CYL EXT TUBE         |
| 3    | 2   | 358767   | .025 LEG MT SHIM, 284T         |
| 4    | 2   | 358752   | .074 LEG MT SHIM, 284T         |
| 5    | 2   | 358769   | .250 LEG MT SHIM, 284T         |
| 6    | 1   | 358759   | LEG MT V-PLT WLD, 284T         |
| 7    | 2   | 358766   | .375 LEG MT SPACER, 284T       |
| 8    | 1   | 900268   | 1/2UNC X 2 1/2 HEX BOLT        |
| 9    | 12  | 914811   | 5/8UNF HEX NUT GR8             |
| 10   | 1   | 900267   | 1/2UNC X 2" HEX BOLT           |
| 11   | 3   | 900837   | 5/8UNF X 3 1/2 HEX BOLT GR8    |
| 12   | 3   | 900838   | 5/8UNF X 4" HEX BOLT GR8       |
| 13   | 2   | 914008   | 1/2UNC HEX STOVER NUT          |
| 14   | 1   | 358802   | TREAD ADJ CYL EXT TUBE, 284W95 |
| 15   | 2   | 358768   | .037 LEG MT SHIM, 284T         |





TREAD ADJUSTMENT LEG CYLINDER ASSEMBLY

| DET. | QTY | PART NO. | DESCRIPTION                     |
|------|-----|----------|---------------------------------|
| 1    | 1   | 614710   | RESTRICTOR ELBOW ASSY .025DIA   |
| 2    | 1   | 611122   | 9/16MJIC-90-1/4MNPT LBO         |
| 3    | 1   | 620119   | LH CYL TUBE WLD, LEG, TREAD ADJ |
| 4    | 1   | 472297   | 3/4UNF HEX STOVER NUT THIN      |
| 5    | 1   | 620118   | RH CYL TUBE WLD, LEG, TREAD ADJ |
| 6    | 1   | 620081   | PISTON 2 X 1 ZAMAC ORING TYPE   |
| 7    | 1   | 870326   | BUNA ORING 1 5/8 X 2            |
| 8    | 1   | 890326   | BACKUP WASH 1 5/8 X 2 LEATH     |
| 9    | 1   | 620082   | GLAND 2 IN X 1 IN ZAMAC         |
| 10   | 1   | 629003   | WIPER 1 X 1 1/4 X 1/8           |
| 11   | 1   | 629505   | SNAP RING 2 IN INTRN            |
| 12   | 1   | 870214   | BUNA ORING 1 X 1 1/4            |
| 13   | 1   | 890214   | BACKUP WASH 1 X 1 1/4 HT2022    |
| 14   | 1   | 620111   | TREAD ADJ HYD LEG CYL SHAFT     |
| 15   | 1   | 870113   | BUNA ORING 9/16 X 3/4           |
| 16   | 1   | 900268   | 1/2UNC X 2 1/2 HEX BOLT         |
| 17   | 1   | 914008   | 1/2UNC HEX STOVER NUT           |
| 18   | 1   | 860326   | CROWN SEAL, 2" PISTON, HYD      |

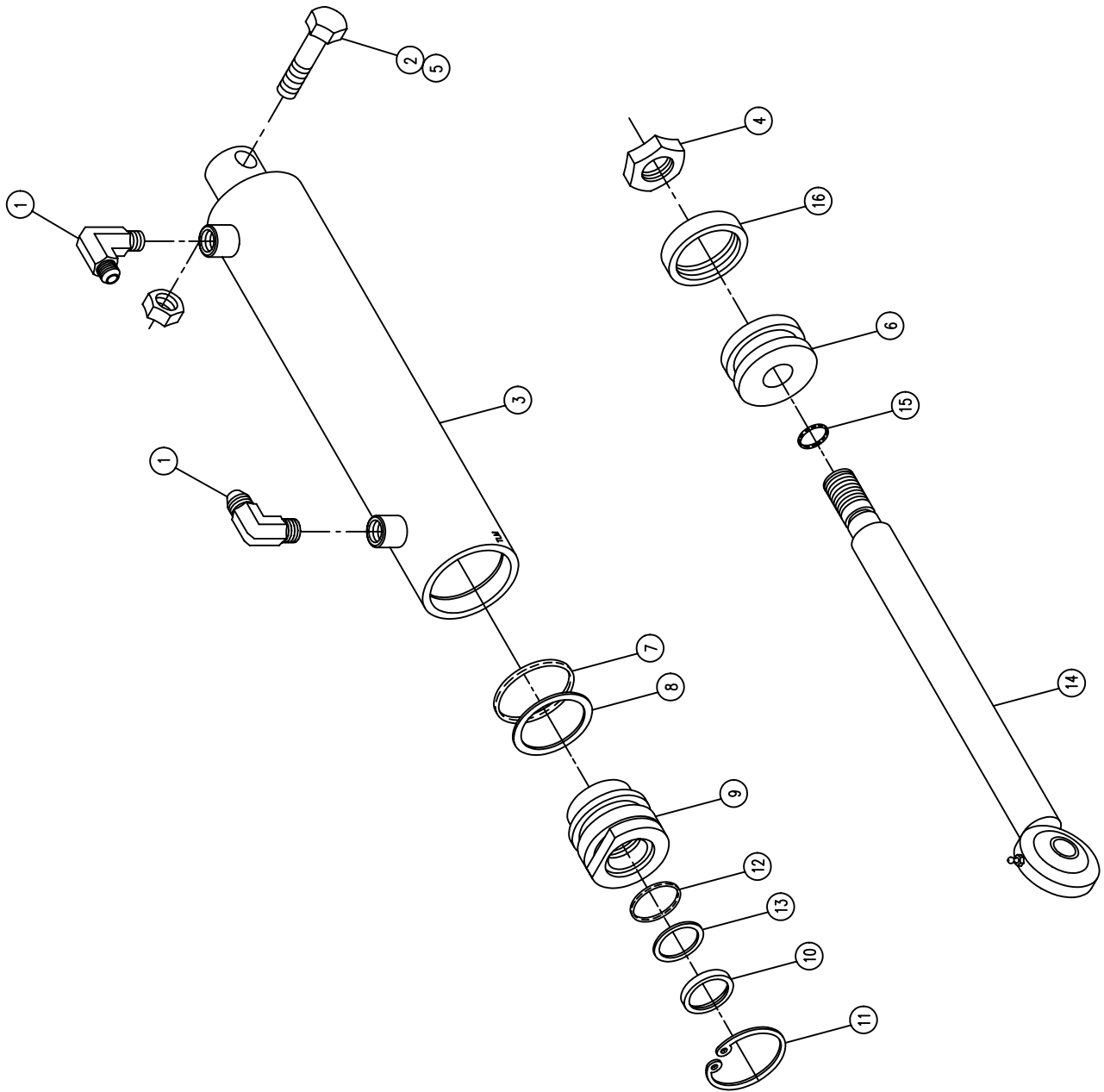
NOTE: 1. 620120 - RH LEG TREAD ADJ CYLINDER ASSEMBLY  
 2. 620121 - LH LEG TREAD ADJ CYLINDER ASSEMBLY  
 3. 620083 - SEAL KIT

125" TIE ROD TREAD ADJ CYLINDER ASSEMBLY

DET. QTY PART NO. DESCRIPTION

|    |   |        |                                 |
|----|---|--------|---------------------------------|
| 1  | 2 | 614710 | RESTRICTOR ELBOW ASSY - 025D1A  |
| 2  | 1 | 900268 | 1/2UNC X 2 1/2 HEX BOLT         |
| 3  | 1 | 620124 | CYL TUBE WLD, STRG, 125" TA 94  |
| 4  | 1 | 472297 | 3/4UNF HEX STOVER NUT THIN      |
| 5  | 1 | 914008 | 1/2UNC HEX STOVER NUT           |
| 6  | 1 | 620081 | PISTON 2 X 1 ZAMAC ORING TYPE   |
| 7  | 1 | 870326 | BUNA ORING 1 5/8 X 2            |
| 8  | 1 | 890326 | BACKUP WASH 1 5/8 X 2 LEATH     |
| 9  | 1 | 620126 | GLAND 2.00 OD X 1.25 ID, ALUM   |
| 10 | 1 | 629002 | WIPER 1 1/4 X 1 1/2 X 1/8       |
| 11 | 1 | 629505 | SNAP RING 2 IN INTRN            |
| 12 | 1 | 870218 | BUNA ORING 1 1/4 X 1 1/2        |
| 13 | 1 | 890218 | BACKUP WASH1 1/4X1 1/2 HT2022   |
| 14 | 1 | 620130 | CYL SHAFT WLD, STRG, TREADADJ94 |
| 15 | 1 | 870113 | BUNA ORING 9/16 X 3/4           |
| 16 | 1 | 860326 | CROWN SEAL, 2" PISTON, HYD      |

NOTE: 1. 620123 - 125" TREAD ADJ STEERING CYLINDER ASSEMBLY  
 2. 620132 - SEAL KIT

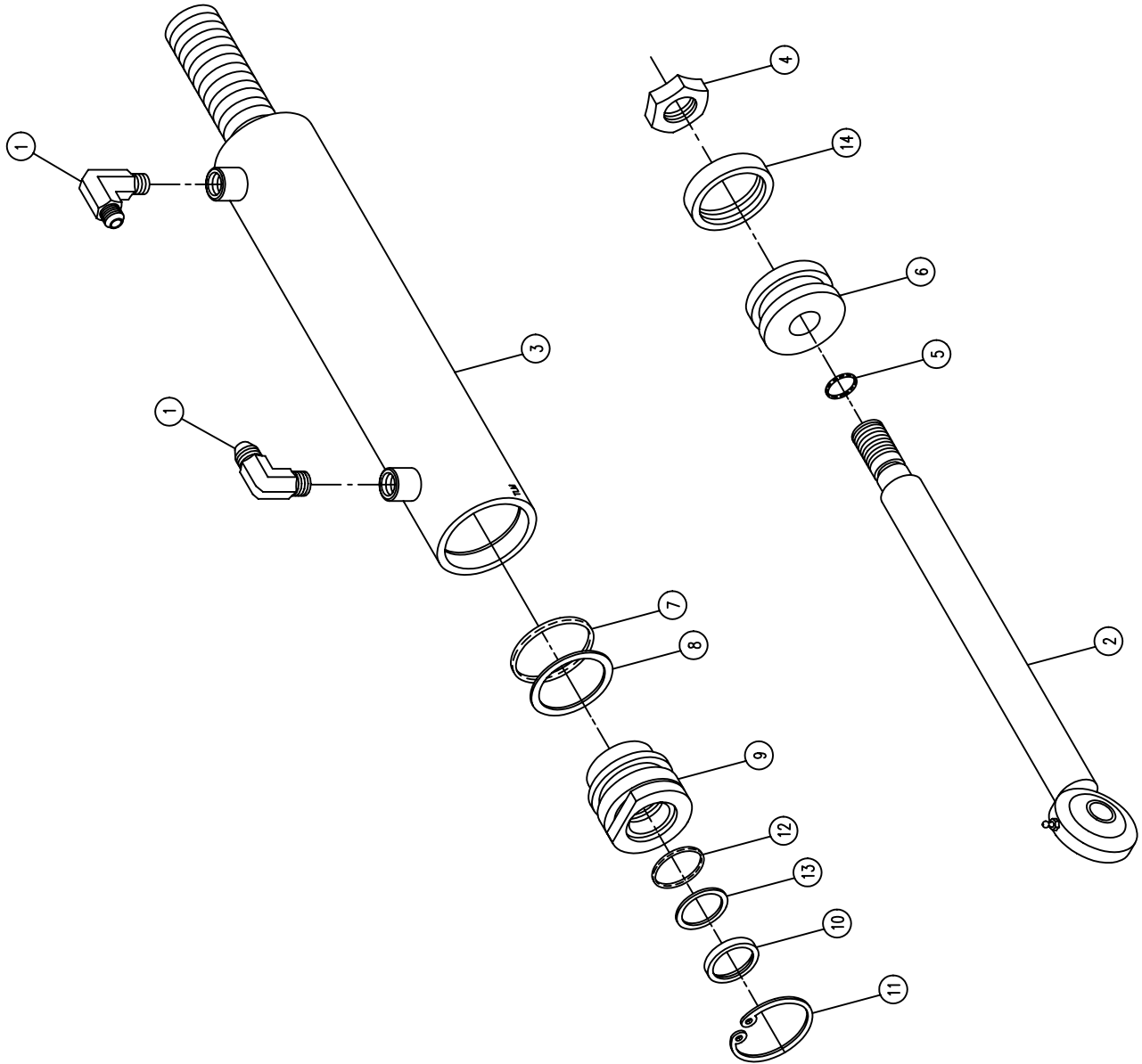


90° TIE ROD TREAD ADJ CYLINDER ASSEMBLY

DET. QTY PART NO. DESCRIPTION

|    |   |        |                                 |
|----|---|--------|---------------------------------|
| 1  | 2 | 614710 | RESTRICTOR ELBOW ASSY .025D1A   |
| 2  | 1 | 620130 | CYL SHAFT WLD, STRG, TREADADJ94 |
| 3  | 1 | 620116 | TREAD ADJ STRG CYL TUBE WLD     |
| 4  | 1 | 472297 | 3/4UNF HEX STOVER NUT THIN      |
| 5  | 1 | 870113 | BUNA ORING 9/16 X 3/4           |
| 6  | 1 | 620081 | PISTON 2 X 1 ZAMAC ORING TYPE   |
| 7  | 1 | 870326 | BUNA ORING 1 5/8 X 2            |
| 8  | 1 | 890326 | BACKUP WASH 1 5/8 X 2 LEATH     |
| 9  | 1 | 620126 | GLAND 2.00 OD X 1.25 ID, ALUM   |
| 10 | 1 | 629002 | WIPER 1 1/4 X 1 1/2 X 1/8       |
| 11 | 1 | 629505 | SNAP RING 2 IN INTRN            |
| 12 | 1 | 870218 | BUNA ORING 1 1/4 X 1 1/2        |
| 13 | 1 | 890218 | BACKUP WASH 1 1/4X1 1/2 HT2022  |
| 14 | 1 | 860326 | CROWN SEAL, 2" PISTON, HYD      |

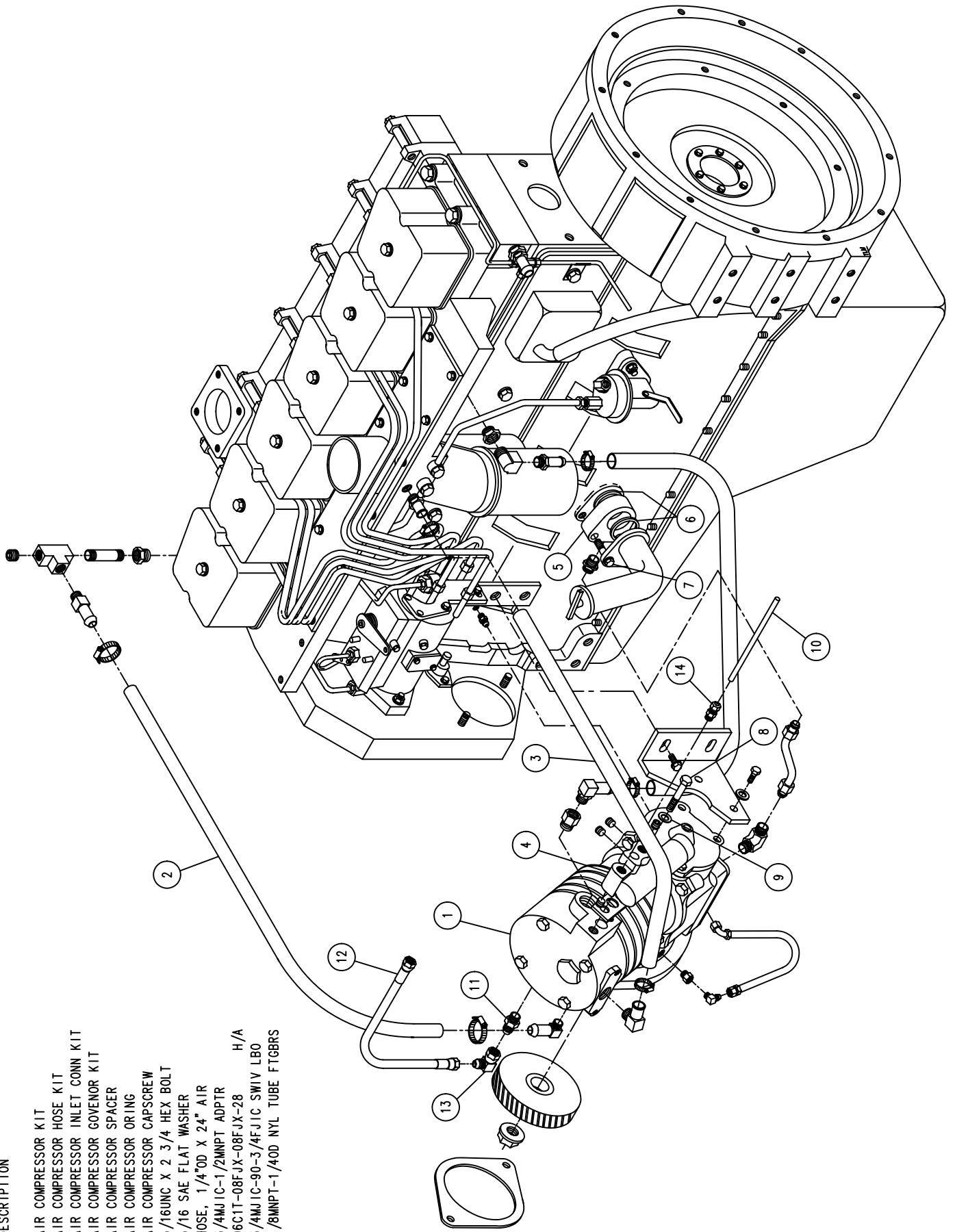
NOTE: 1. 620122 - 90° TREAD ADJ STEERING CYLINDER ASSEMBLY  
 2. 620132 - SEAL KIT



CUMMINS AIR COMPRESSOR OPTION

DET. QTY PART NO. DESCRIPTION

|    |   |        |                               |
|----|---|--------|-------------------------------|
| 1  | 1 | 316274 | AIR COMPRESSOR KIT            |
| 2  | 1 | 316285 | AIR COMPRESSOR HOSE KIT       |
| 3  | 1 | 316276 | AIR COMPRESSOR INLET CONN KIT |
| 4  | 1 | 316277 | AIR COMPRESSOR GOVENOR KIT    |
| 5  | 1 | 316278 | AIR COMPRESSOR SPACER         |
| 6  | 2 | 316279 | AIR COMPRESSOR ORING          |
| 7  | 1 | 316280 | AIR COMPRESSOR CAPSCREW       |
| 8  | 2 | 900071 | 5/16UNC X 2.3/4 HEX BOLT      |
| 9  | 2 | 920001 | 5/16 SAE FLAT WASHER          |
| 10 | 1 | 601359 | HOSE, 1/4"OD X 24" AIR        |
| 11 | 1 | 611147 | 3/4MJ IC-1/2MNPT ADPTR        |
| 12 | 1 | 615624 | 06C1T-08FJX-08FJX-28 H/A      |
| 13 | 1 | 618609 | 3/4MJ IC-90-3/4FJ IC SWIV LBO |
| 14 | 1 | 711023 | 1/8MNPT-1/4OD NYL TUBE FTGBRS |

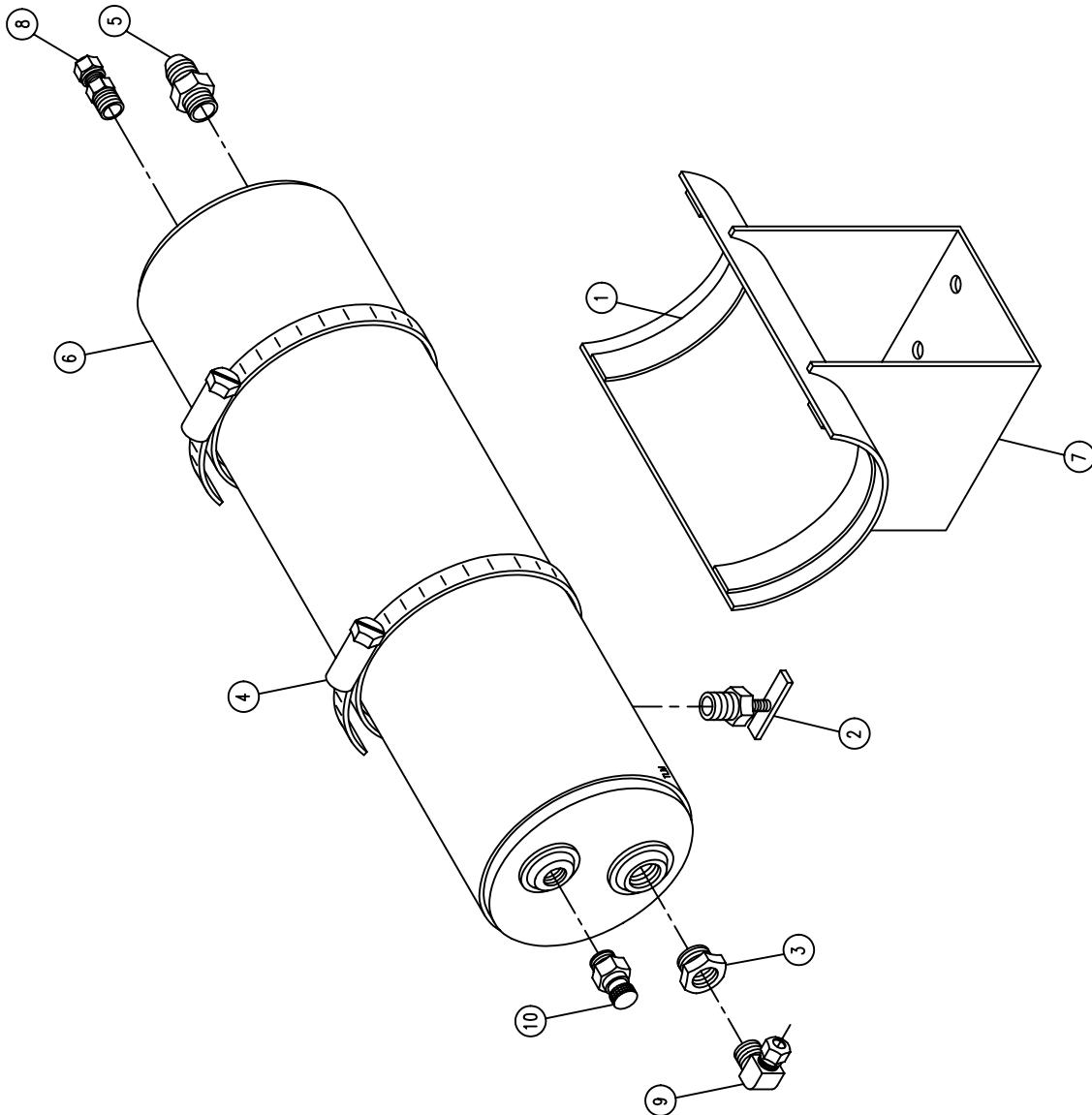


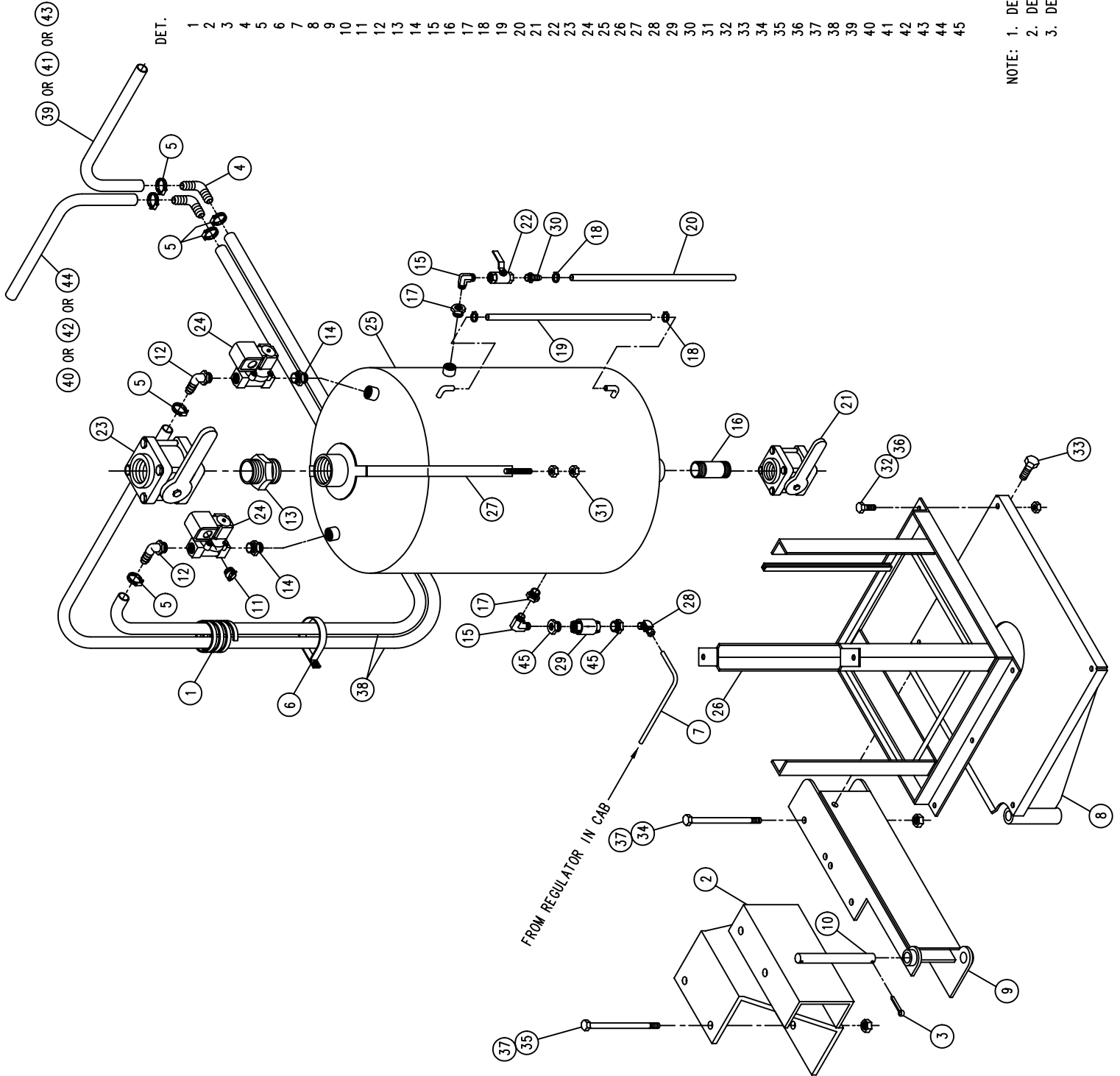


FOAMER AIR TANK ASSEMBLY

DET. QTY PART NO. DESCRIPTION

|    |   |        |                                |
|----|---|--------|--------------------------------|
| 1  | 1 | 193037 | STICKERTITE 1/8 X 3/4          |
| 2  | 1 | 319559 | DRAIN COCK, 1/4MNPT EXT ST BRS |
| 3  | 1 | 505212 | 1/2-1/4NPT REDU BUSH, BRS      |
| 4  | 2 | 520086 | HOSE CLAMP NO 88 PLATED        |
| 5  | 1 | 611147 | 3/4MJC-1/2MNPT ADPTR           |
| 6  | 1 | 701056 | HAGIE FOAMER AIR TANK WLD 95   |
| 7  | 1 | 701059 | HMC FOAMER AIR TANK MT WLD 95  |
| 8  | 1 | 711015 | 1/4MNPT-1/4OD NYL TUBE FTGBRS  |
| 9  | 1 | 711016 | 1/4NPT-90-1/4NYL TUBE FTG BRS  |
| 10 | 1 | 711017 | 1/4"MNPT RELIEF VALVE          |



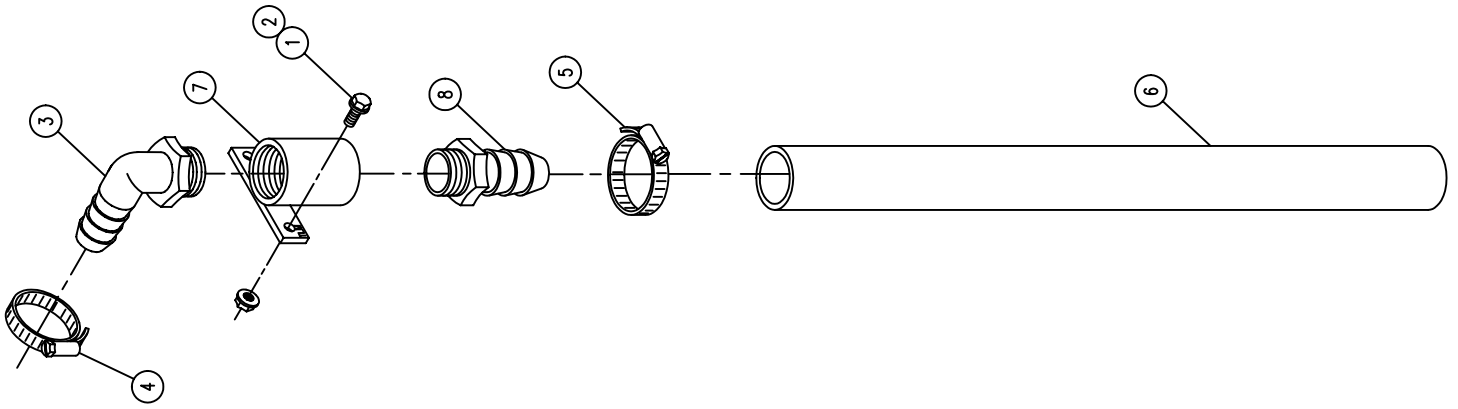


FOAM MARKER TANK ASSEMBLY

DET. QTY PART NO. DESCRIPTION

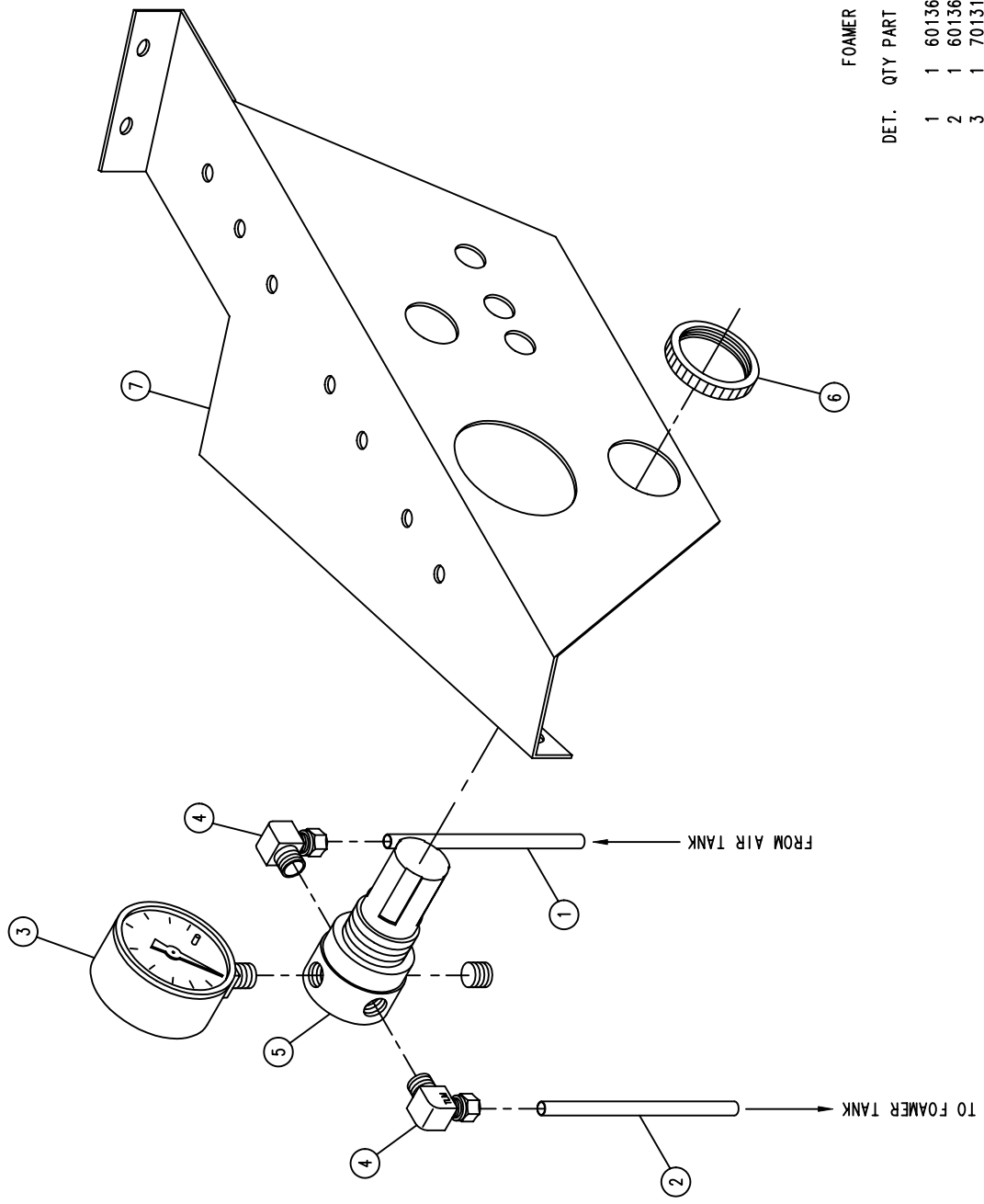
|    |   |        |                                       |
|----|---|--------|---------------------------------------|
| 1  | 2 | 193002 | SP IRAL PROTECTIVE WRAP, BLACK        |
| 2  | 1 | 341980 | RH REAR TOOL BAR MT WLD 2XX           |
| 3  | 2 | 470039 | COTTER PIN 3/16 X 1 1/4 SQ CUT        |
| 4  | 2 | 500069 | 3/4-90-3/4 HOSE BARB, POLY            |
| 5  | 6 | 520055 | HOSE CLAMP NO 12 STAINLESS            |
| 6  | 1 | 520126 | CUSH HOSE CLAMP 2 IN X 5/8W           |
| 7  | 1 | 601366 | HOSE, 1/4 X 192 AIR                   |
| 8  | 1 | 701043 | HAGIE FOAMER BASE WLD 95              |
| 9  | 1 | 701048 | HAGIE FOAMER BASE MT WLD 95           |
| 10 | 1 | 701055 | HMC FOAMER BASE PIVOT PIN 95          |
| 11 | 3 | 293056 | ROMEX CONNECTOR .50IN 2-SCR           |
| 12 | 2 | 500054 | 3/4NPT-90-3/4 HOSE BARB, POLY         |
| 13 | 1 | 500056 | 2" NPT CLOSE HEX NIPPLE, POLY         |
| 14 | 2 | 502704 | PIPE NIPPLE, 3/4NPT HEX BRS           |
| 15 | 2 | 502705 | 1/4NPT-90-1/4NPT LBO, BRS             |
| 16 | 1 | 505202 | BLK PIPE NIPPLE 1.00NPT-2.00          |
| 17 | 2 | 505211 | 3/8-1/4NPT REDU BUSH, BRS             |
| 18 | 3 | 520069 | HOSE CLAMP NO 6 STAINLESS             |
| 19 | 1 | 601364 | HOSE, 3/8 X 16 CLEAR VINYL            |
| 20 | 1 | 601370 | HOSE, 3/8 X 30 CLEAR VINYL            |
| 21 | 1 | 695900 | BALL VALVE 1IN FNPT POLY              |
| 22 | 1 | 696120 | BALL VALVE, 1/4NPT, STEEL             |
| 23 | 1 | 696134 | BALL VALVE 2IN FNPT POLY              |
| 24 | 2 | 696163 | 3/4" ELECT SOLENOID VALVE             |
| 25 | 1 | 701091 | FOAM MARKER TANK, 20 GAL SS           |
| 26 | 1 | 701093 | FOAM MARKER TANK MT WLD               |
| 27 | 1 | 701099 | FOAM MARKER TANK STRAP WLD            |
| 28 | 1 | 711016 | 1/4NPT-90-1/4NPT TUBE FTG BRS         |
| 29 | 1 | 711050 | 3/4"FNPT CHECK VALVE S. S.            |
| 30 | 1 | 711022 | 1/4NPT X 3/8 HOSE BARB, BRS           |
| 31 | 4 | 910004 | 3/8UNC HEX NUT                        |
| 32 | 4 | 900129 | 3/8UNC X 1" HEX BOLT                  |
| 33 | 1 | 900263 | 1/2UNC X 1" HEX BOLT                  |
| 34 | 2 | 900278 | 1/2UNC X 6" HEX BOLT                  |
| 35 | 2 | 900281 | 1/2UNC X 7 1/2 HEX BOLT               |
| 36 | 4 | 914004 | 3/8UNC HEX STOVER NUT                 |
| 37 | 4 | 914008 | 1/2UNC HEX STOVER NUT                 |
| 38 | 2 | 195908 | HOSE, 3/4ID-1/8W CLEAR VINYL X 168.00 |
| 39 | 1 | 195908 | HOSE, 3/4ID-1/8W CLEAR VINYL X 588.00 |
| 40 | 1 | 195908 | HOSE, 3/4ID-1/8W CLEAR VINYL X 612.00 |
| 41 | 1 | 195908 | HOSE, 3/4ID-1/8W CLEAR VINYL X 708.00 |
| 42 | 1 | 195908 | HOSE, 3/4ID-1/8W CLEAR VINYL X 732.00 |
| 43 | 1 | 195908 | HOSE, 3/4ID-1/8W CLEAR VINYL X 768.00 |
| 44 | 1 | 195908 | HOSE, 3/4ID-1/8W CLEAR VINYL X 792.00 |
| 45 | 2 | 507724 | REDU BUSH 3/4MNPT X 1/4FNPT, SS       |

NOTE: 1. DETAIL 39 AND 40 ARE USED WITH THE 60 FT BOOM.  
 2. DETAIL 41 AND 42 ARE USED WITH THE 80 FT BOOM.  
 3. DETAIL 43 AND 44 ARE USED WITH THE 90 FT BOOM.



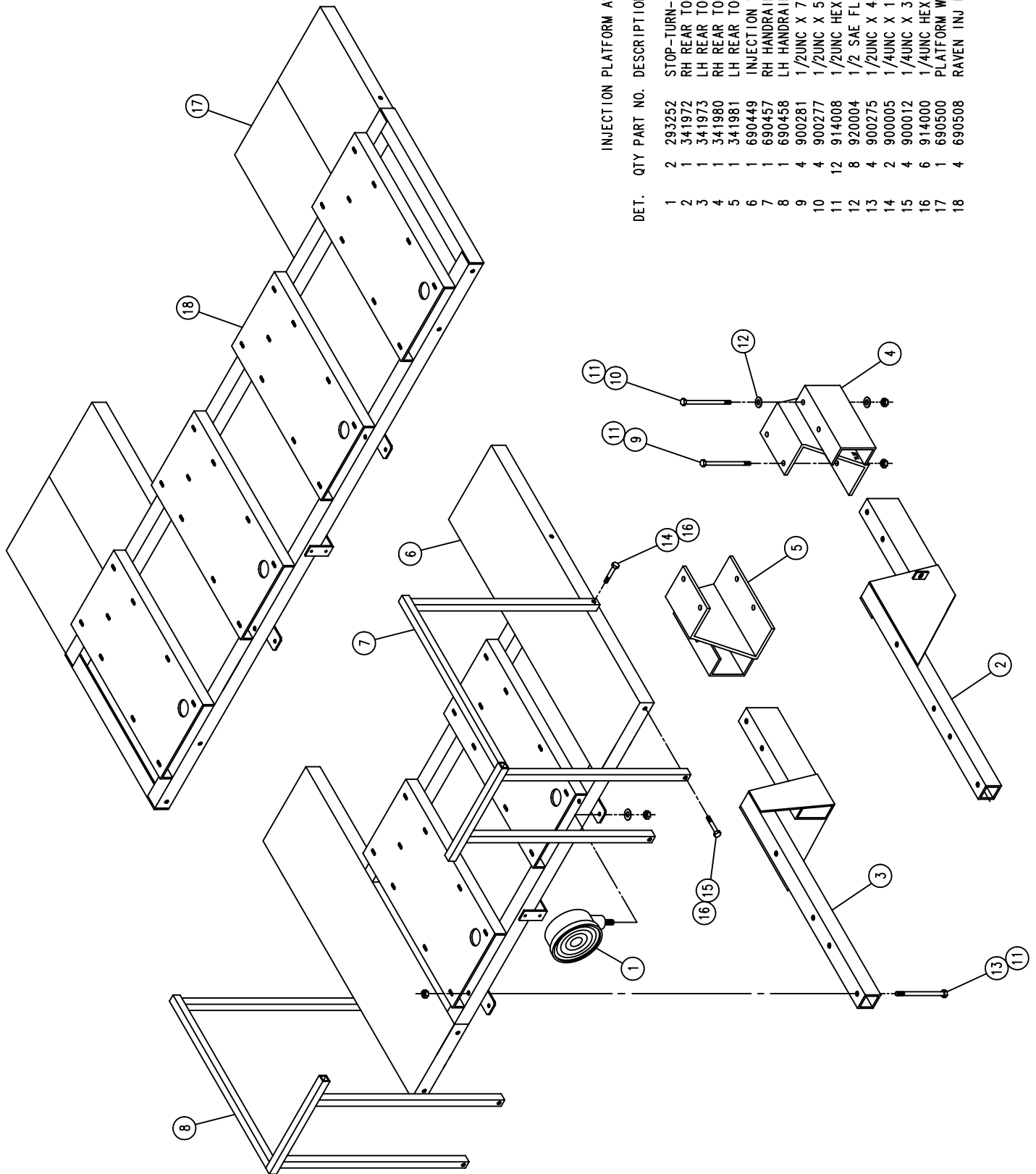
FOAMER DROP END ASSEMBLY

| DET. | QTY | PART NO. | DESCRIPTION                   |
|------|-----|----------|-------------------------------|
| 1    | 2   | 470118   | 1/4UNC X 3/4 FLANGE HEX BOLT  |
| 2    | 2   | 470121   | 1/4UNC HEX FLANGE LOCK NUT    |
| 3    | 1   | 500067   | 1 NPT-90-3/4 HOSE BARB, POLY  |
| 4    | 1   | 520055   | HOSE CLAMP NO 12 STAINLESS    |
| 5    | 1   | 520085   | HOSE CLAMP NO 24 STAINLESS    |
| 6    | 1   | 601367   | HOSE, 1 1/4 X 24 2BR BLK EPDM |
| 7    | 1   | 701102   | FOAM MARKER DROP CPLR WELD    |
| 8    | 1   | 714561   | 1.00NPT-1.25 HOSE BARB        |



FOAMER AIR REGULATOR ASSEMBLY

| DET. | QTY | PART NO. | DESCRIPTION                    |
|------|-----|----------|--------------------------------|
| 1    | 1   | 601360   | HOSE, 1/4"OD X 168" AIR        |
| 2    | 1   | 601366   | HOSE, 1/4"OD X 192" AIR        |
| 3    | 1   | 701310   | AIR PRESS GAUGE, 1/8"BOT       |
| 4    | 2   | 711016   | 1/4NPT-90-1/4NYL TUBE FTG BRS  |
| 5    | 1   | 711019   | 1/4"MNPT AIR REGULATOR         |
| 6    | 1   | 711021   | 1 1/4-18 NUT, AIR REGULATOR MT |
| 7    | 1   | 342215   | MONITOR MT, 284 CAB            |



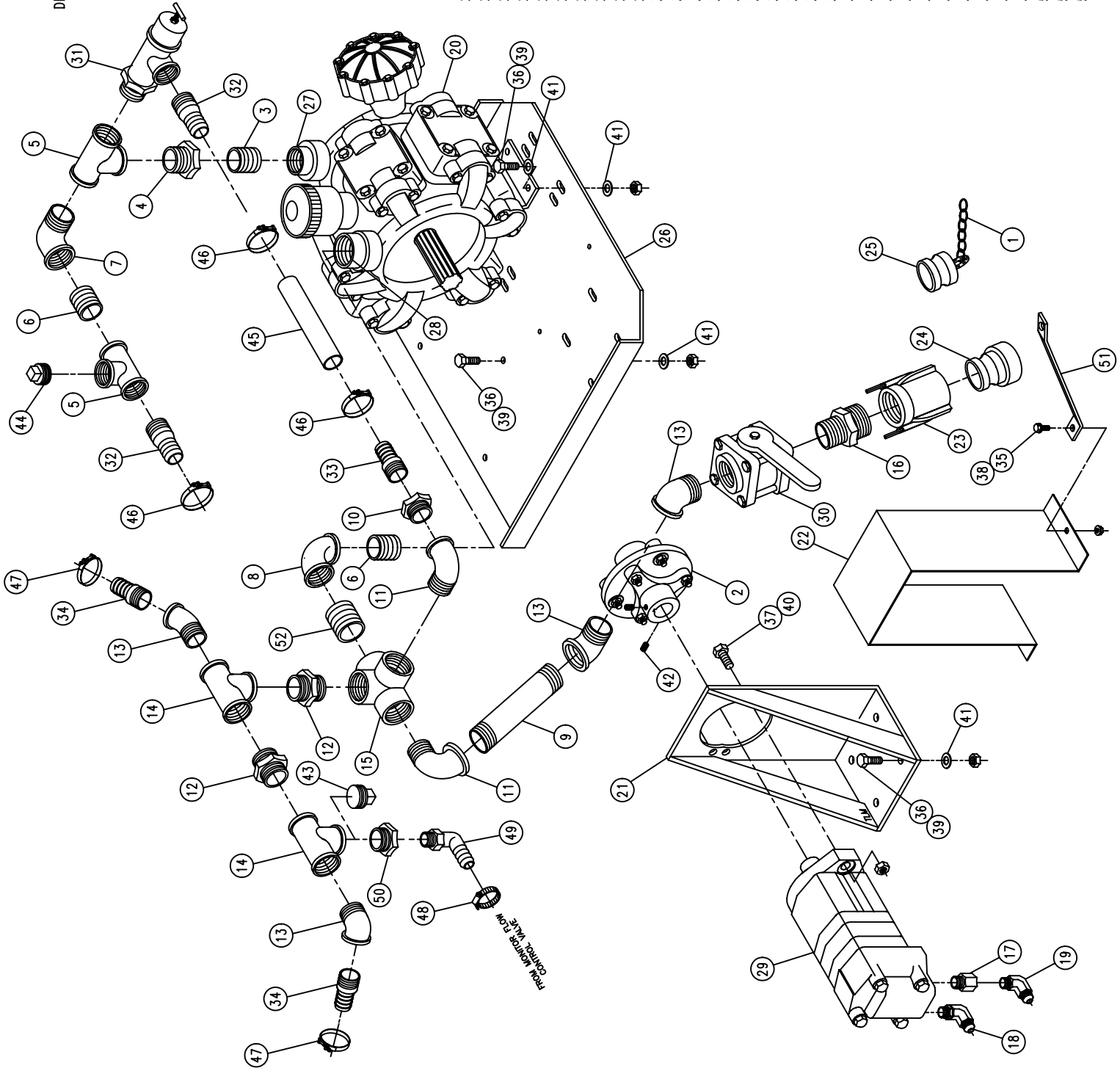
INJECTION PLATFORM ASSEMBLY

| DET. | QTY | PART NO. | DESCRIPTION                   |
|------|-----|----------|-------------------------------|
| 1    | 2   | 293252   | STOP-TURN-TAIL LAMP PED MT    |
| 2    | 1   | 341972   | RH REAR TOOL BAR WLD 2XX 92   |
| 3    | 1   | 341973   | LH REAR TOOL BAR WLD 2XX 92   |
| 4    | 1   | 341980   | RH REAR TOOL BAR MT WLD 2XX   |
| 5    | 1   | 341981   | LH REAR TOOL BAR MT WLD 2XX   |
| 6    | 1   | 690449   | INJECTION SYS MT/PLATFORM WLD |
| 7    | 1   | 690457   | RH HANDRAIL WLD, INJ PLATFORM |
| 8    | 1   | 690458   | LH HANDRAIL WLD, INJ PLATFORM |
| 9    | 4   | 900281   | 1/2UNC X 7 1/2 HEX BOLT       |
| 10   | 4   | 900277   | 1/2UNC X 5 1/2 HEX BOLT       |
| 11   | 12  | 914008   | 1/2UNC HEX STOVER NUT         |
| 12   | 8   | 920004   | 1/2 SAE FLAT WASHER           |
| 13   | 4   | 900275   | 1/2UNC X 4 1/2 HEX BOLT       |
| 14   | 2   | 900005   | 1/4UNC X 1 1/2 HEX BOLT       |
| 15   | 4   | 900012   | 1/4UNC X 3 1/2 HEX BOLT       |
| 16   | 6   | 914000   | 1/4UNC HEX STOVER NUT         |
| 17   | 1   | 690500   | PLATFORM WLD, 3 & 4 UNIT SYS  |
| 18   | 4   | 690508   | RAVEN INJ PUMP/TANK MT CHAN   |

HYPRO 230 PUMP ASSEMBLY

DET. QTY PART NO. DESCRIPTION

|    |    |        |                                |
|----|----|--------|--------------------------------|
| 1  | 1  | 160986 | TWIN LOOP CHAIN 6 LINKS        |
| 2  | 1  | 314690 | FLEX COUPLER, 6 IN DISC 1981   |
| 3  | 1  | 505201 | CLOSE NIPPLE 1.00NPT           |
| 4  | 1  | 506005 | 1 1/4 TO 1 RED BUSH BLK MAL    |
| 5  | 2  | 506105 | BLK PIPE TEE 1.25NPT           |
| 6  | 2  | 506200 | CLOSE NIPPLE 1.25NPT           |
| 7  | 1  | 506410 | BLK PIPE ST EL 90DEG 1.25NPT   |
| 8  | 1  | 506415 | RED EL 90 1 1/2 TO 1 1/4 MAL   |
| 9  | 1  | 500029 | 1 1/2NPT X 6 PIPE NIPPLE, POLY |
| 10 | 1  | 500037 | 1 1/2"X 1 1/4NPT BUSH, POLY    |
| 11 | 2  | 500034 | 1 1/2NPT-90 ST EL, POLY        |
| 12 | 2  | 500028 | 1 1/2NPT PIPE NIPPLE, POLY     |
| 13 | 4  | 500035 | 1 1/2NPT-45 ST EL, POLY        |
| 14 | 2  | 500030 | 1 1/2" NPT PIPE TEE, POLY      |
| 15 | 1  | 507253 | BLK PIPE SIDE OUTLET TEE 1.50  |
| 16 | 1  | 500038 | 2"X 1 1/2NPT REDU NIPPLE, POLY |
| 17 | 1  | 618171 | 7/8MOR-3/4FOR ADPTR            |
| 18 | 1  | 618183 | 3/4MJIC-90-7/8MOR LBO          |
| 19 | 1  | 618241 | 3/4MJIC-90-3/4MOR LBO          |
| 20 | 1  | 690339 | HYPRO 230 DIAPHRAM PUMP        |
| 21 | 1  | 690353 | D150-D230 PUMP MTR MT WLD      |
| 22 | 1  | 690364 | D150-D230 PUMP CPLR SHLD       |
| 23 | 1  | 690390 | 2.00 FEMALE NPT COUPLER        |
| 24 | 1  | 690391 | 2.00 FEMALE NPT ADPTR          |
| 25 | 1  | 690392 | ADPTR PLG FOR 2.00 NPT COUPLR  |
| 26 | 1  | 690414 | 230 HYPRO PUMP MT PLT 280 90   |
| 27 | 1  | 690417 | 1FNPT ADAPTER, HYPRO D230      |
| 28 | 1  | 690418 | 1 1/4FNPT ADAPTER, HYPRO D230  |
| 29 | 1  | 695985 | CHAR LYNN 2000 SER HYD MTR 79  |
| 30 | 1  | 696110 | BALL VALVE 1 1/2FNPT POLY      |
| 31 | 1  | 699702 | HAMILTON RELIEF VLV 200PSI     |
| 32 | 2  | 715660 | HOSE BARB 1 1/4NPT X 1 1/4     |
| 33 | 1  | 500033 | 1 1/4NPT X 1 1/4 H BARB, POLY  |
| 34 | 2  | 500032 | 1 1/2NPT X 1 1/2 H BARB, POLY  |
| 35 | 2  | 900003 | 1/4UNC X 1 HEX BOLT            |
| 36 | 12 | 900129 | 3/8UNC X 1 HEX BOLT            |
| 37 | 2  | 900265 | 1/2UNC X 1 1/2 HEX BOLT        |
| 38 | 2  | 914000 | 1/4UNC HEX STOVER NUT          |
| 39 | 12 | 914004 | 3/8UNC HEX STOVER NUT          |
| 40 | 2  | 914008 | 1/2UNC HEX STOVER NUT          |
| 41 | 16 | 920002 | WASH FLAT 3/8 SAE              |
| 42 | 2  | 470076 | SETSREW 5/16-18 X 1/2ZALHDUCP  |
| 43 | 1  | 500031 | 1 1/2NPT PIPE PLUG, POLY       |
| 44 | 1  | 506101 | PIPE PLUG 1.25NPT SQ HD        |
| 45 | 1  | 197120 | HOSE 1 1/4 2-FBR BR BLK EPDM   |
| 46 | 3  | 520132 | 1.62/1.87 T-BOLT HOSE CLAMP    |
| 47 | 2  | 520133 | 1.81/2.06 T-BOLT HOSE CLAMP    |
| 48 | 1  | 520087 | HOSE CLAMP NO 20 PLATED        |
| 49 | 1  | 500024 | 1"NPT-90-1"HOSE BARB, POLY     |
| 50 | 1  | 500036 | 1 1/2"X 1"NPT REDU BUSH, POLY  |
| 51 | 1  | 690480 | VLV/CPLR SUPPORT, D230 PUMP 94 |
| 52 | 1  | 507019 | CLOSE NIPPLE 1.50NPT           |

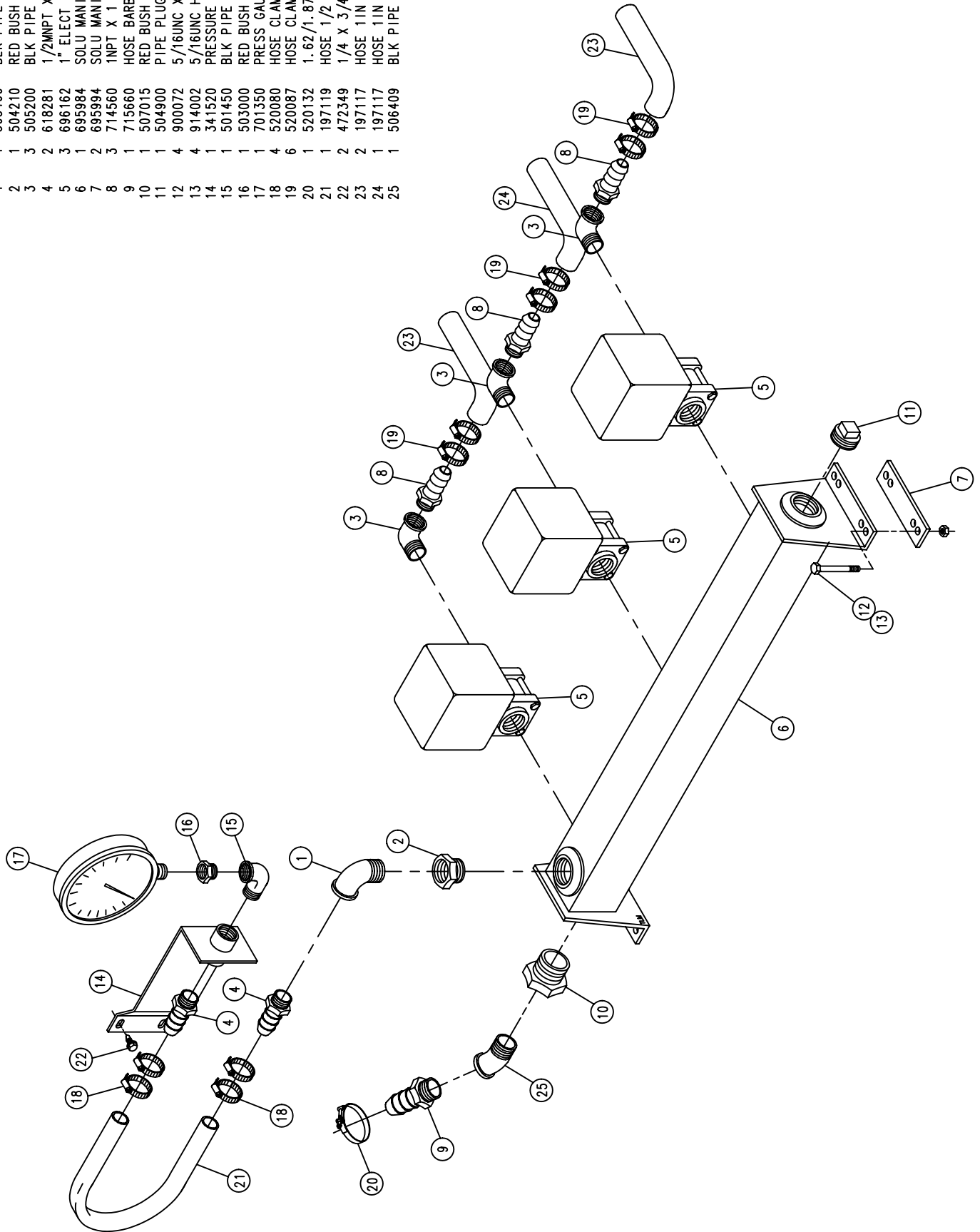


\*NOTE: ITEMS 48, 49, AND 50 ARE USED WITH THE MONITOR OPTION.

HYPRO D230 HP MANIFOLD ASSEMBLY

DET. QTY PART NO. DESCRIPTION

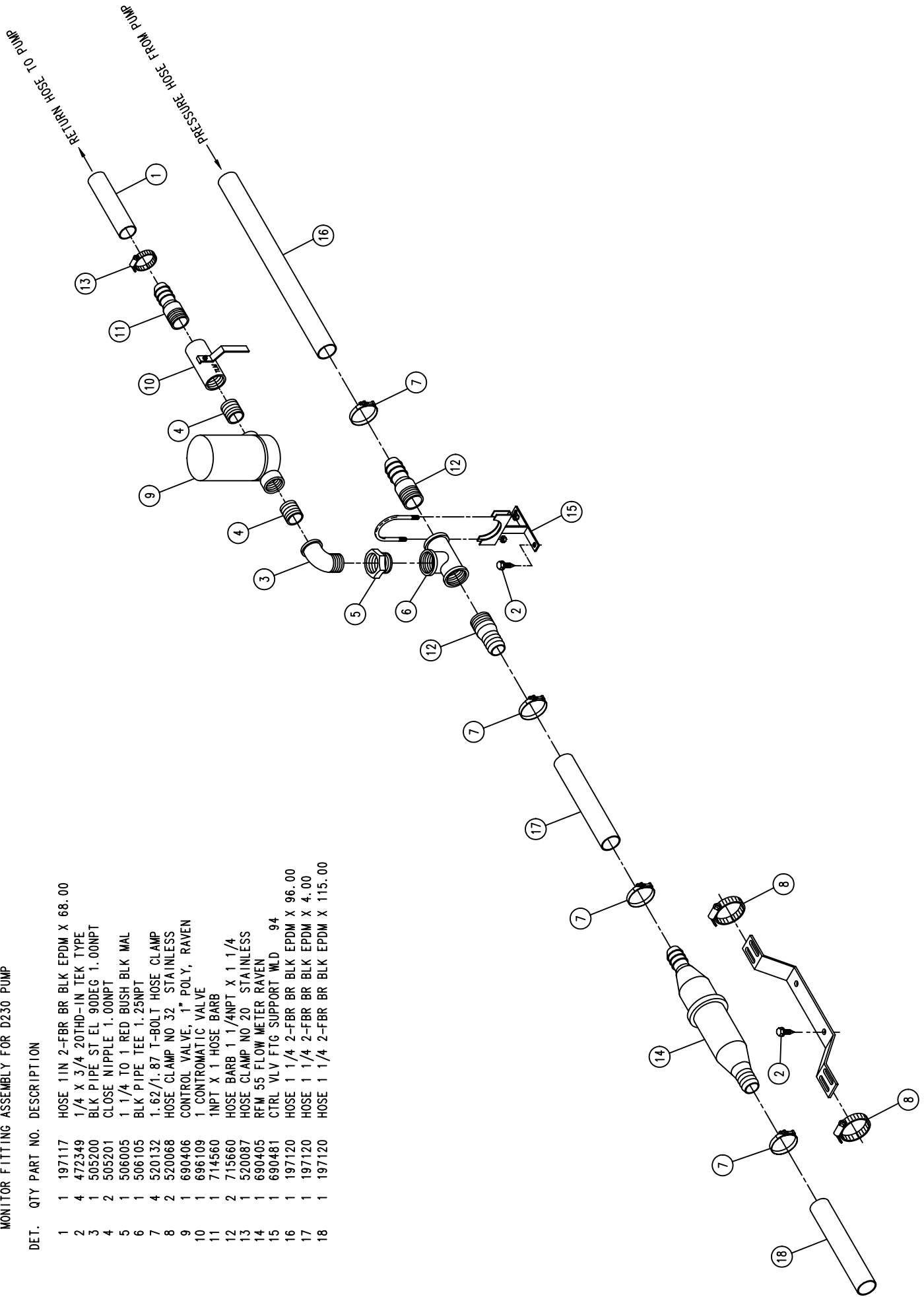
|    |   |        |                                   |
|----|---|--------|-----------------------------------|
| 1  | 1 | 503400 | BLK PIPE ST EL 90DEG .50NPT       |
| 2  | 1 | 504210 | RED BUSH 3/4 NPT X 1/2 NPT        |
| 3  | 3 | 505200 | BLK PIPE ST EL 90DEG 1.00NPT      |
| 4  | 2 | 618281 | 1/2NPT X 1/2 HOSE INSERT          |
| 5  | 3 | 696162 | 1" ELECT BALL VLV. 344AEC-2-1     |
| 6  | 1 | 695984 | SOLU MANIF WLD D150-D230          |
| 7  | 2 | 695994 | SOLU MANIF KEEPER OPTION          |
| 8  | 3 | 714560 | 1NPT X 1 HOSE BARB                |
| 9  | 1 | 715660 | HOSE BARB 1 1/4NPT X 1 1/4        |
| 10 | 1 | 507015 | RED BUSH 1.50NPT - 1.25FNPT       |
| 11 | 1 | 504900 | PIPE PLUG .75NPT SQ HD            |
| 12 | 4 | 900072 | 5/16UNC X 3" HEX BOLT             |
| 13 | 4 | 914002 | 5/16UNC HEX STOVER NUT            |
| 14 | 1 | 341520 | PRESSURE GAUGE MT WLD 8240X11     |
| 15 | 1 | 501450 | BLK PIPE ST EL 90DEG .25NPT       |
| 16 | 1 | 503000 | RED BUSH 1/2 TO 1/4 BLK MAL       |
| 17 | 1 | 701350 | PRESS GAUGE 300LB BOT FILL        |
| 18 | 4 | 520080 | HOSE CLAMP NO 10 STAINLESS        |
| 19 | 6 | 520087 | HOSE CLAMP NO 20 STAINLESS        |
| 20 | 1 | 520132 | 1.62/1.87 T-BOLT HOSE CLAMP       |
| 21 | 1 | 197119 | HOSE 1/2 2-FBR BR BLK EPDM X 206" |
| 22 | 2 | 472349 | 1/4 X 3/4 20THD-IN TEK TYPE       |
| 23 | 2 | 197117 | HOSE 1IN 2-FBR BR BLK EPDM X 288" |
| 24 | 1 | 197117 | HOSE 1IN 2-FBR BR BLK EPDM X 36"  |
| 25 | 1 | 506409 | BLK PIPE ST EL 45DEG 1.25NPT      |



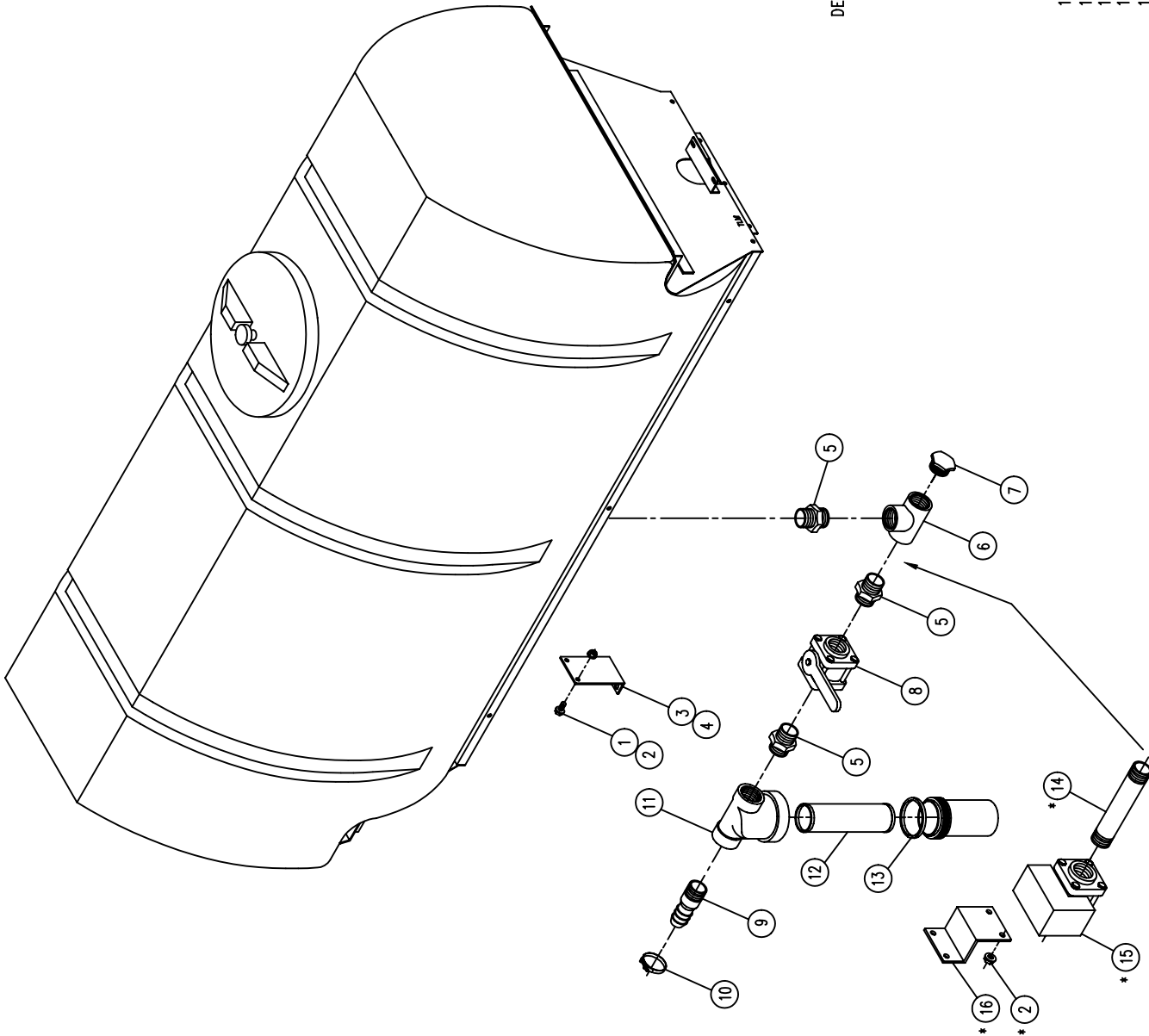
MONITOR FITTING ASSEMBLY FOR D230 PUMP

DET. QTY PART NO. DESCRIPTION

|    |   |        |                                       |
|----|---|--------|---------------------------------------|
| 1  | 1 | 197117 | HOSE 1IN 2-FBR BR BLK EPDM X 68.00    |
| 2  | 4 | 472349 | 1/4 X 3/4 20THD-IN TEK TYPE           |
| 3  | 1 | 505200 | BLK PIPE ST EL 90DEG 1.00NPT          |
| 4  | 2 | 505201 | CLOSE NIPPLE 1.00NPT                  |
| 5  | 1 | 506005 | 1/4 TO 1 RED BUSH BLK MAL             |
| 6  | 1 | 506105 | BLK PIPE TEE 1.25NPT                  |
| 7  | 4 | 520132 | 1.62/1.87 T-BOLT HOSE CLAMP           |
| 8  | 2 | 520068 | HOSE CLAMP NO 32 STAINLESS            |
| 9  | 1 | 690406 | CONTROL VALVE, 1" POLY, RAVEN         |
| 10 | 1 | 696109 | 1 CONTRAMATIC VALVE                   |
| 11 | 1 | 714560 | 1NPT X 1 HOSE BARB                    |
| 12 | 2 | 715660 | HOSE BARB 1 1/4NPT X 1 1/4            |
| 13 | 1 | 520087 | HOSE CLAMP NO 20 STAINLESS            |
| 14 | 1 | 690405 | RFM 55 FLOW METER RAVEN               |
| 15 | 1 | 690481 | CTRL VLV FTG SUPPORT WLD 94           |
| 16 | 1 | 197120 | HOSE 1 1/4 2-FBR BR BLK EPDM X 96.00  |
| 17 | 1 | 197120 | HOSE 1 1/4 2-FBR BR BLK EPDM X 4.00   |
| 18 | 1 | 197120 | HOSE 1 1/4 2-FBR BR BLK EPDM X 115.00 |







SOLUTION FILTER ASSEMBLY FOR D230 HP PUMP

DET. QTY PART NO. DESCRIPTION

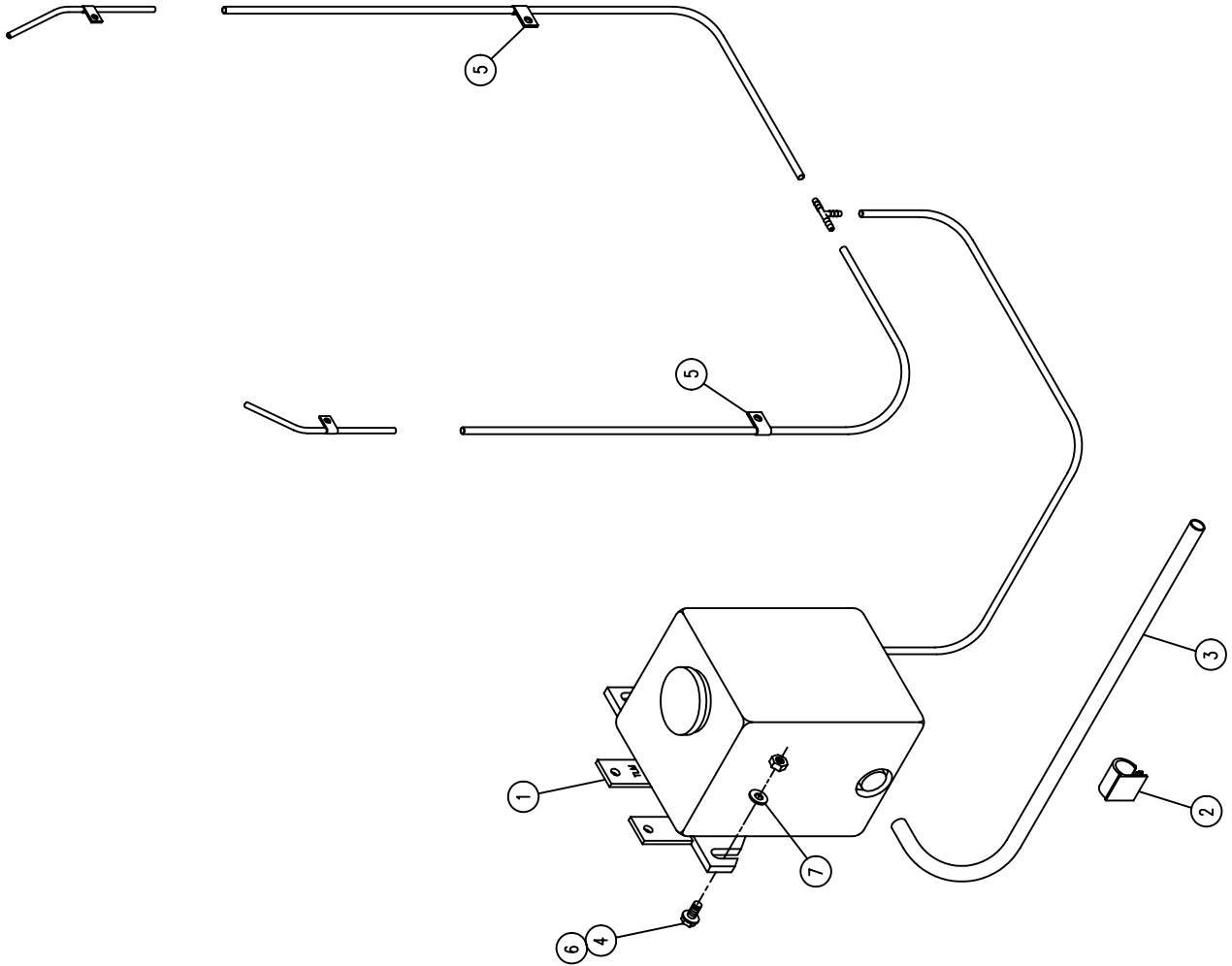
|    |   |        |                                |
|----|---|--------|--------------------------------|
| 1  | 2 | 470118 | 1/4UNC X 3/4 FLANGE HEX BOLT   |
| 2  | 4 | 470121 | 1/4UNC HEX FLANGE LOCK NUT     |
| 3  | 1 | 763363 | SOLU HOSE SUPPORT 280 POLY 91  |
| 4  | 1 | 470000 | CABLE TIE, 21" BLACK PLASTIC   |
| 5  | 3 | 500028 | 1/2NPT PIPE NIPPLE, POLY       |
| 6  | 1 | 500030 | 1/2"NPT PIPE TEE, POLY         |
| 7  | 1 | 500031 | 1/2NPT PIPE PLUG, POLY         |
| 8  | 1 | 696110 | BALL VALVE 1 1/2FNPT POLY      |
| 9  | 1 | 500032 | 1/2NPT X 1 1/2 H BARB, POLY    |
| 10 | 1 | 520133 | 1.81/2.06 T-BOLT HOSE CLAMP    |
| 11 | 1 | 690474 | 1/2 LINE STRAINER50M 150PSI    |
| 12 | 1 | 690475 | 50 MESH SCREEN FOR 690474      |
| 13 | 1 | 690476 | STRAINER GASKET FOR 690474     |
| 14 | 1 | 500029 | 1 1/2NPT X 6 PIPE NIPPLE, POLY |
| 15 | 1 | 696161 | 1/2NPT ELECT SOLU VALVE        |
| 16 | 1 | 763445 | ELECT SOLU VLV SUPPORT 94      |

\*NOTE: ITEMS 2, 14, 15, AND 16 ARE USED WITH ELECTRIC VALVE OPTION.

WINDSHIELD WASHER ASSEMBLY

DET. QTY PART NO. DESCRIPTION

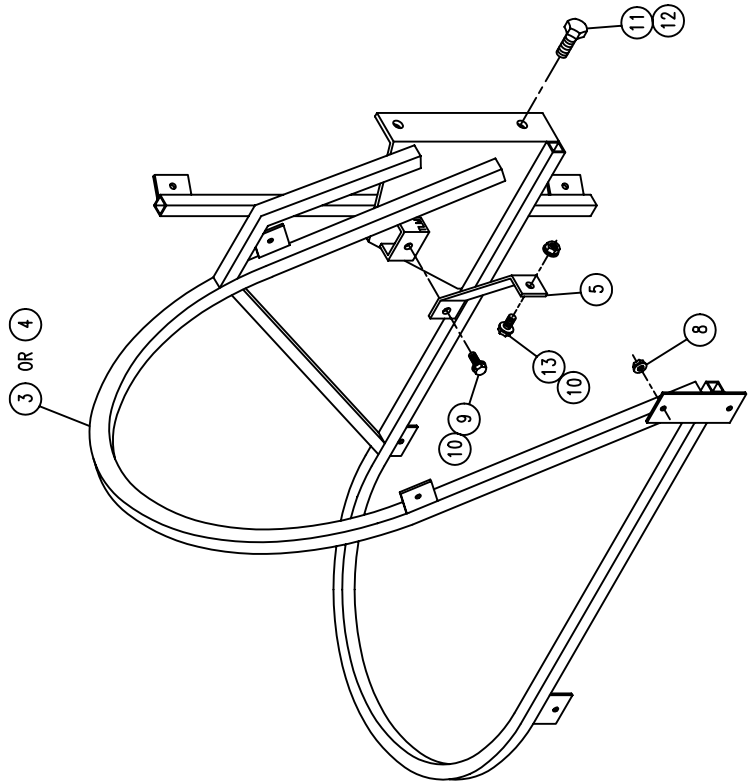
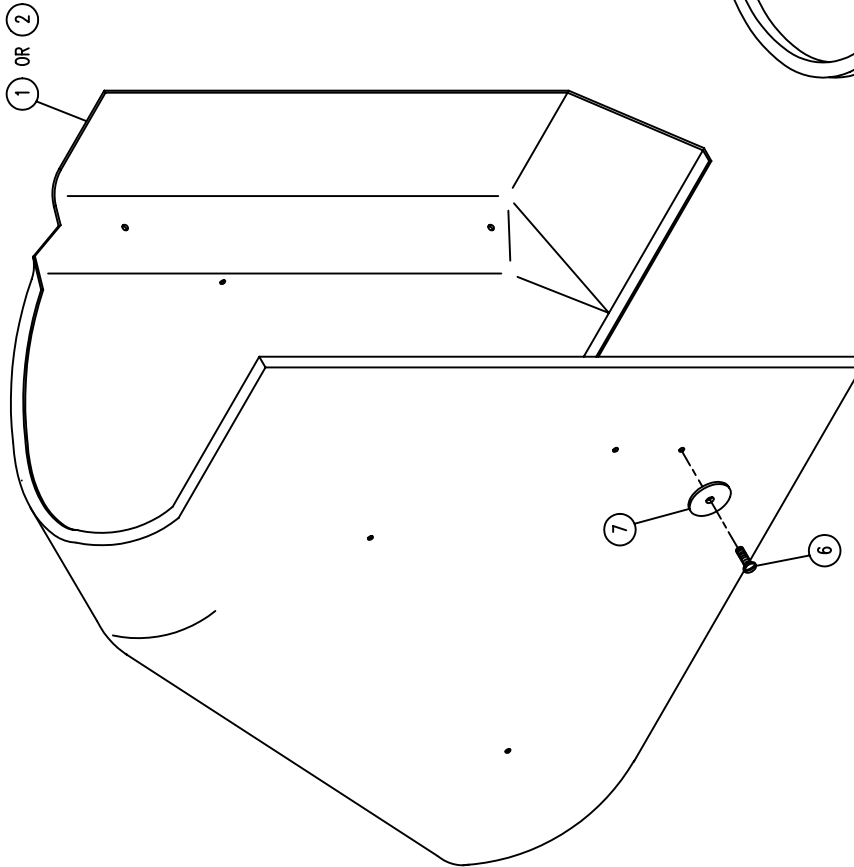
|   |   |        |                               |
|---|---|--------|-------------------------------|
| 1 | 1 | 290002 | WINDSHIELD WASHER KIT         |
| 2 | 3 | 291645 | 3/8 WIRE CLAMP, ADHESIVE BACK |
| 3 | 5 | 299110 | WIRE FLEX GUARD .35 ID        |
| 4 | 3 | 470231 | 1/4UNC X 1 FLANGED HEX BOLT   |
| 5 | 2 | 520119 | CUSH HOSE CLAMP 3/16D X 1/2W  |
| 6 | 3 | 914000 | 1/4UNC HEX STOVER NUT         |
| 7 | 3 | 920000 | 1/4 FLAT WASH SAE             |

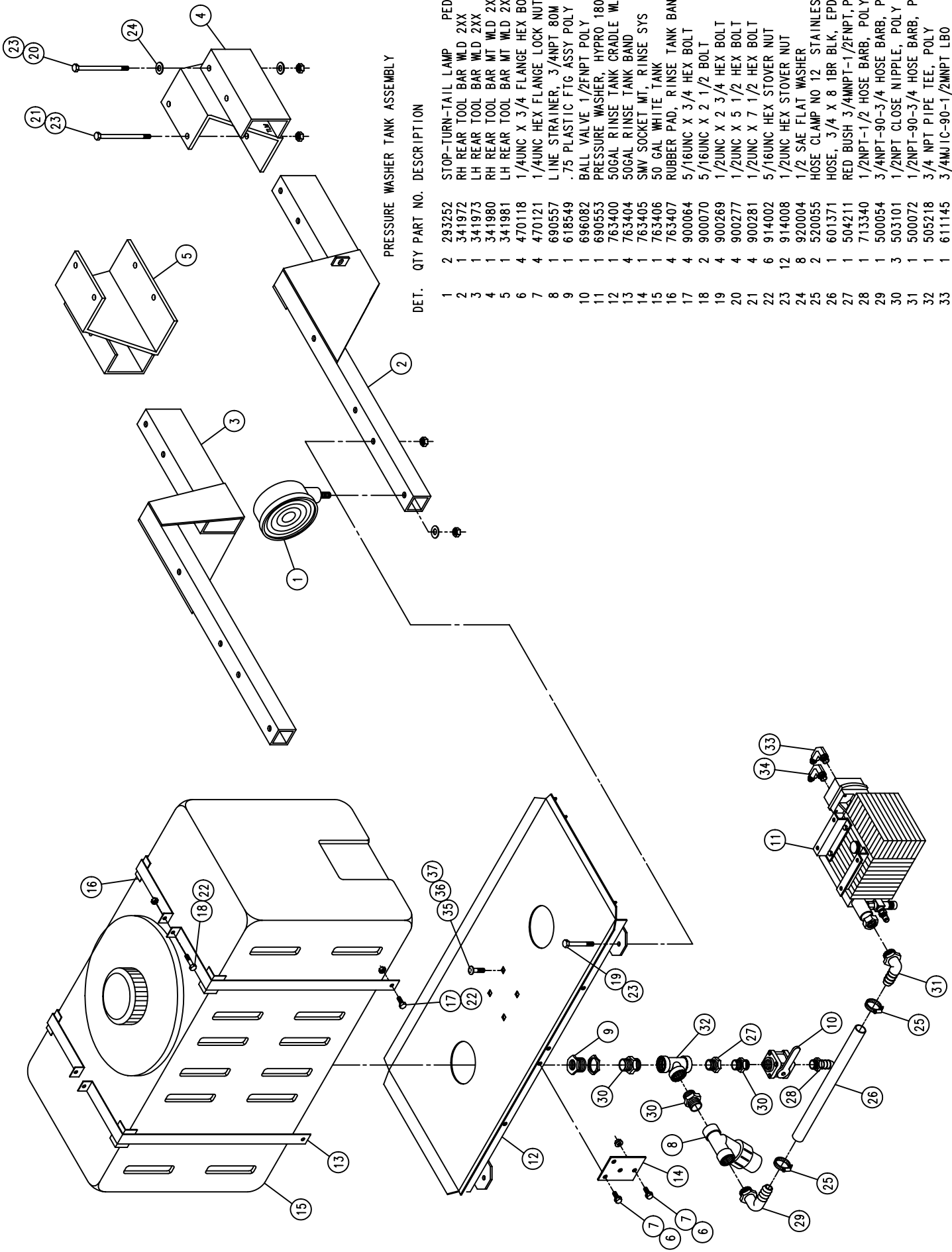


CROP SHIELD ASSEMBLY

DET. QTY PART NO. DESCRIPTION

|    |   |        |                               |
|----|---|--------|-------------------------------|
| 1  | 1 | 662232 | RH POLY CROP SHIELD, 284      |
| 2  | 1 | 662233 | LH POLY CROP SHIELD, 284      |
| 3  | 1 | 662234 | RH POLY CROP SHIELD MT WLD284 |
| 4  | 1 | 662235 | LH POLY CROP SHIELD MT WLD284 |
| 5  | 1 | 662248 | POLY SHIELD MT BRACE, 284     |
| 6  | 8 | 472261 | 1/4UNC X 3/4 TRUSS HD BOLT    |
| 7  | 8 | 483013 | 1 1/2 X 1/4 X 16 GA WASHER    |
| 8  | 8 | 470121 | 1/4UNC HEX FLANGE LOCK NUT    |
| 9  | 1 | 900128 | 3/8UNC X 3/4 HEX BOLT         |
| 10 | 2 | 470087 | 3/8UNC HEX FLANGE LOCK NUT    |
| 11 | 2 | 900264 | 1/2UNC X 1 1/4 HEX BOLT       |
| 12 | 2 | 914008 | 1/2UNC HEX STOVER NUT         |
| 13 | 1 | 900130 | 3/8UNC X 1 1/4 HEX BOLT       |





PRESSURE WASHER TANK ASSEMBLY

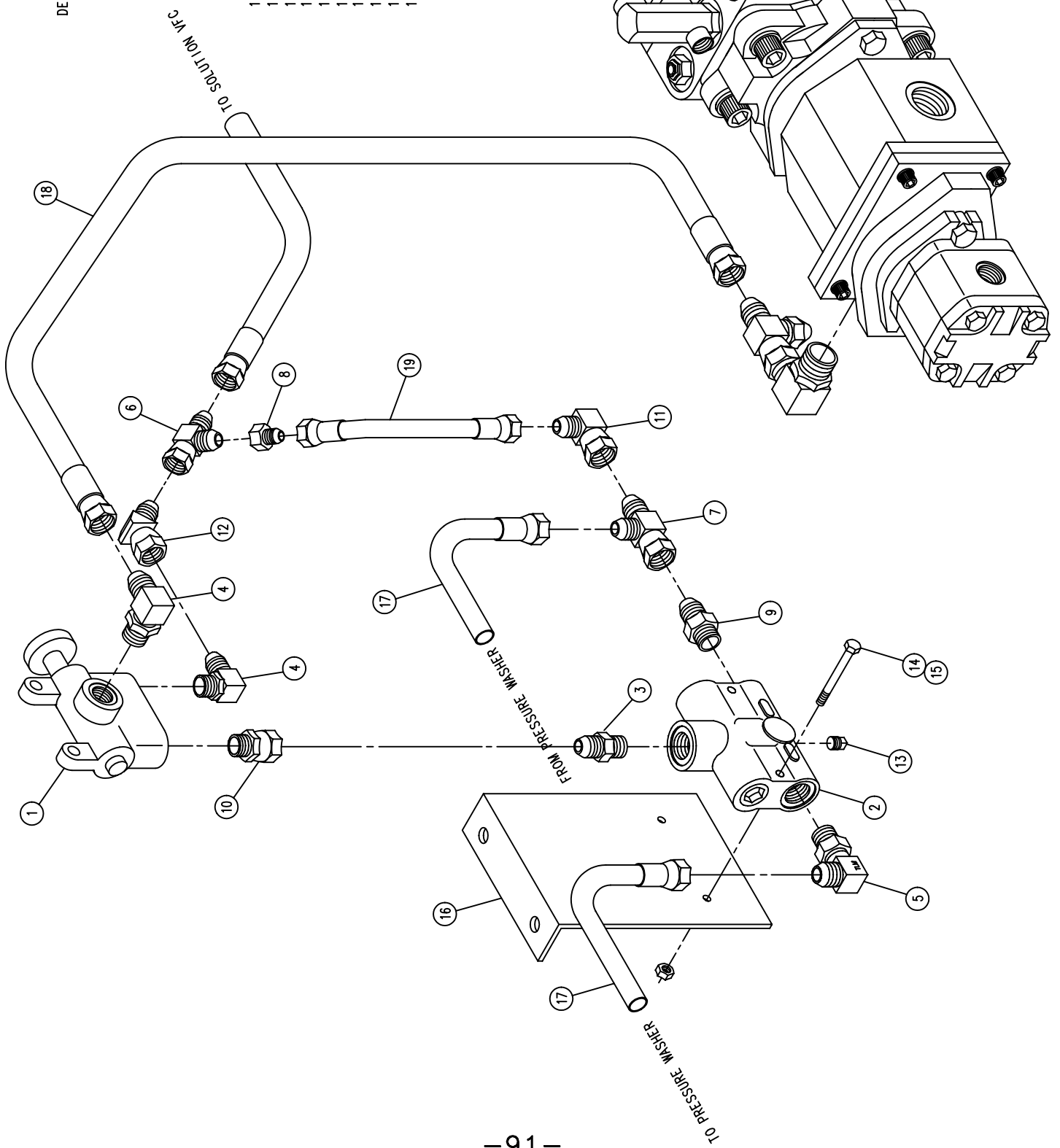
DET. QTY PART NO. DESCRIPTION

| DET. | QTY | PART NO. | DESCRIPTION                    |
|------|-----|----------|--------------------------------|
| 1    | 2   | 293252   | STOP-TURN-TAIL LAMP PED MT     |
| 2    | 1   | 341972   | RH REAR TOOL BAR WLD 2XX 92    |
| 3    | 1   | 341973   | LH REAR TOOL BAR WLD 2XX 92    |
| 4    | 1   | 341980   | RH REAR TOOL BAR MT WLD 2XX    |
| 5    | 1   | 341981   | LH REAR TOOL BAR MT WLD 2XX    |
| 6    | 4   | 470118   | 1/4UNC X 3/4 FLANGE HEX BOLT   |
| 7    | 4   | 470121   | 1/4UNC HEX FLANGE LOCK NUT     |
| 8    | 1   | 690557   | LINE STRAINER, 3/4NPT 80M      |
| 9    | 1   | 618549   | .75 PLASTIC FTG ASSY POLY TANK |
| 10   | 1   | 696082   | BALL VALVE 1/2FNT POLY         |
| 11   | 1   | 690553   | PRESSURE WASHER, HYPRO 1802    |
| 12   | 1   | 763400   | 50GAL RINSE TANK CRADLE WLD92  |
| 13   | 4   | 763404   | 50GAL RINSE TANK BAND 92       |
| 14   | 1   | 763405   | SWV SOCKET MT, RINSE SYS 92    |
| 15   | 1   | 763406   | 50 GAL WHITE TANK              |
| 16   | 4   | 763407   | RUBBER PAD, RINSE TANK BAND    |
| 17   | 4   | 900064   | 5/16UNC X 3/4 HEX BOLT         |
| 18   | 2   | 900070   | 5/16UNC X 2 1/2 BOLT           |
| 19   | 4   | 900269   | 1/2UNC X 2 3/4 HEX BOLT        |
| 20   | 4   | 900277   | 1/2UNC X 5 1/2 HEX BOLT        |
| 21   | 4   | 900281   | 1/2UNC X 7 1/2 HEX BOLT        |
| 22   | 6   | 914002   | 5/16UNC HEX STOVER NUT         |
| 23   | 12  | 914008   | 1/2UNC HEX STOVER NUT          |
| 24   | 8   | 920004   | 1/2 SAE FLAT WASHER            |
| 25   | 2   | 520055   | HOSE CLAMP NO 12 STAINLESS     |
| 26   | 1   | 601371   | HOSE, 3/4 X 8 1BR BLK, EPDM    |
| 27   | 1   | 504211   | RED BUSH 3/4MMPT-1/2FNT, POLY  |
| 28   | 1   | 713340   | 1/2NPT-1/2 HOSE BARB, POLY     |
| 29   | 1   | 500054   | 3/4NPT-90-3/4 HOSE BARB, POLY  |
| 30   | 3   | 503101   | 1/2NPT CLOSE NIPPLE, POLY      |
| 31   | 1   | 500072   | 1/2NPT-90-3/4 HOSE BARB, POLY  |
| 32   | 1   | 505218   | 3/4 NPT PIPE TEE, POLY         |
| 33   | 1   | 611145   | 3/4MJC-90-1/2MPT LBO           |
| 34   | 1   | 618241   | 3/4MJC-90-3/4MOR LBO           |
| 35   | 4   | 901129   | 3/8UNC X 1" CARR BOLT          |
| 36   | 4   | 910004   | 3/8UNC HEX NUT                 |
| 37   | 4   | 920502   | 3/8 LOCK WASHER                |

PRESSURE WASHER FLOW DIVIDER ASSEMBLY

DET. QTY PART NO. DESCRIPTION

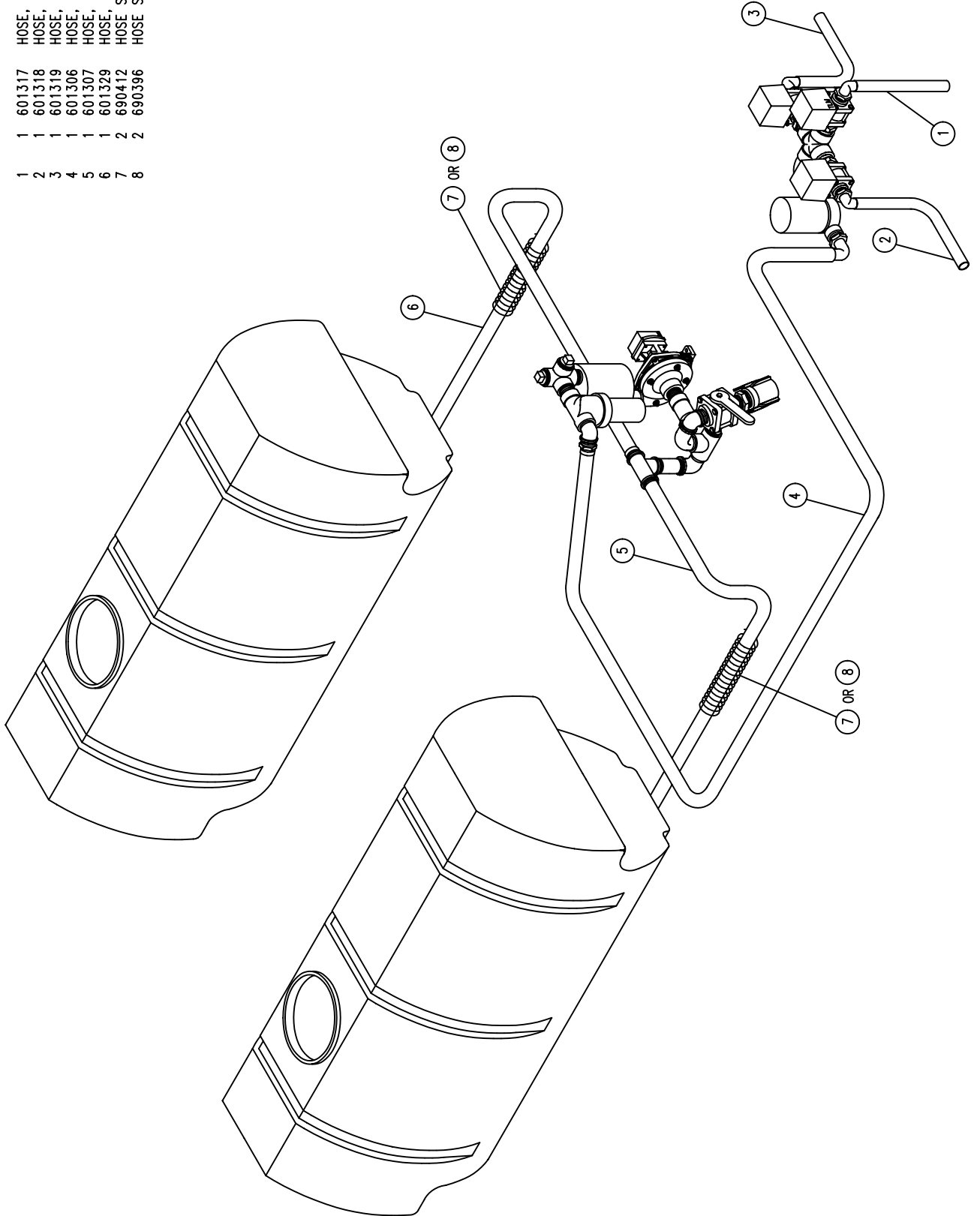
|    |   |        |                               |
|----|---|--------|-------------------------------|
| 1  | 1 | 606005 | GRESSEN SELECTOR VALVE S-10   |
| 2  | 1 | 607518 | FLO DIV BGR56 6GPM PR1 7/8FOR |
| 3  | 1 | 611126 | 7/8MJIC-7/8MOR ADPTR          |
| 4  | 2 | 611128 | 7/8MJIC-90-7/8MOR LBO         |
| 5  | 1 | 611183 | 3/4MJIC-90-7/8MOR LBO         |
| 6  | 1 | 618333 | 7/8FJIC SW RUN TEE-7/8MJIC    |
| 7  | 1 | 618451 | 3/4FJIC SW RUN TEE-3/4MJIC    |
| 8  | 1 | 618523 | 7/8FJIC-3/4MJIC ADPTR         |
| 9  | 1 | 618327 | 3/4MJIC-7/8MOR ADPTR          |
| 10 | 1 | 618594 | 7/8FJIC SWIV-7/8MOR ADPTR     |
| 11 | 1 | 618609 | 3/4MJIC-90-3/4FJIC SWIV LBO   |
| 12 | 1 | 618628 | 7/8MJIC-45-7/8FJIC SWIV LBO   |
| 13 | 1 | 502800 | PIPE PLUG .375NPT SQ HD       |
| 14 | 2 | 900007 | 1/AUNC X 2" HEX BOLT          |
| 15 | 2 | 914000 | 1/AUNC HEX STOVER NUT         |
| 16 | 1 | 763469 | FLO DIV BRKT, PRESS WASHER    |
| 17 | 2 | 615385 | 08C1T-08FJX-08FJX-29          |
| 18 | 1 | 615521 | 10C1T-10FJX-10FJX-18          |
| 19 | 1 | 615626 | 08C1T-08FJX-08FJX-15          |



SOLUTION HOISING FOR HYPRO PUMP

DET. QTY PART NO. DESCRIPTION

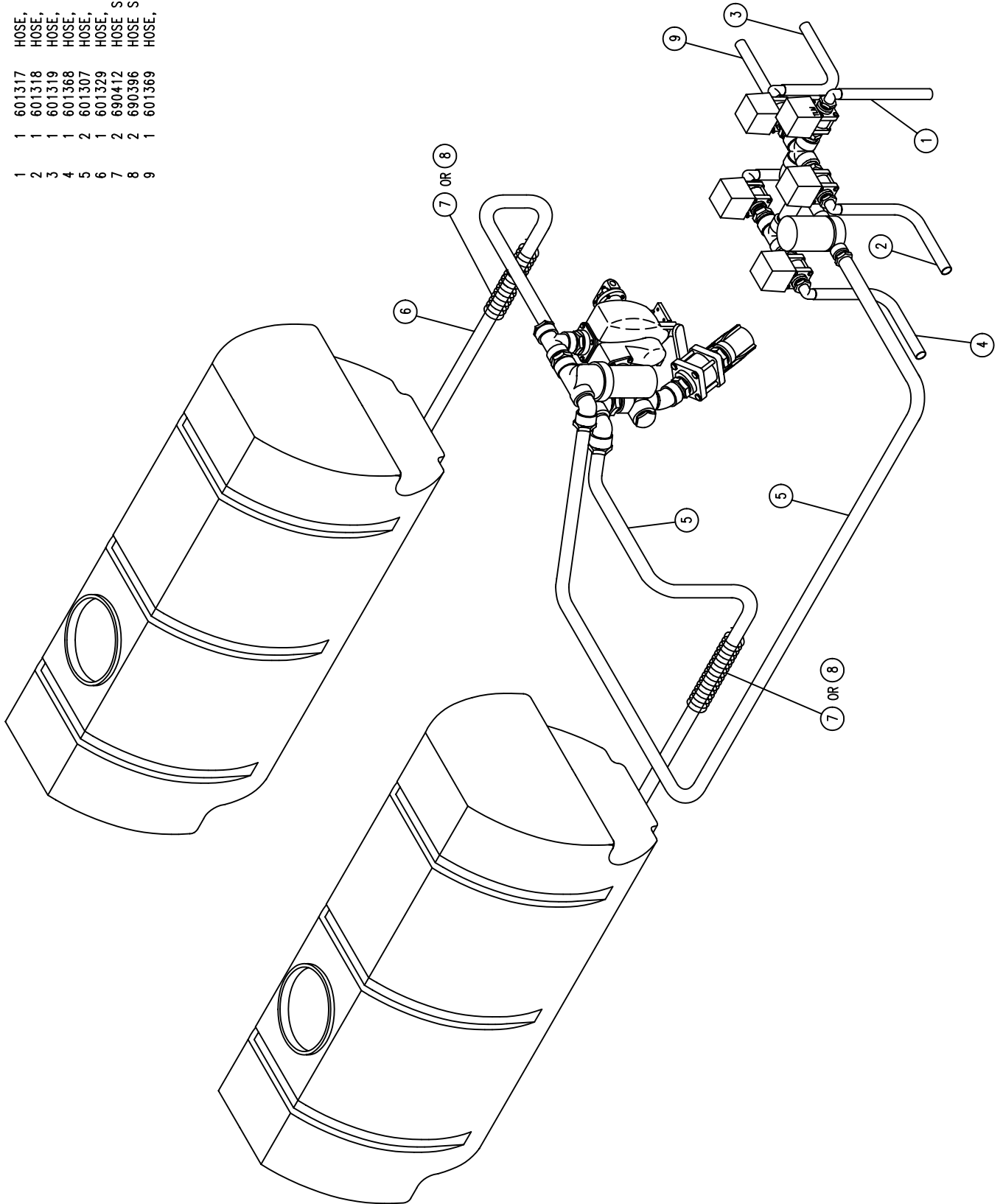
|   |   |        |                               |
|---|---|--------|-------------------------------|
| 1 | 1 | 601317 | HOSE, 1 IN 1BR BLK EPDM X 93  |
| 2 | 1 | 601318 | HOSE, 1 IN 1BR BLK EPDM X 254 |
| 3 | 1 | 601319 | HOSE, 1 IN 1BR BLK EPDM X 336 |
| 4 | 1 | 601306 | HOSE, 1.25 2BR BLK EPDM X 116 |
| 5 | 1 | 601307 | HOSE, 1.50 X 18 2F1W EPDM     |
| 6 | 1 | 601329 | HOSE, 1.50 X 130 2F1W EPDM    |
| 7 | 2 | 690412 | HOSE SPRING GUARD 2IN X 12 LG |
| 8 | 2 | 690396 | HOSE SPRING GUARD 2IN X 48 LG |



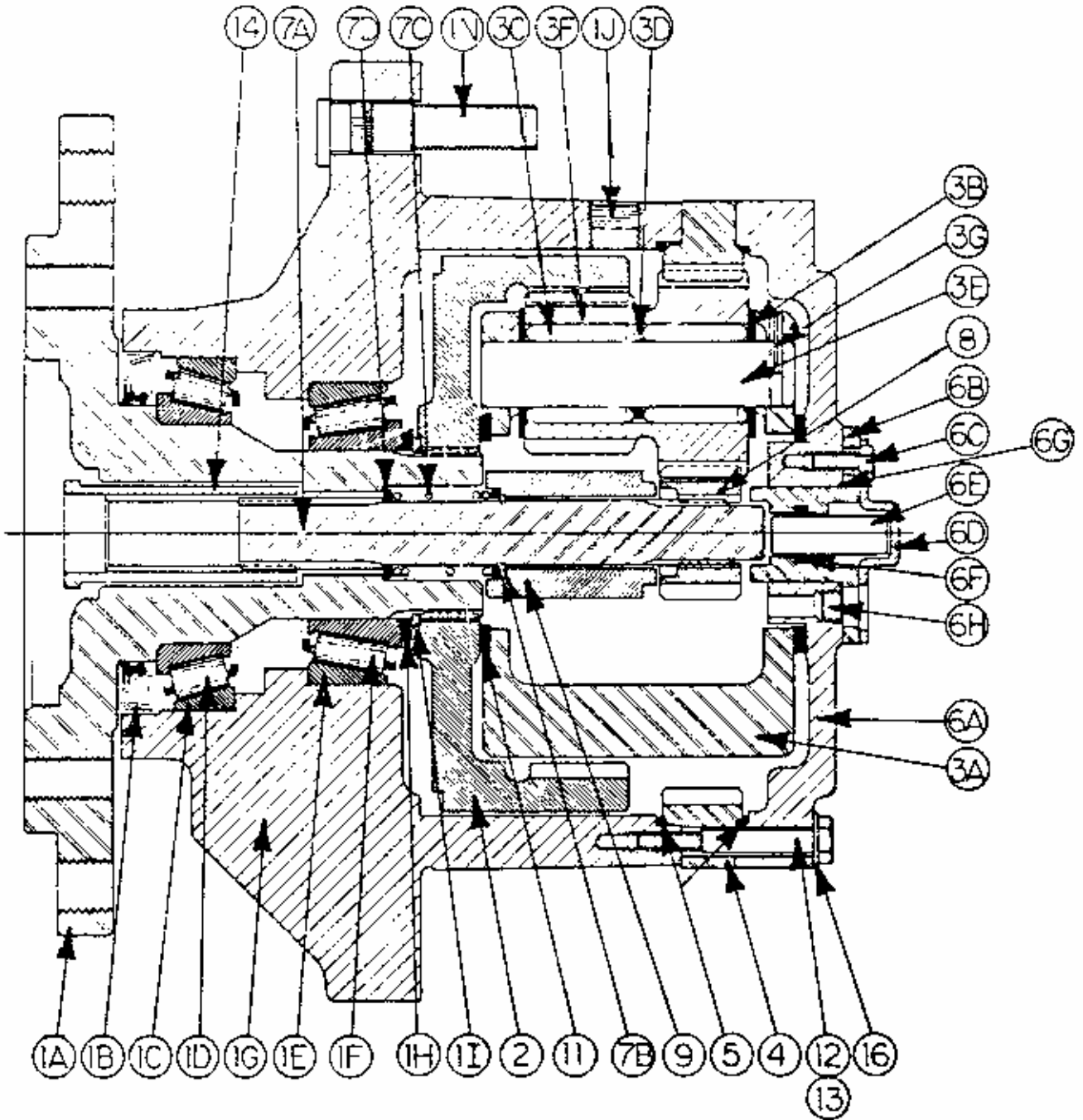
SOLUTION HOISING FOR FLOMAX PUMP

DET. QTY PART NO. DESCRIPTION

|   |   |        |                               |
|---|---|--------|-------------------------------|
| 1 | 1 | 601317 | HOSE, 1 IN 1BR BLK EPDM X 93  |
| 2 | 1 | 601318 | HOSE, 1 IN 1BR BLK EPDM X 254 |
| 3 | 1 | 601319 | HOSE, 1 IN 1BR BLK EPDM X 336 |
| 4 | 1 | 601368 | HOSE, 1 IN 1BR BLK EPDM X 446 |
| 5 | 2 | 601307 | HOSE, 1.50 X 118 2F1W EPDM    |
| 6 | 1 | 601329 | HOSE, 1.50 X 130 2F1W EPDM    |
| 7 | 2 | 690412 | HOSE SPRING GUARD 2IN X 12 LG |
| 8 | 2 | 690396 | HOSE SPRING GUARD 2IN X 48 LG |
| 9 | 1 | 601369 | HOSE, 1 IN 1BR BLK EPDM X 528 |



# CROSS-SECTIONAL VIEW OF W1B TORQUE-HUB®

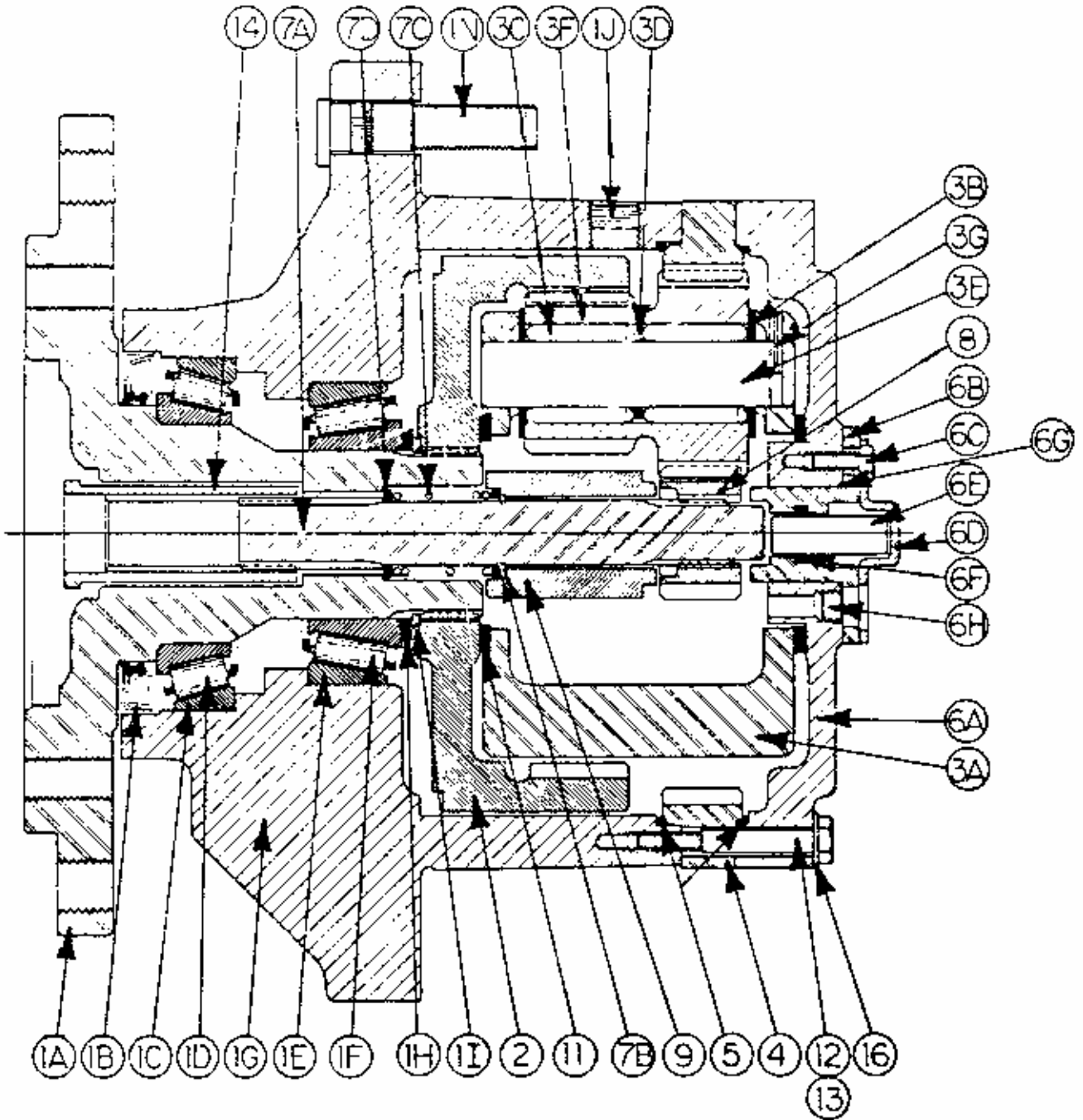




WHEEL DRIVE ASSEMBLY - 610565  
W2B2FZ328

| ITEMS | DESCRIPTION              | PART NO. | QTY. |
|-------|--------------------------|----------|------|
| 1     | HUB-SPINDLE SUB-ASSEMBLY | -----    |      |
| 1A    | SPINDLE                  | 610940   | 1    |
| 1B    | SEAL                     | 610941   | 1    |
| 1C    | BEARING CUP              | 610943   | 1    |
| 1D    | BEARING CONE             | 610942   | 1    |
| 1E    | BEARING CUP              | 610945   | 1    |
| 1F    | BEARING CONE             | 610944   | 1    |
| 1G    | HUB                      | -----    | 1    |
| 1H    | TANGED WASHER            | -----    | 1    |
| 1I    | LOCKWASHER               | 610946   | 1    |
| 1J    | LOCKNUT                  | 610947   | 1    |
| 1K    | MAGNETIC PIPE PLUG       | -----    | 2    |
| 1N    | STUD                     | 824054   | 9    |
| 1Q    | SEAL BOOT                | 610552   | 1    |
| 2     | INTERNAL GEAR            | 610948   | 1    |
| 3     | CARRIER ASSEMBLY         | -----    | 1    |
| 3A    | CARRIER                  | 610938   | 1    |
| 3B    | THRUST WASHER            | -----    | 6    |
| 3C    | NEEDLE ROLLER            | 610902   | 114  |
| 3D    | SPACER                   | -----    | 3    |
| 3E    | PLANET SHAFT             | -----    | 3    |
| 3F    | CLUSTER GEAR             | 610939   | 3    |
| 3G    | ROLL PIN                 | -----    | 3    |
| 4     | RING GEAR                | 610949   | 1    |
| 5     | O-RING                   | 610911   | 2    |
| 6     | COVER ASSEMBLY           | -----    | 1    |
| 6A    | COVER                    | -----    | 1    |
| 6B    | COVER CAP                | 610914   | 1    |
| 6C    | BOLT                     | 610150   | 4    |
| 6D    | DISCONNECT CAP           | 610901   | 1    |
| 6E    | DISCONNECT ROD           | 610915   | 1    |
| 6F    | O-RING                   | 610916   | 1    |
| 6G    | O-RING                   | 610917   | 1    |
| 6H    | PIPE PLUG                | -----    | 2    |
| 6J    | ID PLATE                 | -----    | 1    |
| 6K    | DRIVE SCREW              | -----    | 4    |
| 7     | INPUT SHAFT              | 610950   | 1    |
| 8     | INPUT GEAR               | -----    | 1    |
| 9     | THRUST SPACER            | -----    | 1    |
| 10    | THRUST SPACER            | -----    | 1    |
| 11    | THRUST WASHER            | -----    | 2    |
| 12    | BOLT                     | -----    | 20   |
| 13    | LOCKWASHER               | -----    | 20   |
| 14    | RETAINING RING           | 610936   | 1    |
| 15    | WASHER                   | -----    | 1    |
| 16    | SPACER                   | -----    | 1    |
| 17    | RETAINING RING           | -----    | 1    |
| 18    | SPRING                   | -----    | 1    |
| 19    | COUPLING SUB-ASSEMBLY    | -----    | 1    |
| 19A   | COUPLING                 | 610951   | 1    |
| 19B   | RETAINING RING           | 610954   | 2    |
| 19C   | RING                     | -----    | 1    |
| 19D   | ANTI-DISCONNECT SPACER   | -----    | 1    |

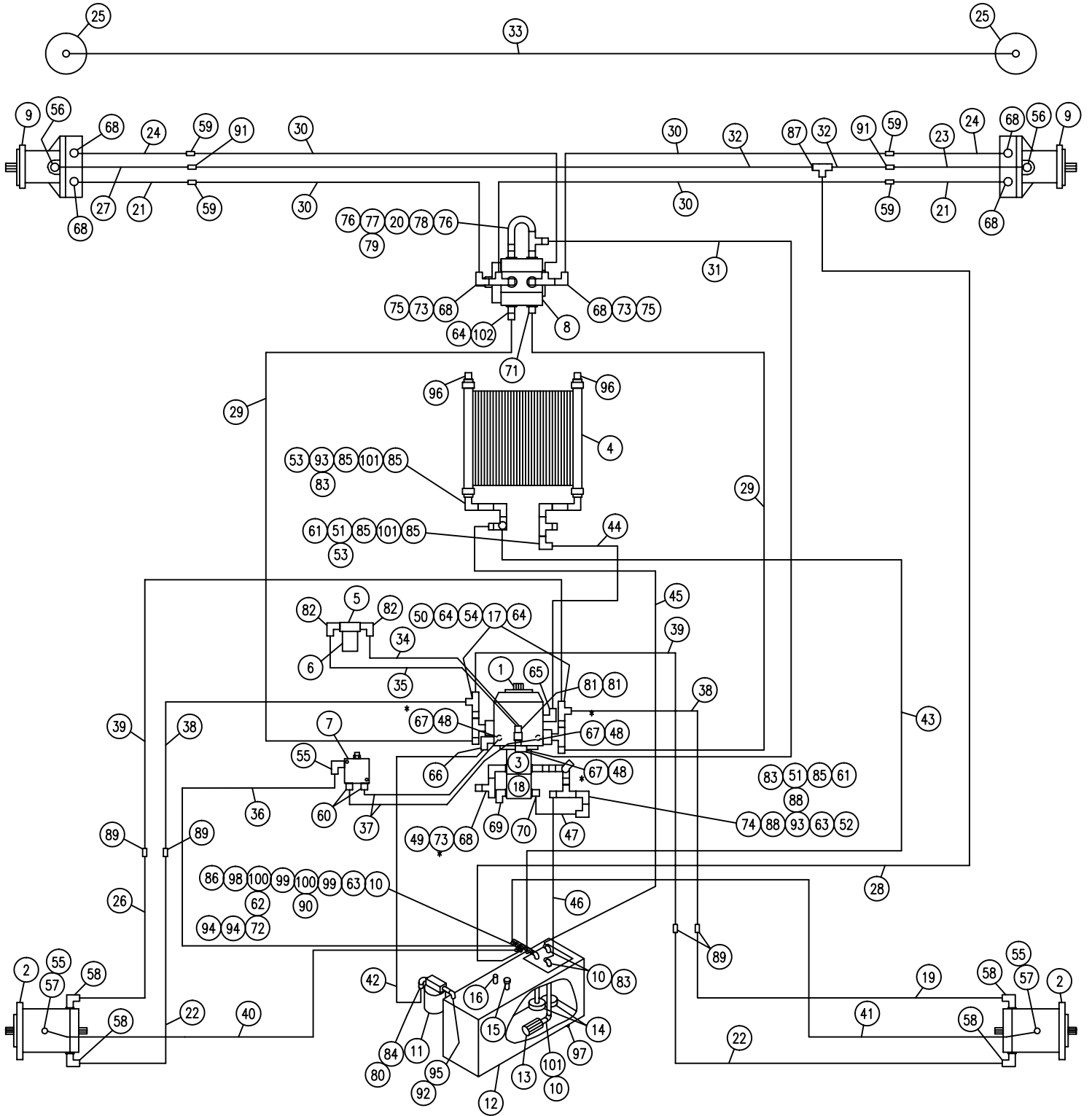
# CROSS-SECTIONAL VIEW OF W1B TORQUE-HUB®



WHEEL DRIVE ASSEMBLY - 610568  
W2B2FZ313

| ITEMS | DESCRIPTION              | PART NO. | QTY. |
|-------|--------------------------|----------|------|
| 1     | HUB-SPINDLE SUB-ASSEMBLY | -----    |      |
| 1A    | SPINDLE                  | 610940   | 1    |
| 1B    | SEAL                     | 610941   | 1    |
| 1C    | BEARING CUP              | 610943   | 1    |
| 1D    | BEARING CONE             | 610942   | 1    |
| 1E    | BEARING CUP              | 610945   | 1    |
| 1F    | BEARING CONE             | 610944   | 1    |
| 1G    | HUB                      | -----    | 1    |
| 1H    | TANGED WASHER            | -----    | 1    |
| 1I    | LOCKWASHER               | 610946   | 1    |
| 1J    | LOCKNUT                  | 610947   | 1    |
| 1K    | MAGNETIC PIPE PLUG       | -----    | 2    |
| 1N    | STUD                     | 824054   | 9    |
| 1Q    | SEAL BOOT                | 610552   | 1    |
| 2     | INTERNAL GEAR            | 610948   | 1    |
| 3     | CARRIER ASSEMBLY         | -----    | 1    |
| 3A    | CARRIER                  | 610938   | 1    |
| 3B    | THRUST WASHER            | -----    | 6    |
| 3C    | NEEDLE ROLLER            | 610902   | 114  |
| 3D    | SPACER                   | -----    | 3    |
| 3E    | PLANET SHAFT             | -----    | 3    |
| 3F    | CLUSTER GEAR             | 610939   | 3    |
| 3G    | ROLL PIN                 | -----    | 3    |
| 4     | RING GEAR                | 610949   | 1    |
| 5     | O-RING                   | 610911   | 2    |
| 6     | COVER ASSEMBLY           | -----    | 1    |
| 6A    | COVER                    | -----    | 1    |
| 6B    | COVER CAP                | 610914   | 1    |
| 6C    | BOLT                     | 610150   | 4    |
| 6D    | DISCONNECT CAP           | 610901   | 1    |
| 6E    | DISCONNECT ROD           | 610915   | 1    |
| 6F    | O-RING                   | 610916   | 1    |
| 6G    | O-RING                   | 610917   | 1    |
| 6H    | PIPE PLUG                | -----    | 2    |
| 6J    | ID PLATE                 | -----    | 1    |
| 6K    | DRIVE SCREW              | -----    | 4    |
| 7     | INPUT SHAFT              | 610953   | 1    |
| 8     | INPUT GEAR               | -----    | 1    |
| 9     | THRUST SPACER            | -----    | 1    |
| 10    | THRUST SPACER            | -----    | 1    |
| 11    | THRUST WASHER            | -----    | 2    |
| 12    | BOLT                     | -----    | 20   |
| 13    | LOCKWASHER               | -----    | 20   |
| 14    | RETAINING RING           | 610936   | 1    |
| 15    | WASHER                   | -----    | 1    |
| 16    | SPACER                   | -----    | 1    |
| 17    | RETAINING RING           | -----    | 1    |
| 18    | SPRING                   | -----    | 1    |
| 19    | COUPLING SUB-ASSEMBLY    | -----    | 1    |
| 19A   | COUPLING                 | 610951   | 1    |
| 19B   | RETAINING RING           | 610954   | 2    |
| 19C   | RING                     | -----    | 1    |
| 19D   | ANTI-DISCONNECT SPACER   | -----    | 1    |

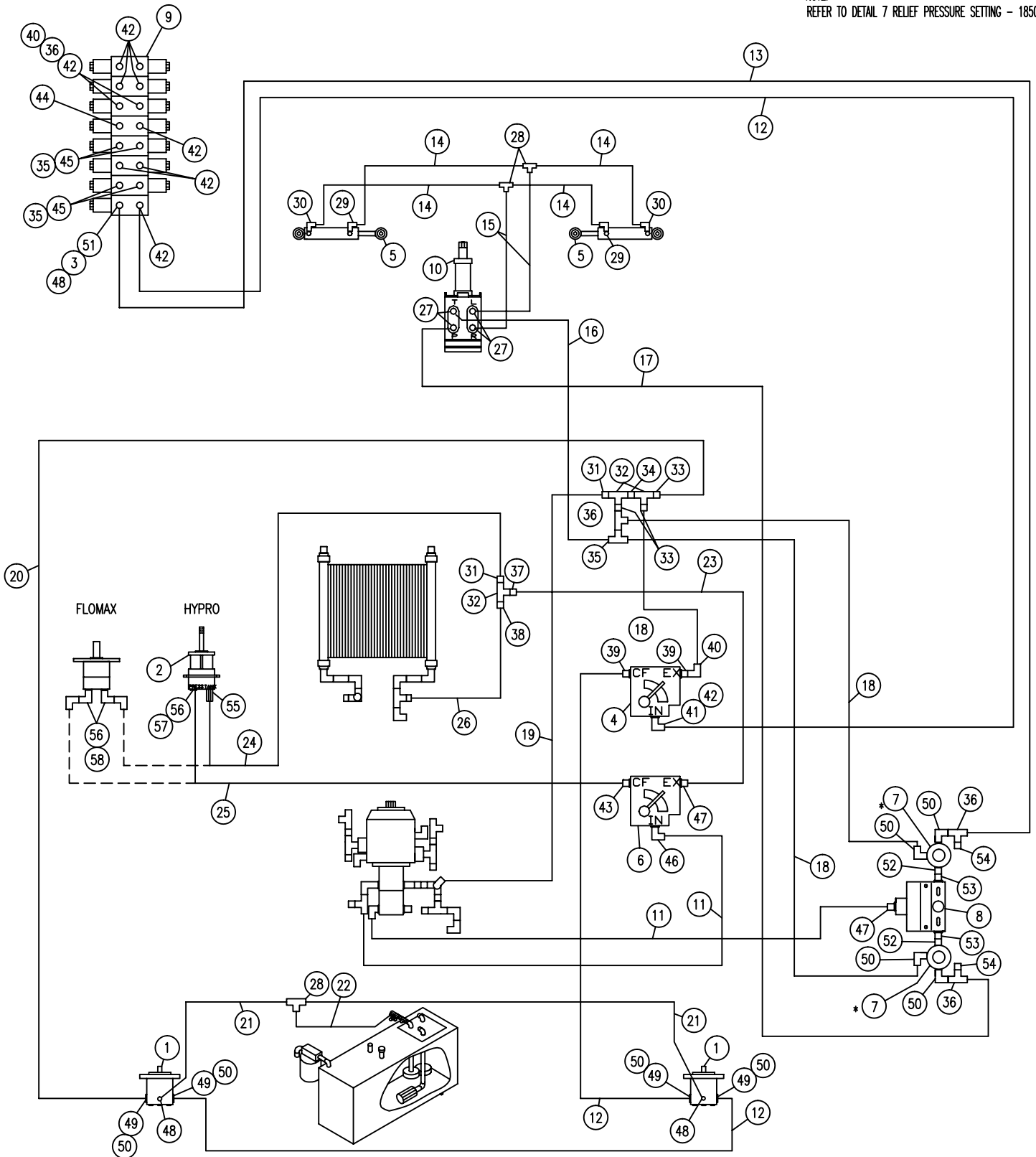
\*NOTE:  
 REFER TO DETAIL 73 TO CHECK AUX. SYSTEM - 1850 PSI  
 REFER TO DETAIL 67 TO CHECK LIMIT SETTING - 4500 PSI  
 REFER TO DETAIL 67 TO CHECK CHARGE PRESSURE - 380 PSI



HYD SCHEM, 284 96  
REFERENCE DRAWING NO. 498490S1

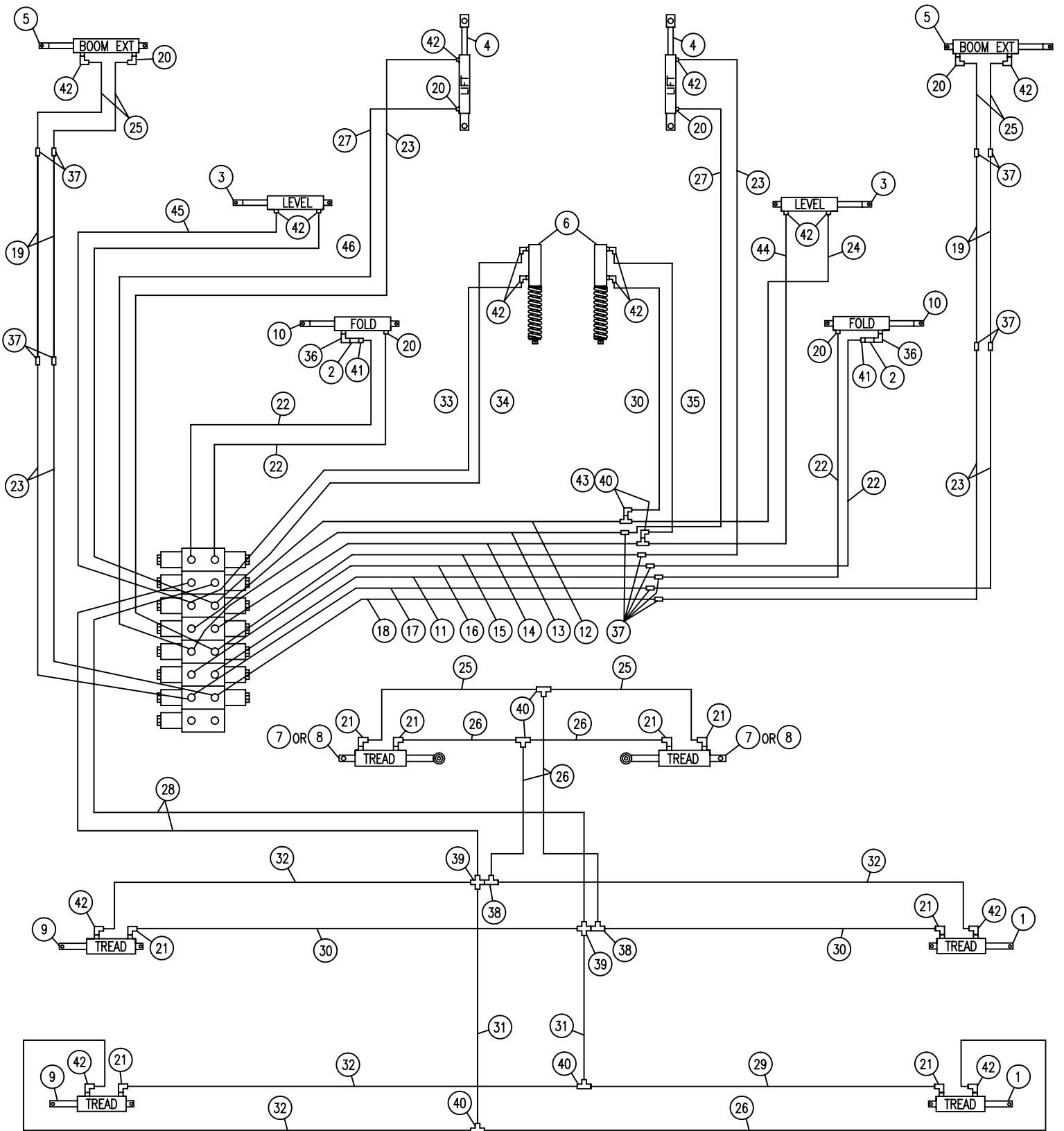
| DET. | QTY | PART NO. | DESCRIPTION                     | DET. | QTY | PART NO. | DESCRIPTION                    |
|------|-----|----------|---------------------------------|------|-----|----------|--------------------------------|
| 1    | 1   | 606902   | SUND 100CC PUMP, B-MT W/FILT    | 52   | 1   | 610300   | 3/4MJIC-3/4MNPT ADPTR          |
| 2    | 2   | 610557   | SUND M35-3102 WHL MTR W/SHFT    | 53   | 2   | 714331   | 1 NPT X 3/4 HOSE BARB          |
| 3    | 1   | 606897   | SUND GEAR PUMP 1.34CI SPLINED   | 54   | 2   | 618599   | 1 5/16MOR BRANCH TEE-1 5/16MJ  |
| 4    | 1   | 618606   | OIL COOLER, BLISSFIELD 65027    | 55   | 3   | 618119   | 9/16MJIC-90-9/16MOR LBO        |
| 5    | 1   | 605606   | FILTER HEAD, ZINZA HI-PRESS     | 56   | 2   | 618183   | 3/4MJIC-90-7/8MOR LBO          |
| 6    | 1   | 605607   | FILTER, 10 MICRON ZINGA, HIPRES | 57   | 2   | 618172   | 7/8MOR-9/16FOR ADPTR           |
| 7    | 1   | 610580   | REMOTE FLUSHING VALVE, SUND     | 58   | 4   | 618248   | 1 1/16MJIC-90-1 1/16MOR LBO    |
| 8    | 1   | 606003   | GRESEN SELECTOR VALVE DS-12     | 59   | 4   | 618627   | 7/8MJIC-3/4JIC REDU UNION      |
| 9    | 2   | 610571   | SUND M35-3002 WHL MTR           | 60   | 2   | 618126   | 9/16MJIC-9/16MOR ADPTR         |
| 10   | 4   | 505300   | BLK PIPE EL 90DEG 1.00NPT       | 61   | 2   | 716000   | 3/4 HOSE BARB-90-1MNPT         |
| 11   | 1   | 605601   | GRESEN FILTER 10 MICRON 40GPM   | 62   | 1   | 504001   | RED BUSH 3/4 X 1/4 BLK MAL     |
| 12   | 1   | 760097   | OIL TANK WLD 8240 1982          | 63   | 2   | 505213   | RED BUSH 1 X 3/4 BLK MAL       |
| 13   | 1   | 605600   | MICHIGAN RESERVOIR FILTER       | 64   | 4   | 618541   | 1 5/16FJIC-1 1/16MJIC ADPTR    |
| 14   | 2   | 605603   | LINE SUMP DIFFUSER              | 65   | 1   | 618118   | 3/4 HOSE BARB-90-1 1/16MOR     |
| 15   | 1   | 611052   | FILLER BREATHER 3/4NPT          | 66   | 1   | 618626   | 1 1/4 HOSE BARB-45-1 5/8MOR    |
| 16   | 1   | 614453   | DIPSTICK, 8 IN                  | 67   | 3   | 618629   | 9/16MOR BRANCH TEE-9/16MJIC    |
| 17   | 2   | 618598   | 1" 4-BOLT FLG X 1 5/16 FOR      | 68   | 7   | 618535   | 7/8MJIC-90-1 1/16MOR LBO       |
| 18   | 1   | 606891   | SUND GEAR PMP .52CI SPLINED     | 69   | 1   | 611128   | 7/8MJIC-90-7/8MOR LBO          |
| 19   | 1   | 614681   | RH REAR LEG HYD TUBE ASSY 280   | 70   | 1   | 618075   | 3/4 HOSE BARB-1 1/16MOR        |
| 20   | 1   | 614198   | FWD VALVE U-TUBE ASSY           | 71   | 1   | 611127   | 1 1/16MJIC-1 1/16MOR ADPTR     |
| 21   | 2   | 615655   | FRT LEG INNER HYD TUBE ASY284   | 72   | 1   | 618520   | 1/4MNPT RUN TEE-9/16MJIC       |
| 22   | 2   | 614680   | REAR LEG HYD TUBE ASSY 280      | 73   | 3   | 618333   | 7/8FJIC SW RUN TEE-7/8MJIC     |
| 23   | 1   | 615657   | RH FRTLEG OTR HYDTUBE ASY284    | 74   | 1   | 618090   | 1 5/16MOR-1FNPT ADPTR          |
| 24   | 2   | 615656   | FRT LEG CNTR HYD TUBE ASY284    | 75   | 2   | 618301   | 7/8MJIC-90-7/8FJIC SWIV LBO    |
| 25   | 2   | 620570   | HYD CYL LEG LEVEL 2.00 X 12     | 76   | 2   | 618132   | 1 1/16MOR-7/8FOR ADPTR         |
| 26   | 1   | 614682   | LH REAR LEG HYD TUBE ASSY 280   | 77   | 1   | 611126   | 7/8MJIC-7/8MOR ADPTR           |
| 27   | 1   | 615658   | LH FRTLEG OTR HYDTUBE ASY284    | 78   | 1   | 618130   | 7/8MOR RUN TEE-7/8MJIC         |
| 28   | 1   | 614704   | 06C1T-06FJX-06FJX-156 H/A       | 79   | 1   | 618557   | 7/8FJIC-9/16MJIC ADPTR         |
| 29   | 2   | 614685   | 08C2AT-12FJX-12FJX-106 H/A      | 80   | 1   | 506410   | BLK PIPE ST EL 90DEG 1.25NPT   |
| 30   | 4   | 614686   | 08C2AT-08FJX90-10FJX-70 H/A     | 81   | 2   | 618327   | 3/4MJIC-7/8MOR ADPTR           |
| 31   | 1   | 614101   | 04C1T-06FJX-06FJX-133 H/A       | 82   | 2   | 618474   | 3/4MJIC-90-1 1/16MOR LBO       |
| 32   | 2   | 615444   | 06C1T-06FJX-08FJX90-60 H/A      | 83   | 4   | 714560   | 1NPT X 1 HOSE BARB             |
| 33   | 1   | 615614   | FRT LEG CYL JUMPER HOSE280      | 84   | 1   | 715660   | HOSE BARB 1 1/4NPT X 1 1/4     |
| 34   | 1   | 616034   | 08C1T-08FJX-08FJX-17 H/A        | 85   | 5   | 505200   | BLK PIPE ST EL 90DEG 1.00NPT   |
| 35   | 1   | 615633   | 08C1T-08FJX-08FJX-23 H/A        | 86   | 1   | 618018   | 9/16MJIC-1/2MNPT ADPTR         |
| 36   | 1   | 616048   | 04C1T-06FJX-06FJX-35 H/A        | 87   | 1   | 618019   | 9/16MJIC UNION TEE             |
| 37   | 2   | 616043   | 04C1T-06FJX-06FJX-23 H/A        | 88   | 2   | 505105   | 1MNPT HEX PIPE NIPPLE STL      |
| 38   | 2   | 614683   | 10C2AT-12MJ-12FJX90-60 H/A      | 89   | 4   | 618191   | 1 1/16MJ-90-1 1/16FJ SWIV LBO  |
| 39   | 2   | 614684   | 10C2AT-12MJ-12FJX90-70 H/A      | 90   | 1   | 713220   | HOSE BARB 3/4 NPT X 3/4        |
| 40   | 1   | 614549   | 06C1T-06FJX-06FJX-140 H/A       | 91   | 2   | 618314   | 3/4MJIC UNION                  |
| 41   | 1   | 615449   | 06C1T-06FJX-06FJX-126 H/A       | 92   | 1   | 506602   | PIPE NIPPLE 1 1/4NPT-2 1/2     |
| 42   | 1   | 601380   | HOSE, 1 1/4 X 35 1FBR-1SPI      | 93   | 2   | 505098   | SIDE OUTLET EL 90DEG 1.00NPT   |
| 43   | 1   | 601304   | HOSE, 3/4 2BR RED X 100 LG      | 94   | 2   | 618486   | 9/16FJIC SW RUN TEE-9/16MJIC   |
| 44   | 1   | 601112   | HOSE, 3/4 X 84 2BR RED          | 95   | 1   | 506303   | BLK PIPE EL 90DEG 1.25NPT      |
| 45   | 1   | 601255   | HOSE, 1.00 2BR RED X 104 LG     | 96   | 2   | 505102   | PIPE PLUG 1.00NPT SQ HD        |
| 46   | 1   | 601381   | HOSE, 1 X 39 1FBR-1SPI          | 97   | 1   | 501102   | 1/4 PIPE PLUG                  |
| 47   | 1   | 601311   | HOSE, 3/4 X 8 2BR RED           | 98   | 1   | 504210   | RED BUSH 3/4 NPT X 1/2 NPT     |
| 48   | 3   | 618531   | 9/16FJIC CAP NUT                | 99   | 2   | 504702   | CLOSE NIPPLE .75NPT            |
| 49   | 1   | 618328   | 7/8FJIC CAP NUT                 | 100  | 2   | 504955   | BLK PIPE TEE .75NPT            |
| 50   | 2   | 618487   | 1 1/16FJ SW RUN TEE-1 1/16MJ    | 101  | 3   | 505203   | BLK PIPE NIPPLE 1.00NPT-4.00   |
| 51   | 2   | 505101   | BLK PIPE TEE 1.00NPT            | 102  | 1   | 607526   | FLOW CTRL VALVE, 28GPM IN-LINE |

\*NOTE:  
REFER TO DETAIL 7 RELIEF PRESSURE SETTING - 1850 PSI



HYD SCHEM, 284 96  
REFERENCE DRAWING NO. 498490S2

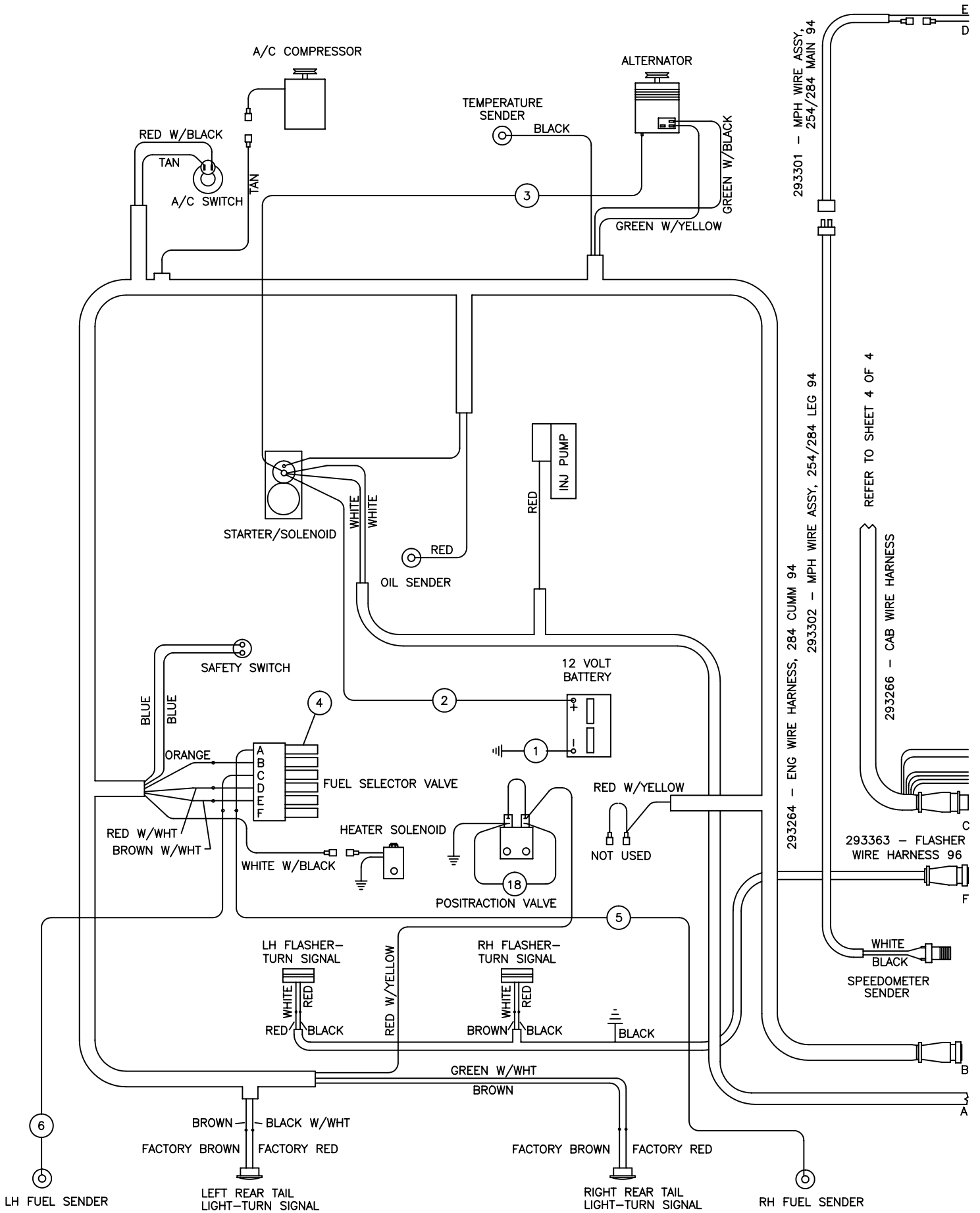
| DET. | QTY | PART NO. | DESCRIPTION                    | DET. | QTY | PART NO. | DESCRIPTION                   |
|------|-----|----------|--------------------------------|------|-----|----------|-------------------------------|
| 1    | 2   | 610510   | CESSNA GEAR MOTOR 1.48CI       | 30   | 2   | 618338   | 9/16MJIC-45-1/4MNPT LBO       |
| 2    | 1   | 610319   | HYD MTR HYPRO HMI PUMP         | 31   | 2   | 611147   | 3/4MJIC-1/2MNPT ADPTR         |
| 3    | 1   | 610447   | HYD FILTER, INLINE 1/4FNPT 90M | 32   | 3   | 503820   | BLK PIPE TEE .50NPT           |
| 4    | 1   | 606827   | FLO CONT FC51 0-3 VARI 7/8FOR  | 33   | 3   | 618018   | 9/16MJIC-1/2MNPT ADPTR        |
| 5    | 2   | 620080   | STRG CYL ASSY 1.50 X 6.0 1985  | 34   | 1   | 503600   | CLOSE NIPPLE .50NPT           |
| 6    | 1   | 606818   | FLO CONT FCR51 0-16GPM 7/8FOR  | 35   | 5   | 618514   | 9/16FJ SW BRANCH TEE-9/16MJ   |
| 7    | 2   | 607512   | RELIEF VALVE, RL50, 1850 PSI   | 36   | 5   | 618486   | 9/16FJIC SW RUN TEE-9/16MJIC  |
| 8    | 1   | 607504   | FLO DIV B50 2-8GPM 7/8 FOR     | 37   | 1   | 618325   | 7/8MJIC-1/2MNPT ADPTR         |
| 9    | 1   | 610569   | 6 SECT, 5 FUCTN HYD VLV, EATON | 38   | 1   | 712440   | 1/2 NPT X 3/4 HOSE BARB       |
| 10   | 1   | 749150   | STRG MTR NON-LOAD REACT 1008   | 39   | 2   | 618310   | 9/16MJIC-7/8MOR ADPTR         |
| 11   | 2   | 614664   | 10C1T-10FJX-10FJX-98 H/A       | 40   | 3   | 618618   | 9/16MJIC-90-9/16FJIC SWIV LBO |
| 12   | 3   | 614693   | 06C1T-06FJX-06FJX-168 H/A      | 41   | 1   | 618172   | 7/8MOR-9/16FOR ADPTR          |
| 13   | 1   | 614159   | 04C1T-06FJX-06FJX-169 H/A      | 42   | 11  | 618119   | 9/16MJIC-90-9/16MOR LBO       |
| 14   | 4   | 614663   | 04C1T-06FJX-06FJX-16 H/A       | 43   | 1   | 618327   | 3/4MJIC-7/8MOR ADPTR          |
| 15   | 2   | 616028   | 04C1T-06FJX-06FJX-47 H/A       | 44   | 1   | 618440   | 9/16MJIC-90-9/16MOR EX LG LBO |
| 16   | 1   | 611204   | 04C1T-06FJX-06FJX-78 H/A       | 45   | 4   | 618126   | 9/16MJIC-9/16MOR ADPTR        |
| 17   | 1   | 616040   | 04C1T-06FJX-06FJX-67 H/A       | 46   | 1   | 611128   | 7/8MJIC-90-7/8MOR LBO         |
| 18   | 3   | 616026   | 04C1T-06FJX-06FJX-37 H/A       | 47   | 2   | 611126   | 7/8MJIC-7/8MOR ADPTR          |
| 19   | 1   | 616057   | 08C1T-08FJX-08FJX-88 H/A       | 48   | 3   | 611121   | 9/16MJIC-1/4MNPT ADPTR        |
| 20   | 1   | 614571   | 06RLA-06FJX-06FJX-126 H/A      | 49   | 4   | 618092   | 1 1/16MOR-1/2FNPT ADPTR       |
| 21   | 2   | 611208   | 04C1T-06FJX-06FJX-98 H/A       | 50   | 8   | 618107   | 9/16MJIC-90-1/2MNPT LBO       |
| 22   | 1   | 615452   | 06C1T-06FJX-06FJX-16 H/A       | 51   | 1   | 618562   | 9/16MOR-90-1/4MNPT LBO        |
| 23   | 1   | 615521   | 10C1T-10FJX-10FJX-18 H/A       | 52   | 2   | 500000   | 1/2MNPT HEX PIPE NIPPLE STL   |
| 24   | 1   | 615465   | 08C1T-08FJX-08FJX-33 H/A       | 53   | 2   | 618072   | 7/8MOR-1/2FNPT ADPTR          |
| 25   | 1   | 614662   | 08C1T-08FJX-08FJX-72 H/A       | 54   | 2   | 618531   | 9/16FJIC CAP NUT              |
| 26   | 1   | 601332   | HOSE, 3/4 X 40 2BR RED         | 55   | 1   | 611145   | 3/4MJIC-90-1/2MNPT LBO        |
| 27   | 4   | 618496   | 9/16MJIC-45-3/4MOR LBO         | 56   | 3   | 618241   | 3/4MJIC-90-3/4MOR LBO         |
| 28   | 3   | 618019   | 9/16MJIC UNION TEE             | 57   | 1   | 618590   | 3/4MJIC-45-3/4FJIC SWIV LBO   |
| 29   | 2   | 611122   | 9/16MJIC-90-1/4MNPT LBO        | 58   | 2   | 618609   | 3/4MJIC-90-3/4FJIC SWIV LBO   |

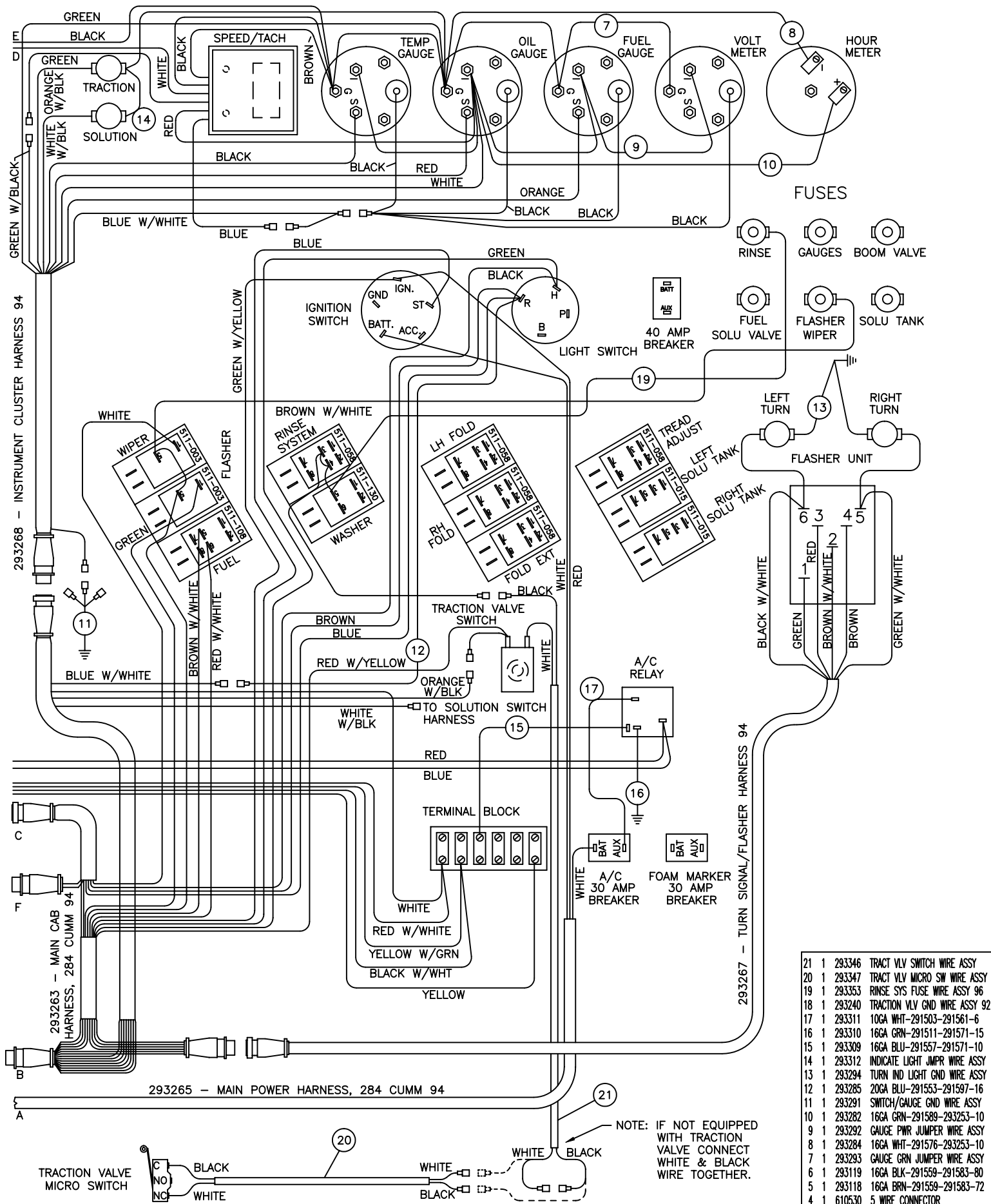




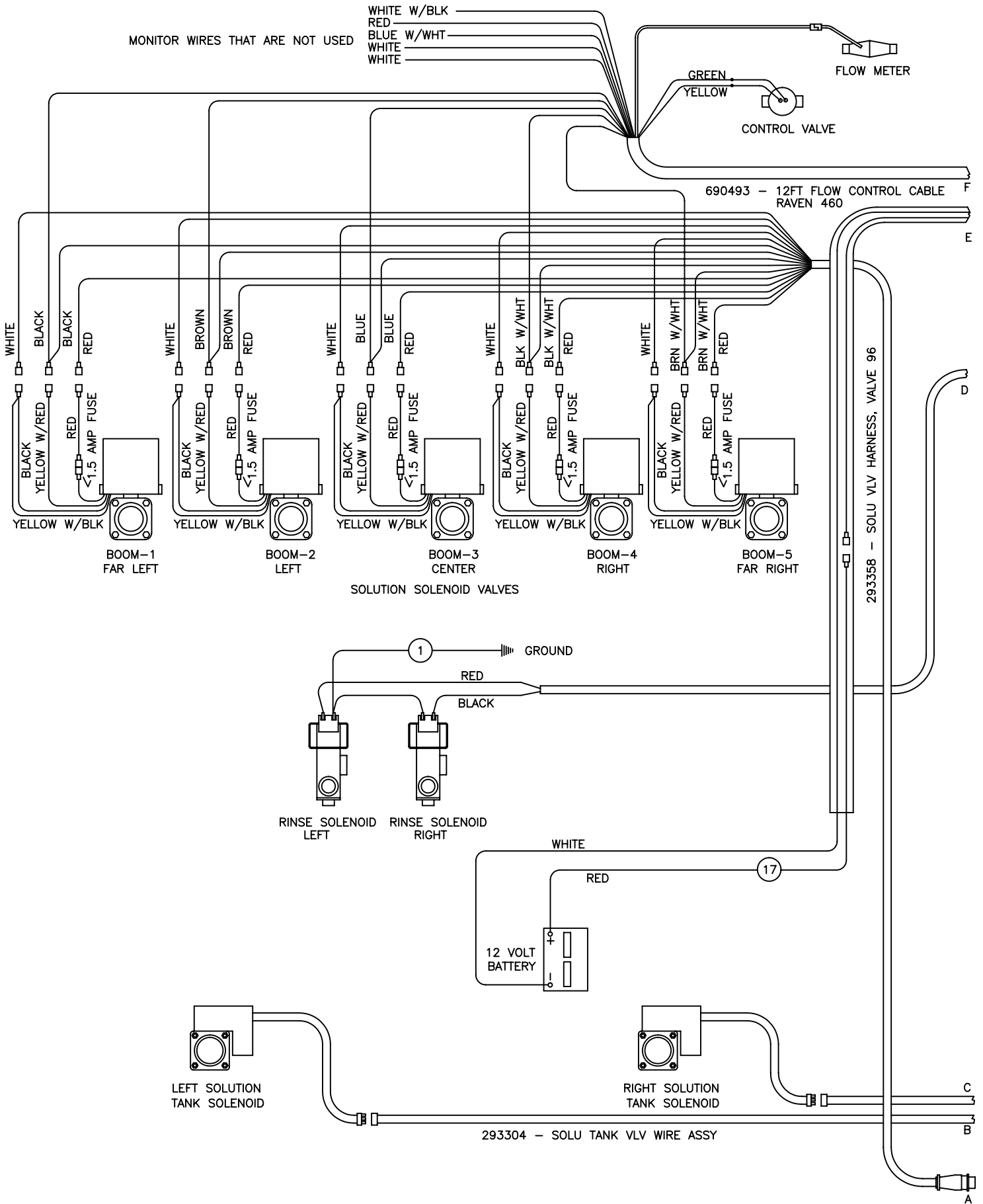
284 HYD SCHEM 96  
REFERENCE DRAWING NO. 498490S3

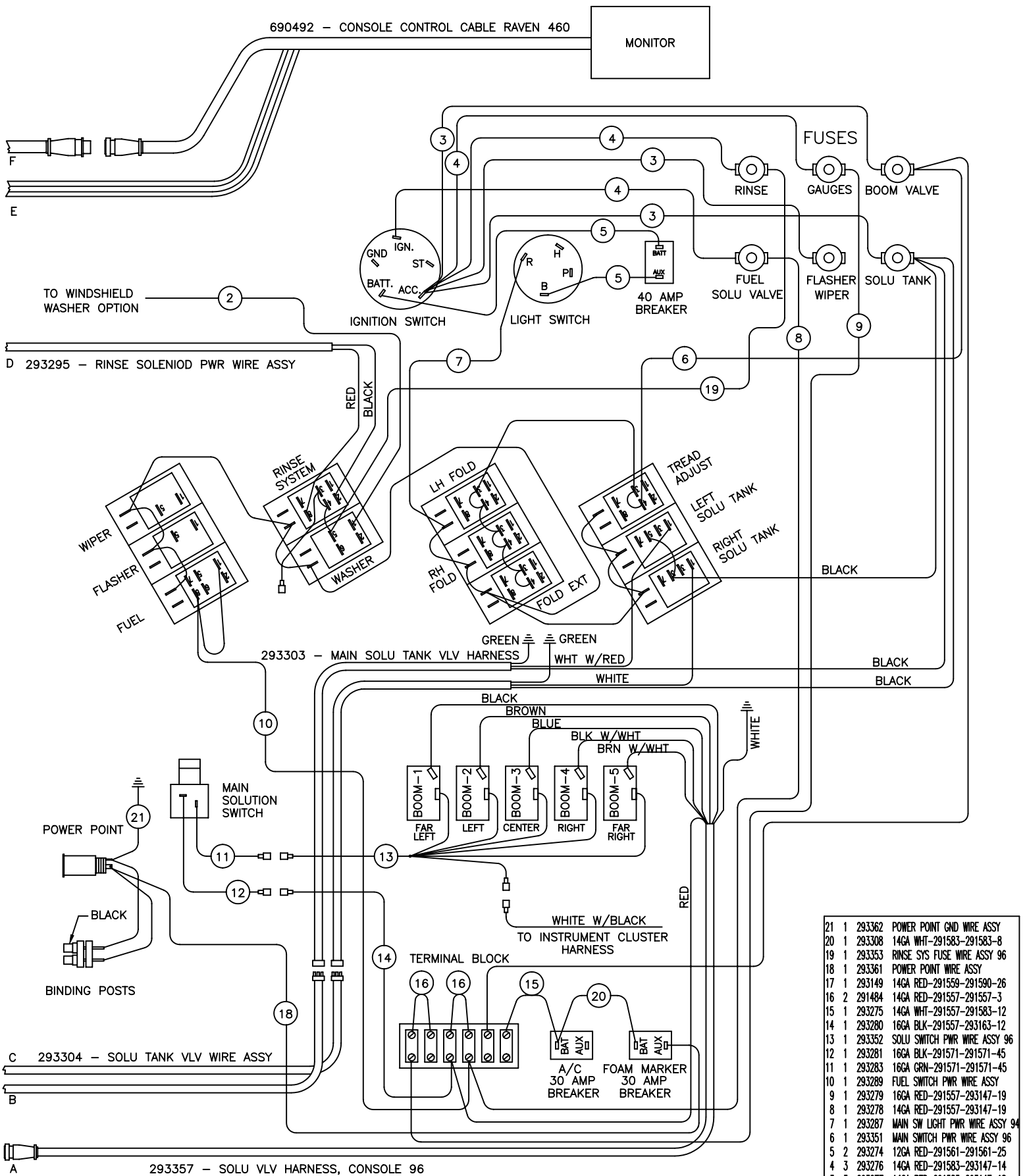
| DET. | QTY | PART NO. | DESCRIPTION                       | DET. | QTY | PART NO. | DESCRIPTION                   |     |
|------|-----|----------|-----------------------------------|------|-----|----------|-------------------------------|-----|
| 1    | 2   | 620120   | CYL ASSY, RH LEG, TREAD ADJ 94    | 24   | 1   | 616028   | 04C1T-06FJX-06FJX-47          | H/A |
| 2    | 2   | 610450   | RESTRICTOR .025 1-WAY, 1/2FNPT    | 25   | 6   | 616043   | 04C1T-06FJX-06FJX-23          | H/A |
| 3    | 2   | 620585   | LEVEL CYL ASSY, 2 X 10 96         | 26   | 5   | 614663   | 04C1T-06FJX-06FJX-16          | H/A |
| 4    | 2   | 620581   | LIFT CYL ASSY, 2 X 14 HD 96       | 27   | 2   | 615616   | 04C1T-06FJX-06FJX-65          | H/A |
| 5    | 2   | 620900   | CYL ASSY CC2016 DOO SRG 180       | 28   | 2   | 611210   | 04C1T-06FJX-06FJX-156         | H/A |
| 6    | 2   | 620632   | ACCUMULATOR CYL ASSY 96           | 29   | 1   | 616042   | 04C1T-06FJX-06FJX-13          | H/A |
| 7    | 2   | 620123   | CYL ASSY, STRG, 125" TREAD ADJ 94 | 30   | 3   | 616049   | 04C1T-06FJX-06FJX-26          | H/A |
| 8    | 2   | 620122   | CYL ASSY, STRG, 90" TREAD ADJ 94  | 31   | 2   | 614308   | 04C1T-06FJX-06FJX-109         | H/A |
| 9    | 2   | 620121   | CYL ASSY, LH LEG, TREAD ADJ 94    | 32   | 4   | 616026   | 04C1T-06FJX-06FJX-37          | H/A |
| 10   | 2   | 620595   | FOLD CYL ASSY, 2 X 10 IN 96       | 33   | 1   | 616037   | 04C1T-06FJX-06FJX-29          | H/A |
| 11   | 1   | 615641   | FOLD HYD TUBE ASSY, IN 254/284    | 34   | 1   | 614713   | 04C1T-06FJX-06FJX-24          | H/A |
| 12   | 1   | 615639   | LEVEL HYD TUBE ASSY, UP254/284    | 35   | 1   | 614712   | 04C1T-06FJX-06FJX-20          | H/A |
| 13   | 1   | 615637   | LIFT HYD TUBE ASSY, UP 254/284    | 36   | 2   | 618633   | 1/2MNPT-90-1/4MNPT REDU LBO   |     |
| 14   | 1   | 615640   | LEVEL HYD TUBE ASSY, DN254/284    | 37   | 14  | 619010   | 9/16MJIC UNION                |     |
| 15   | 1   | 615638   | LIFT HYD TUBE ASSY, DN 254/284    | 38   | 2   | 618486   | 9/16FJIC SW RUN TEE-9/16MJIC  |     |
| 16   | 1   | 615642   | FOLD HYD TUBE ASSY, OUT254/284    | 39   | 2   | 618320   | 9/16MJIC UNION CROSS          |     |
| 17   | 1   | 615683   | FOLD BOOM HYD TUBE ASSY, OUT      | 40   | 4   | 618019   | 9/16MJIC UNION TEE            |     |
| 18   | 1   | 615682   | FOLD BOOM HYD TUBE ASSY, IN       | 41   | 2   | 618018   | 9/16MJIC-1/2MNPT ADPTR        |     |
| 19   | 4   | 615684   | HYD TUBE ASSY, BOOM EXT FOLD      | 42   | 16  | 611122   | 9/16MJIC-90-1/4MNPT LBO       |     |
| 20   | 6   | 614365   | RESTRICTOR ELBOW ASSY .042DIA     | 43   | 2   | 618618   | 9/16MJIC-90-9/16FJIC SWIV LBO |     |
| 21   | 8   | 614710   | RESTRICTOR ELBOW ASSY .025DIA     | 44   | 1   | 614714   | 04C1T-06FJX-06FJX-34          | H/A |
| 22   | 4   | 615442   | 04C1T-06FJX-06FJX-55 H/A          | 45   | 1   | 614715   | 04C1T-06FJX-06FJX-43          | H/A |
| 23   | 6   | 616040   | 04C1T-06FJX-06FJX-67 H/A          | 46   | 1   | 616059   | 04C1T-06FJX-06FJX-33          | H/A |





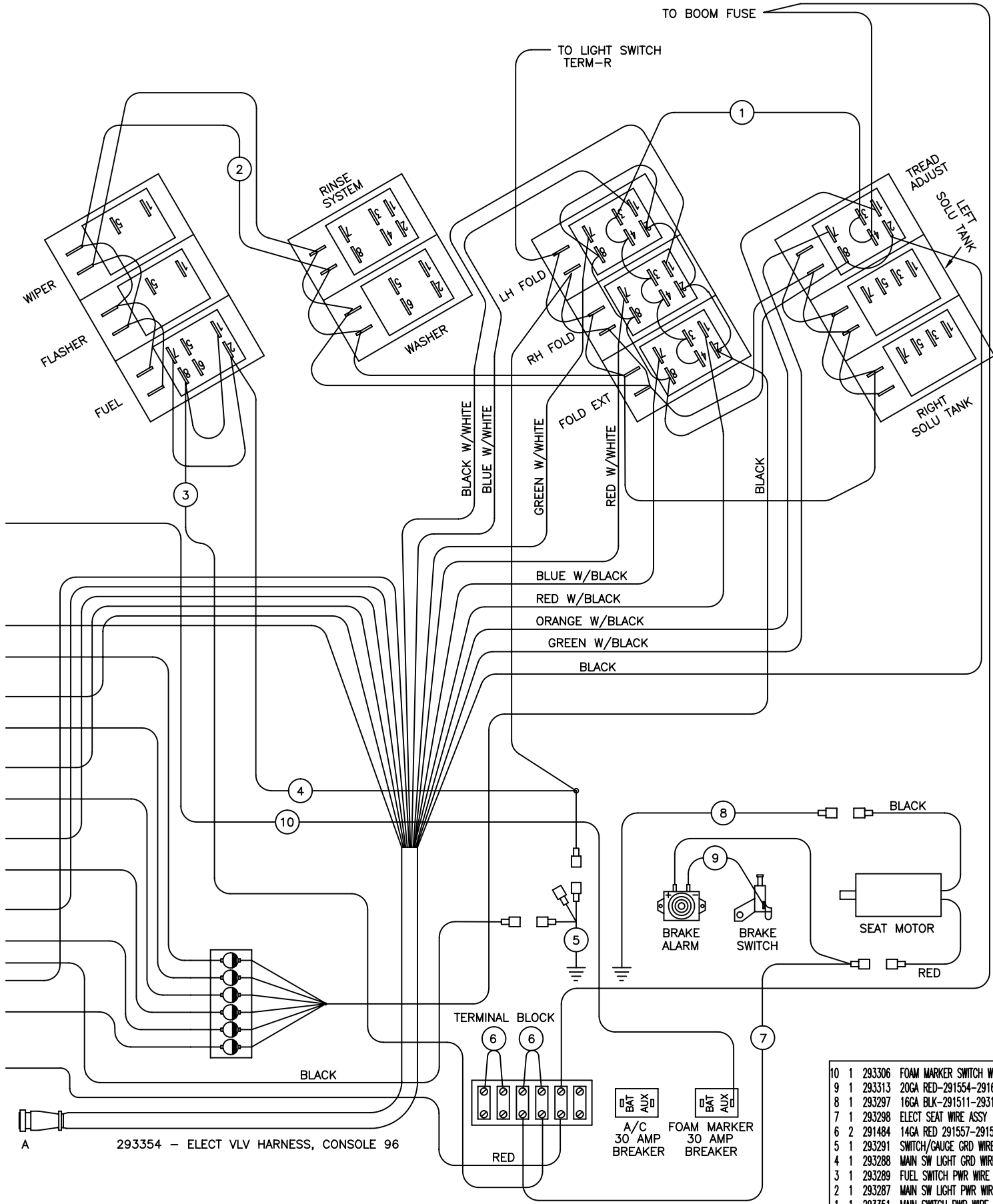
|    |   |        |                               |
|----|---|--------|-------------------------------|
| 21 | 1 | 293346 | TRACT VLV SWITCH WIRE ASSY    |
| 20 | 1 | 293347 | TRACT VLV MICRO SW WIRE ASSY  |
| 19 | 1 | 293353 | RINSE SYS FUSE WIRE ASSY 96   |
| 18 | 1 | 293240 | TRACTION VLV GND WIRE ASSY 92 |
| 17 | 1 | 293311 | 10GA WHT-291503-291561-6      |
| 16 | 1 | 293310 | 16GA GRN-291511-291571-15     |
| 15 | 1 | 293309 | 16GA BLU-291557-291571-10     |
| 14 | 1 | 293312 | INDICATE LIGHT JMPR WIRE ASSY |
| 13 | 1 | 293294 | TURN IND LIGHT GND WIRE ASSY  |
| 12 | 1 | 293285 | 20GA BLU-291553-291597-16     |
| 11 | 1 | 293291 | SWITCH/GAUGE GND WIRE ASSY    |
| 10 | 1 | 293282 | 16GA GRN-291589-293253-10     |
| 9  | 1 | 293292 | GAUGE PWR JUMPER WIRE ASSY    |
| 8  | 1 | 293284 | 16GA WHT-291576-293253-10     |
| 7  | 1 | 293293 | GAUGE GRN JUMPER WIRE ASSY    |
| 6  | 1 | 293119 | 16GA BLK-291559-291583-80     |
| 5  | 1 | 293118 | 16GA BRN-291559-291583-72     |
| 4  | 1 | 610530 | 5 WIRE CONNECTOR              |
| 3  | 1 | 291029 | 10GA BLU-291513-291587-30     |
| 2  | 1 | 291128 | BATTERY CABLE 48IN            |
| 1  | 1 | 290111 | GROUND STRAP                  |





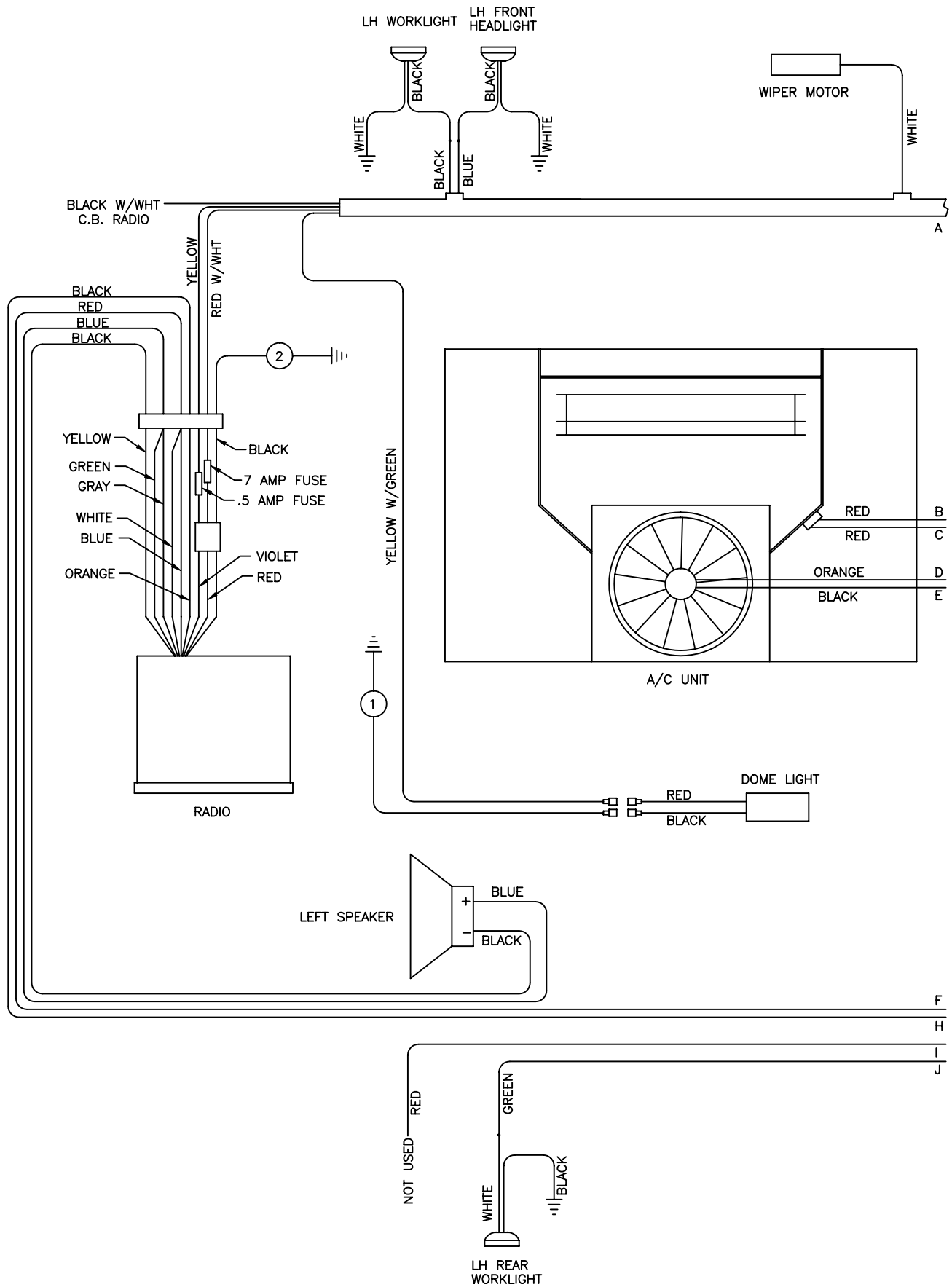
|    |   |        |                                |
|----|---|--------|--------------------------------|
| 21 | 1 | 293362 | POWER POINT GND WIRE ASSY      |
| 20 | 1 | 293308 | 14GA WHT-291583-291583-8       |
| 19 | 1 | 293353 | RINSE SYS FUSE WIRE ASSY 96    |
| 18 | 1 | 293361 | POWER POINT WIRE ASSY          |
| 17 | 1 | 293149 | 14GA RED-291559-291590-26      |
| 16 | 2 | 291484 | 14GA RED-291557-291557-3       |
| 15 | 1 | 293275 | 14GA WHT-291557-291583-12      |
| 14 | 1 | 293280 | 16GA BLK-291557-293163-12      |
| 13 | 1 | 293352 | SOLU SWITCH PWR WIRE ASSY 96   |
| 12 | 1 | 293281 | 16GA BLK-291571-291571-45      |
| 11 | 1 | 293283 | 16GA GRN-291571-291571-45      |
| 10 | 1 | 293289 | FUEL SWITCH PWR WIRE ASSY      |
| 9  | 1 | 293279 | 16GA RED-291557-293147-19      |
| 8  | 1 | 293278 | 14GA RED-291557-293147-19      |
| 7  | 1 | 293287 | MAIN SW LIGHT PWR WIRE ASSY 94 |
| 6  | 1 | 293351 | MAIN SWITCH PWR WIRE ASSY 96   |
| 5  | 2 | 293274 | 12GA RED-291561-291561-25      |
| 4  | 3 | 293276 | 14GA RED-291583-293147-14      |
| 3  | 3 | 293277 | 14GA RED-291583-293147-18      |
| 2  | 1 | 293342 | 16GA RED-291559-291571-48      |
| 1  | 1 | 293231 | GND WIRE ASSY, RINSE SYSTEM    |



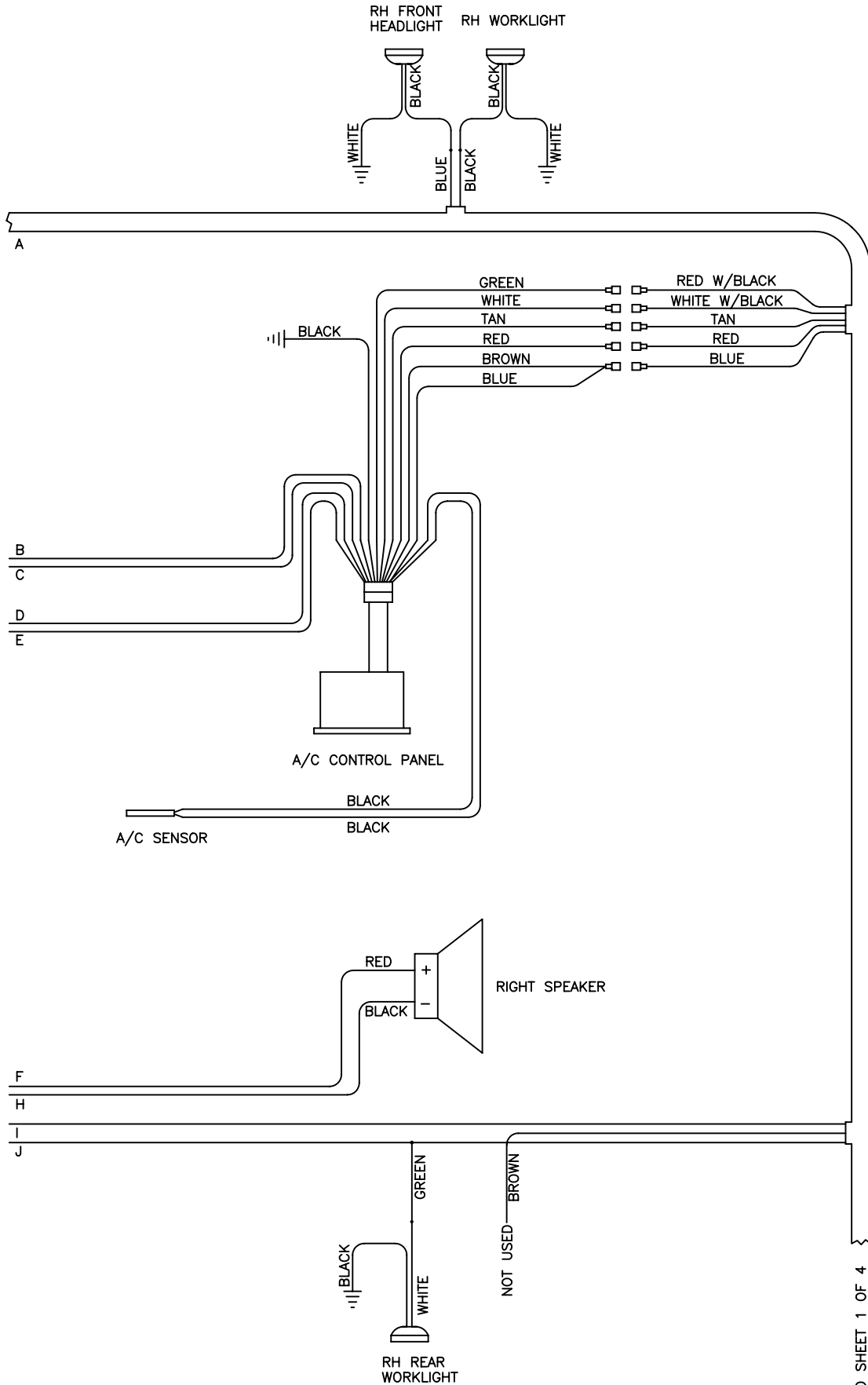


A 293354 - ELECT VLV HARNESS, CONSOLE 96

|    |   |        |                              |
|----|---|--------|------------------------------|
| 10 | 1 | 293306 | FOAM MARKER SWITCH WIRE ASSY |
| 9  | 1 | 293313 | 20GA RED-291554-291637-4     |
| 8  | 1 | 293297 | 16GA BLK-291511-293163-36    |
| 7  | 1 | 293298 | ELECT SEAT WIRE ASSY         |
| 6  | 2 | 291484 | 14GA RED 291557-291557-3     |
| 5  | 1 | 293291 | SWITCH/GAUGE GRD WIRE ASSY   |
| 4  | 1 | 293288 | MAIN SW LIGHT GRD WIRE ASSY  |
| 3  | 1 | 293289 | FUEL SWITCH PWR WIRE ASSY    |
| 2  | 1 | 293287 | MAIN SW LIGHT PWR WIRE ASSY  |
| 1  | 1 | 293351 | MAIN SWITCH PWR WIRE ASSY 96 |







293266 - CAB WIRE HARNESS

REFER TO SHEET 1 OF 4

|                            |   |        |                           |
|----------------------------|---|--------|---------------------------|
| 2                          | 1 | 293300 | 16GA BLK-291511-291571-18 |
| 1                          | 1 | 293299 | 16GA BLK-291511-291571-30 |
| 06-23-95 TLM               |   |        |                           |
| 284 CUMM WIRING DIAGRAM 96 |   |        |                           |
| 254                        |   |        |                           |
| SHEET 4 OF 4               |   |        |                           |
| REVISION DATE: 08-31-95    |   |        |                           |
|                            |   |        | 498481                    |

# NOTICE

---

**The following page contains decals for the model 284.**

**These decals can be obtained from Hagie Mfg. Co. and should be used whenever your machine is repainted or when the decals become worn, weathered, or faded.**

**Special attention should be paid to decals involving personal safety. They have been attached for your protection.**

**KEEP THEM IN PLACE.**

**Contact: Hagie Manufacturing Co.  
Box 273  
Clarion, Iowa 50525**

284 DECALS

| <u>QTY.</u> | <u>PART NO.</u> | <u>DESCRIPTION</u>          | <u>LOCATION</u>              |
|-------------|-----------------|-----------------------------|------------------------------|
| 1           | 650831          | EMERGENCY STOP DECAL        | ON LOWER LH FRONT CAB FOAM   |
| 1           | 650320          | EMERGENCY EXIT DECAL        | ON LOWER REAR OF EXIT WINDOW |
| 1           | 650335          | CONSOLE COVER PANEL DECAL   | ON CONSOLE SHEET METAL       |
| 1           | 650814          | PARK BRAKE DECAL            | NEAR PARK BRAKE              |
| 1           | 650822          | SOLUTION PUMP DECAL         | ON FRONT CROSSMEMBER         |
| 1           | 650847          | NO PASSENGER DECAL          | REAR CORNER OF CAB           |
| 2           | 650848          | SLIP OR FALL DECAL          | 2-ON EACH FUEL TANK          |
| 2           | 650849          | ENGINE FUEL DECAL           | NEAR EACH FUEL TANK NECK     |
| 2           | 650850          | CHEMICAL DECAL              | ON SOLUTION TANK LIDS        |
| 2           | 650851          | SHIELDS DECAL               | ON SIDE OF TOP ENGINE COVER  |
| 1           | 650852          | READ MANUAL DECAL           | ON LOWER LH FRONT CAB FOAM   |
| 1           | 650319          | NOTICE-FRT LEG CYL OIL      | ON TOP LH FRONT LEG          |
| 1           | 650326          | HAGIE DECAL                 | ON FRONT MAINFRAME SHIELD    |
| 2           | 650954          | DIESEL DECAL                | NEAR EACH FUEL NECK          |
| 1           | 650981          | COOLING SYSTEM DECAL        | NEAR RADIATOR CAP            |
| 1           | 650982          | ELECTRICAL DECAL            | RIGHT HAND SIDE OF OIL TANK  |
| 4           | 650985          | WHEEL BOLT TORQUE DECAL     | ON EACH WHEEL RIM            |
| 1           | 650323          | DECAL SET, HAGIE 284 STRIPE | ON EACH ENGINE HOOD          |
| 1           | 650324          | DECAL SET, 3 X 68 STRIPE    | ON EACH TANK SHIELD          |
| 1           | 650329          | SPRAY CONTROL/TRAC DECAL    | ON INSTRUMENT PANEL          |
| 1           | 650334          | SS SIGHT GAUGE DECAL        | ON SIGHT GAUGE MOUNT         |
| 1           | 650336          | FOLD BOOM WARNING DECAL     | ON LOWER REAR OF EXIT WINDOW |
| 1           | 650337          | ELECTROCUTION HAZARD DECAL  | ON LOWER REAR OF EXIT WINDOW |

## ABBREVIATIONS

|                                    |                               |
|------------------------------------|-------------------------------|
| A/C - AIR CONDITIONER              | MT - MOUNT                    |
| ADPTR - ADAPTER                    | MTR - MOTOR                   |
| AGI - AGITATOR                     | P/N - PART NUMBER             |
| ALT - ALTERNATOR                   | PLT - PLATE                   |
| ASSY - ASSEMBLY                    | QTY - QUANTITY                |
| BRKT - BRACKET                     | RED - REDUCER                 |
| DET - DETAIL                       | REF - REFERENCE               |
| DISPL - DISPLACEMENT               | REST - RESTRICTOR             |
| EL - ELBOW                         | REQ - REQUIRED                |
| EXT - EXTENSION                    | SHFT - SHAFT                  |
| FLO - FLOW                         | SOL - SOLUTION                |
| FNPT - FEMALE NATIONAL PIPE THREAD | STRG - STEERING               |
| FOR - FEMALE O-RING                | ST - STREET                   |
| FRT - FRONT                        | SWIV - SWIVEL                 |
| HYD - HYDRAULIC                    | UNC - UNIFIED NATIONAL COURSE |
| HYDRO - HYDROSTATIC                | UNF - UNIFIED NATIONAL FINE   |
| LG - LONG                          | V - VOLT                      |
| LWR - LOWER                        | W/ - WITH                     |
| MJIC - MALE J. I. C.               | WHL - WHEEL                   |
| MOR - MALE O-RING                  | WLD - WELDMENT                |

INDEX

-A-

ABBREVIATIONS..... 114  
 ACCUMULATOR CYLINDER..... 50, 51  
 ADJUSTMENT, TREAD..... 74  
 AGITATOR  
     IMPELLER..... 63  
     SHAFT..... 63  
     SHIELD..... 63  
     SOLUTION..... 63  
 AIR CLEANER..... 12  
     BAND..... 12  
     FILTER..... 12  
     HOOD..... 12  
     HOSE..... 12  
 AIR CONDITIONER  
     BLOWER MOUNT..... 28  
     COMPRESSOR..... 10  
     COMPRESSOR MOUNT..... 10  
     CONDENSOR..... 10  
     CONTROL..... 28  
     DRYER..... 10  
     FILTER..... 28  
 AIR SEAT..... 26  
 ANTENNA, RADIO..... 28  
 ARM,  
     TANK SUPPORT..... 45  
     WIPER..... 26

-B-

BALL VALVE..... 62, 64  
 BAND,  
     AIR CLEANER..... 12  
     FUEL TANK..... 24  
     TANK..... 62  
 BATTERY..... 13  
     BOX..... 13  
     CABLE..... 13, 36  
 BELT..... 5, 10  
 BINDING POST..... 38  
 BLADE,  
     FAN..... 5  
     WIPER..... 26  
 BLOCK, TERMINAL..... 33  
 BOOM..... 56, 57, 58, 59, 60  
     CONTROL VALVE..... 47  
     CRADLE..... 41  
     FEEDER..... 50  
     PIVOT PIN..... 49  
     SPRING..... 57, 59  
 BRACE,  
     LADDER..... 46  
     LEG..... 15  
 BRAKE  
     CABLE..... 15

DISC..... 15  
 LEVER..... 36  
 PAD..... 15  
 RETAINER CLIP..... 15  
 BREAKAWAY..... 49  
 BREAKER, CIRCUIT..... 33  
 BREATHER..... 25  
 BUZZER..... 36

-C-

CAB..... 26  
     ROOF..... 26  
 CABLE,  
     BATTERY..... 13  
     BRAKE..... 15, 36  
     CONTROL..... 33, 34, 35, 36, 40  
     THROTTLE..... 4  
     4WD..... 39  
 CAP,  
     FUEL..... 24  
     RADIATOR..... 11  
     STEERING..... 30  
 CATWALK..... 46  
 CHECK VALVE..... 68, 69  
 CIRCUIT BREAKER..... 33  
 COMPRESSOR, A/C..... 10  
 CONDENSOR..... 10  
     MOUNT..... 10  
 CONSOLE..... 33  
     COVER..... 32  
 CONTROL HANDLE..... 34  
 COOLER, OIL..... 11  
 CRADLE..... 62  
     BOOM..... 41  
 CROP GUIDE..... 14, 17  
 CROPSHIELD..... 89  
 CYLINDER,  
     ACCUMULATOR..... 50, 51  
     FOLD..... 54, 51  
     FRONT LEG..... 18  
     LEVEL..... 53  
     LIFT..... 52  
     STEERING..... 19  
     TREAD ADJUSTMENT..... 75, 76, 77

-D-

DECALS..... 112, 113  
 DIAGRAM, WIRING..... 104  
 DIFFUSER, LINE SUMP..... 25  
 DIMMER SWITCH..... 26  
 DIPSTICK..... 25  
 DISC,  
     BRAKE..... 15  
     SENSOR..... 15

|                     |    |
|---------------------|----|
| DOOR.....           | 27 |
| HANDLE.....         | 27 |
| DRINK HOLDER.....   | 33 |
| DRIVE ASSEMBLY..... | 4  |
| DRYER, A/C.....     | 10 |

-E-

|                              |        |
|------------------------------|--------|
| ELECTRIC SOLENOID VALVE..... | 66, 67 |
| ENGINE.....                  | 4, 5   |
| HOOD.....                    | 42     |
| MOUNTS.....                  | 4, 5   |
| EXHAUST PIPE.....            | 12     |

-F-

|                       |            |
|-----------------------|------------|
| FAN                   |            |
| BLADE.....            | 5          |
| SPACER.....           | 5          |
| FILTER,               |            |
| AIR CLEANER.....      | 12         |
| AIR CONDITIONER.....  | 28         |
| FUEL.....             | 4          |
| HI-PRESS.....         | 9          |
| INLINE HYDRAULIC..... | 47         |
| MICHIGAN.....         | 25         |
| MINDER.....           | 31         |
| OIL.....              | 5, 25      |
| FLASHER LIGHT.....    | 41         |
| FLASHER SWITCH.....   | 30         |
| FLOORMAT.....         | 29         |
| FLOW CONTROL          |            |
| VALVE.....            | 66, 67     |
| VARIABLE.....         | 40         |
| FLOW DIVIDER.....     | 7          |
| FLOW METER.....       | 66, 67, 68 |
| FLUSHING VALVE.....   | 8          |
| FOAM.....             | 11, 29     |
| FOAMER TANK.....      | 80         |
| FOLD CYLINDER.....    | 49, 54, 55 |
| FUEL                  |            |
| CAP.....              | 24         |
| GAUGE.....            | 31         |
| SELECTOR VALVE.....   | 24         |
| SENDER.....           | 24         |
| TANK.....             | 24         |
| FUSE.....             | 32         |
| HOLDER.....           | 32         |

-G-

|                   |        |
|-------------------|--------|
| GAUGE,            |        |
| FUEL.....         | 31     |
| OIL PRESSURE..... | 31     |
| PRESSURE.....     | 66, 67 |
| SIGHT.....        | 62, 65 |
| TEMPERTURE.....   | 31     |
| GAS SPRING.....   | 27     |

|                    |           |
|--------------------|-----------|
| GLASS.....         | 26, 27    |
| GLAND PACKING..... | 63        |
| GRAB HANDLE.....   | 26        |
| GROUND STRAP.....  | 4, 13, 26 |
| GUARD, SPRING..... | 92, 93    |
| GUIDE, CROP.....   | 17        |

-H-

|                        |                |
|------------------------|----------------|
| HANDLE,                |                |
| CONTROL.....           | 34             |
| DOOR.....              | 27             |
| GRAB.....              | 26             |
| HANDRAIL.....          | 42             |
| HEADLIGHT.....         | 26             |
| HEADLINER.....         | 28             |
| HEATER SOLENOID.....   | 5              |
| HEAT SHIELD.....       | 11             |
| HI-PRESS               |                |
| FILTER.....            | 9              |
| MANIFOLD.....          | 85             |
| HOLDER, DRINK.....     | 33             |
| HOOD,                  |                |
| AIR CLEANER.....       | 12             |
| ENGINE.....            | 42             |
| HOOK, RUBBER.....      | 42             |
| HOSE, AIR CLEANER..... | 12             |
| HOSING, SOLUTION.....  | 92, 93         |
| HOUR METER.....        | 31             |
| HUB, TORQUE.....       | 14, 15, 94, 96 |
| HYDRAULIC              |                |
| SCHEMATIC.....         | 98             |
| TANK.....              | 25             |
| TUBE.....              | 14, 15, 48, 57 |
| HYPRO D-230 PUMP.....  | 84             |

-I-

|                              |    |
|------------------------------|----|
| IMPELLER.....                | 63 |
| INDICATOR, MPH-RPM.....      | 31 |
| INLINE HYDRAULIC FILTER..... | 47 |
| INTERIOR LIGHT.....          | 28 |

-K-

|                 |        |
|-----------------|--------|
| KICK PANEL..... | 26     |
| KNOB.....       | 32, 33 |

-L-

|                     |        |
|---------------------|--------|
| LADDER.....         | 46     |
| BRACE.....          | 46     |
| LEG,                |        |
| BRACE.....          | 15     |
| CYLINDER.....       | 20     |
| FRONT.....          | 14     |
| REAR.....           | 15     |
| LEVEL CYLINDER..... | 49, 53 |

|                                      |        |
|--------------------------------------|--------|
| LEVER,                               |        |
| HYDROSTATIC.....                     | 34     |
| THROTTLE.....                        | 35     |
| L I D.....                           | 62, 64 |
| L I F T A R M.....                   | 48     |
| M O U N T.....                       | 48     |
| L I F T C Y L I N D E R.....         | 48, 52 |
| L I G H T,                           |        |
| H E A D.....                         | 26     |
| I N T E R I O R.....                 | 28     |
| S W I T C H.....                     | 32     |
| T U R N S I G N A L.....             | 41     |
| L I N E S U M P D I F F U S E R..... | 25     |

-M-

|                                       |          |
|---------------------------------------|----------|
| M A N I F O L D, H I - P R E S S..... | 85       |
| M E T E R, H O U R.....               | 31       |
| M I R R O R.....                      | 26       |
| M O T O R                             |          |
| S T E E R I N G.....                  | 30       |
| W H E E L.....                        | 14, 15   |
| W I P E R.....                        | 26       |
| M O U N T,                            |          |
| A / C B L O W E R.....                | 28       |
| C O N D E N S O R.....                | 10       |
| E N G I N E.....                      | 4, 5     |
| F L O W D I V I D E R.....            | 7        |
| L I F T A R M.....                    | 48       |
| M O N I T O R.....                    | 33       |
| R A D I A T O R.....                  | 11       |
| R U B B E R.....                      | 4, 5, 26 |
| S O L U T I O N V F C.....            | 40       |
| T A N K.....                          | 44       |
| M U F F L E R.....                    | 12       |
| M U L L I O N.....                    | 42       |

-N-

|                             |    |
|-----------------------------|----|
| N O Z Z L E, R I N S E..... | 73 |
| N Y L O N S L E E V E.....  | 14 |

-O-

|                                |    |
|--------------------------------|----|
| O I L                          |    |
| C O O L E R.....               | 11 |
| F I L T E R.....               | 5  |
| P R E S S U R E G A U G E..... | 31 |
| S E N D E R.....               | 4  |
| T A N K.....                   | 25 |

-P-

|                                    |    |
|------------------------------------|----|
| P A D, P A R K B R A K E.....      | 15 |
| P A N E L, K I C K.....            | 26 |
| P A R K B R A K E S W I T C H..... | 36 |
| P I V O T P I N, B O O M.....      | 49 |

|  |                |
|--|----------------|
| P L A T F O R M, S E R V I C E.....    | 46             |
| P O S I T R A C T I O N V A L V E..... | 6              |
| P O W E R P O I N T.....               | 38             |
| P R E S S U R E G A U G E.....         | 66, 67         |
| P R E S S U R E W A S H E R.....       | 90             |
| P R I M E T A N K.....                 | 68, 69         |
| P U M P,                               |                |
| H Y P R O D - 2 3 0.....               | 84             |
| S O L U T I O N.....                   | 68, 69, 70, 71 |
| S U N D S T R A N D.....               | 6              |

-R-

|                            |          |
|----------------------------|----------|
| R A D I A T O R.....       | 11       |
| C A P.....                 | 11       |
| H O S E.....               | 5        |
| M O U N T.....             | 11       |
| S C R E E N.....           | 11       |
| S H R O U D.....           | 11       |
| R A D I O.....             | 28       |
| R E C O V E R Y.....       | 11       |
| R E L A Y.....             | 34       |
| R E L I E F V A L V E..... | 7        |
| R I M.....                 | 16       |
| R I N S E,                 |          |
| N O Z Z L E.....           | 73       |
| T A N K.....               | 72       |
| R O O F, C A B.....        | 26       |
| R U B B E R,               |          |
| H O O K.....               | 43       |
| M O U N T.....             | 4, 5, 26 |
| W A S H E R.....           | 7, 39    |

-S-

|   |        |
|---|--------|
| S C H E M A T I C, H Y D R A U L I C..... | 98     |
| S C R E E N.....                          | 43     |
| R A D I A T O R.....                      | 11     |
| S E A L B O O T.....                      | 14, 15 |
| S E A T.....                              | 37     |
| S E L E C T O R V A L V E, F U E L.....   | 24     |
| S E N D E R,                              |        |
| F U E L.....                              | 24     |
| O I L.....                                | 4      |
| T E M P E R T U R E.....                  | 5      |
| S E N S O R,                              |        |
| D I S C.....                              | 15     |
| S P E E D O M E T E R.....                | 15     |
| S E R V I C E P L A T F O R M.....        | 46     |
| S H A F T, A G I T A T O R.....           | 63     |
| S H E E T M E T A L.....                  | 42, 43 |
| S H I E L D,                              |        |
| A G I T A T O R.....                      | 63     |
| H E A T.....                              | 11     |
| S I D E.....                              | 43     |
| T A N K.....                              | 44, 45 |
| W H E E L M O T O R.....                  | 14, 15 |
| S H R O U D, R A D I A T O R.....         | 11     |

|                       |                |
|-----------------------|----------------|
| SIGHT GAUGE.....      | 62, 65         |
| SMV SIGN.....         | 43             |
| SOLENOID, HEATER..... | 5              |
| SOLUTION              |                |
| AGITATOR.....         | 63             |
| HOSING.....           | 92, 93         |
| PUMP.....             | 68, 69, 70, 71 |
| TANK.....             | 62, 64         |
| SPACER, FAN.....      | 5              |
| SPEAKER.....          | 28             |
| SPRING.....           | 35             |
| BOOM.....             | 57, 59         |
| GUARD.....            | 92, 93         |
| STALK GUIDE.....      | 17             |
| STEERING              |                |
| ARM.....              | 14             |
| CAB.....              | 30             |
| CYLINDER.....         | 19             |
| MOTOR.....            | 30             |
| PIVOT.....            | 22, 23         |
| POST.....             | 30             |
| WHEEL.....            | 30             |
| STRAINER.....         | 62             |
| STRAP, GROUND.....    | 4, 13, 26      |
| SUNDSTRAND PUMP.....  | 6              |
| SUPPORT ARM.....      | 45             |
| SWITCH                |                |
| DIMMER.....           | 26             |
| FLASHER.....          | 30             |
| LIGHT.....            | 32             |
| PARK BRAKE.....       | 15             |
| TOGGLE.....           | 32             |

-T-

|                     |        |
|---------------------|--------|
| TAIL LIGHT.....     | 43     |
| TANK,               |        |
| BAND.....           | 62     |
| FUEL.....           | 24     |
| HYDRAULIC OIL.....  | 25     |
| LID.....            | 62, 64 |
| MOUNTS.....         | 44, 45 |
| RECOVERY.....       | 11     |
| RINSE.....          | 72     |
| SHIELD.....         | 44, 45 |
| SOLUTION.....       | 62, 64 |
| TEMPERTURE          |        |
| GAUGE.....          | 31     |
| SENDER.....         | 5      |
| TERMINAL BLOCK..... | 33     |
| THROTTLE            |        |
| CABLE.....          | 4      |
| LEVER.....          | 35     |
| TIE ANGLE.....      | 45     |
| TIE ROD.....        | 22, 23 |
| TIRE.....           | 16     |

|                        |                |
|------------------------|----------------|
| TOGGLE SWITCH.....     | 32             |
| TORQUE HUB.....        | 14, 15, 94, 96 |
| TRANSOM.....           | 49             |
| TREAD ADJUSTMENT.....  | 74             |
| CYLINDER.....          | 75, 76, 77     |
| TUBE,                  |                |
| HYDRAULIC.....         | 48, 57         |
| 4WD.....               | 39             |
| TURN SIGNAL LIGHT..... | 26             |

-V-

|                            |            |
|----------------------------|------------|
| VALVE,                     |            |
| BALL.....                  | 62, 64     |
| BOOM CONTROL.....          | 66, 67     |
| CHECK.....                 | 68, 69     |
| ELECTRIC SOLUTION.....     | 62, 64     |
| FLOW CONTROL.....          | 66, 67, 86 |
| FLUSHING.....              | 8          |
| POSITRACTION.....          | 6          |
| RELIEF.....                | 7          |
| SOLUTION SOLENOID.....     | 66, 67     |
| 4WD.....                   | 39         |
| VARIABLE FLOW CONTROL..... | 40         |
| VOLTMETER.....             | 31         |

-W-

|                            |        |
|----------------------------|--------|
| WASHER, PRESSURE.....      | 90     |
| WEATHER STRIP, WINDOW..... | 26, 27 |
| WHEEL MOTOR.....           | 14, 15 |
| SHIELD.....                | 15     |
| WHEEL, STEERING.....       | 30     |
| WINDSHIELD WASHER.....     | 88     |
| WIPER                      |        |
| ARM.....                   | 26     |
| BLADE.....                 | 26     |
| MOTOR.....                 | 26     |
| WIRING DIAGRAM.....        | 104    |



# HAGIE PARTS ORDER FAX

**Fax  
24 hours  
a day  
7 days  
a week\***

Ph. 1 (800) 247-4885 Fx. 1 (515) 532-3553

Photocopy and fax to Hagie Customer Support Department.

**ORDERED BY/BILL TO:**

Name \_\_\_\_\_  
 Co. Name \_\_\_\_\_  
 Street \_\_\_\_\_  
 City, St, Zip \_\_\_\_\_  
 Ph. \_\_\_\_\_ Fx. \_\_\_\_\_

**SHIP TO:**

Name \_\_\_\_\_  
 Co. Name \_\_\_\_\_  
 Street \_\_\_\_\_  
 City, St, Zip \_\_\_\_\_  
 Ph. \_\_\_\_\_ Fx. \_\_\_\_\_

HOW SHIP:  UPS Ground  Next Day  2 Day  3 Day  Other \_\_\_\_\_

If "HOW SHIP" is left blank, parts will be sent UPS ground service. If part is over 150 pounds, an independent motor freight company will be used.

PAYMENT:  Hagie Account #\*\* \_\_\_\_\_  C.O.D. Sorry, no credit card orders.

Year and Model No. \_\_\_\_\_

Serial No. \_\_\_\_\_

Item Serial No. (if necessary):

Engine (include type) \_\_\_\_\_

Hydrostatic Pump(s) \_\_\_\_\_

Torque Hub \_\_\_\_\_  LF  RF  LR  RR

Wheel Motor \_\_\_\_\_  LF  RF  LR  RR

| HAGIE Part No. | Qty. | Description |
|----------------|------|-------------|
|                |      |             |
|                |      |             |
|                |      |             |
|                |      |             |
|                |      |             |
|                |      |             |
|                |      |             |
|                |      |             |

Check here if you want phone confirmation of parts order.

\* Orders received before 3:00 p.m., CST will be processed the same business day.  
 Regular business hours are Monday through Friday, 7:00 a.m. through 5:00 p.m..

\*\* If you do not have a Hagie account number, contact the Hagie Customer Support Department and you will be issued one.

# HAGIE PARTS ORDER FAX

Fax  
24 hours  
a day  
7 days  
a week\*

Ph. 1 (800) 247-4885 Fx. 1 (515) 532-3553

Photocopy and fax to Hagie Customer Support Department.

**ORDERED BY/BILL TO:**

Name \_\_\_\_\_  
 Co. Name \_\_\_\_\_  
 Street \_\_\_\_\_  
 City, St, Zip \_\_\_\_\_  
 Ph. \_\_\_\_\_ Fx. \_\_\_\_\_

**SHIP TO:**

Name \_\_\_\_\_  
 Co. Name \_\_\_\_\_  
 Street \_\_\_\_\_  
 City, St, Zip \_\_\_\_\_  
 Ph. \_\_\_\_\_ Fx. \_\_\_\_\_

HOW SHIP:  UPS Ground  Next Day  2 Day  3 Day  Other \_\_\_\_\_

If "HOW SHIP" is left blank, parts will be sent UPS ground service. If part is over 150 pounds, an independent motor freight company will be used.

PAYMENT:  Hagie Account #\*\* \_\_\_\_\_  C.O.D. Sorry, no credit card orders.

Year and Model No. \_\_\_\_\_

Serial No. \_\_\_\_\_

Item Serial No. (if necessary):

Engine (include type) \_\_\_\_\_

Hydrostatic Pump(s) \_\_\_\_\_

Torque Hub \_\_\_\_\_  LF  RF  LR  RR

Wheel Motor \_\_\_\_\_  LF  RF  LR  RR

| HAGIE Part No. | Qty. | Description |
|----------------|------|-------------|
|                |      |             |
|                |      |             |
|                |      |             |
|                |      |             |
|                |      |             |
|                |      |             |
|                |      |             |
|                |      |             |

Check here if you want phone confirmation of parts order.

\* Orders received before 3:00 p.m., CST will be processed the same business day.  
 Regular business hours are Monday through Friday, 7:00 a.m. through 5:00 p.m..

\*\* If you do not have a Hagie account number, contact the Hagie Customer Support Department and you will be issued one.