

PARTS MANUAL
FOR
HAGIE MODEL 284 HI-TRACTOR

HAGIE MANUFACTURING COMPANY

BOX 273 CLARION, IOWA 50525 (515) 532-2861

COVERS MACHINE SERIAL NUMBERS: 046649001 thru 046649200
047749001 thru 047749200

12-93 493144
02-08

SPRAYER IDENTIFICATION

Each Hagie sprayer is identified by means of a frame serial number. This serial number denotes the model, the year in which it was built, and the number of the sprayer. As for further identification, the engine has a serial number and the planetary hubs have identification plates that describe the type of mount and gear ratio. To insure prompt, efficient service when ordering parts or requesting service repairs from Hagie Manufacturing Company, record the serial and identification numbers in the space provided below.

NOTE: Reference to left hand and right hand used throughout this manual refers to the position when seated in the operator's seat facing forward.

SPRAYER SERIAL NUMBER

ENGINE SERIAL NUMBER

PLANETARY HUB IDENTIFICATION NUMBERS

TABLE OF CONTENTS

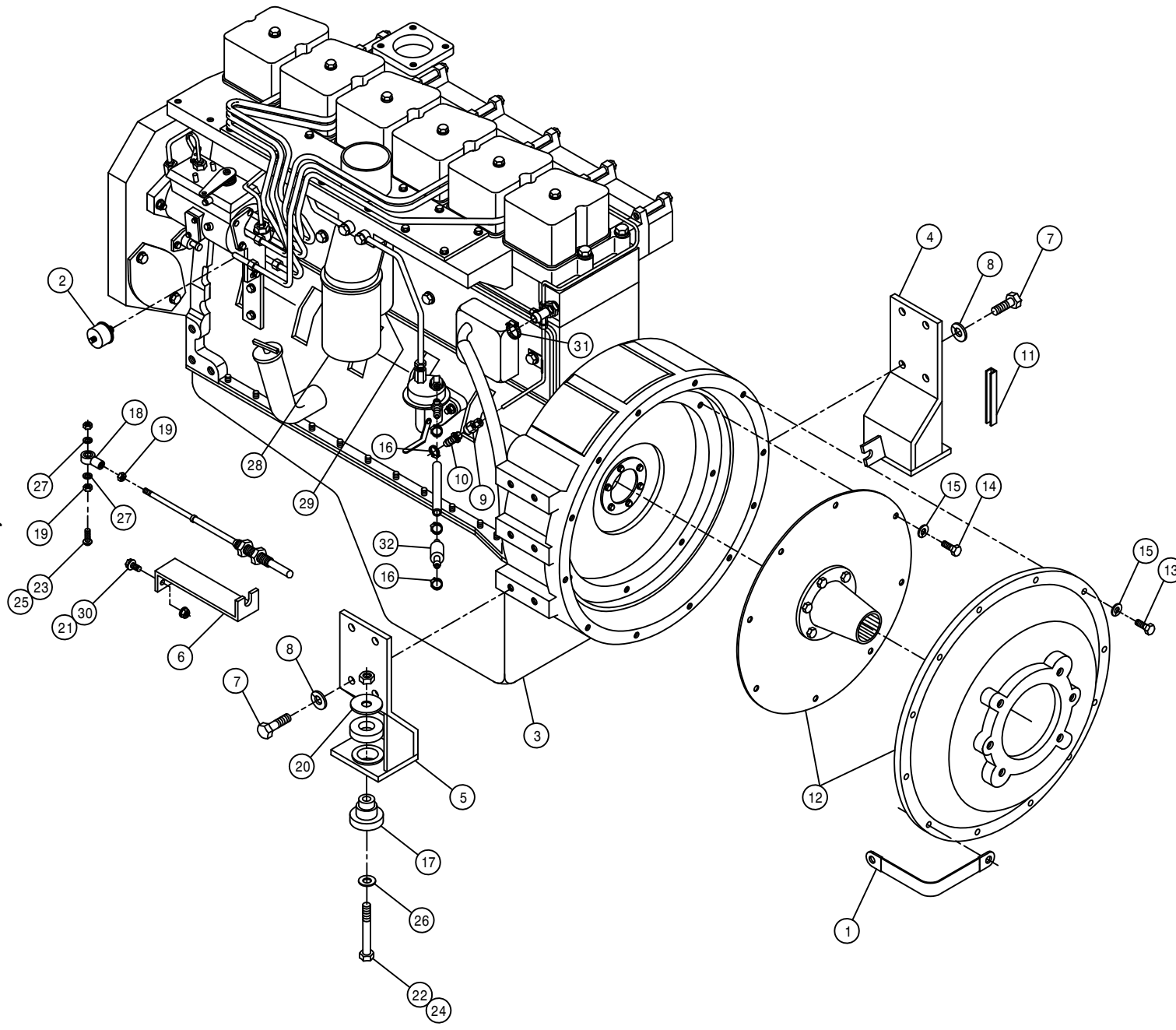
ENGINE ASSEMBLIES	4-6
FLOW DIVIDER AND FLUSHING VALVE	7-9
A/C AND RADIATOR.	10-11
AIR CLEANER AND EXHAUST PIPE.12
BATTERY13
LEG ASSEMBLIES.	14-17
TIRE AND CROP GUIDES.	18-19
LEG AND STEERING CYLINDER	20-21
TIE ROD ASSEMBLYS.	22-23
FUEL AND OIL TANKS.	24-25
CAB ASSEMBLY.	26-30
INSTRUMENT PANEL ASSEMBLY31
SWITCH PANEL ASSEMBLY32
CONSOLE ASSEMBLY.	33-35
BRAKE LEVER AND SELECTOR VALVE.	36-37
VFC AND BOOM VALVE.	38-39
SHEET METAL	40-41
TANK SHIELDS.	42-43
LADDER AND SERVICE PLATFORM ASSEMBLY.	44-45
SOLUTION SYSTEM	46-51
TRANSOM, BOOM AND LIFT COMPONENTS	52-58
RINSE OPTION.	59-61
TREAD ADJUSTMENT OPTION	62-66
SOLUTION HOISING DIAGRAM67
HYPRO D-230 OPTION.	68-70
WHEEL DRIVE ASSEMBLY.	71-73
HYDRAULIC SCHEMATIC	74-77
ELECTRICAL SCHEMATIC.	78-85
DECALS.	86-87
ABBREVIATIONS88
INDEX89

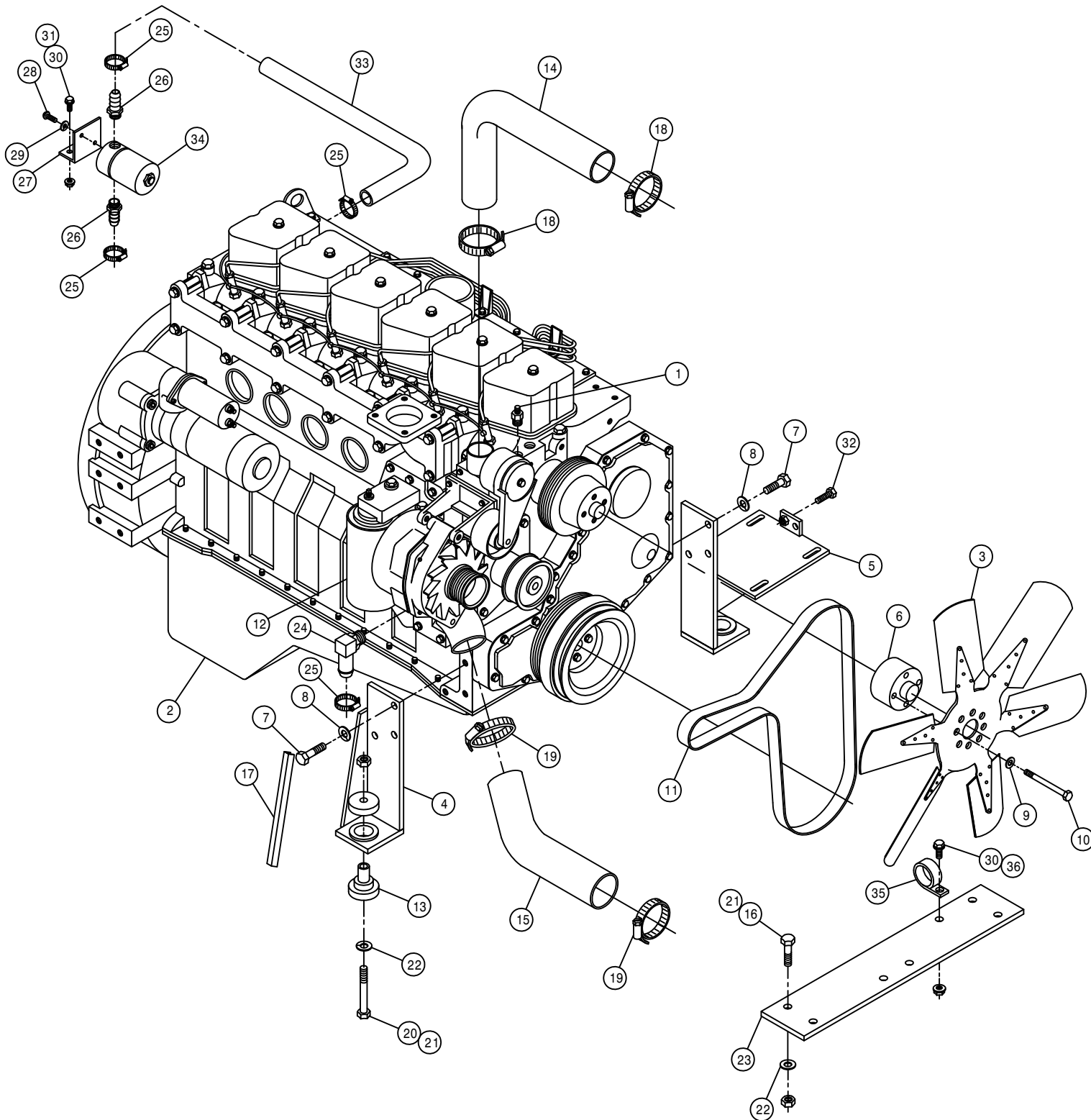
ENGINE ASSEMBLY

DET. QTY PART NO. DESCRIPTION

DET.	QTY	PART NO.	DESCRIPTION
1	1	290107	ENG TO GROUND STRAP 8 IN
2	1	291610	OIL PRESS SENDER, 1/8NPT
3	1	316185	CUMMINS ENGINE 6B5.9
4	1	316252	RH REAR ENG MT WLD, CUMM 94
5	1	316253	LH REAR ENG MT WLD, CUMM 94
6	1	316198	THROTTLE CABLE MT 6CYL CUMM92
7	8	473775	12MM-1.75 X 30MM HEX BOLT
8	8	473784	LOCKWASHER 12MM PL
9	1	618611	1/8FNPT-3/16 TUBE ADPTR,BRASS
10	1	711001	1/8 NPT X 5/16 HOSE BARB
11	1	193012	QUICKEDGE TRIM .135 TO .250
12	1	800495	SUND DRIVE ASSY,2.83PILOT 14T
13	12	473792	10MM-1.50 X 30MM HEX BOLT
14	8	473793	10MM-1.50 X 20MM HEX BOLT
15	20	473798	LOCKWASHER 10MM PL
16	2	520120	HOSE CLAMP NO 4 PLATED MINI
17	2	311054	RUBBER MOUNT SET, CB-2202-4
18	1	473921	BALL JOINT NO 10-32 THD
19	2	910027	#10-32 HEX NUT
20	2	311055	REBOUND WASHER FOR 311054
21	2	470121	1/4UNC HEX FLANGED LOCK NUT
22	2	900271	1/2UNC X 3 1/4 HEX BOLT
23	1	903893	10 32 X 1 SLT RD HD MACH SCR
24	2	914008	1/2UNC HEX STOVER NUT
25	1	914027	#10-32 HEX STOVER NUT
26	2	920004	1/2 FLAT WASHER SAE
27	2	920510	LOCK WASH NO 10
28	1	316208	FUEL FILTER, PRIMARY CUMM 92
29	1	316209	FUEL FILTER, SECONDARY CUMM92
30	2	470118	1/4UNC X 3/4 FLANGED HEX BOLT
31	1	520055	HOSE CLAMP NO 12 PLATED
32	1	316281	FUEL STRAINER, DIESEL

4





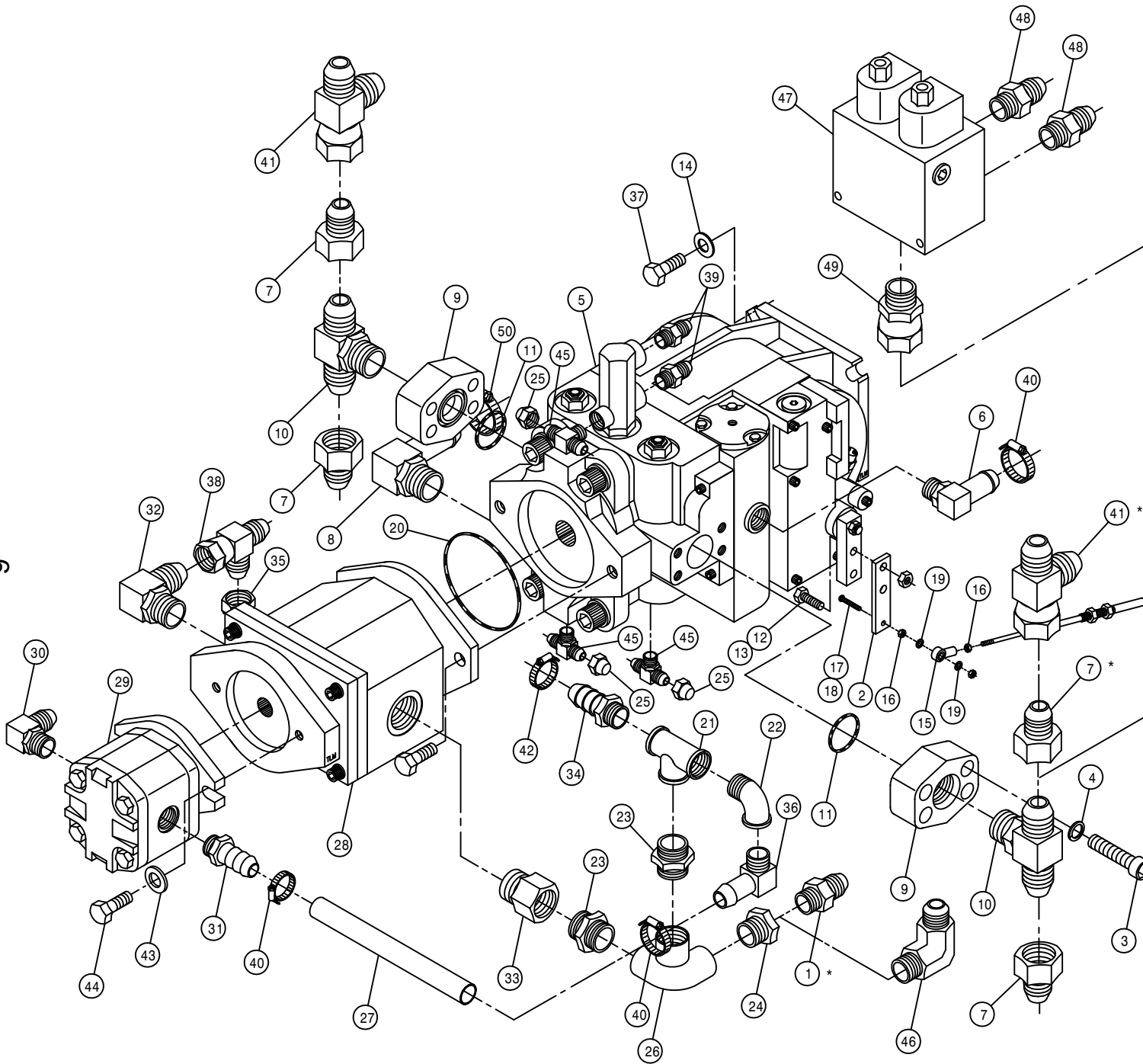
ENGINE ASSEMBLY

DET.	QTY	PART NO.	DESCRIPTION
1	1	314836	TEMP SENDR 280D 1/2NPT FOR GA
2	1	316185	CUMMINS ENGINE 6B5.9
3	1	316180	22 IN DIA 6 BLADE 2.25 PITCH
4	1	316250	RH FRT ENG MT WLD, CUMM 94
5	1	316251	LH FRT ENG MT WLD, CUMM 94
6	1	316199	22IN FAN SPACER CUMM 92
7	6	473775	12MM-1.75 X 30MM HEX BOLT
8	6	473784	LOCKWASHER 12MM PL
9	4	473804	8MM LOCKWASHER
10	4	473822	08MM-1.25 X 70MM HEX BOLT
11	1	316206	POLY V BELT CUMMINS DIESEL 92
12	1	316207	LUBE FILTER CUMMINS DIESEL 92
13	2	311053	RUBBER MOUNT SET,SSB26-1000-1
14	1	314832	RADIATOR HOSE 1.75 X 19
15	1	314886	RADIATOR HOSE 2 1/4 20717
16	4	900265	1/2UNC X 1 1/2 HEX BOLT
17	1	193012	QUICKEDGE TRIM .135 TO .250
18	2	520067	HOSE CLAMP NO 28 PLATED
19	2	520099	HOSE CLAMP NO 40 PLATED
20	2	900271	1/2UNC X 3 1/4 HEX BOLT
21	6	914008	1/2UNC HEX STOVER NUT
22	6	920004	1/2 FLAT WASHER SAE
23	1	341968	TIE PLT 250/280 CUMM 92
24	1	618573	5/8 HOSE BARB-90-1/2MNPT
25	4	520055	HOSE CLAMP NO 12 PLATED
26	2	711013	1/4 NPT X 1/2 HOSE BARB, BRS
27	1	657361	HEATER SOL VLV MT 94
28	2	903710	MACH SCR 10-32X1/2 PHIL PANHD
29	2	920510	LOCK WASH NO 10
30	3	470121	1/4UNC HEX FLANGED LOCK NUT
31	2	470122	1/4UNC X 1/2 FLANGED HEX BOLT
32	1	900130	3/8UNC X 1 1/4 HEX BOLT
33	1	601349	HOSE, 5/8 X 15" HEATER
34	1	657370	HEATER SOLENOID VLV W/O HBARB
35	1	520126	CUSH HOSE CLAMP 2IN X 5/8W
36	1	470118	1/4UNC X 3/4 FLANGED HEX BOLT

5

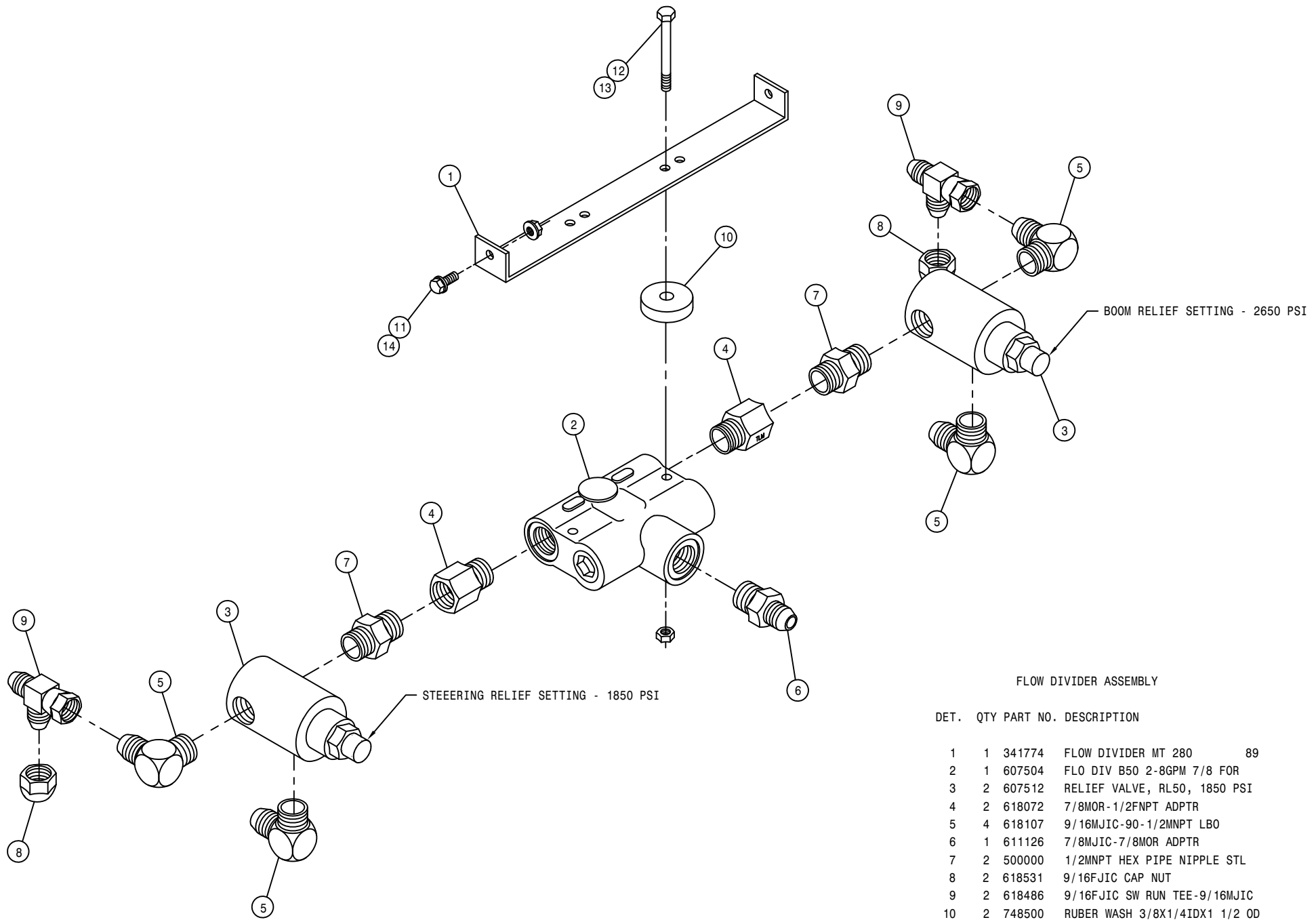
SUNDSTRAND PUMP ASSEMBLY

9



DET.	QTY	PART NO.	DESCRIPTION
1	1	610300	3/4MJIC-3/4MNPT ADPTR
2	1	316160	PUMP CONT LEVER EXT 280 CUMM
3	8	470188	7/16-14 X 1 1/2 SOCHD CAP SCR
4	8	470189	7/16 HC LOCK WASH FOR 618598
5	1	606902	SUND 100CC PUMP,B-MT W/FILT
6	1	618118	3/4 HOSE BARB-90-1 1/16MOR
7	4	618541	1 5/16FJIC-1 1/16MJIC ADPTR
8	1	618626	1 1/4 HOSE BARB-45-1 5/8MOR
9	2	618598	1 IN 4-BOLT FLG X 1 5/16FOR
10	2	618599	1 5/16MOR BRANCH TEE-1 5/16MJ
11	2	870219	BUNA ORING 1 5/16 X 1 9/16
12	2	900003	1/4UNC X 1 HEX BOLT
13	2	914000	1/4UNC HEX STOVER NUT
14	4	920004	1/2 FLAT WASHER SAE
15	1	473921	BALL JOINT NO 10-32 THD
16	2	910027	#10-32 HEX NUT
17	1	903893	10 32 X 1 SLT RD HD MACH SCR
18	1	914027	#10-32 HEX STOVER NUT
19	2	920510	LOCK WASH NO 10
20	1	606870	O-RING FOR 606865 SUND B-MT
21	1	505101	BLK PIPE TEE 1.00NPT
22	1	505200	BLK PIPE ST EL 90DEG 1.00NPT
23	2	505105	1MNPT HEX PIPE NIPPLE STL
24	1	505213	RED BUSH 1 X 3/4 BLK MAL
25	3	618531	9/16FJIC CAP NUT
26	1	505098	SIDE OUTLET EL 90DEG 1.00NPT
27	1	601311	HOSE, 3/4 X 8 2BR RED
28	1	606897	SUND GEAR PUMP 1.34CI SPLINED
29	1	606891	SUND GEAR PMP .52CI SPLINED
30	1	611128	7/8MJIC-90-7/8MOR LBO
31	1	618075	3/4 HOSE BARB-1 1/16MOR
32	1	618535	7/8MJIC-90-1 1/16MOR LBO
33	1	618090	1 5/16MOR-1FNPT ADPTR
34	1	714560	1NPT X 1 HOSE BARB
35	1	618328	7/8FJIC CAP NUT
36	1	716000	3/4 HOSE BARB-90-1MNPT
37	4	900265	1/2UNC X 1 1/2 HEX BOLT
38	1	618333	7/8FJIC SW RUN TEE-7/8MJIC
39	2	618327	3/4MJIC-7/8MOR ADPTR
40	3	520055	HOSE CLAMP NO 12 PLATED
41	2	618487	1 1/16FJ SW RUN TEE-1 1/16MJ
42	1	520087	HOSE CLAMP NO 20 PLATED
43	2	920002	WASH FLAT 3/8 SAE
44	2	900130	3/8UNC X 1 1/4 HEX BOLT
45	3	618629	9/16MOR BRANCH TEE-9/16MJIC
46	1	610305	3/4MJIC-90-3/4MNPT LBO
47	1	610586	POSITRACTION VLV
48	2	618308	1 1/16MJIC-1 5/16MOR ADPTR
49	1	618588	1 5/16MOR-1 5/16FJIC SWIV
50	1	520085	HOSE CLAMP NO 24 PLATED

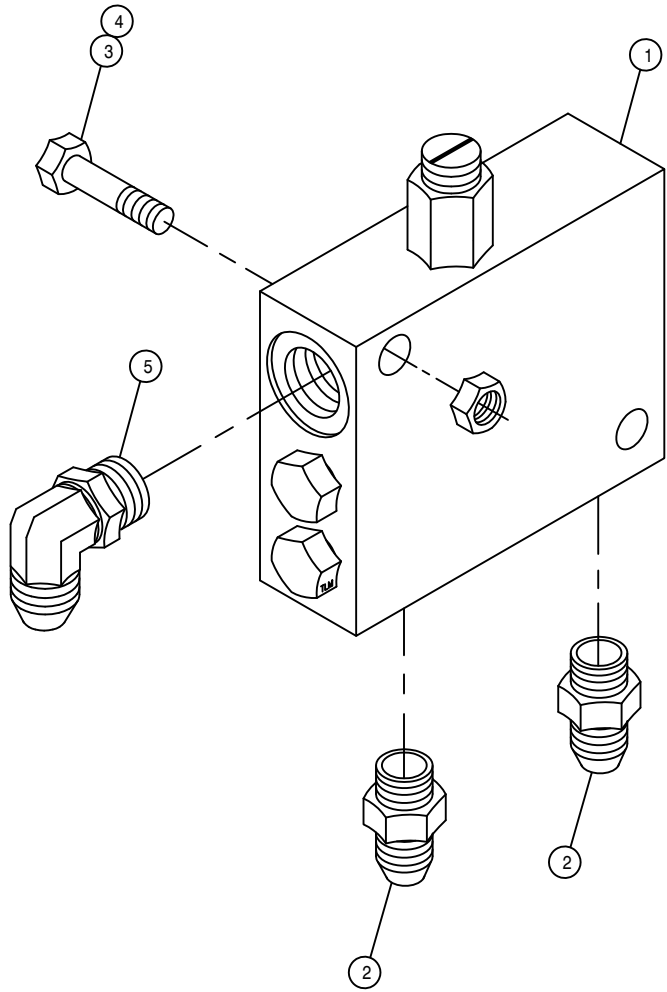
* NOTE: PUMP ASSEMBLY WITH TRACTION VALVE DELETE
 DETAILS 1, 7, AND 41. THEN ADD DETAILS
 46, 47, 48, AND 49.



FLOW DIVIDER ASSEMBLY

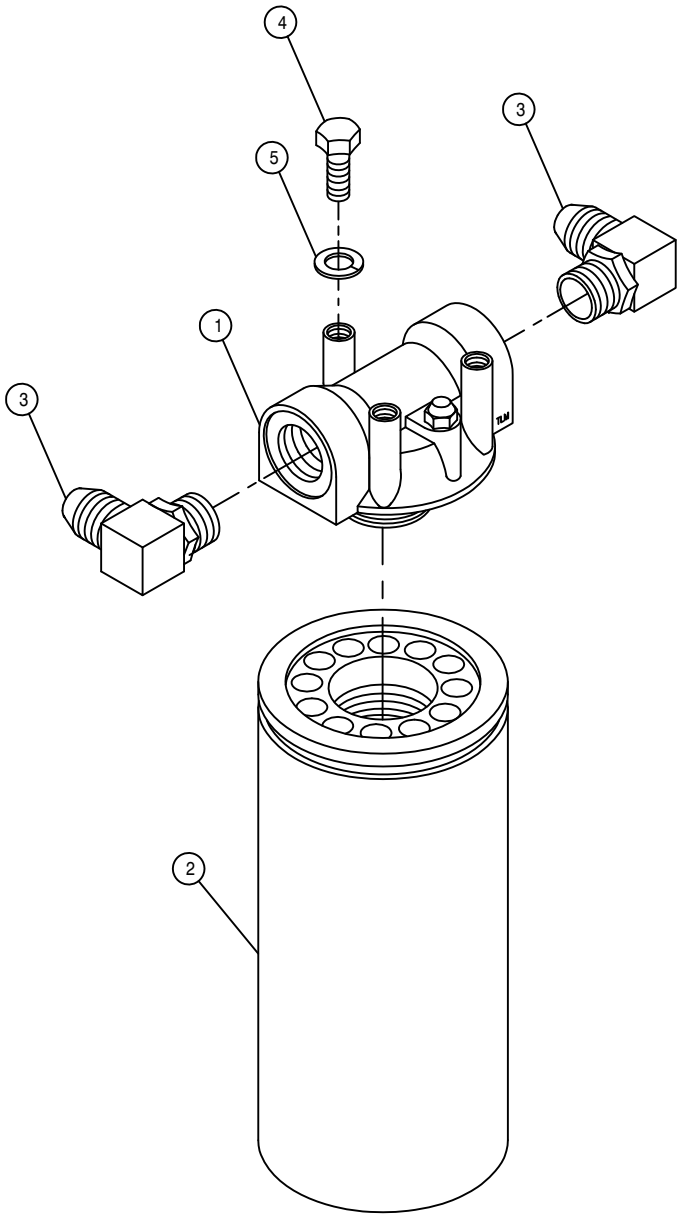
DET. QTY PART NO. DESCRIPTION

1	1	341774	FLOW DIVIDER MT 280	89
2	1	607504	FLO DIV B50 2-8GPM 7/8 FOR	
3	2	607512	RELIEF VALVE, RL50, 1850 PSI	
4	2	618072	7/8MOR-1/2FNPT ADPTR	
5	4	618107	9/16MJIC-90-1/2MNPT LBO	
6	1	611126	7/8MJIC-7/8MOR ADPTR	
7	2	500000	1/2MNPT HEX PIPE NIPPLE STL	
8	2	618531	9/16FJIC CAP NUT	
9	2	618486	9/16FJIC SW RUN TEE-9/16MJIC	
10	2	748500	RUBER WASH 3/8X1/4IDX1 1/2 OD	
11	2	470118	1/4UNC X 3/4 FLANGE HEX BOLT	
12	2	900008	1/4UNC X 2 1/2 HEX BOLT	
13	2	914000	1/4UNC HEX STOVER NUT	
14	2	470121	1/4UNC HEX FLANGE LOCK NUT	



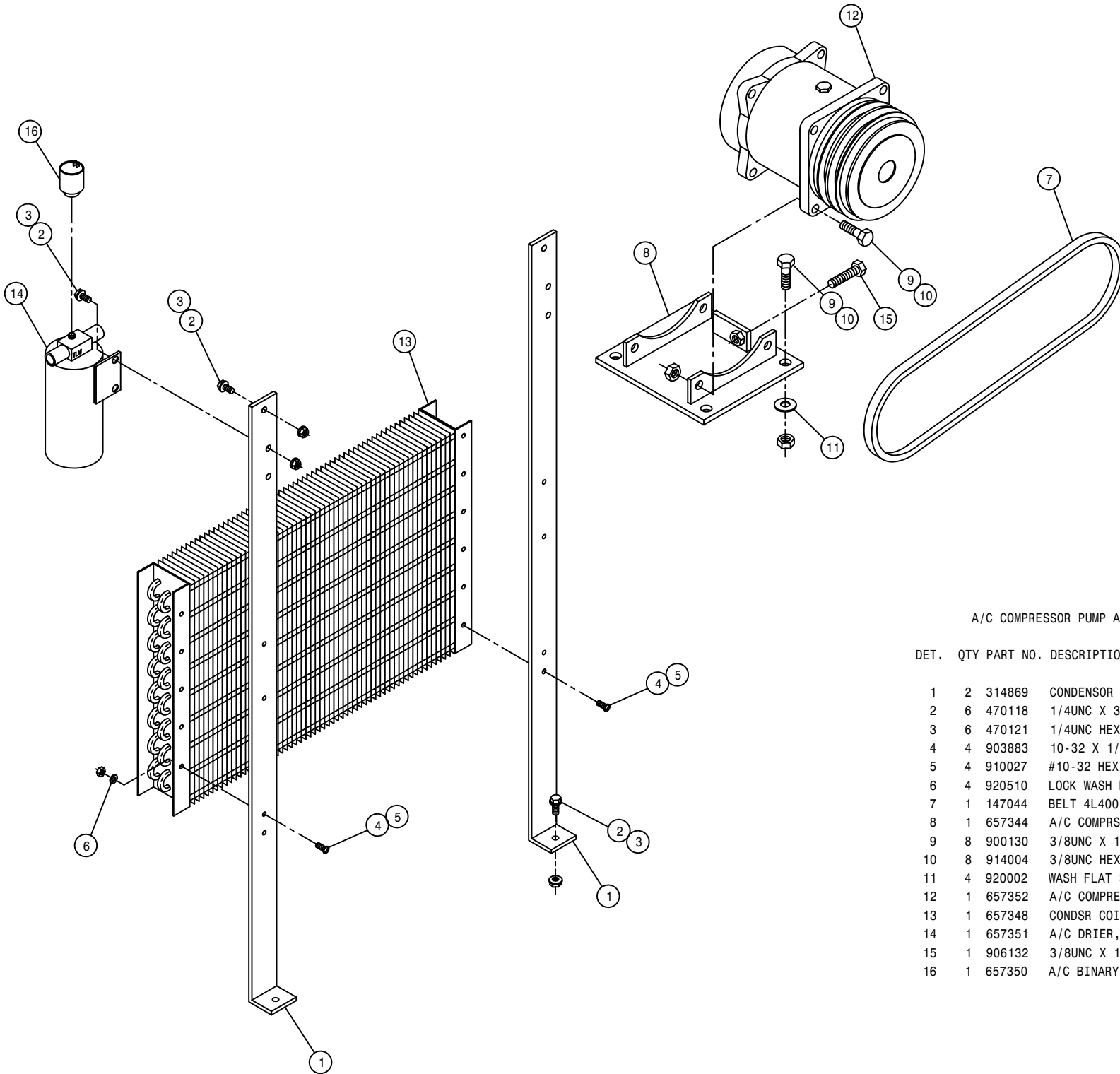
LOOP FLUSHING VALVE ASSEMBLY

DET.	QTY	PART NO.	DESCRIPTION
	1	610580	REMOTE FLUSHING VALVE, SUND
	2	618126	9/16MJIC-9/16MOR ADPTR
	3	900133	3/8UNC X 2 HEX BOLT
	4	914004	3/8UNC HEX STOVER NUT
	5	618119	9/16MJIC-90-9/16MOR LBO



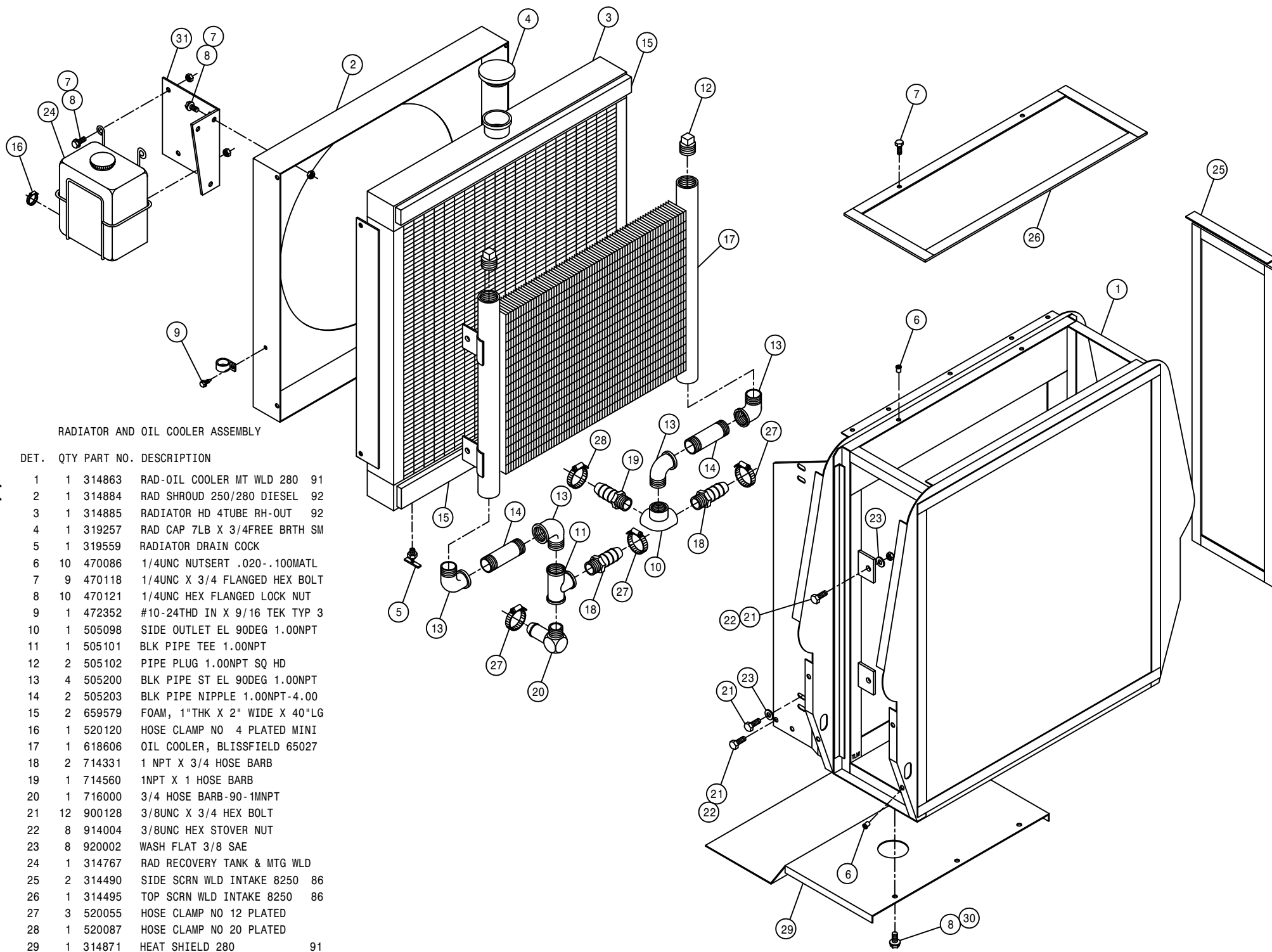
HI-PRESS FILTER ASSEMBLY

DET.	QTY	PART NO.	DESCRIPTION
	1	605606	FILTER HEAD, ZINZA HI-PRESS
	1	605607	FILTER, 10MICRON ZINGA HI-PRES
	2	618474	3/4MJIC-90-1 1/16MOR LBO
	3	900064	5/16UNC X 3/4 HEX BOLT
	3	920501	LOCK WASH 5/16



A/C COMPRESSOR PUMP ASSEMBLY

DET.	QTY	PART NO.	DESCRIPTION
	1	2 314869	CONDENSOR MTG BRKT 280 91
	2	6 470118	1/4UNC X 3/4 FLANGED HEX BOLT
	3	6 470121	1/4UNC HEX FLANGED LOCK NUT
	4	4 903883	10-32 X 1/2 SLTRD HD MACH SCR
	5	4 910027	#10-32 HEX NUT
	6	4 920510	LOCK WASH NO 10
	7	1 147044	BELT 4L400
	8	1 657344	A/C COMPRSR MT WLD CUMM 92
	9	8 900130	3/8UNC X 1 1/4 HEX BOLT
	10	8 914004	3/8UNC HEX STOVER NUT
	11	4 920002	WASH FLAT 3/8 SAE
	12	1 657352	A/C COMPRESSOR, R134A
	13	1 657348	CONDSR COIL FOR 657309
	14	1 657351	A/C DRIER, O-RING TYPE
	15	1 906132	3/8UNC X 1 3/4 HEX BOLT FULL
	16	1 657350	A/C BINARY SWITCH

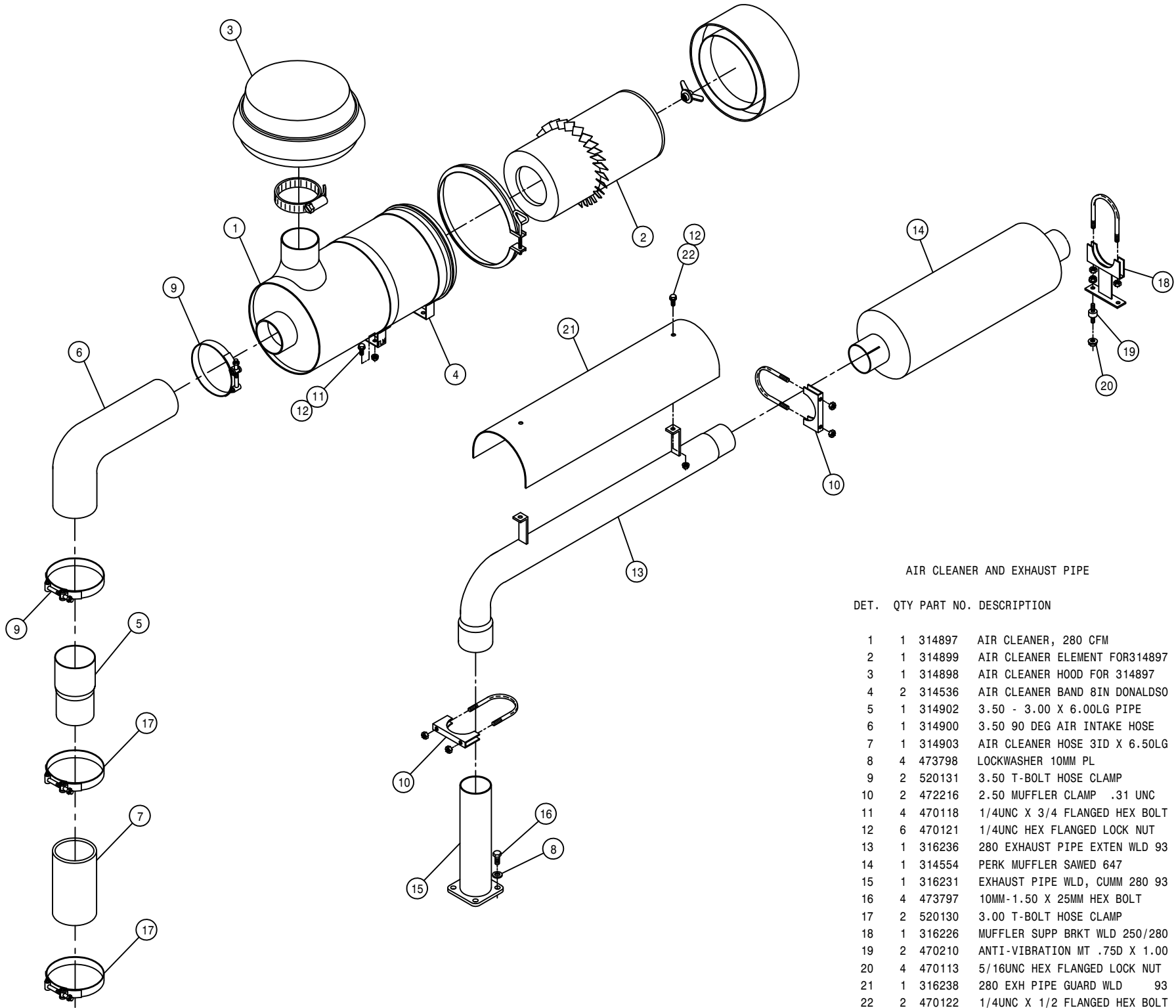


RADIATOR AND OIL COOLER ASSEMBLY

DET.	QTY	PART NO.	DESCRIPTION
1	1	314863	RAD-OIL COOLER MT WLD 280 91
2	1	314884	RAD SHROUD 250/280 DIESEL 92
3	1	314885	RADIATOR HD 4TUBE RH-OUT 92
4	1	319257	RAD CAP 7LB X 3/4FREE BRTH SM
5	1	319559	RADIATOR DRAIN COCK
6	10	470086	1/4UNC NUTSERT .020-.100MATL
7	9	470118	1/4UNC X 3/4 FLANGED HEX BOLT
8	10	470121	1/4UNC HEX FLANGED LOCK NUT
9	1	472352	#10-24THD IN X 9/16 TEK TYP 3
10	1	505098	SIDE OUTLET EL 90DEG 1.00NPT
11	1	505101	BLK PIPE TEE 1.00NPT
12	2	505102	PIPE PLUG 1.00NPT SQ HD
13	4	505200	BLK PIPE ST EL 90DEG 1.00NPT
14	2	505203	BLK PIPE NIPPLE 1.00NPT-4.00
15	2	659579	FOAM, 1"THK X 2" WIDE X 40"LG
16	1	520120	HOSE CLAMP NO 4 PLATED MINI
17	1	618606	OIL COOLER, BLISSFIELD 65027
18	2	714331	1 NPT X 3/4 HOSE BARB
19	1	714560	1NPT X 1 HOSE BARB
20	1	716000	3/4 HOSE BARB-90-1MNPT
21	12	900128	3/8UNC X 3/4 HEX BOLT
22	8	914004	3/8UNC HEX STOVER NUT
23	8	920002	WASH FLAT 3/8 SAE
24	1	314767	RAD RECOVERY TANK & MTG WLD
25	2	314490	SIDE SCR N WLD INTAKE 8250 86
26	1	314495	TOP SCR N WLD INTAKE 8250 86
27	3	520055	HOSE CLAMP NO 12 PLATED
28	1	520087	HOSE CLAMP NO 20 PLATED
29	1	314871	HEAT SHIELD 280 91
30	3	470122	1/4UNC X 1/2 FLANGED HEX BOLT
31	1	314893	RECOVERY TANK MTG BRKT 280 92

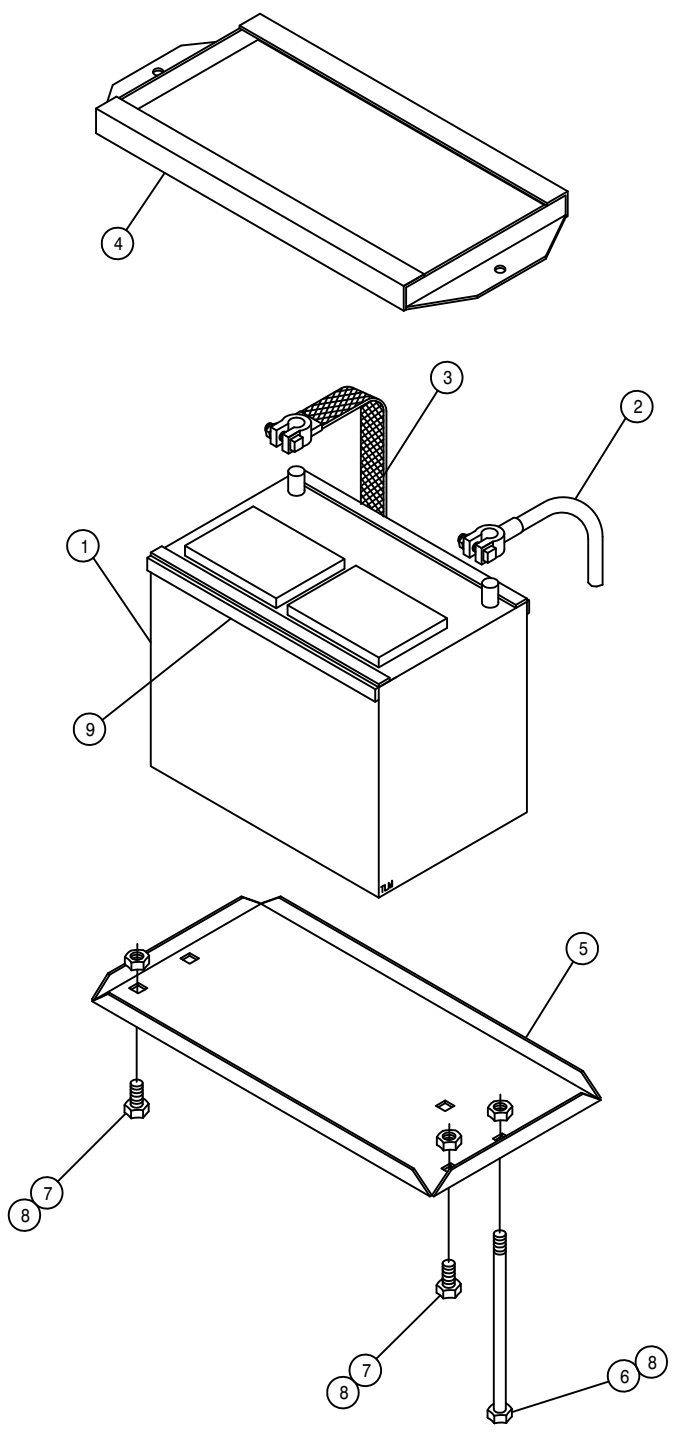
11

144011



AIR CLEANER AND EXHAUST PIPE

DET.	QTY	PART NO.	DESCRIPTION
	1	314897	AIR CLEANER, 280 CFM
	1	314899	AIR CLEANER ELEMENT FOR314897
	1	314898	AIR CLEANER HOOD FOR 314897
	2	314536	AIR CLEANER BAND 8IN DONALDSON
	1	314902	3.50 - 3.00 X 6.00LG PIPE
	1	314900	3.50 90 DEG AIR INTAKE HOSE
	1	314903	AIR CLEANER HOSE 3ID X 6.50LG
	4	473798	LOCKWASHER 10MM PL
	2	520131	3.50 T-BOLT HOSE CLAMP
	2	472216	2.50 MUFFLER CLAMP .31 UNC
	4	470118	1/4UNC X 3/4 FLANGED HEX BOLT
	6	470121	1/4UNC HEX FLANGED LOCK NUT
	1	316236	280 EXHAUST PIPE EXTEN WLD 93
	1	314554	PERK MUFFLER SAWED 647
	1	316231	EXHAUST PIPE WLD, CUMM 280 93
	4	473797	10MM-1.50 X 25MM HEX BOLT
	2	520130	3.00 T-BOLT HOSE CLAMP
	1	316226	MUFFLER SUPP BRKT WLD 250/280
	2	470210	ANTI-VIBRATION MT .75D X 1.00
	4	470113	5/16UNC HEX FLANGED LOCK NUT
	1	316238	280 EXH PIPE GUARD WLD 93
	2	470122	1/4UNC X 1/2 FLANGED HEX BOLT



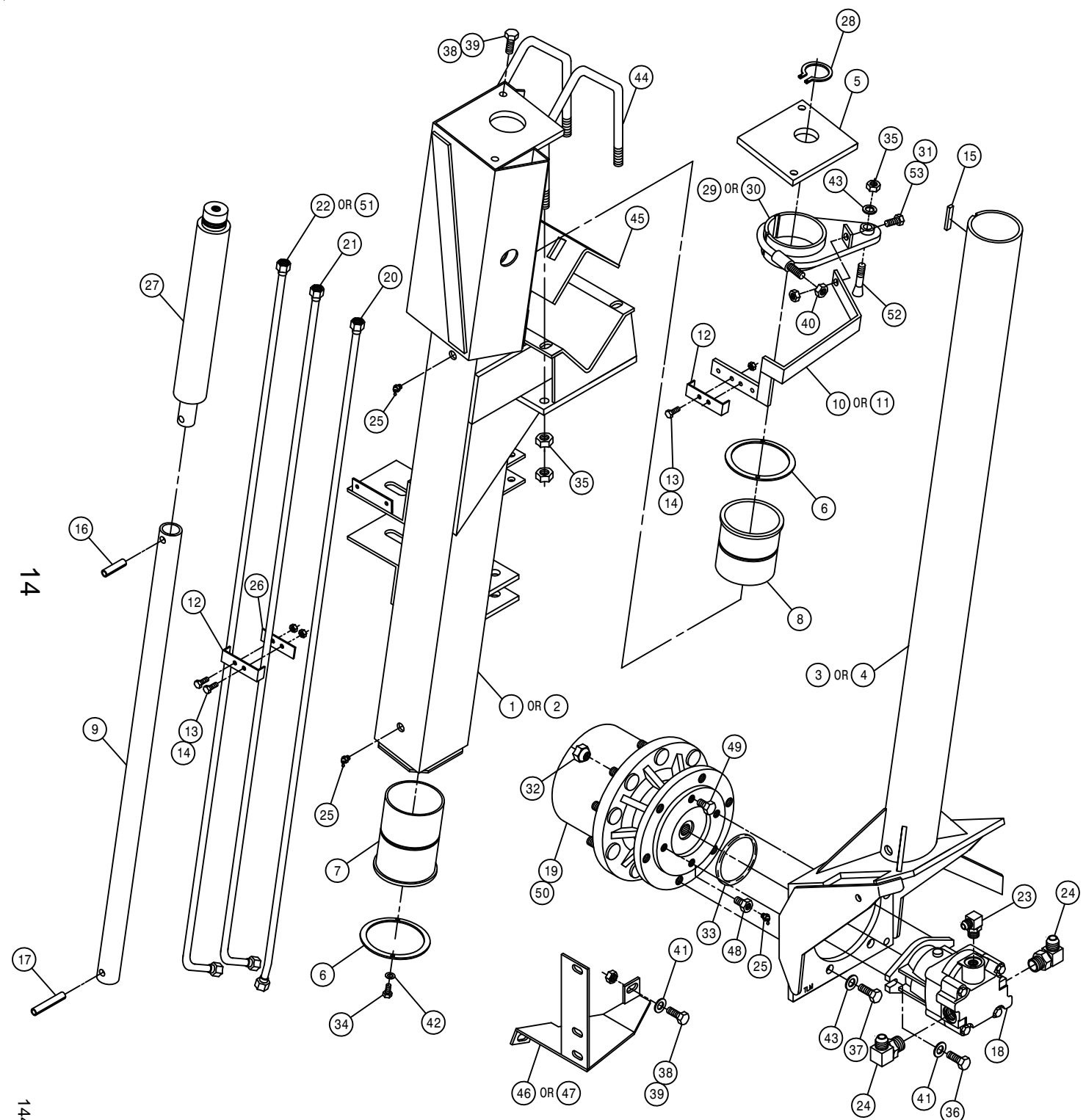
BATTERY BOX ASSEMBLY

DET.	QTY	PART NO.	DESCRIPTION
1	1	291122	BATTERY,575 AMP 160 RES
2	1	291128	BATTERY CABLE 48 IN
3	1	290111	GROUND STRAP
4	1	341322	BATTERY HOLD DOWN WLD 1981
5	1	361149	BATTERY BOX 8300-8400 1981
6	2	901150	3/8UNC X 9 CARR BOLT
7	2	900129	3/8UNC X 1 HEX BOLT
8	4	914004	3/8UNC HEX STOVER NUT
9	4	193022	STICKERTITE 1/4 X 3/4

FRONT LEG ASSEMBLY
SERIAL NO. 046649

DET. QTY PART NO. DESCRIPTION

DET.	QTY	PART NO.	DESCRIPTION	
1	1	358735	RH FRT OUTER LEG WLD 284	94
2	1	358736	LH FRT OUTER LEG WLD 284	94
3	1	358535	RH FRT INNER LEG WLD 280	89
4	1	358536	LH FRT INNER LEG WLD 280	89
5	1	358562	LEG CYL MTG PLATE 280	89
6	2	358563	FRT LEG BRG KPR 280	89
7	1	358564	FRT LEG LWR NYL SLEEVE 280	89
8	1	358565	FRT LEG UPR NYL SLEEVE 280	89
9	1	358566	LEG CYL SHAFT EXTENSION 280	89
10	1	358707	RH FRT LEG TUBE BRKT WLD 280TA	
11	1	358708	LH FRT LEG TUBE BRKT WLD 280TA	
12	2	358739	FRT LEG HYD TUBE CLMP, 284 94	
13	4	900004	1/4UNC X 1 1/4 HEX BOLT	
14	4	470121	1/4UNC HEX FLANGED LOCK NUT	
15	1	470185	KEY .25 X .375 X 2.00 LG	
16	1	473903	SPIRAL PIN 1/2 X 2	640
17	1	473904	SPIRAL PIN 1/2 X 3	640
18	1	610571	SUND M35-3002 WHL MTR	
19	1	610568	TORQ HUB 13 TO 1, B-MT W2B2FZ	
20	1	615655	FRT LEG INNER HYD TUBE ASY 284	
21	1	615656	FRT LEG CNTR HYD TUBE ASSY 284	
22	1	615658	LH FRT LEG OUTR HYD TUBE ASY 284	
23	1	618183	3/4MJIC-90-7/8MOR LBO	
24	2	618535	7/8MJIC-90-1 1/16MOR LBO	
25	3	471023	GREASE ZERK 1/4-28 X 45	
26	1	358740	FRT LEG HYD TUBE KPR, 284 94	
27	1	620570	HYD CYL LEG LEVEL 2.00 X 12	
28	1	629515	SNAP RING 1 3/4 EXTRN HDUTY	
29	1	749290	RH STRG ARM WLD, 280 TREAD ADJ	
30	1	749291	LH STRG ARM WLD, 280 TREAD ADJ	
31	1	914004	3/8UNC HEX STOVER NUT	
32	9	824053	5/8-18 60 DEG WHL NUT	
33	1	870045	O RING 4 1/8 OD X 4 ID	
34	4	900000	1/4UNC X 1/2 HEX BOLT	
35	9	914811	5/8UNF HEX NUT GR8	
36	2	900266	1/2UNC X 1 3/4 HEX BOLT	
37	6	900333	5/8UNC X 1 1/2 HEX BOLT	
38	5	914008	1/2UNC HEX STOVER NUT	
39	5	900265	1/2UNC X 1 1/2 HEX BOLT	
40	1	914010	5/8UNC HEX STOVER NUT	
41	5	920004	1/2 FLAT WASHER SAE	
42	4	920500	LOCK WASH 1/4	
43	7	920505	LOCK WASHER 5/8	
44	2	358693	5/8UNF X 7 9/16 CTR UBOLT TRI	
45	1	358567	UPPER LEG V-PLATE WLD 280 89	
46	1	662157	RH FRT MTG WLD FOR CROP GUIDE	
47	1	662156	LH FRT MTG WLD FOR CROP GUIDE	
48	1	610556	1/2UNC X 1/2 ZERK BOLT T-HUB	
49	1	900260	1/2UNC X 1/2 HEX BOLT	
50	1	610552	SEAL BOOT FOR W1BFNZ, W2B2FZ	
51	1	615657	RH FRT LEG OUTR HYD TUBE ASY 284	
52	1	749293	STRG ARM BOLT, 280 TREAD ADJ	
53	1	900129	3/8UNC X 1 HEX BOLT	

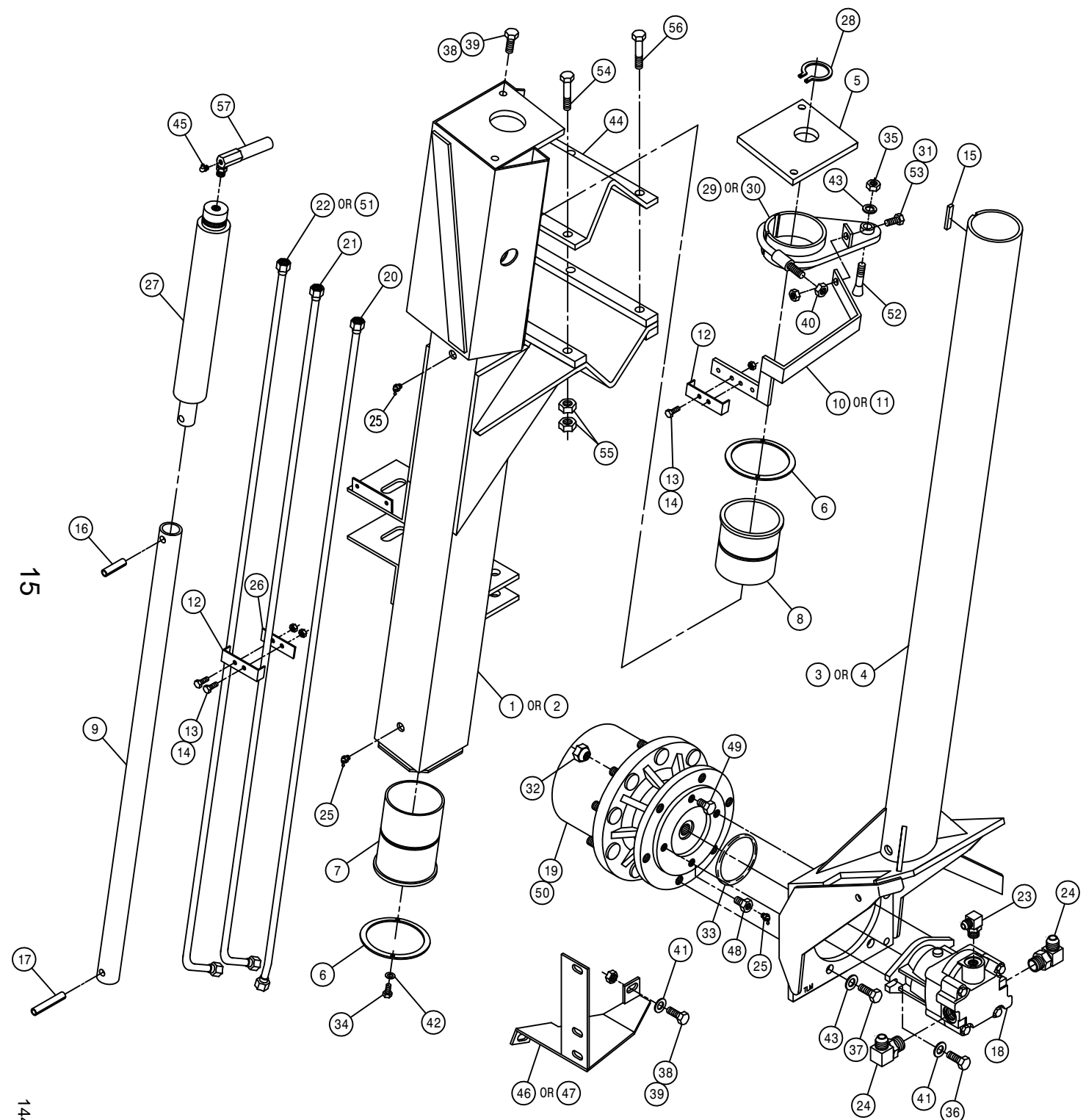


14

144014

FRONT LEG ASSEMBLY
SERIAL NO. 047749

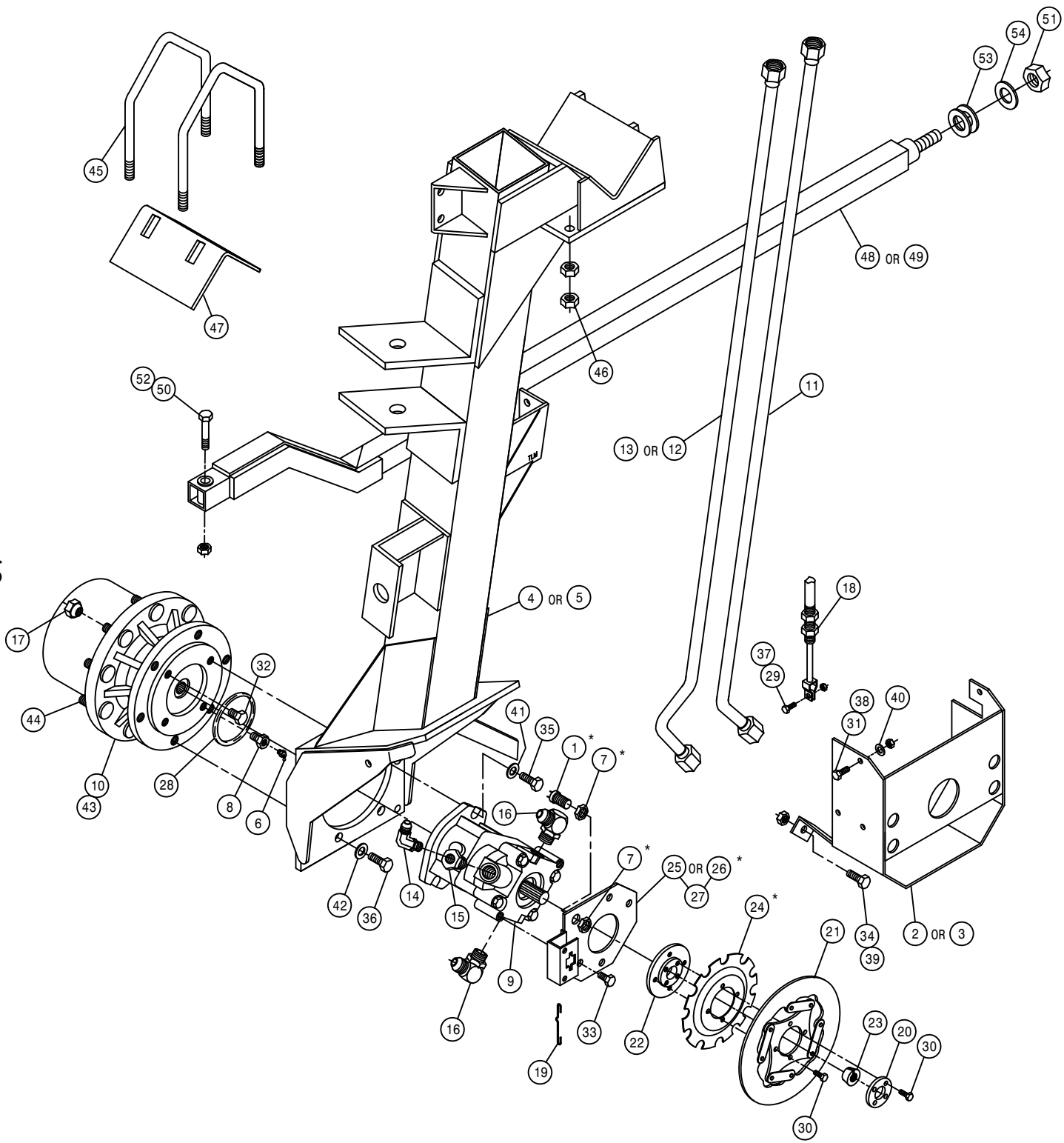
DET.	QTY	PART NO.	DESCRIPTION
1	1	358755	RH FRT OUTER LEG WLD, 284T 94
2	1	358756	LH FRT OUTER LEG WLD, 284T 94
3	1	358535	RH FRT INNER LEG WLD 280 89
4	1	358536	LH FRT INNER LEG WLD 280 89
5	1	358562	LEG CYL MTG PLATE 280 89
6	2	358563	FRT LEG BRG KPR 280 89
7	1	358564	FRT LEG LWR NYL SLEEVE 280 89
8	1	358565	FRT LEG UPR NYL SLEEVE 280 89
9	1	358566	LEG CYL SHAFT EXTENSION 280 89
10	1	358707	RH FRT LEG TUBE BRKT WLD 280TA
11	1	358708	LH FRT LEG TUBE BRKT WLD 280TA
12	2	358739	FRT LEG HYD TUBE CLMP, 284 94
13	4	900004	1/4UNC X 1 1/4 HEX BOLT
14	4	470121	1/4UNC HEX FLANGED LOCK NUT
15	1	470185	KEY .25 X .375 X 2.00 LG
16	1	473903	SPIRAL PIN 1/2 X 2 640
17	1	473904	SPIRAL PIN 1/2 X 3 640
18	1	610571	SUND M35-3002 WHL MTR
19	1	610568	TORQ HUB 13 TO 1, B-MT W2B2FZ
20	1	615655	FRT LEG INNER HYD TUBE ASY 284
21	1	615656	FRT LEG CNTR HYD TUBE ASSY 284
22	1	615658	LH FRT LEG OUTR HYD TUBE ASY 284
23	1	618183	3/4MJIC-90-7/8MOR LBO
24	2	618535	7/8MJIC-90-1 1/16MOR LBO
25	3	471023	GREASE ZERK 1/4-28 X 45
26	1	358740	FRT LEG HYD TUBE KPR, 284 94
27	1	620570	HYD CYL LEG LEVEL 2.00 X 12
28	1	629515	SNAP RING 1 3/4 EXTRN HDUTY
29	1	749290	RH STRG ARM WLD, 280 TREAD ADJ
30	1	749291	LH STRG ARM WLD, 280 TREAD ADJ
31	1	914004	3/8UNC HEX STOVER NUT
32	9	824053	5/8-18 60 DEG WHL NUT
33	1	870045	O RING 4 1/8 OD X 4 ID
34	4	900000	1/4UNC X 1/2 HEX BOLT
35	1	914811	5/8UNF HEX NUT GR8
36	2	900266	1/2UNC X 1 3/4 HEX BOLT
37	6	900333	5/8UNC X 1 1/2 HEX BOLT
38	5	914008	1/2UNC HEX STOVER NUT
39	5	900265	1/2UNC X 1 1/2 HEX BOLT
40	1	914010	5/8UNC HEX STOVER NUT
41	5	920004	1/2 FLAT WASHER SAE
42	4	920500	LOCK WASH 1/4
43	7	920505	LOCK WASH 5/8
44	1	358759	LEG MT V-PLT WLD, 284T 94
45	1	471027	GREASE ZERK 1/8NPT 90DEG LP
46	1	662157	RH FRT MTG WLD FOR CROP GUIDE
47	1	662156	LH FRT MTG WLD FOR CROP GUIDE
48	1	610556	1/2UNC X 1/2 ZERK BOLT T-HUB
49	1	900260	1/2UNC X 1/2 HBOLT, GR2 UNPLT
50	1	610552	SEAL BOOT FOR W1BFNZ, W2B2FZ
51	1	615657	RH FRT LEG OUTR HYD TUBE ASY 284
52	1	749293	STRG ARM BOLT, 280 TREAD ADJ
53	1	900129	3/8UNC X 1 HEX BOLT
54	3	900836	5/8UNF X 3 1/4 HEX BOLT GR8
55	12	914811	5/8UNF HEX NUT GR8
56	3	900837	5/8UNF X 3 1/2 HEX BOLT GR8
57	1	615614	FRT LEG CYL JUMPER HOSE 280 94



15

144015

REAR LEG ASSEMBLY
SERIAL NO. 046649



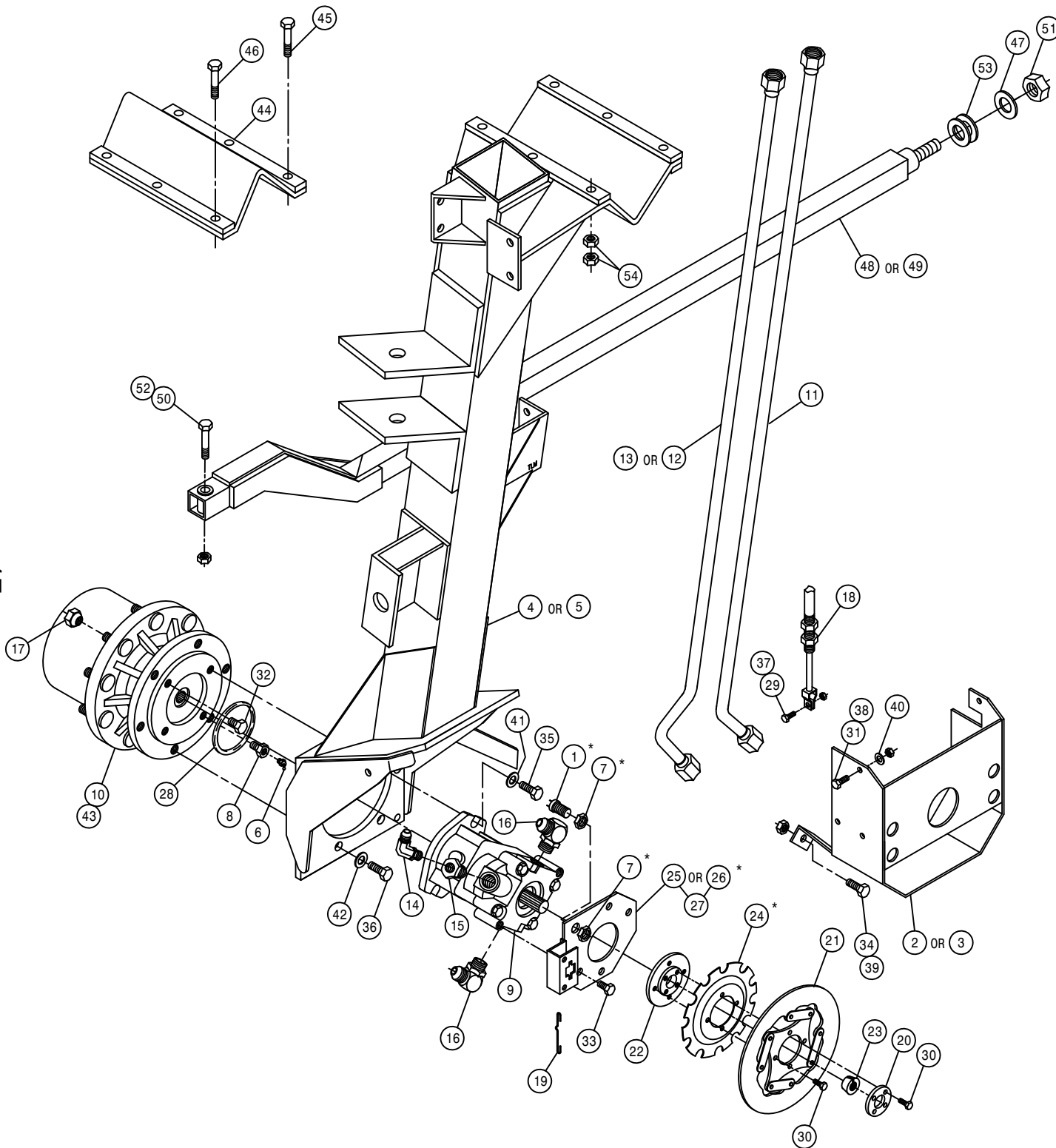
DET.	QTY	PART NO.	DESCRIPTION
1	1	291206	SENSOR, SPEEDO/TACH W/NUT
2	1	358596	RH REAR WHL MTR SHLD WLD 280
3	1	358597	LH REAR WHL MTR SHLD WLD 280
4	1	358737	RH REAR LEG WLD 284 94
5	1	358738	LH REAR LEG WLD 284 94
6	1	471023	GREASE ZERK 1/4-28 X 45
7	2	473061	3/4UNF TRUSEAL HEX NUT
8	1	610556	1/2UNC X 1/2 ZERK BOLT T-HUB
9	1	610557	SUND M35-3102 WHL MTR W/SHFT
10	1	610565	TORQ HUB 28 TO 1, B-MT W2B2FZ
11	1	614680	REAR LEG HYD TUBE ASSY 280
12	1	614681	RH REAR LEG HYD TUBE ASSY 280
13	1	614682	LH REAR LEG HYD TUBE ASSY 280
14	1	618119	9/16MJIC-90-9/16MOR LBO
15	1	618172	7/8MOR-9/16FOR ADPTR
16	2	618248	1 1/16MJIC-90-1 1/16MOR LBO
17	9	824053	5/8-18 60 DEG WHL NUT
18	1	826926	190 IN BRAKE CABLE
19	1	826929	CLIP BRAKE RETAINER
20	1	826945	HUB MOUNT, BRAKE
21	1	826959	BRAKE DISC SUB ASSY
22	1	826975	TAPER LOCK HUB
23	1	826988	HUB, TAPER LOCK 13 TEETH
24	1	826991	SENSOR DISC, 11N,280 BRAKE 93
25	1	828086	RH BRAKE MT WLD 280 93
26	1	828087	LH BRAKE MT WLD 280 93
27	2	826918	PARK BRAKE PAD
28	1	870045	O RING 4 1/8 OD X 4 ID
29	1	900002	1/4UNC X 3/4 HEX BOLT
30	8	900064	5/16UNC X 3/4 HEX BOLT
31	2	900130	3/8UNC X 1 1/4 HEX BOLT
32	1	900260	1/2UNC X 1/2 HEX BOLT
33	2	900262	1/2UNC X 3/4 HEX BOLT
34	2	900265	1/2UNC X 1 1/2 HEX BOLT
35	2	900267	1/2UNC X 2 HEX BOLT
36	6	900333	5/8UNC X 1 1/2 HEX BOLT
37	1	914000	1/4UNC HEX STOVER NUT
38	2	914004	3/8UNC HEX STOVER NUT
39	2	914008	1/2UNC HEX STOVER NUT
40	2	920002	WASH FLAT 3/8 SAE
41	2	920004	1/2 FLAT WASHER SAE
42	6	920505	LOCK WASHER 5/8
43	1	610552	SEAL BOOT FOR W1BFNZ, W2B2FZ
44	9	824054	5/8-18 X 2 7/16 WHL STUD
45	2	358693	5/8UNF X 7 9/16 CTR UBOLT TRI
46	8	914811	5/8UNF HEX NUT GR8
47	1	358567	UPPER LEG V-PLATE WLD 280 89
48	1	358670	RH LEG BRACE WLD 280 92
49	1	358671	LH LEG BRACE WLD 280 92
50	1	900410	3/4UNC X 4 HEX BOLT
51	1	910017	1 UNC HEX NUT
52	1	914012	3/4UNC HEX STOVER NUT
53	2	920008	1 FLATWASHER SAE
54	1	920508	LOCK WASH 1 IN

* NOTE: ITEMS 1, 7, 24, AND 26 ARE USED ON THE LEFT HAND LEG ASSEMBLY.

16

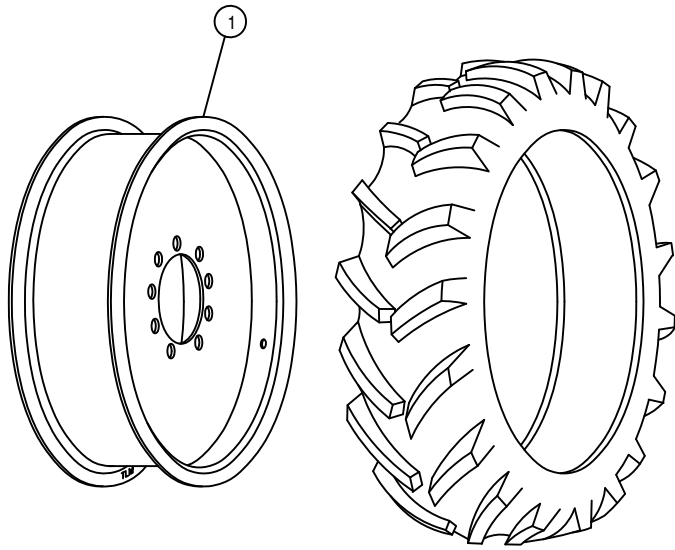
144016

REAR LEG ASSEMBLY
SERIAL NO. 047749

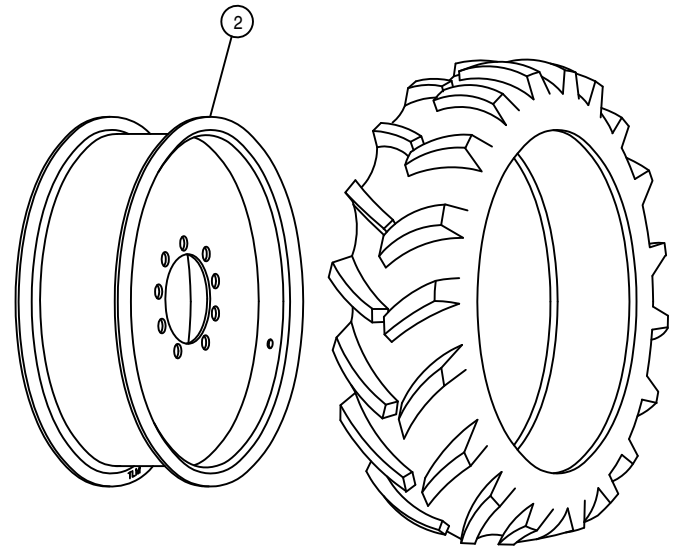


DET.	QTY	PART NO.	DESCRIPTION
1	1	291206	SENSOR, SPEEDO/TACH W/NUT
2	1	358596	RH REAR WHL MTR SHLD WLD 280
3	1	358597	LH REAR WHL MTR SHLD WLD 280
4	1	358757	RH REAR LEG WLD, 284T 94
5	1	358758	LH REAR LEG WLD, 284T 94
6	1	471023	GREASE ZERK 1/4-28 X 45
7	2	473061	3/4UNF TRUSEAL HEX NUT
8	1	610556	1/2UNC X 1/2 ZERK BOLT T-HUB
9	1	610557	SUND M35-3102 WHL MTR W/SHFT
10	1	610565	TORQ HUB 28 TO 1, B-MT W2B2FZ
11	1	614680	REAR LEG HYD TUBE ASSY 280
12	1	614681	RH REAR LEG HYD TUBE ASSY 280
13	1	614682	LH REAR LEG HYD TUBE ASSY 280
14	1	618119	9/16MJIC-90-9/16MOR LBO
15	1	618172	7/8MOR-9/16FOR ADPTR
16	2	618248	1 1/16MJIC-90-1 1/16MOR LBO
17	9	824053	5/8-18 60 DEG WHL NUT
18	1	826926	190 IN BRAKE CABLE
19	1	826929	CLIP BRAKE RETAINER
20	1	826945	HUB MOUNT, BRAKE
21	1	826959	BRAKE DISC SUB ASSY
22	1	826975	TAPER LOCK HUB
23	1	826988	HUB, TAPER LOCK 13 TEETH
24	1	826991	SENSOR DISC, 11N,280 BRAKE 93
25	1	828086	RH BRAKE MT WLD 280 93
26	1	828087	LH BRAKE MT WLD 280 93
27	2	826918	PARK BRAKE PAD
28	1	870045	O RING 4 1/8 OD X 4 ID
29	1	900002	1/4UNC X 3/4 HEX BOLT
30	8	900064	5/16UNC X 3/4 HEX BOLT
31	2	900130	3/8UNC X 1 1/4 HEX BOLT
32	1	900260	1/2UNC X 1/2 HBOLT, GR2 UNPLT
33	2	900262	1/2UNC X 3/4 HEX BOLT
34	2	900265	1/2UNC X 1 1/2 HEX BOLT
35	2	900267	1/2UNC X 2 HEX BOLT
36	6	900333	5/8UNC X 1 1/2 HEX BOLT
37	1	914000	1/4UNC HEX STOVER NUT
38	2	914004	3/8UNC HEX STOVER NUT
39	2	914008	1/2UNC HEX STOVER NUT
40	2	920002	WASH FLAT 3/8 SAE
41	2	920004	1/2 FLAT WASHER SAE
42	6	920505	LOCK WASHER 5/8
43	1	610552	SEAL BOOT FOR W1BFNZ, W2B2FZ
44	1	358759	LEG MT V-PLT WLD, 284T 94
45	3	900837	5/8UNF X 3 1/2 HEX BOLT GR8
46	3	900836	5/8UNF X 3 1/4 HEX BOLT GR8
47	1	920508	LOCK WASH 1 IN
48	1	358670	RH LEG BRACE WLD 280 92
49	1	358671	LH LEG BRACE WLD 280 92
50	1	900410	3/4UNC X 4 HEX BOLT
51	1	910017	1 UNC HEX NUT
52	1	914012	3/4UNC HEX STOVER NUT
53	2	920008	1" SAE FLAT WASHER, PLATED
54	12	914811	5/8UNF HEX NUT GR8

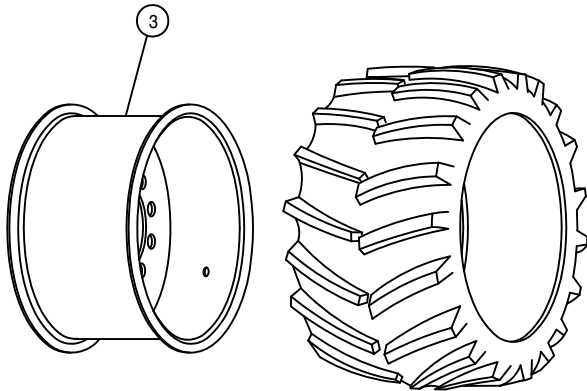
* NOTE: ITEMS 1, 7, 24, AND 26 ARE USED ON THE LEFT HAND LEG ASSEMBLY.



13.6-28 RADIAL TIRE



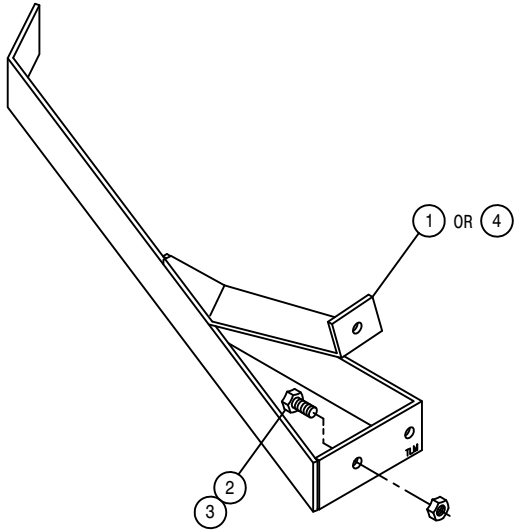
12.4-28 BIAS TIRE



42/25.00-20 FLOTATION TIRE

TIRE AND RIM ASSEMBLIES

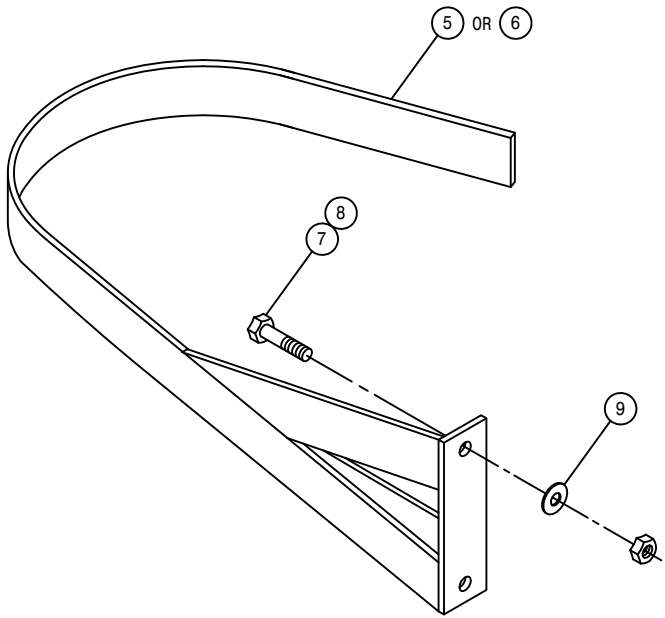
DET.	QTY	PART NO.	DESCRIPTION
1	1	821030	RIM WLD, W12-28, 284 W2B 94
2	1	820024	RIM WLD, W10 X 28 W2B 280
3	1	821031	RIM WLD, 20.5 X 20 284 W2B 94



CROP GUIDES

DET. QTY PART NO. DESCRIPTION

1	1	662217	RH REAR STALK GUIDE WLD280	89
2	2	900129	3/8UNC X 1 HEX BOLT	
3	2	914004	3/8UNC HEX STOVER NUT	
4	1	662218	LH REAR STALK GUIDE WLD280	89
5	1	662221	RH STALK GUIDE WLD 284	94
6	1	662222	LH STALK GUIDE WLD 284	94
7	2	900264	1/2UNC X 1 1/4 HEX BOLT	
8	2	914008	1/2UNC HEX STOVER NUT	
9	2	920004	1/2 FLAT WASHER SAE	

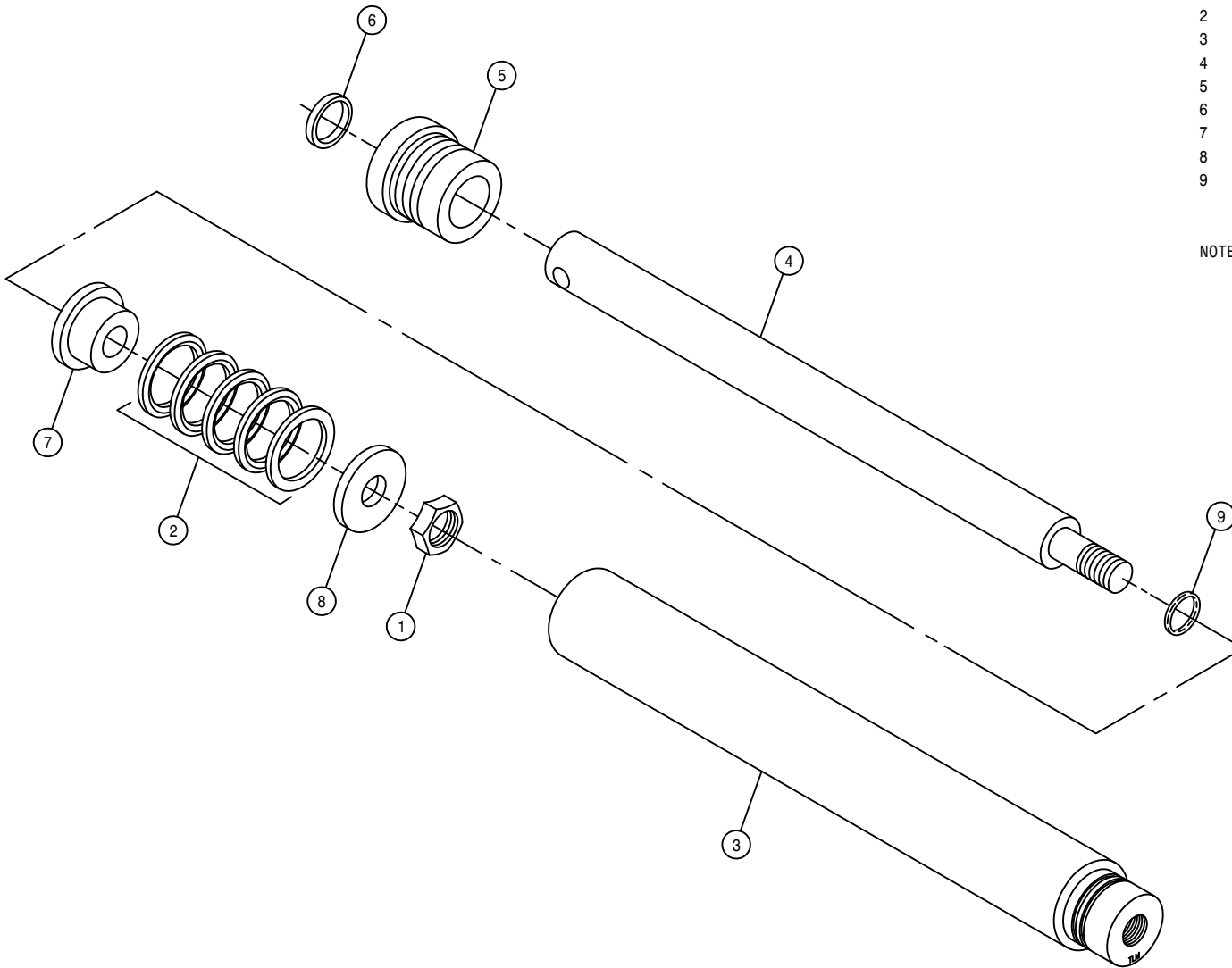


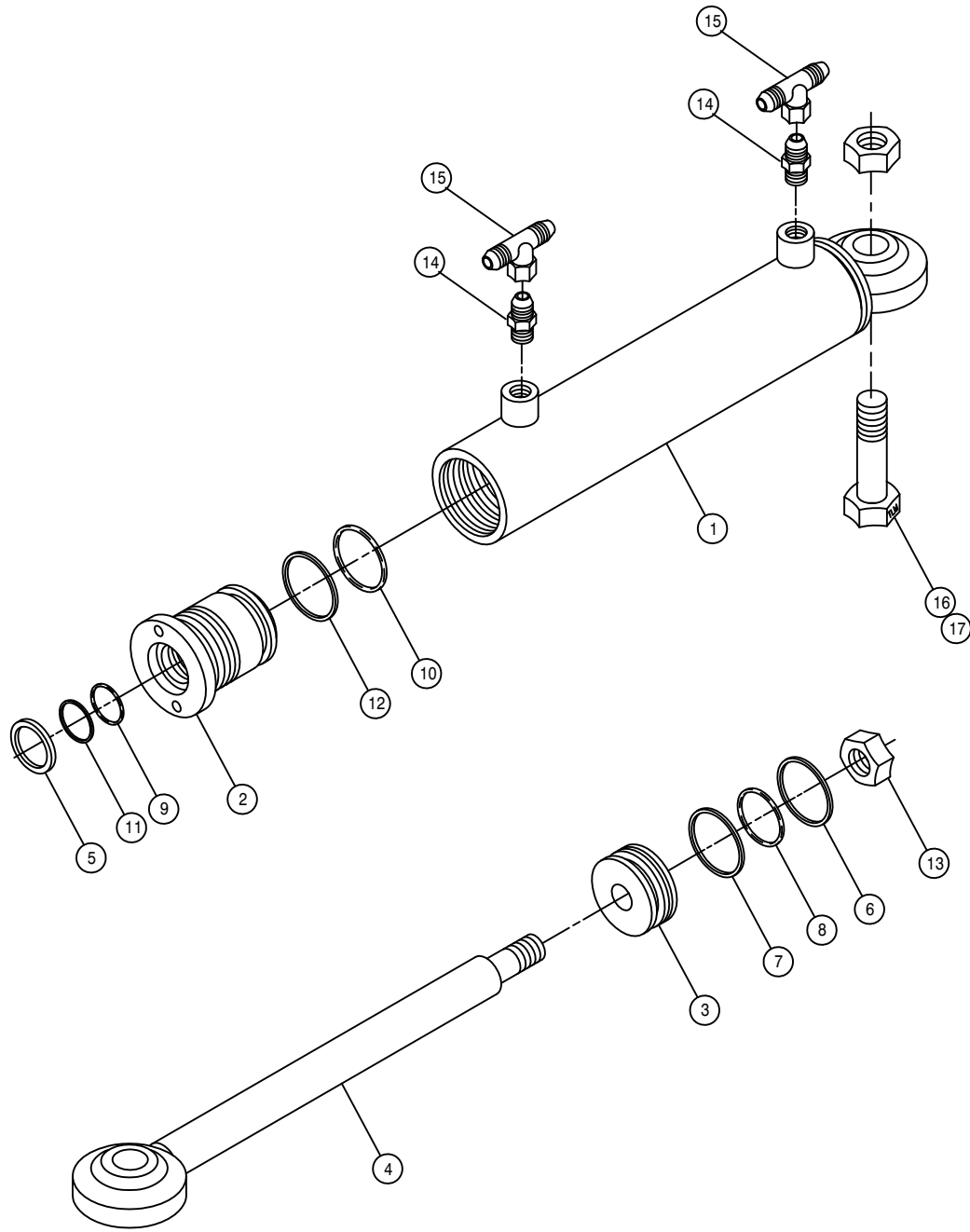
FRONT LEG CYLINDER ASSEMBLY

DET. QTY PART NO. DESCRIPTION

1	1	472297	3/4UNF HEX STOVER NUT THIN
2	1	620321	VEE PACK 1 1/2 X 2
3	1	620571	TUBE WLD
4	1	620573	SHAFT 1 1/4 X 17 3/8
5	1	620574	BRG HEAD 2 X 1 1/4
6	1	629002	WIPER 1 1/4 X 1 1/2 X 1/8
7	1	620578	PISTON 2 X 3/4 VPX
8	1	620579	RETAINER 2 X 3/4 X 1/4
9	1	870018	NEO ORING 3/4 X 7/8

NOTE: 620570 - CYLINDER ASSEMBLY
620575 - SEAL KIT



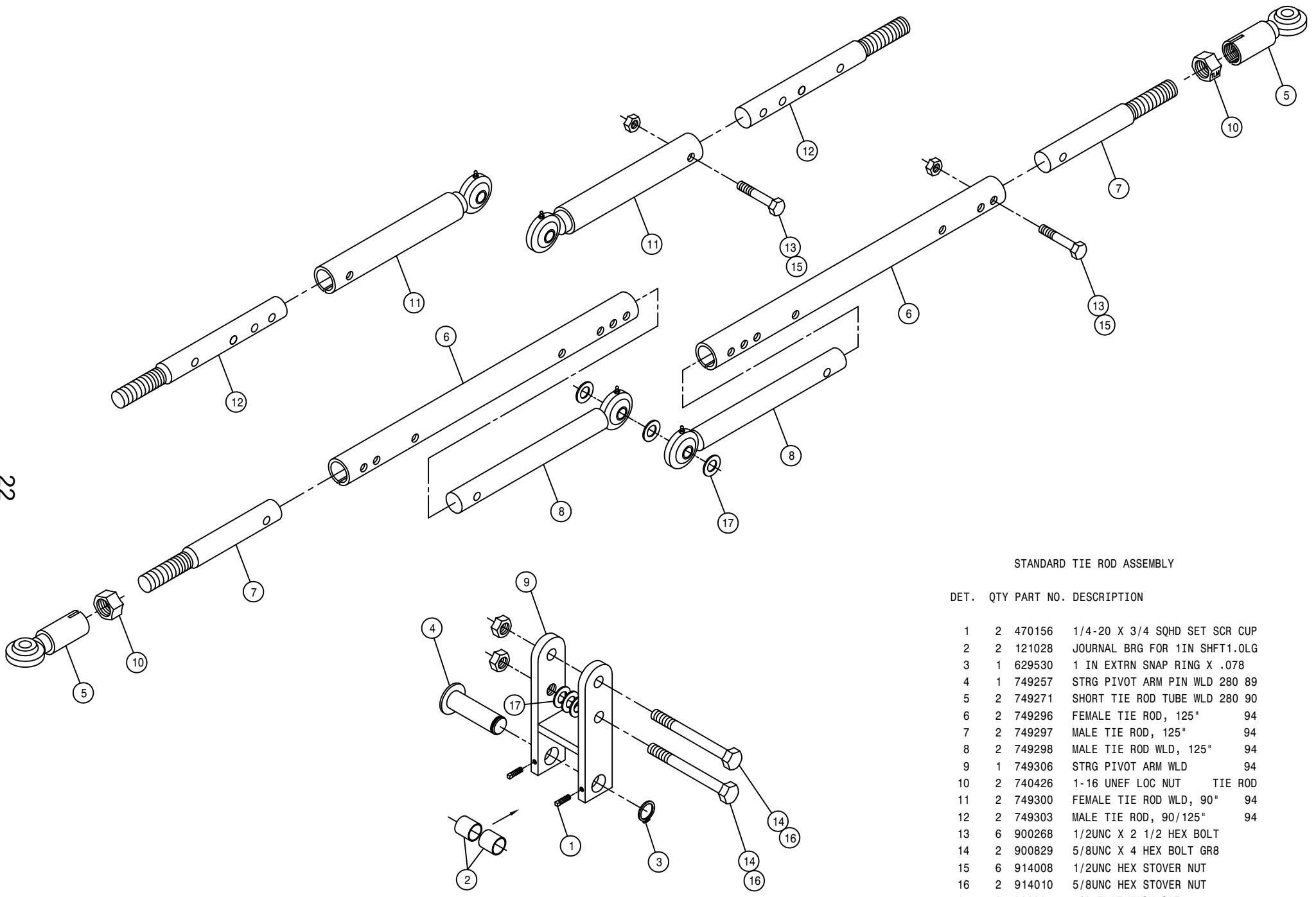


STEERING CYLINDER ASSEMBLY

DET.	QTY	PART NO.	DESCRIPTION
	1	620089	STRG CYL TUBE WLD 1.5 X 6. 85
	1	620109	GLAND HYD CYL 1.5 X .75 1985
	1	620129	PISTON HYD CYL 1.5 X .5 1985
	1	620148	STRG CYL SHAFT WLD
	1	629028	WIPER, 10D X 3/4ID X 1/8
	1	629616	SEAL, 1704-24 HT20550R POLYHON
	1	629618	WEAR RING, 1.5" HYD CYL
	1	870025	BUNA ORING 1 3/16 X 1 5/16
	1	870210	BUNA ORING 3/4 X 1
	1	870218	BUNA ORING 1 1/4 X 1 1/2
	1	890210	BACKUP WASH 3/4 X1 HT2022
	1	890218	BACKUP WASH1 1/4X1 1/2 HT2022
	1	914009	1/2UNF HEX STOVER NUT
	2	611121	9/16MJIC-1/4MNPT ADPTR
	2	618514	9/16FJ SW BRANCH TEE-9/16MJ
	1	900336	5/8UNC X 2 1/2 HEX BOLT
	1	914010	5/8UNC HEX STOVER NUT

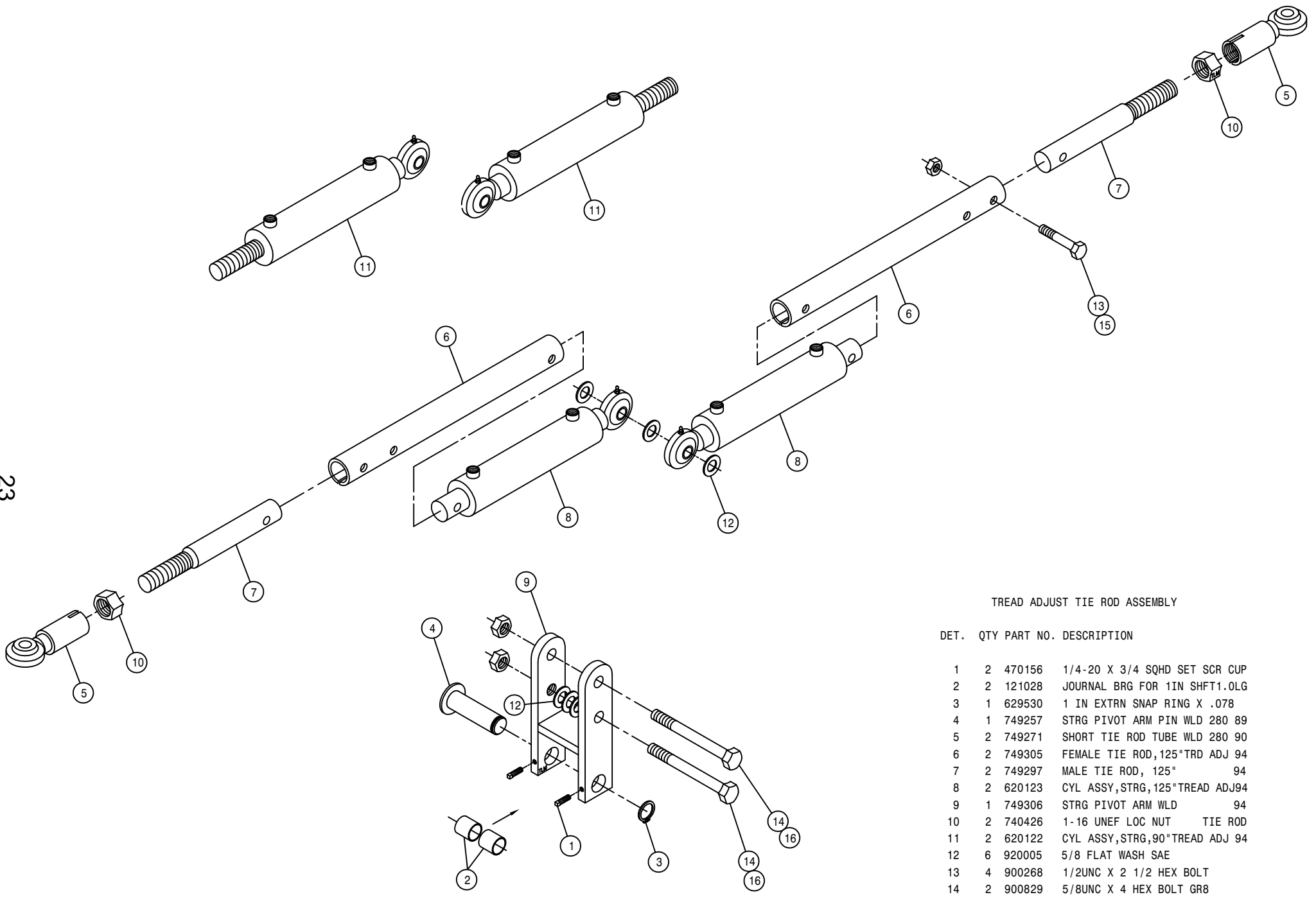
NOTE: 1. RIGHT CYLINDER ASSEMBLY IS SHOWN.
 FOR LEFT CYLINDER ASSEMBLY DELETE DETAIL
 14 AND 15 REPLACE WITH (2) 611122 - 9/16
 MJIC-90-1/4 MNPT ELBOW.

2. 620080 - CYLINDER ASSEMBLY
 3. 620998 - SEAL KIT



STANDARD TIE ROD ASSEMBLY

DET.	QTY	PART NO.	DESCRIPTION
1	2	470156	1/4-20 X 3/4 SQHD SET SCR CUP
2	2	121028	JOURNAL BRG FOR 1IN SHFT1.0LG
3	1	629530	1 IN EXTRN SNAP RING X .078
4	1	749257	STRG PIVOT ARM PIN WLD 280 89
5	2	749271	SHORT TIE ROD TUBE WLD 280 90
6	2	749296	FEMALE TIE ROD, 125" 94
7	2	749297	MALE TIE ROD, 125" 94
8	2	749298	MALE TIE ROD WLD, 125" 94
9	1	749306	STRG PIVOT ARM WLD 94
10	2	740426	1-16 UNEF LOC NUT TIE ROD
11	2	749300	FEMALE TIE ROD WLD, 90" 94
12	2	749303	MALE TIE ROD, 90/125" 94
13	6	900268	1/2UNC X 2 1/2 HEX BOLT
14	2	900829	5/8UNC X 4 HEX BOLT GR8
15	6	914008	1/2UNC HEX STOVER NUT
16	2	914010	5/8UNC HEX STOVER NUT
17	6	920005	5/8 FLAT WASH SAE



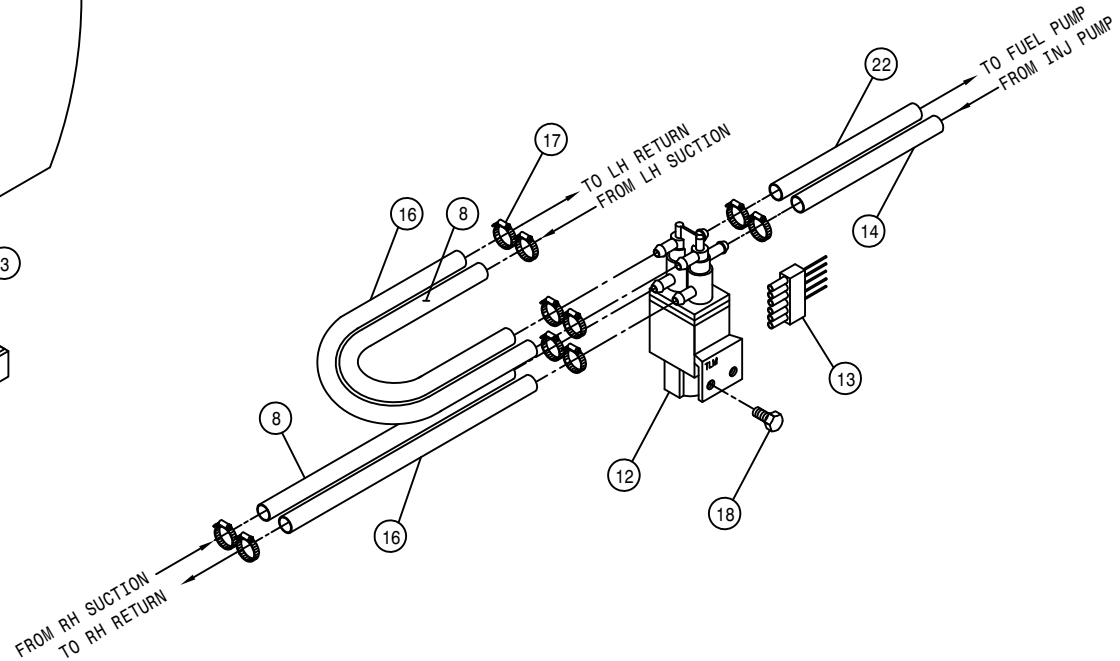
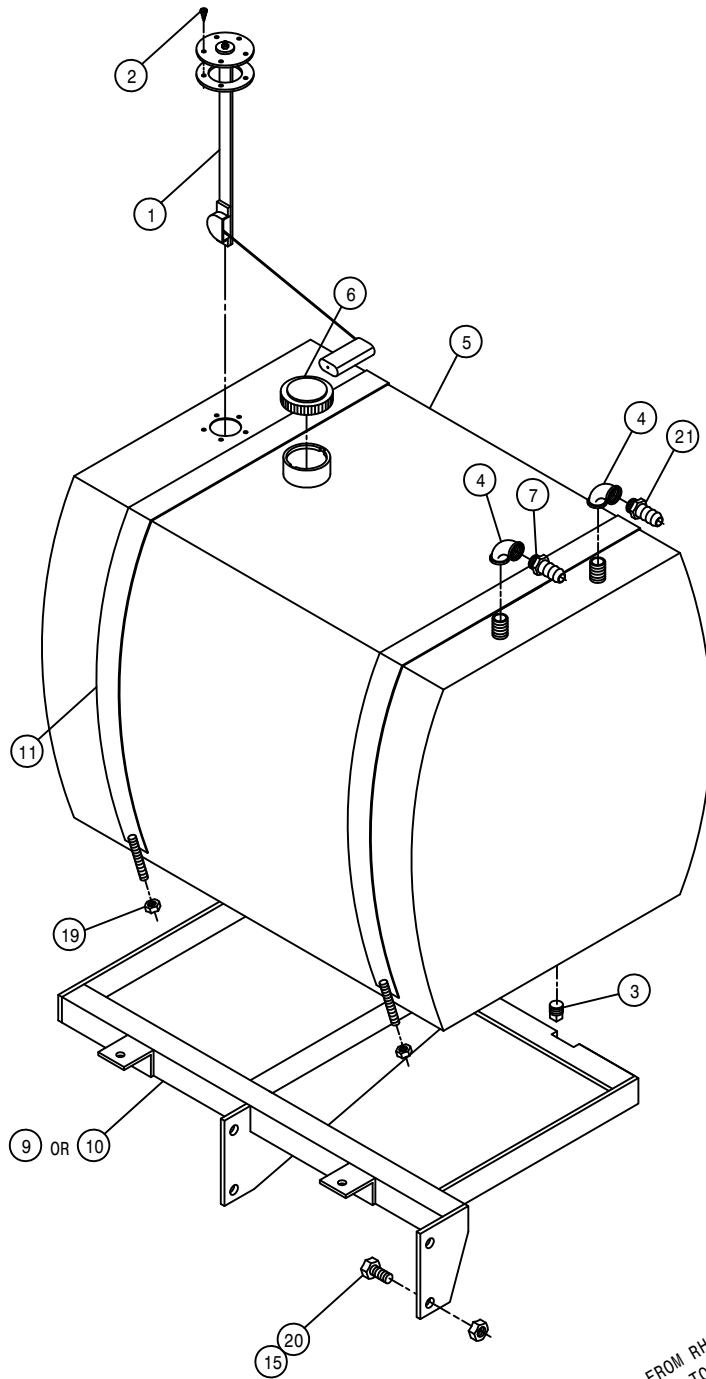
TREAD ADJUST TIE ROD ASSEMBLY

DET.	QTY	PART NO.	DESCRIPTION
1	2	470156	1/4-20 X 3/4 SQHD SET SCR CUP
2	2	121028	JOURNAL BRG FOR 1IN SHFT1.0LG
3	1	629530	1 IN EXTRN SNAP RING X .078
4	1	749257	STRG PIVOT ARM PIN WLD 280 89
5	2	749271	SHORT TIE ROD TUBE WLD 280 90
6	2	749305	FEMALE TIE ROD, 125" TRD ADJ 94
7	2	749297	MALE TIE ROD, 125" 94
8	2	620123	CYL ASSY, STRG, 125" TREAD ADJ94
9	1	749306	STRG PIVOT ARM WLD 94
10	2	740426	1-16 UNEF LOC NUT TIE ROD
11	2	620122	CYL ASSY, STRG, 90" TREAD ADJ 94
12	6	920005	5/8 FLAT WASH SAE
13	4	900268	1/2UNC X 2 1/2 HEX BOLT
14	2	900829	5/8UNC X 4 HEX BOLT GR8
15	4	914008	1/2UNC HEX STOVER NUT
16	2	914010	5/8UNC HEX STOVER NUT

FUEL TANK ASSEMBLY

DET. QTY PART NO. DESCRIPTION

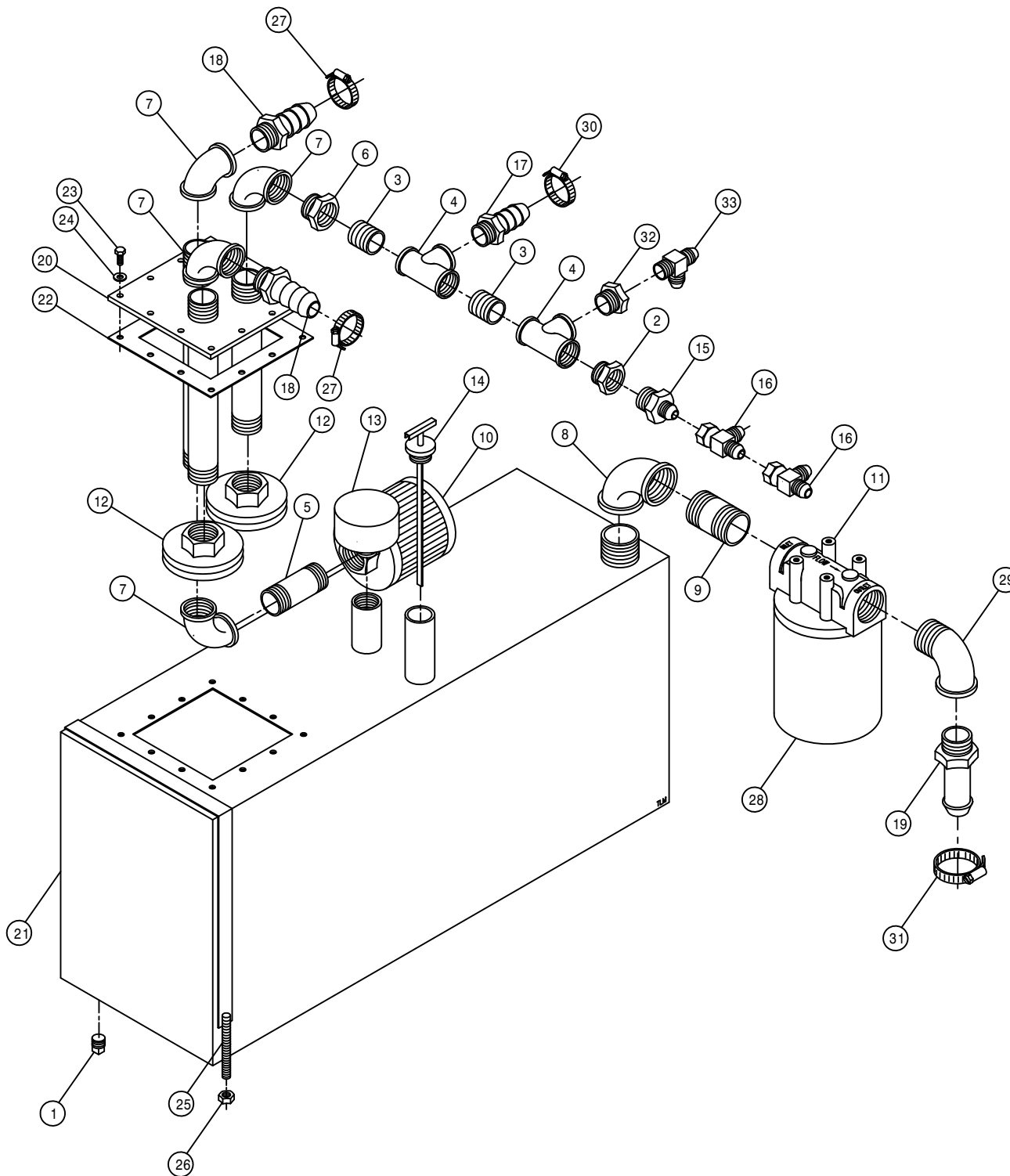
DET.	QTY	PART NO.	DESCRIPTION
1	1	291428	FUEL SENDER 19 IN.
2	5	473902	NO 8 X 1/2 PAN HD MET SC
3	1	501102	1/4 PIPE PLUG
4	2	501451	BLK PIPE EL 90DEG .25NPT
5	1	760149	FUEL TANK WLD 200-280 90
6	1	761200	GAS CAP
7	1	783303	HOSE BARB 1/4 NPT X 5/16 HOSE
8	2	601324	HOSE, 3/8 X 90IN FUEL LINE
9	1	760153	RH FUEL TNK MT WLD 200-280 90
10	1	760154	LH FUEL TNK MT WLD 200-280 90
11	2	760162	FUEL TANK BAND WLD 200-280 90
12	1	610529	FUEL SELECTOR VALVE W/RETURN
13	1	610530	5 WIRE CONNECTOR FOR 610529
14	1	601293	HOSE, 5/16 X 26 FUEL LINE
15	4	914008	1/2UNC HEX STOVER NUT
16	2	601301	HOSE, 5/16 X 90IN FUEL LINE
17	10	520120	HOSE CLAMP NO 4 PLATED MINI
18	2	900064	5/16UNC X 3/4 HEX BOLT
19	2	914004	3/8UNC HEX STOVER NUT
20	4	900264	1/2UNC X 1 1/4 HEX BOLT
21	1	783304	HOSE BARB 1/4 NPT X 3/8 HOSE
22	1	601322	HOSE, 3/8 X 26IN FUEL LINE



HYDRAULIC TANK ASSEMBLY

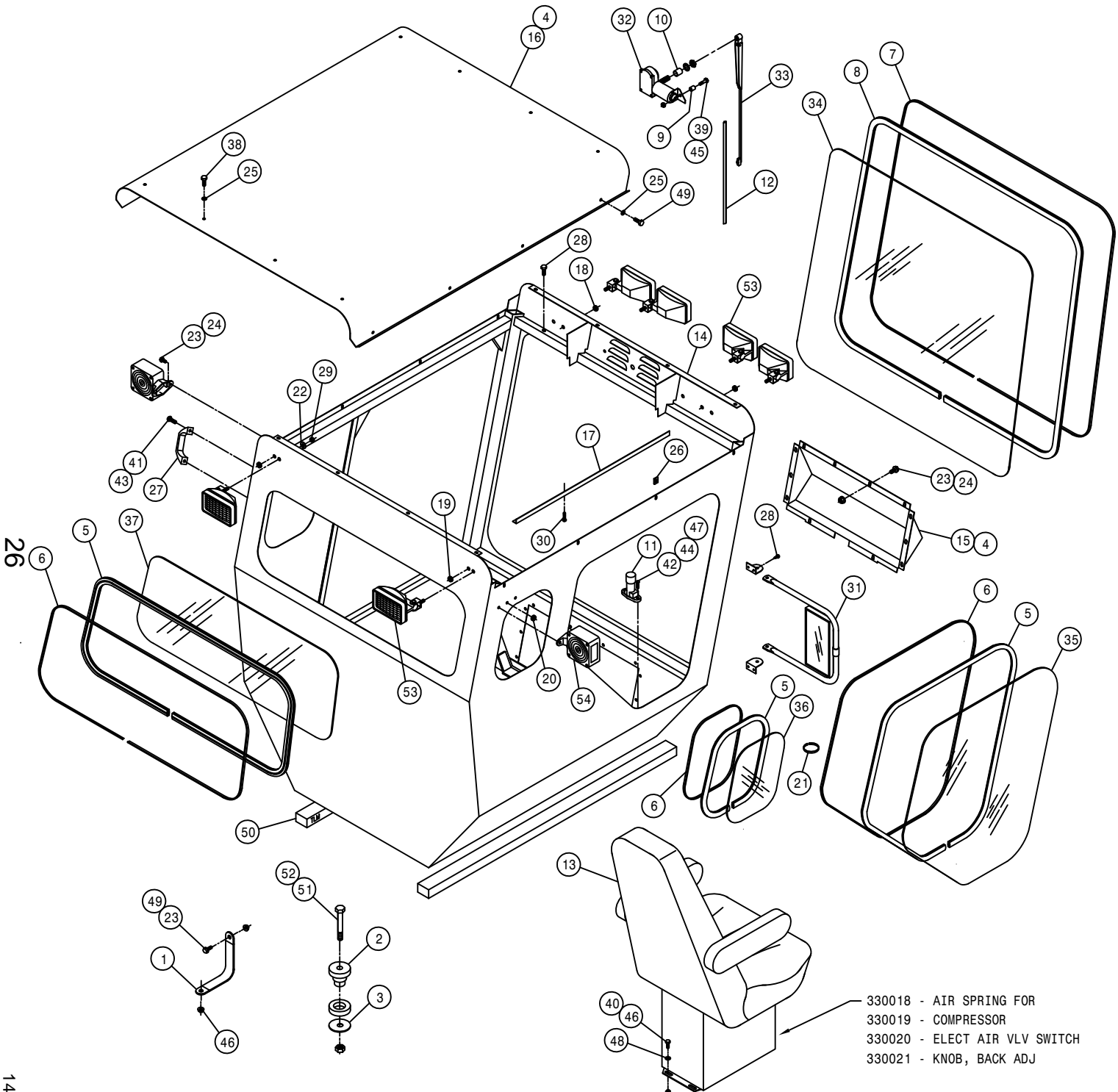
DET. QTY PART NO. DESCRIPTION

DET.	QTY	PART NO.	DESCRIPTION
1	1	501102	1/4 PIPE PLUG
2	1	504210	RED BUSH 3/4 NPT X 1/2 NPT
3	2	504702	CLOSE NIPPLE .75NPT
4	2	504955	BLK PIPE TEE .75NPT
5	1	505203	BLK PIPE NIPPLE 1.00NPT-4.00
6	1	505213	RED BUSH 1 X 3/4 BLK MAL
7	4	505300	BLK PIPE EL 90DEG 1.00NPT
8	1	506303	BLK PIPE EL 90DEG 1.25NPT
9	1	506602	PIPE NIPPLE 1 1/4NPT-2 1/2
10	1	605600	MICHIGAN RESERVOIR FILTER
11	1	605601	GRESNE FILTER 10 MICRON 40GPM
12	2	605603	LINE SUMP DIFFUSER
13	1	611052	FILLER BREATHER 3/4NPT
14	1	614453	DIPSTICK, 8IN
15	1	618018	9/16MJIC-1/2MNPT ADPTR
16	2	618486	9/16FJIC SW RUN TEE-9/16MJIC
17	1	713220	HOSE BARB 3/4 NPT X 3/4
18	2	714560	1NPT X 1 HOSE BARB
19	1	715660	HOSE BARB 1 1/4NPT X 1 1/4
20	1	760090	RECIEVER PLT WLD 8240
21	1	760097	OIL TANK WLD 8240 1982
22	1	763039	HYD MTR MTG PLT GSKT
23	12	900064	5/16UNC X 3/4 HEX BOLT
24	12	920001	5/16 FLAT WASHER SAE PLT
25	2	341360	OIL TANK STRAP WLD 8240 1982
26	4	914004	3/8UNC HEX STOVER NUT
27	2	520087	HOSE CLAMP NO 20 PLATED
28	1	605602	FILT ELEMENT 10MICRON 40GPM
29	1	506410	BLK PIPE ST EL 90DEG 1.25NPT
30	1	520055	HOSE CLAMP NO 12 PLATED
31	1	520085	HOSE CLAMP NO 24 PLATED
32	1	504001	RED BUSH 3/4 X 1/4 BLK MAL
33	1	618520	1/4MNPT RUN TEE-9/16MJIC

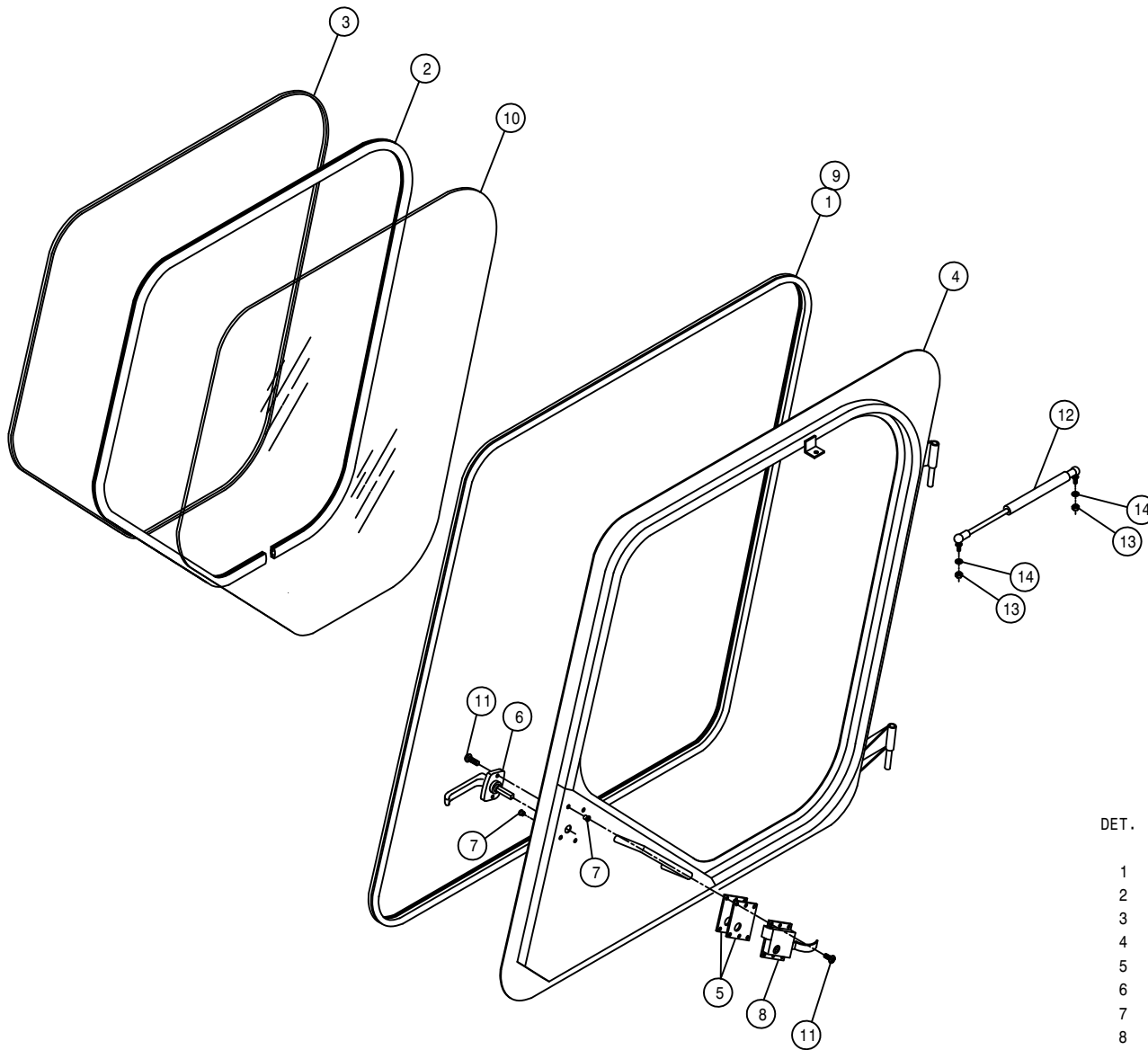


CAB ASSEMBLY

DET.	QTY	PART NO.	DESCRIPTION
1	1	290107	ENG TO GROUND STRAP 8 IN
2	4	311051	RUBBER MOUNT, RB3-350
3	4	311052	SNUBBING WASHER FOR 311051
4	24	193037	STICKERTITE 1/8 X 3/4
5	21	193044	WINDOW WEATHERSTRIP 94
6	21	193045	LOCK STRIP FOR 193044 94
7	12	192001	FILLR STRIP FOR WEATHERSTRIP
8	12	193018	2 P/C SELF SEAL WEATHERSTRIP
9	1	200019	.25 SCH 40BP X 1.00 LG C/L
10	1	202037	WINDSHIELD WIPER SPACER
11	1	290412	DIMMER SWITCH
12	1	290417	18" WIPER BLADE
13	1	330016	WISE AIR SEAT
14	1	342100	CAB WLD 254-284 94
15	1	342146	KICK PANEL WLD, 284 CAB 94
16	1	342150	CAB ROOF WLD, 284 94
17	1	342180	HEADLINER KPR ANGLE,284CAB 94
18	2	470067	RUBBER GROMMET 1/4 ID
19	2	470070	RUBBER GROMMET 3/8 ID
20	2	470226	RUBBER GROMMET 5/32 ID
21	1	470081	CABLE TIE, 8" BLACK PLASTIC
22	6	470100	LOCKWASH, .38 INT TOOTH
23	17	470121	1/4UNC HEX FLANGED LOCK NUT
24	16	470122	1/4UNC X 1/2 FLANGED HEX BOLT
25	16	470212	1/4 BONDED NEO SEALING WASH
26	16	470218	1/4-20 NUT, J-TYPE CAGE CLIP
27	1	470222	GRAB HANDLE, BLACK MOULDED
28	12	472349	1/4 X 3/4 20THD-IN TEK TYPE
29	6	473779	10MM-1.50 HEX NUT
30	2	473910	SHT MTL SCR, 1/4X1 1/2 PHIL HD
31	2	650524	OUTSIDE REAR VIEW MIRROR
32	1	658008	WINDSHIELD WIPER MOTOR
33	1	658013	WIPER ARM
34	1	658014	FRONT CAB GLASS 94
35	1	658015	FRONT SIDE CAB/DOOR GLASS 94
36	2	658016	REAR SIDE CAB GLASS 94
37	1	658017	REAR CAB GLASS 94
38	8	900002	1/4UNC X 3/4 HEX BOLT
39	1	900005	1/4UNC X 1 1/2 HEX BOLT
40	4	900130	3/8UNC X 1 1/4 HEX BOLT
41	2	903883	10-32 X 1/2 SLTRD HD MACH SCR
42	2	903889	10-32 X 3/4 SLT RDHD MACH SCR
43	2	470175	#10-32 HEX FLANGED LOCK NUT
44	2	910027	#10-32 HEX NUT
45	1	914000	1/4UNC HEX STOVER NUT
46	5	914004	3/8UNC HEX STOVER NUT
47	2	920510	LOCK WASH NO 10
48	4	920002	WASH FLAT 3/8 SAE
49	9	470118	1/4UNC X 3/4 FLANGED HEX BOLT
50	2	659704	FOAM, 2"THK X 2" WIDE X 42"LG
51	4	900343	5/8UNC X 4 1/2 HEX BOLT
52	4	914010	5/8UNC HEX STOVER NUT
53	6	291603	WORKLAMP, SIDE MT 12V HALOGEN
54	2	291604	TURN SIGNAL LIGHT,PED MT, YEL



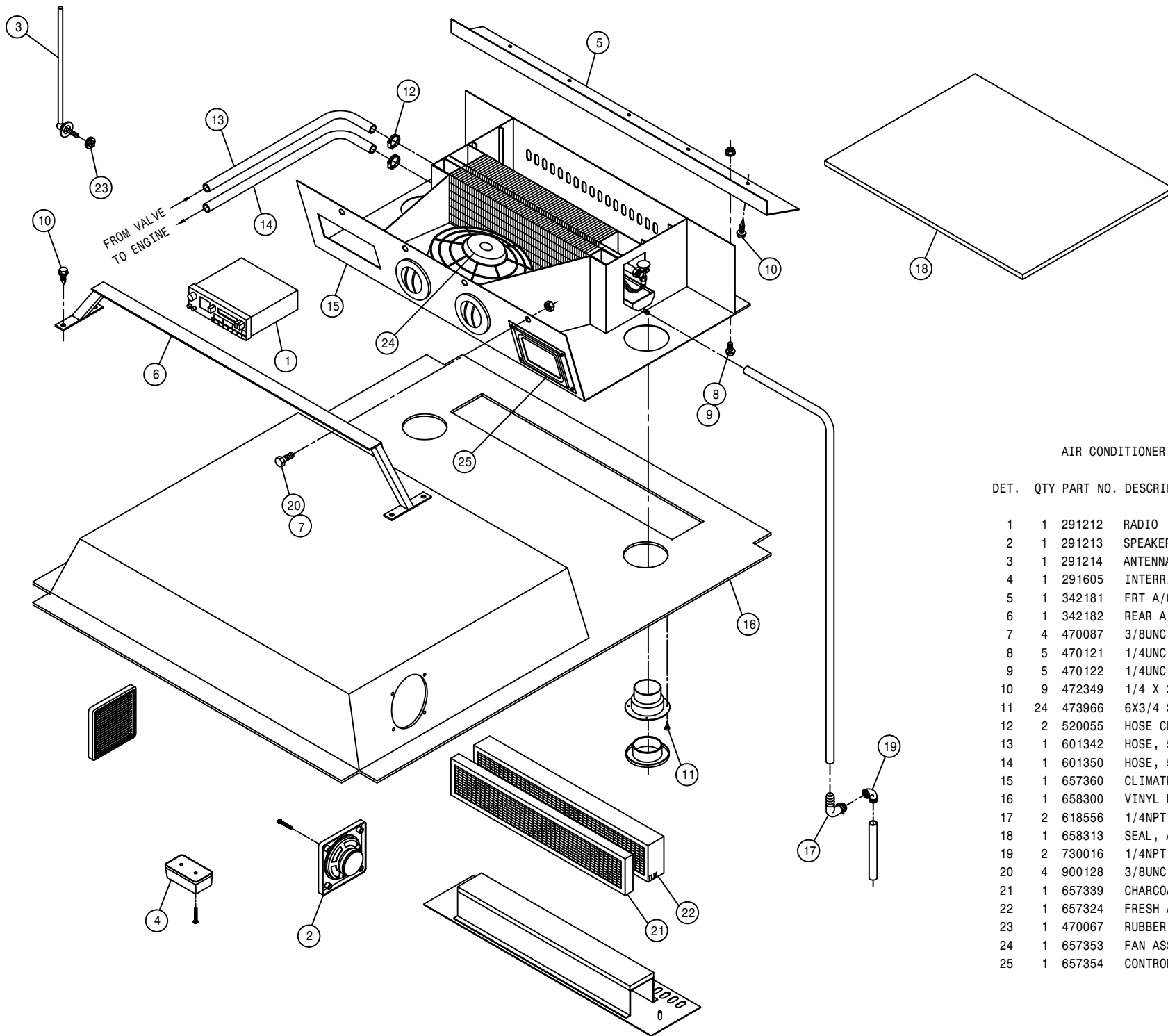
330018 - AIR SPRING FOR
 330019 - COMPRESSOR
 330020 - ELECT AIR VLV SWITCH
 330021 - KNOB, BACK ADJ



DOOR ASSEMBLY

DET. QTY PART NO. DESCRIPTION

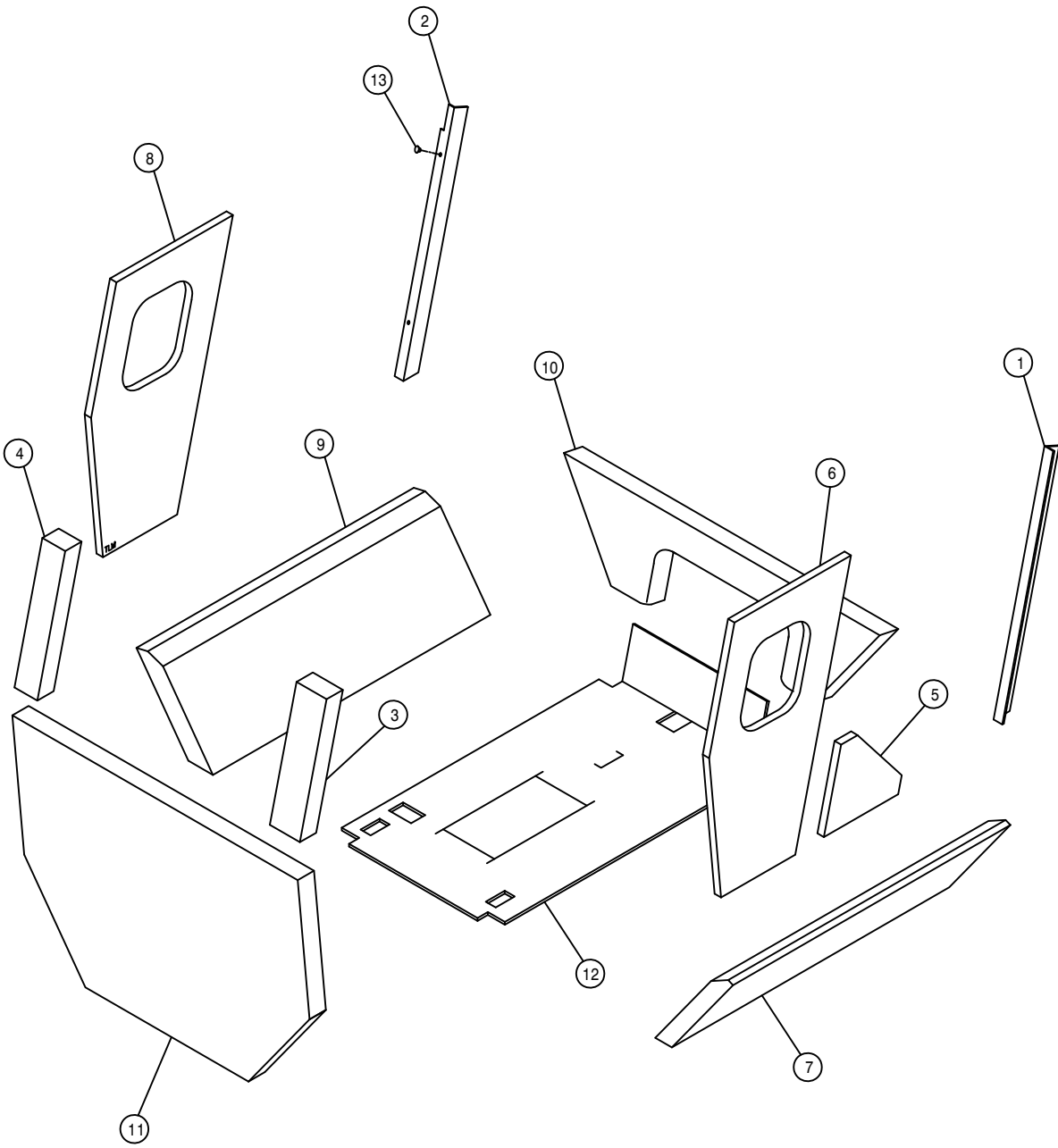
1	12	193028	PUSH-ON TRIM SEAL RS-130-FX
2	9	193044	WINDOW WEATHERSTRIP 94
3	9	193045	LOCK STRIP FOR 193044 94
4	1	342153	LH DOOR WLD, 284 CAB 94
5	2	342163	CAB DOOR LATCH SHIM, .06 94
6	1	342217	DOOR HANDLE, 254/284 CAB 94
7	6	470165	10-32 NUTSERT .020-.100 MATL
8	1	470219	CAB LOCK, LH #55
9	2	485052	POP RIVET 1/8 X 3/8
10	1	658015	FRONT SIDE CAB/DOOR GLASS 94
11	6	903710	10-32X1/2 PHIL PANHD MACH SCR
12	1	470221	GAS SPRING, 60LB 3.5 STROKE
13	2	910002	5/16UNC HEX NUT
14	2	920501	5/16 LOCK WASHER



AIR CONDITIONER ASSEMBLY

DET. QTY PART NO. DESCRIPTION

1	1	291212	RADIO	94
2	1	291213	SPEAKERS (PAIR)	94
3	1	291214	ANTENNA	94
4	1	291605	INTERIOR LIGHT W/SWITCH	
5	1	342181	FRT A/C BLOWER MT ANG, CAB 94	
6	1	342182	REAR A/C BLOWER MT WLD, CAB 94	
7	4	470087	3/8UNC HEX FLANGED LOCK NUT	
8	5	470121	1/4UNC HEX FLANGED LOCK NUT	
9	5	470122	1/4UNC X 1/2 FLANGED HEX BOLT	
10	9	472349	1/4 X 3/4 20THD-IN TEK TYPE	
11	24	473966	6X3/4 SHT MTL SCR,FLT HD PHIL	
12	2	520055	HOSE CLAMP NO 12 PLATED	
13	1	601342	HOSE, 5/8 X 192 HEATER	
14	1	601350	HOSE, 5/8 X 160" HEATER	
15	1	657360	CLIMATE CTRL, A/C & HTR R134A	
16	1	658300	VINYL HEAD LINER	94
17	2	618556	1/4NPT-90-1/2 HOSE BARB,POLY	
18	1	658313	SEAL, AIR CONDITIONER	94
19	2	730016	1/4NPT ST EL, 90 DEG POLY	
20	4	900128	3/8UNC X 3/4 HEX BOLT	
21	1	657339	CHARCOAL FILTER FOR 657333	
22	1	657324	FRESH AIR FILTER EAGLE	
23	1	470067	RUBBER GROMMET 1/4 ID	
24	1	657353	FAN ASSY, CLIMATE CTRL R134A	
25	1	657354	CONTROLLER ASSY, CLIMATE CTRL	



CAB FOAM

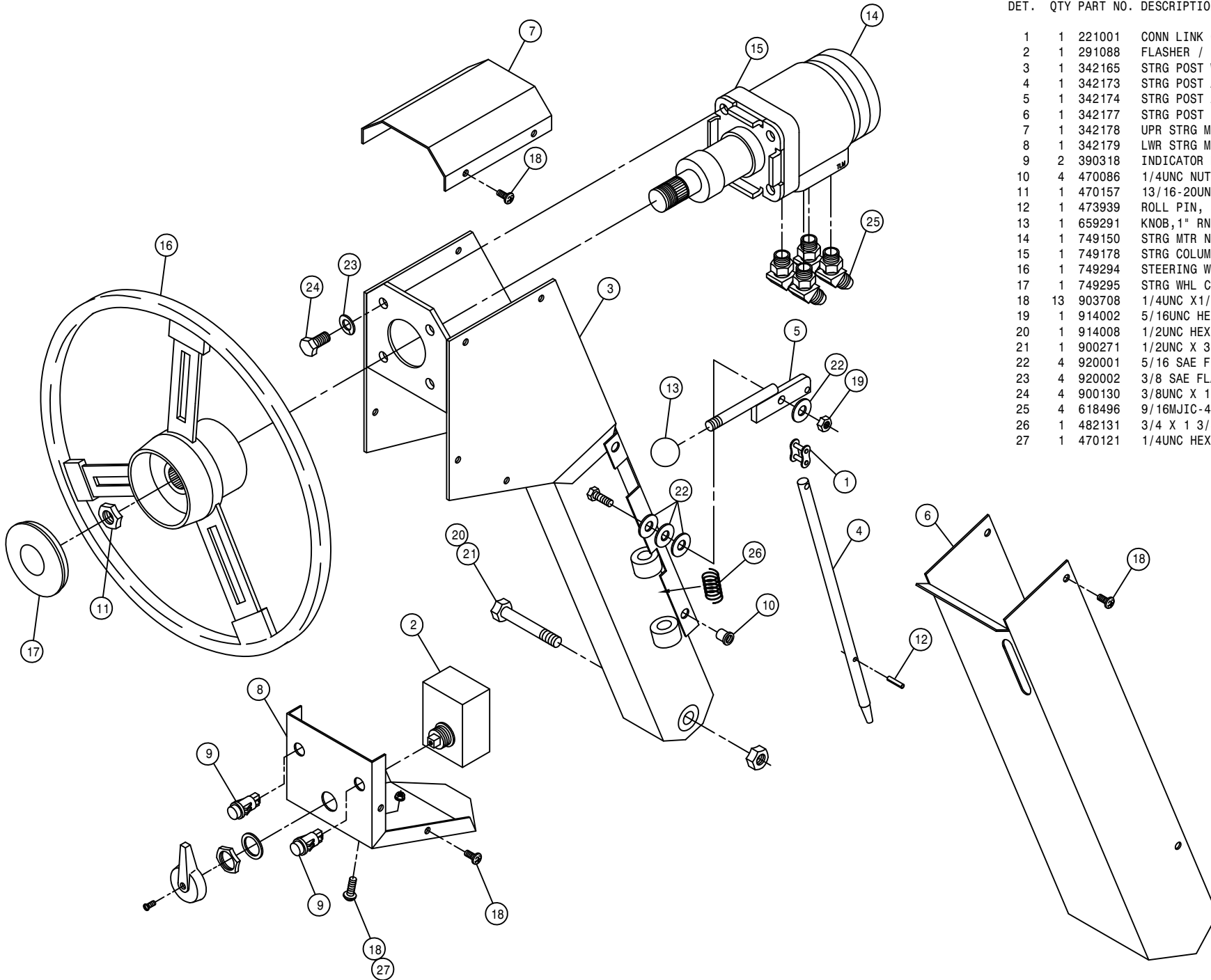
DET. QTY PART NO. DESCRIPTION

1	1	658301	VINYL POST COVER, RH FRONT	94
2	1	658302	VINYL POST COVER, LH FRONT	94
3	1	658303	VINYL POST COVER, RH REAR	94
4	1	658304	VINYL POST COVER, LH REAR	94
5	1	658305	VINYL SIDE PANEL, RH	94
6	1	658306	VINYL SIDE PANEL, RH UPPER	94
7	1	658307	VINYL SIDE PANEL, RH LOWER	94
8	1	658308	VINYL SIDE PANEL, LH UPPER	94
9	1	658309	VINYL SIDE PANEL, LH LOWER	94
10	1	658310	VINYL FRONT COVER PANEL	94
11	1	658311	VINYL REAR COVER PANEL	94
12	1	658312	CAB FLOORMAT 254/284	94
13	2	470225	TRIM CLIP, 11/16 BLK NYL HEAD	

STEERING POST ASSEMBLY

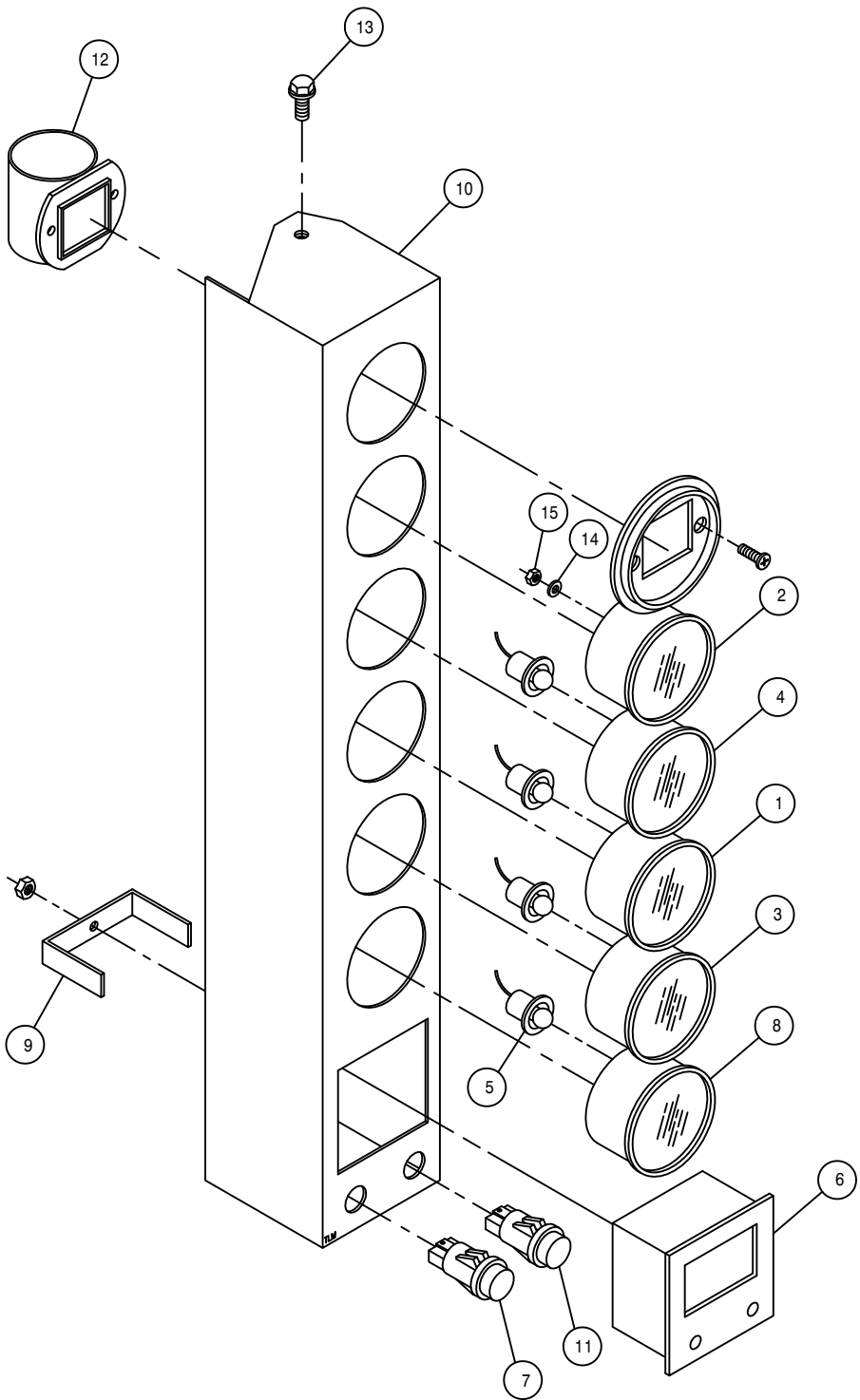
DET. QTY PART NO. DESCRIPTION

1	1	221001	CONN LINK CLIP TYPE RC50
2	1	291088	FLASHER / TURN SIGNAL SWITCH
3	1	342165	STRG POST WLD, 284 CAB 94
4	1	342173	STRG POST ADJ PIN, 284 CAB 94
5	1	342174	STRG POST ADJ PIN LEVER WLD94
6	1	342177	STRG POST COVER, 284 CAB 94
7	1	342178	UPR STRG MTR HSNG COVER 94
8	1	342179	LWR STRG MTR HSNG COVER 94
9	2	390318	INDICATOR LIGHT, RED
10	4	470086	1/4UNC NUTSERT .020-.100MATL
11	1	470157	13/16-20UNEF HEX NUT STRG WHL
12	1	473939	ROLL PIN, 3/16DIA X 7/8
13	1	659291	KNOB, 1" RND, BLK, 3/8-16
14	1	749150	STRG MTR NON-LOAD REACT 1008
15	1	749178	STRG COLUMN 2.5IN LONG
16	1	749294	STEERING WHEEL, VIP 14"
17	1	749295	STRG WHL CAP W/HAGIE EMBLEM
18	13	903708	1/4UNC X 1/2 PHIL PNHD MACHSCR
19	1	914002	5/16UNC HEX STOVER NUT
20	1	914008	1/2UNC HEX STOVER NUT
21	1	900271	1/2UNC X 3 1/4 HEX BOLT
22	4	920001	5/16 SAE FLAT WASHER
23	4	920002	3/8 SAE FLAT WASHER
24	4	900130	3/8UNC X 1 1/4 HEX BOLT
25	4	618496	9/16MJIC-45-3/4MOR LBO
26	1	482131	3/4 X 1 3/4 COMPRN SPRING
27	1	470121	1/4UNC HEX FLANGE LOCK NUT



30

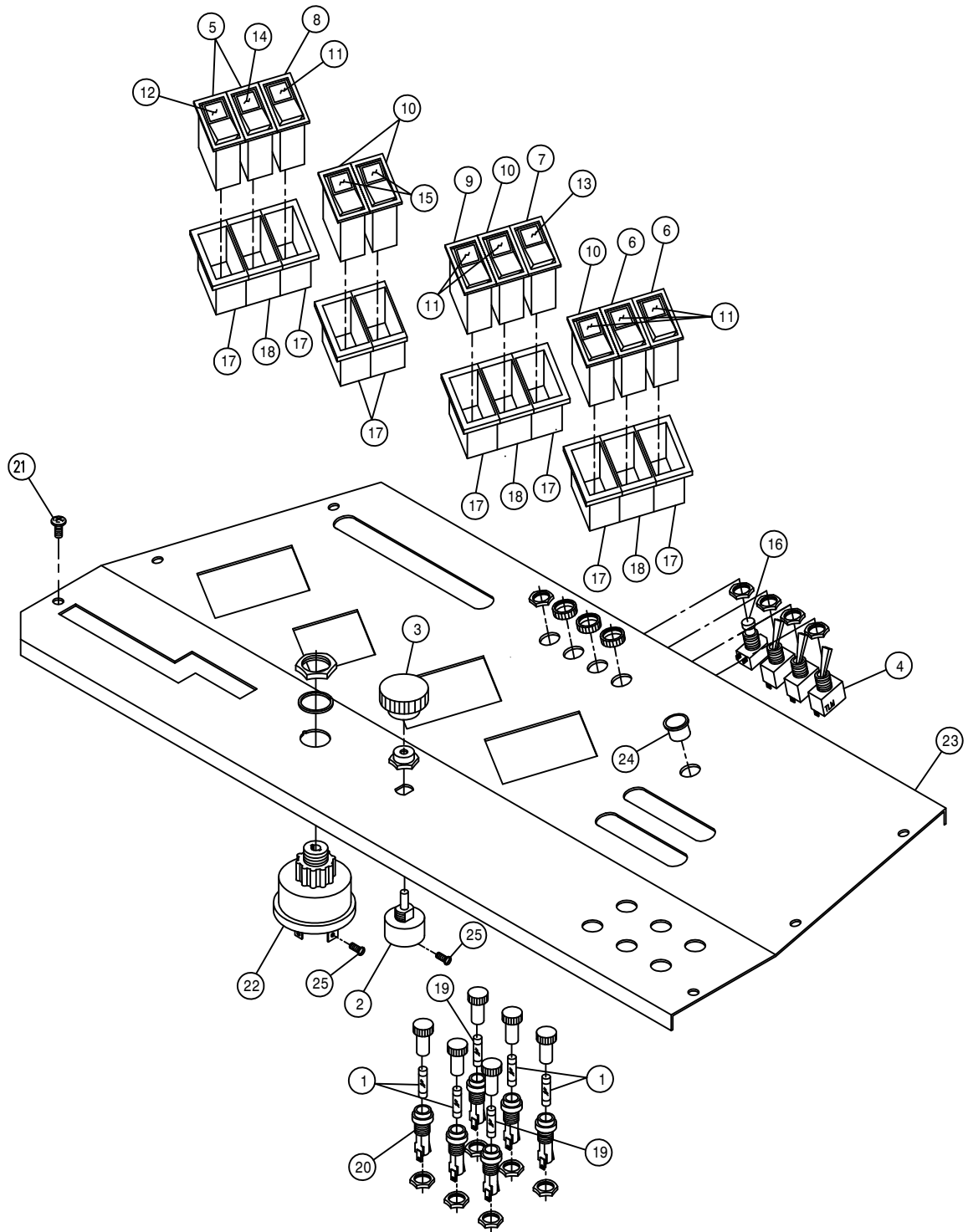
144030



INSTRUMENT PANEL ASSEMBLY

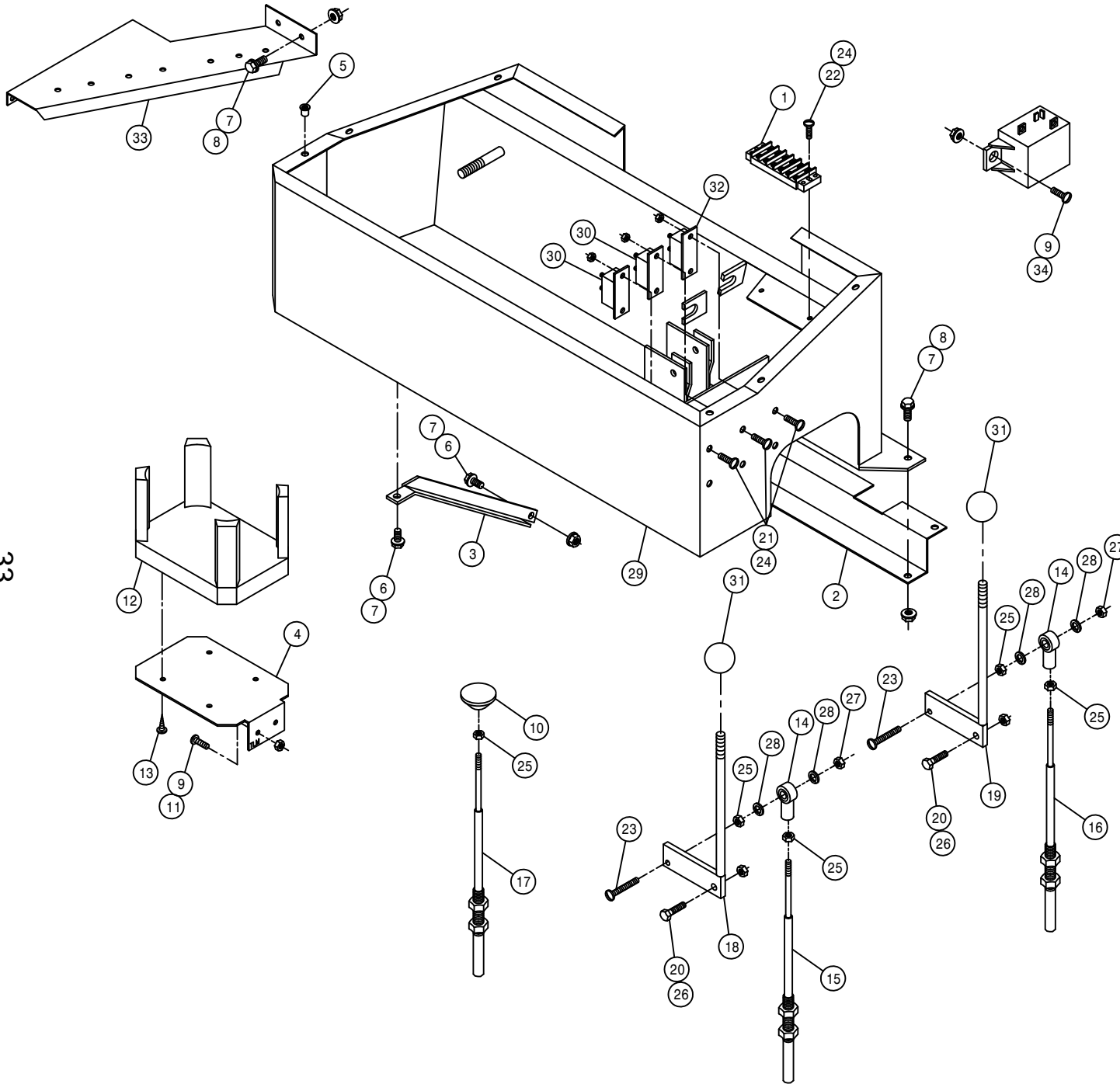
DET. QTY PART NO. DESCRIPTION

1	1	290401	FUEL GAUGE FOR 2.125 DIA HOLE
2	1	291203	HOUR METER
3	1	291609	OIL PRESS GAUGE, 80PSI
4	1	291611	VOLTMETER, 8V TO 18V DC
5	4	291612	LIGHT KIT FOR 2" GAUGE
6	1	291635	DIGITAL MPH/RPM INDICATOR
7	1	291638	INDICATOR LIGHT, GREEN
8	1	314436	TEMP GA 100-280 DEG LIGHTED
9	1	342068	DIGITAL MPH/RPM IND KEEPER 94
10	1	342186	INSTRU HSNGL WLD, 284 CAB 94
11	1	390318	INDICATOR LIGHT RED SNAP-IN
12	1	314901	FILTER MINDER AIR RESTRICT GA
13	2	470122	1/4UNC X 1/2 FLANGED HEX BOLT
14	8	473802	NO 8 INT TOOTH STARWASHER
15	8	910024	#8-32 HEX NUT



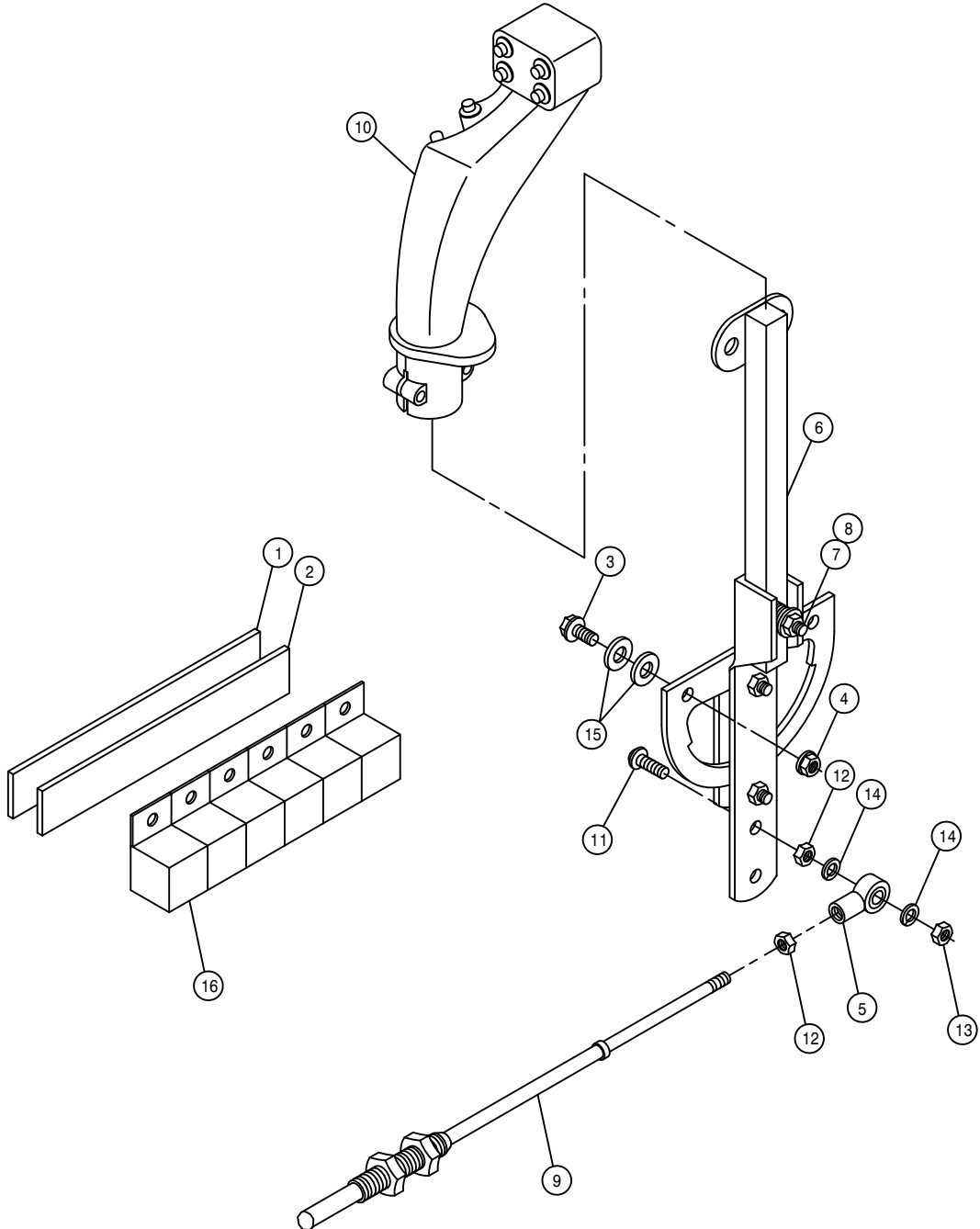
CONSOLE PANEL ASSEMBLY

DET.	QTY	PART NO.	DESCRIPTION
	4	291602	FUSE 10 AMP
	1	291606	ROTARY HEADLAMP SWITCH
	1	291607	SWITCH KNOB FOR 291606
	3	291608	TOGGLE SWITCH, ON-OFF, UNLIT
	2	291622	SWITCH, 1P ON/OFF 511-003
	2	291623	SWITCH, 2P ON/OFF 511-015
	1	291624	SWITCH, 2P (ON)/OFF 511-130
	1	291625	SWITCH, 2P ON/ON 511-108
	1	291626	SWITCH, 2P ON/OFF/ON 511-053
	4	291627	SWITCH, 2P (ON)OFF (ON) 511-058
	6	291628	LENS, GREEN
	1	291629	LENS, WIPER
	1	291630	LENS, WINDSHIELD WASHER
	1	291631	LENS, HAZARD
	2	291632	LENS, DIRECTION INDICATOR
	1	291639	PUSHBUTTON SWITCH, ON/OFF SPST
	8	293246	END BEZEL FOR 293244
	3	293247	CENTER BEZEL FOR 293244
	2	298004	20 AMP FUSE SFE 20
	6	298011	FUSE HOLDER
	6	903708	MACH SCR 1/4-20X1/2 PHIL PNHD
	1	321020	IGN SWITCH 5 POLE
	1	342189	CONSOLE COVER PNL, 284 CAB 94
	1	470223	SNAP BUSHING, BLK NYL, .50DIA
	2	903844	8-32 X 1/2 SLTRDHD MACH SCREW



CONSOLE ASSEMBLY

DET.	QTY	PART NO.	DESCRIPTION
1	1	293093	TERMINAL BLOCK 6 POS - 2 ROW
2	1	342207	CONSOLE MT BRKT, 284 CAB 94
3	1	342208	CONSOLE BRACE, 284 CAB 94
4	1	342216	DRINK HOLDER MT BRKT 94
5	6	470086	1/4UNC NUTSERT .020-.100MATL
6	2	470118	1/4UNC X 3/4 FLANGED HEX BOLT
7	10	470121	1/4UNC HEX FLANGED LOCK NUT
8	8	470122	1/4UNC X 1/2 FLANGED HEX BOLT
9	4	470175	#10-32 HEX FLANGED LOCK NUT
10	1	470190	PUSH/PULL KNOB 10-32 1.38 DIA
11	2	903710	MACH SCR 10-32X1/2 PHIL PANHD
12	1	470214	SPILLMASTER DRINK HOLDER
13	4	473902	NO 8 X 1/2 PAN HD MET SC
14	2	473921	BALL JOINT NO 10-32 THD
15	1	785063	CTRL CABLE 10-32 2IN X 42 LG
16	1	785064	CTRL CABLE 10-32 2IN X 53 LG
17	1	785065	CTRL CABLE 10-32 4IN X 68 LG
18	1	785070	SOLU PRESS CTRL LEVER WLD 94
19	1	785073	AGIT CTRL LEVER WLD 94
20	2	900003	1/4UNC X 1 HEX BOLT
21	6	903812	6-32 X 1/2 SLT RD HD MACH SCR
22	2	903814	6-32 X 3/4 SLT RD HD MACH SCR
23	2	903893	10 32 X 1 SLT RD HD MACH SCR
24	8	910022	#6-32 HEX NUT
25	5	910027	#10-32 HEX NUT
26	2	914000	1/4UNC HEX STOVER NUT
27	2	914027	#10-32 HEX STOVER NUT
28	4	920510	LOCK WASH NO 10
29	1	342191	CONSOLE WLD, 284 CAB 94
30	2	291197	CIRCUIT BREAKER, 30AMP
31	2	659291	1 DIA BALL KNOB 3/8-16INSERT
32	1	291024	CIRCUIT BREAKER, 40AMP
33	1	342215	MONITOR MT, 284 CAB 94
34	2	903883	10-32 X 1/2 SLTRD HD MACH SCR



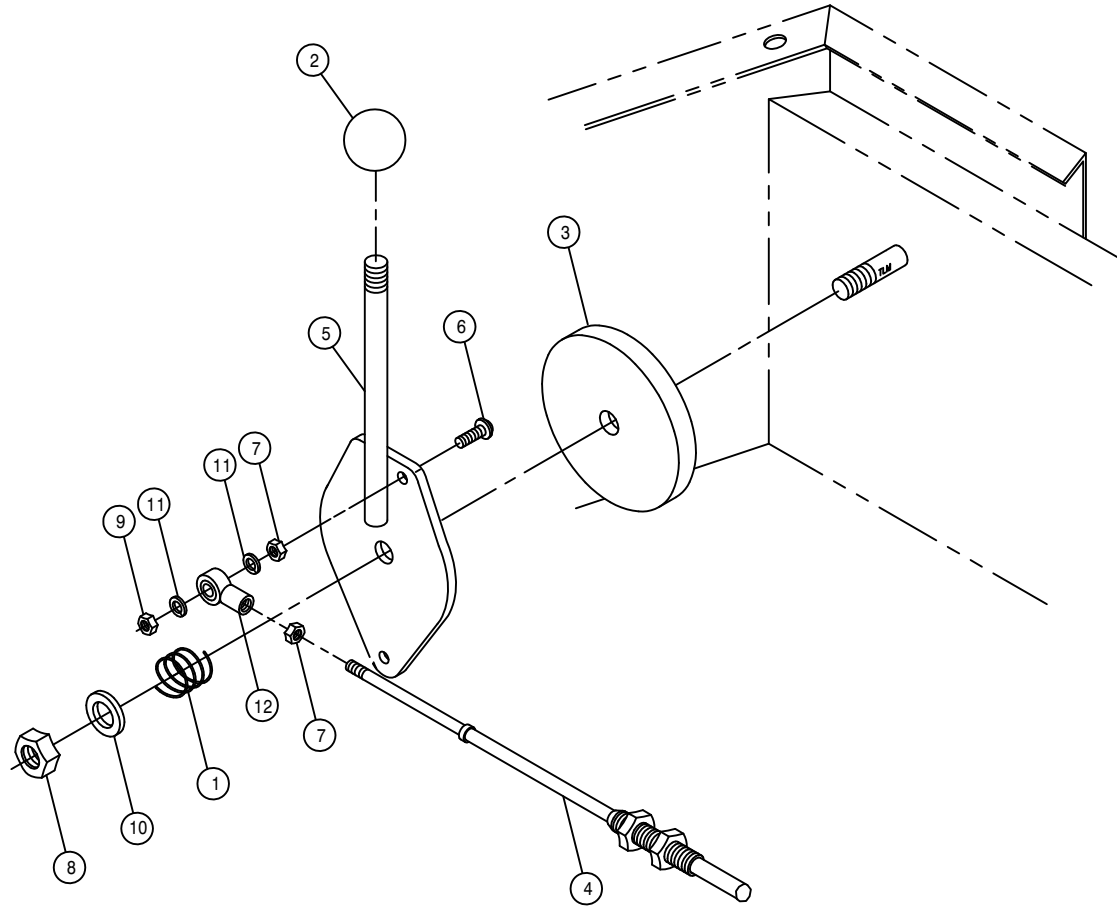
HYDROSTATIC LEVER ASSEMBLY

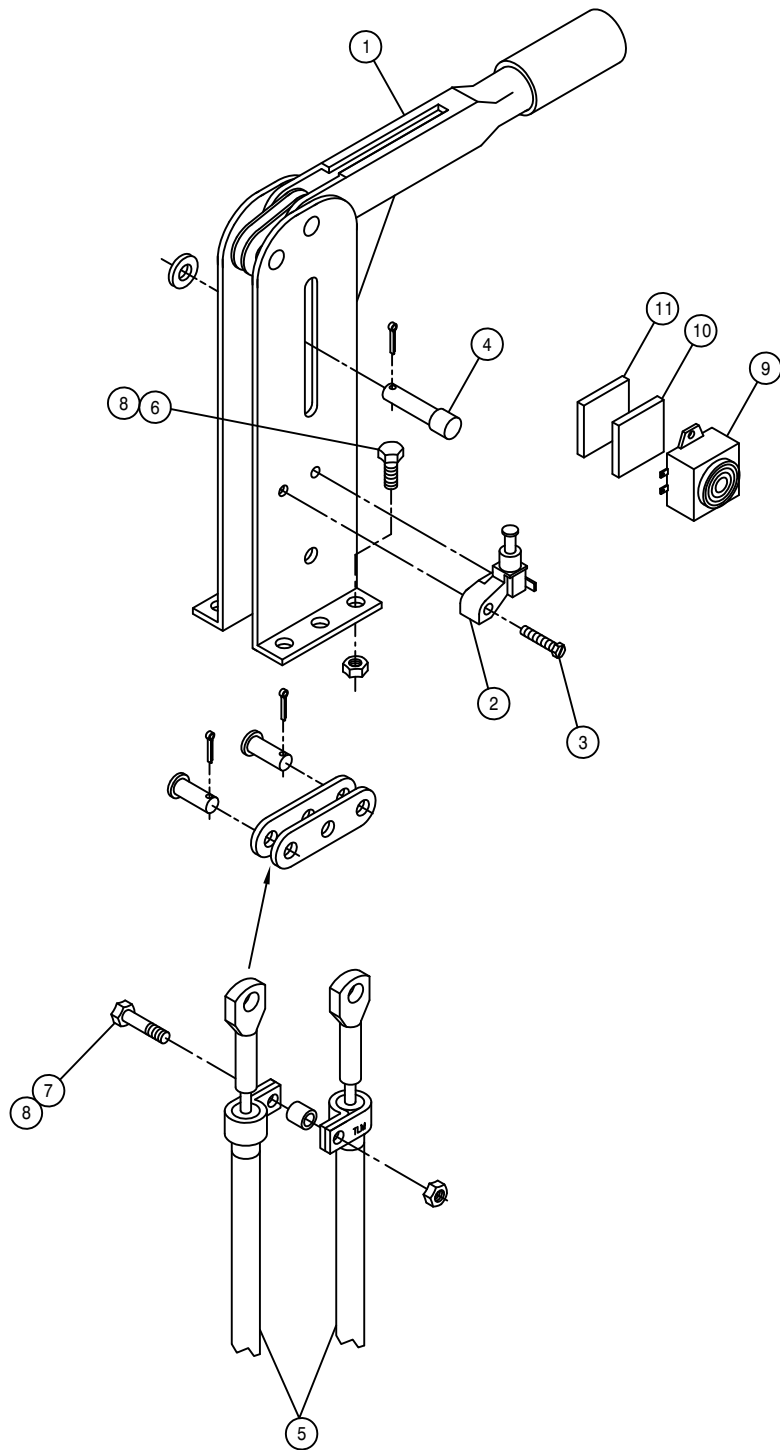
DET.	QTY	PART NO.	DESCRIPTION
	1	193038	DUAL LOCK 1IN SJ3541 TYPE 400
	1	193039	DUAL LOCK 1IN SJ3542 TYPE 400
	2	470118	1/4UNC X 3/4 FLANGED HEX BOLT
	2	470121	1/4UNC HEX FLANGED LOCK NUT
	1	473921	BALL JOINT NO 10-32 THD
	1	606907	HYDST CTRL LEVER, 204-284 94
	1	900005	1/4UNC X 1 1/2 HEX BOLT
	1	914000	1/4UNC HEX STOVER NUT
	1	785003	CTRL CABLE 10-32 4IN X 112 LG
	1	785076	FASSE EZ-3 CONTROL HANDLE
	1	903893	10 32 X 1 SLT RD HD MACH SCR
	2	910027	#10-32 HEX NUT
	1	914027	#10-32 HEX STOVER NUT
	2	920510	LOCK WASH NO 10
	4	920000	1/4 FLAT WASH SAE
	6	291640	RELAY FOR CTRL HANDLE #785076

THROTTLE LEVER ASSEMBLY

DET. QTY PART NO. DESCRIPTION

1	1	499001	SPRING HYDRO CONTROL
2	1	785007	KNOB,1 3/16" BALL,RED,3/8-16
3	1	785046	FRICTION DISC 3-333 X .38
4	1	785066	CTRL CABLE 10-32 4IN X 129 IN
5	1	785067	THROT LEVER WLD,GAS/DIESEL 94
6	1	903893	10-32 X 1" SLT RD HD MACH SCR
7	2	910027	10-32 HEX NUT
8	1	914004	3/8UNC HEX STOVER NUT
9	1	914027	10-32 HEX STOVER NUT
10	1	920002	3/8 SAE FLAT WASHER
11	2	920510	#10 LOCK WASHER
12	1	473921	BALL JOINT NO 10-32 THD

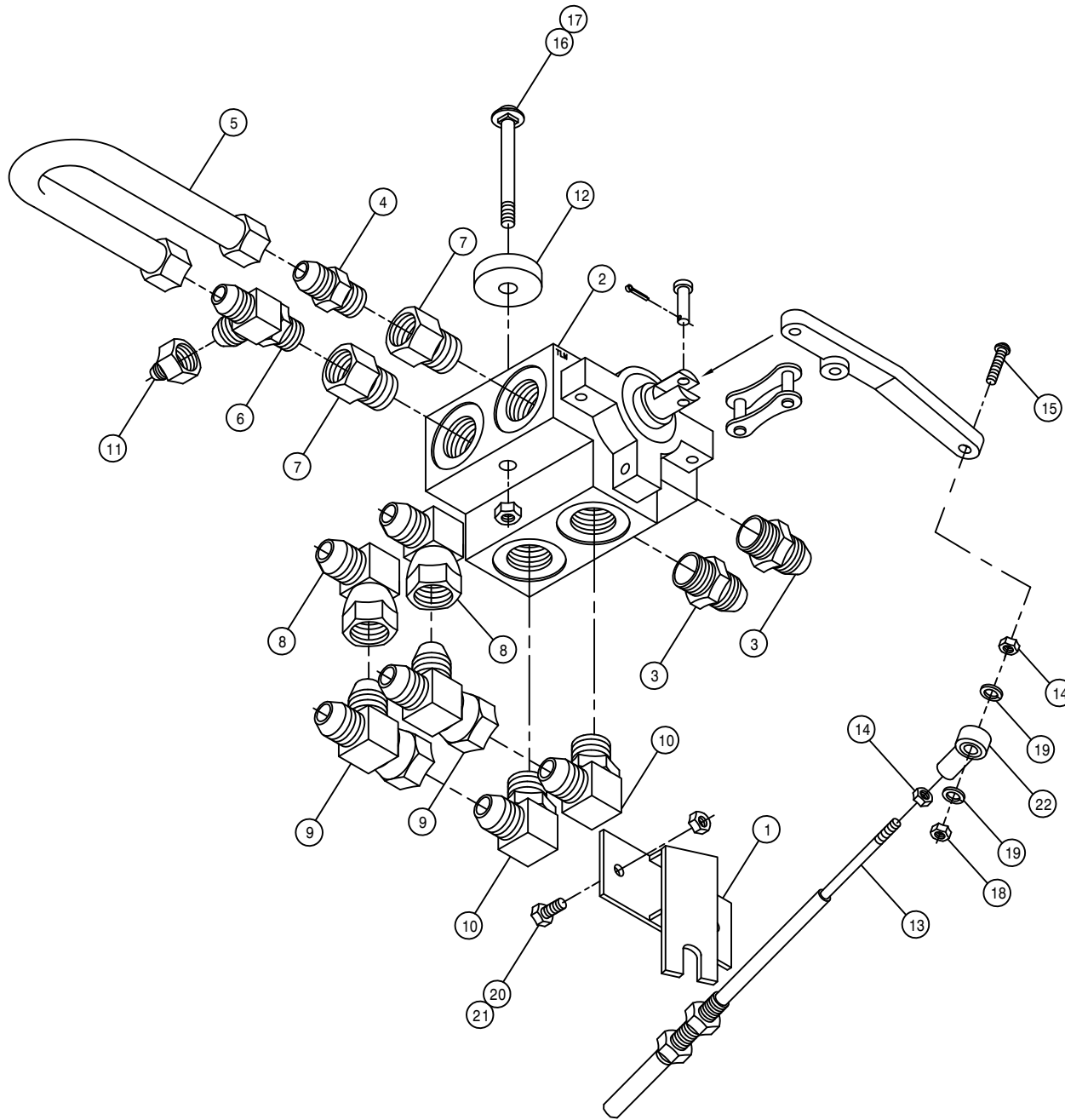




BRAKE LEVER ASSEMBLY

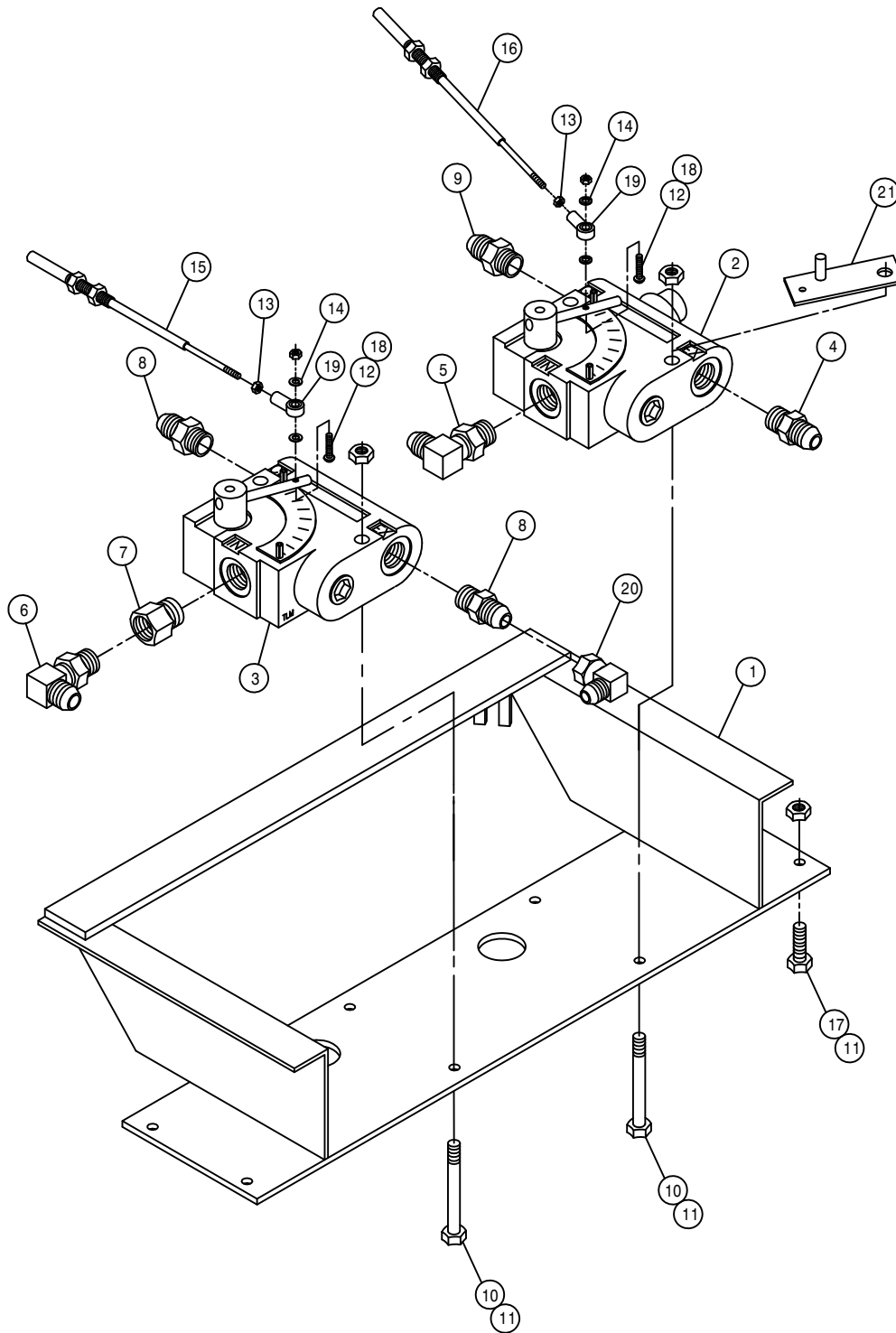
DET. QTY PART NO. DESCRIPTION

1	1	826108	BRAKE LEVER ASSY
2	1	826138	PARK BRAKE SWITCH FOR 826108
3	1	826139	PARK BRAKE SWITCH SCREW
4	1	826140	PARK BRAKE SWITCH PIN
5	2	826926	190 IN BRAKE CABLE
6	4	900064	5/16UNC X 3/4 HEX BOLT
7	1	900067	5/16UNC X 1 1/2 HEX BOLT
8	5	914002	5/16UNC HEX STOVER NUT
9	1	291636	BUZZER, 12V ELECTRONIC
10	1	193038	DUAL LOCK 1IN SJ3541 TYPE 400
11	1	193039	DUAL LOCK 1IN SJ3542 TYPE 400



FOUR-WHEEL DRIVE SELECTOR VALVE ASSEMBLY

DET.	QTY	PART NO.	DESCRIPTION	
	1	341861	FWD CABLE MT WLD 280	89
	2	606003	GRESEN SELECTOR VALVE DS-12	
	3	611127	1 1/16MJIC-1 1/16MOR ADPTR	
	4	611126	7/8MJIC-7/8MOR ADPTR	
	5	614198	FWD VALVE U-TUBE ASSY	
	6	618130	7/8MOR RUN TEE-7/8MJIC	
	7	618132	1 1/16MOR-7/8FOR ADPTR	
	8	618301	7/8MJIC-90-7/8FJIC SWIV LBO	
	9	618333	7/8FJIC SW RUN TEE-7/8MJIC	
	10	618535	7/8MJIC-90-1 1/16MOR LBO	
	11	618557	7/8FJIC-9/16MJIC ADPTR	
	12	748501	RUBBER WASH .38 X .406 X 1.50	
	13	785065	CTRL CABLE 10-32 4IN X 68 LG	
	14	910027	#10-32 HEX NUT	
	15	903893	10 32 X 1 SLT RD HD MACH SCR	
	16	901136	3/8UNC X 3 CARR BOLT	
	17	914004	3/8UNC HEX STOVER NUT	
	18	914027	#10-32 HEX STOVER NUT	
	19	920510	LOCK WASH NO 10	
	20	900002	1/4UNC X 3/4 HEX BOLT	
	21	914000	1/4UNC HEX STOVER NUT	
	22	473921	BALL JOINT NO 10-32 THD	

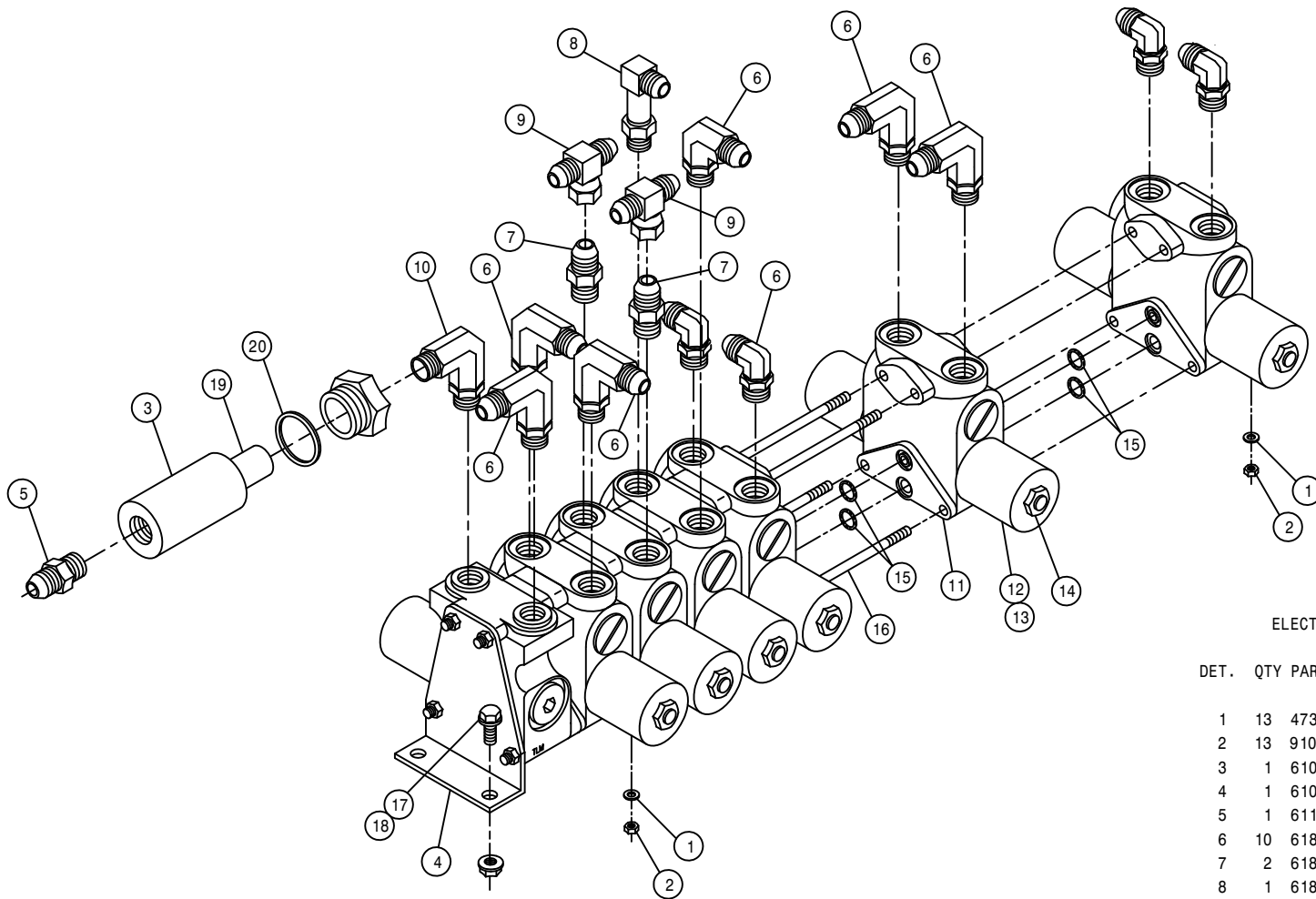


VARIABLE FLOW CONTROL ASSEMBLY

DET. QTY PART NO. DESCRIPTION

1	1	342209	SOLU VFC MT WLD	94
2	1	606818	FLO CONT FCR51 0-16GPM 7/8FOR	
3	1	606827	FLO CONT FC51 0-3 VARI 7/8FOR	
4	1	611126	7/8MJIC-7/8MOR ADPTR	
5	1	611128	7/8MJIC-90-7/8MOR LBO	
6	1	618119	9/16MJIC-90-9/16MOR LBO	
7	1	618172	7/8MOR-9/16FOR ADPTR	
8	2	618310	9/16MJIC-7/8MOR ADPTR	
9	1	618327	3/4MJIC-7/8MOR ADPTR	
10	4	900008	1/4UNC X 2 1/2 HEX BOLT	
11	8	914000	1/4UNC HEX STOVER NUT	
12	2	903893	10-32 X 1" SLT RD HD MACH SCR	
13	2	910027	10-32 HEX NUT	
14	4	920510	#10 LOCK WASHER	
15	1	785064	CTRL CABLE 10-32 2IN X 53 LG	
16	1	785063	CTRL CABLE 10-32 2IN X 42 LG	
17	4	470118	1/4UNC X 3/4 FLANGE HEX BOLT	
18	2	914027	10-32 HEX STOVER NUT	
19	2	473921	BALL JOINT NO 10-32 THD	
20	1	618618	9/16MJIC-90-9/16FJIC SWIV LBO	
21	1	342306	SOLU PUMP VFC STOP WLD,9G	96

NOTE: DETAIL 21 IS USED WITH THE FLOMAX PUMP ASSEMBLY.

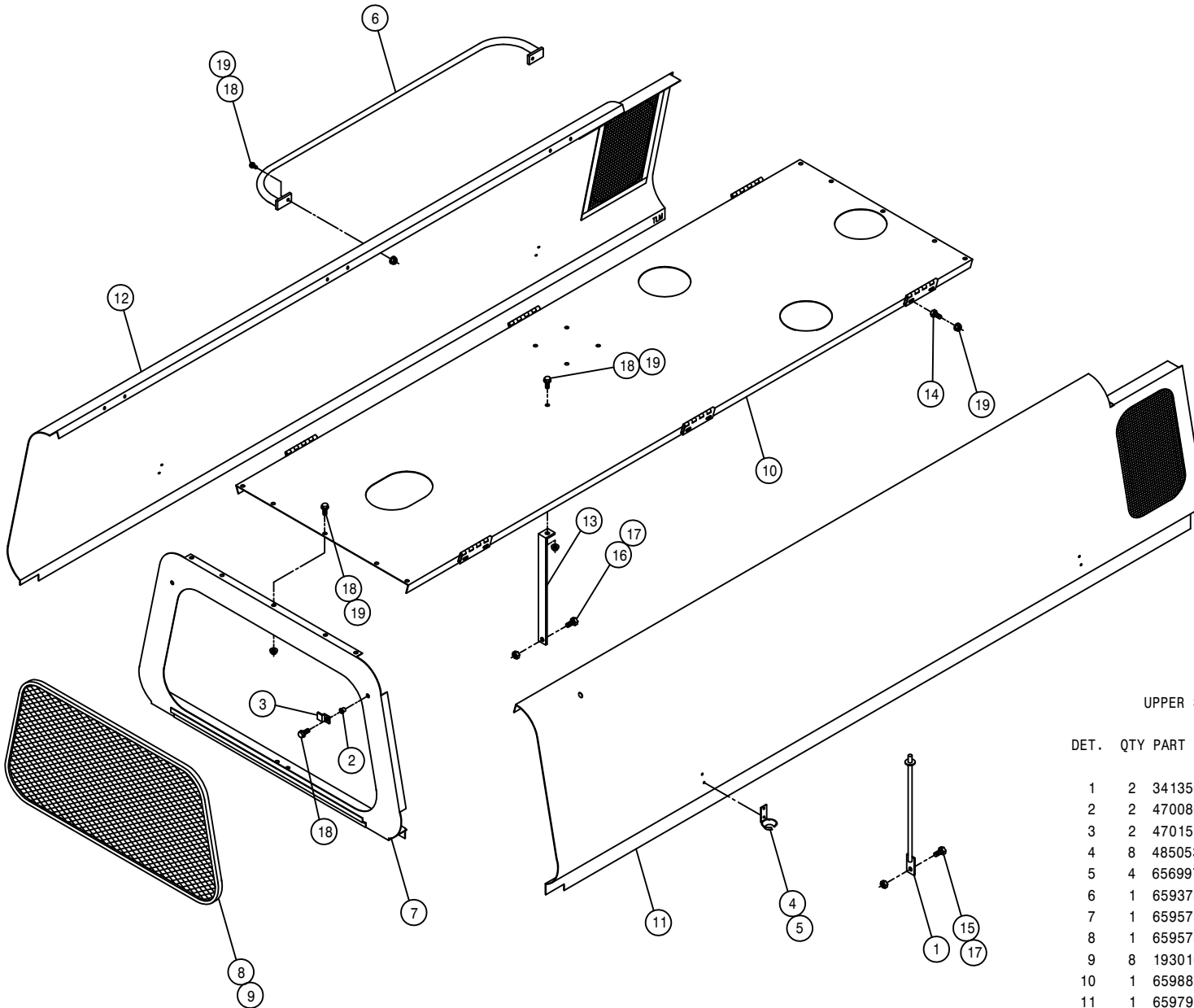


ELECTRIC BOOM VALVE ASSEMBLY

DET. QTY PART NO. DESCRIPTION

1	13	473821	WASHER, INT TOOTH #10
2	13	910027	#10-32 HEX NUT
3	1	610447	HYD FILTER, INLINE 1/4FNPT 90M
4	1	610569	6 SECT, 5 FUCTN HYD VLV, EATON
5	1	611121	9/16MJIC-1/4MNPT ADPTR
6	10	618119	9/16MJIC-90-9/16MOR LBO
7	2	618126	9/16MJIC-9/16MOR ADPTR
8	1	618440	9/16MJIC-90-9/16MOR EX LG LBO
9	2	618514	9/16FJ SW BRANCH TEE-9/16MJ
10	1	618562	9/16MOR-90-1/4MNPT LBO
11	1	610574	VALVE SECTION ASSY FOR 610569
12	1	610575	SOLENOID COIL ASSY FOR 610569
13	1	610576	SOLENOID CASE FOR 610569
14	1	610577	SOLENOID CASE NUT FOR 610569
15	4	610578	SECTION O-RING FOR 610569
16	4	610579	7-SECTION TIE STUD FOR 610569
17	4	470118	1/4UNC X 3/4 FLANGED HEX BOLT
18	4	470121	1/4UNC HEX FLANGED LOCK NUT
19	1	610459	FILTER ELEMENT FOR 610447 90M
20	1	610462	GASKET FOR 610447 ARROW FILT

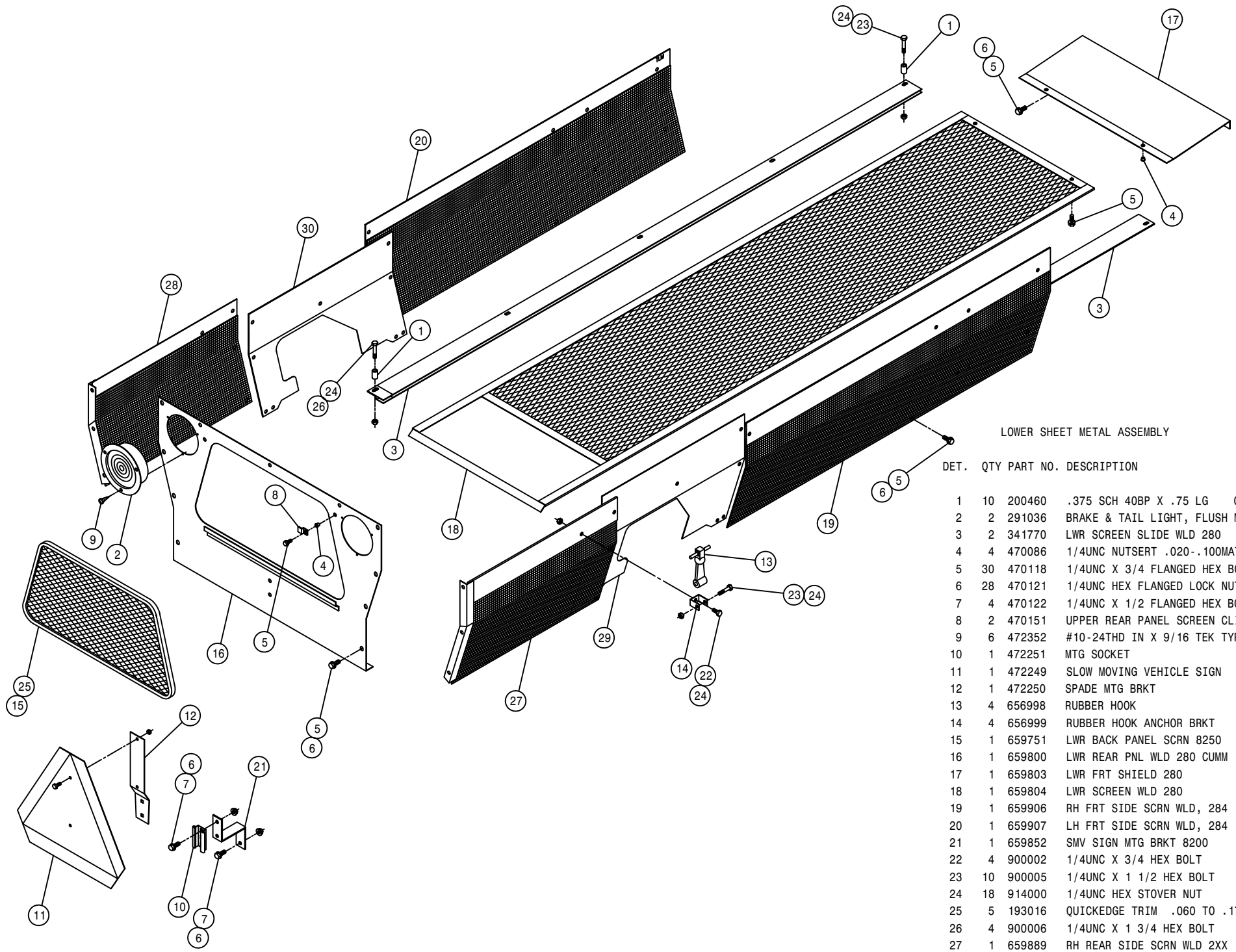
NOTE: 610584 - VALVE SECTION KIT INCLUDES DETAIL
11, 12, 13, 14, AND 15



UPPER SHEET METAL ASSEMBLY

DET. QTY PART NO. DESCRIPTION

DET.	QTY	PART NO.	DESCRIPTION
1	2	341356	ENGINE HOOD PROP WLD 8240 82
2	2	470086	1/4UNC NUTSERT .020-.100MATL
3	2	470151	UPPER REAR PANEL SCREEN CLIP
4	8	485053	POP RIVET 3/16 X 3/8
5	4	656997	RUBBER HOOK BRKT 473
6	1	659378	RH ENG HOOD HANDRAIL WLD 647S
7	1	659575	UPPER REAR PANEL WLD 8240 82
8	1	659578	UPPER REAR PANEL SCREEN 8240
9	8	193016	QUICKEDGE TRIM .060 TO .170
10	1	659881	MULLION WLD CUMM 280 92
11	1	659796	RH ENGINE HOOD WLD 280 89
12	1	659797	LH ENGINE HOOD WLD 280 89
13	1	659835	MULLION SUPPORT 200 89
14	12	900000	1/4UNC X 1/2 HEX BOLT
15	2	900128	3/8UNC X 3/4 HEX BOLT
16	1	900129	3/8UNC X 1 HEX BOLT
17	3	914004	3/8UNC HEX STOVER NUT
18	15	470118	1/4UNC X 3/4 FLANGED HEX BOLT
19	25	470121	1/4UNC HEX FLANGED LOCK NUT



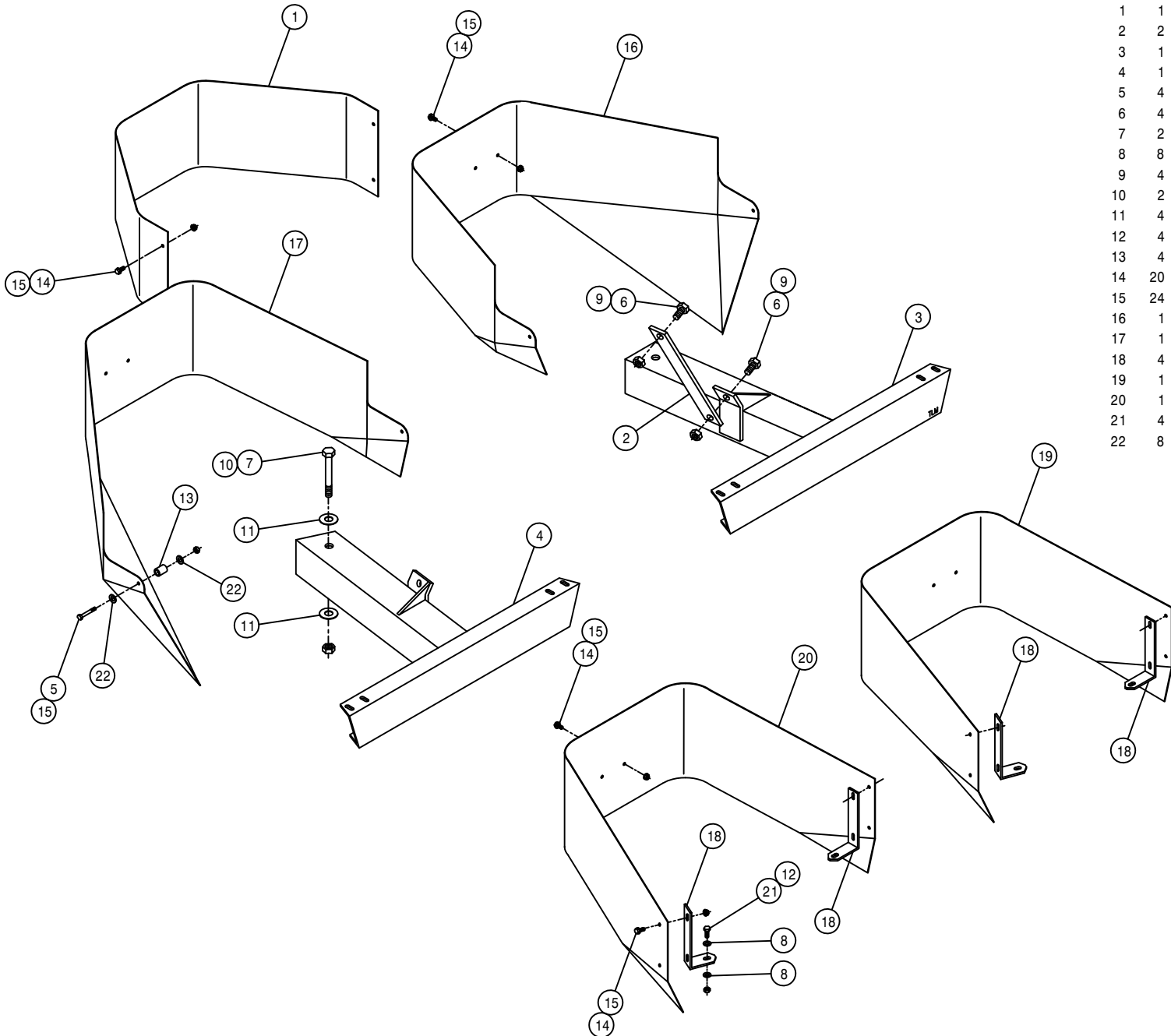
LOWER SHEET METAL ASSEMBLY

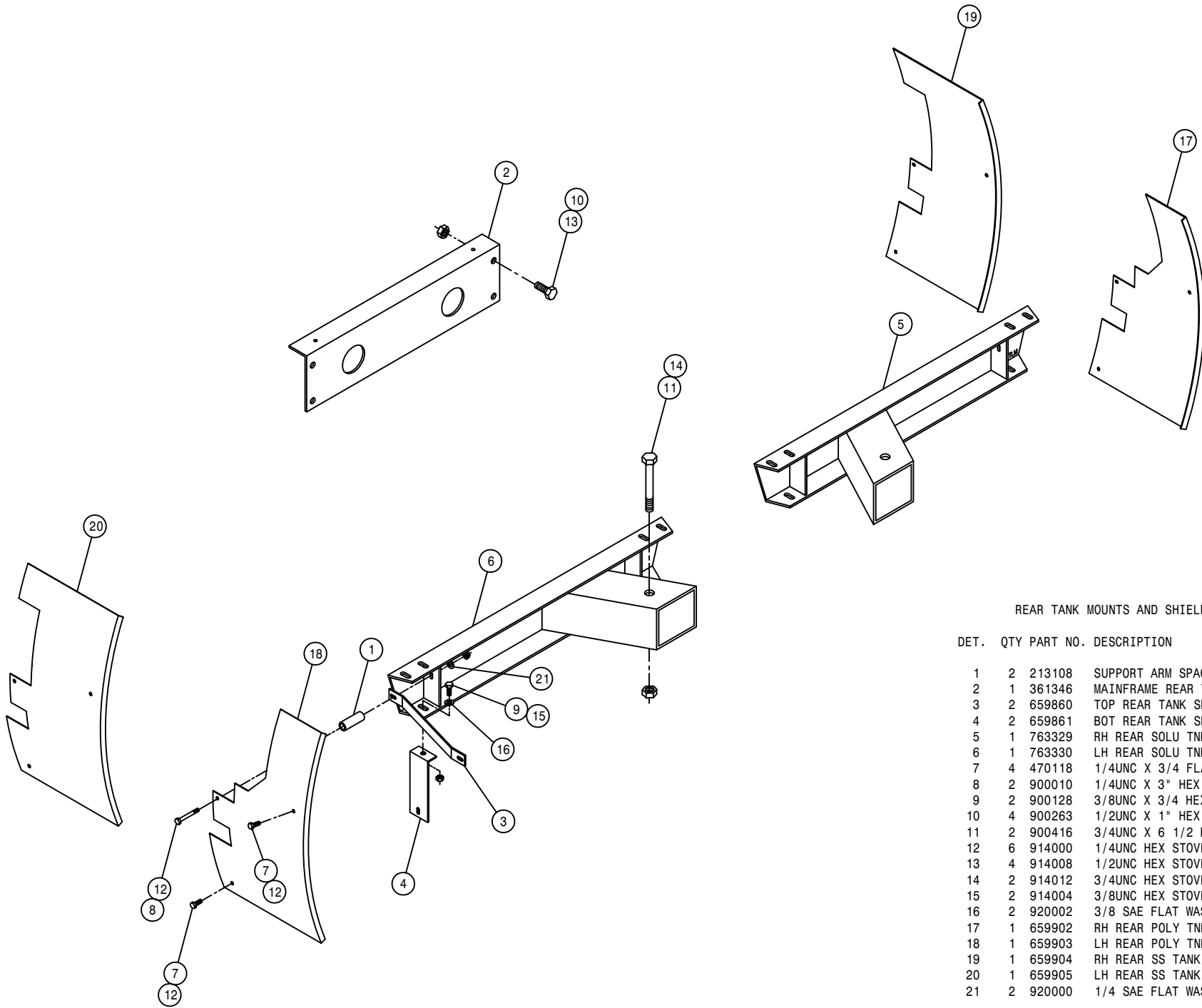
DET.	QTY	PART NO.	DESCRIPTION
1	10	200460	.375 SCH 40BP X .75 LG C/L
2	2	291036	BRAKE & TAIL LIGHT, FLUSH MT
3	2	341770	LWR SCREEN SLIDE WLD 280 89
4	4	470086	1/4UNC NUTSERT .020-.100MATL
5	30	470118	1/4UNC X 3/4 FLANGED HEX BOLT
6	28	470121	1/4UNC HEX FLANGED LOCK NUT
7	4	470122	1/4UNC X 1/2 FLANGED HEX BOLT
8	2	470151	UPPER REAR PANEL SCREEN CLIP
9	6	472352	#10-24THD IN X 9/16 TEK TYP 3
10	1	472251	MTG SOCKET
11	1	472249	SLOW MOVING VEHICLE SIGN
12	1	472250	SPADE MTG BRKT
13	4	656998	RUBBER HOOK
14	4	656999	RUBBER HOOK ANCHOR BRKT
15	1	659751	LWR BACK PANEL SCR N 8250 86
16	1	659800	LWR REAR PNL WLD 280 CUMM 89
17	1	659803	LWR FRT SHIELD 280 89
18	1	659804	LWR SCREEN WLD 280 89
19	1	659906	RH FRT SIDE SCR N WLD, 284 94
20	1	659907	LH FRT SIDE SCR N WLD, 284 94
21	1	659852	SMV SIGN MTG BRKT 8200 89
22	4	900002	1/4UNC X 3/4 HEX BOLT
23	10	900005	1/4UNC X 1 1/2 HEX BOLT
24	18	914000	1/4UNC HEX STOVER NUT
25	5	193016	QUICKEDGE TRIM .060 TO .170
26	4	900006	1/4UNC X 1 3/4 HEX BOLT
27	1	659889	RH REAR SIDE SCR N WLD 2XX 92
28	1	659890	LH REAR SIDE SCR N WLD 2XX 92
29	1	659895	RH LWR SIDE SHIELD 200/280 92
30	1	659896	LH LWR SIDE SHIELD 200/280 92

FRONT TANK MOUNTS AND SHIELDS

DET. QTY PART NO. DESCRIPTION

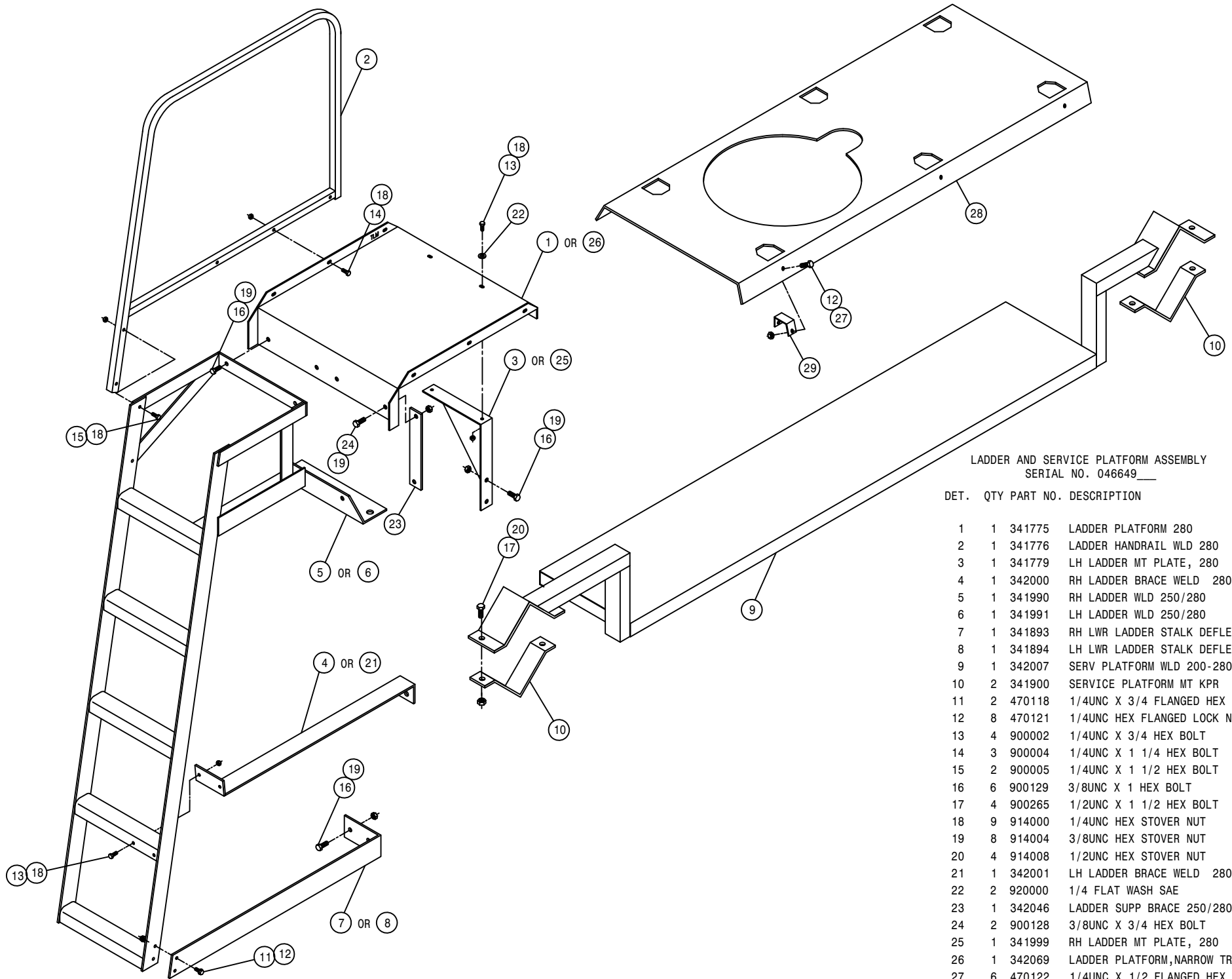
1	1	659831	LWR FRONT SHIELD 280	89
2	2	763438	TANK SUPPORT ARM, 284	94
3	1	763447	RH FRT SOLU TANK MT WLD284	94
4	1	763448	LH FRT SOLU TANK MT WLD284	94
5	4	900006	1/4UNC X 1 3/4 HEX BOLT	
6	4	900333	5/8UNC X 1 1/2 HEX BOLT	
7	2	900416	3/4UNC X 6 1/2 HEX BOLT	
8	8	920002	WASH FLAT 3/8 SAE	
9	4	914010	5/8UNC HEX STOVER NUT	
10	2	914012	3/4UNC HEX STOVER NUT	
11	4	920006	3/4 FLAT WASH SAE	
12	4	914004	3/8UNC HEX STOVER NUT	
13	4	160621	SPRING TIGHTENER HOOK BUSH	
14	20	470118	1/4UNC X 3/4 FLANGED HEX BOLT	
15	24	470121	1/4UNC HEX FLANGED LOCK NUT	
16	1	659856	RH FRT POLY TANK SHLD WLD 280	
17	1	659857	LH FRT POLY TANK SHLD WLD 280	
18	4	659834	FRT LEG SHIELD MTG BRKT280	89
19	1	659854	RH FRT SS TANK SHIELD 280	90
20	1	659855	LH FRT SS TANK SHIELD 280	90
21	4	900130	3/8UNC X 1 1/4 HEX BOLT	
22	8	920000	1/4 FLAT WASH SAE	





REAR TANK MOUNTS AND SHIELDS

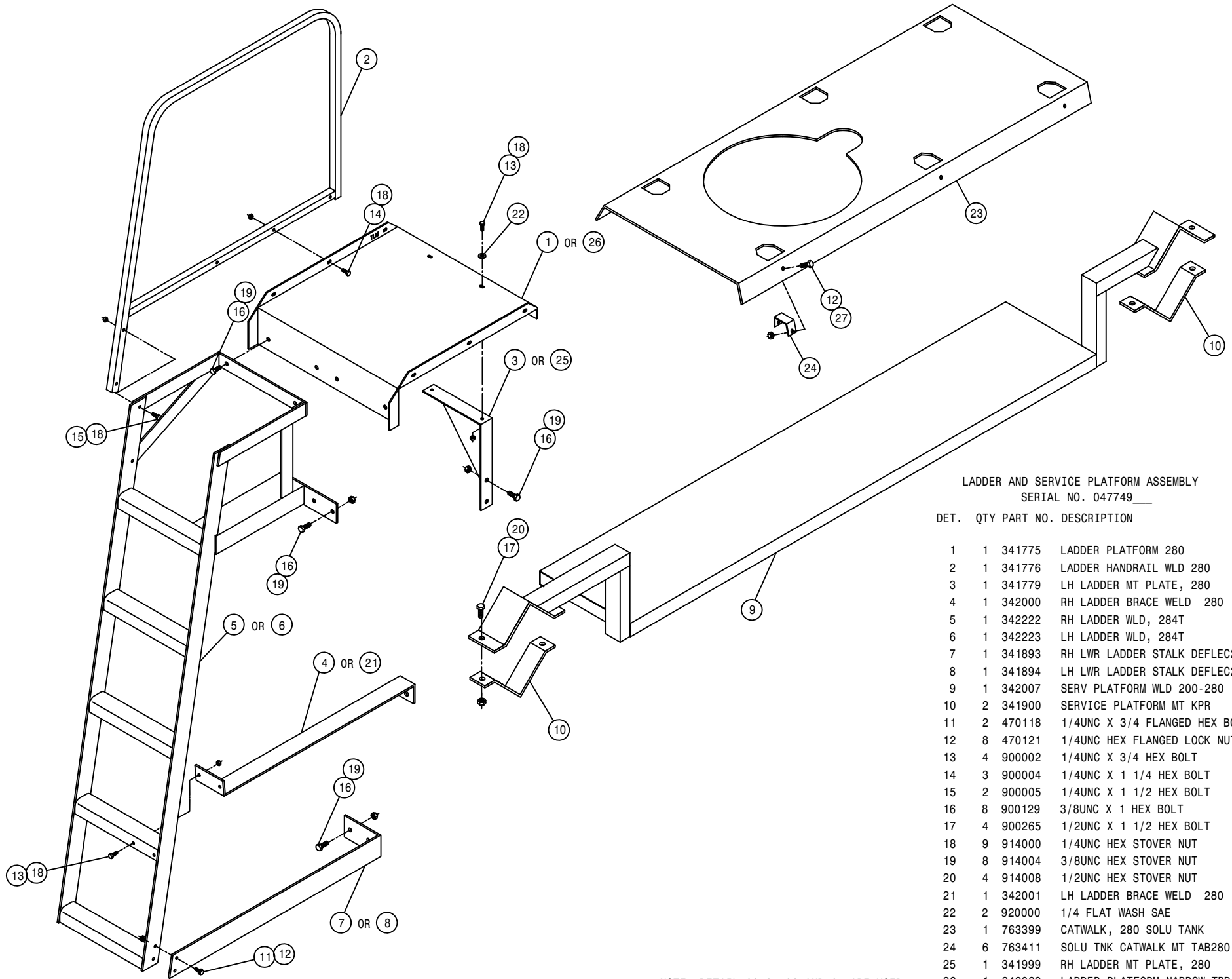
DET.	QTY	PART NO.	DESCRIPTION
1	2	213108	SUPPORT ARM SPACER
2	1	361346	MAINFRAME REAR TIE ANGLE 280
3	2	659860	TOP REAR TANK SHLD BRKT280 90
4	2	659861	BOT REAR TANK SHLD BRKT280 90
5	1	763329	RH REAR SOLU TNK MT WLD280 90
6	1	763330	LH REAR SOLU TNK MT WLD280 90
7	4	470118	1/4UNC X 3/4 FLANGE HEX BOLT
8	2	900010	1/4UNC X 3" HEX BOLT
9	2	900128	3/8UNC X 3/4 HEX BOLT
10	4	900263	1/2UNC X 1" HEX BOLT
11	2	900416	3/4UNC X 6 1/2 HEX BOLT
12	6	914000	1/4UNC HEX STOVER NUT
13	4	914008	1/2UNC HEX STOVER NUT
14	2	914012	3/4UNC HEX STOVER NUT
15	2	914004	3/8UNC HEX STOVER NUT
16	2	920002	3/8 SAE FLAT WASHER
17	1	659902	RH REAR POLY TNK SHIELD284 94
18	1	659903	LH REAR POLY TNK SHIELD284 94
19	1	659904	RH REAR SS TANK SHIELD 284 94
20	1	659905	LH REAR SS TANK SHIELD 284 94
21	2	920000	1/4 SAE FLAT WASHER



LADDER AND SERVICE PLATFORM ASSEMBLY
SERIAL NO. 046649

DET.	QTY	PART NO.	DESCRIPTION	
1	1	341775	LADDER PLATFORM 280	89
2	1	341776	LADDER HANDRAIL WLD 280	89
3	1	341779	LH LADDER MT PLATE, 280	89
4	1	342000	RH LADDER BRACE WELD 280	92
5	1	341990	RH LADDER WLD 250/280	92
6	1	341991	LH LADDER WLD 250/280	92
7	1	341893	RH LWR LADDER STALK DEFLEC280	
8	1	341894	LH LWR LADDER STALK DEFLEC280	
9	1	342007	SERV PLATFORM WLD 200-280	92
10	2	341900	SERVICE PLATFORM MT KPR	90
11	2	470118	1/4UNC X 3/4 FLANGED HEX BOLT	
12	8	470121	1/4UNC HEX FLANGED LOCK NUT	
13	4	900002	1/4UNC X 3/4 HEX BOLT	
14	3	900004	1/4UNC X 1 1/4 HEX BOLT	
15	2	900005	1/4UNC X 1 1/2 HEX BOLT	
16	6	900129	3/8UNC X 1 HEX BOLT	
17	4	900265	1/2UNC X 1 1/2 HEX BOLT	
18	9	914000	1/4UNC HEX STOVER NUT	
19	8	914004	3/8UNC HEX STOVER NUT	
20	4	914008	1/2UNC HEX STOVER NUT	
21	1	342001	LH LADDER BRACE WELD 280	92
22	2	920000	1/4 FLAT WASH SAE	
23	1	342046	LADDER SUPP BRACE 250/280	
24	2	900128	3/8UNC X 3/4 HEX BOLT	
25	1	341999	RH LADDER MT PLATE, 280	89
26	1	342069	LADDER PLATFORM, NARROW TRD	94
27	6	470122	1/4UNC X 1/2 FLANGED HEX BOLT	
28	1	763399	CATWALK, 280 SOLU TANK	92
29	6	763411	SOLU TNK CATWALK MT TAB280	92

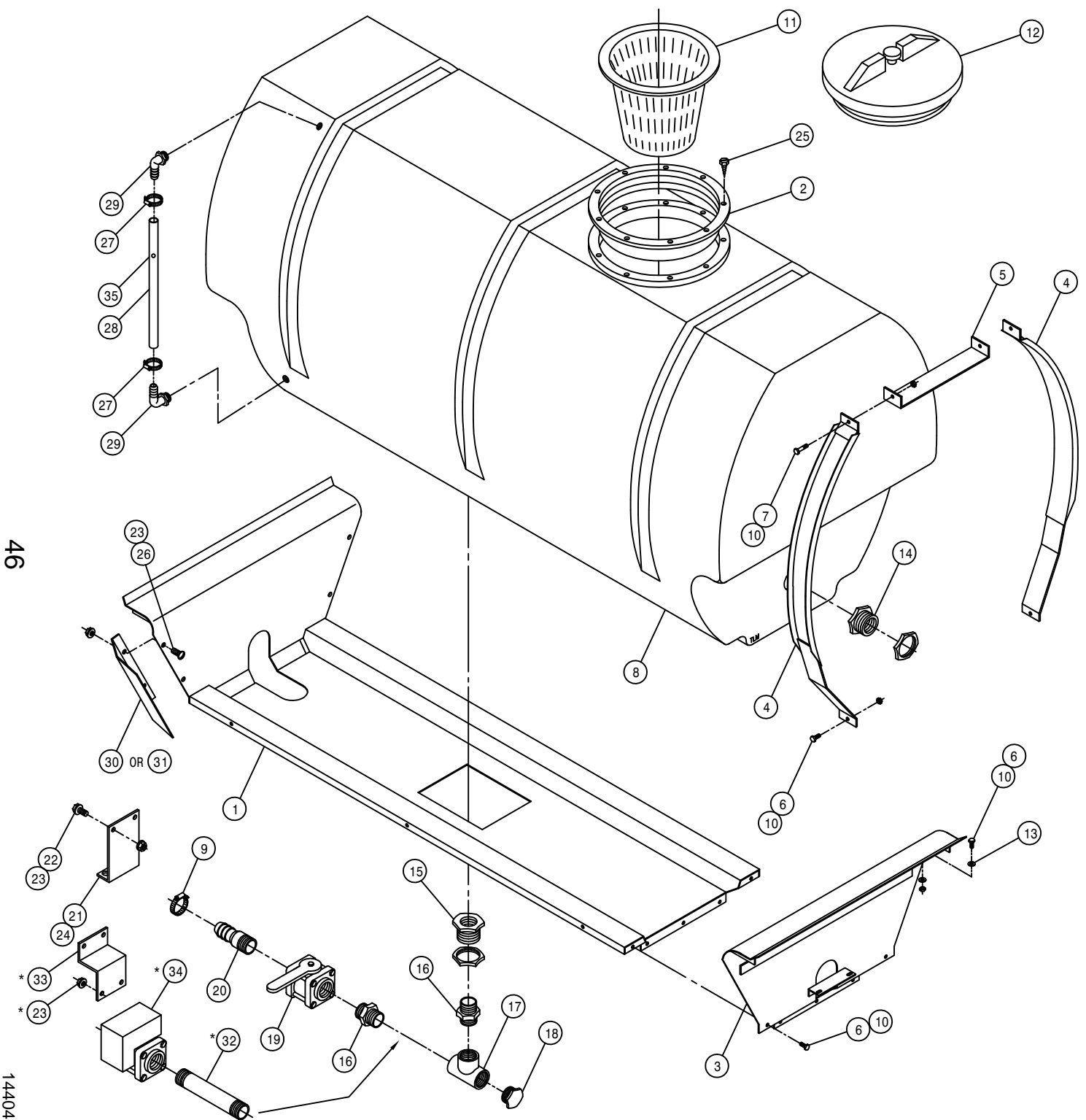
NOTE: DETAIL 26,27,28 AND 29 ARE USED WITH THE NARROW TREAD OPTION.



LADDER AND SERVICE PLATFORM ASSEMBLY
 SERIAL NO. 047749 ____
 DET. QTY PART NO. DESCRIPTION

1	1	341775	LADDER PLATFORM 280	89
2	1	341776	LADDER HANDRAIL WLD 280	89
3	1	341779	LH LADDER MT PLATE, 280	89
4	1	342000	RH LADDER BRACE WELD 280	92
5	1	342222	RH LADDER WLD, 284T	94
6	1	342223	LH LADDER WLD, 284T	94
7	1	341893	RH LWR LADDER STALK DEFLEC280	
8	1	341894	LH LWR LADDER STALK DEFLEC280	
9	1	342007	SERV PLATFORM WLD 200-280	92
10	2	341900	SERVICE PLATFORM MT KPR	90
11	2	470118	1/4UNC X 3/4 FLANGED HEX BOLT	
12	8	470121	1/4UNC HEX FLANGED LOCK NUT	
13	4	900002	1/4UNC X 3/4 HEX BOLT	
14	3	900004	1/4UNC X 1 1/4 HEX BOLT	
15	2	900005	1/4UNC X 1 1/2 HEX BOLT	
16	8	900129	3/8UNC X 1 HEX BOLT	
17	4	900265	1/2UNC X 1 1/2 HEX BOLT	
18	9	914000	1/4UNC HEX STOVER NUT	
19	8	914004	3/8UNC HEX STOVER NUT	
20	4	914008	1/2UNC HEX STOVER NUT	
21	1	342001	LH LADDER BRACE WELD 280	92
22	2	920000	1/4 FLAT WASH SAE	
23	1	763399	CATWALK, 280 SOLU TANK	92
24	6	763411	SOLU TNK CATWALK MT TAB280	92
25	1	341999	RH LADDER MT PLATE, 280	89
26	1	342069	LADDER PLATFORM,NARROW TRD	94
27	6	470122	1/4UNC X 1/2 FLANGED HEX BOLT	

NOTE: DETAIL 23,24,26 AND 27 ARE USED WITH THE NARROW TREAD OPTION.



POLY 400 GALLON SOLUTION TANK ASSEMBLY

DET.	QTY	PART NO.	DESCRIPTION
1	1	763434	POLY TANK CRADLE WELD, 284 94
2	1	763409	10" THD'D RING FOR TANK LID
3	1	763340	REAR POLY CRADLE MT WLD280 90
4	6	763349	TANK BAND WLD 280 400GAL POLY
5	3	763353	TANK BAND BINDER 280 POLY
6	15	900129	3/8UNC X 1 HEX BOLT
7	6	900131	3/8UNC X 1 1/2 HEX BOLT
8	1	763440	400 GAL POLY SOLU TANK 94
9	1	520067	HOSE CLAMP NO 28 PLATED
10	21	914004	3/8UNC HEX STOVER NUT
11	1	763431	8" STRAINER BASKET, SOLU TANK
12	1	763408	LID, THD'D W/VENT, POLY TANK
13	8	920002	WASH FLAT 3/8 SAE
14	2	618548	1.25 PLASTIC FTG ASSY POLYTNK
15	1	618604	1.50 PLASTIC FTG ASSY-POLYTNK
16	2	500028	1 1/2NPT PIPE NIPPLE, POLY
17	1	500030	1 1/2NPT PIPE TEE, POLY
18	1	500031	1 1/2NPT PIPE PLUG, POLY
19	1	696110	BALL VALVE 1 1/2FNPT POLY
20	1	500032	1 1/2NPT X 1 1/2 H BARB, POLY
21	1	763363	SOLU HOSE SUPPORT 280 POLY 91
22	2	470118	1/4UNC X 3/4 FLANGED HEX BOLT
23	6	470121	1/4UNC HEX FLANGED LOCK NUT
24	1	470000	CABLE TIE, 21" BLACK PLASTIC
25	8	763410	S.S.SCREWS FOR CAP RING,8/PKG
26	2	472269	1/4UNCX1/2 FLT HD MACH SCREW
27	2	520069	HOSE CLAMP NO 6 PLATED
28	1	601245	HOSE, .50 X 42.00 SIGHT GAUGE
29	2	618556	1/4NPT-90-1/2 HOSE BARB,POLY
30	1	763436	RH SIGHT GAGE SHLD,POLY284 94
31	1	763437	LH SIGHT GAGE SHLD,POLY284 94
32	1	500029	1 1/2NPT X 6 PIPE NIPPLE,POLY
33	1	763445	ELECT SOLU VLV SUPPORT 94
34	1	696161	1 1/2NPT ELECT SOLU VALVE
35	1	763446	RED POLYPROPYLENE BALL 25/64"

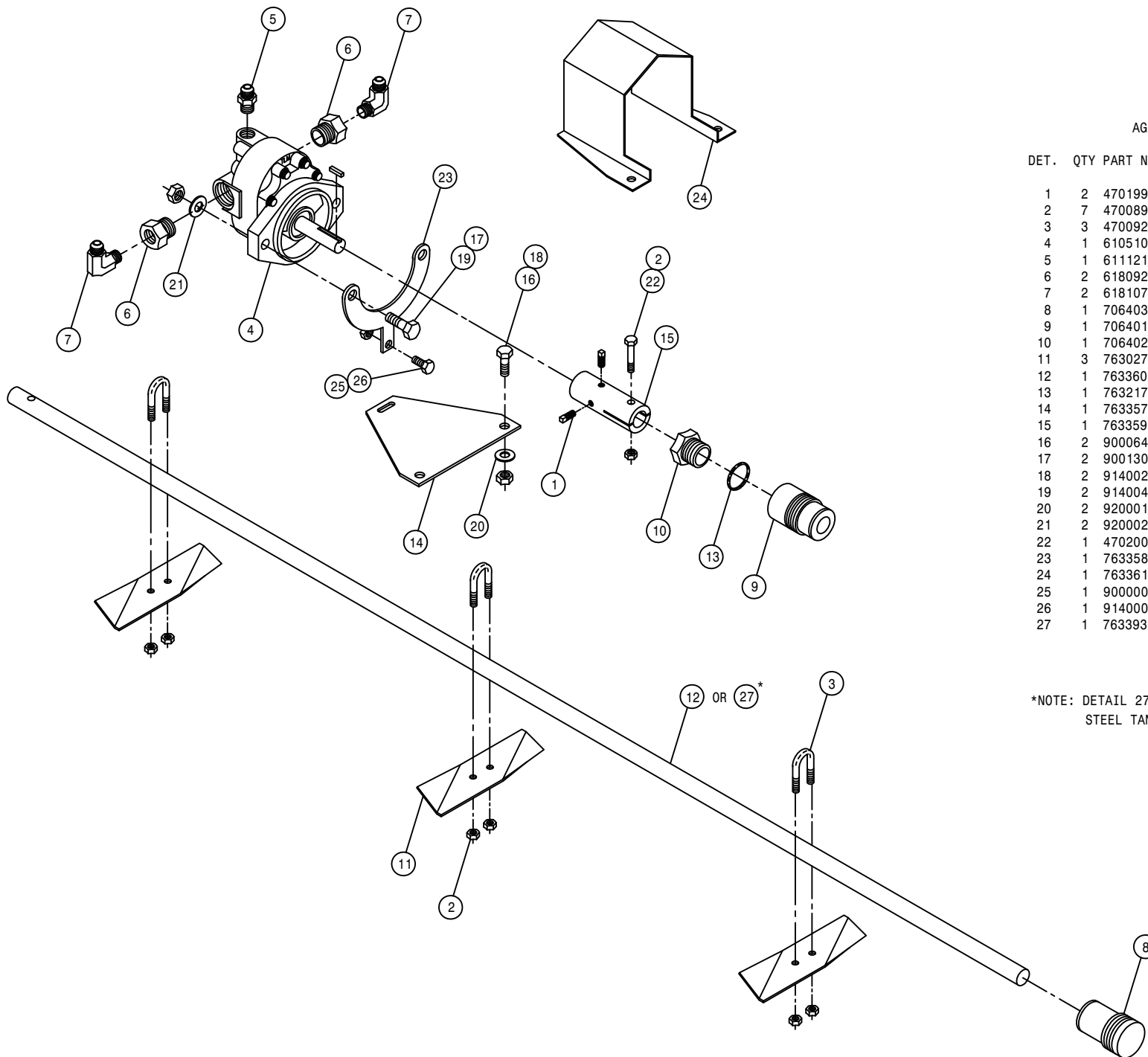
*NOTE: ITEMS 23,32,33, AND 34 ARE USED WITH THE ELECTRIC SOLUTION VALVE OPTION.

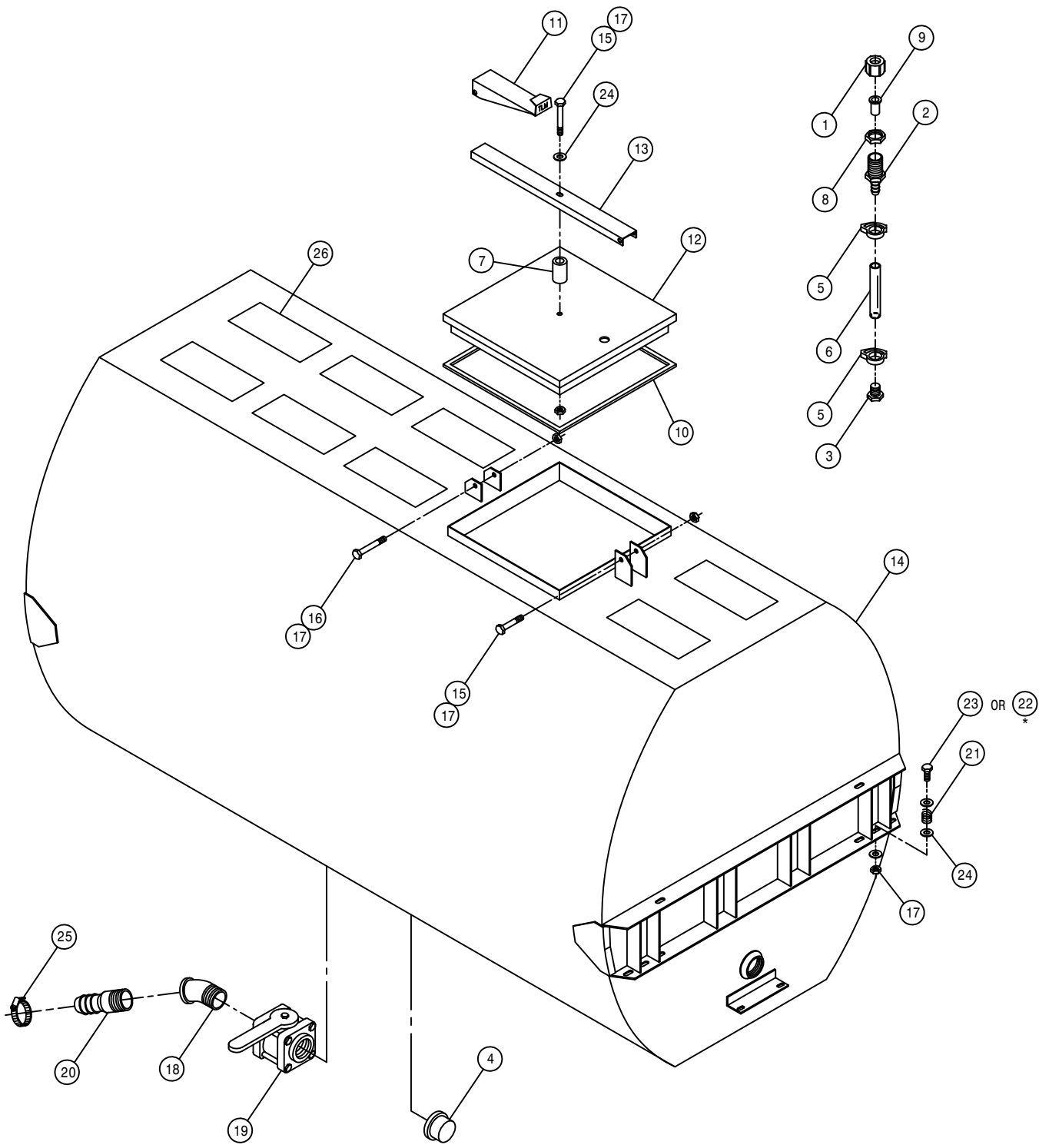
AGITATOR ASSEMBLY

DET. QTY PART NO. DESCRIPTION

1	2	470199	1/4UNC X 3/8 SQHD CUP SET SCR	
2	7	470089	1/4UNC HEX LOC NUT NYL INS SS	
3	3	470092	1/4UNC-3/4ID-1 1/4 U-BOLT SS	
4	1	610510	CESSNA GEAR MOTOR 1.48CI	
5	1	611121	9/16MJIC-1/4MNPT ADPTR	
6	2	618092	1 1/16MOR-1/2FNPT ADPTR	
7	2	618107	9/16MJIC-90-1/2MNPT LBO	
8	1	706403	FRT AGIT SHFT BRG, NYLON	
9	1	706401	REAR AGIT SHFT BRG, NYLON	
10	1	706402	AGIT SHFT GLAND NUT, NYLON	
11	3	763027	AGIT IMPELLER	
12	1	763360	AGIT SHAFT 280	91
13	1	763217	GLAND PACKING, 13 IN. LONG	
14	1	763357	AGIT MTR MT PLT CES 280	91
15	1	763359	AGIT MTR CPLR 280	91
16	2	900064	5/16UNC X 3/4 HEX BOLT	
17	2	900130	3/8UNC X 1 1/4 HEX BOLT	
18	2	914002	5/16UNC HEX STOVER NUT	
19	2	914004	3/8UNC HEX STOVER NUT	
20	2	920001	5/16 SAE FLAT WASHER	
21	2	920002	3/8 SAE FLAT WASHER	
22	1	470200	1/4UNC X 1 3/4 HEX BOLT SS	
23	1	763358	AGIT MTR MT YOKE CES 280	91
24	1	763361	AGIT CPLR SHIELD 280	91
25	1	900000	1/4UNC X 1/2 HEX BOLT	
26	1	914000	1/4UNC HEX STOVER NUT	
27	1	763393	AGIT SHAFT 250	91

*NOTE: DETAIL 27 IS USED WITH THE STAINLESS STEEL TANK OPTION.

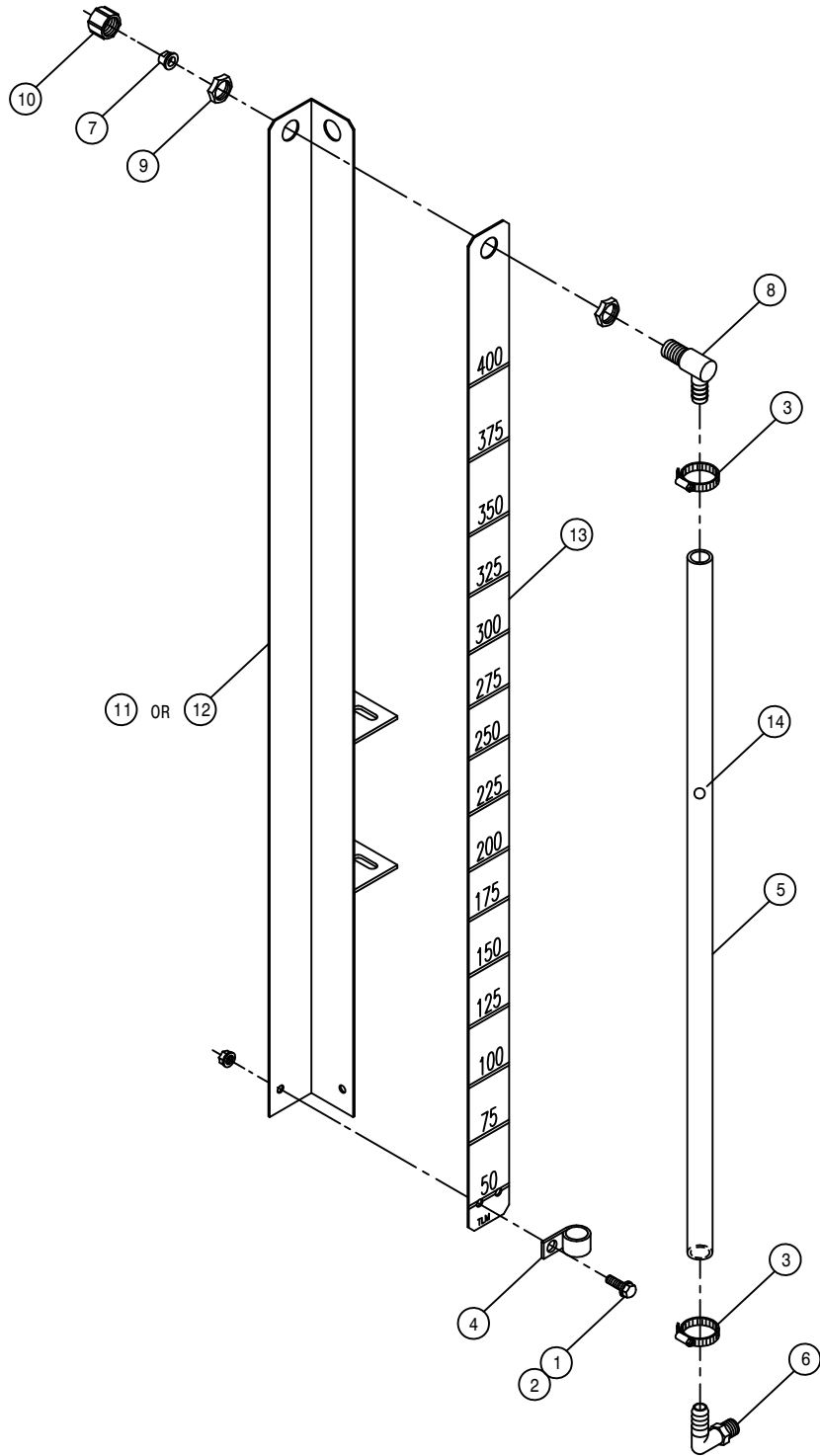




STAINLESS STEEL SOLUTION TANK ASSEMBLY

DET.	QTY	PART NO.	DESCRIPTION
1	1	500005	CAP NUT .688FPS NYLON
2	1	500006	.38 H BARB X .69 MPS NYLON
3	1	500007	FTG .12 MNPT HEX PLUG NYLON
4	1	507100	PIPE CAP 1.50NPT
5	2	520003	HOSE CLAMP NO 6 PLASTIC SNAP
6	1	601216	SPRAY TNK VENT HOSE .38X3.50
7	1	601231	HOSE, 3/4 X 2 HI PRESS EPDM
8	1	737858	TEE AND EL NUT .688 FPS
9	1	738859	STRAINER 50 MESH NYLON
10	1	760651	TANK LID GSKT 647
11	1	763163	SPRAY TANK LATCH HANDLE 647S
12	1	763164	SPRAY TANK LID WLD 647S
13	1	763166	TANK LID CHAN 647-S SIDE
14	1	763294	SS SPRAY TANK WLD 400 GAL 280
15	2	900134	3/8UNC X 2 1/2 HEX BOLT
16	1	900138	3/8UNC X 3 1/2 HEX BOLT
17	7	914004	3/8UNC HEX STOVER NUT
18	1	507024	BLK PIPE ST EL 45DEG 1.50NPT
19	1	696110	BALL VALVE 1 1/2FNPT POLY
20	1	716003	1 1/2 X 1 1/2 HOSE BARB
21	2	499001	SPRING HYDRO CONTROL
22	2	900129	3/8UNC X 1 HEX BOLT
23	2	900170	3/8UNC X 2 1/4 HEX BOLT
24	11	920002	WASH FLAT 3/8 SAE
25	1	520067	HOSE CLAMP NO 28 PLATED
26	8	659677	4X9 SAFETY WALK

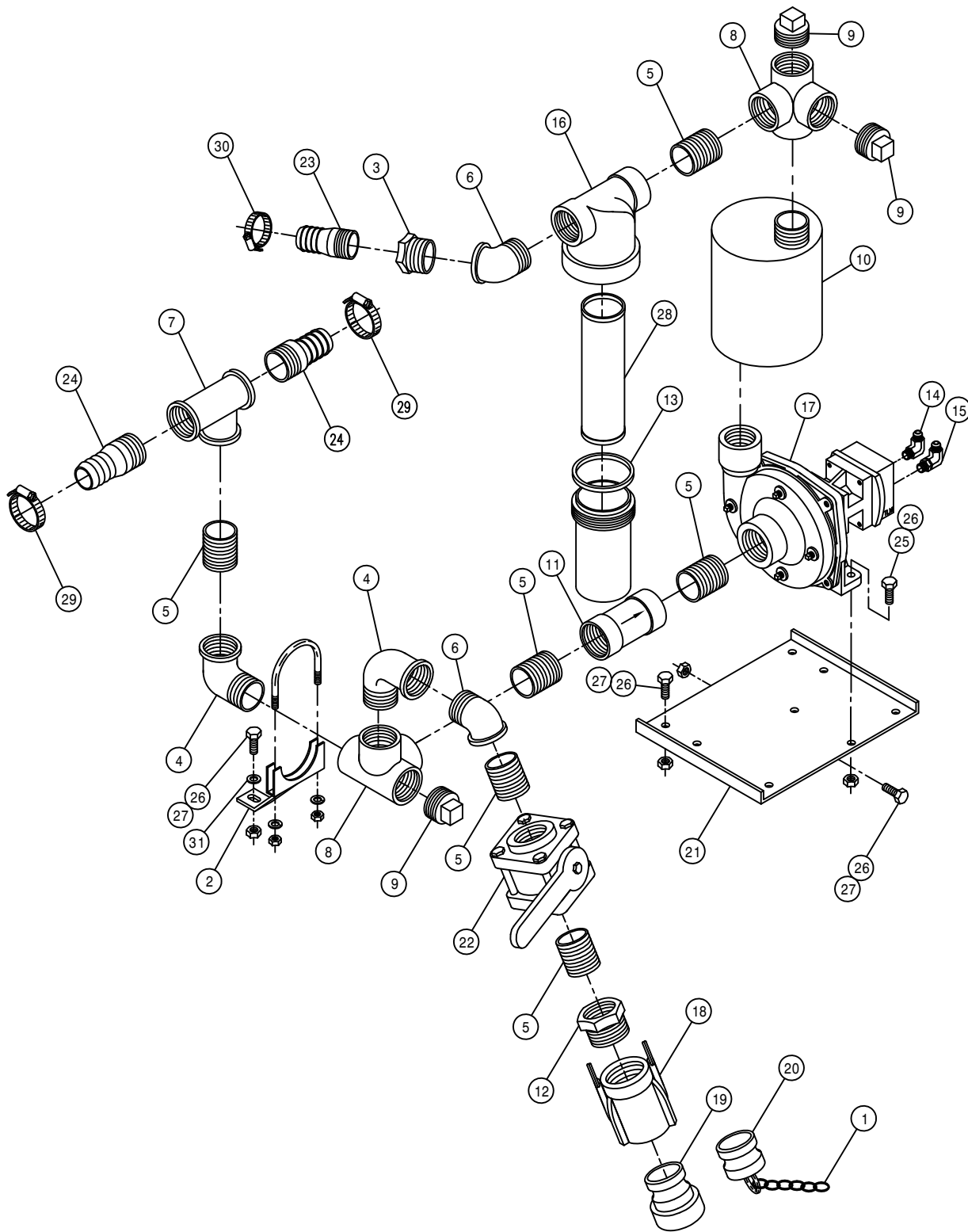
*NOTE: HARDWARE SHOWN IS FOR REAR OF SOLUTION TANK.
FRONT SIDE USES DETAIL 22 AND NO SPRINGS.



SIGHT GAUGE HOSE ASSEMBLY

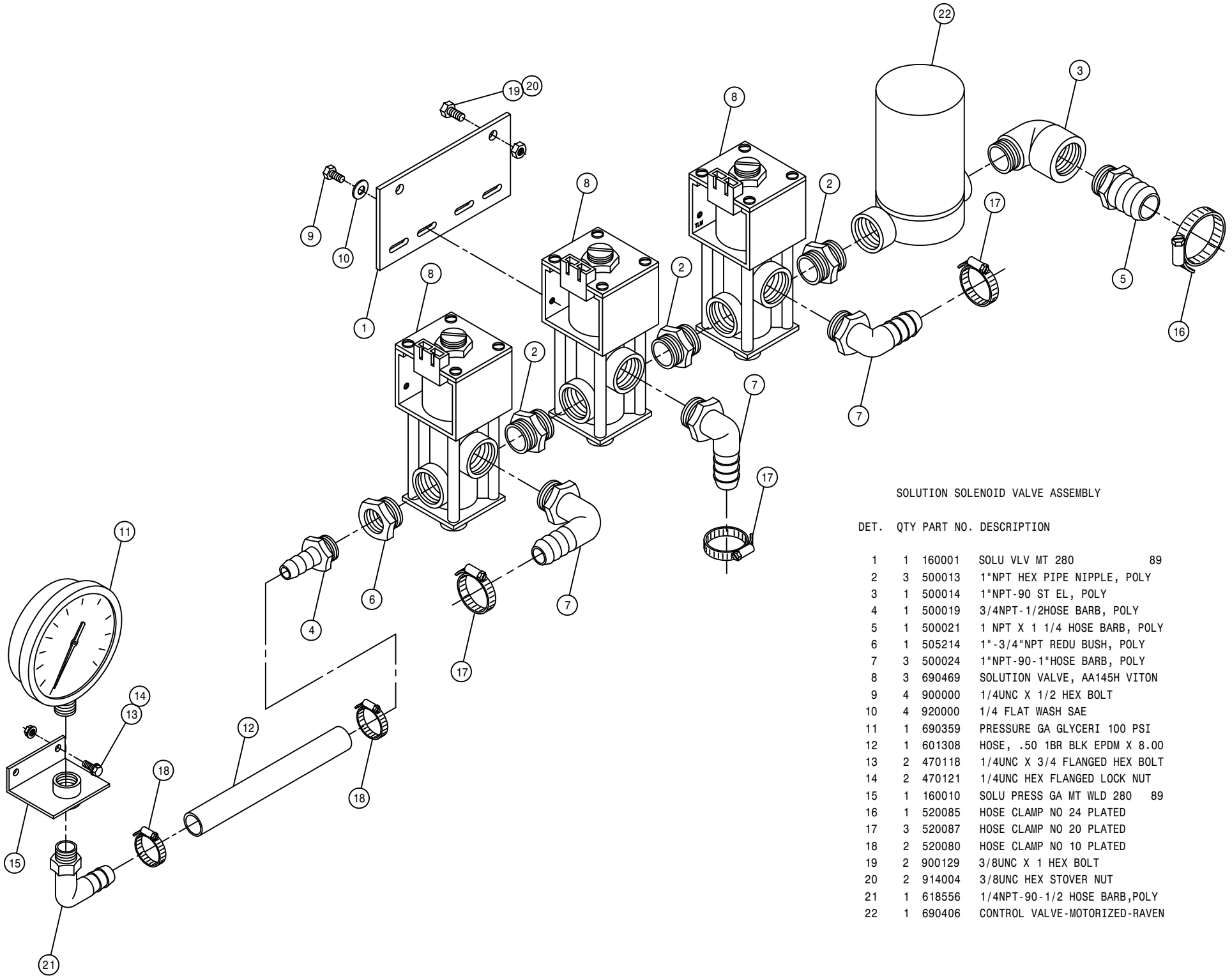
DET. QTY PART NO. DESCRIPTION

1	1	470122	1/4UNC X 1/2 FLANGED HEX BOLT
2	1	470121	1/4UNC HEX FLANGED LOCK NUT
3	2	520069	HOSE CLAMP NO 6 PLATED
4	1	520117	CUSH HOSE CLAMP 5/8D X 1/2W
5	1	601302	HOSE, 1/2 X 52 SIGHT GAUGE
6	1	618556	1/4NPT-90-1/2 HOSE BARB,POLY
7	1	731109	TIP,FS-9 80DEG NYL SNGL ORF
8	1	737856	EL NOZL BODY .50 STEEL
9	1	737858	TEE AND EL NUT .688 FPS
10	1	738866	CAP NUT .688 FPS STEEL
11	1	763316	RH SIGHT GAUGE MT WLD 280 89
12	1	763317	LH SIGHT GAUGE MT WLD 280 89
13	1	763348	SIGHT GAUGE SCALE 280 SS 89
14	1	763446	RED POLYPROPYLENE BALL 25/64"



SOLUTION PUMP ASSEMBLY

DET.	QTY	PART NO.	DESCRIPTION
1	1	160986	TWIN LOOP CHAIN 6 LINKS
2	1	690438	SOLU PUMP SUPPORT BRKT WLD 92
3	1	507015	RED BUSH 1.50NPT - 1.25FNPT
4	2	507018	BLK PIPE ST EL 90DEG 1.50NPT
5	6	507019	CLOSE NIPPLE 1.50NPT
6	2	507024	BLK PIPE ST EL 45DEG 1.50NPT
7	1	507250	BLK PIPE TEE 1.50NPT
8	2	507253	BLK PIPE SIDE OUTLET TEE 1.50
9	3	507400	PIPE PLUG 1.50NPT SQ HD
10	1	690433	PRIMER TANK WLD, SOLU PUMP
11	1	690437	1 1/2 CHECK VLV, SPRING LOAD
12	1	507717	RED BUSH 2 X 1 1/2
13	1	690476	STRAINER GASKET FOR 690474
14	1	611145	3/4MJIC-90-1/2MNPT LBO
15	1	618241	3/4MJIC-90-3/4MOR LBO
16	1	690474	1 1/2 LINE STRAINER50M 150PSI
17	1	690249	HYPRO OPEN CENTER PUMP
18	1	690390	2.00 FEMALE NPT COUPLER
19	1	690391	2.00 FEMALE NPT ADPTR
20	1	690392	ADPTR PLG FOR 2.00 NPT COUPLR
21	1	690397	SOLU PUMP MT WLD 280 89
22	1	696110	BALL VALVE 1 1/2FNPT POLY
23	1	715660	HOSE BARB 1 1/4NPT X 1 1/4
24	2	716003	1 1/2 X 1 1/2 HOSE BARB
25	2	900130	3/8UNC X 1 1/4 HEX BOLT
26	6	914004	3/8UNC HEX STOVER NUT
27	4	900129	3/8UNC X 1 HEX BOLT
28	1	690475	50 MESH SCREEN FOR 690474
29	2	520067	HOSE CLAMP NO 28 PLATED
30	1	520085	HOSE CLAMP NO 24 PLATED
31	1	920002	WASH FLAT 3/8 SAE



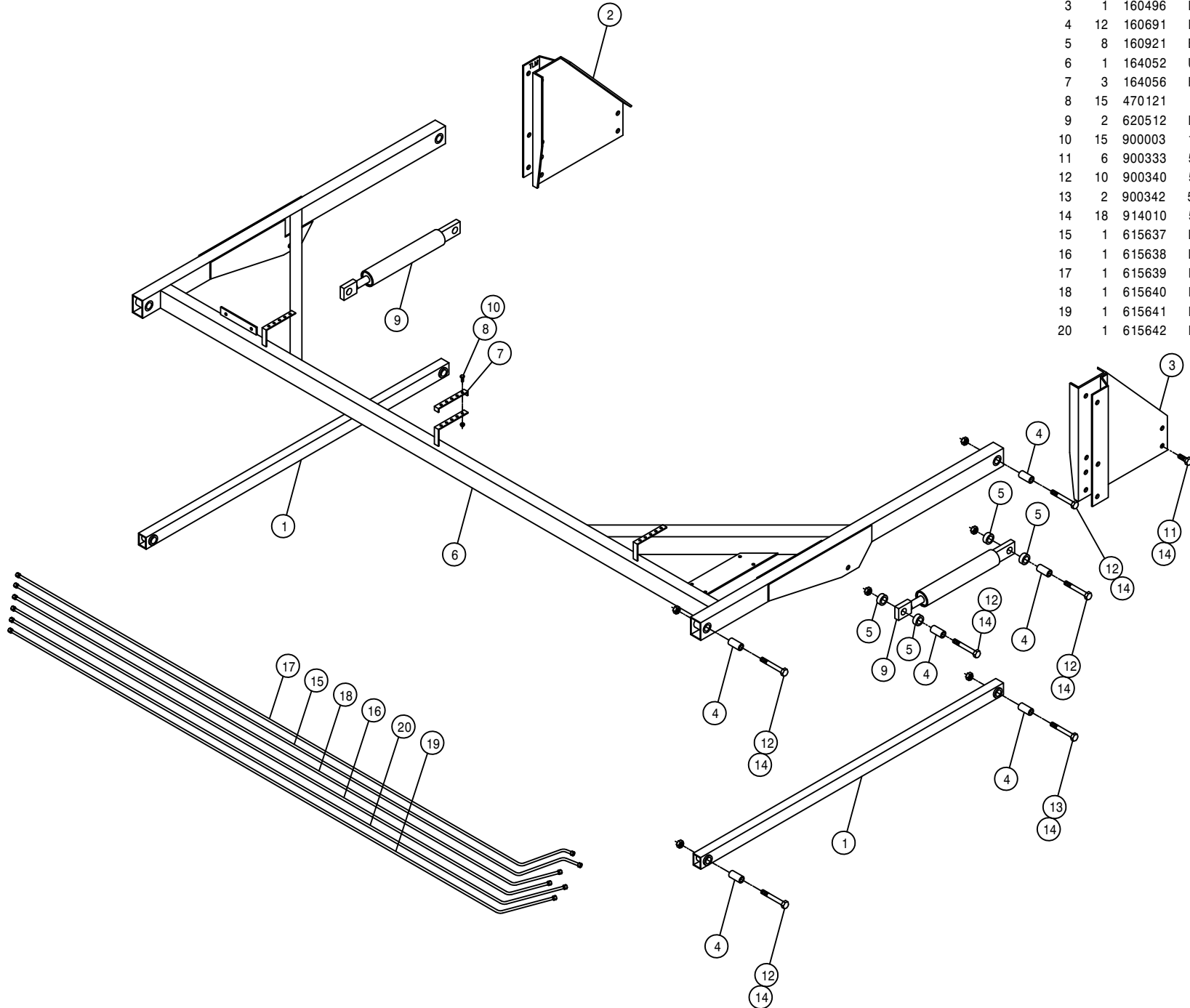
SOLUTION SOLENOID VALVE ASSEMBLY

DET.	QTY	PART NO.	DESCRIPTION	
	1	160001	SOLU VLV MT 280	89
	2	3	500013 1"NPT HEX PIPE NIPPLE, POLY	
	3	1	500014 1"NPT-90 ST EL, POLY	
	4	1	500019 3/4NPT-1/2HOSE BARB, POLY	
	5	1	500021 1 NPT X 1 1/4 HOSE BARB, POLY	
	6	1	505214 1"-3/4"NPT REDU BUSH, POLY	
	7	3	500024 1"NPT-90-1"HOSE BARB, POLY	
	8	3	690469 SOLUTION VALVE, AA145H VITON	
	9	4	900000 1/4UNC X 1/2 HEX BOLT	
	10	4	920000 1/4 FLAT WASH SAE	
	11	1	690359 PRESSURE GA GLYCERI 100 PSI	
	12	1	601308 HOSE, .50 1BR BLK EPDM X 8.00	
	13	2	470118 1/4UNC X 3/4 FLANGED HEX BOLT	
	14	2	470121 1/4UNC HEX FLANGED LOCK NUT	
	15	1	160010 SOLU PRESS GA MT WLD 280	89
	16	1	520085 HOSE CLAMP NO 24 PLATED	
	17	3	520087 HOSE CLAMP NO 20 PLATED	
	18	2	520080 HOSE CLAMP NO 10 PLATED	
	19	2	900129 3/8UNC X 1 HEX BOLT	
	20	2	914004 3/8UNC HEX STOVER NUT	
	21	1	618556 1/4NPT-90-1/2 HOSE BARB,POLY	
	22	1	690406 CONTROL VALVE-MOTORIZED-RAVEN	

LIFTARM ASSEMBLY

DET. QTY PART NO. DESCRIPTION

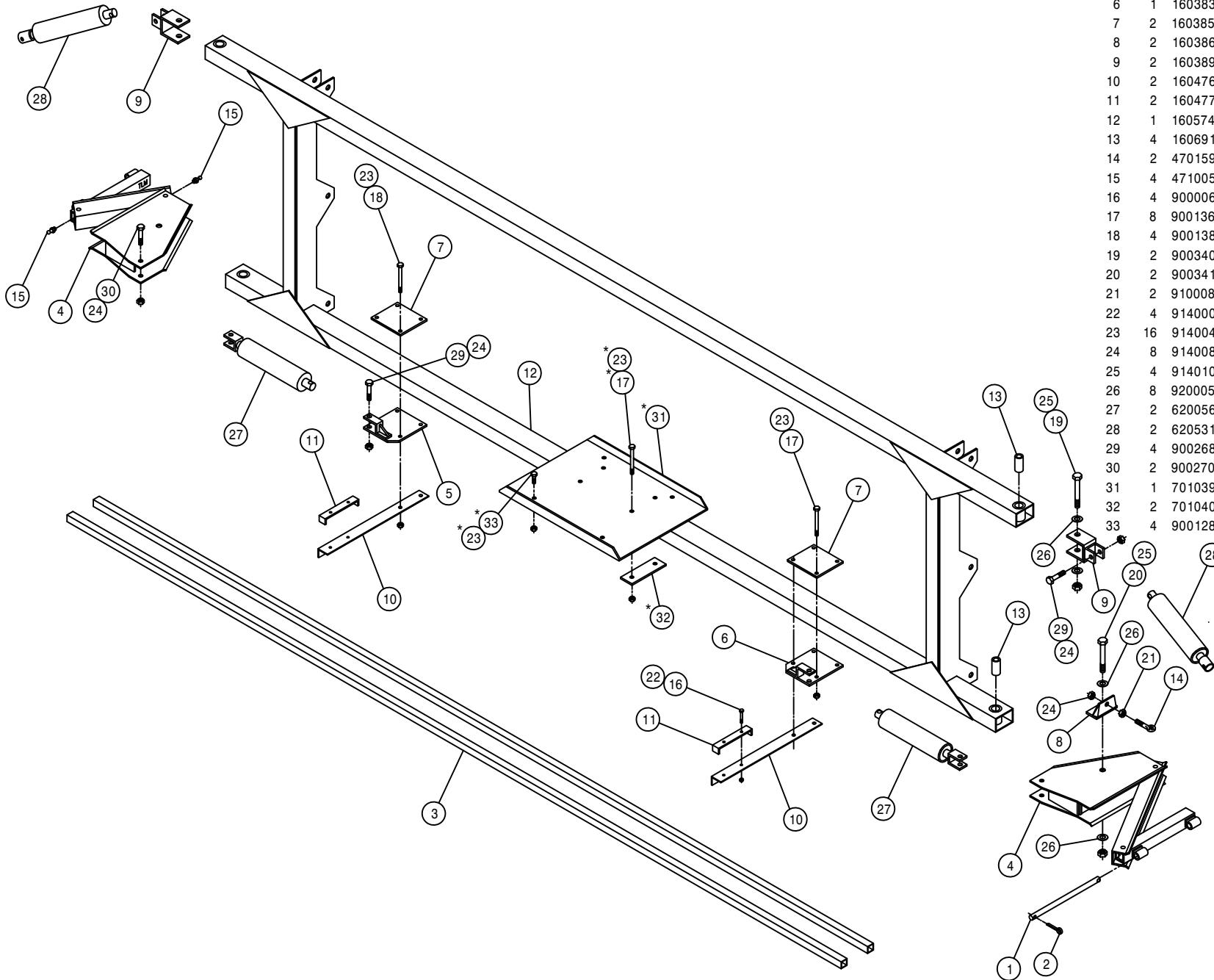
DET.	QTY	PART NO.	DESCRIPTION
1	2	160471	LWR LIFT ARM WLD 8540-8250 87
2	1	160495	RH LIFT ARM MT WLD 280 89
3	1	160496	LH LIFT ARM MT WLD 280 89
4	12	160691	BUSH LIFT ARM LONG 470
5	8	160921	BUSHING, CYL MT-LIFT ARMS5/8
6	1	164052	UPPER LIFT ARM WLD 254/284 94
7	3	164056	HYD TUBE KPR, UPR LIFT ARM 94
8	15	470121	1/4UNC HEX FLANGED LOCK NUT
9	2	620512	LIFT CYL ASSY W/FTGS 94
10	15	900003	1/4UNC X 1 HEX BOLT
11	6	900333	5/8UNC X 1 1/2 HEX BOLT
12	10	900340	5/8UNC X 3 1/2 HEX BOLT
13	2	900342	5/8UNC X 4 HEX BOLT
14	18	914010	5/8UNC HEX STOVER NUT
15	1	615637	LIFT HYD TUBE ASSY,UP 254/284
16	1	615638	LIFT HYD TUBE ASSY,DN 254/284
17	1	615639	LEVEL HYD TUBE ASSY,UP254/284
18	1	615640	LEVEL HYD TUBE ASSY,DN254/284
19	1	615641	FOLD HYD TUBE ASSY,IN 254/284
20	1	615642	FOLD HYD TUBE ASSY,OUT254/284



TRANSOM ASSEMBLY

NOTE: DETAILS MARKED WITH A (*) ARE USED WITH THE FOAM MARKER OPTION.

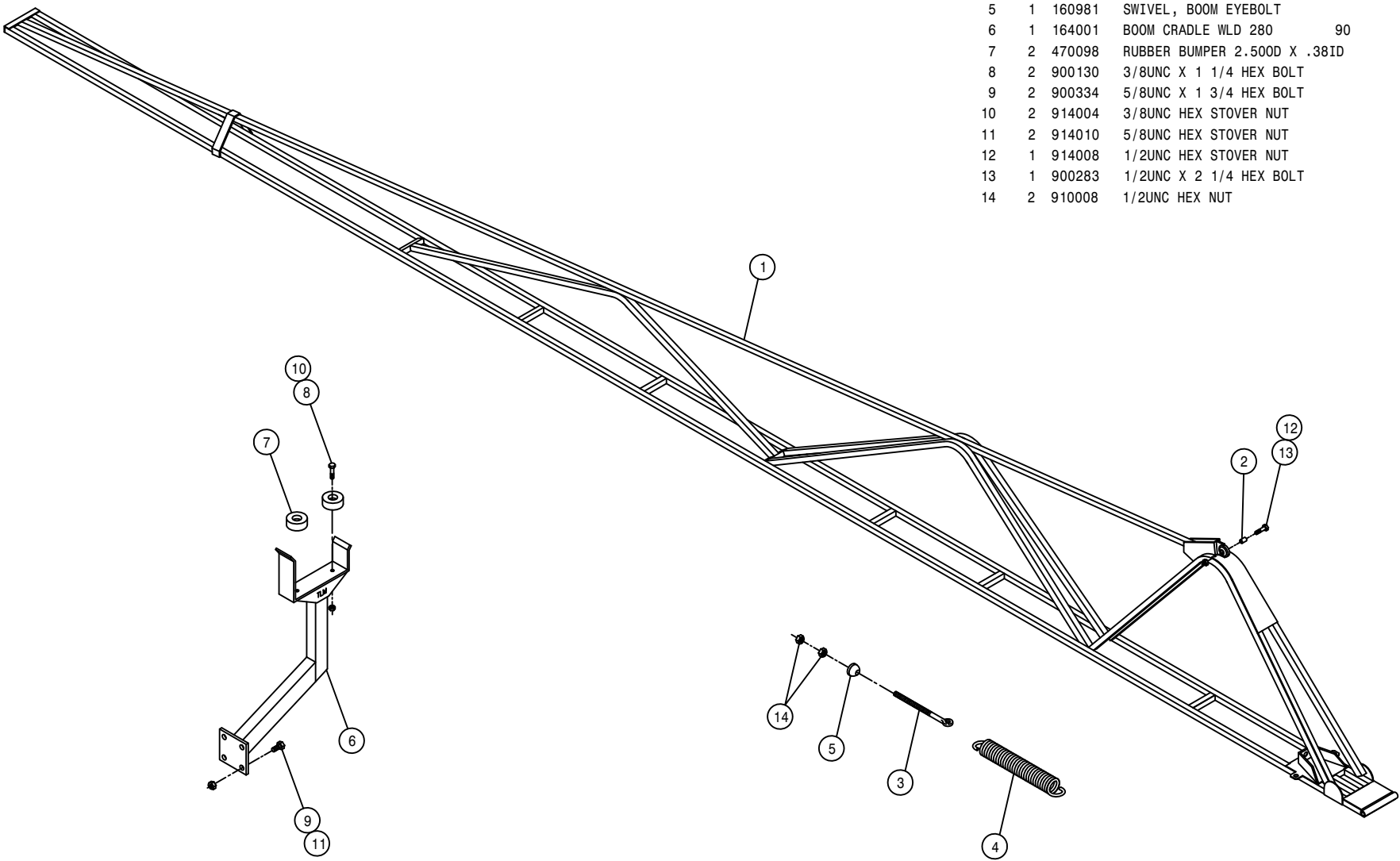
DET.	QTY	PART NO.	DESCRIPTION
1	2	160351	BOOM PIVOT PIN 5/8 8540
2	4	475003	PIN COT 3/16 X 1 ZINC
3	2	160006	NOZL MT CENTER TUBE 120 TREAD
4	2	160350	BOOM BREAKAWAY WLD 8250 85
5	1	160382	RH FOLD CYL MT WLD 8540
6	1	160383	LH FOLD CYL MT WLD 8540
7	2	160385	FOLD CYL MT KPR 8540
8	2	160386	BRKWY SPRING BRKT WLD 8540
9	2	160389	LEVEL CYL PIVOT BRKT WLD 8540
10	2	160476	NOZL MT TUBE HANGER 8540 87
11	2	160477	NOZL MT TUBE CLAMP 8540 87
12	1	160574	TRANSOM WLD 280 89
13	4	160691	BUSH LIFT ARM LONG 470
14	2	470159	1/2UNC X 2 1/2 EYE BOLT
15	4	471005	1/4 28 X 1/2 GREASE ZERK
16	4	900006	1/4UNC X 1 3/4 HEX BOLT
17	8	900136	3/8UNC X 3 HEX BOLT
18	4	900138	3/8UNC X 3 1/2 HEX BOLT
19	2	900340	5/8UNC X 3 1/2 HEX BOLT
20	2	900341	5/8UNC X 3 3/4 HEX BOLT
21	2	910008	1/2UNC HEX NUT
22	4	914000	1/4UNC HEX STOVER NUT
23	16	914004	3/8UNC HEX STOVER NUT
24	8	914008	1/2UNC HEX STOVER NUT
25	4	914010	5/8UNC HEX STOVER NUT
26	8	920005	5/8 FLAT WASH SAE
27	2	620056	CYL ASSY W/FTGS & RESTR 2IN
28	2	620531	LEVEL CYL ASSY, 2 X 10 94
29	4	900268	1/2UNC X 2 1/2 HEX BOLT
30	2	900270	1/2UNC X 3 HEX BOLT
31	1	701039	FOAM MARKER BASE CHAN, TRANSOM
32	2	701040	FOAM MARKER BASE KPR, TRANSOM
33	4	900128	3/8UNC X 3/4 HEX BOLT

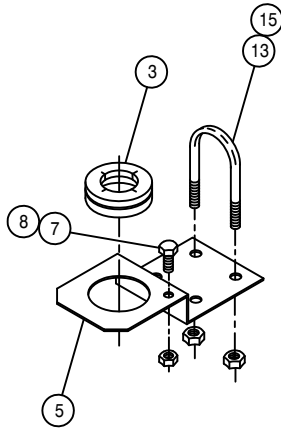
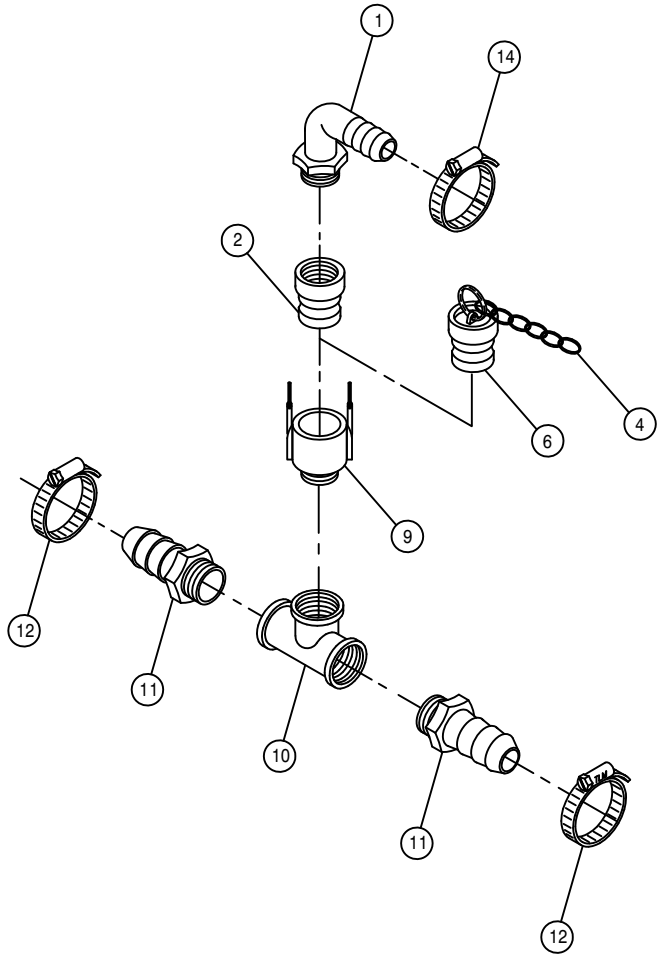


BOOM AND CRADLE ASSEMBLY

DET. QTY PART NO. DESCRIPTION

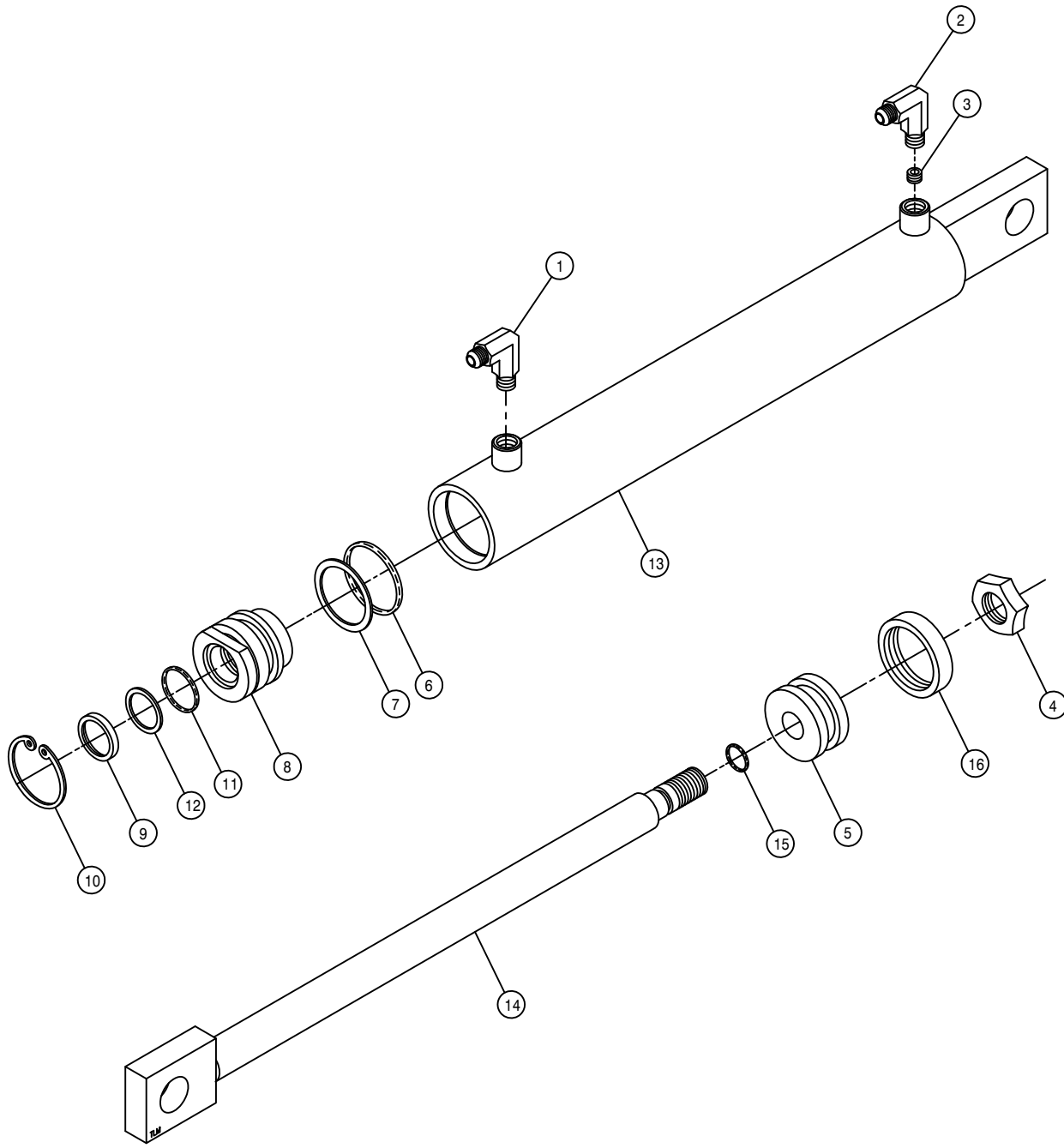
1	1	164067	BOOM WLD 254/284	94
2	1	160455	BUSH .625 OD X 18GA WA X .94	
3	1	160979	1/2UNC X 9 EYE BOLT	
4	1	160980	SPRING, BOOM BRKWAY	
5	1	160981	SWIVEL, BOOM EYEBOLT	
6	1	164001	BOOM CRADLE WLD 280	90
7	2	470098	RUBBER BUMPER 2.500D X .38ID	
8	2	900130	3/8UNC X 1 1/4 HEX BOLT	
9	2	900334	5/8UNC X 1 3/4 HEX BOLT	
10	2	914004	3/8UNC HEX STOVER NUT	
11	2	914010	5/8UNC HEX STOVER NUT	
12	1	914008	1/2UNC HEX STOVER NUT	
13	1	900283	1/2UNC X 2 1/4 HEX BOLT	
14	2	910008	1/2UNC HEX NUT	





BOOM FEEDER TEE ASSEMBLY

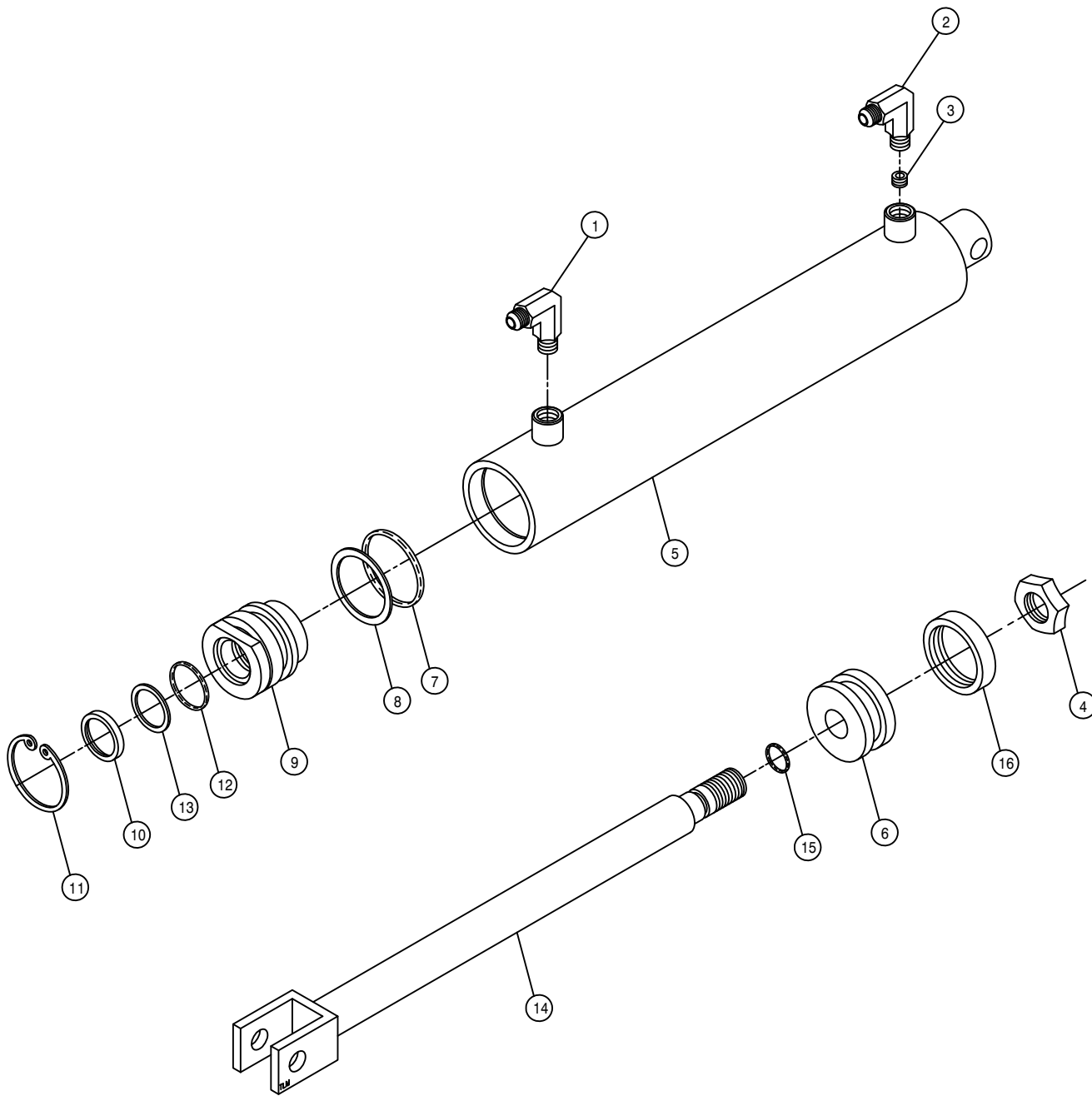
DET.	QTY	PART NO.	DESCRIPTION
	1	500026	3/4NPT-90-1"HOSE BARB, POLY
	1	696202	QUICK CONNECT FEM ADPTR 3/4NP
	1	160015	2.06ID GROMMET SLIT
	1	160986	TWIN LOOP CHAIN 6 LINKS
	1	160987	FEEDER T MTG BRKT 470 647
	1	696204	QUICK CONNECT PLUG, 3/4
	1	900002	1/4UNC X 3/4 HEX BOLT
	1	914000	1/4UNC HEX STOVER NUT
	1	696203	QUICK CONNECT CPLR MALE 3/4
	1	505218	NYL PIPE TEE .75NPT
	2	500022	3/4NPT-3/4HOSE BARB, POLY
	2	520055	HOSE CLAMP NO 12 PLATED
	2	470094	5/16UNC-1 3/8ID-3 UBOLT
	1	520087	HOSE CLAMP NO 20 PLATED
	4	914002	5/16UNC HEX STOVER NUT



LIFT CYLINDER ASSEMBLY

DET.	QTY	PART NO.	DESCRIPTION
1	1	611122	9/16MJIC-90-1/4MNPT LBO
2	1	440338	9/16 JIC W/90X1/4 NPT TAPPED
3	1	614366	RESTRICTOR SCREW, .042 DIA
4	1	472297	3/4UNF HEX STOVER NUT THIN
5	1	620081	PISTON 2 X 1 ZAMAC ORING TYPE
6	1	870326	BUNA ORING 1 5/8 X 2
7	1	890326	BACKUP WASH 1 5/8 X 2 LEATH
8	1	620082	GLAND 2 IN X 1 IN ZAMAC
9	1	629003	WIPER 1 X 1 1/4 X 1/8
10	1	629505	SNAP RING 2 IN INTRN
11	1	870214	BUNA ORING 1 X 1 1/4
12	1	890214	BACKUP WASH 1 X 1 1/4 HT2022
13	1	620514	LIFT CYL TUBE WLD 94
14	1	620516	LIFT CYL SHAFT WLD 94
15	1	870113	BUNA ORING 9/16 X 3/4
16	1	860326	CROWN SEAL, 2" PISTON, HYD

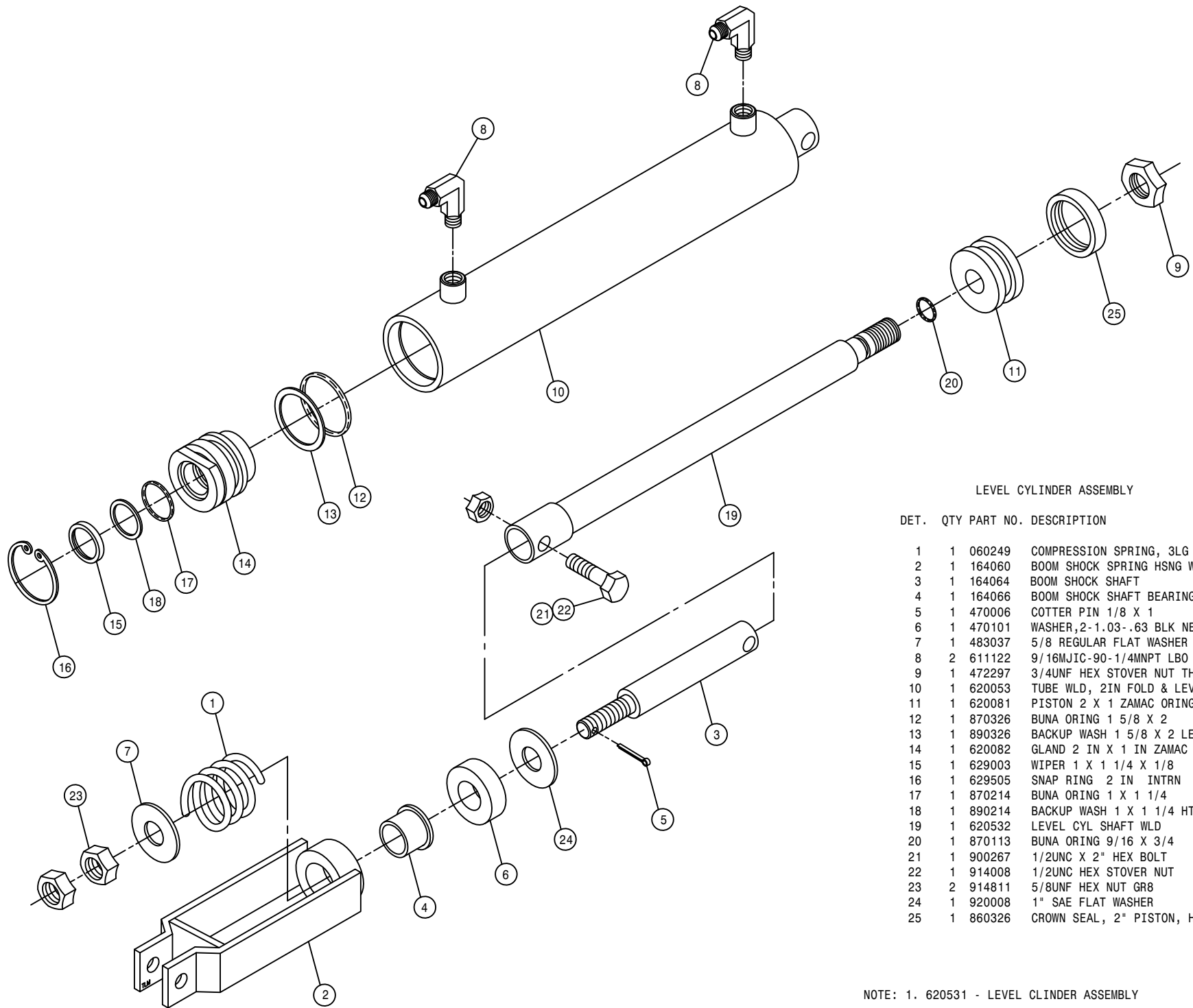
- NOTE: 1. 620513 - LIFT CYLINDER ASSEMBLY
 2. 620512 - LIFT CYLINDER ASSEMBLY WITH FITTINGS
 3. 614365 - RESTRICTOR ELBOW ASSEMBLY
 4. 620083 - SEAL KIT



FOLD CYLINDER ASSEMBLY

DET.	QTY	PART NO.	DESCRIPTION
1	1	611122	9/16MJIC-90-1/4MNPT LBO
2	1	440338	9/16 JIC W/90X1/4 NPT TAPPED
3	1	614366	RESTRICTOR SCREW, .042 DIA
4	1	472297	3/4UNF HEX STOVER NUT THIN
5	1	620053	TUBE WLD, 2IN FOLD & LEVEL
6	1	620081	PISTON 2 X 1 ZAMAC ORING TYPE
7	1	870326	BUNA ORING 1 5/8 X 2
8	1	890326	BACKUP WASH 1 5/8 X 2 LEATH
9	1	620082	GLAND 2 IN X 1 IN ZAMAC
10	1	629003	WIPER 1 X 1 1/4 X 1/8
11	1	629505	SNAP RING 2 IN INTRN
12	1	870214	BUNA ORING 1 X 1 1/4
13	1	890214	BACKUP WASH 1 X 1 1/4 HT2022
14	1	620093	SHAFT WLDMT, HAGIE BOOM CYL
15	1	870113	BUNA ORING 9/16 X 3/4
16	1	860326	CROWN SEAL, 2" PISTON, HYD

NOTE: 1. 620052 - FOLD CLINDER ASSEMBLY
 2. 620056 - FOLD CYLINDER ASSEMBLY WITH FITTINGS
 3. 614365 - RESTRICTOR ELBOW ASSEMBLY
 4. 620083 - SEAL KIT

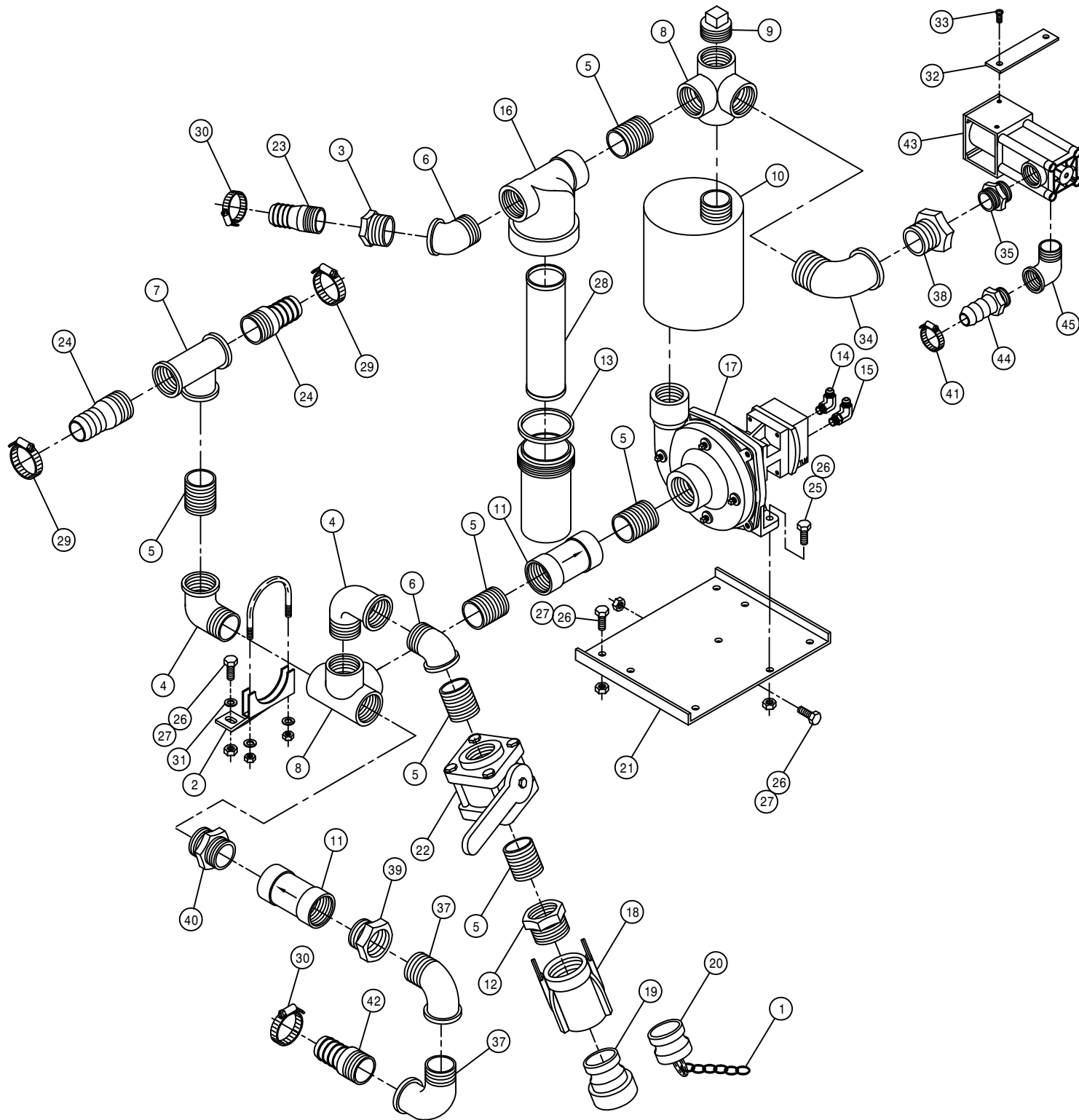


LEVEL CYLINDER ASSEMBLY

DET. QTY PART NO. DESCRIPTION

DET.	QTY	PART NO.	DESCRIPTION
1	1	060249	COMPRESSION SPRING, 3LG X 20D
2	1	164060	BOOM SHOCK SPRING HSNGL WLD 94
3	1	164064	BOOM SHOCK SHAFT 94
4	1	164066	BOOM SHOCK SHAFT BEARING 94
5	1	470006	COTTER PIN 1/8 X 1
6	1	470101	WASHER, 2-1.03-.63 BLK NEO 65D
7	1	483037	5/8 REGULAR FLAT WASHER
8	2	611122	9/16MJIC-90-1/4MNPT LBO
9	1	472297	3/4UNF HEX STOVER NUT THIN
10	1	620053	TUBE WLD, 2IN FOLD & LEVEL
11	1	620081	PISTON 2 X 1 ZAMAC ORING TYPE
12	1	870326	BUNA ORING 1 5/8 X 2
13	1	890326	BACKUP WASH 1 5/8 X 2 LEATH
14	1	620082	GLAND 2 IN X 1 IN ZAMAC
15	1	629003	WIPER 1 X 1 1/4 X 1/8
16	1	629505	SNAP RING 2 IN INTRN
17	1	870214	BUNA ORING 1 X 1 1/4
18	1	890214	BACKUP WASH 1 X 1 1/4 HT2022
19	1	620532	LEVEL CYL SHAFT WLD 94
20	1	870113	BUNA ORING 9/16 X 3/4
21	1	900267	1/2UNC X 2" HEX BOLT
22	1	914008	1/2UNC HEX STOVER NUT
23	2	914811	5/8UNF HEX NUT GR8
24	1	920008	1" SAE FLAT WASHER
25	1	860326	CROWN SEAL, 2" PISTON, HYD

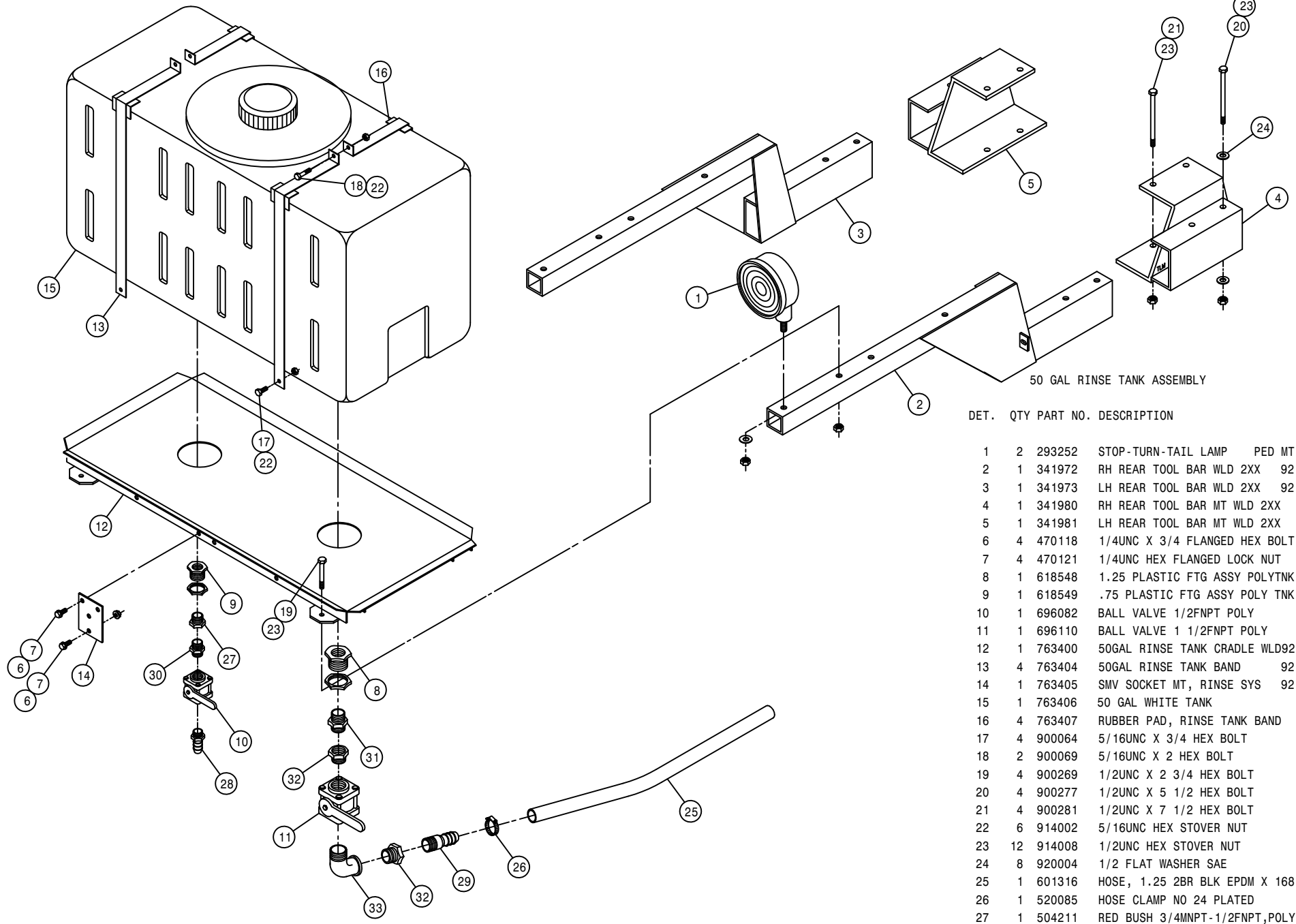
NOTE: 1. 620531 - LEVEL CLINDER ASSEMBLY
 2. 620530 - LEVEL CYLINDER ASSEMBLY W/FTGS & SHOCK
 3. 620083 - SEAL KIT



SOLUTION PUMP ASSEMBLY WITH RINSE OPTION

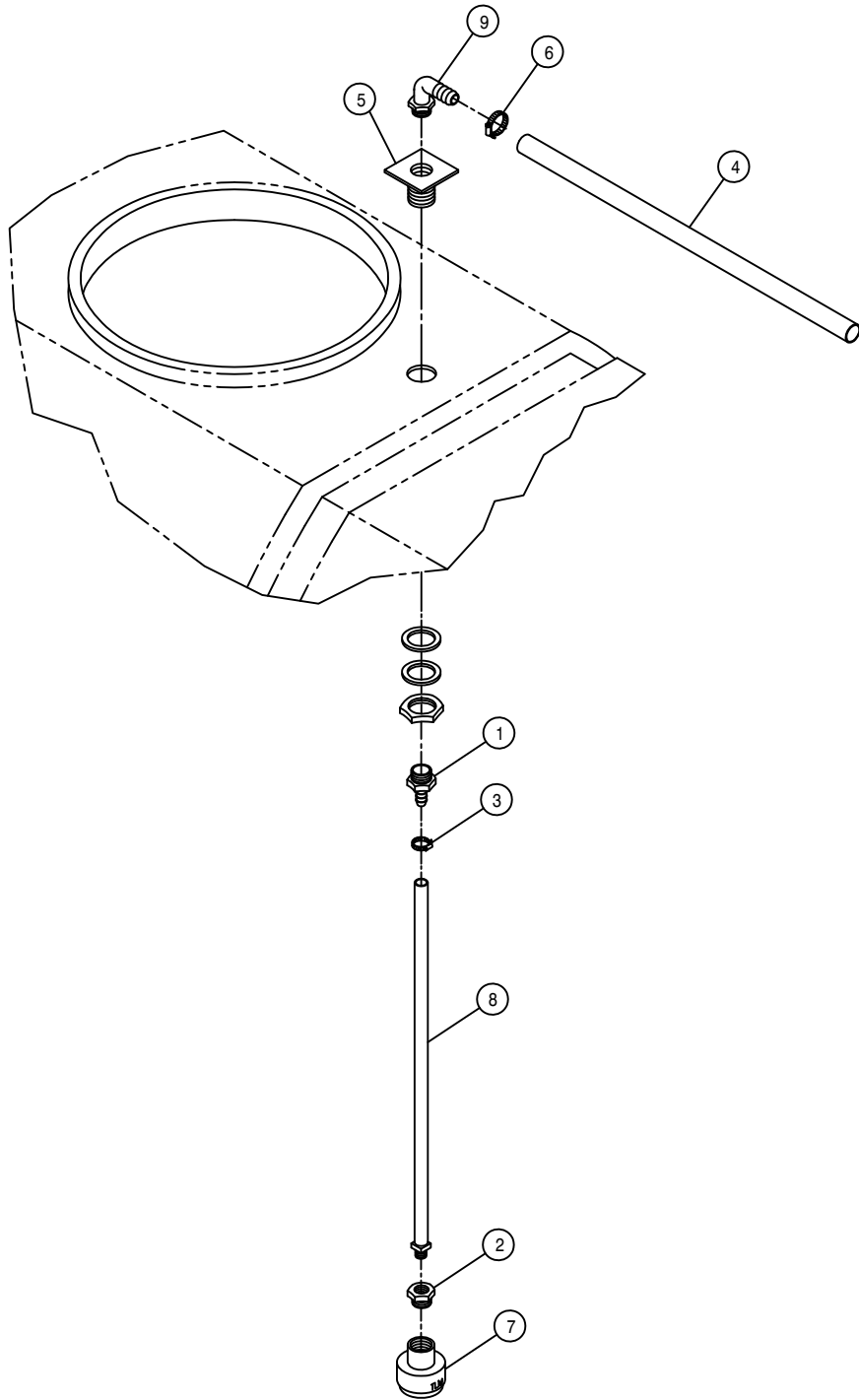
DET. QTY PART NO. DESCRIPTION

DET.	QTY	PART NO.	DESCRIPTION
1	1	160986	TWIN LOOP CHAIN 6 LINKS
2	1	690438	SOLU PUMP SUPPORT BRKT WLD 92
3	1	507015	RED BUSH 1.50NPT - 1.25FNPT
4	2	507018	BLK PIPE ST EL 90DEG 1.50NPT
5	6	507019	CLOSE NIPPLE 1.50NPT
6	2	507024	BLK PIPE ST EL 45DEG 1.50NPT
7	1	507250	BLK PIPE TEE 1.50NPT
8	2	507253	BLK PIPE SIDE OUTLET TEE 1.50
9	1	507400	PIPE PLUG 1.50NPT SQ HD
10	1	690433	PRIMER TANK WLD, SOLU PUMP
11	2	690437	1 1/2 CHECK VLV, SPRING LOAD
12	1	507717	RED BUSH 2 X 1 1/2
13	1	690476	STRAINER GASKET FOR 690474
14	1	611145	3/4MJIC-90-1/2MNPT LBO
15	1	618241	3/4MJIC-90-3/4MOR LBO
16	1	690474	1 1/2 LINE STRAINER50M 150PSI
17	1	690249	HYPRO OPEN CENTER PUMP
18	1	690390	2.00 FEMALE NPT COUPLER
19	1	690391	2.00 FEMALE NPT ADPTR
20	1	690392	ADPTR PLG FOR 2.00 NPT COUPLR
21	1	690397	SOLU PUMP MT WLD 280 89
22	1	696110	BALL VALVE 1 1/2FNPT POLY
23	1	715660	HOSE BARB 1 1/4NPT X 1 1/4
24	2	716003	1 1/2 X 1 1/2 HOSE BARB
25	2	900130	3/8UNC X 1 1/4 HEX BOLT
26	6	914004	3/8UNC HEX STOVER NUT
27	4	900129	3/8UNC X 1 HEX BOLT
28	1	690475	50 MESH SCREEN FOR 690474
29	2	520067	HOSE CLAMP NO 28 PLATED
30	2	520085	HOSE CLAMP NO 24 PLATED
31	1	920002	WASH FLAT 3/8 SAE
32	1	342014	SOLENOID KEEPER, RINSE SYS
33	2	472199	10-24 X 1/2 RD HD MACH SCR
34	1	500034	1 1/2NPT-90 ST EL, POLY
35	2	690098	3/4NPT CLOSE NIPPLE, POLY
36	1	500043	3/4NPT PIPE PLUG, POLY
37	2	500039	1 1/4NPT-90 ST EL, POLY
38	1	500040	1 1/2 X 3/4 NPT BUSH, POLY
39	1	500037	1 1/2"X 1 1/4NPT BUSH, POLY
40	1	500028	1 1/2NPT PIPE NIPPLE, POLY
41	2	520070	HOSE CLAMP NO 8 PLATED
42	1	500033	1 1/4NPT X 1 1/4 H BARB, POLY
43	2	695952	SOL VALVE NEW 640
44	2	713340	1/2NPT-1/2 HOSE BARB, POLY
45	2	500044	1/2 NPT-90 ST EL, POLY



50 GAL RINSE TANK ASSEMBLY

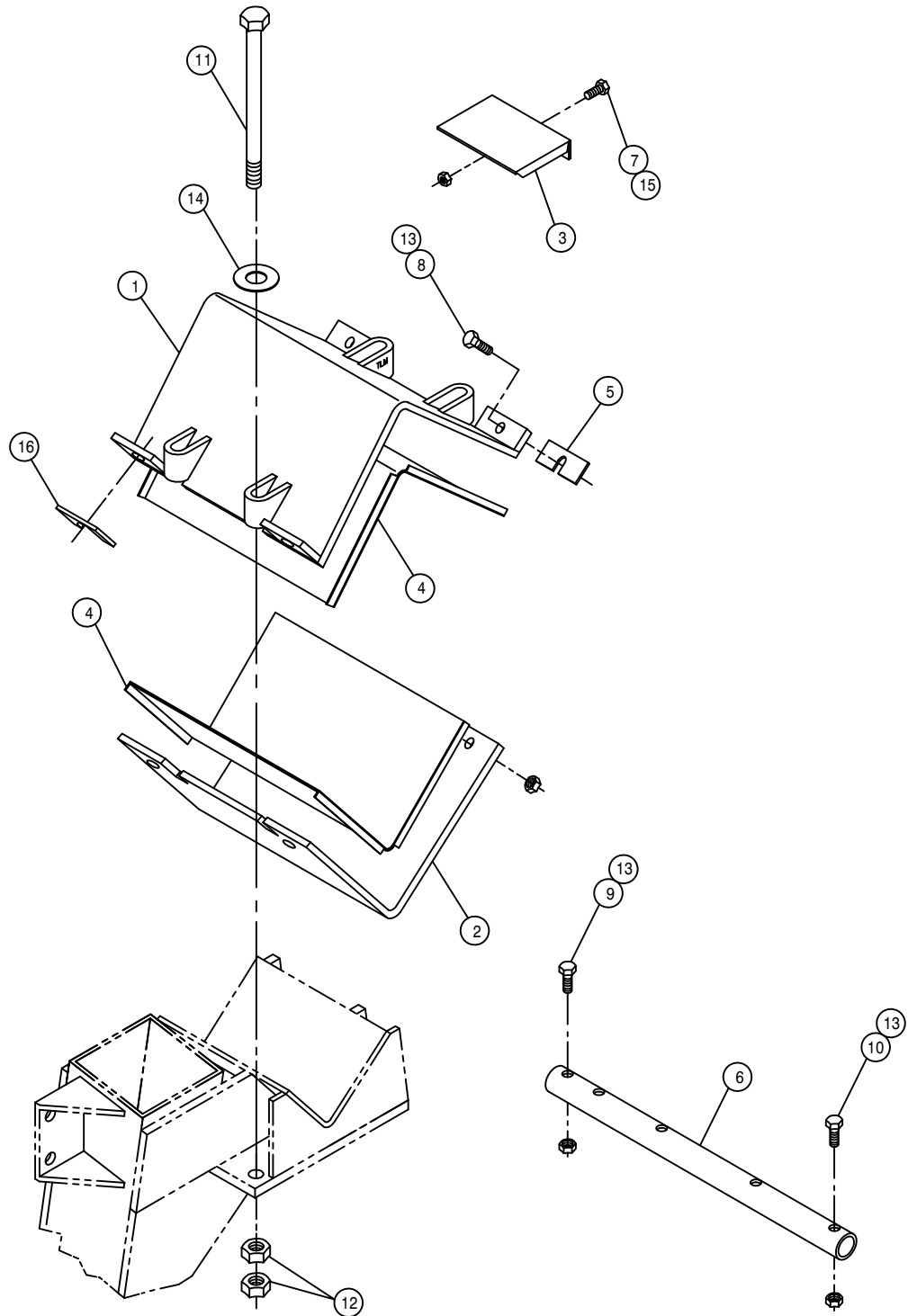
DET.	QTY	PART NO.	DESCRIPTION
1	2	293252	STOP-TURN-TAIL LAMP PED MT
2	1	341972	RH REAR TOOL BAR WLD 2XX 92
3	1	341973	LH REAR TOOL BAR WLD 2XX 92
4	1	341980	RH REAR TOOL BAR MT WLD 2XX
5	1	341981	LH REAR TOOL BAR MT WLD 2XX
6	4	470118	1/4UNC X 3/4 FLANGED HEX BOLT
7	4	470121	1/4UNC HEX FLANGED LOCK NUT
8	1	618548	1.25 PLASTIC FTG ASSY POLYTNK
9	1	618549	.75 PLASTIC FTG ASSY POLY TNK
10	1	696082	BALL VALVE 1/2FNPT POLY
11	1	696110	BALL VALVE 1 1/2FNPT POLY
12	1	763400	50GAL RINSE TANK CRADLE WLD92
13	4	763404	50GAL RINSE TANK BAND 92
14	1	763405	SMV SOCKET MT, RINSE SYS 92
15	1	763406	50 GAL WHITE TANK
16	4	763407	RUBBER PAD, RINSE TANK BAND
17	4	900064	5/16UNC X 3/4 HEX BOLT
18	2	900069	5/16UNC X 2 HEX BOLT
19	4	900269	1/2UNC X 2 3/4 HEX BOLT
20	4	900277	1/2UNC X 5 1/2 HEX BOLT
21	4	900281	1/2UNC X 7 1/2 HEX BOLT
22	6	914002	5/16UNC HEX STOVER NUT
23	12	914008	1/2UNC HEX STOVER NUT
24	8	920004	1/2 FLAT WASHER SAE
25	1	601316	HOSE, 1.25 2BR BLK EPDM X 168
26	1	520085	HOSE CLAMP NO 24 PLATED
27	1	504211	RED BUSH 3/4MNPT-1/2FNPT,POLY
28	1	714340	1/2 NPT X 1/2 HOSE BARB
29	1	500033	1 1/4NPT X 1 1/4 H BARB, POLY
30	1	503101	1/2NPT CLOSE NIPPLE, POLY
31	1	500042	1 1/4NPT CLOSE NIPPLE, POLY
32	2	500037	1 1/2" X 1 1/4NPT BUSH, POLY
33	1	500035	1 1/2NPT-45 ST EL, POLY



RINSE NOZZLE ASSEMBLY

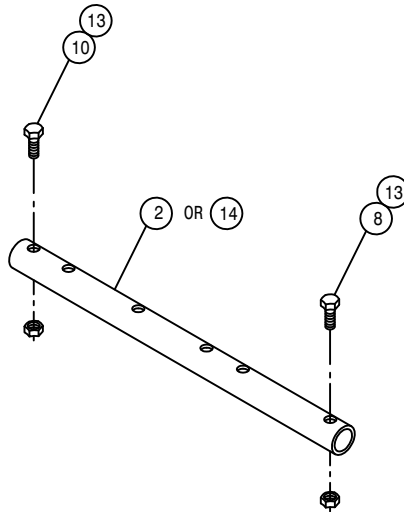
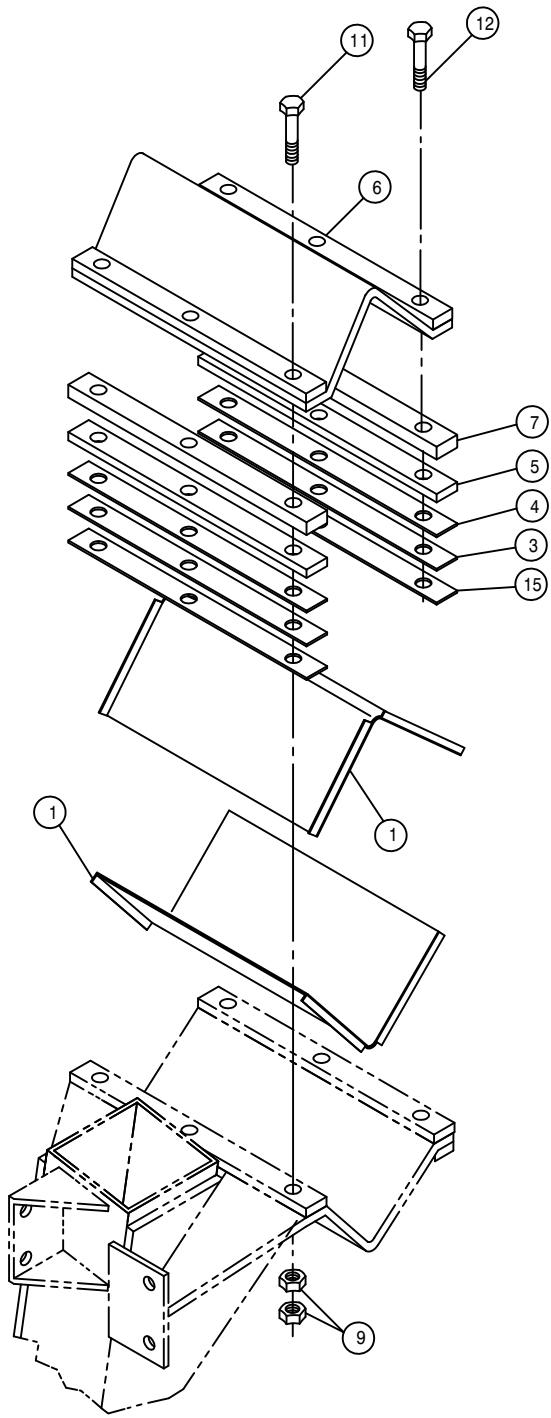
DET. QTY PART NO. DESCRIPTION

DET.	QTY	PART NO.	DESCRIPTION
1	1	500027	3/4NPT-3/8 HOSE BARB, POLY
2	1	504002	RED BUSH 3/4 TO 1/4, POLY
3	1	520120	HOSE CLAMP NO 4 PLATED MINI
4	1	601164	HOSE, 1/2 X 117 1BR BLK EPD
5	1	618549	.75 PLASTIC FTG ASSY POLY TNK
6	1	520070	HOSE CLAMP NO 8 PLATED
7	1	737873	ROTARY NOZZLE, TEFLON
8	1	737821	QUICK TEEJET HOSE DROP 24IN
9	1	500041	3/4NPT-90-1/2"HOSE BARB, POLY



TREAD ADJUSTMENT ASSEMBLY
 SERIAL NO. 046649__

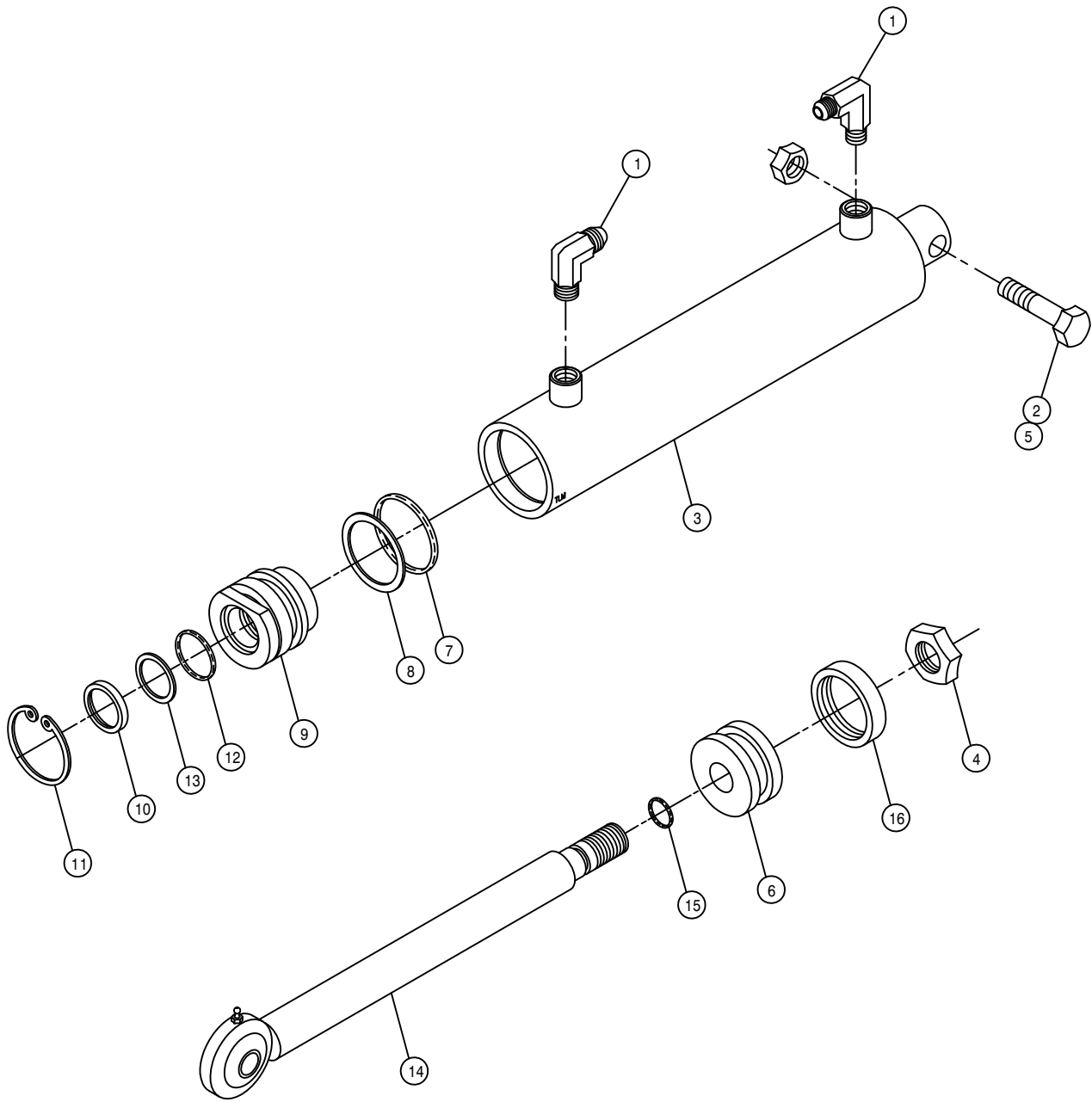
DET.	QTY	PART NO.	DESCRIPTION
	1	358694	UPPER TREAD ADJ LEG HSNG WELD
	1	358698	LWR TREAD ADJ LEG HSNG
	1	358701	TREAD ADJ REAR LEG HOSE GUIDE
	2	358703	TREAD ADJ XMBR BEARING ASSY
	2	358706	TREAD ADJ SHIM, 22 GA
	4	358747	TREAD ADJ CYL EXT TUBE 94
	1	900129	3/8UNC X 1 HEX BOLT
	4	900265	1/2UNC X 1 1/2 HEX BOLT
	1	900267	1/2UNC X 2 HEX BOLT
	1	900268	1/2UNC X 2 1/2 HEX BOLT
	4	900835	5/8UNC X 10 HEX BOLT GR 8
	8	910010	5/8UNC HEX NUT
	6	914008	1/2UNC HEX STOVER NUT
	4	920005	5/8 FLAT WASH SAE
	1	914004	3/8UNC HEX STOVER NUT
	2	358748	TREAD ADJ SHIM, 18 GA



TREAD ADJUSTMENT ASSEMBLY

DET. QTY PART NO. DESCRIPTION

1	2	358703	TREAD ADJ XMBR BEARING ASSY	
2	1	358747	TREAD ADJ CYL EXT TUBE	94
3	2	358767	.025 LEG MT SHIM, 284T	94
4	2	358752	.074 LEG MT SHIM, 284T	94
5	2	358769	.250 LEG MT SHIM, 284T	94
6	1	358759	LEG MT V-PLT WLD, 284T	94
7	2	358766	.375 LEG MT SPACER, 284T	94
8	1	900268	1/2UNC X 2 1/2 HEX BOLT	
9	12	914811	5/8UNF HEX NUT GR8	
10	1	900267	1/2UNC X 2" HEX BOLT	
11	3	900837	5/8UNF X 3 1/2 HEX BOLT GR8	
12	3	900838	5/8UNF X 4" HEX BOLT GR8	
13	2	914008	1/2UNC HEX STOVER NUT	
14	1	358802	TREAD ADJ CYL EXT TUBE, 284W95	
15	2	358768	.037 LEG MT SHIM, 284T	94

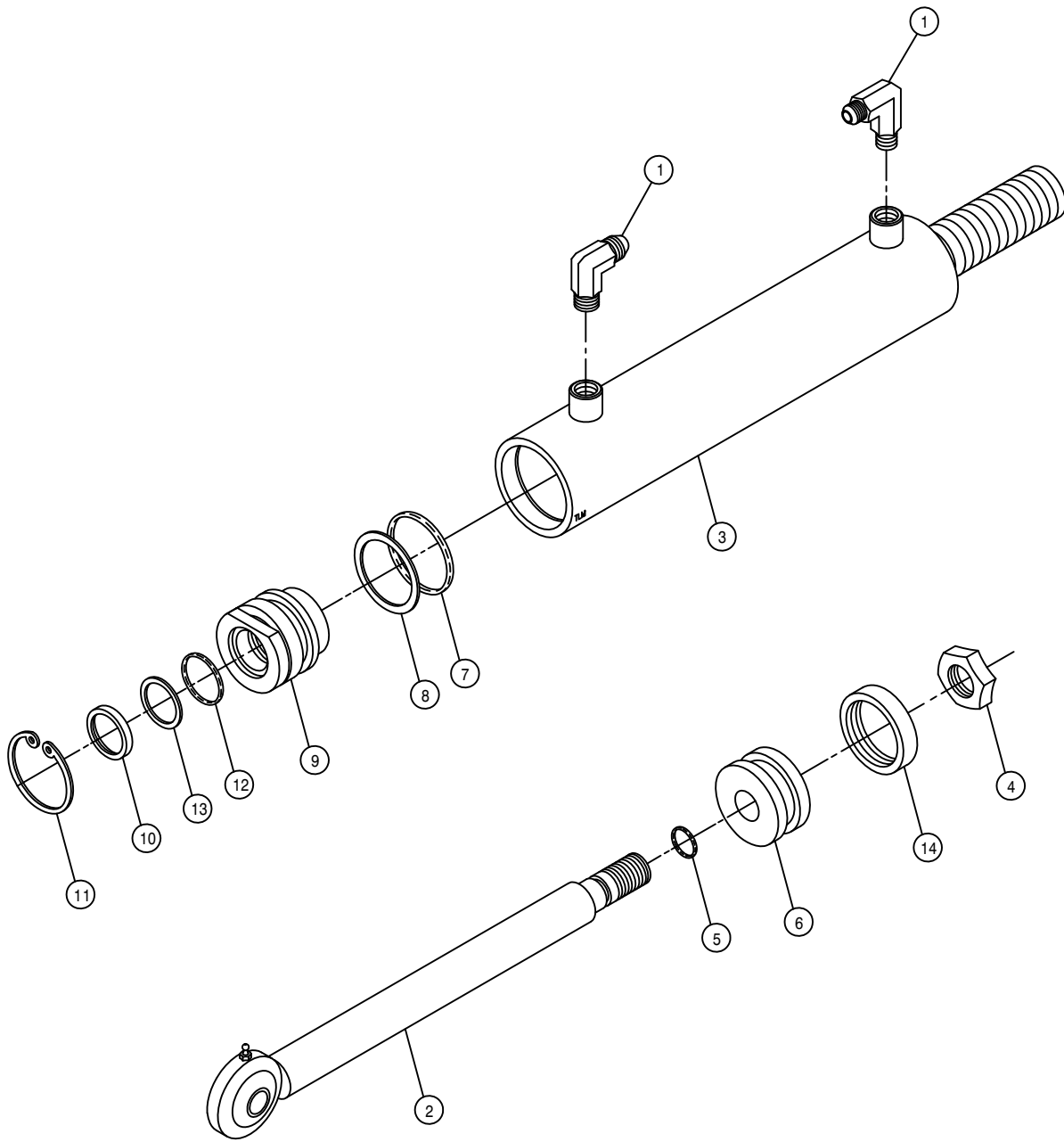


125" TIE ROD TREAD ADJ CYLINDER ASSEMBLY

DET. QTY PART NO. DESCRIPTION

1	2	614710	RESTRICTOR ELBOW ASSY .025DIA
2	1	900268	1/2UNC X 2 1/2 HEX BOLT
3	1	620124	CYL TUBE WLD,STRG, 125" TA 94
4	1	472297	3/4UNF HEX STOVER NUT THIN
5	1	914008	1/2UNC HEX STOVER NUT
6	1	620081	PISTON 2 X 1 ZAMAC ORING TYPE
7	1	870326	BUNA ORING 1 5/8 X 2
8	1	890326	BACKUP WASH 1 5/8 X 2 LEATH
9	1	620126	GLAND 2.00 OD X 1.25 ID, ALUM
10	1	629002	WIPER 1 1/4 X 1 1/2 X 1/8
11	1	629505	SNAP RING 2 IN INTRN
12	1	870218	BUNA ORING 1 1/4 X 1 1/2
13	1	890218	BACKUP WASH1 1/4X1 1/2 HT2022
14	1	620130	CYL SHAFT WLD,STRG,TREADADJ94
15	1	870113	BUNA ORING 9/16 X 3/4
16	1	860326	CROWN SEAL, 2" PISTON, HYD

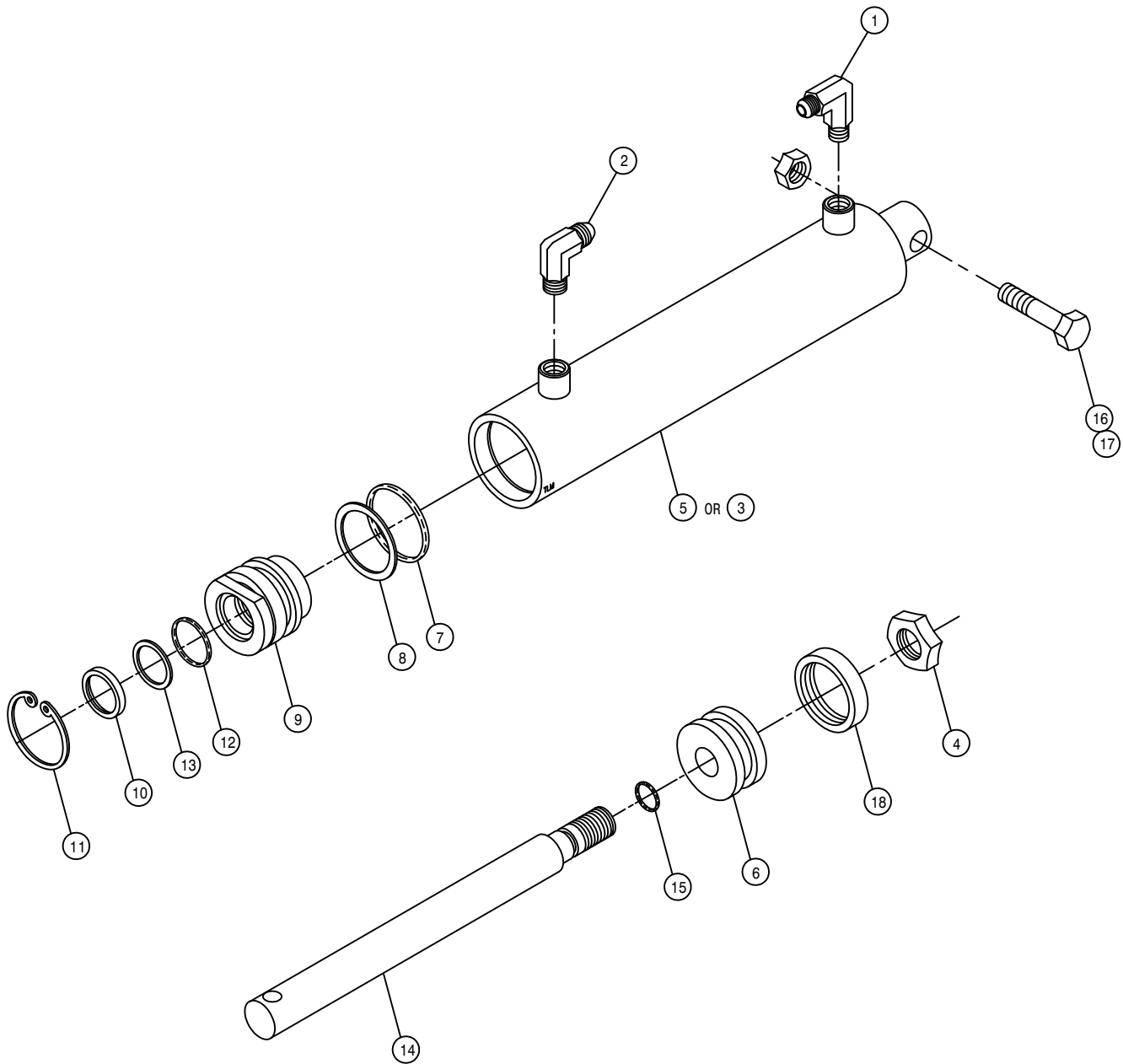
NOTE: 1. 620123 - 125" TREAD ADJ STEERING CYLINDER ASSEMBLY
 2. 620132 - SEAL KIT



90" TIE ROD TREAD ADJ CYLINDER ASSEMBLY

DET.	QTY	PART NO.	DESCRIPTION
1	2	614710	RESTRICTOR ELBOW ASSY .025DIA
2	1	620130	CYL SHAFT WLD, STRG, TREADADJ94
3	1	620116	TREAD ADJ STRG CYL TUBE WLD
4	1	472297	3/4UNF HEX STOVER NUT THIN
5	1	870113	BUNA ORING 9/16 X 3/4
6	1	620081	PISTON 2 X 1 ZAMAC ORING TYPE
7	1	870326	BUNA ORING 1 5/8 X 2
8	1	890326	BACKUP WASH 1 5/8 X 2 LEATH
9	1	620126	GLAND 2.00 OD X 1.25 ID, ALUM
10	1	629002	WIPER 1 1/4 X 1 1/2 X 1/8
11	1	629505	SNAP RING 2 IN INTRN
12	1	870218	BUNA ORING 1 1/4 X 1 1/2
13	1	890218	BACKUP WASH 1 1/4 X 1 1/2 HT2022
14	1	860326	CROWN SEAL, 2" PISTON, HYD

NOTE: 1. 620122 - 90" TREAD ADJ STEERING CYLINDER ASSEMBLY
 2. 620132 - SEAL KIT



TREAD ADJUSTMENT LEG CYLINDER ASSEMBLY

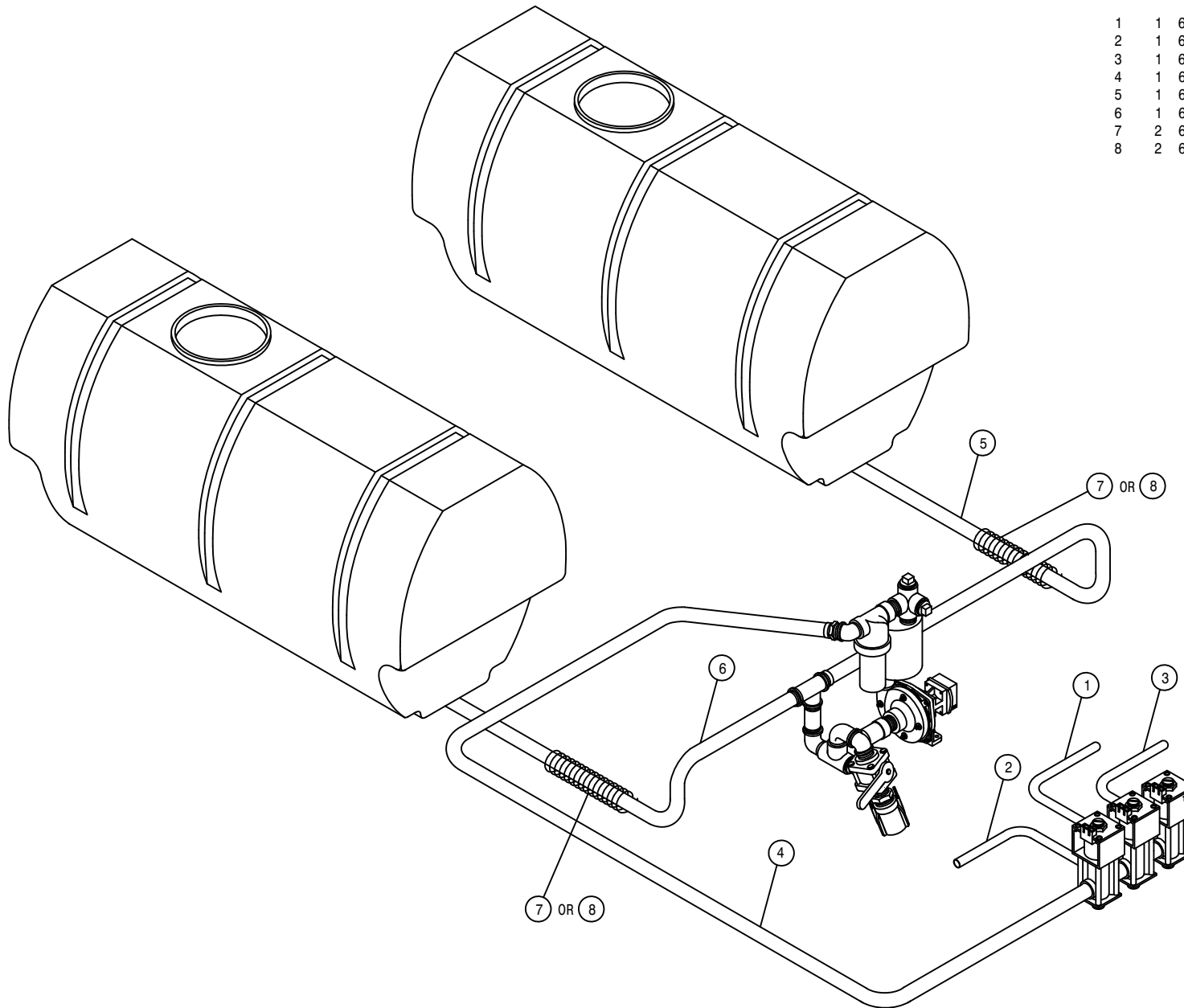
DET.	QTY	PART NO.	DESCRIPTION
1	1	614710	RESTRICTOR ELBOW ASSY .025DIA
2	1	611122	9/16MJIC-90-1/4MNPT LBO
3	1	620119	LH CYL TUBE WLD,LEG,TREAD ADJ
4	1	472297	3/4UNF HEX STOVER NUT THIN
5	1	620118	RH CYL TUBE WLD,LEG,TREAD ADJ
6	1	620081	PISTON 2 X 1 ZAMAC ORING TYPE
7	1	870326	BUNA ORING 1 5/8 X 2
8	1	890326	BACKUP WASH 1 5/8 X 2 LEATH
9	1	620082	GLAND 2 IN X 1 IN ZAMAC
10	1	629003	WIPER 1 X 1 1/4 X 1/8
11	1	629505	SNAP RING 2 IN INTRN
12	1	870214	BUNA ORING 1 X 1 1/4
13	1	890214	BACKUP WASH 1 X 1 1/4 HT2022
14	1	620111	TREAD ADJ HYD LEG CYL SHAFT
15	1	870113	BUNA ORING 9/16 X 3/4
16	1	900268	1/2UNC X 2 1/2 HEX BOLT
17	1	914008	1/2UNC HEX STOVER NUT
18	1	860326	CROWN SEAL, 2" PISTON, HYD

NOTE: 1. 620120 - RH LEG TREAD ADJ CYLINDER ASSEMBLY
 2. 620121 - LH LEG TREAD ADJ CYLINDER ASSEMBLY
 3. 620083 - SEAL KIT

SOLUTION HOISING

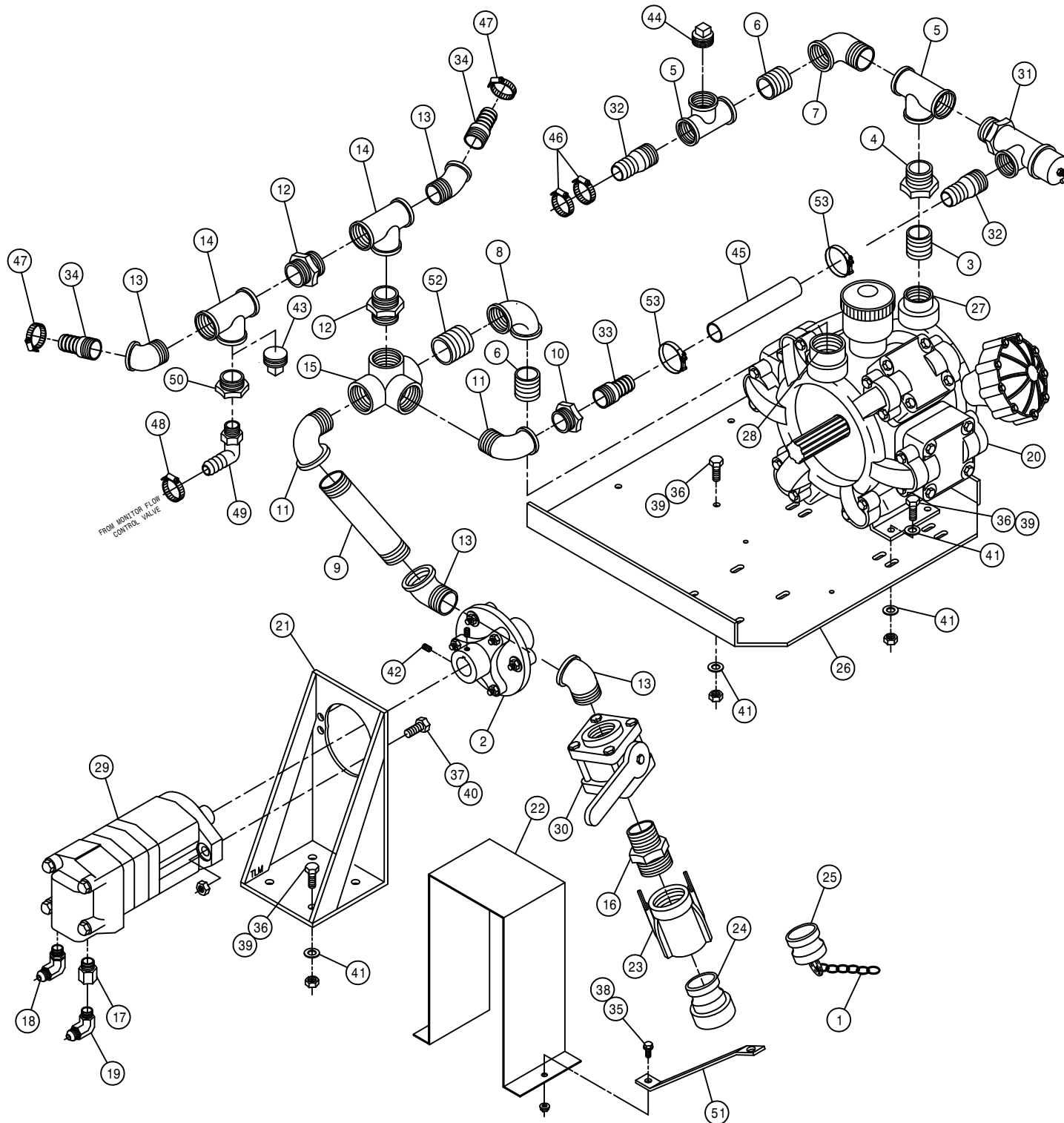
DET. QTY PART NO. DESCRIPTION

1	1	601317	HOSE, 1 IN 1BR BLK EPDM X 93
2	1	601318	HOSE, 1 IN 1BR BLK EPDM X 254
3	1	601319	HOSE, 1 IN 1BR BLK EPDM X 336
4	1	601306	HOSE, 1.25 2BR BLK EPDM X 116
5	1	601307	HOSE, 1.50 X 118 2F1W EPDM
6	1	601310	HOSE, 1.50 2BR BLK EPDM X 100
7	2	690412	HOSE SPRING GUARD 2IN X 12 LG
8	2	690396	HOSE SPRING GUARD 2IN X 48 LG



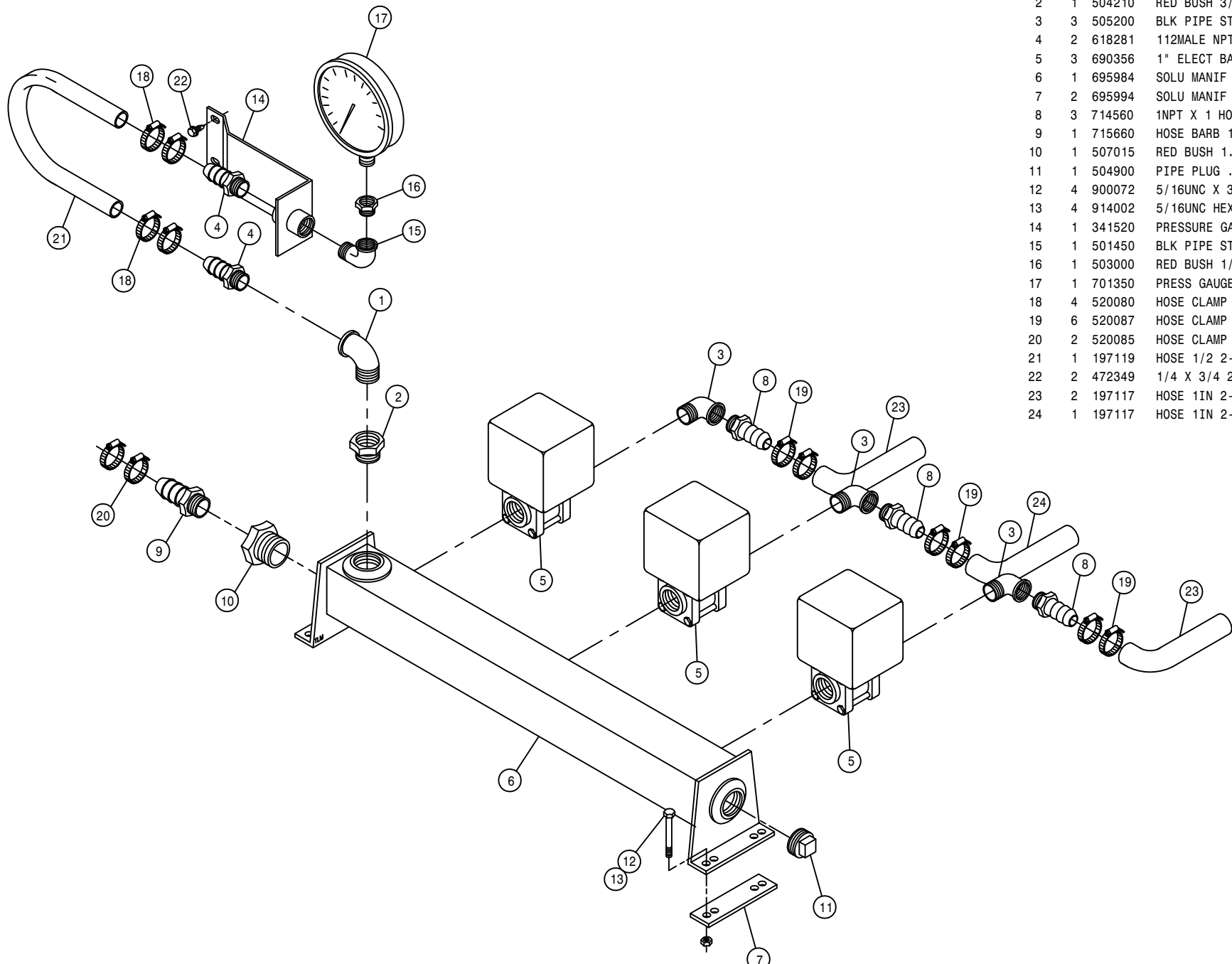
DET.	QTY	PART NO.	DESCRIPTION
1	1	160986	TWIN LOOP CHAIN 6 LINKS
2	1	314690	FLEX COUPLER, 6 IN DISC 1981
3	1	505201	CLOSE NIPPLE 1.00NPT
4	1	506005	1 1/4 TO 1 RED BUSH BLK MAL
5	2	506105	BLK PIPE TEE 1.25NPT
6	2	506200	CLOSE NIPPLE 1.25NPT
7	1	506410	BLK PIPE ST EL 90DEG 1.25NPT
8	1	506415	RED EL 90 1 1/2 TO 1 1/4 MAL
9	1	500029	1 1/2NPT X 6 PIPE NIPPLE,POLY
10	1	500037	1 1/2"X 1 1/4NPT BUSH, POLY
11	2	500034	1 1/2NPT-90 ST EL, POLY
12	2	500028	1 1/2NPT PIPE NIPPLE, POLY
13	4	500035	1 1/2NPT-45 ST EL, POLY
14	2	500030	1 1/2"NPT PIPE TEE, POLY
15	1	507253	BLK PIPE SIDE OUTLET TEE 1.50
16	1	500038	2"X 1 1/2NPT REDU NIPPLE,POLY
17	1	618171	7/8MOR-3/4FOR ADPTR
18	1	618183	3/4MJIC-90-7/8MOR LBO
19	1	618241	3/4MJIC-90-3/4MOR LBO
20	1	690339	HYPRO 230 DIAPHRAM PUMP
21	1	690353	D150-D230 PUMP MTR MT WLD
22	1	690364	D150-D230 PUMP CPLR SHLD
23	1	690390	2.00 FEMALE NPT COUPLER
24	1	690391	2.00 FEMALE NPT ADPTR
25	1	690392	ADPTR PLG FOR 2.00 NPT COUPLR
26	1	690414	230 HYPRO PUMP MT PLT 280 90
27	1	690417	1FNPT ADAPTER, HYPRO D230
28	1	690418	1 1/4FNPT ADAPTER, HYPRO D230
29	1	695985	CHAR LYNN 2000 SER HYD MTR 79
30	1	696110	BALL VALVE 1 1/2FNPT POLY
31	1	699702	HAMILTON RELIEF VLV 200PSI
32	2	715660	HOSE BARB 1 1/4NPT X 1 1/4
33	1	500033	1 1/4NPT X 1 1/4 H BARB, POLY
34	2	500032	1 1/2NPT X 1 1/2 H BARB, POLY
35	2	900003	1/4UNC X 1 HEX BOLT
36	12	900129	3/8UNC X 1 HEX BOLT
37	2	900265	1/2UNC X 1 1/2 HEX BOLT
38	2	914000	1/4UNC HEX STOVER NUT
39	12	914004	3/8UNC HEX STOVER NUT
40	2	914008	1/2UNC HEX STOVER NUT
41	16	920002	WASH FLAT 3/8 SAE
42	2	470076	SETSCREW 5/16-18 X 1/2ALHDCUP
43	1	500031	1 1/2NPT PIPE PLUG, POLY
44	1	506101	PIPE PLUG 1.25NPT SQ HD
45	1	197120	HOSE 1 1/4 2-FBR BR BLK EPDM
46	2	520085	HOSE CLAMP NO 24 PLATED
47	2	520067	HOSE CLAMP NO 28 PLATED
48	1	520087	HOSE CLAMP NO 20 PLATED
49	1	500024	1"NPT-90-1"HOSE BARB, POLY
50	1	500036	1 1/2"X 1"NPT REDU BUSH, POLY
51	1	690480	VLV/CPLR SUPPORT,D230 PUMP 94
52	1	507019	CLOSE NIPPLE 1.50NPT
53	2	520132	1.62/1.87 T-BOLT HOSE CLAMP

*NOTE: ITEMS 48,49, AND 50 ARE USED WITH THE MONITOR OPTION.



DET. QTY PART NO. DESCRIPTION

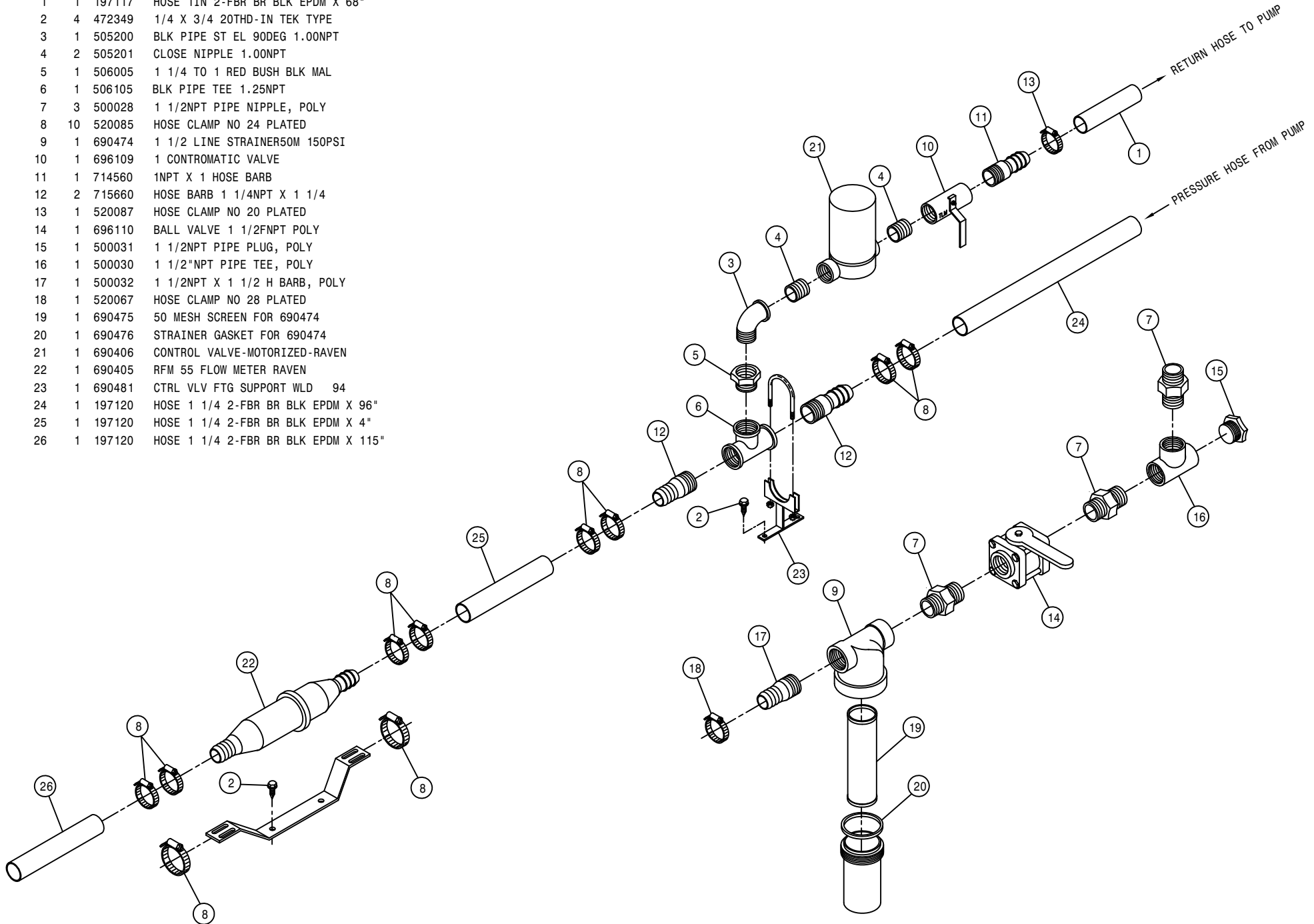
1	1	503400	BLK PIPE ST EL 90DEG .50NPT
2	1	504210	RED BUSH 3/4 NPT X 1/2 NPT
3	3	505200	BLK PIPE ST EL 90DEG 1.00NPT
4	2	618281	112MALE NPTX1/2 HOSE INSERT
5	3	690356	1" ELECT BALL VLV 344E-2-1
6	1	695984	SOLU MANIF WLD D150-D230
7	2	695994	SOLU MANIF KEEPER OPTION
8	3	714560	1NPT X 1 HOSE BARB
9	1	715660	HOSE BARB 1 1/4NPT X 1 1/4
10	1	507015	RED BUSH 1.50NPT - 1.25FNPT
11	1	504900	PIPE PLUG .75NPT SQ HD
12	4	900072	5/16UNC X 3 HEX BOLT
13	4	914002	5/16UNC HEX STOVER NUT
14	1	341520	PRESSURE GAUGE MT WLD 8240X11
15	1	501450	BLK PIPE ST EL 90DEG .25NPT
16	1	503000	RED BUSH 1/2 TO 1/4 BLK MAL
17	1	701350	PRESS GAUGE 300LB BOT FILL
18	4	520080	HOSE CLAMP NO 10 PLATED
19	6	520087	HOSE CLAMP NO 20 PLATED
20	2	520085	HOSE CLAMP NO 24 PLATED
21	1	197119	HOSE 1/2 2-FBR BR BLK EPDM X 206"
22	2	472349	1/4 X 3/4 20THD-IN TEK TYPE
23	2	197117	HOSE 1IN 2-FBR BR BLK EPDM X 288"
24	1	197117	HOSE 1IN 2-FBR BR BLK EPDM X 36"

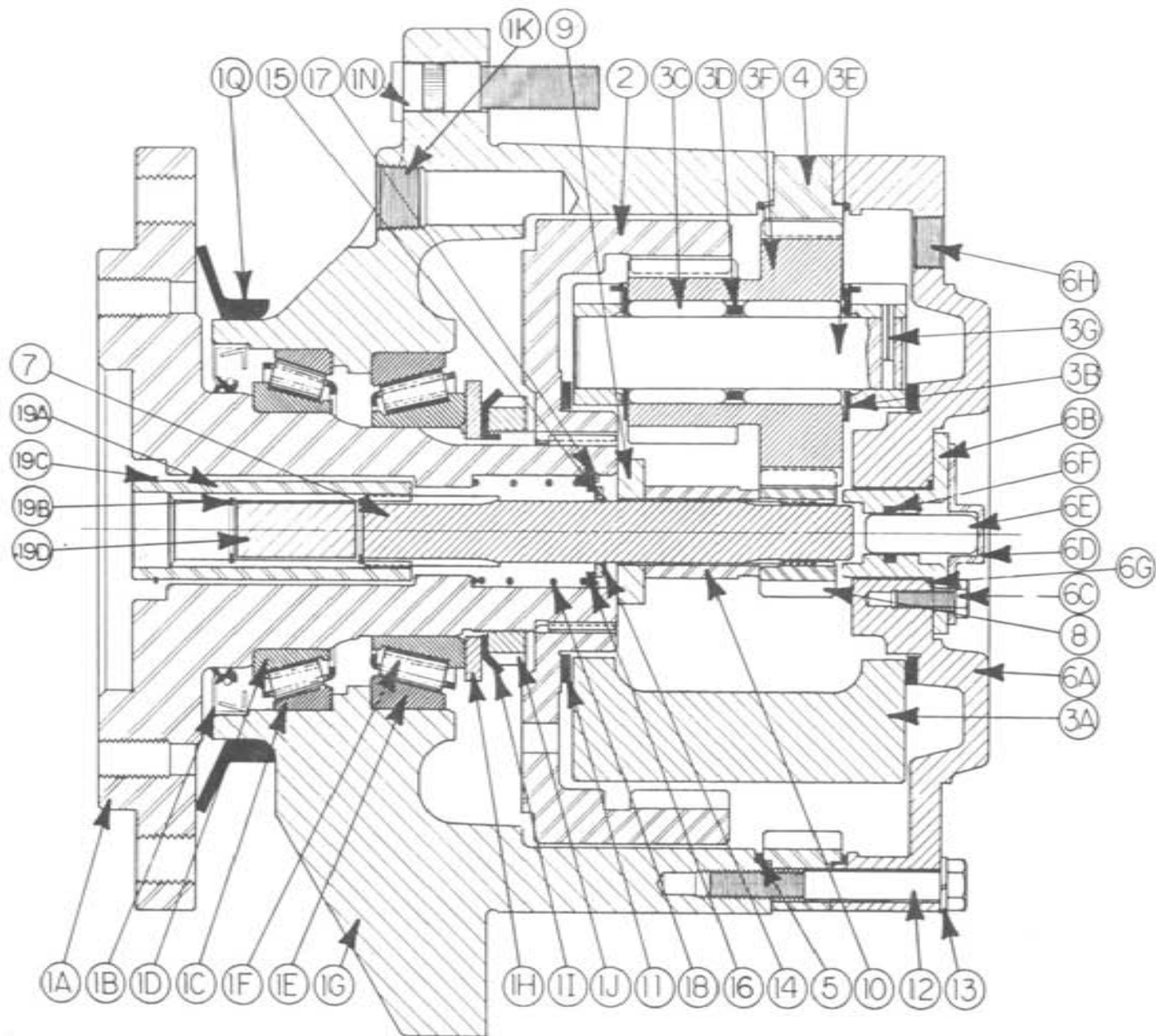


MONITOR FITTING ASSEMBLY FOR D230 PUMP

DET. QTY PART NO. DESCRIPTION

1	1	197117	HOSE 1IN 2-FBR BR BLK EPDM X 68"
2	4	472349	1/4 X 3/4 20THD-IN TEK TYPE
3	1	505200	BLK PIPE ST EL 90DEG 1.00NPT
4	2	505201	CLOSE NIPPLE 1.00NPT
5	1	506005	1 1/4 TO 1 RED BUSH BLK MAL
6	1	506105	BLK PIPE TEE 1.25NPT
7	3	500028	1 1/2NPT PIPE NIPPLE, POLY
8	10	520085	HOSE CLAMP NO 24 PLATED
9	1	690474	1 1/2 LINE STRAINER50M 150PSI
10	1	696109	1 CONTROMATIC VALVE
11	1	714560	1NPT X 1 HOSE BARB
12	2	715660	HOSE BARB 1 1/4NPT X 1 1/4
13	1	520087	HOSE CLAMP NO 20 PLATED
14	1	696110	BALL VALVE 1 1/2FNPT POLY
15	1	500031	1 1/2NPT PIPE PLUG, POLY
16	1	500030	1 1/2"NPT PIPE TEE, POLY
17	1	500032	1 1/2NPT X 1 1/2 H BARB, POLY
18	1	520067	HOSE CLAMP NO 28 PLATED
19	1	690475	50 MESH SCREEN FOR 690474
20	1	690476	STRAINER GASKET FOR 690474
21	1	690406	CONTROL VALVE-MOTORIZED-RAVEN
22	1	690405	RFM 55 FLOW METER RAVEN
23	1	690481	CTRL VLV FTG SUPPORT WLD 94
24	1	197120	HOSE 1 1/4 2-FBR BR BLK EPDM X 96"
25	1	197120	HOSE 1 1/4 2-FBR BR BLK EPDM X 4"
26	1	197120	HOSE 1 1/4 2-FBR BR BLK EPDM X 115"





CROSS SECTIONAL VIEW of W2B

WHEEL DRIVE ASSEMBLY - 610565

W2B2FZ328

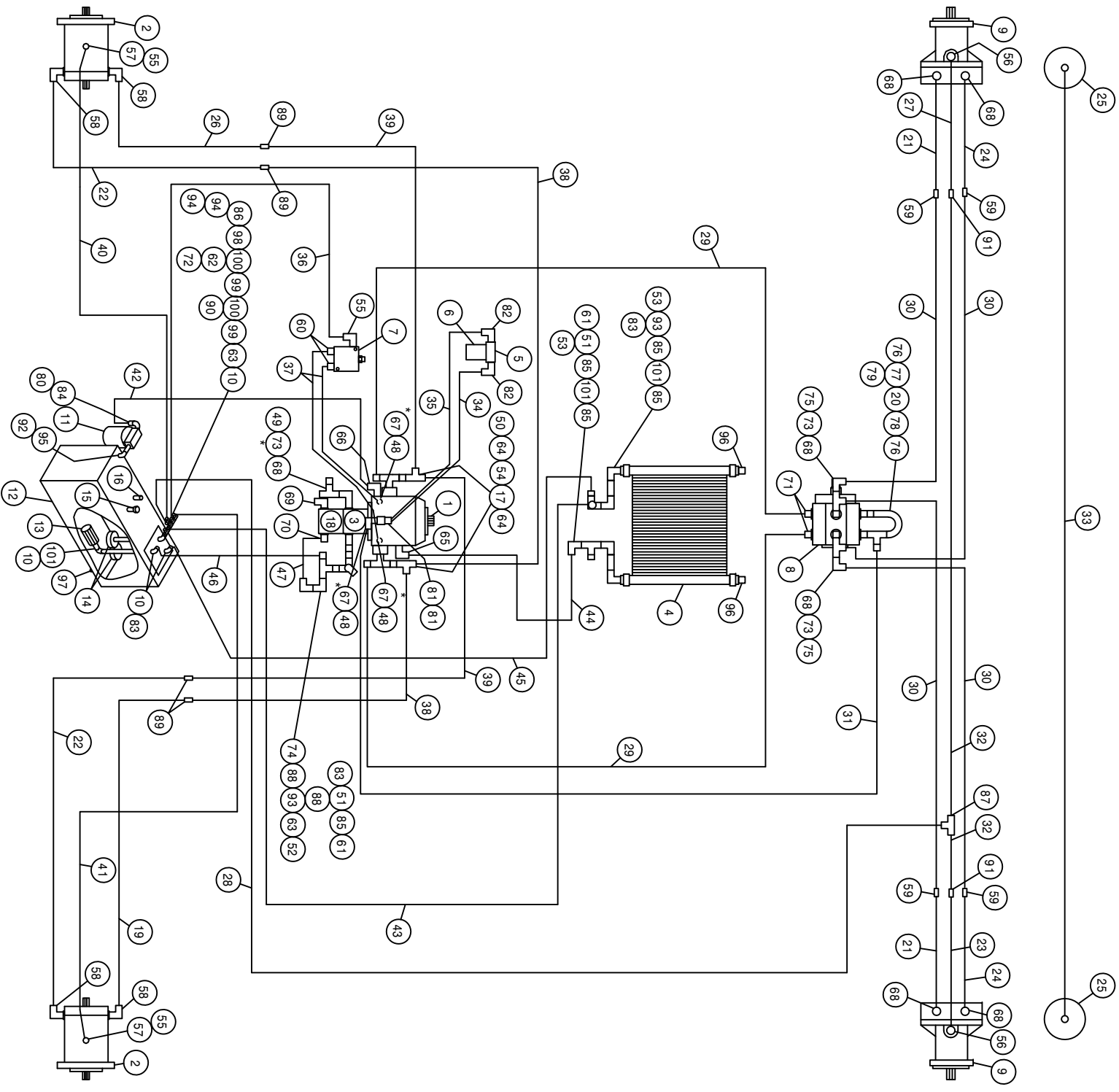
ITEMS	DESCRIPTION	PART NO.	QTY.
1	HUB-SPINDLE SUB-ASSEMBLY	-----	
1A	SPINDLE	610940	1
1B	SEAL	610941	1
1C	BEARING CUP	610943	1
1D	BEARING CONE	610942	1
1E	BEARING CUP	610945	1
1F	BEARING CONE	610944	1
1G	HUB	-----	1
1H	TANGED WASHER	-----	1
1I	LOCKWASHER	610946	1
1J	LOCKNUT	610947	1
1K	MAGNETIC PIPE PLUG	-----	2
1N	STUD	824054	9
1Q	SEAL BOOT	610552	1
2	INTERNAL GEAR	610948	1
3	CARRIER ASSEMBLY	-----	1
3A	CARRIER	610938	1
3B	THRUST WASHER	-----	6
3C	NEEDLE ROLLER	610902	114
3D	SPACER	-----	3
3E	PLANET SHAFT	-----	3
3F	CLUSTER GEAR	610939	3
3G	ROLL PIN	-----	3
4	RING GEAR	610949	1
5	O-RING	610911	2
6	COVER ASSEMBLY	-----	1
6A	COVER	-----	1
6B	COVER CAP	610914	1
6C	BOLT	610150	4
6D	DISCONNECT CAP	610901	1
6E	DISCONNECT ROD	610915	1
6F	O-RING	610916	1
6G	O-RING	610917	1
6H	PIPE PLUG	-----	2
6J	ID PLATE	-----	1
6K	DRIVE SCREW	-----	1
7	INPUT SHAFT	610950	1
8	INPUT GEAR	-----	1
9	THRUST SPACER	-----	1
10	THRUST SPACER	-----	1
11	THRUST WASHER	-----	2
12	BOLT	-----	20
13	LOCKWASHER	-----	20
14	RETAINING RING	610936	1
15	WASHER	-----	1
16	SPACER	-----	1
17	RETAINING RING	-----	1
18	SPRING	-----	1
19	COUPLING SUB-ASSEMBLY	-----	1
19A	COUPLING	610951	1
19B	RETAINING RING	610954	2
19C	RING	-----	1
19D	ANTI-DISCONNECT SPACER	-----	1

WHEEL DRIVE ASSEMBLY - 610568

W2B2FZ313

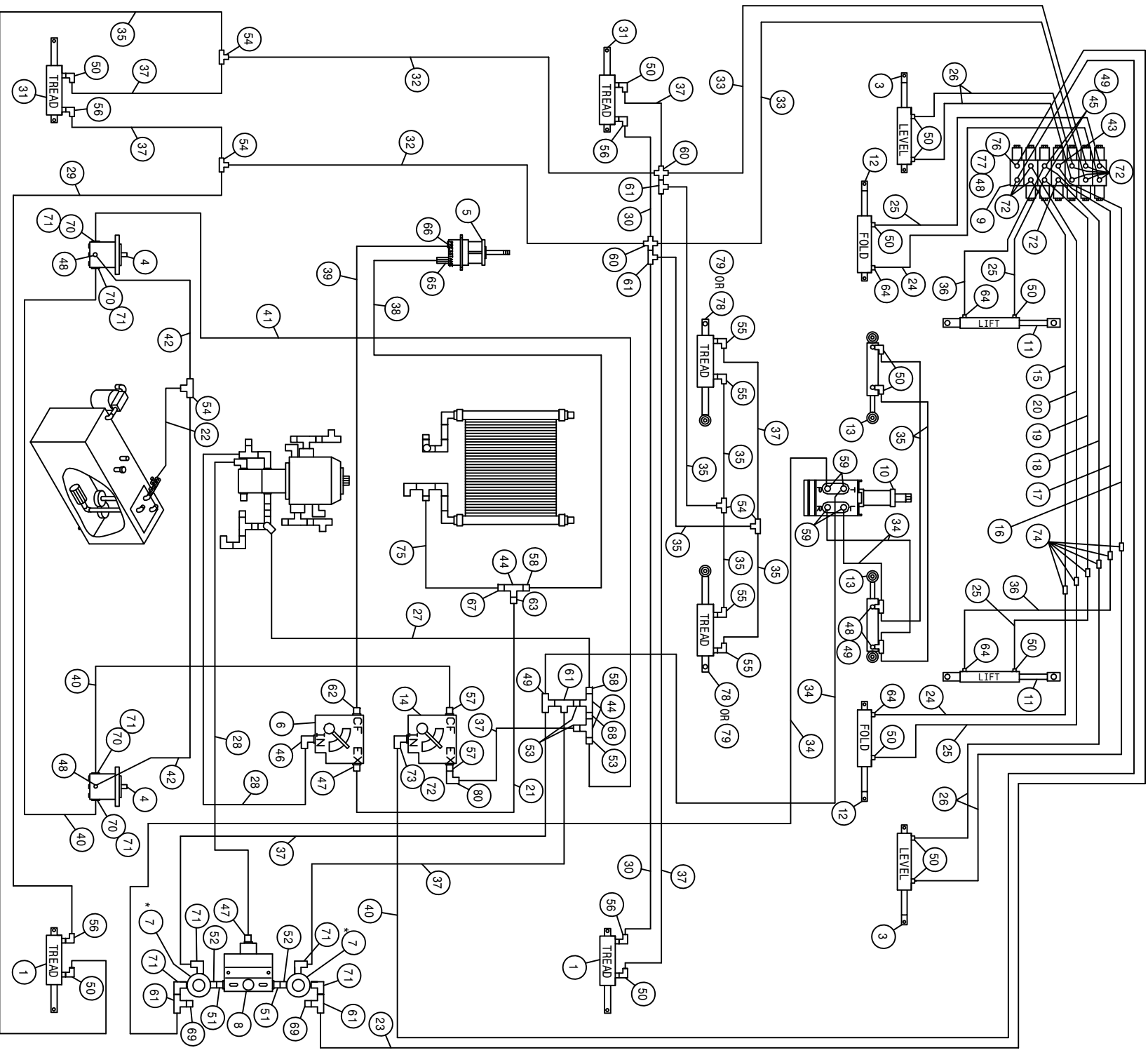
ITEMS	DESCRIPTION	PART NO.	QTY.
1	HUB-SPINDLE SUB-ASSEMBLY	-----	
1A	SPINDLE	610940	1
1B	SEAL	610941	1
1C	BEARING CUP	610943	1
1D	BEARING CONE	610942	1
1E	BEARING CUP	610945	1
1F	BEARING CONE	610944	1
1G	HUB	-----	1
1H	TANGED WASHER	-----	1
1I	LOCKWASHER	610946	1
1J	LOCKNUT	610947	1
1K	MAGNETIC PIPE PLUG	-----	2
1N	STUD	824054	9
1Q	SEAL BOOT	610552	1
2	INTERNAL GEAR	610948	1
3	CARRIER ASSEMBLY	-----	1
3A	CARRIER	610938	1
3B	THRUST WASHER	-----	6
3C	NEEDLE ROLLER	610902	114
3D	SPACER	-----	3
3E	PLANET SHAFT	-----	3
3F	CLUSTER GEAR	610939	3
3G	ROLL PIN	-----	3
4	RING GEAR	610949	1
5	O-RING	610911	2
6	COVER ASSEMBLY	-----	1
6A	COVER	-----	1
6B	COVER CAP	610914	1
6C	BOLT	610150	4
6D	DISCONNECT CAP	610901	1
6E	DISCONNECT ROD	610915	1
6F	O-RING	610916	1
6G	O-RING	610917	1
6H	PIPE PLUG	-----	2
6J	ID PLATE	-----	1
6K	DRIVE SCREW	-----	4
7	INPUT SHAFT	610953	1
8	INPUT GEAR	-----	1
9	THRUST SPACER	-----	1
10	THRUST SPACER	-----	1
11	THRUST WASHER	-----	2
12	BOLT	-----	20
13	LOCKWASHER	-----	20
14	RETAINING RING	610936	1
15	WASHER	-----	1
16	SPACER	-----	1
17	RETAINING RING	-----	1
18	SPRING	-----	1
19	COUPLING SUB-ASSEMBLY	-----	1
19A	COUPLING	610951	1
19B	RETAINING RING	610954	2
19C	RING	-----	1
19D	ANTI-DISCONNECT SPACER	-----	1

*NOTE:
 REFER TO DETAIL 73 TO CHECK AUX. SYSTEM - 1850 PSI
 REFER TO DETAIL 67 TO CHECK LIMIT SETTING - 4500 PSI
 REFER TO DETAIL 67 TO CHECK CHARGE PRESSURE - 380 PSI



284 400 GAL HYD SCHEM 94
REFERENCE DRAWING NO. 498435S1

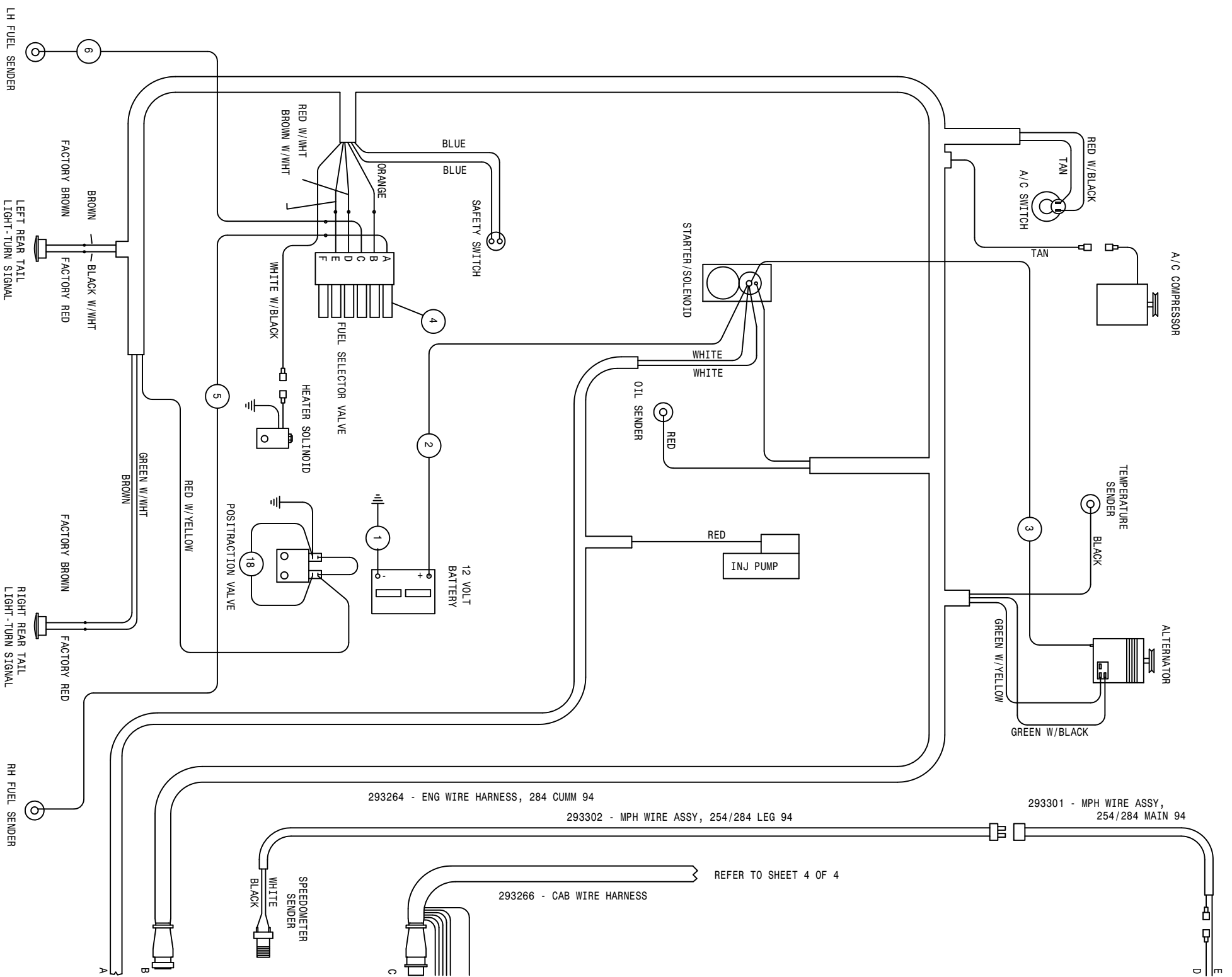
DET.	QTY	PART NO.	DESCRIPTION	DET.	QTY	PART NO.	DESCRIPTION
1	1	606902	SUND 100CC PUMP-B-MT W/FILT	52	1	610300	3/4MJC-3/4MNP ADPTR
2	2	610557	SUND M35-3102 WHL MTR W/SHFT	53	2	714331	1 NPT X 3/4 HOSE BARB
3	1	606897	SUND GEAR PUMP 1.34CI SPLINED	54	2	618599	1 5/16MOR BRANCH TEE-1 5/16MJ
4	1	618606	OIL COOLER, BLISSFIELD 65027	55	3	618119	9/16MJC-90-9/16MOR LBO
5	1	605606	FILTER HEAD, ZINZA HI-PRESS	56	2	618183	3/4MJC-90-7/8MOR LBO
6	1	605607	FILTER, 10 MICRON ZINGA,HIPRES	57	2	618172	7/8MOR-9/16FOR ADPTR
7	1	610580	REMOTE FLUSHING VALVE, SUND	58	4	618248	1 1/16MJC-90-1 1/16MOR LBO
8	2	606003	GRESEN SELECTOR VALVE DS-12	59	4	618627	7/8MJC-3/4JIC REDU UNION
9	2	610571	SUND M35-3002 WHL MTR	60	2	618126	9/16MJC-9/16MOR ADPTR
10	4	505300	BLK PIPE EL 90DEG 1.00NPT	61	2	716000	3/4 HOSE BARB-90-1MNP
11	1	605601	GRESEN FILTER 10 MICRON 40GPM	62	1	504001	RED BUSH 3/4 X 1/4 BLK MAL
12	1	760097	OIL TANK WLD 8240 1982	63	2	505213	RED BUSH 1 X 3/4 BLK MAL
13	1	605600	MICHIGAN RESERVOIR FILTER	64	4	618541	1 5/16FJIC-1 1/16MJC ADPTR
14	2	605603	LINE SUMP DIFFUSER	65	1	618118	3/4 HOSE BARB-90-1 1/16MOR
15	1	611052	FILLER BREATHER 3/4NPT	66	1	618626	1 1/4 HOSE BARB-45-1 5/8MOR
16	1	614453	DIPSTICK, 8IN	67	3	618629	9/16MOR BRANCH TEE-9/16MJC
17	2	618598	1 IN 4-BOLT FLG X 1 5/16FOR	68	7	618535	7/8MJC-90-1 1/16MOR LBO
18	1	606891	SUND GEAR PMP .52CI SPLINED	69	1	611128	7/8MJC-90-7/8MOR LBO
19	1	614681	RH REAR LEG HYD TUBE ASSY 280	70	1	618075	3/4 HOSE BARB-1 1/16MOR
20	1	614198	FWD VALVE U-TUBE ASSY	71	2	611127	1 1/16MJC-1 1/16MOR ADPTR
21	2	615655	FRT LEG INNER HYD TUBE ASY284	72	1	618520	1/4MNP RUN TEE-9/16MJC
22	2	614680	REAR LEG HYD TUBE ASSY 280	73	3	618333	7/8FJIC SW RUN TEE-7/8MJC
23	1	615657	RH FRTLEG OUTER HYDTUBE ASY284	74	1	618090	1 5/16MOR-1FNPT ADPTR
24	2	615656	FRT LEG CNTR HYD TUBE ASSY284	75	2	618301	7/8MJC-90-7/8FJIC SWIV LBO
25	2	620570	HYD CYL LEG LEVEL 2.00 X 12	76	2	618132	1 1/16MOR-7/8FOR ADPTR
26	1	614682	LH REAR LEG HYD TUBE ASSY 280	77	1	611126	7/8MJC-7/8MOR ADPTR
27	1	615658	LH FRTLEG OUTER HYDTUBE ASY284	78	1	618130	7/8MOR RUN TEE-7/8MJC
28	1	615619	06C1T-06FJX-06FJX-144	79	1	618557	7/8FJIC-9/16MJC ADPTR
29	2	614685	08C2AT-12FJX-12FJX-106	80	1	506410	BLK PIPE ST EL 90DEG 1.25NPT
30	4	614686	08C2AT-08FJX90-10FJX-70	81	2	618327	3/4MJC-7/8MOR ADPTR
31	1	614101	04C1T-06FJX-06FJX-133	82	2	618474	3/4MJC-90-1 1/16MOR LBO
32	2	615444	06C1T-06FJX-08FJX90-60	83	4	714560	INPT X 1 HOSE BARB
33	1	615614	FRT LEG CYL JUMPER HOSE280 89	84	1	715660	HOSE BARB 1 1/4NPT X 1 1/4
34	1	616034	08C1T-08FJX-08FJX-17	85	5	505200	BLK PIPE ST EL 90DEG 1.00NPT
35	1	615633	08C1T-08FJX-08FJX-23	86	1	618018	9/16MJC-1/2MNP ADPTR
36	1	616048	04C1T-06FJX-06FJX-35	87	1	618019	9/16MJC UNION TEE
37	2	616043	04C1T-06FJX-06FJX-23	88	2	505105	1MNP HEX PIPE NIPPLE STL
38	2	614683	10C2AT-12MJ-12FJX90-60	89	4	618191	1 1/16MJ-90-1 1/16FJ SWIV LBO
39	2	614684	10C2AT-12MJ-12FJX90-70	90	1	713220	HOSE BARB 3/4 NPT X 3/4
40	1	614549	06C1T-06FJX-06FJX-140	91	2	618314	3/4MJC UNION
41	1	615449	06C1T-06FJX-06FJX-126	92	1	506602	PIPE NIPPLE 1 1/4NPT-2 1/2
42	1	601244	HOSE, 1 1/4 X 31 2BR RED	93	2	505098	SIDE OUTLET EL 90DEG 1.00NPT
43	1	601304	HOSE, 3/4 2BR RED X 100 LG	94	2	618486	9/16FJIC SW RUN TEE-9/16MJC
44	1	601112	HOSE, 3/4 X 84 2BR RED	95	1	506303	BLK PIPE EL 90DEG 1.25NPT
45	1	601255	HOSE, 1.00 2BR RED X 104 LG	96	2	505102	PIPE PLUG 1.00NPT SQ HD
46	1	601344	HOSE, 3/4 X 39 2BR RED	97	1	501102	1/4 PIPE PLUG
47	1	601311	HOSE, 3/4 X 8 2BR RED	98	1	504210	RED BUSH 3/4 NPT X 1/2 NPT
48	3	618331	9/16FJIC CAP NUT	99	2	504702	CLOSE NIPPLE .75NPT
49	1	618328	7/8FJIC CAP NUT	100	2	504955	BLK PIPE TEE .75NPT
50	2	618487	1 1/16FJ SW RUN TEE-1 1/16MJ	101	3	505203	BLK PIPE NIPPLE 1.00NPT-4.00
51	2	505101	BLK PIPE TEE 1.00NPT				



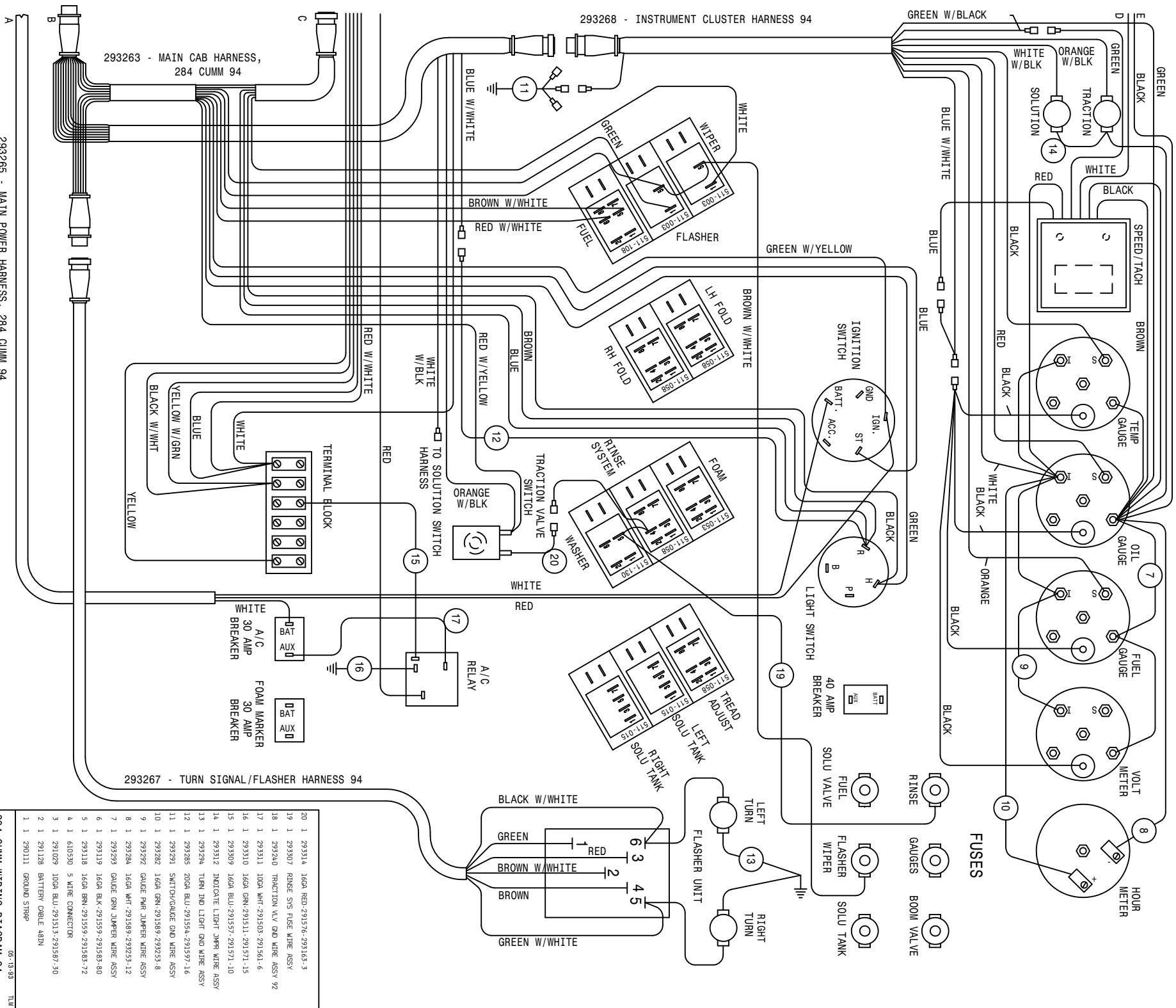
*NOTE:
REFER TO DETAIL 7 RELIEF PRESSURE SETTING - 1850 PSI

284 400 GAL HYD SCHEM 94
REFERENCE DRAWING NO. 49843552

DET.	QTY	PART NO.	DESCRIPTION	DET.	QTY	PART NO.	DESCRIPTION
1	2	620120	CYL ASSY, RH LEG, TREAD ADJ 94	41	1	614571	06RLA-06FJX-06FJX-126
2	2	620114	CYL ASSY, STRG, TREAD ADJ 93	42	2	611208	04C1T-06FJX-06FJX-98
3	2	620531	LEVEL CYL ASSY, 2 X 10 94	43	1	618440	9/16MJIC-90-9/16MOR EX LG LBO
4	2	610510	CESSNA GEAR MOTOR 1.48CI	44	3	503820	BLK PIPE TEE .50NPT
5	1	610319	HYD MTR HYPRO HMI PUMP	45	2	618126	9/16MJIC-9/16MOR ADPTR
6	1	606818	FLO CONT FCR51 0-16GPM 7/8FOR	46	1	611128	7/8MJIC-90-7/8MOR LBO
7	2	607512	RELIEF VALVE, RL50, 1850 PSI	47	2	611126	7/8MJIC-7/8MOR ADPTR
8	1	607504	FLO DIV B50 2-8GPM 7/8 FOR	48	5	611121	9/16MJIC-1/4MNPT ADPTR
9	1	610569	6 SECT,5 FUCTION HYD VLV, EATON	49	4	618514	9/16FJ SW BRANCH TEE-9/16MJ
10	1	749150	STRG MTR NON-LOAD REACT 1008	50	14	611122	9/16MJIC-90-1/4MNPT LBO
11	2	620513	LIFT CYL ASSY, 2 X 14 94	51	2	618072	7/8MOR-1/2FNPT ADPTR
12	2	620052	HYD CYL, 2IN FOLD & LEVEL	52	2	500000	1/2MNPT HEX PIPE NIPPLE STL
13	2	620080	STRG CYL ASSY 1.50 X 6.0 1985	53	3	618018	9/16MJIC-1/2MNPT ADPTR
14	1	606827	FLO CONT FCS1 0-3 VARI 7/8FOR	54	5	618019	9/16MJIC UNION TEE
15	1	615641	FOLD HYD TUBE ASSY, IN 254/284	55	4	614708	RESTRICTOR ELBOW ASSY .020DIA
16	1	615639	LEVEL HYD TUBE ASSY, UP254/284	56	4	614710	RESTRICTOR ELBOW ASSY .025DIA
17	1	615637	LIFT HYD TUBE ASSY, UP 254/284	57	2	618310	9/16MJIC-7/8MOR ADPTR
18	1	615640	LEVEL HYD TUBE ASSY, DN254/284	58	2	611147	3/4MJIC-1/2MNPT ADPTR
19	1	615638	LIFT HYD TUBE ASSY, DN 254/284	59	4	618496	9/16MJIC-45-3/4MOR LBO
20	1	615642	FOLD HYD TUBE ASSY,OUT254/284	60	2	618320	9/16MJIC UNION CROSS
21	1	615521	10C1T-10FJX-10FJX-18	61	5	618486	9/16FJIC SW RUN TEE-9/16MJIC
22	1	615452	06C1T-06FJX-06FJX-16	62	1	618327	3/4MJIC-7/8MOR ADPTR
23	1	614159	04C1T-06FJX-06FJX-169	63	1	618325	7/8MJIC-1/2MNPT ADPTR
24	2	615442	04C1T-06FJX-06FJX-55	64	4	614365	RESTRICTOR ELBOW ASSY .042DIA
25	4	616040	04C1T-06FJX-06FJX-47	65	1	611145	3/4MJIC-90-1/2MNPT LBO
26	4	616028	04C1T-06FJX-06FJX-47	66	1	618241	3/4MJIC-90-3/4MOR LBO
27	1	616057	08C1T-08FJX-08FJX-88	67	1	712440	1/2 NPT X 3/4 HOSE BARB
28	2	614664	10C1T-10FJX-10FJX-98	68	1	503600	CLOSE NIPPLE .50NPT
29	1	616042	04C1T-06FJX-06FJX-13	69	2	618531	9/16FJIC CAP NUT
30	2	616049	04C1T-06FJX-06FJX-26	70	4	618092	1 1/16MOR-1/2FNPT ADPTR
31	2	620121	CYL ASSY, LH LEG, TREAD ADJ 94	71	8	618107	9/16MJIC-90-1/2MNPT LBO
32	2	614308	04C1T-06FJX-06FJX-109	72	11	618119	9/16MJIC-90-9/16MOR LBO
33	2	611210	04C1T-06FJX-06FJX-156	73	1	618172	7/8MOR-9/16FOR ADPTR
34	4	611204	04C1T-06FJX-06FJX-78	74	6	619010	9/16MJIC UNION
35	8	614663	04C1T-06FJX-06FJX-16	75	1	601332	HOSE, 3/4 X 40 2BR RED
36	2	615616	04C1T-06FJX-06FJX-65	76	1	618562	9/16MOR-90-1/4MNPT LBO
37	8	616026	04C1T-06FJX-06FJX-37	77	1	610447	HYD FILTER, INLINE 1/4FNPT 90M
38	1	614382	08C1T-08FJX-08FJX-40	78	2	620123	CYL ASSY,STRG, 125" TREAD ADJ94
39	1	614662	08C1T-08FJX-08FJX-72	79	2	620122	CYL ASSY,STRG, 90" TREAD ADJ 94
40	3	614693	06C1T-06FJX-06FJX-168	80	1	618618	9/16MJIC-90-9/16FJIC SWIV LBO



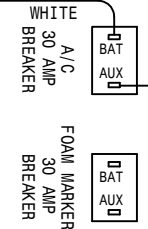
REFER TO SHEET 4 OF 4



293263 - MAIN CAB HARNESS,
284 CUMM 94

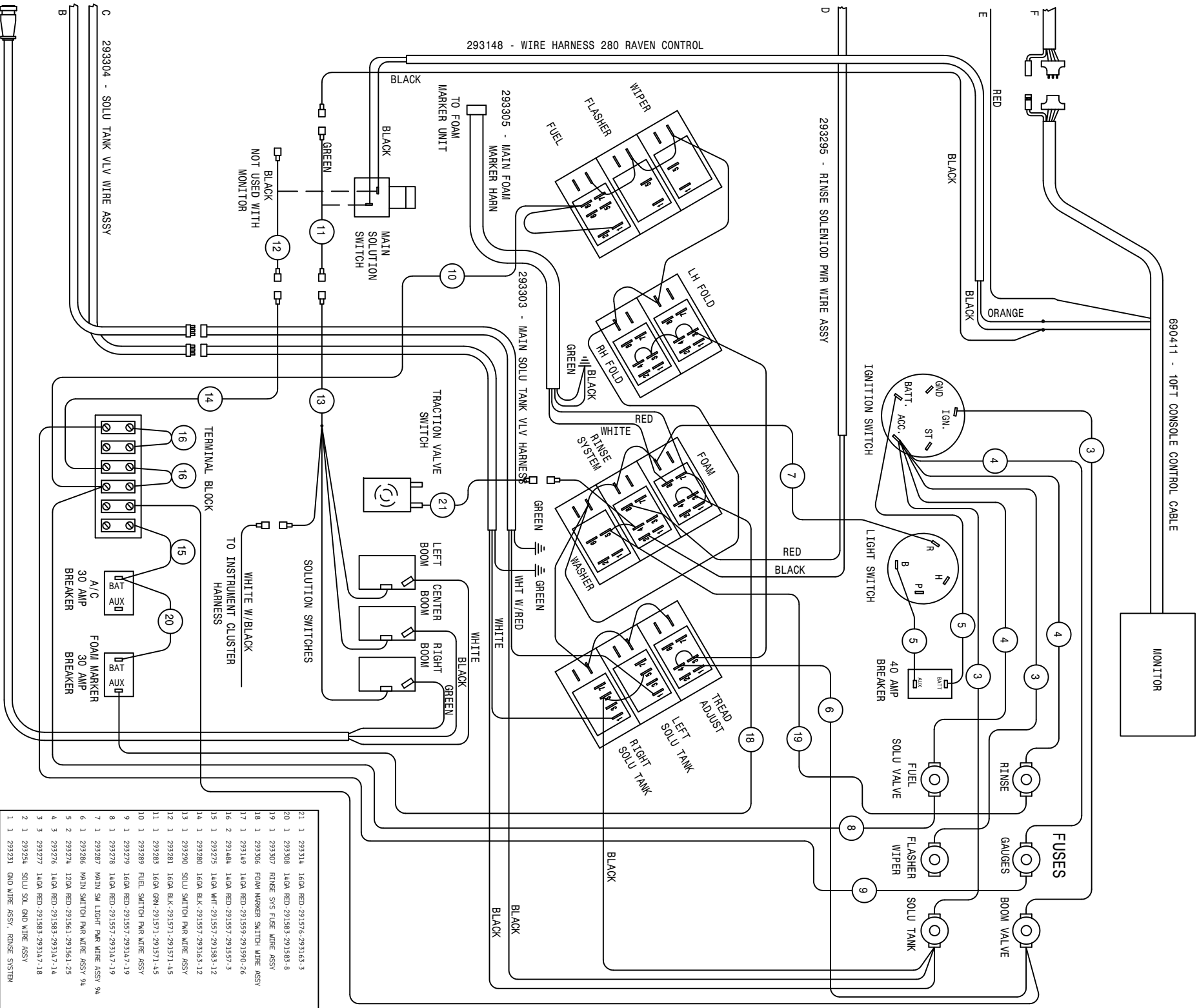
293267 - TURN SIGNAL/FLASHER HARNESS 94

293265 - MAIN POWER HARNESS, 284 CUMM 94



20	1	293314	16GA RED-291516-292163-3
19	1	293307	RINSE SYS FUSE WIRE ASSY 92
18	1	293240	TRACTION VLV GND WIRE ASSY 92
17	1	293311	10GA WHT-291503-291561-6
16	1	293310	16GA GRN-291511-291571-15
15	1	293309	16GA BLU-29157-291571-10
14	1	293312	INDICATE LIGHT WPR WIRE ASSY
13	1	293294	TURN IND LIGHT GND WIRE ASSY
12	1	293285	20GA BLU-291554-291597-16
11	1	293291	SWITCH/GAUGE GND WIRE ASSY
10	1	293282	16GA GRN-291589-29253-8
9	1	293292	GAUGE PWR JUMPER WIRE ASSY
8	1	293284	16GA WHT-291589-29253-12
7	1	293293	GAUGE GRN JUMPER WIRE ASSY
6	1	293119	16GA BLK-291559-291583-80
5	1	293118	16GA BRN-291559-291583-72
4	1	610530	5 WIRE CONNECTOR
3	1	291029	10GA BLU-291513-291587-30
2	1	291128	BATTERY CABLE ASN
1	1	290111	GROUND STRAP

284 CUMM WIRING DIAGRAM 94
254
REVISION DATE: 07-20-01
498438



293148 - WIRE HARNESS 280 RAVEN CONTROL

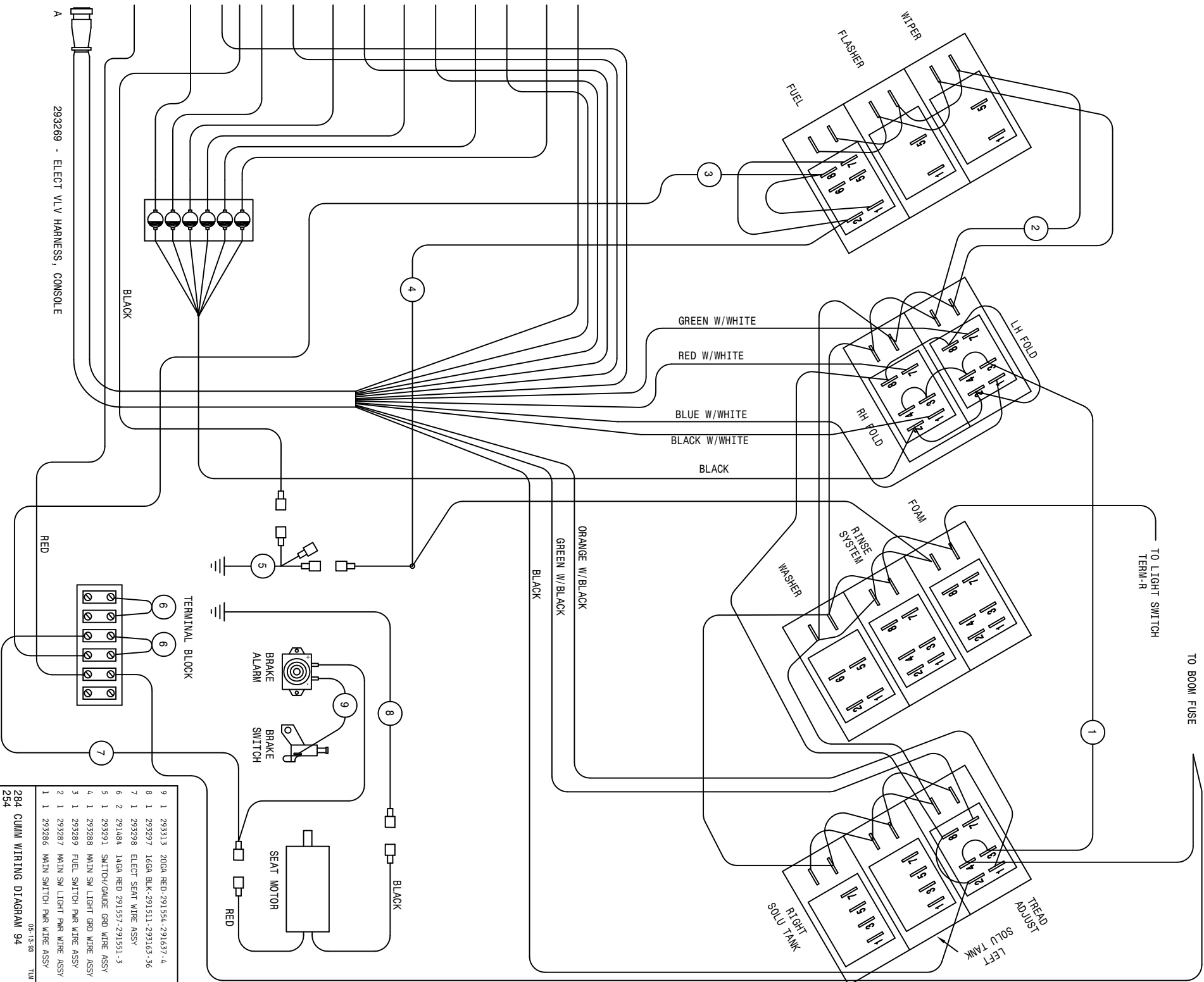
A 293272 - SOLU VLV HARNESS, CONSOLE 94

C 293304 - SOLU TANK VLV WIRE ASSY

D 293295 - RINSE SOLENIOD PWR WIRE ASSY

21	1	293314	16GA RED	291576-293163-3
20	1	293308	16GA RED	291583-291583-8
19	1	293307	RINSE S/S FUSE	WIRE ASSY
18	1	293306	FOAM MARKER SWITCH	WIRE ASSY
17	1	293149	16GA RED	291559-291590-26
16	2	291484	16GA RED	291557-291557-3
15	1	293275	16GA WHT	291557-291583-12
14	1	293280	16GA BLK	291557-293163-12
13	1	293290	SOLU SWITCH	PAR WIRE ASSY
12	1	293289	16GA BLK	291571-291571-45
11	1	293283	16GA GRN	291571-291571-45
10	1	293289	FUEL SWITCH	PAR WIRE ASSY
9	1	293279	16GA RED	291557-293147-19
8	1	293278	16GA RED	291557-293147-19
7	1	293287	MAIN SW	LIGHT PAR WIRE ASSY 94
6	1	293286	MAIN SWITCH	PAR WIRE ASSY 94
5	2	293274	12GA RED	291561-291561-25
4	3	293276	16GA RED	291583-293147-14
3	3	293277	16GA RED	291583-293147-18
2	1	293254	SOLU SOL	GRD WIRE ASSY
1	1	293251	GRD WIRE	ASSY, RINSE SYSTEM

284 CUMM WIRING DIAGRAM 94
294



A 293289 - ELECT VLV HARNESS, CONSOLE

BLACK

TERMINAL BLOCK

RED

7

6

6

6

BRAKE ALARM
BRAKE SWITCH

RED

SEAT MOTOR

BLACK

8

9

4

GREEN W/WHITE
RED W/WHITE
BLUE W/WHITE
BLACK W/WHITE
BLACK

ORANGE W/BLACK
GREEN W/BLACK
BLACK

WIPER
FLASHER
FUEL

2

3

LH FOLD
RH FOLD

FORM
RISE SYSTEM
WASHER

TO LIGHT SWITCH
TERM-R

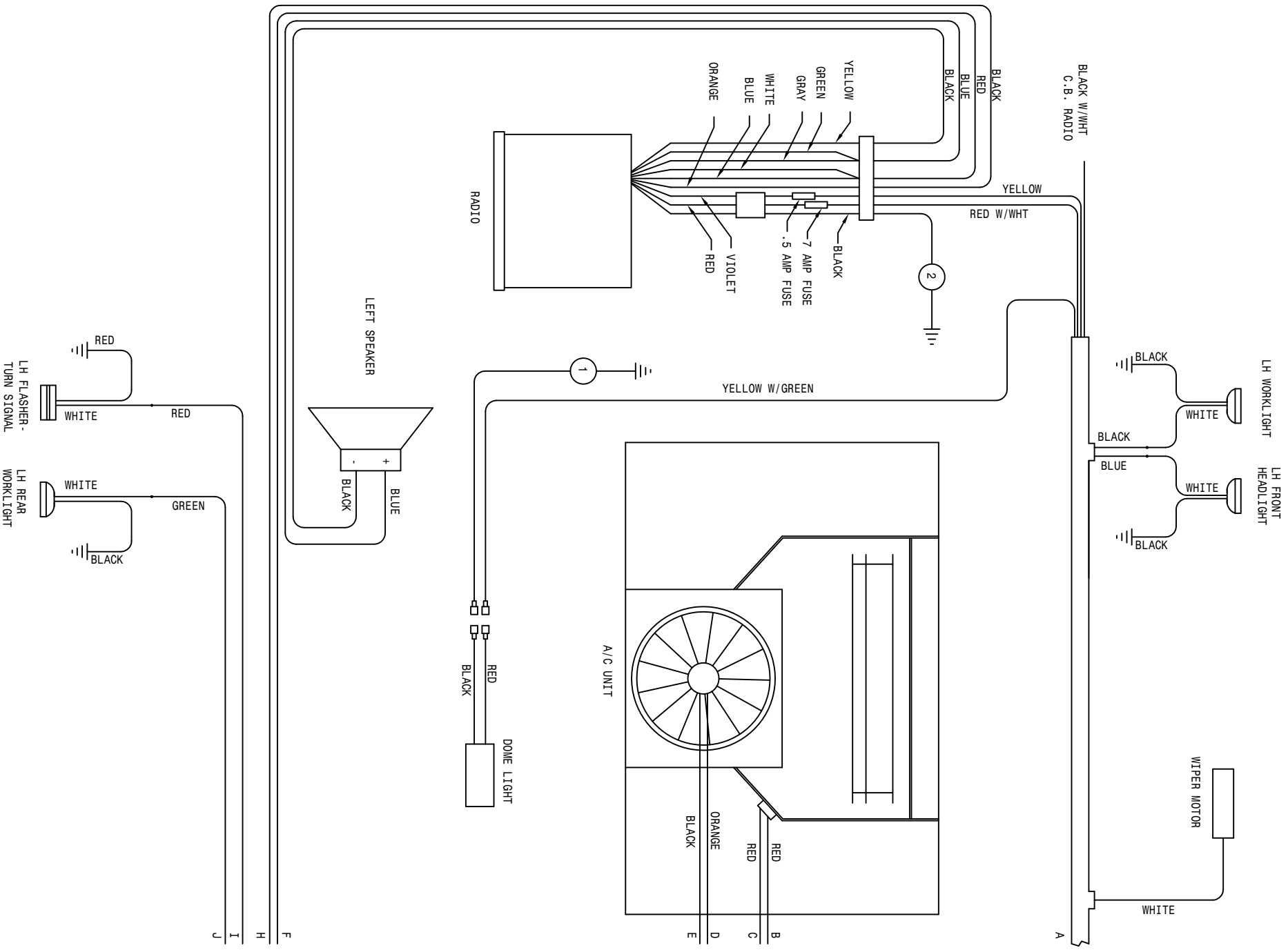
1

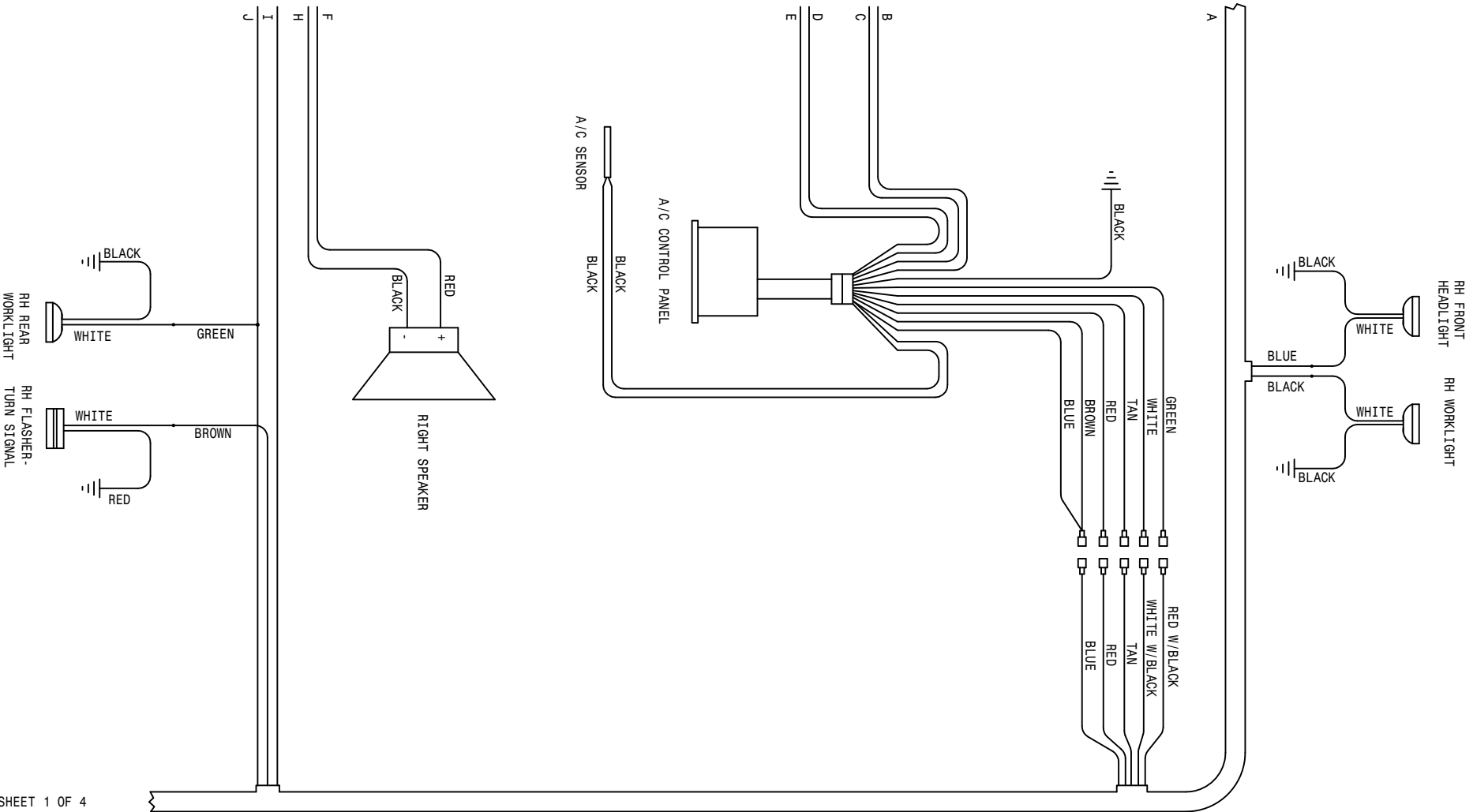
TO BOOM FUSE

RIGHT TANK
LEFT TANK
TREAD ADJUST

9	1	293313	20GA RED-291554-291637-4
8	1	293297	16GA BLK-291511-293163-36
7	1	293298	ELECT SEAT WIRE ASSY
6	2	291484	14GA RED 291557-291551-3
5	1	293291	SWITCH/GAUGE WIRE ASSY
4	1	293288	MAIN SM LIGHT GRD WIRE ASSY
3	1	293289	FUEL SWITCH PWR WIRE ASSY
2	1	293287	MAIN SM LIGHT PWR WIRE ASSY
1	1	293286	MAIN SWITCH PWR WIRE ASSY

284 CUMM WIRING DIAGRAM 94
05-13-89 TLM
SHEET 3 OF 4
REVISION DATE: 10-18-83
498438





293266 - CAB WIRE HARNESS

REFER TO SHEET 1 OF 4

2	1	293300	16GA BLK-291511-291571-18
1	1	293299	16GA BLK-291511-291571-30
284 CUMM WIRING DIAGRAM 94			
05-13-89 TLM			
SHEET 4 OF 4			
294			
498438			

NOTICE

The following page contains decals for the model 284.

These decals can be obtained from Hagie Mfg. Co. and should be used whenever your machine is repainted or when the decals become worn, weathered, or faded.

Special attention should be paid to decals involving personal safety. They have been attached for your protection.

KEEP THEM IN PLACE.

Contact: Hagie Manufacturing Co.
Box 273
Clarion, Iowa 50525

284 DECALS

QTY.	PART NO.	DESCRIPTION	LOCATION
1	650831	EMERGENCY STOP DECAL	ON LOWER LH FRONT CAB FOAM
1	650320	EMERGENCY EXIT DECAL	ON LOWER REAR OF EXIT WINDOW
1	650328	CONSOLE COVER PANEL DECAL	ON CONSOLE SHEET METAL
1	650814	PARK BRAKE DECAL	NEAR PARK BRAKE
1	650822	SOLUTION PUMP DECAL	ON FRONT CROSSMEMBER
1	650847	NO PASSENGER DECAL	REAR CORNER OF CAB
2	650848	SLIP OR FALL DECAL	2-ON EACH FUEL TANK
2	650849	ENGINE FUEL DECAL	NEAR EACH FUEL TANK NECK
2	650850	CHEMICAL DECAL	ON SOLUTION TANK LIDS
2	650851	SHIELDS DECAL	ON SIDE OF TOP ENGINE COVER
1	650852	READ MANUAL DECAL	ON LOWER LH FRONT CAB FOAM
1	650319	NOTICE-FRT LEG CYL OIL	ON TOP LH FRONT LEG
1	650326	HAGIE DECAL	ON FRONT MAINFRAME SHIELD
2	650954	DIESEL DECAL	NEAR EACH FUEL NECK
1	650981	COOLING SYSTEM DECAL	NEAR RADIATOR CAP
1	650982	ELECTRICAL DECAL	RIGHT HAND SIDE OF OIL TANK
4	650985	WHEEL BOLT TORQUE DECAL	ON EACH WHEEL RIM
1	650323	DECAL SET, HAGIE 284 STRIPE	ON EACH ENGINE HOOD
1	650324	DECAL SET, 3 X 68 STRIPE	ON EACH TANK SHIELD
1	650329	SPRAY CONTROL/TRAC DECAL	ON INSTRUMENT PANEL
1	650334	SS SIGHT GAUGE DECAL	ON SIGHT GAUGE MOUNT

ABBREVIATIONS

A/C - AIR CONDITIONER	MT - MOUNT
ADPTR - ADAPTER	MTR - MOTOR
AGI - AGITATOR	P/N - PART NUMBER
ALT - ALTERNATOR	PLT - PLATE
ASSY - ASSEMBLY	QTY - QUANTITY
BRKT - BRACKET	RED - REDUCER
DET - DETAIL	REF - REFERENCE
DISPL - DISPLACEMENT	REST - RESTRICTOR
EL - ELBOW	REQ - REQUIRED
EXT - EXTENSION	SHFT - SHAFT
FLO - FLOW	SOL - SOLUTION
FNPT - FEMALE NATIONAL PIPE THREAD	STRG - STEERING
FOR - FEMALE O-RING	ST - STREET
FRT - FRONT	SWIV - SWIVEL
HYD - HYDRAULIC	UNC - UNIFIED NATIONAL COURSE
HYDRO - HYDROSTATIC	UNF - UNIFIED NATIONAL FINE
LG - LONG	V - VOLT
LWR - LOWER	W/ - WITH
MJIC - MALE J.I.C.	WHL - WHEEL
MOR - MALE O-RING	WLD - WELDMENT

-A-

ABBREVIATIONS.....88
 ADJUSTMENT, TREAD.....62,63
 AGITATOR
 IMPELLER.....47
 SHAFT.....47
 SHIELD.....47
 SOLUTION.....47
 AIR CLEANER.....12
 BAND.....12
 FILTER.....12
 HOOD.....12
 HOSE.....12
 AIR CONDITIONER
 BLOWER MOUNT.....28
 COMPRESSOR.....10
 COMPRESSOR MOUNT.....10
 CONDENSOR.....10
 CONTROL.....28
 DRYER.....10
 FILTER.....28
 AIR SEAT.....26
 ANTENNA, RADIO.....28
 ARM,
 TANK SUPPORT.....43
 WIPER.....26

-B-

BALL VALVE.....46
 BAND,
 AIR CLEANER.....12
 FUEL TANK.....24
 TANK.....46
 BATTERY.....13
 BOX.....13
 CABLE.....13,36
 BELT.....5,10
 BLADE,
 FAN.....5
 WIPER.....26
 BLOCK, TERMINAL.....33
 BOOM.....54
 CONTROL VALVE.....39
 CRADLE.....54
 FEEDER.....55
 PIVOT PIN.....53
 SHOCK.....58
 SPRING.....54
 BRACE,
 LADDER.....44,45
 LEG.....16,17
 BRAKE
 CABLE.....16,17

-C-

DISC.....16,17
 LEVER.....36
 PAD.....16,17
 RETAINER CLIP.....16,17
 BREAKAWAY.....53
 BREAKER, CIRCUIT.....33
 BREATHER.....25
 BUZZER.....36

CAB.....26
 ROOF.....26
 CABLE,
 BATTERY.....13
 BRAKE.....16,17,36
 CONTROL.....33,34,35,37,38
 THROTTLE.....4
 4WD.....37
 CAP,
 FUEL.....24
 RADIATOR.....11
 STEERING.....30
 CATWALK.....44,45
 CHECK VALVE.....50
 CIRCUIT BREAKER.....33
 COMPRESSOR, A/C.....10
 CONDENSOR.....10
 MOUNT.....10
 CONSOLE.....33
 COVER.....32
 CONTROL HANDLE.....34
 COOLER, OIL.....11
 CRADLE.....46
 BOOM.....54
 CROP GUIDE.....14,15,19
 CYLINDER,
 FOLD.....57
 FRONT LEG.....20
 LEVER.....58
 LIFT.....56
 STEERING.....21
 TREAD ADJUSTMENT.....64,65,66

-D-

DECALS.....86,87
 DIAGRAM, WIRING.....78
 DIFFUSER, LINE SUMP.....25
 DIMMER SWITCH.....26
 DIPSTICK.....25
 DISC,
 BRAKE.....16,17
 SENSOR.....16,17

DOOR.....27
 HANDLE.....27
 DRINK HOLDER.....33
 DRIVE ASSEMBLY.....4
 DRYER, A/C.....10

-E-

ELECTRIC SOLENOID VALVE.....46
 ENGINE.....4
 HOOD.....40
 MOUNTS.....4,5
 EXHAUST PIPE.....12

-F-

FAN
 BLADE.....5
 SPACER.....5
 FILTER,
 AIR CLEANER.....12
 AIR CONDITIONER.....28
 FUEL.....4
 HI-PRESS.....9
 INLINE HYDRAULIC.....39
 MICHIGAN.....25
 MINDER.....31
 OIL.....5,25
 FLASHER SWITCH.....30
 FLOORMAT.....29
 FLOW CONTROL
 VALVE.....70
 VARIABLE.....38
 FLOW DIVIDER.....7
 FLOW METER.....70
 FLUSHING VALVE.....8
 FOAM.....11,29
 FOLD CYLINDER.....53,57
 FUEL
 CAP.....24
 GAUGE.....31
 SELECTOR VALVE.....24
 SENDER.....24
 TANK.....24
 FUSE.....32
 HOLDER.....32

-G-

GAUGE,
 FUEL.....31
 OIL PRESSURE.....31
 PRESSURE.....51
 SIGHT.....46,48
 TEMPERATURE.....31
 GAS SPRING.....27
 GLASS.....26,27

GLAND PACKING.....47
 GRAB HANDLE.....26
 GROUND STRAP.....4,13,26
 GUARD, SPRING.....67
 GUIDE, CROP.....19

-H-

HANDLE,
 CONTROL.....34
 DOOR.....27
 GRAB.....26
 HANDRAIL.....40
 HEADLIGHT.....26
 HRADLINER.....28
 HEATER SOLRNOID.....5
 HEAT SHIELD.....11
 HI-PRESS
 FILTER.....9
 MANIFOLD.....69
 HOLDER, DRINK.....33
 HOOD,
 AIR CLEANER.....12
 ENGINE.....40
 HOOK, RUBBER.....40
 HOSE, AIR CLEANER.....12
 HOSING, SOLUTION.....67
 HOUR METER.....31
 HUB, TORQUE.....14,15,16,17,71
 HYDRAULIC
 SCHEMATIC.....74
 TANK.....25
 TUBE.....14,15,16,17,52
 HYPRO D-230 PUMP.....68

-I-

IMPELLER.....47
 INDICATOR, MPH-RPM.....31
 INLINE HYDRAULIC FILTER.....39
 INTERIOR LIGHT.....28

-K-

KICK PANEL.....26
 KNOB.....32,33

-L-

LADDER.....44,45
 BRACE.....44,45
 LEG,
 BRACE.....16,17
 CYLINDER.....20
 FRONT.....14,15
 REAR.....16,17
 LEVEL CYLINDER.....53,58

LEVER,
 HYDROSTATIC.....34
 THROTTLE.....35
 LID.....46, 48
 LIFTARM.....52
 MOUNT.....52
 LIFT CYLINDER.....52, 56
 LIGHT,
 HEAD.....26
 INTERIOR.....28
 SWITCH.....32
 TURN SIGNAL.....26
 LINE SUMP DIFFUSER.....25

-M-

MANIFOLD, HI-PRESS.....69
 METER, HOUR.....31
 MIRROR.....26
 MOTOR
 STEERING.....30
 WHEEL.....14, 15, 16, 17
 WIPER.....26
 MOUNT,
 A/C BLOWER.....28
 CONDENSOR.....10
 ENGINE.....4, 5
 FLOW DIVIDER.....7
 LIFTARM.....52
 MONITOR.....33
 RADIATOR.....11
 RUBBER.....4, 5, 26
 SOLUTION VFC.....38
 TANK.....42
 MUFFLER.....12
 MULLION.....40

-N-

NOZZLE, RINSE.....61
 NYLON SLEEVE.....14

-O-

OIL
 COOLER.....11
 FILTER.....5
 PRESSURE GAUGE.....31
 SENDER.....4
 TANK.....25

-P-

PAD, PARK BRAKE.....16, 17
 PANEL, KICK.....26
 PARK BRAKE SWITCH.....36
 PIVOT PIN, BOOM.....53

PLATFORM, SERVICE.....44, 45
 POSITRACTION VALVE.....6
 PRESSURE GAUGE.....51
 PRIME TANK.....50, 59
 PUMP,
 HYPRO D-230.....68
 SOLUTION.....50, 59
 SUNDSTRAND.....6

-R-

RADIATOR.....11
 CAP.....11
 HOSE.....5
 MOUNT.....11
 SCREEN.....11
 SHROUD.....11
 RADIO.....28
 RECOVERY.....11
 RELAY.....34
 RELIEF VALVE.....7
 RIM.....18
 RINSE,
 NOZZLE.....61
 TANK.....60
 ROOF, CAB.....26
 RUBBER,
 HOOK.....49, 41
 MOUNT.....4, 26
 WASHER.....7, 37

-S-

SCHEMATIC, HYDRAULIC.....74
 SCREEN.....41
 RADIATOR.....11
 SEAL BOOT.....14, 15
 SEAT.....26
 SELECTOR VALVE, FUEL.....24
 SENDER,
 FUEL.....24
 OIL.....4
 TEMPERATURE.....5
 SENSOR,
 DISC.....16, 17
 TACHOMETER.....16, 17
 SERVICE PLATFORM.....44, 45
 SHAFT, AGITATOR.....47
 SHEETMETAL.....40, 41
 SHIELD,
 AGITATOR.....47
 HEAT.....11
 SIDE.....41
 TANK.....42, 43
 WHEEL MOTOR.....15
 SHOCK, BOOM.....58
 SHROUD, RADIATOR.....11

SIGHT GAUGE.....46,48
 SWV SIGN.....41
 SOLENOID, HEATER......5
 SOLUTION
 AGITATOR......47
 HOISING......67
 PUMP.....50,59
 TANK.....46,48
 SPACER, FAN......5
 SPEAKER......28
 SPRING......35
 BOOM......54
 GUARD......67
 STALK GUIDE......19
 STEERING
 ARM.....14, 15
 CAB......30
 CYLINDER......21
 MOTOR......30
 PIVOT.....22,23
 POST......30
 WHEEL......30
 STRAINER......46
 STRAP, GROUND.....4, 13,26
 SUNDSTRAND PUMP......6
 SUPPORT ARM......43
 SWITCH
 DIMMER......26
 FLASHER......30
 LIGHT......32
 PARK BRAKE.....16, 17
 TOGGLE......32

-T-

TACHOMETER SENSOR.....16, 17
 TAILLIGHT......41
 TANK,
 BAND......46
 FUEL......24
 HYDRAULIC OIL......25
 LID......48
 MOUNTS......42
 RECOVERY......11
 RINSE......60
 SHIELD.....42,43
 SOLUTION.....46,48
 TEMPERATURE
 GAUGE......31
 SENDER......5
 TERMINAL BLOCK......33
 THROTTLE
 CABLE......4
 LEVER......35
 TIE ANGLE......43
 TIE ROD.....22,23
 TIRE......18

TOGGLE SWITCH......32
 TORQUE HUB.....14, 15, 16, 17, 71
 TRANSOM......53
 TREAD ADJUSTMENT......62,63
 CYLINDER.....64,65,66
 TUBE,
 HYDRAULIC.....14, 15, 16, 17
 4WD......37
 TURN SIGNAL LIGHT......26

-V-

VALVE,
 BALL......46
 BOOM CONTROL......39
 CHECK......50
 ELECTRIC SOLUTION......46
 FLOW CONTROL......70
 FLUSHING......8
 POSITRACTION......6
 RELIEF......7
 SOLUTION SOLENOID.....51,59
 4WD......35
 VARIABLE FLOW CONTROL......38
 VOLTMETER......31

-W-

WEATHER STRIP, WINDOW.....26,27
 WHEEL MOTOR.....14, 15, 16, 17
 SHIELD.....16, 17
 WHEEL, STEERING......30
 WIPER
 ARM......26
 BLADE......26
 MOTOR......26
 WIRING DIAGRAM......78

