

**PARTS MANUAL**  
**FOR**  
**HAGIE MODEL 254 HI-TRACTOR**

**HAGIE MANUFACTURING COMPANY**

BOX 273 CLARION, IOWA 50525 (515) 532-2861

COVERS MACHINE SERIAL NUMBERS: 086789001 thru 086789100

07-98 493179  
02-08

SPRAYER IDENTIFICATION

Each Hagie sprayer is identified by means of a frame serial number. This serial number denotes the model, the year in which it was built, and the number of the sprayer. As for further identification, the engine has a serial number and the planetary hubs have identification plates that describe the type of mount and gear ratio. To insure prompt, efficient service when ordering parts or requesting service repairs from Hagie Manufacturing Company, record the serial and identification numbers in the space provided below.

NOTE: Reference to left hand and right hand used throughout this manual refers to the position when seated in the operator's seat facing forward.

SPRAYER SERIAL NUMBER

\_\_\_\_\_

ENGINE SERIAL NUMBER

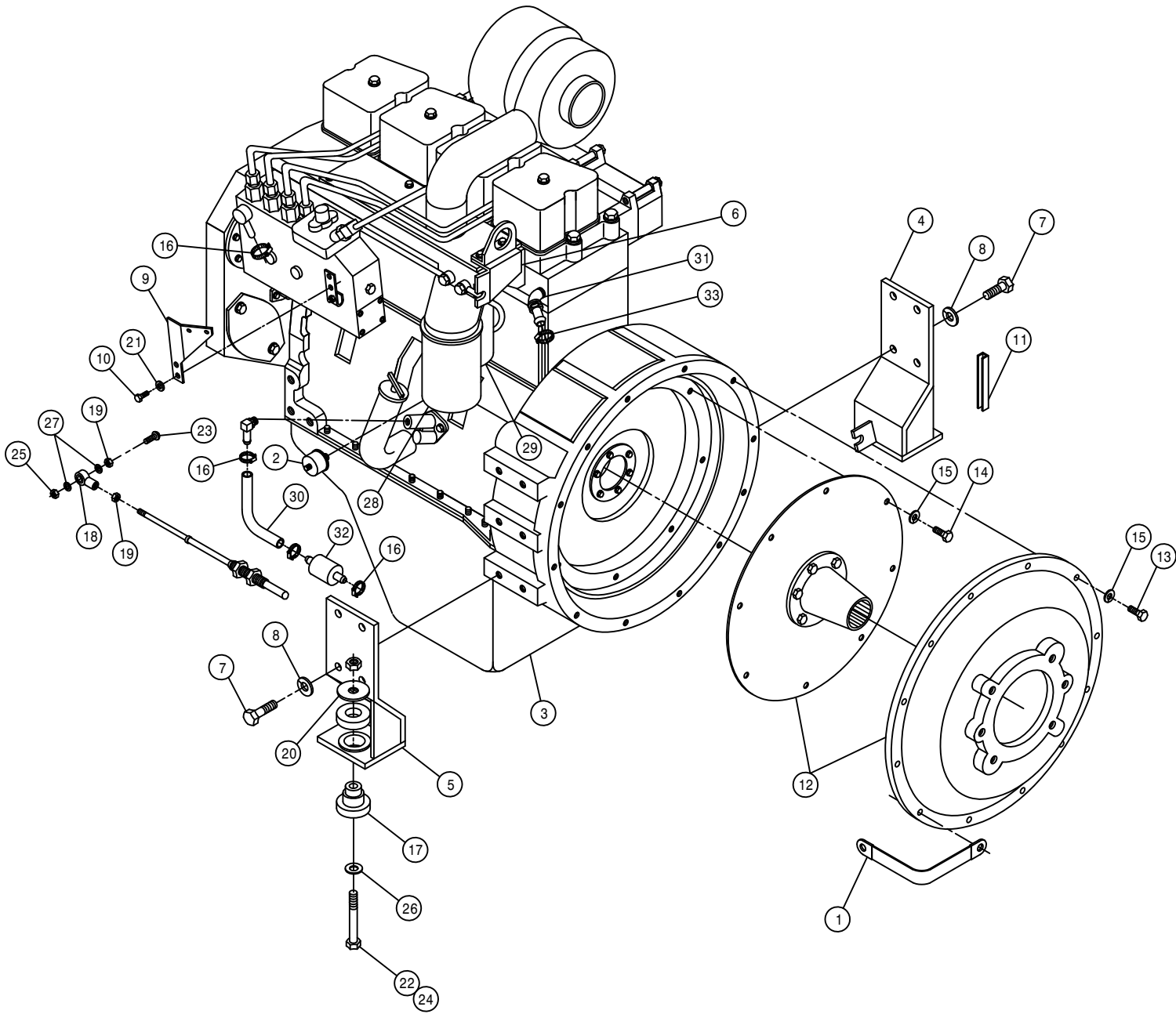
\_\_\_\_\_

PLANETARY HUB IDENTIFICATION NUMBERS

\_\_\_\_\_

TABLE OF CONTENTS

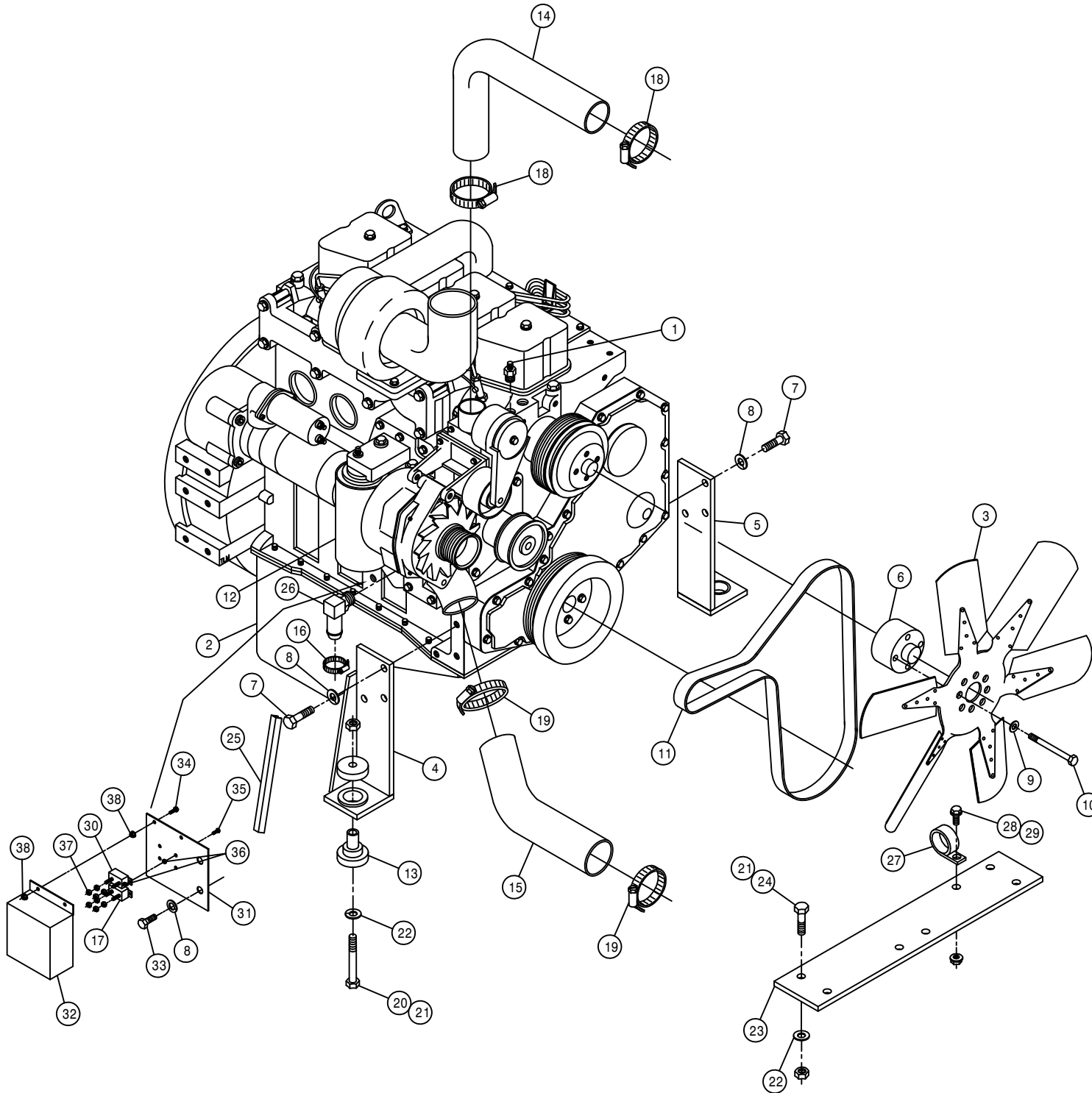
ENGINE ASSEMBLIES . . . . .	.4-6
FLOW DIVIDER AND FLUSHING VALVE . . . . .	.7-9
HEATER SOLENOID . . . . .	10
A/C AND AIR CLEANER. . . . .	11-12
EXHAUST PIPE AND RADIATOR. . . . .	13-14
TIRE. . . . .	15
LEG ASSEMBLIES. . . . .	.16-18
MAINFRAME ASSEMBLY. . . . .	19
TIE ROD ASSEMBLY. . . . .	20
STEERING CYLINDER . . . . .	21
FUEL TANKS. . . . .	22
OIL TANK ASSEMBLY . . . . .	23
SELECTOR VALVE AND FLOW CONTROL . . . . .	.24-25
CAB ASSEMBLY. . . . .	.26-30
INSTRUMENT PANEL ASSEMBLY . . . . .	31
CONSOLE ASSEMBLY. . . . .	.32-35
BRAKE LEVER . . . . .	36
SEAT AND MONITOR MOUNT ASSEMBLY . . . . .	.37-38
BOOM CRADLE ASSEMBLY. . . . .	39
SHEET METAL . . . . .	.40-41
LADDER AND SERVICE PLATFORM ASSEMBLY. . . . .	42
TANK SHIELDS. . . . .	43
CROP GUIDE AND BATTERY . . . . .	44-45
TRANSMOM, BOOM AND LIFT COMPONENTS . . . . .	.46-54
SOLUTION SYSTEM . . . . .	.55-62
WINDSHIELD WASHER OPTION. . . . .	63
RINSE OPTION. . . . .	.64-66
INJECTION PLATFORM. . . . .	67
FOAMER OPTION . . . . .	.68-72
WHEEL DRIVE ASSEMBLY. . . . .	.73-75
DECALS. . . . .	.76-77
HYDRAULIC SCHEMATIC . . . . .	.78-93
ELECTRICAL SCHEMATIC. . . . .	94-101
ABBREVIATIONS . . . . .	.102
INDEX . . . . .	.103



CUMMINS ENGINE ASSEMBLY

DET.	QTY	PART NO.	DESCRIPTION
	1	290107	GROUND STRAP 8 IN
	1	291674	OIL PRESS SENDER,125PSI,1/8NPT
	3	316329	CUMM ENG,4B3.9A 110@2500 CMPSR
	4	316252	RH REAR ENG MT WLD, CUMM 94
	5	316253	LH REAR ENG MT WLD, CUMM 94
	6	316345	THROTTLE BRKT, 254 9
	7	473775	12MM-1.75 X 30MM HEX BOLT
	8	473784	12MM LOCK WASHER
	9	316304	THROTTLE LEVER EXT,6CYL CUMM97
	10	473826	6MM-1.00 X 16MM HEX BOLT
	11	193012	QUICKEDGE TRIM .135 TO .250
	12	800495	SUND DRIVE ASSY,2.83PILOT 14T
	13	473792	10MM-1.50 X 30MM HEX BOLT
	14	473793	10MM-1.50 X 20MM HEX BOLT
	15	473798	10MM LOCK WASHER
	16	473798	10MM LOCK WASHER
	16	520120	HOSE CLAMP NO 4 PLATED MINI
	17	311054	RUBBER MOUNT SET, CB-2202-4
	18	473921	BALL JOINT NO 10-32 THD
	19	910027	10-32 HEX NUT
	20	311055	REBOUND WASHER FOR 311054
	21	920500	1/4 LOCK WASHER
	22	900271	1/2UNC X 3 1/4 HEX BOLT
	23	903893	10-32 X 1" SLT RD HD MACH SCR
	24	914008	1/2UNC HEX STOVER NUT
	25	914027	10-32 HEX STOVER NUT
	26	920004	1/2 SAE FLAT WASHER
	27	920510	#10 LOCK WASHER
	28	316208	FUEL FILTER, PRIMARY CUMM 92
	29	316209	FUEL FILTER, SECONDARY CUMM92
	30	601347	HOSE, 3/8 X 10" FUEL LINE
	31	503211	BLK PIPE ST EL 45DEG .50NPT
	32	316281	FUEL STRAINER, IN-LINE, DIESEL
	33	520055	HOSE CLAMP NO 12 PLATED

4



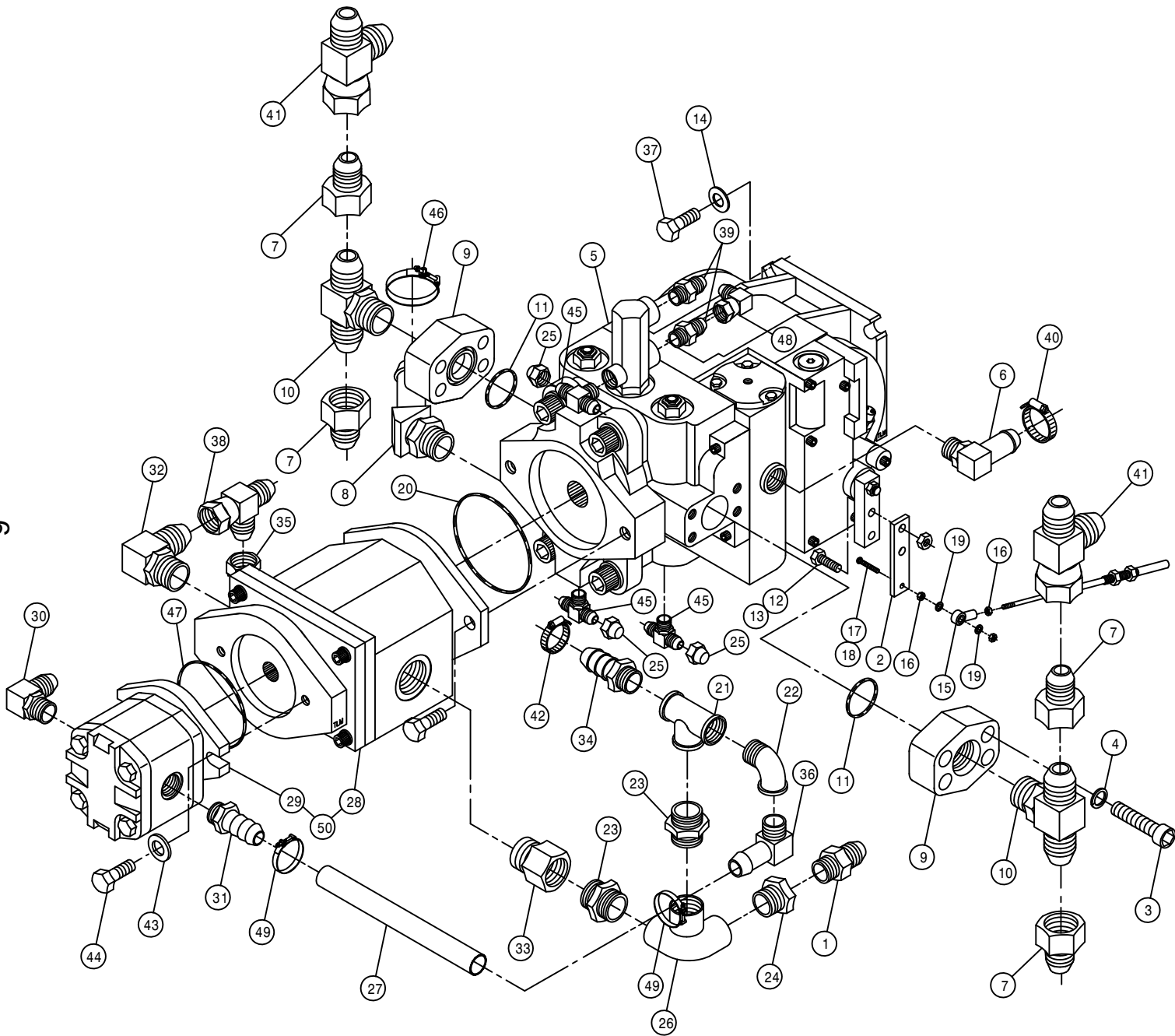
CUMMINS ENGINE ASSEMBLY

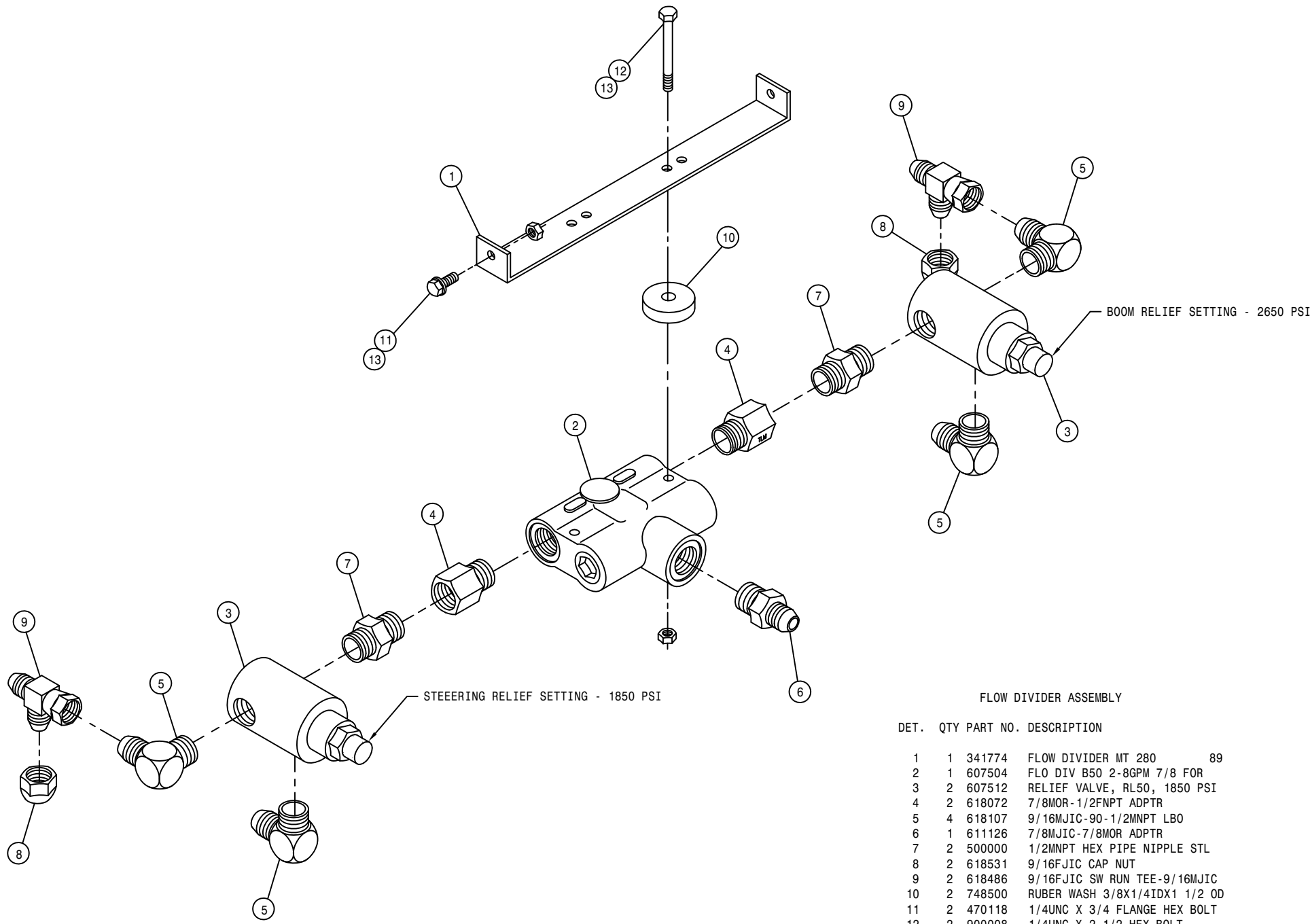
DET.	QTY	PART NO.	DESCRIPTION
	1	314836	TEMP SENDR 280D 1/2NPT FOR GA
	2	316329	CUMM ENG,4B3.9A 110@2500 CMPSR
	3	316180	FAN, 22" 6 BLADE 30DEG 2.25PIT
	4	316250	RH FRT ENG MT WLD, CUMM 94
	5	316313	LH FRT ENG MT WLD, 284 CUMM 98
	6	316199	22IN FAN SPACER CUMM 92
	7	473775	12MM-1.75 X 30MM HEX BOLT
	8	473784	12MM LOCK WASHER
	9	473804	8MM LOCK WASHER
	10	473822	8MM-1.25 X 70MM HEX BOLT
	11	316206	POLY V BELT CUMMINS DIESEL 92
	12	316207	LUBE FILTER CUMMINS DIESEL 92
	13	311053	RUBBER MOUNT SET,SSB26-1000-1
	14	314832	RADIATOR HOSE 1.75 X 19
	15	314886	RADIATOR HOSE 2 1/4 20717
	16	520055	HOSE CLAMP NO 12 PLATED
	17	291197	CIRCUIT BREAKER,30AMP,INLINEMT
	18	520067	HOSE CLAMP NO 28 PLATED
	19	520099	HOSE CLAMP NO 40 PLATED
	20	900271	1/2UNC X 3 1/4 HEX BOLT
	21	914008	1/2UNC HEX STOVER NUT
	22	920004	1/2 SAE FLAT WASHER
	23	341968	TIE PLT 250/280 CUMM 92
	24	900265	1/2UNC X 1 1/2 HEX BOLT
	25	193012	QUICKEDGE TRIM .135 TO .250
	26	618573	5/8 HOSE BARB-90-1/2MNPT
	27	520126	CUSH HOSE CLAMP 2IN X 5/8W
	28	470121	1/4UNC HEX FLANGE LOCK NUT
	29	470118	1/4UNC X 3/4 FLANGE HEX BOLT
	30	291556	CIRCUIT BREAKER,50AMP,INLINEMT
	31	316339	BREAKER MTG PLT, 2100 98
	32	316340	BREAKER COVER, 2100 98
	33	473783	12MM-1.75 X 25MM HEX BOLT
	34	2470216	10-32 X 3/4 FLANGE HEX BOLT
	35	903812	6-32 X 1/2 SLT RD HD MACH SCR
	36	910022	6-32 HEX NUT
	37	910027	10-32 HEX NUT
	38	470175	10-32 HEX FLANGE LOCK NUT

SUNDSTRAND PUMP ASSEMBLY - CUMMINS

DET.	QTY	PART NO.	DESCRIPTION
1	1	610300	3/4MJIC-3/4MNPT ADPTR
2	1	316160	PUMP CONT LEVER EXT 280 CUMM
3	8	470188	7/16-14 X 1 1/2 SKTHD CAP SCR
4	8	470189	7/16 HC LOCK WASH FOR 618598
5	1	606902	SUND 100CC PUMP,B-MT W/FILT
6	1	618118	3/4 HOSE BARB-90-1 1/16MOR
7	4	618541	1 5/16FJIC-1 1/16MJIC ADPTR
8	1	618626	1 1/4 HOSE BARB-45-1 5/8MOR
9	2	618598	1" 4-BOLT FLG X 1 5/16 FOR
10	2	618599	1 5/16MOR BRANCH TEE-1 5/16MJ
11	2	870219	BUNA ORING 1 5/16 X 1 9/16
12	2	900003	1/4UNC X 1" HEX BOLT
13	2	914000	1/4UNC HEX STOVER NUT
14	4	920004	1/2 SAE FLAT WASHER
15	1	473921	BALL JOINT NO 10-32 THD
16	2	910027	10-32 HEX NUT
17	1	903893	10-32 X 1" SLT RD HD MACH SCR
18	1	914027	10-32 HEX STOVER NUT
19	2	920510	#10 LOCK WASHER
20	1	606870	O-RING FOR 606865 SUND B-MT
21	1	505101	BLK PIPE TEE 1.00NPT
22	1	505200	BLK PIPE ST EL 90DEG 1.00NPT
23	2	505105	1MNPT HEX PIPE NIPPLE STL
24	1	505213	RED BUSH 1 X 3/4 BLK MAL
25	3	618531	9/16FJIC CAP NUT
26	1	505098	SIDE OUTLET EL 90DEG 1.00NPT
27	1	601383	HOSE, 3/4 X 8 1FBR-1SPI
28	1	606932	SUND GEAR PUMP,1.60CI,SPLINED
29	1	606929	SUND GEAR PUMP .66CI, SPLINED
30	1	611128	7/8MJIC-90-7/8MOR LBO
31	1	618075	3/4 HOSE BARB-1 1/16MOR
32	1	618535	7/8MJIC-90-1 1/16MOR LBO
33	1	618090	1 5/16MOR-1FNPT ADPTR
34	1	714560	1NPT X 1 HOSE BARB
35	1	618328	7/8FJIC CAP NUT
36	1	716000	3/4 HOSE BARB-90-1MNPT
37	4	900265	1/2UNC X 1 1/2 HEX BOLT
38	1	618333	7/8FJIC SW RUN TEE-7/8MJIC
39	2	618327	3/4MJIC-7/8MOR ADPTR
40	1	520055	HOSE CLAMP NO 12 STAINLESS
41	2	618487	1 1/16FJ SW RUN TEE-1 1/16MJ
42	1	520087	HOSE CLAMP NO 20 STAINLESS
43	2	920002	3/8 SAE FLAT WASHER
44	2	900130	3/8UNC X 1 1/4 HEX BOLT
45	3	618629	9/16MOR BRANCH TEE-9/16MJIC
46	1	520132	1.62/1.87 T-BOLT HOSE CLAMP
47	1	606924	O-RING FOR SUND A-MT
48	1	618609	3/4MJIC-90-3/4FJIC SWIV LBO
49	2	520137	.75 T-BOLT HOSE CLAMP
50	1	606941	TANDEM PUMP, 606929 & 606932

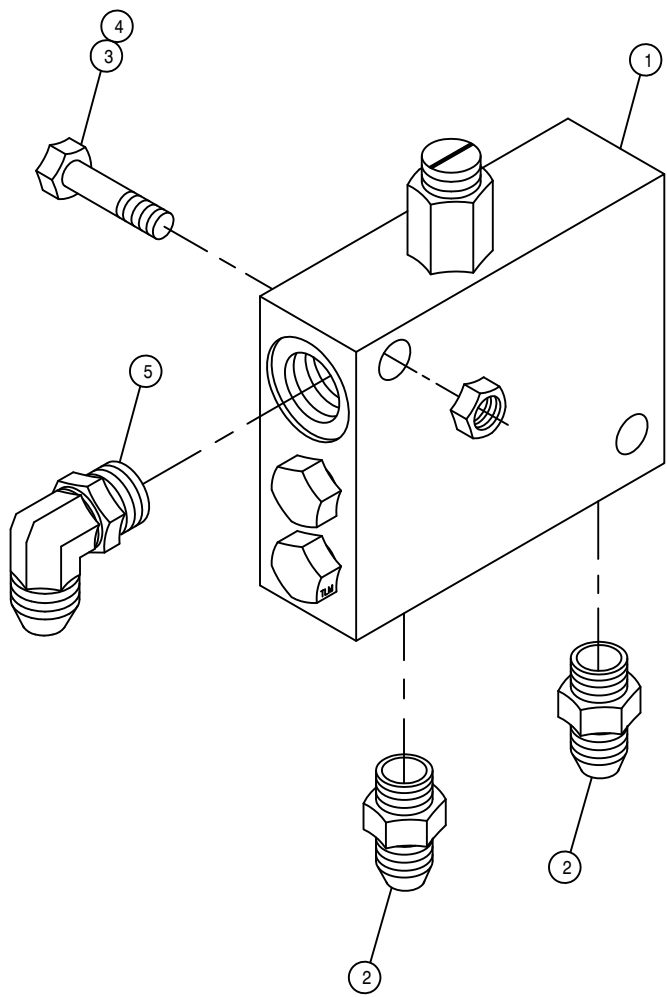
9





FLOW DIVIDER ASSEMBLY

DET.	QTY	PART NO.	DESCRIPTION
			89
1	1	341774	FLOW DIVIDER MT 280
2	1	607504	FLO DIV B50 2-8GPM 7/8 FOR
3	2	607512	RELIEF VALVE, RL50, 1850 PSI
4	2	618072	7/8MOR-1/2FNPT ADPTR
5	4	618107	9/16MJIC-90-1/2MNPT LBO
6	1	611126	7/8MJIC-7/8MOR ADPTR
7	2	500000	1/2MNPT HEX PIPE NIPPLE STL
8	2	618531	9/16FJIC CAP NUT
9	2	618486	9/16FJIC SW RUN TEE-9/16MJIC
10	2	748500	RUBER WASH 3/8X1/4IDX1 1/2 OD
11	2	470118	1/4UNC X 3/4 FLANGE HEX BOLT
12	2	900008	1/4UNC X 2 1/2 HEX BOLT
13	4	914000	1/4UNC HEX STOVER NUT

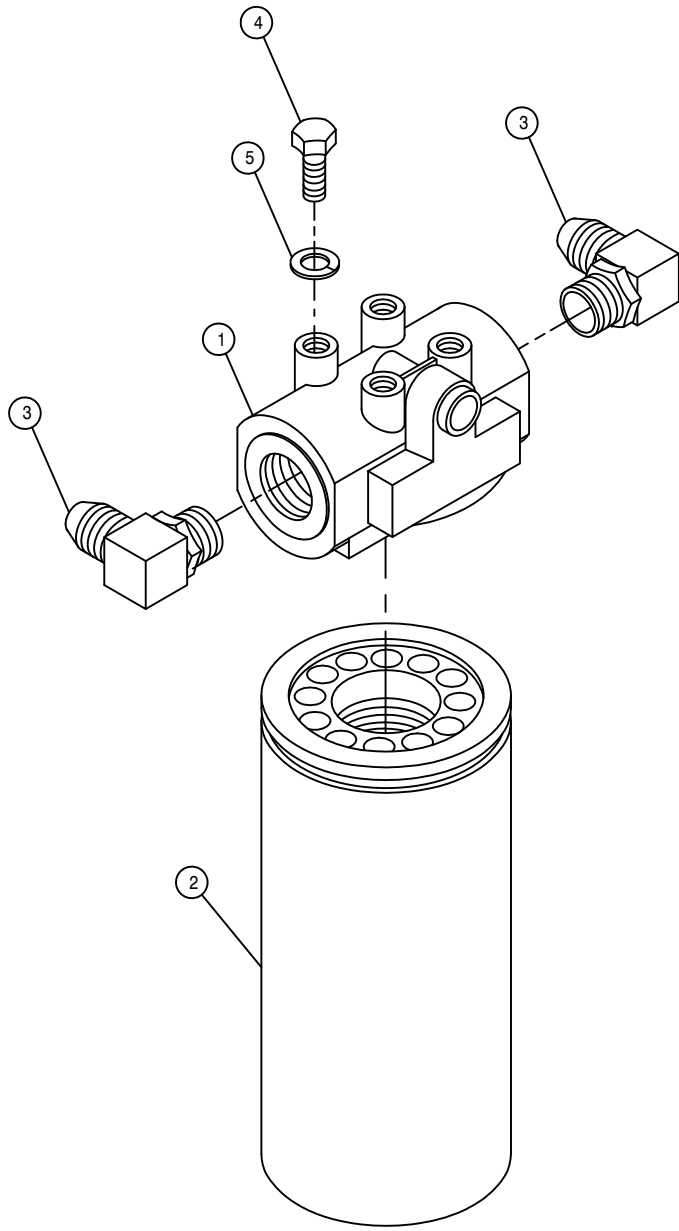


LOOP FLUSHING VALVE ASSEMBLY

DET. QTY PART NO. DESCRIPTION

1	1	610580	REMOTE FLUSHING VALVE, SUND
2	2	618126	9/16MJIC-9/16MOR ADPTR
3	2	900133	3/8UNC X 2 HEX BOLT
4	2	914004	3/8UNC HEX STOVER NUT
5	1	618119	9/16MJIC-90-9/16MOR LBO

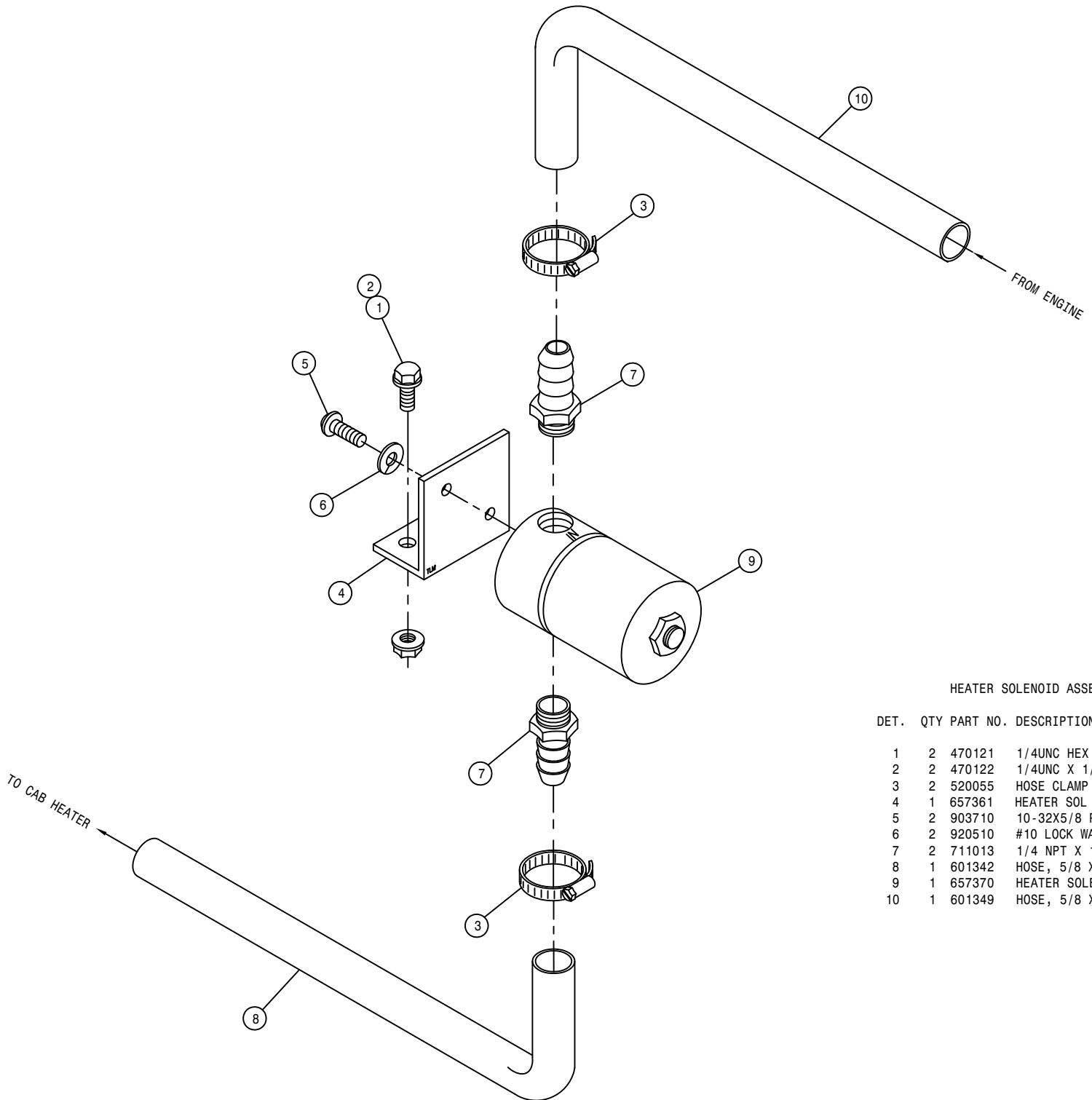




HI-PRESS FILTER ASSEMBLY

DET. QTY PART NO. DESCRIPTION

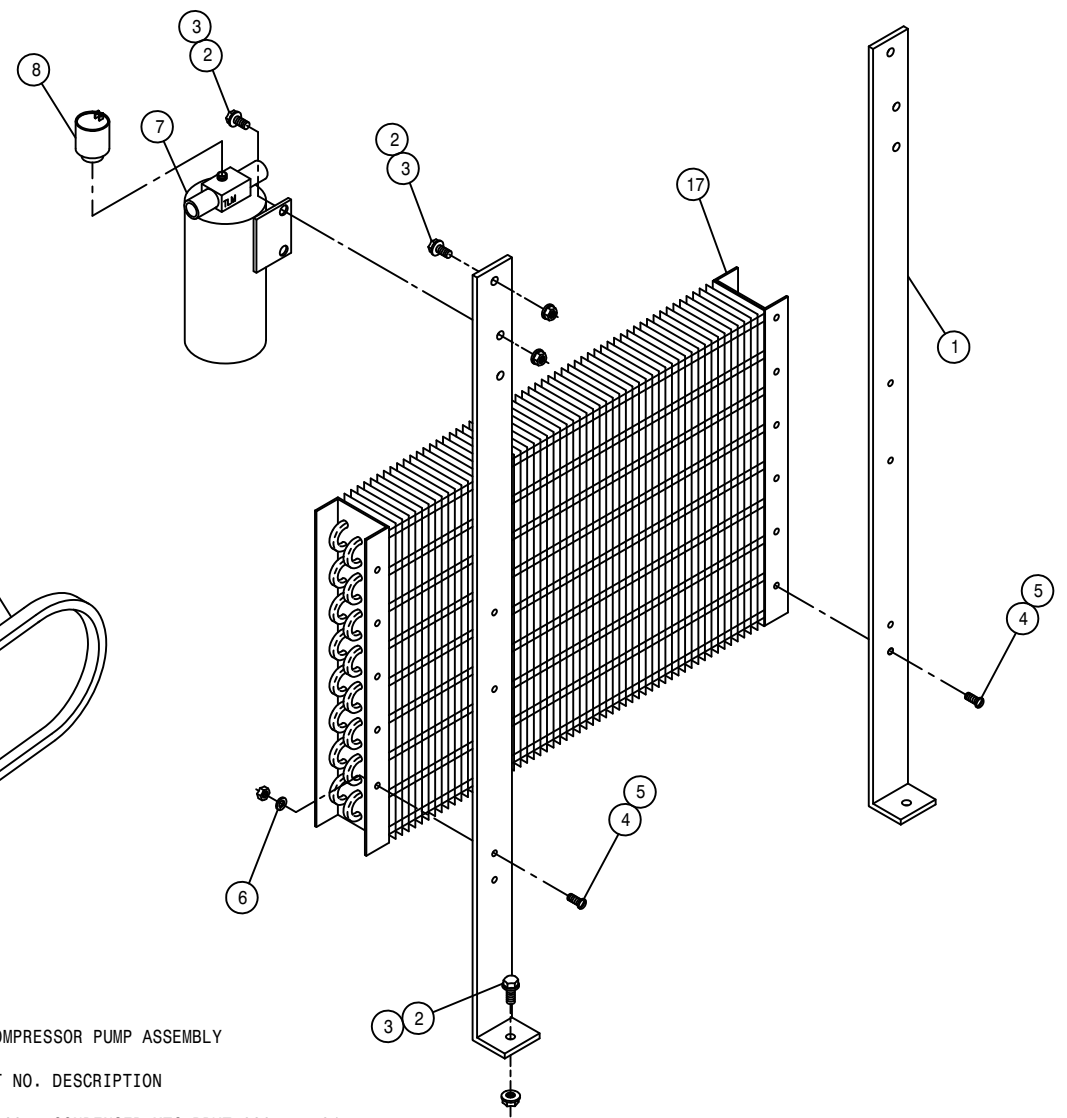
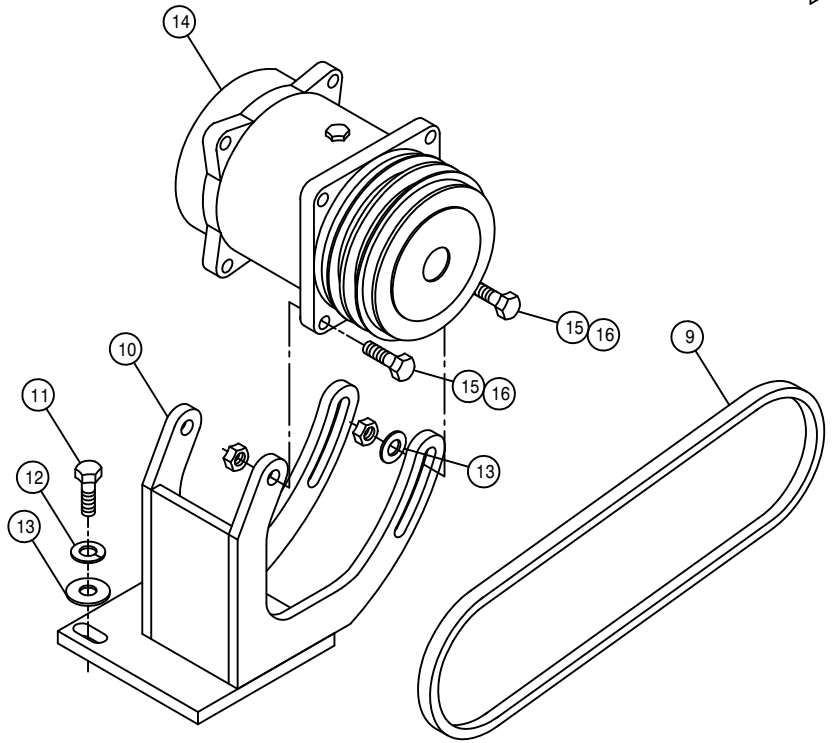
1	1	605608	HYD FILTER HEAD, DONALDSON
2	1	605609	HYD FILTER ELEMENT, DONALDSON
3	2	618474	3/4MJIC-90-1 1/16MOR LBO
4	4	900128	3/8UNC X 3/4 HEX BOLT
5	4	920502	3/8 LOCK WASHER



HEATER SOLENOID ASSEMBLY

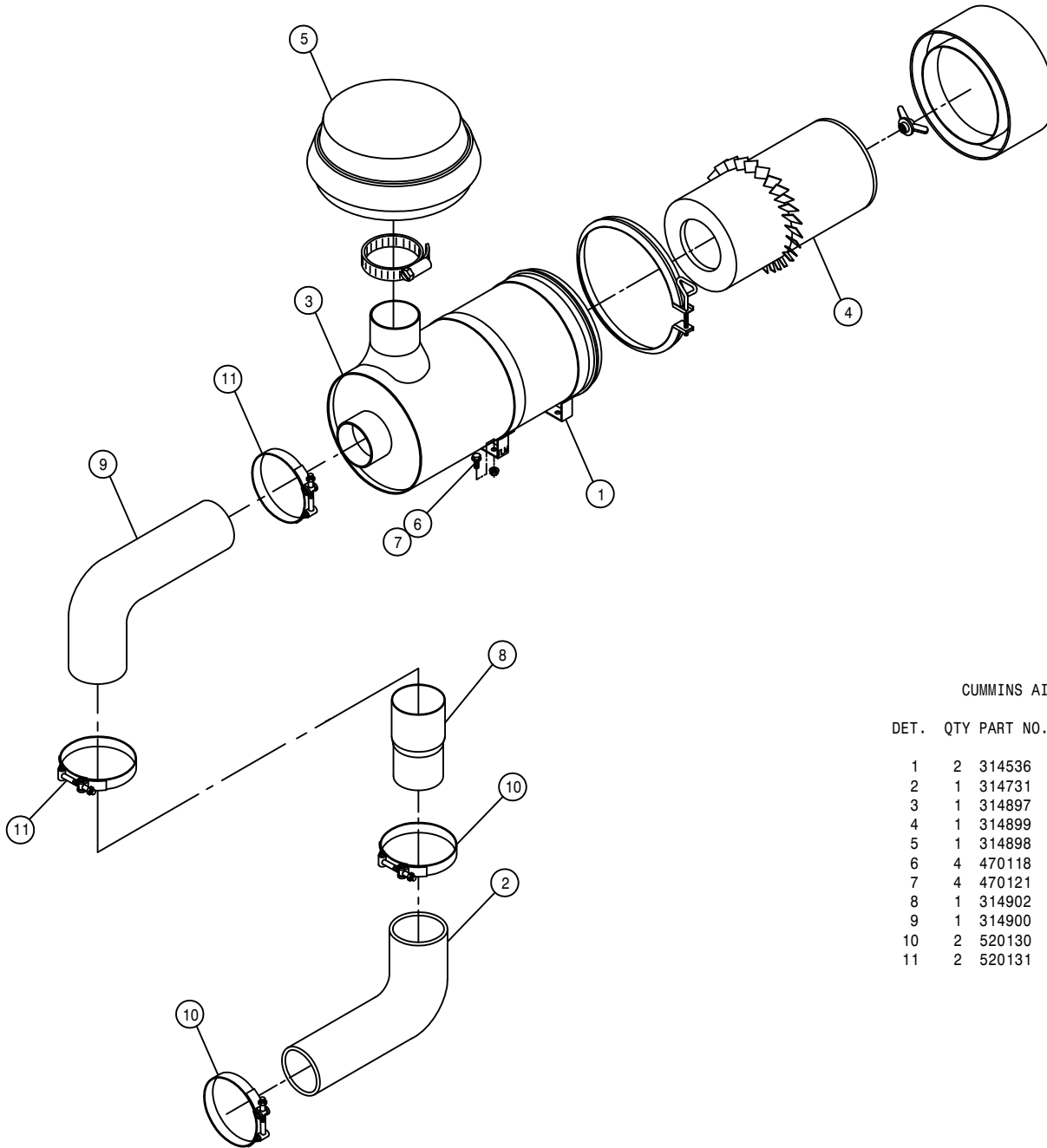
DET. QTY PART NO. DESCRIPTION

1	2	470121	1/4UNC HEX FLANGE LOCK NUT
2	2	470122	1/4UNC X 1/2 FLANGE HEX BOLT
3	2	520055	HOSE CLAMP NO 12 PLATED
4	1	657361	HEATER SOL VLV MT 94
5	2	903710	10-32X5/8 PHIL PANHD MACH SCR
6	2	920510	#10 LOCK WASHER
7	2	711013	1/4 NPT X 1/2 HOSE BARB, BRS
8	1	601342	HOSE, 5/8 X 192 HEATER
9	1	657370	HEATER SOLENOID VLV W/O HBARB
10	1	601349	HOSE, 5/8 X 15" HEATER



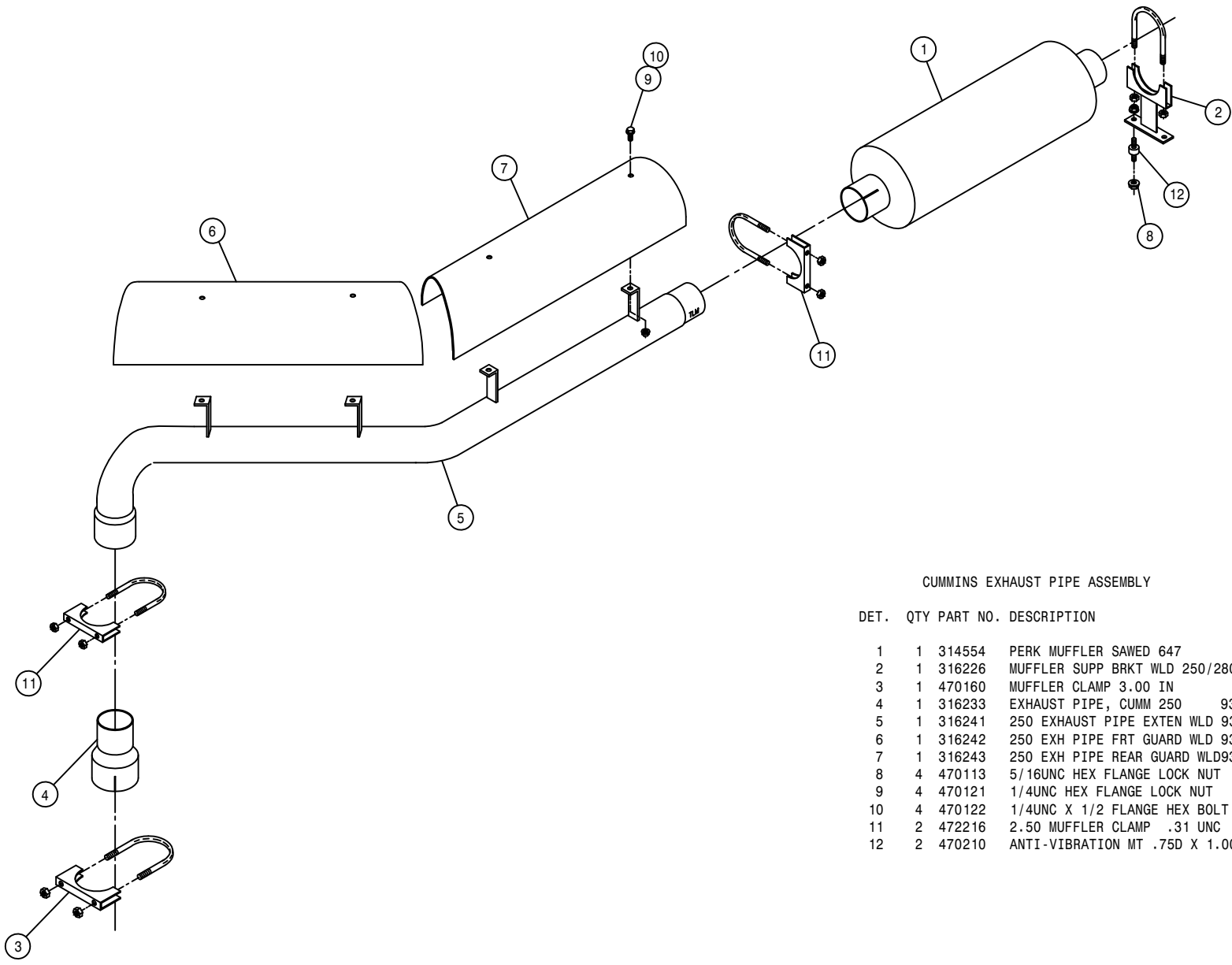
A/C COMPRESSOR PUMP ASSEMBLY

DET.	QTY	PART NO.	DESCRIPTION		
	1	2	314869	CONDENSER MTG BRKT 280	91
	2	6	470118	1/4UNC X 3/4 FLANGE HEX BOLT	
	3	6	470121	1/4UNC HEX FLANGE LOCK NUT	
	4	4	903883	10-32 X 1/2 SLT RDHD MACH SCR	
	5	4	910027	10-32 HEX NUT	
	6	4	920510	#10 LOCK WASHER	
	7	1	657351	A/C DRIER, O-RING TYPE	
	8	1	657350	A/C BINARY SWITCH	
	9	1	147050	9455XL BELT, GATES	
	10	1	316314	A/C COMPRSR MT WLD, 284	98
	11	3	473792	10MM-1.50 X 30MM HEX BOLT	
	12	3	473798	10MM LOCK WASHER	
	13	5	483043	3/8 REGULAR FLAT WASHER	
	14	1	657352	A/C COMPRESSOR, R134A	
	15	4	900131	3/8UNC X 1 1/2 HEX BOLT	
	16	4	914004	3/8UNC HEX STOVER NUT	
	17	1	657348	CONDSR COIL FOR 657309	



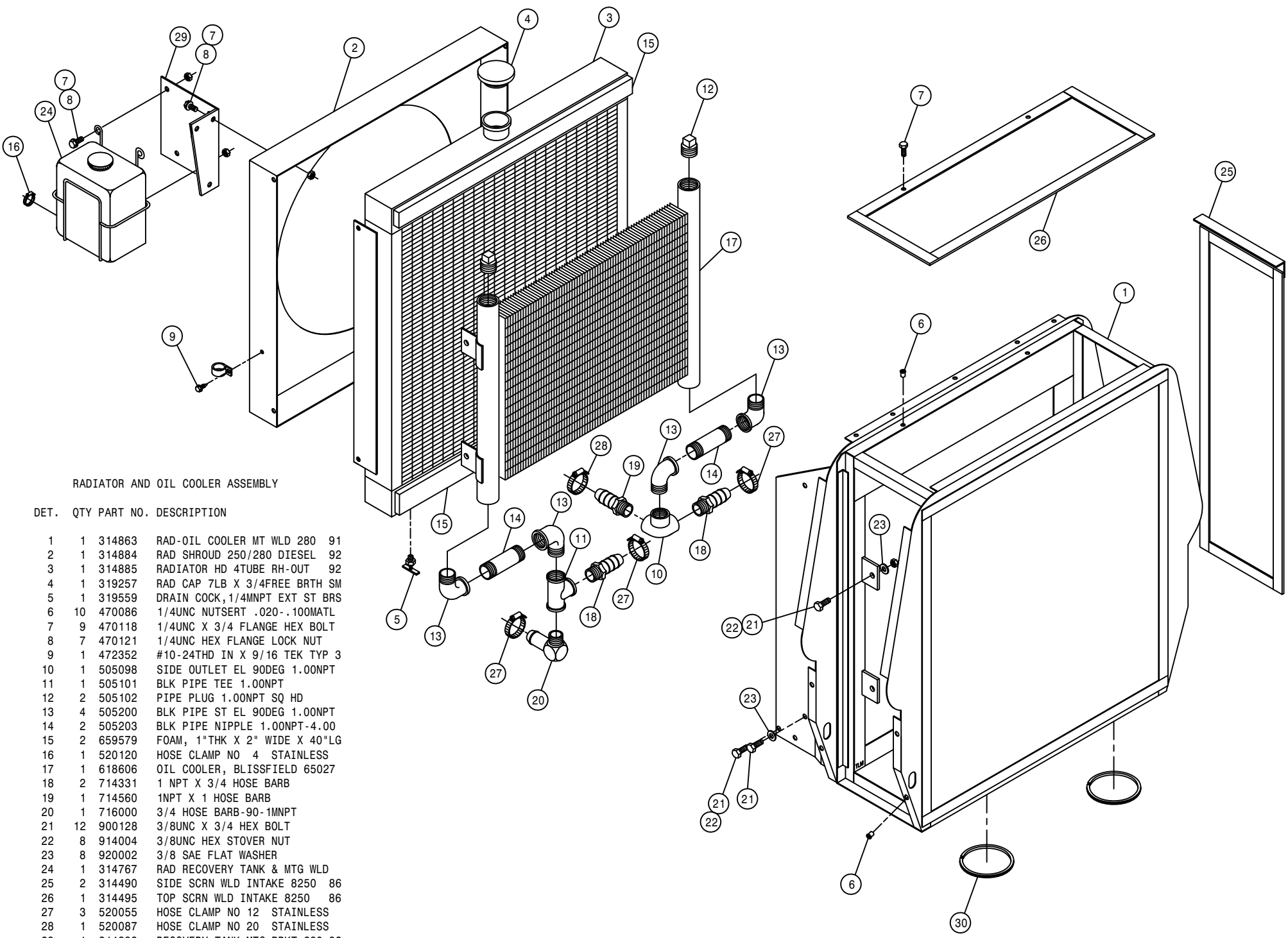
CUMMINS AIR CLEANER ASSEMBLY

DET.	QTY	PART NO.	DESCRIPTION
1	2	314536	AIR CLEANER BAND 8IN DONALDSON
2	1	314731	AIR CLEANER HOSE, 3" ID 90DEG
3	1	314897	AIR CLEANER, 280 CFM
4	1	314899	AIR CLEANER ELEMENT FOR314897
5	1	314898	AIR CLEANER HOOD FOR 314897
6	4	470118	1/4UNC X 3/4 FLANGE HEX BOLT
7	4	470121	1/4UNC HEX FLANGE LOCK NUT
8	1	314902	3.50 - 3.00 X 6.00LG PIPE
9	1	314900	3.50 90 DEG AIR INTAKE HOSE
10	2	520130	3.00 T-BOLT HOSE CLAMP
11	2	520131	3.50 T-BOLT HOSE CLAMP



CUMMINS EXHAUST PIPE ASSEMBLY

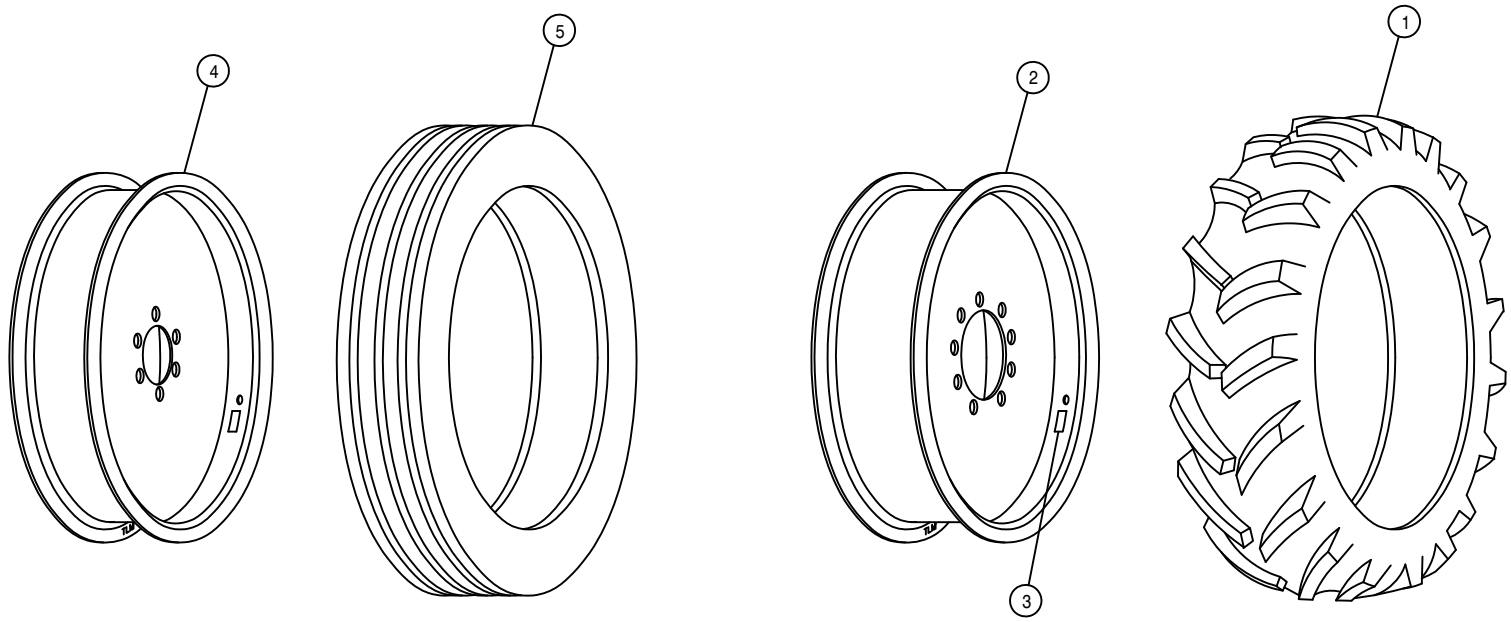
DET.	QTY	PART NO.	DESCRIPTION
	1	314554	PERK MUFFLER SAWED 647
	1	316226	MUFFLER SUPP BRKT WLD 250/280
	1	470160	MUFFLER CLAMP 3.00 IN
	1	316233	EXHAUST PIPE, CUMM 250 93
	1	316241	250 EXHAUST PIPE EXTEN WLD 93
	1	316242	250 EXH PIPE FRT GUARD WLD 93
	1	316243	250 EXH PIPE REAR GUARD WLD93
	4	470113	5/16UNC HEX FLANGE LOCK NUT
	4	470121	1/4UNC HEX FLANGE LOCK NUT
	4	470122	1/4UNC X 1/2 FLANGE HEX BOLT
	2	472216	2.50 MUFFLER CLAMP .31 UNC
	2	470210	ANTI-VIBRATION MT .75D X 1.00



RADIATOR AND OIL COOLER ASSEMBLY

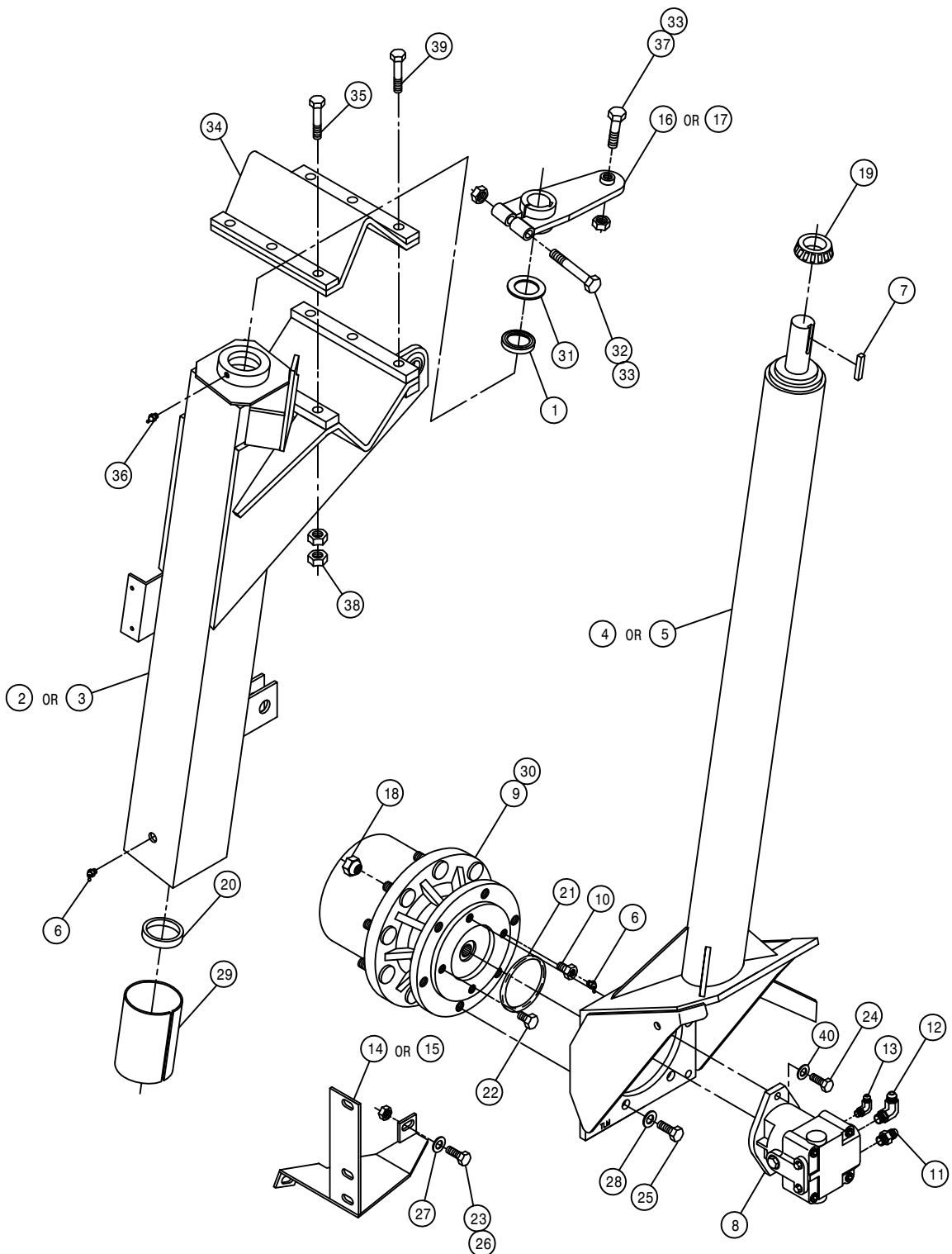
DET. QTY PART NO. DESCRIPTION

1	1	314863	RAD-OIL COOLER MT WLD 280 91
2	1	314884	RAD SHROUD 250/280 DIESEL 92
3	1	314885	RADIATOR HD 4TUBE RH-OUT 92
4	1	319257	RAD CAP 7LB X 3/4FREE BRTH SM
5	1	319559	DRAIN COCK, 1/4MNPT EXT ST BRS
6	10	470086	1/4UNC NUTSERT .020-.100MATL
7	9	470118	1/4UNC X 3/4 FLANGE HEX BOLT
8	7	470121	1/4UNC HEX FLANGE LOCK NUT
9	1	472352	#10-24THD IN X 9/16 TEK TYP 3
10	1	505098	SIDE OUTLET EL 90DEG 1.00NPT
11	1	505101	BLK PIPE TEE 1.00NPT
12	2	505102	PIPE PLUG 1.00NPT SQ HD
13	4	505200	BLK PIPE ST EL 90DEG 1.00NPT
14	2	505203	BLK PIPE NIPPLE 1.00NPT-4.00
15	2	659579	FOAM, 1"THK X 2" WIDE X 40"LG
16	1	520120	HOSE CLAMP NO 4 STAINLESS
17	1	618606	OIL COOLER, BLISSFIELD 65027
18	2	714331	1 NPT X 3/4 HOSE BARB
19	1	714560	1NPT X 1 HOSE BARB
20	1	716000	3/4 HOSE BARB-90-1MNPT
21	12	900128	3/8UNC X 3/4 HEX BOLT
22	8	914004	3/8UNC HEX STOVER NUT
23	8	920002	3/8 SAE FLAT WASHER
24	1	314767	RAD RECOVERY TANK & MTG WLD
25	2	314490	SIDE SCR N WLD INTAKE 8250 86
26	1	314495	TOP SCR N WLD INTAKE 8250 86
27	3	520055	HOSE CLAMP NO 12 STAINLESS
28	1	520087	HOSE CLAMP NO 20 STAINLESS
29	1	314893	RECOVERY TANK MTG BRKT 280 92
30	2	193016	QUICKEDGE TRIM .060 TO .170 X 10"



TIRE AND RIM ASSEMBLY

DET.	QTY	PART NO.	DESCRIPTION
1	1	820201	11.2 X 24 TIRE 4P TRA
2	1	820600	REAR RIM WELD,W10X24 470 472
3	1	650985	WHL BOLT TORQ DECAL 203854C
4	1	820015	RIM WLD,W8X24 W/.56-90DEG XHD
5	1	820611	TIRE 9.00-24 6PLY RIB IMP I-1



FRONT LEG ASSEMBLY

DET.	QTY	PART NO.	DESCRIPTION
1	1	129010	SEAL C/R 16069
2	1	358810	LH FRT OUTER LEG WLD, 254 95
3	1	358809	RH FRT OUTER LEG WLD, 254 95
4	1	358655	RH FRT INNER LEG WLD 250 91
5	1	358656	LH FRT INNER LEG WLD 250 91
6	2	471023	GREASE ZERK 1/4-28 X 45
7	1	483036	KEY, 3/8 SQ X 2" LG
8	1	610567	SUND M25-3000 WHL MTR 1.5CI
9	1	610515	TORQ HUB, 18:1 B-MT W1BFNZ
10	1	610556	1/2UNC X 1/2 ZERK BOLT T-HUB
11	1	611126	7/8MJIC-7/8MOR ADPTR
12	1	611128	7/8MJIC-90-7/8MOR LBO
13	1	618115	9/16MJIC-90-3/4MOR LBO
14	1	662157	RH FRT MTG WLD FOR CROP GUIDE
15	1	662156	LH FRT MTG WLD FOR CROP GUIDE
16	1	749280	RH STRG ARM WLD 250 91
17	1	749281	LH STRG ARM WLD 250 91
18	9	824052	1/2UNF 60 DEG WHL NUT
19	1	825003	INNER CONE FOR 825001 & 825002
20	1	825004	INNER CUP FOR 825001 & 825002
21	1	870045	O-RING 4 1/8 OD X 4 ID
22	1	900260	1/2UNC X 1/2 H BOLT GR2 UNPLT
23	3	900265	1/2UNC X 1 1/2 HEX BOLT
24	2	900266	1/2UNC X 1 3/4 HEX BOLT
25	6	900333	5/8UNC X 1 1/2 HEX BOLT
26	3	914008	1/2UNC HEX STOVER NUT
27	3	920004	1/2 SAE FLAT WASHER
28	6	920505	5/8 LOCK WASHER
29	1	358298	JOURNAL BRG-LINER TYPE
30	1	610552	SEAL BOOT FOR W1BFNZ, W2B2FZ
31	1	358448	FRT LEG WSHR 8540
32	1	900343	5/8UNC X 4 1/2 HEX BOLT
33	2	914010	5/8UNC HEX STOVER NUT
34	1	358780	LEG MT V-PLT WLD, 254 95
35	3	900836	5/8UNF X 3 1/4 HEX BOLT GR8
36	1	471021	GREASE ZERK 1/8 NPT STRAIGHT
37	1	749269	STRG ARM BOLT 280 89
38	12	914811	5/8UNF HEX NUT GR8
39	3	900837	5/8UNF X 3 1/2 HEX BOLT GR8
40	2	920504	1/2 LOCK WASHER



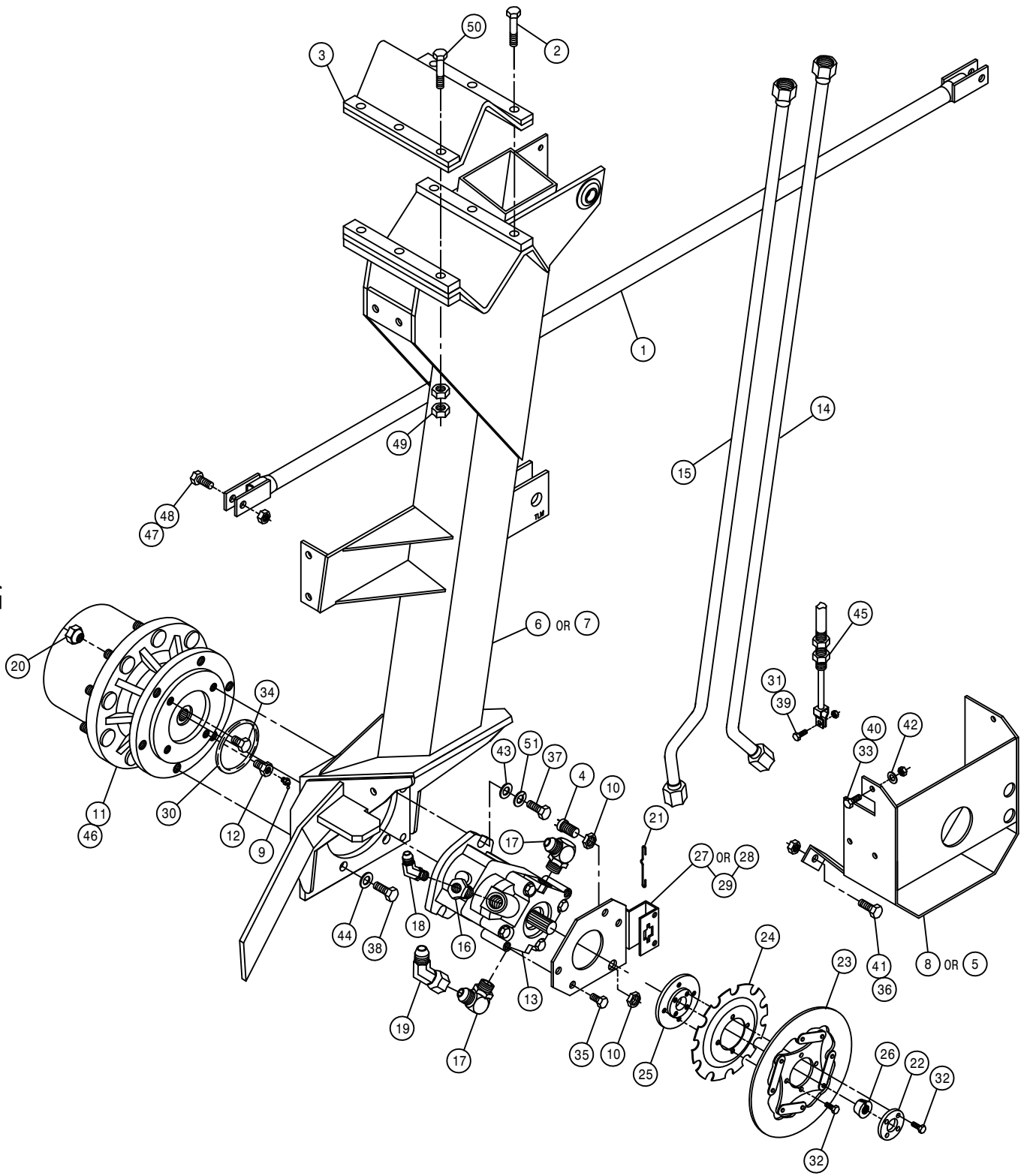
REAR LEG ASSEMBLY

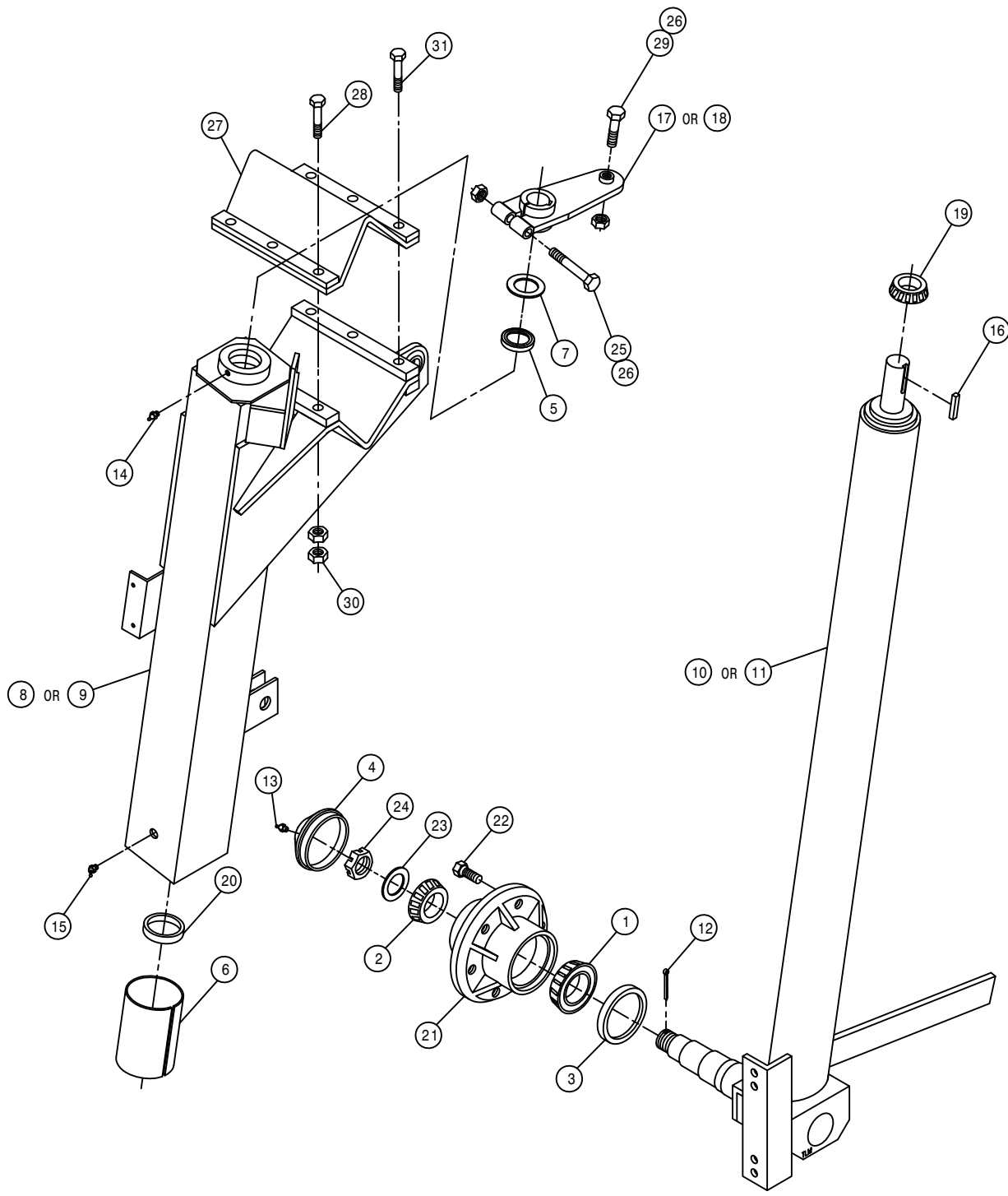
DET.	QTY	PART NO.	DESCRIPTION	
1	1	342091	LEG BRACE WLD, 254	95
2	3	900836	5/8UNF X 3 1/4 HEX BOLT GR8	
3	1	358780	LEG MT V-PLT WLD, 254	95
4	1	291206	SENSOR, SPEEDO/TACH W/NUT	
5	1	358596	RH REAR WHL MTR SHLD WLD	280
6	1	358811	RH REAR LEG WLD, 254	95
7	1	358812	LH REAR LEG WLD, 254	95
8	1	358597	LH REAR WHL MTR SHLD WLD	280
9	1	471023	GREASE ZERK 1/4-28 X 45	
10	2	473061	3/4UNF TRUSEAL HEX NUT	
11	1	610516	TORQ HUB, 24:1 B-MT W1BFNZ	
12	1	610556	1/2UNC X 1/2 ZERK BOLT T-HUB	
13	1	610557	SUND M35-3102 WHL MTR W/SHFT	
14	1	614694	FRT HYD TUBE ASSY 250 REARLEG	
15	1	614695	REAR HYD TUBE ASSY 250REARLEG	
16	1	618172	7/8MOR-9/16FOR ADPTR	
17	2	618248	1 1/16MJIC-90-1 1/16MOR LBO	
18	1	618425	9/16MJIC-45-9/16MOR LBO	
19	1	618529	1 1/16MJ-45-1 1/16FJ SWIV LBO	
20	9	824052	1/2UNF 60 DEG WHL NUT	
21	1	826929	CLIP BRAKE RETAINER	
22	1	826945	HUB MOUNT, BRAKE	
23	1	826959	BRAKE DISC SUB ASSY	
24	1	826963	SENSOR DISC, 647 BRAKE FORMED	
25	1	826975	TAPER LOCK HUB	
26	1	826988	HUB, TAPER LOCK 13 TEETH	
27	1	828083	RH BRAKE MT WLD 250	91
28	1	828084	LH BRAKE MT WLD 250	91
29	2	826918	PARK BRAKE PAD	
30	1	870045	O-RING 4 1/8 OD X 4 ID	
31	1	900002	1/4UNC X 3/4 HEX BOLT	
32	8	900064	5/16UNC X 3/4 HEX BOLT	
33	2	900130	3/8UNC X 1 1/4 HEX BOLT	
34	1	900260	1/2UNC X 1/2 H BOLT GR2 UNPLT	
35	2	900262	1/2UNC X 3/4 HEX BOLT	
36	2	900265	1/2UNC X 1 1/2 HEX BOLT	
37	2	900267	1/2UNC X 2" HEX BOLT	
38	6	900333	5/8UNC X 1 1/2 HEX BOLT	
39	1	914000	1/4UNC HEX STOVER NUT	
40	2	914004	3/8UNC HEX STOVER NUT	
41	2	914008	1/2UNC HEX STOVER NUT	
42	2	920002	3/8 SAE FLAT WASHER	
43	2	920004	1/2 SAE FLAT WASHER	
44	6	920505	5/8 LOCK WASHER	
45	1	826926	190 IN BRAKE CABLE	
46	1	610552	SEAL BOOT FOR W1BFNZ, W2B2FZ	
47	2	914010	5/8UNC HEX STOVER NUT	
48	2	900336	5/8UNC X 2 1/2 HEX BOLT	
49	12	914811	5/8UNF HEX NUT GR8	
50	3	900837	5/8UNF X 3 1/2 HEX BOLT GR8	
51	2	920504	1/2 LOCK WASHER	

NOTE: ITEMS 4, 10, 24, AND 27 ARE USED ON THE RIGHT HAND LEG ASSEMBLY.

17

179017





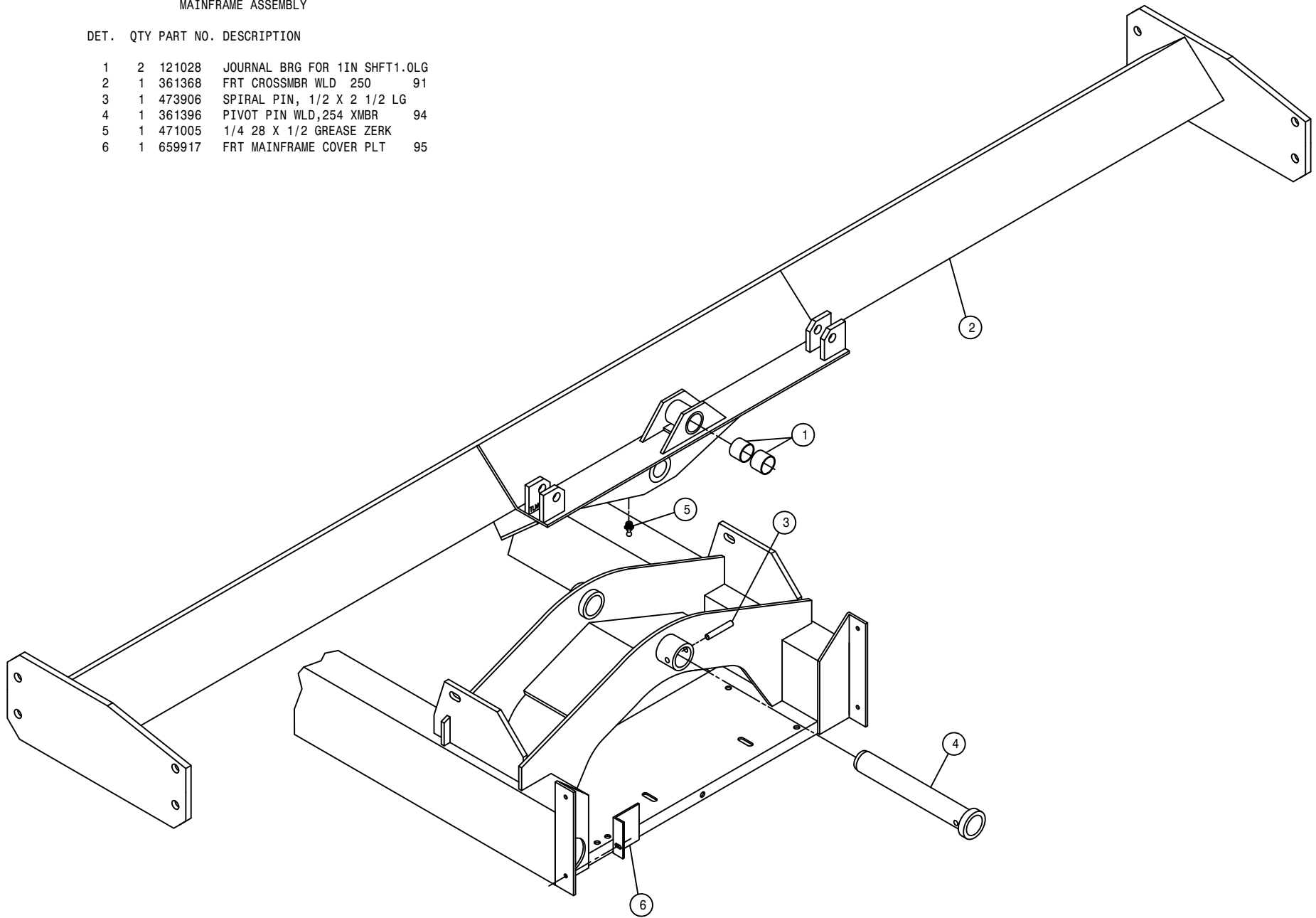
TWO-WHEEL DRIVE FRONT LEG ASSEMBLY

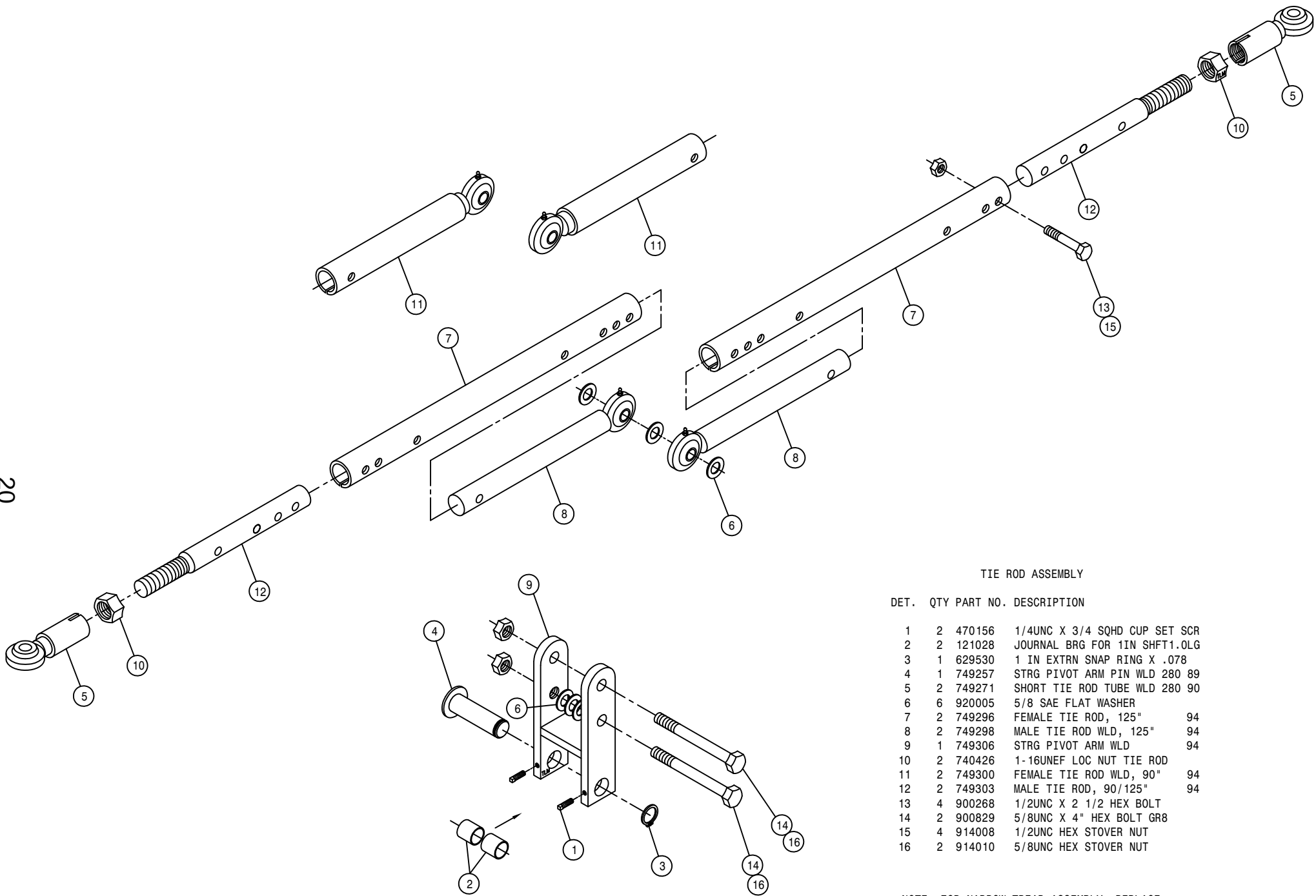
DET.	QTY	PART NO.	DESCRIPTION
	1	125042	INNER CONE FOR 825009
	1	125043	OUTER CONE FOR 825009
	1	125044	GREASE SEAL FOR 825009
	1	125046	HUB CAP DRILLED & TAPPED XHD
	1	129010	SEAL C/R 16069
	1	358298	JOURNAL BRG-LINER TYPE
	1	358448	FRT LEG WSHR 8540
	1	358809	RH FRT OUTER LEG WLD, 254 95
	1	358810	LH FRT OUTER LEG WLD, 254 95
	1	358665	RH FRT INLEG WLD 250 TWD 91
	1	358666	LH FRT INLEG WLD 250 TWD 91
	1	470015	COTTER PIN 5/32 X 1 3/4 LG
	1	471005	1/4 28 X 1/2 GREASE ZERK
	1	471021	GREASE ZERK 1/8 NPT STRAIGHT
	1	471023	GREASE ZERK 1/4-28 X 45
	1	483036	KEY, 3/8 SQ X 2" LG
	1	749280	RH STRG ARM WLD 250 91
	1	749281	LH STRG ARM WLD 250 91
	1	825003	INNER CONE FOR 825001 & 825002
	1	825004	INNER CUP FOR 825001 & 825002
	1	825009	HUB W/CUPS WILTONW803 8250XHD
	6	825010	9/16UNF X 1 1/8 90D WHL BOLT
	1	825012	SPINDLE WASHER 2 OD-.937 ID
	1	825013	7/8-14UNF SLOTTED HEX NUT
	1	900343	5/8UNC X 4 1/2 HEX BOLT
	2	914010	5/8UNC HEX STOVER NUT
	1	358780	LEG MT V-PLT WLD, 254 95
	3	900836	5/8UNF X 3 1/4 HEX BOLT GR8
	1	749269	STRG ARM BOLT 280 89
	12	914811	5/8UNF HEX NUT GR8
	3	900837	5/8UNF X 3 1/2 HEX BOLT GR8

MAINFRAME ASSEMBLY

DET. QTY PART NO. DESCRIPTION

1	2	121028	JOURNAL BRG FOR 1IN SHFT1.0LG
2	1	361368	FRT CROSSMBR WLD 250 91
3	1	473906	SPIRAL PIN, 1/2 X 2 1/2 LG
4	1	361396	PIVOT PIN WLD,254 XMBR 94
5	1	471005	1/4 28 X 1/2 GREASE ZERK
6	1	659917	FRT MAINFRAME COVER PLT 95

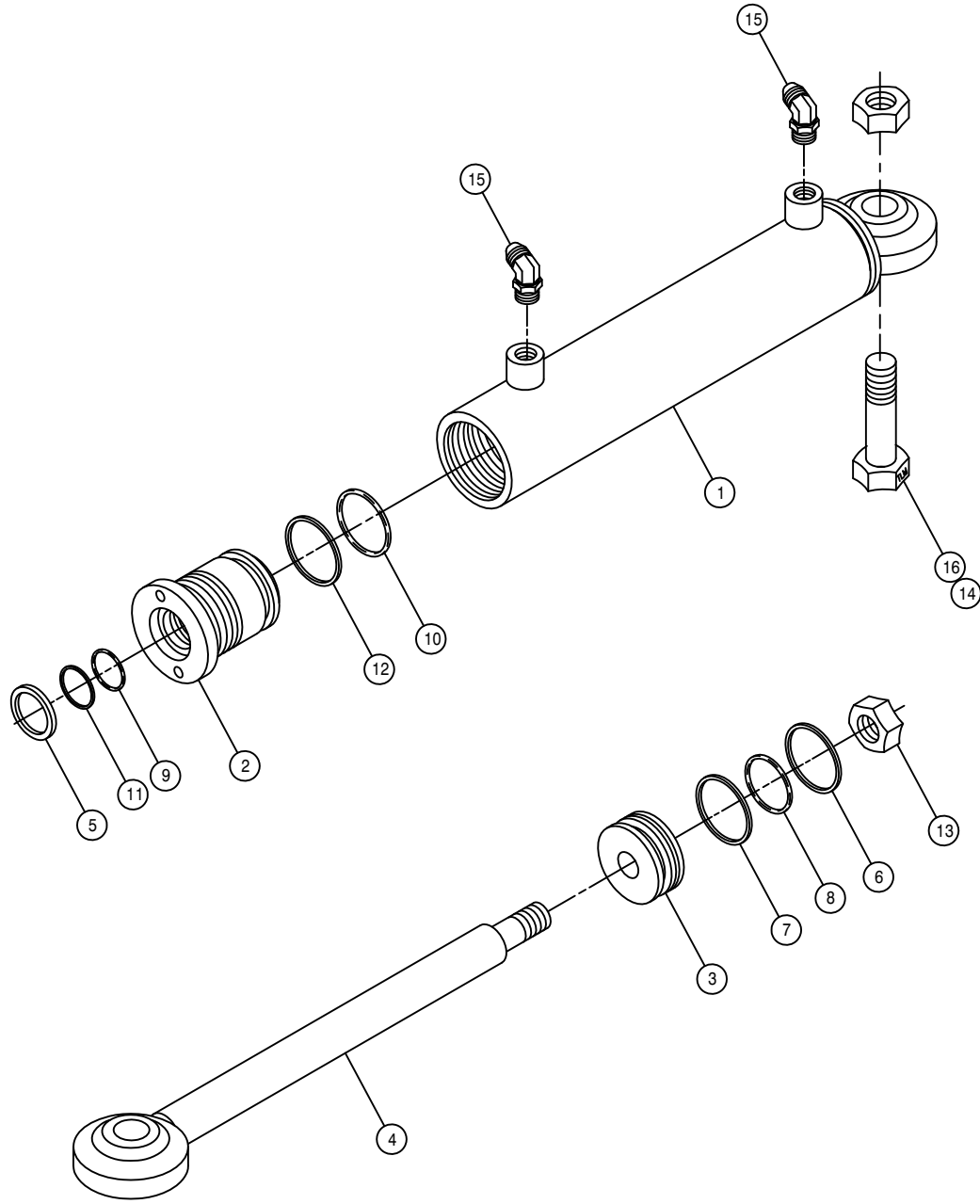




TIE ROD ASSEMBLY

DET.	QTY	PART NO.	DESCRIPTION
1	2	470156	1/4UNC X 3/4 SQHD CUP SET SCR
2	2	121028	JOURNAL BRG FOR 1IN SHFT1.0LG
3	1	629530	1 IN EXTRN SNAP RING X .078
4	1	749257	STRG PIVOT ARM PIN WLD 280 89
5	2	749271	SHORT TIE ROD TUBE WLD 280 90
6	6	920005	5/8 SAE FLAT WASHER
7	2	749296	FEMALE TIE ROD, 125" 94
8	2	749298	MALE TIE ROD WLD, 125" 94
9	1	749306	STRG PIVOT ARM WLD 94
10	2	740426	1-16UNEF LOC NUT TIE ROD
11	2	749300	FEMALE TIE ROD WLD, 90" 94
12	2	749303	MALE TIE ROD, 90/125" 94
13	4	900268	1/2UNC X 2 1/2 HEX BOLT
14	2	900829	5/8UNC X 4" HEX BOLT GR8
15	4	914008	1/2UNC HEX STOVER NUT
16	2	914010	5/8UNC HEX STOVER NUT

NOTE: FOR NARROW TREAD ASSEMBLY, REPLACE  
DETAIL 7 AND 8 WITH DETAIL 11.



STEERING CYLINDER ASSEMBLY

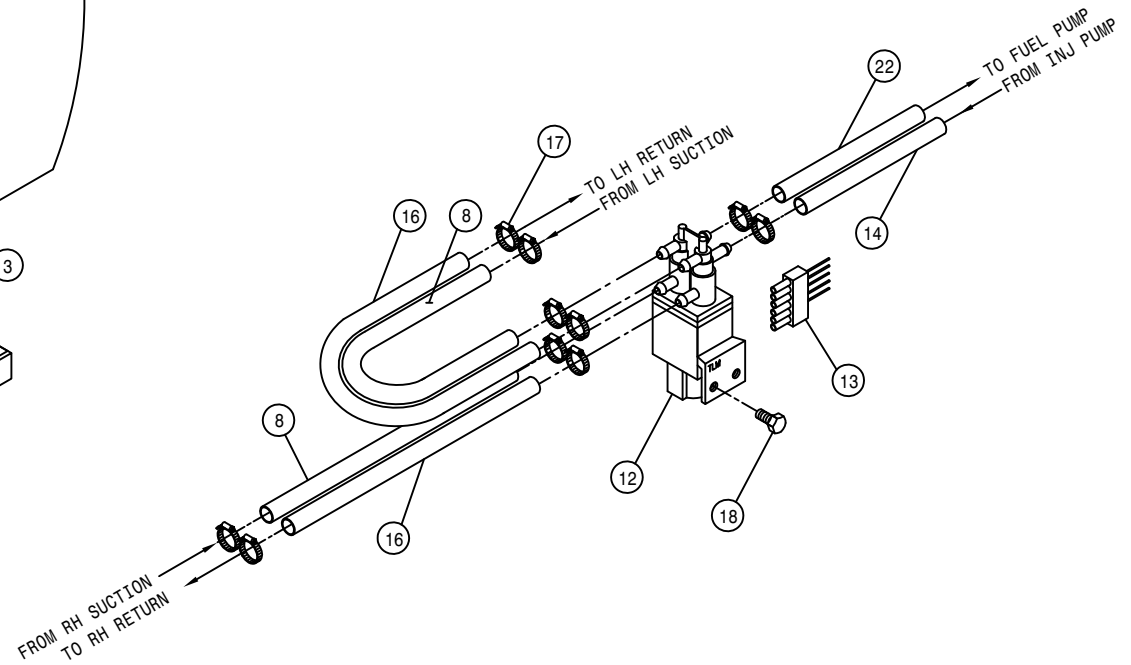
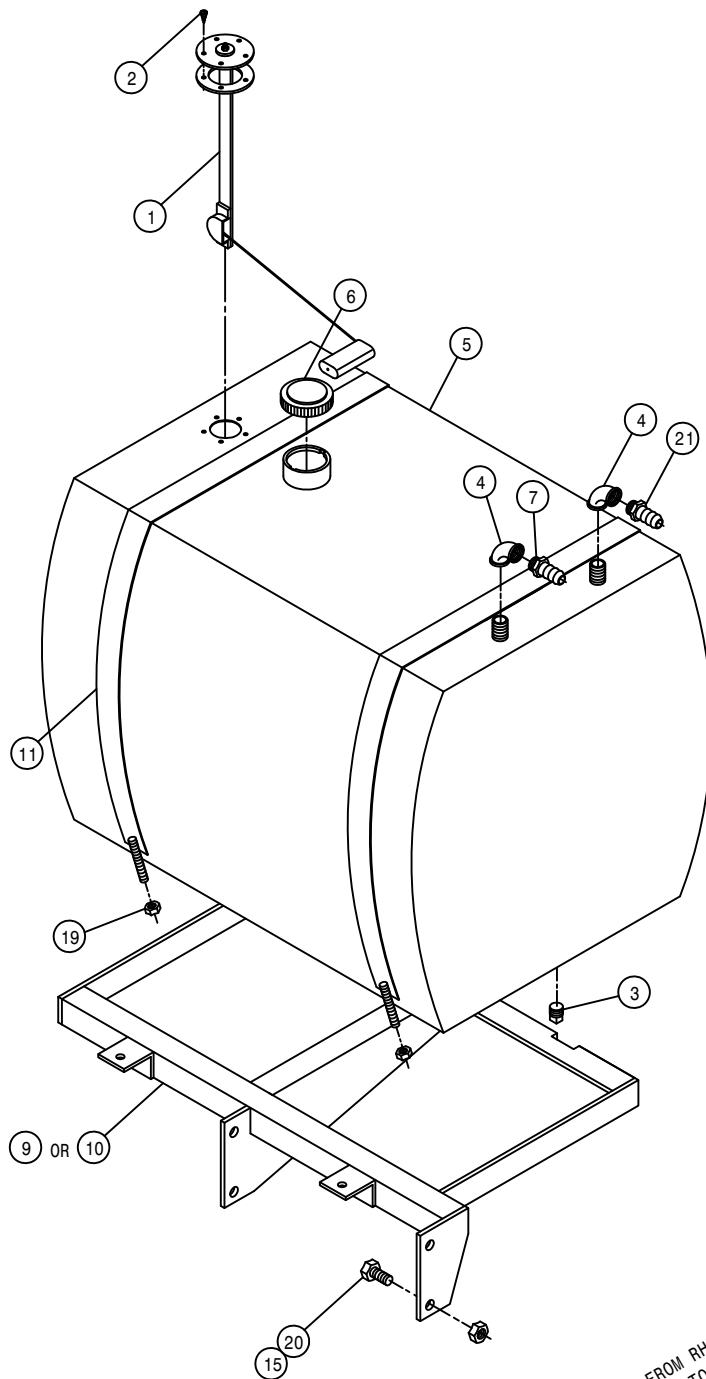
DET.	QTY	PART NO.	DESCRIPTION
1	1	620089	STRG CYL TUBE WLD 1.5 X 6. 85
2	1	620109	GLAND HYD CYL 1.5 X .75 1985
3	1	620129	PISTON HYD CYL 1.5 X .5 1985
4	1	620148	STRG CYL SHAFT WLD
5	1	629028	WIPER, 10D X 3/4ID X 1/8
6	1	629616	SEAL, 1704-24 HT20550R POLYHON
7	1	629618	WEAR RING, 1.5" HYD CYL
8	1	870025	BUNA ORING 1 3/16 X 1 5/16
9	1	870210	BUNA ORING 3/4 X 1
10	1	870218	BUNA ORING 1 1/4 X 1 1/2
11	1	890210	BACKUP WASH 3/4 X1 HT2022
12	1	890218	BACKUP WASH1 1/4X1 1/2 HT2022
13	1	914009	1/2UNF HEX STOVER NUT
14	1	914010	5/8UNC HEX STOVER NUT
15	2	618338	9/16MJIC-45-1/4MNPT LBO
16	1	900336	5/8UNC X 2 1/2 HEX BOLT

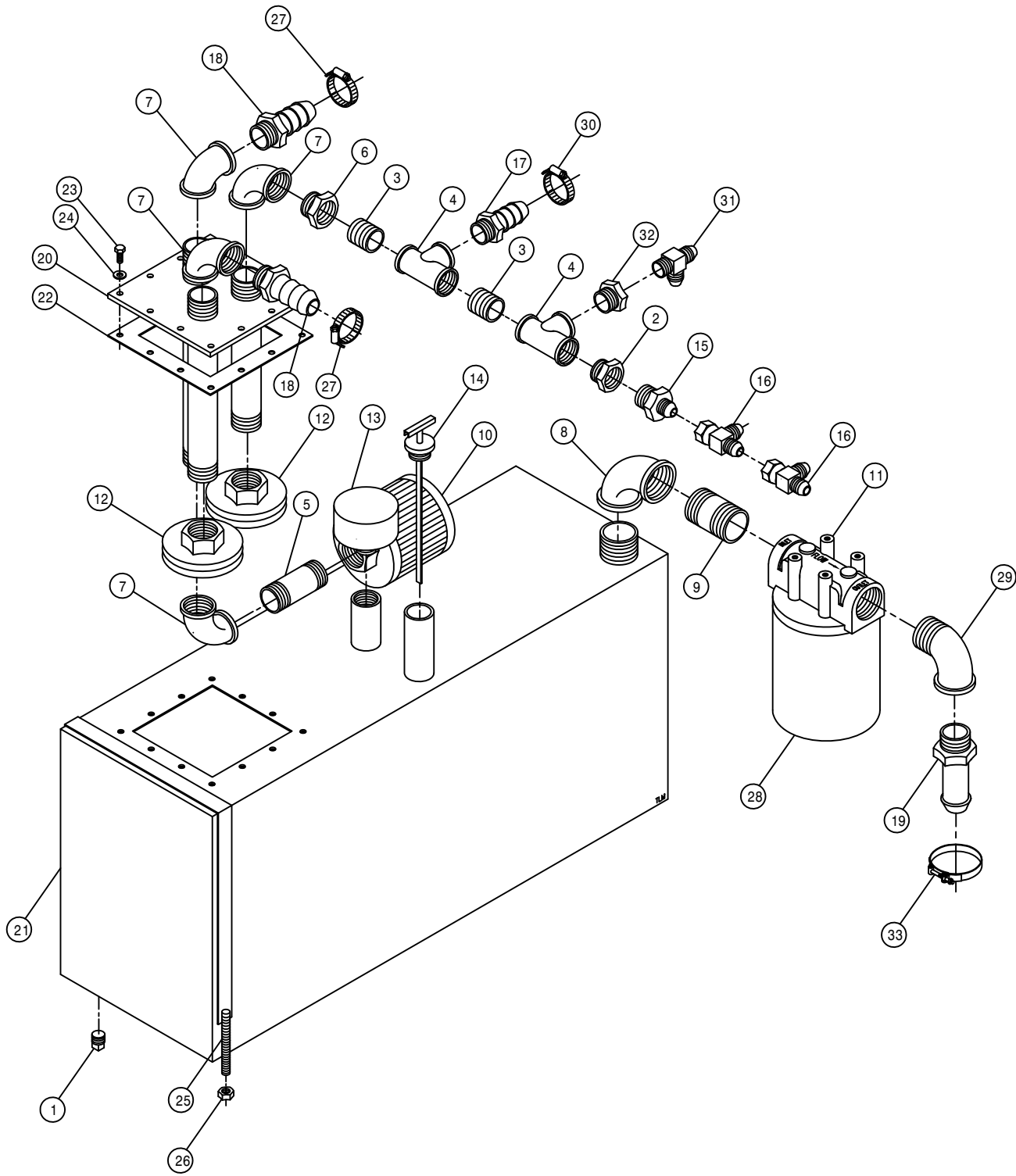
NOTE: 1. 620080 - CYLINDER ASSEMBLY  
 2. 620998 - SEAL KIT

DIESEL FUEL TANK ASSEMBLY

DET. QTY PART NO. DESCRIPTION

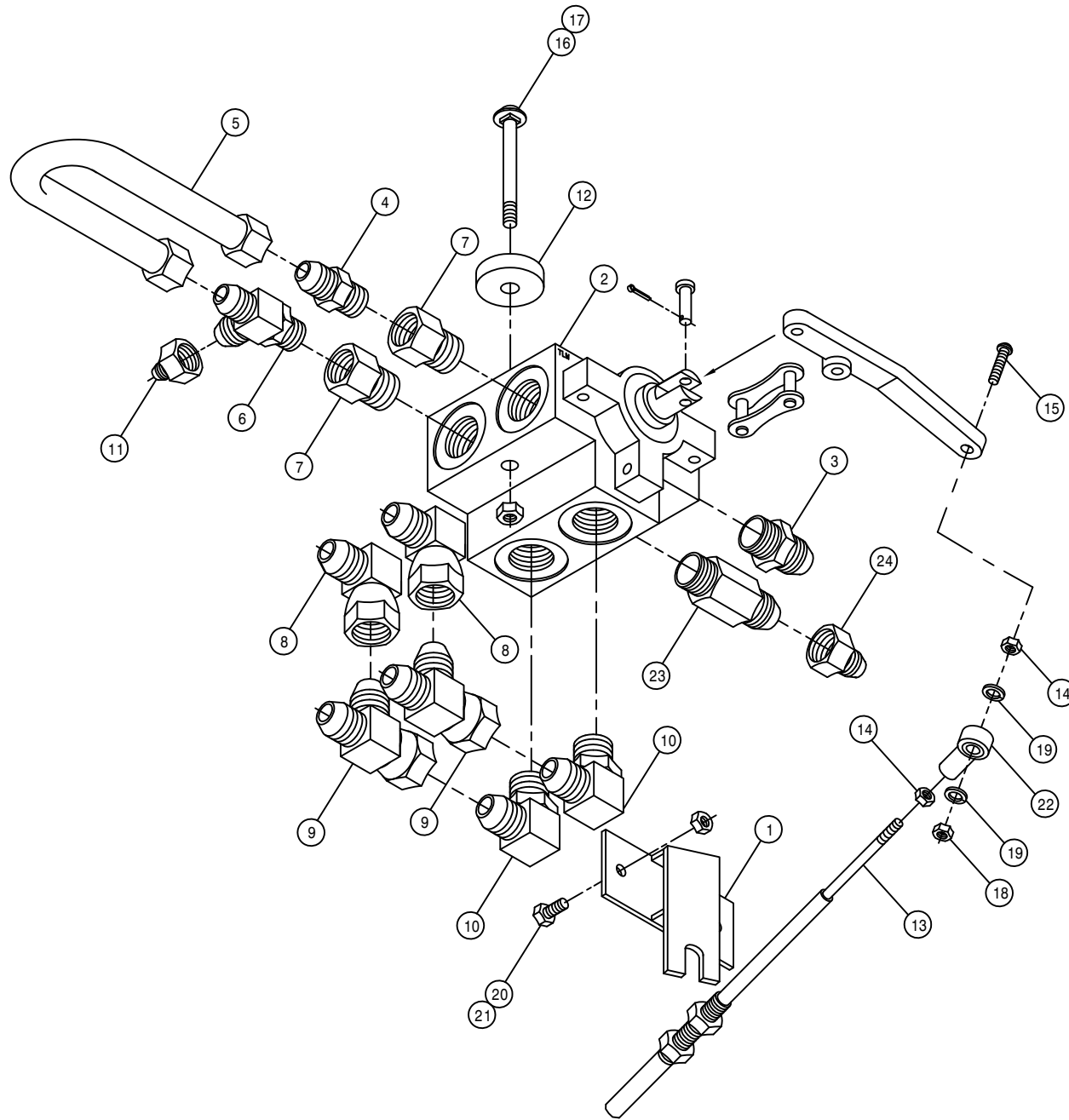
DET.	QTY	PART NO.	DESCRIPTION
1	1	291428	FUEL SENDER 19 IN.
2	5	473902	NO 8 X 1/2 PAN HD MET SC
3	1	501102	1/4 PIPE PLUG
4	2	501451	BLK PIPE EL 90DEG .25NPT
5	1	760149	FUEL TANK WLD 200-280 90
6	1	761200	GAS CAP
7	1	783303	1/4 NPT X 5/16 HOSE BARB, BRS
8	2	601324	HOSE, 3/8 X 90 FUEL LINE
9	1	760153	RH FUEL TNK MT WLD 200-280 90
10	1	760154	LH FUEL TNK MT WLD 200-280 90
11	2	760162	FUEL TANK BAND WLD 200-280 90
12	1	610529	FUEL SELECTOR VALVE W/RETURN
13	1	610530	5 WIRE CONNECTOR FOR 610529
14	1	601142	HOSE, 5/16 X 36 FUEL LINE
15	4	914008	1/2UNC HEX STOVER NUT
16	2	601301	HOSE, 5/16 X 90 FUEL LINE
17	10	520120	HOSE CLAMP NO 4 STAINLESS
18	2	900064	5/16UNC X 3/4 HEX BOLT
19	2	914004	3/8UNC HEX STOVER NUT
20	4	900264	1/2UNC X 1 1/4 HEX BOLT
21	1	783304	1/4 NPT X 3/8 HOSE BARB, BRS
22	1	601323	HOSE, 3/8 X 36 FUEL LINE





HYDRAULIC TANK ASSEMBLY

DET.	QTY	PART NO.	DESCRIPTION
	1	501102	1/4 PIPE PLUG
	1	504210	RED BUSH 3/4 NPT X 1/2 NPT
	2	504702	CLOSE NIPPLE .75NPT
	4	504955	BLK PIPE TEE .75NPT
	5	505203	BLK PIPE NIPPLE 1.00NPT-4.00
	6	505213	RED BUSH 1 X 3/4 BLK MAL
	7	505300	BLK PIPE EL 90DEG 1.00NPT
	8	506303	BLK PIPE EL 90DEG 1.25NPT
	9	506602	PIPE NIPPLE 1 1/4NPT-2 1/2
	10	605600	MICHIGAN RESERVOIR FILTER
	11	605601	GRESEN FILTER 10 MICRON 40GPM
	12	605603	LINE SUMP DIFFUSER
	13	611052	FILLER BREATHER 3/4NPT
	14	614453	DIPSTICK, 8IN
	15	618018	9/16MJIC-1/2MNPT ADPTR
	16	618486	9/16FJIC SW RUN TEE-9/16MJIC
	17	713220	HOSE BARB 3/4 NPT X 3/4
	18	714560	1NPT X 1 HOSE BARB
	19	715660	HOSE BARB 1 1/4NPT X 1 1/4
	20	760090	RECIEVER PLT WLD 8240
	21	760097	OIL TANK WLD 8240 1982
	22	763039	HYD MTR MTG PLT GSKT
	23	900064	5/16UNC X 3/4 HEX BOLT
	24	920001	5/16 SAE FLAT WASHER
	25	341360	OIL TANK STRAP WLD 8240 1982
	26	914004	3/8UNC HEX STOVER NUT
	27	520087	HOSE CLAMP NO 20 STAINLESS
	28	605602	FILT ELEMENT 10MICRON 40GPM
	29	506410	BLK PIPE ST EL 90DEG 1.25NPT
	30	520055	HOSE CLAMP NO 12 STAINLESS
	31	618520	1/4MNPT RUN TEE-9/16MJIC
	32	504001	RED BUSH 3/4 X 1/4 BLK MAL
	33	520132	1.62/1.87 T-BOLT HOSE CLAMP

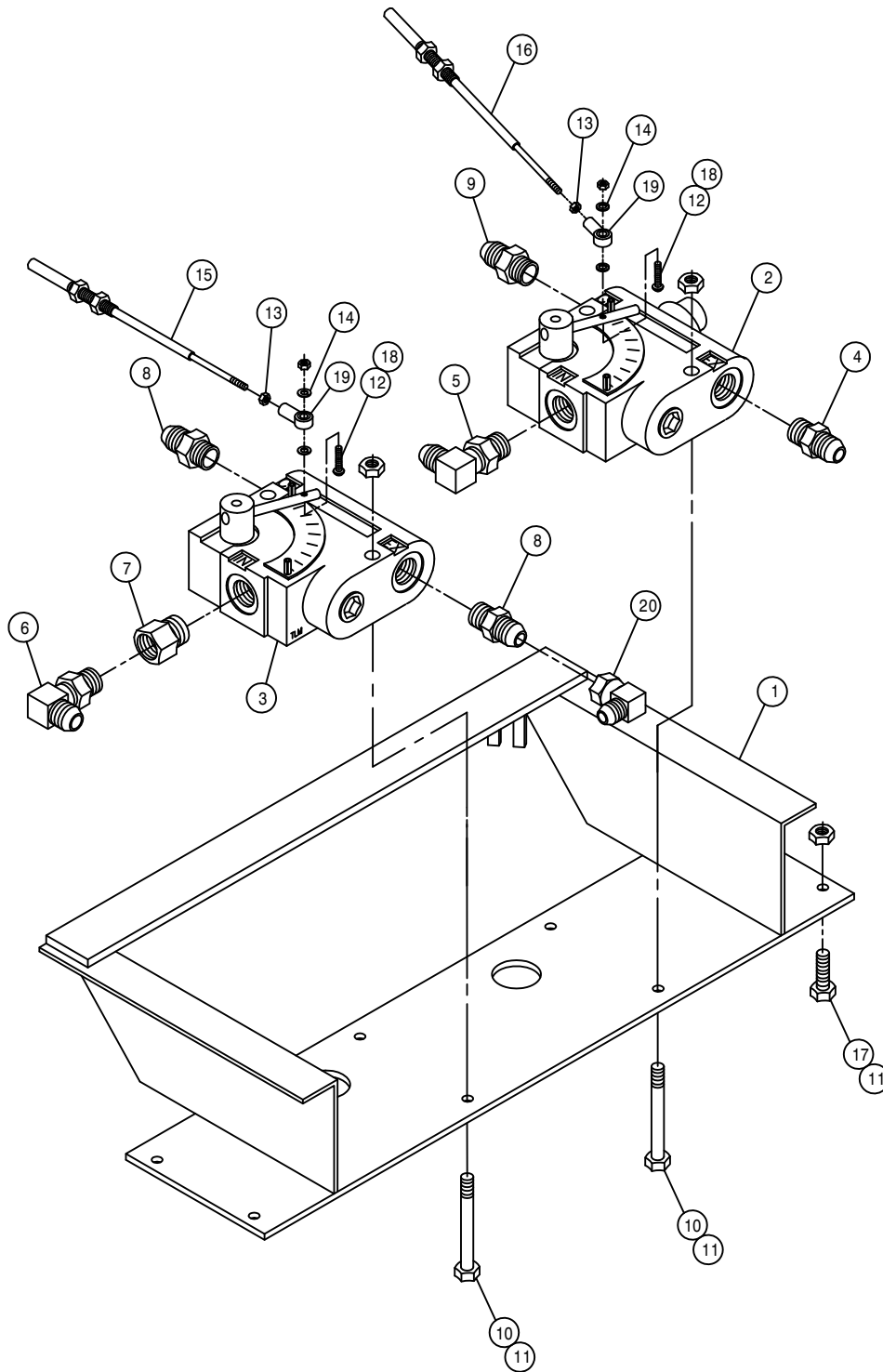


FOUR-WHEEL DRIVE SELECTOR VALVE ASSEMBLY

DET. QTY PART NO. DESCRIPTION

1	1	341861	FWD CABLE MT WLD 280	89
2	1	606003	GRESEN SELECTOR VALVE DS-12	
3	1	611127	1 1/16MJIC-1 1/16MOR ADPTR	
4	1	611126	7/8MJIC-7/8MOR ADPTR	
5	1	614198	FWD VALVE U-TUBE ASSY	
6	1	618130	7/8MOR RUN TEE-7/8MJIC	
7	2	618132	1 1/16MOR-7/8FOR ADPTR	
8	2	618301	7/8MJIC-90-7/8FJIC SWIV LBO	
9	2	618333	7/8FJIC SW RUN TEE-7/8MJIC	
10	2	618535	7/8MJIC-90-1 1/16MOR LBO	
11	1	618557	7/8FJIC-9/16MJIC ADPTR	
12	2	748501	RUBBER WASH .38 X .406 X 1.50	
13	1	785065	CTRL CABLE 10-32 4IN X 68 LG	
14	2	910027	10-32 HEX NUT	
15	1	903893	10-32 X 1" SLT RD HD MACH SCR	
16	2	901136	3/8UNC X 3" CARR BOLT	
17	2	914004	3/8UNC HEX STOVER NUT	
18	1	914027	10-32 HEX STOVER NUT	
19	2	920510	#10 LOCK WASHER	
20	2	900002	1/4UNC X 3/4 HEX BOLT	
21	2	914000	1/4UNC HEX STOVER NUT	
22	1	473921	BALL JOINT NO 10-32 THD	
23	1	607523	FLOW REGULATOR, 21GPM VONBERG	
24	1	618541	1 5/16FJIC-1 1/16MJIC ADPTR	





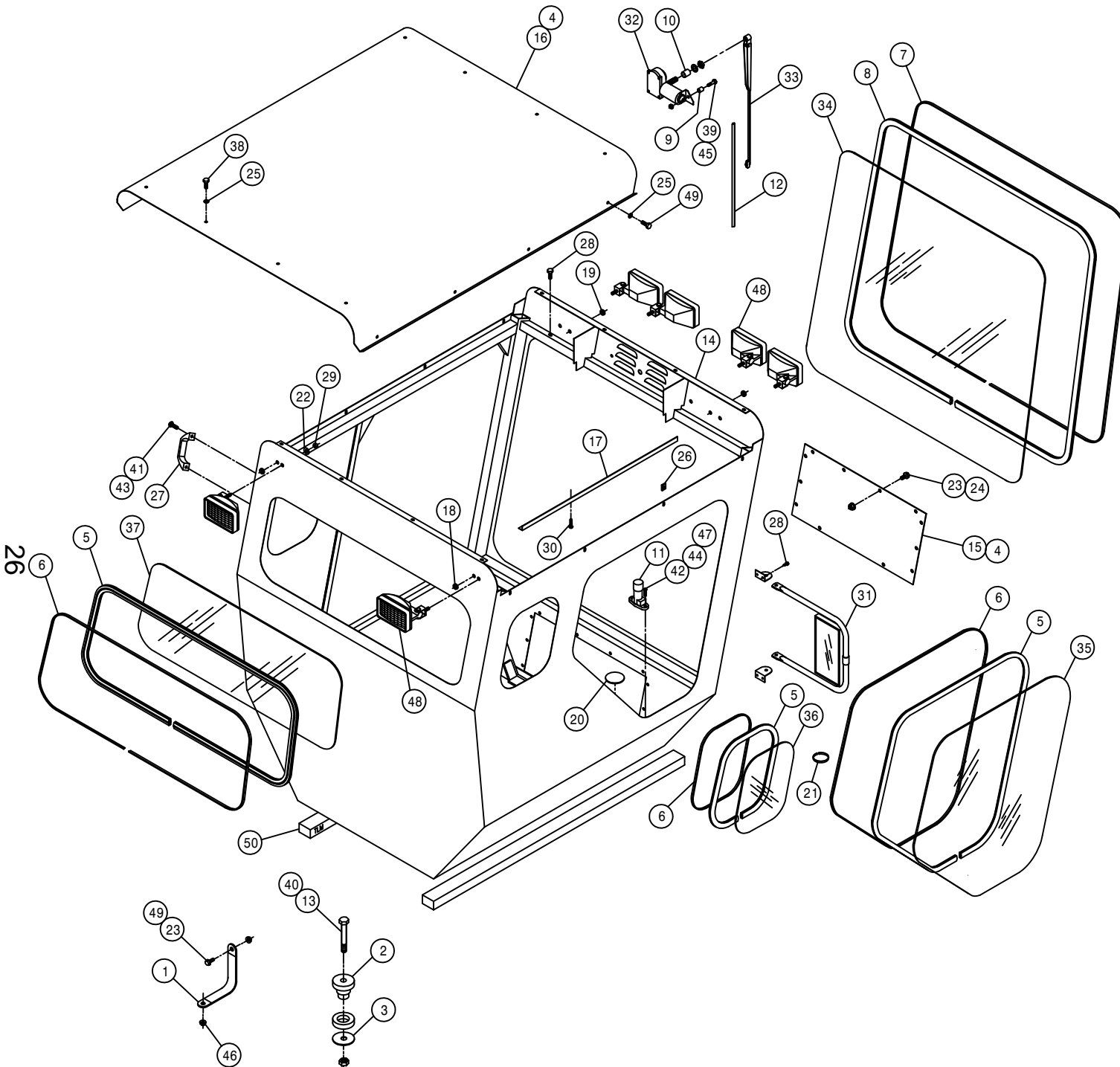
VARIABLE FLOW CONTROL ASSEMBLY

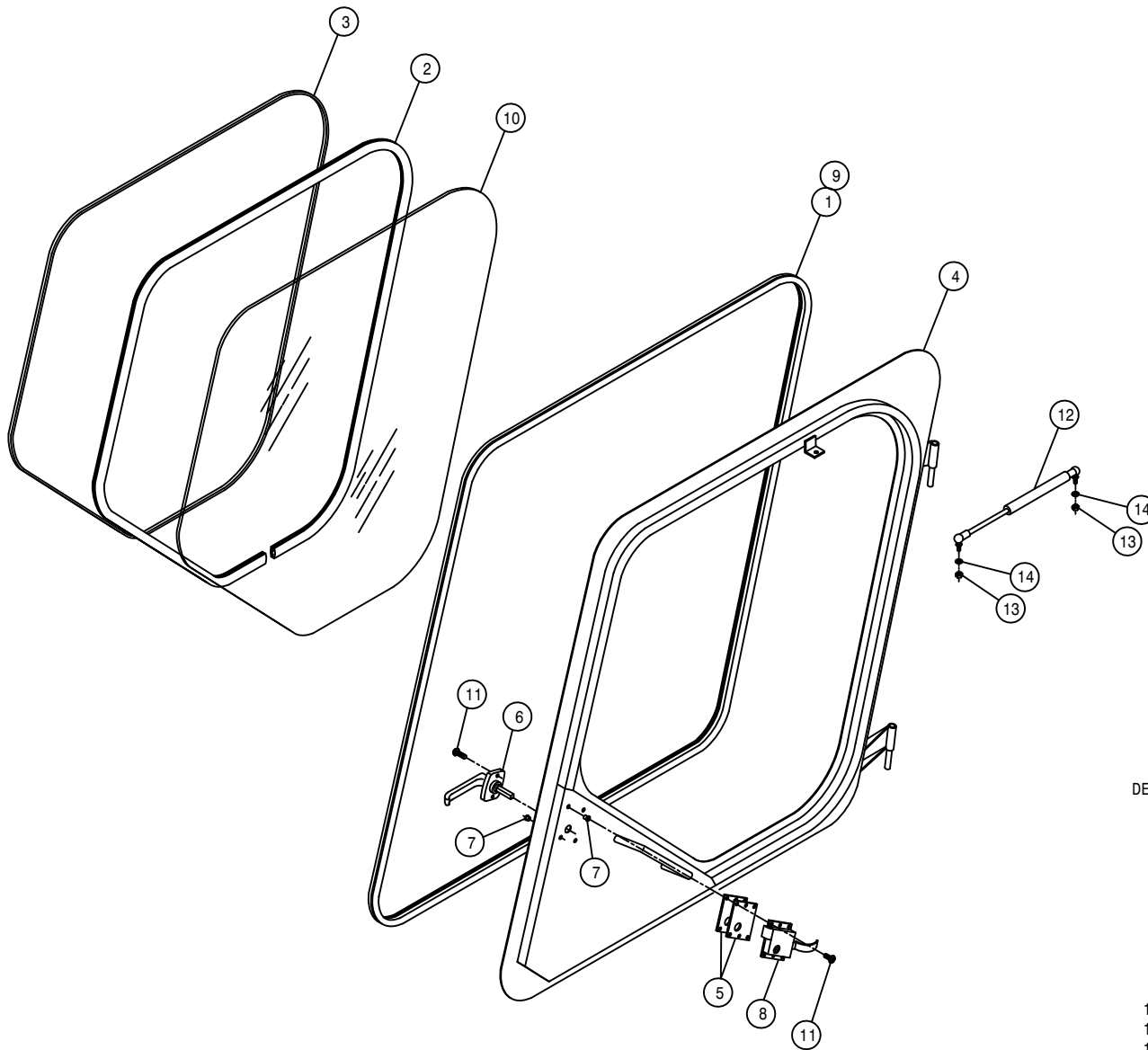
DET.	QTY	PART NO.	DESCRIPTION	
1	1	342209	SOLU VFC MT WLD	94
2	1	606818	FLO CONT FCR51 0-16GPM 7/8FOR	
3	1	606827	FLO CONT FC51 0-3 VARI 7/8FOR	
4	1	611126	7/8MJIC-7/8MOR ADPTR	
5	1	611128	7/8MJIC-90-7/8MOR LBO	
6	1	618119	9/16MJIC-90-9/16MOR LBO	
7	1	618172	7/8MOR-9/16FOR ADPTR	
8	2	618310	9/16MJIC-7/8MOR ADPTR	
9	1	618327	3/4MJIC-7/8MOR ADPTR	
10	4	900008	1/4UNC X 2 1/2 HEX BOLT	
11	8	914000	1/4UNC HEX STOVER NUT	
12	2	903893	10-32 X 1" SLT RD HD MACH SCR	
13	2	910027	10-32 HEX NUT	
14	4	920510	#10 LOCK WASHER	
15	1	785064	CTRL CABLE 10-32 2IN X 53 LG	
16	1	785063	CTRL CABLE 10-32 2IN X 42 LG	
17	4	470118	1/4UNC X 3/4 FLANGE HEX BOLT	
18	2	914027	10-32 HEX STOVER NUT	
19	2	473921	BALL JOINT NO 10-32 THD	
20	1	618618	9/16MJIC-90-9/16FJIC SWIV LBO	

CAB ASSEMBLY

DET. QTY PART NO. DESCRIPTION

1	1	290107	GROUND STRAP 8 IN	
2	4	311051	RUBBER MOUNT, RB3-350	
3	4	311052	SNUBBING WASHER FOR 311051	
4	24	193037	STICKERTITE 1/8 X 3/4	
5	25	193044	WINDOW WEATHERSTRIP	94
6	25	193045	LOCK STRIP FOR 193044	94
7	13	192001	FILLR STRIP FOR WEATHERSTRIP	
8	13	193018	2 P/C SELF SEAL WEATHERSTRIP	
9	1	200019	.25 SCH 40BP X 1.00 LG	C/L
10	1	202037	WINDSHIELD WIPER SPACER	
11	1	290412	DIMMER SWITCH	
12	1	290417	18" WIPER BLADE	
13	4	900343	5/8UNC X 4 1/2 HEX BOLT	
14	1	342100	CAB WLD 254-284	94
15	1	342145	KICK PANEL, 254 CAB	94
16	1	342150	CAB ROOF WLD, 284	94
17	1	342180	HEADLINER KPR ANGLE,284CAB	94
18	2	470067	RUBBER GROMMET 1/4 ID	
19	2	470070	RUBBER GROMMET 3/8 ID	
20	1	629728	FINISH PLUG FOR 2.12 HOLE	
21	1	470229	IDENTIFICATION TIE, 3/4"	
22	6	470100	3/8 INT TOOTH LOCK WASHER	
23	13	470121	1/4UNC HEX FLANGE LOCK NUT	
24	12	470122	1/4UNC X 1/2 FLANGE HEX BOLT	
25	16	470212	1/4 X 5/8 BONDED SEALING WASH	
26	16	470218	1/4UNC NUT J-TYPE CAGE CLIP	
27	1	470222	GRAB HANDLE, BLACK MOULDED	
28	12	472349	1/4 X 3/4 20THD-IN TEK TYPE	
29	6	473779	10MM-1.50 HEX NUT	
30	2	473910	1/4 X 1 1/2 PHIL HD SHT MTL S	
31	2	650524	OUTSIDE REAR VIEW MIRROR	
32	1	658008	WINDSHIELD WIPER MOTOR	
33	1	658013	WIPER ARM	
34	1	658014	FRONT CAB GLASS	94
35	1	658015	FRONT SIDE CAB/DOOR GLASS	94
36	2	658016	REAR SIDE CAB GLASS	94
37	1	658017	REAR CAB GLASS	94
38	8	900002	1/4UNC X 3/4 HEX BOLT	
39	1	900005	1/4UNC X 1 1/2 HEX BOLT	
40	4	914010	5/8UNC HEX STOVER NUT	
41	2	903883	10-32 X 1/2 SLT RDHD MACH SCR	
42	2	903889	10-32 X 3/4 SLT RDHD MACH SCR	
43	2	470175	10-32 HEX FLANGE LOCK NUT	
44	2	910027	10-32 HEX NUT	
45	1	914000	1/4UNC HEX STOVER NUT	
46	1	914004	3/8UNC HEX STOVER NUT	
47	2	920510	#10 LOCK WASHER	
48	6	291603	WORKLAMP, SIDE MT 12V HALOGEN	
49	9	470118	1/4UNC X 3/4 FLANGE HEX BOLT	
50	2	659704	FOAM, 2"THK X 2" WIDE X 42"LG	

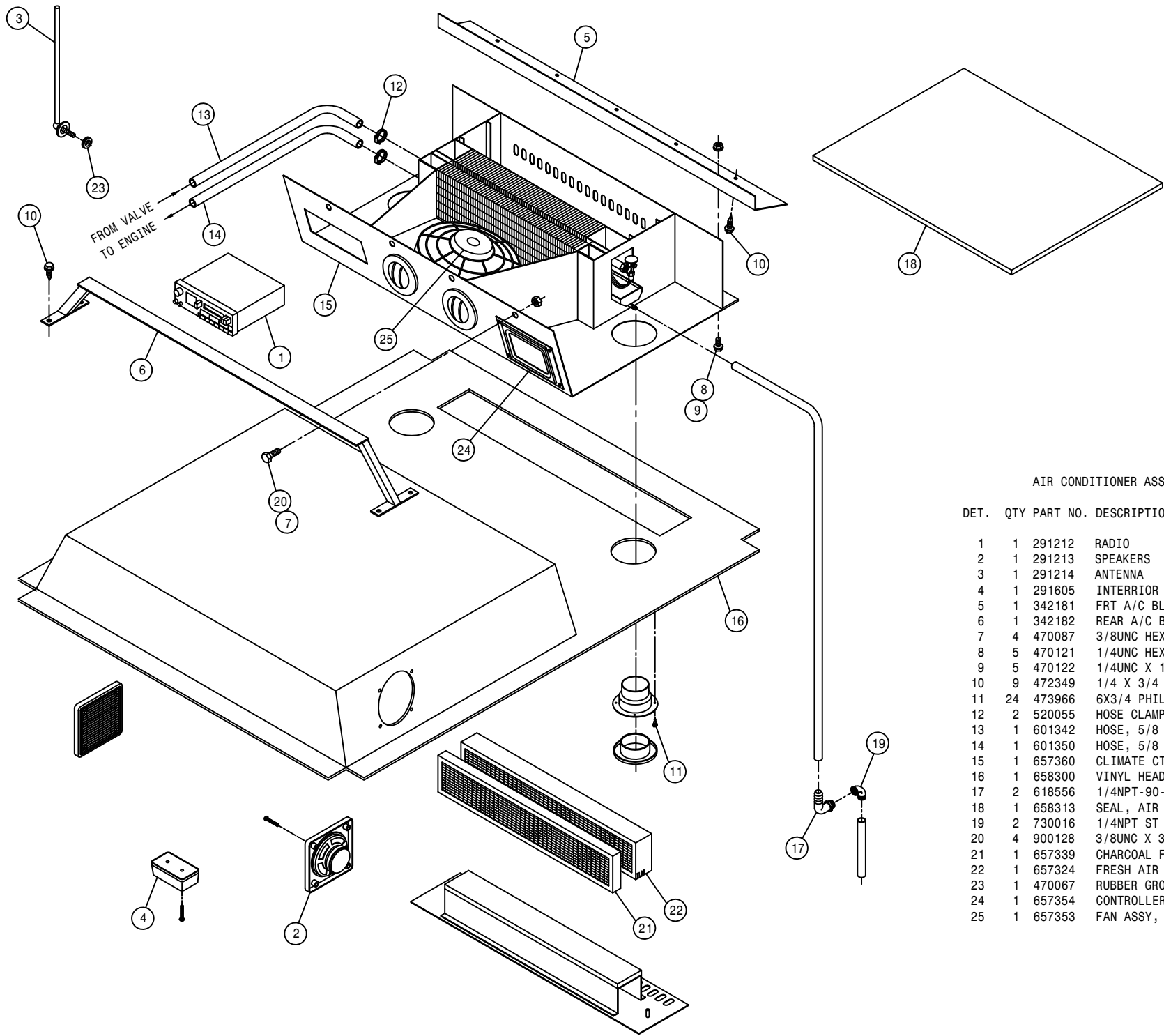




DOOR ASSEMBLY

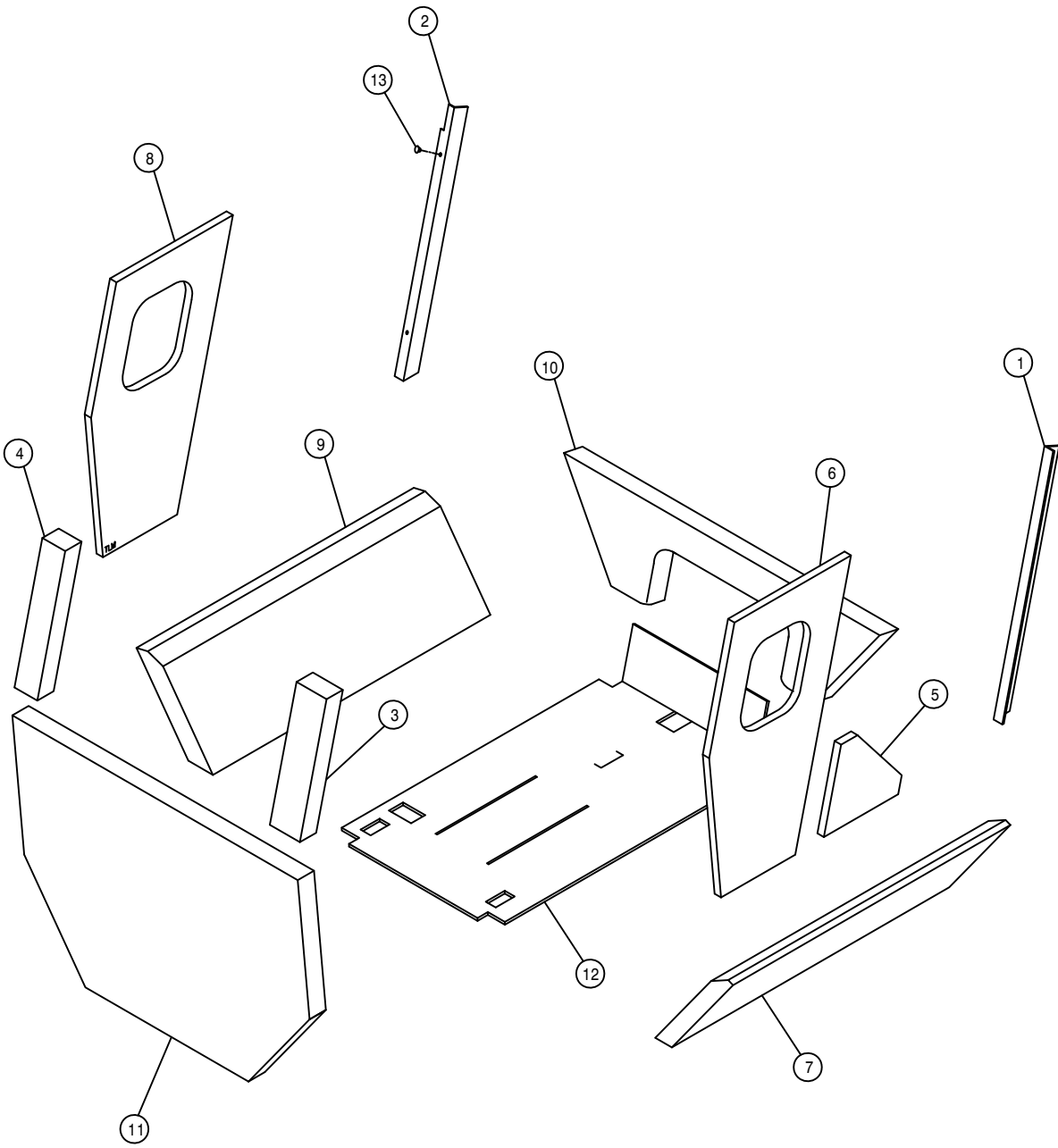
DET. QTY PART NO. DESCRIPTION

1	12	193028	PUSH-ON TRIM SEAL RS-130-FX
2	9	193044	WINDOW WEATHERSTRIP 94
3	9	193045	LOCK STRIP FOR 193044 94
4	1	342153	LH DOOR WLD, 284 CAB 94
5	2	342163	CAB DOOR LATCH SHIM, .06 94
6	1	342217	DOOR HANDLE, 254/284 CAB 94
7	6	470165	10-32 NUTSERT .020-.100 MATL
8	1	470219	CAB LOCK, LH #55
9	2	485052	POP RIVET 1/8 X 3/8
10	1	658015	FRONT SIDE CAB/DOOR GLASS 94
11	6	903710	10-32X5/8 PHIL PANHD MACH SCR
12	1	470221	GAS SPRING, 60LB 3.5 STROKE
13	2	910002	5/16UNC HEX NUT
14	2	920501	5/16 LOCK WASHER



AIR CONDITIONER ASSEMBLY

DET.	QTY	PART NO.	DESCRIPTION	
	1	291212	RADIO	94
	1	291213	SPEAKERS (PAIR)	94
	1	291214	ANTENNA	94
	1	291605	INTERIOR LIGHT W/SWITCH	
	1	342181	FRT A/C BLOWER MT ANG, CAB	94
	1	342182	REAR A/C BLOWER MT WLD, CAB	94
	4	470087	3/8UNC HEX FLANGE LOCK NUT	
	5	470121	1/4UNC HEX FLANGE LOCK NUT	
	5	470122	1/4UNC X 1/2 FLANGE HEX BOLT	
	9	472349	1/4 X 3/4 20THD-IN TEK TYPE	
	24	473966	6X3/4 PHIL FLT HD SHT MTL SCR	
	2	520055	HOSE CLAMP NO 12 PLATED	
	1	601342	HOSE, 5/8 X 192 HEATER	
	1	601350	HOSE, 5/8 X 160" HEATER	
	1	657360	CLIMATE CTRL, A/C & HTR R134A	
	1	658300	VINYL HEAD LINER	94
	2	618556	1/4NPT-90-1/2 HOSE BARB,POLY	
	1	658313	SEAL, AIR CONDITIONER	94
	2	730016	1/4NPT ST EL, 90 DEG POLY	
	4	900128	3/8UNC X 3/4 HEX BOLT	
	1	657339	CHARCOAL FILTER FOR 657333	
	1	657324	FRESH AIR FILTER EAGLE	
	1	470067	RUBBER GROMMET 1/4 ID	
	1	657354	CONTROLLER ASSY, CLIMATE CTRL	
	1	657353	FAN ASSY, CLIMATE CTRL R134A	



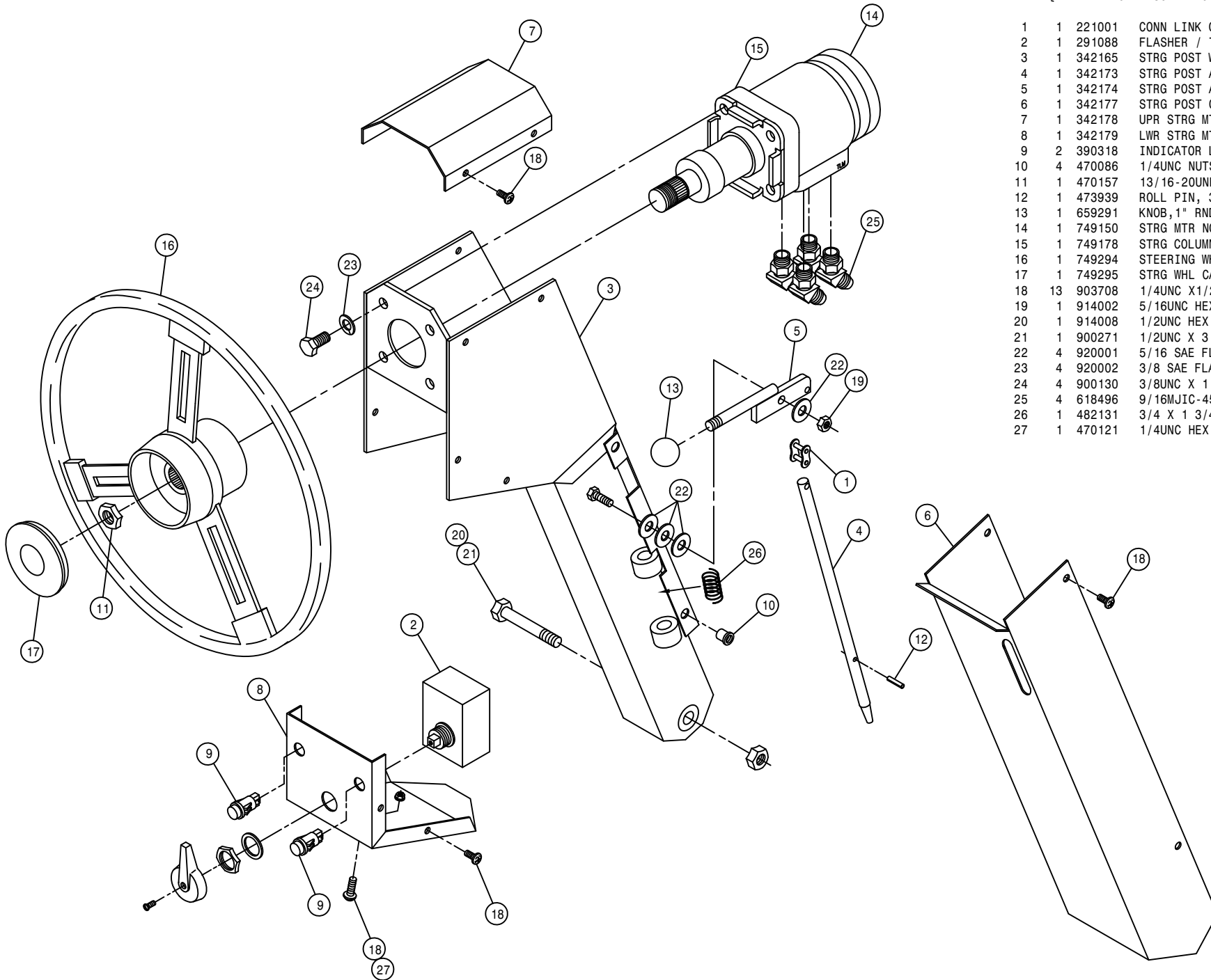
CAB FOAM

DET.	QTY	PART NO.	DESCRIPTION
1	1	658301	VINYL POST COVER, RH FRONT 94
2	1	658302	VINYL POST COVER, LH FRONT 94
3	1	658303	VINYL POST COVER, RH REAR 94
4	1	658304	VINYL POST COVER, LH REAR 94
5	1	658305	VINYL SIDE PANEL, RH 94
6	1	658306	VINYL SIDE PANEL, RH UPPER 94
7	1	658307	VINYL SIDE PANEL, RH LOWER 94
8	1	658308	VINYL SIDE PANEL, LH UPPER 94
9	1	658309	VINYL SIDE PANEL, LH LOWER 94
10	1	658310	VINYL FRONT COVER PANEL 94
11	1	658311	VINYL REAR COVER PANEL 94
12	1	658315	CAB FLOORMAT 254/284 95
13	2	470225	TRIM CLIP, 11/16 BLK NYL HEAD

STEERING POST ASSEMBLY

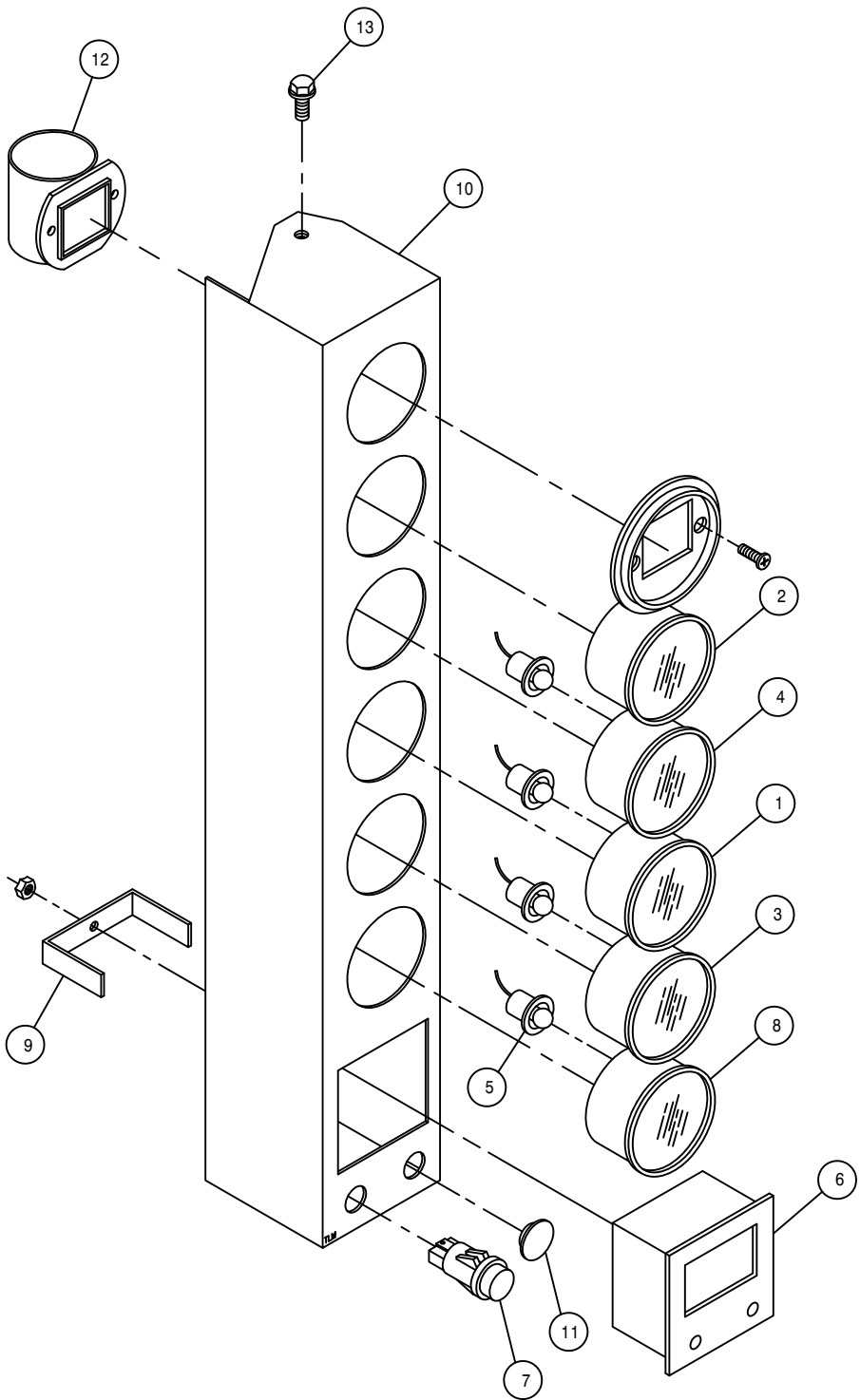
DET. QTY PART NO. DESCRIPTION

DET.	QTY	PART NO.	DESCRIPTION
1	1	221001	CONN LINK CLIP TYPE RC50
2	1	291088	FLASHER / TURN SIGNAL SWITCH
3	1	342165	STRG POST WLD, 284 CAB 94
4	1	342173	STRG POST ADJ PIN, 284 CAB 94
5	1	342174	STRG POST ADJ PIN LEVER WLD94
6	1	342177	STRG POST COVER, 284 CAB 94
7	1	342178	UPR STRG MTR HSG COVER 94
8	1	342179	LWR STRG MTR HSG COVER 94
9	2	390318	INDICATOR LIGHT, RED
10	4	470086	1/4UNC NUTSERT .020-.100MATL
11	1	470157	13/16-20UNEF HEX NUT STRG WHL
12	1	473939	ROLL PIN, 3/16DIA X 7/8
13	1	659291	KNOB, 1" RND, BLK, 3/8-16
14	1	749150	STRG MTR NON-LOAD REACT 1008
15	1	749178	STRG COLUMN 2.5IN LONG
16	1	749294	STEERING WHEEL, VIP 14"
17	1	749295	STRG WHL CAP W/HAGIE EMBLEM
18	13	903708	1/4UNC X1/2 PHIL PNHD MACHSCR
19	1	914002	5/16UNC HEX STOVER NUT
20	1	914008	1/2UNC HEX STOVER NUT
21	1	900271	1/2UNC X 3 1/4 HEX BOLT
22	4	920001	5/16 SAE FLAT WASHER
23	4	920002	3/8 SAE FLAT WASHER
24	4	900130	3/8UNC X 1 1/4 HEX BOLT
25	4	618496	9/16MJIC-45-3/4MOR LBO
26	1	482131	3/4 X 1 3/4 COMPRSN SPRING
27	1	470121	1/4UNC HEX FLANGE LOCK NUT



30

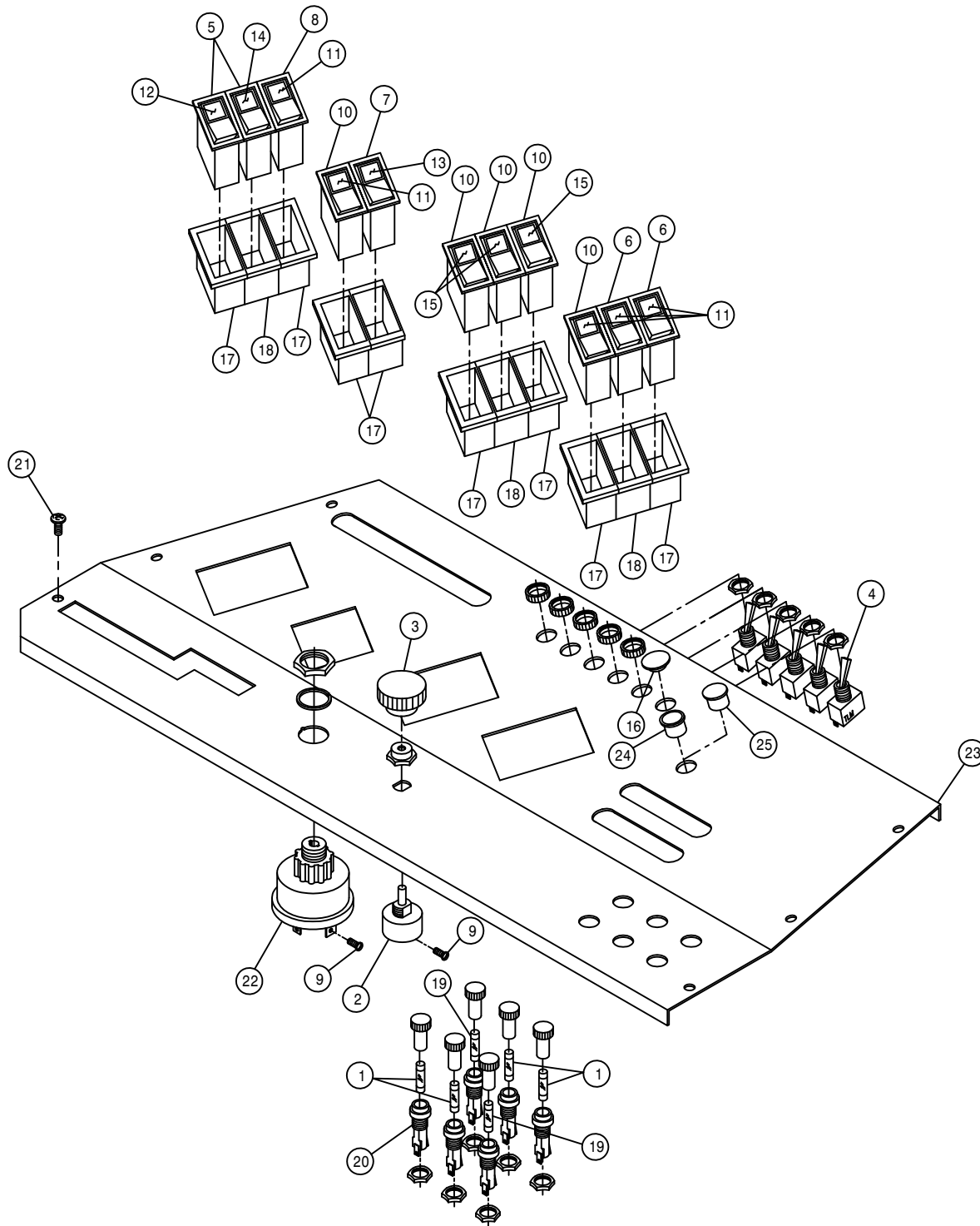
179030



INSTRUMENT PANEL ASSEMBLY

DET. QTY PART NO. DESCRIPTION

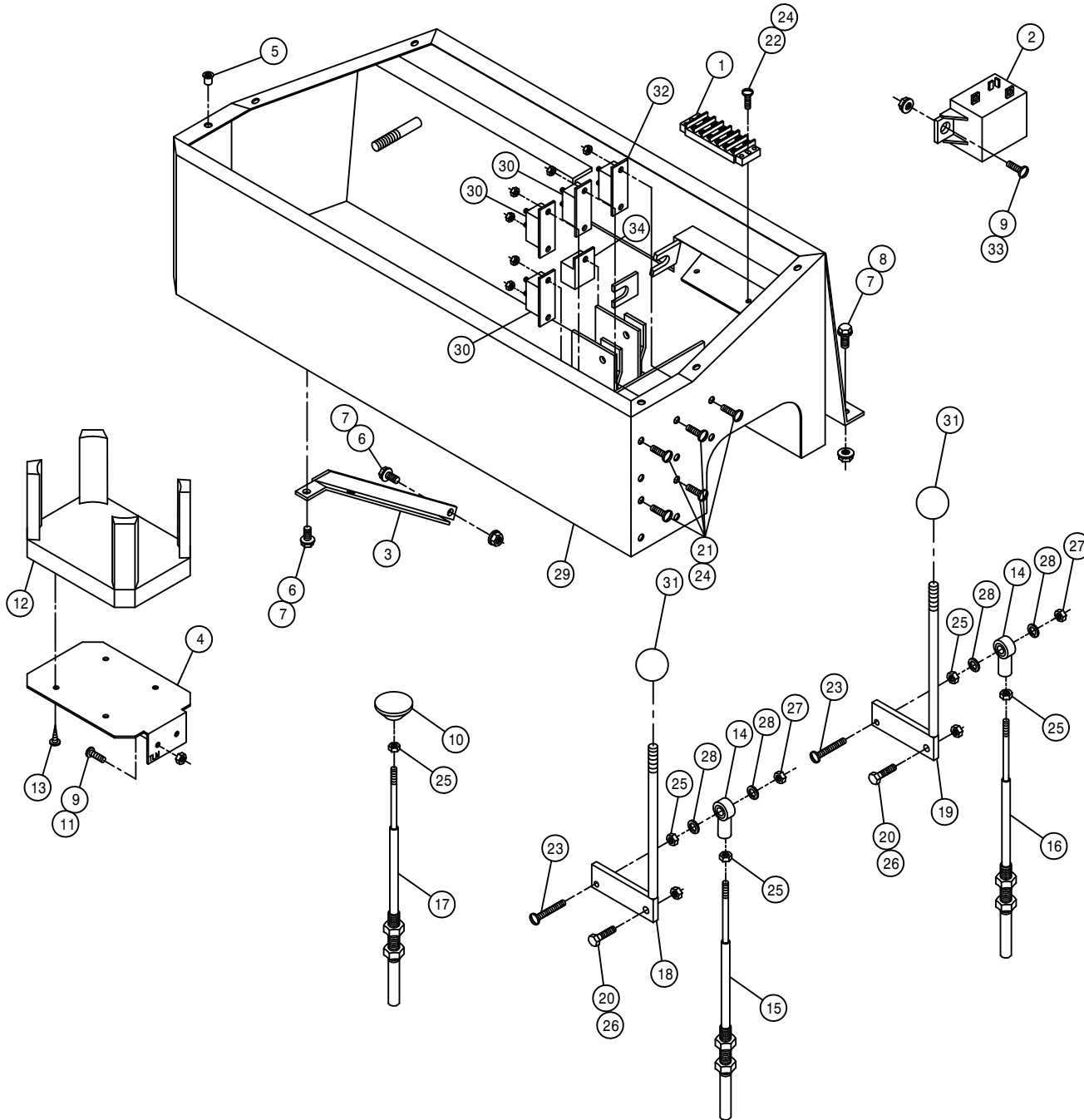
1	1	290401	FUEL GAUGE FOR 2.125 DIA HOLE
2	1	291203	HOUR METER, 12/24VDC BLACK BEZ
3	1	291673	OIL PRESS GAUGE, 125PSI
4	1	291611	VOLTMETER, 8V TO 18V DC
5	4	291612	LIGHT KIT FOR 2" GAUGE
6	1	291635	DIGITAL MPH/RPM INDICATOR
7	1	291638	INDICATOR LIGHT, GREEN
8	1	314436	TEMP GA 100-280 DEG LIGHTED
9	1	342068	DIGITAL MPH/RPM IND KEEPER 94
10	1	342186	INSTRU HSNGL WLD, 284 CAB 94
11	1	658174	RUBBER BUMPER, 1.0000D .500GD
12	1	314901	FILTER MINDER AIR RESTRICT GA
13	2	470122	1/4UNC X 1/2 FLANGE HEX BOLT



CONSOLE PANEL ASSEMBLY

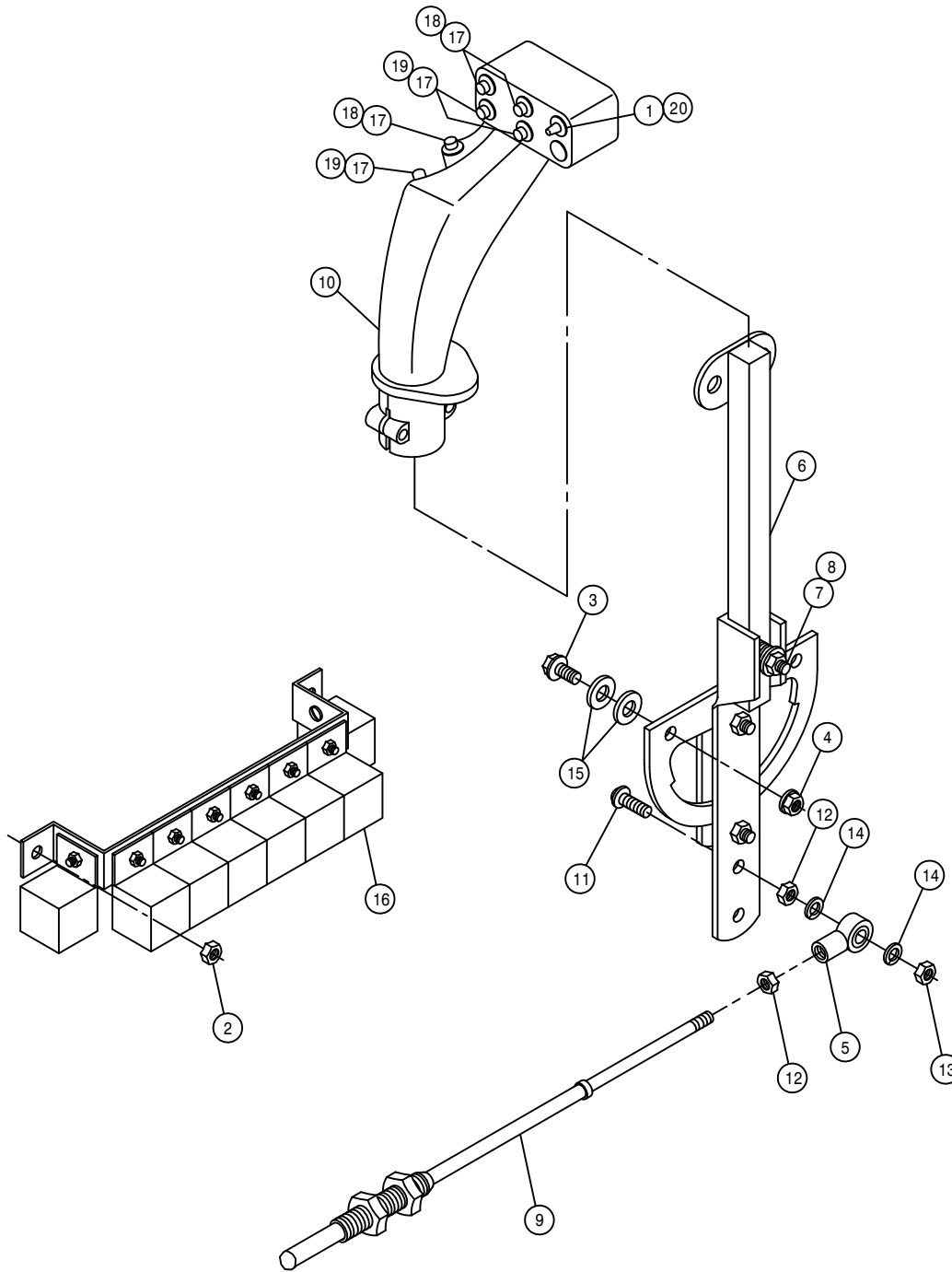
DET.	QTY	PART NO.	DESCRIPTION
1	4	291602	FUSE 10 AMP
2	1	291606	ROTARY HEADLAMP SWITCH
3	1	291607	SWITCH KNOB FOR 291606
4	5	291608	TOGGLE SWITCH, ON-OFF, UNLIT
5	2	291622	SWITCH, 1P ON/OFF 511-003
6	2	291623	SWITCH, 2P ON/OFF 511-015
7	1	291624	SWITCH, 2P(ON)/OFF 511-130
8	1	291625	SWITCH, 2P ON/ON 511-108
9	2	903844	8-32 X 1/2 SLT RD HD MACH SCR
10	5	291627	SWITCH, 2P(ON)OFF(ON) 511-058
11	5	291628	LENS, GREEN
12	1	291629	LENS, WIPER
13	1	291630	LENS, WINDSHIELD WASHER
14	1	291631	LENS, HAZARD
15	3	291632	LENS, DIRECTION INDICATOR
16	1	658174	RUBBER BUMPER, 1.0000D .500GD
17	8	293246	END BEZEL
18	3	293247	CENTER BEZEL
19	2	298004	20 AMP FUSE SFE 20
20	6	298011	FUSE HOLDER
21	6	903708	1/4UNC X1/2 PHIL PNHD MACHSCR
22	1	321020	IGN SWITCH, SEALED 5 POLE
23	1	342189	CONSOLE COVER PNL, 284 CAB 94
24	1	470223	SNAP BUSHING, BLK NYL, .50DIA
25	1	470224	SNAP PLUG, BLK NYL, .50 DIA





CONSOLE ASSEMBLY

DET.	QTY	PART NO.	DESCRIPTION
1	1	293093	TERMINAL BLOCK 6 POS - 2 ROW
2	1	657371	RELAY, 12 VOLT 75 AMP
3	1	342282	CONSOLE BRACE 254/284 95
4	1	342216	DRINK HOLDER MT BRKT 94
5	6	470086	1/4UNC NUTSERT .020-.100MATL
6	3	470118	1/4UNC X 3/4 FLANGE HEX BOLT
7	5	470121	1/4UNC HEX FLANGE LOCK NUT
8	2	470122	1/4UNC X 1/2 FLANGE HEX BOLT
9	4	470175	10-32 HEX FLANGE LOCK NUT
10	1	470190	KNOB,1 3/8" LIFT, BLK 10-32
11	2	903710	10-32X5/8 PHIL PANHD MACH SCR
12	1	470214	SPILLMASTER DRINK HOLDER
13	4	473902	NO 8 X 1/2 PAN HD MET SC
14	2	473921	BALL JOINT NO 10-32 THD
15	1	785063	CTRL CABLE 10-32 2IN X 42 LG
16	1	785064	CTRL CABLE 10-32 2IN X 53 LG
17	1	785065	CTRL CABLE 10-32 4IN X 68 LG
18	1	785070	SOLU PRESS CTRL LEVER WLD 94
19	1	785073	AGIT CTRL LEVER WLD 94
20	2	900003	1/4UNC X 1" HEX BOLT
21	9	903812	6-32 X 1/2 SLT RD HD MACH SCR
22	2	903814	6-32 X 3/4 SLT RD HD MACH SCR
23	2	903893	10-32 X 1" SLT RD HD MACH SCR
24	11	910022	6-32 HEX NUT
25	5	910027	10-32 HEX NUT
26	2	914000	1/4UNC HEX STOVER NUT
27	2	914027	10-32 HEX STOVER NUT
28	4	920510	#10 LOCK WASHER
29	1	342191	CONSOLE WLD, 284 CAB 94
30	3	291197	CIRCUIT BREAKER,30AMP,INLINEMT
31	2	659291	KNOB,1" RND,BLK, 3/8-16
32	1	291024	CIRCUIT BREAKER,40AMP,INLINEMT
33	2	903883	10-32 X 1/2 SLT RDHD MACH SCR
34	1	291640	RELAY, 12V 20/30AMP BOSCH



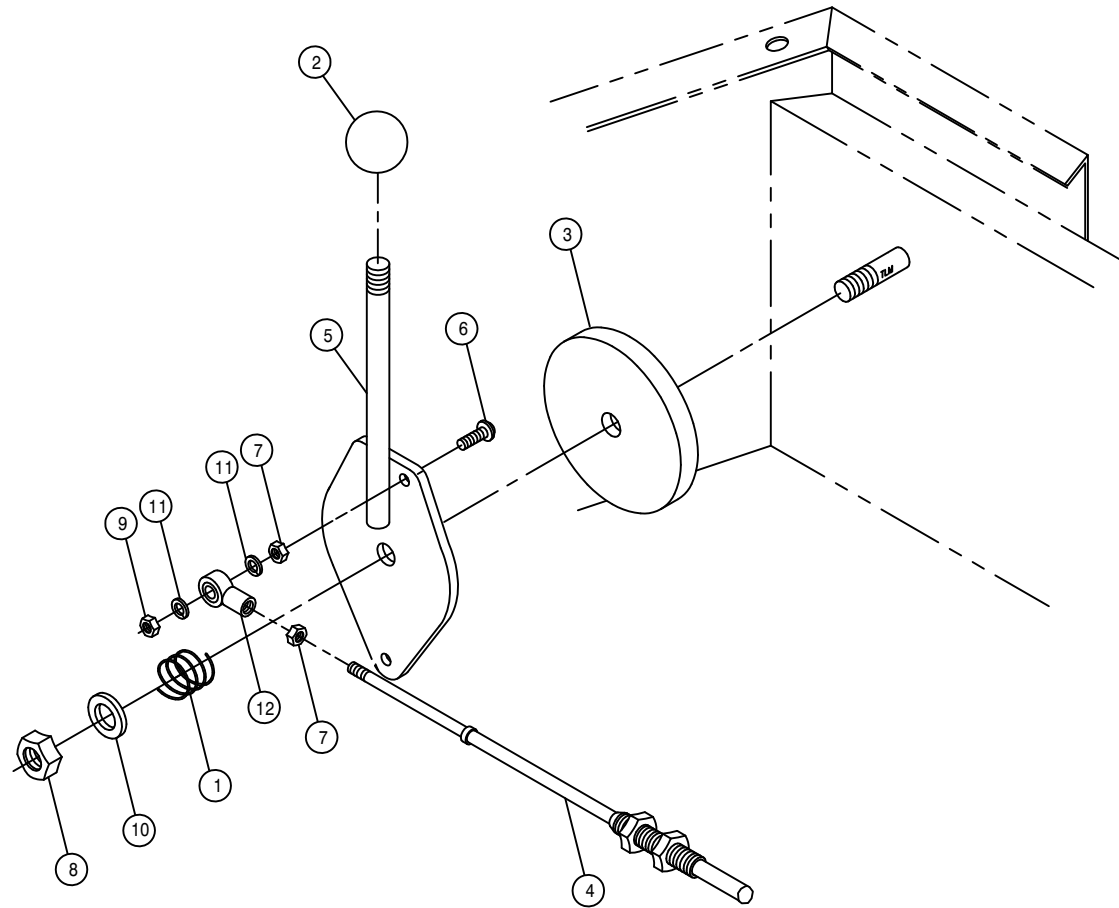
### HYDROSTATIC LEVER ASSEMBLY

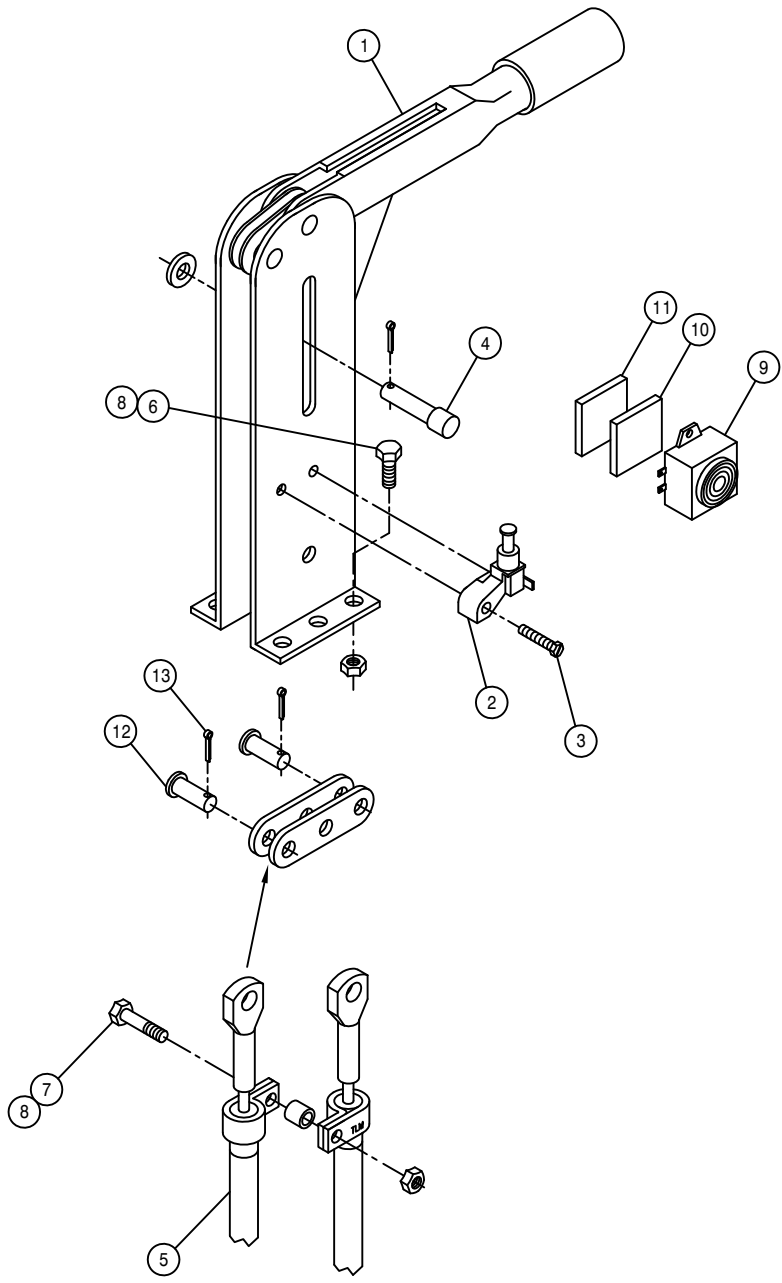
DET.	QTY	PART NO.	DESCRIPTION
1	1	291653	SWITCH, TOG SPDT 3POS STAT
2	2	470175	10-32 HEX FLANGE LOCK NUT
3	2	470118	1/4UNC X 3/4 FLANGE HEX BOLT
4	2	470121	1/4UNC HEX FLANGE LOCK NUT
5	1	473921	BALL JOINT NO 10-32 THD
6	1	606907	HYDST CTRL LEVER ASSY 204-284
7	1	900005	1/4UNC X 1 1/2 HEX BOLT
8	1	914000	1/4UNC HEX STOVER NUT
9	1	785003	CTRL CABLE 10-32 4IN X 112 LG
10	1	785078	FASSE EZ-3 CTRL HANDLE,284 96
11	1	903893	10-32 X 1" SLT RD HD MACH SCR
12	2	910027	10-32 HEX NUT
13	1	914027	10-32 HEX STOVER NUT
14	2	920510	#10 LOCK WASHER
15	4	920000	1/4 SAE FLAT WASHER
16	6	291640	RELAY, 12V 20/30AMP BOSCH
17	6	291650	SWITCH,SPDT MOM MICRO
18	3	291651	SWITCH BOOT, GRAY -FOR 291650
19	3	291652	SWITCH BOOT, RED -FOR 291650
20	1	291654	SWITCH BOOT, BLACK-FOR 291653

THROTTLE LEVER ASSEMBLY

DET. QTY PART NO. DESCRIPTION

1	1	499001	SPRING HYDRO CONTROL
2	1	785007	NOB,1 3/16" BALL,RED,3/8-16
3	1	785046	FRICTION DISC 3-333 X .38
4	1	785066	CTRL CABLE 10-32 4IN X 129 IN
5	1	785067	THROT LEVER WLD,GAS/DIESEL 94
6	1	903893	10-32 X 1" SLT RD HD MACH SCR
7	2	910027	10-32 HEX NUT
8	1	914004	3/8UNC HEX STOVER NUT
9	1	914027	10-32 HEX STOVER NUT
10	1	920002	3/8 SAE FLAT WASHER
11	2	920510	#10 LOCK WASHER
12	1	473921	BALL JOINT NO 10-32 THD

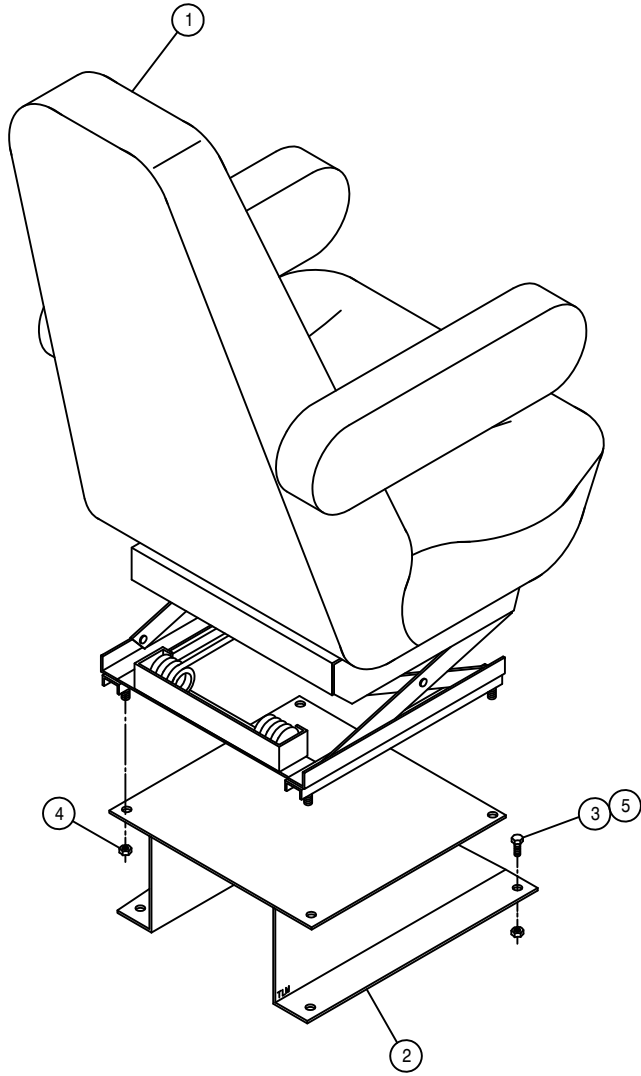




BRAKE LEVER ASSEMBLY

DET. QTY PART NO. DESCRIPTION

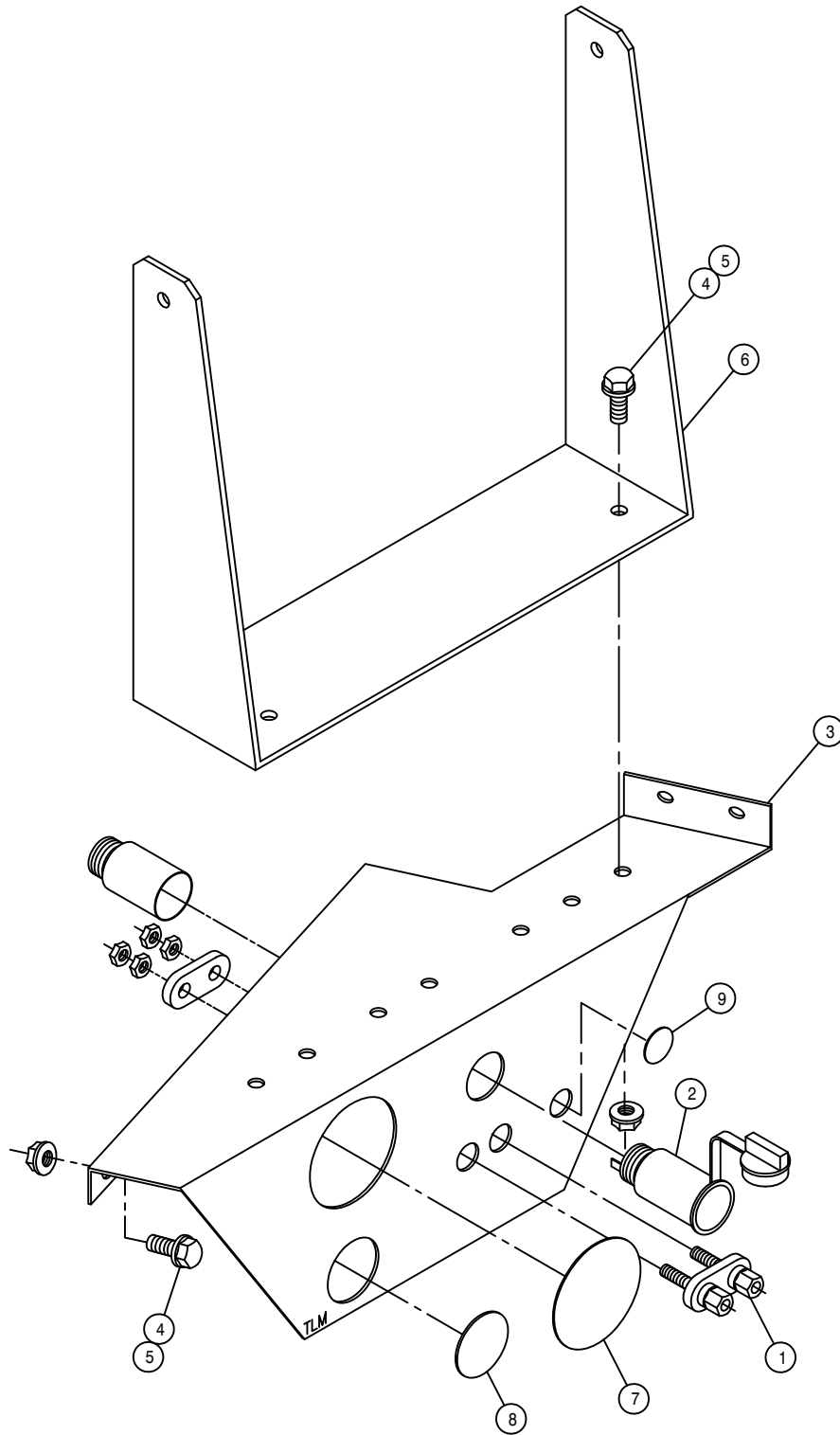
1	1	826108	BRAKE LEVER ASSY
2	1	826138	PARK BRAKE SWITCH FOR 826108
3	1	826139	PARK BRAKE SWITCH SCR
4	1	826140	PARK BRAKE SWITCH PIN
5	2	826926	190 IN BRAKE CABLE
6	4	900064	5/16UNC X 3/4 HEX BOLT
7	1	900067	5/16UNC X 1 1/2 HEX BOLT
8	5	914002	5/16UNC HEX STOVER NUT
9	1	291636	BUZZER, 12V ELECTRONIC
10	1	193038	DUAL LOCK 1IN SJ3541 TYPE 400
11	1	193039	DUAL LOCK 1IN SJ3542 TYPE 400
12	2	470135	CLEVIS PIN, 5/16 X 7/8 LG
13	2	472008	COTTER PIN 5/32 X 1



SEAT ASSEMBLY

DET. QTY PART NO. DESCRIPTION

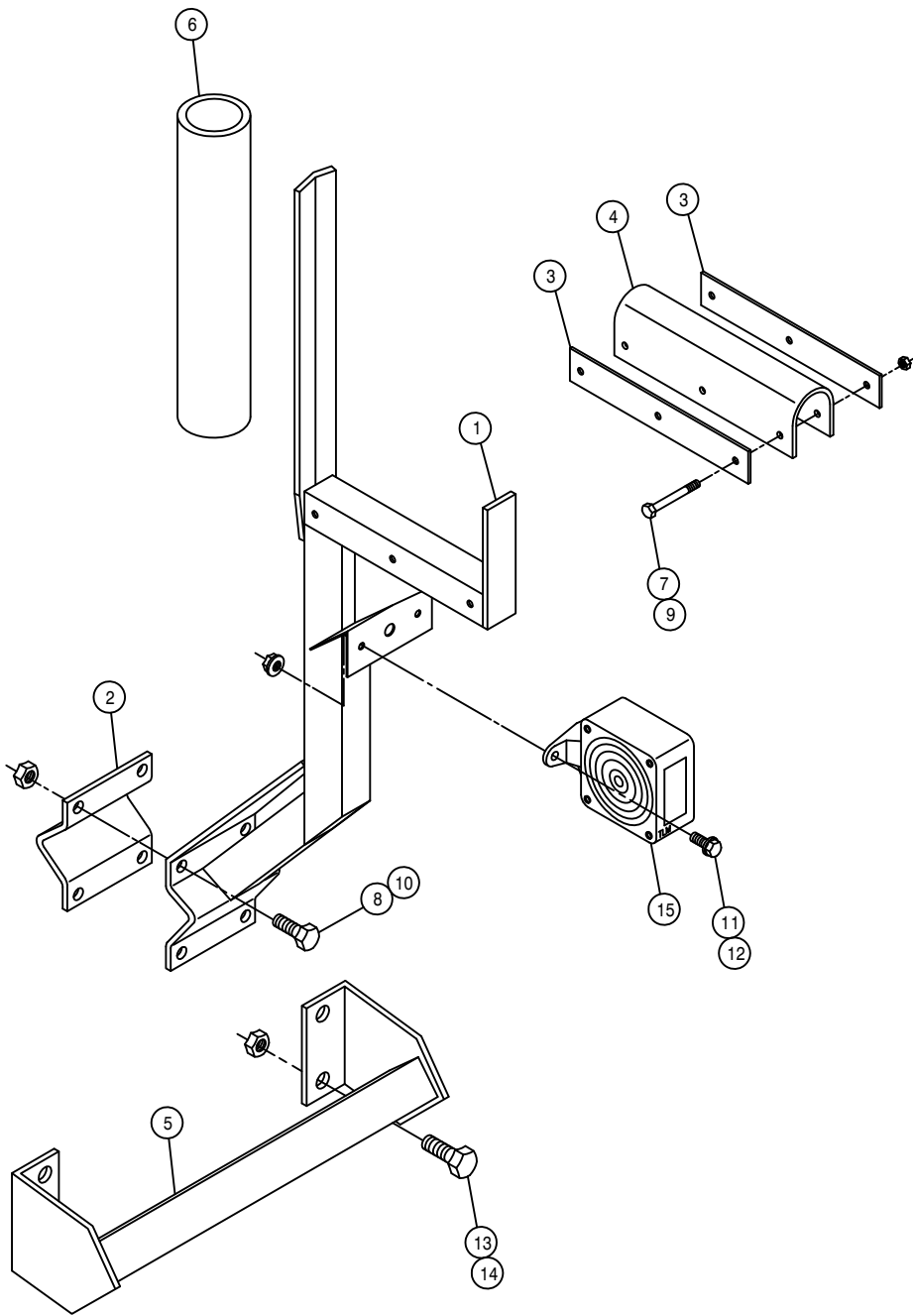
1	1	330022	SEAT, MAGNUM-100 AIR SUSPEND95	
2	1	342090	SEAT MT WELD, 254/284	95
3	4	900129	3/8UNC X 1" HEX BOLT	
4	4	914002	5/16UNC HEX STOVER NUT	
5	4	914004	3/8UNC HEX STOVER NUT	



MONITOR MOUNTING BRACKET ASSEMBLY

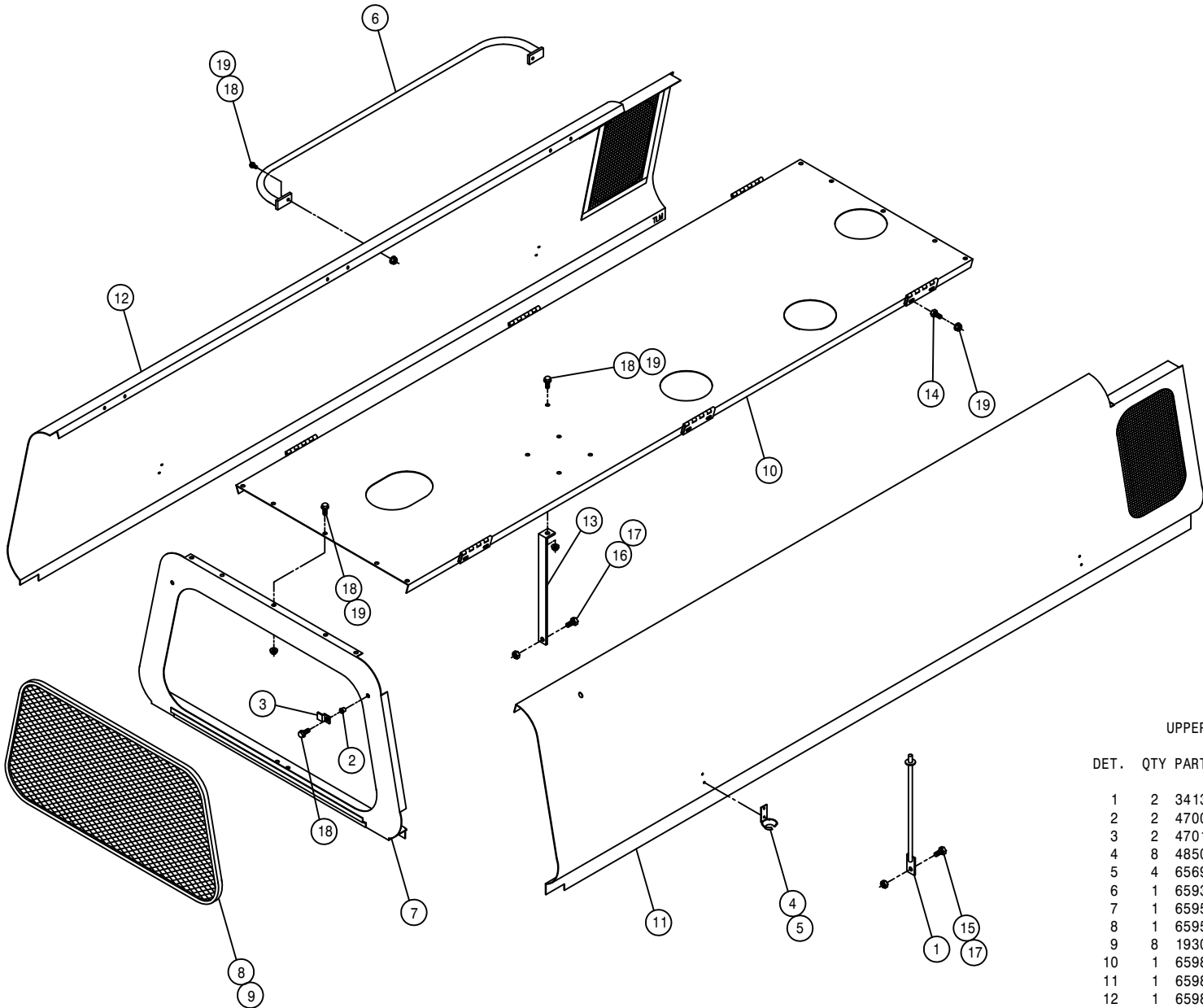
DET. QTY PART NO. DESCRIPTION

1	1	291647	DUAL BINDING POSTS	
2	1	291648	POWER POINT RECEPTACLE	
3	1	342215	MONITOR MT, 284 CAB	94
4	6	470121	1/4UNC HEX FLANGED LOCK NUT	
5	6	470122	1/4UNC X 1/2 FLANGED HEX BOLT	
6	1	690498	CONSOLE MT, RAVEN 460	95
7	1	629728	FINISH PLUG FOR 2.12 HOLE	
8	1	629730	FINISH PLUG FOR 1.25 HOLE	
9	1	658174	BUMPER PLUG FOR 1/2 HOLE	



BOOM CRADLE ASSEMBLY

DET.	QTY	PART NO.	DESCRIPTION	
1	1	164245	BOOM CRADLE WLD	96
2	1	164253	BOOM CRADLE V-PLATE KEEPER	96
3	2	164254	CRADLE CUSHION KEEPER	96
4	1	164256	BOOM CRADLE CUSHION	96
5	1	164258	BOOM CRADLE MT WLD	96
6	1	601184	HOSE, 1 1/2 X 14 2BR BLK EPDM	
7	3	900008	1/4UNC X 2 1/2 HEX BOLT	
8	4	900265	1/2UNC X 1 1/2 HEX BOLT	
9	3	914000	1/4UNC HEX STOVER NUT	
10	4	914008	1/2UNC HEX STOVER NUT	
11	2	470121	1/4UNC HEX FLANGE LOCK NUT	
12	2	470118	1/4UNC X 3/4 FLANGE HEX BOLT	
13	4	900334	5/8UNC X 1 3/4 HEX BOLT	
14	4	914010	5/8UNC HEX STOVER NUT	
15	1	291604	TURN SIGNAL LIGHT,PED MT, YEL	

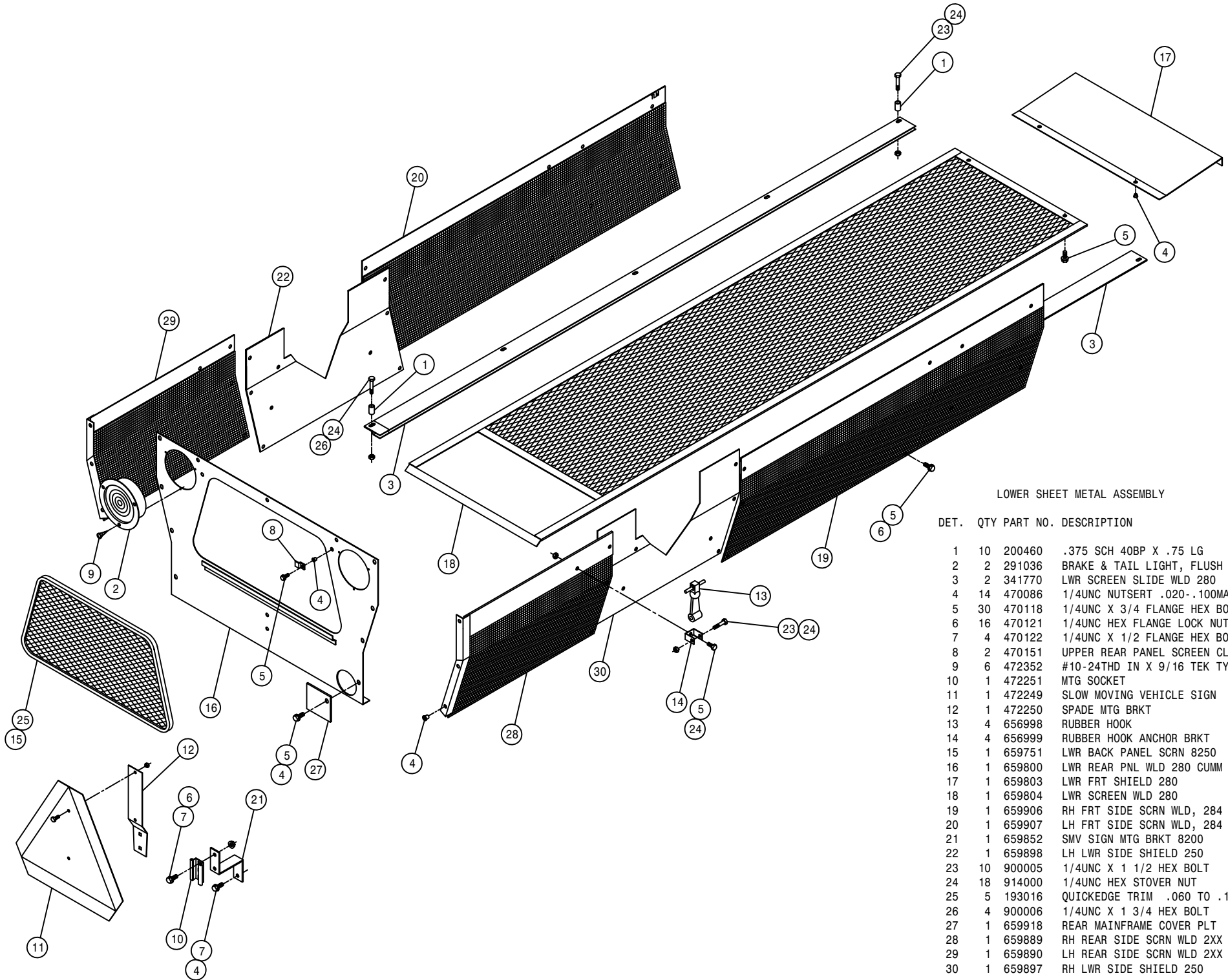


UPPER SHEET METAL ASSEMBLY

DET. QTY PART NO. DESCRIPTION

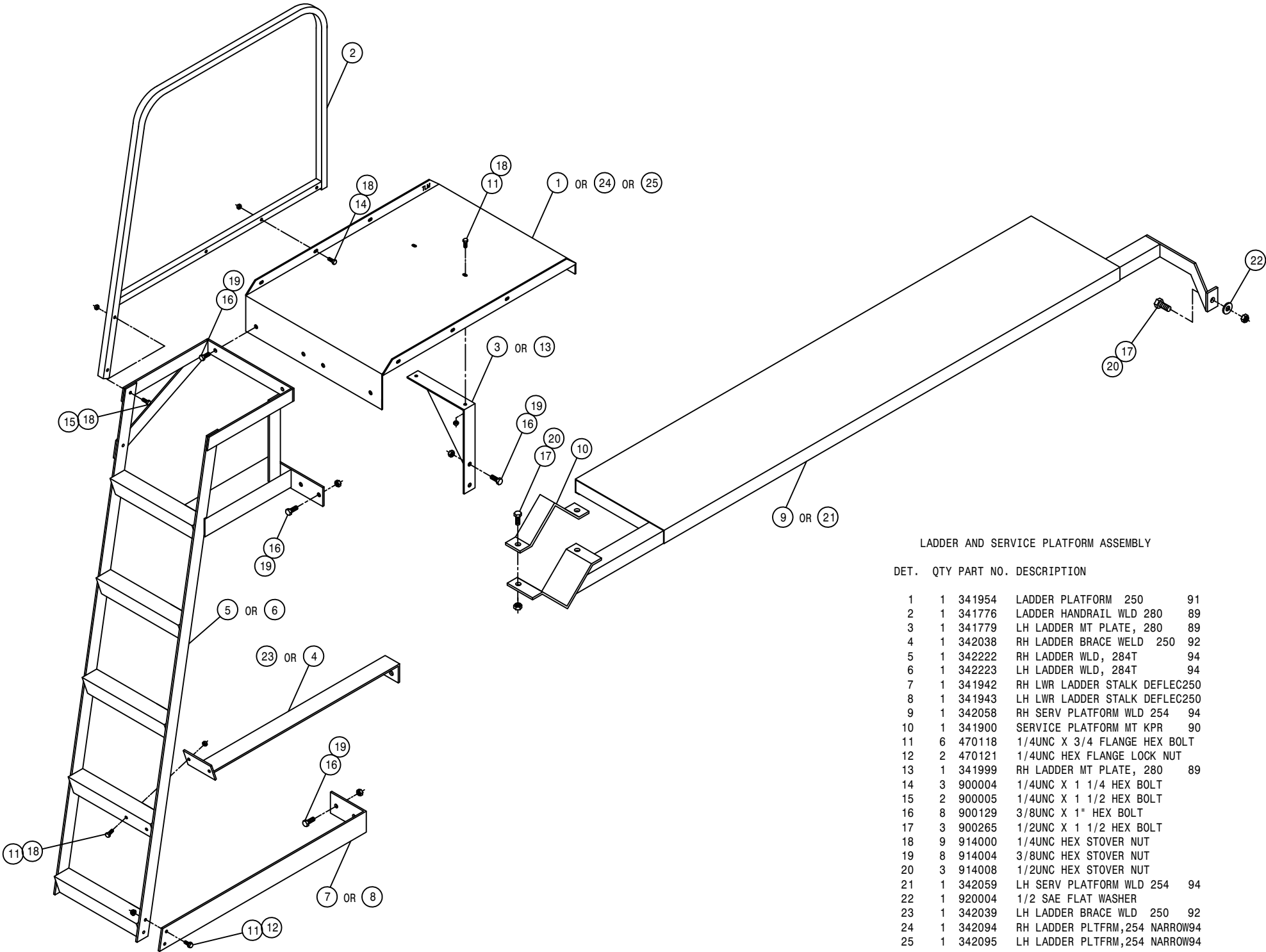
1	2	341356	ENGINE HOOD PROP WLD 8240	82
2	2	470086	1/4UNC NUTSERT .020-.100MATL	
3	2	470151	UPPER REAR PANEL SCREEN CLIP	
4	8	485053	POP RIVET 3/16 X 3/8	
5	4	656997	RUBBER HOOK BRKT 473	
6	1	659378	RH ENG HOOD HANDRAIL WLD 647S	
7	1	659575	UPPER REAR PANEL WLD 8240	82
8	1	659578	UPPER REAR PANEL SCREEN 8240	
9	8	193016	QUICKEDGE TRIM .060 TO .170	
10	1	659883	MULLION WLD CUMM 250	92
11	1	659864	RH ENGINE HOOD WLD 250	91
12	1	659865	LH ENGINE HOOD WLD 250	91
13	1	659835	MULLION SUPPORT 200	89
14	12	900000	1/4UNC X 1/2 HEX BOLT	
15	2	900128	3/8UNC X 3/4 HEX BOLT	
16	1	900129	3/8UNC X 1" HEX BOLT	
17	3	914004	3/8UNC HEX STOVER NUT	
18	15	470118	1/4UNC X 3/4 FLANGE HEX BOLT	
19	25	470121	1/4UNC HEX FLANGE LOCK NUT	





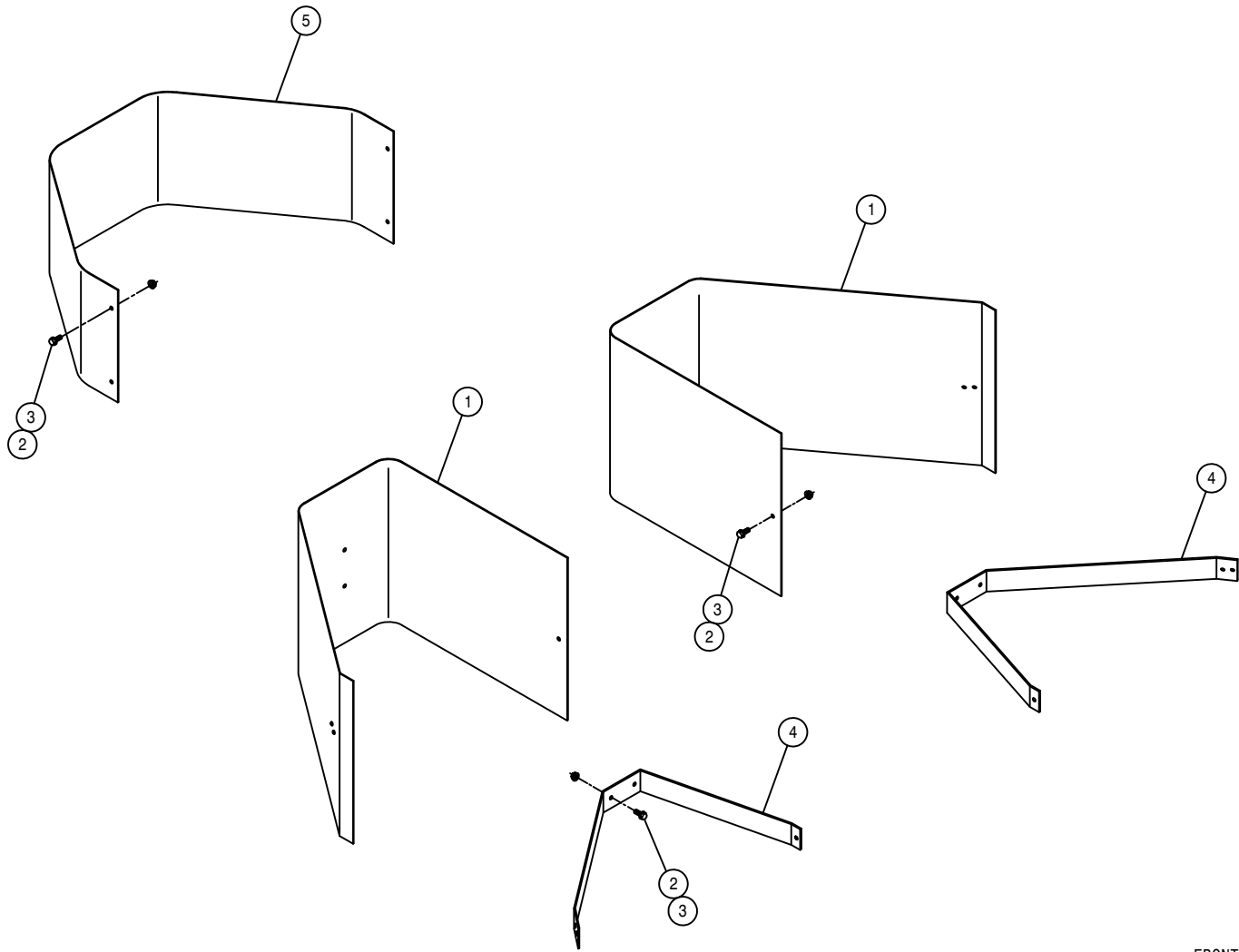
LOWER SHEET METAL ASSEMBLY

DET.	QTY	PART NO.	DESCRIPTION
1	10	200460	.375 SCH 40BP X .75 LG C/L
2	2	291036	BRAKE & TAIL LIGHT, FLUSH MT
3	2	341770	LWR SCREEN SLIDE WLD 280 89
4	14	470086	1/4UNC NUTSERT .020-.100MATL
5	30	470118	1/4UNC X 3/4 FLANGE HEX BOLT
6	16	470121	1/4UNC HEX FLANGE LOCK NUT
7	4	470122	1/4UNC X 1/2 FLANGE HEX BOLT
8	2	470151	UPPER REAR PANEL SCREEN CLIP
9	6	472352	#10-24THD IN X 9/16 TEK TYP 3
10	1	472251	MTG SOCKET
11	1	472249	SLOW MOVING VEHICLE SIG
12	1	472250	SPADE MTG BRKT
13	4	656998	RUBBER HOOK
14	4	656999	RUBBER HOOK ANCHOR BRKT
15	1	659751	LWR BACK PANEL SCR N 8250 86
16	1	659800	LWR REAR PNL WLD 280 CUMM 89
17	1	659803	LWR FRT SHIELD 280 89
18	1	659804	LWR SCREEN WLD 280 89
19	1	659906	RH FRT SIDE SCR N WLD, 284 94
20	1	659907	LH FRT SIDE SCR N WLD, 284 94
21	1	659852	SMV SIGN MTG BRKT 8200 89
22	1	659898	LH LWR SIDE SHIELD 250 92
23	10	900005	1/4UNC X 1 1/2 HEX BOLT
24	18	914000	1/4UNC HEX STOVER NUT
25	5	193016	QUICKEDGE TRIM .060 TO .170
26	4	900006	1/4UNC X 1 3/4 HEX BOLT
27	1	659918	REAR MAINFRAME COVER PLT 95
28	1	659889	RH REAR SIDE SCR N WLD 2XX 92
29	1	659890	LH REAR SIDE SCR N WLD 2XX 92
30	1	659897	RH LWR SIDE SHIELD 250 92



LADDER AND SERVICE PLATFORM ASSEMBLY

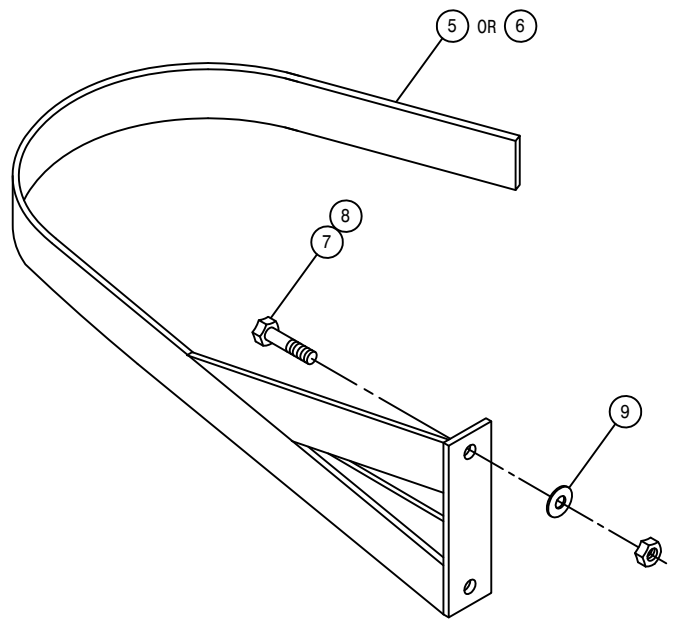
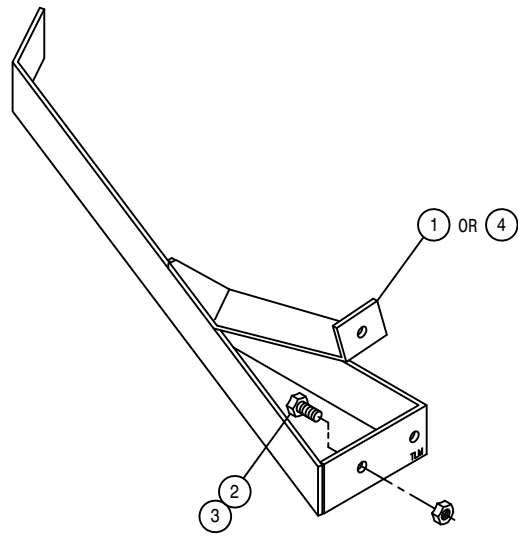
DET.	QTY	PART NO.	DESCRIPTION	
1	1	341954	LADDER PLATFORM 250	91
2	1	341776	LADDER HANDRAIL WLD 280	89
3	1	341779	LH LADDER MT PLATE, 280	89
4	1	342038	RH LADDER BRACE WELD 250	92
5	1	342222	RH LADDER WLD, 284T	94
6	1	342223	LH LADDER WLD, 284T	94
7	1	341942	RH LWR LADDER STALK DEFLEC250	
8	1	341943	LH LWR LADDER STALK DEFLEC250	
9	1	342058	RH SERV PLATFORM WLD 254	94
10	1	341900	SERVICE PLATFORM MT KPR	90
11	6	470118	1/4UNC X 3/4 FLANGE HEX BOLT	
12	2	470121	1/4UNC HEX FLANGE LOCK NUT	
13	1	341999	RH LADDER MT PLATE, 280	89
14	3	900004	1/4UNC X 1 1/4 HEX BOLT	
15	2	900005	1/4UNC X 1 1/2 HEX BOLT	
16	8	900129	3/8UNC X 1" HEX BOLT	
17	3	900265	1/2UNC X 1 1/2 HEX BOLT	
18	9	914000	1/4UNC HEX STOVER NUT	
19	8	914004	3/8UNC HEX STOVER NUT	
20	3	914008	1/2UNC HEX STOVER NUT	
21	1	342059	LH SERV PLATFORM WLD 254	94
22	1	920004	1/2 SAE FLAT WASHER	
23	1	342039	LH LADDER BRACE WLD 250	92
24	1	342094	RH LADDER PLTFRM, 254 NARROW94	
25	1	342095	LH LADDER PLTFRM, 254 NARROW94	



FRONT TANK SHIELDS

DET. QTY PART NO. DESCRIPTION

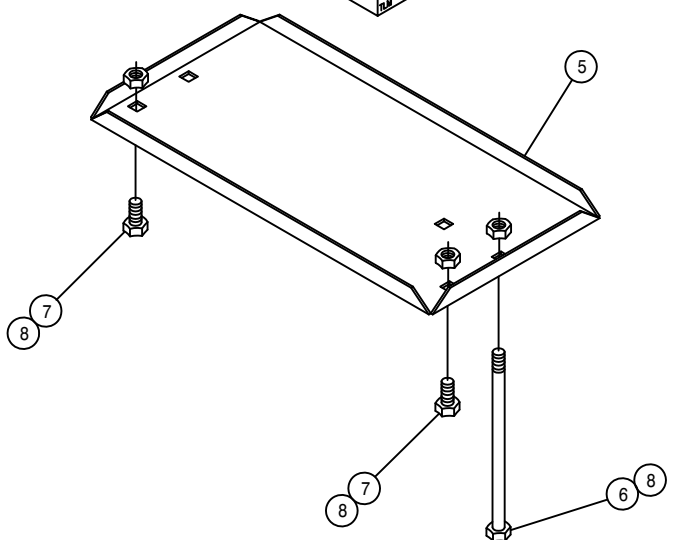
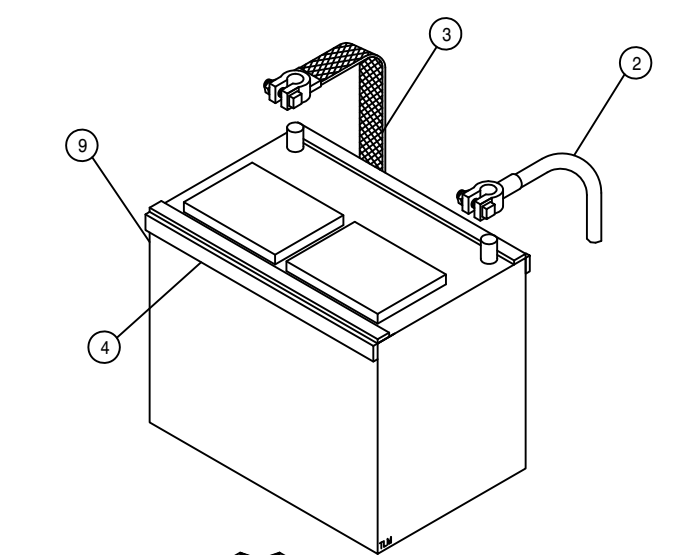
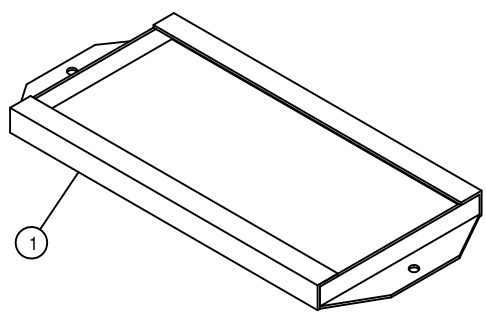
1	2	659868	FRONT TANK SHIELD 250	91
2	18	470118	1/4UNC X 3/4 FLANGE HEX BOLT	
3	18	470121	1/4UNC HEX FLANGE LOCK NUT	
4	2	659870	FRT TANK SHIELD MT 250	91
5	1	659831	LWR FRONT SHIELD 280	89



CROP GUIDES

DET. QTY PART NO. DESCRIPTION

1	1	662208	RH STALK GUIDE WLD 8200-8240
2	2	900129	3/8UNC X 1" HEX BOLT
3	2	914004	3/8UNC HEX STOVER NUT
4	1	662164	LH STALK GUIDE WLD 8200-8240
5	1	662150	RH STALK GUIDE WLD 8240
6	1	662151	LH STALK GUIDE WLD 8240
7	2	900264	1/2UNC X 1 1/4 HEX BOLT
8	2	914008	1/2UNC HEX STOVER NUT
9	2	920004	1/2 SAE FLAT WASHER



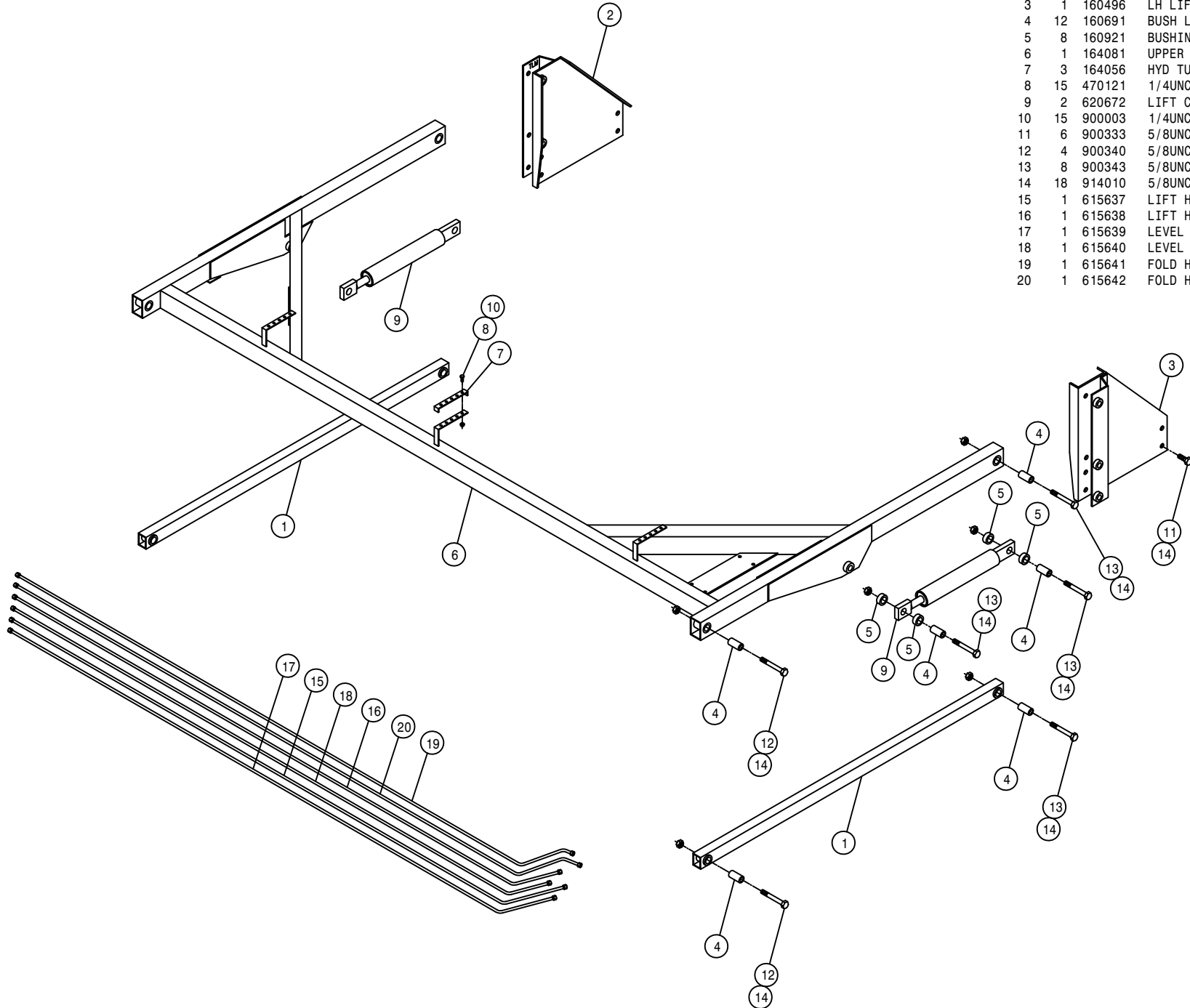
BATTERY BOX ASSEMBLY

DET.	QTY	PART NO.	DESCRIPTION
1	1	341322	BATTERY HOLD DOWN WLD 1981
2	1	291128	BATTERY CABLE 48 IN
3	1	290111	GROUND STRAP
4	4	193022	STICKERTITE 1/4 X 3/4
5	1	361149	BATTERY BOX 8300-8400 1981
6	2	901150	3/8UNC X 9" CARR BOLT
7	2	900128	3/8UNC X 3/4 HEX BOLT
8	4	914004	3/8UNC HEX STOVER NUT
9	1	291122	BATTERY, 12V 950CCA, SAE POST

LIFTARM ASSEMBLY

DET. QTY PART NO. DESCRIPTION

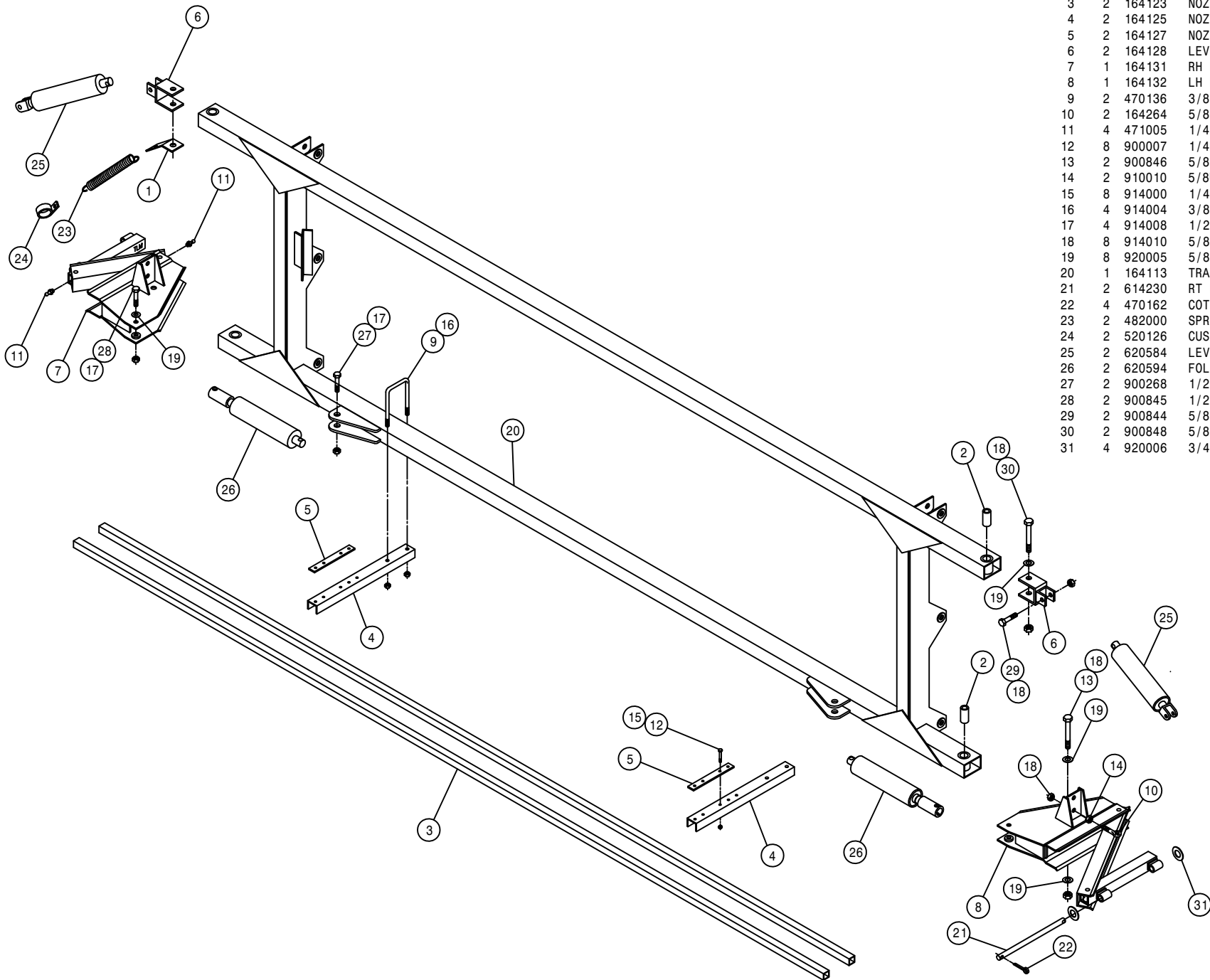
DET.	QTY	PART NO.	DESCRIPTION
1	2	160471	LWR LIFT ARM WLD 8540-8250 87
2	1	160495	RH LIFT ARM MT WLD 280 89
3	1	160496	LH LIFT ARM MT WLD 280 89
4	12	160691	BUSH LIFT ARM LONG 470
5	8	160921	BUSHING, CYL MT-LIFT ARMS5/8
6	1	164081	UPPER LIFT ARM WLD 254/284 95
7	3	164056	HYD TUBE KPR, UPR LIFT ARM 94
8	15	470121	1/4UNC HEX FLANGE LOCK NUT
9	2	620672	LIFT CYL ASSY W/FTGS 2.50"
10	15	900003	1/4UNC X 1" HEX BOLT
11	6	900333	5/8UNC X 1 1/2 HEX BOLT
12	4	900340	5/8UNC X 3 1/2 HEX BOLT
13	8	900343	5/8UNC X 4 1/2 HEX BOLT
14	18	914010	5/8UNC HEX STOVER NUT
15	1	615637	LIFT HYD TUBE ASSY,UP 254/284
16	1	615638	LIFT HYD TUBE ASSY,DN 254/284
17	1	615639	LEVEL HYD TUBE ASSY,UP254/284
18	1	615640	LEVEL HYD TUBE ASSY,DN254/284
19	1	615641	FOLD HYD TUBE ASSY,IN 254/284
20	1	615642	FOLD HYD TUBE ASSY,OUT254/284

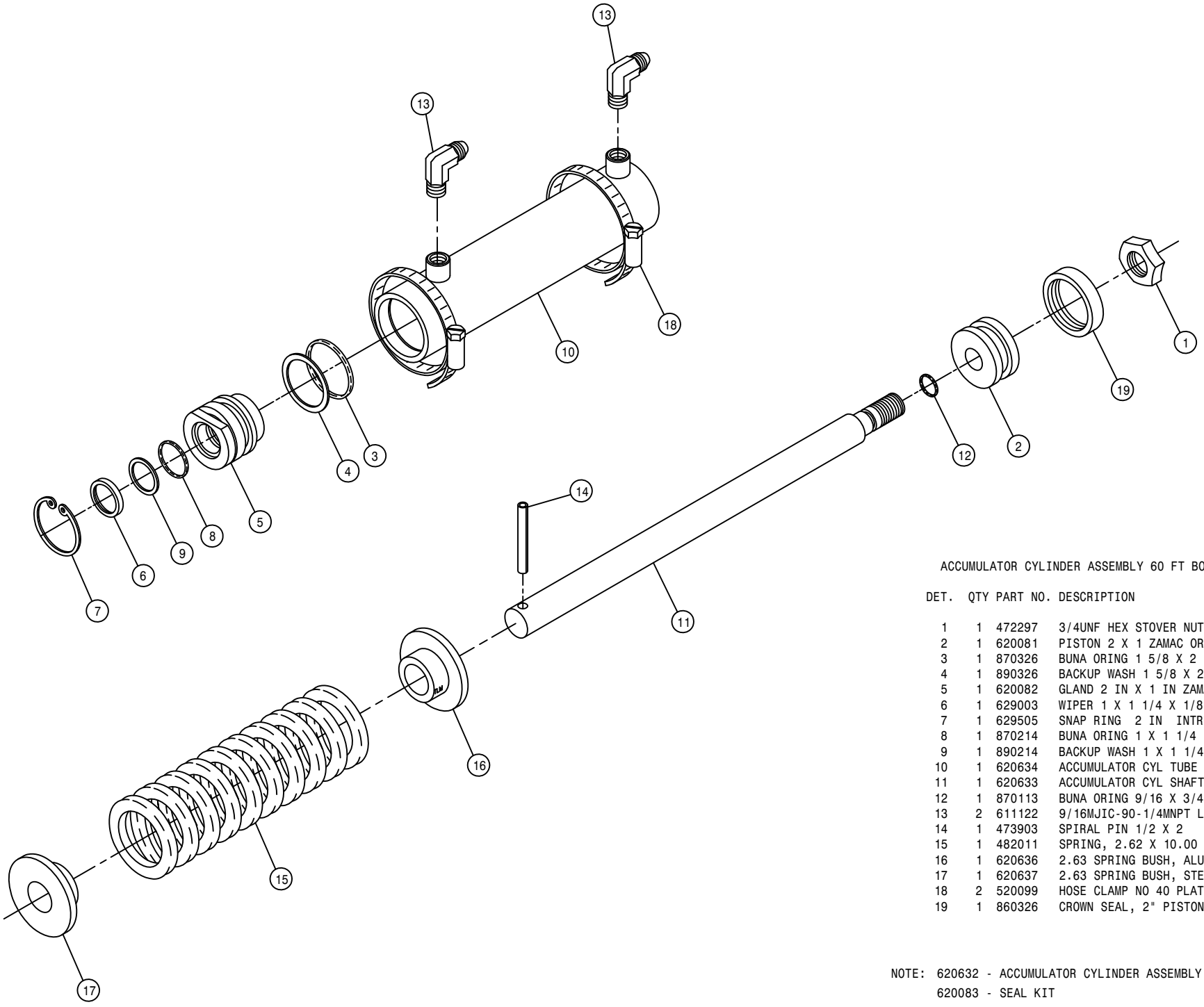


TRANSOM ASSEMBLY

DET. QTY PART NO. DESCRIPTION

DET.	QTY	PART NO.	DESCRIPTION	
1	2	160429	FEEDER HOSE SUPPORT SPRING MT	
2	4	160691	BUSH LIFT ARM LONG 470	
3	2	164123	NOZL MT TUBE, 254/284	96
4	2	164125	NOZL MT TUBE HANGER CHAN	96
5	2	164127	NOZL MT TUBE CLAMP	96
6	2	164128	LEVEL CYL PIVOT BRKT WLD	96
7	1	164131	RH BOOM BREAKAWAY WLD	96
8	1	164132	LH BOOM BREAKAWAY WLD	96
9	2	470136	3/8UNC-3 1/16ID-3 SQ U-BOLT	
10	2	164264	5/8UNC X 3" EYE BOLT	
11	4	471005	1/4 28 X 1/2 GREASE ZERK	
12	8	900007	1/4UNC X 2" HEX BOLT	
13	2	900846	5/8UNC X 4 1/4 HEX BOLT GR8	
14	2	910010	5/8UNC HEX NUT	
15	8	914000	1/4UNC HEX STOVER NUT	
16	4	914004	3/8UNC HEX STOVER NUT	
17	4	914008	1/2UNC HEX STOVER NUT	
18	8	914010	5/8UNC HEX STOVER NUT	
19	8	920005	5/8 SAE FLAT WASHER	
20	1	164113	TRANSOM WLD, 254/284	96
21	2	614230	RT BARNES PUMP BASE WLD 473	
22	4	470162	COTTER PIN 3/16 X 1 1/2 SQCUT	
23	2	482000	SPRING, .930D X 8.5LG, .072WIRE	
24	2	520126	CUSH HOSE CLAMP 2IN X 5/8W	
25	2	620584	LEVEL CYL ASSY W/FTGS	96
26	2	620594	FOLD CYL ASSY W/FTGS	96
27	2	900268	1/2UNC X 2 1/2 HEX BOLT	
28	2	900845	1/2UNC X 3 3/4 HEX BOLT GR8	
29	2	900844	5/8UNC X 2 3/4 HEX BOLT GR8	
30	2	900848	5/8UNC X 4 3/4 HEX BOLT GR8	
31	4	920006	3/4 SAE FLAT WASHER	



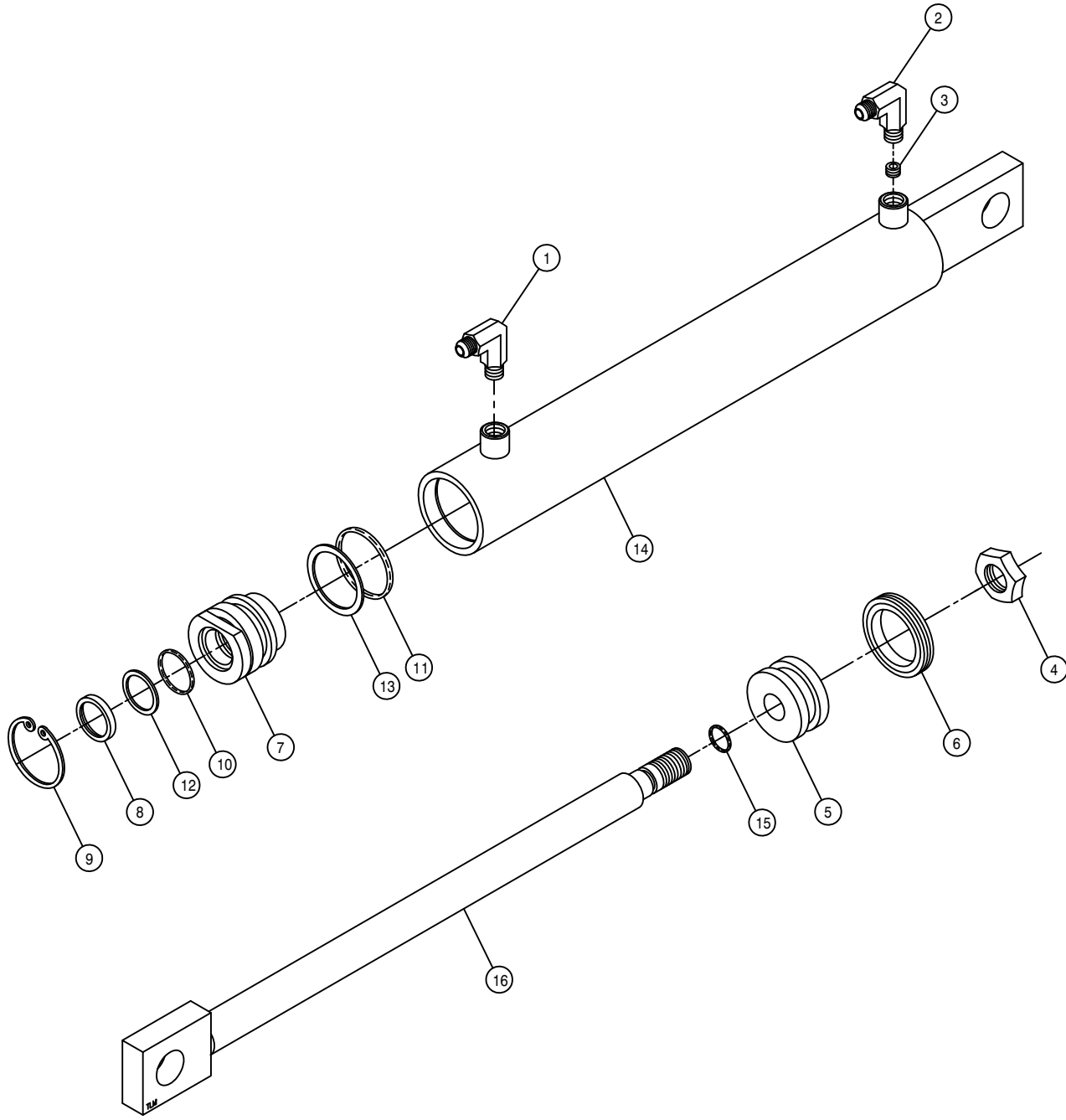


ACCUMULATOR CYLINDER ASSEMBLY 60 FT BOOM

DET.	QTY	PART NO.	DESCRIPTION
1	1	472297	3/4UNF HEX STOVER NUT THIN
2	1	620081	PISTON 2 X 1 ZAMAC ORING TYPE
3	1	870326	BUNA ORING 1 5/8 X 2
4	1	890326	BACKUP WASH 1 5/8 X 2 LEATH
5	1	620082	GLAND 2 IN X 1 IN ZAMAC
6	1	629003	WIPER 1 X 1 1/4 X 1/8
7	1	629505	SNAP RING 2 IN INTRN
8	1	870214	BUNA ORING 1 X 1 1/4
9	1	890214	BACKUP WASH 1 X 1 1/4 HT2022
10	1	620634	ACCUMULATOR CYL TUBE WLD 96
11	1	620633	ACCUMULATOR CYL SHAFT 96
12	1	870113	BUNA ORING 9/16 X 3/4
13	2	611122	9/16MJIC-90-1/4MNPT LBO
14	1	473903	SPIRAL PIN 1/2 X 2 640
15	1	482011	SPRING, 2.62 X 10.00 COMPRSN
16	1	620636	2.63 SPRING BUSH, ALUM 96
17	1	620637	2.63 SPRING BUSH, STEEL 96
18	2	520099	HOSE CLAMP NO 40 PLATED
19	1	860326	CROWN SEAL, 2" PISTON, HYD

NOTE: 620632 - ACCUMULATOR CYLINDER ASSEMBLY 1-12  
 620083 - SEAL KIT

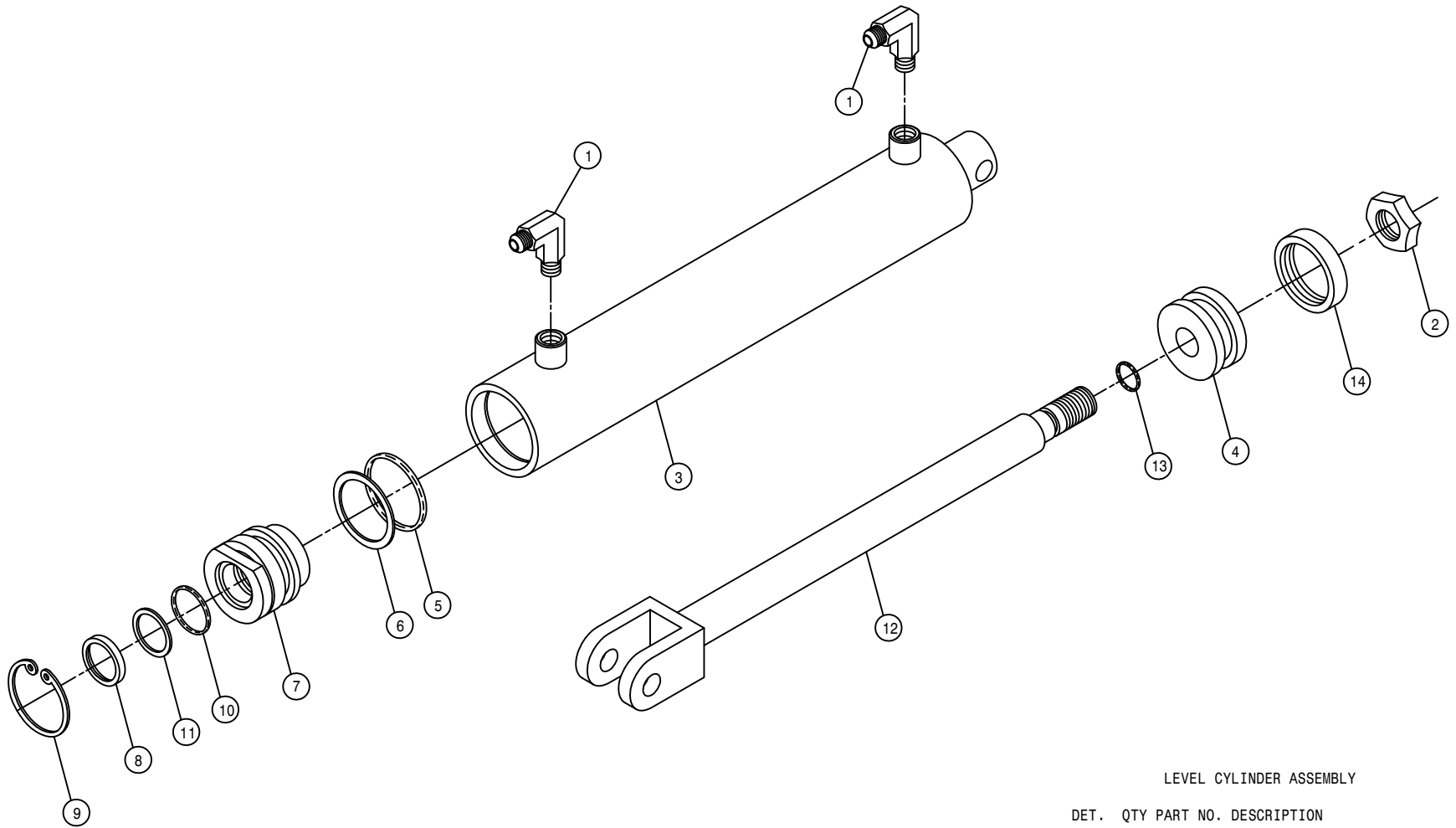




LIFT CYLINDER ASSEMBLY

DET.	QTY	PART NO.	DESCRIPTION
1	1	611122	9/16MJIC-90-1/4MNPT LBO
2	1	440338	9/16 JIC W/90X1/4 NPT TAPPED
3	1	614366	RESTRICTOR SCREW, .042 DIA
4	1	472297	3/4UNF HEX STOVER NUT THIN
5	1	620666	PISTON, 2.50" T-SEAL TYPE
6	1	860330	T-SEAL, 2.50 OD W/BACKUPS
7	1	620675	GLAND, 2.500D X 1.25ID, ALUM
8	1	629002	WIPER 1 1/4 X 1 1/2 X 1/8
9	1	629504	SNAP RING 2 1/2 IN INTRN
10	1	870218	BUNA ORING 1 1/4 X 1 1/2
11	1	870330	NEO ORING 2 1/8 X 2 1/2
12	1	890218	BACKUP WASH1 1/4X1 1/2 HT2022
13	1	890330	BACKUP WASH 2 1/8 X 2 1/2
14	1	620676	LIFT CYL TUBE WLD, 2.50ID
15	1	870113	BUNA ORING 9/16 X 3/4
16	1	620582	LIFT CYL SHAFT WLD HD 96

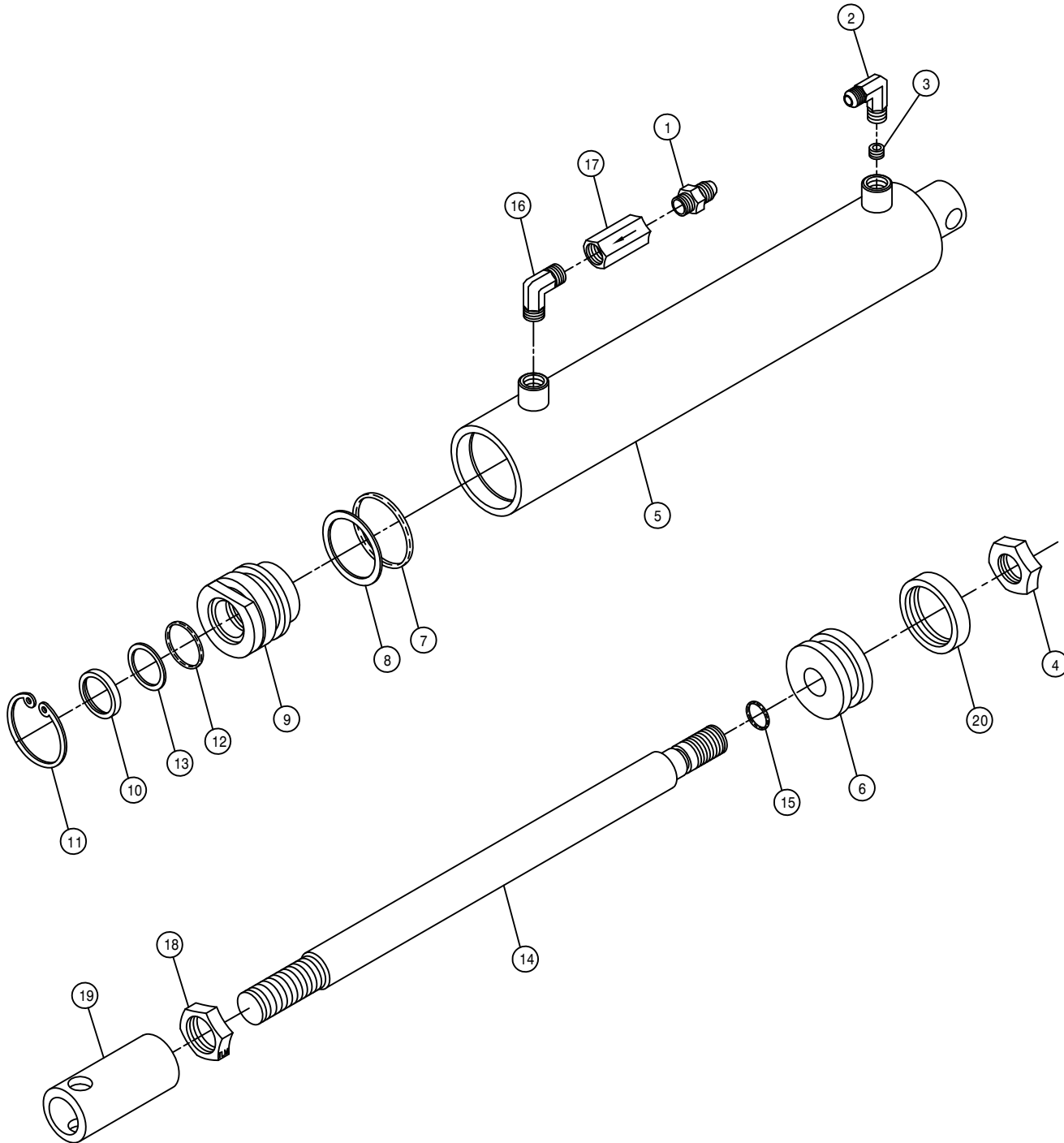
- NOTE: 1. 620673 - LIFT CYLINDER ASSEMBLY  
 2. 620672 - LIFT CYLINDER ASSEMBLY WITH FITTINGS  
 3. 614365 - RESTRICTOR ELBOW ASSEMBLY  
 4. 620687 - SEAL KIT



## LEVEL CYLINDER ASSEMBLY

DET.	QTY	PART NO.	DESCRIPTION
1	2	611122	9/16MJIC-90-1/4MNPT LBO
2	1	472297	3/4UNF HEX STOVER NUT THIN
3	1	620586	LEVEL CYL TUBE WLD 96
4	1	620081	PISTON 2 X 1 ZAMAC ORING TYPE
5	1	870326	BUNA ORING 1 5/8 X 2
6	1	890326	BACKUP WASH 1 5/8 X 2 LEATH
7	1	620082	GLAND 2 IN X 1 IN ZAMAC
8	1	629003	WIPER 1 X 1 1/4 X 1/8
9	1	629505	SNAP RING 2 IN INTRN
10	1	870214	BUNA ORING 1 X 1 1/4
11	1	890214	BACKUP WASH 1 X 1 1/4 HT2022
12	1	620591	LEVEL CYL SHAFT WLD 96
13	1	870113	BUNA ORING 9/16 X 3/4
14	1	860326	CROWN SEAL, 2" PISTON, HYD

NOTE: 1. 620585 - LEVEL CLINDER ASSEMBLY  
 2. 620584 - LEVEL CYLINDER ASSEMBLY W/FTGS  
 3. 620083 - SEAL KIT



FOLD CYLINDER ASSEMBLY

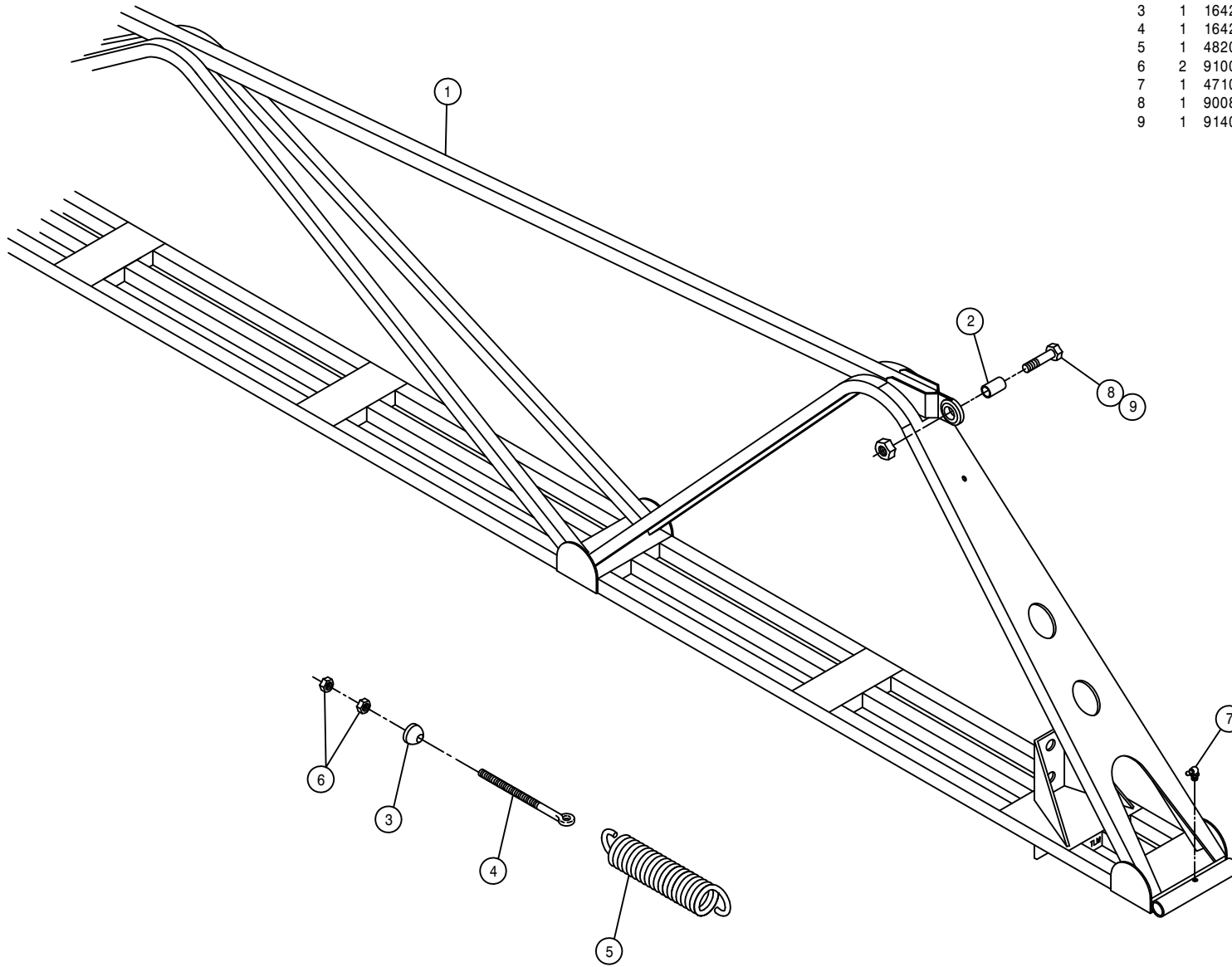
DET.	QTY	PART NO.	DESCRIPTION
	1	618018	9/16MJIC-1/2MNPT ADPTR
	1	440338	9/16 JIC W/90X1/4 NPT TAPPED
	1	614366	RESTRICTOR SCREW, .042 DIA
	1	472297	3/4UNF HEX STOVER NUT THIN
	5	620053	TUBE WLD, 2IN FOLD & LEVEL
	6	620081	PISTON 2 X 1 ZAMAC ORING TYPE
	7	870326	BUNA ORING 1 5/8 X 2
	8	890326	BACKUP WASH 1 5/8 X 2 LEATH
	9	620082	GLAND 2 IN X 1 IN ZAMAC
	10	629003	WIPER 1 X 1 1/4 X 1/8
	11	629505	SNAP RING 2 IN INTRN
	12	870214	BUNA ORING 1 X 1 1/4
	13	890214	BACKUP WASH 1 X 1 1/4 HT2022
	14	620596	FOLD CYL SHAFT 96
	15	870113	BUNA ORING 9/16 X 3/4
	16	618633	1/2MNPT-90-1/4MNPT REDU LBO
	17	610450	RESTRICTOR .025 1-WAY, 1/2FNPT
	18	472322	7/8UNF HEX JAM NUT
	19	620597	FOLD CYL ADJ SLEEVE 96
	20	860326	CROWN SEAL, 2" PISTON, HYD

NOTE: 1. 620595 - FOLD CLINDER ASSEMBLY  
 2. 620594 - FOLD CYLINDER ASSEMBLY WITH FITTINGS  
 3. 614365 - RESTRICTOR ELBOW ASSEMBLY  
 4. 620083 - SEAL KIT

INNER BOOM ASSEMBLY

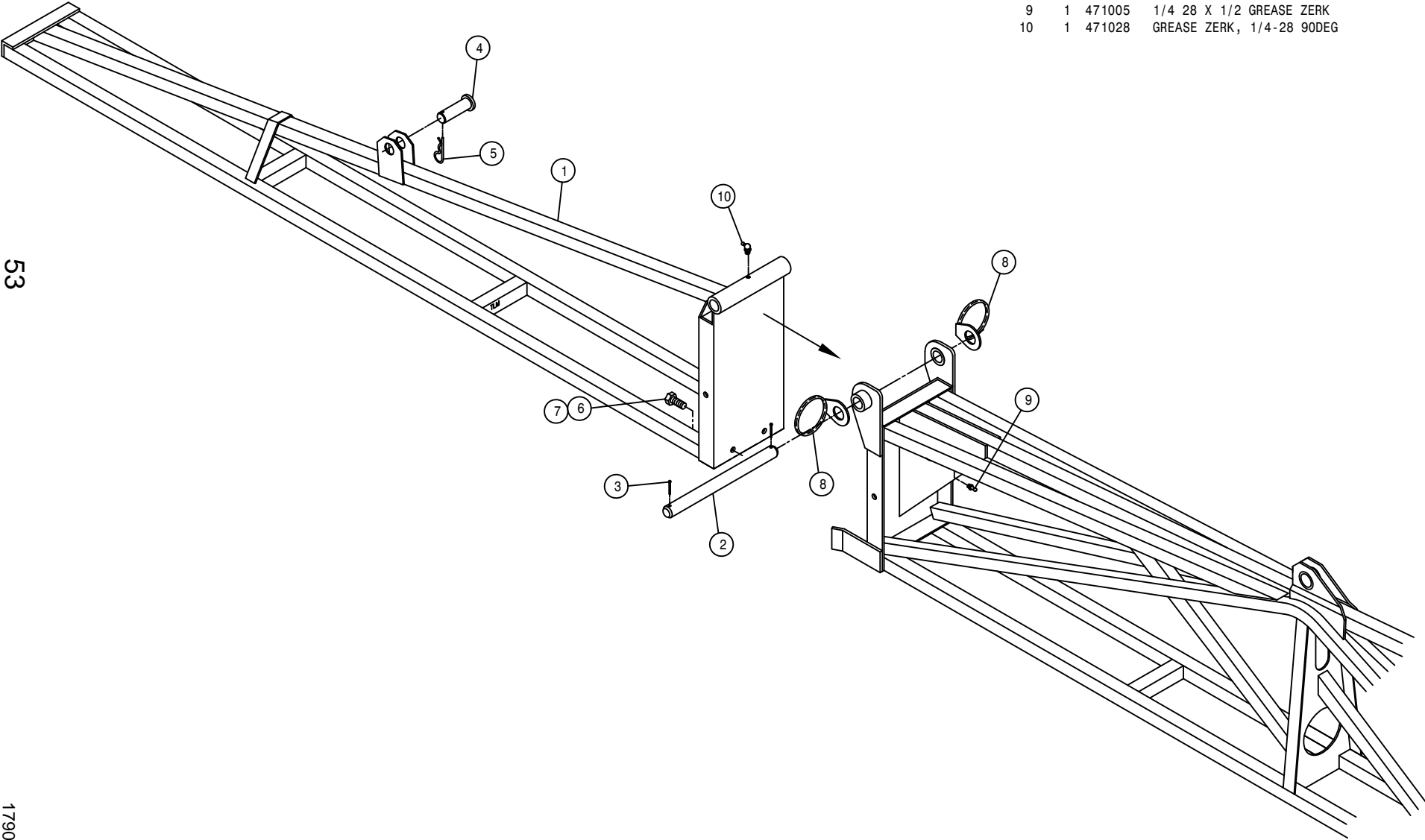
DET. QTY PART NO. DESCRIPTION

1	1	164150	BOOM WLD, INNER SECTION	96
2	1	164227	BOOM BALL JOINT BUSH	96
3	1	164263	SWIVEL, 5/8 BOOM EYEBOLT	
4	1	164265	5/8UNC X 7 1/2 EYEBOLT	
5	1	482014	SPRING, 3.25 X 11.50 EXTENSION	
6	2	910010	5/8UNC HEX NUT	
7	1	471028	GREASE ZERK, 1/4-28 90DEG	
8	1	900844	5/8UNC X 2 3/4 HEX BOLT GR8	
9	1	914010	5/8UNC HEX STOVER NUT	

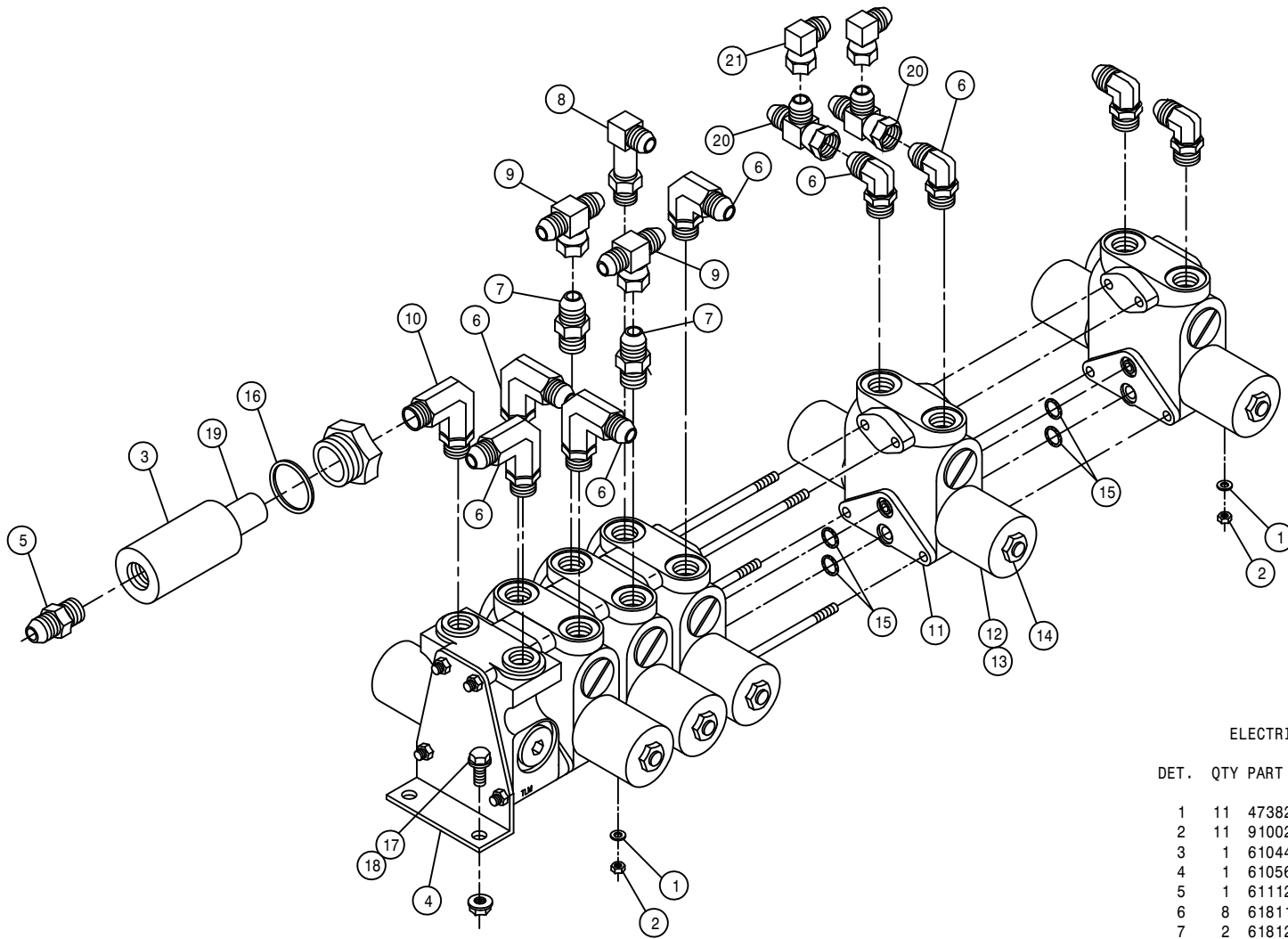


60 FOOT BOOM HINGE PIVOT ASSEMBLY

DET.	QTY	PART NO.	DESCRIPTION
1	1	164205	BOOM WLD, 60' OUTER SECT 96
2	1	164231	BOOM PIN, 1.00 X 11.75 96
3	2	470162	COTTER PIN 3/16 X 1 1/2 SQCUT
4	1	472276	CLEVIS PIN, 1.00 X 2.00 PLT
5	1	611016	HAIR PIN #6
6	2	900128	3/8UNC X 3/4 HEX BOLT
7	2	914004	3/8UNC HEX STOVER NUT
8	2	438302	HOSE SUPPORT RING WLD W/WASHER
9	1	471005	1/4 28 X 1/2 GREASE ZERK
10	1	471028	GREASE ZERK, 1/4-28 90DEG



53



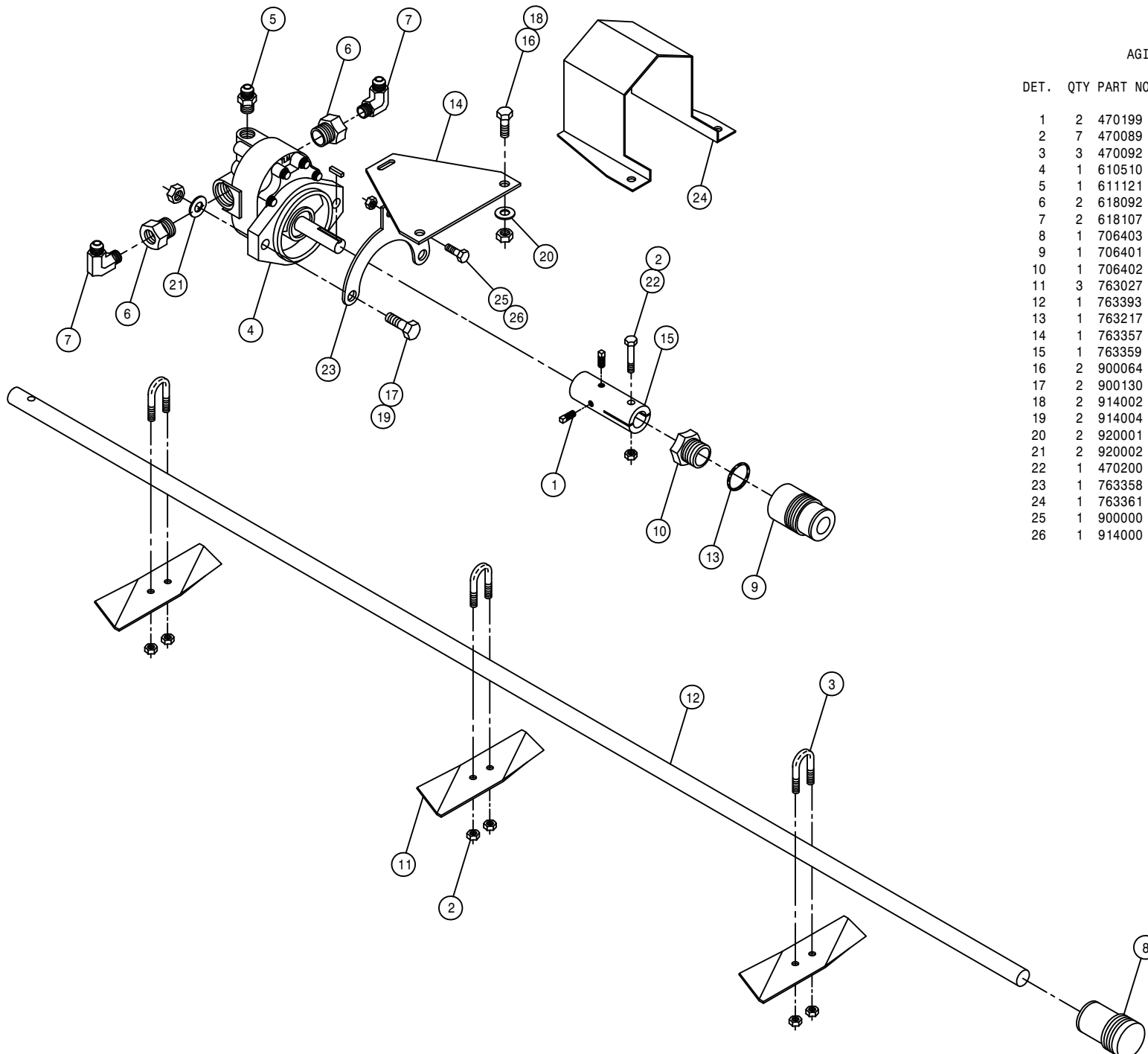
ELECTRIC BOOM VALVE ASSEMBLY

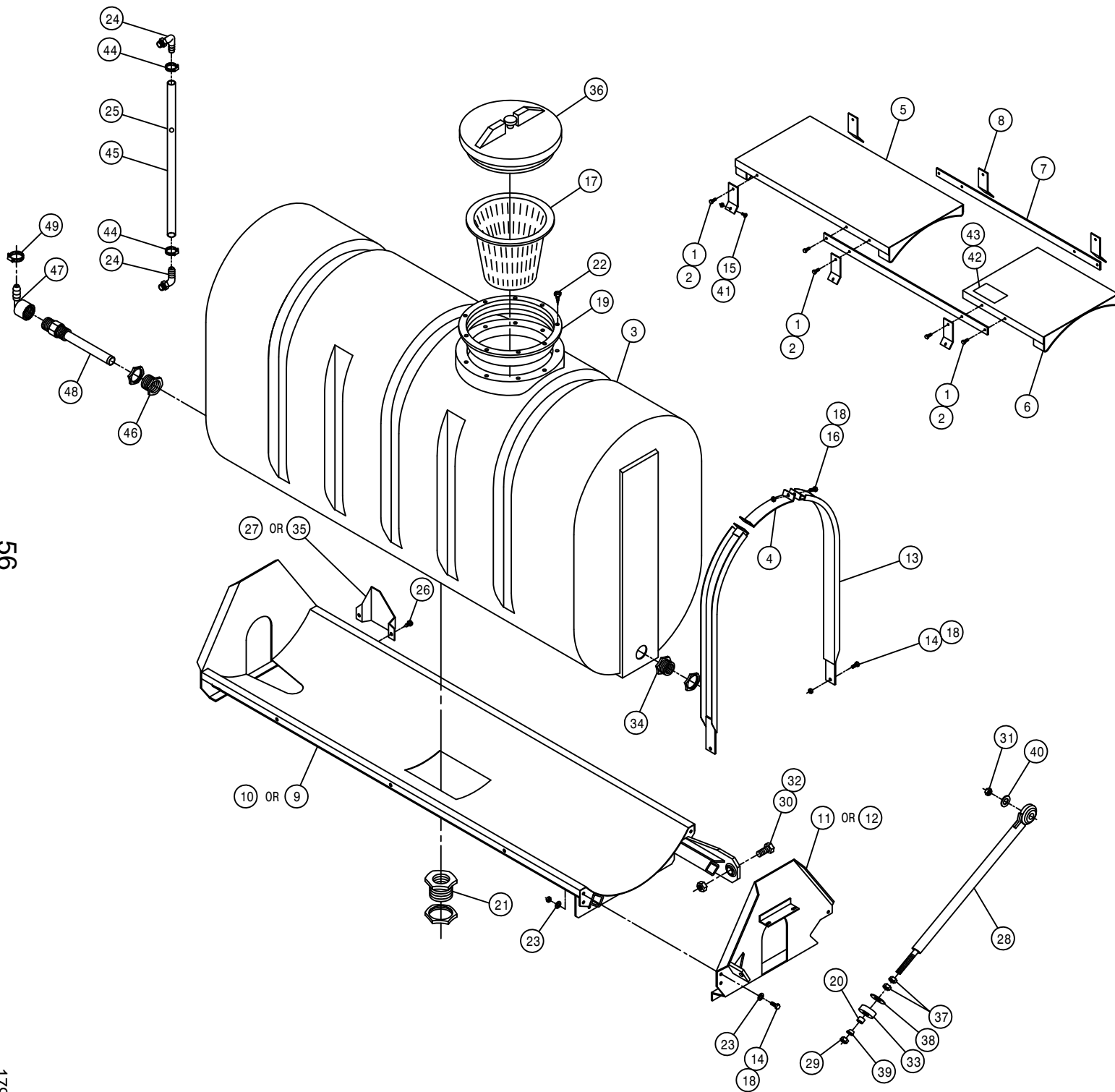
DET.	QTY	PART NO.	DESCRIPTION
1	11	473821	#10 INT TOOTH WASHER
2	11	910027	10-32 HEX NUT
3	1	610447	HYD FILTER, INLINE 1/4FNPT 90M
4	1	610569	6 SECT, 5 FUNCTN HYD VLV, EATON
5	1	611121	9/16MJIC-1/4MNPT ADPTR
6	8	618119	9/16MJIC-90-9/16MOR LBO
7	2	618126	9/16MJIC-9/16MOR ADPTR
8	1	618440	9/16MJIC-90-9/16MOR EX LG LBO
9	2	618514	9/16FJ SW BRANCH TEE-9/16MJ
10	1	618562	9/16MOR-90-1/4MNPT LBO
11	1	610574	VALVE SECTION ASSY FOR 610569
12	1	610575	SOLENOID COIL ASSY FOR 610569
13	1	610576	SOLENOID CASE FOR 610569
14	1	610577	SOLENOID CASE NUT FOR 610569
15	4	610578	SECTION O-RING FOR 610569
16	1	610462	GASKET FOR 610447 ARROW FILT
17	4	470118	1/4UNC X 3/4 FLANGE HEX BOLT
18	4	470121	1/4UNC HEX FLANGE LOCK NUT
19	1	610459	90M FILTER & GASKET FOR 610447
20	2	618486	9/16FJIC SW RUN TEE-9/16MJIC
21	2	618618	9/16MJIC-90-9/16FJIC SWIV LBO

AGITATOR ASSEMBLY

DET. QTY PART NO. DESCRIPTION

DET.	QTY	PART NO.	DESCRIPTION
1	2	470199	1/4UNC X 3/8 SQHD CUP SET SCR
2	7	470089	1/4UNC HEX LOC NUT NYL INS SS
3	3	470092	1/4UNC-3/4ID-1 1/4 U-BOLT SS
4	1	610510	CESSNA GEAR MOTOR 1.48CI
5	1	611121	9/16MJIC-1/4MNPT ADPTR
6	2	618092	1 1/16MOR-1/2FNPT ADPTR
7	2	618107	9/16MJIC-90-1/2MNPT LBO
8	1	706403	FRT AGIT SHFT BRG, NYLON
9	1	706401	REAR AGIT SHFT BRG, NYLON
10	1	706402	AGIT SHFT GLAND NUT, NYLON
11	3	763027	AGIT IMPELLER
12	1	763393	AGIT SHAFT 250 91
13	1	763217	GLAND PACKING, 13 IN. LONG
14	1	763357	AGIT MTR MT PLT CES 280 91
15	1	763359	AGIT MTR CPLR 280 91
16	2	900064	5/16UNC X 3/4 HEX BOLT
17	2	900130	3/8UNC X 1 1/4 HEX BOLT
18	2	914002	5/16UNC HEX STOVER NUT
19	2	914004	3/8UNC HEX STOVER NUT
20	2	920001	5/16 SAE FLAT WASHER
21	2	920002	3/8 SAE FLAT WASHER
22	1	470200	1/4UNC X 1 3/4 HEX BOLT SS
23	1	763358	AGIT MTR MT YOKE CES 280 91
24	1	763361	AGIT CPLR SHIELD 280 91
25	1	900000	1/4UNC X 1/2 HEX BOLT
26	1	914000	1/4UNC HEX STOVER NUT



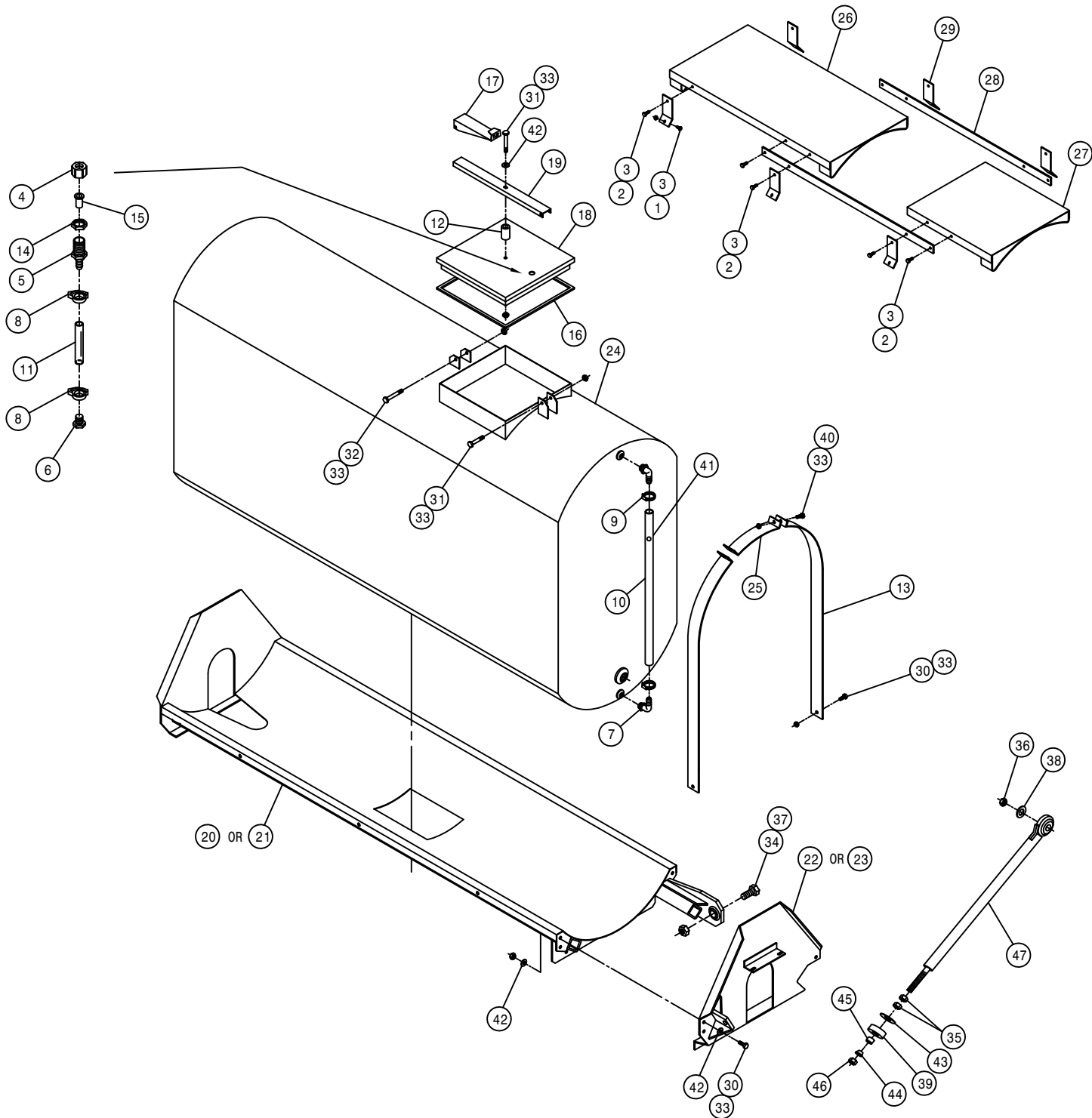


POLY 250 GALLON SOLUTION TANK ASSEMBLY

DET.	QTY	PART NO.	DESCRIPTION
	10	470118	1/4UNC X 3/4 FLANGE HEX BOLT
	10	470121	1/4UNC HEX FLANGE LOCK NUT
	1	763439	250 GAL GRAY POLY SOLU TANK 94
	3	763260	TOP STRAP 250 POLY TANK
	5	763261	FRT CATWALK WLD 250 POLY 8250
	6	763264	REAR CATWALK WLD 250 POLY8250
	7	763266	CATWALK MTG STRAP 250POLY8250
	8	763267	CATWALK MTG TAB 250 POLY 8250
	9	763366	RH POLY TANK CRADLE WLD250 91
	10	763367	LH POLY TANK CRADLE WLD250 91
	11	763381	RH REAR CRADLE PLT WLD 250 91
	12	763382	LH REAR CRADLE PLT WLD 250 91
	13	763390	POLY TANK BAND WLD 250 91
	14	900129	3/8UNC X 1" HEX BOLT
	15	901064	5/16UNC X 3/4 CARR BOLT
	16	906136	3/8UNC X 3" HEX BOLT FULLTHRD
	17	763431	8" STRAINER BASKET, SOLU TANK
	18	914004	3/8UNC HEX STOVER NUT
	19	763409	10" THD'D RING FOR TANK LID
	20	763468	TANK CRADLE SUPP BUSH,254 94
	21	618604	1.50 PLASTIC FTG ASSY-POLYTNK
	22	763410	S.S. SCREW FOR CAP RING
	23	920002	3/8 SAE FLAT WASHER
	24	618556	1/4NPT-90-1/2 HOSE BARB,POLY
	25	763446	RED POLYPROPYLENE BALL 25/64"
	26	472349	1/4 X 3/4 20THD-IN TEK TYPE
	27	763451	RH SIGHT GAGE SHLD,POLY254 94
	28	763464	TANK CRADLE SUPPORT WLD254 94
	29	914012	3/4UNC HEX STOVER NUT
	30	900534	1" UNC X 3" HEX BOLT
	31	914010	5/8UNC HEX STOVER NUT
	32	914016	1" UNC HEX STOVER NUT
	33	470101	WASHER,2-1.03-.63 BLK NEO 65D
	34	618548	1.25 PLASTIC FTG ASSY POLYTNK
	35	763452	LH SIGHT GAGE SHLD,POLY254 94
	36	763408	LID, THD'D W/VENT, POLY TANK
	37	472334	3/4UNC HEX JAM NUT
	38	483014	WASH,2"OD X 3/4 ID X 1/4 THK
	39	763467	TANK CRADLE SUPP SWIVEL254 94
	40	920005	5/8 SAE FLAT WASHER
	41	614002	5/16UNC HEX STOVER NUT
	42	342050	DECAL PLATE
	43	472352	#10-24THD IN X 9/16 TEK TYP 3
	44	520069	HOSE CLAMP NO 6 STAINLESS
	45	601145	HOSE, 1/2 X 41 CLEAR VINYL
	46	618549	.75 PLASTIC FTG ASSY POLY TNK
	47	500025	3/4 FNPT-90-1/2 HOSE BARB NYL
	48	760066	JET AGITATOR
	49	520070	HOSE CLAMP NO 8 STAINLESS

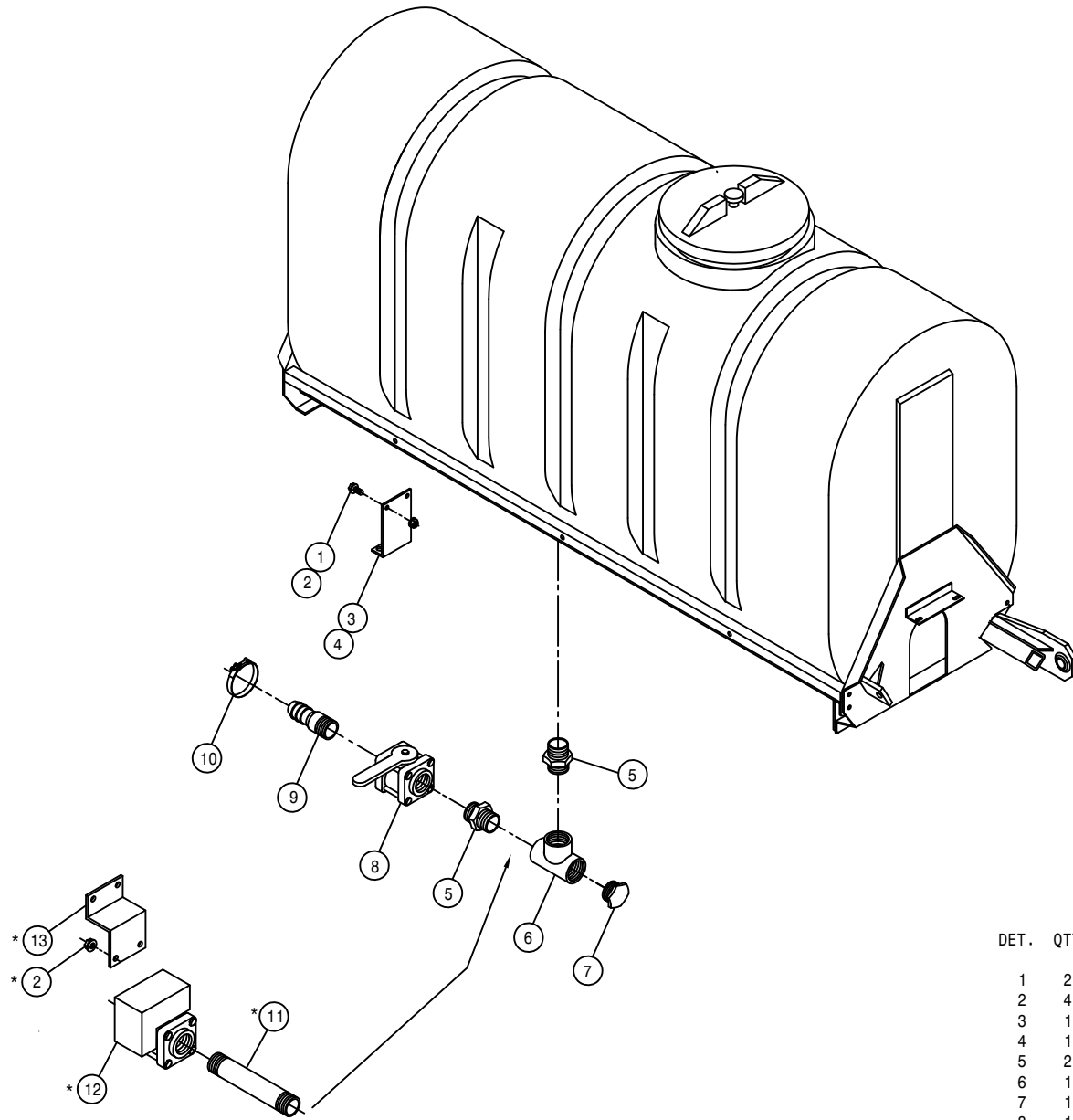
NOTE: ITEMS 46,47,48 AND 49 ARE USED WITH JET AGITATION.





STAINLESS STEEL 250 GAL SOL TANK ASSEMBLY

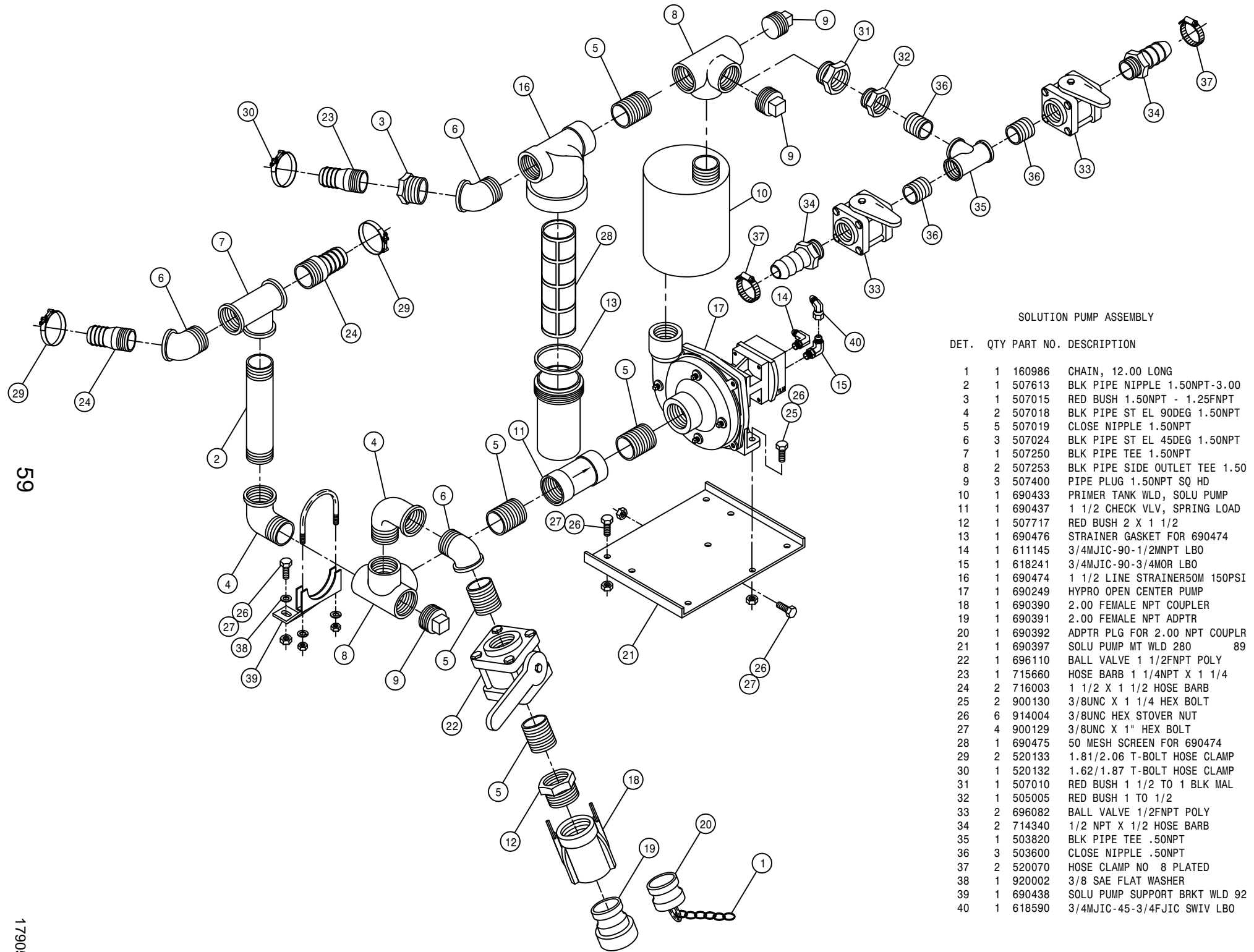
DET.	QTY	PART NO.	DESCRIPTION
1	6	169072	1/4UNC X 5/8 CARR BOLT
2	10	470118	1/4UNC X 3/4 FLANGE HEX BOLT
3	16	470121	1/4UNC HEX FLANGE LOCK NUT
4	1	500005	CAP NUT .688FPS NYLON
5	1	500006	.38 H BARB X .69 MPS NYLON
6	1	500007	FTG .12 MNPT HEX PLUG NYLON
7	2	500017	.25NPT-.25 HOSE BARB 90 NYLON
8	2	520003	HOSE CLAMP NO 6 PLASTIC SNAP
9	2	520069	HOSE CLAMP NO 6 STAINLESS
10	1	601146	HOSE, 1/2 X 38 CLEAR
11	1	601216	SPRAY TNK VENT HOSE .38X3.50
12	1	601231	HOSE, 3/4 X 2 HI PRESS EPDM
13	6	763422	TANK BAND 250GAL SS 250
14	1	737858	TEE AND EL NUT .688 FPS
15	1	738859	STRAINER 50 MESH NYLON
16	1	760651	TANK LID GSKT 647
17	1	763163	SPRAY TANK LATCH HANDLE 647S
18	1	763164	SPRAY TANK LID WLD 647S
19	1	763166	TANK LID CHAN 647-S SIDE
20	1	763366	RH POLY TANK CRADLE WLD250 91
21	1	763367	LH POLY TANK CRADLE WLD250 91
22	1	763381	RH REAR CRADLE PLT WLD 250 91
23	1	763382	LH REAR CRADLE PLT WLD 250 91
24	1	763412	SS SPRAY TANK WLD 250GAL 250
25	3	763423	TANK BAND BINDER 250SS 250
26	1	763424	FRT CATWALK WLD,250SS TNK 250
27	1	763425	REAR CATWALK WLD,250SS TNK250
28	2	763428	CATWALK MTG STRIP 250SS 250
29	6	763429	CATWALK MTG TAB 250SS TNK 250
30	12	900129	3/8UNC X 1" HEX BOLT
31	2	900134	3/8UNC X 2 1/2 HEX BOLT
32	1	900138	3/8UNC X 3 1/2 HEX BOLT
33	21	914004	3/8UNC HEX STOVER NUT
34	2	900534	1" UNC X 3" HEX BOLT
35	2	472334	3/4UNC HEX JAM NUT
36	1	914010	5/8UNC HEX STOVER NUT
37	2	914016	1" UNC HEX STOVER NUT
38	1	920005	5/8 SAE FLAT WASHER
39	1	470101	WASHER,2-1.03-.63 BLK NEO 65D
40	6	900131	3/8UNC X 1 1/2 HEX BOLT
41	1	763446	RED POLYPROPYLENE BALL 25/64"
42	10	920002	3/8 SAE FLAT WASHER
43	1	483014	WASH,2"OD X 3/4 ID X 1/4 THK
44	1	763467	TANK CRADLE SUPP SWIVEL254 94
45	1	763468	TANK CRADLE SUPP BUSH,254 94
46	1	914012	3/4UNC HEX STOVER NUT
47	1	763464	TANK CRADLE SUPPORT WLD254 94



SOLUTION FILTER ASSEMBLY

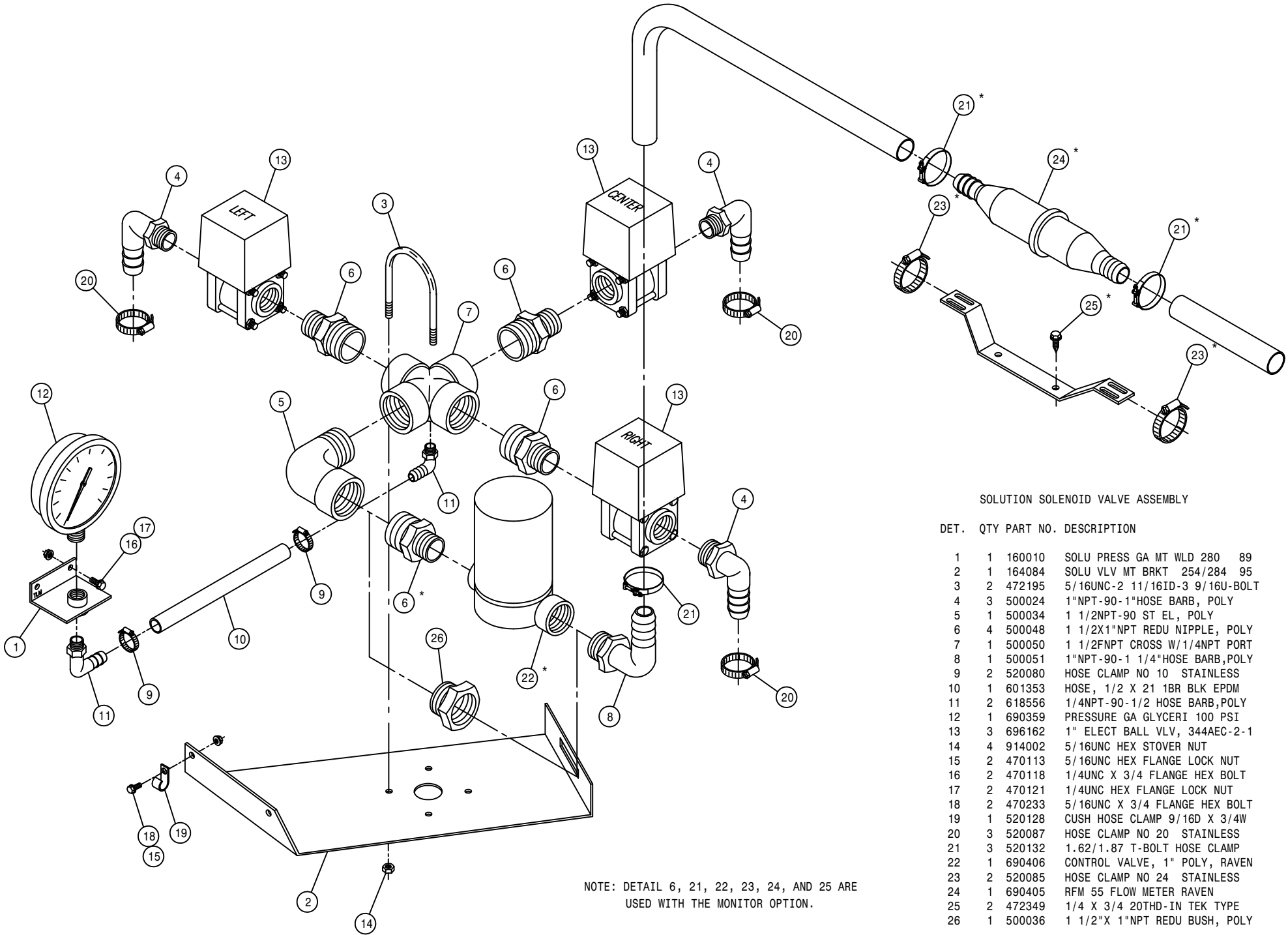
DET.	QTY	PART NO.	DESCRIPTION
1	2	470118	1/4UNC X 3/4 FLANGE HEX BOLT
2	4	470121	1/4UNC HEX FLANGE LOCK NUT
3	1	763363	SOLU HOSE SUPPORT 280 POLY 91
4	1	470154	CABLE TIE, 11.75" BLK PLASTIC
5	2	500028	1 1/2NPT PIPE NIPPLE, POLY
6	1	500030	1 1/2"NPT PIPE TEE, POLY
7	1	500031	1 1/2NPT PIPE PLUG, POLY
8	1	696110	BALL VALVE 1 1/2FNPT POLY
9	1	500032	1 1/2NPT X 1 1/2 H BARB, POLY
10	1	520133	1.81/2.06 T-BOLT HOSE CLAMP
11	1	500029	1 1/2NPT X 6 PIPE NIPPLE, POLY
12	1	696161	1 1/2NPT ELECT SOLU VALVE
13	1	763445	ELECT SOLU VLV SUPPORT 94

NOTE: ITEMS 2, 11, 12, AND 13 ARE USED WITH ELECTRIC VALVE OPTION.



SOLUTION PUMP ASSEMBLY

DET.	QTY	PART NO.	DESCRIPTION
1	1	160986	CHAIN, 12.00 LONG
2	1	507613	BLK PIPE NIPPLE 1.50NPT-3.00
3	1	507015	RED BUSH 1.50NPT - 1.25FNPT
4	2	507018	BLK PIPE ST EL 90DEG 1.50NPT
5	5	507019	CLOSE NIPPLE 1.50NPT
6	3	507024	BLK PIPE ST EL 45DEG 1.50NPT
7	1	507250	BLK PIPE TEE 1.50NPT
8	2	507253	BLK PIPE SIDE OUTLET TEE 1.50
9	3	507400	PIPE PLUG 1.50NPT SQ HD
10	1	690433	PRIMER TANK WLD, SOLU PUMP
11	1	690437	1 1/2 CHECK VLV, SPRING LOAD
12	1	507717	RED BUSH 2 X 1 1/2
13	1	690476	STRAINER GASKET FOR 690474
14	1	611145	3/4MJIC-90-1/2MNPT LBO
15	1	618241	3/4MJIC-90-3/4MOR LBO
16	1	690474	1 1/2 LINE STRAINERS50M 150PSI
17	1	690249	HYPRO OPEN CENTER PUMP
18	1	690390	2.00 FEMALE NPT COUPLER
19	1	690391	2.00 FEMALE NPT ADPTR
20	1	690392	ADPTR PLG FOR 2.00 NPT COUPLR
21	1	690397	SOLU PUMP MT WLD 280 89
22	1	696110	BALL VALVE 1 1/2FNPT POLY
23	1	715660	HOSE BARB 1 1/4NPT X 1 1/4
24	2	716003	1 1/2 X 1 1/2 HOSE BARB
25	2	900130	3/8UNC X 1 1/4 HEX BOLT
26	6	914004	3/8UNC HEX STOVER NUT
27	4	900129	3/8UNC X 1" HEX BOLT
28	1	690475	50 MESH SCREEN FOR 690474
29	2	520133	1.81/2.06 T-BOLT HOSE CLAMP
30	1	520132	1.62/1.87 T-BOLT HOSE CLAMP
31	1	507010	RED BUSH 1 1/2 TO 1 BLK MAL
32	1	505005	RED BUSH 1 TO 1/2
33	2	696082	BALL VALVE 1/2FNPT POLY
34	2	714340	1/2 NPT X 1/2 HOSE BARB
35	1	503820	BLK PIPE TEE .50NPT
36	3	503600	CLOSE NIPPLE .50NPT
37	2	520070	HOSE CLAMP NO 8 PLATED
38	1	920002	3/8 SAE FLAT WASHER
39	1	690438	SOLU PUMP SUPPORT BRKT WLD 92
40	1	618590	3/4MJIC-45-3/4FJIC SWIV LBO



SOLUTION SOLENOID VALVE ASSEMBLY

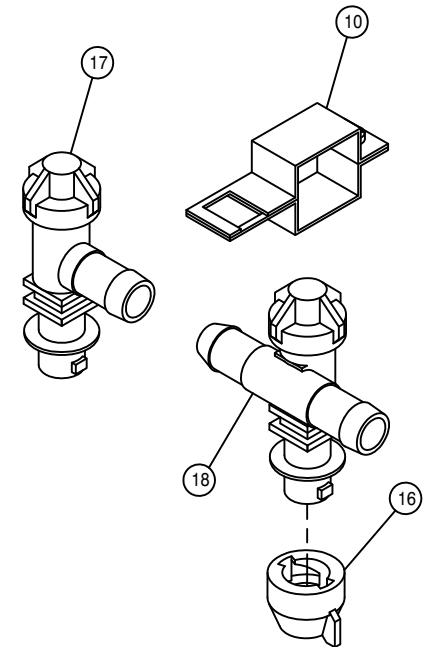
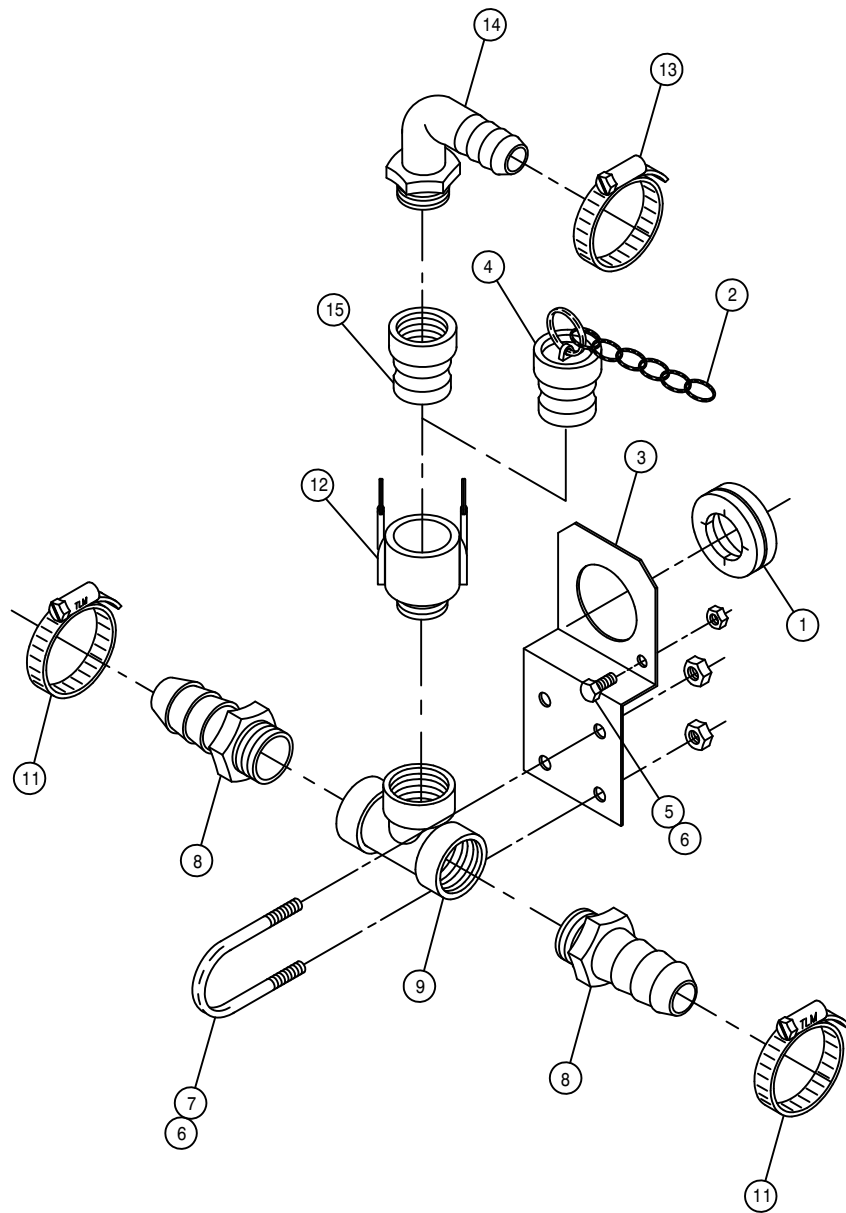
DET.	QTY	PART NO.	DESCRIPTION
1	1	160010	SOLU PRESS GA MT WLD 280 89
2	1	164084	SOLU VLV MT BRKT 254/284 95
3	2	472195	5/16UNC-2 11/16ID-3 9/16U-BOLT
4	3	500024	1"NPT-90-1"HOSE BARB, POLY
5	1	500034	1 1/2NPT-90 ST EL, POLY
6	4	500048	1 1/2X1"NPT REDU NIPPLE, POLY
7	1	500050	1 1/2FNPT CROSS W/1/4NPT PORT
8	1	500051	1"NPT-90-1 1/4"HOSE BARB,POLY
9	2	520080	HOSE CLAMP NO 10 STAINLESS
10	1	601353	HOSE, 1/2 X 21 1BR BLK EPDM
11	2	618556	1/4NPT-90-1/2 HOSE BARB,POLY
12	1	690359	PRESSURE GA GLYCERI 100 PSI
13	3	696162	1" ELECT BALL VLV, 344AEC-2-1
14	4	914002	5/16UNC HEX STOVER NUT
15	2	470113	5/16UNC HEX FLANGE LOCK NUT
16	2	470118	1/4UNC X 3/4 FLANGE HEX BOLT
17	2	470121	1/4UNC HEX FLANGE LOCK NUT
18	2	470233	5/16UNC X 3/4 FLANGE HEX BOLT
19	1	520128	CUSH HOSE CLAMP 9/16D X 3/4W
20	3	520087	HOSE CLAMP NO 20 STAINLESS
21	3	520132	1.62/1.87 T-BOLT HOSE CLAMP
22	1	690406	CONTROL VALVE, 1" POLY, RAVEN
23	2	520085	HOSE CLAMP NO 24 STAINLESS
24	1	690405	RFM 55 FLOW METER RAVEN
25	2	472349	1/4 X 3/4 20THD-IN TEK TYPE
26	1	500036	1 1/2"X 1"NPT REDU BUSH, POLY

NOTE: DETAIL 6, 21, 22, 23, 24, AND 25 ARE USED WITH THE MONITOR OPTION.

BOOM FEEDER TEE ASSEMBLY

DET. QTY PART NO. DESCRIPTION

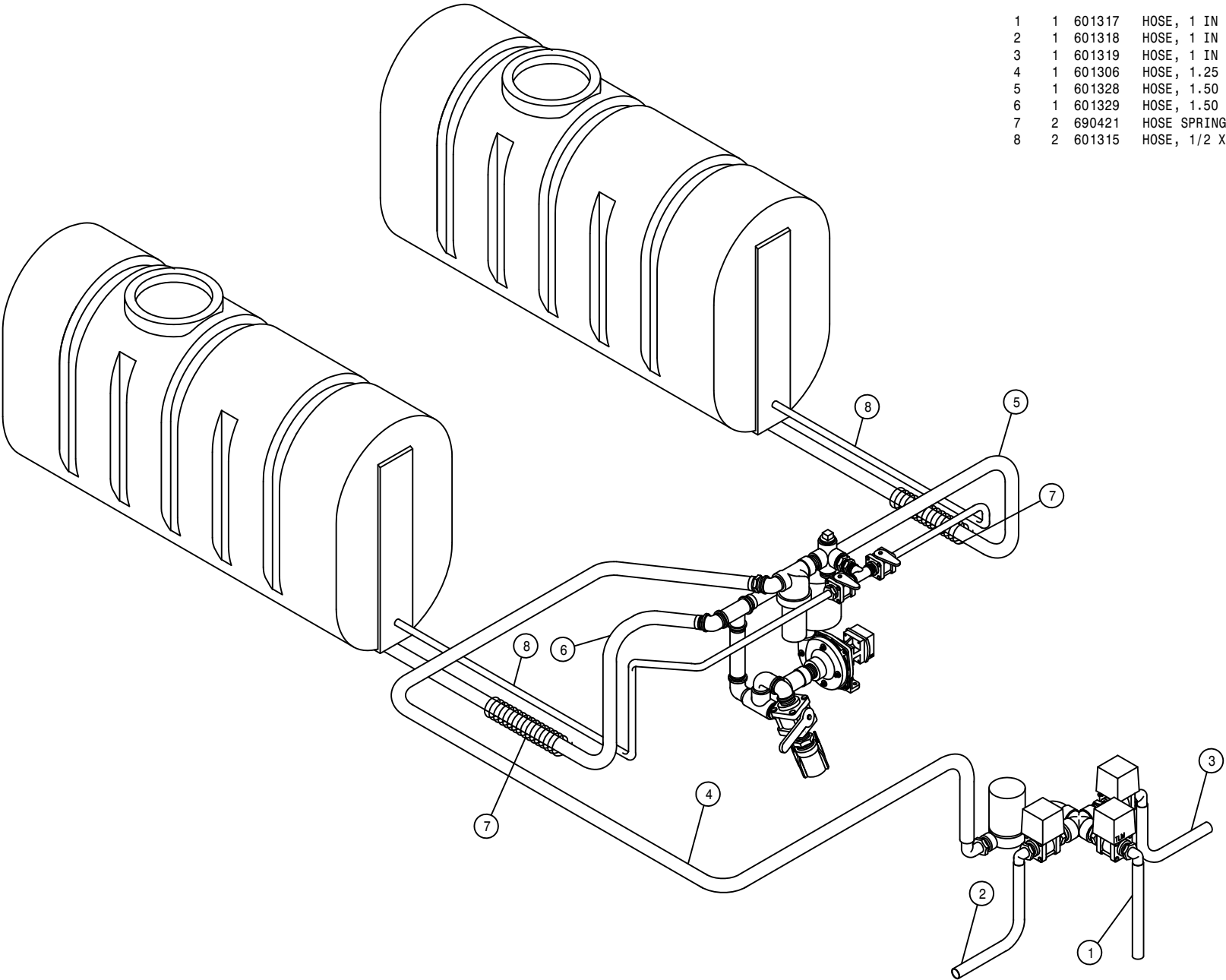
1	1	160015	2.06ID GROMMET SLIT	
2	1	160986	CHAIN, 12.00 LONG	
3	1	164262	FEEDER T MTG BRKT	96
4	1	696204	QUICK CONNECT PLUG, 3/4	
5	1	900002	1/4UNC X 3/4 HEX BOLT	
6	5	914000	1/4UNC HEX STOVER NUT	
7	2	470237	1/4UNC-1 1/2ID-3 1/4 U-BOLT	
8	2	500022	3/4NPT-3/4HOSE BARB, POLY	
9	1	505218	3/4 NPT PIPE TEE, POLY	
10	1	737832	NOZL MT CLMP, 1.25 SQ,SS Q-TJET	
11	2	520055	HOSE CLAMP NO 12 PLATED	
12	1	696203	QUICK CONNECT CPLR MALE 3/4	
13	1	520087	HOSE CLAMP NO 20 PLATED	
14	1	500026	3/4NPT-90-1"HOSE BARB, POLY	
15	1	696202	QUICK CONNECT FEM ADPTR 3/4NP	
16	1	737822	QUICK TEEJET CAP YELLOW 19115	
17	1	737829	QUICK TJET EL BODY DIAPH .75	
18	1	737830	QUICK TJET TEE BODY DIAPH .75	

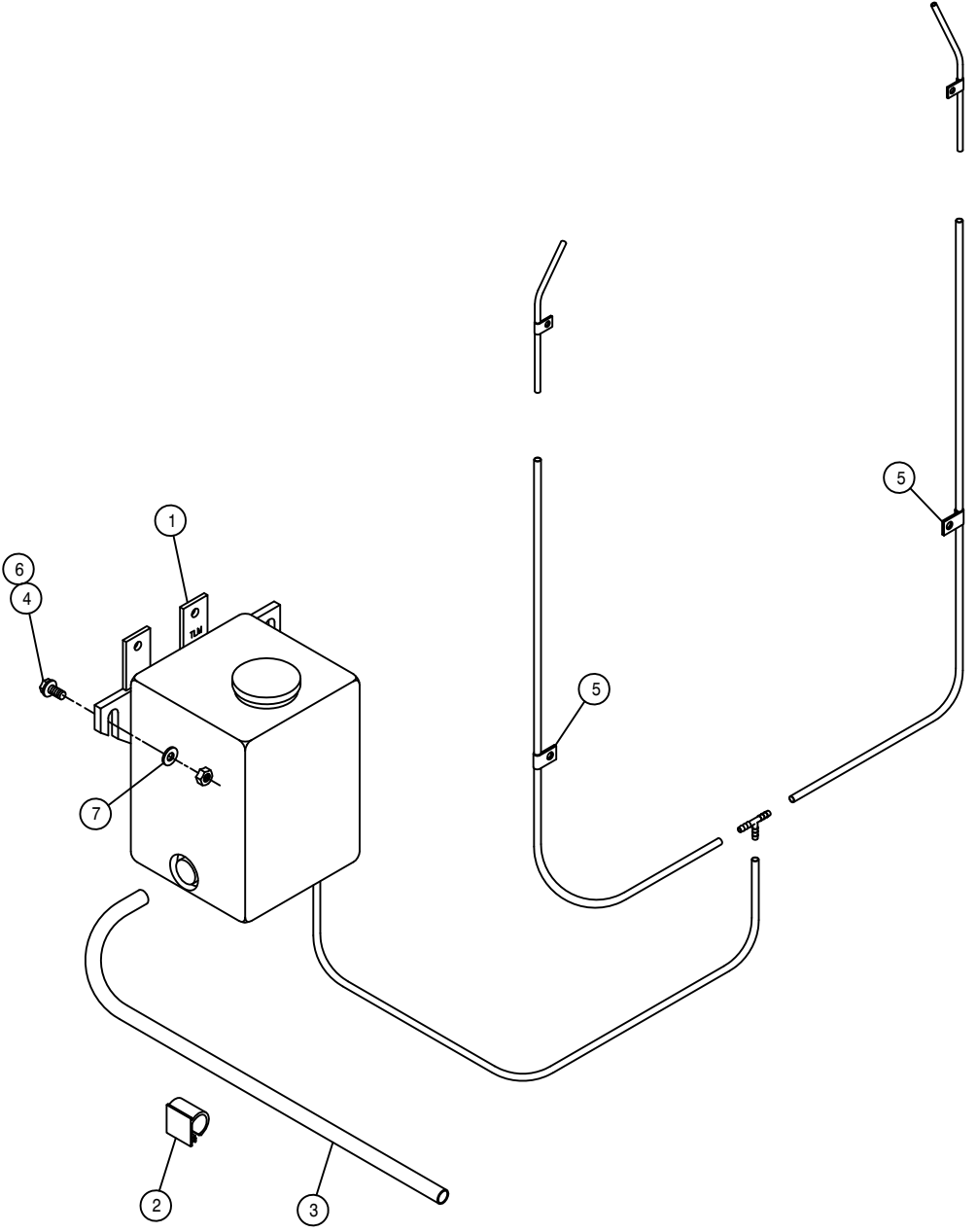


SOLUTION HOISING

DET. QTY PART NO. DESCRIPTION

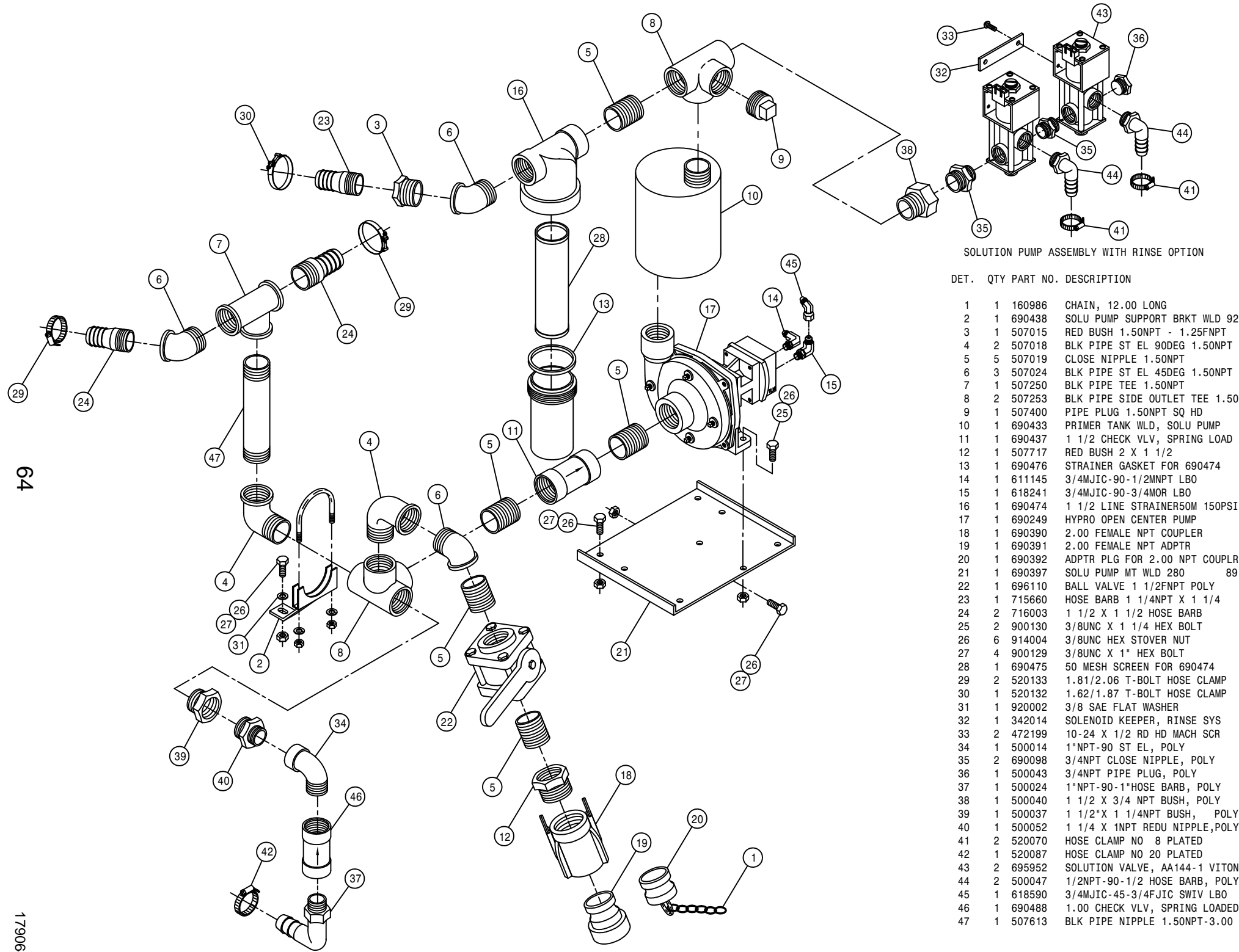
1	1	601317	HOSE, 1 IN 1BR BLK EPDM X 93
2	1	601318	HOSE, 1 IN 1BR BLK EPDM X 254
3	1	601319	HOSE, 1 IN 1BR BLK EPDM X 336
4	1	601306	HOSE, 1.25 2BR BLK EPDM X 116
5	1	601328	HOSE, 1.50 2BR BLK EPDM X 112
6	1	601329	HOSE, 1.50 X 130 2F1W EPDM
7	2	690421	HOSE SPRING GUARD 2IN X 36 LG
8	2	601315	HOSE, 1/2 X 96 1BR BLK EPDM





WINDSHIELD WASHER ASSEMBLY

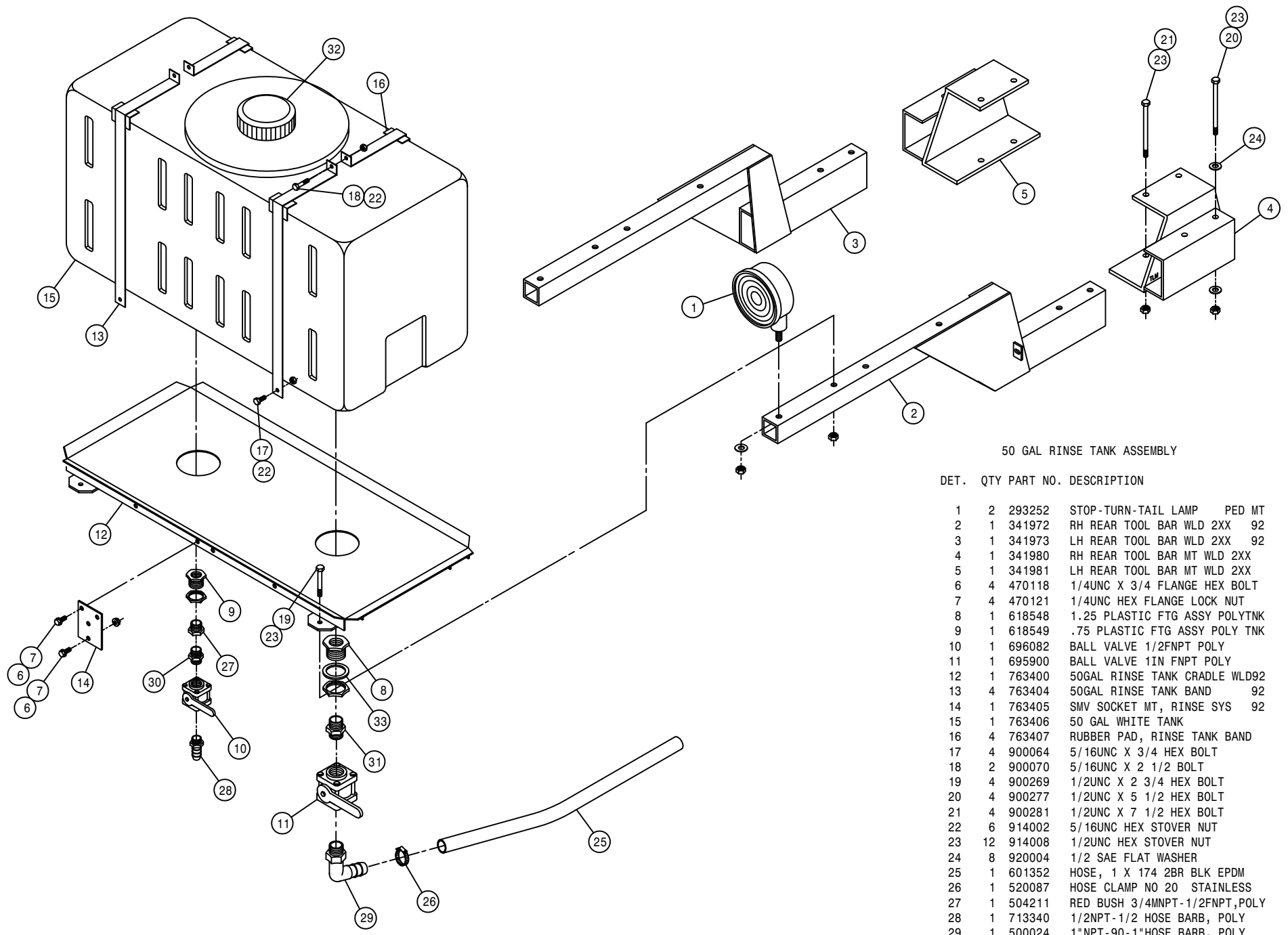
DET.	QTY	PART NO.	DESCRIPTION
	1	290002	WINDSHIELD WASHER KIT
	3	291645	3/8 WIRE CLAMP,ADHESIVE BACK
	3	299110	WIRE FLEX GUARD .35 ID
	4	470231	1/4UNC X 1 FLANGED HEX BOLT
	5	520119	CUSH HOSE CLAMP 3/16D X 1/2W
	6	914000	1/4UNC HEX STOVER NUT
	7	920000	1/4 FLAT WASH SAE



SOLUTION PUMP ASSEMBLY WITH RINSE OPTION

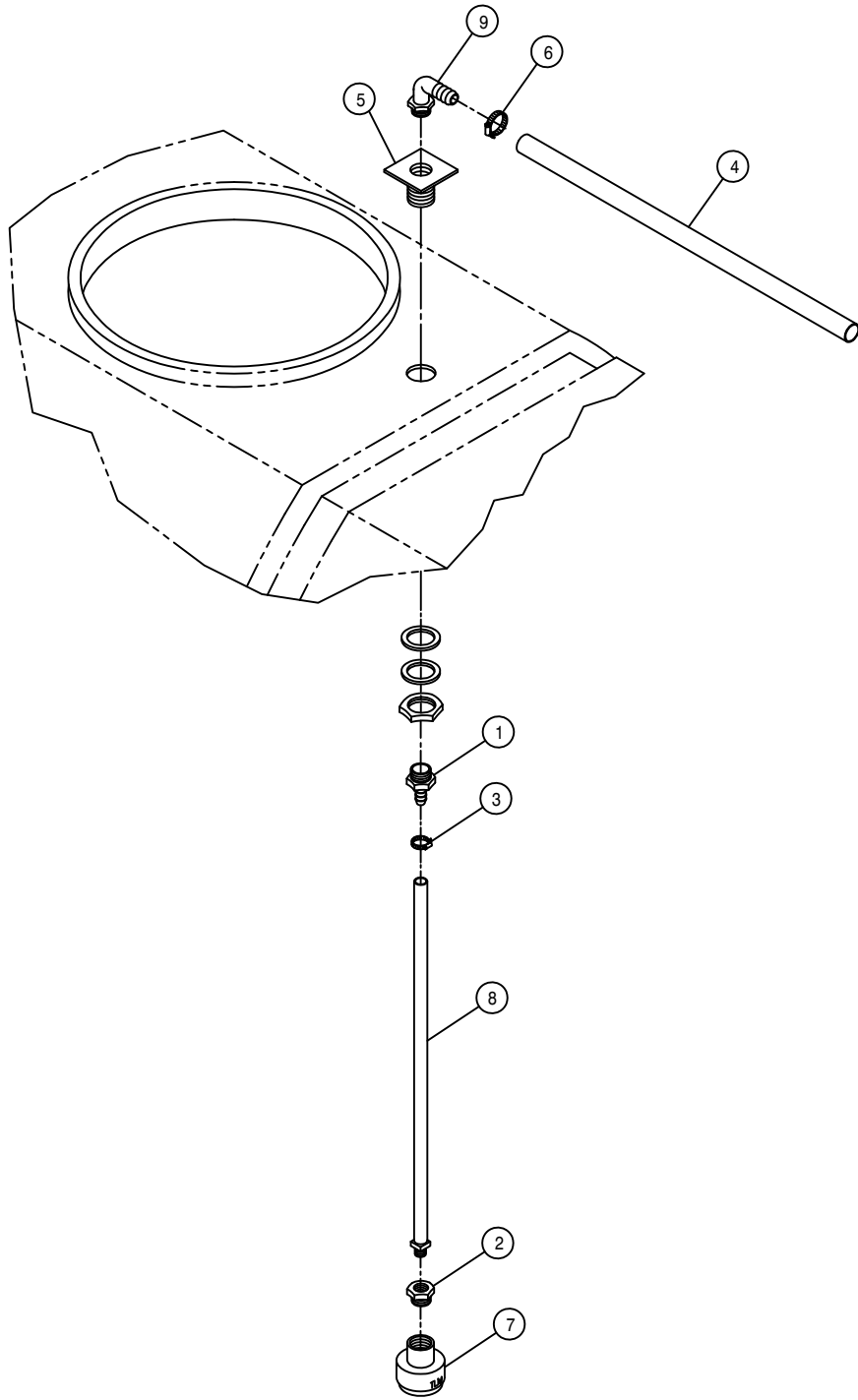
DET.	QTY	PART NO.	DESCRIPTION
1	1	160986	CHAIN, 12.00 LONG
2	1	690438	SOLU PUMP SUPPORT BRKT WLD 92
3	1	507015	RED BUSH 1.50NPT - 1.25FNPT
4	2	507018	BLK PIPE ST EL 90DEG 1.50NPT
5	5	507019	CLOSE NIPPLE 1.50NPT
6	3	507024	BLK PIPE ST EL 45DEG 1.50NPT
7	1	507250	BLK PIPE TEE 1.50NPT
8	2	507253	BLK PIPE SIDE OUTLET TEE 1.50
9	1	507400	PIPE PLUG 1.50NPT SQ HD
10	1	690433	PRIMER TANK WLD, SOLU PUMP
11	1	690437	1 1/2 CHECK VLV, SPRING LOAD
12	1	507717	RED BUSH 2 X 1 1/2
13	1	690476	STRAINER GASKET FOR 690474
14	1	611145	3/4MJIC-90-1/2MNPT LBO
15	1	618241	3/4MJIC-90-3/4MOR LBO
16	1	690474	1 1/2 LINE STRAINER50M 150PSI
17	1	690249	HYPRO OPEN CENTER PUMP
18	1	690390	2.00 FEMALE NPT COUPLER
19	1	690391	2.00 FEMALE NPT ADPTR
20	1	690392	ADPTR PLG FOR 2.00 NPT COUPLR
21	1	690397	SOLU PUMP MT WLD 280 89
22	1	696110	BALL VALVE 1 1/2FNPT POLY
23	1	715660	HOSE BARB 1 1/4NPT X 1 1/4
24	2	716003	1 1/2 X 1 1/2 HOSE BARB
25	2	900130	3/8UNC X 1 1/4 HEX BOLT
26	6	914004	3/8UNC HEX STOVER NUT
27	4	900129	3/8UNC X 1" HEX BOLT
28	1	690475	50 MESH SCREEN FOR 690474
29	2	520133	1.81/2.06 T-BOLT HOSE CLAMP
30	1	520132	1.62/1.87 T-BOLT HOSE CLAMP
31	1	920002	3/8 SAE FLAT WASHER
32	1	342014	SOLENOID KEEPER, RINSE SYS
33	2	472199	10-24 X 1/2 RD HD MACH SCR
34	1	500014	1"NPT-90 ST EL, POLY
35	2	690098	3/4NPT CLOSE NIPPLE, POLY
36	1	500043	3/4NPT PIPE PLUG, POLY
37	1	500024	1"NPT-90-1"HOSE BARB, POLY
38	1	500040	1 1/2 X 3/4 NPT BUSH, POLY
39	1	500037	1 1/2"X 1 1/4NPT BUSH, POLY
40	1	500052	1 1/4 X 1NPT REDU NIPPLE,POLY
41	2	520070	HOSE CLAMP NO 8 PLATED
42	1	520087	HOSE CLAMP NO 20 PLATED
43	2	695952	SOLUTION VALVE, AA144-1 VITON
44	2	500047	1/2NPT-90-1/2 HOSE BARB, POLY
45	1	618590	3/4MJIC-45-3/4FJIC SWIV LBO
46	1	690488	1.00 CHECK VLV, SPRING LOADED
47	1	507613	BLK PIPE NIPPLE 1.50NPT-3.00





50 GAL RINSE TANK ASSEMBLY

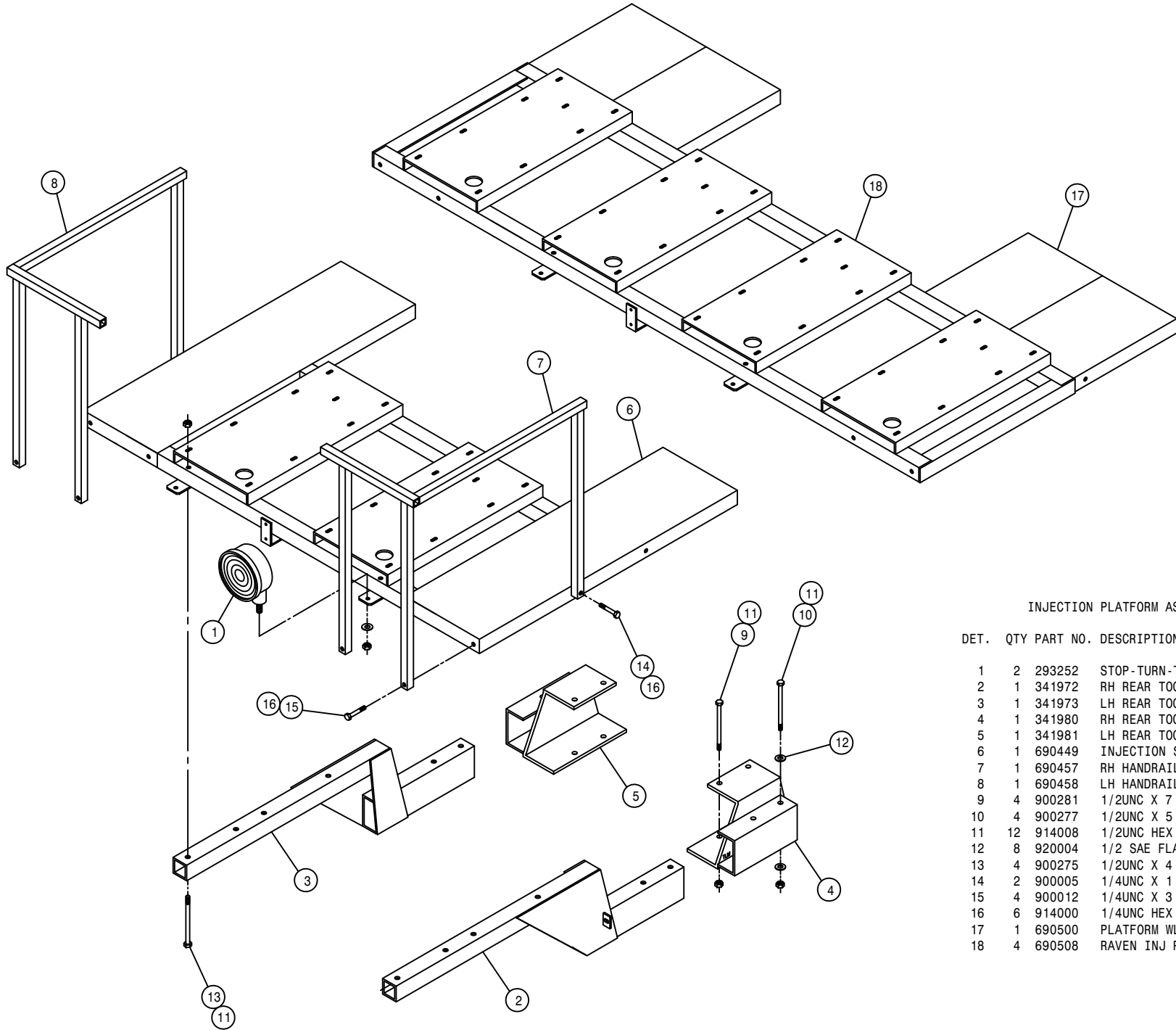
DET.	QTY	PART NO.	DESCRIPTION
1	2	293252	STOP-TURN-TAIL LAMP PED MT
2	1	341972	RH REAR TOOL BAR WLD 2XX 92
3	1	341973	LH REAR TOOL BAR WLD 2XX 92
4	1	341980	RH REAR TOOL BAR MT WLD 2XX
5	1	341981	LH REAR TOOL BAR MT WLD 2XX
6	4	470118	1/4UNC X 3/4 FLANGE HEX BOLT
7	4	470121	1/4UNC HEX FLANGE LOCK NUT
8	1	618548	1.25 PLASTIC FTG ASSY POLYTNK
9	1	618549	.75 PLASTIC FTG ASSY POLY TNK
10	1	696082	BALL VALVE 1/2FNPT POLY
11	1	695900	BALL VALVE 1IN FNPT POLY
12	1	763400	50GAL RINSE TANK CRADLE WLD92
13	4	763404	50GAL RINSE TANK BAND 92
14	1	763405	SMV SOCKET MT, RINSE SYS 92
15	1	763406	50 GAL WHITE TANK
16	4	763407	RUBBER PAD, RINSE TANK BAND
17	4	900064	5/16UNC X 3/4 HEX BOLT
18	2	900070	5/16UNC X 2 1/2 BOLT
19	4	900269	1/2UNC X 2 3/4 HEX BOLT
20	4	900277	1/2UNC X 5 1/2 HEX BOLT
21	4	900281	1/2UNC X 7 1/2 HEX BOLT
22	6	914002	5/16UNC HEX STOVER NUT
23	12	914008	1/2UNC HEX STOVER NUT
24	8	920004	1/2 SAE FLAT WASHER
25	1	601352	HOSE, 1 X 174 2BR BLK EPDM
26	1	520087	HOSE CLAMP NO 20 STAINLESS
27	1	504211	RED BUSH 3/4MNPT-1/2FNPT,POLY
28	1	713340	1/2NPT-1/2 HOSE BARB, POLY
29	1	500024	1"NPT-90-1"HOSE BARB, POLY
30	1	503101	1/2NPT CLOSE NIPPLE, POLY
31	1	500052	1 1/4 X 1NPT REDU NIPPLE,POLY
32	1	690511	LID, RAVEN RINSE TANK 763406
33	1	763430	1 1/4 TANK FLANGE RUBBER SEAL



RINSE NOZZLE ASSEMBLY

DET. QTY PART NO. DESCRIPTION

1	1	500027	3/4NPT-3/8 HOSE BARB, POLY
2	1	504002	RED BUSH 3/4 TO 1/4, POLY
3	1	520120	HOSE CLAMP NO 4 PLATED MINI
4	1	601164	HOSE, 1/2 X 117 1BR BLK EPD
5	1	618549	.75 PLASTIC FTG ASSY POLY TNK
6	1	520070	HOSE CLAMP NO 8 PLATED
7	1	737873	ROTARY NOZZLE, TEFLON
8	1	737821	QUICK TEEJET HOSE DROP 24IN
9	1	500041	3/4NPT-90-1/2"HOSE BARB, POLY



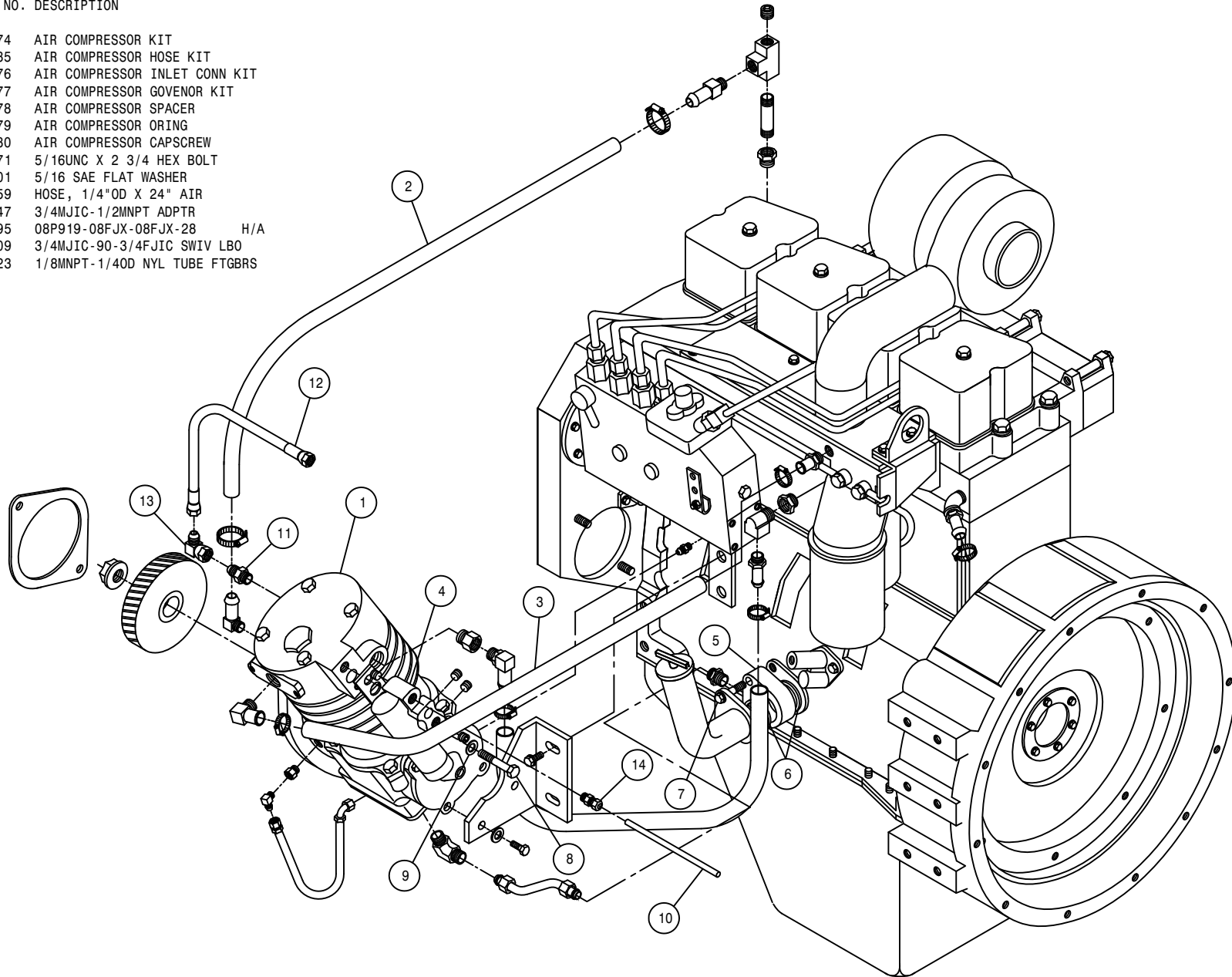
INJECTION PLATFORM ASSEMBLY

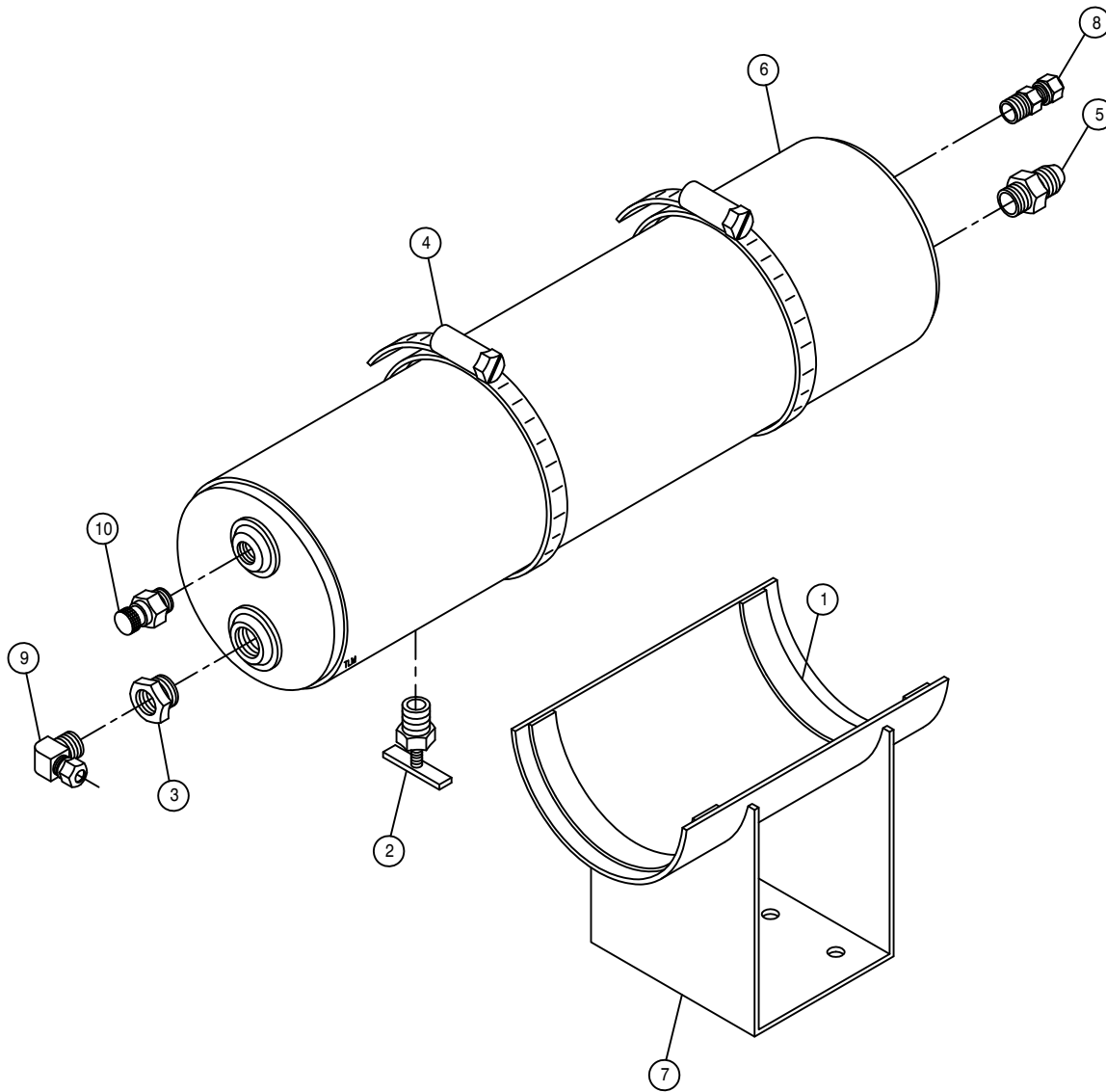
DET.	QTY	PART NO.	DESCRIPTION
1	2	293252	STOP-TURN-TAIL LAMP PED MT
2	1	341972	RH REAR TOOL BAR WLD 2XX 92
3	1	341973	LH REAR TOOL BAR WLD 2XX 92
4	1	341980	RH REAR TOOL BAR MT WLD 2XX
5	1	341981	LH REAR TOOL BAR MT WLD 2XX
6	1	690449	INJECTION SYS MT/PLATFORM WLD
7	1	690457	RH HANDRAIL WLD, INJ PLATFORM
8	1	690458	LH HANDRAIL WLD, INJ PLATFORM
9	4	900281	1/2UNC X 7 1/2 HEX BOLT
10	4	900277	1/2UNC X 5 1/2 HEX BOLT
11	12	914008	1/2UNC HEX STOVER NUT
12	8	920004	1/2 SAE FLAT WASHER
13	4	900275	1/2UNC X 4 1/2 HEX BOLT
14	2	900005	1/4UNC X 1 1/2 HEX BOLT
15	4	900012	1/4UNC X 3 1/2 HEX BOLT
16	6	914000	1/4UNC HEX STOVER NUT
17	1	690500	PLATFORM WLD, 3 & 4 UNIT SYS
18	4	690508	RAVEN INJ PUMP/TANK MT CHAN

CUMMINS AIR COMPRESSOR OPTION

DET. QTY PART NO. DESCRIPTION

1	1	316274	AIR COMPRESSOR KIT
2	1	316285	AIR COMPRESSOR HOSE KIT
3	1	316276	AIR COMPRESSOR INLET CONN KIT
4	1	316277	AIR COMPRESSOR GOVENOR KIT
5	1	316278	AIR COMPRESSOR SPACER
6	2	316279	AIR COMPRESSOR ORING
7	1	316280	AIR COMPRESSOR CAPSCREW
8	2	900071	5/16UNC X 2 3/4 HEX BOLT
9	2	920001	5/16 SAE FLAT WASHER
10	1	601359	HOSE, 1/4"OD X 24" AIR
11	1	611147	3/4MJIC-1/2MNPT ADPTR
12	1	611295	08P919-08FJX-08FJX-28 H/A
13	1	618609	3/4MJIC-90-3/4FJIC SWIV LBO
14	1	711023	1/8MNPT-1/4OD NYL TUBE FTGBRS

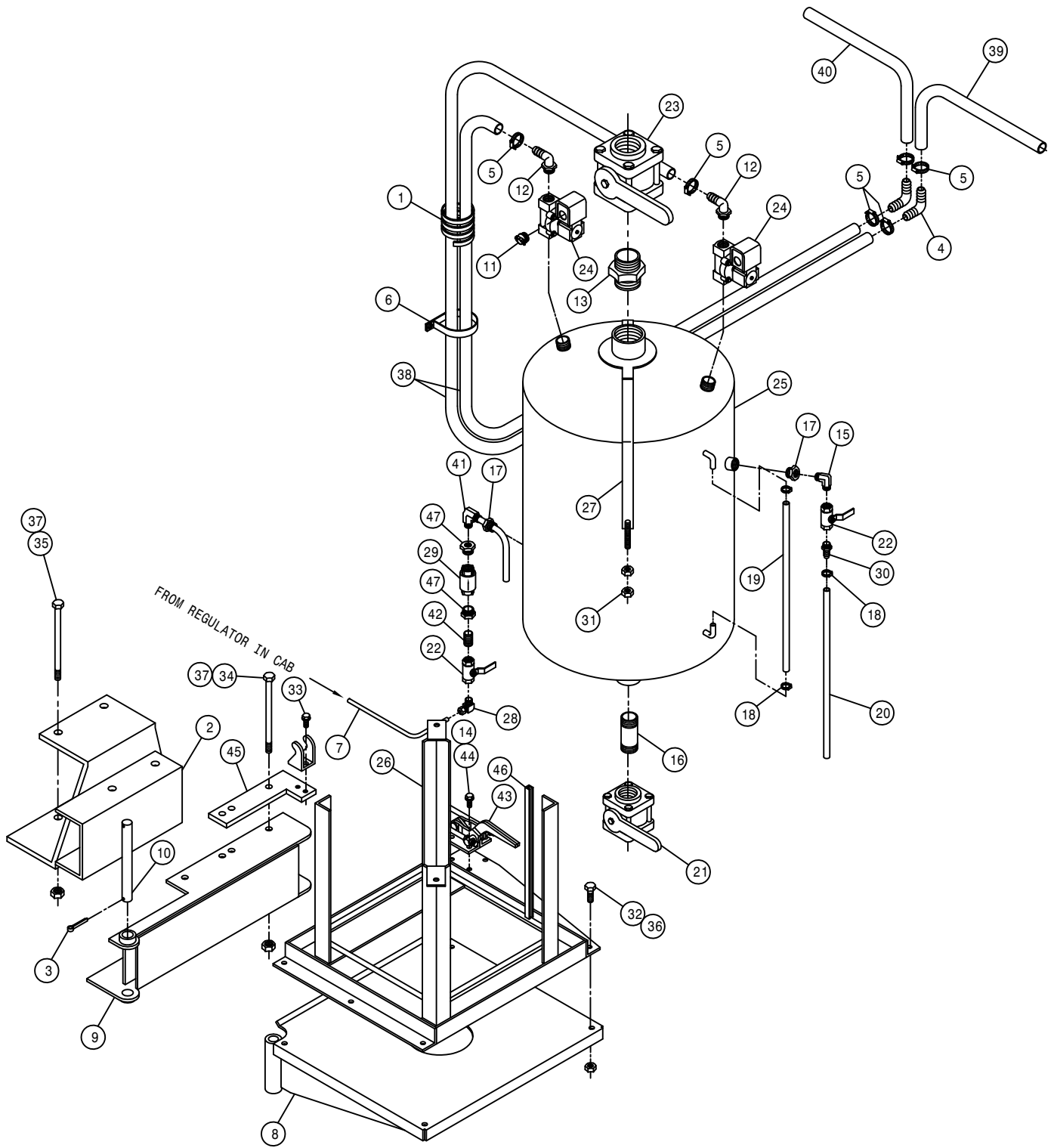




## FOAMER AIR TANK ASSEMBLY

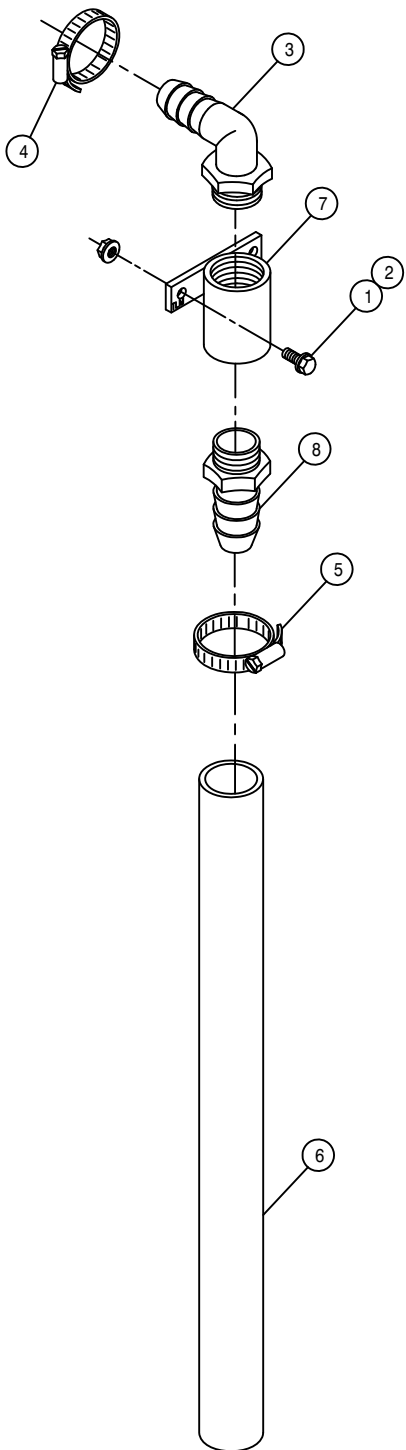
DET. QTY PART NO. DESCRIPTION

1	1	193037	STICKERTITE 1/8 X 3/4
2	1	319559	DRAIN COCK, 1/4MNPT EXT ST BRS
3	1	505212	1/2-1/4NPT REDU BUSH, BRS
4	2	520086	HOSE CLAMP NO 88 PLATED
5	1	611147	3/4MJIC-1/2MNPT ADPTR
6	1	701056	HAGIE FOAMER AIR TANK WLD 95
7	1	701059	HMC FOAMER AIR TANK MT WLD 95
8	1	711015	1/4MNPT-1/4OD NYL TUBE FTGBRS
9	1	711016	1/4NPT-90-1/4NYL TUBE FTG BRS
10	1	711017	1/4"MNPT RELIEF VALVE



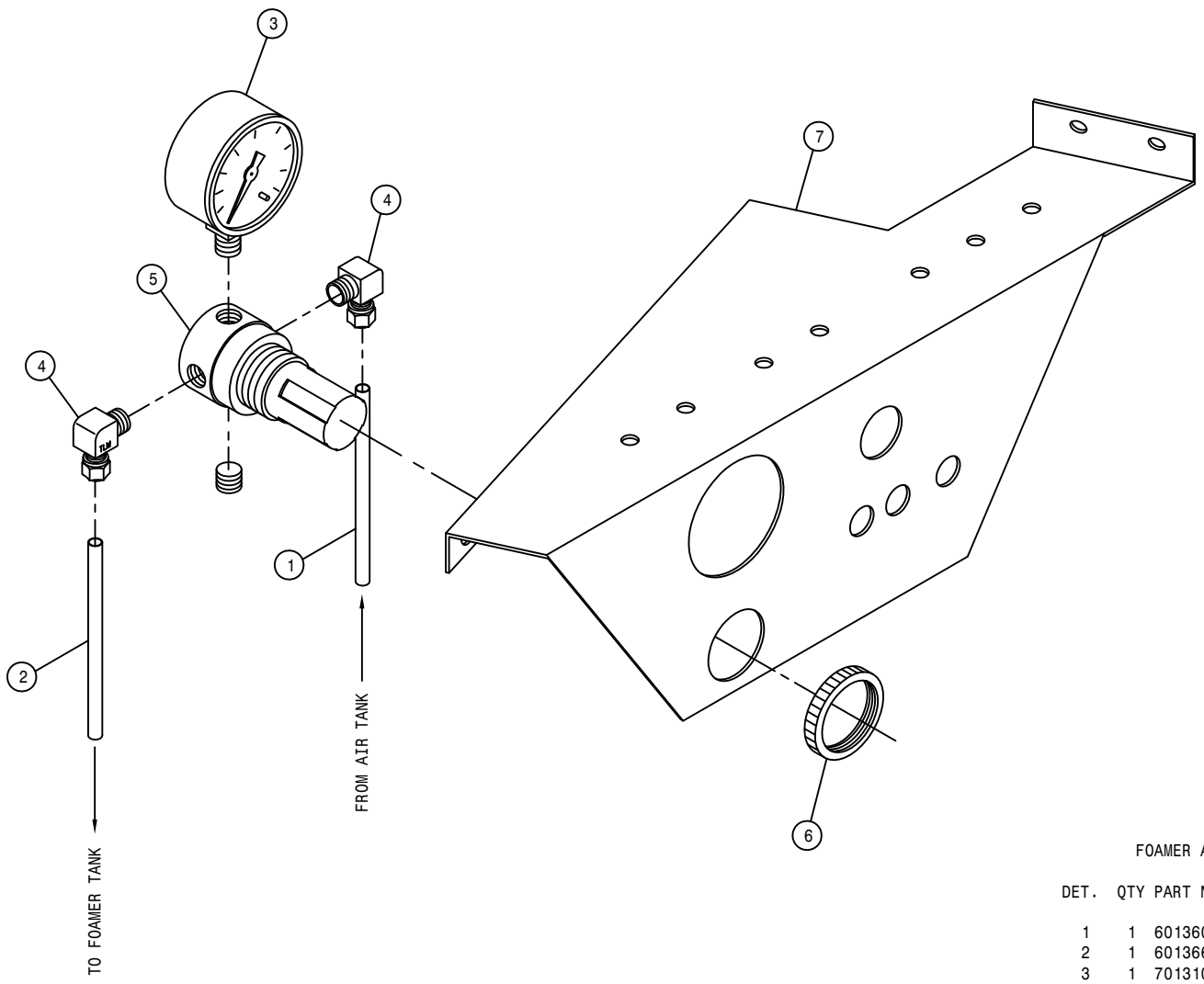
FOAM MARKER TANK ASSEMBLY

DET.	QTY	PART NO.	DESCRIPTION
1	2	193002	SPIRAL PROTECTIVE WRAP, BLACK
2	1	341980	RH REAR TOOL BAR MT WLD 2XX
3	2	470039	COTTER PIN 3/16 X 1 1/4 SOCUT
4	2	500069	3/4-90-3/4 HOSE BARB, POLY
5	6	520055	HOSE CLAMP NO 12 STAINLESS
6	1	520126	CUSH HOSE CLAMP 2IN X 5/8W
7	1	601366	HOSE, 1/4 X 192 AIR
8	1	701043	HAGIE FOAMER BASE WLD 95
9	1	701048	HAGIE FOAMER BASE MT WLD 95
10	1	701055	HMC FOAMER BASE PIVOT PIN 95
11	3	293056	ROMEX CONNECTOR .50IN 2-SCR
12	2	500054	3/4NPT-90-3/4 HOSE BARB, POLY
13	1	500056	2" NPT CLOSE HEX NIPPLE, POLY
14	4	470233	5/16UNC X 3/4 FLANGE HEX BOLT
15	1	502705	1/4NPT-90-1/4NPT LBO, BRS
16	1	505202	BLK PIPE NIPPLE 1.00NPT-2.00
17	2	505211	3/8-1/4NPT REDU BUSH, BRS
18	3	520120	HOSE CLAMP NO 4 STAINLESS
19	1	601364	HOSE, 3/8 X 16 CLEAR VINYL
20	1	601370	HOSE, 3/8 X 30 CLEAR VINYL
21	1	695900	BALL VALVE 1IN FNPT POLY
22	2	696120	BALL VALVE, 1/4NPT, STEEL
23	1	696134	BALL VALVE 2IN FNPT POLY
24	2	696163	3/4" ELECT SOLENOID VALVE
25	1	701091	FOAM MARKER TANK, 20 GAL SS
26	1	701093	FOAM MARKER TANK MT WLD
27	1	701099	FOAM MARKER TANK STRAP WLD
28	1	711016	1/4NPT-90-1/4NYL TUBE FTG BRS
29	1	711050	3/4"FNPT CHECK VALVE S.S.
30	1	783304	1/4 NPT X 3/8 HOSE BARB, BRS
31	4	910004	3/8UNC HEX NUT
32	4	900129	3/8UNC X 1" HEX BOLT
33	2	470232	5/16UNC X 1/2 FLANGE HEX BOLT
34	2	900278	1/2UNC X 6" HEX BOLT
35	2	900281	1/2UNC X 7 1/2 HEX BOLT
36	4	914004	3/8UNC HEX STOVER NUT
37	4	914008	1/2UNC HEX STOVER NUT
38	2	195908	HOSE, 3/4ID-1/8W CLEAR VINYL X 168.00
39	1	195908	HOSE, 3/4ID-1/8W CLEAR VINYL X 588.00
40	1	195908	HOSE, 3/4ID-1/8W CLEAR VINYL X 612.00
41	1	701109	SUB>701142:FOAMR DROP TUBE WLD
42	1	502707	PIPE NIP,1/4NPT HEX CLOSE,BRS
43	1	470238	DE-STA-CO CLAMP, TC-341 LATCH
44	4	470113	5/16UNC HEX FLANGE LOCK NUT
45	1	701105	FOAM MARKER TANK LATCH MT
46	8	193016	QUICKEDGE TRIM .060 TO .170
47	2	507724	REDU BUSH 3/4MNPT X 1/4FNPT,SS



FOAMER DROP END ASSEMBLY

DET.	QTY	PART NO.	DESCRIPTION
1	2	470118	1/4UNC X 3/4 FLANGE HEX BOLT
2	2	470121	1/4UNC HEX FLANGE LOCK NUT
3	1	500067	1 NPT-90-3/4 HOSE BARB, POLY
4	1	520055	HOSE CLAMP NO 12 STAINLESS
5	1	520085	HOSE CLAMP NO 24 STAINLESS
6	1	601367	HOSE, 1 1/4 X 24 2BR BLK EPDM
7	1	701102	FOAM MARKER DROP CPLR WELD
8	1	714561	1.00NPT-1.25 HOSE BARB



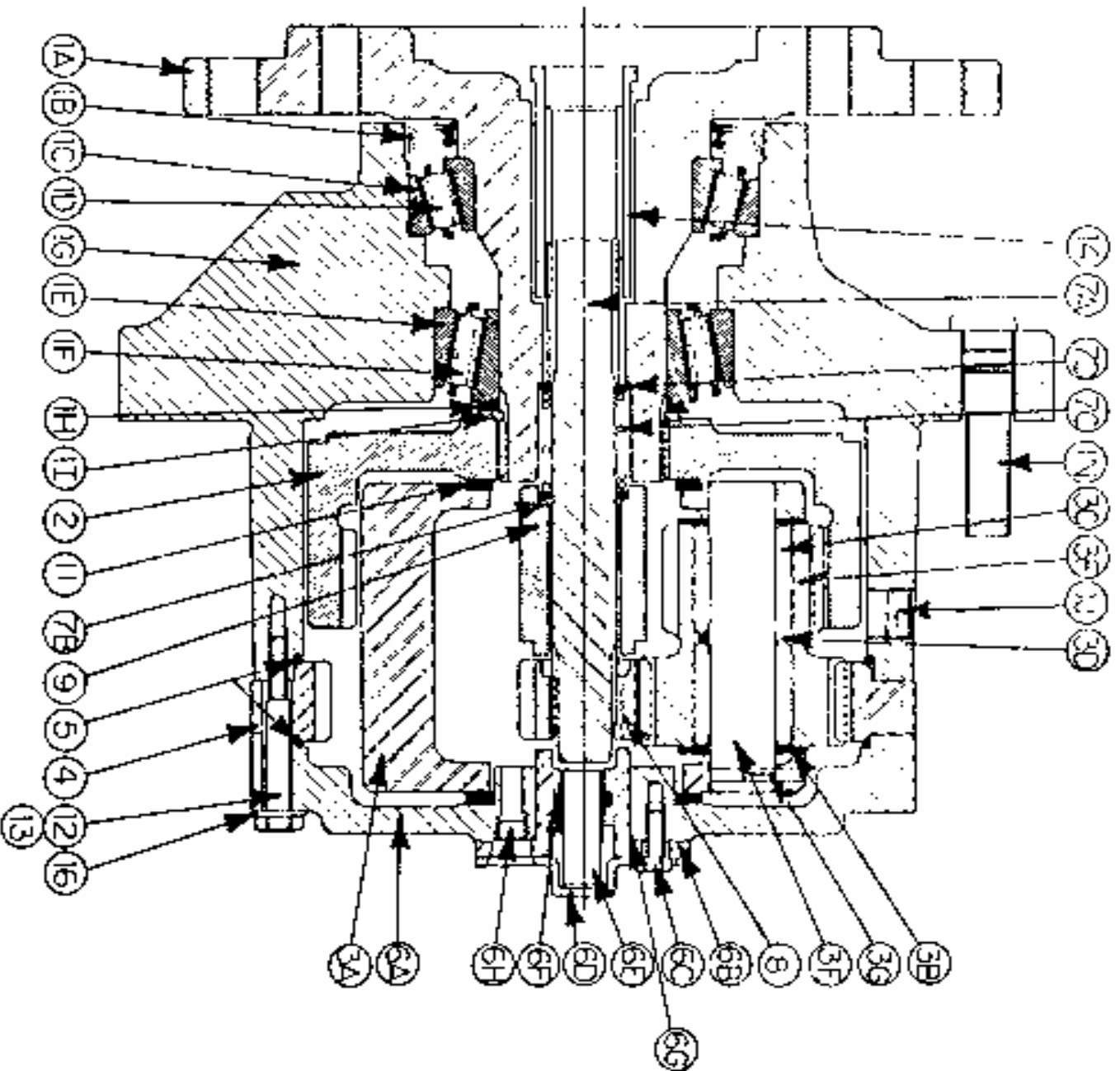
FOAMER AIR REGULATOR ASSEMBLY

DET. QTY PART NO. DESCRIPTION

1	1	601360	HOSE, 1/4"OD X 168" AIR	
2	1	601366	HOSE, 1/4"OD X 192" AIR	
3	1	701310	AIR PRESS GAUGE, 1/8"BOT	
4	2	711016	1/4NPT-90-1/4NYL TUBE FTG BRS	
5	1	711019	1/4"MNPT AIR REGULATOR	
6	1	711021	1 1/4-18 NUT, AIR REGULATOR MT	
7	1	342215	MONITOR MT, 284 CAB	94



CROSS-SECTIONAL VIEW OF W1B TORQUE-HUB®



WHEEL DRIVE ASSEMBLY - 610516  
W1BFNZ324

ITEMS	DESCRIPTION	PART NO.	QTY.
1	HUB-SPINDLE SUB-ASSEMBLY	-----	
1A	SPINDLE	610518	1
1B	SEAL	610519	1
1C	BEARING CUP	610520	1
1D	BEARING CONE	610521	1
1E	BEARING CUP	610907	1
1F	BEARING CONE	610908	1
1G	HUB	610522	1
1H	SPACER	610909	1
1I	RETAINER RING	610910	1
1J	PIPE PLUG	610147	2
1N	STUD	610523	9
2	INTERNAL GEAR	610148	1
3	CARRIER ASSEMBLY	610933	1
4	RING GEAR	610937	1
5	O-RING	610903	2
6	COVER ASSEMBLY	610155	1
6A	COVER	610149	1
6B	COVER CAP	610914	1
6C	BOLT	610150	4
6D	DISCONNECT CAP	610901	1
6E	DISCONNECT ROD	610915	1
6F	O-RING	610916	1
6G	O-RING	610917	1
6H	PIPE NIPPLE	610151	1
6I	ID PLATE	610152	1
7	INPUT SHAFT ASSEMBLY	610048	1
7A	INPUT SHAFT	610046	1
7B	RETAINING RING	610936	1
7C	SPRING	610145	1
7D	SPACER	610153	2
8	INPUT GEAR	610919	1
9	THRUST SPACER	610920	1
10	THRUST SPACER	610921	1
11	THRUST WASHER	610922	2
12	BOLT	610930	12
13	SHOULDER BOLT	610923	4
14	COUPLING	610037	1
16	FLAT WASHER	610049	16
NS	SEAL BOOT	610552	1

WHEEL DRIVE ASSEMBLY - 610515  
W1BFNZ318

ITEMS	DESCRIPTION	PART NO.	QTY.
1	HUB-SPINDLE SUB-ASSEMBLY	-----	
1A	SPINDLE	610518	1
1B	SEAL	610519	1
1C	BEARING CUP	610520	1
1D	BEARING CONE	610521	1
1E	BEARING CUP	610907	1
1F	BEARING CONE	610908	1
1G	HUB	610522	1
1H	SPACER	610909	1
1I	RETAINER RING	610910	1
1J	PIPE PLUG	610147	2
1N	STUD	610523	9
2	INTERNAL GEAR	610148	1
3	CARRIER ASSEMBLY	610912	1
4	RING GEAR	610929	1
5	O-RING	610903	2
6	COVER ASSEMBLY	610155	1
6A	COVER	610149	1
6B	COVER CAP	610914	1
6C	BOLT	610150	4
6D	DISCONNECT CAP	610901	1
6E	DISCONNECT ROD	610915	1
6F	O-RING	610916	1
6G	O-RING	610917	1
6H	PIPE NIPPLE	610151	1
6I	ID PLATE	610152	1
7	INPUT SHAFT ASSEMBLY	610048	1
7A	INPUT SHAFT	610046	1
7B	RETAINING RING	610936	1
7C	SPRING	610145	1
7D	SPACER	610153	2
8	INPUT GEAR	610919	1
9	THRUST SPACER	610920	1
10	THRUST SPACER	610921	1
11	THRUST WASHER	610922	2
12	BOLT	610930	12
13	SHOULDER BOLT	610923	4
14	COUPLING	610037	1
16	FLAT WASHER	610049	16
NS	SEAL BOOT	610552	1

# NOTICE

---

The following page contains decals for the model 254.

These decals can be obtained from Hagie Mfg. Co. and should be used whenever your machine is repainted or when the decals become worn, weathered, or faded.

Special attention should be paid to decals involving personal safety. They have been attached for your protection.

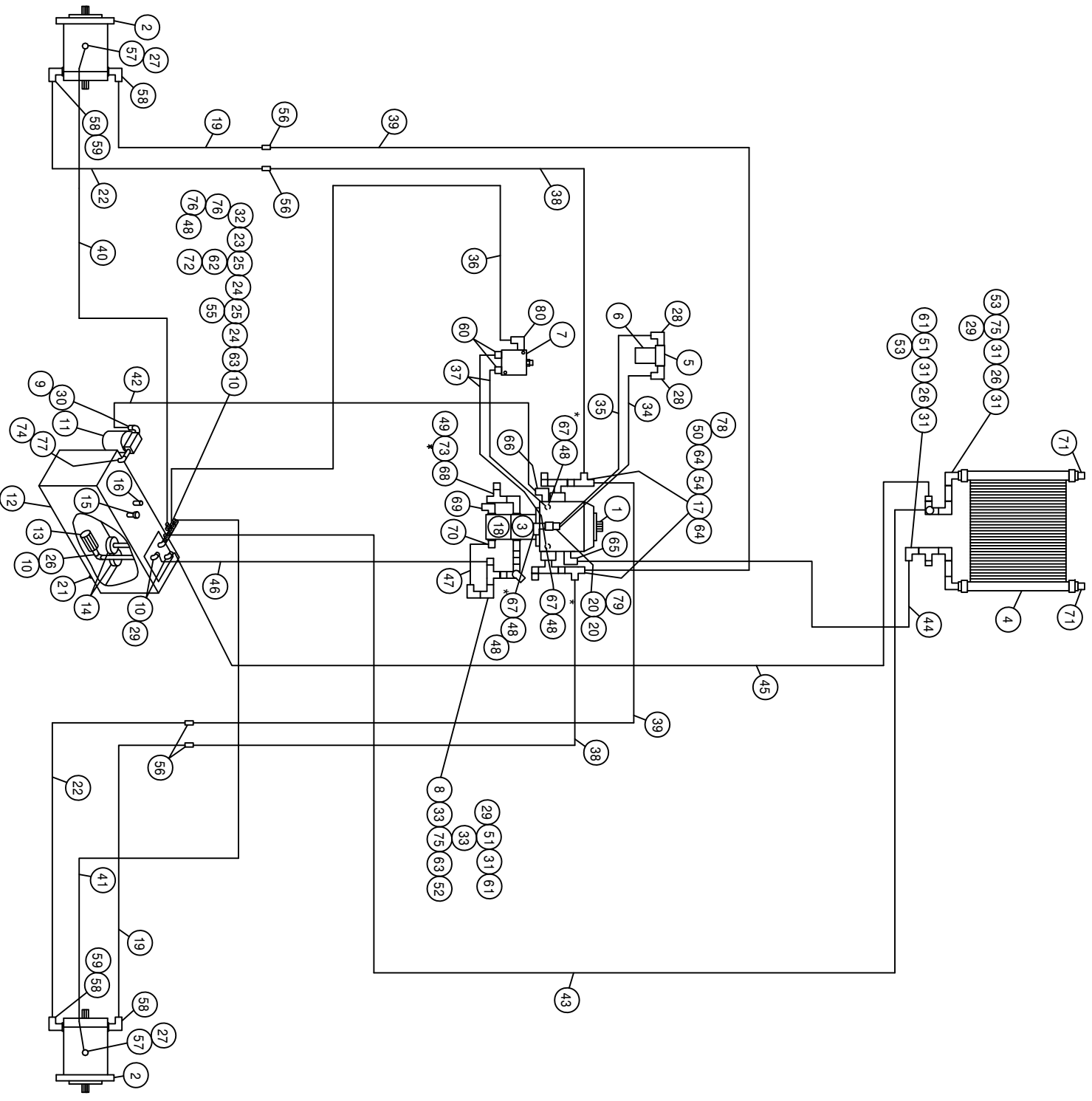
**KEEP THEM IN PLACE.**

Contact: Hagie Manufacturing Co.  
Box 273  
Clarion, Iowa 50525

254 DECALS

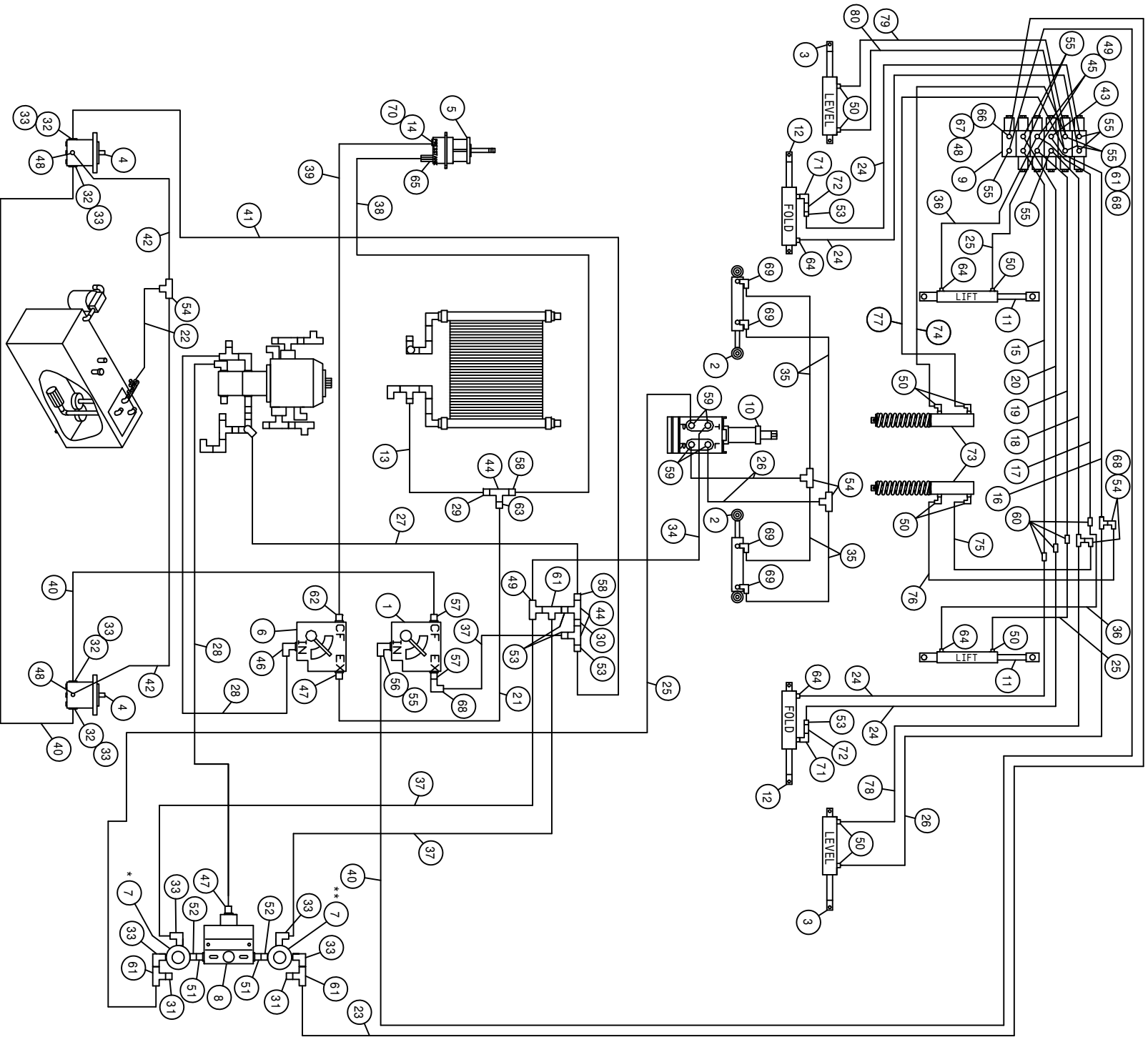
QTY.	PART NO.	DESCRIPTION	LOCATION
1	650831	EMERGENCY STOP DECAL	ON LOWER LH FRONT CAB FOAM
1	650320	EMERGENCY EXIT DECAL	ON LOWER REAR OF EXIT WINDOW
1	650335	CONSOLE COVER PANEL DECAL	ON CONSOLE SHEET METAL
1	650814	PARK BRAKE DECAL	NEAR PARK BRAKE
1	650822	SOLUTION PUMP DECAL	ON FRONT CROSSMEMBER
1	650847	NO PASSENGER DECAL	REAR CORNER OF CAB
2	650848	SLIP OR FALL DECAL	2-ON EACH FUEL TANK
2	650849	ENGINE FUEL DECAL	NEAR EACH FUEL TANK NECK
2	650850	CHEMICAL DECAL	ON SOLUTION TANK LIDS
2	650851	SHIELDS DECAL	ON SIDE OF TOP ENGINE COVER
1	650852	READ MANUAL DECAL	ON LOWER LH FRONT CAB FOAM
1	650326	HAGIE DECAL	ON FRONT MAINFRAME SHIELD
2	650954	DIESEL DECAL	NEAR EACH FUEL NECK
1	650981	COOLING SYSTEM DECAL	NEAR RADIATOR CAP
1	650982	ELECTRICAL DECAL	RIGHT HAND SIDE OF OIL TANK
4	650985	WHEEL BOLT TORQUE DECAL	ON EACH WHEEL RIM
2	650953	GASOLINE DECAL	NEAR EACH FUEL NECK
1	650322	DECAL SET, HAGIE 254 STRIPE	ON EACH ENGINE HOOD
1	650329	SPRAY CONTROL/TRAC VLV	ON INSTRUMENT PANEL
2	650327	254 SIGHT GAGE DECAL	ON EACH SOLUTION TANK
2	650324	RED STRIPE DECAL	ON EACH TANK SHIELD
1	650337	ELECTROCUTION HAZARD DECAL	ON LOWER REAR OF EXIT WINDOW

\*NOTE:  
 REFER TO DETAIL 73 TO CHECK AUX. SYSTEM - 1850 PSI  
 REFER TO DETAIL 67 TO CHECK LIMIT SETTING - 4500 PSI  
 REFER TO DETAIL 67 TO CHECK CHANGE PRESSURE - 380 PSI



HYD SCHEM, 254 CUMM, TWD-AGIT 98  
REFERENCE DRAWING NO. 498534S1

DET.	QTY	PART NO.	DESCRIPTION	DET.	QTY	PART NO.	DESCRIPTION
1	1	606902	SUND 100CC PUMP, B-MT W/FILT	41	1	615449	06C1T-06FJX-06FJX-126 H/A
2	2	610557	SUND M35-3102 WHL MTR W/SHFT	42	1	601380	HOSE, 1 1/4 X 35 1FBR-1SPI
3	1	606932	SUND GEAR PUMP, 1.60CI, SPLINED	43	1	601304	HOSE, 3/4 2BR RED X 100 LG
4	1	618606	OIL COOLER, BLISSFIELD 65027	44	1	601112	HOSE, 3/4 X 84 2BR RED
5	1	605608	HYD FILTER HEAD, DONALDSON	45	1	601255	HOSE, 1.00 2BR RED X 104 LG
6	1	605609	HYD FILTER ELEMENT, DONALDSON	46	1	601381	HOSE, 1 X 39 1FBR-1SPI
7	1	610580	REMOTE FLUSHING VALVE, SUND	47	1	601383	HOSE, 3/4 X 8 1FBR-1SPI
8	1	618090	1 5/16MOR-1FNPT ADPTR	48	5	618531	9/16FJIC CAP NUT
9	1	506410	BLK PIPE ST EL 90DEG, 1.25NPT	49	1	618328	7/8FJIC CAP NUT
10	4	505300	BLK PIPE EL 90DEG 1.00NPT	50	2	618487	1 1/16FJ SW RUN TEE-1 1/16MJ
11	1	605601	GRESEN FILTER 10 MICRON 40GPM	51	2	505101	BLK PIPE TEE 1.00NPT
12	1	760097	OIL TANK WLD 8240 1982	52	1	610300	3/4MJIC-3/4MNPT ADPTR
13	1	605600	MICHIGAN RESERVOIR FILTER	53	2	714331	1 NPT X 3/4 HOSE BARB
14	2	605603	LINE SUMP DIFFUSER	54	2	618599	1 5/16MOR BRANCH TEE-1 5/16MJ
15	1	611052	FILLER BREATHER 3/4NPT	55	1	713220	HOSE BARB 3/4 NPT X 3/4
16	1	614453	DIPSTICK, 8IN	56	4	618191	1 1/16MJ-90-1 1/16FJ SWIV LBO
17	2	618598	1" 4-BOLT FLG X 1 5/16 FOR	57	2	618172	7/8MOR-9/16FOR ADPTR
18	1	606929	SUND GEAR PUMP .66CI, SPLINED	58	4	618248	1 1/16MJIC-90-1 1/16MOR LBO
19	2	614694	FRT HYD TUBE ASSY 250 REARLEG	59	2	618529	1 1/16MJ-45-1 1/16FJ SWIV LBO
20	2	618327	3/4MJIC-7/8MOR ADPTR	60	2	618126	9/16MJIC-9/16MOR ADPTR
21	1	501102	1/4 PIPE PLUG	61	2	716000	3/4 HOSE BARB-90-1MNPT
22	2	614695	REAR HYD TUBE ASSY 250REARLEG	62	1	504001	RED BUSH 3/4 X 1/4 BLK MAL
23	1	504210	RED BUSH 3/4 NPT X 1/2 NPT	63	2	505213	RED BUSH 1 X 3/4 BLK MAL
24	2	504702	CLOSE NIPPLE .75NPT	64	4	618541	1 5/16FJIC-1 1/16MJIC ADPTR
25	2	504955	BLK PIPE TEE .75NPT	65	1	618118	3/4 HOSE BARB-90-1 1/16MOR
26	3	505203	BLK PIPE NIPPLE 1.00NPT-4.00	66	1	618626	1 1/4 HOSE BARB-45-1 5/8MOR
27	2	618425	9/16MJIC-45-9/16MOR LBO	67	3	618629	9/16MOR BRANCH TEE-9/16MJIC
28	2	618474	3/4MJIC-90-1 1/16MOR LBO	68	1	618535	7/8MJIC-90-1 1/16MOR LBO
29	4	714560	1NPT X 1 HOSE BARB	69	1	611128	7/8MJIC-90-7/8MOR LBO
30	1	715660	HOSE BARB 1 1/4NPT X 1 1/4	70	1	618075	3/4 HOSE BARB-1 1/16MOR
31	5	505200	BLK PIPE ST EL 90DEG, 1.00NPT	71	2	505102	PIPE PLUG 1.00NPT SQ HD
32	1	618018	9/16MJIC-1/2MNPT ADPTR	72	1	618520	1/4MNPT RUN TEE-9/16MJIC
33	2	505105	1MNPT HEX PIPE NIPPLE STL	73	1	618333	7/8FJIC SW RUN TEE-7/8MJIC
34	1	616034	08C1T-08FJX-08FJX-17	74	1	506602	PIPE NIPPLE 1 1/4NPT-2 1/2
35	1	615633	08C1T-08FJX-08FJX-23	75	2	505098	SIDE OUTLET EL 90DEG 1.00NPT
36	1	616048	04C1T-06FJX-06FJX-35	76	2	618486	9/16FJIC SW RUN TEE-9/16MJIC
37	2	616043	04C1T-06FJX-06FJX-23	77	1	506303	BLK PIPE EL 90DEG 1.25NPT
38	2	614683	10C2AT-12MJ-12FJX90-60	78	2	618533	1 1/16FJIC CAP NUT
39	2	614684	10C2AT-12MJ-12FJX90-70	79	1	618609	3/4MJIC-90-3/4FJIC SWIV LBO
40	1	614549	06C1T-06FJX-06FJX-140	80	1	618119	9/16MJIC-90-9/16MOR LBO



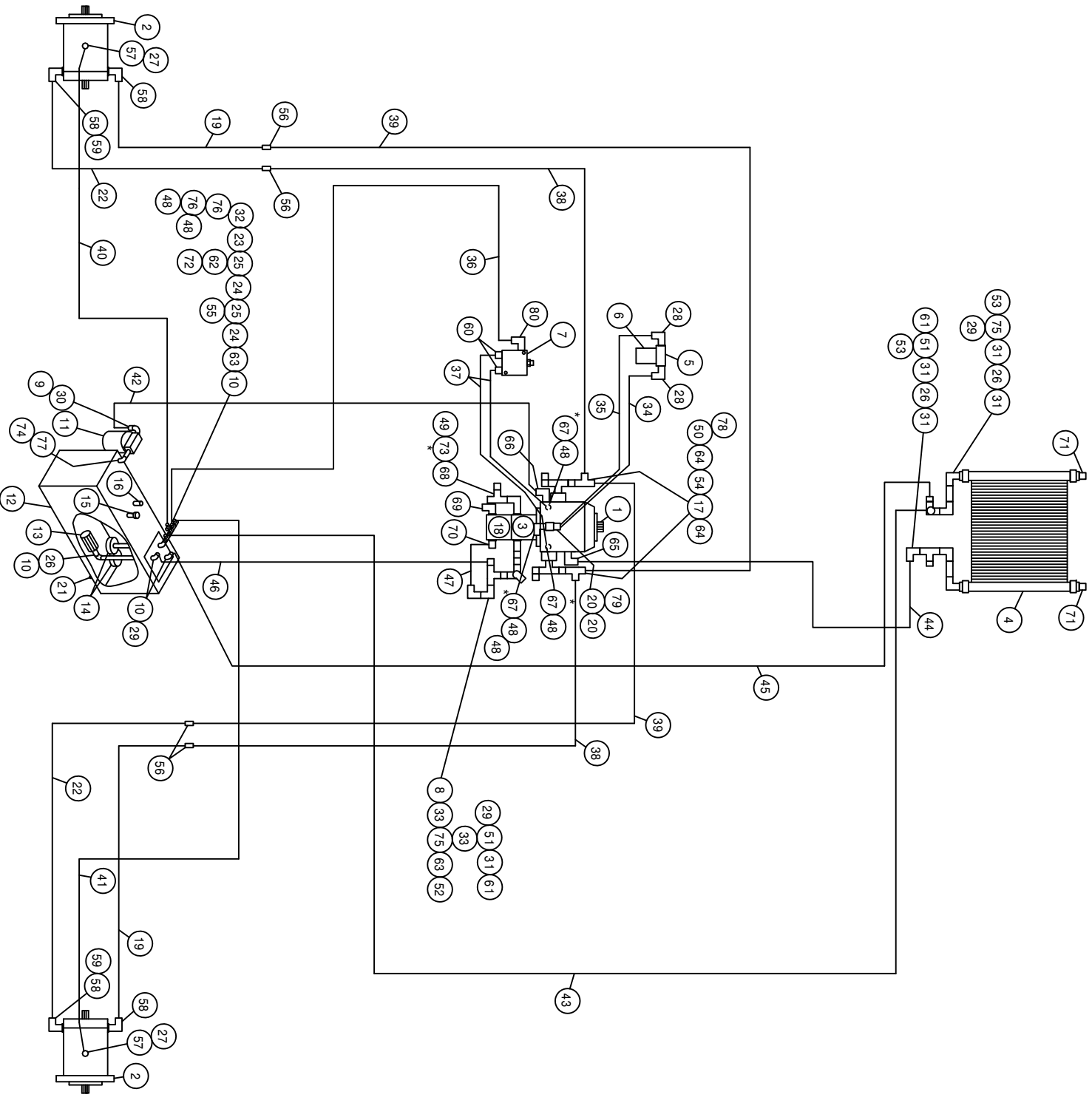
NOTE: REFER TO DETAIL 7 RELIEF PRESSURE SETTING.  
 \*STEERING RELIEF SETTING - 1850 PSI  
 \*\*BOOM RELIEF SETTING - 2650 PSI



HYD SCHEM, 254 CUMM, TWD-AGIT 98  
REFERENCE DRAWING NO. 498534S2

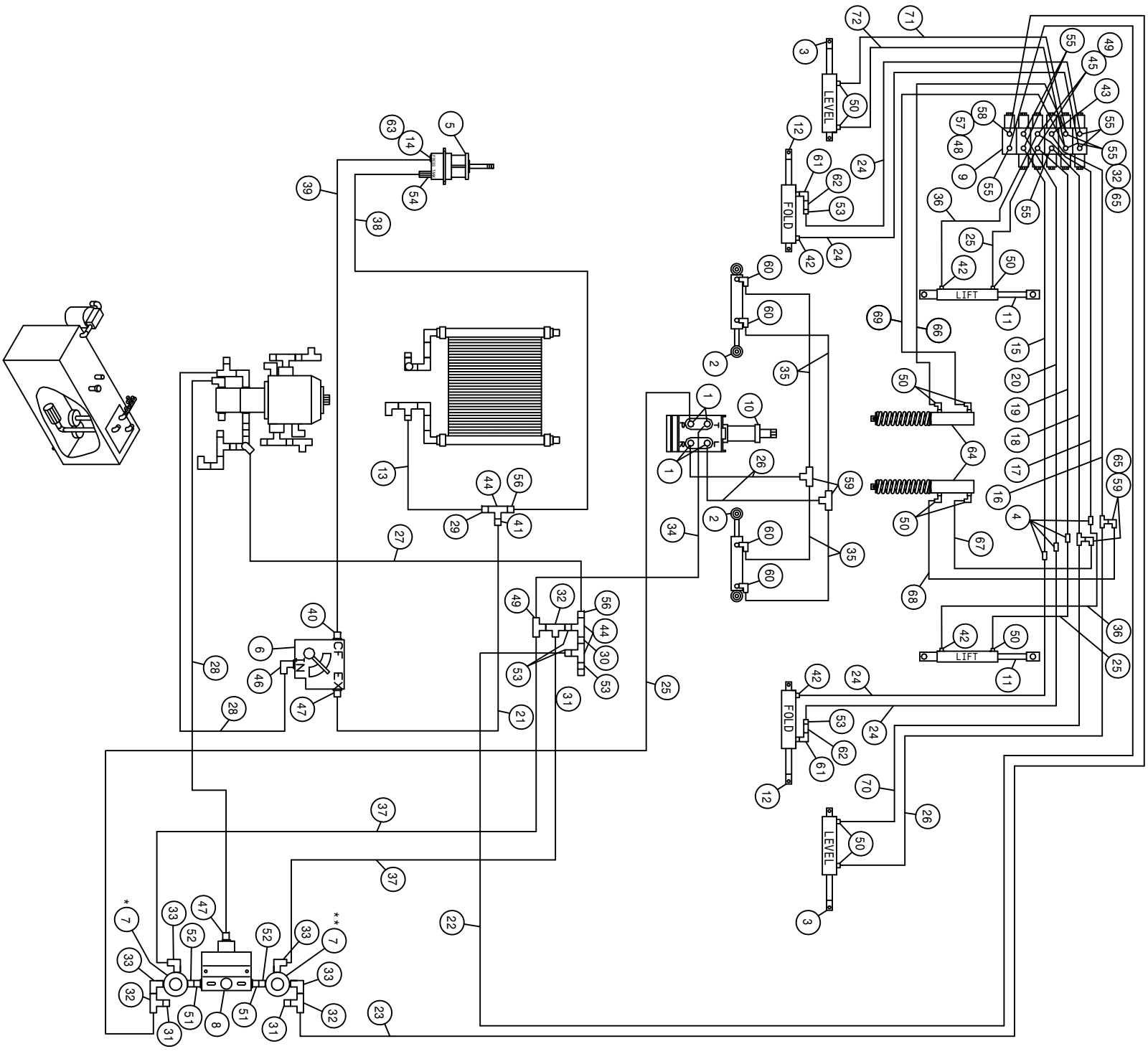
DET.	QTY	PART NO.	DESCRIPTION	DET.	QTY	PART NO.	DESCRIPTION
1	1	606827	FLO CONT FCS1 0-3 VARI 7/8FOR	41	1	614571	06C1T-06FJX-06FJX-126
2	2	620080	STRG CYL ASSY 1.50 X 6.0 1985	42	2	611208	04C1T-06FJX-06FJX-98
3	2	620585	LEVEL CYL ASSY, 2 X 10 96	43	1	618440	9/16MJIC-90-9/16MOR EX LG LBO
4	2	610510	CESSNA GEAR MOTOR 1.48CI	44	3	503820	BLK PIPE TEE .50NPT
5	1	610319	HYD MTR HYPRO HML PUMP	45	2	618126	9/16MJIC-9/16MOR ADPTR
6	1	606818	FLO CONT FCR51 0-16GPM 7/8FOR	46	1	611128	7/8MJIC-90-7/8MOR LBO
7	2	607512	RELIEF VALVE, RL50, 1850 PSI	47	2	611126	7/8MJIC-7/8MOR ADPTR
8	1	607504	FLO DIV B50 2-8GPM 7/8 FOR	48	3	611121	9/16MJIC-1/4MNPT ADPTR
9	1	610569	6 SECT, 5 FUNCTN HYD VLV, EATON	49	3	618514	9/16FJ SW BRANCH TEE-9/16MJ
10	1	749150	STRG MTR NON-LOAD REACT 1008	50	10	611122	9/16MJIC-90-1/4MNPT LBO
11	2	620673	LIFT CYL ASSY, 2.50 X 14.00"	51	2	618072	7/8MOR-1/2FNPT ADPTR
12	2	620595	FOLD CYL ASSY, 2 X 10 IN 96	52	2	500000	1/2MNPT HEX PIPE NIPPLE STL
13	1	601332	HOSE, 3/4 X 40 2BR RED	53	5	618018	9/16MJIC-1/2MNPT ADPTR
14	1	618241	3/4MJIC-90-3/4MOR LBO	54	5	618019	9/16MJIC UNION TEE
15	1	615641	FOLD HYD TUBE ASSY, IN 254/284	55	9	618119	9/16MJIC-90-9/16MOR LBO
16	1	615639	LEVEL HYD TUBE ASSY, UP254/284	56	1	618172	7/8MOR-9/16FOR ADPTR
17	1	615637	LIFT HYD TUBE ASSY, UP 254/284	57	2	618310	9/16MJIC-7/8MOR ADPTR
18	1	615640	LEVEL HYD TUBE ASSY, DN254/284	58	2	611147	3/4MJIC-1/2MNPT ADPTR
19	1	615638	LIFT HYD TUBE ASSY, DN 254/284	59	4	618496	9/16MJIC-45-3/4MOR LBO
20	1	615642	FOLD HYD TUBE ASSY, OUT254/284	60	5	619010	9/16MJIC UNION
21	1	615521	10C1T-10FJX-10FJX-18	61	5	618486	9/16FJIC SW RUN TEE-9/16MJIC
22	1	615452	06C1T-06FJX-06FJX-16	62	1	618327	3/4MJIC-7/8MOR ADPTR
23	1	614159	04C1T-06FJX-06FJX-169	63	1	618325	7/8MJIC-1/2MNPT ADPTR
24	4	615442	04C1T-06FJX-06FJX-55	64	4	614365	RESTRICTOR ELBOW ASSY .042DIA
25	3	616040	04C1T-06FJX-06FJX-67	65	1	611145	3/4MJIC-90-1/2MNPT LBO
26	3	616028	04C1T-06FJX-06FJX-47	66	1	618562	9/16MOR-90-1/4MNPT LBO
27	1	616057	08C1T-08FJX-08FJX-88	67	1	610447	HYD FILTER, INLINE 1/4FNPT 90M
28	2	614664	10C1T-10FJX-10FJX-98	68	5	618618	9/16MJIC-90-9/16FJIC SMIV LBO
29	1	712440	1/2 NPT X 3/4 HOSE BARB	69	4	618338	9/16MJIC-45-1/4MNPT LBO
30	1	503600	CLOSE NIPPLE .50NPT	70	1	618590	3/4MJIC-45-3/4FJIC SMIV LBO
31	2	618531	9/16FJIC CAP NUT	71	2	618635	1/2MNPT-90-1/4MNPT REDU LBO
32	4	618092	1 1/16MOR-1/2FNPT ADPTR	72	2	610450	RESTRICTOR .025 1-WAY, 1/2FNPT
33	8	618107	9/16MJIC-90-1/2MNPT LBO	73	2	620632	ACCUMLATOR CYL ASSY 96
34	1	611204	04C1T-06FJX-06FJX-78	74	1	616037	04C1T-06FJX-06FJX-29
35	4	614663	04C1T-06FJX-06FJX-16	75	1	614712	04C1T-06FJX-06FJX-20
36	2	615616	04C1T-06FJX-06FJX-65	76	1	616049	04C1T-06FJX-06FJX-26
37	3	616026	04C1T-06FJX-06FJX-37	77	1	614713	04C1T-06FJX-06FJX-24
38	1	615465	08C1T-08FJX-08FJX-33	78	1	614714	04C1T-06FJX-06FJX-34
39	1	614662	08C1T-08FJX-08FJX-72	79	1	614715	04C1T-06FJX-06FJX-43
40	3	614693	06C1T-06FJX-06FJX-168	80	1	616059	04C1T-06FJX-06FJX-33

\*NOTE:  
 TO DETAIL 73 TO CHECK AUX. SYSTEM - 1850 PSI  
 REFER TO DETAIL 67 TO CHECK LIMIT SETTING - 4500 PSI  
 REFER TO DETAIL 67 TO CHECK CHARGE PRESSURE - 380 PSI



HYD SCHEM,254 CUMM,TWD 98  
REFERENCE DRAWING NO. 498535S1

DET.	QTY	PART NO.	DESCRIPTION	DET.	QTY	PART NO.	DESCRIPTION
1	1	606902	SUND 100CC PUMP,B-MT W/FILT	41	1	615449	06C1T-06FJX-06FJX-126 H/A
2	2	610557	SUND M35-3102 WHL MTR W/SHFT	42	1	601380	HOSE, 1 1/4 X 35 1FBR-1SPI
3	1	606932	SUND GEAR PUMP,1.60CI,SPLINED	43	1	601304	HOSE, 3/4 2BR RED X 100 LG
4	1	618606	OIL COOLER, BLISSFIELD 65027	44	1	601112	HOSE, 3/4 X 84 2BR RED
5	1	605608	HYD FILTER HEAD, DONALDSON	45	1	601255	HOSE, 1.00 2BR RED X 104 LG
6	1	605609	HYD FILTER ELEMENT, DONALDSON	46	1	601381	HOSE, 1 X 39 1FBR-1SPI
7	1	610580	REMOTE FLUSHING VALVE, SUND	47	1	601383	HOSE, 3/4 X 8 1FBR-1SPI
8	1	618090	1 5/16MOR-1FNPT ADPTR	48	6	618531	9/16FJIC CAP NUT
9	1	506410	BLK PIPE ST EL 90DEG,1.25NPT	49	1	618328	7/8FJIC CAP NUT
10	4	505300	BLK PIPE EL 90DEG,1.00NPT	50	2	618487	1 1/16FJ SW RUN TEE-1 1/16MJ
11	1	605601	GRESEN FILTER 10 MICRON 40GPM	51	2	505101	BLK PIPE TEE,1.00NPT
12	1	760097	OIL TANK WLD 8240 1982	52	1	610300	3/4MJIC-3/4MNPT ADPTR
13	1	605600	MICHIGAN RESERVOIR FILTER	53	2	714331	1 NPT X 3/4 HOSE BARB
14	2	605603	LINE SUMP DIFFUSER	54	2	618599	1 5/16MOR BRANCH TEE-1 5/16MJ
15	1	611052	FILLER BREATHER 3/4NPT	55	1	713220	HOSE BARB 3/4 NPT X 3/4
16	1	614453	DIPSTICK, 8IN	56	4	618191	1 1/16MJ-90-1 1/16FJ SWIV LBO
17	2	618598	1" 4-BOLT FLG X 1 5/16 FOR	57	2	618172	7/8MOR-9/16FOR ADPTR
18	1	606929	SUND GEAR PUMP .66CI, SPLINED	58	4	618248	1 1/16MJIC-90-1 1/16MOR LBO
19	2	614694	FRT HYD TUBE ASSY 250 REARLEG	59	2	618529	1 1/16MJ-45-1 1/16FJ SWIV LBO
20	2	618327	3/4MJIC-7/8MOR ADPTR	60	2	618126	9/16MJIC-9/16MOR ADPTR
21	1	501102	1/4 PIPE PLUG	61	2	716000	3/4 HOSE BARB-90-1MNPT
22	1	614695	REAR HYD TUBE ASSY 250REARLEG	62	1	504001	RED BUSH 3/4 X 1/4 BLK MAL
23	1	504210	RED BUSH 3/4 NPT X 1/2 NPT	63	2	505213	RED BUSH 1 X 3/4 BLK MAL
24	2	504702	CLOSE NIPPLE .75NPT	64	4	618541	1 5/16FJIC-1 1/16MJIC ADPTR
25	2	504955	BLK PIPE TEE .75NPT	65	1	618118	3/4 HOSE BARB-90-1 1/16MOR
26	3	505203	BLK PIPE NIPPLE 1.00NPT-4.00	66	1	618626	1 1/4 HOSE BARB-45-1 5/8MOR
27	2	618425	9/16MJIC-45-9/16MOR LBO	67	3	618629	9/16MOR BRANCH TEE-9/16MJIC
28	2	618474	3/4MJIC-90-1 1/16MOR LBO	68	1	618535	7/8MJIC-90-1 1/16MOR LBO
29	4	714560	INPT X 1 HOSE BARB	69	1	611128	7/8MJIC-90-7/8MOR LBO
30	1	715660	HOSE BARB 1 1/4NPT X 1 1/4	70	1	618075	3/4 HOSE BARB-1 1/16MOR
31	5	505200	BLK PIPE ST EL 90DEG,1.00NPT	71	2	505102	PIPE PLUG 1.00NPT SQ HD
32	1	618018	9/16MJIC-1/2MNPT ADPTR	72	1	618520	1/4MNPT RUN TEE-9/16MJIC
33	2	505105	1MNPT HEX PIPE NIPPLE STL	73	1	618333	7/8FJIC SW RUN TEE-7/8MJIC
34	1	616034	08C1T-08FJX-08FJX-17	74	1	506602	PIPE NIPPLE 1 1/4NPT-2 1/2
35	1	615633	08C1T-08FJX-08FJX-23	75	2	505098	SIDE OUTLET EL 90DEG,1.00NPT
36	1	616048	04C1T-06FJX-06FJX-35	76	2	618486	9/16FJIC SW RUN TEE-9/16MJIC
37	2	616043	04C1T-06FJX-06FJX-23	77	1	506303	BLK PIPE EL 90DEG,1.25NPT
38	2	614683	10C2AT-12MJ-12FJX90-60	78	2	618533	1 1/16FJIC CAP NUT
39	2	614684	10C2AT-12MJ-12FJX90-70	79	1	618609	3/4MJIC-90-3/4FJIC SWIV LBO
40	1	614549	06C1T-06FJX-06FJX-140	80	1	618119	9/16MJIC-90-9/16MOR LBO

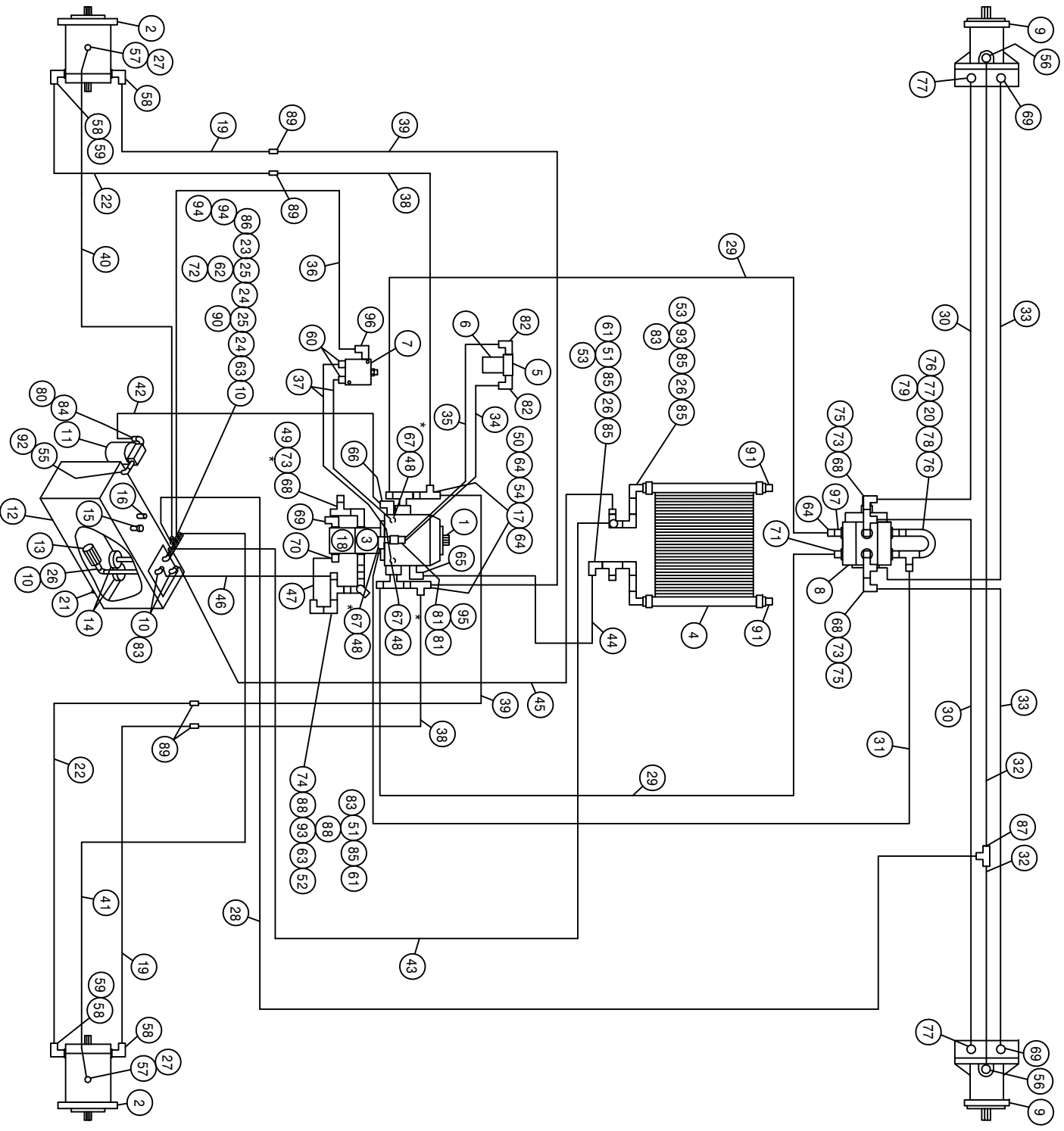


NOTE: REFER TO DETAIL 7 RELIEF PRESSURE SETTING.  
 \*\*STEERING RELIEF SETTING - 1850 PSI  
 \*\*BOOM RELIEF SETTING - 2650 PSI

HYD SCHEM, 254 CUMM, TWD 98  
REFERENCE DRAWING NO. 49853552

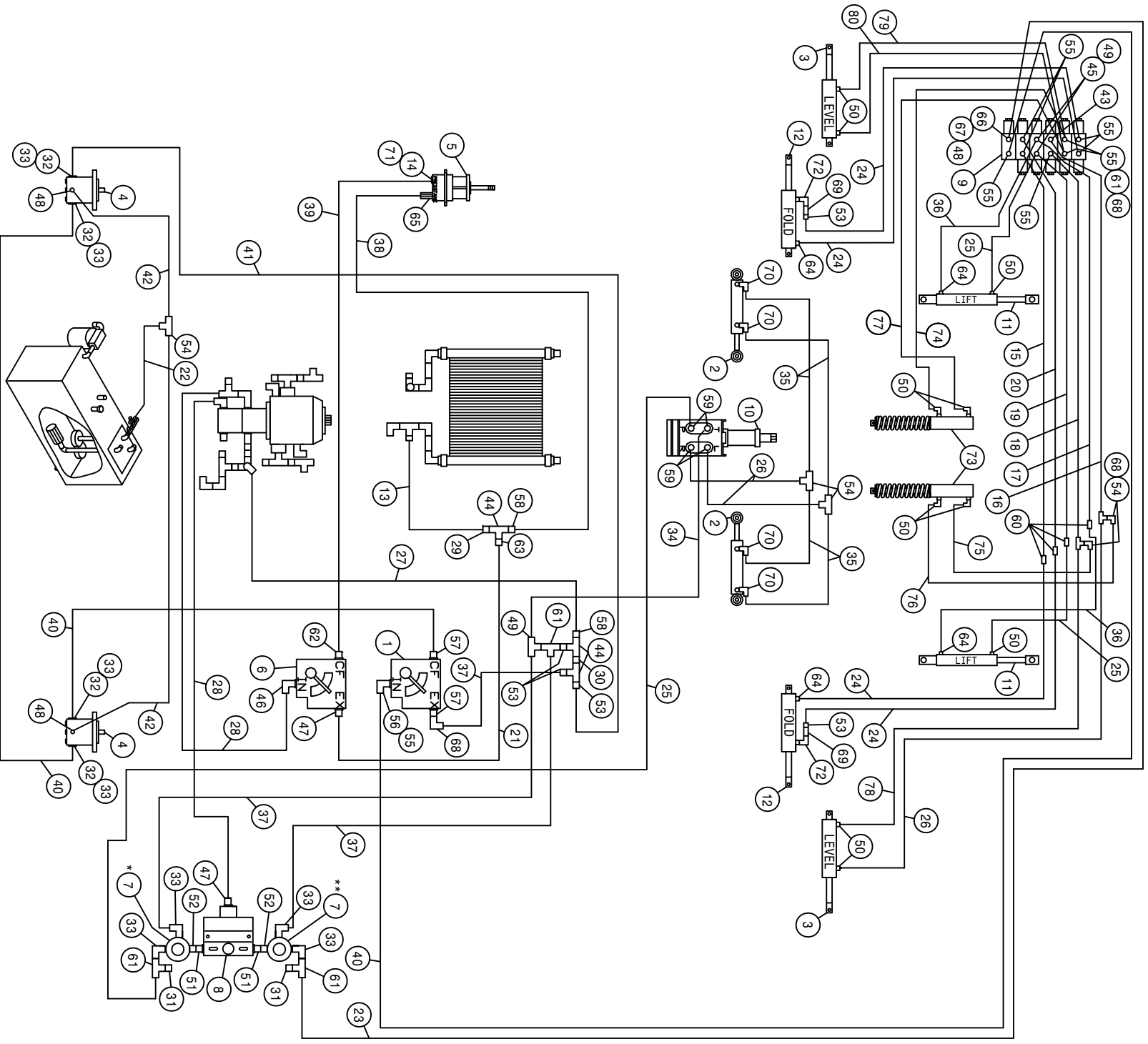
DET.	QTY	PART NO.	DESCRIPTION	DET.	QTY	PART NO.	DESCRIPTION
1	4	618496	9/16MJIC-45-3/4MOR LBO	37	2	616026	04C1T-06FJX-06FJX-37
2	2	620080	STRG CYL ASSY 1.50 X 6.0	38	1	615465	08C1T-08FJX-08FJX-33
3	2	620585	LEVEL CYL ASSY, 2 X 10	39	1	614662	08C1T-08FJX-08FJX-72
4	4	619010	9/16MJIC UNION	40	1	618327	3/4MJIC-7/8MOR ADPTR
5	1	610319	HYD MTR HYPRO HMI PUMP	41	1	618325	7/8MJIC-1/2MNPT ADPTR
6	1	606818	FLO CONT FCR51 0-16GPM 7/8FOR	42	4	614365	RESTRICTOR ELBOW ASSY .042DIA
7	2	607512	RELIEF VALVE, RL50, 1850 PSI	43	1	618440	9/16MJIC-90-9/16MOR EX LG LBO
8	1	607504	FLO DIV B50 2-8GPM 7/8 FOR	44	3	503820	BLK PIPE TEE .50NPT
9	1	610569	6 SECT. 5 FUNCTN HYD VLV, EATON	45	2	618126	9/16MJIC-9/16MOR ADPTR
10	1	749150	STRG MTR NON-LOAD REACT 1008	46	1	611128	7/8MJIC-90-7/8MOR LBO
11	2	620673	LIFT CYL ASSY, 2.50 X 14.00"	47	2	611126	7/8MJIC-7/8MOR ADPTR
12	2	620595	FOLD CYL ASSY, 2 X 10 IN	48	1	611121	9/16MJIC-1/4MNPT ADPTR
13	1	601332	HOSE, 3/4 X 40 ZBR RED	49	3	618514	9/16FJ SW BRANCH TEE-9/16MJ
14	1	618241	3/4MJIC-90-3/4MOR LBO	50	10	611122	9/16MJIC-90-1/4MNPT LBO
15	1	615641	FOLD HYD TUBE ASSY, IN 254/284	51	2	618072	7/8MOR-1/2FNPT ADPTR
16	1	615639	LEVEL HYD TUBE ASSY, UP254/284	52	2	500000	1/2MNPT HEX PIPE NIPPLE STL
17	1	615637	LIFT HYD TUBE ASSY, 254/284	53	5	618018	9/16MJIC-1/2MNPT ADPTR
18	1	615640	LEVEL HYD TUBE ASSY, DN254/284	54	1	611145	3/4MJIC-90-1/2MNPT LBO
19	1	615638	LIFT HYD TUBE ASSY, DN 254/284	55	8	618119	9/16MJIC-90-9/16MOR LBO
20	1	615642	FOLD HYD TUBE ASSY, OUT254/284	56	2	611147	3/4MJIC-1/2MNPT ADPTR
21	1	615521	10C1T-10FJX-10FJX-18	57	1	610447	HYD FILTER, INLINE 1/4FNPT 90M
22	1	614693	06C1T-06FJX-06FJX-168	58	1	618562	9/16MOR-90-1/4MNPT LBO
23	1	614159	04C1T-06FJX-06FJX-169	59	4	618019	9/16MJIC UNION TEE
24	4	615442	04C1T-06FJX-06FJX-55	60	4	618338	9/16MJIC-45-1/4MNPT LBO
25	3	616040	04C1T-06FJX-06FJX-67	61	2	618633	1/2MNPT-90-1/4MNPT REDU LBO
26	3	616028	04C1T-06FJX-06FJX-47	62	2	610450	RESTRICTOR .025 1-WAY, 1/2FNPT
27	1	616057	08C1T-08FJX-08FJX-88	63	1	618590	3/4MJIC-45-3/4FJIC SWIV LBO
28	2	614664	10C1T-10FJX-10FJX-98	64	2	620632	ACCUMLATOR CYL ASSY
29	1	712440	1/2 NPT X 3/4 HOSE BARB	65	4	618618	9/16MJIC-90-9/16FJIC SWIV LBO
30	1	503600	CLOSE NIPPLE .50NPT	66	1	616037	04C1T-06FJX-06FJX-29
31	3	618531	9/16FJIC CAP NUT	67	1	614712	04C1T-06FJX-06FJX-20
32	5	618486	9/16FJIC SW RUN TEE-9/16MJIC	68	1	616049	04C1T-06FJX-06FJX-26
33	4	618107	9/16MJIC-90-1/2MNPT LBO	69	1	614713	04C1T-06FJX-06FJX-24
34	1	611204	04C1T-06FJX-06FJX-78	70	1	614714	04C1T-06FJX-06FJX-34
35	4	614663	04C1T-06FJX-06FJX-16	71	1	614715	04C1T-06FJX-06FJX-43
36	2	615616	04C1T-06FJX-06FJX-65	72	1	616059	04C1T-06FJX-06FJX-33

\*NOTE:  
 REFER TO DETAIL 73 TO CHECK AUX. SYSTEM - 1850 PSI  
 REFER TO DETAIL 67 TO CHECK LIMIT SETTING - 4500 PSI  
 REFER TO DETAIL 67 TO CHECK CHARGE PRESSURE - 380 PSI



HYD SCHEM, 254 CUMM, FWD-AGIT 98  
REFERENCE DRAWING NO. 498536S1

DET.	QTY	PART NO.	DESCRIPTION	DET.	QTY	PART NO.	DESCRIPTION
1	1	606902	SUND 100CC PUMP, B-MT W/FILT	50	2	618487	1 1/16FJ SW RUN TEE-1 1/16MJ
2	2	610557	SUND M35-3102 WHL MTR W/SHFT	51	2	505101	BLK PIPE TEE 1.00NPT
3	1	606932	SUND GEAR PUMP, 1.60CI, SPLINED	52	1	610300	3/4MJJC-3/4MNPT ADPTR
4	1	618606	OIL COOLER, BLISSFIELD 65027	53	2	714331	1 NPT X 3/4 HOSE BARB
5	1	605608	HYD FILTER HEAD, DONALDSON	54	2	618599	1 5/16MOR BRANCH TEE-1 5/16MJ
6	1	605609	HYD FILTER ELEMENT, DONALDSON	55	1	506303	BLK PIPE EL 90DEG 1.25NPT
7	1	610580	REMOTE FLUSHING VALVE, SUND	56	2	618115	9/16MJJC-90-3/4MOR LBO
8	1	606003	GRESEN SELECTOR VALVE, DS-12	57	2	618172	7/8MOR-9/16FOR ADPTR
9	2	610567	SUND M25-3000 WHL MTR 1.5CI	58	4	618248	1 1/16MJJC-90-1 1/16MOR LBO
10	4	505300	BLK PIPE EL 90DEG 1.00NPT	59	2	618529	1 1/16MJ-45-1 1/16FJ SWIV LBO
11	1	605601	GRESEN FILTER 10 MICRON 40GPM	60	2	618126	9/16MJJC-9/16MOR ADPTR
12	1	760097	OIL TANK WLD 8240 1982	61	2	716000	3/4 HOSE BARB-90-1MNPT
13	1	605600	MICHIGAN RESERVOIR FILTER	62	1	504001	RED BUSH 3/4 X 1/4 BLK MAL
14	2	605603	LINE SUMP DIFFUSER	63	2	505213	RED BUSH 1 X 3/4 BLK MAL
15	1	611052	FILLER BREATHER 3/4NPT	64	5	618541	1 5/16FJJC-1 1/16MJJC ADPTR
16	1	614453	DIPSTICK, 81N	65	1	618118	3/4 HOSE BARB-90-1 1/16MOR
17	2	618598	1" 4-BOLT FLG X 1 5/16 FOR	66	1	618626	1 1/4 HOSE BARB-45-1 5/8MOR
18	1	606929	SUND GEAR PUMP, .66CI, SPLINED	67	3	618629	9/16MOR BRANCH TEE-9/16MJJC
19	2	614694	FRT HYD TUBE ASSY 250 REARLEG	68	3	618535	7/8MJJC-90-1 1/16MOR LBO
20	1	614198	FWD VALVE U-TUBE ASSY	69	3	611128	7/8MJJC-90-7/8MOR LBO
21	1	501102	1/4 PIPE PLUG	70	1	618075	3/4 HOSE BARB-1 1/16MOR
22	2	614695	REAR HYD TUBE ASSY 250REARLEG	71	1	611127	1 1/16MJJC-1 1/16MOR ADPTR
23	1	504210	RED BUSH 3/4 NPT X 1/2 NPT	72	1	618520	1/4MNPT RUN TEE-9/16MJJC
24	2	504702	CLOSE NIPPLE .75NPT	73	3	618333	7/8FJJC SW RUN TEE-7/8MJJC
25	2	504955	BLK PIPE TEE .75NPT	74	1	618090	1 5/16MOR-1FNPT ADPTR
26	3	505203	BLK PIPE NIPPLE 1.00NPT-4.00	75	2	618301	7/8MJJC-90-7/8FJJC SWIV LBO
27	2	618425	9/16MJJC-45-9/16MOR LBO	76	2	618132	1 1/16MOR-7/8FOR ADPTR
28	1	615619	06C1T-06FJJC-06FJJC-144	77	3	611126	7/8MJJC-7/8MOR ADPTR
29	2	614685	08C2AT-12FJJC-12FJJC-106	78	1	618130	7/8MOR RUN TEE-7/8MJJC
30	2	615617	08C2AT-10FJJC-10FJJC-120	79	1	618557	7/8FJJC-9/16MJJC ADPTR
31	1	614101	04C1T-06FJJC-06FJJC-133	80	1	506410	BLK PIPE ST EL 90DEG 1.25NPT
32	2	615450	06C1T-06FJJC-06FJJC45-112	81	2	618327	3/4MJJC-7/8MOR ADPTR
33	1	615618	08C2AT-10FJJC-10FJJC-120	82	2	618474	3/4MJJC-90-1 1/16MOR LBO
34	1	616034	08C1T-08FJJC-08FJJC-17	83	4	714560	1NPT X 1 HOSE BARB
35	1	615633	08C1T-08FJJC-08FJJC-23	84	1	715660	HOSE BARB 1 1/4NPT X 1 1/4
36	1	616048	04C1T-06FJJC-06FJJC-35	85	5	505200	BLK PIPE ST EL 90DEG 1.00NPT
37	2	616043	04C1T-06FJJC-06FJJC-23	86	1	618018	9/16MJJC-1/2MNPT ADPTR
38	2	614683	10C2AT-12MJ-12FJJC90-60	87	1	618019	9/16MJJC UNION TEE
39	2	614684	10C2AT-12MJ-12FJJC90-70	88	2	505105	1MNPT HEX PIPE NIPPLE STL
40	1	614549	06C1T-06FJJC-06FJJC-140	89	4	618191	1 1/16MJ-90-1 1/16FJ SWIV LBO
41	1	615449	06C1T-06FJJC-06FJJC-126	90	1	713220	HOSE BARB 3/4 NPT X 3/4
42	1	601380	HOSE, 1 1/4 X 35 1FBR-1SPI	91	2	505102	PIPE BARB 1.00NPT SQ HD
43	1	601304	HOSE, 3/4 2BR RED X 100 LG	92	1	506602	PIPE NIPPLE 1 1/4NPT-2 1/2
44	1	601112	HOSE, 3/4 X 84 2BR RED	93	2	505098	SIDE OUTLET EL 90DEG 1.00NPT
45	1	601255	HOSE, 1.00 2BR RED X 104 LG	94	2	618486	9/16FJJC SW RUN TEE-9/16MJJC
46	1	601381	HOSE, 1 X 39 1FBR-1SPI	95	1	618609	3/4MJJC-90-3/4FJJC SWIV LBO
47	1	601383	HOSE, 3/4 X 8 1FBR-1SPI	96	1	618119	9/16MJJC-90-9/16MOR LBO
48	3	618531	9/16FJJC CAP NUT	97	1	607523	FLOW REGULATOR, 21GPM VONBERG
49	1	618328	7/8FJJC CAP NUT				



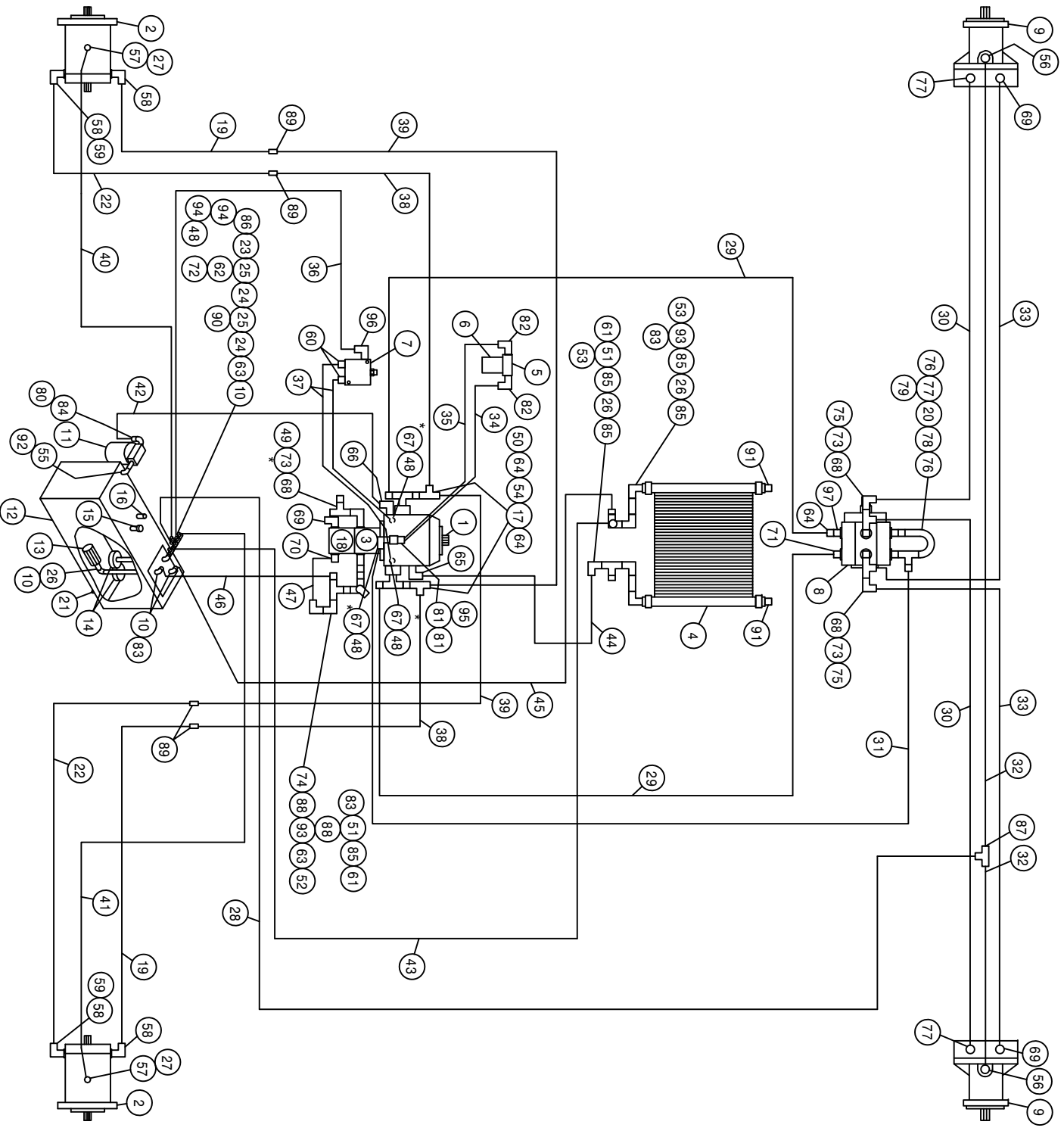
NOTE: REFER TO DETAIL 7 RELIEF PRESSURE SETTING.  
 \*STEERING RELIEF SETTING - 1850 PSI  
 \*\*BOOM RELIEF SETTING - 2650 PSI



HYD SCHEM,254 CUMM,FWD-AGIT 98  
REFERENCE DRAWING NO. 4983536S2

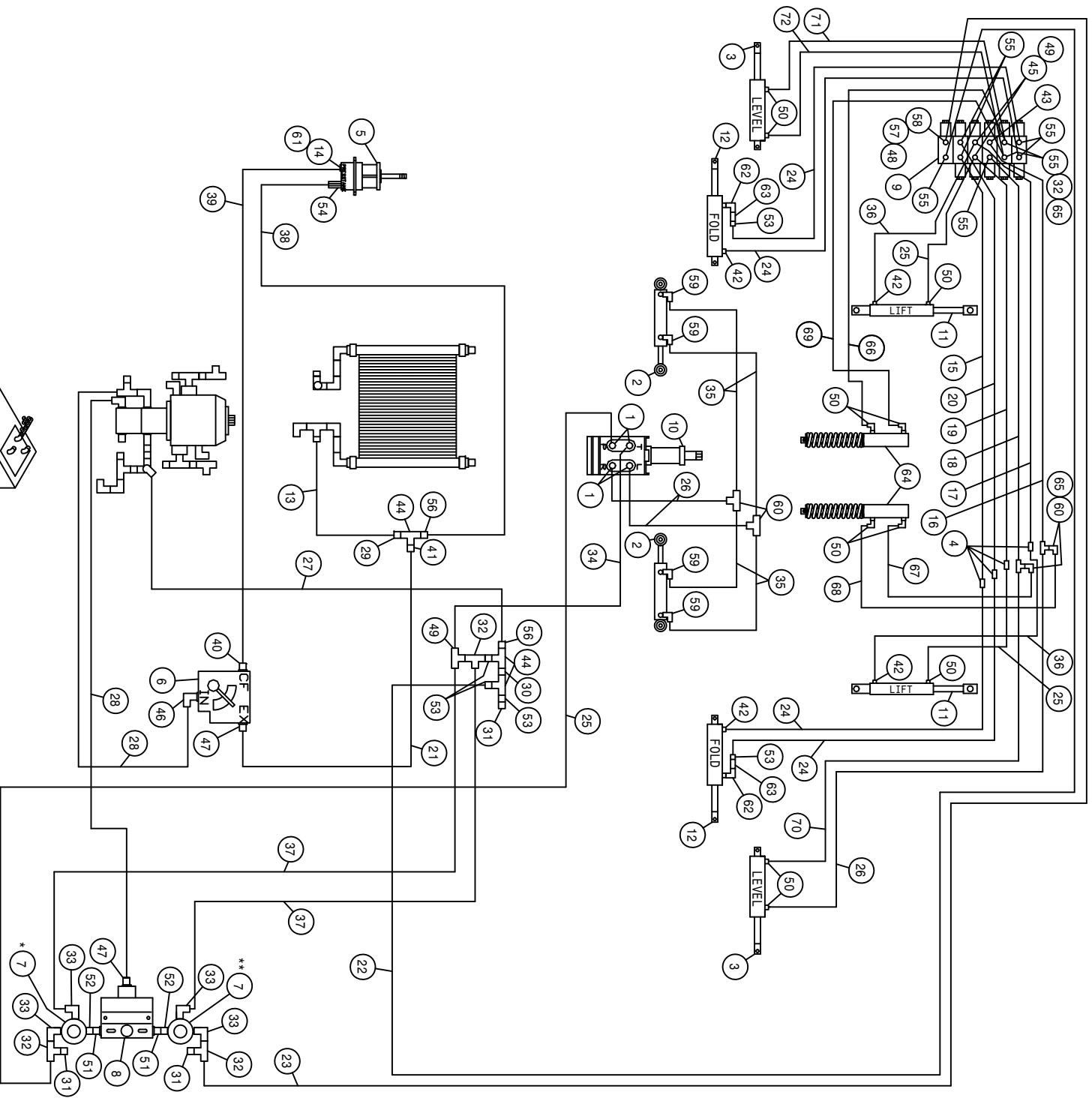
DET.	QTY	PART NO.	DESCRIPTION	DET.	QTY	PART NO.	DESCRIPTION	
1	1	606827	FLO CONT FC51 0-3 VARI 7/8FOR	41	1	614571	06C1T-06FJX-06FJX-126	H/A
2	2	620080	STRG CYL ASSY 1.50 X 6.0 1985	42	2	611208	04C1T-06FJX-06FJX-98	H/A
3	2	620585	LEVEL CYL ASSY, 2 X 10 96	43	1	618440	9/16MJIC-90-9/16MOR EX LG LBO	H/A
4	2	610510	CESSNA GEAR MOTOR 1.48CI	44	3	503820	BLK PIPE TEE .50NPT	H/A
5	1	610319	HYD MTR HYPRO HML PUMP	45	2	618126	9/16MJIC-9/16MOR ADPTR	H/A
6	1	606818	FLO CONT FCR51 0-16GPM 7/8FOR	46	1	611128	7/8MJIC-90-7/8MOR LBO	H/A
7	2	607512	RELIEF VALVE, RL50, 1850 PSI	47	2	611126	7/8MJIC-7/8MOR ADPTR	H/A
8	1	607504	FLO DIV B50 2-8GPM 7/8 FOR	48	3	611121	9/16MJIC-1/4MNPT ADPTR	H/A
9	1	610569	6 SECT, 5 FUNCTN HYD VLV, EATON	49	3	618514	9/16FJ SW BRANCH TEE-9/16MJ	H/A
10	1	749150	STRG MTR NON-LOAD REACT 1008	50	10	611122	9/16MJIC-90-1/4MNPT LBO	H/A
11	2	620673	LIFT CYL ASSY, 2.50 X 14.00"	51	2	618072	7/8MOR-1/2FNPT ADPTR	H/A
12	2	620595	FOLD CYL ASSY, 2 X 10 IN 96	52	2	500000	1/2MNPT HEX PIPE NIPPLE STL	H/A
13	1	601332	HOSE, 3/4 X 40 2BR RED	53	5	618018	9/16MJIC-1/2MNPT ADPTR	H/A
14	1	618241	3/4MJIC-90-3/4MOR LBO	54	5	618019	9/16MJIC UNION TEE	H/A
15	1	615641	FOLD HYD TUBE ASSY, IN 254/284	55	9	618119	9/16MJIC-90-9/16MOR LBO	H/A
16	1	615639	LEVEL HYD TUBE ASSY,UP254/284	56	1	618172	7/8MOR-9/16FOR ADPTR	H/A
17	1	615637	LIFT HYD TUBE ASSY,UP 254/284	57	2	618310	9/16MJIC-7/8MOR ADPTR	H/A
18	1	615640	LEVEL HYD TUBE ASSY, DN254/284	58	2	611147	3/4MJIC-1/2MNPT ADPTR	H/A
19	1	615638	LIFT HYD TUBE ASSY, DN 254/284	59	4	618496	9/16MJIC-45-3/4MOR LBO	H/A
20	1	615642	FOLD HYD TUBE ASSY,OUT254/284	60	4	619010	9/16MJIC UNION	H/A
21	1	615521	10C1T-10FJX-10FJX-18	61	5	618486	9/16FJIC SW RUN TEE-9/16MJIC	H/A
22	1	615452	06C1T-06FJX-06FJX-16	62	1	618327	3/4MJIC-7/8MOR ADPTR	H/A
23	1	614159	04C1T-06FJX-06FJX-169	63	1	618325	7/8MJIC-1/2MNPT ADPTR	H/A
24	4	615442	04C1T-06FJX-06FJX-55	64	4	614365	RESTRICTOR ELBOW ASSY .042DIA	H/A
25	3	616040	04C1T-06FJX-06FJX-67	65	1	611145	3/4MJIC-90-1/2MNPT LBO	H/A
26	3	616028	04C1T-06FJX-06FJX-47	66	1	618562	9/16MOR-90-1/4MNPT LBO	H/A
27	1	616057	08C1T-08FJX-08FJX-88	67	1	610447	HYD FILTER, INLINE 1/4FNPT 90M	H/A
28	2	614664	10C1T-10FJX-10FJX-98	68	5	618618	9/16MJIC-90-9/16FJIC SWIV LBO	H/A
29	1	712440	1/2 NPT X 3/4 HOSE BARB	69	2	610450	RESTRICTOR .025 1-WAY,1/2FNPT	H/A
30	1	503600	CLOSE NIPPLE .50NPT	70	4	618338	9/16MJIC-45-1/4MNPT LBO	H/A
31	2	618531	9/16FJIC CAP NUT	71	1	618590	3/4MJIC-45-3/4FJIC SWIV LBO	H/A
32	4	618092	1 1/16MOR-1/2FNPT ADPTR	72	2	618633	1/2MNPT-90-1/4MNPT REDU LBO	H/A
33	8	618107	9/16MJIC-90-1/2MNPT LBO	73	2	620632	ACCUMULATOR CYL ASSY	96
34	1	611204	04C1T-06FJX-06FJX-78	74	1	616037	04C1T-06FJX-06FJX-29	H/A
35	4	614663	04C1T-06FJX-06FJX-16	75	1	614712	04C1T-06FJX-06FJX-20	H/A
36	2	615616	04C1T-06FJX-06FJX-65	76	1	616049	04C1T-06FJX-06FJX-26	H/A
37	3	616026	04C1T-06FJX-06FJX-37	77	1	614713	04C1T-06FJX-06FJX-24	H/A
38	1	615465	08C1T-08FJX-08FJX-33	78	1	614714	04C1T-06FJX-06FJX-34	H/A
39	1	614662	08C1T-08FJX-08FJX-72	79	1	614715	04C1T-06FJX-06FJX-43	H/A
40	3	614693	06C1T-06FJX-06FJX-168	80	1	616059	04C1T-06FJX-06FJX-33	H/A

\*NOTE:  
REFER TO DETAIL 73 TO CHECK AUX. SYSTEM - 1850 PSI  
REFER TO DETAIL 67 TO CHECK LIMIT SETTING - 4500 PSI  
REFER TO DETAIL 67 TO CHECK CHARGE PRESSURE - 380 PSI



HYD SCHEM, 254 CUMM, FWD 98  
REFERENCE DRAWING NO. 49855751

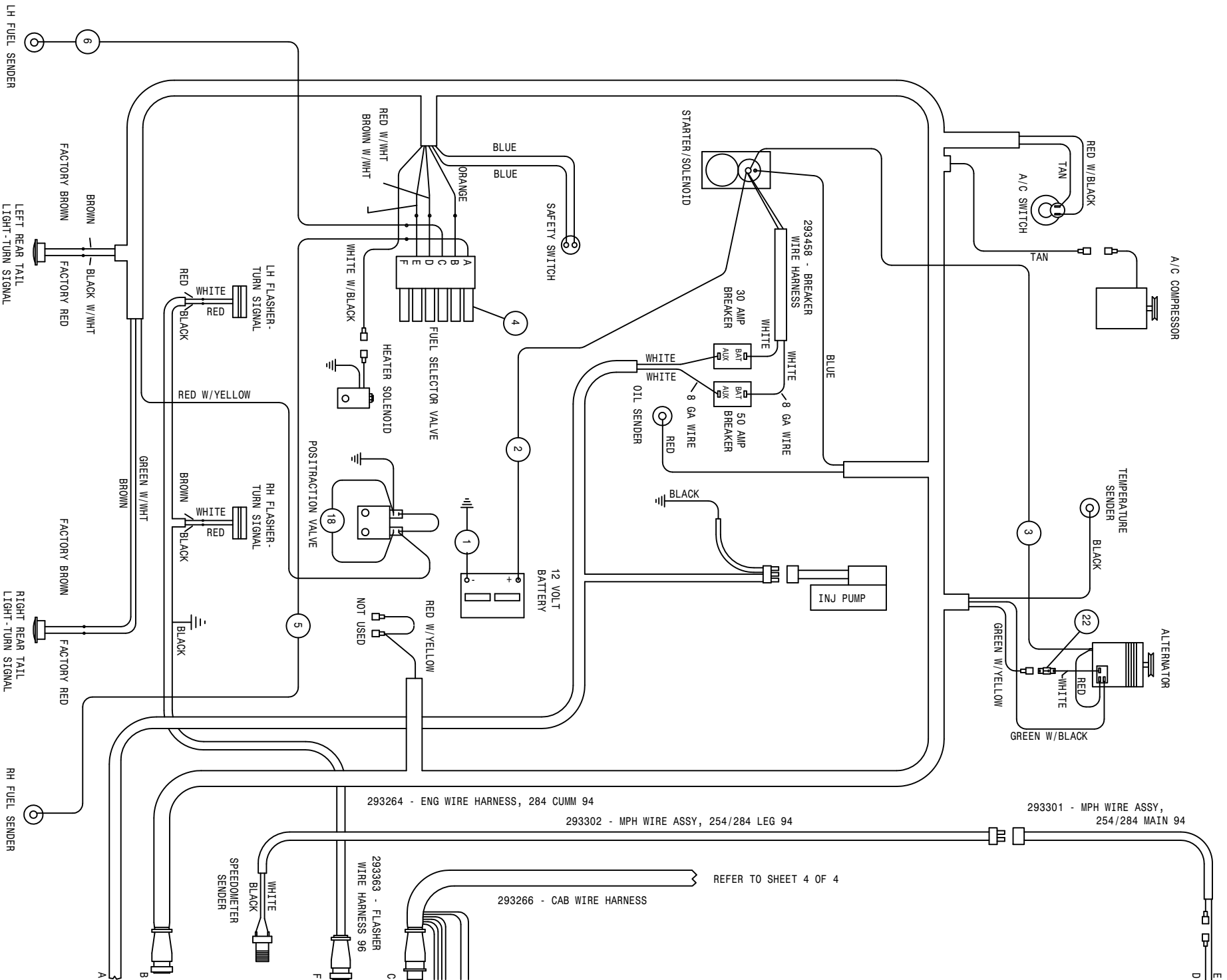
DET.	QTY	PART NO.	DESCRIPTION	DET.	QTY	PART NO.	DESCRIPTION
1	1	606902	SUND 100CC PUMP,B-MT W/FILT	50	2	618487	1 1/16FJ SW RUN TEE-1 1/16MJ
2	2	610557	SUND M35-3102 WHL MTR W/SHFT	51	2	505101	BLK PIPE TEE 1.00NPT
3	1	606932	SUND GEAR PUMP,1.60CI,SPLINED	52	1	610300	3/4MJIC-3/4MNPT ADPTR
4	1	618606	OIL COOLER, BLISSFIELD 65027	53	2	714331	1 NPT X 3/4 HOSE BARB
5	1	605608	HYD FILTER HEAD, DONALDSON	54	2	618599	1 5/16MOR BRANCH TEE-1 5/16MJ
6	1	605609	HYD FILTER ELEMENT, DONALDSON	55	1	506303	BLK PIPE EL 90DEG 1.25NPT
7	1	610580	REMOTE FLUSHING VALVE, SUND	56	2	618115	9/16MJIC-90-3/4MOR LBO
8	1	606003	GRESN SELECTOR VALVE DS-12	57	2	618172	7/8MOR-9/16FOR ADPTR
9	2	610567	SUND M25-3000 WHL MTR 1.5CI	58	4	618248	1 1/16MJIC-90-1 1/16MOR LBO
10	4	505300	BLK PIPE EL 90DEG 1.00NPT	59	2	618529	1 1/16MJ-45-1 1/16FJ SWIV LBO
11	1	605601	GRESN FILTER 10 MICRON 40GPM	60	2	618126	9/16MJIC-9/16MOR ADPTR
12	1	760097	OIL TANK WLD 8240 1982	61	2	716000	3/4 HOSE BARB-90-1MNPT
13	1	605600	MICHIGAN RESERVOIR FILTER	62	1	504001	RED BUSH 3/4 X 1/4 BLK MAL
14	2	605603	LINE SUMP DIFFUSER	63	2	505213	RED BUSH 1 X 3/4 BLK MAL
15	1	611052	FILLER BREATHER 3/4NPT	64	5	618541	1 5/16FJIC-1 1/16MJIC ADPTR
16	1	614453	DIPSTICK, 8IN	65	1	618118	3/4 HOSE BARB-90-1 1/16MOR
17	2	618598	1" 4-BOLT FLG X 1 5/16 FOR	66	1	618626	1 1/4 HOSE BARB-45-1 5/8MOR
18	1	606929	SUND GEAR PUMP .66CI, SPLINED	67	3	618629	9/16MOR BRANCH TEE-9/16MJIC
19	2	614694	FRT HYD TUBE ASSY 250 REARLEG	68	3	618535	7/8MJIC-90-1 1/16MOR LBO
20	1	614198	FWD VALVE U-TUBE ASSY	69	3	611128	7/8MJIC-90-7/8MOR LBO
21	1	501102	1/4 PIPE PLUG	70	1	618075	3/4 HOSE BARB-1 1/16MOR
22	2	614695	REAR HYD TUBE ASSY 250REARLEG	71	1	611127	1 1/16MJIC-1 1/16MOR ADPTR
23	1	504210	RED BUSH 3/4 NPT X 1/2 NPT	72	1	618520	1/4MNPT RUN TEE-9/16MJIC
24	2	504702	CLOSE NIPPLE .75NPT	73	3	618333	7/8FJIC SW RUN TEE-7/8MJIC
25	2	504955	BLK PIPE TEE .75NPT	74	1	618090	1 5/16MOR-1FNPT ADPTR
26	3	505203	BLK PIPE NIPPLE 1.00NPT-4.00	75	2	618301	7/8MJIC-90-7/8FJIC SWIV LBO
27	2	618425	9/16MJIC-45-9/16MOR LBO	76	2	618132	1 1/16MOR-7/8FOR ADPTR
28	1	615619	06C1T-06FJX-06FJX-144	77	3	611126	7/8MJIC-7/8MOR ADPTR
29	2	614685	08C2AT-12FJX-12FJX-106	78	1	618130	7/8MOR RUN TEE-7/8MJIC
30	2	615617	08C2AT-10FJX-10FJX90-120	79	1	618557	7/8FJIC-9/16MJIC ADPTR
31	1	614101	04C1T-06FJX-06FJX-133	80	1	506410	BLK PIPE ST EL 90DEG 1.25NPT
32	2	615450	06C1T-06FJX-06FJX45-112	81	2	618327	3/4MJIC-7/8MOR ADPTR
33	2	615618	08C2AT-10FJX-10FJX-120	82	2	618474	3/4MJIC-90-1 1/16MOR LBO
34	1	616034	08C1T-08FJX-08FJX-17	83	4	714560	1NPT X 1 HOSE BARB
35	1	615633	08C1T-08FJX-08FJX-23	84	1	715660	HOSE BARB 1 1/4NPT X 1 1/4
36	1	616048	04C1T-06FJX-06FJX-35	85	5	505200	BLK PIPE ST EL 90DEG 1.00NPT
37	2	616043	04C1T-06FJX-06FJX-23	86	1	618018	9/16MJIC-1/2MNPT ADPTR
38	2	614683	10C2AT-12MJ-12FJX90-60	87	1	618019	9/16MJIC UNION TEE
39	2	614684	10C2AT-12MJ-12FJX90-70	88	2	505105	1MNPT HEX PIPE NIPPLE STL
40	1	614549	06C1T-06FJX-06FJX-140	89	4	618191	1 1/16MJ-90-1 1/16FJ SWIV LBO
41	1	615449	06C1T-06FJX-06FJX-126	90	1	713320	HOSE BARB 3/4 NPT X 3/4
42	1	601380	HOSE, 1 1/4 X 35 1FBR-1SPI	91	2	505102	PIPE PLUG 1.00NPT SQ HD
43	1	601304	HOSE, 3/4 2BR RED X 100 LG	92	1	506602	PIPE NIPPLE 1 1/4NPT-2 1/2
44	1	601112	HOSE, 3/4 X 84 2BR RED	93	2	505098	SIDE OUTLET EL 90DEG 1.00NPT
45	1	601255	HOSE, 1.00 2BR RED X 104 LG	94	2	618486	9/16FJIC SW RUN TEE-9/16MJIC
46	1	601381	HOSE, 1 X 39 1FBR-1SPI	95	1	618609	3/4MJIC-90-3/4FJIC SWIV LBO
47	1	601383	HOSE, 3/4 X 8 1FBR-1SPI	96	1	618119	9/16MJIC-90-9/16MOR LBO
48	4	618531	9/16FJIC CAP NUT	97	1	607523	FLOW REGULATOR, 21GPM VONBERG
49	1	618328	7/8FJIC CAP NUT				



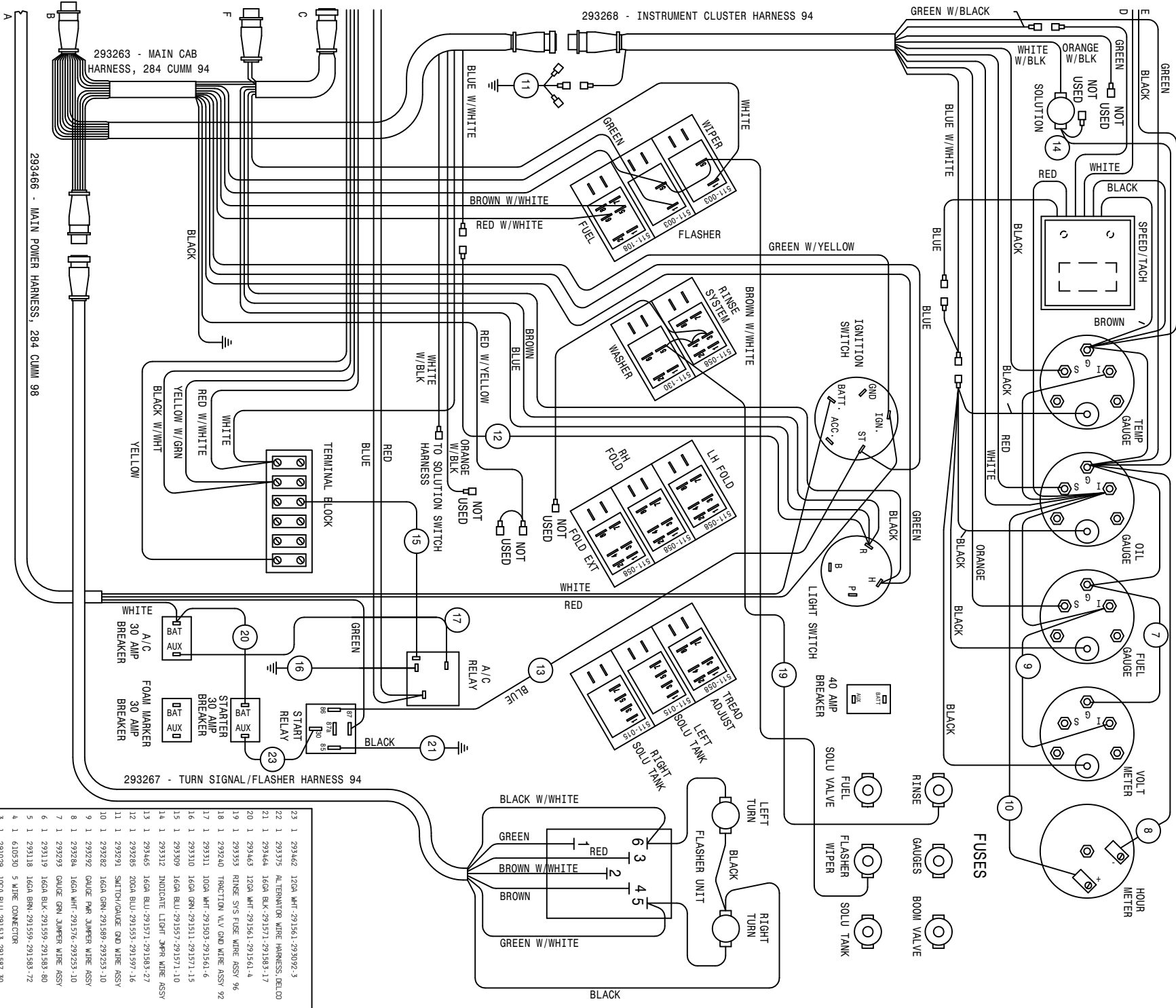
NOTE: REFER TO DETAIL 7 RELIEF PRESSURE SETTING.  
 \*\*STEERING RELIEF SETTING - 1850 PSI  
 \*\*BOOM RELIEF SETTING - 2650 PSI

HYD SCHEM, 254 CUMM, FWD 98  
REFERENCE DRAWING NO. 498537S2

DET.	QTY	PART NO.	DESCRIPTION	DET.	QTY	PART NO.	DESCRIPTION
1	4	618496	9/16MJIC-45-3/4MOR LBO	37	2	616026	04C1T-06FJX-06FJX-37
2	2	620080	STRG CYL ASSY 1.50 X 6.0 1985	38	1	615465	08C1T-08FJX-08FJX-33
3	2	620585	LEVEL CYL ASSY, 2 X 10	39	1	614662	08C1T-08FJX-08FJX-72
4	4	619010	9/16MJIC UNION	40	1	618327	3/4MJIC-7/8MOR ADPTR
5	1	610319	HYD MTR HYPRO HM1 PUMP	41	1	618325	7/8MJIC-1/2MNPT ADPTR
6	1	606818	FLO CONT FCR51 0-16GPM 7/8FOR	42	4	614365	RESTRICTOR ELBOW ASSY .042DIA
7	2	607512	RELIEF VALVE, RL50, 1850 PSI	43	1	618440	9/16MJIC-90-9/16MOR EX LG LBO
8	1	607504	FLO DIV B50 2-8GPM 7/8 FOR	44	3	503820	BLK PIPE TEE .50NPT
9	1	610569	6 SECT.5 FUNCTN HYD VLV, EATON	45	2	618126	9/16MJIC-9/16MOR ADPTR
10	1	749150	STRG MTR NON-LOAD REACT 1008	46	1	611128	7/8MJIC-90-7/8MOR LBO
11	2	620673	LIFT CYL ASSY, 2.50 X 14.00"	47	2	611126	7/8MJIC-7/8MOR ADPTR
12	2	620595	FOLD CYL ASSY, 2 X 10 IN	48	1	611121	9/16MJIC-1/4MNPT ADPTR
13	1	601332	HOSE, 3/4 X 40 2BR RED	49	3	618514	9/16FJ SW BRANCH TEE-9/16MJ
14	1	618241	3/4MJIC-90-3/4MOR LBO	50	10	611122	9/16MJIC-90-1/4MNPT LBO
15	1	615641	FOLD HYD TUBE ASSY, IN 254/284	51	2	618072	7/8MOR-1/2FNPT ADPTR
16	1	615639	LEVEL HYD TUBE ASSY, UP254/284	52	2	500000	1/2MNPT HEX PIPE NIPPLE STL
17	1	615637	LIFT HYD TUBE ASSY, UP 254/284	53	5	618018	9/16MJIC-1/2MNPT ADPTR
18	1	615640	LEVEL HYD TUBE ASSY, DN254/284	54	1	611145	3/4MJIC-90-1/2MNPT LBO
19	1	615638	LIFT HYD TUBE ASSY, DN 254/284	55	8	618119	9/16MJIC-90-9/16MOR LBO
20	1	615642	FOLD HYD TUBE ASSY, OUT254/284	56	2	611147	3/4MJIC-1/2MNPT ADPTR
21	1	615521	10C1T-10FJX-10FJX-18	57	1	610447	HYD FILTER, INLINE 1/4FNPT 90M
22	1	614693	06C1T-06FJX-06FJX-168	58	1	618562	9/16MOR-90-1/4MNPT LBO
23	1	614159	04C1T-06FJX-06FJX-169	59	4	618338	9/16MJIC-45-1/4MNPT LBO
24	4	615442	04C1T-06FJX-06FJX-55	60	4	618019	9/16MJIC UNION TEE
25	3	616040	04C1T-06FJX-06FJX-67	61	1	618590	3/4MJIC-45-3/4FJIC SWIV LBO
26	3	616028	04C1T-06FJX-06FJX-47	62	2	618633	1/2MNPT-90-1/4MNPT REDU LBO
27	1	616057	08C1T-08FJX-08FJX-88	63	2	610450	RESTRICTOR .025 1-WAY, 1/2FNPT
28	2	614664	10C1T-10FJX-10FJX-98	64	2	620632	ACCUMULATOR CYL ASSY
29	1	712440	1/2 NPT X 3/4 HOSE BARB	65	4	618618	9/16MJIC-90-9/16FJIC SWIV LBO
30	1	503600	CLOSE NIPPLE .50NPT	66	1	616037	04C1T-06FJX-06FJX-29
31	3	618531	9/16FJIC CAP NUT	67	1	614712	04C1T-06FJX-06FJX-20
32	5	618486	9/16FJIC SW RUN TEE-9/16MJIC	68	1	616049	04C1T-06FJX-06FJX-26
33	4	618107	9/16MJIC-90-1/2MNPT LBO	69	1	614713	04C1T-06FJX-06FJX-24
34	1	611204	04C1T-06FJX-06FJX-78	70	1	614714	04C1T-06FJX-06FJX-34
35	4	614663	04C1T-06FJX-06FJX-16	71	1	614715	04C1T-06FJX-06FJX-43
36	2	615616	04C1T-06FJX-06FJX-65	72	1	616059	04C1T-06FJX-06FJX-33



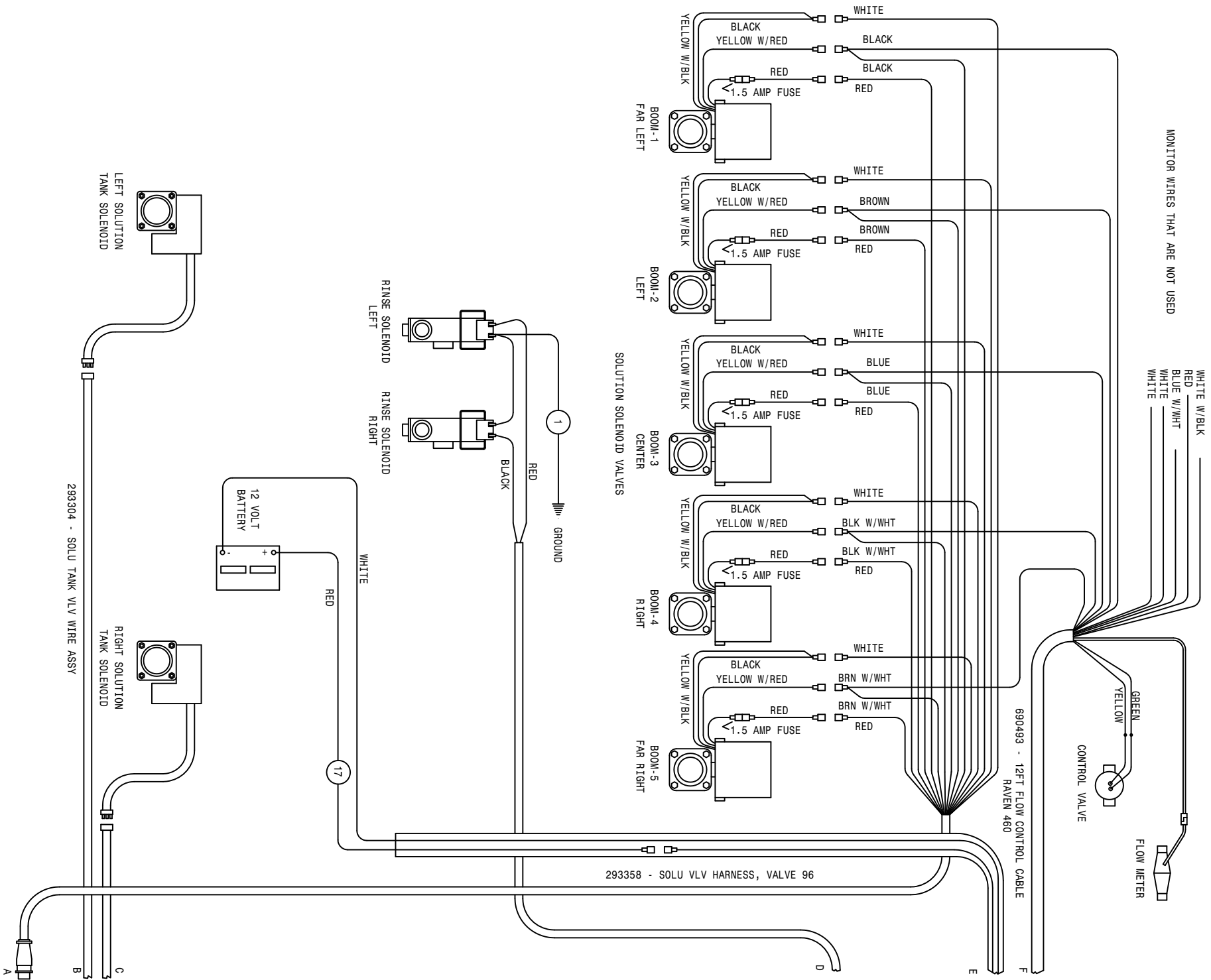
REFER TO SHEET 4 OF 4



23	1	293462	120A WHT-291561-293092-3
22	1	293375	ALTERNATOR WIRE HARNESS, DELCO
21	1	293464	160A BLK-291571-291583-17
20	1	293463	120A WHT-291561-291561-4
19	1	293353	RINSE SYS FUSE WIRE ASSY 96
18	1	293240	TRACTION VALV GND WIRE ASSY 92
17	1	293310	160A GRN-291511-291571-15
16	1	293309	160A BLU-291557-291561-6
15	1	293285	200A BLU-291557-291597-16
14	1	293312	INDICATE LIGHT CLR WIRE ASSY
13	1	293465	160A BLU-291571-291583-27
12	1	293285	200A BLU-291557-291597-16
11	1	293291	SMITH/GAUGE GND WIRE ASSY
10	1	293282	160A GRN-291589-291593-10
9	1	293292	GAUGE PWR JUMPER WIRE ASSY
8	1	293284	160A WHT-291576-291593-10
7	1	293293	GAUGE GRN JUMPER WIRE ASSY
6	1	293119	160A BLK-291559-291583-80
5	1	293118	160A BRN-291559-291583-72
4	1	610530	5 WIRE CONNECTOR
3	1	291029	100A BLU-291513-291587-30
2	1	291128	BATTERY CABLE 48IN
1	1	290111	GROUND STRAP

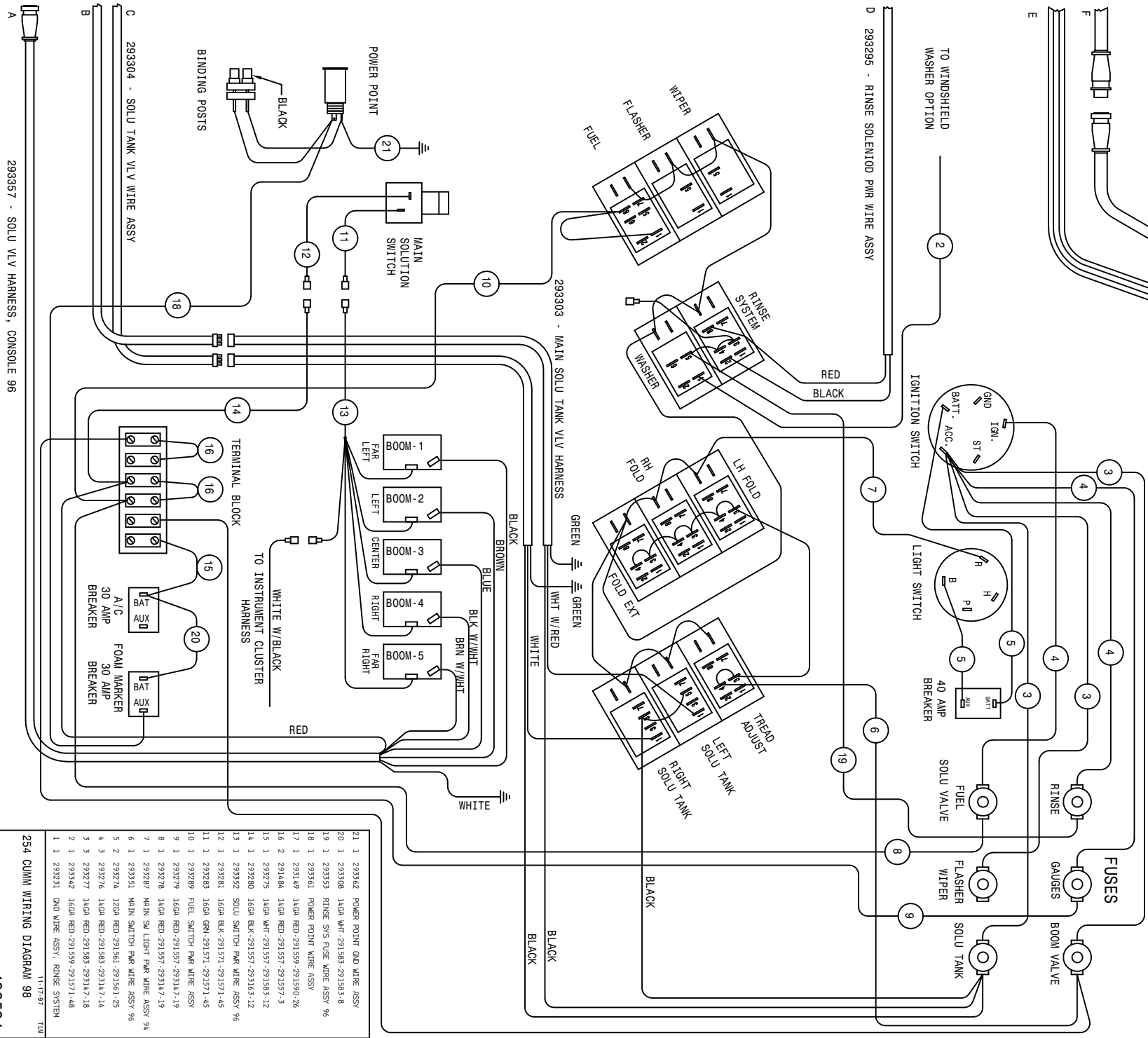
254 CUMM WIRING DIAGRAM 98

SHEET 1 OF 4  
 REVISION DATE: 07-20-01  
 498531





690492 - CONSOLE CONTROL CABLE RAVEN 460



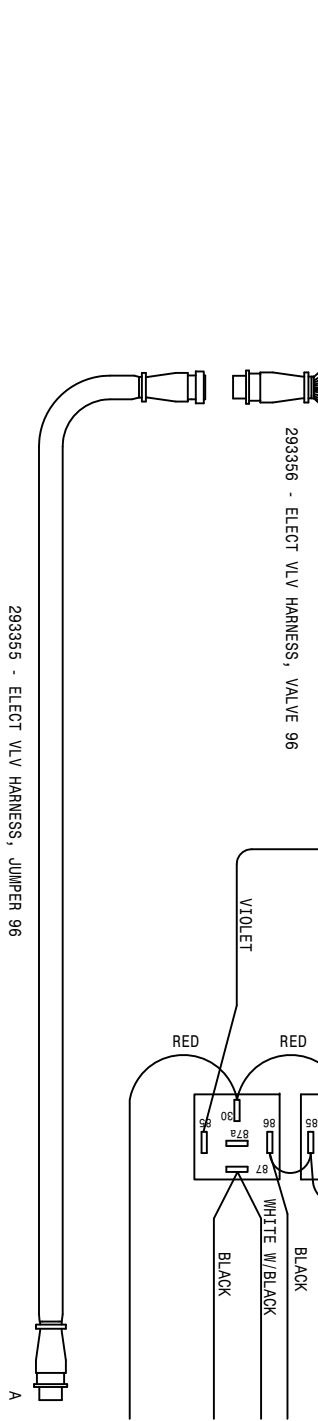
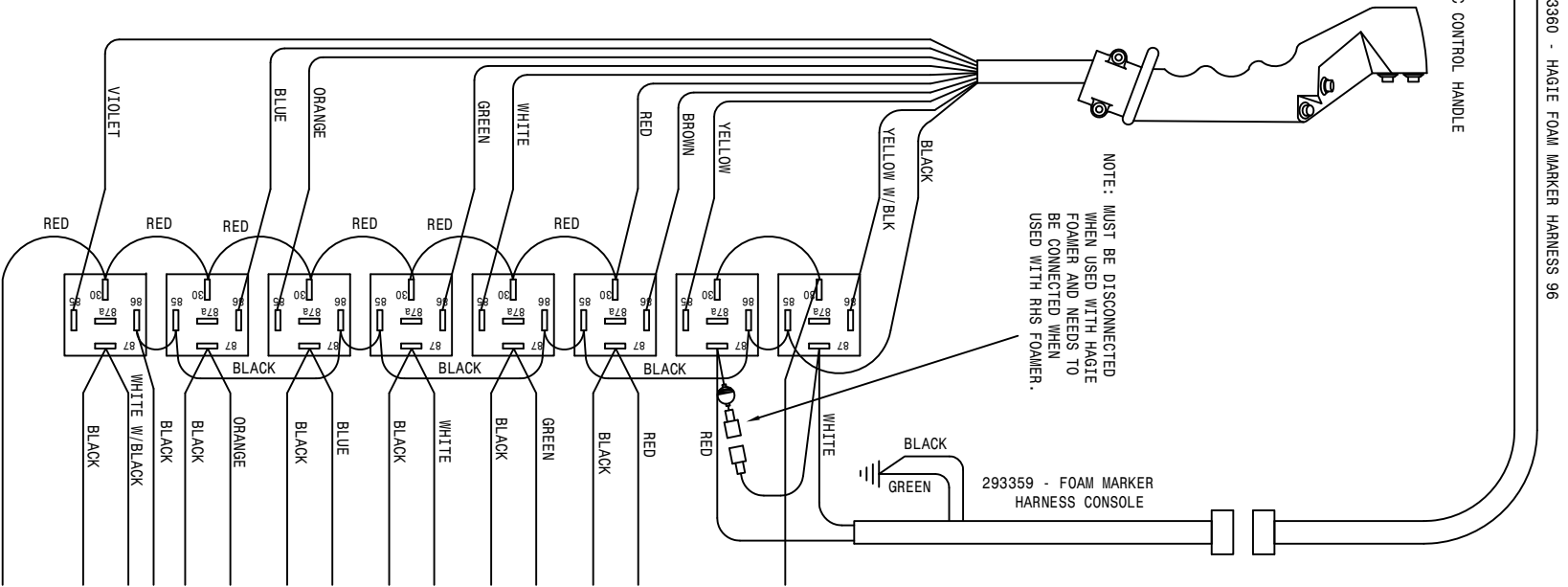
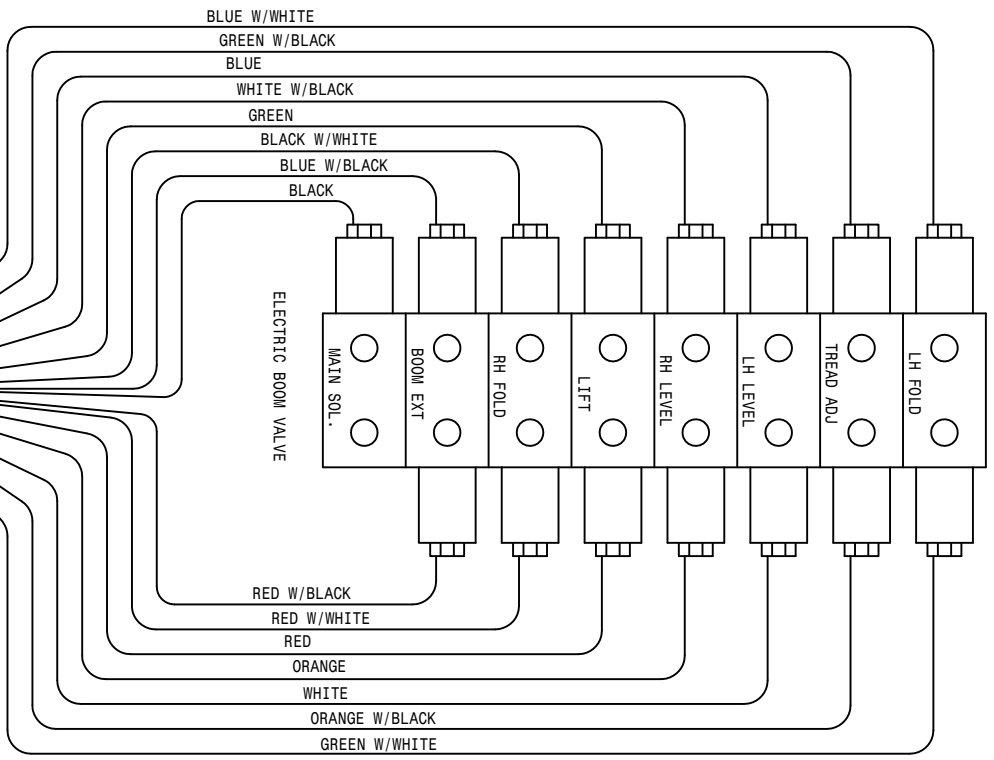
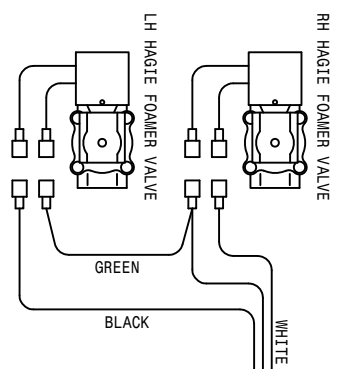
21	1	299362	POWER POINT GND WIRE ASSY
20	1	299308	14GA WHT -291583 -291583-8
19	1	299353	RINSE SYS FUSE WIRE ASSY 96
18	1	299361	POWER POINT WIRE ASSY
17	1	299349	14GA RED -291597 -291590-26
16	2	291484	14GA RED -291557 -291573-12
15	1	299275	14GA WHT -291557 -291583-12
14	1	299280	16GA GNM -291571 -291571-45
13	1	299352	SOLU SWITCH PWR WIRE ASSY 96
12	1	299281	16GA BLK -291571 -291571-45
11	1	299283	16GA GNM -291571 -291571-45
10	1	299289	FUEL SWITCH PWR WIRE ASSY
9	1	299279	16GA RED -291557 -29314-7-19
8	1	299278	14GA RED -291557 -29314-7-19
7	1	299287	MAIN SW LIGHT PWR WIRE ASSY 96
6	1	299351	MAIN SWITCH PWR WIRE ASSY 96
5	2	299274	12GA RED -291561 -291561-25
4	3	299276	14GA RED -291583 -29314-7-14
3	3	299277	14GA RED -291583 -29314-7-18
2	1	299342	16GA RED -291597 -291571-48
1	1	299273	GND WIRE ASSY, RINSE SYSTEM

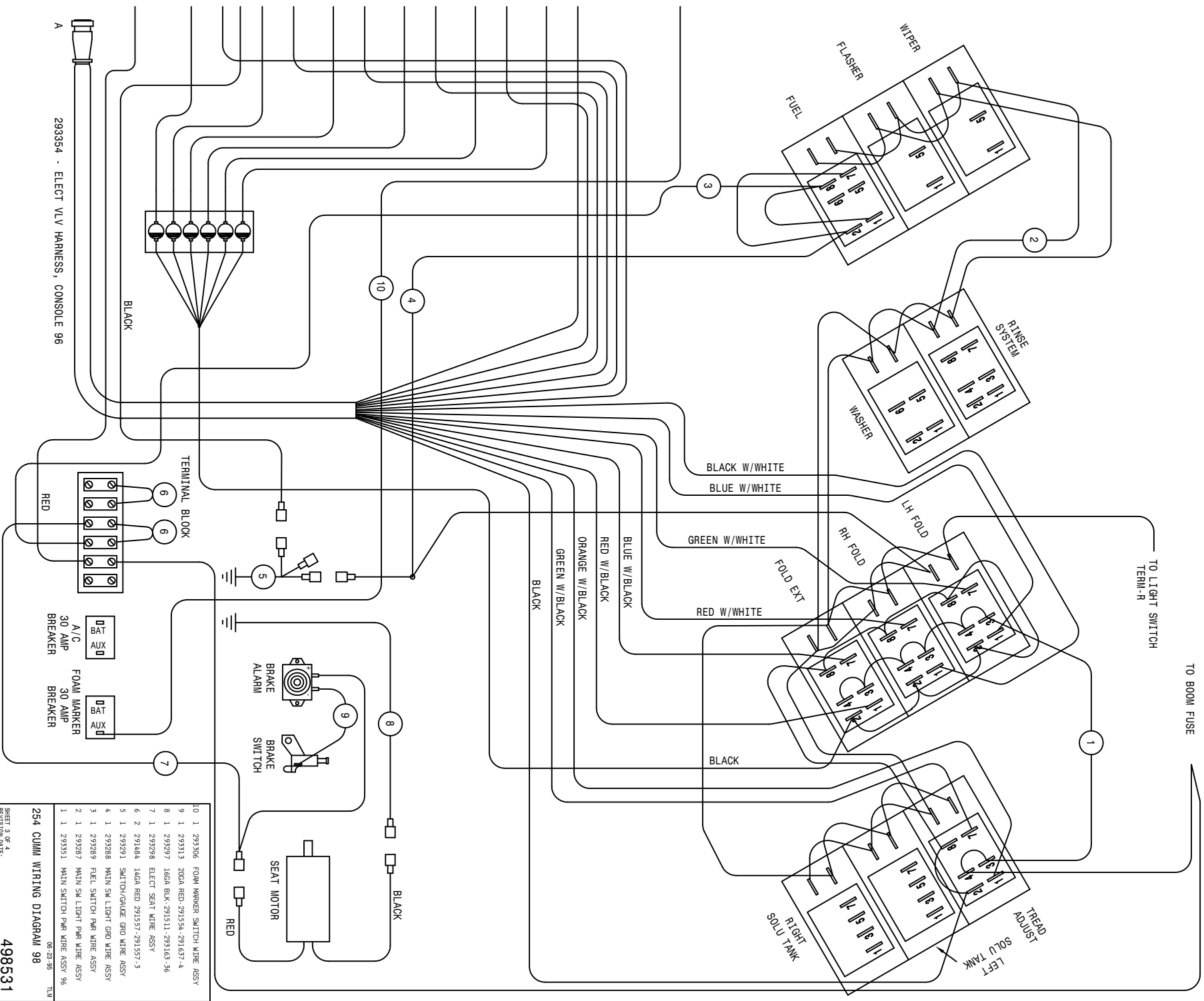
254 CUMM WIRING DIAGRAM 98

SHEET 2 OF 4  
REVISED DATE: 04-24-01

498531

293357 - SOLU VLV HARNESS, CONSOLE 96





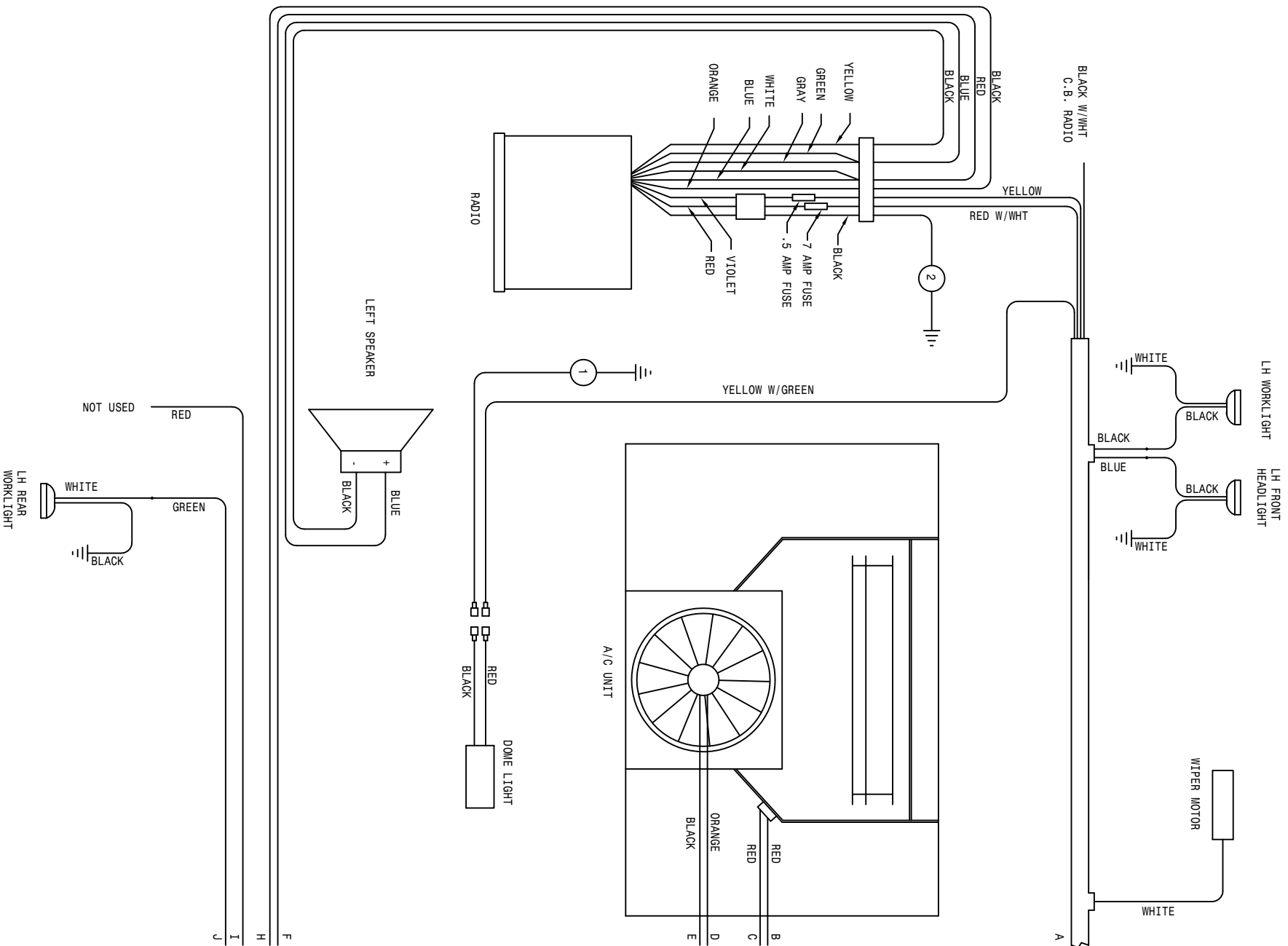
293354 - ELECT VLV HARNESS, CONSOLE 96

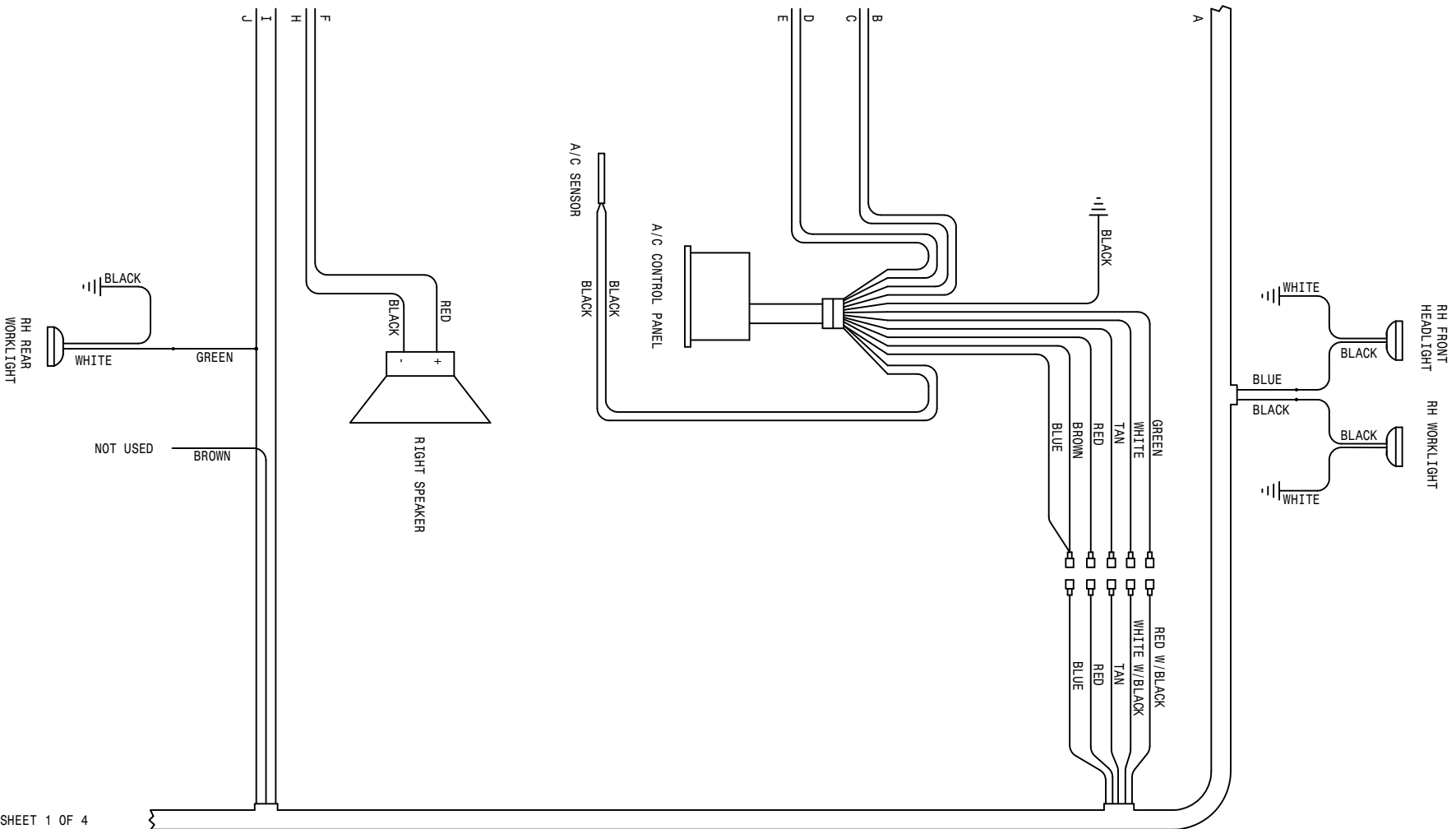
99

10	1	293306	FOAM MARKER SWITCH WIRE ASSY
9	1	293313	200A RED 293154, 291637-4
8	1	293297	16GA BLK-293151-1, 293163-36
7	1	293298	ELECT SEAT WIRE ASSY
6	2	293188	14GA RED 293157, 293157-3
5	1	293291	SWITCH/OILDRY GRD WIRE ASSY
4	1	293288	MAIN SW LIGHT GRD WIRE ASSY
3	1	293289	FUEL SWITCH PAR WIRE ASSY
2	1	293287	MAIN SW LIGHT PAR WIRE ASSY
1	1	293251	MAIN SWITCH PAR WIRE ASSY 96

254 CUMM WIRING DIAGRAM 98  
 SHEET 3 OF 4  
 REVISION DATE: 06-23-95  
 498531

179099





293266 - CAB WIRE HARNESS

REFER TO SHEET 1 OF 4

2	1	293300	16GA	BLK-291511-291571-18
1	1	293299	16GA	BLK-291511-291571-30
254 CUMM WIRING DIAGRAM 98				
SHEET 4 OF 4				
REVISION DATE: 11-17-97 TUB				
49853 1				

ABBREVIATIONS

A/C - AIR CONDITIONER	MT - MOUNT
ADPTR - ADAPTER	MTR - MOTOR
AGI - AGITATOR	P/N - PART NUMBER
ALT - ALTERNATOR	PLT - PLATE
ASSY - ASSEMBLY	QTY - QUANTITY
BRKT - BRACKET	RED - REDUCER
DET - DETAIL	REF - REFERENCE
DISPL - DISPLACEMENT	REST - RESTRICTOR
EL - ELBOW	REQ - REQUIRED
EXT - EXTENSION	SHFT - SHAFT
FLO - FLOW	SOL - SOLUTION
FNPT - FEMALE NATIONAL PIPE THREAD	STRG - STEERING
FOR - FEMALE O-RING	ST - STREET
FRT - FRONT	SWIV - SWIVEL
HYD - HYDRAULIC	UNC - UNIFIED NATIONAL COURSE
HYDRO - HYDROSTATIC	UNF - UNIFIED NATIONAL FINE
LG - LONG	V - VOLT
LWR - LOWER	W/ - WITH
MJIC - MALE J.I.C.	WHL - WHEEL
MOR - MALE O-RING	WLD - WELDMENT

-A-

ABBREVIATIONS.....102  
 ACCUMULATOR CYLINDER.....48  
 AGITATOR.....55  
 COUPLER.....55  
 IMPELLER.....55  
 JET.....56  
 SHAFT.....55  
 SHIELD.....55  
 AIR CLEANER.....12  
 BAND.....12  
 CLAMP.....12  
 FILTER.....12  
 HOOD.....12  
 HOSE.....12  
 AIR CONDITINER  
 BELT.....11  
 BLOWER.....28  
 COMPRESSOR.....11  
 CONDENSER.....11  
 DRYER.....11  
 FILTER.....28  
 AIR INTAKE.....14  
 SCREEN.....14  
 ANTENNA.....28  
 ARM,  
 STEERING.....16, 18  
 STEERING PIVOT.....20  
 WIPER.....26

-B-

BAND,  
 AIR CLEANER.....12  
 FUEL TANK.....22  
 BASKET, STRAINER.....56  
 BATTERY.....45  
 BOX.....45  
 CABLE.....45  
 HOLDDOWN.....45  
 BELT.....11  
 BINARY SWITCH.....11  
 BLADE, WIPER.....26  
 BLOCK, TERMINAL.....33  
 BRAKE  
 CABLE.....17, 36  
 CABLE EXTENSION.....36  
 CLIP RETAINER.....17  
 DISC.....17  
 LEVER.....36  
 MOUNT.....17  
 PAD.....17  
 BREAKAWAY.....47

BREAKER, CIRCUIT.....33  
 BREATHER.....23  
 BOOM.....52, 53  
 CRADLE.....39  
 VALVE.....54  
 BUZZER.....36

-C-

CAB.....26  
 ROOF.....26  
 CABLE,  
 BATTERY.....45  
 BRAKE.....17, 36  
 MOUNT.....24  
 CAP,  
 FUEL.....22  
 RADIATOR.....14  
 STEERING WHEEL.....30  
 CATWALK.....46, 57  
 CHOKE CABLE.....33  
 CIRCUIT BREAKER.....33  
 COMPRESSOR.....11  
 MOUNT.....11  
 CONDENSOR COIL.....11  
 CONSOLE.....33  
 COOLER, OIL.....14  
 CRADLE, TANK.....56, 57  
 CROP GUIDE.....44  
 CROSSMEMBER, FRONT.....19  
 CYLINDER,  
 ACCUMULATOR.....48  
 FOLD.....47, 51  
 LEVEL.....47, 50  
 LIFT.....46, 49  
 STEERING.....21

-D-

DECALS.....76  
 DIFFUSER, LINE.....23  
 DIMMER SWITCH.....26  
 DIPSTICK.....23  
 DISC,  
 BRAKE.....17  
 FRICTION.....35  
 SENSOR.....17  
 DOOR.....27  
 HANDLE.....27  
 LATCH.....27  
 DRAIN COOK.....14  
 DRYER, AIR CONDITIONER.....11  
 DRINK HOLDER.....33  
 DRIVE ASSEMBLY.....4

-E-

ELECTRICAL SCHEMATIC..... 94  
ENGINE.....4,5  
EXHAUST PIPE.....13  
EXTENSION,  
BRAKE CABLE.....36

-F-

FAN  
BLADE.....5  
SPACER.....5  
FEEDER TEE.....61  
FILTER,  
AIR CLEANER.....12  
AIR CONDITIONER.....28  
FUEL.....4,5,23  
MICHIGAN.....23  
OIL.....5,9  
FLASHER LIGHT.....39  
FLOW DIVIDER.....7  
FLUSHING VALVE.....8  
FOAM.....29  
FOAM MARKER PLATE.....47  
FOLD CYLINDER.....47,51  
FRICTION DISC.....35  
FUEL  
CAP.....22  
GAUGE.....31  
SELECTOR VALVE.....22  
SENDER.....22  
TANK.....22  
FUSE.....32  
HOLDER.....32

-G-

GAS SPRING.....27  
GAUGE,  
FUEL.....31  
OIL PRESSURE.....31  
PRESSURE.....56  
TEMPERATURE.....31  
VOLTMETER.....31  
GEAR PUMP.....6  
GLASS.....26,27  
GRAB HANDLE.....26  
GROMMET, RUBBER.....26  
GROUND STRAP.....4,26,45  
GUIDE, CROP.....44

-H-

HANDLE,  
DOOR.....27  
GRAB.....26  
HANDRAIL.....40  
HEADLAMP SWITCH.....32  
HEADLIGHT.....26  
HEATER SOLENOID.....10  
HEAT SHIELD.....13  
HOLDER,  
DRINK.....33  
FUSE.....32  
HOOD,  
AIR CLEANER.....12  
ENGINE.....40  
HOOK, RUBBER.....40,41  
HOSE,  
AIR CLEANER.....12  
FUEL.....22  
RADIATOR.....5  
HOSING, SOLUTION.....62  
HOUR METER.....31  
HUB, TORQUE.....16,17,73  
HYDROSTATIC  
LEVER.....34  
PUMP.....6  
HYDRAULIC  
SCHEMATIC.....78  
TUBE.....17,46

-I-

IGNITION SWITCH.....32  
IMPELLER, AGITATOR.....55  
INDICATOR, MPH/RPM.....31  
INNER TUBE.....15  
INTERIOR LIGHT.....28

-K-

KICK PANEL.....26  
KIT,  
LIGHT.....31  
SEAL.....21,48,49,50,51  
KNOB,.....30,35  
SWITCH.....32

-L-

LADDER.....42  
LATCH, DOOR.....27  
LEG,  
FRONT.....16,18  
HYDRAULIC TUBE.....17  
REAR.....17



LEVEL CYLINDER.....47, 50  
 LEVEL,  
 BRAKE.....36  
 HYDROSTATIC.....34  
 THROTTLE.....35  
 LIFTARM.....46  
 LIFT CYLINDER.....46, 49  
 LIGHT,  
 FLASHER.....39  
 INTERIOR.....28  
 KIT.....31

-M-

METAL, SHEET.....40, 41  
 METER, HOUR.....31  
 MIRROR.....26  
 MOTOR  
 MOUNT.....4, 5  
 STEERING.....30  
 WIPER.....26  
 MOUNT,  
 BRAKE.....17  
 CABLE.....24  
 FUEL TANK.....22  
 MONITOR.....38  
 RUBBER.....4, 5  
 THROTTLE CABLE.....4  
 MUFFLER.....13

-N-

NOZZLE, RINSE.....66

-O-

OIL  
 COOLER.....14  
 FILTER.....5, 9  
 PRESSURE GAUGE.....31  
 SENDER.....4, 7  
 TANK.....23

-P-

PACKING, GLAND.....55  
 PAD, BRAKE.....17  
 PANEL, KICK.....26  
 PIVOT PIN.....19  
 POWER POINT.....38  
 PRESSURE GAUGE.....60  
 PUMP,  
 HYDROSTATIC.....6  
 SOLUTION.....59, 64

-R-

RADIATOR.....14  
 CAP.....14  
 DRAIN COOK.....14  
 HOSE.....14  
 SHROUD.....14  
 RADIO.....14  
 RECOVERY TANK.....14  
 RELAY.....34  
 RELIEF VALVE.....7  
 RIM.....15  
 RINSE  
 NOZZLE.....66  
 TANK.....65  
 ROOF, CAB.....26  
 RUBBER  
 GROMMET.....26  
 HOOK.....40, 41  
 MOUNT.....4, 26

-S-

SCHEMATIC,  
 ELECTRICAL.....94  
 HYDRAULIC.....78  
 SCREEN, AIR INTAKE.....14  
 SEAL KIT.....21, 48, 49, 50, 51  
 SEAT.....37  
 SELECTOR VALVE.....24  
 SENDER,  
 FUEL.....22  
 OIL.....4  
 TEMPERATURE.....5  
 SENSOR,  
 DISC.....17  
 SPEEDOMETER.....17  
 SERVICE PLATFORM.....42  
 SHAFT,  
 AGITATOR.....55  
 SHEET METAL.....40, 41  
 SHIELD,  
 AGITATOR.....55  
 HEAT.....13  
 TANK.....43  
 WHEEL MOTOR.....17  
 SHROUD, RADIATOR.....14  
 SIGHT GAUGE.....56, 57  
 SMV SIGN.....41  
 SOLENOID, HEATER.....10  
 SOLUTION,  
 HOISING.....62  
 PUMP.....59, 64  
 TANK.....56, 57  
 VALVE.....58, 60

SPACER,	
BATTERY BOX.....	45
FAN.....	5
SPEAKER.....	28
SPRING, GAS.....	27
STEERING	
ARM.....	16, 17
CYLINDER.....	21
MOTOR.....	30
PIVOT ARM.....	20
POST.....	30
WHEEL.....	30
STRAINER, BASKET.....	56
STRAP, GROUND.....	4, 26, 45
SWITCH,	
BINARY.....	11
DIMMER.....	26
HEADLAMP.....	32
IGNITION.....	32
PARK BRAKE.....	36
TOGGLE.....	32

-T-

TAILLIGHT.....	41, 65
TANK	
CRADLE.....	56, 57
FUEL.....	22
OIL.....	23
RECOVERY.....	14
RINSE.....	65
SHIELD.....	43
SOLUTION.....	56, 57
TEE, FEEDER.....	61
TEMPERATURE	
GAUGE.....	31
SENDER.....	5
TERMINAL BLOCK.....	33
THROTTLE	
CABLE MT.....	4
LEVER.....	35
TIE ROD.....	20
TIRE.....	15
TOGGLE SWITCH.....	32
TORQUE HUB.....	16, 17, 73
TRANSOM.....	47
TUBE, INNER.....	15

-V-

VALVE,	
BOOM.....	54
FUEL SELECTOR.....	22
FLUSHING.....	8
RELIEF.....	7

SELECTOR.....	24
SOLUTION.....	56, 57, 60
VFC.....	25
VOLTMETER.....	4

-W-

WHEEL MOTOR.....	16, 17
SHIELD.....	17
WHEEL, STEERING.....	30
WIPER.....	26
ARM.....	26
BLADE.....	26
MOTOR.....	26



# PARTS ORDER FAX

**Fax**  
24 hours  
a day  
7 days  
a week\*\*

Ph. 1 (800) 247-4885    Fx. 1 (515) 532-3553    Photocopy and fax to Hagie Customer Support Department

**ORDERED BY/BILL TO:**

Name \_\_\_\_\_  
Co. Name \_\_\_\_\_  
Street \_\_\_\_\_  
City, St, Zip \_\_\_\_\_  
Ph. \_\_\_\_\_ Fx. \_\_\_\_\_

**SHIP TO:**

Name \_\_\_\_\_  
Co. Name \_\_\_\_\_  
Street \_\_\_\_\_  
City, St, Zip \_\_\_\_\_  
Ph. \_\_\_\_\_ Fx. \_\_\_\_\_

HOW SHIP:    UPS Ground    Next Day    2 Day    3 Day    Other \_\_\_\_\_

If "HOW SHIP" is left blank, parts will be sent UPS ground service. If part is over 150 pounds, an independent motor freight company will be used.

**PAYMENT:**    Hagie Account #\*\*\* \_\_\_\_\_

C.O.D

American Express    Discover    Visa    Master Card  
Signature: \_\_\_\_\_  
name as appears on card: \_\_\_\_\_  
card no. \_\_\_\_\_ exp. date \_\_\_\_\_

Year and Model No. \_\_\_\_\_

Serial No. \_\_\_\_\_

Item Serial No. (if necessary): \_\_\_\_\_

Engine (include type) \_\_\_\_\_

Hydrostatic Pump (s) \_\_\_\_\_

Torque Hub \_\_\_\_\_     LF    RF    LR    RR

Wheel Motor \_\_\_\_\_     LF    RF    LR    RR

HAGIE Part No.	Qty.	Description

Check here if you want phone confirmation of parts order.

\* Orders received before 3:00 p.m., CST will be processed the same business day.

Regular business hours are Monday through Friday, 7:00 a.m. through 5:00 p.m..

\*\* If you do not have a Hagie account number, contact the Hagie Customer Support Department and you will be issued one.



# PARTS ORDER FAX

**Fax**  
**24 hours**  
**a day**  
**7 days**  
**a week\*\***

Ph. 1 (800) 247-4885    Fx. 1 (515) 532-3553

Photocopy and fax to Hagie Customer Support Department

ORDERED BY/BILL TO:

Name \_\_\_\_\_

Co. Name \_\_\_\_\_

Street \_\_\_\_\_

City, St, Zip \_\_\_\_\_

Ph. \_\_\_\_\_ Fx. \_\_\_\_\_

SHIP TO:

Name \_\_\_\_\_

Co. Name \_\_\_\_\_

Street \_\_\_\_\_

City, St, Zip \_\_\_\_\_

Ph. \_\_\_\_\_ Fx. \_\_\_\_\_

HOW SHIP:    UPS Ground    Next Day    2 Day    3 Day    Other \_\_\_\_\_

If "HOW SHIP" is left blank, parts will be sent UPS ground service. If part is over 150 pounds, an independent motor freight company will be used.

PAYMENT:    Hagie Account #\*\*\* \_\_\_\_\_

C.O.D

American Express    Discover    Visa    Master Card

Signature: \_\_\_\_\_  
name as appears on card: \_\_\_\_\_  
card no. \_\_\_\_\_ exp. date \_\_\_\_\_

Year and Model No. \_\_\_\_\_

Serial No. \_\_\_\_\_

Item Serial No. (if necessary): \_\_\_\_\_

Engine (include type) \_\_\_\_\_

Hydrostatic Pump (s) \_\_\_\_\_

Torque Hub \_\_\_\_\_

Wheel Motor \_\_\_\_\_

LF    RF    LR    RR

LF    RF    LR    RR

HAGIE Part No.	Qty.	Description

Check here if you want phone confirmation of parts order.

\* Orders received before 3:00 p.m., CST will be processed the same business day.

Regular business hours are Monday through Friday, 7:00 a.m. through 5:00 p.m..

\*\* If you do not have a Hagie account number, contact the Hagie Customer Support Department and you will be issued one.