

PARTS MANUAL
FOR
HAGIE MODEL 254 X-11 HI-TRACTOR

HAGIE MANUFACTURING COMPANY

BOX 273 CLARION, IOWA 50525 (515) 532-2861

COVERS MACHINE SERIAL NUMBERS: 052459001 thru 052459100

01-95 493148
02-08

SPRAYER IDENTIFICATION

Each Hagie sprayer is identified by means of a frame serial number. This serial number denotes the model, the year in which it was built, and the number of the sprayer. As for further identification, the engine has a serial number and the planetary hubs have identification plates that describe the type of mount and gear ratio. To insure prompt, efficient service when ordering parts or requesting service repairs from Hagie Manufacturing Company, record the serial and identification numbers in the space provided below.

NOTE: Reference to left hand and right hand used throughout this manual refers to the position when seated in the operator's seat facing forward.

SPRAYER SERIAL NUMBER

ENGINE SERIAL NUMBER

PLANETARY HUB IDENTIFICATION NUMBERS

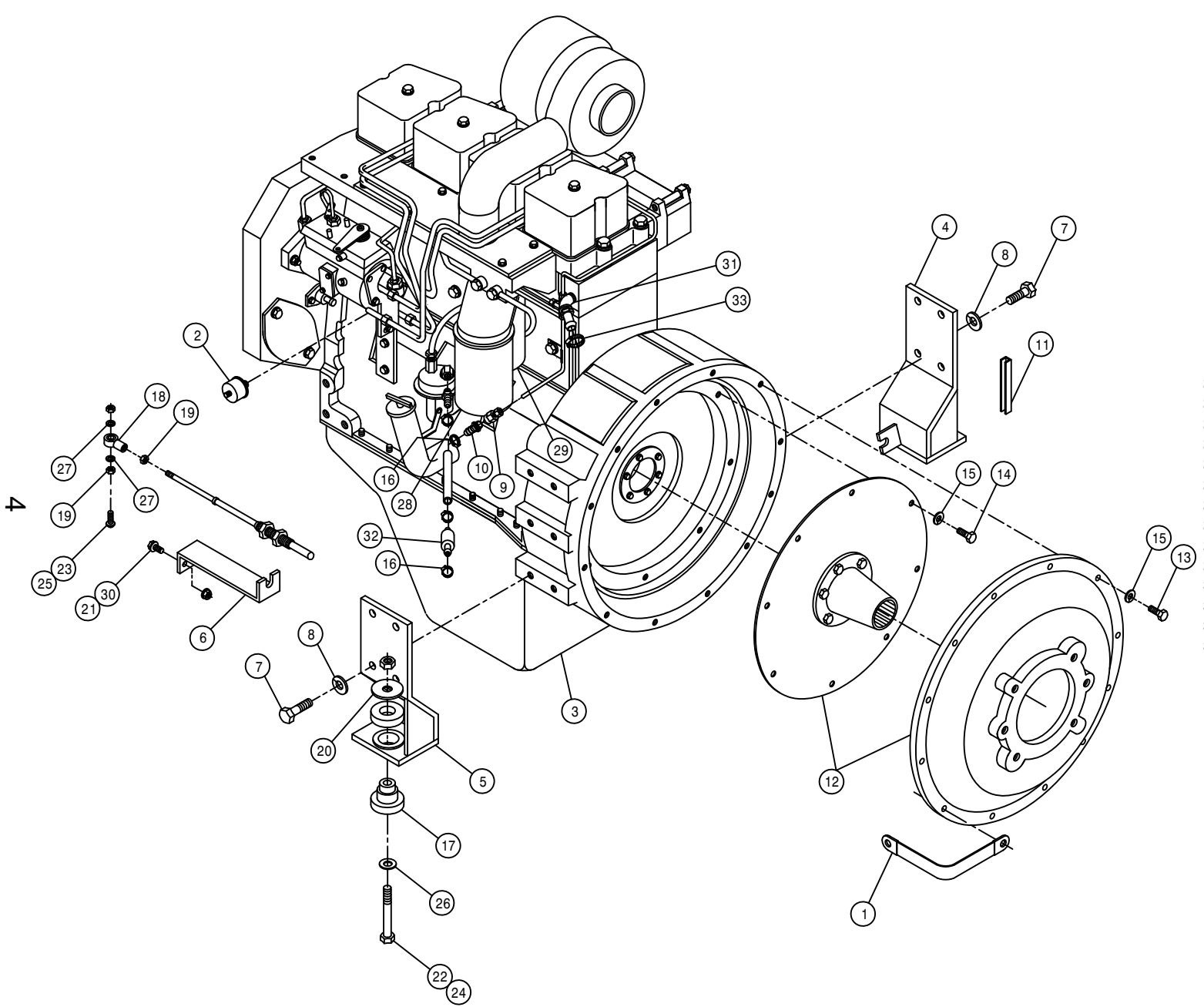
TABLE OF CONTENTS

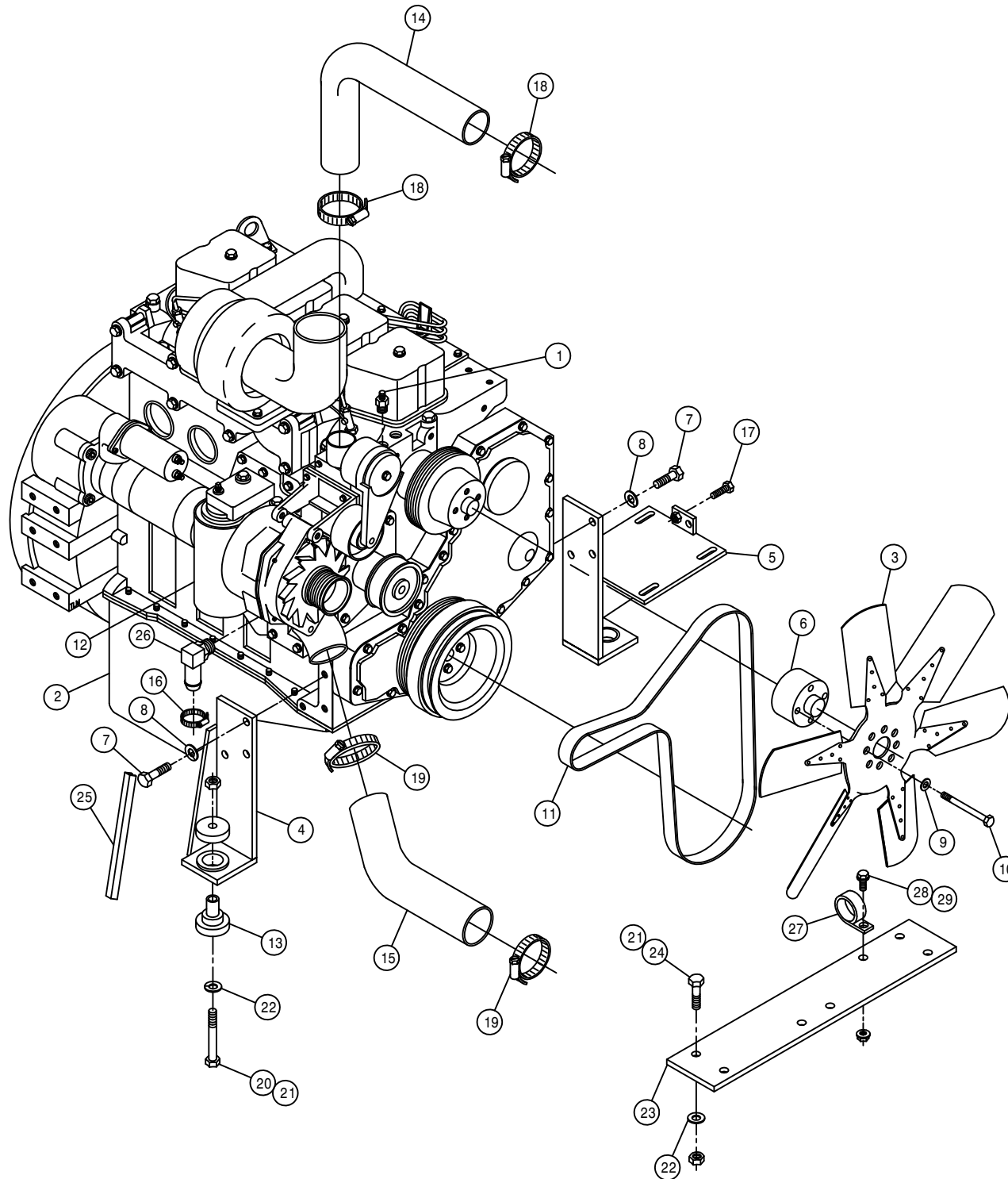
ENGINE ASSEMBLIES	4-6
POSITRACTION VALVE.	7-8
FLOW DIVIDER AND FLUSHING VALVE9-11
A/C AND RADIATOR.	12-13
AIR CLEANER AND EXHAUST PIPE.	14-15
LEG ASSEMBLIES.	16-17
TIRE.18
CROP GUIDE.19
TIE ROD ASSEMBLY.20
STEERING CYLINDER21
MAINFRAME ASSEMBLY.	22-23
FUEL TANKS AND OIL TANK	24-25
CAB ASSEMBLY.	26-30
INSTRUMENT PANEL ASSEMBLY31
CONSOLE ASSEMBLY.	32-35
BRAKE LEVER36
SEAT ASSEMBLY37
SHEET METAL	38-39
LADDER AND SERVICE PLATFORM ASSEMBLY.40
TANK SHIELDS.41
BATTERY BOX ASSEMBLY.42
FLOW CONTROL.43
TRANSOM, BOOM AND LIFT COMPONENTS	44-50
SOLUTION SYSTEM	51-54
INJECTION PLATFORM.55
HYPRO D-230 ASSEMBLY.	56-58
6FT DROP AND BEAN 35 ASSEMBLY	59-61
HYPRO D1554 ASSEMBLY.	62-63
WHEEL DRIVE ASSEMBLY.	64-65
DECALS.	66-67
HYDRAULIC SCHEMATIC	68-71
ELECTRICAL SCHEMATIC.	72-79
ABBREVIATIONS80
INDEX81

CUMMINS ENGINE ASSEMBLY

DET. QTY PART NO. DESCRIPTION

DET.	QTY	PART NO.	DESCRIPTION
1	1	290107	ENG TO GROUND STRAP 8 IN
2	1	291610	OIL PRESS SENDER, 1/8NPT
3	1	316204	CUMMINS ENGINE 4BT3.9
4	1	316252	RH REAR ENG MT WLD, CUMM 94
5	1	316253	LH REAR ENG MT WLD, CUMM 94
6	1	316214	THROTTLE CABLE MT 4CYL CUMM92
7	8	473775	12MM-1.75 X 30MM HEX BOLT
8	8	473784	LOCKWASHER 12MM PL
9	1	618611	1/8FNPT-3/16 TUBE ADPTR, BRASS
10	1	711001	1/8 NPT X 5/16 HOSE BARB
11	1	193012	QUICKEDGE TRIM .135 TO .250
12	1	800495	SUND DRIVE ASSY, 2.83PILOT 14T
13	12	473792	10MM-1.50 X 30MM HEX BOLT
14	8	473793	10MM-1.50 X 20MM HEX BOLT
15	20	473798	LOCKWASHER 10MM PL
16	2	520120	HOSE CLAMP NO 4 PLATED MINI
17	2	311054	RUBBER MOUNT SET, CB-2202-4
18	1	473921	BALL JOINT NO 10-32 THD
19	2	910027	#10-32 HEX NUT
20	2	311055	REBOUND WASHER FOR 311054
21	2	470121	1/4UNC HEX FLANGED LOCK NUT
22	2	900271	1/2UNC X 3 1/4 HEX BOLT
23	1	903893	10 32 X 1 SLT RD HD MACH SCR
24	2	914008	1/2UNC HEX STOVER NUT
25	1	914027	#10-32 HEX STOVER NUT
26	2	920004	1/2 FLAT WASHER SAE
27	2	920510	LOCK WASH NO 10
28	1	316208	FUEL FILTER, PRIMARY CUMM 92
29	1	316209	FUEL FILTER, SECONDARY CUMM92
30	2	470118	1/4UNC X 3/4 FLANGED HEX BOLT
31	1	503211	BLK PIPE ST EL 45DEG .50NPT
32	1	319612	GAS LINE FILT NAPA3012&FRAM
33	1	520055	HOSE CLAMP NO 12 PLATED





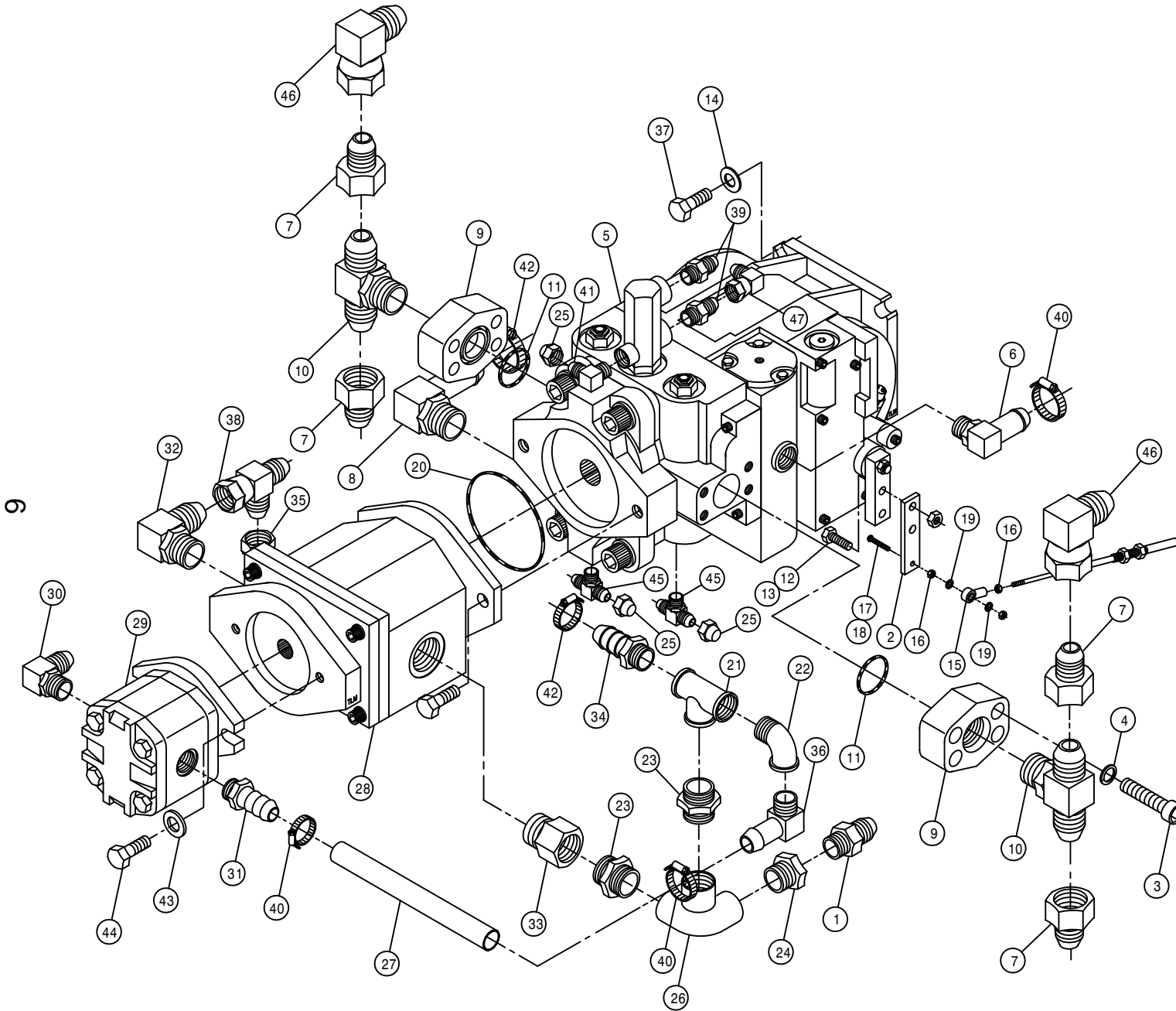
CUMMINS ENGINE ASSEMBLY

DET. QTY PART NO. DESCRIPTION

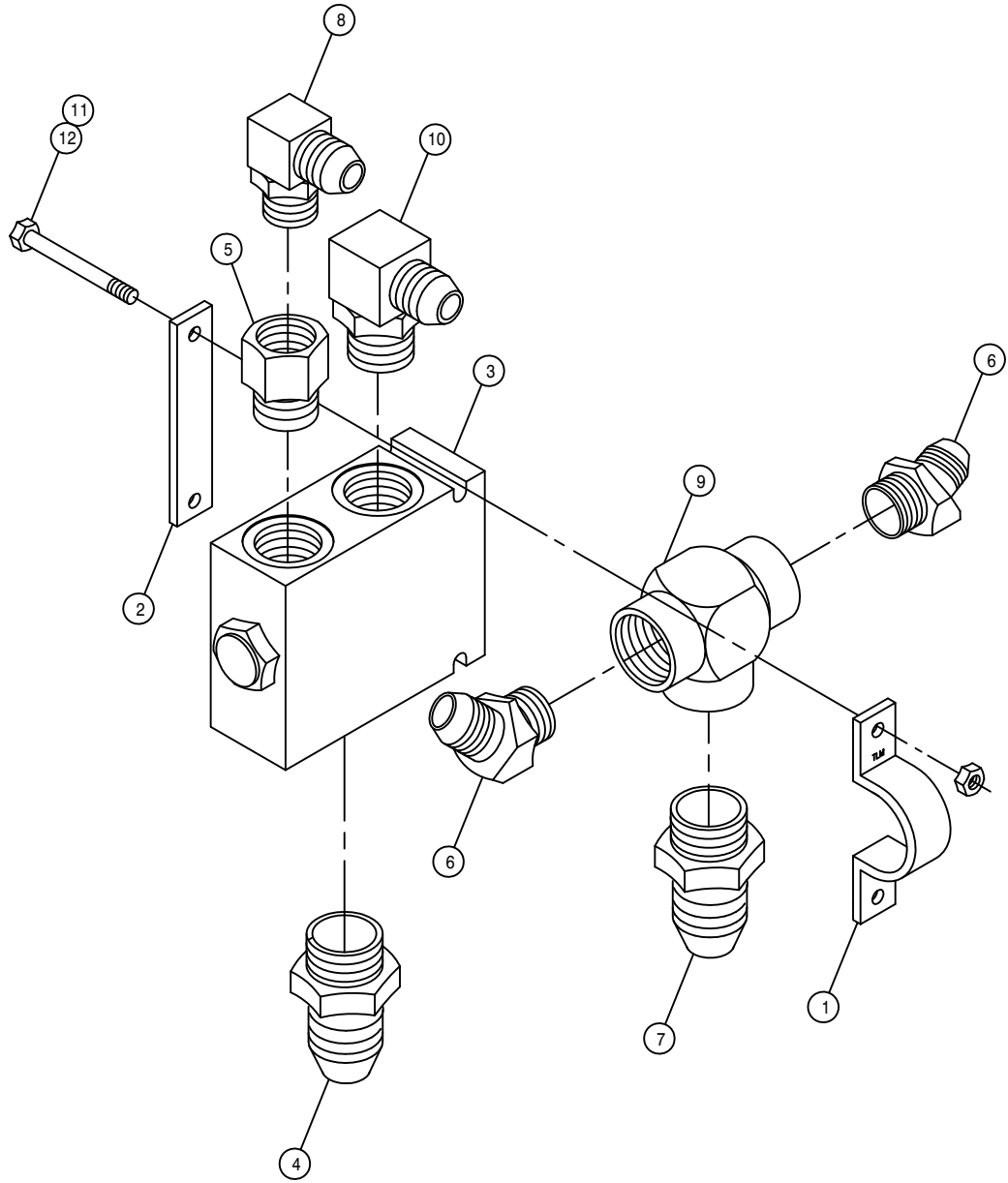
1	1	314836	TEMP SENDR 280D 1/2NPT FOR GA
2	1	316204	CUMMINS ENGINE 4BT3.9
3	1	316180	22 IN DIA 6 BLADE 2.25 PITCH
4	1	316250	RH FRT ENG MT WLD, CUMM 94
5	1	316251	LH FRT ENG MT WLD, CUMM 94
6	1	316199	22IN FAN SPACER CUMM 92
7	6	473775	12MM-1.75 X 30MM HEX BOLT
8	6	473784	LOCKWASHER 12MM PL
9	4	473804	8MM LOCKWASHER
10	4	473822	Ø8MM-1.25 X 70MM HEX BOLT
11	1	316206	POLY V BELT CUMMINS DIESEL 92
12	1	316207	LUBE FILTER CUMMINS DIESEL 92
13	2	311053	RUBBER MOUNT SET,SSB26-1000-1
14	1	314832	RADIATOR HOSE 1.75 X 19
15	1	314886	RADIATOR HOSE 2 1/4 20717
16	1	520055	HOSE CLAMP NO 12 PLATED
17	1	900130	3/8UNC X 1 1/4 HEX BOLT
18	2	520067	HOSE CLAMP NO 28 PLATED
19	2	520099	HOSE CLAMP NO 40 PLATED
20	2	900271	1/2UNC X 3 1/4 HEX BOLT
21	6	914008	1/2UNC HEX STOVER NUT
22	6	920004	1/2 FLAT WASHER SAE
23	1	341968	TIE PLT 250/280 CUMM 92
24	4	900265	1/2UNC X 1 1/2 HEX BOLT
25	1	193012	QUICKEDGE TRIM .135 TO .250
26	1	618573	5/8 HOSE BARB-90-1/2MNPT
27	1	520126	CUSH HOSE CLAMP 2IN X 5/8W
28	1	470121	1/4UNC HEX FLANGED LOCK NUT
29	1	470118	1/4UNC X 3/4 FLANGED HEX BOLT

SUNDSTRAND PUMP ASSEMBLY

DET. QTY PART NO. DESCRIPTION



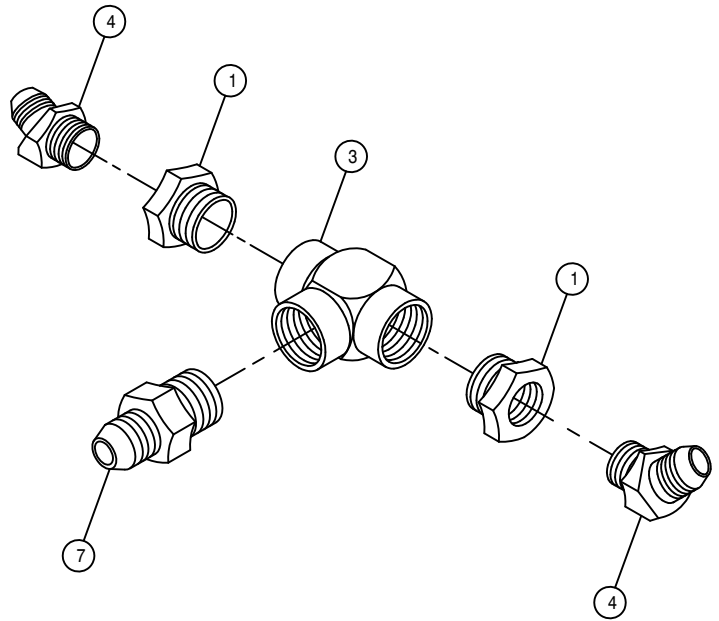
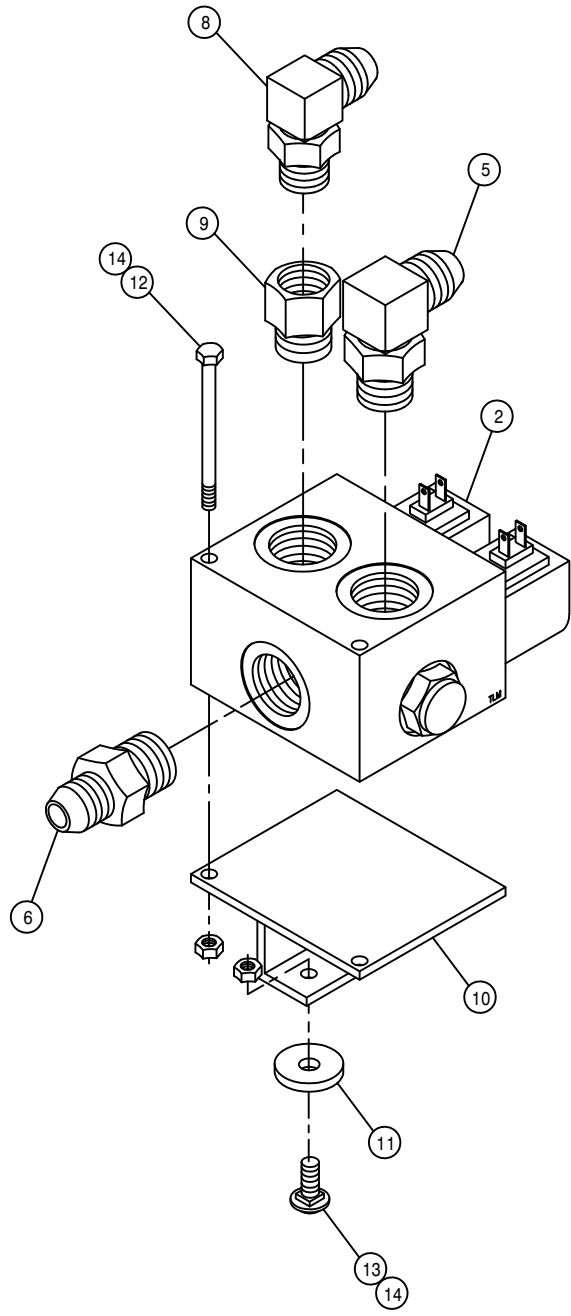
DET.	QTY	PART NO.	DESCRIPTION
1	1	610300	3/4MJIC-3/4MNPT ADPTR
2	1	316160	PUMP CONT LEVER EXT 280 CUMM
3	8	470188	7/16-14 X 1 1/2 SOCHD CAP SCR
4	8	470189	7/16 HC LOCK WASH FOR 618598
5	1	606911	SUND 75CC PUMP,B-MT W/FILT
6	1	618118	3/4 HOSE BARB-90-1 1/16MOR
7	4	618541	1 5/16FJIC-1 1/16MJIC ADPTR
8	1	618564	1IN HOSE BARB-90-1 5/16MOR
9	2	618598	1 IN 4-BOLT FLG X 1 5/16FOR
10	2	618599	1 5/16MOR BRANCH TEE-1 5/16MJ
11	2	870219	BUNA ORING 1 5/16 X 1 9/16
12	2	900003	1/4UNC X 1 HEX BOLT
13	2	914000	1/4UNC HEX STOVER NUT
14	4	920004	1/2 FLAT WASHER SAE
15	1	473921	BALL JOINT NO 10-32 THD
16	2	910027	#10-32 HEX NUT
17	1	903893	10 32 X 1 SLT RD HD MACH SCR
18	1	914027	#10-32 HEX STOVER NUT
19	2	920510	LOCK WASH NO 10
20	1	606870	O-RING FOR 606865 SUND B-MT
21	1	505101	BLK PIPE TEE 1.00NPT
22	1	505200	BLK PIPE ST EL 90DEG 1.00NPT
23	2	505105	1MNPT HEX PIPE NIPPLE STL
24	1	505213	RED BUSH 1 X 3/4 BLK MAL
25	3	618531	9/16FJIC CAP NUT
26	1	505098	SIDE OUTLET EL 90DEG 1.00NPT
27	1	601311	HOSE, 3/4 X 8 2BR RED
28	1	606897	SUND GEAR PUMP 1.34CI SPLINED
29	1	606891	SUND GEAR PMP .52CI SPLINED
30	1	611128	7/8MJIC-90-7/8MOR LBO
31	1	618075	3/4 HOSE BARB-1 1/16MOR
32	1	618535	7/8MJIC-90-1 1/16MOR LBO
33	1	618090	1 5/16MOR-1FNPT ADPTR
34	1	714560	1NPT X 1 HOSE BARB
35	1	618328	7/8FJIC CAP NUT
36	1	716000	3/4 HOSE BARB-90-1MNPT
37	4	900265	1/2UNC X 1 1/2 HEX BOLT
38	1	618333	7/8FJIC SW RUN TEE-7/8MJIC
39	2	618327	3/4MJIC-7/8MOR ADPTR
40	3	520055	HOSE CLAMP NO 12 PLATED
41	1	618119	9/16MJIC-90-9/16MOR LBO
42	2	520087	HOSE CLAMP NO 20 PLATED
43	2	920002	WASH FLAT 3/8 SAE
44	2	900130	3/8UNC X 1 1/4 HEX BOLT
45	2	618629	9/16MOR BRANCH TEE-9/16MJIC
46	2	618191	1 1/16MJ-90-1 1/16FJ SWIV LBO
47	1	618609	3/4MJIC-90-3/4FJIC SWIV LBO



POSITRACTION VALVE ASSEMBLY

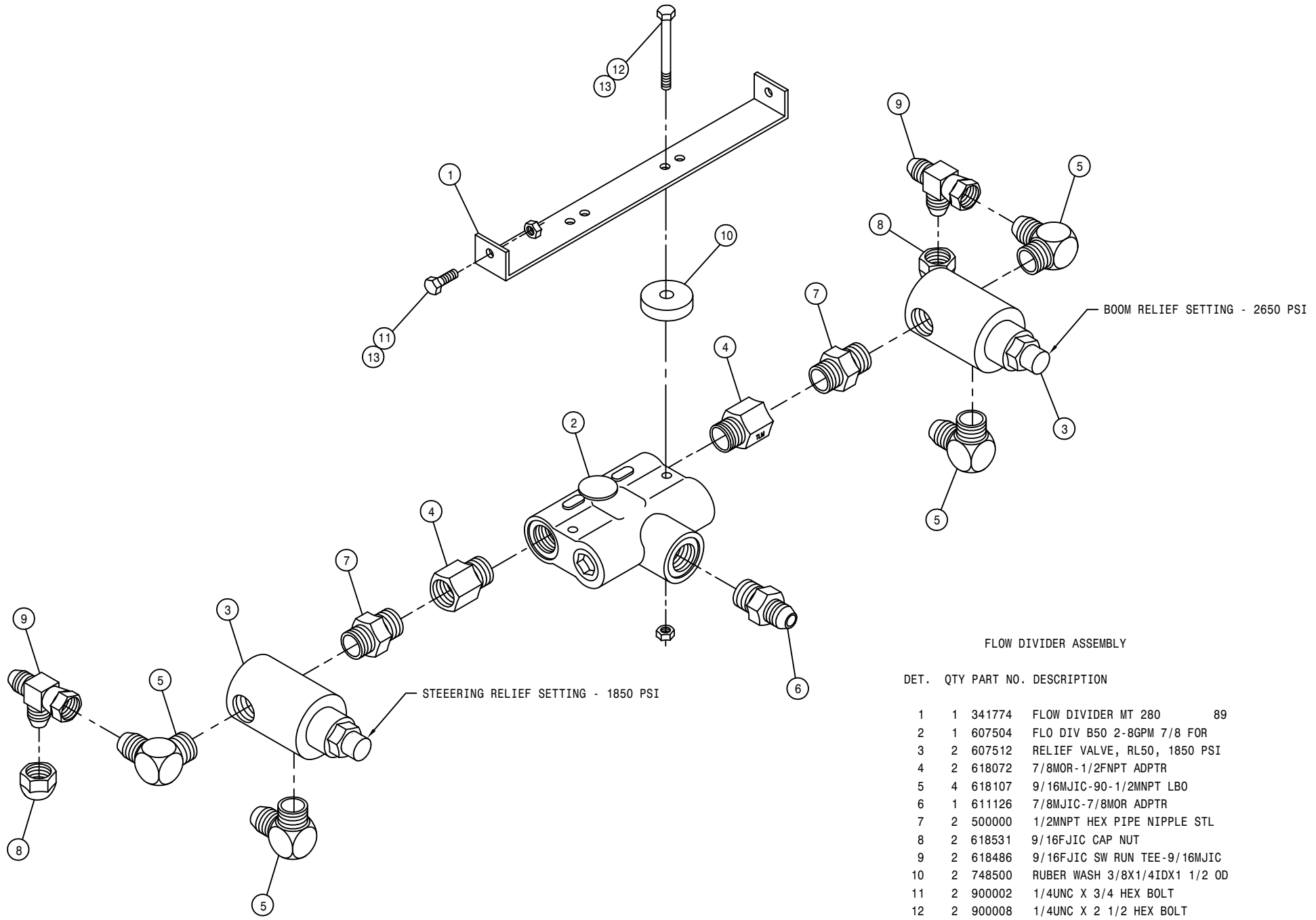
DET. QTY PART NO. DESCRIPTION

1	1	314842	TEE CLAMP, TRAC VLV 200	89
2	1	314843	TEE KEEPER, TRAC VLV 200	89
3	1	610585	POSITRACTION VALVE	
4	1	618308	1 1/16MJIC-1 5/16MOR ADPTR	
5	1	618312	1 5/16MOR-1 1/16FOR ADPTR	
6	2	618339	1 1/16MJIC-45-1MNPT LBO	
7	1	618434	1 1/16MJIC-1MNPT ADPTR	
8	1	618248	1 1/16MJIC-90-1 1/16MOR LBO	
9	1	618575	1FNPT PIPE TEE STL	
10	1	618302	1 1/16MJIC-90-1 5/16MOR LBO	
11	2	914000	1/4UNC HEX STOVER NUT	
12	2	900010	1/4UNC X 3 HEX BOLT	



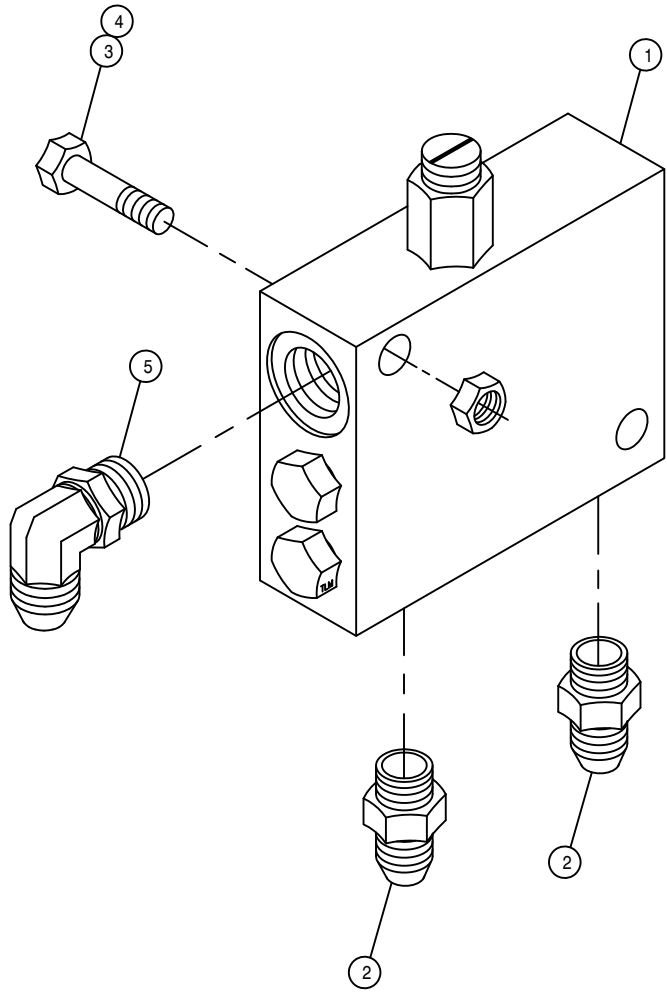
POSITRACTION VALVE ASSEMBLY

DET.	QTY	PART NO.	DESCRIPTION
	1	2	505213 RED BUSH 1 X 3/4 BLK MAL
	2	1	610469 POSITRACTION VLV MOD CONT 40G
	3	1	618575 1FNPT PIPE TEE STL
	4	2	618156 7/8MJIC-90-3/4MNPT LBO
	5	1	618589 7/8MJIC-90-1 5/16MOR LBO
	6	1	618308 1 1/16MJIC-1 5/16MOR ADPTR
	7	1	618434 1 1/16MJIC-1MNPT ADPTR
	8	1	618535 7/8MJIC-90-1 1/16MOR LBO
	9	1	618312 1 5/16MOR-1 1/16FOR ADPTR
	10	1	342283 TRAC VLV MT WLD, 254 X-11 94
	11	2	748501 RUBBER WASH .38 X .406 X 1.50
	12	2	900140 3/8UNC X 4 HEX BOLT
	13	2	901130 3/8UNC X 1 1/4 CARR BOLT
	14	4	914004 3/8UNC HEX STOVER NUT



FLOW DIVIDER ASSEMBLY

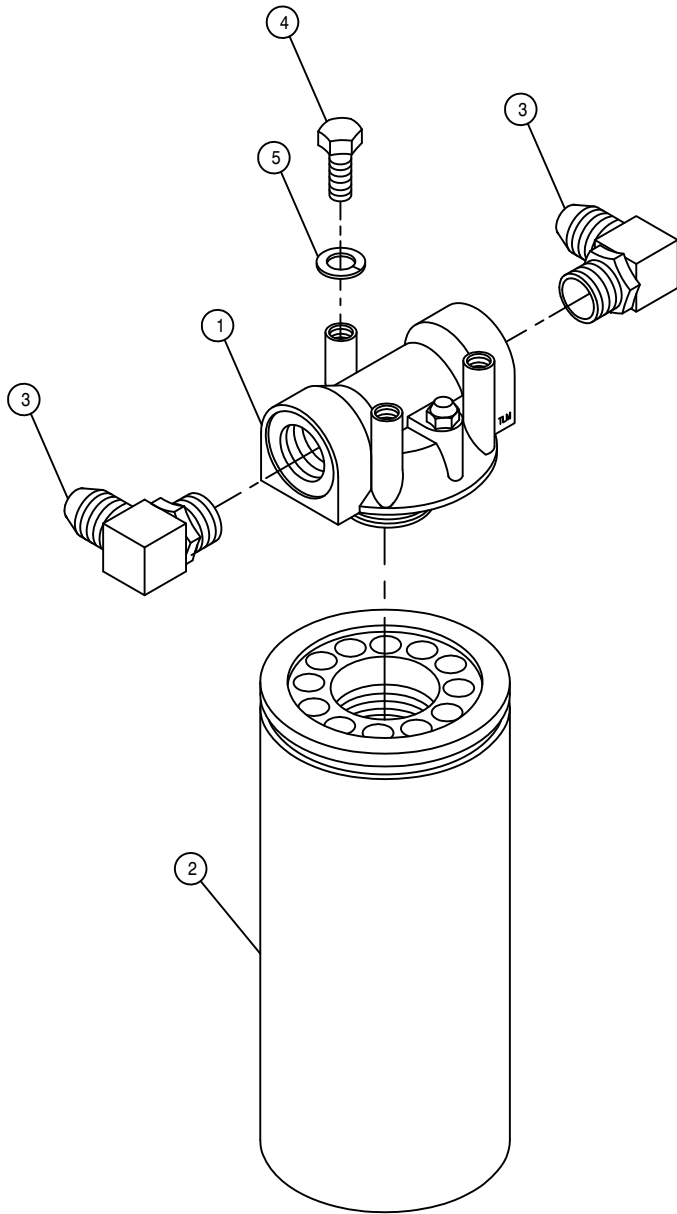
DET.	QTY	PART NO.	DESCRIPTION	
	1	341774	FLOW DIVIDER MT 280	89
	2	607504	FLO DIV B50 2-8GPM 7/8 FOR	
	3	607512	RELIEF VALVE, RL50, 1850 PSI	
	4	618072	7/8MOR-1/2FNPT ADPTR	
	5	618107	9/16MJIC-90-1/2MNPT LBO	
	6	611126	7/8MJIC-7/8MOR ADPTR	
	7	500000	1/2MNPT HEX PIPE NIPPLE STL	
	8	618531	9/16FJIC CAP NUT	
	9	618486	9/16FJIC SW RUN TEE-9/16MJIC	
	10	748500	RUBER WASH 3/8X1/4IDX1 1/2 OD	
	11	900002	1/4UNC X 3/4 HEX BOLT	
	12	900008	1/4UNC X 2 1/2 HEX BOLT	
	13	914000	1/4UNC HEX STOVER NUT	



LOOP FLUSHING VALVE ASSEMBLY

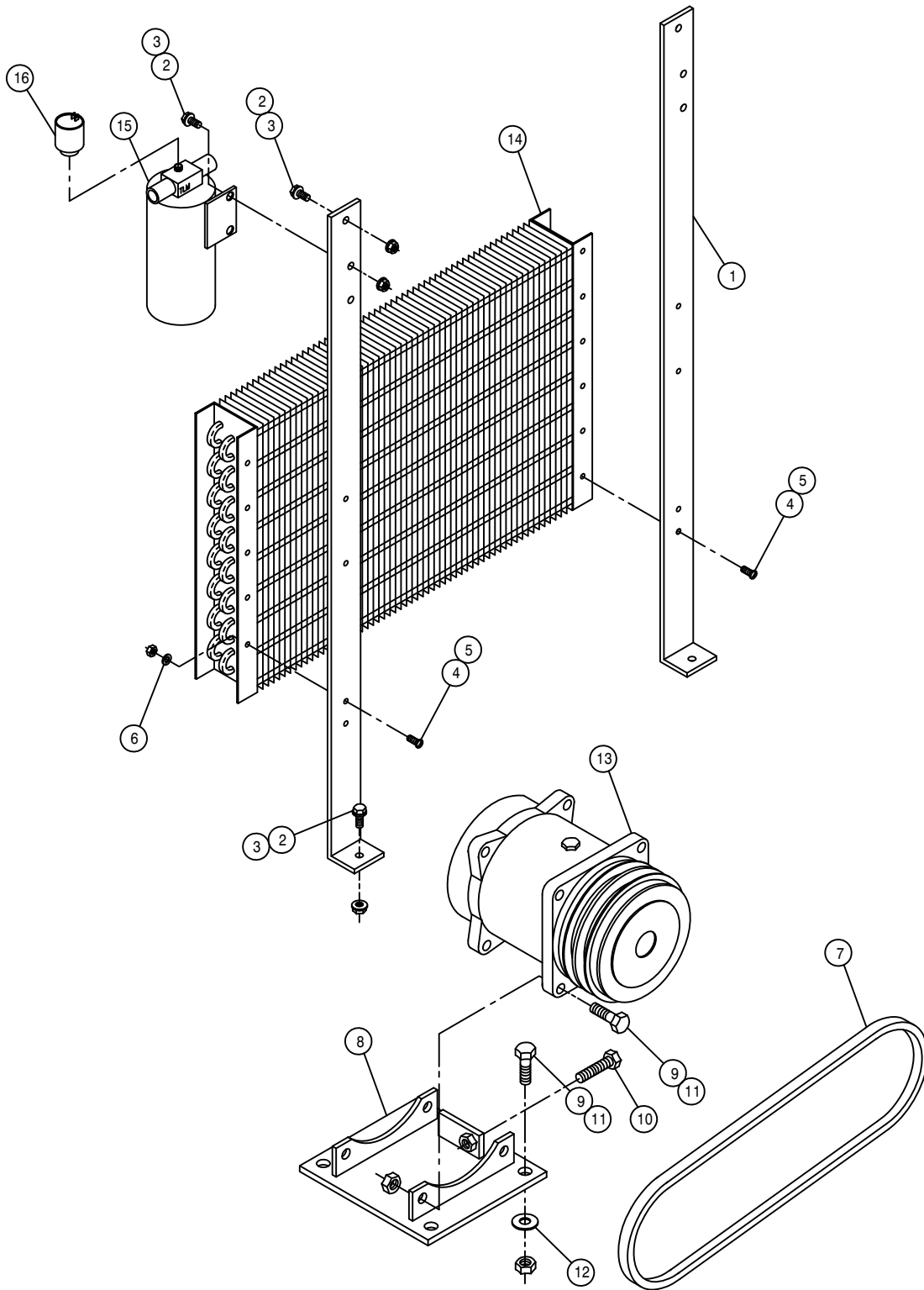
DET. QTY PART NO. DESCRIPTION

1	1	610580	REMOTE FLUSHING VALVE, SUND
2	2	618126	9/16MJIC-9/16MOR ADPTR
3	2	900133	3/8UNC X 2 HEX BOLT
4	2	914004	3/8UNC HEX STOVER NUT
5	1	618119	9/16MJIC-90-9/16MOR LBO



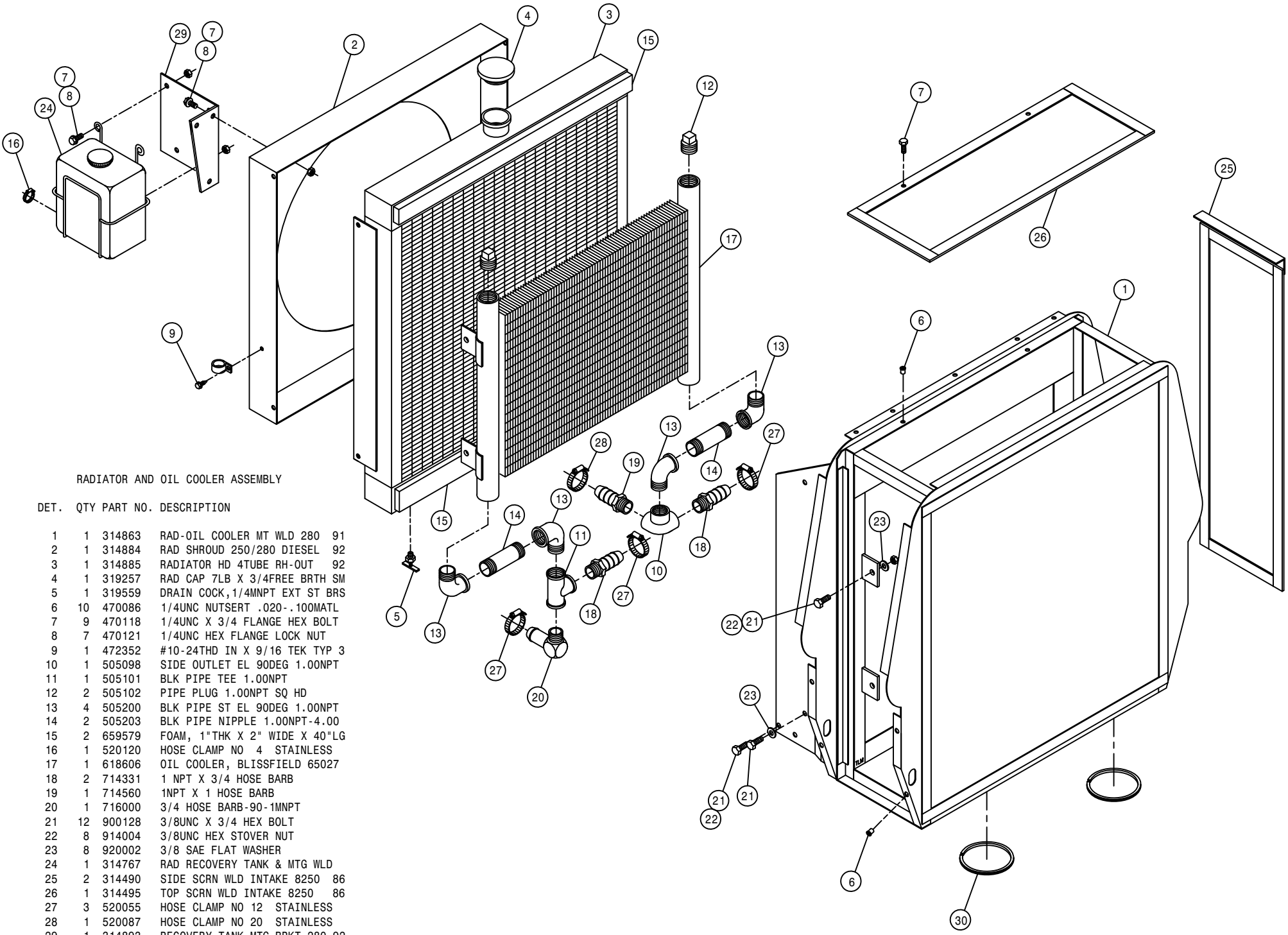
HI-PRESS FILTER ASSEMBLY

DET.	QTY	PART NO.	DESCRIPTION
	1	605606	FILTER HEAD, ZINZA HI-PRESS
	1	605607	FILTER, 10 MICRON ZINGA, HIPRES
	2	618474	3/4MJIC-90-1 1/16MOR LBO
	3	900064	5/16UNC X 3/4 HEX BOLT
	3	920501	LOCK WASH 5/16



A/C COMPRESSOR PUMP ASSEMBLY

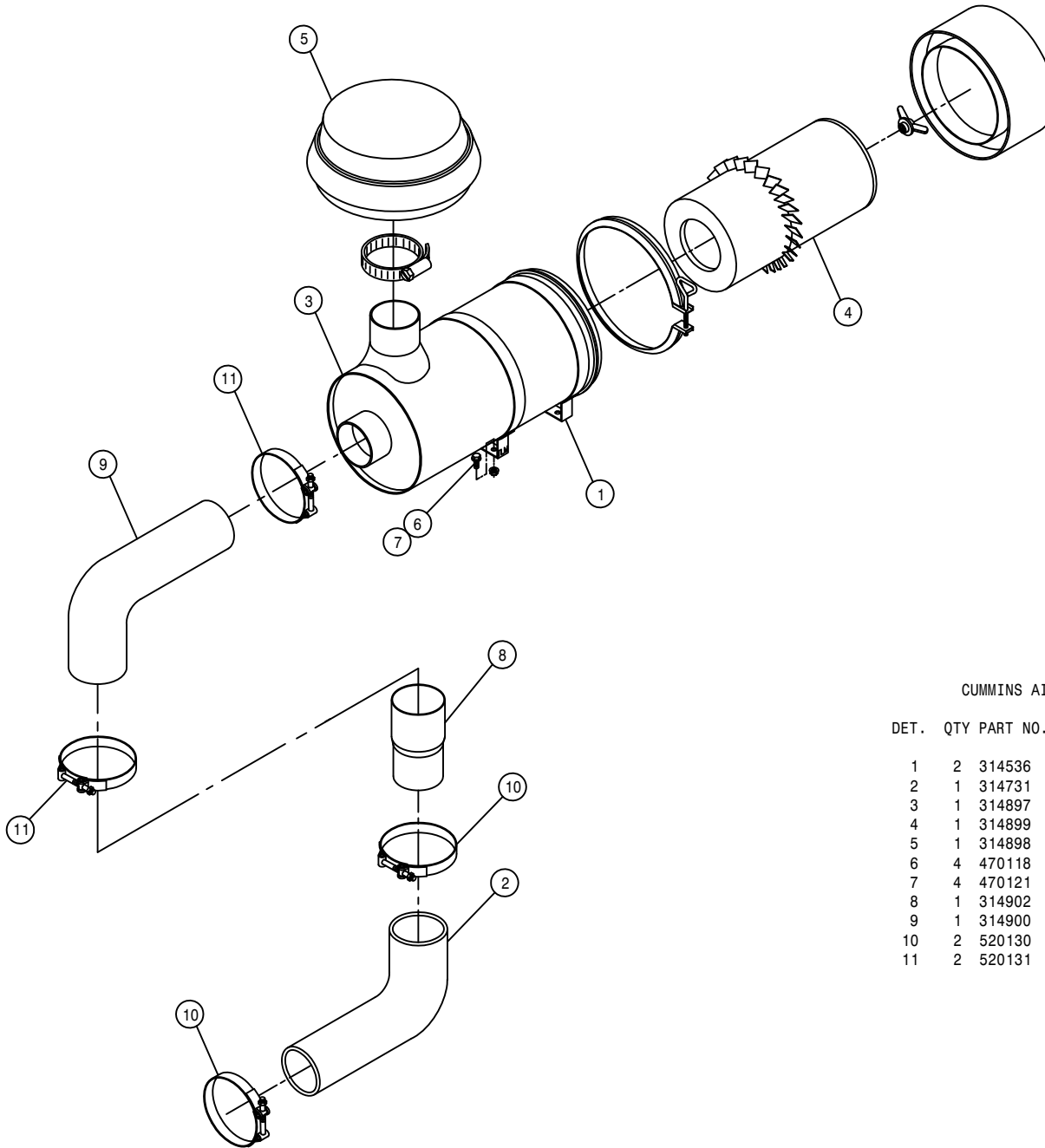
DET.	QTY	PART NO.	DESCRIPTION	
	1	2 314869	CONDENSOR MTG BRKT 280	91
	2	6 470118	1/4UNC X 3/4 FLANGED HEX BOLT	
	3	6 470121	1/4UNC HEX FLANGED LOCK NUT	
	4	4 903883	10-32 X 1/2 SLTRD HD MACH SCR	
	5	4 910027	#10-32 HEX NUT	
	6	4 920510	LOCK WASH NO 10	
	7	1 147044	BELT 4L400	
	8	1 657344	A/C COMPRESSOR MT WLD CUMM	92
	9	8 900130	3/8UNC X 1 1/4 HEX BOLT	
	10	1 906132	3/8UNC X 1 3/4 HEX BOLT FULL	
	11	8 914004	3/8UNC HEX STOVER NUT	
	12	4 920002	WASH FLAT 3/8 SAE	
	13	1 657352	A/C COMPRESSOR, R134A	
	14	1 657348	CONDENSOR COIL FOR 657309	
	15	1 657351	A/C DRIER, O-RING TYPE	
	16	1 657350	A/C BINARY SWITCH	



RADIATOR AND OIL COOLER ASSEMBLY

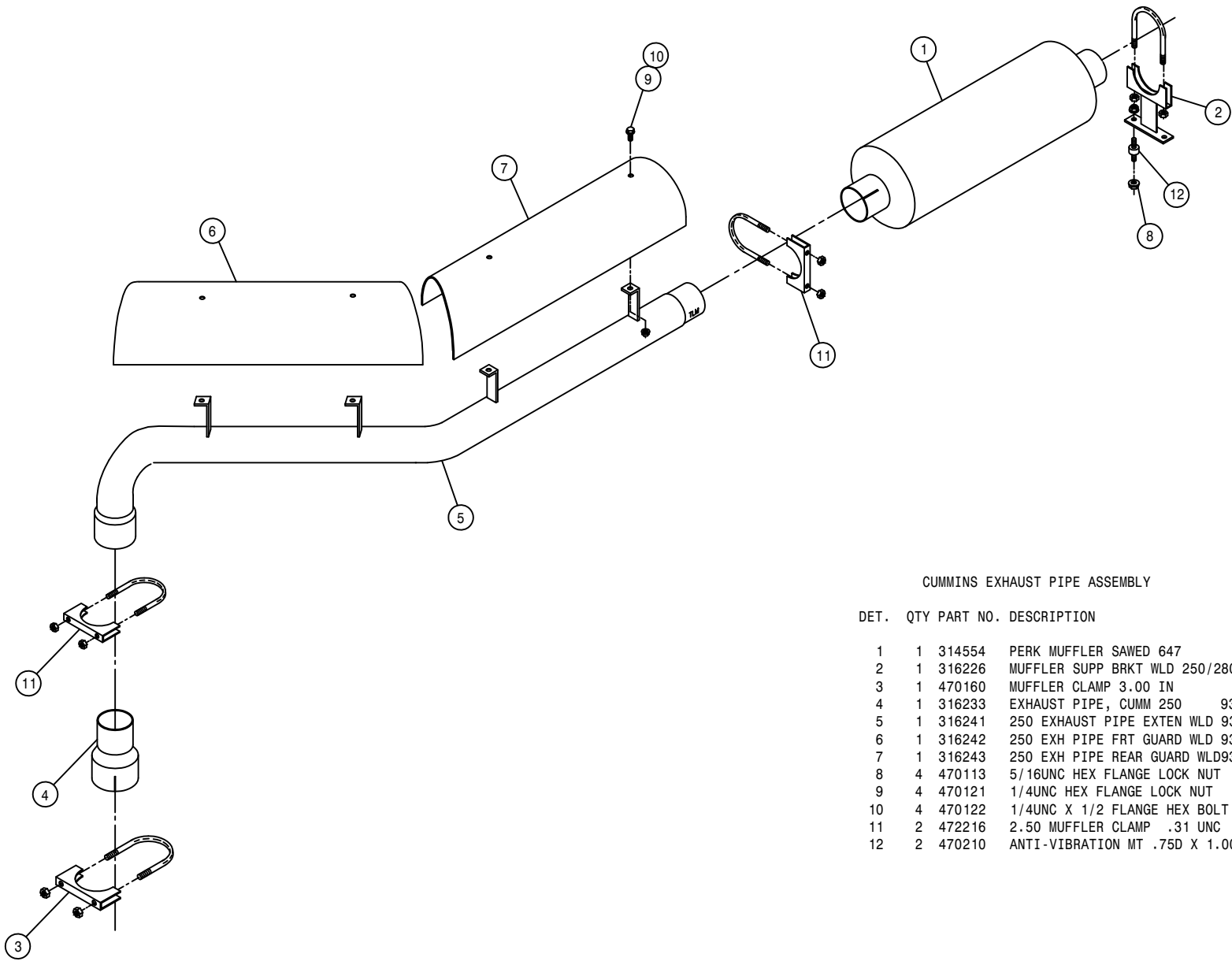
DET. QTY PART NO. DESCRIPTION

1	1	314863	RAD-OIL COOLER MT WLD 280 91
2	1	314884	RAD SHROUD 250/280 DIESEL 92
3	1	314885	RADIATOR HD 4TUBE RH-OUT 92
4	1	319257	RAD CAP 7LB X 3/4FREE BRTH SM
5	1	319559	DRAIN COCK, 1/4MNPT EXT ST BR
6	10	470086	1/4UNC NUTSERT .020-.100MATL
7	9	470118	1/4UNC X 3/4 FLANGE HEX BOLT
8	7	470121	1/4UNC HEX FLANGE LOCK NUT
9	1	472352	#10-24THD IN X 9/16 TEK TYP 3
10	1	505098	SIDE OUTLET EL 90DEG 1.00NPT
11	1	505101	BLK PIPE TEE 1.00NPT
12	2	505102	PIPE PLUG 1.00NPT SQ HD
13	4	505200	BLK PIPE ST EL 90DEG 1.00NPT
14	2	505203	BLK PIPE NIPPLE 1.00NPT-4.00
15	2	659579	FOAM, 1"THK X 2" WIDE X 40"LG
16	1	520120	HOSE CLAMP NO 4 STAINLESS
17	1	618606	OIL COOLER, BLISSFIELD 65027
18	2	714331	1 NPT X 3/4 HOSE BARB
19	1	714560	1NPT X 1 HOSE BARB
20	1	716000	3/4 HOSE BARB-90-1MNPT
21	12	900128	3/8UNC X 3/4 HEX BOLT
22	8	914004	3/8UNC HEX STOVER NUT
23	8	920002	3/8 SAE FLAT WASHER
24	1	314767	RAD RECOVERY TANK & MTG WLD
25	2	314490	SIDE SCR N WLD INTAKE 8250 86
26	1	314495	TOP SCR N WLD INTAKE 8250 86
27	3	520055	HOSE CLAMP NO 12 STAINLESS
28	1	520087	HOSE CLAMP NO 20 STAINLESS
29	1	314893	RECOVERY TANK MTG BRKT 280 92
30	2	193016	QUICKEDGE TRIM .060 TO .170 X 10"



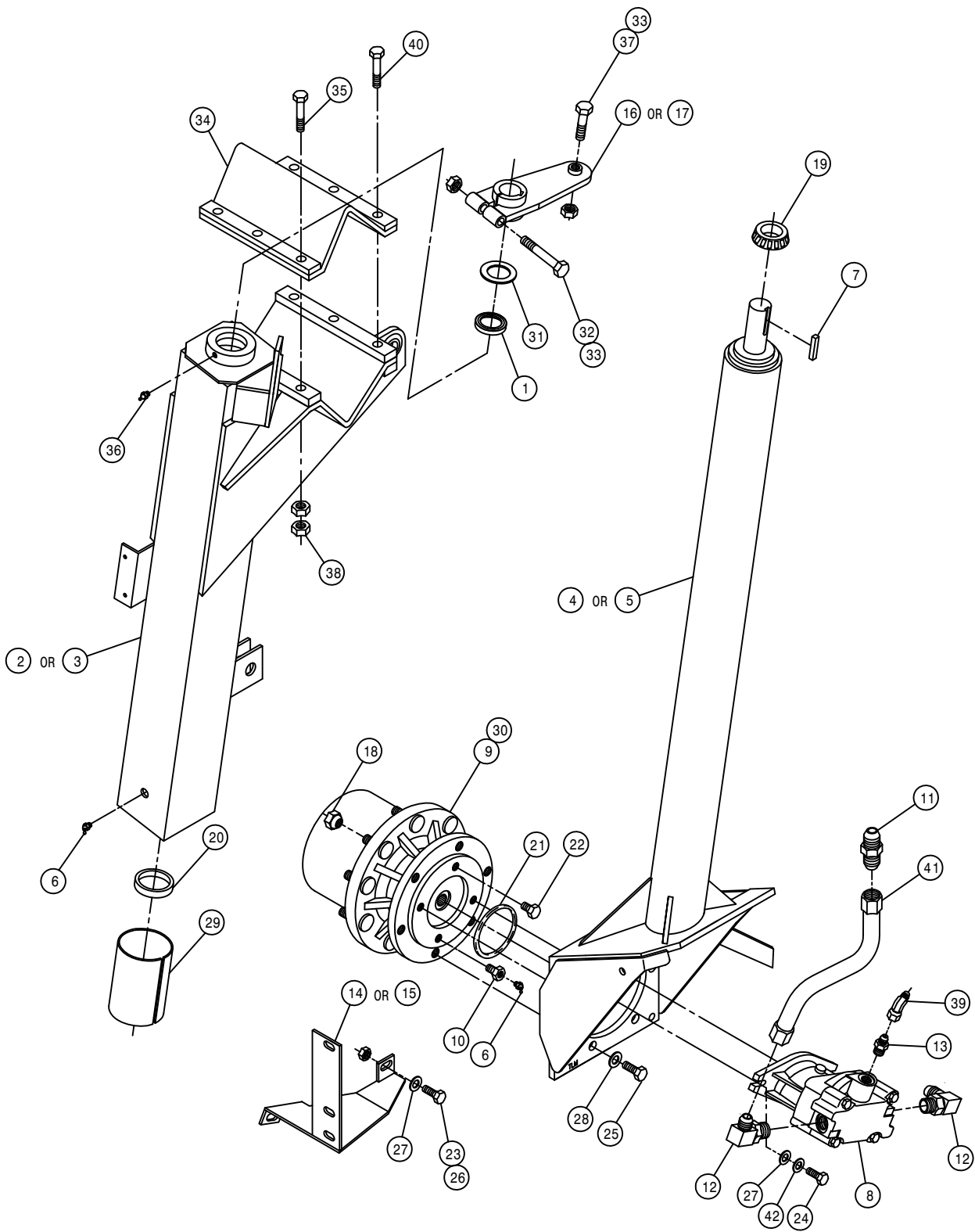
CUMMINS AIR CLEANER ASSEMBLY

DET.	QTY	PART NO.	DESCRIPTION
1	2	314536	AIR CLEANER BAND 8IN DONALDSON
2	1	314731	AIR CLEANER HOSE, 3" ID 90DEG
3	1	314897	AIR CLEANER, 280 CFM
4	1	314899	AIR CLEANER ELEMENT FOR314897
5	1	314898	AIR CLEANER HOOD FOR 314897
6	4	470118	1/4UNC X 3/4 FLANGE HEX BOLT
7	4	470121	1/4UNC HEX FLANGE LOCK NUT
8	1	314902	3.50 - 3.00 X 6.00LG PIPE
9	1	314900	3.50 90 DEG AIR INTAKE HOSE
10	2	520130	3.00 T-BOLT HOSE CLAMP
11	2	520131	3.50 T-BOLT HOSE CLAMP



CUMMINS EXHAUST PIPE ASSEMBLY

DET.	QTY	PART NO.	DESCRIPTION
	1	314554	PERK MUFFLER SAWED 647
	1	316226	MUFFLER SUPP BRKT WLD 250/280
	1	470160	MUFFLER CLAMP 3.00 IN
	1	316233	EXHAUST PIPE, CUMM 250 93
	1	316241	250 EXHAUST PIPE EXTEN WLD 93
	1	316242	250 EXH PIPE FRT GUARD WLD 93
	1	316243	250 EXH PIPE REAR GUARD WLD93
	4	470113	5/16UNC HEX FLANGE LOCK NUT
	4	470121	1/4UNC HEX FLANGE LOCK NUT
	4	470122	1/4UNC X 1/2 FLANGE HEX BOLT
	2	472216	2.50 MUFFLER CLAMP .31 UNC
	2	470210	ANTI-VIBRATION MT .75D X 1.00



FRONT LEG ASSEMBLY

DET.	QTY	PART NO.	DESCRIPTION
1	1	129010	SEAL C/R 16069
2	1	358817	RH FRT OUTR LEG WLD,254X11 95
3	1	358818	LH FRT OUTR LEG WLD,254X11 95
4	1	358679	RH FRT INNER LEG WLD250X11 92
5	1	358680	LH FRT INNER LEG WLD250X11 92
6	2	471023	GREASE ZERK 1/4-28 X 45
7	1	483036	KEY, 3/8 SQ X 2" LG
8	1	610571	SUND M35-3002 WHL MTR
9	1	610516	TORQ HUB, 24:1 B-MT W1BFNZ
10	1	610556	1/2UNC X 1/2 ZERK BOLT T-HUB
11	1	618456	7/8MJIC UNION
12	2	618535	7/8MJIC-90-1 1/16MOR LBO
13	1	618310	9/16MJIC-7/8MOR ADPTR
14	1	662157	RH FRT MTG WLD FOR CROP GUIDE
15	1	662156	LH FRT MTG WLD FOR CROP GUIDE
16	1	749280	RH STRG ARM WLD 250 91
17	1	749281	LH STRG ARM WLD 250 91
18	9	824052	1/2UNF 60 DEG WHL NUT
19	1	825003	INNER CONE FOR 825001 &825002
20	1	825004	INNER CUP FOR 825001 & 825002
21	1	870045	O-RING 4 1/8 OD X 4 ID
22	1	900260	1/2UNC X 1/2 H BOLT GR2 UNPLT
23	3	900265	1/2UNC X 1 1/2 HEX BOLT
24	2	900266	1/2UNC X 1 3/4 HEX BOLT
25	6	900333	5/8UNC X 1 1/2 HEX BOLT
26	3	914008	1/2UNC HEX STOVER NUT
27	5	920004	1/2 SAE FLAT WASHER
28	6	920505	5/8 LOCK WASHER
29	1	358298	JOURNAL BRG-LINER TYPE
30	1	610552	SEAL BOOT FOR W1BFNZ, W2B2FZ
31	1	358448	FRT LEG WSHR 8540
32	1	900343	5/8UNC X 4 1/2 HEX BOLT
33	2	914010	5/8UNC HEX STOVER NUT
34	1	358780	LEG MT V-PLT WLD, 254 95
35	3	900836	5/8UNF X 3 1/4 HEX BOLT GR8
36	1	471021	GREASE ZERK 1/8 NPT STRAIGHT
37	1	749269	STRG ARM BOLT 280 89
38	12	914811	5/8UNF HEX NUT GR8
39	1	618634	9/16MJIC-45-9/16FJIC SWIV LBO
40	3	900837	5/8UNF X 3 1/2 HEX BOLT GR8
41	1	615681	FRT WHL MTR HYD TUBE ASSY,X11
42	2	920504	1/2 LOCK WASHER

REAR LEG ASSEMBLY

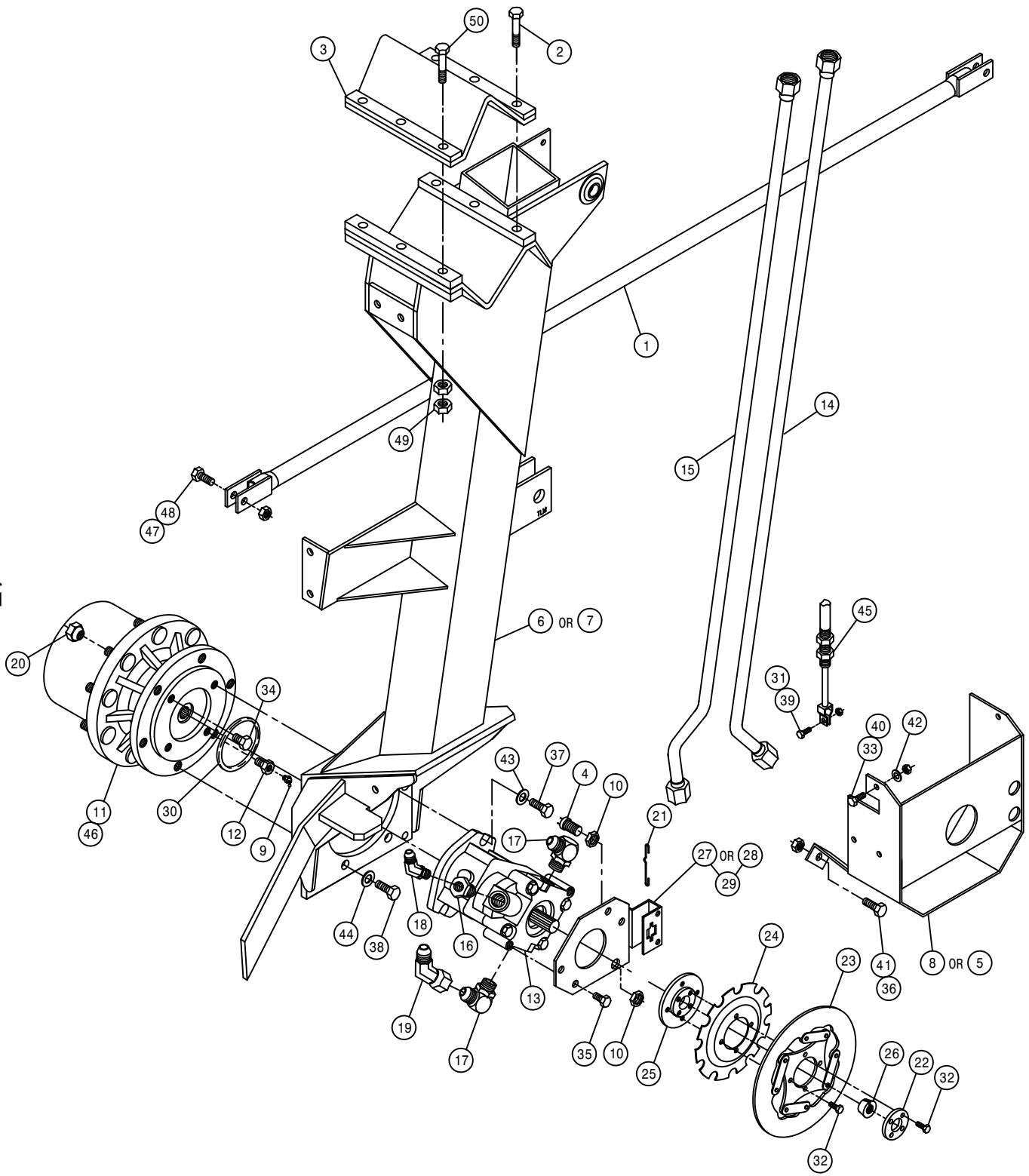
DET. QTY PART NO. DESCRIPTION

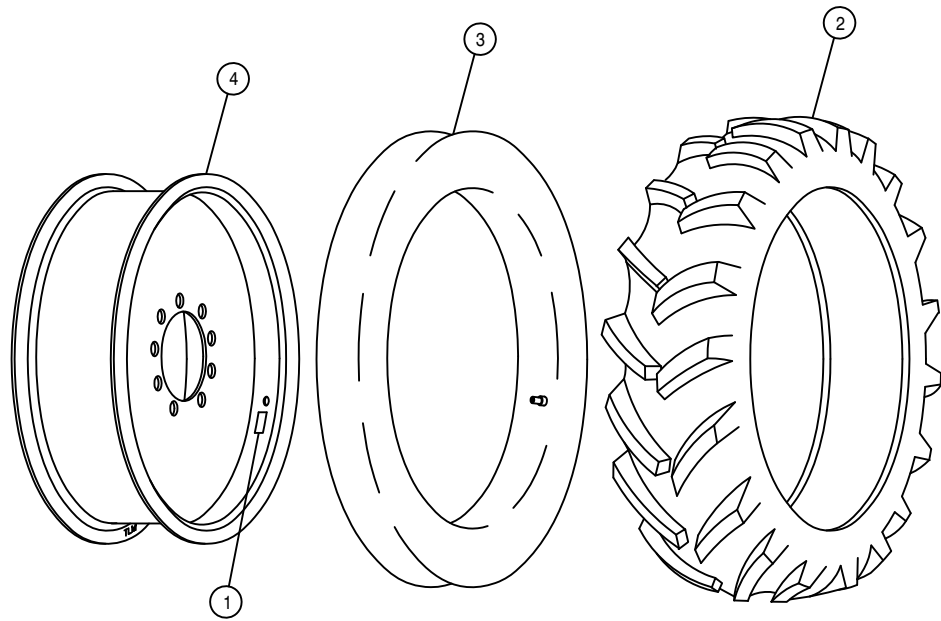
1	1	341944	LEG BRACE WLD 250	91
2	3	900836	5/8UNF X 3 1/4 HEX BOLT GR8	
3	1	358780	LEG MT V-PLT WLD, 254	95
4	1	291206	SENSOR, SPEEDO/TACH W/NUT	
5	1	358596	RH REAR WHL MTR SHLD WLD 280	
6	1	358820	LH REAR LEG WLD, 254 X-11	95
7	1	358819	RH REAR LEG WLD, 254 X-11	95
8	1	358597	LH REAR WHL MTR SHLD WLD 280	
9	1	471023	GREASE ZERK 1/4-28 X 45	
10	2	473061	3/4UNF TRUSEAL HEX NUT	
11	1	610516	TORQ HUB 24 TO 1 B-MT W1BFNZ	
12	1	610556	1/2UNC X 1/2 ZERK BOLT T-HUB	
13	1	610557	SUND M35-3102 WHL MTR W/SHFT	
14	1	614700	FRT HYD TUBE ASSY 250 X-11	92
15	1	614701	REAR HYD TUBE ASSY 250 X11	92
16	1	618172	7/8MOR-9/16FOR ADPTR	
17	2	618248	1 1/16MJIC-90-1 1/16MOR LBO	
18	1	618425	9/16MJIC-45-9/16MOR LBO	
19	1	618529	1 1/16MJ-45-1 1/16FJ SWIV LBO	
20	9	824052	1/2UNC 60 DEG WHL NUT	
21	1	826929	CLIP BRAKE RETAINER	
22	1	826945	HUB MOUNT, BRAKE	
23	1	826959	BRAKE DISC SUB ASSY	
24	1	826963	SENSOR DISC, 647 BRAKE FORMED	
25	1	826975	TAPER LOCK HUB	
26	1	826988	HUB, TAPER LOCK 13 TEETH	
27	1	828083	RH BRAKE MT WLD 250	91
28	1	828084	LH BRAKE MT WLD 250	91
29	2	826918	PARK BRAKE PAD	
30	1	870045	O RING 4 1/8 OD X 4 ID	
31	1	900002	1/4UNC X 3/4 HEX BOLT	
32	8	900064	5/16UNC X 3/4 HEX BOLT	
33	2	900130	3/8UNC X 1 1/4 HEX BOLT	
34	1	900260	1/2UNC X 1/2 HBOLT, GR2 UNPLT	
35	2	900262	1/2UNC X 3/4 HEX BOLT	
36	2	900265	1/2UNC X 1 1/2 HEX BOLT	
37	2	900267	1/2UNC X 2 HEX BOLT	
38	6	900333	5/8UNC X 1 1/2 HEX BOLT	
39	1	914000	1/4UNC HEX STOVER NUT	
40	2	914004	3/8UNC HEX STOVER NUT	
41	2	914008	1/2UNC HEX STOVER NUT	
42	2	920002	WASH FLAT 3/8 SAE	
43	2	920004	1/2 FLAT WASHER SAE	
44	6	920505	LOCK WASHER 5/8	
45	1	826926	190 IN BRAKE CABLE	
46	1	610552	SEAL BOOT FOR W1BFNZ, W2B2FZ	
47	2	914010	5/8UNC HEX STOVER NUT	
48	2	900336	5/8UNC X 2 1/2 HEX BOLT	
49	12	914811	5/8UNF HEX NUT GR8	
50	3	900837	5/8UNF X 3 1/2 HEX BOLT GR8	

NOTE: 1. ITEMS 4, 10, 24, AND 27 ARE USED ON THE RIGHT HAND LEG ASSEMBLY.

17

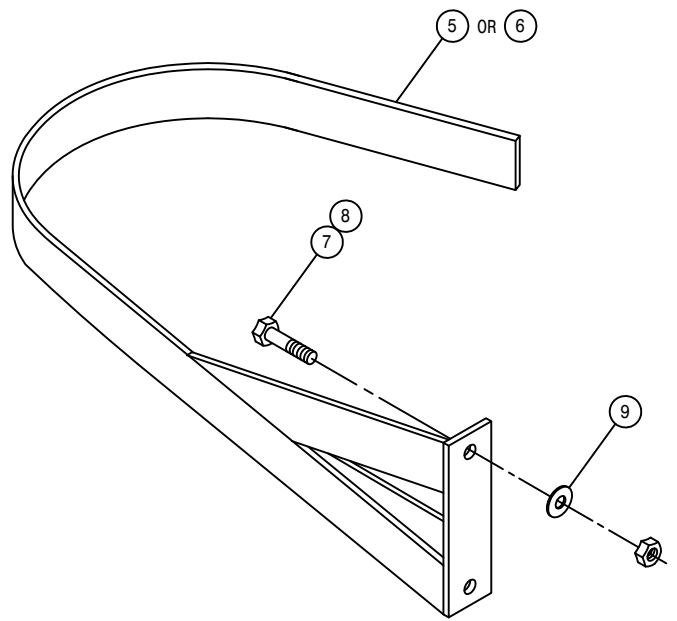
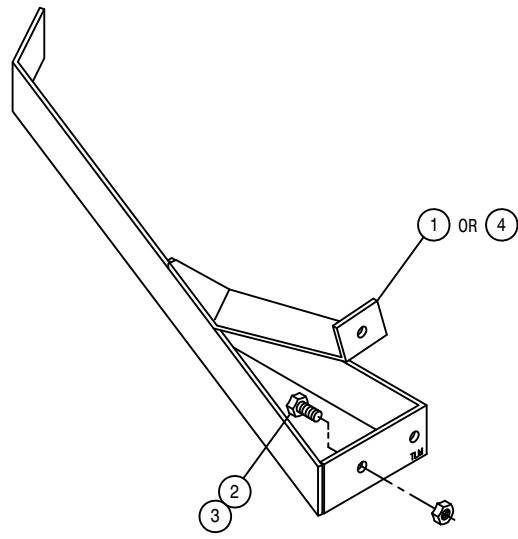
148017





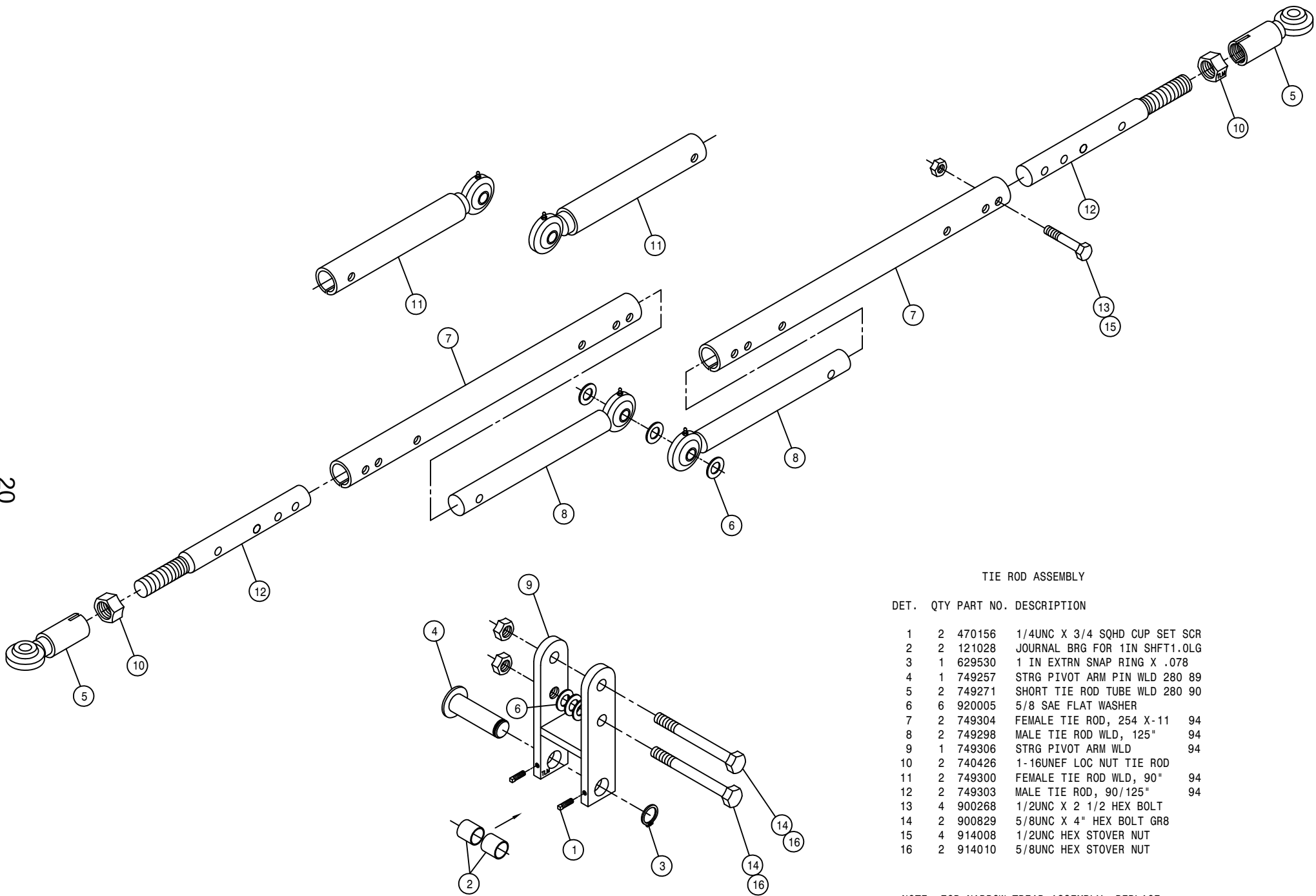
TIRE AND RIM ASSEMBLY

DET.	QTY	PART NO.	DESCRIPTION
1	1	650985	WHL BOLT TORQ DECAL 203854C
2	1	820001	12.4 X 28 4P TIRE, FIRESTONE
3	1	820002	12.4 X 28 RADIAL TUBE
4	1	820017	RIM WLD, W10 X 28, W1B 280



CROP GUIDES

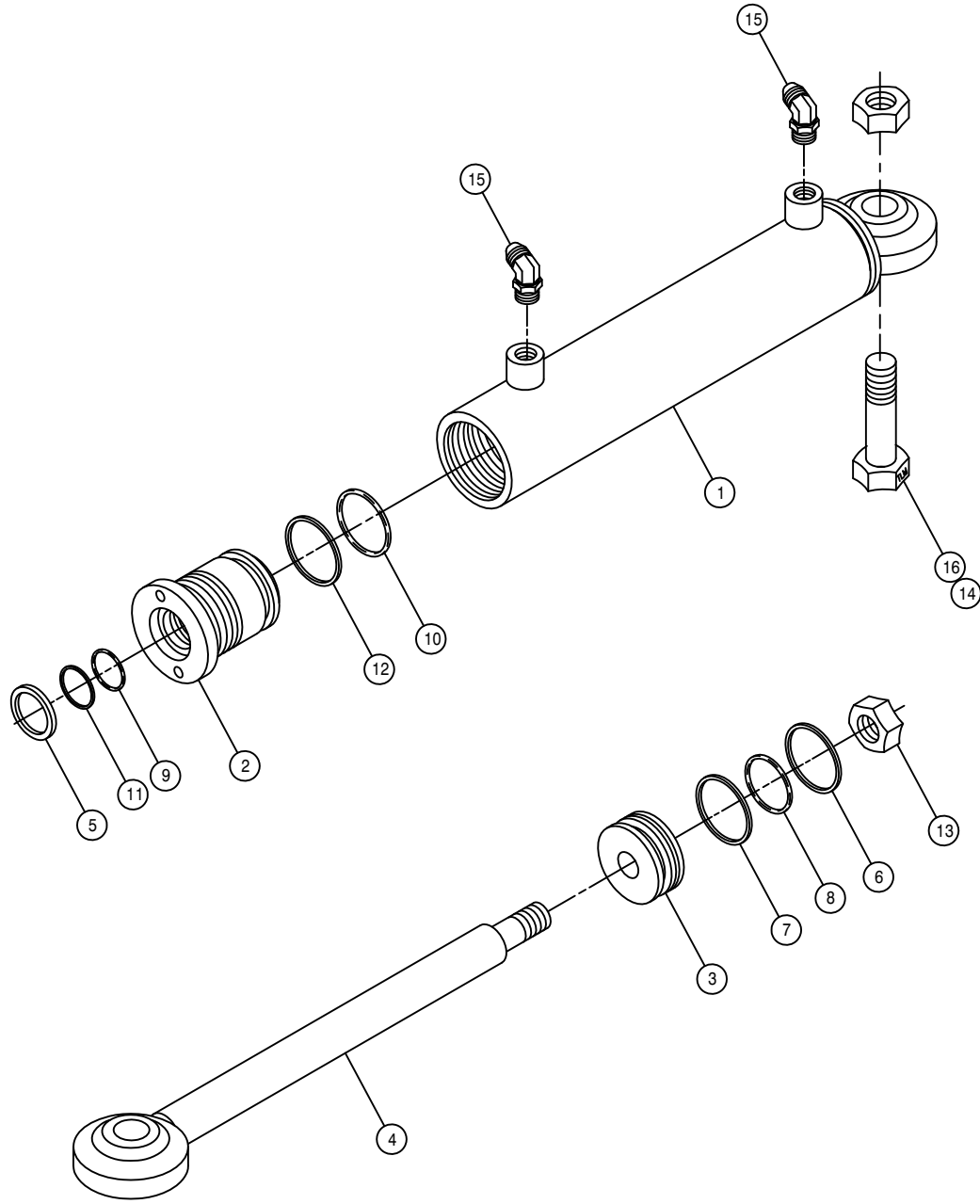
DET.	QTY	PART NO.	DESCRIPTION
1	1	662218	LH REAR STALK GUIDE WLD280 89
2	2	900129	3/8UNC X 1" HEX BOLT
3	2	914004	3/8UNC HEX STOVER NUT
4	1	662217	RH REAR STALK GUIDE WLD280 89
5	1	662150	RH STALK GUIDE WLD 8240
6	1	662151	LH STALK GUIDE WLD 8240
7	2	900264	1/2UNC X 1 1/4 HEX BOLT
8	2	914008	1/2UNC HEX STOVER NUT
9	2	920004	1/2 SAE FLAT WASHER



TIE ROD ASSEMBLY

DET.	QTY	PART NO.	DESCRIPTION	
1	2	470156	1/4UNC X 3/4 SQHD CUP SET SCR	
2	2	121028	JOURNAL BRG FOR 1IN SHFT1.0LG	
3	1	629530	1 IN EXTRN SNAP RING X .078	
4	1	749257	STRG PIVOT ARM PIN WLD 280 89	
5	2	749271	SHORT TIE ROD TUBE WLD 280 90	
6	6	920005	5/8 SAE FLAT WASHER	
7	2	749304	FEMALE TIE ROD, 254 X-11	94
8	2	749298	MALE TIE ROD WLD, 125"	94
9	1	749306	STRG PIVOT ARM WLD	94
10	2	740426	1-16UNEF LOC NUT TIE ROD	
11	2	749300	FEMALE TIE ROD WLD, 90"	94
12	2	749303	MALE TIE ROD, 90/125"	94
13	4	900268	1/2UNC X 2 1/2 HEX BOLT	
14	2	900829	5/8UNC X 4" HEX BOLT GR8	
15	4	914008	1/2UNC HEX STOVER NUT	
16	2	914010	5/8UNC HEX STOVER NUT	

NOTE: FOR NARROW TREAD ASSEMBLY, REPLACE
DETAIL 7 AND 8 WITH DETAIL 11.



STEERING CYLINDER ASSEMBLY

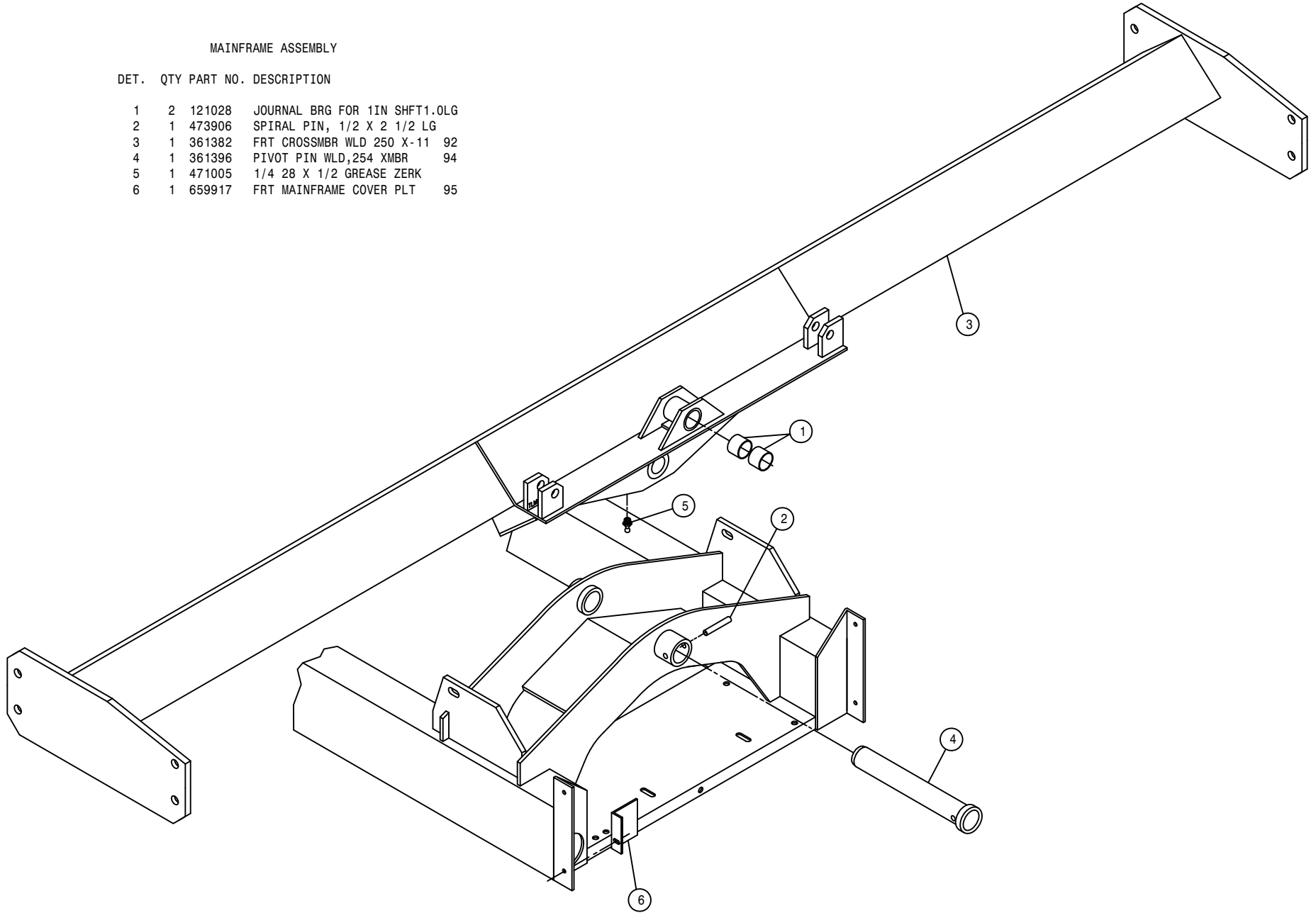
DET.	QTY	PART NO.	DESCRIPTION
1	1	620089	STRG CYL TUBE WLD 1.5 X 6. 85
2	1	620109	GLAND HYD CYL 1.5 X .75 1985
3	1	620129	PISTON HYD CYL 1.5 X .5 1985
4	1	620148	STRG CYL SHAFT WLD
5	1	629028	WIPER, 10D X 3/4ID X 1/8
6	1	629616	SEAL, 1704-24 HT20550R POLYHON
7	1	629618	WEAR RING, 1.5" HYD CYL
8	1	870025	BUNA ORING 1 3/16 X 1 5/16
9	1	870210	BUNA ORING 3/4 X 1
10	1	870218	BUNA ORING 1 1/4 X 1 1/2
11	1	890210	BACKUP WASH 3/4 X1 HT2022
12	1	890218	BACKUP WASH1 1/4X1 1/2 HT2022
13	1	914009	1/2UNF HEX STOVER NUT
14	1	914010	5/8UNC HEX STOVER NUT
15	2	618338	9/16MJIC-45-1/4MNPT LBO
16	1	900336	5/8UNC X 2 1/2 HEX BOLT

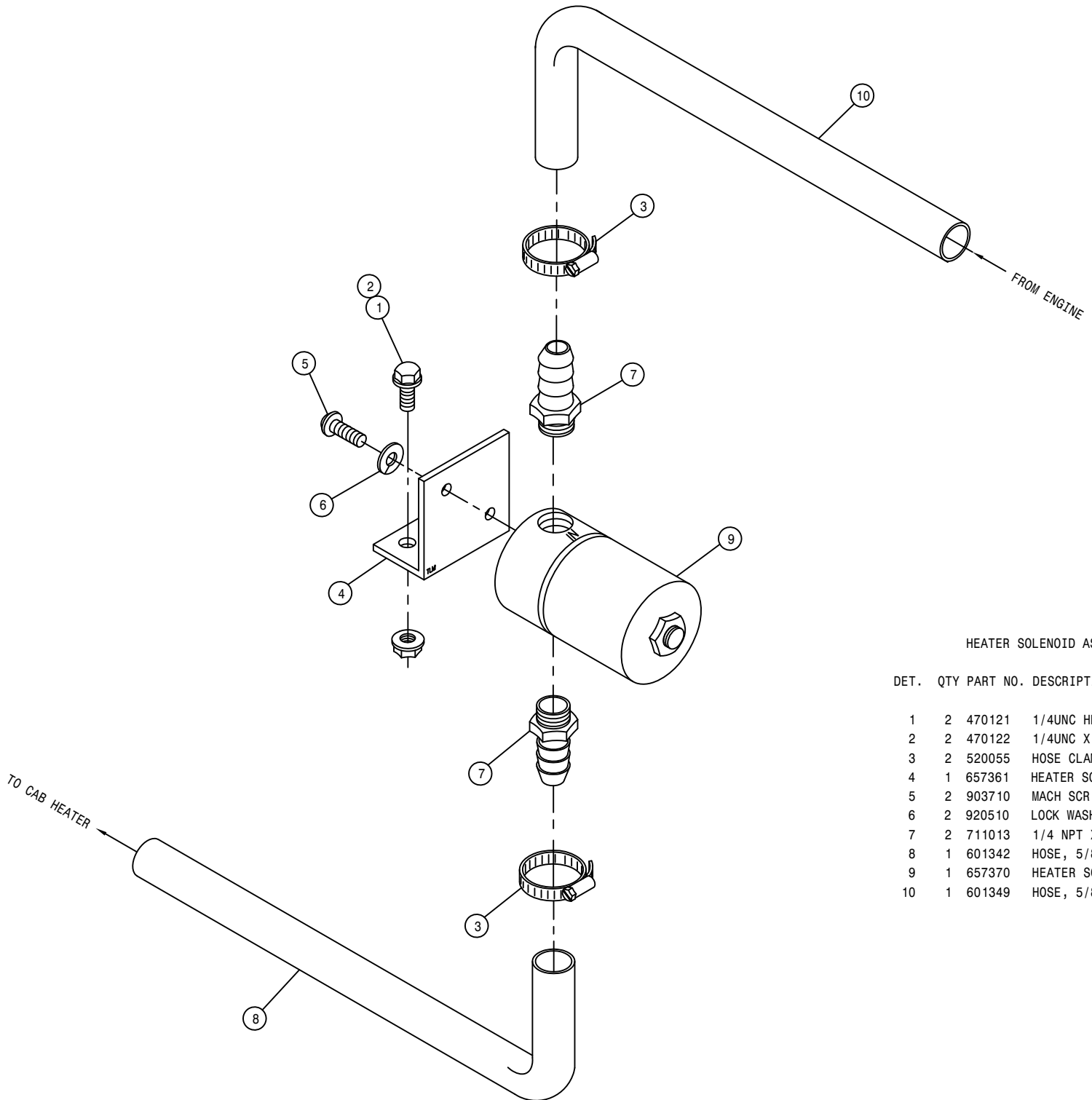
NOTE: 1. 620080 - CYLINDER ASSEMBLY
 2. 620998 - SEAL KIT

MAINFRAME ASSEMBLY

DET. QTY PART NO. DESCRIPTION

1	2	121028	JOURNAL BRG FOR 1IN SHFT1.0LG
2	1	473906	SPIRAL PIN, 1/2 X 2 1/2 LG
3	1	361382	FRT CROSSMBR WLD 250 X-11 92
4	1	361396	PIVOT PIN WLD,254 XMBR 94
5	1	471005	1/4 28 X 1/2 GREASE ZERK
6	1	659917	FRT MAINFRAME COVER PLT 95





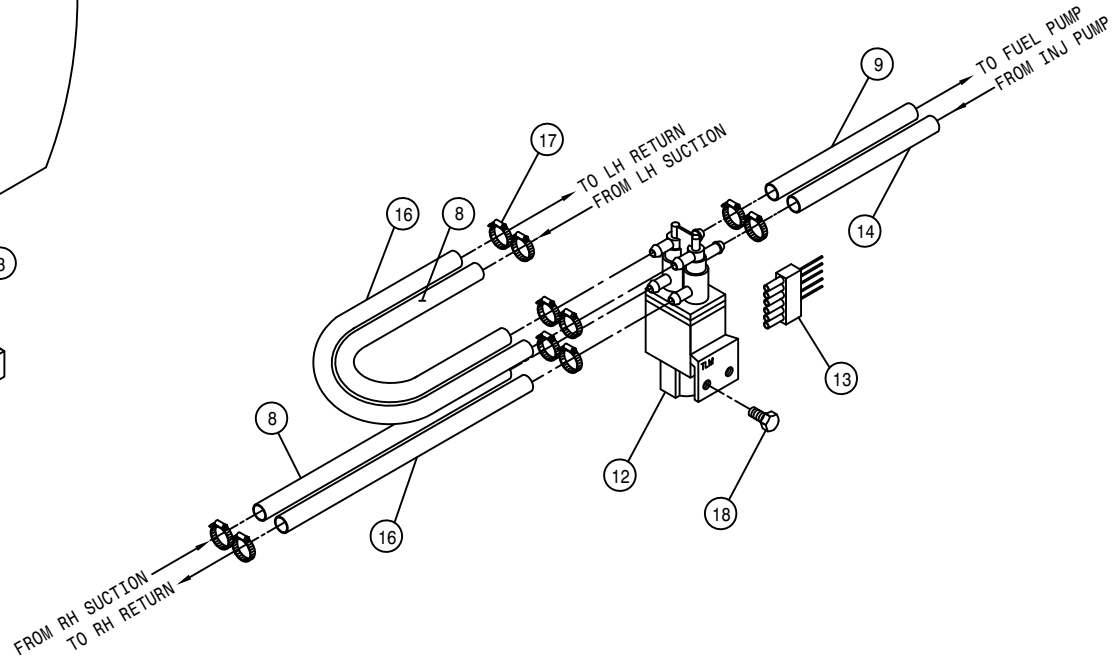
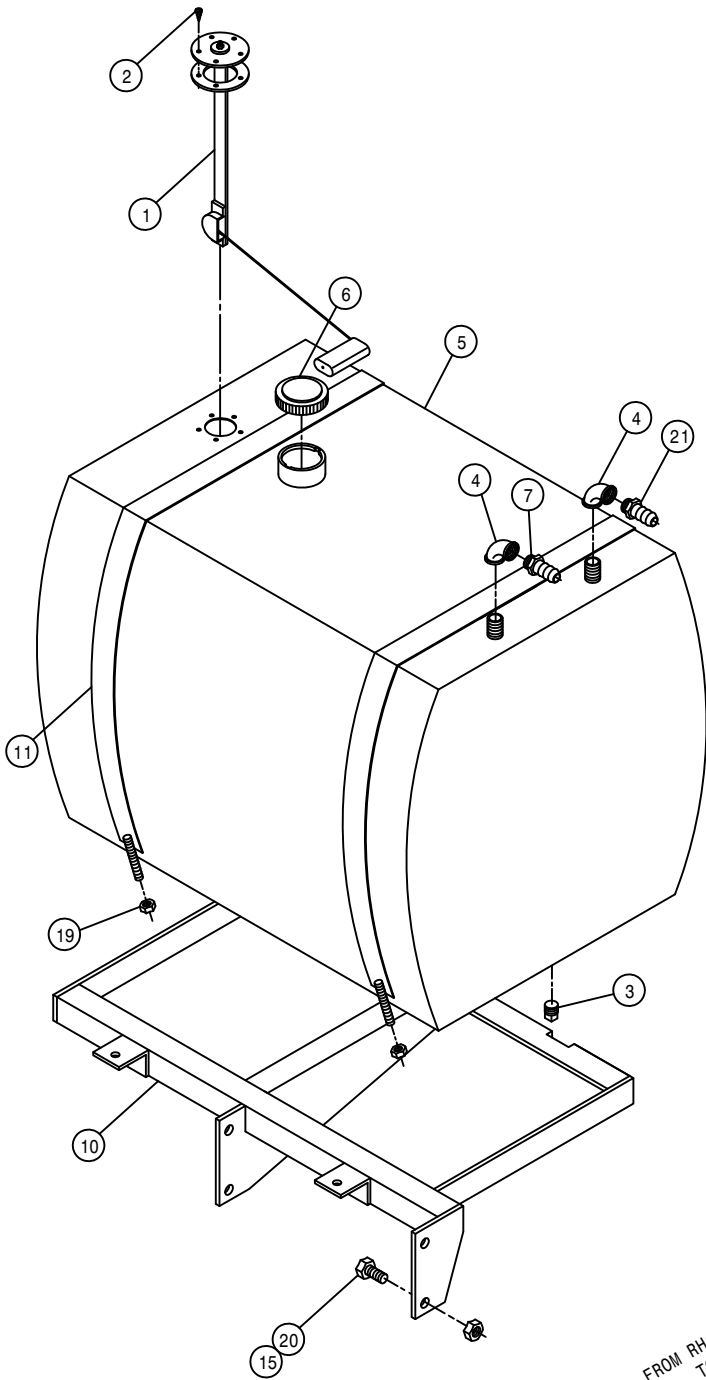
HEATER SOLENOID ASSEMBLY

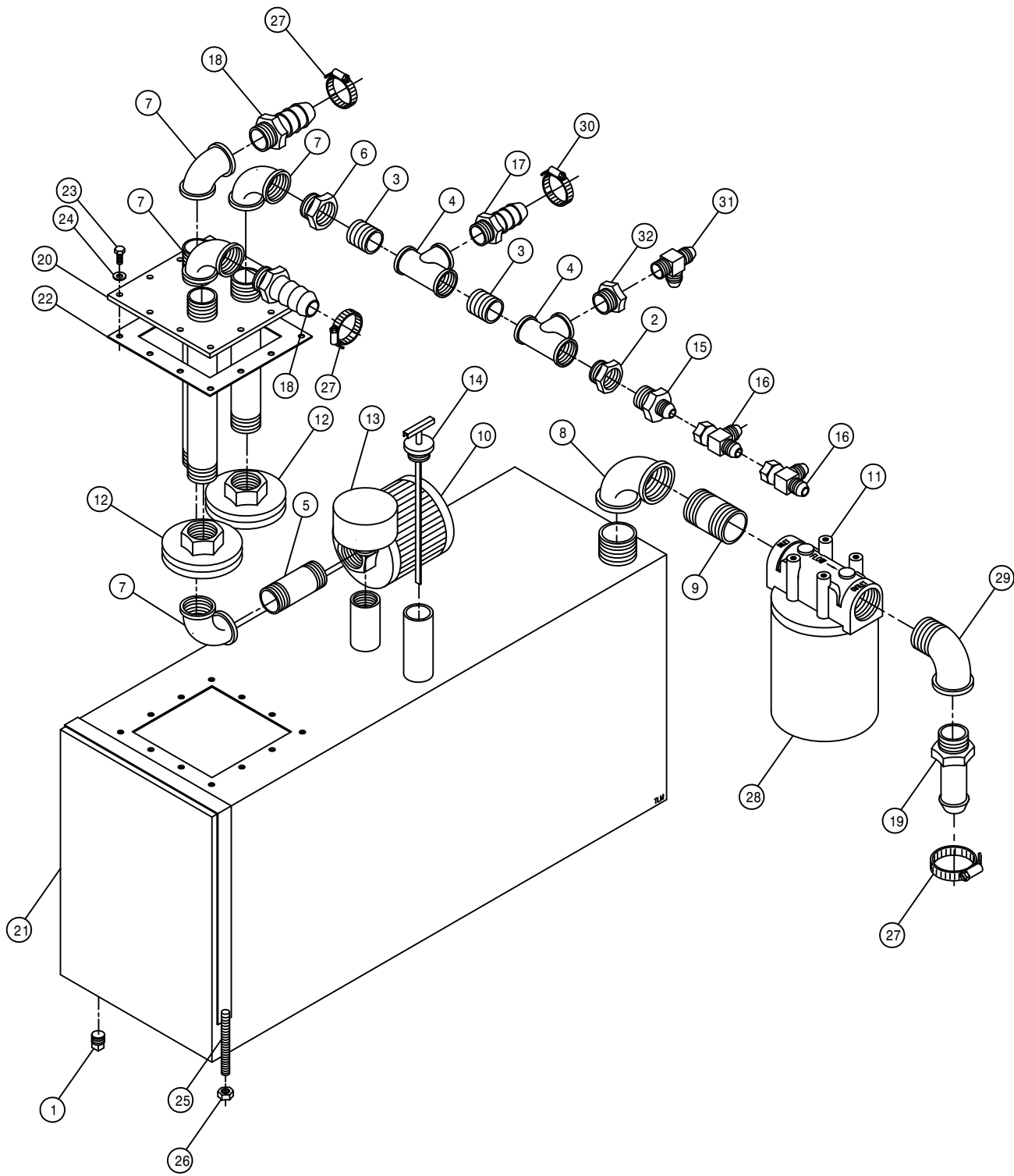
DET.	QTY	PART NO.	DESCRIPTION
	1	2	470121 1/4UNC HEX FLANGED LOCK NUT
	2	2	470122 1/4UNC X 1/2 FLANGED HEX BOLT
	3	2	520055 HOSE CLAMP NO 12 PLATED
	4	1	657361 HEATER SOL VLV MT 94
	5	2	903710 MACH SCR 10-32X1/2 PHIL PANHD
	6	2	920510 LOCK WASH NO 10
	7	2	711013 1/4 NPT X 1/2 HOSE BARB, BRS
	8	1	601342 HOSE, 5/8 X 192 HEATER
	9	1	657370 HEATER SOLENOID VLV W/O HBARB
	10	1	601349 HOSE, 5/8 X 15" HEATER

DIESEL FUEL TANK ASSEMBLY

DET. QTY PART NO. DESCRIPTION

DET.	QTY	PART NO.	DESCRIPTION
1	1	291428	FUEL SENDER 19 IN.
2	5	473902	NO 8 X 1/2 PAN HD MET SC
3	1	501102	1/4 PIPE PLUG
4	2	501451	BLK PIPE EL 90DEG .25NPT
5	1	760149	FUEL TANK WLD 200-280 90
6	1	761200	GAS CAP
7	1	783303	HOSE BARB 1/4 NPT X 5/16 HOSE
8	2	601324	HOSE, 3/8 X 90IN FUEL LINE
9	1	601323	HOSE, 3/8 X 36IN FUEL LINE
10	1	760154	LH FUEL TNK MT WLD 200-280 90
11	2	760162	FUEL TANK BAND WLD 200-280 90
12	1	610529	FUEL SELECTOR VALVE W/RETURN
13	1	610530	5 WIRE CONNECTOR FOR 610529
14	1	601142	HOSE, 5/16 X 36 FUEL LINE
15	4	914008	1/2UNC HEX STOVER NUT
16	2	601301	HOSE, 5/16 X 90IN FUEL LINE
17	10	520120	HOSE CLAMP NO 4 PLATED MINI
18	2	900064	5/16UNC X 3/4 HEX BOLT
19	2	914004	3/8UNC HEX STOVER NUT
20	4	900264	1/2UNC X 1 1/4 HEX BOLT
21	1	783304	HOSE BARB 1/4 NPT X 3/8 HOSE





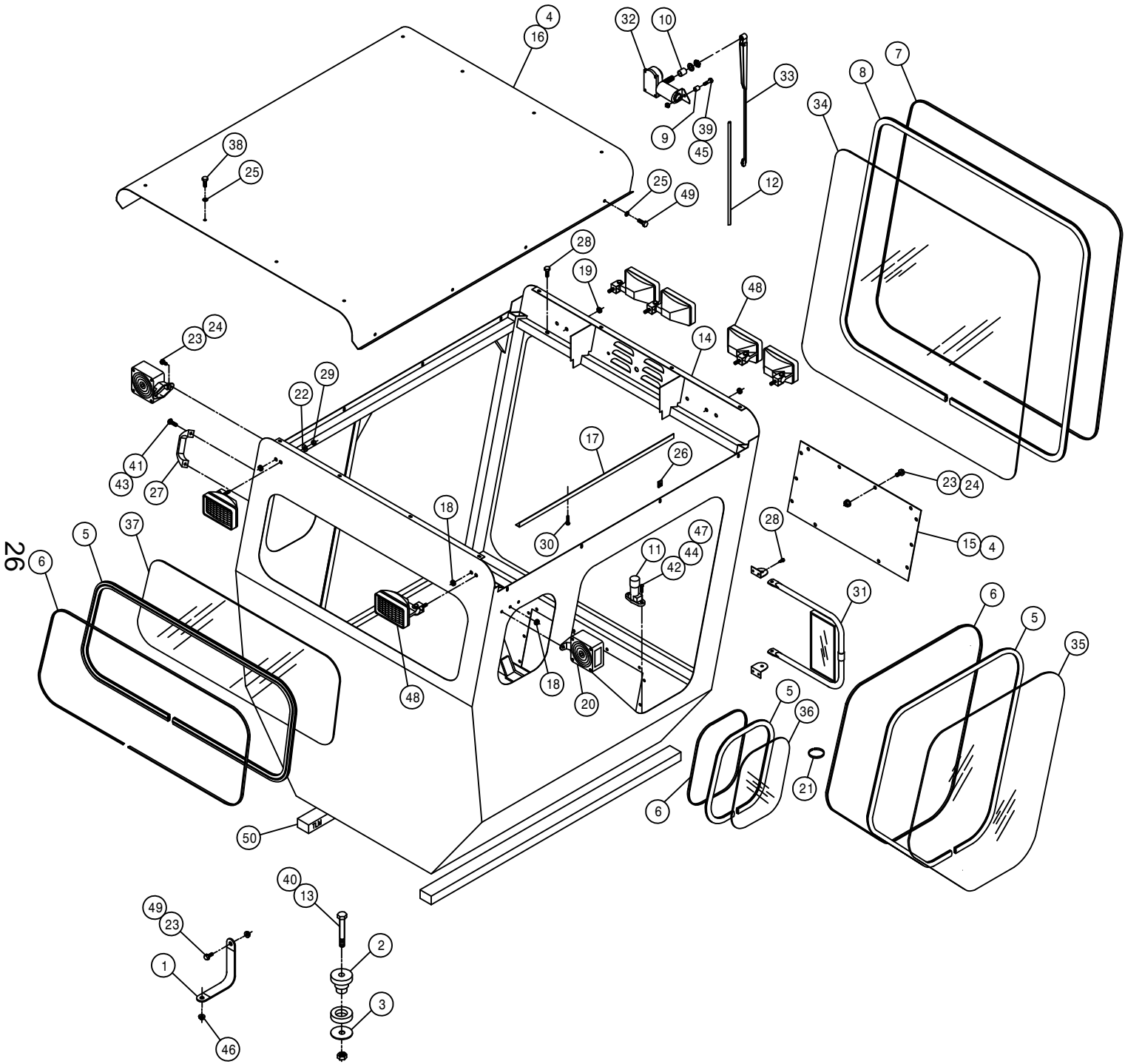
HYDRAULIC TANK ASSEMBLY

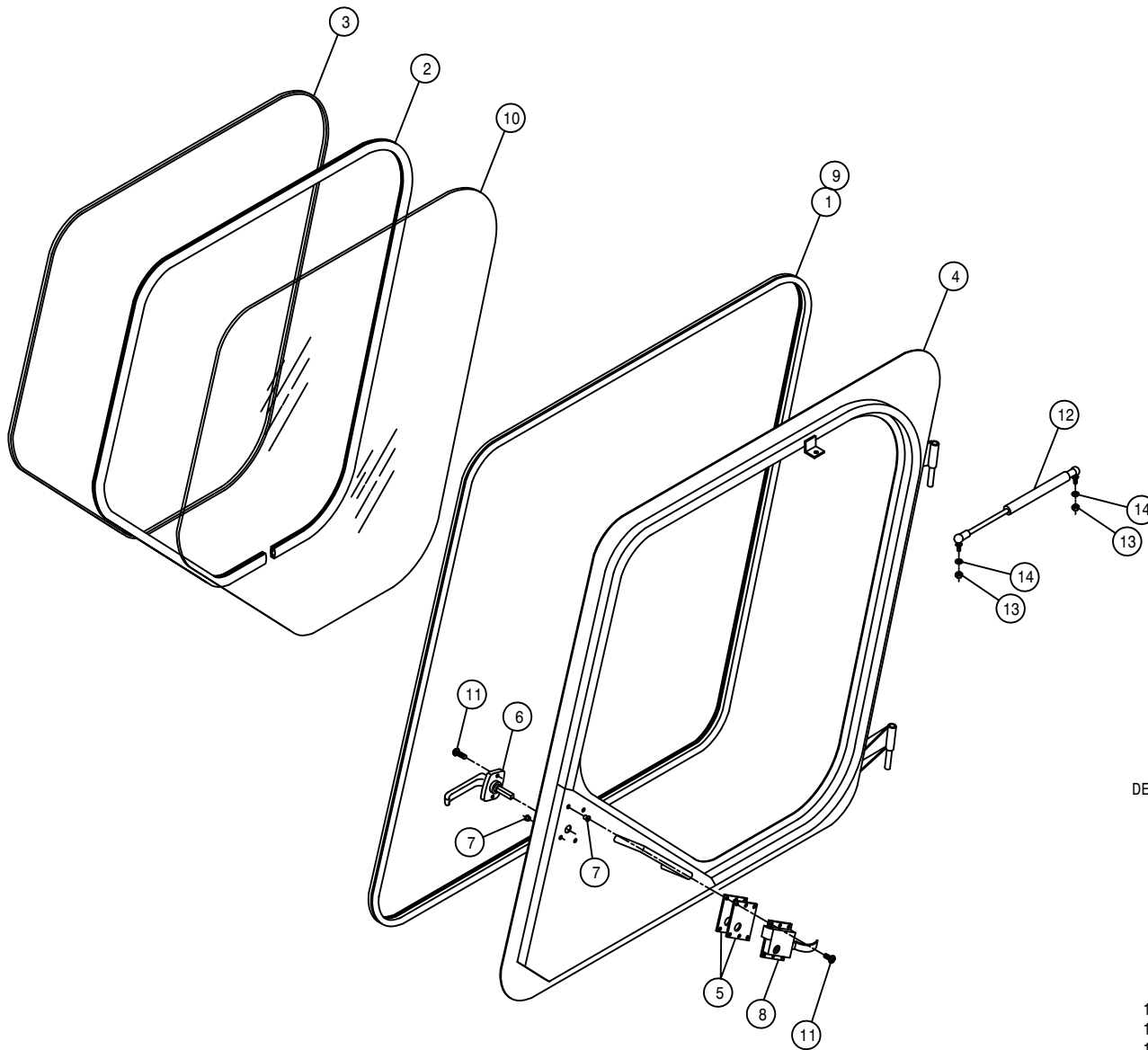
DET.	QTY	PART NO.	DESCRIPTION
	1	501102	1/4 PIPE PLUG
	1	504210	RED BUSH 3/4 NPT X 1/2 NPT
	2	504702	CLOSE NIPPLE .75NPT
	2	504955	BLK PIPE TEE .75NPT
	1	505203	BLK PIPE NIPPLE 1.00NPT-4.00
	1	505213	RED BUSH 1 X 3/4 BLK MAL
	4	505300	BLK PIPE EL 90DEG 1.00NPT
	1	506303	BLK PIPE EL 90DEG 1.25NPT
	1	506602	PIPE NIPPLE 1 1/4NPT-2 1/2
	1	605600	MICHIGAN RESERVOIR FILTER
	1	605601	GRESEN FILTER 10 MICRON 40GPM
	2	605603	LINE SUMP DIFFUSER
	1	611052	FILLER BREATHER 3/4NPT
	1	614453	DIPSTICK, 8IN
	1	618018	9/16MJIC-1/2MNPT ADPTR
	2	618486	9/16FJIC SW RUN TEE-9/16MJIC
	1	713220	HOSE BARB 3/4 NPT X 3/4
	2	714560	1NPT X 1 HOSE BARB
	1	715664	1 1/4 NPT X 1 HOSE BARB
	1	760090	RECIEVER PLT WLD 8240
	1	760097	OIL TANK WLD 8240 1982
	1	763039	HYD MTR MTG PLT GSKT
	12	900064	5/16UNC X 3/4 HEX BOLT
	12	920001	5/16 FLAT WASHER SAE PLT
	2	341360	OIL TANK STRAP WLD 8240 1982
	4	914004	3/8UNC HEX STOVER NUT
	3	520087	HOSE CLAMP NO 20 PLATED
	1	605602	FILT ELEMENT 10MICRON 40GPM
	1	506410	BLK PIPE ST EL 90DEG 1.25NPT
	1	520055	HOSE CLAMP NO 12 PLATED
	1	618520	1/4MNPT RUN TEE-9/16MJIC
	1	504001	RED BUSH 3/4 X 1/4 BLK MAL

CAB ASSEMBLY

DET. QTY PART NO. DESCRIPTION

DET.	QTY	PART NO.	DESCRIPTION
1	1	290107	ENG TO GROUND STRAP 8 IN
2	4	311051	RUBBER MOUNT, RB3-350
3	4	311052	SNUBBING WASHER FOR 311051
4	24	193037	STICKERTITE 1/8 X 3/4
5	25	193044	WINDOW WEATHERSTRIP
6	25	193045	LOCK STRIP FOR 193044
7	13	192001	FILLR STRIP FOR WEATHERSTRIP
8	13	193018	2 P/C SELF SEAL WEATHERSTRIP
9	1	200019	.25 SCH 40BP X 1.00 LG C/L
10	1	202037	WINDSHIELD WIPER SPACER
11	1	290412	DIMMER SWITCH
12	1	290417	18" WIPER BLADE
13	4	900343	5/8UNC X 4 1/2 HEX BOLT
14	1	342100	CAB WLD 254-284
15	1	342145	KICK PANEL, 254 CAB
16	1	342150	CAB ROOF WLD, 284
17	1	342180	HEADLINER KPR ANGLE,284CAB 94
18	4	470067	RUBBER GROMMET 1/4 ID
19	2	470070	RUBBER GROMMET 3/8 ID
20	2	291604	TURN SIGNAL LIGHT,PED MT, YEL
21	1	470229	IDENTIFICATION TIE, 3/4"
22	6	470100	LOCKWASH, .38 INT TOOTH
23	17	470121	1/4UNC HEX FLANGED LOCK NUT
24	16	470122	1/4UNC X 1/2 FLANGED HEX BOLT
25	16	470212	1/4 BONDED NEO SEALING WASH
26	16	470218	1/4-20 NUT, J-TYPE CAGE CLIP
27	1	470222	GRAB HANDLE, BLACK MOULDED
28	12	472349	1/4 X 3/4 20THD-IN TEK TYPE
29	6	473779	10MM-1.50 HEX NUT
30	2	473910	SHT MTL SCR,1/4X1 1/2 PHIL HD
31	2	650524	OUTSIDE REAR VIEW MIRROR
32	1	658008	WINDSHIELD WIPER MOTOR
33	1	658013	WIPER ARM
34	1	658014	FRONT CAB GLASS
35	1	658015	FRONT SIDE CAB/DOOR GLASS
36	2	658016	REAR SIDE CAB GLASS
37	1	658017	REAR CAB GLASS
38	8	900002	1/4UNC X 3/4 HEX BOLT
39	1	900005	1/4UNC X 1 1/2 HEX BOLT
40	4	914010	5/8UNC HEX STOVER NUT
41	2	903883	10-32 X 1/2 SLTRD HD MACH SCR
42	2	903889	10-32 X 3/4 SLT RDHD MACH SCR
43	2	470175	#10-32 HEX FLANGED LOCK NUT
44	2	910027	#10-32 HEX NUT
45	1	914000	1/4UNC HEX STOVER NUT
46	1	914004	3/8UNC HEX STOVER NUT
47	2	920510	LOCK WASH NO 10
48	6	291603	WORKLAMP, SIDE MT 12V HALOGEN
49	9	470118	1/4UNC X 3/4 FLANGED HEX BOLT
50	2	659704	FOAM, 2" THK X 2" WIDE X 42" LG

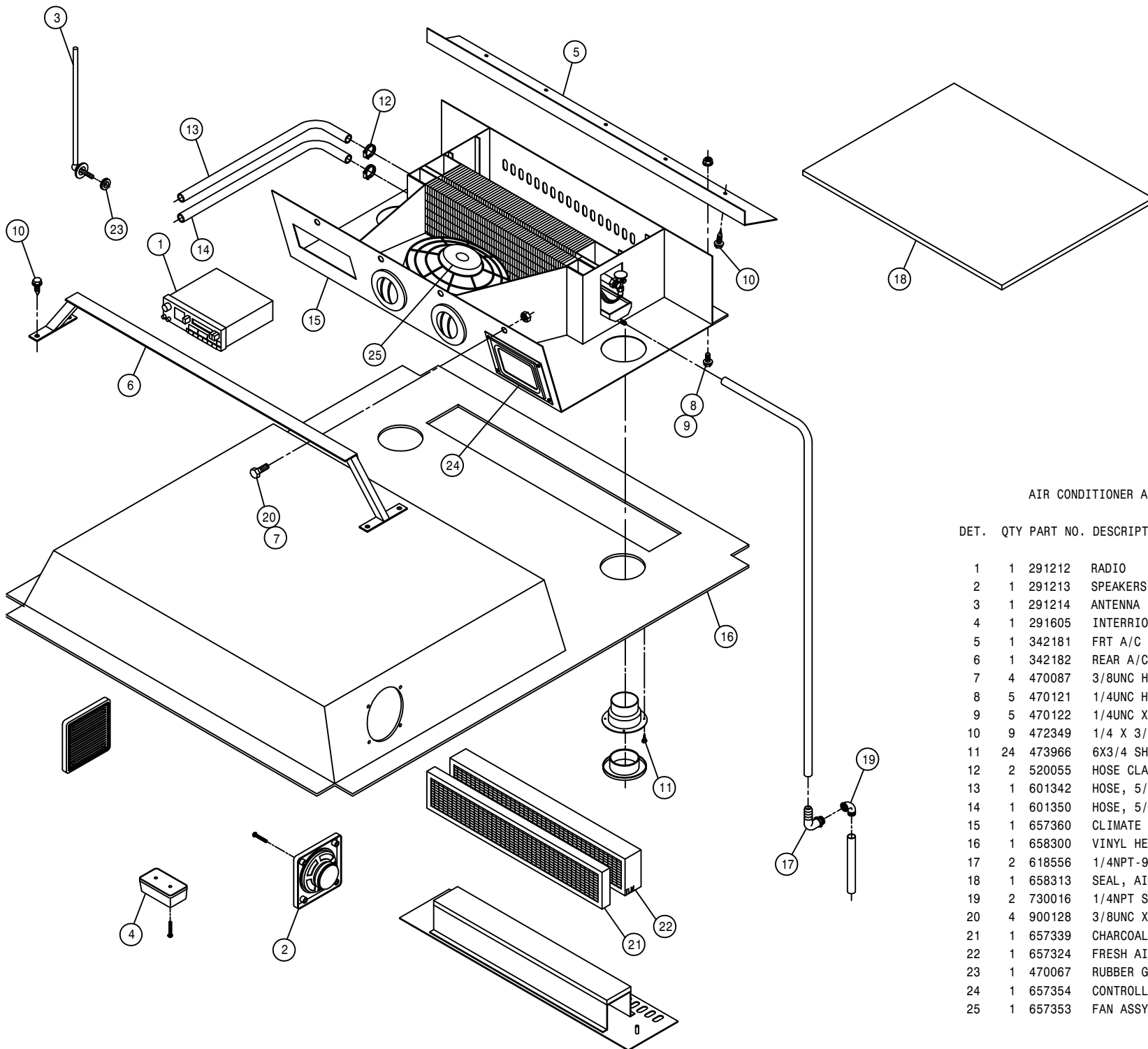




DOOR ASSEMBLY

DET. QTY PART NO. DESCRIPTION

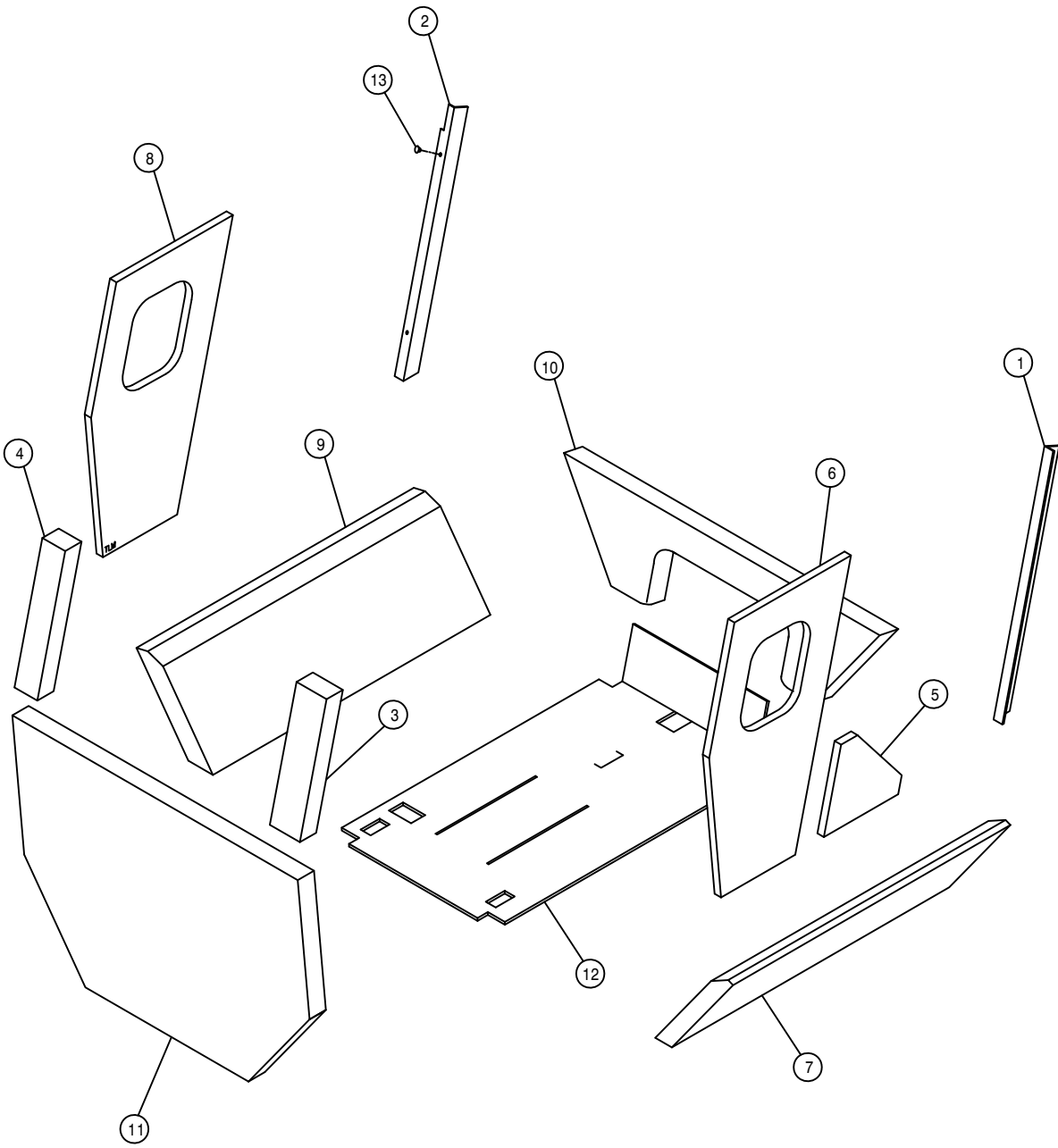
1	12	193028	PUSH-ON TRIM SEAL RS-130-FX
2	9	193044	WINDOW WEATHERSTRIP 94
3	9	193045	LOCK STRIP FOR 193044 94
4	1	342153	LH DOOR WLD, 284 CAB 94
5	2	342163	CAB DOOR LATCH SHIM, .06 94
6	1	342217	DOOR HANDLE, 254/284 CAB 94
7	6	470165	10-32 NUTSERT .020-.100 MATL
8	1	470219	CAB LOCK, LH #55
9	2	485052	POP RIVET 1/8 X 3/8
10	1	658015	FRONT SIDE CAB/DOOR GLASS 94
11	6	903710	10-32X5/8 PHIL PANHD MACH SCR
12	1	470221	GAS SPRING, 60LB 3.5 STROKE
13	2	910002	5/16UNC HEX NUT
14	2	920501	5/16 LOCK WASHER



AIR CONDITIONER ASSEMBLY

DET. QTY PART NO. DESCRIPTION

1	1	291212	RADIO	94
2	1	291213	SPEAKERS (PAIR)	94
3	1	291214	ANTENNA	94
4	1	291605	INTERIOR LIGHT W/SWITCH	
5	1	342181	FRT A/C BLOWER MT ANG, CAB 94	
6	1	342182	REAR A/C BLOWER MT WLD,CAB 94	
7	4	470087	3/8UNC HEX FLANGED LOCK NUT	
8	5	470121	1/4UNC HEX FLANGED LOCK NUT	
9	5	470122	1/4UNC X 1/2 FLANGED HEX BOLT	
10	9	472349	1/4 X 3/4 20THD-IN TEK TYPE	
11	24	473966	6X3/4 SHT MTL SCR,FLT HD PHIL	
12	2	520055	HOSE CLAMP NO 12 PLATED	
13	1	601342	HOSE, 5/8 X 192 HEATER	
14	1	601350	HOSE, 5/8 X 176" HEATER	
15	1	657360	CLIMATE CTRL, A/C & HTR R134A	
16	1	658300	VINYL HEAD LINER	94
17	2	618556	1/4NPT-90-1/2 HOSE BARB,POLY	
18	1	658313	SEAL, AIR CONDITIONER	94
19	2	730016	1/4NPT ST EL, 90 DEG POLY	
20	4	900128	3/8UNC X 3/4 HEX BOLT	
21	1	657339	CHARCOAL FILTER FOR 657333	
22	1	657324	FRESH AIR FILTER EAGLE	
23	1	470067	RUBBER GROMMET 1/4 ID	
24	1	657354	CONTROLLER ASSY, CLIMATE CTRL	
25	1	657353	FAN ASSY, CLIMATE CTRL R134A	



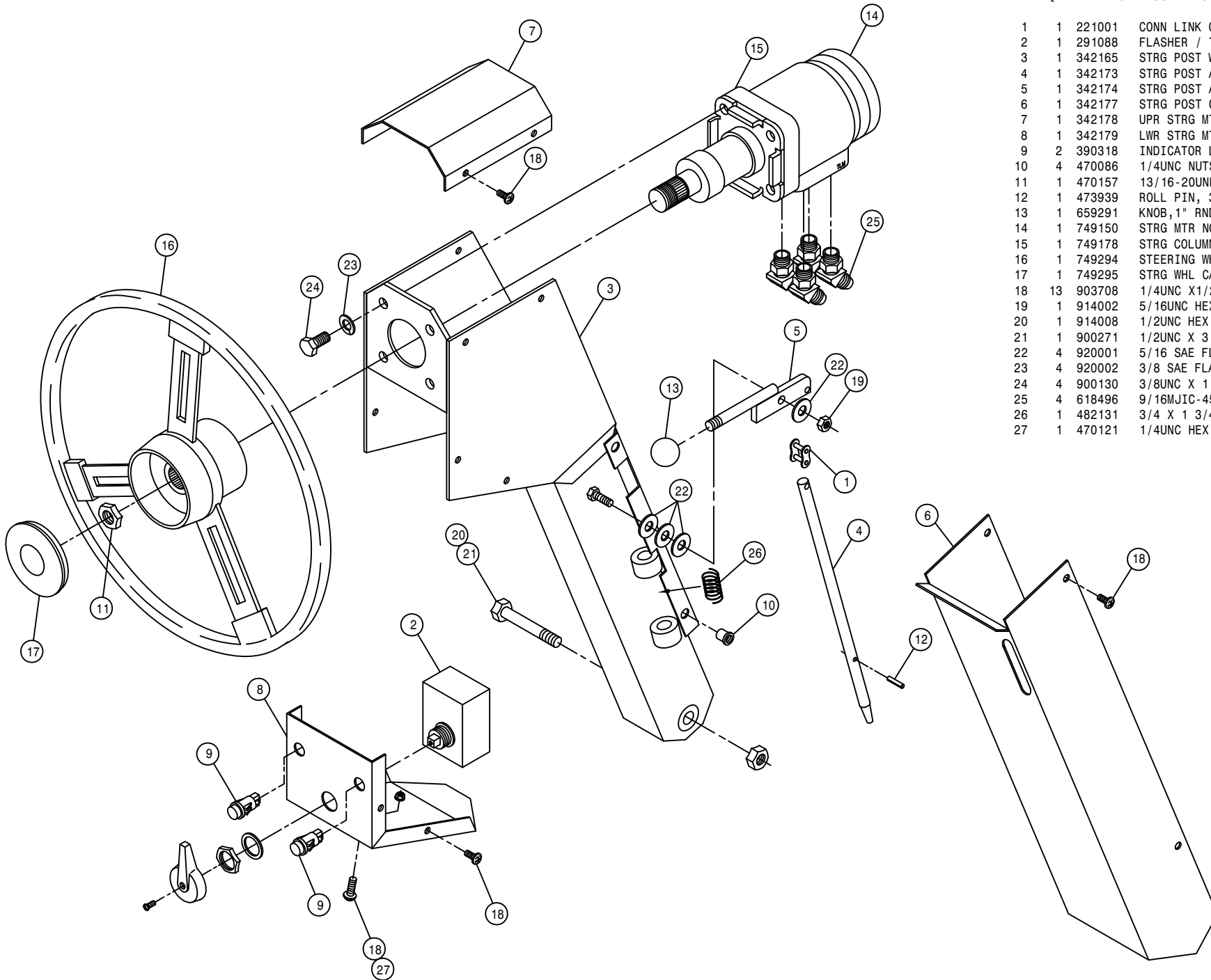
CAB FOAM

DET.	QTY	PART NO.	DESCRIPTION
1	1	658301	VINYL POST COVER, RH FRONT 94
2	1	658302	VINYL POST COVER, LH FRONT 94
3	1	658303	VINYL POST COVER, RH REAR 94
4	1	658304	VINYL POST COVER, LH REAR 94
5	1	658305	VINYL SIDE PANEL, RH 94
6	1	658306	VINYL SIDE PANEL, RH UPPER 94
7	1	658307	VINYL SIDE PANEL, RH LOWER 94
8	1	658308	VINYL SIDE PANEL, LH UPPER 94
9	1	658309	VINYL SIDE PANEL, LH LOWER 94
10	1	658310	VINYL FRONT COVER PANEL 94
11	1	658311	VINYL REAR COVER PANEL 94
12	1	658315	CAB FLOORMAT 254/284 95
13	2	470225	TRIM CLIP, 11/16 BLK NYL HEAD

STEERING POST ASSEMBLY

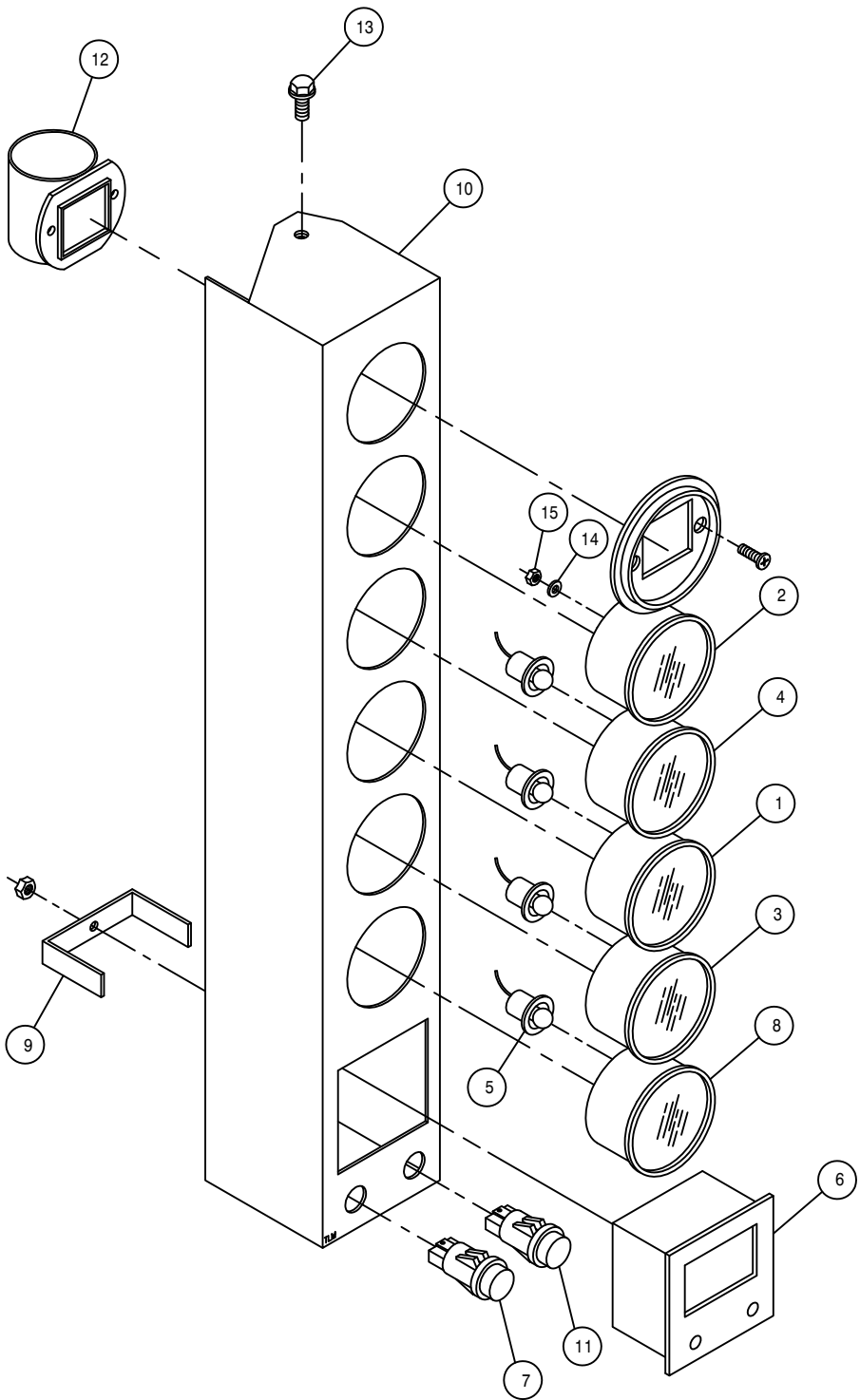
DET. QTY PART NO. DESCRIPTION

1	1	221001	CONN LINK CLIP TYPE RC50
2	1	291088	FLASHER / TURN SIGNAL SWITCH
3	1	342165	STRG POST WLD, 284 CAB 94
4	1	342173	STRG POST ADJ PIN, 284 CAB 94
5	1	342174	STRG POST ADJ PIN LEVER WLD94
6	1	342177	STRG POST COVER, 284 CAB 94
7	1	342178	UPR STRG MTR HSG COVER 94
8	1	342179	LWR STRG MTR HSG COVER 94
9	2	390318	INDICATOR LIGHT, RED
10	4	470086	1/4UNC NUTSERT .020-.100MATL
11	1	470157	13/16-20UNEF HEX NUT STRG WHL
12	1	473939	ROLL PIN, 3/16DIA X 7/8
13	1	659291	KNOB, 1" RND, BLK, 3/8-16
14	1	749150	STRG MTR NON-LOAD REACT 1008
15	1	749178	STRG COLUMN 2.5IN LONG
16	1	749294	STEERING WHEEL, VIP 14"
17	1	749295	STRG WHL CAP W/HAGIE EMBLEM
18	13	903708	1/4UNC X1/2 PHIL PNHD MACHSCR
19	1	914002	5/16UNC HEX STOVER NUT
20	1	914008	1/2UNC HEX STOVER NUT
21	1	900271	1/2UNC X 3 1/4 HEX BOLT
22	4	920001	5/16 SAE FLAT WASHER
23	4	920002	3/8 SAE FLAT WASHER
24	4	900130	3/8UNC X 1 1/4 HEX BOLT
25	4	618496	9/16MJIC-45-3/4MOR LBO
26	1	482131	3/4 X 1 3/4 COMPRSN SPRING
27	1	470121	1/4UNC HEX FLANGE LOCK NUT



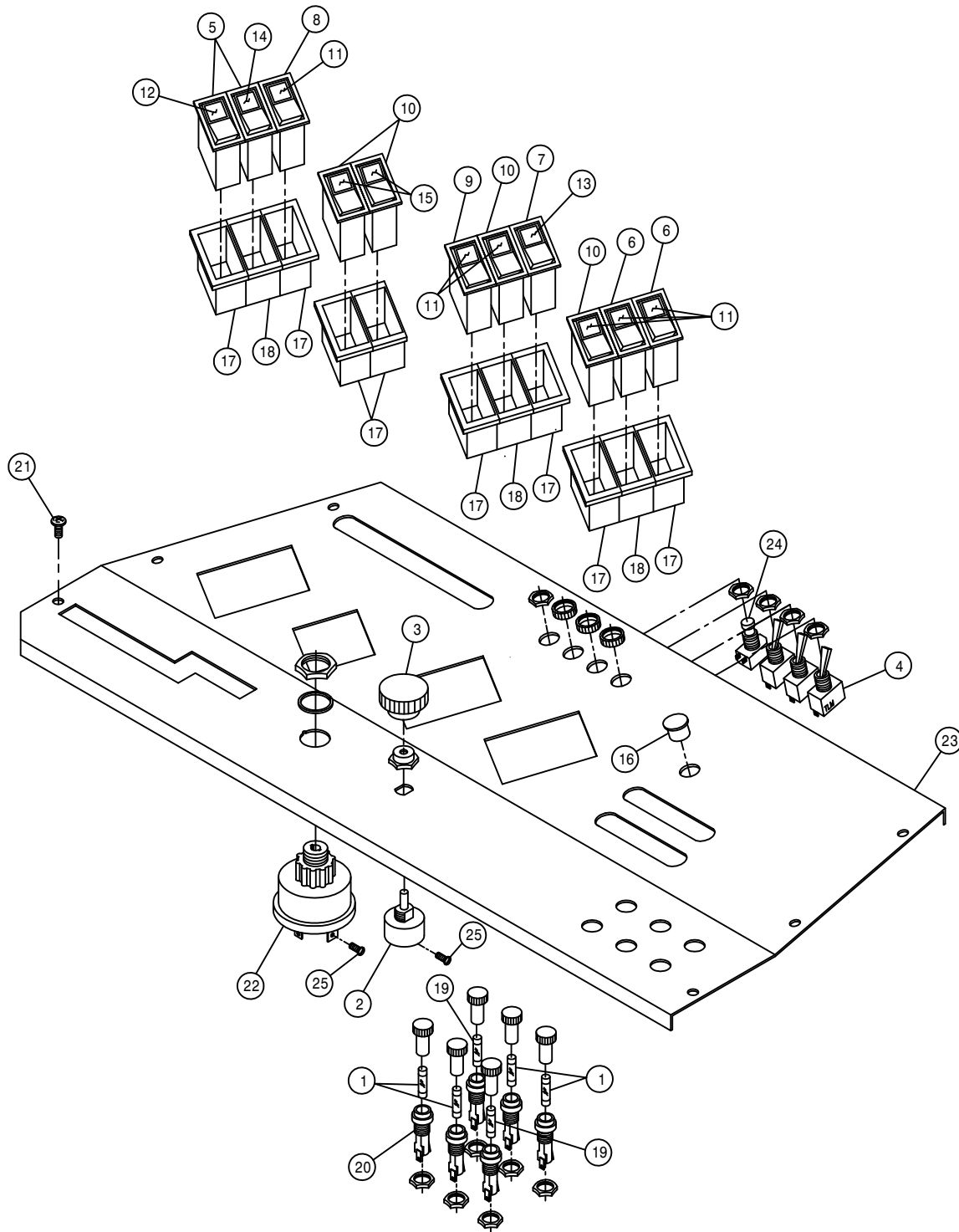
30

148030



INSTRUMENT PANEL ASSEMBLY

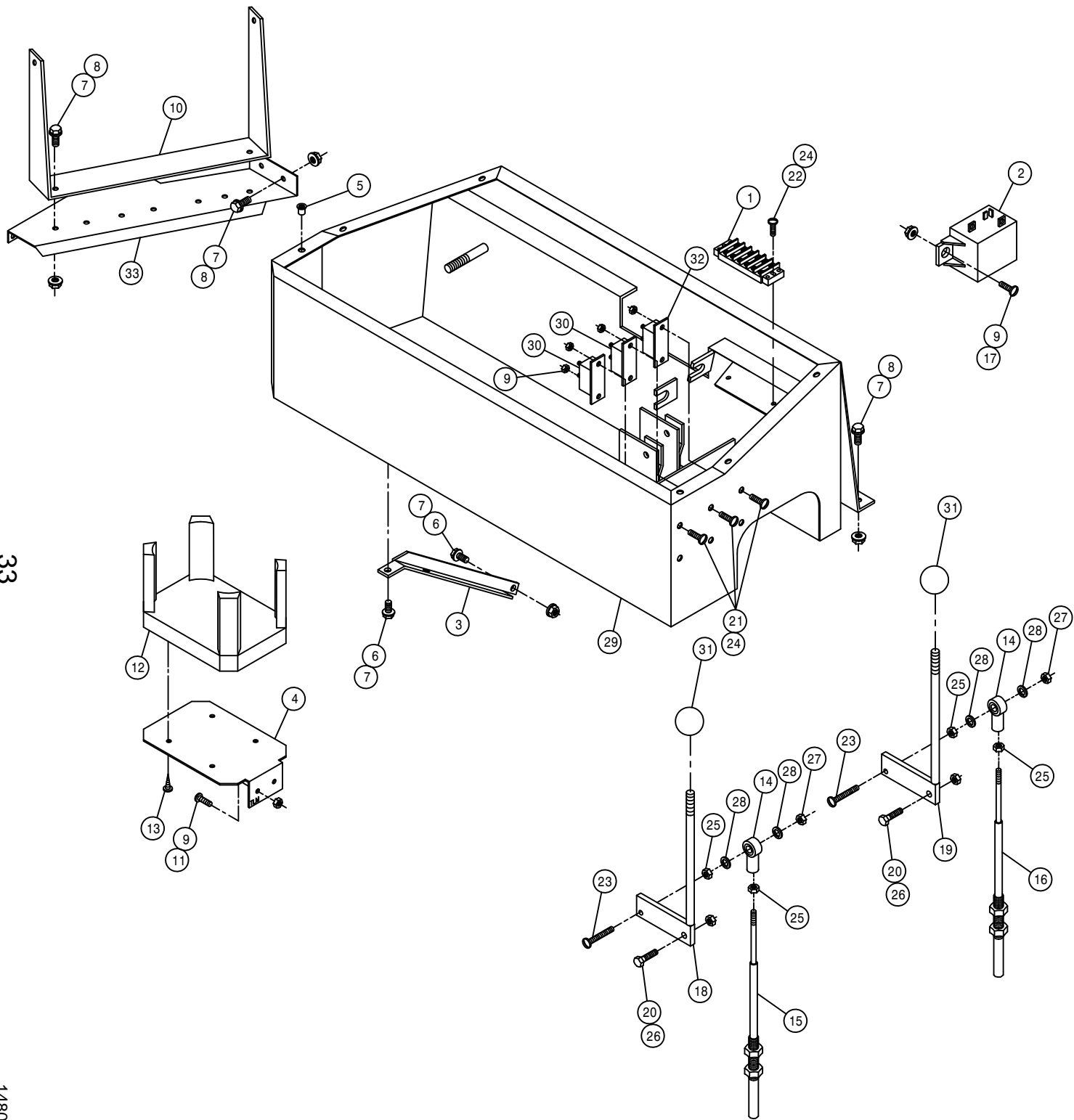
DET.	QTY	PART NO.	DESCRIPTION
	1	290401	FUEL GAUGE FOR 2.125 DIA HOLE
	1	291203	HOUR METER
	1	291609	OIL PRESS GAUGE, 80PSI
	1	291611	VOLTMETER, 8V TO 18V DC
	4	291612	LIGHT KIT FOR 2" GAUGE
	1	291635	DIGITAL MPH/RPM INDICATOR
	1	291638	INDICATOR LIGHT, GREEN
	1	314436	TEMP GA 100-280 DEG LIGHTED
	1	342068	DIGITAL MPH/RPM IND KEEPER 94
	1	342186	INSTRU HSNGLD, 284 CAB 94
	1	390318	INDICATOR LIGHT, RED
	1	314901	FILTER MINDER AIR RESTRICT GA
	2	470122	1/4UNC X 1/2 FLANGE HEX BOLT
	8	473802	# 8 INT TOOTH STAR WASHER
	8	910024	8-32 HEX NUT



CONSOLE PANEL ASSEMBLY

DET.	QTY	PART NO.	DESCRIPTION
	1	4	291602 FUSE 10 AMP
	2	1	291606 ROTARY HEADLAMP SWITCH
	3	1	291607 SWITCH KNOB FOR 291606
	4	3	291608 TOGGLE SWITCH, ON-OFF, UNLIT
	5	2	291622 SWITCH, 1P ON/OFF 511-003
	6	2	291623 SWITCH, 2P ON/OFF 511-015
	7	1	291624 SWITCH, 2P(ON)/OFF 511-130
	8	1	291625 SWITCH, 2P ON/ON 511-108
	9	1	291626 SWITCH, 2P ON/OFF/ON 511-053
	10	4	291627 SWITCH, 2P(ON)OFF(ON) 511-058
	11	6	291628 LENS, GREEN
	12	1	291629 LENS, WIPER
	13	1	291630 LENS, WINDSHIELD WASHER
	14	1	291631 LENS, HAZARD
	15	2	291632 LENS, DIRECTION INDICATOR
	16	1	470224 SNAP PLUG, BLK NYL, .50 DIA
	17	8	293246 END BEZEL FOR 293244
	18	3	293247 CENTER BEZEL FOR 293244
	19	2	298004 20 AMP FUSE SFE 20
	20	6	298011 FUSE HOLDER
	21	6	903708 MACH SCR 1/4-20X1/2 PHIL PNHD
	22	1	321020 IGN SWITCH 5 POLE
	23	1	342189 CONSOLE COVER PNL, 284 CAB 94
	24	1	291639 PUSHBUTTON SWITCH, ON/OFF SPST
	25	2	903844 8-32 X 1/2 SLTRDHD MACH SCREW

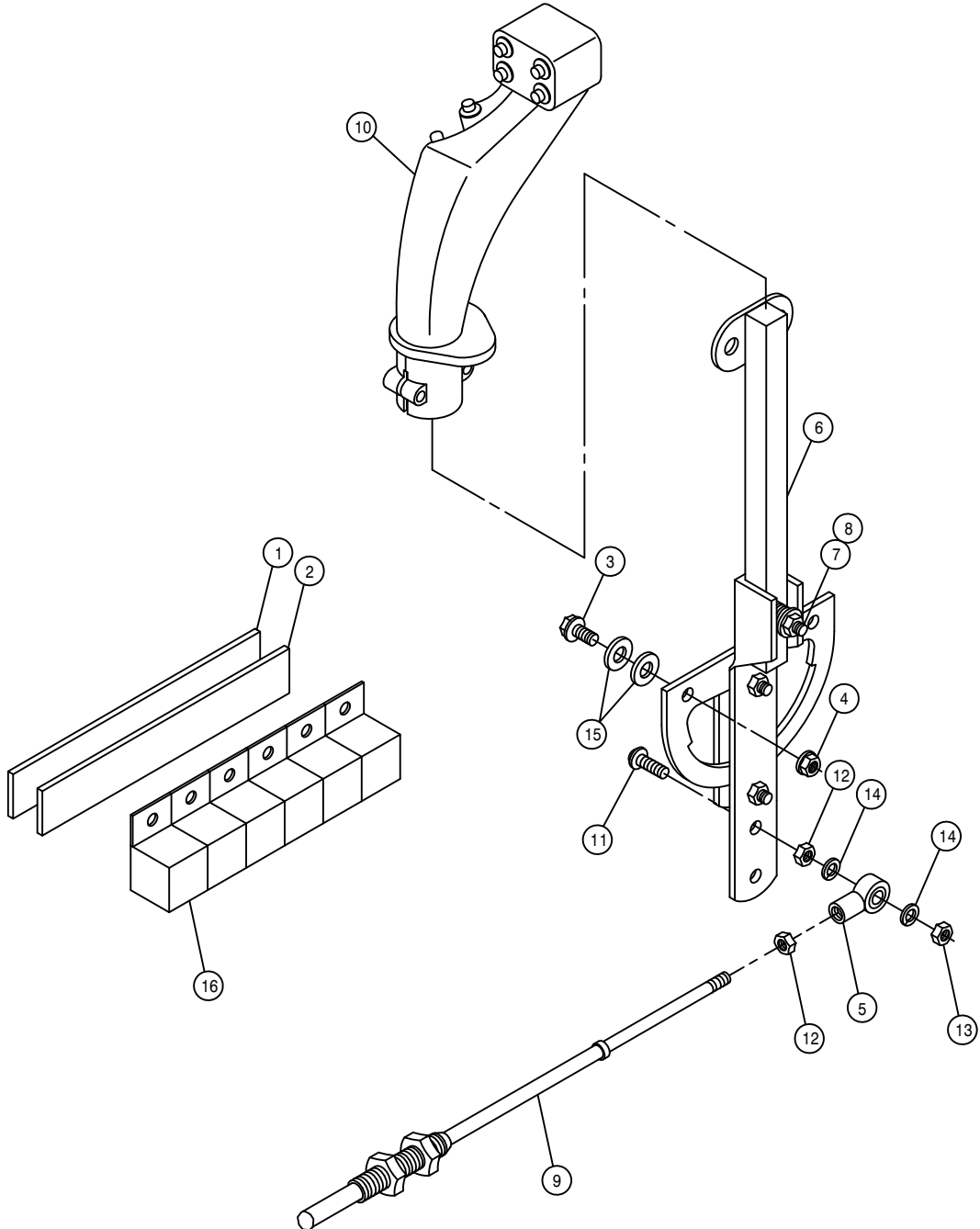
33



CONSOLE ASSEMBLY

DET.	QTY	PART NO.	DESCRIPTION	
1	1	293093	TERMINAL BLOCK 6 POS - 2 ROW	
2	1	657371	RELAY, 12 VOLT 75 AMP	
3	1	342282	CONSOLE BRACE 254/284	95
4	1	342216	DRINK HOLDER MT BRKT	94
5	6	470086	1/4UNC NUTSERT .020-.100MATL	
6	3	470118	1/4UNC X 3/4 FLANGED HEX BOLT	
7	11	470121	1/4UNC HEX FLANGED LOCK NUT	
8	8	470122	1/4UNC X 1/2 FLANGED HEX BOLT	
9	8	470175	#10-32 HEX FLANGED LOCK NUT	
10	1	690498	CONSOLE MT, RAVEN 460	95
11	2	903710	MACH SCR 10-32X1/2 PHIL PANHD	
12	1	470214	SPILLMASTER DRINK HOLDER	
13	4	473902	NO 8 X 1/2 PAN HD MET SC	
14	2	473921	BALL JOINT NO 10-32 THD	
15	1	785063	CTRL CABLE 10-32 2IN X 42 LG	
16	1	785064	CTRL CABLE 10-32 2IN X 53 LG	
17	2	903883	10-32 X 1/2 SLTRD HD MACH SCR	
18	1	785070	SOLU PRESS CTRL LEVER WLD	94
19	1	785073	AGIT CTRL LEVER WLD	94
20	2	900003	1/4UNC X 1 HEX BOLT	
21	6	903812	6-32 X 1/2 SLT RD HD MACH SCR	
22	2	903814	6-32 X 3/4 SLT RD HD MACH SCR	
23	2	903893	10 32 X 1 SLT RD HD MACH SCR	
24	8	910022	#6-32 HEX NUT	
25	4	910027	#10-32 HEX NUT	
26	2	914000	1/4UNC HEX STOVER NUT	
27	2	914027	#10-32 HEX STOVER NUT	
28	4	920510	LOCK WASH NO 10	
29	1	342191	CONSOLE WLD, 284 CAB	94
30	2	291197	CIRCUIT BREAKER, 30AMP	
31	2	659291	KNOB, 1" RND, BLK, 3/8-16	
32	1	291024	CIRCUIT BREAKER, 40AMP	
33	1	342215	MONITOR MT, 284 CAB	94

148033



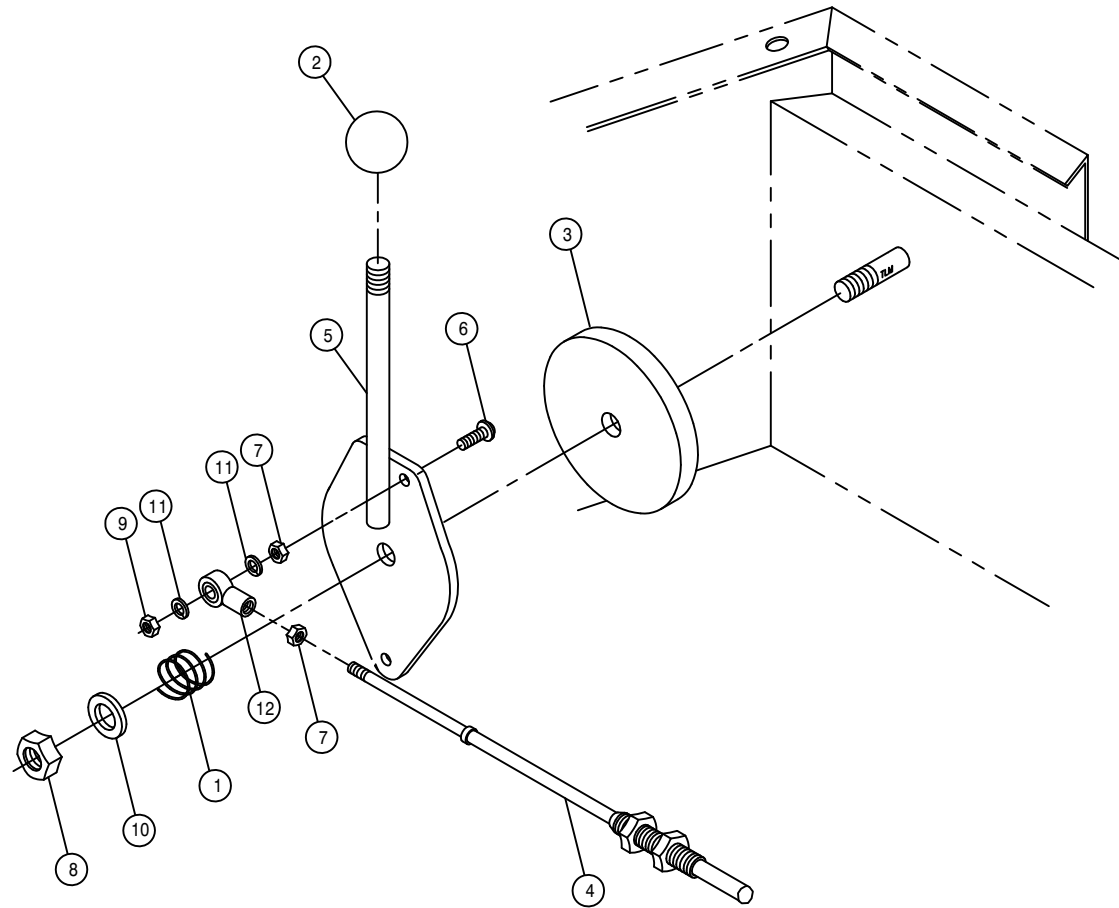
HYDROSTATIC LEVER ASSEMBLY

DET.	QTY	PART NO.	DESCRIPTION
	1	193038	DUAL LOCK 1IN SJ3541 TYPE 400
	1	193039	DUAL LOCK 1IN SJ3542 TYPE 400
	2	470118	1/4UNC X 3/4 FLANGED HEX BOLT
	2	470121	1/4UNC HEX FLANGED LOCK NUT
	1	473921	BALL JOINT NO 10-32 THD
	1	606907	HYDST CTRL LEVER, 204-284 94
	1	900005	1/4UNC X 1 1/2 HEX BOLT
	1	914000	1/4UNC HEX STOVER NUT
	1	785003	CTRL CABLE 10-32 4IN X 112 LG
	1	785076	FASSE EZ-3 CONTROL HANDLE
	1	903893	10 32 X 1 SLT RD HD MACH SCR
	2	910027	#10-32 HEX NUT
	1	914027	#10-32 HEX STOVER NUT
	2	920510	LOCK WASH NO 10
	4	920000	1/4 FLAT WASH SAE
	6	291640	RELAY FOR CTRL HANDLE #785076

THROTTLE LEVER ASSEMBLY

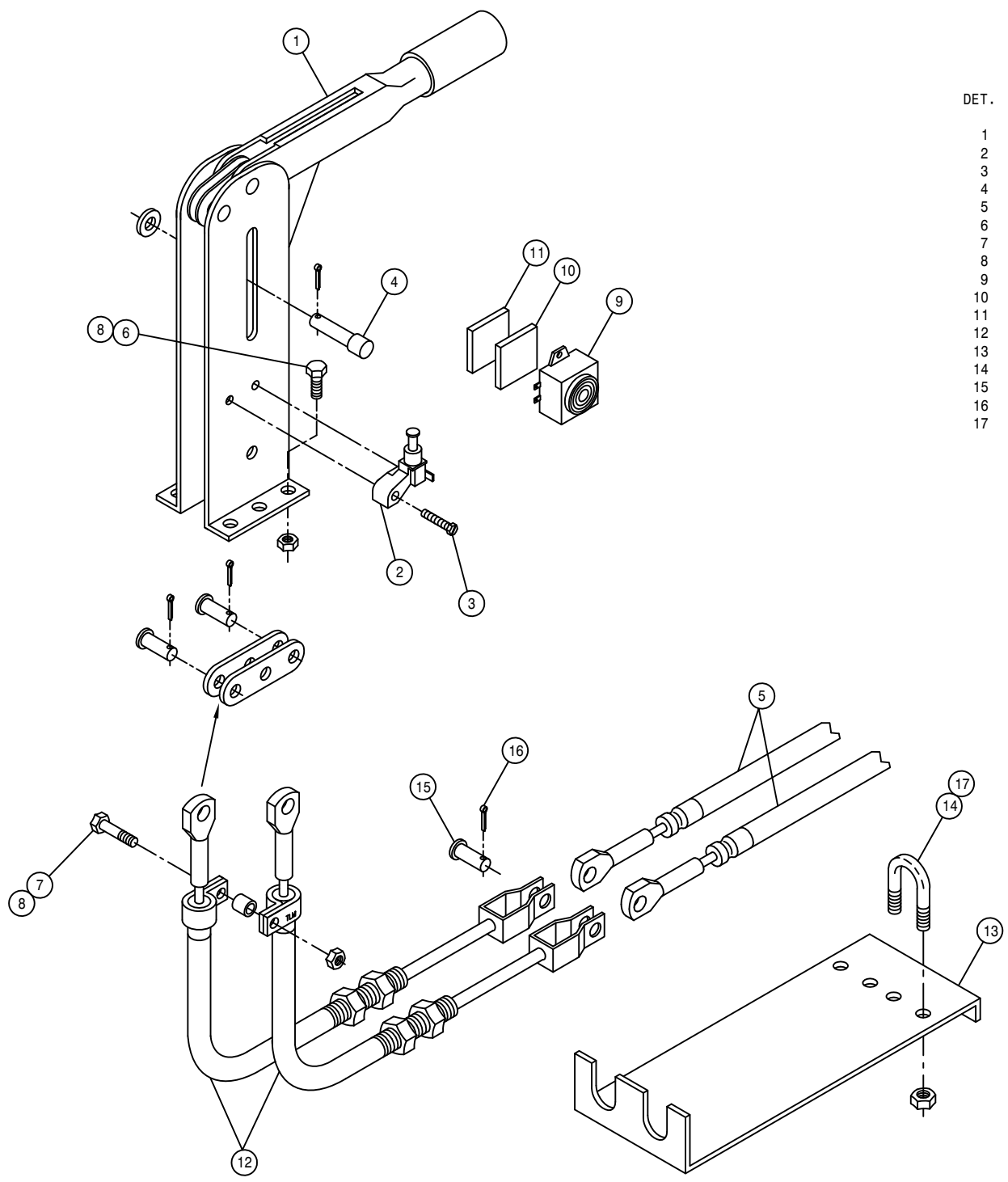
DET. QTY PART NO. DESCRIPTION

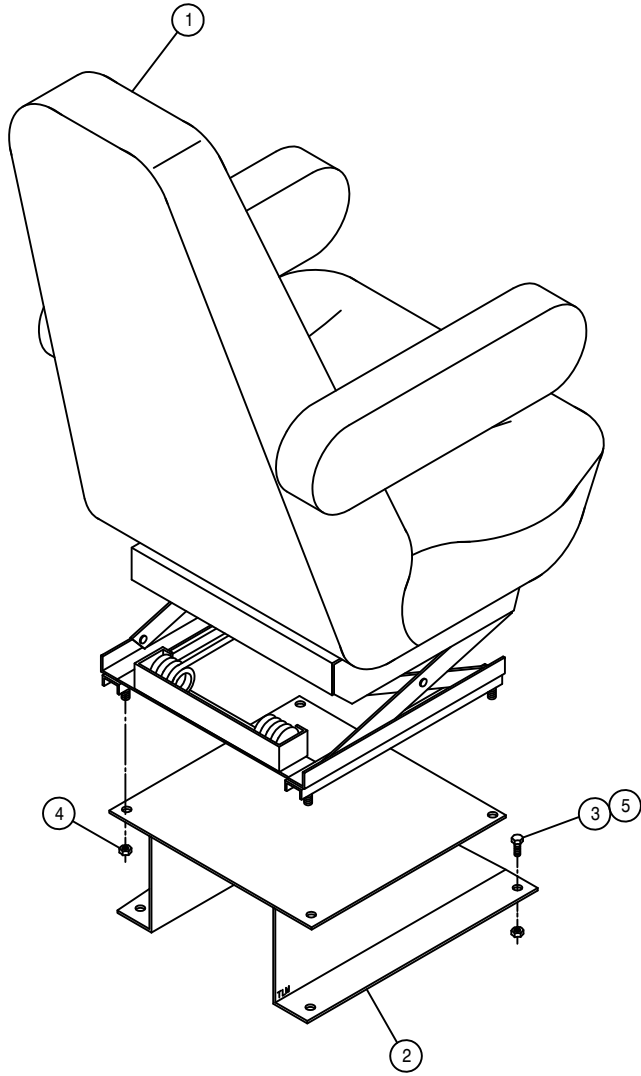
1	1	499001	SPRING HYDRO CONTROL
2	1	785007	KNOB,1 3/16" BALL,RED,3/8-16
3	1	785046	FRICTION DISC 3-333 X .38
4	1	785066	CTRL CABLE 10-32 4IN X 129 IN
5	1	785067	THROT LEVER WLD,GAS/DIESEL 94
6	1	903893	10-32 X 1" SLT RD HD MACH SCR
7	2	910027	10-32 HEX NUT
8	1	914004	3/8UNC HEX STOVER NUT
9	1	914027	10-32 HEX STOVER NUT
10	1	920002	3/8 SAE FLAT WASHER
11	2	920510	#10 LOCK WASHER
12	1	473921	BALL JOINT NO 10-32 THD



BRAKE LEVER ASSEMBLY

DET.	QTY	PART NO.	DESCRIPTION
1	1	826108	BRAKE LEVER ASSY
2	1	826138	PARK BRAKE SWITCH FOR 826108
3	1	826139	PARK BRAKE SWITCH SCR
4	1	826140	PARK BRAKE SWITCH PIN
5	2	826926	190 IN BRAKE CABLE
6	4	900064	5/16UNC X 3/4 HEX BOLT
7	1	900067	5/16UNC X 1 1/2 HEX BOLT
8	5	914002	5/16UNC HEX STOVER NUT
9	1	291636	BUZZER, 12V ELECTRONIC
10	1	193038	DUAL LOCK 1IN SJ3541 TYPE 400
11	1	193039	DUAL LOCK 1IN SJ3542 TYPE 400
12	2	826930	BRAKE CABLE EXTEN 20IN470
13	1	826981	BRAKE CABLE EXT BRKT 8250
14	2	473808	1/4UNC-3/4ID-1 1/4 U-BOLT
15	4	470135	CLEVIS PIN, 5/16 X 7/8 LG
16	4	472008	COTTER PIN 5/32 X 1
17	4	914000	1/4UNC HEX STOVER NUT

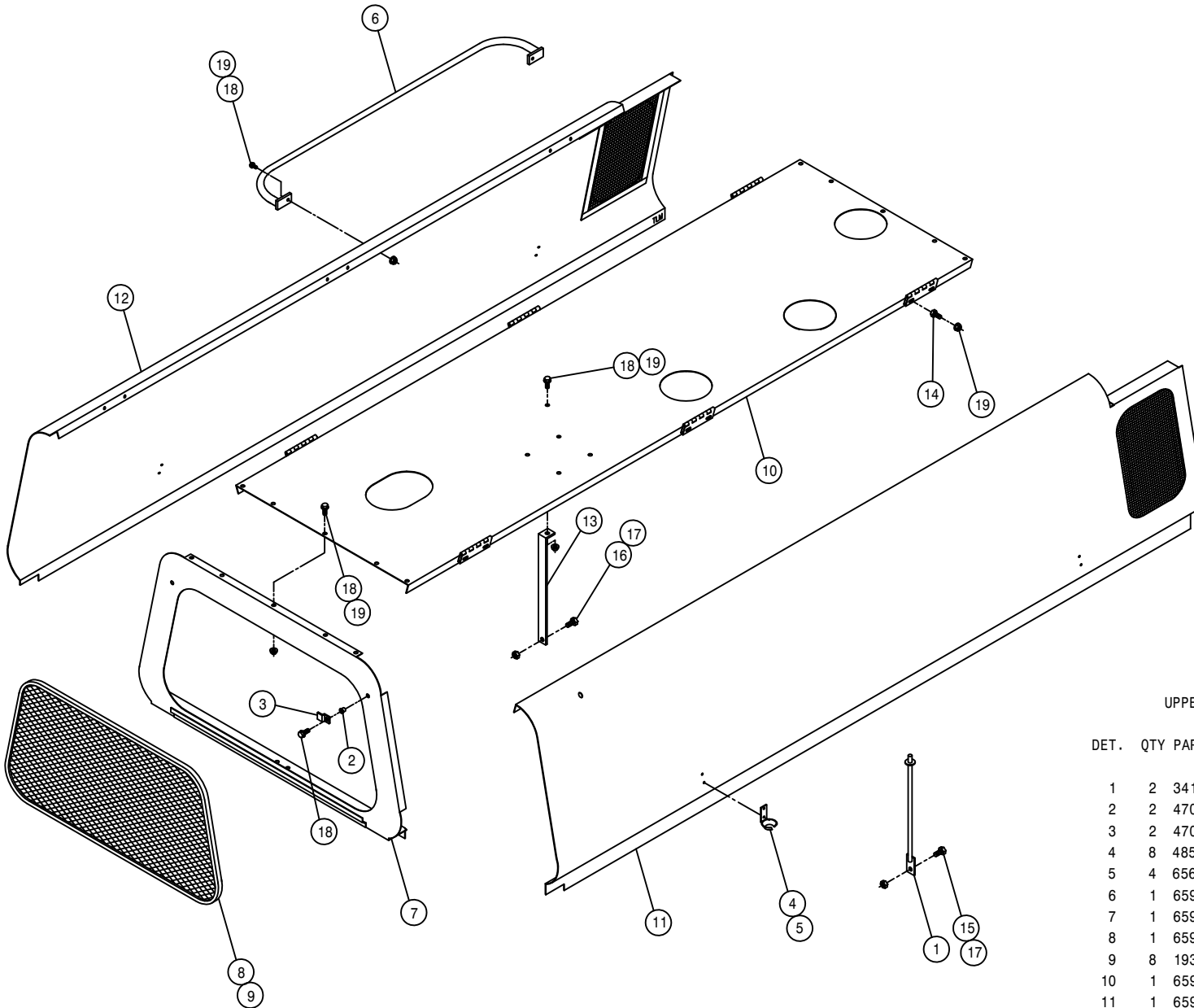




SEAT ASSEMBLY

DET. QTY PART NO. DESCRIPTION

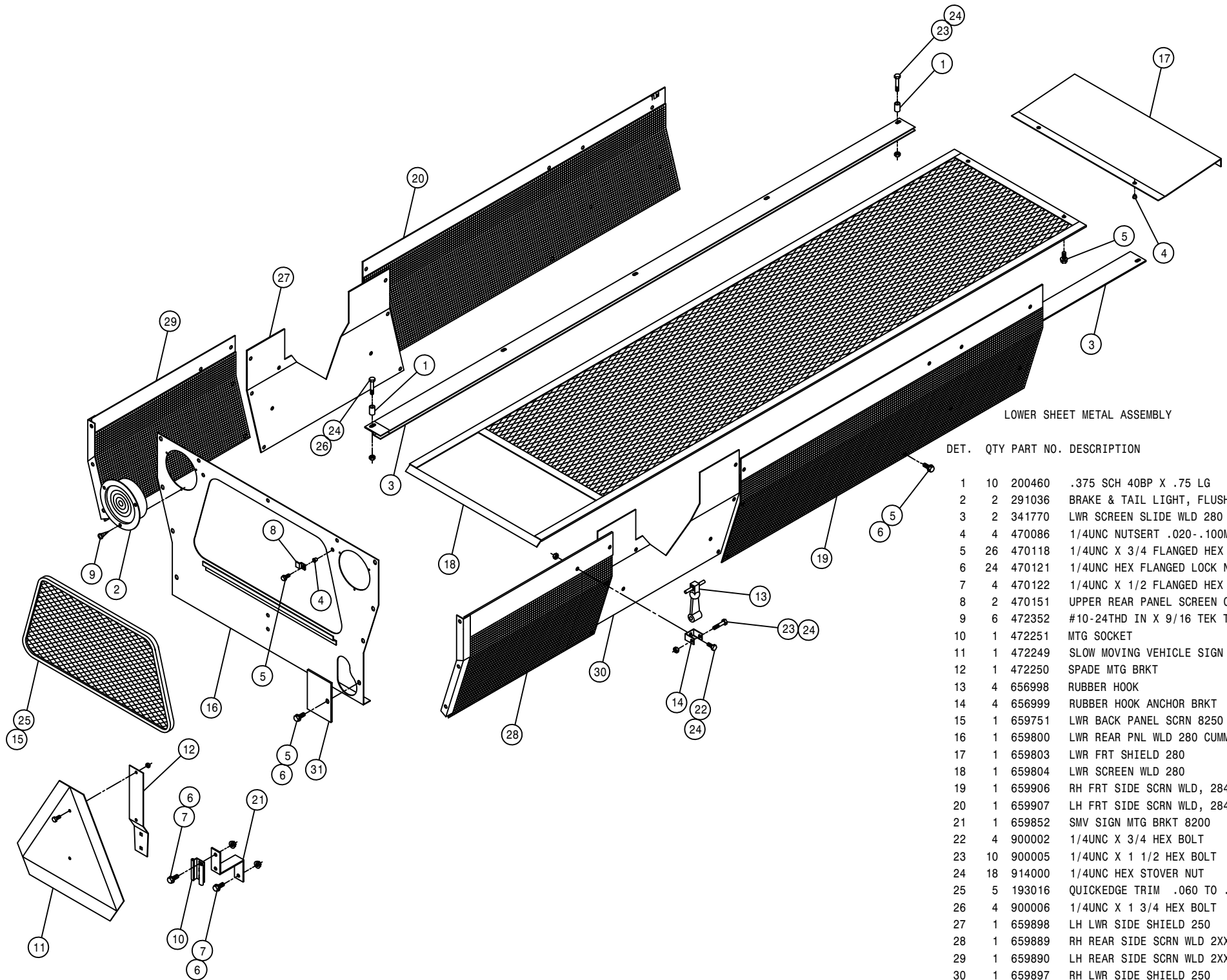
1	1	330022	SEAT, MAGNUM-100 AIR SUSPEND95	
2	1	342090	SEAT MT WELD, 254/284	95
3	4	900129	3/8UNC X 1" HEX BOLT	
4	4	914002	5/16UNC HEX STOVER NUT	
5	4	914004	3/8UNC HEX STOVER NUT	



UPPER SHEET METAL ASSEMBLY

DET. QTY PART NO. DESCRIPTION

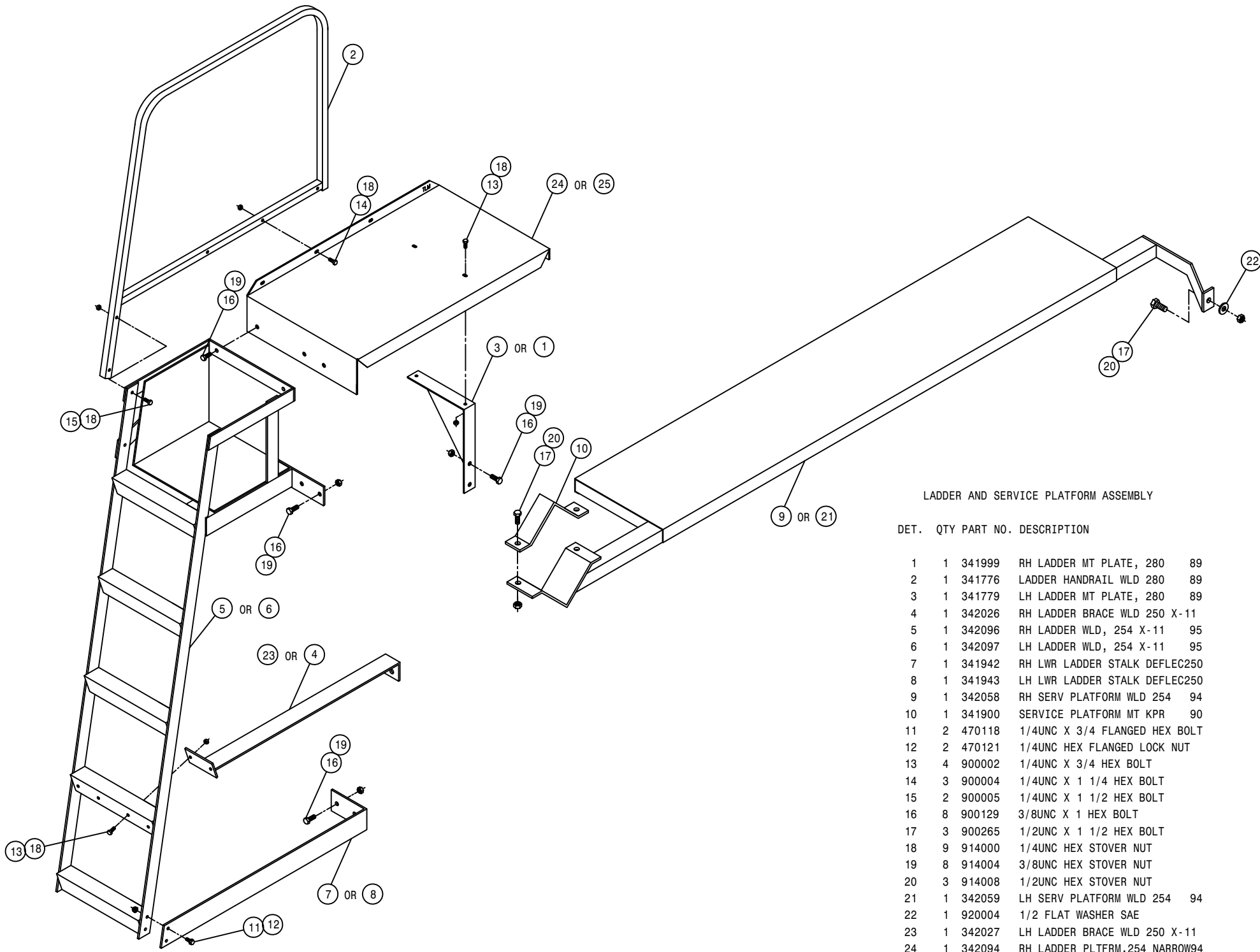
DET.	QTY	PART NO.	DESCRIPTION
1	2	341356	ENGINE HOOD PROP WLD 8240 82
2	2	470086	1/4UNC NUTSERT .020-.100MATL
3	2	470151	UPPER REAR PANEL SCREEN CLIP
4	8	485053	POP RIVET 3/16 X 3/8
5	4	656997	RUBBER HOOK BRKT 473
6	1	659378	RH ENG HOOD HANDRAIL WLD 647S
7	1	659575	UPPER REAR PANEL WLD 8240 82
8	1	659578	UPPER REAR PANEL SCREEN 8240
9	8	193016	QUICKEDGE TRIM .060 TO .170
10	1	659883	MULLION WLD CUMM 250 92
11	1	659864	RH ENGINE HOOD WLD 250 91
12	1	659865	LH ENGINE HOOD WLD 250 91
13	1	659835	MULLION SUPPORT 200 89
14	12	900000	1/4UNC X 1/2 HEX BOLT
15	2	900128	3/8UNC X 3/4 HEX BOLT
16	1	900129	3/8UNC X 1 HEX BOLT
17	3	914004	3/8UNC HEX STOVER NUT
18	15	470118	1/4UNC X 3/4 FLANGED HEX BOLT
19	25	470121	1/4UNC HEX FLANGED LOCK NUT



LOWER SHEET METAL ASSEMBLY

DET. QTY PART NO. DESCRIPTION

DET.	QTY	PART NO.	DESCRIPTION
1	10	200460	.375 SCH 40BP X .75 LG C/L
2	2	291036	BRAKE & TAIL LIGHT, FLUSH MT
3	2	341770	LWR SCREEN SLIDE WLD 280 89
4	4	470086	1/4UNC NUTSERT .020-.100MATL
5	26	470118	1/4UNC X 3/4 FLANGED HEX BOLT
6	24	470121	1/4UNC HEX FLANGED LOCK NUT
7	4	470122	1/4UNC X 1/2 FLANGED HEX BOLT
8	2	470151	UPPER REAR PANEL SCREEN CLIP
9	6	472352	#10-24THD IN X 9/16 TEK TYP 3
10	1	472251	MTG SOCKET
11	1	472249	SLOW MOVING VEHICLE SIGN
12	1	472250	SPADE MTG BRKT
13	4	656998	RUBBER HOOK
14	4	656999	RUBBER HOOK ANCHOR BRKT
15	1	659751	LWR BACK PANEL SCR N 8250 86
16	1	659800	LWR REAR PNL WLD 280 CUMM 89
17	1	659803	LWR FRT SHIELD 280 89
18	1	659804	LWR SCREEN WLD 280 89
19	1	659906	RH FRT SIDE SCR N WLD, 284 94
20	1	659907	LH FRT SIDE SCR N WLD, 284 94
21	1	659852	SMV SIGN MTG BRKT 8200 89
22	4	900002	1/4UNC X 3/4 HEX BOLT
23	10	900005	1/4UNC X 1 1/2 HEX BOLT
24	18	914000	1/4UNC HEX STOVER NUT
25	5	193016	QUICKEDGE TRIM .060 TO .170
26	4	900006	1/4UNC X 1 3/4 HEX BOLT
27	1	659898	LH LWR SIDE SHIELD 250 92
28	1	659889	RH REAR SIDE SCR N WLD 2XX 92
29	1	659890	LH REAR SIDE SCR N WLD 2XX 92
30	1	659897	RH LWR SIDE SHIELD 250 92
31	1	659918	REAR MAINFRAME COVER PLT 95



LADDER AND SERVICE PLATFORM ASSEMBLY

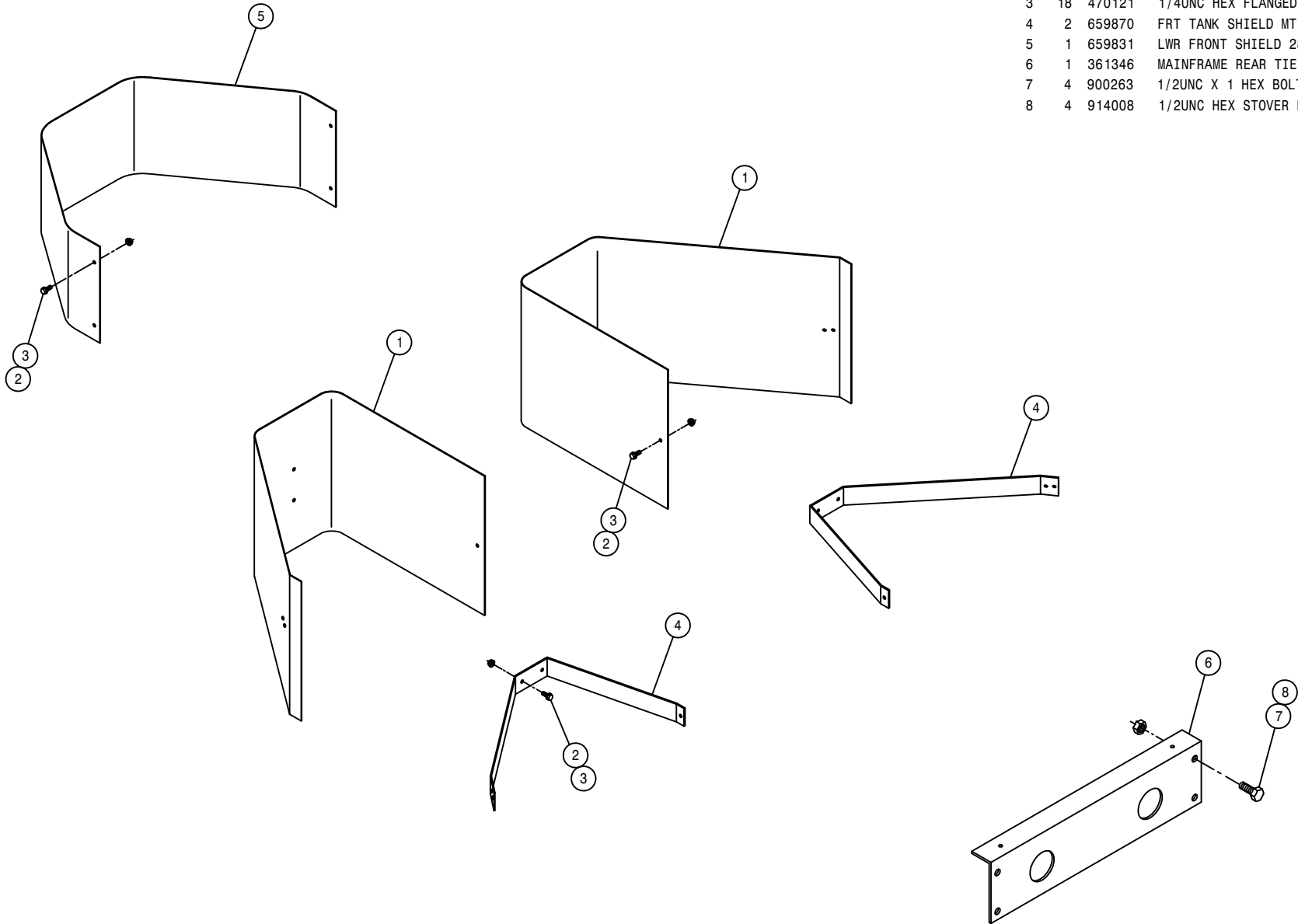
DET. QTY PART NO. DESCRIPTION

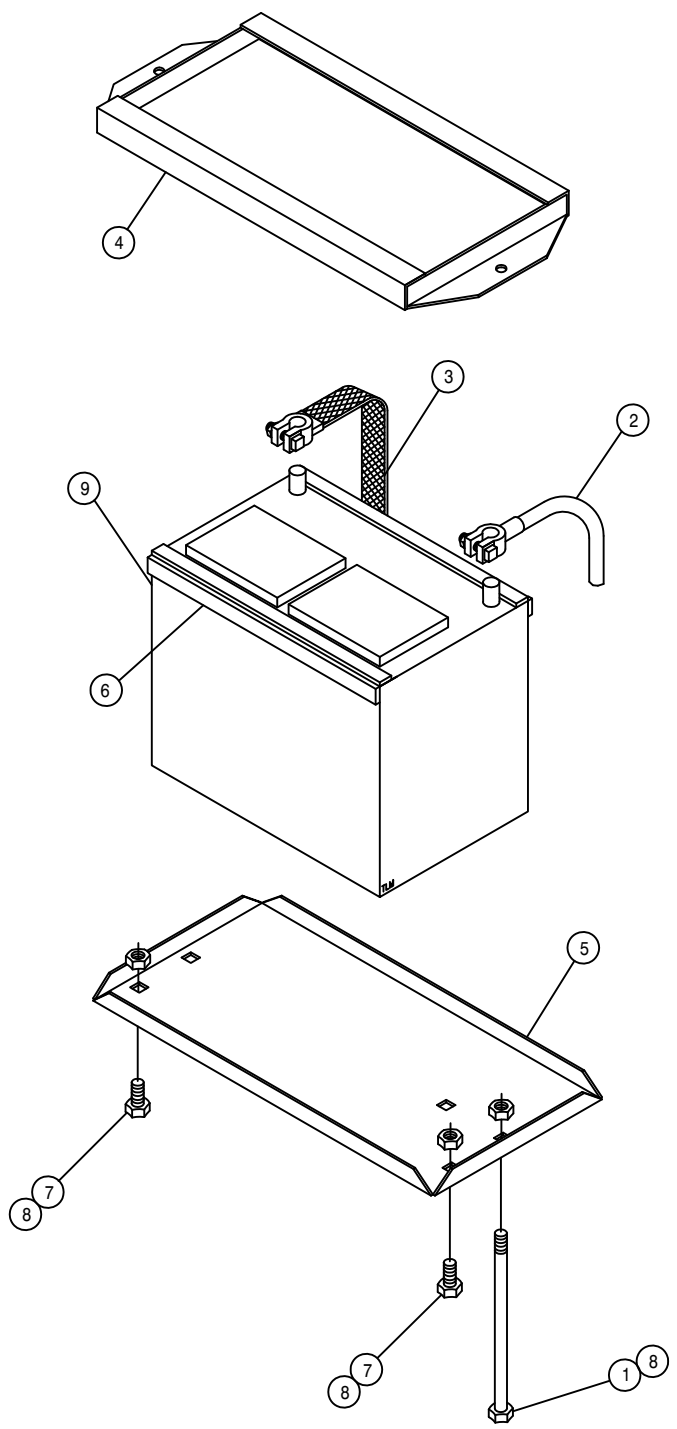
1	1	341999	RH LADDER MT PLATE, 280	89
2	1	341776	LADDER HANDRAIL WLD 280	89
3	1	341779	LH LADDER MT PLATE, 280	89
4	1	342026	RH LADDER BRACE WLD 250 X-11	
5	1	342096	RH LADDER WLD, 254 X-11	95
6	1	342097	LH LADDER WLD, 254 X-11	95
7	1	341942	RH LWR LADDER STALK DEFLEC250	
8	1	341943	LH LWR LADDER STALK DEFLEC250	
9	1	342058	RH SERV PLATFORM WLD 254	94
10	1	341900	SERVICE PLATFORM MT KPR	90
11	2	470118	1/4UNC X 3/4 FLANGED HEX BOLT	
12	2	470121	1/4UNC HEX FLANGED LOCK NUT	
13	4	900002	1/4UNC X 3/4 HEX BOLT	
14	3	900004	1/4UNC X 1 1/4 HEX BOLT	
15	2	900005	1/4UNC X 1 1/2 HEX BOLT	
16	8	900129	3/8UNC X 1 HEX BOLT	
17	3	900265	1/2UNC X 1 1/2 HEX BOLT	
18	9	914000	1/4UNC HEX STOVER NUT	
19	8	914004	3/8UNC HEX STOVER NUT	
20	3	914008	1/2UNC HEX STOVER NUT	
21	1	342059	LH SERV PLATFORM WLD 254	94
22	1	920004	1/2 FLAT WASHER SAE	
23	1	342027	RH LADDER BRACE WLD 250 X-11	
24	1	342094	RH LADDER PLTFRM,254 NARROW94	
25	1	342095	LH LADDER PLTFRM,254 NARROW94	

FRONT TANK SHIELDS

DET. QTY PART NO. DESCRIPTION

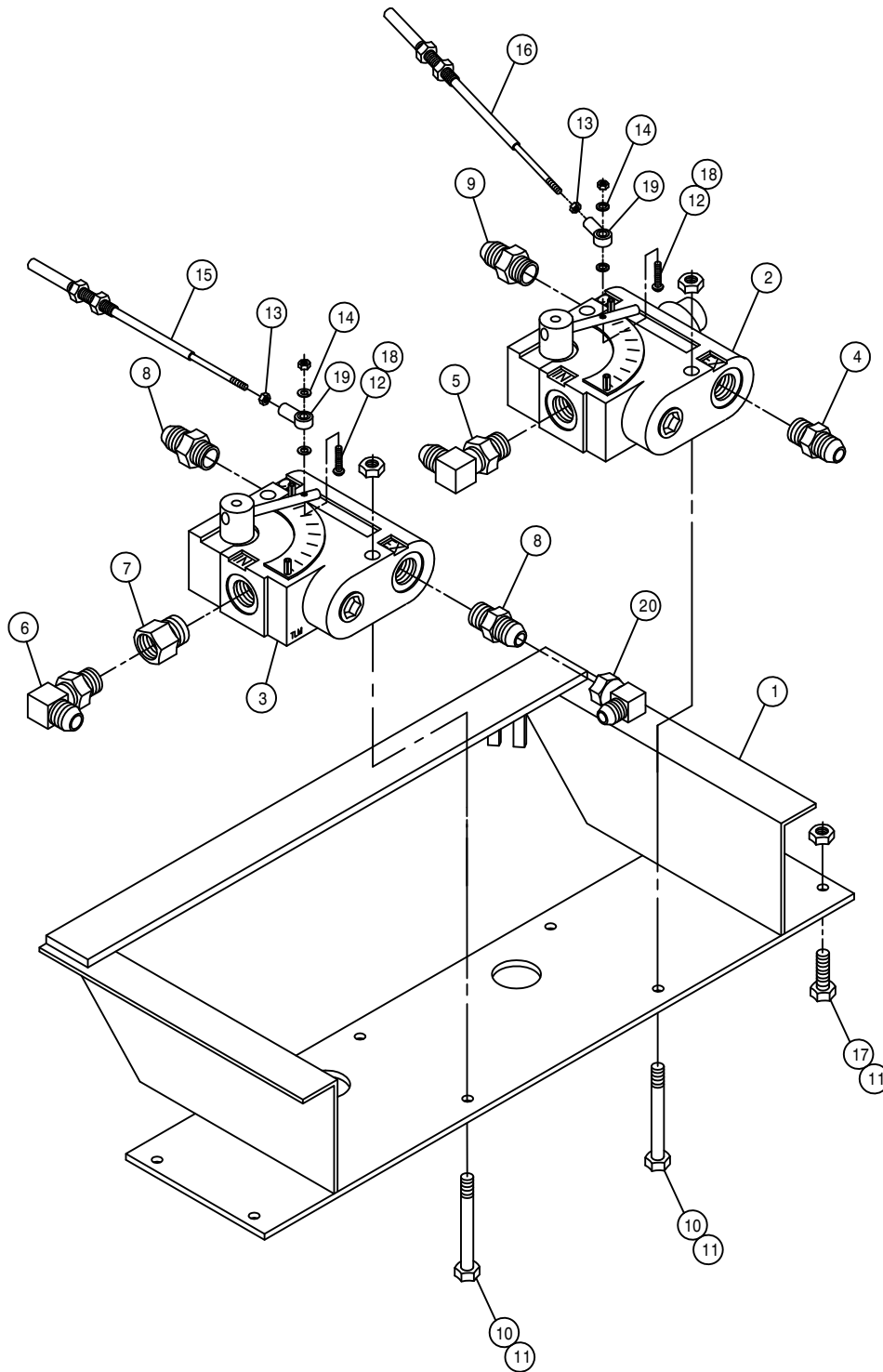
1	2	659868	FRONT TANK SHIELD 250	91
2	18	470118	1/4UNC X 3/4 FLANGED HEX BOLT	
3	18	470121	1/4UNC HEX FLANGED LOCK NUT	
4	2	659870	FRT TANK SHIELD MT 250	91
5	1	659831	LWR FRONT SHIELD 280	89
6	1	361346	MAINFRAME REAR TIE ANGLE 280	
7	4	900263	1/2UNC X 1 HEX BOLT	
8	4	914008	1/2UNC HEX STOVER NUT	





BATTERY BOX ASSEMBLY

DET.	QTY	PART NO.	DESCRIPTION
	1	2	901150 3/8UNC X 9 CARR BOLT
	2	1	291128 BATTERY CABLE 48 IN
	3	1	290111 GROUND STRAP
	4	1	341322 BATTERY HOLD DOWN WLD 1981
	5	2	361149 BATTERY BOX 8300-8400 1981
	6	4	193022 STICKERTITE 1/4 X 3/4
	7	2	900128 3/8UNC X 3/4 HEX BOLT
	8	4	914004 3/8UNC HEX STOVER NUT
	9	1	291122 BATTERY,575 AMP 160 RES



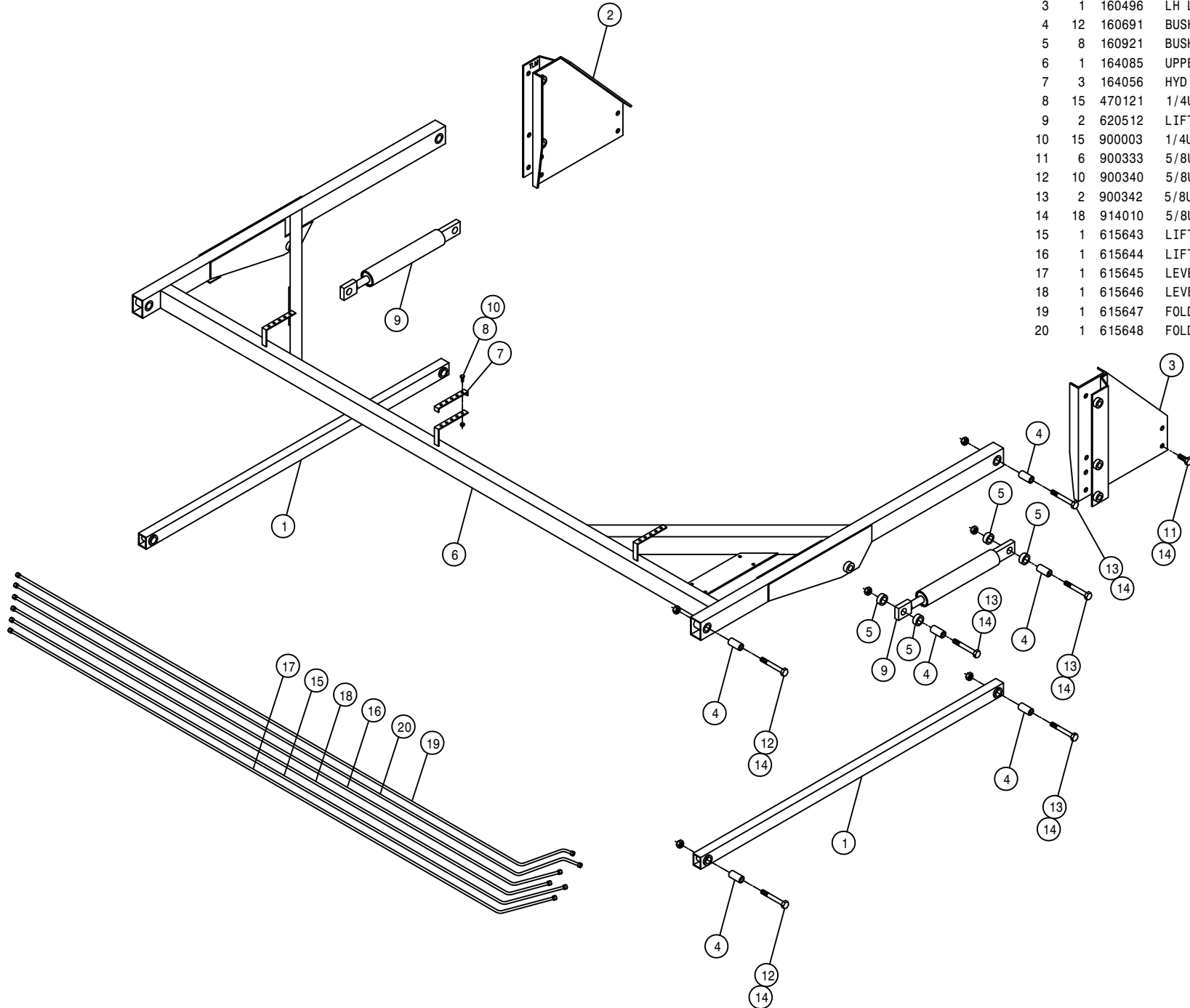
VARIABLE FLOW CONTROL ASSEMBLY

DET.	QTY	PART NO.	DESCRIPTION	
	1	342209	SOLU VFC MT WLD	94
	2	606818	FLO CONT FCR51 0-16GPM 7/8FOR	
	3	606827	FLO CONT FC51 0-3 VARI 7/8FOR	
	4	611126	7/8MJIC-7/8MOR ADPTR	
	5	611128	7/8MJIC-90-7/8MOR LBO	
	6	618119	9/16MJIC-90-9/16MOR LBO	
	7	618172	7/8MOR-9/16FOR ADPTR	
	8	618310	9/16MJIC-7/8MOR ADPTR	
	9	618327	3/4MJIC-7/8MOR ADPTR	
	10	900008	1/4UNC X 2 1/2 HEX BOLT	
	11	914000	1/4UNC HEX STOVER NUT	
	12	903893	10-32 X 1" SLT RD HD MACH SCR	
	13	910027	10-32 HEX NUT	
	14	920510	#10 LOCK WASHER	
	15	785064	CTRL CABLE 10-32 2IN X 53 LG	
	16	785063	CTRL CABLE 10-32 2IN X 42 LG	
	17	470118	1/4UNC X 3/4 FLANGE HEX BOLT	
	18	914027	10-32 HEX STOVER NUT	
	19	473921	BALL JOINT NO 10-32 THD	
	20	618618	9/16MJIC-90-9/16FJIC SWIV LBO	

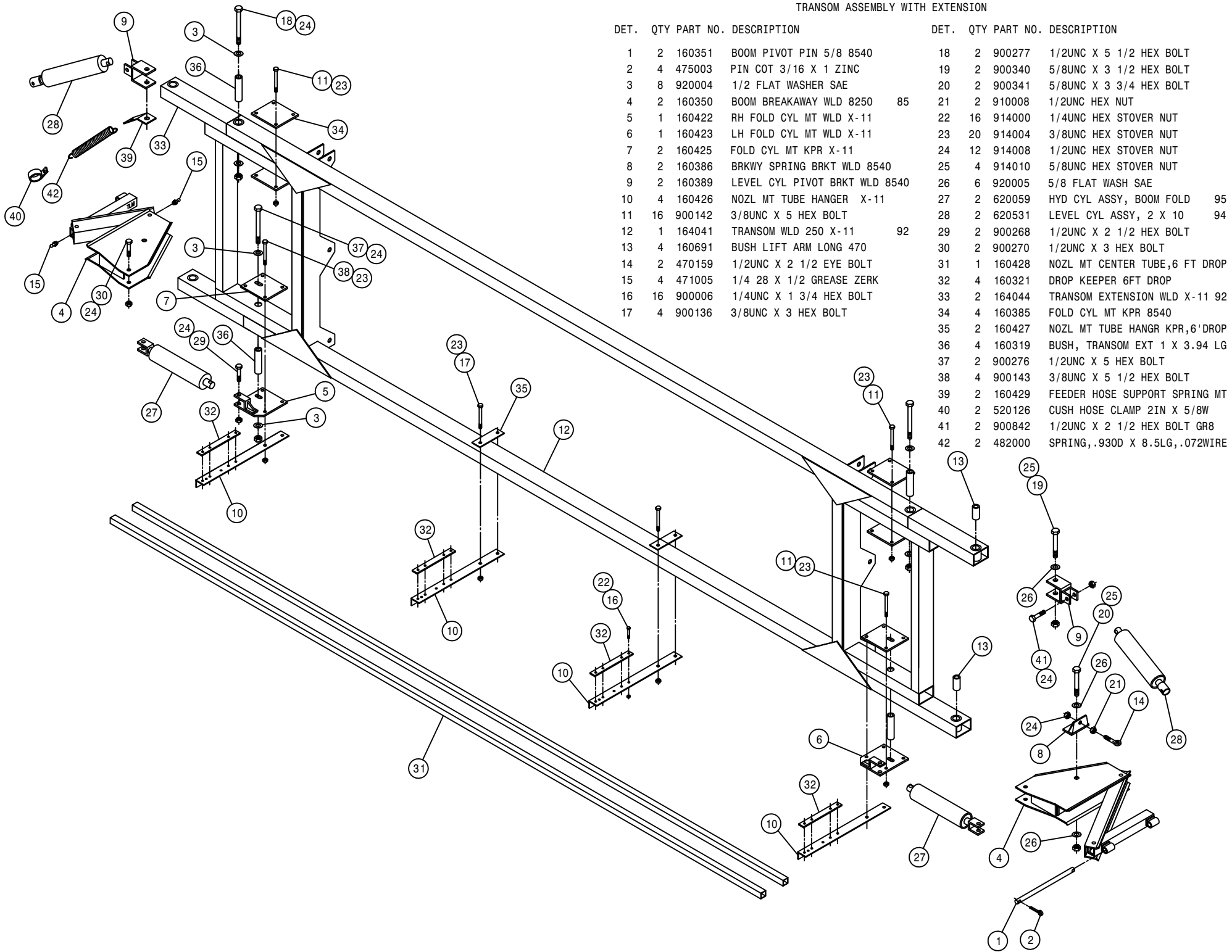
LIFTARM ASSEMBLY

DET. QTY PART NO. DESCRIPTION

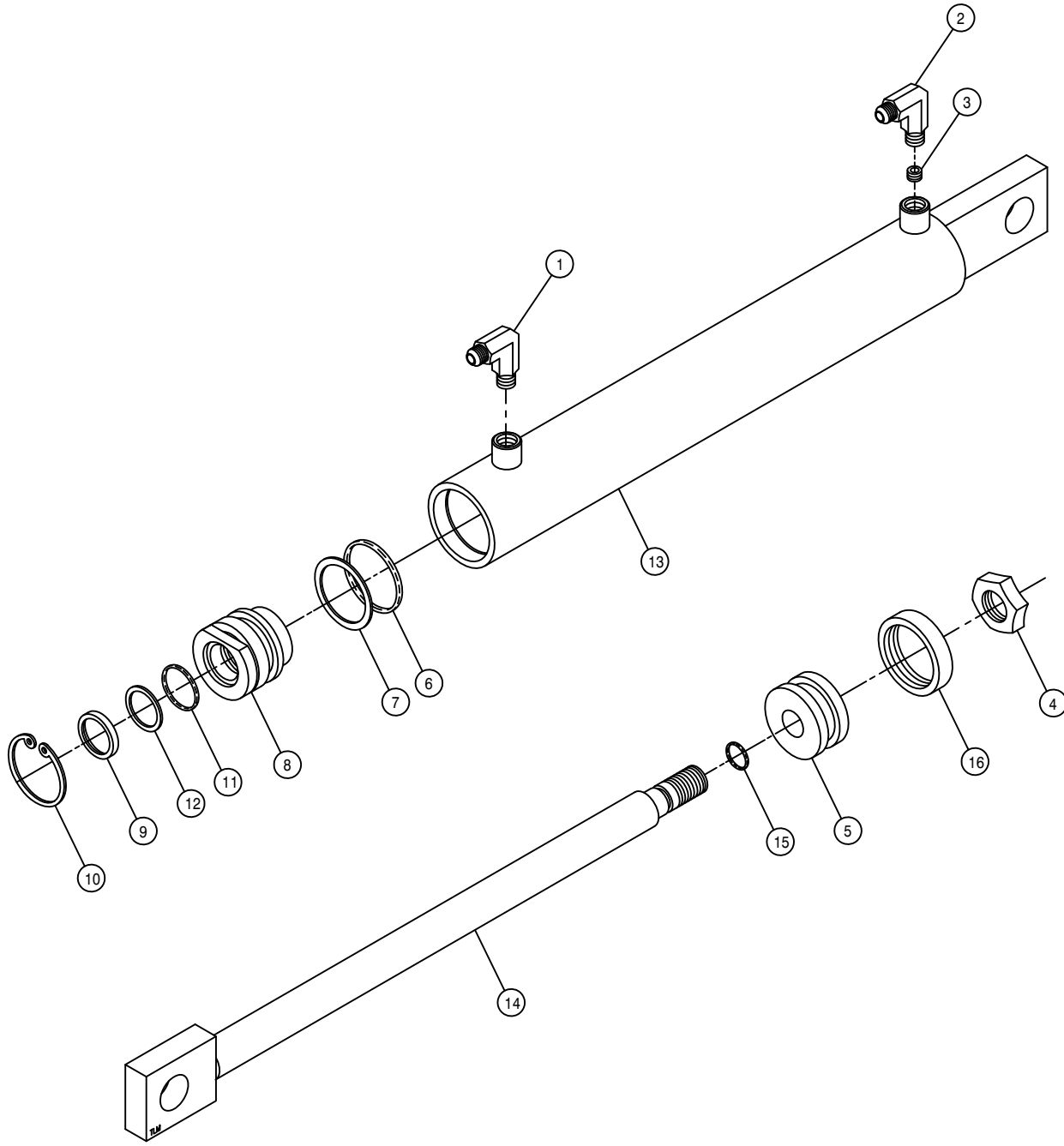
DET.	QTY	PART NO.	DESCRIPTION
1	2	160471	LWR LIFT ARM WLD 8540-8250 87
2	1	160495	RH LIFT ARM MT WLD 280 89
3	1	160496	LH LIFT ARM MT WLD 280 89
4	12	160691	BUSH LIFT ARM LONG 470
5	8	160921	BUSHING, CYL MT-LIFT ARMS5/8
6	1	164085	UPPER LIFT ARM WLD,254 X11 95
7	3	164056	HYD TUBE KPR, UPR LIFT ARM 94
8	15	470121	1/4UNC HEX FLANGED LOCK NUT
9	2	620512	LIFT CYL ASSY W/FTGS 94
10	15	900003	1/4UNC X 1 HEX BOLT
11	6	900333	5/8UNC X 1 1/2 HEX BOLT
12	10	900340	5/8UNC X 3 1/2 HEX BOLT
13	2	900342	5/8UNC X 4 HEX BOLT
14	18	914010	5/8UNC HEX STOVER NUT
15	1	615643	LIFT HYD TUBE ASSY,UP 254X11
16	1	615644	LIFT HYD TUBE ASSY,DN 254X11
17	1	615645	LEVEL HYD TUBE ASSY,UP 254X11
18	1	615646	LEVEL HYD TUBE ASSY,DN 254X11
19	1	615647	FOLD HYD TUBE ASSY,IN 254X11
20	1	615648	FOLD HYD TUBE ASSY,OUT 254X11



TRANSOM ASSEMBLY WITH EXTENSION



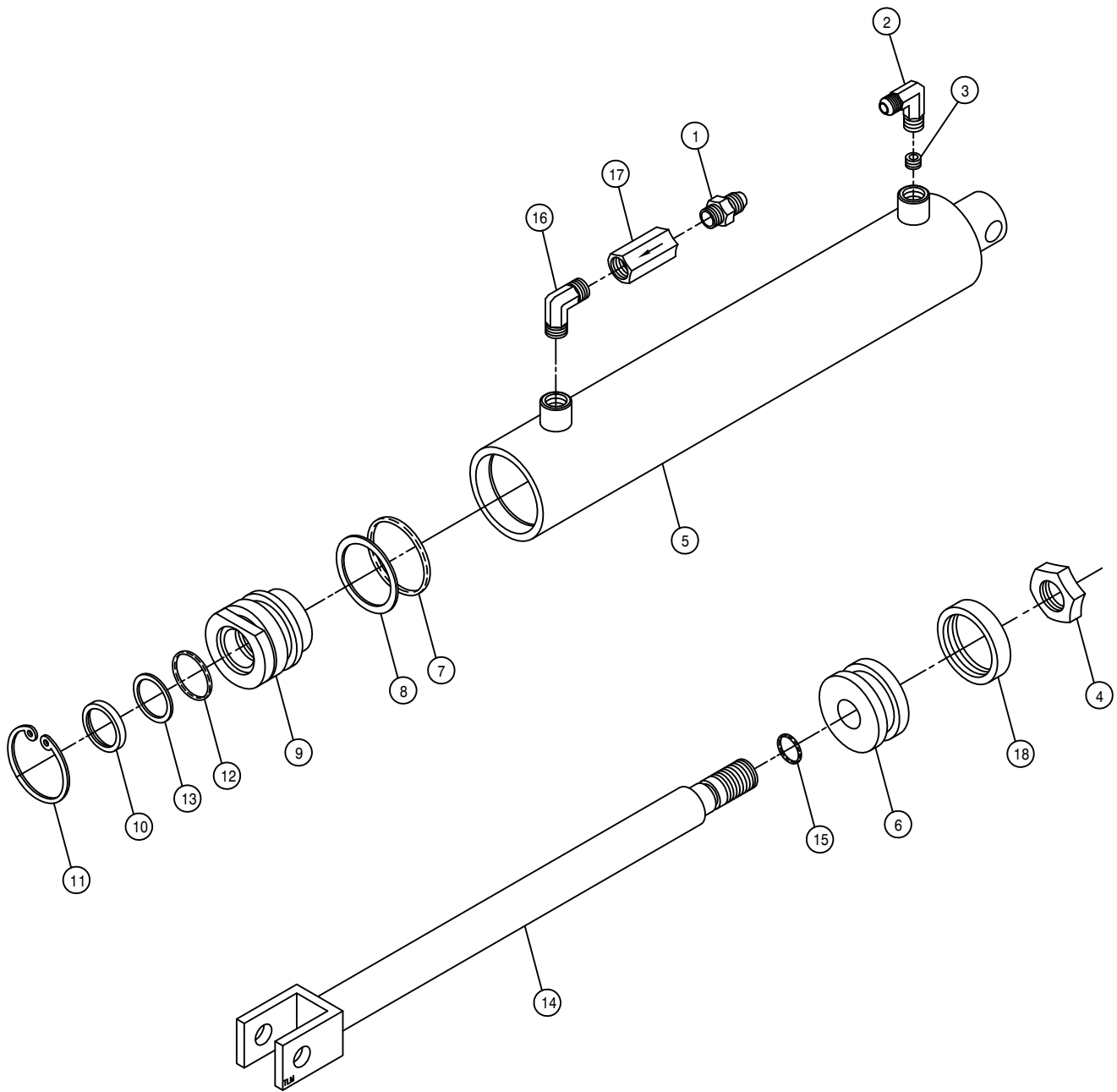
DET.	QTY	PART NO.	DESCRIPTION	DET.	QTY	PART NO.	DESCRIPTION
1	2	160351	BOOM PIVOT PIN 5/8 8540	18	2	900277	1/2UNC X 5 1/2 HEX BOLT
2	4	475003	PIN COT 3/16 X 1 ZINC	19	2	900340	5/8UNC X 3 1/2 HEX BOLT
3	8	920004	1/2 FLAT WASHER SAE	20	2	900341	5/8UNC X 3 3/4 HEX BOLT
4	2	160350	BOOM BREAKAWAY WLD 8250	21	2	910008	1/2UNC HEX NUT
5	1	160422	RH FOLD CYL MT WLD X-11	22	16	914000	1/4UNC HEX STOVER NUT
6	1	160423	LH FOLD CYL MT WLD X-11	23	20	914004	3/8UNC HEX STOVER NUT
7	2	160425	FOLD CYL MT KPR X-11	24	12	914008	1/2UNC HEX STOVER NUT
8	2	160386	BRKWY SPRING BRKT WLD 8540	25	4	914010	5/8UNC HEX STOVER NUT
9	2	160389	LEVEL CYL PIVOT BRKT WLD 8540	26	6	920005	5/8 FLAT WASH SAE
10	4	160426	NOZL MT TUBE HANGER X-11	27	2	620059	HYD CYL ASSY, BOOM FOLD 95
11	16	900142	3/8UNC X 5 HEX BOLT	28	2	620531	LEVEL CYL ASSY, 2 X 10 94
12	1	164041	TRANSOM WLD 250 X-11	29	2	900268	1/2UNC X 2 1/2 HEX BOLT
13	4	160691	BUSH LIFT ARM LONG 470	30	2	900270	1/2UNC X 3 HEX BOLT
14	2	470159	1/2UNC X 2 1/2 EYE BOLT	31	1	160428	NOZL MT CENTER TUBE, 6 FT DROP
15	4	471005	1/4 28 X 1/2 GREASE ZERK	32	4	160321	DROP KEEPER 6FT DROP
16	16	900006	1/4UNC X 1 3/4 HEX BOLT	33	2	164044	TRANSOM EXTENSION WLD X-11 92
17	4	900136	3/8UNC X 3 HEX BOLT	34	4	160385	FOLD CYL MT KPR 8540
				35	2	160427	NOZL MT TUBE HANGR KPR, 6' DROP
				36	4	160319	BUSH, TRANSOM EXT 1 X 3.94 LG
				37	2	900276	1/2UNC X 5 HEX BOLT
				38	4	900143	3/8UNC X 5 1/2 HEX BOLT
				39	2	160429	FEEDER HOSE SUPPORT SPRING MT
				40	2	520126	CUSH HOSE CLAMP 2IN X 5/8W
				41	2	900842	1/2UNC X 2 1/2 HEX BOLT GR8
				42	2	482000	SPRING, .930D X 8.5LG, .072WIRE



LIFT CYLINDER ASSEMBLY

DET.	QTY	PART NO.	DESCRIPTION
	1	611122	9/16MJIC-90-1/4MNPT LBO
	1	440338	9/16 JIC W/90X1/4 NPT TAPPED
	1	614366	RESTRICTOR SCREW, .042 DIA
	1	472297	3/4UNF HEX STOVER NUT THIN
	1	620081	PISTON 2 X 1 ZAMAC ORING TYPE
	1	870326	BUNA ORING 1 5/8 X 2
	1	890326	BACKUP WASH 1 5/8 X 2 LEATH
	1	620082	GLAND 2 IN X 1 IN ZAMAC
	1	629003	WIPER 1 X 1 1/4 X 1/8
	1	629505	SNAP RING 2 IN INTRN
	1	870214	BUNA ORING 1 X 1 1/4
	1	890214	BACKUP WASH 1 X 1 1/4 HT2022
	1	620514	LIFT CYL TUBE WLD 94
	1	620516	LIFT CYL SHAFT WLD 94
	1	870113	BUNA ORING 9/16 X 3/4
	1	860326	CROWN SEAL, 2" PISTON, HYD

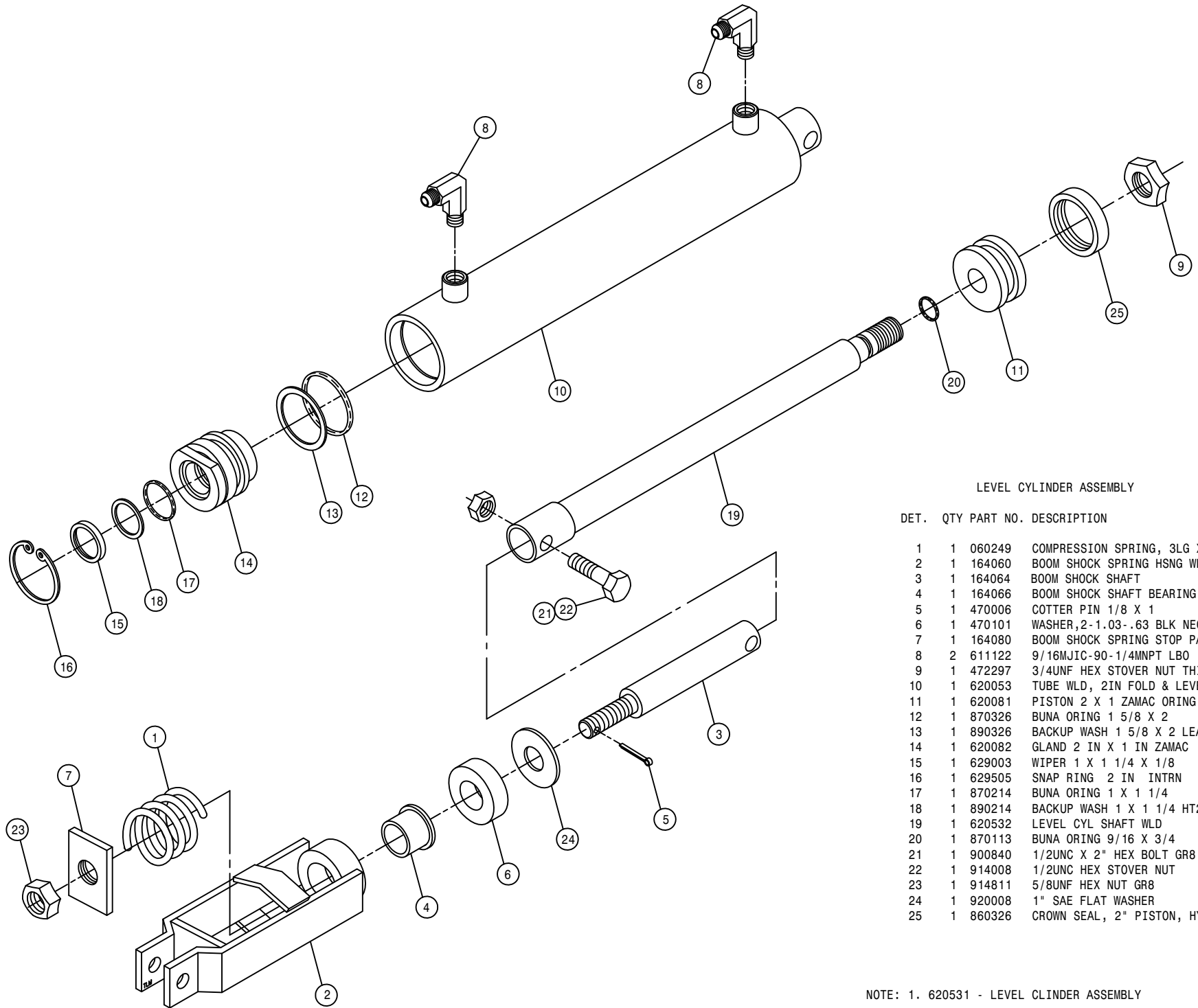
- NOTE: 1. 620513 - LIFT CYLINDER ASSEMBLY
 2. 620512 - LIFT CYLINDER ASSEMBLY WITH FITTINGS
 3. 614365 - RESTRICTOR ELBOW ASSEMBLY
 4. 620083 - SEAL KIT



FOLD CYLINDER ASSEMBLY

DET.	QTY	PART NO.	DESCRIPTION
	1	618018	9/16MJIC-1/2MNPT ADPTR
	1	440338	9/16 JIC W/90X1/4 NPT TAPPED
	1	614366	RESTRICTOR SCREW, .042 DIA
	1	472297	3/4UNF HEX STOVER NUT THIN
	5	620053	TUBE WLD, 2IN FOLD & LEVEL
	6	620081	PISTON 2 X 1 ZAMAC ORING TYPE
	7	870326	BUNA ORING 1 5/8 X 2
	8	890326	BACKUP WASH 1 5/8 X 2 LEATH
	9	620082	GLAND 2 IN X 1 IN ZAMAC
	10	629003	WIPER 1 X 1 1/4 X 1/8
	11	629505	SNAP RING 2 IN INTRN
	12	870214	BUNA ORING 1 X 1 1/4
	13	890214	BACKUP WASH 1 X 1 1/4 HT2022
	14	620093	SHAFT WLDMT, HAGIE BOOM CYL
	15	870113	BUNA ORING 9/16 X 3/4
	16	618633	1/2MNPT-90-1/4MNPT REDU LBO
	17	610450	RESTRICTOR .025 1-WAY, 1/2FNPT
	18	860326	CROWN SEAL, 2" PISTON, HYD

NOTE: 1. 620052 - FOLD CLINDER ASSEMBLY
 2. 620059 - FOLD CYLINDER ASSEMBLY WITH FITTINGS
 3. 614365 - RESTRICTOR ELBOW ASSEMBLY
 4. 620083 - SEAL KIT

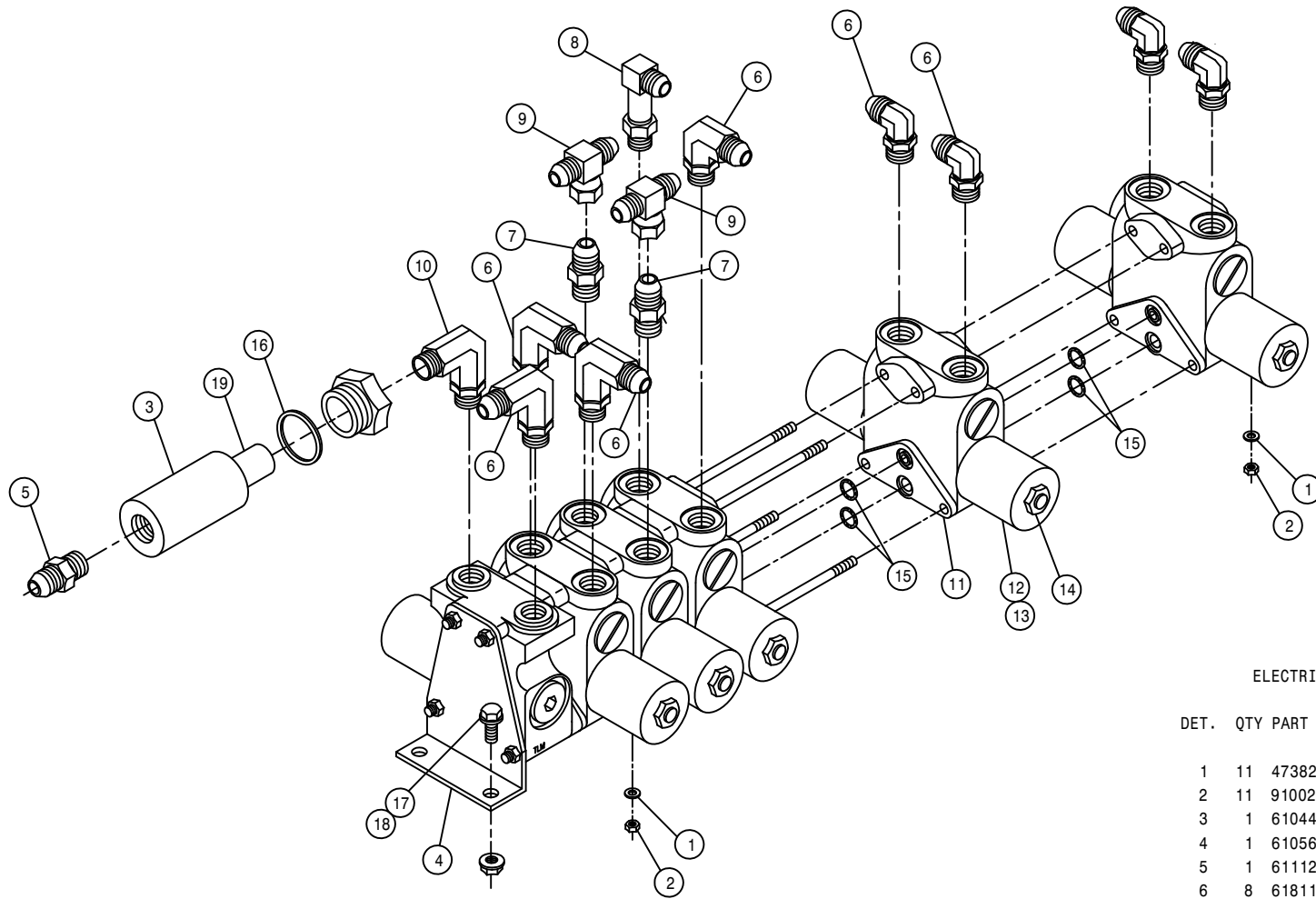


LEVEL CYLINDER ASSEMBLY

DET. QTY PART NO. DESCRIPTION

DET.	QTY	PART NO.	DESCRIPTION
1	1	060249	COMPRESSION SPRING, 3LG X 20D
2	1	164060	BOOM SHOCK SPRING HSNQ WLD 94
3	1	164064	BOOM SHOCK SHAFT 94
4	1	164066	BOOM SHOCK SHAFT BEARING 94
5	1	470006	COTTER PIN 1/8 X 1
6	1	470101	WASHER, 2-1.03-.63 BLK NEO 65D
7	1	164080	BOOM SHOCK SPRING STOP PAD
8	2	611122	9/16MJIC-90-1/4MNPT LBO
9	1	472297	3/4UNF HEX STOVER NUT THIN
10	1	620053	TUBE WLD, 2IN FOLD & LEVEL
11	1	620081	PISTON 2 X 1 ZAMAC ORING TYPE
12	1	870326	BUNA ORING 1 5/8 X 2
13	1	890326	BACKUP WASH 1 5/8 X 2 LEATH
14	1	620082	GLAND 2 IN X 1 IN ZAMAC
15	1	629003	WIPER 1 X 1 1/4 X 1/8
16	1	629505	SNAP RING 2 IN INTRN
17	1	870214	BUNA ORING 1 X 1 1/4
18	1	890214	BACKUP WASH 1 X 1 1/4 HT2022
19	1	620532	LEVEL CYL SHAFT WLD 94
20	1	870113	BUNA ORING 9/16 X 3/4
21	1	900840	1/2UNC X 2" HEX BOLT GR8
22	1	914008	1/2UNC HEX STOVER NUT
23	1	914811	5/8UNF HEX NUT GR8
24	1	920008	1" SAE FLAT WASHER
25	1	860326	CROWN SEAL, 2" PISTON, HYD

NOTE: 1. 620531 - LEVEL CLINDER ASSEMBLY
 2. 620530 - LEVEL CYLINDER ASSEMBLY W/FTGS & SHOCK
 3. 620083 - SEAL KIT



ELECTRIC BOOM VALVE ASSEMBLY

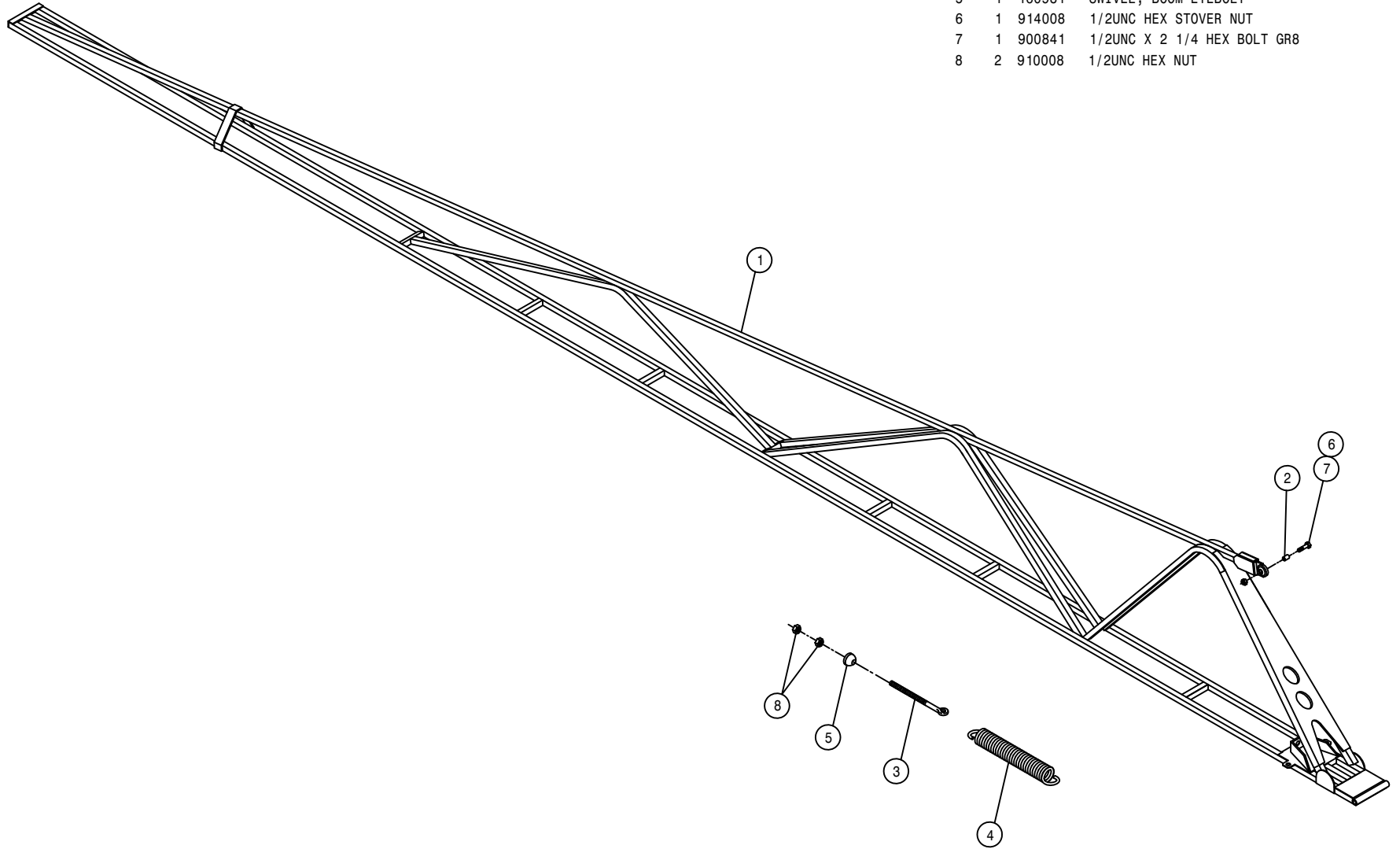
DET. QTY PART NO. DESCRIPTION

1	11	473821	WASHER, INT TOOTH #10
2	11	910027	#10-32 HEX NUT
3	1	610447	HYD FILTER, INLINE 1/4FNPT 90M
4	1	610569	6 SECT, 5 FUCTN HYD VLV, EATON
5	1	611121	9/16MJIC-1/4MNPT ADPTR
6	8	618119	9/16MJIC-90-9/16MOR LBO
7	2	618126	9/16MJIC-9/16MOR ADPTR
8	1	618440	9/16MJIC-90-9/16MOR EX LG LBO
9	2	618514	9/16FJ SW BRANCH TEE-9/16MJ
10	1	618562	9/16MOR-90-1/4MNPT LBO
11	1	610574	VALVE SECTION ASSY FOR 610569
12	1	610575	SOLENOID COIL ASSY FOR 610569
13	1	610576	SOLENOID CASE FOR 610569
14	1	610577	SOLENOID CASE NUT FOR 610569
15	4	610578	SECTION O-RING FOR 610569
16	1	610462	GASKET FOR 610447 ARROW FILT
17	4	470118	1/4UNC X 3/4 FLANGED HEX BOLT
18	4	470121	1/4UNC HEX FLANGED LOCK NUT
19	1	610459	FILTER ELEMENT FOR 610447 90M

BOOM AND CRADLE ASSEMBLY

DET. QTY PART NO. DESCRIPTION

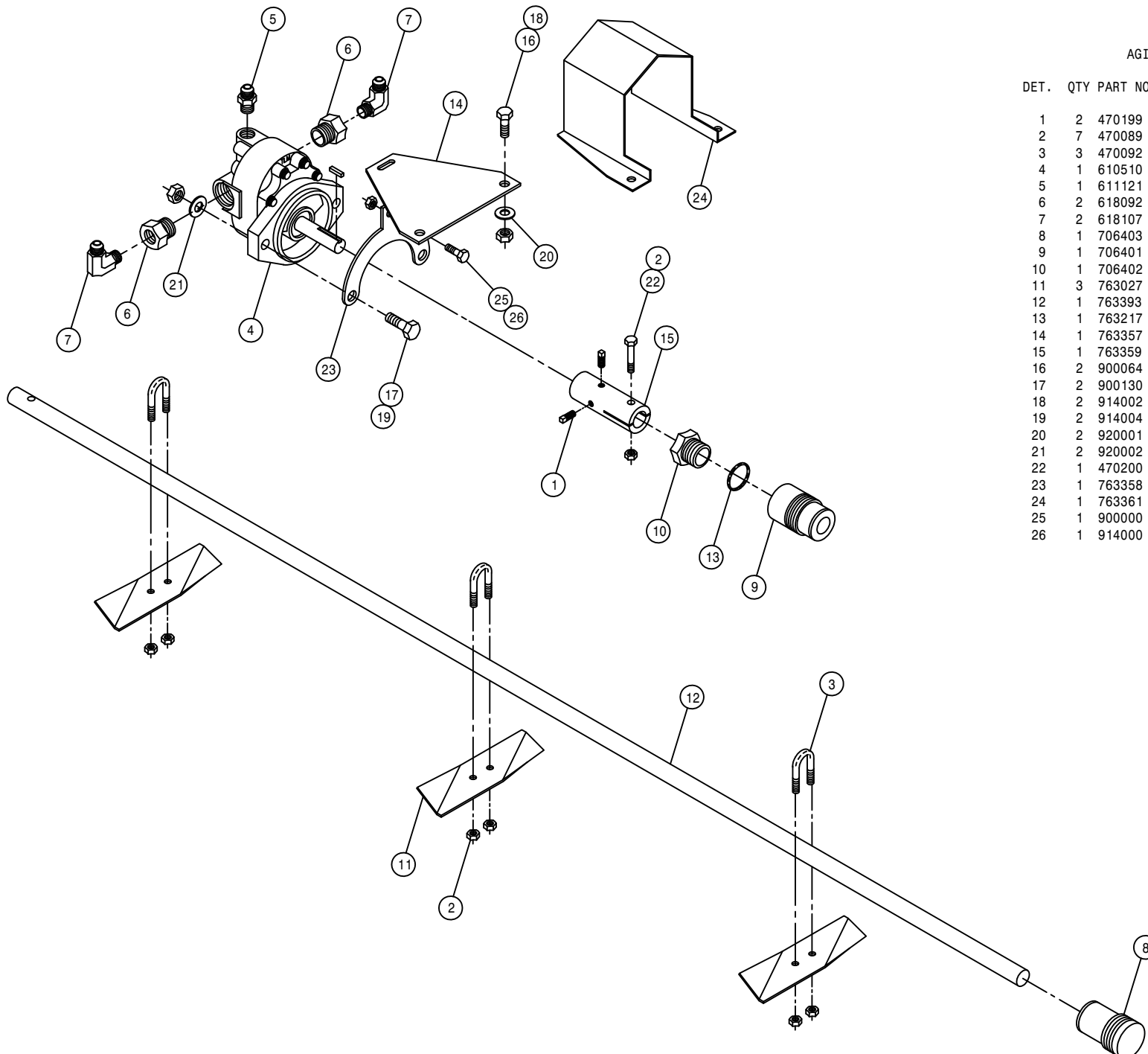
1	1	164067	BOOM WLD 254/284	94
2	1	160455	BUSH .625 OD X 18GA WA X .94	
3	1	160979	1/2UNC X 9 EYE BOLT	
4	1	160980	SPRING, BOOM BRKWAY	
5	1	160981	SWIVEL, BOOM EYEBOLT	
6	1	914008	1/2UNC HEX STOVER NUT	
7	1	900841	1/2UNC X 2 1/4 HEX BOLT GR8	
8	2	910008	1/2UNC HEX NUT	

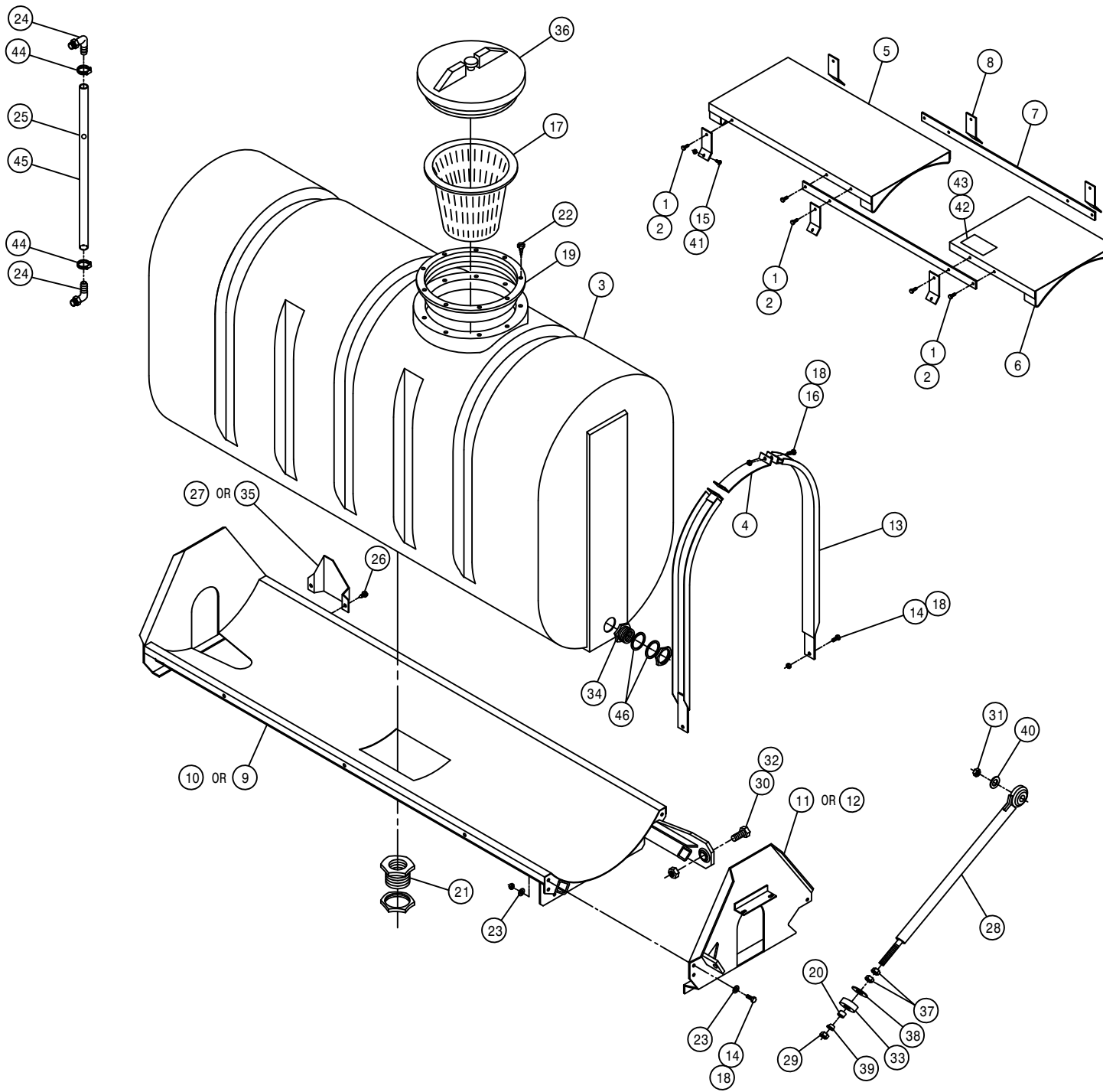


AGITATOR ASSEMBLY

DET. QTY PART NO. DESCRIPTION

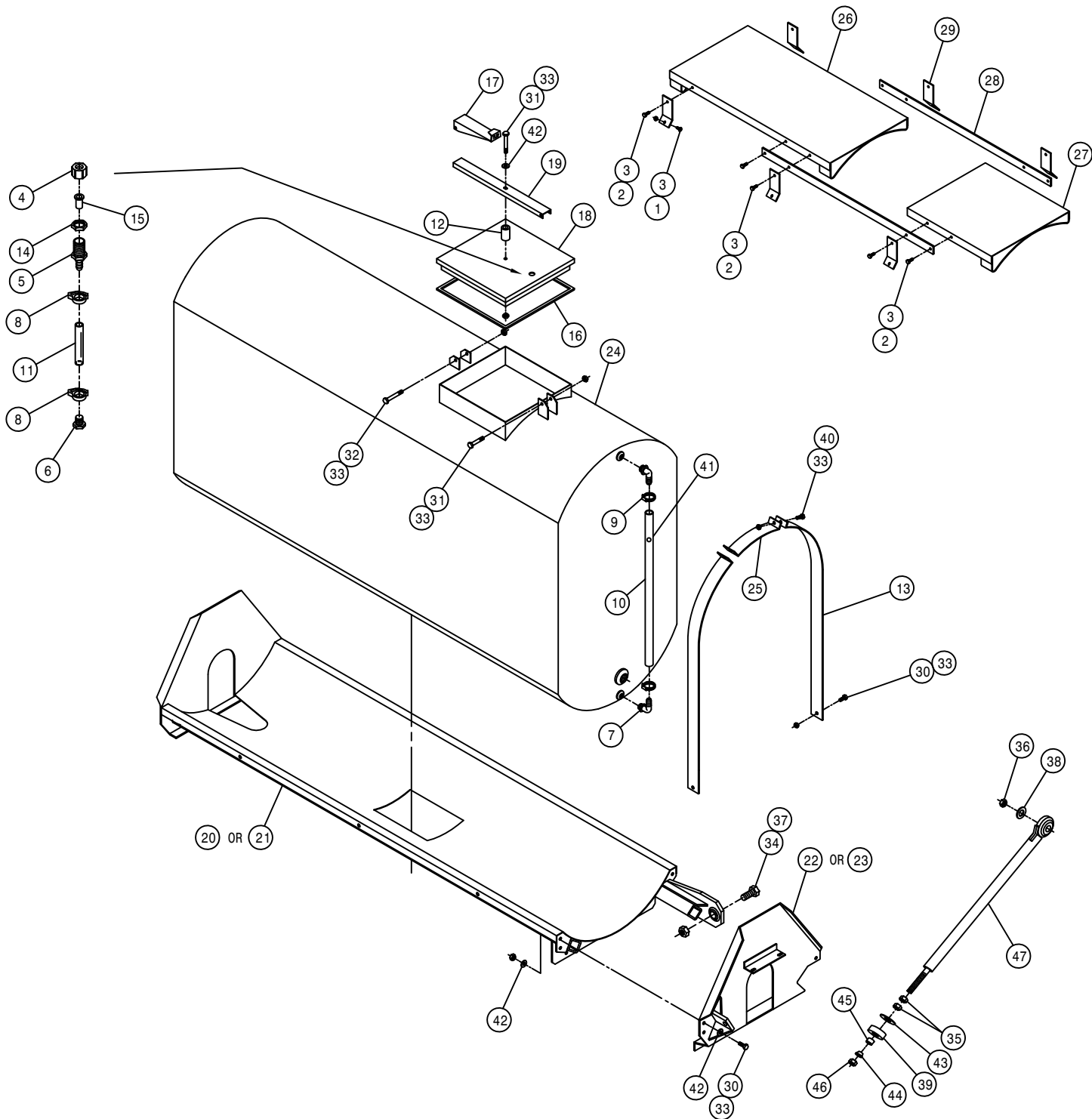
DET.	QTY	PART NO.	DESCRIPTION
1	2	470199	1/4UNC X 3/8 SQHD CUP SET SCR
2	7	470089	1/4UNC HEX LOC NUT NYL INS SS
3	3	470092	1/4UNC-3/4ID-1 1/4 U-BOLT SS
4	1	610510	CESSNA GEAR MOTOR 1.48CI
5	1	611121	9/16MJIC-1/4MNPT ADPTR
6	2	618092	1 1/16MOR-1/2FNPT ADPTR
7	2	618107	9/16MJIC-90-1/2MNPT LBO
8	1	706403	FRT AGIT SHFT BRG, NYLON
9	1	706401	REAR AGIT SHFT BRG, NYLON
10	1	706402	AGIT SHFT GLAND NUT, NYLON
11	3	763027	AGIT IMPELLER
12	1	763393	AGIT SHAFT 250 91
13	1	763217	GLAND PACKING, 13 IN. LONG
14	1	763357	AGIT MTR MT PLT CES 280 91
15	1	763359	AGIT MTR CPLR 280 91
16	2	900064	5/16UNC X 3/4 HEX BOLT
17	2	900130	3/8UNC X 1 1/4 HEX BOLT
18	2	914002	5/16UNC HEX STOVER NUT
19	2	914004	3/8UNC HEX STOVER NUT
20	2	920001	5/16 SAE FLAT WASHER
21	2	920002	3/8 SAE FLAT WASHER
22	1	470200	1/4UNC X 1 3/4 HEX BOLT SS
23	1	763358	AGIT MTR MT YOKE CES 280 91
24	1	763361	AGIT CPLR SHIELD 280 91
25	1	900000	1/4UNC X 1/2 HEX BOLT
26	1	914000	1/4UNC HEX STOVER NUT





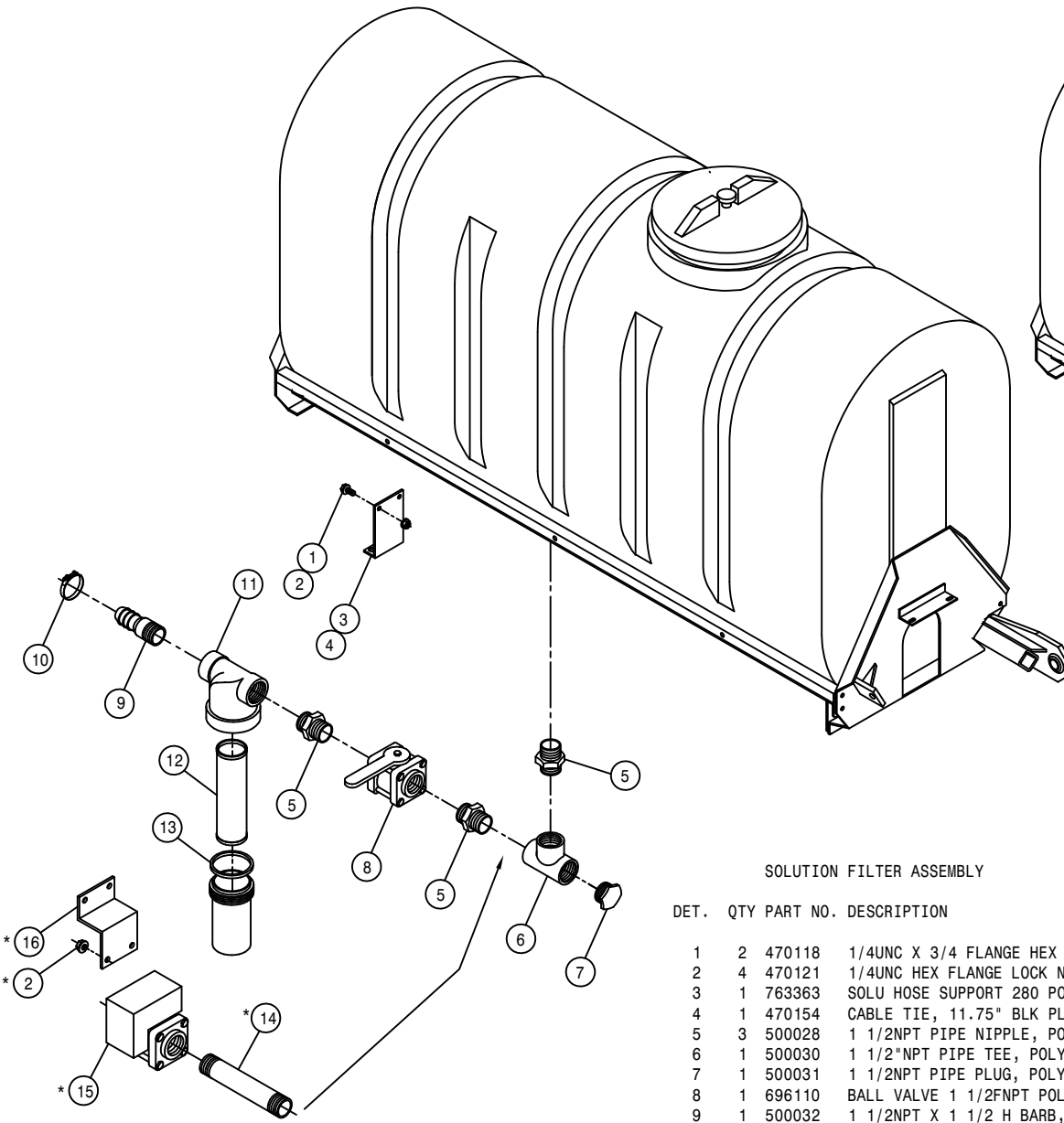
POLY 250 GALLON SOLUTION TANK ASSEMBLY

DET.	QTY	PART NO.	DESCRIPTION
1	10	470118	1/4UNC X 3/4 FLANGE HEX BOLT
2	10	470121	1/4UNC HEX FLANGE LOCK NUT
3	1	763439	250 GAL GRAY POLY SOLU TANK 94
4	3	763260	TOP STRAP 250 POLY TANK
5	1	763261	FRT CATWALK WLD 250 POLY 8250
6	1	763264	REAR CATWALK WLD 250 POLY8250
7	2	763266	CATWALK MTG STRAP 250POLY8250
8	6	763267	CATWALK MTG TAB 250 POLY 8250
9	1	763366	RH POLY TANK CRADLE WLD250 91
10	1	763367	LH POLY TANK CRADLE WLD250 91
11	1	763381	RH REAR CRADLE PLT WLD 250 91
12	1	763382	LH REAR CRADLE PLT WLD 250 91
13	6	763390	POLY TANK BAND WLD 250 91
14	12	900129	3/8UNC X 1" HEX BOLT
15	6	901064	5/16UNC X 3/4 CARR BOLT
16	6	906136	3/8UNC X 3" HEX BOLT FULLTHRD
17	1	763431	8" STRAINER BASKET, SOLU TANK
18	18	914004	3/8UNC HEX STOVER NUT
19	1	763409	10" THD'D RING FOR TANK LID
20	1	763468	TANK CRADLE SUPP BUSH,254 94
21	1	618604	1.50 PLASTIC FTG ASSY-POLYTNK
22	8	763410	S.S. SCREW FOR CAP RING
23	9	920002	3/8 SAE FLAT WASHER
24	2	618556	1/4NPT-90-1/2 HOSE BARB,POLY
25	1	763446	RED POLYPROPYLENE BALL 25/64"
26	2	472349	1/4 X 3/4 20THD-IN TEK TYPE
27	1	763451	RH SIGHT GAGE SHLD,POLY254 94
28	1	763464	TANK CRADLE SUPPORT WLD254 94
29	1	914012	3/4UNC HEX STOVER NUT
30	2	900534	1" UNC X 3" HEX BOLT
31	1	914010	5/8UNC HEX STOVER NUT
32	2	914016	1" UNC HEX STOVER NUT
33	1	470101	WASHER,2-1.03-.63 BLK NEO 65D
34	2	618548	1.25 PLASTIC FTG ASSY POLYTNK
35	1	763452	LH SIGHT GAGE SHLD,POLY254 94
36	1	763408	LID, THD'D W/VENT, POLY TANK
37	2	472334	3/4UNC HEX JAM NUT
38	1	483014	WASH,2"OD X 3/4 ID X 1/4 THK
39	1	763467	TANK CRADLE SUPP SWIVEL254 94
40	1	920005	5/8 SAE FLAT WASHER
41	6	914002	5/16UNC HEX STOVER NUT
42	1	342050	DECAL PLATE
43	4	472352	#10-24THD IN X 9/16 TEK TYP 3
44	2	520069	HOSE CLAMP NO 6 STAINLESS
45	1	601145	HOSE, 1/2 X 41 SIGHT GAUGE
46	4	763430	1 1/4 TANK FLANGE RUBBER SEAL

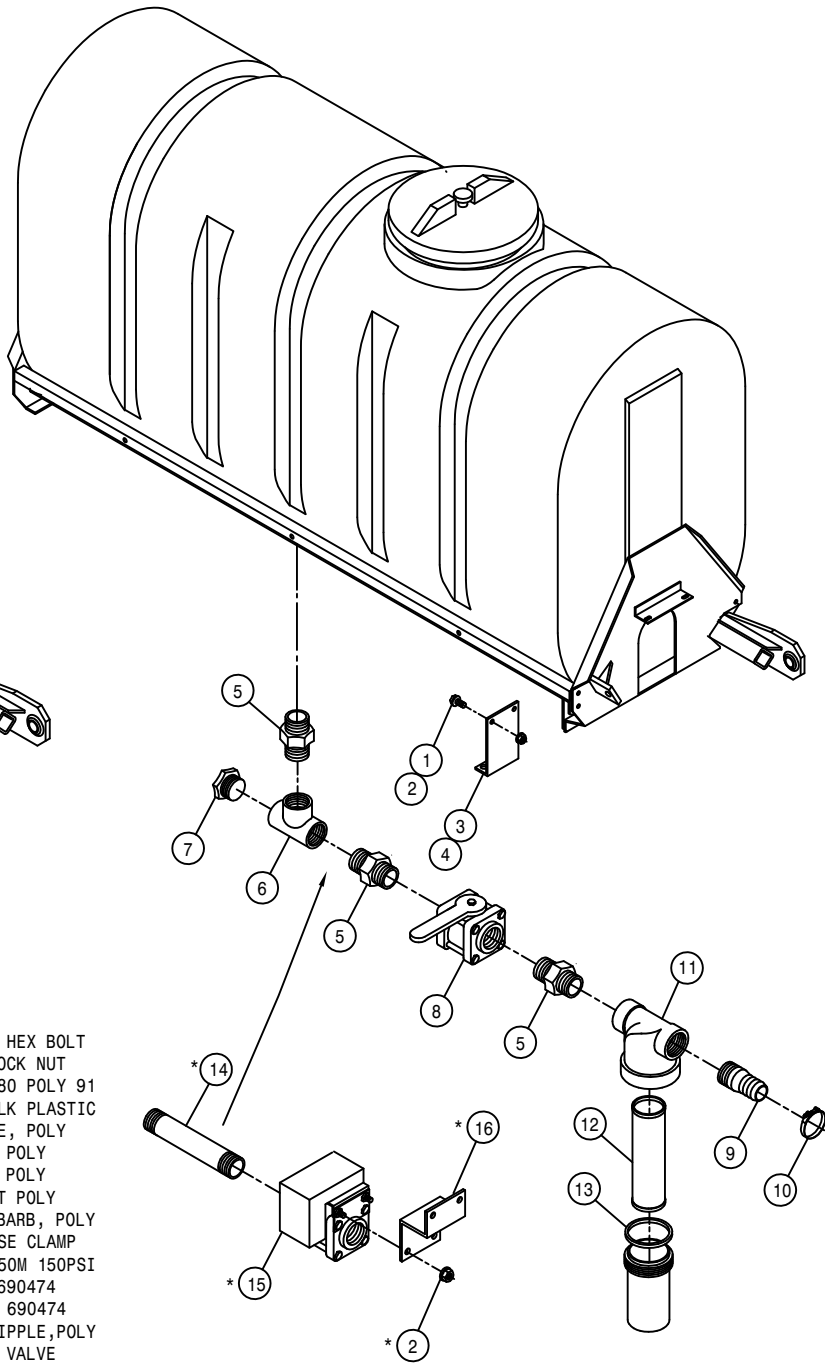


STAINLESS STEEL 250 GAL SOL TANK ASSEMBLY

DET.	QTY	PART NO.	DESCRIPTION
1	6	169072	1/4UNC X 5/8 CARR BOLT
2	10	470118	1/4UNC X 3/4 FLANGE HEX BOLT
3	16	470121	1/4UNC HEX FLANGE LOCK NUT
4	1	500005	CAP NUT .688FPS NYLON
5	1	500006	.38 H BARB X .69 MPS NYLON
6	1	500007	FTG .12 MNPT HEX PLUG NYLON
7	2	500017	.25NPT-.25 HOSE BARB 90 NYLON
8	2	520003	HOSE CLAMP NO 6 PLASTIC SNAP
9	2	520069	HOSE CLAMP NO 6 STAINLESS
10	1	601146	HOSE, 1/2 X 38 CLEAR
11	1	601216	SPRAY TNK VENT HOSE .38X3.50
12	1	601231	HOSE, 3/4 X 2 HI PRESS EPDM
13	6	763422	TANK BAND 250GAL SS 250
14	1	737858	TEE AND EL NUT .688 FPS
15	1	738859	STRAINER 50 MESH NYLON
16	1	760651	TANK LID GSKT 647
17	1	763163	SPRAY TANK LATCH HANDLE 647S
18	1	763164	SPRAY TANK LID WLD 647S
19	1	763166	TANK LID CHAN 647-S SIDE
20	1	763366	RH POLY TANK CRADLE WLD250 91
21	1	763367	LH POLY TANK CRADLE WLD250 91
22	1	763381	RH REAR CRADLE PLT WLD 250 91
23	1	763382	LH REAR CRADLE PLT WLD 250 91
24	1	763412	SS SPRAY TANK WLD 250GAL 250
25	3	763423	TANK BAND BINDER 250SS 250
26	1	763424	FRT CATWALK WLD,250SS TNK 250
27	1	763425	REAR CATWALK WLD,250SS TNK250
28	2	763428	CATWALK MTG STRIP 250SS 250
29	6	763429	CATWALK MTG TAB 250SS TNK 250
30	12	900129	3/8UNC X 1" HEX BOLT
31	2	900134	3/8UNC X 2 1/2 HEX BOLT
32	1	900138	3/8UNC X 3 1/2 HEX BOLT
33	21	914004	3/8UNC HEX STOVER NUT
34	2	900534	1" UNC X 3" HEX BOLT
35	2	472334	3/4UNC HEX JAM NUT
36	1	914010	5/8UNC HEX STOVER NUT
37	2	914016	1" UNC HEX STOVER NUT
38	1	920005	5/8 SAE FLAT WASHER
39	1	470101	WASHER,2-1.03-.63 BLK NEO 65D
40	6	900131	3/8UNC X 1 1/2 HEX BOLT
41	1	763446	RED POLYPROPYLENE BALL 25/64"
42	10	920002	3/8 SAE FLAT WASHER
43	1	483014	WASH,2"OD X 3/4 ID X 1/4 THK
44	1	763467	TANK CRADLE SUPP SWIVEL254 94
45	1	763468	TANK CRADLE SUPP BUSH,254 94
46	1	914012	3/4UNC HEX STOVER NUT
47	1	763464	TANK CRADLE SUPPORT WLD254 94



LEFT SOLUTION FILTER ASSEMBLY FOR D230 HP PUMP

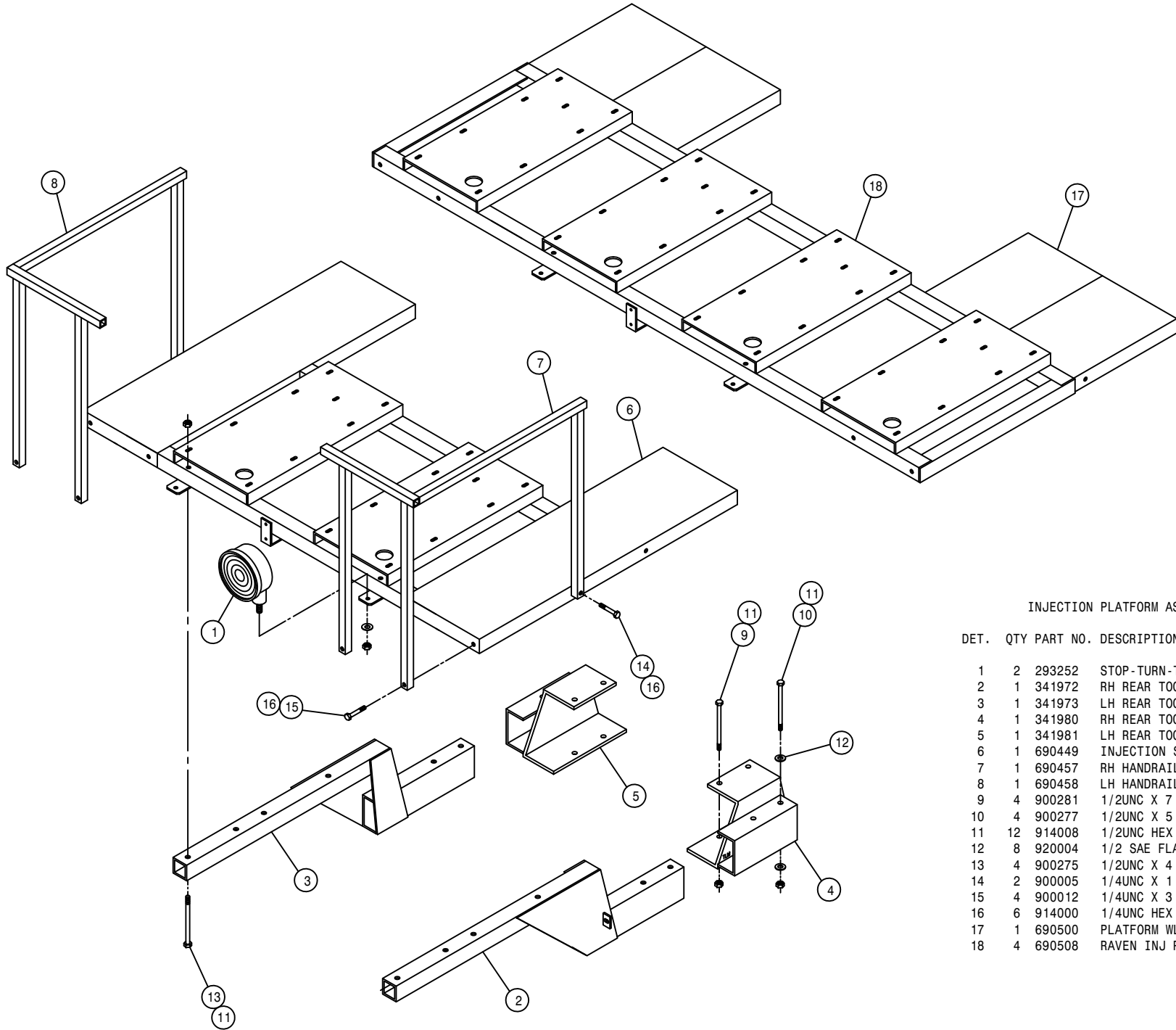


LEFT SOLUTION FILTER ASSEMBLY FOR BEAN 35 HP PUMP

SOLUTION FILTER ASSEMBLY

DET.	QTY	PART NO.	DESCRIPTION
	1	2 470118	1/4UNC X 3/4 FLANGE HEX BOLT
	2	4 470121	1/4UNC HEX FLANGE LOCK NUT
	3	1 763363	SOLU HOSE SUPPORT 280 POLY 91
	4	1 470154	CABLE TIE, 11.75" BLK PLASTIC
	5	3 500028	1 1/2NPT PIPE NIPPLE, POLY
	6	1 500030	1 1/2"NPT PIPE TEE, POLY
	7	1 500031	1 1/2NPT PIPE PLUG, POLY
	8	1 696110	BALL VALVE 1 1/2FNPT POLY
	9	1 500032	1 1/2NPT X 1 1/2 H BARB, POLY
	10	1 520133	1.81/2.06 T-BOLT HOSE CLAMP
	11	1 690474	1 1/2 LINE STRAINER50M 150PSI
	12	1 690475	50 MESH SCREEN FOR 690474
	13	1 690476	STRAINER GASKET FOR 690474
	14	1 500029	1 1/2NPT X 6 PIPE NIPPLE,POLY
	15	1 696161	1 1/2NPT ELECT SOLU VALVE
	16	1 763445	ELECT SOLU VLV SUPPORT 94

NOTE: ITEMS 2,14,15, AND 16 ARE USED WITH ELECTRIC VALVE OPTION.

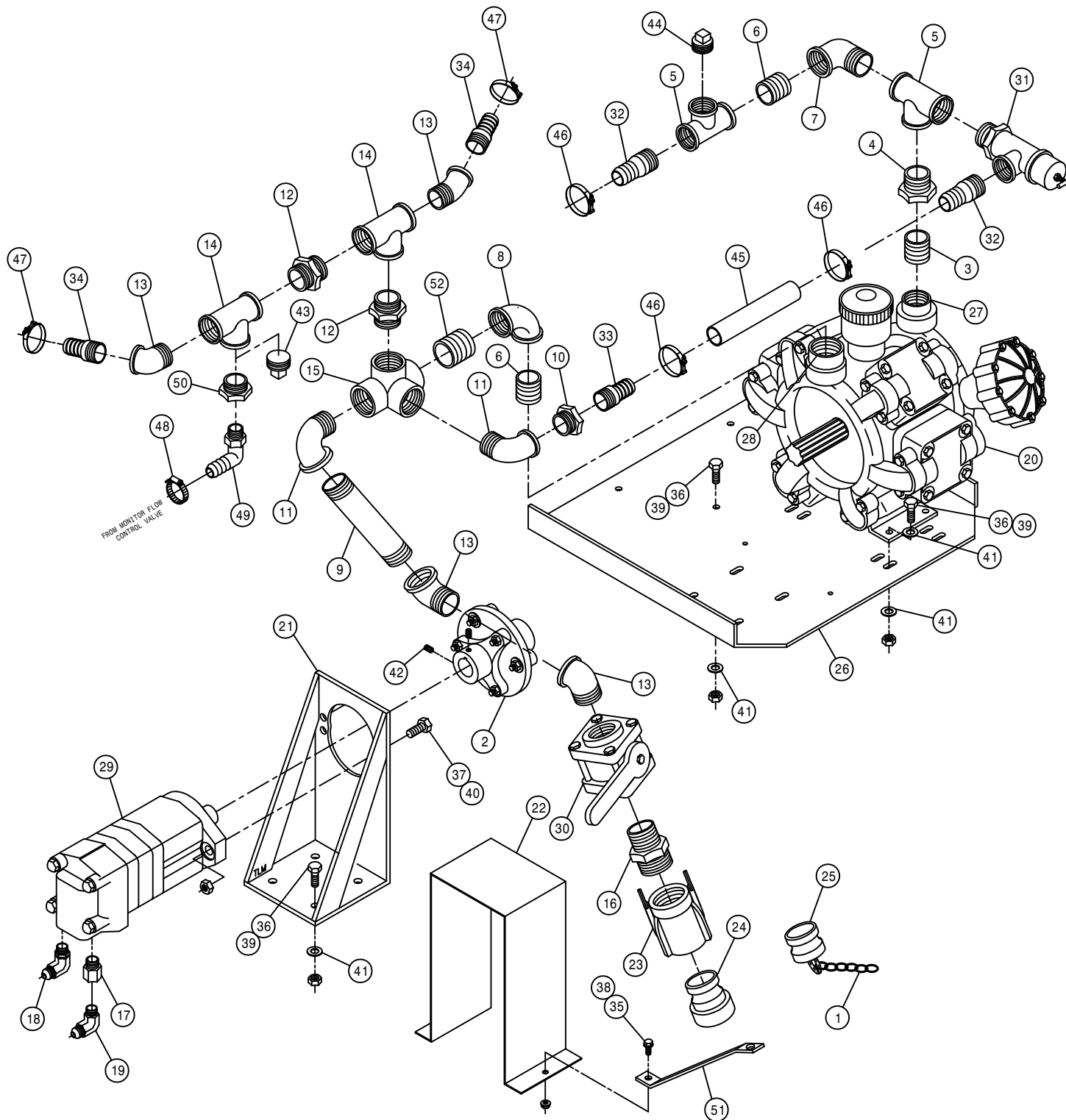


INJECTION PLATFORM ASSEMBLY

DET.	QTY	PART NO.	DESCRIPTION
1	2	293252	STOP-TURN-TAIL LAMP PED MT
2	1	341972	RH REAR TOOL BAR WLD 2XX 92
3	1	341973	LH REAR TOOL BAR WLD 2XX 92
4	1	341980	RH REAR TOOL BAR MT WLD 2XX
5	1	341981	LH REAR TOOL BAR MT WLD 2XX
6	1	690449	INJECTION SYS MT/PLATFORM WLD
7	1	690457	RH HANDRAIL WLD, INJ PLATFORM
8	1	690458	LH HANDRAIL WLD, INJ PLATFORM
9	4	900281	1/2UNC X 7 1/2 HEX BOLT
10	4	900277	1/2UNC X 5 1/2 HEX BOLT
11	12	914008	1/2UNC HEX STOVER NUT
12	8	920004	1/2 SAE FLAT WASHER
13	4	900275	1/2UNC X 4 1/2 HEX BOLT
14	2	900005	1/4UNC X 1 1/2 HEX BOLT
15	4	900012	1/4UNC X 3 1/2 HEX BOLT
16	6	914000	1/4UNC HEX STOVER NUT
17	1	690500	PLATFORM WLD, 3 & 4 UNIT SYS
18	4	690508	RAVEN INJ PUMP/TANK MT CHAN

DET.	QTY	PART NO.	DESCRIPTION
1	1	160986	TWIN LOOP CHAIN 6 LINKS
2	1	314690	FLEX COUPLER, 6 IN DISC 1981
3	1	505201	CLOSE NIPPLE 1.00NPT
4	1	506005	1 1/4 TO 1 RED BUSH BLK MAL
5	2	506105	BLK PIPE TEE 1.25NPT
6	2	506200	CLOSE NIPPLE 1.25NPT
7	1	506410	BLK PIPE ST EL 90DEG 1.25NPT
8	1	506415	RED EL 90 1 1/2 TO 1 1/4 MAL
9	1	500029	1 1/2NPT X 6 PIPE NIPPLE, POLY
10	1	500037	1 1/2"X 1 1/4NPT BUSH, POLY
11	2	500034	1 1/2NPT-90 ST EL, POLY
12	2	500028	1 1/2NPT PIPE NIPPLE, POLY
13	4	500035	1 1/2NPT-45 ST EL, POLY
14	2	500030	1 1/2"NPT PIPE TEE, POLY
15	1	507253	BLK PIPE SIDE OUTLET TEE 1.50
16	1	500038	2"X 1 1/2NPT REDU NIPPLE, POLY
17	1	618171	7/8MOR-3/4FOR ADPTR
18	1	618183	3/4MJIC-90-7/8MOR LBO
19	1	618241	3/4MJIC-90-3/4MOR LBO
20	1	690339	HYPRO 230 DIAPHRAM PUMP
21	1	690353	D150-D230 PUMP MTR MT WLD
22	1	690364	D150-D230 PUMP CPLR SHLD
23	1	690390	2.00 FEMALE NPT COUPLER
24	1	690391	2.00 FEMALE NPT ADPTR
25	1	690392	ADPTR PLG FOR 2.00 NPT COUPLR
26	1	690414	230 HYPRO PUMP MT PLT 280 90
27	1	690417	1FNPT ADAPTER, HYPRO D230
28	1	690418	1 1/4FNPT ADAPTER, HYPRO D230
29	1	695985	CHAR LYNN 2000 SER HYD MTR 79
30	1	696110	BALL VALVE 1 1/2FNPT POLY
31	1	699702	HAMILTON RELIEF VLV 200PSI
32	2	715660	HOSE BARB 1 1/4NPT X 1 1/4
33	1	500033	1 1/4NPT X 1 1/4 H BARB, POLY
34	2	500032	1 1/2NPT X 1 1/2 H BARB, POLY
35	2	900003	1/4UNC X 1 HEX BOLT
36	12	900129	3/8UNC X 1 HEX BOLT
37	2	900265	1/2UNC X 1 1/2 HEX BOLT
38	2	914000	1/4UNC HEX STOVER NUT
39	12	914004	3/8UNC HEX STOVER NUT
40	2	914008	1/2UNC HEX STOVER NUT
41	16	920002	WASH FLAT 3/8 SAE
42	2	470076	SETSCREW 5/16-18 X 1/2ALHDCUP
43	1	500031	1 1/2NPT PIPE PLUG, POLY
44	1	506101	PIPE PLUG 1.25NPT SQ HD
45	1	197120	HOSE 1 1/4 2-FBR BR BLK EPDM
46	3	520132	1.62/1.87 T-BOLT HOSE CLAMP
47	2	520133	1.81/2.06 T-BOLT HOSE CLAMP
48	1	520087	HOSE CLAMP NO 20 PLATED
49	1	500024	1"NPT-90-1"HOSE BARB, POLY
50	1	500036	1 1/2"X 1"NPT REDU BUSH, POLY
51	1	690480	VLV/CPLR SUPPORT, D230 PUMP 94
52	1	507019	CLOSE NIPPLE 1.50NPT

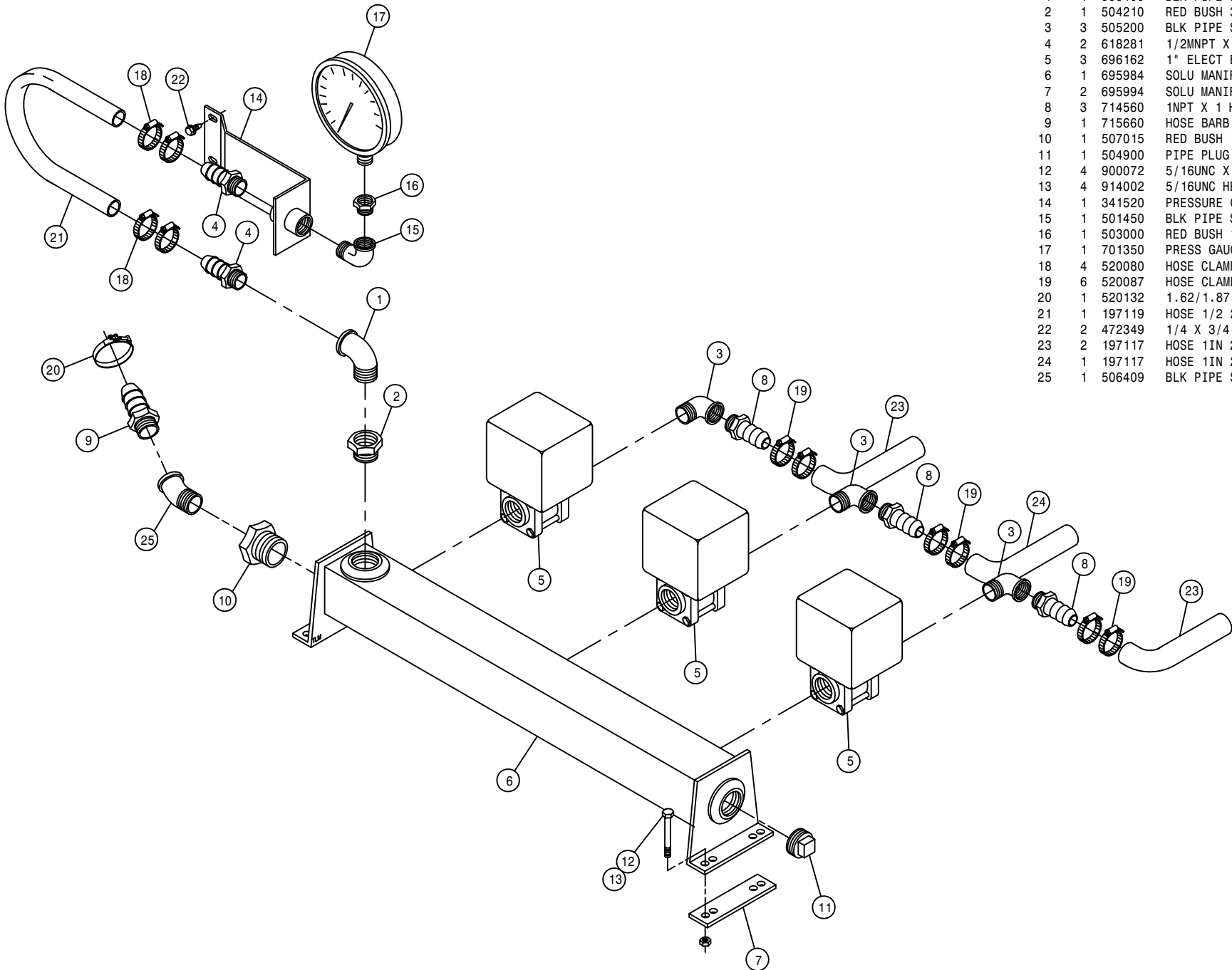
*NOTE: ITEMS 48, 49, AND 50 ARE USED WITH THE MONITOR OPTION.



HYPRO D230 HP MANIFOLD ASSEMBLY

DET. QTY PART NO. DESCRIPTION

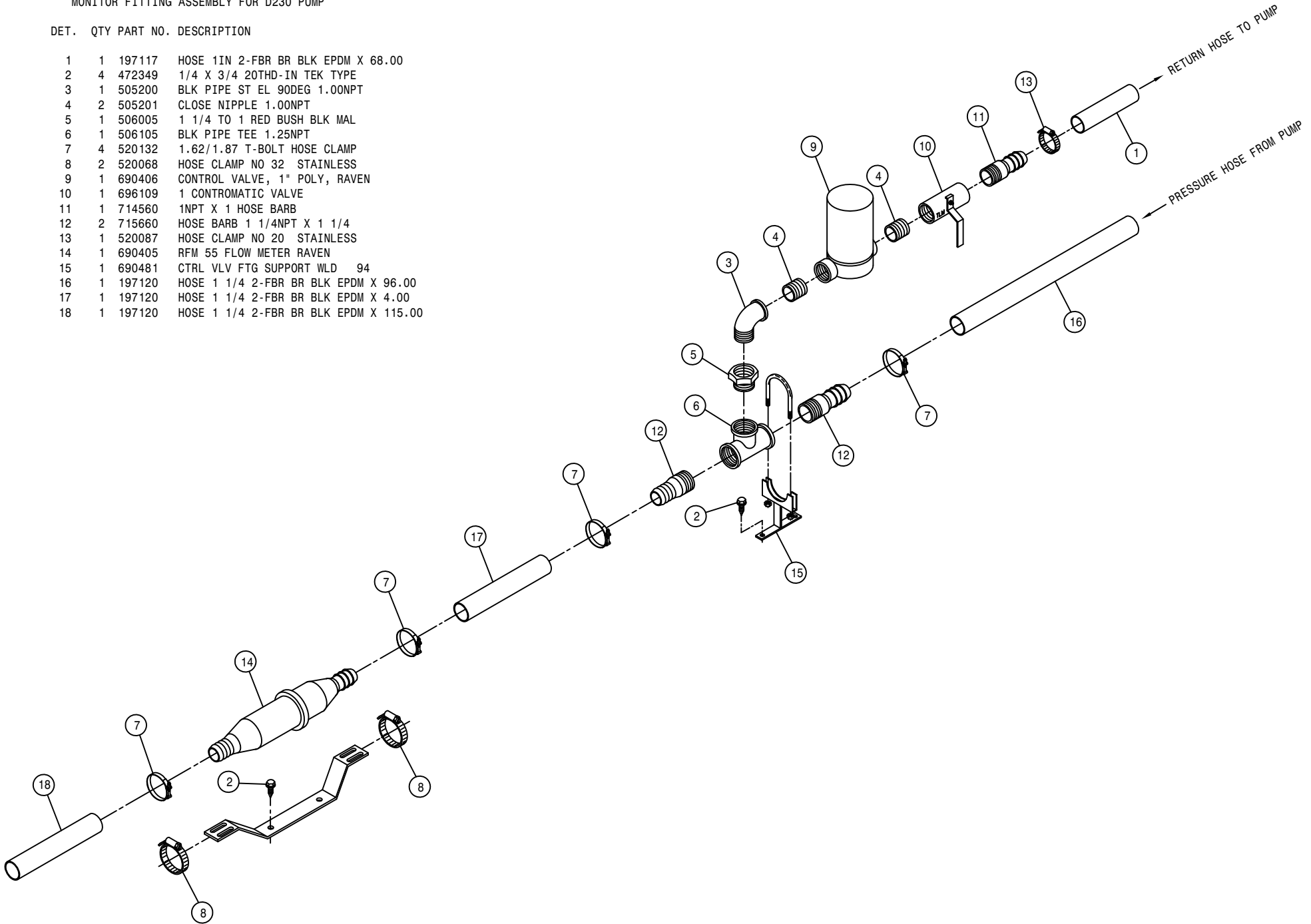
1	1	503400	BLK PIPE ST EL 90DEG .50NPT
2	1	504210	RED BUSH 3/4 NPT X 1/2 NPT
3	3	505200	BLK PIPE ST EL 90DEG 1.00NPT
4	2	618281	1/2MNPT X 1/2 HOSE INSERT
5	3	696162	1" ELECT BALL VLV, 344AEC-2-1
6	1	695984	SOLU MANIF WLD D150-D230
7	2	695994	SOLU MANIF KEEPER OPTION
8	3	714560	1NPT X 1 HOSE BARB
9	1	715660	HOSE BARB 1 1/4NPT X 1 1/4
10	1	507015	RED BUSH 1.50NPT - 1.25FNPT
11	1	504900	PIPE PLUG .75NPT SQ HD
12	4	900072	5/16UNC X 3" HEX BOLT
13	4	914002	5/16UNC HEX STOVER NUT
14	1	341520	PRESSURE GAUGE MT WLD 8240X11
15	1	501450	BLK PIPE ST EL 90DEG .25NPT
16	1	503000	RED BUSH 1/2 TO 1/4 BLK MAL
17	1	701350	PRESS GAUGE 300LB BOT FILL
18	4	520080	HOSE CLAMP NO 10 STAINLESS
19	6	520087	HOSE CLAMP NO 20 STAINLESS
20	1	520132	1.62/1.87 T-BOLT HOSE CLAMP
21	1	197119	HOSE 1/2 2-FBR BR BLK EPDM X 206"
22	2	472349	1/4 X 3/4 20THD-IN TEK TYPE
23	2	197117	HOSE 1IN 2-FBR BR BLK EPDM X 288"
24	1	197117	HOSE 1IN 2-FBR BR BLK EPDM X 36"
25	1	506409	BLK PIPE ST EL 45DEG 1.25NPT



MONITOR FITTING ASSEMBLY FOR D230 PUMP

DET. QTY PART NO. DESCRIPTION

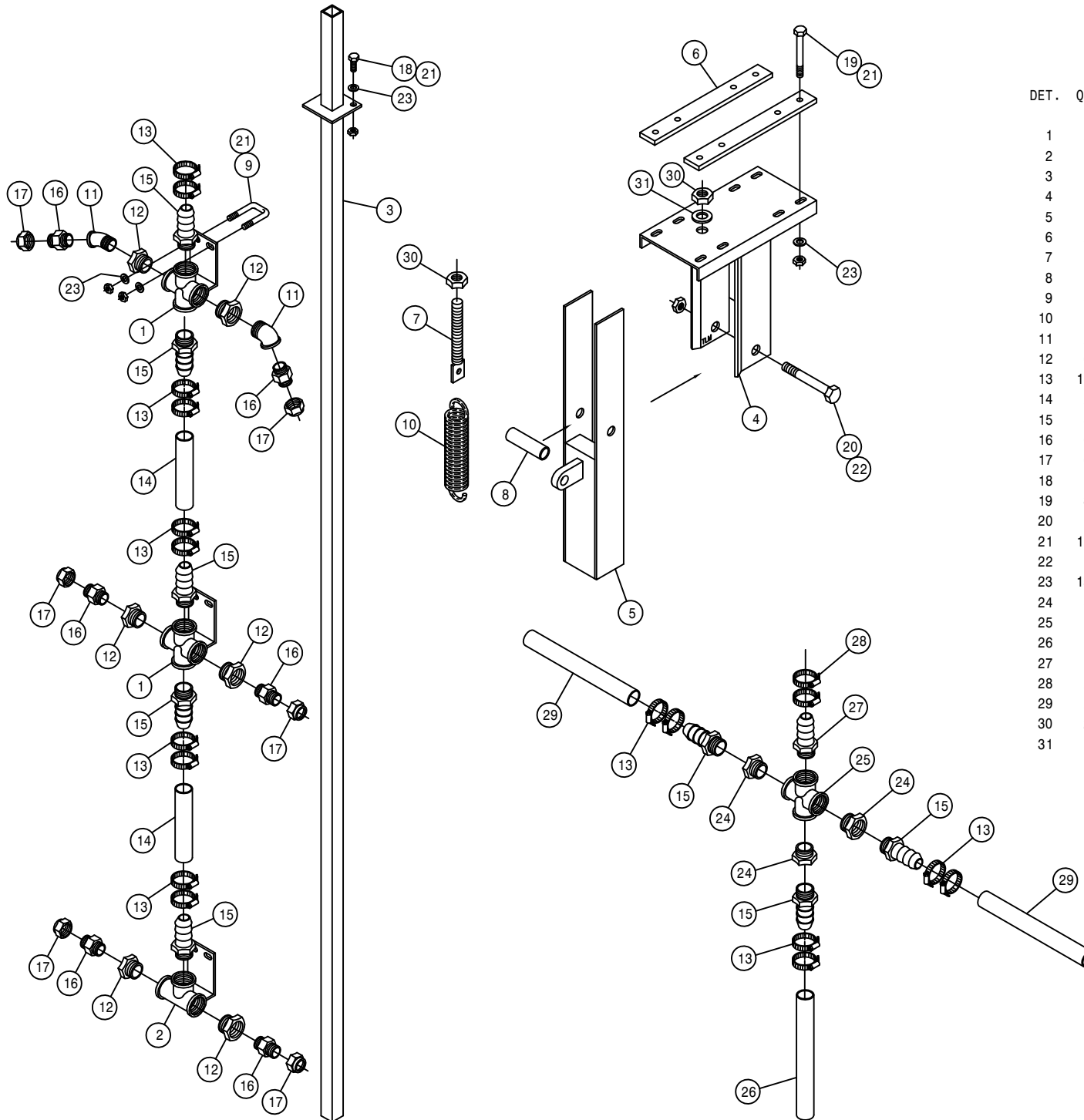
1	1	197117	HOSE 1IN 2-FBR BR BLK EPDM X 68.00
2	4	472349	1/4 X 3/4 20THD-IN TEK TYPE
3	1	505200	BLK PIPE ST EL 90DEG 1.00NPT
4	2	505201	CLOSE NIPPLE 1.00NPT
5	1	506005	1 1/4 TO 1 RED BUSH BLK MAL
6	1	506105	BLK PIPE TEE 1.25NPT
7	4	520132	1.62/1.87 T-BOLT HOSE CLAMP
8	2	520068	HOSE CLAMP NO 32 STAINLESS
9	1	690406	CONTROL VALVE, 1" POLY, RAVEN
10	1	696109	1 CONTROMATIC VALVE
11	1	714560	1NPT X 1 HOSE BARB
12	2	715660	HOSE BARB 1 1/4NPT X 1 1/4
13	1	520087	HOSE CLAMP NO 20 STAINLESS
14	1	690405	RFM 55 FLOW METER RAVEN
15	1	690481	CTRL VLV FTG SUPPORT WLD 94
16	1	197120	HOSE 1 1/4 2-FBR BR BLK EPDM X 96.00
17	1	197120	HOSE 1 1/4 2-FBR BR BLK EPDM X 4.00
18	1	197120	HOSE 1 1/4 2-FBR BR BLK EPDM X 115.00



6FT 6-NOZL DROP ASSEMBLY

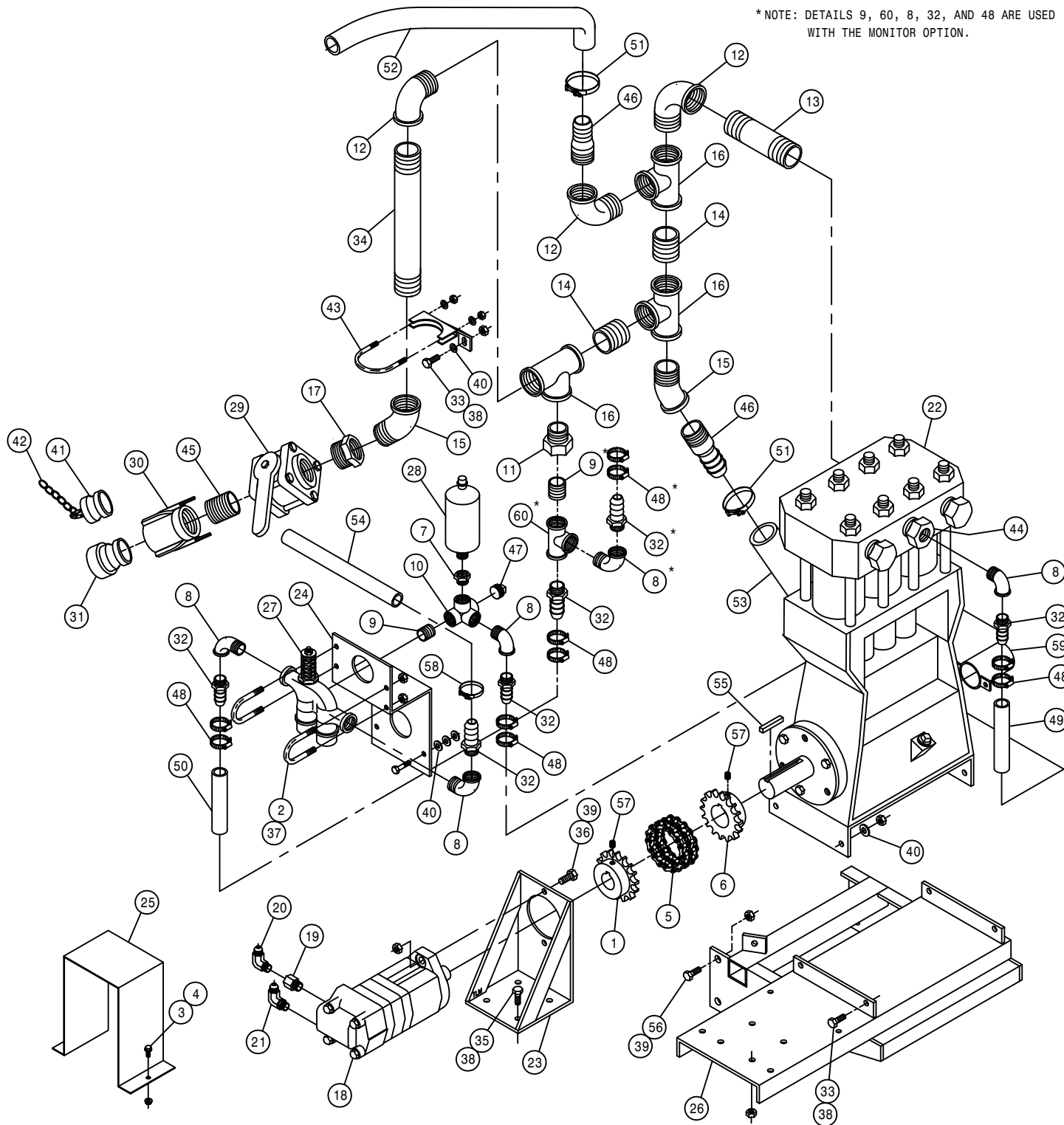
DET. QTY PART NO. DESCRIPTION

DET.	QTY	PART NO.	DESCRIPTION
1	2	160300	.50 PIPE CROSS WLD X-11 1981
2	1	160302	.50 PIPE TEE WLD X-11 1981
3	1	160307	DROP TUBE WLD X-11 1981
4	1	160310	6FT DROP MT WLD X-11 1981
5	1	160313	6FT DROP HANGER WLD X-11 81
6	2	160321	DROP KEEPER 6FT DROP
7	1	410032	SPRING HOOK BOLT WLD 473
8	1	437452	BUSH, .50 SCH 80 X 2.00
9	3	473926	1/4UNC-3/4ID-1 1/4 UBLOT SQ
10	1	482006	SPRING FOR 473 ROLLER4IN LONG
11	2	501400	BLK PIPE ST EL 45DEG .25NPT
12	6	503000	RED BUSH 1/2 TO 1/4 BLK MAL
13	16	520055	HOSE CLAMP NO 12 PLATED
14	2	601249	HOSE, .50 2BR BLK X 16.63 EPDM
15	8	618281	112MALE NPTX1/2 HOSE INSERT
16	6	737801	NOZL BODY .25NPT BRASS
17	6	738866	CAP NUT .688 FPS STEEL
18	1	900002	1/4UNC X 3/4 HEX BOLT
19	8	900007	1/4UNC X 2 HEX BOLT
20	1	900272	1/2UNC X 3 1/2 HEX BOLT
21	15	914000	1/4UNC HEX STOVER NUT
22	1	914008	1/2UNC HEX STOVER NUT
23	15	920000	1/4 FLAT WASH SAE
24	3	504210	RED BUSH 3/4 NPT X 1/2 NPT
25	1	504400	BLK PIPE CROSS .75NPT
26	1	601333	HOSE, 1/2 2FBR BLK EPDM X 48
27	1	715450	3/4NPTX3/4 HI HOSE BARB
28	2	520090	HOSE CLAMP NO 16 PLATED
29	2	601199	HOSE, 1/2 2BR BLK X 105 EPDM
30	2	910008	1/2UNC HEX NUT
31	1	920504	LOCK WASH 1/2



* NOTE: DETAILS 9, 60, 8, 32, AND 48 ARE USED WITH THE MONITOR OPTION.

DET. QTY PART NO. DESCRIPTION

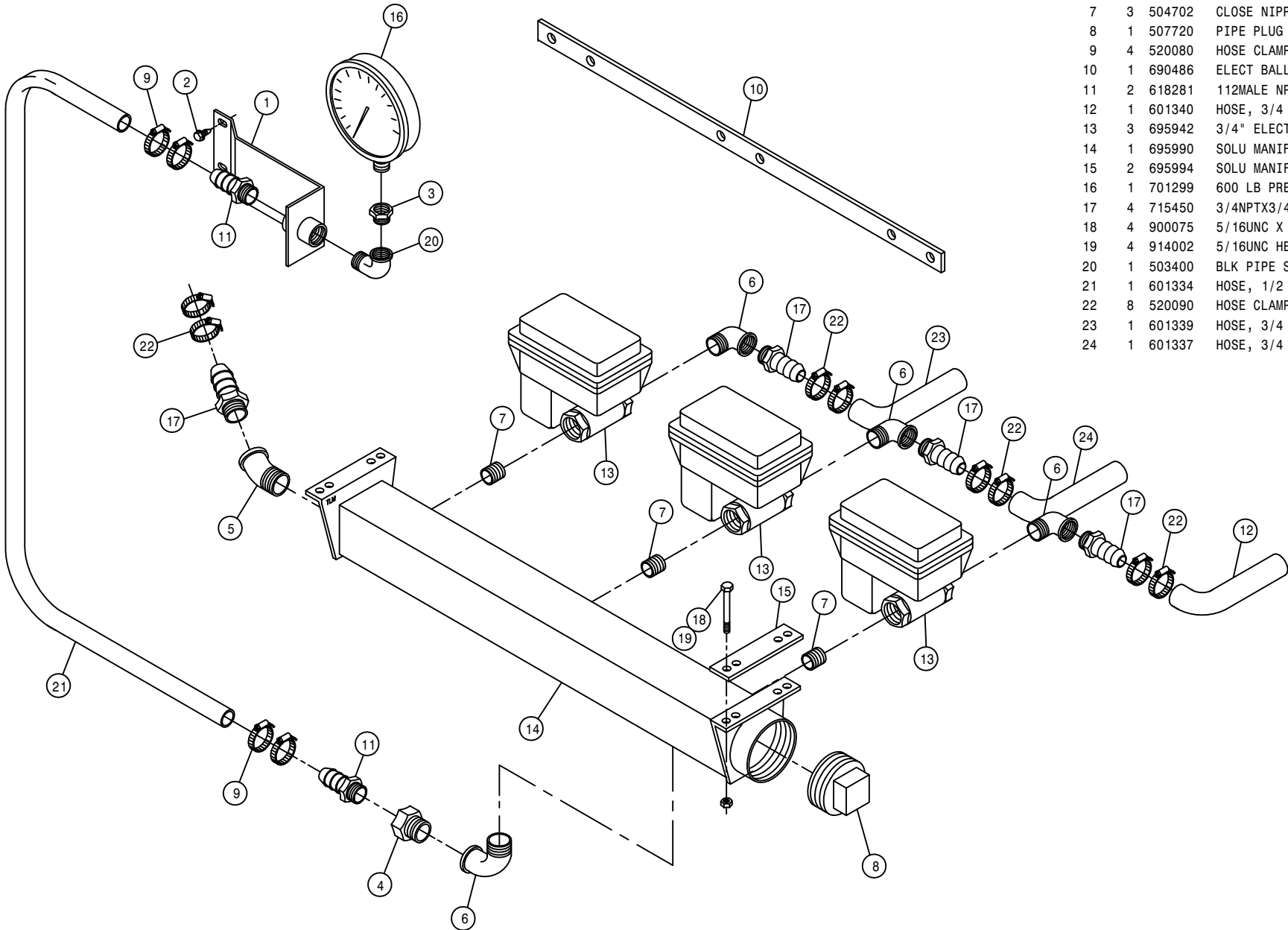


DET.	QTY	PART NO.	DESCRIPTION
1	1	220004	CHAIN CPLR 1 1/4 BORE .31 KWY
2	2	470094	5/16UNC-1 3/8ID-3 UBOLT
3	2	470118	1/4UNC X 3/4 FLANGE HEX BOLT
4	2	470121	1/4UNC HEX FLANGE LOCK NUT
5	1	492084	CHAIN FOR 492083 4016
6	1	492089	CHAIN CPLG HALF 1.375BORE4016
7	1	504210	RED BUSH 3/4 NPT X 1/2 NPT
8	5	504610	BLK PIPE ST EL 90DEG .75NPT
9	2	504702	CLOSE NIPPLE .75NPT
10	1	504960	BLK PIPE SIDE OUTLET TEE .75
11	1	507005	RED BUSH 1 1/2 TO 3/4 BLK MAL
12	3	507018	BLK PIPE ST EL 90DEG 1.50NPT
13	1	507007	BLK PIPE NIPPLE 1.50NPT-4.00
14	2	507019	CLOSE NIPPLE 1.50NPT
15	2	507024	BLK PIPE ST EL 45DEG 1.50NPT
16	3	507250	BLK PIPE TEE 1.50NPT
17	1	507717	RED BUSH 2 X 1 1/2
18	1	604006	MOTOR, HYD 7.7"
19	1	610305	3/4MJIC-90-3/4MNPT LBO
20	1	618131	7/8MOR-3/4FNPT ADPTR
21	1	618183	3/4MJIC-90-7/8MOR LBO
22	1	690250	35 GPM BEAN DOUBLE SHAFT PUMP
23	1	690291	HYD MTR BASE WLD BEAN 35GPM
24	1	690294	UNLOADER VLV MT BEAN 35GPM
25	1	690296	PUMP CPLR SHLD BEAN 35GPM
26	1	690442	250 X-11 BEAN 35 PUMP MT WLD
27	1	695943	UNLOADER VALVE, HYPRO 400-600
28	1	695944	SURGE TANK, HYPRO
29	1	696134	BALL VALVE 2IN FNPT POLY
30	1	690390	2.00 FEMALE NPT COUPLER
31	1	696201	ADAPTER, 2IN MALE FOR 696200
32	6	715450	3/4NPTX3/4 HI HOSE BARB
33	5	900129	3/8UNC X 1" HEX BOLT
34	1	506610	BLK PIPE NIPPLE 1.50NPT-10.00
35	4	900130	3/8UNC X 1 1/4 HEX BOLT
36	2	900266	1/2UNC X 1 3/4 HEX BOLT
37	4	914002	5/16UNC HEX STOVER NUT
38	9	914004	3/8UNC HEX STOVER NUT
39	6	914008	1/2UNC HEX STOVER NUT
40	14	920002	3/8 SAE FLAT WASHER
41	1	690392	ADPTR PLG FOR 2.00 NPT COUPLR
42	1	160986	TWIN LOOP CHAIN 6 LINKS
43	1	690438	SOLU PUMP SUPPORT BRKT WLD 92
44	1	506000	RED BUSH 1 1/4 TO 3/4 BLK MAL
45	1	507706	CLOSE NIPPLE 2.00NPT
46	2	716003	1 1/2 X 1 1/2 HOSE BARB
47	1	504900	PIPE PLUG .75NPT SQ HD
48	8	520090	HOSE CLAMP NO 16 PLATED
49	1	601336	HOSE, 3/4 2FBR BLK EPDM X 26
50	1	601335	HOSE, 3/4 2FBR BLK EPDM X 15
51	2	520133	1.81/2.06 T-BOLT HOSE CLAMP
52	1	601236	HOSE, 1 1/2 X 228 2BR EPDM
53	1	601188	HOSE, 1 1/2 X 58 2BR BLK EPDM
54	1	601338	HOSE, 3/4 2FBR BLK EPDM X 204
55	1	470227	KEY, 5/16 SQ X 1 1/2 LG
56	4	900264	1/2UNC X 1 1/4 HEX BOLT
57	4	470057	5/16 X 1/2 LG SQ HD SET SCR
58	1	520132	1.62/1.87 T-BOLT HOSE CLAMP
59	1	690546	SHAFT GUARD WLD, BEAN 35
60	1	504955	BLK PIPE TEE .75NPT

60

DET. QTY PART NO. DESCRIPTION

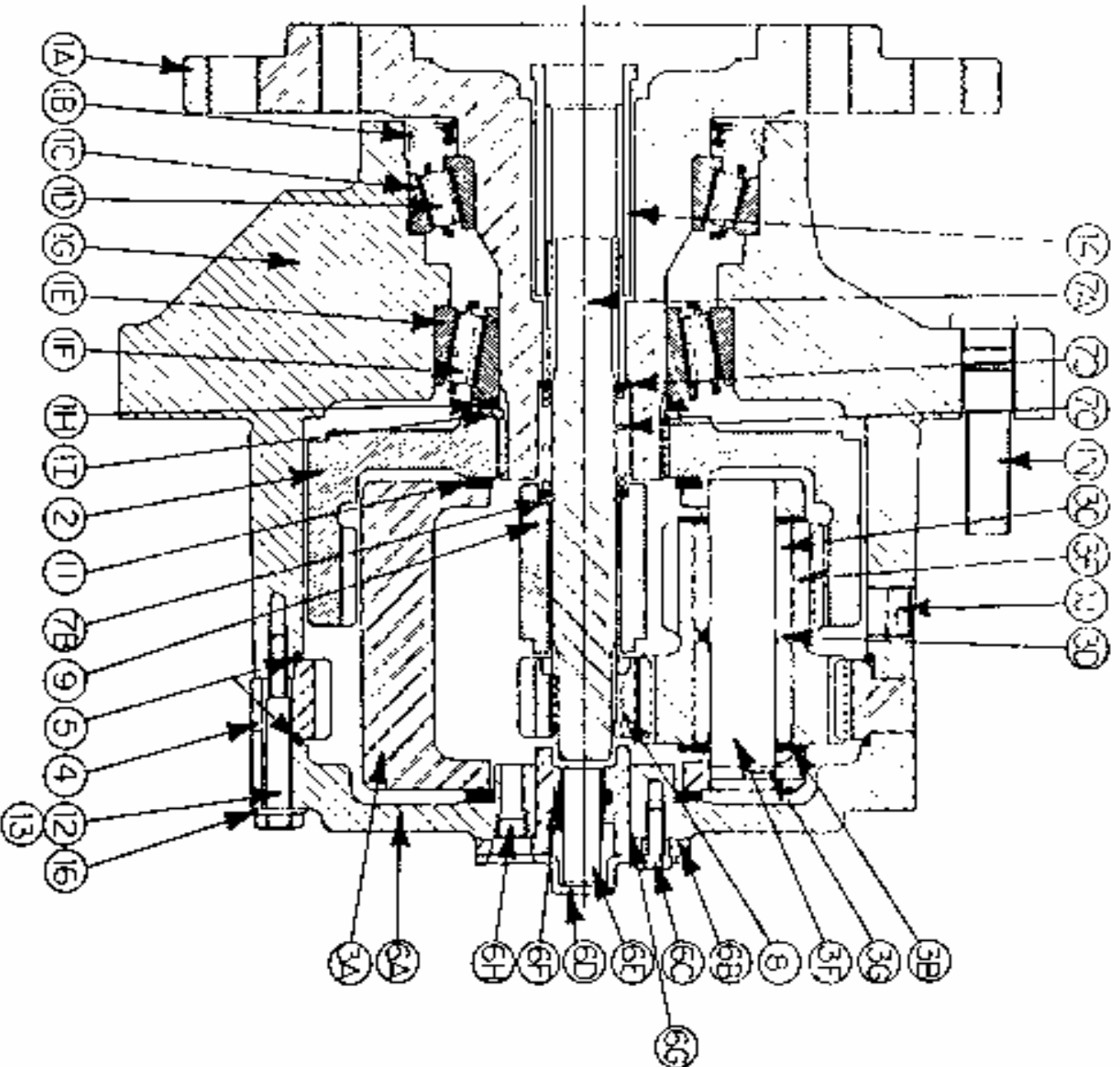
DET.	QTY	PART NO.	DESCRIPTION
1	1	341520	PRESSURE GAUGE MT WLD 8240X11
2	2	472349	1/4 X 3/4 20THD-IN TEK TYPE
3	1	503000	RED BUSH 1/2 TO 1/4 BLK MAL
4	1	504210	RED BUSH 3/4 NPT X 1/2 NPT
5	1	504600	BLK PIPE ST EL 45DEG .75NPT
6	4	504610	BLK PIPE ST EL 90DEG .75NPT
7	3	504702	CLOSE NIPPLE .75NPT
8	1	507720	PIPE PLUG 2.00NPT SQ HD
9	4	520080	HOSE CLAMP NO 10 PLATED
10	1	690486	ELECT BALL VLV BRACE 94
11	2	618281	112MALE NPTX1/2 HOSE INSERT
12	1	601340	HOSE, 3/4 2FBR BLK EPDM X 276
13	3	695942	3/4" ELECT BALL VLV,KZCO EHII
14	1	695990	SOLU MANIF WLD JB2020-JB35
15	2	695994	SOLU MANIF KEEPER OPTION
16	1	701299	600 LB PRESS GAUGE BOT FILL
17	4	715450	3/4NPTX3/4 HI HOSE BARB
18	4	900075	5/16UNC X 3 3/4 HEX BOLT
19	4	914002	5/16UNC HEX STOVER NUT
20	1	503400	BLK PIPE ST EL 90DEG .50NPT
21	1	601334	HOSE, 1/2 2FBR BLK EPDM X 120
22	8	520090	HOSE CLAMP NO 16 PLATED
23	1	601339	HOSE, 3/4 2FBR BLK EPDM X 216
24	1	601337	HOSE, 3/4 2FBR BLK EPDM X 96



61

148061

CROSS-SECTIONAL VIEW OF W1B TORQUE-HUB®



WHEEL DRIVE ASSEMBLY - 610516
W1BFNZ324

ITEMS	DESCRIPTION	PART NO.	QTY.
1	HUB-SPINDLE SUB-ASSEMBLY	-----	
1A	SPINDLE	610518	1
1B	SEAL	610519	1
1C	BEARING CUP	610520	1
1D	BEARING CONE	610521	1
1E	BEARING CUP	610907	1
1F	BEARING CONE	610908	1
1G	HUB	610522	1
1H	SPACER	610909	1
1I	RETAINER RING	610910	1
1J	PIPE PLUG	610147	2
1N	STUD	610523	9
2	INTERNAL GEAR	610148	1
3	CARRIER ASSEMBLY	610933	1
4	RING GEAR	610937	1
5	O-RING	610903	2
6	COVER ASSEMBLY	610155	1
6A	COVER	610149	1
6B	COVER CAP	610914	1
6C	BOLT	610150	4
6D	DISCONNECT CAP	610901	1
6E	DISCONNECT ROD	610915	1
6F	O-RING	610916	1
6G	O-RING	610917	1
6H	PIPE NIPPLE	610151	1
6I	ID PLATE	610152	1
7	INPUT SHAFT ASSEMBLY	610048	1
7A	INPUT SHAFT	610046	1
7B	RETAINING RING	610936	1
7C	SPRING	610145	1
7D	SPACER	610153	2
8	INPUT GEAR	610919	1
9	THRUST SPACER	610920	1
10	THRUST SPACER	610921	1
11	THRUST WASHER	610922	2
12	BOLT	610930	12
13	SHOULDER BOLT	610923	4
14	COUPLING	610037	1
16	FLAT WASHER	610049	16
NS	SEAL BOOT	610552	1

NOTICE

The following page contains decals for the model 254.

These decals can be obtained from Hagie Mfg. Co. and should be used whenever your machine is repainted or when the decals become worn, weathered, or faded.

Special attention should be paid to decals involving personal safety. They have been attached for your protection.

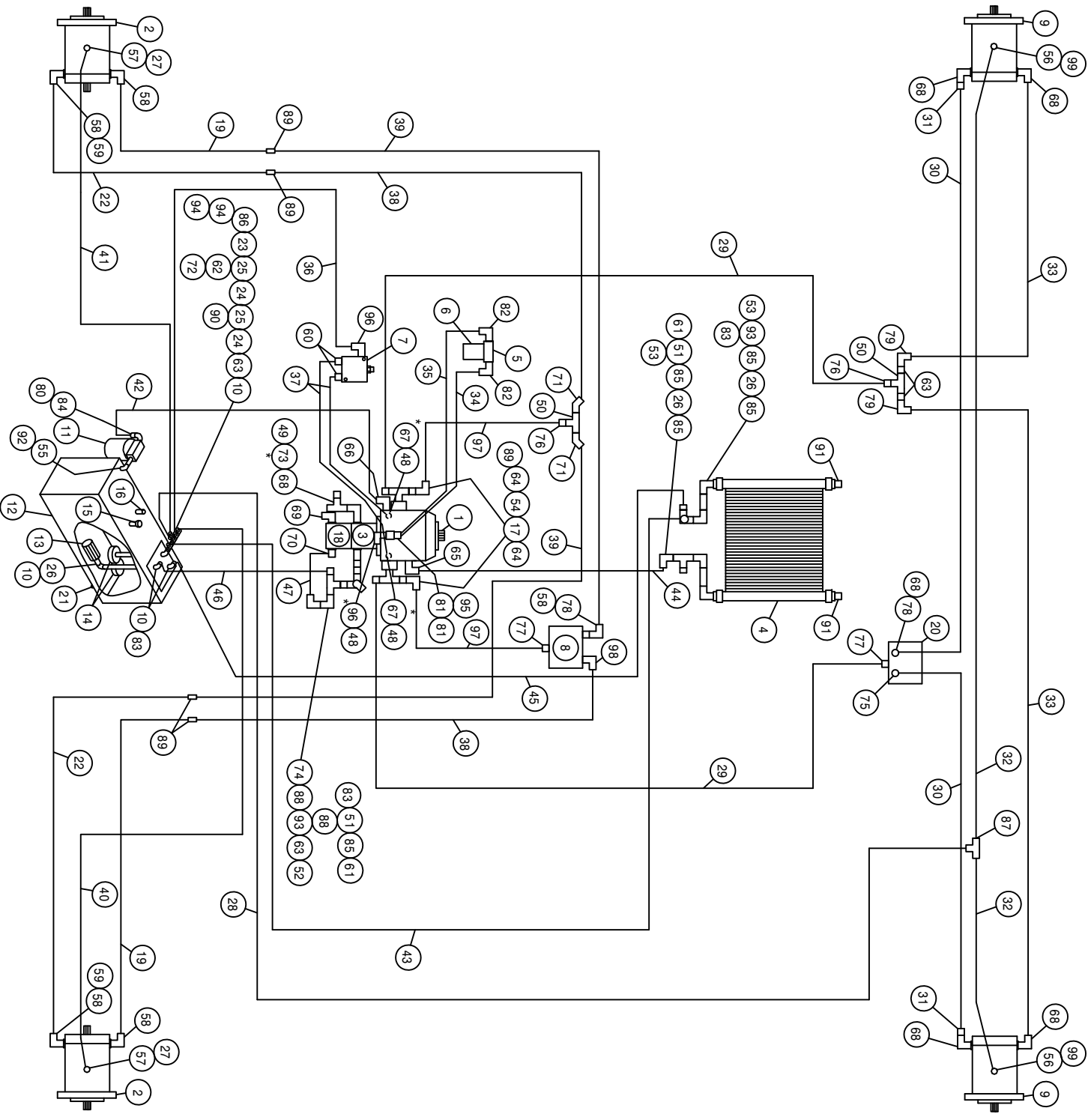
KEEP THEM IN PLACE.

Contact: Hagie Manufacturing Co.
Box 273
Clarion, Iowa 50525

254 X - 11 DECALS

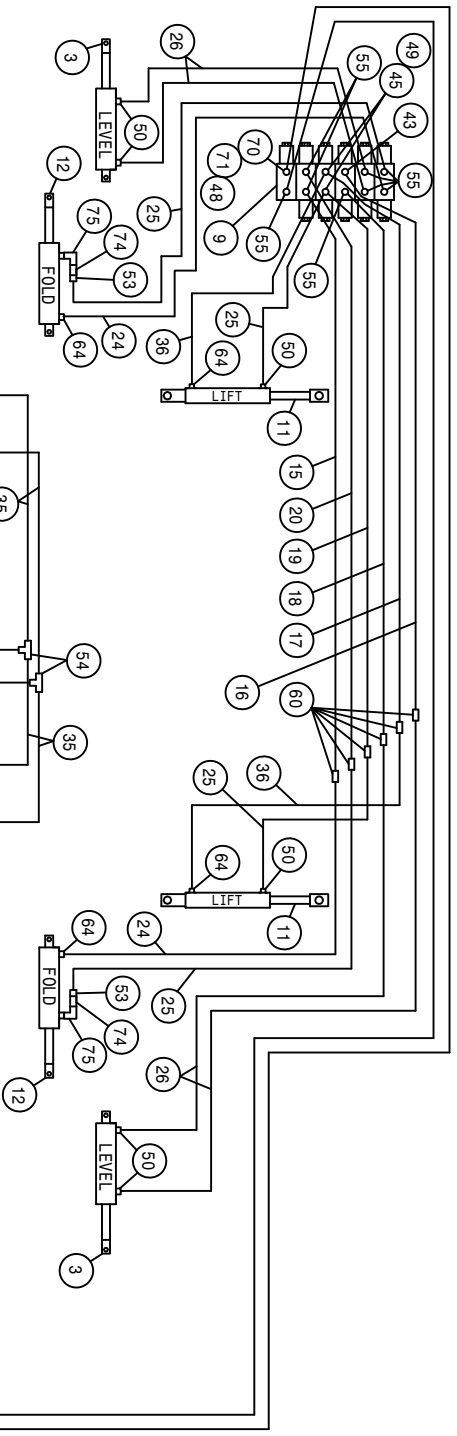
QTY.	PART NO.	DESCRIPTION	LOCATION
1	650831	EMERGENCY STOP DECAL	ON LOWER LH FRONT CAB FOAM
1	650320	EMERGENCY EXIT DECAL	ON LOWER REAR OF EXIT WINDOW
1	650328	CONSOLE COVER PANEL DECAL	ON CONSOLE SHEET METAL
1	650814	PARK BRAKE DECAL	NEAR PARK BRAKE
1	650822	SOLUTION PUMP DECAL	ON FRONT CROSSMEMBER
1	650847	NO PASSENGER DECAL	REAR CORNER OF CAB
2	650848	SLIP OR FALL DECAL	2-ON EACH FUEL TANK
2	650849	ENGINE FUEL DECAL	NEAR EACH FUEL TANK NECK
2	650850	CHEMICAL DECAL	ON SOLUTION TANK LIDS
2	650851	SHIELDS DECAL	ON SIDE OF TOP ENGINE COVER
1	650852	READ MANUAL DECAL	ON LOWER LH FRONT CAB FOAM
2	650330	X - 11 DECAL	ON EACH ENGINE HOOD
1	650326	HAGIE DECAL	ON FRONT MAINFRAME SHIELD
2	650954	DIESEL DECAL	NEAR EACH FUEL NECK
1	650981	COOLING SYSTEM DECAL	NEAR RADIATOR CAP
1	650982	ELECTRICAL DECAL	RIGHT HAND SIDE OF OIL TANK
4	650985	WHEEL BOLT TORQUE DECAL	ON EACH WHEEL RIM
1	650322	DECAL SET, HAGIE 254 STRIPE	ON EACH ENGINE HOOD
1	650329	SPRAY CONTROL/TRAC VLV	ON INSTRUMENT PANEL
1	650327	254 SIGHT GAGE DECAL	ON EACH SOLUTION TANK
2	650324	RED STRIPE DECAL	ON EACH TANK SHIELD

*NOTE:
 REFER TO DETAIL 73 TO CHECK AUX. SYSTEM - 1850 PSI
 REFER TO DETAIL 67 TO CHECK LIMIT SETTING - 4500 PSI
 REFER TO DETAIL 96 TO CHECK CHARGE PRESSURE - 380 PSI

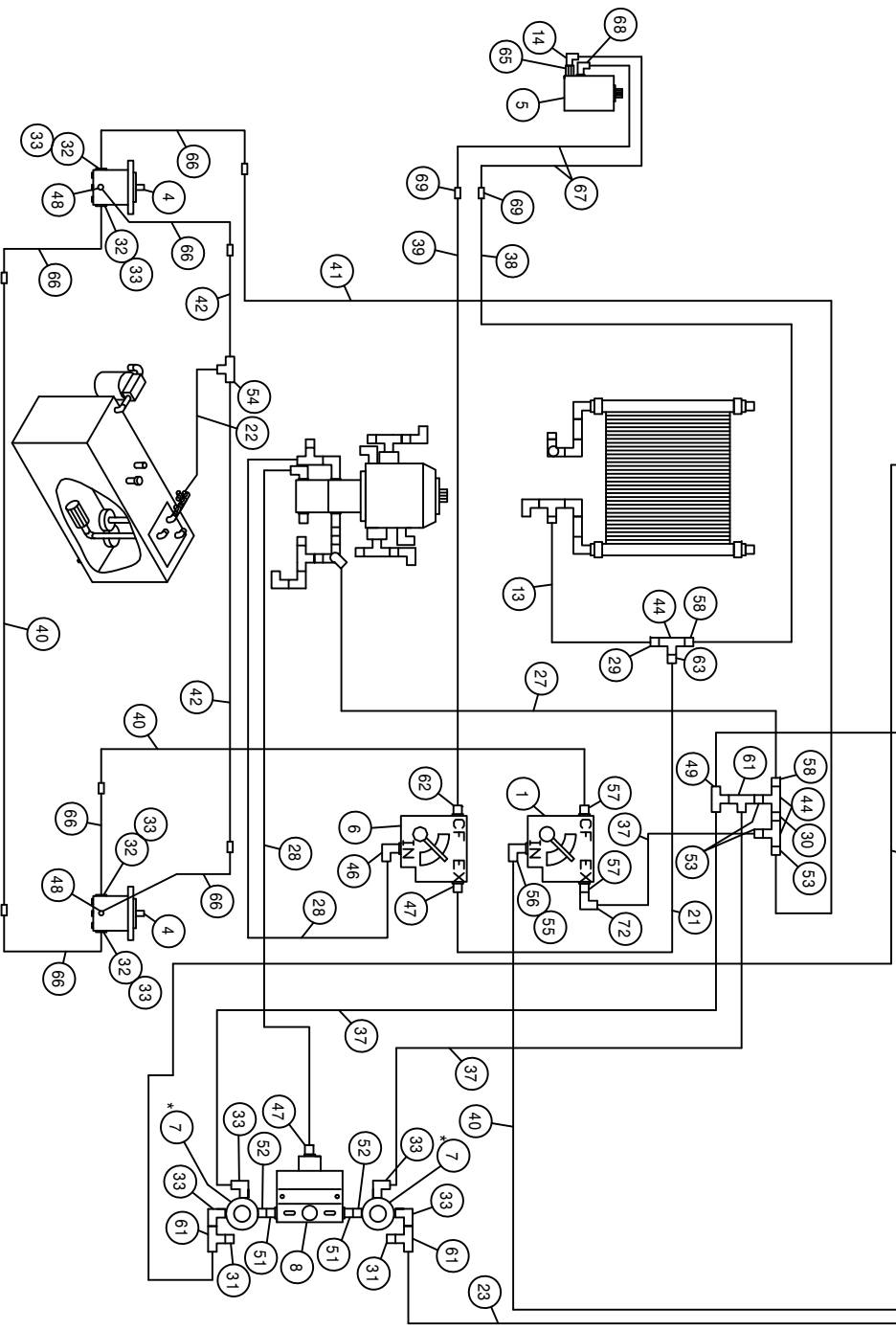


254 X-11 FWD WITH AGITATION HYD SCHEM 95
REFERENCE DRAWING NO. 498466SI

DET.	QTY	PART NO.	DESCRIPTION	DET.	QTY	PART NO.	DESCRIPTION
1	1	606911	SUND 75CC PUMP-B-MT W/FILT	51	2	505101	BLK PIPE TEE 1.00NPT
2	2	610557	SUND M35-3102 WHL MTR W/SHFT	52	1	610300	3/4MJIC-3/4MNPT ADPTR
3	1	606897	SUND GEAR PUMP 1.34CI SPLINED	53	2	714531	1 NPT X 3/4 HOSE BARB
4	1	618606	OIL COOLER, BLISSFIELD 65027	54	2	618599	1 5/16MOR BRANCH TEE-1 5/16MJ
5	1	605606	FILTER HEAD, ZINZA HI-PRESS	55	1	506303	BLK PIPE EL 90DEG 1.25NPT
6	1	605607	FILTER,10 MICRON ZINGA,HIPRES	56	2	618109	9/16MJIC-3/4MOR ADPTR
7	1	610580	REMOTE FLUSHING VALVE, SUND	57	2	618172	7/8MOR-9/16FOR ADPTR
8	1	610585	POSITRACTION VALVE	58	4	618248	1 1/16MJIC-90-1 1/16MOR LBO
9	2	610571	SUND M35-3002 WHL MTR	59	2	618529	1 1/16MJ-45-1 1/16FJ SWIV LBO
10	4	505300	BLK PIPE EL 90DEG 1.00NPT	60	2	618126	9/16MJIC-9/16MOR ADPTR
11	1	605601	GRESEN FILTER 10 MICRON 40GPM	61	2	716000	3/4 HOSE BARB-90-1MNPT
12	1	760097	OIL TANK WLD 8240 1982	62	1	504001	RED BUSH 3/4 X 1/4 BLK MAL
13	1	605600	MICHIGAN RESERVOIR FILTER	63	4	505213	RED BUSH 1 X 3/4 BLK MAL
14	2	605603	LINE SUMP DIFFUSER	64	4	618541	1 5/16FJIC-1 1/16MJIC ADPTR
15	1	611052	FILLER BREATHER 3/4NPT	65	1	618118	3/4 HOSE BARB-90-1 1/16MOR
16	1	614453	DIPSTICK, 8IN	66	1	618564	1IN HOSE BARB-90-1 5/16MOR
17	2	618598	1 IN 4-BOLT FLG X 1 5/16FOR	67	2	618629	9/16MOR BRANCH TEE-9/16MJIC
18	1	606891	SUND GEAR PMP .52CI SPLINED	68	6	618535	7/8MJIC-90-1 1/16MOR LBO
19	2	614700	FRT HYD TUBE ASSY 250 X-11 92	69	1	611128	7/8MJIC-90-7/8MOR LBO
20	1	610469	POSITRACTION VLV MOD CONT 40G	70	1	618075	3/4 HOSE BARB-1 1/16MOR
21	1	501102	1/4 PIPE PLUG	71	2	618339	1 1/16MJIC-45-1MNPT LBO
22	2	614701	REAR HYD TUBE ASSY 250 X11 92	72	1	618520	1/4MNPT RUN TEE-9/16MJIC
23	1	504210	RED BUSH 3/4 NPT X 1/2 NPT	73	1	618333	7/8FJIC SW RUN TEE-7/8MJIC
24	2	504702	CLOSE NIPPLE .75NPT	74	1	618090	1 5/16MOR-1NPT ADPTR
25	2	504955	BLK PIPE TEE .75NPT	75	1	618589	7/8MJIC-90-1 5/16MOR LBO
26	3	505203	BLK PIPE NIPPLE 1.00NPT-4.00	76	2	618434	1 1/16MJIC-1MNPT ADPTR
27	2	618425	9/16MJIC-45-9/16MOR LBO	77	2	618308	1 1/16MJIC-1 5/16MOR ADPTR
28	1	615619	06C1T-06FJX-06FJX-144	78	2	618312	1 5/16MOR-1 1/16FOR ADPTR
29	2	614685	08C2AT-12FJX-12FJX-106	79	2	618156	7/8MJIC-90-3/4MNPT LBO
30	2	614706	08TWM-10FJX90-10FJX-143	80	1	506410	BLK PIPE ST EL 90DEG 1.25NPT
31	2	618628	7/8MJIC-45-7/8FJIC SWIV LBO	81	2	618327	3/4MJIC-7/8MOR ADPTR
32	2	615449	06C1T-06FJX-06FJX-126	82	2	618474	3/4MJIC-90-1 1/16MOR LBO
33	2	614705	08TWM-10FJX-10FJX-143	83	4	714560	1NPT X 1 HOSE BARB
34	1	616034	08C1T-08FJX-08FJX-17	84	1	715664	1 1/4 NPT X 1 HOSE BARB
35	1	615633	08C1T-08FJX-08FJX-23	85	5	505200	BLK PIPE ST EL 90DEG 1.00NPT
36	1	616048	04C1T-06FJX-06FJX-35	86	1	618018	9/16MJIC-1/2MNPT ADPTR
37	2	616043	04C1T-06FJX-06FJX-23	87	1	618019	9/16MJIC UNION TEE
38	2	614683	10C2AT-12MJ-12FJX90-60	88	2	505105	1MNPT HEX PIPE NIPPLE STL
39	2	614684	10C2AT-12MJ-12FJX90-70	89	6	618191	1 1/16MJ-90-1 1/16FJ SWIV LBO
40	1	614549	06C1T-06FJX-06FJX-140	90	1	713220	HOSE BARB 3/4 NPT X 3/4
41	1	614704	06C1T-06FJX-06FJX-156	91	2	505102	PIPE PLUG 1.00NPT SQ HD
42	1	601256	HOSE, 1.00 2BR RED X 31 LG	92	1	506602	PIPE NIPPLE 1 1/4NPT-2 1/2
43	1	601304	HOSE, 3/4 2BR RED X 100 LG	93	2	505098	SIDE OUTLET EL 90DEG 1.00NPT
44	1	601112	HOSE, 3/4 X 84 2BR RED	94	2	618486	9/16FJIC SW RUN TEE-9/16MJIC
45	1	601255	HOSE, 1.00 2BR RED X 104 LG	95	1	618609	3/4MJIC-90-3/4FJIC SWIV LBO
46	1	601344	HOSE, 1 X 39 2BR RED	96	2	618119	9/16MJIC-90-9/16MOR LBO
47	1	601311	HOSE, 3/4 X 8 2BR RED	97	2	614707	HYD TUBE ASSY,SUND,200 DIESEL
48	5	618531	9/16FJIC CAP NUT	98	1	618302	1 1/16MJIC-90-1 5/16MOR LBO
49	1	618328	7/8FJIC CAP NUT	99	1	618634	9/16MJIC-45-9/16FJIC SWIV LBO
50	2	618575	1FNPT PIPE TEE STL		2		

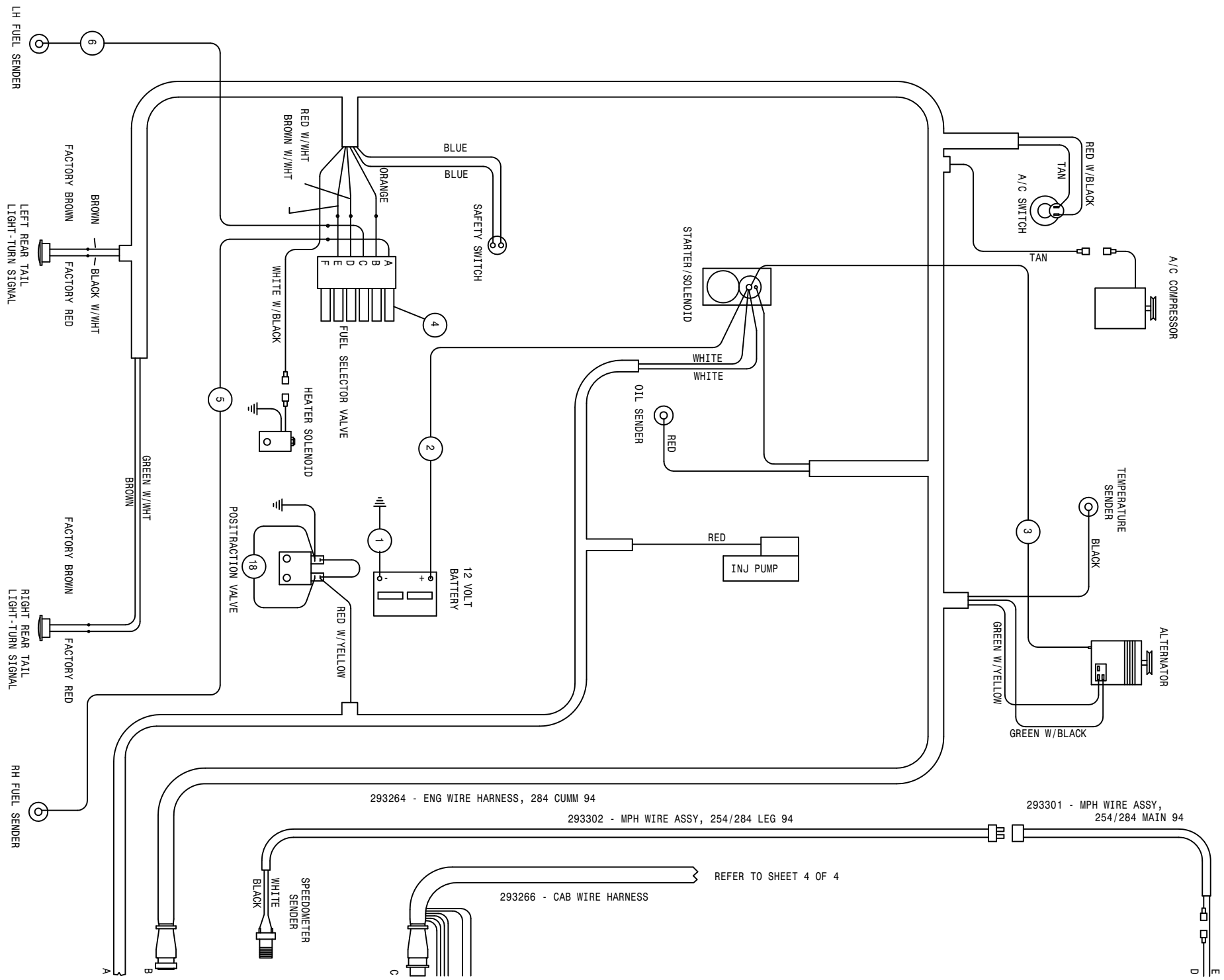


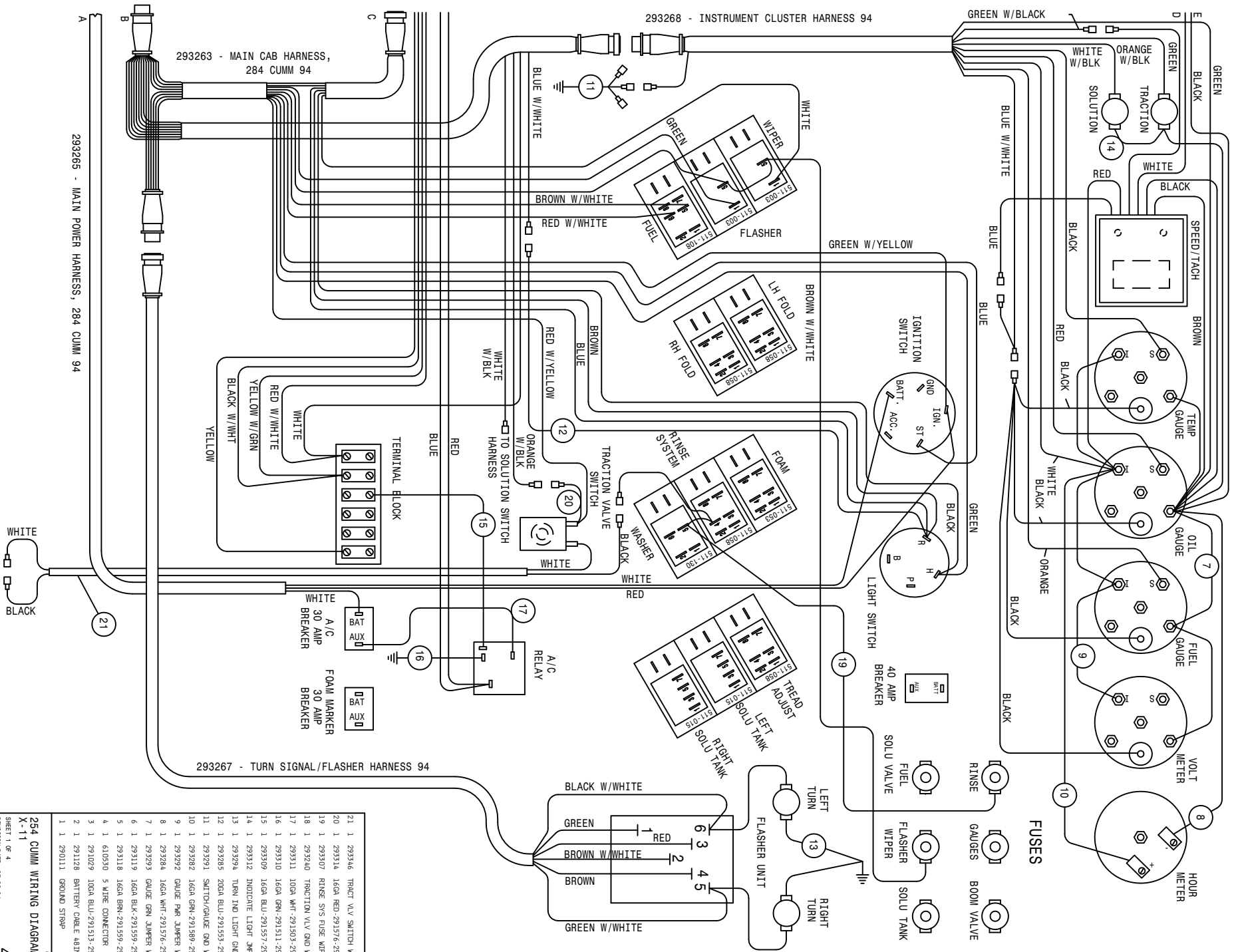
*NOTE:
REFER TO DETAIL 7 RELIEF PRESSURE SETTING - 1850 PSI



254 X-11 FWD WITH AGITATION HYD SCHEM 95
REFERENCE DRAWING NO. 498466S2

DET.	QTY	PART NO.	DESCRIPTION	DET.	QTY	PART NO.	DESCRIPTION
1	1	606827	FLO CONT FC51 0-3 VARI 7/8FOR	39	1	614662	08C1T-08FJX-08FJX-72
2	2	620080	STRG CYL ASSY 1.50 X 6.0 1985	40	3	614693	06C1T-06FJX-06FJX-168
3	2	620531	LEVEL CYL ASSY, 2 X 10	41	1	614571	06RLA-06FJX-06FJX-126
4	2	610510	CESSNA GEAR MOTOR 1.48CI	42	2	611208	04C1T-06FJX-06FJX-98
5	1	604006	MOTOR, HYD 7.7"	43	1	618440	9/16MJJC-90-9/16MOR EX LG LBO
6	1	606818	FLO CONT FCR51 0-16GPM 7/8FOR	44	3	503820	BLK PIPE TEE .50NPT
7	2	607512	RELIEF VALVE, RL50, 1850 PSI	45	2	618126	9/16MJJC-9/16MOR ADPTR
8	1	607504	FLO DIV B50 2-8GPM 7/8 FOR	46	1	611128	7/8MJJC-90-7/8MOR LBO
9	1	610569	6 SECT, 5 FUCTN HYD VLV, EATON	47	2	611126	7/8MJJC-7/8MOR ADPTR
10	1	749150	STRG MTR NON-LOAD REACT 1008	48	3	611121	9/16MJJC-1/4MNPT ADPTR
11	2	620513	LIFT CYL ASSY, 2 X 14	49	3	618514	9/16FJ SW BRANCH TEE-9/16MJ
12	2	620052	HVD CYL, ZIN FOLD & LEVEL	50	8	611122	9/16MJJC-90-1/4MNPT LBO
13	1	601332	HOSE, 3/4 X 40 2BR RED	51	2	618072	7/8MOR-1/2FNPT ADPTR
14	1	610305	3/4MJJC-90-3/4MNPT LBO	52	2	500000	1/2MNPT HEX PIPE NIPPLE STL
15	1	615647	FOLD HYD TUBE ASSY, IN 254X11	53	5	618018	9/16MJJC-1/2MNPT ADPTR
16	1	615645	LEVEL HYD TUBE ASSY, UP 254X11	54	3	618019	9/16MJJC UNION TEE
17	1	615643	LIFT HYD TUBE ASSY, UP 254X11	55	9	618119	9/16MJJC-90-9/16MOR LBO
18	1	615646	LEVEL HYD TUBE ASSY, DN 254X11	56	1	618172	7/8MOR-9/16FOR ADPTR
19	1	615644	LIFT HYD TUBE ASSY, DN 254X11	57	2	618310	9/16MJJC-7/8MOR ADPTR
20	1	615648	FOLD HYD TUBE ASSY, OUT 254X11	58	2	611147	3/4MJJC-1/2MNPT ADPTR
21	1	615521	10C1T-10FJX-10FJX-18	59	4	618496	9/16MJJC-45-3/4MOR LBO
22	1	615452	06C1T-06FJX-06FJX-16	60	6	619010	9/16MJJC UNION
23	1	614159	04C1T-06FJX-06FJX-169	61	3	618486	9/16FJJC SW RUN TEE-9/16MJJC
24	2	615442	04C1T-06FJX-06FJX-55	62	1	618327	3/4MJJC-7/8MOR ADPTR
25	5	616040	04C1T-06FJX-06FJX-67	63	1	618325	7/8MJJC-1/2MNPT ADPTR
26	6	616028	04C1T-06FJX-06FJX-47	64	4	614365	RESTRICTOR ELBOW ASSY .042DIA
27	1	616057	08C1T-08FJX-08FJX-88	65	1	618131	7/8MOR-3/4FNPT ADPTR
28	2	614664	10C1T-10FJX-10FJX-98	66	6	614535	04C1T-06FJX-06MJ-24
29	1	712440	1/2 NPT X 3/4 HOSE BARB	67	2	614622	08C1T-08FJX-08FJX-142
30	1	503600	CLOSE NIPPLE .50NPT	68	1	618183	3/4MJJC-90-7/8MOR LBO
31	2	618531	9/16FJJC CAP NUT	69	2	618314	3/4MJJC UNION
32	4	618092	1 1/16MOR-1/2FNPT ADPTR	70	1	618562	9/16MOR-90-1/4MNPT LBO
33	8	618107	9/16MJJC-90-1/2MNPT LBO	71	1	610447	HYD FILTER, INLINE 1/4FNPT 90M
34	1	611204	04C1T-06FJX-06FJX-78	72	1	618618	9/16MJJC-90-9/16FJJC SWIV LBO
35	4	614663	04C1T-06FJX-06FJX-16	73	2	618338	9/16MJJC-45-1/4MNPT LBO
36	2	615616	04C1T-06FJX-06FJX-65	74	2	610450	RESTRICTOR .025 1-WAY, 1/2FNPT
37	3	616026	04C1T-06FJX-06FJX-37	75	2	618633	1/2MNPT-90-1/4MNPT REDU LBO
38	1	615465	08C1T-08FJX-08FJX-33				





293265 - MAIN POWER HARNESS, 284 CUMM 94

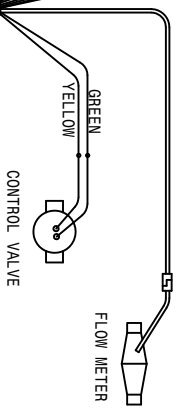
21	1	293346	TRACT VLV SWITCH WIRE ASSY
20	1	293314	16GA RED-291576-293163-3
19	1	293307	RINSE SVS FUSE WIRE ASSY
18	1	293240	TRACTION VLV GND WIRE ASSY 92
17	1	293311	10GA WHT-291503-291561-6
16	1	293310	16GA GRN-291511-291571-15
15	1	293309	16GA BLU-291557-291571-10
14	1	293312	INDICATE LIGHT JAPR WIRE ASSY
13	1	293294	TURN IND LIGHT GND WIRE ASSY
12	1	293285	20GA BLU-291553-291597-16
11	1	293291	SWITCH/GAUGE END WIRE ASSY
10	1	293282	16GA GRN-291589-293253-10
9	1	293292	GAUGE PAR JUMPER WIRE ASSY
8	1	293284	16GA WHT-291576-293253-10
7	1	293293	GAUGE GRN JUMPER WIRE ASSY
6	1	293119	16GA BLK-291559-291583-80
5	1	293318	16GA BRN-291599-291583-72
4	1	610530	5 WIRE CONNECTOR
3	1	291029	100A BLU-291513-291587-30
2	1	291128	BATTERY CBL.E 48IN
1	1	290111	GROUND STRAP

254 CUMM WIRING DIAGRAM 95
X-11
SHEET 1 OF 4
REVISION DATE: 07-20-01

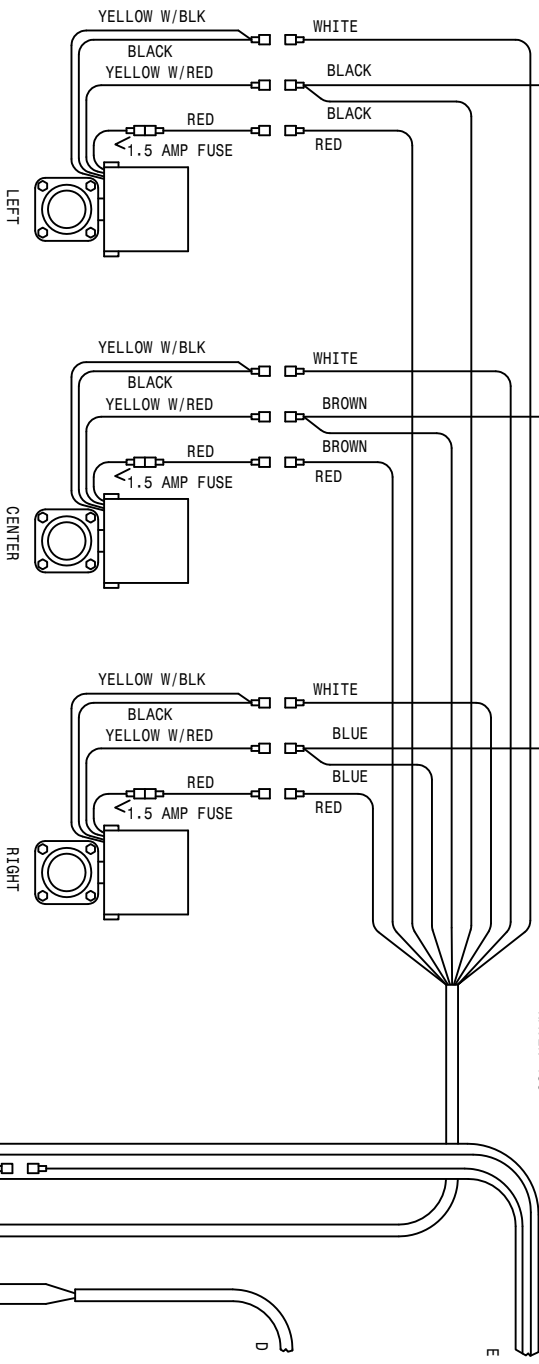
498475
01-18-95 TLM

MONITOR WIRES THAT ARE NOT USED

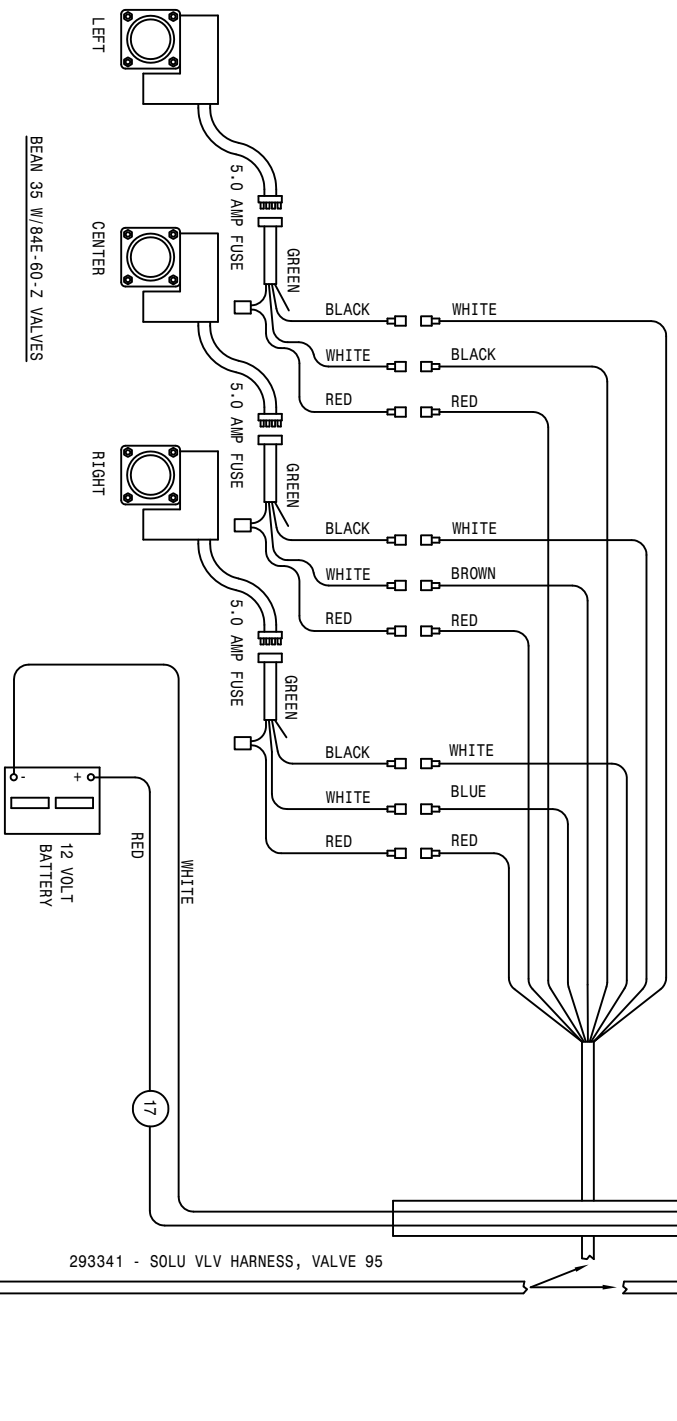
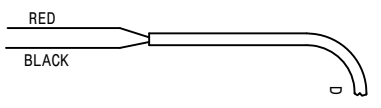
WHITE W/BLK
RED
BLACK W/WHT
BROWN W/WHT
BLUE W/WHT
WHITE
WHITE



690493 - 12FT FLOW CONTROL CABLE
RAVEN 460



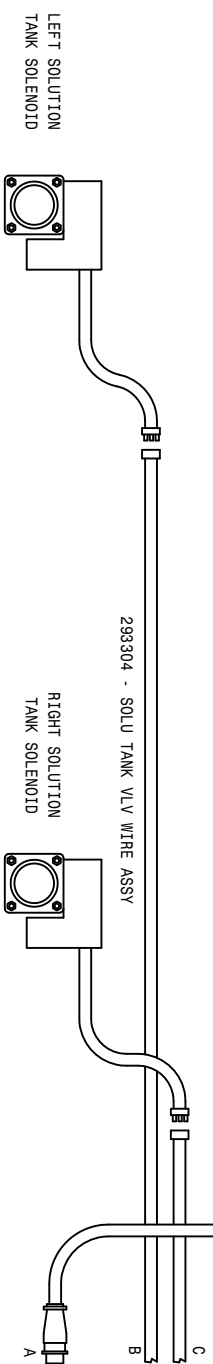
HYPRO D-230 W/344EC-2-1 VALVES AND MONITOR

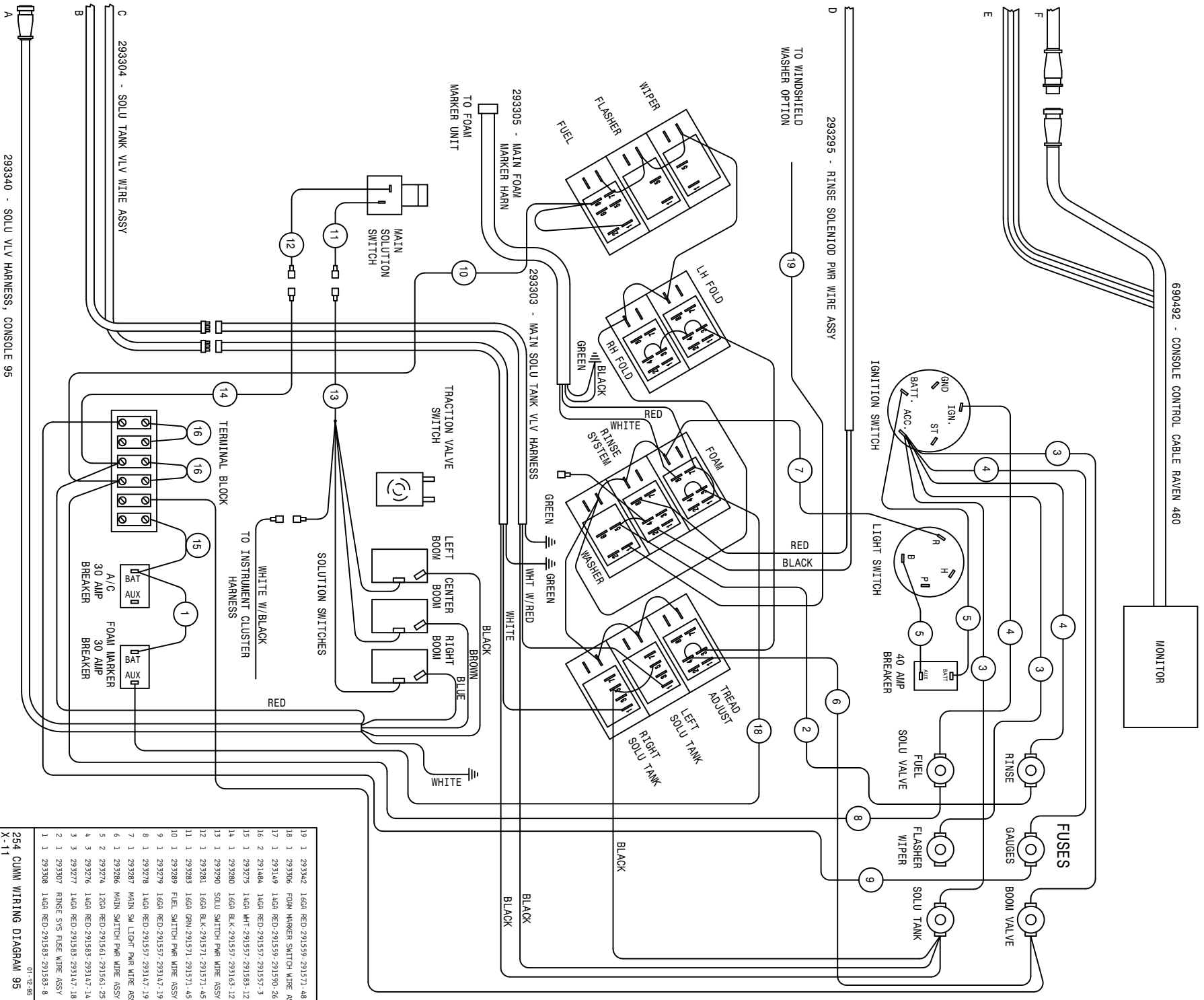


BEAN 35 W/84E-60-Z VALVES

293341 - SOLU VLV HARNESS, VALVE 95

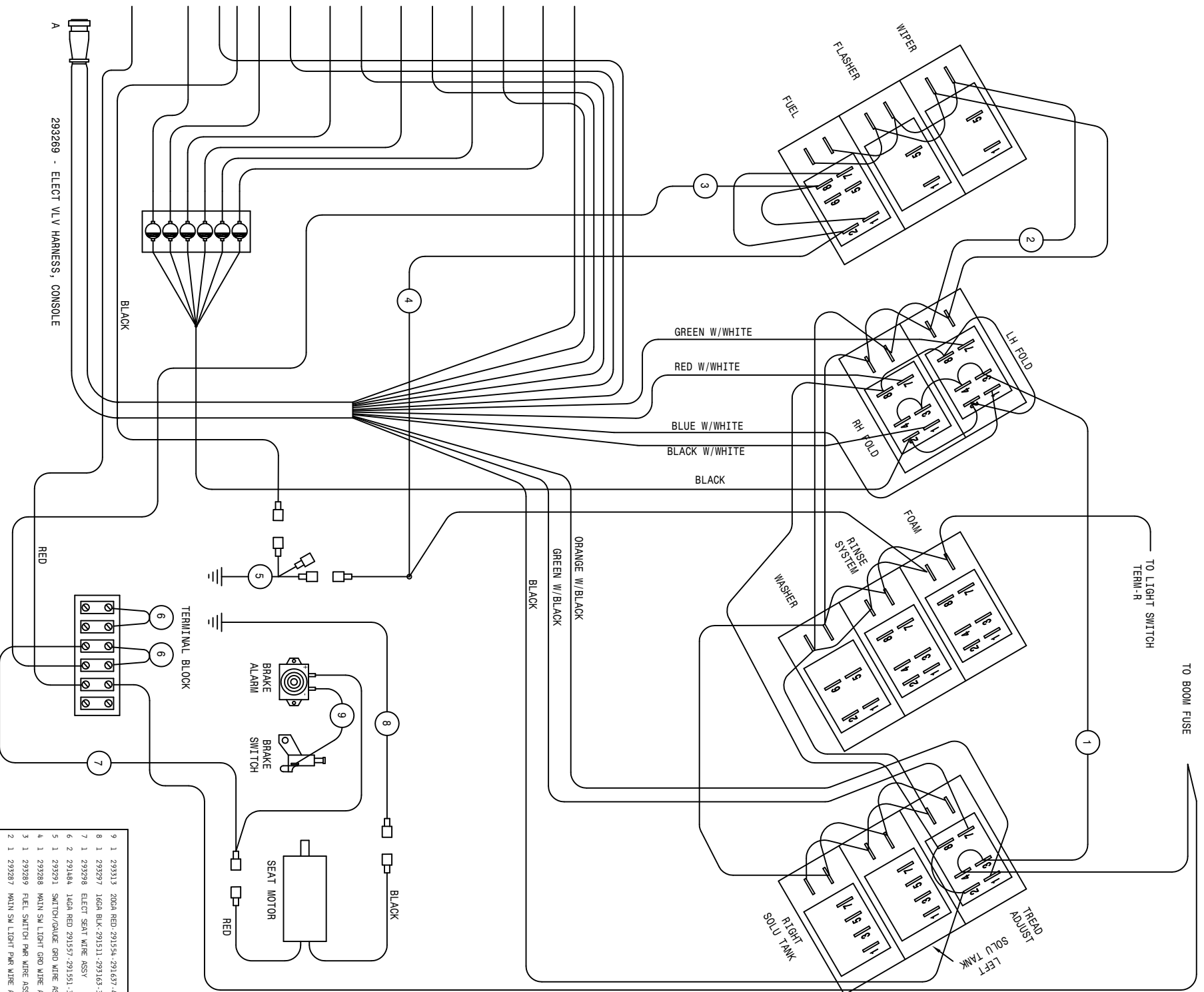
293304 - SOLU TANK VLV WIRE ASSY





19	1	293342	16GA RED-291559-291571-48
18	1	293306	FOAM MARKER SWITCH WIRE ASSY
17	1	293149	16GA RED-291559-291590-56
16	2	291484	16GA RED-291557-291557-3
15	1	293275	16GA WHT-291557-291583-12
14	1	293280	16GA BLK-291557-291563-12
13	1	293290	SOLU SWITCH PWR WIRE ASSY
12	1	293281	16GA BLK-291571-291571-45
11	1	293283	16GA GRN-291571-291571-45
10	1	293289	FUEL SWITCH PWR WIRE ASSY
9	1	293279	16GA RED-291557-293147-19
8	1	293278	16GA RED-291557-293147-19
7	1	293287	MAIN SW LIGHT PWR WIRE ASSY 9A
6	1	293286	MAIN SWITCH PWR WIRE ASSY 9A
5	2	293274	12GA RED-291561-291561-25
4	3	293276	16GA RED-291583-293147-14
3	3	293277	16GA RED-291583-293147-18
2	1	293307	RINSE SVS FUSE WIRE ASSY
1	1	293308	16GA RED-291583-291583-8

254 CUMM WIRING DIAGRAM 95
 X-11
 SHEET 2 OF 4
 REVISION DATE: 01-12-85 TLU
 498475



293269 - ELECT VLV HARNESS, CONSOLE

BLACK

RED

TERMINAL BLOCK

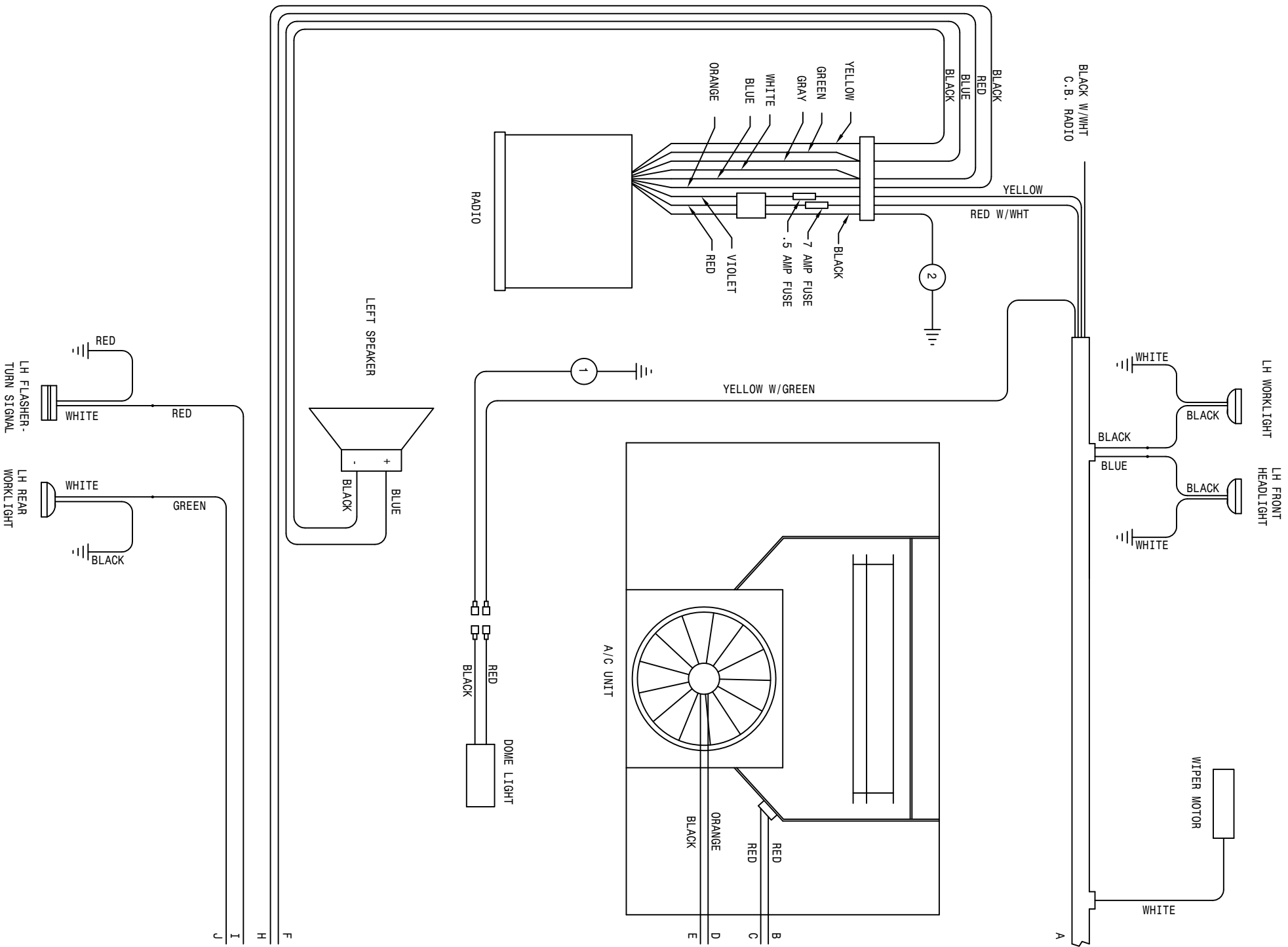
BRAKE ALARM

BRAKE SWITCH

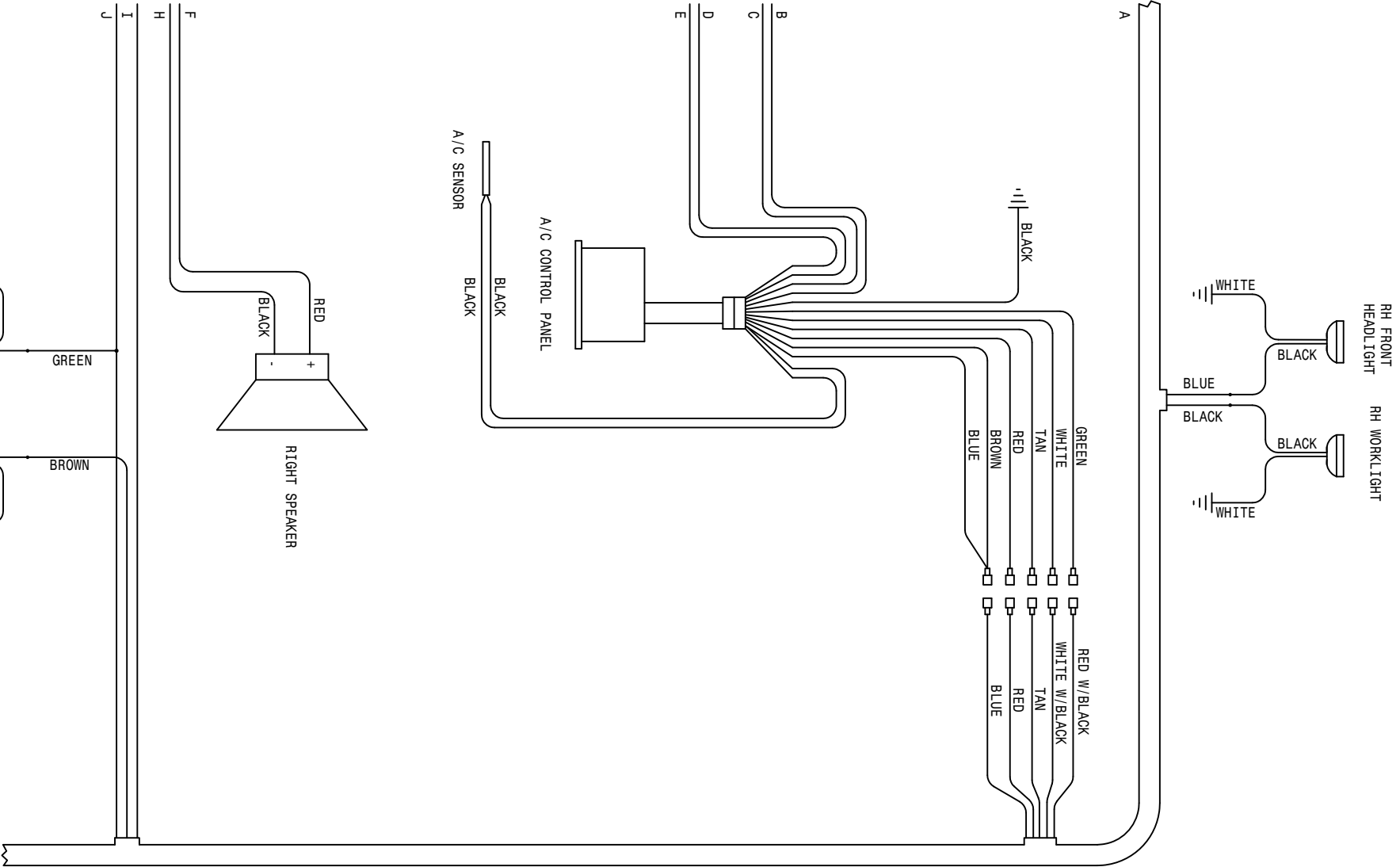
SEAT MOTOR

9	1	293313	20GA RED-291534-291637-4
8	1	293297	16GA BLK-291511-293163-36
7	1	293298	ELECT SEAT WIRE ASSY
6	2	291484	14GA RED 291557-291551-3
5	1	293291	SWITCH/GNDE CRD WIRE ASSY
4	1	293288	MAIN SW LIGHT GRD WIRE ASSY
3	1	293289	FUEL SWITCH PAR WIRE ASSY
2	1	293287	MAIN SW LIGHT PAR WIRE ASSY
1	1	293286	MAIN SWITCH PAR WIRE ASSY

254 CUMM WIRING DIAGRAM 95
 X-11
 01-12-95 TLM
 498475



293266 - CAB WIRE HARNESS



2	1	293300	16GA BLK-291511-291571-18
1	1	293299	16GA BLK-291511-291571-30
01-12-95 TLW			
254 CUMM WIRING DIAGRAM 95			
X-11			
SHEET 4 OF 4			
REVISION DATE:			
498475			

REFER TO SHEET 1 OF 4

ABBREVIATIONS

A/C - AIR CONDITIONER	MT - MOUNT
ADPTR - ADAPTER	MTR - MOTOR
AGI - AGITATOR	P/N - PART NUMBER
ALT - ALTERNATOR	PLT - PLATE
ASSY - ASSEMBLY	QTY - QUANTITY
BRKT - BRACKET	RED - REDUCER
DET - DETAIL	REF - REFERENCE
DISPL - DISPLACEMENT	REST - RESTRICTOR
EL - ELBOW	REQ - REQUIRED
EXT - EXTENSION	SHFT - SHAFT
FLO - FLOW	SOL - SOLUTION
FNPT - FEMALE NATIONAL PIPE THREAD	STRG - STEERING
FOR - FEMALE O-RING	ST - STREET
FRT - FRONT	SWIV - SWIVEL
HYD - HYDRAULIC	UNC - UNIFIED NATIONAL COURSE
HYDRO - HYDROSTATIC	UNF - UNIFIED NATIONAL FINE
LG - LONG	V - VOLT
LWR - LOWER	W/ - WITH
MJIC - MALE J.I.C.	WHL - WHEEL
MOR - MALE O-RING	WLD - WELDMENT

INDEX

-A-

ABBREVIATIONS.....80
 AGITATOR.....51
 COUPLER.....51
 IMPELLER.....51
 SHAFT.....51
 SHIELD.....51
 AIR CLEANER.....14
 BAND.....14
 CLAMP.....14
 FILTER.....14
 HOOD.....14
 HOSE.....14
 AIR CONDITINER

BELT.....12
 BLOWER.....28
 COMPRESSOR.....12
 CONDENSER.....12
 DRYER.....12
 FILTER.....28
 AIR INTAKE.....13
 SCREEN.....13
 ANTENNA.....28
 ARM,
 STEERING.....16
 STEERING PIVOT.....20
 WIPER.....26

-B-

BAND,
 AIR CLEANER.....14
 FUEL TANK.....24
 BASKET, STRAINER.....52
 BATTERY.....42
 BOX.....42
 CABLE.....42
 HOLDDOWN.....42
 BEAN 35 PUMP.....60
 BELT.....5, 12
 BINARY SWITCH.....12
 BLADE, WIPER.....26
 BLOCK, TERMINAL.....33
 BRAKE
 CABLE.....17, 36
 CABLE EXTENSION.....36
 CLIP RETAINER.....17
 DISC.....17
 LEVER.....36
 MOUNT.....17
 PAD.....17

BREAKAWAY.....45
 BREAKER, CIRCUIT.....33
 BREATHER.....25
 BOOM.....50
 VALVE.....49
 BUZZER.....36

-C-

CAB.....26
 ROOF.....26
 CABLE,
 BATTERY.....42
 BRAKE.....17, 36
 CAP,
 FUEL.....24
 RADIATOR.....13
 STEERING WHEEL.....30
 CATWALK.....52, 53
 CIRCUIT BREAKER.....33
 COMPRESSOR.....12
 MOUNT.....12
 CONDENSOR COIL.....12
 CONSOLE.....33
 COOLER, OIL.....13
 CRADLE, TANK.....52, 53
 CROP GUIDE.....16, 19
 CROSSMEMBER, FRONT.....22
 CYLINDER,
 FOLD.....45, 47
 LEVEL.....45, 48
 LIFT.....44, 46
 STEERING.....21

-D-

DECALS.....66
 DIFFUSER, LINE.....25
 DIMMER SWITCH.....26
 DIPSTICK.....25
 DISC,
 BRAKE.....17
 FRICTION.....35
 SENSOR.....17
 DOOR.....27
 HANDLE.....27
 LATCH.....27
 DRAIN COCK.....13
 DRYER, AIR CONDITIONER.....12
 DRINK HOLDER.....33
 DRIVE ASSEMBLY.....4
 DROP ASSEMBLY, 6FT.....59

-E-

ELECTRICAL SCHEMATIC.....72
ENGINE.....4,5
EXHAUST PIPE.....15
EXTENSION,
BRAKE CABLE.....36
TRANSOM.....45

-F-

FAN
BLADE.....5
SPACER.....5
FILTER,
AIR CLEANER.....14
AIR CONDITIONER.....28
FUEL.....4,5,25
MICHIGAN.....25
OIL.....5,11
FLASHER LIGHT.....26
FLOW DIVIDER.....9
FLUSHING VALVE.....10
FOAM.....29
FOLD CYLINDER.....45,47
FRICTION DISC.....35
FUEL
CAP.....24
GAUGE.....31
SELECTOR VALVE.....24
SENDER.....24
TANK.....24
FUSE.....32
HOLDER.....32

-G-

GAS SPRING.....27
GAUGE,
FUEL.....31
OIL PRESSURE.....31
PRESSURE.....57,61,63
TEMPERATURE.....31
VOLTMETER.....31
GEAR PUMP.....6
GLASS.....26,27
GRAB HANDLE.....26
GROMMET, RUBBER.....26
GROUND STRAP.....4,26,42
GUIDE, CROP.....16,19

-H-

HANDLE,
DOOR.....27
GRAB.....26

HANDRAIL.....38

HEADLAMP SWITCH.....32
HEADLIGHT.....26
HEATER SOLENOID.....23
HEAT SHIELD.....15
HOLDER,
DRINK.....33
FUSE.....32

HOOD,
AIR CLEANER.....14

ENGINE.....38
HOOK, RUBBER.....38,39
HOSE,
AIR CLEANER.....14

FUEL.....24
RADIATOR.....5
HOUR METER.....31
HUB, TORQUE.....16,17,64
HYDROSTATIC
LEVER.....34
PUMP.....6

HYDRAULIC
SCHEMATIC.....68
TUBE.....17,44
HYPRO 230 PUMP.....56

-I-

IGNITION SWITCH.....32
IMPELLER, AGITATOR.....51
INDICATOR, MPH/RPM.....31
INJECTION PLATFORM.....55
INNER TUBE.....18
INTERIOR LIGHT.....28

-K-

KICK PANEL.....26
KIT,
LIGHT.....31
SEAL.....21,46,47,48
KNOB,.....30,35
SWITCH.....32

-L-

LADDER.....40
LATCH, DOOR.....27
LEG,
FRONT.....16
HYDRAULIC TUBE.....17
REAR.....17

LEVEL CYLINDER.....45, 48
 LEVEL,
 BRAKE.....36
 HYDROSTATIC.....34
 THROTTLE.....35
 LIFTARM.....44
 LIFT CYLINDER.....44, 46
 LIGHT,
 FLASHER.....26
 INTERIOR.....28
 KIT.....31

-M-

MANIFOLD,
 BEAN 35.....61
 HYPRO D230.....57
 METAL, SHEET.....38, 39
 METER, HOUR.....31
 MIRROR.....26
 MOTOR
 MOUNT.....4, 5
 STEERING.....30
 WIPER.....26
 MOUNT,
 BRAKE.....17
 FUEL TANK.....24
 MONITOR.....33
 RUBBER.....4, 5
 THROTTLE CABLE.....4
 MUFFLER.....15

-O-

OIL
 COOLER.....13
 FILTER.....5, 6, 11
 PRESSURE GAUGE.....31
 SENDER.....4
 TANK.....25

-P-

PACKING, GLAND.....51
 PAD, BRAKE.....17
 PANEL, KICK.....26
 PIVOT PIN.....22
 PLATFORM, INJECTION.....55
 PRESSURE GAUGE.....57, 63
 PUMP,
 HYDROSTATIC.....6
 HYPRO D230.....56

-R-

RADIATOR.....13

CAP.....13
 DRAIN COCK.....13
 HOSE.....5
 SHROUD.....13
 RADIO.....28
 RECOVERY TANK.....13
 RELAY.....33, 34
 RELIEF VALVE.....9
 RIM.....18
 ROOF, CAB.....26
 RUBBER
 GROMMET.....26
 HOOK.....38, 39
 MOUNT.....4, 26

-S-

SCHEMATIC,
 ELECTRICAL.....72
 HYDRAULIC.....68
 SCREEN, AIR INTAKE.....13
 SEAL KIT.....21, 46, 47, 48
 SEAT.....37
 SENDER,
 FUEL.....24
 OIL.....4
 TEMPERATURE.....5
 SENSOR,
 DISC.....17
 SPEEDOMETER.....17
 SERVICE PLATFORM.....40
 SHAFT,
 AGITATOR.....51
 SHEET METAL.....38, 39
 SHIELD,
 AGITATOR.....51
 HEAT.....15
 TANK.....41
 WHEEL MOTOR.....17
 SHROUD, RADIATOR.....13
 SIGHT GAUGE.....52, 53
 SMV SIGN.....39
 SOLENOID, HEATER.....23
 SOLUTION,
 TANK.....52, 53
 VALVE.....52, 53
 SPACER,
 BATTERY BOX.....42
 FAN.....5
 SPEAKER.....28
 SPRING, GAS.....27
 STEERING
 ARM.....16
 CYLINDER.....21
 MOTOR.....30

PIVOT ARM.....20
 POST.....30
 WHEEL.....30
 STRAINER, BASKET.....52
 STRAP, GROUND.....4, 26, 42
 SWITCH,
 BINARY.....12
 DIMMER.....26
 HEADLAMP.....32
 IGNITION.....32
 PARK BRAKE.....36
 TOGGLE.....32

-T-

TAILLIGHT.....39, 55
 TANK
 CRADLE.....52, 53
 FUEL.....24
 OIL.....25
 RECOVERY.....13
 SHIELD.....41
 SOLUTION.....52, 53
 TEMPERATURE
 GAUGE.....31
 SENDER.....5
 TERMINAL BLOCK.....33
 THROTTLE
 CABLE MT.....4
 LEVER.....35
 TIE PLATE.....41
 TIE ROD.....20
 TIRE.....18
 TOGGLE SWITCH.....32
 TORQUE HUB.....16, 17, 64
 TRACTION VALVE.....7, 8
 TRANSOM.....45
 EXTENSION.....45
 TUBE, INNER.....18

-V-

VALVE,
 BOOM.....49
 FUEL SELECTOR.....24
 FLUSHING.....10
 RELIEF.....9
 SOLUTION.....52, 53
 TRACTION.....7, 8
 VFC.....43
 VOLTMETER.....4

WHEEL MOTOR.....16, 17
 SHIELD.....17
 WHEEL, STEERING.....30
 WIPER.....26
 ARM.....26
 BLADE.....26
 MOTOR.....26

-W-

