

PARTS MANUAL
FOR
HAGIE MODEL 250 HI-TRACTOR

HAGIE MANUFACTURING COMPANY

BOX 273 CLARION, IOWA 50525 (515) 532-2861

COVERS MACHINE SERIAL NUMBERS: 042839001 thru 042839100

12-92 493132
02-08

SPRAYER IDENTIFICATION

Each Hagie sprayer is identified by means of a frame serial number. This serial number denotes the model, the year in which it was built, and the number of the sprayer. As for further identification, the engine has a serial number and the planetary hubs have identification plates that describe the type of mount and gear ratio. To insure prompt, efficient service when ordering parts or requesting service repairs from Hagie Manufacturing Company, record the serial and identification numbers in the space provided below.

NOTE: Reference to left hand and right hand used throughout this manual refers to the position when seated in the operator's seat facing forward.

SPRAYER SERIAL NUMBER

ENGINE SERIAL NUMBER

PLANETARY HUB IDENTIFICATION NUMBERS

TABLE OF CONTENTS

ENGINE ASSEMBLIES	4-8
FLOW DIVIDER	9
A/C AND RADIATOR	10-11
AIR CLEANER AND EXHAUST PIPE	15
LEG ASSEMBLIES	18
TIRE	19
TIE ROD ASSEMBLY	20
STEERING CYLINDER	21
FUEL TANKS	22-24
OIL TANK AND BATTERY	25-26
SELECTOR VALVE	27
OPERATOR STATION	28-33
CONSOLE ASSEMBLY	34-38
STEERING WHEEL ASSEMBLY	39
FLOW CONTROL	40
INSTRUMENT PANEL ASSEMBLY	41
SHEET METAL	42-43
LADDER AND SERVICE PLATFORM ASSEMBLY	44
TANK SHIELDS	45
SOLUTION SYSTEM	46-51
TRANSOM, BOOM AND LIFT COMPONENTS	52-56
CROP GUIDES	57
SOLUTION HOISING DIAGRAM	58
WHEEL DRIVE ASSEMBLY	59-61
DECALS	62-63
HYDRAULIC SCHEMATIC	64-71
ELECTRICAL SCHEMATIC	72-75
ABBREVIATIONS	76
INDEX	77

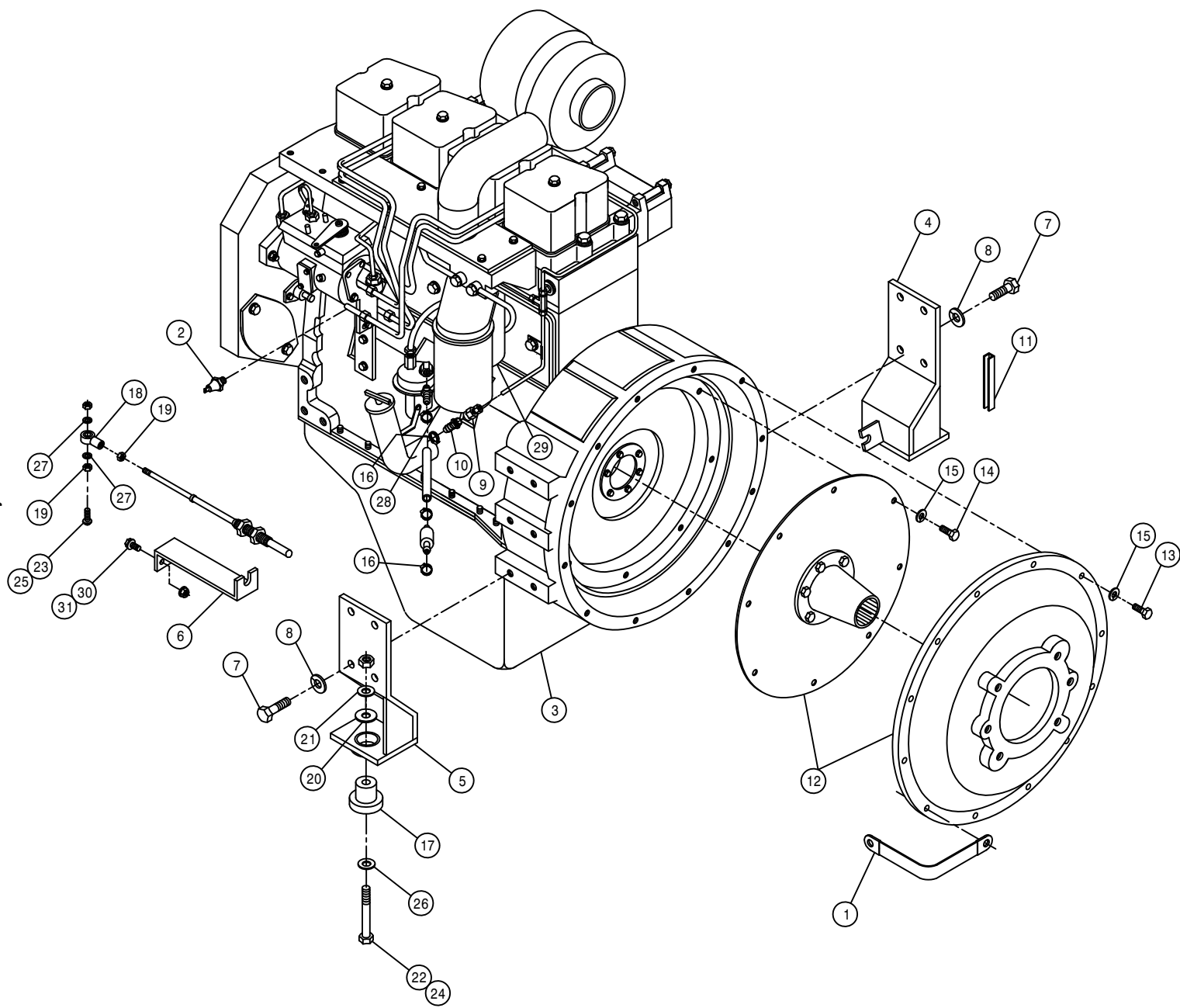
CUMMINS ENGINE ASSEMBLY

DET. QTY PART NO. DESCRIPTION

DET.	QTY	PART NO.	DESCRIPTION
1	1	290107	ENG TO GROUND STRAP 8 IN TB2
2	1	314788	OIL SENDER .125NPT PERK6.3544
3	1	316204	CUMMINS ENGINE 4BT3.9
4	1	316193	RH REAR MTR MT WLD CUMM 92
5	1	316194	LH REAR MTR MT WLD CUMM 92
6	1	316214	THROTTLE CABLE MT 4CYL CUMM92
7	8	473775	12MM-1.75 X 30MM HEX BOLT
8	8	473784	LOCKWASHER 12MM PL
9	1	618611	1/8FNPT-3/16 TUBE ADPTR,BRASS
10	1	711001	1/8 NPT X 5/16 HOSE BARB
11	1	193012	QUICKEDGE TRIM .135 TO .250
12	1	800494	CUMM TO SUND DRIVE ASSY 14T
13	12	473792	10MM-1.50 X 30MM HEX BOLT
14	8	473793	10MM-1.50 X 20MM HEX BOLT
15	20	473798	LOCKWASHER 10MM PL TB2
16	2	520120	HOSE CLAMP NO 4 PLATED MINI
17	2	311032	ENG IS/LATOR 470 472 1978
18	1	473921	BALL JOINT NO 10-32 THD
19	2	910027	#10-32 HEX NUT
20	2	483037	FLAT WASH 5/8 REGULAR
21	2	483041	1/2 REGULAR FLAT WASH PLT
22	2	900269	1/2UNC X 2 3/4 HEX BOLT
23	1	903893	10 32 X 1 SLT RD HD MACH SCR
24	2	914008	1/2UNC HEX STOVER NUT
25	1	914027	#10-32 HEX STOVER NUT
26	2	920004	1/2 FLAT WASHER SAE
27	2	920510	LOCK WASH NO 10
28	1	316208	FUEL FILTER, PRIMARY CUMM 92
29	1	316209	FUEL FILTER, SECONDARY CUMM92
30	2	470118	1/4UNC X 3/4 FLANGED HEX BOLT
31	2	470121	1/4UNC HEX FLANGED LOCK NUT

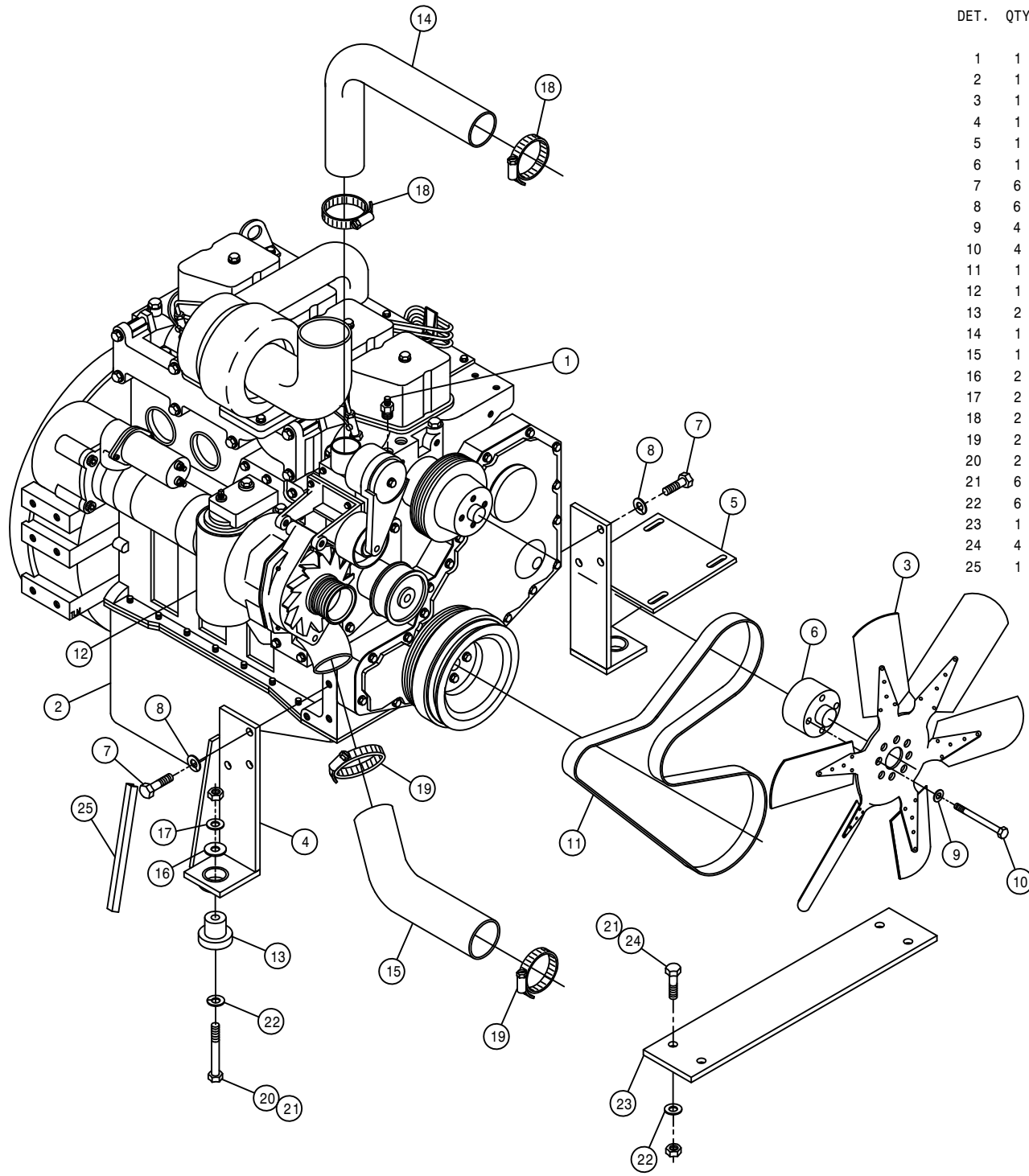
4

132004



CUMMINS ENGINE ASSEMBLY

DET. QTY PART NO. DESCRIPTION

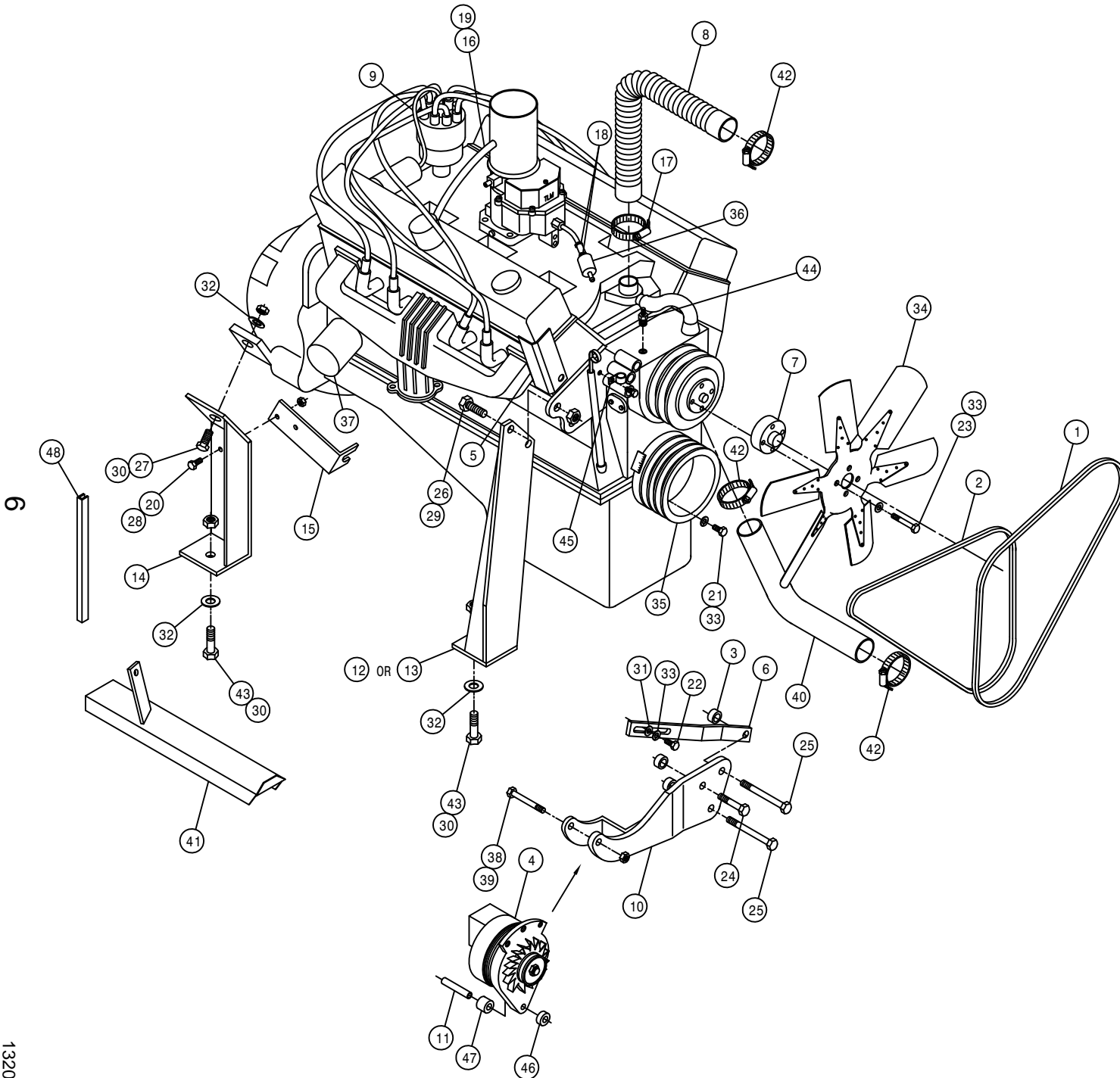


DET.	QTY	PART NO.	DESCRIPTION
1	1	314836	TEMP SENDR 280D 1/2NPT FOR GA
2	1	316204	CUMMINS ENGINE 4BT3.9
3	1	316180	22 IN DIA 6 BLADE 2.25 PITCH
4	1	316187	RH FRT MTR MT WLD CUMM 92
5	1	316188	LH FRT MTR MT WLD CUMM 92
6	1	316199	22IN FAN SPACER CUMM 92
7	6	473775	12MM-1.75 X 30MM HEX BOLT
8	6	473784	LOCKWASHER 12MM PL
9	4	473804	8MM LOCKWASHER
10	4	473822	08MM-1.25 X 70MM HEX BOLT
11	1	316206	POLY V BELT CUMMINS DIESEL 92
12	1	316207	LUBE FILTER CUMMINS DIESEL 92
13	2	311032	ENG IS/LATOR 470 472 1978
14	1	314832	RADIATOR HOSE 1.75 X 19
15	1	314886	RADIATOR HOSE 2 1/4 20717
16	2	483037	FLAT WASH 5/8 REGULAR
17	2	483041	1/2 REGULAR FLAT WASH PLT
18	2	520067	HOSE CLAMP NO 28 PLATED
19	2	520099	HOSE CLAMP NO 40 PLATED
20	2	900269	1/2UNC X 2 3/4 HEX BOLT
21	6	914008	1/2UNC HEX STOVER NUT
22	6	920004	1/2 FLAT WASHER SAE
23	1	341968	TIE PLT 250/280 CUMM 92
24	4	900265	1/2UNC X 1 1/2 HEX BOLT
25	1	193012	QUICKEDGE TRIM .135 TO .250

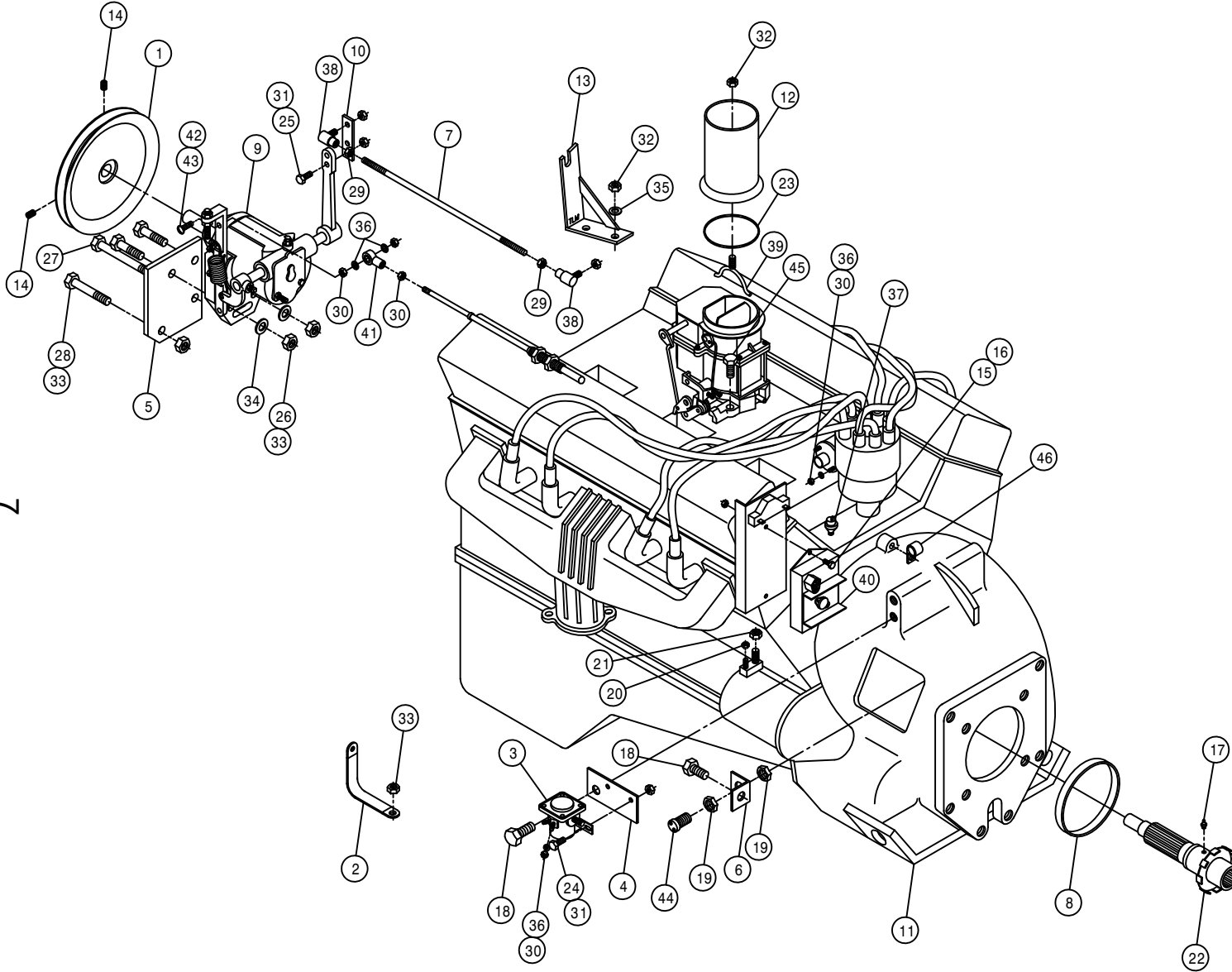
CHRYSLER ENGINE ASSEMBLY

DET. QTY PART NO. DESCRIPTION

1	1	147000	BELT GATES 2490 TRUFLEX	
2	1	147001	BELT GATES 7512	
3	3	200015	ADJ TUBE SPACER3/40DX11GAX3/8	
4	1	291487	72 AMP ALT W/ REGULATOR	
5	1	314303	EXHAUST MANIF HEAT SHIELD	
6	1	314309	ALT ADJ ARM	
7	1	314359	FAN SPACER CHRY 383014	
8	1	314832	RADIATOR HOSE 1.75 X 19	
9	1	314841	COIL WIRE FOR CHRY 318	
10	1	314849	CHRY 72A ALT MT WLD	90
11	1	314852	CHRY 72A ALT MT SLV PRESTO	90
12	1	341793	RH FRT MTR MT WLD 200 318	89
13	1	341794	LH FRT MTR MT WLD 200 318	89
14	2	341797	REAR MTR MT WLD 200 318	89
15	1	341815	HYDST CABLE MT 200 CHRY 318	
16	2	520070	HOSE CLAMP NO 8 PLATED	
17	1	520085	HOSE CLAMP NO 24 PLATED	
18	2	520120	HOSE CLAMP NO 4 PLATED MINI	
19	1	601151	HOSE, 5/8 X 12 HEATER	
20	2	900002	1/4UNC X 3/4 HEX BOLT	
21	6	900064	5/16UNC X 3/4 HEX BOLT	
22	1	900065	5/16UNC X 1 HEX BOLT	
23	4	900069	5/16UNC X 2 HEX BOLT	
24	1	900132	3/8UNC X 1 3/4 HEX BOLT	
25	2	900142	3/8UNC X 5 HEX BOLT	
26	4	900198	7/16UNC X 1 3/4 HEX BOLT	
27	2	900283	1/2UNC X 2 1/4 HEX BOLT	
28	2	914000	1/4UNC HEX STOVER NUT	
29	4	914006	7/16UNC HEX STOVER NUT	
30	6	914008	1/2UNC HEX STOVER NUT	
31	1	920001	5/16 FLAT WASHER SAE PLT	
32	6	920004	1/2 FLAT WASHER SAE	
33	11	920501	LOCK WASH 5/16	
34	1	316180	22 IN DIA 6 BLADE 2.25 PITCH	
35	1	314824	3GR CRANK PULLEY CHRY 318	
36	1	314388	FUEL LINE W/ FILT CHRY 318	
37	1	319260	PH8 FRAM FILT OIL	
38	1	900137	3/8UNC X 3 1/4 HEX BOLT	
39	1	914004	3/8UNC HEX STOVER NUT	
40	1	314417	LWR RAD HOSE 8240 82 318 CHRY	
41	1	314428	CABLE HEAT SHLD WLD CHRY 318	
42	3	520067	HOSE CLAMP NO 28 PLATED	
43	4	900265	1/2UNC X 1 1/2 HEX BOLT	
44	1	314471	TEMP SENDR 280D 3/8NPT FOR GA	
45	1	520128	CUSH HOSE CLAMP 9/16D X 3/4W	
46	1	314853	CHRY ALT FRONT BUSH PRESTO 90	
47	1	314854	CHRY ALT REAR BUSH PRESTO 90	
48	2	193012	QUICKEDGE TRIM .135 TO .250	



CHRYSLER ENGINE ASSEMBLY

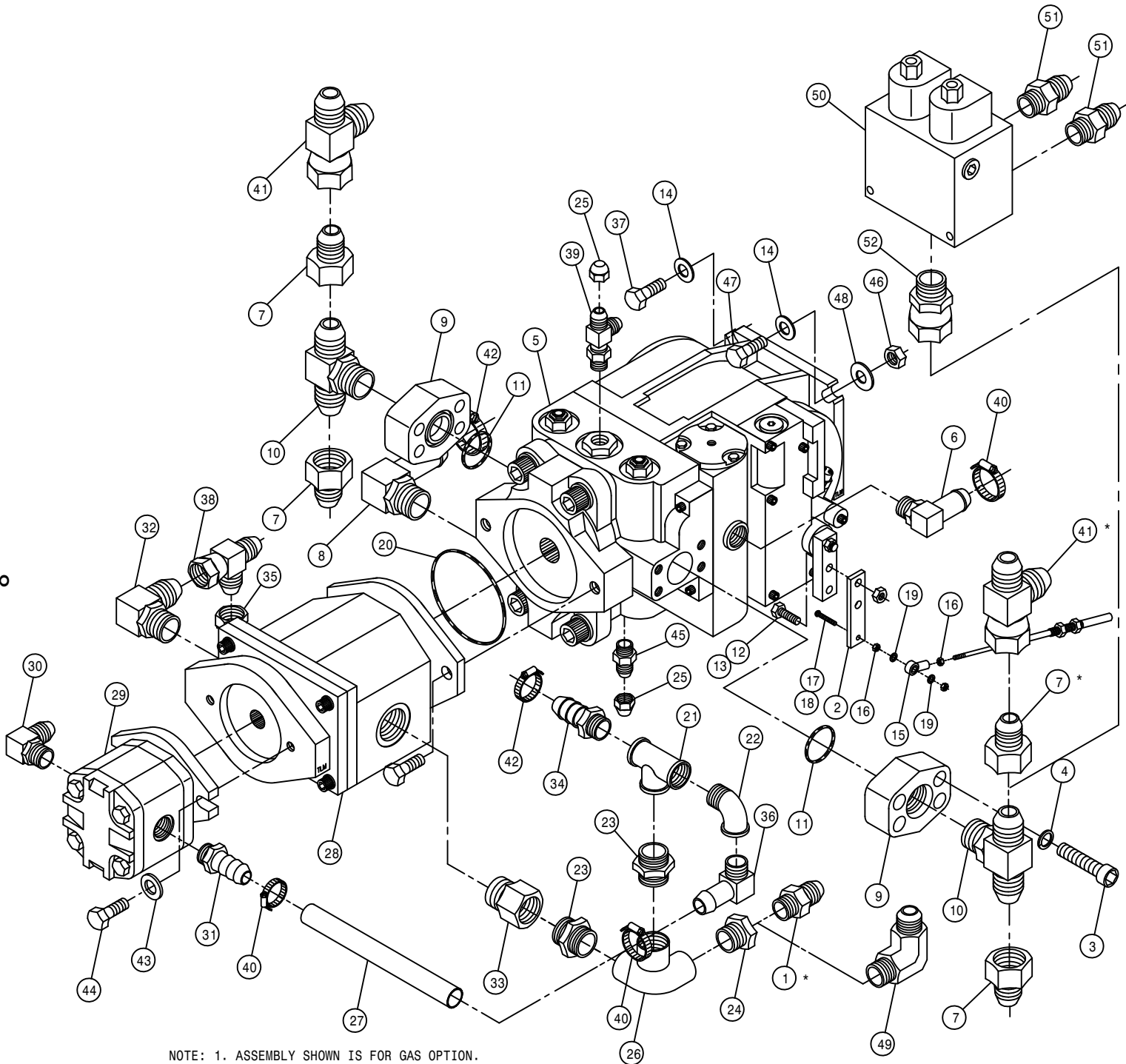


DET.	QTY	PART NO.	DESCRIPTION
	1	147030	SHEAVE, 6IN MACH
	1	290109	GROUND STRAP, 8IN 17/32 HOLES
	1	310491	STARTER SOLENOID FORD 300 ENG
	1	311021	START SOLENOID MT 473 CHRY
	1	311044	GOV MT WLD
	1	314302	TACH SENSOR MT
	1	314311	GOV CONTROL ROD
	1	314323	SUND PUMP SPACER RING 647 3/8
	1	314337	GOV REWORKED 647
	1	314341	GOV ARMEXTENSION647CHRY
	1	314728	CHRY 318 X-8 STUB ENGINE
	1	314732	AIR INTAKE TUBE WLD 2840 82
	1	314878	THROT CABLE BRKT WLD CHRY 91
	2	470054	SET SCREW 5/16X 1/4 AL HD CUP
	2	470121	1/4UNC HEX FLANGED LOCK NUT
	2	470122	1/4UNC X 1/2 FLANGED HEX BOLT
	1	471005	1/4 28 X 1/2 GREASE ZERK
	2	472363	9/16UNC X 3/4 HEX BOLT
	2	473061	3/4UNF TRUSEAL HEX NUT
	1	473770	05MM-.80 HEX NUT
	1	473778	08MM-1.25 HEX NUT
	1	800490	CHRY 318 OUTPUT SHFT WLD 14T
	1	870334	NEO ORING 2 5/8 X 3
	2	900000	1/4UNC X 1/2 HEX BOLT
	2	900002	1/4UNC X 3/4 HEX BOLT
	2	900131	3/8UNC X 1 1/2 HEX BOLT
	1	900142	3/8UNC X 5 HEX BOLT
	1	900170	3/8UNC X 2 1/4 HEX BOLT
	2	910001	1/4UNF HEX NUT
	6	910027	#10-32 HEX NUT
	4	914000	1/4UNC HEX STOVER NUT
	3	914002	5/16UNC HEX STOVER NUT
	4	914004	3/8UNC HEX STOVER NUT
	2	920002	WASH FLAT 3/8 SAE
	2	920501	LOCK WASH 5/16
	6	920510	LOCK WASH NO 10
	1	314361	CHRY 318 OIL SENDER SWITCH
	2	473918	BALL JOINT 1/4 28 FEM STUDED
	1	314649	AIRINTK CLAMP FOR 314453 CARB
	1	314362	ELECT IGN MODULATOR 647
	1	473921	BALL JOINT NO 10-32 THD
	1	914027	#10-32 HEX STOVER NUT
	1	903893	10 32 X 1 SLT RD HD MACH SCR
	1	291206	SENSOR SPEEDO TACH 640
	4	900065	5/16UNC X 1 HEX BOLT
	1	520128	CUSH HOSE CLAMP 9/16D X 3/4W

7

SUNDSTRAND PUMP ASSEMBLY

8



DET.	QTY	PART NO.	DESCRIPTION
1	1	610300	3/4MJIC-3/4MNPT ADPTR
2	1	316160	PUMP CONT LEVER EXT 280 CUMM
3	8	470188	7/16-14 X 1 1/2 SOCHD CAP SCR
4	8	470189	7/16 HC LOCK WASH FOR 618598
5	1	606884	SUND 75CC ECLIPSE PUMP B-MT
6	1	618118	3/4 HOSE BARB-90-1 1/16MOR
7	4	618541	1 5/16FJIC-1 1/16MJIC ADPTR
8	1	618564	1IN HOSE BARB-90-1 5/16MOR
9	2	618598	1 IN 4-BOLT FLG X 1 5/16FOR
10	2	618599	1 5/16MOR BRANCH TEE-1 5/16MJ
11	2	870219	BUNA ORING 1 5/16 X 1 9/16
12	2	900003	1/4UNC X 1 HEX BOLT
13	2	914000	1/4UNC HEX STOVER NUT
14	4	920004	1/2 FLAT WASHER SAE
15	1	473921	BALL JOINT NO 10-32 THD
16	2	910027	#10-32 HEX NUT
17	1	903893	10 32 X 1 SLT RD HD MACH SCR
18	1	914027	#10-32 HEX STOVER NUT
19	2	920510	LOCK WASH NO 10
20	1	606870	O-RING FOR 606865 SUND B-MT
21	1	505101	BLK PIPE TEE 1.00NPT
22	1	505200	BLK PIPE ST EL 90DEG 1.00NPT
23	2	505105	1MNPT HEX PIPE NIPPLE STL
24	1	505213	RED BUSH 1 X 3/4 BLK MAL
25	2	618531	9/16FJIC CAP NUT
26	1	505098	SIDE OUTLET EL 90DEG 1.00NPT
27	1	601311	HOSE, 3/4 X 8 2BR RED
28	1	606897	SUND GEAR PUMP 1.34CI SPLINED
29	1	606891	SUND GEAR PMP .52CI SPLINED
30	1	611128	7/8MJIC-90-7/8MOR LBO
31	1	618075	3/4 HOSE BARB-1 1/16MOR
32	1	618535	7/8MJIC-90-1 1/16MOR LBO
33	1	618090	1 5/16MOR-1FNPT ADPTR
34	1	714560	1NPT X 1 HOSE BARB
35	1	618328	7/8FJIC CAP NUT
36	1	716000	3/4 HOSE BARB-90-1MNPT
37	2	900266	1/2UNC X 1 3/4 HEX BOLT
38	1	618333	7/8FJIC SW RUN TEE-7/8MJIC
39	1	618444	9/16MOR RUN TEE-9/16MJIC
40	3	520055	HOSE CLAMP NO 12 PLATED
41	2	618487	1 1/16FJ SW RUN TEE-1 1/16MJ
42	2	520087	HOSE CLAMP NO 20 PLATED
43	2	920002	WASH FLAT 3/8 SAE
44	2	900130	3/8UNC X 1 1/4 HEX BOLT
45	1	618126	9/16MJIC-9/16MOR ADPTR
46	2	914008	1/2UNC HEX STOVER NUT
47	2	900267	1/2UNC X 2 HEX BOLT
48	2	483041	1/2 REGULAR FLAT WASH PLT
49	1	610305	3/4MJIC-90-3/4MNPT LBO
50	1	610513	POSITRACTION VLV W/BYPASS 60G
51	2	618308	1 1/16MJIC-1 5/16MOR ADPTR
52	1	618588	1 5/16MOR-1 5/16 FIIC SWIV

NOTE: 1. ASSEMBLY SHOWN IS FOR GAS OPTION.

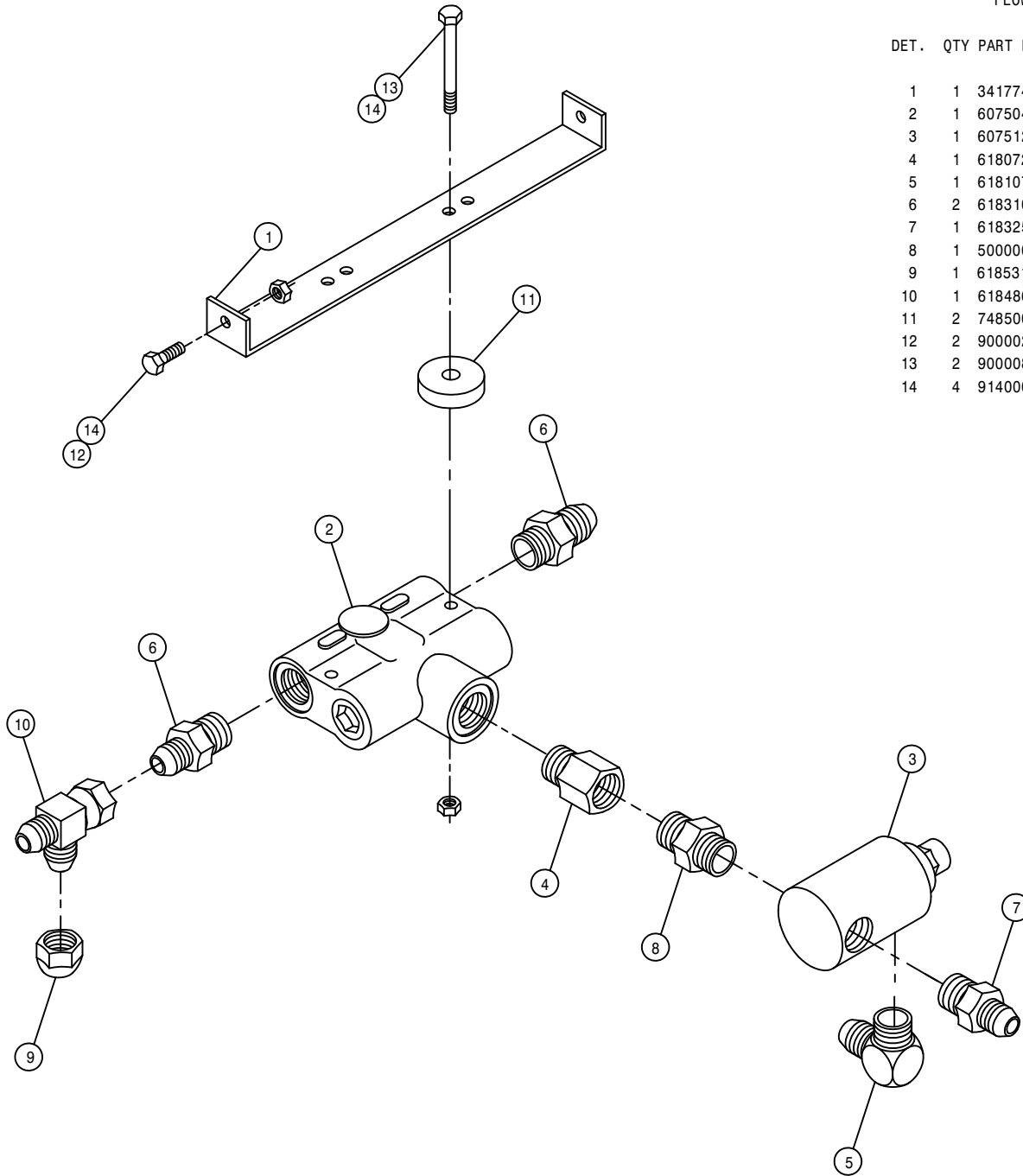
2. FOR DIESEL OPTION REPLACE ITEMS 14, 37,46,47, AND 48 WITH (4) 900265 - 1/2 UNC X 1 1/2 HEX BOLT AND (4) 920004 - 1/2 SAE FLAT WASHER.

*3. PUMP ASSEMBLY WITH TRACTION VALVE DELETE DETAILS 1, 7, AND 41. THEN ADD DETAILS 49, 50, 51, AND 52.

FLOW DIVIDER ASSEMBLY

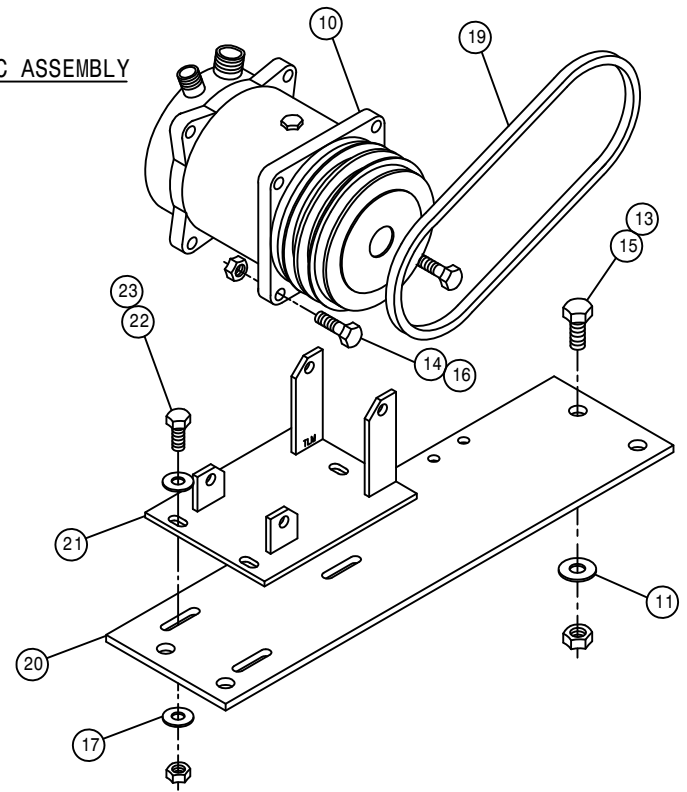
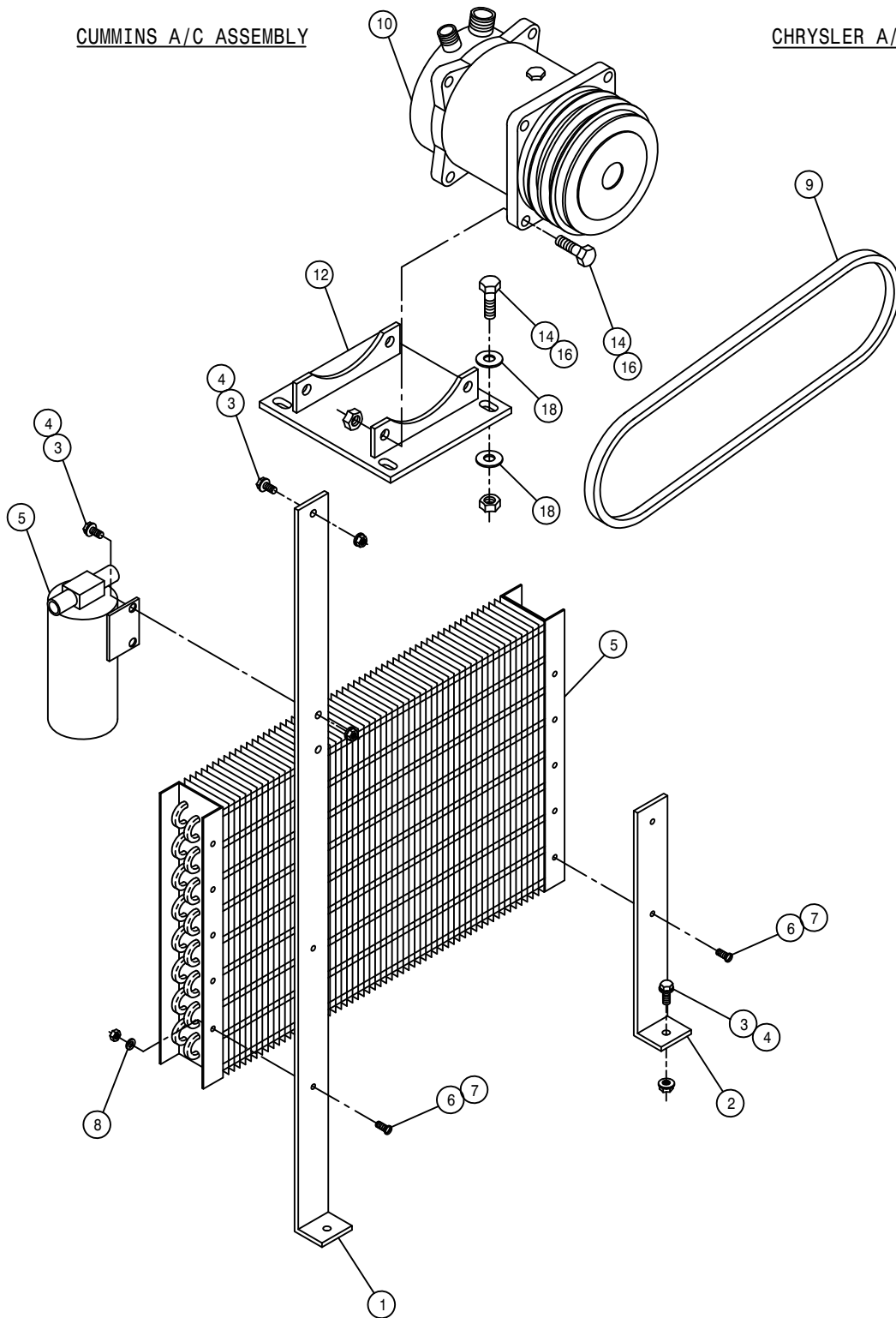
DET. QTY PART NO. DESCRIPTION

DET.	QTY	PART NO.	DESCRIPTION	
1	1	341774	FLOW DIVIDER MT 280	89
2	1	607504	FLO DIV B50 2-8GPM 7/8 FOR	
3	1	607512	RELIEF VALVE, RL50 1800 PSI	
4	1	618072	7/8MOR-1/2FNPT ADPTR	
5	1	618107	9/16MJIC-90-1/2MNPT LBO	
6	2	618310	9/16MJIC-7/8MOR ADPTR	
7	1	618325	7/8MJIC-1/2MNPT ADPTR	
8	1	500000	1/2MNPT HEX PIPE NIPPLE STL	
9	1	618531	9/16FJIC CAP NUT	
10	1	618486	9/16FJIC SW RUN TEE-9/16MJIC	
11	2	748500	RUBER WASH 3/8X1/4IDX1 1/2 OD	
12	2	900002	1/4UNC X 3/4 HEX BOLT	
13	2	900008	1/4UNC X 2 1/2 HEX BOLT	
14	4	914000	1/4UNC HEX STOVER NUT	



CUMMINS A/C ASSEMBLY

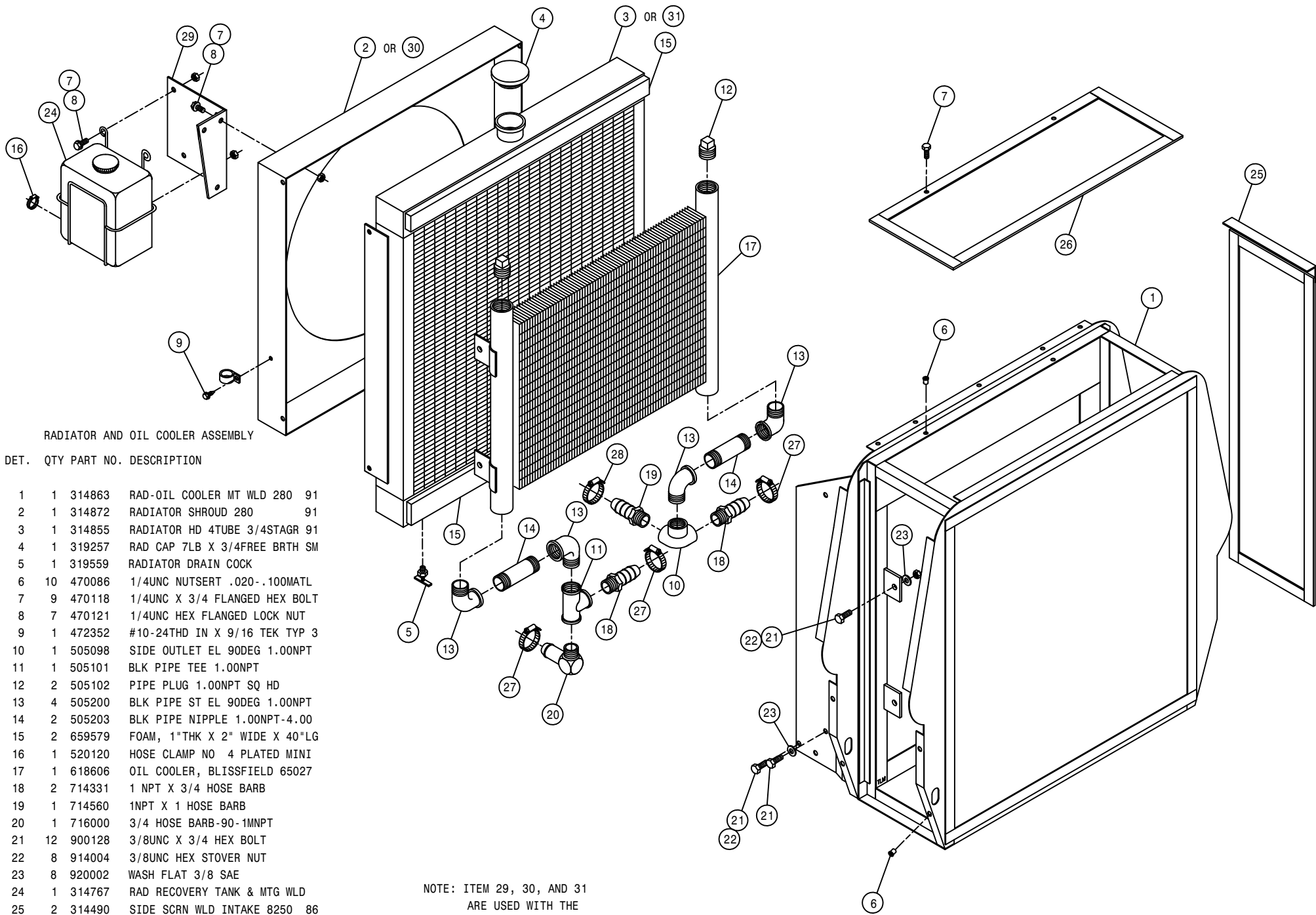
CHRYSLER A/C ASSEMBLY



A/C COMPRESSOR PUMP ASSEMBLY

DET. QTY PART NO. DESCRIPTION

1	1	314869	RH CONDENSOR MTG BRKT 280 91
2	1	314870	LH CONDENSOR MTG BRKT 280 91
3	5	470118	1/4UNC X 3/4 FLANGED HEX BOLT
4	5	470121	1/4UNC HEX FLANGED LOCK NUT
5	1	657309	CONDSR KIT,647S-SX,8240 1982
6	4	903883	10-32 X 1/2 SLTRD HD MACH SCR
7	4	910027	#10-32 HEX NUT
8	4	920510	LOCK WASH NO 10
9	1	147044	BELT 4L400
10	2	657310	SANKYO A/C COMPRESSOR
11	4	920004	1/2 FLAT WASHER SAE
12	1	657344	A/C COMPSR MT WLD CUMM 92
13	4	914008	1/2UNC HEX STOVER NUT
14	12	900130	3/8UNC X 1 1/4 HEX BOLT
15	4	900264	1/2UNC X 1 1/4 HEX BOLT
16	12	914004	3/8UNC HEX STOVER NUT
17	6	920001	5/16 FLAT WASHER SAE PLT
18	8	920002	WASH FLAT 3/8 SAE
19	1	147023	7365 BELT
20	1	341955	A/C COMPSR MTG PLT 250CHRY 91
21	1	657341	A/C COMPSR MT WLD CHRY 250 91
22	3	900065	5/16UNC X 1 HEX BOLT
23	3	914002	5/16UNC HEX STOVER NUT

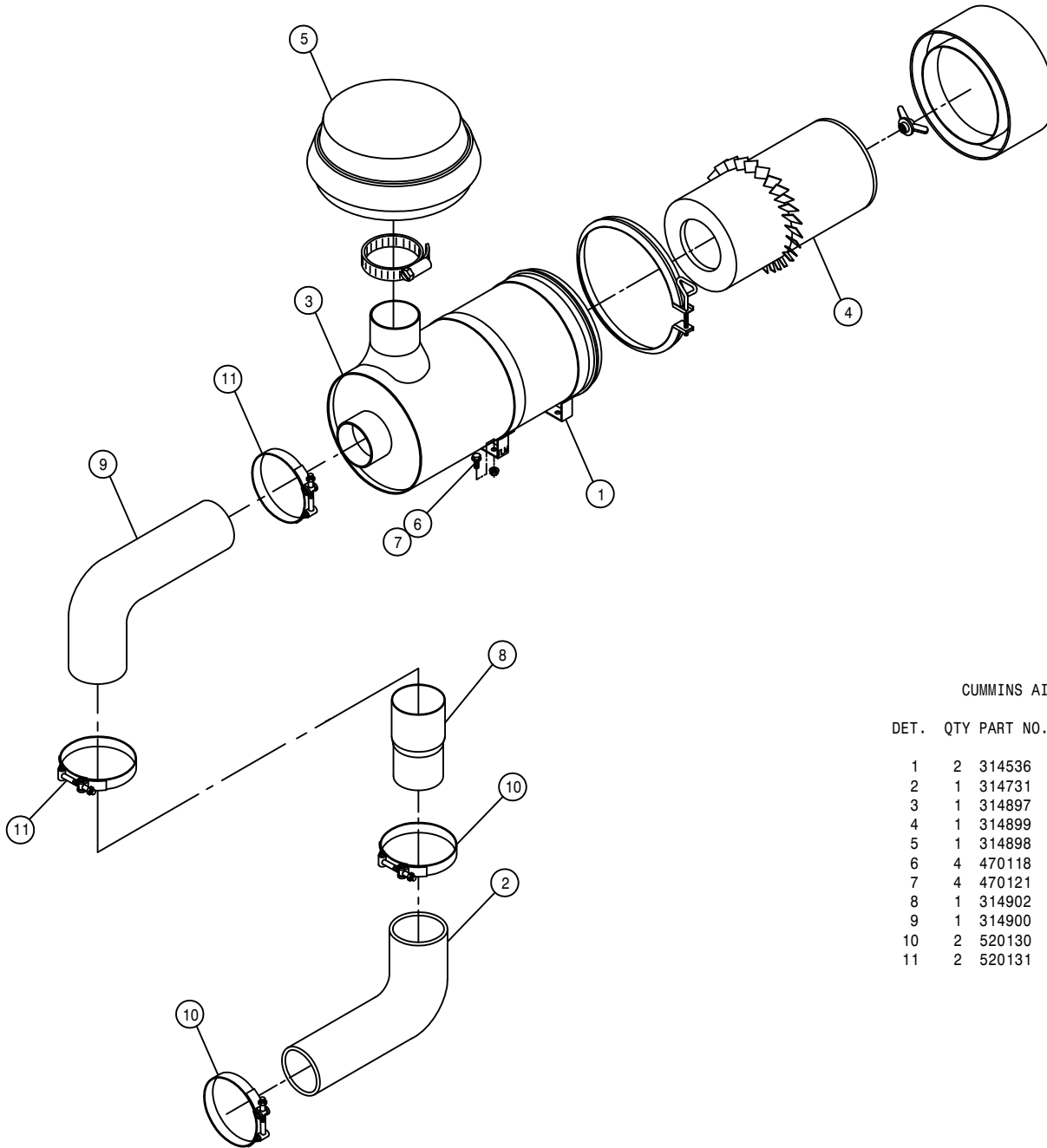


RADIATOR AND OIL COOLER ASSEMBLY

DET. QTY PART NO. DESCRIPTION

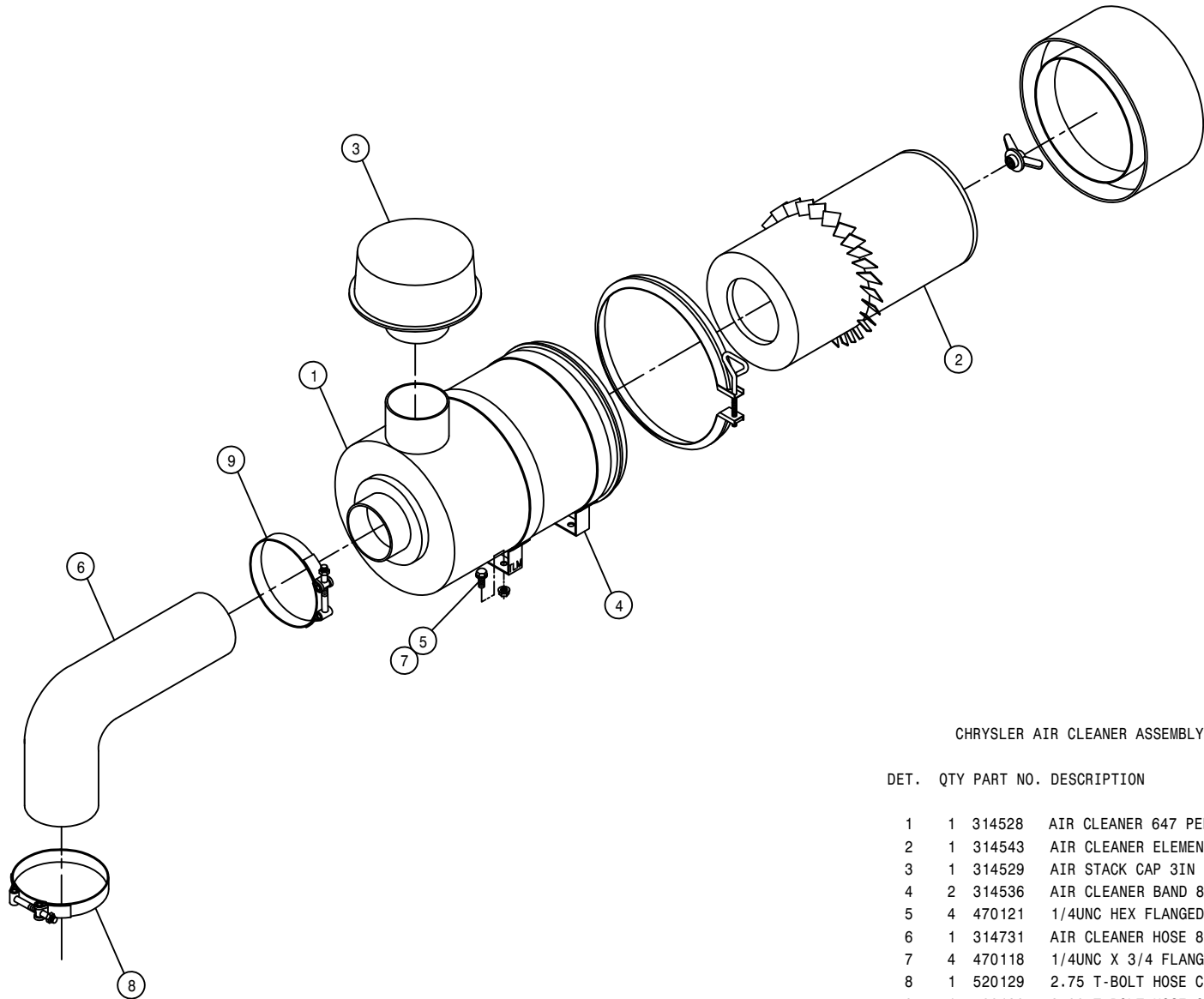
1	1	314863	RAD-OIL COOLER MT WLD 280	91
2	1	314872	RADIATOR SHROUD 280	91
3	1	314855	RADIATOR HD 4TUBE 3/4STAGR	91
4	1	319257	RAD CAP 7LB X 3/4FREE BRTH SM	
5	1	319559	RADIATOR DRAIN COCK	
6	10	470086	1/4UNC NUTSERT .020-.100MATL	
7	9	470118	1/4UNC X 3/4 FLANGED HEX BOLT	
8	7	470121	1/4UNC HEX FLANGED LOCK NUT	
9	1	472352	#10-24THD IN X 9/16 TEK TYP 3	
10	1	505098	SIDE OUTLET EL 90DEG 1.00NPT	
11	1	505101	BLK PIPE TEE 1.00NPT	
12	2	505102	PIPE PLUG 1.00NPT SQ HD	
13	4	505200	BLK PIPE ST EL 90DEG 1.00NPT	
14	2	505203	BLK PIPE NIPPLE 1.00NPT-4.00	
15	2	659579	FOAM, 1"THK X 2" WIDE X 40"LG	
16	1	520120	HOSE CLAMP NO 4 PLATED MINI	
17	1	618606	OIL COOLER, BLISSFIELD 65027	
18	2	714331	1 NPT X 3/4 HOSE BARB	
19	1	714560	1NPT X 1 HOSE BARB	
20	1	716000	3/4 HOSE BARB-90-1MNPT	
21	12	900128	3/8UNC X 3/4 HEX BOLT	
22	8	914004	3/8UNC HEX STOVER NUT	
23	8	920002	WASH FLAT 3/8 SAE	
24	1	314767	RAD RECOVERY TANK & MTG WLD	
25	2	314490	SIDE SCR N WLD INTAKE 8250	86
26	1	314495	TOP SCR N WLD INTAKE 8250	86
27	3	520055	HOSE CLAMP NO 12 PLATED	
28	1	520087	HOSE CLAMP NO 20 PLATED	
29	1	314893	RECOVERY TANK MTG BRKT 280	92
30	1	314884	RAD SHROUD 250/280 DIESEL	92
31	1	314885	RADIATOR HD 4TUBE RH-OUT	92

NOTE: ITEM 29, 30, AND 31
ARE USED WITH THE
DIESEL OPTION.



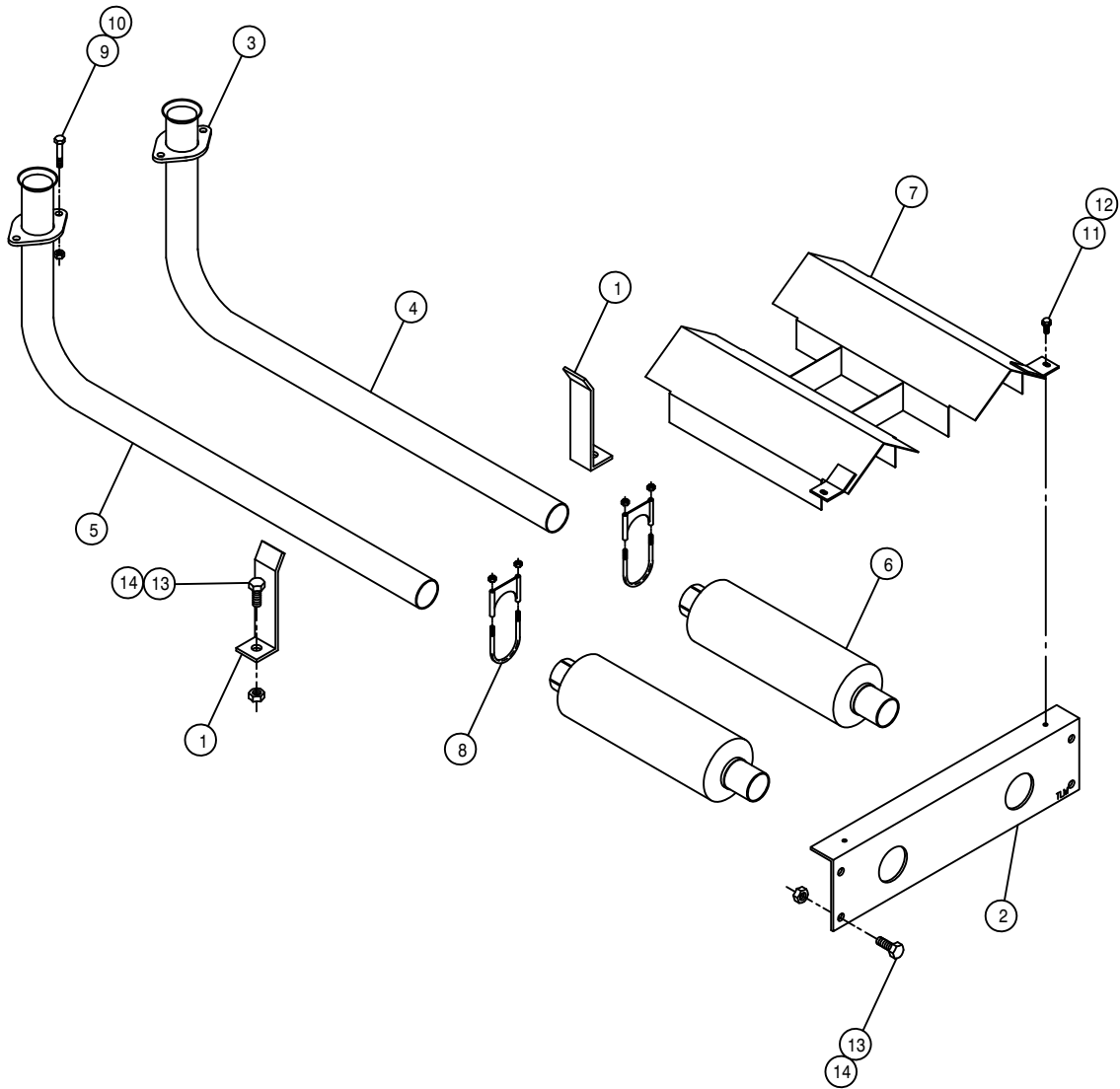
CUMMINS AIR CLEANER ASSEMBLY

DET.	QTY	PART NO.	DESCRIPTION
1	2	314536	AIR CLEANER BAND 8IN DONALDSON
2	1	314731	AIR CLEANER HOSE, 3" ID 90DEG
3	1	314897	AIR CLEANER, 280 CFM
4	1	314899	AIR CLEANER ELEMENT FOR314897
5	1	314898	AIR CLEANER HOOD FOR 314897
6	4	470118	1/4UNC X 3/4 FLANGE HEX BOLT
7	4	470121	1/4UNC HEX FLANGE LOCK NUT
8	1	314902	3.50 - 3.00 X 6.00LG PIPE
9	1	314900	3.50 90 DEG AIR INTAKE HOSE
10	2	520130	3.00 T-BOLT HOSE CLAMP
11	2	520131	3.50 T-BOLT HOSE CLAMP



CHRYSLER AIR CLEANER ASSEMBLY

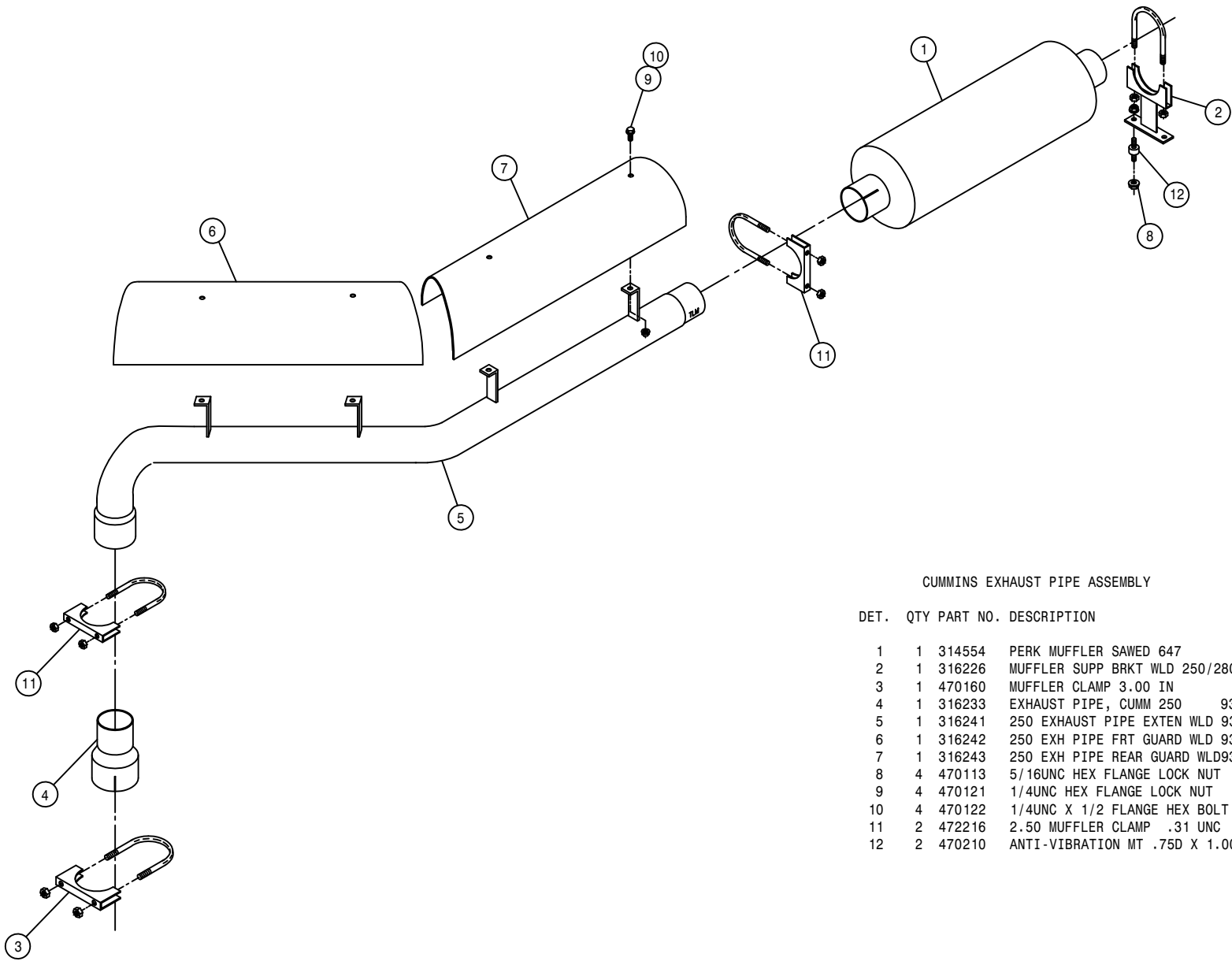
DET.	QTY	PART NO.	DESCRIPTION
	1	314528	AIR CLEANER 647 PERK
	1	314543	AIR CLEANER ELEMENT PERK 6
	1	314529	AIR STACK CAP 3IN PERK 6CY
	2	314536	AIR CLEANER BAND 8IN DONALDSON
	4	470121	1/4UNC HEX FLANGED LOCK NUT
	1	314731	AIR CLEANER HOSE 8240
	4	470118	1/4UNC X 3/4 FLANGED HEX BOLT
	1	520129	2.75 T-BOLT HOSE CLAMP
	1	520130	3.00 T-BOLT HOSE CLAMP



CHRYSLER EXHAUST PIPE ASSEMBLY

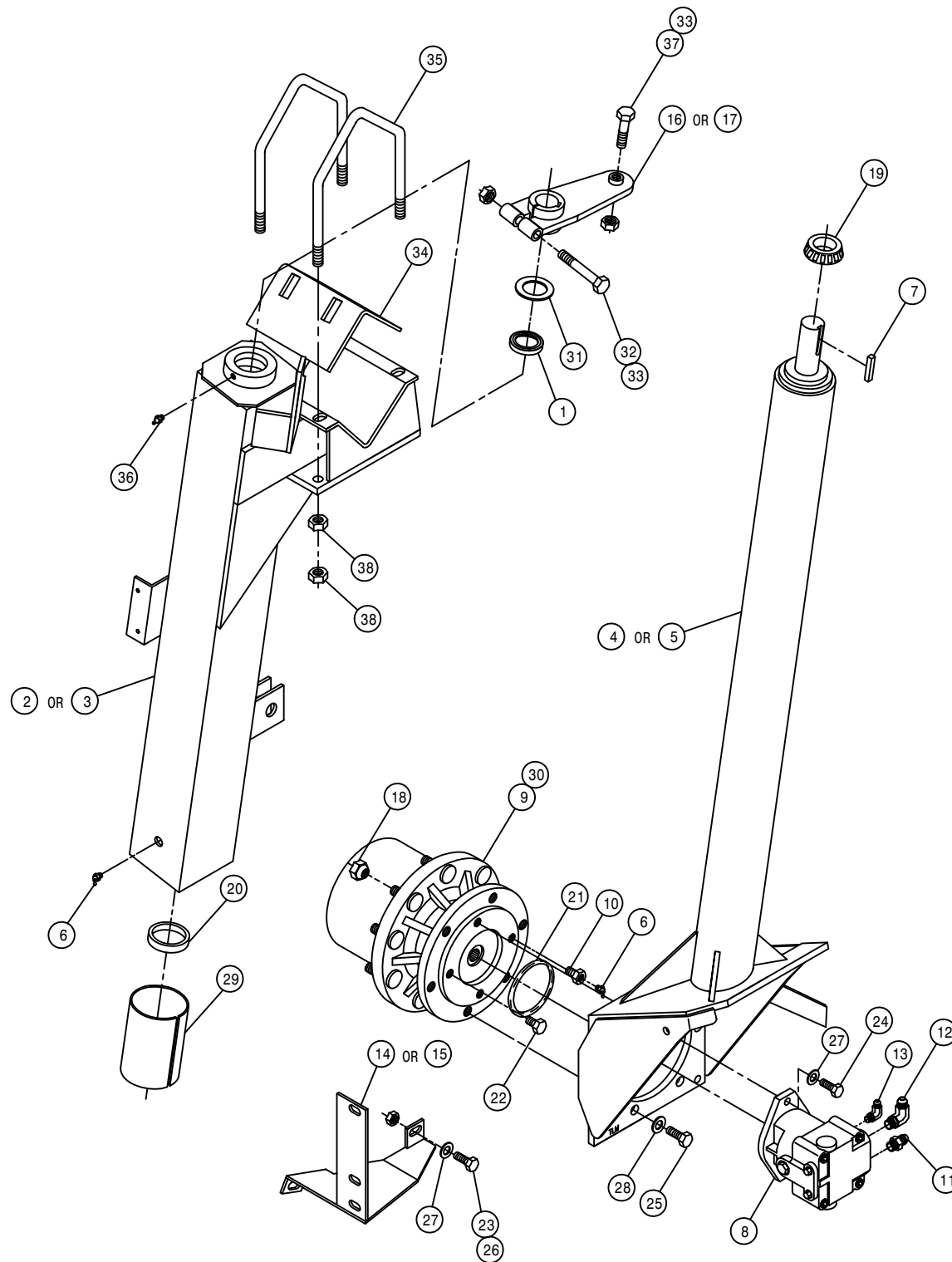
DET. QTY PART NO. DESCRIPTION

1	2	341956	HOSE SUPPORT BRKT 250	91
2	1	361346	MAINFRAME REAR TIE ANGLE 280	
3	2	314735	EXHAUST PIPE FLG 8240 318 82	
4	1	314873	RH EXHAUST PIPE 200 CHRY	91
5	1	314874	LH EXHAUST PIPE 200 CHRY	91
6	2	319287	MUFFLER CHRY 440	
7	1	341829	MUFFLER HEAT SHIELD WLD200 89	
8	2	319327	MUFFLER CLAMP 2IN HVY DUTY	
9	4	900170	3/8UNC X 2 1/4 HEX BOLT	
10	4	914004	3/8UNC HEX STOVER NUT	
11	3	470118	1/4UNC X 3/4 FLANGED HEX BOLT	
12	3	470121	1/4UNC HEX FLANGED LOCK NUT	
13	6	900263	1/2UNC X 1 HEX BOLT	
14	6	914008	1/2UNC HEX STOVER NUT	



CUMMINS EXHAUST PIPE ASSEMBLY

DET.	QTY	PART NO.	DESCRIPTION
	1	314554	PERK MUFFLER SAWED 647
	1	316226	MUFFLER SUPP BRKT WLD 250/280
	1	470160	MUFFLER CLAMP 3.00 IN
	1	316233	EXHAUST PIPE, CUMM 250 93
	1	316241	250 EXHAUST PIPE EXTEN WLD 93
	1	316242	250 EXH PIPE FRT GUARD WLD 93
	1	316243	250 EXH PIPE REAR GUARD WLD93
	4	470113	5/16UNC HEX FLANGE LOCK NUT
	4	470121	1/4UNC HEX FLANGE LOCK NUT
	4	470122	1/4UNC X 1/2 FLANGE HEX BOLT
	2	472216	2.50 MUFFLER CLAMP .31 UNC
	2	470210	ANTI-VIBRATION MT .75D X 1.00

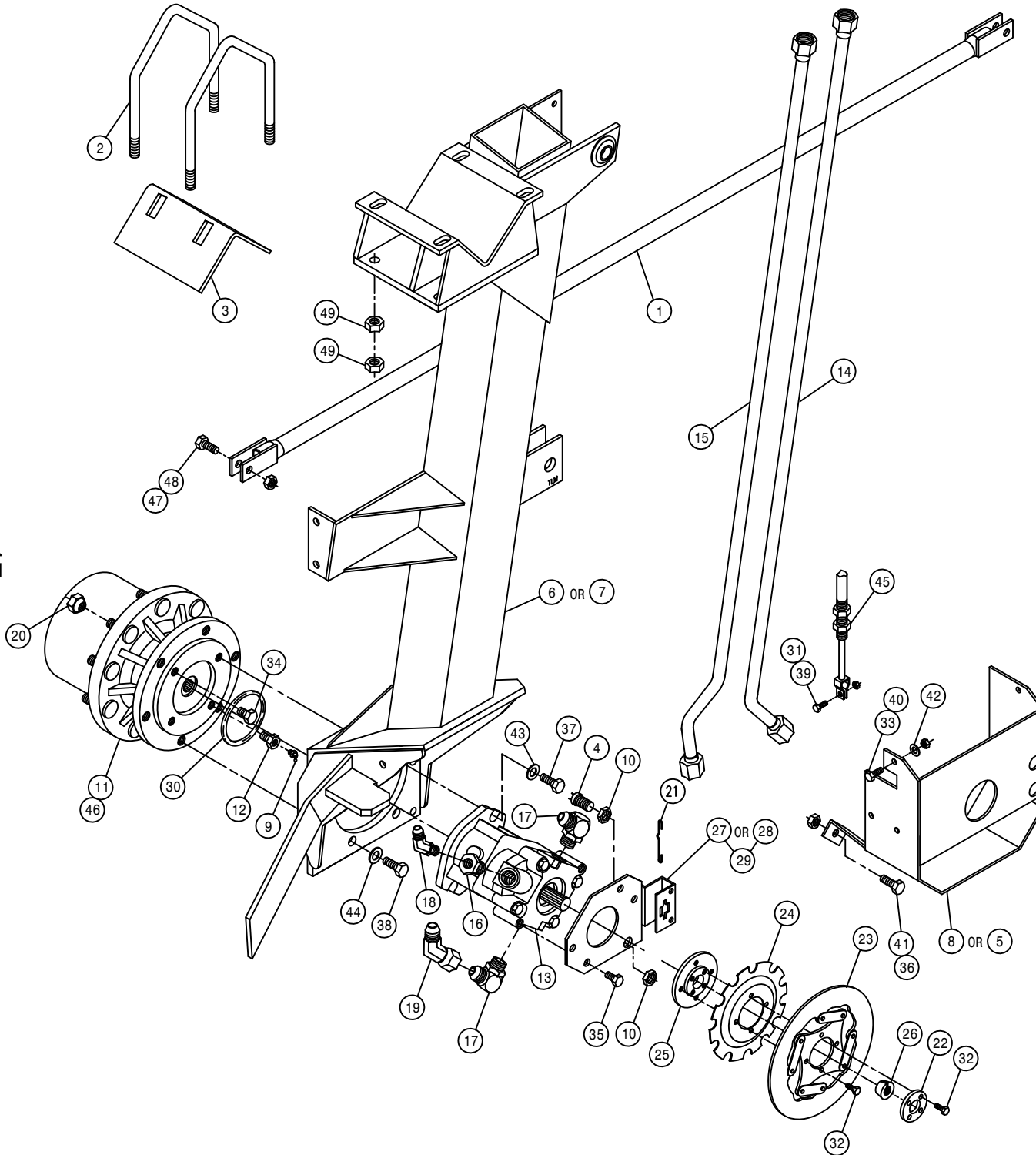


FRONT LEG ASSEMBLY

DET. QTY PART NO. DESCRIPTION

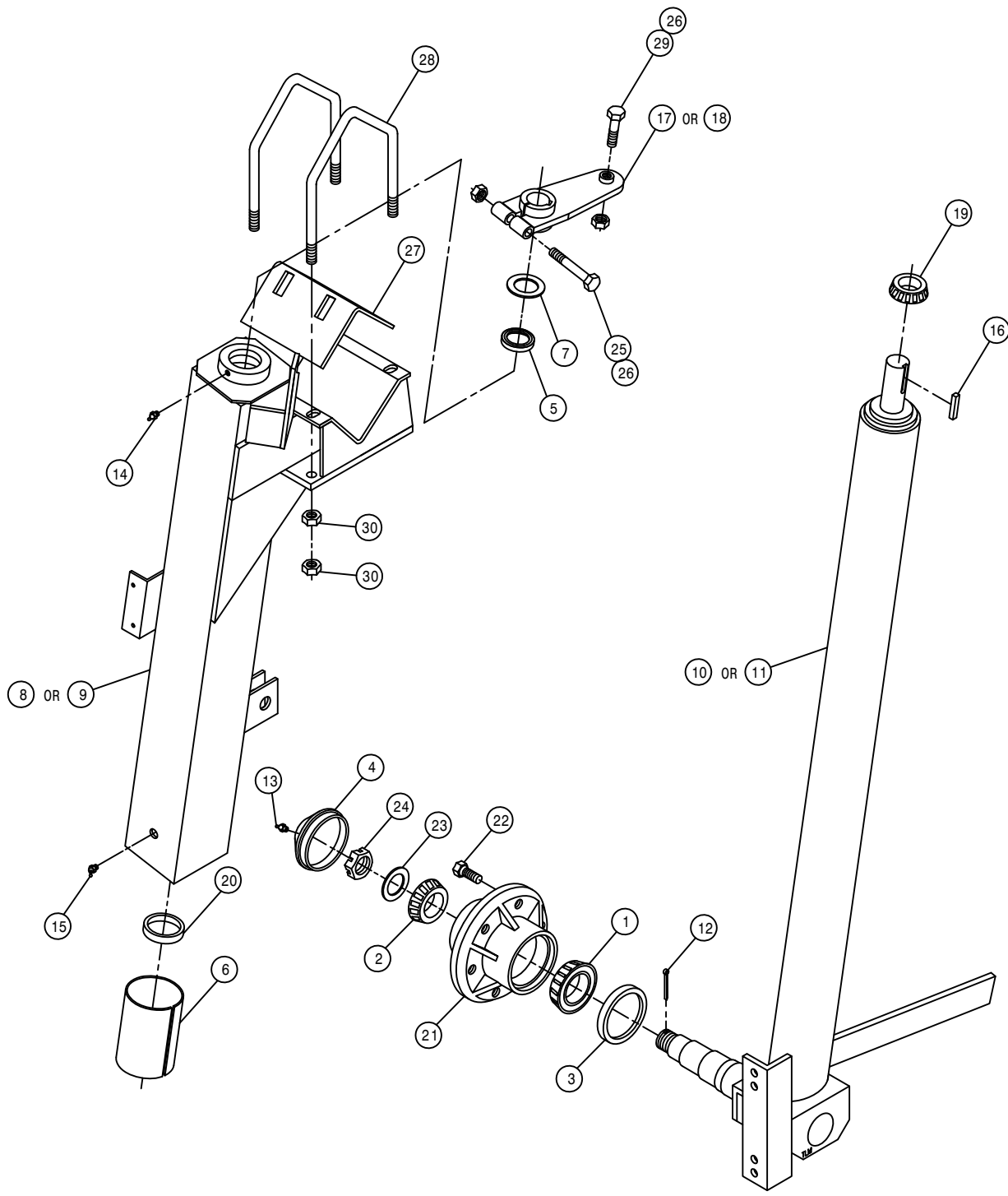
1	1	129010	SEAL C/R 16069	
2	1	358645	LH FRT OUTER LEG WLD 250	91
3	1	358644	RH FRT OUTER LEG WLD 250	91
4	1	358655	RH FRT INNER LEG WLD 250	91
5	1	358656	LH FRT INNER LEG WLD 250	91
6	2	471023	GREASE ZERK 1/4-28 X 45	
7	1	483036	DIFF SHAFT HUB KEY	
8	1	610512	SUND M23 WHL MTR	
9	1	610515	TORQ HUB 18 TO 1 B-MT W1BFNZ	
10	1	610556	1/2UNC X 1/2 ZERK BOLT T-HUB	
11	1	611126	7/8MJIC-7/8MOR ADPTR	
12	1	611128	7/8MJIC-90-7/8MOR LBO	
13	1	618115	9/16MJIC-90-3/4MOR LBO	
14	1	662157	RH FRT MTG WLD FOR CROP GUIDE	
15	1	662156	LH FRT MTG WLD FOR CROP GUIDE	
16	1	749280	RH STRG ARM WLD 250	91
17	1	749281	LH STRG ARM WLD 250	91
18	9	824052	1/2UNF 60 DEG WHL NUT	
19	1	825003	INNER CONE FOR 825001 & 825002	
20	1	825004	INNER CUP FOR 825001 & 825002	
21	1	870045	O RING 4 1/8 OD X 4 ID	
22	1	900260	1/2UNC X 1/2 HEX BOLT	
23	3	900265	1/2UNC X 1 1/2 HEX BOLT	
24	2	900266	1/2UNC X 1 3/4 HEX BOLT	
25	6	900333	5/8UNC X 1 1/2 HEX BOLT	
26	3	914008	1/2UNC HEX STOVER NUT	
27	5	920004	1/2 FLAT WASHER SAE	
28	6	920505	LOCK WASHER 5/8	
29	1	358298	JOURNAL BRG-LINER TYPE	
30	1	610552	SEAL BOOT FOR W1BFNZ TORQ HUB	
31	1	358448	FRT LEG WSHR 8540	
32	1	900343	5/8UNC X 4 1/2 HEX BOLT	
33	2	914010	5/8UNC HEX STOVER NUT	
34	1	358567	UPPER LEG V-PLATE WLD 280	89
35	2	358693	5/8UNF X 7 9/16 CTR UBOLT TRI	
36	1	471021	GREASE ZERK 1/8 NPT STRAIGHT	
37	1	749269	STRG ARM BOLT 280	89
38	8	914811	5/8UNF HEX NUT GR8	

REAR LEG ASSEMBLY



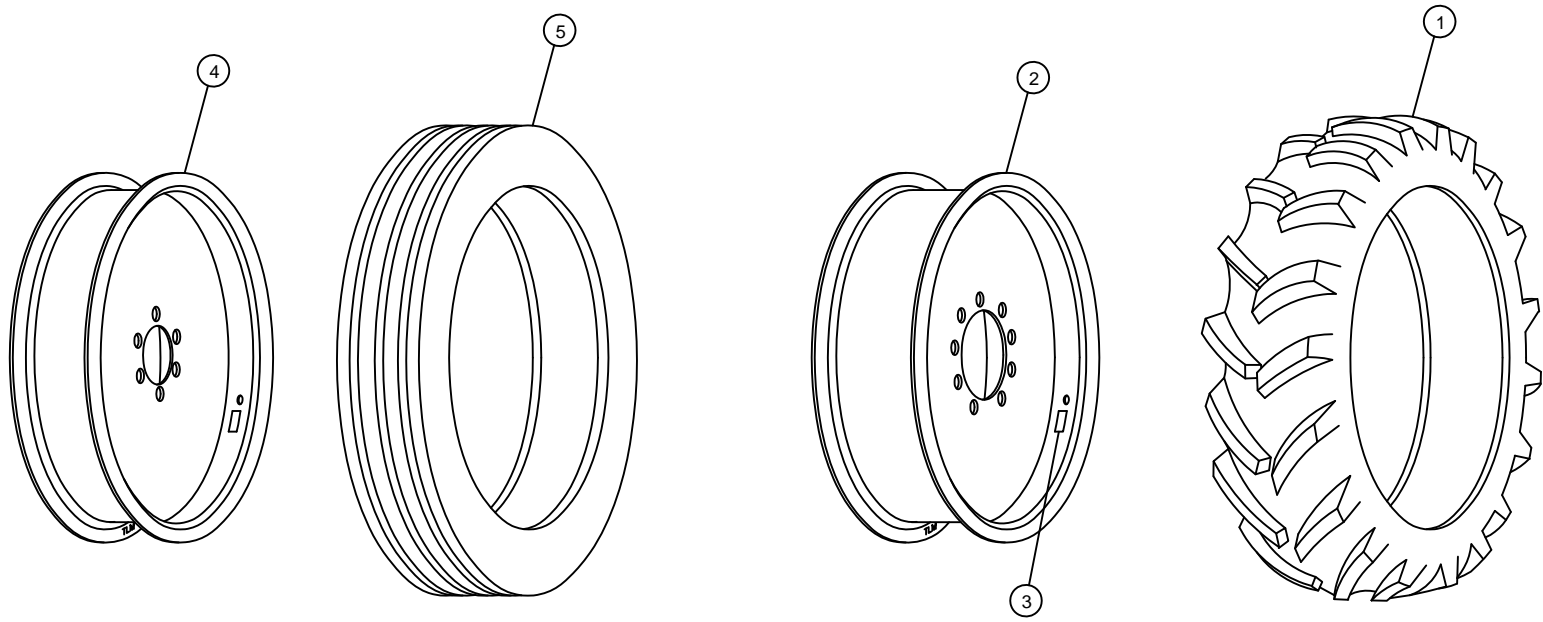
DET.	QTY	PART NO.	DESCRIPTION	
1	1	341944	LEG BRACE WLD 250	91
2	2	358693	5/8UNF X 7 9/16 CTR UBOLT TRI	
3	1	358567	UPPER LEG V-PLATE WLD 280	89
4	1	291206	SENSOR SPEEDO TACH	640
5	1	358596	RH REAR WHL MTR SHLD WLD	280
6	1	358638	RH REAR LEG WLD 250	91
7	1	358639	LH REAR LEG WLD 250	91
8	1	358597	LH REAR WHL MTR SHLD WLD	280
9	1	471023	GREASE ZERK 1/4-28 X 45	
10	2	473061	3/4UNF TRUSEAL HEX NUT	
11	1	610516	TORQ HUB 24 TO 1 B-MT W1BFNZ	
12	1	610556	1/2UNC X 1/2 ZERK BOLT T-HUB	
13	1	610557	SUND M35-3102 WHL MTR W/SHFT	
14	1	614694	FRT HYD TUBE ASSY 250 REARLEG	
15	1	614695	REAR HYD TUBE ASSY 250REARLEG	
16	1	618172	7/8MOR-9/16FOR ADPTR	
17	2	618248	1 1/16MJIC-90-1 1/16MOR LBO	
18	1	618425	9/16MJIC-45-9/16MOR LBO	
19	1	618529	1 1/16MJ-45-1 1/16FJ SWIV LBO	
20	9	824052	1/2UNF 60 DEG WHL NUT	
21	1	826929	CLIP BRAKE RETAINER	
22	1	826945	HUB MOUNT, BRAKE	
23	1	826959	BRAKE DISC SUB ASSY	
24	1	826963	SENSOR DISC, 647 BRAKE FORMED	
25	1	826975	TAPER LOCK HUB VICKERS X-10	
26	1	826988	HUB, TAPER LOCK 13 TEETH	
27	1	828083	RH BRAKE MT WLD 250	91
28	1	828084	LH BRAKE MT WLD 250	91
29	2	826918	PARK BRAKE STATOR	
30	1	870045	O RING 4 1/8 OD X 4 ID	
31	1	900002	1/4UNC X 3/4 HEX BOLT	
32	8	900064	5/16UNC X 3/4 HEX BOLT	
33	2	900130	3/8UNC X 1 1/4 HEX BOLT	
34	1	900260	1/2UNC X 1/2 HEX BOLT	
35	2	900262	1/2UNC X 3/4 HEX BOLT	
36	2	900265	1/2UNC X 1 1/2 HEX BOLT	
37	2	900267	1/2UNC X 2 HEX BOLT	
38	6	900333	5/8UNC X 1 1/2 HEX BOLT	
39	1	914000	1/4UNC HEX STOVER NUT	
40	2	914004	3/8UNC HEX STOVER NUT	
41	2	914008	1/2UNC HEX STOVER NUT	
42	2	920002	WASH FLAT 3/8 SAE	
43	2	920004	1/2 FLAT WASHER SAE	
44	6	920505	LOCK WASHER 5/8	
45	1	826926	190 IN BRAKE CABLE 470	
46	1	610552	SEAL BOOT FOR W1BFNZ TORQ HUB	
47	2	914010	5/8UNC HEX STOVER NUT	
48	2	900336	5/8UNC X 2 1/2 HEX BOLT	
49	8	914811	5/8UNF HEX NUT GR8	

NOTE: ITEMS 4, 10, 24, AND 27 ARE USED ON THE RIGHT HAND LEG ASSEMBLY.



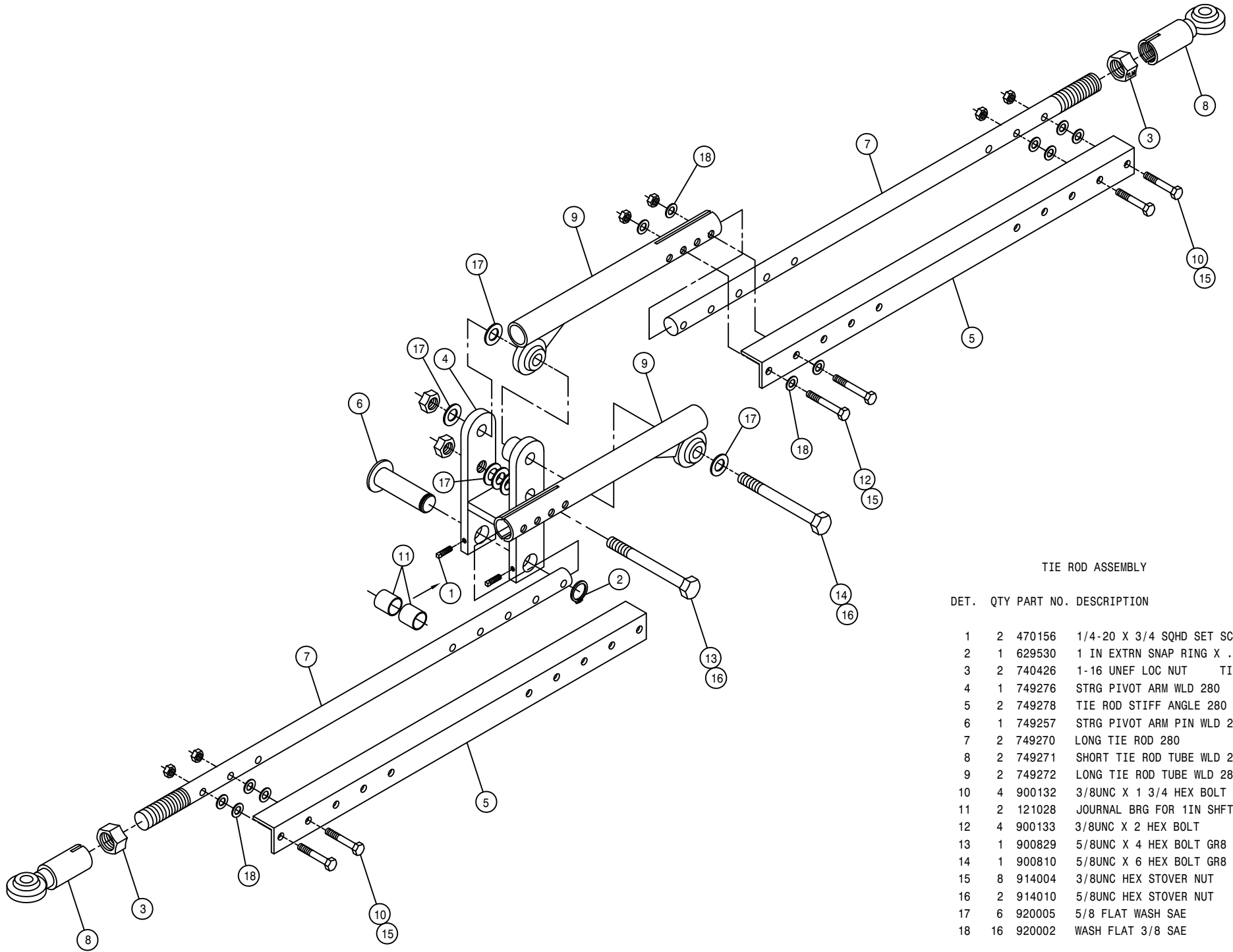
TWO-WHEEL DRIVE FRONT LEG ASSEMBLY

DET.	QTY	PART NO.	DESCRIPTION	
	1	125042	INNER CONE FOR 825009	
	1	125043	OUTER CONE FOR 825009	
	1	125044	GREASE SEAL FOR 825009	
	1	125046	HUB CAP DRILLED & TAPPED XHD	
	1	129010	SEAL C/R 16069	
	1	358298	JOURNAL BRG-LINER TYPE	
	1	358448	FRT LEG WSHR 8540	
	1	358644	RH FRT OUTER LEG WLD 250	91
	1	358645	LH FRT OUTER LEG WLD 250	91
	1	358665	RH FRT INLEG WLD 250 TWD	91
	1	358666	LH FRT INLEG WLD 250 TWD	91
	1	470015	COTTER PIN 5/32 X 1 3/4 LG	
	1	471005	1/4 28 X 1/2 GREASE ZERK	
	1	471021	GREASE ZERK 1/8 NPT STRAIGHT	
	1	471023	GREASE ZERK 1/4-28 X 45	
	1	483036	DIFF SHAFT HUB KEY	
	1	749280	RH STRG ARM WLD 250	91
	1	749281	LH STRG ARM WLD 250	91
	1	825003	INNER CONE FOR 825001 & 825002	
	1	825004	INNER CUP FOR 825001 & 825002	
	1	825009	HUB W/CUPS WILTONW803 8250XHD	
	6	825010	9/16UNF X 1 1/8 90D WHL BOLT	
	1	825012	SPINDLE WASHER 2 OD-.937 ID	
	1	825013	7/8UNF SLOTTED HEX NUT	
	1	900343	5/8UNC X 4 1/2 HEX BOLT	
	2	914010	5/8UNC HEX STOVER NUT	
	1	358567	UPPER LEG V-PLATE WLD 280	89
	2	358693	5/8UNF X 7 9/16 CTR UBOLT TRI	
	1	749269	STRG ARM BOLT 280	89
	8	914811	5/8UNF HEX NUT GR8	



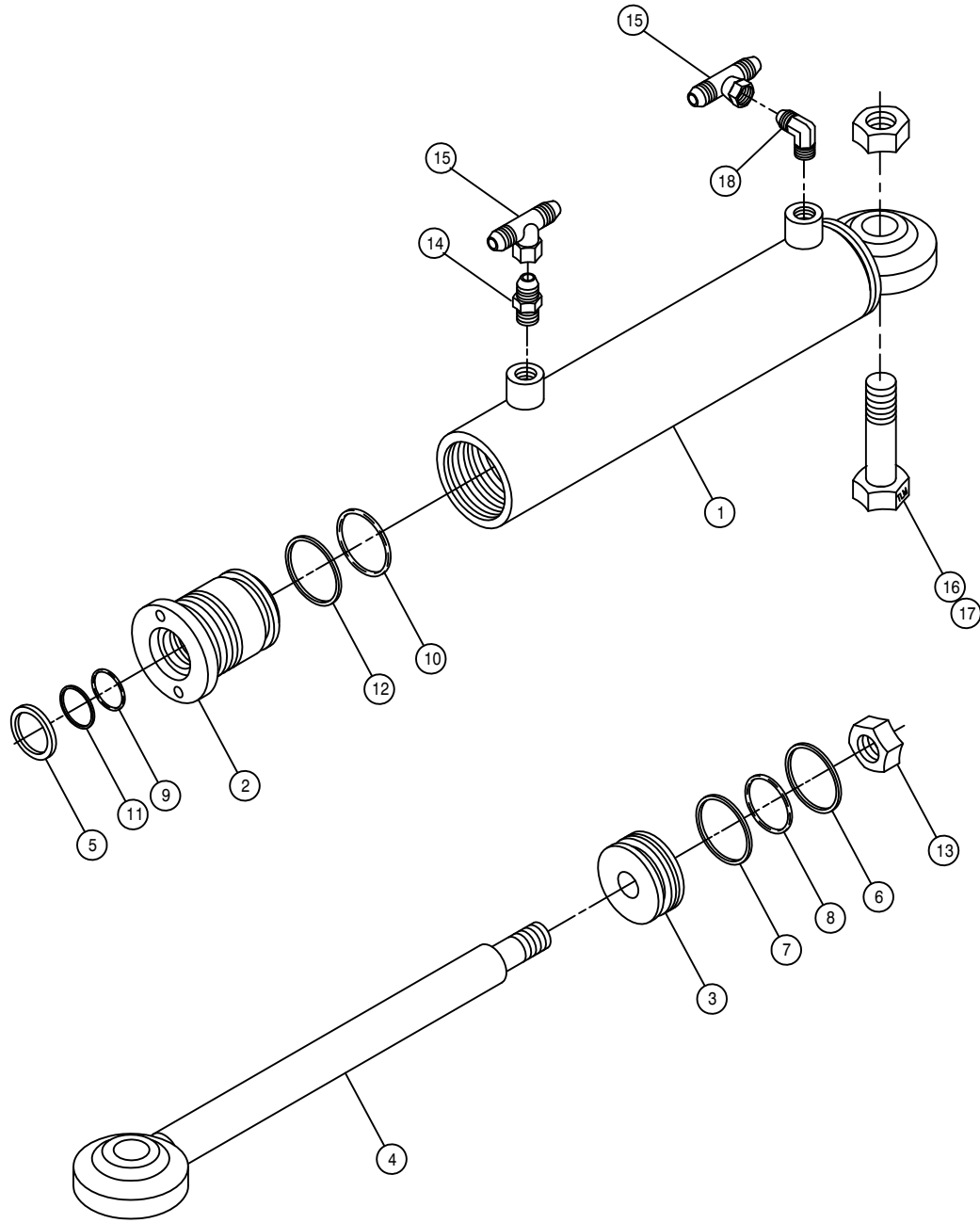
TIRE AND RIM ASSEMBLY

DET.	QTY	PART NO.	DESCRIPTION
1	1	820201	11.2 X 24 TIRE 4P TRA
2	1	820600	REAR RIM WLD 24INCH 470 472
3	1	650985	WHL BOLT TORQ DECAL 203854C
4	1	820015	RIM WLD 24 IN W/.56-90DEG XHD
5	1	820611	TIRE 9.00-24 6PLY RIB IMP I-1



TIE ROD ASSEMBLY

DET.	QTY	PART NO.	DESCRIPTION
1	2	470156	1/4-20 X 3/4 SQHD SET SCR CUP
2	1	629530	1 IN EXTRN SNAP RING X .078
3	2	740426	1-16 UNEF LOC NUT TIE ROD
4	1	749276	STRG PIVOT ARM WLD 280 91
5	2	749278	TIE ROD STIFF ANGLE 280 91
6	1	749257	STRG PIVOT ARM PIN WLD 280 89
7	2	749270	LONG TIE ROD 280 90
8	2	749271	SHORT TIE ROD TUBE WLD 280 90
9	2	749272	LONG TIE ROD TUBE WLD 280 90
10	4	900132	3/8UNC X 1 3/4 HEX BOLT
11	2	121028	JOURNAL BRG FOR 1IN SHFT1.0LG
12	4	900133	3/8UNC X 2 HEX BOLT
13	1	900829	5/8UNC X 4 HEX BOLT GR8
14	1	900810	5/8UNC X 6 HEX BOLT GR8
15	8	914004	3/8UNC HEX STOVER NUT
16	2	914010	5/8UNC HEX STOVER NUT
17	6	920005	5/8 FLAT WASH SAE
18	16	920002	WASH FLAT 3/8 SAE



STEERING CYLINDER ASSEMBLY

DET. QTY PART NO. DESCRIPTION

1	1	620089	STRG CYL TUBE WLD 1.5 X 6. 85
2	1	620109	GLAND HYD CYL 1.5 X .75 1985
3	1	620129	PISTON HYD CYL 1.5 X .5 1985
4	1	620148	STRG CYL SHAFT WLD
5	1	629028	WIPER, 10D X 3/4ID X 1/8
6	1	629616	SEAL, 1704-24 HT20550R POLYHON
7	1	629618	WEAR RING, 1.5" HYD CYL
8	1	870025	BUNA ORING 1 3/16 X 1 5/16
9	1	870210	BUNA ORING 3/4 X 1
10	1	870218	BUNA ORING 1 1/4 X 1 1/2
11	1	890210	BACKUP WASH 3/4 X1 HT2022
12	1	890218	BACKUP WASH1 1/4X1 1/2 HT2022
13	1	914009	1/2UNF HEX STOVER NUT
14	1	611121	9/16MJIC-1/4MNPT ADPTR
15	2	618514	9/16FJ SW BRANCH TEE-9/16MJ
16	1	900336	5/8UNC X 2 1/2 HEX BOLT
17	1	914010	5/8UNC HEX STOVER NUT
18	1	611122	9/16MJIC-90-1/4MNPT LBO

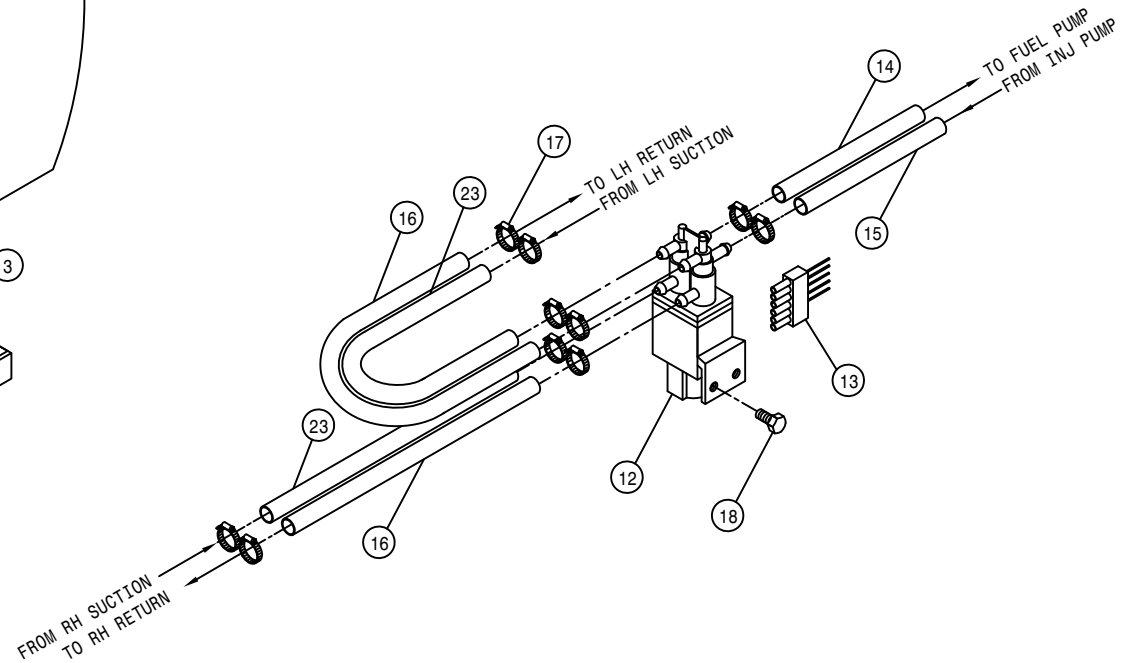
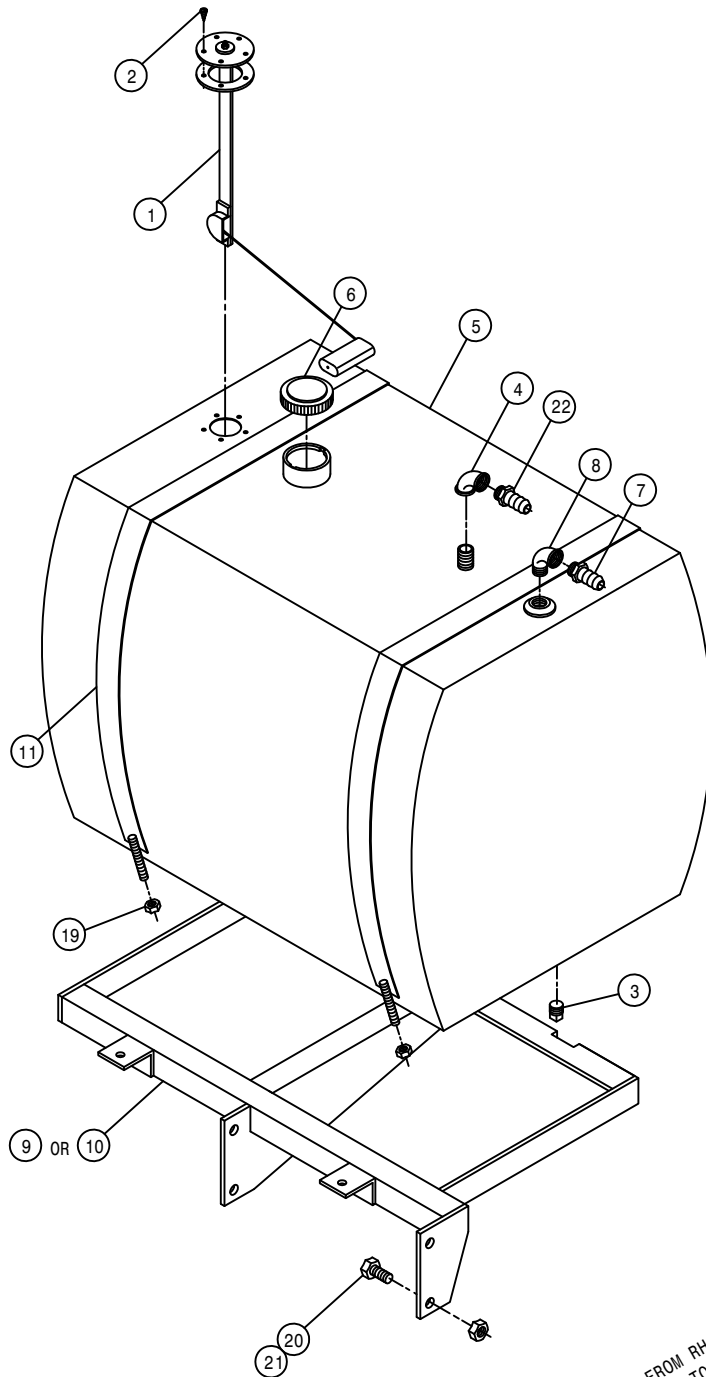
NOTE: 1. RIRHT CYLINDER ASSEMBLY IS SHOWN.
 FOR LEFT CYLINDER ASSEMBLY DELETE DETAIL
 14 AND 15 REPLACE WITH (1) 611122 - 9/16
 MJIC-90-1/4 MNPT ELBOW.

- 2 620080 - CYLINDER ASSEMBLY
- 3. 620998 - SEAL KIT

DIESEL FUEL TANK ASSEMBLY

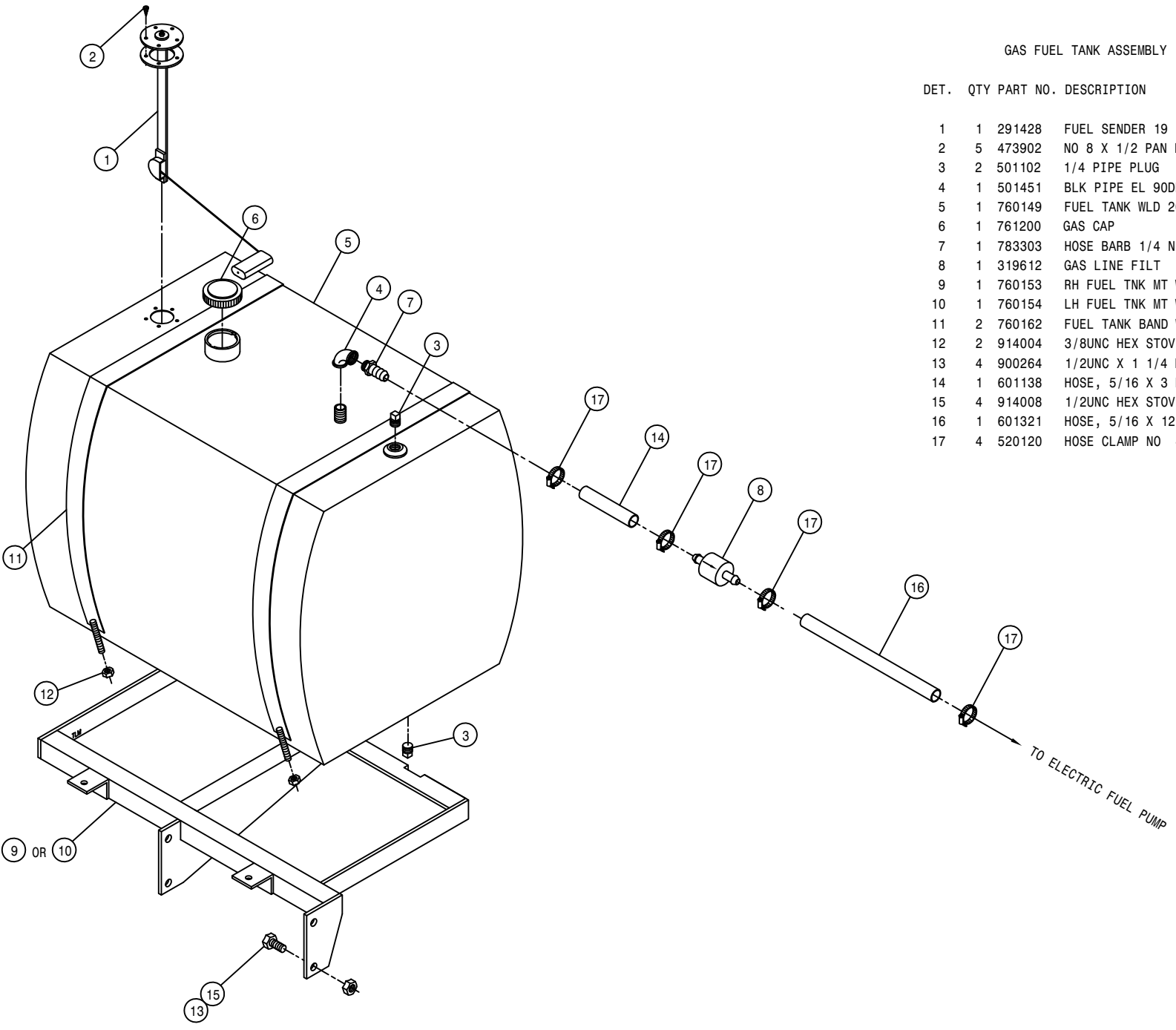
DET. QTY PART NO. DESCRIPTION

1	1	291428	FUEL SENDER 19 IN 470 PINTO
2	5	473902	NO 8 X 1/2 PAN HD MET SC 640
3	1	501102	1/4 PIPE PLUG
4	1	501451	BLK PIPE EL 90DEG .25NPT
5	1	760149	FUEL TANK WLD 200-280 90
6	1	761200	GAS CAP
7	1	783303	HOSE BARB 1/4 NPT X 5/16 HOSE
8	1	501450	BLK PIPE ST EL 90DEG .25NPT
9	1	760153	RH FUEL TNK MT WLD 200-280 90
10	1	760154	LH FUEL TNK MT WLD 200-280 90
11	2	760162	FUEL TANK BAND WLD 200-280 90
12	1	610529	FUEL SELECTOR VALVE W/RETURN
13	1	610530	5 WIRE CONNECTOR FOR 610529
14	1	601142	HOSE, 5/16 X 36 FUEL LINE
15	1	601323	HOSE, 3/8 X 36IN FUEL LINE
16	2	601301	HOSE, 5/16 X 90IN FUEL LINE
17	10	520120	HOSE CLAMP NO 4 PLATED MINI
18	2	900064	5/16UNC X 3/4 HEX BOLT
19	2	914004	3/8UNC HEX STOVER NUT
20	4	900264	1/2UNC X 1 1/4 HEX BOLT
21	4	914008	1/2UNC HEX STOVER NUT
22	1	783304	HOSE BARB 1/4 NPT X 3/8 HOSE
23	2	601324	HOSE, 3/8 X 90IN FUEL LINE

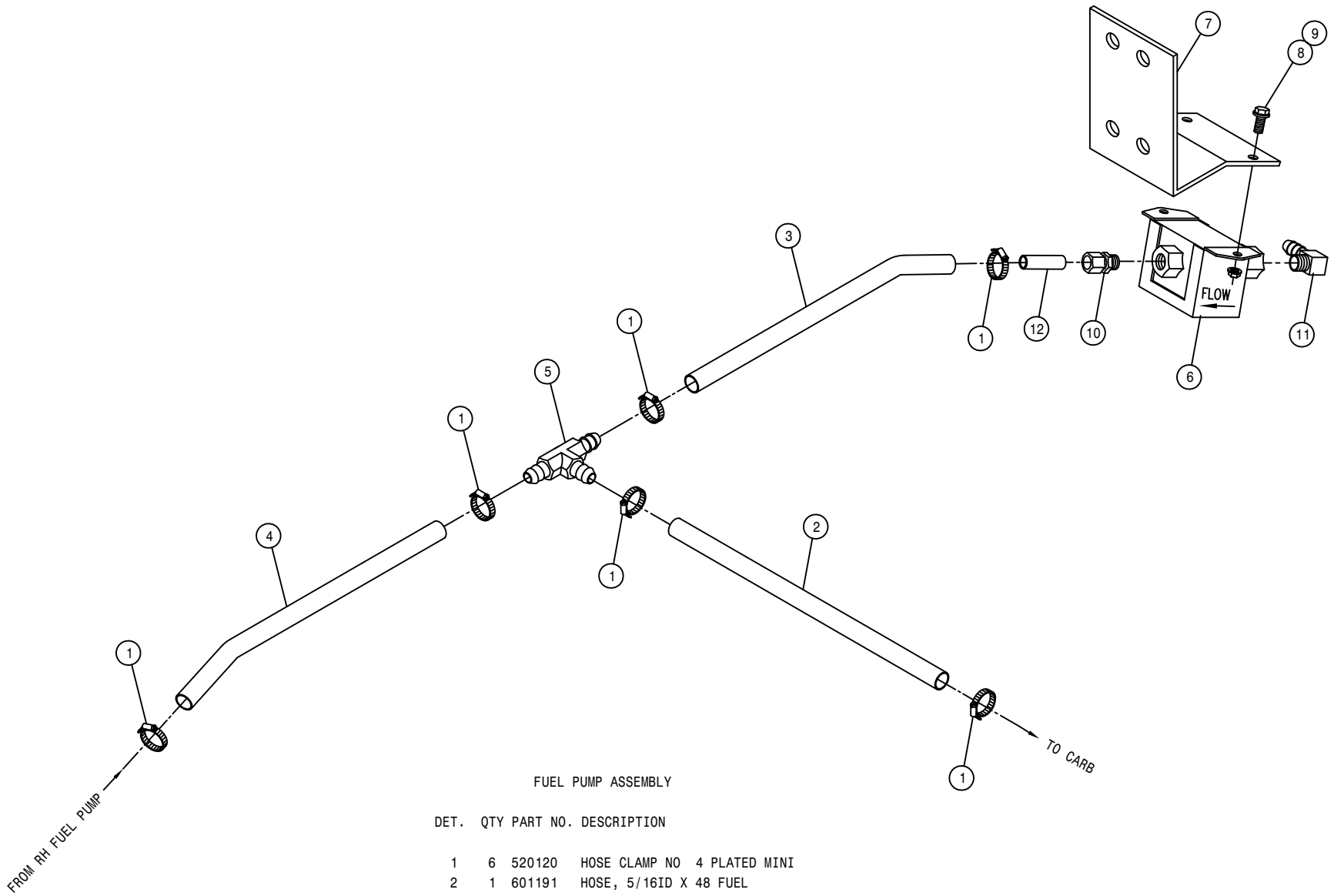


GAS FUEL TANK ASSEMBLY

DET.	QTY	PART NO.	DESCRIPTION
	1	291428	FUEL SENDER 19 IN 470 PINTO
	2	473902	NO 8 X 1/2 PAN HD MET SC 640
	3	501102	1/4 PIPE PLUG
	4	501451	BLK PIPE EL 90DEG .25NPT
	5	760149	FUEL TANK WLD 200-280 90
	6	761200	GAS CAP
	7	783303	HOSE BARB 1/4 NPT X 5/16 HOSE
	8	319612	GAS LINE FILT NAPA3012&FRAM
	9	760153	RH FUEL TNK MT WLD 200-280 90
	10	760154	LH FUEL TNK MT WLD 200-280 90
	11	760162	FUEL TANK BAND WLD 200-280 90
	12	914004	3/8UNC HEX STOVER NUT
	13	900264	1/2UNC X 1 1/4 HEX BOLT
	14	601138	HOSE, 5/16 X 3 FUEL LINE
	15	914008	1/2UNC HEX STOVER NUT
	16	601321	HOSE, 5/16 X 12IN FUEL LINE
	17	520120	HOSE CLAMP NO 4 PLATED MINI



TO ELECTRIC FUEL PUMP



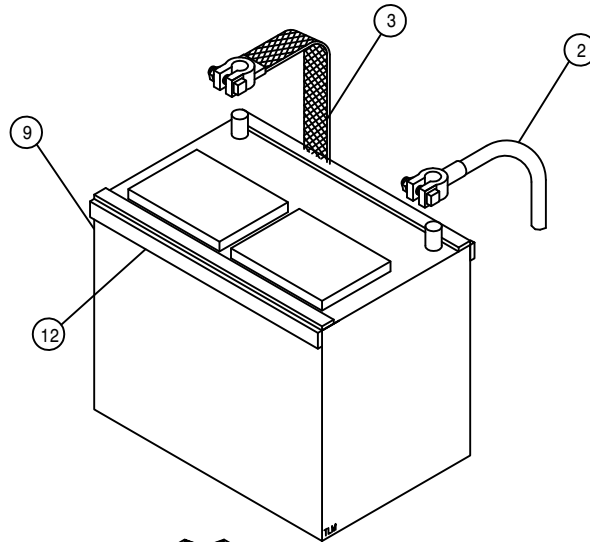
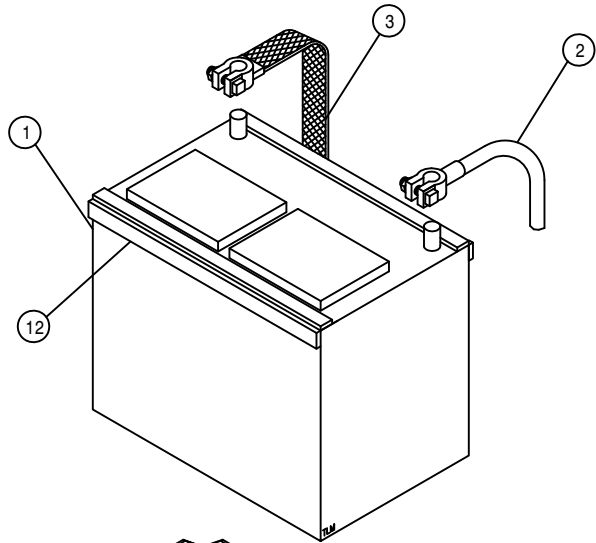
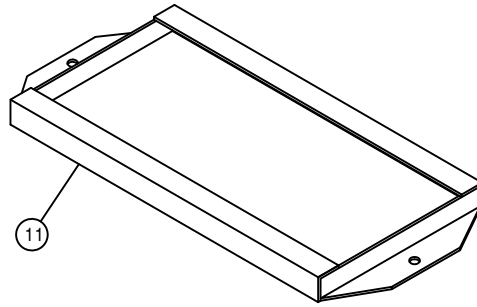
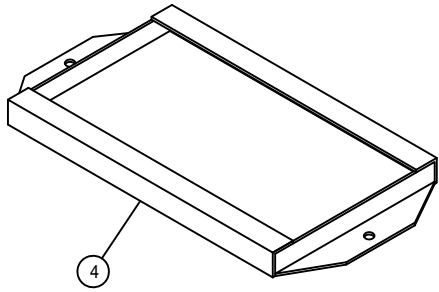
FUEL PUMP ASSEMBLY

DET. QTY PART NO. DESCRIPTION

1	6	520120	HOSE CLAMP NO 4 PLATED MINI
2	1	601191	HOSE, 5/16ID X 48 FUEL
3	1	601215	HOSE, 5/16 X 72 FUEL LINE
4	1	601320	HOSE, 5/16 X 76IN FUEL LINE
5	1	711011	5/16 HOSE BARB TEE, BRASS
6	1	314882	ELECTRONIC FUEL PUMP CHRY 91
7	1	342013	FUEL PUMP MT BRKT 250 92
8	2	470121	1/4 UNC HEX FLANGED LOCK NUT
9	2	470122	1/4UNC X 1/2 FLANGED HEX BOLT
10	1	711012	BALL CHECK CONNECT,1/8NPT BRS
11	1	711010	5/16 HOSE BARB-90-1/8MNPT BRS
12	1	314527	FUEL FILTER HOSE BARB

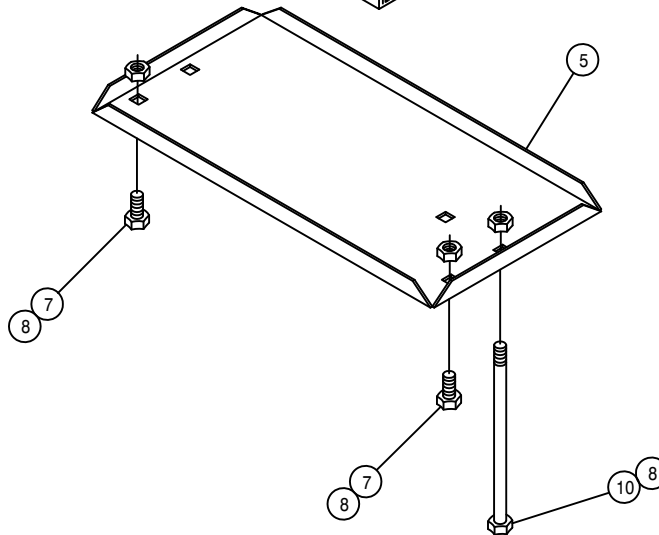
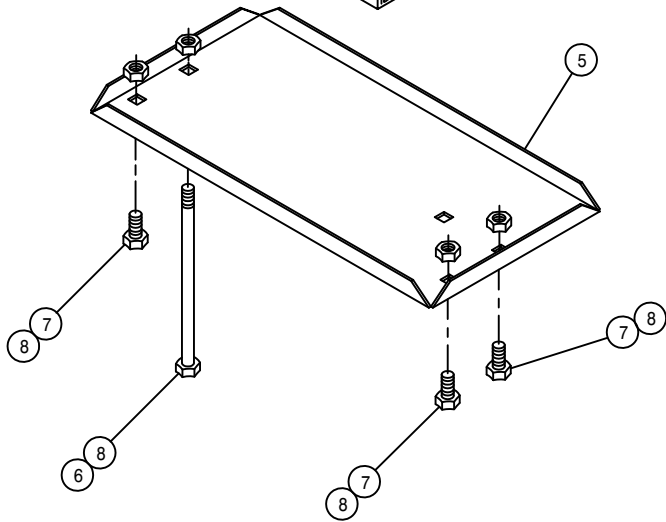
GAS ENGINE OPTION

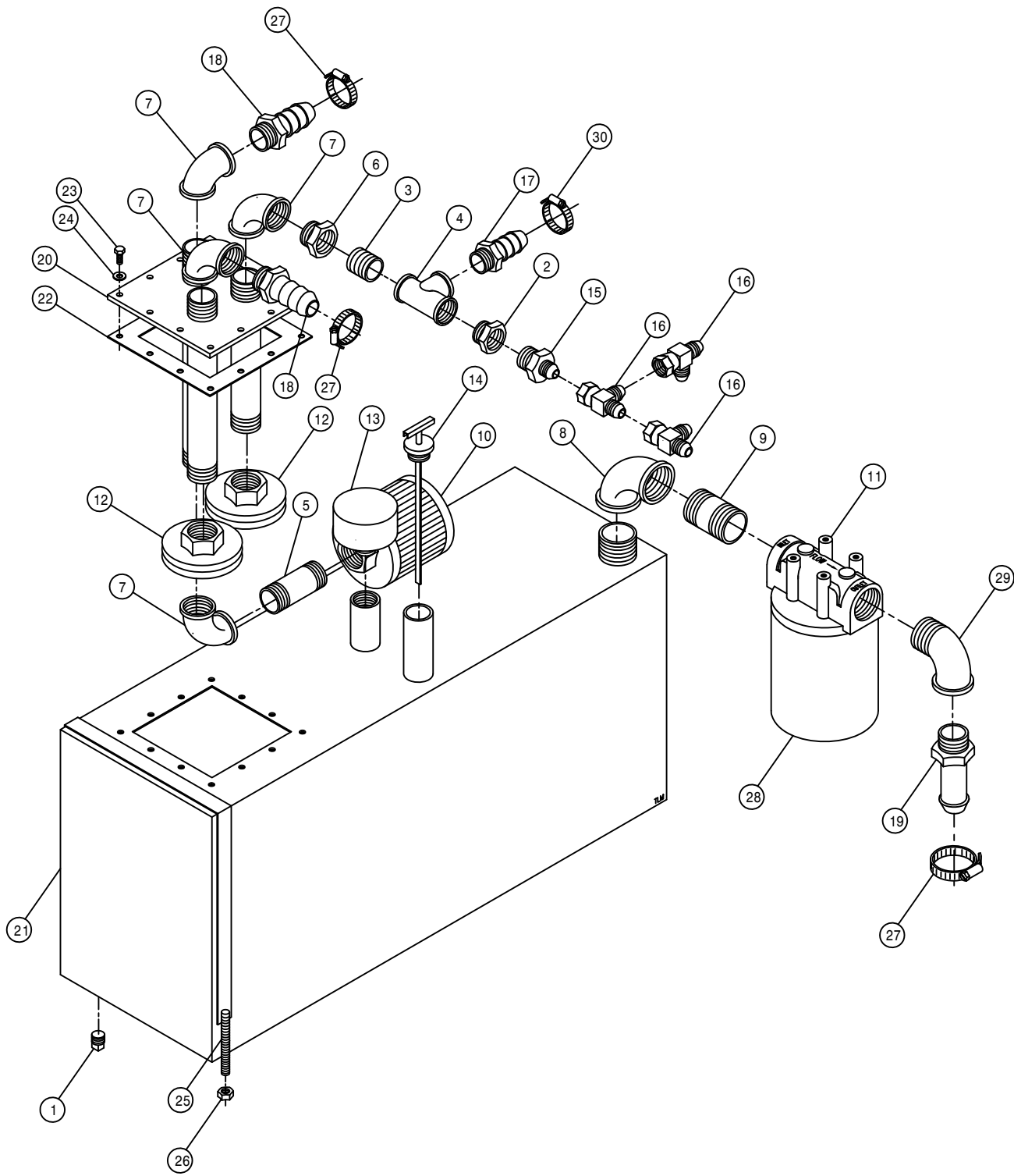
DIESEL ENGINE OPTION



BATTERY BOX ASSEMBLY

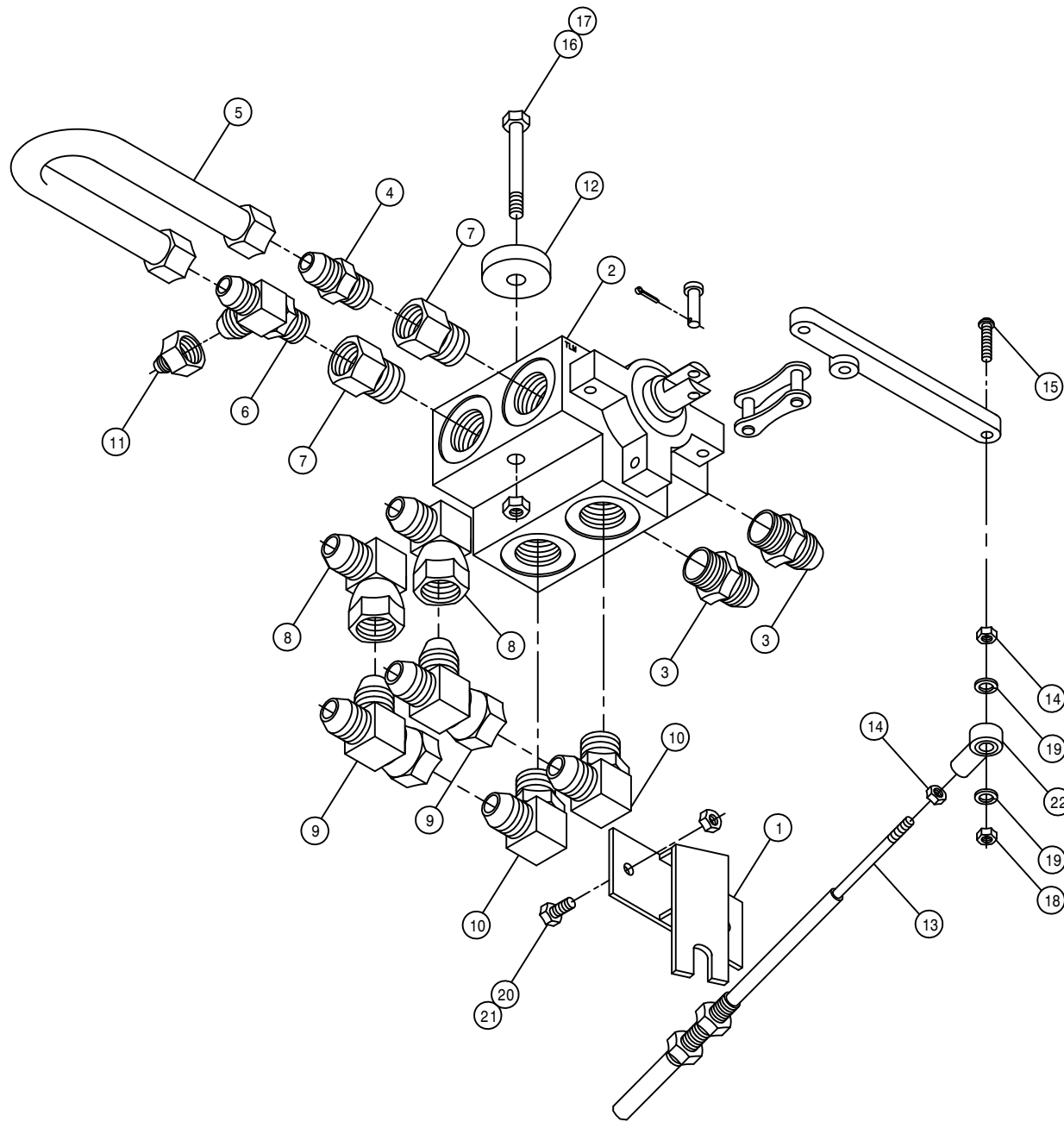
DET.	QTY	PART NO.	DESCRIPTION
1	1	290013	BATT 12V 90AH LT WARRANTY
2	2	291128	BATTERY CABLE 48 IN
3	2	290111	GROUND STRAP
4	1	290212	BATT HOLD DOWN WLD CHRY
5	2	361149	BATTERY BOX 8300-8400 1981
6	2	901149	3/8UNC X 8 1/2 CARR BOLT
7	5	900128	3/8UNC X 3/4 HEX BOLT
8	9	914004	3/8UNC HEX STOVER NUT
9	1	291122	BATTERY,575 AMP 160 RES
10	2	901150	3/8UNC X 9 CARR BOLT
11	1	341322	BATTERY HOLD DOWN WLD 1981
12	8	193022	STICKERTITE 1/4 X 3/4





HYDRAULIC TANK ASSEMBLY

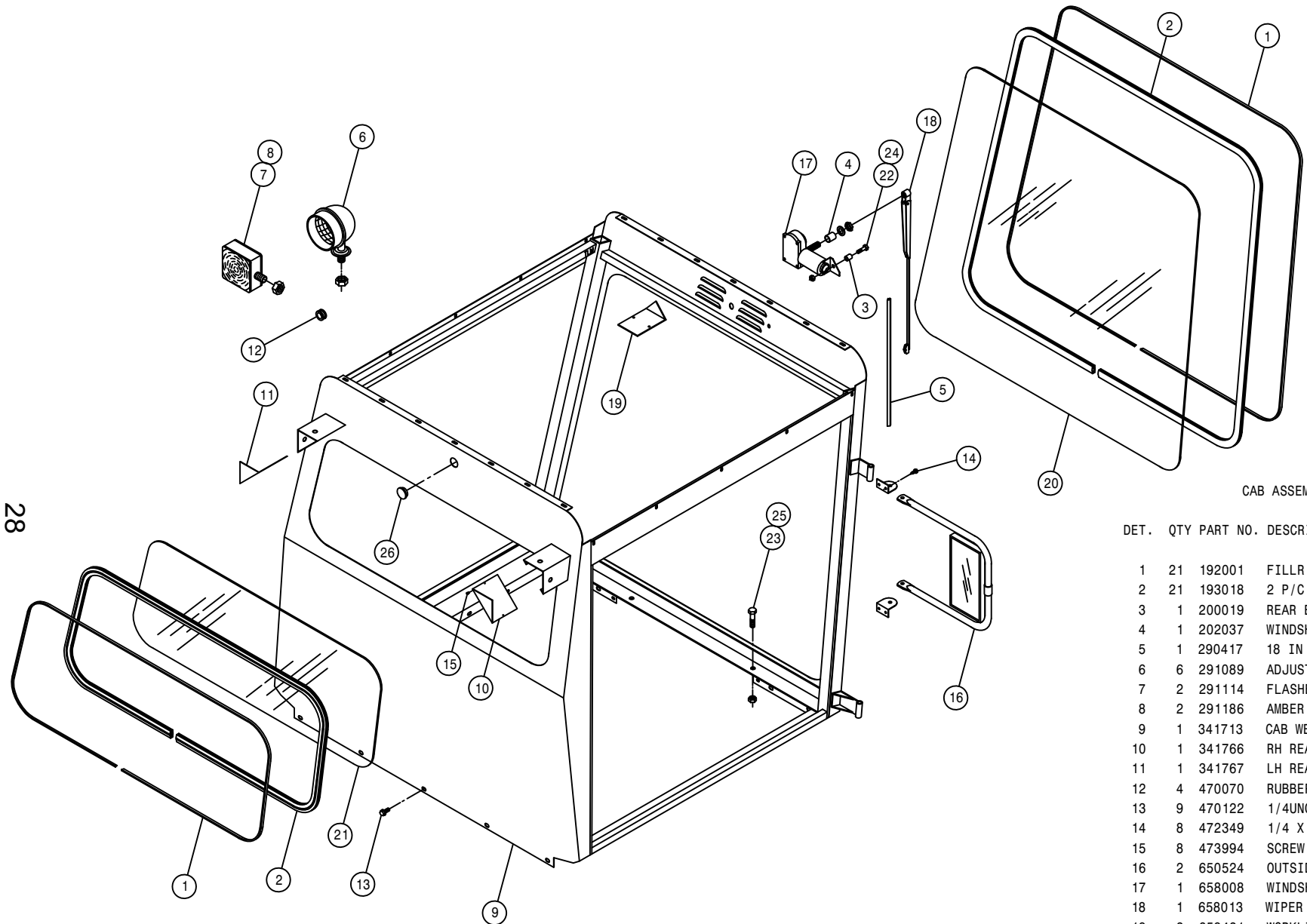
DET.	QTY	PART NO.	DESCRIPTION
1	1	501102	1/4 PIPE PLUG
2	1	504210	RED BUSH 3/4 NPT X 1/2 NPT
3	1	504702	CLOSE NIPPLE .75NPT
4	1	504955	BLK PIPE TEE .75NPT
5	1	505203	BLK PIPE NIPPLE 1.00NPT-4.00
6	1	505213	RED BUSH 1 X 3/4 BLK MAL
7	4	505300	BLK PIPE EL 90DEG 1.00NPT
8	1	506303	BLK PIPE EL 90DEG 1.25NPT
9	1	506602	PIPE NIPPLE 1 1/4NPT-2 1/2
10	1	605600	MICHIGAN RESERVOIR FILTER
11	1	605601	GRESEN FILTER 10 MICRON 40GPM
12	2	605603	LINE SUMP DIFFUSER
13	1	611052	FILLER BREATHER 3/4NPT
14	1	614453	DIPSTICK, 8IN
15	1	618018	9/16MJIC-1/2MNPT ADPTR
16	3	618486	9/16FJIC SW RUN TEE-9/16MJIC
17	1	713220	HOSE BARB 3/4 NPT X 3/4
18	2	714560	1NPT X 1 HOSE BARB
19	1	715664	1 1/4 NPT X 1 HOSE BARB
20	1	760090	RECIEVER PLT WLD 8240
21	1	760097	OIL TANK WLD 8240 1982
22	1	763039	HYD MTR MTG PLT GSKT
23	12	900064	5/16UNC X 3/4 HEX BOLT
24	12	920001	5/16 FLAT WASHER SAE PLT
25	2	341360	OIL TANK STRAP WLD 8240 1982
26	4	914004	3/8UNC HEX STOVER NUT
27	3	520087	HOSE CLAMP NO 20 PLATED
28	1	605602	FILT ELEMENT 10MICRON 40GPM
29	1	506410	BLK PIPE ST EL 90DEG 1.25NPT
30	1	520055	HOSE CLAMP NO 12 PLATED



FOUR-WHEEL DRIVE SELECTOR VALVE ASSEMBLY

DET. QTY PART NO. DESCRIPTION

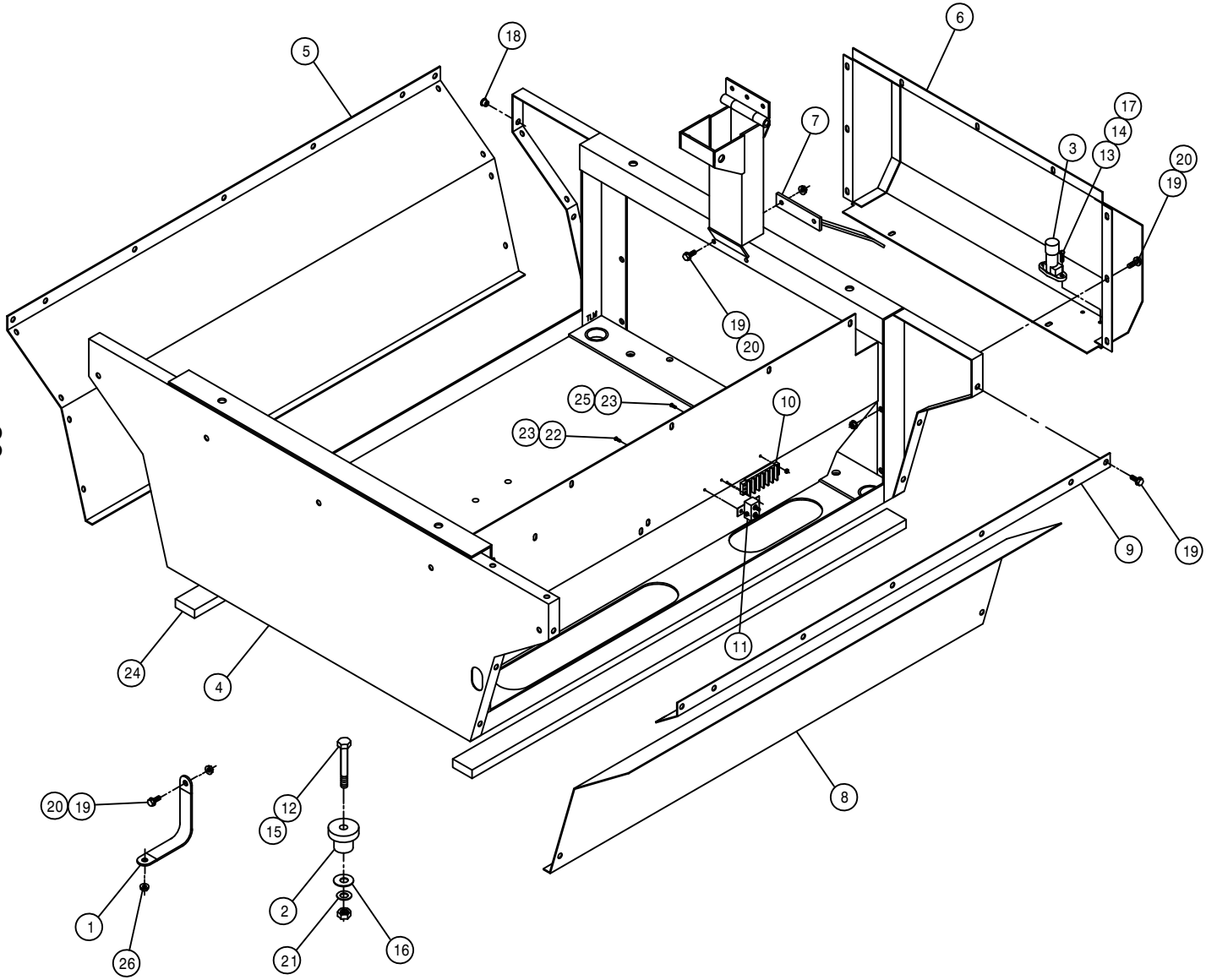
1	1	341861	FWD CABLE MT WLD 280	89
2	1	606003	GRESEN SELECTOR VALVE DS-12	
3	2	611127	1 1/16MJIC-1 1/16MOR ADPTR	
4	1	611126	7/8MJIC-7/8MOR ADPTR	
5	1	614198	FWD VALVE U-TUBE ASSY	
6	1	618130	7/8MOR RUN TEE-7/8MJIC	
7	2	618132	1 1/16MOR-7/8FOR ADPTR	
8	2	618301	7/8MJIC-90-7/8FJIC SWIV LBO	
9	2	618333	7/8FJIC SW RUN TEE-7/8MJIC	
10	2	618535	7/8MJIC-90-1 1/16MOR LBO	
11	1	618557	7/8FJIC-9/16MJIC ADPTR	
12	2	748501	RUBBER WASH .38 X .406 X 1.50	
13	1	785056	CTRL CABLE 10-32 4IN X 58 LG	
14	2	910027	#10-32 HEX NUT	
15	1	903893	10 32 X 1 SLT RD HD MACH SCR	
16	2	900136	3/8UNC X 3 HEX BOLT	
17	2	914004	3/8UNC HEX STOVER NUT	
18	1	914027	#10-32 HEX STOVER NUT	
19	2	920510	LOCK WASH NO 10	
20	2	900002	1/4UNC X 3/4 HEX BOLT	
21	2	914000	1/4UNC HEX STOVER NUT	
22	1	473921	BALL JOINT NO 10-32 THD	



CAB ASSEMBLY

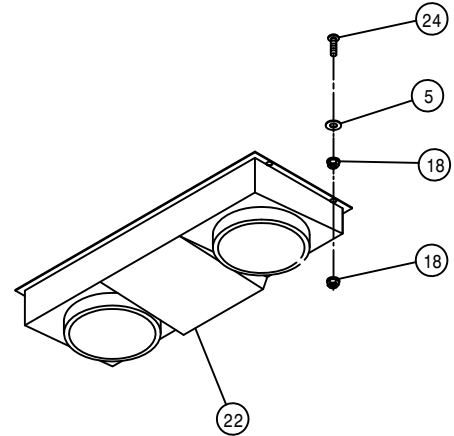
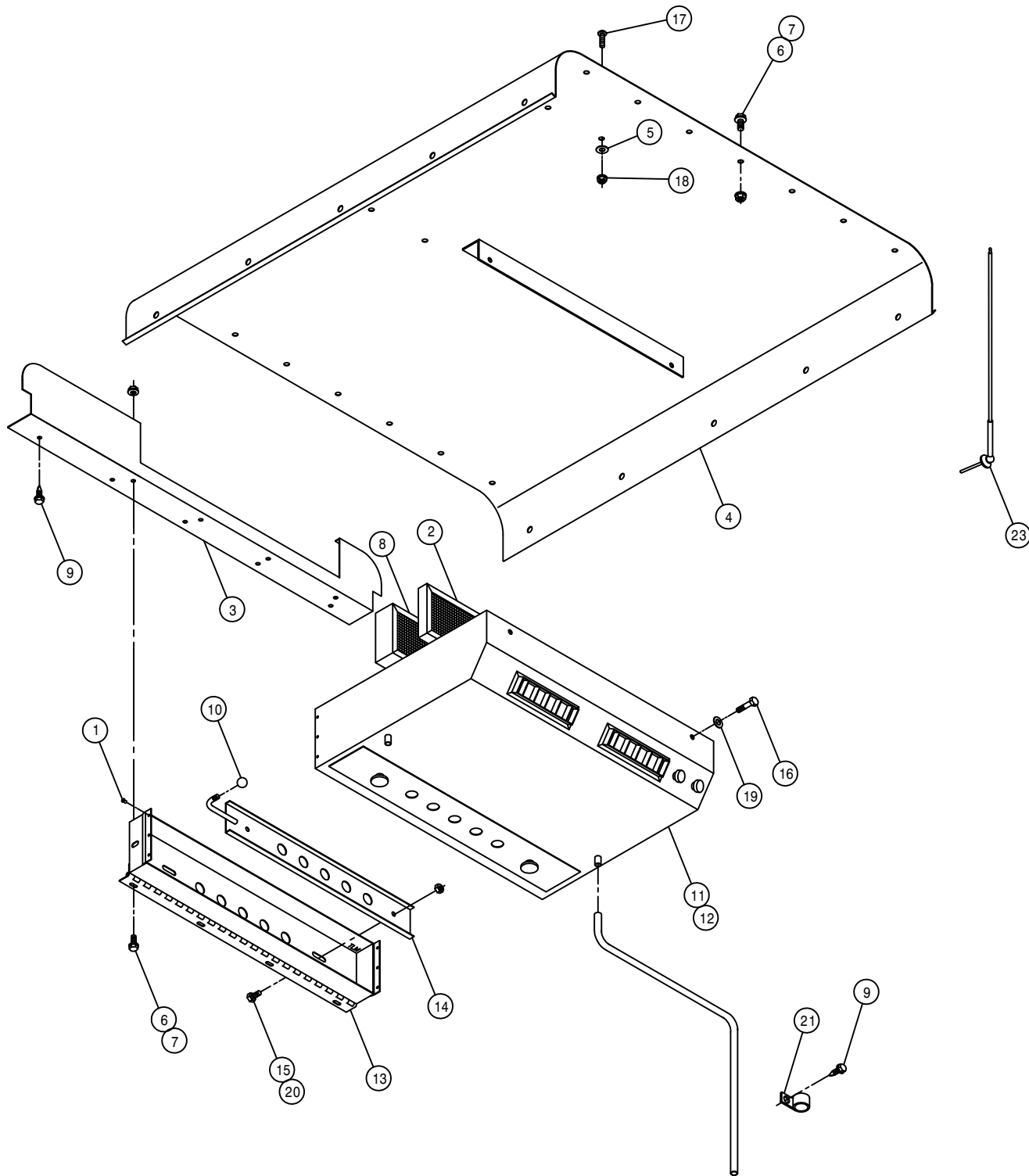
DET. QTY PART NO. DESCRIPTION

DET.	QTY	PART NO.	DESCRIPTION
1	21	192001	FILLR STRIP FOR WEATHERSTRIP
2	21	193018	2 P/C SELF SEAL WEATHERSTRIP
3	1	200019	REAR BOOM SOL VALVE SPACER
4	1	202037	WINDSHIELD WIPER SPACER 640
5	1	290417	18 IN WIPER BLADE TB
6	6	291089	ADJUSTABLE LIGHT W/ GUARD
7	2	291114	FLASHER & SIDE MARKER LIGHT
8	2	291186	AMBER LENS FOR FLASHER 291114
9	1	341713	CAB WELDMNT 280 89
10	1	341766	RH REAR LIGHT BRKT COVER 280
11	1	341767	LH REAR LIGHT BRKT COVER 280
12	4	470070	RUBBER GROMMET 3/8 ID
13	9	470122	1/4UNC X 1/2 FLANGED HEX BOLT
14	8	472349	1/4 X 3/4 20THD-IN TEK TYPE
15	8	473994	SCREW, HH SHT MTL 6/32X 3/8AB
16	2	650524	OUTSIDE REAR VIEW MIRROR TB2
17	1	658008	WINDSHIELD WIPER MTR 640
18	1	658013	WIPER ARM 640
19	2	659421	WORKLIGHT BRKT COVER 8400
20	1	659791	FRONT CAB GLASS 280 89
21	1	659792	REAR CAB GLASS 280 89
22	1	900005	1/4UNC X 1 1/2 HEX BOLT
23	4	900264	1/2UNC X 1 1/4 HEX BOLT
24	1	914000	1/4UNC HEX STOVER NUT
25	4	914008	1/2UNC HEX STOVER NUT
26	1	470206	RUBBER PLUG FOR 1 1/32 HOLE



OPERATOR STATION ASSEMBLY

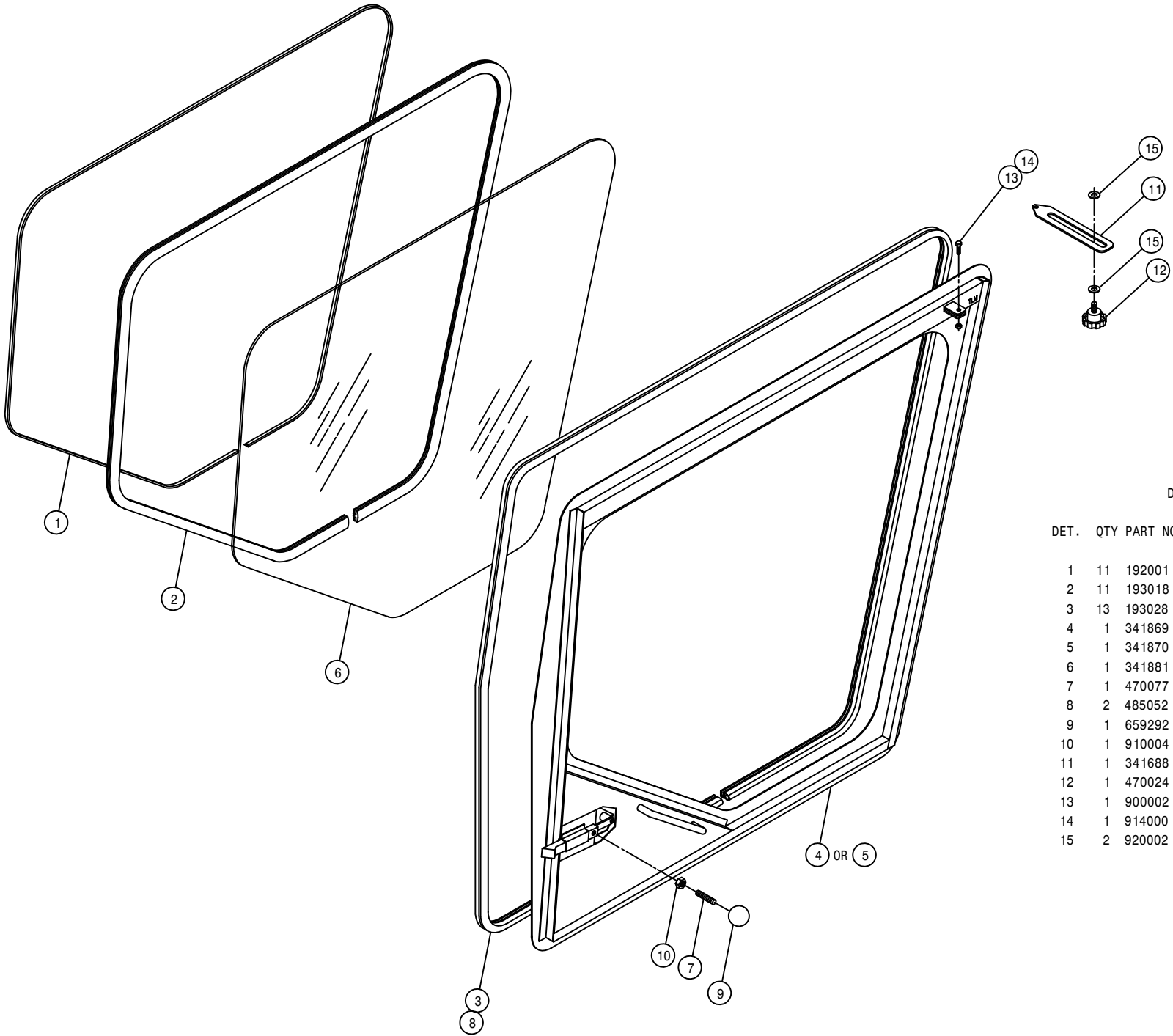
DET.	QTY	PART NO.	DESCRIPTION
1	1	290107	ENG TO GROUND STRAP 8 IN TB2
2	4	311032	ENG IS/LATOR 470 472 1978
3	1	290412	DIMMER SWITCH TB
4	1	341668	OP STN WLD 280 89
5	1	341699	OP STN OUTER PANEL 280 89
6	1	341700	OP STN BOOT WLD 280 89
7	1	341738	STRG POST BRACE WLD 280 89
8	1	341824	RH OP STN LOWER PANEL 200 89
9	1	341825	RH OP STN PANEL KPR WLD 200
10	1	293093	TERMINAL BLOCK 6 POS - 2 ROW
11	1	291197	CIRCUIT BREAKER, 30AMP
12	4	900269	1/2UNC X 2 3/4 HEX BOLT
13	2	903889	10-32 X 3/4 SLT RDHD MACH SCR
14	2	910027	#10-32 HEX NUT
15	4	914008	1/2UNC HEX STOVER NUT
16	4	483037	FLAT WASH 5/8 REGULAR
17	2	920510	LOCK WASH NO 10
18	21	470086	1/4UNC NUTSERT .020-.100MATL
19	39	470118	1/4UNC X 3/4 FLANGED HEX BOLT
20	13	470121	1/4UNC HEX FLANGED LOCK NUT
21	4	483041	1/2 REGULAR FLAT WASH PLT
22	2	903812	6-32 X 1/2 SLT RD HD MACH SCR
23	4	910022	#6-32 HEX NUT
24	2	659579	FOAM, 2IN WIDE X 40IN LONG
25	2	903814	6-32 X 3/4 SLT RD HD MACH SCR
26	1	914004	3/8UNC HEX STOVER NUT



AIR CONDITIONER ASSEMBLY AND ROOF

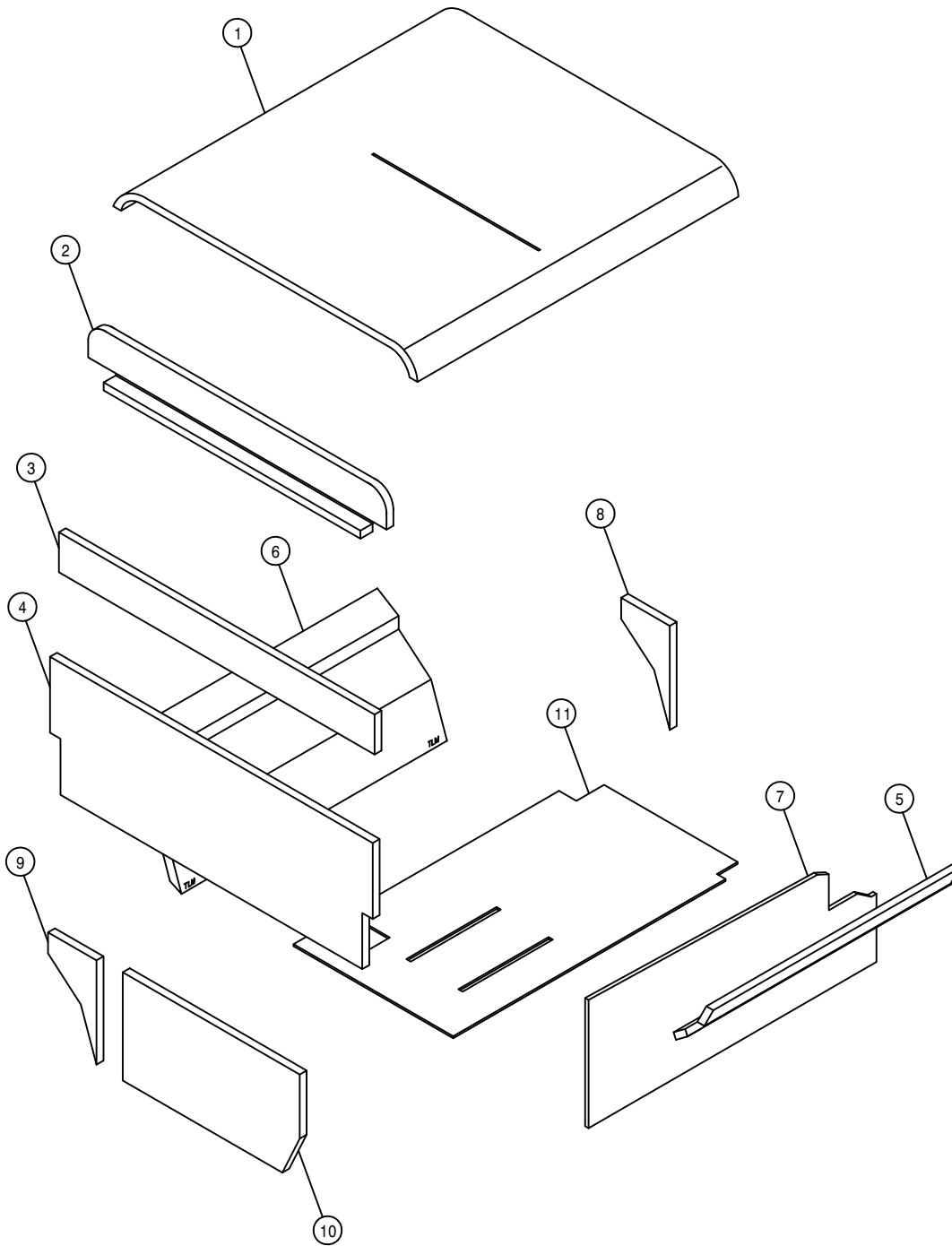
DET. QTY PART NO. DESCRIPTION

1	6	485053	POP RIVET 3/16 X 3/8	
2	1	657339	CHARCOAL FILTER FOR 657333	
3	1	341741	A/C BLOWER HSG MT 280	89
4	1	341768	CAB ROOF WLD 280	89
5	8	470191	RUBBER WASHER 1/4L FLAT	
6	28	470121	1/4UNC HEX FLANGED LOCK NUT	
7	28	470118	1/4UNC X 3/4 FLANGED HEX BOLT	
8	1	657324	FRESH AIR FILTER EAGLE	
9	9	472349	1/4 X 3/4 20THD-IN TEK TYPE	
10	1	659291	1 DIA BALL KNOB 3/8-16INSERT	
11	1	657303	A/C EVAPORATOR INSTALL KIT	
12	1	657333	A/C BLOWER & EVAPORATOR EAGLE	
13	1	659439	A/C BLOWER HSG MT WLD 8400	
14	1	659442	A/C OUTSIDE AIR SLIDE WLD8400	
15	2	900000	1/4UNC X 1/2 HEX BOLT	
16	2	900170	3/8UNC X 2 1/4 HEX BOLT	
17	4	903883	10-32 X 1/2 SLTRD HD MACH SCR	
18	8	470175	#10-32 HEX FLANGED LOCK NUT	
19	2	920002	WASH FLAT 3/8 SAE	
20	2	914000	1/4UNC HEX STOVER NUT	
21	4	520117	CUSH HOSE CLAMP 5/8D X 1/2W	
22	1	291078	AM/FM/CASSETTE RADIO MAJESTIC	
23	1	291080	AM FM RADIO ANTENNA	
24	4	903996	10-32 X 1 1/4 RD HD MACH SCR	



DOOR ASSEMBLY

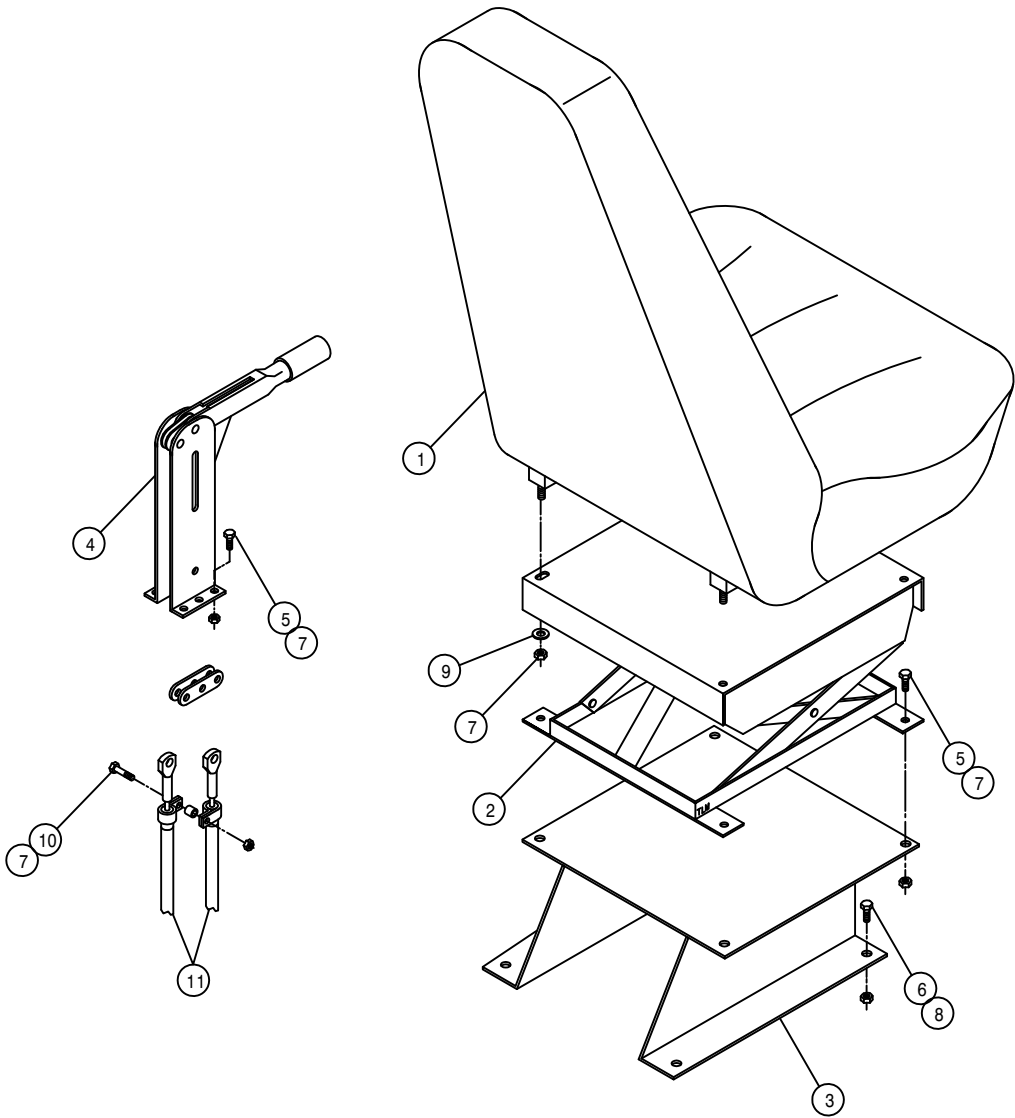
DET.	QTY	PART NO.	DESCRIPTION	
1	11	192001	FILLR STRIP FOR WEATHERSTRIP	
2	11	193018	2 P/C SELF SEAL WEATHERSTRIP	
3	13	193028	SNAPON SEAL ST20A	
4	1	341869	RH CAB DOOR WLD 280	90
5	1	341870	LH CAB DOOR WLD 280	90
6	1	341881	CAB DOOR GLASS 280	90
7	1	470077	3/8 UNC X 1 3/4 STUD GRSUNPLT	
8	2	485052	POP RIVET 1/8 X 3/8	
9	1	659292	1 7/8DIA BALL KNOB 3/8-16	
10	1	910004	NUT,HEX, 3/8UNC GRS PLT	
11	1	341688	DOOR CATCH SLIDE 280	89
12	1	470024	BLK PLASTIC KNOB 3/8UNC	STD
13	1	900002	1/4UNC X 3/4 HEX BOLT	
14	1	914000	1/4 UNC STOVER NUT	
15	2	920002	WASH FLAT 3/8 SAE	



CAB FOAM

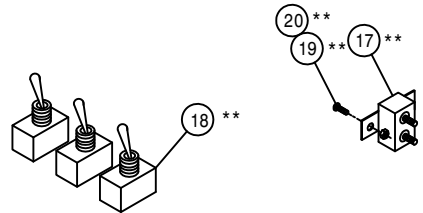
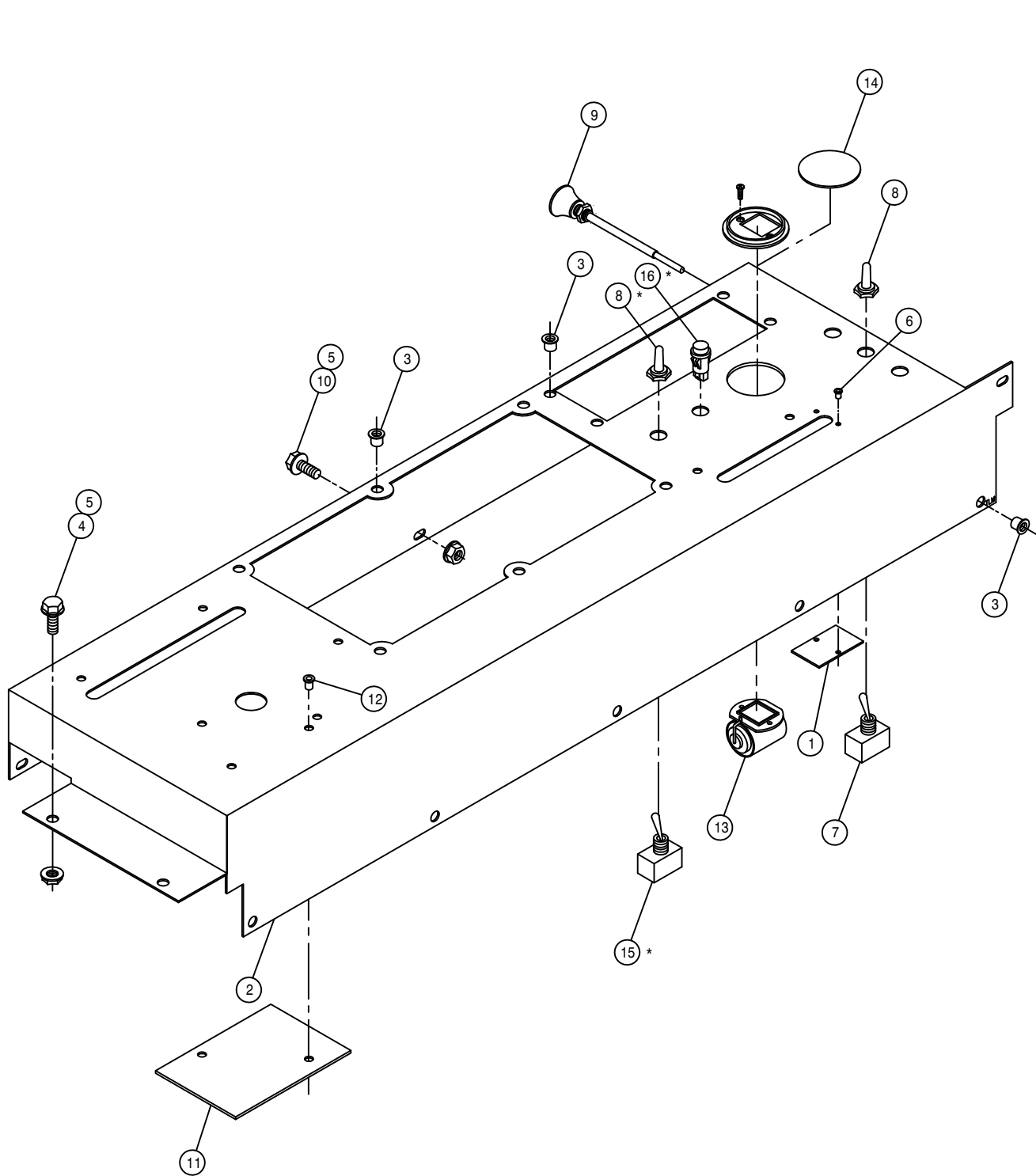
DET. QTY PART NO. DESCRIPTION

1	1	659836	CAB ROOF FOAM 280	89
2	1	659837	UPPER REAR CAB FOAM 280	89
3	1	659838	CNTR REAR CAB FOAM 280	89
4	1	659839	LWR REAR CAB FOAM 280	89
5	1	659840	RH SIDE PANEL FOAM 280	89
6	1	659841	LH SIDE PANEL FOAM 280	89
7	1	659842	CONSOLE SIDE PANEL FOAM280	89
8	1	659843	LWR LH FRT OP STN FOAM 280	89
9	1	659844	LWR LH REAR OP STN FOAM280	89
10	1	659845	REAR OP STN FOAM 280	89
11	1	659846	FLOOR MAT 280	89



SEAT AND BRAKE ASSEMBLY

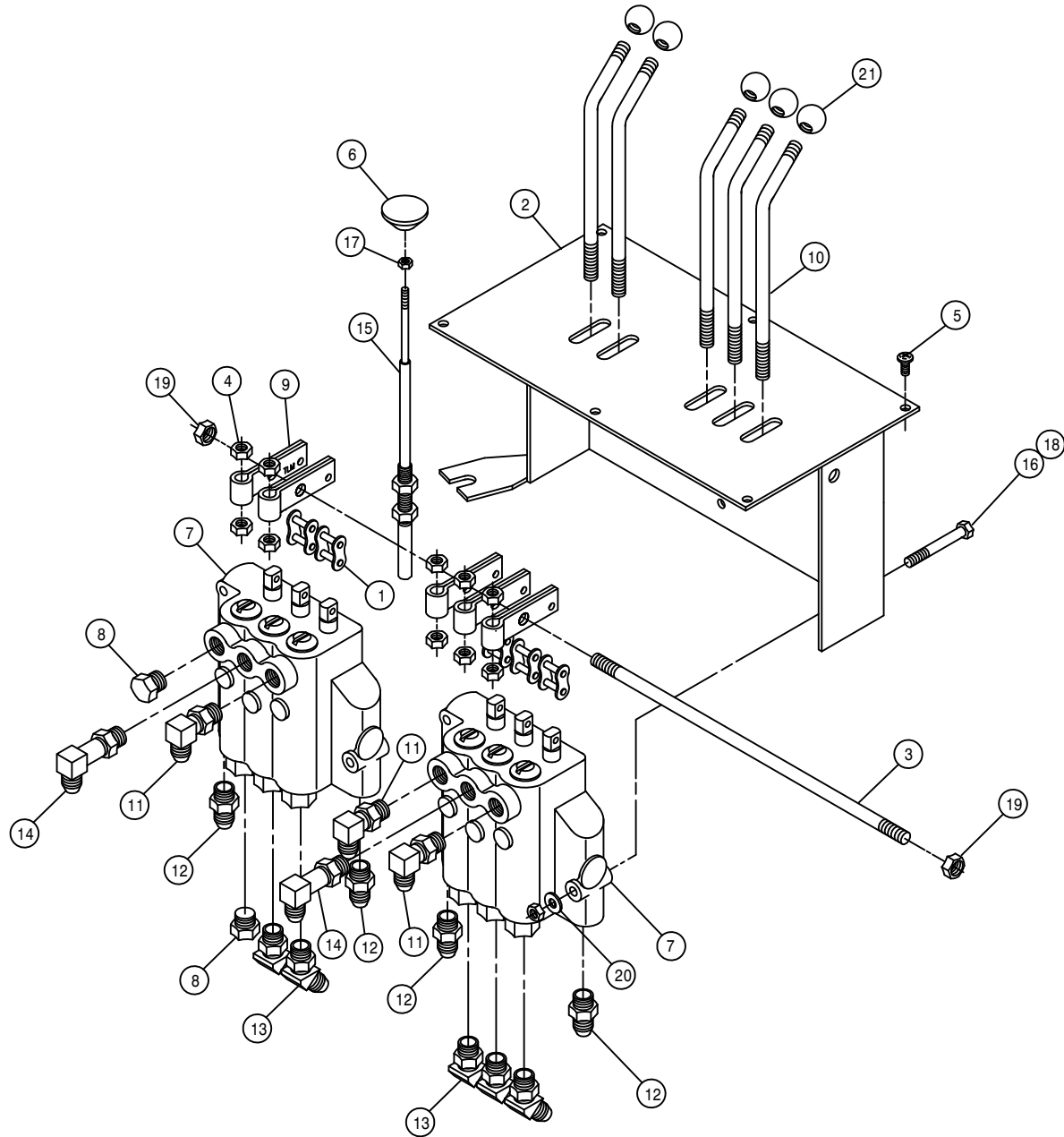
DET.	QTY	PART NO.	DESCRIPTION
	1	330014	TRIMLINE SEAT
	1	330015	SUSPENSION ASSY TRIMLINE SEAT
	1	341554	SEAT MT WLD TRIMLINE SEAT
	1	826108	BRAKE LEVER ASSY TB2
	8	900064	5/16 UNC X 3/4 HEX BOLT
	4	900129	3/8 UNC X1IN HH BOLT
	13	914002	5/16 UNC STOVER NUT
	4	914004	3/8 UNC STOVER NUT
	2	920001	5/16 FLAT WASHER SAE PLT
	1	900067	5/16UNCX1 1/2 HH BOLT
	2	826926	190 IN BRAKE CABLE 470



CONSOLE ASSEMBLY

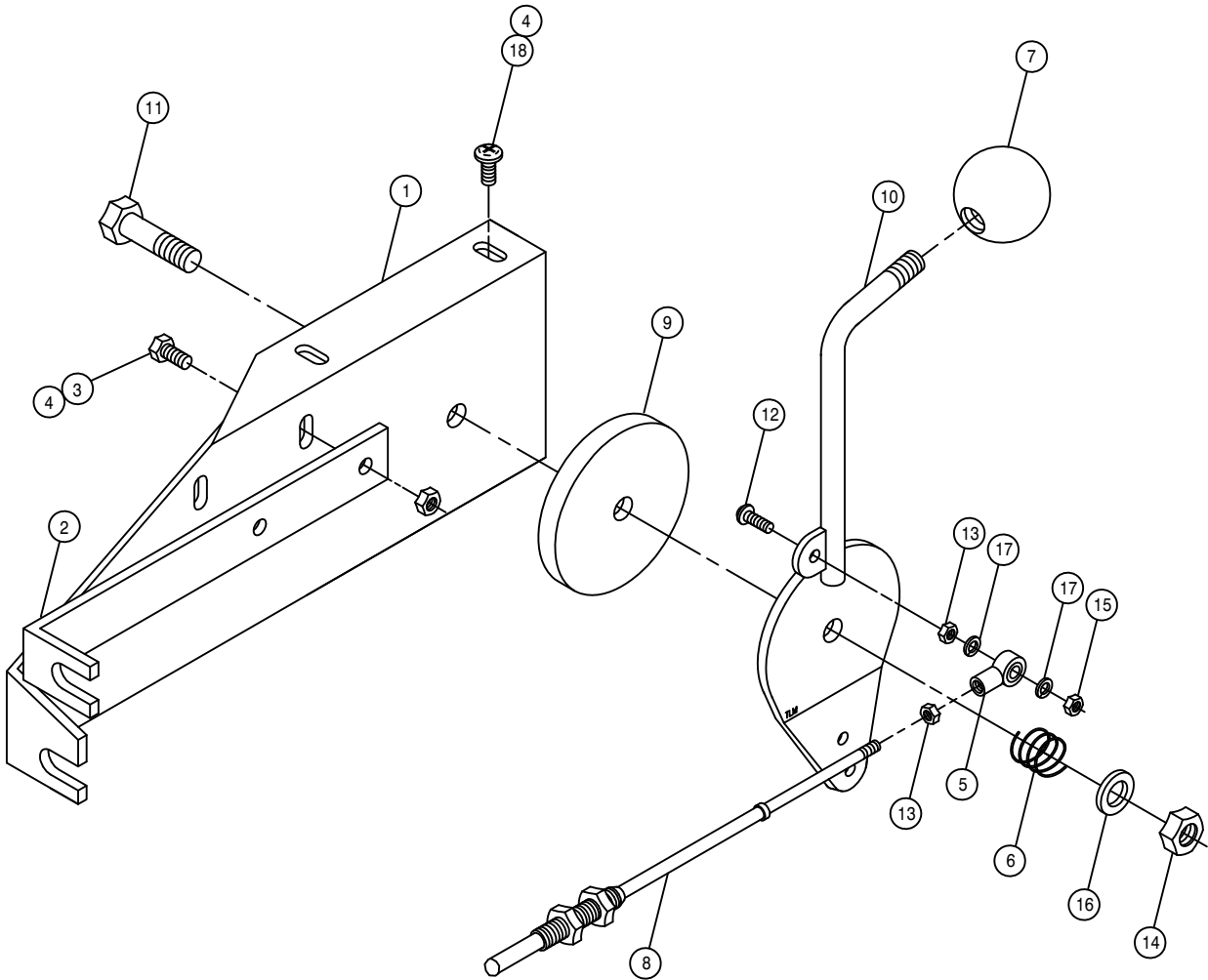
DET.	QTY	PART NO.	DESCRIPTION
1	1	341626	THROTTLE STOP
2	1	341704	CONSOLE WLDMT 280 89
3	15	470086	1/4UNC NUTSERT .020-.100MATL
4	3	470118	1/4UNC X 3/4 FLANGED HEX BOLT
5	7	470121	1/4UNC HEX FLANGED LOCK NUT
6	2	485052	POP RIVET 1/8 X 3/8
7	1	610412	TOGGLE SWITCH FOR FUEL VLV
8	2	470001	RUBBER BOOT W NUT FOR 298012
9	1	780101	CHOKE CONTROL 144 IN TB2
10	4	470122	1/4UNC X 1/2 FLANGED HEX BOLT
11	1	341971	CONSOLE COVER, AGIT VFC
12	2	485053	POP RIVET 3/16 X 3/8
13	1	314901	FILTER MINDER AIR RESTRICT GA
14	1	629728	FINISH PLUG FOR 2.12 HOLE
15	1	298012	TOGGLE SWITCH
16	1	390318	INDICATOR LIGHT RED SNAP-IN
17	1	291197	CIRCUIT BREAKER, 30AMP
18	1	291198	SWITCH, 1POLE 3POSITION
19	2	903883	10-32 X 1/2 SLTRD HD MACH SCR
20	2	910027	#10-32 HEX NUT

NOTE: DETAIL 9,14 ARE USED WITH GAS OPTION.
 DETAIL 13 IS USED WITH DIESEL OPTION.
 DETAIL 11,12 ARE USED WITH JET AGITATION.
 *DETAIL 8,15, AND 16 ARE USED WITH THE TRACTION VALVE OPTION.
 ** DETAIL 17,18,19, AND 20 ARE USED WITH THE HP BEAN 35 GPM PUMP OPTION.



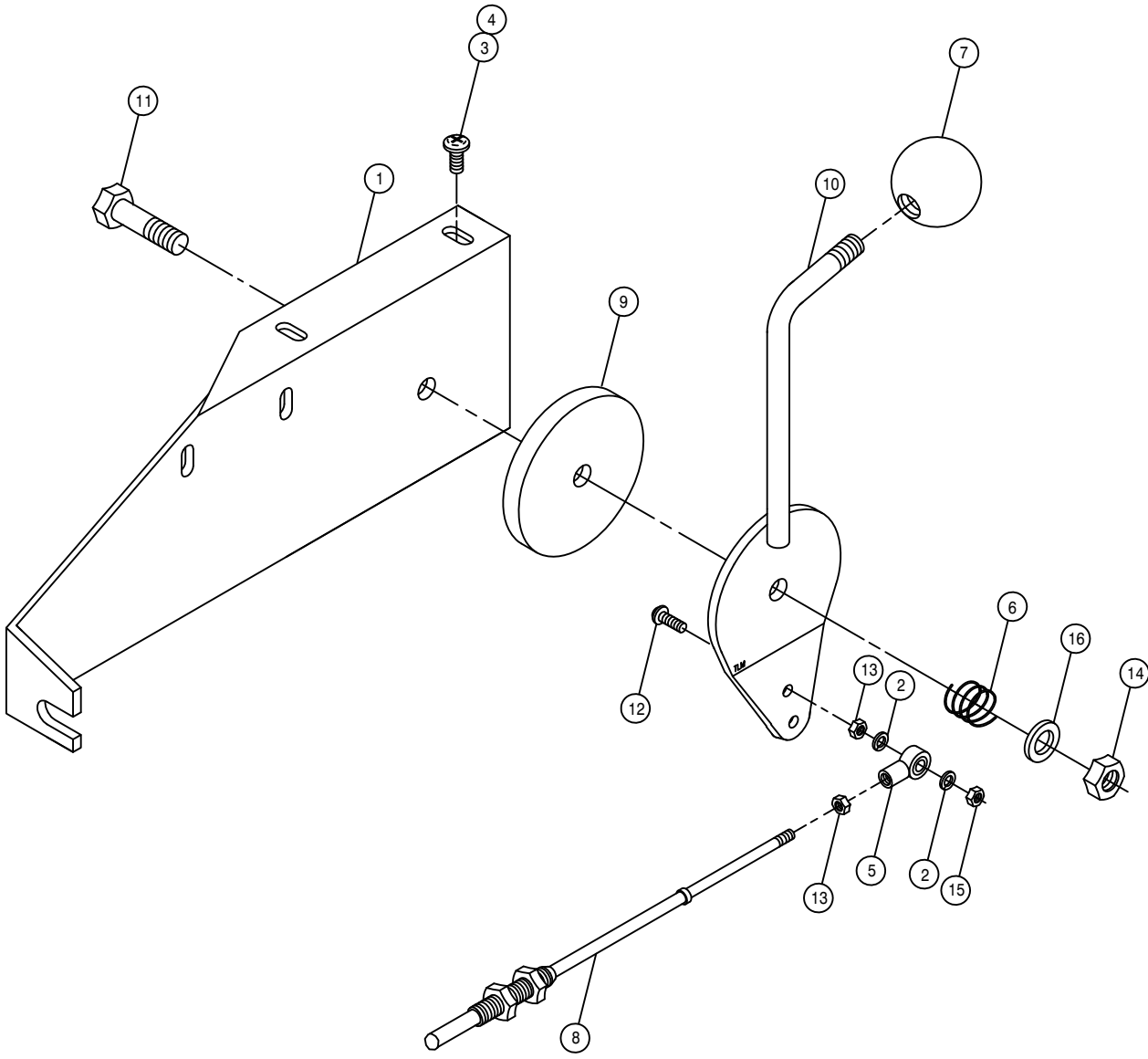
THREE SPOOL VALVE ASSEMBLY

DET.	QTY	PART NO.	DESCRIPTION
1	5	221001	CONN LINK CLIP TYPE RC50
2	1	341706	VLV MT WLD 2-3SPL VLV 280 89
3	1	341710	3SPL VLV LEVER PIVOT ROD 280
4	10	470087	NUT, 3/8UNC WHIZ LOC
5	6	903708	MACH SCR 1/4-20X1/2 PHIL PNHD
6	1	470190	PUSH/PULL KNOB 10-32 1.38 DIA
7	2	606585	CESSNA 3SPL VALVE W/O RELIEF
8	2	610185	9/16MOR PLUG
9	5	615336	LINK, VALVE HANDLE, 2.35PL
10	5	615337	HANDLE, 2-3SPL VALVE, 647
11	3	618119	9/16MJIC-90-9/16MOR LBO
12	4	618126	9/16MJIC-9/16MOR ADPTR
13	5	618425	9/16MJIC-45-9/16MOR LBO
14	2	618440	9/16MJIC-90-9/16MOR EX LG LBO
15	1	785056	CTRL CABLE 10-32 4IN X 58 LG
16	4	900007	1/4 UNC X 2 HEX BOLT GR5 PLT
17	1	910027	HEX NUT NO 10 UNF
18	4	914000	1/4 UNC STOVER NUT
19	2	914004	3/8 UNC STOVER NUT
20	4	920000	1/4 FLAT WASH SAE
21	5	659291	1 DIA BALL KNOB 3/8-16INSERT



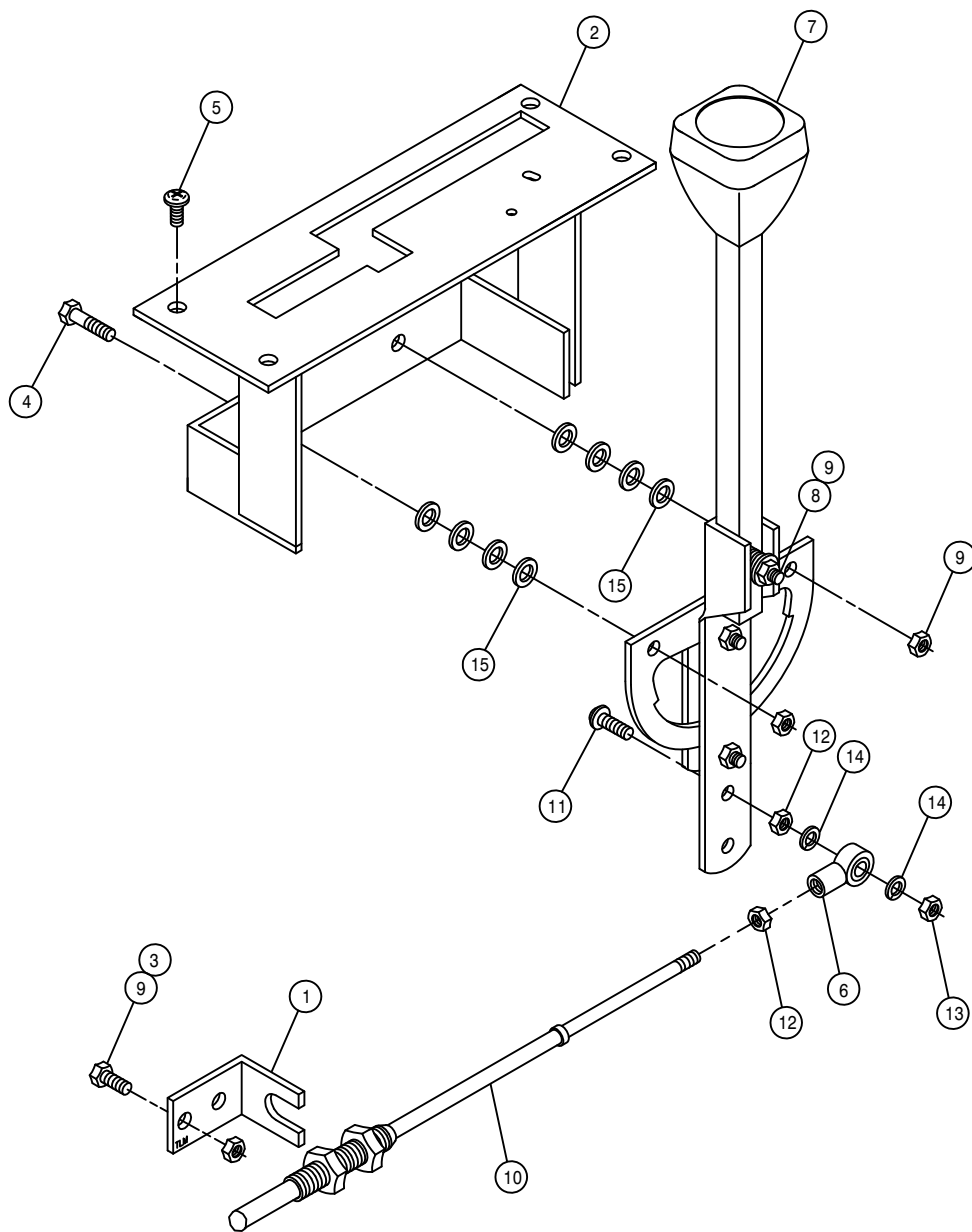
DIESEL THROTTLE LEVER ASSEMBLY

DET.	QTY	PART NO.	DESCRIPTION
	1	341689	THROTTLE LEVER MT 280 89
	2	341690	THROTTLE CABLE MT 280 CUMM 89
	3	470118	1/4UNC X 3/4 FLANGED HEX BOLT
	4	470121	1/4UNC HEX FLANGED LOCK NUT
	5	473921	BALL JOINT NO 10-32 THD
	6	499001	SPRING HYDRO CONTROL
	7	659292	1 7/8DIA BALL KNOB 3/8-16
	8	785062	CTRL CABLE 10-32 4IN X 120 LG
	9	785046	FRICTION DISC 3-333 X .38
	10	785060	THROTTLE LEVER WLD ONAN 85
	11	900170	3/8UNC X 2 1/4 HEX BOLT
	12	903893	10 32 X 1 SLT RD HD MACH SCR
	13	910027	#10-32 HEX NUT
	14	914004	3/8UNC HEX STOVER NUT
	15	914027	#10-32 HEX STOVER NUT
	16	920002	WASH FLAT 3/8 SAE
	17	920510	LOCK WASH NO 10
	18	903711	MACH SCR 1/4-20X3/4 PHIL PNHD



GAS THROTTLE LEVER ASSEMBLY

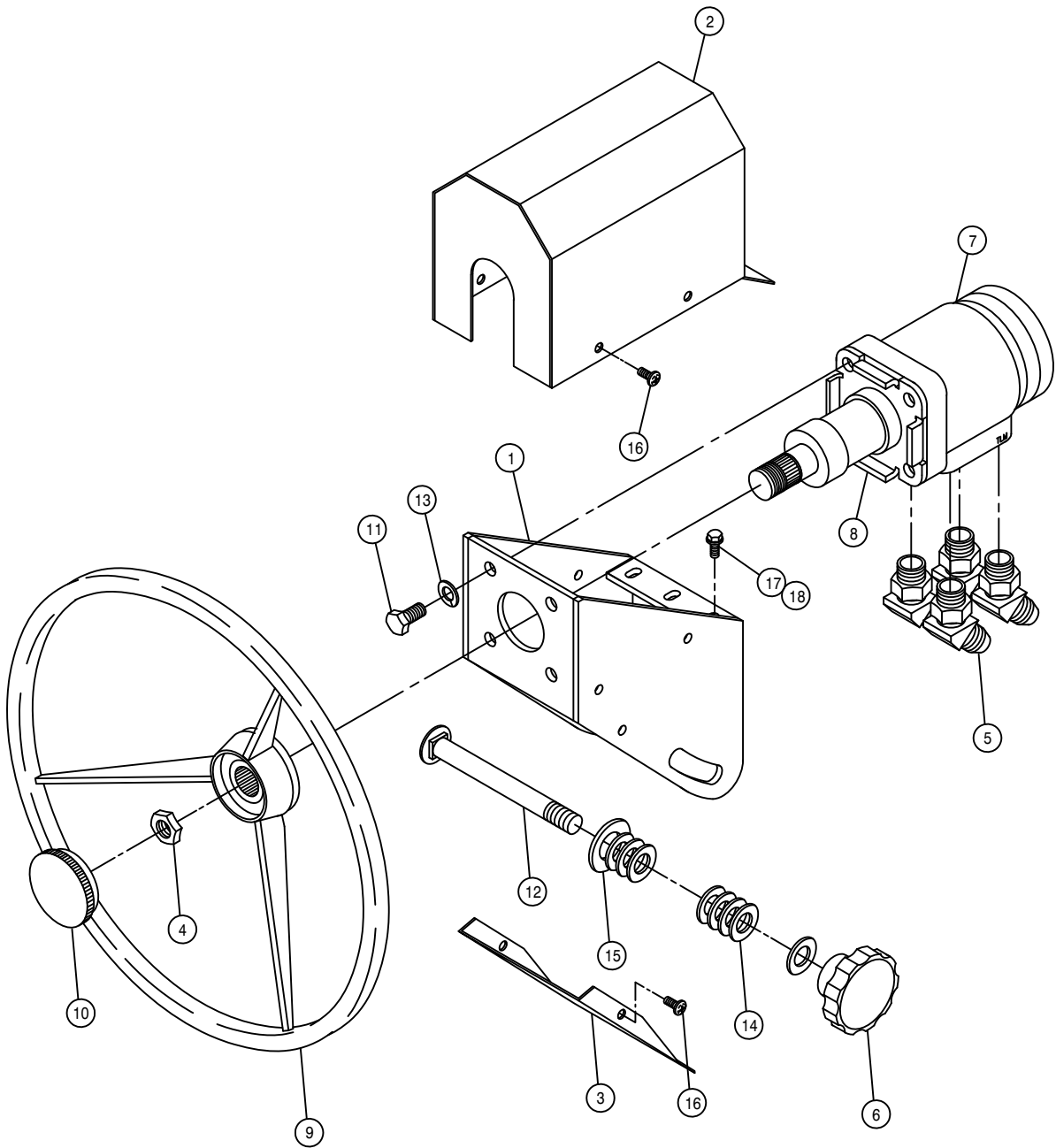
DET.	QTY	PART NO.	DESCRIPTION
	1	341689	THROTTLE LEVER MT 280 89
	2	920510	LOCK WASH NO 10
	2	903711	MACH SCR 1/4-20X3/4 PHIL PNHD
	2	470121	1/4UNC HEX FLANGED LOCK NUT
	1	473921	BALL JOINT NO 10-32 THD
	1	499001	SPRING HYDRO CONTROL
	1	659292	1 7/8DIA BALL KNOB 3/8-16
	1	785003	CTRL CABLE 10-32 4IN X 112 LG
	1	785046	FRICTION DISC 3-333 X .38
	1	785040	THROT LEVER WLD CONSOLE 8400
	1	900170	3/8UNC X 2 1/4 HEX BOLT
	1	903893	10 32 X 1 SLT RD HD MACH SCR
	2	910027	#10-32 HEX NUT
	1	914004	3/8UNC HEX STOVER NUT
	1	914027	#10-32 HEX STOVER NUT
	1	920002	WASH FLAT 3/8 SAE



HYDROSTATIC LEVER ASSEMBLY

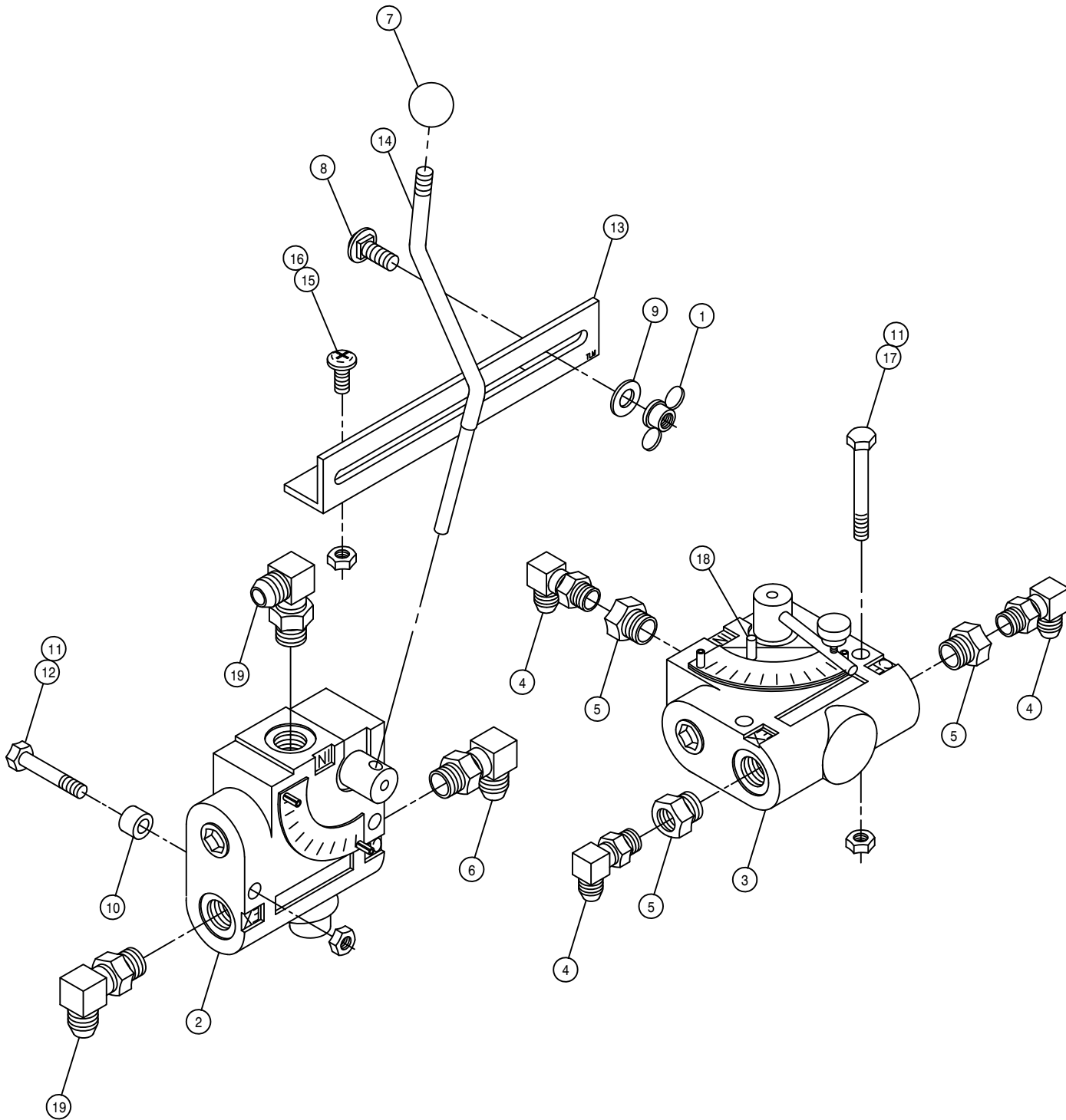
DET. QTY PART NO. DESCRIPTION

1	1	341188	CONSOLE THROT CABLE MT ANGLE
2	1	341501	HYDST CONT LEVER MT WLD 8540
3	2	900000	1/4 UNC X 1/2 HEX BOLT
4	2	900003	1/4 UNC X 1 HEX BOLT
5	4	903708	MACH SCR 1/4-20X1/2 PHIL PNHD
6	1	473921	BALL JOINT NO 10-32 THD
7	1	606864	HYDST CONTROL LEVER MODIFIED
8	1	900005	1/4 UNC X 1 1/2 HEX BOLT
9	5	914000	1/4 UNC STOVER NUT
10	1	785061	CTRL CABLE 10-32 4IN X 100 LG
11	1	903893	10 32 X 1 SLT RD HD MACH SCR
12	2	910027	HEX NUT NO 10 UNF
13	1	914027	NO 10-32 STOVER NUT
14	2	920510	LOCK WASH NO 10
15	8	920000	1/4 FLAT WASH SAE



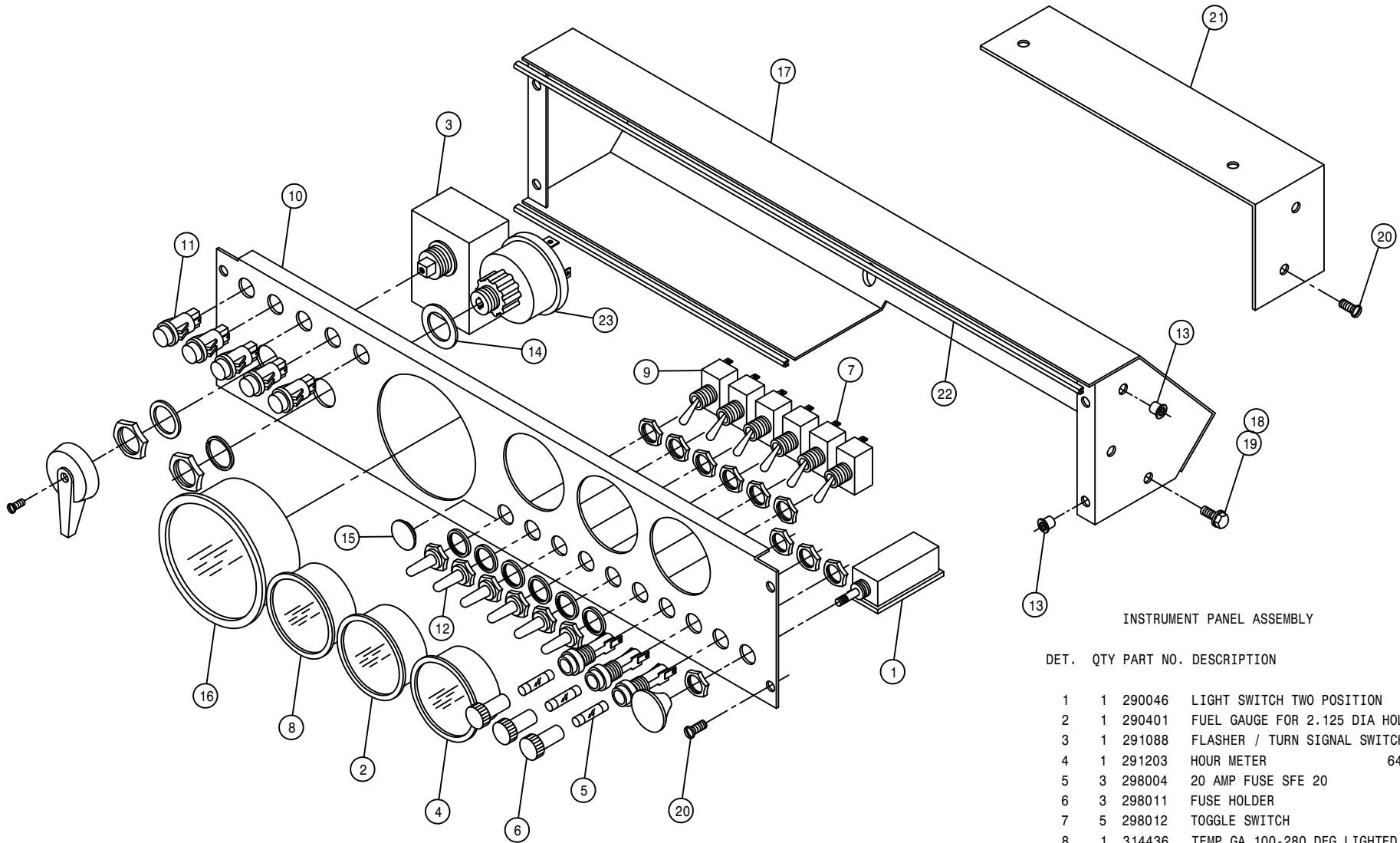
STEERING WHEEL ASSEMBLY

DET.	QTY	PART NO.	DESCRIPTION
	1	341691	STRG MTR PIVOT HSNG WLD 280
	1	341695	STRG MTR COVER WELD 280 89
	1	341705	STRG MTR LWR COVER 280 89
	1	470157	NUT 13/16-20 UNEF FOR 749245
	4	618496	9/16MJIC-45-3/4MOR LBO
	1	742502	STRG ADJ KNOB 440
	1	749150	STRG MTR NON-LOAD REACT 1008
	1	749178	STRG COLUMN 2.5IN LONG
	1	749245	STRG WHL 14.0 DIA W/CAP
	1	749244	STRG WHL CAP FOR 749245
	4	900130	3/8 UNC X 1 1/4 HEX BOLT
	1	901276	1/2 UNCX5 CARR HEAD BOLT
	4	920002	WASH FLAT 3/8 SAE
	8	920004	1/2 FLAT WASHER SAE
	1	920005	5/8 FLAT WASH SAE
	6	903708	MACH SCR 1/4-20X1/2 PHIL PNHD
	3	470118	1/4 UNC X 3/4 FLANGED H BOLT
	3	470121	1/4-20 FLANGED WHIZ NUT



VARIABLE FLOW CONTROL ASSEMBLY

DET.	QTY	PART NO.	DESCRIPTION
	1	473900	5/16UNC WING NUT
	1	606818	FLO CONT FCR51 0-16GPM 7/8FOR
	1	606827	FLO CONT FC51 0-3 VARI 7/8FOR
	3	618119	9/16MJIC-90-9/16MOR LBO
	3	618172	7/8MOR-9/16FOR ADPTR
	1	618183	3/4MJIC-90-7/8MOR LBO
	1	659291	1 DIA BALL KNOB 3/8-16INSERT
	1	901064	5/16UNC X 3/4 CARR BOLT
	1	920002	WASH FLAT 3/8 SAE
	2	310562	.375 SCH 40BP X .50 LG C/L
	4	914000	1/4UNC HEX STOVER NUT
	2	900009	1/4UNC X 2 3/4 HEX BOLT
	1	341711	VFC STOP BRKT 280 89
	1	341712	SOLU PUMP VFC LEVER 280 89
	2	903711	MACH SCR 1/4-20X3/4 PHIL PNHD
	2	470121	1/4UNC HEX FLANGED LOCK NUT
	2	900023	1/4UNC X 2 1/4 HEX BOLT
	1	341939	AGIT VFC STOP WLD 280 91
	2	611128	7/8MJIC-90-7/8MOR LBO

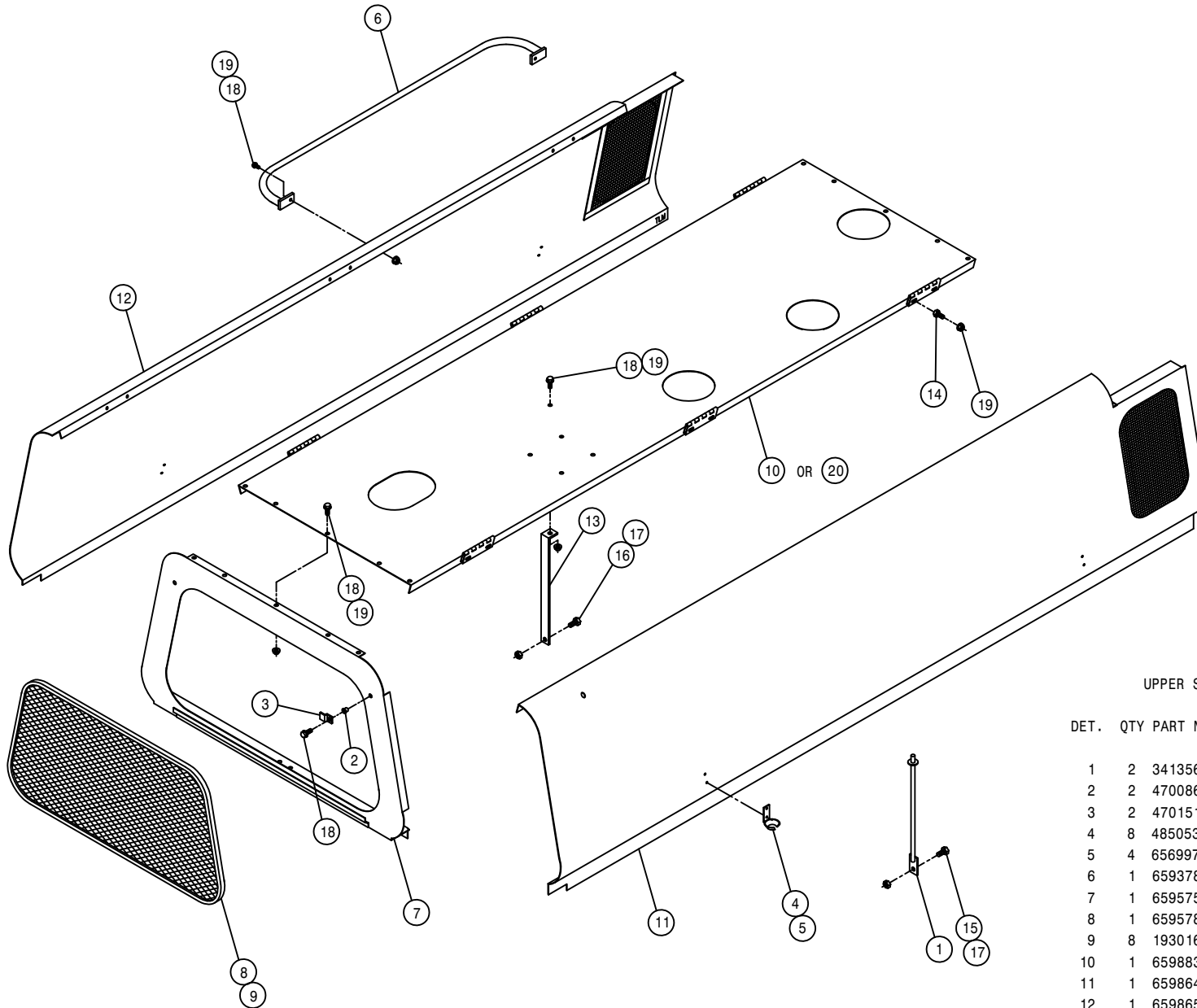


INSTRUMENT PANEL ASSEMBLY

DET. QTY PART NO. DESCRIPTION

DET.	QTY	PART NO.	DESCRIPTION
1	1	290046	LIGHT SWITCH TWO POSITION
2	1	290401	FUEL GAUGE FOR 2.125 DIA HOLE
3	1	291088	FLASHER / TURN SIGNAL SWITCH
4	1	291203	HOUR METER 640
5	3	298004	20 AMP FUSE SFE 20
6	3	298011	FUSE HOLDER
7	5	298012	TOGGLE SWITCH
8	1	314436	TEMP GA 100-280 DEG LIGHTED
9	1	291204	TOGGLE SWITCH 2 P.D.T.
10	1	341746	INSTRUMENT PANEL 280 89
11	5	390318	INDICATOR LIGHT RED SNAP-IN
12	5	470001	RUBBER BOOT W NUT FOR 298012
13	6	470165	#10-32 NUTSERT .020-.100 MATL
14	1	483031	MACH WASH 7/8 ID 1 3/8 OD
15	1	658174	BUMPER PLUG FOR 640 CAB
16	1	674000	MOTOROLA SPEEDOMETER
17	1	341742	INSTRUMENT PANEL HSNG WLD 280
18	1	470118	1/4UNC X 3/4 FLANGED HEX BOLT
19	1	470121	1/4UNC HEX FLANGED LOCK NUT
20	6	903883	10-32 X 1/2 SLTRD HD MACH SCR
21	1	341822	RAVEN CONSOLE MOUNT 250/280
22	2	193011	EDGE GUARD, BLK
23	1	321020	IGN SWITCH 5POLE 470 640 TB2

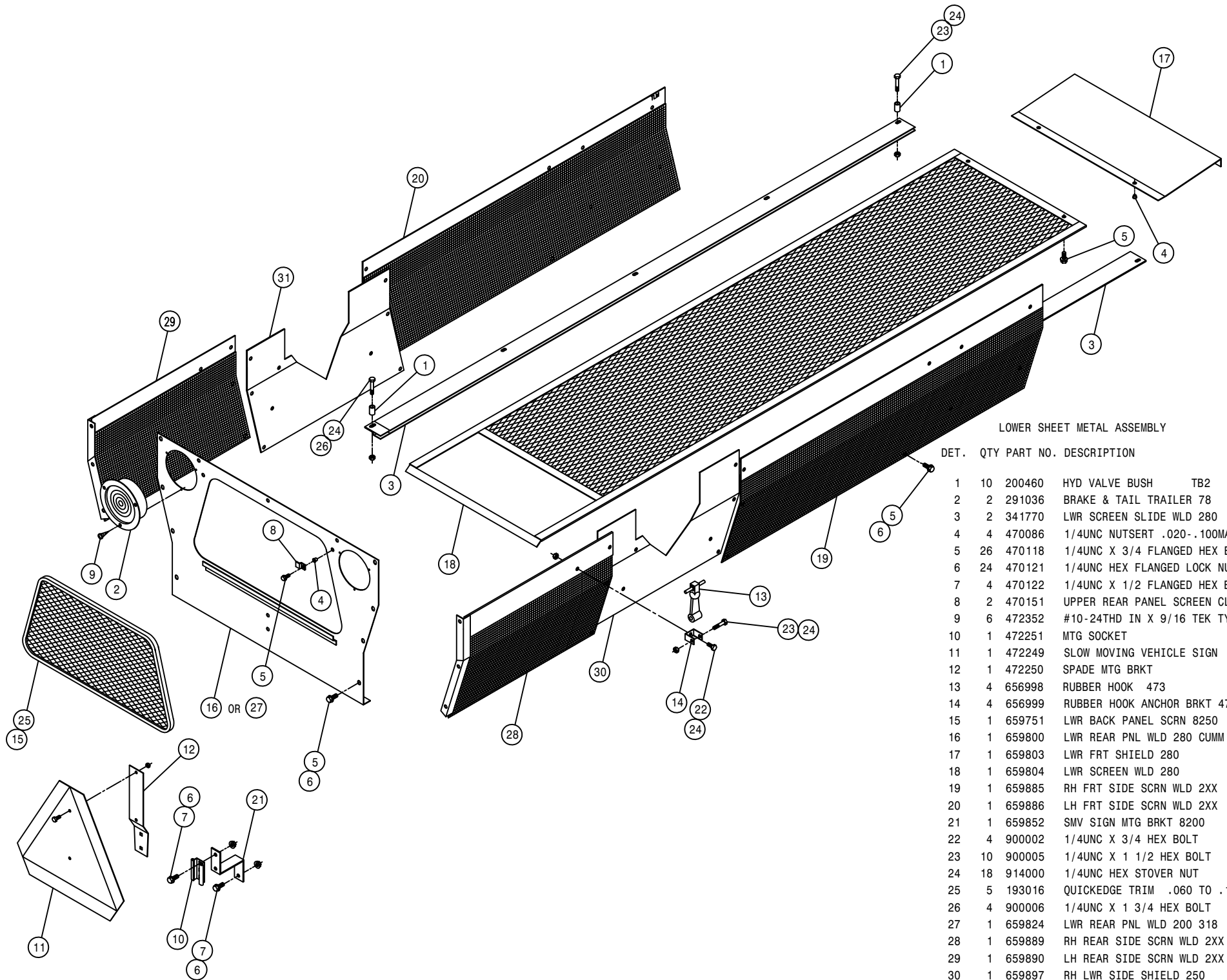
NOTE: 1. DETAIL 15 IS USED WITH THE DIESEL OPTION.
 2. DETAIL 9 IS USED WITH THE GAS OPTION.



UPPER SHEET METAL ASSEMBLY

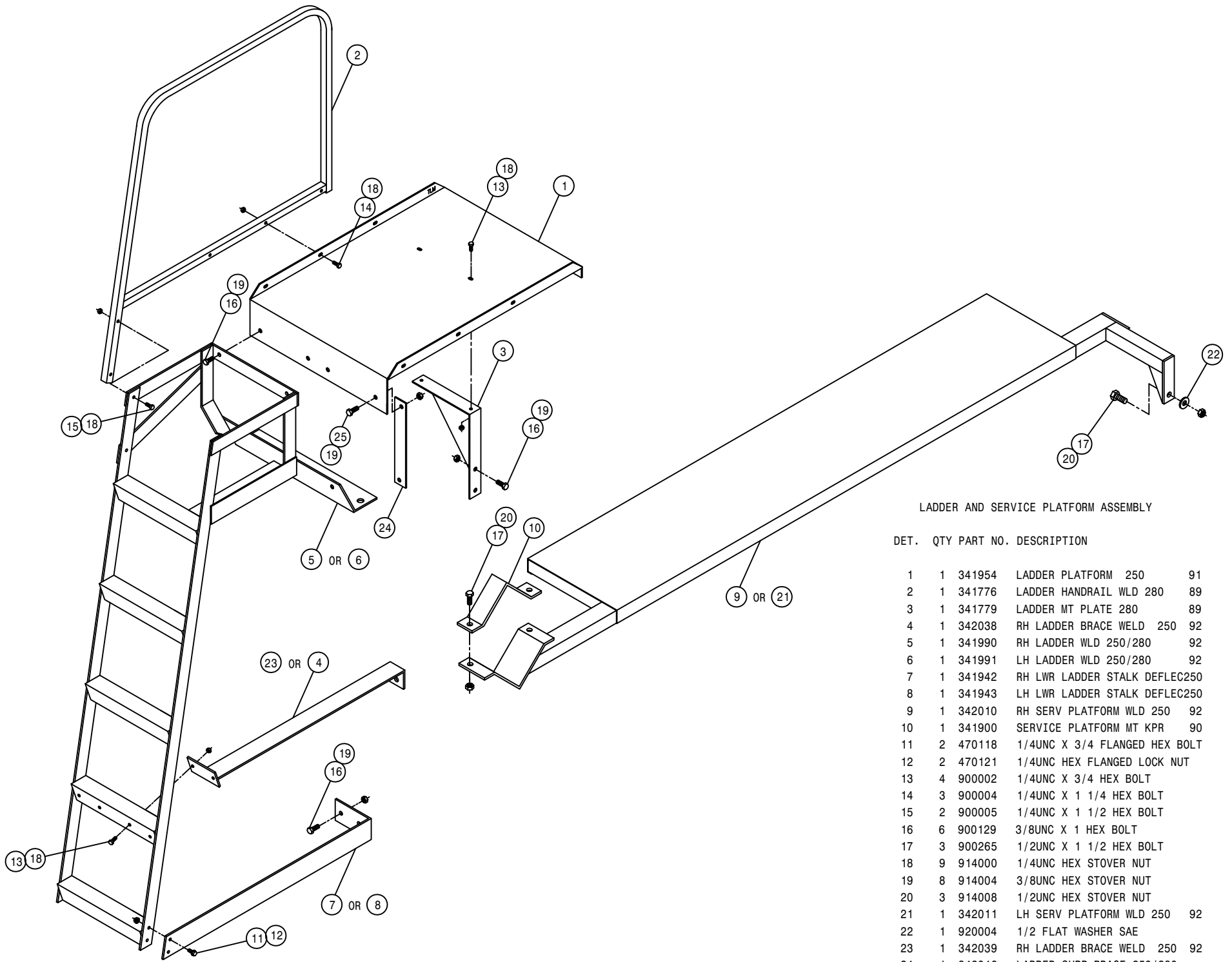
DET. QTY PART NO. DESCRIPTION

1	2	341356	ENGINE HOOD PROP WLD 8240	82
2	2	470086	1/4UNC NUTSERT .020-.100MATL	
3	2	470151	UPPER REAR PANEL SCREEN CLIP	
4	8	485053	POP RIVET 3/16 X 3/8	
5	4	656997	RUBBER HOOK BRKT 473	
6	1	659378	RH ENG HOOD HANDRAIL WLD 647S	
7	1	659575	UPPER REAR PANEL WLD 8240	82
8	1	659578	UPPER REAR PANEL SCREEN 8240	
9	8	193016	QUICKEDGE TRIM .060 TO .170	
10	1	659883	MULLION WLD CUMM 250	92
11	1	659864	RH ENGINE HOOD WLD 250	91
12	1	659865	LH ENGINE HOOD WLD 250	91
13	1	659835	MULLION SUPPORT 200	89
14	12	900000	1/4UNC X 1/2 HEX BOLT	
15	2	900128	3/8UNC X 3/4 HEX BOLT	
16	1	900129	3/8UNC X 1 HEX BOLT	
17	3	914004	3/8UNC HEX STOVER NUT	
18	15	470118	1/4UNC X 3/4 FLANGED HEX BOLT	
19	25	470121	1/4UNC HEX FLANGED LOCK NUT	
20	1	659822	MULLION WLD 200 CHRY 318	89



LOWER SHEET METAL ASSEMBLY

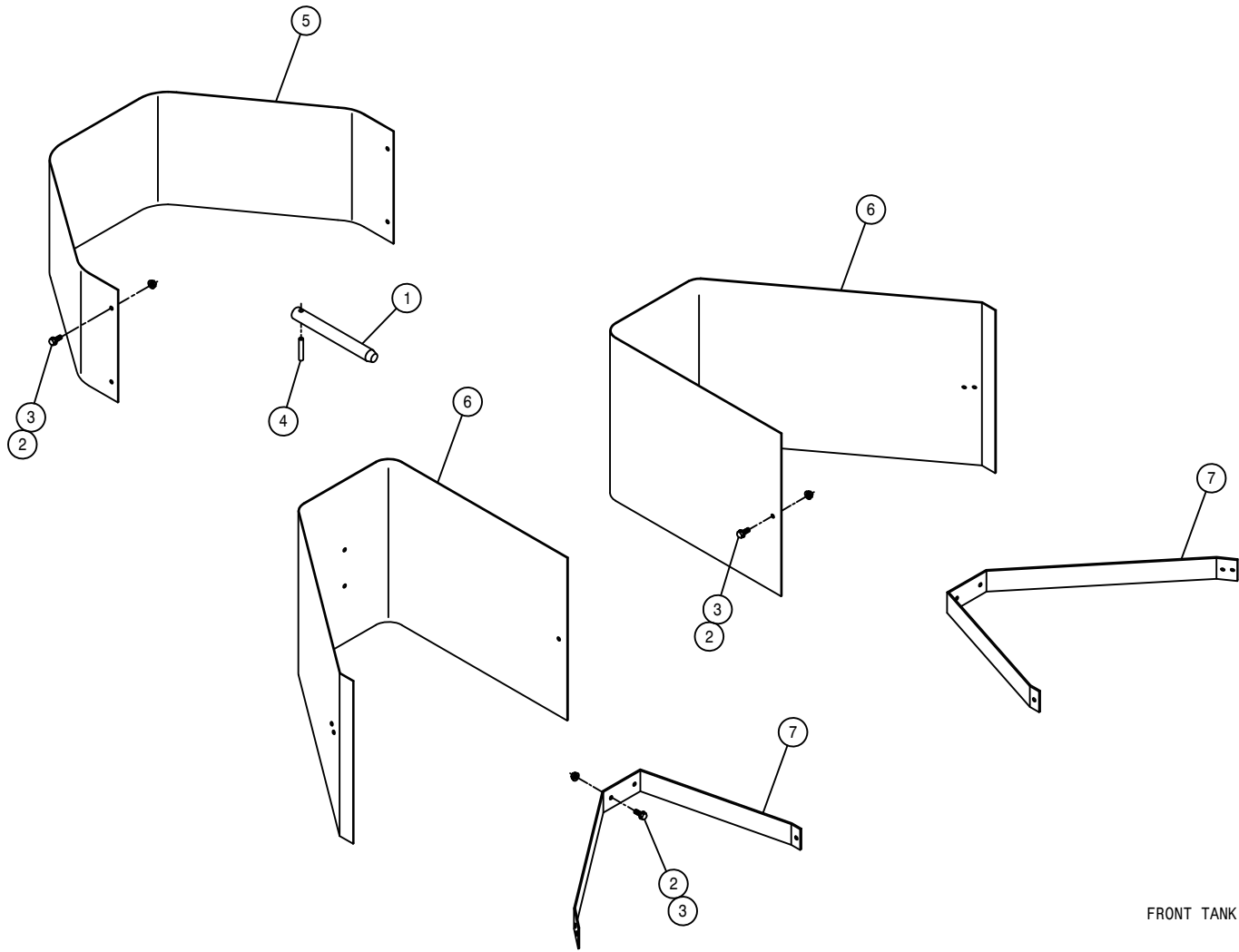
DET.	QTY	PART NO.	DESCRIPTION
	1	10	200460 HYD VALVE BUSH TB2
	2	2	291036 BRAKE & TAIL TRAILER 78
	3	2	341770 LWR SCREEN SLIDE WLD 280 89
	4	4	470086 1/4UNC NUTSERT .020- .100MATL
	5	26	470118 1/4UNC X 3/4 FLANGED HEX BOLT
	6	24	470121 1/4UNC HEX FLANGED LOCK NUT
	7	4	470122 1/4UNC X 1/2 FLANGED HEX BOLT
	8	2	470151 UPPER REAR PANEL SCREEN CLIP
	9	6	472352 #10-24THD IN X 9/16 TEK TYP 3
	10	1	472251 MTG SOCKET
	11	1	472249 SLOW MOVING VEHICLE SIGN
	12	1	472250 SPADE MTG BRKT
	13	4	656998 RUBBER HOOK 473
	14	4	656999 RUBBER HOOK ANCHOR BRKT 473
	15	1	659751 LWR BACK PANEL SCR N 8250 86
	16	1	659800 LWR REAR PNL WLD 280 CUMM 89
	17	1	659803 LWR FRT SHIELD 280 89
	18	1	659804 LWR SCREEN WLD 280 89
	19	1	659885 RH FRT SIDE SCR N WLD 2XX 92
	20	1	659886 LH FRT SIDE SCR N WLD 2XX 92
	21	1	659852 SMV SIGN MTG BRKT 8200 89
	22	4	900002 1/4UNC X 3/4 HEX BOLT
	23	10	900005 1/4UNC X 1 1/2 HEX BOLT
	24	18	914000 1/4UNC HEX STOVER NUT
	25	5	193016 QUICKEDGE TRIM .060 TO .170
	26	4	900006 1/4UNC X 1 3/4 HEX BOLT
	27	1	659824 LWR REAR PNL WLD 200 318 89
	28	1	659889 RH REAR SIDE SCR N WLD 2XX 92
	29	1	659890 LH REAR SIDE SCR N WLD 2XX 92
	30	1	659897 RH LWR SIDE SHIELD 250 92
	31	1	659898 LH LWR SIDE SHIELD 250 92



LADDER AND SERVICE PLATFORM ASSEMBLY

DET. QTY PART NO. DESCRIPTION

DET.	QTY	PART NO.	DESCRIPTION	
1	1	341954	LADDER PLATFORM 250	91
2	1	341776	LADDER HANDRAIL WLD 280	89
3	1	341779	LADDER MT PLATE 280	89
4	1	342038	RH LADDER BRACE WELD 250	92
5	1	341990	RH LADDER WLD 250/280	92
6	1	341991	LH LADDER WLD 250/280	92
7	1	341942	RH LWR LADDER STALK DEFLEC250	
8	1	341943	LH LWR LADDER STALK DEFLEC250	
9	1	342010	RH SERV PLATFORM WLD 250	92
10	1	341900	SERVICE PLATFORM MT KPR	90
11	2	470118	1/4UNC X 3/4 FLANGED HEX BOLT	
12	2	470121	1/4UNC HEX FLANGED LOCK NUT	
13	4	900002	1/4UNC X 3/4 HEX BOLT	
14	3	900004	1/4UNC X 1 1/4 HEX BOLT	
15	2	900005	1/4UNC X 1 1/2 HEX BOLT	
16	6	900129	3/8UNC X 1 HEX BOLT	
17	3	900265	1/2UNC X 1 1/2 HEX BOLT	
18	9	914000	1/4UNC HEX STOVER NUT	
19	8	914004	3/8UNC HEX STOVER NUT	
20	3	914008	1/2UNC HEX STOVER NUT	
21	1	342011	LH SERV PLATFORM WLD 250	92
22	1	920004	1/2 FLAT WASHER SAE	
23	1	342039	RH LADDER BRACE WELD 250	92
24	1	342046	LADDER SUPP BRACE 250/280	
25	2	900128	3/8 UNC X 3/4 HEX BOLT	



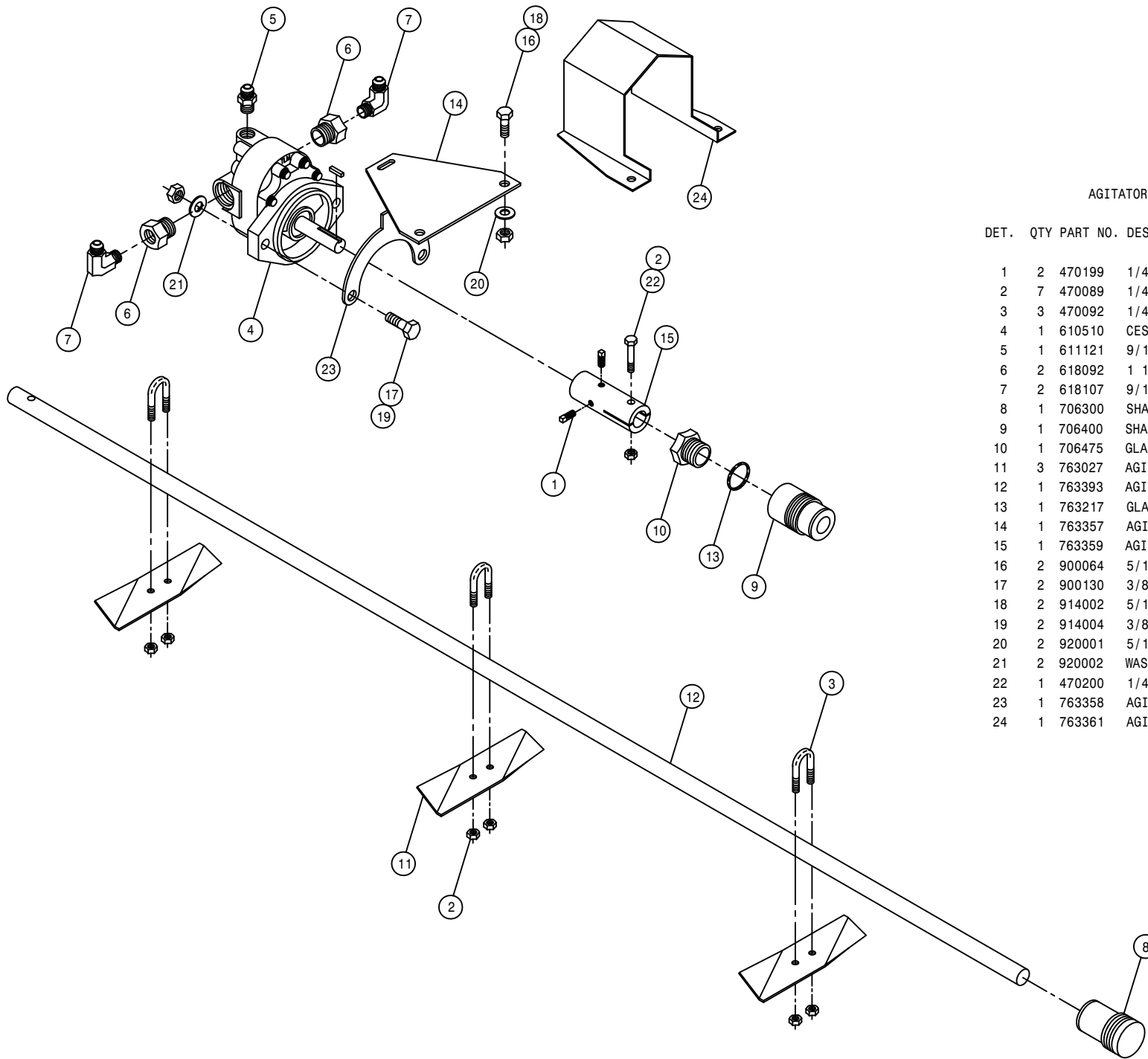
FRONT TANK SHIELDS

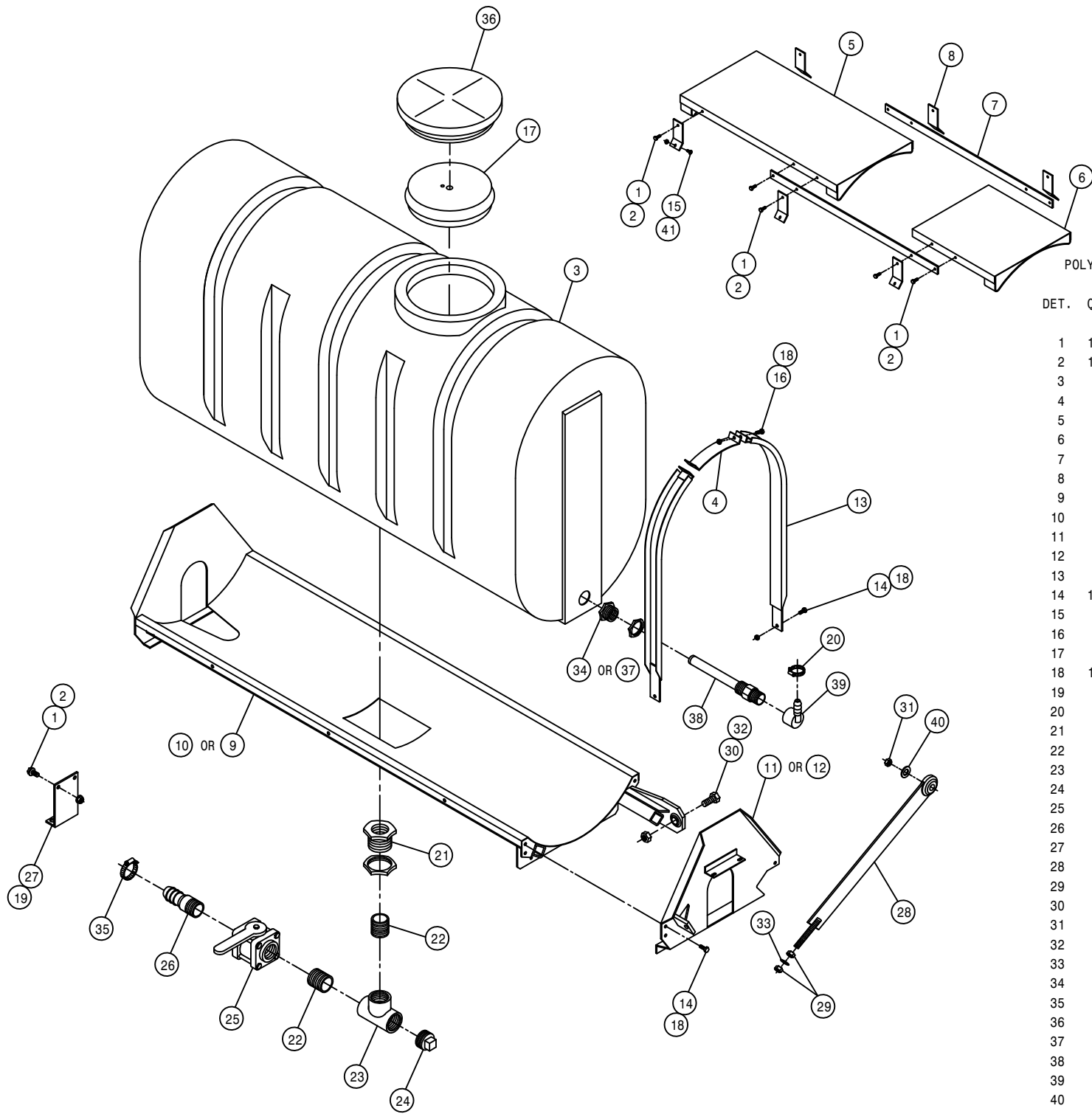
DET.	QTY	PART NO.	DESCRIPTION
	1	361388	PIVOT PIN 250 FRT XMBR 92
	2	470118	1/4UNC X 3/4 FLANGED HEX BOLT
	3	470121	1/4UNC HEX FLANGED LOCK NUT
	4	473962	3/8 X 2 ROLL PIN
	5	659831	LWR FRONT SHIELD 280 89
	6	659868	FRONT TANK SHIELD 250 91
	7	659870	FRT TANK SHIELD MT 250 91

AGITATOR ASSEMBLY

DET. QTY PART NO. DESCRIPTION

1	2	470199	1/4-20 X 3/8 SQHD CUP SET SCR	
2	7	470089	1/4UNC HEX LOC NUT NYL INS SS	
3	3	470092	1/4UNC-3/4ID-1 1/4 UBOLT SS	
4	1	610510	CESSNA GEAR MOTOR 1.48CI	
5	1	611121	9/16MJIC-1/4MNPT ADPTR	
6	2	618092	1 1/16MOR-1/2FNPT ADPTR	
7	2	618107	9/16MJIC-90-1/2MNPT LBO	
8	1	706300	SHAFT BRG HSNB ASSY BLIND END	
9	1	706400	SHAFT BRG HSNB	
10	1	706475	GLAND NUT	
11	3	763027	AGIT IMPELLER	
12	1	763393	AGIT SHAFT 250	91
13	1	763217	GLAND PACKING 12 IN. LONG	
14	1	763357	AGIT MTR MT PLT CES 280	91
15	1	763359	AGIT MTR CPLR 280	91
16	2	900064	5/16UNC X 3/4 HEX BOLT	
17	2	900130	3/8UNC X 1 1/4 HEX BOLT	
18	2	914002	5/16UNC HEX STOVER NUT	
19	2	914004	3/8UNC HEX STOVER NUT	
20	2	920001	5/16 FLAT WASHER SAE PLT	
21	2	920002	WASH FLAT 3/8 SAE	
22	1	470200	1/4UNC X 1 3/4 HEX BOLT SS	
23	1	763358	AGIT MTR MT YOKE CES 280	91
24	1	763361	AGIT CPLR SHIELD 280	91



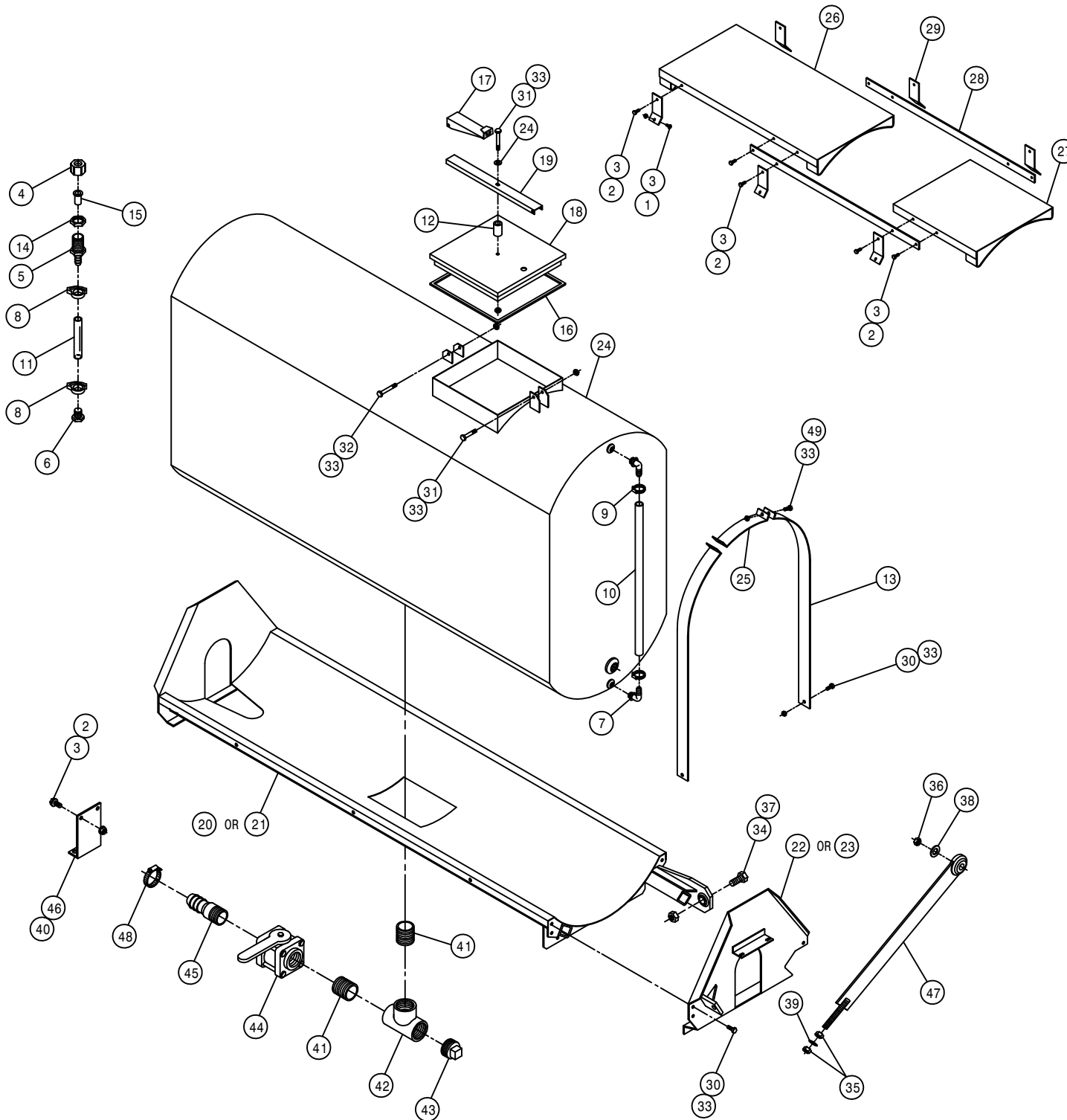


POLY 250 GALLON SOLUTION TANK ASSEMBLY

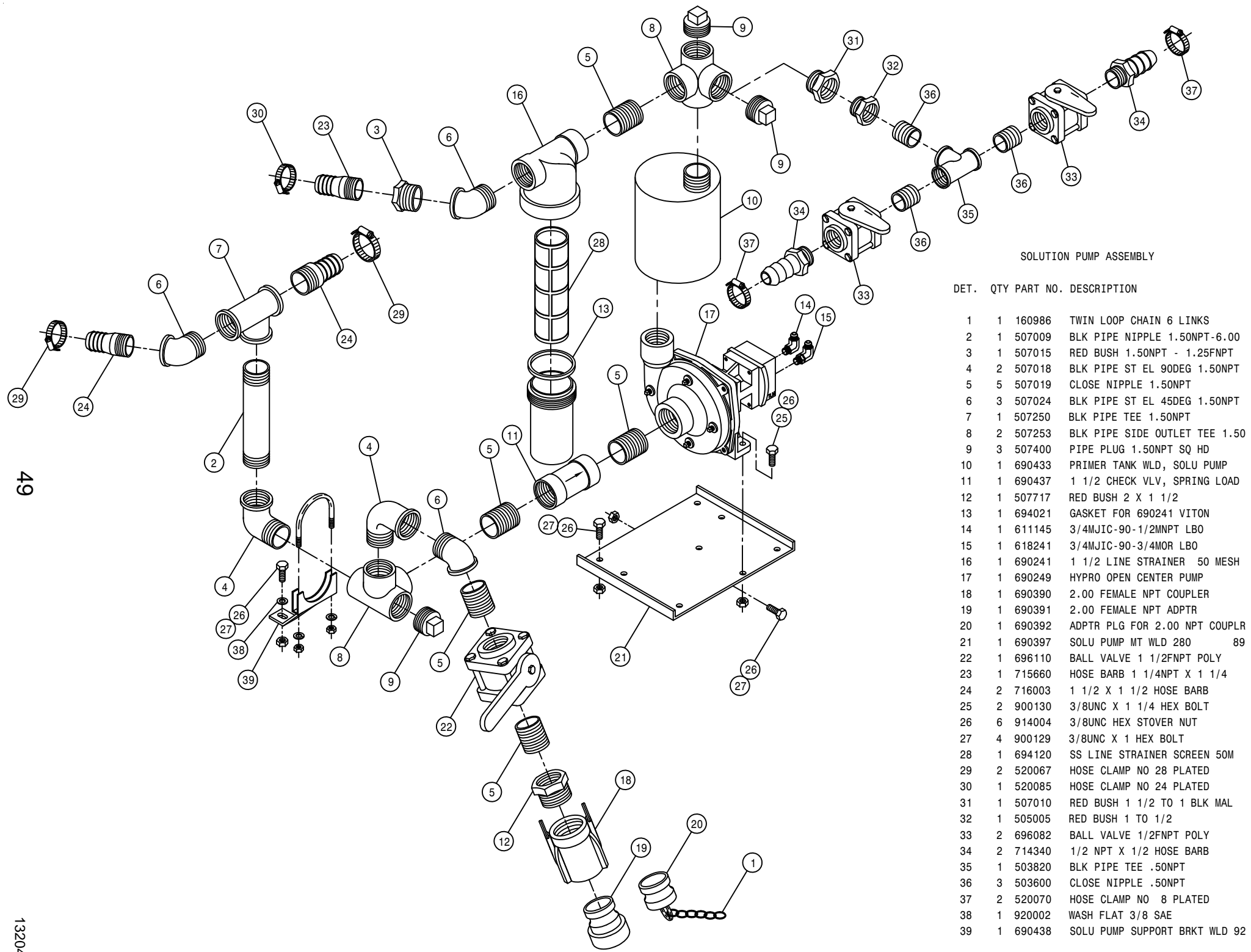
DET.	QTY	PART NO.	DESCRIPTION
1	12	470118	1/4UNC X 3/4 FLANGED HEX BOLT
2	12	470121	1/4UNC HEX FLANGED LOCK NUT
3	1	763254	250 GAL POLY TANK
4	3	763260	TOP STRAP 250 POLY TANK
5	1	763261	FRT CATWALK WLD 250 POLY 8250
6	1	763264	REAR CATWALK WLD 250 POLY8250
7	2	763266	CATWALK MTG STRAP 250POLY8250
8	6	763267	CATWALK MTG TAB 250 POLY 8250
9	1	763366	RH POLY TANK CRADLE WLD250 91
10	1	763367	LH POLY TANK CRADLE WLD250 91
11	1	763381	RH REAR CRADLE PLT WLD 250 91
12	1	763382	LH REAR CRADLE PLT WLD 250 91
13	6	763390	POLY TANK BAND WLD 250 91
14	12	900129	3/8UNC X 1 HEX BOLT
15	6	901064	5/16UNC X 3/4 CARR BOLT
16	6	906136	3/8UNC X 3 HEX BOLT FULL
17	1	763394	LID SPLASH DEFLECTOR-POLY TNK
18	18	914004	3/8UNC HEX STOVER NUT
19	1	470154	RELEASABLE PLASTIC TIE11.88IN
20	1	520070	HOSE CLAMP NO 8 PLATED
21	1	618604	1.50 PLASTIC FTG ASSY-POLYTNK
22	2	507019	CLOSE NIPPLE 1.50NPT
23	1	507250	BLK PIPE TEE 1.50NPT
24	1	507400	PIPE PLUG 1.50NPT SQ HD
25	1	696110	BALL VALVE 1 1/2FNPT POLY
26	1	716003	1 1/2 X 1 1/2 HOSE BARB
27	1	763363	SOLU HOSE SUPPORT 280 POLY 91
28	1	763387	POLY TANK CRADLE SUPP WLD 250
29	2	910012	3/4UNC HEX NUT
30	2	900534	1 UNC X 3 HEX BOLT
31	1	914010	5/8UNC HEX STOVER NUT
32	2	914016	1 UNC HEX STOVER NUT
33	1	920506	LOCK WASH 3/4
34	2	618548	1.25 PLASTIC FTG ASSY POLYTNK
35	1	520067	HOSE CLAMP NO 28 PLATED
36	1	763259	LID, POLY SOLU TANK
37	1	618549	.75 PLASTIC FTG ASSY POLY TNK
38	1	760066	JET AGITATOR
39	1	500025	3/4 FNPT-90-1/2 HOSE BARB NYL
40	2	920005	5/8 FLAT WASH SAE
41	6	914002	5/16UNC HEX STOVER NUT

STAINLESS STEEL 250 GAL SOL TANK ASSEMBLY

DET. QTY PART NO. DESCRIPTION

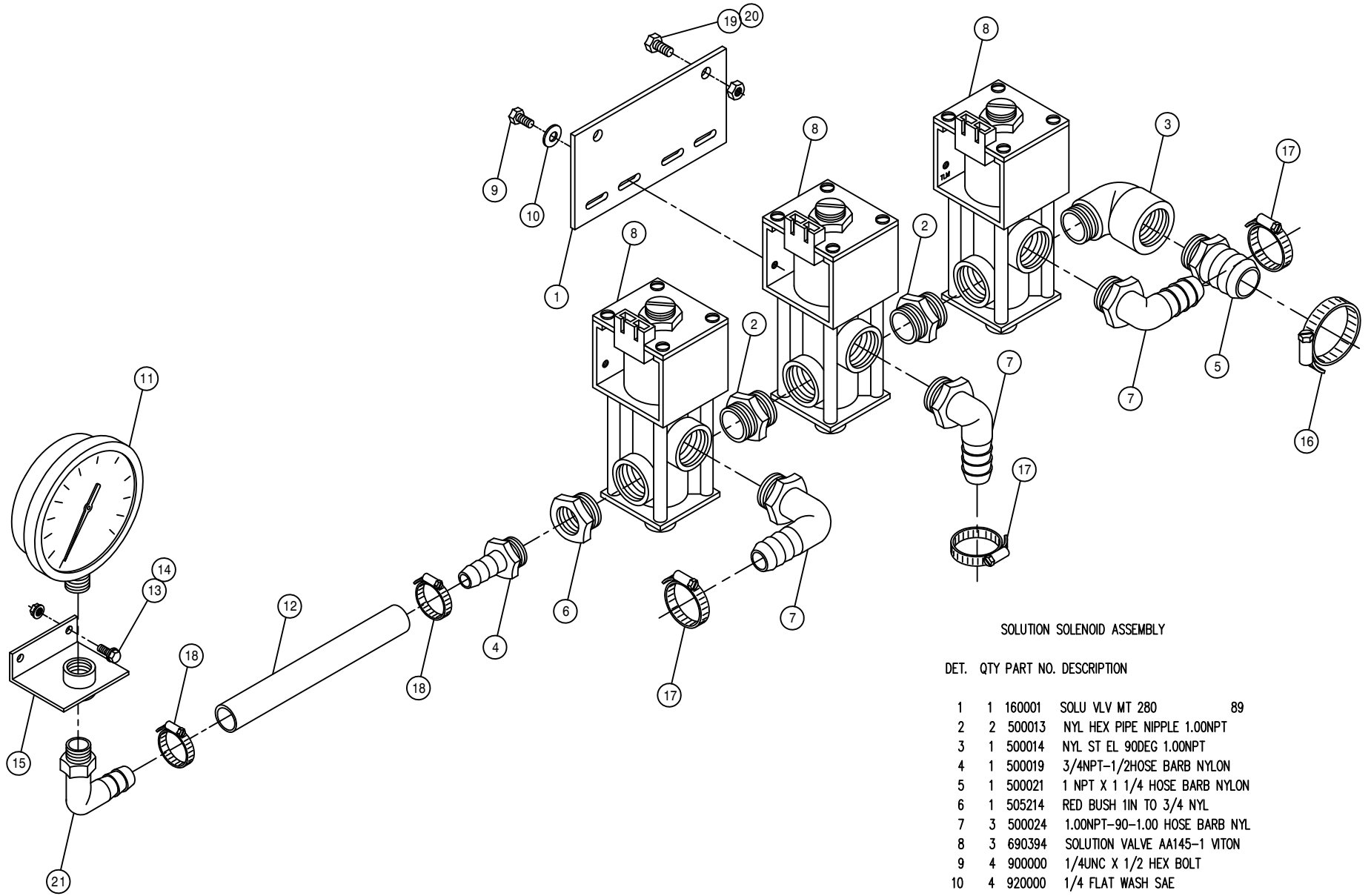


1	6	169072	1/4UNC X 5/8 CARR BOLT
2	12	470118	1/4UNC X 3/4 FLANGED HEX BOLT
3	16	470121	1/4UNC HEX FLANGED LOCK NUT
4	1	500005	CAP NUT .688FPS NYLON
5	1	500006	.38 H BARB X .69 MPS NYLON
6	1	500007	FTG .12 MNPT HEX PLUG NYLON
7	2	500017	.25NPT-.25 HOSE BARB 90 NYLON
8	2	520003	HOSE CLAMP NO 6 PLASTIC SNAP
9	2	520069	HOSE CLAMP NO 6 PLATED
10	1	601146	HOSE, 1/2 X 38 CLEAR GREEN
11	1	601216	SPRAY TNK VENT HOSE .38X3.50
12	1	601231	HOSE, 3/4 X 2 HI PRESS EPDM
13	6	763422	TANK BAND 250GAL SS 250
14	1	737858	TEE AND EL NUT .688 FPS
15	1	738859	STRAINER 50 MESH NYLON
16	1	760651	TANK LID GSKT 647
17	1	763163	SPRAY TANK LATCH HANDLE 647S
18	1	763164	SPRAY TANK LID WLD 647S
19	1	763166	TANK LID CHAN 647-S SIDE
20	1	763366	RH POLY TANK CRADLE WLD250 91
21	1	763367	LH POLY TANK CRADLE WLD250 91
22	1	763381	RH REAR CRADLE PLT WLD 250 91
23	1	763382	LH REAR CRADLE PLT WLD 250 91
24	1	763412	SS SPRAY TANK WLD 250GAL 250
25	3	763423	TANK BAND BINDER 250SS 250
26	1	763424	FRT CATWALK WLD,250SS TNK 250
27	1	763425	REAR CATWALK WLD,250SS TNK250
28	2	763428	CATWALK MTG STRIP 250SS 250
29	6	763429	CATWALK MTG TAB 250SS TNK 250
30	12	900129	3/8UNC X 1 HEX BOLT
31	2	900134	3/8UNC X 2 1/2 HEX BOLT
32	1	900138	3/8UNC X 3 1/2 HEX BOLT
33	21	914004	3/8UNC HEX STOVER NUT
34	2	900534	1 UNC X 3 HEX BOLT
35	2	910012	3/4UNC HEX NUT
36	1	914010	5/8UNC HEX STOVER NUT
37	2	914016	1 UNC HEX STOVER NUT
38	1	920005	5/8 FLAT WASH SAE
39	1	920506	LOCK WASH 3/4
40	1	470154	RELEASABLE PLASTIC TIE11.88IN
41	2	507019	CLOSE NIPPLE 1.50NPT
42	1	507250	BLK PIPE TEE 1.50NPT
43	1	507400	PIPE PLUG 1.50NPT SQ HD
44	1	696110	BALL VALVE 1 1/2FNPT POLY
45	1	716003	1 1/2 X 1 1/2 HOSE BARB
46	1	763363	SOLU HOSE SUPPORT 280 POLY 91
47	1	763387	POLY TANK CRADLE SUPP WLD 250
48	1	520067	HOSE CLAMP NO 28 PLATED
49	6	900131	3/8UNC X 1 1/2 HEX BOLT



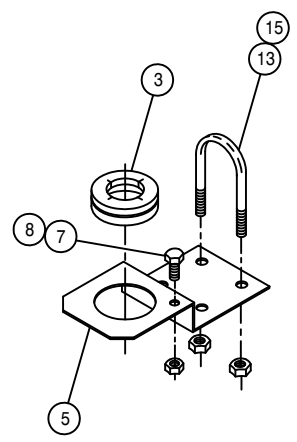
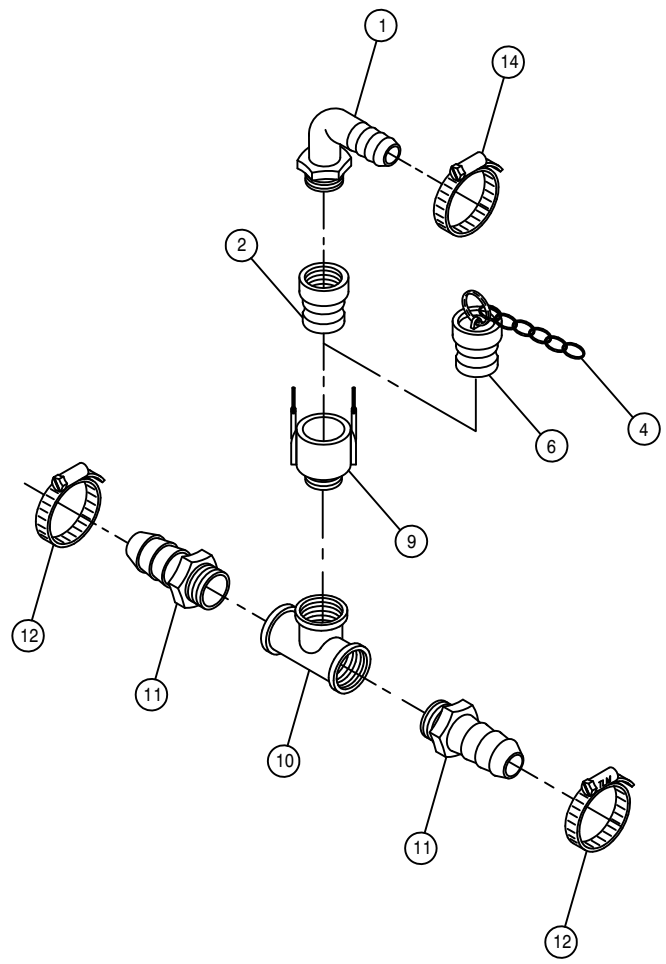
SOLUTION PUMP ASSEMBLY

DET.	QTY	PART NO.	DESCRIPTION
1	1	160986	TWIN LOOP CHAIN 6 LINKS
2	1	507009	BLK PIPE NIPPLE 1.50NPT-6.00
3	1	507015	RED BUSH 1.50NPT - 1.25FNPT
4	2	507018	BLK PIPE ST EL 90DEG 1.50NPT
5	5	507019	CLOSE NIPPLE 1.50NPT
6	3	507024	BLK PIPE ST EL 45DEG 1.50NPT
7	1	507250	BLK PIPE TEE 1.50NPT
8	2	507253	BLK PIPE SIDE OUTLET TEE 1.50
9	3	507400	PIPE PLUG 1.50NPT SQ HD
10	1	690433	PRIMER TANK WLD, SOLU PUMP
11	1	690437	1 1/2 CHECK VLV, SPRING LOAD
12	1	507717	RED BUSH 2 X 1 1/2
13	1	694021	GASKET FOR 690241 VITON
14	1	611145	3/4MJIC-90-1/2MNPT LBO
15	1	618241	3/4MJIC-90-3/4MOR LBO
16	1	690241	1 1/2 LINE STRAINER 50 MESH
17	1	690249	HYPRO OPEN CENTER PUMP
18	1	690390	2.00 FEMALE NPT COUPLER
19	1	690391	2.00 FEMALE NPT ADPTR
20	1	690392	ADPTR PLG FOR 2.00 NPT COUPLR
21	1	690397	SOLU PUMP MT WLD 280 89
22	1	696110	BALL VALVE 1 1/2FNPT POLY
23	1	715660	HOSE BARB 1 1/4NPT X 1 1/4
24	2	716003	1 1/2 X 1 1/2 HOSE BARB
25	2	900130	3/8UNC X 1 1/4 HEX BOLT
26	6	914004	3/8UNC HEX STOVER NUT
27	4	900129	3/8UNC X 1 HEX BOLT
28	1	694120	SS LINE STRAINER SCREEN 50M
29	2	520067	HOSE CLAMP NO 28 PLATED
30	1	520085	HOSE CLAMP NO 24 PLATED
31	1	507010	RED BUSH 1 1/2 TO 1 BLK MAL
32	1	505005	RED BUSH 1 TO 1/2
33	2	696082	BALL VALVE 1/2FNPT POLY
34	2	714340	1/2 NPT X 1/2 HOSE BARB
35	1	503820	BLK PIPE TEE .50NPT
36	3	503600	CLOSE NIPPLE .50NPT
37	2	520070	HOSE CLAMP NO 8 PLATED
38	1	920002	WASH FLAT 3/8 SAE
39	1	690438	SOLU PUMP SUPPORT BRKT WLD 92



SOLUTION SOLENOID ASSEMBLY

DET.	QTY	PART NO.	DESCRIPTION	
1	1	160001	SOLU VLV MT 280	89
2	2	500013	NYL HEX PIPE NIPPLE 1.00NPT	
3	1	500014	NYL ST EL 90DEG 1.00NPT	
4	1	500019	3/4NPT-1/2HOSE BARB NYLON	
5	1	500021	1 NPT X 1 1/4 HOSE BARB NYLON	
6	1	505214	RED BUSH 1IN TO 3/4 NYL	
7	3	500024	1.00NPT-90-1.00 HOSE BARB NYL	
8	3	690394	SOLUTION VALVE AA145-1 VITON	
9	4	900000	1/4UNC X 1/2 HEX BOLT	
10	4	920000	1/4 FLAT WASH SAE	
11	1	690359	PRESSURE GA GLYCERI 100 PSI	
12	1	601308	HOSE, .50 1BR BLK EPDM X 8.00	
13	2	470118	1/4UNC X 3/4 FLANGED HEX BOLT	
14	2	470121	1/4UNC HEX FLANGED LOCK NUT	
15	1	160010	SOLU PRESS GA MT WLD 280	89
16	1	520085	HOSE CLAMP NO 24 PLATED	
17	3	520087	HOSE CLAMP NO 20 PLATED	
18	2	520080	HOSE CLAMP NO 10 PLATED	
19	2	900129	3/8UNC X 1 HEX BOLT	
20	2	914004	3/8UNC HEX STOVER NUT	
21	1	618556	.25 NPT 90 X .50 HBARB NYLON	



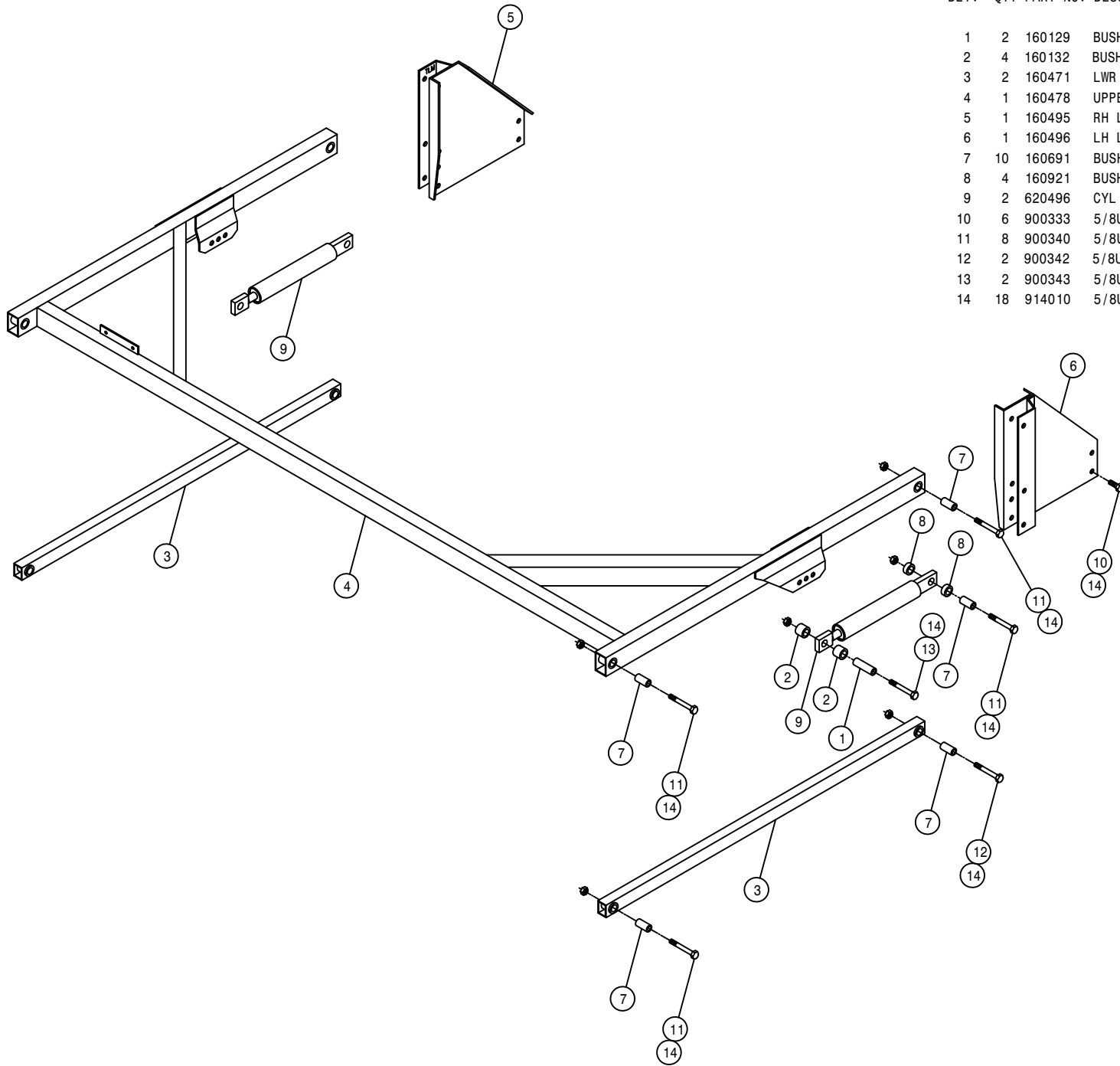
BOOM FEEDER TEE ASSEMBLY

DET.	QTY	PART NO.	DESCRIPTION
1	1	500026	3/4NPT-90-1 IN HOSE BARB NYL
2	1	696202	QUICK CONNECT FEM ADPTR 3/4NP
3	1	160015	2.06ID GROMMET SLIT
4	1	160986	TWIN LOOP CHAIN 6 LINKS
5	1	160987	FEEDER T MTG BRKT 470 647
6	1	696204	QUICK CONNECT PLUG, 3/4
7	1	900002	1/4UNC X 3/4 HEX BOLT
8	1	914000	1/4UNC HEX STOVER NUT
9	1	696203	QUICK CONNECT CPLR MALE 3/4
10	1	505218	NYL PIPE TEE .75NPT
11	2	500022	3/4NPT-3/4 HOSE BARB NYLON
12	2	520055	HOSE CLAMP NO 12 PLATED
13	2	470094	5/16UNC-1 3/8ID-3 UBOLT
14	1	520087	HOSE CLAMP NO 20 PLATED
15	4	914002	5/16UNC HEX STOVER NUT

LIFTARM ASSEMBLY

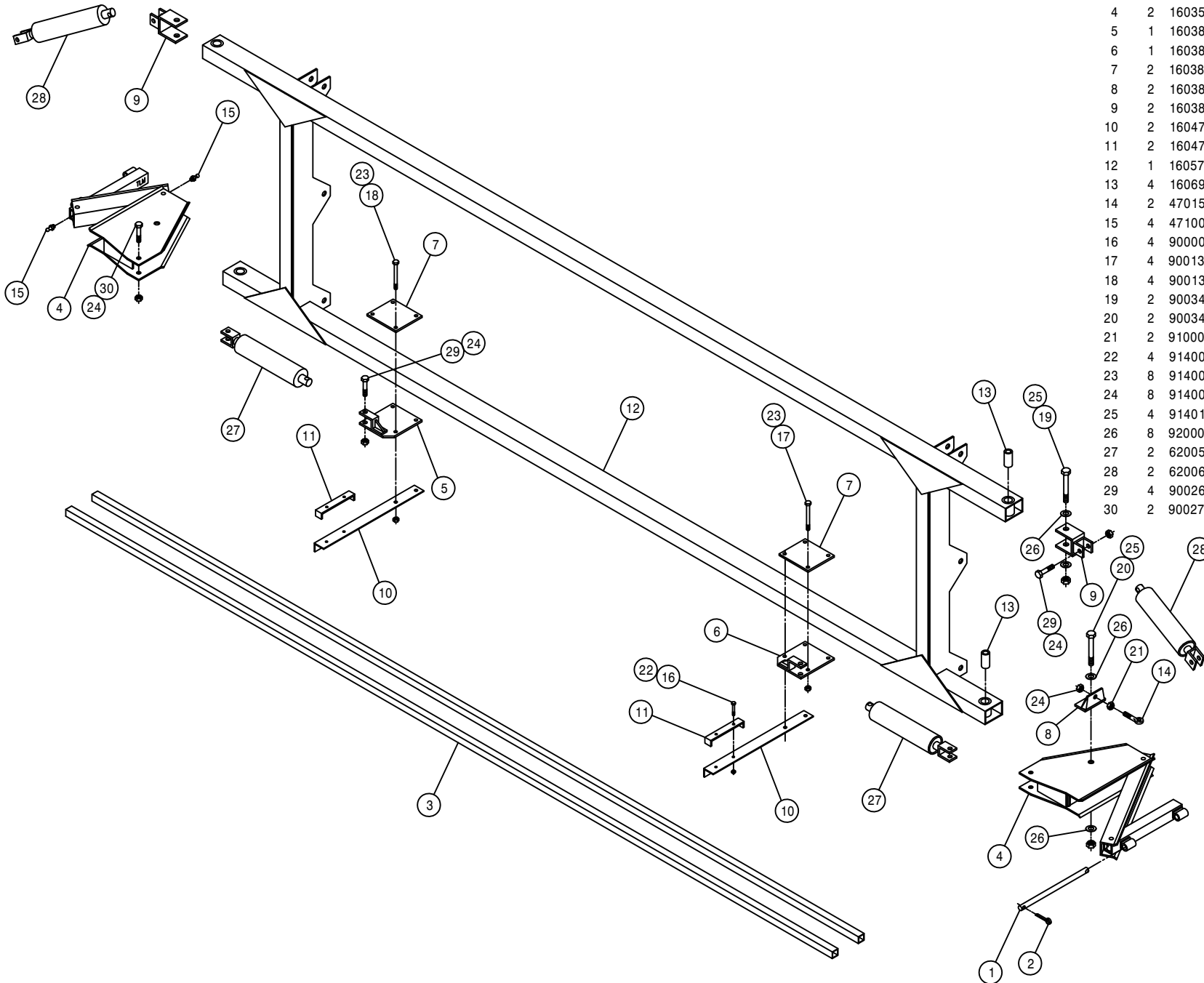
DET. QTY PART NO. DESCRIPTION

DET.	QTY	PART NO.	DESCRIPTION
1	2	160129	BUSH 1 OD X .63ID X 3.38
2	4	160132	BUSH 1 1/2OD X 1ID X 1 1/4
3	2	160471	LWR LIFT ARM WLD 8540-8250 87
4	1	160478	UPPER LIFT ARM WLD 280 89
5	1	160495	RH LIFT ARM MT WLD 280 89
6	1	160496	LH LIFT ARM MT WLD 280 89
7	10	160691	BUSH LIFT ARM LONG 470
8	4	160921	BUSHING, CYL MT-LIFT ARMS5/8
9	2	620496	CYL ASSY, BOOM LIFT W/RESTRIC
10	6	900333	5/8UNC X 1 1/2 HEX BOLT
11	8	900340	5/8UNC X 3 1/2 HEX BOLT
12	2	900342	5/8UNC X 4 HEX BOLT
13	2	900343	5/8UNC X 4 1/2 HEX BOLT
14	18	914010	5/8UNC HEX STOVER NUT



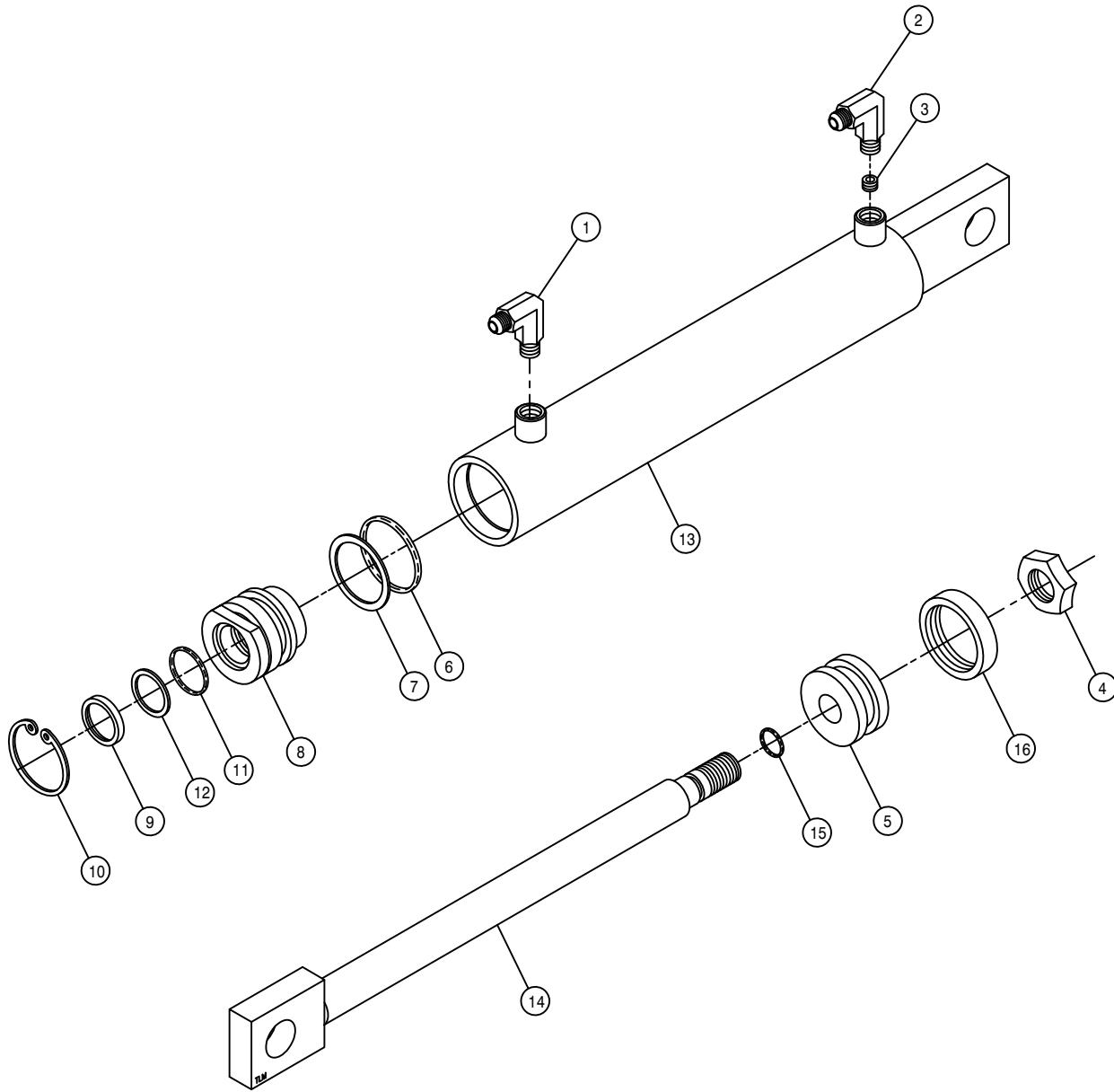
DET. QTY PART NO. DESCRIPTION

DET.	QTY	PART NO.	DESCRIPTION
1	2	160351	BOOM PIVOT PIN 5/8 8540
2	4	475003	PIN COT 3/16 X 1 ZINC
3	2	160006	NOZL MT CENTER TUBE 120 TREAD
4	2	160350	BOOM BREAKAWAY WLD 8250 85
5	1	160382	RH FOLD CYL MT WLD 8540
6	1	160383	LH FOLD CYL MT WLD 8540
7	2	160385	FOLD CYL MT KPR 8540
8	2	160386	BRKWY SPRING BRKT WLD 8540
9	2	160389	LEVEL CYL PIVOT BRKT WLD 8540
10	2	160476	NOZL MT TUBE HANGER 8540 87
11	2	160477	NOZL MT TUBE CLAMP 8540 87
12	1	160574	TRANSOM WLD 280 89
13	4	160691	BUSH LIFT ARM LONG 470
14	2	470159	1/2UNC X 2 1/2 EYE BOLT
15	4	471005	1/4 28 X 1/2 GREASE ZERK
16	4	900006	1/4UNC X 1 3/4 HEX BOLT
17	4	900136	3/8UNC X 3 HEX BOLT
18	4	900138	3/8UNC X 3 1/2 HEX BOLT
19	2	900340	5/8UNC X 3 1/2 HEX BOLT
20	2	900341	5/8UNC X 3 3/4 HEX BOLT
21	2	910008	1/2UNC HEX NUT
22	4	914000	1/4UNC HEX STOVER NUT
23	8	914004	3/8UNC HEX STOVER NUT
24	8	914008	1/2UNC HEX STOVER NUT
25	4	914010	5/8UNC HEX STOVER NUT
26	8	920005	5/8 FLAT WASH SAE
27	2	620056	CYL ASSY W/FTGS & RESTR 2IN
28	2	620069	CYL ASSY W/FTGS W/O RESTR 2IN
29	4	900268	1/2UNC X 2 1/2 HEX BOLT
30	2	900270	1/2UNC X 3 HEX BOLT



53

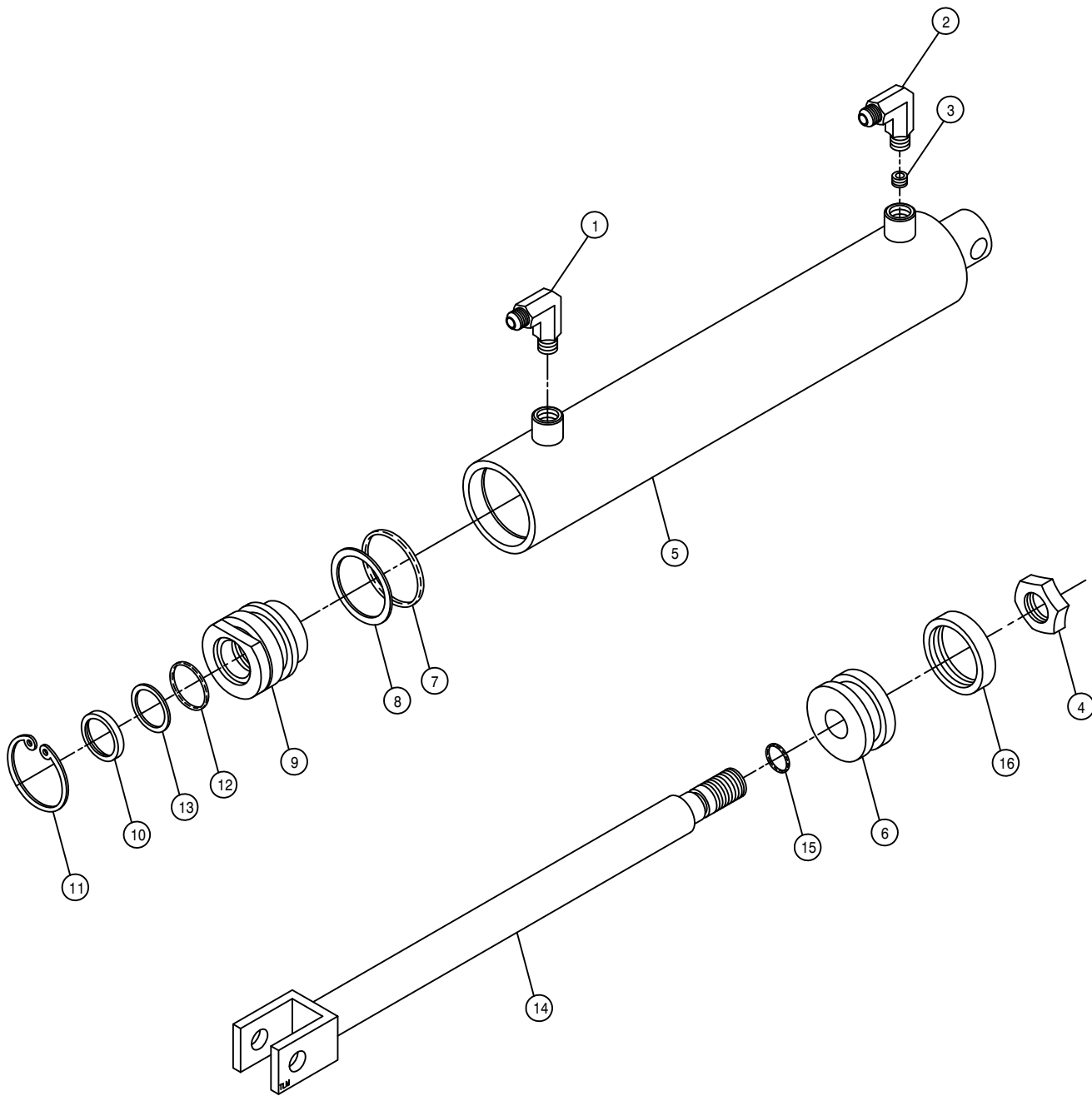
132053



LIFT CYLINDER ASSEMBLY

DET.	QTY	PART NO.	DESCRIPTION
1	1	611122	9/16MJIC-90-1/4MNPT LBO
2	1	440338	9/16 JIC W/90X1/4 NPT TAPPED
3	1	614366	RESTRICTOR SCREW, .042 DIA
4	1	472297	3/4UNF HEX STOVER NUT THIN
5	1	620081	PISTON 2 X 1 ZAMAC ORING TYPE
6	1	870326	BUNA ORING 1 5/8 X 2
7	1	890326	BACKUP WASH 1 5/8 X 2 LEATH
8	1	620082	GLAND 2 IN X 1 IN ZAMAC
9	1	629003	WIPER 1 X 1 1/4 X 1/8
10	1	629505	SNAP RING 2 IN INTRN
11	1	870214	BUNA ORING 1 X 1 1/4
12	1	890214	BACKUP WASH 1 X 1 1/4 HT2022
13	1	620498	TUBE WLD LIFT CYL 1978
14	1	620505	SHAFT WLD LIFT CYL 640
15	1	870113	BUNA ORING 9/16 X 3/4
16	1	860326	CROWN SEAL, 2" PISTON, HYD

NOTE: 1. 620499 - CYLINDER ASSEMBLY
 2. 614365 - RESTRICTOR ELBOW ASSEMBLY
 3. 620083 - SEAL KIT



LEVEL AND FOLD CYLINDER ASSEMBLY

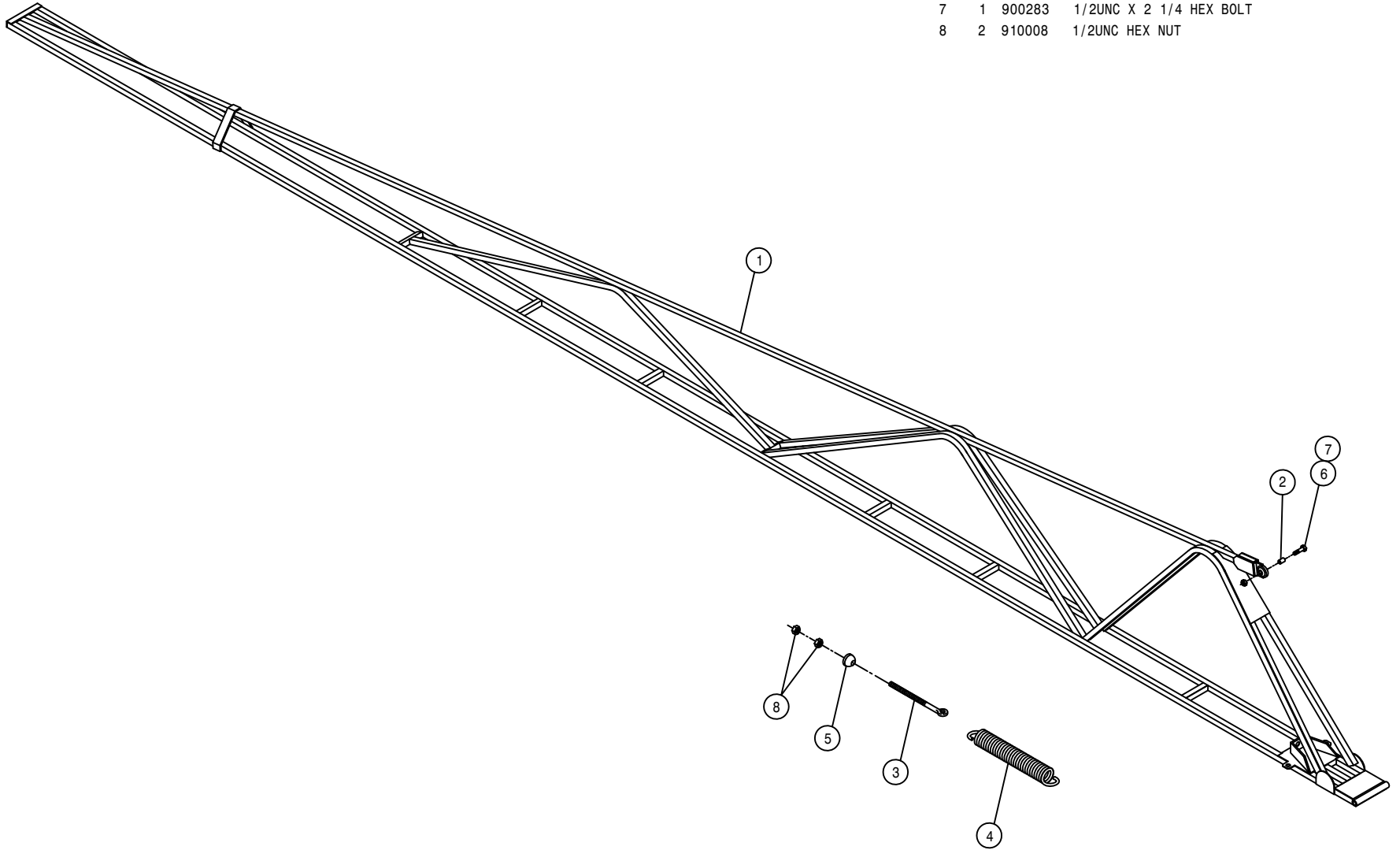
DET.	QTY	PART NO.	DESCRIPTION
1	1	611122	9/16MJIC-90-1/4MNPT LBO
2	1	440338	9/16 JIC W/90X1/4 NPT TAPPED
3	1	614366	RESTRICTOR SCREW, .042 DIA
4	1	472297	3/4UNF HEX STOVER NUT THIN
5	1	620053	TUBE WLD, 2IN FOLD & LEVEL
6	1	620081	PISTON 2 X 1 ZAMAC ORING TYPE
7	1	870326	BUNA ORING 1 5/8 X 2
8	1	890326	BACKUP WASH 1 5/8 X 2 LEATH
9	1	620082	GLAND 2 IN X 1 IN ZAMAC
10	1	629003	WIPER 1 X 1 1/4 X 1/8
11	1	629505	SNAP RING 2 IN INTRN
12	1	870214	BUNA ORING 1 X 1 1/4
13	1	890214	BACKUP WASH 1 X 1 1/4 HT2022
14	1	620093	SHAFT WLDMT, HAGIE BOOM CYL
15	1	870113	BUNA ORING 9/16 X 3/4
16	1	860326	CROWN SEAL, 2" PISTON, HYD

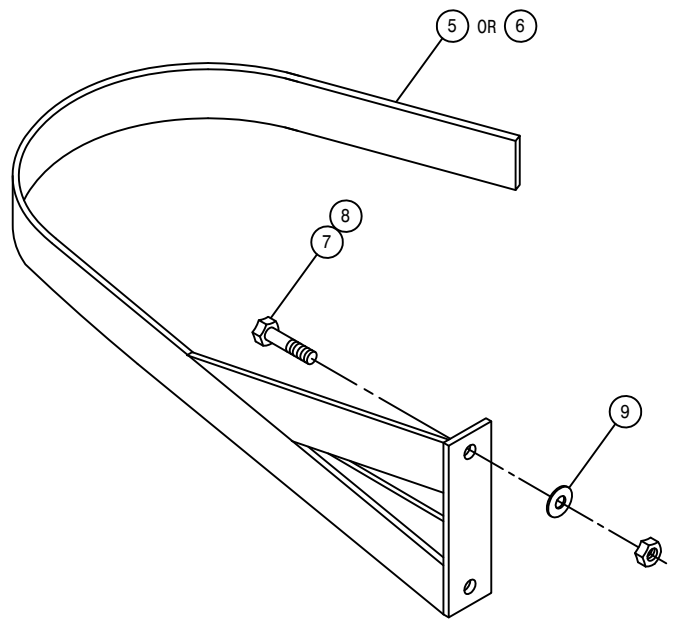
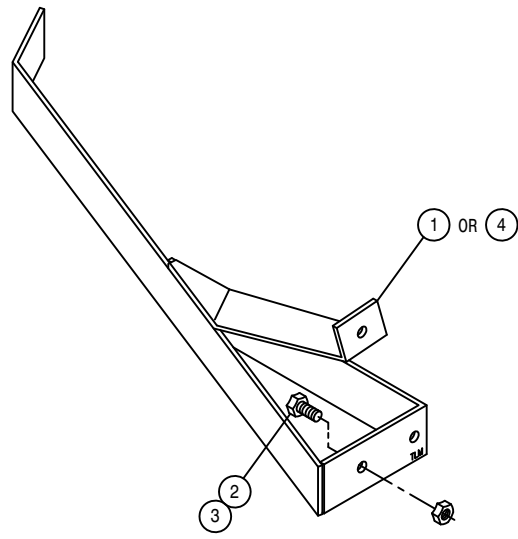
NOTE: 1. RESTRICTOR ELBOW ASSEMBLY USED WITH FOLD CYLINDER.
 2. 620052 - FOLD AND LEVEL CLINDER ASSEMBLY
 3. 620056 - FOLD CYLINDER ASSEMBLY WITH FITTINGS
 4. 620069 - LEVEL CYLINDER ASSEMBLY WITH FITTINGS
 5. 614365 - RESTRICTOR ELBOW ASSEMBLY
 6. 620083- SEAL KIT

BOOM ASSEMBLY

DET. QTY PART NO. DESCRIPTION

1	1	160362	BOOM WLD 8540 - 8250
2	1	160455	BUSH .625 OD X 18GA WA X .94
3	1	160979	1/2UNC X 9 EYE BOLT
4	1	160980	SPRING, BOOM BRKWAY
5	1	160981	SWIVEL, BOOM EYEBOLT
6	1	914008	1/2UNC HEX STOVER NUT
7	1	900283	1/2UNC X 2 1/4 HEX BOLT
8	2	910008	1/2UNC HEX NUT





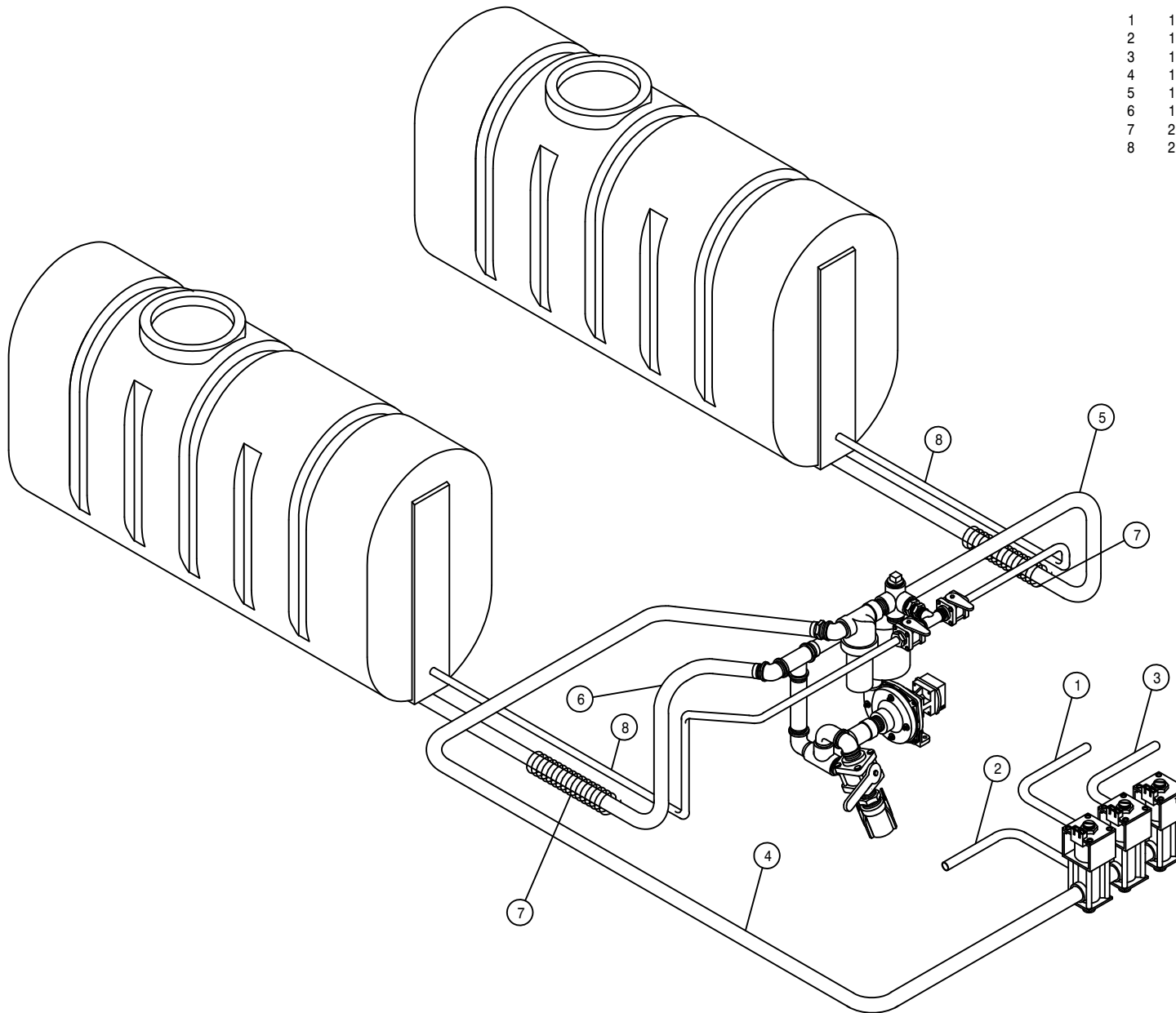
CROP GUIDES

DET.	QTY	PART NO.	DESCRIPTION
1	1	662208	RH STALK GUIDE WLD 8200-8240
2	2	900129	3/8UNC X 1 HEX BOLT
3	2	914004	3/8UNC HEX STOVER NUT
4	1	662164	LH STALK GUIDE WLD 8200-8240
5	1	662150	RH STALK GUIDE WLD 8240
6	1	662151	LH STALK GUIDE WLD 8240
7	2	900264	1/2UNC X 1 1/4 HEX BOLT
8	2	914008	1/2UNC HEX STOVER NUT
9	2	920004	1/2 FLAT WASHER SAE

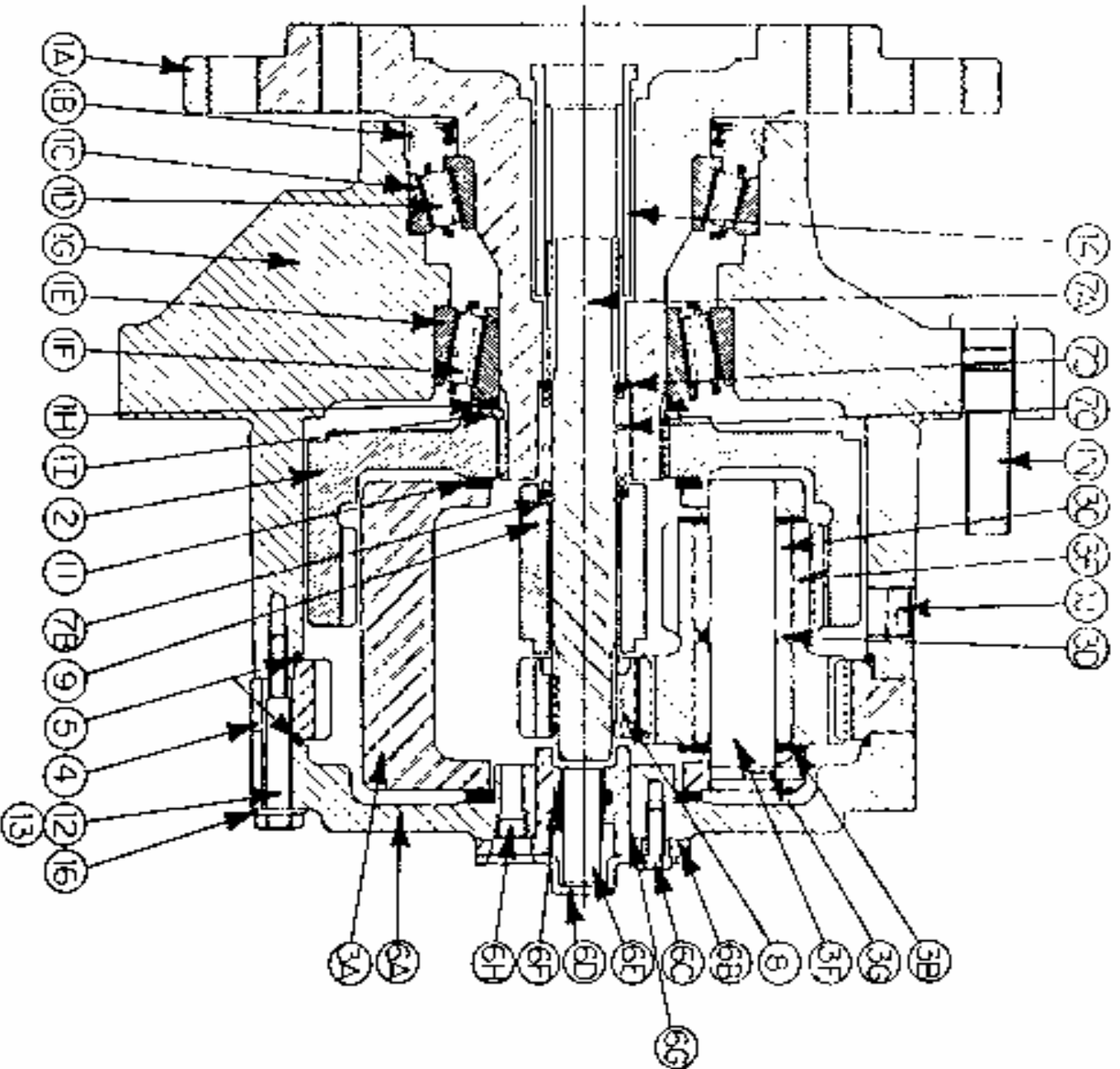
SOLUTION HOISING

DET. QTY PART NO. DESCRIPTION

1	1	601317	HOSE, 1 IN 1BR BLK EPDM X 93
2	1	601318	HOSE, 1 IN 1BR BLK EPDM X 254
3	1	601319	HOSE, 1 IN 1BR BLK EPDM X 336
4	1	601306	HOSE, 1.25 2BR BLK EPDM X 116
5	1	601328	HOSE, 1.50 2BR BLK EPDM X 112
6	1	601329	HOSE, 1.50 X 130 2F1W EPDM
7	2	690421	HOSE SPRING GUARD 2IN X 36 LG
8	2	601315	HOSE, 1/2 X 96 1BR BLK EPDM



CROSS-SECTIONAL VIEW OF W1B TORQUE-HUB®



WHEEL DRIVE ASSEMBLY - 610516
W1BFNZ324

ITEMS	DESCRIPTION	PART NO.	QTY.
1	HUB-SPINDLE SUB-ASSEMBLY	-----	
1A	SPINDLE	610518	1
1B	SEAL	610519	1
1C	BEARING CUP	610520	1
1D	BEARING CONE	610521	1
1E	BEARING CUP	610907	1
1F	BEARING CONE	610908	1
1G	HUB	610522	1
1H	SPACER	610909	1
1I	RETAINER RING	610910	1
1J	PIPE PLUG	610147	2
1N	STUD	610523	9
2	INTERNAL GEAR	610148	1
3	CARRIER ASSEMBLY	610933	1
4	RING GEAR	610937	1
5	O-RING	610903	2
6	COVER ASSEMBLY	610155	1
6A	COVER	610149	1
6B	COVER CAP	610914	1
6C	BOLT	610150	4
6D	DISCONNECT CAP	610901	1
6E	DISCONNECT ROD	610915	1
6F	O-RING	610916	1
6G	O-RING	610917	1
6H	PIPE NIPPLE	610151	1
6I	ID PLATE	610152	1
7	INPUT SHAFT ASSEMBLY	610048	1
7A	INPUT SHAFT	610046	1
7B	RETAINING RING	610936	1
7C	SPRING	610145	1
7D	SPACER	610153	2
8	INPUT GEAR	610919	1
9	THRUST SPACER	610920	1
10	THRUST SPACER	610921	1
11	THRUST WASHER	610922	2
12	BOLT	610930	12
13	SHOULDER BOLT	610923	4
14	COUPLING	610037	1
16	FLAT WASHER	610049	16
NS	SEAL BOOT	610552	1

WHEEL DRIVE ASSEMBLY - 610515
W1BFNZ318

ITEMS	DESCRIPTION	PART NO.	QTY.
1	HUB-SPINDLE SUB-ASSEMBLY	-----	
1A	SPINDLE	610518	1
1B	SEAL	610519	1
1C	BEARING CUP	610520	1
1D	BEARING CONE	610521	1
1E	BEARING CUP	610907	1
1F	BEARING CONE	610908	1
1G	HUB	610522	1
1H	SPACER	610909	1
1I	RETAINER RING	610910	1
1J	PIPE PLUG	610147	2
1N	STUD	610523	9
2	INTERNAL GEAR	610148	1
3	CARRIER ASSEMBLY	610912	1
4	RING GEAR	610929	1
5	O-RING	610903	2
6	COVER ASSEMBLY	610155	1
6A	COVER	610149	1
6B	COVER CAP	610914	1
6C	BOLT	610150	4
6D	DISCONNECT CAP	610901	1
6E	DISCONNECT ROD	610915	1
6F	O-RING	610916	1
6G	O-RING	610917	1
6H	PIPE NIPPLE	610151	1
6I	ID PLATE	610152	1
7	INPUT SHAFT ASSEMBLY	610048	1
7A	INPUT SHAFT	610046	1
7B	RETAINING RING	610936	1
7C	SPRING	610145	1
7D	SPACER	610153	2
8	INPUT GEAR	610919	1
9	THRUST SPACER	610920	1
10	THRUST SPACER	610921	1
11	THRUST WASHER	610922	2
12	BOLT	610930	12
13	SHOULDER BOLT	610923	4
14	COUPLING	610037	1
16	FLAT WASHER	610049	16
NS	SEAL BOOT	610552	1

NOTICE

The following page contains decals for the model 250.

These decals can be obtained from Hagie Mfg. Co. and should be used whenever your machine is repainted or when the decals become worn, weathered, or faded.

Special attention should be paid to decals involving personal safety. They have been attached for your protection.

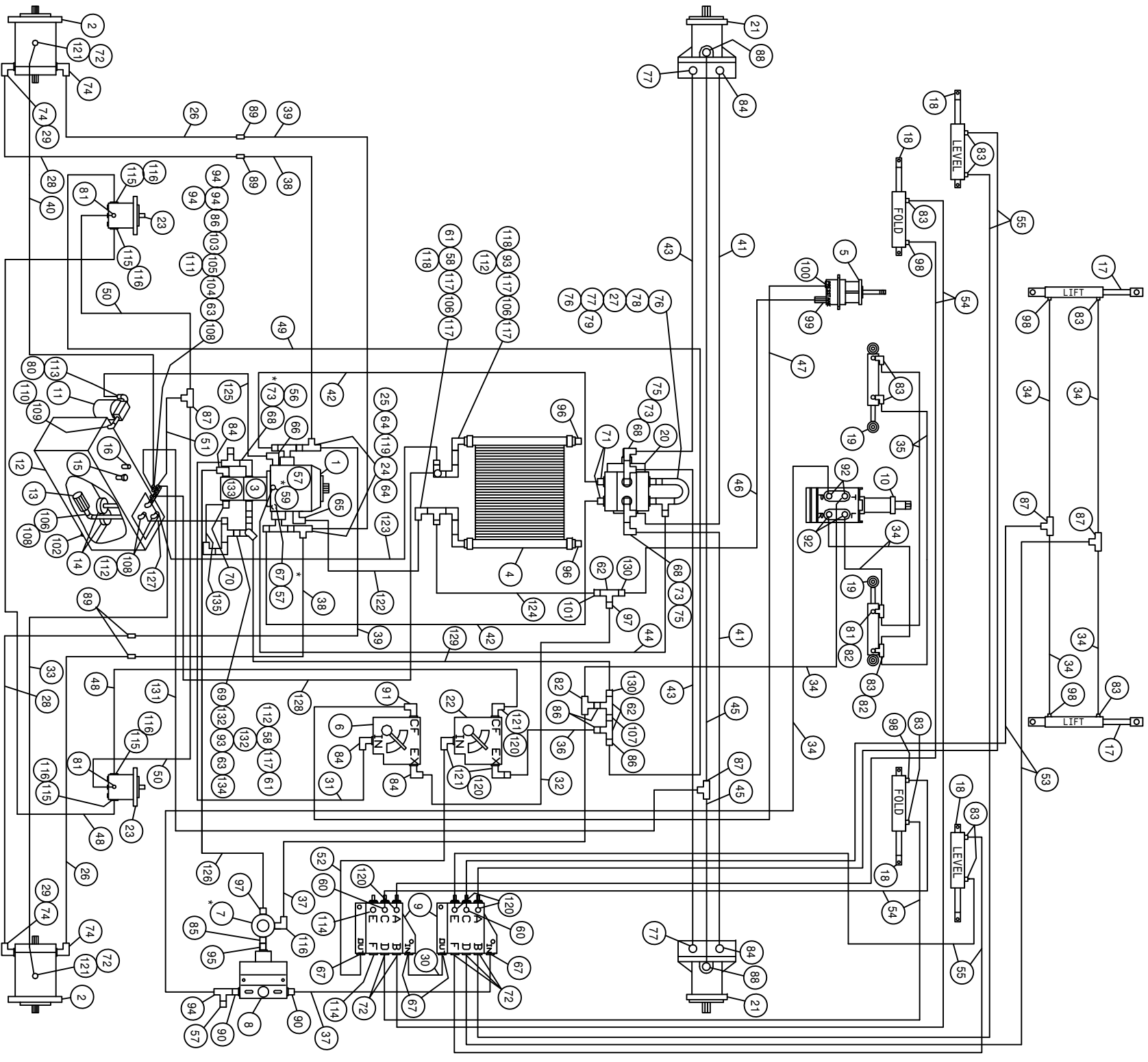
KEEP THEM IN PLACE.

Contact: Hagie Manufacturing Co.
Box 273
Clarion, Iowa 50525

250 DECALS

QTY.	PART NO.	DESCRIPTION	LOCATION
1	650831	EMERGENCY STOP DECAL	ON CONSOLE SHEET METAL
1	650861	VENT SLIDE DECAL	ON AIR CONDITIONER CONSOLE
1	650935	SPEEDOMETER DECAL	ON TACHOMETER
1	650814	PARK BRAKE DECAL	NEAR PARK BRAKE
1	650822	SOLUTION PUMP DECAL	ON FRONT CROSSMEMBER
1	650847	NO PASSENGER DECAL	REAR CORNER OF CAB
2	650848	SLIP OR FALL DECAL	ON EACH FUEL TANK
2	650849	ENGINE FUEL DECAL	NEAR EACH FUEL TANK NECK
2	650850	CHEMICAL DECAL	ON SOLUTION TANK LIDS
2	650851	SHIELDS DECAL	ON SIDE OF TOP ENGINE COVER
1	650852	READ MANUAL DECAL	ON FRONT CAB MOUNTING ANGLE
1	650858	DO NOT USE ETHER DECAL	NEAR AIR CLEANER TUBE
1	650893	DIESEL START DECAL	ON CONSOLE SHEET METAL
2	650954	DIESEL DECAL	NEAR EACH FUEL NECK
1	650981	COOLING SYSTEM DECAL	NEAR RADIATOR CAP
1	650982	ELECTRICAL DECAL	RIGHT HAND SIDE OF OIL TANK
4	650985	WHEEL BOLT TORQUE DECAL	ON EACH WHEEL RIM
2	650953	GASOLINE DECAL	NEAR EACH FUEL NECK
1	650312	DECAL SET, HAGIE W/STRIPE	ON EACH ENGINE HOOD

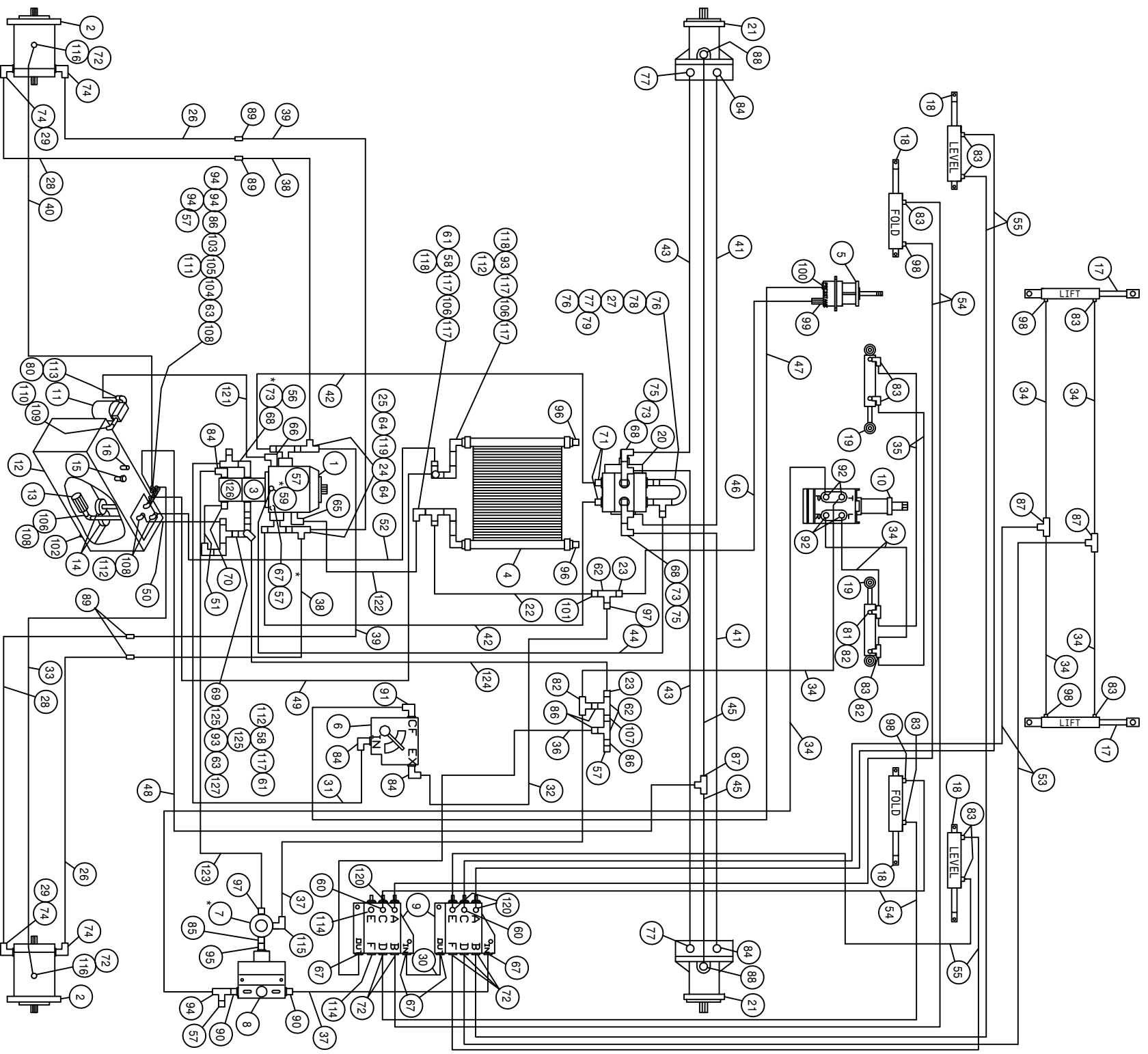
*NOTE :
 REFER TO DETAIL 73 TO CHECK AUX. SYSTEM - 1850 PSI
 REFER TO DETAIL 67 TO CHECK LIMIT SETTING - 4500 PSI
 REFER TO DETAIL 59 TO CHECK CHARGE PRESSURE - 380 PSI
 REFER TO DETAIL 7 RELIEF PRESSURE SETTING : 1850 PSI



250 FWD WITH AGITATOR HYD SCHEM 93
REFERENCE DRAWING NO. 498420

DET.	QTY	PART NO.	DESCRIPTION	DET.	QTY	PART NO.	DESCRIPTION
1	1	606884	SUND 75CC ECLIPSE PUMP B-MT	69	1	618090	1 5/16MOR-1FNPT ADPTR
2	2	610557	SUND M35-3102 WHL MTR W/SHT	70	1	618075	3/4 HOSE BARB-1 1/16MOR
3	1	606897	SUND GEAR PUMP 1.3ACI SPLINED	71	2	611127	1 1/16MJC-1 1/16MOR ADPTR
4	1	618606	OIL COOLER, BLISSFIELD 65027	72	7	618425	9/16MJC-45-9/16MOR LBO
5	1	690341	HYPRO CENTRIF PUMP 10GPM	73	3	618333	7/8FJC SW RUN TEE-7/8MJC
6	1	606818	FLO CONT FCR51 0-16GPM 7/8FOR	74	4	618248	1 1/16MJC-90-1 1/16MOR LBO
7	1	607512	RELIEF VALVE, RL50 1800 PSI	75	2	618301	7/8MJC-90-7/8FJC SWIV LBO
8	1	607504	FLO DIV B50 2-8GPM 7/8 FOR	76	2	618132	1 1/16MOR-7/8FOR ADPTR
9	2	606585	CESSNA 3SPL VALVE W/O RELIEF	77	3	611126	7/8MJC-7/8MOR ADPTR
10	1	749150	STRG MTR NON-LOAD REACT 1008	78	1	618130	7/8MOR RUN TEE-7/8MJC
11	1	605601	GRESEN FILTER 10 MICRON 40GPM	79	1	618557	7/8FJC-9/16MJC ADPTR
12	1	760097	OIL TANK WLD 8240 1982	80	1	506410	BLK PIPE ST EL 90DEG 1.25NPT
13	1	605600	MICHIGAN RESERVOIR FILTER	81	3	611121	9/16MJC-1/4MNPT ADPTR
14	2	605603	LINE SUMP DIFFUSER	82	3	618514	9/16FJ SW BRANCH TEE-9/16MJ
15	1	611052	FILLER BREATHER 3/4NPT	83	11	611122	9/16MJC-90-1/4MNPT LBO
16	1	614453	DIPSTICK, 8IN	84	5	611128	7/8MJC-90-7/8MOR LBO
17	2	620499	LIFT CYLINDER 2.00 X 10.00	85	1	500000	1/2MNPT HEX PIPE NIPPLE STL
18	4	620052	HYD CYL, 2IN FOLD & LEVEL	86	4	618018	9/16MJC-1/2MNPT ADPTR
19	2	620080	STRG CYL ASSY 1.50 X 6.0 1985	87	4	618019	9/16MJC UNION TEE
20	1	606003	GRESEN SELECTOR VALVE DS-12	88	2	618115	9/16MJC-90-3/4MOR LBO
21	2	610512	SUND M23 WHL MTR	89	4	618191	1 1/16MJ-90-1 1/16FJ SWIV LBO
22	1	606827	FLO CONT FCS1 0-3 VARI 7/8FOR	90	2	618310	9/16MJC-7/8MOR ADPTR
23	2	610510	CESSNA GEAR MOTOR 1.48CI	91	1	618183	3/4MJC-90-7/8MOR LBO
24	2	618598	1 IN 4-BOLT FLG X 1 5/16FOR	92	4	618496	9/16MJC-45-3/4MOR LBO
25	2	618487	1 1/16FJ SW RUN TEE-1 1/16MJ	93	2	505098	SIDE OUTLET EL 90DEG 1.00NPT
26	2	614694	FRT HYD TUBE ASSY 250 REARLEG	94	4	618486	9/16FJC SW RUN TEE-9/16MJC
27	1	614198	FWD VALVE U-TUBE ASSY	95	1	618072	7/8MOR-1/2FNPT ADPTR
28	2	614695	REAR HYD TUBE ASSY 250REARLEG	96	2	505102	PIPE PLUG 1.00NPT SQ HD
29	2	618529	1 1/16MJ-45-1 1/16FJ SWIV LBO	97	2	618325	7/8MJC-1/2MNPT ADPTR
30	1	616042	04C1T-06FJX-06FJX-13	98	4	614365	RESTRICTOR ELBOW ASSY .042DIA
31	1	614501	10C1T-10FJX-10FJX-139	99	4	611145	3/4MJC-90-1/2MNPT LBO
32	1	614555	10C2AT-10FJX-10FJX-42	100	1	618241	3/4MJC-90-3/4MOR LBO
33	1	615449	06C1T-06FJX-06FJX-126	101	1	712440	1/2 NPT X 3/4 HOSE BARB
34	8	611204	04C1T-06FJX-06FJX-78	102	1	501102	1/4 PIPE PLUG
35	2	614663	04C1T-06FJX-06FJX-16	103	1	504210	RED BUSH 3/4 NPT X 1/2 NPT
36	1	615442	04C1T-06FJX-06FJX-55	104	1	504702	CLOSE NIPPLE .75NPT
37	2	616026	04C1T-06FJX-06FJX-37	105	1	504955	BLK PIPE TEE .75NPT
38	2	614683	10C2AT-12MJ-12FJX90-60	106	3	505203	BLK PIPE NIPPLE 1.00NPT-4.00
39	2	614684	10C2AT-12MJ-12FJX90-70	107	1	503600	CLOSE NIPPLE .50NPT
40	1	614549	06C1T-06FJX-06FJX-140	108	4	503300	BLK PIPE EL 90DEG 1.00NPT
41	2	615618	08C2AT-10FJX-10FJX-120	109	1	506303	BLK PIPE EL 90DEG 1.25NPT
42	2	614685	08C2AT-12FJX-12FJX-106	110	1	506602	PIPE NIPPLE 1 1/4NPT-2 1/2
43	2	615617	08C2AT-10FJX-10FJX90-120	111	1	713220	HOSE BARB 3/4 NPT X 3/4
44	1	614101	04C1T-06FJX-06FJX-133	112	4	714560	INPT X 1 HOSE BARB
45	1	615450	06C1T-06FJX-06FJX45-112	113	1	715664	1 1/4 NPT X 1 HOSE BARB
46	1	614382	08C1T-08FJX-08FJX-40	114	2	610185	9/16MOR PLUG
47	1	614662	08C1T-08FJX-08FJX-72	115	4	618092	1 1/16MOR-1/2FNPT ADPTR
48	2	614693	06C1T-06FJX-06FJX-168	116	5	618107	9/16MJC-90-1/2MNPT LBO
49	1	614571	06RLA-06FJX-06FJX-126	117	5	505200	BLK PIPE ST EL 90DEG 1.00NPT
50	2	611208	04C1T-06FJX-06FJX-98	118	2	714331	1 NPT X 3/4 HOSE BARB
51	1	615452	06C1T-06FJX-06FJX-16	119	2	618599	1 5/16MOR BRANCH TEE-1 5/16MJ
52	1	615401	06C1T-06FJX-06FJX-22	120	6	618119	9/16MJC-90-9/16MOR LBO
53	2	611206	04C1T-06FJX-06FJX-66	121	5	618172	7/8MOR-9/16FOR ADPTR
54	4	614098	04C1T-06FJX-06FJX-201	122	1	601112	HOSE, 3/4 X 84 2BR RED
55	4	614154	04C1T-06FJX-06FJX-221	123	1	601255	HOSE, 1.00 2BR RED X 104 LG
56	1	618328	7/8FJIC CAP NUT	124	1	601332	HOSE, 3/4 X 40 2BR RED
57	3	618531	9/16FJIC CAP NUT	125	1	601117	HOSE, 1 X 37 2BR RED
58	2	505101	BLK PIPE TEE 1.00NPT	126	1	614664	10C1T-10FJX-10FJX-98
59	1	618444	9/16MOR RUN TEE-9/16MJC	127	1	601256	HOSE, 1.00 2BR RED X 31 LG
60	1	618440	9/16MJC-90-9/16MOR EX LG LBO	128	1	601304	HOSE, 3/4 2BR RED X 100 LG
61	2	716000	3/4 HOSE BARB-90-1MNPT	129	1	616057	08C1T-08FJX-08FJX-88
62	3	503820	BLK PIPE TEE .50NPT	130	2	611147	3/4MJC-1/2MNPT ADPTR
63	2	505213	RED BUSH 1 X 3/4 BLK MAL	131	1	615619	06C1T-06FJX-06FJX-144
64	4	618541	1 5/16FJIC-1 1/16MJC ADPTR	132	2	505202	BLK PIPE NIPPLE 1.00NPT-2.00
65	1	618118	3/4 HOSE BARB-90-1 1/16MOR	133	1	606891	SUND GEAR PMP .52CI SPLINED
66	1	618564	1IN HOSE BARB-90-1 5/16MOR	134	1	610300	3/4MJC-3/4MNPT ADPTR
67	5	618126	9/16MJC-9/16MOR ADPTR	135	1	601311	HOSE, 3/4 X 8 2BR RED
68	3	618535	7/8MJC-90-1 1/16MOR LBO				

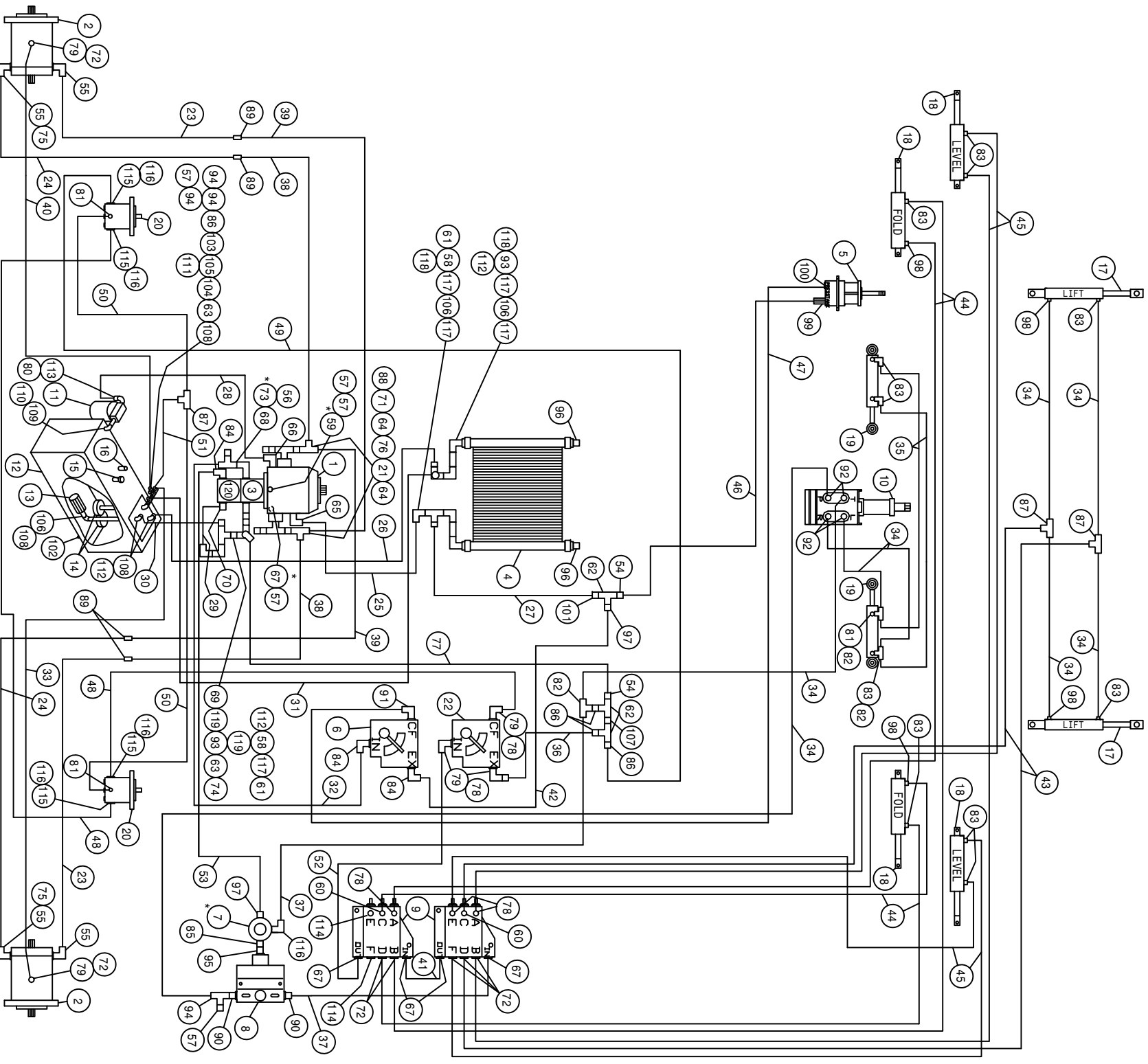
*NOTE:
 REFER TO DETAIL 73 TO CHECK AUX. SYSTEM - 1850 PSI
 REFER TO DETAIL 67 TO CHECK LIMIT SETTING - 4500 PSI
 REFER TO DETAIL 59 TO CHECK CHARGE PRESSURE - 380 PSI
 REFER TO DETAIL 7 RELIEF PRESSURE SETTING - 1850 PSI



250 FWD W/O AGITATION HYD SCHEM 93
REFERENCE DRAWING NO. 498421

DET.	QTY	PART NO.	DESCRIPTION	DET.	QTY	PART NO.	DESCRIPTION
1	1	606884	SUND 75CC ECLIPSE PUMP B-MT	65	1	618118	3/4 HOSE BARB-90-1 1/16MOR
2	2	610557	SUND M35-3102 WHL MTR W/SHT	66	1	618564	1IN HOSE BARB-90-1 5/16MOR
3	1	606897	SUND GEAR PUMP 1.34CI SPLINED	67	5	618126	9/16MJCIC-9/16MOR ADPTR
4	1	618606	OIL COOLER, BLISSFIELD 65027	68	3	618535	7/8MJCIC-90-1 1/16MOR LBO
5	1	690341	HYPRO CENTRIF PUMP 10GPM	69	1	618090	1 5/16MOR-1FNPT ADPTR
6	1	606818	FLO CONT FCR51 0-16GPM 7/8FOR	70	1	618075	3/4 HOSE BARB-1 1/16MOR
7	1	607512	RELIEF VALVE, RL50 1800 PSI	71	2	611127	1 1/16MJCIC-1 1/16MOR ADPTR
8	1	607504	FLO DIV B50 2-8GPM 7/8 FOR	72	7	618425	9/16MJCIC-45-9/16MOR LBO
9	2	606585	CESSNA 3SPL VALVE W/O RELIEF	73	3	618333	7/8FJIC SW RUN TEE-7/8MJCIC
10	1	749150	STRG MTR NON-LOAD REACT 1008	74	4	618248	1 1/16MJCIC-90-1 1/16MOR LBO
11	1	605601	GRESEN FILTER 10 MICRON 40GPM	75	2	618301	7/8MJCIC-90-7/8FJIC SWIV LBO
12	1	760097	OIL TANK WLD 8240 1982	76	2	618302	1 1/16MOR-7/8FOR ADPTR
13	1	605600	MICHIGAN RESERVOIR FILTER	77	3	611126	7/8MJCIC-7/8MOR ADPTR
14	2	605603	LINE SUMP DIFFUSER	78	1	618130	7/8MOR RUN TEE-7/8MJCIC
15	1	611052	FILLER BREATHER 3/4NPT	79	1	618557	7/8FJIC-9/16MJCIC ADPTR
16	1	614453	DIPSTICK, 81N	80	1	506410	BLK PIPE ST EL 90DEG 1.25NPT
17	2	620499	LIFT CYLINDER 2.00 X 10.00	81	1	611121	9/16MJCIC-1/4MNPT ADPTR
18	4	620052	HYD CYL, 2IN FOLD & LEVEL	82	3	618514	9/16FJ SW BRANCH TEE-9/16MJ
19	2	620080	STRG CYL ASSY 1.50 X 6.0 1985	83	11	611122	9/16MJCIC-90-1/4MNPT LBO
20	1	606003	GRESEN SELECTOR VALVE DS-12	84	5	611128	7/8MJCIC-90-7/8MOR LBO
21	2	610512	SUND M23 WHL MTR	85	1	500000	1/2MNPT HEX PIPE NIPPLE STL
22	1	601332	HOSE, 3/4 X 40 2BR RED	86	4	618018	9/16MJCIC-1/2MNPT ADPTR
23	2	611147	3/4MJCIC-1/2MNPT ADPTR	87	3	618019	9/16MJCIC UNION TEE
24	2	618598	1 IN 4-BOLT FLAG X 1 5/16FOR	88	2	618115	9/16MJCIC-90-3/4MOR LBO
25	2	618487	1 1/16FJ SW RUN TEE-1 1/16MJ	89	4	618191	1 1/16MJ-90-1 1/16FJ SWIV LBO
26	2	614694	FRT HYD TUBE ASSY 250 REARLEG	90	2	618310	9/16MJCIC-7/8MOR ADPTR
27	1	614198	FWD VALVE U-TUBE ASSY	91	1	618183	3/4MJCIC-90-7/8MOR LBO
28	2	614695	REAR HYD TUBE ASSY 250REARLEG	92	4	618496	9/16MJCIC-45-3/4MOR LBO
29	2	618529	1 1/16MJ-45-1 1/16FJ SWIV LBO	93	2	505098	SIDE OUTLET EL 90DEG 1.00NPT
30	1	616042	04C1T-06FJX-06FJX-13	94	4	618486	9/16FJIC SW RUN TEE-9/16MJCIC
31	1	614501	10C1T-10FJX-10FJX-139	95	1	618072	7/8MOR-1/2FNPT ADPTR
32	1	614555	10C2AT-10FJX-10FJX-42	96	2	505102	PIPE PLUG 1.00NPT SQ HD
33	1	615449	06C1T-06FJX-06FJX-126	97	4	618325	7/8MJCIC-1/2MNPT ADPTR
34	8	611204	04C1T-06FJX-06FJX-78	98	4	614365	RESTRICTOR ELBOW ASSY .042DIA
35	2	614663	04C1T-06FJX-06FJX-16	99	1	611145	3/4MJCIC-90-1/2MNPT LBO
36	1	615442	04C1T-06FJX-06FJX-55	100	1	618241	3/4MJCIC-90-3/4MOR LBO
37	2	616026	04C1T-06FJX-06FJX-37	101	1	712440	1/2 NPT X 3/4 HOSE BARB
38	2	614683	10C2AT-12MJ-12FJX90-60	102	1	501102	1/4 PIPE PLUG
39	2	614684	10C2AT-12MJ-12FJX90-70	103	1	504210	RED BUSH 3/4 NPT X 1/2 NPT
40	1	614549	06C1T-06FJX-06FJX-140	104	1	504702	CLOSE NIPPLE .75NPT
41	2	615618	08C2AT-10FJX-10FJX-120	105	1	504955	BLK PIPE TEE .75NPT
42	2	614685	08C2AT-12FJX-12FJX-106	106	3	505203	BLK PIPE NIPPLE 1.00NPT-4.00
43	2	615617	08C2AT-10FJX-10FJX90-120	107	1	503600	CLOSE NIPPLE .50NPT
44	1	614101	04C1T-06FJX-06FJX-133	108	4	505300	BLK PIPE EL 90DEG 1.00NPT
45	2	615450	06C1T-06FJX-06FJX45-112	109	1	506303	BLK PIPE EL 90DEG 1.25NPT
46	1	614382	08C1T-08FJX-08FJX-40	110	1	506602	PIPE NIPPLE 1 1/4NPT-2 1/2
47	1	614662	08C1T-08FJX-08FJX-72	111	1	713220	HOSE BARB 3/4 NPT X 3/4
48	1	615619	06C1T-06FJX-06FJX-144	112	4	714560	INPT X 1 HOSE BARB
49	1	601304	HOSE, 3/4 2BR RED X 100 LG	113	1	715664	1 1/4 NPT X 1 HOSE BARB
50	1	601256	HOSE, 1.00 2BR RED X 31 LG	114	2	610185	9/16MOR PLUG
51	1	601311	HOSE, 3/4 X 8 2BR RED	115	1	618107	9/16MJCIC-90-1/2MNPT LBO
52	1	601255	HOSE, 1.00 2BR RED X 104 LG	116	2	618172	7/8MOR-9/16FOR ADPTR
53	2	611206	04C1T-06FJX-06FJX-66	117	5	505200	BLK PIPE ST EL 90DEG 1.00NPT
54	4	614098	04C1T-06FJX-06FJX-201	118	2	714331	1 NPT X 3/4 HOSE BARB
55	4	614154	04C1T-06FJX-06FJX-221	119	2	618599	1 5/16MOR BRANCH TEE-1 5/16MJ
56	1	618328	7/8FJIC CAP NUT	120	3	618119	9/16MJCIC-90-9/16MOR LBO
57	5	618531	9/16FJIC CAP NUT	121	1	601117	HOSE, 1 X 37 2BR RED
58	2	505101	BLK PIPE TEE 1.00NPT	122	1	601112	HOSE, 3/4 X 84 2BR RED
59	1	618444	9/16MOR RUN TEE-9/16MJCIC	123	1	614664	10C1T-10FJX-10FJX-98
60	2	618440	9/16MJCIC-90-9/16MOR EX LG LBO	124	1	616057	08C1T-08FJX-08FJX-88
61	2	716000	3/4 HOSE BARB-90-1MNPT	125	2	505202	BLK PIPE NIPPLE 1.00NPT-2.00
62	3	503820	BLK PIPE TEE .50NPT	126	1	606891	SUND GEAR PMP .52CI SPLINED
63	2	505213	RED BUSH 1 X 3/4 BLK MAL	127	1	610300	3/4MJCIC-3/4MNPT ADPTR
64	4	618541	1 5/16FJIC-1 1/16MJCIC ADPTR				

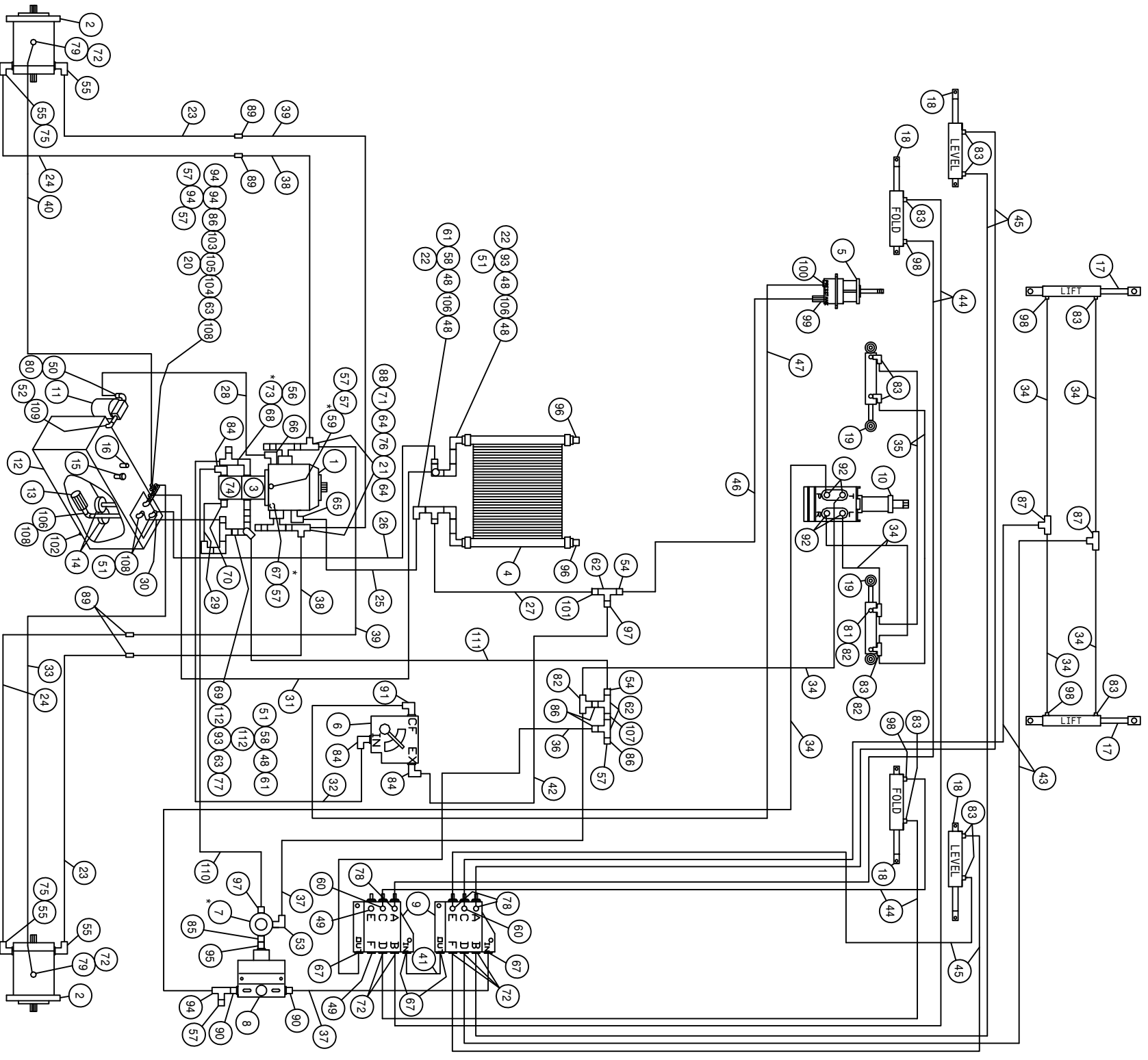
*NOTE:
 REFER TO DETAIL 73 TO CHECK AUX. SYSTEM - 1850 PSI
 REFER TO DETAIL 67 TO CHECK LIMIT SETTING - 4500 PSI
 REFER TO DETAIL 59 TO CHECK CHARGE PRESSURE - 380 PSI
 REFER TO DETAIL 7 RELIEF PRESSURE SETTING - 1850 PSI



250 TMD WITH AGITATION HYD SCHEM 93
REFERENCE DRAWING NO. 498418

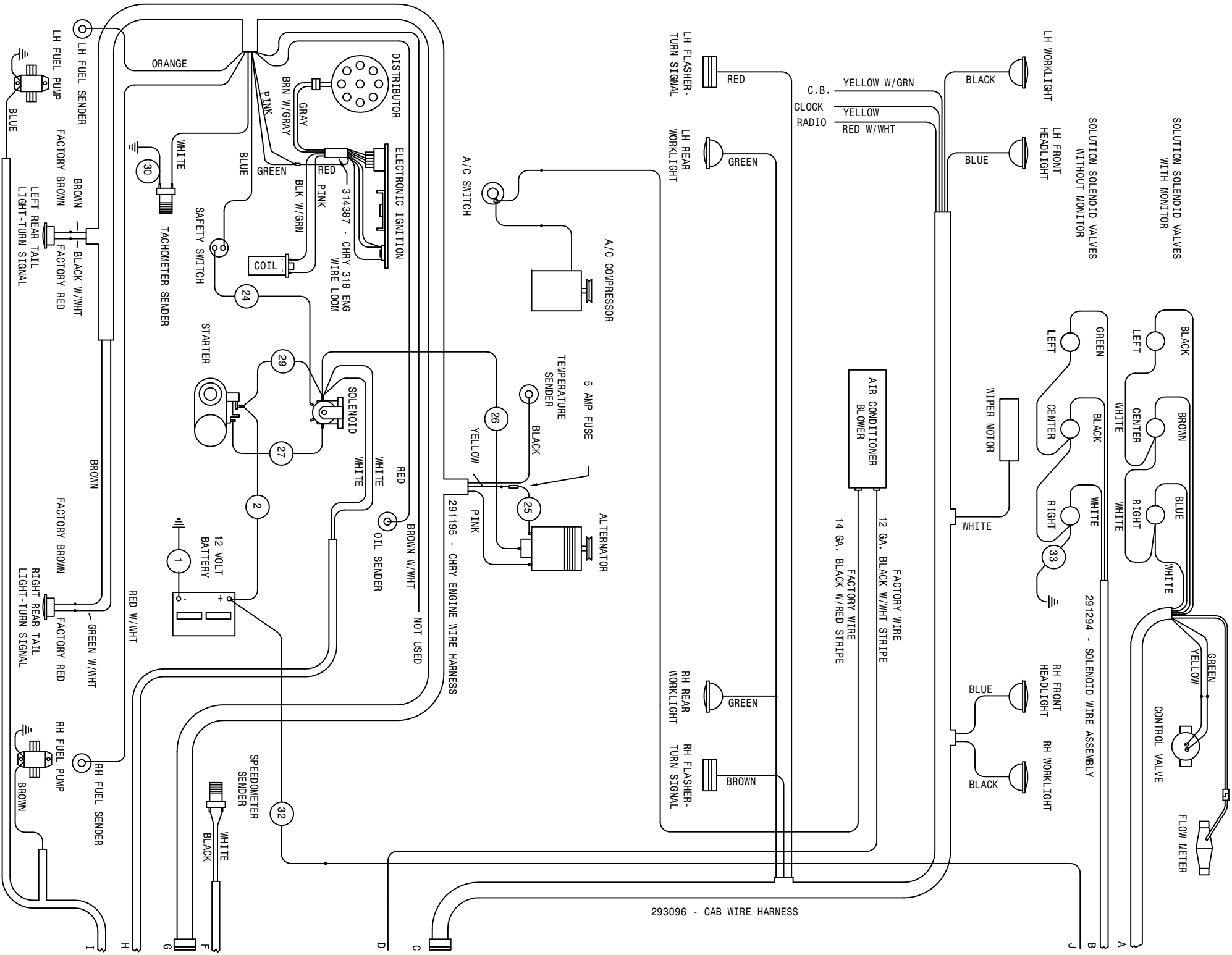
DET.	QTY	PART NO.	DESCRIPTION	DET.	QTY	PART NO.	DESCRIPTION
1	1	606884	SUND 75CC ECLIPSE PUMP B-MT	61	2	716000	3/4 HOSE BARB-90-1MNPT
2	2	610557	SUND M35-3102 WHL MTR W/SHFT	62	3	503820	BLK PIPE TEE .50NPT
3	1	606897	SUND GEAR PUMP 1.34CI SPLINED	63	2	505213	RED BUSH 1 X 3/4 BLK MAL
4	1	618606	OIL COOLER, BLISSFIELD 65027	64	4	618541	1 5/16FJIC-1 1/16MJIC ADPTR
5	1	690341	HYPRO CENTRIF PUMP 10GPM	65	1	618118	3/4 HOSE BARB-90-1 1/16MOR
6	1	606818	FLO CONT FCR51 0-16GPM 7/8FOR	66	1	618564	1IN HOSE BARB-90-1 5/16MOR
7	1	607512	RELIEF VALVE, RL50 1800 PSI	67	5	618126	9/16MJIC-9/16MOR ADPTR
8	1	607504	FLO DIV B50 2-8GPM 7/8 FOR	68	1	618535	7/8MJIC-90-1 1/16MOR LBO
9	2	606585	CESSNA 3SPL VALVE W/O RELIEF	69	1	618090	1 5/16MOR-1FNPT ADPTR
10	1	749150	STRG MTR NON-LOAD REACT 1008	70	1	618075	3/4 HOSE BARB-1 1/16MOR
11	1	605601	GRESEN FILTER 10 MICRON 40GPM	71	2	618487	1 1/16FJ SW RUN TEE-1 1/16MJ
12	1	760097	OIL TANK WLD 8240 1982	72	7	618425	9/16MJIC-45-9/16MOR LBO
13	1	605600	MICHIGAN RESERVOIR FILTER	73	1	618333	7/8FJIC SW RUN TEE-7/8MJIC
14	2	605603	LINE SUMP DIFFUSER	74	1	610300	3/4MJIC-3/4MNPT ADPTR
15	1	611052	FILLER BREATHER 3/4NPT	75	2	618529	1 1/16MJ-45-1 1/16FJ SWIV LBO
16	1	614453	DIPSTICK, 8IN	76	2	618599	1 5/16MOR BRANCH TEE-1 5/16MJ
17	2	620499	LIFT CYLINDER 2.00 X 10.00	77	1	616057	08C1T-08FJX-08FJX-88 H/A
18	4	620052	HYD CYL, ZIN FOLD & LEVEL	78	6	618119	9/16MJIC-90-9/16MOR LBO
19	2	620080	STRG CYL ASSY 1.50 X 6.0 1985	79	5	618172	7/8MOR-9/16FOR ADPTR
20	2	610510	CESSNA GEAR MOTOR 1.48CI	80	1	506410	BLK PIPE ST EL 90DEG 1.25NPT
21	2	618598	1 IN 4-BOLT FLG X 1 5/16FOR	81	3	611121	9/16MJIC-1/4MNPT ADPTR
22	1	606827	FLO CONT FCS1 0-3 VARI 7/8FOR	82	3	618514	9/16FJ SW BRANCH TEE-9/16MJ
23	2	614694	FRT HYD TUBE ASSY 250 REARLEG	83	11	611122	9/16MJIC-90-1/4MNPT LBO
24	2	614695	REAR HYD TUBE ASSY 250REARLEG	84	3	611128	7/8MJIC-90-7/8MOR LBO
25	1	601112	HOSE, 3/4 X 84 2BR RED	85	1	500000	1/2MNPT HEX PIPE NIPPLE STL
26	1	601255	HOSE, 1.00 2BR RED X 104 LG	86	4	618018	9/16MJIC-1/2MNPT ADPTR
27	1	601332	HOSE, 3/4 X 40 2BR RED	87	3	618019	9/16MJIC UNION TEE
28	1	601117	HOSE, 1 X 37 2BR RED	88	2	618533	1 1/16FJIC CAP NUT
29	1	601311	HOSE, 3/4 X 8 2BR RED	89	4	618191	1 1/16MJ-90-1 1/16FJ SWIV LBO
30	1	601256	HOSE, 1.00 2BR RED X 31 LG	90	2	618310	9/16MJIC-7/8MOR ADPTR
31	1	601304	HOSE, 3/4 2BR RED X 100 LG	91	1	618183	3/4MJIC-90-7/8MOR LBO
32	1	614501	10C1T-10FJX-10FJX-139	92	4	618496	9/16MJIC-45-3/4MOR LBO
33	1	615449	06C1T-06FJX-06FJX-126	93	2	505098	SIDE OUTLET EL 90DEG 1.00NPT
34	8	611204	04C1T-06FJX-06FJX-78	94	4	618486	9/16FJIC SW RUN TEE-9/16MJIC
35	2	614663	04C1T-06FJX-06FJX-16	95	1	618072	7/8MOR-1/2FNPT ADPTR
36	1	615442	04C1T-06FJX-06FJX-55	96	2	505102	PIPE PLUG 1.00NPT SQ HD
37	2	616026	04C1T-06FJX-06FJX-37	97	2	618325	7/8MJIC-1/2MNPT ADPTR
38	2	614683	10C2AT-12MJ-12FJX90-60	98	4	614365	RESTRICTOR ELBOW ASSY .042DIA
39	2	614684	10C2AT-12MJ-12FJX90-70	99	1	611145	3/4MJIC-90-1/2MNPT LBO
40	1	614549	06C1T-06FJX-06FJX-140	100	1	618241	3/4MJIC-90-3/4MOR LBO
41	1	616042	04C1T-06FJX-06FJX-13	101	1	712440	1/2 NPT X 3/4 HOSE BARB
42	1	614555	10C2AT-10FJX-10FJX-42	102	1	501102	1/4 PIPE PLUG
43	2	611206	04C1T-06FJX-06FJX-66	103	1	504210	RED BUSH 3/4 NPT X 1/2 NPT
44	4	614098	04C1T-06FJX-06FJX-201	104	1	504702	CLOSE NIPPLE .75NPT
45	4	614154	04C1T-06FJX-06FJX-221	105	1	504955	BLK PIPE TEE .75NPT
46	1	614382	08C1T-08FJX-08FJX-40	106	3	505203	BLK PIPE NIPPLE 1.00NPT-4.00
47	1	614662	08C1T-08FJX-08FJX-72	107	1	503600	CLOSE NIPPLE .50NPT
48	2	614693	06C1T-06FJX-06FJX-168	108	4	505300	BLK PIPE EL 90DEG 1.00NPT
49	1	614571	06RLA-06FJX-06FJX-126	109	1	506303	BLK PIPE EL 90DEG 1.25NPT
50	2	611208	04C1T-06FJX-06FJX-98	110	1	506602	PIPE NIPPLE 1 1/4NPT-2 1/2
51	1	615452	06C1T-06FJX-06FJX-16	111	1	713220	HOSE BARB 3/4 NPT X 3/4
52	1	615401	06C1T-06FJX-06FJX-22	112	4	714560	1NPT X 1 HOSE BARB
53	1	614664	10C1T-10FJX-10FJX-98	113	1	715664	1 1/4 NPT X 1 HOSE BARB
54	2	611147	3/4MJIC-1/2MNPT ADPTR	114	2	610185	9/16MOR PLUG
55	4	618248	1 1/16MJIC-90-1 1/16MOR LBO	115	4	618092	1 1/16MOR-1/2FNPT ADPTR
56	1	618328	7/8FJIC CAP NUT	116	5	618107	9/16MJIC-90-1/2MNPT LBO
57	5	618531	9/16FJIC CAP NUT	117	5	505200	BLK PIPE ST EL 90DEG 1.00NPT
58	2	505101	BLK PIPE TEE 1.00NPT	118	2	714331	1 NPT X 3/4 HOSE BARB
59	1	618444	9/16MOR RUN TEE-9/16MJIC	119	2	505202	BLK PIPE NIPPLE 1.00NPT-2.00
60	2	618440	9/16MJIC-90-9/16MOR EX LG LBO	120	1	606891	SUND GEAR PMP .52CI SPLINED

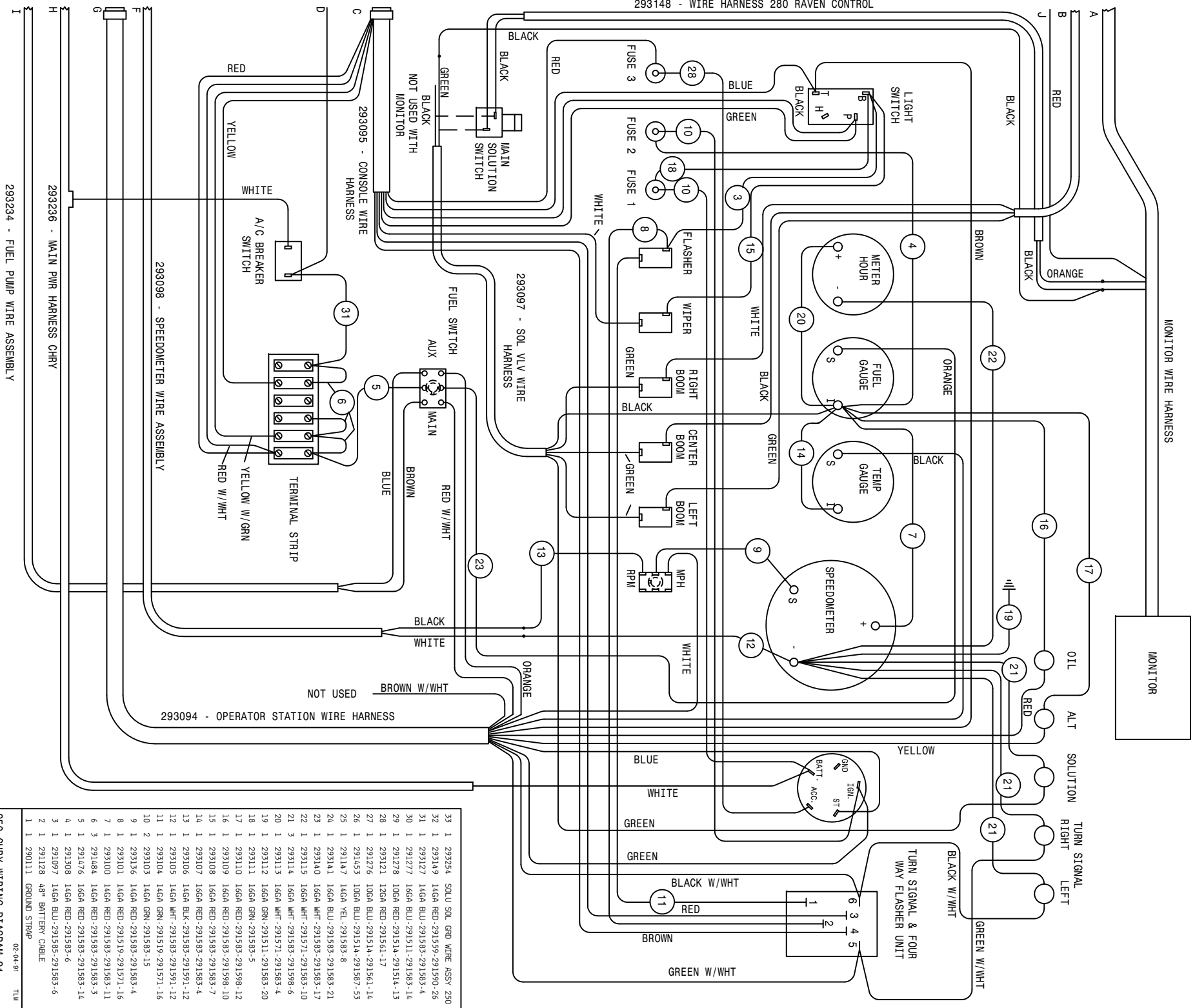
*NOTE:
 REFER TO DETAIL 73 TO CHECK AUX. SYSTEM - 1850 PSI
 REFER TO DETAIL 67 TO CHECK LIMIT SETTING - 4500 PSI
 REFER TO DETAIL 59 TO CHECK CHARGE PRESSURE - 380 PSI
 REFER TO DETAIL 7 RELIEF PRESSURE SETTING - 1850 PSI



250 TWD W/O AGITATION HYD SCHEM 93
REFERENCE DRAWING NO. 498419

DET.	QTY	PART NO.	DESCRIPTION	DET.	QTY	PART NO.	DESCRIPTION
1	1	606884	SUND 75CC ECLIPSE PUMP B-MT	57	7	618531	9/16FJIC CAP NUT
2	2	610557	SUND M35-3102 WHL MTR W/SHT	58	2	505101	BLK PIPE TEE 1.00NPT
3	1	606897	SUND GEAR PUMP 1.34CI SPLINED	59	1	618444	9/16MOR RUN TEE-9/16MJIC
4	1	618606	OIL COOLER, BLISSFIELD 65027	60	2	618440	9/16MJIC-90-9/16MOR EX LG LBO
5	1	690341	HYPRO CENTRIF PUMP 10GPM	61	2	716000	3/4 HOSE BARB-90-1MNPT
6	1	606818	FLO CONT FCR51 0-16GPM 7/8FOR	62	3	503820	BLK PIPE TEE .50NPT
7	1	607504	RELIEF VALVE, RL50 1800 PSI	63	2	505213	RED BUSH 1 X 3/4 BLK MAL
8	1	606585	FLO DIV B50 2-8GPM 7/8 FOR	64	2	618541	1 5/16FJIC-1 1/16MJIC ADPTR
9	2	606585	CESSNA 35PL VALVE W/O RELIEF	65	1	618118	3/4 HOSE BARB-90-1 1/16MOR
10	1	749150	STRG MTR NON-LOAD REACT 1008	66	1	618564	1IN HOSE BARB-90-1 5/16MOR
11	1	605601	GRESEN FILTER 10 MICRON 40GPM	67	5	618126	9/16MJIC-9/16MOR ADPTR
12	1	760097	OIL TANK WLD 8240 1982	68	1	618535	7/8MJIC-90-1 1/16MOR LBO
13	1	605600	MICHIGAN RESERVOIR FILTER	69	1	618090	1 5/16MOR-1FNPT ADPTR
14	2	605603	LINE SUMP DIFFUSER	70	1	618075	3/4 HOSE BARB-1 1/16MOR
15	1	611052	FILLER BREATHER 3/4NPT	71	2	618487	1 1/16FJ SW RUN TEE-1 1/16MJ
16	1	614453	DIPSTICK, 8IN	72	7	618425	9/16MJIC-45-9/16MOR LBO
17	2	620499	LIFT CYLINDER 2.00 X 10.00	73	1	618333	7/8FJIC SW RUN TEE-7/8MJIC
18	4	620052	HYD CYL, 2IN FOLD & LEVEL	74	1	606891	SUND GEAR PMP .52CI SPLINED
19	2	620080	STRG CYL ASSY 1.50 X 6.0 1985	75	2	618529	1 1/16MJ-45-1 1/16FJ SWIV LBO
20	1	713220	HOSE BARB 3/4 NPT X 3/4	76	2	618599	1 5/16MOR BRANCH TEE-1 5/16MJ
21	2	618598	1 IN 4-BOLT FLG X 1 5/16FOR	77	1	610300	3/4MJIC-3/4MNPT ADPTR
22	2	714331	1 NPT X 3/4 HOSE BARB	78	3	618119	9/16MJIC-90-9/16MOR LBO
23	2	614694	FRT HYD TUBE ASSY 250 REARLEG	79	2	618172	7/8MOR-9/16FOR ADPTR
24	2	614695	REAR HYD TUBE ASSY 250REARLEG	80	1	506410	BLK PIPE ST EL 90DEG 1.25NPT
25	1	601112	HOSE, 3/4 X 84 2BR RED	81	1	611121	9/16MJIC-1/4MNPT ADPTR
26	1	601255	HOSE, 1.00 2BR RED X 104 LG	82	3	618514	9/16FJ SW BRANCH TEE-9/16MJ
27	1	601332	HOSE, 3/4 X 40 2BR RED	83	11	611122	9/16MJIC-90-1/4MNPT LBO
28	1	601117	HOSE, 1 X 37 2BR RED	84	3	611128	7/8MJIC-90-7/8MOR LBO
29	1	601311	HOSE, 3/4 X 8 2BR RED	85	1	500000	1/2MNPT HEX PIPE NIPPLE STL
30	1	601256	HOSE, 1.00 2BR RED X 31 LG	86	4	618018	9/16MJIC-1/2MNPT ADPTR
31	1	601304	HOSE, 3/4 2BR RED X 100 LG	87	2	618019	9/16MJIC UNION TEE
32	1	614501	10C1T-10FJX-10FJX-139	88	2	618533	1 1/16FJIC CAP NUT
33	1	615449	06C1T-06FJX-06FJX-126	89	4	618191	1 1/16MJ-90-1 1/16FJ SWIV LBO
34	8	611204	04C1T-06FJX-06FJX-78	90	2	618310	9/16MJIC-7/8MOR ADPTR
35	2	614663	04C1T-06FJX-06FJX-16	91	1	618183	3/4MJIC-90-7/8MOR LBO
36	1	615442	04C1T-06FJX-06FJX-55	92	4	618496	9/16MJIC-45-3/4MOR LBO
37	2	616026	04C1T-06FJX-06FJX-37	93	2	505098	SIDE OUTLET EL 90DEG 1.00NPT
38	2	614683	10C2AT-12MJ-12FJX90-60	94	4	618486	9/16FJIC SW RUN TEE-9/16MJIC
39	2	614684	10C2AT-12MJ-12FJX90-70	95	1	618072	7/8MOR-1/2FNPT ADPTR
40	1	614549	06C1T-06FJX-06FJX-140	96	2	505102	PIPE PLUG 1.00NPT SQ HD
41	1	616042	04C1T-06FJX-06FJX-13	97	2	618325	7/8MJIC-1/2MNPT ADPTR
42	1	614555	10C2AT-10FJX-10FJX-42	98	4	614365	RESTRICTOR ELBOW ASSY .042DIA
43	2	611206	04C1T-06FJX-06FJX-66	99	1	611145	3/4MJIC-90-1/2MNPT LBO
44	4	614098	04C1T-06FJX-06FJX-201	100	1	618241	3/4MJIC-90-3/4MOR LBO
45	4	614154	04C1T-06FJX-06FJX-221	101	1	712440	1/2 NPT X 3/4 HOSE BARB
46	1	614382	08C1T-08FJX-08FJX-40	102	1	501102	1/4 PIPE PLUG
47	1	614662	08C1T-08FJX-08FJX-72	103	1	504210	RED BUSH 3/4 NPT X 1/2 NPT
48	5	505200	BLK PIPE ST EL 90DEG 1.00NPT	104	1	504702	CLOSE NIPPLE .75NPT
49	2	610185	9/16MOR PLUG	105	1	504955	BLK PIPE TEE .75NPT
50	1	715664	1 1/4 NPT X 1 HOSE BARB	106	3	505203	BLK PIPE NIPPLE 1.00NPT-4.00
51	4	714560	1NPT X 1 HOSE BARB	107	1	503600	CLOSE NIPPLE .50NPT
52	1	506602	PIPE NIPPLE 1 1/4NPT-2 1/2	108	4	505300	BLK PIPE EL 90DEG 1.00NPT
53	1	618107	9/16MJIC-90-1/2MNPT LBO	109	1	506303	BLK PIPE EL 90DEG 1.25NPT
54	2	611147	3/4MJIC-1/2MNPT ADPTR	110	1	614664	10C1T-10FJX-10FJX-98
55	4	618248	1 1/16MJIC-90-1 1/16MOR LBO	111	1	616057	08C1T-08FJX-08FJX-88
56	1	618328	7/8FJIC CAP NUT	112	2	505202	BLK PIPE NIPPLE 1.00NPT-2.00





293234 - FUEL PUMP WIRE ASSEMBLY

293236 - MAIN PWR HARNESS CHRY

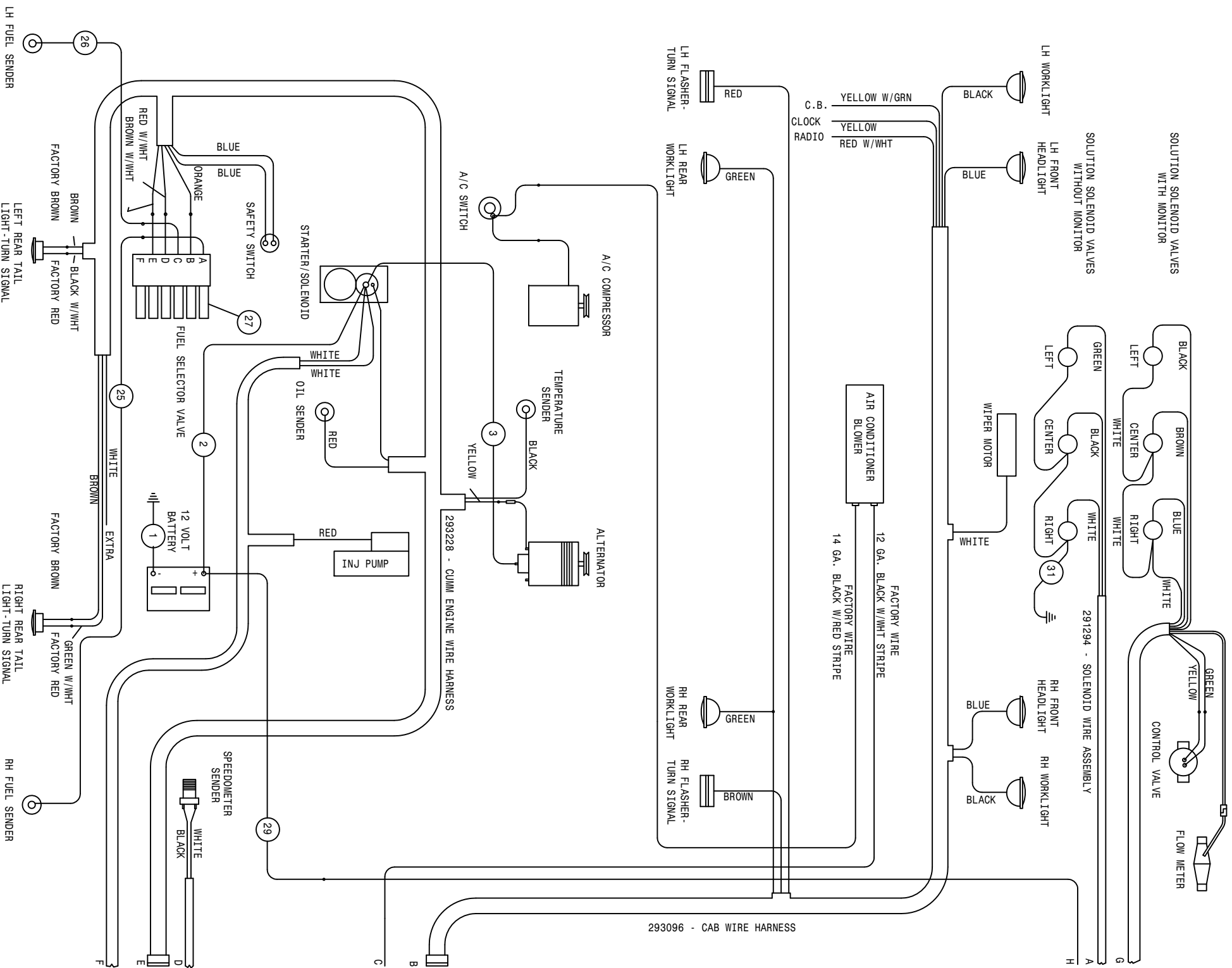
293099 - SPEEDOMETER WIRE ASSEMBLY

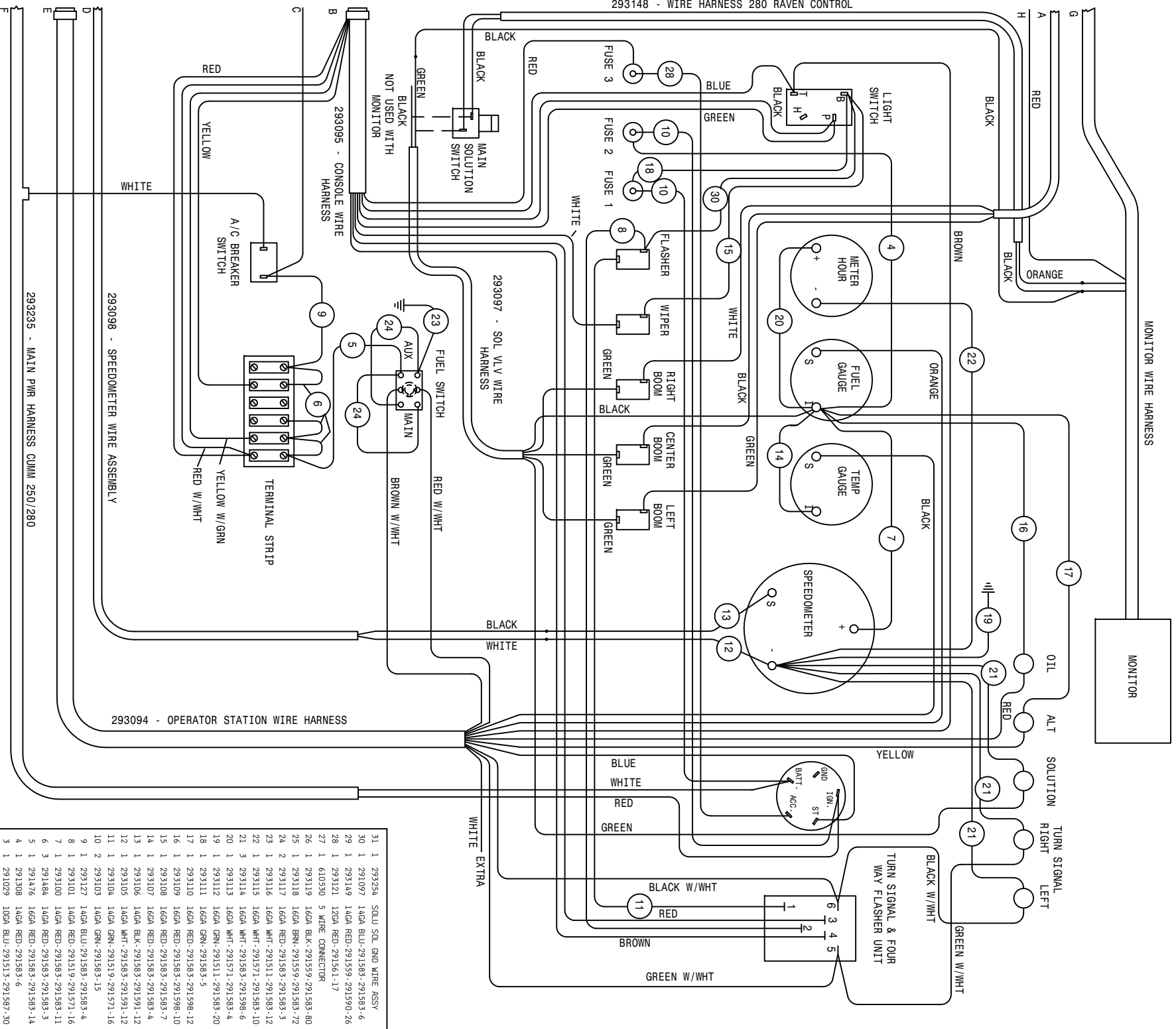
293094 - OPERATOR STATION WIRE HARNESS

293097 - SOL VLV WIRE HARNESS

293095 - CONSOLE WIRE HARNESS

250 CHRY WIRING DIAGRAM 91
 REVISION DATE: 09-01-82
 498370
 02-04-91 TUD





31	1	293254	SQU	SOL. GND WIRE ASSY
30	1	291097	14GA	BLU-291583-291583-6
29	1	293149	14GA	RED-291599-291590-26
28	1	293121	12GA	RED-291561-17
27	1	610550	5	WIRE CONNECTOR
26	1	293119	16GA	BLK-291599-291583-80
25	1	293118	16GA	BRN-291583-291598-72
24	2	293117	16GA	RED-291583-291583-3
23	1	293116	16GA	WHT-291511-291583-12
22	1	293115	16GA	WHT-291571-291583-10
21	3	293114	16GA	WHT-291583-291598-6
20	1	293113	16GA	WHT-291571-291583-4
19	1	293112	16GA	GRN-291511-291583-20
18	1	293111	16GA	GRN-291583-5
17	1	293110	16GA	RED-291583-291598-12
16	1	293109	16GA	RED-291583-291598-10
15	1	293108	16GA	RED-291583-291583-7
14	1	293107	16GA	RED-291583-291583-4
13	1	293106	14GA	BLK-291583-291591-12
12	1	293105	14GA	WHT-291583-291591-12
11	1	293104	14GA	GRN-291519-291571-16
10	2	293103	14GA	GRN-291583-15
9	1	293127	14GA	BLU-291583-291583-4
8	1	293101	14GA	RED-291519-291571-16
7	3	291484	14GA	RED-291583-291583-11
6	3	291484	14GA	RED-291583-291583-3
5	1	291476	16GA	RED-291583-291583-14
4	1	291308	14GA	RED-291583-6
3	1	291029	10GA	BLU-291513-291587-30
2	1	291128	48"	BATTERY CABLE
1	1	290111		GROUND STRIP

280 CUMM WIRING DIAGRAM 92

REVISION DATE: 08-21-92

498399

ABBREVIATIONS

A/C - AIR CONDITIONER	MT - MOUNT
ADPTR - ADAPTER	MTR - MOTOR
AGI - AGITATOR	P/N - PART NUMBER
ALT - ALTERNATOR	PLT - PLATE
ASSY - ASSEMBLY	QTY - QUANTITY
BRKT - BRACKET	RED - REDUCER
DET - DETAIL	REF - REFERENCE
DISPL - DISPLACEMENT	REST - RESTRICTOR
EL - ELBOW	REQ - REQUIRED
EXT - EXTENSION	SHFT - SHAFT
FLO - FLOW	SOL - SOLUTION
FNPT - FEMALE NATIONAL PIPE THREAD	STRG - STEERING
FOR - FEMALE O-RING	ST - STREET
FRT - FRONT	SWIV - SWIVEL
HYD - HYDRAULIC	UNC - UNIFIED NATIONAL COURSE
HYDRO - HYDROSTATIC	UNF - UNIFIED NATIONAL FINE
LG - LONG	V - VOLT
LWR - LOWER	W/ - WITH
MJIC - MALE J.I.C.	WHL - WHEEL
MOR - MALE O-RING	WLD - WELDMENT

-A-

ABBREVIATIONS..... 76

AGITATOR

 COUPLER..... 46

 IMPELLER..... 46

 SHAFT..... 46

AIR CLEANER..... 12, 13

 BAND..... 12, 13

 CAP..... 12, 13

 CLAMP..... 12, 13

 FILTER..... 12, 13

 HOSE..... 12, 13

AIR CONDITIONER

 BLOWER..... 30

 COMPRESSOR..... 10

 CONDENSER..... 10

 DRYER..... 10

 EVAPORATOR..... 30

 FILTER..... 30

 AIR INTAKE..... 7, 11

 SCREEN..... 11

 ALTERNATOR..... 5, 6

 ARM

 STEERING..... 16, 18

 WIPER..... 28

-B-

BALL VALVE..... 47, 49

BAND

 AIR CLEANER..... 12, 13

 FUEL TANK..... 22, 23

 POLY TANK..... 47

BATTERY..... 25

 BOX..... 25

 CABLE..... 25

 HOLD DOWN..... 25

 BELT..... 5, 6

 BINDER, TANK BAND..... 47

 BLADE, WIPER..... 28

 BLOCK, TERMINAL..... 29

BLOWER

 AIR CONDITIONER..... 30

 HOUSING..... 30

BRACE

 LEG..... 17

 STREERING POST..... 29

BRACKET, A/C DRYER..... 10

BRAKE

 CABLE..... 17, 33

 CLIP RETAINER..... 17

 DISC..... 17

 HUB..... 17

-C-

LEVER..... 33

BREAKAWAY, BOOM..... 53

BREAKER, CIRCUIT..... 29

BREATHER..... 26

BOOM..... 56

 CRADLE..... 56

 FEEDER TEE..... 51

BOOT..... 29

BUMPER, BOOM..... 45

CAB..... 28

 ROOF..... 30

CABLE

 BATTERY..... 25

 BRAKE..... 17, 33

 CHOKE..... 34

 CONTROL..... 27, 36, 37

 MOUNT, THROTTLE..... 36, 37

 4WD..... 35

CAP

 AIR STACK..... 12, 13

 FUEL..... 22, 23

 RADIATOR..... 11

 STEERING..... 39

CESSNA

 PUMP..... 8

 3-SPool VALVE..... 35

 CHOKE CABLE..... 34

 CIRCUIT BREAKER..... 29

CLAMP

 LEG..... 16, 17, 18

 MUFFLER..... 12, 14, 15

COMPRESSOR

 AIR CONDITIONER..... 10

 MOUNT..... 10

 CONDENSER..... 10

 MOUNT..... 10

 CONSOLE..... 34

 CONTROL, FLOW..... 40

 COUPLER, AGITATOR..... 46

 COVER

 STEERING..... 39

 WORK LIGHT..... 28

CRADLE

 BOOM..... 56

 POLY TANK..... 47, 48

CROP GUIDE MOUNT..... 16

CYLINDER

 FOLD..... 53, 55

 LEVEL..... 53, 55

 LIFT..... 52, 54

 STEERING..... 21

-D-

DECALS.....62,63
DEFLECTOR, STALK.....44
DIFFUSER, LINE.....26
DIMMER SWITCH.....29
DIPSTICK.....26
DISC
BRAKE.....17
FRICTION.....36,37
SENSOR.....17
DOOR.....31
CATCH SLIDE.....31
GLASS.....31
DRAIN COCK.....11
DRIVE ASSEMBLY.....4
DRYER BRACKET.....10

-E-

ELECTRICAL SCHEMATIC.....72,74
ELEMENT
AIR CLEANER.....12,13
OIL FILTER.....26
ENGINE.....4,5,6,7
HOOD.....42
EVAPORATOR, A/C.....30
EXHAUST PIPE.....12,14,15

-F-

FAN.....4,6
SPACER.....4
FEEDER TEE, BOOM.....51
FILTER
AIR CONDITIONER.....30
FUEL.....5,6,23
GRESEN.....26
MICHIGAN.....26
OIL.....4,6
FLASHER.....28
SWITCH.....41
FLOW CONTROL.....40
FLOW DIVIDER.....9
MOUNT.....9
FOAM.....11,29,32
FOLD CYLINDER.....53,55
FRICTION DISC.....36,37
FRONT SHIELD.....43
FUEL
CAP.....22,23
GAUGE.....41
PUMP.....24
SELECTOR VALVE.....22,23
SHUT-OFF MOUNT.....4
FUEL TANK.....22,23
MOUNT.....22,23
SENDER.....22,23

FUSE.....41

-G-

GASKET
OIL TANK.....26
TANK LID.....47
GAUGE
FUEL.....41
PRESSURE.....50
TEMPERATURE.....41
GLAND PACKING.....46
GLASS
CAB.....28
GOVERNOR.....7
GRESEN FILTER.....26
GROUND STRAP.....4,25,29
GUIDE, STALK.....25,57

-H-

HANDLE, 3-SPOOL VALVE.....35
HANDRAIL.....42
LADDER.....42
HANGER, NOZZLE.....53
HEADLIGHT.....28
HOLD DOWN, BATTERY.....25
HOLDER, THROTTLE CABLE.....4
HOOD
ENGINE.....42
PROP.....42
HOOK, RUBBER.....42,43
HOSE
AIR CLEANER.....12,13
RADIATOR.....5
HOSING, SOLUTION.....58
HOUR METER.....41
HOUSING, BLOWER.....30
HUB
BRAKE.....17
TORQUE.....16,17
HYDRAULIC
SCHEMATIC.....64
TUBE, LEG.....16,17
HYDROSTATIC
CABLE MOUNT.....4
LEVER.....38

-I-

IMPELLER, AGITATOR.....46
INDICATOR LIGHT.....41
INSTRUMENT PANEL.....41
ISOLATOR.....5,29

-K-
KNOB.....31, 35, 36, 37, 39

MULLION.....42
SUPPORT.....42

-L-

-N-

LADDER.....44
 HANDRAIL.....44
LEG

NOZZLE TUBE.....53

-O-

 BRACE.....17
 CLAMP.....16, 18
 FRONT.....16, 18
 HYDRAULIC TUBE.....16, 17
 REAR.....17
 U-BOLT.....16, 17, 18
 LEVEL CYLINDER.....53, 55
LEVER

OIL
 COOLER.....11
 FILTER.....6, 26
 SENDER.....4
 OIL TANK.....26
 GASKET.....26
 STRAP.....26
OPERATOR STATION.....29

-P-

 HYDROSTATIC.....38
 THROTTLE.....27, 36
 VARIABLE FLOW CONTROL.....40
 LID, SOLUTION TANK.....47, 48
 LIFTARM.....52
 MOUNT.....52
 LIFT CYLINDER.....52, 54
 LIGHT.....28
 SWITCH.....41
 LINE DIFFUSER.....26
 LINK HANDLE.....35

-M-

PACKING, GLAND.....46
PANEL.....29
 INSTRUMENT.....41
 PIPE EXHAUST.....12, 14, 15
 PIVOT, STEERING.....20
 PIVOT PIN, BOOM.....53
 PLATFORM, SERVICE.....44
 POLY TANK.....47
 PRESSURE GAUGE.....50
 MOUNT.....50
PUMP
 CESSNA.....8
 FUEL.....24
 SOLUTION.....49
 SUNDSTRAND.....8

-R-

 MAINFRAME, TIE PLATE.....5
 MICHIGAN FILTER.....26
 MIRROR.....28
 MOTOR
 MOUNT.....5, 6
 STEERING.....39
 WHEEL.....16, 17
 WINDSHIELD WIPER.....28
MOUNT
 CONDENSER.....10
 CRADLE.....47, 48
 CROP GUIDE.....16
 FLOW DIVIDER.....9
 FUEL SHUT OFF.....4
 FUEL TANK.....22, 23
 HYDROSTATIC CABLE.....4
 LIFTARM.....52
 MOTOR.....5
 RADIATOR.....11
 RESISTOR.....4
 SEAT.....33
 SENSOR.....17
 THROTTLE CABLE.....4, 38
 MUFFLER.....12, 14, 15
 CLAMP.....12, 14, 15

-S-

RADIATOR.....11
 CAP.....11
 HOSE.....5, 6
 MOUNT.....11
 RECOVERY TANK.....11
 SHROUD.....11
 RECEIVER PLATE.....26
 REGULATOR, VOLTAGE.....5
 RESISTOR MOUNT.....4
 RETAINER, BRAKE.....17
 RIM.....19
 ROOF, CAB.....30
 RUBBER HOOK.....42, 43
SCHEMATIC
 ELECTRICAL.....72, 74
 HYDRAULIC.....64

SCREEN
 AIR INTAKE..... 11
 LOWER..... 43
 UPPER..... 43
 SEAT..... 33
 MOUNT..... 33
 SENDER
 FUEL TANK..... 22,23
 OIL..... 4
 TEMPERATURE..... 4,6
 SENSOR
 DISC..... 17
 MOUNT..... 17
 SPEEDOMETER..... 17
 SELECTOR VALVE
 FUEL..... 22,23
 GRESEN..... 26
 SERVICE PLATFORM..... 44
 SHAFT
 AGITATOR..... 46
 SHEET METAL..... 42
 SHIELD
 FRONT..... 45
 LOWER FRONT..... 45
 TANK..... 45
 WHEEL MOTOR..... 17
 SHROUD, RADIATOR..... 11
 SLEEVE, NYLON..... 16
 SLIDE DOOR CATCH..... 31
 S M V SIGN..... 43
 SOLUTION
 HOISING..... 58
 PUMP..... 49
 TANK..... 47,48
 VALVE..... 50
 SPACER, FAN..... 4
 SPEEDOMETER..... 41
 SENSOR..... 17
 SPRING, THROTTLE LEVER..... 36,37
 STALK
 DEFLECTOR..... 44
 GUIDE..... 57
 STATION, OPERATOR..... 29
 STEERING
 ADJUSTMENT KNOB..... 39
 ARM..... 16, 18
 CAP..... 39
 COLUMN..... 39
 COVER..... 39
 CYLINDER..... 21
 MOTOR..... 39
 PIVOT..... 20
 TIE ROD..... 20
 WHEEL..... 39
 STOP, THROTTLE..... 34

STRAP
 GROUND..... 4, 25, 29
 OIL TANK..... 26
 SUNDSTRAND
 PUMP..... 8
 WHEEL MOTOR..... 16, 17
 SUPPORT, MULLION..... 42
 SWITCH
 DIMMER..... 29
 FLASHER..... 41
 LIGHT..... 41
 TOGGLE..... 34,41

-T-

TAILLIGHT..... 43
 TANK
 BAND..... 22,23, 47,48
 BAND BINDER..... 47,48
 CRADLE, POLY..... 47,48
 FUEL..... 22,23
 LATCH..... 47,48
 LID GASKET..... 47,48
 OIL..... 26
 POLY..... 47
 RADIATOR RECOVERY..... 11
 SHIELD..... 45
 SOLUTION..... 47,48
 TEMPERATURE
 GAUGE..... 41
 SENDER..... 4
 TERMINAL BLOCK..... 29
 THROTTLE
 CABLE..... 4
 CABLE HOLDER..... 4,7
 LEVER..... 36,37
 STOP..... 34
 TIE PLATE, MAINFRAME..... 5
 TIE ROD, STEERING..... 20
 TIRE..... 19
 TOGGLE SWITCH..... 34,41
 TORQUE HUB..... 16, 17, 45
 TRANSOM..... 53
 TUBE
 FOUR WHEEL DRIVE..... 27
 HYDRAULIC..... 17

-V-

VALVE
 BALL..... 47,49
 GRESEN SELECTOR..... 27
 HANDLE LINK..... 35
 SOLUTION..... 50
 3-SPOOL..... 35
 VOLTAGE REGULATOR..... 5

WHEEL MOTOR

SHIELD.....	17
SUNSTRAND.....	16, 17
WHEEL, STEERING.....	39
WIPER	
ARM.....	28
BLADE.....	28
MOTOR.....	28
WORKLIGHT COVER.....	28

MEMORANDA



PARTS ORDER FAX

Fax 24 hours a day 7 days a week**

Ph. 1 (800) 247-4885 Fx. 1 (515) 532-3553 Photocopy and fax to Hagie Customer Support Department

ORDERED BY/BILL TO:

Name _____
 Co. Name _____
 Street _____
 City, St, Zip _____
 Ph. _____ Fx. _____

SHIP TO:

Name _____
 Co. Name _____
 Street _____
 City, St, Zip _____
 Ph. _____ Fx. _____

HOW SHIP: UPS Ground Next Day 2 Day 3 Day Other _____

If "HOW SHIP" is left blank, parts will be sent UPS ground service. If part is over 150 pounds, an independent motor freight company will be used.

PAYMENT: Hagie Account #*** _____

C.O.D

American Express Discover Visa Master Card
 Signature: _____
 name as appears on card: _____
 card no. _____ exp. date _____

Year and Model No. _____

Serial No. _____

Item Serial No. (if necessary): _____

Engine (include type) _____
 Hydrostatic Pump (s) _____
 Torque Hub _____ LF RF LR RR
 Wheel Motor _____ LF RF LR RR

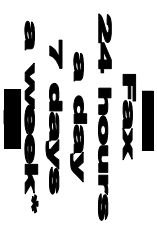
HAGIE Part No.	Qty.	Description

Check here if you want phone confirmation of parts order.

* Orders received before 3:00 p.m., CST will be processed the same business day. Regular business hours are Monday through Friday, 7:00 a.m. through 5:00 p.m..
 ** If you do not have a Hagie account number, contact the Hagie Customer Support Department and you will be issued one.



PARTS ORDER FAX



Ph. 1 (800) 247-4885 Fx. 1 (515) 532-3553

Photocopy and fax to Hagie Customer Support Department

ORDERED BY/BILL TO:

Name _____
 Co. Name _____
 Street _____
 City, St, Zip _____
 Ph. _____ Fx. _____

SHIP TO:

Name _____
 Co. Name _____
 Street _____
 City, St, Zip _____
 Ph. _____ Fx. _____

HOW SHIP: UPS Ground Next Day 2 Day 3 Day Other _____

If "HOW SHIP" is left blank, parts will be sent UPS ground service. If part is over 150 pounds, an independent motor freight company will be used.

PAYMENT: Hagie Account #*** _____

C.O.D

American Express Discover Visa Master Card
 Signature: _____
 name as appears on card: _____
 card no. _____ exp. date _____

Year and Model No. _____

Serial No. _____

Item Serial No. (if necessary): _____

Engine (include type) _____

Hydrostatic Pump (s) _____

Torque Hub _____ LF RF LR RR

Wheel Motor _____ LF RF LR RR

HAGIE Part No.	Qty.	Description

Check here if you want phone confirmation of parts order.

* Orders received before 3:00 p.m., CST will be processed the same business day.
 Regular business hours are Monday through Friday, 7:00 a.m. through 5:00 p.m..
 ** If you do not have a Hagie account number, contact the Hagie Customer Support Department and you will be issued one.