

PARTS MANUAL
FOR
HAGIE MODEL 250 HI-TRACTOR

HAGIE MANUFACTURING COMPANY

BOX 273 CLARION, IOWA 50525 (515) 532-2861

COVERS MACHINE SERIAL NUMBERS: 017819001 thru 017819100

05-91 493123
02-08

SPRAYER IDENTIFICATION

Each Hagie sprayer is identified by means of a frame serial number. This serial number denotes the model, the year in which it was built, and the number of the sprayer. As for further identification, the engine has a serial number and the planetary hubs have identification plates that describe the type of mount and gear ratio. To insure prompt, efficient service when ordering parts or requesting service repairs from Hagie Manufacturing Company, record the serial and identification numbers in the space provided below.

NOTE: Reference to left hand and right hand used throughout this manual refers to the position when seated in the operator's seat facing forward.

SPRAYER SERIAL NUMBER

ENGINE SERIAL NUMBER

PLANETARY HUB IDENTIFICATION NUMBERS

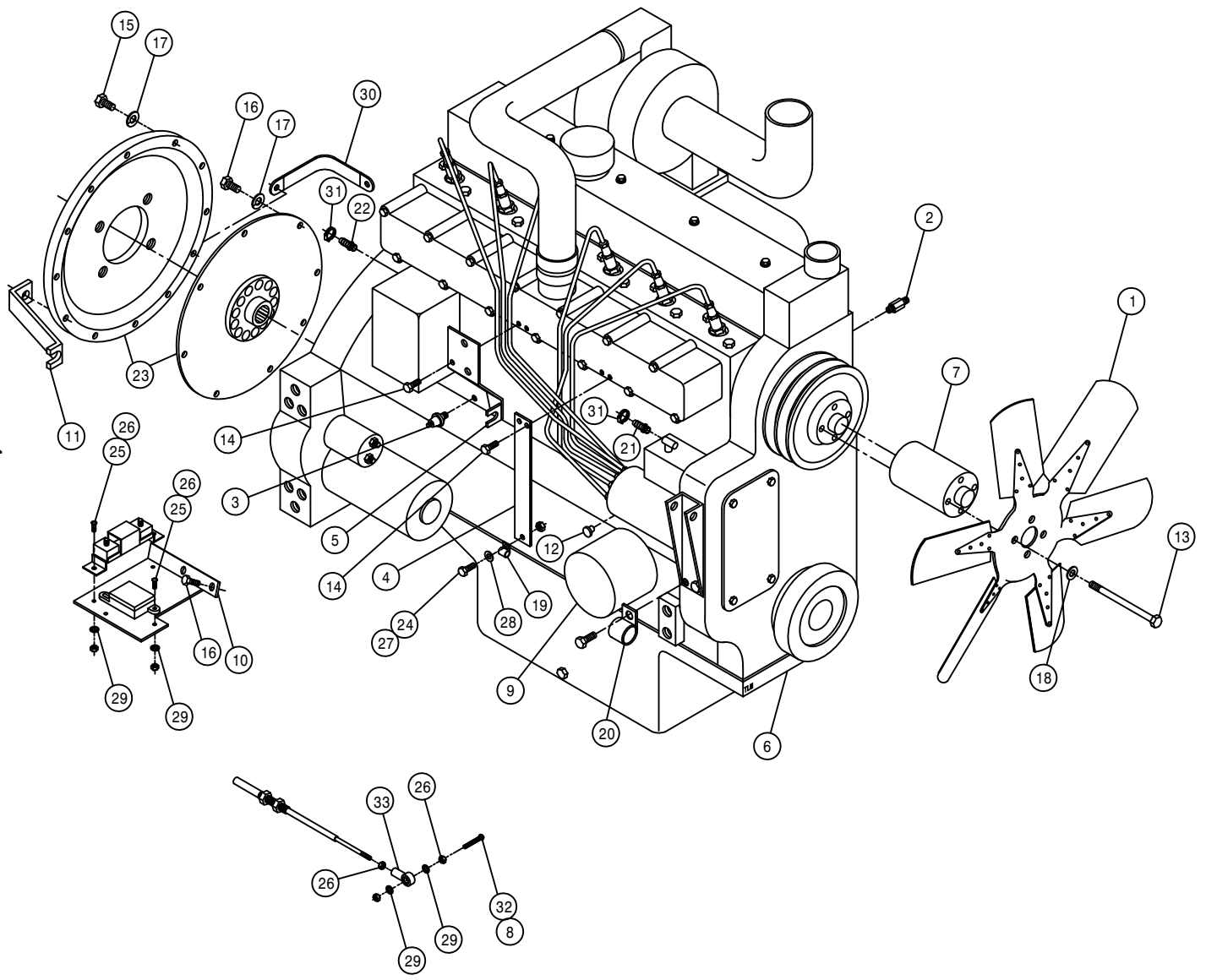
TABLE OF CONTENTS

ENGINE ASSEMBLIES	4-8
FLOW DIVIDER.	9
A/C AND RADIATOR.	10-11
AIR CLEANER AND EXHAUST PIPE.	12-14
BATTERY15
LEG ASSEMBLIES.	16-17
TIE ROD ASSEMBLY.18
STEERING CYLINDER19
FUEL AND OIL TANKS.	20-22
SELECTOR VALVE.23
OPERATOR STATION.	24-29
CONSOLE ASSEMBLY.	30-34
STEERING WHEEL ASSEMBLY35
FLOW CONTROL.36
INSTRUMENT PANEL ASSEMBLY37
SHEET METAL	38-39
LADDER AND SERVICE PLATFORM ASSEMBLY.40
TANK SHIELDS.41
SOLUTION SYSTEM	42-45
TIRE AND CROP GUIDES.	46-47
TRANSOM, BOOM AND LIFT COMPONENTS	48-53
SOLUTION HOUSING DIAGRAM.54
WHEEL DRIVE ASSEMBLY.	55-57
DECALS.	58-59
HYDRAULIC SCHEMATIC	60-61
ELECTRICAL SCHEMATIC.	62-65
ABBREVIATIONS66
INDEX67

ENGINE ASSEMBLY

DET. QTY PART NO. DESCRIPTION

DET.	QTY	PART NO.	DESCRIPTION
1	1	316180	22 IN DIA 6 BLADE 2.25 PITCH
2	1	314471	TEMP SENDR 280D 3/8NPT FOR GA
3	1	314788	OIL SENDER .125NPT PERK6.3544
4	1	316123	FUEL SHUTOFF CABLE MT ONAN
5	1	316124	THROTTLE CABLE MT WLD ONAN
6	1	316139	CUMMINS ENGINE
7	1	316182	22IN FAN SPACER CUMM 91
8	1	914027	#10-32 HEX STOVER NUT
9	1	316184	OIL FILTER
10	1	316158	RESISTOR/FUSE MT 280 CUMM 89
11	1	316159	HYDST CABLE MT 280 CUMM 89
12	1	390486	THROT CABLE HOLDER
13	4	473825	08MM-1.25 X 90MM HEX BOLT
14	3	473781	06MM-1.00 X 12MM HEX BOLT
15	12	473792	10MM-1.50 X 30MM HEX BOLT
16	10	473793	10MM-1.50 X 20MM HEX BOLT
17	20	473798	LOCKWASHER 10MM PL TB2
18	4	473804	8MM LOCKWASHER
19	1	520119	CUSHION HOSE CLAMP 3/16 IN
20	1	520121	CUSHION HOSE CLAMP 1 IN DIA
21	1	711001	1/8 NPT X 5/16 HOSE BARB
22	1	783303	HOSE BARB 1/4 NPT X 5/16 HOSE
23	1	800494	CUMM TO SUND DRIVE ASSY 14T
24	1	900002	1/4UNC X 3/4 HEX BOLT
25	4	903883	10-32 X 1/2 SLTRD HD MACH SCR
26	6	910027	#10-32 HEX NUT
27	1	914000	1/4UNC HEX STOVER NUT
28	1	920000	1/4 FLAT WASH SAE
29	6	920510	LOCK WASH NO 10
30	1	290107	ENG TO GROUND STRAP 8 IN TB2
31	2	520120	HOSE CLAMP NO 4 MINIATURE PLT
32	1	903893	10 32 X 1 SLT RD HD MACH SCR
33	1	473921	BALL JOINT NO 10-32 THD

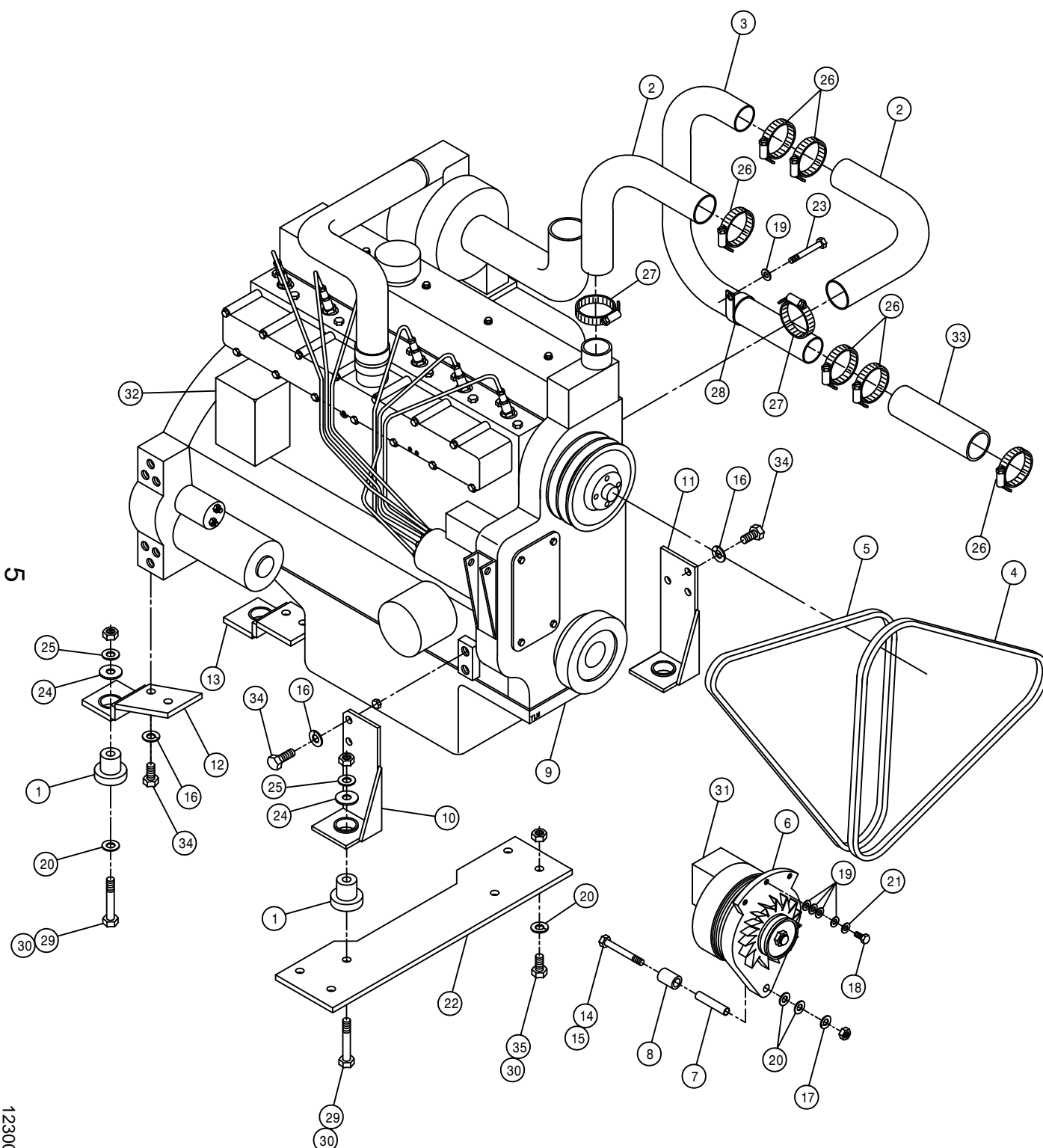


ENGINE ASSEMBLY

DET. QTY PART NO. DESCRIPTION

1	4	311032	ENG IS/LATOR 470 472 1978	
2	2	314801	RAD HOSE GATES 20271	
3	1	316144	LWR RAD TUBE ONAN	85
4	1	147018	BELT 7541 GATES	
5	1	147014	BELT 7508	
6	1	291487	72 AMP ALT W/ REGULATOR	
7	1	316137	TUBE .50 OD X .035WA X 2.50LG	
8	1	316138	TUBE .875 OD X .156 X 1.25LG	
9	1	316139	CUMMINS ENGINE	
10	1	316162	RH FRT MTR MT WLD CUMM 280 89	
11	1	316163	LH FRT MTR MT WLD CUMM 280 89	
12	1	316167	RH REAR MTR MT WLD CUMM 280	
13	1	316168	LH REAR MTR MT WLD CUMM 280	
14	1	473779	H NUT 10MM	
15	1	473780	HH BOLT 10MM X 1.50THD X 90MM	
16	9	473784	LOCKWASHER 12MM PL	
17	1	473798	LOCKWASHER 10MM PL TB2	
18	1	900065	5/16 UNC X 1 HEX BOLT	
19	5	920001	5/16 FLAT WASHER SAE PLT	
20	8	920004	1/2 FLAT WASHER SAE	
21	1	920501	LOCK WASH 5/16	
22	1	341773	MAINFRAME TIE PLATE CUMM 280	
23	1	473822	HH BOLT 8MM X 1.25THD X 70MM	
24	4	483037	FLAT WASH 5/8 REGULAR	
25	4	483041	1/2 REGULAR FLAT WASH PLT	
26	6	520067	HOSE CLAMP NO 28 PLATED	
27	2	520068	HOSE CLAMP NO 32 PLATED	
28	1	520123	CUSHION HOSE CLAMP 1 3/4 DIA	
29	4	900269	1/2X2 3/4 HH BOLT GR5 PLATED	
30	8	914008	1/2 UNC STOVER NUT	
31	1	291499	VOLTAGE REG FOR 72 AMP ALT	
32	1	316148	FUEL FILTER ONAN L643T ENG	
33	1	601251	HOSE, 1.75 X 6.00	
34	9	473783	HH BOLT 12MM X 1.75THD X 25MM	
35	4	900265	1/2 X 1 1/2 HH BOLT GR 5 PL	

5

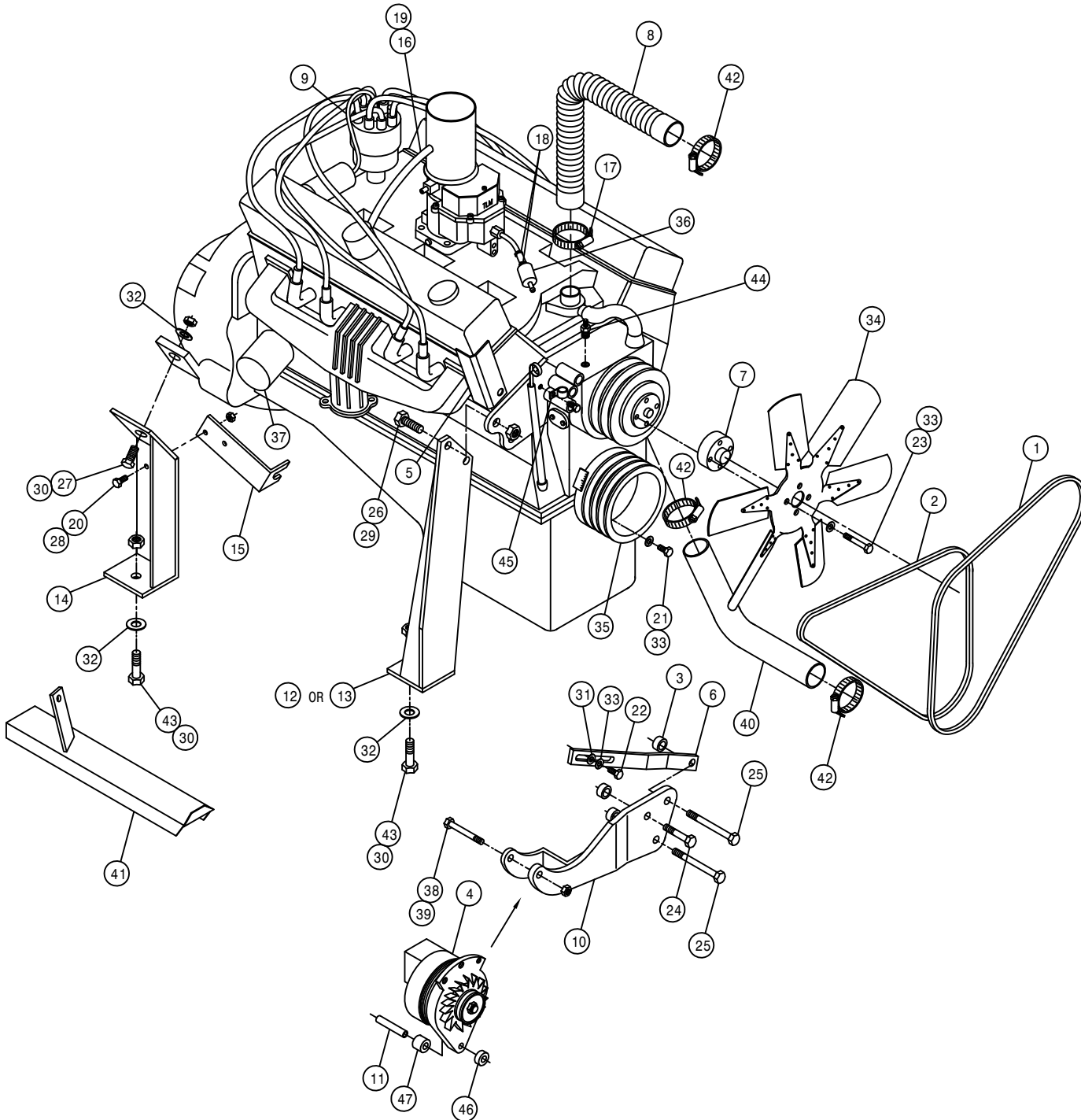


123005

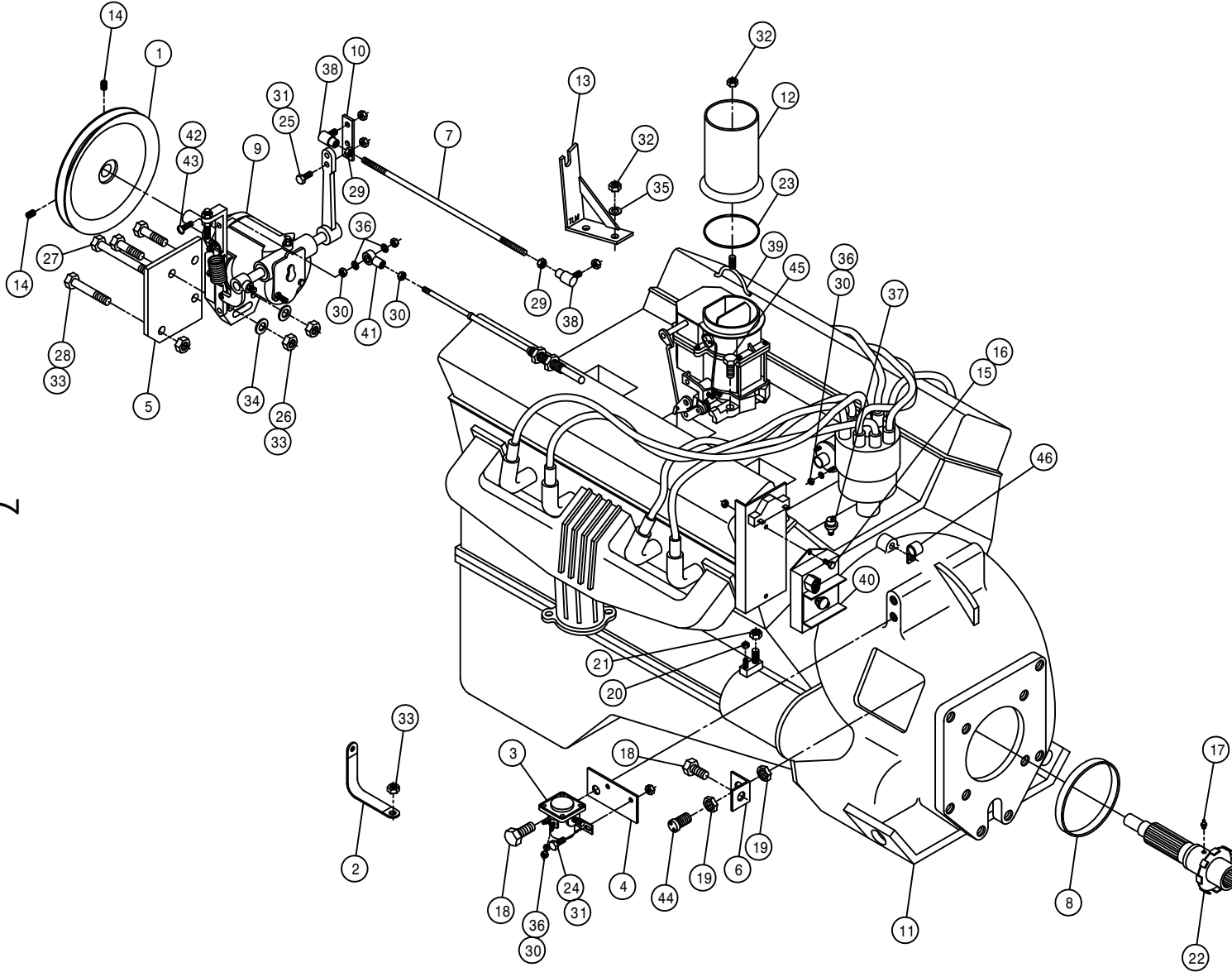
CHRYSLER ENGINE ASSEMBLY

DET. QTY PART NO. DESCRIPTION

1	1	147000	BELT GATES 2490 TRUFLEX	
2	1	147001	BELT GATES 8510	
3	3	200015	ADJ TUBE SPACER3/40DX11GAX3/8	
4	1	291487	72 AMP ALT W/ REGULATOR	
5	1	314303	EXHAUST MANIF HEAT SHIELD	
6	1	314309	ALT ADJ ARM	
7	1	314359	FAN SPACER CHRY 383014	
8	1	314832	RADIATOR HOSE 1.75 X 19	
9	1	314841	COIL WIRE FOR CHRY 318	
10	1	314849	CHRY 72A ALT MT WLD	90
11	1	314852	CHRY 72A ALT MT SLV PRESTO	90
12	1	341793	RH FRT MTR MT WLD 200 318	89
13	1	341794	LH FRT MTR MT WLD 200 318	89
14	2	341797	REAR MTR MT WLD 200 318	89
15	1	341815	HYDST CABLE MT 200 CHRY 318	
16	2	520070	HOSE CLAMP NO 8 PLATED	
17	1	520085	HOSE CLAMP NO 24 PLATED	
18	2	520120	HOSE CLAMP NO 4 PLATED MINI	
19	1	601151	HOSE, 5/8 X 12 HEATER	
20	2	900002	1/4UNC X 3/4 HEX BOLT	
21	6	900064	5/16UNC X 3/4 HEX BOLT	
22	1	900065	5/16UNC X 1 HEX BOLT	
23	4	900069	5/16UNC X 2 HEX BOLT	
24	1	900132	3/8UNC X 1 3/4 HEX BOLT	
25	2	900142	3/8UNC X 5 HEX BOLT	
26	4	900198	7/16UNC X 1 3/4 HEX BOLT	
27	2	900283	1/2UNC X 2 1/4 HEX BOLT	
28	2	914000	1/4UNC HEX STOVER NUT	
29	4	914006	7/16UNC HEX STOVER NUT	
30	6	914008	1/2UNC HEX STOVER NUT	
31	1	920001	5/16 FLAT WASHER SAE PLT	
32	6	920004	1/2 FLAT WASHER SAE	
33	11	920501	LOCK WASH 5/16	
34	1	316180	22 IN DIA 6 BLADE 2.25 PITCH	
35	1	314824	3GR CRANK PULLEY CHRY 318	
36	1	314388	FUEL LINE W/ FILT CHRY 318	
37	1	319260	PH8 FRAM FILT OIL	
38	1	900137	3/8UNC X 3 1/4 HEX BOLT	
39	1	914004	3/8UNC HEX STOVER NUT	
40	1	314417	LWR RAD HOSE 8240 82 318 CHRY	
41	1	314428	CABLE HEAT SHLD WLD CHRY 318	
42	3	520067	HOSE CLAMP NO 28 PLATED	
43	4	900265	1/2UNC X 1 1/2 HEX BOLT	
44	1	314471	TEMP SENDR 280D 3/8NPT FOR GA	
45	1	520128	CUSH HOSE CLAMP 9/16D X 3/4W	
46	1	314853	CHRY ALT FRONT BUSH PRESTO 90	
47	1	314854	CHRY ALT REAR BUSH PRESTO 90	



CHRYSLER ENGINE ASSEMBLY



DET.	QTY	PART NO.	DESCRIPTION
	1	147030	SHEAVE, 6IN MACH
	1	290109	GROUND STRAP, 8IN 17/32 HOLES
	1	310491	STARTER SOLENOID FORD 300 ENG
	1	311021	START SOLENOID MT 473 CHRY
	1	311044	GOV MT WLD
	1	314302	TACH SENSOR MT
	1	314311	GOV CONTROL ROD
	1	314323	SUND PUMP SPACER RING 647 3/8
	1	314337	GOV REWORKED 647
	1	314341	GOV ARMEXTENSION647CHRY
	1	314728	CHRY 318 X-8 STUB ENGINE
	1	314732	AIR INTAKE TUBE WLD 2840 82
	1	314878	THROT CABLE BRKT WLD CHRY 91
	2	470054	SET SCREW 5/16X 1/4 AL HD CUP
	2	470121	1/4UNC HEX FLANGED LOCK NUT
	2	470122	1/4UNC X 1/2 FLANGED HEX BOLT
	1	471005	1/4 28 X 1/2 GREASE ZERK
	2	472363	9/16UNC X 3/4 HEX BOLT
	2	473061	3/4UNF TRUSEAL HEX NUT
	1	473770	05MM-.80 HEX NUT
	1	473778	08MM-1.25 HEX NUT
	1	800490	CHRY 318 OUTPUT SHFT WLD 14T
	1	870334	NEO ORING 2 5/8 X 3
	2	900000	1/4UNC X 1/2 HEX BOLT
	2	900002	1/4UNC X 3/4 HEX BOLT
	2	900131	3/8UNC X 1 1/2 HEX BOLT
	1	900142	3/8UNC X 5 HEX BOLT
	1	900170	3/8UNC X 2 1/4 HEX BOLT
	2	910001	1/4UNF HEX NUT
	6	910027	#10-32 HEX NUT
	4	914000	1/4UNC HEX STOVER NUT
	3	914002	5/16UNC HEX STOVER NUT
	4	914004	3/8UNC HEX STOVER NUT
	2	920002	WASH FLAT 3/8 SAE
	2	920501	LOCK WASH 5/16
	6	920510	LOCK WASH NO 10
	1	314361	CHRY 318 OIL SENDER SWITCH
	2	473918	BALL JOINT 1/4 28 FEM STUDED
	1	314649	AIRINTK CLAMP FOR 314453 CARB
	1	314362	ELECT IGN MODULATOR 647
	1	473921	BALL JOINT NO 10-32 THD
	1	914027	#10-32 HEX STOVER NUT
	1	903893	10 32 X 1 SLT RD HD MACH SCR
	1	291206	SENSOR SPEEDO TACH 640
	4	900065	5/16UNC X 1 HEX BOLT
	1	520128	CUSH HOSE CLAMP 9/16D X 3/4W

7

SUNDSTRAND PUMP ASSEMBLY

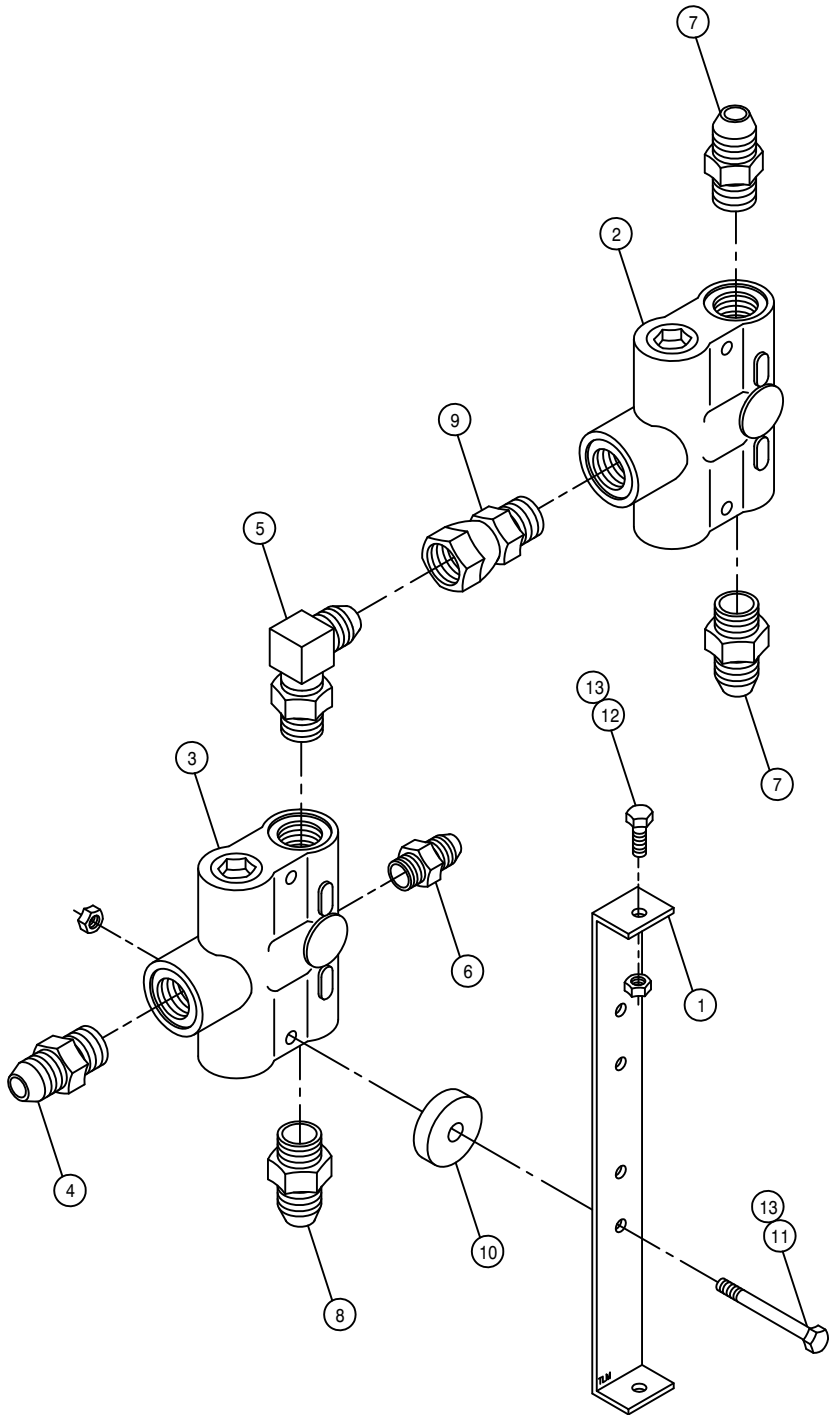
DET. QTY PART NO. DESCRIPTION

DET.	QTY	PART NO.	DESCRIPTION
1	1	316160	PUMP CONT LEVER EXT 280 CUMM
2	8	470188	7/16-14 X 1 1/2 SOCHD CAP SCR
3	8	470189	7/16 HG LOCK WASH FOR 618598
4	1	606884	SUND 75CC ECLIPSE PUMP B-MT
5	1	606885	CESSNA GEAR PUMP 1.78CI SPINE
6	1	618118	3/4 HOSE BARB-90-1 1/16MOR
7	1	618444	9/16MOR RUN TEE-9/16MJIC
8	2	618487	1 1/16FJ SW RUN TEE-1 1/16MJ
9	1	618535	7/8MJIC-90-1 1/16MOR LBO
10	4	618541	1 5/16FJIC-1 1/16MJIC ADPTR
11	1	618563	1IN HOSE BARB-90-1 1/16MOR
12	1	618564	1IN HOSE BARB-90-1 5/16MOR
13	1	618595	1 5/8MOR-1 1/16FOR ADPTR
14	2	618598	1 IN 4-BOLT FLG X 1 5/16FOR
15	2	618599	1 5/16MOR BRANCH TEE-1 5/16MJ
16	2	870219	BUNA ORING 1 5/16 X 1 9/16
17	2	900003	1/4UNC X 1 HEX BOLT
18	2	900266	1/2UNC X 1 3/4 HEX BOLT
19	2	914000	1/4UNC HEX STOVER NUT
20	4	920004	1/2 FLAT WASHER SAE
21	1	473921	BALL JOINT NO 10-32 THD
22	2	910027	#10-32 HEX NUT
23	2	520087	HOSE CLAMP NO 20 PLATED
24	1	903893	10 32 X 1 SLT RD HD MACH SCR
25	1	914027	#10-32 HEX STOVER NUT
26	2	920510	LOCK WASH NO 10
27	1	606870	O-RING FOR 606865 SUND B-MT
28	2	618531	9/16FJIC CAP NUT
29	1	618126	9/16MJIC-9/16MOR ADPTR
30	1	618333	7/8FJIC SW RUN TEE-7/8MJIC
31	1	618328	7/8FJIC CAP NUT
32	2	900267	1/2UNC X 2 HEX BOLT
33	2	483041	1/2 REGULAR FLAT WASH PLT
34	2	914008	1/2UNC HEX STOVER NUT
35	1	520055	HOSE CLAMP NO 12 PLATED

NOTE: 1. ASSEMBLY SHOWN IS FOR GAS OPTION.
 2. FOR DIESEL OPTION REPLACE ITEMS 18, 20,32,33, AND 34 WITH (4) 900265 - 1/2 UNC X 1 1/2 HEX BOLT AND (4) 920004 - 1/2 SAE FLAT WASHER.

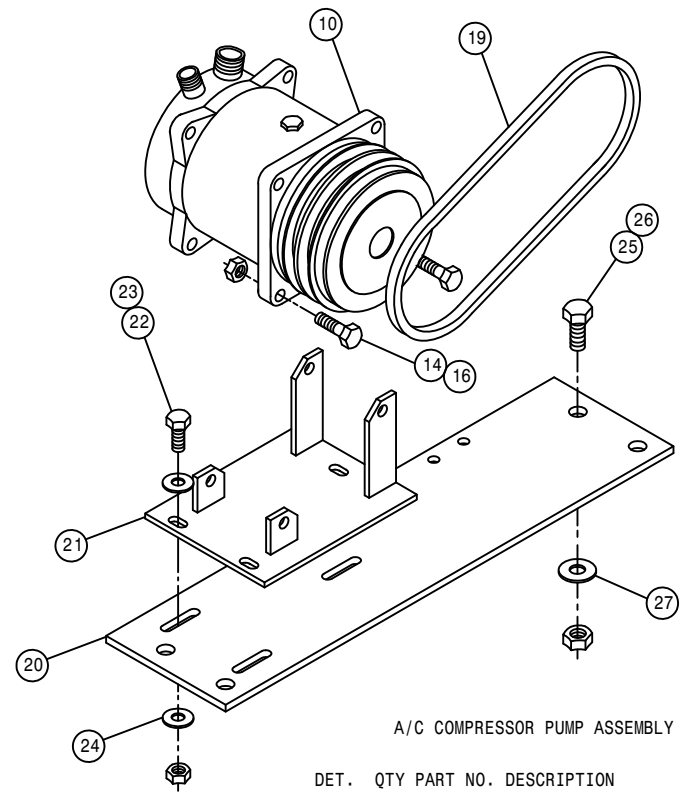
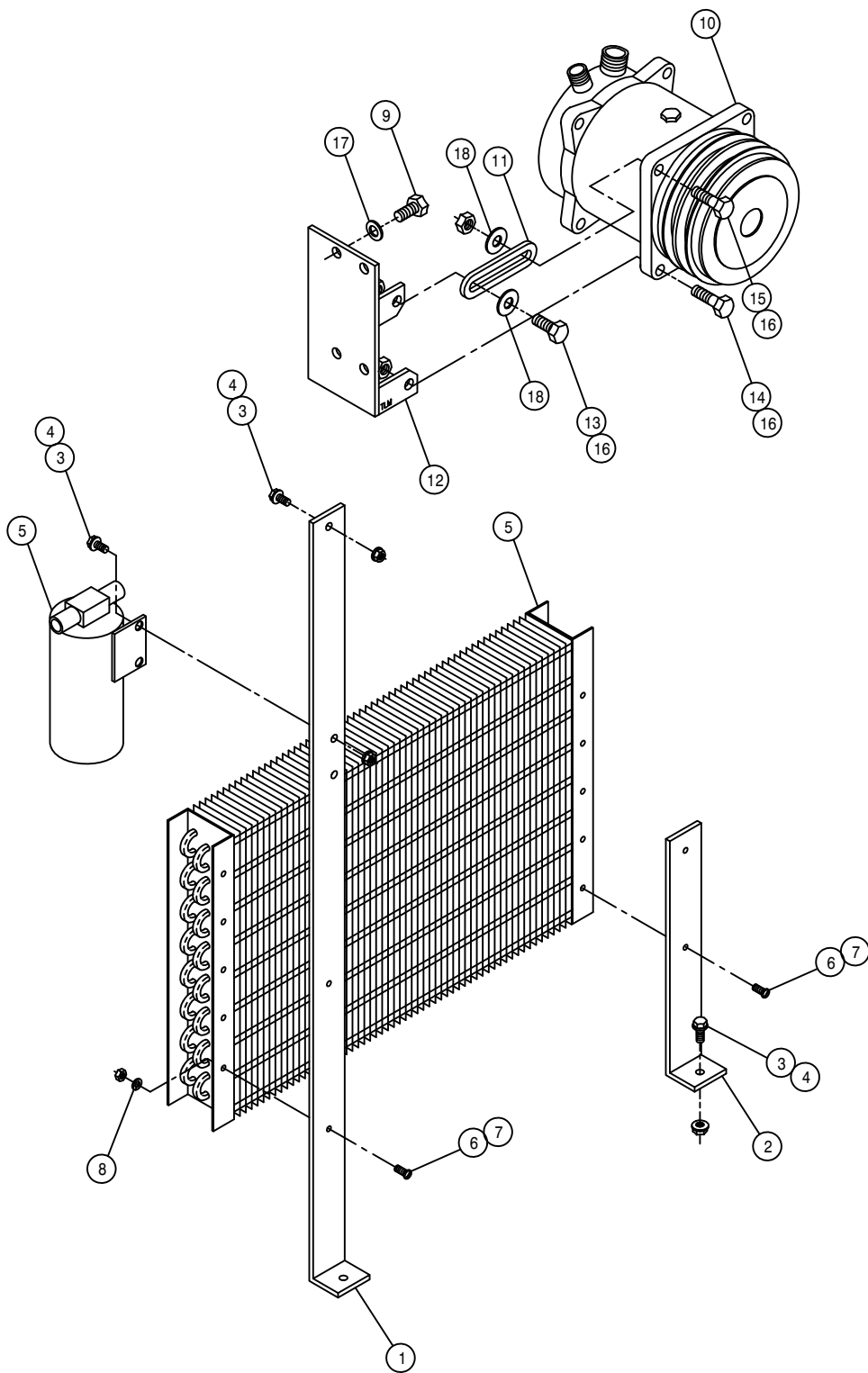
8

123008



FLOW DIVIDER ASSEMBLY

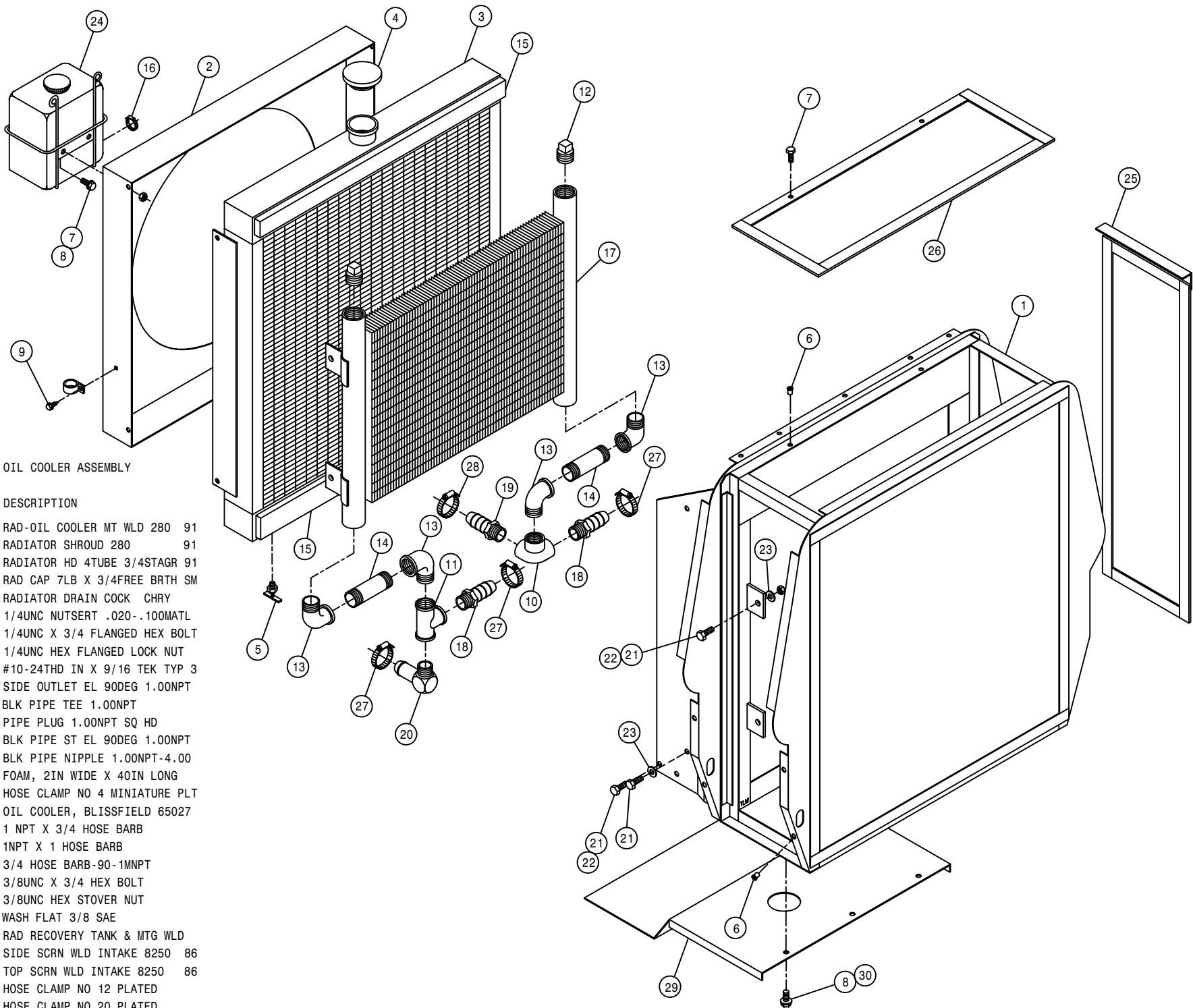
DET.	QTY	PART NO.	DESCRIPTION	
	1	341774	FLOW DIVIDER MT 280	89
	2	607504	FLO DIV B50 2-8GPM 7/8 FOR	
	3	607518	FLO DIV BGR56 6GPM PRI 7/8FOR	
	4	611126	7/8MJIC-7/8MOR ADPTR	
	5	611128	7/8MJIC-90-7/8MOR LBO	
	6	618011	9/16MJIC-3/8MNPT ADPTR	
	7	618310	9/16MJIC-7/8MOR ADPTR	
	8	618327	3/4MJIC-7/8MOR ADPTR	
	9	618594	7/8FJIC SWIV-7/8MOR ADPTR	
	10	748500	RUBER WASH 3/8X1/4IDX1 1/2 OD	
	11	900008	1/4 UNC X 2 1/2 HEX BOLT	
	12	900002	1/4 UNC X 3/4 H BOLT GR5 PLT	
	13	914000	1/4 UNC STOVER NUT	



A/C COMPRESSOR PUMP ASSEMBLY

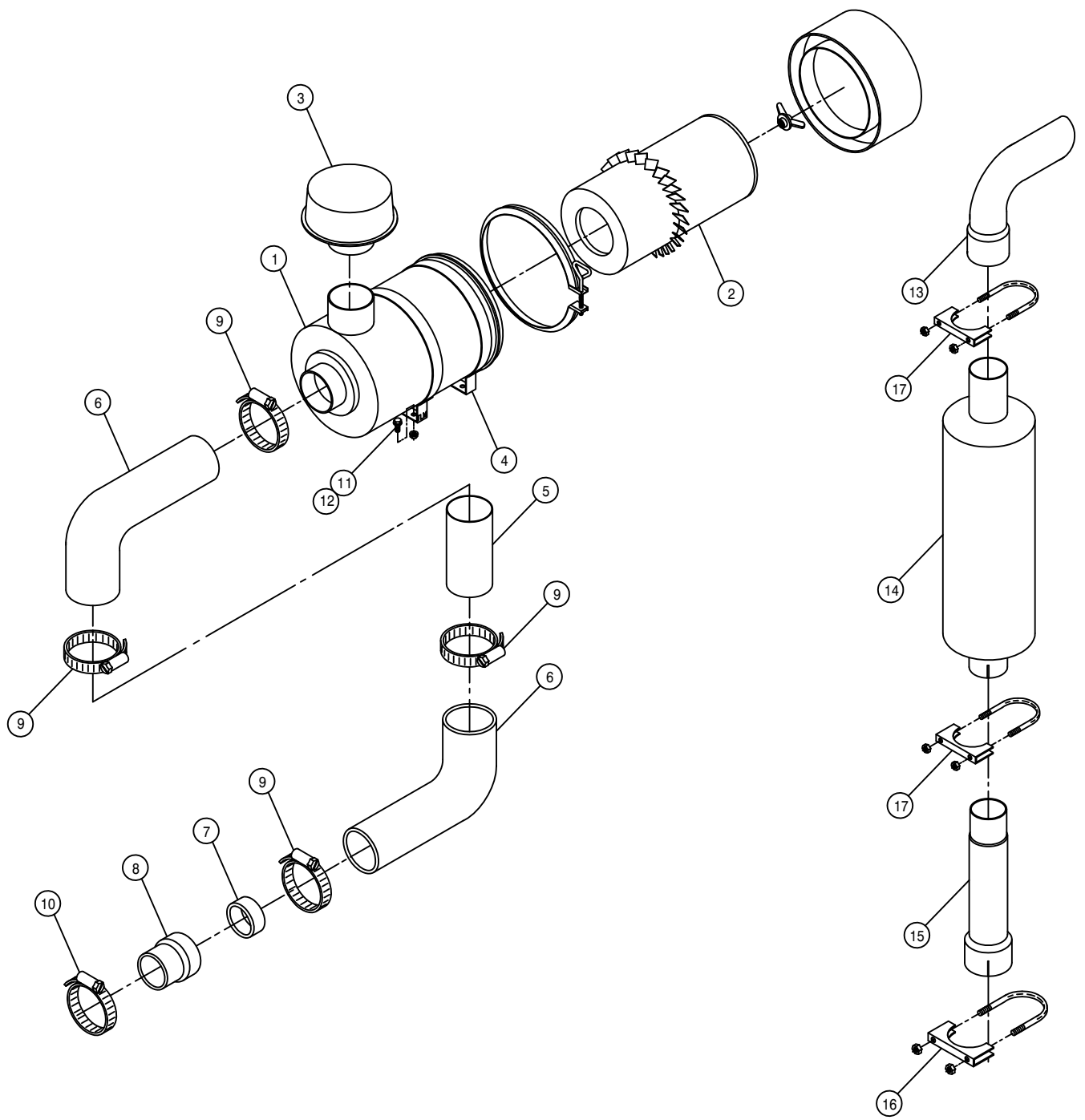
DET. QTY PART NO. DESCRIPTION

DET.	QTY	PART NO.	DESCRIPTION
1	1	314869	RH CONDENSER MTG BRKT 280 91
2	1	314870	LH CONDENSER MTG BRKT 280 91
3	5	470118	1/4UNC X 3/4 FLANGED HEX BOLT
4	5	470121	1/4UNC HEX FLANGED LOCK NUT
5	1	657309	CONDSR KIT,647S-SX,8240 1982
6	4	903883	10-32 X 1/2 SLTRD HD MACH SCR
7	4	910027	#10-32 HEX NUT
8	4	920510	LOCK WASH NO 10
9	4	473803	08MM-1.25 X 16MM HEX BOLT
10	2	657310	SANKYO A/C COMPRESSOR
11	2	657315	A/C COMPRSR ADJ TAB 8240
12	1	657330	A/C COMPRSR MT WLD ONAN 8250
13	2	900129	3/8UNC X 1 HEX BOLT
14	6	900130	3/8UNC X 1 1/4 HEX BOLT
15	2	900131	3/8UNC X 1 1/2 HEX BOLT
16	10	914004	3/8UNC HEX STOVER NUT
17	4	473804	8MM LOCKWASHER
18	4	920002	WASH FLAT 3/8 SAE
19	1	147023	7365 BELT
20	1	341955	A/C COMPRSR MTG PLT 250CHRY 91
21	1	657341	A/C COMPRSR MT WLD CHRY 250 91
22	3	900065	5/16UNC X 1 HEX BOLT
23	3	914002	5/16UNC HEX STOVER NUT
24	6	920001	5/16 FLAT WASHER SAE PLT
25	4	900264	1/2UNC X 1 1/4 HEX BOLT
26	4	914008	1/2UNC HEX STOVER NUT
27	4	920004	1/2 FLAT WASHER SAE



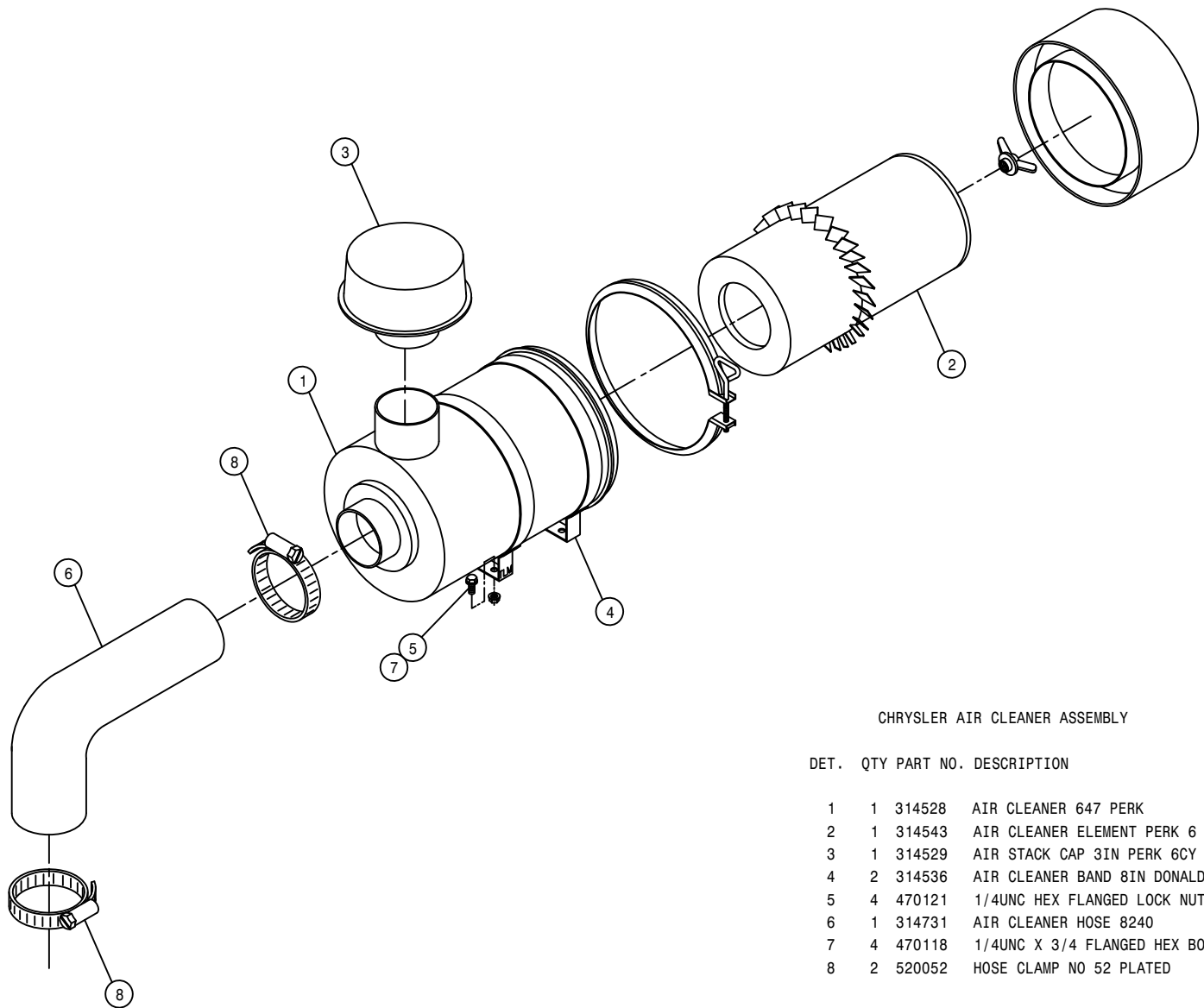
RADIATOR AND OIL COOLER ASSEMBLY

DET.	QTY	PART NO.	DESCRIPTION
	1	314863	RAD-OIL COOLER MT WLD 280 91
	2	314872	RADIATOR SHROUD 280 91
	3	314855	RADIATOR HD 4TUBE 3/4STAGR 91
	4	319257	RAD CAP 7LB X 3/4FREE BRTH SM
	5	319559	RADIATOR DRAIN COCK CHRY
	6	10 470086	1/4UNC NUTSERT .020-.100MATL
	7	4 470118	1/4UNC X 3/4 FLANGED HEX BOLT
	8	5 470121	1/4UNC HEX FLANGED LOCK NUT
	9	1 472352	#10-24THD IN X 9/16 TEK TYP 3
	10	1 505098	SIDE OUTLET EL 90DEG 1.00NPT
	11	1 505101	BLK PIPE TEE 1.00NPT
	12	2 505102	PIPE PLUG 1.00NPT SQ HD
	13	4 505200	BLK PIPE ST EL 90DEG 1.00NPT
	14	2 505203	BLK PIPE NIPPLE 1.00NPT-4.00
	15	2 659579	FOAM, 2IN WIDE X 40IN LONG
	16	1 520120	HOSE CLAMP NO 4 MINIATURE PLT
	17	1 618606	OIL COOLER, BLISSFIELD 65027
	18	2 714331	1 NPT X 3/4 HOSE BARB
	19	1 714560	1NPT X 1 HOSE BARB
	20	1 716000	3/4 HOSE BARB-90-1MNPT
	21	12 900128	3/8UNC X 3/4 HEX BOLT
	22	8 914004	3/8UNC HEX STOVER NUT
	23	8 920002	WASH FLAT 3/8 SAE
	24	1 314767	RAD RECOVERY TANK & MTG WLD
	25	2 314490	SIDE SCR N WLD INTAKE 8250 86
	26	1 314495	TOP SCR N WLD INTAKE 8250 86
	27	3 520055	HOSE CLAMP NO 12 PLATED
	28	1 520087	HOSE CLAMP NO 20 PLATED
	29	1 314871	HEAT SHIELD 280 91
	30	3 470122	1/4 UNC X 1/2 FLANGED HEX BOLT



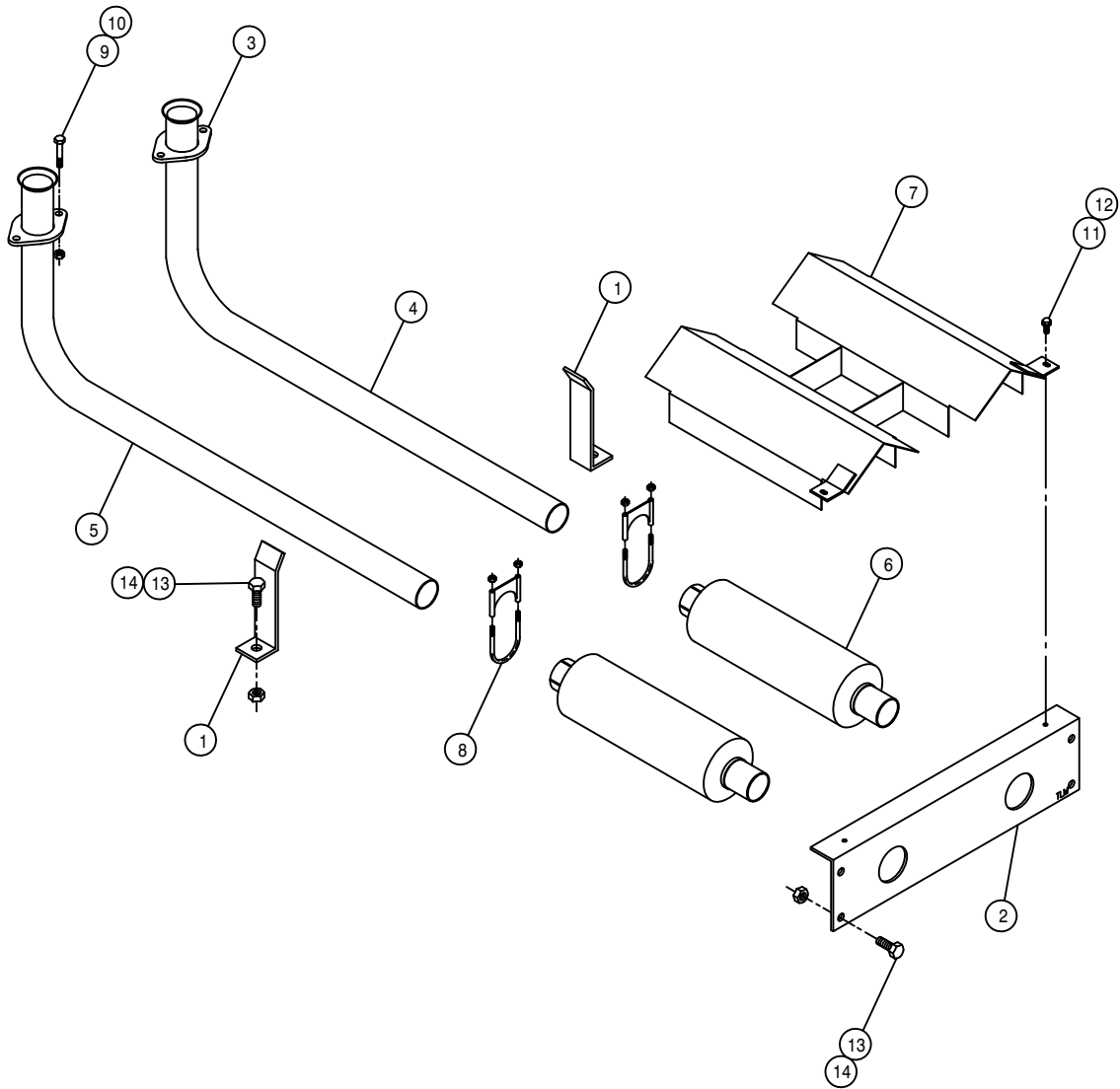
CUMMINS AIR CLEANER AND EXHAUST PIPE

DET.	QTY	PART NO.	DESCRIPTION
	1	314528	AIR CLEANER 647 PERK
	1	314543	AIR CLEANER ELEMENT PERK 6
	1	314529	AIR STACK CAP 3IN PERK 6CY
	2	314536	AIR CLEANER BAND 8IN DONALDSON
	1	314628	AIR CLEANER TUBE 3.00 X 6.00
	2	314731	AIR CLEANER HOSE 8240
	1	316146	HOSE INSERT, AIR INTK ONAN
	1	319293	RUBBER ADPTR 2 1/4IDX2 1/2
	4	520052	HOSE CLAMP NO 52 PLATED
	1	520099	HOSE CLAMP NO 40 PLATED
	4	470118	1/4UNC X 3/4 FLANGED HEX BOLT
	4	470121	1/4UNC HEX FLANGED LOCK NUT
	1	314877	MUFFLER PIPE 280 DIESEL 91
	1	314554	PERK MUFFLER SAWED 647
	1	316147	EXHAUST PIPE ONAN 1986
	1	470160	MUFFLER CLAMP 3.00 IN
	2	472216	2.50 MUFFLER CLAMP .31 UNC



CHRYSLER AIR CLEANER ASSEMBLY

DET.	QTY	PART NO.	DESCRIPTION
	1	314528	AIR CLEANER 647 PERK
	1	314543	AIR CLEANER ELEMENT PERK 6
	1	314529	AIR STACK CAP 3IN PERK 6CY
	2	314536	AIR CLEANER BAND 8IN DONALDSON
	4	470121	1/4UNC HEX FLANGED LOCK NUT
	1	314731	AIR CLEANER HOSE 8240
	4	470118	1/4UNC X 3/4 FLANGED HEX BOLT
	2	520052	HOSE CLAMP NO 52 PLATED



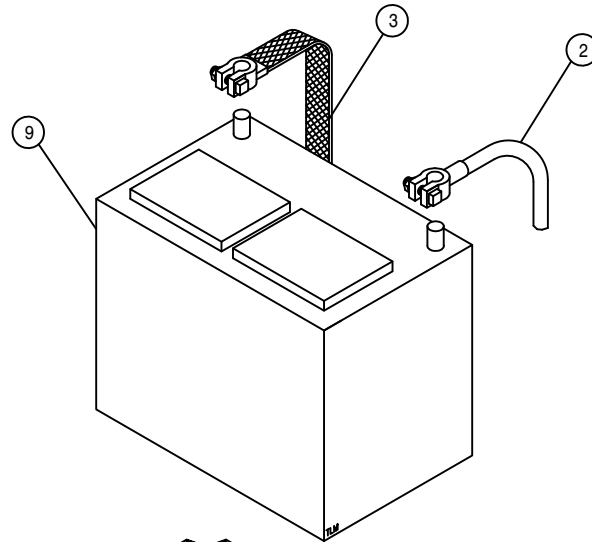
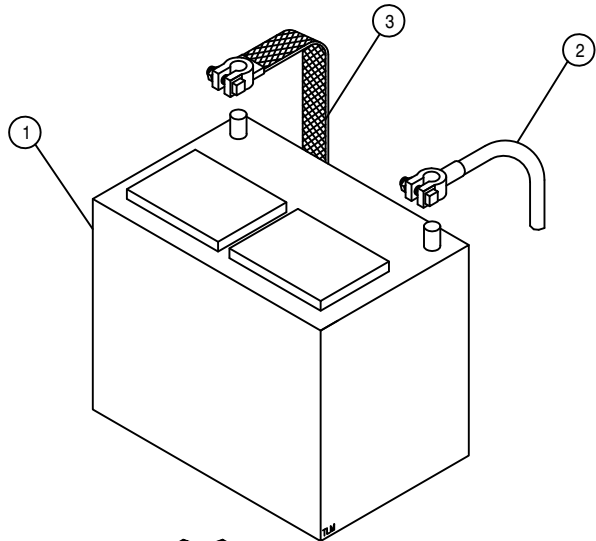
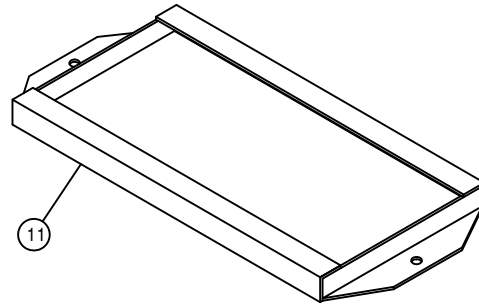
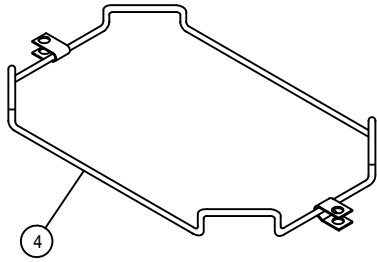
CHRYSLER EXHAUST PIPE ASSEMBLY

DET. QTY PART NO. DESCRIPTION

1	2	341956	HOSE SUPPORT BRKT 250	91
2	1	361346	MAINFRAME REAR TIE ANGLE 280	
3	2	314735	EXHAUST PIPE FLG 8240 318 82	
4	1	314873	RH EXHAUST PIPE 200 CHRY 91	
5	1	314874	LH EXHAUST PIPE 200 CHRY 91	
6	2	319287	MUFFLER CHRY 440	
7	1	341829	MUFFLER HEAT SHIELD WLD200 89	
8	2	319327	MUFFLER CLAMP 2IN HVY DUTY	
9	4	900170	3/8UNC X 2 1/4 HEX BOLT	
10	4	914004	3/8UNC HEX STOVER NUT	
11	3	470118	1/4UNC X 3/4 FLANGED HEX BOLT	
12	3	470121	1/4UNC HEX FLANGED LOCK NUT	
13	6	900263	1/2UNC X 1 HEX BOLT	
14	6	914008	1/2UNC HEX STOVER NUT	

GAS ENGINE OPTION

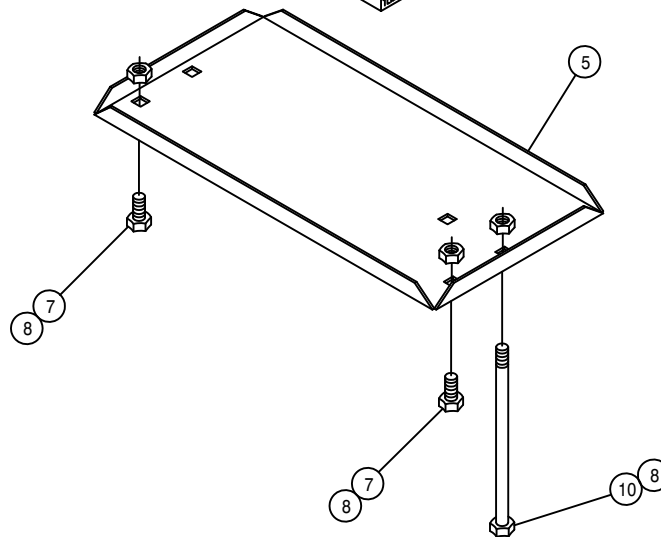
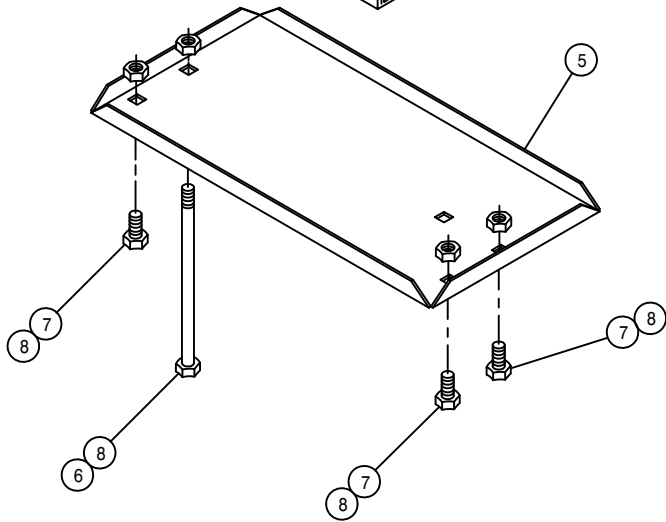
DIESEL ENGINE OPTION

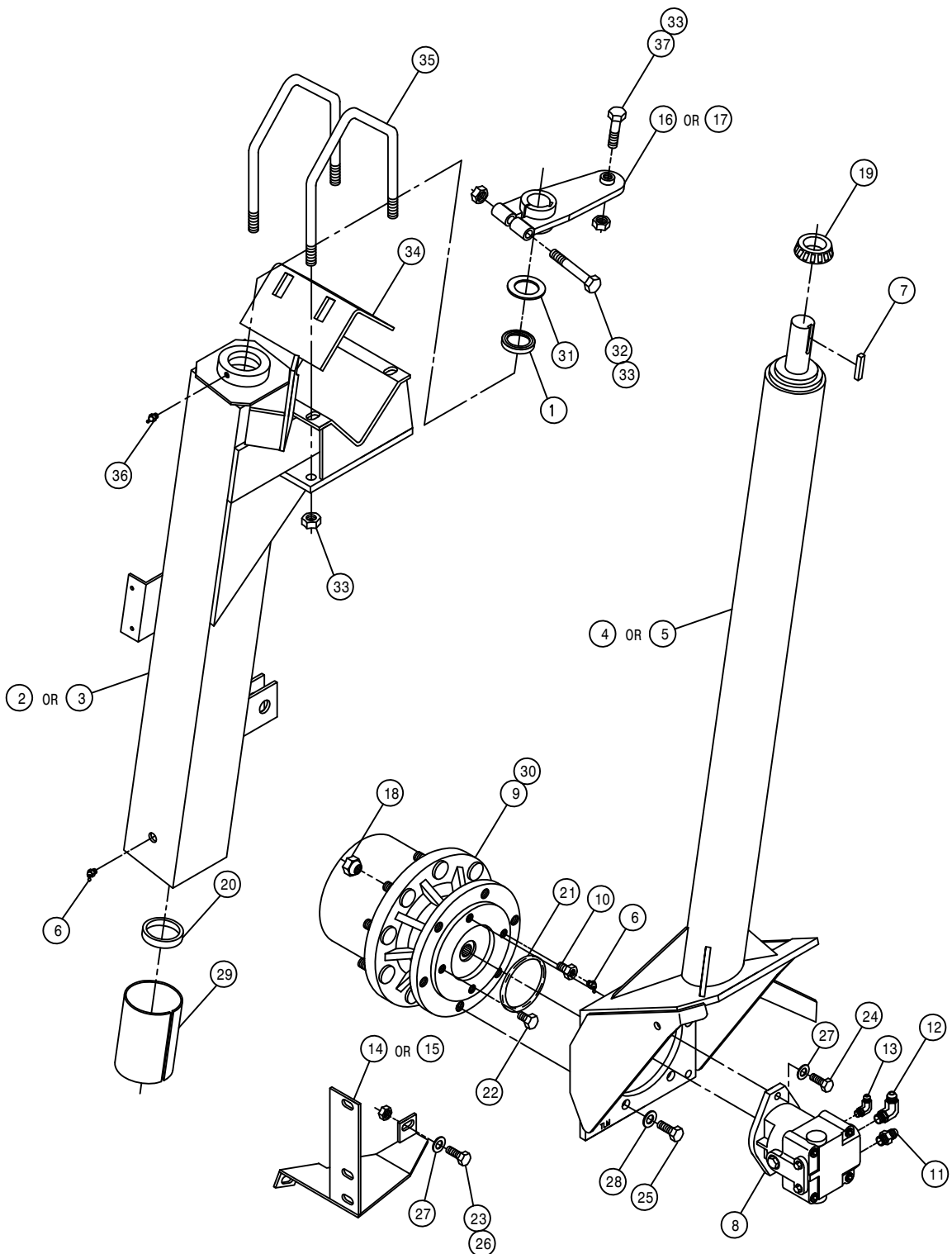


BATTERY BOX ASSEMBLY

DET. QTY PART NO. DESCRIPTION

1	1	290013	BATT 12V 90AH LT WARRANTY
2	2	291128	BATTERY CABLE 48 IN
3	2	290111	GROUND STRAP
4	1	290212	HOLD DOWN BATT W/CLAMPS
5	2	361149	BATTERY BOX 8300-8400 1981
6	2	901149	3/8UNC X 8 1/2 CARR BOLT
7	5	900128	3/8UNC X 3/4 HEX BOLT
8	9	914004	3/8UNC HEX STOVER NUT
9	1	291122	BATTERY,575 AMP 160 RES
10	2	901150	3/8UNC X 9 CARR BOLT
11	1	341322	BATTERY HOLD DOWN WLD 1981





FRONT LEG ASSEMBLY

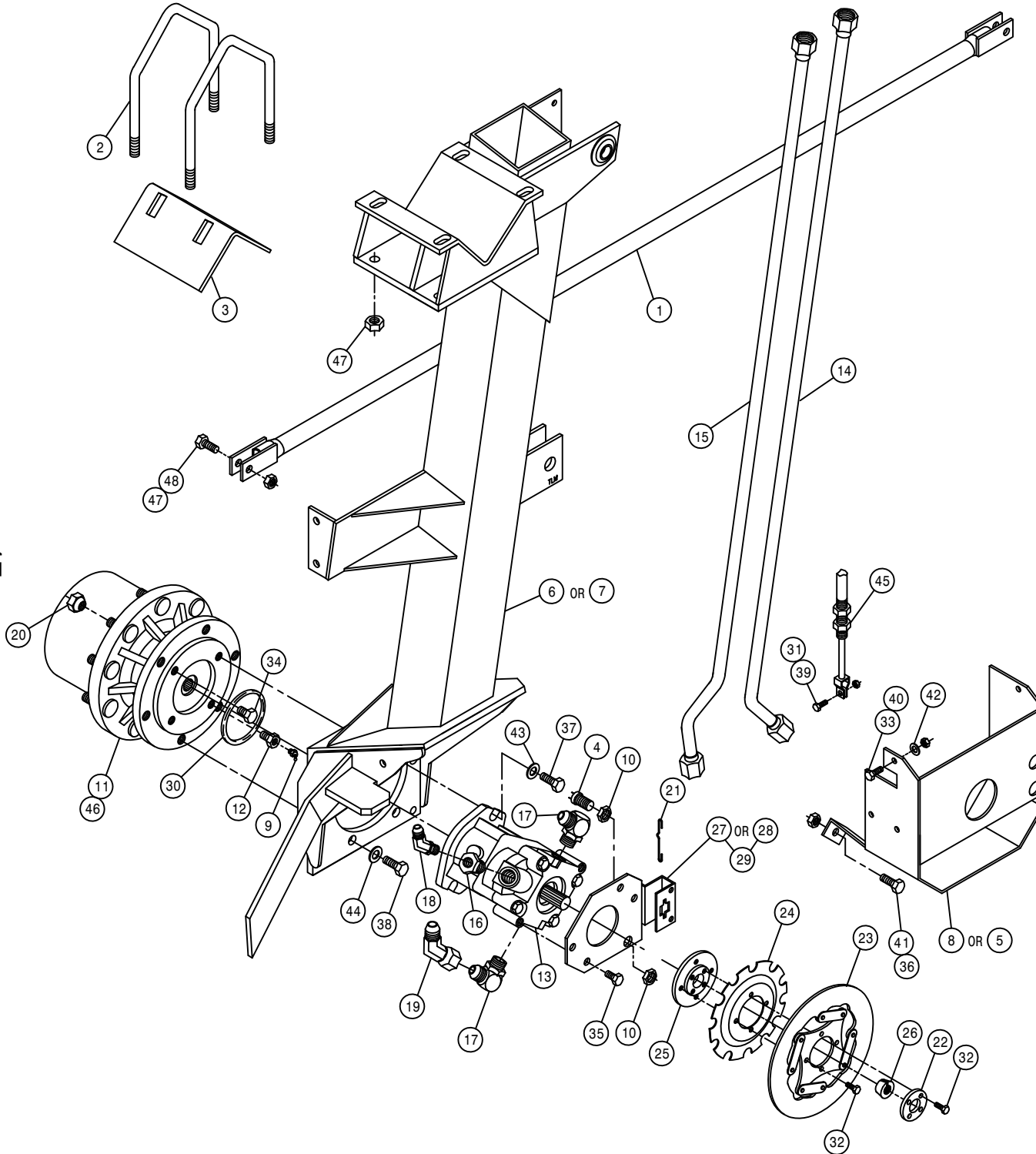
DET.	QTY	PART NO.	DESCRIPTION
1	1	129010	SEAL C/R 16069
2	1	358645	LH FRT OUTER LEG WLD 250 91
3	1	358644	RH FRT OUTER LEG WLD 250 91
4	1	358655	RH FRT INNER LEG WLD 250 91
5	1	358656	LH FRT INNER LEG WLD 250 91
6	2	471023	GREASE ZERK 1/4-28 X 45
7	1	483036	DIFF SHAFT HUB KEY
8	1	610512	SUND M23 WHL MTR
9	1	610515	TORQ HUB 18 TO 1 B-MT W1BFNZ
10	1	610556	1/2UNC X 1/2 ZERK BOLT T-HUB
11	1	611126	7/8MJIC-7/8MOR ADPTR
12	1	611128	7/8MJIC-90-7/8MOR LBO
13	1	618115	9/16MJIC-90-3/4MOR LBO
14	1	662157	RH FRT MTG WLD FOR CROP GUIDE
15	1	662156	LH FRT MTG WLD FOR CROP GUIDE
16	1	749280	RH STRG ARM WLD 250 91
17	1	749281	LH STRG ARM WLD 250 91
18	9	824052	1/2UNF 60 DEG WHL NUT
19	1	825003	INNER CONE FOR 825001 & 825002
20	1	825004	INNER CUP FOR 825001 & 825002
21	1	870155	BUNA ORING 4 X 4 3/16
22	1	900260	1/2UNC X 1/2 HEX BOLT
23	3	900265	1/2UNC X 1 1/2 HEX BOLT
24	2	900266	1/2UNC X 1 3/4 HEX BOLT
25	6	900333	5/8UNC X 1 1/2 HEX BOLT
26	3	914008	1/2UNC HEX STOVER NUT
27	5	920004	1/2 FLAT WASHER SAE
28	6	920505	LOCK WASHER 5/8
29	1	358298	JOURNAL BRG-LINER TYPE
30	1	610552	SEAL BOOT FOR W1BFNZ TORQ HUB
31	1	358448	FRT LEG WSHR 8540
32	1	900343	5/8UNC X 4 1/2 HEX BOLT
33	6	914010	5/8UNC HEX STOVER NUT
34	1	358567	UPPER LEG V-PLATE WLD 280 89
35	2	358426	5/8UNC X 7 9/16 CTR UBOLT TRI
36	1	471021	1/8NPT STRAIGHT ZERK
37	1	749269	STRG ARM BOLT

REAR LEG ASSEMBLY

DET. QTY PART NO. DESCRIPTION

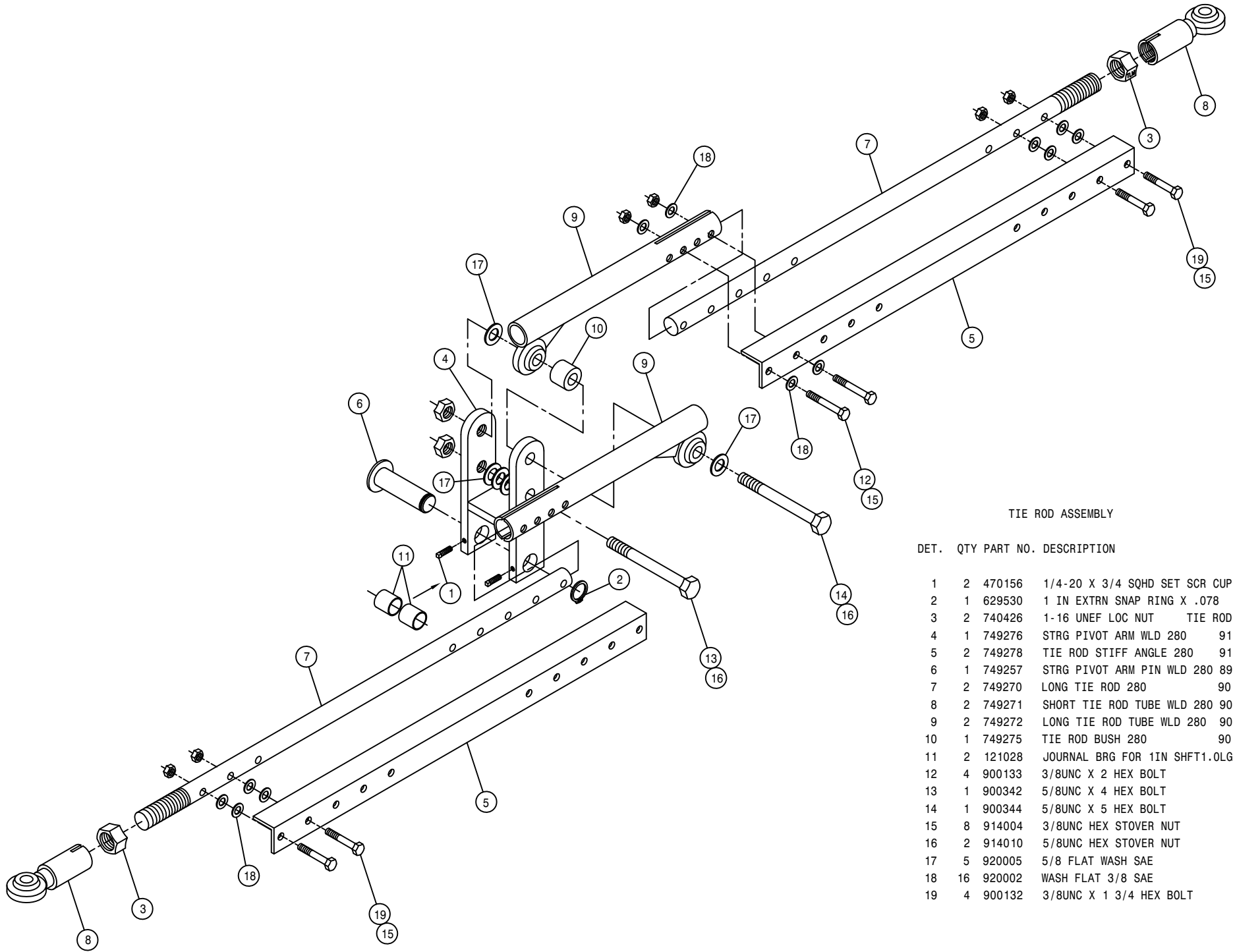
1	1	341944	LEG BRACE WLD 250	91
2	2	358426	5/8UNC X 7 9/16 CTR UBOLT TRI	
3	1	358567	UPPER LEG V-PLATE WLD 280	89
4	1	291206	SENSOR SPEEDO TACH	640
5	1	358596	RH REAR WHL MTR SHLD WLD 280	
6	1	358638	RH REAR LEG WLD 250	91
7	1	358639	LH REAR LEG WLD 250	91
8	1	358597	LH REAR WHL MTR SHLD WLD 280	
9	1	471023	GREASE ZERK 1/4-28 X 45	
10	2	473061	3/4UNF TRUSEAL HEX NUT	
11	1	610516	TORQ HUB 24 TO 1 B-MT W1BFNZ	
12	1	610556	1/2UNC X 1/2 ZERK BOLT T-HUB	
13	1	610557	SUND M35-3102 WHL MTR W/SHFT	
14	1	614694	FRT HYD TUBE ASSY 250 REARLEG	
15	1	614695	REAR HYD TUBE ASSY 250REARLEG	
16	1	618172	7/8MOR-9/16FOR ADPTR	
17	2	618248	1 1/16MJIC-90-1 1/16MOR LBO	
18	1	618425	9/16MJIC-45-9/16MOR LBO	
19	1	618529	1 1/16MJ-45-1 1/16FJ SWIV LBO	
20	9	824052	1/2UNF 60 DEG WHL NUT	
21	1	826929	CLIP BRAKE RETAINER	
22	1	826945	HUB MOUNT, BRAKE	
23	1	826959	BRAKE DISC SUB ASSY	
24	1	826963	SENSOR DISC, 647 BRAKE FORMED	
25	1	826975	TAPER LOCK HUB VICKERS X-10	
26	1	826988	HUB, TAPER LOCK 13 TEETH	
27	1	828083	RH BRAKE MT WLD 250	91
28	1	828084	LH BRAKE MT WLD 250	91
29	2	826918	PARK BRAKE STATOR	
30	1	870155	BUNA ORING 4 X 4 3/16	
31	1	900002	1/4UNC X 3/4 HEX BOLT	
32	8	900064	5/16UNC X 3/4 HEX BOLT	
33	2	900130	3/8UNC X 1 1/4 HEX BOLT	
34	1	900260	1/2UNC X 1/2 HEX BOLT	
35	2	900262	1/2UNC X 3/4 HEX BOLT	
36	2	900265	1/2UNC X 1 1/2 HEX BOLT	
37	2	900267	1/2UNC X 2 HEX BOLT	
38	6	900333	5/8UNC X 1 1/2 HEX BOLT	
39	1	914000	1/4UNC HEX STOVER NUT	
40	2	914004	3/8UNC HEX STOVER NUT	
41	2	914008	1/2UNC HEX STOVER NUT	
42	2	920002	WASH FLAT 3/8 SAE	
43	2	920004	1/2 FLAT WASHER SAE	
44	6	920505	LOCK WASHER 5/8	
45	1	826926	190 IN BRAKE CABLE 470	
46	1	610552	SEAL BOOT FOR W1BFNZ TORQ HUB	
47	6	914010	5/8UNC HEX STOVER NUT	
48	2	900336	5/8UNC X 2 1/2 HEX BOLT	

NOTE: ITEMS 4, 10, 24, AND 27 ARE USED ON THE RIGHT HAND LEG ASSEMBLY.



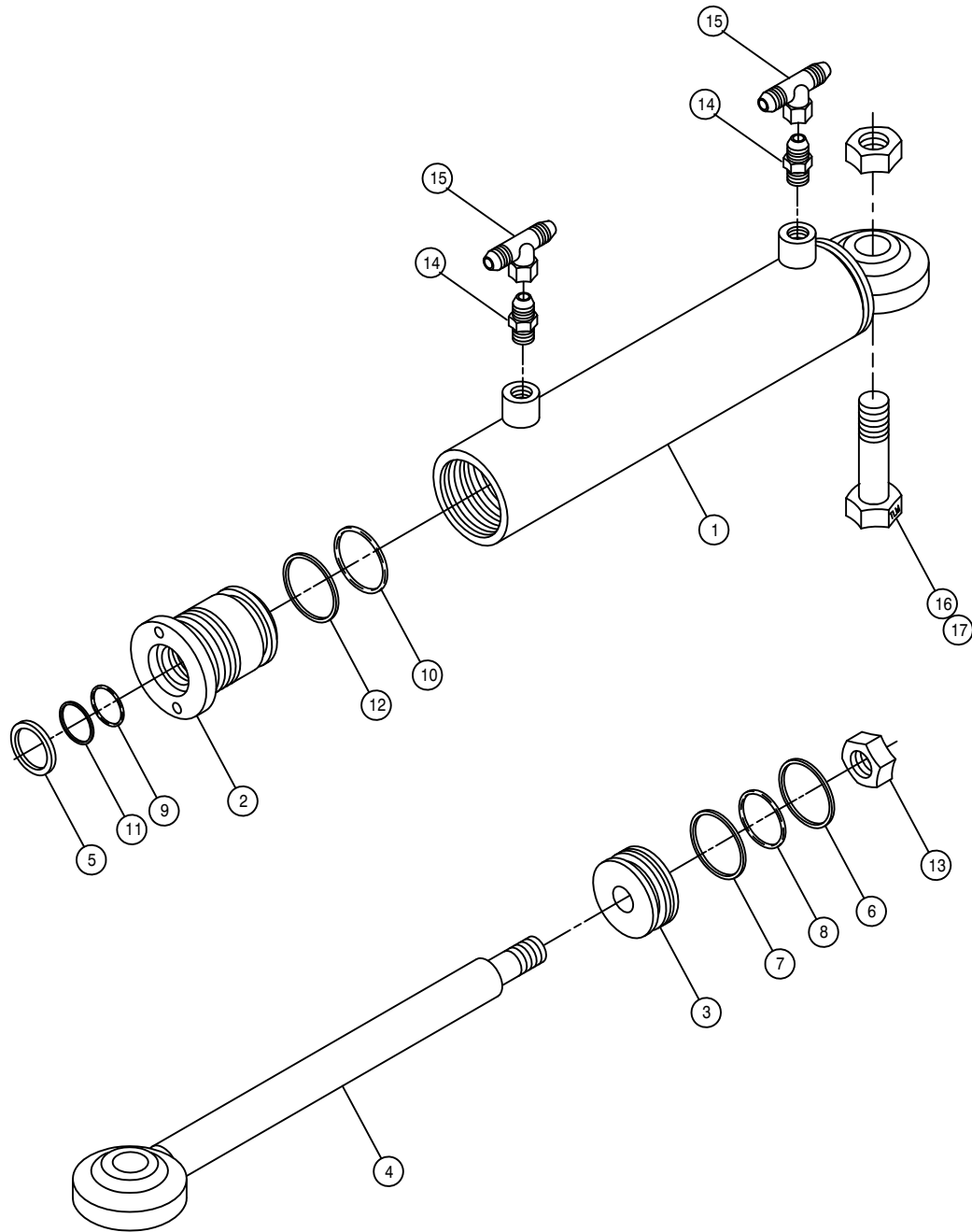
17

123017



TIE ROD ASSEMBLY

DET.	QTY	PART NO.	DESCRIPTION
1	2	470156	1/4-20 X 3/4 SQHD SET SCR CUP
2	1	629530	1 IN EXTRN SNAP RING X .078
3	2	740426	1-16 UNEF LOC NUT TIE ROD
4	1	749276	STRG PIVOT ARM WLD 280 91
5	2	749278	TIE ROD STIFF ANGLE 280 91
6	1	749257	STRG PIVOT ARM PIN WLD 280 89
7	2	749270	LONG TIE ROD 280 90
8	2	749271	SHORT TIE ROD TUBE WLD 280 90
9	2	749272	LONG TIE ROD TUBE WLD 280 90
10	1	749275	TIE ROD BUSH 280 90
11	2	121028	JOURNAL BRG FOR 1IN SHFT1.0LG
12	4	900133	3/8UNC X 2 HEX BOLT
13	1	900342	5/8UNC X 4 HEX BOLT
14	1	900344	5/8UNC X 5 HEX BOLT
15	8	914004	3/8UNC HEX STOVER NUT
16	2	914010	5/8UNC HEX STOVER NUT
17	5	920005	5/8 FLAT WASH SAE
18	16	920002	WASH FLAT 3/8 SAE
19	4	900132	3/8UNC X 1 3/4 HEX BOLT



STEERING CYLINDER ASSEMBLY

DET.	QTY	PART NO.	DESCRIPTION
	1	620089	STRG CYL TUBE WLD 1.5 X 6. 85
	2	620109	GLAND HYD CYL 1.5 X .75 1985
	3	620129	PISTON HYD CYL 1.5 X .5 1985
	4	620148	STRG CYL SHAFT WLD X-10
	5	629028	WIPER, 10D X 3/4ID X 1/8
	6	629616	SEAL, 1704-24 HT20550R POLYHON
	7	629618	WEAR RING HYD CYL 1985
	8	870025	BUNA ORING 1 3/16 X 1 5/16
	9	870210	BUNA ORING 3/4 X 1
	10	870218	BUNA ORING 1 1/4 X 1 1/2
	11	890210	BACKUP WASH 3/4 X1 HT2022
	12	890218	BACKUP WASH1 1/4X1 1/2 HT2022
	13	914009	1/2 UNF STOVER NUT
	14	611121	9/16MJIC-1/4MNPT ADPTR
	15	618514	9/16FJ SW BRANCH TEE-9/16MJ
	16	900336	5/8 UNC X 2 1/2 HEX BOLT
	17	914010	5/8 UNC STOVER NUT

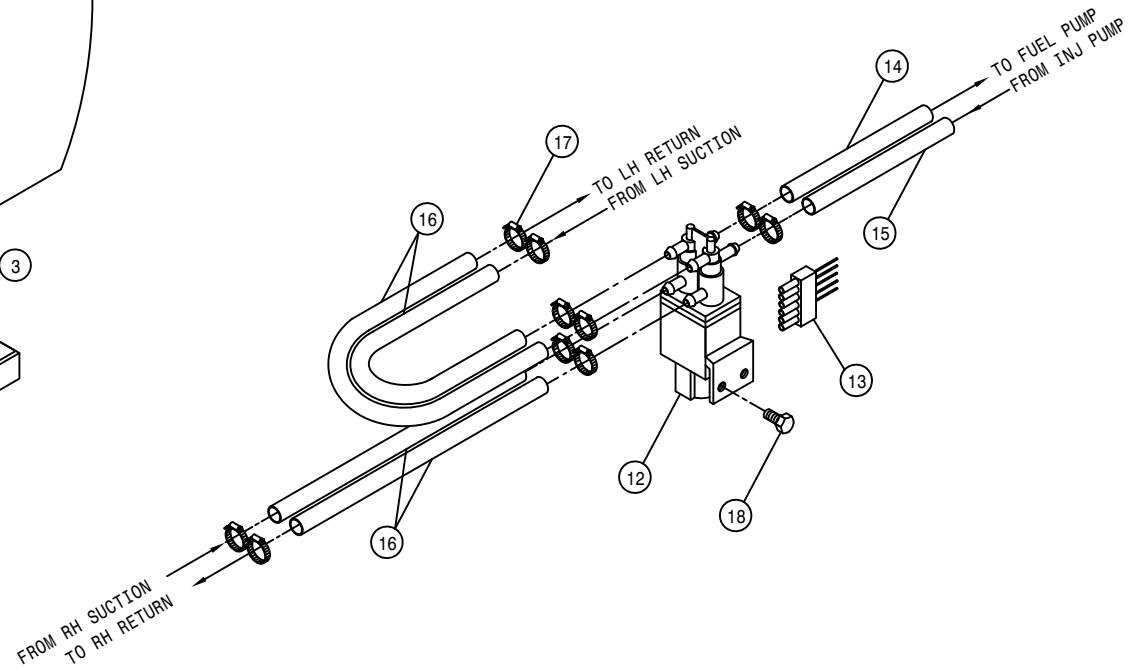
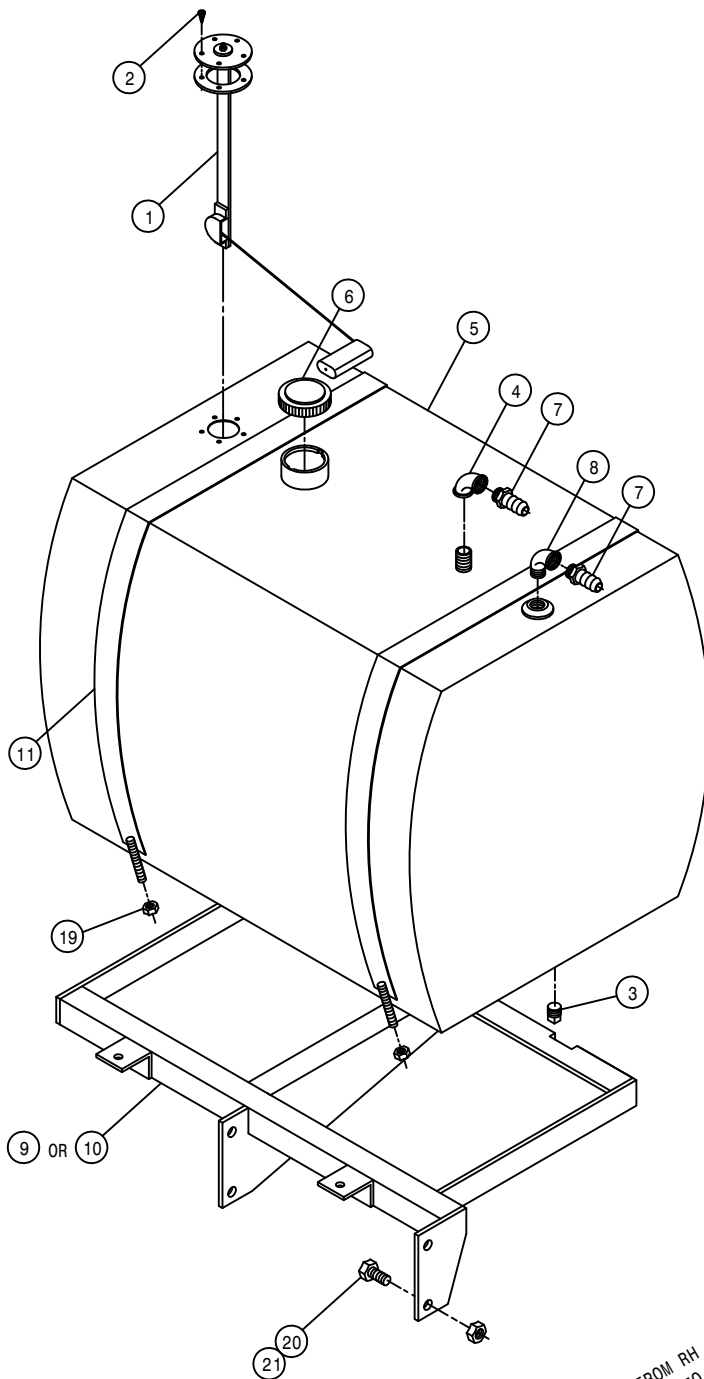
NOTE: 1. RIRHT CYLINDER ASSEMBLY IS SHOWN.
 FOR LEFT CYLINDER ASSEMBLY DELETE DETAIL
 14 AND 15 REPLACE WITH (2) 611122 - 9/16
 MJIC-90-1/4 MNPT ELBOW.

- 2 620080 - CYLINDER ASSEMBLY
- 3. 620998 - SEAL KIT

DIESEL FUEL TANK ASSEMBLY

DET. QTY PART NO. DESCRIPTION

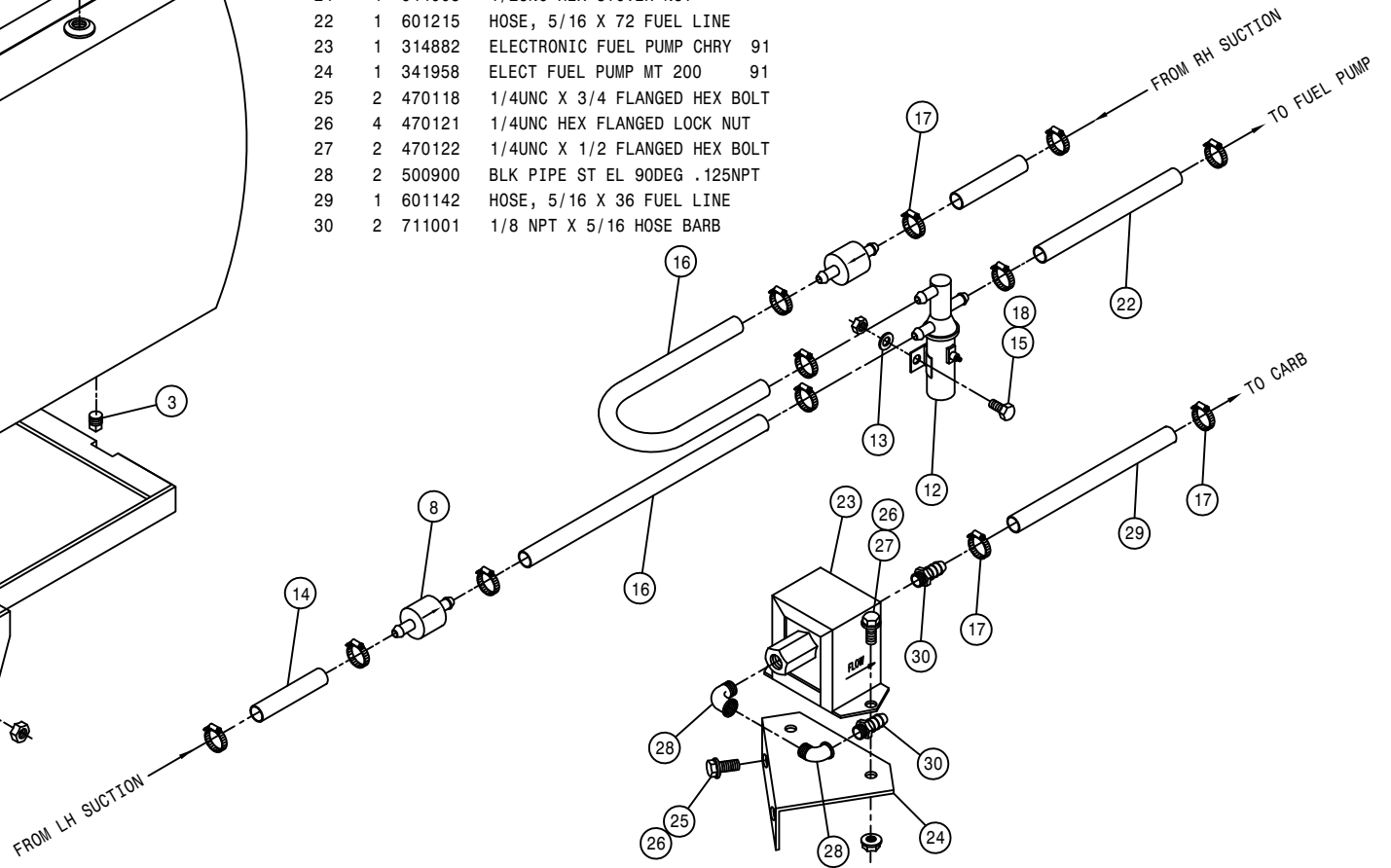
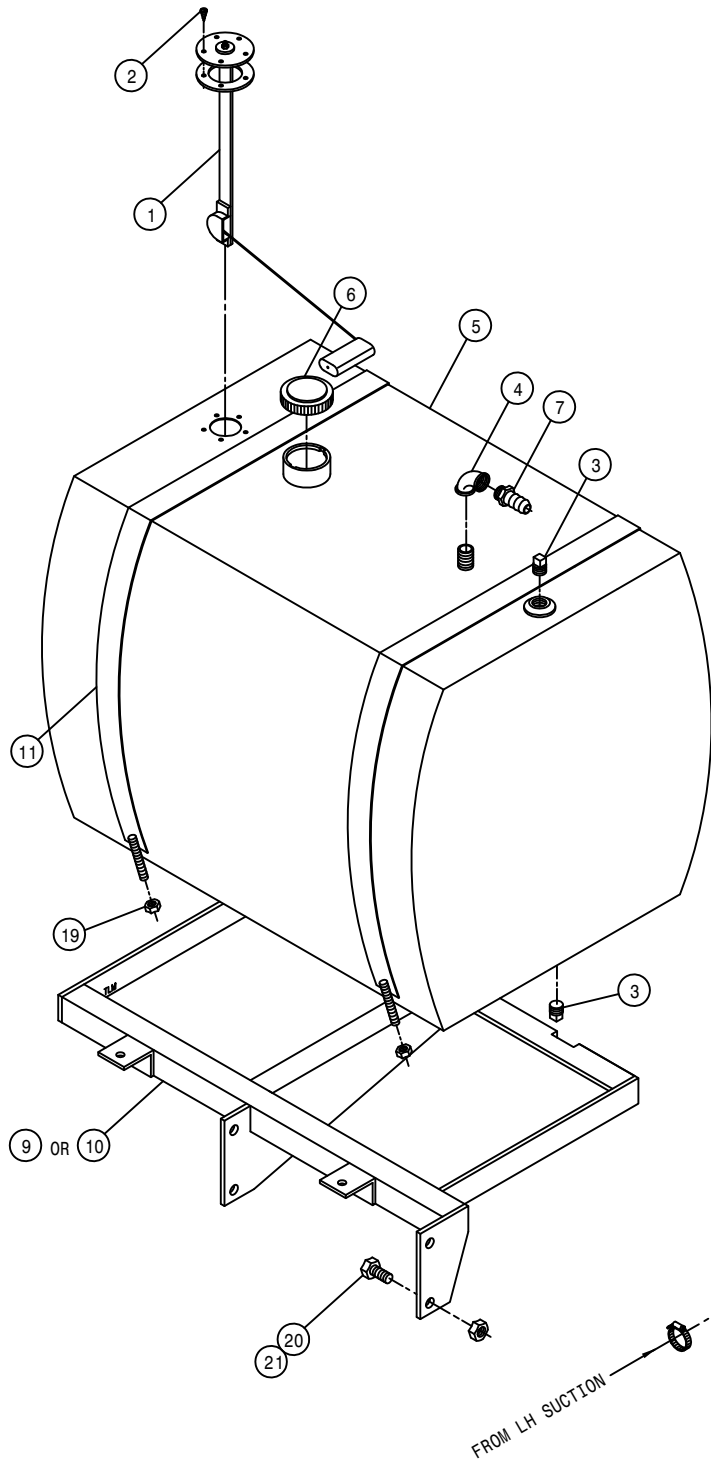
DET.	QTY	PART NO.	DESCRIPTION
1	1	291428	FUEL SENDER 19 IN 470 PINTO
2	5	473902	NO 8 X 1/2 PAN HD MET SC 640
3	1	501102	1/4 PIPE PLUG
4	1	501451	BLK PIPE EL 90DEG .25NPT
5	1	760149	FUEL TANK WLD 200-280 90
6	1	761200	GAS CAP
7	2	783303	HOSE BARB 1/4 NPT X 5/16 HOSE
8	1	501450	BLK PIPE ST EL 90DEG .25NPT
9	1	760153	RH FUEL TNK MT WLD 200-280 90
10	1	760154	LH FUEL TNK MT WLD 200-280 90
11	2	760162	FUEL TANK BAND WLD 200-280 90
12	1	610529	FUEL SELECTOR VALVE W/RETURN
13	1	610530	5 WIRE CONNECTOR FOR 610529
14	1	601142	HOSE, 5/16 X 36 FUEL LINE
15	1	601191	HOSE, 5/16ID X 48 FUEL
16	4	601301	HOSE, 5/16 X 90IN FUEL LINE
17	10	520120	HOSE CLAMP NO 4 MINIATURE PLT
18	2	900064	5/16 UNC X 3/4 HEX BOLT
19	2	914004	3/8 UNC STOVER NUT
20	4	900264	1/2 UNC X 1 1/4 HEX BOLT
21	4	914008	1/2 UNC STOVER NUT



GAS FUEL TANK ASSEMBLY

DET. QTY PART NO. DESCRIPTION

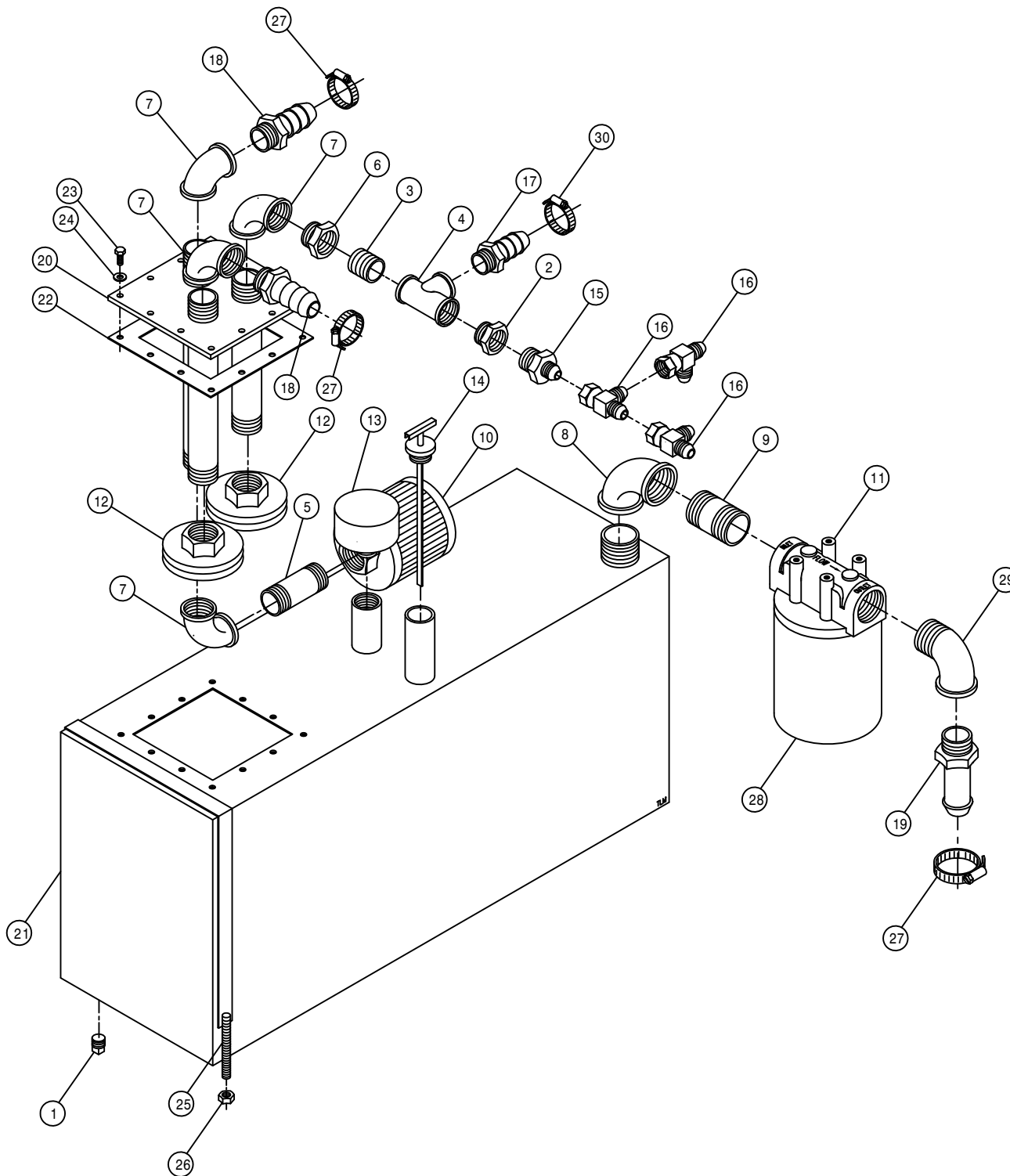
1	1	291428	FUEL SENDER 19 IN 470 PINTO
2	5	473902	NO 8 X 1/2 PAN HD MET SC 640
3	2	501102	1/4 PIPE PLUG
4	1	501451	BLK PIPE EL 90DEG .25NPT
5	1	760149	FUEL TANK WLD 200-280 90
6	1	761200	GAS CAP
7	1	783303	HOSE BARB 1/4 NPT X 5/16 HOSE
8	2	319612	GAS LINE FILT NAPA3012&FRAM
9	1	760153	RH FUEL TNK MT WLD 200-280 90
10	1	760154	LH FUEL TNK MT WLD 200-280 90
11	2	760162	FUEL TANK BAND WLD 200-280 90
12	1	610411	FUEL SELECTOR VALVE AUX TANK
13	2	920000	1/4 FLAT WASH SAE
14	2	601138	HOSE, 5/16 X 3 FUEL LINE
15	2	914000	1/4UNC HEX STOVER NUT
16	2	601299	HOSE, 5/16 X 82IN FUEL LINE
17	12	520120	HOSE CLAMP NO 4 PLATED MINI
18	2	900002	1/4UNC X 3/4 HEX BOLT
19	2	914004	3/8UNC HEX STOVER NUT
20	4	900264	1/2UNC X 1 1/4 HEX BOLT
21	4	914008	1/2UNC HEX STOVER NUT
22	1	601215	HOSE, 5/16 X 72 FUEL LINE
23	1	314882	ELECTRONIC FUEL PUMP CHRY 91
24	1	341958	ELECT FUEL PUMP MT 200 91
25	2	470118	1/4UNC X 3/4 FLANGED HEX BOLT
26	4	470121	1/4UNC HEX FLANGED LOCK NUT
27	2	470122	1/4UNC X 1/2 FLANGED HEX BOLT
28	2	500900	BLK PIPE ST EL 90DEG .125NPT
29	1	601142	HOSE, 5/16 X 36 FUEL LINE
30	2	711001	1/8 NPT X 5/16 HOSE BARB

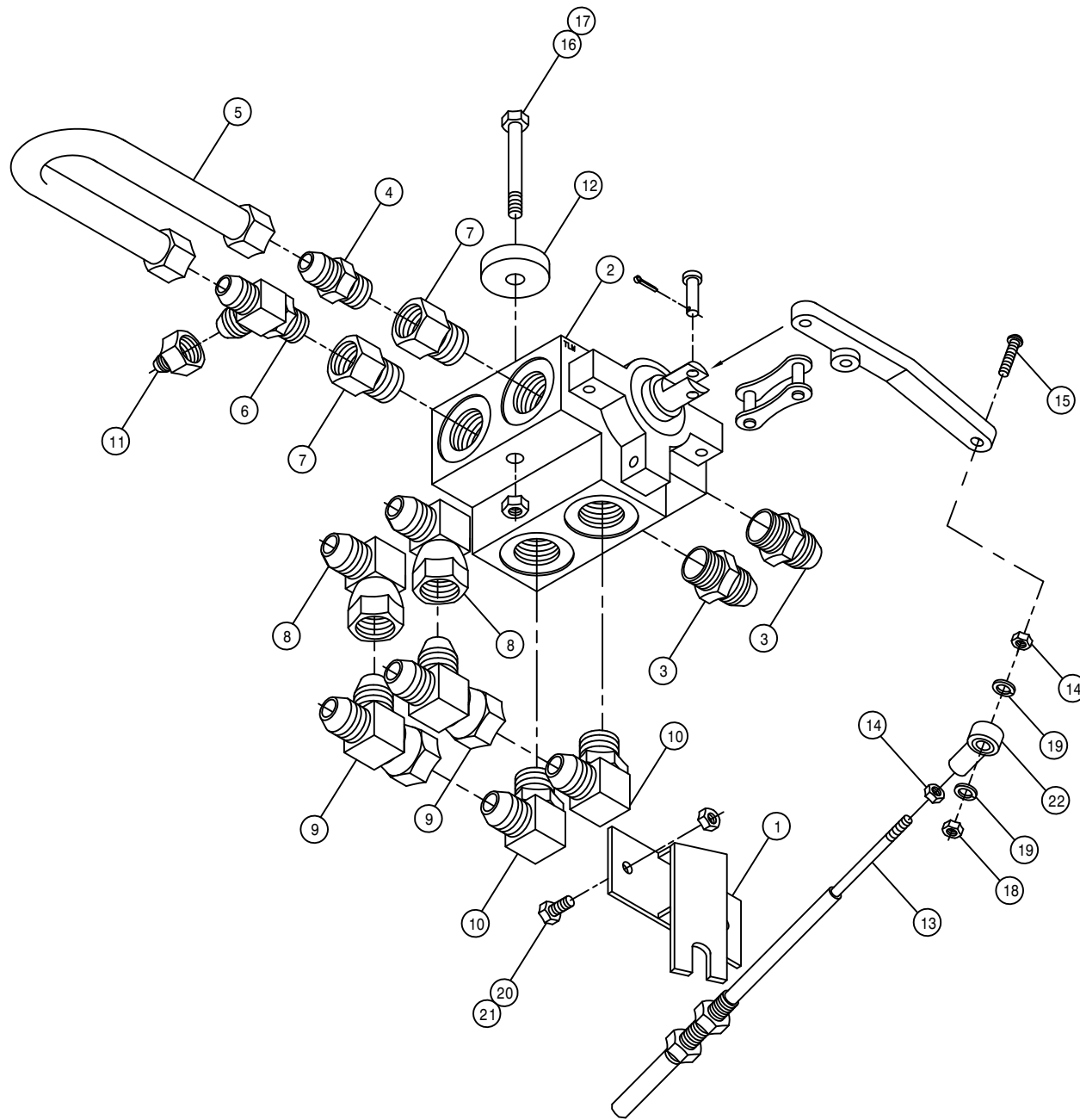


HYDRAULIC TANK ASSEMBLY

DET. QTY PART NO. DESCRIPTION

DET.	QTY	PART NO.	DESCRIPTION
1	1	501102	1/4 PIPE PLUG
2	1	504210	RED BUSH 3/4 NPT X 1/2 NPT
3	1	504702	CLOSE NIPPLE .75NPT
4	1	504955	BLK PIPE TEE .75NPT
5	1	505203	BLK PIPE NIPPLE 1.00NPT-4.00
6	1	505213	RED BUSH 1 X 3/4 BLK MAL
7	4	505300	BLK PIPE EL 90DEG 1.00NPT
8	1	506303	BLK PIPE EL 90DEG 1.25NPT
9	1	506602	PIPE NIPPLE 1 1/4NPT-2 1/2
10	1	605600	MICHIGAN RESERVOIR FILTER
11	1	605601	GRESEN FILTER 10 MICRON 40GPM
12	2	605603	LINE SUMP DIFFUSER
13	1	611052	FILLER BREATHER 3/4NPT
14	1	614453	DIPSTICK, 8IN
15	1	618018	9/16MJIC-1/2MNPT ADPTR
16	3	618486	9/16FJIC SW RUN TEE-9/16MJIC
17	1	713220	HOSE BARB 3/4 NPT X 3/4
18	2	714560	1NPT X 1 HOSE BARB
19	1	715664	1 1/4 NPT X 1 HOSE BARB
20	1	760090	RECIEVER PLT WLD 8240
21	1	760097	OIL TANK WLD 8240 1982
22	1	763039	HYD MTR MTG PLT GSKT
23	12	900064	5/16UNC X 3/4 HEX BOLT
24	12	920001	5/16 FLAT WASHER SAE PLT
25	2	341360	OIL TANK STRAP WLD 8240 1982
26	4	914004	3/8UNC HEX STOVER NUT
27	3	520087	HOSE CLAMP NO 20 PLATED
28	1	605602	FILT ELEMENT 10MICRON 40GPM
29	1	506410	BLK PIPE ST EL 90DEG 1.25NPT
30	1	520055	HOSE CLAMP NO 12 PLATED

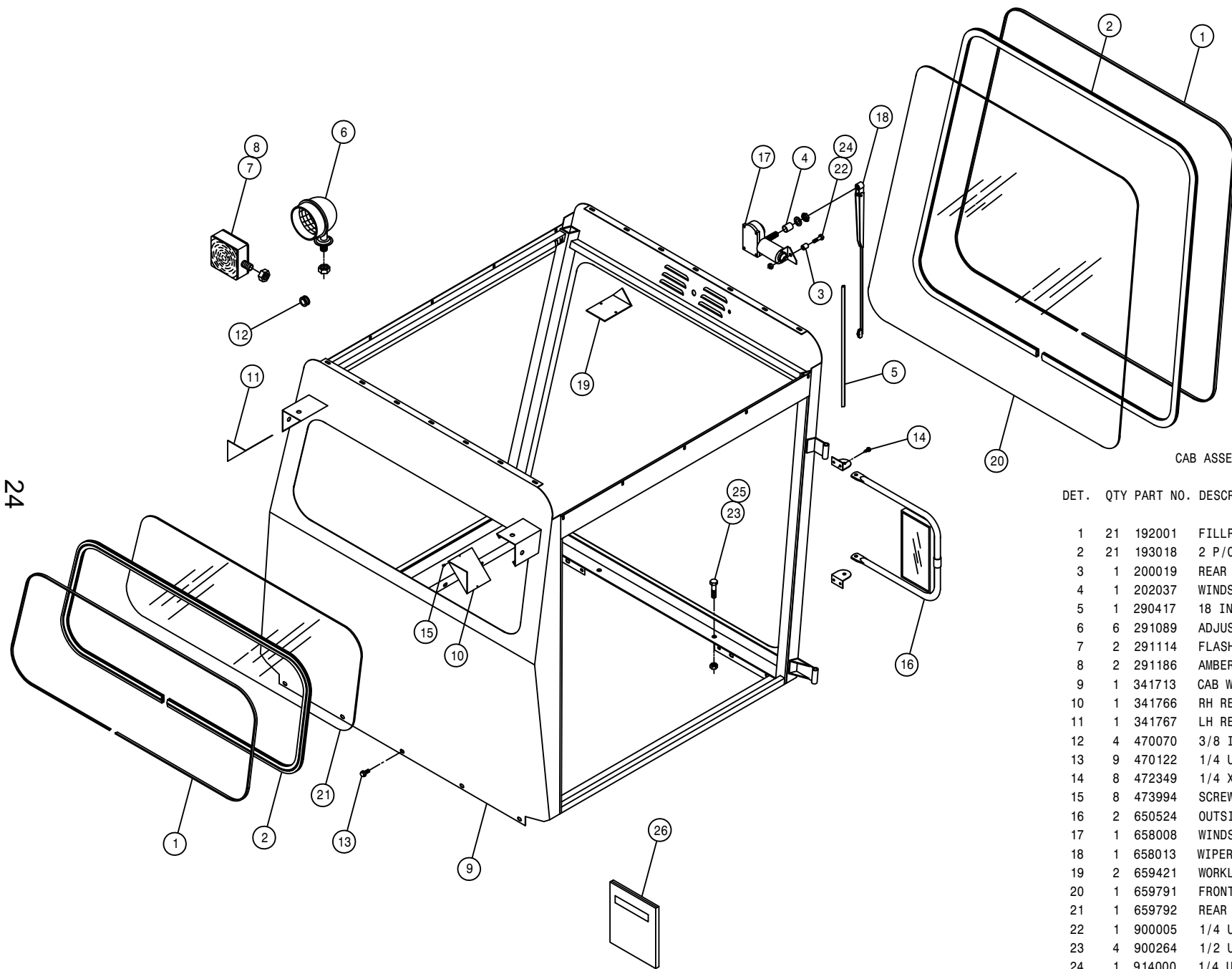




FOUR-WHEEL DRIVE SELECTOR VALVE ASSEMBLY

DET. QTY PART NO. DESCRIPTION

1	1	341861	FWD CABLE MT WLD 280	89
2	1	606003	GRESEN SELECTOR VALVE DS-12	
3	2	611127	1 1/16MJIC-1 1/16MOR ADPTR	
4	1	611126	7/8MJIC-7/8MOR ADPTR	
5	1	614198	FWD VALVE U-TUBE ASSY	
6	1	618130	7/8MOR RUN TEE-7/8MJIC	
7	2	618132	1 1/16MOR-7/8FOR ADPTR	
8	2	618301	7/8MJIC-90-7/8FJIC SWIV LBO	
9	2	618333	7/8FJIC SW RUN TEE-7/8MJIC	
10	2	618535	7/8MJIC-90-1 1/16MOR LBO	
11	1	618557	7/8FJIC-9/16MJIC ADPTR	
12	2	748501	RUBBER WASH .38 X .406 X 1.50	
13	1	785056	CTRL CABLE 10-32 4IN X 58 LG	
14	2	910027	#10-32 HEX NUT	
15	1	903893	10 32 X 1 SLT RD HD MACH SCR	
16	2	900136	3/8UNC X 3 HEX BOLT	
17	2	914004	3/8UNC HEX STOVER NUT	
18	1	914027	#10-32 HEX STOVER NUT	
19	2	920510	LOCK WASH NO 10	
20	2	900002	1/4UNC X 3/4 HEX BOLT	
21	2	914000	1/4UNC HEX STOVER NUT	
22	1	473921	BALL JOINT NO 10-32 THD	

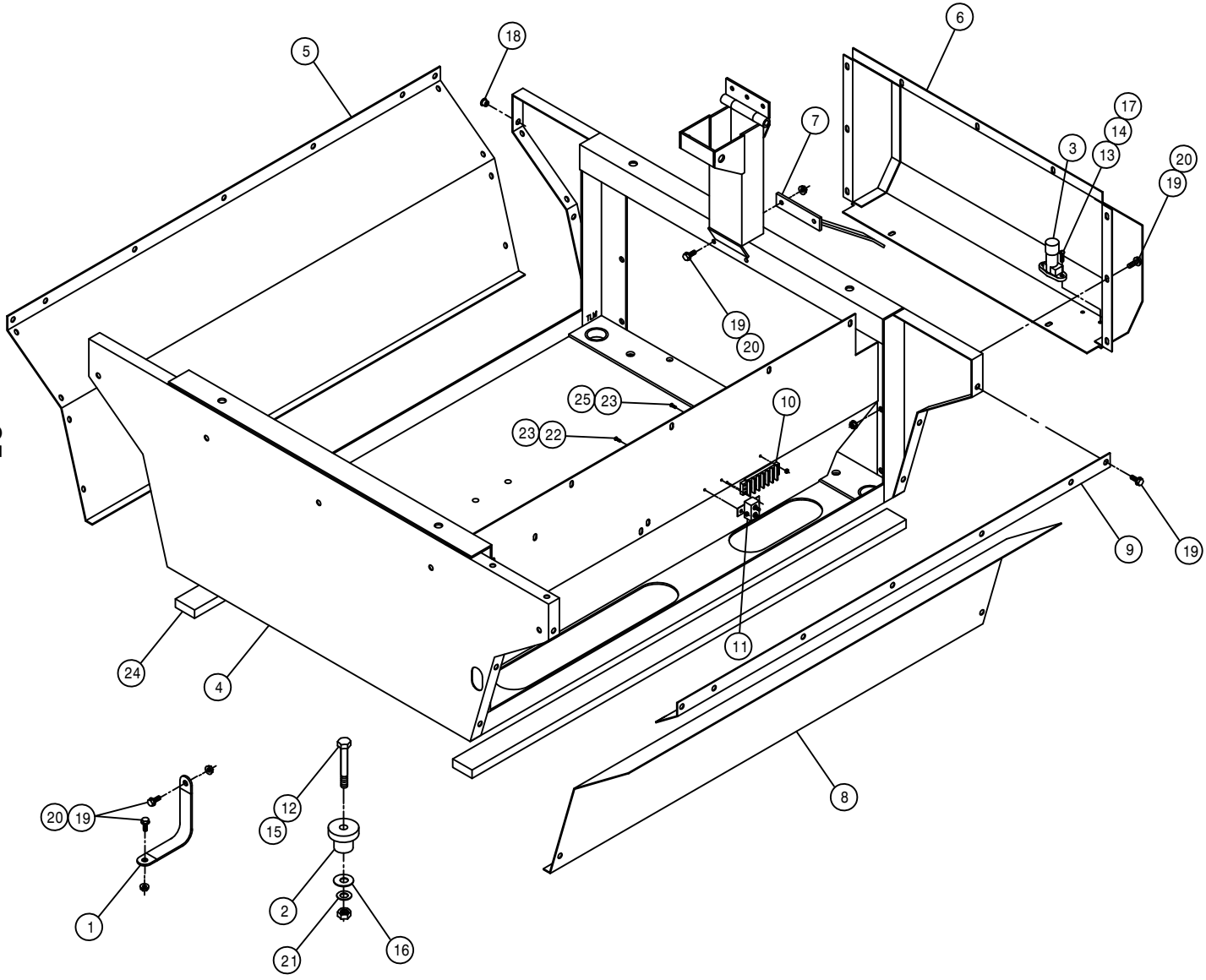


CAB ASSEMBLY

DET. QTY PART NO. DESCRIPTION

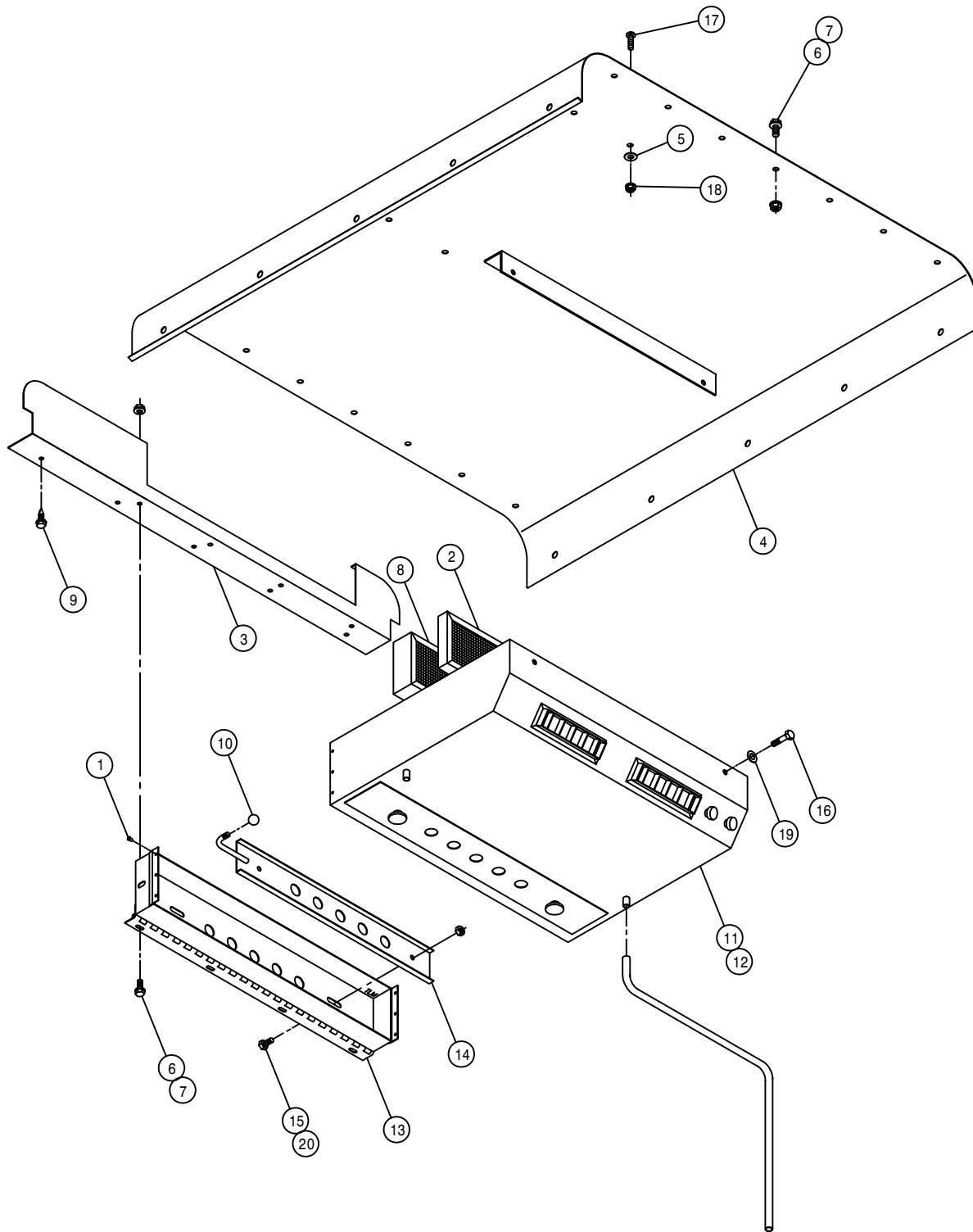
1	21	192001	FILLR STRIP FOR WEATHERSTRIP	
2	21	193018	2 P/C SELF SEAL WEATHERSTRIP	
3	1	200019	REAR BOOM SOL VALVE SPACER	
4	1	202037	WINDSHIELD WIPER SPACER	640
5	1	290417	18 IN WIPER BLADE	TB
6	6	291089	ADJUSTABLE LIGHT W/ GUARD	
7	2	291114	FLASHER & SIDE MARKER LIGHT	
8	2	291186	AMBER LENS FOR FLASHER 291114	
9	1	341713	CAB WELDMENT	280 89
10	1	341766	RH REAR LIGHT BRKT COVER	280
11	1	341767	LH REAR LIGHT BRKT COVER	280
12	4	470070	3/8 ID GROMMET, ATLANTIC #172	
13	9	470122	1/4 UNC X 1/2 FLANGED H BOLT	
14	8	472349	1/4 X 3/4 20THD-IN TEK TYPE	
15	8	473994	SCREW, HH SHT MTL 6/32X 3/8AB	
16	2	650524	OUTSIDE REAR VIEW MIRROR	TB2
17	1	658008	WINDSHIELD WIPER MTR	640
18	1	658013	WIPER ARM	640
19	2	659421	WORKLIGHT BRKT COVER	8400
20	1	659791	FRONT CAB GLASS	280 89
21	1	659792	REAR CAB GLASS	280 89
22	1	900005	1/4 UNC X 1 1/2 HEX BOLT	
23	4	900264	1/2 UNC X 1 1/4 HEX BOLT	
24	1	914000	1/4 UNC STOVER NUT	
25	4	914008	1/2 UNC STOVER NUT	
26	1	341901	VINYL HANDBOOK TOTE	

25



OPERATOR STATION ASSEMBLY

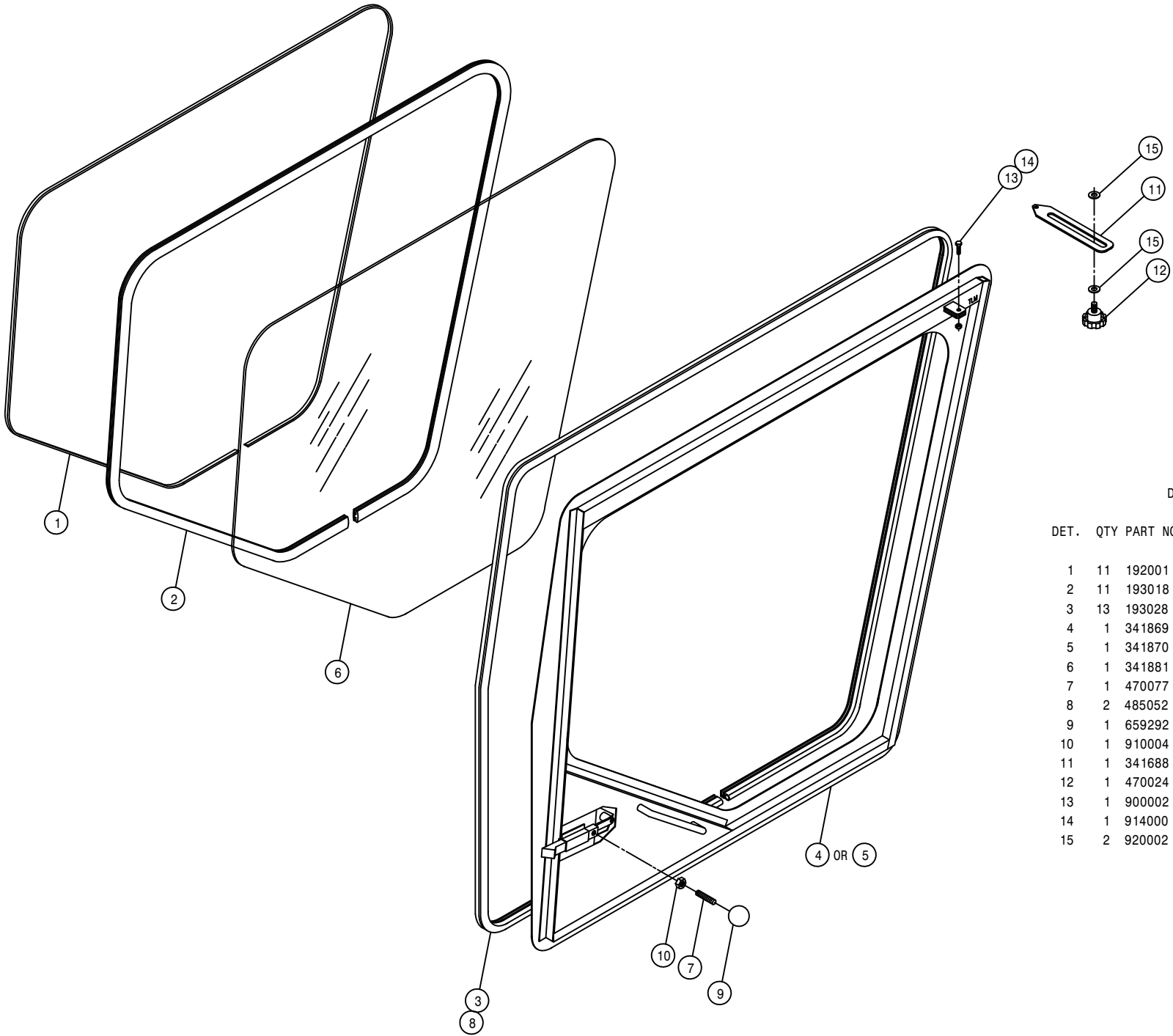
DET.	QTY	PART NO.	DESCRIPTION
1	1	290107	ENG TO GROUND STRAP 8 IN TB2
2	4	311032	ENG IS/LATOR 470 472 1978
3	1	290412	DIMMER SWITCH TB
4	1	341668	OP STN WLD 280 89
5	1	341699	OP STN OUTER PANEL 280 89
6	1	341700	OP STN BOOT WLD 280 89
7	1	341738	STRG POST BRACE WLD 280 89
8	1	341824	RH OP STN LOWER PANEL 200 89
9	1	341825	RH OP STN PANEL KPR WLD 200
10	1	293093	TERMINAL BLOCK 6 POS - 2 ROW
11	1	291197	CIRCUIT BREAKER, 30AMP
12	4	900269	1/2UNC X 2 3/4 HEX BOLT
13	2	903889	10-32 X 3/4 SLT RDHD MACH SCR
14	2	910027	#10-32 HEX NUT
15	4	914008	1/2UNC HEX STOVER NUT
16	4	483037	FLAT WASH 5/8 REGULAR
17	2	920510	LOCK WASH NO 10
18	21	470086	1/4UNC NUTSERT .020- .100MTL
19	40	470118	1/4UNC X 3/4 FLANGED HEX BOLT
20	17	470121	1/4UNC HEX FLANGED LOCK NUT
21	4	483041	1/2 REGULAR FLAT WASH PLT
22	2	903812	6-32 X 1/2 SLT RD HD MACH SCR
23	4	910022	#6-32 HEX NUT
24	2	659579	FOAM, 2IN WIDE X 40IN LONG
25	2	903814	6-32 X 3/4 SLT RD HD MACH SCR



AIR CONDITIONER ASSEMBLY AND ROOF

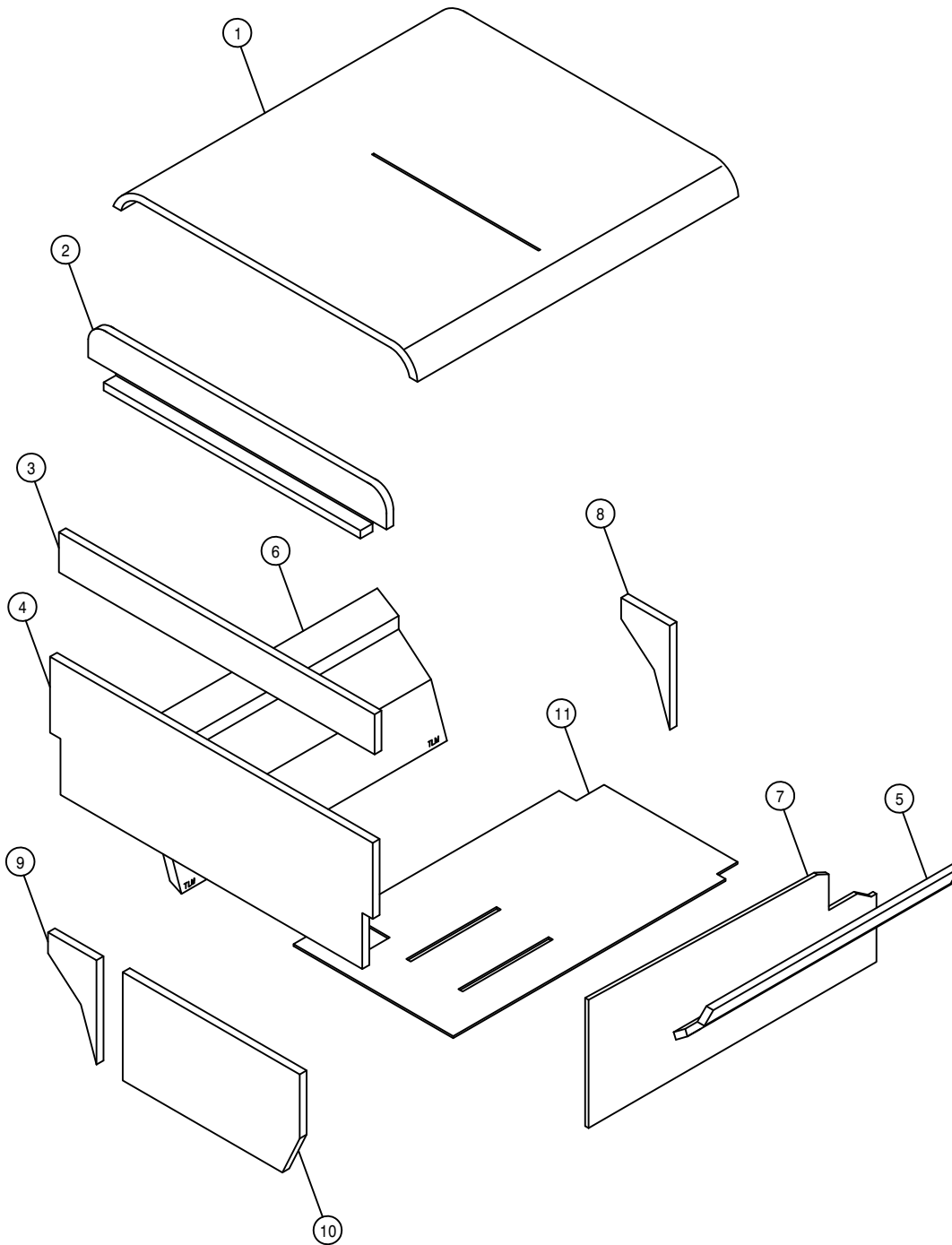
DET. QTY PART NO. DESCRIPTION

1	6	485053	POP RIVET 3/16 X 3/8
2	1	657339	CHARCOAL FILTER FOR 657333
3	1	341741	A/C BLOWER HSNG MT 280 89
4	1	341768	CAB ROOF WLD 280 89
5	4	470191	RUBBER WASHER 1/4L FLAT
6	28	470121	1/4UNC HEX FLANGED LOCK NUT
7	28	470118	1/4UNC X 3/4 FLANGED HEX BOLT
8	1	657324	FRESH AIR FILTER EAGLE
9	5	472349	1/4 X 3/4 20THD-IN TEK TYPE
10	1	659291	1 DIA BALL KNOB 3/8-16INSERT
11	1	657303	A/C EVAPORATOR INSTALL KIT
12	1	657333	A/C BLOWER & EVAPORATOR EAGLE
13	1	659439	A/C BLOWER HSNG MT WLD 8400
14	1	659442	A/C OUTSIDE AIR SLIDE WLD8400
15	2	900000	1/4UNC X 1/2 HEX BOLT
16	2	900170	3/8UNC X 2 1/4 HEX BOLT
17	4	903883	10-32 X 1/2 SLTRD HD MACH SCR
18	4	470175	#10-32 HEX FLANGED LOCK NUT
19	2	920002	WASH FLAT 3/8 SAE
20	2	914000	1/4UNC HEX STOVER NUT



DOOR ASSEMBLY

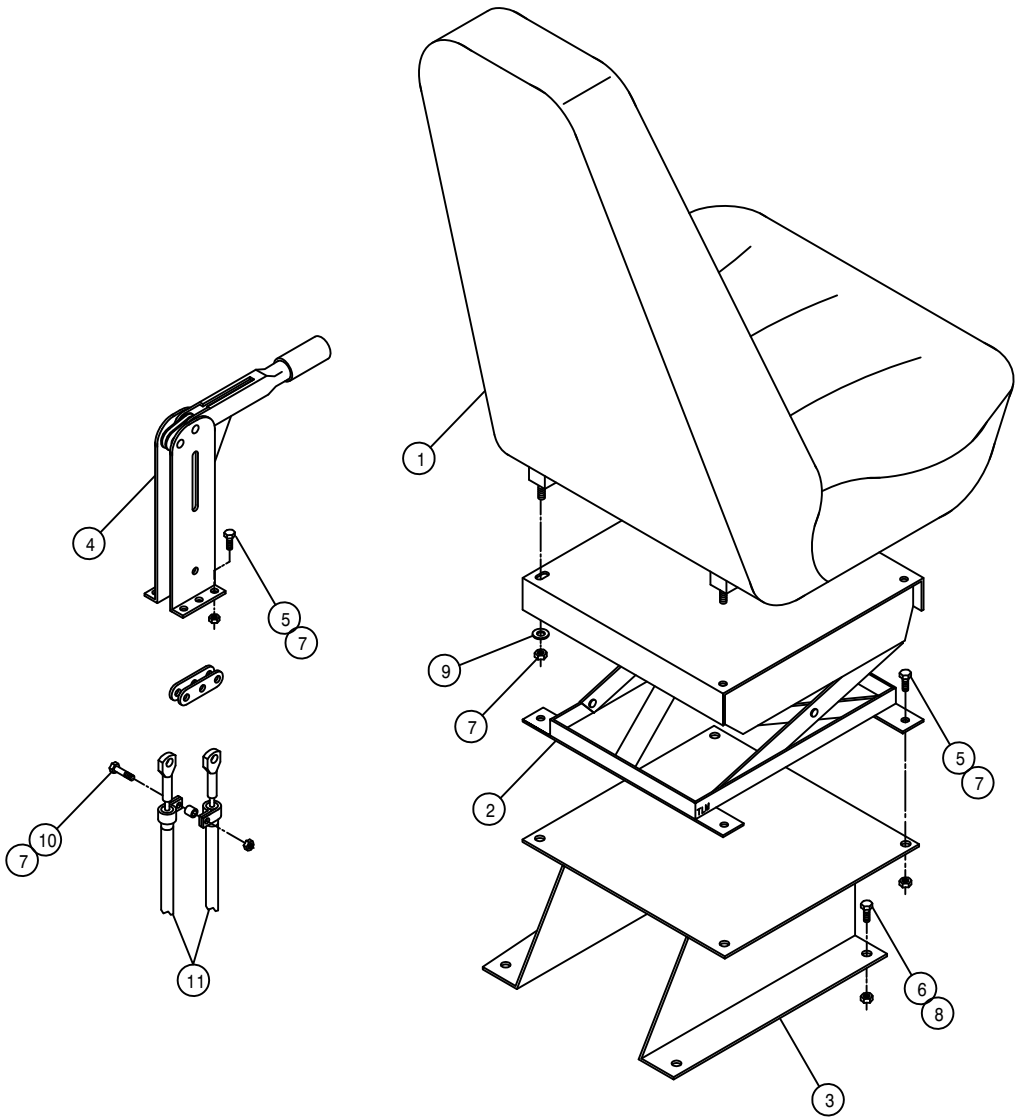
DET.	QTY	PART NO.	DESCRIPTION	
1	11	192001	FILLR STRIP FOR WEATHERSTRIP	
2	11	193018	2 P/C SELF SEAL WEATHERSTRIP	
3	13	193028	SNAPON SEAL ST20A	
4	1	341869	RH CAB DOOR WLD 280	90
5	1	341870	LH CAB DOOR WLD 280	90
6	1	341881	CAB DOOR GLASS 280	90
7	1	470077	3/8 UNC X 1 3/4 STUD GRSUNPLT	
8	2	485052	POP RIVET 1/8 X 3/8	
9	1	659292	1 7/8 DIA BALL KNOB 3/8-16	
10	1	910004	NUT, HEX, 3/8UNC GRS PLT	
11	1	341688	DOOR CATCH SLIDE 280	89
12	1	470024	BLK PLASTIC KNOB 3/8UNC	STD
13	1	900002	1/4UNC X 3/4 HEX BOLT	
14	1	914000	1/4 UNC STOVER NUT	
15	2	920002	WASH FLAT 3/8 SAE	



CAB FOAM

DET. QTY PART NO. DESCRIPTION

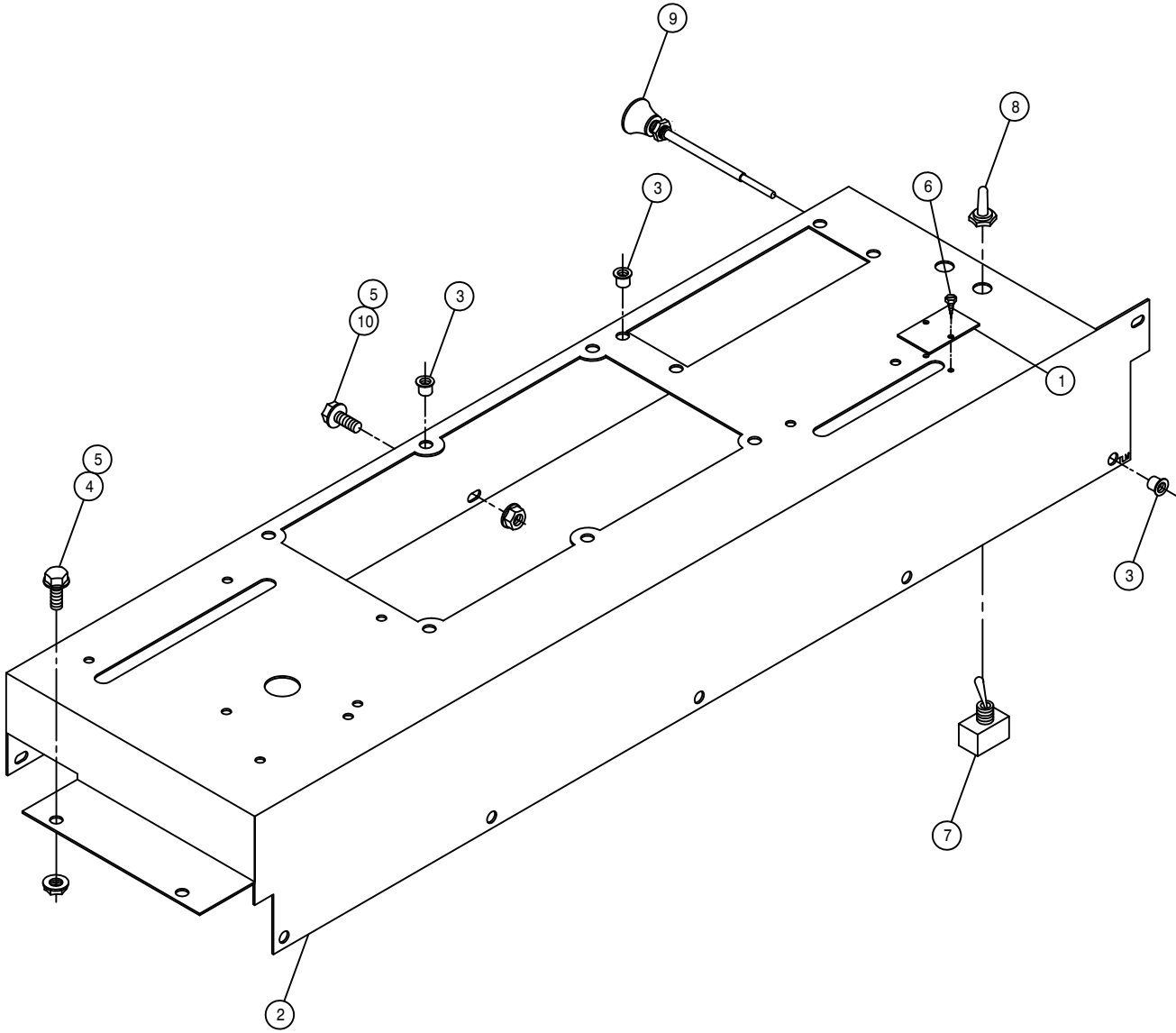
1	1	659836	CAB ROOF FOAM 280	89
2	1	659837	UPPER REAR CAB FOAM 280	89
3	1	659838	CNTR REAR CAB FOAM 280	89
4	1	659839	LWR REAR CAB FOAM 280	89
5	1	659840	RH SIDE PANEL FOAM 280	89
6	1	659841	LH SIDE PANEL FOAM 280	89
7	1	659842	CONSOLE SIDE PANEL FOAM280	89
8	1	659843	LWR LH FRT OP STN FOAM 280	89
9	1	659844	LWR LH REAR OP STN FOAM280	89
10	1	659845	REAR OP STN FOAM 280	89
11	1	659846	FLOOR MAT 280	89



SEAT AND BRAKE ASSEMBLY

DET.	QTY	PART NO.	DESCRIPTION
	1	330014	TRIMLINE SEAT
	1	330015	SUSPENSION ASSY TRIMLINE SEAT
	1	341554	SEAT MT WLD TRIMLINE SEAT
	1	826108	BRAKE LEVER ASSY TB2
	8	900064	5/16 UNC X 3/4 HEX BOLT
	4	900129	3/8 UNC X1IN HH BOLT
	13	914002	5/16 UNC STOVER NUT
	4	914004	3/8 UNC STOVER NUT
	2	920001	5/16 FLAT WASHER SAE PLT
	1	900067	5/16UNCX1 1/2 HH BOLT
	2	826926	190 IN BRAKE CABLE 470

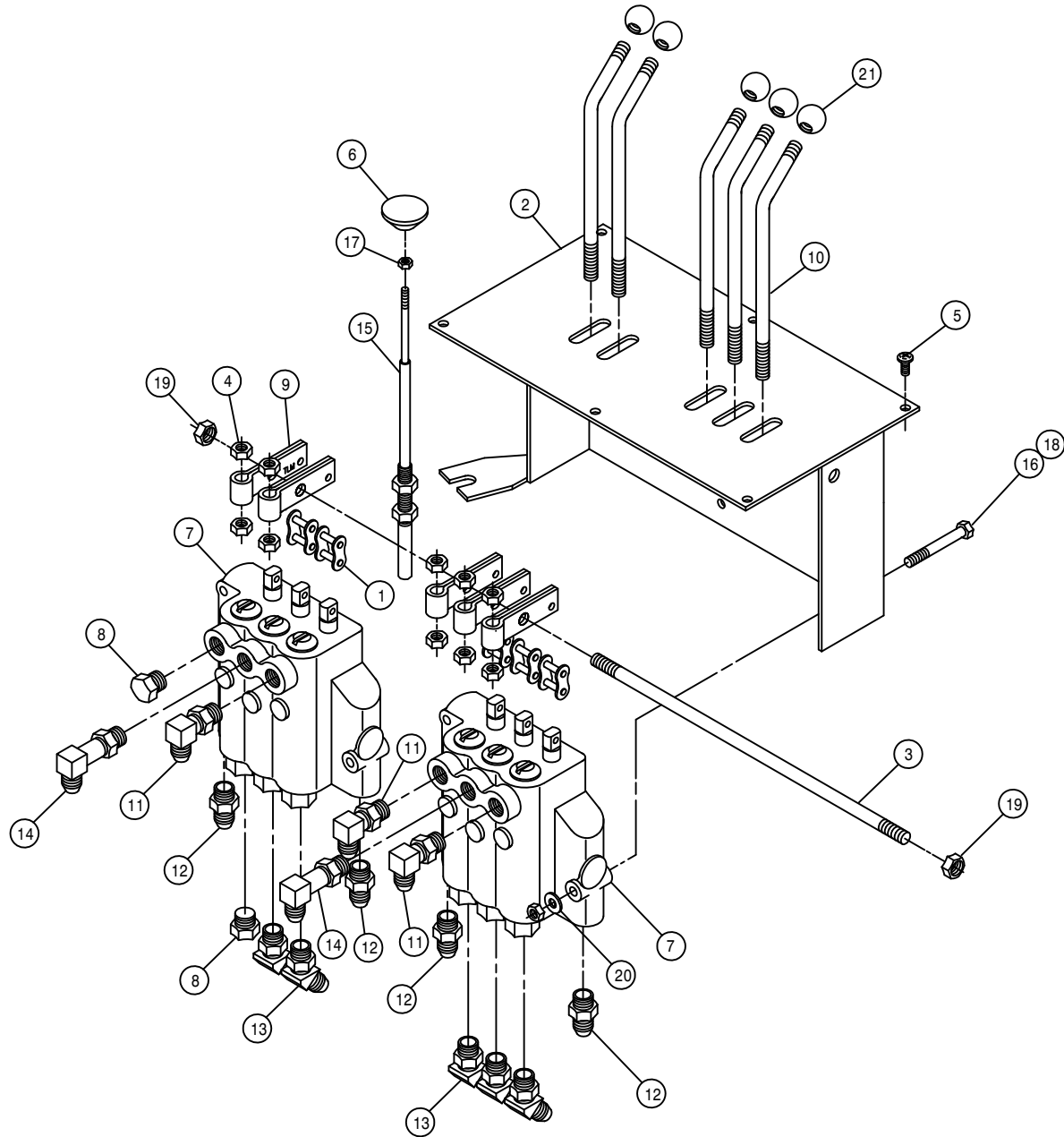
30



CONSOLE ASSEMBLY

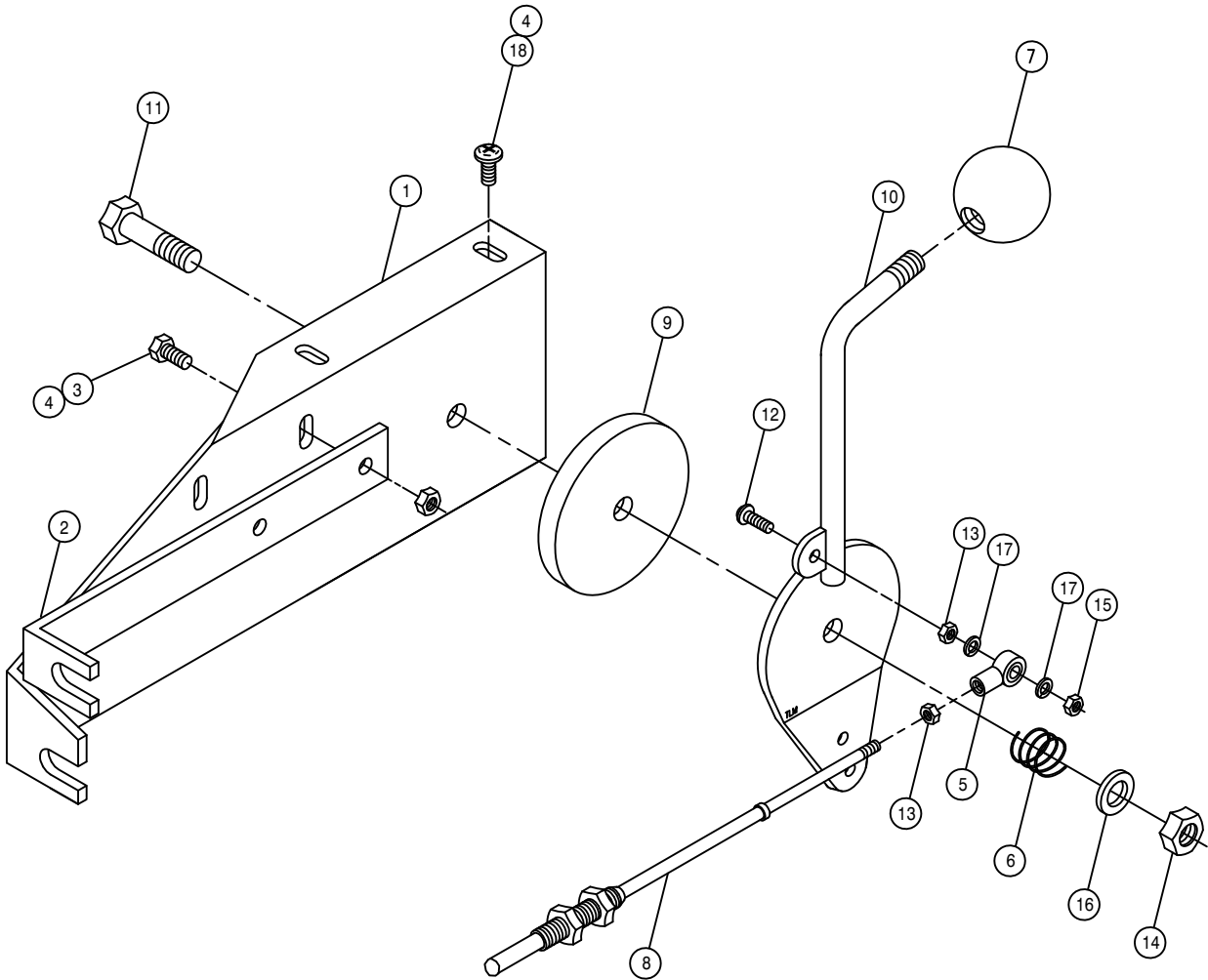
DET.	QTY	PART NO.	DESCRIPTION
	1	341626	THROT STOP ONAN
	1	341704	CONSOLE WLDMT 280 89
	15	470086	NUTSERT, 1/4UNC .020-.100GR
	3	470118	1/4 UNC X 3/4 FLANGED H BOLT
	7	470121	1/4-20 FLANGED WHIZ NUT
	2	473994	SCREW, HH SHT MTL 6/32X 3/8AB
	1	610412	TOGGLE SWITCH FOR FUEL VLV
	1	470001	RUBBER BOOT W NUT FOR 298012
	1	780101	CHOKE CONTROL 144 IN TB2
	4	470122	1/4 - 20 X 1/2 FLANGED H BOLT

123030



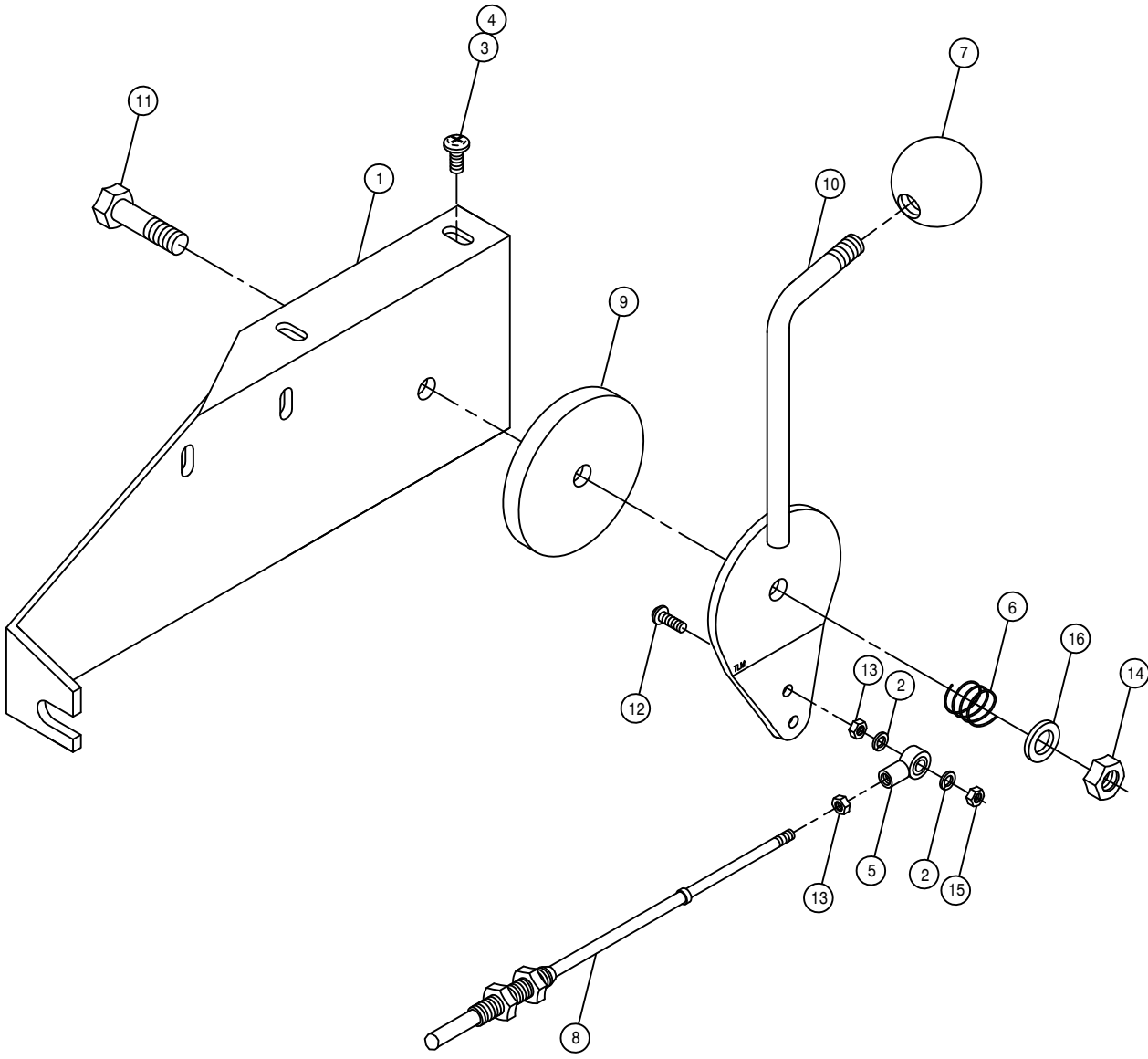
THREE SPOOL VALVE ASSEMBLY

DET.	QTY	PART NO.	DESCRIPTION
1	5	221001	CONN LINK CLIP TYPE RC50
2	1	341706	VLV MT WLD 2-3SPL VLV 280 89
3	1	341710	3SPL VLV LEVER PIVOT ROD 280
4	10	470087	NUT, 3/8UNC WHIZ LOC
5	6	903708	MACH SCR 1/4-20X1/2 PHIL PNHD
6	1	470190	PUSH/PULL KNOB 10-32 1.38 DIA
7	2	606585	CESSNA 3SPL VALVE W/O RELIEF
8	2	610185	9/16MOR PLUG
9	5	615336	LINK, VALVE HANDLE, 2.35PL
10	5	615337	HANDLE, 2-3SPL VALVE, 647
11	3	618119	9/16MJIC-90-9/16MOR LBO
12	4	618126	9/16MJIC-9/16MOR ADPTR
13	5	618425	9/16MJIC-45-9/16MOR LBO
14	2	618440	9/16MJIC-90-9/16MOR EX LG LBO
15	1	785056	CTRL CABLE 10-32 4IN X 58 LG
16	4	900007	1/4 UNC X 2 HEX BOLT GR5 PLT
17	1	910027	HEX NUT NO 10 UNF
18	4	914000	1/4 UNC STOVER NUT
19	2	914004	3/8 UNC STOVER NUT
20	4	920000	1/4 FLAT WASH SAE
21	5	659291	1 DIA BALL KNOB 3/8-16INSERT



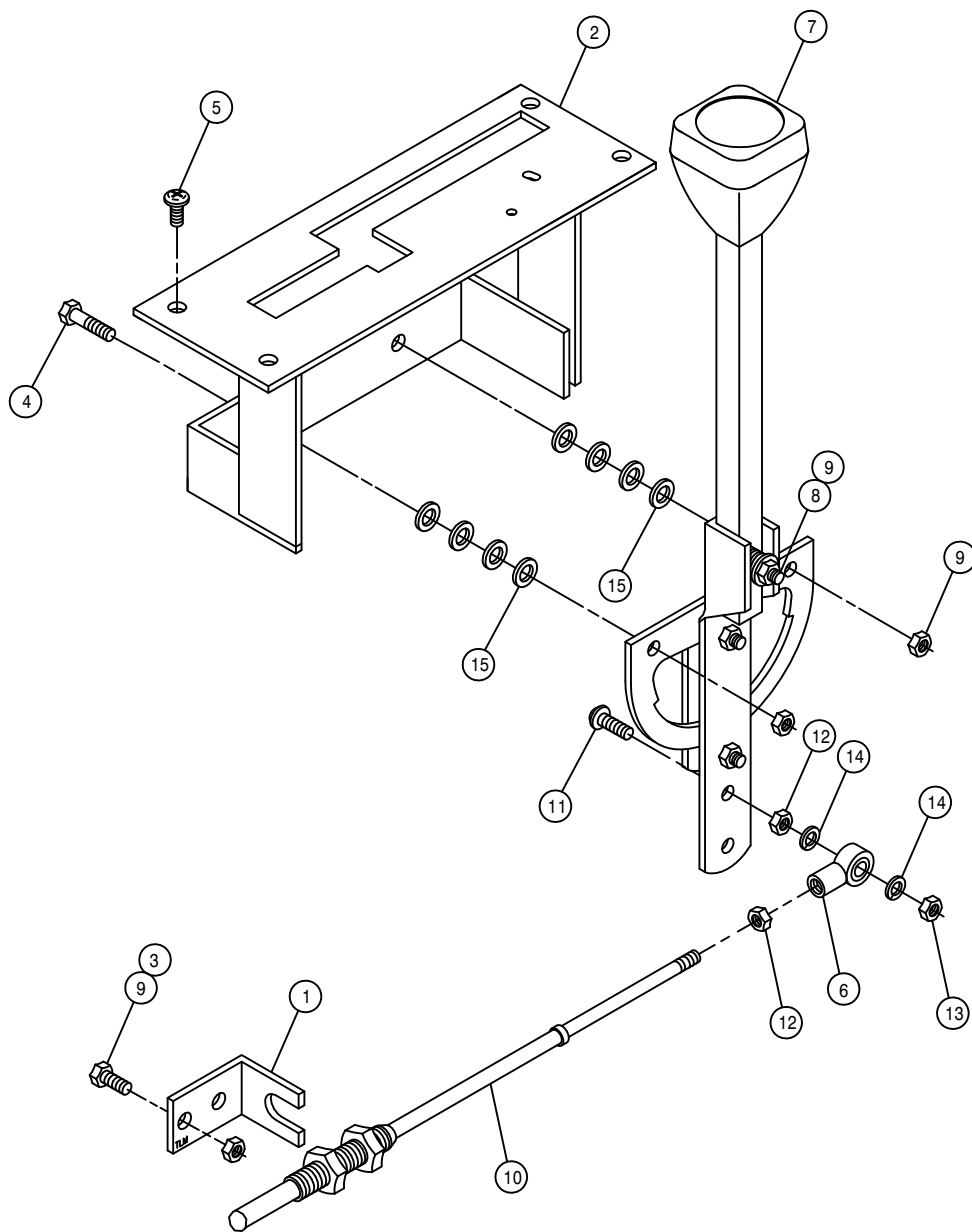
DIESEL THROTTLE LEVER ASSEMBLY

DET.	QTY	PART NO.	DESCRIPTION
	1	341689	THROTTLE LEVER MT 280 89
	1	341690	THROTTLE CABLE MT 280 CUMM 89
	2	470118	1/4UNC X 3/4 FLANGED HEX BOLT
	4	470121	1/4UNC HEX FLANGED LOCK NUT
	1	473921	BALL JOINT NO 10-32 THD
	1	499001	SPRING HYDRO CONTROL
	1	659292	1 7/8DIA BALL KNOB 3/8-16
	1	785003	CTRL CABLE 10-32 4IN X 112 LG
	1	785046	FRICTION DISC 3-333 X .38
	1	785060	THROTTLE LEVER WLD ONAN 85
	1	900170	3/8UNC X 2 1/4 HEX BOLT
	1	903893	10 32 X 1 SLT RD HD MACH SCR
	2	910027	#10-32 HEX NUT
	1	914004	3/8UNC HEX STOVER NUT
	1	914027	#10-32 HEX STOVER NUT
	1	920002	WASH FLAT 3/8 SAE
	2	920510	LOCK WASH NO 10
	2	903711	MACH SCR 1/4-20X3/4 PHIL PNHD



GAS THROTTLE LEVER ASSEMBLY

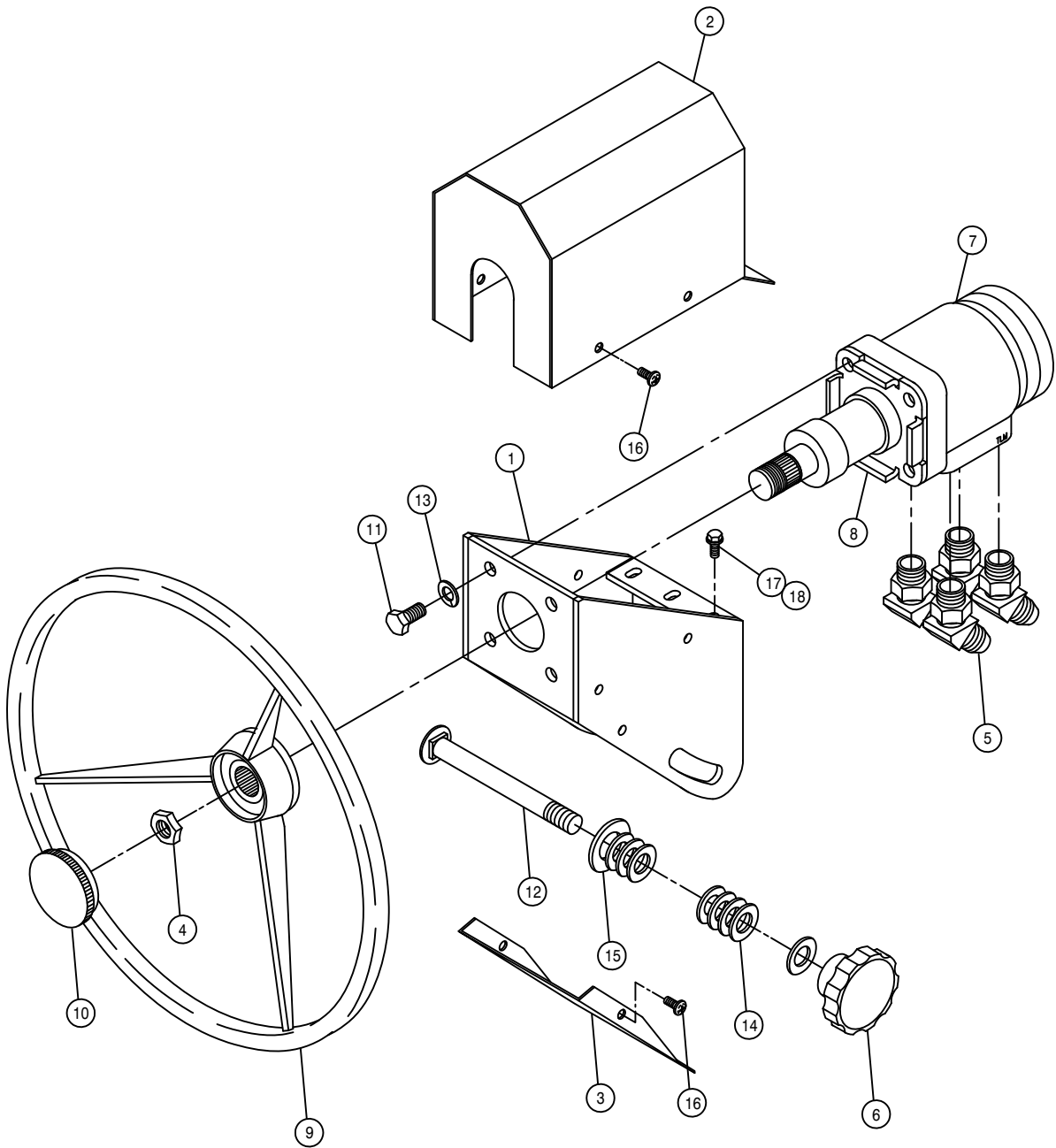
DET.	QTY	PART NO.	DESCRIPTION
	1	341689	THROTTLE LEVER MT 280 89
	2	920510	LOCK WASH NO 10
	2	903711	MACH SCR 1/4-20X3/4 PHIL PNHD
	2	470121	1/4UNC HEX FLANGED LOCK NUT
	1	473921	BALL JOINT NO 10-32 THD
	1	499001	SPRING HYDRO CONTROL
	1	659292	1 7/8DIA BALL KNOB 3/8-16
	1	785003	CTRL CABLE 10-32 4IN X 112 LG
	1	785046	FRICTION DISC 3-333 X .38
	1	785040	THROT LEVER WLD CONSOLE 8400
	1	900170	3/8UNC X 2 1/4 HEX BOLT
	1	903893	10 32 X 1 SLT RD HD MACH SCR
	2	910027	#10-32 HEX NUT
	1	914004	3/8UNC HEX STOVER NUT
	1	914027	#10-32 HEX STOVER NUT
	1	920002	WASH FLAT 3/8 SAE



HYDROSTATIC LEVER ASSEMBLY

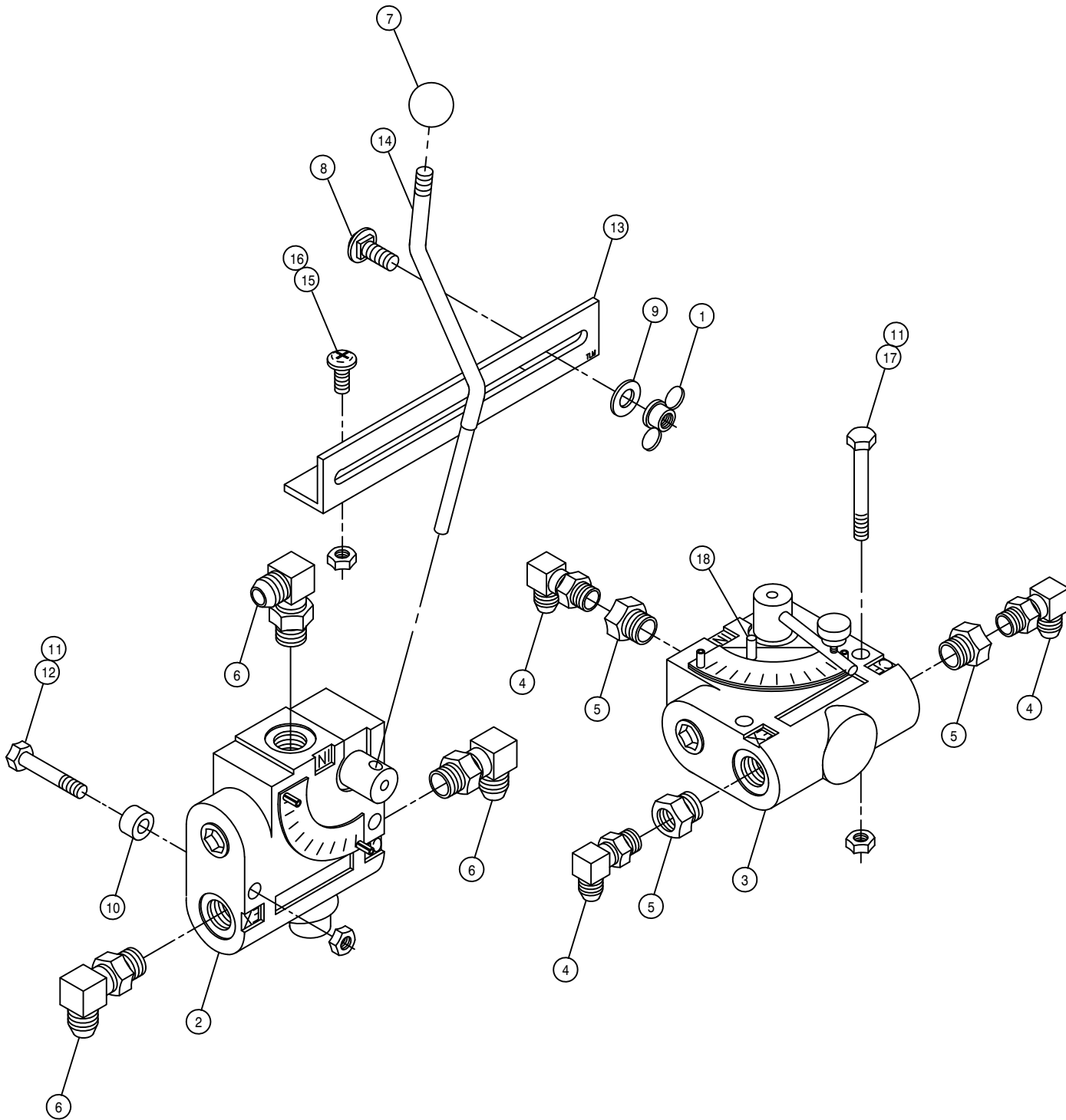
DET. QTY PART NO. DESCRIPTION

1	1	341188	CONSOLE THROT CABLE MT ANGLE
2	1	341501	HYDST CONT LEVER MT WLD 8540
3	2	900000	1/4 UNC X 1/2 HEX BOLT
4	2	900003	1/4 UNC X 1 HEX BOLT
5	4	903708	MACH SCR 1/4-20X1/2 PHIL PNHD
6	1	473921	BALL JOINT NO 10-32 THD
7	1	606864	HYDST CONTROL LEVER MODIFIED
8	1	900005	1/4 UNC X 1 1/2 HEX BOLT
9	5	914000	1/4 UNC STOVER NUT
10	1	785061	CTRL CABLE 10-32 4IN X 100 LG
11	1	903893	10 32 X 1 SLT RD HD MACH SCR
12	2	910027	HEX NUT NO 10 UNF
13	1	914027	NO 10-32 STOVER NUT
14	2	920510	LOCK WASH NO 10
15	8	920000	1/4 FLAT WASH SAE



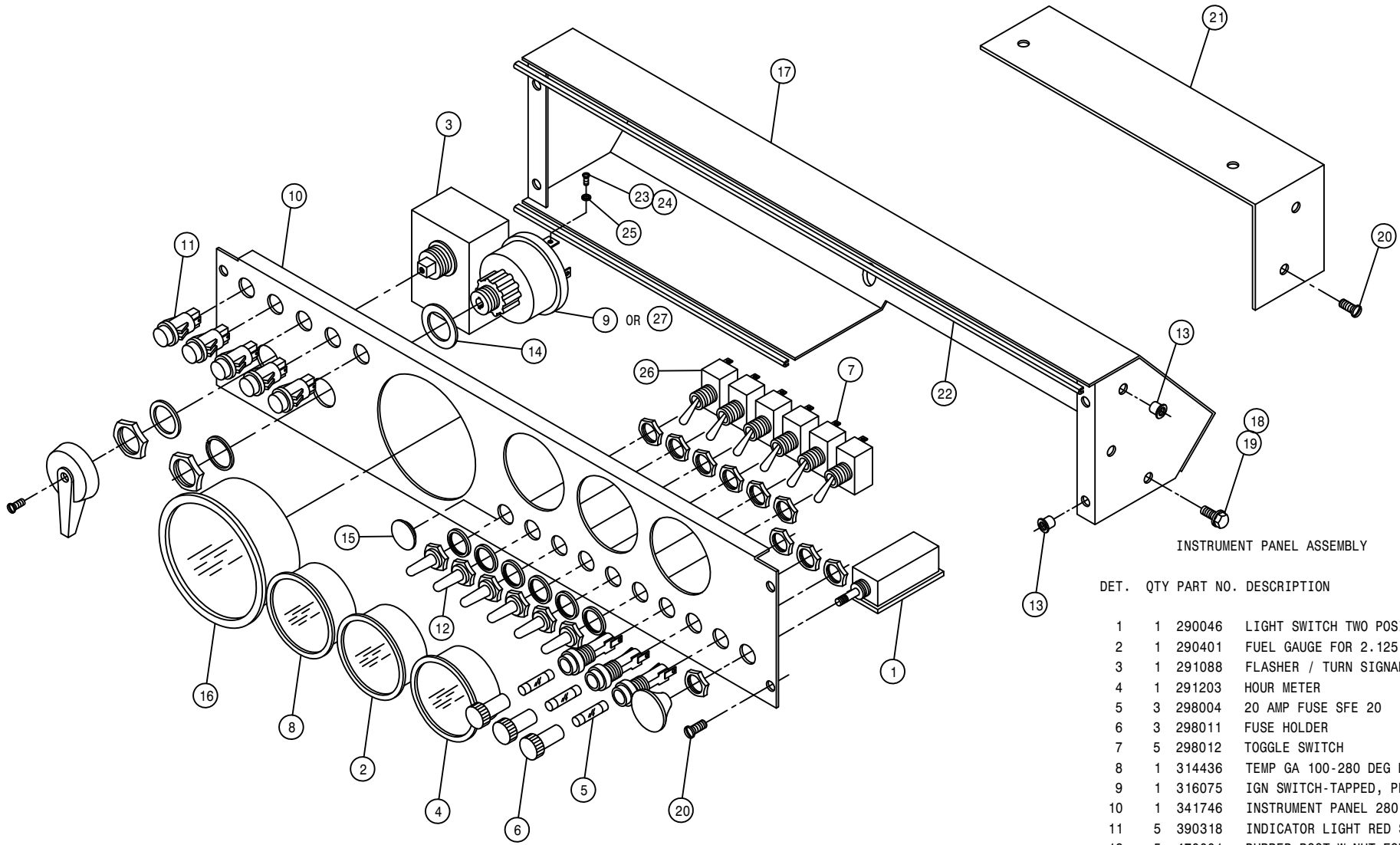
STEERING WHEEL ASSEMBLY

DET.	QTY	PART NO.	DESCRIPTION
1	1	341691	STRG MTR PIVOT HSNG WLD 280
2	1	341695	STRG MTR COVER WELD 280 89
3	1	341705	STRG MTR LWR COVER 280 89
4	1	470157	NUT 13/16-20 UNEF FOR 749245
5	4	618496	9/16MJIC-45-3/4MOR LBO
6	1	742502	STRG ADJ KNOB 440
7	1	749150	STRG MTR NON-LOAD REACT 1008
8	1	749178	STRG COLUMN 2.5IN LONG
9	1	749245	STRG WHL 14.0 DIA W/CAP
10	1	749244	STRG WHL CAP FOR 749245
11	4	900130	3/8 UNC X 1 1/4 HEX BOLT
12	1	901276	1/2 UNCX5 CARR HEAD BOLT
13	4	920002	WASH FLAT 3/8 SAE
14	8	920004	1/2 FLAT WASHER SAE
15	1	920005	5/8 FLAT WASH SAE
16	6	903708	MACH SCR 1/4-20X1/2 PHIL PNHD
17	3	470118	1/4 UNC X 3/4 FLANGED H BOLT
18	3	470121	1/4-20 FLANGED WHIZ NUT



VARIABLE FLOW CONTROL ASSEMBLIES

DET.	QTY	PART NO.	DESCRIPTION
1	1	473900	5/16 PLATED WING NUT 640
2	1	606818	FLO CONT FCR51 0-16GPM 7/8FOR
3	1	606827	FLO CONT FC51 0-3 VARI 7/8FOR
4	3	618119	9/16MJIC-90-9/16MOR LBO
5	3	618172	7/8MOR-9/16FOR ADPTR
6	3	618183	3/4MJIC-90-7/8MOR LBO
7	1	659291	1 DIA BALL KNOB 3/8-16INSERT
8	1	901064	5/16 UNC X 3/4 CARR BOLT
9	1	920002	WASH FLAT 3/8 SAE
10	2	310562	SAFETY SWITCH PLT BUSH
11	4	914000	1/4 UNC STOVER NUT
12	2	900009	1/4 UNC X 2 3/4 HEX BOLT
13	1	341711	VFC STOP BRKT 280 89
14	1	341712	SOLU PUMP VFC LEVER 280 89
15	2	903711	MACH SCR 1/4-20X3/4 PHIL PNHD
16	2	470121	1/4-20 FLANGED WHIZ NUT
17	2	900023	BOLT 1/4 UNC X 2 1/4 HH PLATED
18	1	341939	AGIT VFC STOP WLD

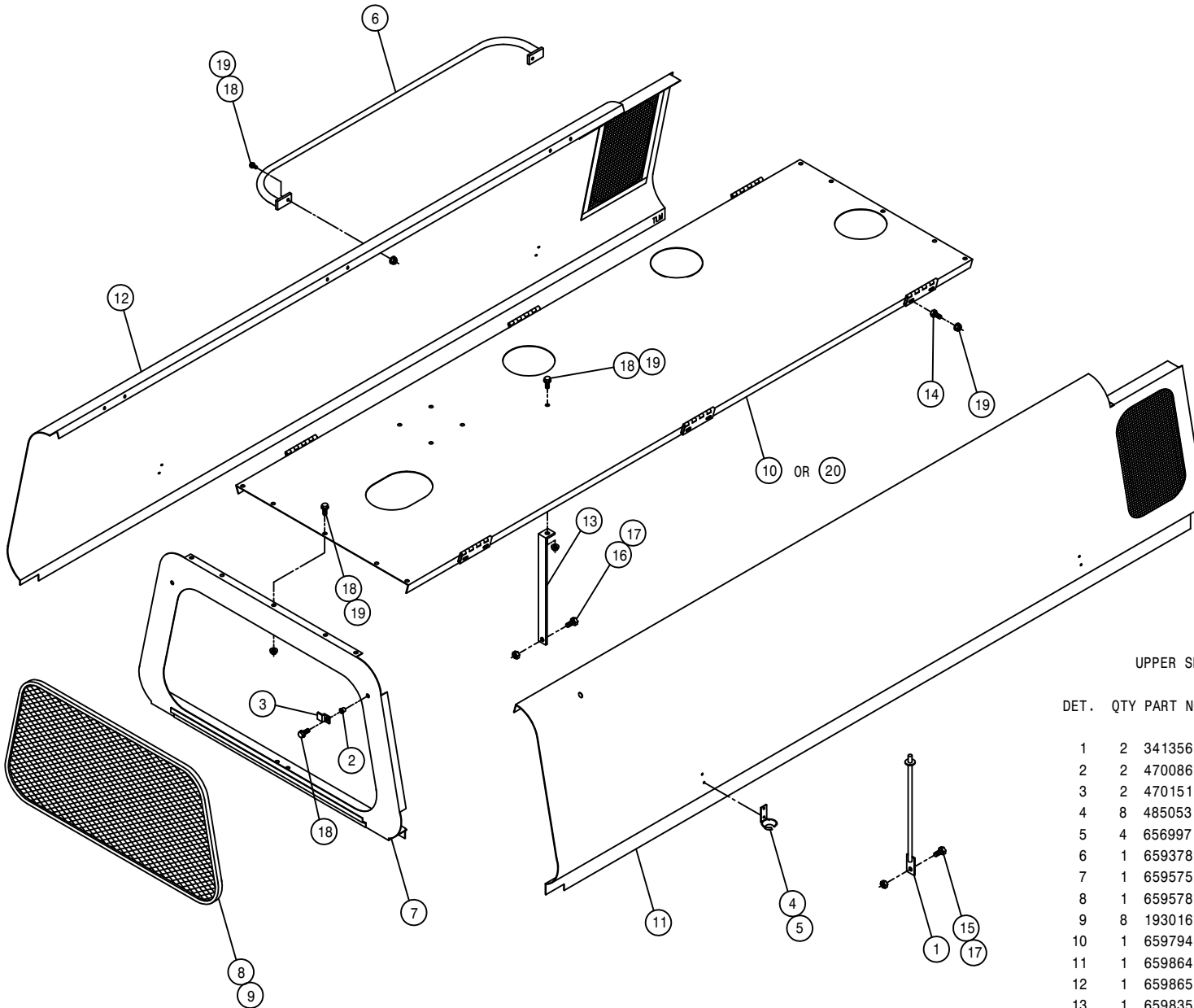


INSTRUMENT PANEL ASSEMBLY

DET. QTY PART NO. DESCRIPTION

DET.	QTY	PART NO.	DESCRIPTION
1	1	290046	LIGHT SWITCH TWO POSITION
2	1	290401	FUEL GAUGE FOR 2.125 DIA HOLE
3	1	291088	FLASHER / TURN SIGNAL SWITCH
4	1	291203	HOUR METER 640
5	3	298004	20 AMP FUSE SFE 20
6	3	298011	FUSE HOLDER
7	5	298012	TOGGLE SWITCH
8	1	314436	TEMP GA 100-280 DEG LIGHTED
9	1	316075	IGN SWITCH-TAPPED, PERK
10	1	341746	INSTRUMENT PANEL 280 89
11	5	390318	INDICATOR LIGHT RED SNAP-IN
12	5	470001	RUBBER BOOT W NUT FOR 298012
13	6	470165	#10-32 NUTSERT .020-.100 MATL
14	1	483031	MACH WASH 7/8 ID 1 3/8 OD
15	1	658174	BUMPER PLUG FOR 640 CAB
16	1	674000	MOTOROLA SPEEDOMETER
17	1	341742	INSTRUMENT PANEL HSNGL WLD 280
18	1	470118	1/4UNC X 3/4 FLANGED HEX BOLT
19	1	470121	1/4UNC HEX FLANGED LOCK NUT
20	6	903883	10-32 X 1/2 SLTRD HD MACH SCR
21	1	341822	RAVEN CONSOLE MOUNT 250/280
22	2	193011	EDGE GUARD, BLK
23	5	903844	8-32 X 1/2 SLTRDHD MACH SCREW
24	5	910024	#8-32 HEX NUT
25	5	920511	LOCK WASH NO 8
26	1	291204	TOGGLE SWITCH 2 P.D.T.
27	1	321020	IGN SWITCH 5POLE 470 640 TB2

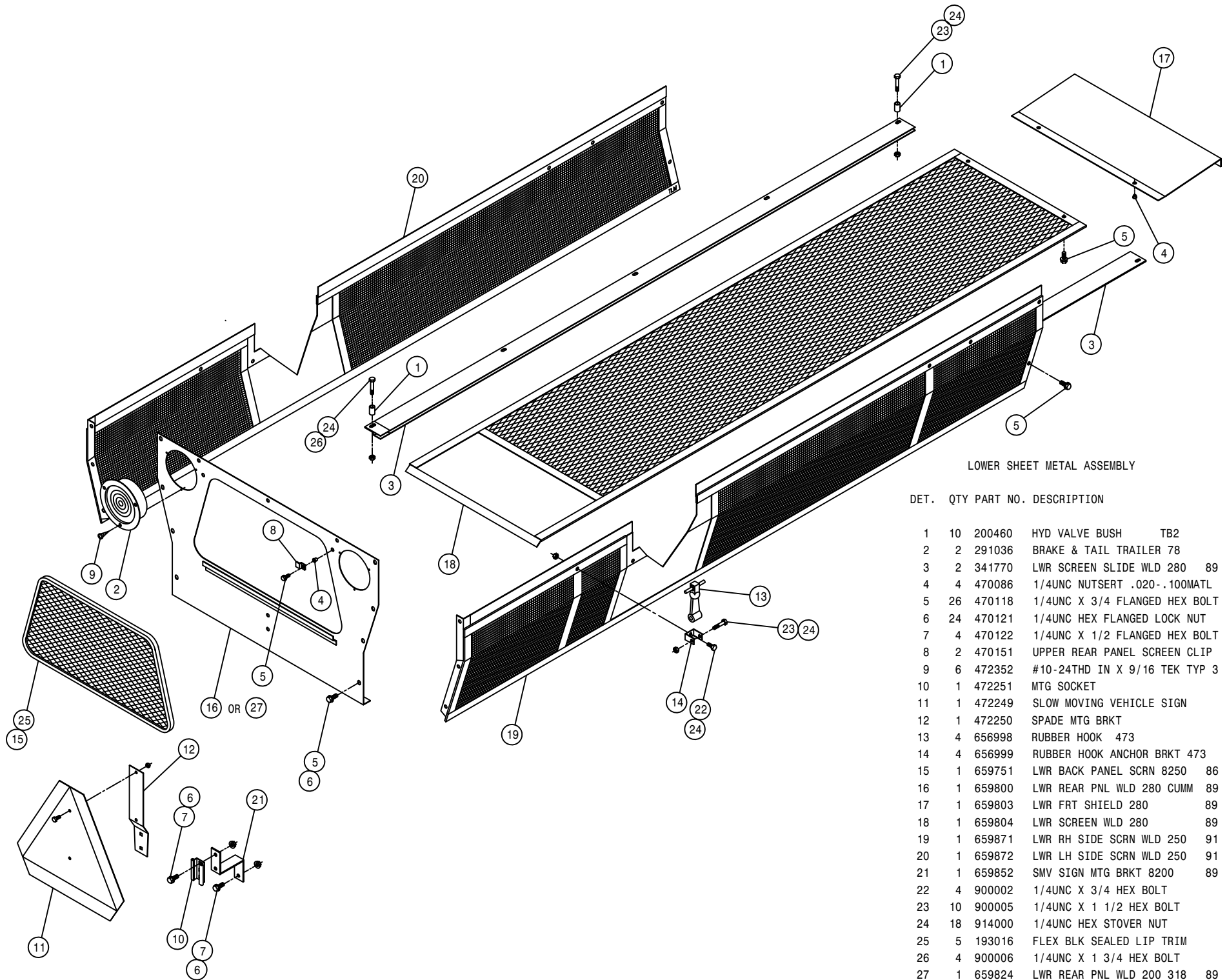
NOTE: 1. ITEMS USED ONLY WITH DIESEL OPTION 9,15,23,24,AND 25
 2. ITEMS USED ONLY WITH GAS OPTION 26 AND 27.



UPPER SHEET METAL ASSEMBLY

DET. QTY PART NO. DESCRIPTION

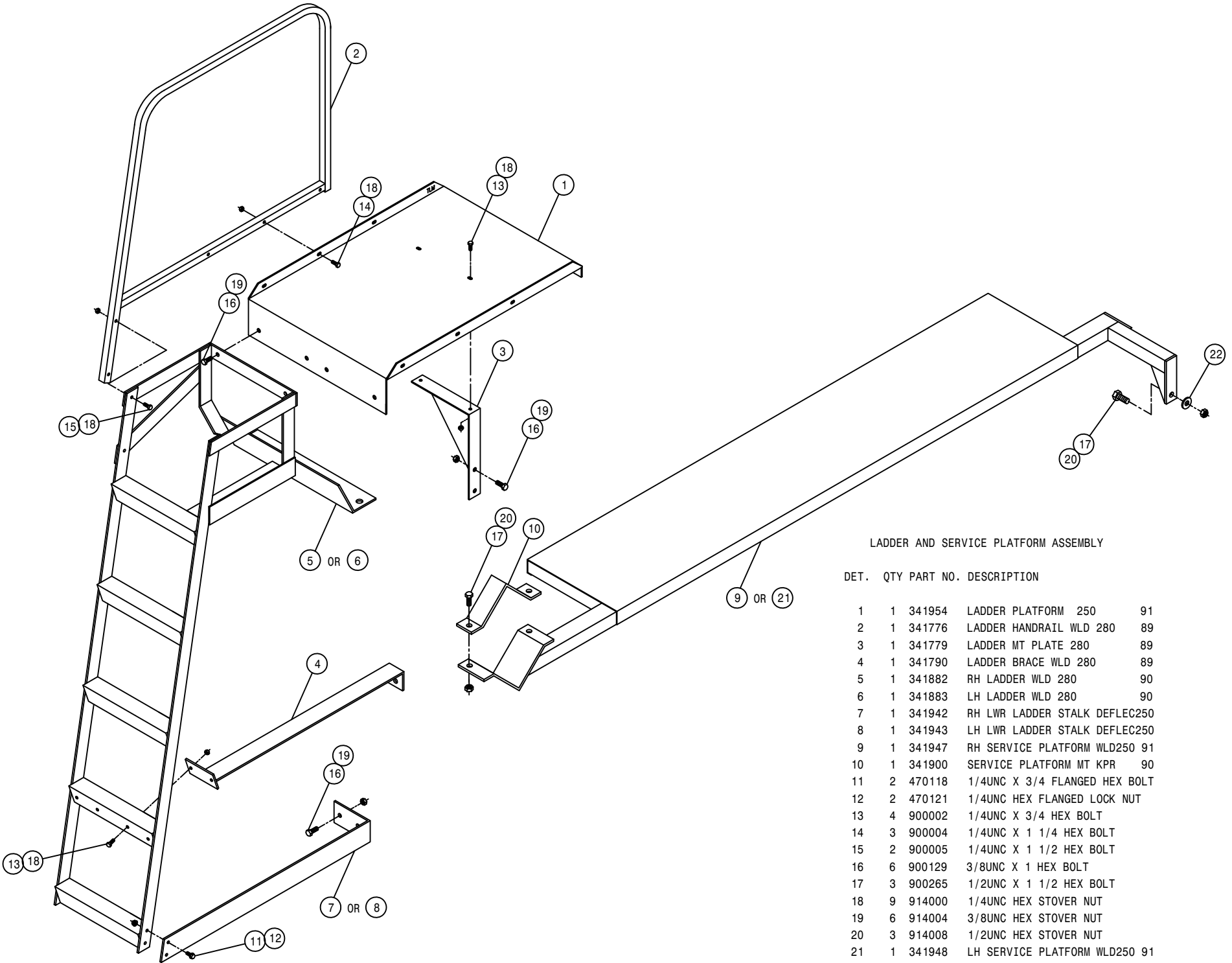
1	2	341356	ENGINE HOOD PROP WLD 8240	82
2	2	470086	1/4UNC NUTSERT .020-.100MATL	
3	2	470151	UPPER REAR PANEL SCREEN CLIP	
4	8	485053	POP RIVET 3/16 X 3/8	
5	4	656997	RUBBER HOOK BRKT 473	
6	1	659378	RH ENG HOOD HANDRAIL WLD 647S	
7	1	659575	UPPER REAR PANEL WLD 8240	82
8	1	659578	UPPER REAR PANEL SCREEN 8240	
9	8	193016	FLEX BLK SEALED LIP TRIM	
10	1	659794	MULLION WLD CUMM 280	89
11	1	659864	RH ENGINE HOOD WLD 250	91
12	1	659865	LH ENGINE HOOD WLD 250	91
13	1	659835	MULLION SUPPORT 200	89
14	12	900000	1/4UNC X 1/2 HEX BOLT	
15	2	900128	3/8UNC X 3/4 HEX BOLT	
16	1	900129	3/8UNC X 1 HEX BOLT	
17	3	914004	3/8UNC HEX STOVER NUT	
18	15	470118	1/4UNC X 3/4 FLANGED HEX BOLT	
19	25	470121	1/4UNC HEX FLANGED LOCK NUT	
20	1	659822	MULLION WLD 200 CHRY 318	89



LOWER SHEET METAL ASSEMBLY

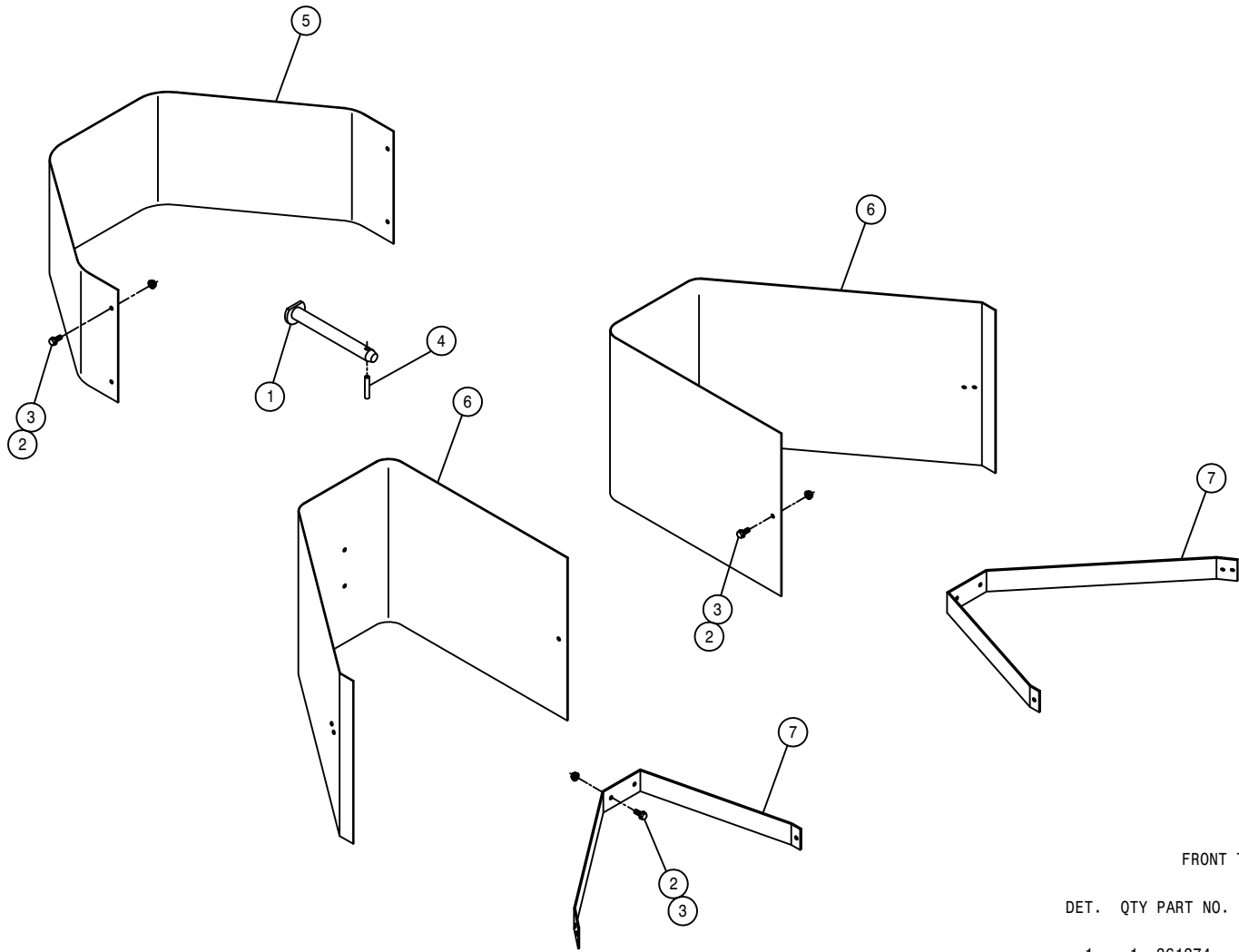
DET. QTY PART NO. DESCRIPTION

DET.	QTY	PART NO.	DESCRIPTION	
1	10	200460	HYD VALVE BUSH TB2	
2	2	291036	BRAKE & TAIL TRAILER 78	
3	2	341770	LWR SCREEN SLIDE WLD 280	89
4	4	470086	1/4UNC NUTSERT .020-.100MATL	
5	26	470118	1/4UNC X 3/4 FLANGED HEX BOLT	
6	24	470121	1/4UNC HEX FLANGED LOCK NUT	
7	4	470122	1/4UNC X 1/2 FLANGED HEX BOLT	
8	2	470151	UPPER REAR PANEL SCREEN CLIP	
9	6	472352	#10-24THD IN X 9/16 TEK TYP 3	
10	1	472251	MTG SOCKET	
11	1	472249	SLOW MOVING VEHICLE SIGN	
12	1	472250	SPADE MTG BRKT	
13	4	656998	RUBBER HOOK 473	
14	4	656999	RUBBER HOOK ANCHOR BRKT 473	
15	1	659751	LWR BACK PANEL SCR N 8250	86
16	1	659800	LWR REAR PNL WLD 280 CUMM	89
17	1	659803	LWR FRT SHIELD 280	89
18	1	659804	LWR SCREEN WLD 280	89
19	1	659871	LWR RH SIDE SCR N WLD 250	91
20	1	659872	LWR LH SIDE SCR N WLD 250	91
21	1	659852	SMV SIGN MTG BRKT 8200	89
22	4	900002	1/4UNC X 3/4 HEX BOLT	
23	10	900005	1/4UNC X 1 1/2 HEX BOLT	
24	18	914000	1/4UNC HEX STOVER NUT	
25	5	193016	FLEX BLK SEALED LIP TRIM	
26	4	900006	1/4UNC X 1 3/4 HEX BOLT	
27	1	659824	LWR REAR PNL WLD 200 318	89



LADDER AND SERVICE PLATFORM ASSEMBLY

DET.	QTY	PART NO.	DESCRIPTION	
1	1	341954	LADDER PLATFORM 250	91
2	1	341776	LADDER HANDRAIL WLD 280	89
3	1	341779	LADDER MT PLATE 280	89
4	1	341790	LADDER BRACE WLD 280	89
5	1	341882	RH LADDER WLD 280	90
6	1	341883	LH LADDER WLD 280	90
7	1	341942	RH LWR LADDER STALK DEFLEC250	
8	1	341943	LH LWR LADDER STALK DEFLEC250	
9	1	341947	RH SERVICE PLATFORM WLD250	91
10	1	341900	SERVICE PLATFORM MT KPR	90
11	2	470118	1/4UNC X 3/4 FLANGED HEX BOLT	
12	2	470121	1/4UNC HEX FLANGED LOCK NUT	
13	4	900002	1/4UNC X 3/4 HEX BOLT	
14	3	900004	1/4UNC X 1 1/4 HEX BOLT	
15	2	900005	1/4UNC X 1 1/2 HEX BOLT	
16	6	900129	3/8UNC X 1 HEX BOLT	
17	3	900265	1/2UNC X 1 1/2 HEX BOLT	
18	9	914000	1/4UNC HEX STOVER NUT	
19	6	914004	3/8UNC HEX STOVER NUT	
20	3	914008	1/2UNC HEX STOVER NUT	
21	1	341948	LH SERVICE PLATFORM WLD250	91
22	1	920004	1/2 FLAT WASHER SAE	



FRONT TANK SHIELDS

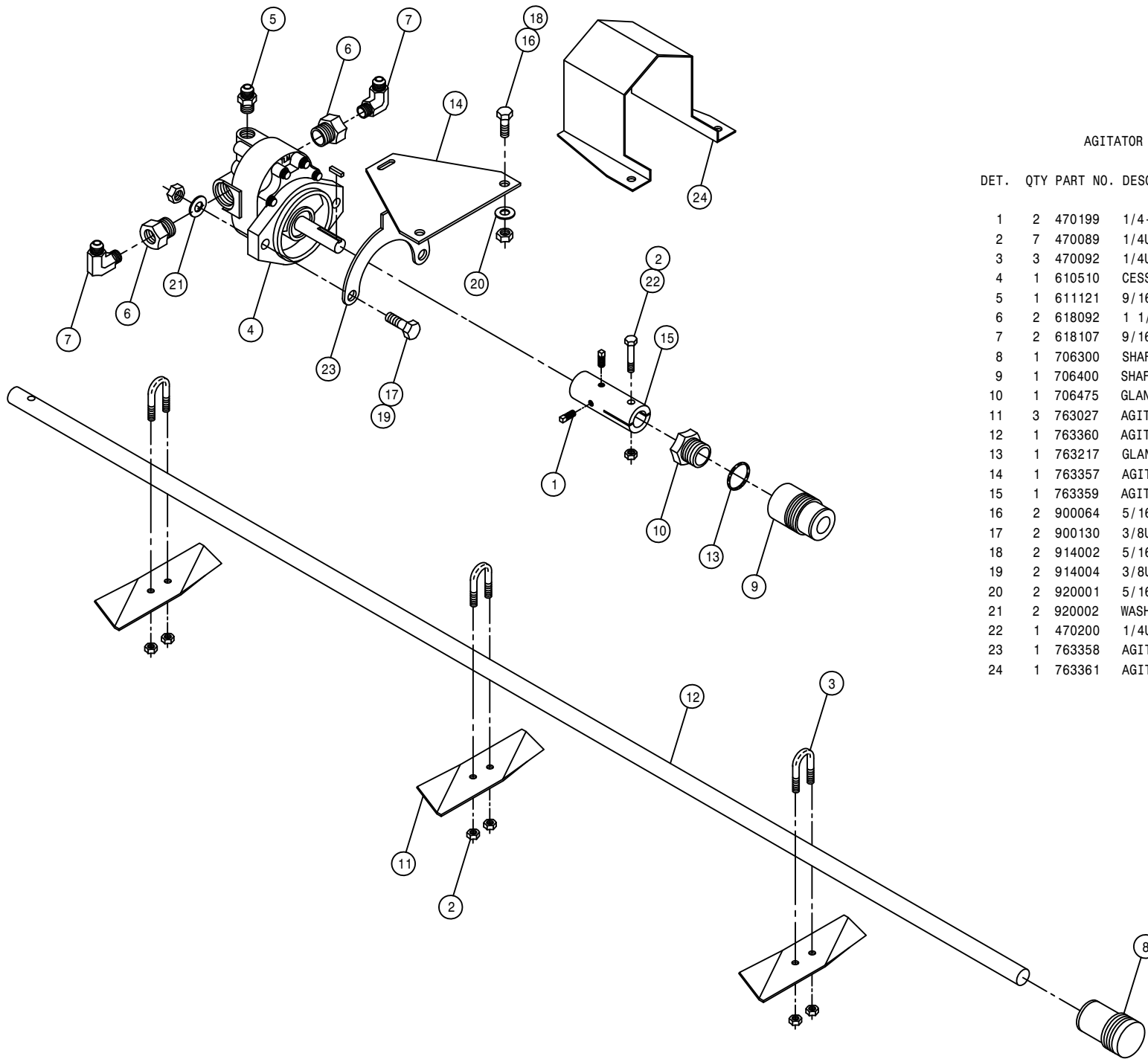
DET. QTY PART NO. DESCRIPTION

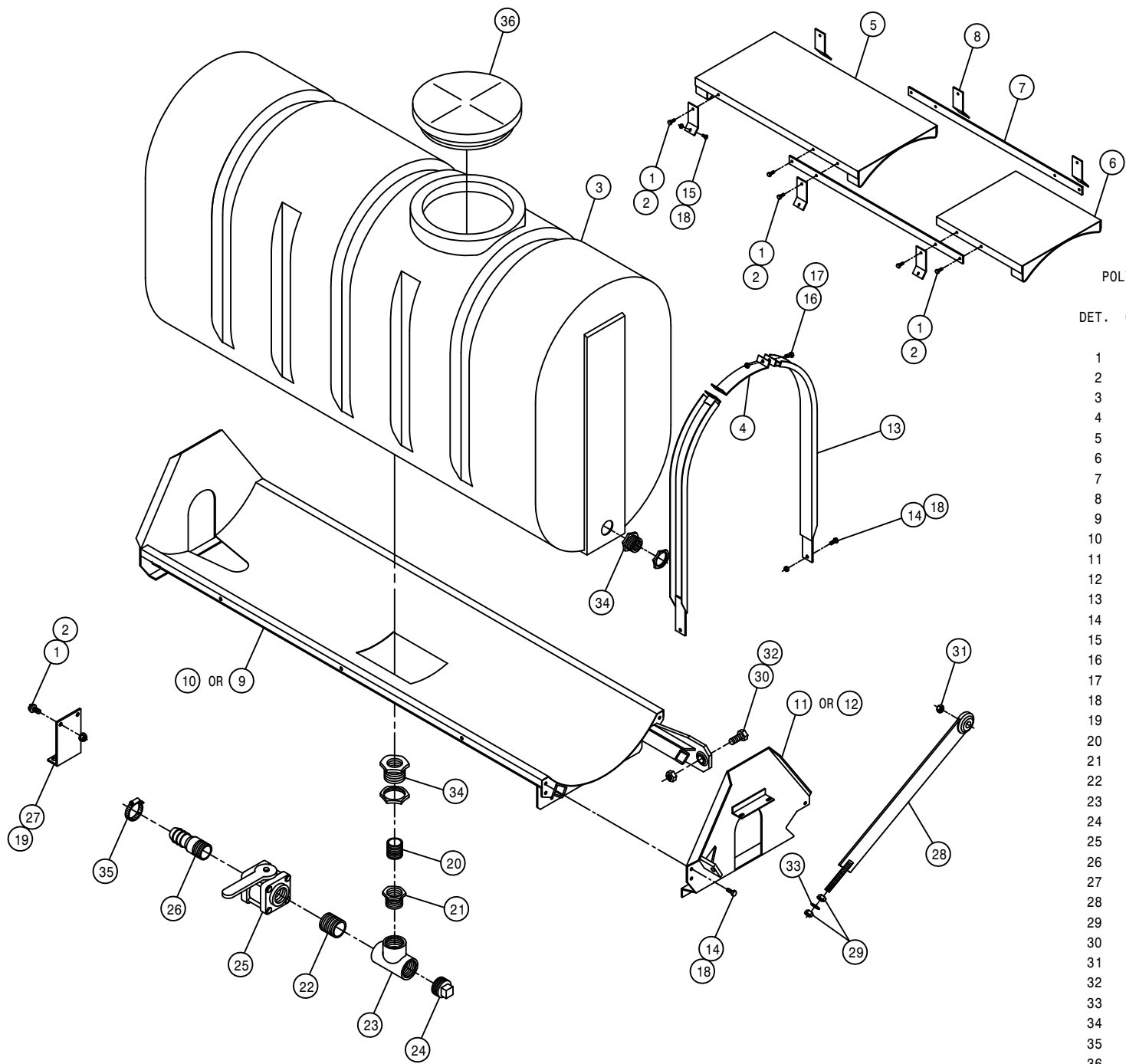
1	1	361374	FRT CROSSMBR PIVOT PIN WLD250	
2	18	470118	1/4UNC X 3/4 FLANGED HEX BOLT	
3	18	470121	1/4UNC HEX FLANGED LOCK NUT	
4	1	473962	3/8 X 2 ROLL PIN	
5	1	659831	LWR FRONT SHIELD 280	89
6	2	659868	FRONT TANK SHIELD 250	91
7	2	659870	FRT TANK SHIELD MT 250	91

AGITATOR ASSEMBLY

DET. QTY PART NO. DESCRIPTION

1	2	470199	1/4-20 X 3/8 SQHD CUP SET SCR	
2	7	470089	1/4UNC HEX LOC NUT NYL INS SS	
3	3	470092	1/4UNC-3/4ID-1 1/4 UBOLT SS	
4	1	610510	CESSNA GEAR MOTOR 1.48CI	
5	1	611121	9/16MJIC-1/4MNPT ADPTR	
6	2	618092	1 1/16MOR-1/2FNPT ADPTR	
7	2	618107	9/16MJIC-90-1/2MNPT LBO	
8	1	706300	SHAFT BRG HSNG ASSY BLIND END	
9	1	706400	SHAFT BRG HSNG	
10	1	706475	GLAND NUT	
11	3	763027	AGIT IMPELLER	
12	1	763360	AGIT SHAFT 280	91
13	1	763217	GLAND PACKING 12 IN. LONG	
14	1	763357	AGIT MTR MT PLT CES 280	91
15	1	763359	AGIT MTR CPLR 280	91
16	2	900064	5/16UNC X 3/4 HEX BOLT	
17	2	900130	3/8UNC X 1 1/4 HEX BOLT	
18	2	914002	5/16UNC HEX STOVER NUT	
19	2	914004	3/8UNC HEX STOVER NUT	
20	2	920001	5/16 FLAT WASHER SAE PLT	
21	2	920002	WASH FLAT 3/8 SAE	
22	1	470200	1/4UNC X 1 3/4 HEX BOLT SS	
23	1	763358	AGIT MTR MT YOKE CES 280	91
24	1	763361	AGIT CPLR SHIELD 280	91





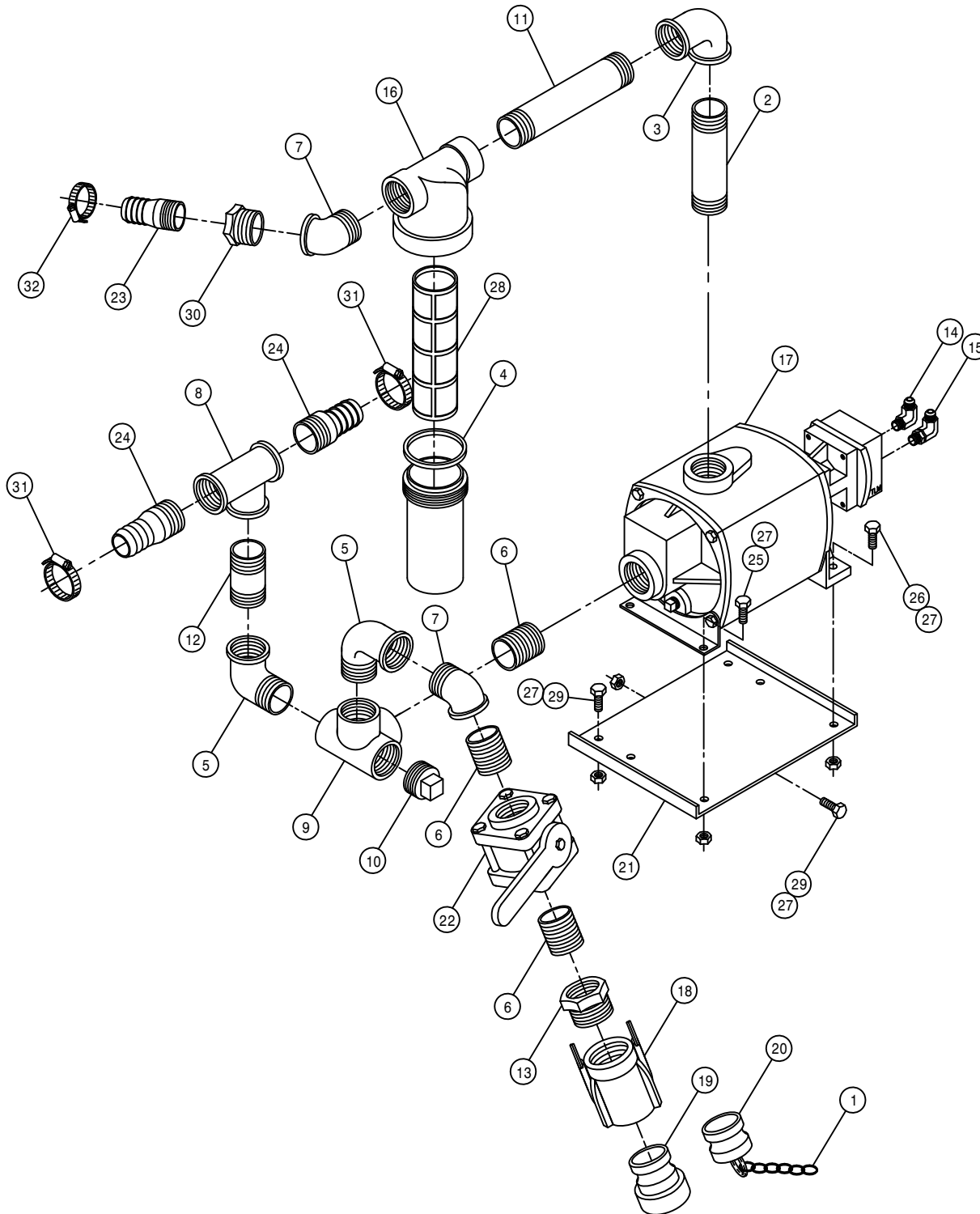
POLY 250 GALLON SOLUTION TANK ASSEMBLY

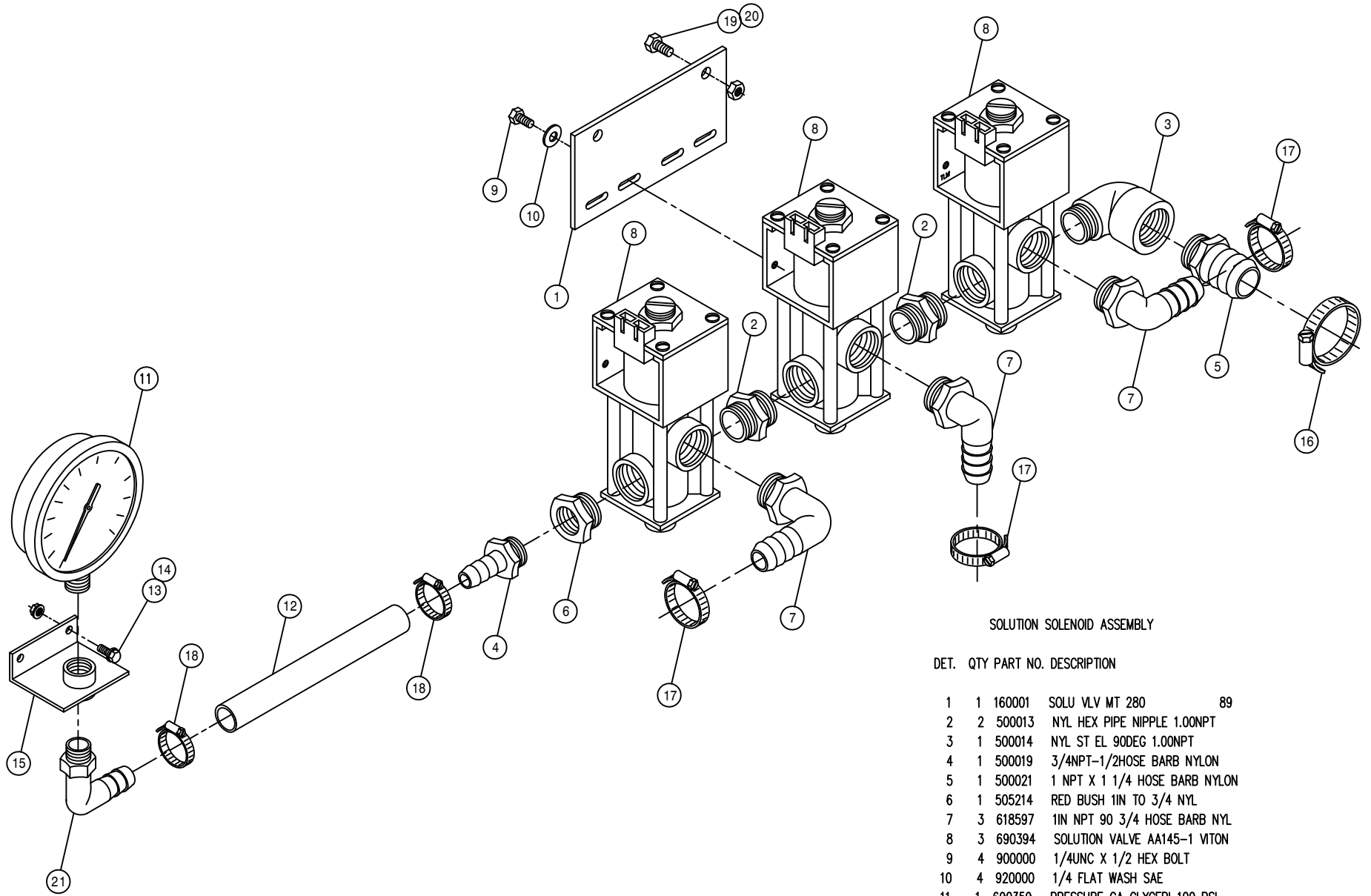
DET.	QTY	PART NO.	DESCRIPTION
1	12	470118	1/4UNC X 3/4 FLANGED HEX BOLT
2	12	470121	1/4UNC HEX FLANGED LOCK NUT
3	1	763254	250 GAL POLY TANK
4	3	763260	TOP STRAP 250 POLY TANK
5	1	763261	FRT CATWALK WLD 250 POLY 8250
6	1	763264	REAR CATWALK WLD 250 POLY8250
7	2	763266	CATWALK MTG STRAP 250POLY8250
8	6	763267	CATWALK MTG TAB 250 POLY 8250
9	1	763366	RH POLY TANK CRADLE WLD250 91
10	1	763367	LH POLY TANK CRADLE WLD250 91
11	1	763381	RH REAR CRADLE PLT WLD 250 91
12	1	763382	LH REAR CRADLE PLT WLD 250 91
13	6	763390	POLY TANK BAND WLD 250 91
14	12	900129	3/8UNC X 1 HEX BOLT
15	6	901064	5/16UNC X 3/4 CARR BOLT
16	6	906136	3/8UNC X 3 HEX BOLT FULL
17	6	914002	5/16UNC HEX STOVER NUT
18	18	914004	3/8UNC HEX STOVER NUT
19	1	470154	RELEASABLE PLASTIC TIE11.88IN
20	1	506200	CLOSE NIPPLE 1.25NPT
21	1	507015	RED BUSH 1.50NPT - 1.25FNPT
22	1	507019	CLOSE NIPPLE 1.50NPT
23	1	507250	BLK PIPE TEE 1.50NPT
24	1	507400	PIPE PLUG 1.50NPT SQ HD
25	1	696110	BALL VALVE 1 1/2FNPT POLY
26	1	716003	1 1/2 X 1 1/2 HOSE BARB
27	1	763363	SOLU HOSE SUPPORT 280 POLY 91
28	1	763387	POLY TANK CRADLE SUPP WLD 250
29	2	910012	3/4UNC HEX NUT
30	2	900534	1 UNC X 3 HEX BOLT
31	1	914010	5/8UNC HEX STOVER NUT
32	2	914016	1 UNC HEX STOVER NUT
33	1	920506	LOCK WASH 3/4
34	3	618548	1.25 PLASTIC FTG ASSY POLYTNK
35	1	520067	HOSE CLAMP NO 28 PLATED
36	1	763259	LID, POLY SOLU TANK

SOLUTION PUMP ASSEMBLY

DET. QTY PART NO. DESCRIPTION

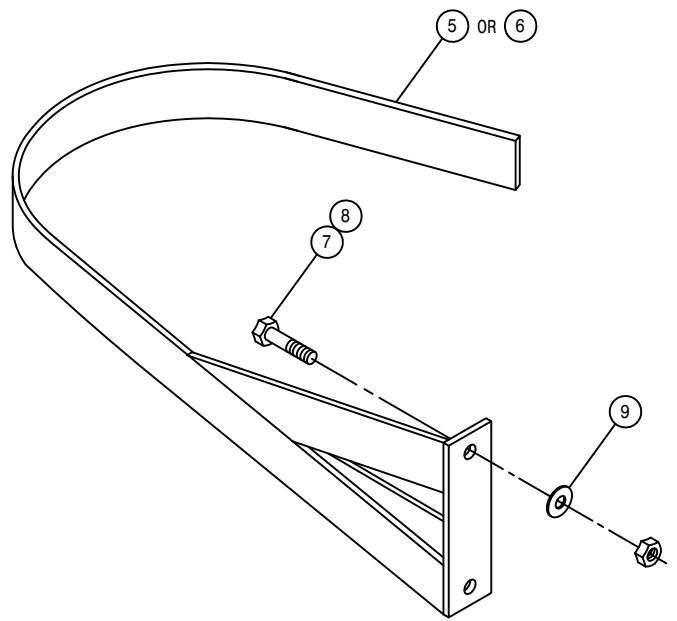
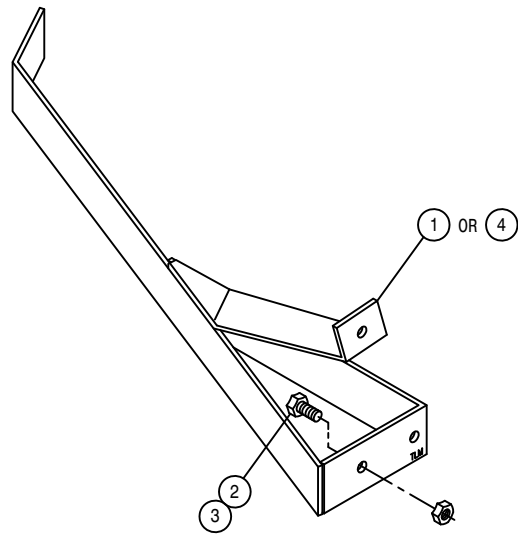
1	1	160986	TWIN LOOP CHAIN 6 LINKS
2	1	507009	BLK PIPE NIPPLE 1.50NPT-6.00
3	1	507014	BLK PIPE EL 90DEG 1.50NPT
4	1	694021	GASKET FOR 690241 VITON
5	2	507018	BLK PIPE ST EL 90DEG 1.50NPT
6	3	507019	CLOSE NIPPLE 1.50NPT
7	2	507024	BLK PIPE ST EL 45DEG 1.50NPT
8	1	507250	BLK PIPE TEE 1.50NPT
9	1	507253	BLK PIPE SIDE OUTLET TEE 1.50
10	1	507400	PIPE PLUG 1.50NPT SQ HD
11	1	507610	BLK PIPE NIPPLE 1.50NPT-8.00
12	1	507613	BLK PIPE NIPPLE 1.50NPT-3.00
13	1	507717	RED BUSH 2 X 1 1/2
14	1	611145	3/4MJIC-90-1/2MNPT LBO
15	1	618241	3/4MJIC-90-3/4MOR LBO
16	1	690241	1 1/2 LINE STRAINER 50 MESH
17	1	690341	HYPRO CENTRIF PUMP 10GPM
18	1	690390	2.00 FEMALE NPT COUPLER
19	1	690391	2.00 FEMALE NPT ADPTR
20	1	690392	ADPTR PLG FOR 2.00 NPT COUPLR
21	1	690397	SOLU PUMP MT WLD 280 89
22	1	696110	BALL VALVE 1 1/2FNPT POLY
23	1	715660	HOSE BARB 1 1/4NPT X 1 1/4
24	2	716003	1 1/2 X 1 1/2 HOSE BARB
25	2	900128	3/8UNC X 3/4 HEX BOLT
26	2	900130	3/8UNC X 1 1/4 HEX BOLT
27	7	914004	3/8UNC HEX STOVER NUT
28	1	694120	SS LINE STRAINER SCREEN 50M
29	3	900129	3/8UNC X 1 HEX BOLT
30	1	507015	RED BUSH 1.50NPT - 1.25FNPT
31	2	520067	HOSE CLAMP NO 28 PLATED
32	1	520085	HOSE CLAMP NO 24 PLATED





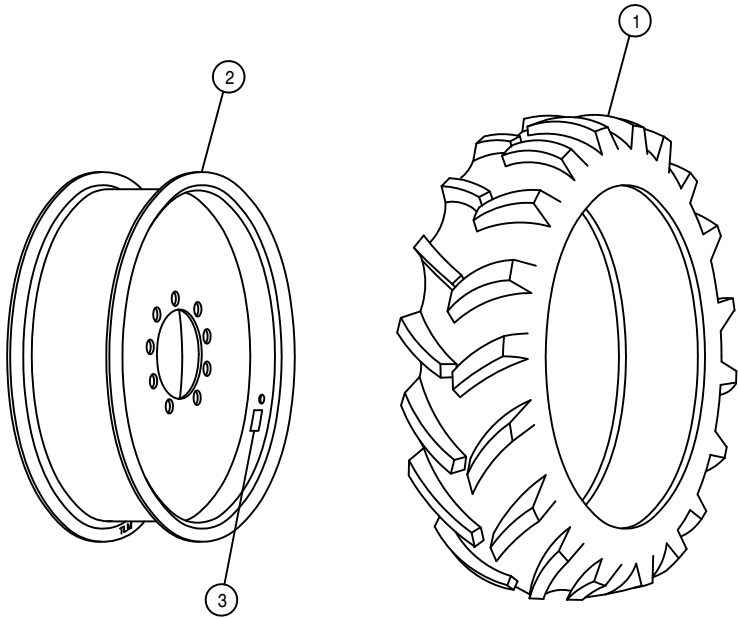
SOLUTION SOLENOID ASSEMBLY

DET.	QTY	PART NO.	DESCRIPTION	
	1	160001	SOLU VLV MT 280	89
	2	500013	NYL HEX PIPE NIPPLE 1.00NPT	
	3	500014	NYL ST EL 90DEG 1.00NPT	
	4	500019	3/4NPT-1/2HOSE BARB NYLON	
	5	500021	1 NPT X 1 1/4 HOSE BARB NYLON	
	6	505214	RED BUSH 1IN TO 3/4 NYL	
	7	618597	1IN NPT 90 3/4 HOSE BARB NYL	
	8	690394	SOLUTION VALVE AA145-1 VITON	
	9	900000	1/4UNC X 1/2 HEX BOLT	
	10	920000	1/4 FLAT WASH SAE	
	11	690359	PRESSURE GA GLYCERI 100 PSI	
	12	601308	HOSE, .50 1BR BLK EPDM X 8.00	
	13	470118	1/4UNC X 3/4 FLANGED HEX BOLT	
	14	470121	1/4UNC HEX FLANGED LOCK NUT	
	15	160010	SOLU PRESS GA MT WLD 280	89
	16	520085	HOSE CLAMP NO 24 PLATED	
	17	520055	HOSE CLAMP NO 12 PLATED	
	18	520080	HOSE CLAMP NO 10 PLATED	
	19	900129	3/8UNC X 1 HEX BOLT	
	20	914004	3/8UNC HEX STOVER NUT	
	21	618556	.25 NPT 90 X .50 HBARB NYLON	



CROP GUIDES

DET.	QTY	PART NO.	DESCRIPTION
1	1	662217	RH REAR STALK GUIDE WLD280 89
2	2	900129	3/8UNC X 1 HEX BOLT
3	2	914004	3/8UNC HEX STOVER NUT
4	1	662218	LH REAR STALK GUIDE WLD280 89
5	1	662150	RH STALK GUIDE WLD 8240
6	1	662151	LH STALK GUIDE WLD 8240
7	2	900264	1/2UNC X 1 1/4 HEX BOLT
8	2	914008	1/2UNC HEX STOVER NUT
9	2	920004	1/2 FLAT WASHER SAE



TIRE AND RIM ASSEMBLY

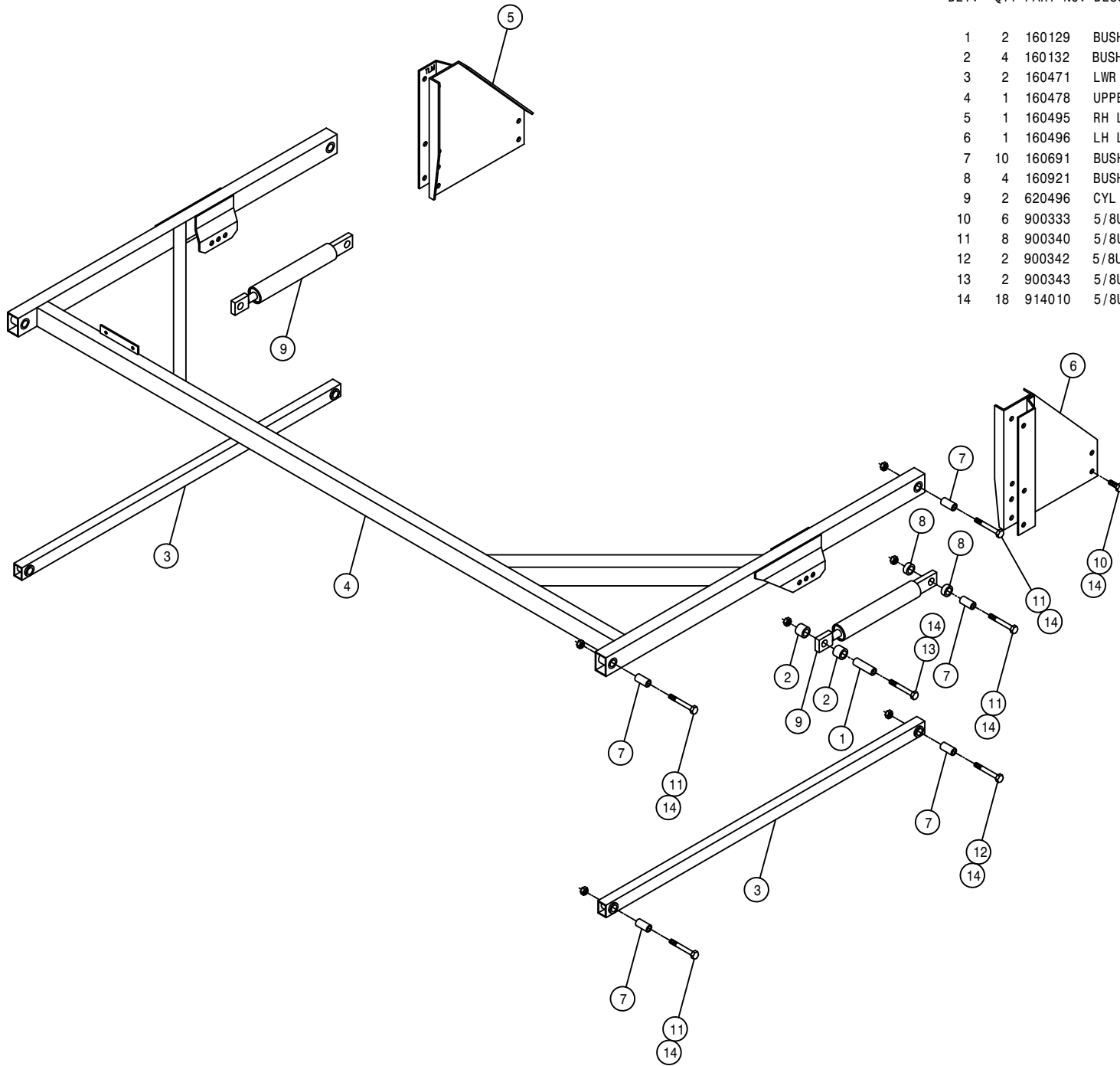
DET. QTY PART NO. DESCRIPTION

1	1	820201	11.2 X 24 TIRE	4P TRA
2	1	820600	REAR RIM WLD 24INCH 470 472	
3	1	650985	WHL BOLT TORQ DECAL 203854C	

LIFTARM ASSEMBLY

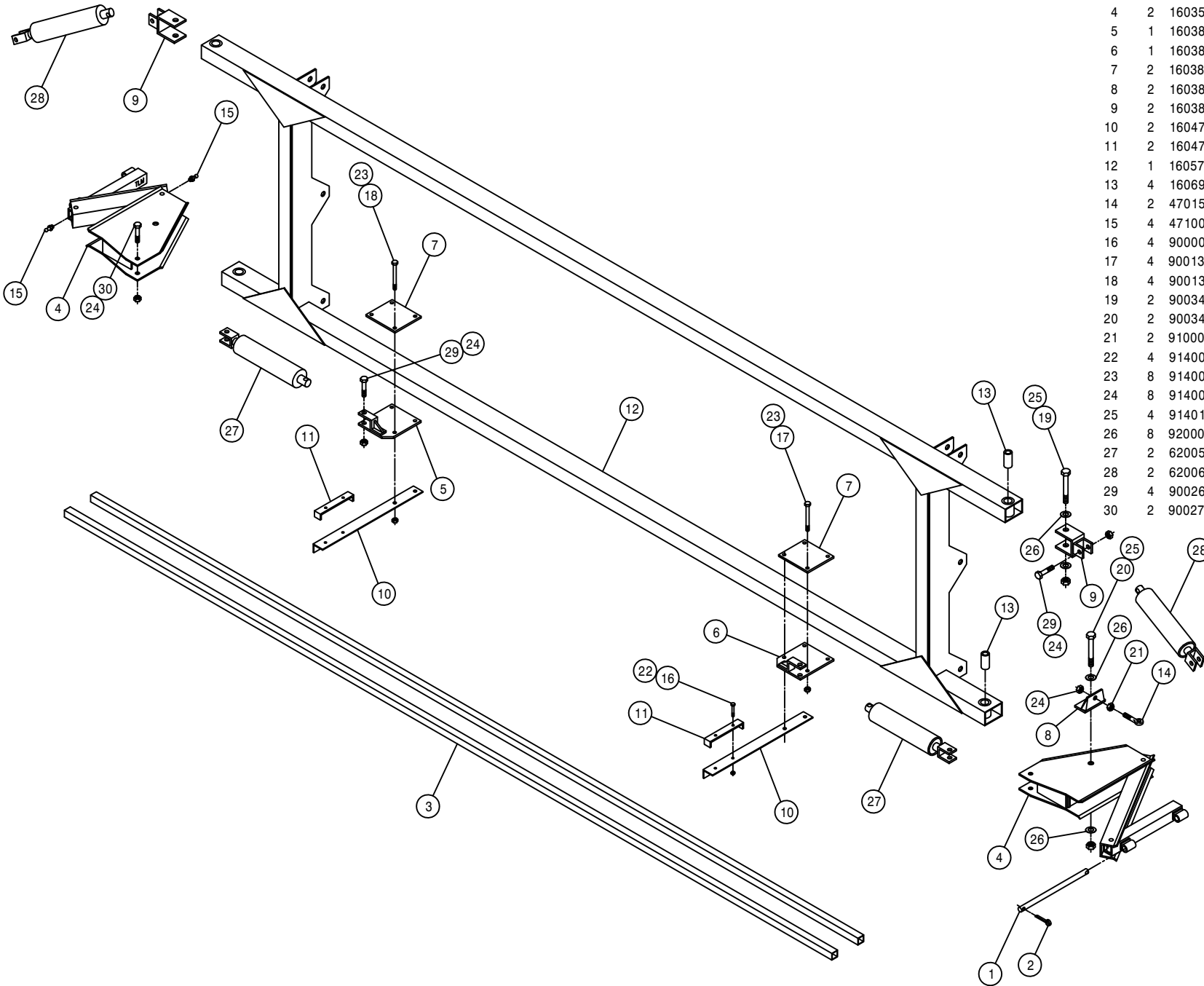
DET. QTY PART NO. DESCRIPTION

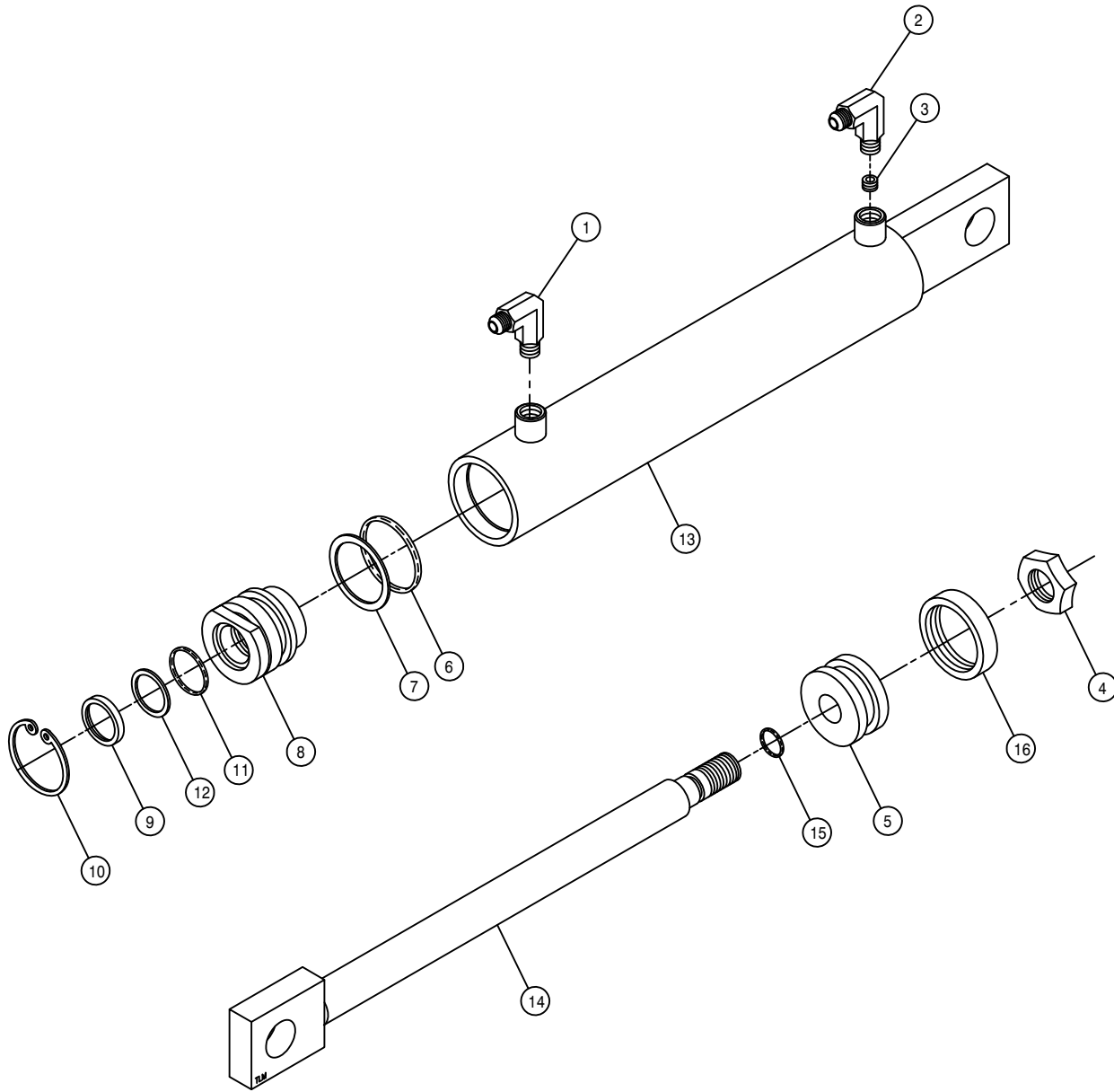
DET.	QTY	PART NO.	DESCRIPTION
1	2	160129	BUSH 1 OD X .63ID X 3.38
2	4	160132	BUSH 1 1/2OD X 1ID X 1 1/4
3	2	160471	LWR LIFT ARM WLD 8540-8250 87
4	1	160478	UPPER LIFT ARM WLD 280 89
5	1	160495	RH LIFT ARM MT WLD 280 89
6	1	160496	LH LIFT ARM MT WLD 280 89
7	10	160691	BUSH LIFT ARM LONG 470
8	4	160921	BUSHING, CYL MT-LIFT ARMS5/8
9	2	620496	CYL ASSY, BOOM LIFT W/RESTRIC
10	6	900333	5/8UNC X 1 1/2 HEX BOLT
11	8	900340	5/8UNC X 3 1/2 HEX BOLT
12	2	900342	5/8UNC X 4 HEX BOLT
13	2	900343	5/8UNC X 4 1/2 HEX BOLT
14	18	914010	5/8UNC HEX STOVER NUT



DET. QTY PART NO. DESCRIPTION

DET.	QTY	PART NO.	DESCRIPTION
1	2	160351	BOOM PIVOT PIN 5/8 8540
2	4	475003	PIN COT 3/16 X 1 ZINC
3	2	160006	NOZL MT CENTER TUBE 120 TREAD
4	2	160350	BOOM BREAKAWAY WLD 8250 85
5	1	160382	RH FOLD CYL MT WLD 8540
6	1	160383	LH FOLD CYL MT WLD 8540
7	2	160385	FOLD CYL MT KPR 8540
8	2	160386	BRKWY SPRING BRKT WLD 8540
9	2	160389	LEVEL CYL PIVOT BRKT WLD 8540
10	2	160476	NOZL MT TUBE HANGER 8540 87
11	2	160477	NOZL MT TUBE CLAMP 8540 87
12	1	160574	TRANSOM WLD 280 89
13	4	160691	BUSH LIFT ARM LONG 470
14	2	470159	1/2UNC X 2 1/2 EYE BOLT
15	4	471005	1/4 28 X 1/2 GREASE ZERK
16	4	900006	1/4UNC X 1 3/4 HEX BOLT
17	4	900136	3/8UNC X 3 HEX BOLT
18	4	900138	3/8UNC X 3 1/2 HEX BOLT
19	2	900340	5/8UNC X 3 1/2 HEX BOLT
20	2	900341	5/8UNC X 3 3/4 HEX BOLT
21	2	910008	1/2UNC HEX NUT
22	4	914000	1/4UNC HEX STOVER NUT
23	8	914004	3/8UNC HEX STOVER NUT
24	8	914008	1/2UNC HEX STOVER NUT
25	4	914010	5/8UNC HEX STOVER NUT
26	8	920005	5/8 FLAT WASH SAE
27	2	620056	CYL ASSY W/FTGS & RESTR 2IN
28	2	620069	CYL ASSY W/FTGS W/O RESTR 2IN
29	4	900268	1/2UNC X 2 1/2 HEX BOLT
30	2	900270	1/2UNC X 3 HEX BOLT

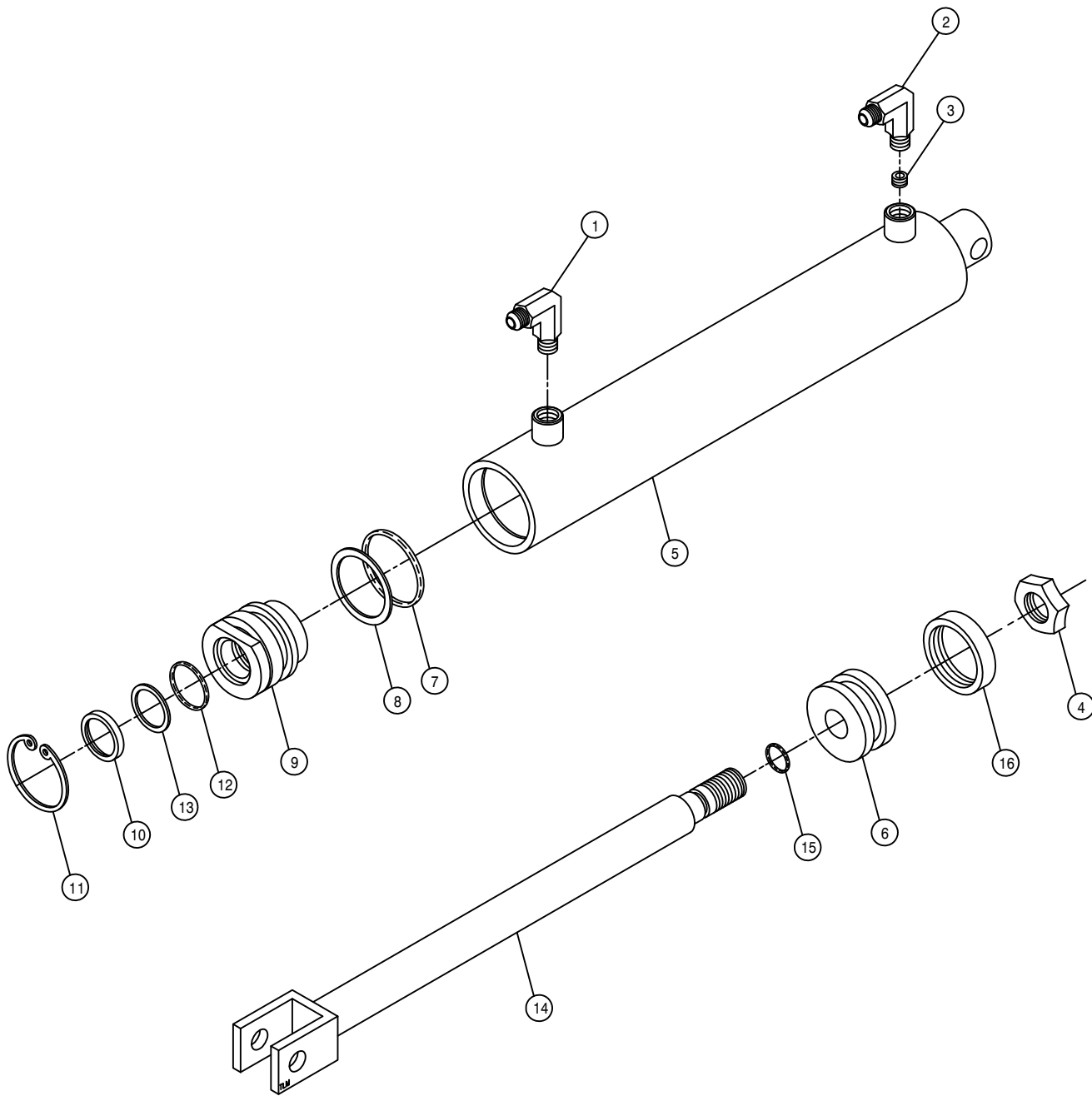




LIFT CYLINDER ASSEMBLY

DET.	QTY	PART NO.	DESCRIPTION
	1	611122	9/16MJIC-90-1/4MNPT LBO
	1	440338	9/16 JIC W/90X1/4 NPT TAPPED
	1	614366	RESTRICTOR SCREW, .042 DIA
	1	472297	3/4UNF HEX STOVER NUT THIN
	1	620081	PISTON 2 X 1 ZAMAC ORING TYPE
	1	870326	BUNA ORING 1 5/8 X 2
	1	890326	BACKUP WASH 1 5/8 X 2 LEATH
	1	620082	GLAND 2 IN X 1 IN ZAMAC
	1	629003	WIPER 1 X 1 1/4 X 1/8
	1	629505	SNAP RING 2 IN INTRN
	1	870214	BUNA ORING 1 X 1 1/4
	1	890214	BACKUP WASH 1 X 1 1/4 HT2022
	1	620498	TUBE WLD LIFT CYL 1978
	1	620505	SHAFT WLD LIFT CYL 640
	1	870113	BUNA ORING 9/16 X 3/4
	1	860326	CROWN SEAL, 2" PISTON, HYD

NOTE: 1. 620499 - CYLINDER ASSEMBLY
 2. 614365 - RESTRICTOR ELBOW ASSEMBLY
 3. 620083 - SEAL KIT



LEVEL AND FOLD CYLINDER ASSEMBLY

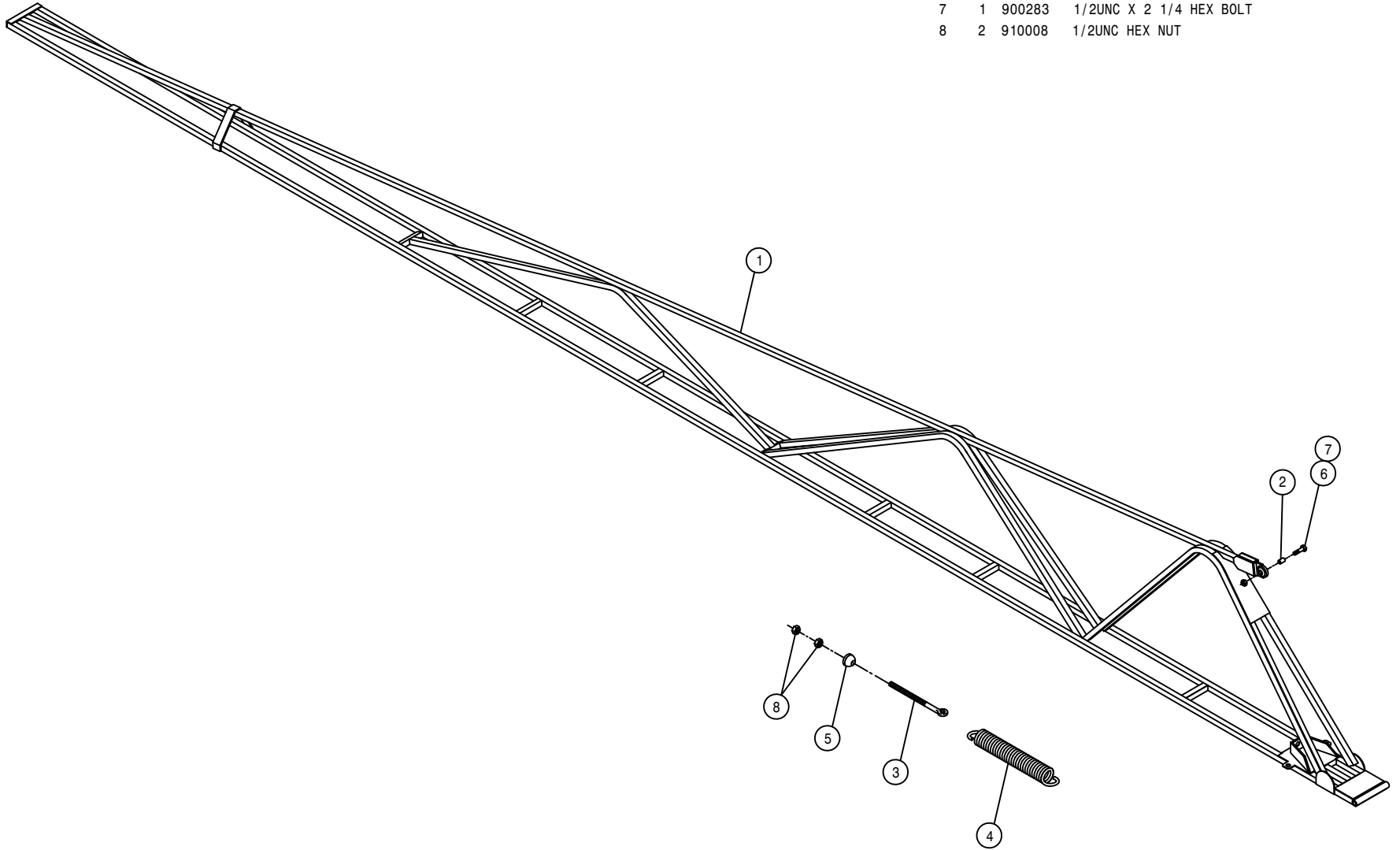
DET.	QTY	PART NO.	DESCRIPTION
1	1	611122	9/16MJIC-90-1/4MNPT LBO
2	1	440338	9/16 JIC W/90X1/4 NPT TAPPED
3	1	614366	RESTRICTOR SCREW, .042 DIA
4	1	472297	3/4UNF HEX STOVER NUT THIN
5	1	620053	TUBE WLD, 2IN FOLD & LEVEL
6	1	620081	PISTON 2 X 1 ZAMAC ORING TYPE
7	1	870326	BUNA ORING 1 5/8 X 2
8	1	890326	BACKUP WASH 1 5/8 X 2 LEATH
9	1	620082	GLAND 2 IN X 1 IN ZAMAC
10	1	629003	WIPER 1 X 1 1/4 X 1/8
11	1	629505	SNAP RING 2 IN INTRN
12	1	870214	BUNA ORING 1 X 1 1/4
13	1	890214	BACKUP WASH 1 X 1 1/4 HT2022
14	1	620093	SHAFT WLDMT, HAGIE BOOM CYL
15	1	870113	BUNA ORING 9/16 X 3/4
16	1	860326	CROWN SEAL, 2" PISTON, HYD

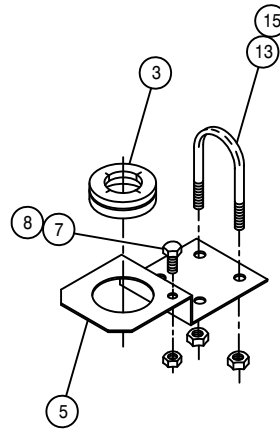
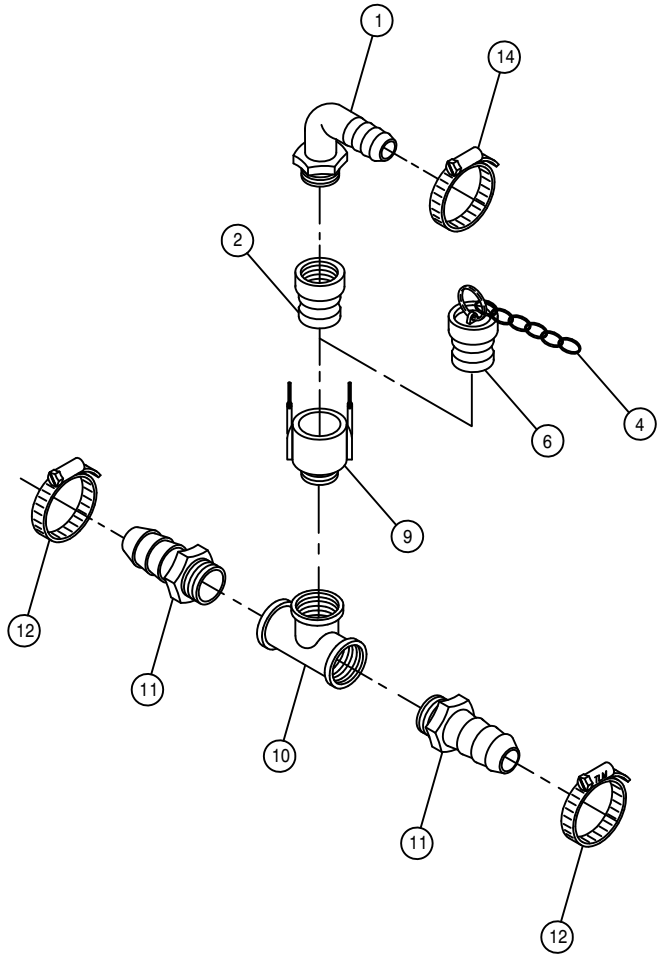
NOTE: 1. RESTRICTOR ELBOW ASSEMBLY USED WITH FOLD CYLINDER.
 2. 620052 - FOLD AND LEVEL CLINDER ASSEMBLY
 3. 620056 - FOLD CYLINDER ASSEMBLY WITH FITTINGS
 4. 620069 - LEVEL CYLINDER ASSEMBLY WITH FITTINGS
 5. 614365 - RESTRICTOR ELBOW ASSEMBLY
 6. 620083- SEAL KIT

BOOM ASSEMBLY

DET. QTY PART NO. DESCRIPTION

1	1	160362	BOOM WLD 8540 - 8250
2	1	160455	BUSH .625 OD X 18GA WA X .94
3	1	160979	1/2UNC X 9 EYE BOLT
4	1	160980	SPRING, BOOM BRKWAY
5	1	160981	SWIVEL, BOOM EYEBOLT
6	1	914008	1/2UNC HEX STOVER NUT
7	1	900283	1/2UNC X 2 1/4 HEX BOLT
8	2	910008	1/2UNC HEX NUT





BOOM FEEDER TEE ASSEMBLY

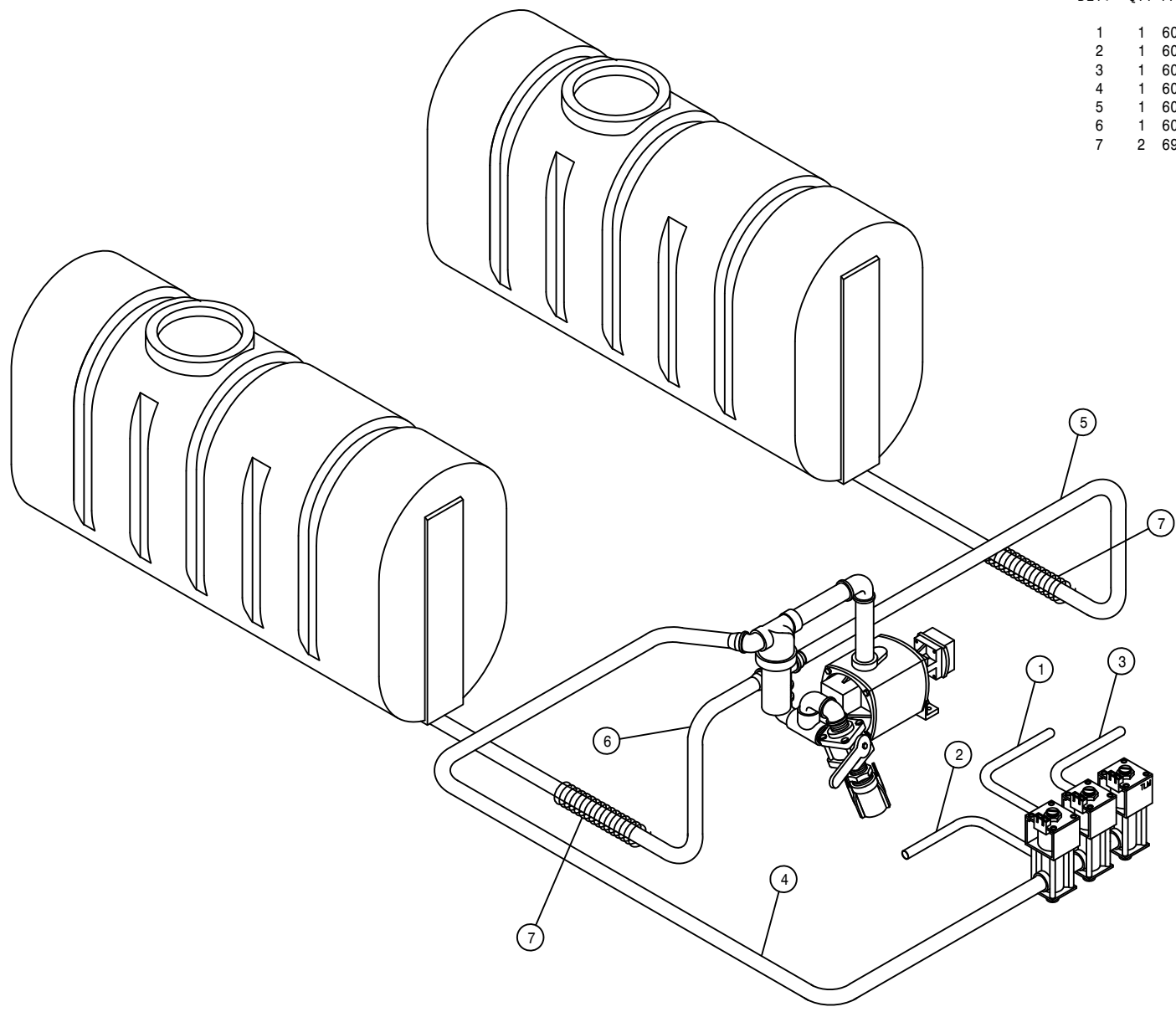
DET. QTY PART NO. DESCRIPTION

1	1	500020	3/4NPT-3/4HOSE BARB 90 NYLON
2	1	696202	QUICK CONNECT FEM ADPTR 3/4NP
3	1	160015	2.06ID GROMMET SLIT
4	1	160986	TWIN LOOP CHAIN 6 LINKS
5	1	160987	FEEDER T MTG BRKT 470 647
6	1	696204	QUICK CONNECT PLUG, 3/4
7	1	900002	1/4 UNC X 3/4 H BOLT GR5 PLT
8	1	914000	1/4 UNC STOVER NUT
9	1	696203	QUICK CONNECT CPLR MALE 3/4
10	1	505218	NYL PIPE TEE .75NPT
11	2	500019	3/4NPT-1/2HOSE BARB NYLON
12	2	520070	HOSE CLAMP NO 8 PLATED
13	2	470094	U BOLT .31UNC X 1.38BL X 3 LG
14	1	520055	HOSE CLAMP NO 12 PLATED
15	4	914002	5/16 UNC STOVER NUT

SOLUTION HOISING

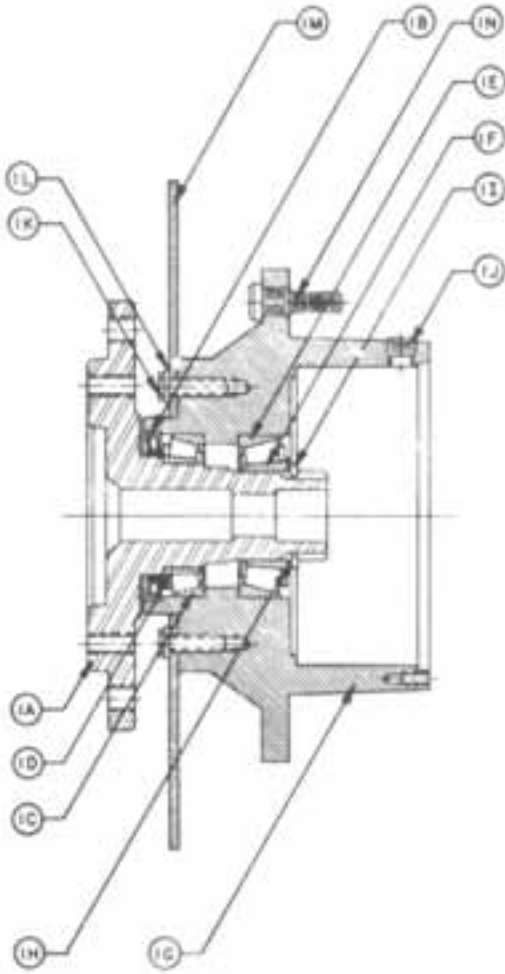
DET. QTY PART NO. DESCRIPTION

1	1	601172	HOSE, 3/4 X 75 1BR BLACK EPDM
2	1	601177	HOSE, 3/4 X 242 1BR BLK EPD
3	1	601239	HOSE, 3/4 X 324 1BR EPDM
4	1	601306	HOSE, 1.25 2BR BLK EPDM X 116
5	1	601307	HOSE, 1.50 X 118 2F1W EPDM
6	1	601310	HOSE, 1.50 2BR BLK EPDM X 100
7	2	690421	HOSE SPRING GUARD 2IN X 36 LG

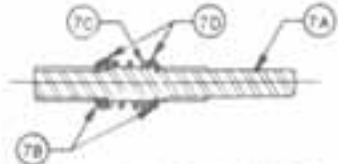


WHEEL DRIVE ASSEMBLY - 610516
W1BFNZ324

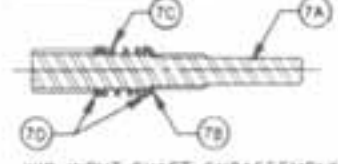
ITEMS	DESCRIPTION	PART NO.	QTY.
1	HUB-SPINDLE SUB-ASSEMBLY	-----	
1A	SPINDLE	610518	1
1B	SEAL	610519	1
1C	BEARING CUP	610520	1
1D	BEARING CONE	610521	1
1E	BEARING CUP	610907	1
1F	BEARING CONE	610908	1
1G	HUB	610522	1
1H	SPACER	610909	1
1I	RETAINER RING	610910	1
1J	PIPE PLUG	610147	2
1N	STUD	610523	9
2	INTERNAL GEAR	610148	1
3	CARRIER ASSEMBLY	610933	1
4	RING GEAR	610937	1
5	O-RING	610903	2
6	COVER ASSEMBLY	610155	1
6A	COVER	610149	1
6B	COVER CAP	610914	1
6C	BOLT	610150	4
6D	DISCONNECT CAP	610901	1
6E	DISCONNECT ROD	610915	1
6F	O-RING	610916	1
6G	O-RING	610917	1
6H	PIPE NIPPLE	610151	1
6I	ID PLATE	610152	1
7	INPUT SHAFT ASSEMBLY	610048	1
7A	INPUT SHAFT	610046	1
7B	RETAINING RING	610936	1
7C	SPRING	610145	1
7D	SPACER	610153	2
8	INPUT GEAR	610919	1
9	THRUST SPACER	610920	1
10	THRUST SPACER	610921	1
11	THRUST WASHER	610922	2
12	BOLT	610930	12
13	SHOULDER BOLT	610923	4
14	COUPLING	610037	1
16	FLAT WASHER	610049	16
NS	SEAL BOOT	610552	1



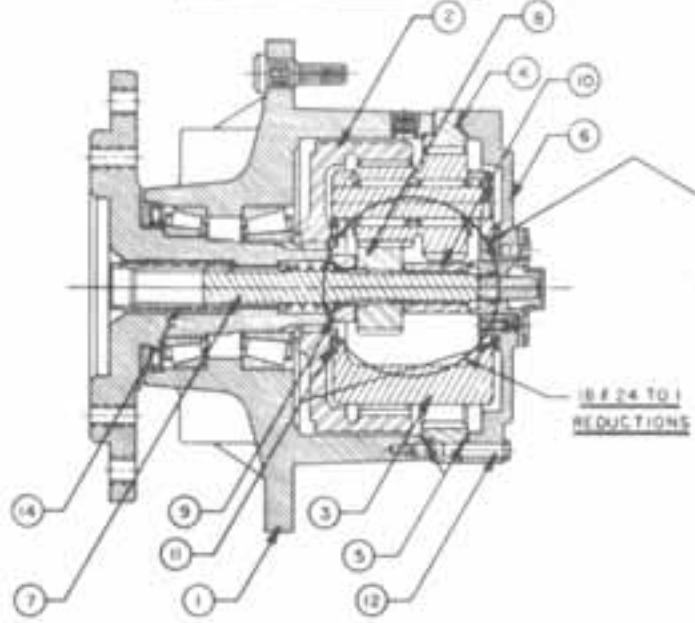
HUB-SPINDLE SUBASSEMBLY



WIA INPUT SHAFT SUBASSEMBLY



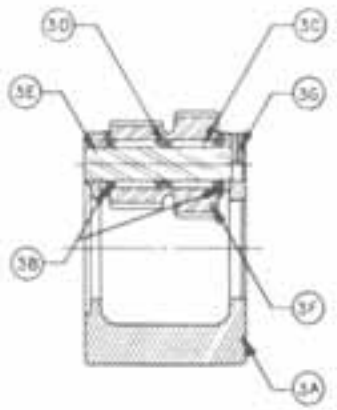
WIB INPUT SHAFT SUBASSEMBLY



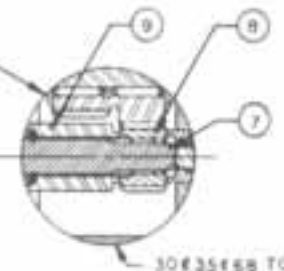
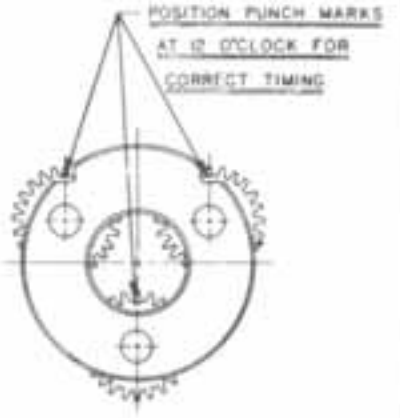
COMPLETE ASSEMBLY



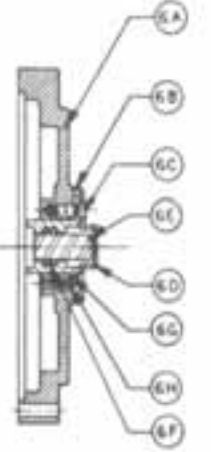
VIEW OF SHOULDER BOLT



CARRIER SUBASSEMBLY



10E35E8 TO 1 REDUCTIONS



COVER SUBASSEMBLY

THIS DRAWING AND DESIGN IS THE PROPERTY OF / AND ALL PROPRIETARY RIGHTS ARE RESERVED TO / FAIRFIELD MFG. CO., INC. THE RECIPIENT AGREES NOT TO DISCLOSE TO ANY PERSON OR ORGANIZATION ANY INFORMATION REGARDING THE DESIGN OR MANUFACTURE OF THE ARTICLE REPRESENTED HEREON, OR USE SAME IN ANY WAY DETRIMENTAL TO THE INTERESTS OF FAIRFIELD MFG. CO., INC.

DRAFTERMAN Beck		DATE 10-8-73	FAIRFIELD MFG. Co., INC. LAFAYETTE, IND. 47305
CHECKER			
PROJECT ENG.			TITLE SERVICE LITERATURE
RELEASED			SCALE: DRAWING No. WIA & WIB

WHEEL DRIVE ASSEMBLY - 610515
W1BFNZ318

ITEMS	DESCRIPTION	PART NO.	QTY.
1	HUB-SPINDLE SUB-ASSEMBLY	-----	
1A	SPINDLE	610518	1
1B	SEAL	610519	1
1C	BEARING CUP	610520	1
1D	BEARING CONE	610521	1
1E	BEARING CUP	610907	1
1F	BEARING CONE	610908	1
1G	HUB	610522	1
1H	SPACER	610909	1
1I	RETAINER RING	610910	1
1J	PIPE PLUG	610147	2
1N	STUD	610523	9
2	INTERNAL GEAR	610148	1
3	CARRIER ASSEMBLY	610912	1
4	RING GEAR	610929	1
5	O-RING	610903	2
6	COVER ASSEMBLY	610155	1
6A	COVER	610149	1
6B	COVER CAP	610914	1
6C	BOLT	610150	4
6D	DISCONNECT CAP	610901	1
6E	DISCONNECT ROD	610915	1
6F	O-RING	610916	1
6G	O-RING	610917	1
6H	PIPE NIPPLE	610151	1
6I	ID PLATE	610152	1
7	INPUT SHAFT ASSEMBLY	610048	1
7A	INPUT SHAFT	610046	1
7B	RETAINING RING	610936	1
7C	SPRING	610145	1
7D	SPACER	610153	2
8	INPUT GEAR	610919	1
9	THRUST SPACER	610920	1
10	THRUST SPACER	610921	1
11	THRUST WASHER	610922	2
12	BOLT	610930	12
13	SHOULDER BOLT	610923	4
14	COUPLING	610037	1
16	FLAT WASHER	610049	16
NS	SEAL BOOT	610552	1

NOTICE

The following page contains decals for the model 250.

These decals can be obtained from Hagie Mfg. Co. and should be used whenever your machine is repainted or when the decals become worn, weathered, or faded.

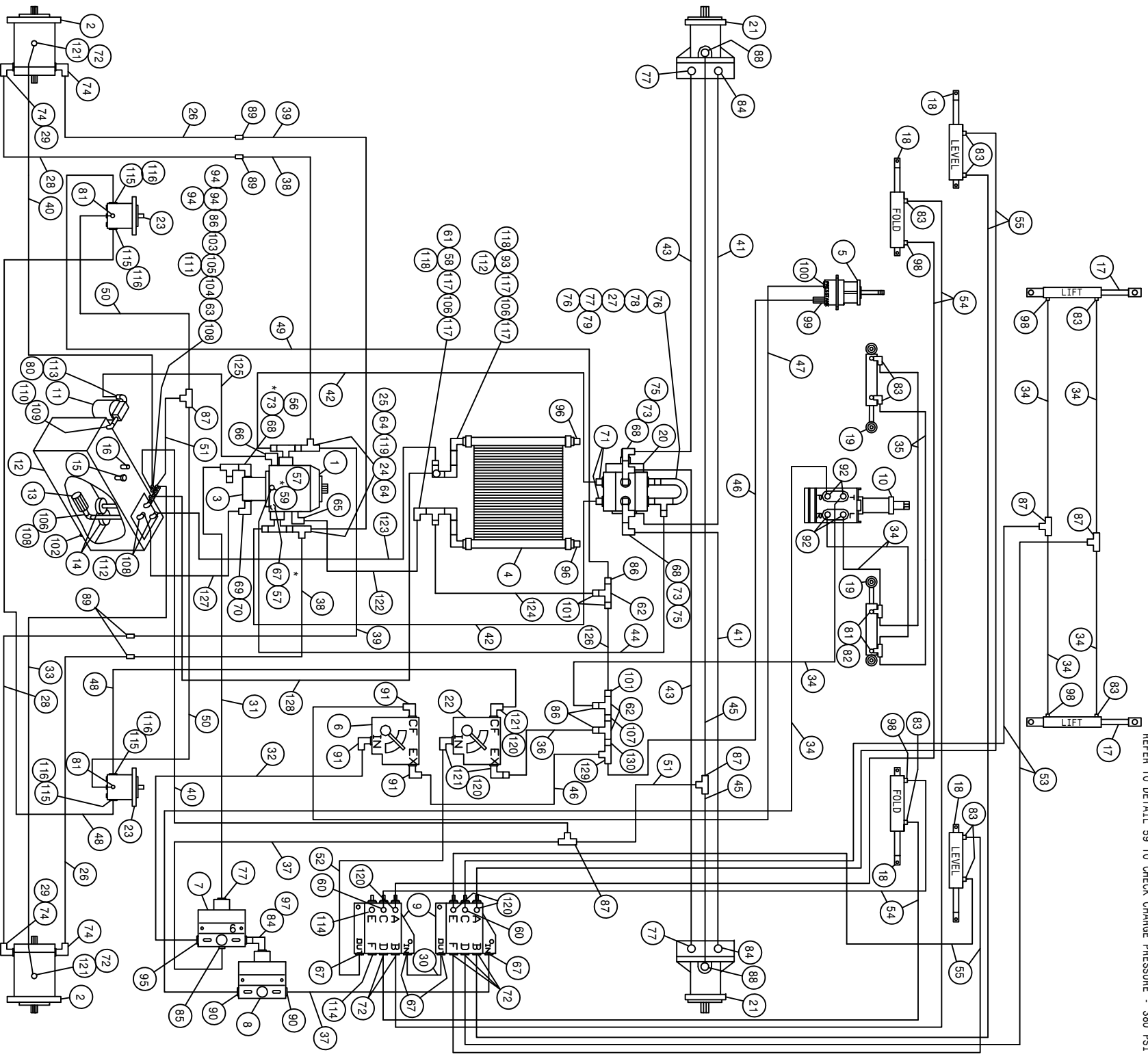
Special attention should be paid to decals involving personal safety. They have been attached for your protection.

KEEP THEM IN PLACE.

Contact: Hagie Manufacturing Co.
Box 273
Clarion, Iowa 50525

250 DECALS

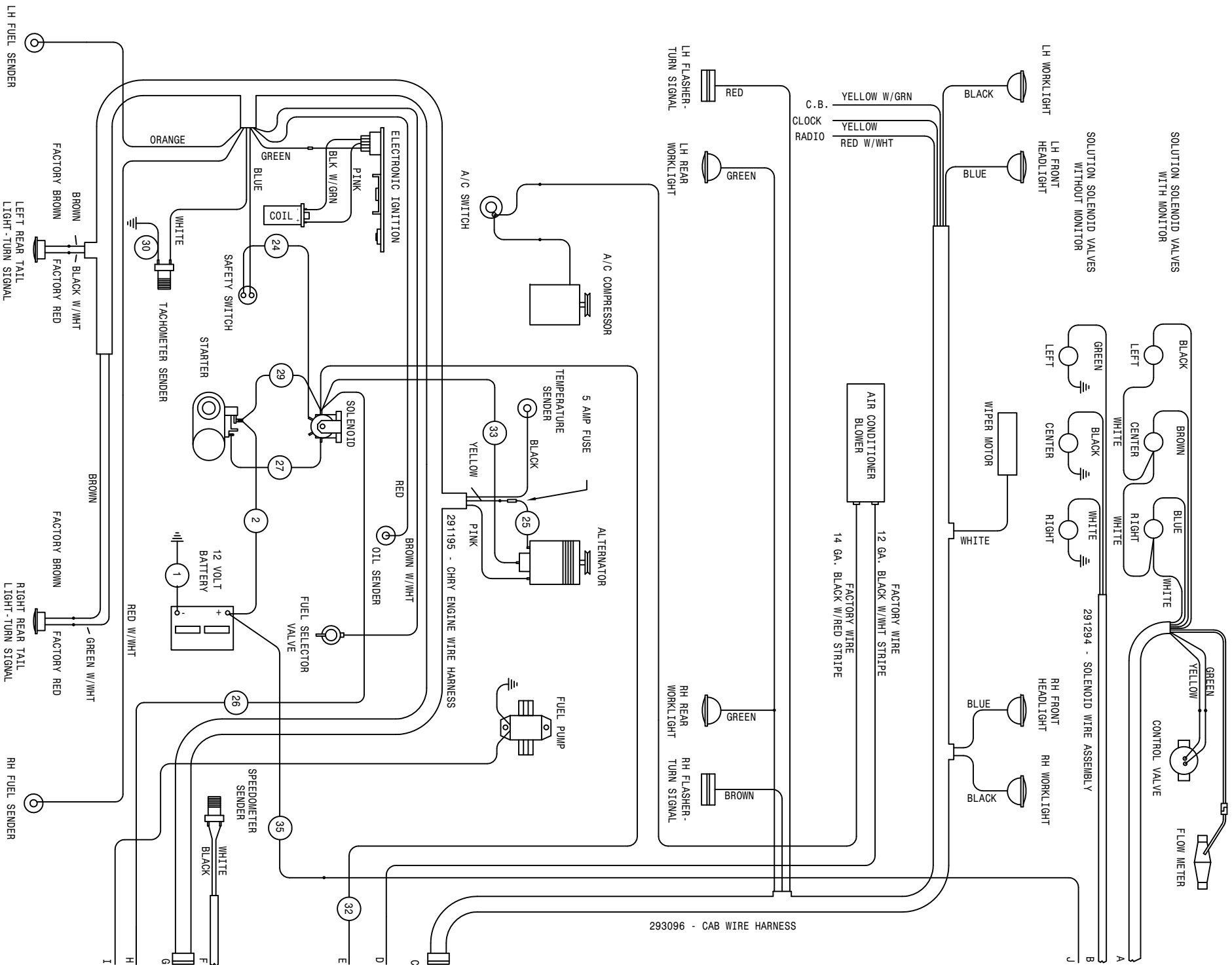
QTY.	PART NO.	DESCRIPTION	LOCATION
1	650831	EMERGENCY STOP DECAL	ON CONSOLE SHEET METAL
1	650861	VENT SLIDE DECAL	ON AIR CONDITIONER CONSOLE
1	650935	SPEEDOMETER DECAL	ON TACHOMETER
1	650814	PARK BRAKE DECAL	NEAR PARK BRAKE
1	650822	SOLUTION PUMP DECAL	ON FRONT CROSSMEMBER
1	650847	NO PASSENGER DECAL	REAR CORNER OF CAB
2	650848	SLIP OR FALL DECAL	ON EACH FUEL TANK
2	650849	ENGINE FUEL DECAL	NEAR EACH FUEL TANK NECK
2	650850	CHEMICAL DECAL	ON SOLUTION TANK LIDS
2	650851	SHIELDS DECAL	ON SIDE OF TOP ENGINE COVER
1	650852	READ MANUAL DECAL	ON FRONT CAB MOUNTING ANGLE
1	650858	DO NOT USE ETHER DECAL	NEAR AIR CLEANER TUBE
1	650893	DIESEL START DECAL	ON CONSOLE SHEET METAL
2	650954	DIESEL DECAL	NEAR EACH FUEL NECK
1	650981	COOLING SYSTEM DECAL	NEAR RADIATOR CAP
1	650982	ELECTRICAL DECAL	RIGHT HAND SIDE OF OIL TANK
4	650985	WHEEL BOLT TORQUE DECAL	ON EACH WHEEL RIM
2	650953	GASOLINE DECAL	NEAR EACH FUEL NECK
1	650312	DECAL SET, HAGIE W/STRIPE	ON EACH ENGINE HOOD



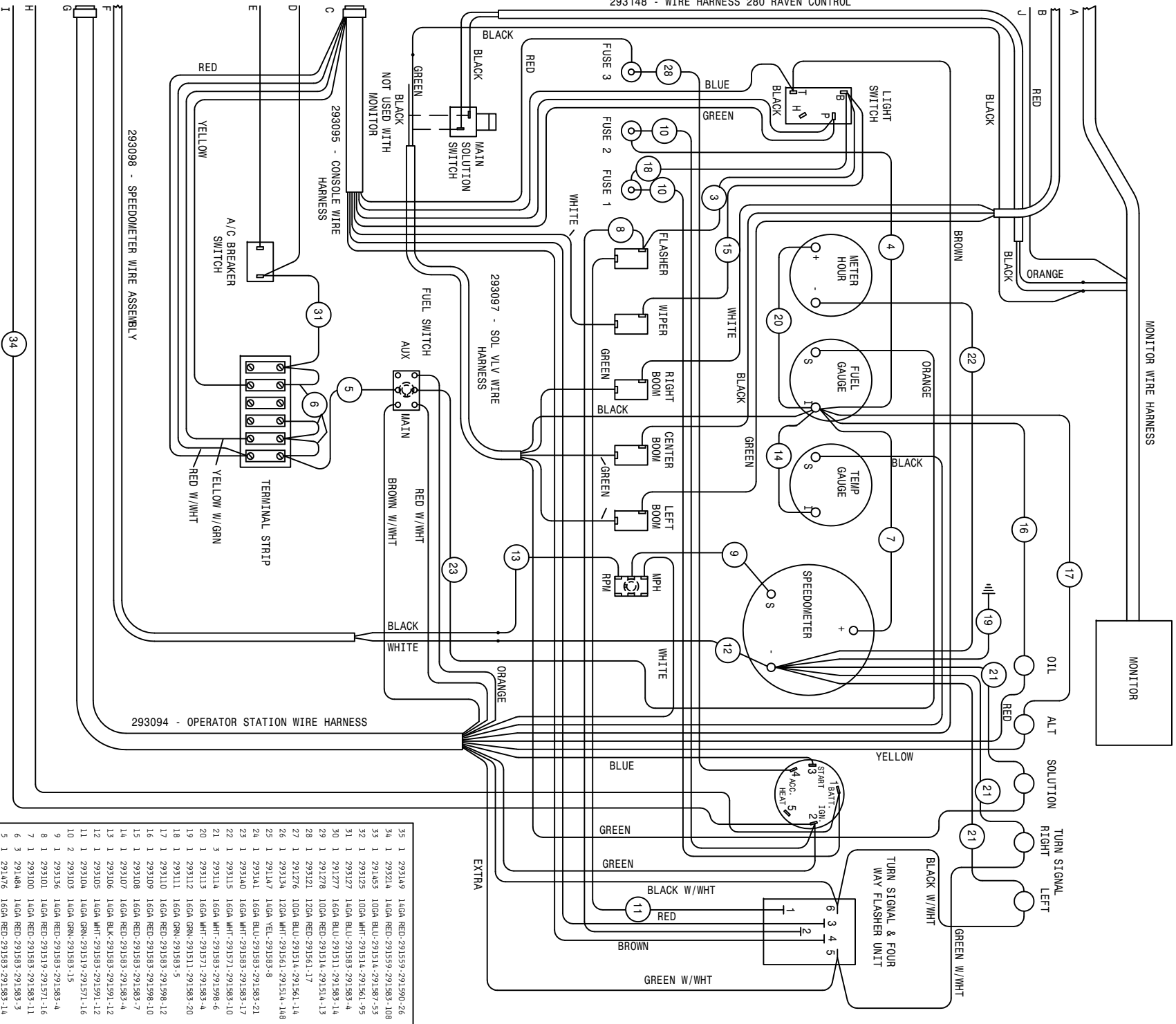
*NOTE:
 REFER TO DETAIL 73 TO CHECK AUX. SYSTEM - 1850 PSI
 REFER TO DETAIL 67 TO CHECK LIMIT SETTING - 4500 PSI
 REFER TO DETAIL 59 TO CHECK CHANGE PRESSURE - 380 PSI

250 FWD HYD SCHEM 91
REFERENCE DRAWING NO. 498369

DET.	QTY	PART NO.	DESCRIPTION	DET.	QTY	PART NO.	DESCRIPTION
1	1	606884	SUND 75CC ECLIPSE PUMP B-MT	66	1	618564	1IN HOSE BARB-90-1 5/16MOR
2	2	610557	SUND M35-3102 WHL MTR W/SHFT	67	5	618126	9/16MJIC-9/16MOR ADPTR
3	1	606885	CESSNA GEAR PUMP 1.78CI SPINE	68	3	618535	7/8MJIC-90-1 1/16MOR LBO
4	1	618606	OIL COOLER BLISSFIELD 65027	69	1	618595	1 5/8MOR-1 1/16FOR ADPTR
5	1	690341	HYPRO CENTRIF PUMP 10GPM	70	1	618527	1IN HOSE BARB-90-1 1/16MOR
6	1	606818	FLO CONT FOR51 0-16GPM 7/8FOR	71	2	611157	1/16MJIC-1 1/16MOR ADPTR
7	1	607518	FLO DIV BGR56 6GPM PRI 7/8FOR	72	7	618425	9/16MJIC-45-9/16MOR LBO
8	1	607504	FLO DIV BGR56 6GPM PRI 7/8FOR	73	3	618335	7/8FJIC SW RUN TEE-7/8MJIC
9	2	606585	CESSNA 3SPL VALVE W/O RELIEF	74	4	618248	1 1/16MJIC-90-1 1/16MOR LBO
10	1	749150	STRG MTR NON-LOAD REACT 1008	75	2	618301	7/8MJIC-90-7/8FJIC SWIV LBO
11	1	605601	GRESEN FILTER 10 MICRON 40GPM	76	2	618132	1 1/16MOR-7/8FOR ADPTR
12	1	760097	OIL TANK WLD 8240 1982	77	4	611126	7/8MJIC-7/8MOR ADPTR
13	1	605600	MICHIGAN RESERVOIR FILTER	78	1	618130	7/8MOR RUN TEE-7/8MJIC
14	2	605603	LINE SUMP DIFFUSER	79	1	618557	7/8FJIC-9/16MJIC ADPTR
15	1	611052	FILLER BREATHER 3/4NPT	80	1	506410	BLK PIPE ST EL 90DEG 1.25NPT
16	1	614453	DIPSTICK, 8IN	81	4	611121	9/16MJIC-1/4MNPT ADPTR
17	2	620499	LIFT CYLINDER 2.00 X 10.00	82	2	618514	9/16FJ SW BRANCH TEE-9/16MJ
18	4	620052	HYD CYL, 2IN FOLD & LEVEL	83	10	611122	9/16MJIC-90-1/4MNPT LBO
19	2	620080	STRG CYL ASSY 1.50 X 6.0 1985	84	3	611128	7/8MJIC-90-7/8MOR LBO
20	1	606003	GRESEN SELECTOR VALVE DS-12	85	1	618011	9/16MJIC-3/8MNPT ADPTR
21	2	610512	SUND M23 WHL MTR	86	4	618018	9/16MJIC-1/2MNPT ADPTR
22	1	606827	FLO CONT FC51 0-3 VARI 7/8FOR	87	5	618019	9/16MJIC UNION TEE
23	2	610510	CESSNA GEAR MOTOR 1.48CI	88	2	618115	9/16MJIC-90-3/4MOR LBO
24	2	618598	1 IN 4-BOLT FLG X 1 5/16FOR	89	4	618191	1 1/16MJ-90-1 1/16FJ SWIV LBO
25	2	618487	1 1/16FJ SW RUN TEE-1 1/16MJ	90	2	618310	9/16MJIC-7/8MOR ADPTR
26	1	614694	FRT HYD TUBE ASSY 250 REARLEG	91	3	618183	3/4MJIC-90-7/8MOR LBO
27	2	614198	FWD VALVE U-TUBE ASSY	92	4	618496	9/16MJIC-45-3/4MOR LBO
28	2	614695	REAR HYD TUBE ASSY 250REARLEG	93	1	505098	SIDE OUTLET EL 90DEG 1.00NPT
29	2	618529	1 1/16MJ-45-1 1/16FJ SWIV LBO	94	3	618486	9/16FJIC SW RUN TEE-9/16MJIC
30	1	616042	04C1A-06FJX-06FJX-13	95	1	618327	3/4MJIC-7/8MOR ADPTR
31	1	614664	10C1T-10FJX-10FJX-91	96	2	505102	PIPE PLUG 1.00NPT SQ HD
32	1	615465	08C1T-08FJX-08FJX-53	97	1	618594	7/8FJIC SWIV-7/8MOR ADPTR
33	1	615449	06C1T-06FJX-06FJX-126	98	4	614365	RESTRICTOR ELBOW ASSY .042DIA
34	8	611204	04C1T-06FJX-06FJX-78	99	1	611145	3/4MJIC-90-1/2MNPT LBO
35	2	614663	04C1T-06FJX-06FJX-16	100	1	618241	3/4MJIC-90-3/4MOR LBO
36	1	615442	04C1T-06FJX-06FJX-55	101	3	712440	1/2 NPT X 3/4 HOSE BARB
37	2	616026	04C1A-06FJX-06FJX-37	102	1	501102	1/4 PIPE PLUG
38	2	614683	HOSE ASSY 60I M-F 4500P	103	1	504210	RED BUSH 3/4 NPT X 1/2 NPT
39	2	614684	HOSE ASSY 70I M-F 4500P	104	1	504702	CLOSE NIPPLE .75NPT
40	2	614549	06C1T-06FJX-06FJX-140	105	1	504955	BLK PIPE TEE .75NPT
41	2	615618	08TWM-8FJX-10FJX-120	106	3	505203	BLK PIPE NIPPLE 1.00NPT-4.00
42	2	614685	HOSE ASSY 106I F-F 4500P	107	1	503600	CLOSE NIPPLE .50NPT
43	2	615617	08TWM-08FJX90-10FJX-120	108	4	505300	BLK PIPE EL 90DEG 1.00NPT
44	1	614101	04C1A-06FJX-06FJX-133	109	1	506303	BLK PIPE EL 90DEG 1.25NPT
45	2	615450	06C1T-06FJX-06FJX45-112	110	1	506602	PIPE NIPPLE 1 1/4NPT-2 1/2
46	2	614382	08C1T-08FJX-08FJX-40	111	1	713220	HOSE BARB 3/4 NPT X 3/4
47	1	614662	08C1T-08FJX-08FJX-72	112	3	714560	NPT X 1 HOSE BARB
48	2	614693	06C1T-06FJX-06FJX-168	113	1	715664	1 1/4 NPT X 1 HOSE BARB
49	1	614571	06RLA-06FJX-06FJX-126	114	2	610185	9/16MOR PLUG
50	2	611208	04C1A-06FJX-06FJX-98	115	4	618092	1 1/16MOR-1/2FNPT ADPTR
51	2	615452	06C1T-06FJX-06FJX-16	116	4	618107	9/16MJIC-90-1/2MNPT LBO
52	1	615401	06C1T-06FJX-06FJX-22	117	4	505200	BLK PIPE ST EL 90DEG 1.00NPT
53	2	611206	04C1T-6FJX-6FJX-66	118	2	714331	1 NPT X 3/4 HOSE BARB
54	4	614098	04C1A-06FJX-06FJX-201	119	2	618599	1 5/16MOR BRANCH TEE-1 5/16MJ
55	4	614154	04C1T-06FJX-06FJX-221	120	6	618119	9/16MJIC-90-9/16MOR LBO
56	2	618328	7/8FJIC CAP NUT	121	5	618172	7/8MOR-9/16FOR ADPTR
57	2	618531	9/16FJIC CAP NUT	122	1	601112	HOSE, 3/4 X 84 2BR RED
58	1	505101	BLK PIPE TEE 1.00NPT	123	1	601125	HOSE, 1.00 2BR RED X 104 LG
59	1	618444	9/16MOR RUN TEE-9/16MJIC	124	1	601103	HOSE, 3/4 X 13 2BR RED
60	2	618440	9/16MJIC-90-9/16MOR EX LG LBO	125	1	601117	HOSE, 1 X 37 2BR RED
61	1	716000	3/4 HOSE BARB-90-1MNPT	126	1	601107	HOSE, 3/4 X 24 2BR RED
62	3	503820	BLK PIPE TEE .50NPT	127	1	601256	HOSE, 1.00 2BR RED X 31 LG
63	1	505213	RED BUSH 1 X 3/4 BLK MAL	128	1	601304	HOSE, .75 2BR RED X 130 LG
64	4	618541	1 5/16FJIC-1 1/16MJIC ADPTR	129	1	618451	3/4FJIC SW RUN TEE-3/4MJIC
65	1	618118	3/4 HOSE BARB-90-1 1/16MOR	130	1	611147	3/4MJIC-1/2MNPT ADPTR

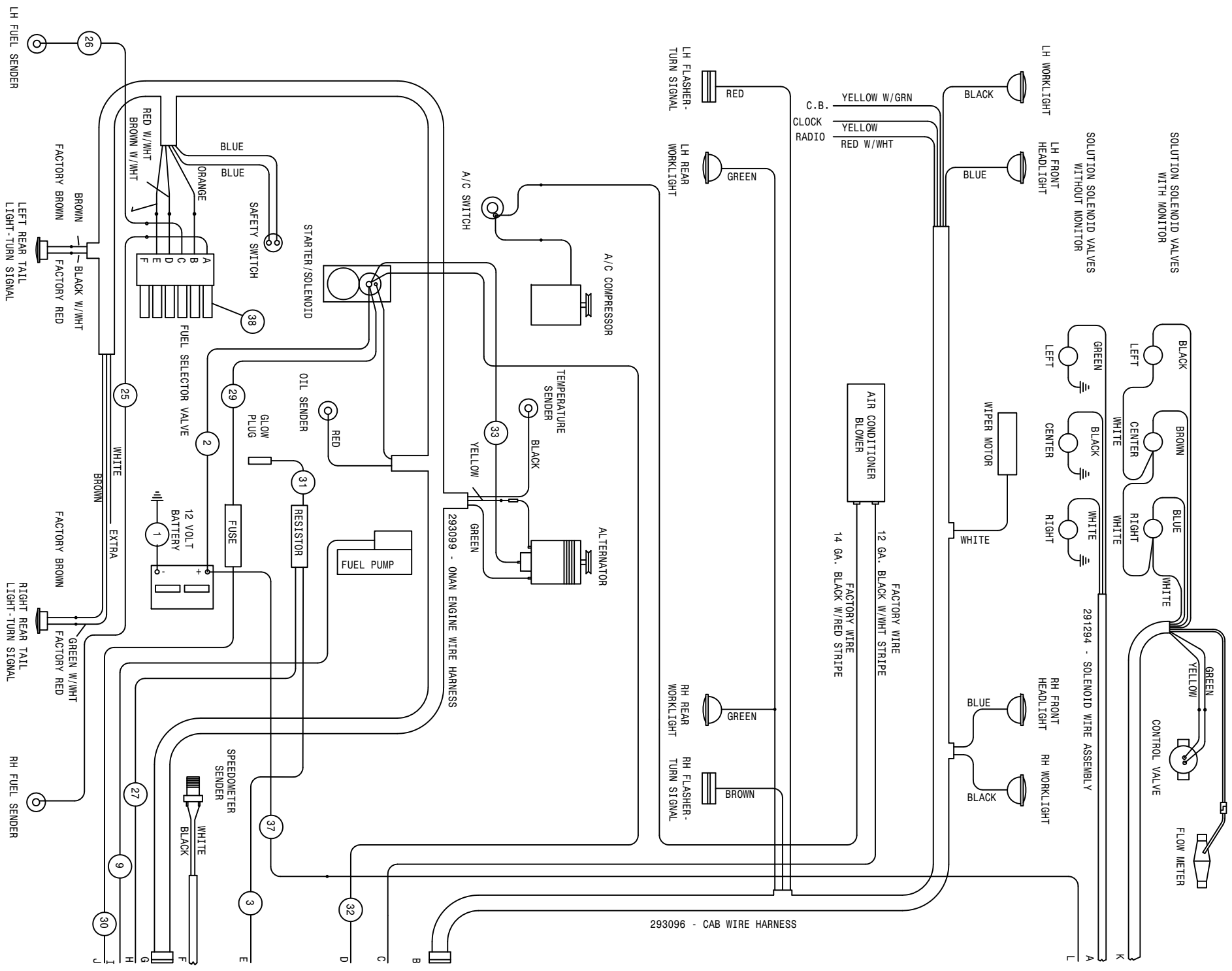


293096 - CAB WIRE HARNESS

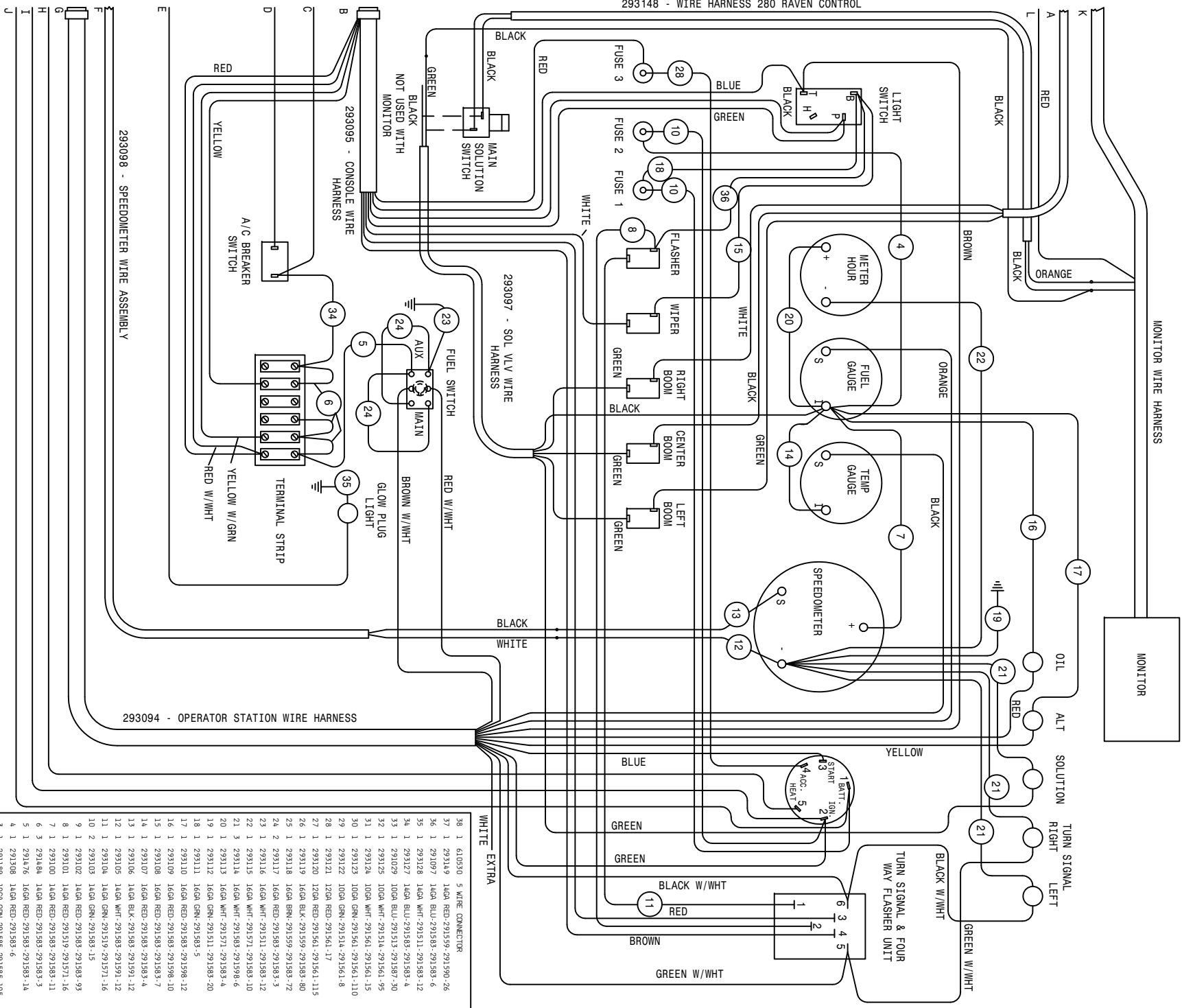


35	1	293149	14GA RED	-291599	-291590	-26
34	1	293214	14GA RED	-291599	-291583	-108
33	1	291463	10GA BLU	-291514	-291587	-53
32	1	293125	10GA WHT	-291514	-291561	-95
31	1	293127	14GA BLU	-291583	-291583	-4
30	1	291277	16GA BLU	-291511	-291583	-14
29	1	291278	10GA RED	-291514	-291514	-13
28	1	293121	12GA RED	-291561	-17	
27	1	291276	10GA BLU	-291514	-291561	-14
26	1	293134	12GA WHT	-291561	-291514	-148
25	1	291147	14GA YEL	-291583	-8	
24	1	293141	16GA BLU	-291583	-291583	-21
23	1	293140	16GA WHT	-291583	-291583	-17
22	1	293115	16GA WHT	-291571	-291583	-10
21	3	293114	16GA WHT	-291583	-291598	-6
20	1	293113	16GA WHT	-291571	-291583	-4
19	1	293112	16GA GRN	-291511	-291583	-20
18	1	293111	16GA GRN	-291583	-5	
17	1	293110	16GA RED	-291583	-291598	-12
16	1	293109	16GA RED	-291583	-291598	-10
15	1	293108	16GA RED	-291583	-291583	-7
14	1	293107	16GA RED	-291583	-291583	-4
13	1	293106	14GA GRN	-291583	-15	
12	1	293105	14GA WHT	-291583	-291591	-12
11	1	293104	14GA GRN	-291519	-291571	-16
10	2	293103	14GA GRN	-291583	-15	
9	1	293136	14GA RED	-291583	-291583	-4
8	1	293101	14GA RED	-291519	-291571	-16
7	1	293100	14GA RED	-291583	-291583	-11
6	3	291484	14GA RED	-291583	-291583	-3
5	1	291476	16GA RED	-291583	-291583	-14
4	1	291308	14GA RED	-291583	-6	
3	1	291097	14GA BLU	-291585	-291583	-6
2	1	291128	48" BATTERY CABLE			
1	1	290111	GROUND STRAP			

250 CHRY WIRING DIAGRAM 91
 REVISION DATE: 06-01-91
 498370



293096 - CAB WIRE HARNESS



WHITE EXTRA

36	1	610550	5	WIRE CONNECTOR
37	1	293149	14GA RED	-291590-26
38	1	291097	14GA BLU	-291583-6
39	1	293128	14GA WHT	-291583-12
40	1	293127	14GA BLU	-291583-4
41	1	291029	10GA BLU	-291587-30
42	1	293125	10GA WHT	-291561-95
43	1	293124	10GA WHT	-291561-115
44	1	293123	10GA GRN	-291561-110
45	1	293122	10GA GRN	-291561-117
46	1	293120	12GA RED	-291561-115
47	1	293119	16GA BLK	-291589-1583-80
48	1	293118	16GA BRN	-291589-1583-72
49	2	293117	16GA RED	-291583-3
50	1	293116	16GA WHT	-291583-10
51	3	293114	16GA WHT	-291598-6
52	1	293113	16GA WHT	-291571-291583-4
53	1	293112	16GA GRN	-291583-20
54	1	293111	16GA GRN	-291583-5
55	1	293110	16GA RED	-291598-12
56	1	293109	16GA RED	-291583-291598-10
57	1	293108	16GA RED	-291583-291583-7
58	1	293107	16GA RED	-291583-291583-4
59	1	293106	14GA BLK	-291583-291591-12
60	1	293105	14GA WHT	-291583-291591-12
61	1	293104	14GA GRN	-291571-291571-16
62	2	293103	14GA GRN	-291583-15
63	1	293102	14GA RED	-291583-99
64	1	293101	14GA RED	-291519-291571-16
65	1	293100	14GA RED	-291583-291583-11
66	3	291484	14GA RED	-291583-3
67	1	291476	14GA RED	-291583-291583-14
68	1	291308	14GA RED	-291583-6
69	3	291189	10GA GRN	-291585-291585-105
70	2	291128	4# BATTERY CABLE	
71	1	290111	GROUND STRAP	

280 CUMM WIRING DIAGRAM 89
250
REVISION DATE: 05-01-81
498310

ABBREVIATIONS

A/C - AIR CONDITIONER	MT - MOUNT
ADPTR - ADAPTER	MTR - MOTOR
AGI - AGITATOR	P/N - PART NUMBER
ALT - ALTERNATOR	PLT - PLATE
ASSY - ASSEMBLY	QTY - QUANTITY
BRKT - BRACKET	RED - REDUCER
DET - DETAIL	REF - REFERENCE
DISPL - DISPLACEMENT	REST - RESTRICTOR
EL - ELBOW	REQ - REQUIRED
EXT - EXTENSION	SHFT - SHAFT
FLO - FLOW	SOL - SOLUTION
FNPT - FEMALE NATIONAL PIPE THREAD	STRG - STEERING
FOR - FEMALE O-RING	ST - STREET
FRT - FRONT	SWIV - SWIVEL
HYD - HYDRAULIC	UNC - UNIFIED NATIONAL COURSE
HYDRO - HYDROSTATIC	UNF - UNIFIED NATIONAL FINE
LG - LONG	V - VOLT
LWR - LOWER	W/ - WITH
MJIC - MALE J.I.C.	WHL - WHEEL
MOR - MALE O-RING	WLD - WELDMENT

-A-

ABBREVIATIONS.....66

AGITATOR

 COUPLER.....42

 IMPELLER.....42

 SHAFT.....42

AIR CLEANER.....12, 13

 BAND.....12, 13

 CAP.....12, 13

 CLAMP.....12, 13

 FILTER.....12, 13

 HOSE.....12, 13

AIR CONDITIONER

 BLOWER.....26

 COMPRESSOR.....10

 CONDENSER.....10

 DRYER.....10

 EVAPORATOR.....26

 FILTER.....26

 AIR INTAKE.....7, 11

 SCREEN.....11

ALTERNATOR.....5, 6

ARM

 STEERING.....16

 WIPER.....24

-B-

BALL VALVE.....43,44

BAND

 AIR CLEANER.....12, 13

 FUEL TANK.....20,21

 POLY TANK.....43

BATTERY.....15

 BOX.....15

 CABLE.....15

 HOLD DOWN.....15

BELT.....5, 6

BINDER, TANK BAND.....43

BLADE, WIPER.....24

BLOCK, TERMINAL.....25

BLOWER

 AIR CONDITIONER.....26

 HOUSING.....26

BRACE

 LEG.....17

 STREERING POST.....25

BRACKET, A/C DRYER.....10

BRAKE

 CABLE.....17, 29

 CLIP RETAINER.....17

 DISC.....17

 HUB.....17

LEVER.....29

BREAKAWAY, BOOM.....49

BREAKER, CIRCUIT.....25

BREATHER.....22

BOOM.....52

 CRADLE.....52

 FEEDER TEE.....53

BOOT.....25

BUMPER, BOOM.....41

-C-

CAB.....24

 ROOF.....26

CABLE

 BATTERY.....15

 BRAKE.....17, 29

 CHOKE.....30

 CONTROL.....23, 32, 33

 MOUNT, THROTTLE.....32, 33

 4WD.....31

CAP

 AIR STACK.....12, 13

 FUEL.....20, 21

 RADIATOR.....11

 STEERING.....35

CESSNA

 PUMP.....8

 3-SPool VALVE.....31

 CHOKE CABLE.....30

 CIRCUIT BREAKER.....25

CLAMP

 LEG.....16

 MUFFLER.....12, 14

COMPRESSOR

 AIR CONDITIONER.....10

 MOUNT.....10

 CONDENSER.....10

 MOUNT.....10

 CONSOLE.....30

 CONTROL, FLOW.....36

 COUPLER, AGITATOR.....42

COVER

 STEERING.....35

 WORK LIGHT.....24

CRADLE

 BOOM.....52

 POLY TANK.....43

CROP GUIDE MOUNT.....16

CYLINDER

 FOLD.....49, 51

 LEVEL.....49, 51

 LIFT.....48, 50

 STEERING.....19

-D-

DECALS.....58,59
 DEFLECTOR, STALK.....40
 DIFFUSER, LINE.....22
 DIMMER SWITCH.....25
 DIPSTICK.....22
 DISC
 BRAKE.....17
 FRICTION.....32,33
 SENSOR.....17
 DOOR.....27
 CATCH SLIDE.....27
 GLASS.....27
 DRAIN COCK.....11
 DRIVE ASSEMBLY.....4
 DRYER BRACKET.....10

-E-

ELECTRICAL SCHEMATIC.....62,64
 ELEMENT
 AIR CLEANER.....12,13
 OIL FILTER.....22
 ENGINE.....4,5,6,7
 HOOD.....38
 EVAPORATOR, A/C.....26
 EXHAUST PIPE.....12,14

-F-

FAN.....4,6
 SPACER.....4
 FEEDER TEE, BOOM.....53
 FILTER
 AIR CONDITIONER.....26
 FUEL.....5,6,21
 GRESN.....22
 MICHIGAN.....22
 OIL.....4,6
 FLASHER.....24
 SWITCH.....37
 FLOW CONTROL.....36
 FLOW DIVIDER.....9
 MOUNT.....9
 FOAM.....11,25,28
 FOLD CYLINDER.....49,51
 FRICTION DISC.....32,33
 FRONT SHIELD.....39
 FUEL
 CAP.....20,21
 GAUGE.....37
 SELECTOR VALVE.....20,21
 SHUT-OFF MOUNT.....4
 FUEL TANK.....20,21
 MOUNT.....20,21
 SENDER.....20,21

FUSE.....37

-G-

GASKET
 OIL TANK.....22
 TANK LID.....43
 GAUGE
 FUEL.....37
 PRESSURE.....45
 TEMPERATURE.....37
 GLAND PACKING.....42
 GLASS
 CAB.....24
 GOVERNOR.....7
 GRESN FILTER.....22
 GROUND STRAP.....4,15,25
 GUIDE, STALK.....15,46

-H-

HAND BOOK TOTE.....24
 HANDLE, 3-SPPOOL VALVE.....31
 HANDRAIL.....38
 LADDER.....38
 HANGER, NOZZLE.....49
 HEADLIGHT.....24
 HOLD DOWN, BATTERY.....15
 HOLDER, THROTTLE CABLE.....4
 HOOD
 ENGINE.....38
 PROP.....38
 HOOK, RUBBER.....38,39
 HOSE
 AIR CLEANER.....12,13
 RADIATOR.....5
 HOSING, SOLUTION.....41
 HOUR METER.....37
 HOUSING, BLOWER.....26
 HUB
 BRAKE.....17
 TORQUE.....16,17
 HYDRAULIC
 SCHEMATIC.....60
 TUBE, LEG.....16
 HYDROSTATIC
 CABLE MOUNT.....4
 LEVER.....34

-I-

IMPELLER, AGITATOR.....42
 INDICATOR LIGHT.....37
 INSTRUMENT PANEL.....37
 ISOLATOR.....5,25

-K-
 KNOB27, 31, 32, 33, 35

-K-
 MULLION.....38
 SUPPORT.....38

-L-

LADDER.....40
 HANDRAIL.....40
 LEG

NOZZLE TUBE.....49

-O-

BRACE.....17
 CLAMP.....16
 FRONT.....16
 HYDRAULIC TUBE.....17
 REAR.....17
 U-BOLT.....16, 17
 LEVEL CYLINDER.....49, 51
 LEVER

OIL
 COOLER.....11
 FILTER.....6, 22
 SENDER.....4
 OIL TANK.....22
 GASKET.....22
 STRAP.....22
 OPERATOR STATION.....25

-P-

HYDROSTATIC.....34
 THROTTLE.....32, 23
 VARIABLE FLOW CONTROL.....36
 LID, SOLUTION TANK.....43
 LIFTARM.....48
 MOUNT.....48
 LIFT CYLINDER.....48, 50
 LIGHT.....24
 SWITCH.....37
 LINE DIFFUSER.....22
 LINK HANDLE.....31

-M-

MAINFRAME, TIE PLATE.....5
 MICHIGAN FILTER.....22
 MIRROR.....24
 MOTOR

CESSNA.....8
 SOLUTION.....44
 SUNDSTRAND.....8

-R-

MOUNT.....5, 6
 STEERING.....35
 WHEEL.....16
 WINDSHIELD WIPER.....24
 MOUNT

RADIATOR.....11
 CAP.....11
 HOSE.....5, 6
 MOUNT.....11
 RECOVERY TANK.....11
 SHROUD.....11
 RECEIVER PLATE.....22
 REGULATOR, VOLTAGE.....5
 RESISTOR MOUNT.....4
 RETAINER, BRAKE.....17
 RIM.....47
 ROOF, CAB.....26
 RUBBER HOOK.....38, 39

-S-

CONDENSER.....10
 CRADLE.....43
 CROP GUIDE.....16
 FLOW DIVIDER.....9
 FUEL SHUT OFF.....4
 FUEL TANK.....20, 21
 HYDROSTATIC CABLE.....4
 LIFTARM.....48
 MOTOR.....5
 RADIATOR.....11
 RESISTOR.....4
 SEAT.....29
 SENSOR.....17
 THROTTLE CABLE.....4, 34
 MUFFLER.....12, 14
 CLAMP.....12, 14

SCHEMATIC
 ELECTRICAL.....62, 64
 HYDRAULIC.....60

SCREEN
 AIR INTAKE.....11
 LOWER.....39
 UPPER.....39
 SEAT.....29
 MOUNT.....29
 SENDER
 FUEL TANK.....20,21
 OIL.....4
 TEMPERATURE.....4,6
 SENSOR
 DISC.....17
 MOUNT.....17
 SPEEDOMETER.....17
 SELECTOR VALVE
 FUEL.....20,21
 GRESN.....22
 SERVICE PLATFORM.....40
 SHAFT
 AGITATOR.....42
 SHEET METAL.....38
 SHIELD
 FRONT.....41
 LOWER FRONT.....41
 TANK.....41
 WHEEL MOTOR.....17
 SHROUD, RADIATOR.....11
 SLEEVE, NYLON.....16
 SLIDE DOOR CATCH.....27
 S M V SIGN.....39
 SOLUTION
 HOISING.....54
 PUMP.....44
 TANK.....43
 VALVE.....45
 SPACER, FAN.....4
 SPEEDOMETER.....37
 SENSOR.....17
 SPRING, THROTTLE LEVER.....32,33
 STALK
 DEFLECTOR.....40
 GUIDE.....46
 STATION, OPERATOR.....25
 STEERING
 ADJUSTMENT KNOB.....35
 ARM.....16
 CAP.....35
 COLUMN.....35
 COVER.....35
 CYLINDER.....19
 MOTOR.....35
 PIVOT.....18
 TIE ROD.....18
 WHEEL.....35
 STOP, THROTTLE.....30

STRAP
 GROUND.....4,15,25
 OIL TANK.....22
 SUNDSTRAND
 PUMP.....8
 WHEEL MOTOR.....16,17
 SUPPORT, MULLION.....38
 SWITCH
 DIMMER.....25
 FLASHER.....37
 LIGHT.....37
 TOGGLE.....30,37

-T-

TAILLIGHT.....39
 TANK
 BAND.....20,21,43
 BAND BINDER.....43
 CRADLE, POLY.....43
 FUEL.....20,21
 LATCH.....43
 LID GASKET.....43
 OIL.....22
 POLY.....43
 RADIATOR RECOVERY.....11
 SHIELD.....41
 SOLUTION.....43
 TEMPERATURE
 GAUGE.....37
 SENDER.....4
 TERMINAL BLOCK.....25
 THROTTLE
 CABLE.....4
 CABLE HOLDER.....4,7
 LEVER.....32,33
 STOP.....30
 TIE PLATE, MAINFRAME.....5
 TIE ROD, STEERING.....18
 TIRE.....47
 TOGGLE SWITCH.....30,37
 TORQUE HUB.....16,17,41
 TOTE, HANDBOOK.....24
 TRANSOM.....49
 TUBE
 FOUR WHEEL DRIVE.....23
 HYDRAULIC.....17
 -V-
 VALVE
 BALL.....43,44
 GRESN SELECTOR.....23
 HANDLE LINK.....31
 SOLUTION.....45
 3-SPOOL.....31
 VOLTAGE REGULATOR.....5

WHEEL MOTOR

SHIELD.....17
SUNSTRAND.....16, 17
WHEEL, STEERING.....35
WIPER
ARM.....24
BLADE.....24
MOTOR.....24
WORKLIGHT COVER.....24

MEMORANDA
