

PARTS MANUAL
FOR
HAGIE MODEL 2100 HI-TRACTOR

HAGIE MANUFACTURING COMPANY

BOX 273 CLARION, IOWA 50525 (515) 532-2861

COVERS MACHINE SERIAL NUMBERS: U1400220001 thru U1400220100

09-01 493244
02-08

SPRAYER IDENTIFICATION

Each Hagie sprayer is identified by means of a frame serial number. This serial number denotes the model, the year in which it was built, and the number of the sprayer. As for further identification, the engine has a serial number and the planetary hubs have identification plates that describe the type of mount and gear ratio. To insure prompt, efficient service when ordering parts or requesting service repairs from Hagie Manufacturing Company, record the serial and identification numbers in the space provided below.

NOTE: Reference to left hand and right hand used throughout this manual refers to the position when seated in the operator's seat facing forward.

SPRAYER SERIAL NUMBER

ENGINE SERIAL NUMBER

PLANETARY HUB IDENTIFICATION NUMBERS

TABLE OF CONTENTS

ENGINE ASSEMBLY 4-7

AIR TANK ASSEMBLY 8-9

LOOP FLUSHING 10-11

WHEEL MOTOR VALVES. 12

VFC AND FLOW DIVIDER. 13-18

RADIATOR AND OIL COOLER ASSEMBLY. 19

OIL TANK ASSEMBLY 20

TIRE ASSEMBLY 21

LEG ASSEMBLY. 22-29

STEERING CYLINDER 30-31

MUFFLER AND AIR CLEANER 32-33

CAB ASSEMBLY. 34-38

INSTRUMENT PANEL ASSEMBLY 39

CONSOLE ASSEMBLY. 40-43

SWITCH PANEL ASSEMBLY 44

FOAM AIR REGULATOR. 45

FUSE BOX AND SEAT 46-47

SHEET METAL 48-49

RECOVERY TANK AND WINDSHIELD WASHER 50-51

LADDER. 52-53

FUEL TANK 54

SERVICE PLATFORM. 55

BOOM GRADLE 56-57

BATTERY 58

SOLUTION TANK 59-63

SOLUTION PUMP AND SOLENOIDS 64-69

QUICK FILL AND FENCE ROW. 70-73

SOLUTION HOISING 74-78

SOLUTION PUMP 79

TRANSOM, BOOM, AND LIFT COMPONENTS. 80-94

BOOM SECTION LIGHTS 95

RINSE 96-97

FOAMER. 98-99

TREAD ADJUSTMENT OPTION. 100-104

PRESSURE WASHER AND CHEMICAL INDUCTOR OPTION 105-107

REAR WHEEL NOZZLE AND RADAR OPTION. 108-109

INJECTION PLATFORM AND FOAMER DIVERT VALVE OPTION 110-111

DECALS. 112-113

HYDRAULIC SCHEMATIC 114-119

ELECTRICAL SCHEMATIC. 120-129

ABBREVIATIONS 140

INDEX 141

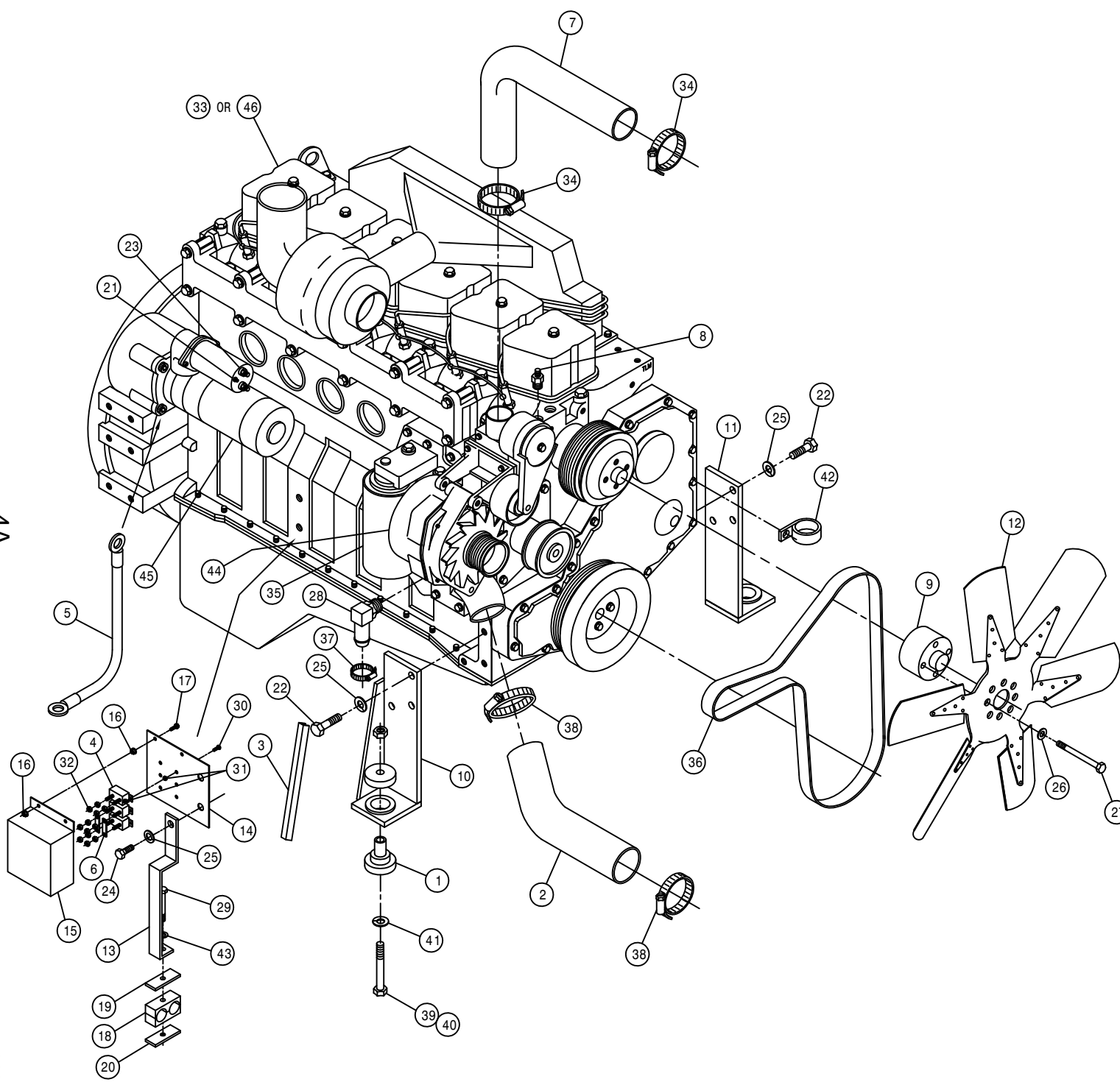
PARTS ORDER FORM. 145

ENGINE ASSEMBLY W/105 AMP ALTERNATOR

DET. QTY PART NO. DESCRIPTION

1	2	311053	RUBBER MOUNT SET,SSB26-1000-1
2	1	314307	RADIATOR HOSE 21194
3	2	193012	QUICKEDGE TRIM .135 TO .250
4	3	291197	CIRCUIT BREAKER,30AMP,INLINEMT
5	1	291531	GROUND CABLE, 15"
6	2	291683	BUSS BAR,2 GANG CIRCUIT BREAKR
7	1	314308	RADIATOR HOSE, GOODYEAR 60880
8	1	314836	TEMP SENDR 280D 1/2NPT FOR GA
9	1	316199	22IN FAN SPACER CUMM 92
10	1	316250	RH FRT ENG MT WLD, CUMM 94
11	1	316313	LH FRT ENG MT WLD, 284 CUMM 98
12	1	316327	FAN, 24" 6 BLADE 28.5DEG CW
13	1	316336	RH HYD TUBE MT, 2100 98
14	1	316339	BREAKER MTG PLT, 2100 98
15	1	316340	BREAKER COVER, 2100 98
16	4	470175	10-32 HEX FLANGE LOCK NUT
17	2	470216	10-32 X 3/4 FLANGE HEX BOLT
18	1	470274	TUBE CLAMP BODY, .750-.750
19	1	470276	CLAMP COVER PLATE,SNGL, 2.55LG
20	1	470278	CLAMP WELD PLATE, SNGL, 2.75LG
21	1	473770	5MM-.80 HEX NUT
22	6	473775	12MM-1.75 X 30MM HEX BOLT
23	1	473779	10MM-1.50 HEX NUT
24	2	473783	12MM-1.75 X 25MM HEX BOLT
25	8	473784	12MM LOCK WASHER
26	4	473804	8MM LOCK WASHER
27	4	473822	8MM-1.25 X 70MM HEX BOLT
28	1	618573	5/8 HOSE BARB-90-1/2MNPT
29	1	900086	5/16UNC X 2 1/4 HEX BOLT
30	6	903812	6-32 X 1/2 SLT RD HD MACH SCR
31	12	910022	6-32 HEX NUT
32	12	910027	10-32 HEX NUT
33	1	316310	CUMM ENG,6B5.9A 174@2500 CMPSR
34	2	520067	HOSE CLAMP NO 28 STAINLESS
35	1	316207	LUBE FILTER CUMMINS DIESEL 92
36	1	316206	POLY V BELT CUMMINS DIESEL 92
37	1	520055	HOSE CLAMP NO 12 STAINLESS
38	2	520099	HOSE CLAMP NO 40 STAINLESS
39	2	900271	1/2UNC X 3 1/4 HEX BOLT
40	2	914008	1/2UNC HEX STOVER NUT
41	2	920004	1/2 SAE FLAT WASHER
42	1	520126	CUSH HOSE CLAMP 2IN X 5/8W
43	1	920501	5/16 LOCK WASHER
44	1	316346	105 AMP ALT,DELCO W/PULLEY
45	1	316216	STARTER FOR CUMM 6 CYL 316185
46	1	316350	CUMM ENG,6B5.9A 200@2500 CMPSR

4A

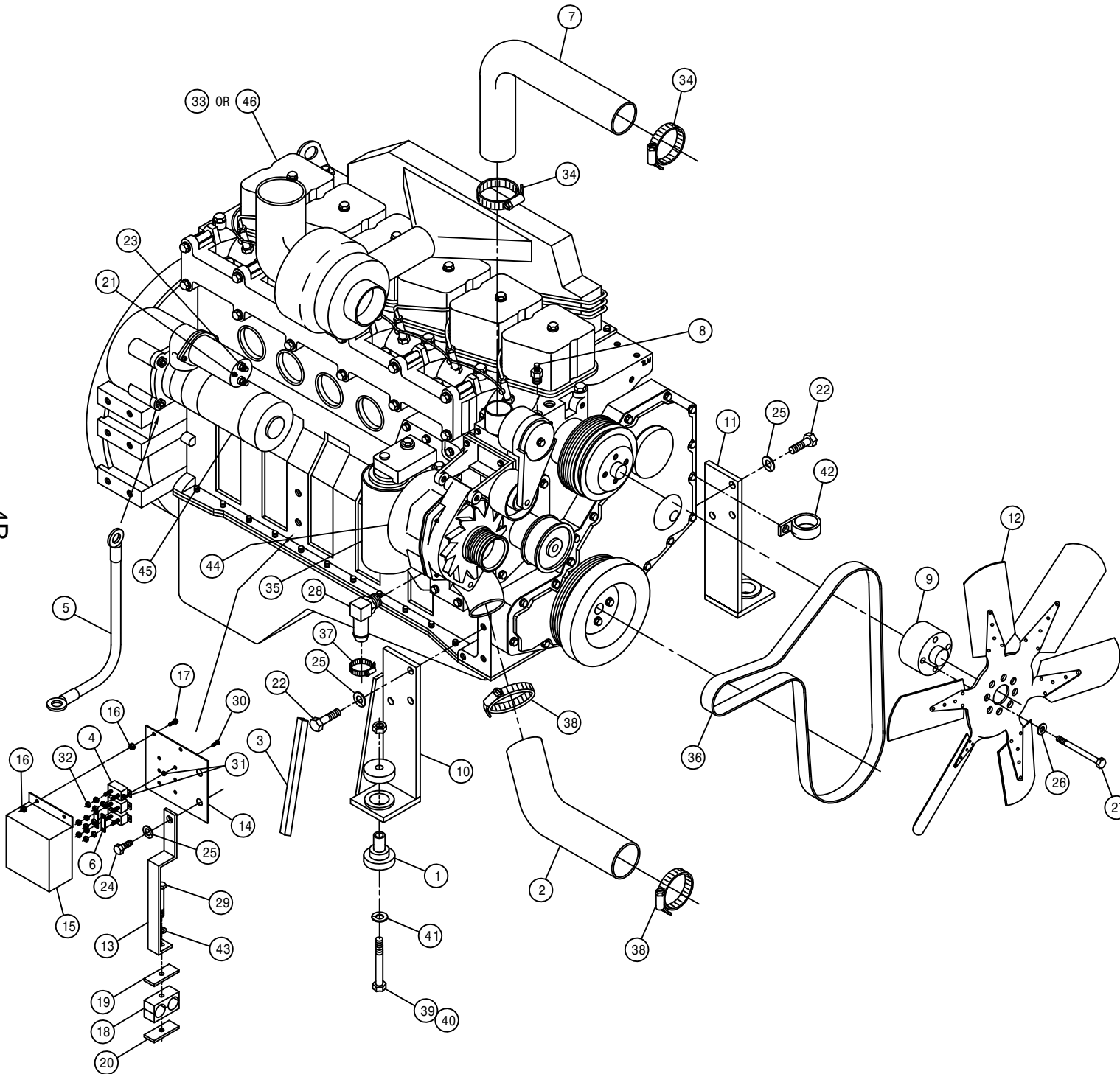


244004

ENGINE ASSEMBLY W/130 AMP ALTERNATOR

DET. QTY PART NO. DESCRIPTION

1	2	311053	RUBBER MOUNT SET,SSB26-1000-1
2	1	314307	RADIATOR HOSE 21194
3	2	193012	QUICKEDGE TRIM .135 TO .250
4	3	291197	CIRCUIT BREAKER,30AMP,INLINEMT
5	1	291531	GROUND CABLE, 15"
6	2	291683	BUSS BAR,2 GANG CIRCUIT BREAKR
7	1	314308	RADIATOR HOSE, GOODYEAR 60880
8	1	314836	TEMP SENDR 280D 1/2NPT FOR GA
9	1	316199	22IN FAN SPACER CUMM 92
10	1	316250	RH FRT ENG MT WLD, CUMM 94
11	1	316313	LH FRT ENG MT WLD, 284 CUMM 98
12	1	316327	FAN, 24" 6 BLADE 28.5DEG CCW
13	1	316336	RH HYD TUBE MT, 2100 98
14	1	316339	BREAKER MTG PLT, 2100 98
15	1	316340	BREAKER COVER, 2100 98
16	4	470175	10-32 HEX FLANGE LOCK NUT
17	2	470216	10-32 X 3/4 FLANGE HEX BOLT
18	1	470274	TUBE CLAMP BODY,.750-.750
19	1	470276	CLAMP COVER PLATE,SNGL, 2.55LG
20	1	470278	CLAMP WELD PLATE, SNGL, 2.75LG
21	1	473770	5MM-.80 HEX NUT
22	6	473775	12MM-1.75 X 30MM HEX BOLT
23	1	473779	10MM-1.50 HEX NUT
24	2	473783	12MM-1.75 X 25MM HEX BOLT
25	8	473784	12MM LOCK WASHER
26	4	473804	8MM LOCK WASHER
27	4	473822	8MM-1.25 X 70MM HEX BOLT
28	1	618573	5/8 HOSE BARB-90-1/2MNPT
29	1	900086	5/16UNC X 2 1/4 HEX BOLT
30	6	903812	6-32 X 1/2 SLT RD HD MACH SCR
31	12	910022	6-32 HEX NUT
32	12	910027	10-32 HEX NUT
33	1	316310	CUMM ENG,6B5.9A 174@2500 CMPSR
34	2	520067	HOSE CLAMP NO 28 STAINLESS
35	1	316207	LUBE FILTER CUMMINS DIESEL 92
36	1	316206	POLY V BELT CUMMINS DIESEL 92
37	1	520055	HOSE CLAMP NO 12 STAINLESS
38	2	520099	HOSE CLAMP NO 40 STAINLESS
39	2	900271	1/2UNC X 3 1/4 HEX BOLT
40	2	914008	1/2UNC HEX STOVER NUT
41	2	920004	1/2 SAE FLAT WASHER
42	1	520126	CUSH HOSE CLAMP 2IN X 5/8W
43	1	920501	5/16 LOCK WASHER
44	1	316367	DELCO ALTERNATOR,130 AMP 22SI
45	1	316216	STARTER FOR CUMM 6 CYL 316185
46	1	316350	CUMM ENG,6B5.9A 200@2500 CMPSR

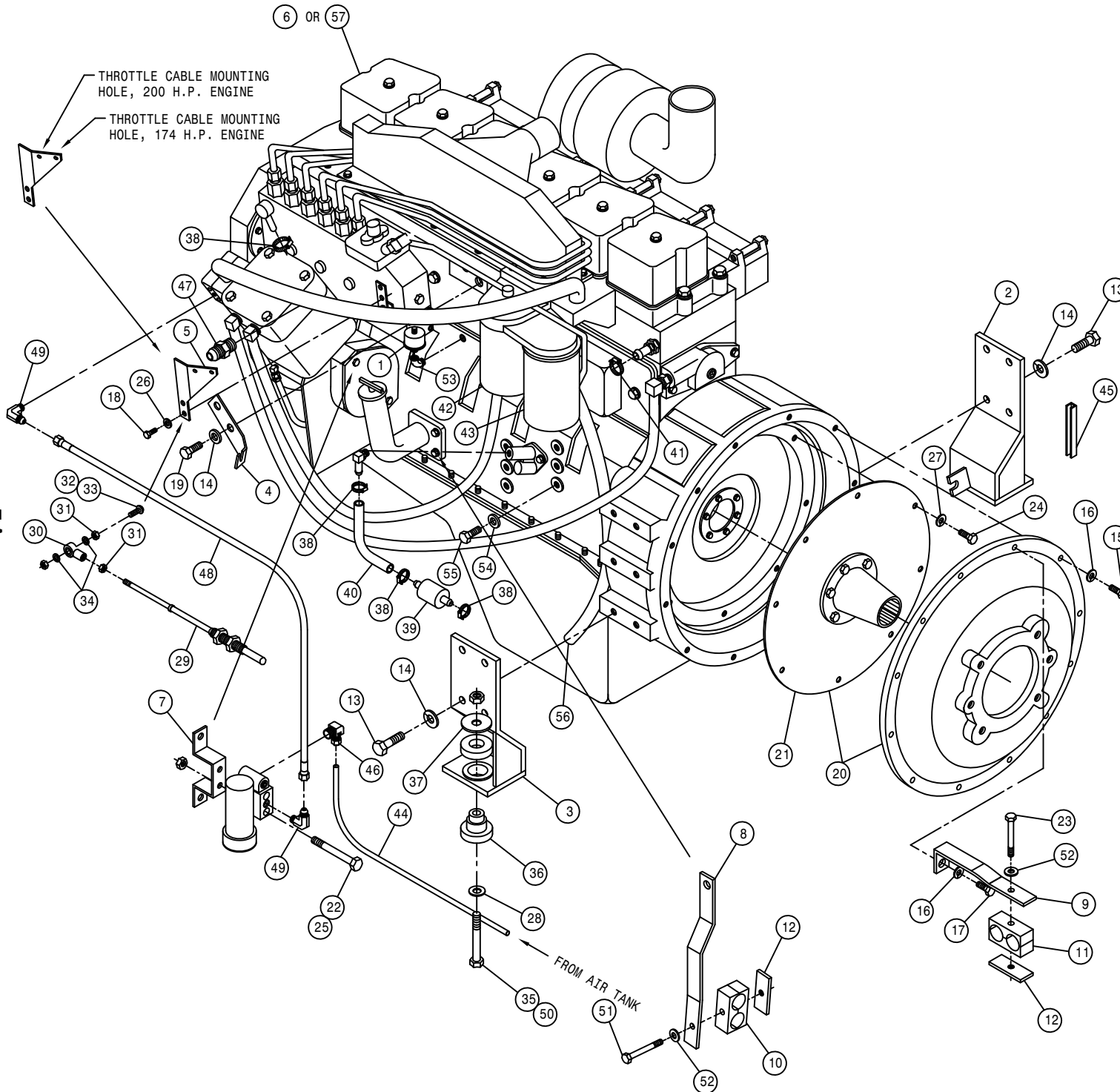


4B

244004

ENGINE ASSEMBLY W/105 AMP ALTERNATOR

DET. QTY PART NO. DESCRIPTION

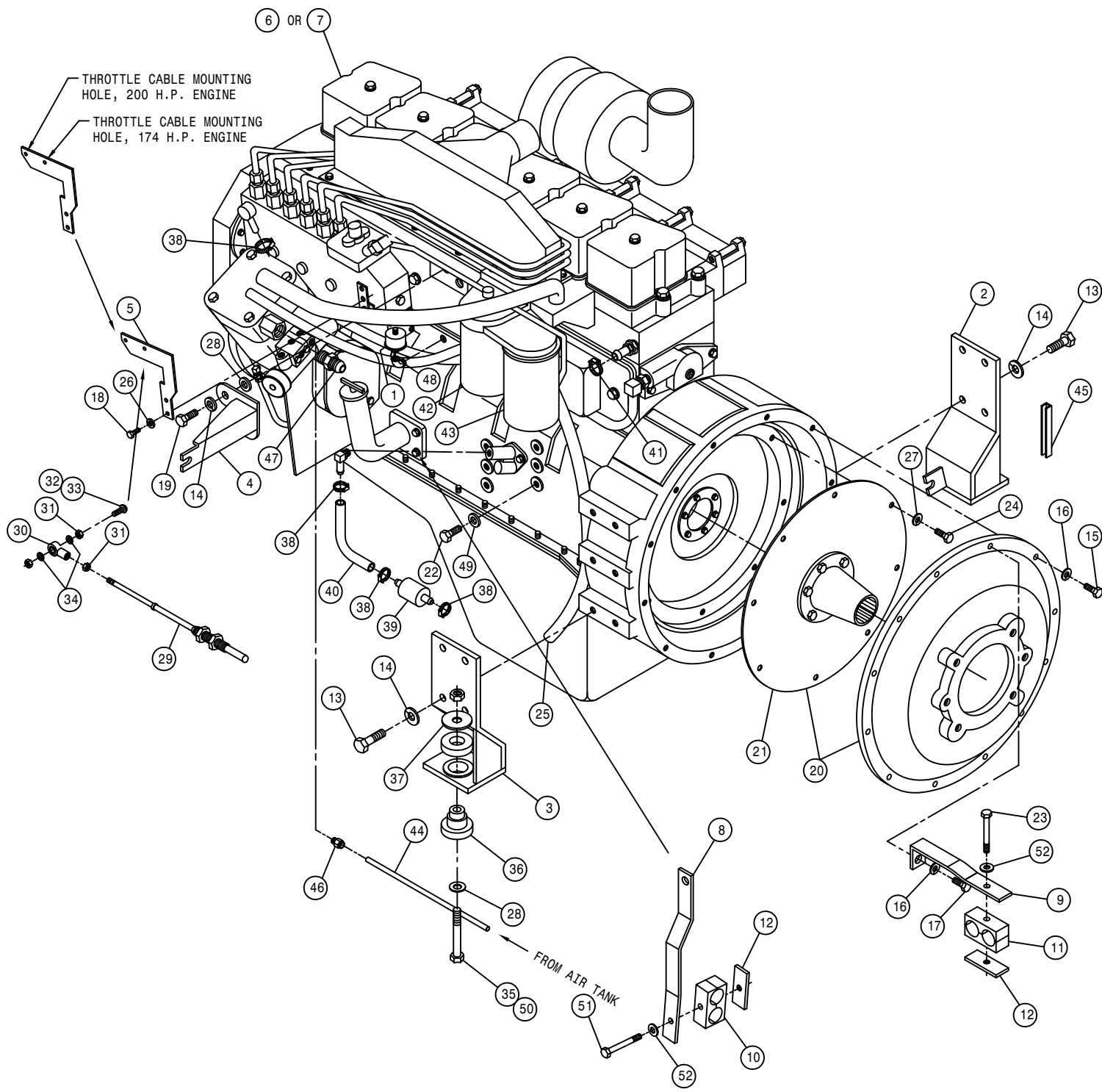


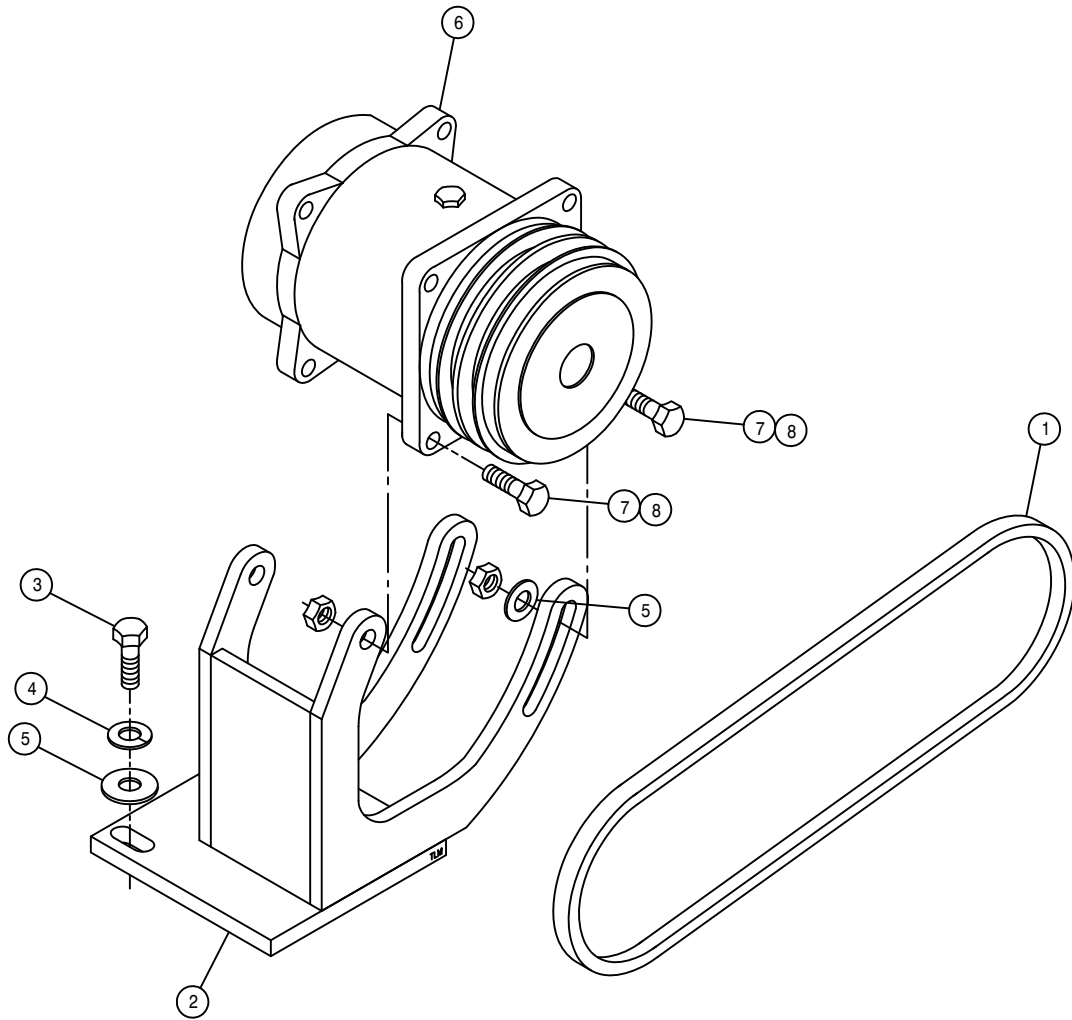
1	1	291674	OIL PRESS SENDER,125PSI,1/8NPT
2	1	316252	RH REAR ENG MT WLD, CUMM 94
3	1	316253	LH REAR ENG MT WLD, CUMM 94
4	1	316303	THROTTLE CABLE MT,6CYL CUMM 97
5	1	316304	THROTTLE LEVER EXT,6CYL CUMM97
6	1	316310	CUMM ENG,6B5.9A 174@2500 CMPSR
7	1	316322	AIR REGULATOR BRKT 98
8	1	316337	LH HYD TUBE MT, 2100 98
9	1	316338	REAR HYD TUBE MT, 2100 98
10	1	470274	TUBE CLAMP BODY, .750-.750
11	1	470275	TUBE CLAMP BODY,1.000-1.000
12	2	470278	CLAMP WELD PLATE, SNGL, 2.75LG
13	8	473775	12MM-1.75 X 30MM HEX BOLT
14	10	473784	12MM LOCK WASHER
15	11	473792	10MM-1.50 X 30MM HEX BOLT
16	12	473798	10MM LOCK WASHER
17	1	473818	10MM-1.50 X 40MM HEX BOLT
18	2	473826	6MM-1.00 X 16MM HEX BOLT
19	2	473828	12MM-1.50 X 20MM HEX BOLT
20	1	800502	PUMP DRIVE,DIRECT SAE#3/C 23T
21	1	800503	DRIVE DISK ASSY,11.5" 23T SPL
22	2	900072	5/16UNC X 3" HEX BOLT
23	1	900086	5/16UNC X 2 1/4 HEX BOLT
24	8	900128	3/8UNC X 3/4 HEX BOLT
25	2	914002	5/16UNC HEX STOVER NUT
26	2	920500	1/4 LOCK WASHER
27	8	920502	3/8 LOCK WASHER
28	2	920004	1/2 SAE FLAT WASHER
29	1	785079	CTRL CABLE 10-32 4IN X 140 IN
30	1	473921	BALL JOINT NO 10-32 THD
31	2	910027	10-32 HEX NUT
32	1	903893	10-32 X 1" SLT RD HD MACH SCR
33	1	914027	10-32 HEX STOVER NUT
34	2	920510	#10 LOCK WASHER
35	2	900271	1/2UNC X 3 1/4 HEX BOLT
36	2	311054	RUBBER MOUNT SET, CB-2202-4
37	2	311055	REBOUND WASHER FOR 311054
38	4	520120	HOSE CLAMP NO 4 STAINLESS
39	1	316281	FUEL STRAINER, IN-LINE, DIESEL
40	1	601347	HOSE, 3/8 X 10 FUEL LINE
41	1	520055	HOSE CLAMP NO 12 STAINLESS
42	1	316208	FUEL FILTER, PRIMARY CUMM 92
43	1	316209	FUEL FILTER, SECONDARY CUMM92
44	1	601414	HOSE, 1/4 X 31 AIR
45	2	193012	QUICKEDGE TRIM .135 TO .250
46	1	711026	1/8MNPT-90-1/4OD NYL TUBE FTG
47	1	611147	3/4MJIC-1/2MNPT ADPTR
48	1	611293	04P919-04FJX-04FJX-20 H/A
49	2	618447	7/16MJIC-90-1/8MNPT LBO
50	2	914008	1/2UNC HEX STOVER NUT
51	1	900069	5/16UNC X 2" HEX BOLT
52	2	920501	5/16 LOCK WASHER
53	1	500900	BLK PIPE ST EL 90DEG .125NPT
54	1	473804	8MM LOCK WASHER
55	1	473827	8MM-1.25 X 20MM HEX BOLT
56	1	601537	HOSE, 3/4 X 24 CLEAR VINYL
57	1	316350	CUMM ENG,6B5.9A 200@2500 CMPSR

ENGINE ASSEMBLY W/130 AMP ALTERNATOR

DET. QTY PART NO. DESCRIPTION

DET.	QTY	PART NO.	DESCRIPTION
1	1	291674	OIL PRESS SENDER,125PSI,1/8NPT
2	1	316252	RH REAR ENG MT WLD, CUMM 94
3	1	316253	LH REAR ENG MT WLD, CUMM 94
4	1	316517	THROTTLE CABLE MT WLD, CUMM 02
5	1	316516	THROTTLE CABLE LEVER, CUMM 02
6	1	316310	CUMM ENG,6B5.9A 174@2500 CMPSR
7	1	316350	CUMM ENG,6B5.9A 200@2500 CMPSR
8	1	316337	LH HYD TUBE MT, 2100 98
9	1	316338	REAR HYD TUBE MT, 2100 98
10	1	470274	TUBE CLAMP BODY, .750-.750
11	1	470275	TUBE CLAMP BODY,1.000-1.000
12	2	470278	CLAMP WELD PLATE, SNGL, 2.75LG
13	8	473775	12MM-1.75 X 30MM HEX BOLT
14	10	473784	12MM LOCK WASHER
15	11	473792	10MM-1.50 X 30MM HEX BOLT
16	12	473798	10MM LOCK WASHER
17	1	473818	10MM-1.50 X 40MM HEX BOLT
18	2	473826	6MM-1.00 X 16MM HEX BOLT
19	2	473828	12MM-1.50 X 20MM HEX BOLT
20	1	800502	PUMP DRIVE,DIRECT SAE#3/C 23T
21	1	800503	DRIVE DISK ASSY,11.5" 23T SPL
22	1	473827	8MM-1.25 X 20MM HEX BOLT
23	1	900086	5/16UNC X 2 1/4 HEX BOLT
24	8	900128	3/8UNC X 3/4 HEX BOLT
25	1	601537	HOSE, 3/4 X 24 CLEAR VINYL
26	2	920500	1/4 LOCK WASHER
27	8	920502	3/8 LOCK WASHER
28	4	920004	1/2 SAE FLAT WASHER
29	1	785079	CTRL CABLE 10-32 4IN X 140 IN
30	1	473921	BALL JOINT NO 10-32 THD
31	2	910027	10-32 HEX NUT
32	1	903893	10-32 X 1" SLT RD HD MACH SCR
33	1	914027	10-32 HEX STOVER NUT
34	2	920510	#10 LOCK WASHER
35	2	900271	1/2UNC X 3 1/4 HEX BOLT
36	2	311054	RUBBER MOUNT SET, CB-2202-4
37	2	311055	REBOUND WASHER FOR 311054
38	4	520120	HOSE CLAMP NO 4 STAINLESS
39	1	316281	FUEL STRAINER, IN-LINE, DIESEL
40	1	601347	HOSE, 3/8 X 10 FUEL LINE
41	1	520055	HOSE CLAMP NO 12 STAINLESS
42	1	316208	FUEL FILTER, PRIMARY CUMM 92
43	1	316209	FUEL FILTER, SECONDARY CUMM92
44	1	601553	HOSE, 1/4 X 43 AIR
45	2	193012	QUICKEDGE TRIM .135 TO .250
46	1	711036	1/8MNPT-1/4 NYL TUBE FTG
47	1	610300	3/4MJIC-3/4MNPT ADPTR
48	1	500900	BLK PIPE ST EL 90DEG .125NPT
49	1	473804	8MM LOCK WASHER
50	2	914008	1/2UNC HEX STOVER NUT
51	1	900069	5/16UNC X 2" HEX BOLT
52	2	920501	5/16 LOCK WASHER



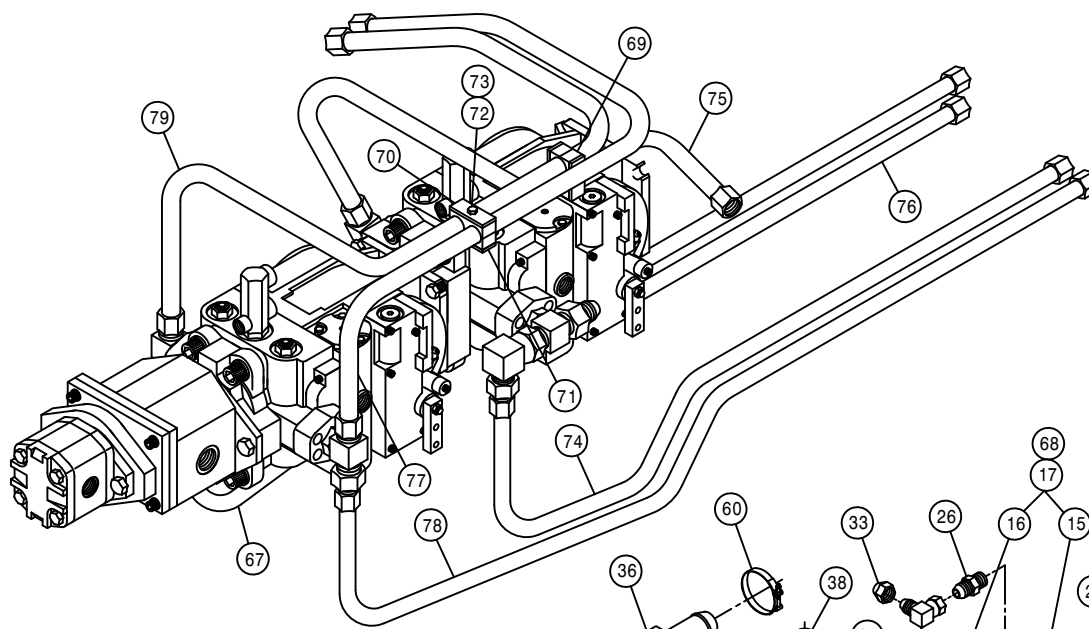


A/C COMPRESSOR PUMP ASSEMBLY

DET. QTY PART NO. DESCRIPTION

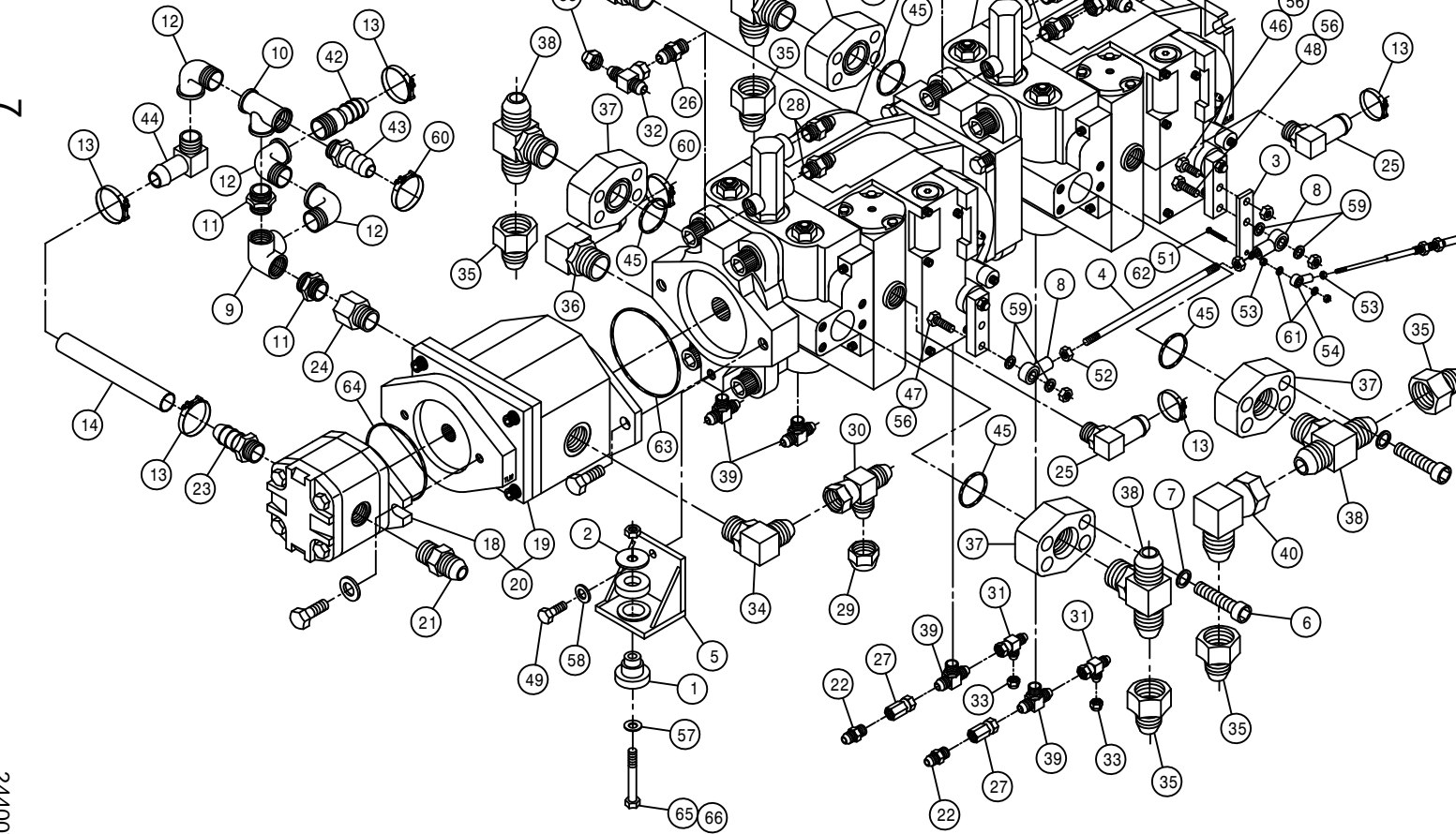
1	1	147050	9455XL BELT, GATES	
2	1	316314	A/C COMPRESR MT WLD, 284	98
3	3	473792	10MM-1.50 X 30MM HEX BOLT	
4	3	473798	10MM LOCK WASHER	
5	5	483043	3/8 REGULAR FLAT WASHER	
6	1	657403	A/C COMPRESR, 180D PORTS TM15/12	
7	4	900131	3/8UNC X 1 1/2 HEX BOLT	
8	4	914004	3/8UNC HEX STOVER NUT	

HYDROSTATIC PUMP ASSEMBLY



DET.	QTY	PART NO.	DESCRIPTION
68	1	606950	O-RING, SUND 9004100-0480
69	2	470275	TUBE CLAMP BODY, 1.000-1.000
70	2	470276	CLAMP COVER PLATE, SNGL, 2.55LG
71	2	470278	CLAMP WELD PLATE, SNGL, 2.75LG
72	2	900086	5/16UNC X 2 1/4 HEX BOLT
73	2	920501	5/16 LOCK WASHER
74	1	615717	RH FRT PUMP LWR TUBEASSY210098
75	1	615718	LH FRT PUMP UPR TUBEASSY210098
76	1	615719	LH FRT PUMP LWR TUBEASSY210098
77	1	615720	RH REAR PUMP UPR TUBE ASSY 98
78	1	615721	RH REAR PUMP LWR TUBE ASSY 98
79	1	615722	LH REAR PUMP UPR TUBE ASSY 98

DET.	QTY	PART NO.	DESCRIPTION
1	1	311054	RUBBER MOUNT SET, CB-2202-4
2	1	311055	REBOUND WASHER FOR 311054
3	1	316160	PUMP CONT LEVER EXT 280 CUMM
4	1	316335	HYDST PUMP CTRL ROD, 2100 98
5	1	316341	AUX PUMP SUPP MT WLD, 2100 98
6	16	470188	7/16-14 X 1 1/2 SKTHD CAP SCR
7	16	470189	7/16 HC LOCK WASH FOR 618598
8	2	473998	BALL JOINT, 1/4-28 1/4BORE
9	1	505098	SIDE OUTLET EL 90DEG 1.00NPT
10	1	505101	BLK PIPE TEE 1.00NPT
11	2	505105	1MNPT HEX PIPE NIPPLE STL
12	3	505200	BLK PIPE ST EL 90DEG 1.00NPT
13	5	520137	1.19/1.33 T-BOLT HOSE CLAMP
14	1	601383	HOSE, 3/4 X 8 1FBR-1SPI
15	1	606944	SUND 75CC PUMP,C/C-MT
16	1	606947	SUND 75CC PUMP,C/B-MT
17	1	606943	TANDEM PUMP, 606944 & 606947
18	1	606929	SUND GEAR PUMP .66CI, SPLINED
19	1	606932	SUND GEAR PUMP, 1.60CI, SPLINED
20	1	606941	TANDEM PUMP, 606929 & 606932
21	1	611126	7/8MJIC-7/8MOR ADPTR
22	2	614740	RESTRICTOR FTG ASSY, .050
23	1	618075	3/4 HOSE BARB-1 1/16MOR
24	1	618090	1 5/16MOR-1FNPT ADPTR
25	2	618118	3/4 HOSE BARB-90-1 1/16MOR
26	2	618126	9/16MJIC-9/16MOR ADPTR
27	2	618291	9/16FJX-1/4FNPT ADPTR
28	4	618327	3/4MJIC-7/8MOR ADPTR
29	1	618328	7/8FJIC CAP NUT
30	1	618333	7/8FJIC SW RUN TEE-7/8MJIC
31	2	618486	9/16FJIC SW RUN TEE-9/16MJIC
32	1	618514	9/16FJ SW BRANCH TEE-9/16MJ
33	4	618531	9/16FJIC CAP NUT
34	1	618535	7/8MJIC-90-1 1/16MOR LBO
35	5	618541	1 5/16FJIC-1 1/16MJIC ADPTR
36	2	618564	1IN HOSE BARB-90-1 5/16MOR
37	4	618598	1" 4-BOLT FLG X 1 5/16 FOR
38	4	618599	1 5/16MOR BRANCH TEE-1 5/16MJ
39	4	618629	9/16MOR BRANCH TEE-9/16MJIC
40	1	618640	1 5/16MJ-90-1 5/16FJ SWIV LBO
41	2	618643	3/4FJ SW BRANCH TEE-3/4MJ
42	1	714331	1 NPT X 3/4 HOSE BARB
43	1	714560	1NPT X 1 HOSE BARB
44	1	716000	3/4 HOSE BARB-90-1MNPT
45	4	870219	BUNA ORING 1 5/16 X 1 9/16
46	1	900003	1/4UNC X 1" HEX BOLT
47	1	900004	1/4UNC X 1 1/4 HEX BOLT
48	1	900005	1/4UNC X 1 1/2 HEX BOLT
49	1	900263	1/2UNC X 1" HEX BOLT
50	4	900265	1/2UNC X 1 1/2 HEX BOLT
51	1	903893	10-32 X 1" SLT RD HD MACH SCR
52	2	910001	1/4UNF HEX NUT
53	2	910027	10-32 HEX NUT
54	1	473921	BALL JOINT NO 10-32 THD
55	1	618618	9/16MJIC-90-9/16FJIC SWIV LBO
56	3	914000	1/4UNC HEX STOVER NUT
57	5	920004	1/2 SAE FLAT WASHER
58	1	920504	1/2 LOCK WASHER
59	4	920500	1/4 LOCK WASHER
60	3	520138	1.38/1.56 T-BOLT HOSE CLAMP
61	3	920510	#10 LOCK WASHER
62	1	914027	10-32 HEX STOVER NUT
63	1	606870	O-RING FOR 606865 SUND B-MT
64	1	606924	O-RING FOR SUND A-MT
65	1	900271	1/2UNC X 3 1/4 HEX BOLT
66	1	914008	1/2UNC HEX STOVER NUT
67	1	615723	LH REAR PUMP LWR TUBE ASSY 98

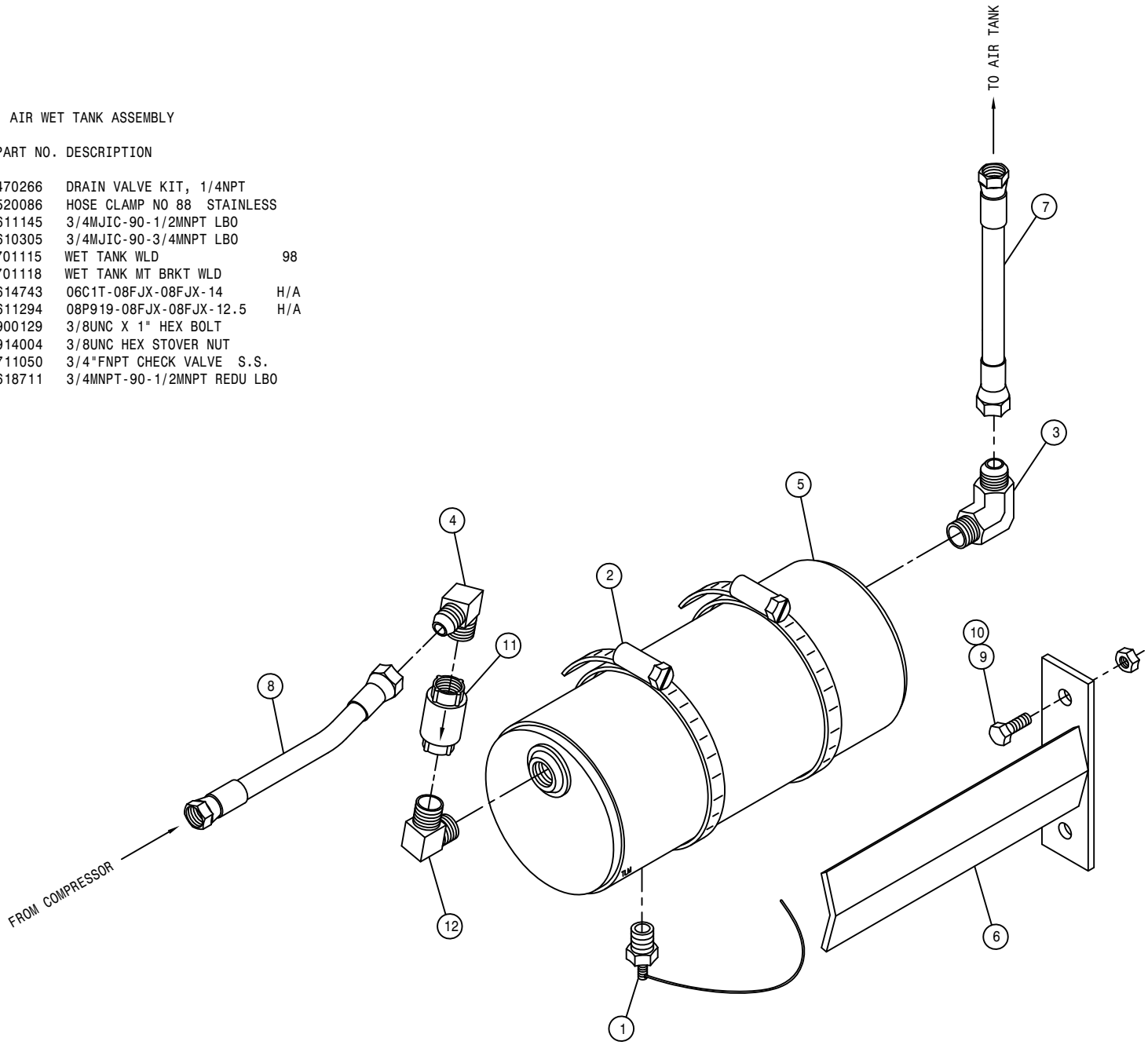


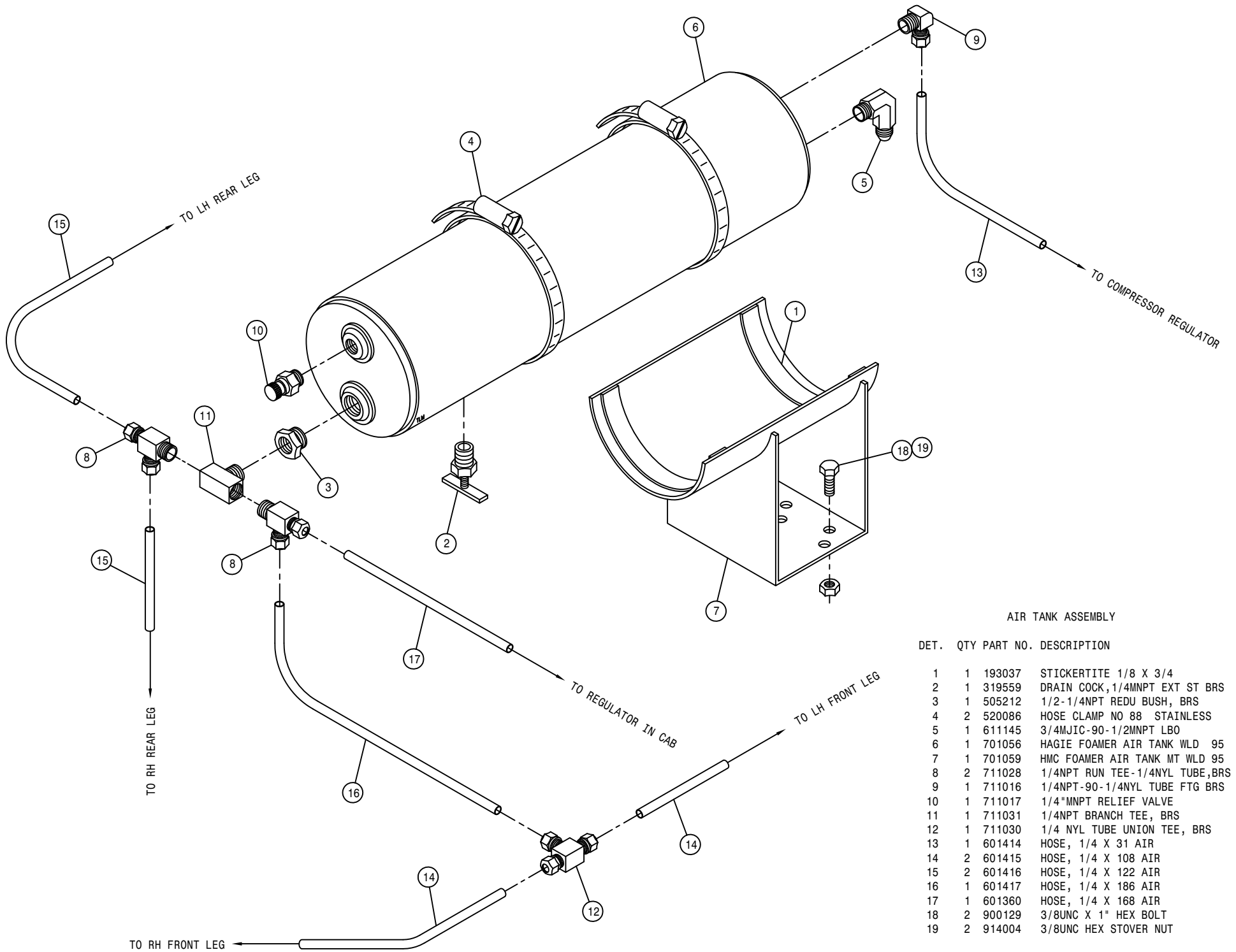
7

244007

AIR WET TANK ASSEMBLY

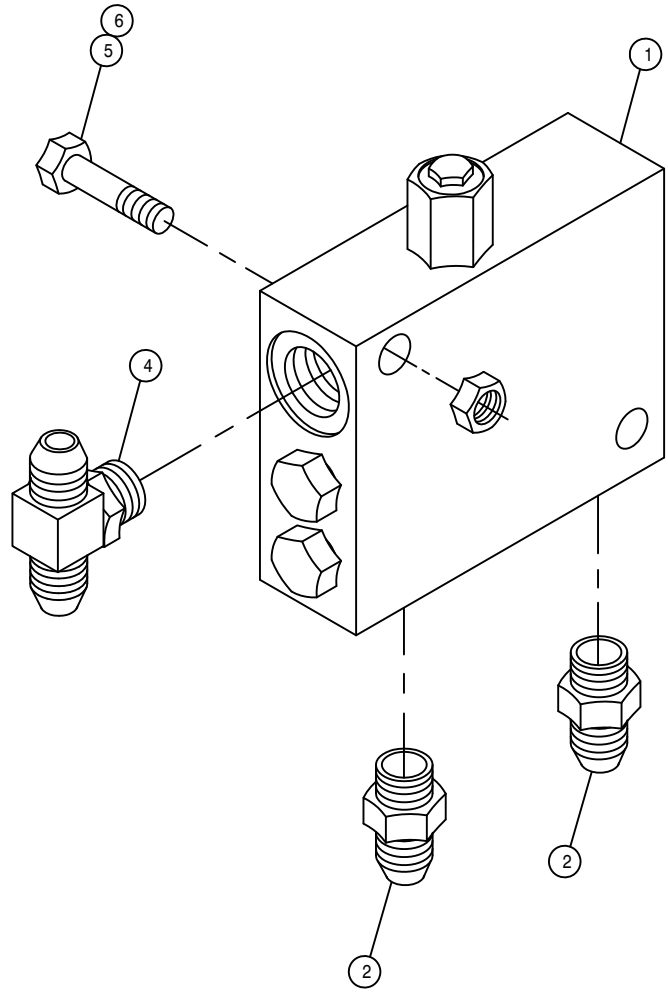
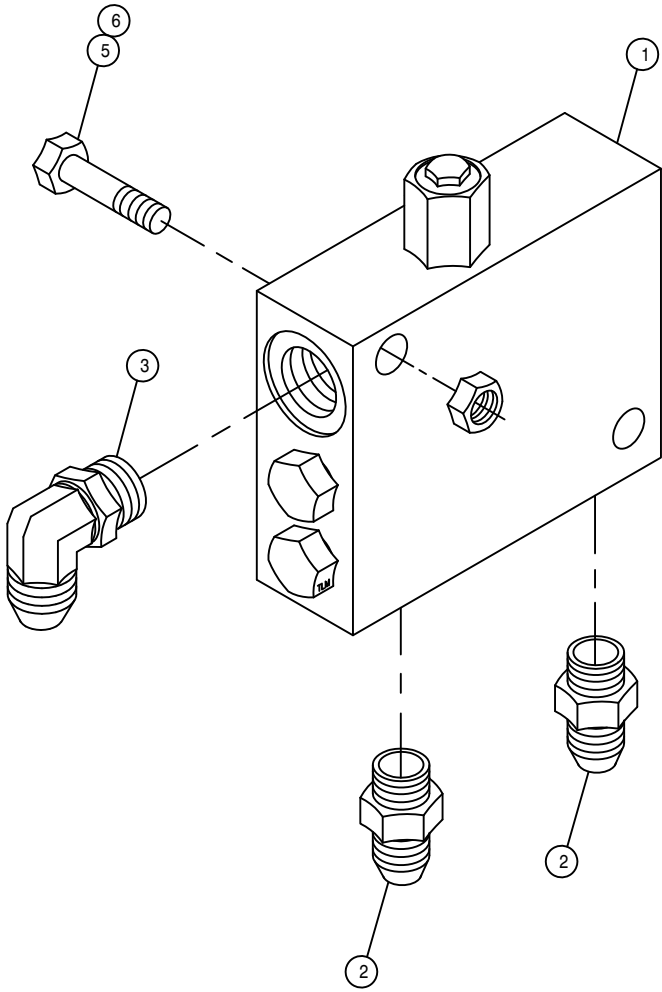
DET.	QTY	PART NO.	DESCRIPTION	
1	1	470266	DRAIN VALVE KIT, 1/4NPT	
2	2	520086	HOSE CLAMP NO 88 STAINLESS	
3	1	611145	3/4MJIC-90-1/2MNPT LBO	
4	1	610305	3/4MJIC-90-3/4MNPT LBO	
5	1	701115	WET TANK WLD	98
6	1	701118	WET TANK MT BRKT WLD	
7	1	614743	06C1T-08FJX-08FJX-14	H/A
8	1	611294	08P919-08FJX-08FJX-12.5	H/A
9	2	900129	3/8UNC X 1" HEX BOLT	
10	2	914004	3/8UNC HEX STOVER NUT	
11	1	711050	3/4"FNPT CHECK VALVE S.S.	
12	1	618711	3/4MNPT-90-1/2MNPT REDU LBO	





AIR TANK ASSEMBLY

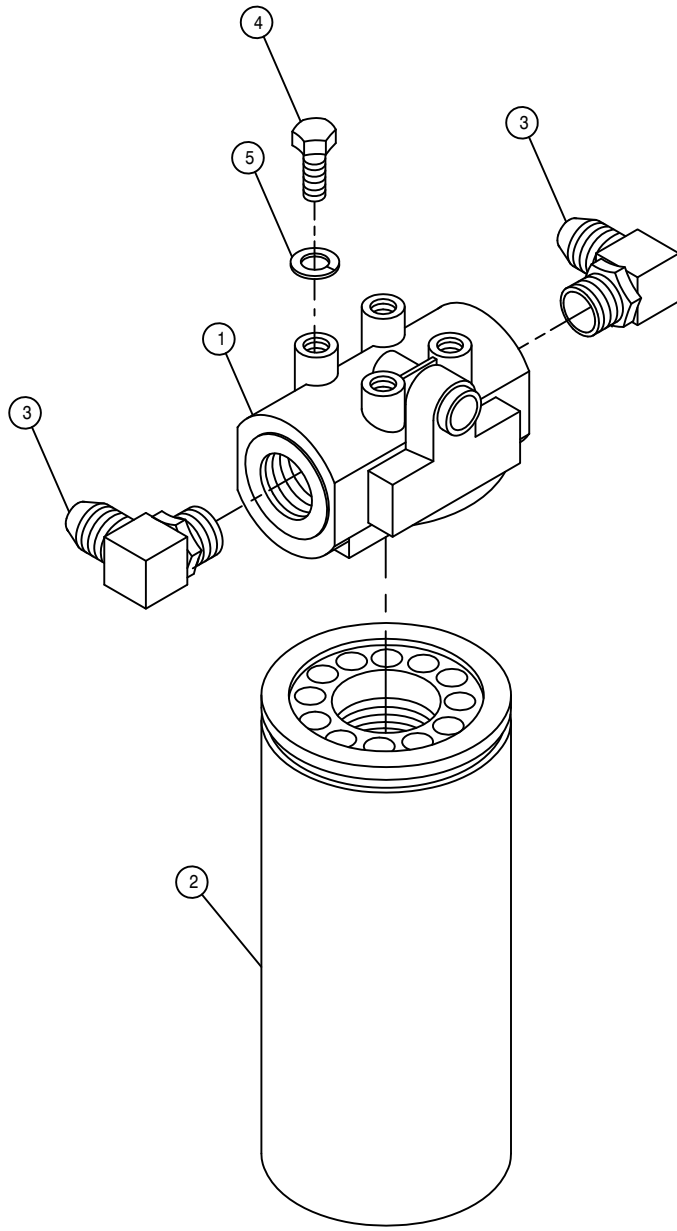
DET.	QTY	PART NO.	DESCRIPTION
1	1	193037	STICKERTITE 1/8 X 3/4
2	1	319559	DRAIN COCK, 1/4MNPT EXT ST BRS
3	1	505212	1/2-1/4NPT REDU BUSH, BRS
4	2	520086	HOSE CLAMP NO 88 STAINLESS
5	1	611145	3/4MJIC-90-1/2MNPT LBO
6	1	701056	HAGIE FOAMER AIR TANK WLD 95
7	1	701059	HMC FOAMER AIR TANK MT WLD 95
8	2	711028	1/4NPT RUN TEE-1/4NYL TUBE, BRS
9	1	711016	1/4NPT-90-1/4NYL TUBE FTG BRS
10	1	711017	1/4"MNPT RELIEF VALVE
11	1	711031	1/4NPT BRANCH TEE, BRS
12	1	711030	1/4 NYL TUBE UNION TEE, BRS
13	1	601414	HOSE, 1/4 X 31 AIR
14	2	601415	HOSE, 1/4 X 108 AIR
15	2	601416	HOSE, 1/4 X 122 AIR
16	1	601417	HOSE, 1/4 X 186 AIR
17	1	601360	HOSE, 1/4 X 168 AIR
18	2	900129	3/8UNC X 1" HEX BOLT
19	2	914004	3/8UNC HEX STOVER NUT



LOOP FLUSHING VALVE ASSEMBLY

DET. QTY PART NO. DESCRIPTION

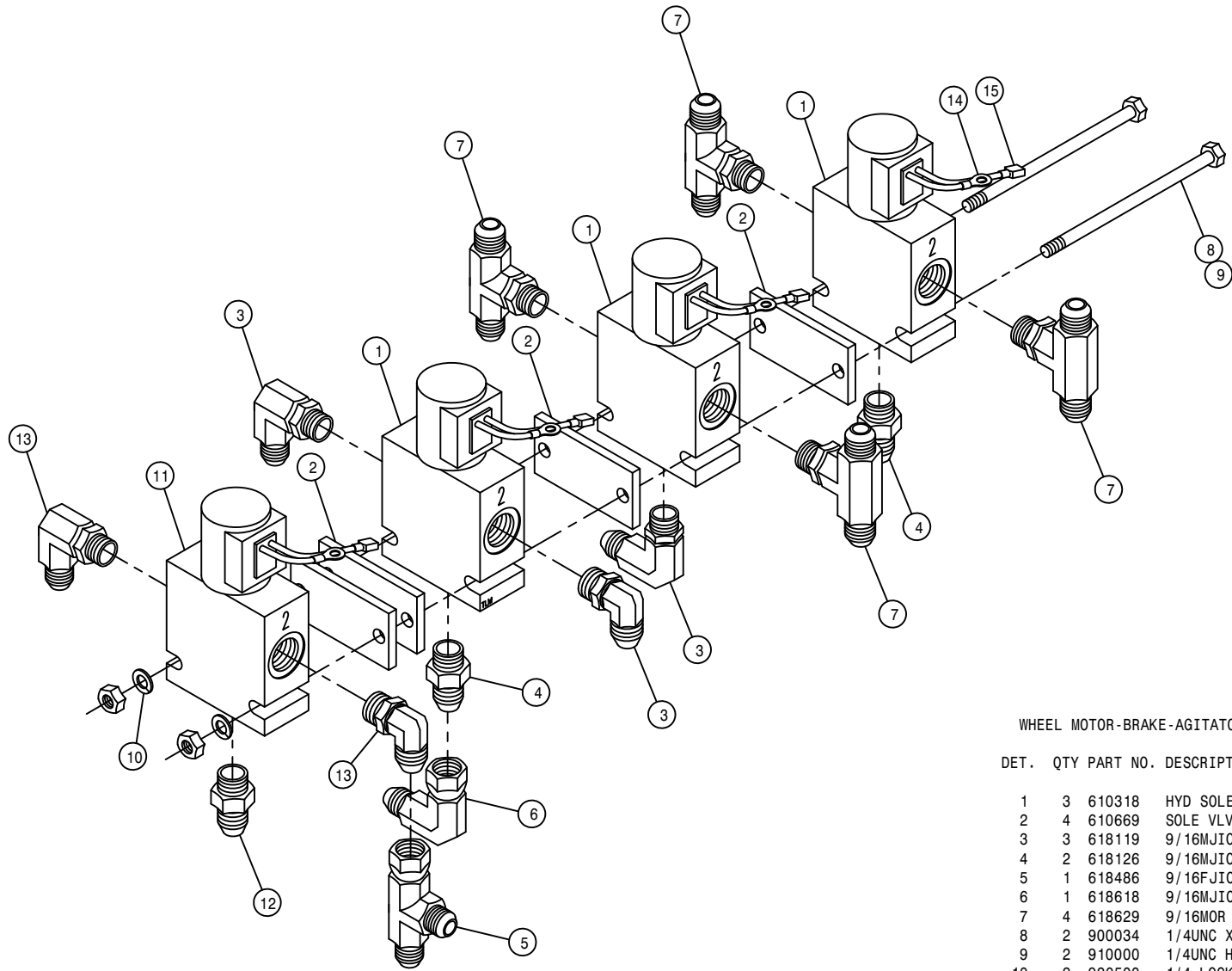
1	2	610580	REMOTE FLUSHING VALVE, SUND
2	4	618126	9/16MJIC-9/16MOR ADPTR
3	1	618119	9/16MJIC-90-9/16MOR LBO
4	1	618629	9/16MOR BRANCH TEE-9/16MJIC
5	4	900133	3/8UNC X 2" HEX BOLT
6	4	914004	3/8UNC HEX STOVER NUT



HI-PRESS FILTER ASSEMBLY

DET. QTY PART NO. DESCRIPTION

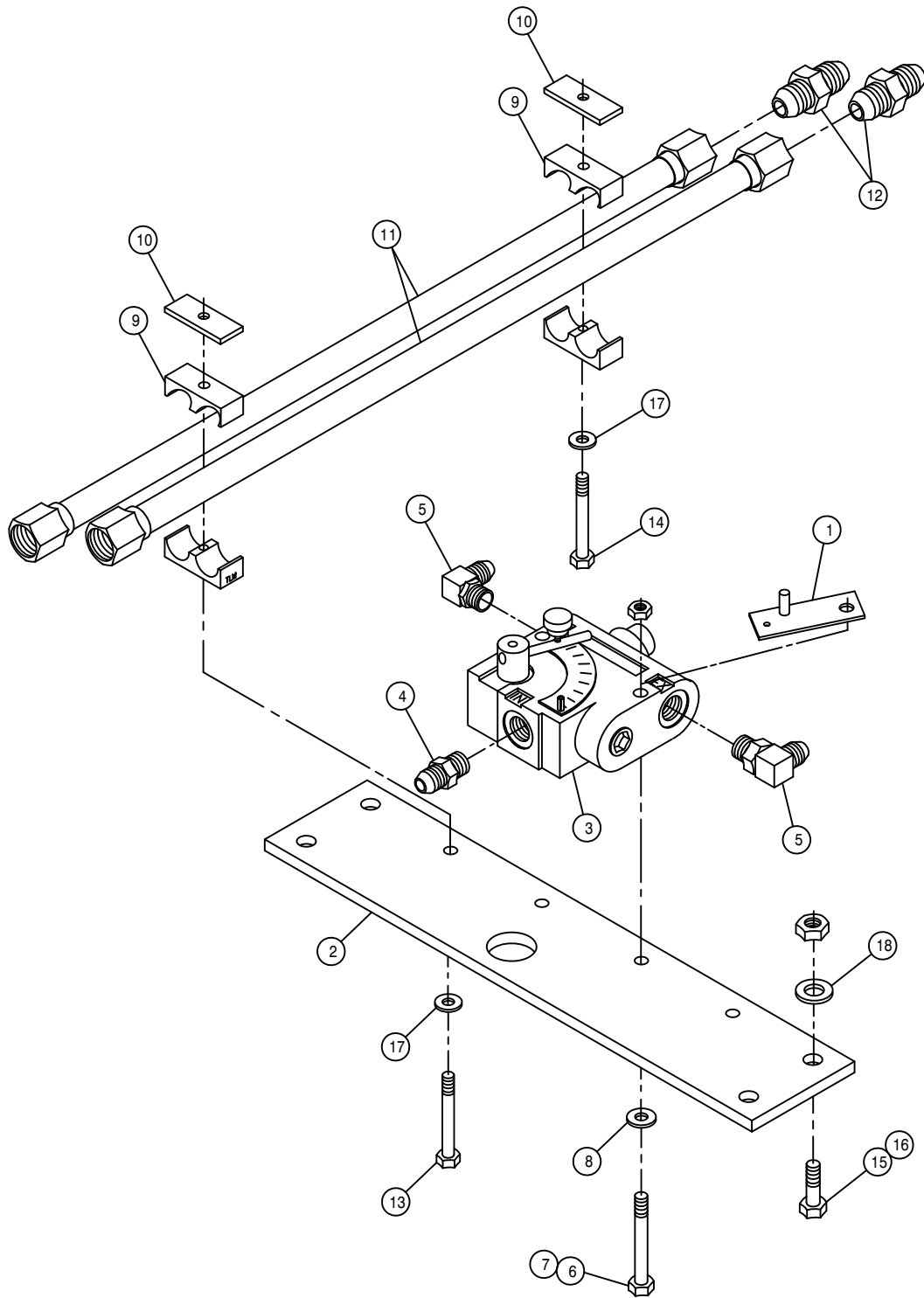
1	1	605608	HYD FILTER HEAD, DONALDSON
2	1	605609	HYD FILTER ELEMENT, DONALDSON
3	2	618474	3/4MJIC-90-1 1/16MOR LBO
4	4	900128	3/8UNC X 3/4 HEX BOLT
5	4	920502	3/8 LOCK WASHER



WHEEL MOTOR-BRAKE-AGITATOR VALVE ASSEMBLY

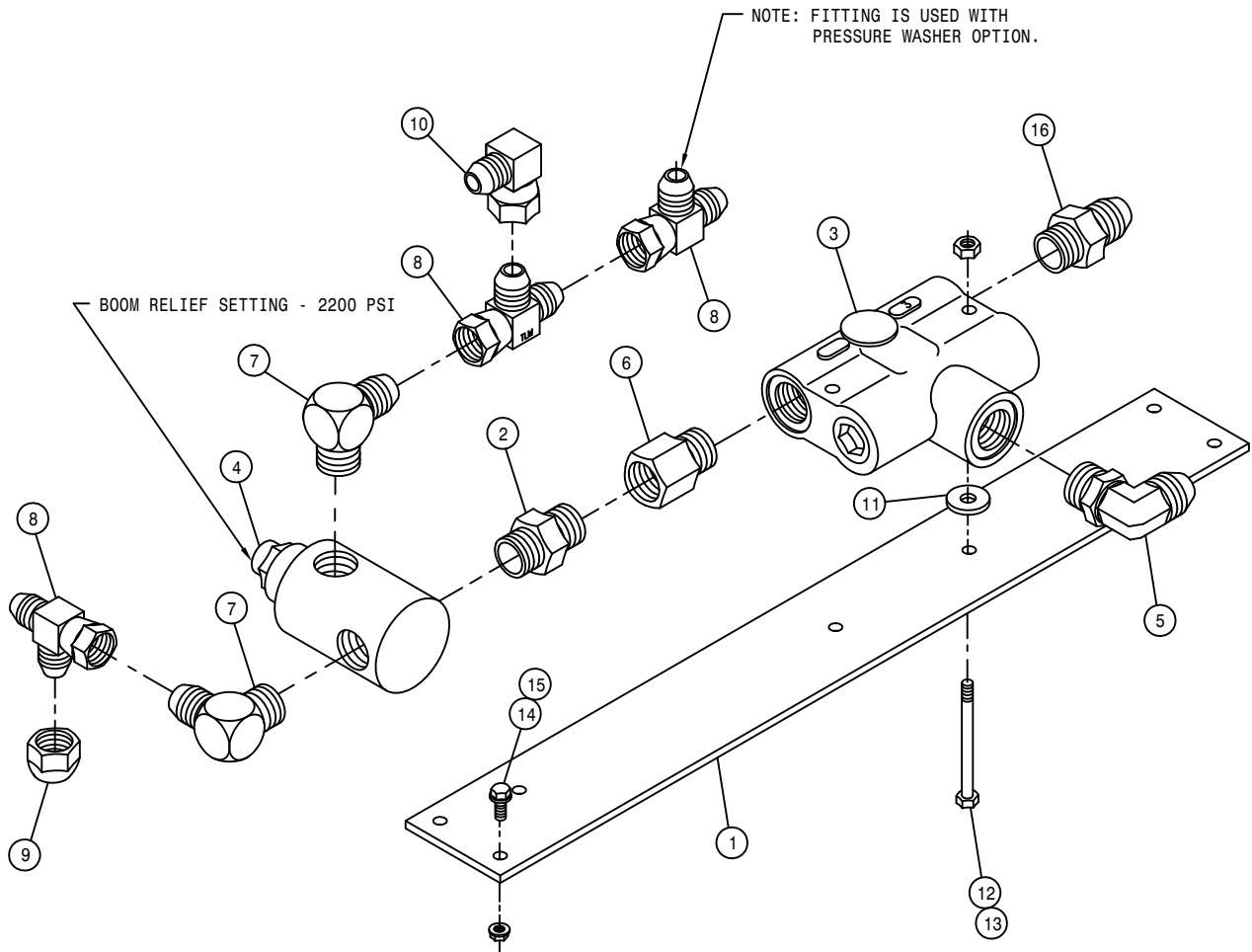
DET. QTY PART NO. DESCRIPTION

1	3	610318	HYD SOLE VLV,2P-3W,9/16FOR,12V
2	4	610669	SOLE VLV SPACER
3	3	618119	9/16MJIC-90-9/16MOR LBO
4	2	618126	9/16MJIC-9/16MOR ADPTR
5	1	618486	9/16FJIC SW RUN TEE-9/16MJIC
6	1	618618	9/16MJIC-90-9/16FJIC SWIV LBO
7	4	618629	9/16MOR BRANCH TEE-9/16MJIC
8	2	900034	1/4UNC X 7" HEX BOLT
9	2	910000	1/4UNC HEX NUT
10	2	920500	1/4 LOCK WASHER
11	1	610674	HYD SOLE VLV,2P3W,3/4FOR,12V
12	1	618109	9/16MJIC-3/4MOR ADPTR
13	2	618115	9/16MJIC-90-3/4MOR LBO
14	4	291511	.250 RING TERM 14-16WIRE INS
15	4	291571	.250FEM FASTON 14-16 FULL INS



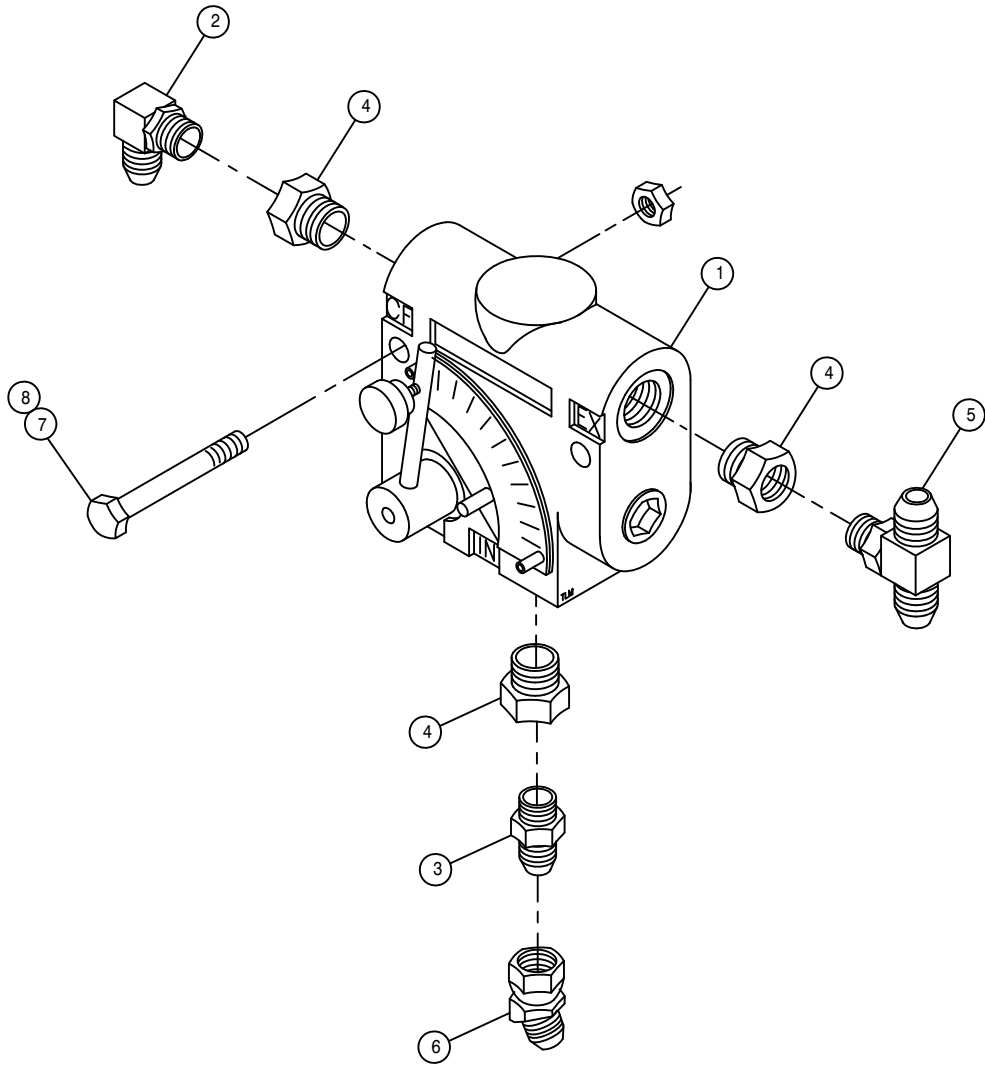
SOLUTION PUMP VARIABLE FLOW CONTROL ASSEMBLY

DET.	QTY	PART NO.	DESCRIPTION
1	1	342306	SOLU PUMP VFC STOP WLD,9G 96
2	1	361477	TIE PLT, 2100 98
3	1	606818	FLO CONT FCR51 0-16GPM 7/8FOR
4	1	611126	7/8MJIC-7/8MOR ADPTR
5	2	611128	7/8MJIC-90-7/8MOR LBO
6	2	900009	1/4UNC X 2 3/4 HEX BOLT
7	2	914000	1/4UNC HEX STOVER NUT
8	2	920000	1/4 SAE FLAT WASHER
9	4	470274	TUBE CLAMP BODY,.750-.750
10	4	470278	CLAMP WELD PLATE, SNGL, 2.75LG
11	4	615724	FRT MAIN HYD TUBE ASSY,2100 98
12	4	618177	1 1/16MJIC UNION
13	2	900069	5/16UNC X 2" HEX BOLT
14	2	900086	5/16UNC X 2 1/4 HEX BOLT
15	4	900265	1/2UNC X 1 1/2 HEX BOLT
16	4	914008	1/2UNC HEX STOVER NUT
17	4	920001	5/16 SAE FLAT WASHER
18	4	920004	1/2 SAE FLAT WASHER



FLOW DIVIDER VALVE ASSEMBLY

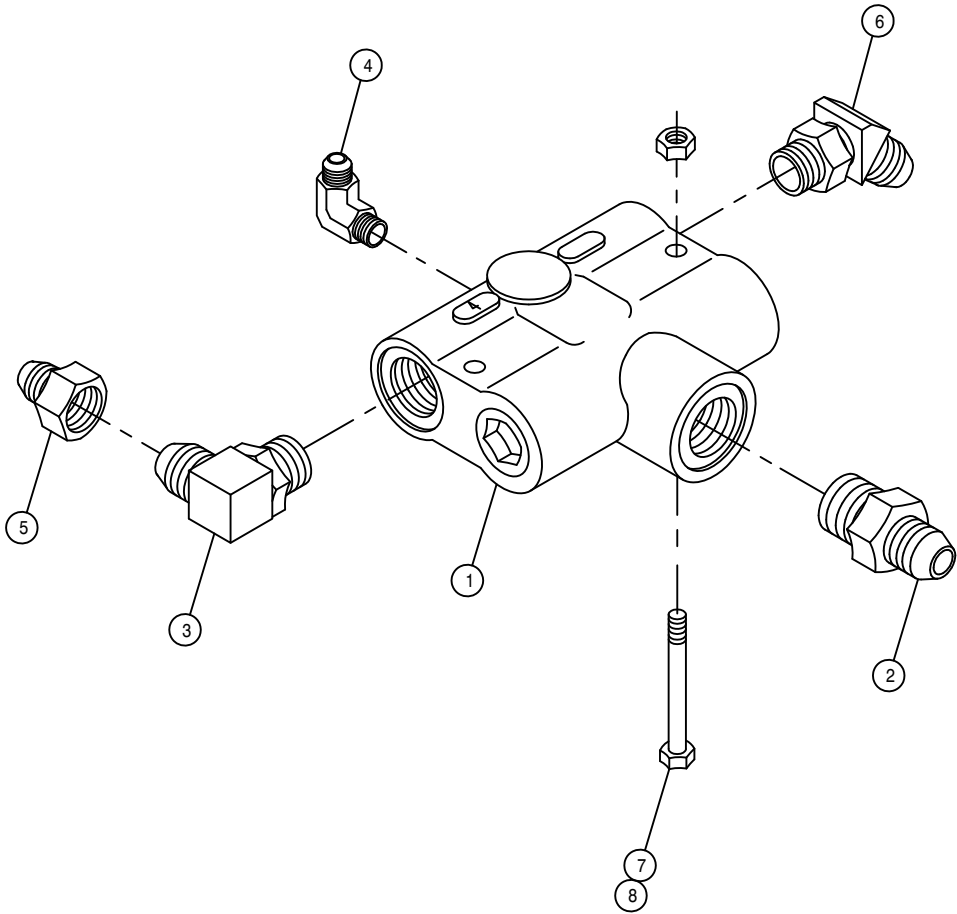
DET.	QTY	PART NO.	DESCRIPTION
1	1	361478	REAR FLOW DIV PLT, 2100 98
2	1	500000	1/2MNPT HEX PIPE NIPPLE STL
3	1	610307	FLO DIV BG53 3GPM PRI 7/8FOR
4	1	607512	RELIEF VALVE, RL50, 1850 PSI
5	1	611128	7/8MJIC-90-7/8MOR LBO
6	1	618072	7/8MOR-1/2FNPT ADPTR
7	2	618107	9/16MJIC-90-1/2MNPT LBO
8	3	618486	9/16FJIC SW RUN TEE-9/16MJIC
9	1	618531	9/16FJIC CAP NUT
10	1	618618	9/16MJIC-90-9/16FJIC SWIV LBO
11	2	748500	RUBER WASH 3/8X1/4IDX1 1/2 OD
12	2	900008	1/4UNC X 2 1/2 HEX BOLT
13	2	914000	1/4UNC HEX STOVER NUT
14	4	470118	1/4UNC X 3/4 FLANGE HEX BOLT
15	4	470121	1/4UNC HEX FLANGE LOCK NUT
16	1	618310	9/16MJIC-7/8MOR ADPTR



AGITATOR VARIABLE FLOW CONTROL ASSEMBLY

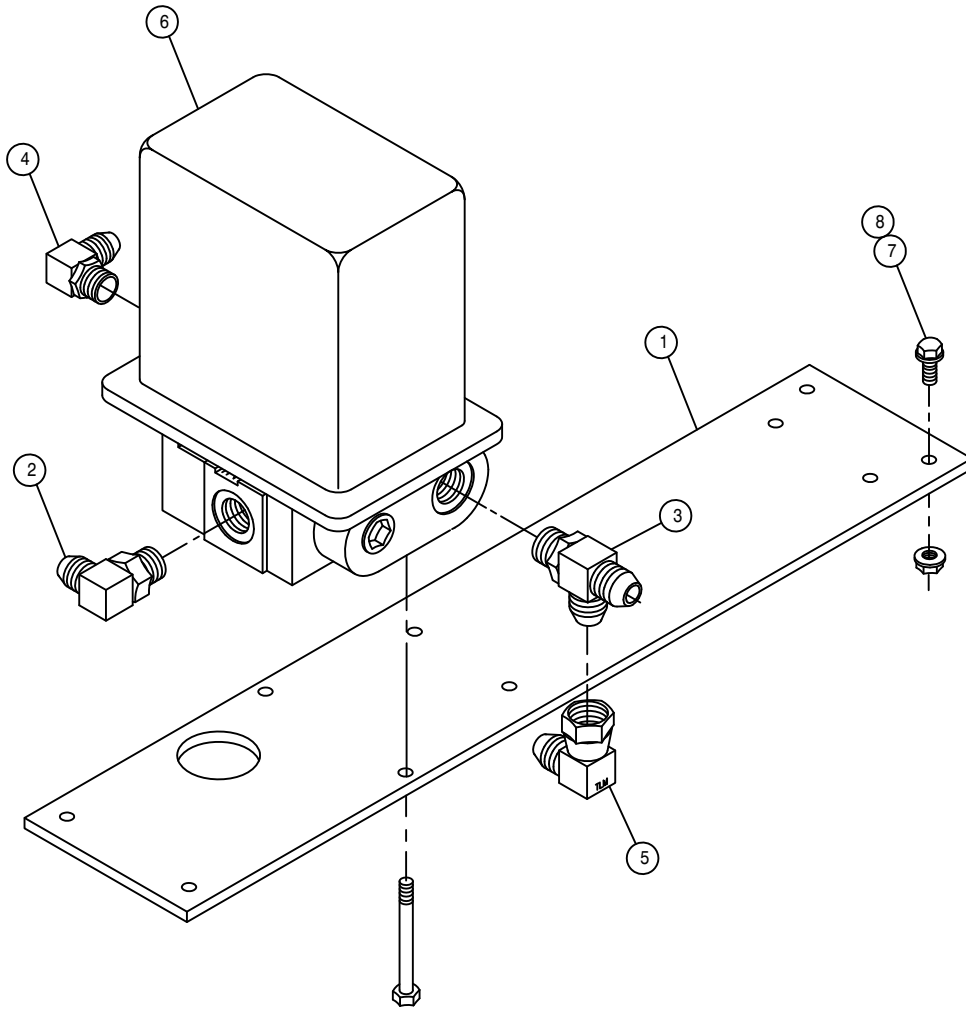
DET. QTY PART NO. DESCRIPTION

1	1	606827	FLO CONT FC51 0-3 VARI 7/8FOR
2	1	618119	9/16MJIC-90-9/16MOR LBO
3	1	618126	9/16MJIC-9/16MOR ADPTR
4	3	618172	7/8MOR-9/16FOR ADPTR
5	1	618629	9/16MOR BRANCH TEE-9/16MJIC
6	1	618634	9/16MJIC-45-9/16FJIC SWIV LBO
7	2	900008	1/4UNC X 2 1/2 HEX BOLT
8	2	914000	1/4UNC HEX STOVER NUT



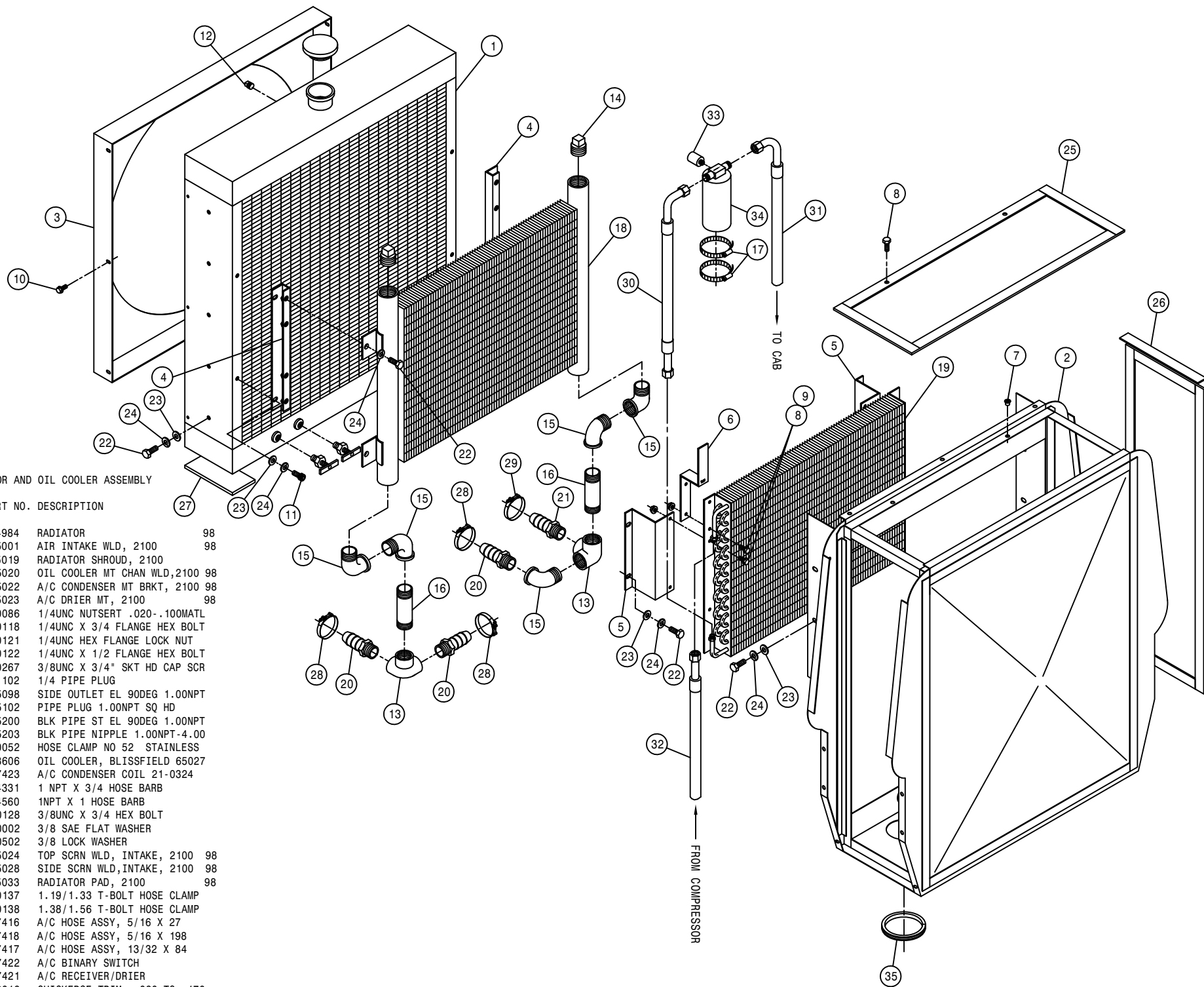
BGR56 FLOW DIVIDER ASSEMBLY

DET.	QTY	PART NO.	DESCRIPTION
1	1	607528	FLO DIV BGR54 4GPM PRI 7/8FOR
2	1	611126	7/8MJIC-7/8MOR ADPTR
3	1	611128	7/8MJIC-90-7/8MOR LBO
4	1	618015	9/16MJIC-90-3/8MNPT LBO
5	1	618557	7/8FJIC-9/16MJIC ADPTR
6	1	618644	7/8MJIC-45-7/8MOR LBO
7	2	900008	1/4UNC X 2 1/2 HEX BOLT
8	2	914000	1/4UNC HEX STOVER NUT



RAVEN HYDRAULIC CONTROL VALVE ASSEMBLY

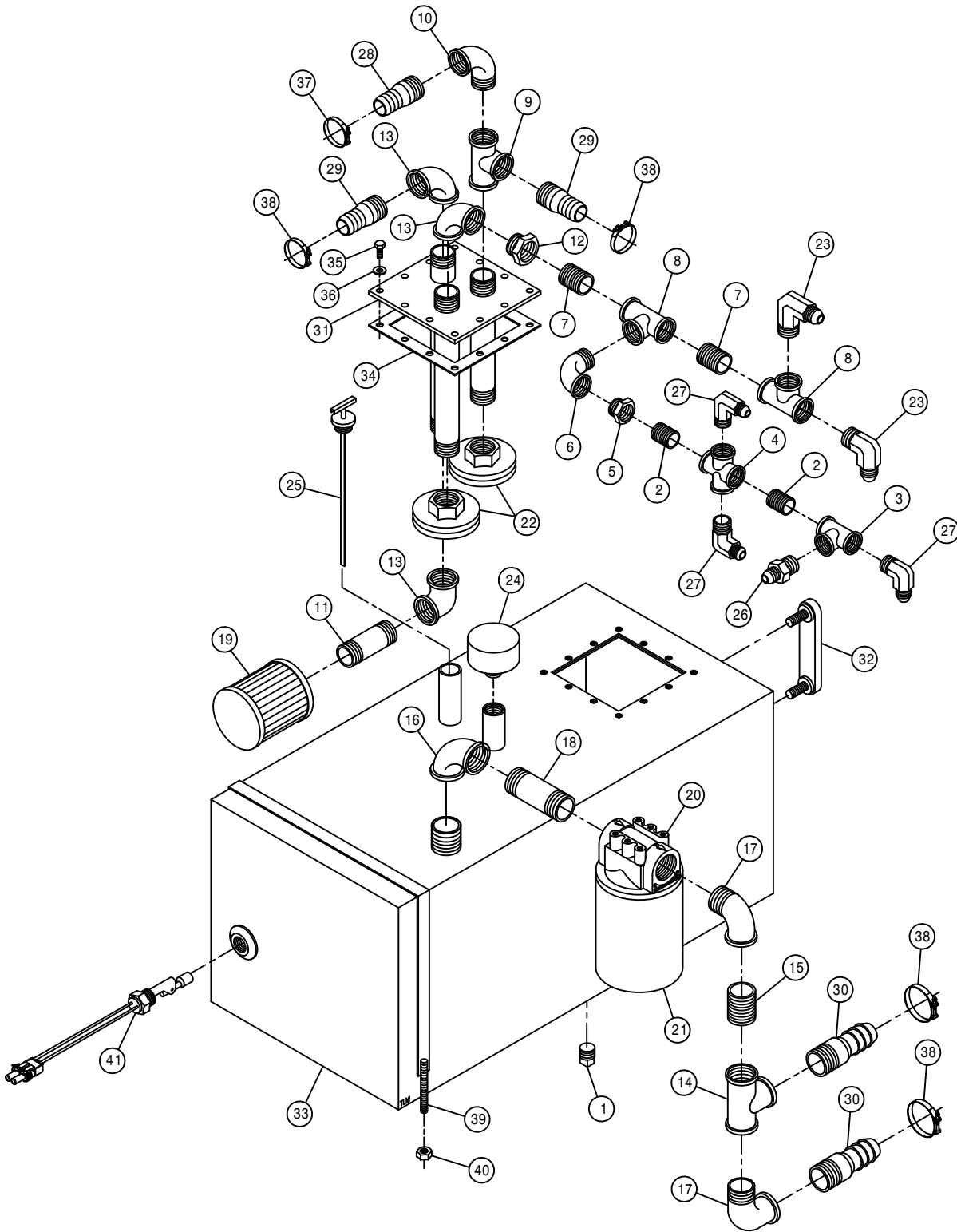
DET.	QTY	PART NO.	DESCRIPTION	
	1	361476	ELECT VLV MTG PLT, 2100	98
	1	611128	7/8MJIC-90-7/8MOR LBO	
	1	618130	7/8MOR RUN TEE-7/8MJIC	
	1	618183	3/4MJIC-90-7/8MOR LBO	
	1	618301	7/8MJIC-90-7/8FJIC SWIV LBO	
	1	690621	VALVE HYD CTRL, 16GPM RAVEN	
	4	470118	1/4UNC X 3/4 FLANGE HEX BOLT	
	4	470121	1/4UNC HEX FLANGE LOCK NUT	



RADIATOR AND OIL COOLER ASSEMBLY

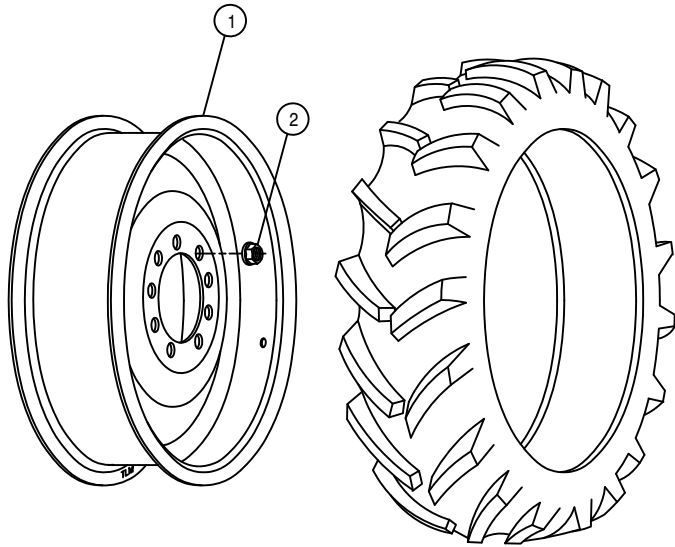
DET. QTY PART NO. DESCRIPTION

1	1	314984	RADIATOR	98
2	1	315001	AIR INTAKE WLD, 2100	98
3	1	315019	RADIATOR SHROUD, 2100	
4	2	315020	OIL COOLER MT CHAN WLD, 2100	98
5	2	315022	A/C CONDENSER MT BRKT, 2100	98
6	1	315023	A/C DRIER MT, 2100	98
7	14	470086	1/4UNC NUTSERT .020-.100MATL	
8	8	470118	1/4UNC X 3/4 FLANGE HEX BOLT	
9	6	470121	1/4UNC HEX FLANGE LOCK NUT	
10	6	470122	1/4UNC X 1/2 FLANGE HEX BOLT	
11	4	470267	3/8UNC X 3/4" SKT HD CAP SCR	
12	1	501102	1/4 PIPE PLUG	
13	2	505098	SIDE OUTLET EL 90DEG 1.00NPT	
14	2	505102	PIPE PLUG 1.00NPT SQ HD	
15	5	505200	BLK PIPE ST EL 90DEG 1.00NPT	
16	2	505203	BLK PIPE NIPPLE 1.00NPT-4.00	
17	2	520052	HOSE CLAMP NO 52 STAINLESS	
18	1	618606	OIL COOLER, BLISSFIELD 65027	
19	1	657423	A/C CONDENSER COIL 21-0324	
20	3	714331	1 NPT X 3/4 HOSE BARB	
21	1	714560	1NPT X 1 HOSE BARB	
22	18	900128	3/8UNC X 3/4 HEX BOLT	
23	18	920002	3/8 SAE FLAT WASHER	
24	22	920502	3/8 LOCK WASHER	
25	1	315024	TOP SCR N WLD, INTAKE, 2100	98
26	2	315028	SIDE SCR N WLD, INTAKE, 2100	98
27	2	315033	RADIATOR PAD, 2100	98
28	3	520137	1.19/1.33 T-BOLT HOSE CLAMP	
29	1	520138	1.38/1.56 T-BOLT HOSE CLAMP	
30	1	657416	A/C HOSE ASSY, 5/16 X 27	
31	1	657418	A/C HOSE ASSY, 5/16 X 198	
32	1	657417	A/C HOSE ASSY, 13/32 X 84	
33	1	657422	A/C BINARY SWITCH	
34	1	657421	A/C RECEIVER/DRIER	
35	2	193016	QUICKEDGE TRIM .060 TO .170	

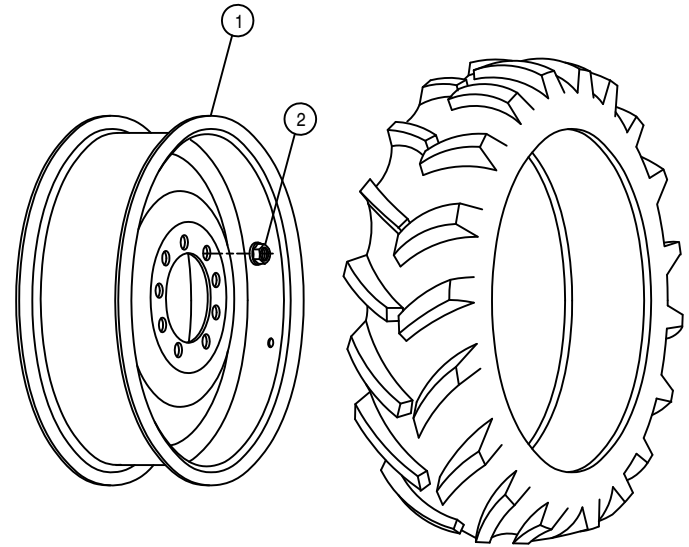


HYDRAULIC TANK ASSEMBLY

DET.	QTY	PART NO.	DESCRIPTION
1	1	470308	1/2MNPT DRAIN PLUG,AL HD,MAG
2	2	503600	CLOSE NIPPLE .50NPT
3	1	503820	BLK PIPE TEE .50NPT
4	1	503824	BLK PIPE CROSS .50NPT
5	1	504210	RED BUSH 3/4 NPT X 1/2 NPT
6	1	504610	BLK PIPE ST EL 90DEG .75NPT
7	2	504702	CLOSE NIPPLE .75NPT
8	2	504955	BLK PIPE TEE .75NPT
9	1	505101	BLK PIPE TEE 1.00NPT
10	1	505200	BLK PIPE ST EL 90DEG 1.00NPT
11	1	505203	BLK PIPE NIPPLE 1.00NPT-4.00
12	1	505213	RED BUSH 1 X 3/4 BLK MAL
13	3	505300	BLK PIPE EL 90DEG 1.00NPT
14	1	506105	BLK PIPE TEE 1.25NPT
15	1	506200	CLOSE NIPPLE 1.25NPT
16	1	506303	BLK PIPE EL 90DEG 1.25NPT
17	2	506410	BLK PIPE ST EL 90DEG 1.25NPT
18	1	506604	BLK PIPE NIPPLE 1.25NPT-4.00
19	1	605600	MICHIGAN RESERVOIR FILTER
20	1	605601	PARKER FILTER ASSY,10M,1.25NPT
21	1	605602	PARKER FILTER ELEMENT,10MICRON
22	2	605603	LINE SUMP DIFFUSER
23	2	610305	3/4MJIC-90-3/4MNPT LBO
24	1	611052	FILLER BREATHER 3/4NPT
25	1	614453	DIPSTICK, 8IN
26	1	618018	9/16MJIC-1/2MNPT ADPTR
27	3	618107	9/16MJIC-90-1/2MNPT LBO
28	1	714331	1 NPT X 3/4 HOSE BARB
29	2	714560	1NPT X 1 HOSE BARB
30	2	715664	1 1/4 NPT X 1 HOSE BARB
31	1	760090	RECEIVER PLT WLD 8240
32	1	760177	SIGHT GAUGE W/TEMP, HYD TANK
33	1	760268	HYD TANK WLD, 2100 2002
34	1	763039	HYD MTR MTG PLT GSKT
35	12	900064	5/16UNC X 3/4 HEX BOLT
36	12	920001	5/16 SAE FLAT WASHER
37	1	520137	1.19/1.33 T-BOLT HOSE CLAMP
38	4	520138	1.38/1.56 T-BOLT HOSE CLAMP
39	2	760212	HYD TANK STRAP WLD, 2100 98
40	4	914004	3/8UNC HEX STOVER NUT
41	1	470350	LIQUID LEVEL SWITCH, 1/2MNPT



290/95R 34 *** RADIAL TIRE



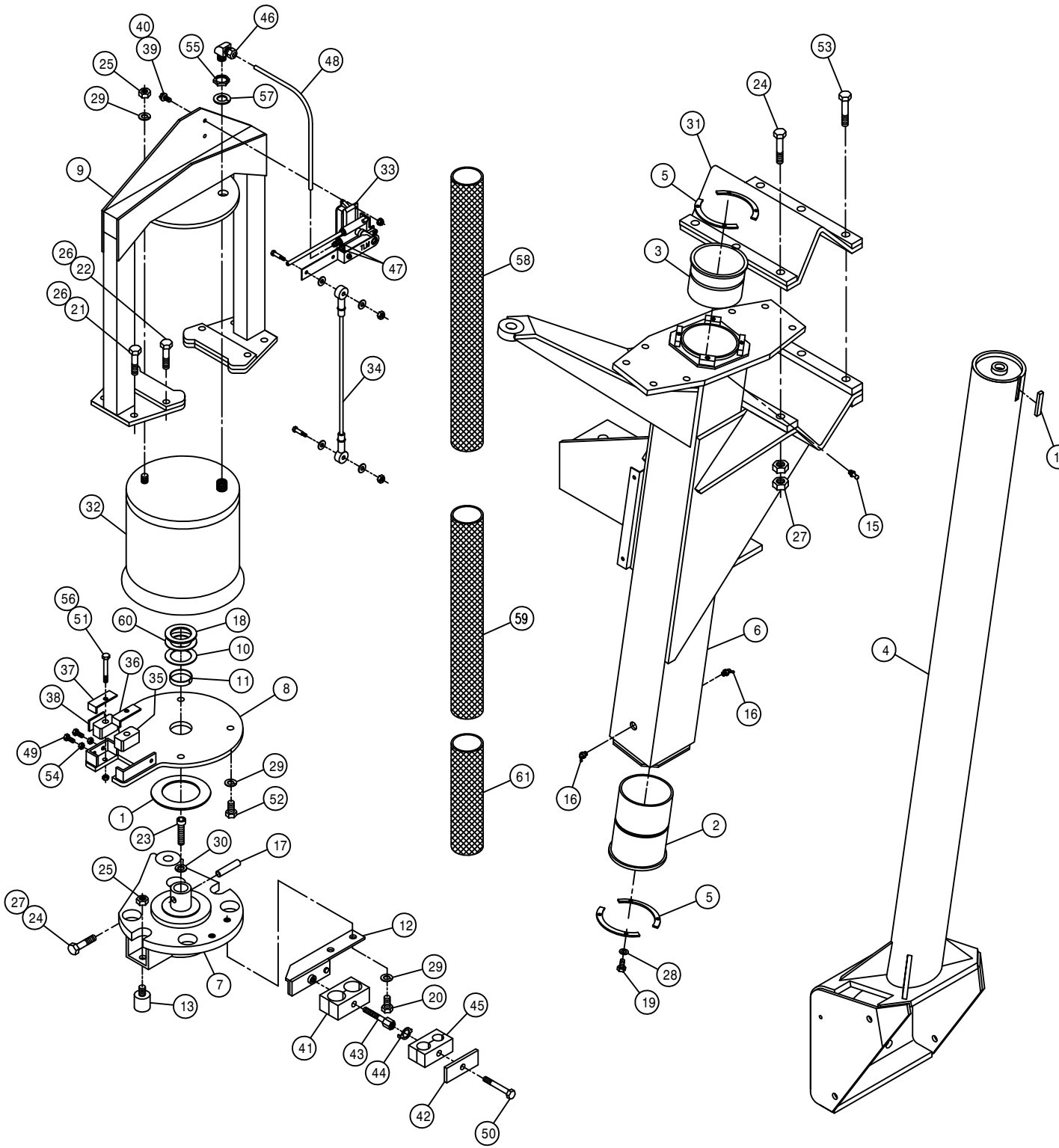
320/85R 34 *** RADIAL TIRE

TIRE AND RIM ASSEMBLIES

DET.	QTY	PART NO.	DESCRIPTION	
1	2	821042	RIM WLD, W10-34	98
2	18	470140	5/8UNF HEX SMTH FLANGE NUT PLT	

RIGHT FRONT LEG ASSEMBLY

DET. QTY PART NO. DESCRIPTION

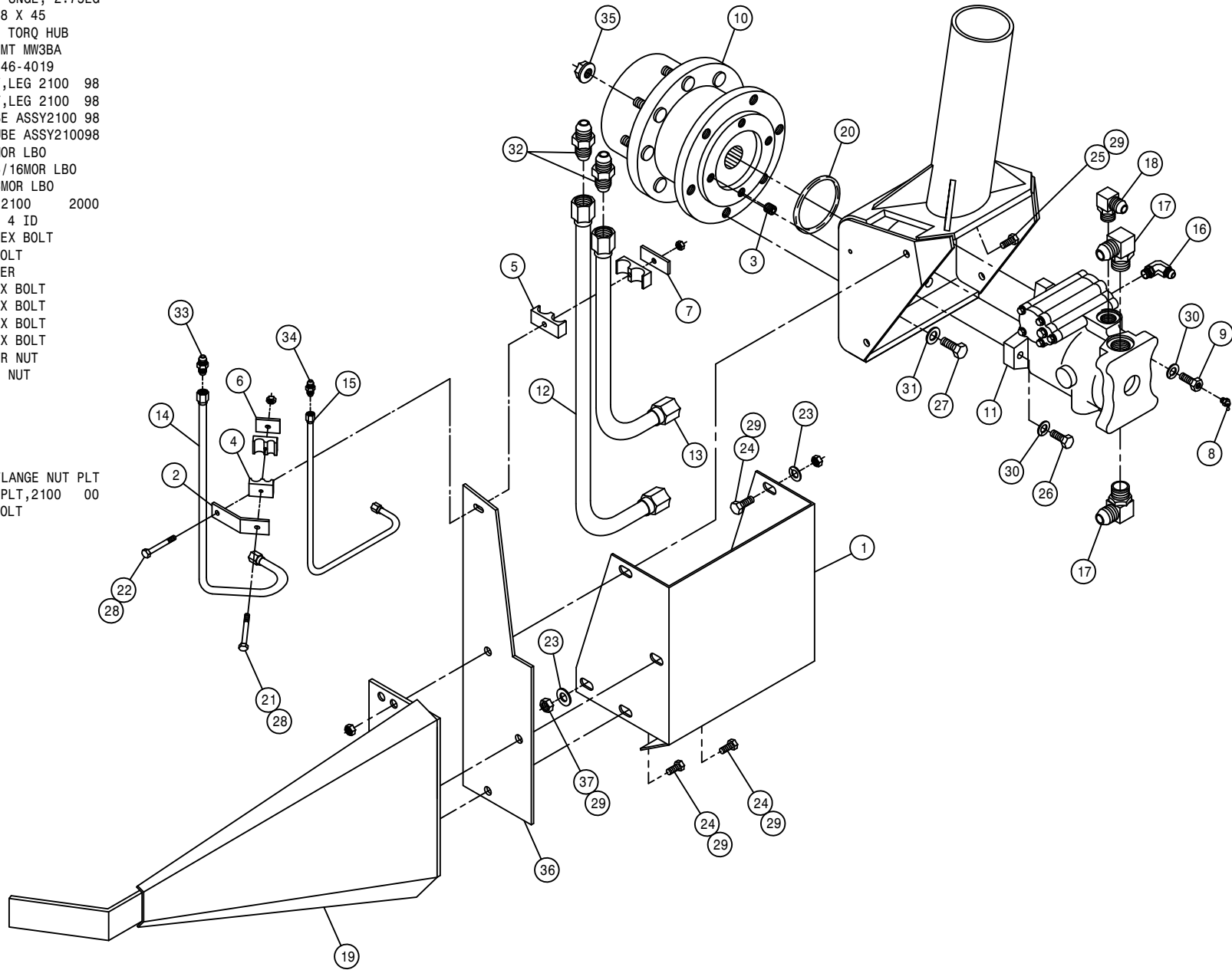


DET.	QTY	PART NO.	DESCRIPTION
1	1	127505	THRUST BEARING, FIBERGLIDE
2	1	358564	FRT LEG LWR NYL SLEEVE 280 89
3	1	358565	FRT LEG UPR NYL SLEEVE 280 89
4	1	359194	RF/LR INNER LEG WLD, 2100 02
5	4	358927	LWR BRG KPR, LEG 98
6	1	358954	RH FRT OUTER LEG WLD, 2100 99
7	1	358971	STEERING ARM WLD,RF/LR 2100 99
8	1	358980	AIR BAG MT WLD, RF/LR 2100 99
9	1	358985	AIR BAG ARCH WLD,RF/LR 2100 99
10	1	358994	LEG WASHER, NYLON 2100 99
11	1	358995	NYLON BEARING,LWR AB MT2100 99
12	1	358996	RH UPPER HOSE MT WELD, 2100 99
13	2	470259	URETHANE BUMPER,1.25D X 1.25L
14	1	470265	KEY, .250 X .375 X 1.88 LG
15	1	471005	1/4 28 X 1/2 GREASE ZERK
16	2	471023	GREASE ZERK 1/4-28 X 45
17	1	473906	SPIRAL PIN, 1/2 X 2 1/2 LG
18	1	483061	1.65 ID X 2.50 OD X .188T WASH
19	8	900064	5/16UNC X 3/4 HEX BOLT
20	2	900263	1/2UNC X 1" HEX BOLT
21	4	900265	1/2UNC X 1 1/2 HEX BOLT
22	4	900266	1/2UNC X 1 3/4 HEX BOLT
23	1	900390	5/8UNC X 2 1/2 SOCKET CAP SCR
24	4	900836	5/8UNF X 3 1/4 HEX BOLT GR8
25	3	910008	1/2UNC HEX NUT
26	8	914008	1/2UNC HEX STOVER NUT
27	14	914811	5/8UNF HEX NUT GR8
28	8	920501	5/16 LOCK WASHER
29	7	920504	1/2 LOCK WASHER
30	1	920505	5/8 LOCK WASHER
31	1	358759	LEG MT V-PLT WLD, 284T 94
32	1	358831	AIRIDE SPRING 98
33	1	358832	AIRIDE SPRING CTRL VALVE 98
34	1	358839	AIRRIDE CTRL LINK KIT, 2100 99
35	2	358990	NYLON GUIDE, 2100 LEG 99
36	1	358991	INNER KEEPER,NYL GUIDE,2100 99
37	1	358992	OUTER KEEPER,NYL GUIDE,2100 99
38	1	358993	NYLON GUIDE BACK PLATE,2100 99
39	2	470118	1/4UNC X 3/4 FLANGE HEX BOLT
40	2	470121	1/4UNC HEX FLANGE LOCK NUT
41	1	470271	HOSE CLAMP BODY,1.200-1.200
42	1	470276	CLAMP COVER PLATE,SNGL, 2.55LG
43	1	470280	STACK BOLT, 5/16UNC X 1 3/4
44	1	470281	STACK BOLT SAFETY LOCK PLATE
45	1	470282	HOSE CLAMP BODY, .53-.78
46	1	711016	1/4NPT-90-1/4NYL TUBE FTG BRS
47	2	711023	1/8MNPT-1/4OD NYL TUBE FTGBRS
48	1	601413	HOSE, 1/4 X 8 AIR
49	2	900065	5/16UNC X 1" HEX BOLT
50	1	900068	5/16UNC X 1 3/4 HEX BOLT
51	2	900069	5/16UNC X 2" HEX BOLT
52	4	900264	1/2UNC X 1 1/4 HEX BOLT
53	3	900837	5/8UNF X 3 1/2 HEX BOLT GR8
54	2	910002	5/16UNC HEX NUT
55	1	910013	3/4UNF HEX NUT
56	2	914002	5/16UNC HEX STOVER NUT
57	1	920506	3/4 LOCK WASHER
58	1	342637	NYL HOSE SLEEVE,2.96ID X 54.00
59	1	342335	NYL HOSE SLEEVE,2.64ID X 36.00
60	1	483063	1.65 ID X 2.50 OD X .074T WASH
61	1	342654	NYL HOSE SLEEVE,3.66ID X 24.00

RIGHT FRONT LEG ASSEMBLY

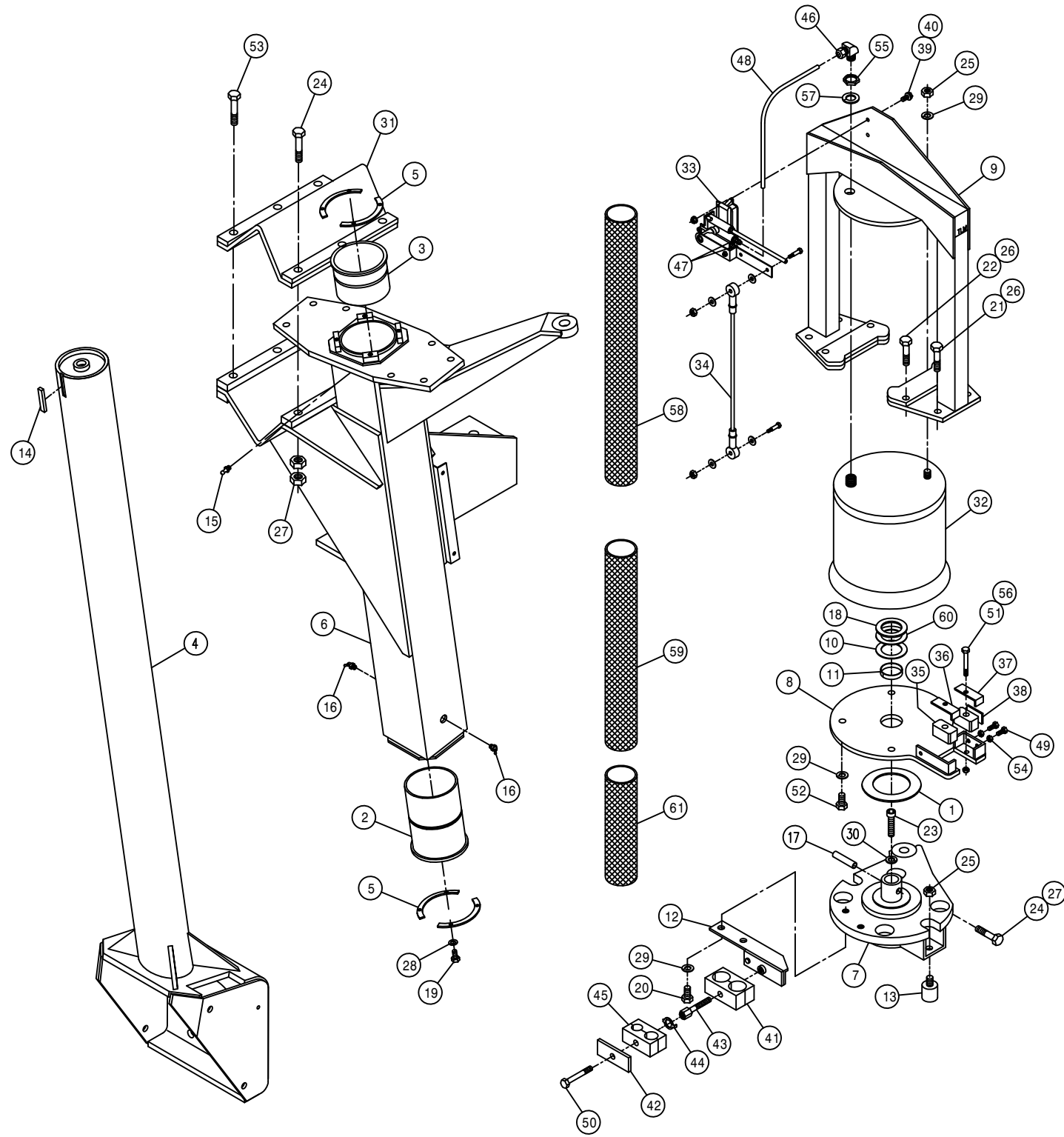
DET. QTY PART NO. DESCRIPTION

1	1	359185	FRT WHL MTR SHLD,XP/2100 2002
2	1	358926	FRT LEG HYD TUBE BRKT, 2100 98
3	1	470066	1/2UNC X 1/2 AL HD CUP SET SCR
4	1	470272	TUBE CLAMP BODY, .375-.500
5	1	470275	TUBE CLAMP BODY,1.000-1.000
6	1	470277	CLAMP WELD PLATE, SNGL, 2.15LG
7	1	470278	CLAMP WELD PLATE, SNGL, 2.75LG
8	1	471023	GREASE ZERK 1/4-28 X 45
9	1	610634	ZERK BOLT, 1 1/2, TORQ HUB
10	1	610686	TORQ HUB, 18:1 B-MT MW3BA
11	1	610637	SUND HYD MOTOR, M46-4019
12	1	615708	LWR HYD TUBE ASSY,LEG 2100 98
13	1	615709	UPR HYD TUBE ASSY,LEG 2100 98
14	1	615710	RF/LR HYD DRN TUBE ASSY2100 98
15	1	615712	RF/LR HYD CTRL TUBE ASSY210098
16	1	618119	9/16MJIC-90-9/16MOR LBO
17	2	618178	1 5/16MJIC-90-1 5/16MOR LBO
18	1	618474	3/4MJIC-90-1 1/16MOR LBO
19	1	662256	STALK GUIDE WLD, 2100 2000
20	1	870045	O-RING 4 1/8 OD X 4 ID
21	1	900068	5/16UNC X 1 3/4 HEX BOLT
22	1	900070	5/16UNC X 2 1/2 BOLT
23	3	920004	1/2 SAE FLAT WASHER
24	3	900264	1/2UNC X 1 1/4 HEX BOLT
25	1	900265	1/2UNC X 1 1/2 HEX BOLT
26	1	900266P	1/2UNC X 1 3/4 HEX BOLT
27	6	900333P	5/8UNC X 1 1/2 HEX BOLT
28	2	914002	5/16UNC HEX STOVER NUT
29	6	914008	1/2UNC HEX STOVER NUT
30	2	920504P	1/2 LOCK WASHER
31	6	920505P	5/8 LOCK WASHER
32	2	618577	1 5/16MJIC UNION
33	1	618314	3/4MJIC UNION
34	1	619010	9/16MJIC UNION
35	9	470140	5/8UNF HEX SMTH FLANGE NUT PLT
36	1	359014	FRT HYD TUBE MTG PLT,2100 00
37	2	900263	1/2UNC X 1" HEX BOLT



LEFT FRONT LEG ASSEMBLY

DET. QTY PART NO. DESCRIPTION



DET.	QTY	PART NO.	DESCRIPTION
1	1	127505	THRUST BEARING, FIBERGLIDE
2	1	358564	FRT LEG LWR NYL SLEEVE 280 89
3	1	358565	FRT LEG UPR NYL SLEEVE 280 89
4	1	359195	LF/RR INNER LEG WLD, 2100 02
5	4	358927	LWR BRG KPR, LEG 98
6	1	358955	LH FRT OUTER LEG WLD, 2100 99
7	1	358972	STEERING ARM WLD, LF/RR 2100 99
8	1	358981	AIR BAG MT WLD, LF/RR 2100 99
9	1	358986	AIR BAG ARCH WLD, LF/RR 2100 99
10	1	358994	LEG WASHER, NYLON 2100 99
11	1	358995	NYLON BEARING, LWR AB MT2100 99
12	1	358997	LH UPPER HOSE MT WELD, 2100 99
13	2	470259	URETHANE BUMPER, 1.25D X 1.25L
14	1	470265	KEY, .250 X .375 X 1.88 LG
15	1	471005	1/4 28 X 1/2 GREASE ZERK
16	2	471023	GREASE ZERK 1/4-28 X 45
17	1	473906	SPIRAL PIN, 1/2 X 2 1/2 LG
18	1	483061	1.65 ID X 2.50 OD X .188T WASH
19	8	900064	5/16UNC X 3/4 HEX BOLT
20	2	900263	1/2UNC X 1" HEX BOLT
21	4	900265	1/2UNC X 1 1/2 HEX BOLT
22	4	900266	1/2UNC X 1 3/4 HEX BOLT
23	1	900390	5/8UNC X 2 1/2 SOCKET CAP SCR
24	4	900836	5/8UNF X 3 1/4 HEX BOLT GR8
25	3	910008	1/2UNC HEX NUT
26	8	914008	1/2UNC HEX STOVER NUT
27	14	914811	5/8UNF HEX NUT GR8
28	8	920501	5/16 LOCK WASHER
29	7	920504	1/2 LOCK WASHER
30	1	920505	5/8 LOCK WASHER
31	1	358759	LEG MT V-PLT WLD, 284T 94
32	1	358831	AIRIDE SPRING 98
33	1	358832	AIRIDE SPRING CTRL VALVE 98
34	1	358839	AIRIDE CTRL LINK KIT, 2100 99
35	2	358990	NYLON GUIDE, 2100 LEG 99
36	1	358991	INNER KEEPER, NYL GUIDE, 2100 99
37	1	358992	OUTER KEEPER, NYL GUIDE, 2100 99
38	1	358993	NYLON GUIDE BACK PLATE, 2100 99
39	2	470118	1/4UNC X 3/4 FLANGE HEX BOLT
40	2	470121	1/4UNC HEX FLANGE LOCK NUT
41	1	470271	HOSE CLAMP BODY, 1.200-1.200
42	1	470276	CLAMP COVER PLATE, SNGL, 2.55LG
43	1	470280	STACK BOLT, 5/16UNC X 1 3/4
44	1	470281	STACK BOLT SAFETY LOCK PLATE
45	1	470282	HOSE CLAMP BODY, .53-.78
46	1	711016	1/4NPT-90-1/4NYL TUBE FTG BR8
47	2	711023	1/8MNPT-1/40D NYL TUBE FTGBRS
48	1	601413	HOSE, 1/4 X 8 AIR
49	2	900065	5/16UNC X 1" HEX BOLT
50	1	900068	5/16UNC X 1 3/4 HEX BOLT
51	2	900069	5/16UNC X 2" HEX BOLT
52	4	900264	1/2UNC X 1 1/4 HEX BOLT
53	3	900837	5/8UNF X 3 1/2 HEX BOLT GR8
54	2	910002	5/16UNC HEX NUT
55	1	910013	3/4UNF HEX NUT
56	2	914002	5/16UNC HEX STOVER NUT
57	1	920506	3/4 LOCK WASHER
58	1	342637	NYL HOSE SLEEVE, 2.96ID X 54.00
59	1	342335	NYL HOSE SLEEVE, 2.64ID X 36.00
60	1	483063	1.65 ID X 2.50 OD X .074T WASH
61	1	342654	NYL HOSE SLEEVE, 3.66ID X 24.00

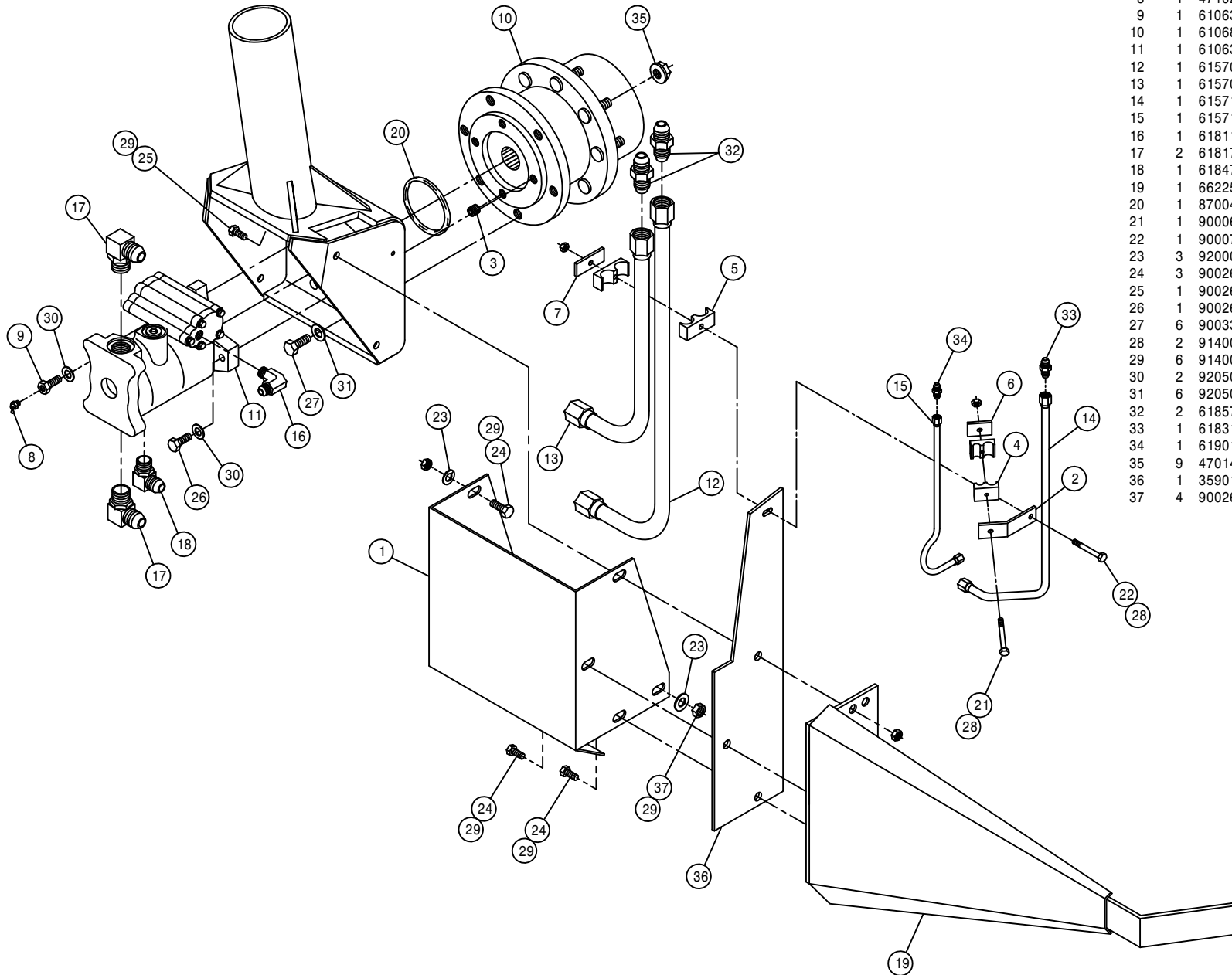
24

244024

LEFT FRONT LEG ASSEMBLY

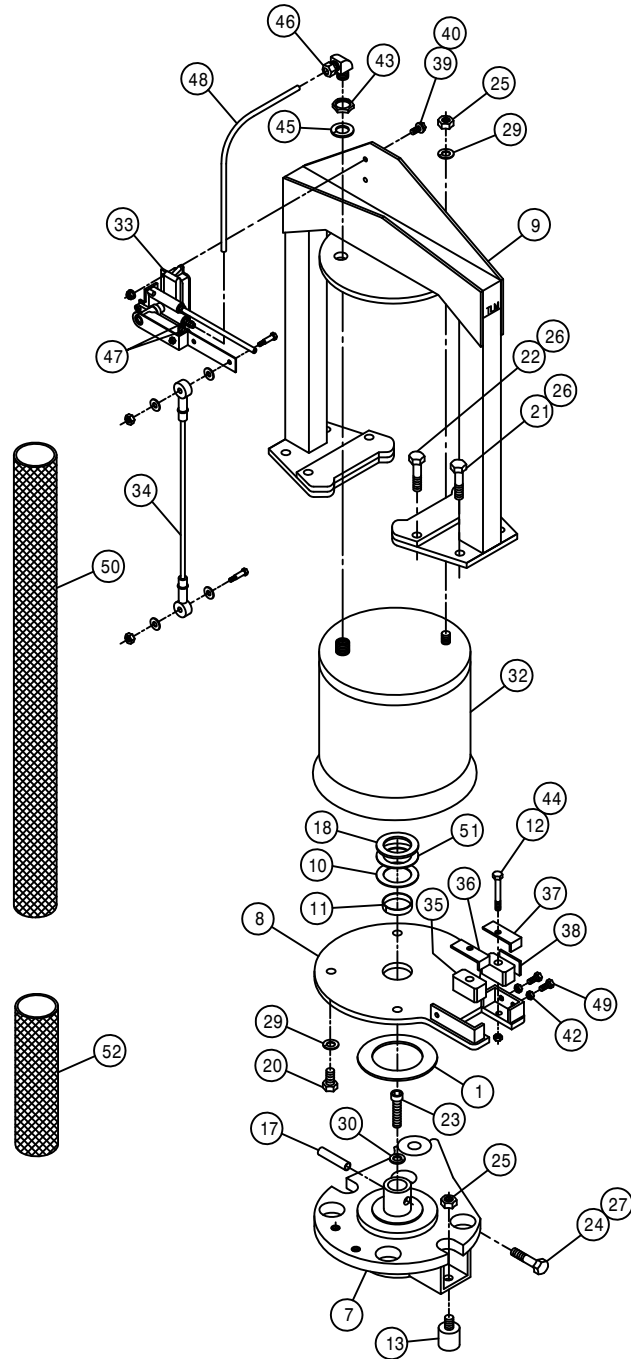
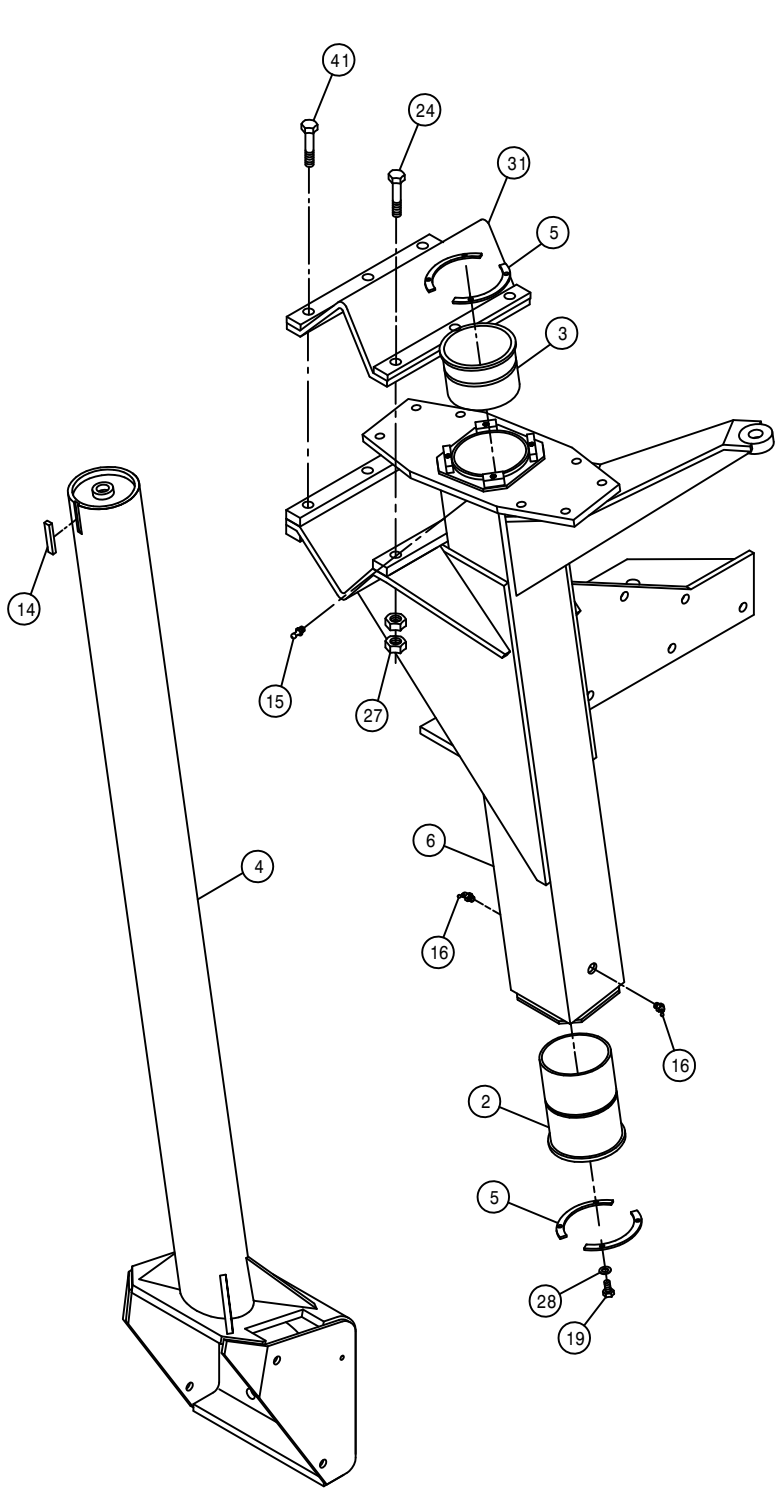
DET. QTY PART NO. DESCRIPTION

1	1	359185	FRT WHL MTR SHLD,XP/2100 2002
2	1	358926	FRT LEG HYD TUBE BRKT, 2100 98
3	1	470066	1/2UNC X 1/2 AL HD CUP SET SCR
4	1	470272	TUBE CLAMP BODY,.375-.500
5	1	470275	TUBE CLAMP BODY,1.000-1.000
6	1	470277	CLAMP WELD PLATE, SNGL, 2.15LG
7	1	470278	CLAMP WELD PLATE, SNGL, 2.75LG
8	1	471023	GREASE ZERK 1/4-28 X 45
9	1	610634	ZERK BOLT, 1 1/2, TORQ HUB
10	1	610686	TORQ HUB, 18:1 B-MT MW3BA
11	1	610637	SUND HYD MOTOR, M46-4019
12	1	615708	LWR HYD TUBE ASSY,LEG 2100 98
13	1	615709	UPR HYD TUBE ASSY,LEG 2100 98
14	1	615711	LF/RR HYD DRN TUBE ASSY2100 98
15	1	615713	LF/RR HYD CTRL TUBE ASSY210098
16	1	618119	9/16MJIC-90-9/16MOR LBO
17	2	618178	1 5/16MJIC-90-1 5/16MOR LBO
18	1	618474	3/4MJIC-90-1 1/16MOR LBO
19	1	662256	STALK GUIDE WLD, 2100 2000
20	1	870045	O-RING 4 1/8 OD X 4 ID
21	1	900068	5/16UNC X 1 3/4 HEX BOLT
22	1	900070	5/16UNC X 2 1/2 BOLT
23	3	920004	1/2 SAE FLAT WASHER
24	3	900264	1/2UNC X 1 1/4 HEX BOLT
25	1	900265	1/2UNC X 1 1/2 HEX BOLT
26	1	900266P	1/2UNC X 1 3/4 HEX BOLT
27	6	900333P	5/8UNC X 1 1/2 HEX BOLT
28	2	914002	5/16UNC HEX STOVER NUT
29	6	914008	1/2UNC HEX STOVER NUT
30	2	920504P	1/2 LOCK WASHER
31	6	920505P	5/8 LOCK WASHER
32	2	618577	1 5/16MJIC UNION
33	1	618314	3/4MJIC UNION
34	1	619010	9/16MJIC UNION
35	9	470140	5/8UNF HEX SMTH FLANGE NUT PLT
36	1	359014	FRT HYD TUBE MTG PLT,2100 00
37	4	900263	1/2UNC X 1" HEX BOLT



25

244025

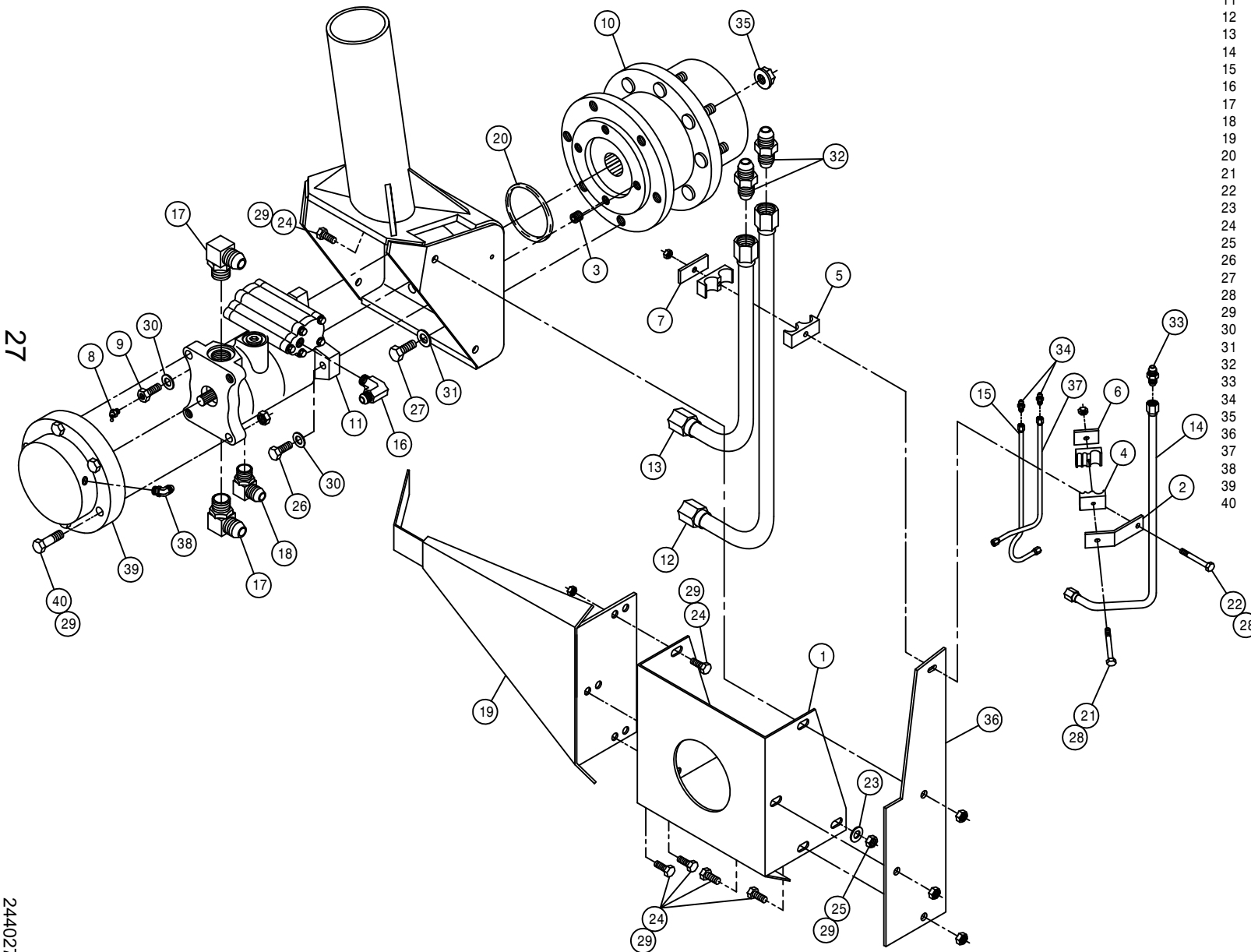


RIGHT REAR LEG ASSEMBLY

DET.	QTY	PART NO.	DESCRIPTION
	1	483062	3.00 ID X 4.62 OD X .125T WASH
	2	358564	FRT LEG LWR NYL SLEEVE 280 89
	3	358565	FRT LEG UPR NYL SLEEVE 280 89
	4	359195	LF/RR INNER LEG WLD, 2100 02
	5	358927	LWR BRG KPR, LEG 98
	6	358956	RH REAR OUTER LEG WLD, 2100 99
	7	358972	STEERING ARM WLD, LF/RR 2100 99
	8	358981	AIR BAG MT WLD, LF/RR 2100 99
	9	358986	AIR BAG ARCH WLD, LF/RR 2100 99
	10	358994	LEG WASHER, NYLON 2100 99
	11	358995	NYLON BEARING, LWR AB MT 2100 99
	12	900069	5/16UNC X 2" HEX BOLT
	13	470259	URETHANE BUMPER, 1.25D X 1.25L
	14	470265	KEY, .250 X .375 X 1.88 LG
	15	471005	1/4 28 X 1/2 GREASE ZERK
	16	471023	GREASE ZERK 1/4-28 X 45
	17	473906	SPIRAL PIN, 1/2 X 2 1/2 LG
	18	483061	1.65 ID X 2.50 OD X .188T WASH
	19	900064	5/16UNC X 3/4 HEX BOLT
	20	900264	1/2UNC X 1 1/4 HEX BOLT
	21	900265	1/2UNC X 1 1/2 HEX BOLT
	22	900266	1/2UNC X 1 3/4 HEX BOLT
	23	900390	5/8UNC X 2 1/2 SOCKET CAP SCR
	24	900836	5/8UNF X 3 1/4 HEX BOLT GR8
	25	910008	1/2UNC HEX NUT
	26	914008	1/2UNC HEX STOVER NUT
	27	914811	5/8UNF HEX NUT GR8
	28	920501	5/16 LOCK WASHER
	29	920504	1/2 LOCK WASHER
	30	920505	5/8 LOCK WASHER
	31	358759	LEG MT V-PLT WLD, 284T 94
	32	358831	AIRIDE SPRING 98
	33	358832	AIRIDE SPRING CTRL VALVE 98
	34	358839	AIRIDE CTRL LINK KIT, 2100 99
	35	358990	NYLON GUIDE, 2100 LEG 99
	36	358991	INNER KEEPER, NYL GUIDE, 2100 99
	37	358992	OUTER KEEPER, NYL GUIDE, 2100 99
	38	358993	NYLON GUIDE BACK PLATE, 2100 99
	39	470118	1/4UNC X 3/4 FLANGE HEX BOLT
	40	470121	1/4UNC HEX FLANGE LOCK NUT
	41	900837	5/8UNF X 3 1/2 HEX BOLT GR8
	42	910002	5/16UNC HEX NUT
	43	910013	3/4UNF HEX NUT
	44	914002	5/16UNC HEX STOVER NUT
	45	920506	3/4 LOCK WASHER
	46	711016	1/4NPT-90-1/4NYL TUBE FTG BR8
	47	711023	1/8MNPT-1/40D NYL TUBE FTG BR8
	48	601413	HOSE, 1/4 X 8 AIR
	49	900065	5/16UNC X 1" HEX BOLT
	50	342638	NYL HOSE SLEEVE, 2.96ID X 65.00
	51	483063	1.65 ID X 2.50 OD X .074T WASH
	52	342654	NYL HOSE SLEEVE, 3.66ID X 24.00

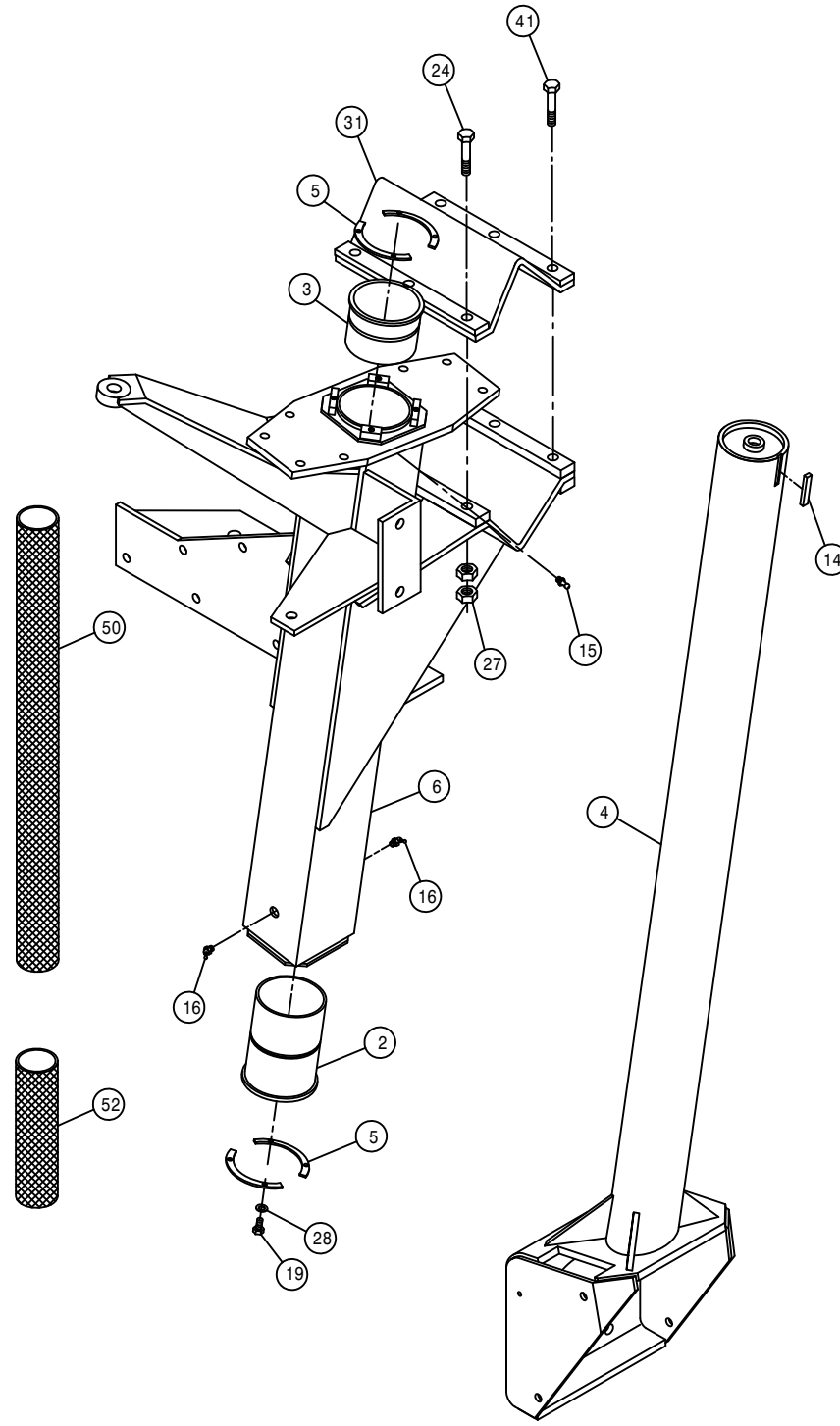
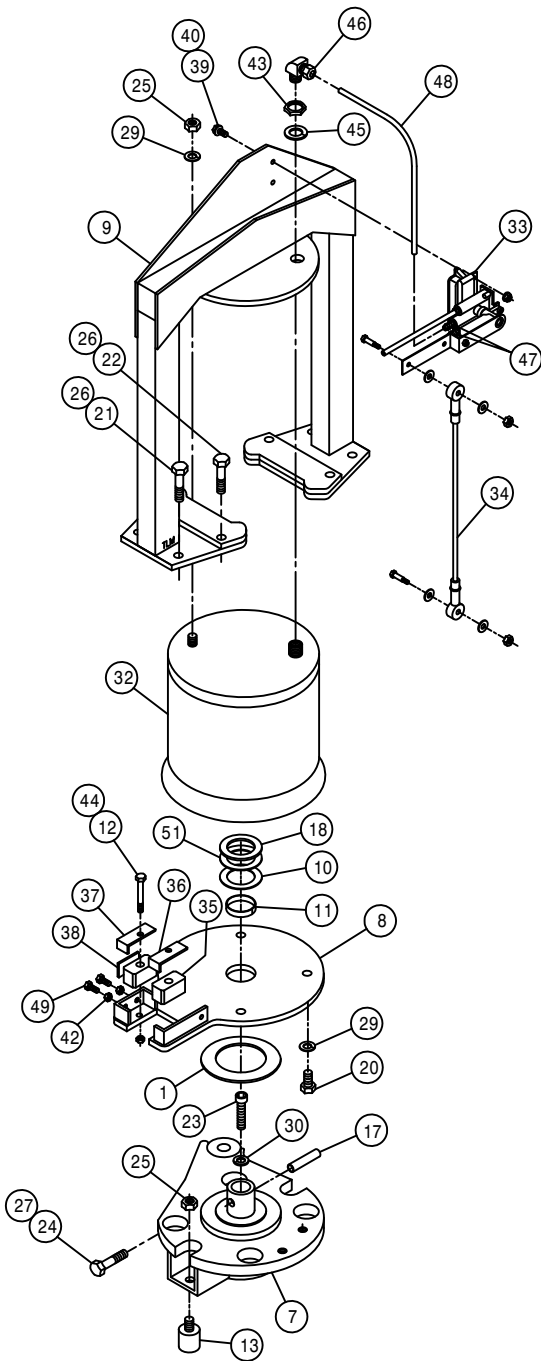
RIGHT REAR LEG ASSEMBLY

DET.	QTY	PART NO.	DESCRIPTION
	1	359196	REAR WHL MTR SHLD, 2100 2002
	2	358934	REAR LEG HYD TUBE BRKT,2100 98
	3	470066	1/2UNC X 1/2 AL HD CUP SET SCR
	4	470273	TUBE CLAMP BODY, .375-.375-.500
	5	470275	TUBE CLAMP BODY,1.000-1.000
	6	470277	CLAMP WELD PLATE, SNGL, 2.15LG
	7	470278	CLAMP WELD PLATE, SNGL, 2.75LG
	8	471023	GREASE ZERK 1/4-28 X 45
	9	610634	ZERK BOLT, 1 1/2, TORQ HUB
	10	610689	TORQ HUB, 26:1 B-MT MW3BA
	11	610640	SUND HYD MOTOR, M46-4144
	12	615708	LWR HYD TUBE ASSY,LEG 2100 98
	13	615709	UPR HYD TUBE ASSY,LEG 2100 98
	14	615711	LF/RR HYD DRN TUBE ASSY2100 98
	15	615713	LF/RR HYD CTRL TUBE ASSY210098
	16	618119	9/16MJIC-90-9/16MOR LBO
	17	618178	1 5/16MJIC-90-1 5/16MOR LBO
	18	618474	3/4MJIC-90-1 1/16MOR LBO
	19	662256	STALK GUIDE WLD, 2100 2000
	20	870045	O-RING 4 1/8 OD X 4 ID
	21	900068	5/16UNC X 1 3/4 HEX BOLT
	22	900070	5/16UNC X 2 1/2 BOLT
	23	920004	1/2 SAE FLAT WASHER
	24	900264	1/2UNC X 1 1/4 HEX BOLT
	25	900263	1/2UNC X 1" HEX BOLT
	26	900266P	1/2UNC X 1 3/4 HEX BOLT
	27	900333P	5/8UNC X 1 1/2 HEX BOLT
	28	914002	5/16UNC HEX STOVER NUT
	29	914008	1/2UNC HEX STOVER NUT
	30	920504P	1/2 LOCK WASHER
	31	920505P	5/8 LOCK WASHER
	32	618577	1 5/16MJIC UNION
	33	618314	3/4MJIC UNION
	34	619010	9/16MJIC UNION
	35	470140	5/8UNF HEX SMTH FLANGE NUT PLT
	36	359022	REAR HYD TUBE MTG PLT,2100 00
	37	615714	RH HYD BRAKE TUBE ASSY,2100 98
	38	618114	9/16MJIC-90-7/16MOR LBO
	39	828093	MICO HYD BRAKE 98
	40	900271	1/2UNC X 3 1/4 HEX BOLT



LEFT REAR LEG ASSEMBLY

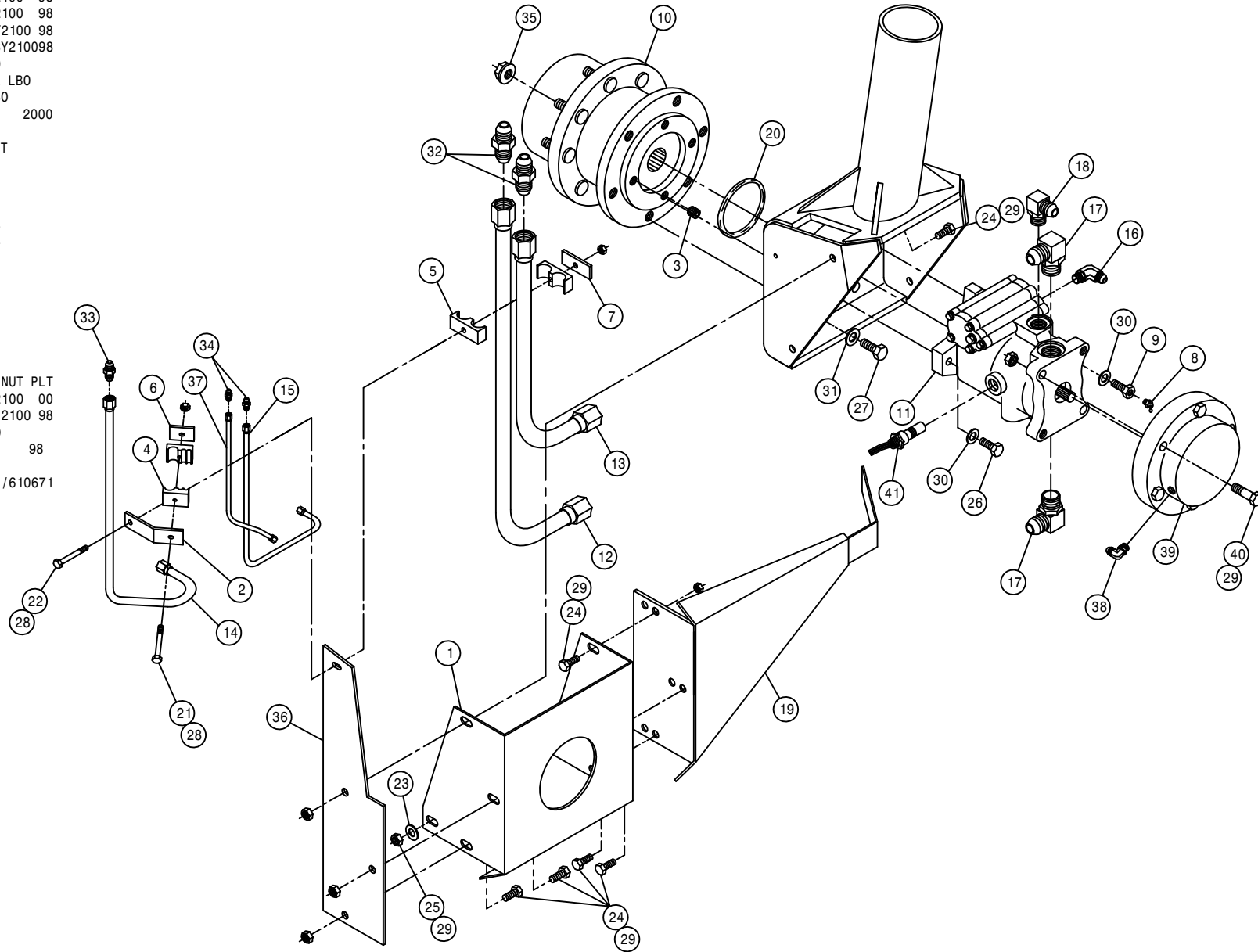
DET.	QTY	PART NO.	DESCRIPTION
1	1	483062	3.00 ID X 4.62 OD X .125T WASH
2	1	358564	FRT LEG LWR NYL SLEEVE 280 89
3	1	358565	FRT LEG UPR NYL SLEEVE 280 89
4	1	359194	RF/LR INNER LEG WLD, 2100 02
5	4	358927	LWR BRG KPR, LEG 98
6	1	358957	LH REAR OUTER LEG WLD,2100 99
7	1	358971	STEERING ARM WLD,RF/LR 2100 99
8	1	358980	AIR BAG MT WLD, RF/LR 2100 99
9	1	358985	AIR BAG ARCH WLD,RF/LR 2100 99
10	1	358994	LEG WASHER, NYLON 2100 99
11	1	358995	NYLON BEARING,LWR AB MT2100 99
12	2	900069	5/16UNC X 2" HEX BOLT
13	2	470259	URETHANE BUMPER,1.25D X 1.25L
14	1	470265	KEY, .250 X .375 X 1.88 LG
15	1	471005	1/4 28 X 1/2 GREASE ZERK
16	2	471023	GREASE ZERK 1/4-28 X 45
17	1	473906	SPIRAL PIN, 1/2 X 2 1/2 LG
18	1	483061	1.65 ID X 2.50 OD X .188T WASH
19	8	900064	5/16UNC X 3/4 HEX BOLT
20	4	900264	1/2UNC X 1 1/4 HEX BOLT
21	4	900265	1/2UNC X 1 1/2 HEX BOLT
22	4	900266	1/2UNC X 1 3/4 HEX BOLT
23	1	900390	5/8UNC X 2 1/2 SOCKET CAP SCR
24	4	900836	5/8UNF X 3 1/4 HEX BOLT GR8
25	3	910008	1/2UNC HEX NUT
26	8	914008	1/2UNC HEX STOVER NUT
27	14	914811	5/8UNF HEX NUT GR8
28	8	920501	5/16 LOCK WASHER
29	5	920504	1/2 LOCK WASHER
30	1	920505	5/8 LOCK WASHER
31	1	358759	LEG MT V-PLT WLD, 284T 94
32	1	358831	AIRIDE SPRING 98
33	1	358832	AIRIDE SPRING CTRL VALVE 98
34	1	358839	AIRIDE CTRL LINK KIT, 2100 99
35	2	358990	NYLON GUIDE, 2100 LEG 99
36	1	358991	INNER KEEPER,NYL GUIDE,2100 99
37	1	358992	OUTER KEEPER,NYL GUIDE,2100 99
38	1	358993	NYLON GUIDE BACK PLATE,2100 99
39	2	470118	1/4UNC X 3/4 FLANGE HEX BOLT
40	2	470121	1/4UNC HEX FLANGE LOCK NUT
41	3	900837	5/8UNF X 3 1/2 HEX BOLT GR8
42	2	910002	5/16UNC HEX NUT
43	1	910013	3/4UNF HEX NUT
44	2	914002	5/16UNC HEX STOVER NUT
45	1	920506	3/4 LOCK WASHER
46	1	711016	1/4NPT-90-1/4NYL TUBE FTG BR8
47	2	711023	1/8MNPT-1/40D NYL TUBE FTGBRS
48	1	601413	HOSE, 1/4 X 8 AIR
49	2	900065	5/16UNC X 1" HEX BOLT
50	1	342638	NYL HOSE SLEEVE,2.96ID X 65.00
51	1	483063	1.65 ID X 2.50 OD X .074T WASH
52	1	342654	NYL HOSE SLEEVE,3.66ID X 24.00



LEFT REAR LEG ASSEMBLY

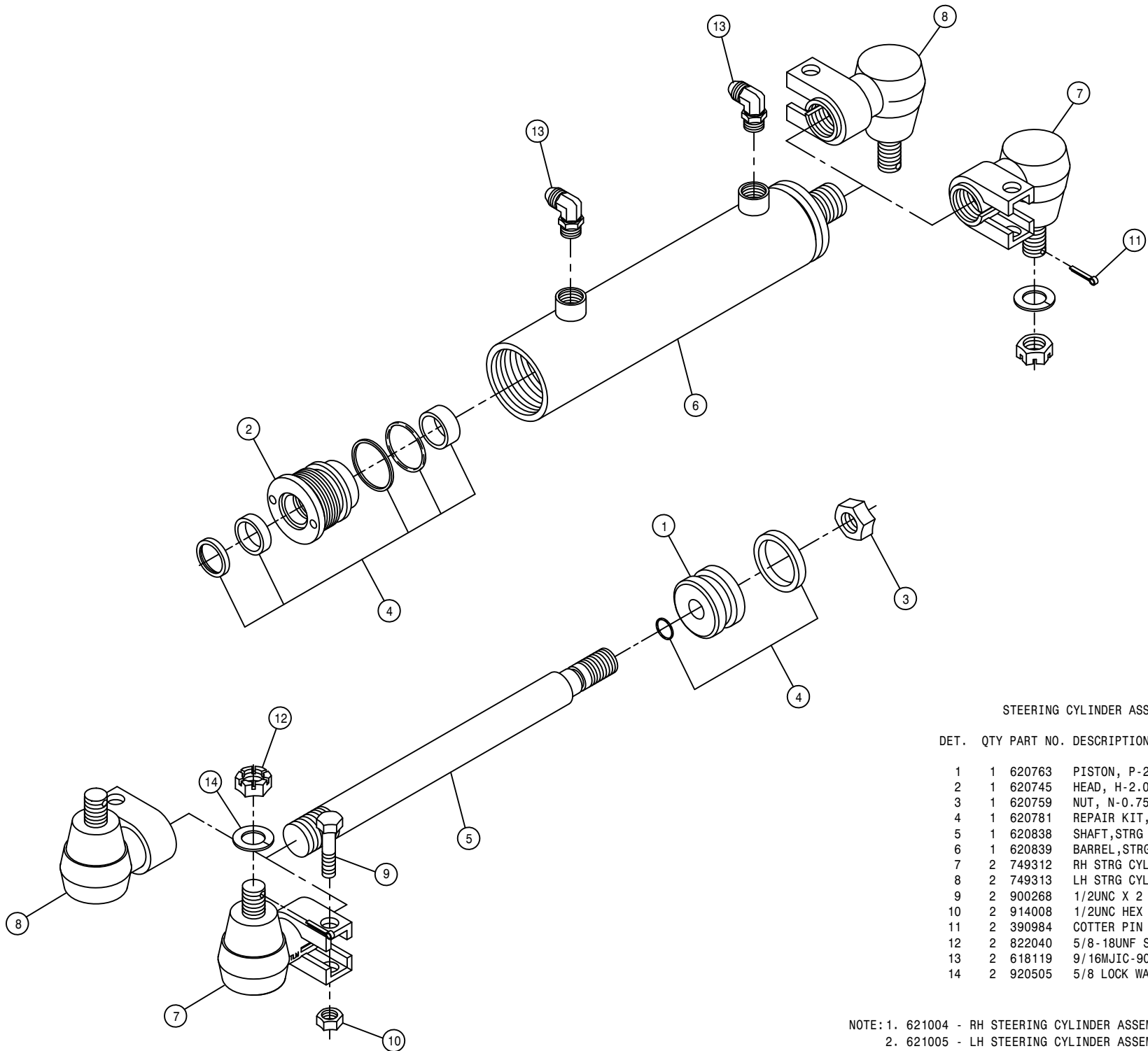
DET. QTY PART NO. DESCRIPTION

1	1	359196	REAR WHL MTR SHLD, 2100 2002
2	1	358934	REAR LEG HYD TUBE BRKT,2100 98
3	1	470066	1/2UNC X 1/2 AL HD CUP SET SCR
4	1	470273	TUBE CLAMP BODY, .375- .375- .500
5	1	470275	TUBE CLAMP BODY, 1.000-1.000
6	1	470277	CLAMP WELD PLATE, SNGL, 2.15LG
7	1	470278	CLAMP WELD PLATE, SNGL, 2.75LG
8	1	471023	GREASE ZERK 1/4-28 X 45
9	1	610634	ZERK BOLT, 1 1/2, TORQ HUB
10	1	610689	TORQ HUB, 26:1 B-MT MW3BA
11	1	610643	SUND HYD MOTOR, M46-4199 W/SEN
12	1	615708	LWR HYD TUBE ASSY,LEG 2100 98
13	1	615709	UPR HYD TUBE ASSY,LEG 2100 98
14	1	615710	RF/LR HYD DRN TUBE ASSY2100 98
15	1	615712	RF/LR HYD CTRL TUBE ASSY210098
16	1	618119	9/16MJIC-90-9/16MOR LBO
17	2	618178	1 5/16MJIC-90-1 5/16MOR LBO
18	1	618474	3/4MJIC-90-1 1/16MOR LBO
19	1	662256	STALK GUIDE WLD, 2100 2000
20	1	870045	O-RING 4 1/8 OD X 4 ID
21	1	900068	5/16UNC X 1 3/4 HEX BOLT
22	1	900070	5/16UNC X 2 1/2 BOLT
23	2	920004	1/2 SAE FLAT WASHER
24	6	900264	1/2UNC X 1 1/4 HEX BOLT
25	2	900263	1/2UNC X 1" HEX BOLT
26	1	900266P	1/2UNC X 1 3/4 HEX BOLT
27	6	900333P	5/8UNC X 1 1/2 HEX BOLT
28	2	914002	5/16UNC HEX STOVER NUT
29	10	914008	1/2UNC HEX STOVER NUT
30	2	920504P	1/2 LOCK WASHER
31	6	920505P	5/8 LOCK WASHER
32	2	618577	1 5/16MJIC UNION
33	1	618314	3/4MJIC UNION
34	2	619010	9/16MJIC UNION
35	9	470140	5/8UNF HEX SMTH FLANGE NUT PLT
36	1	359022	REAR HYD TUBE MTG PLT,2100 00
37	1	615715	LH HYD BRAKE TUBE ASSY,2100 98
38	1	618114	9/16MJIC-90-7/16MOR LBO
39	1	828093	MICO HYD BRAKE 98
40	2	900271	1/2UNC X 3 1/4 HEX BOLT
41	1	610625	SENSOR, WHL MOTOR 610621/610671



29

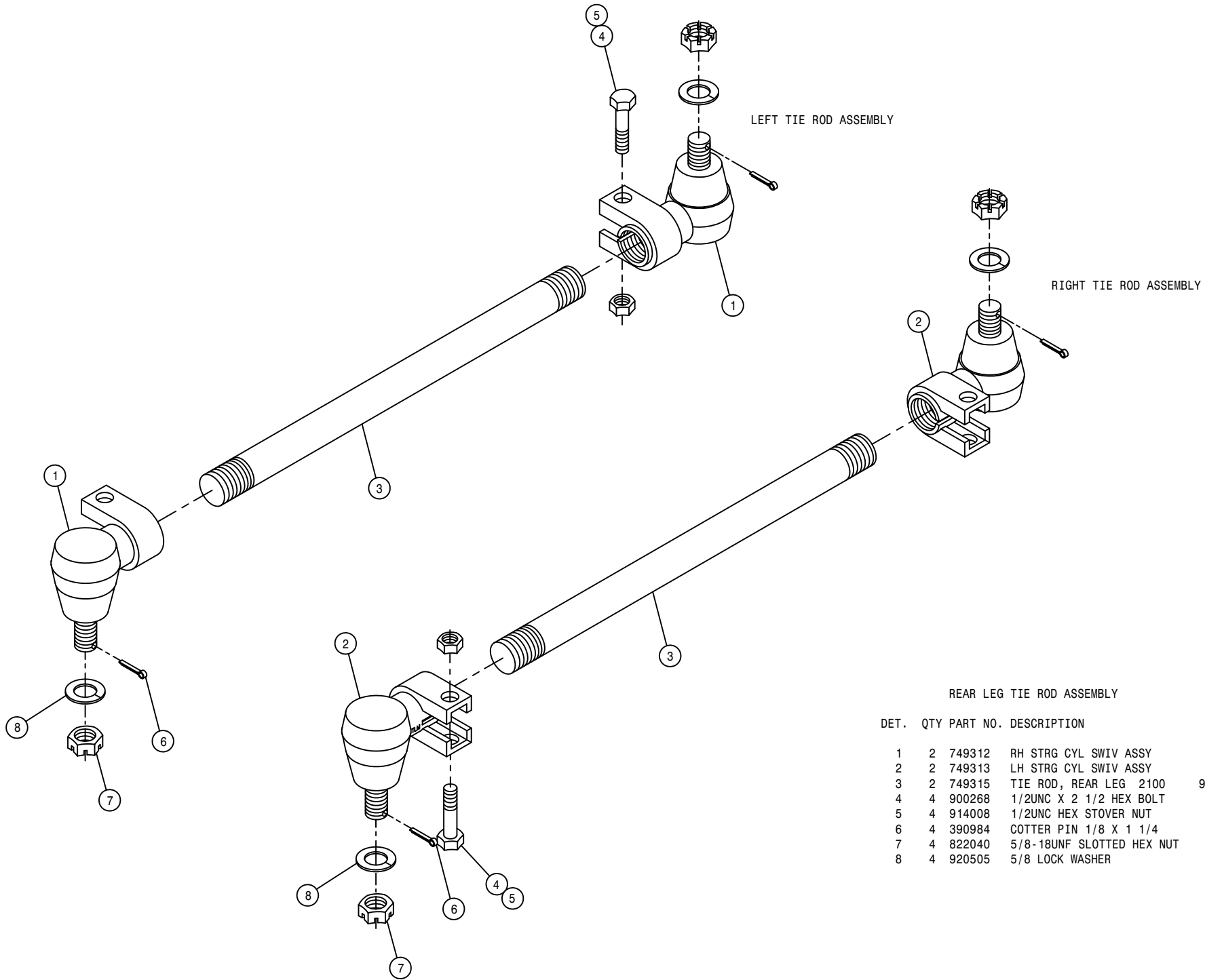
244029



STEERING CYLINDER ASSEMBLY

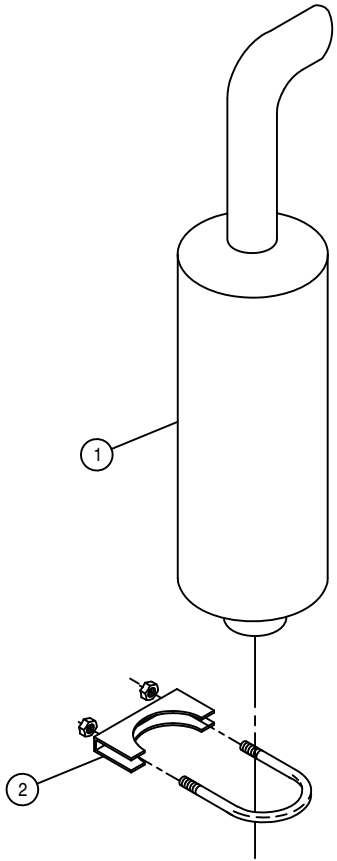
DET.	QTY	PART NO.	DESCRIPTION
	1	620763	PISTON, P-2.00-107
	2	620745	HEAD, H-2.00-335
	3	620759	NUT, N-0.75-01
	4	620781	REPAIR KIT, HYD CYL, RK-2.00-803
	5	620838	SHAFT, STRG CYL, 2100 620835
	6	620839	BARREL, STRG CYL, 2100 620835
	7	2 749312	RH STRG CYL SWIV ASSY
	8	2 749313	LH STRG CYL SWIV ASSY
	9	2 900268	1/2UNC X 2 1/2 HEX BOLT
	10	2 914008	1/2UNC HEX STOVER NUT
	11	2 390984	COTTER PIN 1/8 X 1 1/4
	12	2 822040	5/8-18UNF SLOTTED HEX NUT
	13	2 618119	9/16MJIC-90-9/16MOR LBO
	14	2 920505	5/8 LOCK WASHER

NOTE: 1. 621004 - RH STEERING CYLINDER ASSEMBLY W/CYL SWIV DET.7
 2. 621005 - LH STEERING CYLINDER ASSEMBLY W/CYL SWIV DET.8
 3. 620835 - STEERING CYLINDER ASSEMBLY W/O CYL SWIV INCLUDES ITEMS 1-6



REAR LEG TIE ROD ASSEMBLY

DET.	QTY	PART NO.	DESCRIPTION	
1	2	749312	RH STRG CYL SWIV ASSY	
2	2	749313	LH STRG CYL SWIV ASSY	
3	2	749315	TIE ROD, REAR LEG 2100	98
4	4	900268	1/2UNC X 2 1/2 HEX BOLT	
5	4	914008	1/2UNC HEX STOVER NUT	
6	4	390984	COTTER PIN 1/8 X 1 1/4	
7	4	822040	5/8-18UNF SLOTTED HEX NUT	
8	4	920505	5/8 LOCK WASHER	



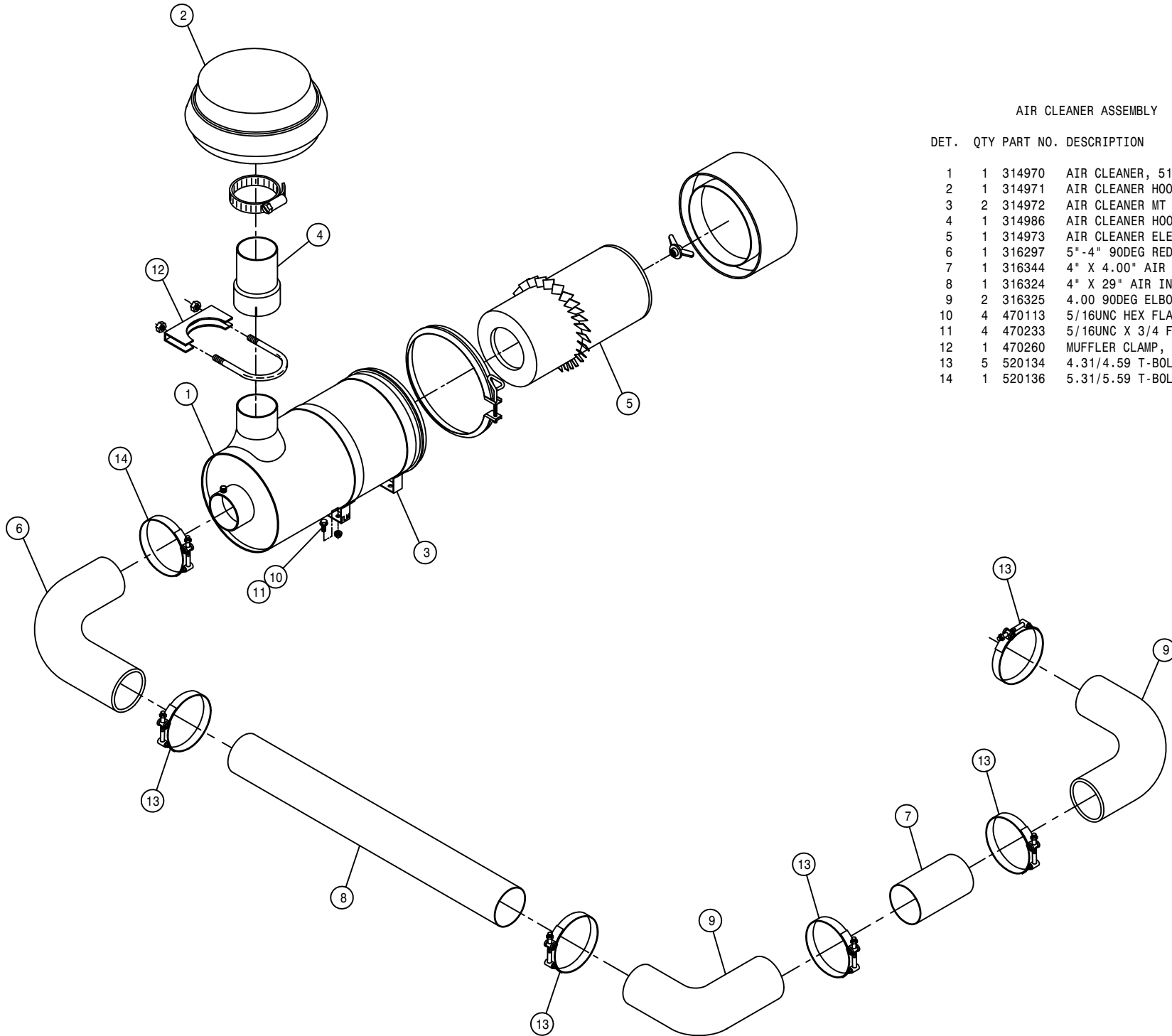
MUFFLER ASSEMBLY

DET.	QTY	PART NO.	DESCRIPTION
1	1	316366	MUFFLER, STS12
2	1	470160	MUFFLER CLAMP 3.00 IN

AIR CLEANER ASSEMBLY

DET. QTY PART NO. DESCRIPTION

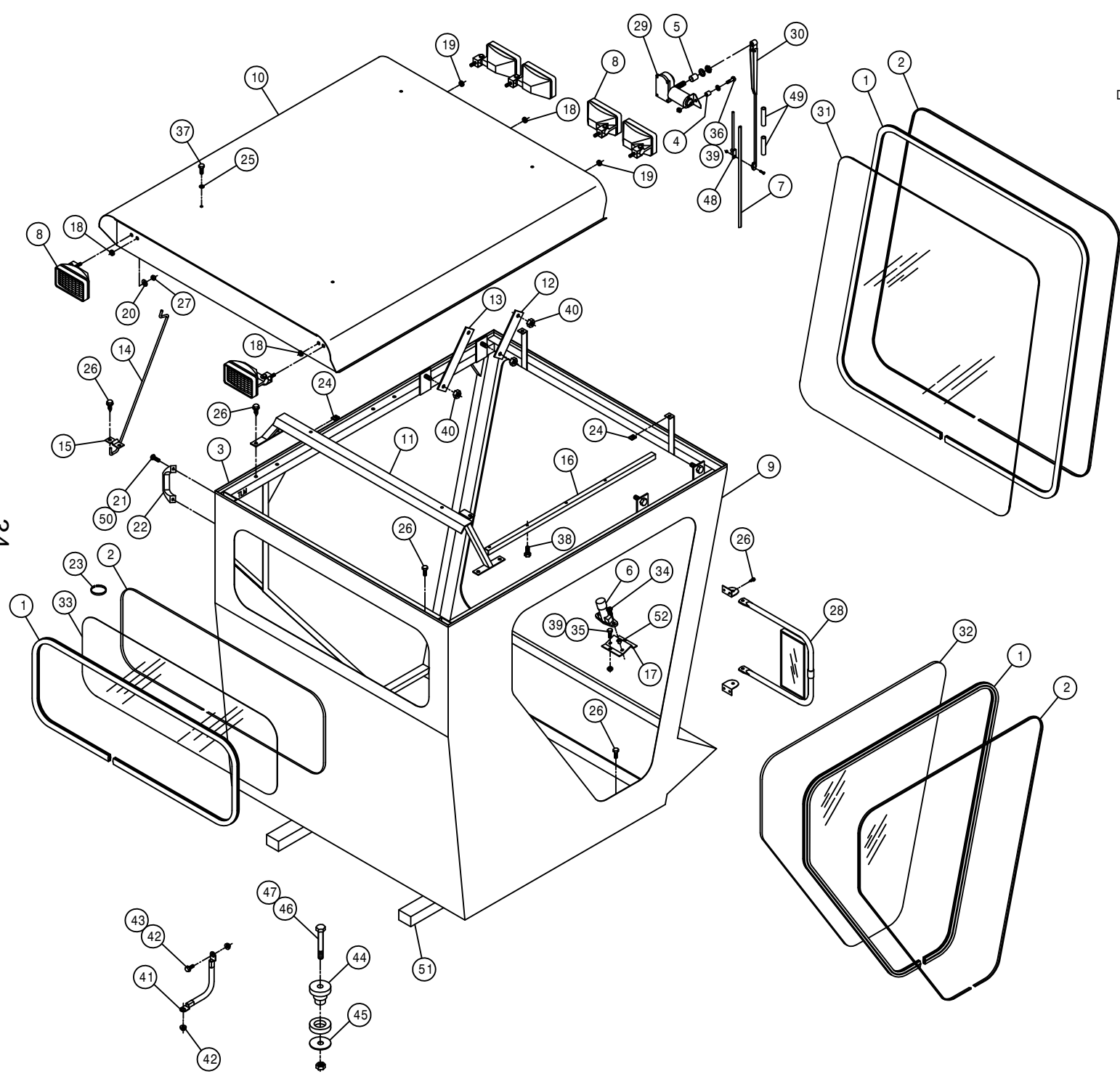
1	1	314970	AIR CLEANER, 510 CFM
2	1	314971	AIR CLEANER HOOD FOR 314970
3	2	314972	AIR CLEANER MT BAND FOR314970
4	1	314986	AIR CLEANER HOOD EXTEN,5"X8"LG
5	1	314973	AIR CLEANER ELEMENT FOR314970
6	1	316297	5" -4" 90DEG REDU ELBOW,RUBBER
7	1	316344	4" X 4.00" AIR INTAKE TUBE 98
8	1	316324	4" X 29" AIR INTAKE TUBE, 98
9	2	316325	4.00 90DEG ELBOW, 2100 98
10	4	470113	5/16UNC HEX FLANGE LOCK NUT
11	4	470233	5/16UNC X 3/4 FLANGE HEX BOLT
12	1	470260	MUFFLER CLAMP, 5.00
13	5	520134	4.31/4.59 T-BOLT HOSE CLAMP SS
14	1	520136	5.31/5.59 T-BOLT HOSE CLAMP SS



CAB ASSEMBLY

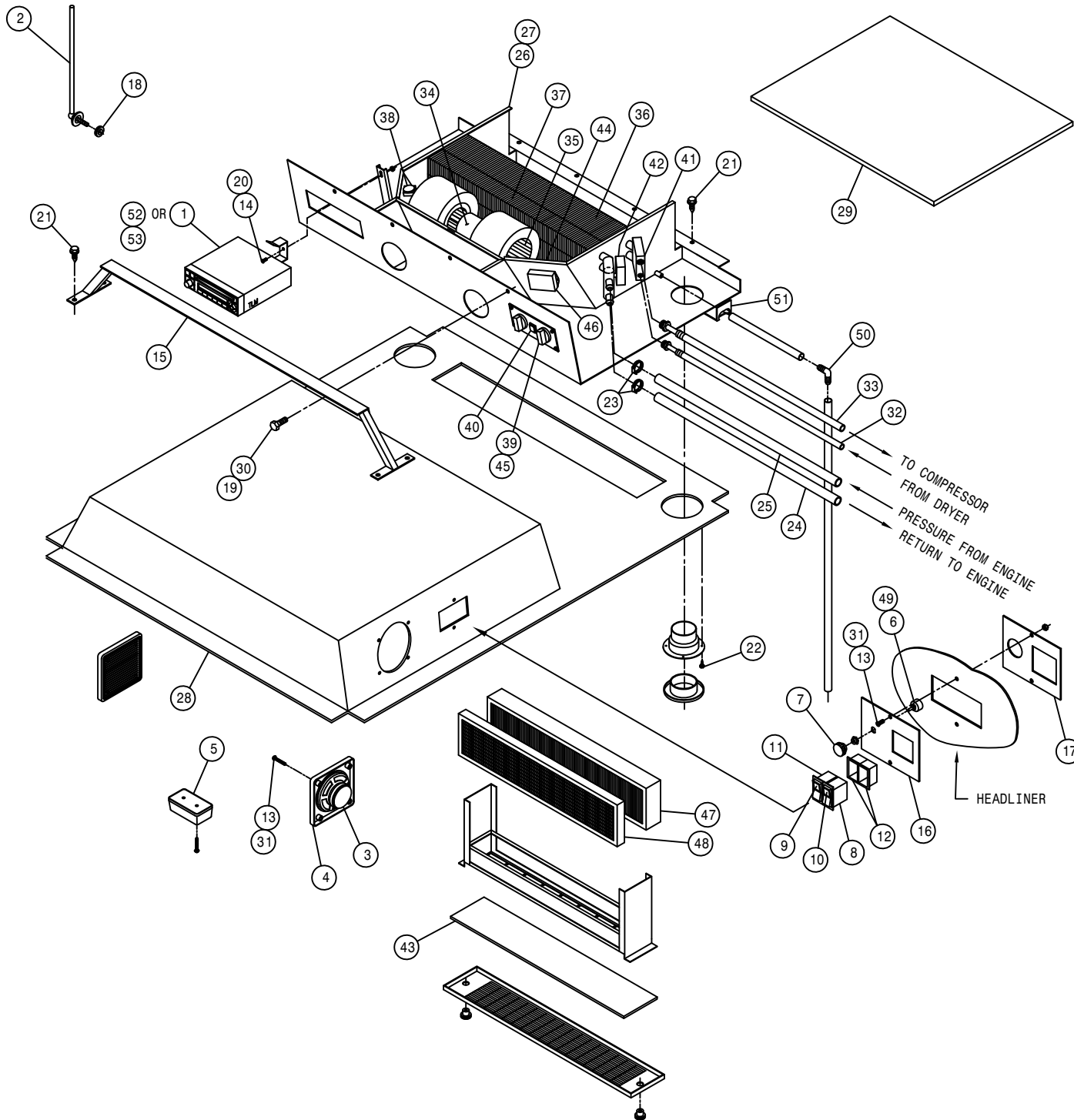
DET.	QTY	PART NO.	DESCRIPTION	
1	38	193044	WINDOW WEATHERSTRIP	94
2	38	193045	LOCK STRIP FOR 193044	94
3	19	193050	TRIM-LOCK SEAL, 250'	
4	1	200019	.25 SCH 40BP X 1.00 LG	C/L
5	1	202037	WINDSHIELD WIPER SPACER	
6	1	290412	DIMMER SWITCH	
7	1	290417	18" WIPER BLADE	
8	6	291603	HALOGEN WORKLAMP, SIDE MT 12V	
9	1	342357	CAB WELD, 2100	98
10	1	342403	CAB ROOF WLD, 2100	98
11	1	342414	REAR CAB ROOF MT WLD, 2100	98
12	2	342416	CAB ROOF 4" LINKAGE, 2100	98
13	2	342417	CAB ROOF 8" LINKAGE, 2100	98
14	1	342418	CAB ROOF PROP, 2100	98
15	1	342419	CAB ROOF PROP MT, 2100	
16	1	342420	HEAD LINER ANGLE, RH, 2100	98
17	1	342642	SOLU SWITCH ADPTR BRKT, 2100	98
18	3	470067	GROMMET, .250ID .125GW .375GD	
19	2	470070	GROMMET, .375ID .062GW .500GD	
20	6	470100	3/8 INT TOOTH LOCK WASHER	
21	2	470175	10-32 HEX FLANGE LOCK NUT	
22	1	470222	GRAB HANDLE, BLACK MOULDED	
23	1	470229	IDENTIFICATION TIE, WHITE	
24	4	470261	3/8UNC NUT, U-TAPPED SPRING	
25	4	470262	3/8 X 1" BONDED SEALING WASH	
26	16	472349	1/4 X 3/4 20THD-IN TEK TYPE	
27	6	473779	10MM-1.50 HEX NUT	
28	2	650524	OUTSIDE REAR VIEW MIRROR	
29	1	658008	WINDSHIELD WIPER MOTOR	
30	1	658013	WIPER ARM	
31	1	658022	FRONT CAB GLASS, 2100	98
32	1	658023	SIDE CAB GLASS, 2100	98
33	1	658024	REAR CAB GLASS, 2100	98
34	2	903708	1/4UNC X1/2 PHIL PNHD MACHSCR	
35	2	900003	1/4UNC X 1" HEX BOLT	
36	1	900005	1/4UNC X 1 1/2 HEX BOLT	
37	4	900129	3/8UNC X 1" HEX BOLT	
38	4	900263	1/2UNC X 1" HEX BOLT	
39	3	914000	1/4UNC HEX STOVER NUT	
40	8	914008	1/2UNC HEX STOVER NUT	
41	1	290107	GROUND CABLE, 8" X 4GA .406LUGS	
42	2	470087	3/8UNC HEX FLANGE LOCK NUT	
43	1	900128	3/8UNC X 3/4 HEX BOLT	
44	4	311051	RUBBER MOUNT, RB3-350	
45	4	311052	SNUBBING WASHER FOR 311051	
46	4	900829	5/8UNC X 4" HEX BOLT GR8	
47	4	914010	5/8UNC HEX STOVER NUT	
48	1	290003	WINDSHIELD WASHER NOZZLE KIT	
49	1	291569	3/8 X 6" HEAT SHRINK TUBE	
50	2	903883	10-32 X 1/2 SLT RDHD MACH SCR	
51	2	659704	FOAM, 2"THK X 2" WIDE X 42"LG	
52	2	470086	1/4UNC NUTSERT .020-.100MATL	

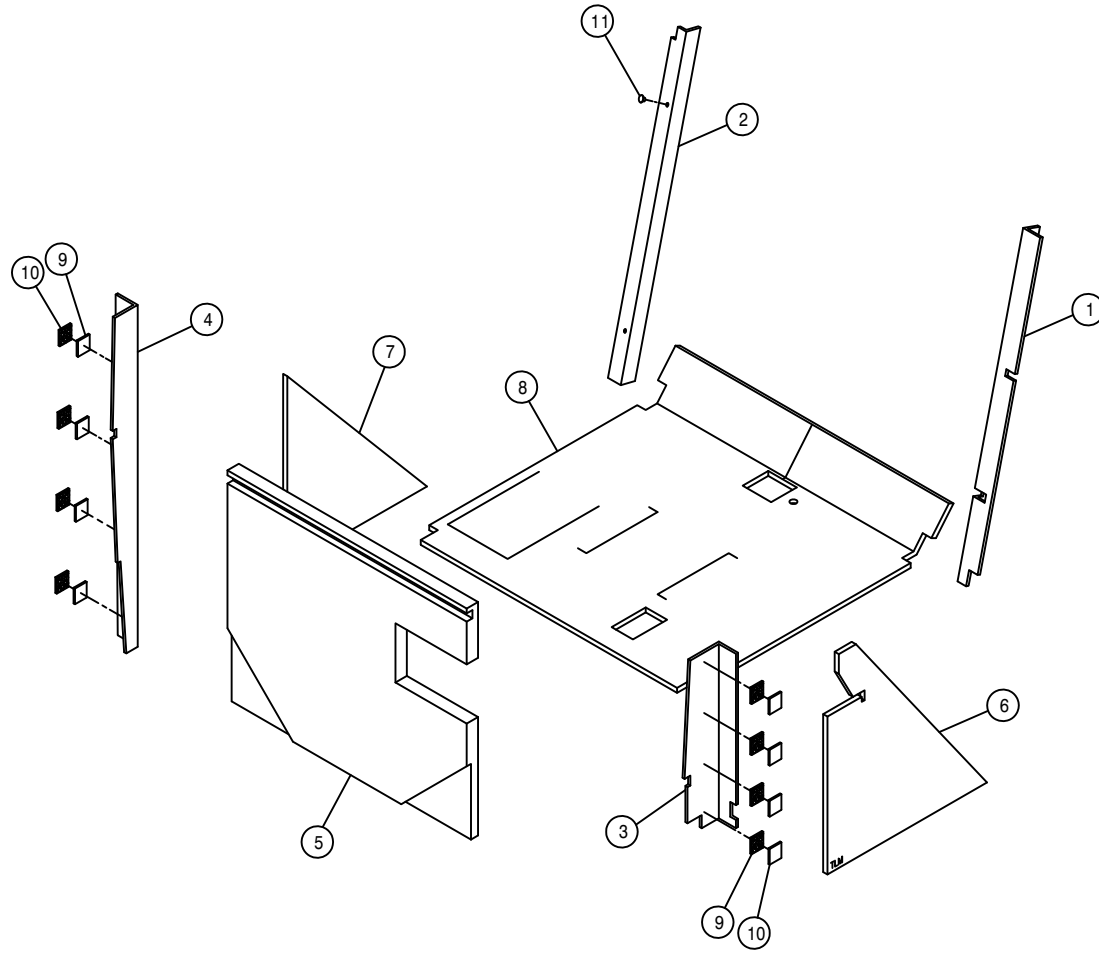
34



AIR CONDITIONER ASSEMBLY

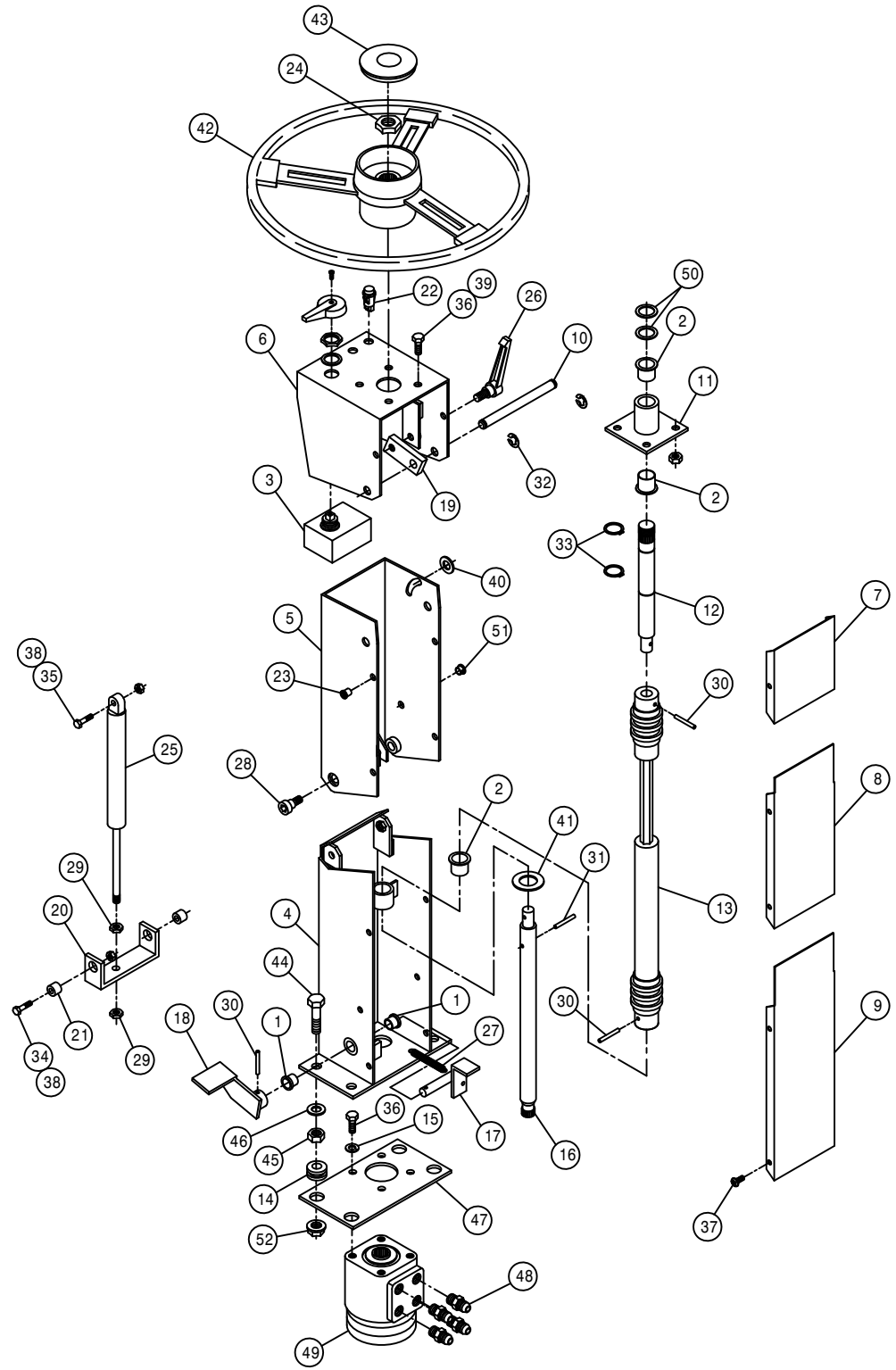
DET.	QTY	PART NO.	DESCRIPTION	
	1	291212	RADIO	94
	2	291214	ANTENNA	94
	3	291219	SPEAKER, 5 1/4"RD	
	4	291224	SPEAKER GRILLE, 6" BLACK MESH	
	5	291605	INTERIOR LIGHT W/SWITCH	
	6	291606	ROTARY HEADLAMP SWITCH	
	7	291607	SWITCH KNOB FOR 291606	
	8	291622	SWITCH, 1P ON/OFF	511-003
	9	291630	LENS, WINDSHIELD WASHER	
	10	291631	LENS, HAZARD	
	11	291678	SWITCH, 511-115	
	12	293246	END BEZEL	
	13	903710	10-32X5/8 PHIL PANHD MACH SCR	
	14	903883	10-32 X 1/2 SLT RDHD MACH SCR	
	15	342411	REAR A/C BLWR MT WLD, 2100	98
	16	342421	LIGHT SWITCH PANEL, 2100	98
	17	342633	LIGHT SWITCH PANEL KPR,2100	98
	18	470067	GROMMET, .250ID .125GW .375GD	
	19	470087	3/8UNC HEX FLANGE LOCK NUT	
	20	470175	10-32 HEX FLANGE LOCK NUT	
	21	472349	1/4 X 3/4 20THD-IN TEK TYPE	
	22	473966	6X3/4 PHIL FLT HD SHT MTL SCR	
	23	520055	HOSE CLAMP NO 12 STAINLESS	
	24	601342	HOSE, 5/8 X 192 HEATER	
	25	601431	HOSE, 5/8 X 250 HEATER	
	26	657400	A/C & HTR ASSY, CAB R134A	
	27	657401	A/C HOSE KIT, EVAP R134A	
	28	658317	HEADLINER, 2100	98
	29	658318	ROOF SEAL, AIR COND 2100	
	30	900128	3/8UNC X 3/4 HEX BOLT	
	31	914027	10-32 HEX STOVER NUT	
	32	657418	A/C HOSE ASSY, 5/16 X 198	
	33	657419	A/C HOSE ASSY, 1/2 X 198	
	34	657448	A/C BLOWER ASSY, 12V KENWAY	
	35	657405	A/C BLOWER WHEEL W/CLIP	
	36	657406	A/C EVAPORATOR COIL	
	37	657407	A/C HEATER COIL	
	38	657408	A/C THERMOSTAT	
	39	657409	A/C CONTROL KNOB	
	40	657410	A/C SWITCH, PUSH ON-OFF	
	41	657411	A/C EXPANSION VALVE	
	42	657412	A/C HEATER VALVE, 4-WAY MTRIZED	
	43	657413	A/C FILTER, RECIRCULATION	
	44	657414	A/C BLOWER DRIVE ASSY	
	45	657415	A/C POTENTIOMETER ASSY	
	46	657420	A/C VALVE MODULE ASSY	
	47	657424	A/C AIR FILTER	
	48	657425	A/C CHARCOAL AIR FILTER	
	49	903844	8-32 X 1/2 SLT RD HD MACH SCR	
	50	2500098	1/2HB-90-1/2 HOSE BARB, POLY	
	51	342669	A/C DRAIN HOSE KEEPER	
	52	291835	RADIO, AM/FM/CD/WB CRC-5320	
	53	291836	WIRE HARNESS FOR 291835 RADIO	





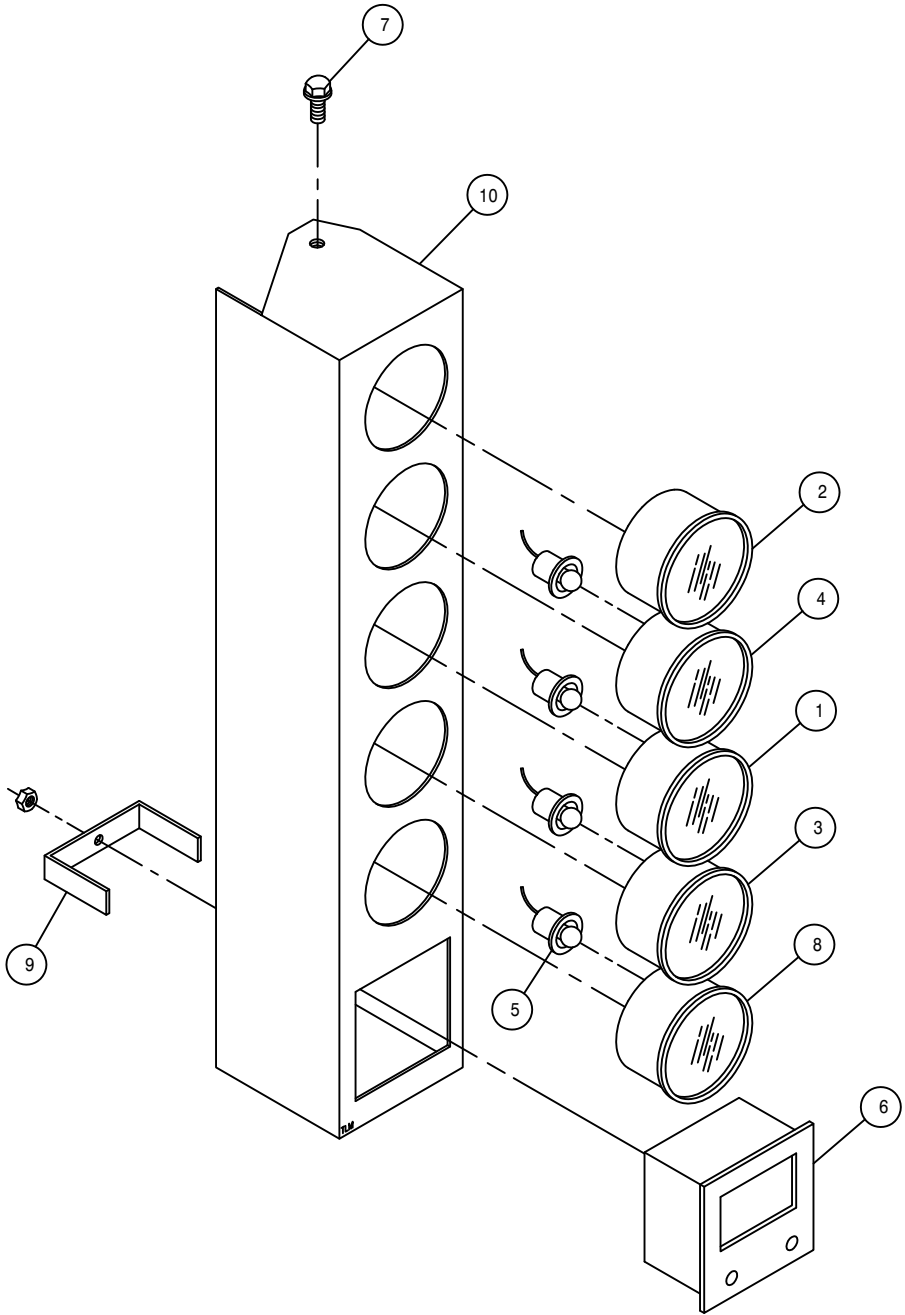
FOAM

DET.	QTY	PART NO.	DESCRIPTION
1	1	658319	POST COVER, RH FRONT
2	1	658320	POST COVER, LH FRONT 2100 98
3	1	658321	POST COVER, RH REAR 2100 98
4	1	658322	POST COVER, LH REAR 2100 98
5	1	658323	BACKPANEL, 2100 98
6	1	658324	SIDE PANEL, RH 2100 98
7	1	658325	SIDE PANEL, LH 2100 98
8	1	658326	FLOORMAT, 2100 98
9	8	471101	DUAL LOCK, 1.00 X 1.00 SJ3542
10	8	471100	DUAL LOCK, 1.00 X 1.00 SJ3541
11	2	470225	TRIM CLIP, 11/16 BLK NYL HEAD



STEERING POST ASSEMBLY

DET.	QTY	PART NO.	DESCRIPTION
1	2	127502	NYLON FLANGE BRG
2	3	127503	NYLINER FLG BRG, .875 ID
3	1	291088	FLASHER / TURN SIGNAL SWITCH
4	1	342450	LWR STRG COLUMN WLD, 2100 98
5	1	342454	UPPER STRG COLUMN WLD, 2100 98
6	1	342461	STRG WHL MT WLD, 2100 98
7	1	342467	UPPER STRG COLUMN COVER, 2100 98
8	1	342468	CNTR STRG COLUMN COVER, 2100 98
9	1	342469	LWR STRG COLUMN SHLD
10	1	342470	STRG COLUMN PIVOT PIN, 2100 98
11	1	342471	STRG COL BRG HSG WLD, 2100 98
12	1	342474	UPPER STEERING SHAFT, 2100 98
13	1	470285	DOUBLE UNIVERSAL JOINT DRIVER
14	4	470346	GROMMET, .500ID .250GW, .812GD
15	4	920502	3/8 LOCK WASHER
16	1	342483	LWR STEERING SHAFT, 2100 98
17	1	342484	FOOT PEDAL PIV PIN WLD, 2100 98
18	1	342487	FOOT PEDAL WLD, 2100 98
19	1	342490	STRG PIVOT LOCK, 2100 98
20	1	342491	LWR AIR SHOCK PIVOT, 2100 98
21	2	342492	LWR AIR SHOCK PIV BUSH, 2100 98
22	2	390318	INDICATOR LIGHT, RED
23	10	470086	1/4UNC NUTSERT .020-.100MATL
24	1	470157	13/16-20UNEF HEX NUT STRG WHL
25	1	470252	GAS SPRING, LOCKING 0350N
26	1	470257	ADJ HANDLE, 3/8-16 STUD, BLACK
27	1	470268	SPRING, EXTENSION, .50 X 1.75
28	2	470283	3/8UNC 1/2 SCKT SHLDR BOLT
29	2	473830	10MM-1.00 HEX JAM NUT
30	3	473928	ROLL PIN, 3/16 X 1
31	1	473936	ROLL PIN, 3/16 X 1 1/4
32	2	629525	RING, RETAINING, .50DIA SHAFT
33	2	629533	SNAP RING, 7/8 EXTRN
34	2	900065	5/16UNC X 1" HEX BOLT
35	1	900067	5/16UNC X 1 1/2 HEX BOLT
36	8	900128	3/8UNC X 3/4 HEX BOLT
37	10	903708	1/4UNC X 1/2 PHIL PNHD MACHSCR
38	3	914002	5/16UNC HEX STOVER NUT
39	4	914004	3/8UNC HEX STOVER NUT
40	1	920002	3/8 SAE FLAT WASHER
41	1	920007	7/8 SAE FLAT WASHER
42	1	749294	STEERING WHEEL, VIP 14"
43	1	749295	STRG WHL CAP W/HAGIE EMBLEM
44	4	900267P	1/2UNC X 2" HEX BOLT
45	4	470124P	1/2UNC HEX JAM NUT
46	4	920004	1/2 SAE FLAT WASHER
47	1	343211	STEERING MTR PLT, 284XP/2100 02
48	4	618109	9/16MJIC-3/4MOR ADPTR
49	1	749318	STRG MTR, 7.3CID, NON-LOAD 1031
50	2	483031	1 3/8 X 7/8 X 18GA MACH WASHER
51	1	470342	SNAP PLUG, BLK NYL, .375 DIA
52	4	470345P	1/2UNC HEX SMTH FLNG LOCK NUT



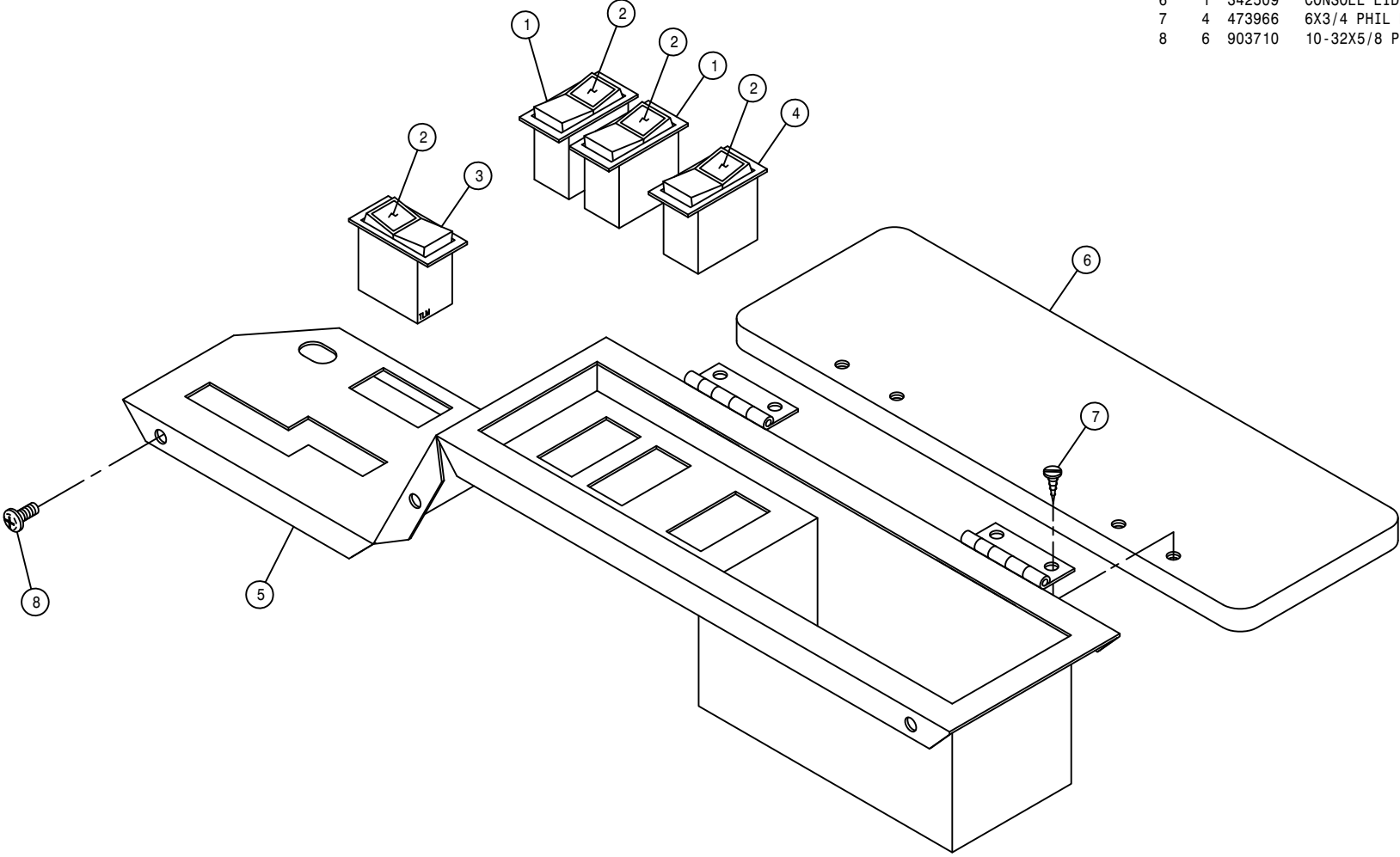
INSTRUMENT PANEL ASSEMBLY

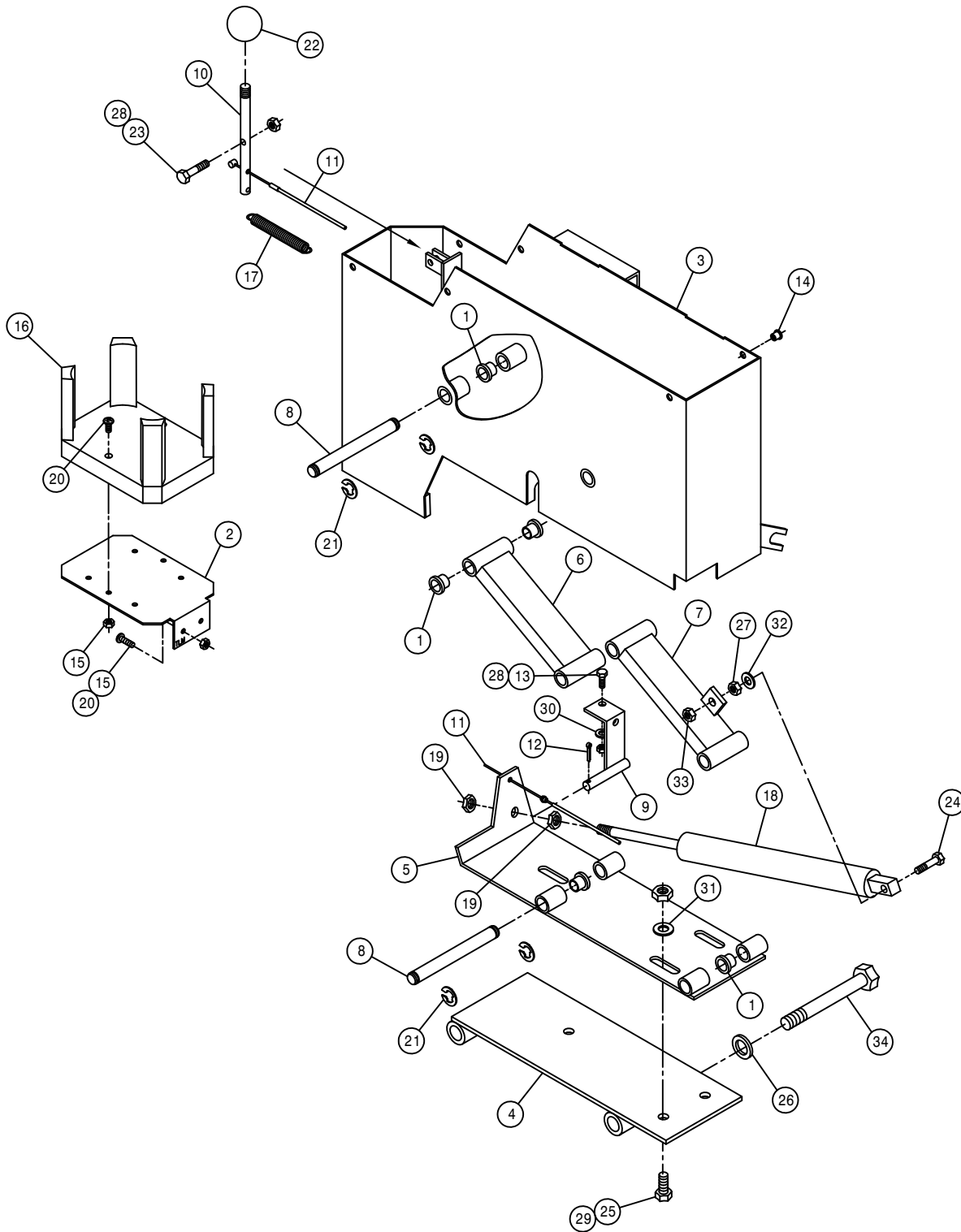
DET. QTY PART NO. DESCRIPTION

1	1	290401	FUEL GAUGE FOR 2.125 DIA HOLE
2	1	291203	HOUR METER, 12/24VDC BLACK BEZ
3	1	291673	OIL PRESS GAUGE, 125PSI
4	1	291611	VOLTMETER, 8V TO 18V DC
5	4	291612	LIGHT KIT FOR 2" GAUGE
6	1	291635	DIGITAL MPH/RPM INDICATOR
7	2	470122	1/4UNC X 1/2 FLANGE HEX BOLT
8	1	314436	TEMP GA 100-280 DEG LIGHTED
9	1	342068	DIGITAL MPH/RPM IND KEEPER 94
10	1	342533	INSTRU HSNGL WLD, 2100 98

CONSOLE COVER ASSEMBLY

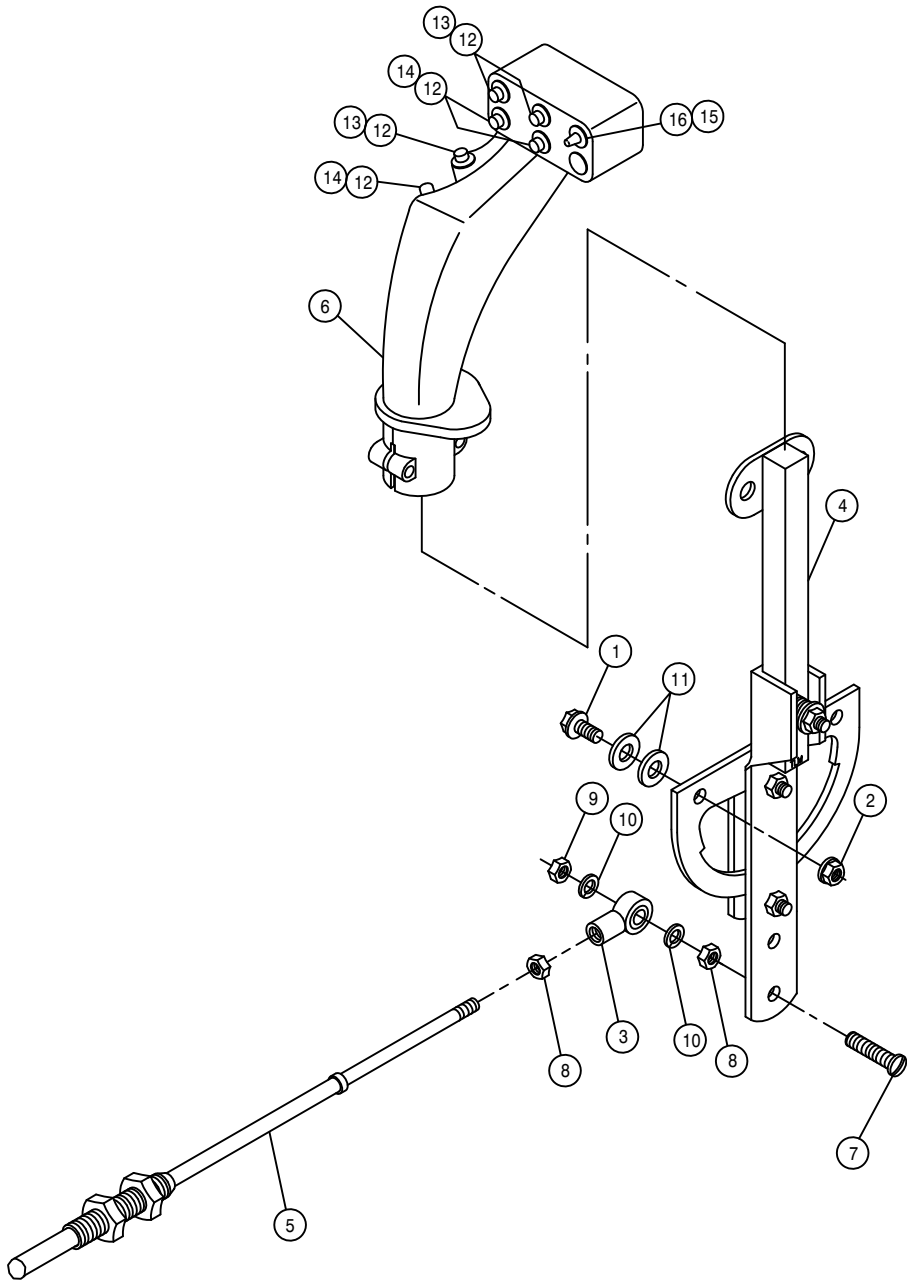
DET.	QTY	PART NO.	DESCRIPTION
1	2	291627	SWITCH,2P(ON)OFF(ON) 511-058
2	4	291628	LENS, GREEN
3	1	291671	SWITCH,2P OFF/ONA/ONAB 511-138
4	1	291672	SWITCH,1P ON/OFF/ON 511-149
5	1	342504	CONSOLE TOP WLD, 2100 98
6	1	342509	CONSOLE LID ASSY, 2100 98
7	4	473966	6X3/4 PHIL FLT HD SHT MTL SCR
8	6	903710	10-32X5/8 PHIL PANHD MACH SCR





CONSOLE ASSEMBLY

DET.	QTY	PART NO.	DESCRIPTION
1	16	127504	NYLINER FLG BRG, .500 ID
2	1	342216	DRINK HOLDER MT BRKT 94
3	1	342493	CONSOLE WLD, 2100 98
4	1	342510	CONSOLE SEAT MT WLD, 2100 98
5	1	342513	LWR CONSOLE MTG PLT WLD2100 98
6	1	342516	FRT CONSOLE PIVOT BRKT WLD 98
7	1	342519	REAR CONSOLE PIVOT BRKT WLD 98
8	4	342522	CONSOLE PIN, 2100 98
9	1	342523	AIR SHOCK RELEASE WLD, 2100 98
10	1	342526	ADJ HANDLE, 2100 98
11	1	342527	CONSOLE ADJ CABLE ASSY,2100 98
12	1	470006	COTTER PIN 1/8 X 1
13	1	470118	1/4UNC X 3/4 FLANGE HEX BOLT
14	6	470165	10-32 NUTSERT .020-.100 MATL
15	4	470175	10-32 HEX FLANGE LOCK NUT
16	1	470214	SPILLMASTER DRINK HOLDER
17	1	470248	SPRING,EXPANSION .438 X 3.00
18	1	470251	GAS SPRING, LOCKING 0250N
19	2	473830	10MM-1.00 HEX JAM NUT
20	4	903710	10-32X5/8 PHIL PANHD MACH SCR
21	8	629525	RING, RETAINING, .50DIA SHAFT
22	1	659291	KNOB,1" RND,BLK, 3/8-16
23	1	900003	1/4UNC X 1" HEX BOLT
24	1	900067	5/16UNC X 1 1/2 HEX BOLT
25	3	900129	3/8UNC X 1" HEX BOLT
26	2	920505	5/8 LOCK WASHER
27	1	910002	5/16UNC HEX NUT
28	2	914000	1/4UNC HEX STOVER NUT
29	3	914004	3/8UNC HEX STOVER NUT
30	1	920000	1/4 SAE FLAT WASHER
31	3	920002	3/8 SAE FLAT WASHER
32	1	920001	5/16 SAE FLAT WASHER
33	1	914002	5/16UNC HEX STOVER NUT
34	2	900346	5/8UNC X 6" HEX BOLT



HYDROSTATIC LEVER ASSEMBLY

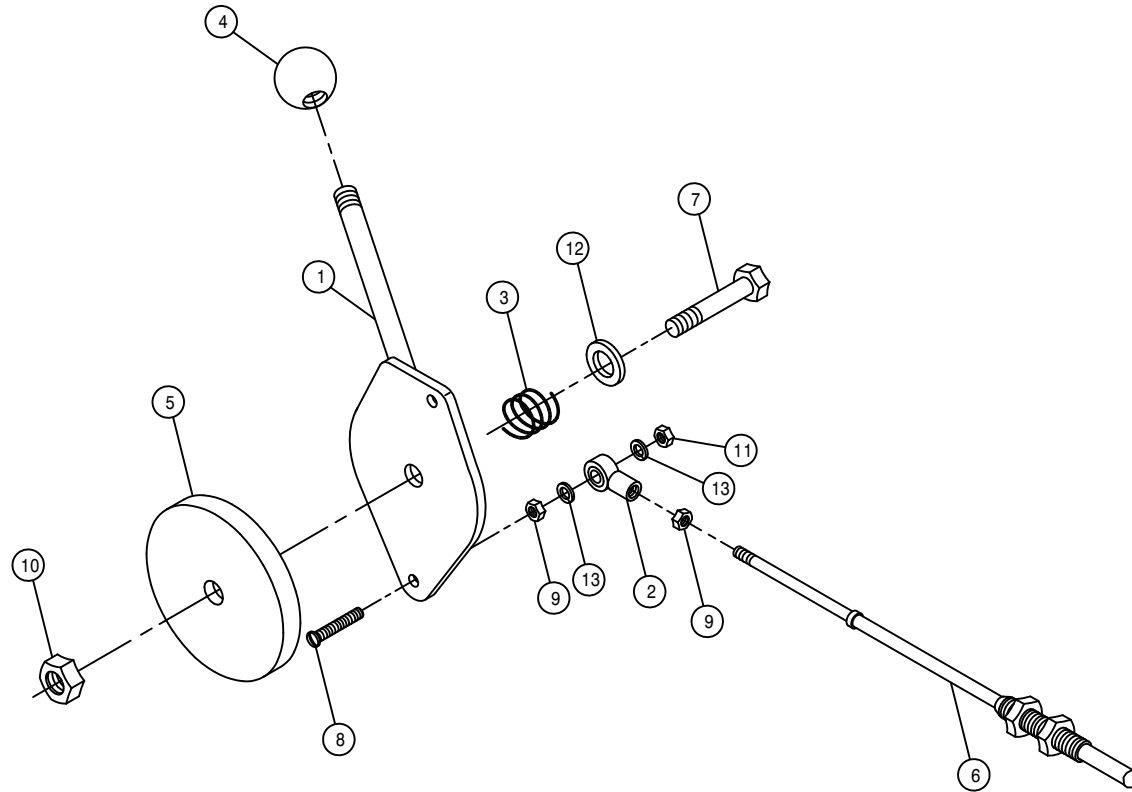
DET. QTY PART NO. DESCRIPTION

1	2	470118	1/4UNC X 3/4 FLANGE HEX BOLT
2	2	470121	1/4UNC HEX FLANGE LOCK NUT
3	1	473921	BALL JOINT NO 10-32 THD
4	1	342528	HYDST CTRL LEVER ASSY, 2100 98
5	1	785066	CTRL CABLE 10-32 4IN X 129 IN
6	1	785078	FASSE EZ-3 CTRL HANDLE,284 96
7	1	903893	10-32 X 1" SLT RD HD MACH SCR
8	2	910027	10-32 HEX NUT
9	1	914027	10-32 HEX STOVER NUT
10	2	920510	#10 LOCK WASHER
11	4	920000	1/4 SAE FLAT WASHER
12	6	291650	SWITCH,SPDT MOM MICRO
13	3	291651	SWITCH BOOT, GRAY -FOR 291650
14	3	291652	SWITCH BOOT, RED -FOR 291650
15	1	291654	SWITCH BOOT, BLACK-FOR 291653
16	1	291653	SWITCH, TOG SPDT 3POS STAT

THROTTLE LEVER ASSEMBLY

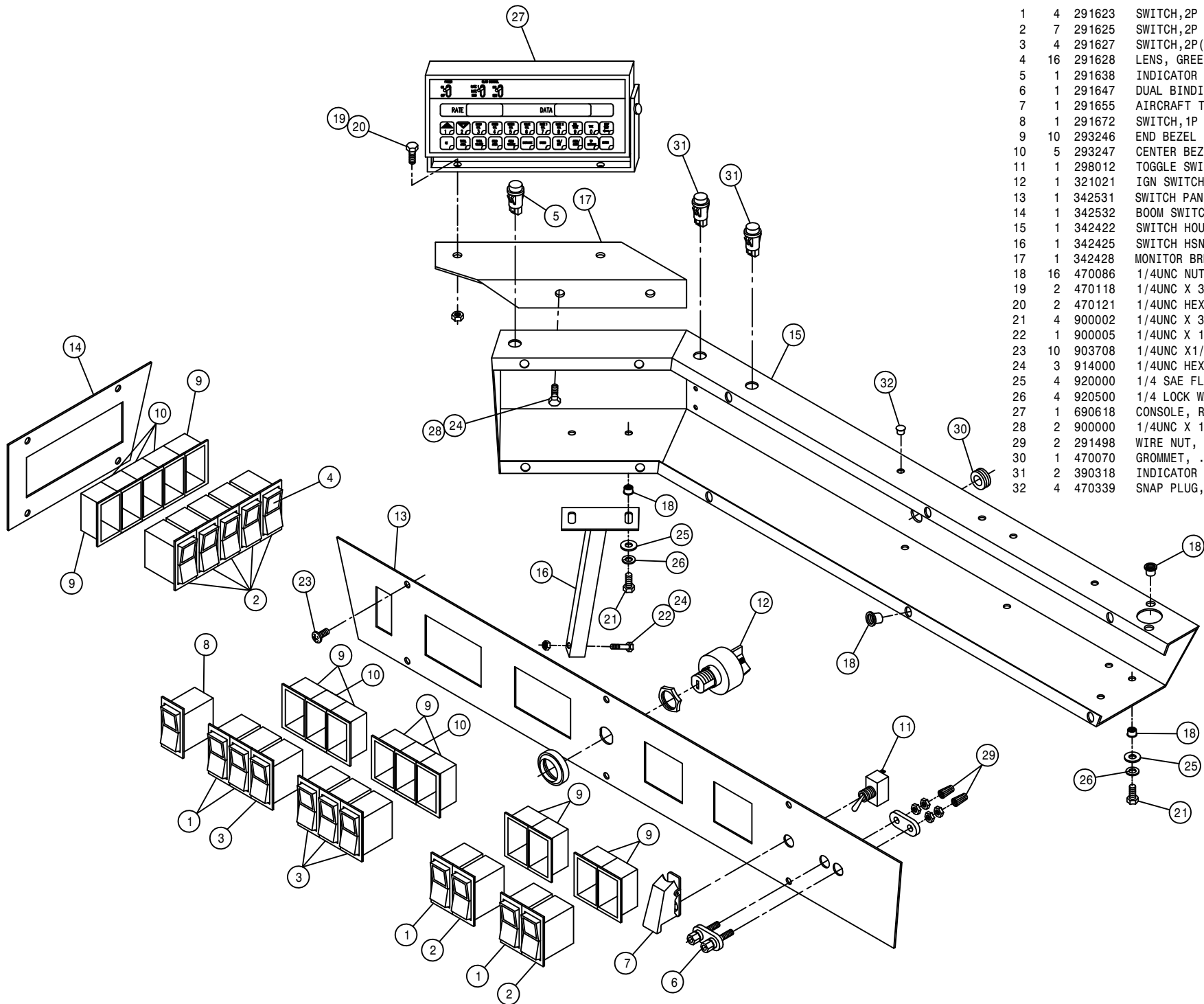
DET. QTY PART NO. DESCRIPTION

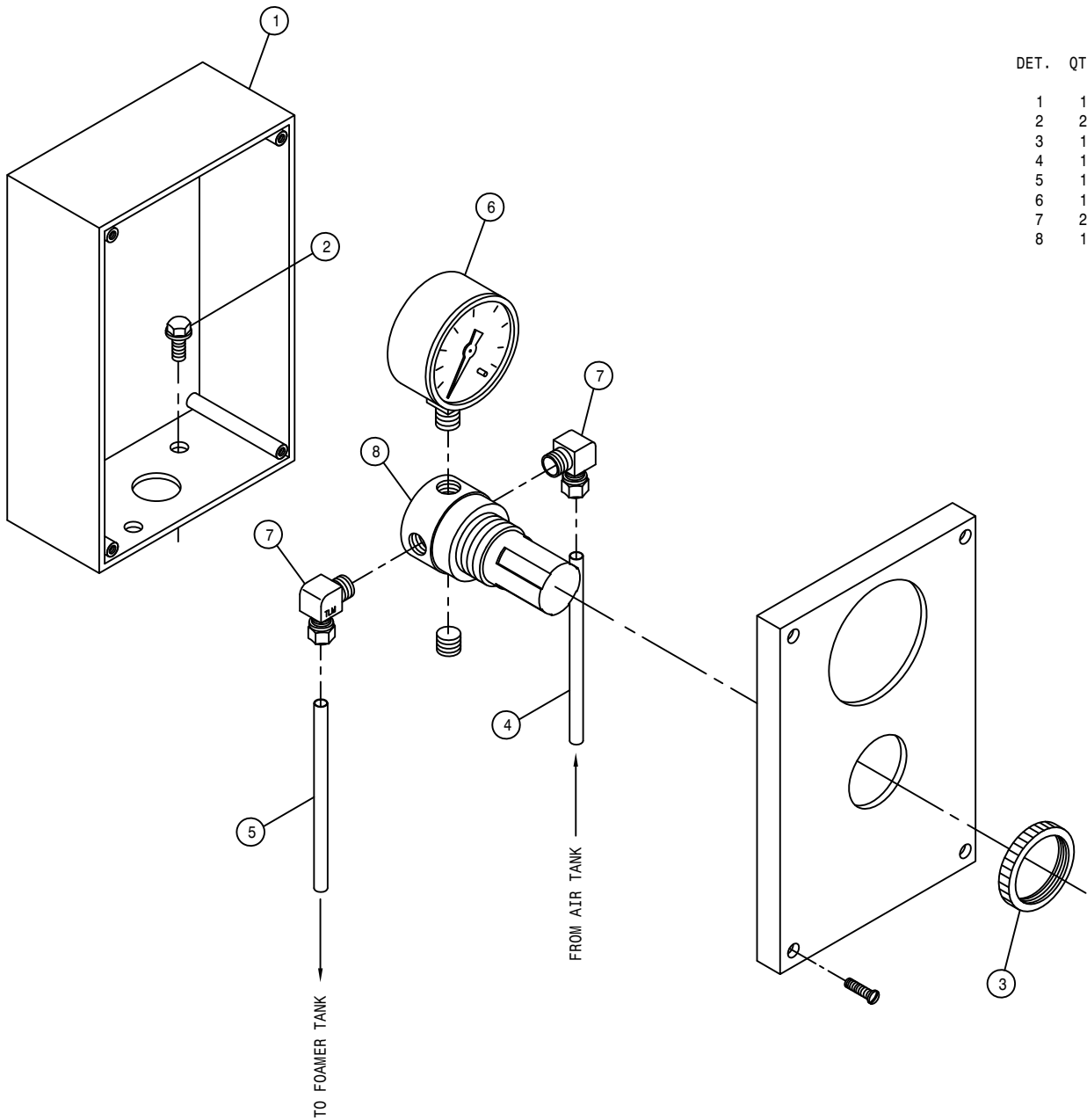
1	1	342529	THROT LEVER WLD, 2100	98
2	1	473921	BALL JOINT NO 10-32 THD	
3	1	499001	SPRING HYDRO CONTROL	
4	1	785007	KNOB, 1 3/16" BALL, RED, 3/8-16	
5	1	785046	FRICTION DISC 3-333 X .38	
6	1	785079	CTRL CABLE 10-32 4IN X 140 IN	
7	1	900170	3/8UNC X 2 1/4 HEX BOLT	
8	1	903893	10-32 X 1" SLT RD HD MACH SCR	
9	2	910027	10-32 HEX NUT	
10	1	914004	3/8UNC HEX STOVER NUT	
11	1	914027	10-32 HEX STOVER NUT	
12	1	920002	3/8 SAE FLAT WASHER	
13	2	920510	#10 LOCK WASHER	



SWITCH PANEL ASSEMBLY

DET.	QTY	PART NO.	DESCRIPTION	
1	4	291623	SWITCH, 2P ON/OFF	511-015
2	7	291625	SWITCH, 2P ON/OFF	511-108
3	4	291627	SWITCH, 2P (ON)OFF (ON)	511-058
4	16	291628	LENS, GREEN	
5	1	291638	INDICATOR LIGHT, GREEN	
6	1	291647	DUAL BINDING POSTS	
7	1	291655	AIRCRAFT TOGGLE SWITCH GUARD	
8	1	291672	SWITCH, 1P ON/OFF/ON	511-149
9	10	293246	END BEZEL	
10	5	293247	CENTER BEZEL	
11	1	298012	TOGGLE SWITCH	
12	1	321021	IGN SWITCH, NON-SEALED	
13	1	342531	SWITCH PANEL, 2100	98
14	1	342532	BOOM SWITCH PANEL, 2100	98
15	1	342422	SWITCH HOUSING WLD, 2100	98
16	1	342425	SWITCH HSG SUPP WLD, 2100	98
17	1	342428	MONITOR BRKT, 2100	98
18	16	470086	1/4UNC NUTSERT .020-.100MATL	
19	2	470118	1/4UNC X 3/4 FLANGE HEX BOLT	
20	2	470121	1/4UNC HEX FLANGE LOCK NUT	
21	4	900002	1/4UNC X 3/4 HEX BOLT	
22	1	900005	1/4UNC X 1 1/2 HEX BOLT	
23	10	903708	1/4UNC X 1/2 PHIL PNHD MACHSCR	
24	3	914000	1/4UNC HEX STOVER NUT	
25	4	920000	1/4 SAE FLAT WASHER	
26	4	920500	1/4 LOCK WASHER	
27	1	690618	CONSOLE, RAVEN 460 W/GPS PORT	
28	2	900000	1/4UNC X 1/2 HEX BOLT	
29	2	291498	WIRE NUT, 22-16GA GRAY	
30	1	470070	GROMMET, .375ID .062GW .500GD	
31	2	390318	INDICATOR LIGHT, RED	
32	4	470339	SNAP PLUG, BLK NYL, .250 DIA	

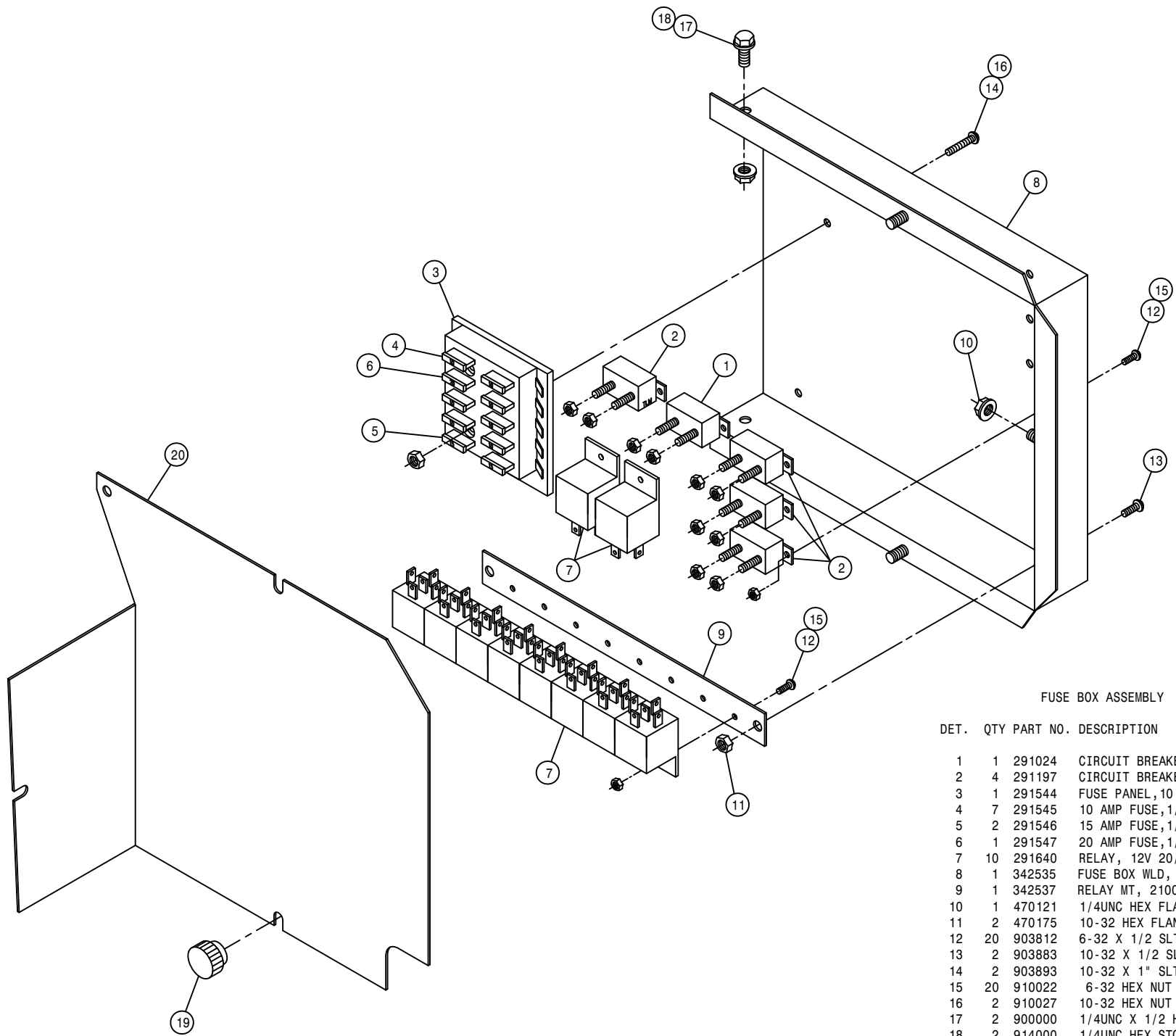




FOAMER AIR REGULATOR ASSEMBLY

DET. QTY PART NO. DESCRIPTION

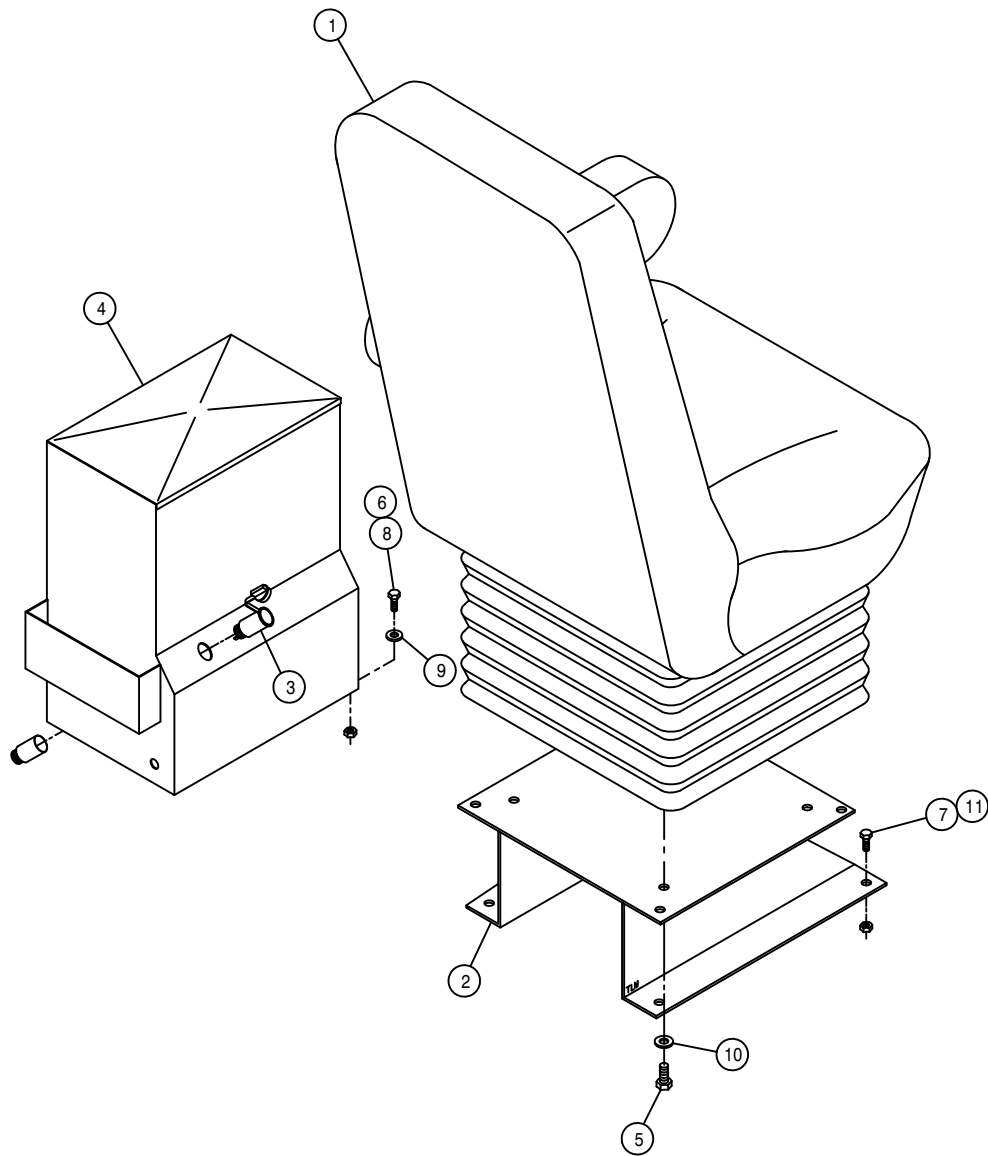
1	1	342429	FOAMER AIR REG MT BOX, 2100 98
2	2	470122	1/4UNC X 1/2 FLANGE HEX BOLT
3	1	711021	1 1/4-18 NUT,AIR REGULATOR MT
4	1	601360	HOSE, 1/4 X 168 AIR
5	1	601418	HOSE, 1/4 X 228 AIR
6	1	701310	AIR PRESS GAUGE, 1/8"BOT
7	2	711016	1/4NPT-90-1/4NYL TUBE FTG BRS
8	1	711019	1/4"MNPT AIR REGULATOR



FUSE BOX ASSEMBLY

DET. QTY PART NO. DESCRIPTION

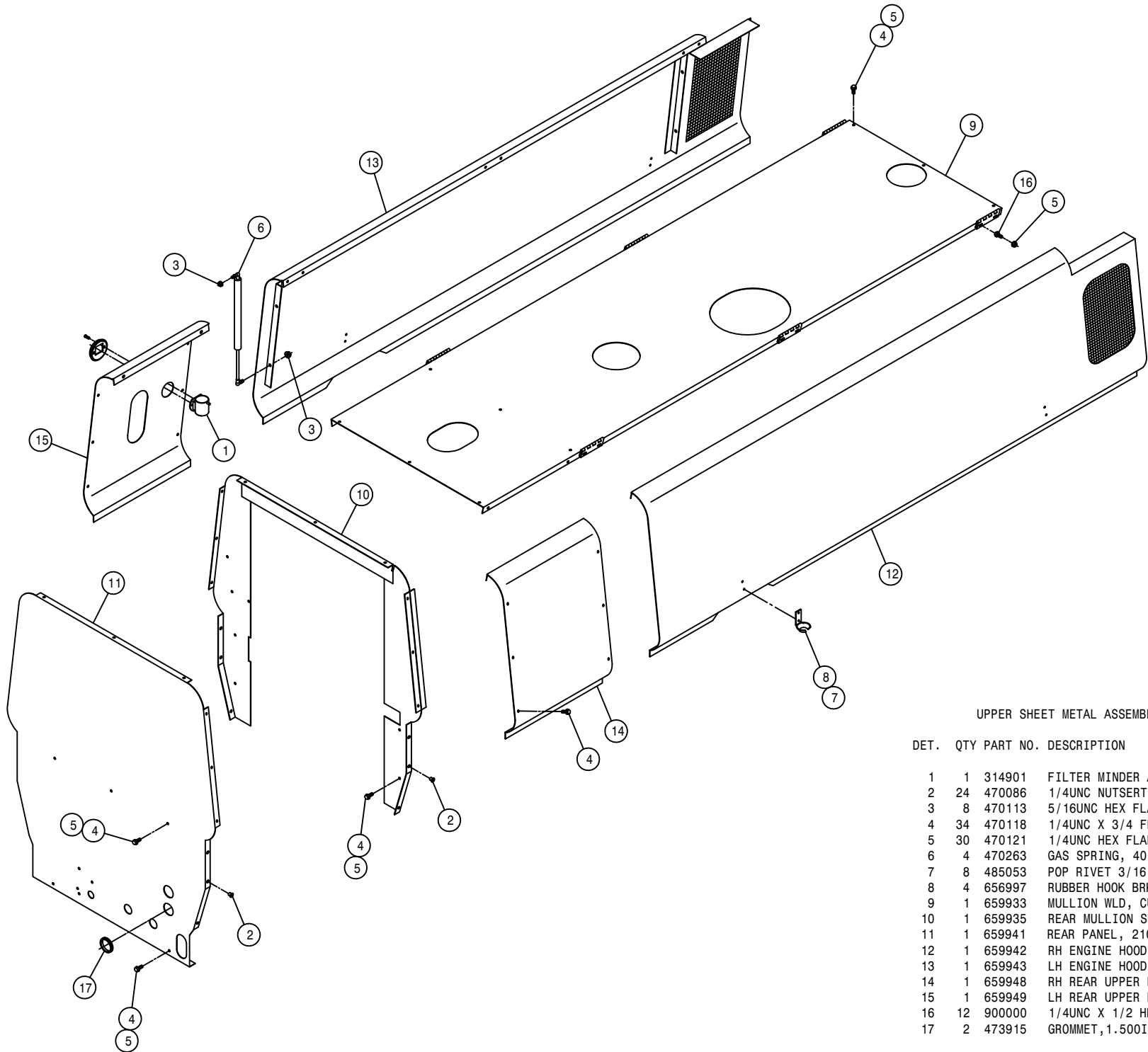
DET.	QTY	PART NO.	DESCRIPTION
1	1	291024	CIRCUIT BREAKER, 40AMP, INLINEMT
2	4	291197	CIRCUIT BREAKER, 30AMP, INLINEMT
3	1	291544	FUSE PANEL, 10 CIRCUIT, BLADE TP
4	7	291545	10 AMP FUSE, 1/4" BLADE ATO/ATC
5	2	291546	15 AMP FUSE, 1/4" BLADE ATO/ATC
6	1	291547	20 AMP FUSE, 1/4" BLADE ATO/ATC
7	10	291640	RELAY, 12V 20/30AMP BOSCH
8	1	342535	FUSE BOX WLD, 2100 98
9	1	342537	RELAY MT, 2100 98
10	1	470121	1/4UNC HEX FLANGE LOCK NUT
11	2	470175	10-32 HEX FLANGE LOCK NUT
12	20	903812	6-32 X 1/2 SLT RD HD MACH SCR
13	2	903883	10-32 X 1/2 SLT RDHD MACH SCR
14	2	903893	10-32 X 1" SLT RD HD MACH SCR
15	20	910022	6-32 HEX NUT
16	2	910027	10-32 HEX NUT
17	2	900000	1/4UNC X 1/2 HEX BOLT
18	2	914000	1/4UNC HEX STOVER NUT
19	3	470284	KNOB, .88 KNRLD, BLK, 1/4-20
20	1	342431	FUSE BOX COVER, 2100



SEAT AND CONSOLE ASSEMBLY

DET. QTY PART NO. DESCRIPTION

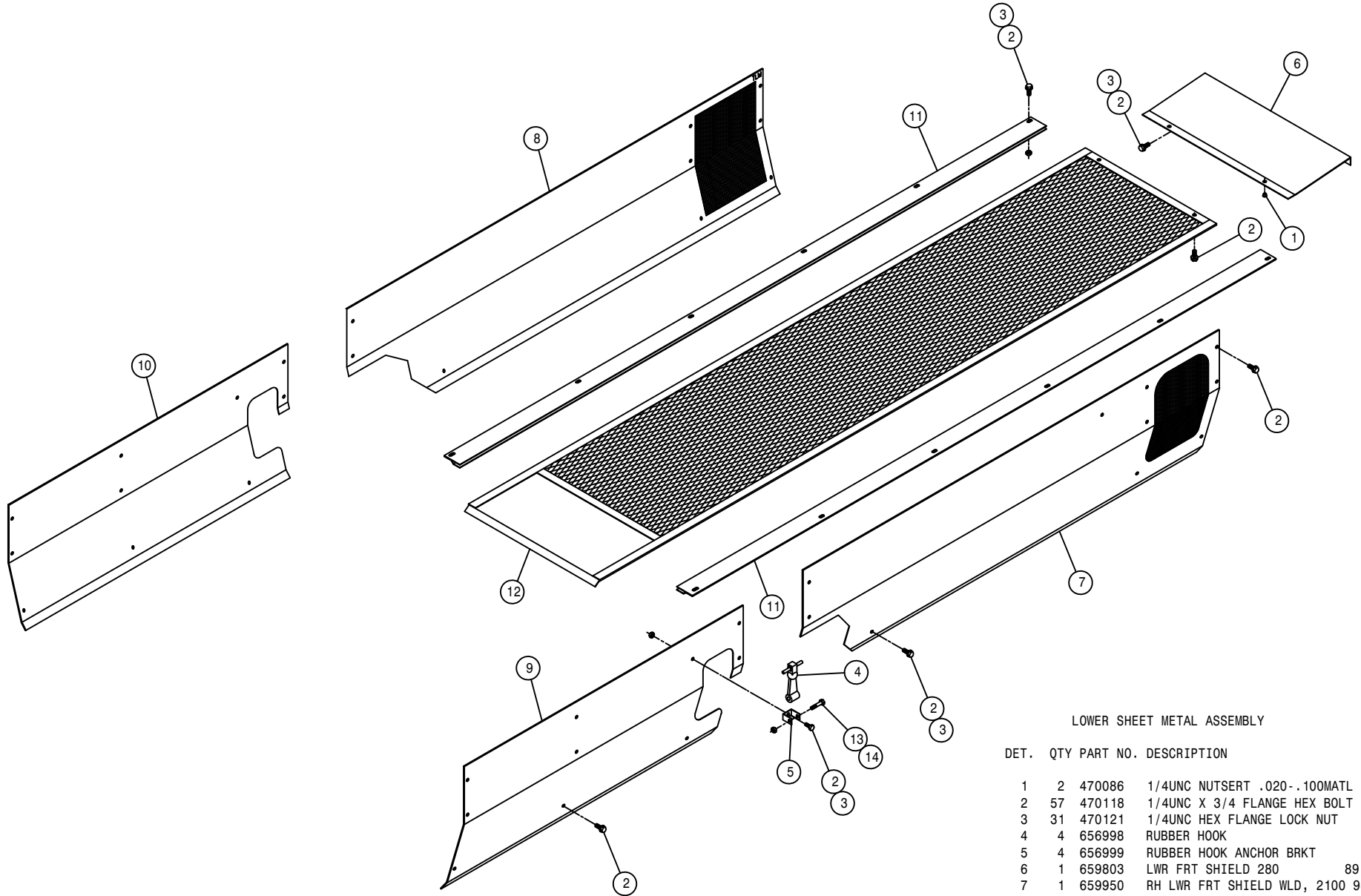
1	1	330026	SEAT & AIR SUSP ASSY, 2100	98
2	1	342090	SEAT MT WELD, 254/284	95
3	1	291648	POWER POINT RECEPTACLE	
4	1	342432	LH CONSOLE WLD, 2100	98
5	4	473803	8MM-1.25 X 16MM HEX BOLT	
6	4	900002	1/4UNC X 3/4 HEX BOLT	
7	4	900129	3/8UNC X 1" HEX BOLT	
8	4	914000	1/4UNC HEX STOVER NUT	
9	4	920000	1/4 SAE FLAT WASHER	
10	4	920501	5/16 LOCK WASHER	
11	4	914004	3/8UNC HEX STOVER NUT	



UPPER SHEET METAL ASSEMBLY

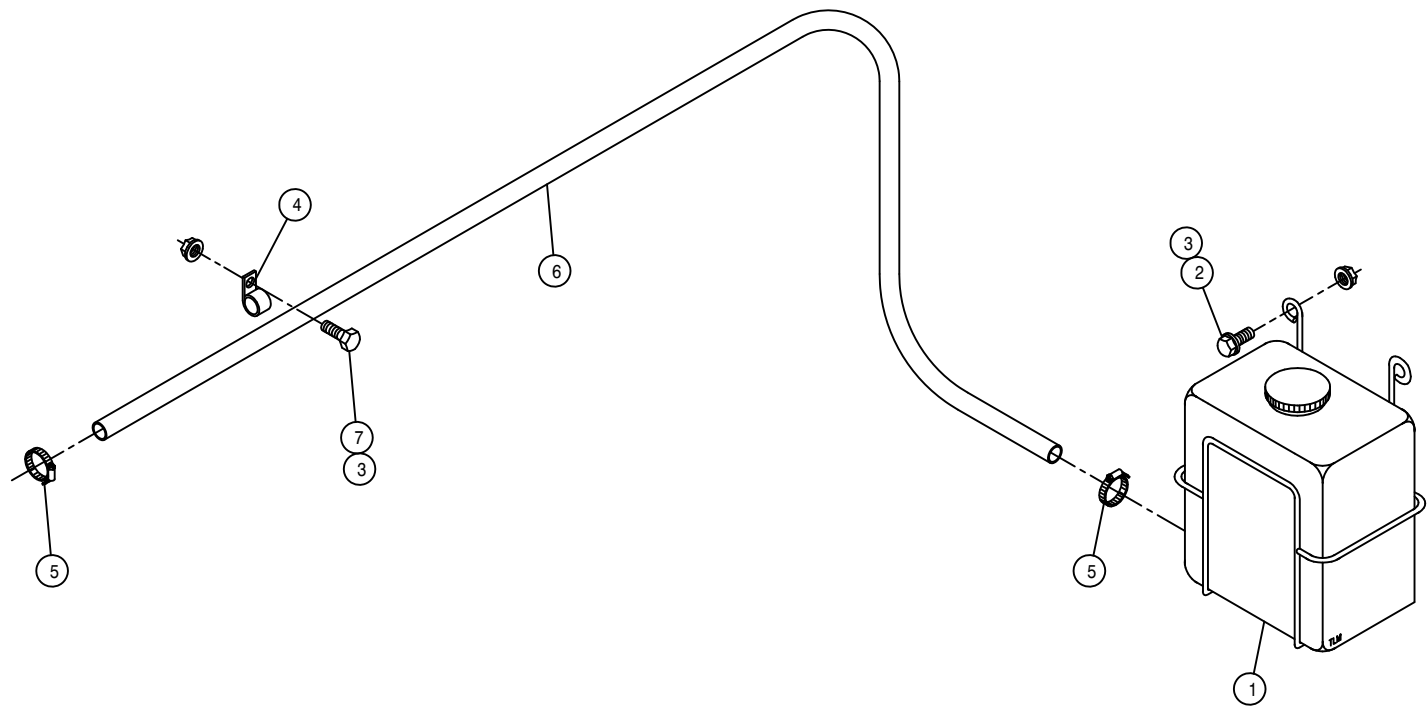
DET. QTY PART NO. DESCRIPTION

DET.	QTY	PART NO.	DESCRIPTION
1	1	314901	FILTER MINDER AIR RESTRICT GA
2	24	470086	1/4UNC NUTSERT .020-.100MATL
3	8	470113	5/16UNC HEX FLANGE LOCK NUT
4	34	470118	1/4UNC X 3/4 FLANGE HEX BOLT
5	30	470121	1/4UNC HEX FLANGE LOCK NUT
6	4	470263	GAS SPRING, 4016 8.00 STROKE
7	8	485053	POP RIVET 3/16 X 3/8
8	4	656997	RUBBER HOOK BRKT
9	1	659933	MULLION WLD, CUMM, 2100 98
10	1	659935	REAR MULLION SUPP WLD, 2100 98
11	1	659941	REAR PANEL, 2100 98
12	1	659942	RH ENGINE HOOD WLD, 2100 98
13	1	659943	LH ENGINE HOOD WLD, 2100 98
14	1	659948	RH REAR UPPER PANEL, 2100 98
15	1	659949	LH REAR UPPER PANEL, 2100 98
16	12	900000	1/4UNC X 1/2 HEX BOLT
17	2	473915	GROMMET, 1.500ID .062GW 1.750GD



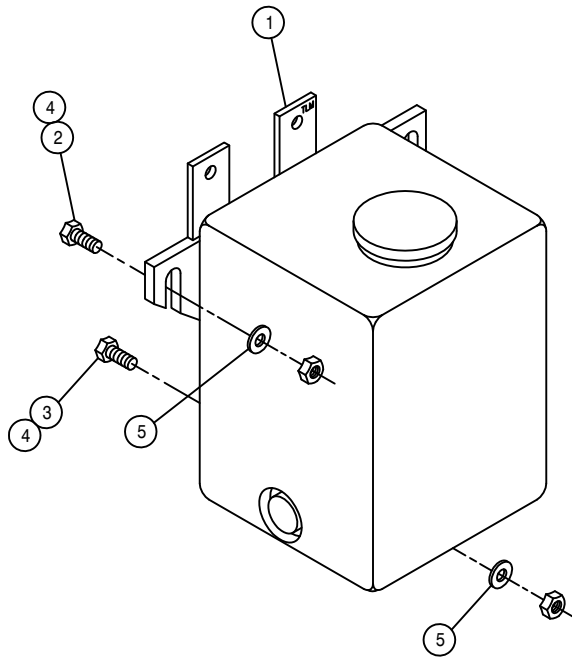
LOWER SHEET METAL ASSEMBLY

DET.	QTY	PART NO.	DESCRIPTION	
1	2	470086	1/4UNC NUTSERT .020-.100MATL	
2	57	470118	1/4UNC X 3/4 FLANGE HEX BOLT	
3	31	470121	1/4UNC HEX FLANGE LOCK NUT	
4	4	656998	RUBBER HOOK	
5	4	656999	RUBBER HOOK ANCHOR BRKT	
6	1	659803	LWR FRT SHIELD 280	89
7	1	659950	RH LWR FRT SHIELD WLD, 2100	98
8	1	659951	LH LWR FRT SHIELD WLD, 2100	98
9	1	659955	RH LWR REAR SHIELD, 2100	98
10	1	659956	LH LWR REAR SHIELD, 2100	98
11	2	659957	LWR SCR N SLIDE WLD, 2100	98
12	1	659960	LWR SCR N WLD, 2100	98
13	4	900005	1/4UNC X 1 1/2 HEX BOLT	
14	4	914000	1/4UNC HEX STOVER NUT	



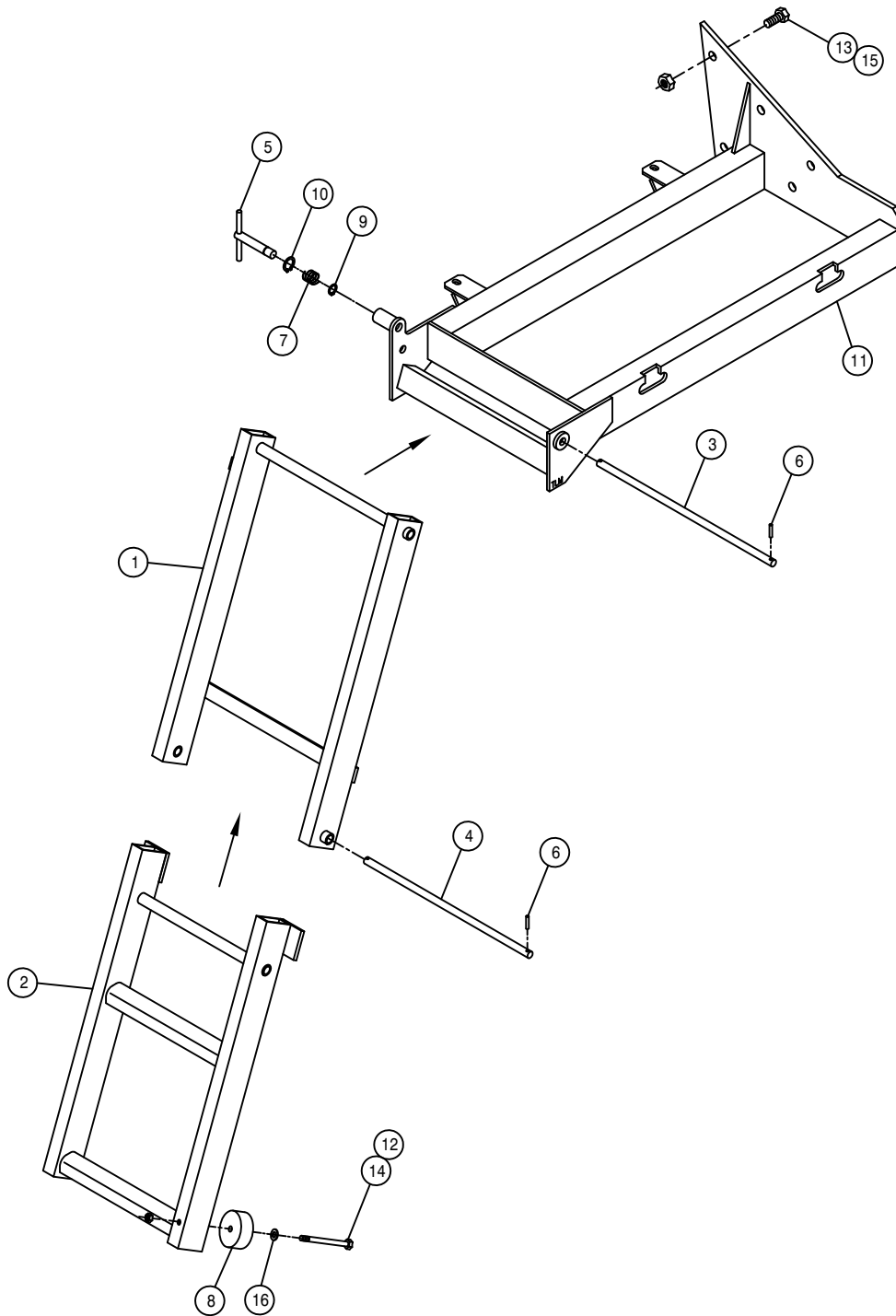
RADIATOR RECOVERY TANK ASSEMBLY

DET.	QTY	PART NO.	DESCRIPTION
	1	314767	RAD RECOVERY TANK & MTG WLD
	3	470118	1/4UNC X 3/4 FLANGE HEX BOLT
	7	470121	1/4UNC HEX FLANGE LOCK NUT
	4	520118	CUSH HOSE CLAMP 1/2D X 1/2W
	2	520120	HOSE CLAMP NO 4 STAINLESS
	1	601424	HOSE, 5/16 X 114 EPDM
	4	900002	1/4UNC X 3/4 HEX BOLT



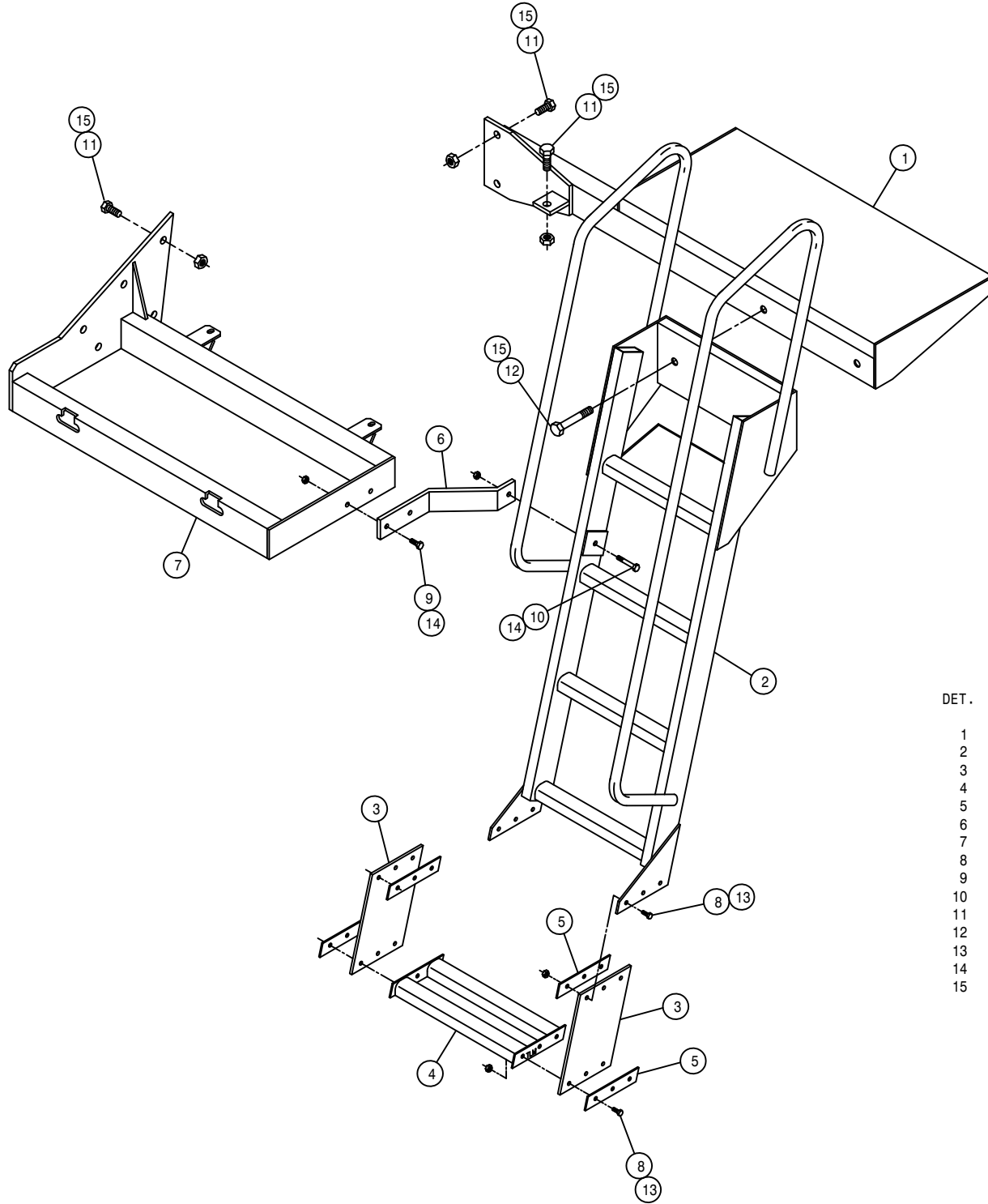
WINDSHIELD WASHER ASSEMBLY

DET.	QTY	PART NO.	DESCRIPTION
	1	290004	WINDSHIELD WASHER TANK ASSY 98
	2	900002	1/4UNC X 3/4 HEX BOLT
	3	900004	1/4UNC X 1 1/4 HEX BOLT
	4	914000	1/4UNC HEX STOVER NUT
	5	920000	1/4 SAE FLAT WASHER



RIGHT FOLDING LADDER ASSEMBLY

DET.	QTY	PART NO.	DESCRIPTION
1	1	342583	FOLD LDDR UPR SECT WLD,2100 98
2	1	342589	FOLD LDDR LWR SECT WLD,2100 98
3	1	342594	FOLD LADDER UPR PIVOT PIN 98
4	1	342595	FOLD LADDER LWR PIVOT PIN 98
5	1	342596	FOLD LDDR LOCK PIN WLD,2100 98
6	4	473928	ROLL PIN, 3/16 X 1
7	1	482131	3/4 X 1 3/4 COMPRSN SPRING
8	1	470098	RUBBER BUMPER 2.500D X .38ID
9	1	629534	SNAP RING, 9/16 EXTERNAL
10	1	629535	SNAP RING, 3/4 INTERNAL
11	1	760215	RH FUEL TANK MT WLD, 2100 98
12	1	900072	5/16UNC X 3" HEX BOLT
13	6	900334	5/8UNC X 1 3/4 HEX BOLT
14	1	910002	5/16UNC HEX NUT
15	6	914010	5/8UNC HEX STOVER NUT
16	1	920001	5/16 SAE FLAT WASHER



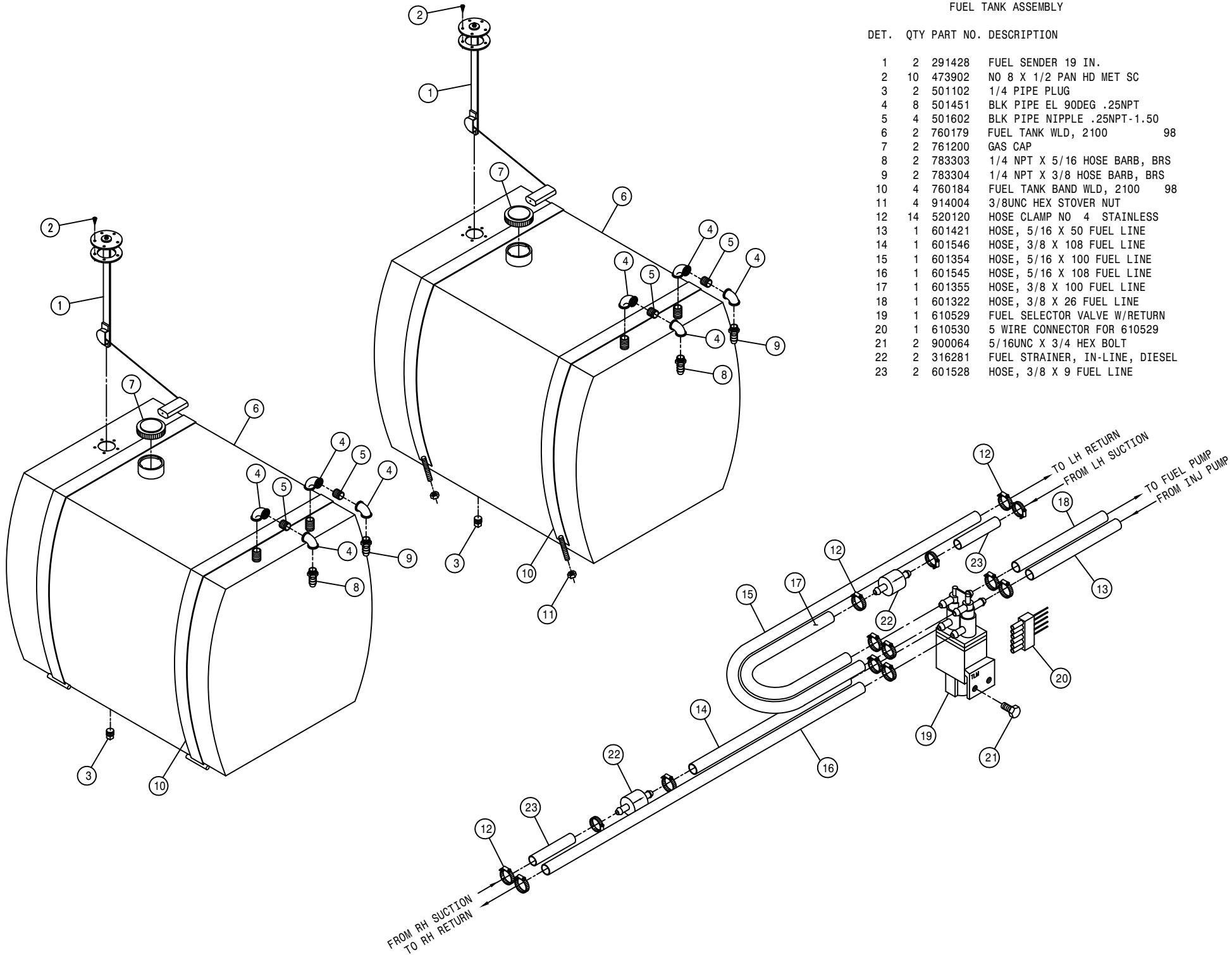
LEFT LADDER ASSEMBLY

DET.	QTY	PART NO.	DESCRIPTION	
1	1	342599	LH LADDER MT WLD, 2100	98
2	1	342605	LH LADDER WLD, 2100	98
3	2	342614	LADDER SIDE, LWR STEP, 2100	98
4	1	342615	LADDER STEP WLD, 2100	98
5	4	342616	LWR STEP SIDE KEEPER, 2100	98
6	1	342618	LH LADDER SUPP BRKT, 2100	98
7	1	760216	LH FUEL TANK MT WLD, 2100	98
8	12	900065	5/16UNC X 1" HEX BOLT	
9	2	900130	3/8UNC X 1 1/4 HEX BOLT	
10	1	900133	3/8UNC X 2" HEX BOLT	
11	9	900334	5/8UNC X 1 3/4 HEX BOLT	
12	2	900829	5/8UNC X 4" HEX BOLT GR8	
13	12	914002	5/16UNC HEX STOVER NUT	
14	3	914004	3/8UNC HEX STOVER NUT	
15	11	914010	5/8UNC HEX STOVER NUT	

FUEL TANK ASSEMBLY

DET. QTY PART NO. DESCRIPTION

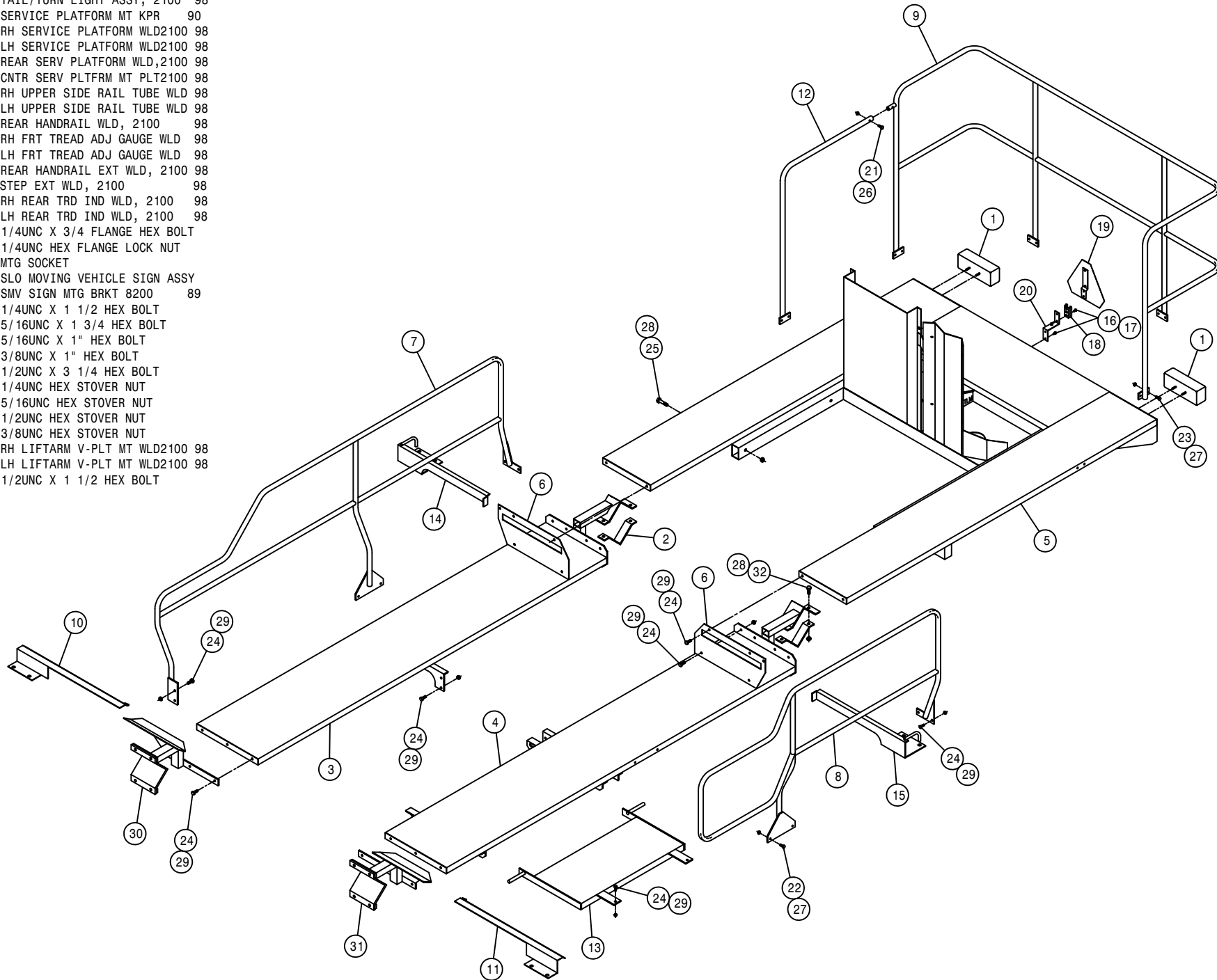
1	2	291428	FUEL SENDER 19 IN.	
2	10	473902	NO 8 X 1/2 PAN HD MET SC	
3	2	501102	1/4 PIPE PLUG	
4	8	501451	BLK PIPE EL 90DEG .25NPT	
5	4	501602	BLK PIPE NIPPLE .25NPT-1.50	
6	2	760179	FUEL TANK WLD, 2100	98
7	2	761200	GAS CAP	
8	2	783303	1/4 NPT X 5/16 HOSE BARB, BRS	
9	2	783304	1/4 NPT X 3/8 HOSE BARB, BRS	
10	4	760184	FUEL TANK BAND WLD, 2100	98
11	4	914004	3/8UNC HEX STOVER NUT	
12	14	520120	HOSE CLAMP NO 4 STAINLESS	
13	1	601421	HOSE, 5/16 X 50 FUEL LINE	
14	1	601546	HOSE, 3/8 X 108 FUEL LINE	
15	1	601354	HOSE, 5/16 X 100 FUEL LINE	
16	1	601545	HOSE, 5/16 X 108 FUEL LINE	
17	1	601355	HOSE, 3/8 X 100 FUEL LINE	
18	1	601322	HOSE, 3/8 X 26 FUEL LINE	
19	1	610529	FUEL SELECTOR VALVE W/RETURN	
20	1	610530	5 WIRE CONNECTOR FOR 610529	
21	2	900064	5/16UNC X 3/4 HEX BOLT	
22	2	316281	FUEL STRAINER, IN-LINE, DIESEL	
23	2	601528	HOSE, 3/8 X 9 FUEL LINE	

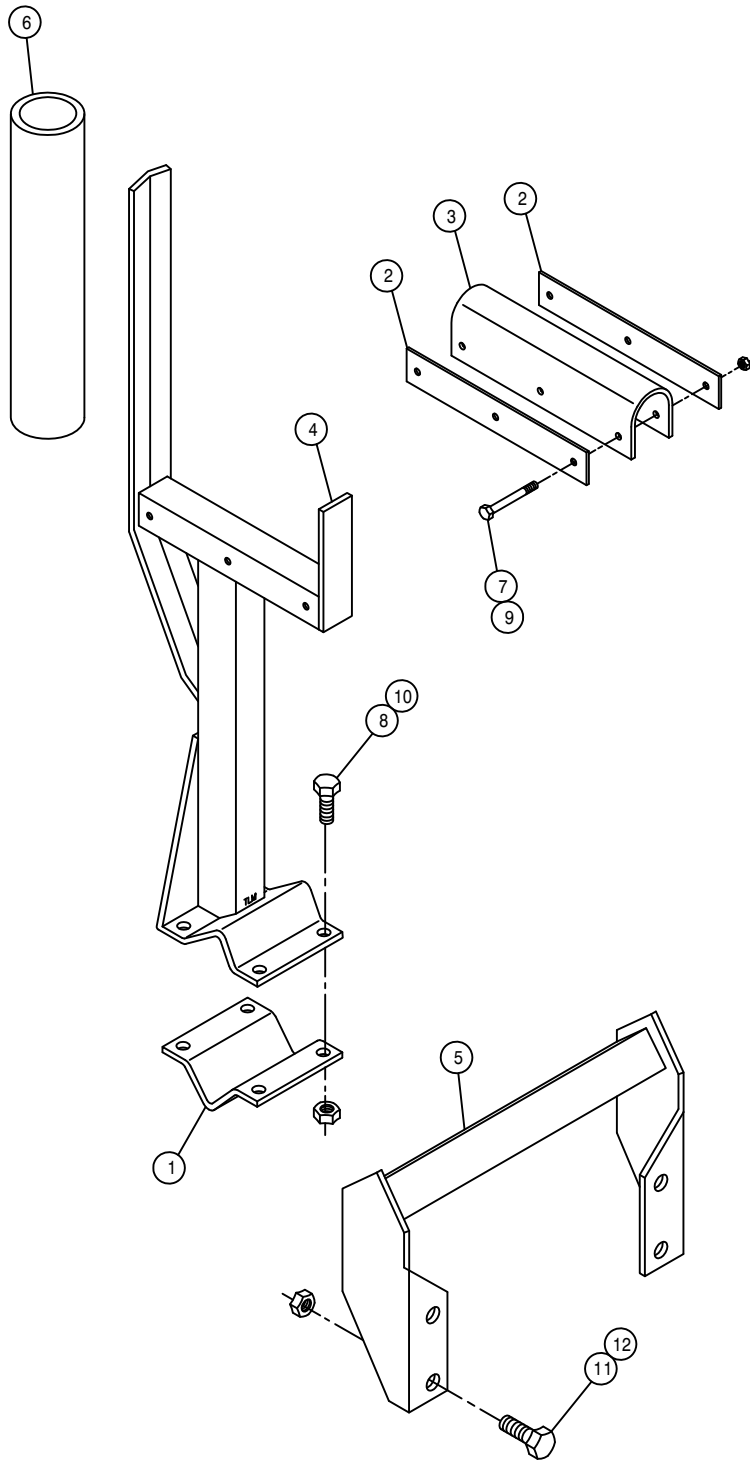


SERVICE PLATFORM ASSEMBLY

DET. QTY PART NO. DESCRIPTION

1	2	293403	TAIL/TURN LIGHT ASSY, 2100	98
2	2	341900	SERVICE PLATFORM MT KPR	90
3	1	342538	RH SERVICE PLATFORM WLD2100	98
4	1	342539	LH SERVICE PLATFORM WLD2100	98
5	1	342548	REAR SERV PLATFORM WLD,2100	98
6	2	342565	CNTR SERV PLTFRM MT PLT2100	98
7	1	342566	RH UPPER SIDE RAIL TUBE WLD	98
8	1	342567	LH UPPER SIDE RAIL TUBE WLD	98
9	1	342576	REAR HANDRAIL WLD, 2100	98
10	1	342626	RH FRT TREAD ADJ GAUGE WLD	98
11	1	342627	LH FRT TREAD ADJ GAUGE WLD	98
12	1	342641	REAR HANDRAIL EXT WLD, 2100	98
13	1	342645	STEP EXT WLD, 2100	98
14	1	342650	RH REAR TRD IND WLD, 2100	98
15	1	342651	LH REAR TRD IND WLD, 2100	98
16	4	470118	1/4UNC X 3/4 FLANGE HEX BOLT	
17	4	470121	1/4UNC HEX FLANGE LOCK NUT	
18	1	472251	MTG SOCKET	
19	1	656886	SLO MOVING VEHICLE SIGN ASSY	
20	1	659852	SMV SIGN MTG BRKT 8200	89
21	1	900005	1/4UNC X 1 1/2 HEX BOLT	
22	4	900068	5/16UNC X 1 3/4 HEX BOLT	
23	10	900065	5/16UNC X 1" HEX BOLT	
24	24	900129	3/8UNC X 1" HEX BOLT	
25	4	900271	1/2UNC X 3 1/4 HEX BOLT	
26	1	914000	1/4UNC HEX STOVER NUT	
27	14	914002	5/16UNC HEX STOVER NUT	
28	8	914008	1/2UNC HEX STOVER NUT	
29	24	914004	3/8UNC HEX STOVER NUT	
30	1	164364	RH LIFTARM V-PLT MT WLD2100	98
31	1	164365	LH LIFTARM V-PLT MT WLD2100	98
32	4	900265	1/2UNC X 1 1/2 HEX BOLT	

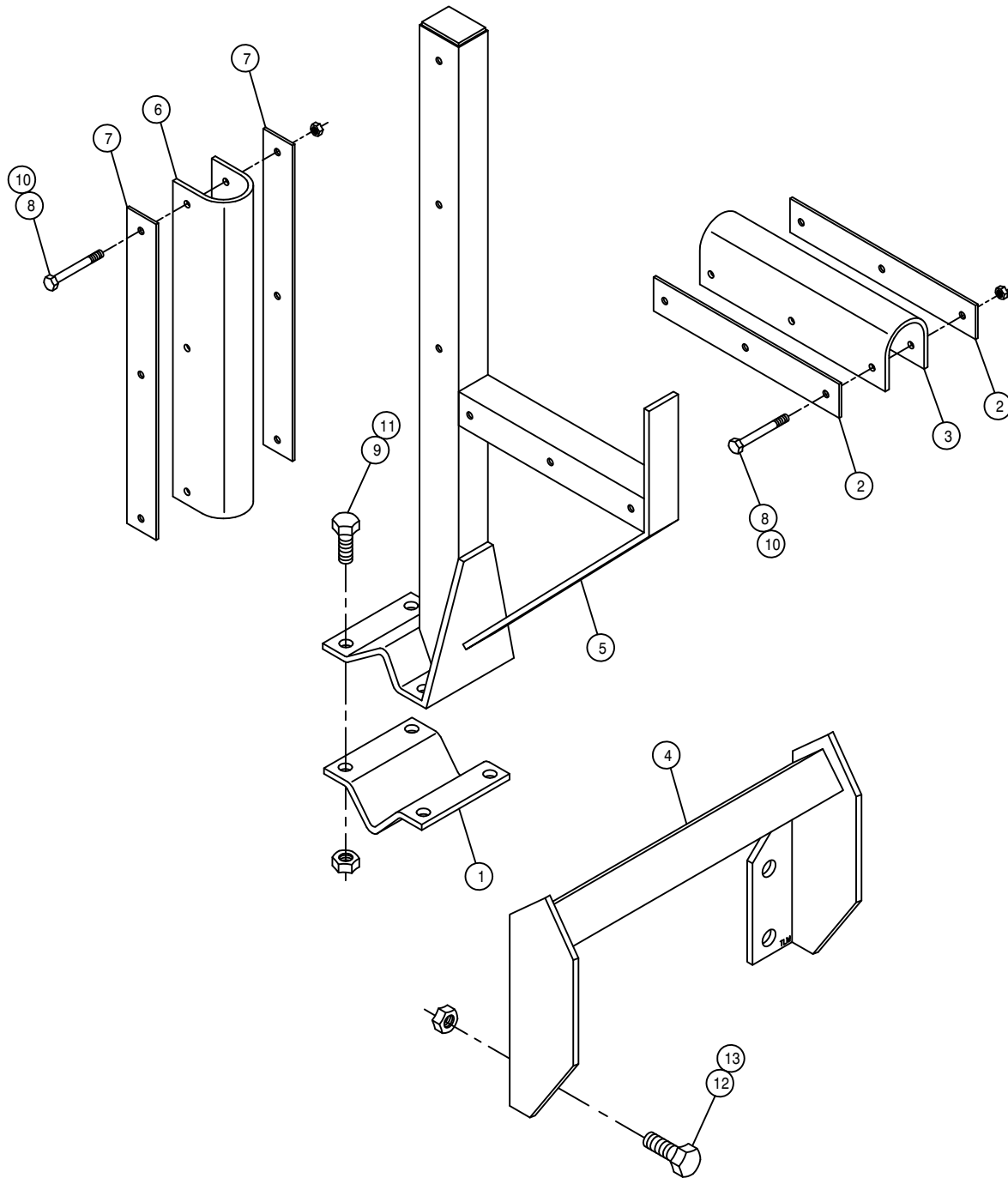




BOOM CRADLE ASSEMBLY

DET.	QTY	PART NO.	DESCRIPTION		
	1	2	164253	BOOM CRADLE V-PLATE KEEPER	96
	2	4	164254	CRADLE CUSHION KEEPER	96
	3	2	164256	BOOM CRADLE CUSHION	96
	4	2	164372	BOOM CRADLE WLD, 2100	98
	5	2	164376	BOOM CRADLE MT WLD, 2100	98
	6	2	601184	HOSE, 1 1/2 X 14 2BR BLK EPDM	
	7	6	900008	1/4UNC X 2 1/2 HEX BOLT	
	8	8	900265	1/2UNC X 1 1/2 HEX BOLT	
	9	6	914000	1/4UNC HEX STOVER NUT	
	10	8	914008	1/2UNC HEX STOVER NUT	
	11	8	900334	5/8UNC X 1 3/4 HEX BOLT	
	12	8	914010	5/8UNC HEX STOVER NUT	

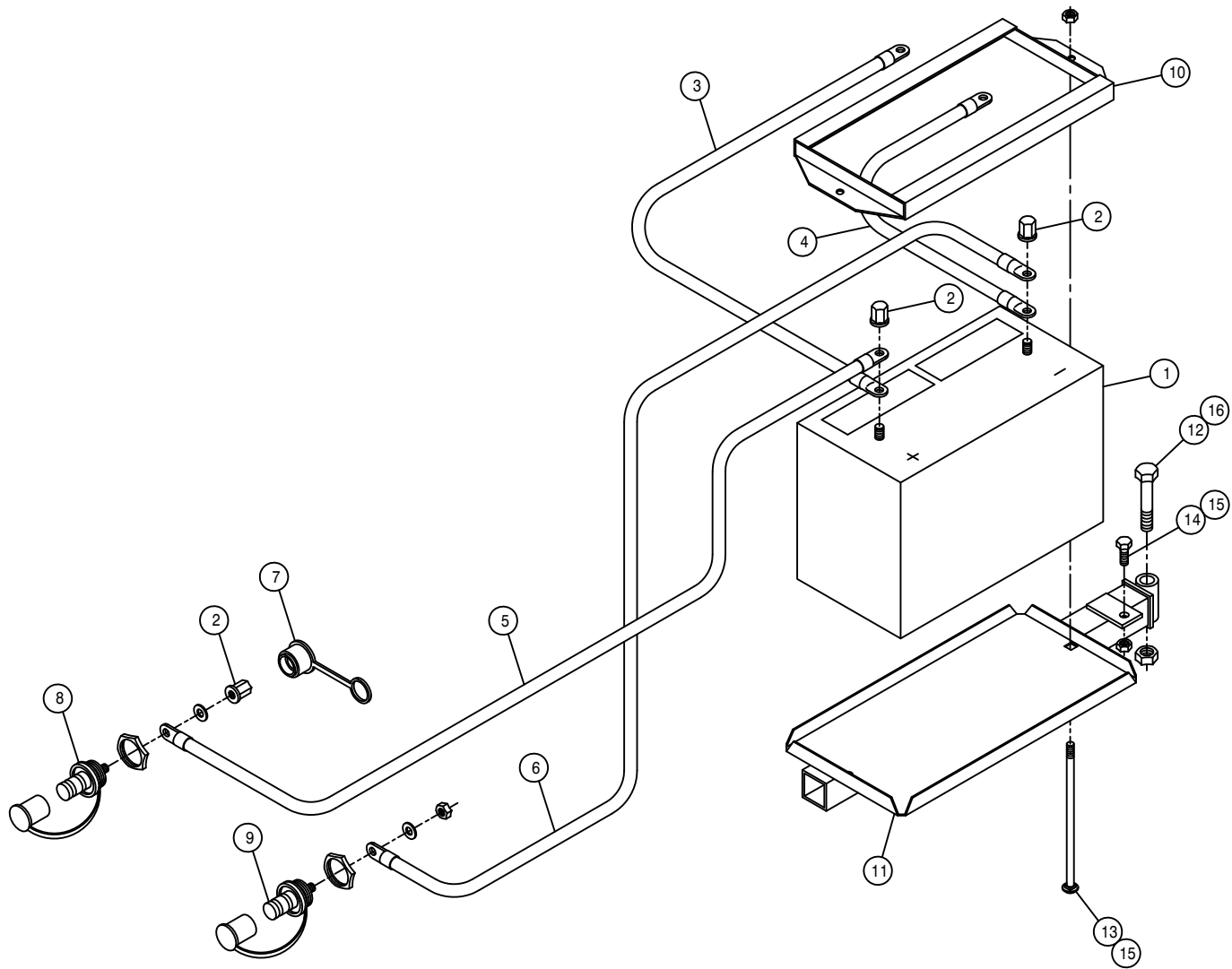
NOTE: QUANTITY LISTED IS FOR ONE MACHINE.



154" TREAD ADJUST CRADLE ASSEMBLY

DET.	QTY	PART NO.	DESCRIPTION
	2	164253	BOOM CRADLE V-PLATE KEEPER 96
	4	164254	CRADLE CUSHION KEEPER 96
	2	164256	BOOM CRADLE CUSHION 96
	2	164376	BOOM CRADLE MT WLD, 2100 98
	2	164391	BOOM CRADLE WLD,2100 154"TRD98
	2	164395	BOOM CRADLE CUSHION, LONG 98
	4	164396	CUSHION CRADLE KEEPER, LONG 98
	12	900008	1/4UNC X 2 1/2 HEX BOLT
	8	900265	1/2UNC X 1 1/2 HEX BOLT
	12	914000	1/4UNC HEX STOVER NUT
	8	914008	1/2UNC HEX STOVER NUT
	8	900334	5/8UNC X 1 3/4 HEX BOLT
	8	914010	5/8UNC HEX STOVER NUT

NOTE: QUANTITY LISTED IS FOR ONE MACHINE.



BATTERY BOX ASSEMBLY

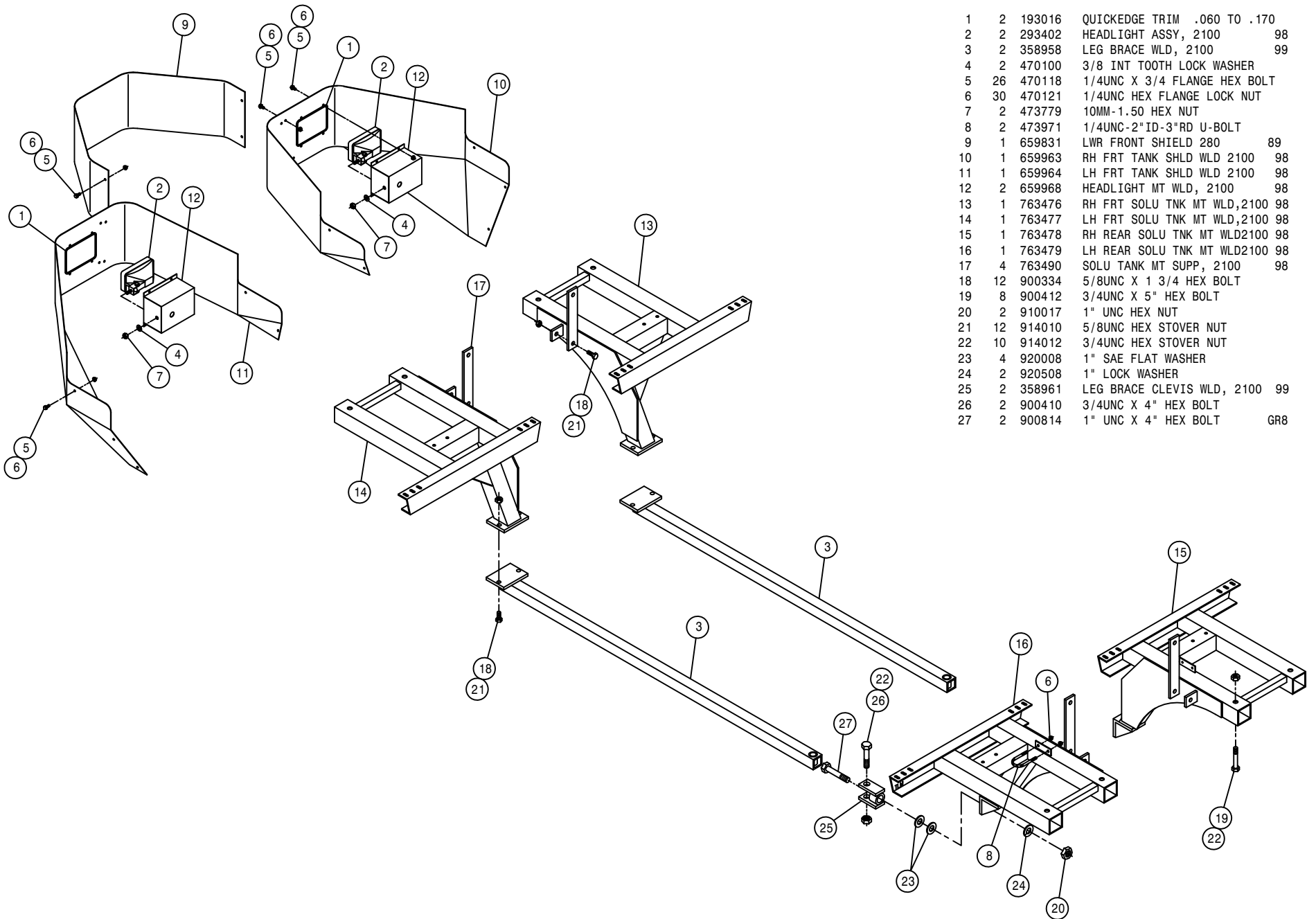
DET.	QTY	PART NO.	DESCRIPTION
1	1	291196	BATTERY, 12V 950CCA, SS STUD
2	3	291205	BATTERY NUT, 3/8-16 SS CLSD CAP
3	1	291532	BATT CABLE, RED 50" 1/0 3/8-3/8
4	1	291534	BATT CABLE, BLK 50" 1/0 3/8-3/8
5	1	291533	BATT CABLE, RED 74" 1/0 3/8-3/8
6	1	291535	BATT CABLE, BLK 84" 1/0 3/8-3/8
7	1	291679	BATTERY NUT COVER, POSITIVE-RED
8	1	291680	POSITIVE JUMPER STUD, RED
9	1	291681	NEGATIVE JUMPER STUD, BLACK
10	1	341322	BATTERY HOLD DOWN WLD 1981
11	1	361470	BATTERY BOX WLD, 2100
12	1	900339	5/8UNC X 3 1/4 HEX BOLT
13	2	901150	3/8UNC X 9" CARR BOLT
14	1	900129	3/8UNC X 1" HEX BOLT
15	3	914004	3/8UNC HEX STOVER NUT
16	1	914010	5/8UNC HEX STOVER NUT

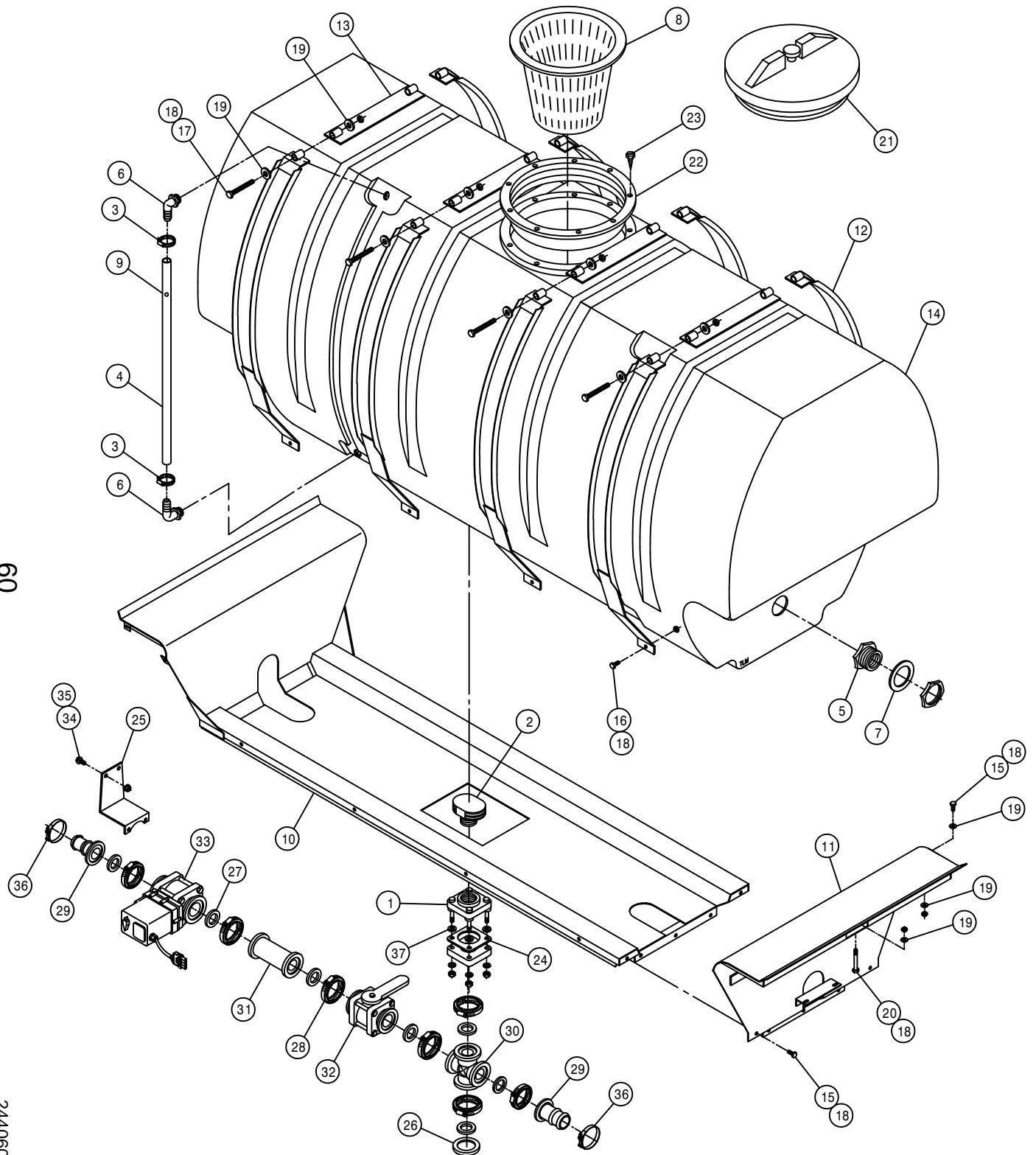
98

SOLUTION TANK MOUNTS AND SHIELD

DET. QTY PART NO. DESCRIPTION

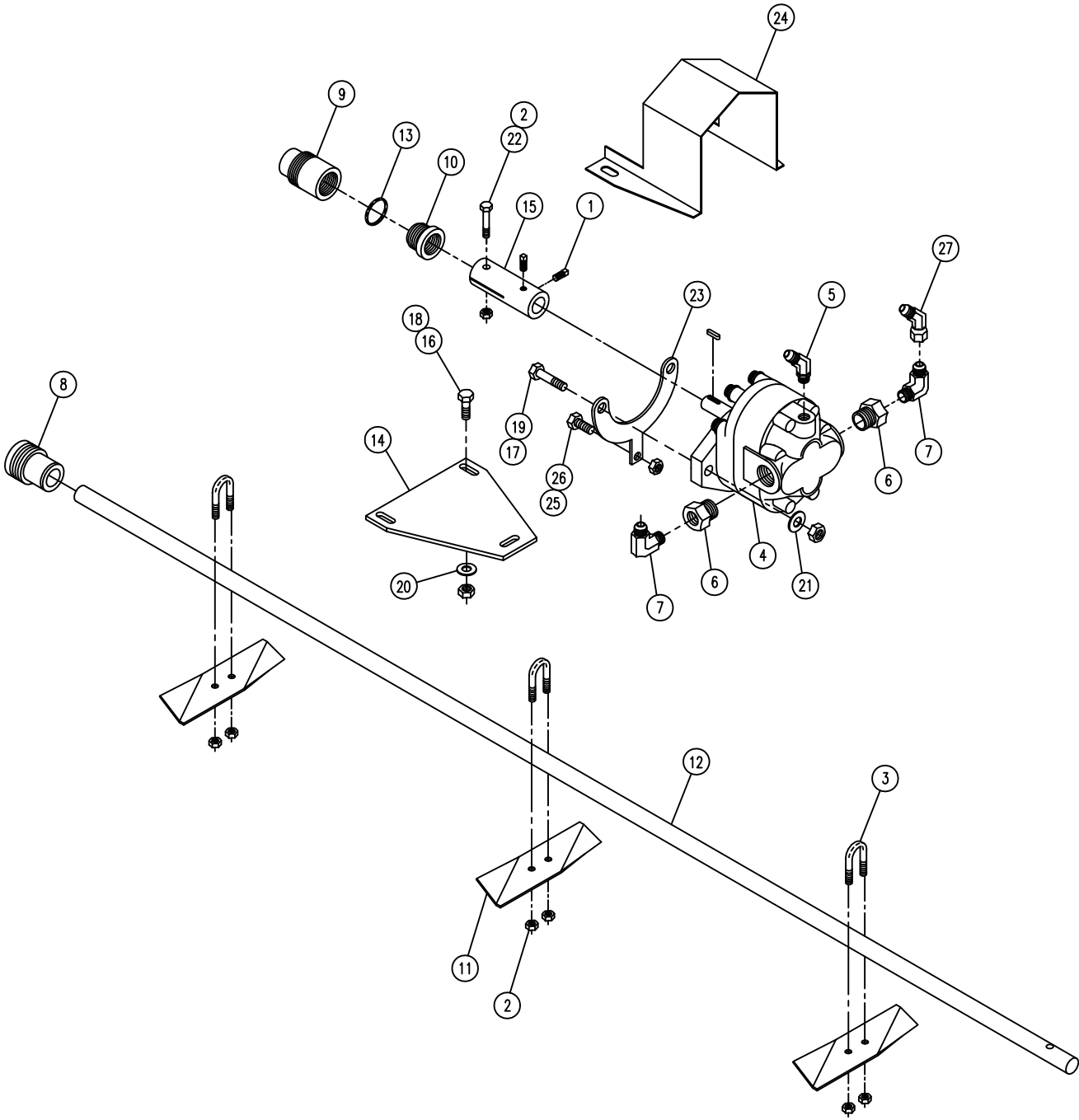
1	2	193016	QUICKEDGE TRIM .060 TO .170	
2	2	293402	HEADLIGHT ASSY, 2100	98
3	2	358958	LEG BRACE WLD, 2100	99
4	2	470100	3/8 INT TOOTH LOCK WASHER	
5	26	470118	1/4UNC X 3/4 FLANGE HEX BOLT	
6	30	470121	1/4UNC HEX FLANGE LOCK NUT	
7	2	473779	10MM-1.50 HEX NUT	
8	2	473971	1/4UNC-2"ID-3"RD U-BOLT	
9	1	659831	LWR FRONT SHIELD 280	89
10	1	659963	RH FRT TANK SHLD WLD 2100	98
11	1	659964	LH FRT TANK SHLD WLD 2100	98
12	2	659968	HEADLIGHT MT WLD, 2100	98
13	1	763476	RH FRT SOLU TNK MT WLD,2100	98
14	1	763477	LH FRT SOLU TNK MT WLD,2100	98
15	1	763478	RH REAR SOLU TNK MT WLD2100	98
16	1	763479	LH REAR SOLU TNK MT WLD2100	98
17	4	763490	SOLU TANK MT SUPP, 2100	98
18	12	900334	5/8UNC X 1 3/4 HEX BOLT	
19	8	900412	3/4UNC X 5" HEX BOLT	
20	2	910017	1" UNC HEX NUT	
21	12	914010	5/8UNC HEX STOVER NUT	
22	10	914012	3/4UNC HEX STOVER NUT	
23	4	920008	1" SAE FLAT WASHER	
24	2	920508	1" LOCK WASHER	
25	2	358961	LEG BRACE CLEVIS WLD, 2100	99
26	2	900410	3/4UNC X 4" HEX BOLT	
27	2	900814	1" UNC X 4" HEX BOLT	GR8





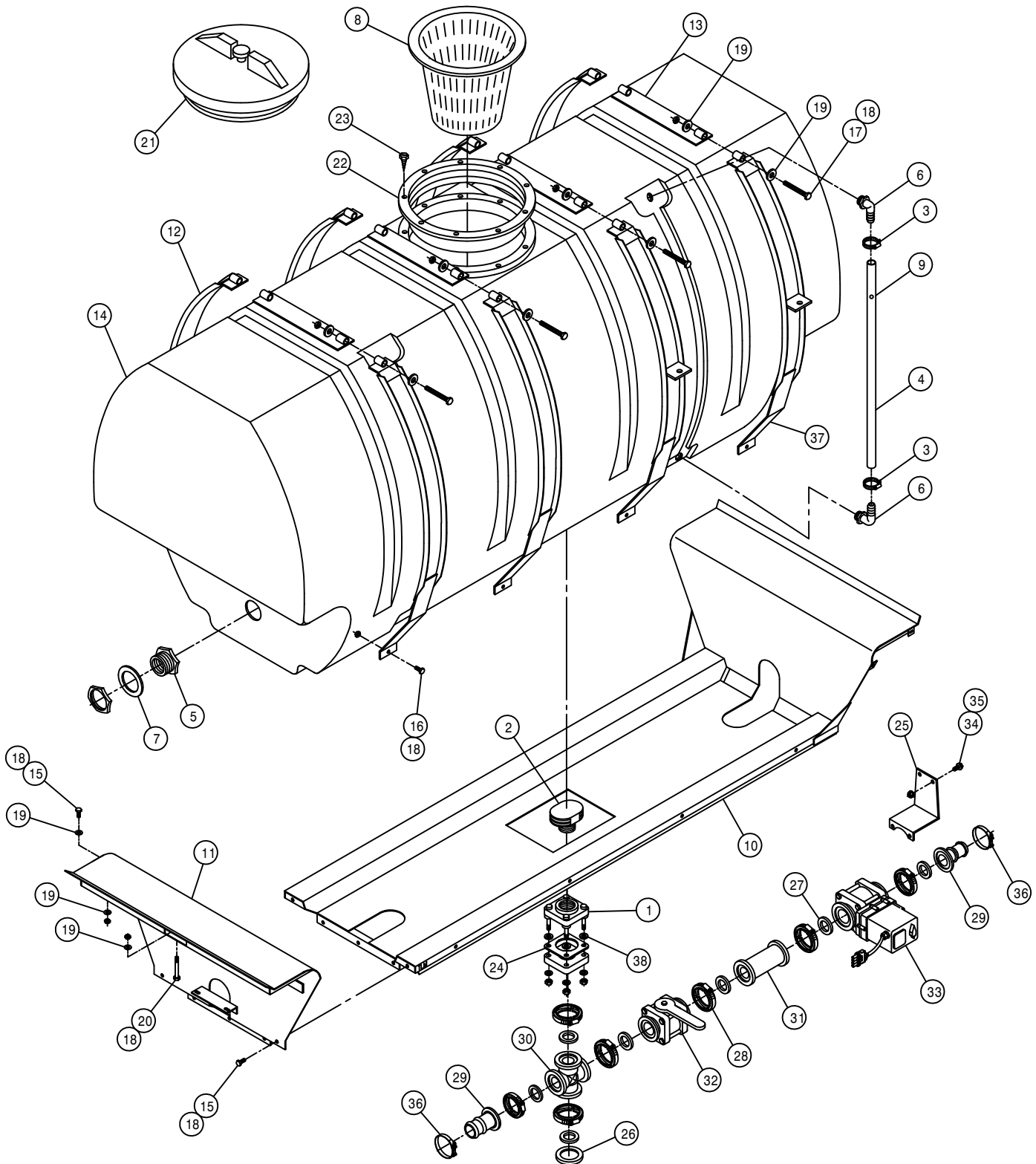
RIGHT POLY SOLUTION TANK ASSEMBLY

DET.	QTY	PART NO.	DESCRIPTION
	1	500179	2"FLG TANK FTG,BOTDRN BLT POLY
	2	500077	VENT CAP, 2" W/O SCREEN,POLY
	3	520069	HOSE CLAMP NO 6 STAINLESS
	4	601245	HOSE, 1/2 X 42 CLEAR VINYL
	5	2 618548	1.25 PLASTIC FTG ASSY POLYTNK
	6	2 618556	1/4NPT-90-1/2 HOSE BARB,POLY
	7	2 763430	1 1/4 TANK FLANGE RUBBER SEAL
	8	1 763431	8" STRAINER BASKET, SOLU TANK
	9	1 763446	RED POLYPROPYLENE BALL 25/64"
	10	1 763493	RH POLY TANK CRADLE WLD2100 98
	11	1 763502	REAR CRADLE MT WLD, 2100 98
	12	8 763507	TANK BAND WLD, 2100 POLY 98
	13	4 763511	TANK BAND TIE WLD, 2100 98
	14	1 763513	500 GAL POLY SOLU TANK 98
	15	13 900129	3/8UNC X 1" HEX BOLT
	16	8 900130	3/8UNC X 1 1/4 HEX BOLT
	17	8 906138	3/8UNC X 3 1/2 HEX BOLT FULL
	18	33 914004	3/8UNC HEX STOVER NUT
	19	36 920002	3/8 SAE FLAT WASHER
	20	4 900140	3/8UNC X 4" HEX BOLT
	21	1 763408	LID, THD'D W/VENT, POLY TANK
	22	1 763409	10" THD'D RING FOR TANK LID
	23	8 763410	S.S. SCREW FOR CAP RING
	24	1 500087	GASKET,2" TANK FLG 500076/179
	25	1 763537	ELECT SOLU VLV SUPPORT,2100 00
	26	1 500156	2" FLANGE CAP PLUG POLY
	27	7 500158	1 1/2" GASKET FOR 2" FLANGE
	28	7 500160	2" FLANGE CLAMP, S.S.
	29	2 500162	2" FLANGE-1 1/2 HOSE BARB POLY
	30	1 500176	2" FLANGE CROSS POLY
	31	1 500177	2" FLANGE-2" FLANGE CPLR POLY
	32	1 696142	BALL VLV, 2" FLANGE
	33	1 696176	ELECT BALL VLV,2"FLANGE BANJO
	34	2 470118	1/4UNC X 3/4 FLANGE HEX BOLT
	35	2 470121	1/4UNC HEX FLANGE LOCK NUT
	36	2 520133	1.81/2.06 T-BOLT HOSE CLAMP SS
	37	4 500100	FOOT GASKET,2" FLG 500076/179



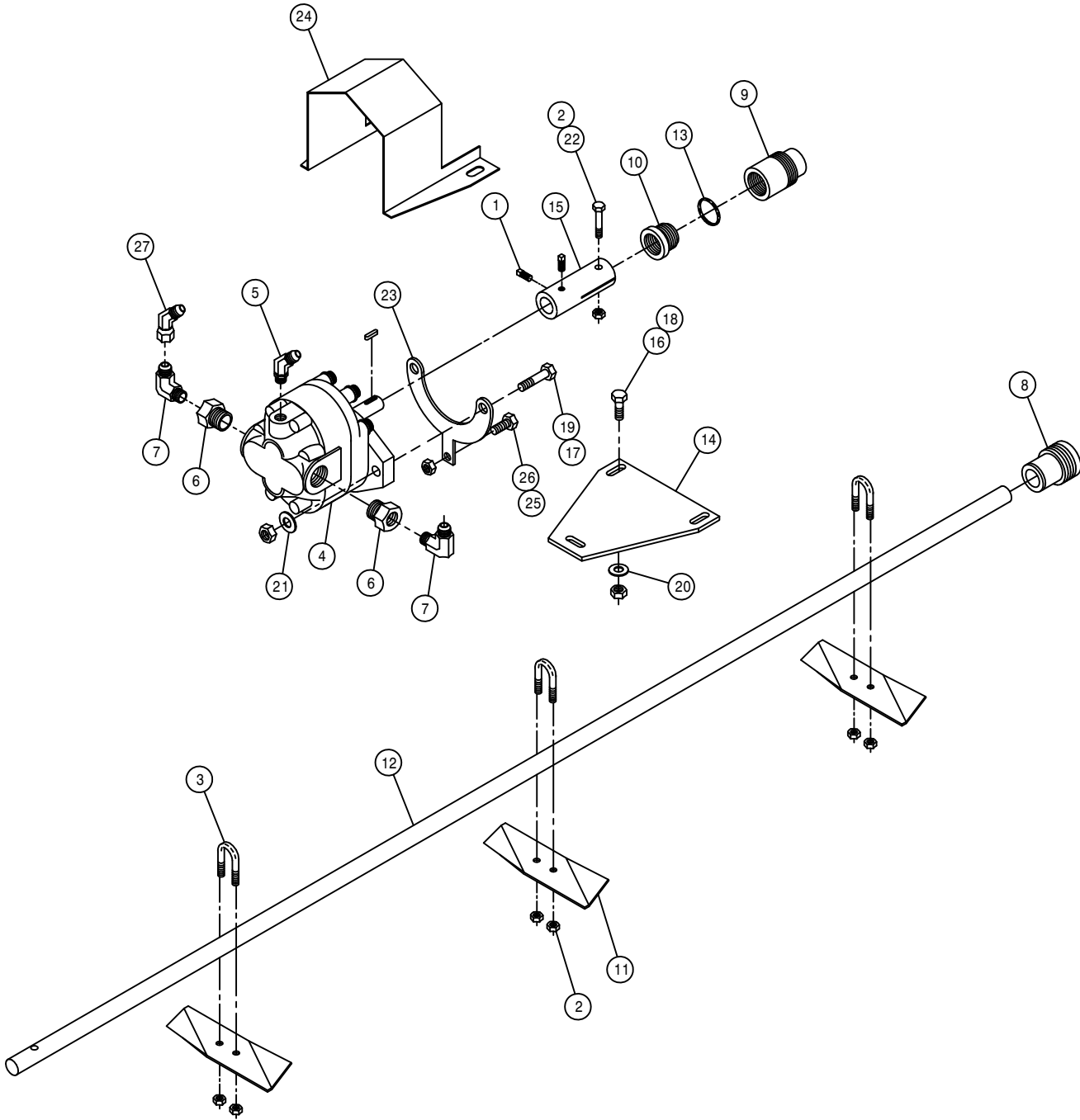
RH POLY TANK AGITATOR ASSEMBLY

DET.	QTY	PART NO.	DESCRIPTION	
1	2	470199	1/4UNC X 3/8 SQHD CUP SET SCR	
2	7	470089	1/4UNC HEX LOC NUT NYL INS SS	
3	3	470092	1/4UNC-3/4ID-1 1/4 U-BOLT SS	
4	1	610510	CESSNA GEAR MOTOR 1.48CI	
5	1	618338	9/16MJIC-45-1/4MNPT LBO	
6	2	618092	1 1/16MOR-1/2FNPT ADPTR	
7	2	618107	9/16MJIC-90-1/2MNPT LBO	
8	1	706403	FRT AGIT SHFT BRG, NYLON	
9	1	706401	REAR AGIT SHFT BRG, NYLON	
10	1	706402	AGIT SHFT GLAND NUT, NYLON	
11	3	763027	AGIT IMPELLER	
12	1	763514	AGIT SHAFT, 2100	98
13	1	763217	GLAND PACKING, 13 IN. LONG	
14	1	763357	AGIT MTR MT PLT CES 280	91
15	1	763359	AGIT MTR CPLR 280	91
16	2	900064	5/16UNC X 3/4 HEX BOLT	
17	2	900130	3/8UNC X 1 1/4 HEX BOLT	
18	2	914002	5/16UNC HEX STOVER NUT	
19	2	914004	3/8UNC HEX STOVER NUT	
20	2	920001	5/16 SAE FLAT WASHER	
21	2	920002	3/8 SAE FLAT WASHER	
22	1	470200	1/4UNC X 1 3/4 HEX BOLT SS	
23	1	763358	AGIT MTR MT YOKE CES 280	91
24	1	763361	AGIT CPLR SHIELD 280	91
25	1	900000	1/4UNC X 1/2 HEX BOLT	
26	1	914000	1/4UNC HEX STOVER NUT	
27	1	618634	9/16MJIC-45-9/16FJIC SWIV LBO	



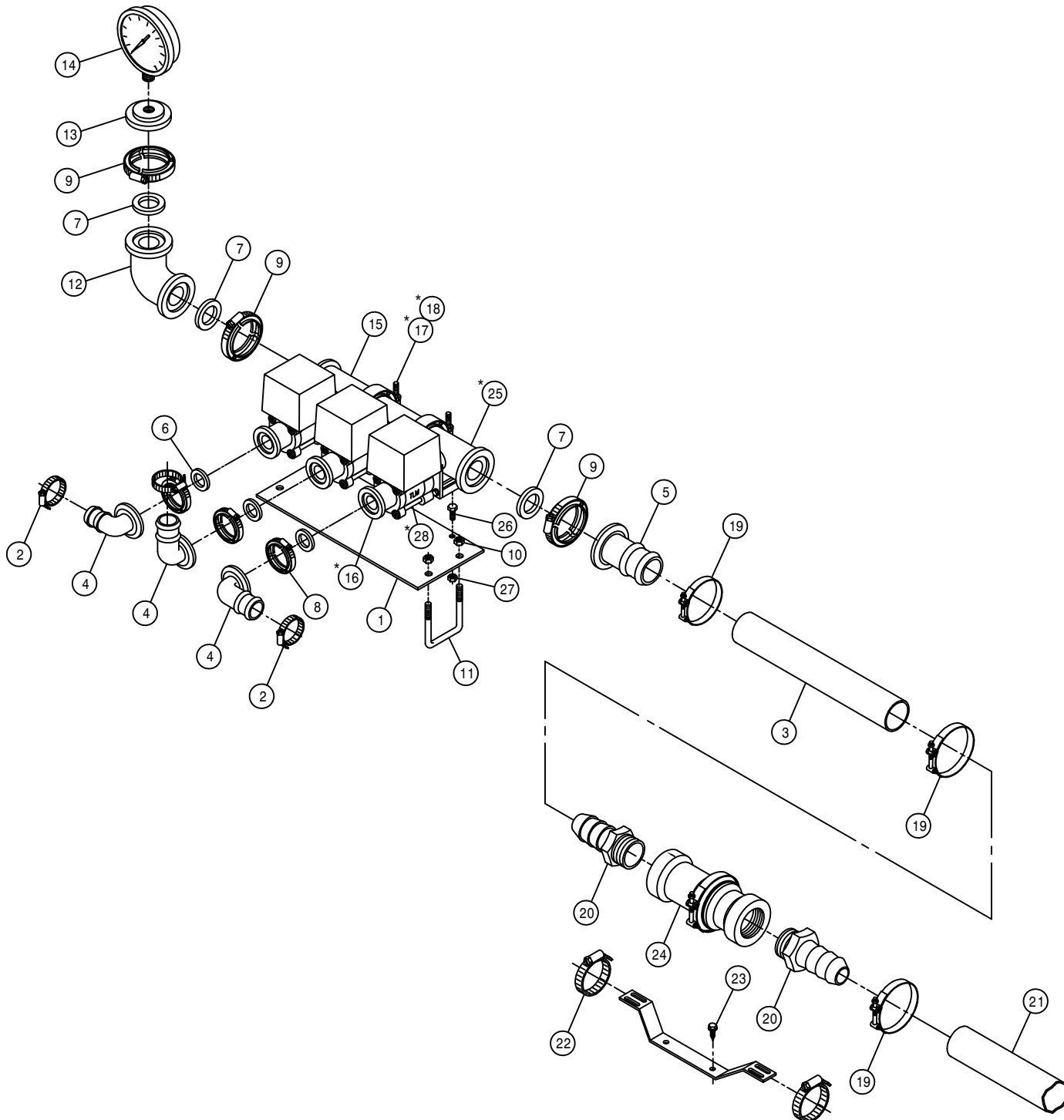
LEFT POLY SOLUTION TANK ASSEMBLY

DET.	QTY	PART NO.	DESCRIPTION
1	1	500179	2"FLG TANK FTG,BOTDRN BLT POLY
2	1	500077	VENT CAP, 2" W/O SCREEN,POLY
3	2	520069	HOSE CLAMP NO 6 STAINLESS
4	1	601245	HOSE, 1/2 X 42 CLEAR VINYL
5	2	618548	1.25 PLASTIC FTG ASSY POLYTNK
6	2	618556	1/4NPT-90-1/2 HOSE BARB,POLY
7	2	763430	1 1/4 TANK FLANGE RUBBER SEAL
8	1	763431	8" STRAINER BASKET, SOLU TANK
9	1	763446	RED POLYPROPYLENE BALL 25/64"
10	1	763494	LH POLY TANK CRADLE WLD2100 98
11	1	763502	REAR CRADLE MT WLD, 2100 98
12	6	763507	TANK BAND WLD, 2100 POLY 98
13	4	763511	TANK BAND TIE WLD, 2100 98
14	1	763513	500 GAL POLY SOLU TANK 98
15	13	900129	3/8UNC X 1" HEX BOLT
16	8	900130	3/8UNC X 1 1/4 HEX BOLT
17	8	906138	3/8UNC X 3 1/2 HEX BOLT FULL
18	33	914004	3/8UNC HEX STOVER NUT
19	36	920002	3/8 SAE FLAT WASHER
20	4	900140	3/8UNC X 4" HEX BOLT
21	1	763408	LID, THD'D W/VENT, POLY TANK
22	1	763409	10" THD'D RING FOR TANK LID
23	8	763410	S.S. SCREW FOR CAP RING
24	1	500087	GASKET,2" TANK FLG 500076/179
25	1	763537	ELECT SOLU VLV SUPPORT,2100 00
26	1	500156	2" FLANGE CAP PLUG POLY
27	7	500158	1 1/2" GASKET FOR 2" FLANGE
28	7	500160	2" FLANGE CLAMP, S.S.
29	2	500162	2" FLANGE-1 1/2 HOSE BARB POLY
30	1	500176	2" FLANGE CROSS POLY
31	1	500177	2" FLANGE-2" FLANGE CPLR POLY
32	1	696142	BALL VLV, 2" FLANGE
33	1	696176	ELECT BALL VLV,2"FLANGE BANJO
34	2	470118	1/4UNC X 3/4 FLANGE HEX BOLT
35	2	470121	1/4UNC HEX FLANGE LOCK NUT
36	2	520133	1.81/2.06 T-BOLT HOSE CLAMP SS
37	2	763515	TANK BAND W/TAB WLD, 2100 98
38	4	500100	FOOT GASKET,2" FLG 500076/179



LH POLY TANK AGITATOR ASSEMBLY

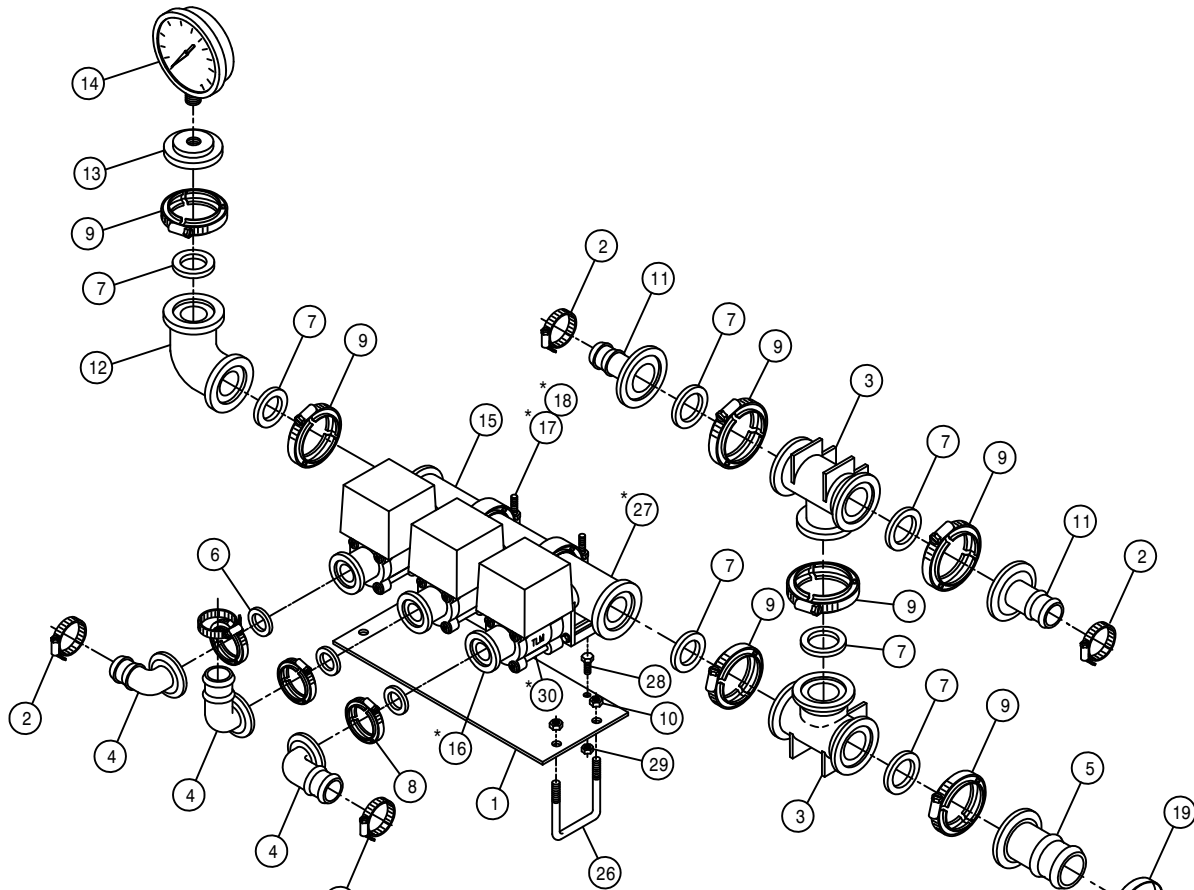
DET.	QTY	PART NO.	DESCRIPTION	
1	2	470199	1/4UNC X 3/8 SQHD CUP SET SCR	
2	7	470089	1/4UNC HEX LOC NUT NYL INS SS	
3	3	470092	1/4UNC-3/4ID-1 1/4 U-BOLT SS	
4	1	610510	CESSNA GEAR MOTOR 1.48CI	
5	1	618338	9/16MJIC-45-1/4MNPT LBO	
6	2	618092	1 1/16MOR-1/2FNPT ADPTR	
7	2	618107	9/16MJIC-90-1/2MNPT LBO	
8	1	706403	FRT AGIT SHFT BRG, NYLON	
9	1	706401	REAR AGIT SHFT BRG, NYLON	
10	1	706402	AGIT SHFT GLAND NUT, NYLON	
11	3	763027	AGIT IMPELLER	
12	1	763514	AGIT SHAFT, 2100	98
13	1	763217	GLAND PACKING, 13 IN. LONG	
14	1	763357	AGIT MTR MT PLT CES 280	91
15	1	763359	AGIT MTR CPLR 280	91
16	2	900064	5/16UNC X 3/4 HEX BOLT	
17	2	900130	3/8UNC X 1 1/4 HEX BOLT	
18	2	914002	5/16UNC HEX STOVER NUT	
19	2	914004	3/8UNC HEX STOVER NUT	
20	2	920001	5/16 SAE FLAT WASHER	
21	2	920002	3/8 SAE FLAT WASHER	
22	1	470200	1/4UNC X 1 3/4 HEX BOLT SS	
23	1	763358	AGIT MTR MT YOKE CES 280	91
24	1	763361	AGIT CPLR SHIELD 280	91
25	1	900000	1/4UNC X 1/2 HEX BOLT	
26	1	914000	1/4UNC HEX STOVER NUT	
27	1	618634	9/16MJIC-45-9/16FJIC SWIV LBO	



60' SOLUTION SOLENOID ASSEMBLY (STANDARD)

DET.	QTY	PART NO.	DESCRIPTION
	1	164422	SOLU MANIF VLV MT, HIVOL
	2	520090	HOSE CLAMP NO 16 STAINLESS
	3	601451	HOSE, 2 X 69 2F-1W EPDM
	4	500173	1" FLANGE-90-1" HOSE BARB POLY
	5	500154	2" FLANGE-2" HOSE BARB POLY
	6	500157	1" FLANGE GASKET EPDM
	7	500158	1 1/2" GASKET FOR 2" FLANGE
	8	500159	1" FLANGE CLAMP, S.S.
	9	500160	2" FLANGE CLAMP, S.S.
	10	914004	3/8UNC HEX STOVER NUT
	11	470136	3/8UNC-3 1/16ID-3 SQ U-BOLT
	12	500180	2"FLANGE-90-2"FLANGE LBO POLY
	13	500181	2" FLANGE PLUG W/1/4"FNPT POLY
	14	690359	PRESSURE GA GLYCERI 100 PSI
	15	696178	ELECT 3-BALL VLV,2"FLANGE TJET
	16	696502	OUTLET FLG END-CAP FOR 696178
	17	696503	O-RING,VLV FITTING FOR 696178
	18	696504	CLAMP,VLV FITTING FOR 696178
	19	520141	2.31/2.62 T-BOLT HOSE CLAMP SS
	20	500058	2"NPT X 2" H BARB, POLY
	21	601450	HOSE, 2 X 84 2F-1W EPDM
	22	520056	HOSE CLAMP NO 56 STAINLESS
	23	472349	1/4 X 3/4 20THD-IN TEK TYPE
	24	690529	RFM 100 FLOW METER, RAVEN
	25	696501	FLANGE VLV TEE FOR 696178
	26	900064	5/16UNC X 3/4 HEX BOLT
	27	914002	5/16UNC HEX STOVER NUT
	28	696500	450EC VLV W/FLG TEE FOR 696178

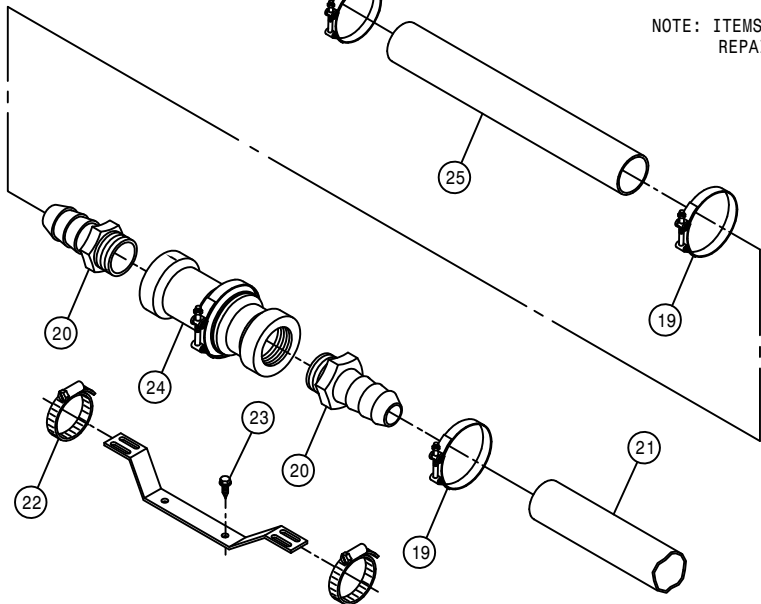
NOTE: ITEMS MARKED WITH A (*) ARE SOLUTION VALVE REPAIR PARTS.

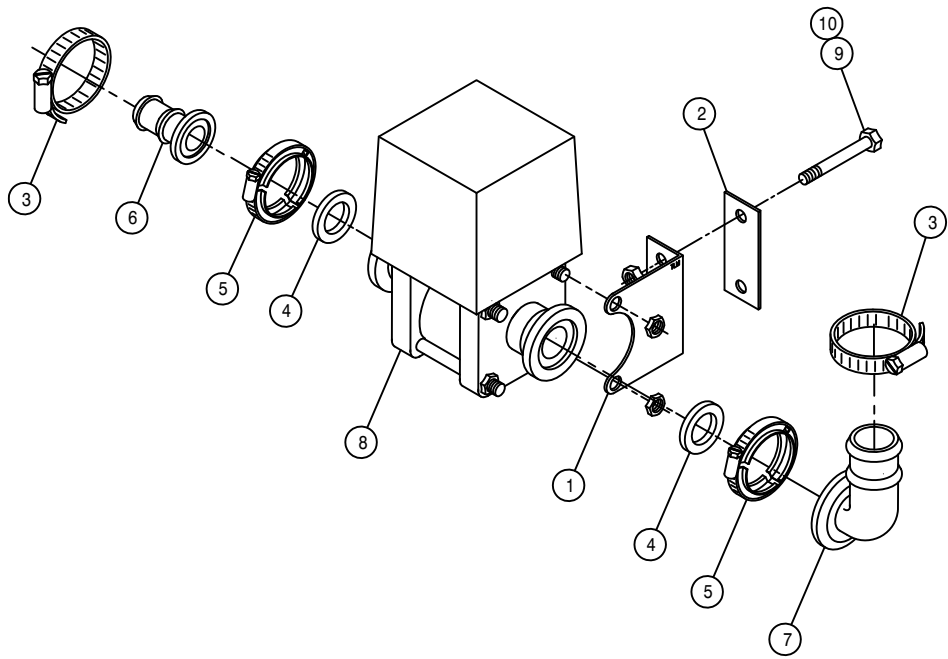


80'-90' SOLUTION SOLENOID ASSEMBLY (STANDARD)

DET.	QTY	PART NO.	DESCRIPTION
1	1	164422	SOLU MANIF VLV MT, HIVOL
2	5	520090	HOSE CLAMP NO 16 STAINLESS
3	2	500151	2" FLANGE TEE
4	3	500173	1" FLANGE-90-1" HOSE BARB POLY
5	1	500154	2" FLANGE-2" HOSE BARB POLY
6	3	500157	1" FLANGE GASKET EPDM
7	7	500158	1 1/2" GASKET FOR 2" FLANGE
8	3	500159	1" FLANGE CLAMP, S.S.
9	7	500160	2" FLANGE CLAMP, S.S.
10	4	914004	3/8UNC HEX STOVER NUT
11	2	500172	2" FLANGE-1" HOSE BARB POLY
12	1	500180	2" FLANGE-90-2" FLANGE LBO POLY
13	1	500181	2" FLANGE PLUG W/1/4" FNPT POLY
14	1	690359	PRESSURE GA GLYCERI 100 PSI
15	1	696178	ELECT 3-BALL VLV, 2" FLANGE TJET
16	3	696502	OUTLET FLG END-CAP FOR 696178
17	2	696503	O-RING, VLV FITTING FOR 696178
18	2	696504	CLAMP, VLV FITTING FOR 696178
19	3	520141	2.31/2.62 T-BOLT HOSE CLAMP SS
20	2	500058	2" NPT X 2" H BARB, POLY
21	1	601450	HOSE, 2 X 84 2F-1W EPDM
22	2	520056	HOSE CLAMP NO 56 STAINLESS
23	2	472349	1/4 X 3/4 20THD-IN TEK TYPE
24	1	690529	RFM 100 FLOW METER, RAVEN
25	1	601451	HOSE, 2 X 69 2F-1W EPDM
26	2	470136	3/8UNC-3 1/16ID-3 SQ U-BOLT
27	3	696501	FLANGE VLV TEE FOR 696178
28	3	900064	5/16UNC X 3/4 HEX BOLT
29	3	914002	5/16UNC HEX STOVER NUT
30	1	696500	450EC VLV W/FLG TEE FOR 696178

NOTE: ITEMS MARKED WITH A (*) ARE SOLUTION VALVE REPAIR PARTS.





80'-90' OUTER BOOM SOLENOID (STANDARD)

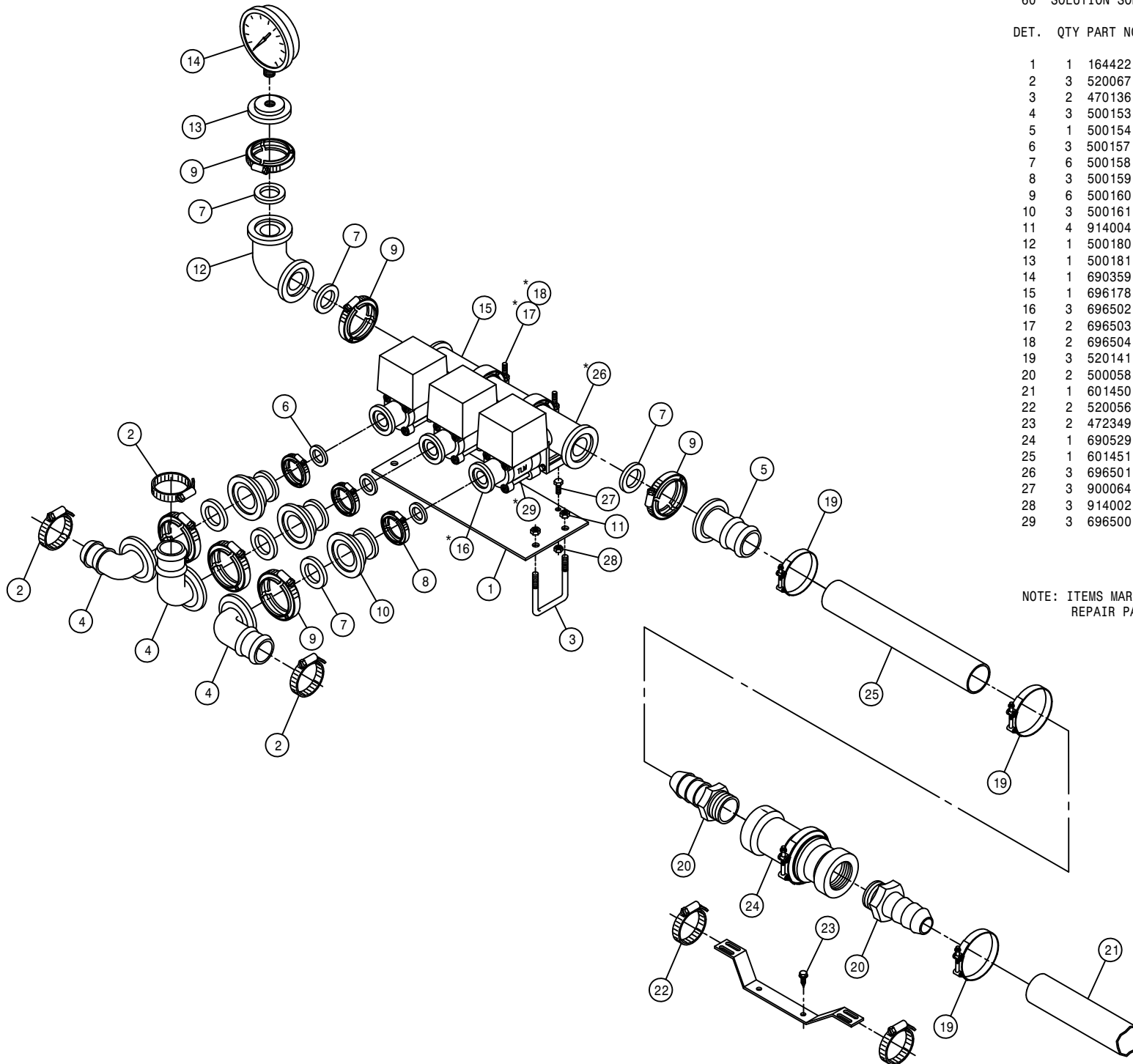
DET.	QTY	PART NO.	DESCRIPTION	
1	1	164303	SOLU VLV MT	97
2	1	164304	SOLU VLV MT KEEPER	97
3	2	520090	HOSE CLAMP NO 16 STAINLESS	
4	2	500157	1" FLANGE GASKET	EPDM
5	2	500159	1" FLANGE CLAMP, S.S.	
6	1	500171	1" FLANGE-1" HOSE BARB	POLY
7	1	500173	1" FLANGE-90-1" HOSE BARB	POLY
8	1	696177	ELECT BALL VLV, 1" FLANGE	TJET
9	2	900007	1/4UNC X 2" HEX BOLT	
10	2	914000	1/4UNC HEX STOVER NUT	

60' SOLUTION SOLENOID ASSEMBLY (HI-VOLUME)

DET. QTY PART NO. DESCRIPTION

DET.	QTY	PART NO.	DESCRIPTION
1	1	164422	SOLU MANIF VLV MT, HIVOL
2	3	520067	HOSE CLAMP NO 28 STAINLESS
3	2	470136	3/8UNC-3 1/16ID-3 SQ U-BOLT
4	3	500153	2" FLANGE-90-1 1/2 HBARB POLY
5	1	500154	2" FLANGE-2" HOSE BARB POLY
6	3	500157	1" FLANGE GASKET EPDM
7	6	500158	1 1/2" GASKET FOR 2" FLANGE
8	3	500159	1" FLANGE CLAMP, S.S.
9	6	500160	2" FLANGE CLAMP, S.S.
10	3	500161	2"FLANGE-1"FLANGE COUPLER,POLY
11	4	914004	3/8UNC HEX STOVER NUT
12	1	500180	2"FLANGE-90-2"FLANGE LBO POLY
13	1	500181	2" FLANGE PLUG W/1/4"FNPT POLY
14	1	690359	PRESSURE GA GLYCERI 100 PSI
15	1	696178	ELECT 3-BALL VLV,2"FLANGE TJET
16	3	696502	OUTLET FLG END-CAP FOR 696178
17	2	696503	O-RING,VLV FITTING FOR 696178
18	2	696504	CLAMP,VLV FITTING FOR 696178
19	3	520141	2.31/2.62 T-BOLT HOSE CLAMP SS
20	2	500058	2"NPT X 2" H BARB, POLY
21	1	601450	HOSE, 2 X 84 2F-1W EPDM
22	2	520056	HOSE CLAMP NO 56 STAINLESS
23	2	472349	1/4 X 3/4 20THD-IN TEK TYPE
24	1	690529	RFM 100 FLOW METER, RAVEN
25	1	601451	HOSE, 2 X 69 2F-1W EPDM
26	3	696501	FLANGE VLV TEE FOR 696178
27	3	900064	5/16UNC X 3/4 HEX BOLT
28	3	914002	5/16UNC HEX STOVER NUT
29	3	696500	450EC VLV W/FLG TEE FOR 696178

NOTE: ITEMS MARKED WITH A (*) ARE SOLUTION VALVE REPAIR PARTS.

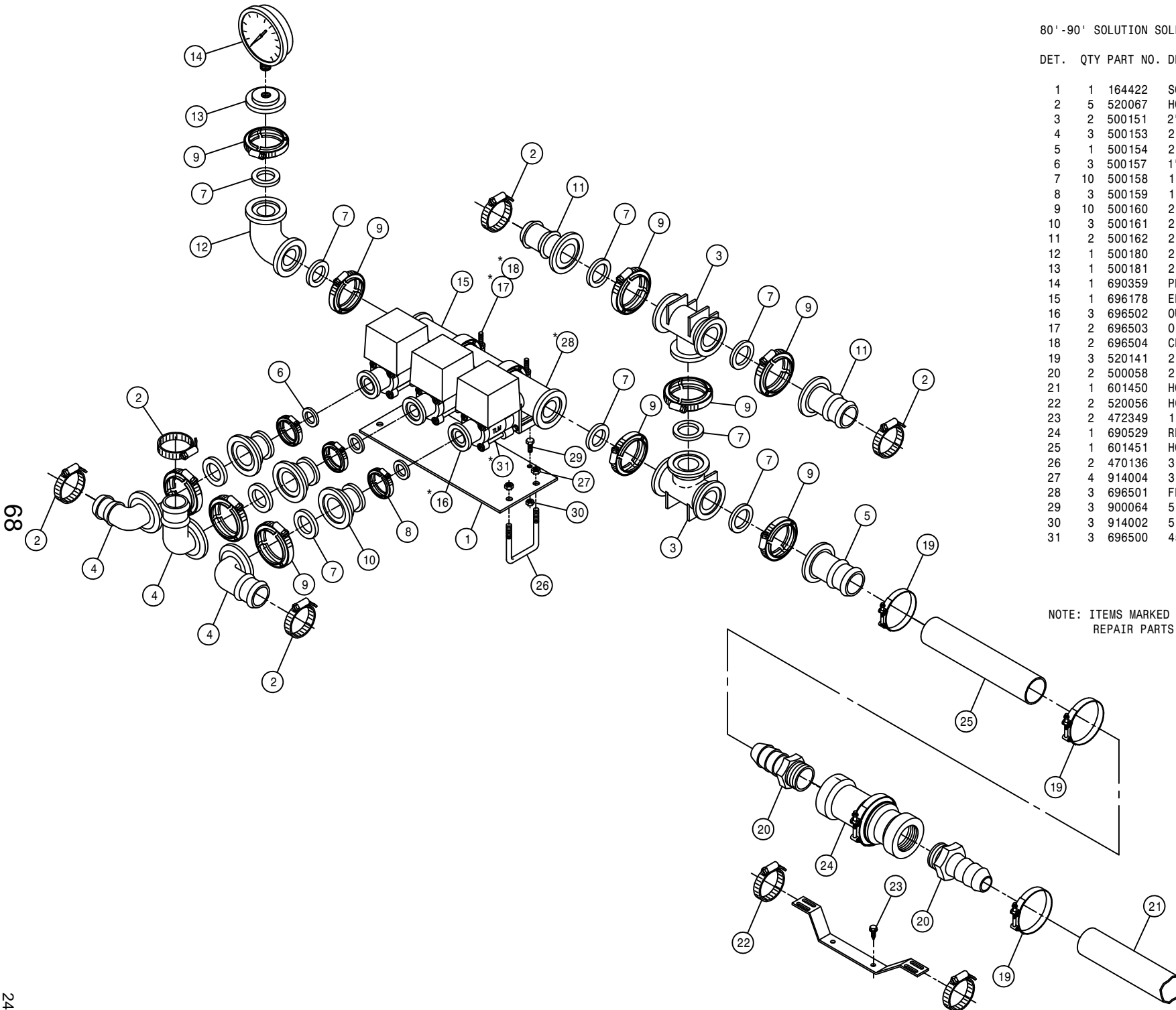


80'-90' SOLUTION SOLENOID ASSEMBLY (HI-VOLUME)

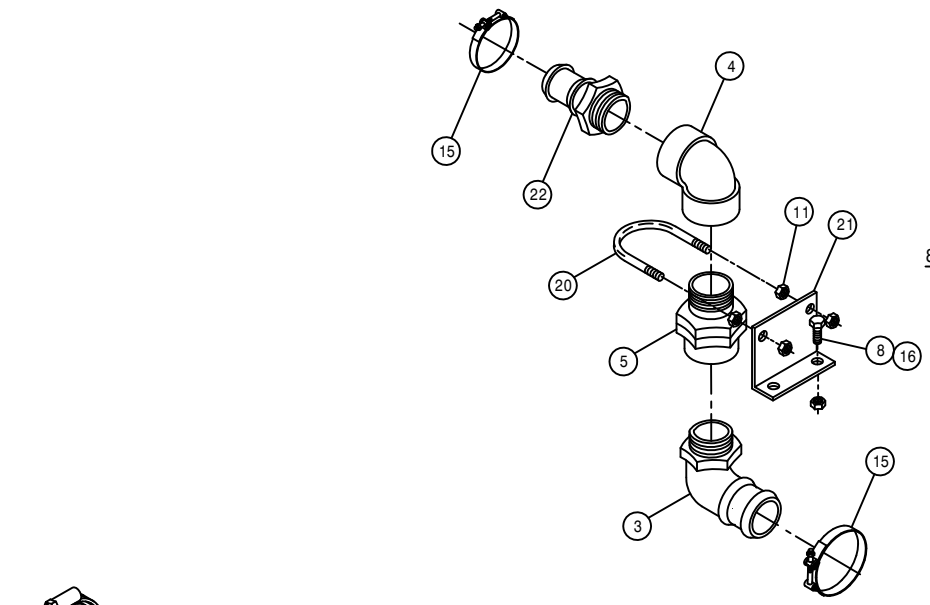
DET. QTY PART NO. DESCRIPTION

DET.	QTY	PART NO.	DESCRIPTION
1	1	164422	SOLU MANIF VLV MT, HIVOL
2	5	520067	HOSE CLAMP NO 28 STAINLESS
3	2	500151	2" FLANGE TEE
4	3	500153	2" FLANGE-90-1 1/2 HBARB POLY
5	1	500154	2" FLANGE-2" HOSE BARB POLY
6	3	500157	1" FLANGE GASKET
7	10	500158	1 1/2" GASKET FOR 2" FLANGE
8	3	500159	1" FLANGE CLAMP, S.S.
9	10	500160	2" FLANGE CLAMP, S.S.
10	3	500161	2"FLANGE-1"FLANGE COUPLER,POLY
11	2	500162	2" FLANGE-1 1/2 HOSE BARB POLY
12	1	500180	2"FLANGE-90-2"FLANGE LBO POLY
13	1	500181	2" FLANGE PLUG W/1/4"FNPT POLY
14	1	690359	PRESSURE GA GLYCERI 100 PSI
15	1	696178	ELECT 3-BALL VLV,2"FLANGE TJET
16	3	696502	OUTLET FLG END-CAP FOR 696178
17	2	696503	O-RING,VLV FITTING FOR 696178
18	2	696504	CLAMP,VLV FITTING FOR 696178
19	3	520141	2.31/2.62 T-BOLT HOSE CLAMP SS
20	2	500058	2"NPT X 2" H BARB, POLY
21	1	601450	HOSE, 2 X 84 2F-1W EPDM
22	2	520056	HOSE CLAMP NO 56 STAINLESS
23	2	472349	1/4 X 3/4 20THD-IN TEK TYPE
24	1	690529	RFM 100 FLOW METER, RAVEN
25	1	601451	HOSE, 2 X 69 2F-1W EPDM
26	2	470136	3/8UNC-3 1/16ID-3 SQ U-BOLT
27	4	914004	3/8UNC HEX STOVER NUT
28	3	696501	FLANGE VLV TEE FOR 696178
29	3	900064	5/16UNC X 3/4 HEX BOLT
30	3	914002	5/16UNC HEX STOVER NUT
31	3	696500	450EC VLV W/FLG TEE FOR 696178

NOTE: ITEMS MARKED WITH A (*) ARE SOLUTION VALVE REPAIR PARTS.



68

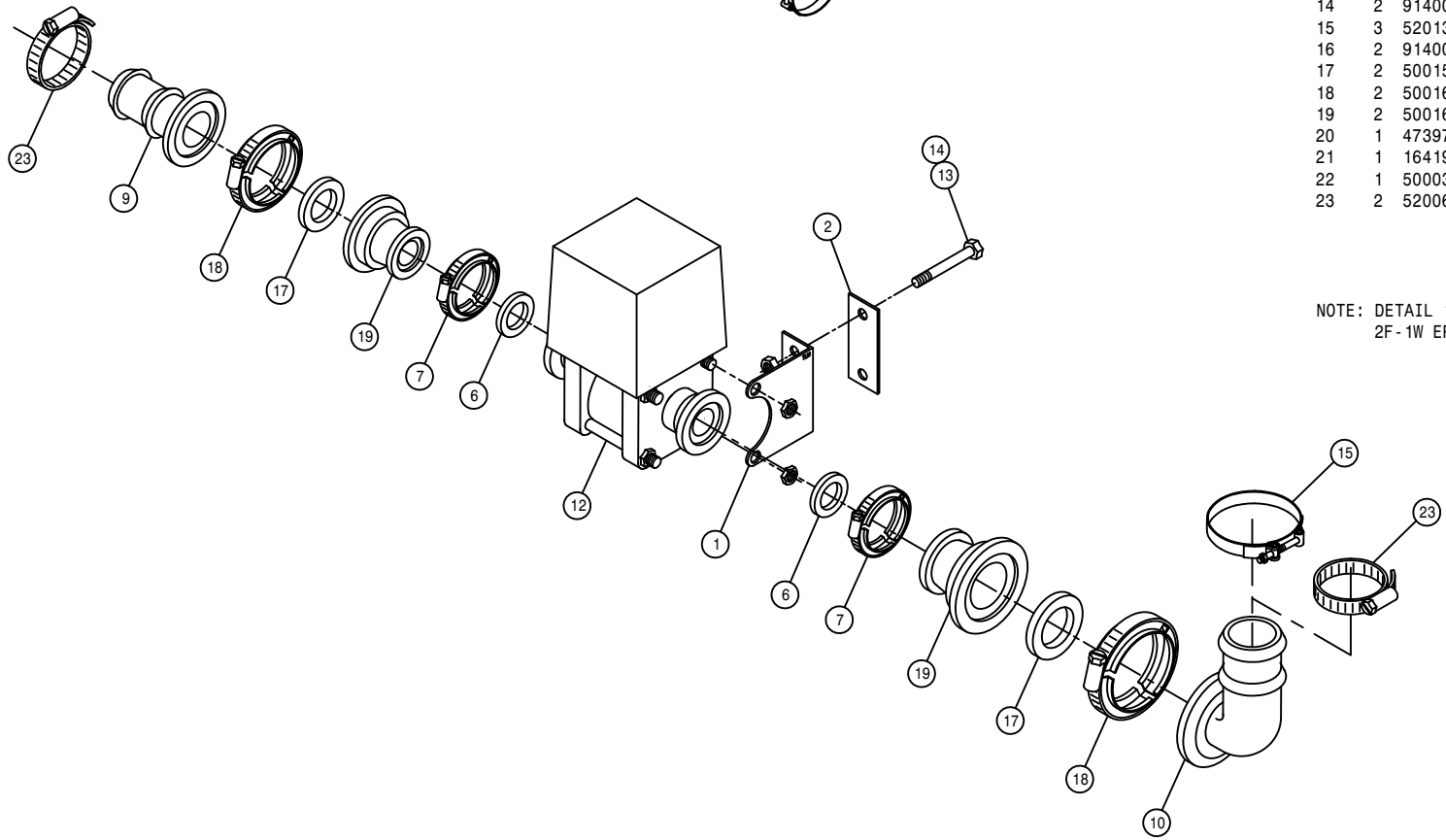


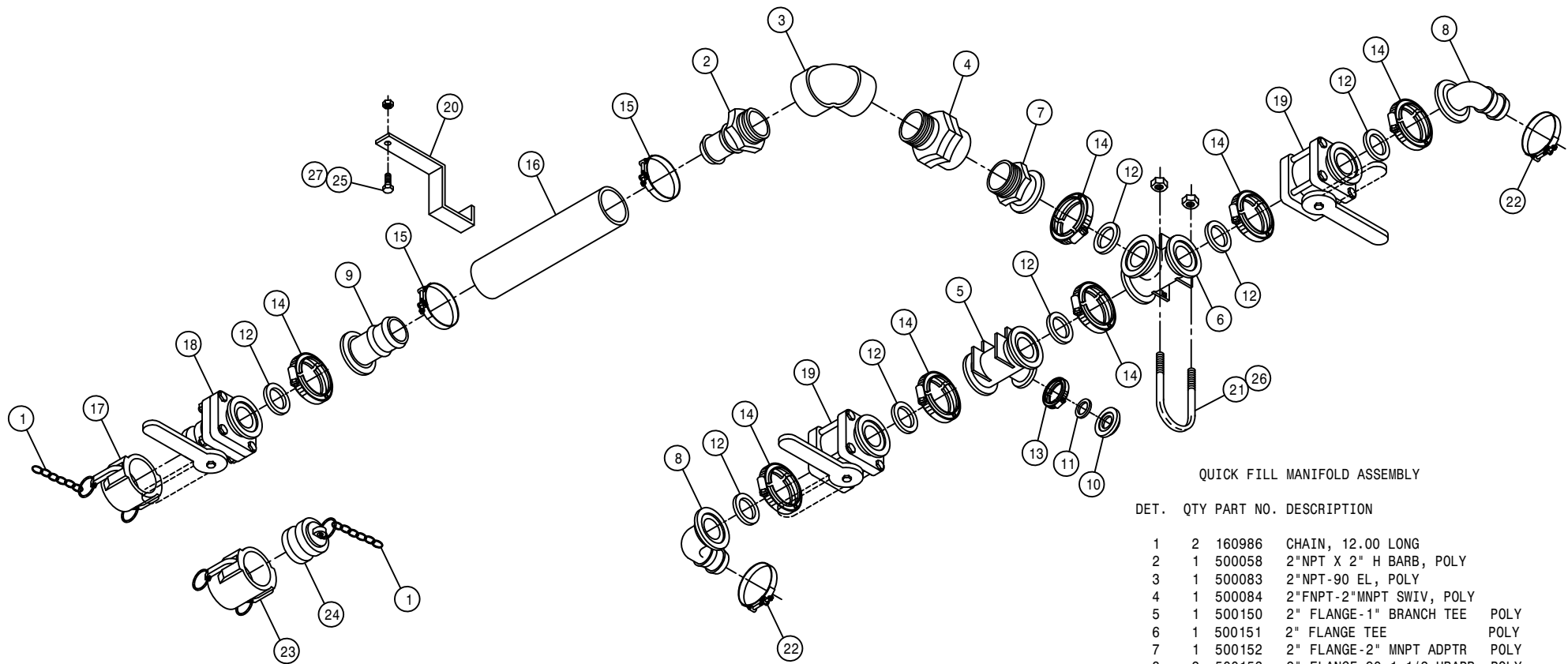
80' BOOM SWIVEL ASSEMBLY

80'-90' OUTER BOOM SOLENOID (HI-VOLUME)

DET.	QTY	PART NO.	DESCRIPTION	
1	1	164303	SOLU VLV MT	97
2	1	164304	SOLU VLV MT KEEPER	97
3	1	500066	1 1/2NPT-90-1 1/2 H BARB POLY	
4	1	500082	1 1/2NPT-90 EL, POLY	
5	1	500101	1 1/2"NPT SWIVEL	POLY
6	2	500157	1" FLANGE GASKET	EPDM
7	2	500159	1" FLANGE CLAMP, S.S.	
8	2	900064	5/16UNC X 3/4 HEX BOLT	
9	1	500162	2" FLANGE-1 1/2 HOSE BARB POLY	
10	1	500153	2" FLANGE-90-1 1/2 HBARB POLY	
11	4	910002	5/16UNC HEX NUT	
12	1	696177	ELECT BALL VLV,1"FLANGE	TJET
13	2	900007	1/4UNC X 2" HEX BOLT	
14	2	914000	1/4UNC HEX STOVER NUT	
15	3	520133	1.81/2.06 T-BOLT HOSE CLAMP SS	
16	2	914002	5/16UNC HEX STOVER NUT	
17	2	500158	1 1/2" GASKET FOR 2" FLANGE	
18	2	500160	2" FLANGE CLAMP, S.S.	
19	2	500161	2"FLANGE-1"FLANGE COUPLER,POLY	
20	1	473974	.31UNC-2.56ID-3.5 U-BOLT SS	
21	1	164199	HIGH VOLUME HOSE SWIVEL MT	
22	1	500032	1 1/2NPT X 1 1/2 H BARB, POLY	
23	2	520067	HOSE CLAMP NO 28 STAINLESS	

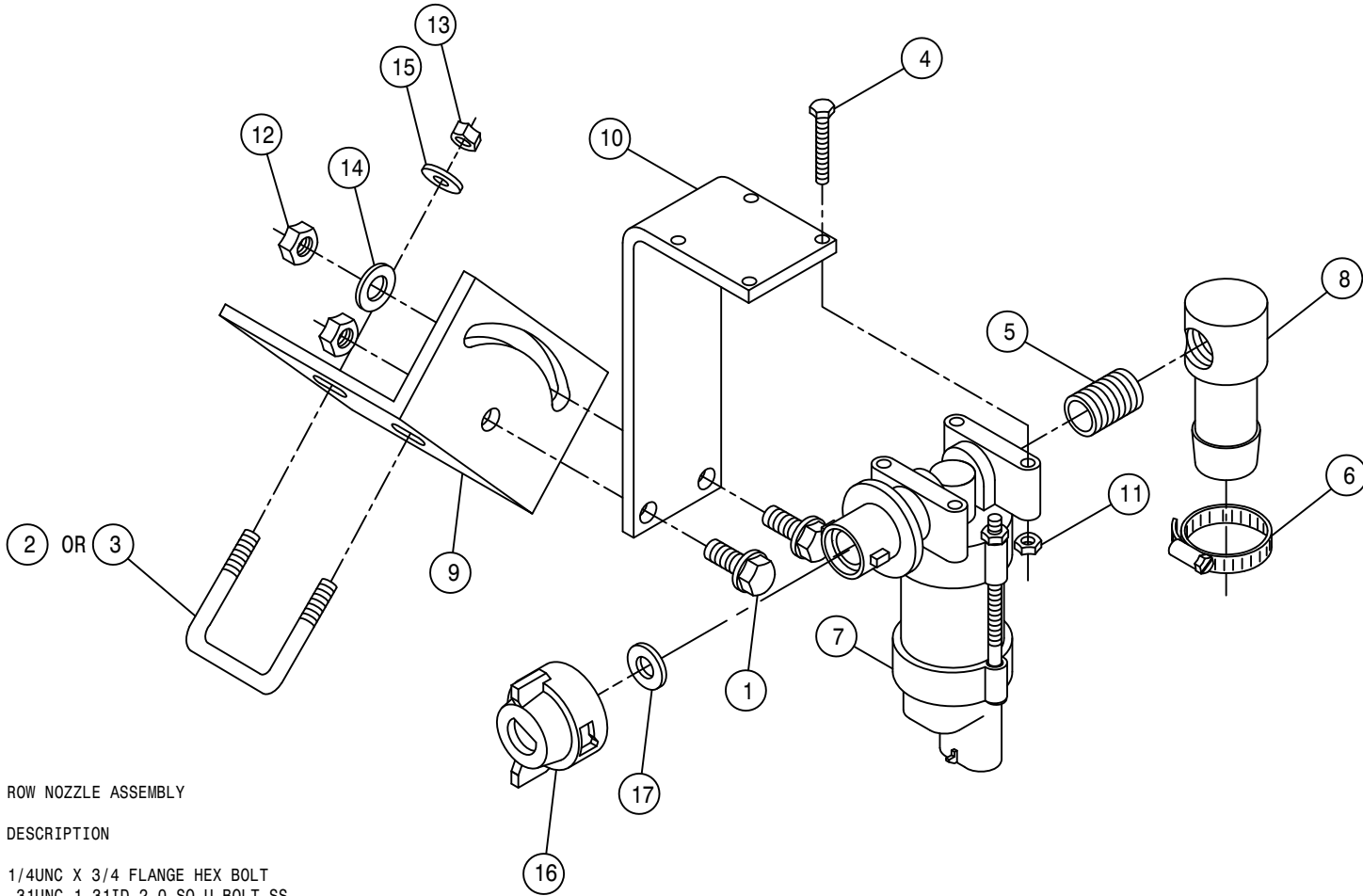
NOTE: DETAIL 15 IS USED WITH 1 1/2 I.D. 2F-1W EPDM HOSE.





QUICK FILL MANIFOLD ASSEMBLY

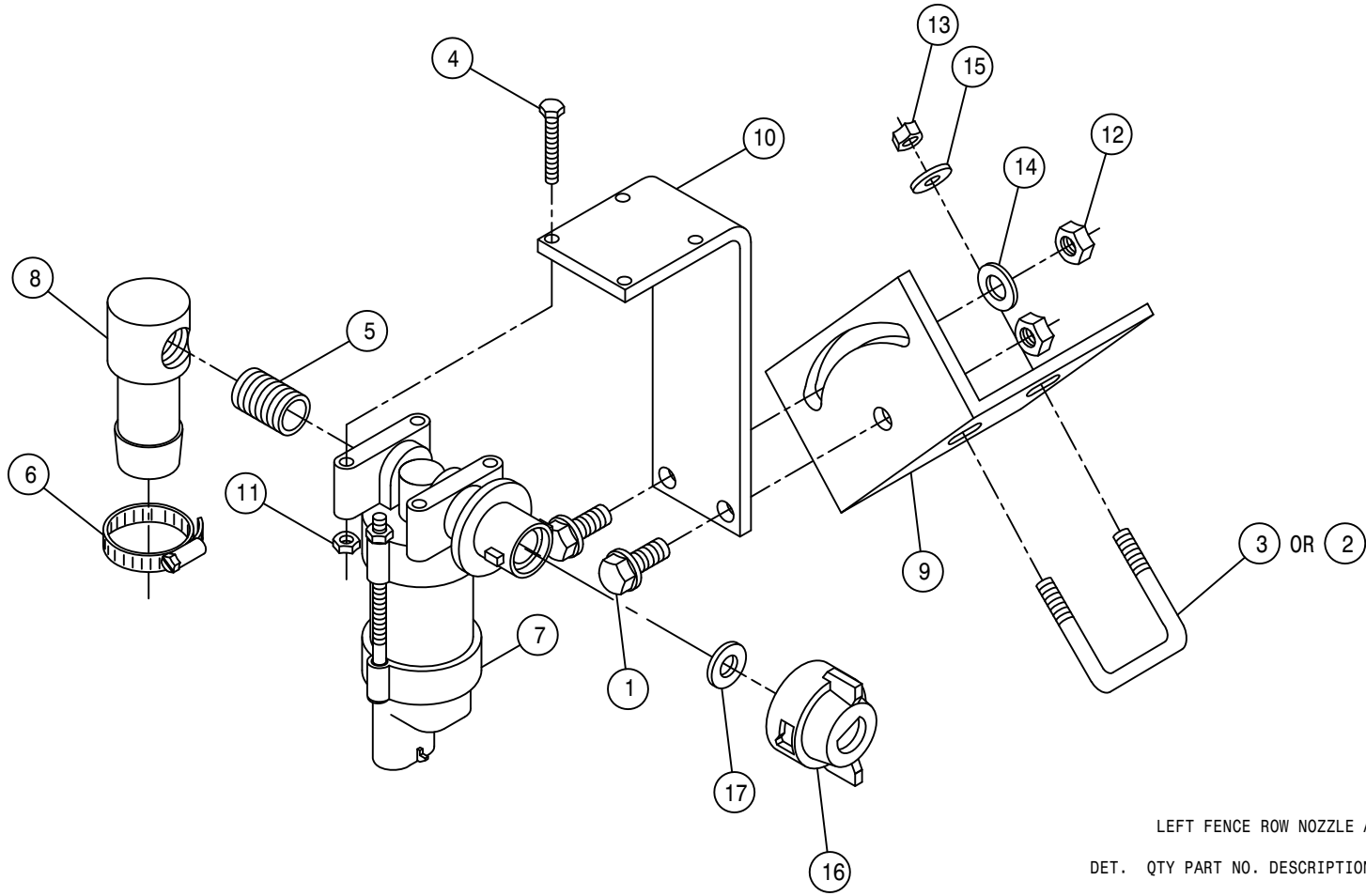
DET.	QTY	PART NO.	DESCRIPTION
	1	2	160986 CHAIN, 12.00 LONG
	1	2	500058 2"NPT X 2" H BARB, POLY
	1	3	500083 2"NPT-90 EL, POLY
	1	4	500084 2"FNPT-2"MNPT SWIV, POLY
	1	5	500150 2" FLANGE-1" BRANCH TEE POLY
	1	6	500151 2" FLANGE TEE POLY
	1	7	500152 2" FLANGE-2" MNPT ADPTR POLY
	2	8	500153 2" FLANGE-90-1 1/2 HBARB POLY
	1	9	500154 2" FLANGE-2" HOSE BARB POLY
	1	10	500155 1" FLANGE CAP PLUG POLY
	1	11	500157 1" FLANGE GASKET EPDM
	7	12	500158 1 1/2" GASKET FOR 2" FLANGE
	1	13	500159 1" FLANGE CLAMP, S.S.
	7	14	500160 2" FLANGE CLAMP, S.S.
	2	15	520141 2.31/2.62 T-BOLT HOSE CLAMP SS
	1	16	601423 HOSE, 2 X 12 2F-1W EPDM
	1	17	690623 CAP FOR 2.00 MALE COUPLER POLY
	1	18	696141 BALL VLV,2"FLANGE/2"MALE ADPTR
	2	19	696142 BALL VLV, 2" FLANGE
	1	20	342620 QUICK FILL HOSE HANGER
	2	21	472195 5/16UNC-2 11/16ID-3 9/16U-BOLT
	2	22	520133 1.81/2.06 T-BOLT HOSE CLAMP SS
	1	23	690390 2.00FNPT-FEMALE COUPLER POLY
	1	24	690392 PLUG FOR 2.00 FEMALE COUPLER
	1	25	900129 3/8UNC X 1" HEX BOLT
	4	26	914002 5/16UNC HEX STOVER NUT
	1	27	914004 3/8UNC HEX STOVER NUT



RIGHT FENCE ROW NOZZLE ASSEMBLY

DET. QTY PART NO. DESCRIPTION

1	2	470118	1/4UNC X 3/4 FLANGE HEX BOLT
2	1	473973	.31UNC-1.31ID-2.0 SQ U-BOLT SS
3	1	473980	.31UNC-1.06ID-1.75SQ U-BOLT SS
4	4	473993	6-32 X 1 1/4 HH MACH SCR
5	1	507022	SS CLOSE PIPE NIPPLE, .25MNPT
6	1	520055	HOSE CLAMP NO 12 STAINLESS
7	1	737875	NOZZLE BODY VALVE, 12VDC
8	1	737878	.75 FENCE ROW NOZZLE HOSEBARB
9	1	737886	FENCE-ROW NOZZLE MT,284 01
10	1	737906	FENCE ROW NOZL BRKT
11	4	910022	6-32 HEX NUT
12	2	914000	1/4UNC HEX STOVER NUT
13	2	914002	5/16UNC HEX STOVER NUT
14	1	920000	1/4 SAE FLAT WASHER
15	2	920001	5/16 SAE FLAT WASHER
16	1	737822	CAP SET, YELLOW QUICK TEEJET
17	1	737824	QUICK TEEJET SEAT GASKET



LEFT FENCE ROW NOZZLE ASSEMBLY

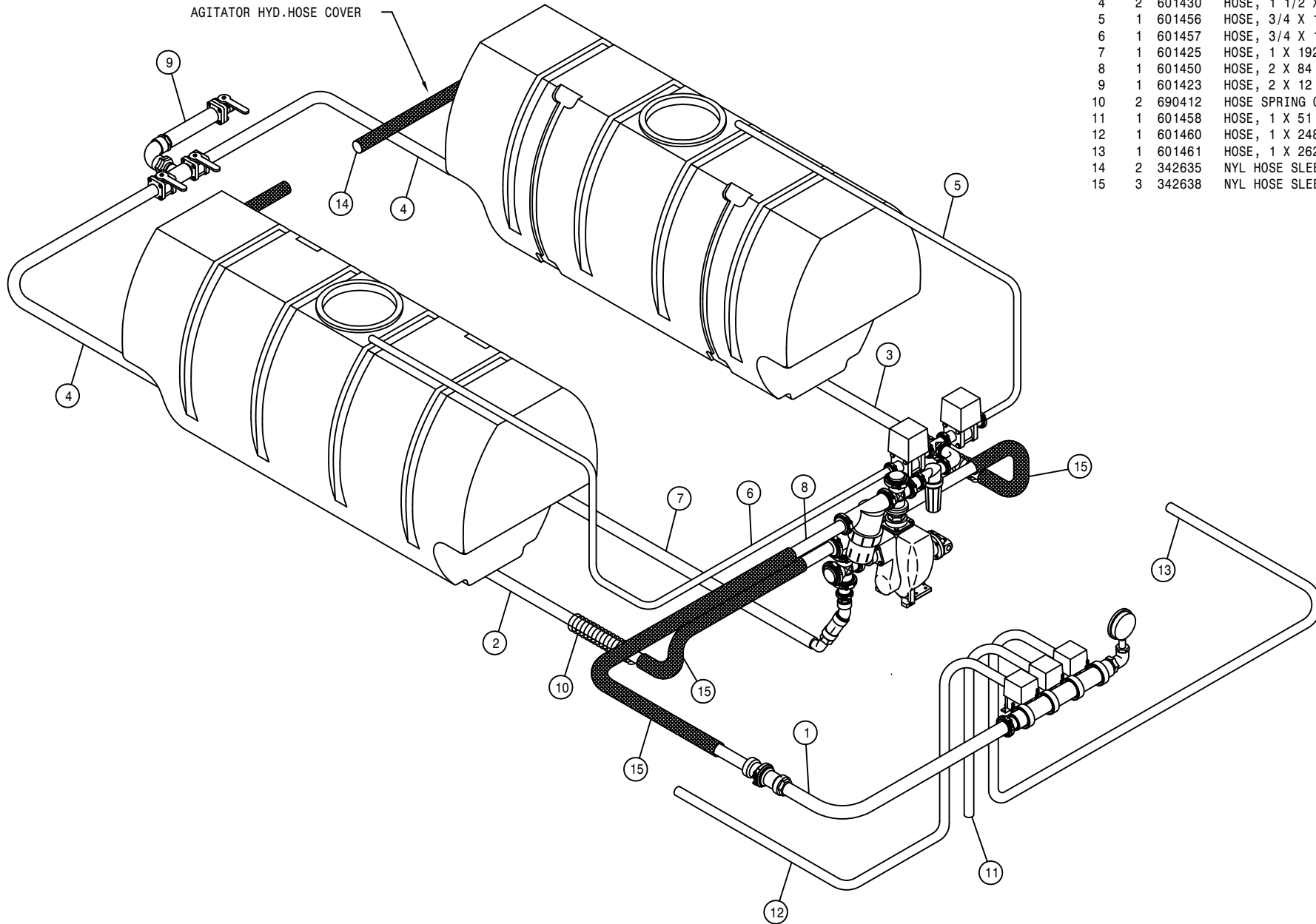
DET.	QTY	PART NO.	DESCRIPTION
	1	2 470118	1/4UNC X 3/4 FLANGE HEX BOLT
	2	1 473973	.31UNC-1.31ID-2.0 SQ U-BOLT SS
	3	1 473980	.31UNC-1.06ID-1.75SQ U-BOLT SS
	4	4 473993	6-32 X 1 1/4 HH MACH SCR
	5	1 507022	SS CLOSE PIPE NIPPLE, .25MNPT
	6	1 520055	HOSE CLAMP NO 12 STAINLESS
	7	1 737875	NOZZLE BODY VALVE, 12VDC
	8	1 737878	.75 FENCE ROW NOZZLE HOSEBARB
	9	1 737886	FENCE-ROW NOZZLE MT,284 01
	10	1 737906	FENCE ROW NOZL BRKT
	11	4 910022	6-32 HEX NUT
	12	2 914000	1/4UNC HEX STOVER NUT
	13	2 914002	5/16UNC HEX STOVER NUT
	14	1 920000	1/4 SAE FLAT WASHER
	15	2 920001	5/16 SAE FLAT WASHER
	16	1 737822	CAP SET, YELLOW QUICK TEEJET
	17	1 737824	QUICK TEEJET SEAT GASKET

This Page Intentionally Blank

SOLUTION HOISING FOR 60' BOOM (STANDARD)

DET. QTY PART NO. DESCRIPTION

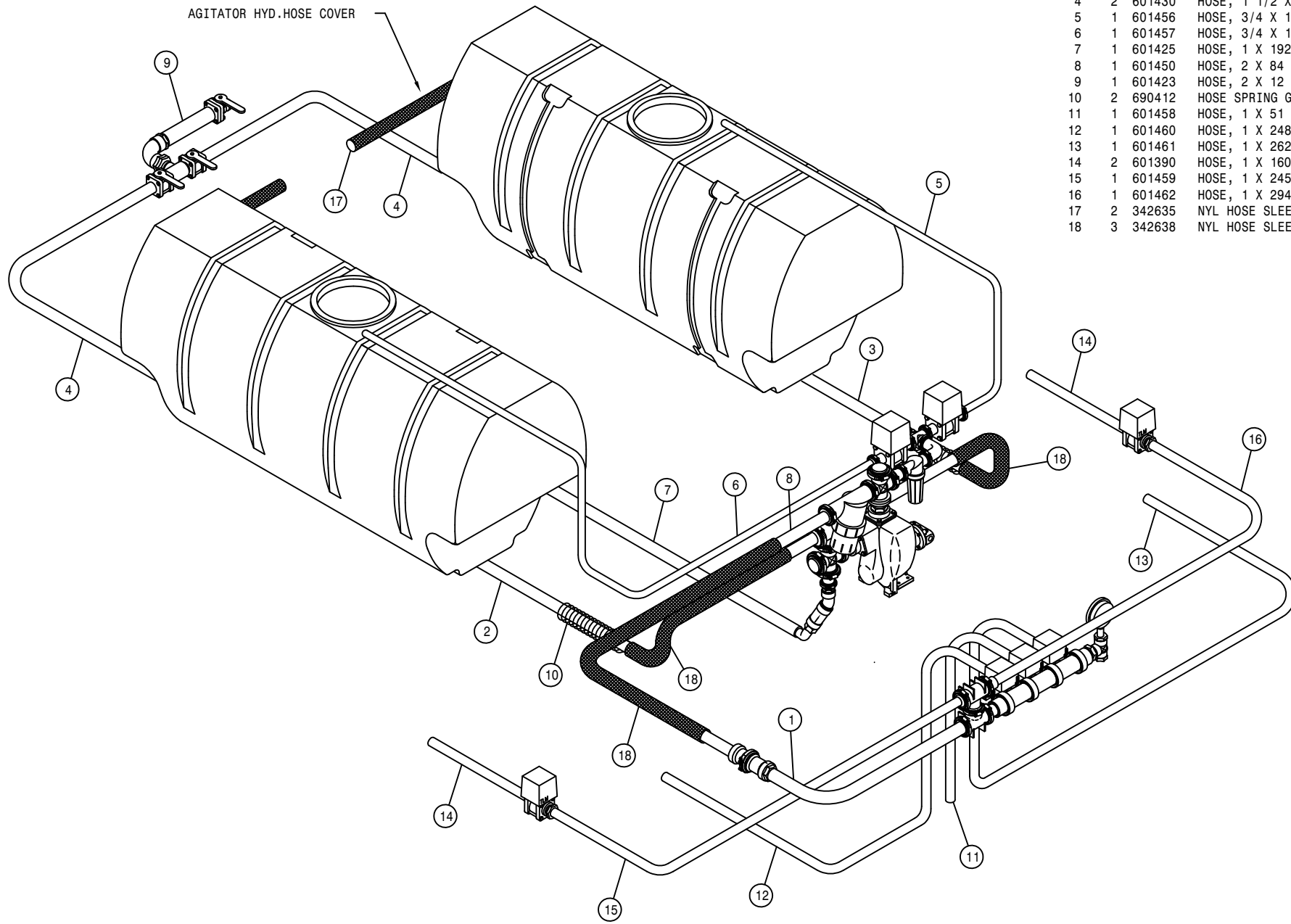
1	1	601451	HOSE, 2 X 69 2F-1W EPDM
2	1	601428	HOSE, 1 1/2 X 125 2F-1W EPDM
3	1	601429	HOSE, 1 1/2 X 143 2F-1W EPDM
4	2	601430	HOSE, 1 1/2 X 183 2F-1W EPDM
5	1	601456	HOSE, 3/4 X 117 1BR BLK EPDM
6	1	601457	HOSE, 3/4 X 130 1BR BLK EPDM
7	1	601425	HOSE, 1 X 192 2F-1W EPDM
8	1	601450	HOSE, 2 X 84 2F-1W EPDM
9	1	601423	HOSE, 2 X 12 2F-1W EPDM
10	2	690412	HOSE SPRING GUARD 2IN X 12 LG
11	1	601458	HOSE, 1 X 51 1BR BLK EPDM
12	1	601460	HOSE, 1 X 248 1BR BLK EPDM
13	1	601461	HOSE, 1 X 262 1BR BLK EPDM
14	2	342635	NYL HOSE SLEEVE, 2.64ID X 60.00
15	3	342638	NYL HOSE SLEEVE, 2.96ID X 65.00



SOLUTION HOISING FOR 80'-90' BOOM (STANDARD)

DET. QTY PART NO. DESCRIPTION

DET.	QTY	PART NO.	DESCRIPTION
1	1	601451	HOSE, 2 X 69 2F-1W EPDM
2	1	601428	HOSE, 1 1/2 X 125 2F-1W EPDM
3	1	601429	HOSE, 1 1/2 X 143 2F-1W EPDM
4	2	601430	HOSE, 1 1/2 X 183 2F-1W EPDM
5	1	601456	HOSE, 3/4 X 117 1BR BLK EPDM
6	1	601457	HOSE, 3/4 X 130 1BR BLK EPDM
7	1	601425	HOSE, 1 X 192 2F-1W EPDM
8	1	601450	HOSE, 2 X 84 2F-1W EPDM
9	1	601423	HOSE, 2 X 12 2F-1W EPDM
10	2	690412	HOSE SPRING GUARD 2IN X 12 LG
11	1	601458	HOSE, 1 X 51 1BR BLK EPDM
12	1	601460	HOSE, 1 X 248 1BR BLK EPDM
13	1	601461	HOSE, 1 X 262 1BR BLK EPDM
14	2	601390	HOSE, 1 X 160 1BR BLK EPDM
15	1	601459	HOSE, 1 X 245 1BR BLK EPDM
16	1	601462	HOSE, 1 X 294 1BR BLK EPDM
17	2	342635	NYL HOSE SLEEVE, 2.64ID X 60.00
18	3	342638	NYL HOSE SLEEVE, 2.96ID X 65.00

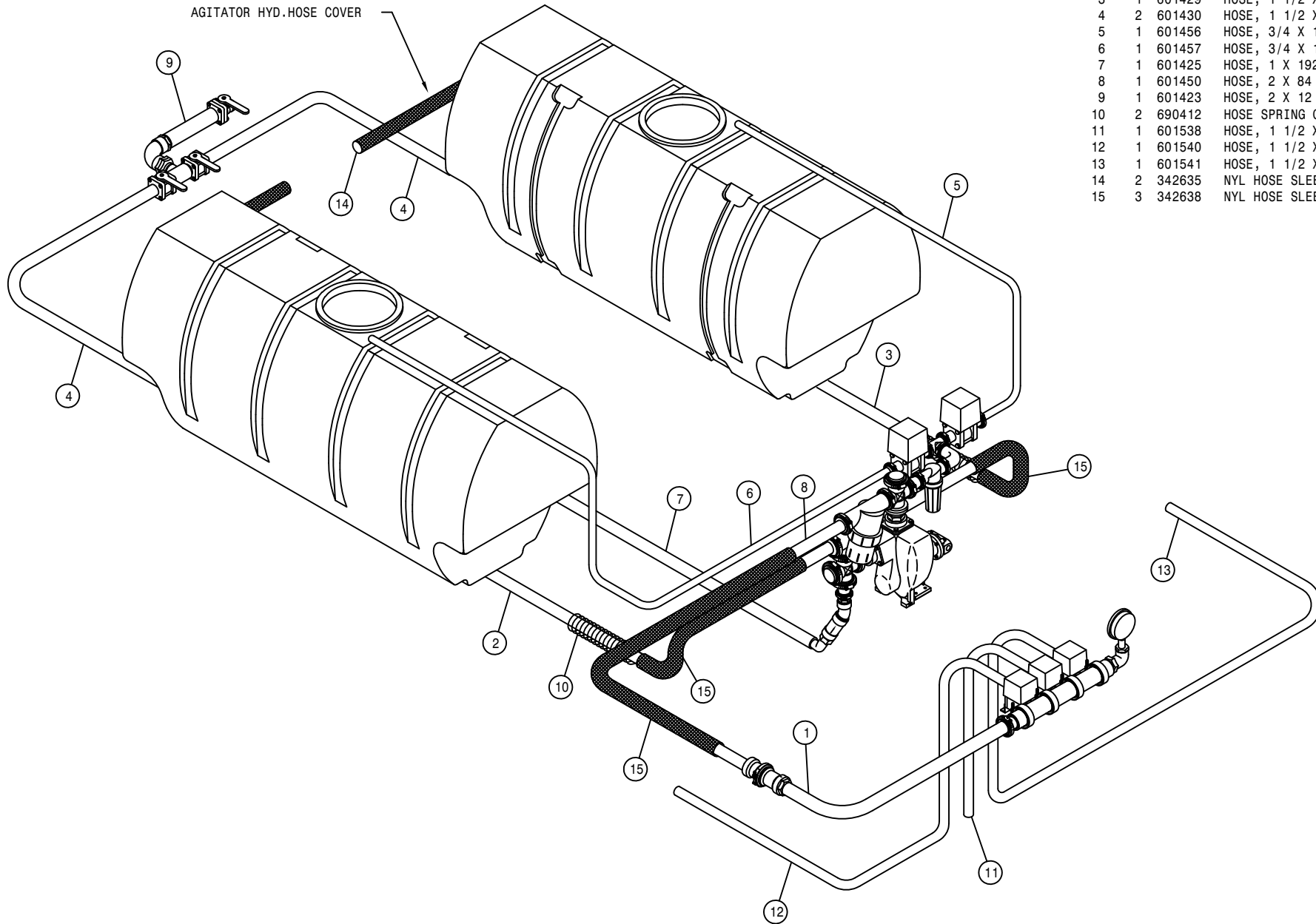


AGITATOR HYD. HOSE COVER

SOLUTION HOISING FOR 60' BOOM (HI-VOLUME)

DET. QTY PART NO. DESCRIPTION

DET.	QTY	PART NO.	DESCRIPTION
1	1	601451	HOSE, 2 X 69 2F-1W EPDM
2	1	601428	HOSE, 1 1/2 X 125 2F-1W EPDM
3	1	601429	HOSE, 1 1/2 X 143 2F-1W EPDM
4	2	601430	HOSE, 1 1/2 X 183 2F-1W EPDM
5	1	601456	HOSE, 3/4 X 117 1BR BLK EPDM
6	1	601457	HOSE, 3/4 X 130 1BR BLK EPDM
7	1	601425	HOSE, 1 X 192 2F-1W EPDM
8	1	601450	HOSE, 2 X 84 2F-1W EPDM
9	1	601423	HOSE, 2 X 12 2F-1W EPDM
10	2	690412	HOSE SPRING GUARD 2IN X 12 LG
11	1	601538	HOSE, 1 1/2 X 51 2BR BLK EPDM
12	1	601540	HOSE, 1 1/2 X 248 2BR BLK EPDM
13	1	601541	HOSE, 1 1/2 X 262 2BR BLK EPDM
14	2	342635	NYL HOSE SLEEVE, 2.64ID X 60.00
15	3	342638	NYL HOSE SLEEVE, 2.96ID X 65.00

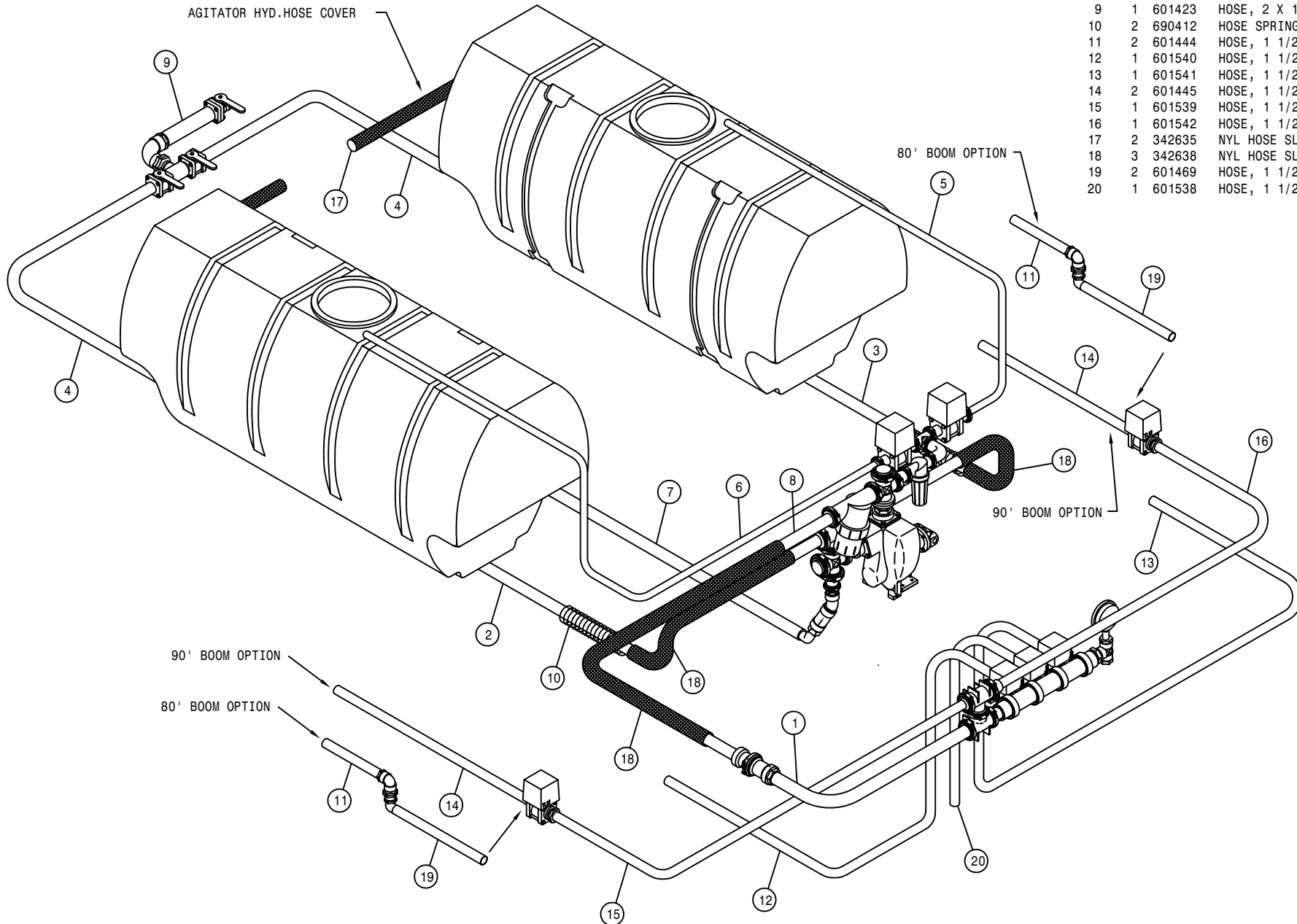


AGITATOR HYD. HOSE COVER

SOLUTION HOISING FOR 80'-90' BOOM (HI-VOLUME)

DET. QTY PART NO. DESCRIPTION

1	1	601451	HOSE, 2 X 69 2F-1W EPDM
2	1	601428	HOSE, 1 1/2 X 125 2F-1W EPDM
3	1	601429	HOSE, 1 1/2 X 143 2F-1W EPDM
4	2	601430	HOSE, 1 1/2 X 183 2F-1W EPDM
5	1	601456	HOSE, 3/4 X 117 1BR BLK EPDM
6	1	601457	HOSE, 3/4 X 130 1BR BLK EPDM
7	1	601425	HOSE, 1 X 192 2F-1W EPDM
8	1	601450	HOSE, 2 X 84 2F-1W EPDM
9	1	601423	HOSE, 2 X 12 2F-1W EPDM
10	2	690412	HOSE SPRING GUARD 2IN X 12 LG
11	2	601444	HOSE, 1 1/2 X 51 2F-1W EPDM
12	1	601540	HOSE, 1 1/2 X 248 2BR BLK EPDM
13	1	601541	HOSE, 1 1/2 X 262 2BR BLK EPDM
14	2	601445	HOSE, 1 1/2 X 160 2F-1W EPDM
15	1	601539	HOSE, 1 1/2 X 245 2BR BLK EPDM
16	1	601542	HOSE, 1 1/2 X 294 2BR BLK EPDM
17	2	342635	NYL HOSE SLEEVE, 2.64ID X 60.00
18	3	342638	NYL HOSE SLEEVE, 2.96ID X 65.00
19	2	601469	HOSE, 1 1/2 X 110 2F-1W EPDM
20	1	601538	HOSE, 1 1/2 X 51 2BR BLK EPDM

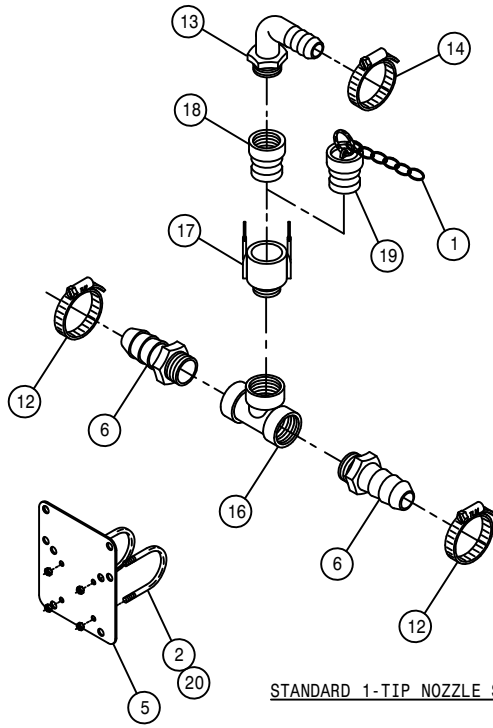


BOOM FEEDER TEE ASSEMBLY

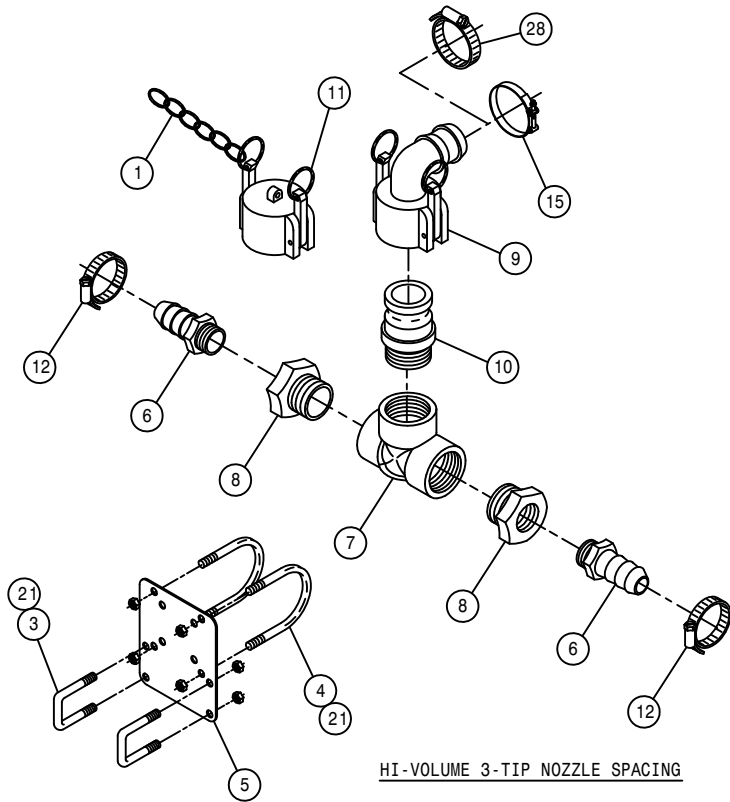
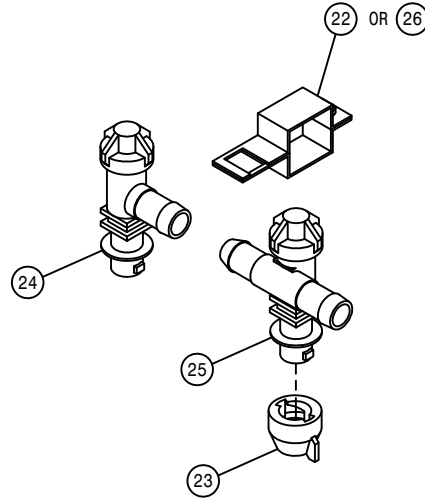
DET. QTY PART NO. DESCRIPTION

DET.	QTY	PART NO.	DESCRIPTION
1	3	160986	CHAIN, 12.00 LONG
2	2	470237	1/4UNC-1 1/2ID-3 1/4 U-BOLT
3	4	473973	.31UNC-1.31ID-2.0 SQ U-BOLT SS
4	2	473974	.31UNC-2.56ID-3.5 U-BOLT SS
5	3	164423	FEEDER TEE MT, HIVOL
6	6	500022	3/4NPT-3/4HOSE BARB, POLY
7	1	500030	1 1/2"NPT PIPE TEE, POLY
8	2	500040	1 1/2 X 3/4 NPT BUSH, POLY
9	1	500093	1.50HOSEBARB-90-FEMALE COUPLER
10	1	500094	1.50MNPT-MALE COUPLER POLY
11	1	500095	CAP FOR 1.50 MALE COUPLER POLY
12	6	520055	HOSE CLAMP NO 12 STAINLESS
13	2	500026	3/4NPT-90-1"HOSE BARB, POLY
14	2	520090	HOSE CLAMP NO 16 STAINLESS
15	1	520133	1.81/2.06 T-BOLT HOSE CLAMP SS
16	2	505218	3/4 NPT PIPE TEE, POLY
17	2	696203	.75MNPT-FEMALE COUPLER POLY
18	2	696202	.75FNPT-MALE COUPLER POLY
19	2	696204	PLUG FOR .75 FEMALE COUPLER
20	8	914000	1/4UNC HEX STOVER NUT
21	12	914017	5/16UNC HEX NUT, TOP LOCK, SS
22	1	737817	NOZL MT CLMP, 1.00 SQ SS, Q-TJET
23	1	737822	CAP SET, YELLOW QUICK TEEJET
24	1	737829	QUICK TJET EL BODY DIAPH .75
25	1	737830	QUICK TJET TEE BODY DIAPH .75
26	1	737832	NOZL MT CLMP, 1.25 SQ, SS Q-TJET
27	2	473969	1/4UNC-1 1/2 X 2 3/4 RD U-BOLT
28	1	520067	HOSE CLAMP NO 28 STAINLESS

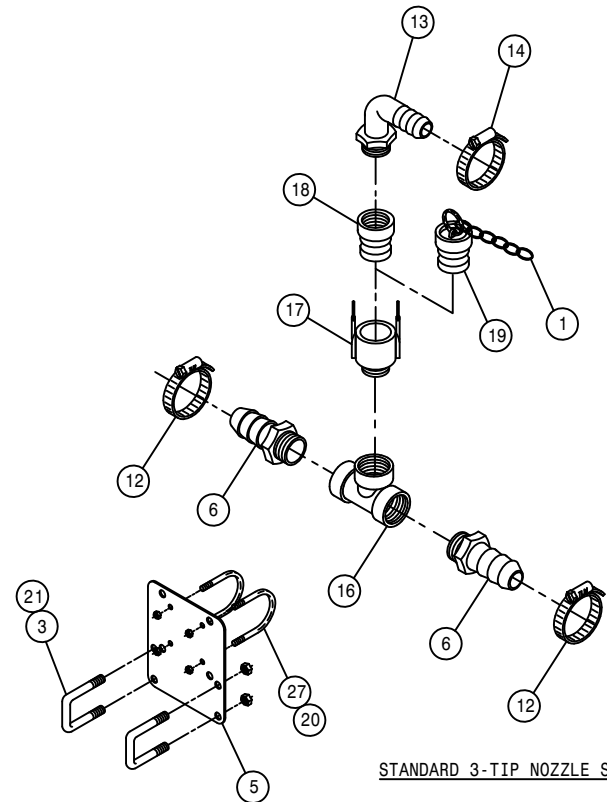
NOTE: DETAIL 15 IS USED WITH 1 1/2 I.D.
2F-1W EPDM HOSE.



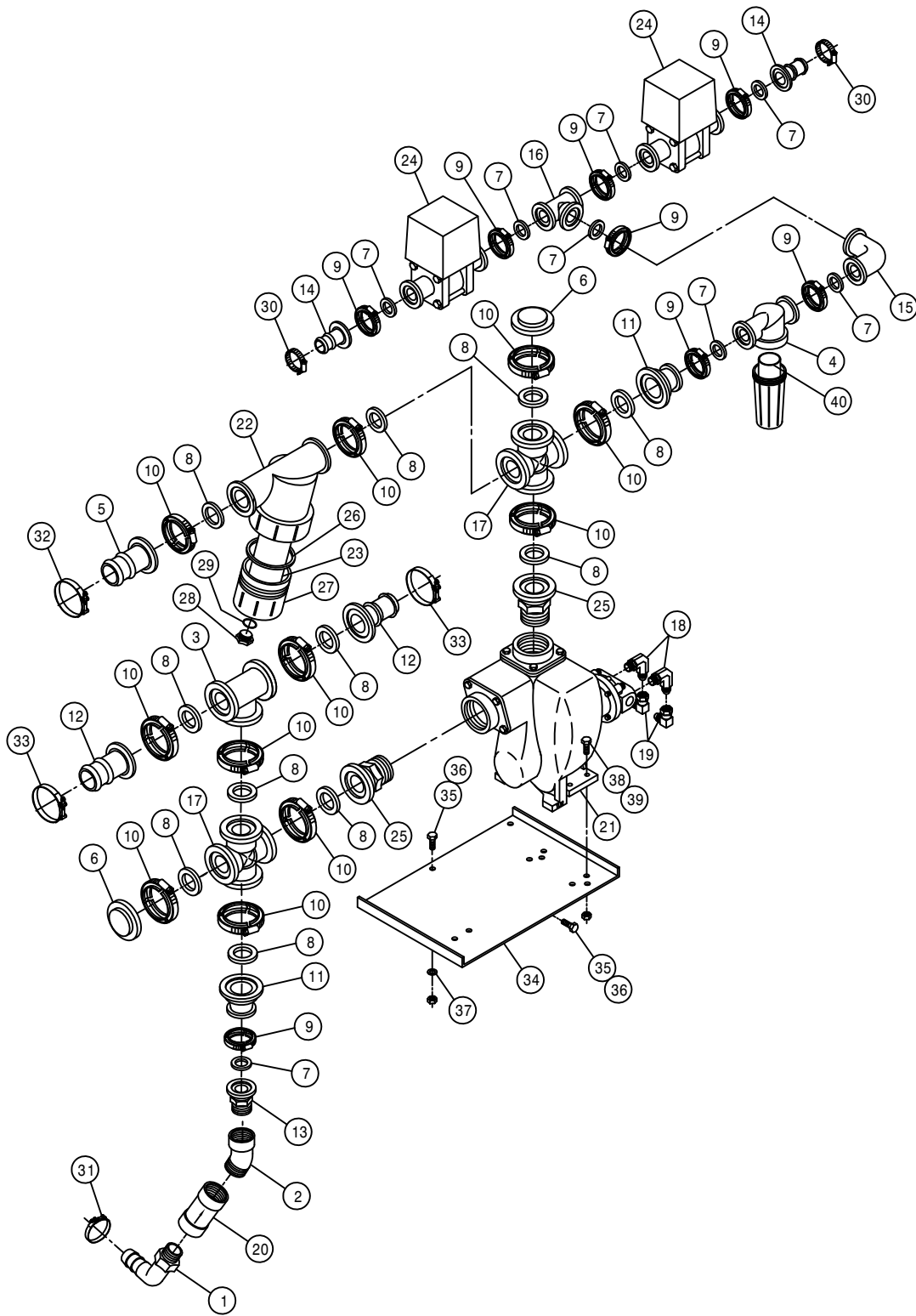
STANDARD 1-TIP NOZZLE SPACING



HI-VOLUME 3-TIP NOZZLE SPACING

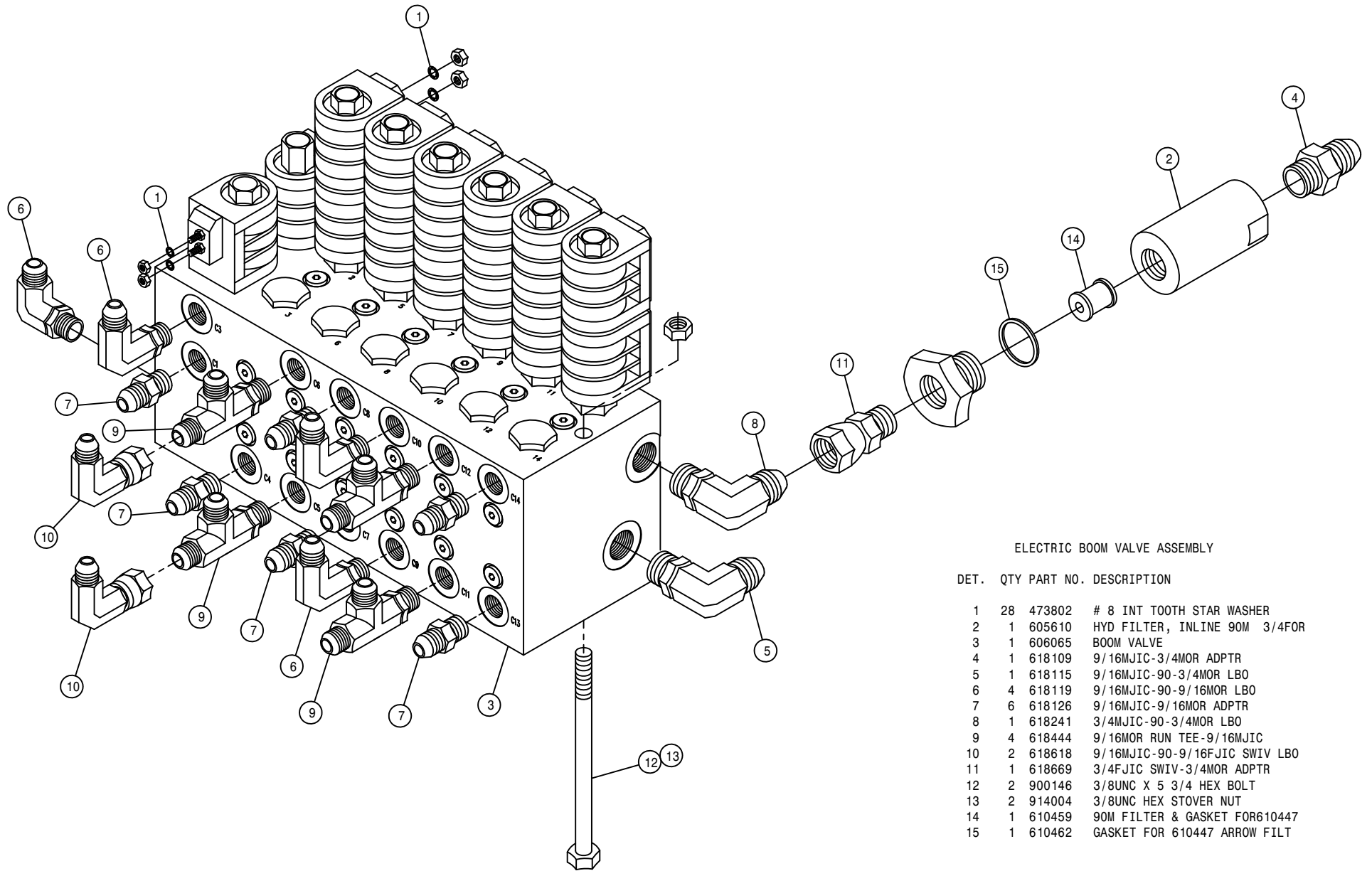


STANDARD 3-TIP NOZZLE SPACING



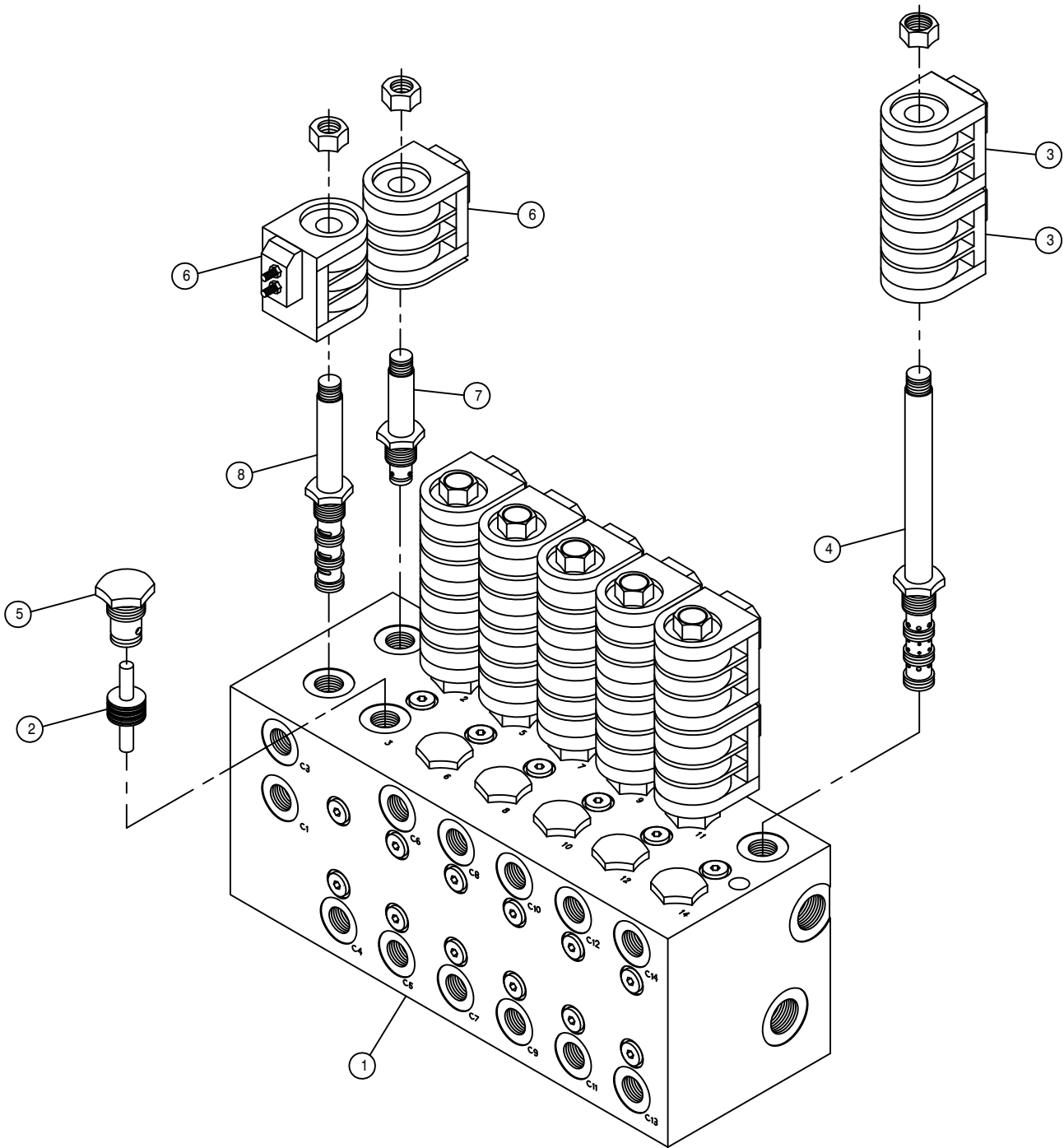
SOLUTION PUMP ASSEMBLY

DET.	QTY	PART NO.	DESCRIPTION
1	1	500024	1"NPT-90-1"HOSE BARB, POLY
2	1	500088	1"NPT-45 ST EL, POLY
3	1	500151	2" FLANGE TEE POLY
4	1	690660	LINE "T" STRAINER, 1" FLANGE
5	1	500154	2" FLANGE-2" HOSE BARB POLY
6	2	500156	2" FLANGE CAP PLUG POLY
7	8	500157	1" FLANGE GASKET EPDM
8	11	500158	1 1/2" GASKET FOR 2" FLANGE
9	8	500159	1" FLANGE CLAMP, S.S.
10	11	500160	2" FLANGE CLAMP, S.S.
11	2	500161	2"FLANGE-1"FLANGE COUPLER,POLY
12	2	500162	2" FLANGE-1 1/2 HOSE BARB POLY
13	1	500163	1" FLANGE-1" MNPT ADPTR POLY
14	2	500170	1" FLANGE-3/4" HOSE BARB POLY
15	1	500174	1" FLANGE-90-1" FLANGE LBOPOLY
16	1	500175	1" FLANGE TEE POLY
17	2	500176	2" FLANGE CROSS POLY
18	2	618241	3/4MJIC-90-3/4MOR LBO
19	2	618609	3/4MJIC-90-3/4FJIC SWIV LBO
20	1	690488	1.00 CHECK VLV, SPRING LOADED
21	1	690552	FLOMAX 8, 2" PUMP
22	1	690628	LINE "Y" STRAINER, 2" FLANGE
23	1	690629	50 MESH SCREEN FOR 690628
24	2	696177	ELECT BALL VLV,1"FLANGE TJET
25	2	500182	2" FLANGE-2"MNPT ADPTR S.S.
26	1	690630	GASKET FOR 690628
27	1	690631	END CAP FOR 690628
28	1	690632	CLEAN-OUT PLUG FOR 690628
29	1	690633	O-RING,EDPM FOR 690628 PLUG
30	2	520055	HOSE CLAMP NO 12 STAINLESS
31	1	520138	1.38/1.56 T-BOLT HOSE CLAMP
32	1	520141	2.31/2.62 T-BOLT HOSE CLAMP SS
33	2	520133	1.81/2.06 T-BOLT HOSE CLAMP SS
34	1	690530	2" SOLU PUMP MT WLD 95
35	3	900129	3/8UNC X 1" HEX BOLT
36	3	914004	3/8UNC HEX STOVER NUT
37	2	920002	3/8 SAE FLAT WASHER
38	4	900066	5/16UNC X 1 1/4 HEX BOLT
39	4	914002	5/16UNC HEX STOVER NUT
40	1	690661	50 MESH SCREEN FOR 690660



ELECTRIC BOOM VALVE ASSEMBLY

DET.	QTY	PART NO.	DESCRIPTION
1	28	473802	# 8 INT TOOTH STAR WASHER
2	1	605610	HYD FILTER, INLINE 90M 3/4FOR
3	1	606065	BOOM VALVE
4	1	618109	9/16MJIC-3/4MOR ADPTR
5	1	618115	9/16MJIC-90-3/4MOR LBO
6	4	618119	9/16MJIC-90-9/16MOR LBO
7	6	618126	9/16MJIC-9/16MOR ADPTR
8	1	618241	3/4MJIC-90-3/4MOR LBO
9	4	618444	9/16MOR RUN TEE-9/16MJIC
10	2	618618	9/16MJIC-90-9/16FJIC SWIV LBO
11	1	618669	3/4FJIC SWIV-3/4MOR ADPTR
12	2	900146	3/8UNC X 5 3/4 HEX BOLT
13	2	914004	3/8UNC HEX STOVER NUT
14	1	610459	90M FILTER & GASKET FOR610447
15	1	610462	GASKET FOR 610447 ARROW FILT



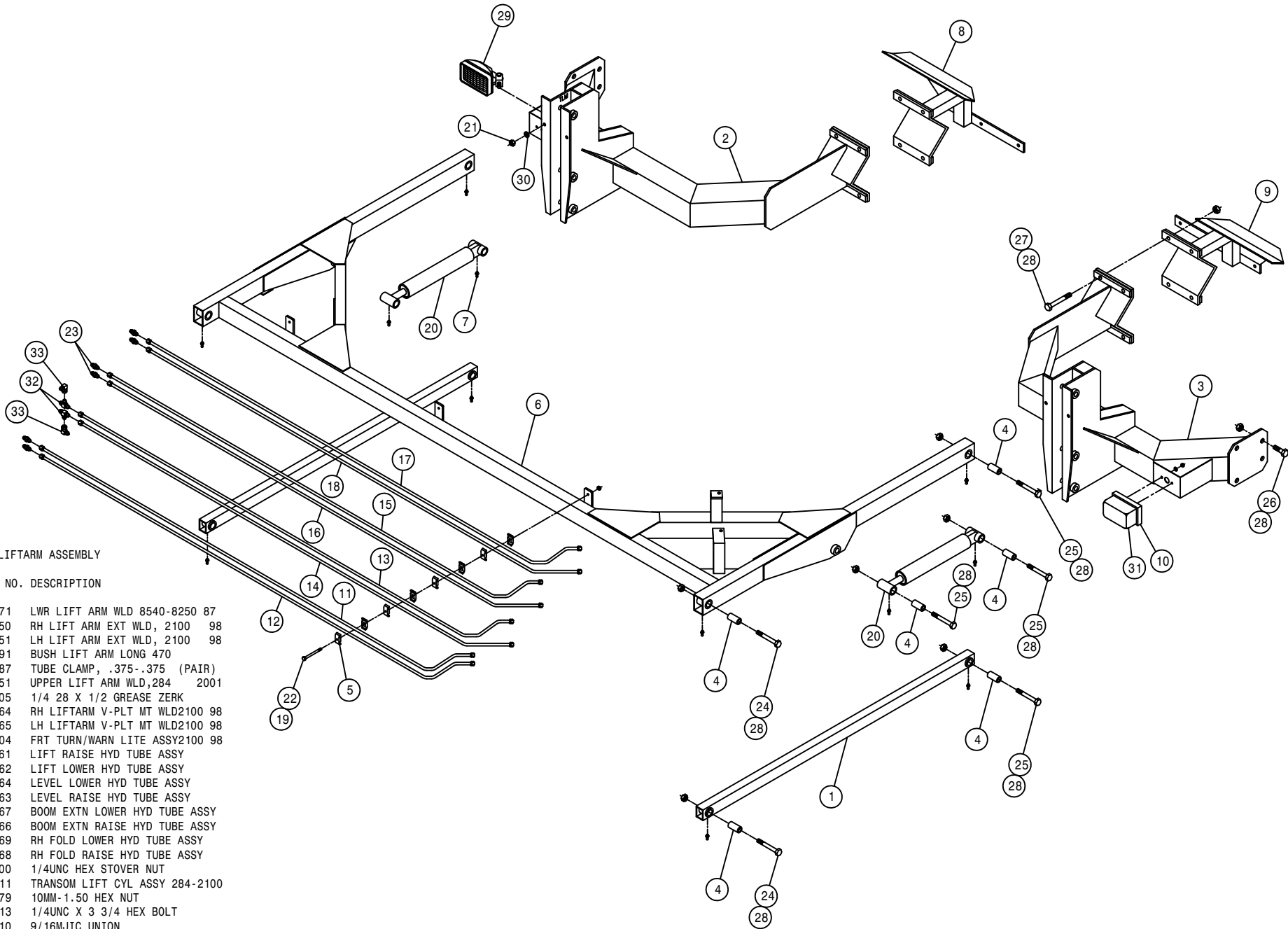
BOOM CONTROL HYD MANIFOLD ASSEMBLY

DET.	QTY	PART NO.	DESCRIPTION
1	1	606065	BOOM VALVE
2	6	606058	PISTON ASSY FOR 606050
3	12	606093	COIL (63900202)-606065/067/090
4	6	606057	SOLE VLV(DGS4M00)FOR 606050/51
5	12	606059	CHECK VALVE FOR 606050
6	2	606091	COIL (39660030) FOR 606065/066
7	1	606061	SOLE VLV(DES2C00) FOR 606051
8	1	606062	SOLE VLV(DGS4B00) FOR 606051

LIFTARM ASSEMBLY

DET. QTY PART NO. DESCRIPTION

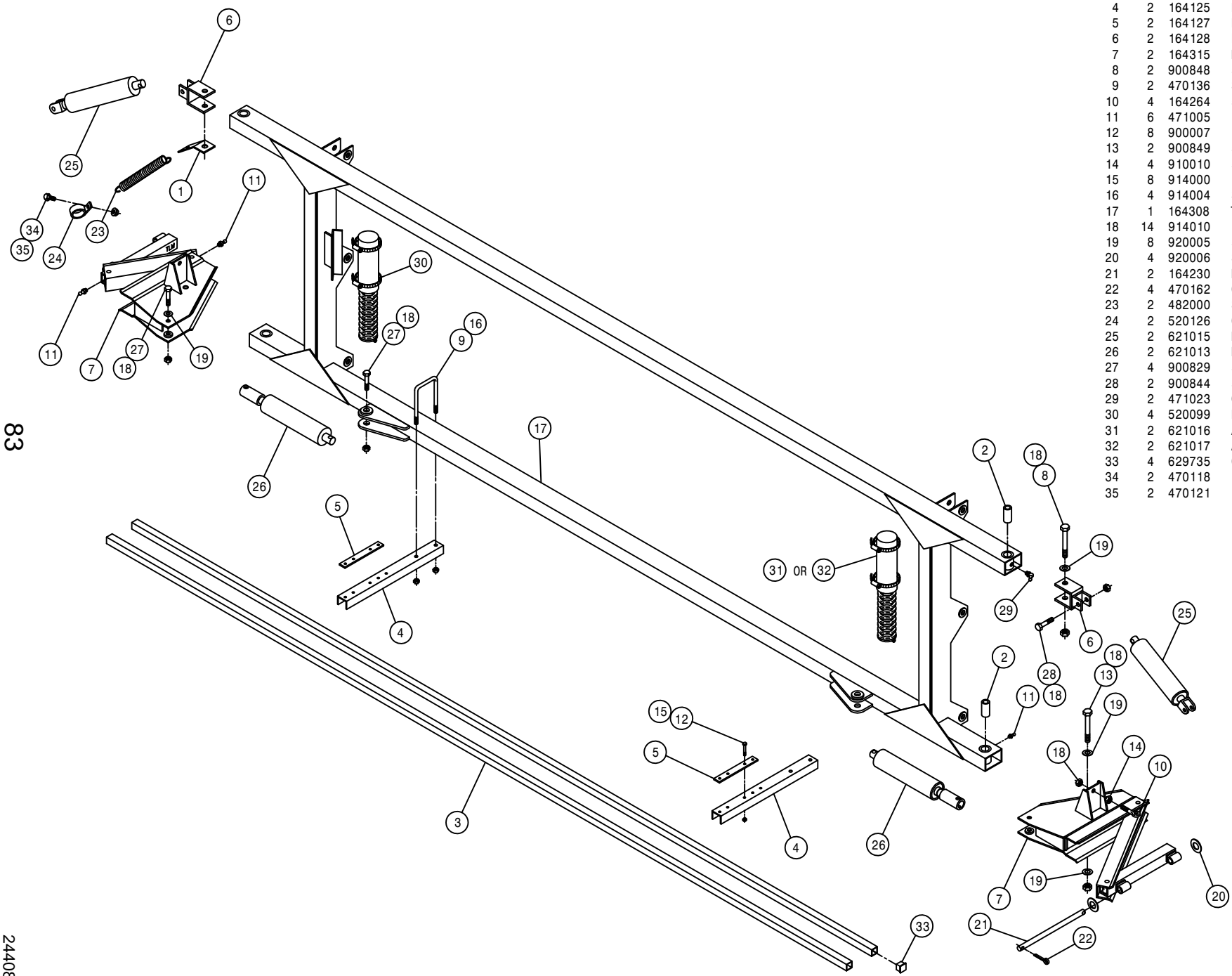
1	2	160471	LWR LIFT ARM WLD 8540-8250 87
2	1	164350	RH LIFT ARM EXT WLD, 2100 98
3	1	164351	LH LIFT ARM EXT WLD, 2100 98
4	12	160691	BUSH LIFT ARM LONG 470
5	12	470287	TUBE CLAMP, .375-.375 (PAIR)
6	1	164651	UPPER LIFT ARM WLD,284 2001
7	12	471005	1/4 28 X 1/2 GREASE ZERK
8	1	164364	RH LIFTARM V-PLT MT WLD2100 98
9	1	164365	LH LIFTARM V-PLT MT WLD2100 98
10	2	293404	FRT TURN/WARN LITE ASSY2100 98
11	1	615761	LIFT RAISE HYD TUBE ASSY
12	1	615762	LIFT LOWER HYD TUBE ASSY
13	1	615764	LEVEL LOWER HYD TUBE ASSY
14	1	615763	LEVEL RAISE HYD TUBE ASSY
15	1	615767	BOOM EXTN LOWER HYD TUBE ASSY
16	1	615766	BOOM EXTN RAISE HYD TUBE ASSY
17	1	615769	RH FOLD LOWER HYD TUBE ASSY
18	1	615768	RH FOLD RAISE HYD TUBE ASSY
19	3	914000	1/4UNC HEX STOVER NUT
20	2	621011	TRANSOM LIFT CYL ASSY 284-2100
21	2	473779	10MM-1.50 HEX NUT
22	3	900013	1/4UNC X 3 3/4 HEX BOLT
23	6	619010	9/16MJIC UNION
24	4	900342	5/8UNC X 4" HEX BOLT
25	8	900343	5/8UNC X 4 1/2 HEX BOLT
26	8	900334	5/8UNC X 1 3/4 HEX BOLT
27	8	900338	5/8UNC X 3" HEX BOLT
28	28	914010	5/8UNC HEX STOVER NUT
29	2	293402	HEADLIGHT ASSY, 2100 98
30	2	470100	3/8 INT TOOTH LOCK WASHER
31	1	291669	YELLOW LENS FOR 291668
32	2	618019	9/16MJIC UNION TEE
33	2	618618	9/16MJIC-90-9/16FJIC SWIV LBO



TRANSOM ASSEMBLY

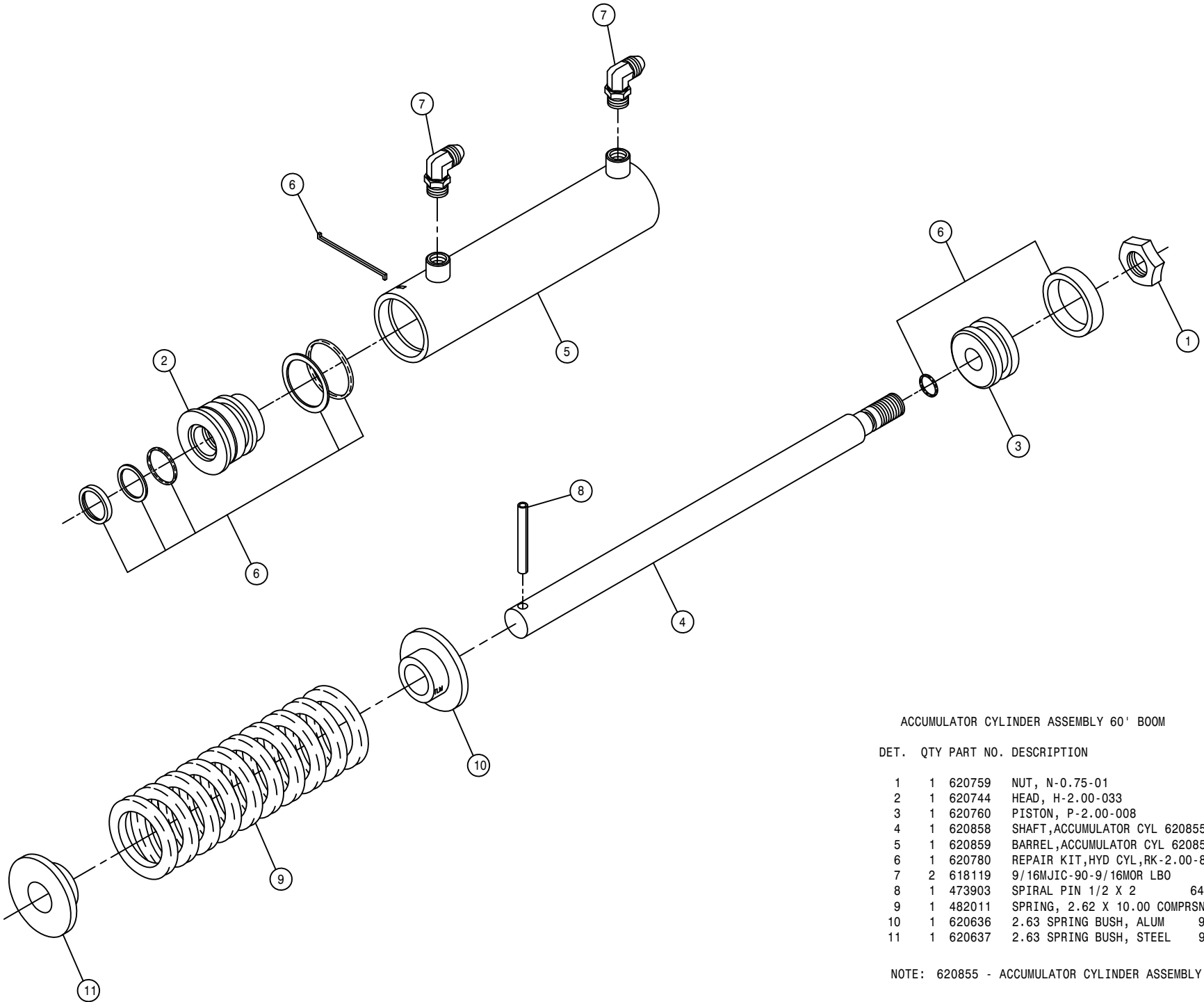
DET. QTY PART NO. DESCRIPTION

DET.	QTY	PART NO.	DESCRIPTION
1	2	160429	FEEDER HOSE SUPPORT SPRING MT
2	4	160691	BUSH LIFT ARM LONG 470
3	2	164123	NOZL MT TUBE, 254/284 96
4	2	164125	NOZL MT TUBE HANGER CHAN 96
5	2	164127	NOZL MT TUBE CLAMP 96
6	2	164128	LEVEL CYL PIVOT BRKT WLD 96
7	2	164315	BOOM BREAKAWAY WLD 97
8	2	900848	5/8UNC X 4 3/4 HEX BOLT GR8
9	2	470136	3/8UNC-3 1/16ID-3 SQ U-BOLT
10	4	164264	5/8UNC X 3" EYE BOLT
11	6	471005	1/4 28 X 1/2 GREASE ZERK
12	8	900007	1/4UNC X 2" HEX BOLT
13	2	900849	5/8UNC X 4 1/2 HHCS,7/8THD GR8
14	4	910010	5/8UNC HEX NUT
15	8	914000	1/4UNC HEX STOVER NUT
16	4	914004	3/8UNC HEX STOVER NUT
17	1	164308	TRANSOM WLD, 284 97
18	14	914010	5/8UNC HEX STOVER NUT
19	8	920005	5/8 SAE FLAT WASHER
20	4	920006	3/4 SAE FLAT WASHER
21	2	164230	BOOM PIVOT PIN, .75 X 13.31 96
22	4	470162	COTTER PIN 3/16 X 1 1/2 SQCUT
23	2	482000	SPRING, .930D X 8.5LG, .072WIRE
24	2	520126	CUSH HOSE CLAMP 2IN X 5/8W
25	2	621015	BOOM LEVEL CYL ASSY
26	2	621013	BOOM HINGE FOLD CYL ASSY, 284
27	4	900829	5/8UNC X 4" HEX BOLT GR8
28	2	900844	5/8UNC X 2 3/4 HEX BOLT GR8
29	2	471023	GREASE ZERK 1/4-28 X 45
30	4	520099	HOSE CLAMP NO 40 STAINLESS
31	2	621016	ACCUMULATOR CYL ASSY, 60 BOOM
32	2	621017	ACCUMULATOR CYL ASSY, 80/90BOOM
33	4	629735	CAPLUG, 1 1/4" SQ, BLACK POLY
34	2	470118	1/4UNC X 3/4 FLANGE HEX BOLT
35	2	470121	1/4UNC HEX FLANGE LOCK NUT



83

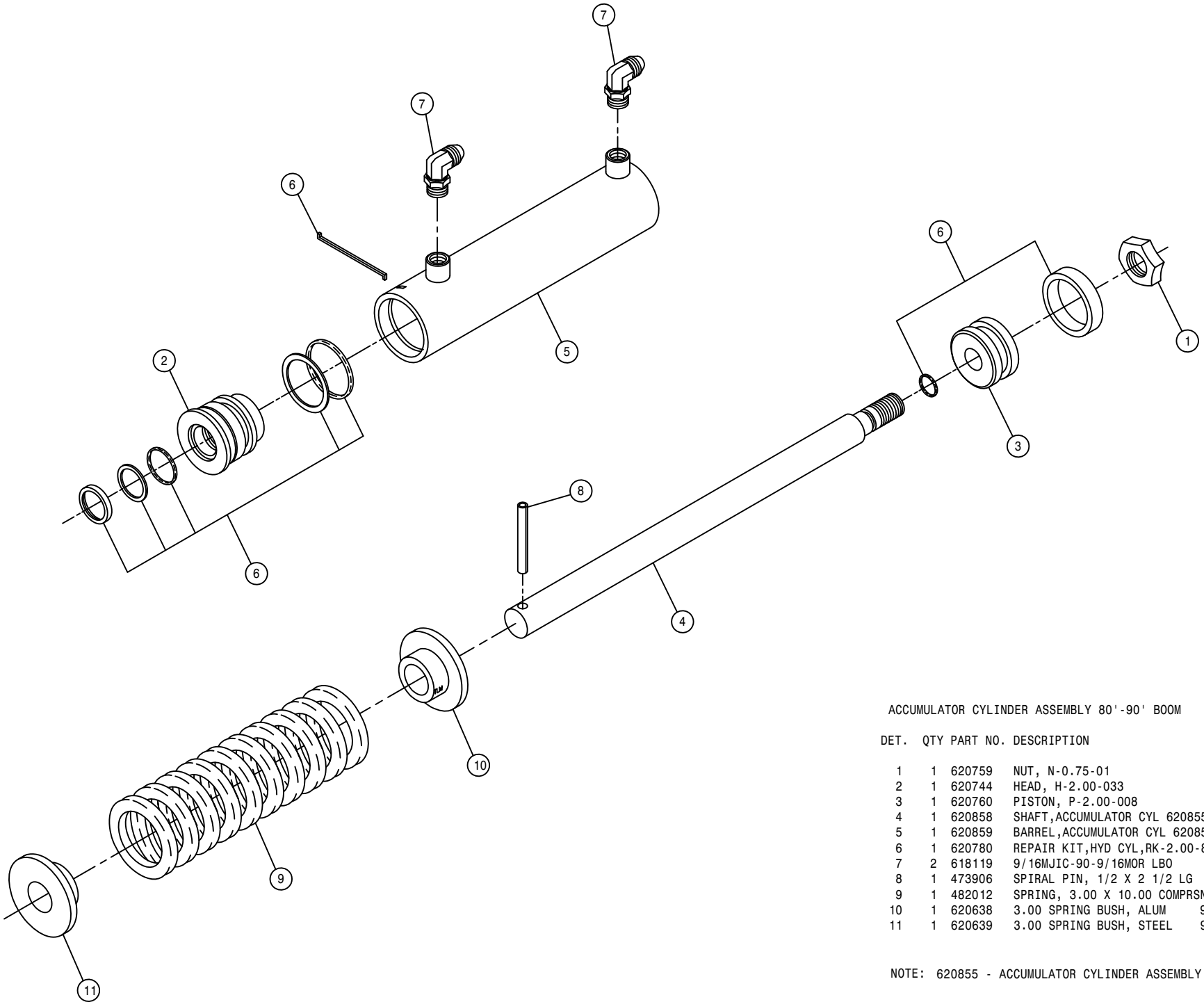
244083



ACCUMULATOR CYLINDER ASSEMBLY 60' BOOM

DET.	QTY	PART NO.	DESCRIPTION
1	1	620759	NUT, N-0.75-01
2	1	620744	HEAD, H-2.00-033
3	1	620760	PISTON, P-2.00-008
4	1	620858	SHAFT, ACCUMULATOR CYL 620855
5	1	620859	BARREL, ACCUMULATOR CYL 620855
6	1	620780	REPAIR KIT, HYD CYL, RK-2.00-806
7	2	618119	9/16MJIC-90-9/16MOR LBO
8	1	473903	SPIRAL PIN 1/2 X 2 640
9	1	482011	SPRING, 2.62 X 10.00 COMPRSN
10	1	620636	2.63 SPRING BUSH, ALUM 96
11	1	620637	2.63 SPRING BUSH, STEEL 96

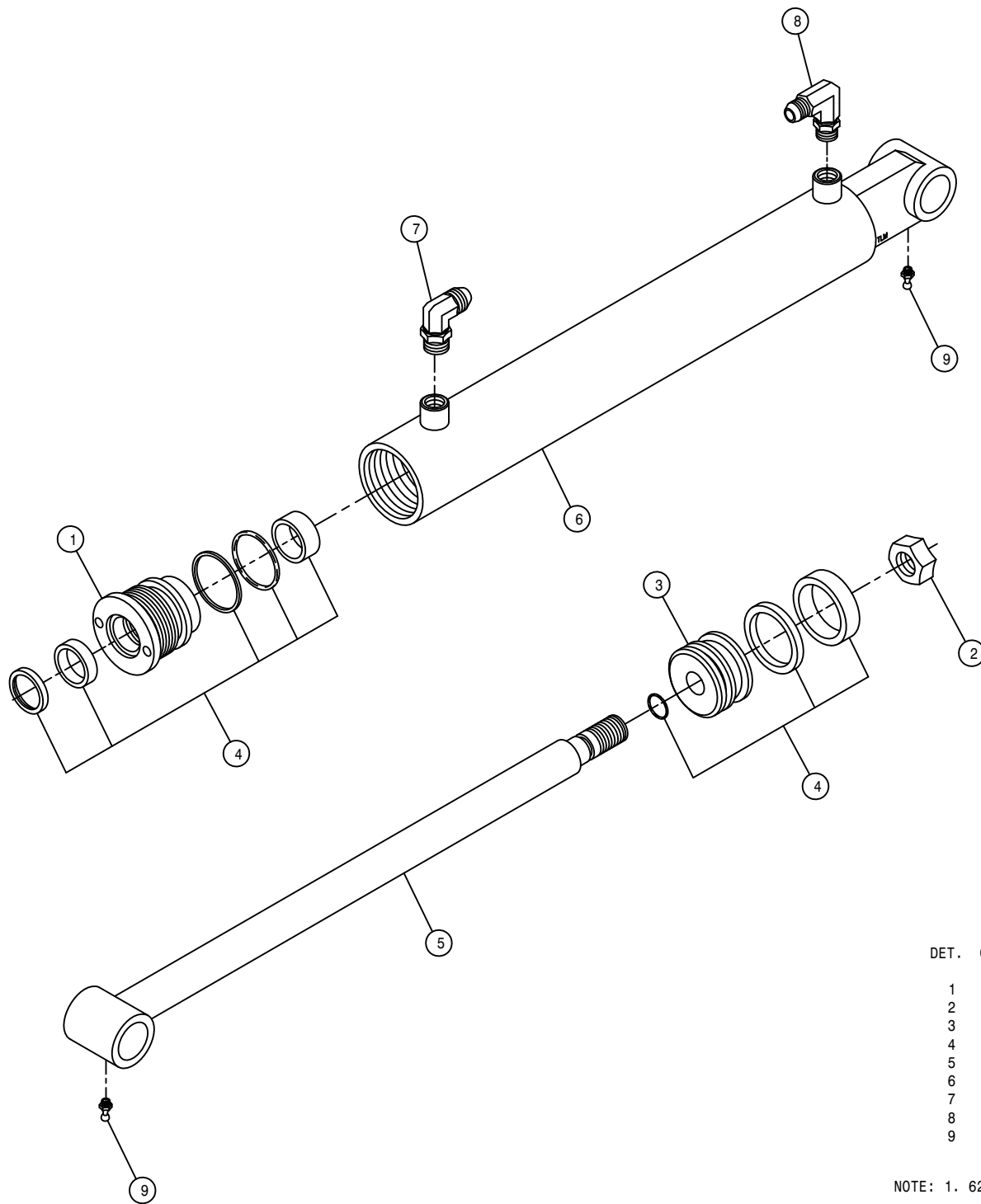
NOTE: 620855 - ACCUMULATOR CYLINDER ASSEMBLY 1-6



ACCUMULATOR CYLINDER ASSEMBLY 80'-90' BOOM

DET.	QTY	PART NO.	DESCRIPTION
	1	620759	NUT, N-0.75-01
	1	620744	HEAD, H-2.00-033
	1	620760	PISTON, P-2.00-008
	1	620858	SHAFT, ACCUMULATOR CYL 620855
	1	620859	BARREL, ACCUMULATOR CYL 620855
	1	620780	REPAIR KIT, HYD CYL, RK-2.00-806
	2	618119	9/16MJIC-90-9/16MOR LBO
	1	473906	SPIRAL PIN, 1/2 X 2 1/2 LG
	1	482012	SPRING, 3.00 X 10.00 COMPRSN
	1	620638	3.00 SPRING BUSH, ALUM 96
	1	620639	3.00 SPRING BUSH, STEEL 96

NOTE: 620855 - ACCUMULATOR CYLINDER ASSEMBLY 1-6



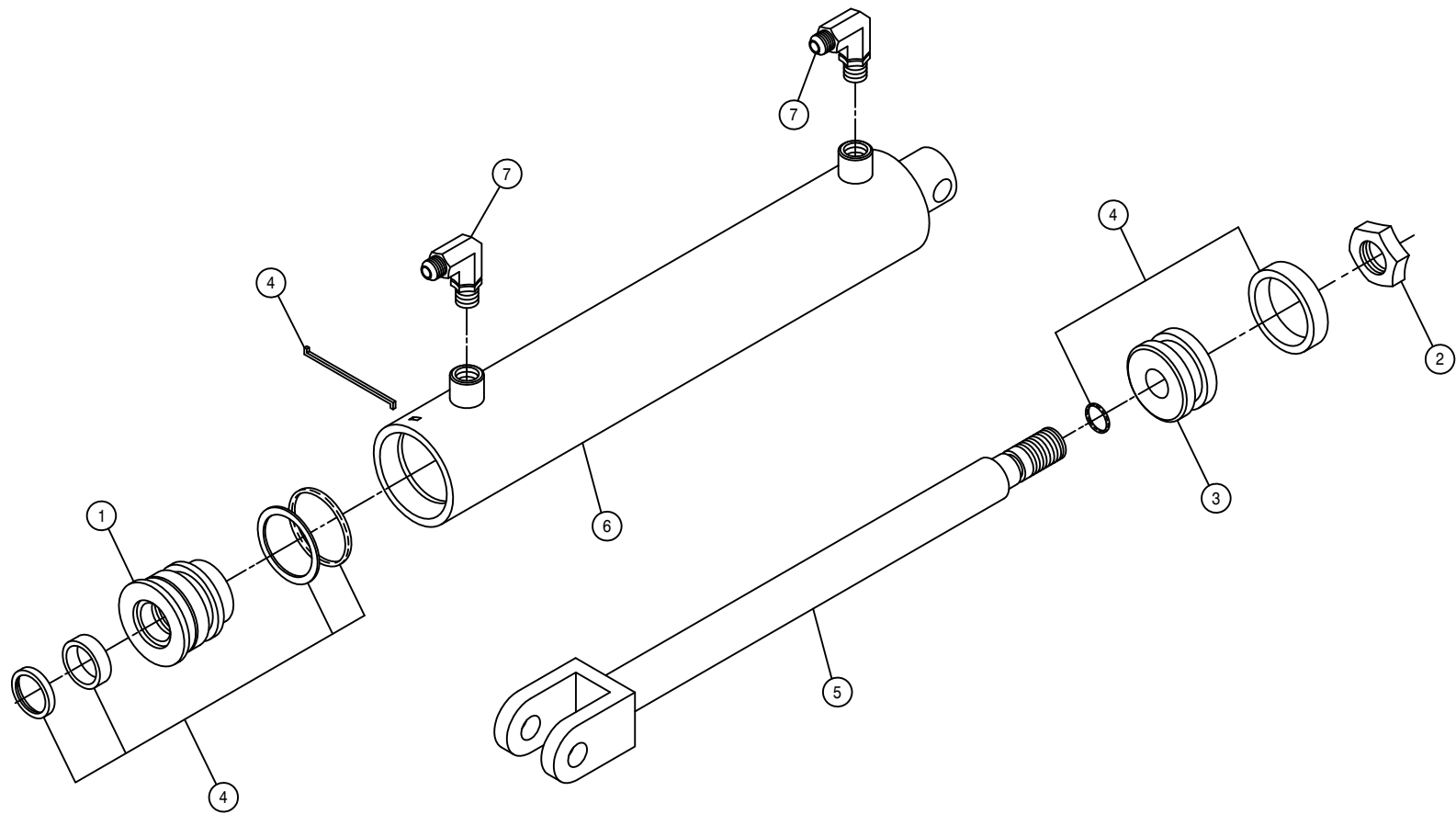
TRANSOM LIFT CYLINDER ASSEMBLY

DET. QTY PART NO. DESCRIPTION

1	1	620748	HEAD, H-2.50-350
2	1	620759	NUT, N-0.75-01
3	1	620764	PISTON, P-2.50-107
4	1	620785	REPAIR KIT, HYD CYL, RK-2.50-800
5	1	620843	SHAFT, TRANSOM LIFT CYL 620840
6	1	620844	BARREL, TRANSOM LIFT CYL 620840
7	1	618119	9/16MJIC-90-9/16MOR LBO
8	1	618689	9/16MOR-90-9/16MJ .042 CHK VLV
9	2	471005	1/4 28 X 1/2 GREASE ZERK

NOTE: 1. 620840 - TRANSOM LIFT CYLINDER ASSEMBLY 1-6

2. 621031 - TRANSOM LIFT CYLINDER ASSEMBLY WITH FITTINGS

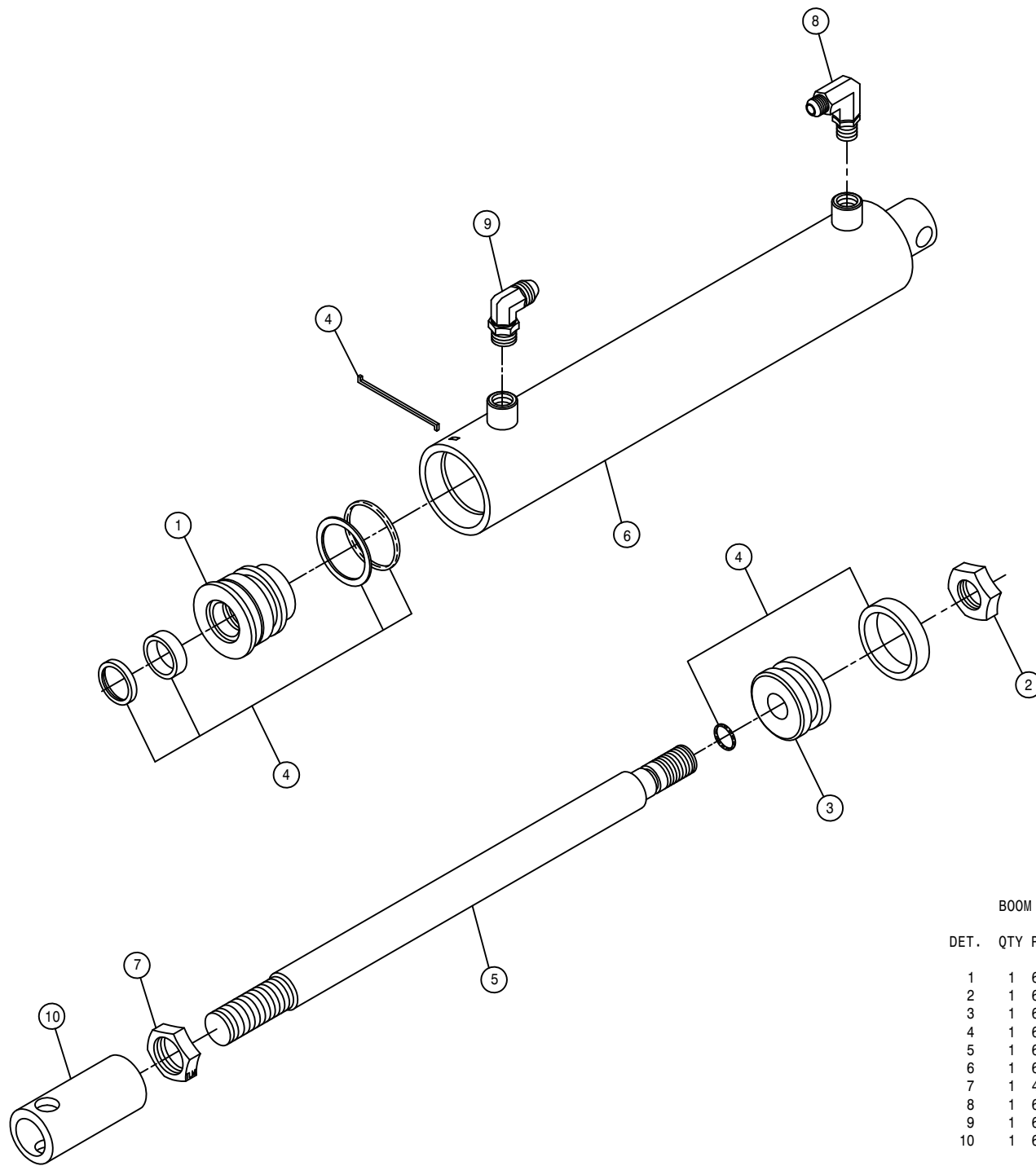


BOOM LEVEL CYLINDER ASSEMBLY

DET. QTY PART NO. DESCRIPTION

1	1	620744	HEAD, H-2.00-033
2	1	620759	NUT, N-0.75-01
3	1	620760	PISTON, P-2.00-008
4	1	620780	REPAIR KIT, HYD CYL, RK-2.00-806
5	1	620853	SHAFT, BOOM LEVEL CYL 620850
6	1	620854	BARREL, BOOM LEVEL CYL 620850
7	2	618119	9/16MJIC-90-9/16MOR LBO

NOTE: 1. 620850 - BOOM LEVEL CYLINDER ASSEMBLY 1-6
 2. 621015 - BOOM LEVEL CYLINDER ASSEMBLY WITH FITTINGS

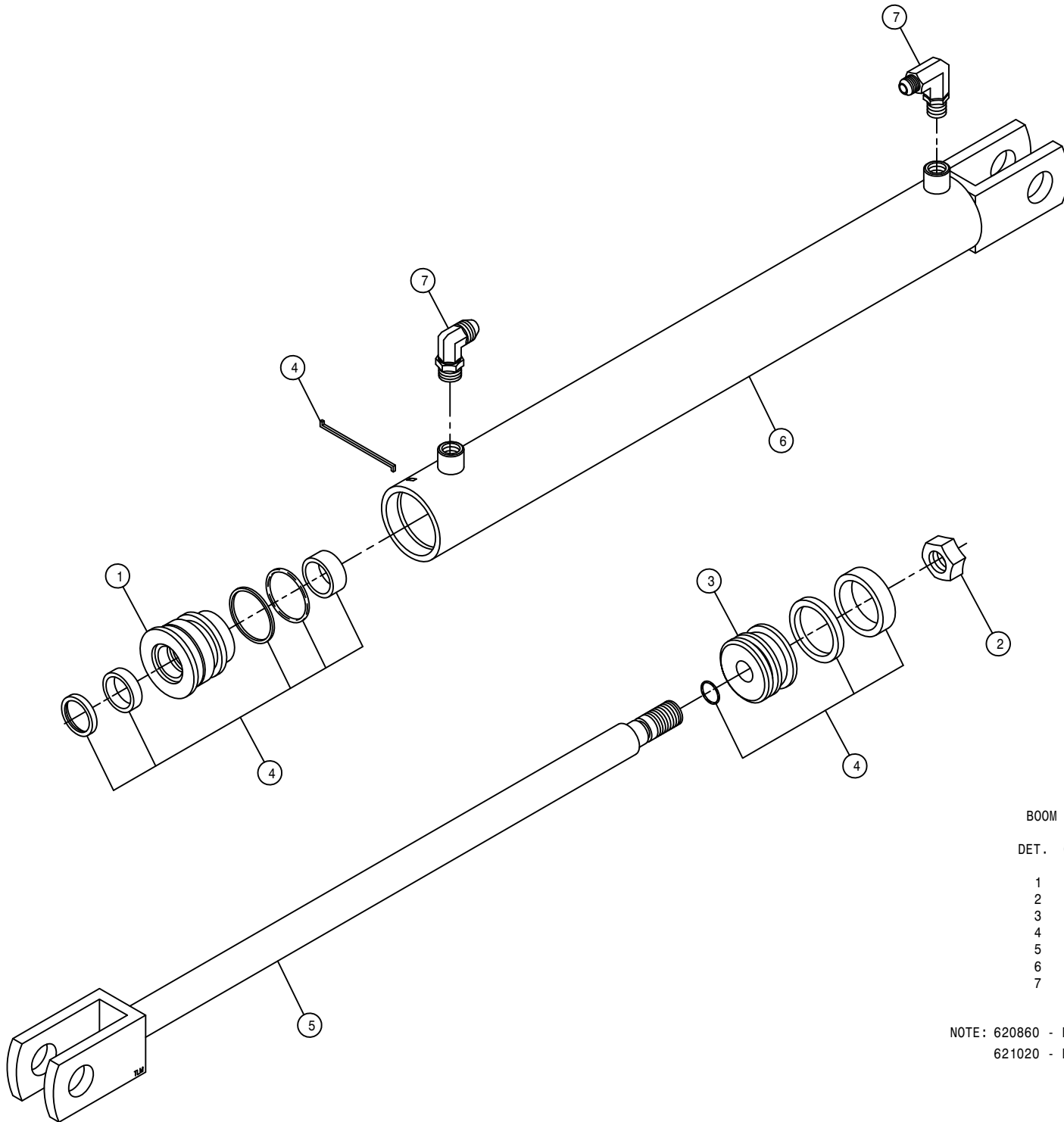


BOOM HINGE FOLD CYLINDER ASSEMBLY

DET. QTY PART NO. DESCRIPTION

1	1	620744	HEAD, H-2.00-033
2	1	620759	NUT, N-0.75-01
3	1	620760	PISTON, P-2.00-008
4	1	620780	REPAIR KIT, HYD CYL, RK-2.00-806
5	1	620848	SHAFT, BOOM FOLD CYL 620845
6	1	620849	BARREL, BOOM FOLD CYL 620845
7	1	472322	7/8UNF HEX JAM NUT
8	1	614750	.042 ELBOW ASSY, 9/16MOR 90D
9	1	618688	9/16MOR-90-9/16MJ .025 CHK VLV
10	1	620653	FOLD CYL ADJ SLEEVE 97

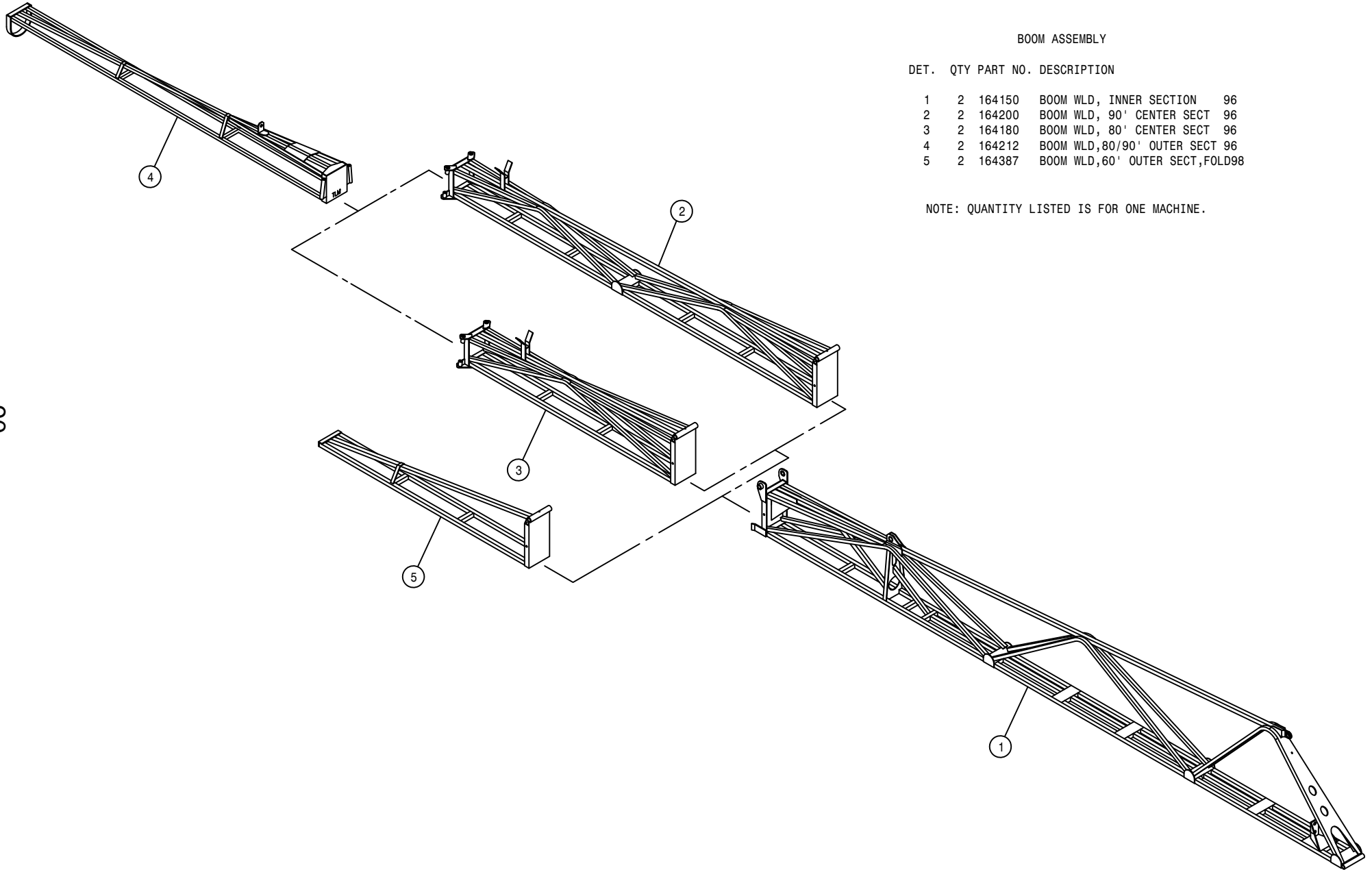
NOTE: 1. 620845 - BOOM HINGE FOLD CYLINDER ASSEMBLY 1-6
 2. 621033 - BOOM HINGE FOLD CYLINDER ASSEMBLY WITH FITTINGS



BOOM CENTER SECTION FOLD CYLINDER ASSEMBLY

DET.	QTY	PART NO.	DESCRIPTION
	1	620747	HEAD, H-2.50-075
	1	620759	NUT, N-0.75-01
	1	620761	PISTON, P-2.00-101
	1	620784	REPAIR KIT, HYD CYL, RK-2.50-801
	1	620863	SHAFT, BOOM SECT FOLD CYL 620860
	1	620864	BARREL, BOOM FOLD CYL 620860
	2	614750	.042 ELBOW ASSY, 9/16MOR 90D

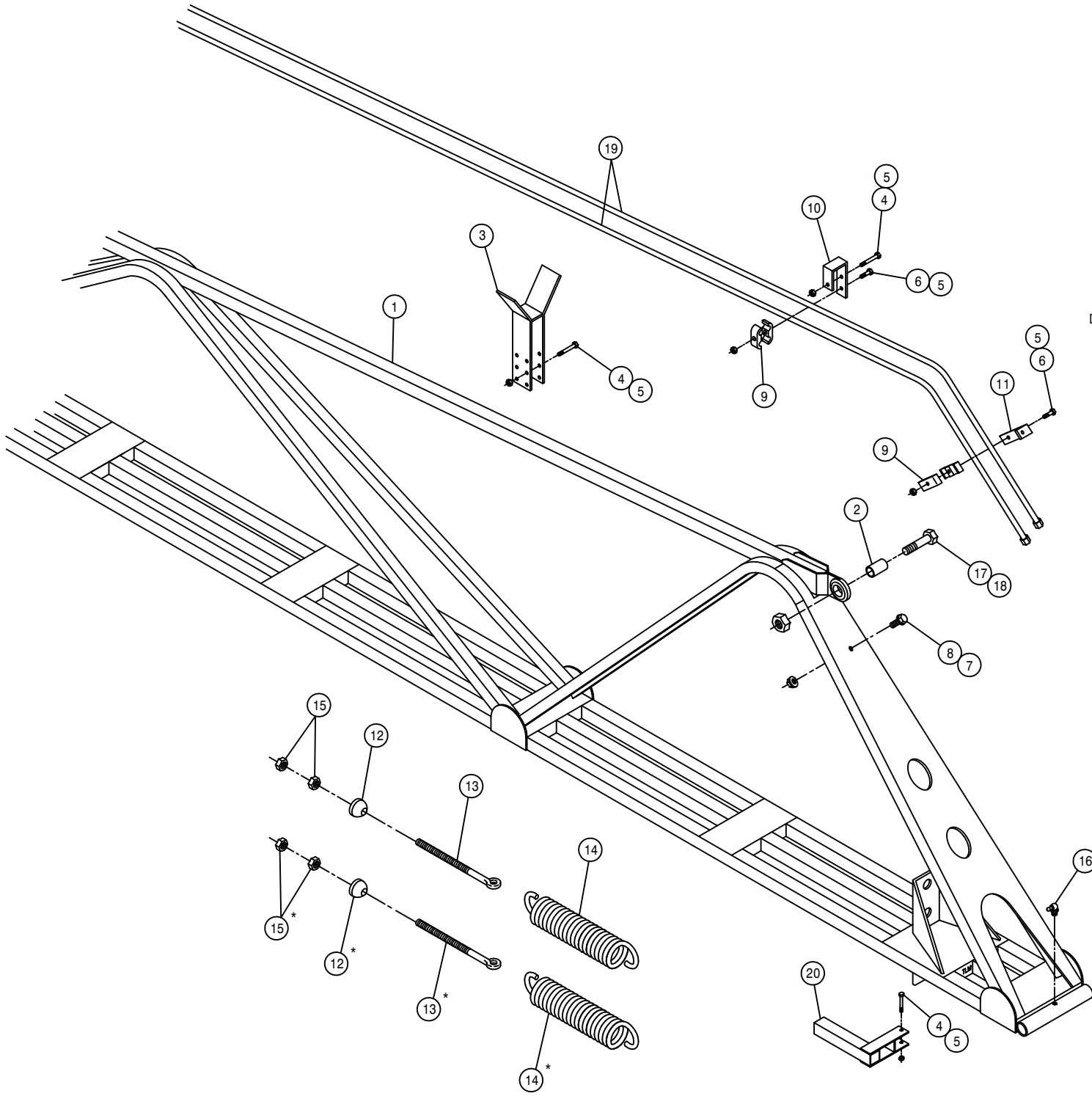
NOTE: 620860 - BOOM CNTR SECT FOLD CYLINDER INCLUDES ITEMS 1-6.
 621020 - BOOM CNTR SECT FOLD CYLINDER ASSEMBLY WITH FITTINGS



BOOM ASSEMBLY

DET.	QTY	PART NO.	DESCRIPTION	
1	2	164150	BOOM WLD, INNER SECTION	96
2	2	164200	BOOM WLD, 90' CENTER SECT	96
3	2	164180	BOOM WLD, 80' CENTER SECT	96
4	2	164212	BOOM WLD, 80/90' OUTER SECT	96
5	2	164387	BOOM WLD, 60' OUTER SECT, FOLD98	

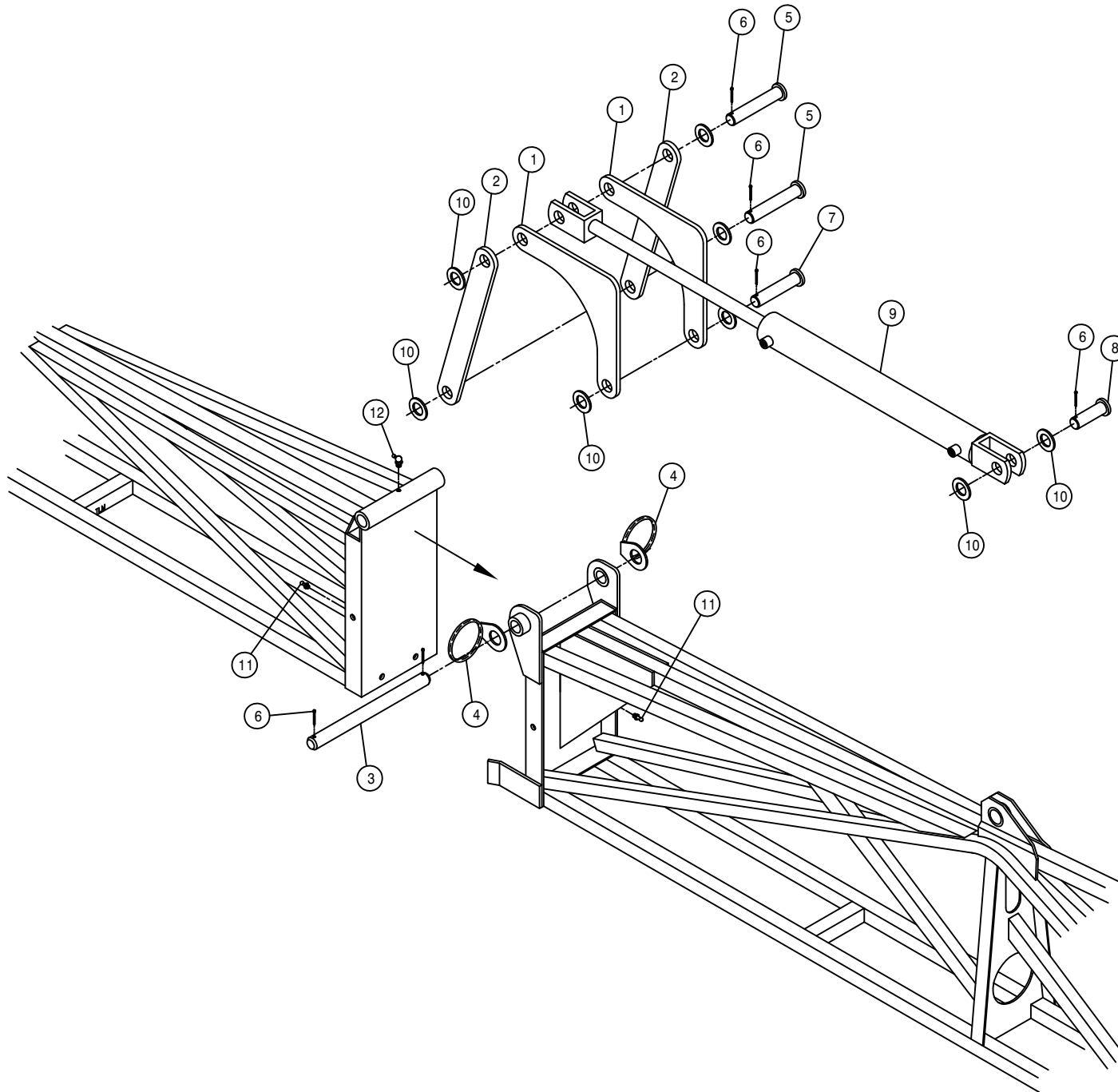
NOTE: QUANTITY LISTED IS FOR ONE MACHINE.



INNER BOOM ASSEMBLY

DET.	QTY	PART NO.	DESCRIPTION	
1	2	164150	BOOM WLD, INNER SECTION	96
2	2	164227	BOOM BALL JOINT BUSH	96
3	2	164266	OUTER BOOM SUPP WLD, 80/90'	96
4	18	900007	1/4UNC X 2" HEX BOLT	
5	28	914000	1/4UNC HEX STOVER NUT	
6	10	900004	1/4UNC X 1 1/4 HEX BOLT	
7	2	470121	1/4UNC HEX FLANGE LOCK NUT	
8	2	470118	1/4UNC X 3/4 FLANGE HEX BOLT	
9	10	470287	TUBE CLAMP, .375-.375 (PAIR)	
10	8	164242	HYD TUBE HANGER CLEVIS, BOOM96	
11	2	164243	HYD TUBE HANGER ANGLE, BOOM 96	
12	4	164263	SWIVEL, 5/8 BOOM EYEBOLT	
13	4	164265	5/8UNC X 7 1/2 EYE BOLT	
14	4	482014	SPRING, 3.25 X 11.50 EXTENSION	
15	8	910010	5/8UNC HEX NUT	
16	2	471028	GREASE ZERK, 1/4-28 90DEG	
17	2	900844	5/8UNC X 2 3/4 HEX BOLT GR8	
18	2	914010	5/8UNC HEX STOVER NUT	
19	4	615684	HYD TUBE ASSY, BOOM EXT FOLD96	
20	2	164275	NOZL MT WLD	96

NOTE: QUANTITY LISTED IS FOR ONE MACHINE.
 *60 FOOT BOOM USES ONE SPRING SETUP.

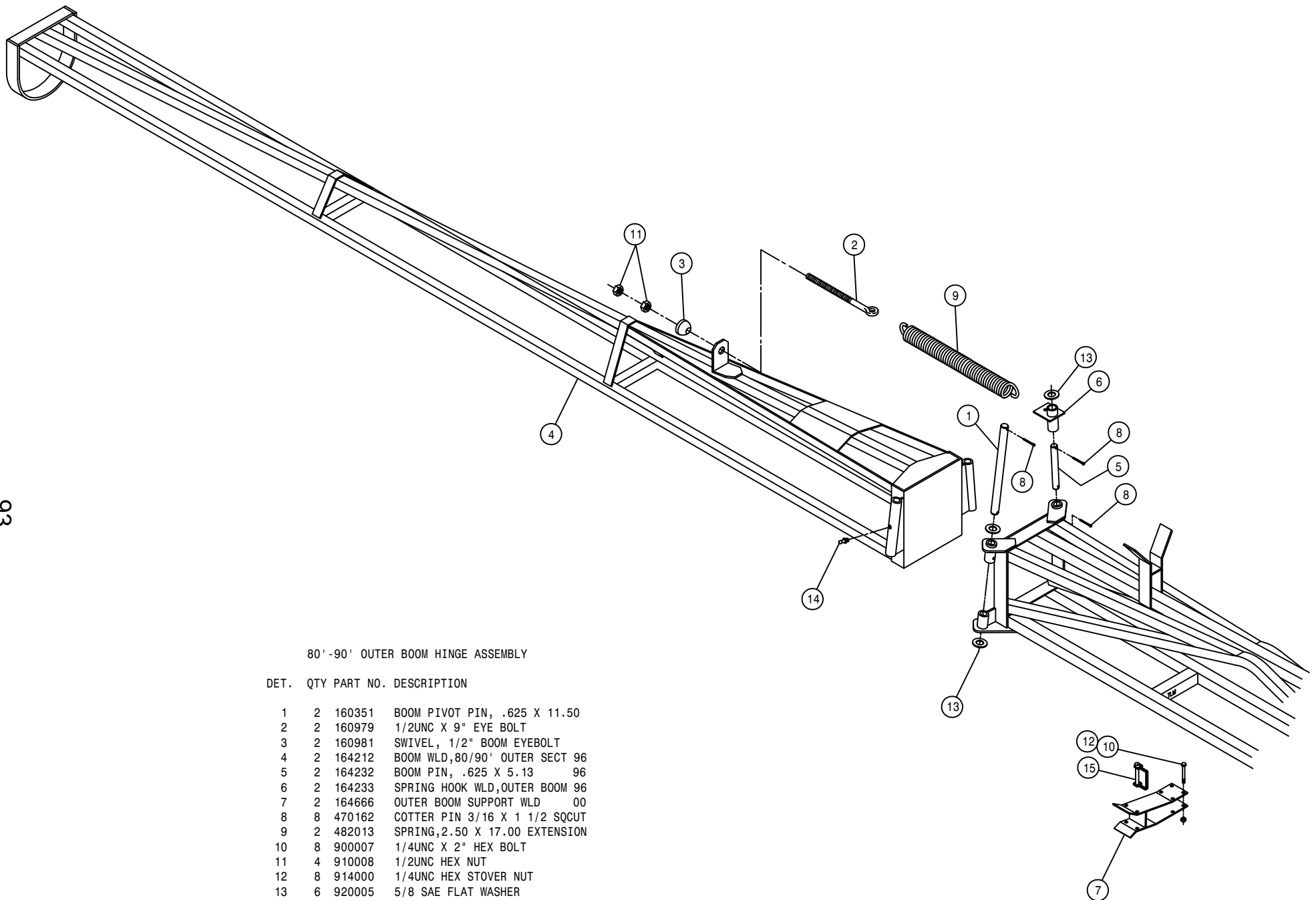


80'-90' BOOM HINGE PIVOT ASSEMBLY

DET. QTY PART NO. DESCRIPTION

1	4	164228	FOLDING LINK, INNER BOOM	96
2	4	164229	FOLDING LINK, BOOM CNTR SECT	96
3	2	164231	BOOM PIN, 1.00 X 11.75	96
4	4	438302	HOSE SUPPORT RING WLD	
5	4	470155	CLEVIS PIN, 1.00 X 4.00	PLT
6	12	470162	COTTER PIN 3/16 X 1 1/2 SQ CUT	
7	2	472012	CLEVIS PIN, 1.00 X 3.25	PLT
8	2	472270	CLEVIS PIN, 1.00 X 2.50	PLT
9	2	621020	BOOM CNTR SECT FOLD CYL ASSY	
10	16	920008	1" SAE FLAT WASHER	
11	4	471005	1/4 28 X 1/2 GREASE ZERK	
12	2	471028	GREASE ZERK, 1/4-28 90DEG	

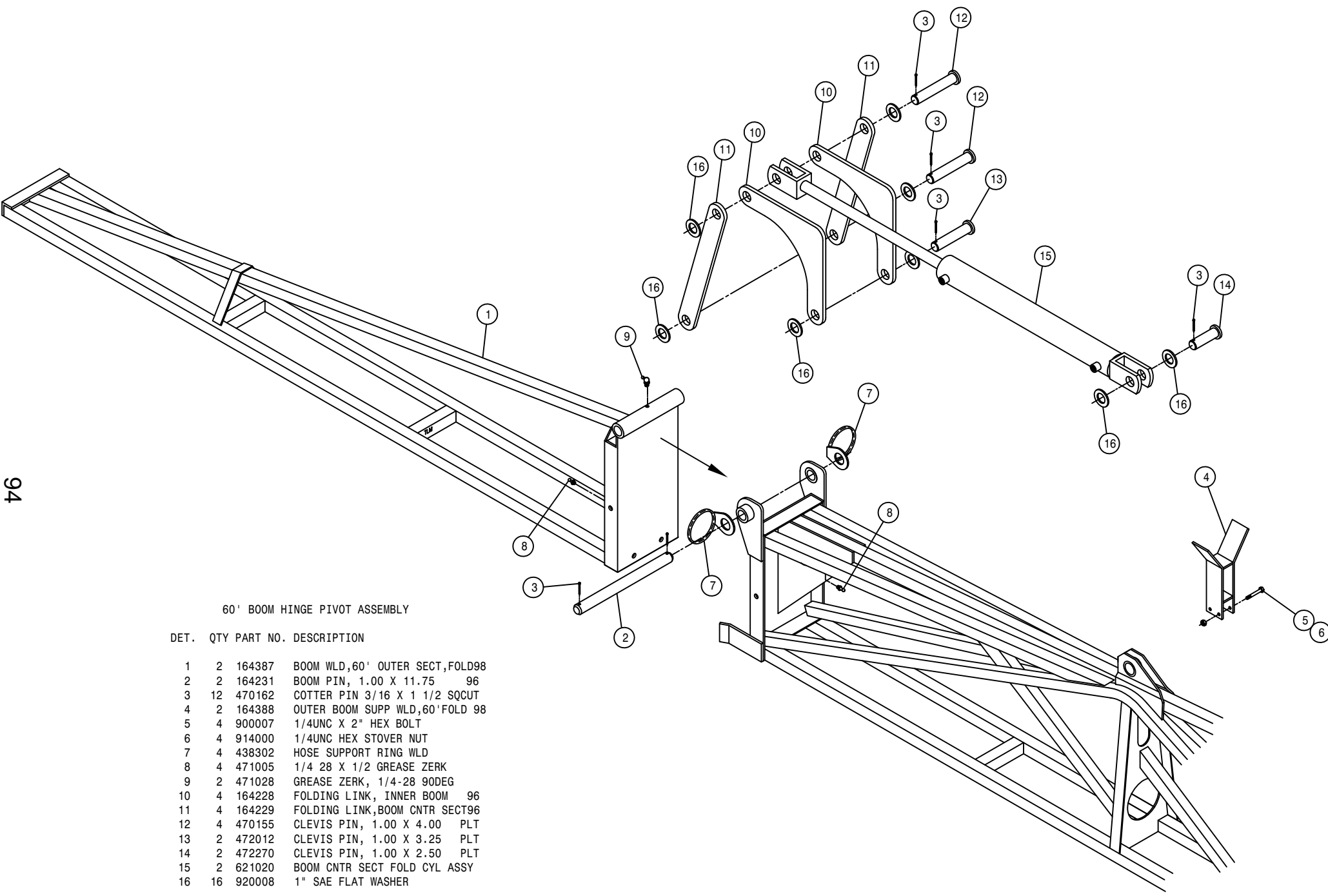
NOTE: QUANTITY LISTED IS FOR ONE MACHINE.



80'-90' OUTER BOOM HINGE ASSEMBLY

DET.	QTY	PART NO.	DESCRIPTION
	1	2	160351 BOOM PIVOT PIN, .625 X 11.50
	2	2	160979 1/2UNC X 9" EYE BOLT
	3	2	160981 SWIVEL, 1/2" BOOM EYEBOLT
	4	2	164212 BOOM WLD,80/90' OUTER SECT 96
	5	2	164232 BOOM PIN, .625 X 5.13 96
	6	2	164233 SPRING HOOK WLD, OUTER BOOM 96
	7	2	164666 OUTER BOOM SUPPORT WLD 00
	8	8	470162 COTTER PIN 3/16 X 1 1/2 SQCUT
	9	2	482013 SPRING,2.50 X 17.00 EXTENSION
	10	8	900007 1/4UNC X 2" HEX BOLT
	11	4	910008 1/2UNC HEX NUT
	12	8	914000 1/4UNC HEX STOVER NUT
	13	6	920005 5/8 SAE FLAT WASHER
	14	2	471005 1/4 28 X 1/2 GREASE ZERK
	15	2	473895 1/4 X 1 3/4 LYNCH PIN

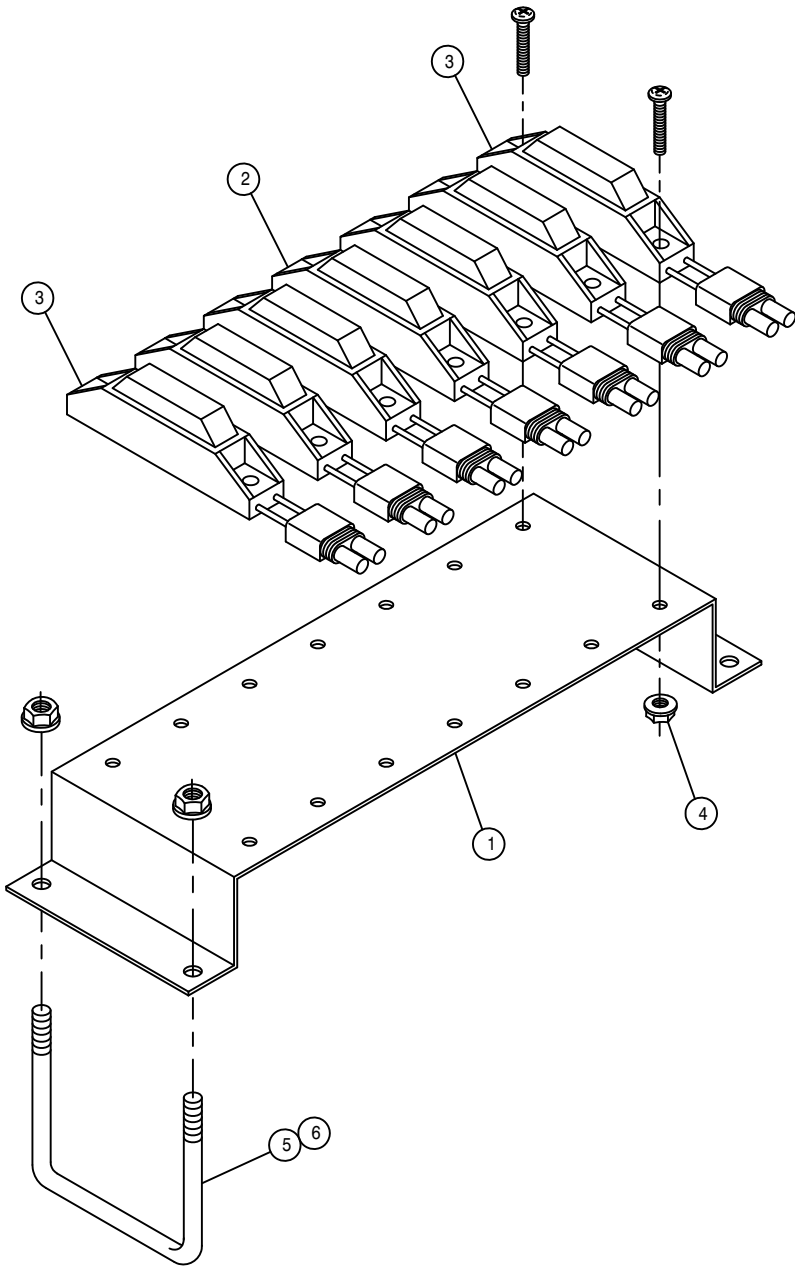
NOTE: QUANTITY LISTED IS FOR ONE MACHINE.



60' BOOM HINGE PIVOT ASSEMBLY

DET.	QTY	PART NO.	DESCRIPTION
1	2	164387	BOOM WLD,60' OUTER SECT,FOLD98
2	2	164231	BOOM PIN, 1.00 X 11.75 96
3	12	470162	COTTER PIN 3/16 X 1 1/2 SQCUT
4	2	164388	OUTER BOOM SUPP WLD,60'FOLD 98
5	4	900007	1/4UNC X 2" HEX BOLT
6	4	914000	1/4UNC HEX STOVER NUT
7	4	438302	HOSE SUPPORT RING WLD
8	4	471005	1/4 28 X 1/2 GREASE ZERK
9	2	471028	GREASE ZERK, 1/4-28 90DEG
10	4	164228	FOLDING LINK, INNER BOOM 96
11	4	164229	FOLDING LINK,BOOM CNTR SECT96
12	4	470155	CLEVIS PIN, 1.00 X 4.00 PLT
13	2	472012	CLEVIS PIN, 1.00 X 3.25 PLT
14	2	472270	CLEVIS PIN, 1.00 X 2.50 PLT
15	2	621020	BOOM CNTR SECT FOLD CYL ASSY
16	16	920008	1" SAE FLAT WASHER

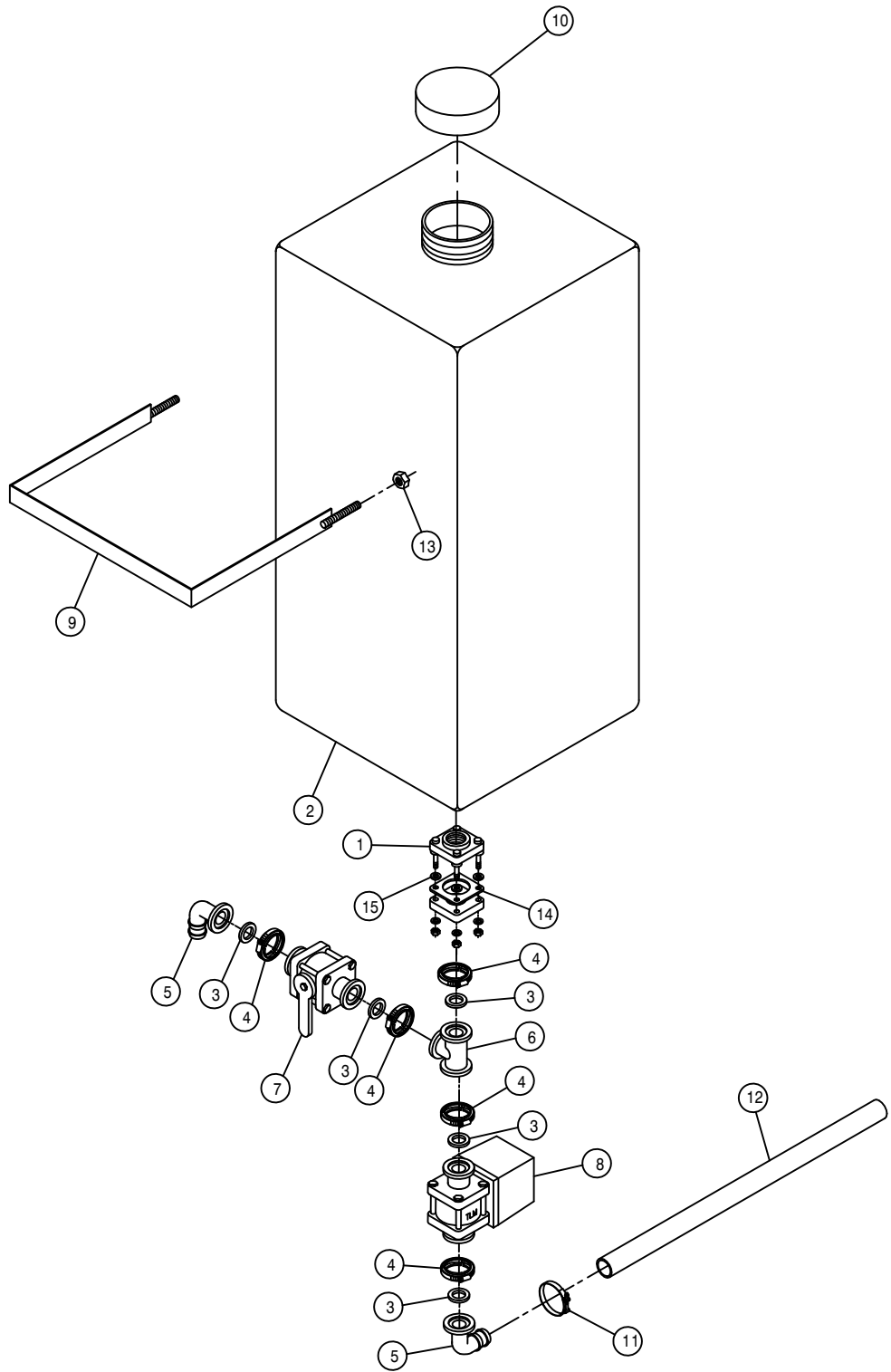
NOTE: QUANTITY LISTED IS FOR ONE MACHINE.



BOOM SECTION LIGHT ASSEMBLY

DET. QTY PART NO. DESCRIPTION

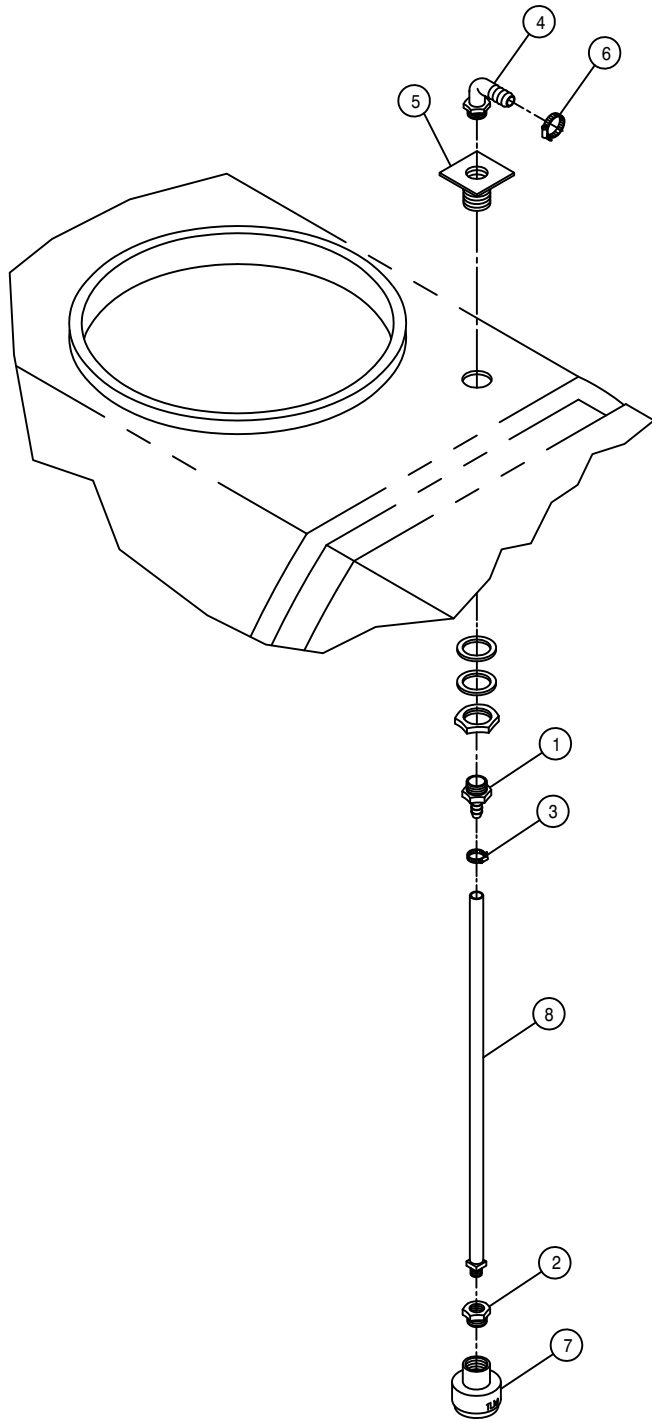
1	1	164386	BOOM SECT ID LIGHT BRKT2100 98
2	5	293396	RED BOOM SECT ID LIGHT ASSY
3	2	293397	YELLOW BOOM SECT ID LIGHT ASSY
4	14	470175	10-32 HEX FLANGE LOCK NUT
5	2	473970	1/4UNC-1 1/16ID-2 3/4 U-BOLTSQ
6	4	470121	1/4UNC HEX FLANGE LOCK NUT



RINSE TANK ASSEMBLY

DET. QTY PART NO. DESCRIPTION

1	1	500178	1"FLG TANK FTG,BOTDRN BLT POLY
2	1	763475	55 GAL TANK, RECTANGLE VERTICL
3	5	500157	1" FLANGE GASKET EPDM
4	5	500159	1" FLANGE CLAMP, S.S.
5	2	500173	1" FLANGE-90-1" HOSE BARB POLY
6	1	500175	1" FLANGE TEE POLY
7	1	696147	BALL VLV, 1" FLANGE
8	1	696177	ELECT BALL VLV,1"FLANGE TJET
9	1	342621	RINSE TANK BAND WLD, 2100 98
10	1	763474	LID, 55 GAL RINSE TANK 763475
11	1	520138	1.38/1.56 T-BOLT HOSE CLAMP
12	1	601425	HOSE, 1 X 192 2F-1W EPDM
13	2	914008	1/2UNC HEX STOVER NUT
14	1	500221	FULL GASKET,1" TANK FTG 500178
15	4	500222	FOOT GASKET,1" TANK FTG 500178



RINSE NOZZLE ASSEMBLY

DET.	QTY	PART NO.	DESCRIPTION
	1	2 500027	3/4NPT-3/8 HOSE BARB, POLY
	2	2 504002	RED BUSH 3/4 TO 1/4, POLY
	3	2 520120	HOSE CLAMP NO 4 STAINLESS
	4	2 500054	3/4NPT-90-3/4 HOSE BARB, POLY
	5	2 618549	.75 PLASTIC FTG ASSY POLY TNK
	6	2 520055	HOSE CLAMP NO 12 STAINLESS
	7	2 737873	ROTARY NOZZLE, TEFLON
	8	2 737821	QUICK TEEJET HOSE DROP 24IN

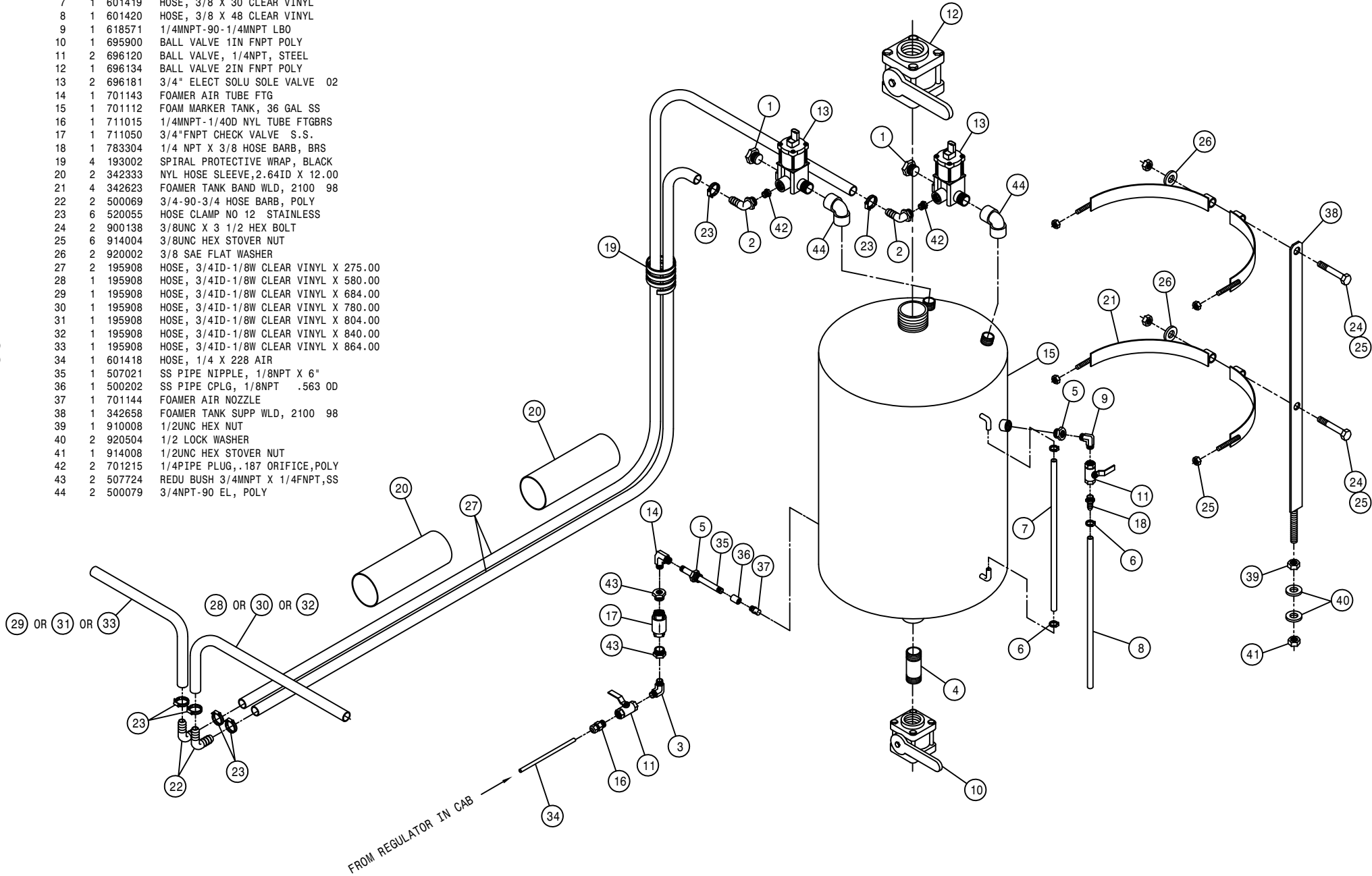
NOTE: QUANTITY LISTED IS FOR ONE MACHINE.

FOAM MARKER TANK ASSEMBLY

NOTE: 1. DETAIL 28 AND 29 ARE USED WITH THE 60 FT BOOM.
 2. DETAIL 30 AND 31 ARE USED WITH THE 80 FT BOOM.
 3. DETAIL 32 AND 33 ARE USED WITH THE 90 FT BOOM.

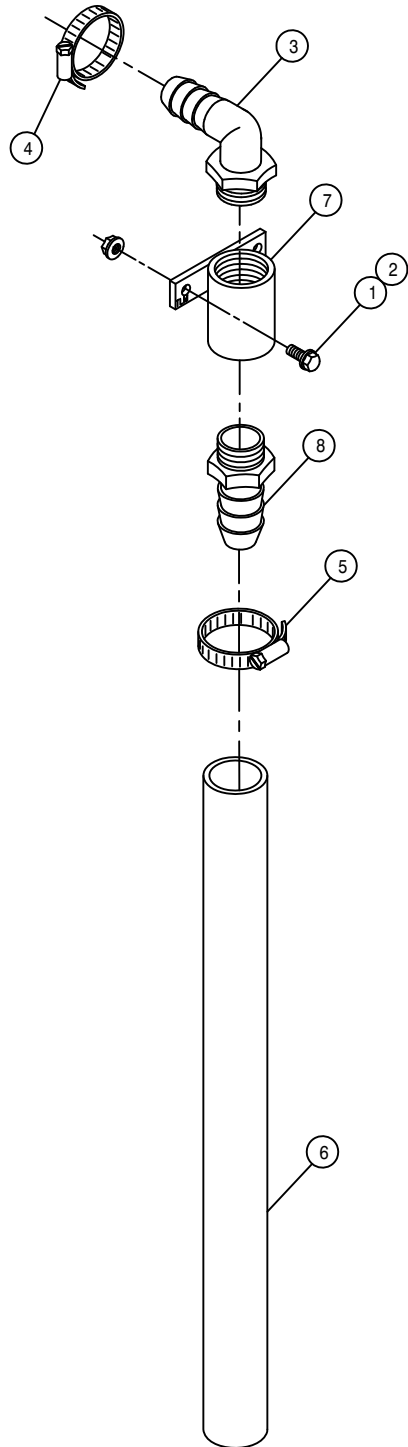
DET. QTY PART NO. DESCRIPTION

1	2	500043	3/4NPT PIPE PLUG, POLY
2	2	701214	1/2NPT-90-3/4HBRB,1/4TAP,POLY
3	1	502705	1/4NPT-90-1/4NPT LBO, BRS
4	1	505205	BLK PIPE NIPPLE 1.00NPT-5.00
5	2	505211	3/8-1/4NPT REDU BUSH, BRS
6	3	520120	HOSE CLAMP NO 4 STAINLESS
7	1	601419	HOSE, 3/8 X 30 CLEAR VINYL
8	1	601420	HOSE, 3/8 X 48 CLEAR VINYL
9	1	618571	1/4MNPT-90-1/4MNPT LBO
10	1	695900	BALL VALVE 1IN FNPT POLY
11	2	696120	BALL VALVE, 1/4NPT, STEEL
12	1	696134	BALL VALVE 2IN FNPT POLY
13	2	696181	3/4" ELECT SOLU SOLE VALVE 02
14	1	701143	FOAMER AIR TUBE FTG
15	1	701112	FOAM MARKER TANK, 36 GAL SS
16	1	711015	1/4MNPT-1/4OD NYL TUBE FTGBRS
17	1	711050	3/4"FNPT CHECK VALVE S.S.
18	1	783304	1/4 NPT X 3/8 HOSE BARB, BRS
19	4	193002	SPIRAL PROTECTIVE WRAP, BLACK
20	2	342333	NYL HOSE SLEEVE,2.64ID X 12.00
21	4	342623	FOAMER TANK BAND WLD, 2100 98
22	2	500069	3/4-90-3/4 HOSE BARB, POLY
23	6	520055	HOSE CLAMP NO 12 STAINLESS
24	2	900138	3/8UNC X 3 1/2 HEX BOLT
25	6	914004	3/8UNC HEX STOVER NUT
26	2	920002	3/8 SAE FLAT WASHER
27	2	195908	HOSE, 3/4ID-1/8W CLEAR VINYL X 275.00
28	1	195908	HOSE, 3/4ID-1/8W CLEAR VINYL X 580.00
29	1	195908	HOSE, 3/4ID-1/8W CLEAR VINYL X 684.00
30	1	195908	HOSE, 3/4ID-1/8W CLEAR VINYL X 780.00
31	1	195908	HOSE, 3/4ID-1/8W CLEAR VINYL X 804.00
32	1	195908	HOSE, 3/4ID-1/8W CLEAR VINYL X 840.00
33	1	195908	HOSE, 3/4ID-1/8W CLEAR VINYL X 864.00
34	1	601418	HOSE, 1/4 X 228 AIR
35	1	507021	SS PIPE NIPPLE, 1/8NPT X 6"
36	1	500202	SS PIPE CPLG, 1/8NPT .563 OD
37	1	701144	FOAMER AIR NOZZLE
38	1	342658	FOAMER TANK SUPP WLD, 2100 98
39	1	910008	1/2UNC HEX NUT
40	2	920504	1/2 LOCK WASHER
41	1	914008	1/2UNC HEX STOVER NUT
42	2	701215	1/4PIPE PLUG, .187 ORIFICE,POLY
43	2	507724	REDU BUSH 3/4MNPT X 1/4FNPT,SS
44	2	500079	3/4NPT-90 EL, POLY



98

244098

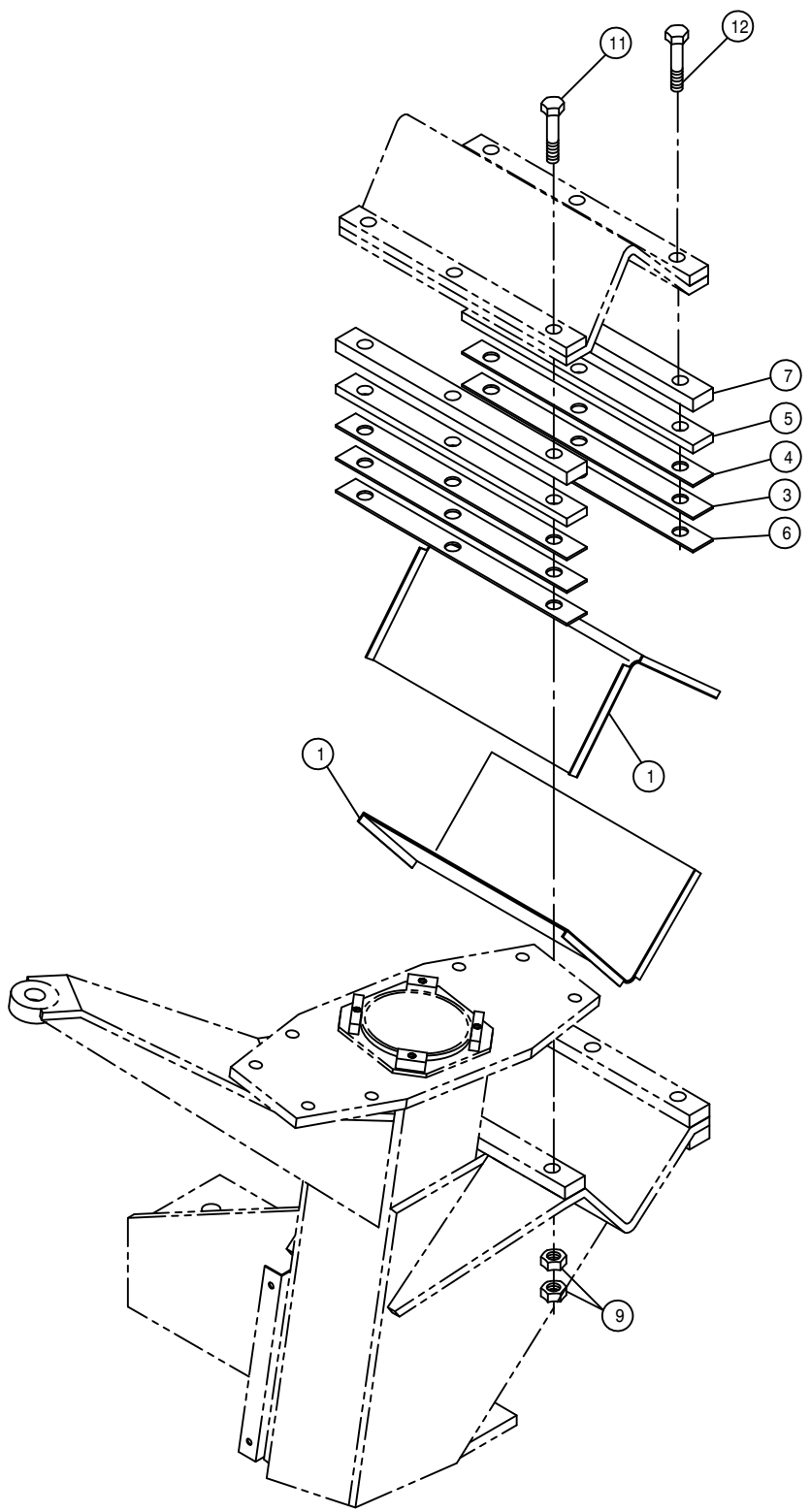


FOAMER DROP END ASSEMBLY

DET. QTY PART NO. DESCRIPTION

1	4	470118	1/4UNC X 3/4 FLANGE HEX BOLT
2	4	470121	1/4UNC HEX FLANGE LOCK NUT
3	2	500067	1 NPT-90-3/4 HOSE BARB, POLY
4	2	520055	HOSE CLAMP NO 12 STAINLESS
5	2	520085	HOSE CLAMP NO 24 STAINLESS
6	2	601367	HOSE, 1 1/4 X 24 2BR BLK EPDM
7	2	701102	FOAM MARKER DROP CPLR WELD
8	2	714561	1.00NPT-1.25 HOSE BARB

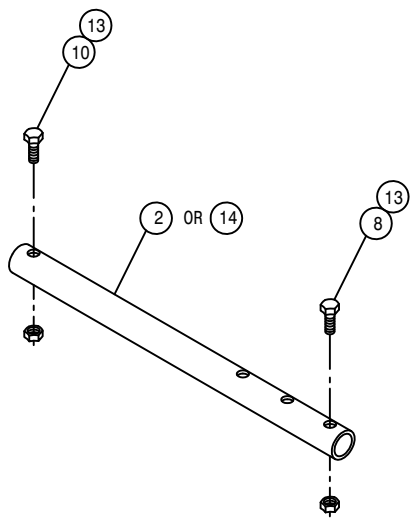
NOTE: QUANTITY LISTED IS FOR ONE MACHINE.

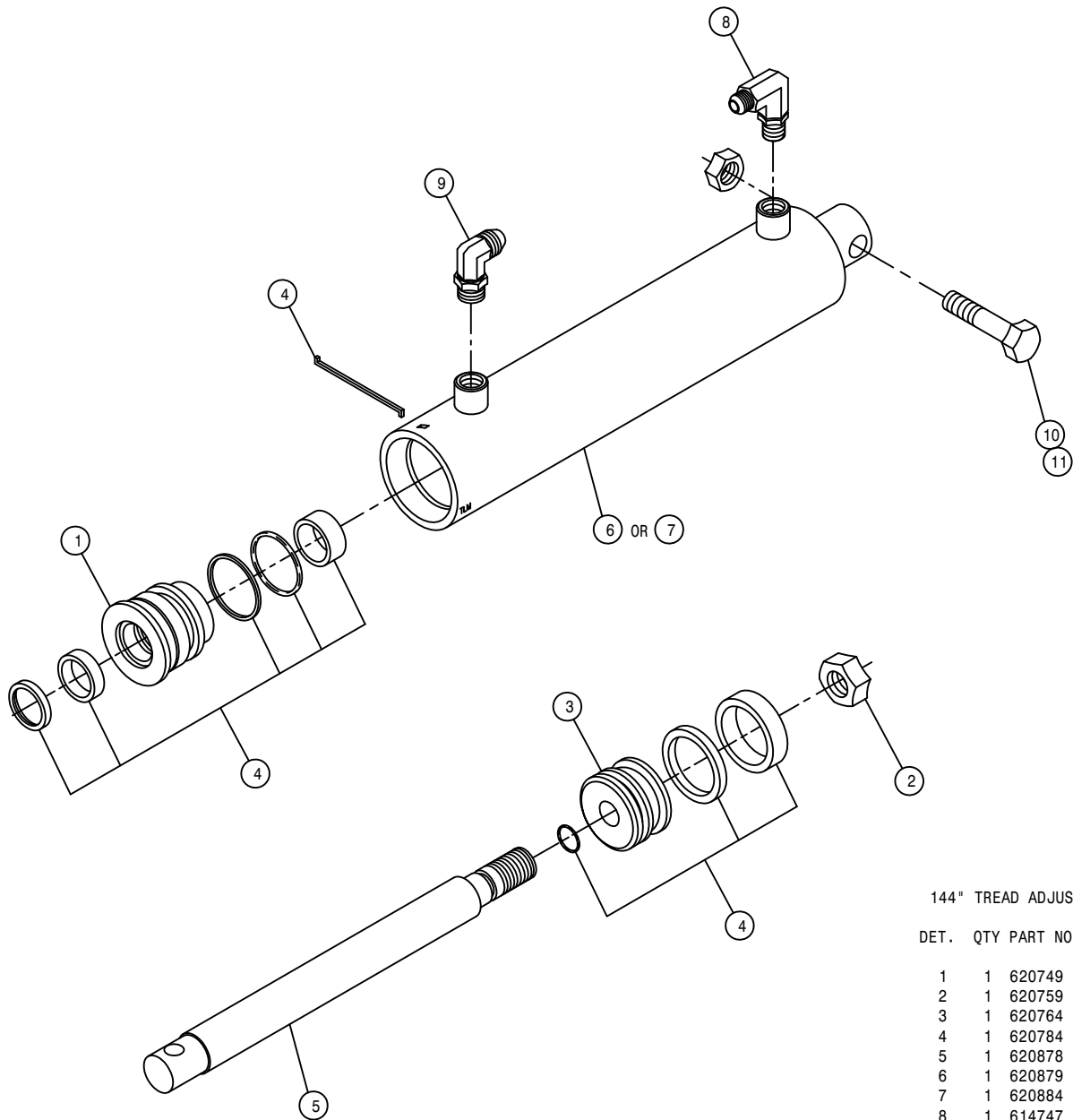


TREAD ADJUSTMENT ASSEMBLY

DET.	QTY	PART NO.	DESCRIPTION
1	8	358703	TREAD ADJ XMBR BEARING ASSY
2	4	358939	TREAD ADJ CYL EXT, 144" 2100 98
3	16	358767	.025 LEG MT SHIM, 284T 94
4	4	358752	.074 LEG MT SHIM, 284T 94
5	8	358769	.250 LEG MT SHIM, 284T 94
6	8	358768	.037 LEG MT SHIM, 284T 94
7	8	358766	.375 LEG MT SPACER, 284T 94
8	4	900268	1/2UNC X 2 1/2 HEX BOLT
9	48	914811	5/8UNF HEX NUT GR8
10	4	900267	1/2UNC X 2" HEX BOLT
11	12	900837	5/8UNF X 3 1/2 HEX BOLT GR8
12	12	900838	5/8UNF X 4" HEX BOLT GR8
13	8	914008	1/2UNC HEX STOVER NUT
14	4	358944	TREAD ADJ CYL EXT, 154" 2100 98

NOTE: QUANTITY LISTED IS FOR ONE MACHINE.



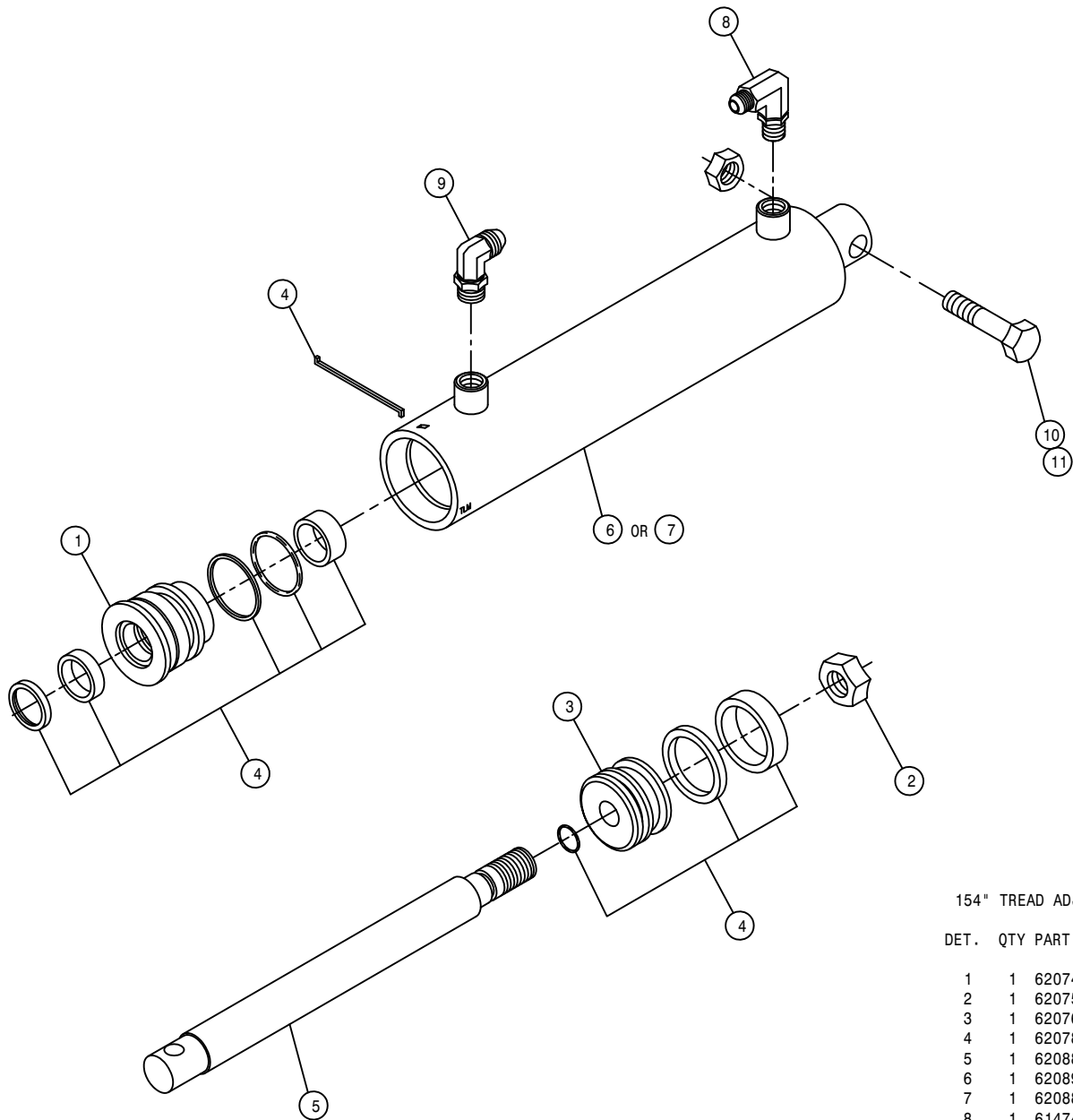


144" TREAD ADJUSTMENT LEG CYLINDER ASSEMBLY

DET. QTY PART NO. DESCRIPTION

1	1	620749	HEAD, H-2.50-352
2	1	620759	NUT, N-0.75-01
3	1	620764	PISTON, P-2.50-107
4	1	620784	REPAIR KIT, HYD CYL, RK-2.50-801
5	1	620878	SHAFT, LEG CYL, TRD ADJ 620875
6	1	620879	BARREL, LEG CYL, TRD ADJ 620875
7	1	620884	BARREL, LEG CYL, TRD ADJ 620880
8	1	614747	.025 ELBOW ASSY, 9/16MOR 90D
9	1	618119	9/16MJIC-90-9/16MOR LBO
10	1	900268	1/2UNC X 2 1/2 HEX BOLT
11	1	914008	1/2UNC HEX STOVER NUT

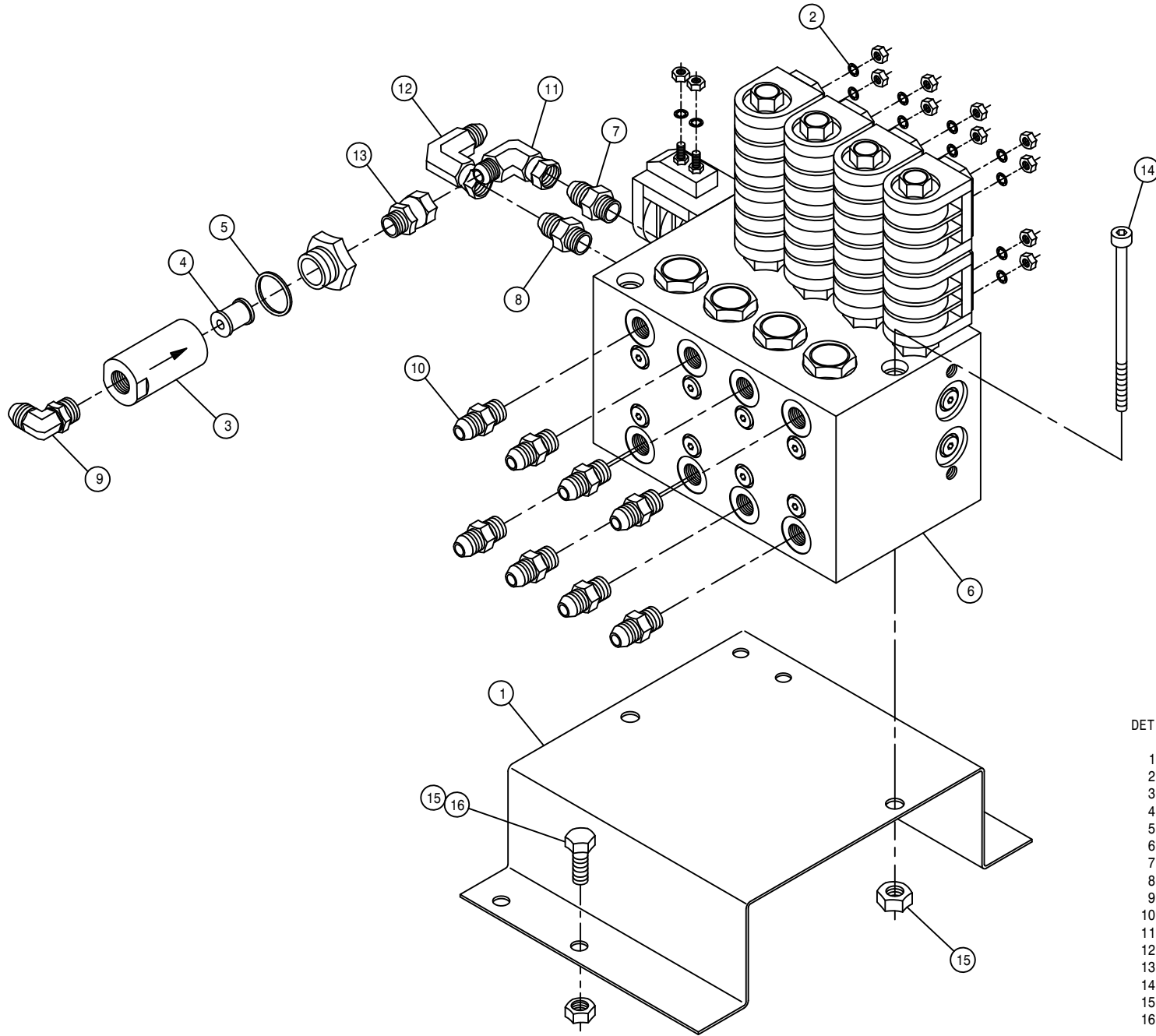
NOTE: 1. 620880 - RH LEG 144" TREAD ADJ CYL ASSEMBLY INCLUDES ITEMS 1-5 & 7
 2. 620875 - LH LEG 144" TREAD ADJ CYL ASSEMBLY INCLUDES ITEMS 1-5 & 6
 3. 621028 - RH LEG 144" TREAD ADJ CYLINDER ASSEMBLY WITH FITTINGS
 4. 621027 - LH LEG 144" TREAD ADJ CYLINDER ASSEMBLY WITH FITTINGS



154" TREAD ADJUSTMENT LEG CYLINDER ASSEMBLY

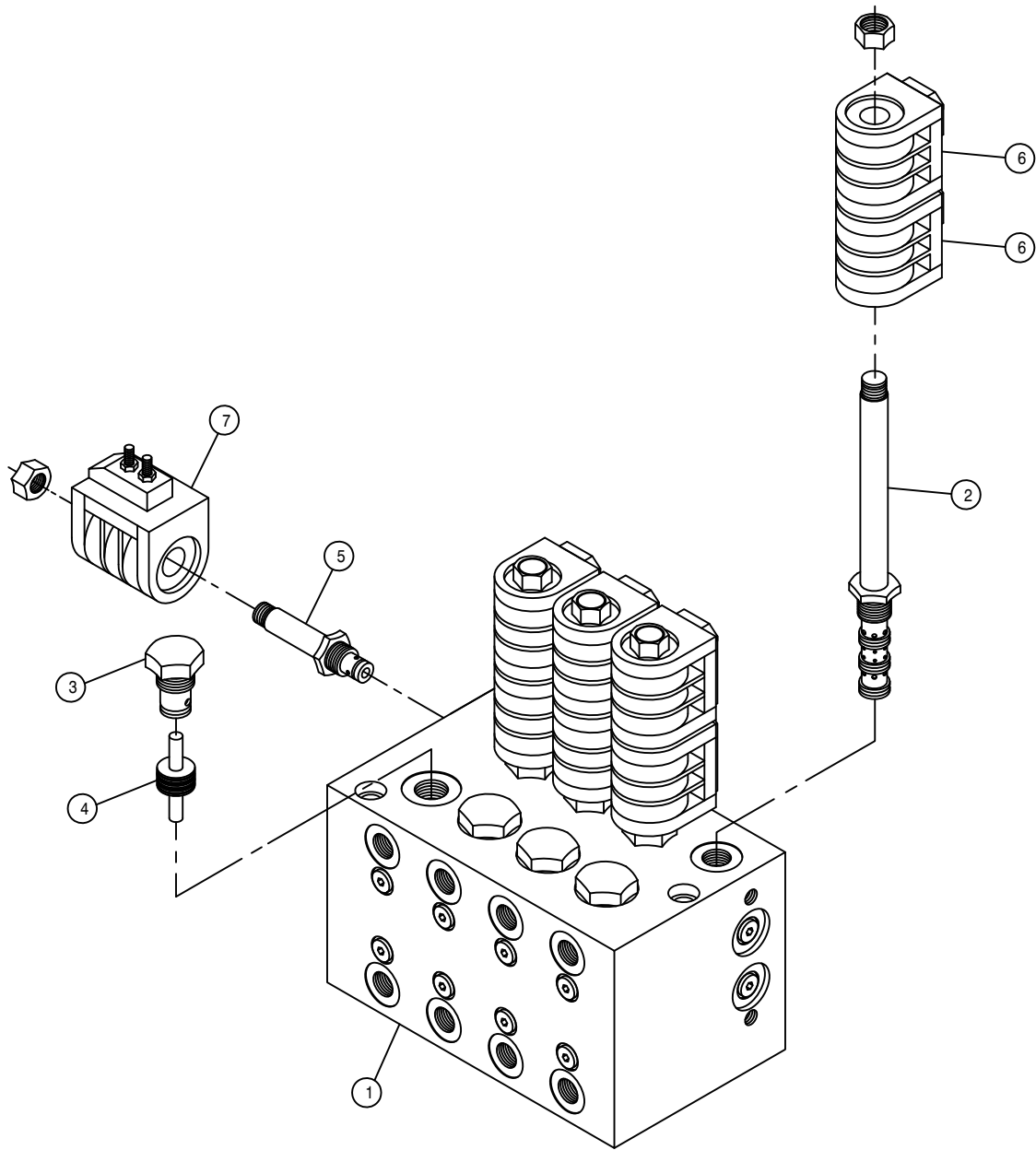
DET.	QTY	PART NO.	DESCRIPTION
	1	620749	HEAD, H-2.50-352
	1	620759	NUT, N-0.75-01
	1	620764	PISTON, P-2.50-107
	1	620784	REPAIR KIT, HYD CYL, RK-2.50-801
	1	620888	SHAFT, LEG CYL, TRD ADJ 620885
	1	620894	BARREL, LEG CYL, TRD ADJ 620890
	1	620889	BARREL, LEG CYL, TRD ADJ 620885
	1	614747	.025 ELBOW ASSY, 9/16MOR 90D
	1	618119	9/16MJIC-90-9/16MOR LBO
	1	900268	1/2UNC X 2 1/2 HEX BOLT
	1	914008	1/2UNC HEX STOVER NUT

NOTE: 1. 620885 - RH LEG 144" TREAD ADJ CYL ASSEMBLY INCLUDES ITEMS 1-5 & 7
 2. 620890 - LH LEG 144" TREAD ADJ CYL ASSEMBLY INCLUDES ITEMS 1-5 & 6
 3. 621029 - RH LEG 144" TREAD ADJ CYLINDER ASSEMBLY WITH FITTINGS
 4. 621030 - LH LEG 144" TREAD ADJ CYLINDER ASSEMBLY WITH FITTINGS



ELECTRIC TREAD ADJUST VALVE ASSEMBLY

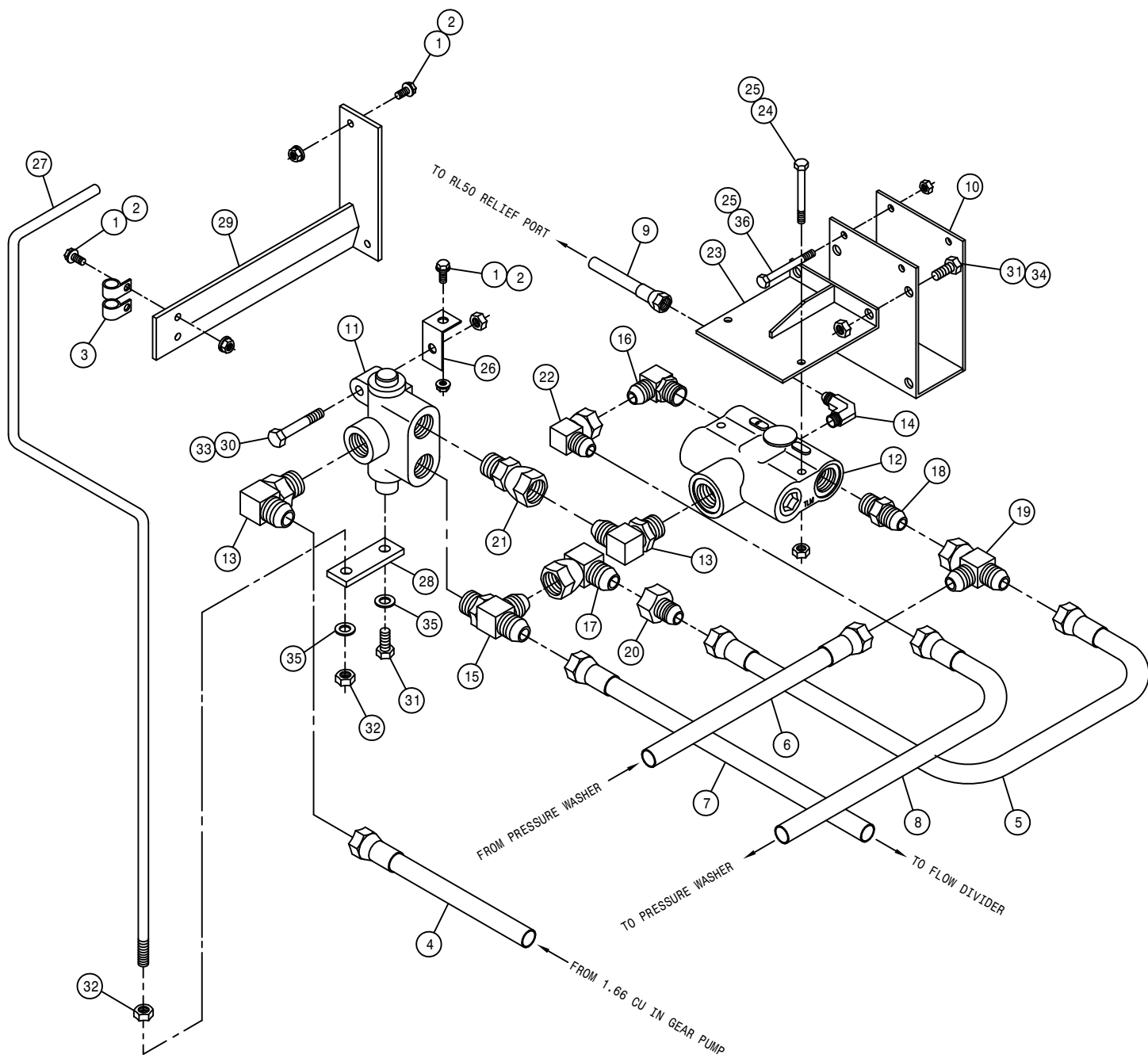
DET.	QTY	PART NO.	DESCRIPTION
	1	361487	TREAD ADJ VLV BRKT, 2100 2000
	18	473802	# 8 INT TOOTH STAR WASHER
	1	605610	HYD FILTER, INLINE 90M 3/4FOR
	4	610459	90M FILTER & GASKET FOR610447
	5	610462	GASKET FOR 610447 ARROW FILT
	6	606067	TREAD VALVE, 4-SECTION
	7	611125	3/4MJIC-3/4MOR ADPTR
	1	618109	9/16MJIC-3/4MOR ADPTR
	9	618115	9/16MJIC-90-3/4MOR LBO
	8	618126	9/16MJIC-9/16MOR ADPTR
	11	618609	3/4MJIC-90-3/4FJIC SWIV LBO
	12	618618	9/16MJIC-90-9/16FJIC SWIV LBO
	13	618669	3/4FJIC SWIV-3/4MOR ADPTR
	14	2 900145	3/8UNC X 5 SOCKET HD CAP SCR
	15	914004	3/8UNC HEX STOVER NUT
	16	4 900129	3/8UNC X 1" HEX BOLT



TREAD ADJUST VALVE ASSEMBLY

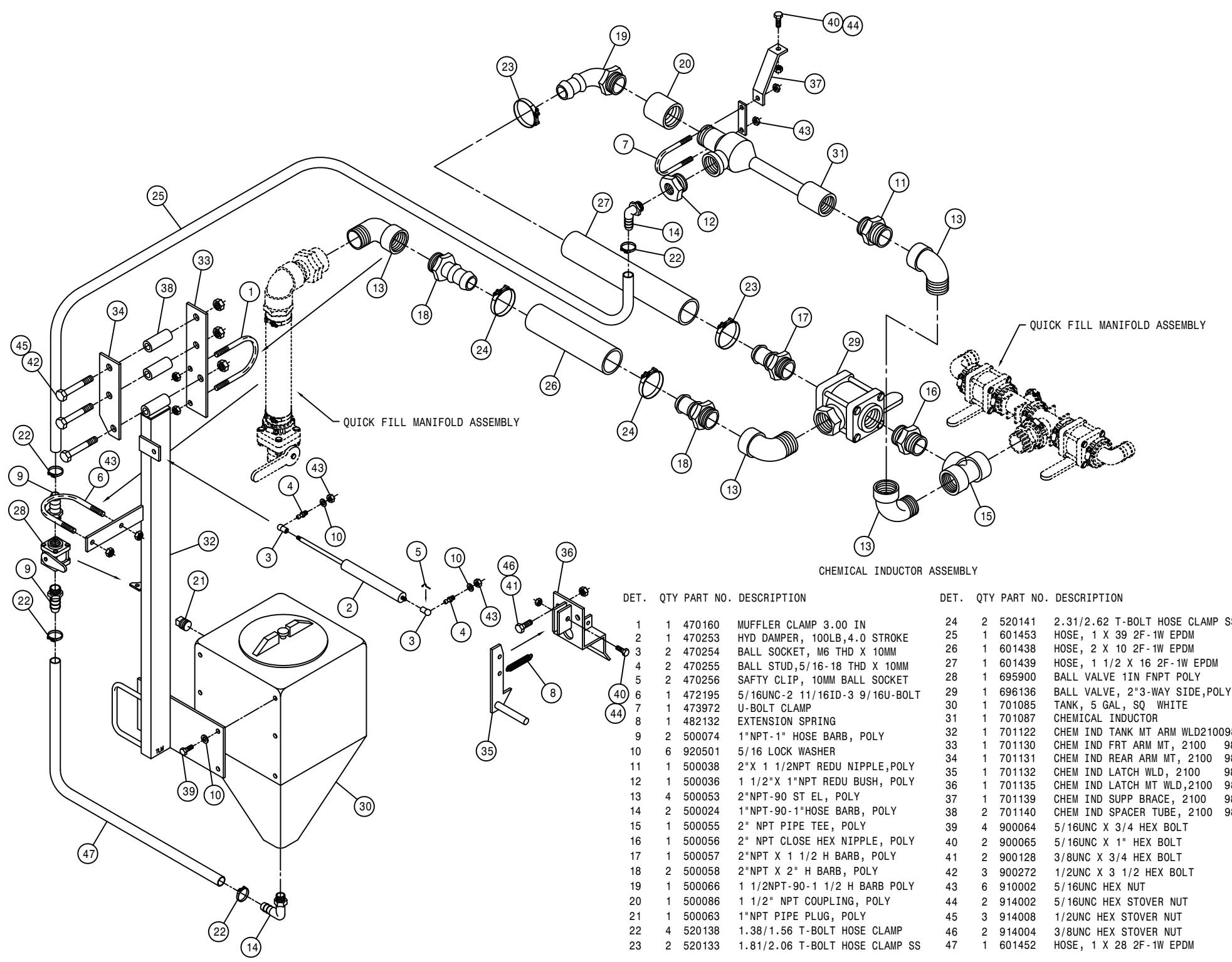
DET. QTY PART NO. DESCRIPTION

1	1	606067	TREAD VALVE, 4-SECTION
2	4	606057	SOLE VLV(DGS4M00)FOR 606050/51
3	8	606059	CHECK VALVE FOR 606050
4	4	606058	PISTON ASSY FOR 606050
5	1	606055	SOLE VLV(PBS2C00) FOR 606050
6	8	606093	COIL (63900202)-606050/067/090
7	1	606092	COIL (38060013) FOR 606067/090

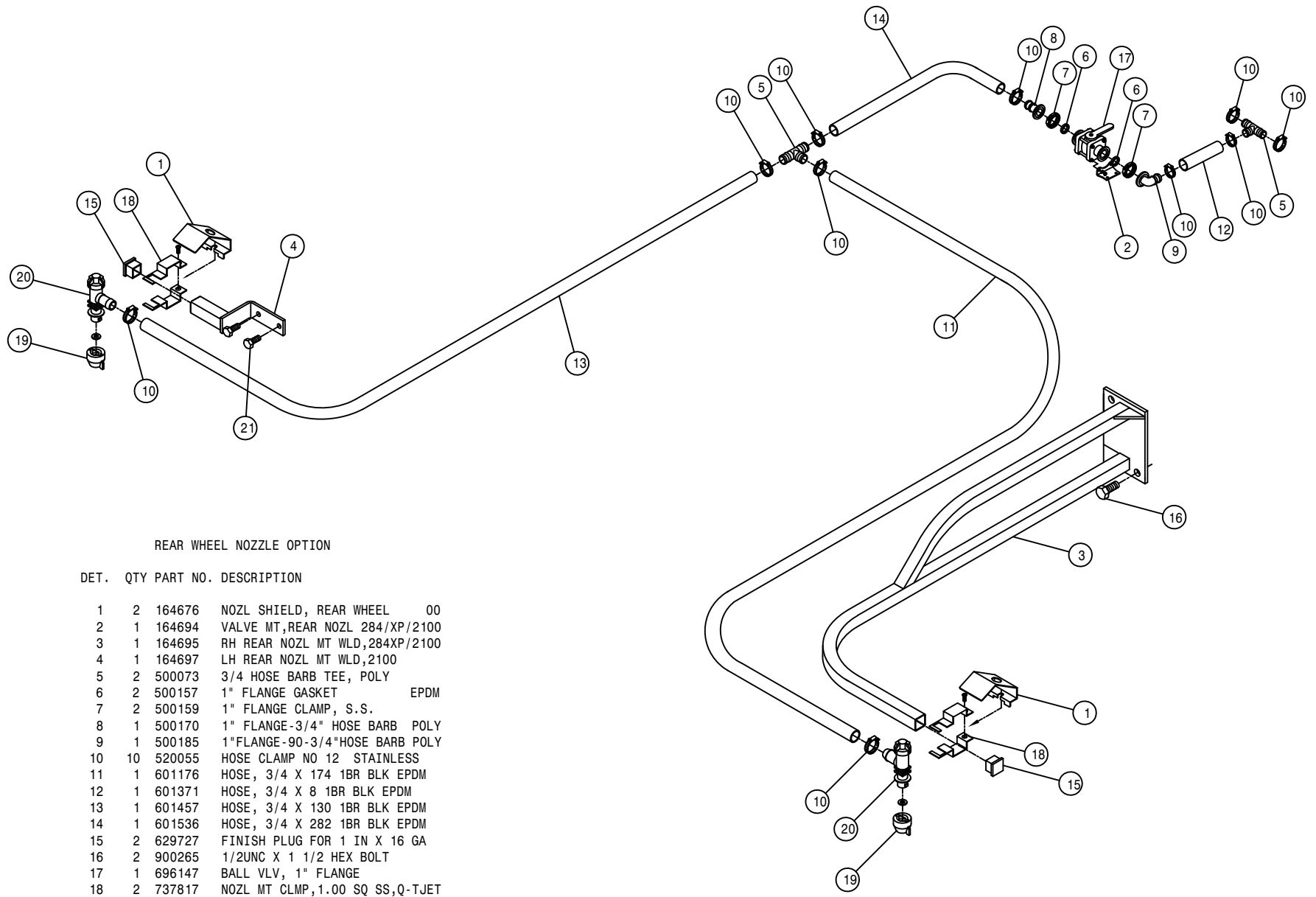


PRESSURE WASHER FLOW DIVIDER ASSEMBLY

DET.	QTY	PART NO.	DESCRIPTION
1	5	470118	1/4UNC X 3/4 FLANGE HEX BOLT
2	5	470121	1/4UNC HEX FLANGE LOCK NUT
3	2	520118	CUSH HOSE CLAMP 1/2D X 1/2W
4	1	614744	10C2AT-10FJX-10FJX-18 H/A
5	1	615385	08C1T-08FJX-08FJX-29 H/A
6	1	615465	08C1T-08FJX-08FJX-33 H/A
7	1	615741	10C1T-10FJX-10FJX-38 H/A
8	1	615742	08C1T-08FJX-08FJX-36 H/A
9	1	616043	04C1T-06FJX-06FJX-23 H/A
10	1	342311	TRACT VLV MT WLD,284 COMBO 96
11	1	690625	SELECT VLV,PRESS WASH 2100 98
12	1	607518	FLO DIV BGR56 6GPM PRI 7/8FOR
13	2	611128	7/8MJIC-90-7/8MOR LBO
14	1	618015	9/16MJIC-90-3/8MPT LBO
15	1	618130	7/8MOR RUN TEE-7/8MJIC
16	1	618183	3/4MJIC-90-7/8MOR LBO
17	1	618301	7/8MJIC-90-7/8FJIC SWIV LBO
18	1	618327	3/4MJIC-7/8MOR ADPTR
19	1	618451	3/4FJIC SW RUN TEE-3/4MJIC
20	1	618523	7/8FJIC-3/4MJIC ADPTR
21	1	618594	7/8FJIC SWIV-7/8MOR ADPTR
22	1	618609	3/4MJIC-90-3/4FJIC SWIV LBO
23	1	763522	FLO DIV MT WLD, WASHER 2100 98
24	2	900007	1/4UNC X 2" HEX BOLT
25	4	914000	1/4UNC HEX STOVER NUT
26	1	763525	SEL VLV MT,PRESS WASH 2100 98
27	1	763527	SEL VLV HANDLE, WASHER 2100 98
28	1	763528	VLV HANDLE BRKT,WASHER 2100 98
29	1	763529	VLV HANDLE SUPP WLD,WASH210098
30	1	900067	5/16UNC X 1 1/2 HEX BOLT
31	3	900128	3/8UNC X 3/4 HEX BOLT
32	2	910004	3/8UNC HEX NUT
33	1	914002	5/16UNC HEX STOVER NUT
34	2	914004	3/8UNC HEX STOVER NUT
35	2	920502	3/8 LOCK WASHER
36	2	900010	1/4UNC X 3" HEX BOLT

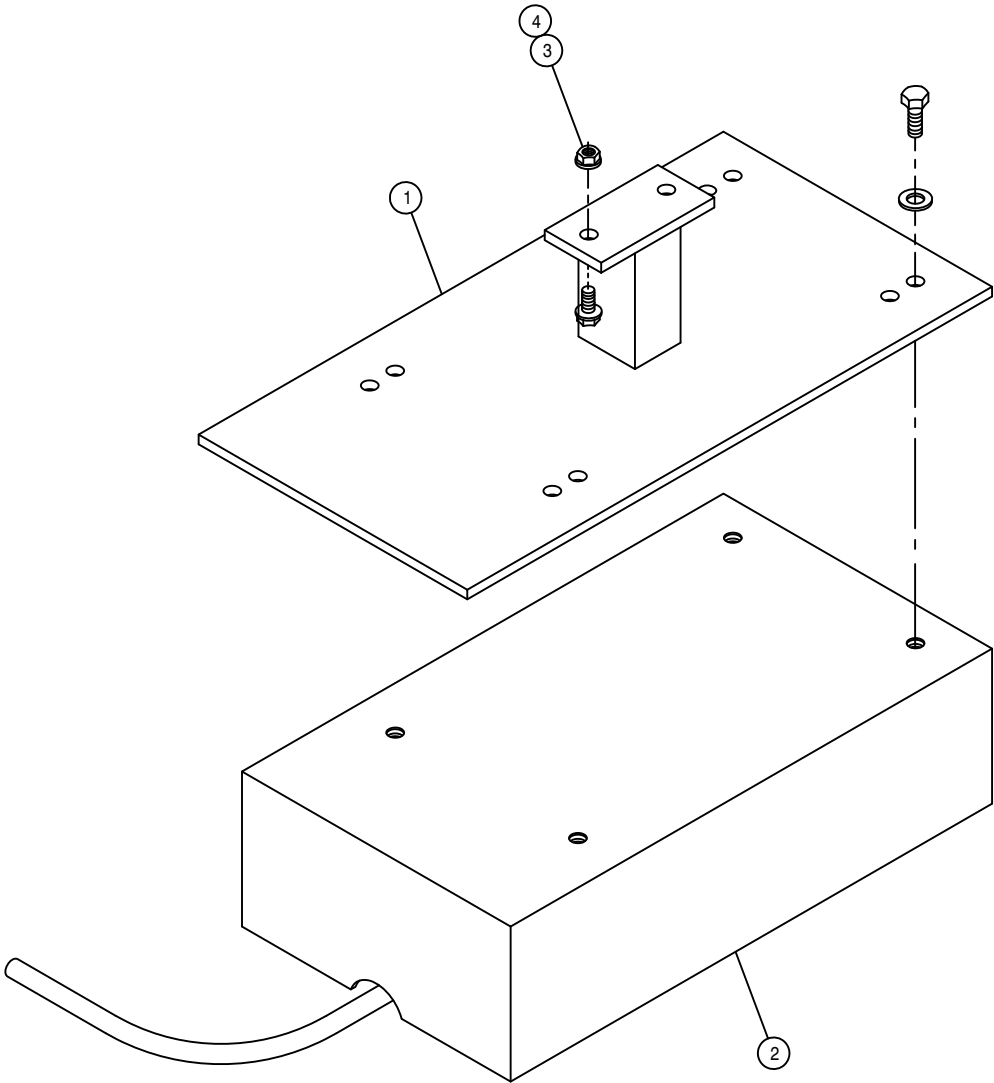


DET.	QTY	PART NO.	DESCRIPTION	DET.	QTY	PART NO.	DESCRIPTION
1	1	470160	MUFFLER CLAMP 3.00 IN	24	2	520141	2.31/2.62 T-BOLT HOSE CLAMP SS
2	1	470253	HYD DAMPER, 100LB,4.0 STROKE	25	1	601453	HOSE, 1 X 39 2F-1W EPDM
3	2	470254	BALL SOCKET, M6 THD X 10MM	26	1	601438	HOSE, 2 X 10 2F-1W EPDM
4	2	470255	BALL STUD,5/16-18 THD X 10MM	27	1	601439	HOSE, 1 1/2 X 16 2F-1W EPDM
5	2	470256	SAFTY CLIP, 10MM BALL SOCKET	28	1	695900	BALL VALVE 1IN FNPT POLY
6	1	472195	5/16UNC-2 11/16ID-3 9/16U-BOLT	29	1	696136	BALL VALVE, 2"3-WAY SIDE,POLY
7	1	473972	U-BOLT CLAMP	30	1	701085	TANK, 5 GAL, SQ WHITE
8	1	482132	EXTENSION SPRING	31	1	701087	CHEMICAL INDUCTOR
9	2	500074	1"NPT-1" HOSE BARB, POLY	32	1	701122	CHEM IND TANK MT ARM WLD210098
10	6	920501	5/16 LOCK WASHER	33	1	701130	CHEM IND FRT ARM MT, 2100 98
11	1	500038	2" X 1 1/2NPT REDU NIPPLE,POLY	34	1	701131	CHEM IND REAR ARM MT, 2100 98
12	1	500036	1 1/2" X 1"NPT REDU BUSH, POLY	35	1	701132	CHEM IND LATCH WLD, 2100 98
13	4	500053	2"NPT-90 ST EL, POLY	36	1	701135	CHEM IND LATCH MT WLD,2100 98
14	2	500024	1"NPT-90-1"HOSE BARB, POLY	37	1	701139	CHEM IND SUPP BRACE, 2100 98
15	1	500055	2" NPT PIPE TEE, POLY	38	2	701140	CHEM IND SPACER TUBE, 2100 98
16	1	500056	2" NPT CLOSE HEX NIPPLE, POLY	39	4	900064	5/16UNC X 3/4 HEX BOLT
17	1	500057	2"NPT X 1 1/2" H BARB, POLY	40	2	900065	5/16UNC X 1" HEX BOLT
18	2	500058	2"NPT X 2" H BARB, POLY	41	2	900128	3/8UNC X 3/4 HEX BOLT
19	1	500066	1 1/2NPT-90-1 1/2 H BARB POLY	42	3	900272	1/2UNC X 3 1/2 HEX BOLT
20	1	500086	1 1/2" NPT COUPLING, POLY	43	6	910002	5/16UNC HEX NUT
21	1	500063	1"NPT PIPE PLUG, POLY	44	2	914002	5/16UNC HEX STOVER NUT
22	4	520138	1.38/1.56 T-BOLT HOSE CLAMP	45	3	914008	1/2UNC HEX STOVER NUT
23	2	520133	1.81/2.06 T-BOLT HOSE CLAMP SS	46	2	914004	3/8UNC HEX STOVER NUT
				47	1	601452	HOSE, 1 X 28 2F-1W EPDM



REAR WHEEL NOZZLE OPTION

DET.	QTY	PART NO.	DESCRIPTION
	1	2	164676 NOZL SHIELD, REAR WHEEL 00
	2	1	164694 VALVE MT, REAR NOZL 284/XP/2100
	3	1	164695 RH REAR NOZL MT WLD, 284XP/2100
	4	1	164697 LH REAR NOZL MT WLD, 2100
	5	2	500073 3/4 HOSE BARB TEE, POLY
	6	2	500157 1" FLANGE GASKET EPDM
	7	2	500159 1" FLANGE CLAMP, S.S.
	8	1	500170 1" FLANGE-3/4" HOSE BARB POLY
	9	1	500185 1" FLANGE-90-3/4" HOSE BARB POLY
	10	10	520055 HOSE CLAMP NO 12 STAINLESS
	11	1	601176 HOSE, 3/4 X 174 1BR BLK EPDM
	12	1	601371 HOSE, 3/4 X 8 1BR BLK EPDM
	13	1	601457 HOSE, 3/4 X 130 1BR BLK EPDM
	14	1	601536 HOSE, 3/4 X 282 1BR BLK EPDM
	15	2	629727 FINISH PLUG FOR 1 IN X 16 GA
	16	2	900265 1/2UNC X 1 1/2 HEX BOLT
	17	1	696147 BALL VLV, 1" FLANGE
	18	2	737817 NOZL MT CLMP, 1.00 SQ SS, Q-TJET
	19	2	737822 CAP SET, YELLOW QUICK TEEJET
	20	2	737829 QUICK TJET EL BODY DIAPH .75
	21	2	900066 5/16UNC X 1 1/4 HEX BOLT



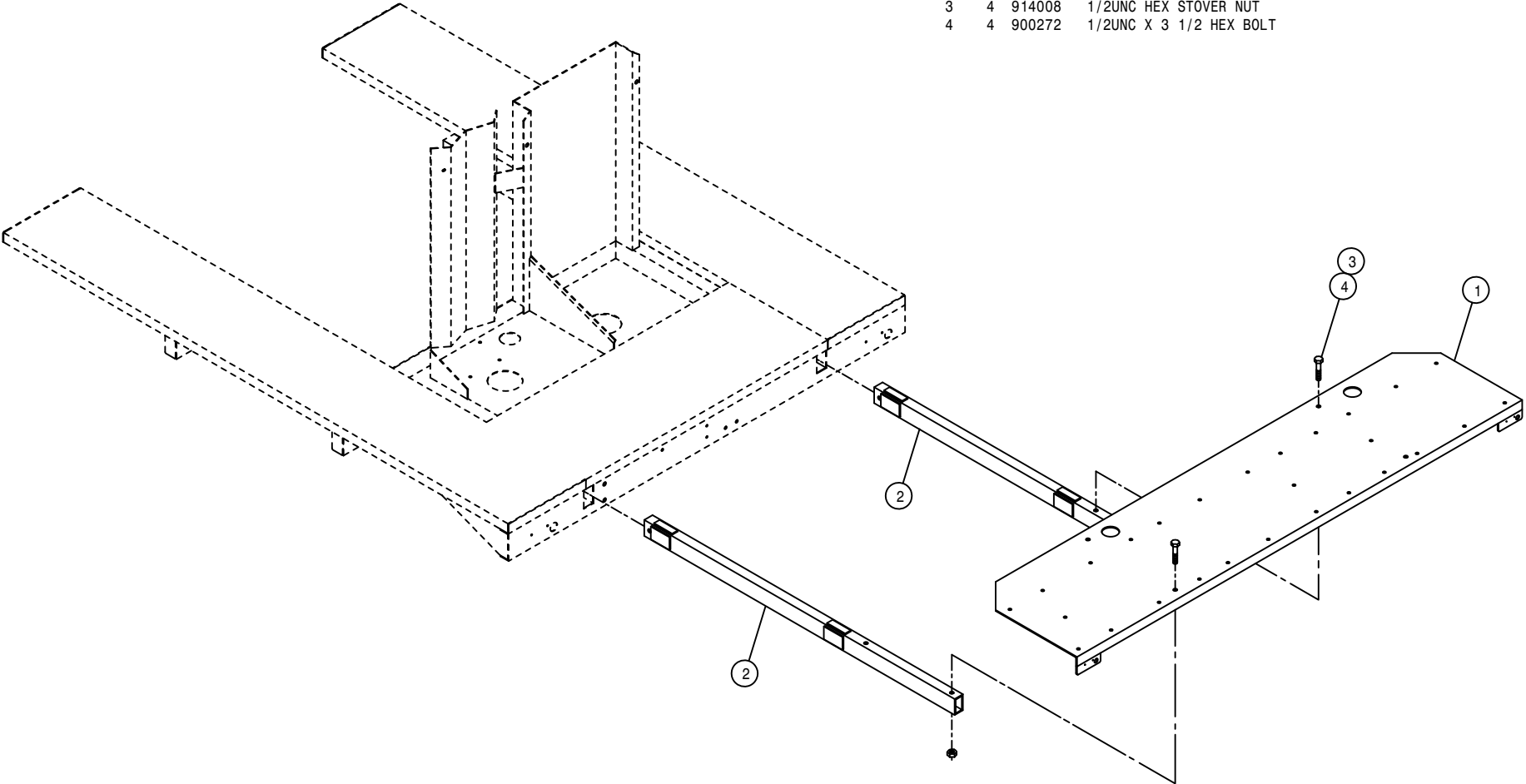
RADAR OPTION

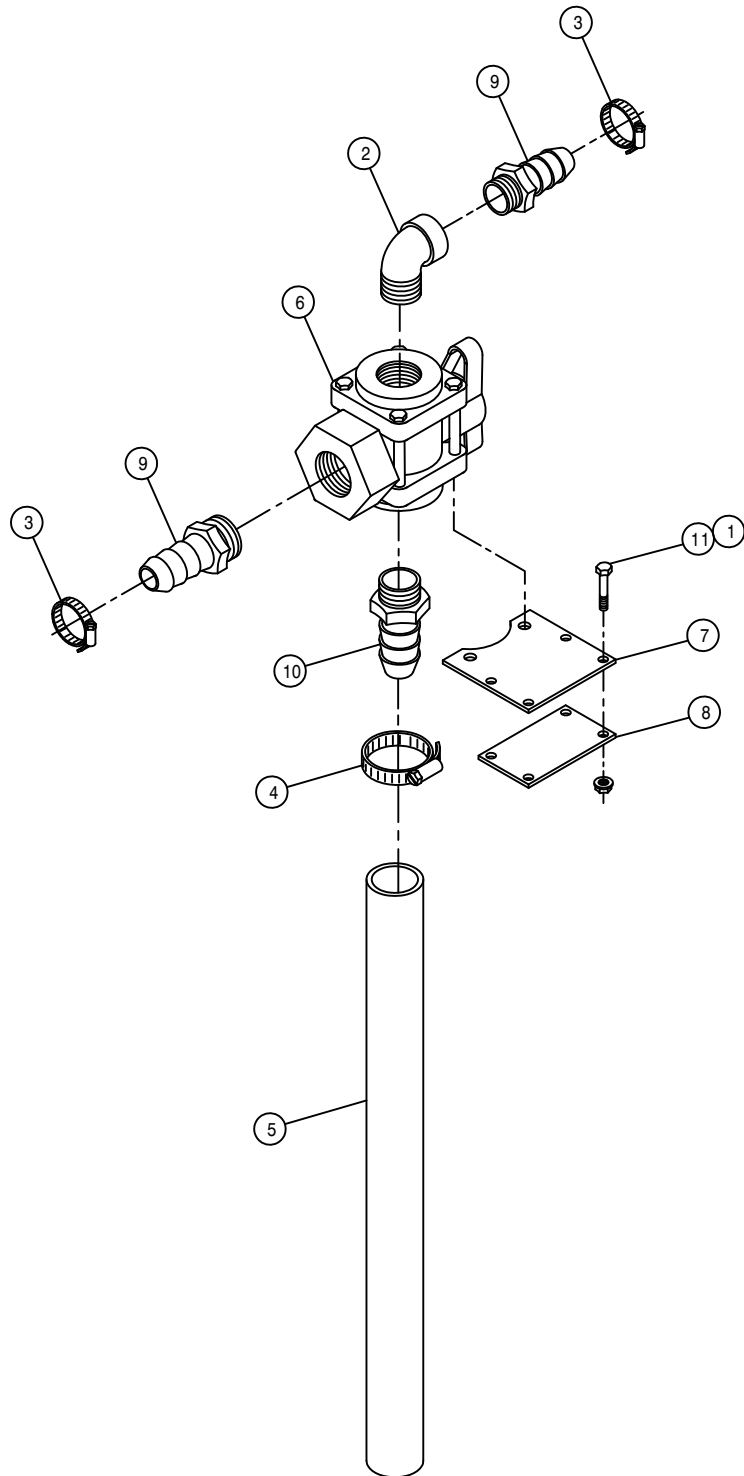
DET. QTY PART NO. DESCRIPTION

1	1	690462	RADAR MTG BRKT WLD, INJ SYS
2	1	690599	RAVEN RADAR UNIT W/CABLE
3	2	470118	1/4UNC X 3/4 FLANGE HEX BOLT
4	2	470121	1/4UNC HEX FLANGE LOCK NUT

INJECTION SYSTEM PLATFORM OPTION

DET.	QTY	PART NO.	DESCRIPTION
1	1	690637	INJ SYS PLATFORM WLD, 2100 99
2	2	690641	INJ SYS PLATFORM MT WLD, 2100
3	4	914008	1/2UNC HEX STOVER NUT
4	4	900272	1/2UNC X 3 1/2 HEX BOLT





60'-80' FOAMER DIVERT VALVE OPTION

DET. QTY PART NO. DESCRIPTION

1	8	470121	1/4UNC HEX FLANGE LOCK NUT
2	2	500014	1"NPT-90 ST EL, POLY
3	4	520055	HOSE CLAMP NO 12 STAINLESS
4	2	520085	HOSE CLAMP NO 24 STAINLESS
5	2	601367	HOSE, 1 1/4 X 24 2BR BLK EPDM
6	2	696133	BALL VLV, 1.00NP 3WAY-BOTT POLY
7	2	701152	FOAMER DIVERTER VALVE MT BRKT
8	2	701153	FOAMER DIVERTER VLV BRKT KEEPR
9	4	714331	1 NPT X 3/4 HOSE BARB
10	2	714561	1.00NPT-1.25 HOSE BARB
11	8	900007	1/4UNC X 2" HEX BOLT

NOTE: QUANTITY LISTED IS FOR ONE MACHINE.

NOTICE

The following page contains decals for the model 2100.

These decals can be obtained from Hagie Mfg. Co. and should be used whenever your machine is repainted or when the decals become worn, weathered, or faded.

Special attention should be paid to decals involving personal safety. They have been attached for your protection.

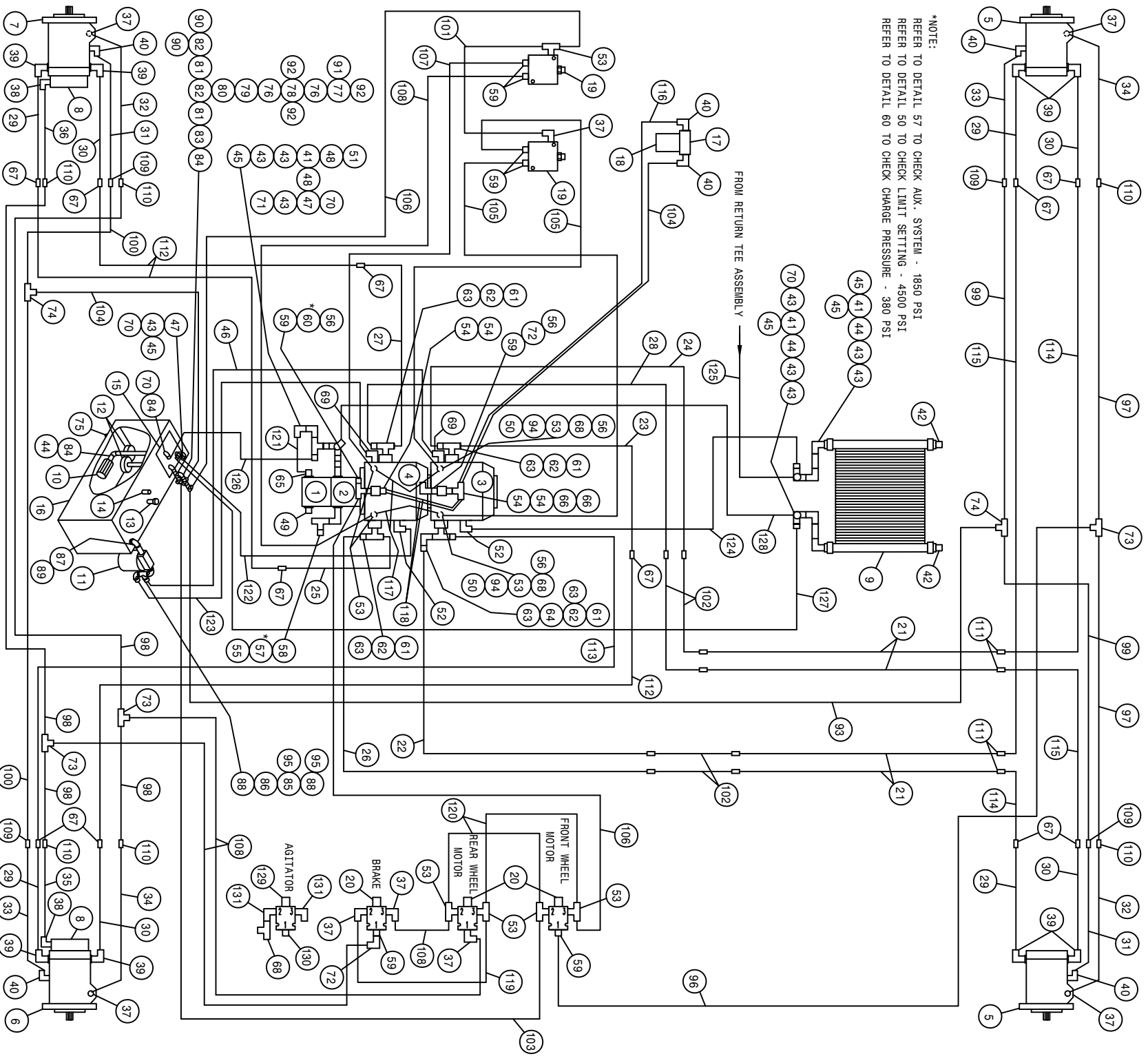
KEEP THEM IN PLACE.

Contact: Hagie Manufacturing Co.
Box 273
Clarion, Iowa 50525

2100 DECALS

<u>QTY.</u>	<u>PART NO.</u>	<u>DESCRIPTION</u>	<u>LOCATION</u>
1	650320	EMERGENCY EXIT DECAL	ON THE LOWER LEFT ON REAR WINDOW
1	650326	HAGIE DECAL	ON FRONT MAINFRAME SHIELD
1	650336	FOLD BOOM WARNING DECAL	ON RH SIDE WINDOW
1	650337	ELECTROCUITION HAZARD DECAL	ON RH SIDE WINDOW
1	650339	HYDRAULIC OIL INJ. DECAL	ON STEERING POST
1	650340	PARK BRAKE DECAL	NEAR PARK SWITCH
1	650341	DECAL SET, HAGIE 2100 STRIPE	ON EACH ENGINE HOOD
1	650343	HYDROSTATIC CONTROL DECAL	ON CONSOLE
1	650344	SWITCH PANEL DECAL	ON SWITCH PANEL COVER
1	650345	BOOM CONTROL PANEL DECAL	ON SWITCH PANEL COVER
1	650346	TREAD ADJUST DECAL	ON CONSOLE
1	650347	NOTICE-R134A CHARGE DECAL	ON ENGINE NEAR A/C COMPRESSOR
1	650348	NOTICE-DRAIN AIR TANK DECAL	ON AIR TANK
1	650349	LIGHT SWITCH PANEL DECAL	ON SWITCH PANEL IN HEADLINER
1	650350	CAUTION, BOOSTER TERMINAL DECAL	ON LOWER BACK SHEET METAL
1	650351	AGITATION VFC DECAL	ON LOWER BACK SHEET METAL
2	650352	RH TREAD ADJ INDICATOR DECAL	1-ON RH FRONT INDICATOR MOUNT 1-ON LH REAR INDICATOR MOUNT
2	650353	LH TREAD ADJ INDICATOR DECAL	1-ON LH FRONT INDICATOR MOUNT 1-ON RH REAR INDICATOR MOUNT
1	650354	FUSE BOX DECAL	ON FUSE BOX COVER
1	650822	SOLUTION PUMP DECAL	ON FRONT MAINFRAME SHIELD
1	650831	EMERGENCY STOP DECAL	ON STEERING POST
1	650847	NO PASSENGER DECAL	ON LH REAR ON CAB
2	650848	SLIP OR FALL DECAL	ON BACK OF FUEL TANKS
2	650849	ENGINE FUEL DECAL	NEAR EACH FUEL TANK NECK
2	650850	CHEMICAL DECAL	ON TANK BAND TIE
2	650851	SHIELDS DECAL	ON LOWER REAR OF MAINFRAME
1	650852	READ MANUAL DECAL	ON LEFT CONSOLE TOP
1	650954	DIESEL DECAL	NEAR EACH FUEL NECK
1	650981	COOLING SYSTEM DECAL	NEAR RADIATOR CAP
1	650982	ELECTRICAL DECAL	ON ENGINE HOOD ABOVE BATTERY
4	650985	WHEEL BOLT TORQUE DECAL	ON EACH WHEEL RIM
1	650367	AIR FILTER INSTRUCTION DECAL	ON ENGINE AIR FILTER END CAP
1	650108	MAIN SPRAY POWER DECAL	ON SWITCH PANEL HOUSING
1	650109	LOW HYDRAULIC OIL DECAL	ON SWITCH PANEL HOUSING
1	650366	PARKING BRAKE ON DECAL	ON SWITCH PANEL HOUSING

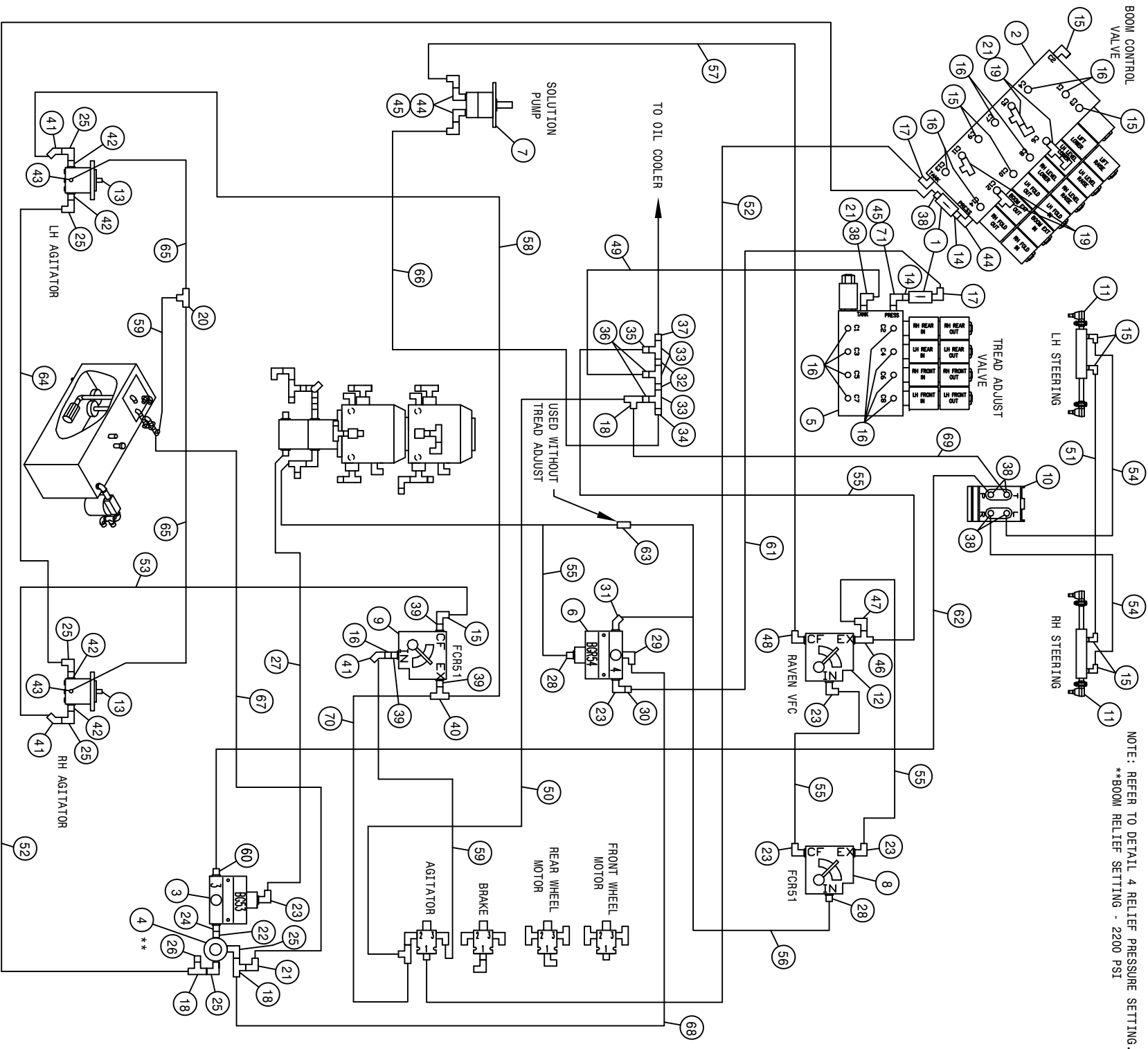
113



*NOTE:
 REFER TO DETAIL 57 TO CHECK AUX. SYSTEM - 1850 PSI
 REFER TO DETAIL 50 TO CHECK LIMIT SETTING - 4500 PSI
 REFER TO DETAIL 60 TO CHECK CHARGE PRESSURE - .380 PSI

2100 HYDRAULIC SCHEMATIC 2002
REFERENCE DRAWING NO. 498641SI

DET.	QTY	PART NO.	DESCRIPTION	DET.	QTY	PART NO.	DESCRIPTION
1	1	606929	SUND GEAR PUMP .66CT, SPLINED	67	11	618577	1 5/16MJIC UNION
2	1	606932	SUND GEAR PUMP,1.60CI,SPLINED	68	3	618486	9/16FJIC SW RUN TEE-9/16MJIC
3	1	606944	SUND 75CC PUMP,C/C-MT	69	2	618564	1IN HOSE BARB-90-1 5/16MOR
4	1	606947	SUND 75CC PUMP,C/B-MT	70	4	714560	1NPT X 1 HOSE BARB
5	2	610637	SUND HYD MOTOR, M46-4019	71	1	716000	3/4 HOSE BARB-90-1MNPT
6	1	610640	SUND HYD MOTOR, M46-4144	72	2	618618	9/16MJIC-90-9/16FJIC SWIV LBO
7	1	610643	SUND HYD MOTOR, M46-4199 W/SEN	73	3	618019	9/16MJIC UNION TEE
8	2	828093	MICO HYD BRAKE	74	2	618311	3/4MJIC UNION TEE
9	1	618606	OIL COOLER, BLISSFIELD 65027	75	1	470308	1/2MNPT DRAIN PLUG,AL HD,MAG
10	1	605600	TANK FILTER, 100 MESH,1"FNPT	76	2	503600	CLOSE NIPPLE .50NPT
11	1	605601	PARKER FILTER ASSY,10M,1.25NPT	77	1	503820	BLK PIPE TEE .50NPT
12	2	605603	LINE SUMP DIFUSER	78	1	503824	BLK PIPE CROSS .50NPT
13	1	611052	FILLER BREATHER 3/4NPT	79	1	504210	RED BUSH 3/4 NPT X 1/2 NPT
14	1	614453	DIPSTICK, 8IN	80	1	504610	BLK PIPE ST EL 90DEG .75NPT
15	1	760090	RECEIVER PLT WLD 8240	81	2	504702	CLOSE NIPPLE .75NPT
16	1	760268	HYD TANK WLD, 2100	82	2	504955	BLK PIPE TEE .75NPT
17	1	605608	HYD FILTER HEAD, DONALDSON	83	1	505213	RED BUSH 1 X 3/4 BLK MAL
18	1	605609	HYD FILTER ELEMENT, DONALDSON	84	3	505300	BLK PIPE EL 90DEG 1.00NPT
19	2	610580	REMOTE FLUSHING VALVE, SUND	85	1	506105	BLK PIPE TEE 1.25NPT
20	3	610318	HYD SOLE VLV,2P-3W,9/16FOR,12V	86	1	506200	CLOSE NIPPLE 1.25NPT
21	4	6157124	FRT MAIN HYD TUBE ASSY,2100 98	87	1	506303	BLK PIPE EL 90DEG 1.25NPT
22	1	615717	RH FRT PUMP LMR TUBEASSY210098	88	2	506410	BLK PIPE ST EL 90DEG 1.25NPT
23	1	615718	LH FRT PUMP UPR TUBEASSY210098	89	1	506604	BLK PIPE NIPPLE 1.25NPT-4.00
24	1	615719	LH FRT PUMP LMR TUBEASSY210098	90	2	610305	3/4MJIC-90-3/4MNPT LBO
25	1	615720	RH REAR PUMP UPR TUBE ASSY	91	1	618018	9/16MJIC-1/2MNPT ADPTR
26	1	615721	RH REAR PUMP LMR TUBE ASSY	92	3	618107	9/16MJIC-90-1/2MNPT LBO
27	1	615722	LH REAR PUMP UPR TUBE ASSY	93	1	615737	08C2AT-08FJX-08FJX90-198
28	1	615723	LH REAR PUMP LMR TUBE ASSY	94	2	618291	9/16FJX-1/4FNPT ADPTR
29	4	615708	LMR HYD TUBE ASSY,LEG 2100	95	2	715664	1 1/4 NPT X 1 HOSE BARB
30	4	615709	UPR HYD TUBE ASSY,LEG 2100	96	1	611246	04C1T-06FJX-06FJX-174
31	2	615710	RF/LR HYD DRN TUBE ASSY2100 98	97	2	614152	04C1T-06FJX-06FJX-114
32	2	615712	RF/LR HYD CTRL TUBE ASSY210098	98	4	614157	04C1T-06FJX-06FJX-101
33	2	615711	LF/RR HYD DRN TUBE ASSY2100 98	99	2	614546	08C1T-08FJX-08FJX-115
34	2	615713	LF/RR HYD CTRL TUBE ASSY210098	100	2	614688	08C1T-08FJX-08FJX-115
35	1	615714	RH HYD BRAKE TUBE ASSY,2100 98	101	1	614713	04C1T-06FJX-06FJX-108
36	1	615715	LH HYD BRAKE TUBE ASSY,2100 98	102	4	614734	12TWM-12MJ-12MJ-16
37	8	618119	9/16MJIC-90-9/16MOR LBO	103	1	616026	04C1T-06FJX-06FJX-37
38	2	618114	9/16MJIC-90-7/16MOR LBO	104	2	616034	08C1T-08FJX-08FJX-17
39	8	618118	1 5/16MJIC-90-1 5/16MOR LBO	105	2	616037	04C1T-06FJX-06FJX-29
40	6	618474	3/4MJIC-90-1 1/16MOR LBO	106	2	616039	04C1T-06FJX-06FJX-19
41	3	505098	SIDE OUTLET EL 90DEG 1.00NPT	107	1	616043	04C1T-06FJX-06FJX-23
42	2	505102	PIPE PLUG 1.00NPT SQ HD	108	4	616049	04C1T-06FJX-06FJX-26
43	9	505200	BLK PIPE ST EL 90DEG 1.00NPT	109	4	618314	3/4MJIC UNION
44	3	505203	BLK PIPE NIPPLE 1.00NPT-4.00	110	6	619010	9/16MJIC UNION
45	5	714331	1 NPT X 3/4 HOSE BARB	111	4	618177	1 1/16MJIC UNION
46	1	601376	HOSE, 1 X 29 1FBR-1SPI	112	3	614735	12TWM-16FJX-16FJX-75
47	2	505101	BLK PIPE TEE 1.00NPT	113	1	614736	12TWM-12FJX90-16FJX-75
48	2	505105	1MNPT HEX PIPE NIPPLE STL	114	2	614737	12TWM-12FJX90-16FJX-99
49	1	611126	7/8MJIC-7/8MOR ADPTR	115	2	614738	12TWM-12FJX90-16FJX-114
50	2	614740	RESTRICTOR FTG ASSY, .050	116	1	615626	08C1T-08FJX-08FJX-15
51	1	618090	1 5/16MOR-1FNPT ADPTR	117	2	615734	04C2AT-06FJX-06FJX-11
52	2	618118	3/4 HOSE BARB-90-1 1/16MOR	118	2	614739	08C1T-08FJX-08FJX90-16
53	9	618629	9/16MOR BRANCH TEE-9/16MJIC	119	1	614712	04C1T-06FJX-06FJX-20
54	4	618327	3/4MJIC-7/8MOR ADPTR	120	2	615725	04C1T-06FJX-06FJX-10
55	1	618328	7/8FJIC CAP NUT	121	1	601383	HOSE, 3/4 X 8 1FBR-1SPI
56	4	618531	9/16FJIC CAP NUT	122	1	601384	HOSE, 3/4 X 40 1FBR-1SPI
57	1	618333	7/8FJIC SW RUN TEE-7/8MJIC	123	1	601543	HOSE, 1 X 36 1FBR-1SPI
58	1	618335	7/8MJIC-90-1 1/16MOR LBO	124	1	601407	HOSE, 3/4 X 62 1FBR-1SPI
59	8	618126	9/16MJIC-9/16MOR ADPTR	125	1	601406	HOSE, 3/4 X 38 1FBR-1SPI
60	1	618514	9/16FJ SW BRANCH TEE-9/16MJ	126	1	601544	HOSE, 1 X 42 1FBR-1SPI
61	4	618598	1" 4-BOLT FLG X 1 5/16 FOR	127	1	601411	HOSE, 1 X 100 1FBR-1SPI
62	4	618599	1 5/16MOR BRANCH TEE-1 5/16MJ	128	1	601408	HOSE, 3/4 X 77 1FBR-1SPI
63	5	618541	1 5/16FJIC-1 1/16MJIC ADPTR	129	1	610674	HYD SOLE VLV,2P3W,3/4FOR,12V
64	1	618640	1 5/16MJ-90-1 5/16FJ SWIV LBO	130	1	618109	9/16MJIC-3/4MOR ADPTR
65	1	618075	3/4 HOSE BARB-1 1/16MOR	131	2	618115	9/16MJIC-90-3/4MOR LBO
66	2	618643	3/4FJ SW BRANCH TEE-3/4MJ				



NOTE: REFER TO DETAIL 4 RELIEF PRESSURE SETTING.
 **BOOM RELIEF SETTING - 2200 PSI

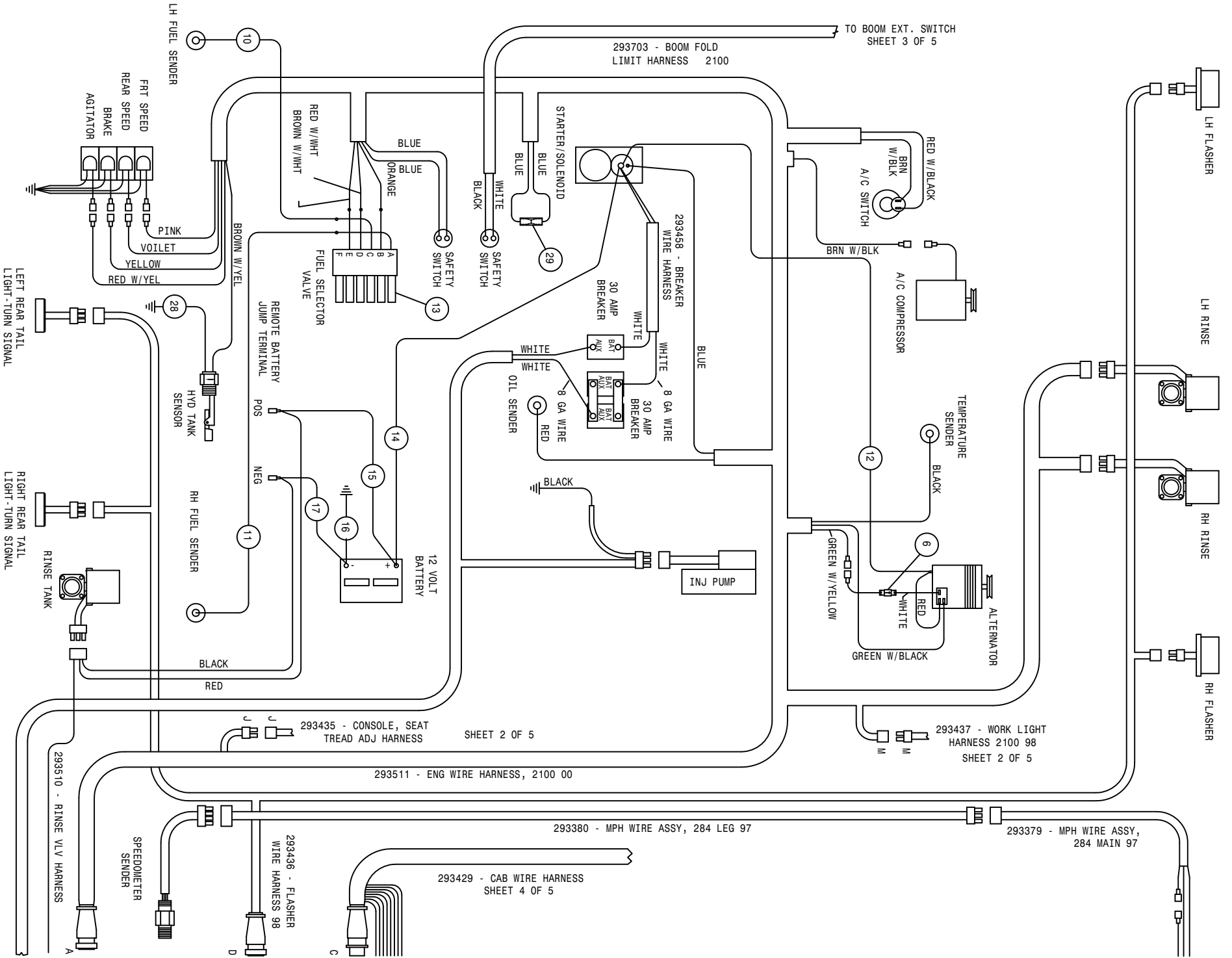
2100 HYDRAULIC SCHEMATIC 2002
REFERENCE DRAWING NO. 498641S2

DET.	QTY	PART NO.	DESCRIPTION	DET.	QTY	PART NO.	DESCRIPTION
1	2	605610	HYD FILTER, INLINE 90M 3/4FOR	37	1	713220	HOSE BARB 3/4 NPT X 3/4
2	1	606065	BOOM VALVE	38	6	618109	9/16MJIC-3/4MOR ADPTR
3	1	610307	FLO DIV BG53 3GPM PRI 7/8FOR	39	3	618172	7/8MOR-9/16FOR ADPTR
4	1	607512	RELIEF VALVE, RL50, 1850 PSI	40	1	618629	9/16MOR BRANCH TEE-9/16MJIC
5	1	606067	TREAD VALVE, 4-SECTION	41	3	618634	9/16MJIC-45-9/16FJIC SWIV LBO
6	1	607528	FLO DIV BGR54 4GPM PRI 7/8FOR	42	4	618092	1 1/16MOR-1/2FNPT ADPTR
7	1	690573	HYD MOTOR, FLOWMAX HI-SPEED	43	2	618338	9/16MJIC-45-1/4MNPT LBO
8	1	606818	FLO CONT FOR51 0-16GPM 7/8FOR	44	3	618241	3/4MJIC-90-3/4MOR LBO
9	1	606827	FLO CONT FC51 0-3 VARI 7/8FOR	45	3	618609	3/4MJIC-90-3/4FJIC SWIV LBO
10	1	749318	STRG MTR, 7.3CID, NON-LOAD 1031	46	1	618130	7/8MOR RUN TEE-7/8MJIC
11	2	620835	STRG CYL ASSY, 2100	47	1	618301	7/8MJIC-90-7/8FJIC SWIV LBO
12	1	690621	VALVE HYD CTRL, 16GPM RAVEN	48	1	618183	3/4MJIC-90-7/8MOR LBO
13	2	610510	CESSNA GEAR MOTOR 1.48CI	49	1	616037	04CI1T-06FJX-06FJX-29
14	2	618669	3/4FJIC SWIV-3/4MOR ADPTR	50	1	614693	06CI1T-06FJX-06FJX-168
15	9	618119	9/16MJIC-90-9/16MOR LBO	51	1	611246	04CI1T-06FJX-06FJX-174
16	15	618126	9/16MJIC-9/16MOR ADPTR	52	2	615735	06CI1T-06FJX-06FJX-300
17	2	618115	9/16MJIC-90-3/4MOR LBO	53	2	614549	06CI1T-06FJX-06FJX-140
18	3	618486	9/16FJIC SW RUN TEE-9/16MJIC	54	2	614639	04CI1T-06FJX-06FJX-126
19	4	618444	9/16MOR RUN TEE-9/16MJIC	55	4	614732	10C2AT-10FJX-10FJX-29
20	1	618019	9/16MJIC UNION TEE	56	1	614733	10C2AT-10FJX-10FJX-57
21	4	618618	9/16MJIC-90-9/16FJIC SWIV LBO	57	1	616057	08CI1T-08FJX-08FJX-88
22	1	500000	1/2MNPT HEX PIPE NIPPLE STL	58	1	615348	06CI1T-06FJX-06FJX-127
23	5	611128	7/8MJIC-90-7/8MOR LBO	59	2	615401	06CI1T-06FJX-06FJX-22
24	1	618072	7/8MOR-1/2FNPT ADPTR	60	1	618310	9/16MJIC-7/8MOR ADPTR
25	6	618107	9/16MJIC-90-1/2MNPT LBO	61	1	615728	04CI1T-06FJX-06FJX-80
26	1	618531	9/16FJIC CAP NUT	62	1	615730	04CI1T-06FJX-06FJX-150
27	1	614744	10C2AT-10FJX-10FJX-18	63	1	618456	7/8MJIC UNION
28	2	611126	7/8MJIC-7/8MOR ADPTR	64	1	615732	06CI1T-06FJX-06FJX-194
29	1	618015	9/16MJIC-90-3/8MNPT LBO	65	2	615733	06CI1T-06FJX-06FJX-101
30	1	618557	7/8FJIC-9/16MJIC ADPTR	66	1	615736	08C2AT-08FJX-08FJX-46
31	1	618644	7/8MJIC-45-7/8MOR LBO	67	1	615442	04CI1T-06FJX-06FJX-55
32	2	504702	CLOSE NIPPLE .75NPT	68	1	616028	04CI1T-06FJX-06FJX-47
33	3	504955	BLK PIPE TEE .75NPT	69	1	616049	04CI1T-06FJX-06FJX-26
34	1	610300	3/4MJIC-3/4MNPT ADPTR	70	1	615621	06CI1T-06FJX-06FJX-24
35	1	618059	7/8MJIC-3/4MNPT ADPTR	71	1	611125	3/4MJIC-3/4MOR ADPTR
36	2	618642	9/16MJIC-3/4MNPT ADPTR				

2100 HYDRAULIC SCHEMATIC 2002
REFERENCE DRAWING NO. 498641S3

DET.	QTY	PART NO.	DESCRIPTION	DET.	QTY	PART NO.	DESCRIPTION
1	2	620840	TRANSOM LIFT CYL ASSY	22	1	614714	04C1T-06FJX-06FJX-34
2	2	620845	BOOM HINGE FOLD CYL ASSY	23	2	620890	LEG CYL ASSY,154LH TRD
3	2	620875	LEG CYL, TRD ADJ, RH 284-LH 2100	24	2	620885	LEG CYL ASSY,154RH TRD
4	2	620880	LEG CYL, TRD ADJ, LH 284-RH 2100	25	2	618618	9/16MJIC-90-9/16FJIC SWIV LBO
5	2	620850	BOOM LEVEL CYL ASSY	26	2	616174	04C1T-06FJX-06FJX-70
6	2	618689	9/16MOR-90-9/16MJ .042 CHK VLV	27	2	618019	9/16MJIC UNION TEE
7	2	620855	ACCUMULATOR CYL ASSY	28	14	619010	9/16MJIC UNION
8	2	620860	BOOM CNTR SECT FOLD CYL ASSY	29	4	614747	.025 ELBOW ASSY, 9/16MOR 90D
9	1	615761	LIFT RAISE HYD TUBE ASSY	30	3	611204	04C1T-06FJX-06FJX-78
10	1	615762	LIFT LOWER HYD TUBE ASSY	31	2	614077	04C1T-06FJX-06FJX-88
11	1	615763	LEVEL RAISE HYD TUBE ASSY	32	1	615726	04C1T-06FJX-06FJX-73
12	1	615764	LEVEL LOWER HYD TUBE ASSY	33	1	615314	04C1T-06FJX-06FJX-50
13	1	615766	BOOM EXTN RAISE HYD TUBE ASSY	34	2	615729	04C1T-06FJX-06FJX-84
14	1	615767	BOOM EXTN LOWER HYD TUBE ASSY	35	1	616026	04C1T-06FJX-06FJX-37
15	1	615768	RH FOLD RAISE HYD TUBE ASSY	36	1	614712	04C1T-06FJX-06FJX-20
16	1	615769	RH FOLD LOWER HYD TUBE ASSY	37	1	614713	04C1T-06FJX-06FJX-24
17	4	615684	HYD TUBE ASSY, BOOM EXT FOLD96	38	1	616037	04C1T-06FJX-06FJX-29
18	14	618119	9/16MJIC-90-9/16MOR LBO	39	6	616040	04C1T-06FJX-06FJX-67
19	2	618688	9/16MOR-90-9/16MJ .025 CHK VLV	40	4	616043	04C1T-06FJX-06FJX-23
20	6	614750	.042 ELBOW ASSY, 9/16MOR 90D	41	1	616049	04C1T-06FJX-06FJX-26
21	1	616028	04C1T-06FJX-06FJX-47	42	4	615442	04C1T-06FJX-06FJX-55

293703 - BOOM FOLD
LIMIT HARNESS 2100
TO BOOM EXT. SWITCH
SHEET 3 OF 5



293435 - CONSOLE, SEAT
TREAD ADJ HARNESS

SHEET 2 OF 5

293511 - ENG WIRE HARNESS, 2100 00

293437 - WORK LIGHT
HARNESS 2100 98
SHEET 2 OF 5

293380 - MPH WIRE ASSY, 284 LEG 97

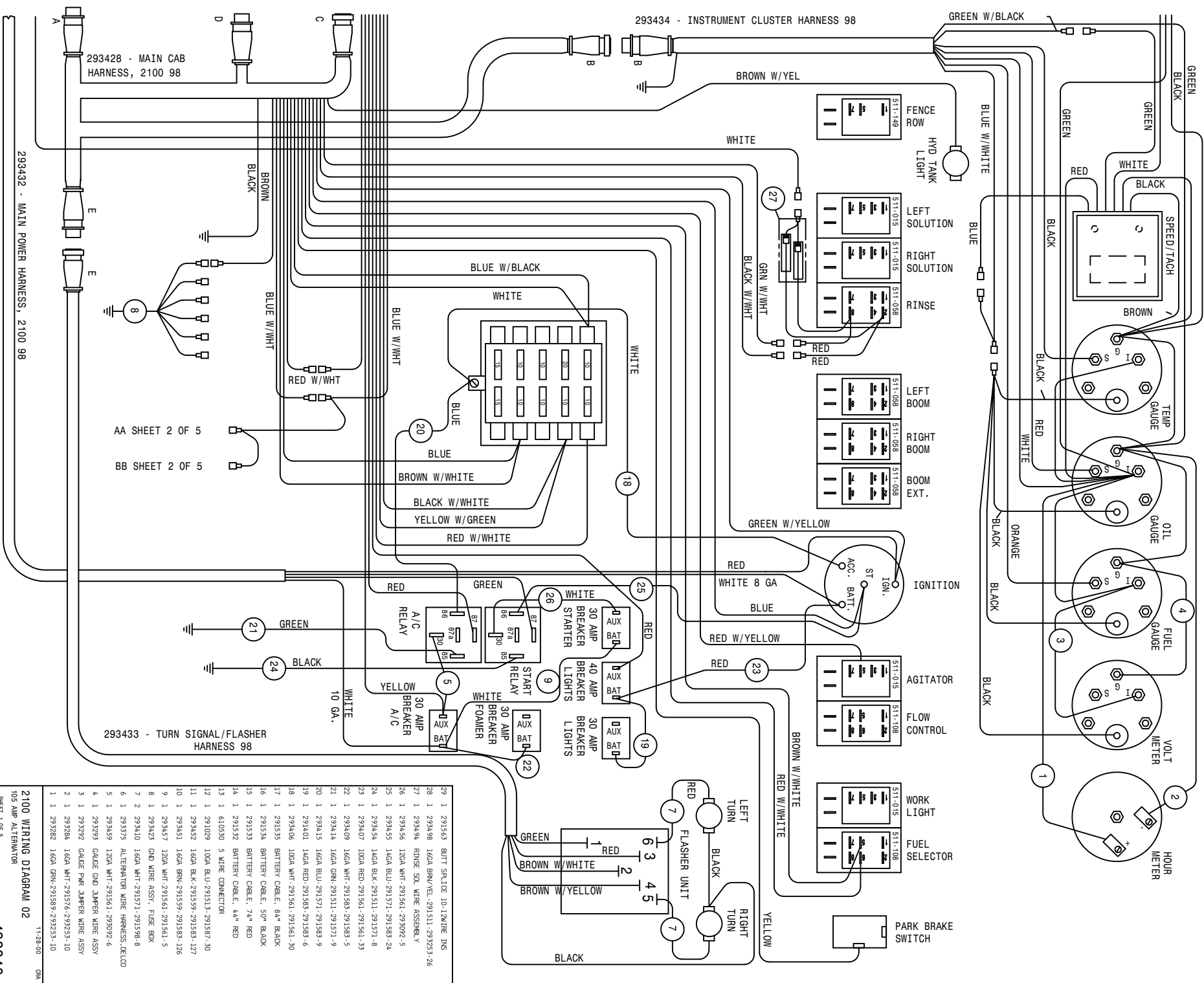
293379 - MPH WIRE ASSY,
284 MAIN 97

293429 - CAB WIRE HARNESS
SHEET 4 OF 5

293436 - FLASHER
WIRE HARNESS 98

293510 - RINSE VLV HARNESS

293434 - INSTRUMENT CLUSTER HARNESS 98

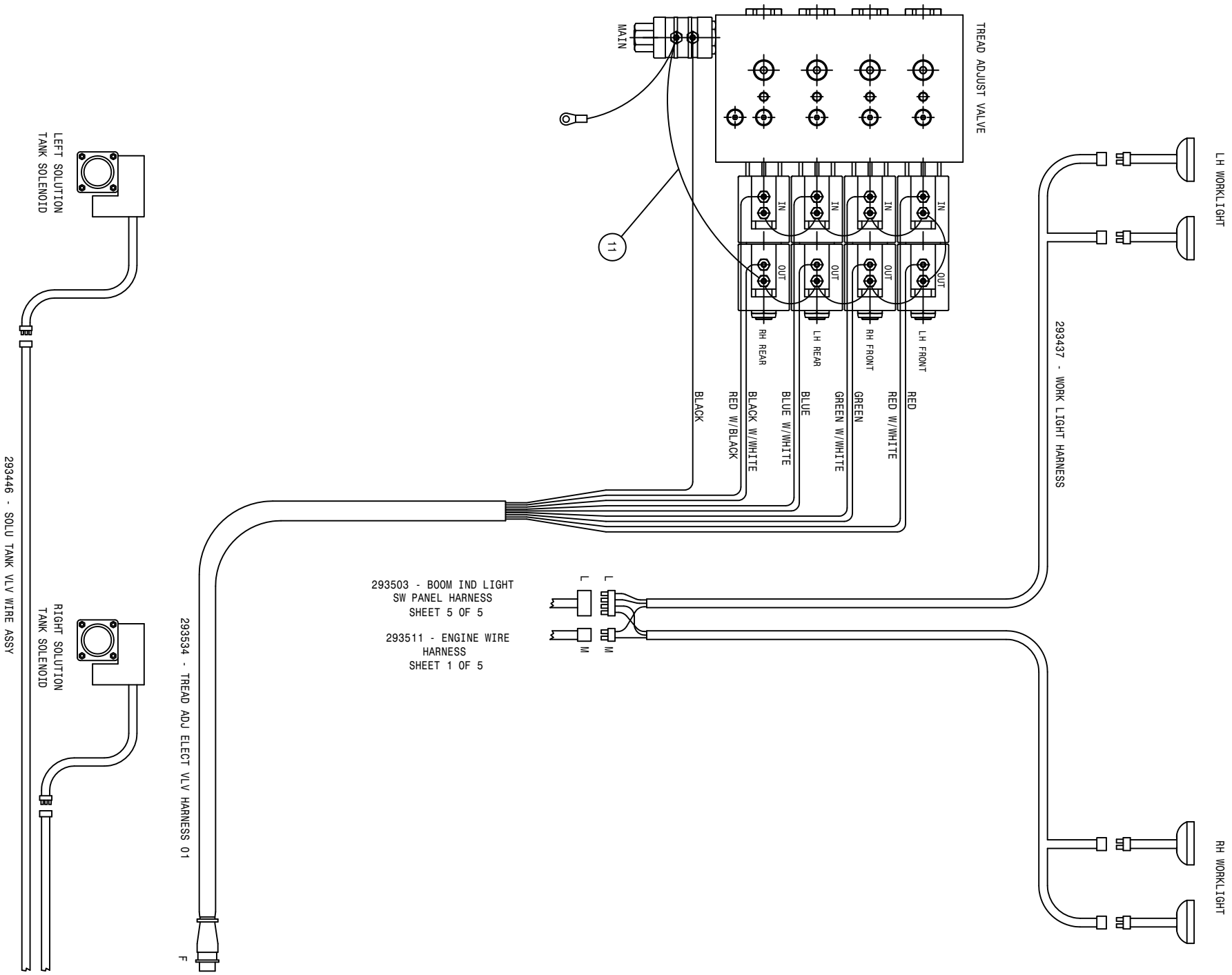


AA SHEET 2 OF 5
BB SHEET 2 OF 5

293433 - TURN SIGNAL/FLASHER HARNESS 98

29	1	291543	BATT SW/ICE 10-12WIRE INS
28	1	293498	16GA BRN/YEL-291511-29253-76
27	1	293496	RINSE SOL WIRE ASSEMBLY
26	1	293456	16GA WHT-291561-293092-5
25	1	293455	16GA BLU-291571-291583-24
24	1	293454	16GA BK-291511-291571-8
23	1	293407	16GA RED-291561-291561-33
22	1	293409	16GA WHT-291583-291583-5
21	1	293414	16GA GRN-291511-291571-9
20	1	293415	16GA BLU-291571-291583-9
19	1	293406	16GA WHT-291561-291561-30
18	1	291401	16GA RED-291583-291583-6
17	1	291535	BATTERY CABLE, 84" BLACK
16	1	291534	BATTERY CABLE, 50" BLACK
15	1	291533	BATTERY CABLE, 74" RED
14	1	291532	BATTERY CABLE, 44" RED
13	1	610530	5 WIRE CONNECTOR
12	1	291029	10CA BLU-291513-291587-30
11	1	293452	16GA BLK-291559-291583-127
10	1	293451	16GA BRN-291591-291583-126
9	1	293457	12GA WHT-291561-291561-5
8	1	293403	GND WIRE ASSY, FUSE BOX
7	2	293410	16GA WHT-291571-291596-8
6	1	293375	ALTERNATOR WIRE HARNESS, JEL100
5	1	293459	12GA WHT-291561-293092-6
4	1	293293	GAUGE GND JUMPER WIRE ASSY
3	1	293292	GAUGE PWR JUMPER WIRE ASSY
2	1	293284	16GA WHT-291576-293253-10
1	1	293282	16GA GRN-291589-293253-10

2100 WIRING DIAGRAM 02
105 AMP ALTERNATOR
SHEET 1 OF 5
REVISION DATE: 04-24-02
498640



293503 - BOOM IND LIGHT
SW PANEL HARNESS
SHEET 5 OF 5

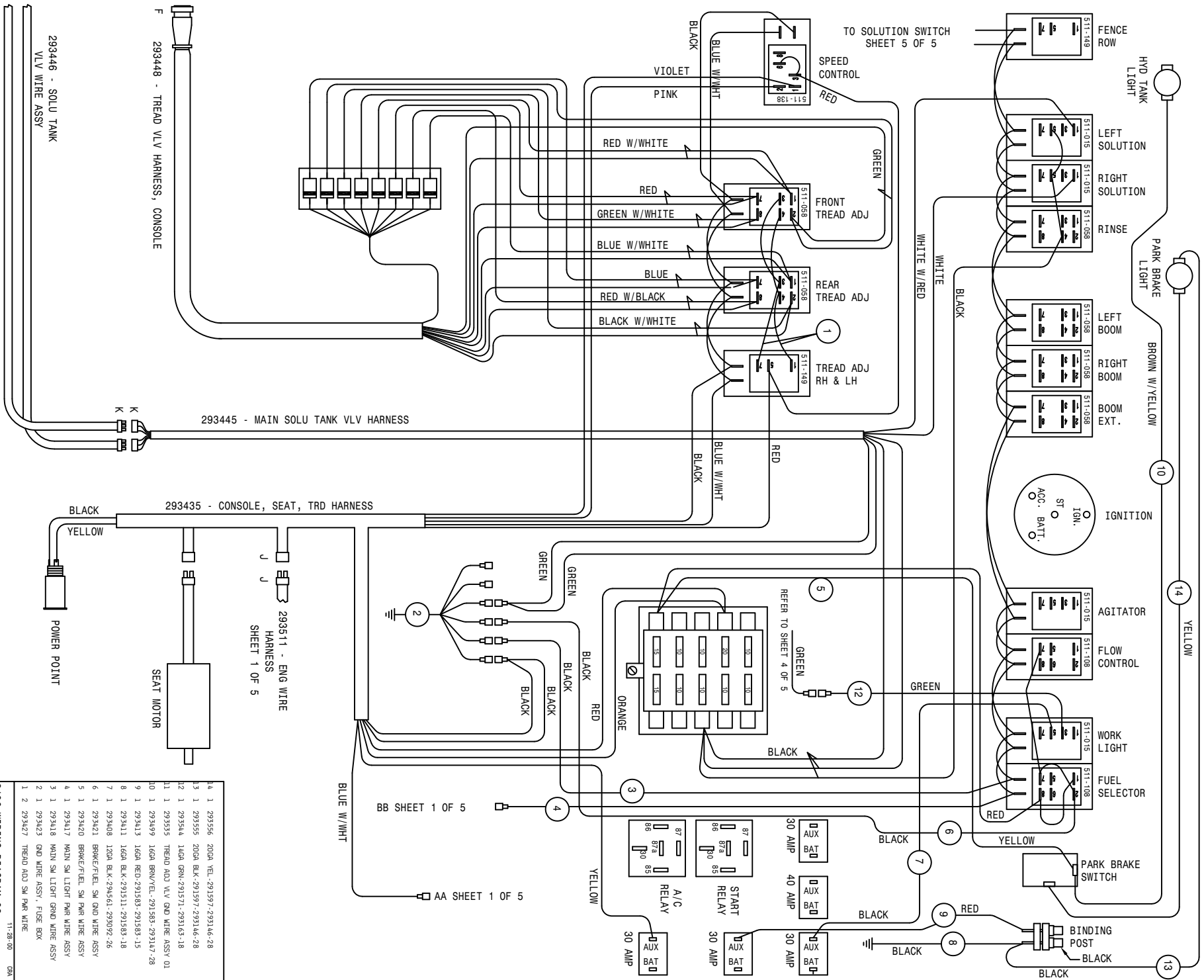
293511 - ENGINE WIRE
HARNESS
SHEET 1 OF 5

293534 - TREAD ADJ ELECT VLV HARNESS 01

LEFT SOLUTION
TANK SOLENOID

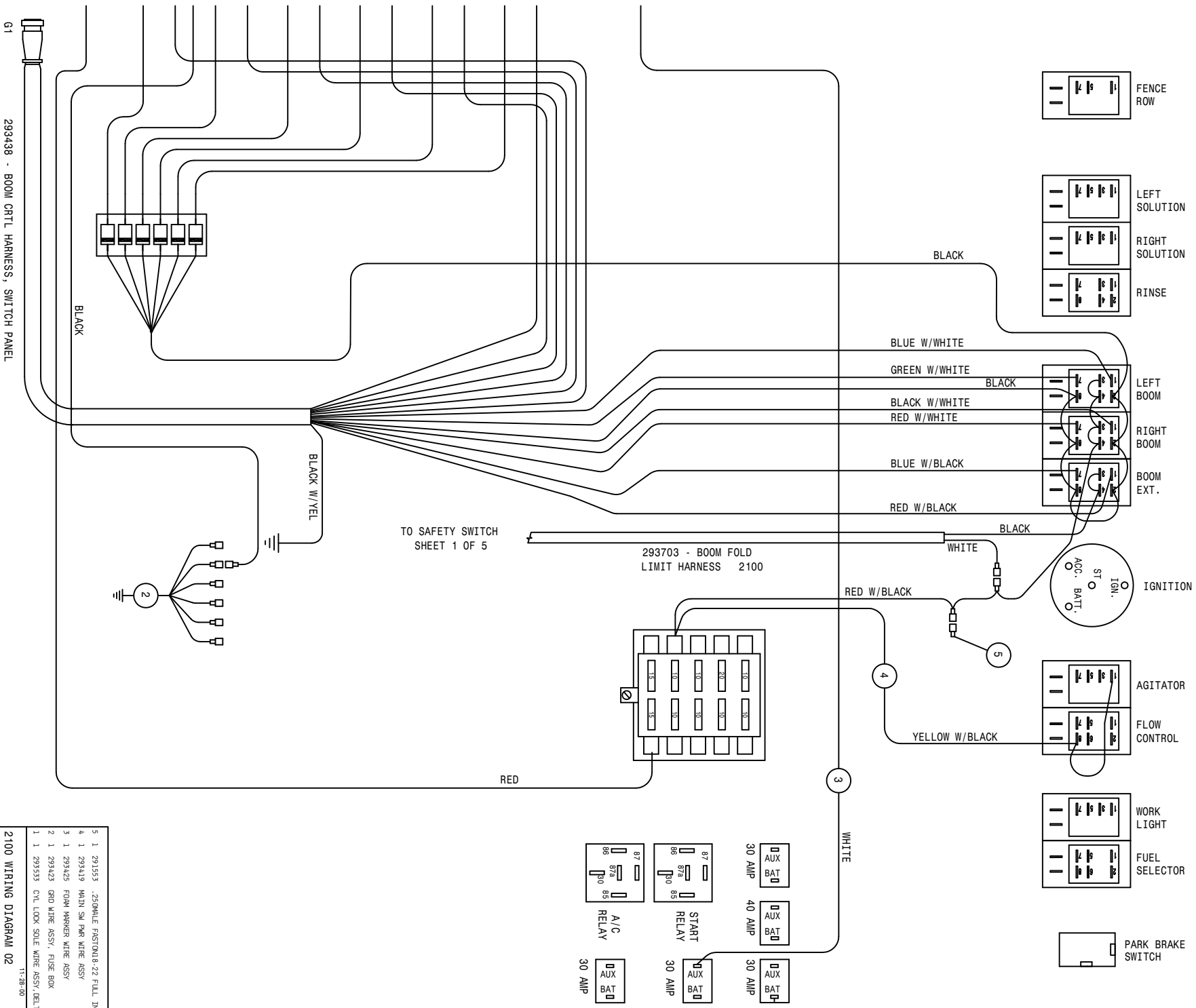
RIGHT SOLUTION
TANK SOLENOID

293446 - SOLU TANK VLV WIRE ASSY



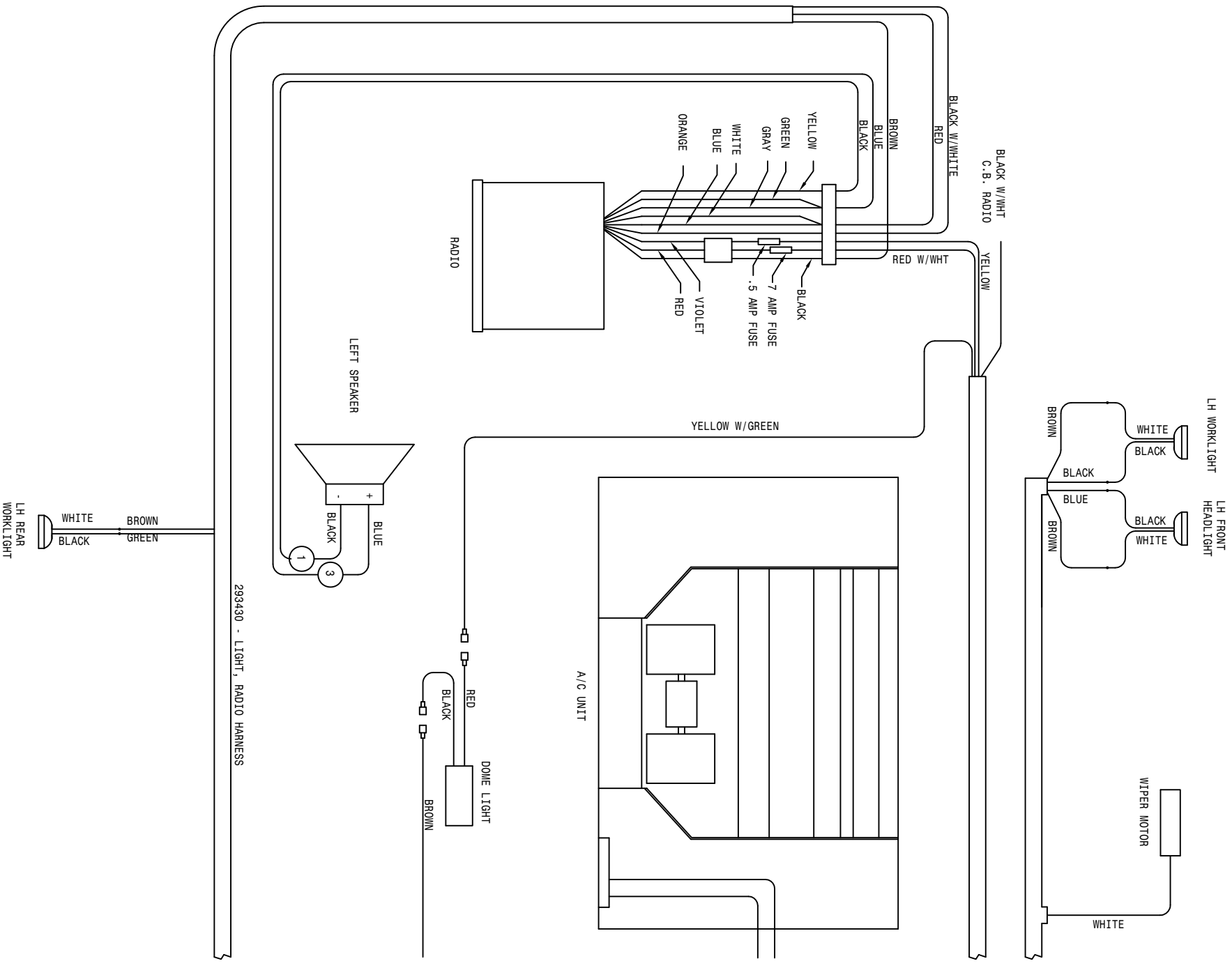
14	1	293556	20GA VEL.	291597-293146-28
13	1	293555	20GA BLK.	291597-293146-28
12	1	293544	14GA GRN.	291571-293163-18
11	1	293535	TREAD ADJ VLV GND WIRE ASSY 01	
10	1	293499	16GA BRN/VEL.	291583-293147-28
9	1	293413	16GA RED.	291583-115
8	1	293411	16GA BLK.	291511-291583-18
7	1	293408	12GA BLK.	291561-293092-76
6	1	293421	BRK/E/FUEL SM GND WIRE ASSY	
5	1	293420	BRK/E/FUEL SM PAR WIRE ASSY	
4	1	293417	MAIN SM LIGHT PAR WIRE ASSY	
3	1	293418	MAIN SM LIGHT GND WIRE ASSY	
2	1	293423	GND WIRE ASSY, FUSE BOX	
1	2	293427	TREAD ADJ SM PAR WIRE	

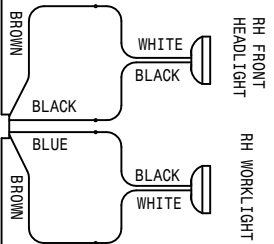
2100 WIRING DIAGRAM 02
 SHEET 2 OF 5
 REVISION DATE: 03-22-02
 105 AMP ALTERNATOR
 498640



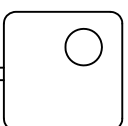
5	1	291533	.250MM FRTION:22 FULL INS
4	1	293419	MAIN SW PWR WIRE ASSY
3	1	293405	FOAM HARDER WIRE ASSY
2	1	293429	GRD WIRE ASSY, FUSE BOX
1	1	293533	CYL LOCK SOLE WIRE ASSY, DELTA

2100 WIRING DIAGRAM 02
 105 AMP ALTERNATOR
 SHEET 3 OF 5
 REVISION DATE: 04-24-02
 498640

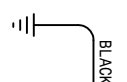




WINDSHIELD WASHER UNIT



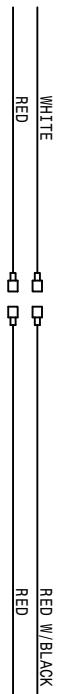
293467 - WINDSHIELD WASHER HARNESS



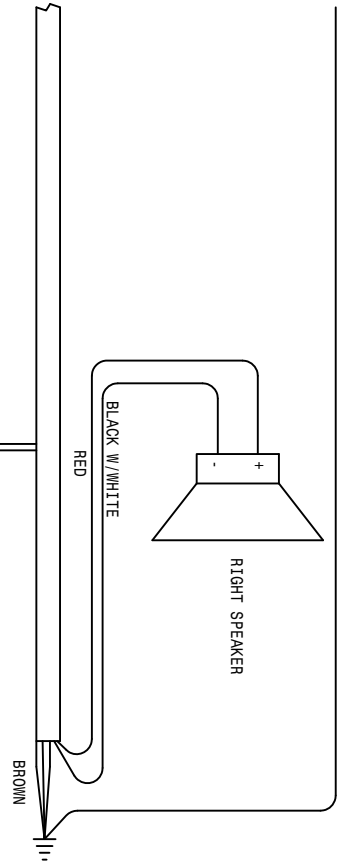
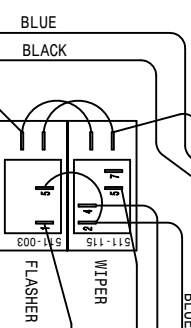
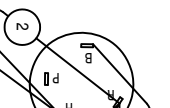
293431 - WIPER, LIGHT HARNESS

ORANGE

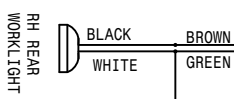
293429 - CAB WIRE HARNESS



LIGHT SWITCH



RIGHT SPEAKER



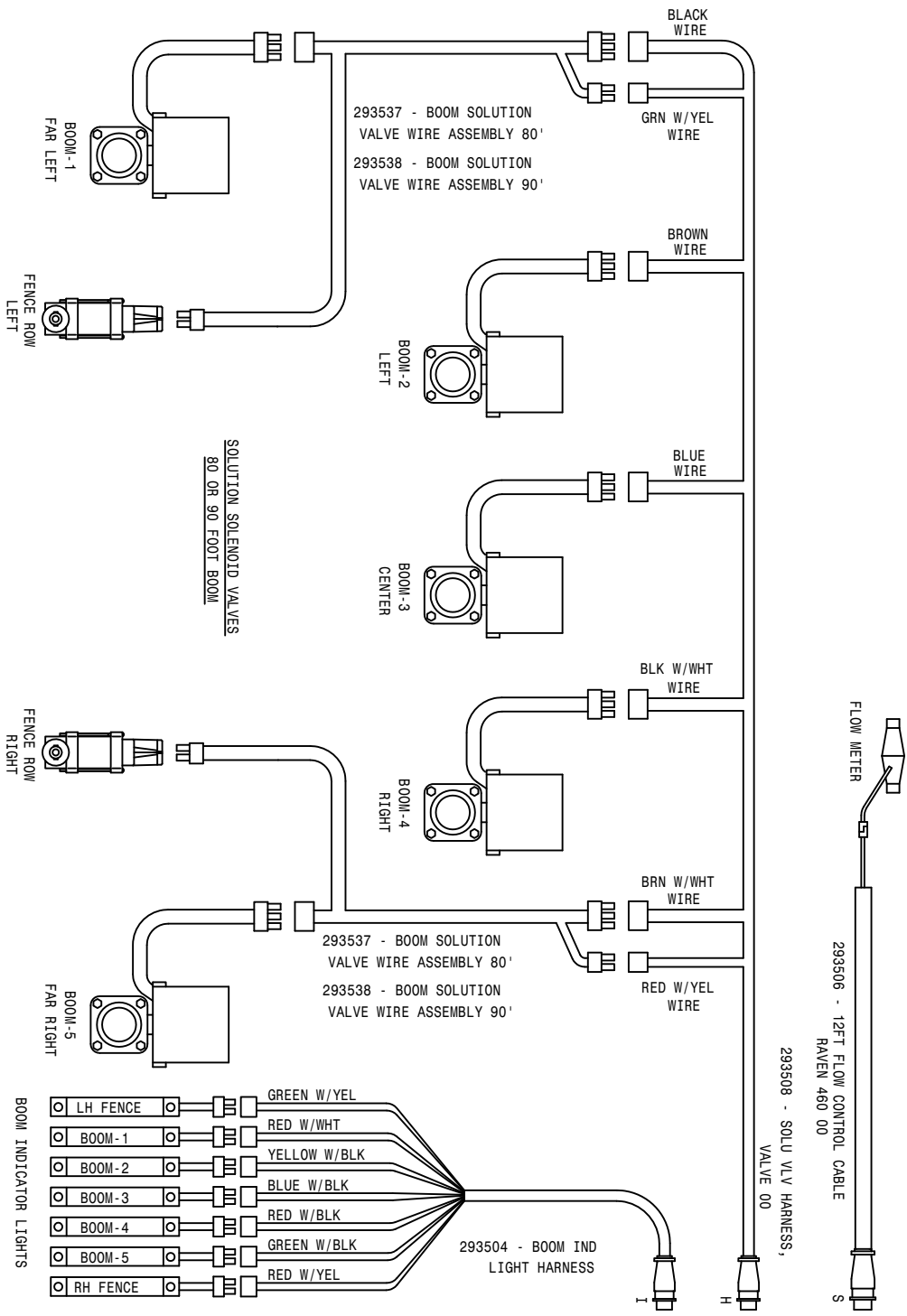
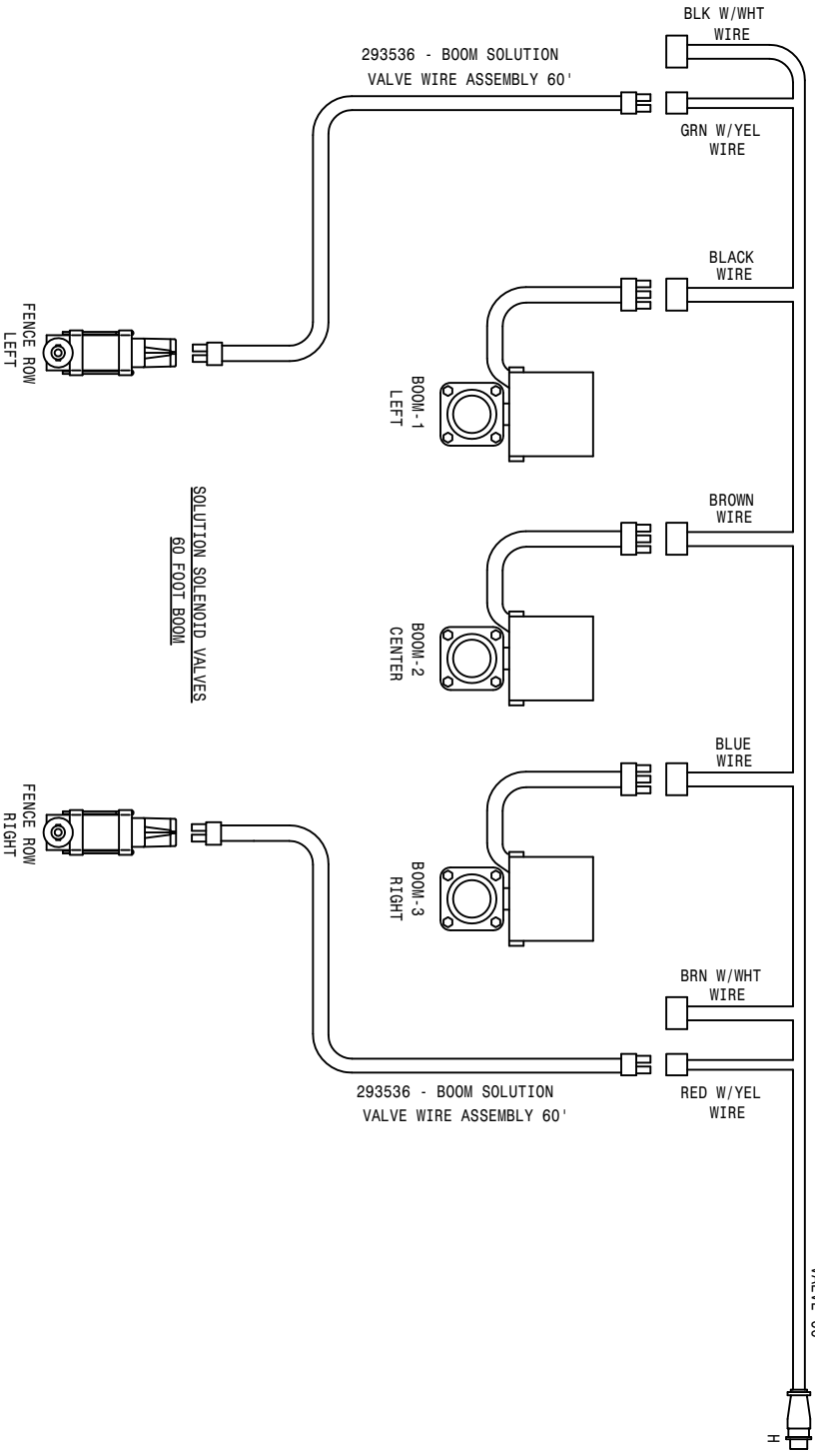
RH REAR WORKLIGHT

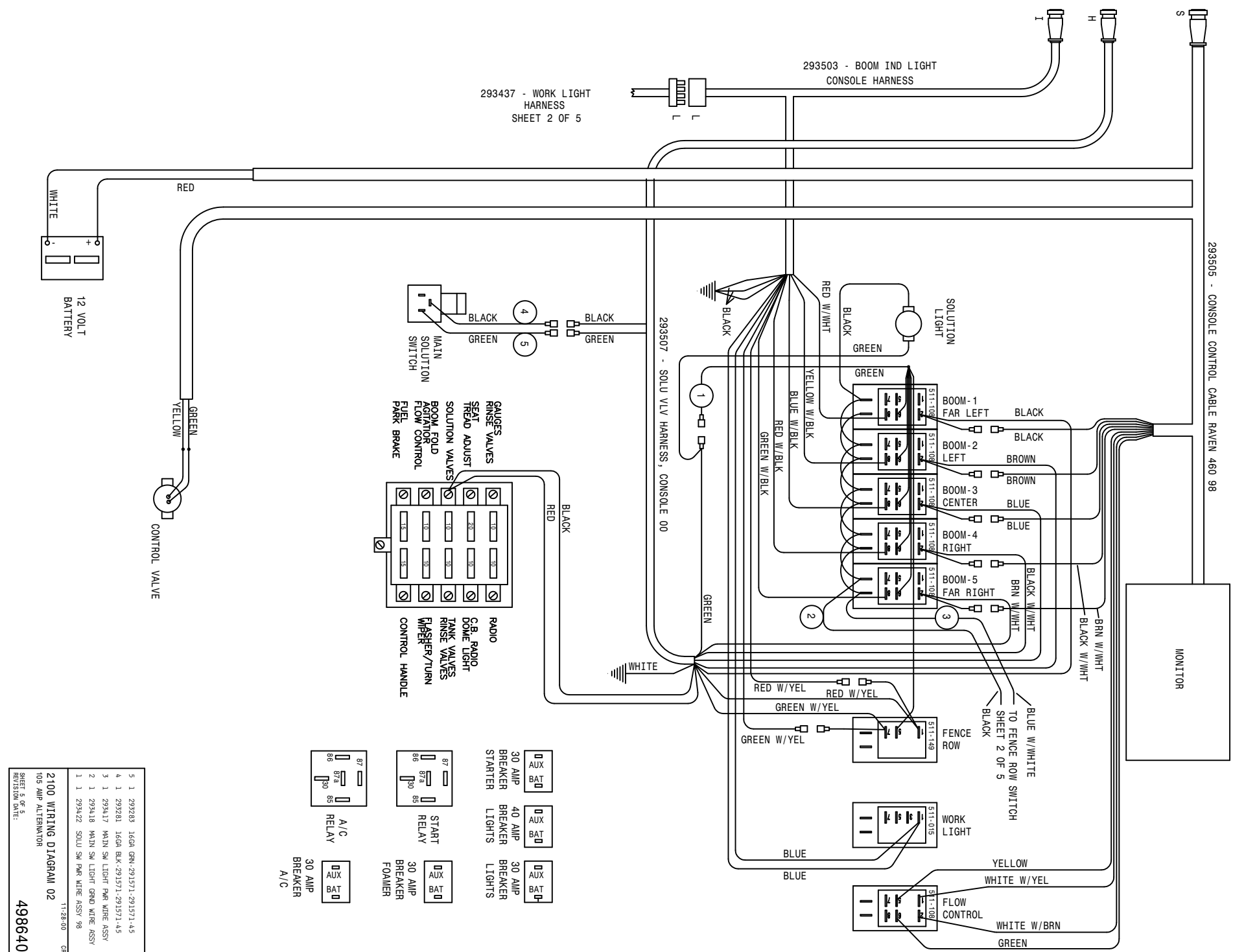
REFER TO SHEET 2 OF 5

GREEN

REFER TO SHEET 1 OF 5

3	1	293416	16GA BLU-291571-291571-28
2	1	293424	LIGHT/WIPER SW PAR WIRE
1	1	293412	16GA BLK-291571-291571-28
2100 WIRING DIAGRAM 02			
SHEET 4 OF 5			
TOP APP ALTERNATOR			
REVISION DATE: 09-13-01			
498640			
11-28-00 CSA			





293437 - WORK LIGHT HARNESS
SHEET 2 OF 5

293503 - BOOM IND LIGHT CONSOLE HARNESS

293507 - SOLU VLV HARNESS, CONSOLE 00

MONITOR

- GAUGES
- RINSE VALVES
- SEAT TREAD ADJUST
- SOLUTION VALVES
- BOOM FOLD
- AGITATOR
- FLOW CONTROL
- FUEL
- PARK BRAKE

- RADIO
- C.B. RADIO
- DOME LIGHT
- TANK VALVES
- RINSE VALVES
- MASHER/TURN
- CONTROL HANDLE

- AUX BAT 30 AMP BREAKER
- AUX BAT 40 AMP BREAKER
- AUX BAT 30 AMP BREAKER
- START RELAY 30 AMP BREAKER
- START RELAY 30 AMP BREAKER
- A/C RELAY 30 AMP BREAKER
- A/C RELAY 30 AMP BREAKER

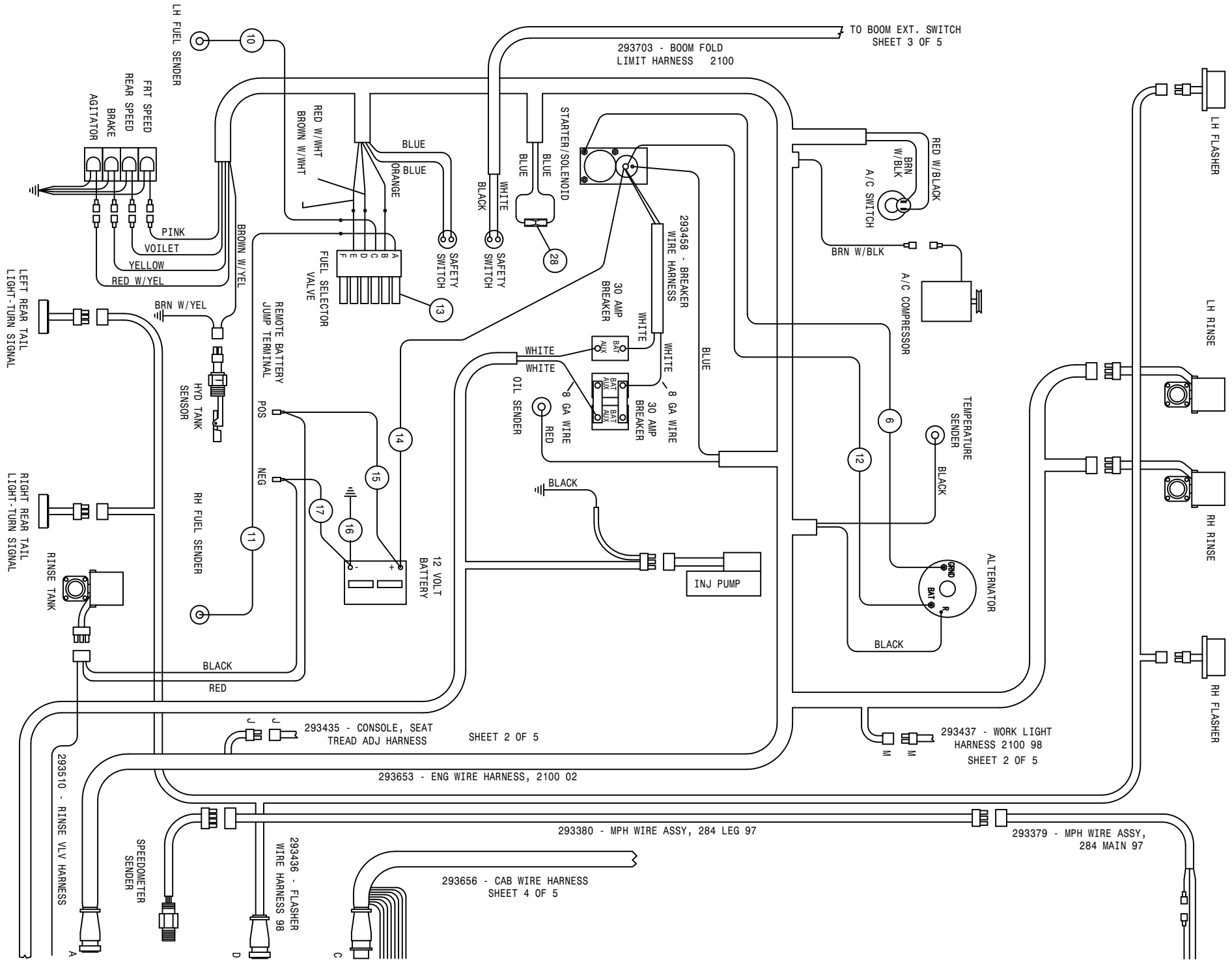
5	1	293283	16GA	GMN-291571-291571-4.5
4	1	293281	16GA	BLK-291571-291571-4.5
3	1	293417	MAIN	SM LIGHT PWR WIRE ASSY
2	1	293418	MAIN	SM LIGHT GRND WIRE ASSY
1	1	293422	SOLL	SM PWR WIRE ASSY 98

2100 WIRING DIAGRAM 02
105 AMP ALTERNATOR
11-28-00
CNA

498640

293703 - BOOM FOLD
LIMIT HARNESS 2100

TO BOOM EXT. SWITCH
SHEET 3 OF 5



SHEET 2 OF 5

293653 - ENG WIRE HARNESS, 2100 02

293656 - CAB WIRE HARNESS
SHEET 4 OF 5

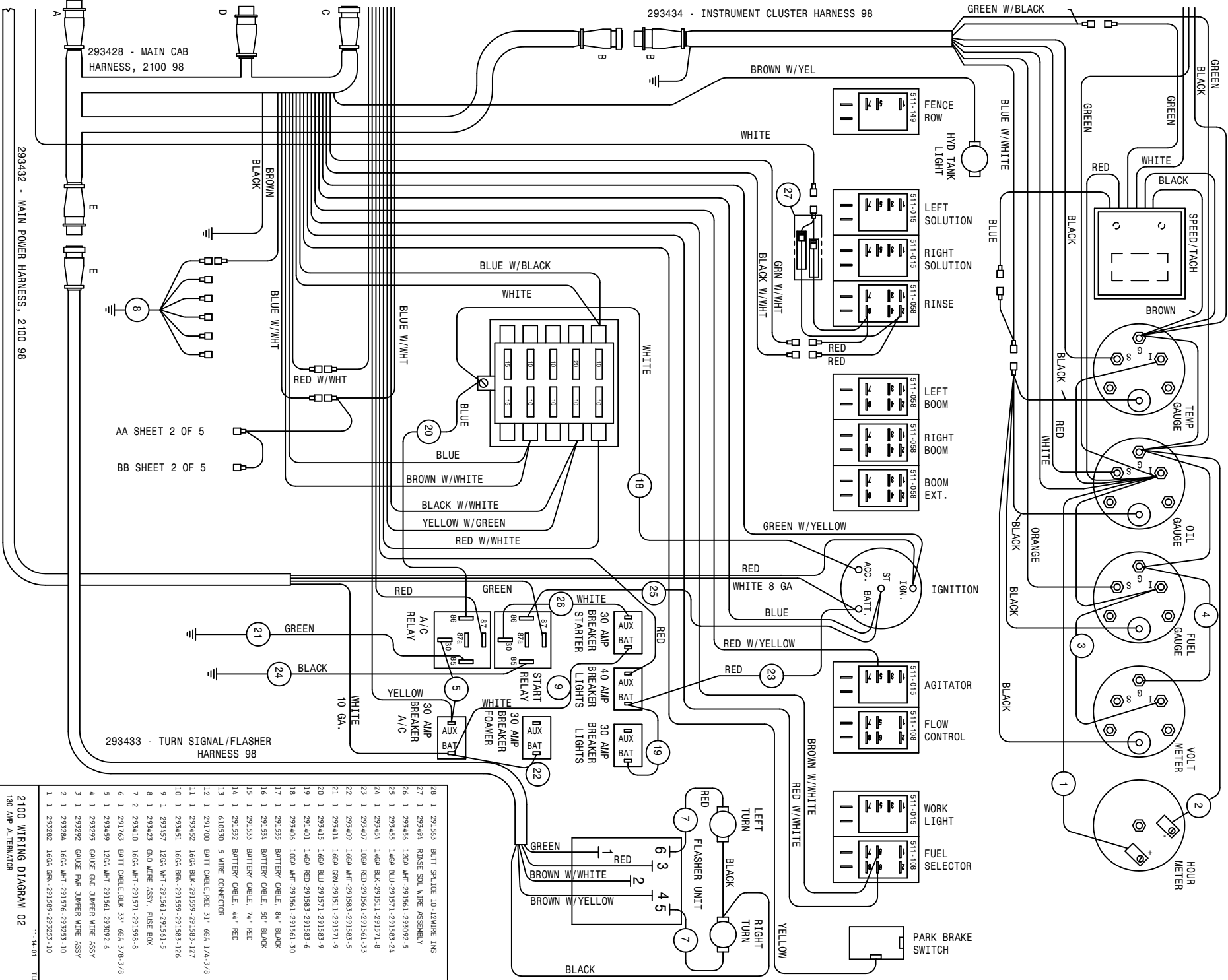
293437 - WORK LIGHT
HARNESS 2100 98
SHEET 2 OF 5

293379 - MPH WIRE ASSY,
284 MAIN 97

293380 - MPH WIRE ASSY, 284 LEG 97

293436 - FLASHER
WIRE HARNESS 98

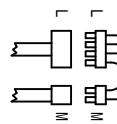
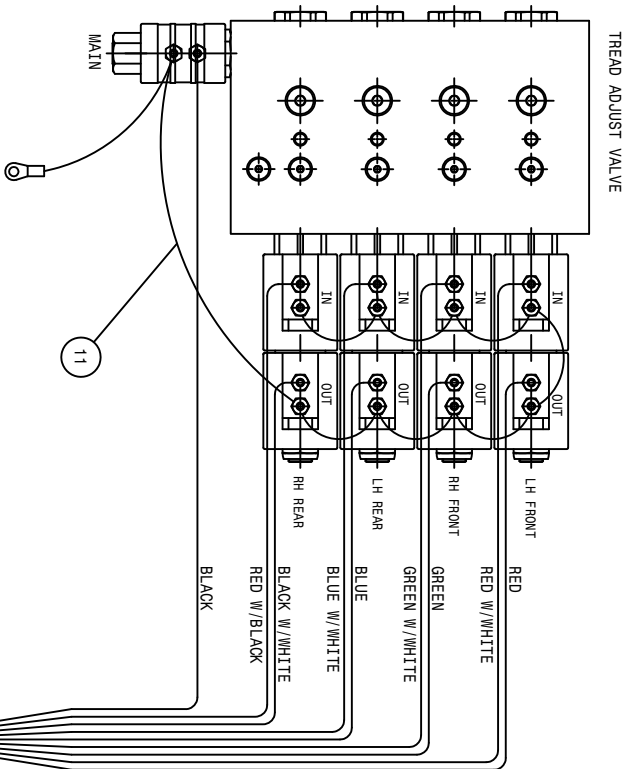
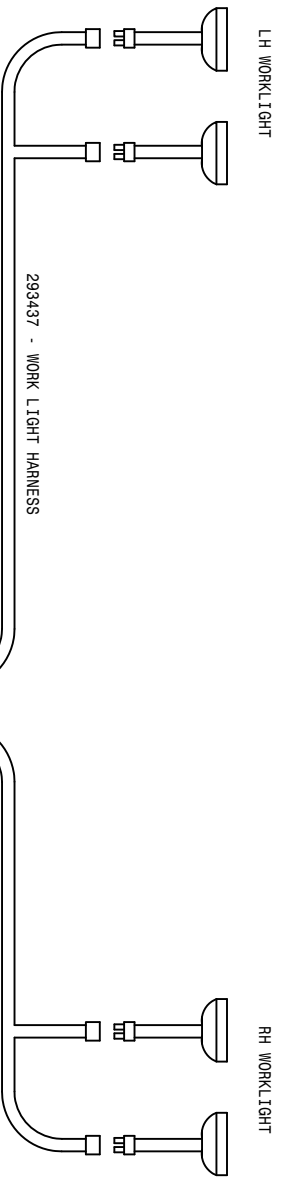
293510 - RINSE VLV HARNESS



AA SHEET 2 OF 5
 BB SHEET 2 OF 5

2100 WIRING DIAGRAM 02		11-14-01	TUM
130 AMP ALTERNATOR			
SHEET 1 OF 5			
REVISION DATE: 04-24-02			
498685			

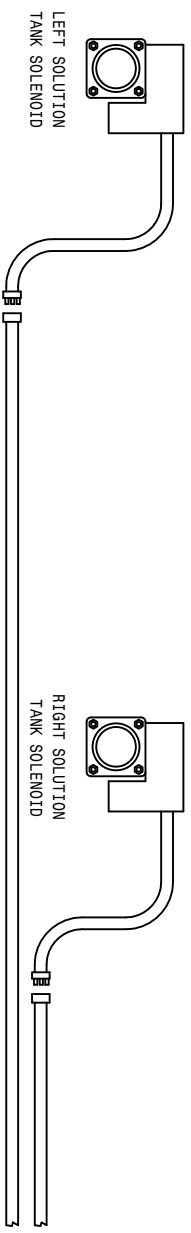
28	1	291563	BUTT 9/12E 10-12WIRE INS
27	1	291496	RINSE SOL WIRE ASSEMBLY
26	1	293456	12GA WHT-291561-293092-5
25	1	293455	14GA BLU-291571-291583-24
24	1	293454	14GA BLK-291511-291571-8
23	1	293407	10GA RED-291561-291561-33
22	1	293408	16GA WHT-291583-291583-5
21	1	293418	16GA GRN-291511-291571-9
20	1	293415	16GA BLU-291571-291583-9
19	1	291401	14GA RED-291583-291583-6
18	1	293406	10GA WHT-291561-291561-30
17	1	291559	BATTERY CABLE, 6W BLACK
16	1	291558	BATTERY CABLE, 50W BLACK
15	1	291557	BATTERY CABLE, 74W RED
14	1	291552	BATTERY CABLE, 44W RED
13	1	610590	5 WIRE CONNECTOR
12	1	291700	BATT CABLE, RED 31" 6GA 1/4-3/8
11	1	293452	16GA BLK-291599-291583-127
10	1	293451	16GA BRN-291599-291583-126
9	1	293457	12GA WHT-291561-291561-5
8	1	293423	END WIRE ASSY, FUSE BOX
7	2	293410	16GA WHT-291571-291598-8
6	1	291765	BATT CABLE, BLK 37" 6GA 3/8-3/8
5	1	293459	12GA WHT-291561-293092-6
4	1	293295	GAUGE PAR JUMPER WIRE ASSY
3	1	293292	GAUGE PAR JUMPER WIRE ASSY
2	1	293284	16GA WHT-291576-293253-10
1	1	293282	16GA GRN-291589-293253-10

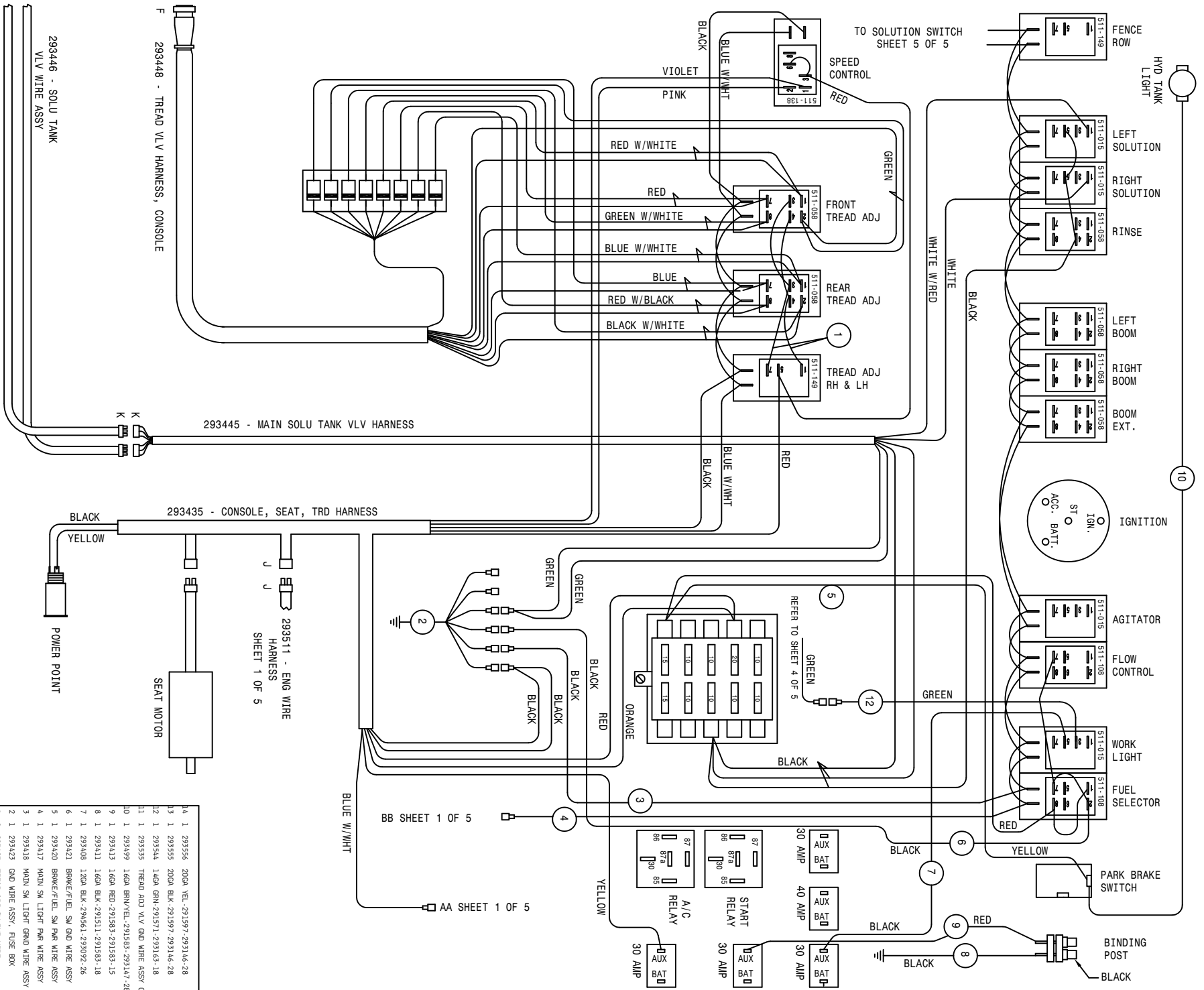


293503 - BOOM IND LIGHT SW PANEL HARNESS SHEET 5 OF 5

293511 - ENGINE WIRE HARNESS SHEET 1 OF 5

293534 - TREAD ADJ ELECT VLV HARNESS 01





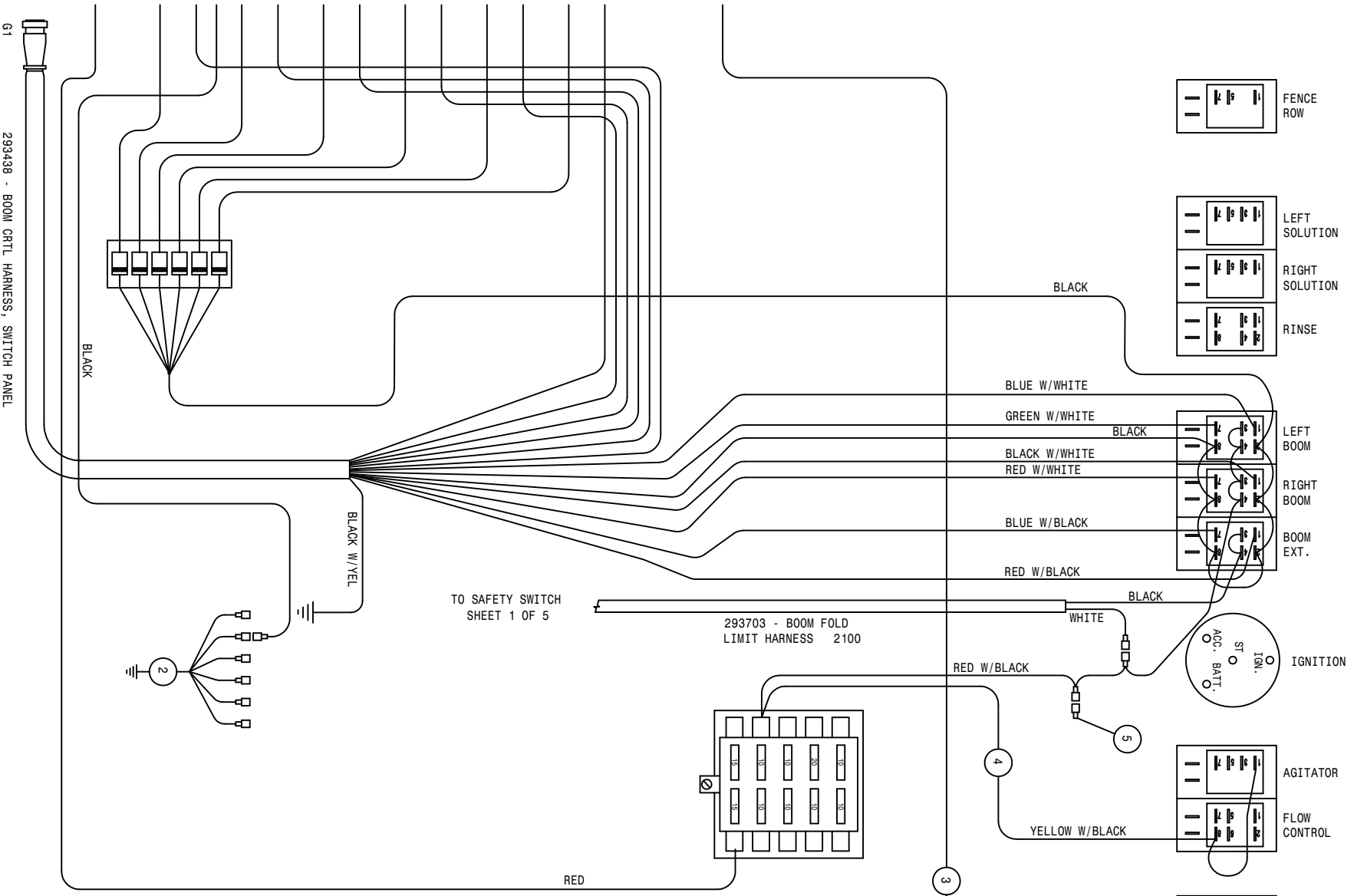
133

244133

14	1	293556	200A	VEL-291597-293146-28
13	1	293555	200A	BLK-291597-293146-28
12	1	293544	16GA	GRN-291571-293163-18
11	1	293535	TREAD ADJ	VLV GND WIRE ASSY 01
10	1	293499	16GA	BRN/VEL-291583-293147-28
9	1	293413	16GA	RED-291583-291583-15
8	1	293411	16GA	BLK-291511-291583-18
7	1	293408	12GA	BLK-291561-293092-26
6	1	293421	BRK/E/FUEL	SM GND WIRE ASSY
5	1	293420	BRK/E/FUEL	SM PARK WIRE ASSY
4	1	293417	MAIN	SM LIGHT PARK WIRE ASSY
3	1	293418	MAIN	SM LIGHT GND WIRE ASSY
2	1	293423	GND	WIRE ASSY, FUSE BOX
1	2	293427	TREAD ADJ	SM PARK WIRE

2100 WIRING DIAGRAM 02
SHEET 2 OF 5
130 AMP ALTERNATOR
REVISION DATE: 03-22-02

498685



293438 - BOOM CRTL HARNESS, SWITCH PANEL

BLACK

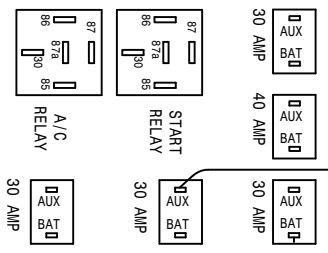
BLACK W/YEL

TO SAFETY SWITCH
SHEET 1 OF 5

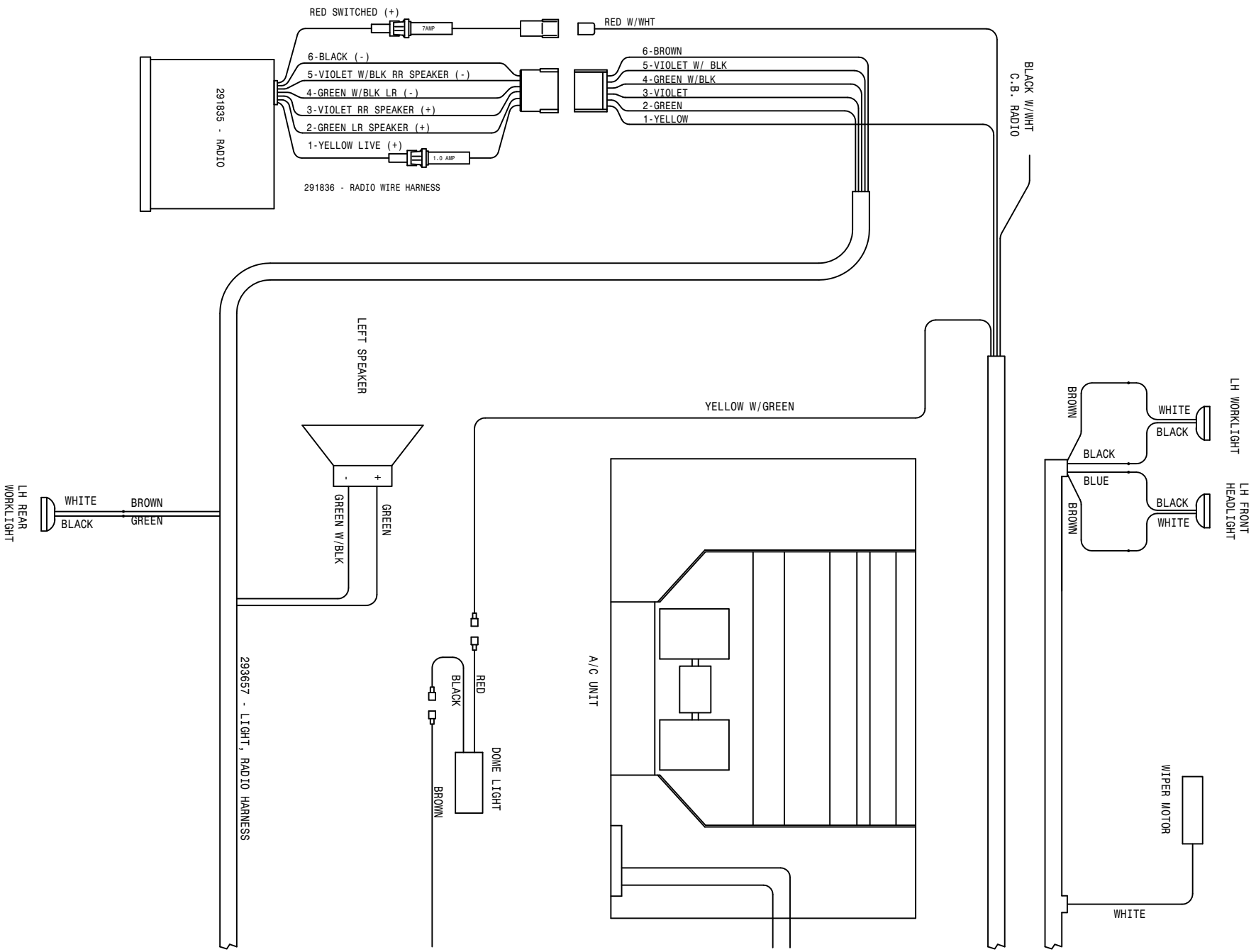
293703 - BOOM FOLD
LIMIT HARNESS 2100

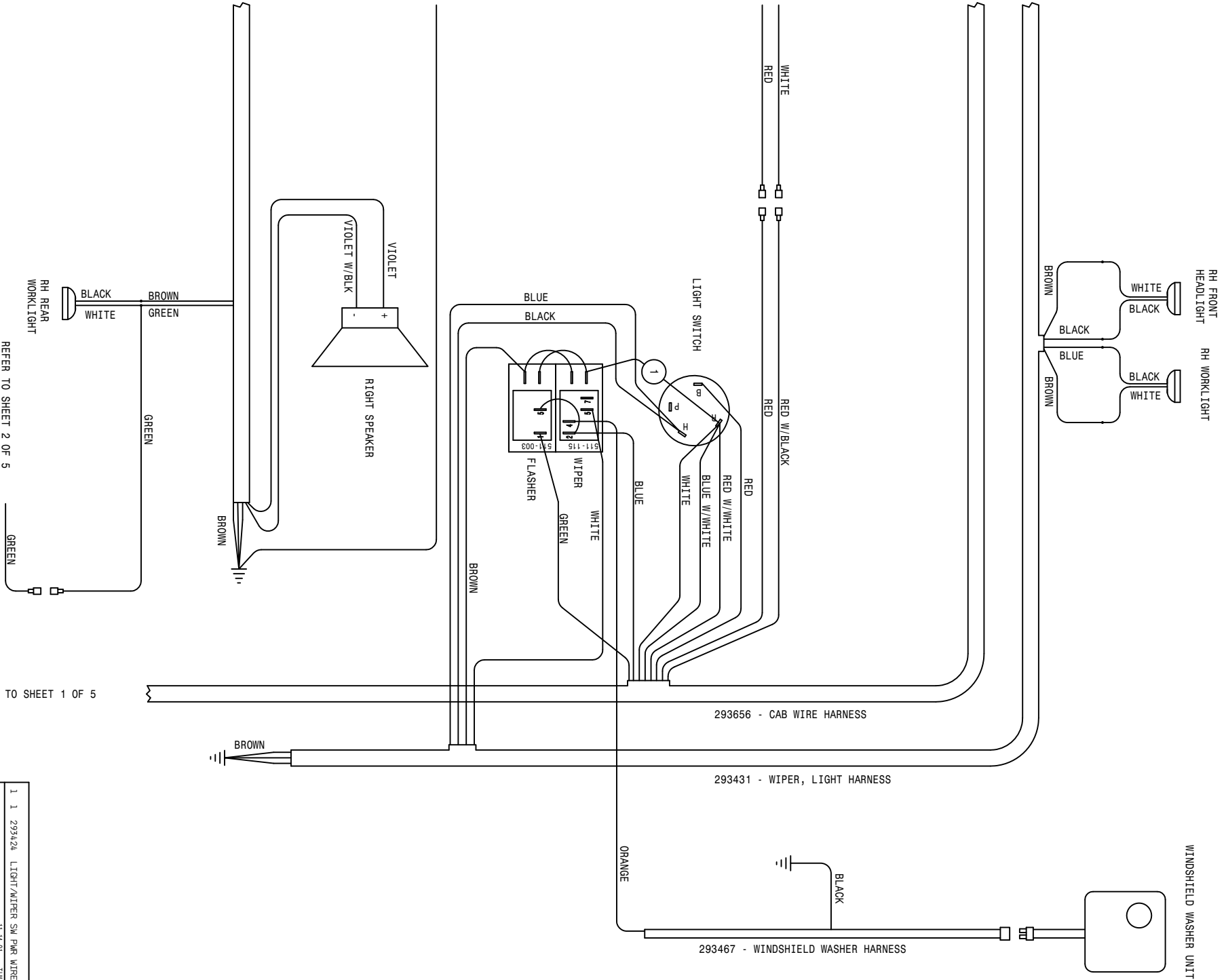
RED

WHITE



5	1	291553	.250WALE FASTON18-22 FULL INS
4	1	293419	MAIN SW PWR WIRE ASSY
3	1	293425	FOAM MARKER WIRE ASSY
2	1	293423	GRD WIRE ASSY - FUSE BOX
1	1	293533	CYL LOCK SOLE WIRE ASSY, DELTA
2100 WIRING DIAGRAM 02			
130 AMP ALTERNATOR			
REVISION DATE: 12-05-01			
498685			

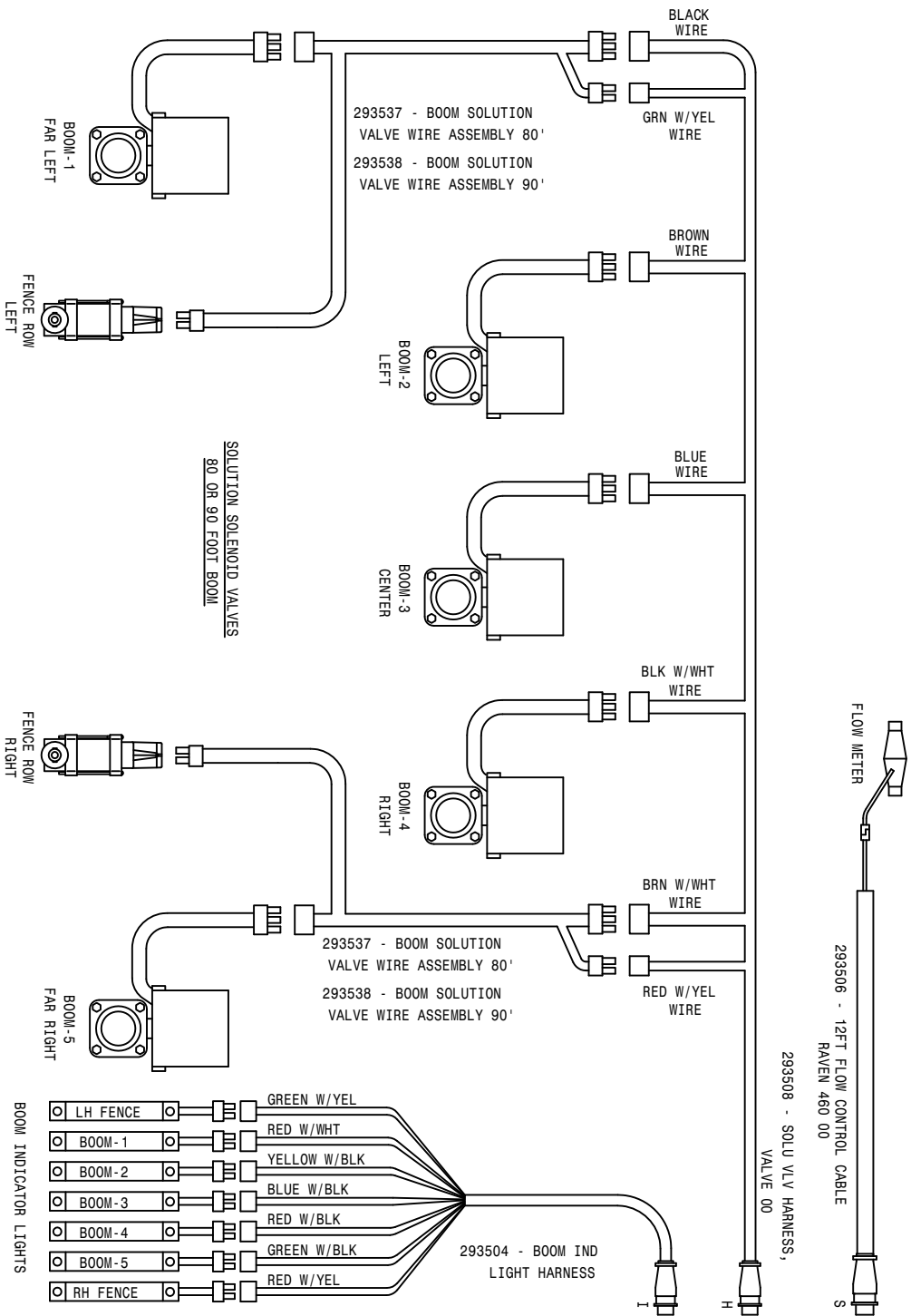
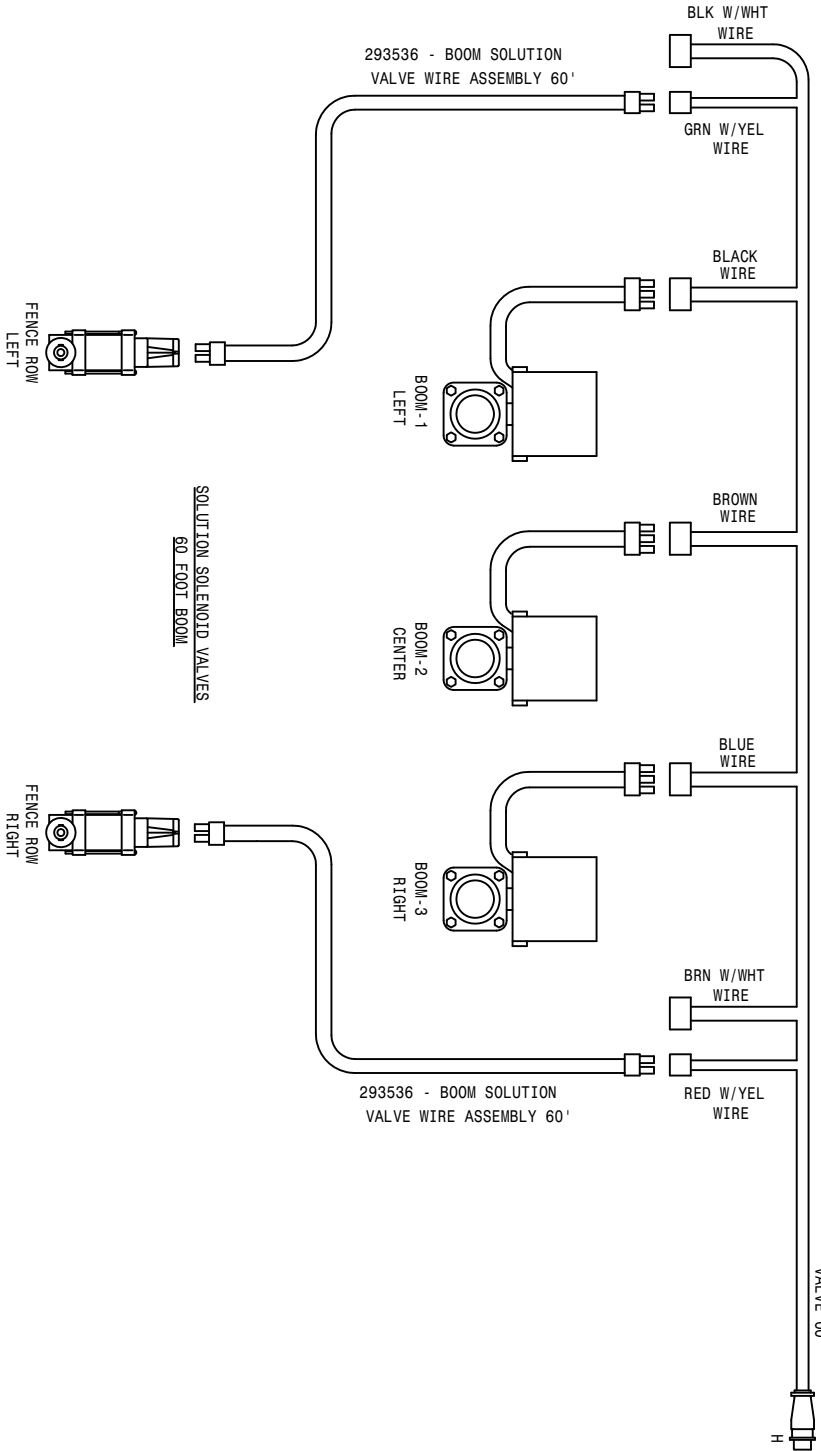


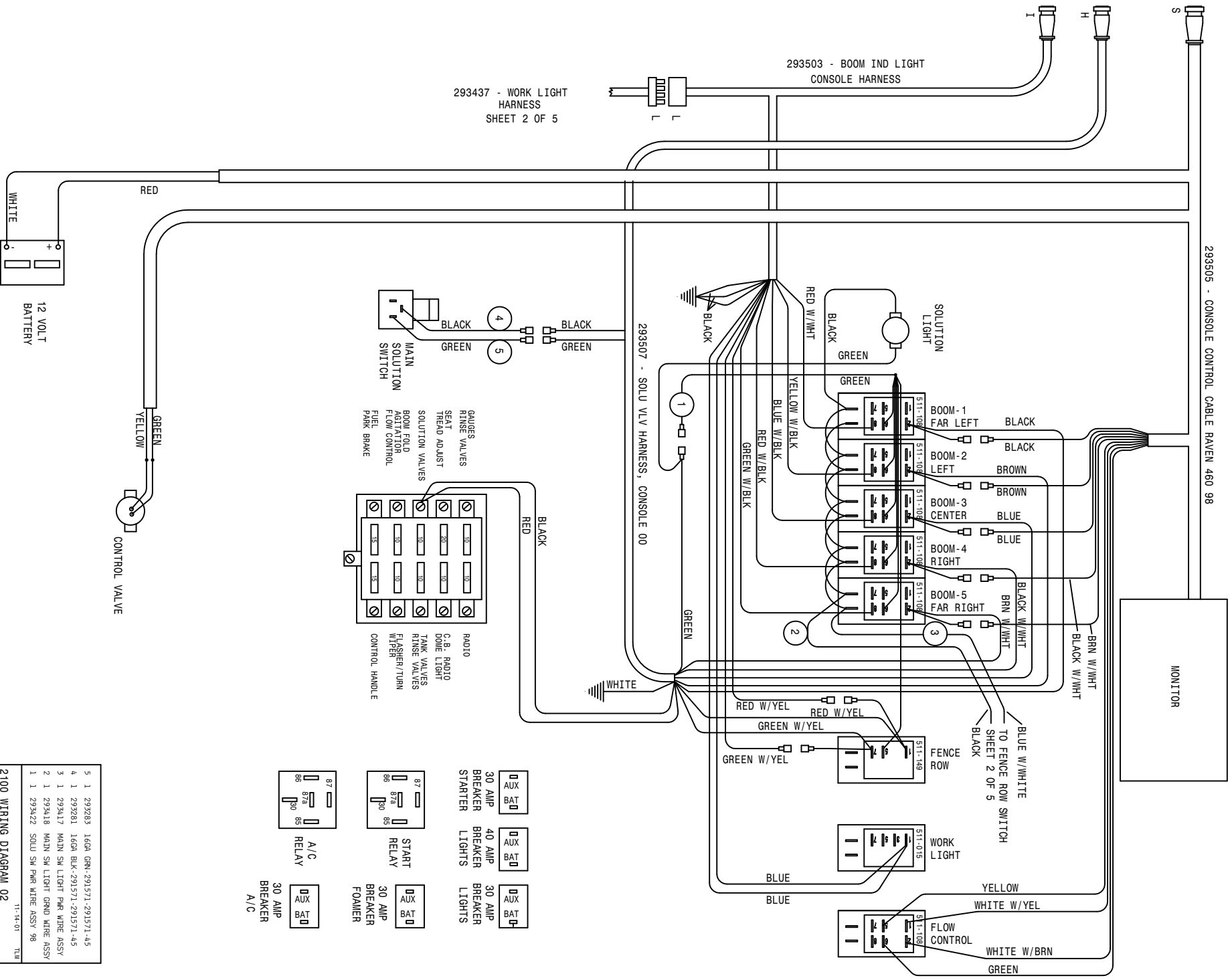


REFER TO SHEET 1 OF 5

REFER TO SHEET 2 OF 5

1	1	293424	LIGHT/WIPER SW PWR WIRE	11-14-01	TUM
2100 WIRING DIAGRAM 02					
130 AMP ALTERNATOR					
SHEET 4 OF 5					
REVISION DATES					
498685					

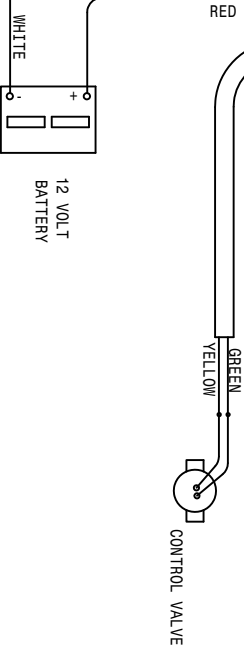




293437 - WORK LIGHT HARNESS
SHEET 2 OF 5

293503 - BOOM IND LIGHT CONSOLE HARNESS

293507 - SOLU VLV HARNESS, CONSOLE 00



- 30 AMP AUX BAT BREAKER
- 40 AMP AUX BAT BREAKER
- 30 AMP AUX BAT BREAKER
- 30 AMP START RELAY
- 30 AMP A/C RELAY
- 30 AMP A/C BREAKER
- 30 AMP RADIO STARTER
- 30 AMP RADIO LIGHTS
- 30 AMP FOMMER

5	1	29283	16GA GRN-291571-291571-45
4	1	29281	16GA BLK-291571-291571-45
3	1	293417	MAIN SW LIGHT PARK WIRE ASSY
2	1	293418	MAIN SW LIGHT GRND WIRE ASSY
1	1	293422	SOLU SW PARK WIRE ASSY 98

2100 WIRING DIAGRAM 02
130 AMP ALTERNATOR
11-14-01 TLM
498685

ABBREVIATIONS

A/C - AIR CONDITIONER	MT - MOUNT
ADPTR - ADAPTER	MTR - MOTOR
AGI - AGITATOR	P/N - PART NUMBER
ALT - ALTERNATOR	PLT - PLATE
ASSY - ASSEMBLY	QTY - QUANTITY
BRKT - BRACKET	RED - REDUCER
DET - DETAIL	REF - REFERENCE
DISPL - DISPLACEMENT	REST - RESTRICTOR
EL - ELBOW	REQ - REQUIRED
EXT - EXTENSION	SHFT - SHAFT
FLO - FLOW	SOL - SOLUTION
FNPT - FEMALE NATIONAL PIPE THREAD	STRG - STEERING
FOR - FEMALE O-RING	ST - STREET
FRT - FRONT	SWIV - SWIVEL
HYD - HYDRAULIC	UNC - UNIFIED NATIONAL COURSE
HYDRO - HYDROSTATIC	UNF - UNIFIED NATIONAL FINE
LG - LONG	V - VOLT
LWR - LOWER	W/ - WITH
MJIC - MALE J.I.C.	WHL - WHEEL
MOR - MALE O-RING	WLD - WELDMENT

INDEX

-A-

ABBREVIATIONS..... 140
ACCUMULATOR CYLINDER..... 84, 85
AGITATOR
 IMPELLER..... 61,63
 SHAFT..... 61,63
 SHIELD..... 61,63
 SOLUTION..... 61,63
 VARIABLE FLOW CONTROL..... 15
AIR BAG..... 22,24,26,28
AIR CLEANER..... 33
 BAND..... 33
 FILTER..... 33
 HOOD..... 33
 HOSE..... 33
AIR CONDITIONER..... 36
 BLOWER..... 36
 COMPRESSOR..... 5
 CONDENSOR..... 19
 DRYER..... 19
 EVAPORATOR..... 36
 FILTER..... 36
AIR INTAKE..... 19
AIR LINE..... 9,45
AIR REGULATOR..... 45
AIR SEAT..... 47
AIR TANK..... 8,9
ANTENNA..... 36

-B-

BATTERY..... 58
 BOX..... 58
 CABLE..... 58
 HOLD DOWN..... 58
BEARING, LEG..... 22,24,26,28
BELT..... 4,6
BINDING POST..... 44
BLADE, WIPER..... 34
BLOWER MOTOR..... 36
BOOM..... 90,91,92,93,94
 CONTROL VALVE..... 80,81
 CRADLE..... 56,57
 HINGE..... 92,94
 LIGHTS..... 95
 SOLENOID..... 64,65,66,67,68,69
 SPRING..... 86
BOX FUSE..... 46
BREAKAWAY..... 83
BREAKER CIRCUIT..... 4,46
BUMPER, LEG..... 22,24,26,28

-C-

CAB..... 34
 LIGHTS..... 34,36
CABLE,
 BATTERY..... 58
 GROUND..... 4
 HYDROSTATIC..... 42
 THROTTLE..... 5,42
CHEMICAL INDUCTOR..... 107
CIRCUIT BREAKER..... 4,46
CLAMP,
 AIR CLEANER..... 33
 MUFFLER..... 32,33
CONDENSOR..... 19
CONSOLE..... 40,47
CRADLE
 BOOM..... 56,57
 SOLUTION TANK..... 60,62
CROP GUIDE..... 23,25,27,29
CYLINDER
 ACCUMULATOR..... 84,85
 FOLD..... 88,89
 LEVEL..... 87
 LIFT..... 86
 STEERING..... 30
TREAD ADJUST..... 101,102

-D-

DECALS..... 112
DIAGRAMS, WIRING..... 120
DOOR..... 35
 LATCH..... 35
DRAIN VALVE..... 8,9
DRINK HOLDER..... 41
DRIVE DISK..... 5
DYER, A/C..... 19
BELT..... 4,6

-E-

ENGINE..... 4,5
 HOOD..... 48
EXHAUST STACK..... 32

-F-

FAN..... 4
 SPACER..... 4
FEEDER TEE..... 78

FENCE ROW.....71, 72
 FILTER,
 AIR CLEANER.....33
 AIR CONDITIONER.....36
 ENGINE.....4
 FUEL.....5
 HYDRAULIC.....11
 MINDER.....48
 FLOW DIVIDER.....14, 16
 FLOW METER.....64, 65, 67, 68
 FLUSHING VALVE.....10
 FOAM.....34, 37
 FOAMER TANK.....98
 FOAMER VALVE.....111
 FOLD CYLINDER.....88, 89
 FUEL,
 SELECTOR VALVE.....54
 STRAINER.....5
 TANK.....54
 TANK MOUNT.....52, 53
 FUSE.....46
 BOX.....46

-G-

GAS SPRING.....38, 41, 48
 GAUGE
 AIR REGULATOR.....45
 OIL PRESSURE.....39
 PRESSURE.....45, 64, 65, 67, 68
 TEMPERATURE.....39
 TREAD ADJUST.....55
 GRAB HANDLE.....34
 GLASS.....34, 35
 GROUND CABLE.....4
 GROUND STRAP.....34
 GUIDE, STALK.....23, 25, 27, 29

-H-

HANDLE,
 DOOR.....35
 GRAB.....34
 HANDRAIL.....55
 HEADLIGHT.....34, 59, 82
 HEADLINER.....36
 HEATER COIL.....36
 HINGE, BOOM.....92, 94
 HOOD,
 AIR CLEANER.....33
 ENGINE.....48
 HOOK, RUBBER.....39
 HOSE, RADIATOR.....4
 HOSING, SOLUTION.....74, 75, 76, 77
 HOUR METER.....39
 HUB, TORQUE.....23
 HYDRAULIC

DAMPER.....35
 FILTER.....11
 SOLENOID VALVE.....12
 SCHEMATIC.....114
 TANK.....20
 HYDROSTATIC
 CABLE.....42
 LEVER.....42

-I-

IGNITION SWITCH.....44
 INDUCTOR, CHEMICAL.....107
 INJECTION PLATFORM.....110
 INSTRUMENT PANEL.....39

-L-

LADDER.....52, 53
 LATCH, DOOR.....35
 LEG,
 BEARING.....22, 24, 26, 28
 BRACE.....59
 BUMPER.....22, 24, 26, 28
 FRONT.....22, 24
 REAR.....26, 28
 LEVEL CYLINDER.....87
 LEVER,
 HYDROSTATIC.....42
 THROTTLE.....43
 LIFTARM.....82
 LIFT CYLINDER.....86
 LIGHT,
 BOOM.....95
 CAB.....34, 36
 SWITCH.....36

-M-

MIRROR.....34
 MOTOR
 BLOWER.....36
 STEERING.....38
 WHEEL.....23, 25, 27, 29
 WIPER.....34
 MOUNT,
 CAB.....34
 MOTOR.....4, 5
 PUMP.....7
 MUFFLER.....32
 CLAMP.....32, 33
 MULLION.....48

-N-

NOZZLE, REAR WHEEL.....108
 NOZZLE, RINSE.....97

-0-
OIL
COOLER.....19
PRESSUR.....39
SENDER.....5
TANK.....20

-P-
PAD, RADIATOR.....19
PANEL, SWITCH.....44
PLATFORM, INJECTION.....110
POWER POINT.....47
PRESSURE
GAUGE.....45, 64, 65, 67, 68
WASHER.....105
PUMP,
SOLUTION.....99
SUNDSTRAND.....7

-Q-
QUICK FILL.....70

-R-
RADAR.....109
RADIATOR.....19
HOSE.....4
PAD.....19
RECOVERY TANK.....50
SHROUD.....19
RADIO.....36
RAVEN, VFC.....17
REAR WHEEL NOZZLE.....108
RELAY.....46
RELIEF VALVE.....14
RETURN TEE ASSEMBLY.....18
RIM.....21
RINSE
NOZZLE.....97
TANK.....96
RUBBER,
HOOK.....48
MOUNT.....4, 5, 7, 34

-S-
SCHEMATIC, HYDRAULIC.....114
SEAT.....47
SENDER,
OIL.....5
TEMPERATURE.....4
SERVICE PLATFORM.....55

SHEET METAL.....48, 49
SHIELD, TANK.....59
SHROUD, RADIATOR.....19
SIDERAIL.....55
SMV SIGN.....55
SOLENOID, BOOM..64, 65, 66, 67, 68, 69
SOLUTION
HOSING.....74, 75, 76, 77
PUMP.....79
TANK CRADLE.....60, 62
SPACER, FAN.....4
SPEAKER.....36
SPRING, GAS.....38, 41, 38
STALK GUIDE.....23, 25, 27, 29
STEERING
COLUMN.....38
CYLINDER.....38
MOTOR.....38
WHEEL.....38
STRAINER,
FUEL.....5
SOLUTION.....60, 62
STRAP, GROUND.....34
SUNDSTRAND PUMP.....7
SWITCH,
IGNITION.....44
LIGHT.....44
PANEL.....44
SOLUTION.....34

-T-
TAILLIGHT.....55
TANK,
AIR.....8, 9
FOAMER.....98
HYDRAULIC.....20
MOUNTS.....59
RADIATOR RECOVERY.....50
RINSE.....96
SHIELD.....59
SOLUTION.....60, 62
TEE, FEEDER.....78
TEMPERATURE
GAUGE.....39
SENDER.....4
THROTTLE CABLE.....5, 43
TIE PLATE.....13
TIE ROD.....31
TIRE.....21
TRANSOM.....75
TREAD ADJUST.....100
CYLINDER.....101, 102
GAUGE.....55
VALVE.....103, 104
TORQUE, HUB.....23, 25, 27, 29

-V-

VALVE,
AIRBAG.....23,24,26,28
DIVERT, FOAMER.....111
DRAIN.....8
ELECTRIC BOOM.....80,81
FENCE ROW.....71,72
FLUSHING.....10
FUEL SELECTOR.....54
HYDRAULIC SOLENOID.....12
RELIEF.....14
TREAD ADJUST.....103,104
VARIABLE FLOW CONTROL.13,15,17
VOL TMETER.....39

-W-

WASHER, PRESSURE.....105
WHEEL MOTOR.....23,25,27,29
WHEEL, STEERING.....38
WINDSHIELD WASHER.....51
WIPER,
BLADE.....34
MOTOR.....34
WINDSHIELD.....34

