

**PARTS MANUAL
FOR
HAGIE MODEL 204 DETASSELER
HAGIE MANUFACTURING COMPANY**

721 CENTRAL AVE WEST
BOX 273
CLARION, IOWA 50525-0273

(515) 532-2861

COVERS MACHINE SERIAL NUMBERS: U10008801 thru U100088100
U10008901 thru U100089100

10-07 493400
05-12

DETASSELER IDENTIFICATION

Each Hagie detasseler is identified by means of a frame serial number. This serial number denotes the model, the year in which it was built, and the number of the detasseler. As for further identification, the engine has a serial number, the hydrostatic pump has a serial number, the wheel motors have identification tags, and the planetary hubs have identification plates that describe the type of mount and gear ratio. To insure prompt, efficient service when ordering parts or requesting service repairs from Hagie Manufacturing Company, record the serial and identification numbers in the space provided below.

NOTE: Reference to left hand and right hand used throughout this manual refers to the position when seated in the operator's seat facing forward.

DETASSELER SERIAL NUMBER

ENGINE SERIAL NUMBER

PLANETARY HUB IDENTIFICATION NUMBERS

TABLE OF CONTENTS

ENGINE ASSEMBLIES 4-6

POSITRACTION VALVE. 7

HI-PRESS FILTER & LOOP FLUSHING VALVE 8-9

FLOW DIVIDER. 10-11

EXHAUST PIPE & AIR CLEANER. 12

RADIATOR AND OIL COOLER 13

LEG ASSEMBLIES. 14-17

TIRE 18

BRAKE SOLENOID ASSEMBLY 19

TIE ROD ASSEMBLY. 20

STEERING CYLINDER ASSEMBLY. 21

FUEL AND OIL TANKS. 22-23

LADDER AND SERVICE PLATFORM 24-25

BATTERY 26

OPERATOR STATION ASSEMBLY 27-28

CONSOLE ASSEMBLY. 30-33

INSTRUMENT PANEL ASSEMBLY 34

SHEET METAL 35-36

MOTOR CONTROL VALVE 37

RETURN FILTER 38-39

ELECTROHYDRAULIC VALVE. 40

DUMP VALVE. 41

OUTRIGGER AND LIFT ASSEMBLY 42-57

LS SENSOR. 58

QUAD AND CUTTER HEAD. 59-60

CUTTER CASE DRAIN FITTING ASSEMBLY. 62

MALE ROW CHOPPER. 63-66

DEPTH COMMAND BOX 67-70

CAB OPTION. 71-76

CANOPY OPTION 77

OUTRIGGER HYDRAULIC FOLD OPTION 78-79

WEIGHT BRACKET OPTION 80

DECALS. 82-83

WIRING DIAGRAM. 84-95

HYDRAULIC SCHEMATIC 96-131

ABBREVIATIONS 132

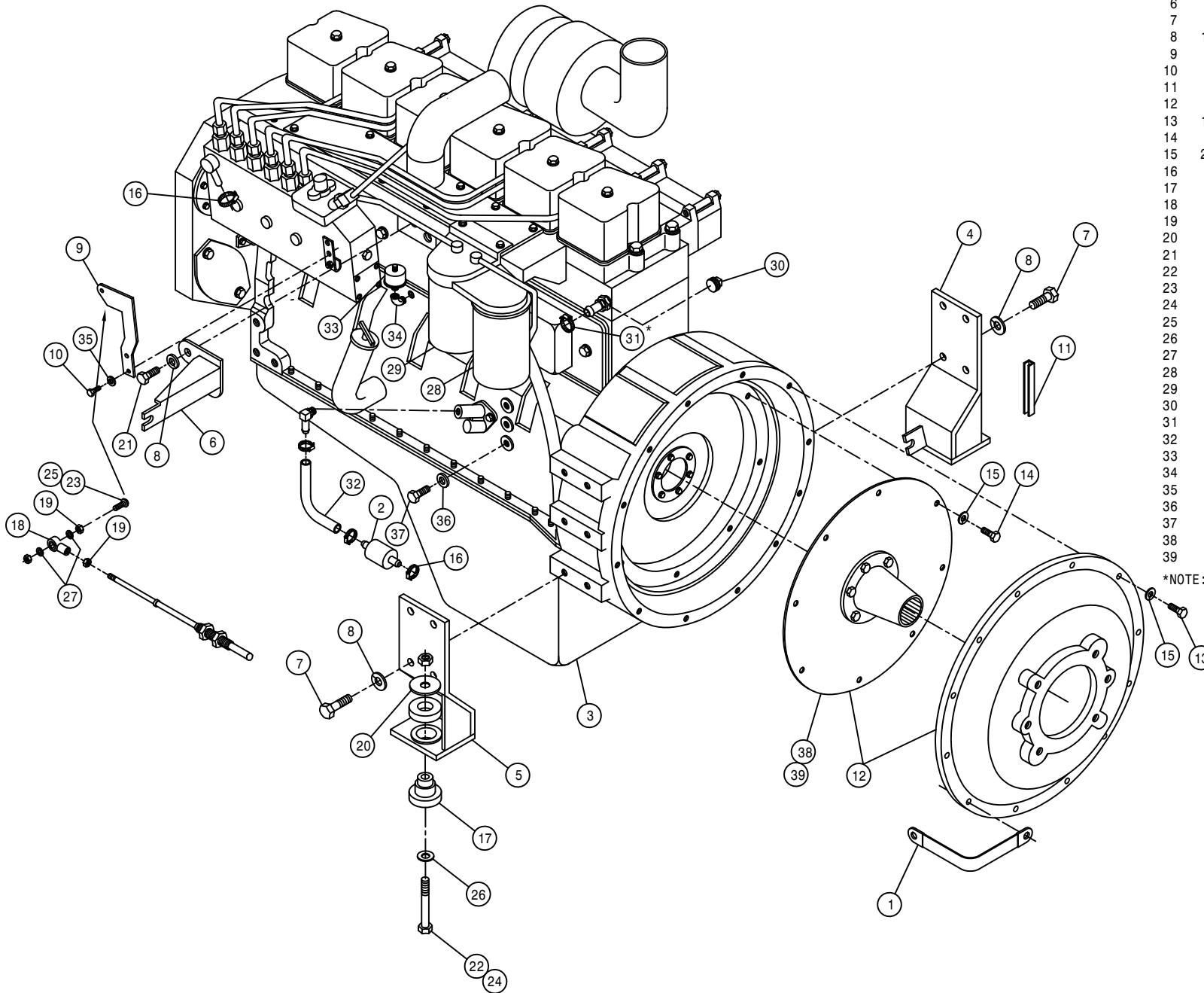
INDEX 133

DIESEL ENGINE ASSEMBLY

DET. QTY PART NO. DESCRIPTION

1	1	290107	GROUND CABLE,8" X 4GA .406LUGS
2	1	316281	FUEL STRAINER, IN-LINE, DIESEL
3	1	316302	CUMM ENG,6B5.9A 152@2500
4	1	316252	RH REAR ENG MT WLD, CUMM 94
5	1	316253	LH REAR ENG MT WLD, CUMM 94
6	1	316517	THROTTLE CABLE MT WLD, CUMM 02
7	8	473855	12MM-1.75 X 35MM FLANGE BOLT
8	10	473784	12MM LOCK WASHER
9	1	316629	THROTTLE CABLE LEVER, CUMM 05
10	2	473826	6MM-1.00 X 16MM HEX BOLT
11	1	193012	QUICKEDGE TRIM .135 TO .250
12	1	800495	SUND DRIVE ASSY,2.83PILOT 14T
13	12	473792	10MM-1.50 X 30MM HEX BOLT
14	8	473793	10MM-1.50 X 20MM HEX BOLT
15	20	473798	10MM LOCK WASHER
16	4	520120	HOSE CLAMP NO 4 STAINLESS
17	2	311054	RUBBER MOUNT SET, CB-2202-4
18	1	473921	BALL JOINT NO 10-32 THD
19	2	910027	10-32 HEX NUT
20	2	311055	REBOUND WASHER FOR 311054
21	2	473828	12MM-1.50 X 20MM HEX BOLT
22	2	900271	1/2UNC X 3 1/4 HEX BOLT
23	1	903893	10-32 X 1" SLT RD HD MACH SCR
24	2	914008	1/2UNC HEX STOVER NUT
25	1	914027	10-32 HEX STOVER NUT
26	2	920004	1/2 SAE FLAT WASHER
27	2	920510	#10 LOCK WASHER
28	1	316208	FUEL FILTER, PRIMARY CUMM 92
29	1	316209	FUEL FILTER, SECONDARY CUMM92
30	1	504900	PIPE PLUG .75NPT SQ HD
31	1	520055	HOSE CLAMP NO 12 STAINLESS
32	1	601347	HOSE, 3/8 X 10 FUEL LINE
33	1	291674	OIL PRESS SENDER,125PSI,1/8NPT
34	1	500900	BLK PIPE ST EL 90DEG .125NPT
35	2	473768	6MM LOCK WASHER
36	1	473804	8MM LOCK WASHER
37	1	473827	8MM-1.25 X 20MM HEX BOLT
38	1	800473	FEDERAL DRIVE DISK ASSY
39	1	800496	BUSH KIT FOR FED DR ASSY 14T

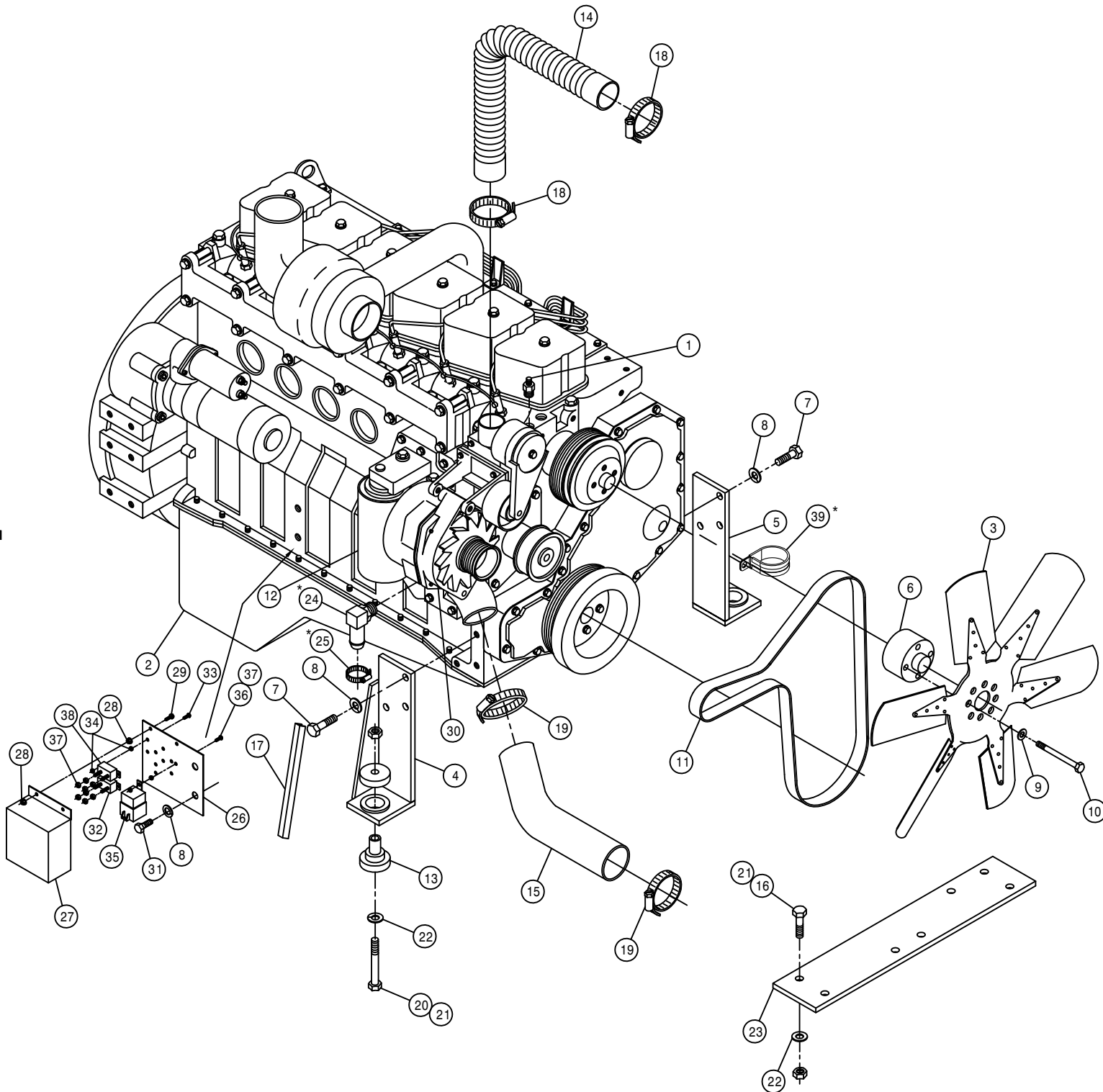
*NOTE: DETAIL 31 AND HOSE BARB ARE USED WITH THE CAB OPTION.



DIESEL ENGINE ASSEMBLY

DET.	QTY	PART NO.	DESCRIPTION
1	1	314836	TEMP SENDR 280D 1/2NPT FOR GA
2	1	316302	CUMM ENG,6B5.9A 152@2500
3	1	316410	FAN, 22" 6 BLADE 40DEG
4	1	316250	RH FRT ENG MT WLD, CUMM 94
5	1	316313	LH FRT ENG MT WLD, 284 CUMM 98
6	1	316199	22IN FAN SPACER CUMM 92
7	6	473855	12MM-1.75 X 35MM FLANGE BOLT
8	8	473784	12MM LOCK WASHER
9	4	473804	8MM LOCK WASHER
10	4	473822	8MM-1.25 X 70MM HEX BOLT
11	1	316206	POLY V BELT CUMMINS DIESEL 92
12	1	316207	LUBE FILTER CUMMINS DIESEL 92
13	2	311053	RUBBER MOUNT SET,SSB26-1000-1
14	1	314832	RADIATOR HOSE 1.75 X 19(52423)
15	1	314886	RADIATOR HOSE 2 1/4 20717
16	4	900265	1/2UNC X 1 1/2 HEX BOLT
17	1	193012	QUICKEDGE TRIM .135 TO .250
18	2	520067	HOSE CLAMP NO 28 STAINLESS
19	2	520099	HOSE CLAMP NO 40 STAINLESS
20	2	900271	1/2UNC X 3 1/4 HEX BOLT
21	6	914008	1/2UNC HEX STOVER NUT
22	6	920004	1/2 SAE FLAT WASHER
23	1	341968	TIE PLT 250/280 CUMM 92
24	1	618573	5/8 HOSE BARB-90-1/2MNPT
25	1	520055	HOSE CLAMP NO 12 STAINLESS
26	1	316339	BREAKER MTG PLT, 2100 98
27	1	316340	BREAKER COVER, 2100 98
28	4	470175	10-32 HEX FLANGE LOCK NUT
29	2	470216	10-32 X 3/4 FLANGE HEX BOLT
30	1	316367	DELCO ALTERNATOR,130 AMP 22SI
31	2	473783	12MM-1.75 X 25MM HEX BOLT
32	1	291197	CIRCUIT BREAKER,30AMP,INLINEMT
33	4	903812	6-32 X 1/2 SLT RD HD MACH SCR
34	8	910022	6-32 HEX NUT
35	1	291852	RELAY, 40 AMP, VF4 SERIES
36	1	903883	10-32 X 1/2 SLT RDHD MACH SCR
37	6	910027	10-32 HEX NUT
38	1	291556	CIRCUIT BREAKER,50AMP,INLINEMT
39	1	520161	CUSH CLAMP,#32 2"D-3/4W LOOP

*NOTE: DETAIL 24, 25 AND 39 ARE USED WITH THE CAB OPTION.



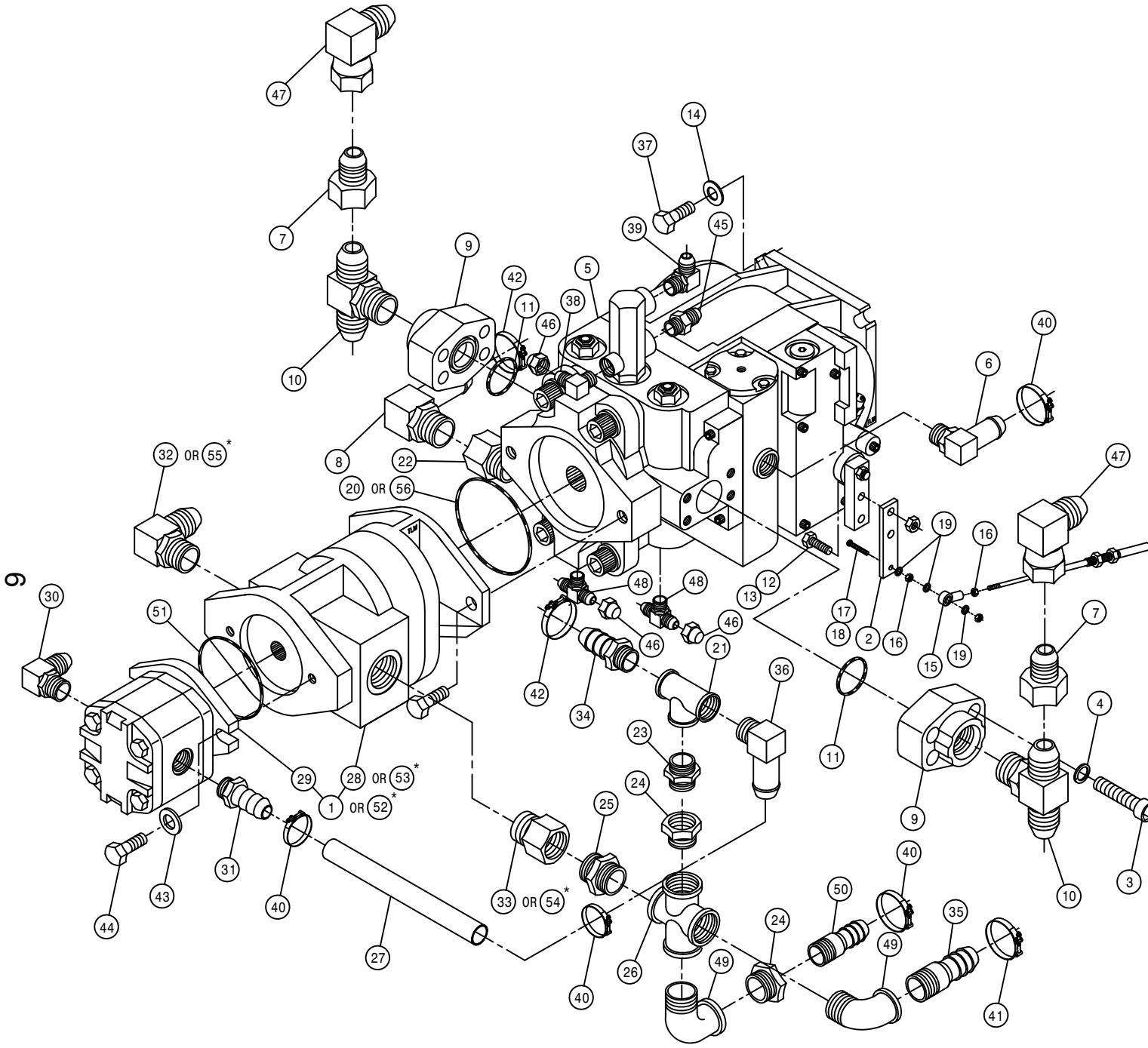
5

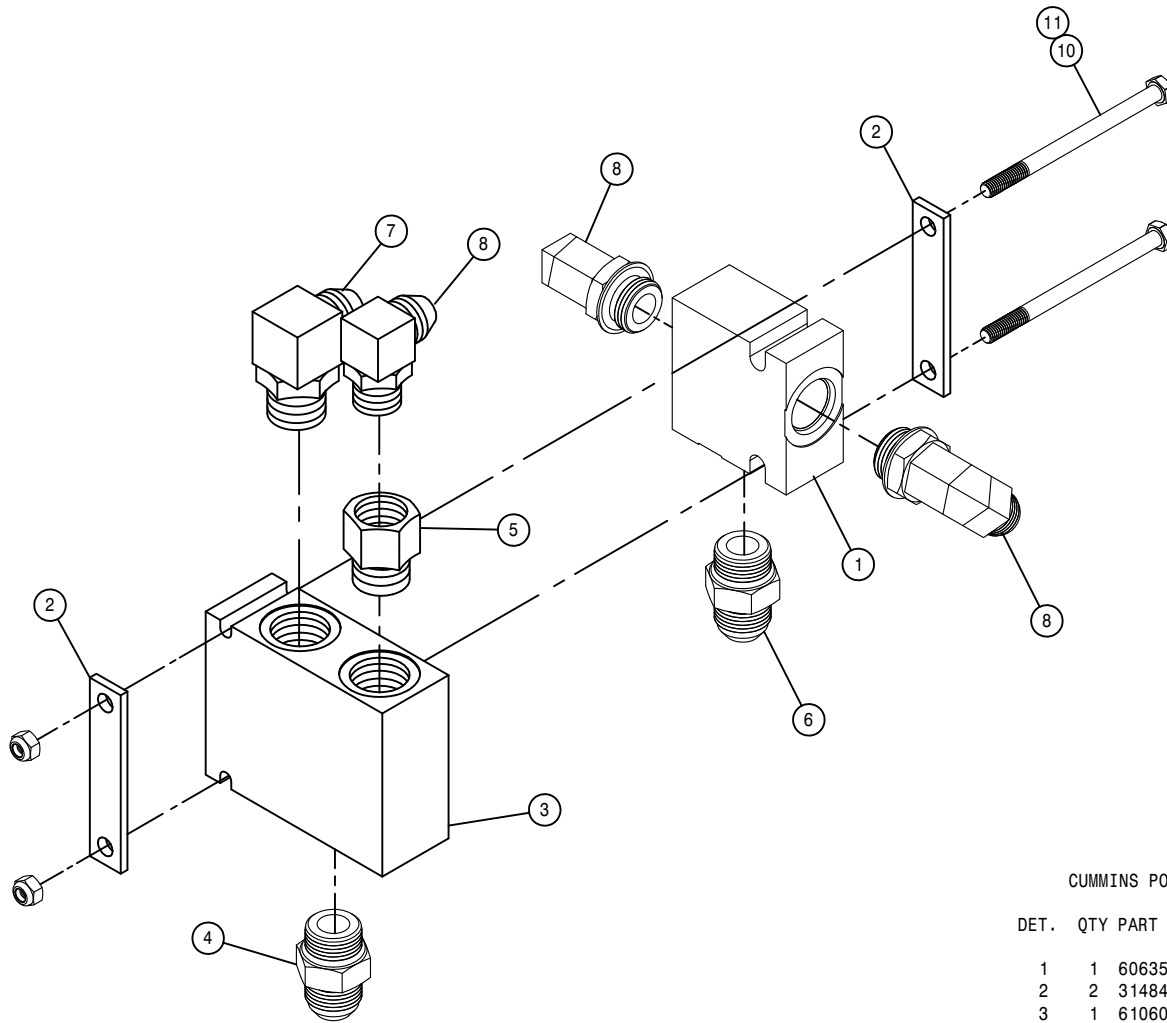
400005

CUMMINS PUMP ASSEMBLY

DET.	QTY	PART NO.	DESCRIPTION
	1	606160	TANDEM PUMP, 606161 & 606929
	2	316160	PUMP CONT LEVER EXT 280 CUMM
	3	470188	7/16-14 X 1 3/4 SKTHD CAP SCR
	4	470189	7/16 HC LOCK WASH FOR 618598
	5	606902	SUND 100CC PUMP,B-MT W/FILT
	6	618118	3/4 HOSE BARB-90-1 1/16MOR
	7	618541	1 5/16FJIC-1 1/16MJIC ADPTR
	8	618638	1IN HOSE BARB-45-1 5/16MOR
	9	618598	1" 4-BOLT FLG X 1 5/16 FOR
	10	618599	1 5/16MOR BRANCH TEE-1 5/16MJ
	11	870219	BUNA ORING 1 5/16 X 1 9/16
	12	900003	1/4UNC X 1" HEX BOLT
	13	914000	1/4UNC HEX STOVER NUT
	14	920004	1/2 SAE FLAT WASHER
	15	473921	BALL JOINT NO 10-32 THD
	16	910027	10-32 HEX NUT
	17	903893	10-32 X 1" PHIL PAN MACH SCR
	18	914027	10-32 HEX STOVER NUT
	19	920510	#10 LOCK WASHER
	20	606870	O-RING, B-MT 4.1290D X 3.989ID
	21	505101	BLK PIPE TEE 1.00NPT
	22	618639	1 5/8MOR-1 5/16FOR ADPTR
	23	505105	1MNPT HEX PIPE NIPPLE STL
	24	506005	1 1/4 TO 1 RED BUSH BLK MAL
	25	507026	1 1/4MNPT HEX PIPE NIPPLE STL
	26	506202	BLK PIPE CROSS 1.25NPT
	27	601399	HOSE, 3/4 X 13 1FBR-1SPI
	28	606161	SAUER GEAR PUMP,5.36CI SPLINED
	29	606929	SUND GEAR PUMP .66CI, SPLINED
	30	611128	7/8MJIC-90-7/8MOR LBO
	31	618075	3/4 HOSE BARB-1 1/16MOR
	32	618476	1 5/8MJIC-90-1 5/16MOR LBO
	33	618596	1 5/8MOR-1 1/4FNPT ADPTR
	34	714560	1NPT X 1 HOSE BARB
	35	715660	HOSE BARB 1 1/4NPT X 1 1/4
	36	716000	3/4 HOSE BARB-90-1MNPT
	37	900265	1/2UNC X 1 1/2 HEX BOLT
	38	618119	9/16MJIC-90-9/16MOR LBO
	39	618183	3/4MJIC-90-7/8MOR LBO
	40	520137	1.12/1.25 T-BOLT HOSE CLAMP
	41	520132	1.62/1.87 T-BOLT HOSE CLAMP SS
	42	520138	1.38/1.56 T-BOLT HOSE CLAMP
	43	920002	3/8 SAE FLAT WASHER
	44	900130	3/8UNC X 1 1/4 SER FLANGE BOLT
	45	618327	3/4MJIC-7/8MOR ADPTR
	46	618531	9/16FJIC CAP NUT
	47	618191	1 1/16MJ-90-1 1/16FJ SWIV LBO
	48	618629	9/16MOR BRANCH TEE-9/16MJIC
	49	506410	BLK PIPE ST EL 90DEG 1.25NPT
	50	714331	1 NPT X 3/4 HOSE BARB
	51	606924	O-RING FOR SUND A-MT
	52	606352	TANDEM PUMP,606929 & 606353
	53	606353	GEAR PUMP,5.38CI SAUER
	54	618816	1 7/8MOR-1 1/4FNPT ADPTR
	55	618477	1 5/8MJIC-90-1 5/8MOR LBO
	56	606357	O-RING, SAUER 9004104-1540

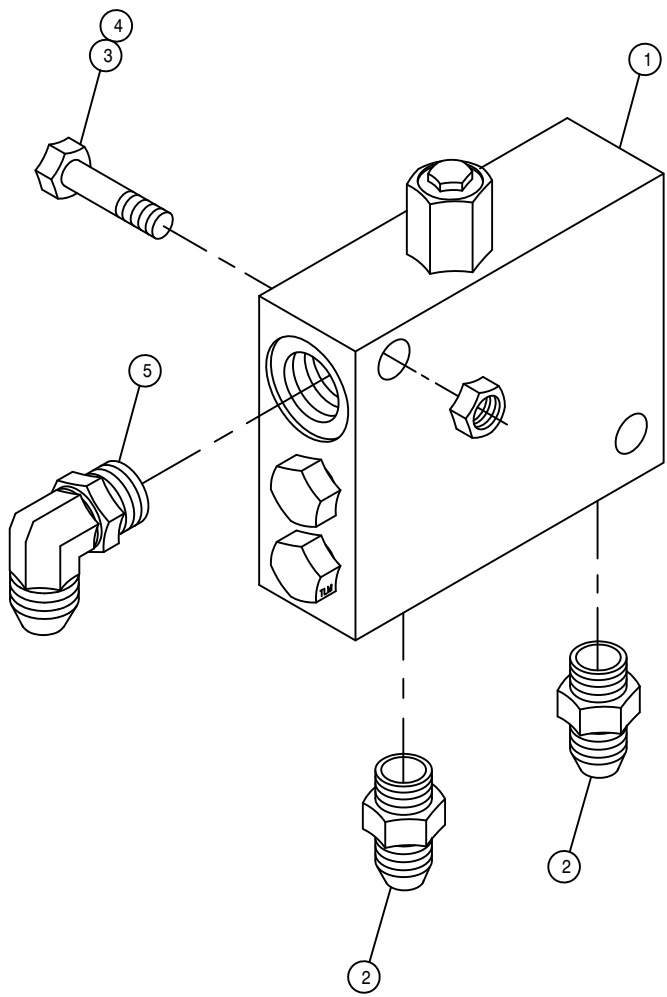
NOTE: ITEMS MARKER WITH A (*) ARE USED WITH PUMP 606352 - GEAR PUMP,5.38CI.





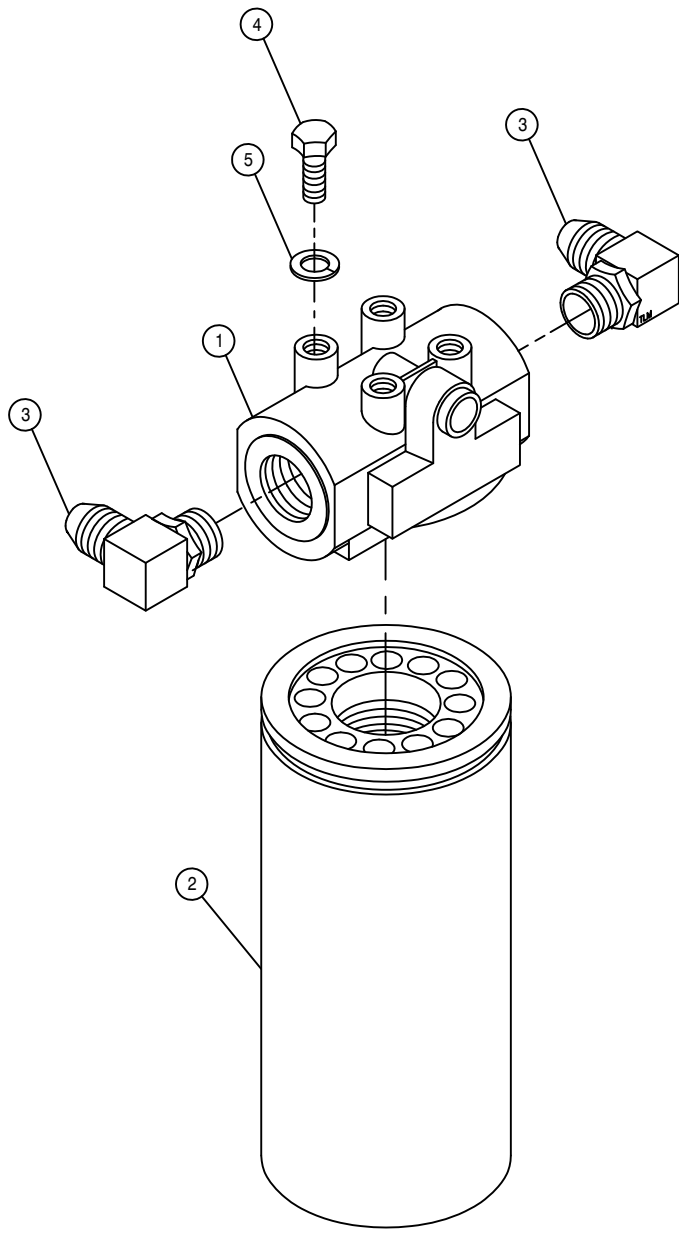
CUMMINS POSITRACTION VALVE ASSEMBLY

DET.	QTY	PART NO.	DESCRIPTION
1	1	606356	1 1/16FOR MANIIFOLD,3 #12PORTS
2	2	314843	TEE KEEPER, TRAC VLV 200 89
3	1	610609	TRACTION VLV,66S,40GPM
4	1	618308	1 1/16MJIC-1 5/16MOR ADPTR
5	1	618312	1 5/16MOR-1 1/16FOR ADPTR
6	1	611127	1 1/16MJIC-1 1/16MOR ADPTR
7	1	618589	7/8MJIC-90-1 5/16MOR LBO
8	3	618535	7/8MJIC-90-1 1/16MOR LBO
9	1	618575	1FNPT PIPE TEE STL
10	2	900078	5/16UNC X 4 1/2 HEX BOLT
11	2	473001	5/16UNC HEX NUT,NYLOC 316 SS



LOOP FLUSHING VALVE ASSEMBLY

DET.	QTY	PART NO.	DESCRIPTION
1	1	610580	REMOTE FLUSHING VALVE, SUND
2	2	618126	9/16MJC-9/16MOR ADPTR
3	2	900133	3/8UNC X 2" SERR FLANGE BOLT
4	2	914004	3/8UNC HEX STOVER NUT
5	1	618119	9/16MJC-90-9/16MOR LBO



HI-PRESS FILTER ASSEMBLY

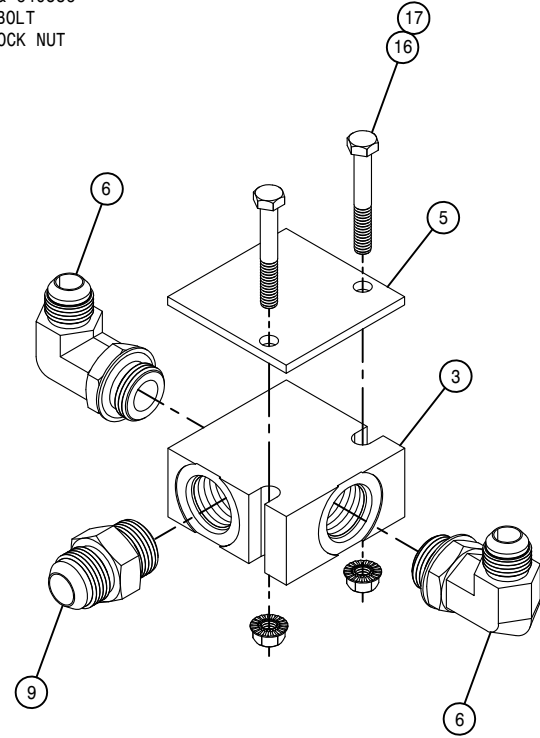
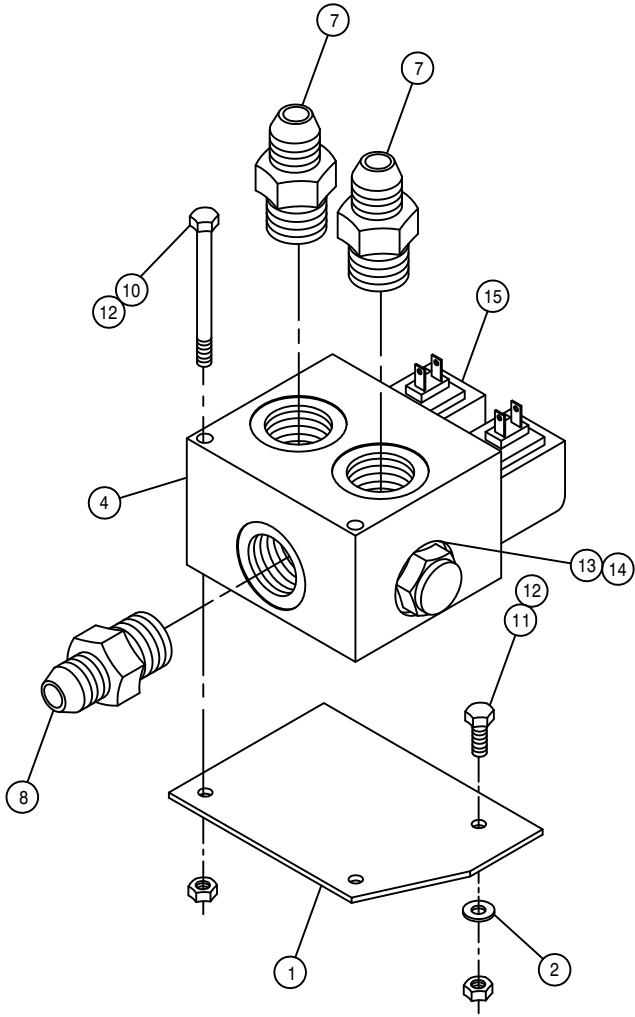
DET. QTY PART NO. DESCRIPTION

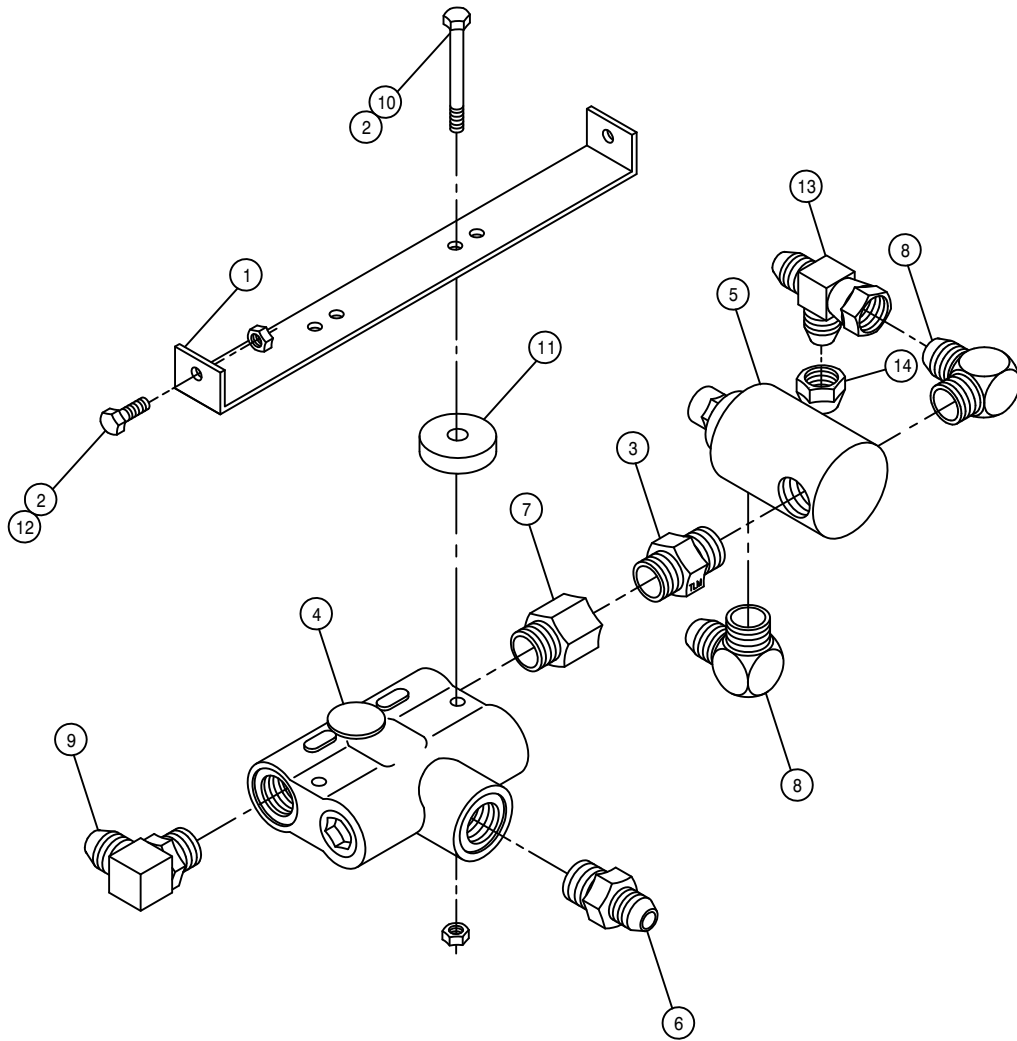
1	1	605608	HYD FILTER HEAD, DONALDSON
2	1	605609	HYD FILTER ELEMENT, DONALDSON
3	2	618474	3/4MJIC-90-1 1/16MOR LBO
4	4	900128	3/8UNC X 3/4 HEX BOLT
5	4	920502	3/8 LOCK WASHER

POSITRACTION VALVE ASSEMBLY

DET. QTY PART NO. DESCRIPTION

1	1	341849	POSITRACTION VALVE MT	200
2	1	920000	1/4 SAE FLAT WASHER	
3	1	606356	1 1/16FOR MANIIFOLD,3 #12PORTS	
4	1	610586	POSITRACTION VLV,ALUM,88SP60G	
5	1	343187	FRT RETURN MNFLD MT,204/SP 08	
6	2	618535	7/8MJIC-90-1 1/16MOR LBO	
7	2	618601	7/8MJIC-1 5/16MOR ADPT	
8	1	618186	1 5/16MJIC-1 5/16MOR ADPTR	
9	1	618558	1 5/16MJIC-1 1/16MOR ADPTR	
10	2	900012	1/4UNC X 3 1/2 HEX BOLT	
11	1	900002	1/4UNC X 3/4 HEX BOLT	
12	3	914000	1/4UNC HEX STOVER NUT	
13	1	610593	O-RING FOR 610513	
14	1	610961	FLO DIV COMBINER,POSIVLV610586	
15	2	610680	COIL FOR VLV 610513 & 610586	
16	2	900086	5/16UNC X 2 1/4 HEX BOLT	
17	2	470113	5/16UNC HEX FLANGE LOCK NUT	

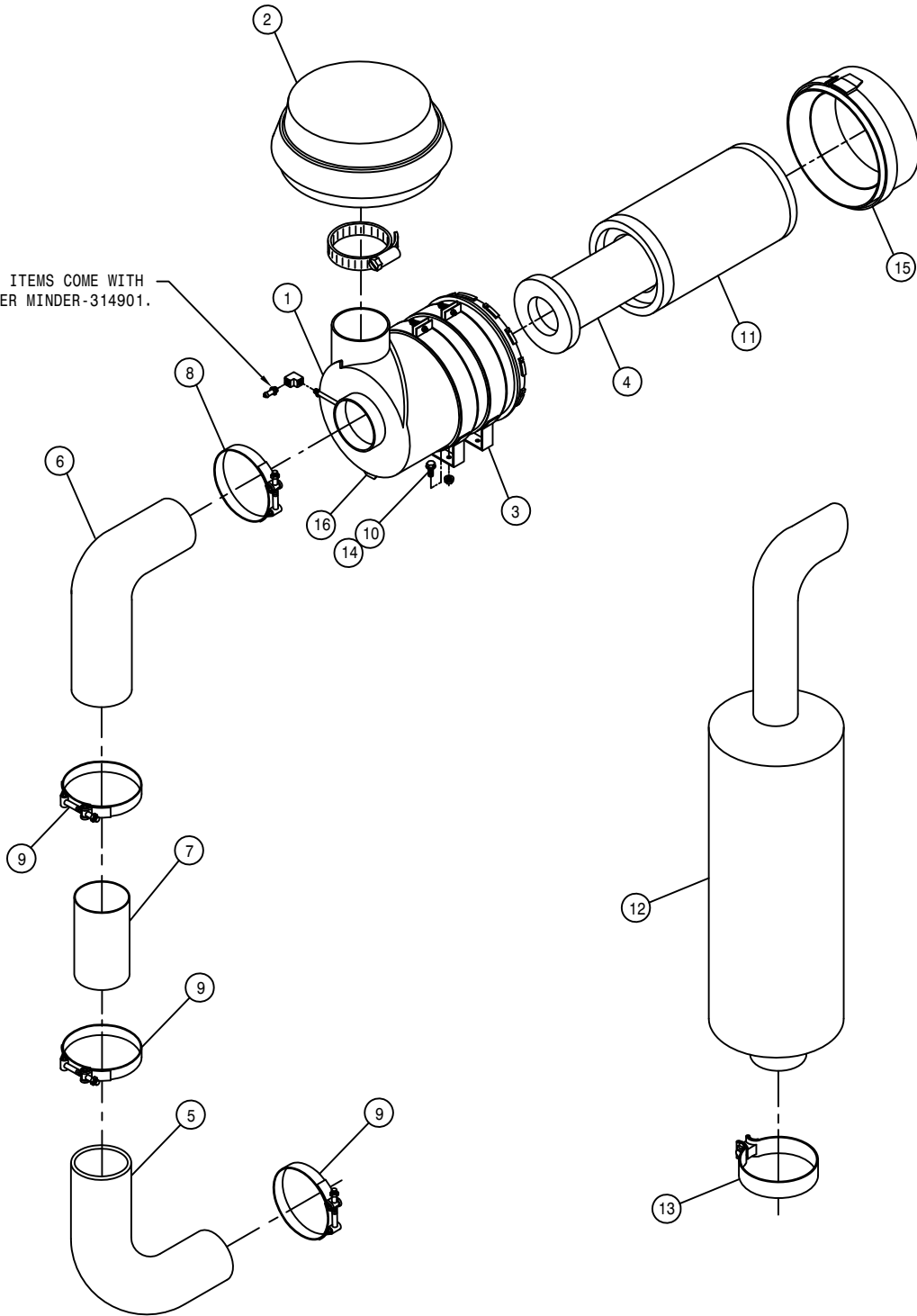




FLOW DIVIDER ASSEMBLY

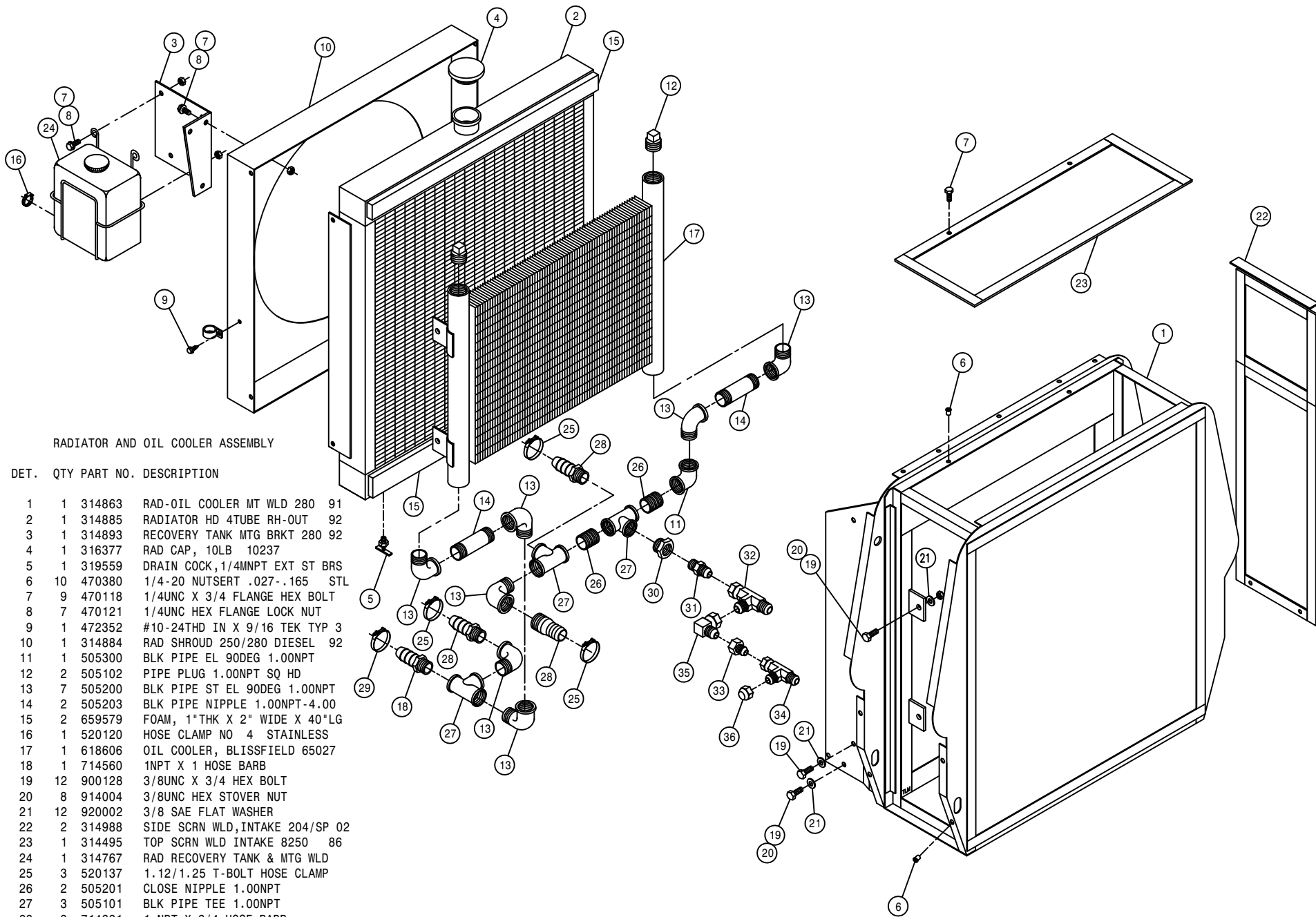
DET.	QTY	PART NO.	DESCRIPTION	
1	1	341774	FLOW DIVIDER MT 280	89
2	4	914000	1/4UNC HEX STOVER NUT	
3	1	500000	1/2MNPT HEX PIPE NIPPLE STL	
4	1	607504	FLO DIV B50 2-8GPM 7/8 FOR	
5	1	607512	RELIEF VALVE, RL50, 1850 PSI	
6	1	611126	7/8MJIC-7/8MOR ADPTR	
7	1	618072	7/8MOR-1/2FNPT ADPTR	
8	2	618107	9/16MJIC-90-1/2MNPT LBO	
9	1	618600	9/16MJIC-90-7/8MOR LBO	
10	2	900008	1/4UNC X 2 1/2 HEX BOLT	
11	2	748500	RUBER WASH 3/8X1/4IDX1 1/2 OD	
12	2	900002	1/4UNC X 3/4 HEX BOLT	
13	1	618486	9/16FJIC SW RUN TEE-9/16MJIC	
14	1	618531	9/16FJIC CAP NUT	

NOTE: BOTH ITEMS COME WITH
FILTER MINDER-314901.



AIR CLEANER AND EXHAUST ASSEMBLY

DET.	QTY	PART NO.	DESCRIPTION
	1	311528	AIR CLEANER, PLASTIC HSNQ
	2	314971	AIR CLEANER HOOD FOR 314970
	3	311529	AIR CLEANER MT BAND FOR 311528
	4	311531	SAFETY ELEMENT FOR 311528
	5	316309	4" 90DEG ELBOW, RUBBER
	6	316297	5"-4" 90DEG REDU ELBOW,RUBBER
	7	316298	4" X 12" AIR INTAKE TUBE 97
	8	520136	5.31/5.59 T-BOLT HOSE CLAMP SS
	9	520134	4.31/4.59 T-BOLT HOSE CLAMP SS
	10	470113	5/16UNC HEX FLANGE LOCK NUT
	11	311530	PRIMARY ELEMENT FOR 311528
	12	316366	MUFFLER, 2100/STS10/STS12
	13	470458	MUFFLER CLAMP, 3.00 ACCUSEAL
	14	470233	5/16UNC X 3/4 FLANGE HEX BOLT
	15	311548	COVER ASSEMBLY FOR 311528
	16	311549	DUST EJECT VALVE FOR 311528



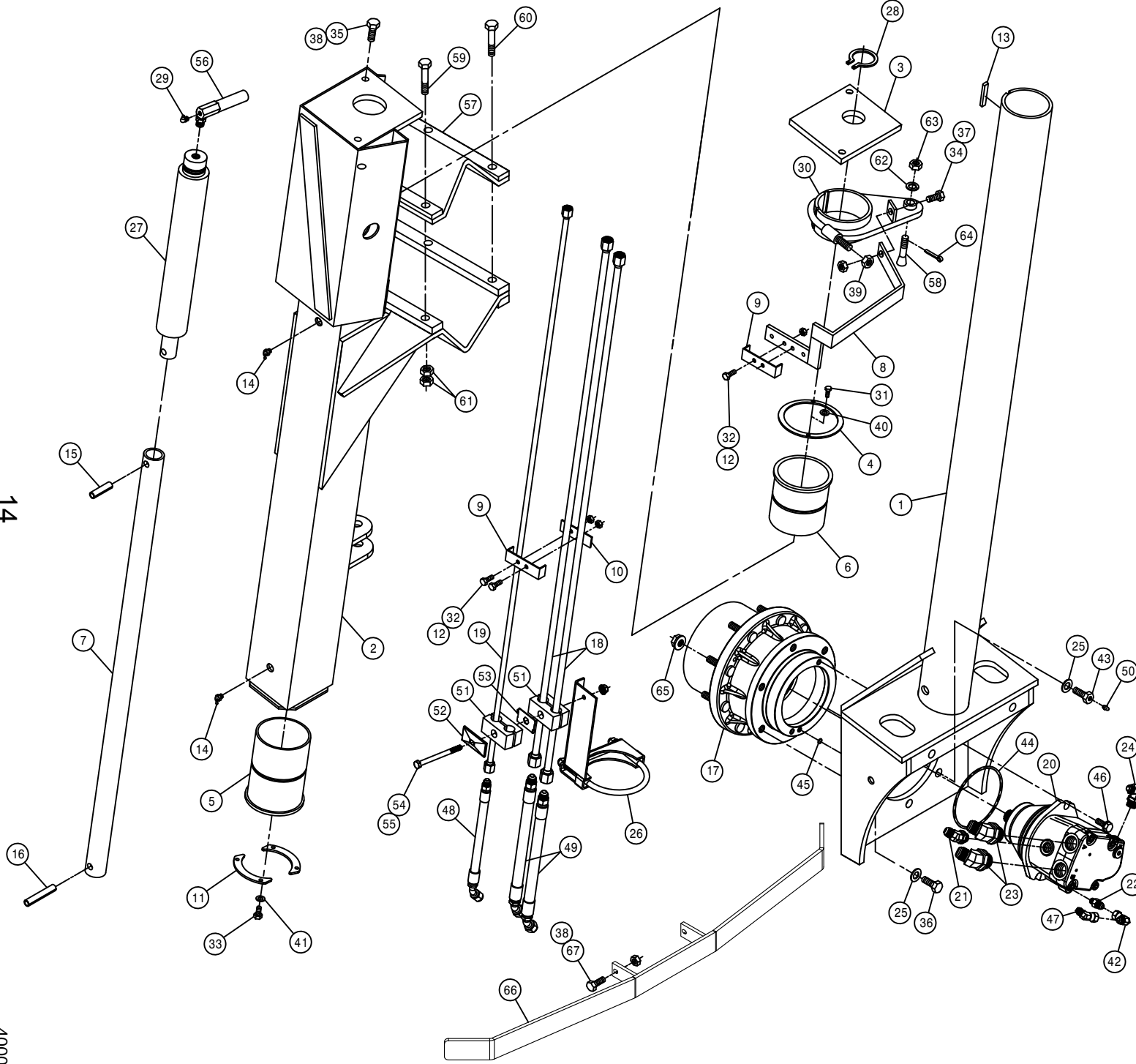
RADIATOR AND OIL COOLER ASSEMBLY

DET. QTY PART NO. DESCRIPTION

1	1	314863	RAD-OIL COOLER MT WLD 280 91
2	1	314885	RADIATOR HD 4TUBE RH-OUT 92
3	1	314893	RECOVERY TANK MTG BRKT 280 92
4	1	316377	RAD CAP, 10LB 10237
5	1	319559	DRAIN COCK, 1/4MNPT EXT ST BRS
6	10	470380	1/4-20 NUTSERT .027-.165 STL
7	9	470118	1/4UNC X 3/4 FLANGE HEX BOLT
8	7	470121	1/4UNC HEX FLANGE LOCK NUT
9	1	472352	#10-24THD IN X 9/16 TEK TYP 3
10	1	314884	RAD SHROUD 250/280 DIESEL 92
11	1	505300	BLK PIPE EL 90DEG 1.00NPT
12	2	505102	PIPE PLUG 1.00NPT SQ HD
13	7	505200	BLK PIPE ST EL 90DEG 1.00NPT
14	2	505203	BLK PIPE NIPPLE 1.00NPT-4.00
15	2	659579	FOAM, 1"THK X 2" WIDE X 40"LG
16	1	520120	HOSE CLAMP NO 4 STAINLESS
17	1	618606	OIL COOLER, BLISSFIELD 65027
18	1	714560	1NPT X 1 HOSE BARB
19	12	900128	3/8UNC X 3/4 HEX BOLT
20	8	914004	3/8UNC HEX STOVER NUT
21	12	920002	3/8 SAE FLAT WASHER
22	2	314988	SIDE SCR N WLD, INTAKE 204/SP 02
23	1	314495	TOP SCR N WLD INTAKE 8250 86
24	1	314767	RAD RECOVERY TANK & MTG WLD
25	3	520137	1.12/1.25 T-BOLT HOSE CLAMP
26	2	505201	CLOSE NIPPLE 1.00NPT
27	3	505101	BLK PIPE TEE 1.00NPT
28	3	714331	1 NPT X 3/4 HOSE BARB
29	1	520138	1.38/1.56 T-BOLT HOSE CLAMP
30	1	505213	RED BUSH 1 X 3/4 BLK MAL
31	1	610300	3/4MJIC-3/4MNPT ADPTR
32	1	618451	3/4FJIC SW RUN TEE-3/4MJIC
33	1	618482	3/4FJIC-9/16MJIC ADPTR
34	1	618486	9/16FJIC SW RUN TEE-9/16MJIC
35	1	618609	3/4MJIC-90-3/4FJIC SWIV LBO
36	1	618531	9/16FJIC CAP NUT

RIGHT FRONT LEG ASSEMBLY

DET. QTY PART NO. DESCRIPTION



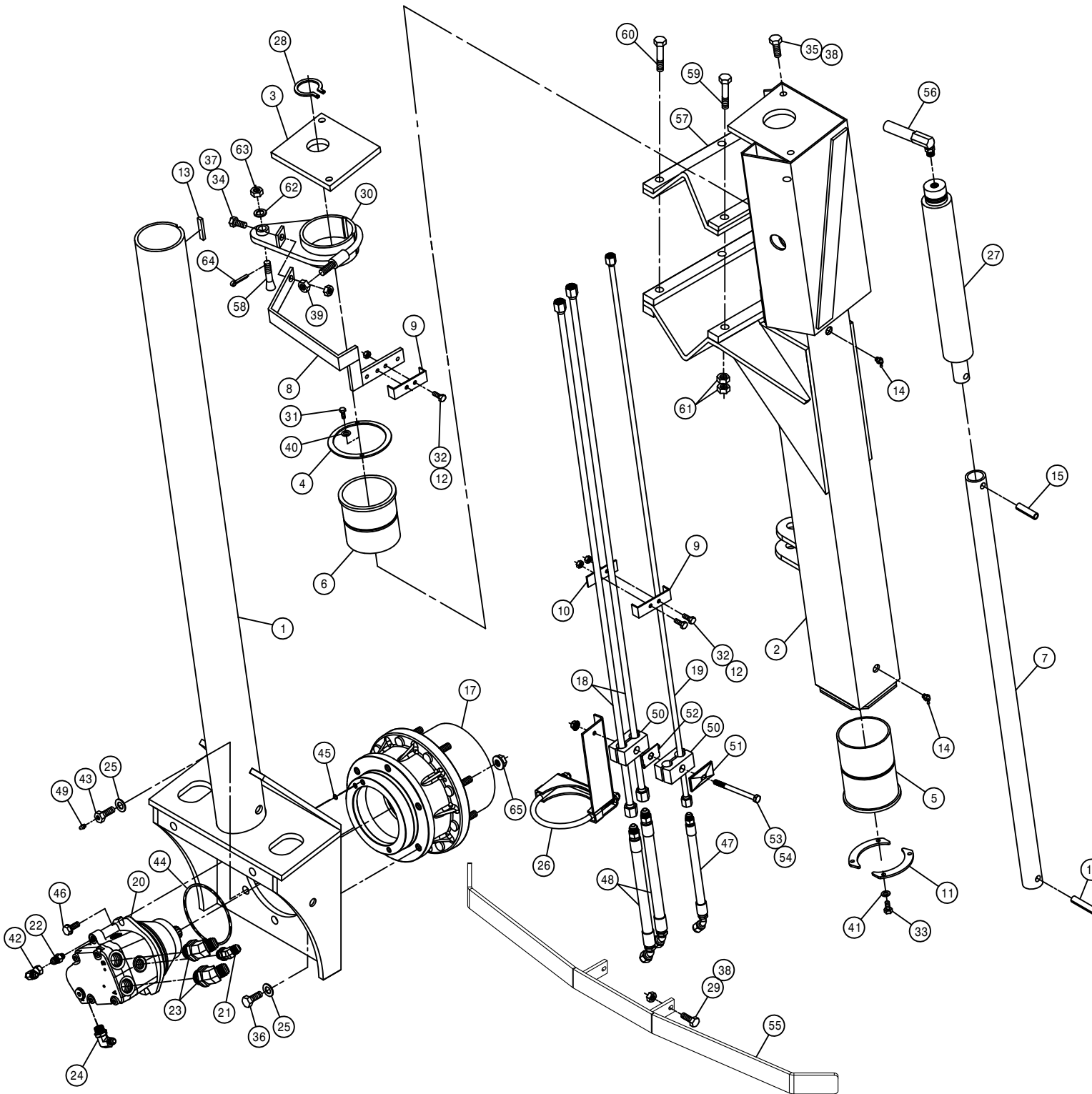
DET.	QTY	PART NO.	DESCRIPTION	
1	1	357914	FRT INNER LEG WLD, 204I	04
2	1	357919	RH FRT OUTER LEG WLD, 204I	04
3	1	358562	LEG CYL MTG PLATE 280	89
4	1	358563	FRT LEG BRG KPR 280	89
5	1	358564	FRT LEG LWR NYL SLEEVE 280	89
6	1	358565	FRT LEG UPR NYL SLEEVE 280	89
7	1	357922	LEG CYL SHAFT EXTEN, 204I	04
8	1	358707	RH FRT LEG TUBE BRKT, 204/284	
9	2	358739	FRT LEG HYD TUBE CLMP, 284	94
10	1	358740	FRT LEG HYD TUBE KPR, 284	94
11	2	358927	LWR BRG KPR, LEG	98
12	4	470121	1/4UNC HEX FLANGE LOCK NUT	
13	1	470185	KEY .25 X .375 X 2.00 LG	
14	2	471023	GREASE ZERK 1/4-28 X 45	
15	1	473903	SPIRAL PIN 1/2 X 2	640
16	1	473904	SPIRAL PIN 1/2 X 3	640
17	1	610835	TORQ HUB,24:1,7HPA W/BRAKE	
18	2	615838	FRT LEG HYD TUBE ASSY,204	07
19	1	615839	FRT LEG CASE DRAIN TUBE 204	07
20	1	606193	SAUER WHL MOTOR,KC-38CC	
21	1	618315	3/4MJIC-45-3/4MOR LBO	
22	1	618304	9/16MJIC-7/16MOR ADPTR	
23	2	618786	7/8MJIC-45-1 1/16MOR LBO	
24	1	618119	9/16MJIC-90-9/16MOR LBO	
25	6	920505	5/8 LOCK WASHER	
26	1	357946	RH FRT TUBE MT WLD, 204	07
27	1	621502	LEG LEVEL CYL ASSY,2.00 X 12.0	
28	1	629515	SNAP RING 1 3/4 EXTRN HDUTY	
29	1	471027	GREASE ZERK 1/8NPT 90DEG LP	
30	1	749290	RH STRG ARM WLD,280 TREAD ADJ	
31	2	900000	1/4UNC X 1/2 HEX BOLT	
32	4	900004	1/4UNC X 1 1/4 HEX BOLT	
33	4	900064	5/16UNC X 3/4 HEX BOLT	
34	1	900129	3/8UNC X 1" SERR FLANGE BOLT	
35	2	900265	1/2UNC X 1 1/2 HEX BOLT	
36	5	900332	5/8UNC X 1 1/4 HEX BOLT	
37	1	914004	3/8UNC HEX STOVER NUT	
38	4	914008	1/2UNC HEX STOVER NUT	
39	1	914010	5/8UNC HEX STOVER NUT	
40	2	920500	1/4 LOCK WASHER	
41	4	920501	5/16 LOCK WASHER	
42	1	618618	9/16MJIC-90-9/16FJIC SWIV LBO	
43	1	610013	ZERK BOLT,5/8 X 1 1/4 TORQ HUB	
44	1	606197	O-RING, 4.936 OD X 4.730 ID	
45	1	606198	O-RING, .379 OD X .239 ID	
46	2	900197	7/16UNC X 1 1/2 HEX BOLT	
47	1	618634	9/16MJIC-45-9/16FJIC SWIV LBO	
48	1	616432	08-471TC-08MJ-08FJX45-15 H/A	
49	2	616433	10-381-10MJ-10FJX45-17 H/A	
50	1	471005	GREASE ZERK, 1/4 28 X 1/2	
51	2	470270	HOSE CLAMP BODY, .530-.680	
52	1	470276	CLAMP COVER PLATE, SNGL, 2-.55LG	
53	1	470281	STACK BOLT SAFETY LOCK PLATE	
54	1	900075	5/16UNC X 3 3/4 HEX BOLT	
55	1	470113	5/16UNC HEX FLANGE LOCK NUT	
56	1	615614	FRT LEG CYL JUMPER HOSE280	89
57	1	358759	LEG MT V-PLT WLD, 284T	94
58	1	749293	STRG ARM BOLT, TAPERED	
59	3	900836	5/8UNF X 3 1/4 HEX BOLT GR8	
60	3	900837	5/8UNF X 3 1/2 HEX BOLT GR8	
61	12	914811	5/8UNF HEX NUT GR8	
62	1	920505	5/8 LOCK WASHER	
63	1	822040	5/8-18UNF SLOTTED HEX NUT	
64	1	470035	COTTER PIN 5/32 X 1 1/2	
65	8	470140	5/8UNF SMTH FLANGE HEX NUT GR8	
66	1	357950	STALK GUIDE WLD, 204	07
67	2	900266	1/2UNC X 1 3/4 HEX BOLT	

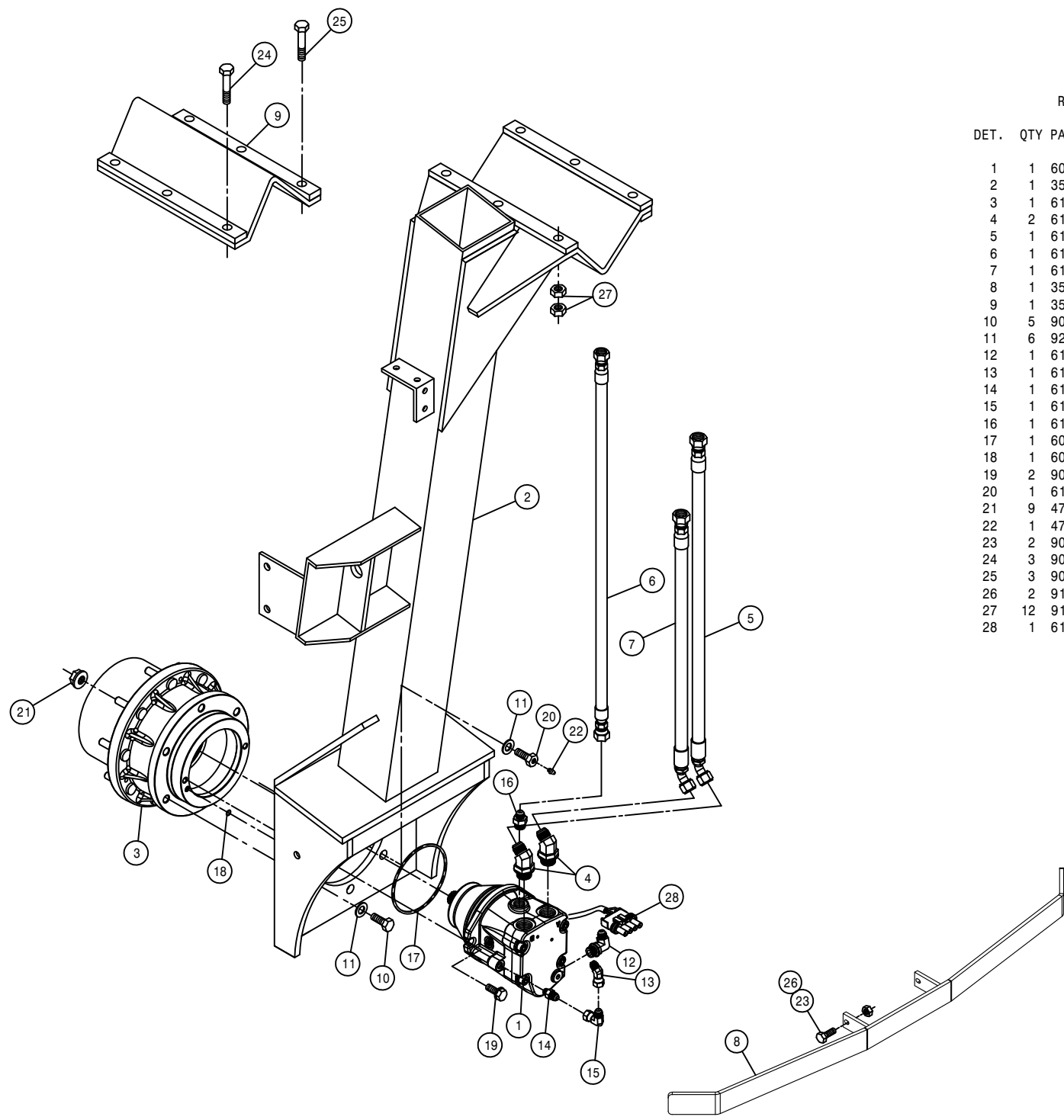
14

400014

LEFT FRONT LEG ASSEMBLY

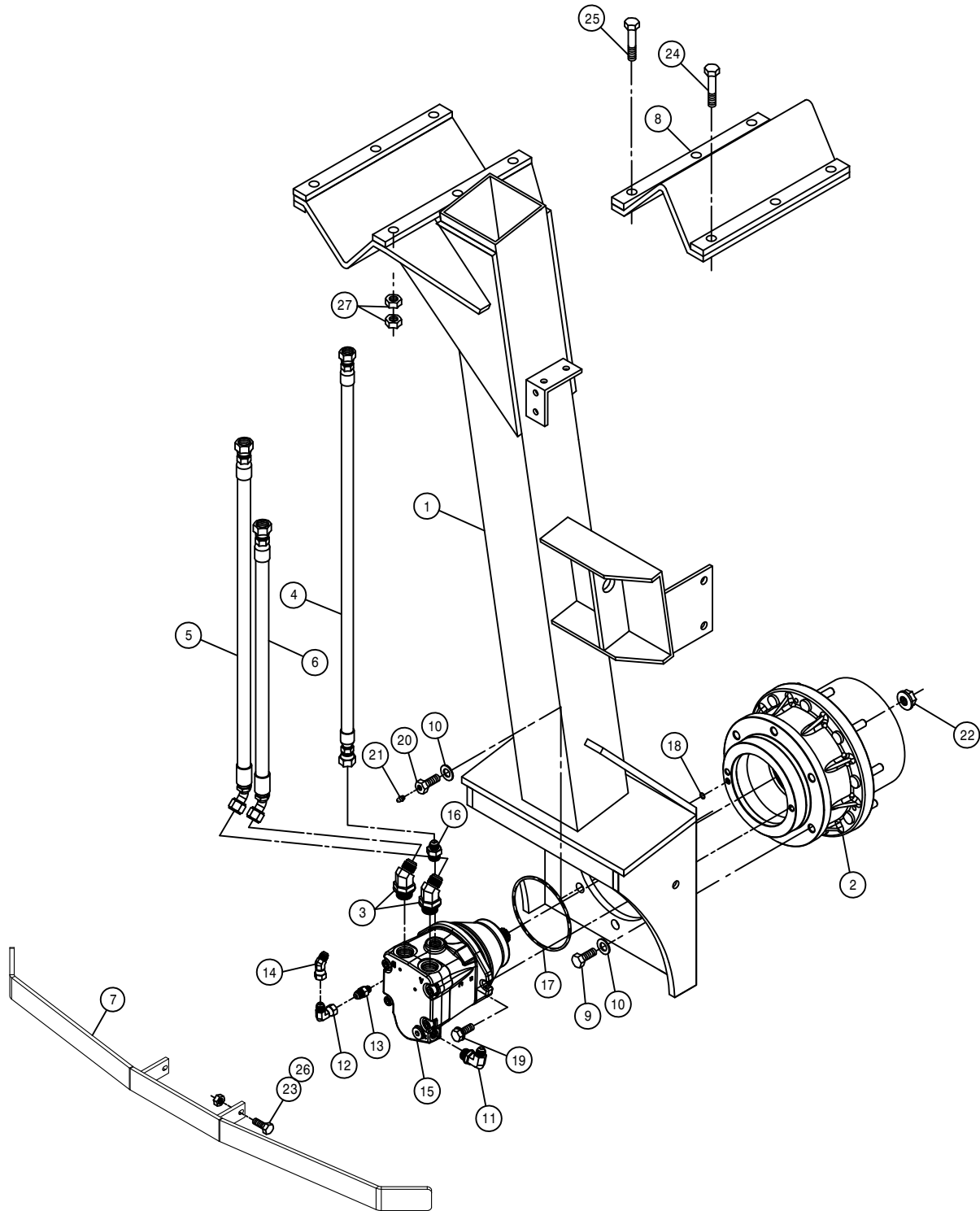
DET.	QTY	PART NO.	DESCRIPTION	
1	1	357914	FRT INNER LEG WLD, 204I	04
2	1	357920	LH FRT OUTER LEG WLD, 204I	04
3	1	358562	LEG CYL MTG PLATE 280	89
4	1	358563	FRT LEG BRG KPR 280	89
5	1	358564	FRT LEG LWR NYL SLEEVE 280	89
6	1	358565	FRT LEG UPR NYL SLEEVE 280	89
7	1	357922	LEG CYL SHAFT EXTEN, 204I	04
8	1	358708	LH FRT LEG TUBE BRKT, 204/284	
9	2	358739	FRT LEG HYD TUBE CLMP, 284 94	
10	1	358740	FRT LEG HYD TUBE KPR, 284 94	
11	2	358927	LWR BRG KPR, LEG	98
12	4	470121	1/4UNC HEX FLANGE LOCK NUT	
13	1	470185	KEY .25 X .375 X 2.00 LG	
14	2	471023	GREASE ZERK 1/4-28 X 45	
15	1	473903	SPIRAL PIN 1/2 X 2	640
16	1	473904	SPIRAL PIN 1/2 X 3	640
17	1	610835	TORQ HUB,24:1,7HPA W/BRAKE	
18	2	615838	FRT LEG HYD TUBE ASSY,204	07
19	1	615839	FRT LEG CASE DRAIN TUBE 204 07	
20	1	606193	SAUER WHL MOTOR,KC-38CC	
21	1	618315	3/4MJIC-45-3/4MOR LBO	
22	1	618304	9/16MJIC-7/16MOR ADPTR	
23	2	618786	7/8MJIC-45-1 1/16MOR LBO	
24	1	618119	9/16MJIC-90-9/16MOR LBO	
25	6	920505	5/8 LOCK WASHER	
26	1	357947	LH FRT TUBE MT WLD, 204	07
27	1	621502	LEG LEVEL CYL ASSY,2.00 X 12.0	
28	1	629515	SNAP RING 1 3/4 EXTRN HDUTY	
29	2	900266	1/2UNC X 1 3/4 HEX BOLT	
30	1	749291	LH STRG ARM WLD,280 TREAD ADJ	
31	2	900000	1/4UNC X 1/2 HEX BOLT	
32	4	900004	1/4UNC X 1 1/4 HEX BOLT	
33	4	900064	5/16UNC X 3/4 HEX BOLT	
34	1	900129	3/8UNC X 1" SERR FLANGE BOLT	
35	2	900265	1/2UNC X 1 1/2 HEX BOLT	
36	5	900332	5/8UNC X 1 1/4 HEX BOLT	
37	1	914004	3/8UNC HEX STOVER NUT	
38	4	914008	1/2UNC HEX STOVER NUT	
39	1	914010	5/8UNC HEX STOVER NUT	
40	2	920500	1/4 LOCK WASHER	
41	4	920501	5/16 LOCK WASHER	
42	1	618618	9/16MJIC-90-9/16FJIC SWIV LBO	
43	1	610013	ZERK BOLT,5/8 X 1 1/4 TORQ HUB	
44	1	606197	O-RING, 4.936 OD X 4.730 ID	
45	1	606198	O-RING, .379 OD X .239 ID	
46	2	900197	7/16UNC X 1 1/2 HEX BOLT	
47	1	616432	08-471TC-08MJ-08FJX45-15	H/A
48	2	616433	10-381-10MJ-10FJX45-17	H/A
49	1	471005	GREASE ZERK, 1/4 28 X 1/2	
50	2	470270	HOSE CLAMP BODY, .530-.680	
51	1	470276	CLAMP COVER PLATE,SNGL, 2.55LG	
52	1	470281	STACK BOLT SAFETY LOCK PLATE	
53	1	900075	5/16UNC X 3 3/4 HEX BOLT	
54	1	470113	5/16UNC HEX FLANGE LOCK NUT	
55	1	357950	STALK GUIDE WLD, 204	07
56	1	615614	FRT LEG CYL JUMPER HOSE280	89
57	1	358759	LEG MT V-PLT WLD, 284T	94
58	1	749293	STRG ARM BOLT, TAPERED	
59	3	900836	5/8UNF X 3 1/4 HEX BOLT GR8	
60	3	900837	5/8UNF X 3 1/2 HEX BOLT GR8	
61	12	914811	5/8UNF HEX NUT GR8	
62	1	920505	5/8 LOCK WASHER	
63	1	822040	5/8-18UNF SLOTTED HEX NUT	
64	1	470035	COTTER PIN 5/32 X 1 1/2	
65	8	470140	5/8UNF SMTH FLANGE HEX NUT GR8	





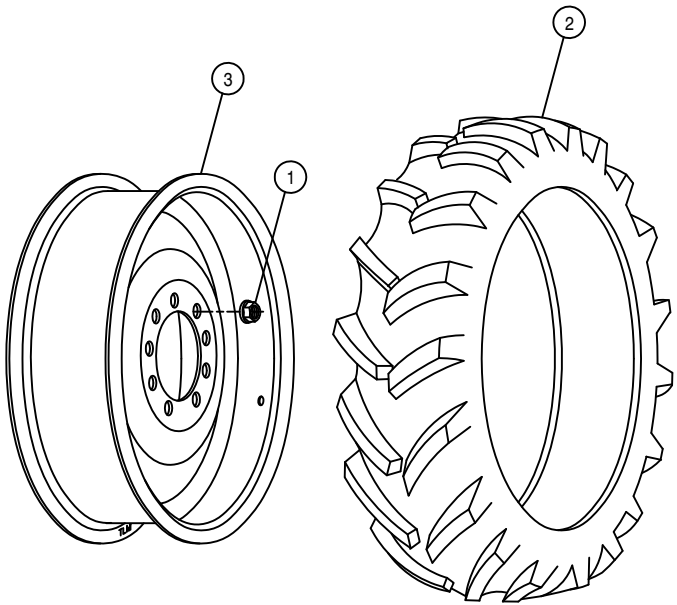
RIGHT REAR LEG ASSEMBLY

DET.	QTY	PART NO.	DESCRIPTION
1	1	606202	SAUER WHL MOTOR, KC-38CC W/SEN
2	1	357925	RH REAR LEG WLD, 204I 04
3	1	610832	TORQ HUB, 19:1, 7HPA W/BRAKE
4	2	618786	7/8MJIC-45-1 1/16MOR LBO
5	1	616296	08C2AT-10FJX-10FJX45-125 H/A
6	1	615449	06C1T-06FJX-06FJX-126 H/A
7	1	616295	08C2AT-10FJX-10FJX45-131 H/A
8	1	357950	STALK GUIDE WLD, 204 07
9	1	358759	LEG MT V-PLT WLD, 284T 94
10	5	900332	5/8UNC X 1 1/4 HEX BOLT
11	6	920505	5/8 LOCK WASHER
12	1	618119	9/16MJIC-90-9/16MOR LBO
13	1	618634	9/16MJIC-45-9/16FJIC SWIV LBO
14	1	618304	9/16MJIC-7/16MOR ADPTR
15	1	618618	9/16MJIC-90-9/16FJIC SWIV LBO
16	1	618109	9/16MJIC-3/4MOR ADPTR
17	1	606197	O-RING, 4.936 OD X 4.730 ID
18	1	606198	O-RING, .379 OD X .239 ID
19	2	900197	7/16UNC X 1 1/2 HEX BOLT
20	1	610013	ZERK BOLT, 5/8 X 1 1/4 TORQ HUB
21	9	470140	5/8UNF SMTH FLANGE HEX NUT GR8
22	1	471005	GREASE ZERK, 1/4 28 X 1/2
23	2	900266	1/2UNC X 1 3/4 HEX BOLT
24	3	900836	5/8UNF X 3 1/4 HEX BOLT GR8
25	3	900837	5/8UNF X 3 1/2 HEX BOLT GR8
26	2	914008	1/2UNC HEX STOVER NUT
27	12	914811	5/8UNF HEX NUT GR8
28	1	610625	SENSOR, WHL MOTOR, KPPG16008



LEFT REAR LEG ASSEMBLY

DET.	QTY	PART NO.	DESCRIPTION	
	1	357926	LH REAR LEG WLD, 204I	04
	2	610832	TORQ HUB, 19:1, 7HPA W/BRAKE	
	3	618786	7/8MJIC-45-1 1/16MOR LBO	
	4	614549	06C1T-06FJX-06FJX-140	H/A
	5	616296	08C2AT-10FJX-10FJX45-125	H/A
	6	616295	08C2AT-10FJX-10FJX45-131	H/A
	7	357950	STALK GUIDE WLD, 204	07
	8	358759	LEG MT V-PLT WLD, 284T	94
	9	900332	5/8UNC X 1 1/4 HEX BOLT	
	10	920505	5/8 LOCK WASHER	
	11	618119	9/16MJIC-90-9/16MOR LBO	
	12	618618	9/16MJIC-90-9/16FJIC SWIV LBO	
	13	618304	9/16MJIC-7/16MOR ADPTR	
	14	618634	9/16MJIC-45-9/16FJIC SWIV LBO	
	15	606193	SAUER WHL MOTOR, KC-38CC	
	16	618109	9/16MJIC-3/4MOR ADPTR	
	17	606197	O-RING, 4.936 OD X 4.730 ID	
	18	606198	O-RING, .379 OD X .239 ID	
	19	900197	7/16UNC X 1 1/2 HEX BOLT	
	20	610013	ZERK BOLT, 5/8 X 1 1/4 TORQ HUB	
	21	471005	GREASE ZERK, 1/4 28 X 1/2	
	22	470140	5/8UNF SMTH FLANGE HEX NUT GR8	
	23	900266	1/2UNC X 1 3/4 HEX BOLT	
	24	900836	5/8UNF X 3 1/4 HEX BOLT GR8	
	25	900837	5/8UNF X 3 1/2 HEX BOLT GR8	
	26	914008	1/2UNC HEX STOVER NUT	
	27	914811	5/8UNF HEX NUT GR8	



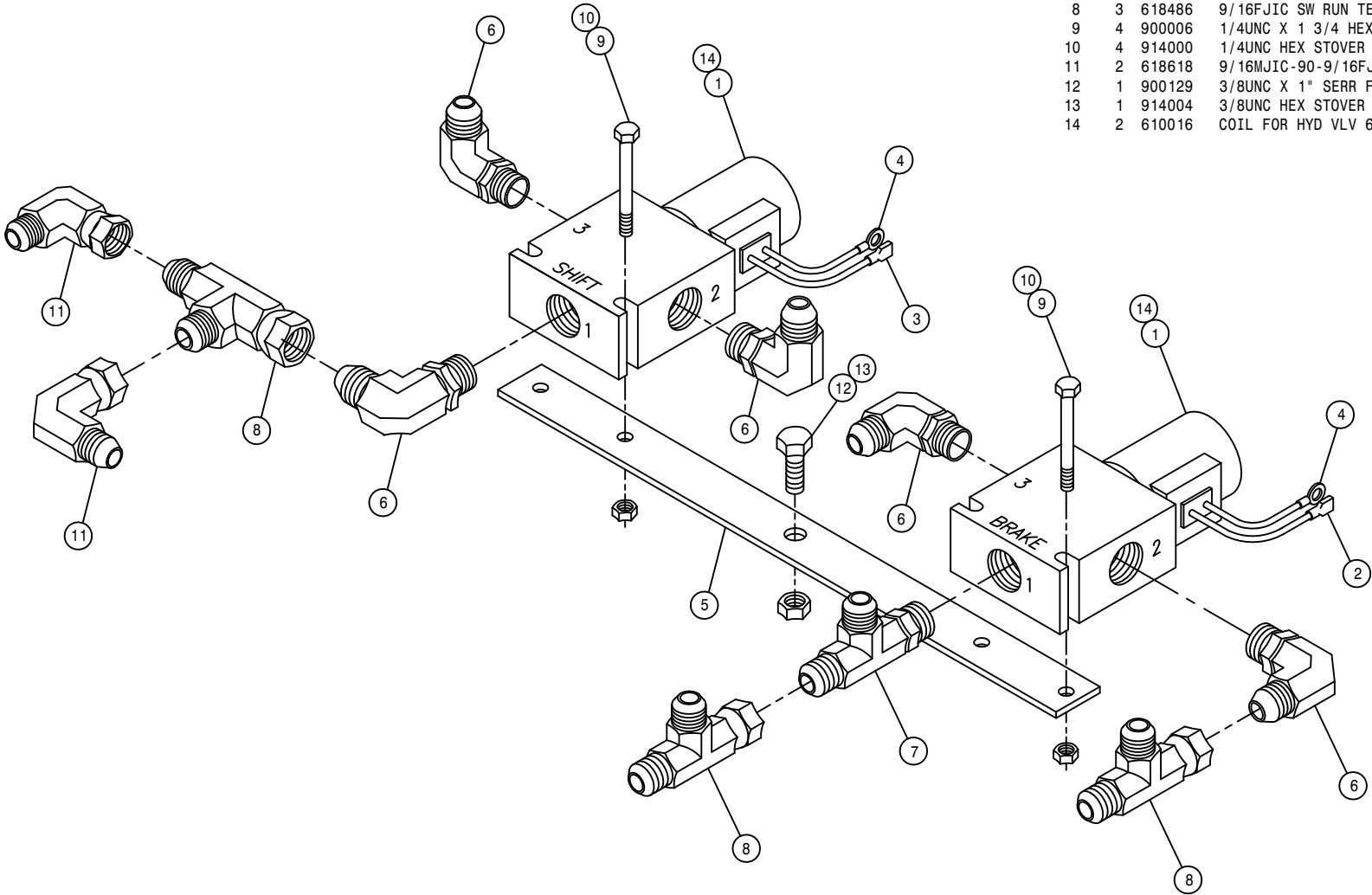
TIRE RIM ASSEMBLY

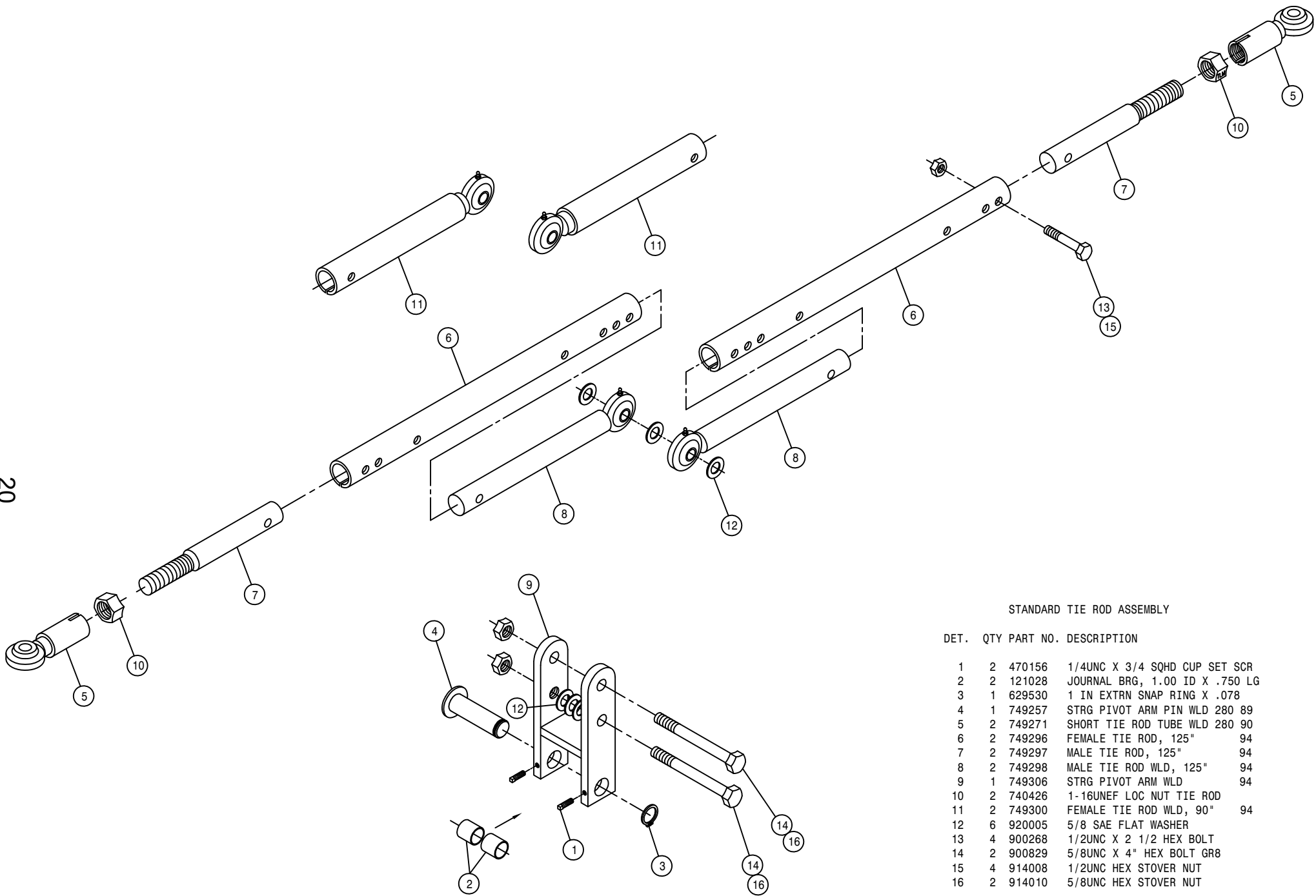
DET.	QTY	PART NO.	DESCRIPTION
1	9	470140	5/8UNF SMTH FLANGE HEX NUT GR8
2	1	820063	11.2-38 TL GOODYEAR TIRE
3	1	821050	RIM WLD, W10 X 38, W1M1 204

BRAKE/SHIFT SOLENOID ASSEMBLY

DET. QTY PART NO. DESCRIPTION

1	2	610318	HYD SOLE VLV,2P-3W,9/16FOR,12V
2	1	291571	.250FEM FASTON 14-16 FULL INS
3	1	293163	.250MALE FASTON14-16 FULL INS
4	2	291590	.312RING TERM 14-16WIRE INS
5	1	610797	BRAKE/SHIFT SOL VLV MT, 204I
6	5	618119	9/16MJIC-90-9/16MOR LBO
7	1	618444	9/16MOR RUN TEE-9/16MJIC
8	3	618486	9/16FJIC SW RUN TEE-9/16MJIC
9	4	900006	1/4UNC X 1 3/4 HEX BOLT
10	4	914000	1/4UNC HEX STOVER NUT
11	2	618618	9/16MJIC-90-9/16FJIC SWIV LBO
12	1	900129	3/8UNC X 1" SERR FLANGE BOLT
13	1	914004	3/8UNC HEX STOVER NUT
14	2	610016	COIL FOR HYD VLV 610318

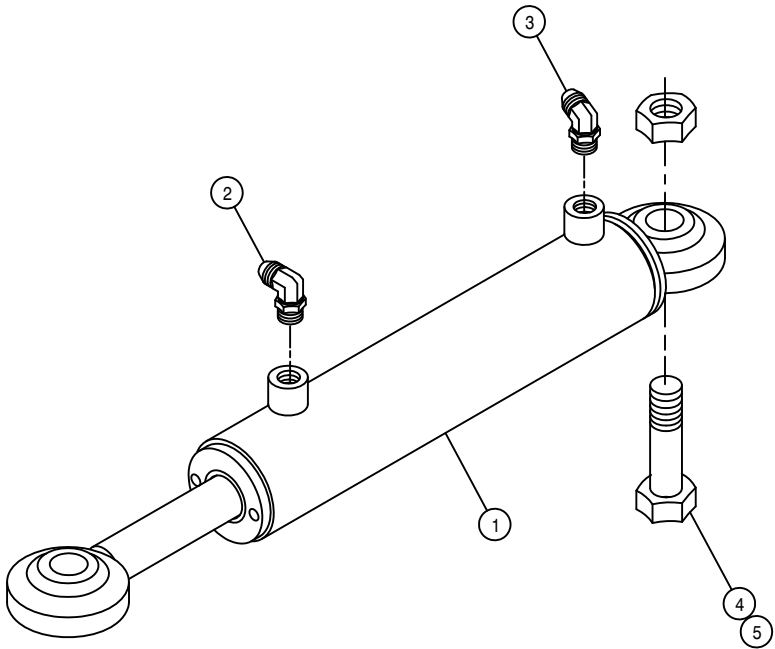




STANDARD TIE ROD ASSEMBLY

DET.	QTY	PART NO.	DESCRIPTION
1	2	470156	1/4UNC X 3/4 SQHD CUP SET SCR
2	2	121028	JOURNAL BRG, 1.00 ID X .750 LG
3	1	629530	1 IN EXTRN SNAP RING X .078
4	1	749257	STRG PIVOT ARM PIN WLD 280 89
5	2	749271	SHORT TIE ROD TUBE WLD 280 90
6	2	749296	FEMALE TIE ROD, 125" 94
7	2	749297	MALE TIE ROD, 125" 94
8	2	749298	MALE TIE ROD WLD, 125" 94
9	1	749306	STRG PIVOT ARM WLD 94
10	2	740426	1-16UNEF LOC NUT TIE ROD
11	2	749300	FEMALE TIE ROD WLD, 90" 94
12	6	920005	5/8 SAE FLAT WASHER
13	4	900268	1/2UNC X 2 1/2 HEX BOLT
14	2	900829	5/8UNC X 4" HEX BOLT GR8
15	4	914008	1/2UNC HEX STOVER NUT
16	2	914010	5/8UNC HEX STOVER NUT

NOTE: DETAIL 11 IS USED WITH NARROW TREAD.



STEERING CYLINDER ASSEMBLY

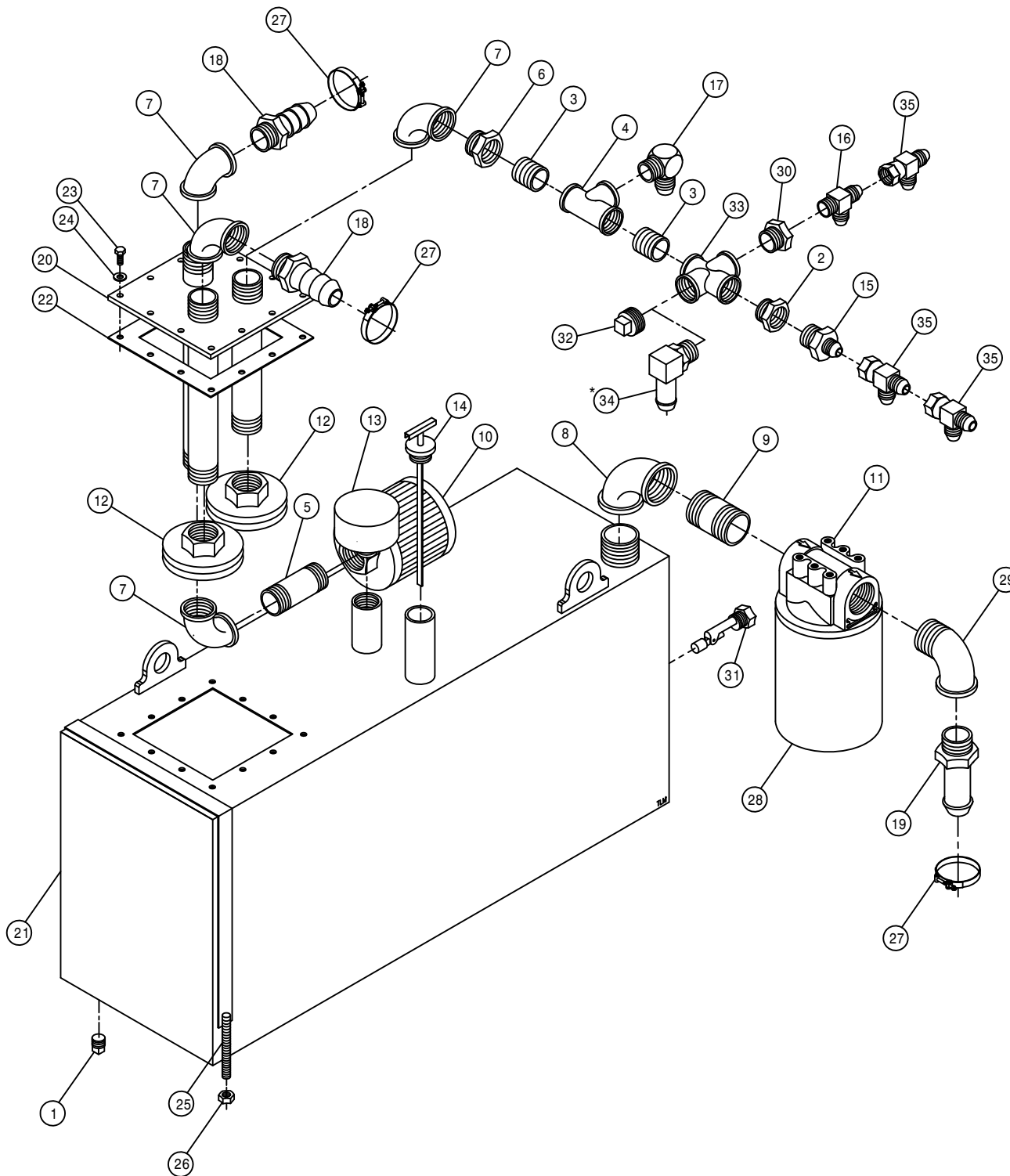
DET.	QTY	PART NO.	DESCRIPTION
1	1	621500	STRG CYL ASSY, 2XX
2	1	618119	9/16MJIC-90-9/16MOR LBO
3	1	618425	9/16MJIC-45-9/16MOR LBO
4	1	900336	5/8UNC X 2 1/2 HEX BOLT
5	1	914010	5/8UNC HEX STOVER NUT
NS	1	621501	REPAIR KIT, HYD CYL 621500

HYDRAULIC TANK ASSEMBLY

DET. QTY PART NO. DESCRIPTION

1	1	470308	1/2MNPT DRAIN PLUG,AL HD,MAG
2	1	504210	RED BUSH 3/4 NPT X 1/2 NPT
3	2	504702	CLOSE NIPPLE .75NPT
4	1	504955	BLK PIPE TEE .75NPT
5	1	505203	BLK PIPE NIPPLE 1.00NPT-4.00
6	1	505213	RED BUSH 1 X 3/4 BLK MAL
7	4	505300	BLK PIPE EL 90DEG 1.00NPT
8	1	506303	BLK PIPE EL 90DEG 1.25NPT
9	1	506602	PIPE NIPPLE 1 1/4NPT-2 1/2
10	1	605600	TANK FILTER, 100 MESH,1"FNPT
11	1	605601	PARKER FILTER ASSY,10M,1.25NPT
12	2	605603	LINE SUMP DIFFUSER
13	1	611052	FILLER BREATHER 3/4NPT
14	1	614453	DIPSTICK, 8IN
15	1	618018	9/16MJIC-1/2MNPT ADPTR
16	1	618520	1/4MNPT RUN TEE-9/16MJIC
17	1	610305	3/4MJIC-90-3/4MNPT LBO
18	2	714560	1NPT X 1 HOSE BARB
19	1	715664	1 1/4 NPT X 1 HOSE BARB
20	1	760090	RECEIVER PLT WLD 8240
21	1	760264	HYD TANK WLD,204/254/284 2002
22	1	763039	HYD MTR MTG PLT GSKT
23	12	900064	5/16UNC X 3/4 HEX BOLT
24	12	920001	5/16 SAE FLAT WASHER
25	2	341360	OIL TANK STRAP WLD 8240 1982
26	4	914004	3/8UNC HEX STOVER NUT
27	3	520138	1.38/1.56 T-BOLT HOSE CLAMP
28	1	605602	PARKER FILTER ELEMENT,10MICRON
29	1	506410	BLK PIPE ST EL 90DEG 1.25NPT
30	1	504001	RED BUSH 3/4 X 1/4 BLK MAL
31	1	470350	LIQUID LEVEL SWITCH ASSY,1/2NP
32	1	504900	PIPE PLUG .75NPT SQ HD
33	1	504400	BLK PIPE CROSS .75NPT
34	1	618135	3/4 HOSE BARB-90-3/4MNPT
35	3	618486	9/16FJIC SW RUN TEE-9/16MJIC

*NOTE: DETAIL 34 IS USED WITH THE CUTTER OPTION.



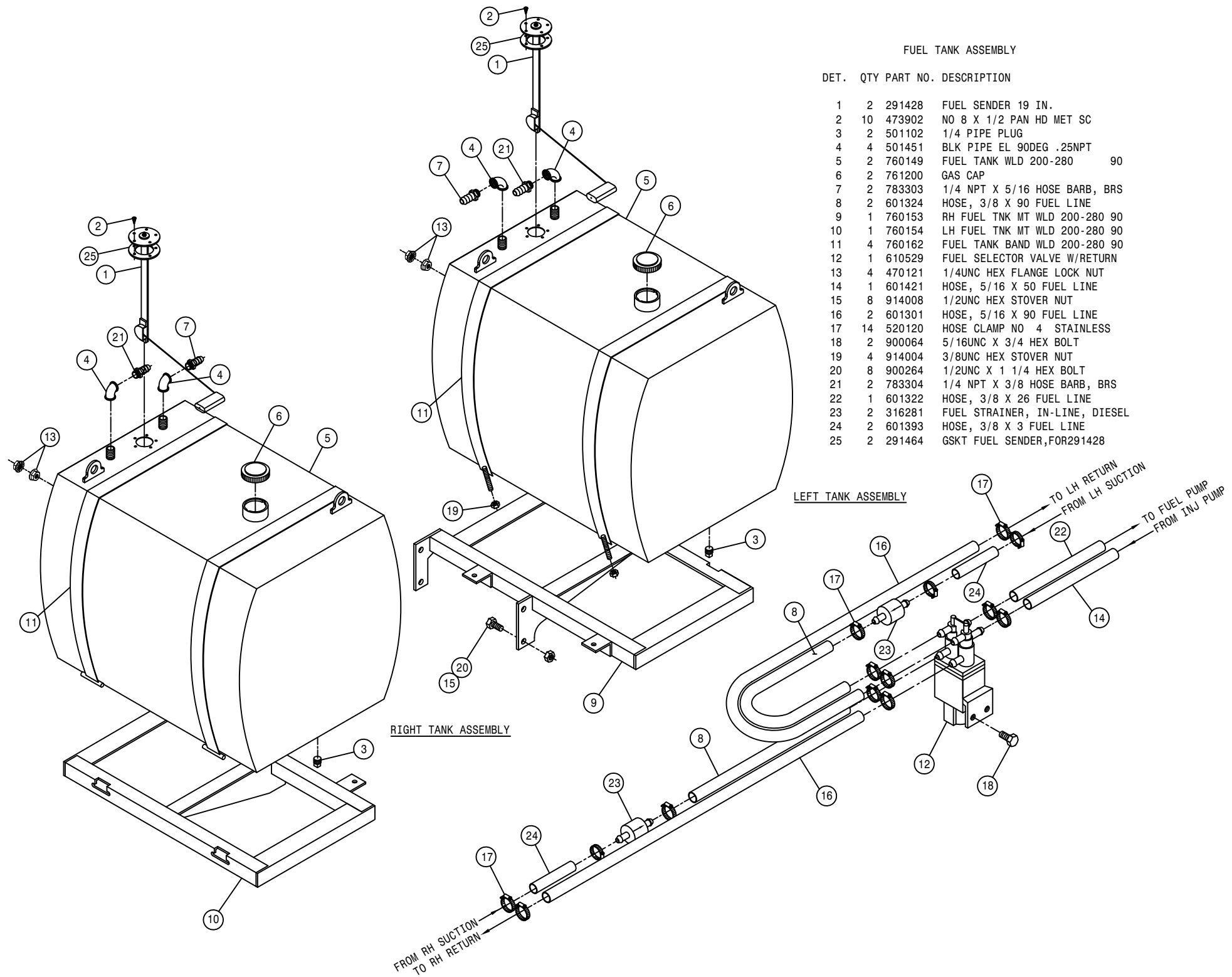
FUEL TANK ASSEMBLY

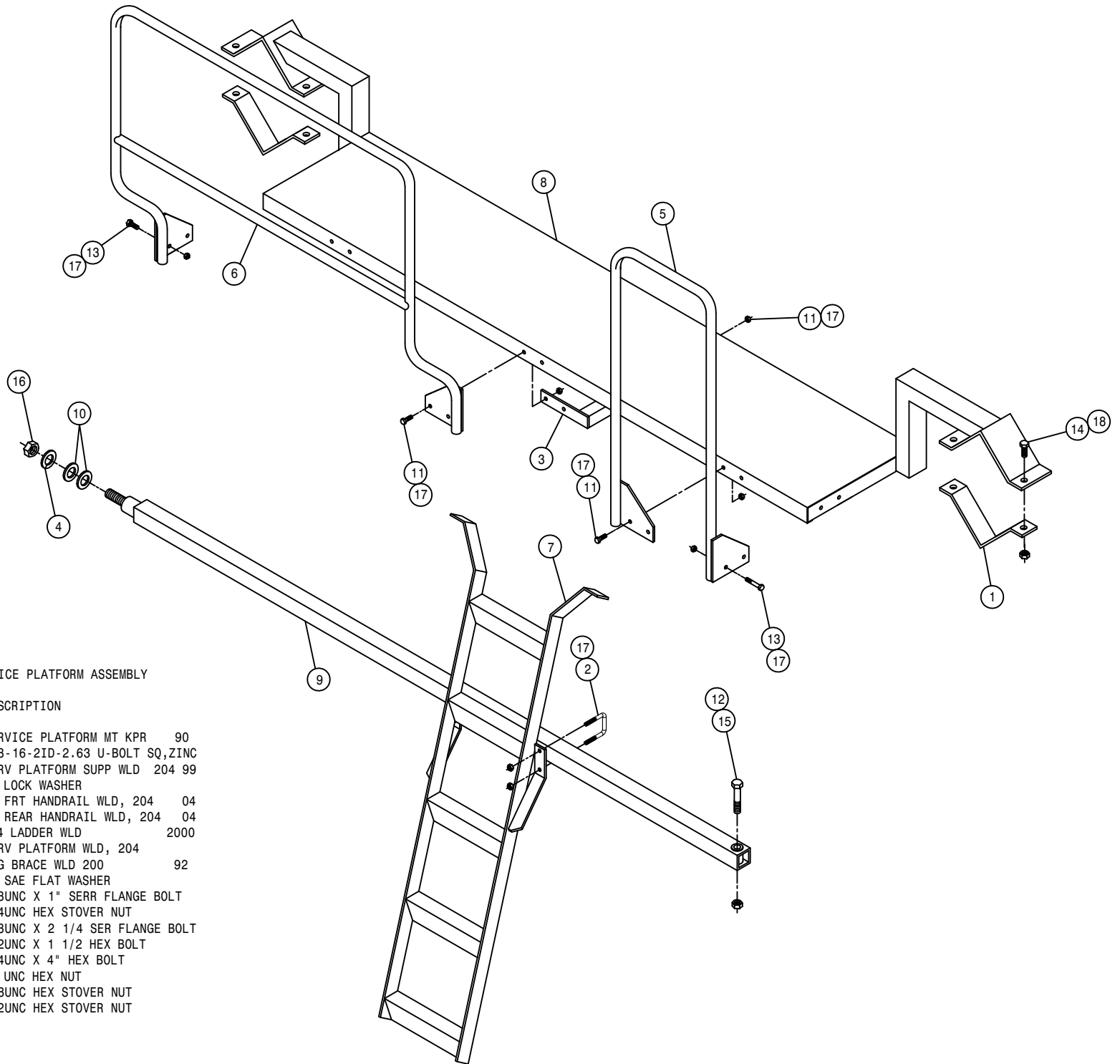
DET. QTY PART NO. DESCRIPTION

DET.	QTY	PART NO.	DESCRIPTION
1	2	291428	FUEL SENDER 19 IN.
2	10	473902	NO 8 X 1/2 PAN HD MET SC
3	2	501102	1/4 PIPE PLUG
4	4	501451	BLK PIPE EL 90DEG .25NPT
5	2	760149	FUEL TANK WLD 200-280 90
6	2	761200	GAS CAP
7	2	783303	1/4 NPT X 5/16 HOSE BARB, BRS
8	2	601324	HOSE, 3/8 X 90 FUEL LINE
9	1	760153	RH FUEL TNK MT WLD 200-280 90
10	1	760154	LH FUEL TNK MT WLD 200-280 90
11	4	760162	FUEL TANK BAND WLD 200-280 90
12	1	610529	FUEL SELECTOR VALVE W/RETURN
13	4	470121	1/4UNC HEX FLANGE LOCK NUT
14	1	601421	HOSE, 5/16 X 50 FUEL LINE
15	8	914008	1/2UNC HEX STOVER NUT
16	2	601301	HOSE, 5/16 X 90 FUEL LINE
17	14	520120	HOSE CLAMP NO 4 STAINLESS
18	2	900064	5/16UNC X 3/4 HEX BOLT
19	4	914004	3/8UNC HEX STOVER NUT
20	8	900264	1/2UNC X 1 1/4 HEX BOLT
21	2	783304	1/4 NPT X 3/8 HOSE BARB, BRS
22	1	601322	HOSE, 3/8 X 26 FUEL LINE
23	2	316281	FUEL STRAINER, IN-LINE, DIESEL
24	2	601393	HOSE, 3/8 X 3 FUEL LINE
25	2	291464	GSKT FUEL SENDER, FOR291428

LEFT TANK ASSEMBLY

RIGHT TANK ASSEMBLY

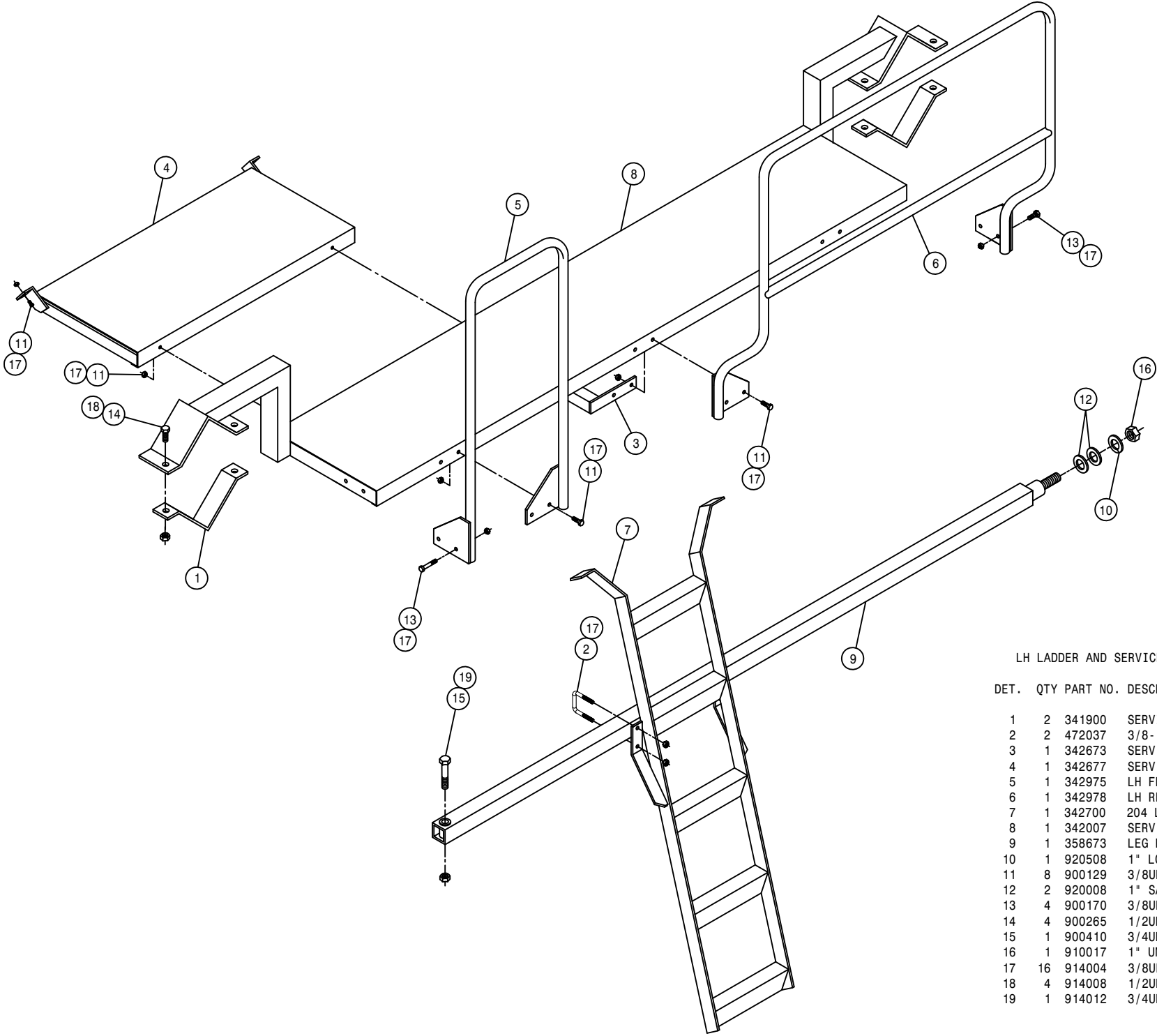




RH LADDER AND SERVICE PLATFORM ASSEMBLY

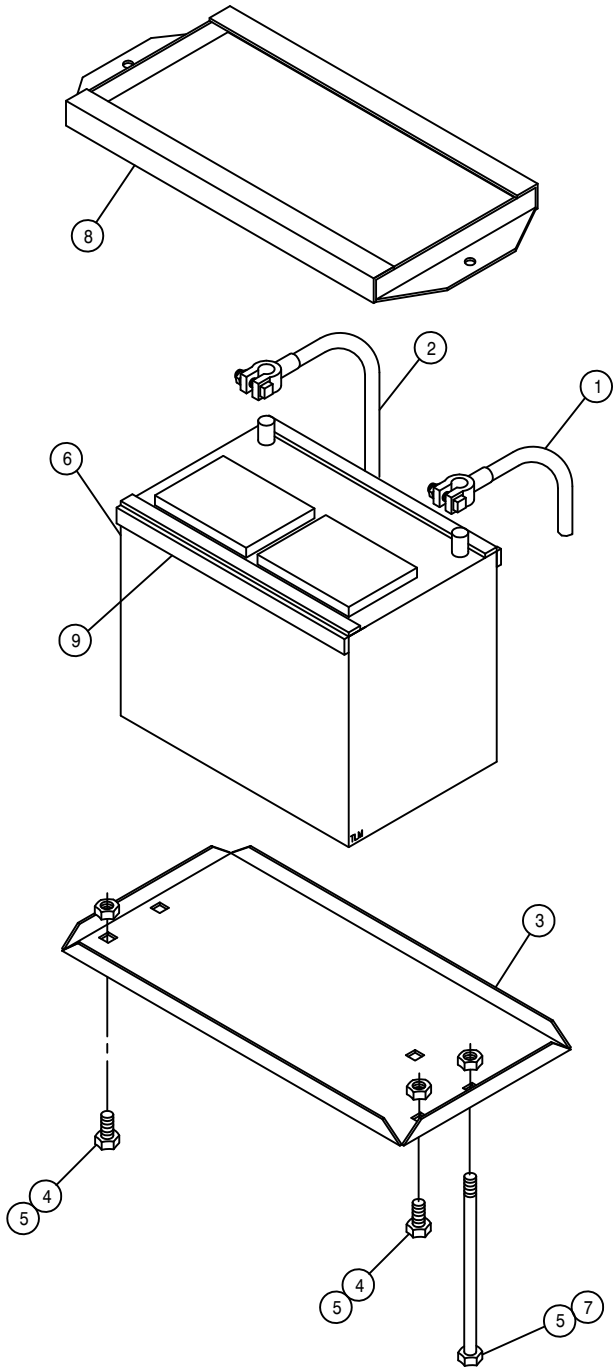
DET. QTY PART NO. DESCRIPTION

1	2	341900	SERVICE PLATFORM MT KPR	90
2	2	472037	3/8-16-2ID-2.63 U-BOLT SQ,ZINC	
3	1	342673	SERV PLATFORM SUPP WLD	204 99
4	1	920508	1" LOCK WASHER	
5	1	342974	RH FRT HANDRAIL WLD, 204	04
6	1	342977	RH REAR HANDRAIL WLD, 204	04
7	1	342700	204 LADDER WLD	2000
8	1	342007	SERV PLATFORM WLD, 204	
9	1	358673	LEG BRACE WLD 200	92
10	2	920008	1" SAE FLAT WASHER	
11	5	900129	3/8UNC X 1" SERR FLANGE BOLT	
12	1	914012	3/4UNC HEX STOVER NUT	
13	4	900170	3/8UNC X 2 1/4 SER FLANGE BOLT	
14	4	900265	1/2UNC X 1 1/2 HEX BOLT	
15	1	900410	3/4UNC X 4" HEX BOLT	
16	1	910017	1" UNC HEX NUT	
17	13	914004	3/8UNC HEX STOVER NUT	
18	4	914008	1/2UNC HEX STOVER NUT	



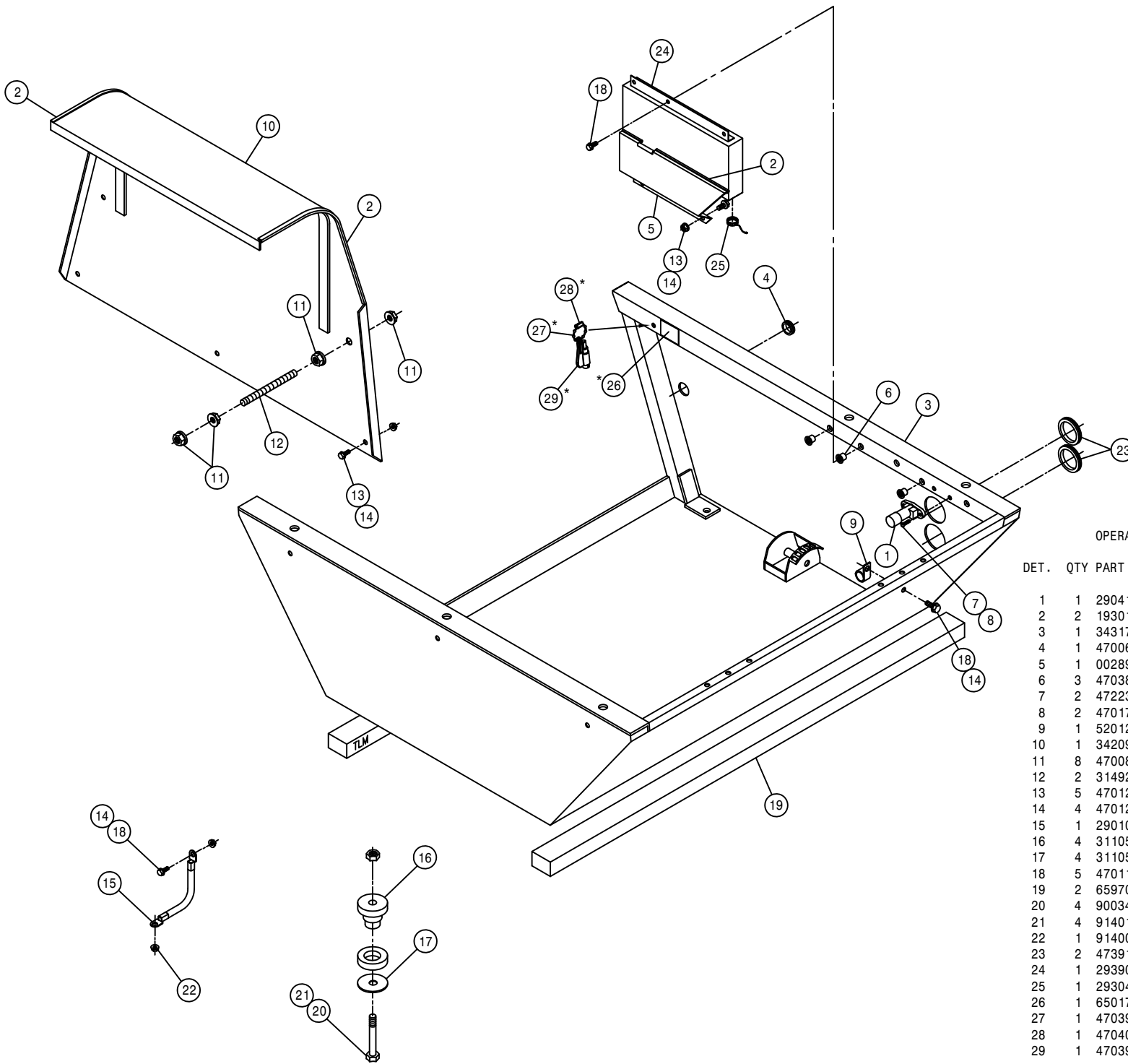
LH LADDER AND SERVICE PLATFORM ASSEMBLY

DET.	QTY	PART NO.	DESCRIPTION
	2	341900	SERVICE PLATFORM MT KPR 90
	2	472037	3/8-16-2ID-2.63 U-BOLT SQ,ZINC
	1	342673	SERV PLATFORM SUPP WLD 204 99
	1	342677	SERV PLATFORM STEP WLD 204 99
	1	342975	LH FRT HANDRAIL WLD, 204 04
	1	342978	LH REAR HANDRAIL WLD, 204 04
	1	342700	204 LADDER WLD 2000
	1	342007	SERV PLATFORM WLD, 204
	1	358673	LEG BRACE WLD 200 92
	1	920508	1" LOCK WASHER
	8	900129	3/8UNC X 1" SERR FLANGE BOLT
	2	920008	1" SAE FLAT WASHER
	4	900170	3/8UNC X 2 1/4 SER FLANGE BOLT
	4	900265	1/2UNC X 1 1/2 HEX BOLT
	1	900410	3/4UNC X 4" HEX BOLT
	1	910017	1" UNC HEX NUT
	16	914004	3/8UNC HEX STOVER NUT
	4	914008	1/2UNC HEX STOVER NUT
	1	914012	3/4UNC HEX STOVER NUT



BATTERY BOX ASSEMBLY

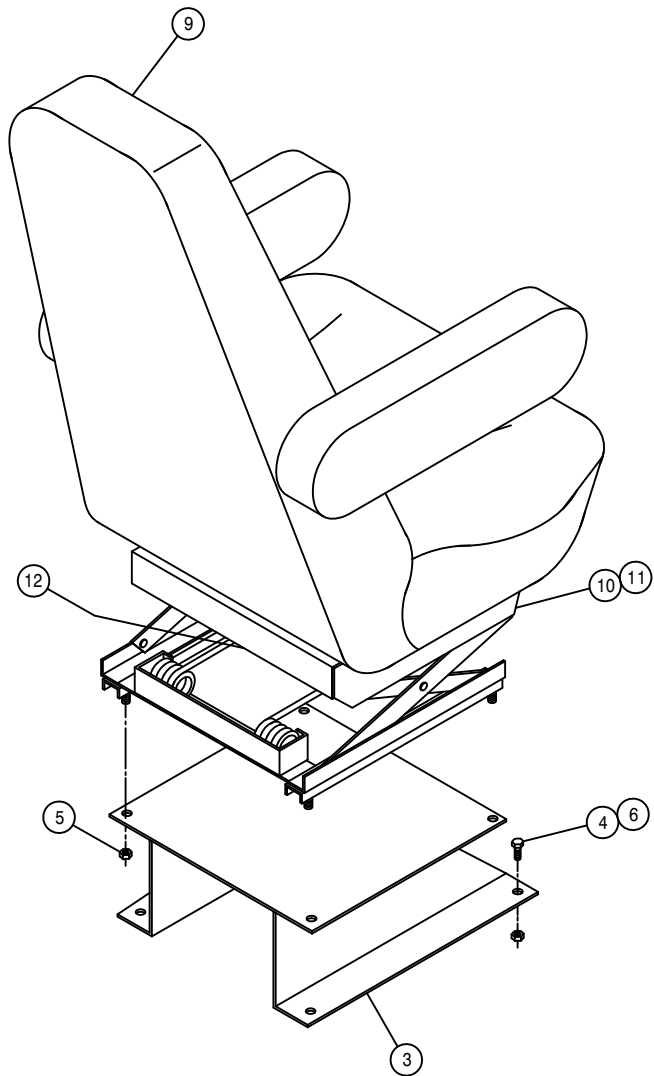
DET.	QTY	PART NO.	DESCRIPTION
	1	291128	BATTERY CABLE 48 IN
	1	291530	BATTERY GROUND CABLE, 23"
	1	361149	BATTERY BOX 8300-8400 1981
	3	900128	3/8UNC X 3/4 HEX BOLT
	5	914004	3/8UNC HEX STOVER NUT
	1	291122	BATTERY, 12V 950CCA, SAE POST
	2	901150	3/8UNC X 9" CARR BOLT
	1	341322	BATTERY HOLD DOWN WLD 1981
	4	193022	STICKERTITE 1/4 X 3/4



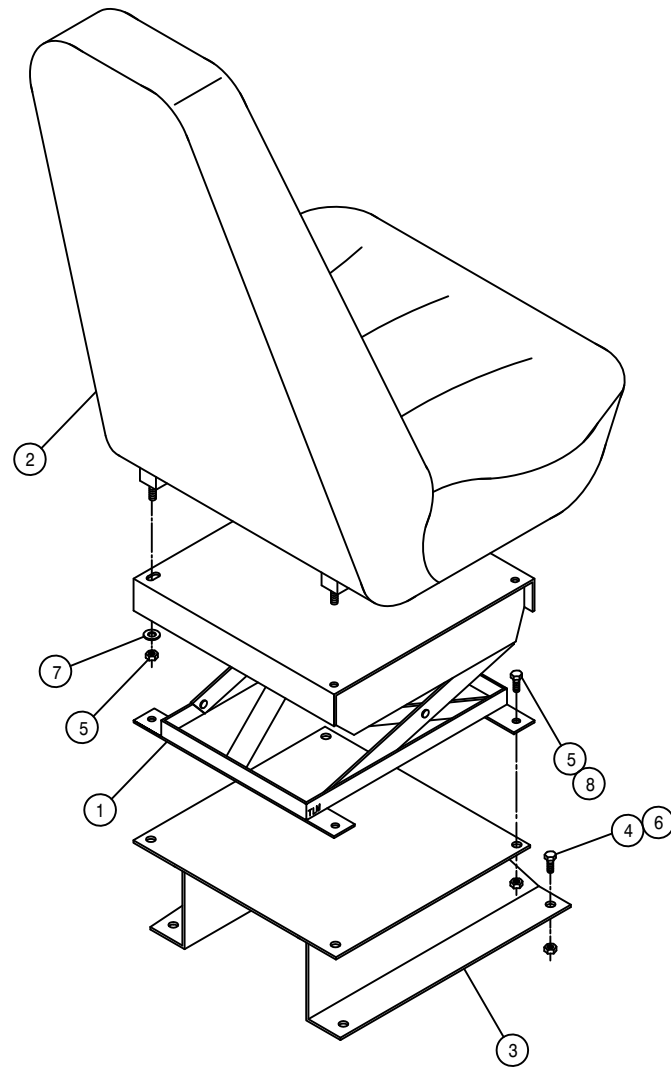
OPERATOR STATION ASSEMBLY

DET.	QTY	PART NO.	DESCRIPTION
1	1	290412	DIMMER SWITCH
2	2	193011	EDGE GUARD, BLK
3	1	343172	OP STN WLD, 204/204SP
4	1	470067	GROMMET, .250ID .125GW .375GD
5	1	002899	LS CTRL BOX CONNECTOR SHLD 96
6	3	470380	1/4-20 NUTSERT .027-.165 STL
7	2	472235	10-32 X 3/4 PHIL HD MACH SCR
8	2	470175	10-32 HEX FLANGE LOCK NUT
9	1	520121	CUSH CLAMP,#16 1IN X 3/4W
10	1	342098	NOISE DEFLECTOR WELDMT 204
11	8	470087	3/8UNC HEX FLANGE LOCK NUT
12	2	314929	3/8UNC X 3.00 STUD BOLT, FULL
13	5	470122	1/4UNC X 1/2 FLANGE HEX BOLT
14	4	470121	1/4UNC HEX FLANGE LOCK NUT
15	1	290107	GROUND CABLE,8" X 4GA .406LUGS
16	4	311051	RUBBER MOUNT, RB3-350
17	4	311052	SNUBBING WASHER FOR 311051
18	5	470118	1/4UNC X 3/4 FLANGE HEX BOLT
19	2	659704	FOAM, 2"THK X 2" WIDE X 42"LG
20	4	900342	5/8UNC X 4" HEX BOLT
21	4	914010	5/8UNC HEX STOVER NUT
22	1	914004	3/8UNC HEX STOVER NUT
23	2	473915	GROMMET,1.500ID .062GW 1.750GD
24	1	293906	TASSELTRON CABLE BOX ASSY 2008
25	1	293046	CAP FOR #11 SHELL RECEPTACLE
26	1	650175	DECAL,NOTICE EMERGENCY EXIT
27	1	470398	BEAD CHAIN, #10 X 4" LONG
28	1	470400	BEAD CHAIN CONNECTOR #10 WHITE
29	1	470397	RES-Q-ME TOOL

NOTE: ITEMS WITH (*) ARE USED WITH THE CAB ASSEMBLY.



SEAT ASSEMBLY W/CAB



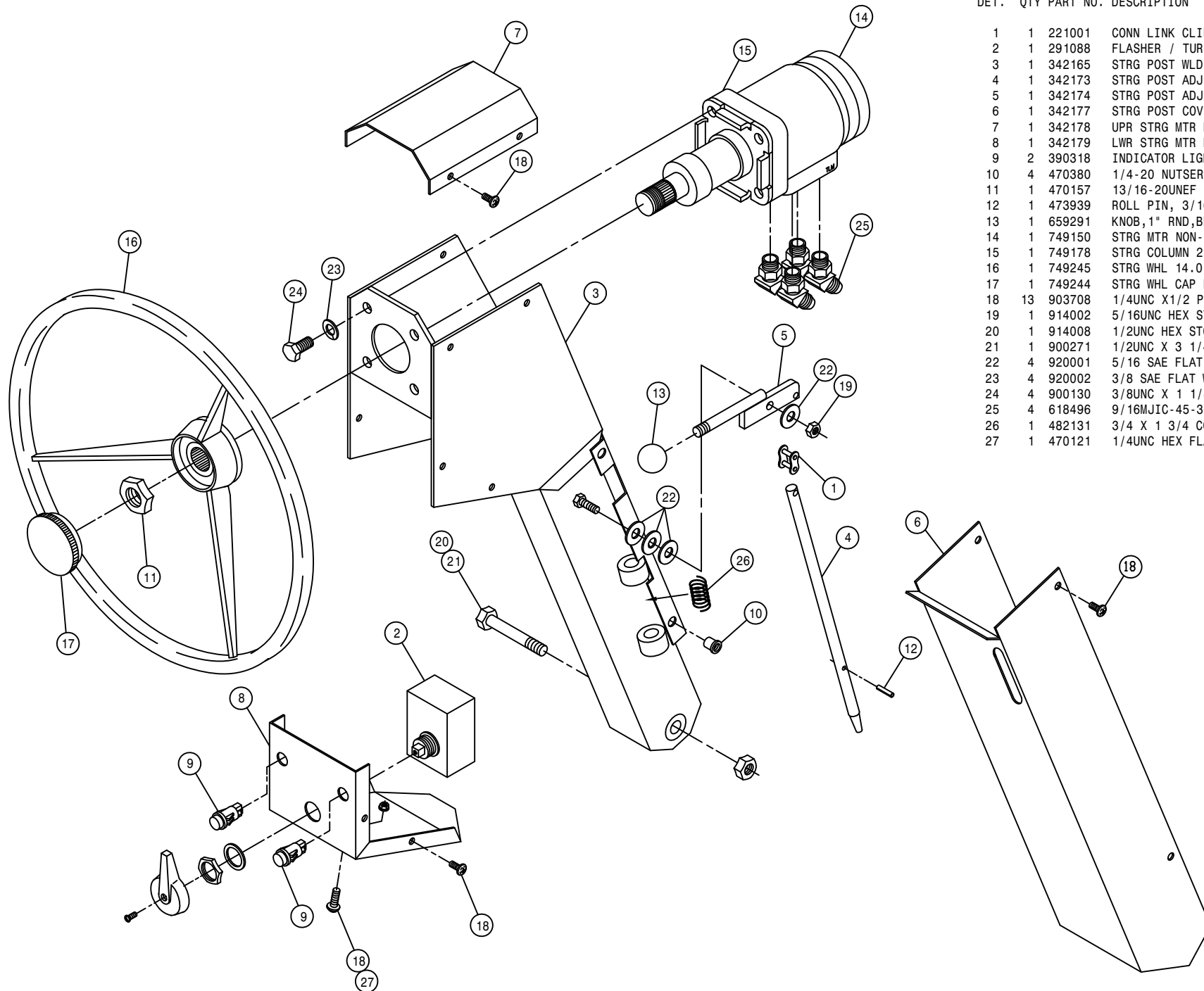
SEAT ASSEMBLY W/O CAB

SEAT ASSEMBLY

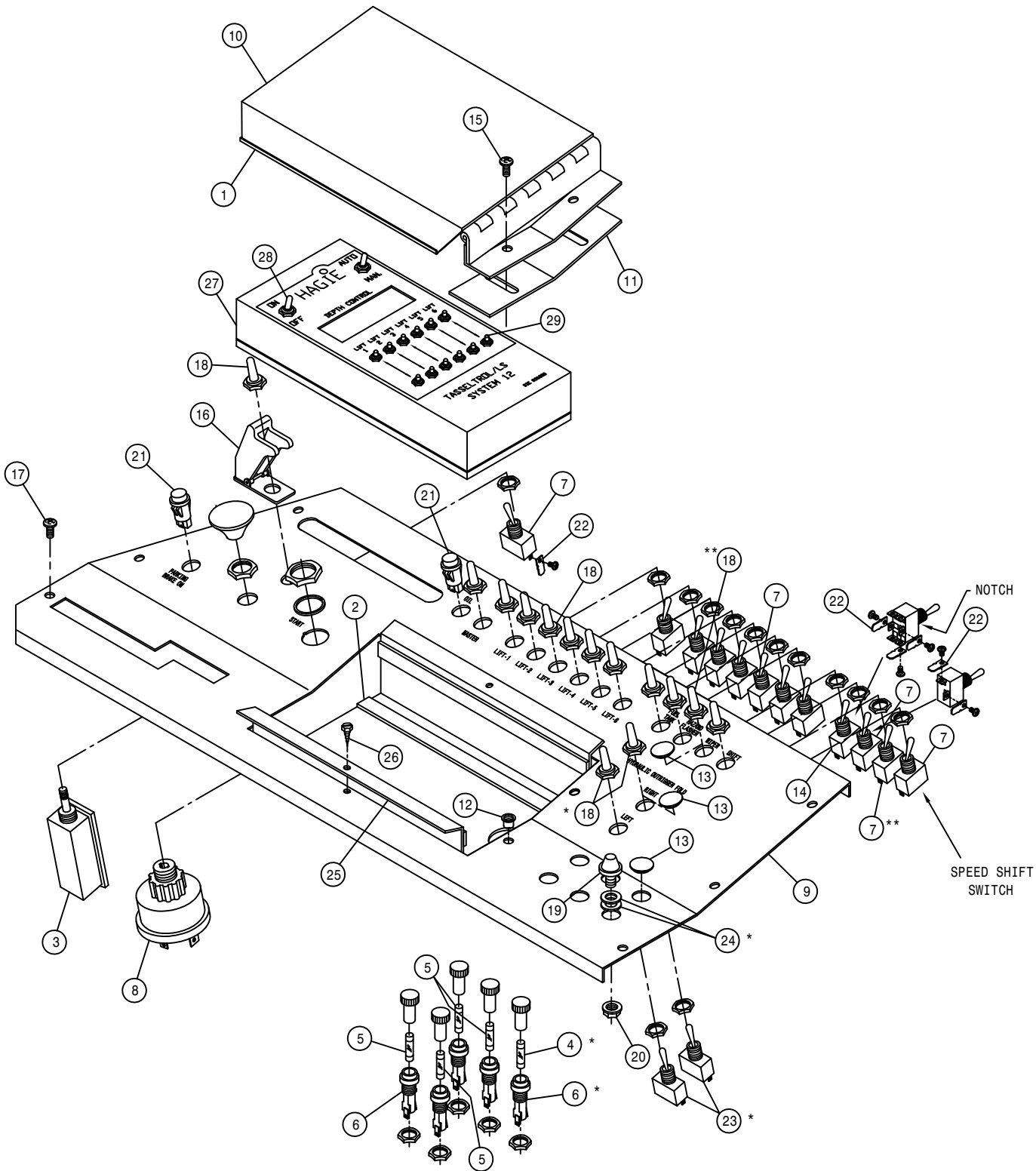
DET. QTY PART NO. DESCRIPTION

1	1	330015	SUSPENSION ASSY TRIMLINE SEAT
2	1	330017	TRIMLINE SEAT, MID HIGH,VINYL
3	2	341554	SEAT MT WLD TRIMLINE SEAT
4	8	900129	3/8UNC X 1" SERR FLANGE BOLT
5	12	914002	5/16UNC HEX STOVER NUT
6	8	914004	3/8UNC HEX STOVER NUT
7	2	920001	5/16 SAE FLAT WASHER
8	4	900064	5/16UNC X 3/4 HEX BOLT
9	1	330022	SEAT,MAGNUM-100 AIR SUSPEND95
10	1	330024	HEIGHT ADJ LATCH, SEAT 330022
11	1	330025	ADJ LATCH SPRING, SEAT 330022
12	1	330023	AIR BAG PKG, SEAT 330022

STEERING POST ASSEMBLY



DET.	QTY	PART NO.	DESCRIPTION
1	1	221001	CONN LINK CLIP TYPE RC50
2	1	291088	FLASHER / TURN SIGNAL SWITCH
3	1	342165	STRG POST WLD, 284 CAB 94
4	1	342173	STRG POST ADJ PIN, 284 CAB 94
5	1	342174	STRG POST ADJ PIN LEVER WLD94
6	1	342177	STRG POST COVER, 284 CAB 94
7	1	342178	UPR STRG MTR HSNQ COVER 94
8	1	342179	LWR STRG MTR HSNQ COVER 94
9	2	390318	INDICATOR LIGHT, RED
10	4	470380	1/4-20 NUTSERT .027-.165 STL
11	1	470157	13/16-20UNEF HEX NUT STRG WHL
12	1	473939	ROLL PIN, 3/16DIA X 7/8
13	1	659291	KNOB, 1" RND, BLK, 3/8-16
14	1	749150	STRG MTR NON-LOAD REACT 1008
15	1	749178	STRG COLUMN 2.5IN LONG
16	1	749245	STRG WHL 14.0 DIA
17	1	749244	STRG WHL CAP FOR 749245
18	13	903708	1/4UNC X 1/2 PHIL PNHD MACHSCR
19	1	914002	5/16UNC HEX STOVER NUT
20	1	914008	1/2UNC HEX STOVER NUT
21	1	900271	1/2UNC X 3 1/4 HEX BOLT
22	4	920001	5/16 SAE FLAT WASHER
23	4	920002	3/8 SAE FLAT WASHER
24	4	900130	3/8UNC X 1 1/4 SER FLANGE BOLT
25	4	618496	9/16MJIC-45-3/4MOR LBO
26	1	482131	3/4 X 1 3/4 COMPRSN SPRING
27	1	470121	1/4UNC HEX FLANGE LOCK NUT



CONSOLE PANEL ASSEMBLY

DET.	QTY	PART NO.	DESCRIPTION
1	2	193011	EDGE GUARD, BLK
2	2	193037	STICKERTITE 1/8 X 3/4
3	1	290046	LIGHT SWITCH TWO POSITION
4	1	291602	FUSE 10 AMP
5	4	298004	20 AMP FUSE SFE 20
6	5	298011	FUSE HOLDER
7	11	298012	TOGGLE SWITCH, ON-OFF, SPST, 15A
8	1	321020	IGN SWITCH, SEALED, 4 TERMINAL
9	1	343178	CONSOLE PANEL, 204 07
10	1	342240	CONTROL BOX COVER WLD, 204 94
11	1	342244	CONTROL BOX KEEPER, 204 94
12	2	470384	10-32 NUTSERT .020-.130 STL
13	4	470224	SNAP PLUG, BLK NYL, .50 DIA
14	1	610412	TOGGLE SWITCH FOR FUEL VLV
15	2	903710	10-32X5/8 PHIL PANHD MACH SCR
16	1	291655	AIRCRAFT TOGGLE SWITCH GUARD
17	6	903708	1/4UNC X1/2 PHIL PNHD MACHSCR
18	14	470001	RUBBER BOOT W NUT FOR 298012
19	1	470230	1/2 RUBBER BUMPER, 1/4-20 STUD
20	1	470121	1/4UNC HEX FLANGE LOCK NUT
21	2	390318	INDICATOR LIGHT, RED
22	6	291644	.250MALE FASTON-#6 RING ADPTR
23	2	293038	TOGGLE SWITCH DPDT 15 AMP
24	2	920002	3/8 SAE FLAT WASHER
25	1	342297	LS CTRL 6L DISPLAY BOX MT
26	2	473902	NO 8 X 1/2 PAN HD MET SC
27	1	293373	LS CTRL 6L DISPLAY BOX ASSY
28	2	470001	RUBBER BOOT W NUT FOR 298012
29	12	293255	SWITCH BOOT, PUSHBUTTON, 1/4-40

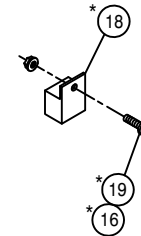
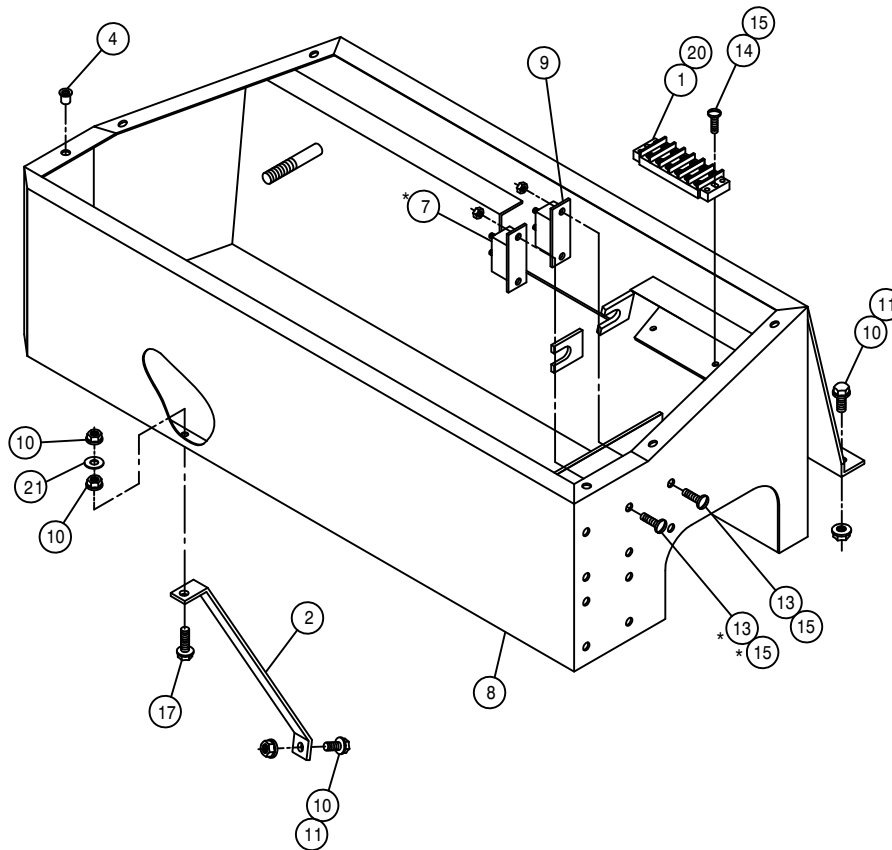
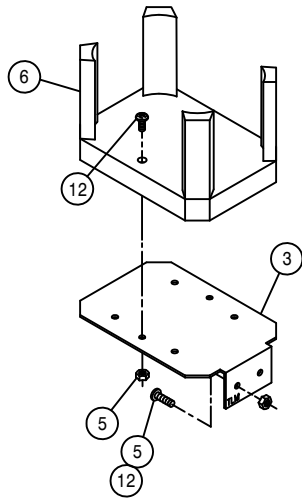
NOTE: ITEMS WITH (*) ARE USED WITH THE OUTRIGGER FOLD OPTION.
 ITEMS WITH (**) ARE USED WITH THE WINDSHIELD WIPER IN THE CAB OPTION.

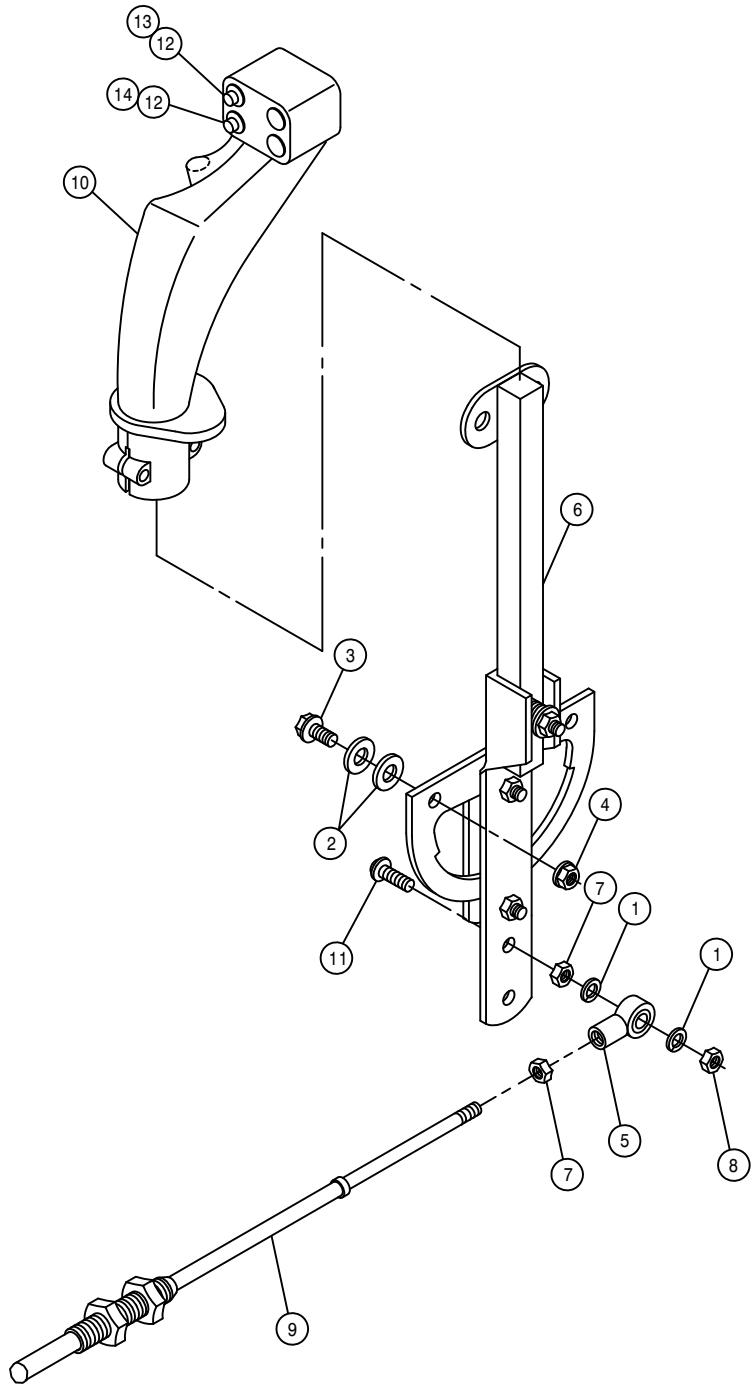
CONSOLE ASSEMBLY

DET. QTY PART NO. DESCRIPTION

DET.	QTY	PART NO.	DESCRIPTION
1	1	293093	TERMINAL BLOCK 6 POS - 2 ROW
2	1	342248	CONSOLE BRACE, 204
3	1	342216	DRINK HOLDER MT BRKT 94
4	6	470380	1/4-20 NUTSERT .027-.165 STL
5	4	470175	10-32 HEX FLANGE LOCK NUT
6	1	470214	SPILLMASTER DRINK HOLDER
7	1	291197	CIRCUIT BREAKER,30AMP,INLINEMT
8	1	343174	CONSOLE WLD, 204
9	1	291024	CIRCUIT BREAKER,40AMP,INLINEMT
10	5	470121	1/4UNC HEX FLANGE LOCK NUT
11	3	470118	1/4UNC X 3/4 FLANGE HEX BOLT
12	4	903710	10-32X5/8 PHIL PANHD MACH SCR
13	4	903812	6-32 X 1/2 SLT RD HD MACH SCR
14	2	903814	6-32 X 3/4 SLT RD HD MACH SCR
15	6	910022	6-32 HEX NUT
16	1	910024	8-32 HEX NUT
17	1	900004	1/4UNC X 1 1/4 HEX BOLT
18	1	291640	RELAY, 12V 20/30AMP BOSCH
19	1	903844	8-32 X 1/2 PHIL PANHD MACH SCR
20	3	903808	6-32 X 3/8 SLT RD HD MACH SCR
21	1	920000	1/4 SAE FLAT WASHER

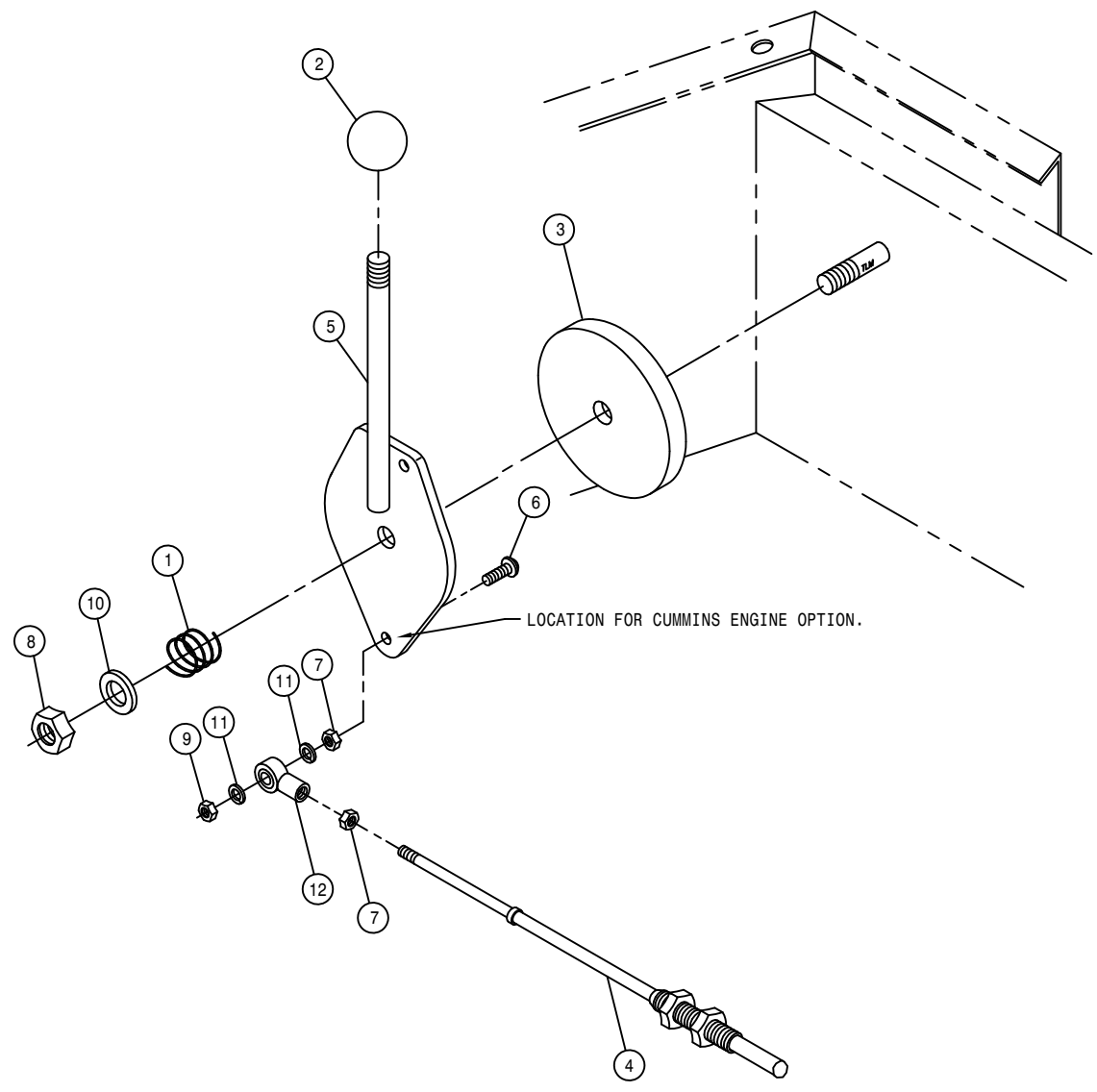
NOTE: ITEMS MARKED WITH A (*) ARE USED WITH THE CAB OPTION.





HYDROSTATIC LEVER ASSEMBLY

DET.	QTY	PART NO.	DESCRIPTION
	1	2 920510	#10 LOCK WASHER
	2	4 920000	1/4 SAE FLAT WASHER
	3	2 470118	1/4UNC X 3/4 FLANGE HEX BOLT
	4	2 470121	1/4UNC HEX FLANGE LOCK NUT
	5	1 473921	BALL JOINT NO 10-32 THD
	6	1 606907	HYDST CTRL LEVER ASSY 204-284
	7	2 910027	10-32 HEX NUT
	8	1 914027	10-32 HEX STOVER NUT
	9	1 785003	CTRL CABLE 10-32 4IN X 112 LG
	10	1 785077	FASSE EZ-3 CONTROL HANDLE,204
	11	1 903893	10-32 X 1" SLT RD HD MACH SCR
	12	2 291650	SWITCH,SPDT MOM MICRO
	13	1 291652	SWITCH BOOT, RED -FOR 291650
	14	1 291682	SWITCH BOOT, GRN -FOR 291650

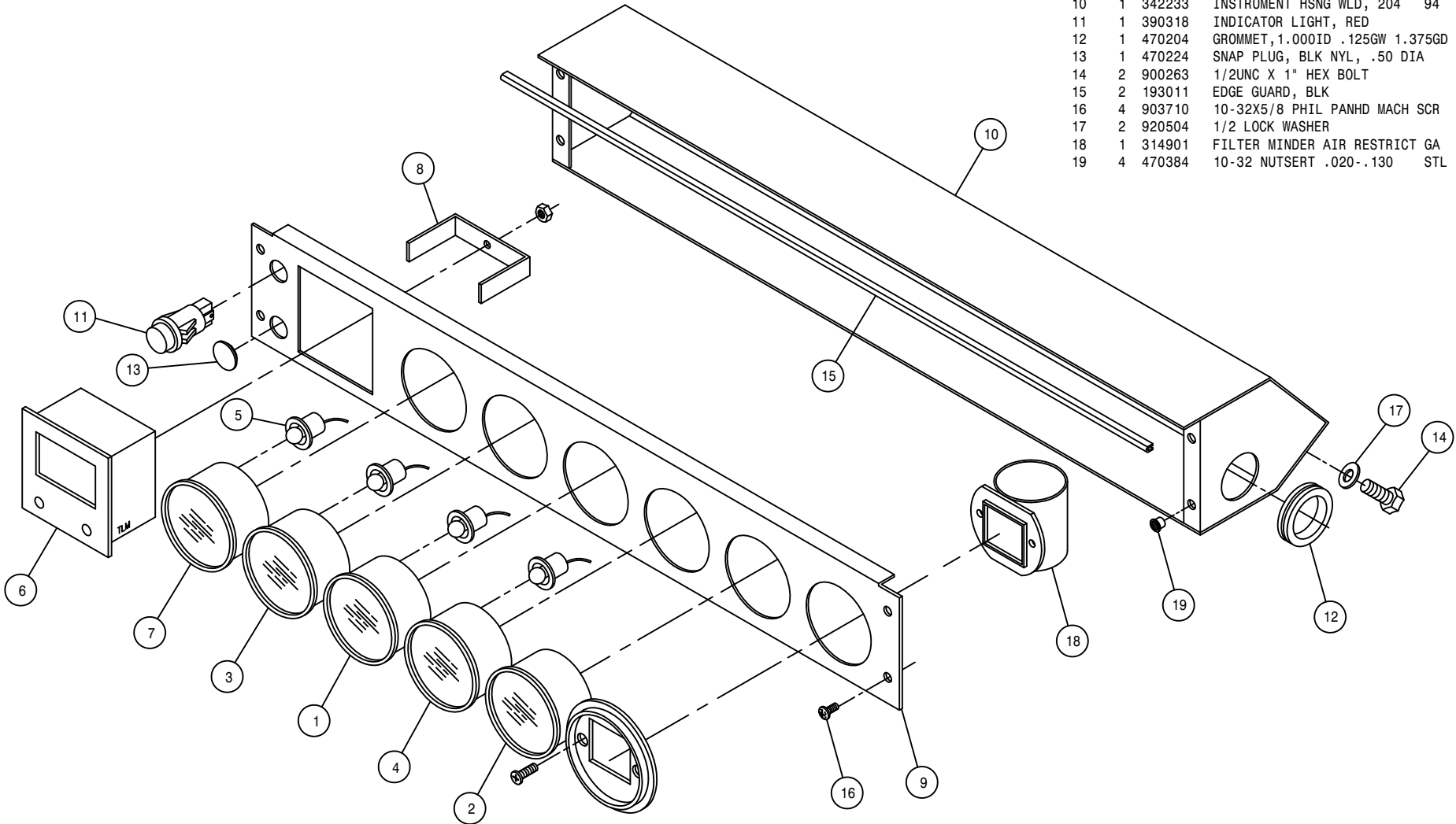


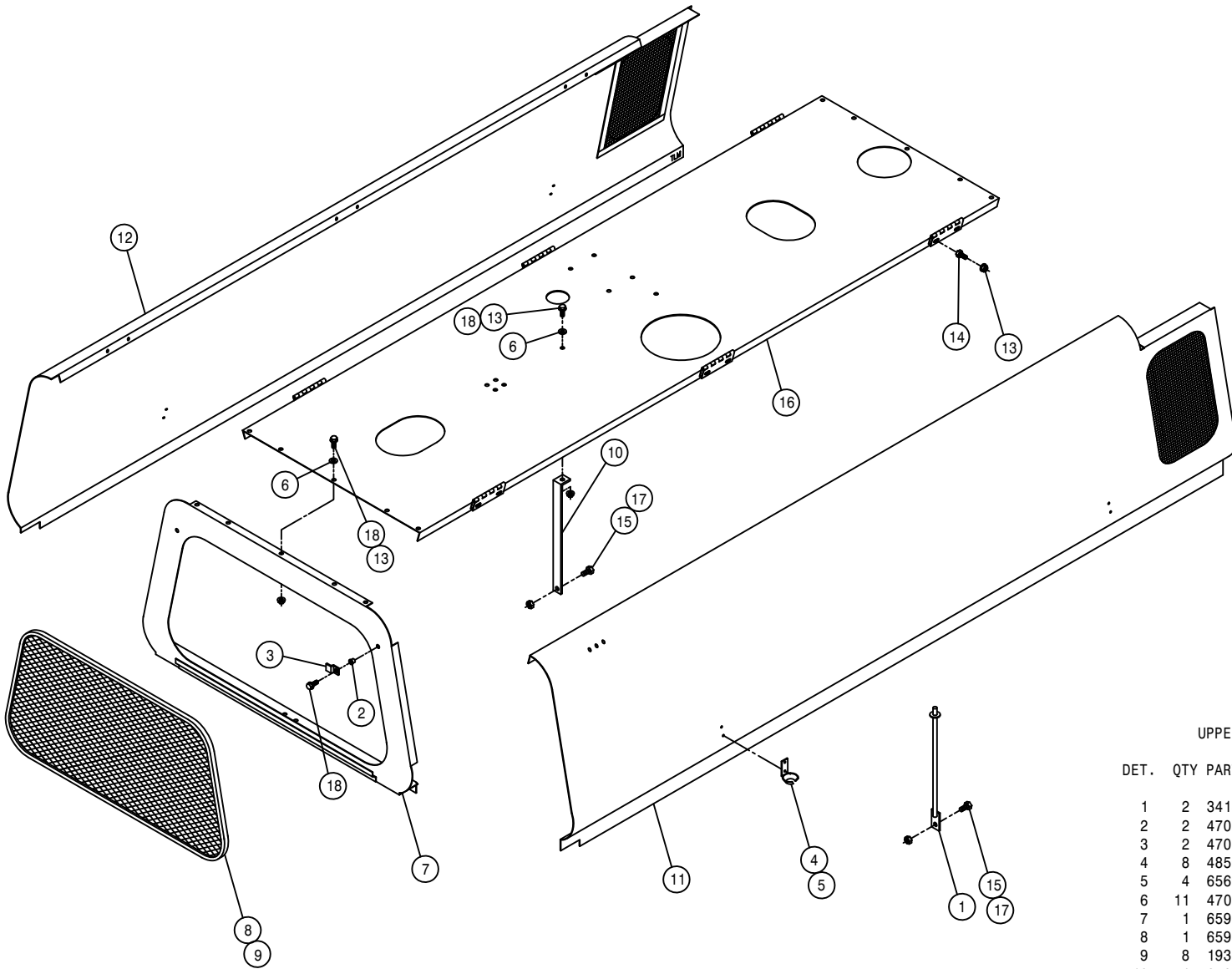
THROTTLE LEVER ASSEMBLY

DET.	QTY	PART NO.	DESCRIPTION
1	1	499001	SPRING HYDRO CONTROL
2	1	785007	KNOB, 1 3/16" BALL, RED, 3/8-16
3	1	785046	FRICTION DISC 3-333 X .38
4	1	785066	CTRL CABLE 10-32 4IN X 129 IN
5	1	785067	THROT LEVER WLD, GAS/DIESEL 94
6	1	903893	10-32 X 1" SLT RD HD MACH SCR
7	2	910027	10-32 HEX NUT
8	1	914004	3/8UNC HEX STOVER NUT
9	1	914027	10-32 HEX STOVER NUT
10	1	920002	3/8 SAE FLAT WASHER
11	2	920510	#10 LOCK WASHER
12	1	473921	BALL JOINT NO 10-32 THD

INSTRUMENT PANEL ASSEMBLY

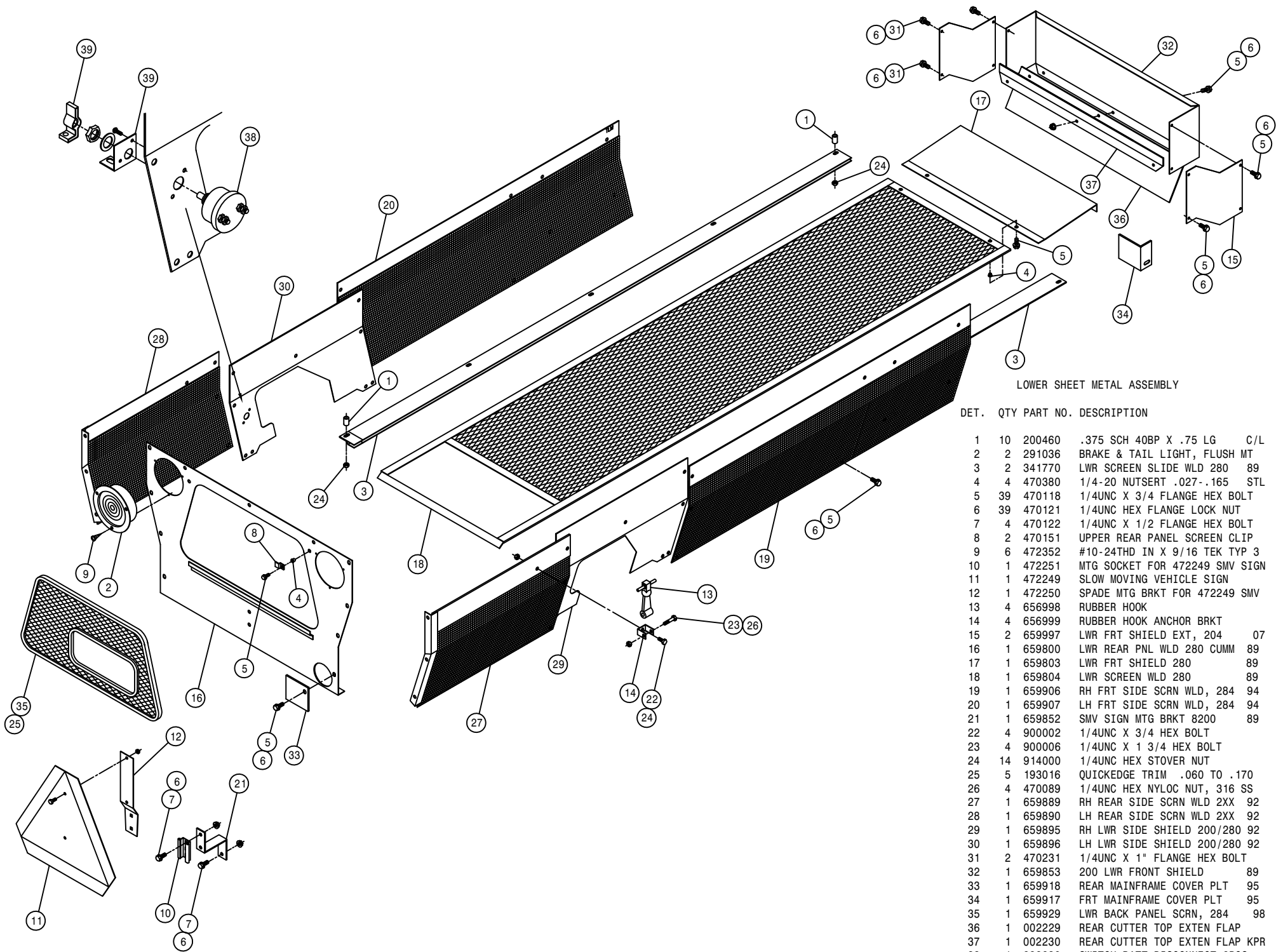
DET.	QTY	PART NO.	DESCRIPTION
1	1	290401	FUEL GAUGE FOR 2.125 DIA HOLE
2	1	291203	HOUR METER, 10/80VDC BLACK BEZ
3	1	291609	OIL PRESS GAUGE, 80PSI
4	1	291611	VOLTMETER, 8V TO 18V DC
5	4	291612	LIGHT KIT FOR 2" GAUGE
6	1	291641	DIGITAL MPH/RPM INDICATOR W/P
7	1	314436	TEMP GA 100-280 DEG LIGHTED
8	1	342068	DIGITAL MPH/RPM IND KEEPER 94
9	1	342232	INSTRUMENT PANEL, 204 94
10	1	342233	INSTRUMENT HSG WLD, 204 94
11	1	390318	INDICATOR LIGHT, RED
12	1	470204	GROMMET, 1.000ID .125GW 1.375GD
13	1	470224	SNAP PLUG, BLK NYL, .50 DIA
14	2	900263	1/2UNC X 1" HEX BOLT
15	2	193011	EDGE GUARD, BLK
16	4	903710	10-32X5/8 PHIL PANHD MACH SCR
17	2	920504	1/2 LOCK WASHER
18	1	314901	FILTER MINDER AIR RESTRICT GA
19	4	470384	10-32 NUTSERT .020-.130 STL





UPPER SHEET METAL ASSEMBLY

DET.	QTY	PART NO.	DESCRIPTION
	1	2	341356 ENGINE HOOD PROP WLD 8240 82
	2	2	470380 1/4-20 NUTSERT .027-.165 STL
	3	2	470151 UPPER REAR PANEL SCREEN CLIP
	4	8	485053 POP RIVET 3/16 X 3/8
	5	4	656997 RUBBER HOOK BRKT
	6	11	470212 1/4 BONDED SEALING WASH, SS
	7	1	659575 UPPER REAR PANEL WLD 8240 82
	8	1	659578 UPPER REAR PANEL SCREEN 8240
	9	8	193016 QUICKEDGE TRIM .060 TO .170
	10	1	659930 MULLION SUPPORT BRKT, 284 97
	11	1	659911 RH ENG HOOD WLD, 204 94
	12	1	659912 LH ENG HOOD WLD, 204 94
	13	23	470121 1/4UNC HEX FLANGE LOCK NUT
	14	12	900000 1/4UNC X 1/2 HEX BOLT
	15	3	900128 3/8UNC X 3/4 HEX BOLT
	16	1	660234 MULLION WLD, 204/284 CUMM 04
	17	3	914004 3/8UNC HEX STOVER NUT
	18	13	470118 1/4UNC X 3/4 FLANGE HEX BOLT



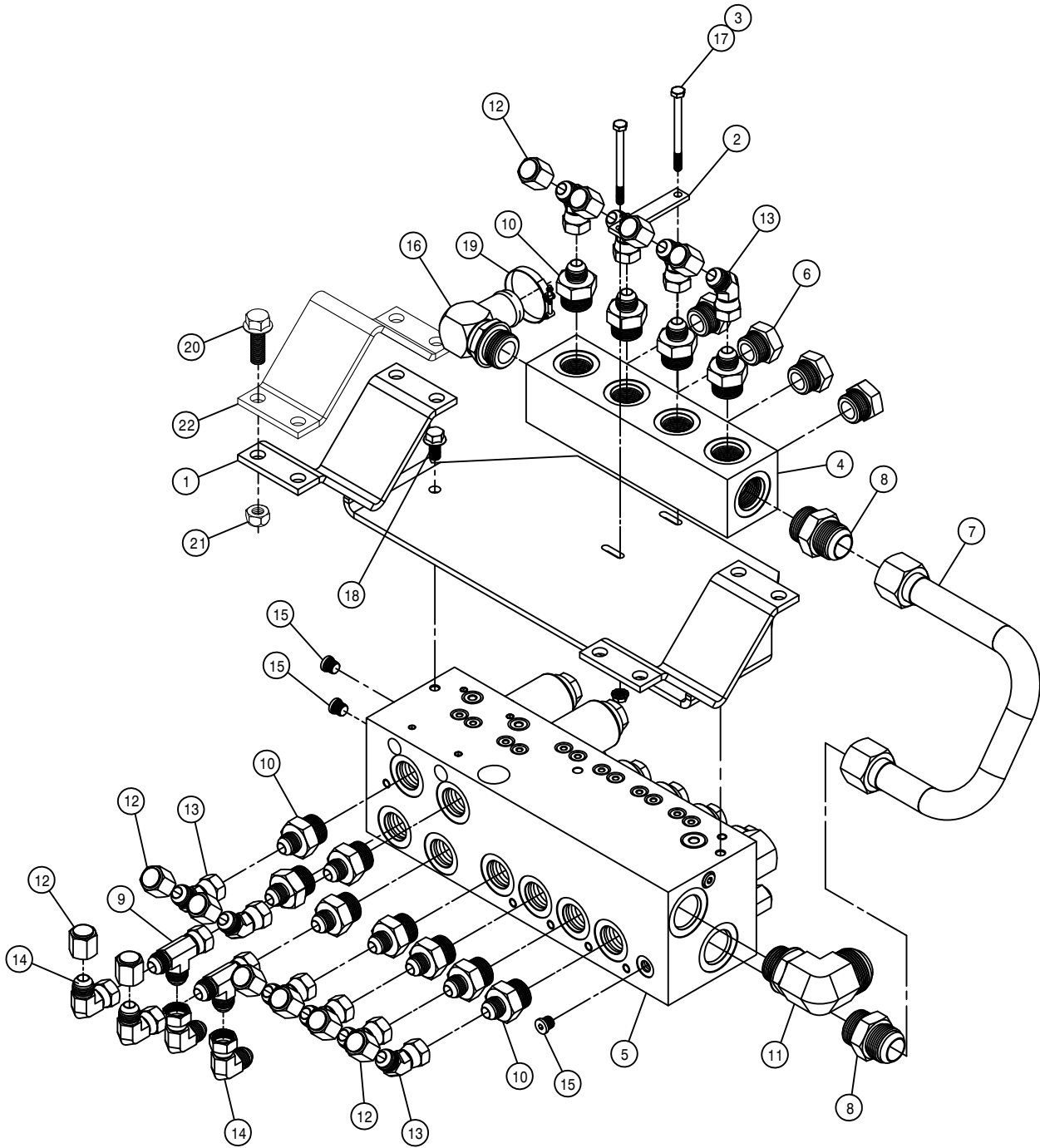
LOWER SHEET METAL ASSEMBLY

DET. QTY PART NO. DESCRIPTION

DET.	QTY	PART NO.	DESCRIPTION	
1	10	200460	.375 SCH 40BP X .75 LG	C/L
2	2	291036	BRAKE & TAIL LIGHT, FLUSH MT	
3	2	341770	LWR SCREEN SLIDE WLD 280	89
4	4	470380	1/4-20 NUTSERT .027-.165	STL
5	39	470118	1/4UNC X 3/4 FLANGE HEX BOLT	
6	39	470121	1/4UNC HEX FLANGE LOCK NUT	
7	4	470122	1/4UNC X 1/2 FLANGE HEX BOLT	
8	2	470151	UPPER REAR PANEL SCREEN CLIP	
9	6	472352	#10-24THD IN X 9/16 TEK TYP 3	
10	1	472251	MTG SOCKET FOR 472249 SMV SIGN	
11	1	472249	SLOW MOVING VEHICLE SIGN	
12	1	472250	SPADE MTG BRKT FOR 472249 SMV	
13	4	656998	RUBBER HOOK	
14	4	656999	RUBBER HOOK ANCHOR BRKT	
15	2	659997	LWR FRT SHIELD EXT, 204	07
16	1	659800	LWR REAR PNL WLD 280 CUMM	89
17	1	659803	LWR FRT SHIELD 280	89
18	1	659804	LWR SCREEN WLD 280	89
19	1	659906	RH FRT SIDE SCR N WLD, 284	94
20	1	659907	LH FRT SIDE SCR N WLD, 284	94
21	1	659852	SMV SIGN MTG BRKT 8200	89
22	4	900002	1/4UNC X 3/4 HEX BOLT	
23	4	900006	1/4UNC X 1 3/4 HEX BOLT	
24	14	914000	1/4UNC HEX STOVER NUT	
25	5	193016	QUICKEDGE TRIM .060 TO .170	
26	4	470089	1/4UNC HEX NYLOC NUT, 316 SS	
27	1	659889	RH REAR SIDE SCR N WLD 2XX	92
28	1	659890	LH REAR SIDE SCR N WLD 2XX	92
29	1	659895	RH LWR SIDE SHIELD 200/280	92
30	1	659896	LH LWR SIDE SHIELD 200/280	92
31	2	470231	1/4UNC X 1" FLANGE HEX BOLT	
32	1	659853	200 LWR FRONT SHIELD	89
33	1	659918	REAR MAINFRAME COVER PLT	95
34	1	659917	FRT MAINFRAME COVER PLT	95
35	1	659929	LWR BACK PANEL SCR N, 284	98
36	1	002229	REAR CUTTER TOP EXTEN FLAP	
37	1	002230	REAR CUTTER TOP EXTEN FLAP KPR	
38	1	292230	SWITCH,BATT DISCONNECT,2POS	
39	1	292231	LOCKOUT LEVER KIT FOR 292230	

36

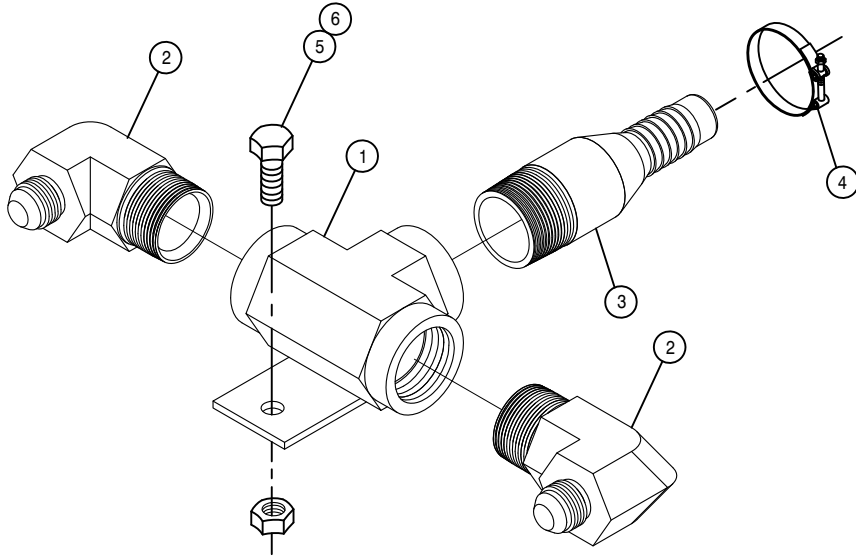
400036



MOTOR CONTROL VALVE ASSEMBLY

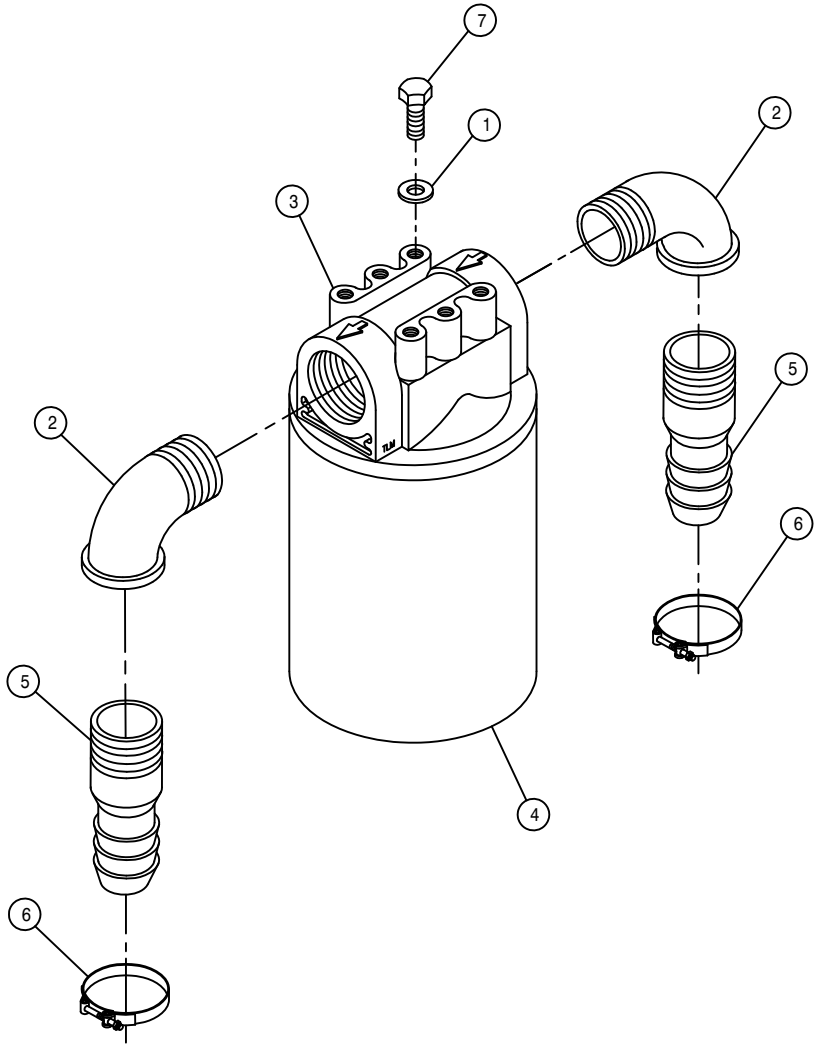
DET. QTY PART NO. DESCRIPTION

1	1	439114	MTR CTRL VLV MT WLD, 204	07
2	1	439116	MTR CTRL VLV MT KEEPER, 204	07
3	2	470121	1/4UNC HEX FLANGE LOCK NUT	
4	1	606029	RETURN MANIFOLD BLOCK, STS	03
5	1	606262	MTR CONTROL ELECT VLV, SAUER	07
6	4	610186	1 1/16MOR PLUG, HEX HEAD	
7	1	615799	MTR CTRL RET TUBE ASSY, 204	07
8	2	618186	1 5/16MJIC-1 5/16MOR ADPTR	
9	2	618451	3/4FJIC SW RUN TEE-3/4MJIC	
10	12	618469	3/4MJIC-1 1/16MOR ADPTR	
11	1	618476	1 5/8MJIC-90-1 5/16MOR LBO	
12	12	618532	3/4FJIC CAP NUT	
13	10	618590	3/4MJIC-45-3/4FJIC SWIV LBO	
14	4	618609	3/4MJIC-90-3/4FJIC SWIV LBO	
15	3	618753	7/16MOR PLUG, HEX SOCKET	
16	1	618772	1 1/4 HOSE BARB-90-1 5/16MOR	
17	2	900011	1/4UNC X 3 1/4 HEX BOLT	
18	2	900128	3/8UNC X 3/4 HEX BOLT	
19	1	520132	1.62/1.87 T-BOLT HOSE CLAMP SS	
20	8	900265	1/2UNC X 1 1/2 HEX BOLT	
21	8	914008	1/2UNC HEX STOVER NUT	
22	2	438324	75IN OUTRGR BRACE CLAMP	



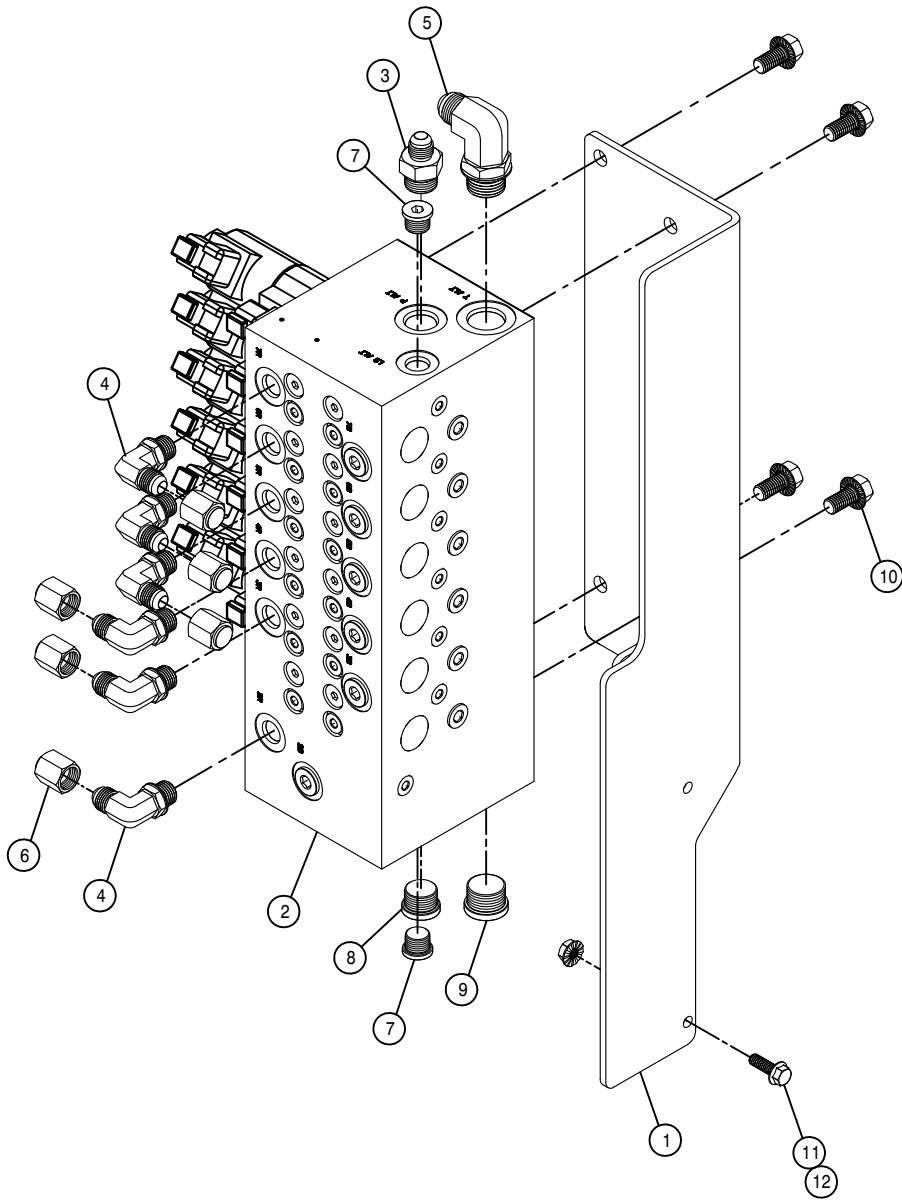
RETURN TEE ASSEMBLY

DET.	QTY	PART NO.	DESCRIPTION	
1	1	614660	1IN STL TEE WLD 280	89
2	2	618714	3/4MJIC-90-1"MNPT LBO	
3	1	714331	1 NPT X 3/4 HOSE BARB	
4	1	520137	1.12/1.25 T-BOLT HOSE CLAMP	
5	1	900128	3/8UNC X 3/4 HEX BOLT	
6	1	914004	3/8UNC HEX STOVER NUT	



DETASSELER FILTER ASSEMBLY

DET.	QTY	PART NO.	DESCRIPTION
1	4	920501	5/16 LOCK WASHER
2	2	506410	BLK PIPE ST EL 90DEG 1.25NPT
3	1	605633	PARKER FILTER ASSY,25M,1.25NPT
4	1	605634	PARKER FILTER ELEMENT,25MICRON
5	2	715660	HOSE BARB 1 1/4NPT X 1 1/4
6	2	520132	1.62/1.87 T-BOLT HOSE CLAMP SS
7	4	900062	5/16UNC X 1/2 HEX BOLT



LIFT VALVE ASSEMBLY

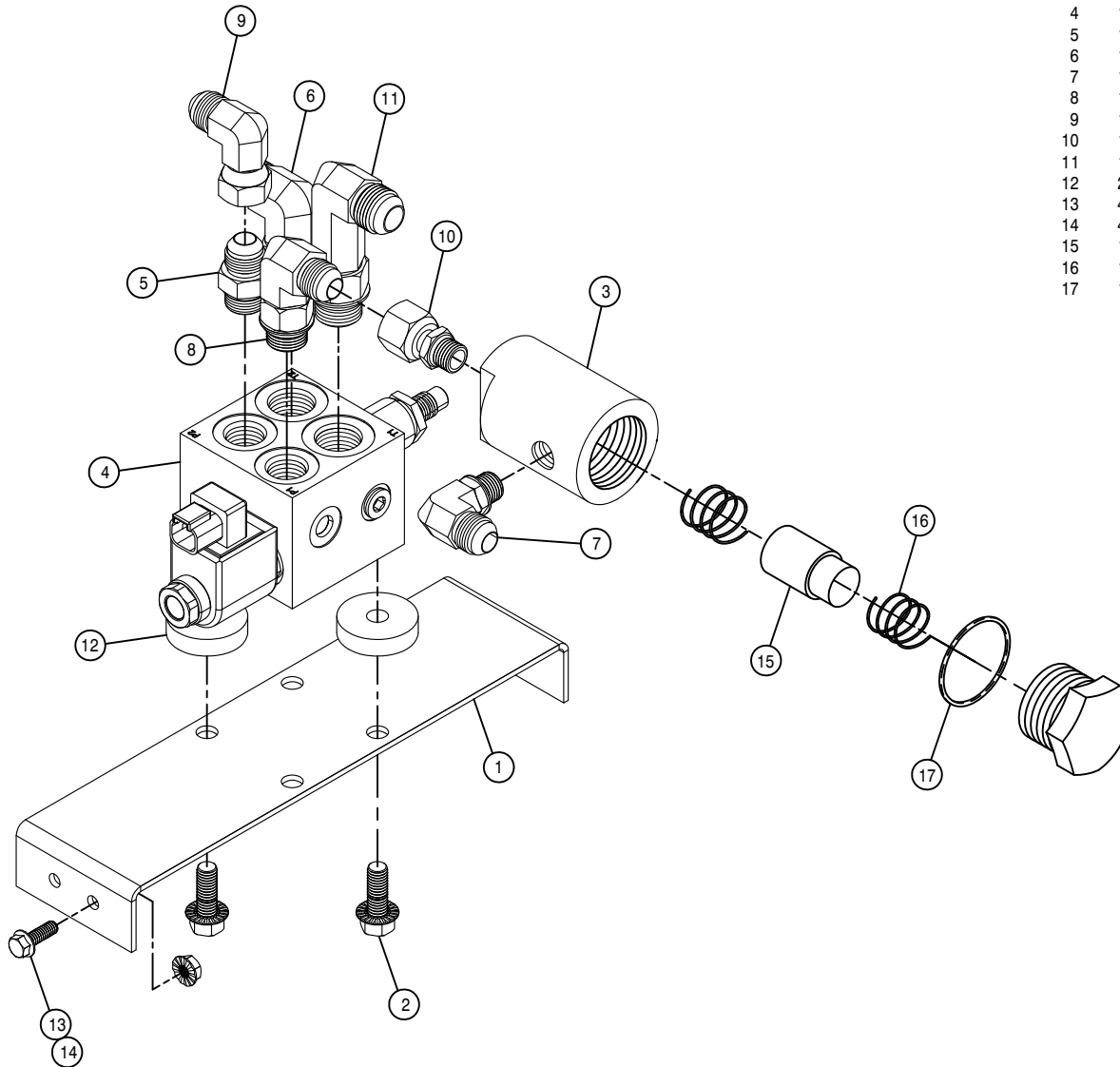
DET. QTY PART NO. DESCRIPTION

DET.	QTY	PART NO.	DESCRIPTION
1	1	003101	LIFT VALVE MT WLD 204 08
2	1	606285	LIFT VALVE,STS COMBO,SAUER
3	1	618109	9/16MJIC-3/4MOR ADPTR
4	6	618119	9/16MJIC-90-9/16MOR LBO
5	1	618183	3/4MJIC-90-7/8MOR LBO
6	6	618531	9/16FJIC CAP NUT
7	2	618754	9/16MOR PLUG, HEX SOCKET
8	1	618755	3/4MOR PLUG, HEX SOCKET
9	1	618756	7/8MOR PLUG, HEX SOCKET
10	4	900128	3/8UNC X 3/4 HEX BOLT
11	3	470118	1/4UNC X 3/4 FLANGE HEX BOLT
12	3	470121	1/4UNC HEX FLANGE LOCK NUT

DUMP MANIFOLD VALVE ASSEMBLY

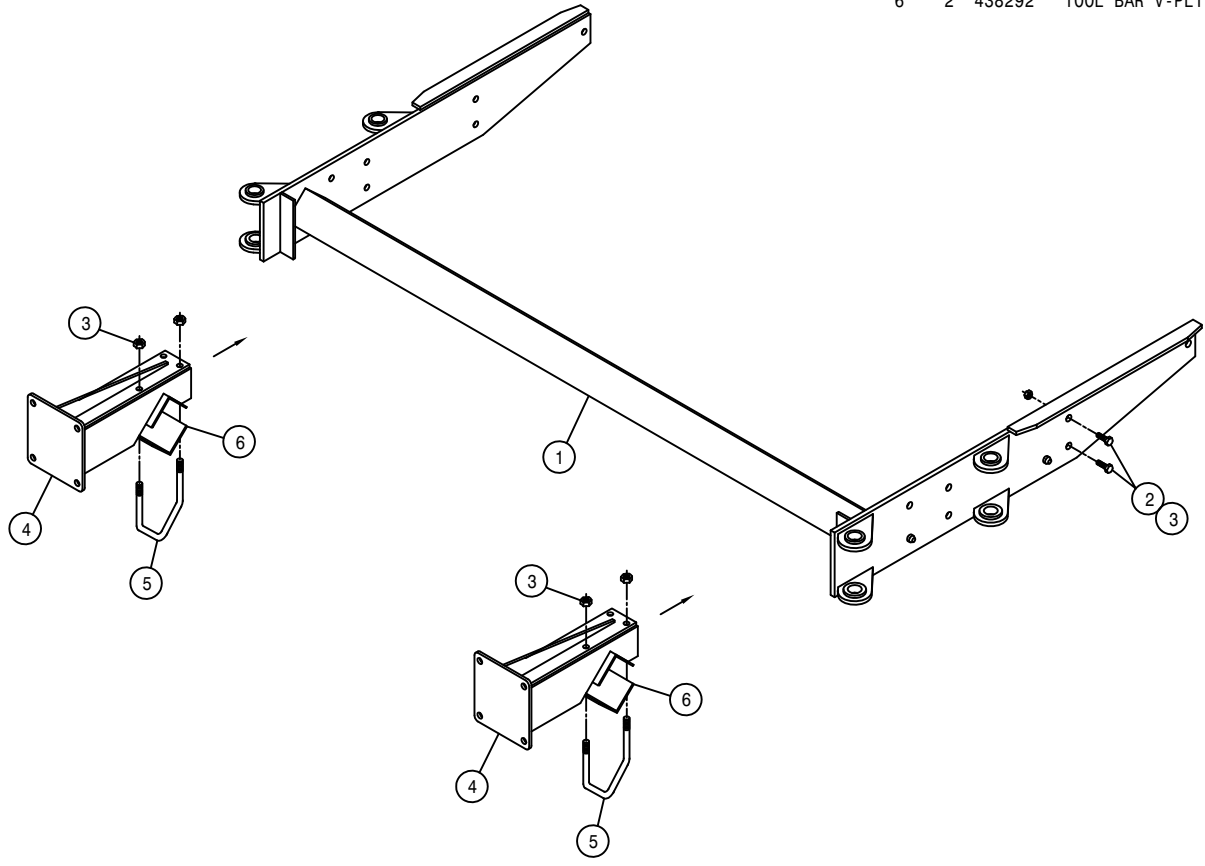
DET. QTY PART NO. DESCRIPTION

1	1	003100	DUMP VALVE MT 204 08
2	2	470460	3/8 X 1 SERR FLANGE BOLT
3	1	605615	HYD FILTER, INLINE 25M 9/16FOR
4	1	606330	DUMP MANIF VALVE SAUER
5	1	611125	3/4MJIC-3/4MOR ADPTR
6	1	611128	7/8MJIC-90-7/8MOR LBO
7	1	618249	3/4MJIC-90-9/16MOR LBO
8	1	618464	3/4MJIC-90-3/4MOR LG LBO
9	1	618609	3/4MJIC-90-3/4FJIC SWIV LBO
10	1	618692	3/4FJIC SWIV-9/16MOR ADPTR
11	1	618774	7/8MJIC-90-7/8MOR LG LBO
12	2	748501	RUBBER WASH .38 X .406 X 1.50
13	4	470121	1/4UNC HEX FLANGE LOCK NUT
14	4	470118	1/4UNC X 3/4 FLANGE HEX BOLT
15	1	605616	ELEMENT, 25M HYD FILTER 605615
16	1	605617	SPRING KIT, HYD FILTER 605615
17	1	610462	GASKET FOR 610447 ARROW FILT



4-ROW, 2-LIFT, OUTRIGGER ASSEMBLY

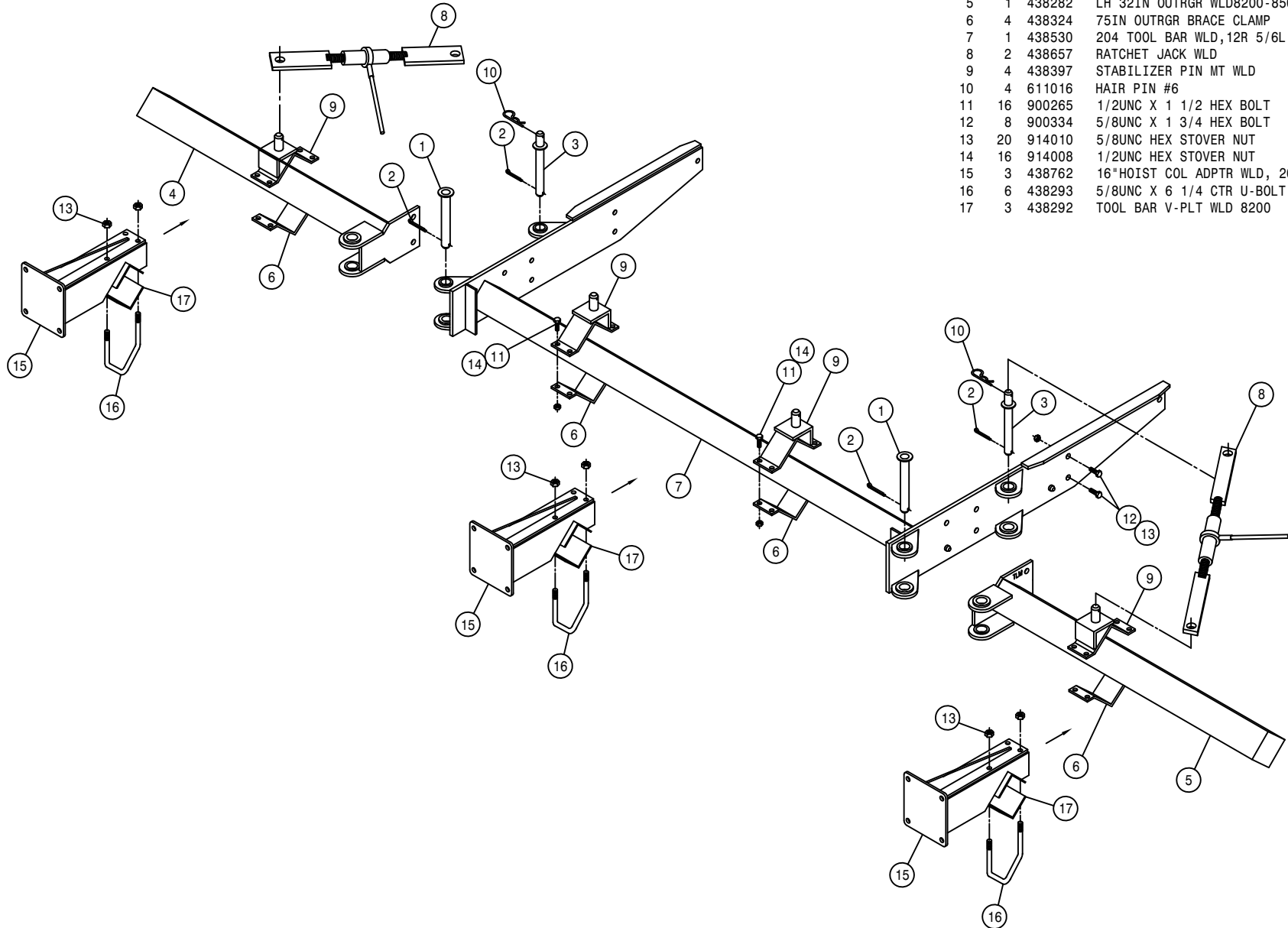
DET.	QTY	PART NO.	DESCRIPTION
1	1	438530	204 TOOL BAR WLD,12R 5/6L 96
2	8	900334	5/8UNC X 1 3/4 HEX BOLT
3	16	914010	5/8UNC HEX STOVER NUT
4	2	438762	16"HOIST COL ADPTR WLD, 204 04
5	4	438293	5/8UNC X 6 1/4 CTR U-BOLT TRI
6	2	438292	TOOL BAR V-PLT WLD 8200 86



6-ROW, 3-LIFT OUTRIGGER ASSEMBLY

DET. QTY PART NO. DESCRIPTION

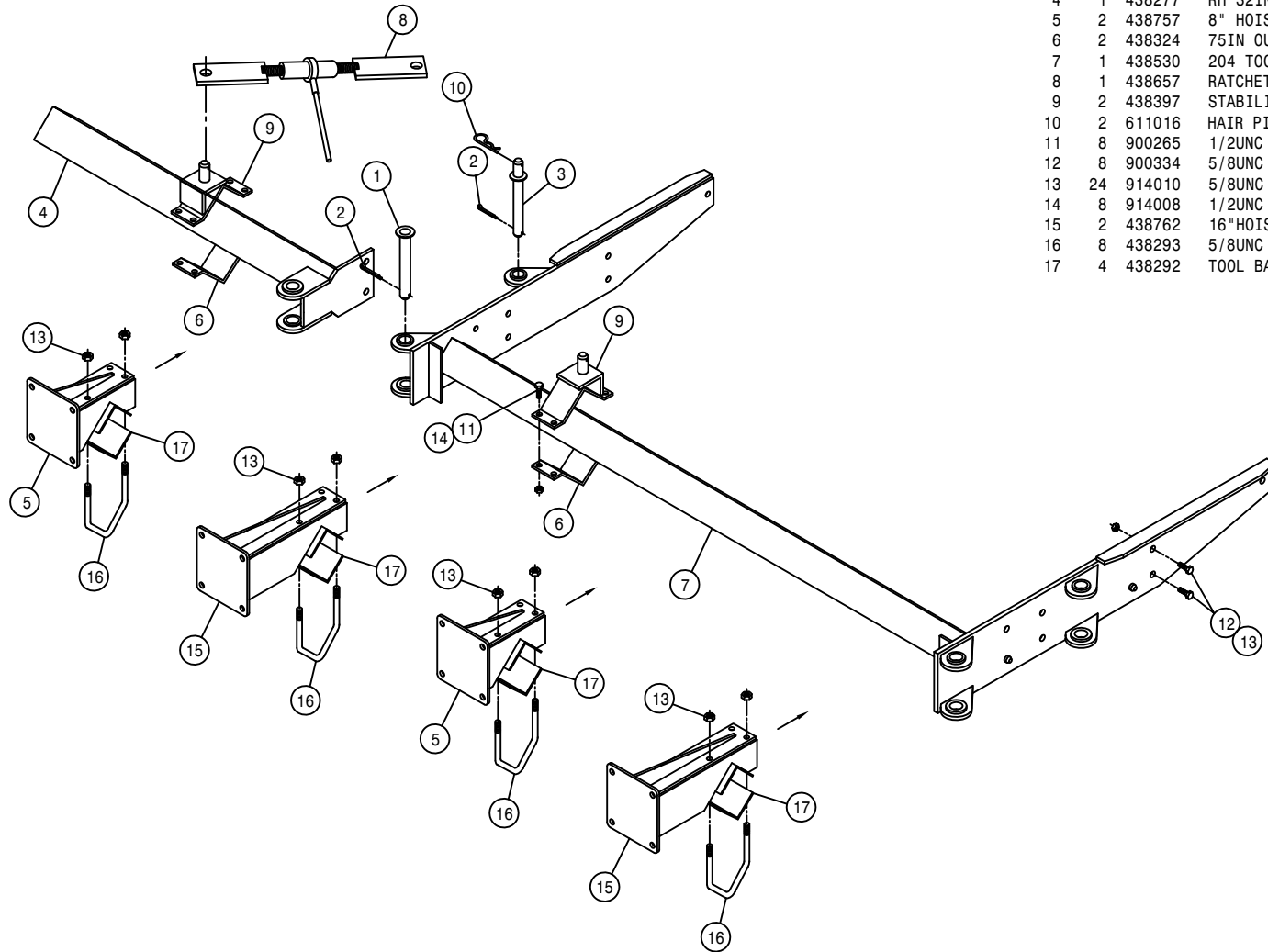
DET.	QTY	PART NO.	DESCRIPTION
1	2	438283	OUTRGR PIVOT PIN WLD 8200 86
2	4	470117	COTTER PIN 3/16 1 3/4 SQ CUT
3	2	438474	STABILIZER MT PIN WLD 10-12R
4	1	438277	RH 32IN OUTRGR WLD8200-850086
5	1	438282	LH 32IN OUTRGR WLD8200-850086
6	4	438324	75IN OUTRGR BRACE CLAMP
7	1	438530	204 TOOL BAR WLD,12R 5/6L 96
8	2	438657	RATCHET JACK WLD
9	4	438397	STABILIZER PIN MT WLD 90
10	4	611016	HAIR PIN #6
11	16	900265	1/2UNC X 1 1/2 HEX BOLT
12	8	900334	5/8UNC X 1 3/4 HEX BOLT
13	20	914010	5/8UNC HEX STOVER NUT
14	16	914008	1/2UNC HEX STOVER NUT
15	3	438762	16"HOIST COL ADPTR WLD, 204 04
16	6	438293	5/8UNC X 6 1/4 CTR U-BOLT TRI
17	3	438292	TOOL BAR V-PLT WLD 8200 86

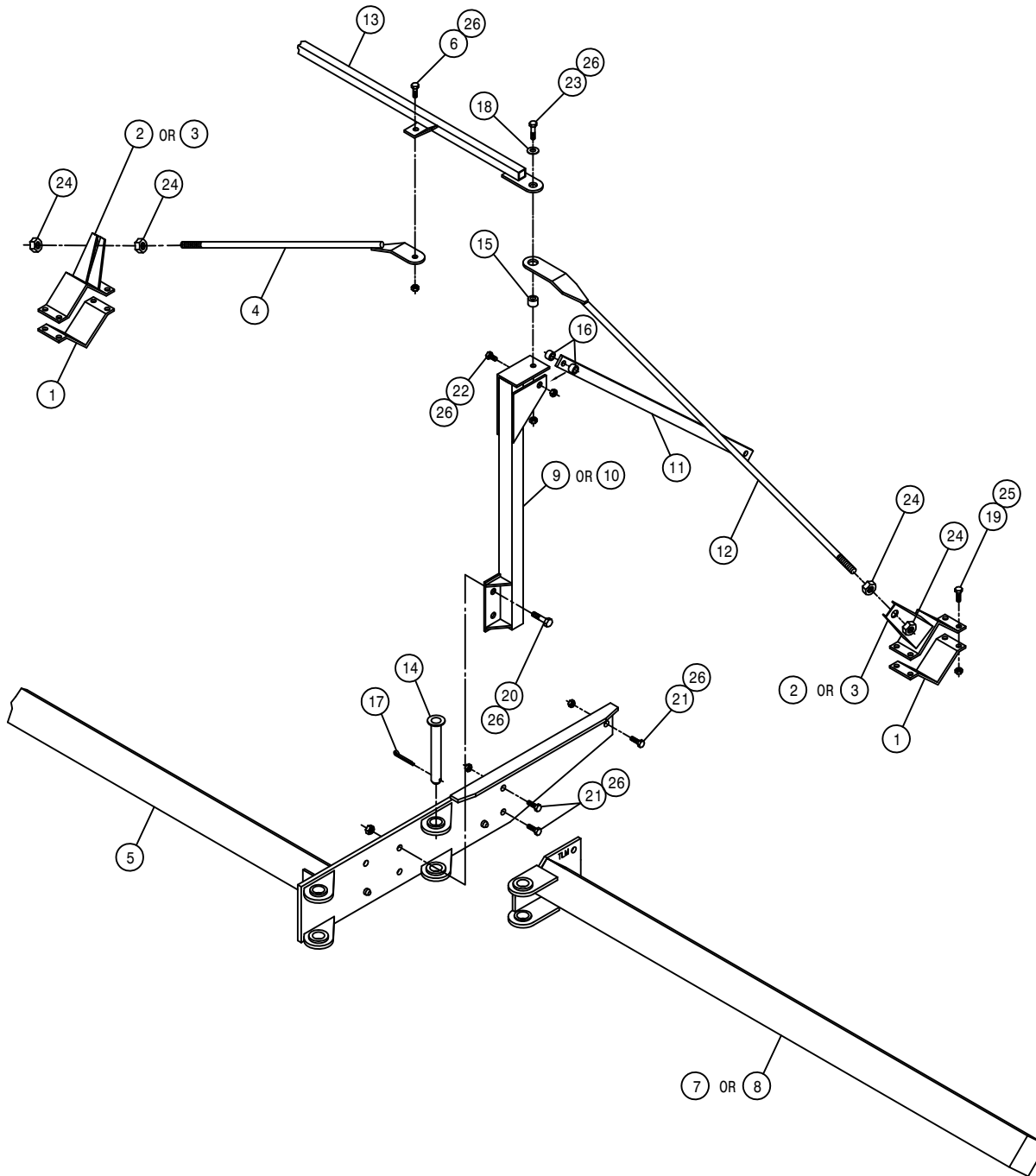


8-ROW, 4-LIFT, 20" SPACING OUTRIGGER ASSEMBLY

DET. QTY PART NO. DESCRIPTION

DET.	QTY	PART NO.	DESCRIPTION
1	1	438283	OUTRGR PIVOT PIN WLD 8200 86
2	2	470117	COTTER PIN 3/16 1 3/4 SQ CUT
3	1	438474	STABILIZER MT PIN WLD 10-12R
4	1	438277	RH 32IN OUTRGR WLD8200-850086
5	2	438757	8" HOIST COL ADPTR WLD, 204 04
6	2	438324	75IN OUTRGR BRACE CLAMP
7	1	438530	204 TOOL BAR WLD,12R 5/6L 96
8	1	438657	RATCHET JACK WLD
9	2	438397	STABILIZER PIN MT WLD 90
10	2	611016	HAIR PIN #6
11	8	900265	1/2UNC X 1 1/2 HEX BOLT
12	8	900334	5/8UNC X 1 3/4 HEX BOLT
13	24	914010	5/8UNC HEX STOVER NUT
14	8	914008	1/2UNC HEX STOVER NUT
15	2	438762	16"HOIST COL ADPTR WLD, 204 04
16	8	438293	5/8UNC X 6 1/4 CTR U-BOLT TRI
17	4	438292	TOOL BAR V-PLT WLD 8200 86





8-ROW, 4-LIFT OUTRIGGER ASSEMBLY

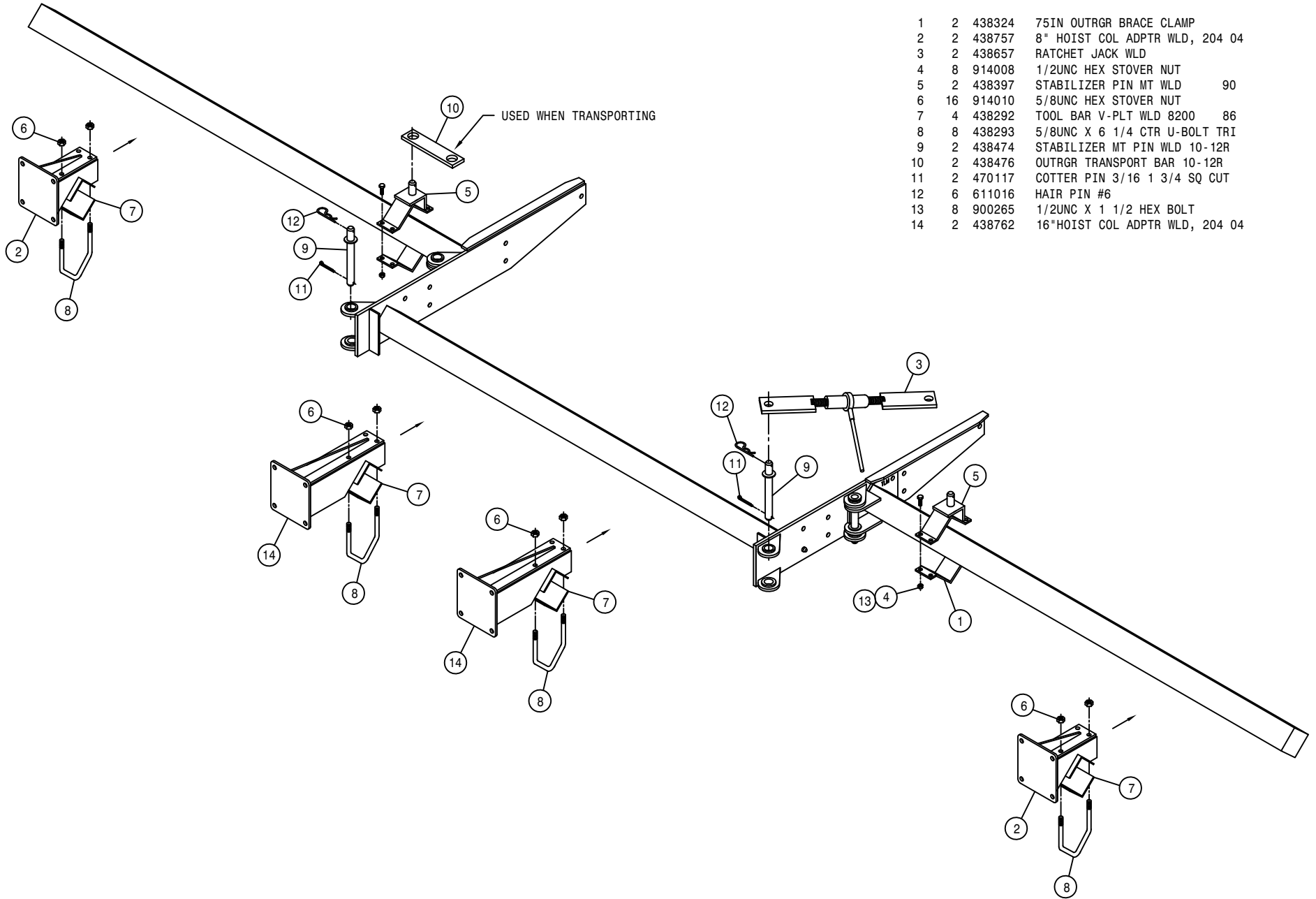
DET.	QTY	PART NO.	DESCRIPTION
1	4	438324	75IN OUTGR BRACE CLAMP
2	2	438362	RH OUTGR CLAMP WLD 200 89
3	2	438363	LH OUTGR CLAMP WLD 200 89
4	2	438469	OUTGR TIE BAR WLD 200 10-12R
5	1	438530	204 TOOL BAR WLD, 12R 5/6L 96
6	2	900333	5/8UNC X 1 1/2 HEX BOLT
7	1	438307	RH 75IN OUTGR WLD8200-850086
8	1	438309	LH 75IN OUTGR WLD8200-850086
9	1	438536	RH OUTGR SUPP POST WLD10/12R
10	1	438537	LH OUTGR SUPP POST WLD10/12R
11	2	438543	OUTGR SUPP BRACE, 10/12R 96
12	2	438676	OUTGR SUPP ROD WLD 72" 8R 01
13	1	438672	204 TIE TUBE WLD 2001
14	2	438283	OUTGR PIVOT PIN WLD 8200 86
15	2	438232	BUSH, 1.00 OD X .656ID X .28
16	4	438542	BUSH, 1.00 OD X .656ID X .78
17	2	470117	COTTER PIN 3/16 1 3/4 SQ CUT
18	2	483037	5/8 REGULAR FLAT WASHER
19	16	900265	1/2UNC X 1 1/2 HEX BOLT
20	4	900336	5/8UNC X 2 1/2 HEX BOLT
21	6	900334	5/8UNC X 1 3/4 HEX BOLT
22	2	900339	5/8UNC X 3 1/4 HEX BOLT
23	2	900352	5/8UNC X 2 1/4 HEX BOLT
24	8	910012	3/4UNC HEX NUT
25	16	914008	1/2UNC HEX STOVER NUT
26	16	914010	5/8UNC HEX STOVER NUT

QUANTITY LISTED IS FOR ONE MACHINE.

8-ROW, 4-LIFT OUTRIGGER ASSEMBLY

DET. QTY PART NO. DESCRIPTION

DET.	QTY	PART NO.	DESCRIPTION
1	2	438324	75IN OUTRGR BRACE CLAMP
2	2	438757	8" HOIST COL ADPTR WLD, 204 04
3	2	438657	RATCHET JACK WLD
4	8	914008	1/2UNC HEX STOVER NUT
5	2	438397	STABILIZER PIN MT WLD 90
6	16	914010	5/8UNC HEX STOVER NUT
7	4	438292	TOOL BAR V-PLT WLD 8200 86
8	8	438293	5/8UNC X 6 1/4 CTR U-BOLT TRI
9	2	438474	STABILIZER MT PIN WLD 10-12R
10	2	438476	OUTRGR TRANSPORT BAR 10-12R
11	2	470117	COTTER PIN 3/16 1 3/4 SQ CUT
12	6	611016	HAIR PIN #6
13	8	900265	1/2UNC X 1 1/2 HEX BOLT
14	2	438762	16"HOIST COL ADPTR WLD, 204 04

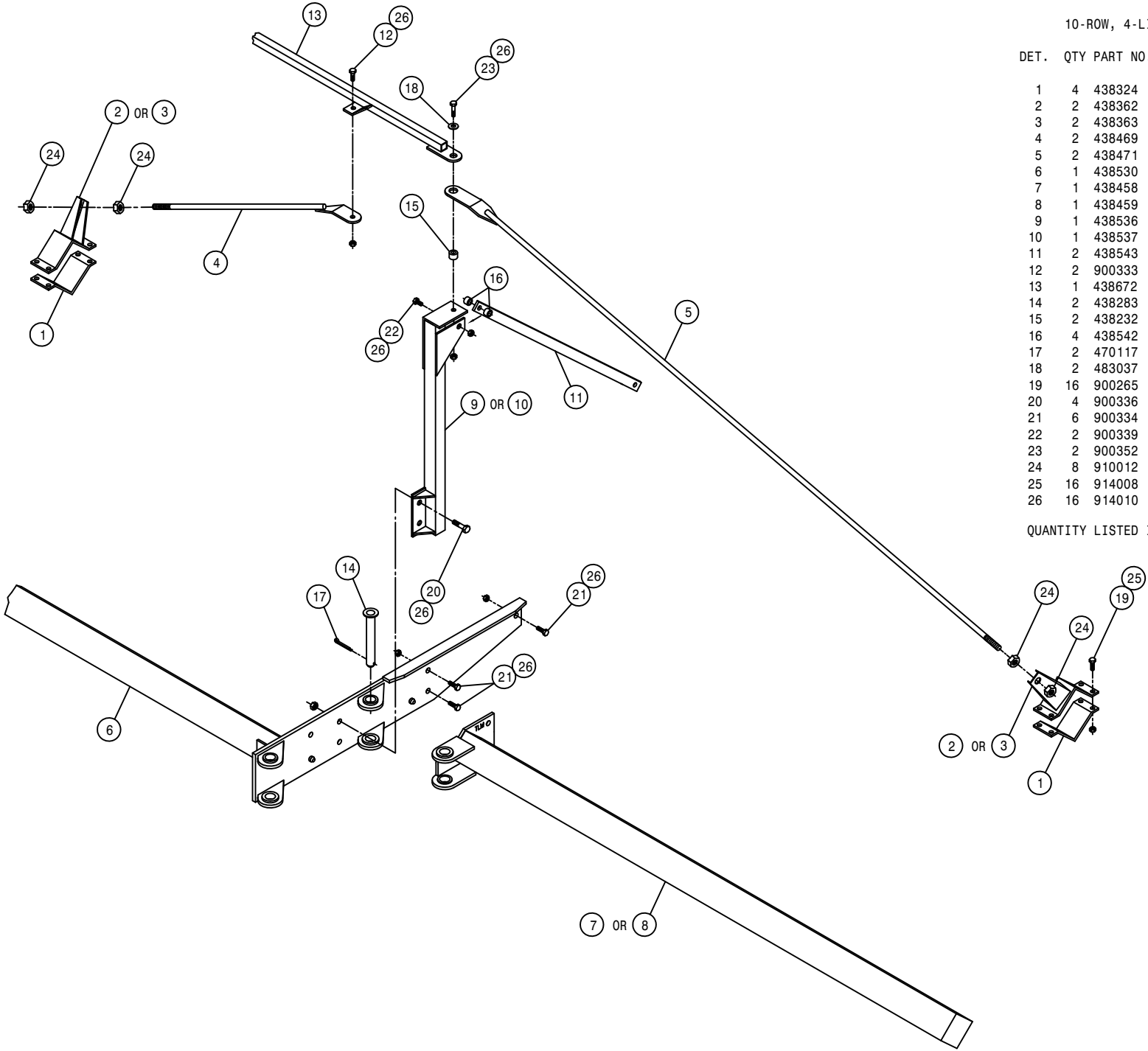


10-ROW, 4-LIFT OUTRIGGER ASSEMBLY

DET. QTY PART NO. DESCRIPTION

DET.	QTY	PART NO.	DESCRIPTION
1	4	438324	75IN OUTGR BRACE CLAMP
2	2	438362	RH OUTGR CLAMP WLD 200 89
3	2	438363	LH OUTGR CLAMP WLD 200 89
4	2	438469	OUTGR TIE BAR WLD 200 10-12R
5	2	438471	OUTGR SUPP ROD WLD 10-12R
6	1	438530	204 TOOL BAR WLD,12R 5/6L 96
7	1	438458	RH 101IN OUTGR WLD 10-12R 92
8	1	438459	LH 101IN OUTGR WLD 10-12R 92
9	1	438536	RH OUTGR SUPP POST WLD10/12R
10	1	438537	LH OUTGR SUPP POST WLD10/12R
11	2	438543	OUTGR SUPP BRACE,10/12R 96
12	2	900333	5/8UNC X 1 1/2 HEX BOLT
13	1	438672	204 TIE TUBE WLD 2001
14	2	438283	OUTGR PIVOT PIN WLD 8200 86
15	2	438232	BUSH, 1.00 OD X .656ID X .28
16	4	438542	BUSH, 1.00 OD X .656ID X .78
17	2	470117	COTTER PIN 3/16 1 3/4 SQ CUT
18	2	483037	5/8 REGULAR FLAT WASHER
19	16	900265	1/2UNC X 1 1/2 HEX BOLT
20	4	900336	5/8UNC X 2 1/2 HEX BOLT
21	6	900334	5/8UNC X 1 3/4 HEX BOLT
22	2	900339	5/8UNC X 3 1/4 HEX BOLT
23	2	900352	5/8UNC X 2 1/4 HEX BOLT
24	8	910012	3/4UNC HEX NUT
25	16	914008	1/2UNC HEX STOVER NUT
26	16	914010	5/8UNC HEX STOVER NUT

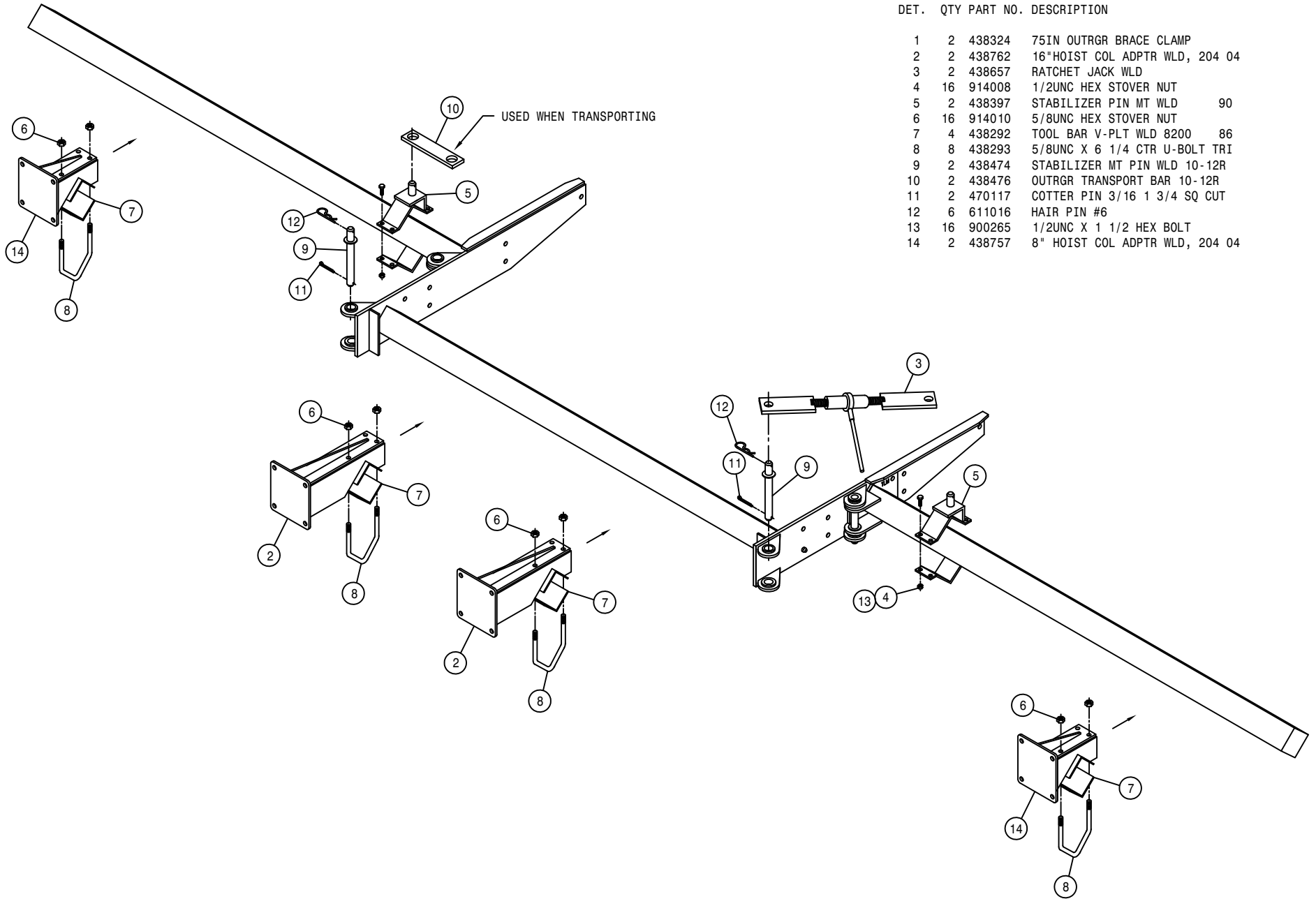
QUANTITY LISTED IS FOR ONE MACHINE.



10-ROW, 4-LIFT OUTRIGGER ASSEMBLY

DET. QTY PART NO. DESCRIPTION

DET.	QTY	PART NO.	DESCRIPTION
1	2	438324	75IN OUTRGR BRACE CLAMP
2	2	438762	16"HOIST COL ADPTR WLD, 204 04
3	2	438657	RATCHET JACK WLD
4	16	914008	1/2UNC HEX STOVER NUT
5	2	438397	STABILIZER PIN MT WLD 90
6	16	914010	5/8UNC HEX STOVER NUT
7	4	438292	TOOL BAR V-PLT WLD 8200 86
8	8	438293	5/8UNC X 6 1/4 CTR U-BOLT TRI
9	2	438474	STABILIZER MT PIN WLD 10-12R
10	2	438476	OUTRGR TRANSPORT BAR 10-12R
11	2	470117	COTTER PIN 3/16 1 3/4 SQ CUT
12	6	611016	HAIR PIN #6
13	16	900265	1/2UNC X 1 1/2 HEX BOLT
14	2	438757	8" HOIST COL ADPTR WLD, 204 04

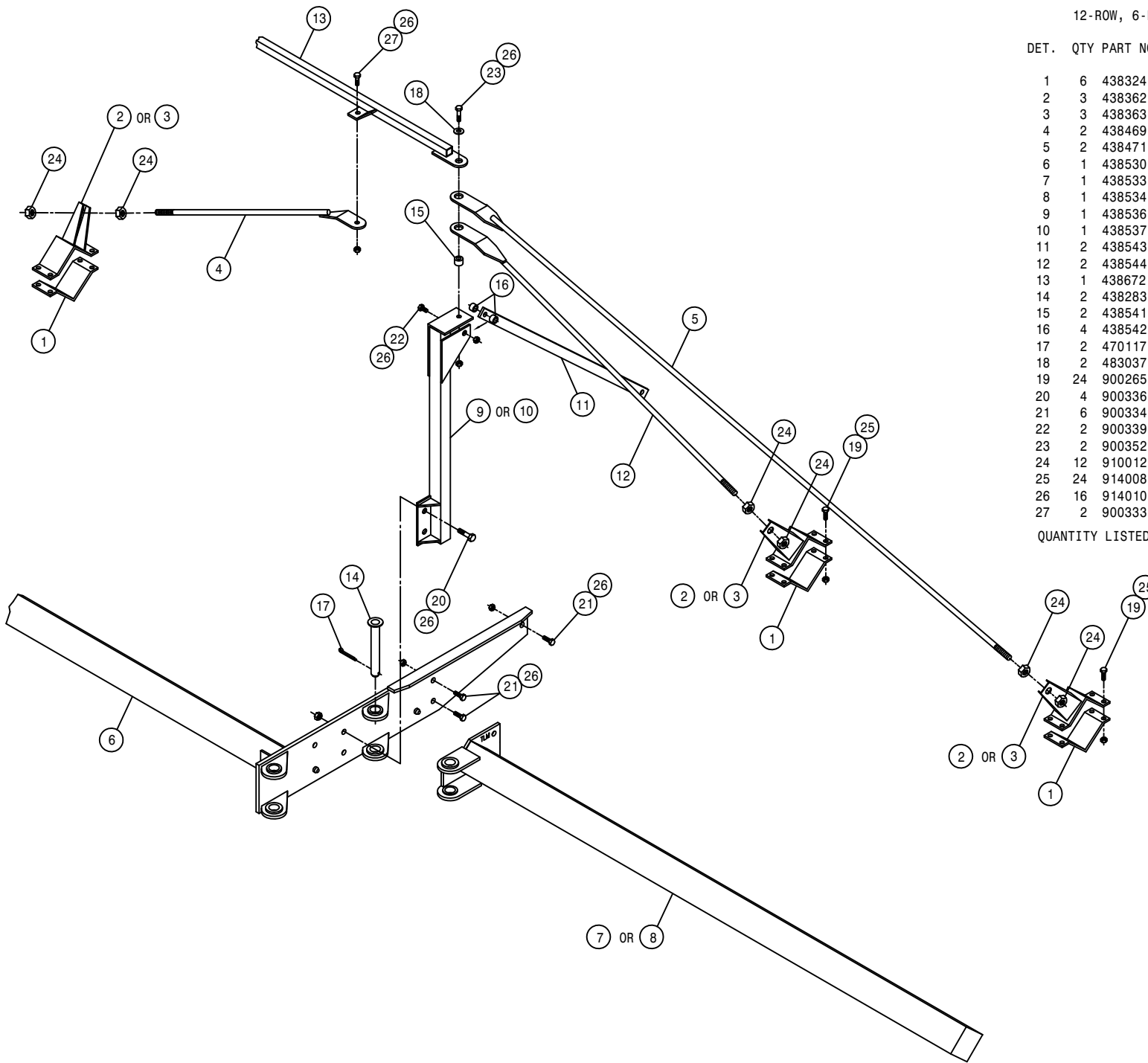


12-ROW, 6-LIFT OUTRIGGER ASSEMBLY

DET. QTY PART NO. DESCRIPTION

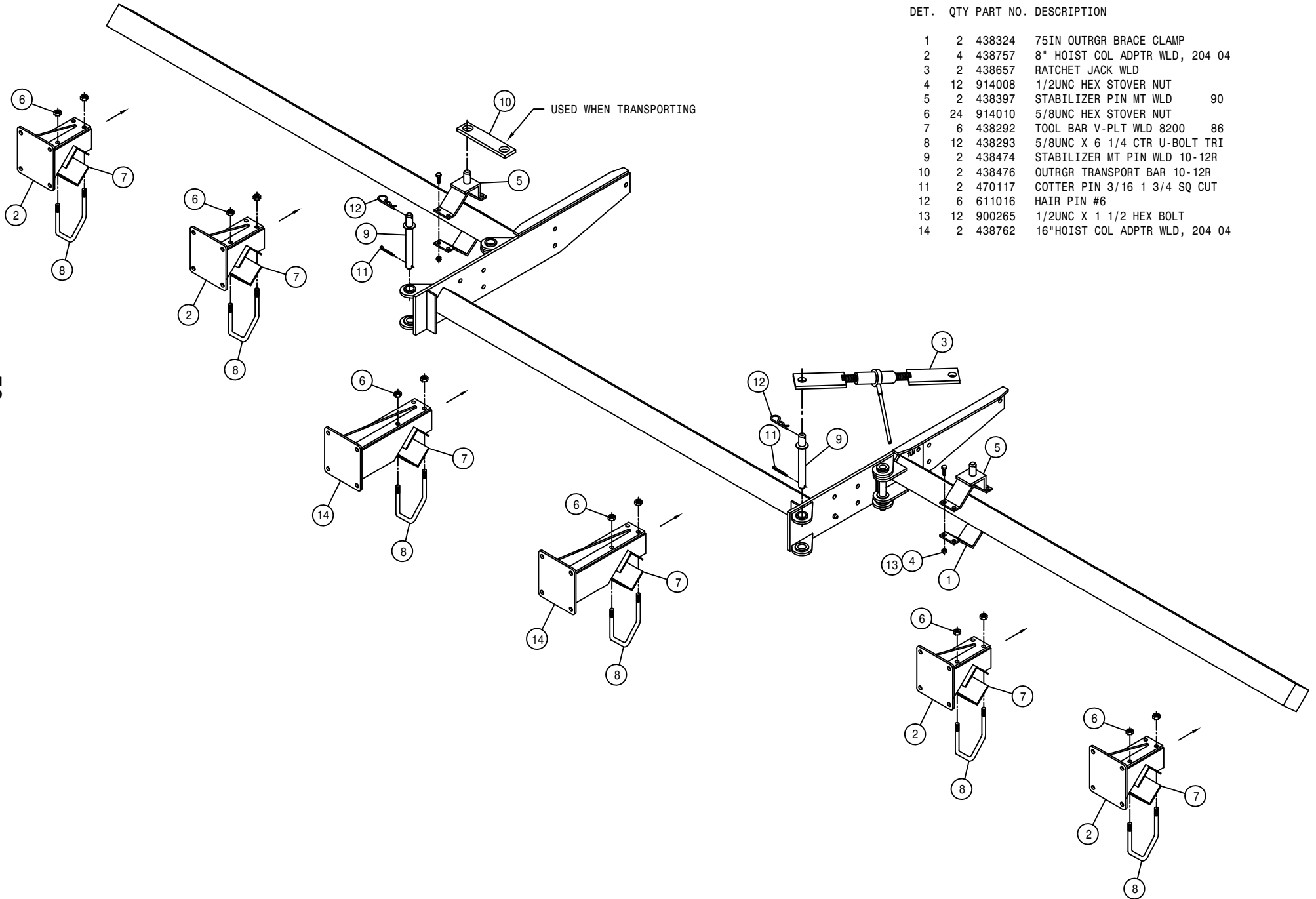
DET.	QTY	PART NO.	DESCRIPTION
1	6	438324	75IN OUTGR BRACE CLAMP
2	3	438362	RH OUTGR CLAMP WLD 200 89
3	3	438363	LH OUTGR CLAMP WLD 200 89
4	2	438469	OUTGR TIE BAR WLD 200 10-12R
5	2	438471	OUTGR SUPP ROD WLD 10-12R
6	1	438530	204 TOOL BAR WLD,12R 5/6L 96
7	1	438533	RH 133" OUTGR WLD, 10/12R 96
8	1	438534	LH 133" OUTGR WLD, 10/12R 96
9	1	438536	RH OUTGR SUPP POST WLD10/12R
10	1	438537	LH OUTGR SUPP POST WLD10/12R
11	2	438543	OUTGR SUPP BRACE,10/12R 96
12	2	438544	OUTGR SUPP ROD WLD 50"10/12R
13	1	438672	204 TIE TUBE WLD 2001
14	2	438283	OUTGR PIVOT PIN WLD 8200 86
15	2	438541	BUSH, 1.00 OD X .656ID X .53
16	4	438542	BUSH, 1.00 OD X .656ID X .78
17	2	470117	COTTER PIN 3/16 1 3/4 SQ CUT
18	2	483037	5/8 REGULAR FLAT WASHER
19	24	900265	1/2UNC X 1 1/2 HEX BOLT
20	4	900336	5/8UNC X 2 1/2 HEX BOLT
21	6	900334	5/8UNC X 1 3/4 HEX BOLT
22	2	900339	5/8UNC X 3 1/4 HEX BOLT
23	2	900352	5/8UNC X 2 1/4 HEX BOLT
24	12	910012	3/4UNC HEX NUT
25	24	914008	1/2UNC HEX STOVER NUT
26	16	914010	5/8UNC HEX STOVER NUT
27	2	900333	5/8UNC X 1 1/2 HEX BOLT

QUANTITY LISTED IS FOR ONE MACHINE.



12-ROW, 6-LIFT OUTRIGGER ASSEMBLY

DET.	QTY	PART NO.	DESCRIPTION
1	2	438324	75IN OUTGR BRACE CLAMP
2	4	438757	8" HOIST COL ADPTR WLD, 204 04
3	2	438657	RATCHET JACK WLD
4	12	914008	1/2UNC HEX STOVER NUT
5	2	438397	STABILIZER PIN MT WLD 90
6	24	914010	5/8UNC HEX STOVER NUT
7	6	438292	TOOL BAR V-PLT WLD 8200 86
8	12	438293	5/8UNC X 6 1/4 CTR U-BOLT TRI
9	2	438474	STABILIZER MT PIN WLD 10-12R
10	2	438476	OUTGR TRANSPORT BAR 10-12R
11	2	470117	COTTER PIN 3/16 1 3/4 SQ CUT
12	6	611016	HAIR PIN #6
13	12	900265	1/2UNC X 1 1/2 HEX BOLT
14	2	438762	16"HOIST COL ADPTR WLD, 204 04

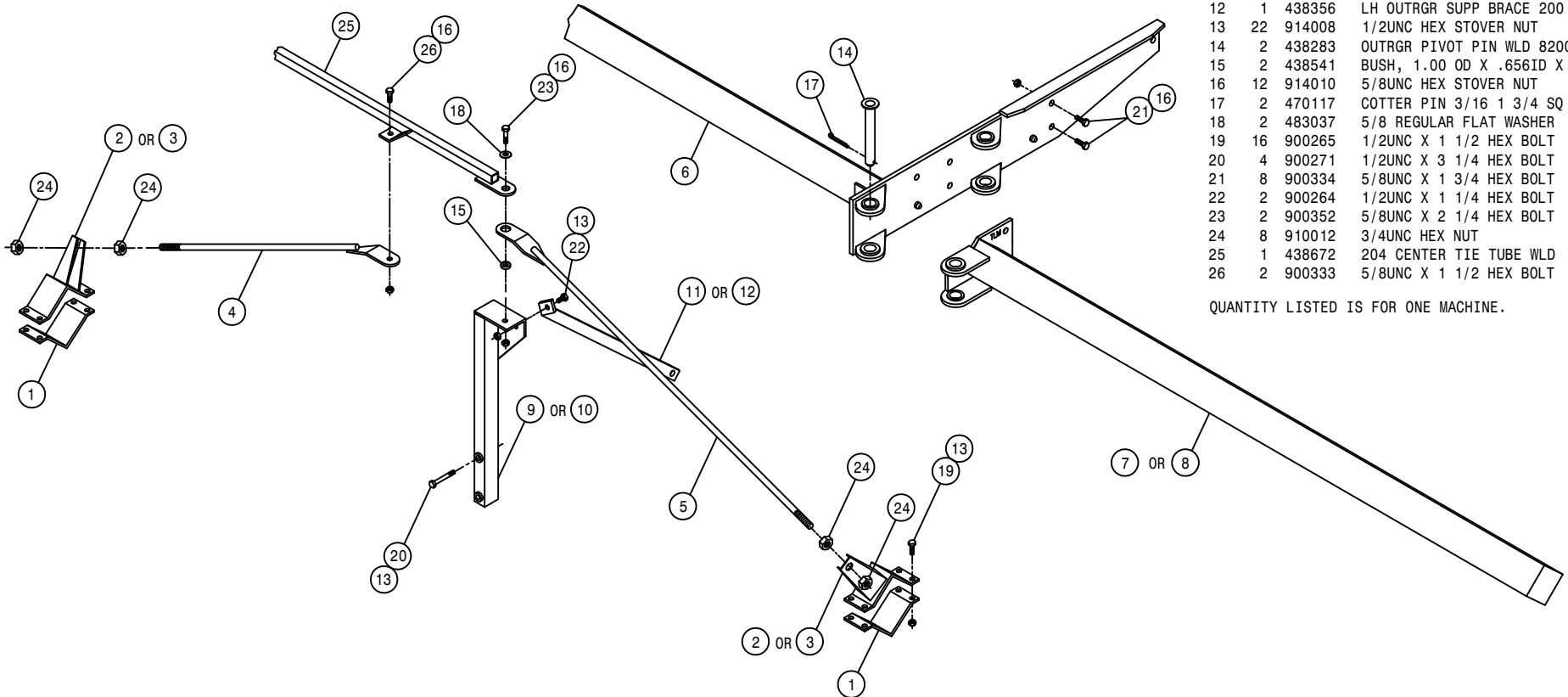


12-ROW, 6-LIFT, 52CM SPACING OUTRIGGER ASSEMBLY

DET. QTY PART NO. DESCRIPTION

DET.	QTY	PART NO.	DESCRIPTION
1	4	438324	75IN OUTRGR BRACE CLAMP
2	2	438362	RH OUTRGR CLAMP WLD 200 89
3	2	438363	LH OUTRGR CLAMP WLD 200 89
4	2	439176	OUTRGR TIE BAR WLD 204 52CM
5	2	439175	OUTRGR SUPP ROD WLD 204 52CM
6	1	438530	204 TOOL BAR WLD,12R 5/6L 96
7	1	438497	RH 82" OUTRGR WLD, 204 94
8	1	438498	LH 82" OUTRGR WLD, 204 94
9	1	439173	RH OUTRGR SUPP POST WLD 52CM
10	1	439174	LH OUTRGR SUPP POST WLD 52CM
11	1	438355	RH OUTRGR SUPP BRACE 200 89
12	1	438356	LH OUTRGR SUPP BRACE 200 89
13	22	914008	1/2UNC HEX STOVER NUT
14	2	438283	OUTRGR PIVOT PIN WLD 8200 86
15	2	438541	BUSH, 1.00 OD X .656ID X .53
16	12	914010	5/8UNC HEX STOVER NUT
17	2	470117	COTTER PIN 3/16 1 3/4 SQ CUT
18	2	483037	5/8 REGULAR FLAT WASHER
19	16	900265	1/2UNC X 1 1/2 HEX BOLT
20	4	900271	1/2UNC X 3 1/4 HEX BOLT
21	8	900334	5/8UNC X 1 3/4 HEX BOLT
22	2	900264	1/2UNC X 1 1/4 HEX BOLT
23	2	900352	5/8UNC X 2 1/4 HEX BOLT
24	8	910012	3/4UNC HEX NUT
25	1	438672	204 CENTER TIE TUBE WLD 2001
26	2	900333	5/8UNC X 1 1/2 HEX BOLT

QUANTITY LISTED IS FOR ONE MACHINE.



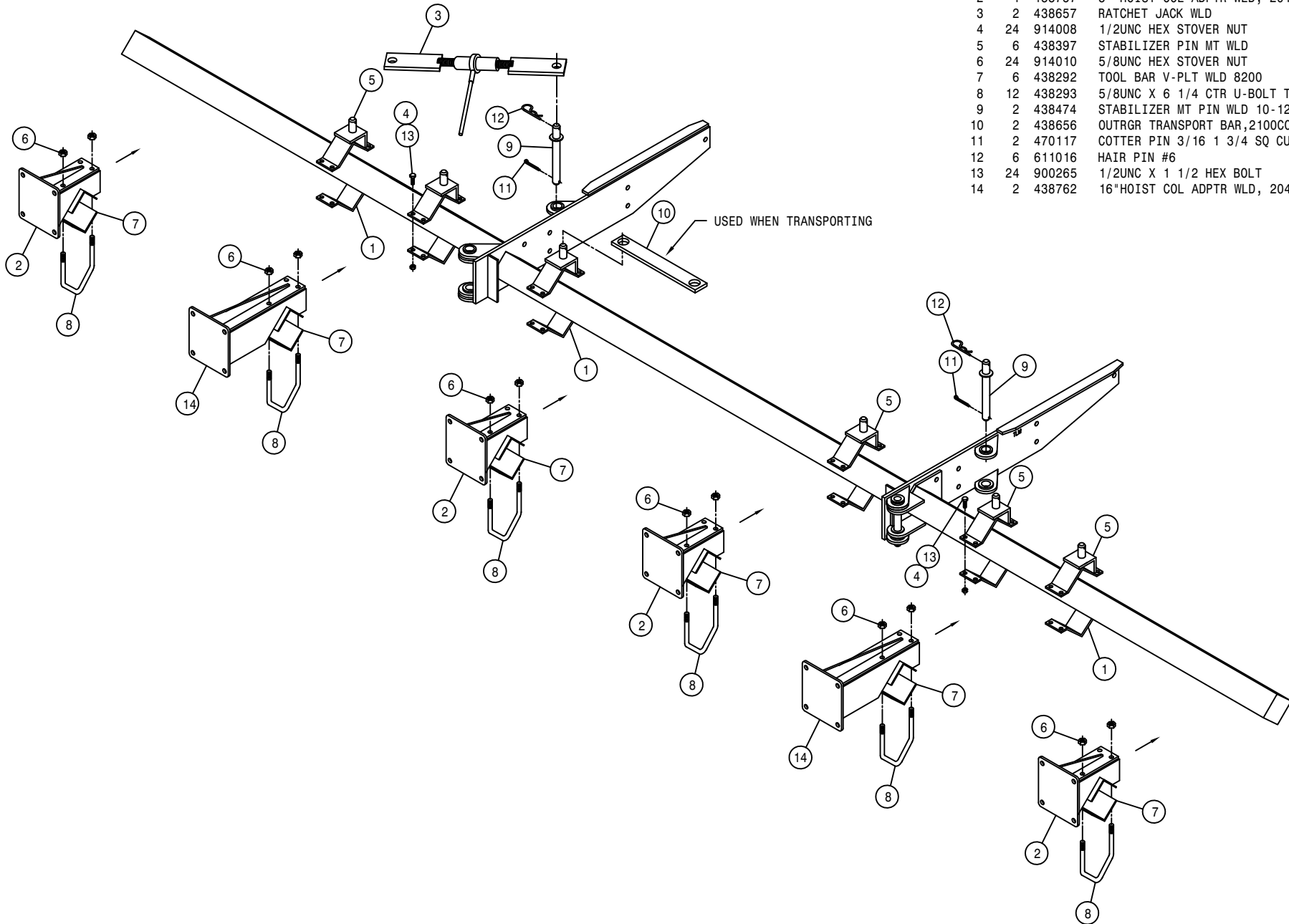
51

400051

12-ROW, 6-LIFT, 52CM SPACING OUTRIGGER ASSEMBLY

DET. QTY PART NO. DESCRIPTION

1	6	438324	75IN OUTRGR BRACE CLAMP	
2	4	438757	8" HOIST COL ADPTR WLD, 204 04	
3	2	438657	RATCHET JACK WLD	
4	24	914008	1/2UNC HEX STOVER NUT	
5	6	438397	STABILIZER PIN MT WLD	90
6	24	914010	5/8UNC HEX STOVER NUT	
7	6	438292	TOOL BAR V-PLT WLD 8200	86
8	12	438293	5/8UNC X 6 1/4 CTR U-BOLT TRI	
9	2	438474	STABILIZER MT PIN WLD 10-12R	
10	2	438656	OUTRGR TRANSPORT BAR,2100COMBO	
11	2	470117	COTTER PIN 3/16 1 3/4 SQ CUT	
12	6	611016	HAIR PIN #6	
13	24	900265	1/2UNC X 1 1/2 HEX BOLT	
14	2	438762	16"HOIST COL ADPTR WLD, 204 04	

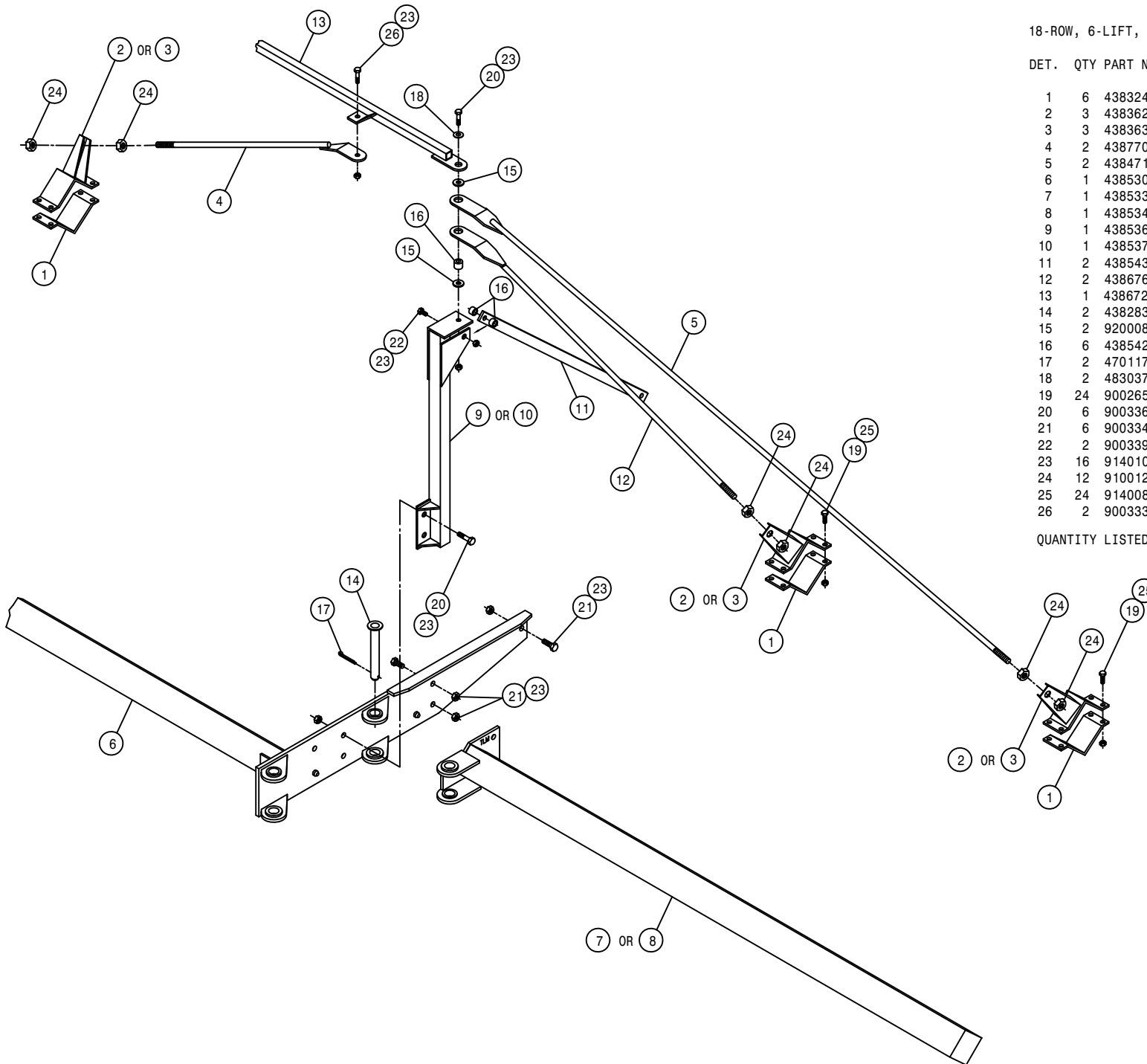


18-ROW, 6-LIFT, 20" SPACING OUTRIGGER ASSEMB

DET. QTY PART NO. DESCRIPTION

DET.	QTY	PART NO.	DESCRIPTION
1	6	438324	75IN OUTRGR BRACE CLAMP
2	3	438362	RH OUTRGR CLAMP WLD 200 89
3	3	438363	LH OUTRGR CLAMP WLD 200 89
4	2	438770	OUTRGR TIE BAR WLD 66" 204 18R
5	2	438471	OUTRGR SUPP ROD WLD 10-12R
6	1	438530	204 TOOL BAR WLD,12R 5/6L 96
7	1	438533	RH 133" OUTRGR WLD, 10/12R 96
8	1	438534	LH 133" OUTRGR WLD, 10/12R 96
9	1	438536	RH OUTRGR SUPP POST WLD10/12R
10	1	438537	LH OUTRGR SUPP POST WLD10/12R
11	2	438543	OUTRGR SUPP BRACE,10/12R 96
12	2	438676	OUTRGR SUPP ROD WLD 72" 8R 01
13	1	438672	204 TIE TUBE WLD 2001
14	2	438283	OUTRGR PIVOT PIN WLD 8200 86
15	2	920008	1" SAE FLAT WASHER
16	6	438542	BUSH, 1.00 OD X .656ID X .78
17	2	470117	COTTER PIN 3/16 1 3/4 SQ CUT
18	2	483037	5/8 REGULAR FLAT WASHER
19	24	900265	1/2UNC X 1 1/2 HEX BOLT
20	6	900336	5/8UNC X 2 1/2 HEX BOLT
21	6	900334	5/8UNC X 1 3/4 HEX BOLT
22	2	900339	5/8UNC X 3 1/4 HEX BOLT
23	16	914010	5/8UNC HEX STOVER NUT
24	12	910012	3/4UNC HEX NUT
25	24	914008	1/2UNC HEX STOVER NUT
26	2	900333	5/8UNC X 1 1/2 HEX BOLT

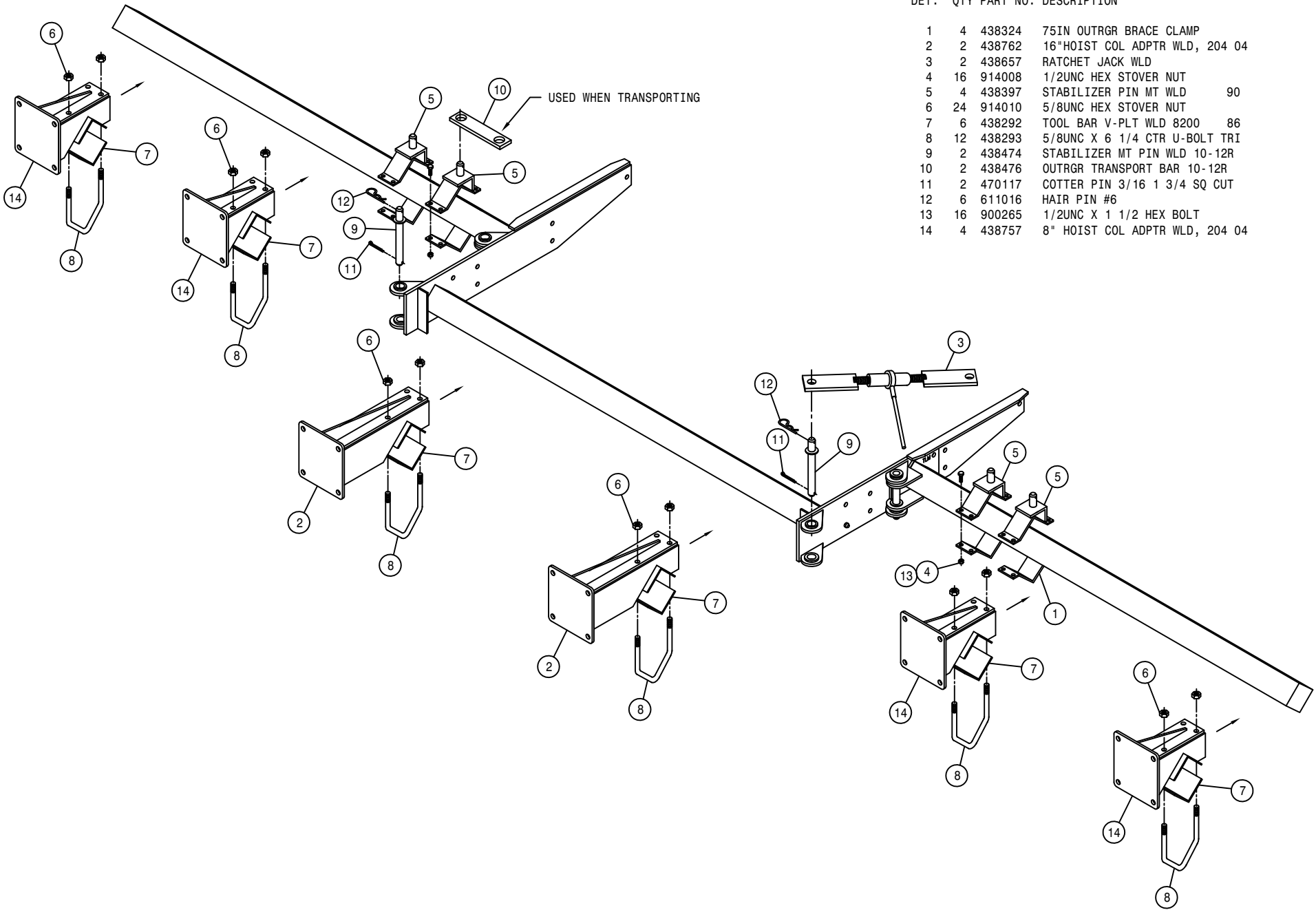
QUANTITY LISTED IS FOR ONE MACHINE.

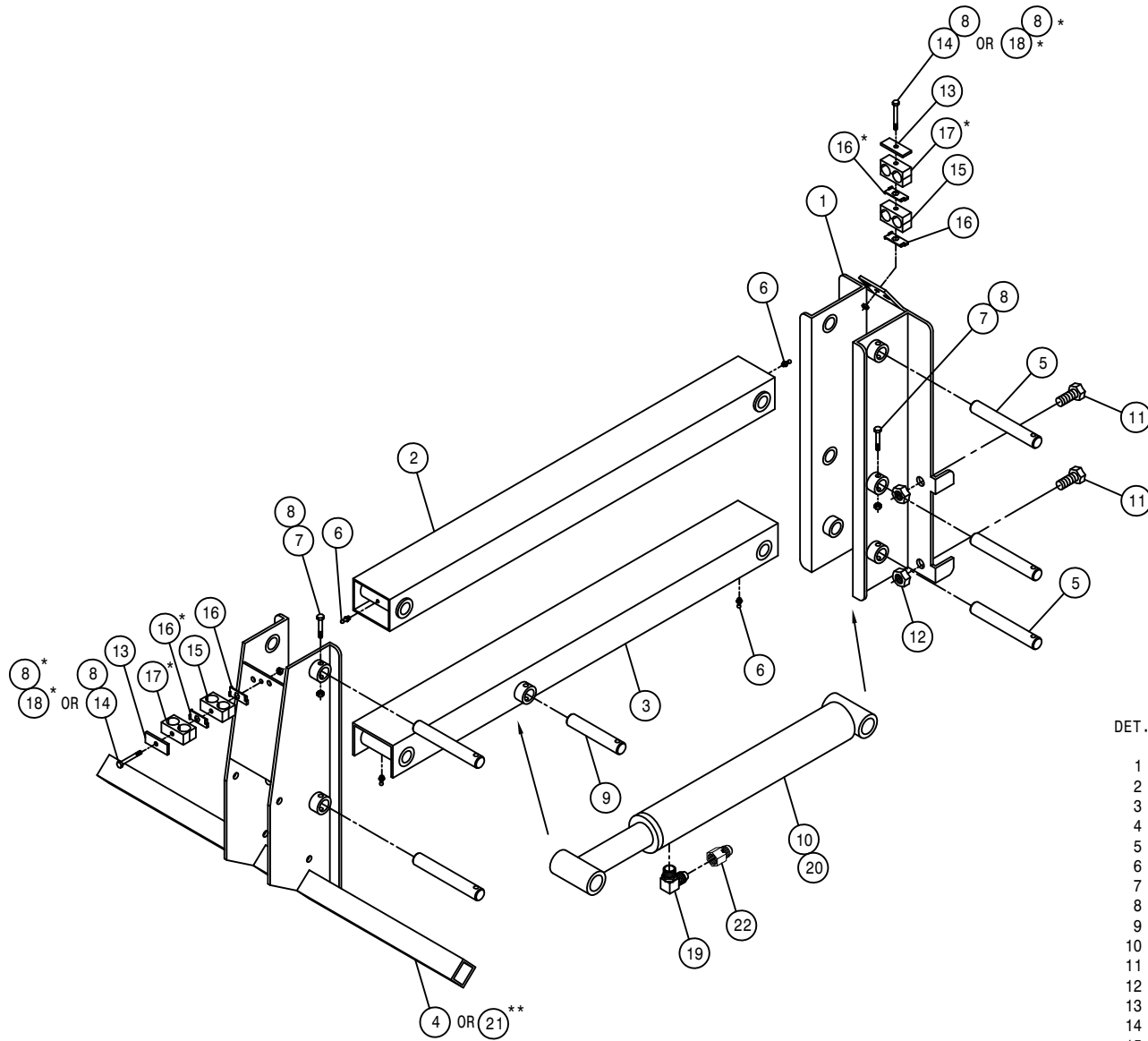


18-ROW, 6-LIFT, 20" SPACING OUTRIGGER ASSEMBLY

DET. QTY PART NO. DESCRIPTION

DET.	QTY	PART NO.	DESCRIPTION
1	4	438324	75IN OUTGR BRACE CLAMP
2	2	438762	16"HOIST COL ADPTR WLD, 204 04
3	2	438657	RATCHET JACK WLD
4	16	914008	1/2UNC HEX STOVER NUT
5	4	438397	STABILIZER PIN MT WLD 90
6	24	914010	5/8UNC HEX STOVER NUT
7	6	438292	TOOL BAR V-PLT WLD 8200 86
8	12	438293	5/8UNC X 6 1/4 CTR U-BOLT TRI
9	2	438474	STABILIZER MT PIN WLD 10-12R
10	2	438476	OUTGR TRANSPORT BAR 10-12R
11	2	470117	COTTER PIN 3/16 1 3/4 SQ CUT
12	6	611016	HAIR PIN #6
13	16	900265	1/2UNC X 1 1/2 HEX BOLT
14	4	438757	8" HOIST COL ADPTR WLD, 204 04



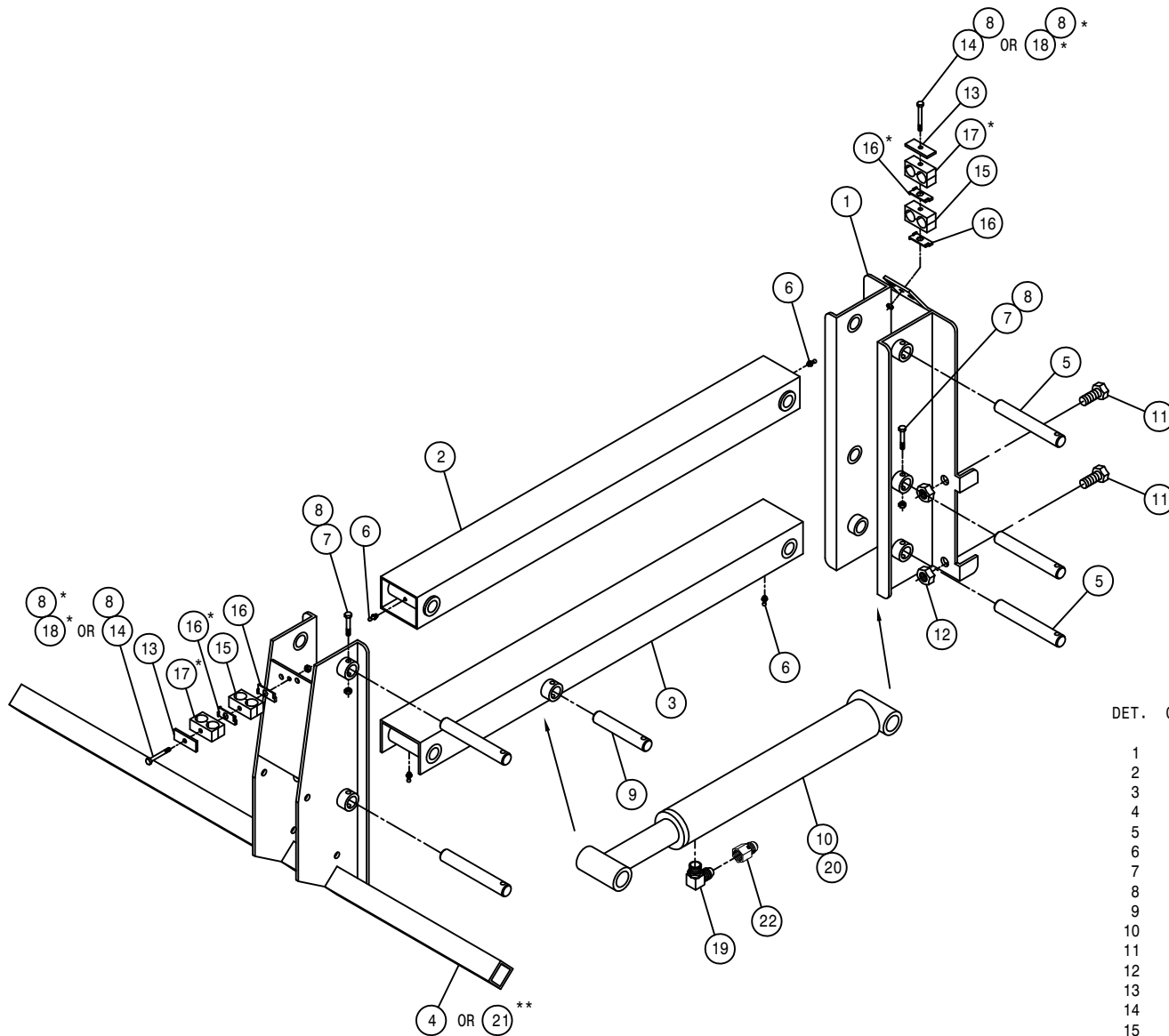


2-HEAD LIFT ASSEMBLY

DET.	QTY	PART NO.	DESCRIPTION
	1	439136	TOOLBAR MT BRKT WLD, STSC 03
	1	439143	UPPER LIFTARM WLD, STS COMBO 03
	1	439146	LWR LIFTARM WLD, STS COMBO 03
	1	439151	50" HEAD TOOLBAR WLD, STSC 03
	5	439158	LIFT ARM PIVOT PIN, STSC 03
	6	471005	1/4 28 X 1/2 GREASE ZERK
	7	900069	5/16UNC X 2" HEX BOLT
	8	914002	5/16UNC HEX STOVER NUT
	9	439156	LWR CYL MT PIN, STS COMBO 03
	10	621564	DETAS LIFT CYL, 2.00 X 11.00STS
	11	900401	3/4UNC X 1 1/2 HEX BOLT
	12	914012	3/4UNC HEX STOVER NUT
	13	470276	CLAMP COVER PLATE, SNGL, 2.55LG
	14	900086	5/16UNC X 2 1/4 HEX BOLT
	15	470274	TUBE CLAMP BODY, .750-.750
	16	470281	STACK BOLT SAFETY LOCK PLATE
	17	470270	HOSE CLAMP BODY, .530-.680
	18	900075	5/16UNC X 3 3/4 HEX BOLT
	19	618119	9/16MJIC-90-9/16MOR LBO
	20	621565	REPAIR KIT, HYD CYL 621564
	21	439197	33" HEAD TOOLBAR WLD, 20"R 06
	22	618733	9/16JIC .042 ORIFICE ADPTR

NOTE: DETAILS MARKED WITH A (*) ARE USED WITH THE CUTTER OPTION.

DETAILS MARKED WITH A (**) ARE USED WITH THE 20" ROW OPTION.

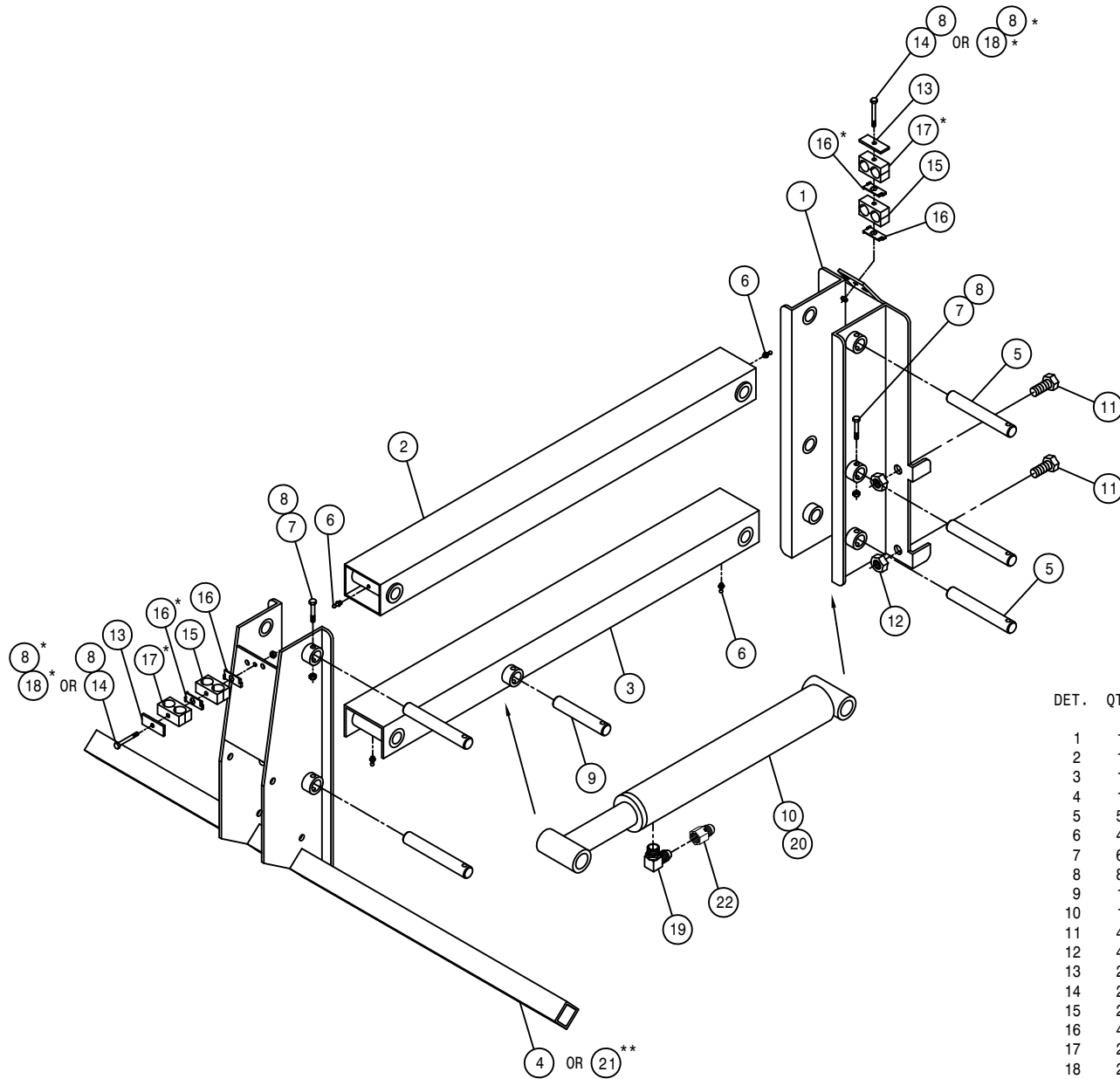


RIGHT 3-HEAD LIFT ASSEMBLY

DET.	QTY	PART NO.	DESCRIPTION
1	1	439136	TOOLBAR MT BRKT WLD, STSC 03
2	1	439143	UPPER LIFTARM WLD, STS COMBO 03
3	1	439146	LWR LIFTARM WLD, STS COMBO 03
4	1	439163	80"RH HEAD TOOLBAR WLD, STSC 03
5	5	439158	LIFT ARM PIVOT PIN, STSC 03
6	4	471005	1/4 28 X 1/2 GREASE ZERK
7	6	900069	5/16UNC X 2" HEX BOLT
8	8	914002	5/16UNC HEX STOVER NUT
9	1	439156	LWR CYL MT PIN, STS COMBO 03
10	1	621564	DETAS LIFT CYL, 2.00 X 11.00STS
11	4	900401	3/4UNC X 1 1/2 HEX BOLT
12	4	914012	3/4UNC HEX STOVER NUT
13	2	470276	CLAMP COVER PLATE, SNGL, 2.55LG
14	2	900086	5/16UNC X 2 1/4 HEX BOLT
15	2	470274	TUBE CLAMP BODY, .750-.750
16	2	470281	STACK BOLT SAFETY LOCK PLATE
17	2	470270	HOSE CLAMP BODY, .530-.680
18	2	900075	5/16UNC X 3 3/4 HEX BOLT
19	1	618119	9/16MJIC-90-9/16MOR LBO
20	1	621565	REPAIR KIT, HYD CYL 621564
21	1	439182	57"RH HEAD TOOLBAR WLD, 20"R 05
22	1	618733	9/16JIC .042 ORIFICE ADPTR

NOTE: DETAILS MARKED WITH A (*) ARE USED WITH THE CUTTER OPTION.

DETAILS MARKED WITH A (**) ARE USED THE 20" ROW OPTION.

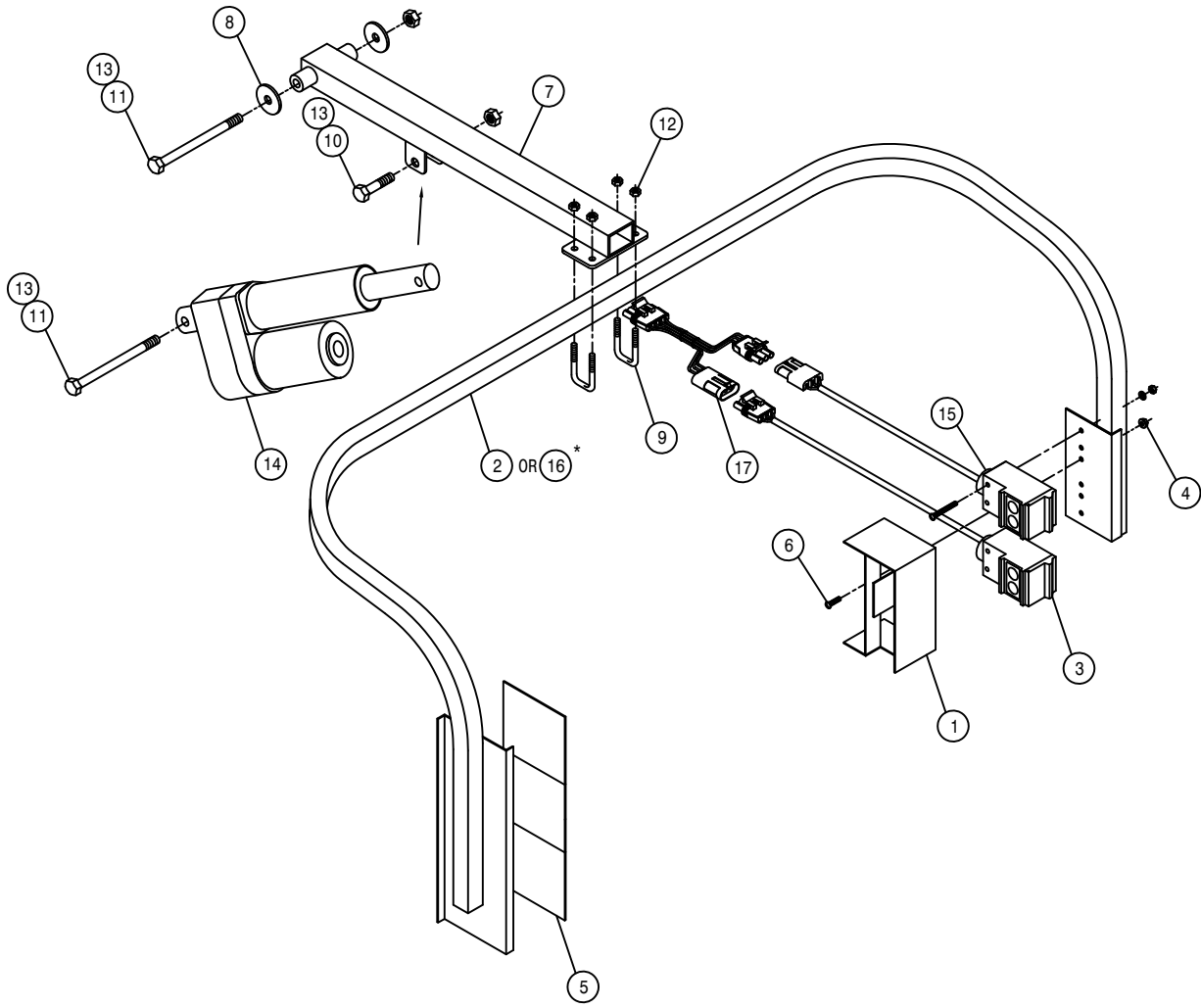


LEFT 3-HEAD LIFT ASSEMBLY

DET.	QTY	PART NO.	DESCRIPTION	
1	1	439136	TOOLBAR MT BRKT WLD, STSC	03
2	1	439143	UPPER LIFTARM WLD,STS COMBO	03
3	1	439146	LWR LIFTARM WLD, STS COMBO	03
4	1	439164	80"LH HEAD TOOLBAR WLD,STSC	03
5	5	439158	LIFT ARM PIVOT PIN, STSC	03
6	4	471005	1/4 28 X 1/2 GREASE ZERK	
7	6	900069	5/16UNC X 2" HEX BOLT	
8	8	914002	5/16UNC HEX STOVER NUT	
9	1	439156	LWR CYL MT PIN, STS COMBO	03
10	1	621564	DETAS LIFT CYL,2.00 X 11.00STS	
11	4	900401	3/4UNC X 1 1/2 HEX BOLT	
12	4	914012	3/4UNC HEX STOVER NUT	
13	2	470276	CLAMP COVER PLATE,SNGL, 2.55LG	
14	2	900086	5/16UNC X 2 1/4 HEX BOLT	
15	2	470274	TUBE CLAMP BODY,.750-.750	
16	4	470281	STACK BOLT SAFETY LOCK PLATE	
17	2	470270	HOSE CLAMP BODY,.530-.680	
18	2	900075	5/16UNC X 3 3/4 HEX BOLT	
19	1	618119	9/16MJIC-90-9/16MOR LBO	
20	1	621565	REPAIR KIT, HYD CYL 621564	
21	1	439183	57"LH HEAD TOOLBAR WLD,20"R 05	
22	1	618733	9/16JIC .042 ORIFICE ADPTR	

NOTE: DETAILS MARKED WITH A (*) ARE USED WITH THE CUTTER OPTION.

DETAILS MARKED WITH (**) ARE USED WITH THE 20" ROW OPTION.

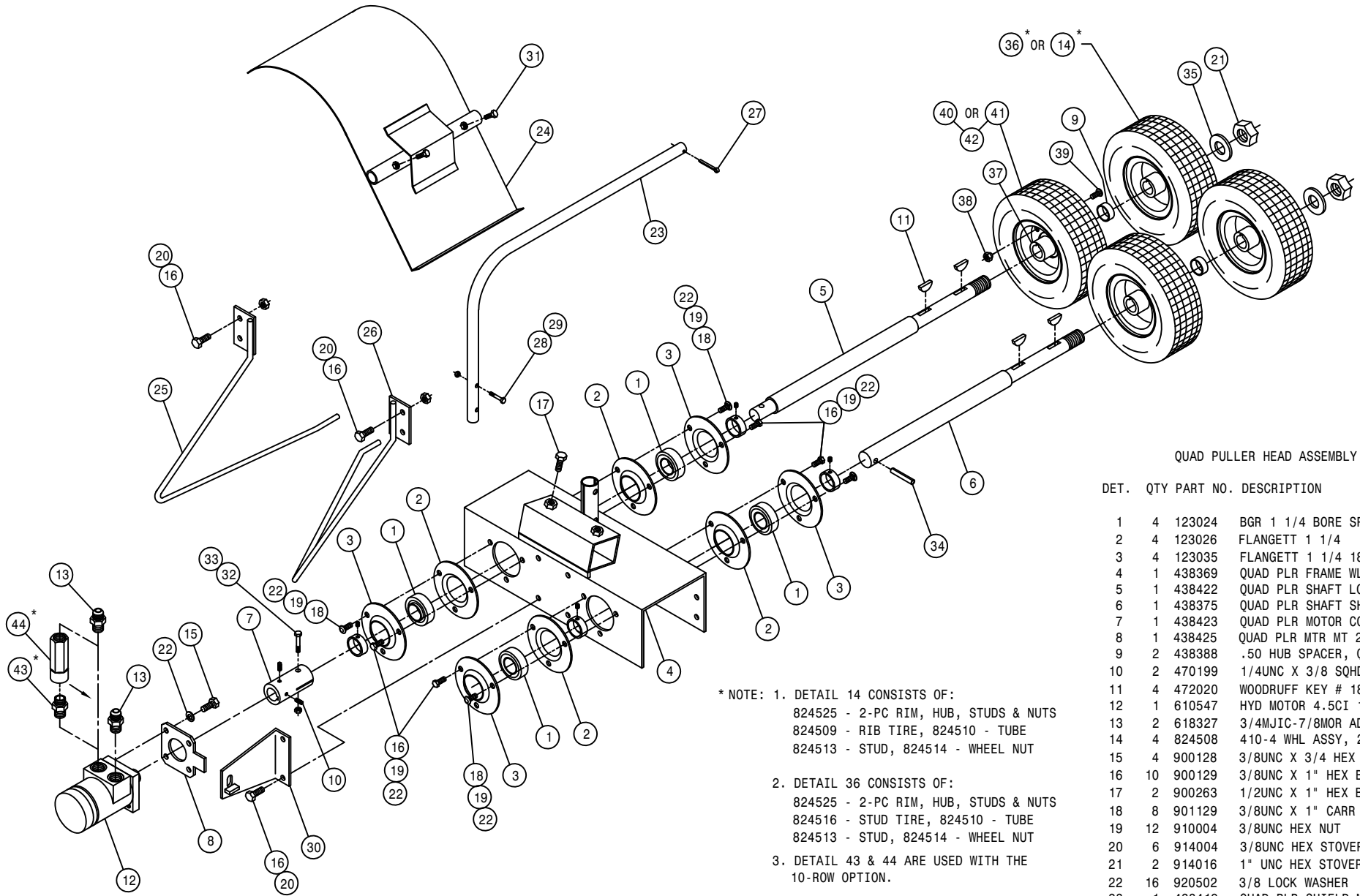


LS SENSOR ASSEMBLY

DET. QTY PART NO. DESCRIPTION

1	1	002841	LS 42GRU SENSOR SHIELD WLD
2	1	003033	LS SENSOR MT WLD, STS COMBO 03
3	1	293258	LWR LS 9200 SENSOR ASSY, FEM
4	2	473004	10-32 FLANGE NYLOC NUT
5	3	650297	REFLECTIVE TAPE, 4 X 4, RTC4-4P
6	2	903883	10-32 X 1/2 SLT RDHD MACH SCR
7	1	003028	LS SENSOR MT SUPP WLD, STSC 03
8	2	002815	SENSOR ARM WASH, NYL
9	2	473980	.31UNC-1.06ID-1.75SQ U-BOLT SS
10	1	900267	1/2UNC X 2" HEX BOLT
11	2	900278	1/2UNC X 6" HEX BOLT
12	4	914002	5/16UNC HEX STOVER NUT
13	3	914008	1/2UNC HEX STOVER NUT
14	1	291634	LINEAR ACTUATOR, KODIAK K2
15	1	293259	UPR LS 9200 SENSOR ASSY, MALE
16	1	003050	LS SENSOR MT WLD, 20"R 204 04
17	1	293188	SENSOR CONNECTOR WIRE ASSY

NOTE: DETAILS MARKER WITH A (*) ARE USED WITH THE 20" ROW OPTION.



QUAD PULLER HEAD ASSEMBLY

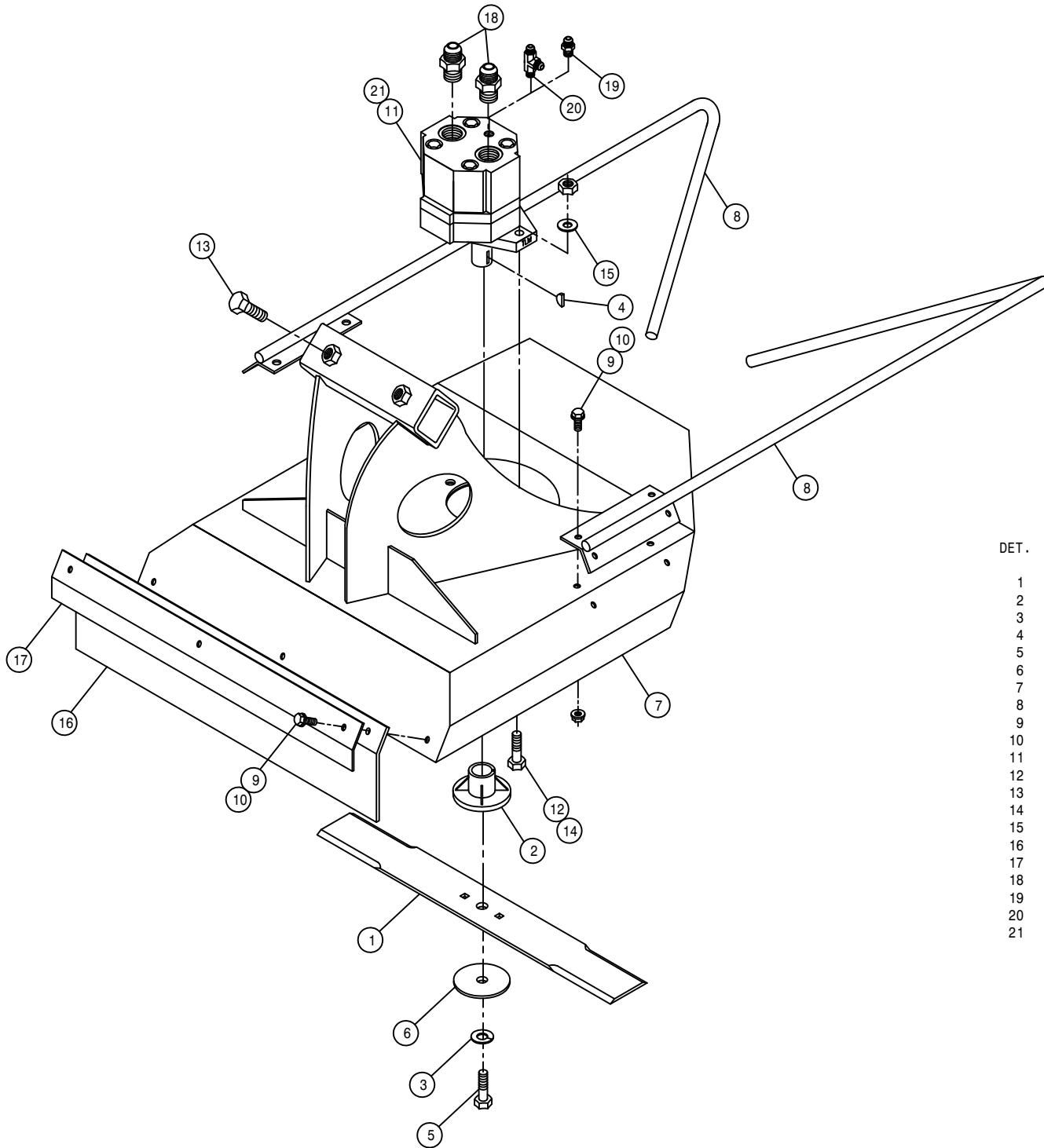
DET.	QTY	PART NO.	DESCRIPTION
1	4	123024	BGR 1 1/4 BORE SPHERICL RELUB
2	4	123026	FLANGETT 1 1/4
3	4	123035	FLANGETT 1 1/4 180 DEG ZERK
4	1	438369	QUAD PLR FRAME WLD 200 90
5	1	438422	QUAD PLR SHAFT LONG 200 91
6	1	438375	QUAD PLR SHAFT SHORT 200 90
7	1	438423	QUAD PLR MOTOR COUPLER 200 91
8	1	438425	QUAD PLR MTR MT 200 91
9	2	438388	.50 HUB SPACER, QUAD PLR
10	2	470199	1/4UNC X 3/8 SQHD CUP SET SCR
11	4	472020	WOODRUFF KEY # 18 1/4 X 1 1/8
12	1	610547	HYD MOTOR 4.5GI 1IN SHFT
13	2	618327	3/4MJIC-7/8MOR ADPTR
14	4	824508	410-4 WHL ASSY, 2P STUD
15	4	900128	3/8UNC X 3/4 HEX BOLT
16	10	900129	3/8UNC X 1" HEX BOLT
17	2	900263	1/2UNC X 1" HEX BOLT
18	8	901129	3/8UNC X 1" CARR BOLT
19	12	910004	3/8UNC HEX NUT
20	6	914004	3/8UNC HEX STOVER NUT
21	2	914016	1" UNC HEX STOVER NUT
22	16	920502	3/8 LOCK WASHER
23	1	438419	QUAD PLR SHIELD MT TUBE 91
24	1	438415	QUAD PLR SHIELD WLD 200 91
25	1	438381	RH QUAD PLR STALK GUIDE WLD90
26	1	438384	LH QUAD PLR STALK GUIDE WLD90
27	1	390984	COTTER PIN 1/8 X 1 1/4
28	2	900004	1/4UNC X 1 1/4 HEX BOLT
29	2	914000	1/4UNC HEX STOVER NUT
30	1	438424	QUAD PLR MTR MT PLT WLD
31	2	900064	5/16UNC X 3/4 HEX BOLT
32	1	900830	5/16UNC X 2" HEX BOLT GR8
33	1	914002	5/16UNC HEX STOVER NUT
34	1	473805	ROLL PIN, 1/4 X 1 1/2
35	2	483032	1 1/2 X 1" X .134TH MACH WASH
36	4	824515	410-4 WHL ASSY, 2P SAWTOOTH
37	4	824525	4 X 2.25 WHEEL & HUB
38	16	824514	WHL NUT, 4-BOLT HUB
39	16	824513	STUD, 4-BOLT HUB
40	4	824509	4.10/3.50-4 2PLY STUD TIRE
41	4	824516	4.10/3.50 2P SAWTOOTH TIRE
42	4	824510	4.10/3.50-4 BENT STEM TUBE
43	1	618586	7/8MOR UNION
44	1	607522	FLOW REGULATOR, 8GPM VONBERG

* NOTE: 1. DETAIL 14 CONSISTS OF:
 824525 - 2-PC RIM, HUB, STUDS & NUTS
 824509 - RIB TIRE, 824510 - TUBE
 824513 - STUD, 824514 - WHEEL NUT

2. DETAIL 36 CONSISTS OF:
 824525 - 2-PC RIM, HUB, STUDS & NUTS
 824516 - STUD TIRE, 824510 - TUBE
 824513 - STUD, 824514 - WHEEL NUT

3. DETAIL 43 & 44 ARE USED WITH THE 10-ROW OPTION.

DET.	QTY	PART NO.	DESCRIPTION
36	4	824515	410-4 WHL ASSY, 2P SAWTOOTH
37	4	824525	4 X 2.25 WHEEL & HUB
38	16	824514	WHL NUT, 4-BOLT HUB
39	16	824513	STUD, 4-BOLT HUB
40	4	824509	4.10/3.50-4 2PLY STUD TIRE
41	4	824516	4.10/3.50 2P SAWTOOTH TIRE
42	4	824510	4.10/3.50-4 BENT STEM TUBE
43	1	618586	7/8MOR UNION
44	1	607522	FLOW REGULATOR, 8GPM VONBERG



CUTTER HEAD ASSEMBLY

DET. QTY PART NO. DESCRIPTION

1	1	002103	CUTR BLADE 18 IN
2	1	002104	CUTTER BLADE ADAPTER,RD LUG
3	1	002105	3/8 LOCK WASHER ZINC PLT
4	1	002106	WOODRUFF KEY # 6, .156 X .625
5	1	002107	3/8UNF X 1 1/2 HEX BOLT CUTR
6	1	002108	STEEL WASHER CUTTER BLADE
7	1	002251	19" CUTTR DECK WLD 04
8	2	002258	19" CUTR STALK GUIDE WLD 04
9	11	470118	1/4UNC X 3/4 FLANGE HEX BOLT
10	11	470121	1/4UNC HEX FLANGE LOCK NUT
11	1	610755	BARNES HYD MOTOR, D-SERIES 01
12	2	900130	3/8UNC X 1 1/4 SER FLANGE BOLT
13	2	900265	1/2UNC X 1 1/2 HEX BOLT
14	2	914004	3/8UNC HEX STOVER NUT
15	2	920002	3/8 SAE FLAT WASHER
16	1	002256	19" REAR CUTR DECK EXT FLAP 04
17	1	002257	19" REAR CUTR DECK FLAP KPR 04
18	2	611125	3/4MJIC-3/4MOR ADPTR
19	1	618530	9/16MJIC-1/8MNPT ADPTR
20	1	618546	1/8MNPT RUN TEE-9/16MJIC
21	1	610756	SEAL, OUTER FOR 610755

TWO HEAD ASSEMBLY

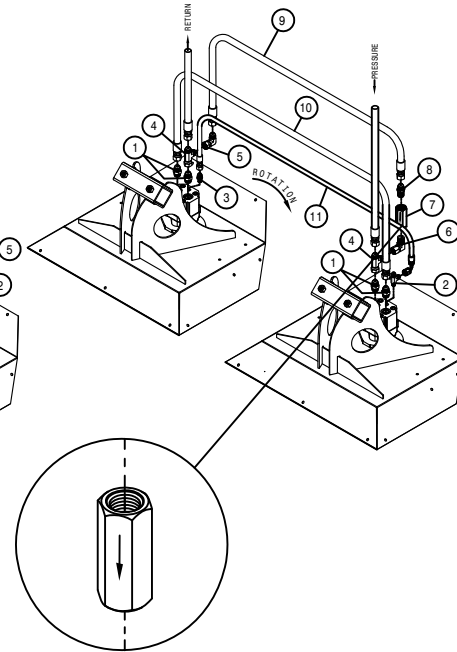
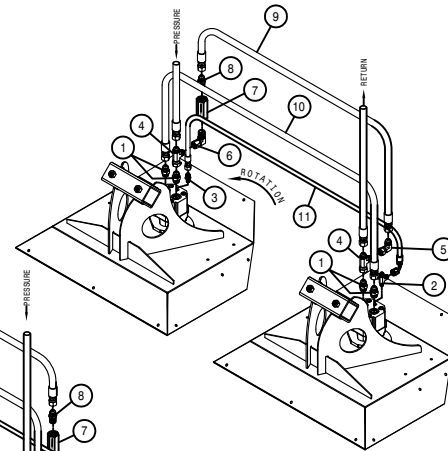
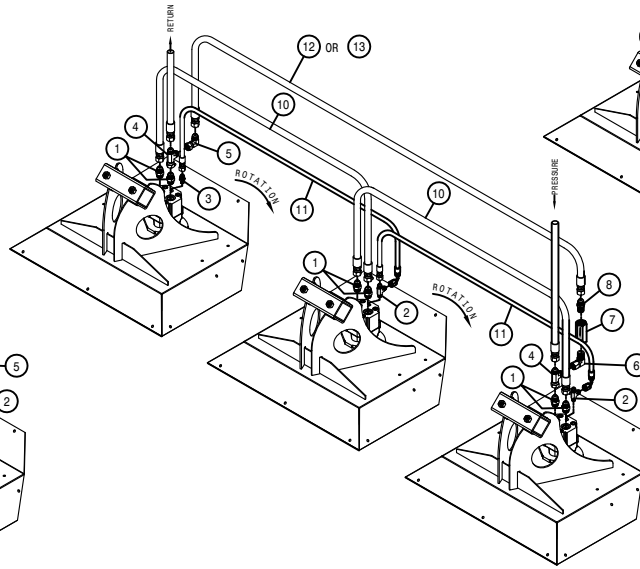
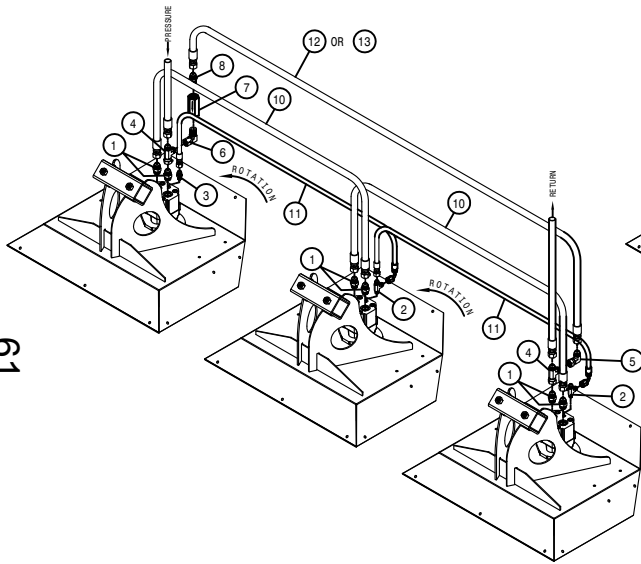
THREE HEAD ASSEMBLY

LEFT SIDE OF OPERATOR

RIGHT SIDE OF OPERATOR

LEFT SIDE OF OPERATOR

RIGHT SIDE OF OPERATOR

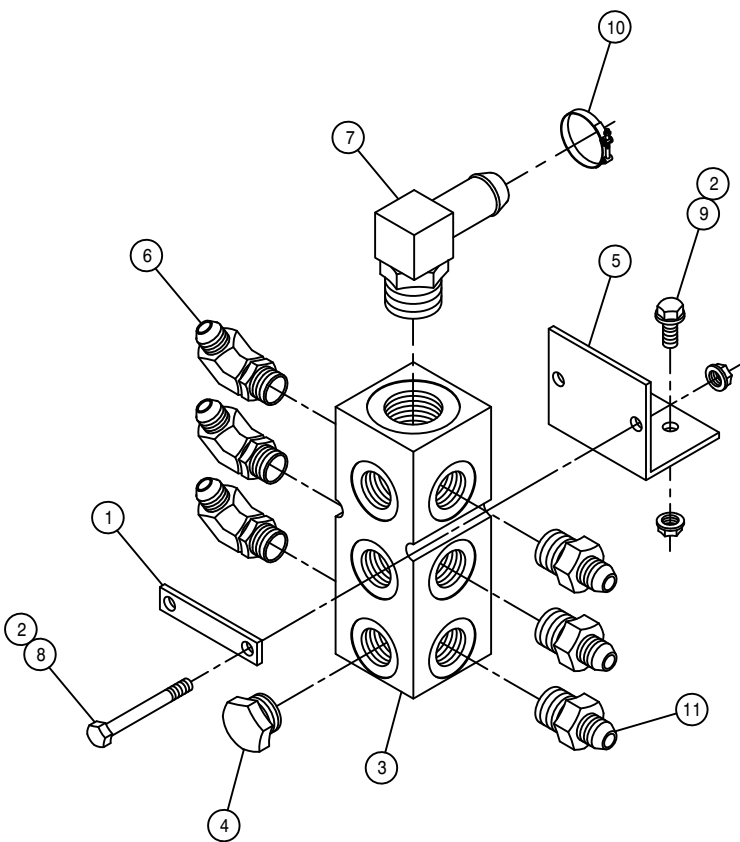


HYD SCHEM, CUTTER CHECK VLV 204 07

DET. QTY PART NO. DESCRIPTION

1	611125	3/4MJIC-3/4MOR ADPTR	
2	618546	1/8MNPT RUN TEE-9/16MJIC	
3	618530	9/16MJIC-1/8MNPT ADPTR	
4	618451	3/4FJIC SW RUN TEE-3/4MJIC	
5	618609	3/4MJIC-90-3/4FJIC SWIV LBO	
6	618620	3/4FJX-90-1/2MNPT ADPTR	
7	690338	LINE CHECK VALVE HYD .50NPT	
8	611147	3/4MJIC-1/2MNPT ADPTR	
9	616025	08C1T-08FJX-08FJX-50	H/A
10	614368	08C1T-08FJX-08FJX-60	H/A
11	616422	04C1T-06FJX-06FJX90-50	H/A
12	616031	08C1T-08FJX-08FJX-83	H/A
13	614662	08C1T-08FJX-08FJX-72	H/A

DET REQ	DESCRIPTION
HAGIE HAGIE MANUFACTURING COMPANY CLARION, IOWA 50525	
REMOVE ALL SHARP CORNERS & BURRS	
TOLERANCE UNLESS OTHERWISE SPECIFIED	
FRACTION ±1/32	DECIMALS X.XX ±.03 X.XXX ±.005
ANGLES ±°	
DESCRIPTION HYD SCHEM, CUTTER CHECK VLV 204 07	
DRAWN BY T. MARKER	SCALE FULL
CHECKED BY	APPROVED BY
DATE 05-16-07	DRAWING NUMBER 498929
SHEET OF	



CUTTER CASE DRAIN MANIFOLD ASSEMBLY

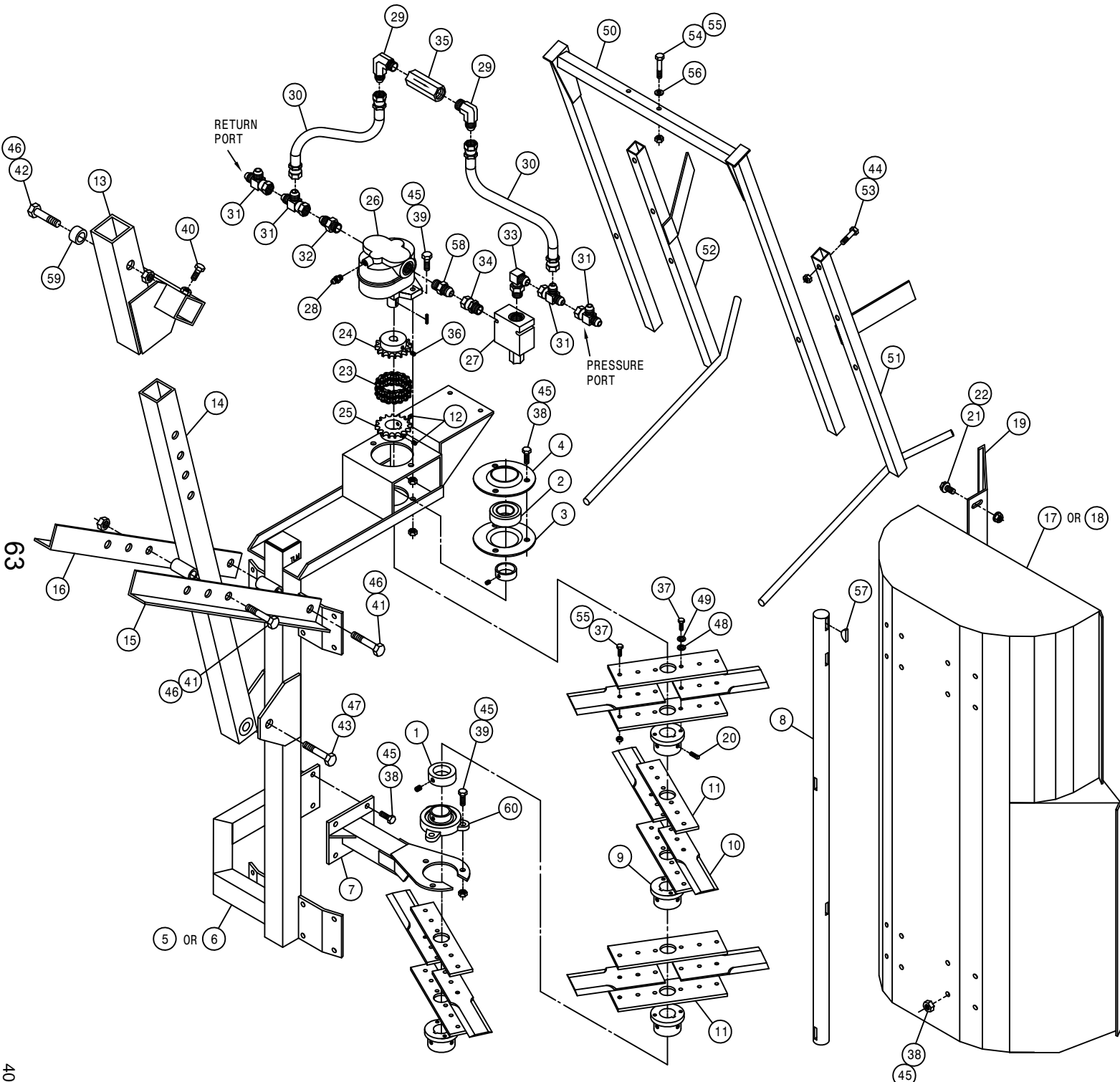
DET. QTY PART NO. DESCRIPTION

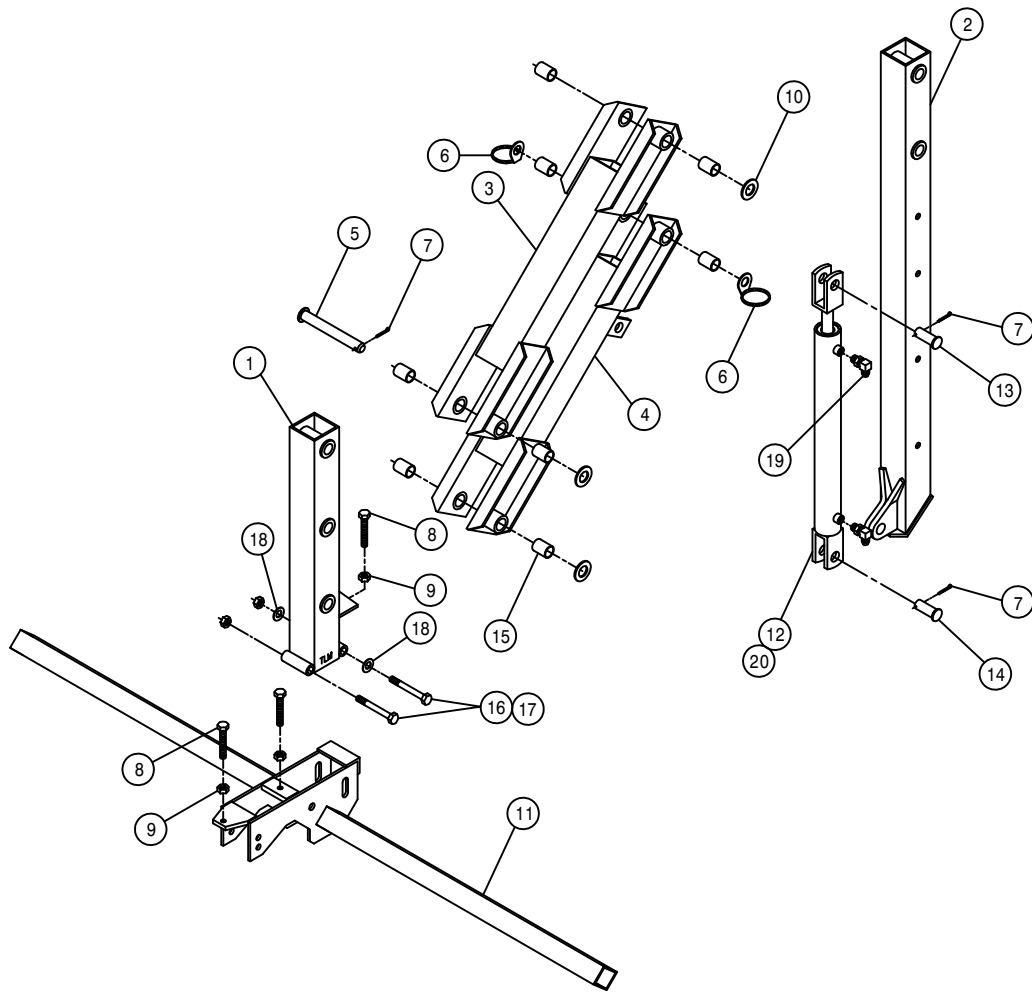
1	1	438729	CUTTER RETURN MANIF MT KEEPER
2	4	470121	1/4UNC HEX FLANGE LOCK NUT
3	1	606021	HYD RETURN MANIF,3/4FOR,9-PORT
4	3	611159	3/4MOR PLUG, HEX HEAD
5	1	615755	204 CASE DRAIN MANIFOLD MT 02
6	3	618115	9/16MJIC-90-3/4MOR LBO
7	1	618118	3/4 HOSE BARB-90-1 1/16MOR
8	2	900009	1/4UNC X 2 3/4 HEX BOLT
9	2	470118	1/4UNC X 3/4 FLANGE HEX BOLT
10	1	520137	1.12/1.25 T-BOLT HOSE CLAMP
11	3	618109	9/16MJIC-3/4MOR ADPTR

MALE ROW 4-BLADE CUTTER ASSEMBLY

DET. QTY PART NO. DESCRIPTION

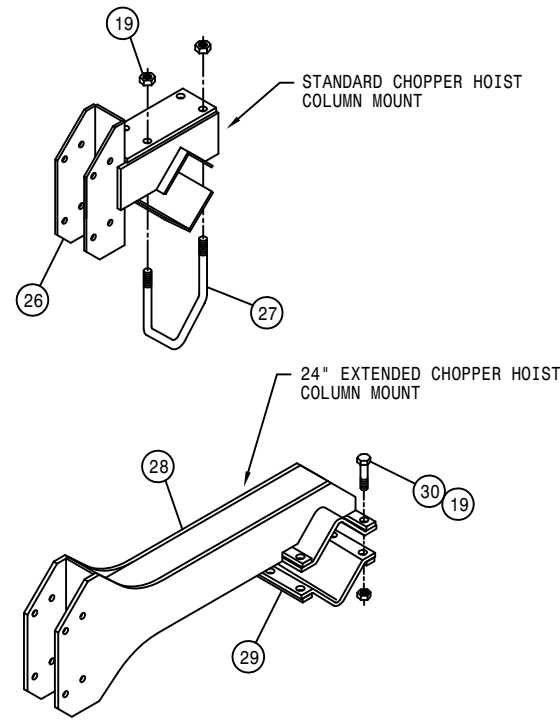
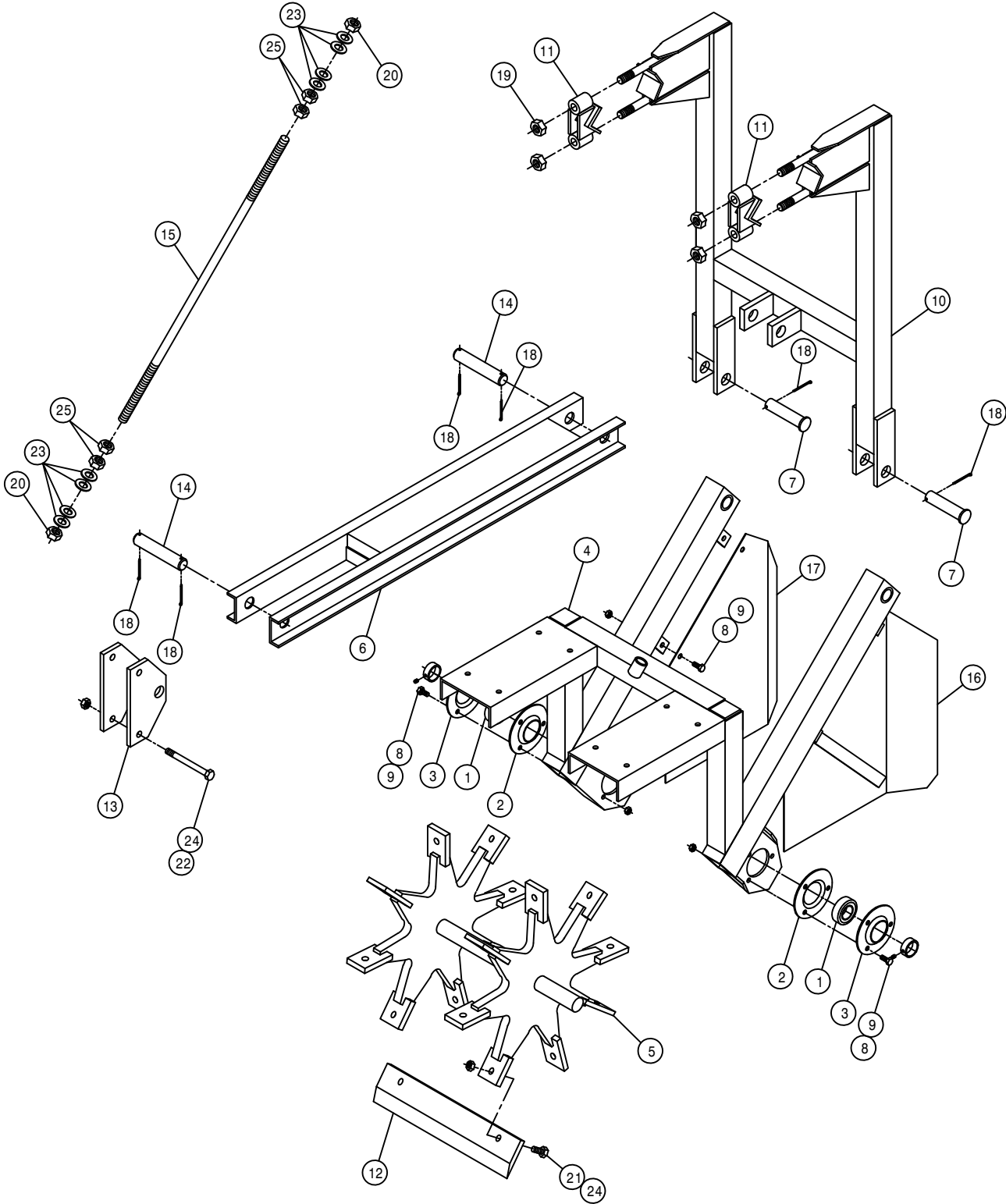
DET.	QTY	PART NO.	DESCRIPTION
1	1	474020	1 1/4 SHAFT SET COLLAR
2	1	123024	BGR 1 1/4 BORE SPHERICL RELUB
3	1	123026	FLANGETT 1 1/4
4	1	123035	FLANGETT 1 1/4 180 DEG ZERK
5	1	270880	RH 4-BLADE CUTTER FRAME WLD95
6	1	270881	LH 4-BLADE CUTTER FRAME WLD95
7	1	270896	LWR BRG MT WLD,4-BLD CUTR 95
8	1	270902	BLADE SHAFT,4-BLD CUTR 95
9	4	270903	BLADE MT HUB,4-BLD CUTR 95
10	8	270904	CUTTER BLADE,4-BLD CUTR 95
11	8	270905	UPPER BLADE SUPP,4-BLD CUTR95
12	2	470060	5/16UNC X 3/8 SET SCR
13	1	270907	CUTTER ADPT WLD,4-BLD CUTR 95
14	1	270910	CUTTER MT WLD,4-BLD CUTR 95
15	1	270913	RH ADJ ANG,4-BLD CUTR 95
16	1	270914	LH ADJ ANG,4-BLD CUTR 95
17	1	270915	RH SHIELD WLD,4-BLD CUTR 95
18	1	270916	LH SHIELD WLD,4-BLD CUTR 95
19	1	270923	DEFLECTOR SHLD,4-BLD CUTR 95
20	8	470057	5/16 X 1/2 LG SQ HD SET SCR
21	4	470121	1/4UNC HEX FLANGE LOCK NUT
22	4	470122	1/4UNC X 1/2 FLANGE HEX BOLT
23	1	492084	CHAIN FOR 4016 CHAIN COUPLER
24	1	492092	CHAIN CPLR 5/8 BORE 5/32 KWY
25	1	492091	CHAIN CPLR 1 1/4 BORE .25 KWY
26	1	610510	CESSNA GEAR MOTOR 1.48CI
27	1	610597	PRESS COMP FIXED FLO REG 18G
28	1	611121	9/16MJIC-1/4MNPT ADPTR
29	2	611145	3/4MJIC-90-1/2MNPT LBO
30	2	615626	08C1T-08FJX-08FJX-15 H/A
31	4	618451	3/4FJIC SW RUN TEE-3/4MJIC
32	1	618469	3/4MJIC-1 1/16MOR ADPTR
33	1	618474	3/4MJIC-90-1 1/16MOR LBO
34	1	618578	1 1/16FJIC SWIV-1 1/16MOR
35	1	690338	LINE CHECK VALVE HYD .50NPT
36	1	470052	1/4-20X1/2 AL HD SET SC CUP
37	24	900066	5/16UNC X 1 1/4 HEX BOLT
38	23	900129	3/8UNC X 1" HEX BOLT
39	5	900130	3/8UNC X 1 1/4 HEX BOLT
40	2	900263	1/2UNC X 1" HEX BOLT
41	2	900270	1/2UNC X 3" HEX BOLT
42	1	900273	1/2UNC X 3 3/4 HEX BOLT
43	1	900408	3/4UNC X 3 1/2 HEX BOLT
44	2	914000	1/4UNC HEX STOVER NUT
45	28	914004	3/8UNC HEX STOVER NUT
46	3	914008	1/2UNC HEX STOVER NUT
47	1	914012	3/4UNC HEX STOVER NUT
48	8	920001	5/16 SAE FLAT WASHER
49	8	920501	5/16 LOCK WASHER
50	1	270924	GUIDE MT WLD,4-BLD CUTR 95
51	1	270928	RH STALK GUIDE WLD,4-BLD CUTR
52	1	270929	LH STALK GUIDE WLD,4-BLD CUTR
53	2	900005	1/4UNC X 1 1/2 HEX BOLT
54	2	900069	5/16UNC X 2" HEX BOLT
55	18	914002	5/16UNC HEX STOVER NUT
56	2	920001	5/16 SAE FLAT WASHER
57	5	472020	WOODRUFF KEY # 18 1/4 X 1 1/8
58	1	611127	1 1/16MJIC-1 1/16MOR ADPTR
59	1	200015	.75 OD X 11GA WA X .38LG C/L
60	1	123050	1.25 PILLOW BLOCK BEARING,FLG





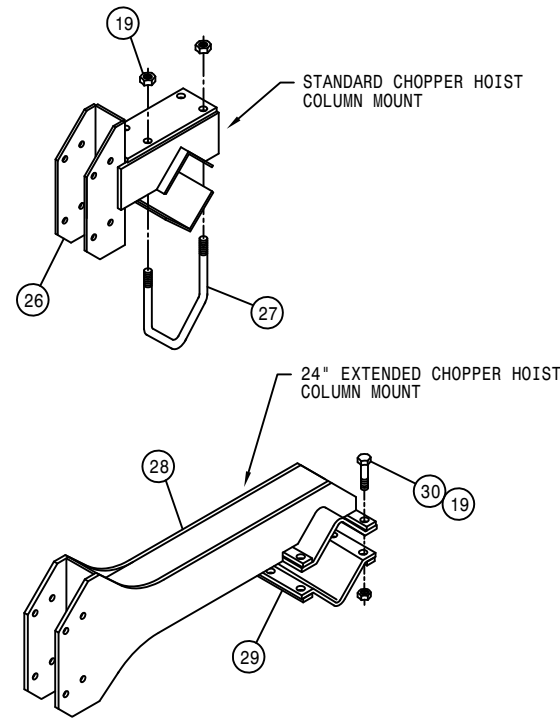
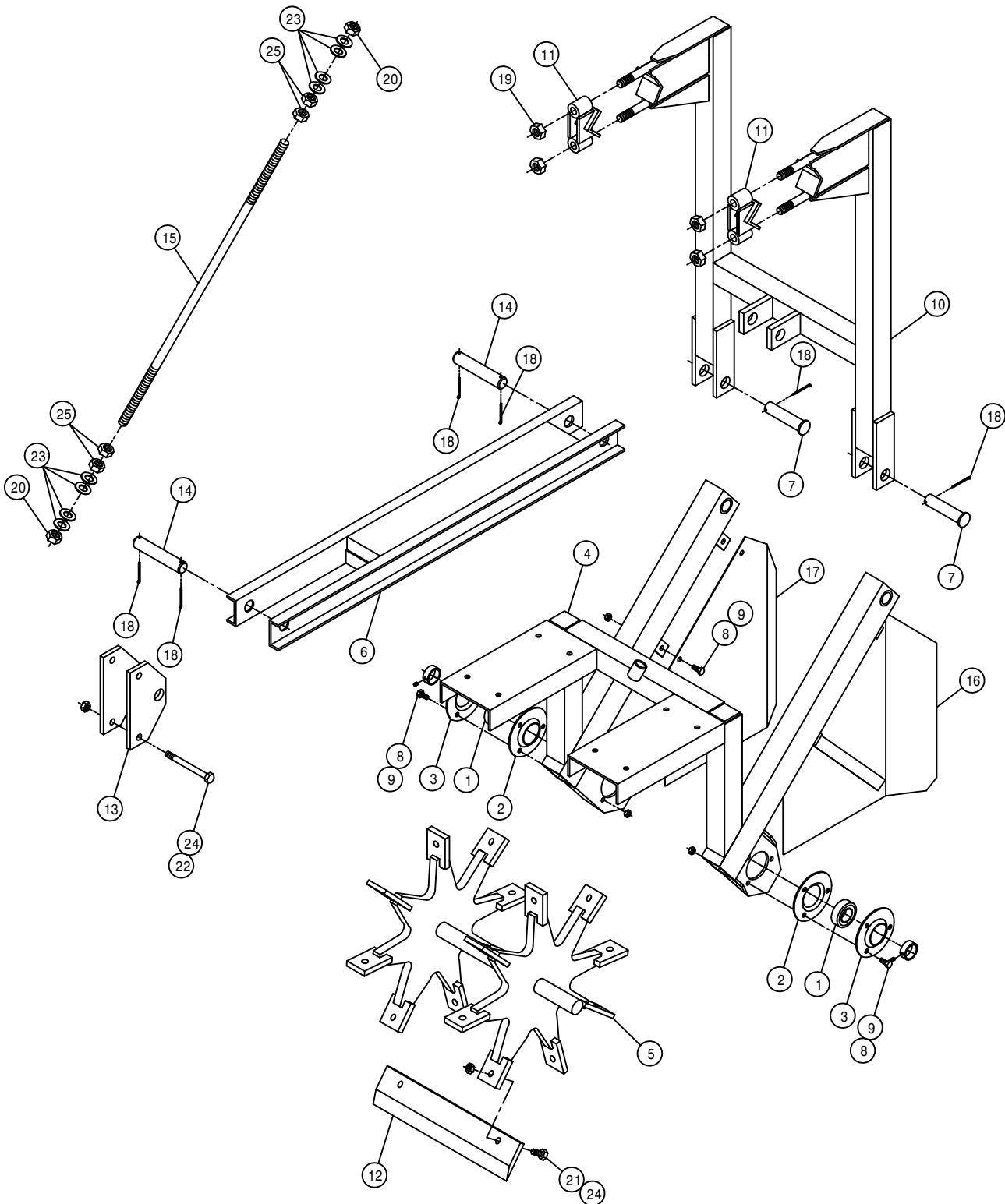
MALE ROW CHOPPER LIFT ASSEMBLY

DET.	QTY	PART NO.	DESCRIPTION
	1	438245	TOOL BAR MT WLD,2-POS DETAS
	1	438184	HOIST COL WLD DETAS LIFT 83
	1	438294	UPPER LIFT ARM WLD 8200 86
	1	438297	LWR LIFT ARM WLD 8200 86
	4	438300	LIFT ARM PIVOT PIN WLD8200 86
	2	438302	HOSE SUPPORT RING WLD
	6	470162	COTTER PIN 3/16 X 1 1/2 SQCUT
	8	900538	1/2UNC X 3 1/2 HEX BOLT FULL
	3	910008	1/2UNC HEX NUT
	10	920008	1" SAE FLAT WASHER
	11	438194	TOOL BAR WLD DETAS 4-6R 83
	12	621568	HYD CYL, 2.00 X 18.00 X 1.125
	13	472012	CLEVIS PIN, 1.00 X 3.25 PLT
	14	472206	PICKER PIN 1 DIA X 2 1/4
	15	121025	JOURNAL BRG, 1.00 ID X 1.50 LG
	16	900343	5/8UNC X 4 1/2 HEX BOLT
	17	914010	5/8UNC HEX STOVER NUT
	18	920005	5/8 SAE FLAT WASHER
	19	618119	9/16MJIC-90-9/16MOR LBO
	20	621569	REPAIR KIT, HYD CYL 621568



15" MALE ROW CHOPPER ASSEMBLY

DET.	QTY	PART NO.	DESCRIPTION
1	2	123024	BGR 1 1/4 BORE SPHERICL RELUB
2	2	123026	FLANGETT 1 1/4
3	2	123035	FLANGETT 1 1/4 180 DEG ZERK
4	1	270814	LWR FRAME WLD MALE ROW CHOP
5	1	270860	BLADE MT WHL WLD, CHOPPER 92
6	1	270852	LWR LIFT ARM WLD MALE CHOP 91
7	2	472012	CLEVIS PIN, 1.00 X 3.25 PLT
8	10	900129	3/8UNC X 1" HEX BOLT
9	10	914004	3/8UNC HEX STOVER NUT
10	1	270855	UPR FRAME WLD MALE ROW CHOP91
11	2	270833	TOOL BAR CLAMP WLD MALE CHOP
12	8	270838	CHOPPER BLADE 8131 STEEL TREA
13	2	270842	LWR LIFT ARM MTG PLT
14	2	270843	LIFT ARM PIN MALE ROW CHOPPER
15	1	270844	ADJ ROD MALE ROW CHOPPER
16	1	270845	RH SHLD WLD MALE ROW CHOPPER
17	1	270846	LH SHLD WLD MALE ROW CHOPPER
18	6	470162	COTTER PIN 3/16 X 1 1/2 SQ CUT
19	14	914010	5/8UNC HEX STOVER NUT
20	2	914012	3/4UNC HEX STOVER NUT
21	16	900265	1/2UNC X 1 1/2 HEX BOLT
22	2	900275	1/2UNC X 4 1/2 HEX BOLT
23	8	920006	3/4 SAE FLAT WASHER
24	18	914008	1/2UNC HEX STOVER NUT
25	4	910012	3/4UNC HEX NUT
26	1	438367	HOIST COL MT BRKT WLD 200 90
27	2	438293	5/8UNC X 6 1/4 CTR U-BOLT TRI
28	1	438665	24" HOIST COL MT BRKT WLD
29	1	438671	24" HOIST COL MT V-PLT KPR WLD
30	6	900337	5/8UNC X 2 3/4 HEX BOLT



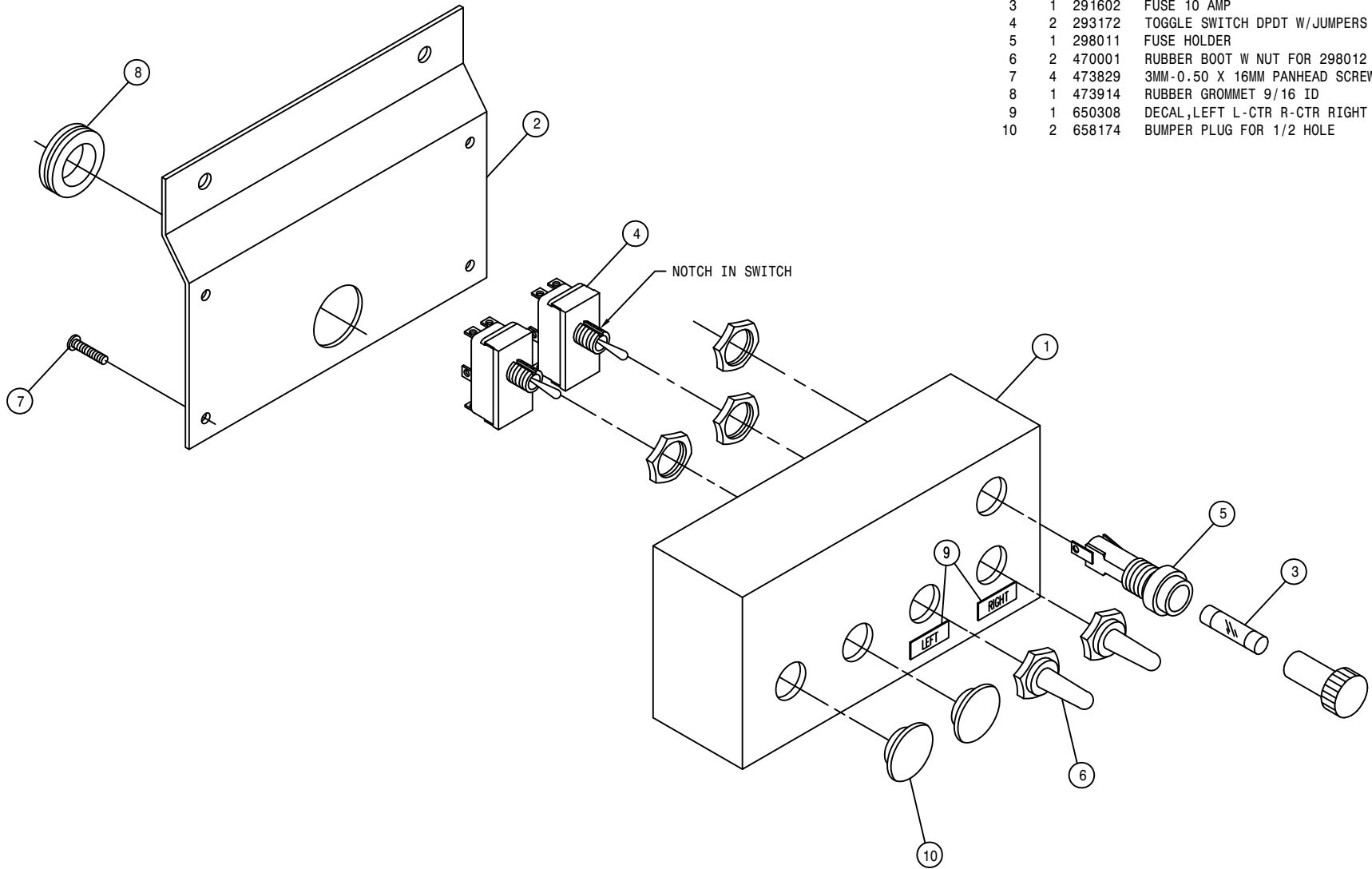
20" MALE ROW CHOPPER ASSEMBLY

DET.	QTY	PART NO.	DESCRIPTION
1	2	123024	BGR 1 1/4 BORE SPHERICL RELUB
2	2	123026	FLANGETT 1 1/4
3	2	123035	FLANGETT 1 1/4 180 DEG ZERK
4	1	270872	LWR FRAME WLD,20"MALE CHOPR95
5	1	270874	BLADE MT WHL WLD,20"CHOPR 95
6	1	270852	LWR LIFT ARM WLD MALE CHOP 91
7	2	472012	CLEVIS PIN, 1.00 X 3.25 PLT
8	10	900129	3/8UNC X 1" HEX BOLT
9	10	914004	3/8UNC HEX STOVER NUT
10	1	270876	UPR FRAME WLD,20"MALE CHOPR95
11	2	270833	TOOL BAR CLAMP WLD MALE CHOP
12	8	270866	CHOPPER BLADE,MALE ROW,20" 95
13	2	270842	LWR LIFT ARM MTG PLT
14	2	270843	LIFT ARM PIN MALE ROW CHOPPER
15	1	270867	ADJ ROD WLD,MALE ROW CHOPR 95
16	1	270845	RH SHLD WLD MALE ROW CHOPPER
17	1	270846	LH SHLD WLD MALE ROW CHOPPER
18	6	470162	COTTER PIN 3/16 X 1 1/2 SQCUT
19	14	914010	5/8UNC HEX STOVER NUT
20	2	914012	3/4UNC HEX STOVER NUT
21	16	900265	1/2UNC X 1 1/2 HEX BOLT
22	2	900275	1/2UNC X 4 1/2 HEX BOLT
23	8	920006	3/4 SAE FLAT WASHER
24	18	914008	1/2UNC HEX STOVER NUT
25	4	910012	3/4UNC HEX NUT
26	1	438367	HOIST COL MT BRKT WLD 200 90
27	2	438293	5/8UNC X 6 1/4 CTR U-BOLT TRI
28	1	438665	24" HOIST COL MT BRKT WLD
29	1	438671	24" HOIST COL MT V-PLT KPR WLD
30	6	900337	5/8UNC X 2 3/4 HEX BOLT

2-LIFT, DEPTH COMMAND SWITCH ASSEMBLY

DET. QTY PART NO. DESCRIPTION

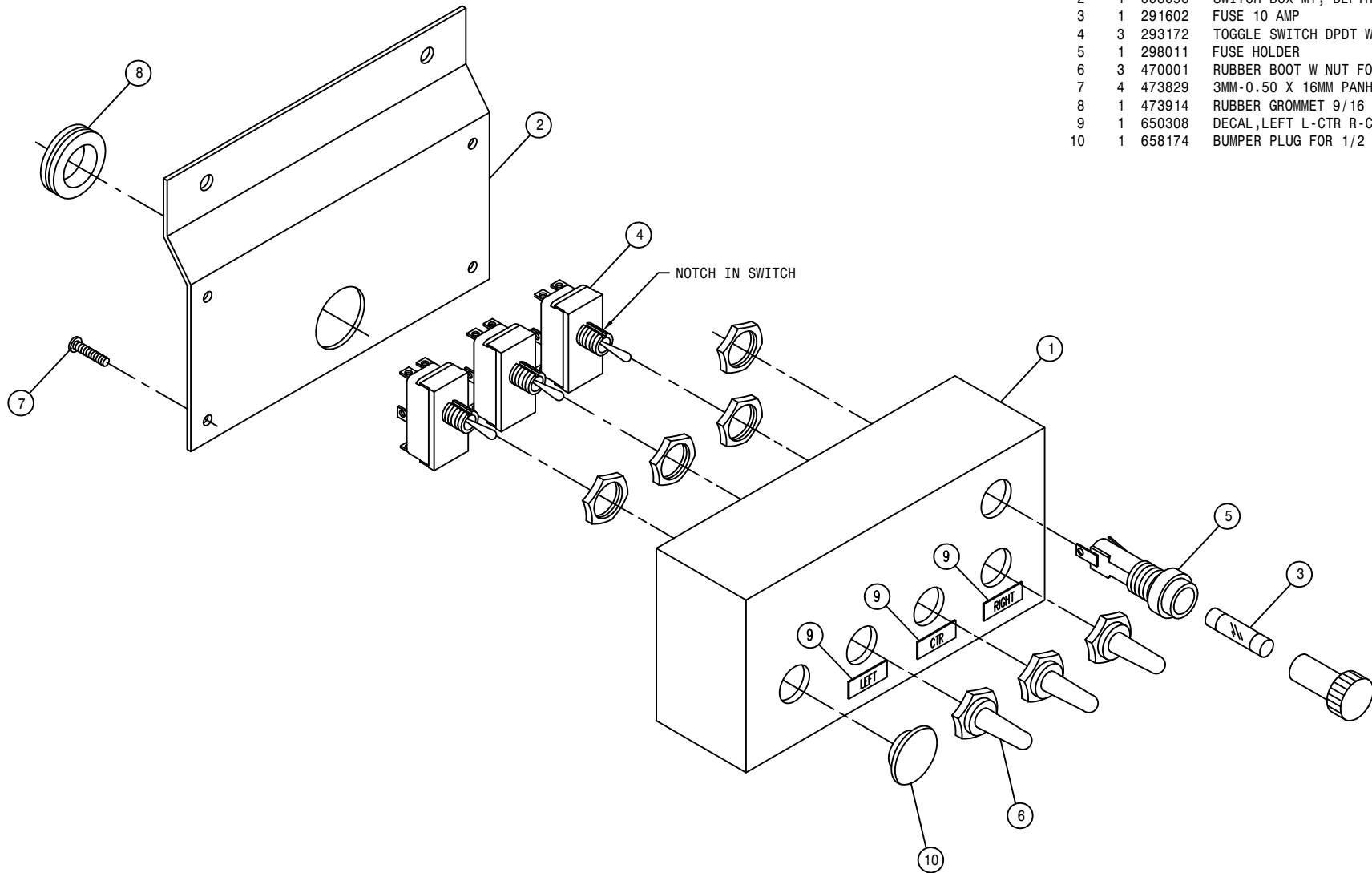
1	1	002744	SWITCH BOX, DEPTH CMD
2	1	003096	SWITCH BOX MT, DEPTH CMD 08
3	1	291602	FUSE 10 AMP
4	2	293172	TOGGLE SWITCH DPDT W/JUMPERS
5	1	298011	FUSE HOLDER
6	2	470001	RUBBER BOOT W NUT FOR 298012
7	4	473829	3MM-0.50 X 16MM PANHEAD SCREW
8	1	473914	RUBBER GROMMET 9/16 ID
9	1	650308	DECAL,LEFT L-CTR R-CTR RIGHT
10	2	658174	BUMPER PLUG FOR 1/2 HOLE



3-LIFT, DEPTH COMMAND SWITCH ASSEMBLY

DET. QTY PART NO. DESCRIPTION

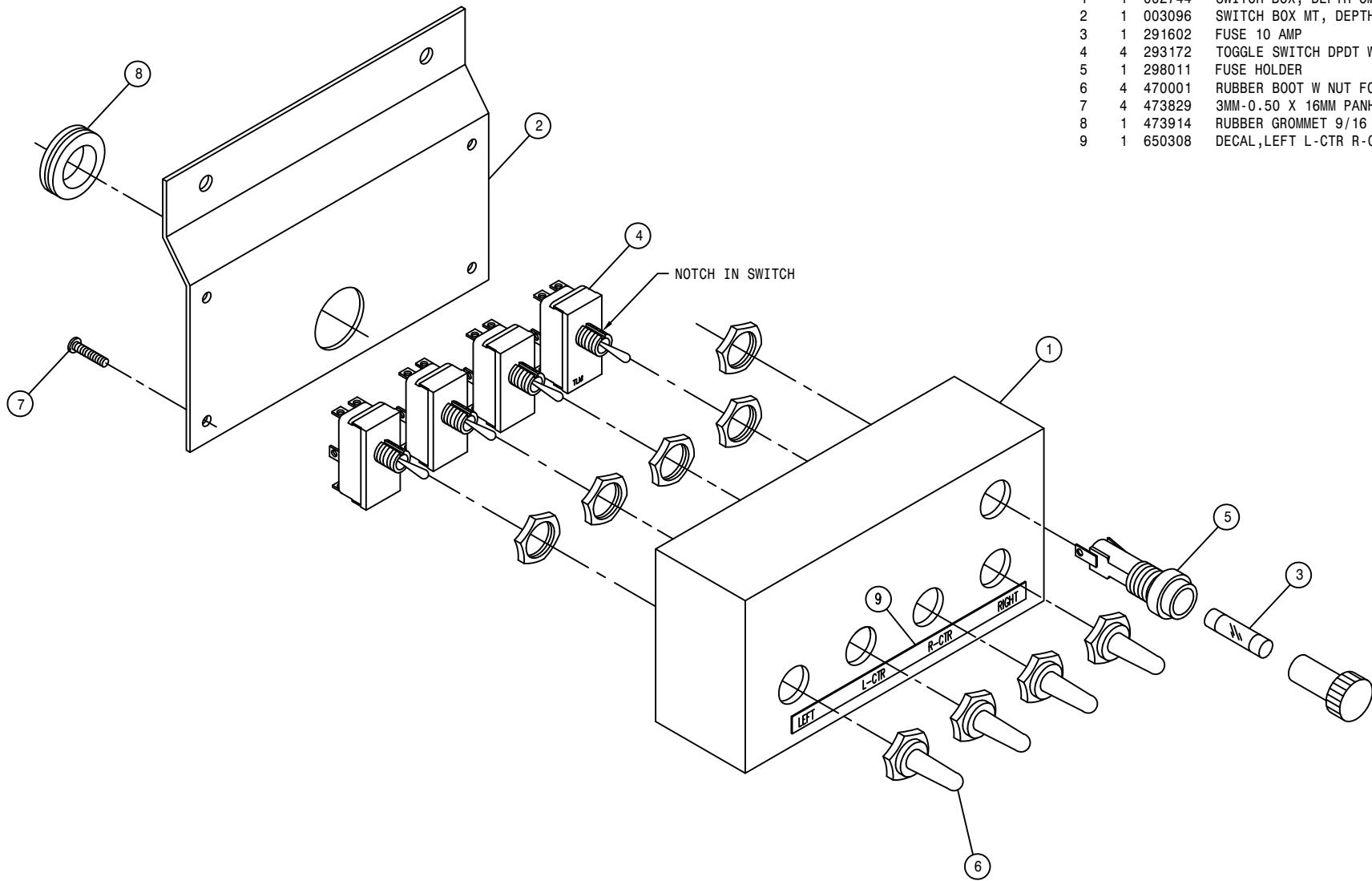
DET.	QTY	PART NO.	DESCRIPTION
1	1	002744	SWITCH BOX, DEPTH CMD
2	1	003096	SWITCH BOX MT, DEPTH CMD 08
3	1	291602	FUSE 10 AMP
4	3	293172	TOGGLE SWITCH DPDT W/JUMPERS
5	1	298011	FUSE HOLDER
6	3	470001	RUBBER BOOT W NUT FOR 298012
7	4	473829	3MM-0.50 X 16MM PANHEAD SCREW
8	1	473914	RUBBER GROMMET 9/16 ID
9	1	650308	DECAL, LEFT L-CTR R-CTR RIGHT
10	1	658174	BUMPER PLUG FOR 1/2 HOLE



4-LIFT, DEPTH COMMAND SWITCH ASSEMBLY

DET. QTY PART NO. DESCRIPTION

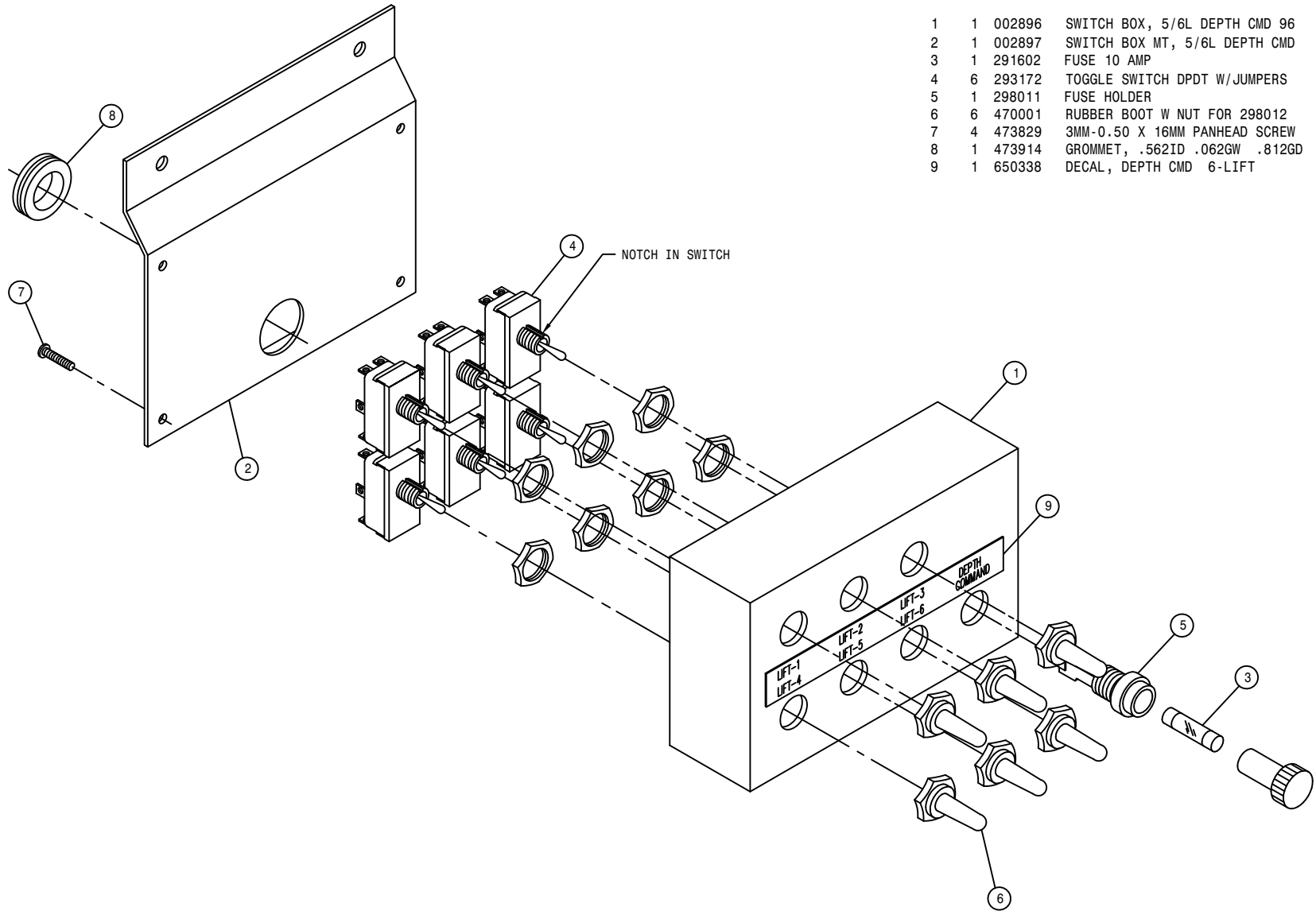
DET.	QTY	PART NO.	DESCRIPTION
1	1	002744	SWITCH BOX, DEPTH CMD
2	1	003096	SWITCH BOX MT, DEPTH CMD 08
3	1	291602	FUSE 10 AMP
4	4	293172	TOGGLE SWITCH DPDT W/JUMPERS
5	1	298011	FUSE HOLDER
6	4	470001	RUBBER BOOT W NUT FOR 298012
7	4	473829	3MM-0.50 X 16MM PANHEAD SCREW
8	1	473914	RUBBER GROMMET 9/16 ID
9	1	DECAL, LEFT L-CTR R-CTR RIGHT	



6-LIFT, DEPTH COMMAND SWITCH ASSEMBLY

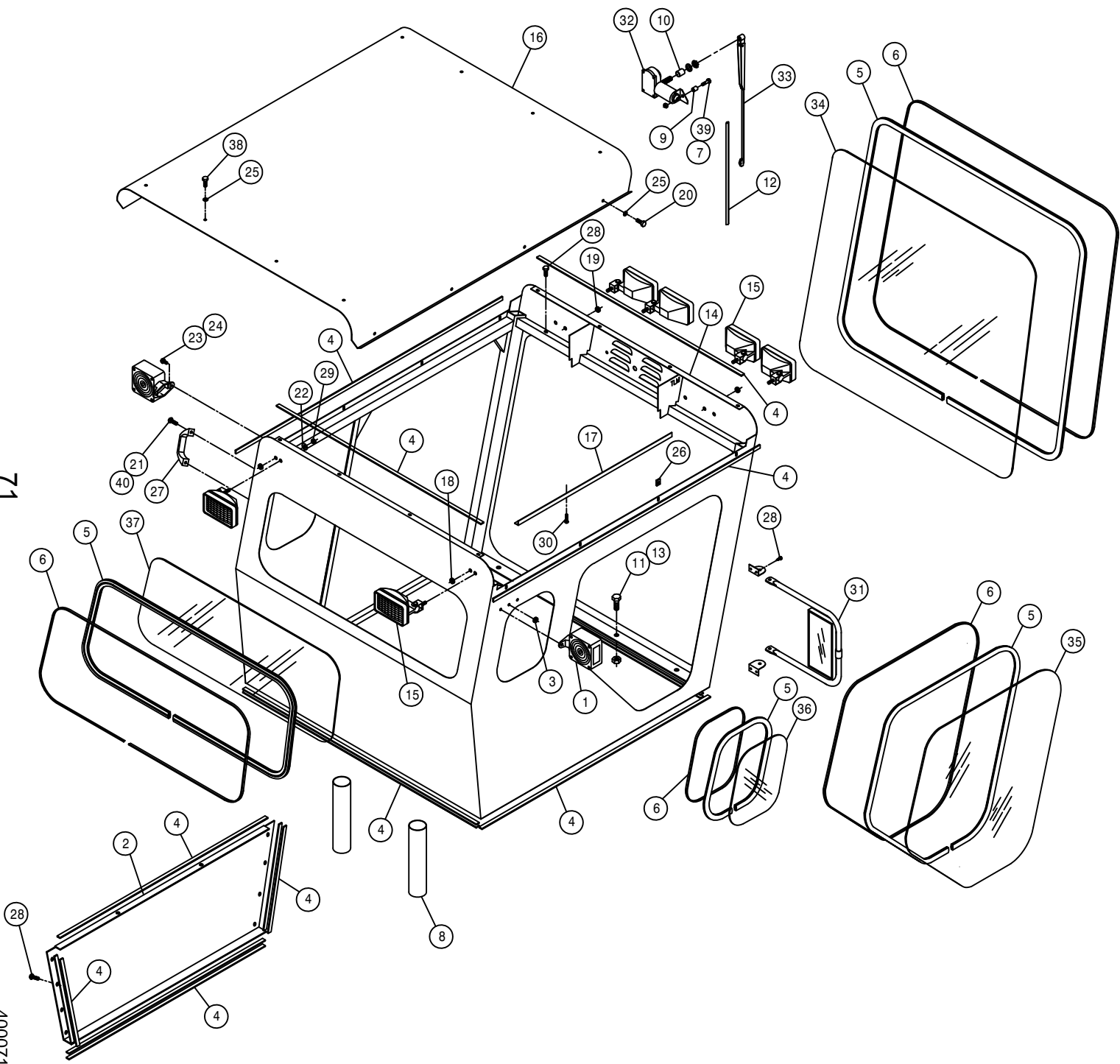
DET. QTY PART NO. DESCRIPTION

1	1	002896	SWITCH BOX, 5/6L DEPTH CMD 96
2	1	002897	SWITCH BOX MT, 5/6L DEPTH CMD
3	1	291602	FUSE 10 AMP
4	6	293172	TOGGLE SWITCH DPDT W/JUMPERS
5	1	298011	FUSE HOLDER
6	6	470001	RUBBER BOOT W NUT FOR 298012
7	4	473829	3MM-0.50 X 16MM PANHEAD SCREW
8	1	473914	GROMMET, .562ID .062GW .812GD
9	1	650338	DECAL, DEPTH CMD 6-LIFT



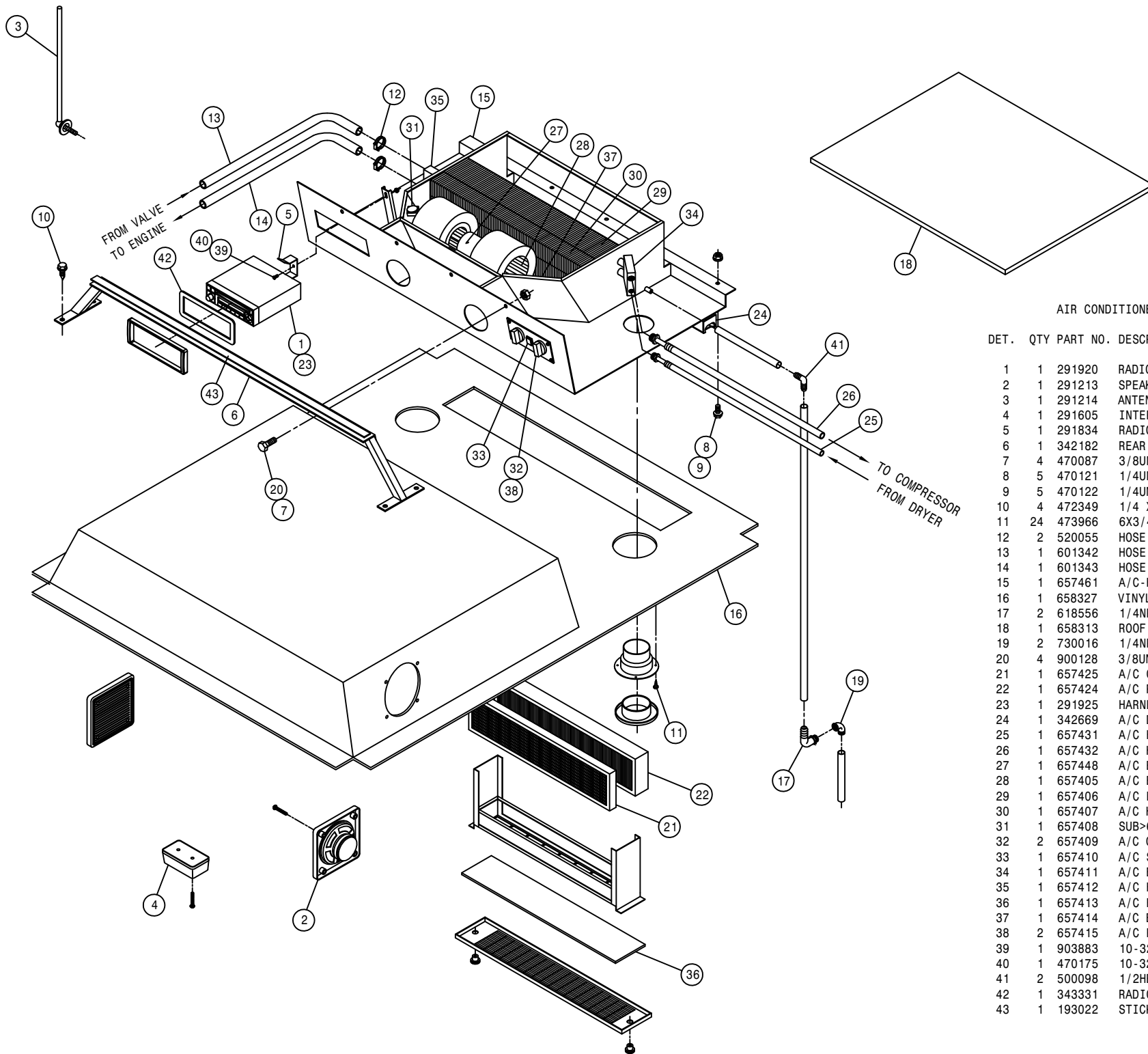
71

400071



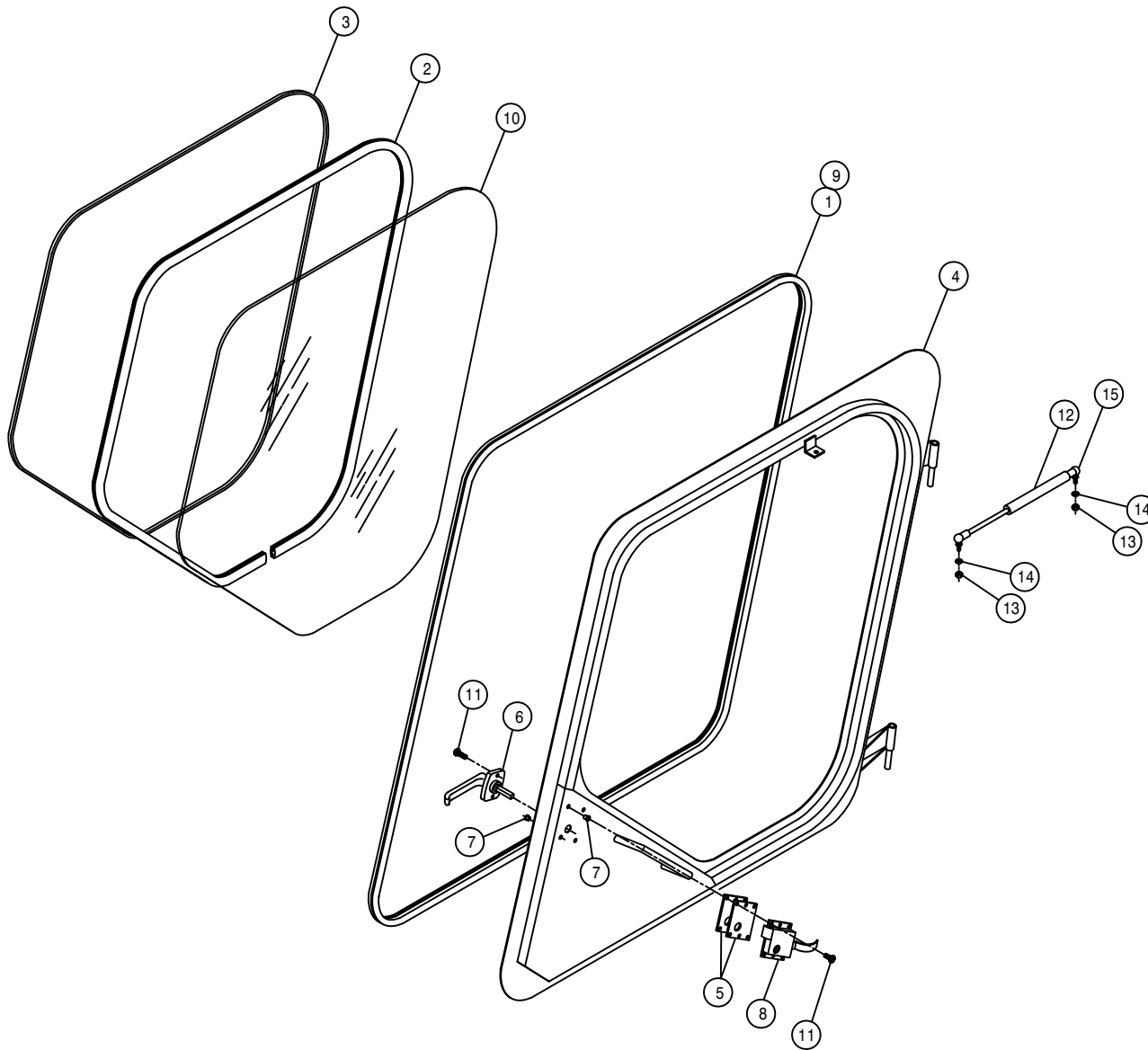
CAB ASSEMBLY

DET.	QTY	PART NO.	DESCRIPTION
1	2	291604	TURN SIGNAL LIGHT,PED MT, YEL
2	1	342295	LH SIDE PANEL, 204 CAB 95
3	2	470226	GROMMET, .156ID .062GW .250GD
4	46	193037	STICKERTITE 1/8 X 3/4
5	42	193044	WINDOW WEATHERSTRIP
6	42	193045	LOCK STRIP FOR 193044
7	1	914000	1/4UNC HEX STOVER NUT
8	2	342333	NYL HOSE SLEEVE,2.64ID X 12.00
9	1	200019	.25 SCH 40BP X 1.00 LG C/L
10	1	358886	AIR BAG MT LOCK COLLAR BUSH 98
11	6	900264	1/2UNC X 1 1/4 HEX BOLT
12	1	290417	18" WIPER BLADE
13	6	914008	1/2UNC HEX STOVER NUT
14	1	342287	204 CAB WELDMT 95
15	6	291603	HALOGEN WORKLAMP,SIDE MT 12V
16	1	342150	CAB ROOF WLD, 284 94
17	1	342180	HEADLINER KPR ANGLE,284CAB 94
18	2	470067	GROMMET, .250ID .125GW .375GD
19	2	470070	GROMMET, .375ID .062GW .500GD
20	8	470118	1/4UNC X 3/4 FLANGE HEX BOLT
21	2	903883	10-32 X 1/2 SLT RDHD MACH SCR
22	6	470100	3/8 INT TOOTH LOCK WASHER
23	4	470121	1/4UNC HEX FLANGE LOCK NUT
24	4	470122	1/4UNC X 1/2 FLANGE HEX BOLT
25	16	470514	1/4 X 1 SEALING WASHER SS
26	16	470218	1/4UNC NUT J-TYPE CAGE CLIP
27	1	470222	GRAB HANDLE, BLACK MOULDED
28	22	472349	1/4 X 3/4 20THD-IN TEK TYPE
29	6	473779	10MM-1.50 HEX NUT
30	2	473910	1/4 X 1 1/2 PHIL HD SHT MTL S
31	2	650524	OUTSIDE MIRROR W/MTG BRKT
32	1	658008	WINDSHIELD WIPER MOTOR
33	1	658013	WIPER ARM
34	1	658018	FRONT CAB GLASS, 204 95
35	1	658015	FRONT SIDE CAB/DOOR GLASS 94
36	2	658016	REAR SIDE CAB GLASS 94
37	1	658017	REAR CAB GLASS 94
38	8	900002	1/4UNC X 3/4 HEX BOLT
39	1	900005	1/4UNC X 1 1/2 HEX BOLT
40	2	470175	10-32 HEX FLANGE LOCK NUT



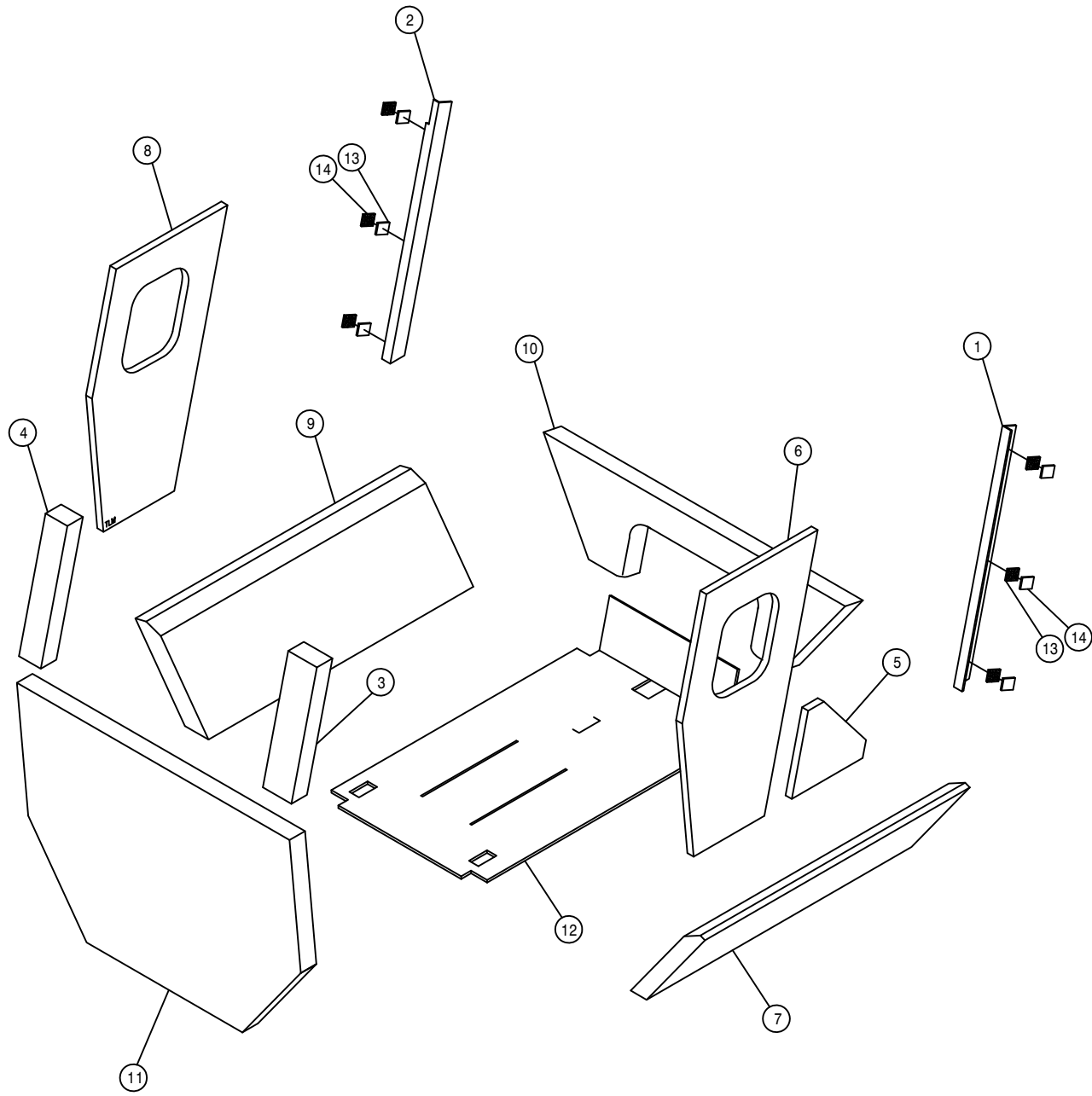
AIR CONDITIONER ASSEMBLY

DET.	QTY	PART NO.	DESCRIPTION
1	1	291920	RADIO CRW200
2	1	291213	SPEAKERS (PAIR)
3	1	291214	ANTENNA
4	1	291605	INTERIOR LIGHT W/SWITCH
5	1	291834	RADIO SUPPORT BRKT
6	1	342182	REAR A/C BLOWER MT WLD,CAB 94
7	4	470087	3/8UNC HEX FLANGE LOCK NUT
8	5	470121	1/4UNC HEX FLANGE LOCK NUT
9	5	470122	1/4UNC X 1/2 FLANGE HEX BOLT
10	4	472349	1/4 X 3/4 20THD-IN TEK TYPE
11	24	473966	6X3/4 PHIL FLT HD SHT MTL SCR
12	2	520055	HOSE CLAMP NO 12 STAINLESS
13	1	601342	HOSE, 5/8 X 192 HEATER
14	1	601343	HOSE, 5/8 X 216 HEATER
15	1	657461	A/C-HTR BLOWER SYS, DTS8 05
16	1	658327	VINYL HEAD LINER 99
17	2	618556	1/4NPT-90-1/2 HOSE BARB,POLY
18	1	658313	ROOF SEAL,AIR COND 204,254,284
19	2	730016	1/4NPT ST EL, 90 DEG POLY
20	4	900128	3/8UNC X 3/4 HEX BOLT
21	1	657425	A/C CHARCOAL AIR FILTER
22	1	657424	A/C PAPER AIR FILTER
23	1	291925	HARNES, RADIO CRW200 DTS 05
24	1	342669	A/C DRAIN HOSE KEEPER
25	1	657431	A/C HOSE ASSY, 5/16 X 173
26	1	657432	A/C HOSE ASSY, 1/2 X 190.
27	1	657448	A/C BLOWER ASSY, 12V KENWAY
28	1	657405	A/C BLOWER WHEEL W/CLIP
29	1	657406	A/C EVAPORATOR COIL
30	1	657407	A/C HEATER COIL
31	1	657408	SUB>657468:A/C THERMOSTAT
32	2	657409	A/C CONTROL KNOB
33	1	657410	A/C SWITCH, PUSH ON-OFF
34	1	657411	A/C EXPANSION VALVE
35	1	657412	A/C HEATER VALVE,4-WAY MTRIZED
36	1	657413	A/C FILTER,RECIRCULATION 30"
37	1	657414	A/C BLOWER DRIVE ASSY
38	2	657415	A/C POTENTIOMETER ASSY
39	1	903883	10-32 X 1/2 SLT RDHD MACH SCR
40	1	470175	10-32 HEX FLANGE LOCK NUT
41	2	500098	1/2HB-90-1/2 HOSE BARB, POLY
42	1	343331	RADIO BEZEL,CAB, BLK PLASIC 05
43	1	193022	STICKERTITE 1/4 X 3/4



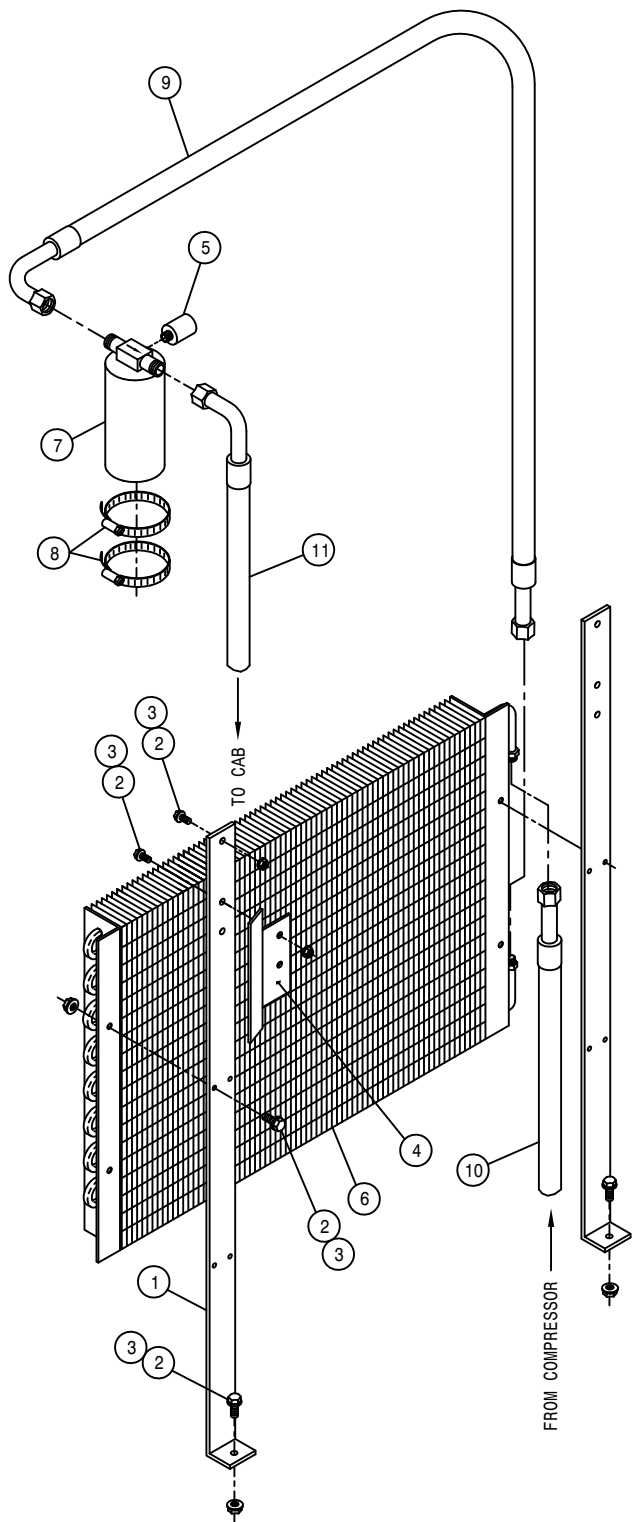
DOOR ASSEMBLY

DET.	QTY	PART NO.	DESCRIPTION
1	12	193028	PUSH-ON TRIM SEAL RS-130-FX
2	9	193044	WINDOW WEATHERSTRIP
3	9	193045	LOCK STRIP FOR 193044
4	1	342153	LH DOOR WLD, 284 CAB 94
5	2	342163	CAB DOOR LATCH SHIM, .06 94
6	1	342217	DOOR HANDLE, 254/284 CAB 94
7	6	470384	10-32 NUTSERT .020-.130 STL
8	1	470219	CAB LOCK, LH #55
9	2	485052	POP RIVET 1/8 X 3/8
10	1	658015	FRONT SIDE CAB/DOOR GLASS 94
11	6	903710	10-32X5/8 PHIL PANHD MACH SCR
12	1	470221	GAS SPRING, 60LB 3.5 STROKE
13	2	910002	5/16UNC HEX NUT
14	2	920501	5/16 LOCK WASHER
15	2	470255	BALL STUD, 5/16-18 THD X 10MM



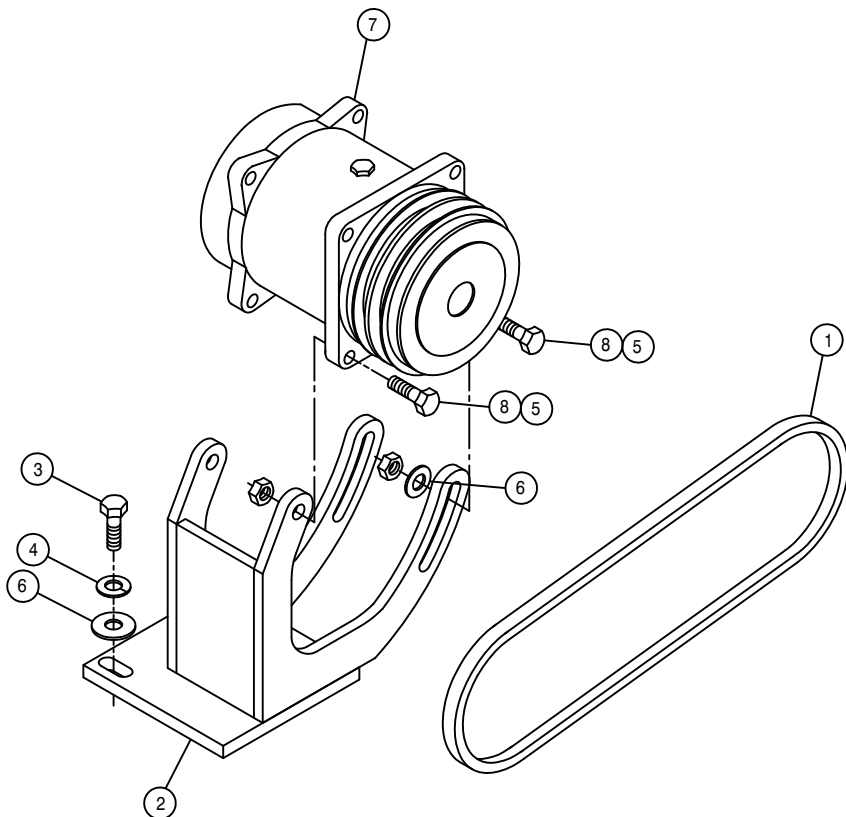
CAB FOAM

DET.	QTY	PART NO.	DESCRIPTION
1	1	658301	VINYL POST COVER, RH FRONT 94
2	1	658302	VINYL POST COVER, LH FRONT 94
3	1	658303	VINYL POST COVER, RH REAR 94
4	1	658304	VINYL POST COVER, LH REAR 94
5	1	658305	VINYL SIDE PANEL, RH 94
6	1	658306	VINYL SIDE PANEL, RH UPPER 94
7	1	658307	VINYL SIDE PANEL, RH LOWER 94
8	1	658308	VINYL SIDE PANEL, LH UPPER 94
9	1	658309	VINYL SIDE PANEL, LH LOWER 94
10	1	658310	VINYL FRONT COVER PANEL 94
11	1	658311	VINYL REAR COVER PANEL 94
12	1	658316	CAB FLOORMAT, 284 97
13	6	471101	DUAL LOCK, 1.00 X 1.00 SJ3542
14	6	471100	DUAL LOCK, 1.00 X 1.00 SJ3541



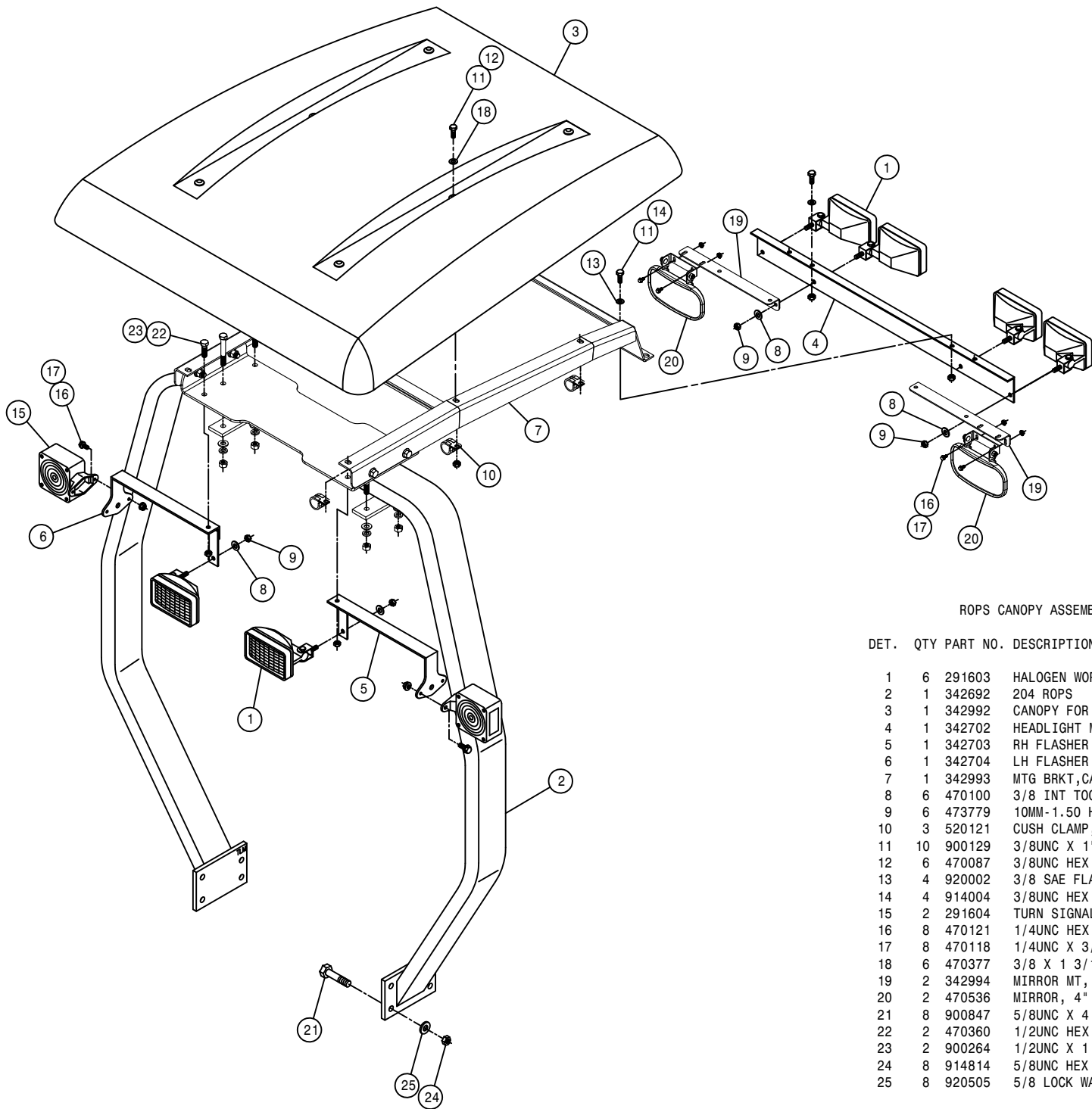
A/C CONDENSOR ASSEMBLY

DET.	QTY	PART NO.	DESCRIPTION		
	1	2	315036	CONDENSER MTG BRKT	99
	2	10	470118	1/4UNC X 3/4 FLANGE HEX BOLT	
	3	10	470121	1/4UNC HEX FLANGE LOCK NUT	
	4	1	315038	A/C DRIER MT,204-254-284	99
	5	1	657422	A/C BINARY SWITCH	
	6	1	657423	A/C CONDENSER COIL 21-0324	
	7	1	657421	A/C RECEIVER/DRIER	
	8	2	520052	HOSE CLAMP NO 52 STAINLESS	
	9	1	657429	A/C HOSE ASSY, 5/16 X 44	
	10	1	657430	A/C HOSE ASSY, 13/32 X 80	
	11	1	657431	A/C HOSE ASSY, 5/16 X 173	



A/C COMPRESSOR PUMP ASSEMBLY

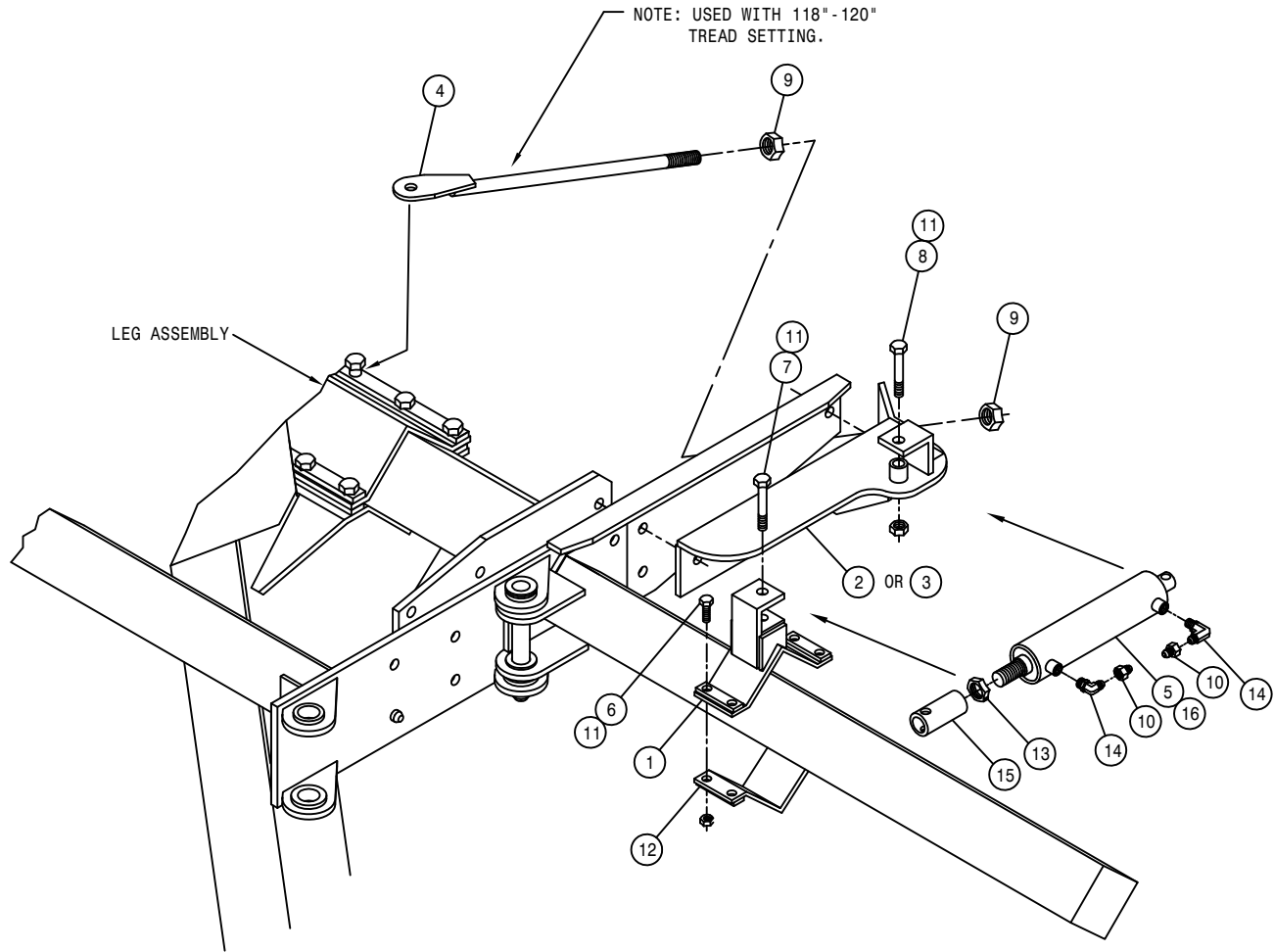
DET.	QTY	PART NO.	DESCRIPTION
	1	147050	9455XL BELT, GATES
	1	316314	A/C COMPRSR MT WLD, 284 98
	3	473792	10MM-1.50 X 30MM HEX BOLT
	3	473798	10MM LOCK WASHER
	4	914004	3/8UNC HEX STOVER NUT
	5	483043	3/8 REGULAR FLAT WASHER
	1	657403	A/C COMP SR, 180D PORTS TM15/12
	4	900131	3/8UNC X 1 1/2 HEX BOLT



ROPS CANOPY ASSEMBLY

DET. QTY PART NO. DESCRIPTION

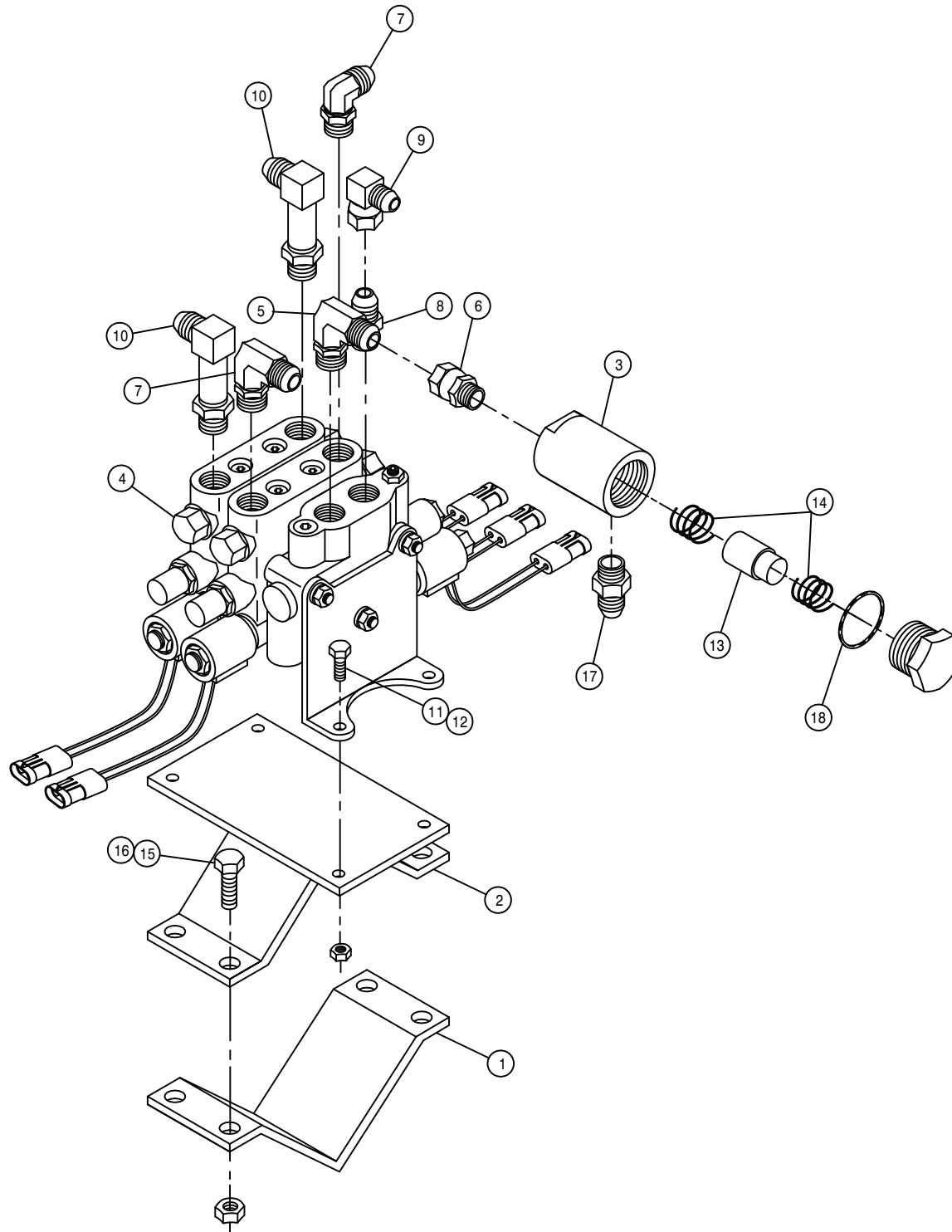
1	6	291603	HALOGEN WORKLAMP, SIDE MT 12V
2	1	342692	204 ROPS
3	1	342992	CANOPY FOR 204/SP ROPS 08
4	1	342702	HEADLIGHT MT, 204 ROPS 2000
5	1	342703	RH FLASHER MT WLD, 204 ROPS 2000
6	1	342704	LH FLASHER MT WLD, 204 ROPS 2000
7	1	342993	MTG BRKT, CANOPY 204/SP ROPS 08
8	6	470100	3/8 INT TOOTH LOCK WASHER
9	6	473779	10MM-1.50 HEX NUT
10	3	520121	CUSH CLAMP, #16 1IN X 3/4W
11	10	900129	3/8UNC X 1" SERR FLANGE BOLT
12	6	470087	3/8UNC HEX FLANGE LOCK NUT
13	4	920002	3/8 SAE FLAT WASHER
14	4	914004	3/8UNC HEX STOVER NUT
15	2	291604	TURN SIGNAL LIGHT, PED MT, YEL
16	8	470121	1/4UNC HEX FLANGE LOCK NUT
17	8	470118	1/4UNC X 3/4 FLANGE HEX BOLT
18	6	470377	3/8 X 1 3/16 BONDED SS WASHER
19	2	342994	MIRROR MT, 204 CANOPY 08
20	2	470536	MIRROR, 4" X 8" CONVEX
21	8	900847	5/8UNC X 4 1/2 HEX BOLT GR8
22	2	470360	1/2UNC HEX FLANGE LOCK NUT
23	2	900264	1/2UNC X 1 1/4 HEX BOLT
24	8	914814	5/8UNC HEX NUT GR8
25	8	920505	5/8 LOCK WASHER



OUTRIGGER HYDRAULIC FOLD ASSEMBLY

DET.	QTY	PART NO.	DESCRIPTION	
1	2	438772	OUTRGR CYL MT WLD, 204/SP	08
2	1	438735	RH FOLD CYL MT WLD, 204/SP	
3	1	438736	LH FOLD CYL MT WLD, 204/SP	
4	2	438745	FOLD CYL MT SUPP ROD WLD204/SP	
5	2	621520	BOOM HINGE FOLD CYL ASSY	
6	8	900337	5/8UNC X 2 3/4 HEX BOLT	
7	2	900338	5/8UNC X 3" HEX BOLT	
8	2	900341	5/8UNC X 3 3/4 HEX BOLT	
9	4	910012	3/4UNC HEX NUT	
10	4	618731	9/16JIC .025 ORIFICE ADPTR	
11	12	914010	5/8UNC HEX STOVER NUT	
12	2	438777	CYL MT KEEPER WLD, 204/SP	08
13	2	472322	7/8-14 UNF HEX JAM NUT	
14	4	618119	9/16MJIC-90-9/16MOR LBO	
15	2	620653	FOLD CYL ADJ SLEEVE	97
16	2	621521	REPAIR KIT, HYD CYL 621520	

QUANTITY LISTED IS FOR ONE MACHINE.



OUTRIGGER FOLD VALVE ASSEMBLY

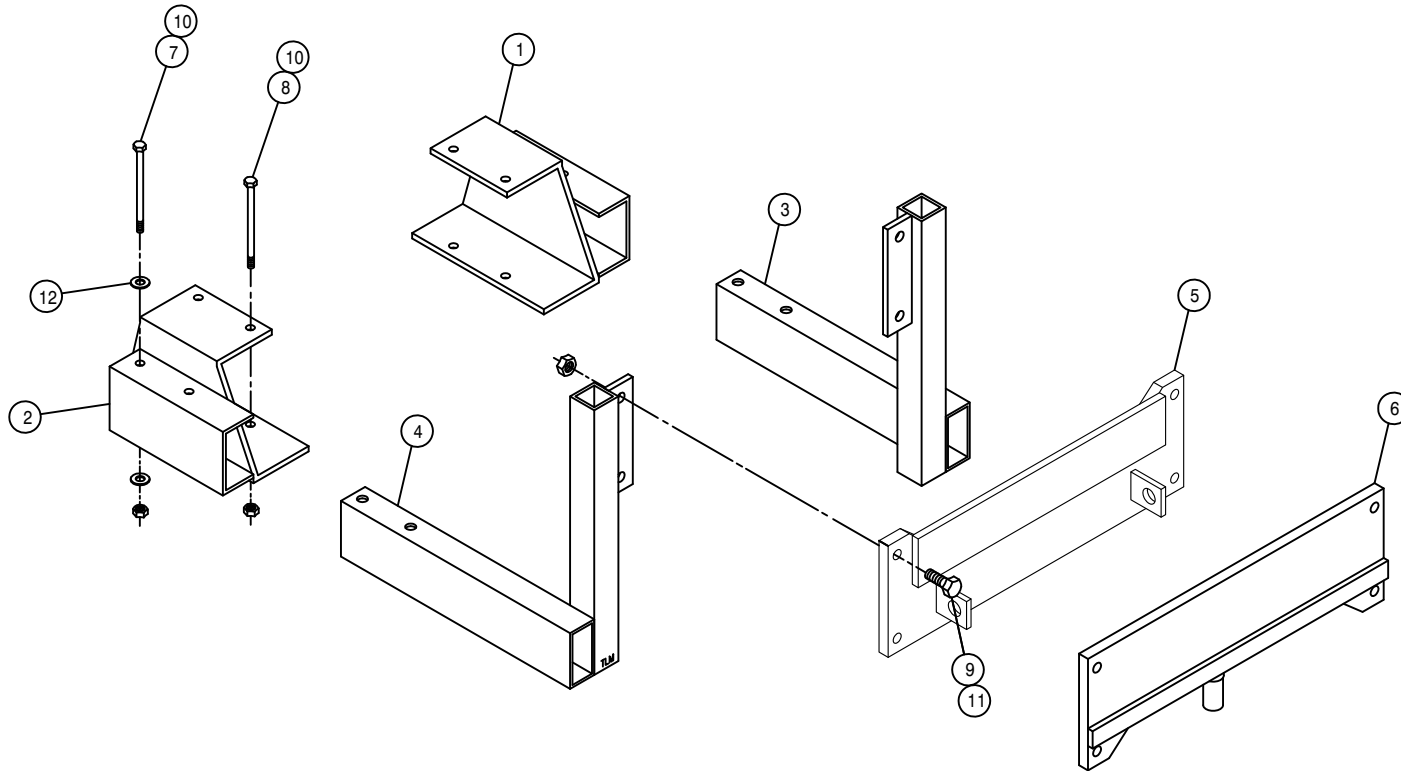
DET. QTY PART NO. DESCRIPTION

1	1	438324	75IN OUTRGR BRACE CLAMP
2	1	438724	OUTRGR FOLD VLV MT WLD2100/STS
3	1	605615	HYD FILTER, INLINE 25M 9/16FOR
4	1	606090	BRAND HYD VALVE, 2-SECT SER 36
5	1	618183	3/4MJIC-90-7/8MOR LBO
6	1	618692	3/4FJIC SWIV-9/16MOR ADPTR
7	2	618115	9/16MJIC-90-3/4MOR LBO
8	1	618310	9/16MJIC-7/8MOR ADPTR
9	1	618618	9/16MJIC-90-9/16FJIC SWIV LBO
10	2	618709	9/16MJIC-90-3/4MOR EX LG LBO
11	4	900065	5/16UNC X 1" HEX BOLT
12	4	914002	5/16UNC HEX STOVER NUT
13	1	605616	ELEMENT, 25M HYD FILTER 605615
14	1	605617	SPRING KIT, HYD FILTER 605615
15	4	900265	1/2UNC X 1 1/2 HEX BOLT
16	4	914008	1/2UNC HEX STOVER NUT
17	1	618126	9/16MJIC-9/16MOR ADPTR
18	1	610462	GASKET FOR 610447 ARROW FILT

REAR WEIGHT BRACKET ASSEMBLY

DET. QTY PART NO. DESCRIPTION

1	1	341980	RH REAR TOOL BAR MT WLD 2XX
2	1	341981	LH REAR TOOL BAR MT WLD 2XX
3	1	438575	RH WEIGHT MT BRKT WLD 96
4	1	438576	LH WEIGHT MT BRKT WLD 96
5	1	438660	IH 173MAG WEIGHT ADPT PLT WLD
6	1	438581	WEIGHT MT PLATE WLD,JD 204 96
7	4	900277	1/2UNC X 5 1/2 HEX BOLT
8	4	900281	1/2UNC X 7 1/2 HEX BOLT
9	4	900335	5/8UNC X 2" HEX BOLT
10	8	914008	1/2UNC HEX STOVER NUT
11	4	914010	5/8UNC HEX STOVER NUT
12	8	920004	1/2 SAE FLAT WASHER



This Page Intentionally Blank

NOTICE

The following page contains decals for the model 204.

These decals can be obtained from Hagie Mfg. Co. and should be used whenever your machine is repainted or when the decals become worn, weathered, or faded.

Special attention should be paid to decals involving personal safety. They have been attached for your protection.

KEEP THEM IN PLACE.

Contact: Hagie Manufacturing Co.
721 Central Avenue West
Box 273
Clarion, Iowa 50525

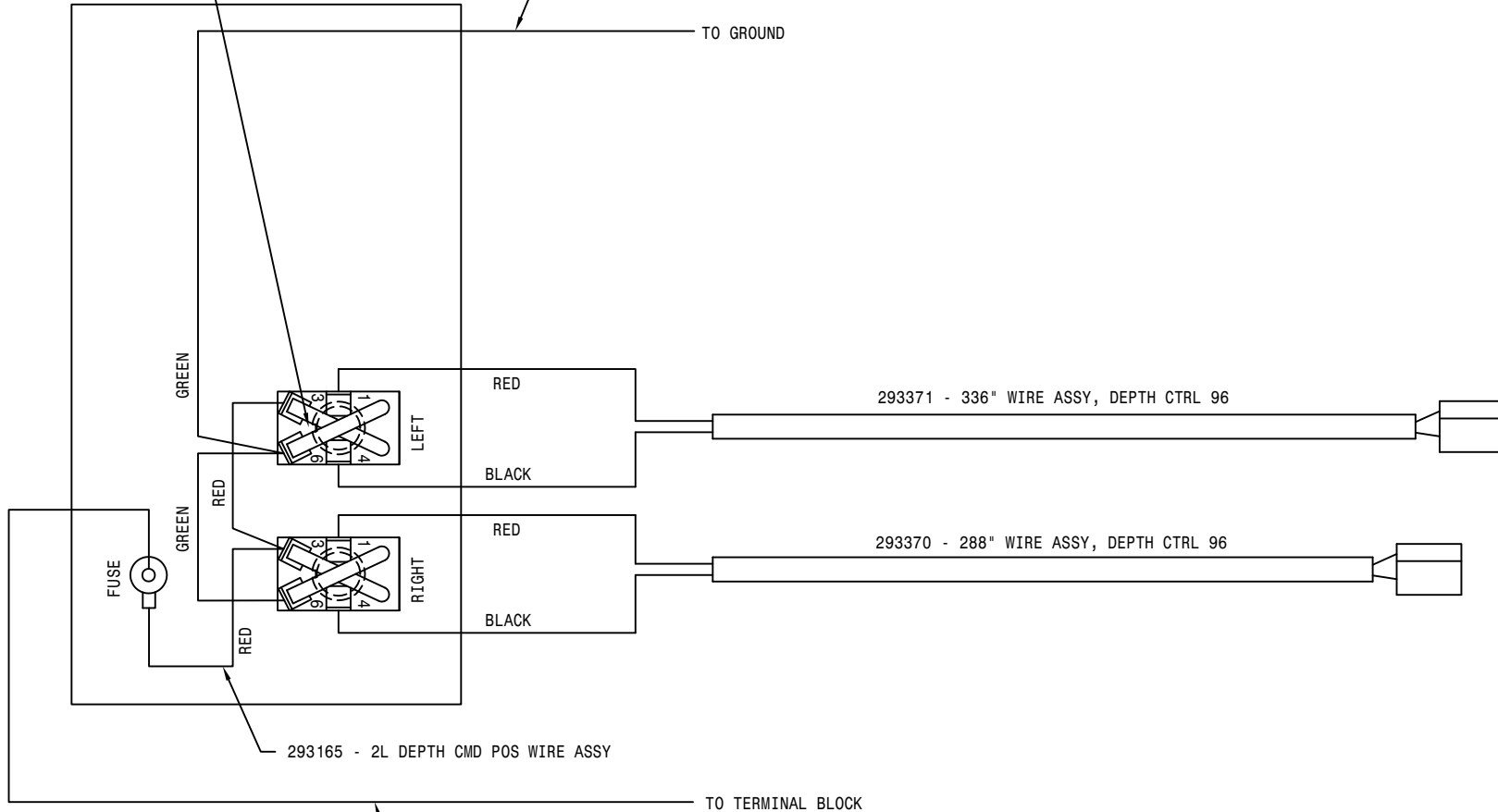
204 DECALS

QTY.	PART NO.	DESCRIPTION	LOCATION
1	650211	HYDRAULIC FILTER DECAL	2-1 EA END OF HYDRAULIC TANK
1	650303	CUTTER ROTATION DECAL	ON FRONT OPERATOR STATION
1	650308	LEFT L-CTR R-CTR RIGHT DECAL	DEPTH COMMAND SWITCH BOX
1	650319	DECAL, NOTICE LEG CYL OIL	ON TOP LH FRT LEG
1	650320	EMERGENCY EXIT DECAL	RIGHT SIDE CAB GALSS
1	650338	DEPTH CMD 6-LIFT DECAL	DEPTH COMMAND SWITCH BOX
1	650339	WARNING, HYD OIL INJ DECAL	ON FRONT OPERATOR STATION
1	650347	NOTICE-R134A CHARGE DECAL	NEXT TO A/C COMPRESSOR
1	650367	AIR FILTER INSTRUCTION DECAL	ON ENGINE AIR FILTER END CAP
1	650378	CONSOLE COVER DECAL	ON CONSOLE COVER
1	650379	ENGAGE HYD MOTOR DECAL	ON CONSOLE COVER
2	650819	DANGER, CUTTING BLADES	2-ON EACH CUTTER HEAD
4	650820	CAUTION MOVING PARTS DECAL	2 - EACH TASSEL DEFLECTOR 1 - ON EACH QUAD PULLER 1 - ON EACH TIRE PULLER
1	650831	EMERGENCY STOP DECAL	ON CONSOLE SHEET METAL
1	650847	NO PASSENGER DECAL	ON FRONT OPERATOR STATION
2	650848	SLIP OR FALL DECAL	NEXT TO STEP ON EACH LEG RAIL
2	650849	ENGINE FUEL DECAL	NEAR EACH FUEL TANK NECK
2	650851	SHIELDS DECAL	ON SIDE OF TOP ENGINE COVER
1	650852	READ MANUAL DECAL	ON FRONT OPERATOR STATION
3	650931	HAGIE DECAL 1 3/4 X 4	1 - ON EACH TASSEL DEFLECTOR 1 - ON EACH QUAD PULLER
2	650954	DIESEL DECAL	NEAR EACH FUEL TANK NECK
1	650981	COOLING SYSTEM DECAL	NEAR RADIATOR CAP
1	650982	ELECTRICAL DECAL	RIGHT HAND SIDE OF OIL TANK
4	650985	WHEEL BOLT TORQUE DECAL	ON EACH WHEEL RIM
1	KDC000	DECAL SET, 204 05	ON EACH ENGINE HOOD

NOTE: NOTCH IN SWITCH

293168 - 2L DEPTH CMD NEG WIRE ASSY

TO GROUND

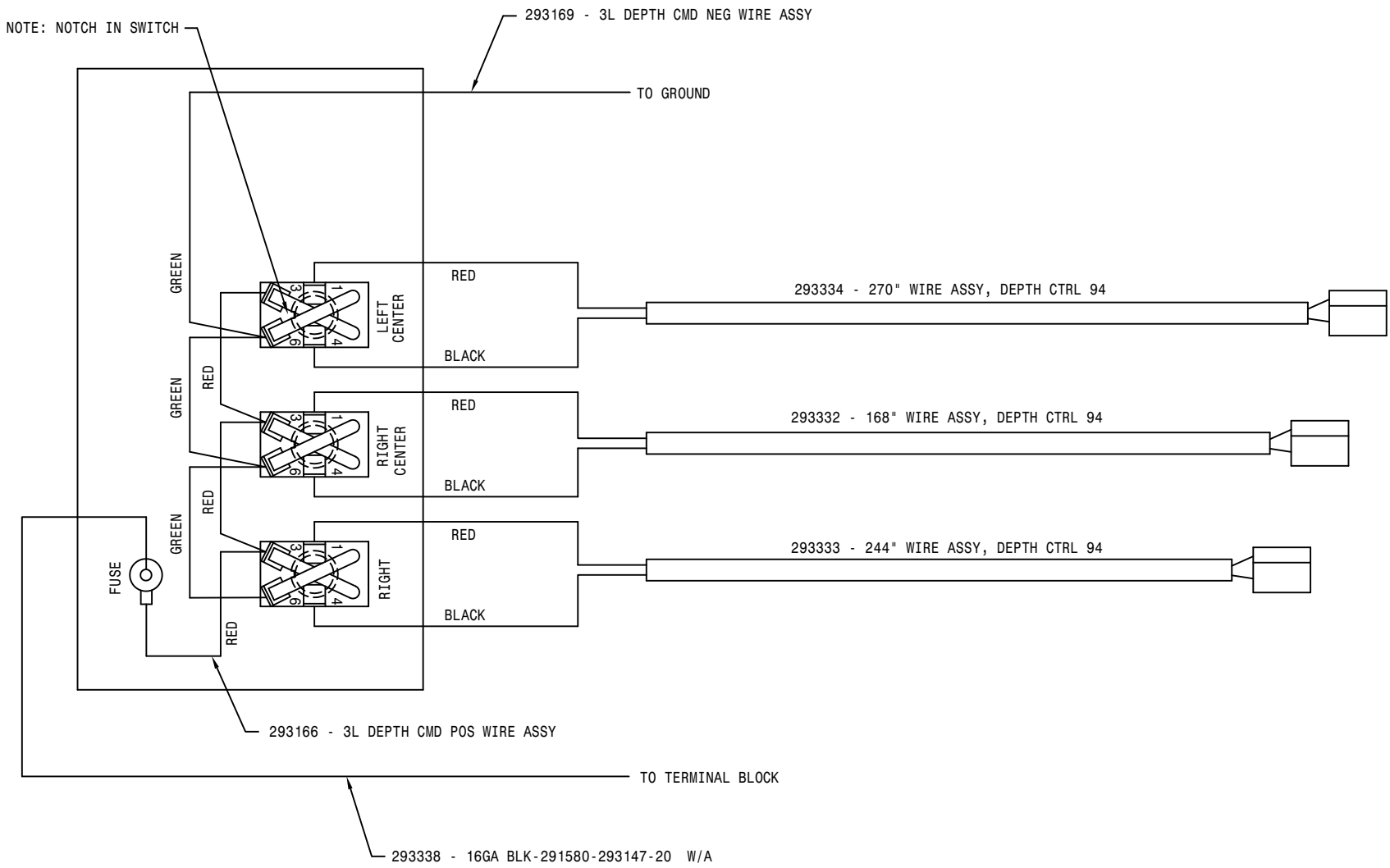


293165 - 2L DEPTH CMD POS WIRE ASSY

TO TERMINAL BLOCK

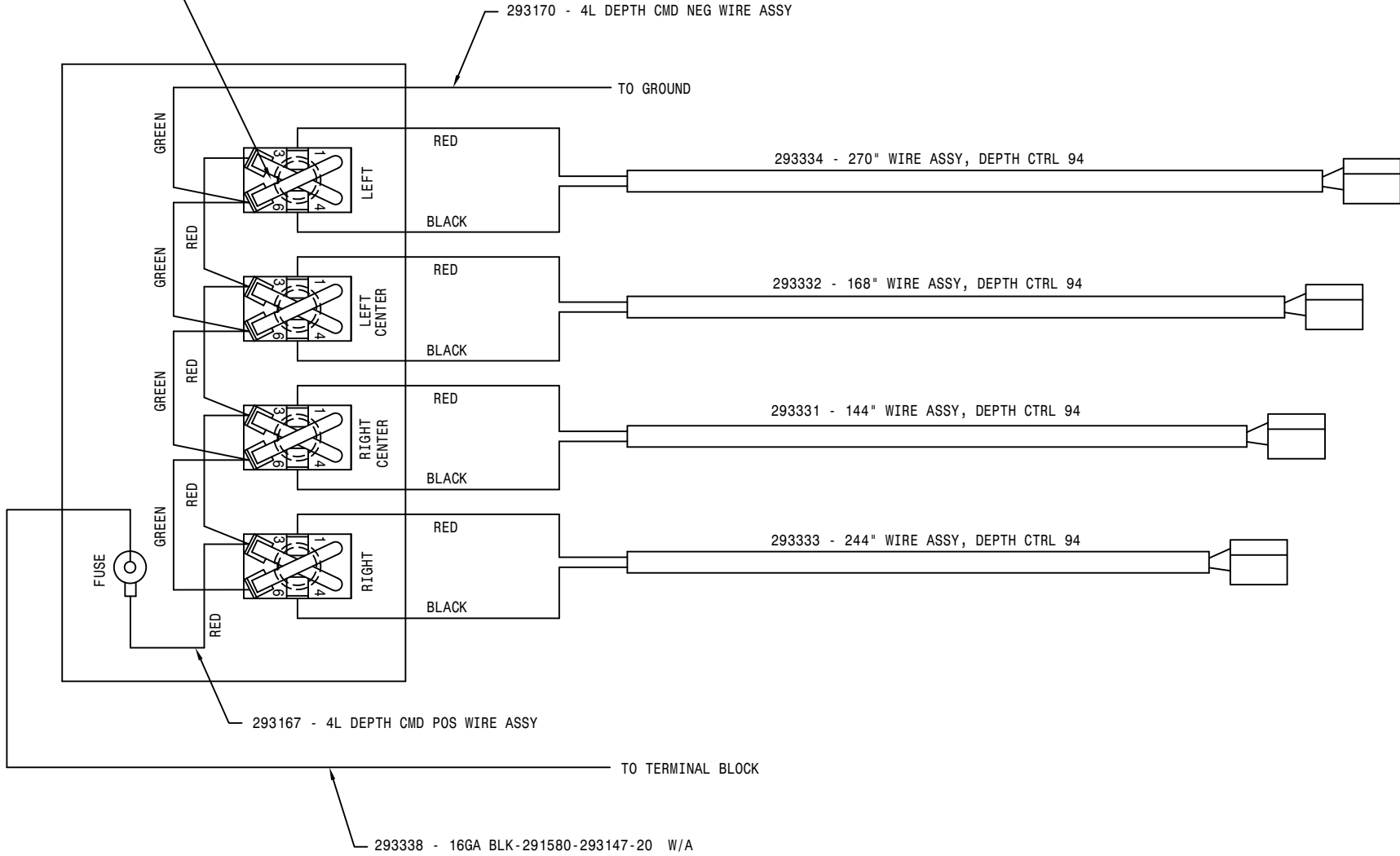
293338 - 16GA BLK-291580-293147-20 W/A

DET	REQ	DESCRIPTION
HAGIE HAGIE MANUFACTURING COMPANY CLARION, IOWA 50525		
REMOVE ALL SHARP CORNERS & BURRS		
TOLERANCE UNLESS OTHERWISE SPECIFIED		
FRACTION ±1/32	DECIMALS X.XX ±.03 X.XXX ±.005	ANGLES ±1°
DESCRIPTION		
WIRE DIAG, 2-LIFT DEPTH CMD 94		
DRAWN BY	T. MARKER	SCALE NONE (1)
CHECKED BY		APPROVED BY
DATE	03-29-94	DRAWING NUMBER
SHEET	OF	498450



DET	REQ	DESCRIPTION
HAGIE HAGIE MANUFACTURING COMPANY CLARION, IOWA 50525		
REMOVE ALL SHARP CORNERS & BURRS		
TOLERANCE UNLESS OTHERWISE SPECIFIED		
FRACTION ±1/32	DECIMALS X.XX ±.03 X.XXX ±.005	ANGLES ±1°
DESCRIPTION WIRE DIAG, 3-LIFT DEPTH CMD 94		
DRAWN BY T. MARKER	SCALE NONE	
CHECKED BY	APPROVED BY	
DATE 03-29-94	DRAWING NUMBER 498451	
SHEET	OF	

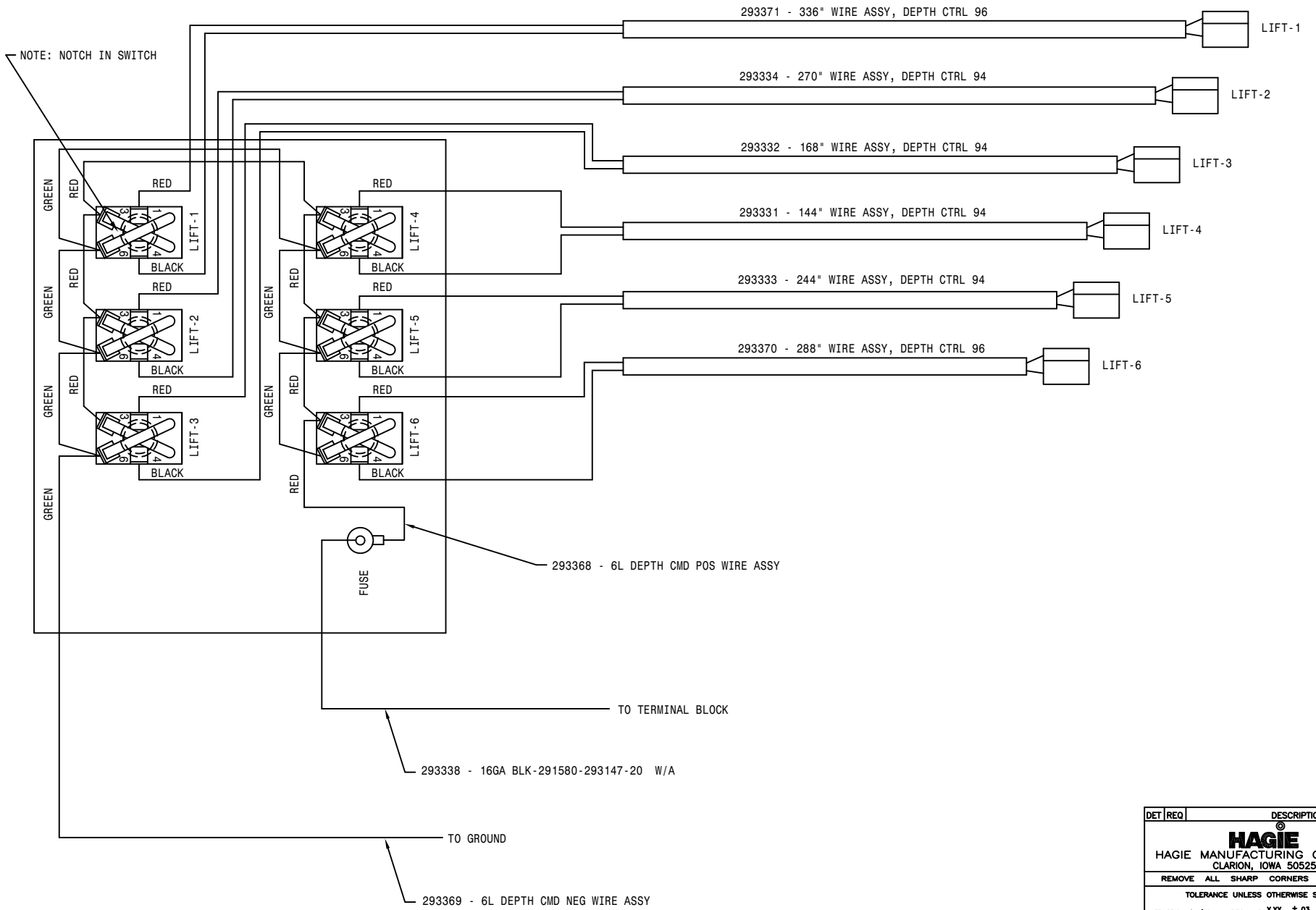
NOTE: NOTCH IN SWITCH



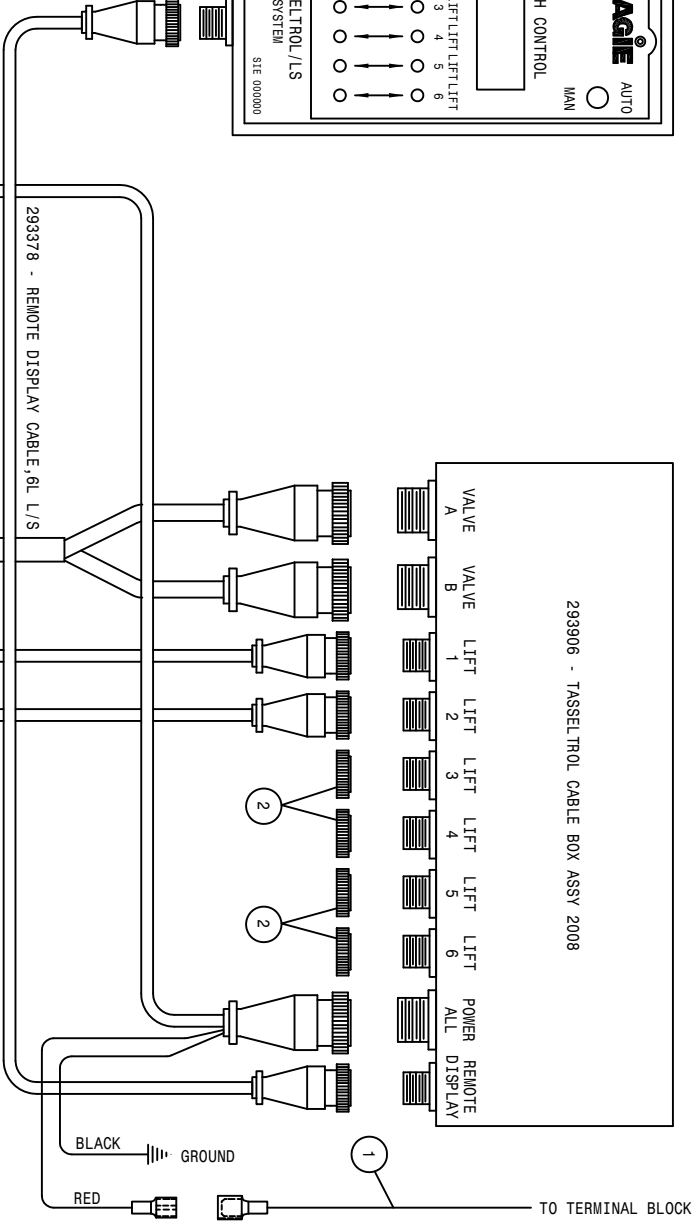
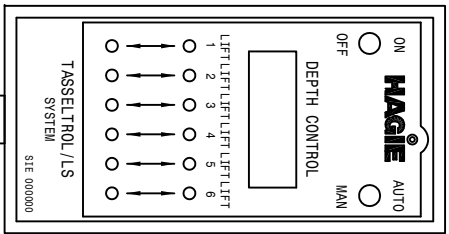
98

400086

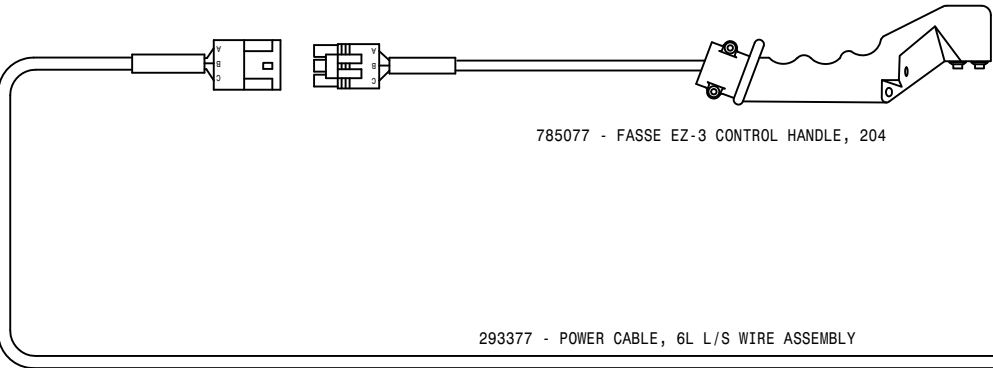
DET	REQ	DESCRIPTION	
 HAGIE HAGIE MANUFACTURING COMPANY CLARION, IOWA 50525			
REMOVE ALL SHARP CORNERS & BURRS			
TOLERANCE UNLESS OTHERWISE SPECIFIED			
FRACTION ±1/32	DECIMALS X.XX ±.03 X.XXX ±.005	ANGLES ±1°	
DESCRIPTION			
WIRE DIAG, 4-LIFT DEPTH CMD 94			
DRAWN BY T. MARKER		SCALE NONE	
CHECKED BY		APPROVED BY	
DATE 03-29-94		DRAWING NUMBER 498452	
SHEET	OF		



DET	REQ	DESCRIPTION
HAGIE		
HAGIE MANUFACTURING COMPANY CLARION, IOWA 50525		
REMOVE ALL SHARP CORNERS & BURRS		
TOLERANCE UNLESS OTHERWISE SPECIFIED		
FRACTION ±1/32	DECIMALS X.XX ±.03 X.XXX ±.005	ANGLES ±1°
DESCRIPTION		
WIRE DIAG, 6-LIFT DEPTH CMD 96		
DRAWN BY T. MARKER	SCALE NONE (1)	APPROVED BY
CHECKED BY	APPROVED BY	
DATE 02-26-96	DRAWING NUMBER 498479	
SHEET	OF	

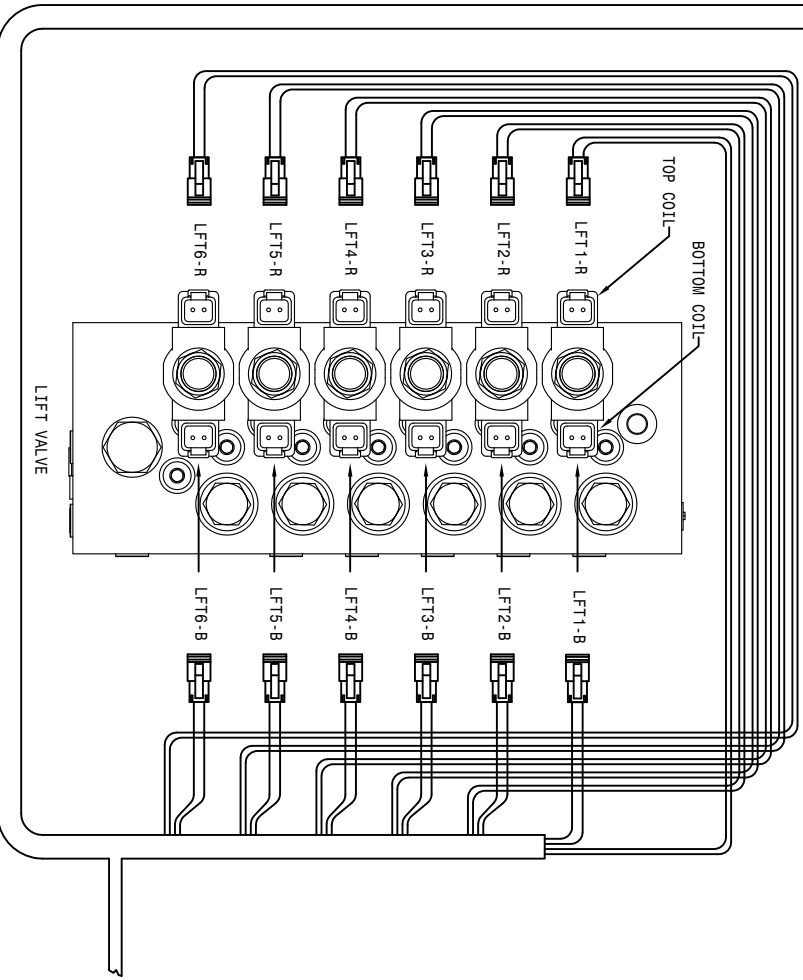


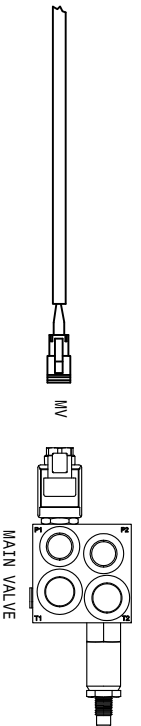
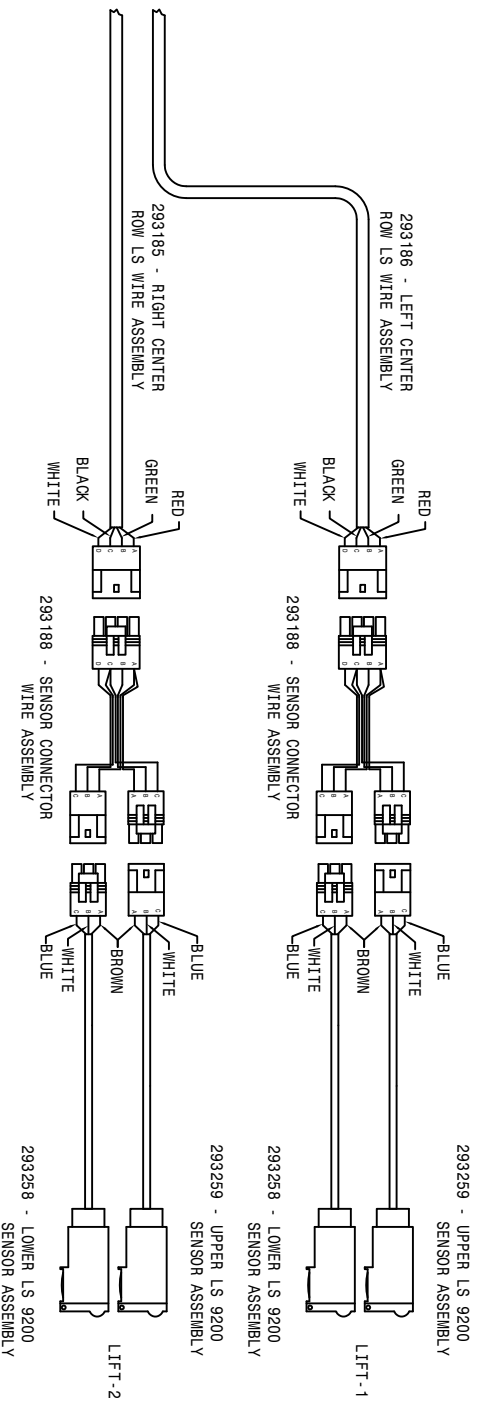
785077 - FASSE EZ-3 CONTROL HANDLE, 204



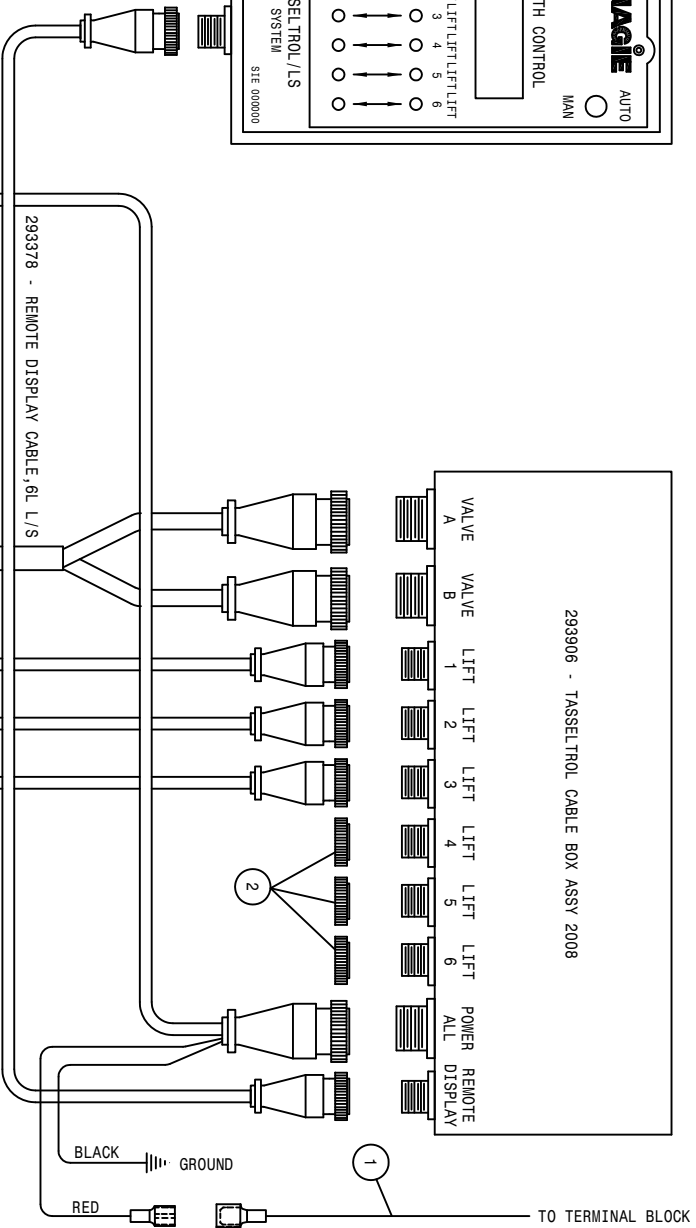
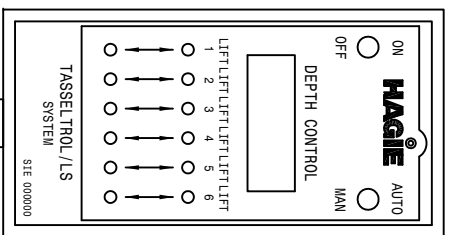
293377 - POWER CABLE, 6L L/S WIRE ASSEMBLY

293718 - LIFT VALVE WIRE HARNESS 08

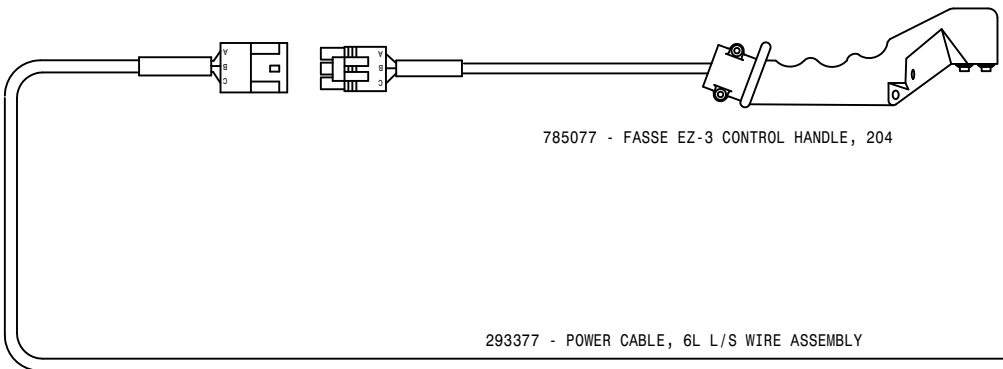




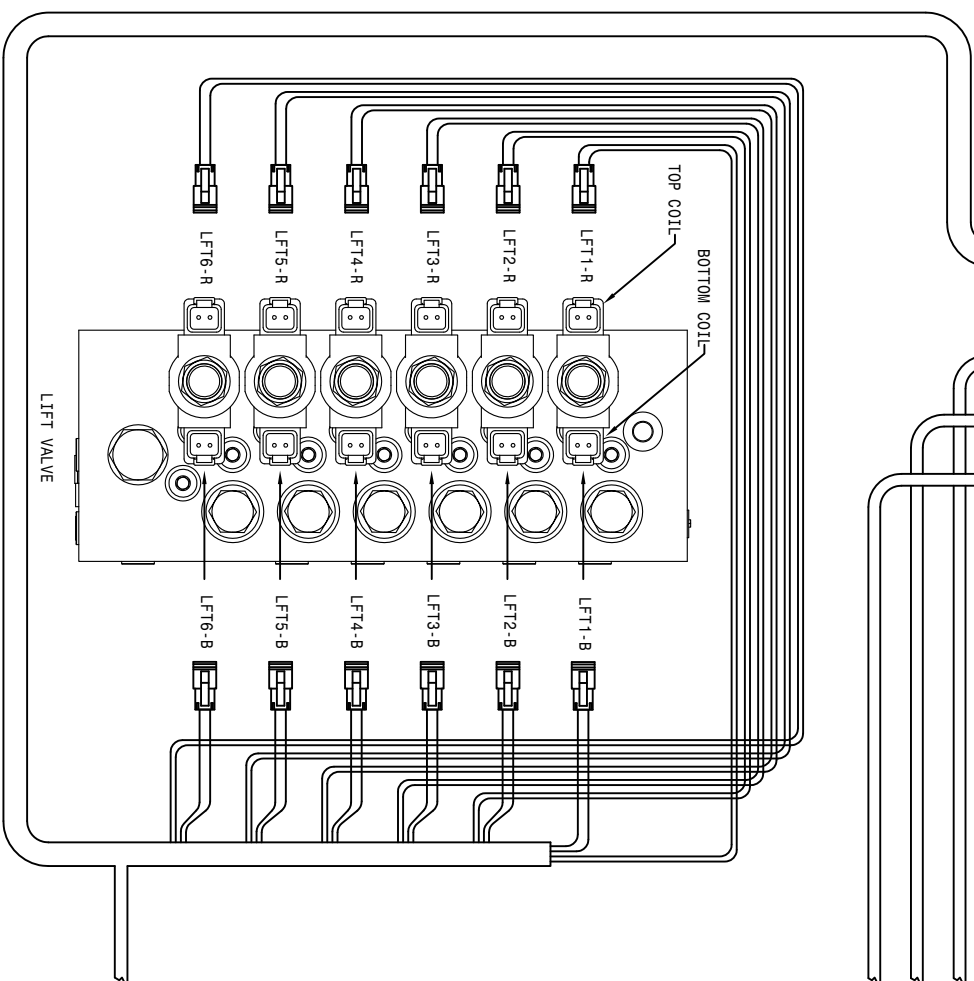
2	4	293406	AMP CONN, SIZE 11
1	1	293339	1624 BLK-293185-44
HAGIE HAGIE MANUFACTURING COMPANY CLARION, IOWA, 50525			
REMOVE ALL SHARP CORNERS & BURRS TOLERANCE UNLESS OTHERWISE SPECIFIED FINCTION 11/32 DECIMALS XX.X ±.02 ANGLES 1:1 DECIMALS XXX ±.005			
DRAWN BY		SCALE	
T. MARKER		HALF	
CHECKED BY		APPROVED BY	
DATE	08-15-07	DRAWING NUMBER	498996
SHEET	08		

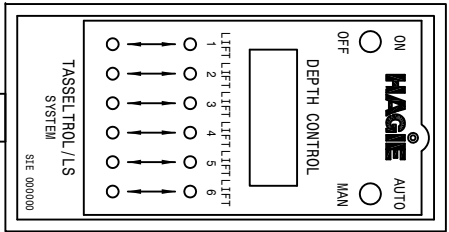


785077 - FASSE EZ-3 CONTROL HANDLE, 204



293718 - LIFT VALVE WIRE HARNESS 08

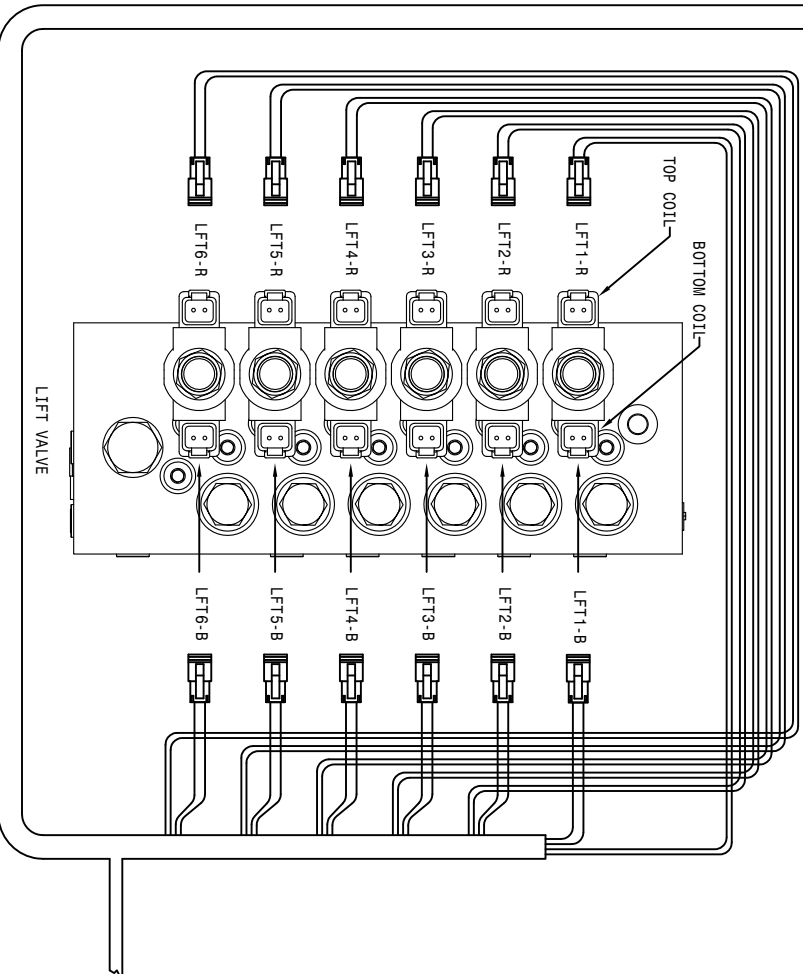




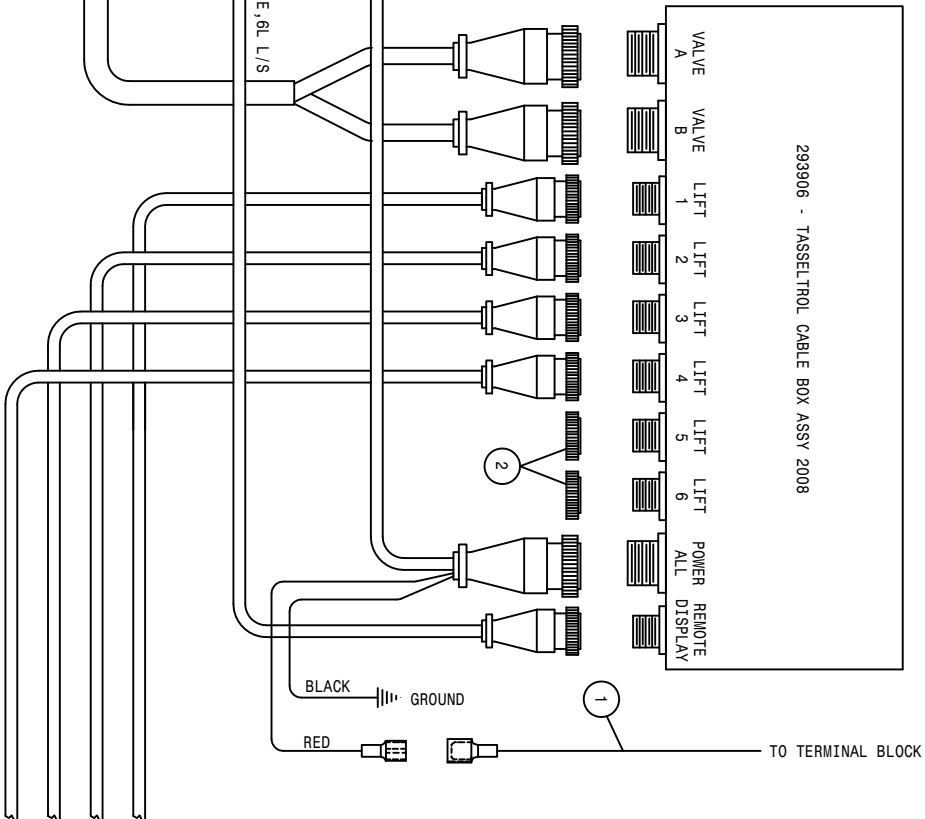
785077 - FASSE EZ-3 CONTROL HANDLE, 204

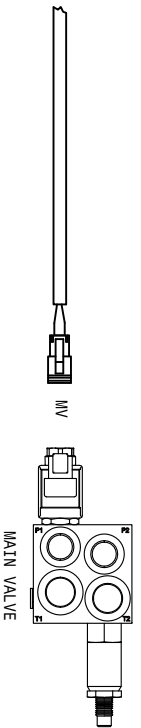
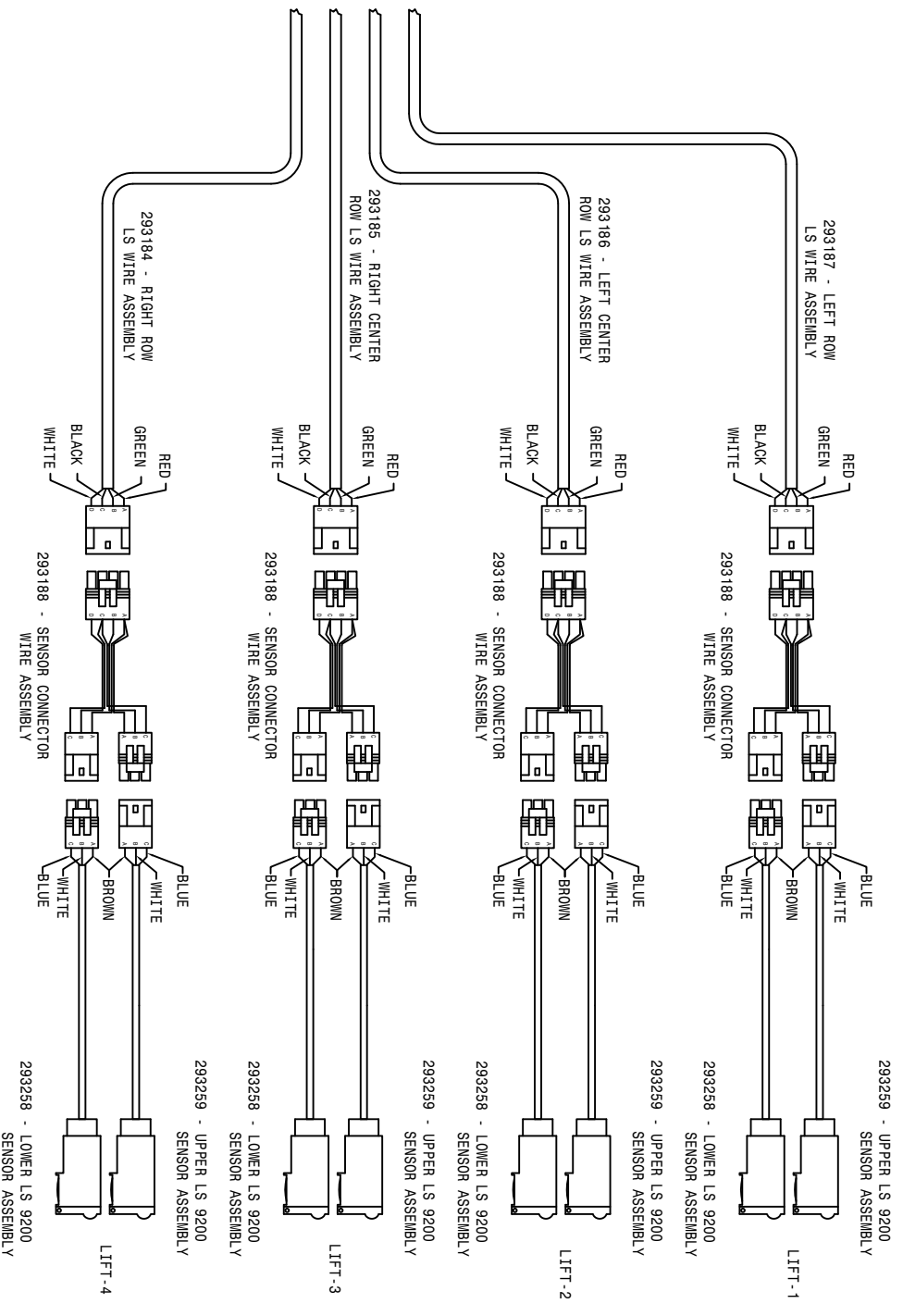
293377 - POWER CABLE, 6L L/S WIRE ASSEMBLY

293718 - LIFT VALVE WIRE HARNESS 08

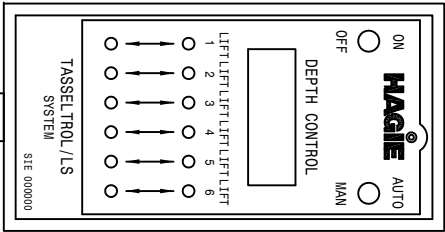


293378 - REMOTE DISPLAY CABLE, 6L L/S





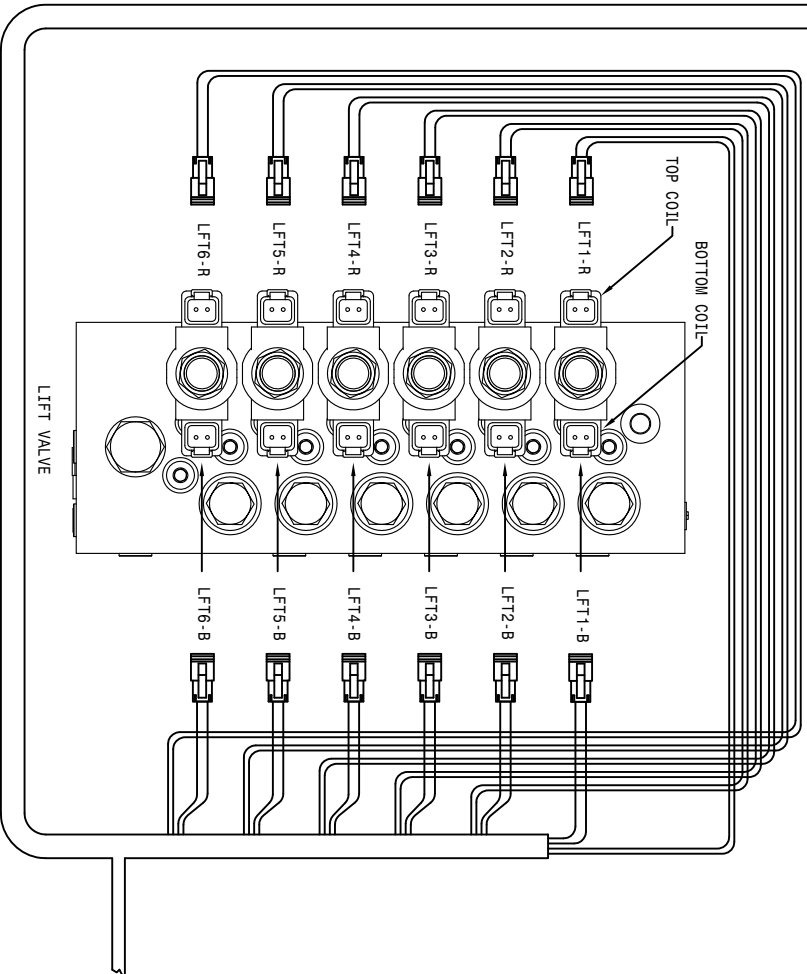
2	293046	AMP CONER SIZE 11
1	293299	1824 BLK-291357-29183-44
HAGIE HAGIE MANUFACTURING COMPANY CLARION, IOWA 50525		
REMOVE ALL SHARP CORNERS & BURRS TOLERANCE UNLESS OTHERWISE SPECIFIED FINISH 21/32 DECIMAL XIX ±.03 ANGLES 3:1		
DRAWING NUMBER 499005		



785077 - FASSE EZ-3 CONTROL HANDLE, 204

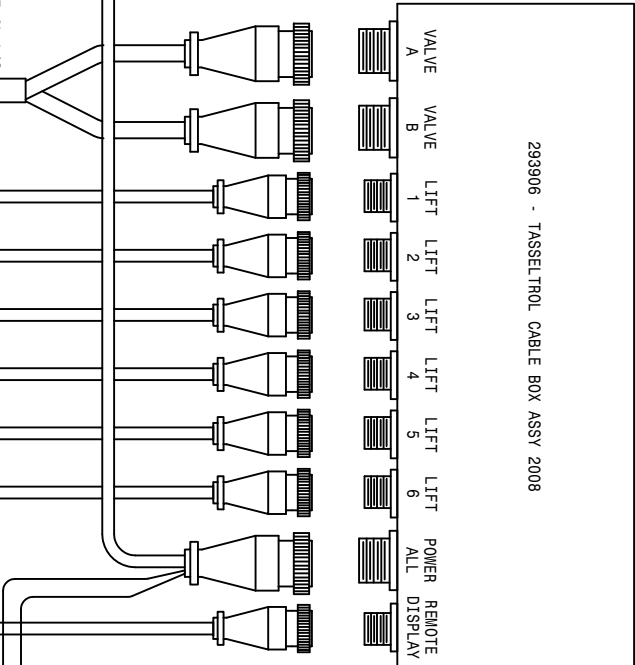
293377 - POWER CABLE, 6L L/S WIRE ASSEMBLY

293718 - LIFT VALVE WIRE HARNESS 08



293378 - REMOTE DISPLAY CABLE, 6L L/S

293906 - TASSEL TROL CABLE BOX ASSY 2008

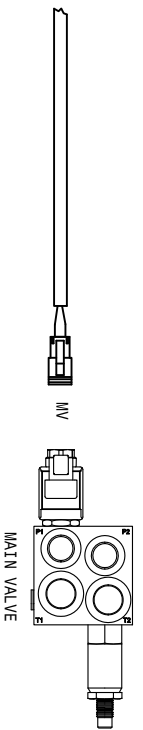
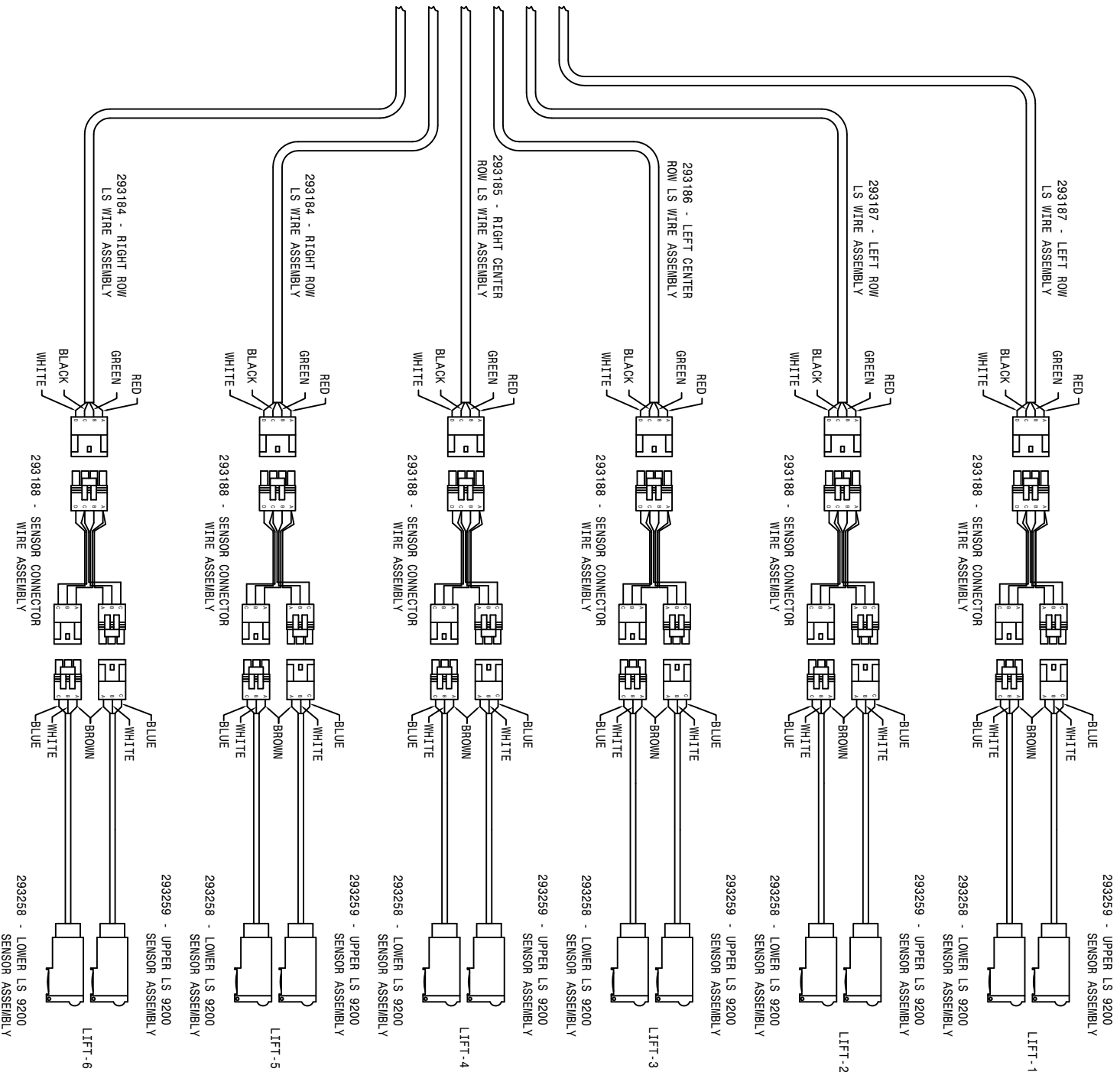


BLACK GROUND

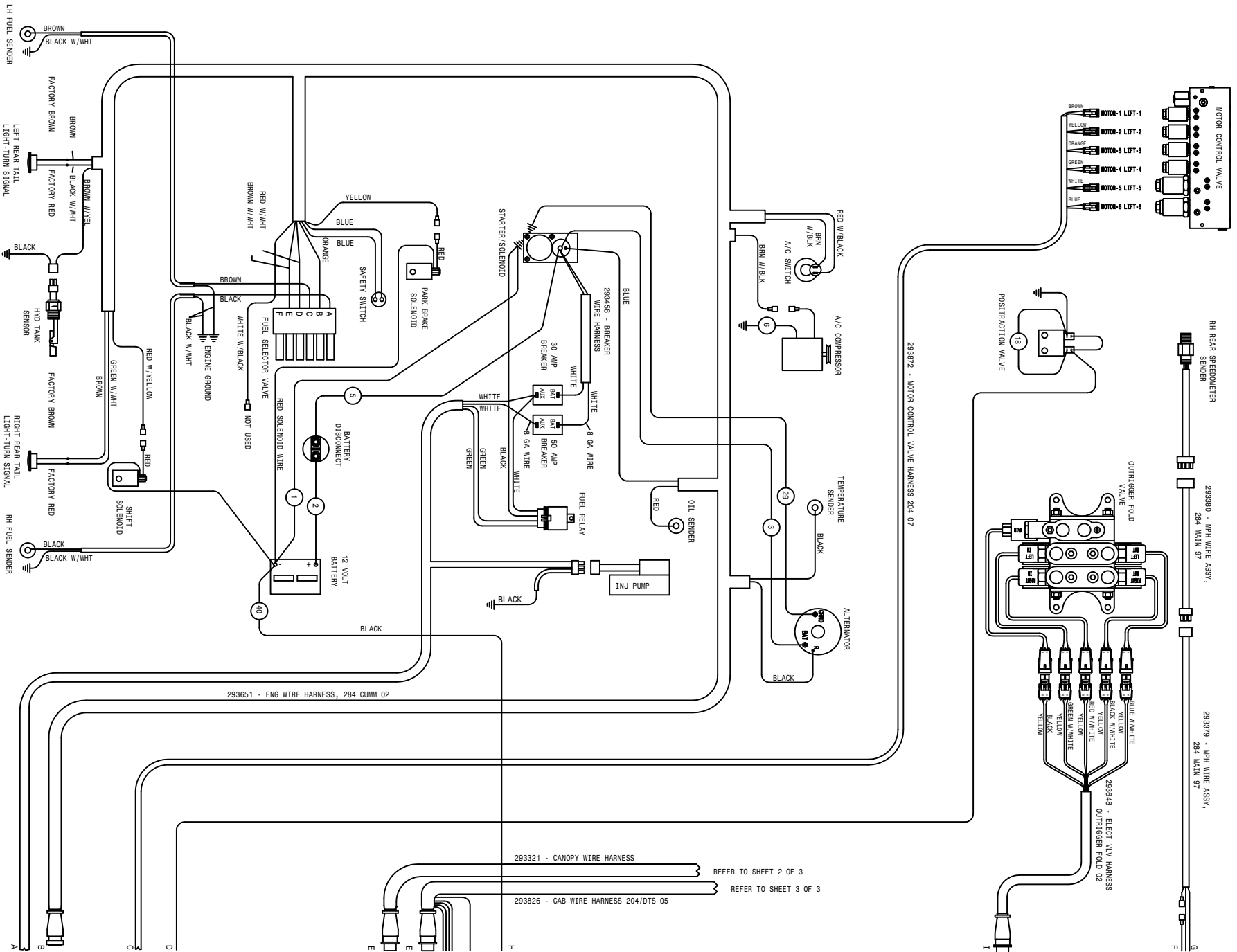
RED

1

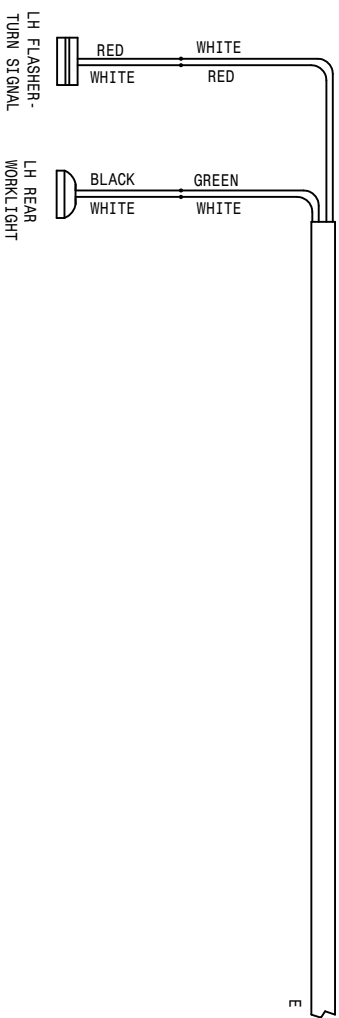
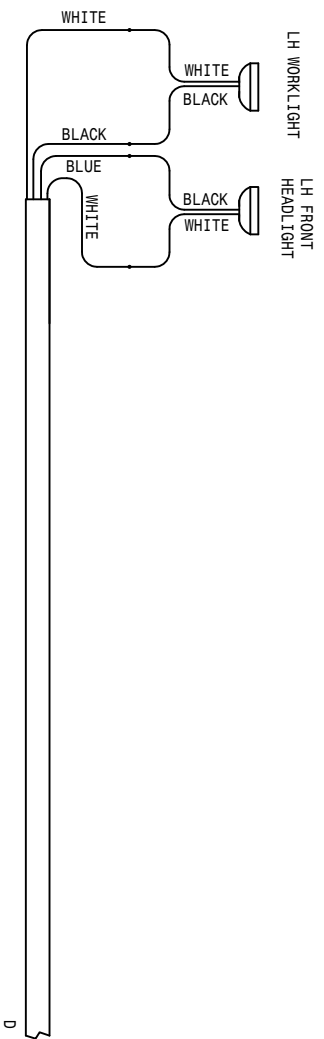
TO TERMINAL BLOCK



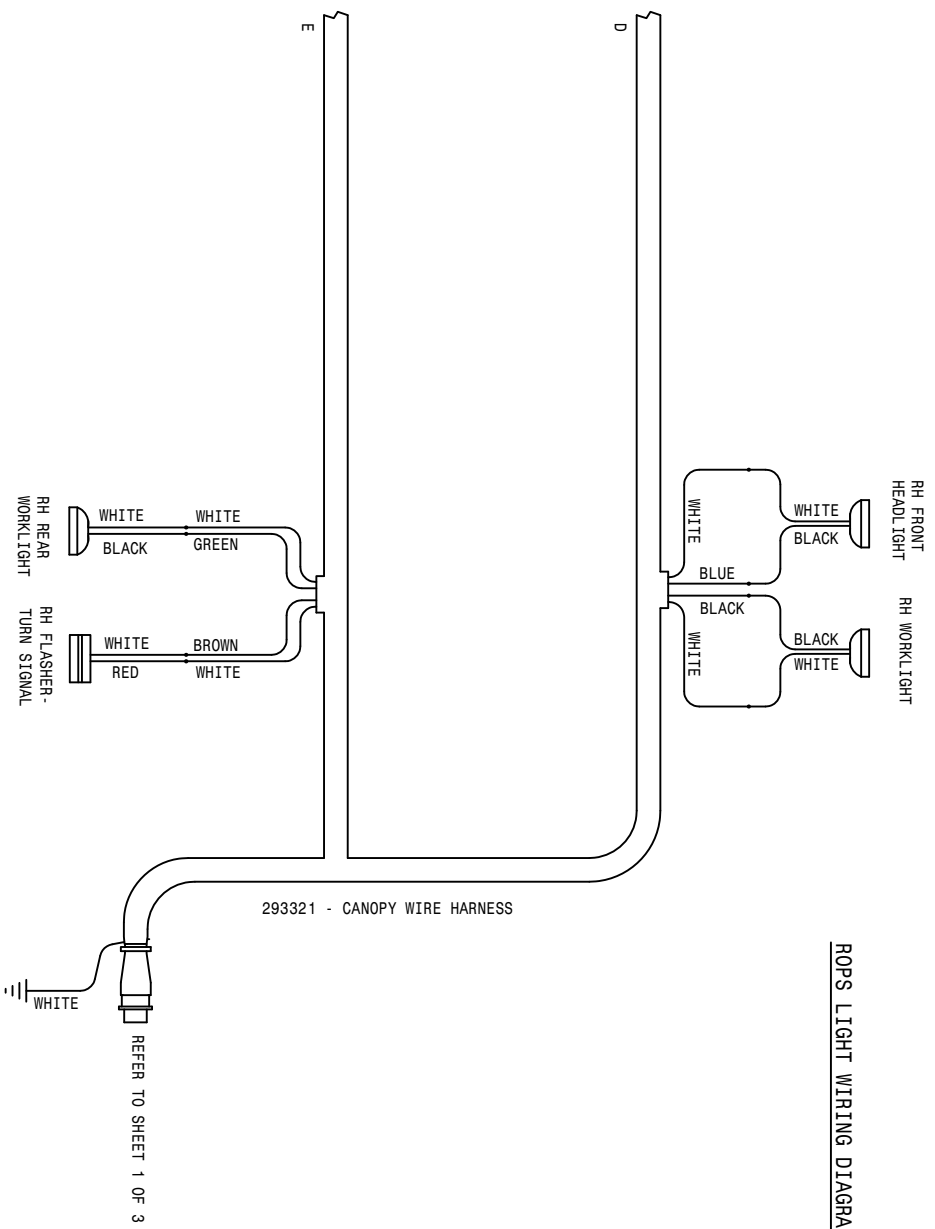
1	1	293259	1624 BLK-29157-293163-44	DESCRIPTION
DET REO				
HAGIE				
HAGIE MANUFACTURING COMPANY				
CLARION, IOWA 50525				
REMOVE ALL SHARP CORNERS & BURRS				
TOLERANCE UNLESS OTHERWISE SPECIFIED				
FINISH		6-1/2	3.00	ANODE 3.1"
DRAWN BY: [REDACTED]				
CHECKED BY: [REDACTED]				
DATE: 04-22-08				
DRAWING NUMBER			499006	
SHEET 08				



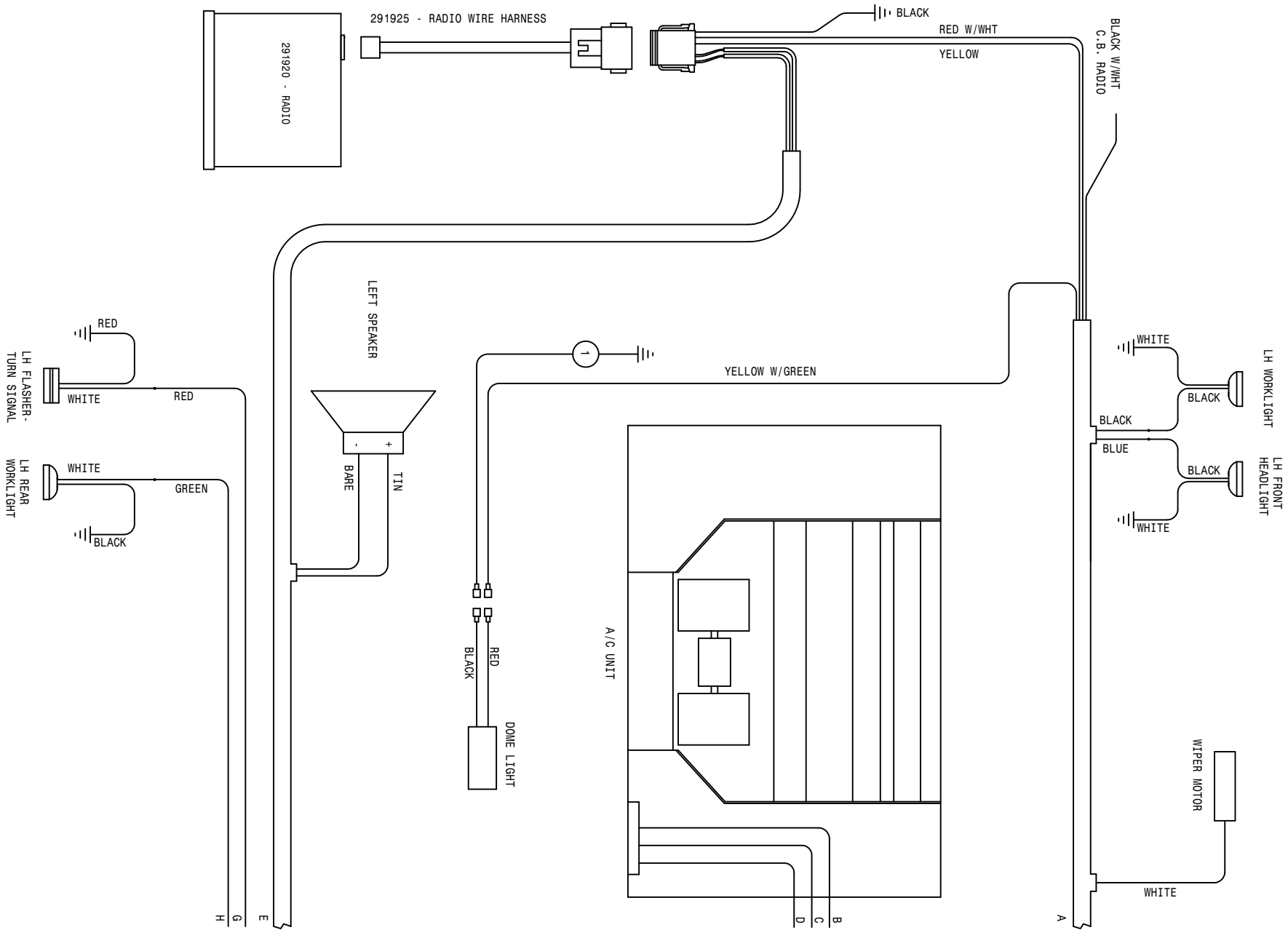
REFER TO SHEET 2 OF 3
REFER TO SHEET 3 OF 3

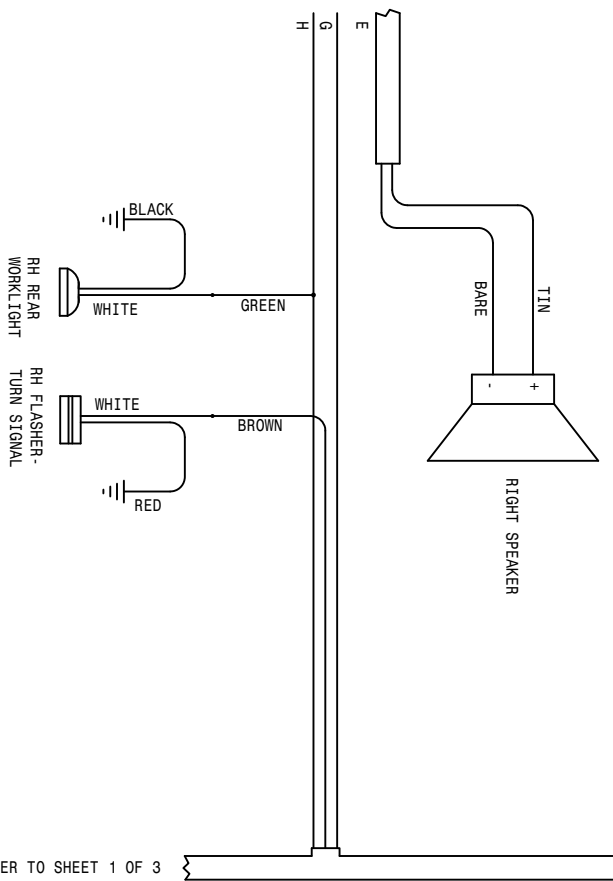
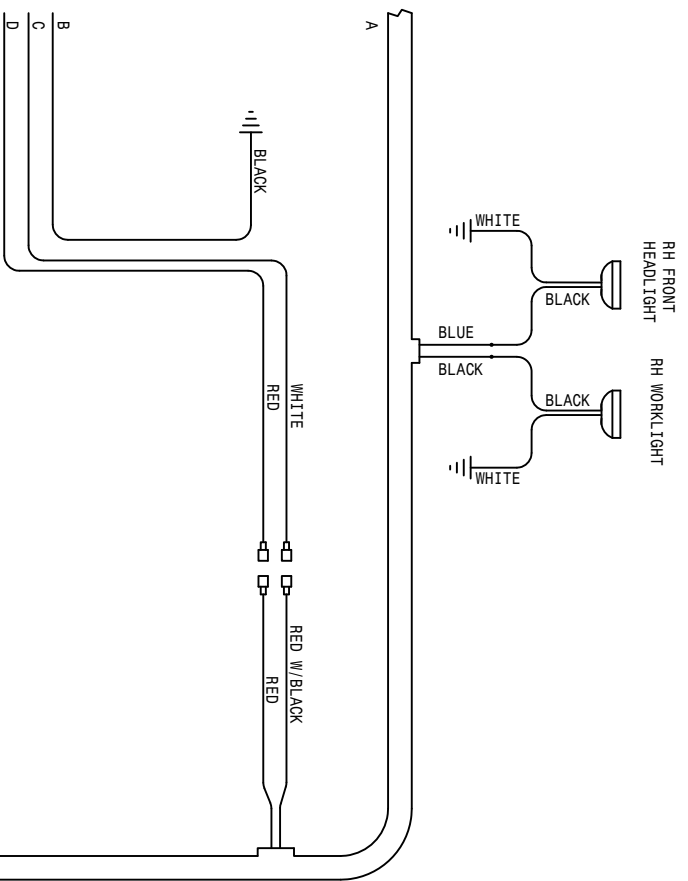


ROPS LIGHT WIRING DIAGRAM



204 CUMM WIRING DIAGRAM 07	04-28-06	TJM
SHEET 2 OF 3		
REVISION DATE:		
498924		



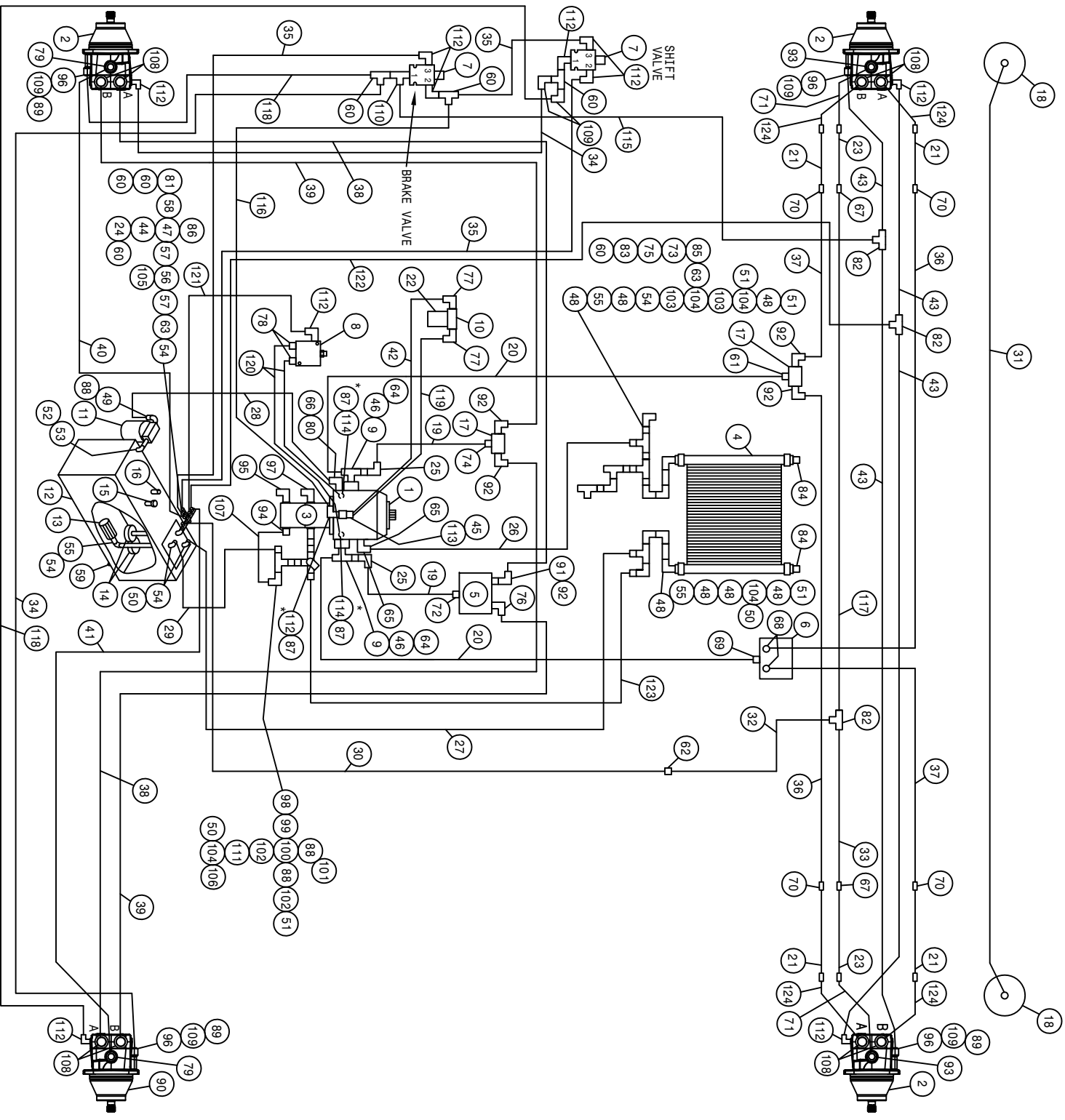


REFER TO SHEET 1 OF 3

293826 - CAB WIRE HARNESS 204/DTS8 05

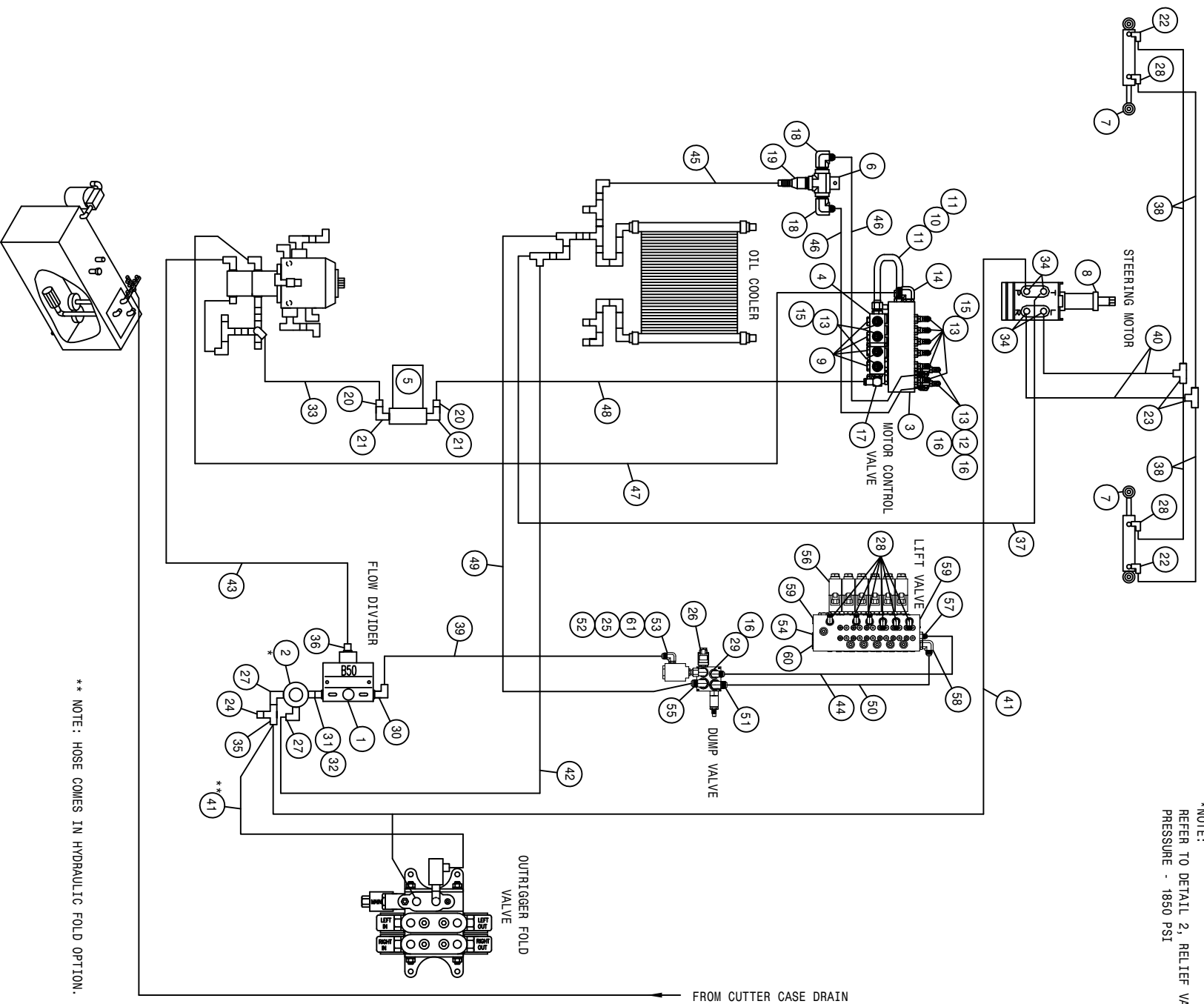
1	1	293299	16GA BLK-291511-291571-30	04-28-06	TJM
204 CUMM WIRING DIAGRAM 07					
SHEET 3 OF 3					
REVISION DATE:					
498924					

*NOTE:
 REFER TO DETAIL 114 TO CHECK PRESSURE LIMIT
 SETTING - 4500 PSI
 REFER TO DETAIL 112 ON TOP TO CHECK CHARGE
 PRESSURE - 380 PSI



204 BASIC MACHINE CUMM HYD SCHEMATIC 08
REFERENCE DRAWING NO. 498980S1

DET.	QTY	PART NO.	DESCRIPTION	DET.	QTY	PART NO.	DESCRIPTION
1	1	606902	SUND 100CC PUMP-B-MT W/FILT	63	2	505213	RED BUSH 1 X 3/4 BLK MAL
2	3	606193	SAUER WHL MOTOR,KC-38CC	64	2	618541	1 5/16FJIC-1 1/16MJIC ADPTR
3	1	606352	TANDEM PUMP,606929 & 606353	65	1	618118	3/4 HOSE BARB-90-1 1/16MOR
4	1	618606	OIL COOLER, BLISSFIELD 65027	66	1	618638	1TN HOSE BARB-45-1 5/16MOR
5	1	610609	TRACTION VLV,665,40GPM	67	2	618314	3/4MJIC UNION
6	1	610586	POSITRACTION VLV,ALUM,88SP60G	68	2	618601	7/8MJIC-1 5/16MOR ADPT
7	2	610318	HYD SOLE VLV,2P-3W,9/16FOR,12V	69	1	618186	1 5/16MJIC-1 5/16MOR ADPTR
8	1	610580	REMOTE FLUSHING VALVE, SUND	70	4	618553	1 1/16MJIC-7/8MJIC REDU UNION
9	2	618598	1" 4-BOLT FLAG X 1 5/16 FOR	71	2	616432	08-381-08MJ-08FJX45-15 H/A
10	1	605608	HYD FILTER HEAD, DONALDSON	72	1	618308	1 1/16MJIC-1 5/16MOR ADPTR
11	1	605601	PARKER FILTER ASSY,10M,1.25NPT	73	1	618451	3/4FJIC SW RUN TEE-3/4MJIC
12	1	760264	HYD TANK WLD,204/254/284 2002	74	1	611127	1 1/16MJIC-1 1/16MOR ADPTR
13	1	605600	TANK FILTER, 100 MESH,1"FNPT	75	1	618609	3/4MJIC-90-3/4FJIC SWIV LBO
14	2	605603	LINE SUMP DIFFUSER	76	1	618589	7/8MJIC-90-1 5/16MOR LBO
15	1	611052	FILLER BREATHER 3/4NPT	77	2	618474	3/4MJIC-90-1 1/16MOR LBO
16	1	614453	DIPSTICK, 8IN	78	2	618126	9/16MJIC-9/16MOR ADPTR
17	2	606356	1 1/16FOR MANIFOLD,3 #12PORTS	79	2	618109	9/16MJIC-3/4MOR ADPTR
18	2	621502	LEG LEVEL CYL ASSY,2.00 X 12.0	80	1	618639	1 5/8MOR-1 5/16FOR ADPTR
19	2	614707	HYD TUBE ASSY,SUND,200 DIESEL	81	1	618018	9/16MJIC-1/2NPT ADPTR
20	2	615634	12-721-16FJX-16FX-123 H/A	82	3	610193	9/16MJIC BLKHD BRANCH TEE
21	4	615838	FRT LEG HYD TUBE ASSY,204 07	83	1	618482	3/4FJIC-9/16MJIC ADPTR
22	1	605609	HYD FILTER ELEMENT, DONALDSON	84	2	505102	PIPE PLUG 1.00NPT SQ HD
23	2	615839	FRT LEG CASE DRAIN TUBE 204 07	85	1	610300	3/4MJIC-3/4NPT ADPTR
24	2	618520	1/4MNPT RUN TEE-9/16MJIC	86	1	618135	3/4 HOSE BARB-90-3/4MNPT
25	2	618191	1 1/16MJ-90-1 1/16FJ SWIV LBO	87	3	618531	9/16FJIC CAP NUT
26	1	601395	HOSE, 3/4 X 64 1FBR-1SPI	88	3	506410	BLK PIPE ST EL 90DEG 1.25NPT
27	1	601396	HOSE, 1 X 81 1FBR-1SPI	89	3	618634	9/16MJIC-45-9/16FJIC SWIV LBO
28	1	601376	HOSE, 1 X 29 1FBR-1SPI	90	1	606202	SAUER WHL MOTOR, KC-38CC W/SEN
29	1	601377	HOSE, 1 X 48 1FBR-1SPI	91	1	618312	1 5/16MOR-1 1/16FOR ADPTR
30	1	614388	08-482TC-08FJX-08FJX-129 H/A	92	5	618535	7/8MJIC-90-1 1/16MOR LBO
31	1	615614	FRT LEG CYL JUMPER HOSE280 89	93	2	618315	3/4MJIC-45-3/4MOR LBO
32	1	614625	06C1T-06FJX-06FJX-30 H/A	94	1	618075	3/4 HOSE BARB-1 1/16MOR
33	1	615451	06-482TC-06FJX-08FJX-58 H/A	95	1	611128	7/8MJIC-90-7/8MOR LBO
34	2	614152	04-482TC-06FJX-06FJX-114 H/A	96	4	618304	9/16MJIC-7/16MOR ADPTR
35	3	614713	04-482TC-06FJX-06FJX-24 H/A	97	1	618477	1 5/8MJIC-90-1 5/8MOR LBO
36	2	614655	08-381-10FJX-12FX90-70 H/A	98	1	618816	1 7/8MOR-1 1/4FNPT ADPTR
37	2	614654	08-381-10FJX-12FX90-6 H/A	99	1	507026	1 1/4MNPT HEX PIPE NIPPLE STL
38	2	616295	08-381-10FJX-10FX45-131 H/A	100	1	506202	BLK PIPE CROSS 1.25NPT
39	2	616296	08-381-10FJX-10FX45-125 H/A	101	1	715660	HOSE BARB 1 1/4NPT X 1 1/4
40	1	614549	06-482TC-06FJX-06FJX-140 H/A	102	2	506005	1 1/4 TO 1 RED BUSH BLK MAL
41	1	615449	06-482TC-06FJX-06FJX-126 H/A	103	2	505201	CLOSE NIPPLE 1.00NPT
42	1	615633	08-482TC-08FJX-08FJX-23 H/A	104	4	505101	BLK PIPE TEE 1.00NPT
43	4	611202	04-482TC-06FJX-06FJX-136 H/A	105	1	610305	3/4MJIC-90-3/4MNPT LBO
44	1	504001	RED BUSH 3/4 X 1/4 BLK MAL	106	1	716000	3/4 HOSE BARB-90-1MNPT
45	1	618183	3/4MJIC-90-7/8MOR LBO	107	1	601399	HOSE, 3/4 X 13 1FBR-1SPI
46	2	618599	1 5/16MOR BRANCH TEE-1 5/16MJ	108	8	618786	7/8MJIC-45-1 1/16MOR LBO
47	1	504400	BLK PIPE CROSS .75NPT	109	6	618618	9/16MJIC-90-9/16FJIC SWIV LBO
48	7	505200	BLK PIPE ST EL 90DEG 1.00NPT	110	1	618444	9/16MOR RUN TEE-9/16MJIC
49	1	715664	1 1/4 NPT X 1 HOSE BARB	111	1	505105	1MNPT HEX PIPE NIPPLE STL
50	4	714560	1NPT X 1 HOSE BARB	112	11	618119	9/16MJIC-90-9/16MOR LBO
51	4	714531	1 NPT X 3/4 HOSE BARB	113	1	618327	3/4MJIC-7/8MOR ADPTR
52	1	506603	PIPE NIPPLE 1 1/4NPT-2 1/2	114	2	618629	9/16MOR BRANCH TEE-9/16MJIC
53	1	506303	BLK PIPE EL 90DEG 1.25NPT	115	1	611246	04-482TC-06FJX-06FJX-174 H/A
54	5	505300	BLK PIPE EL 90DEG 1.00NPT	116	1	616056	04-482TC-06FJX-06FJX-32 H/A
55	3	505203	BLK PIPE NIPPLE 1.00NPT-4.00	117	1	616024	06-482TC-06FJX-08FJX-70 H/A
56	1	504955	BLK PIPE TEE .75NPT	118	2	614639	04-482TC-06FJX-06FJX-126 H/A
57	2	504702	CLOSE NIPPLE .75NPT	119	1	616034	08-482TC-08FJX-08FJX-17 H/A
58	1	504210	RED BUSH 3/4 NPT X 1/2 NPT	120	2	616253	04-381-06FJX-06FJX-35 H/A
59	1	470308	1/2MNPT DRAIN PLUG,AL HD,MAG	121	1	616048	04-482TC-06FJX-06FJX-35 H/A
60	7	618486	9/16FJIC SW RUN TEE-9/16MJIC	122	1	611212	04-482TC-06FJX-06FJX-164 H/A
61	1	618558	1 5/16MJIC-1 1/16MOR ADPTR	123	1	601632	HOSE, 3/4 X 72 1FBR-1SPI
62	1	618551	3/4MJIC-9/16MJIC REDU UNION	124	4	616433	10-381-10MJ-10FXJX45-17 H/A

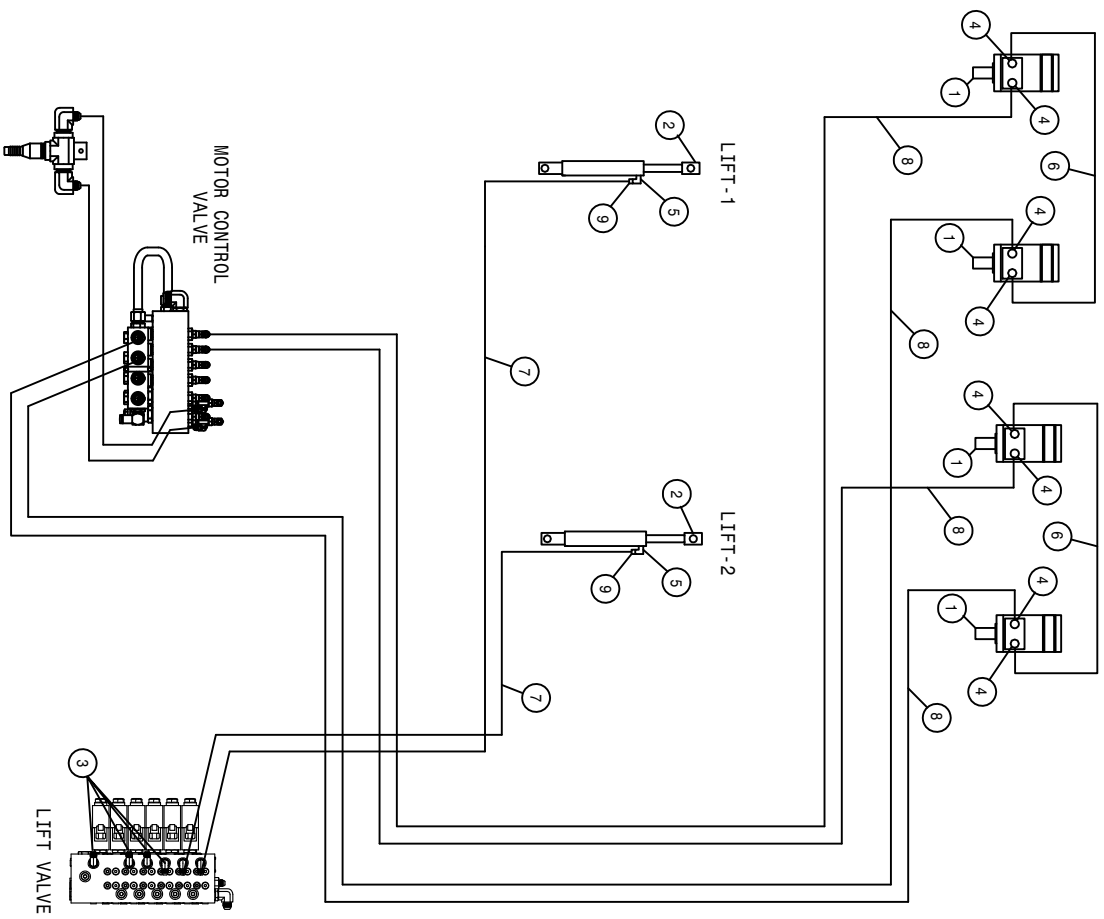


** NOTE: HOSE COMES IN HYDRAULIC FOLD OPTION.

*NOTE:
REFER TO DETAIL 2, RELIEF VALVE
PRESSURE - 1850 PSI

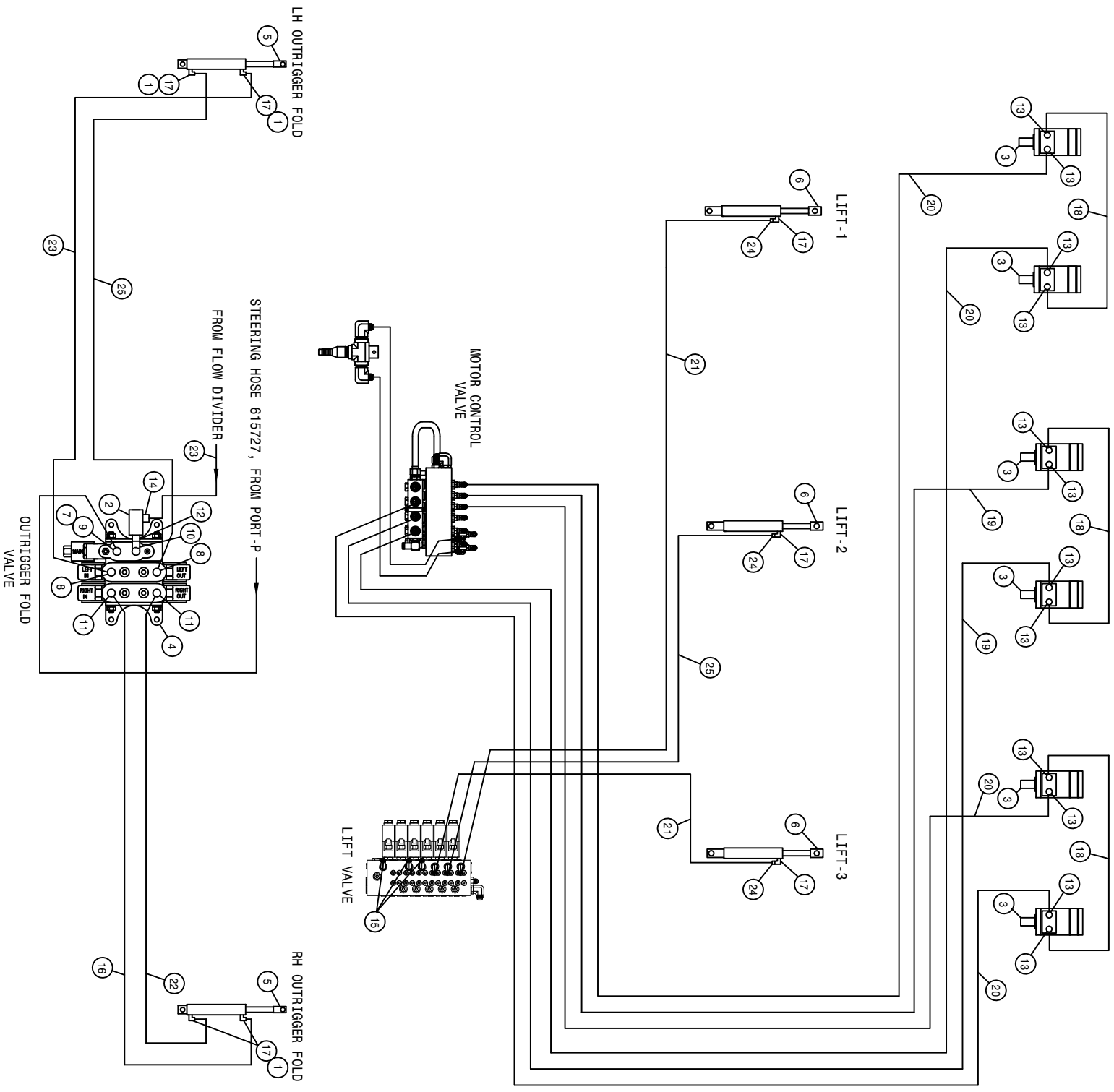
204 BASIC MACHINE CUMM HYD SCHEMATIC 08
REFERENCE DRAWING NO. 498980S2

DET.	QTY	PART NO.	DESCRIPTION	DET.	QTY	PART NO.	DESCRIPTION
1	1	607504	FLO DIV B50 2-8GPM 7/8 FOR	32	1	618072	7/8MOR-1/2FNPT ADPTR
2	1	607512	RELIEF VALVE, RL50, 1850 PSI	33	1	601437	HOSE, 1 1/4 X 40 1FBR-1SPI
3	1	606262	MTR CONTROL ELECT VLV, SAUER 07	34	4	618496	9/16MJIC-4.5-3/4MOR LBO
4	1	606029	RETURN MANIFOLD BLOCK, STS 03	35	1	618486	9/16FJIC SW RUN TEE-9/16MJIC
5	1	605633	PARKER FILTER ASSY, 25M, 1.25NPT	36	1	611126	7/8MJIC-7/8MOR ADPTR
6	1	614660	1IN STL TEE WLD 280	37	1	611204	04-482TC-06FJX-06FJX-78
7	2	621500	STRG CYL ASSY, 2XX	38	4	614663	04-482TC-06FJX-06FJX-16
8	1	749150	STRG MTR NON-LOAD REACT 1008	39	1	615473	06-482TC-06FJX-08FJX-18
9	4	610186	1 1/16MOR PLUG, HEX HEAD	40	2	616028	04-482TC-06FJX-06FJX-47
10	1	615799	MTR CTRL RET TUBE ASSY, 204	41	2	615727	04-482TC-06FJX-06FJX-75
11	2	618186	1 5/16MJIC-1 5/16MOR ADPTR	42	1	616042	04-482TC-06FJX-06FJX-13
12	2	618451	3/4FJIC SW RUN TEE-3/4MJIC	43	1	614664	10-482TC-10FJX-10FJX-98
13	12	618469	3/4MJIC-1 1/16MOR ADPTR	44	1	616008	06C1T-08FJX-06FJX90-52
14	1	618476	1 5/8MJIC-90-1 5/16MOR LBO	45	1	601632	HOSE, 3/4 X 72 1FBR-1SPI
15	10	618590	3/4MJIC-4.5-3/4FJIC SWIV LBO	46	2	615633	08-482TC-08FJX-08FJX-23
16	5	618609	3/4MJIC-90-3/4FJIC SWIV LBO	47	1	616293	20-381-20FJX-20FJX-153
17	1	618772	1 1/4 HOSE BARB-90-1 5/16MOR	48	1	601378	HOSE, 1 1/4 X 156 1FBR-1SPI
18	2	618714	3/4MJIC-90-1"MNPT LBO	49	1	616006	08C1T-08FJX-10FJX-30
19	1	714531	1 NPT X 3/4 HOSE BARB	50	1	616007	08C1T-08FJX-10FJX-50
20	2	715660	HOSE BARB 1 1/4NPT X 1 1/4	51	1	611128	7/8MJIC-90-7/8MOR LBO
21	2	506410	BLK PIPE ST EL 90DEG 1.25NPT	52	1	618249	3/4MJIC-90-9/16MOR LBO
22	2	618425	9/16MJIC-4.5-9/16MOR LBO	53	1	618464	3/4MJIC-90-3/4MOR LG LBO
23	2	618019	9/16MJIC UNION TEE	54	1	618756	7/8MOR PLUG, HEX SOCKET
24	1	618531	9/16FJIC CAP NUT	55	1	618774	7/8MJIC-90-7/8MOR LG LBO
25	1	605615	HYD FILTER, INLINE 25M	56	1	606285	LIFT VALVE, STS COMBO, SAUER
26	1	606330	DUMP MANIF VALVE	57	1	618109	9/16MJIC-3/4MOR ADPTR
27	2	618107	9/16MJIC-90-1/2MNPT LBO	58	1	618183	3/4MJIC-90-7/8MOR LBO
28	8	618119	9/16MJIC-90-9/16MOR LBO	59	2	618754	9/16MOR PLUG, HEX SOCKET
29	1	611125	3/4MJIC-3/4MOR ADPTR	60	1	618755	3/4MOR PLUG, HEX SOCKET
30	1	618600	9/16MJIC-90-7/8MOR LBO	61	1	618692	3/4FJIC SWIV-9/16MOR ADPTR
31	1	500000	1/2MNPT HEX PIPE NIPPLE STL				



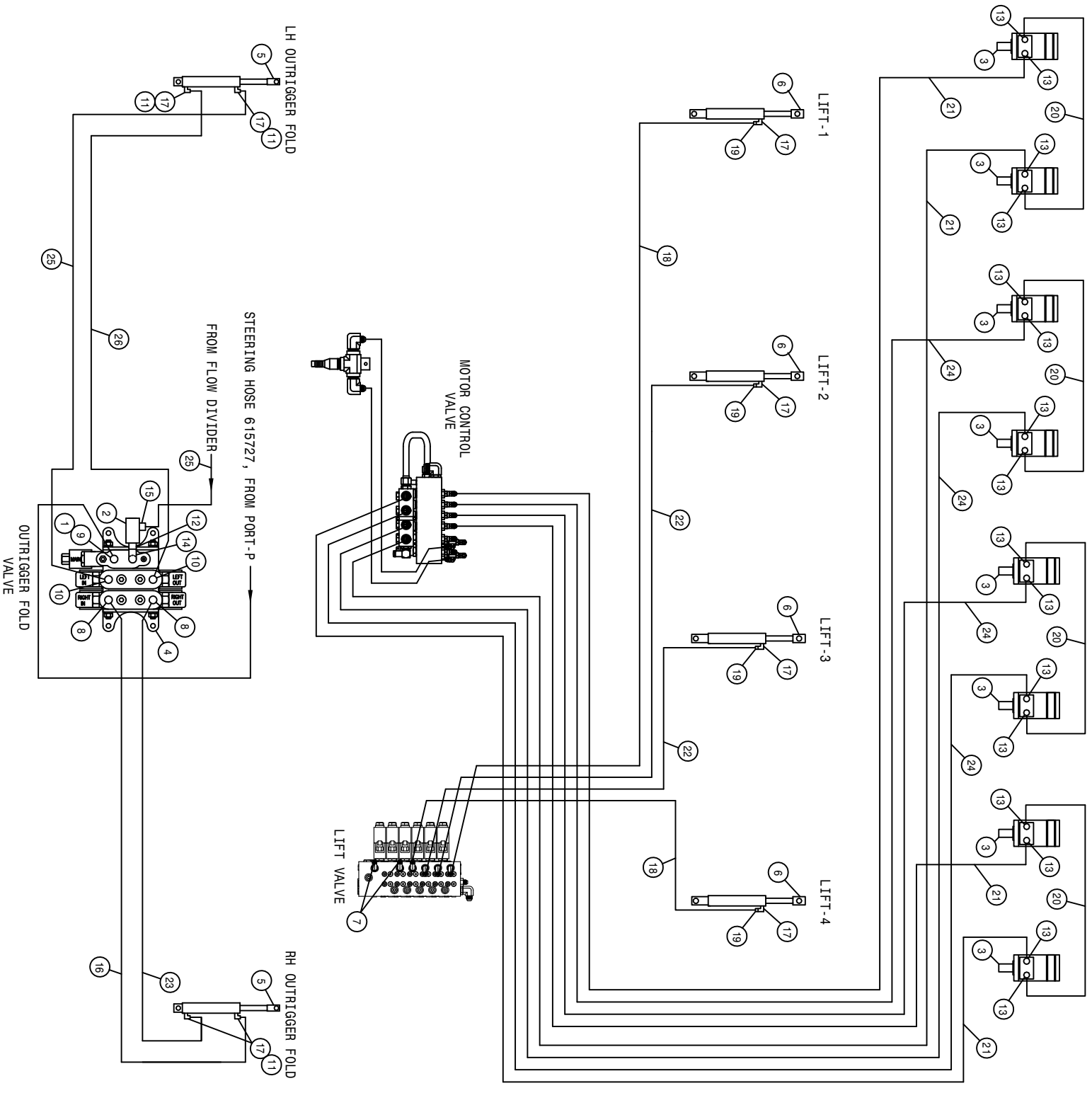
204 4R QUAD 2L LS HYD SCHEM 2008
REFERENCE DRAWING NO. 498997

DET.	QTY	PART NO.	DESCRIPTION	DET.	QTY	PART NO.	DESCRIPTION	H/A
1	4	610547	HYD MOTOR 4.5CI 1IN SHFT	6	2	616025	08-482TC-08FJX-08FJX-50	H/A
2	2	621564	DETA5 LIFT CYL,2.00 X 11.00STS	7	2	615729	04-482TC-06FJX-06FJX-84	H/A
3	4	618531	9/16FJIC CAP NUT	8	4	616168	08-482TC-08FJX-08FJX-139	H/A
4	8	618327	3/4MJIC-7/8MOR ADPTR	9	2	618733	9/16JIC .042 ORIFICE ADPTR	
5	2	618119	9/16MJIC-90-9/16MOR LBO					



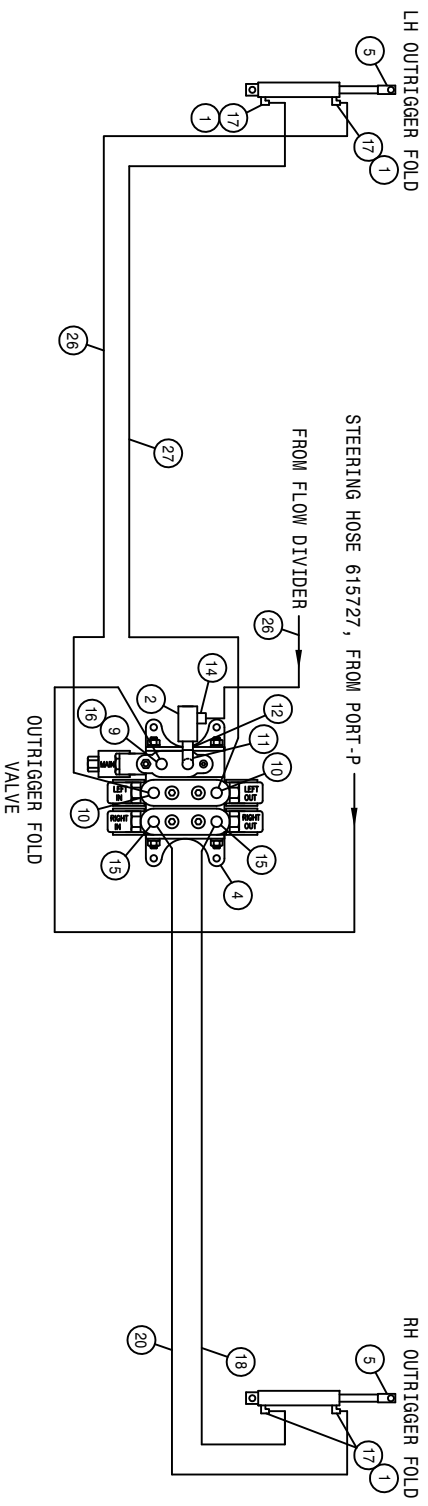
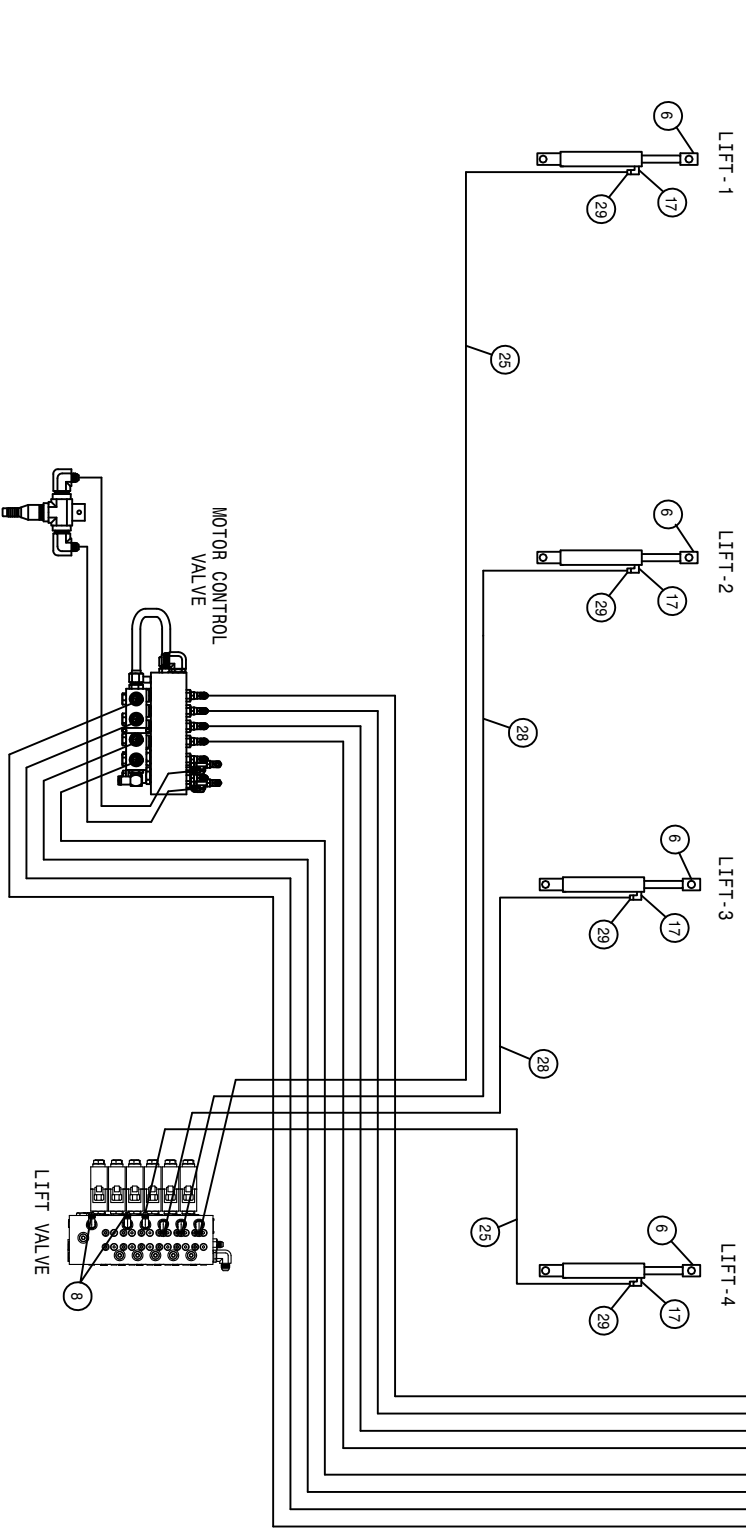
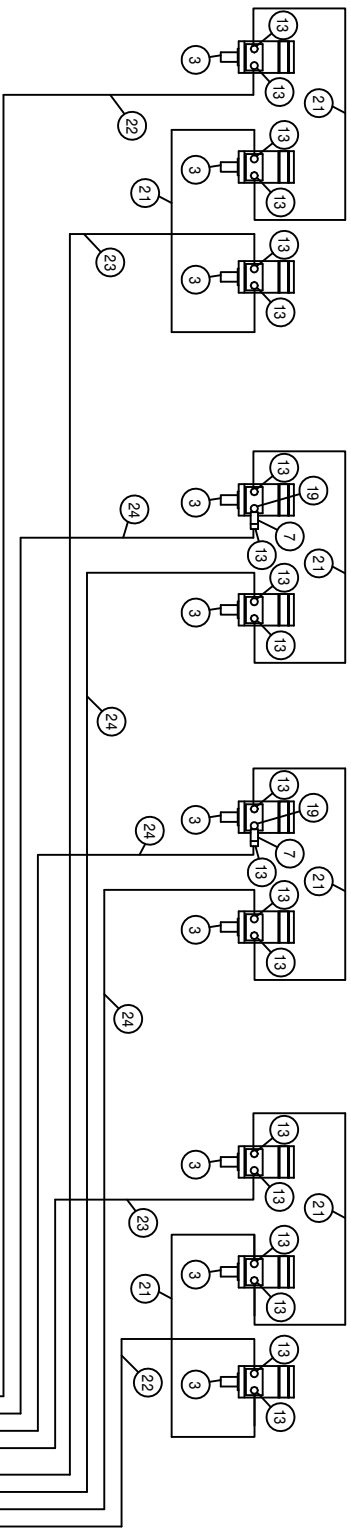
204 6R QUAD 3L LS HYD SCHEM 2008
REFERENCE DRAWING NO. 498982

DET.	QTY	PART NO.	DESCRIPTION	DET.	QTY	PART NO.	DESCRIPTION
1	4	618731	9/16JIC .025 ORIFICE ADPTR	14	1	618126	9/16MJIC-9/16MOR ADPTR
2	1	605615	HYD FILTER, INLINE 25M 9/16FOR	15	3	618531	9/16FJIC CAP NUT
3	6	610547	HYD MOTOR 4.5CI 1IN SHFT	16	1	614152	04-482TC-06FJX-06FJX-114
4	1	606090	BRAND HYD VALVE, 2-SECT SER 36	17	7	618119	9/16MJIC-90-9/16MOR LBO
5	2	621520	BOOM HINGE FOLD CYL ASSY	18	3	616025	08-482TC-08FJX-08FJX-50
6	3	621564	DETA5 LIFT CYL, 2.00 X 11.00STS	19	2	614689	08-482TC-08FJX-08FJX-120
7	1	618618	9/16MJIC-90-9/16FJIC SWIV LBO	20	4	614690	08-482TC-08FJX-08FJX-192
8	2	618709	9/16MJIC-90-3/4MOR EX LG LBO	21	2	614101	04-482TC-06FJX-06FJX-133
9	1	618310	9/16MJIC-7/8MOR ADPTR	22	1	616205	04-482TC-06FJX-06FJX-117
10	1	618183	3/4MJIC-90-7/8MOR LBO	23	2	615727	04-482TC-06FJX-06FJX-75
11	2	618115	9/16MJIC-90-3/4MOR LBO	24	3	618733	9/16JIC .042 ORIFICE ADPTR
12	1	618692	3/4FJIC SWIV-9/16MOR ADPTR	25	2	614077	04-482TC-06FJX-06FJX-88
13	12	618327	3/4MJIC-7/8MOR ADPTR				H/A



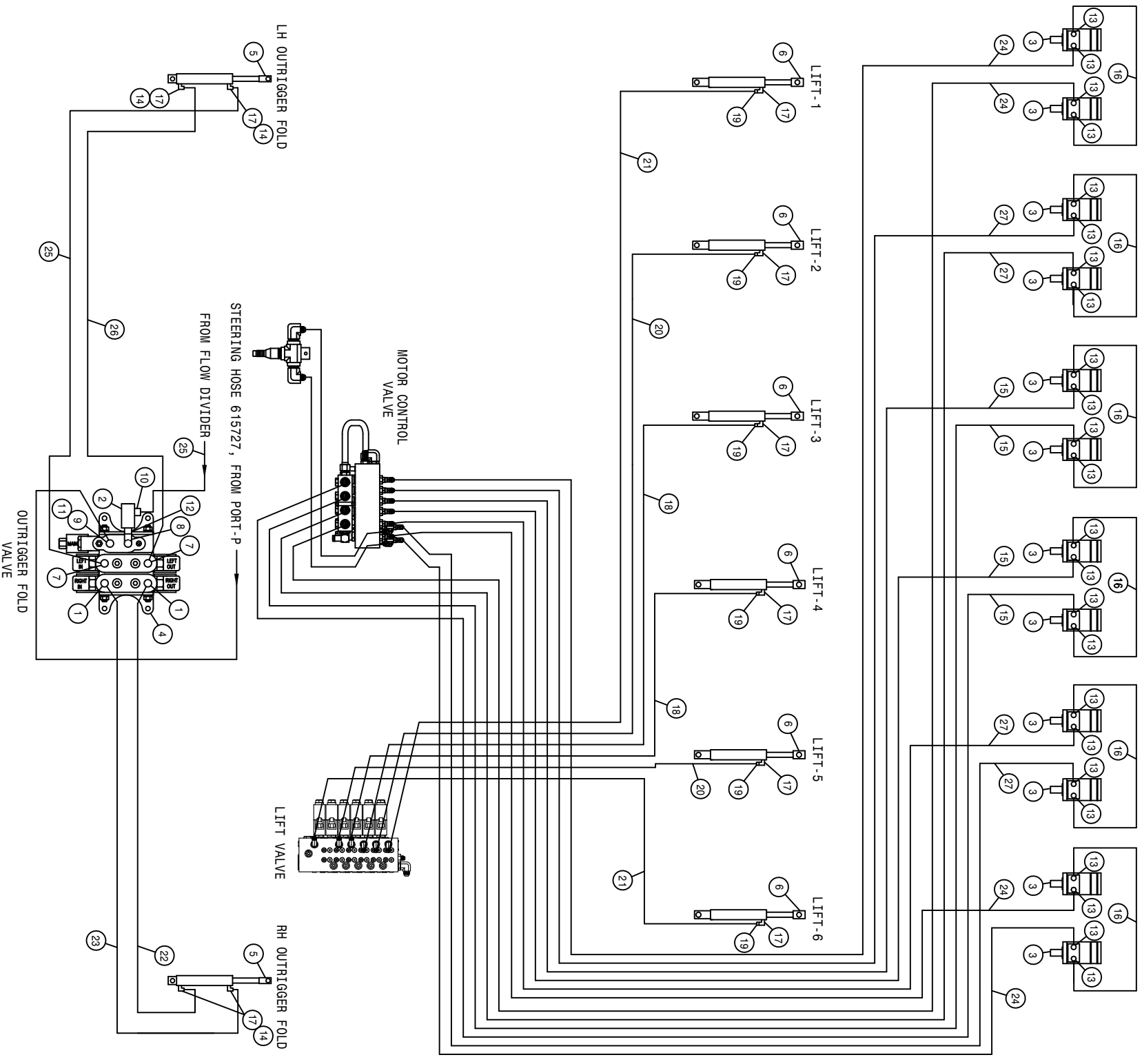
204 8R QUAD 4L LS HYD SCHEM 2008
REFERENCE DRAWING NO. 498983

DET.	QTY	PART NO.	DESCRIPTION	DET.	QTY	PART NO.	DESCRIPTION
1	1	618618	9/16MJIC-90-9/16FJIC SWIV LBO	15	1	618126	9/16MJIC-9/16MOR ADPTR
2	1	605615	HYD FILTER, INLINE 25M 9/16FOR	16	1	614152	04-482TC-06FJX-06FJX-114
3	8	610547	HYD MOTOR 4.5CI 1IN SHFT	17	8	618119	9/16MJIC-90-9/16MOR LBO
4	1	606090	BRAND HYD VALVE, 2-SECT SER 36	18	2	611262	04-482TC-06FJX-06FJX-182
5	2	621520	BOOM HINGE FOLD CYL ASSY	19	4	618735	9/16JIC .042 ORIFICE ADPTR
6	4	621564	DETA5 LIFT CYL, 2.00 X 11.00STS	20	4	616025	08-482TC-08FJX-08FJX-50
7	2	618531	9/16FJIC CAP NUT	21	4	614384	08-482TC-08FJX-08FJX-237
8	2	618115	9/16MJIC-90-3/4MOR LBO	22	2	615729	04-482TC-06FJX-06FJX-84
9	2	618310	9/16MJIC-7/8MOR ADPTR	23	1	616205	04-482TC-06FJX-06FJX-117
10	2	618709	9/16MJIC-90-3/4MOR EX LG LBO	24	4	616168	08-482TC-08FJX-08FJX-139
11	4	618731	9/16JIC .025 ORIFICE ADPTR	25	2	615727	04-482TC-06FJX-06FJX-75
12	1	618692	3/4FJIC SWIV-9/16MOR ADPTR	26	1	614077	04-482TC-06FJX-06FJX-88
13	16	618327	3/4MJIC-7/8MOR ADPTR				
14	1	618183	3/4MJIC-90-7/8MOR LBO				



204 10R QUAD 4L LS HYD SCHEM 2008
REFERENCE DRAWING NO. 498984

DET.	QTY	PART NO.	DESCRIPTION	DET.	QTY	PART NO.	DESCRIPTION
1	4	618731	9/16JIC .025 ORIFICE ADPTR	16	1	618618	9/16MJIC-90-9/16FJIC SWIV LBO
2	1	605615	HYD FILTER, INLINE 25M 9/16FOR	17	8	618119	9/16MJIC-90-9/16MOR LBO
3	10	610547	HYD MOTOR 4.5CI 1IN SHFT	18	1	616205	04-482TC-06FJX-06FJX-117
4	1	606090	BRAND HYD VALVE, 2-SECT SER 36	19	2	618586	7/8MOR UNION
5	2	621520	BOOM HINGE FOLD CYL ASSY	20	1	614152	04-482TC-06FJX-06FJX-114
6	4	621564	DETA5 LIFT CYL, 2.00 X 11.00STS	21	6	616025	08-482TC-08FJX-08FJX-50
7	2	607522	FLOW REGULATOR, 8GPM VONBERG	22	2	614387	08-482TC-08FJX-08FJX-267
8	2	618531	9/16FJIC CAP NUT	23	2	614384	08-482TC-08FJX-08FJX-237
9	1	618310	9/16MJIC-7/8MOR ADPTR	24	4	616168	08-482TC-08FJX-08FJX-139
10	2	618709	9/16MJIC-90-3/4MOR EX LG LBO	25	2	614098	04-482TC-06FJX-06FJX-201
11	1	618183	3/4MJIC-90-7/8MOR LBO	26	2	615727	04-482TC-06FJX-06FJX-75
12	1	618692	3/4FJIC SWIV-9/16MOR ADPTR	27	1	614077	04-482TC-06FJX-06FJX-88
13	20	618327	3/4MJIC-7/8MOR ADPTR	28	2	615729	04-482TC-06FJX-06FJX-84
14	1	618126	9/16MJIC-9/16MOR ADPTR	29	4	618733	9/16JIC .042 ORIFICE ADPTR
15	2	618115	9/16MJIC-90-3/4MOR LBO				

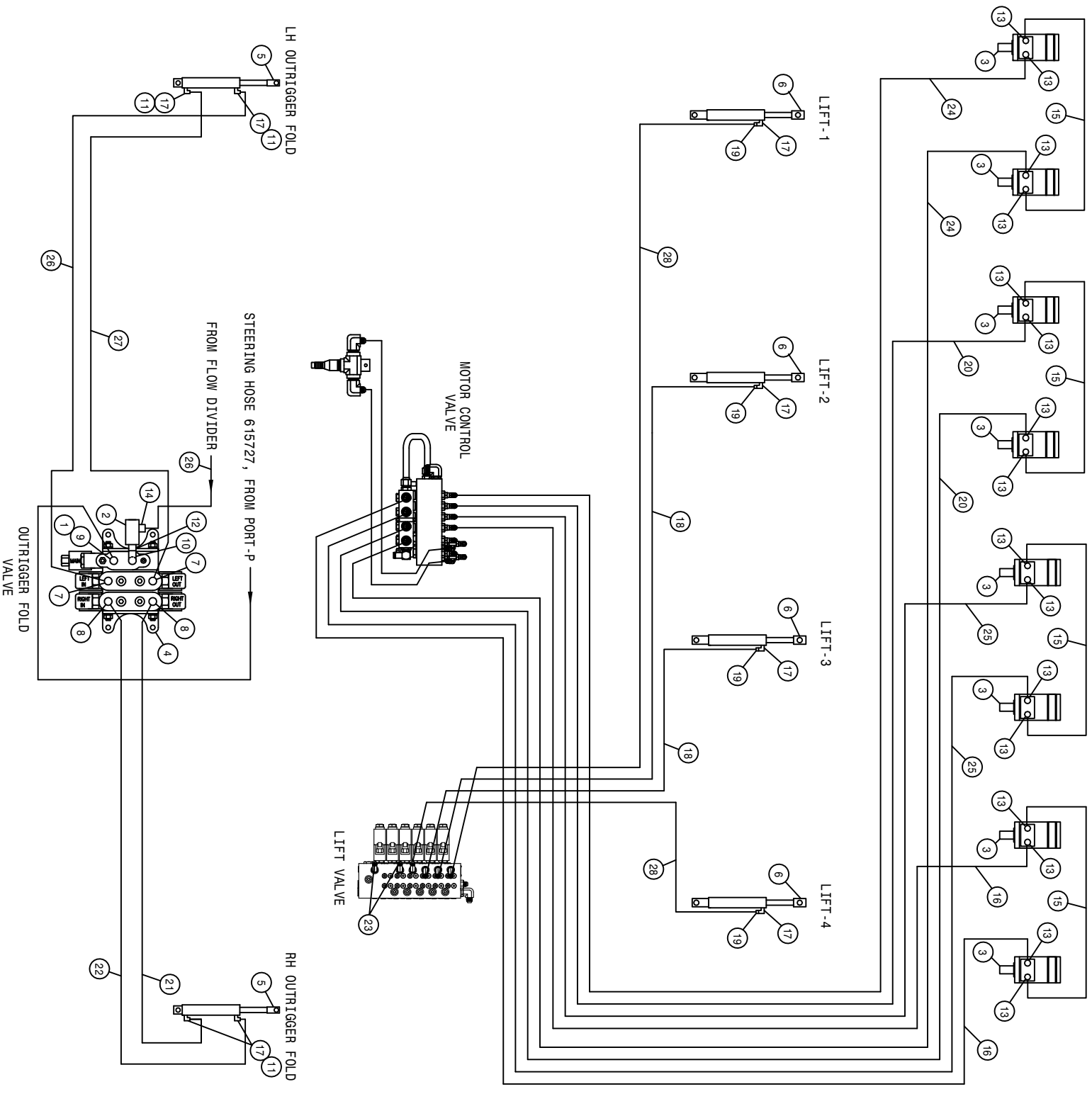


204 12R QUAD 6L LS HYD SCHEM 2008
REFERENCE DRAWING NO. 498985

DET.	QTY	PART NO.	DESCRIPTION	DET.	QTY	PART NO.	DESCRIPTION
1	2	618115	9//16MJIC-90-3//4MOR LBO	15	4	616168	08-482TC-08FJX-08FJX-139
2	1	605615	HYD FILTER, INLINE 25M 9//16FOR	16	6	616025	08-482TC-08FJX-08FJX-50
3	12	610547	HYD MOTOR 4.5CI 1IN SHFT	17	10	618119	9//16MJIC-90-9//16MOR LBO
4	1	606090	BRAND HYD VALVE, 2-SECT SER 36	18	2	615729	04-482TC-06FJX-06FJX-84
5	2	621520	BOOM HINGE FOLD CYL ASSY	19	6	618733	9//16JIC .042 ORIFICE ADPTR
6	6	621564	DETAS LIFT CYL, 2.00 X 11.00STS	20	2	611262	04-482TC-06FJX-06FJX-182
7	2	618709	9//16MJIC-90-3//4MOR EX LG LBO	21	2	614377	04-482TC-06FJX-06FJX-258
8	1	618183	3//4MJIC-90-7//8MOR LBO	22	1	616205	04-482TC-06FJX-06FJX-117
9	1	618310	9//16MJIC-7//8MOR ADPTR	23	1	614152	04-482TC-06FJX-06FJX-114
10	1	618126	9//16MJIC-9//16MOR ADPTR	24	4	616170	08-482TC-08FJX-08FJX-295
11	1	618618	9//16MJIC-90-9//16FJIC SWIV LBO	25	2	615727	04-482TC-06FJX-06FJX-75
12	1	618692	3//4FJIC SWIV-9//16MOR ADPTR	26	1	614077	04-482TC-06FJX-06FJX-88
13	24	618327	3//4MJIC-7//8MOR ADPTR	27	4	614384	08-482TC-08FJX-08FJX-237
14	4	618731	9//16JIC .025 ORIFICE ADPTR				

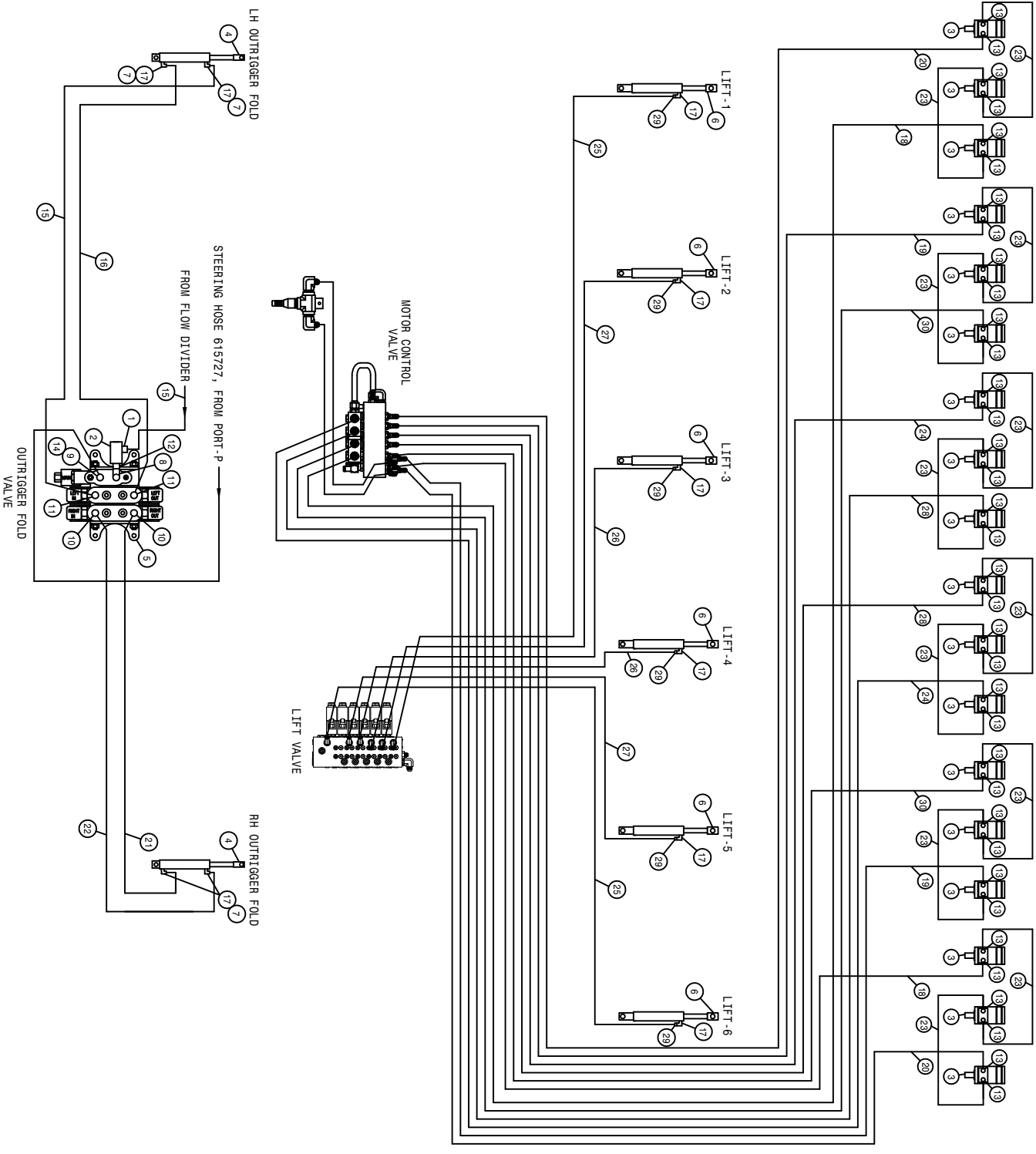
204 12R QUAD 52CM 6L LS HYD SCHEM 2008
REFERENCE DRAWING NO. 498986

DET.	QTY	PART NO.	DESCRIPTION	DET.	QTY	PART NO.	DESCRIPTION
1	1	618618	9/16MJIC-90-9/16FJIC SWIV LBO	17	10	618119	9/16MJIC-90-9/16MOR LBO
2	1	605615	HYD FILTER, INLINE 25M 9/16FOR	18	1	611246	04-482TC-06FJX-06FJX-174
3	12	610547	HYD MOTOR 4.5CI 1IN SHFT	19	6	618733	9/16JIC .042 ORIFICE ADPTR
4	1	606090	BRAND HYD VALVE, 2-SECT SER 36	20	1	614101	04-482TC-06FJX-06FJX-133
5	2	621520	BOOM HINGE FOLD CYL ASSY	21	1	614154	04-482T-06FJX-06FJX-221
6	6	621564	DETA5 LIFT CYL, 2.00 X 11.00STS	22	1	616205	04-482TC-06FJX-06FJX-117
7	2	618709	9/16MJIC-90-3/4MOR EX LG LBO	23	1	614152	04-482TC-06FJX-06FJX-114
8	1	618183	3/4MJIC-90-7/8MOR LBO	24	1	614303	04-482TC-06FJX-06FJX-234
9	1	618310	9/16MJIC-7/8MOR ADPTR	25	1	611245	04-482TC-06FJX-06FJX-104
10	1	618126	9/16MJIC-9/16MOR ADPTR	26	1	616191	04-482TC-06FJX-06FJX-138
11	2	618115	9/16MJIC-90-3/4MOR LBO	27	2	615727	04-482TC-06FJX-06FJX-75
12	1	618692	3/4FJIC SWIV-9/16MOR ADPTR	28	1	614077	04-482TC-06FJX-06FJX-88
13	24	618327	3/4MJIC-7/8MOR ADPTR	29	4	614690	08-482TC-08FJX-08FJX-192
14	4	618731	9/16JIC .025 ORIFICE ADPTR	30	4	614689	08-482TC-08FJX-08FJX-120
15	4	616227	08-482TC-08FJX-08FJX-255				H/A
16	6	616025	08-482TC-08FJX-08FJX-50				H/A



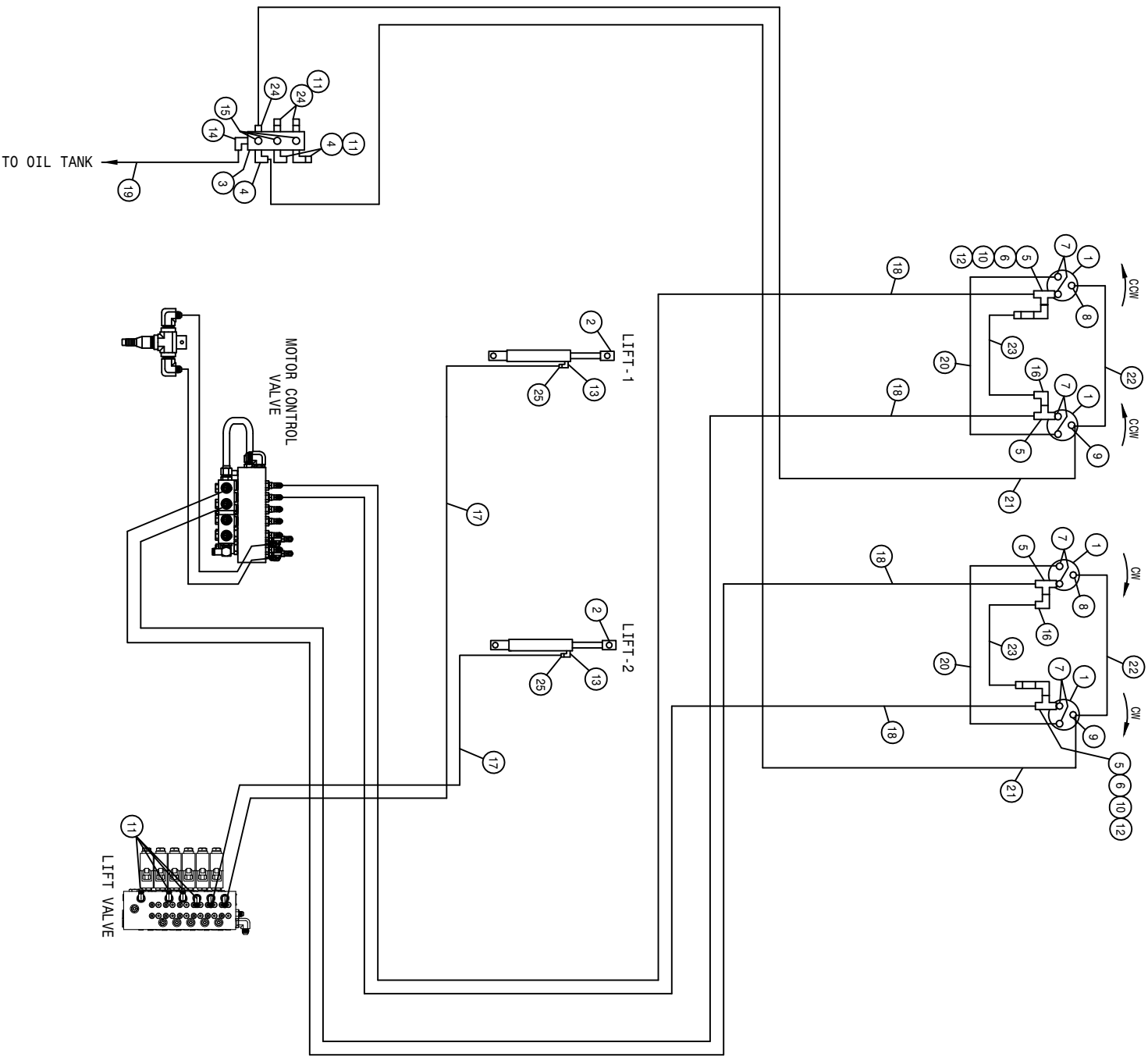
204 8R QUAD 4L 20" HYD SCHEM 2008
REFERENCE DRAWING NO. 498987

DET.	QTY	PART NO.	DESCRIPTION	DET.	QTY	PART NO.	DESCRIPTION
1	1	618618	9/16MJIC-90-9/16FJIC SWIV LBO	16	2	614690	08-482TC-08FJX-08FJX-192
2	1	605615	HYD FILTER, INLINE 25M 9/16FOR	17	8	618119	9/16MJIC-90-9/16MOR LBO
3	8	610547	HYD MOTOR 4.5CI 1IN SHFT	18	2	616060	04-482TC-06FJX-06FJX-104
4	1	606090	BRAND HYD VALVE, 2-SECT SER 36	19	4	618733	9/16JIC .042 ORIFICE ADPTR
5	2	621520	BOOM HINGE FOLD CYL ASSY	20	2	614689	08-482TC-08FJX-08FJX-120
6	4	621564	DETA5 LIFT CYL, 2.00 X 11.00STS	21	1	616025	08-482TC-08FJX-08FJX-50
7	2	618709	9/16MJIC-90-3/4MOR EX LG LBO	22	1	614152	04-482TC-06FJX-06FJX-114
8	2	618115	9/16MJIC-90-3/4MOR LBO	23	2	618531	9/16FJIC CAP NUT
9	1	618310	9/16MJIC-7/8MOR ADPTR	24	2	616423	08-482TC-08FJX-08FJX-163
10	1	618183	3/4MJIC-90-7/8MOR LBO	25	2	616168	08-482TC-08FJX-08FJX-139
11	4	618731	9/16JIC .025 ORFICE ADPTR	26	2	615727	04-482TC-06FJX-06FJX-75
12	1	618692	3/4FJIC SWIV-9/16MOR ADPTR	27	1	614077	04-482TC-06FJX-06FJX-88
13	16	618327	3/4MJIC-7/8MOR ADPTR	28	2	614101	04-482TC-06FJX-06FJX-133
14	1	618126	9/16MJIC-9/16MOR ADPTR				
15	4	614373	08-482TC-08FJX-08FJX-44				
							H/A



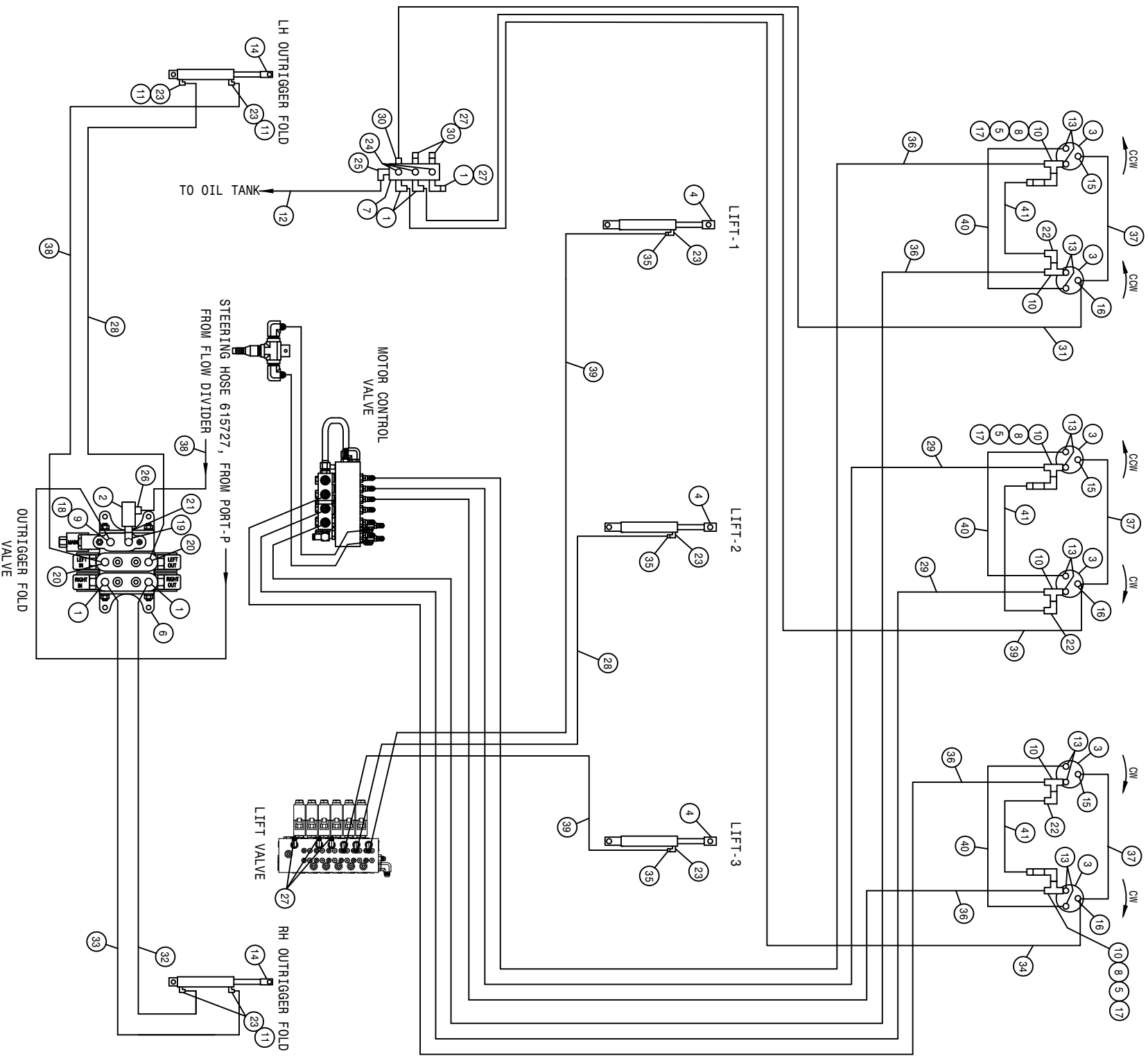
204 18R QUAD 20" 6L LS HYD SCHEM 2008
REFERENCE DRAWING NO. 498988

DET.	QTY	PART NO.	DESCRIPTION	DET.	QTY	PART NO.	DESCRIPTION
1	1	618126	9/16MJIC-9/16MOR ADPTR	17	10	618119	9/16MJIC-90-9/16MOR LBO
2	1	605615	HYD FILTER, INLINE 25M 9/16FOR	18	2	614387	08-482TC-08FJX-08FJX-267
3	18	610547	HYD MOTOR 4.5CI 1IN SHFT	19	2	616223	08-482TC-08FJX-08FJX-232
4	2	621520	BOOM HINGE FOLD CYL ASSY	20	2	616170	08-482TC-08FJX-08FJX-295
5	1	606090	BRAND HYD VALVE, 2-SECT SER 36	21	1	616205	04-482TC-06FJX-06FJX-117
6	6	621564	DETAS LIFT CYL, 2.00 X 11.00STS	22	1	614152	04-482TC-06FJX-06FJX-114
7	4	618731	9/16JIC .025 ORIFICE ADPTR	23	12	614373	08-482TC-08FJX-08FJX-44
8	1	618183	3/4MJIC-90-7/8MOR LBO	24	2	616169	08-482TC-08FJX-08FJX-146
9	1	618310	9/16MJIC-7/8MOR ADPTR	25	2	614377	04-482TC-06FJX-06FJX-258
10	2	618115	9/16MJIC-90-3/4MOR LBO	26	2	616060	04-482TC-06FJX-06FJX-104
11	2	618709	9/16MJIC-90-3/4MOR EX LG LBO	27	2	611246	04-482TC-06FJX-06FJX-174
12	1	618692	3/4FJIC SWIV-9/16MOR ADPTR	28	2	614689	08-482TC-08FJX-08FJX-120
13	36	618327	3/4MJIC-7/8MOR ADPTR	29	6	618733	9/16JIC .042 ORIFICE ADPTR
14	1	618618	9/16MJIC-90-9/16FJIC SWIV LBO	30	2	614378	08-482TC-08FJX-08FJX-207
15	2	615727	04-482TC-06FJX-06FJX-75				H/A
16	1	614077	04-482TC-06FJX-06FJX-88				H/A



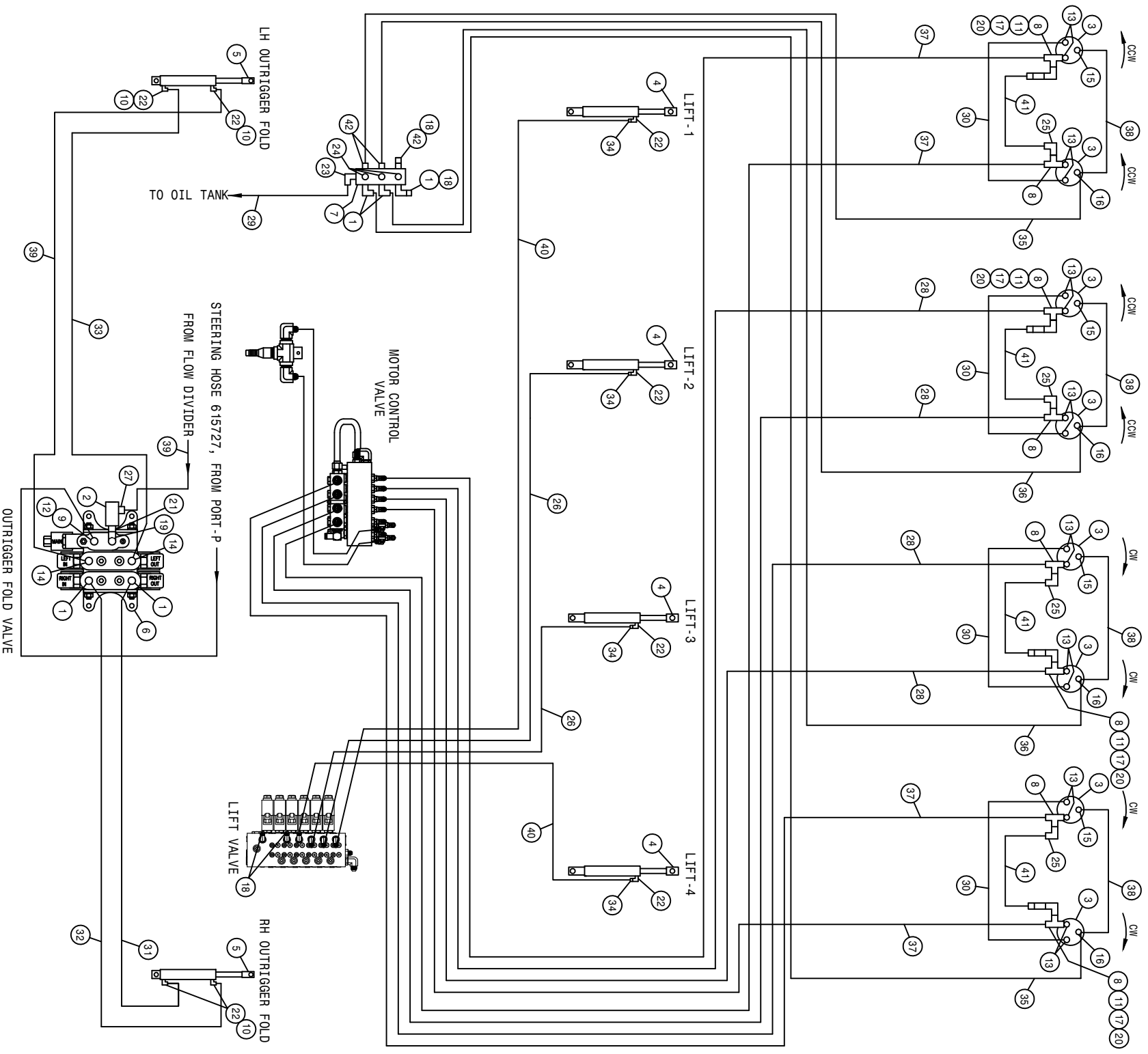
204 4R CUTTER 2L LS HYD SCHEM 2008
REFERENCE DRAWING NO. 498998

DET.	QTY	PART NO.	DESCRIPTION	DET.	QTY	PART NO.	DESCRIPTION
1	4	610755	BARNES HYD MOTOR, D-SERIES 01	14	1	618118	3/4 HOSE BARB-90-1 1/16MOR
2	2	621564	DETAS LIFT CYL,2.00 X 11.00STS	15	3	611159	3/4MOR PLUG, HEX HEAD
3	1	606021	HYD RETURN MANIF,3/4FOR,9-PORT	16	2	618609	3/4MJIC-90-3/4FJIC SWIV LBO
4	3	618115	9/16MJIC-90-3/4MOR LBO	17	2	615729	04-482TC-06FJX-06FJX-84
5	4	618451	3/4FJIC SW RUN TEE-3/4MJIC	18	4	616168	08-482TC-08FJX-08FJX-139
6	2	618620	3/4FJX-90-1/2MNPT ADPTR	19	1	601555	HOSE, 3/4 X 150 1FBR-1SPI
7	8	611125	3/4MJIC-3/4MOR ADPTR	20	2	614368	08-482TC-08FJX-08FJX-60
8	2	618530	9/16MJIC-1/8MNPT ADPTR	21	2	611202	04-482TC-06FJX-06FJX-136
9	2	618546	1/8MNPT RUN TEE-9/16MJIC	22	2	616422	04CIT-06FJX-06FJX90-50
10	2	690338	LINE CHECK VALVE HYD .50NPT	23	2	616025	08-482TC-08FJX-08FJX-50
11	8	618531	9/16FJIC CAP NUT	24	1	618109	9/16MJIC-3/4MOR ADPTR
12	2	611147	3/4MJIC-1/2MNPT ADPTR	25	2	618733	9/16JIC .042 ORIFICE ADPTR
13	2	618119	9/16MJIC-90-9/16MOR LBO				



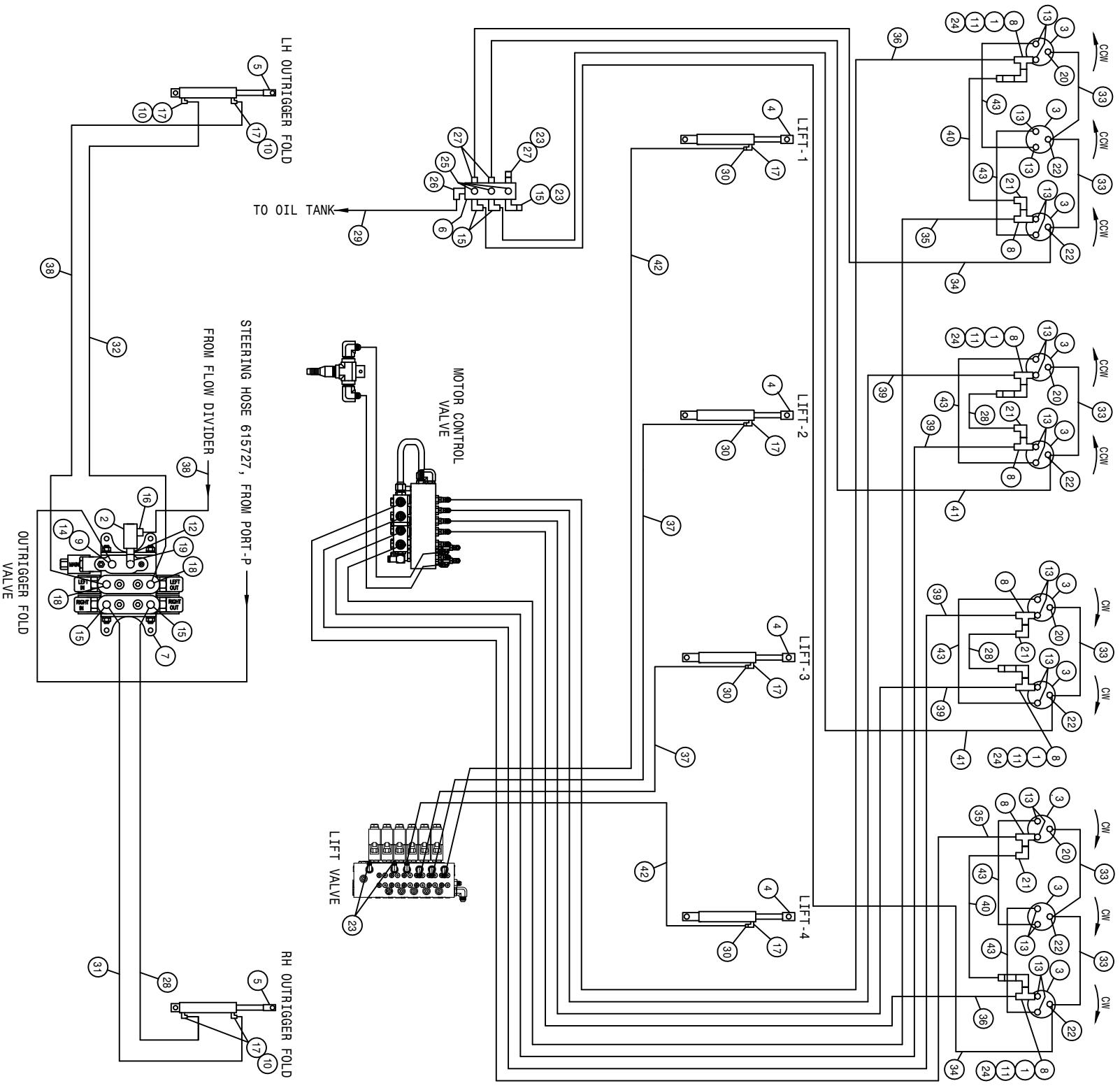
204 6R CUTTER 3L LS HYD SCHEM 2008
REFERENCE DRAWING NO. 498989

DET.	QTY	PART NO.	DESCRIPTION	DET.	QTY	PART NO.	DESCRIPTION
1	5	618115	9/16MJIC-90-3/4MOR LBO	23	7	618119	9/16MJIC-90-9/16MOR LBO
2	1	605615	HYD FILTER, INLINE 25M 9/16FOR	24	3	611159	3/4MOR PLUG, HEX HEAD
3	6	610755	BARNES HYD MOTOR, D-SERIES 01	25	1	618118	3/4 HOSE BARB-90-1 1/16MOR
4	3	621564	DETAS LIFT CYL, 2.00 X 11.00STS	26	1	618126	9/16MJIC-9/16MOR ADPTR
5	3	690338	LINE CHECK VALVE HYD .50NPT	27	6	618531	9/16FJIC CAP NUT
6	1	606090	BRAND HYD VALVE, 2-SECT SER 36	28	2	614077	04-482TC-06FJX-06FJX-88
7	1	606021	HYD RETURN MANIF, 3/4FOR, 9-PORT	29	2	614689	08-482TC-08FJX-08FJX-120
8	3	618620	3/4FJX-90-1/2MNP ADPTR	30	3	618109	9/16MJIC-3/4MOR ADPTR
9	1	618310	9/16MJIC-7/8MOR ADPTR	31	1	614102	04-482TC-06FJX-06FJX-191
10	6	618451	3/4FJIC SW RUN TEE-3/4MJIC	32	1	616205	04-482TC-06FJX-06FJX-117
11	4	618731	9/16JIC .025 ORIFICE ADPTR	33	1	614152	04-482TC-06FJX-06FJX-114
12	1	601555	HOSE, 3/4 X 150 1FBR-1SPI	34	1	611210	04-482TC-06FJX-06FJX-156
13	12	611125	3/4MJIC-3/4MOR ADPTR	35	3	618733	9/16JIC .042 ORIFICE ADPTR
14	2	621520	BOOM HINGE FOLD CYL ASSY	36	4	614690	08-482TC-08FJX-08FJX-192
15	3	618530	9/16MJIC-1/8MNP ADPTR	37	3	616422	04C1T-06FJX-06FJX90-50
16	3	618546	1/8MNP RUN TEE-9/16MJIC	38	2	615727	04-482TC-06FJX-06FJX-75
17	3	611147	3/4MJIC-1/2MNP ADPTR	39	3	614101	04-482TC-06FJX-06FJX-133
18	1	618618	9/16MJIC-90-9/16FJIC SWIV LBO	40	3	614368	08-482TC-08FJX-08FJX-60
19	1	618183	3/4MJIC-90-7/8MOR LBO	41	3	616025	08-482TC-08FJX-08FJX-50
20	2	618709	9/16MJIC-90-3/4MOR EX LG LBO				
21	1	618692	3/4FJIC SWIV-9/16MOR ADPTR				
22	3	618609	3/4MJIC-90-3/4FJIC SWIV LBO				



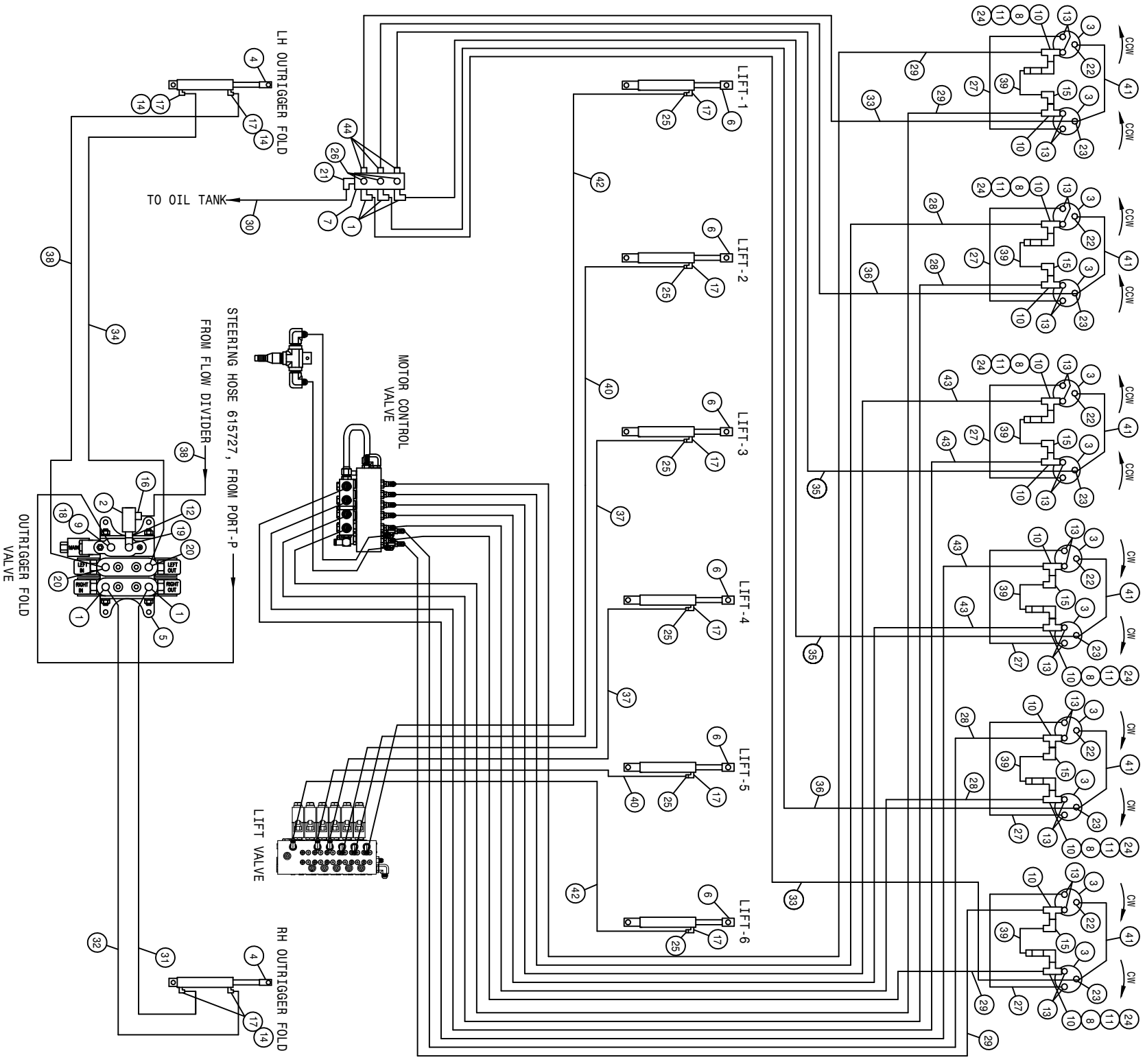
204 8R CUTTER 4L LS HYD SCHEM 2008
REFERENCE DRAWING NO. 498990

DET.	QTY	PART NO.	DESCRIPTION	DET.	QTY	PART NO.	DESCRIPTION
1	5	618115	9/16MJIC-90-3/4MOR LBO	23	1	618118	3/4 HOSE BARB-90-1 1/16MOR
2	1	605615	HYD FILTER, INLINE 25M 9/16FOR	24	3	611159	3/4MOR PLUG, HEX HEAD
3	8	610755	BARNES HYD MOTOR, D-SERIES 01	25	4	618609	3/4MJIC-90-3/4FJIC SWIV LBO
4	4	621564	DETAS LIFT CYL, 2.00 X 11.00STS	26	2	615729	04-482TC-06FJX-06FJX-84
5	2	621520	BOOM HINGE FOLD CYL ASSY	27	1	618126	9/16MJIC-9/16MOR ADPTR
6	1	606090	BRAND HYD VALVE, 2-SECT SER 36	28	4	616168	08-482TC-08FJX-08FJX-139
7	1	606021	HYD RETURN MANIF, 3/4FOR, 9-PORT	29	1	601555	HOSE, 3/4 X 150 1FBR-15PT
8	8	618451	3/4FJIC SW RUN TEE-3/4MJIC	30	4	614368	08-482TC-08FJX-08FJX-60
9	1	618310	9/16MJIC-7/8MOR ADPTR	31	1	616205	04-482TC-06FJX-06FJX-117
10	4	618731	9/16JIC .025 ORIFICE ADPTR	32	1	614152	04-482TC-06FJX-06FJX-114
11	4	618620	3/4FX-90-1/2MNPT ADPTR	33	1	614077	04-482TC-06FJX-06FJX-88
12	1	618618	9/16MJIC-90-9/16FJIC SWIV LBO	34	4	618733	9/16JIC .042 ORIFICE ADPTR
13	16	611125	3/4MJIC-3/4MOR ADPTR	35	2	614303	04-482TC-06FJX-06FJX-234
14	2	618709	9/16MJIC-90-3/4MOR EX LG LBO	36	2	611202	04-482TC-06FJX-06FJX-136
15	4	618530	9/16MJIC-1/8MNPT ADPTR	37	4	614384	08-482TC-08FJX-08FJX-237
16	4	618546	1/8MNPT RUN TEE-9/16MJIC	38	4	616422	04CIT-06FJX-06FJX90-50
17	4	690338	LINE CHECK VALVE HYD .50NPT	39	2	615727	04-482TC-06FJX-06FJX-75
18	4	618531	9/16FJIC CAP NUT	40	2	611262	04-482TC-06FJX-06FJX-182
19	1	618183	3/4MJIC-90-7/8MOR LBO	41	4	616025	08-482TC-08FJX-08FJX-50
20	4	611147	3/4MJIC-1/2MNPT ADPTR	42	3	618109	9/16MJIC-3/4MOR ADPTR
21	1	618692	3/4FJIC SWIV-9/16MOR ADPTR				
22	8	618119	9/16MJIC-90-9/16MOR LBO				



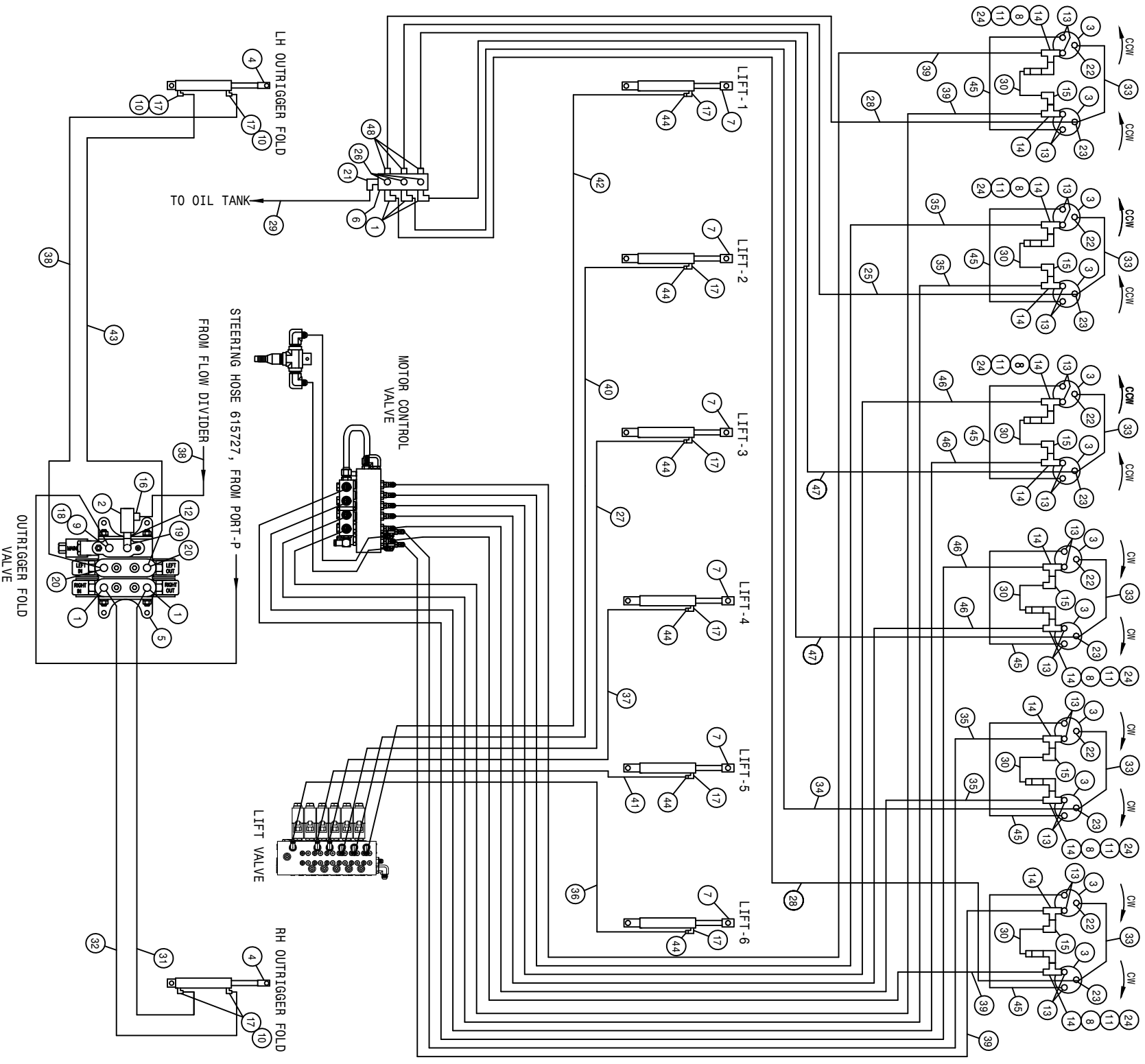
204 10R CUTR 4L LS HYD SCHEM 2008
REFERENCE DRAWING NO. 498991

DET.	QTY	PART NO.	DESCRIPTION	DET.	QTY	PART NO.	DESCRIPTION
1	4	618620	3/4FJX-90-1/2MNP ADPTR	24	4	611147	3/4MJIC-1/2MNP ADPTR
2	1	605615	HYD FILTER, INLINE 25M 9/16FOR	25	3	611159	3/4MOR PLUG, HEX HEAD
3	10	610755	BARNES HYD MOTOR, D-SERIES 01	26	1	618118	3/4 HOSE BARB-90-1 1/16MOR
4	4	621564	DETAS LIFT CYL, 2.00 X 11.00STS	27	3	618109	9/16MJIC-3/4MOR ADPTR
5	2	621520	BOOM HINGE FOLD CYL ASSY	28	3	616025	08-482TC-08FJX-08FJX-50
6	1	606021	HYD RETURN MANIF, 3/4FOR, 9-PORT	29	1	601555	HOSE, 3/4 X 150 1FBR-15PT
7	1	606090	BRAND HYD VALVE, 2-SECT SER 36	30	4	618733	9/16JIC .042 ORIFICE ADPTR
8	8	618451	3/4FJIC SW RUN TEE-3/4MJIC	31	1	614152	04-482TC-06FJX-06FJX-114
9	1	618310	9/16MJIC-7/8MOR ADPTR	32	1	614077	04-482TC-06FJX-06FJX-88
10	4	618731	9/16JIC .025 ORIFICE ADPTR	33	6	616422	04C1T-06FJX-06FJX90-50
11	4	690338	LINE CHECK VALVE HYD .50NPT	34	2	614377	04-482TC-06FJX-06FJX-258
12	1	618692	3/4FJIC SWIV-9/16MOR ADPTR	35	2	614384	08-482TC-08FJX-08FJX-237
13	20	611125	3/4MJIC-3/4MOR ADPTR	36	2	614387	08-482TC-08FJX-08FJX-267
14	1	618618	9/16MJIC-90-9/16FJIC SWIV LBO	37	2	615729	04-482TC-06FJX-06FJX-84
15	5	618115	9/16MJIC-90-3/4MOR LBO	38	2	615727	04-482TC-06FJX-06FJX-75
16	1	618126	9/16MJIC-9/16MOR ADPTR	39	4	616168	08-482TC-08FJX-08FJX-139
17	8	618119	9/16MJIC-90-9/16MOR LBO	40	2	616031	08-482TC-08FJX-08FJX-83
18	2	618709	9/16MJIC-90-3/4MOR EX LG LBO	41	2	611202	04-482TC-06FJX-06FJX-136
19	1	618183	3/4MJIC-90-7/8MOR LBO	42	2	614098	04-482TC-06FJX-06FJX-201
20	4	618530	9/16MJIC-1/8MNP ADPTR	43	6	614368	08-482TC-08FJX-08FJX-60
21	4	618609	3/4MJIC-90-3/4FJIC SWIV LBO				
22	6	618546	1/8MNP RUN TEE-9/16MJIC				
23	4	618531	9/16FJIC CAP NUT				



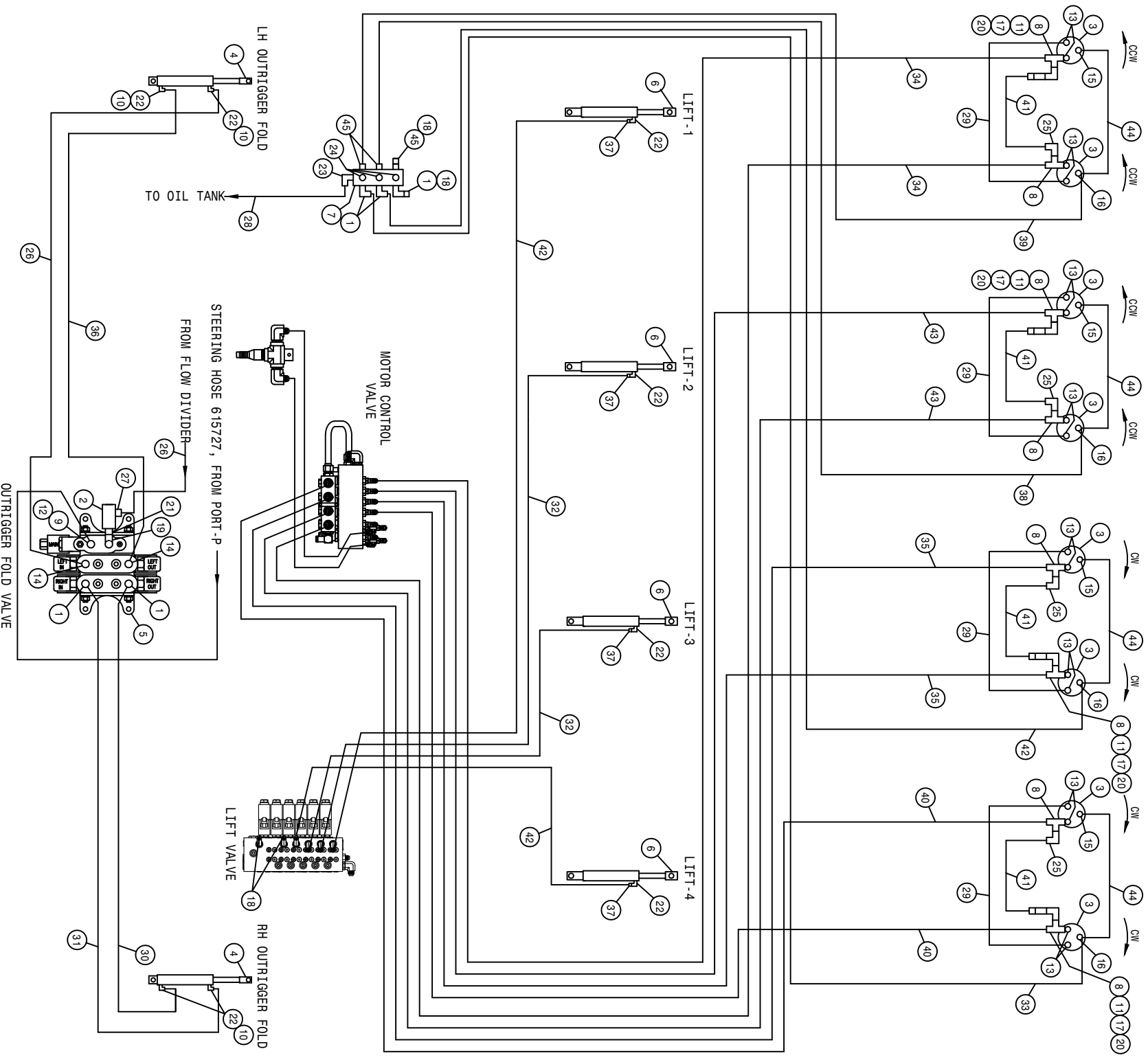
204 12R CUTR 6L LS HYD SCHEM 2008
REFERENCE DRAWING NO. 498992

DET.	QTY	PART NO.	DESCRIPTION	DET.	QTY	PART NO.	DESCRIPTION
1	5	618115	9/16MJIC-90-3/4MOR LBO	24	6	611147	3/4MJIC-1/2MNPT ADPTR
2	1	605615	HYD FILTER, INLINE 25M 9/16FOR	25	6	618733	9/16JIC .042 ORIFICE ADPTR
3	12	610755	BARNES HYD MOTOR, D-SERIES 01	26	3	611159	3/4MOR PLUG, HEX HEAD
4	2	621520	BOOM HINGE FOLD CYL ASSY	27	6	614368	08-482TC-08FJX-08FJX-60
5	1	606090	BRAND HYD VALVE, 2-SECT SER 36	28	4	614384	08-482TC-08FJX-08FJX-237
6	6	621564	DETAS LIFT CYL, 2.00 X 11.00STS	29	4	616170	08-482TC-08FJX-08FJX-295
7	1	606021	HYD RETURN MANIF, 3/4FOR, 9-PORT	30	1	601555	HOSE, 3/4 X 150 1FBR-1SPI
8	6	618620	3/4FJX-90-1/2MNPT ADPTR	31	1	616205	04-482TC-06FJX-06FJX-117
9	1	618310	9/16MJIC-7/8MOR ADPTR	32	1	614152	04-482TC-06FJX-06FJX-114
10	12	618451	3/4FJIC SW RUN TEE-3/4MJIC	33	2	614504	04-482TC-06FJX-06FJX-301
11	6	690338	LINE CHECK VALVE HYD .50NPT	34	1	614077	04-482TC-06FJX-06FJX-88
12	1	618692	3/4FJIC SWIV-9/16MOR ADPTR	35	2	611202	04-482TC-06FJX-06FJX-136
13	24	611125	3/4MJIC-3/4MOR ADPTR	36	2	614303	04-482TC-06FJX-06FJX-234
14	4	618731	9/16JIC .025 ORIFICE ADPTR	37	2	615729	04-482TC-06FJX-06FJX-84
15	6	618609	3/4MJIC-90-3/4FJIC SWIV LBO	38	2	615727	04-482TC-06FJX-06FJX-75
16	1	618126	9/16MJIC-9/16MOR ADPTR	39	6	616025	08-482TC-08FJX-08FJX-50
17	10	618119	9/16MJIC-90-9/16MOR LBO	40	2	611262	04-482TC-06FJX-06FJX-182
18	1	618618	9/16MJIC-90-9/16FJIC SWIV LBO	41	6	616422	04CIT-06FJX-06FJX90-50
19	1	618183	3/4MJIC-90-7/8MOR LBO	42	2	614377	04-482TC-06FJX-06FJX-258
20	2	618709	9/16MJIC-90-3/4MOR EX LG LBO	43	4	616168	08-482TC-08FJX-08FJX-139
21	1	618118	3/4 HOSE BARB-90-1 1/16MOR	44	3	618109	9/16MJIC-3/4MOR ADPTR
22	6	618530	9/16MJIC-1/8MNPT ADPTR				
23	6	618546	1/8MNPT RUN TEE-9/16MJIC				



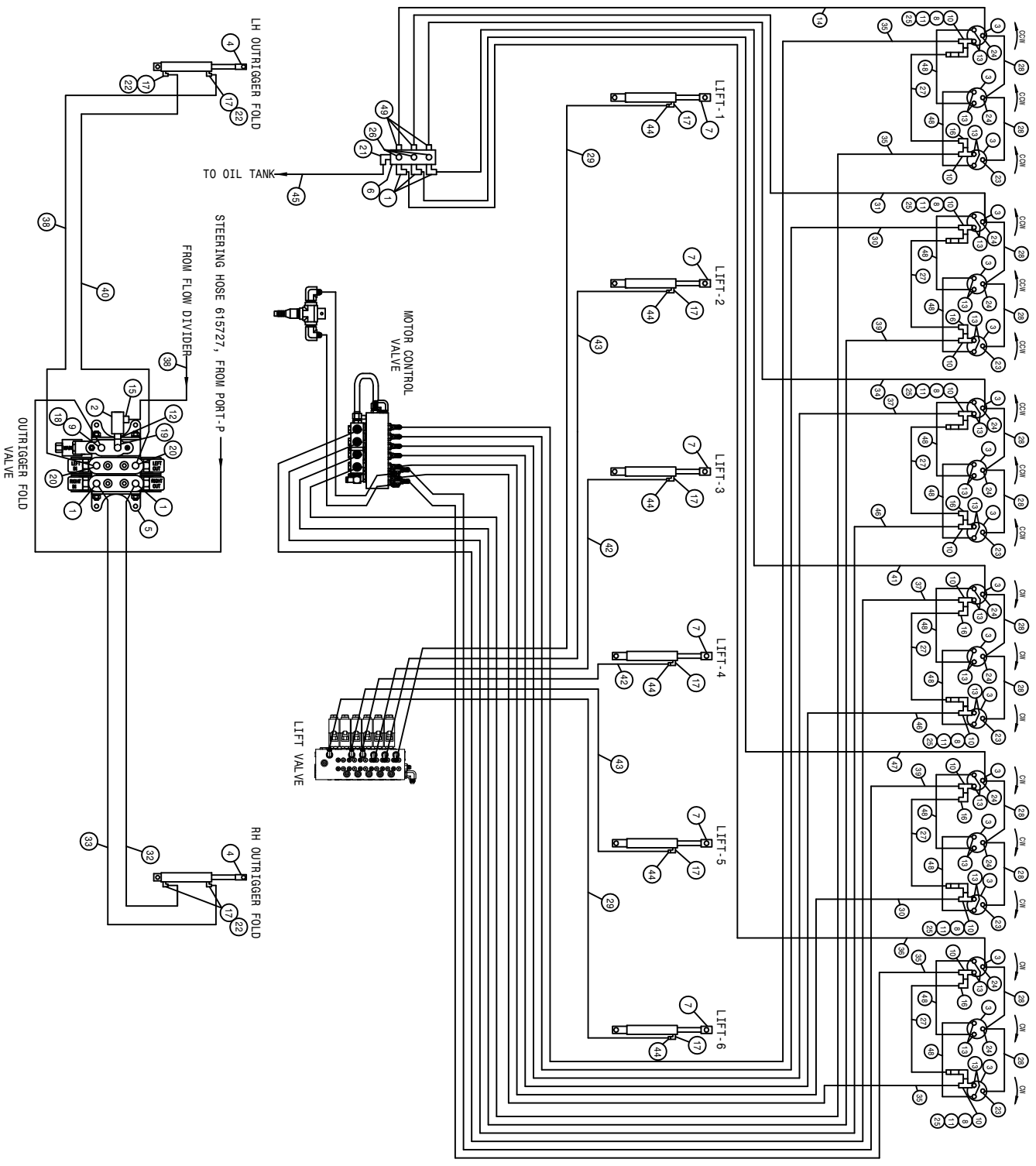
204 12R CUTR 52CM 6L LS HYD SCHEM 2008
REFERENCE DRAWING NO. 4989923

DET.	QTY	PART NO.	DESCRIPTION	DET.	QTY	PART NO.	DESCRIPTION
1	5	618115	9/16MJIC-90-3/4MOR LBO	26	3	611159	3/4MOR PLUG, HEX HEAD
2	1	605615	HYD FILTER, INLINE 25M 9/16FOR	27	1	614101	04-482TC-06FJX-06FJX-133
3	12	612055	BARNES HYD MOTOR, D-SERIES 01	28	2	614377	04-482TC-06FJX-06FJX-258
4	2	615720	BOOM HINGE FOLD CYL ASSY	29	1	601555	HOSE, 3/4 X 150 1FBR-1SPI
5	1	606090	BRAND HYD VALVE, 2-SECT SER 36	30	6	616025	08-482TC-08FJX-08FJX-50
6	1	606021	HYD RETURN MANIF, 3/4FOR, 9-PORT	31	1	616205	04-482TC-06FJX-06FJX-117
7	6	621564	DETA5 LIFT CYL, 2.00 X 11.00STS	32	1	614152	04-482TC-06FJX-06FJX-114
8	6	618620	3/4FJX-90-1/2MNPT ADPTR	33	6	616422	04C1T-06FJX-06FJX90-.50
9	1	618310	9/16MJIC-7/8MOR ADPTR	34	1	614158	04-482TC-06FJX-06FJX-199
10	4	618731	9/16JIC .025 ORIFICE ADPTR	35	4	614690	08-482TC-08FJX-08FJX-192
11	6	690338	LINE CHECK VALVE HYD .50NPT	36	1	614303	04-482TC-06FJX-06FJX-234
12	1	618692	3/4FJIC SWIV-9/16MOR ADPTR	37	1	611245	04-482TC-06FJX-06FJX-104
13	24	611125	3/4MJIC SW RUN TEE-3/4MJIC	38	2	615727	04-482TC-06FJX-06FJX-75
14	12	618451	3/4MJIC-90-3/4FJIC SWIV LBO	39	4	616227	08-482TC-08FJX-08FJX-255
15	6	618609	9/16MJIC-9/16MOR ADPTR	40	1	616191	04-482TC-06FJX-06FJX-138
16	1	618126	9/16MJIC-9/16MOR ADPTR	41	1	611246	04-482TC-06FJX-06FJX-174
17	10	618119	9/16MJIC-90-9/16MOR LBO	42	1	614154	04-482TC-06FJX-06FJX-221
18	1	618618	9/16MJIC-90-9/16FJIC SWIV LBO	43	1	614077	04-482TC-06FJX-06FJX-88
19	1	618183	3/4MJIC-90-7/8MOR LBO	44	6	618733	9/16JIC .042 ORIFICE ADPTR
20	2	618709	9/16MJIC-90-3/4MOR EX LG LBO	45	6	614368	08-482TC-08FJX-08FJX-60
21	1	618118	3/4 HOSE BARB-90-1 1/16MOR	46	4	614689	08-482TC-08FJX-08FJX-120
22	6	618530	9/16MJIC-1/8MNPT ADPTR	47	2	614076	04-482TC-06FJX-06FJX-119
23	6	618546	1/8MNPT RUN TEE-9/16MJIC	48	3	618109	9/16MJIC-3/4MOR ADPTR
24	6	611147	3/4MJIC-1/2MNPT ADPTR				
25	1	615095	04-482TC-06FJX-06FJX-194				H/A



204 8R CUTTER 4L 20" HYD SCHEM 2008
REFERENCE DRAWING NO. 498994

DET.	QTY	PART NO.	DESCRIPTION	DET.	QTY	PART NO.	DESCRIPTION
1	5	618115	9/16MJIC-90-3/4MOR LBO	24	3	611159	3/4MOR PLUG, HEX HEAD
2	1	605615	HYD FILTER, INLINE 25M 9/16FOR	25	4	618609	3/4MJIC-90-3/4FJIC SWIV LBO
3	8	610755	BARNES HYD MOTOR, D-SERIES 01	26	2	615727	04-482TC-06FJX-06FJX-75
4	2	621520	BOOM HINGE FOLD CYL ASSY	27	1	618126	9/16MJIC-9/16MOR ADPTR
5	1	606090	BRAND HYD VALVE, 2-SECT SER 36	28	1	601555	HOSE, 3/4 X 150 1FBR-1SP1
6	4	621564	DETAS LIFT CYL, 2.00 X 11.00STS	29	4	614368	08-482TC-08FJX-08FJX-60
7	1	606021	HYD RETURN MANIF, 3/4FOR, 9-PORT	30	1	616205	04-482TC-06FJX-06FJX-117
8	8	618451	3/4FJIC SW RUN TEE-3/4MJIC	31	1	614152	04-482TC-06FJX-06FJX-114
9	1	618310	9/16MJIC-7/8MOR ADPTR	32	2	616060	04-482TC-06FJX-06FJX-104
10	4	618731	9/16JIC .025 ORIFICE ADPTR	33	1	611246	04-482TC-06FJX-06FJX-174
11	4	618620	3/4FJX-90-1/2MNPT ADPTR	34	2	616423	08-482TC-08FJX-08FJX-163
12	1	618618	9/16MJIC-90-9/16FJIC SWIV LBO	35	2	616168	08-482TC-08FJX-08FJX-139
13	16	611125	3/4MJIC-3/4MOR ADPTR	36	1	614077	04-482TC-06FJX-06FJX-88
14	2	618709	9/16MJIC-90-3/4MOR EX LG LBO	37	3	618733	9/16JIC .042 ORIFICE ADPTR
15	4	618530	9/16MJIC-1/8MNPT ADPTR	38	1	614152	04-482TC-06FJX-06FJX-114
16	4	618546	1/8MNPT RUN TEE-9/16MJIC	39	1	611212	04-482TC-06FJX-06FJX-164
17	4	690338	LINE CHECK VALVE HYD .50NPT	40	2	614690	08-482TC-08FJX-08FJX-192
18	4	618531	9/16FJIC CAP NUT	41	4	616025	08-482TC-08FJX-08FJX-50
19	1	618183	3/4MJIC-90-7/8MOR LBO	42	3	614101	04-482TC-06FJX-06FJX-133
20	4	611147	3/4MJIC-1/2MNPT ADPTR	43	2	614689	08-482TC-08FJX-08FJX-120
21	1	618692	3/4FJIC SWIV-9/16MOR ADPTR	44	4	616422	04CLT-06FJX-06FJX90-50
22	8	618119	9/16MJIC-90-9/16MOR LBO	45	3	618109	9/16MJIC-3/4MOR ADPTR
23	1	618118	3/4 HOSE BARB-90-1 1/16MOR				



204 18R CUTR 20" 6L LS HYD SCHEM 2008
REFERENCE DRAWING NO. 498995

DET.	QTY	PART NO.	DESCRIPTION	DET.	QTY	PART NO.	DESCRIPTION
1	5	618115	9/16MJIC-90-3/4MOR LBO	26	3	611159	3/4MOR PLUG, HEX HEAD
2	1	605615	HYD FILTER, INLINE 25M 9/16FOR	6	6	614662	08-482TC-.08FJX-.08FJX-72
3	18	610755	BARNES HYD MOTOR, D-SERIES 01	12	12	616422	04C1T-.06FJX-.06FJX90-50
4	2	621520	BOOM HINGE FOLD CYL ASSY	2	2	614377	04-482TC-.06FJX-.06FJX-258
5	1	606090	BRAND HYD VALVE, 2-SECT SER 36	2	2	616223	08-482TC-.08FJX-.08FJX-232
6	1	606021	HYD RETURN MANIF, 3/4FOR, 9-PORT	1	1	614303	04-482TC-.06FJX-.06FJX-234
7	6	621564	DETAS LIFT CYL, 2.00 X 11.00STS	1	1	616205	04-482TC-.06FJX-.06FJX-117
8	6	618620	3/4FJX-90-1/2MNPT ADPTR	1	1	614152	04-482TC-.06FJX-.06FJX-114
9	1	618310	9/16MJIC-7/8MOR ADPTR	1	1	611212	04-482TC-.06FJX-.06FJX-164
10	12	618451	3/4FJIC SW RUN TEE-3/4MJIC	4	4	614386	08-482TC-.08FJX-.08FJX-285
11	6	690338	LINE CHECK VALVE HYD .50NPT	1	1	615731	04-482TC-.06FJX-.06FJX-290
12	1	618692	3/4FJIC SWIV-9/16MOR ADPTR	2	2	616169	08-482TC-.08FJX-.08FJX-146
13	36	611125	3/4MJIC-3/4MOR ADPTR	2	2	615727	04-482TC-.06FJX-.06FJX-75
14	1	614504	04-482TC-.06FJX-.06FJX-301 H/A	2	2	614378	08-482TC-.08FJX-.08FJX-207
15	1	618126	9/16MJIC-9/16MOR ADPTR	1	1	614077	04-482TC-.06FJX-.06FJX-88
16	6	618609	3/4MJIC-90-3/4FJIC SWIV LBO	1	1	614101	04-482TC-.06FJX-.06FJX-133
17	10	618119	9/16MJIC-90-9/16MOR LBO	2	2	616060	04-482TC-.06FJX-.06FJX-104
18	1	618618	9/16MJIC-90-9/16FJIC SWIV LBO	2	2	611246	04-482TC-.06FJX-.06FJX-174
19	1	618183	3/4MJIC-90-7/8MOR LBO	4	6	618733	9/16JIC .042 ORIFICE ADPTR
20	2	618709	9/16MJIC-90-3/4MOR EX LG LBO	1	1	601555	HOSE, 3/4 X 150 1FBR-1SPI
21	1	618118	3/4 HOSE BARB-90-1 1/16MOR	2	2	614689	08-482TC-.08FJX-.08FJX-120
22	4	618731	9/16JIC .025 ORIFICE ADPTR	1	1	614100	04-482TC-.06FJX-.06FJX-211
23	6	618530	9/16MJIC-1/8MNPT ADPTR	12	12	616025	08-482TC-.08FJX-.08FJX-50
24	12	618546	1/8MNPT RUN TEE-9/16MJIC	3	3	618109	9/16MJIC-3/4MOR ADPTR
25	6	611147	3/4MJIC-1/2MNPT ADPTR				

ABBREVIATIONS

A/C - AIR CONDITIONER	MT - MOUNT
ADPTR - ADAPTER	MTR - MOTOR
AGI - AGITATOR	P/N - PART NUMBER
ALT - ALTERNATOR	PLT - PLATE
ASSY - ASSEMBLY	QTY - QUANTITY
BRKT - BRACKET	RED - REDUCER
DET - DETAIL	REF - REFERENCE
DISPL - DISPLACEMENT	REST - RESTRICTOR
EL - ELBOW	REQ - REQUIRED
EXT - EXTENSION	SHFT - SHAFT
FLO - FLOW	SOL - SOLUTION
FNPT - FEMALE NATIONAL PIPE THREAD	STRG - STEERING
FOR - FEMALE O-RING	ST - STREET
FRT - FRONT	SWIV - SWIVEL
HYD - HYDRAULIC	UNC - UNIFIED NATIONAL COURSE
HYDRO - HYDROSTATIC	UNF - UNIFIED NATIONAL FINE
LG - LONG	V - VOLT
LWR - LOWER	W/ - WITH
MJIC - MALE J.I.C.	WHL - WHEEL
MOR - MALE O-RING	WLD - WELDMENT

-A-

ABBREVIATIONS.....138
 AIR CLEANER.....12
 BAND.....12
 CAP.....12
 CLAMP.....12
 FILTER.....12
 HOSE.....12
 AIR INTAKE SCREEN.....13
 ARM
 SENSOR.....58
 STEERING.....14, 15

-B-

BAND, AIR CLEANER.....12
 BATTERY.....25
 BOX.....25
 CABLE.....25
 HOLD DOWN.....25
 BELT.....5
 BLADE
 CHOPPER.....63,65,66
 CUTTER.....63,65,66
 FAN.....5
 BLOCK, TERMINAL.....36
 BOX
 CONTROL.....68,69,70
 BRACKET, THROTTLE.....4
 BRAKE
 SOLENOID.....19
 WEIGHT BRACKET.....80
 BREATHER.....22

-C-

CAB.....71
 CAB
 CHOKE.....31
 HYDROSTATIC.....33
 THROTTLE.....33
 CANOPY.....77
 CAP
 AIR CLEANER.....12
 FUEL.....23
 RADIATOR.....13
 STEERING.....29
 CHOKE CABLE.....31
 CHOPPER,
 BLADE.....63,65,66
 MALE ROW.....63,65,66
 CIRCUIT BREAKER.....31

CLAMP,
 MUFFLER.....12

TEE.....7
 CONSOLE.....31
 PANEL.....30
 CONTROL BOX.....30
 COVER.....30
 CUTTER
 BLADE.....60
 CASE DRAIN.....60
 HEAD.....60
 CYLINDER
 FOLD.....78
 STEERING.....21

-D-

DECALS.....82,83
 DEPTH COMMAND.....58
 DIAGRAM, WIRING.84,85,86,87,88,90
 DIFFUSER, SUMP.....22
 DIPSTICK.....22
 SENSOR.....22
 DRAIN COCK, RADIATOR.....13
 DRINK HOLDER.....31
 DRIVE ASSEMBLY.....4
 DUMP VALVE.....41

-E-

ELECTRIC VALVE.....40
 ENGINE,
 CUMMINS.....4,5
 HOOD.....35
 HOOD PROP.....35
 EXHAUST PIPE.....12

-F-

FAN BLADE.....5
 FAN SPACER.....5
 FILTER
 FUEL.....4,23
 OIL.....5,9,22,39
 FLASHER
 LIGHT.....35,71,77
 SWITCH.....29
 FLOW DIVIDER.....11
 FLOW REGULATOR.....59
 FLUSHING VALVE.....8
 FOAM.....13,27,71,74
 FOLD CYLINDER.....78
 FOLD VALVE.....79
 FRONT LEG.....14,16

FUEL
 CAP.....23
 GAUGE.....34
 SELECTOR VALVE.....23
 SENDER.....23
 TANK.....23
 FUSE.....30, 68, 69, 70
 HOLDER.....30, 68, 69, 70

-G-

GAUGE,
 FUEL.....34
 OIL PRESSURE.....34
 TEMPERATURE.....34
 GEAR PUMP.....6
 GROUND STRAP.....4

-H-

HANDRAIL.....24, 25
 HEAD,
 CUTTER.....60
 PULLER.....59
 HEADLIGHT.....71, 77
 HOLD DOWN, BATTERY.....26
 HOLDER, DRINK.....36
 HOSE,
 AIR CLEANER.....12
 RADIATOR.....5
 HOUR METER.....34
 HYDRAULIC
 MOTOR.....59, 60
 SCHEMATIC.....102
 HYDROSTATIC, LEVER.....32

-I-

INDICATOR
 LIGHT.....29, 34
 MPH/RPM.....34
 INNER TUBE.....18
 INSTRUMENT PANEL.....34

-K-

KIT, LIGHT.....34
 KNOB.....29

-L-

LADDER.....24, 25
 LEG
 FRONT.....14, 16
 REAR.....16, 17
 SHIM.....14
 SLEEVE, NYLON.....14
 LEVER,
 HYDROSTATIC.....32
 THROTTLE.....33

LIFTARM.....55, 64
 LIGHT,
 FLASHER.....35, 71, 77
 KIT.....34
 SWITCH.....30
 LS CROSSTUBE.....58
 LS SENSOR.....58

-M-

MALE ROW CHOPPER.....63, 65, 67
 MANIFOLD, HYDRAULIC.....38
 MOTOR,
 CONTROL VALVE.....37
 MOUNT.....4, 5
 STEERING.....29
 MOUNT,
 RADIATOR.....13
 RUBBER.....4, 27
 MPH/RPM INDICATOR.....34
 MUFFLER.....12
 CLAMP.....12
 MULLION.....35

-N-

NOISE DEFLECTOR SHIELD.....27

-O-

OIL
 COOLER.....13
 FILTER.....39
 PRESSURE GAUGE.....34
 PRESSURE SENDER.....4
 TANK.....22
 OPERATOR STATION.....27
 OUTRIGGER.....43, 47, 49
 FOLD.....78

-P-

PANEL, INSTRUMENT.....34
 PHOTO SENSOR.....58
 PIPE, EHAUST.....13
 PIVOT PIN.....43, 47, 49
 PIVOT, STEERING.....20
 PLATFORM, SERVICE.....24, 25
 POSITRACTION VALVE.....7
 PROP ENGINE HOOD.....35
 PULLER
 HEAD.....59
 SHIELD.....59
 PUMP,
 GEAR.....6
 SUNDSTRAND.....6

-R-

RADIATOR..... 13
HOSE..... 5
MOUNT..... 13
SHROUD..... 13
REAR LEG..... 16, 17
RECOVERY TANK..... 13
REGULATOR, FLOW..... 59
RELIEF VALVE..... 11
RIM..... 18
ROOF, CANOPY..... 77
RUBBER..... 71
BOOT..... 30
HOOK..... 35
MOUNT..... 4, 5, 27

-S-

SCHEMATIC, HYDRAULIC..... 102
WIRING..... 90
SCREEN, AIR INTAKE..... 13
SEAT..... 28
SELECTOR VALVE FUEL..... 23
SENDER, FUEL..... 23
OIL PRESSURE..... 4
TEMPERATURE..... 5
SENSOR, LS..... 58
MPH..... 16
SERVICE PLATFORM..... 24, 25
SHEET METAL..... 35, 36
SHIELD, HEAT..... 13
NOISE DEFLECTOR..... 27
PULLER..... 59
WHEEL MOTOR..... 14, 15, 16, 17
SHROUD, RADIATOR..... 13
SMV SIGN..... 36
SPACER, FAN..... 5
STABILIZER TUBE..... 45, 47, 49
STALK GUIDE..... 16, 17
STEERING, ARM..... 14, 15
CYLINDER..... 21
MOTOR..... 29
PIVOT..... 20
POST..... 29
WHEEL..... 29
STRAP, GROUND..... 4

SUNDSTRAND PUMP..... 6
SUPPORT POST..... 43, 47, 49
SWITCH..... 27
BOX..... 68, 69, 70
FLASHER..... 29
LIGHT..... 30
TOGGLE..... 30, 68, 69, 70

-T-

TAILLIGHT..... 36
TANK, FUEL..... 23
OIL..... 22
TEE CLAMP..... 7
TEMPERATURE GAUGE..... 34
SENDER..... 5
TERMINAL BLOCK..... 31
THROTTLE CABLE BRACKET..... 4
LEVER..... 33
TIE BAR..... 43, 47, 49
TIE ROD..... 20
TIRE..... 18
PULLER..... 59
TOGGLE SWITCH..... 30
TOOLBAR..... 43, 45, 47, 49
TORQUE HUB..... 14, 15, 16, 17
TUBE, AIR CLEANER..... 12
INNER..... 18

-V-

VALVE, DUMP..... 41
ELECTRIC..... 40
FLUSHING..... 8
FOLD..... 79
MOTOR CONTROL VALVE..... 37
POSITRACTION..... 7, 10
VOLTMEETER..... 34

-W-

WEIGHT BRACKET..... 80
WHEELMOTOR..... 14, 15, 16, 17
WIRING, DIAGRAM..... 84, 85, 86, 87
SCHEMATIC..... 102

Notes:

