

**PARTS MANUAL**  
**FOR**  
**HAGIE MODEL 204 DETASSELER**

**HAGIE MANUFACTURING COMPANY**

BOX 273 CLARION, IOWA 50525 (515) 532-2861

COVERS MACHINE SERIAL NUMBERS: U1000110001 thru U1000110100

04-01 493215  
02-08

DETASSELER IDENTIFICATION

Each Hagie detasseler is identified by means of a frame serial number. This serial number denotes the model, the year in which it was built, and the number of the detasseler. As for further identification, the engine has a serial number, the hydrostatic pump has a serial number, the wheel motors have identification tags, and the planetary hubs have identification plates that describe the type of mount and gear ratio. To insure prompt, efficient service when ordering parts or requesting service repairs from Hagie Manufacturing Company, record the serial and identification numbers in the space provided below.

NOTE: Reference to left hand and right hand used throughout this manual refers to the position when seated in the operator's seat facing forward.

DETASSELER SERIAL NUMBER

\_\_\_\_\_

ENGINE SERIAL NUMBER

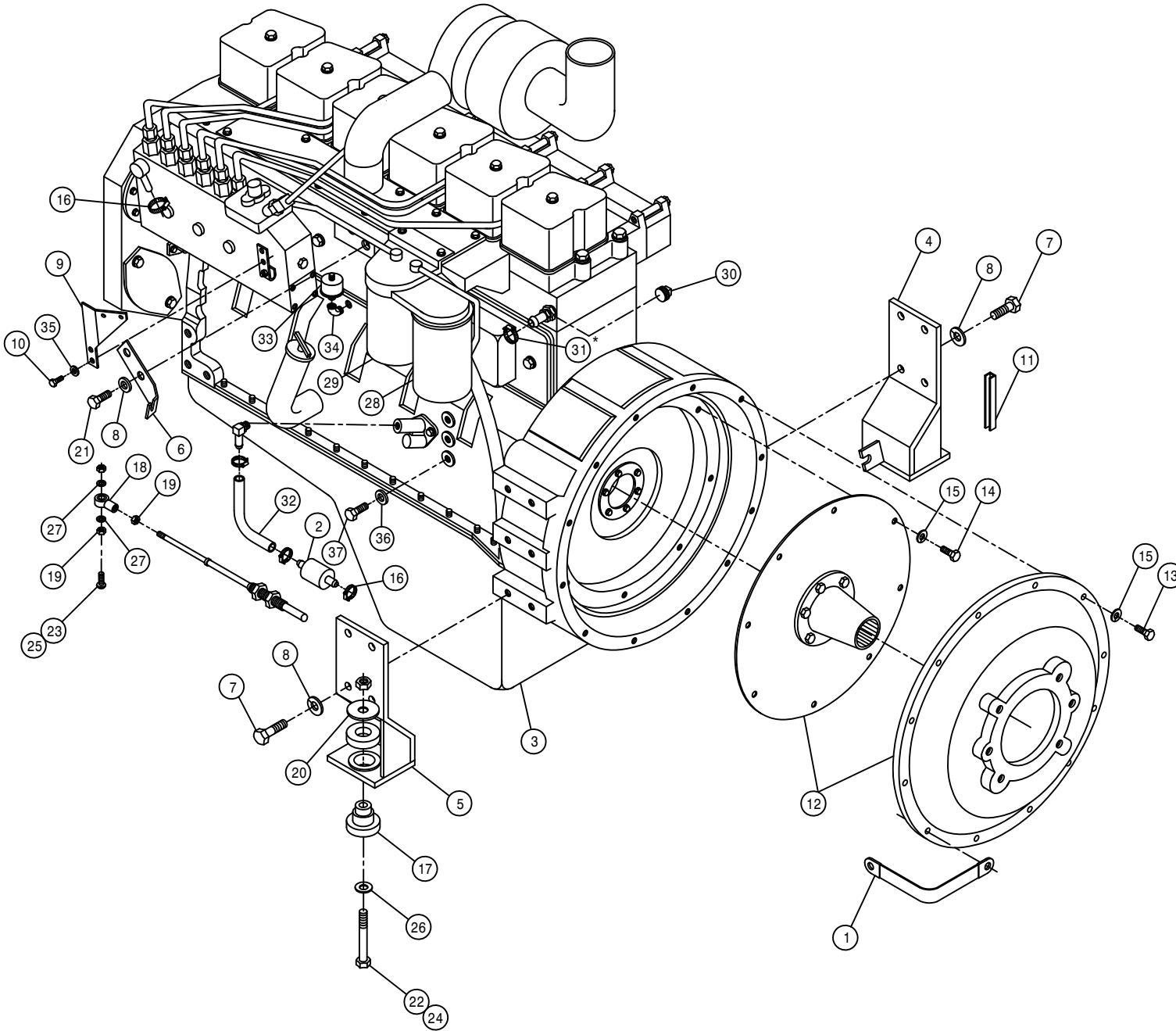
\_\_\_\_\_

PLANETARY HUB IDENTIFICATION NUMBERS

\_\_\_\_\_

TABLE OF CONTENTS

ENGINE ASSEMBLIES . . . . .	4-9
POSITRACTION VALVE. . . . .	10-11
HI-PRESS FILTER & LOOP FLUSHING VALVE . . . . .	12-13
FLOW DIVIDER. . . . .	14-15
EXHAUST PIPE & AIR CLEANER. . . . .	16-18
RADIATOR AND OIL COOLER . . . . .	.19
LEG ASSEMBLIES. . . . .	20-30
TIRE AND STALK GUIDE. . . . .	31-32
BRAKE SOLENOID ASSEMBLY . . . . .	.33
TIE ROD ASSEMBLY. . . . .	.34
STEERING CYLINDER ASSEMBLY. . . . .	.35
FUEL AND OIL TANKS. . . . .	36-39
LADDER AND SERVICE PLATFORM . . . . .	40-41
BATTERY . . . . .	.42
OPERATOR STATION ASSEMBLY . . . . .	43-46
INSTRUMENT PANEL ASSEMBLY . . . . .	.47
CONSOLE ASSEMBLY. . . . .	48-51
SHEET METAL . . . . .	52-53
MOTOR CONTROL VALVE . . . . .	.54
RETURN FILTER . . . . .	55-56
ELECTROHYDRAULIC VALVE. . . . .	57-60
OUTRIGGER AND LIFT ASSEMBLY . . . . .	61-71
LIFT CYLINDER ASSEMBLY. . . . .	.72
QUAD AND CUTTER HEAD. . . . .	73-75
CUTTER CASE DRAIN FITTING ASSEMBLY. . . . .	.76
MALE ROW CHOPPER. . . . .	77-80
CONTROL BOX ASSEMBLY. . . . .	81-83
LS SENSOR. . . . .	.84
DEPTH COMMAND . . . . .	85-87
CAB OPTION. . . . .	88-93
CANOPY OPTION . . . . .	94-95
WEIGHT BRACKET OPTION . . . . .	.96
WHEEL DRIVE ASSEMBLY. . . . .	97-99
DECALS. . . . .	100-101
WIRING DIAGRAM. . . . .	102-105
ELECTRICAL SCHEMATIC. . . . .	106-121
HYDRAULIC SCHEMATIC . . . . .	122-151
ABBREVIATIONS . . . . .	152
INDEX . . . . .	153



DIESEL ENGINE ASSEMBLY

DET.	QTY	PART NO.	DESCRIPTION
	1	290107	GROUND CABLE,8" X 4GA .406LUGS
	1	316281	FUEL STRAINER, IN-LINE, DIESEL
	1	316302	CUMM ENG,6B5.9A 152@2500
	4	316252	RH REAR ENG MT WLD, CUMM 94
	5	316253	LH REAR ENG MT WLD, CUMM 94
	6	316303	THROTTLE CABLE MT,6CYL CUMM 97
	7	473775	12MM-1.75 X 30MM HEX BOLT
	8	473784	12MM LOCK WASHER
	9	316304	THROTTLE LEVER EXT,6CYL CUMM97
	10	473826	6MM-1.00 X 16MM HEX BOLT
	11	193012	QUICKEDGE TRIM .135 TO .250
	12	800495	SUND DRIVE ASSY,2.83PILOT 14T
	13	473792	10MM-1.50 X 30MM HEX BOLT
	14	8 473793	10MM-1.50 X 20MM HEX BOLT
	15	20 473798	10MM LOCK WASHER
	16	4 520120	HOSE CLAMP NO 4 STAINLESS
	17	2 311054	RUBBER MOUNT SET, CB-2202-4
	18	1 473921	BALL JOINT NO 10-32 THD
	19	2 910027	10-32 HEX NUT
	20	2 311055	REBOUND WASHER FOR 311054
	21	2 473828	12MM-1.50 X 20MM HEX BOLT
	22	2 900271	1/2UNC X 3 1/4 HEX BOLT
	23	1 903893	10-32 X 1" SLT RD HD MACH SCR
	24	2 914008	1/2UNC HEX STOVER NUT
	25	1 914027	10-32 HEX STOVER NUT
	26	2 920004	1/2 SAE FLAT WASHER
	27	2 920510	#10 LOCK WASHER
	28	1 316208	FUEL FILTER, PRIMARY CUMM 92
	29	1 316209	FUEL FILTER, SECONDARY CUMM92
	30	1 504900	PIPE PLUG .75NPT SQ HD
	31	1 520055	HOSE CLAMP NO 12 STAINLESS
	32	1 601347	HOSE, 3/8 X 10 FUEL LINE
	33	1 291674	OIL PRESS SENDER,125PSI,1/8NPT
	34	1 500900	BLK PIPE ST EL 90DEG .125NPT
	35	2 920500	1/4 LOCK WASHER
	36	1 473804	8MM LOCK WASHER
	37	1 473827	8MM-1.25 X 20MM HEX BOLT

\*NOTE: DETAIL 31 AND HOSE BARB ARE USED WITH THE CAB OPTION.

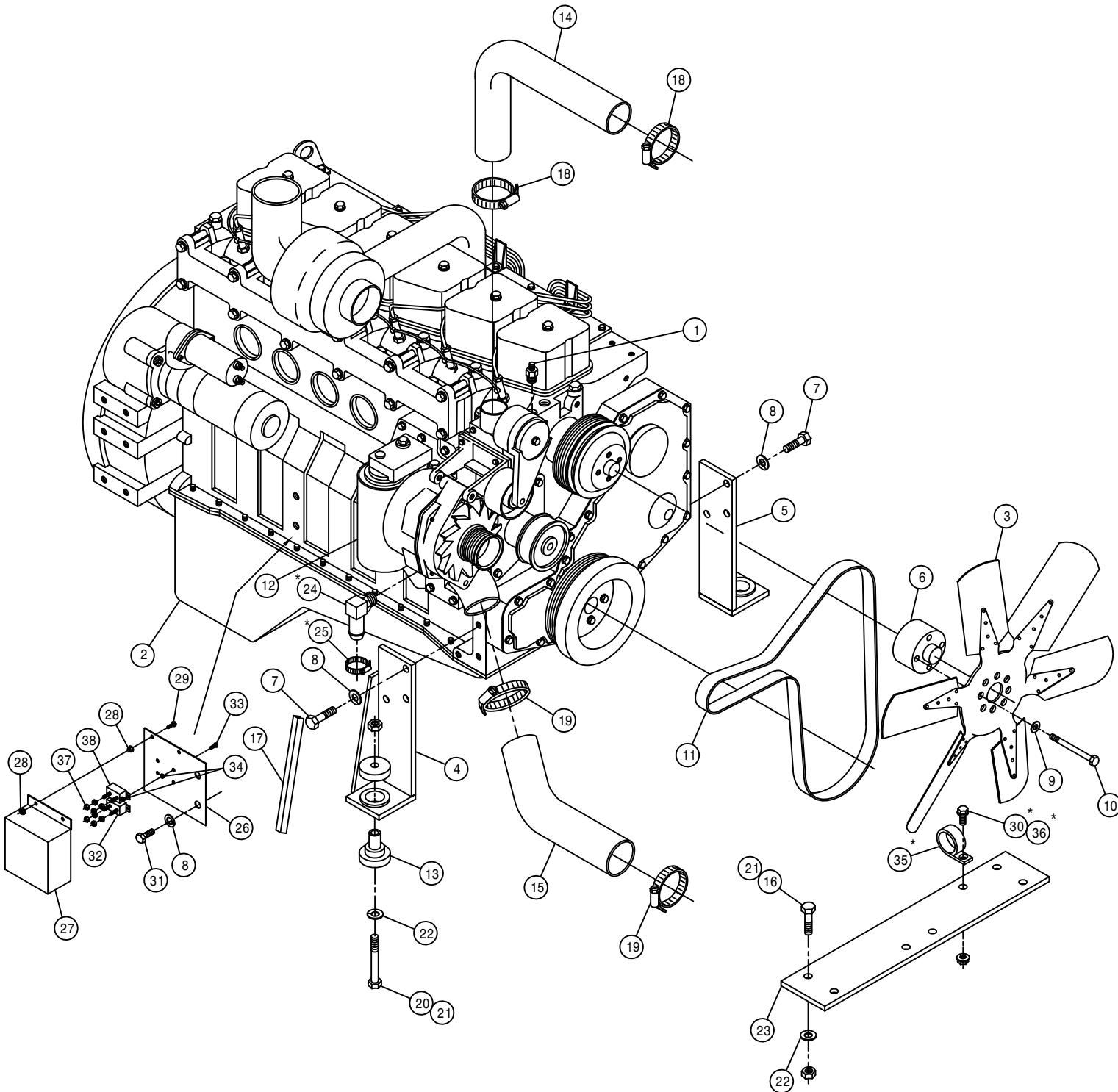
4

DIESEL ENGINE ASSEMBLY

DET. QTY PART NO. DESCRIPTION

1	1	314836	TEMP SENDR 280D 1/2NPT FOR GA
2	1	316302	CUMM ENG,6B5.9A 152@2500
3	1	316410	FAN, 22" 6 BLADE 40DEG
4	1	316250	RH FRT ENG MT WLD, CUMM 94
5	1	316313	LH FRT ENG MT WLD, 284 CUMM 98
6	1	316199	22IN FAN SPACER CUMM 92
7	6	473775	12MM-1.75 X 30MM HEX BOLT
8	8	473784	12MM LOCK WASHER
9	4	473804	8MM LOCK WASHER
10	4	473822	8MM-1.25 X 70MM HEX BOLT
11	1	316206	POLY V BELT CUMMINS DIESEL 92
12	1	316207	LUBE FILTER CUMMINS DIESEL 92
13	2	311053	RUBBER MOUNT SET,SSB26-1000-1
14	1	314832	RADIATOR HOSE 1.75 X 19
15	1	314886	RADIATOR HOSE 2 1/4 20717
16	4	900265	1/2UNC X 1 1/2 HEX BOLT
17	1	193012	QUICKEDGE TRIM .135 TO .250
18	2	520067	HOSE CLAMP NO 28 STAINLESS
19	2	520099	HOSE CLAMP NO 40 STAINLESS
20	2	900271	1/2UNC X 3 1/4 HEX BOLT
21	6	914008	1/2UNC HEX STOVER NUT
22	6	920004	1/2 SAE FLAT WASHER
23	1	341968	TIE PLT 250/280 CUMM 92
24	1	618573	5/8 HOSE BARB-90-1/2MNPT
25	1	520055	HOSE CLAMP NO 12 STAINLESS
26	1	316339	BREAKER MTG PLT, 2100
27	1	316340	BREAKER COVER, 2100 98
28	4	470175	10-32 HEX FLANGE LOCK NUT
29	2	470216	10-32 X 3/4 FLANGE HEX BOLT
30	1	470121	1/4UNC HEX FLANGE LOCK NUT
31	2	473783	12MM-1.75 X 25MM HEX BOLT
32	1	291197	CIRCUIT BREAKER,30AMP,INLINEMT
33	4	903812	6-32 X 1/2 SLT RD HD MACH SCR
34	8	910022	6-32 HEX NUT
35	1	520126	CUSH HOSE CLAMP 2IN X 5/8W
36	1	470118	1/4UNC X 3/4 FLANGE HEX BOLT
37	4	910027	10-32 HEX NUT
38	1	291556	CIRCUIT BREAKER,50AMP,INLINEMT

\*NOTE: DETAIL 24,25,30,35,AND 36 ARE USED WITH THE CAB OPTION.



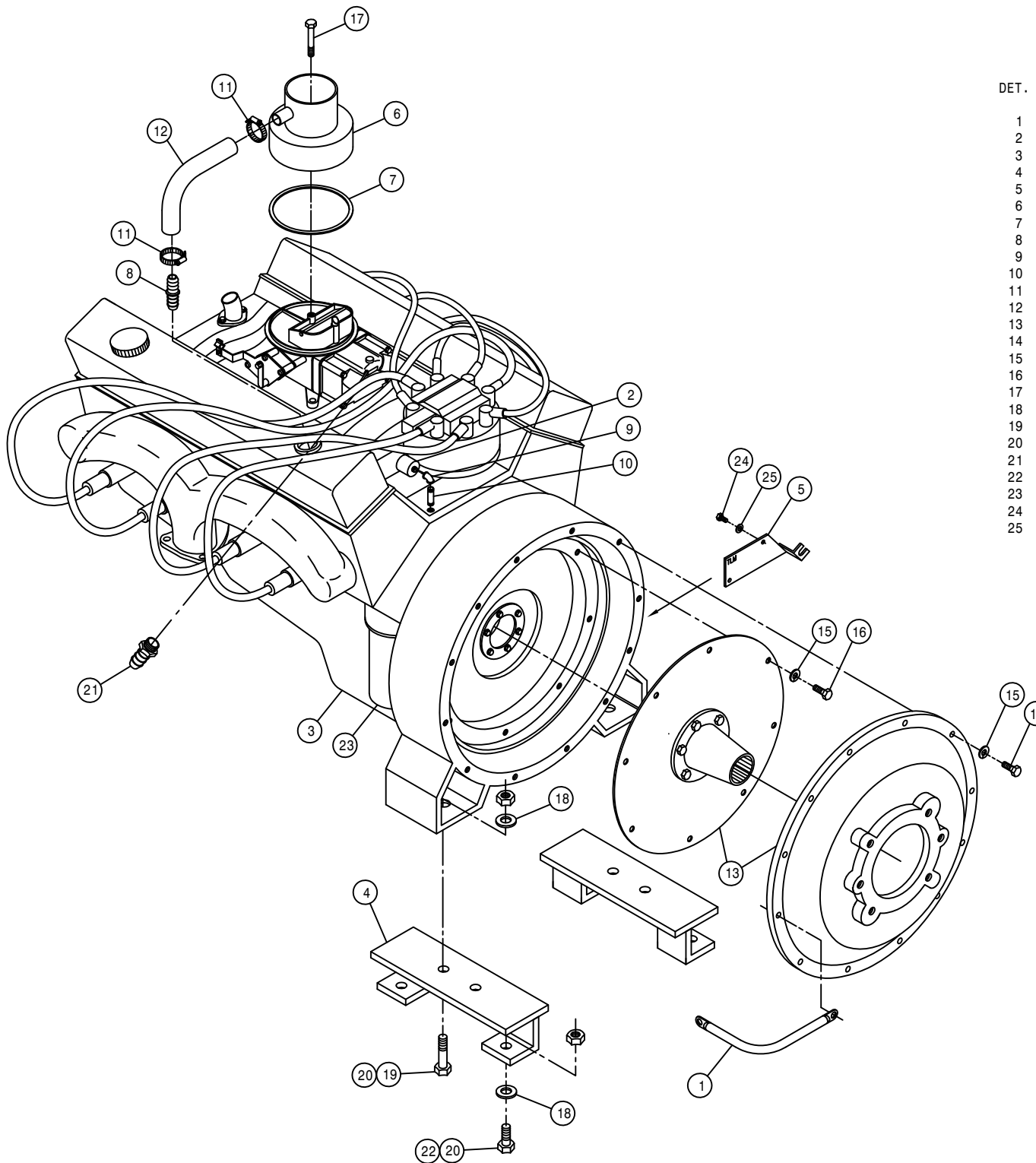
5

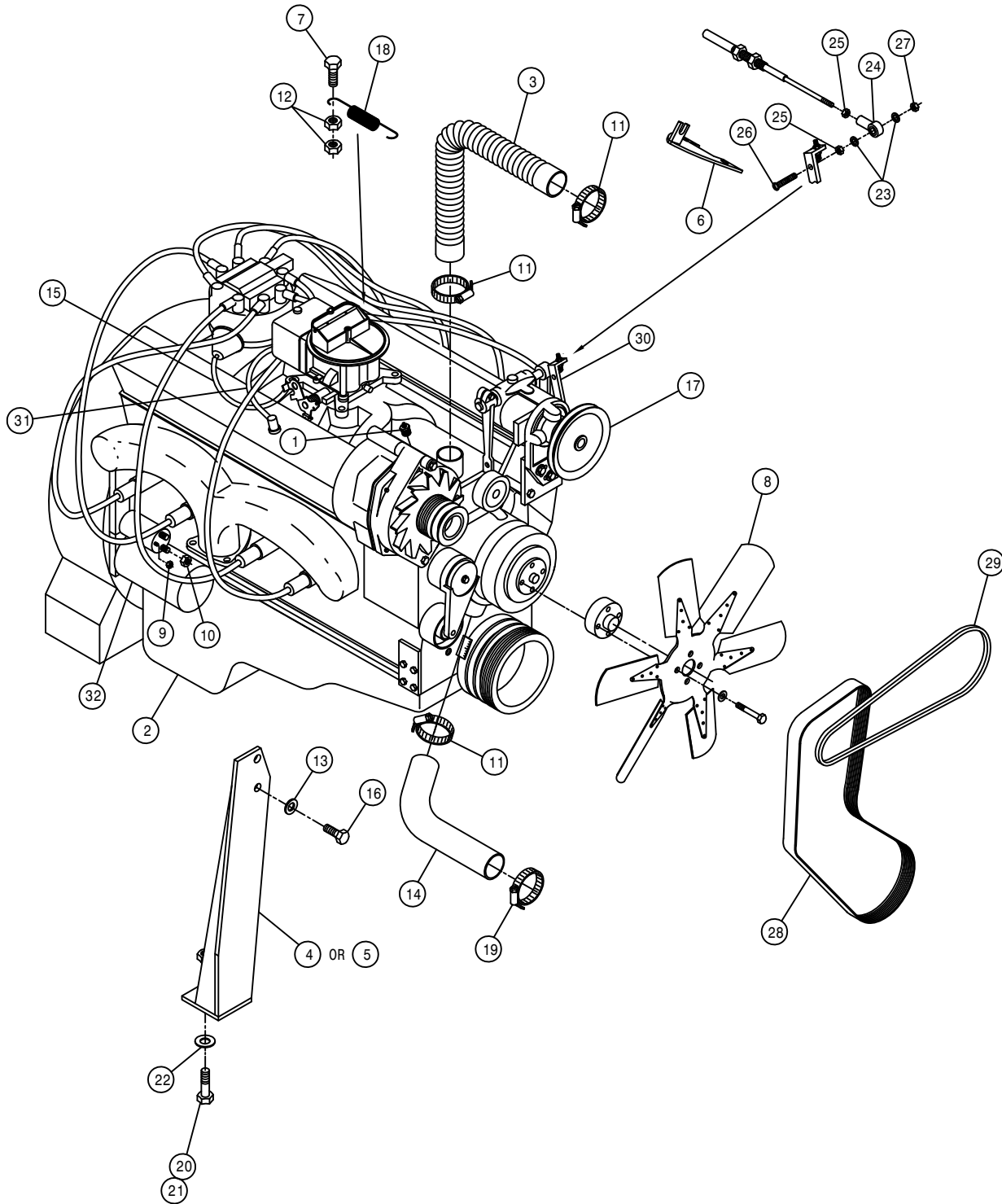
215005

GMC ENGINE ASSEMBLY

DET. QTY PART NO. DESCRIPTION

1	1	291531	GROUND CABLE, 15"
2	1	291610	OIL PRESS SENDER, 80PSI, 1/8NPT
3	1	315041	ENGINE, 350 GEN-1E 5.7L 98
4	2	314949	REAR MTR MT WLD, 204 GMC350 96
5	1	314952	HYDST CABLE MT WLD, 204 GMC 96
6	1	314963	CARB INTAKE WLD, 204 GMC350 96
7	1	314969	CARB INTAKE GASKET, GMC350 96
8	1	500070	3/4-3/4 HOSE BARB, POLY
9	1	500201	BLK PIPE EL 90DEG .125NPT
10	1	500520	BLK PIPE NIPPLE .125NPT-2.00
11	2	520055	HOSE CLAMP NO 12 STAINLESS
12	1	601379	HOSE, 3/4 X 16 2BR RED
13	1	800495	SUND DRIVE ASSY, 2.83PILOT 14T
14	12	900131	3/8UNC X 1 1/2 HEX BOLT
15	20	920502	3/8 LOCK WASHER
16	8	900128	3/8UNC X 3/4 HEX BOLT
17	1	900009	1/4UNC X 2 3/4 HEX BOLT
18	6	920004	1/2 SAE FLAT WASHER
19	2	900266	1/2UNC X 1 3/4 HEX BOLT
20	6	914008	1/2UNC HEX STOVER NUT
21	1	783305	1/2-20IF X 5/16 HOSE BARB, BRS
22	4	900265	1/2UNC X 1 1/2 HEX BOLT
23	1	314981	OIL FILTER, AC PH-35
24	2	900000	1/4UNC X 1/2 HEX BOLT
25	2	920500	1/4 LOCK WASHER





GMC ENGINE ASSEMBLY

DET.	QTY	PART NO.	DESCRIPTION
1	1	314836	TEMP SENDR 280D 1/2NPT FOR GA
2	1	315041	ENGINE,350 GEN-1E 5.7L 98
3	1	314940	RADIATOR HOSE, 1.75
4	1	314944	RH FRT MTR MT WLD, 204 GMC 96
5	1	314945	LH FRT MTR MT WLD, 204 GMC 96
6	1	315042	THROT CABLE MT WLD,204 GMC 99
7	1	900065	5/16UNC X 1" HEX BOLT
8	1	315050	FAN, 99
9	1	473770	5MM-.80 HEX NUT
10	1	473778	8MM-1.25 HEX NUT
11	3	520067	HOSE CLAMP NO 28 STAINLESS
12	2	910002	5/16UNC HEX NUT
13	4	920502	3/8 LOCK WASHER
14	1	314975	LWR RAD HOSE, 204 GMC
15	1	601405	HOSE, 5/32 X 16 VACUUM
16	4	900129	3/8UNC X 1" HEX BOLT
17	1	147034	5"OD 5/8"BORE PULLEY FOR GOV
18	1	482015	SPRING, GMC CARB
19	1	520099	HOSE CLAMP NO 40 STAINLESS
20	2	900265	1/2UNC X 1 1/2 HEX BOLT
21	2	914008	1/2UNC HEX STOVER NUT
22	2	920004	1/2 SAE FLAT WASHER
23	2	920510	#10 LOCK WASHER
24	1	473921	BALL JOINT NO 10-32 THD
25	2	910027	10-32 HEX NUT
26	1	903893	10-32 X 1" SLT RD HD MACH SCR
27	1	914027	10-32 HEX STOVER NUT
28	1	315049	SERPENTINE FAN BELT,350 GMPT
29	1	315048	BELT,GOVERNOR,350 GMPT 5.7 ENG
30	1	315045	GOVERNOR W/PULLEY FOR GM350 99
31	1	601527	HOSE, 3/8 X 16 FUEL LINE
32	1	315051	STARTER, GMC 350 315041

7

215007

CUMMINS PUMP ASSEMBLY

DET. QTY PART NO. DESCRIPTION

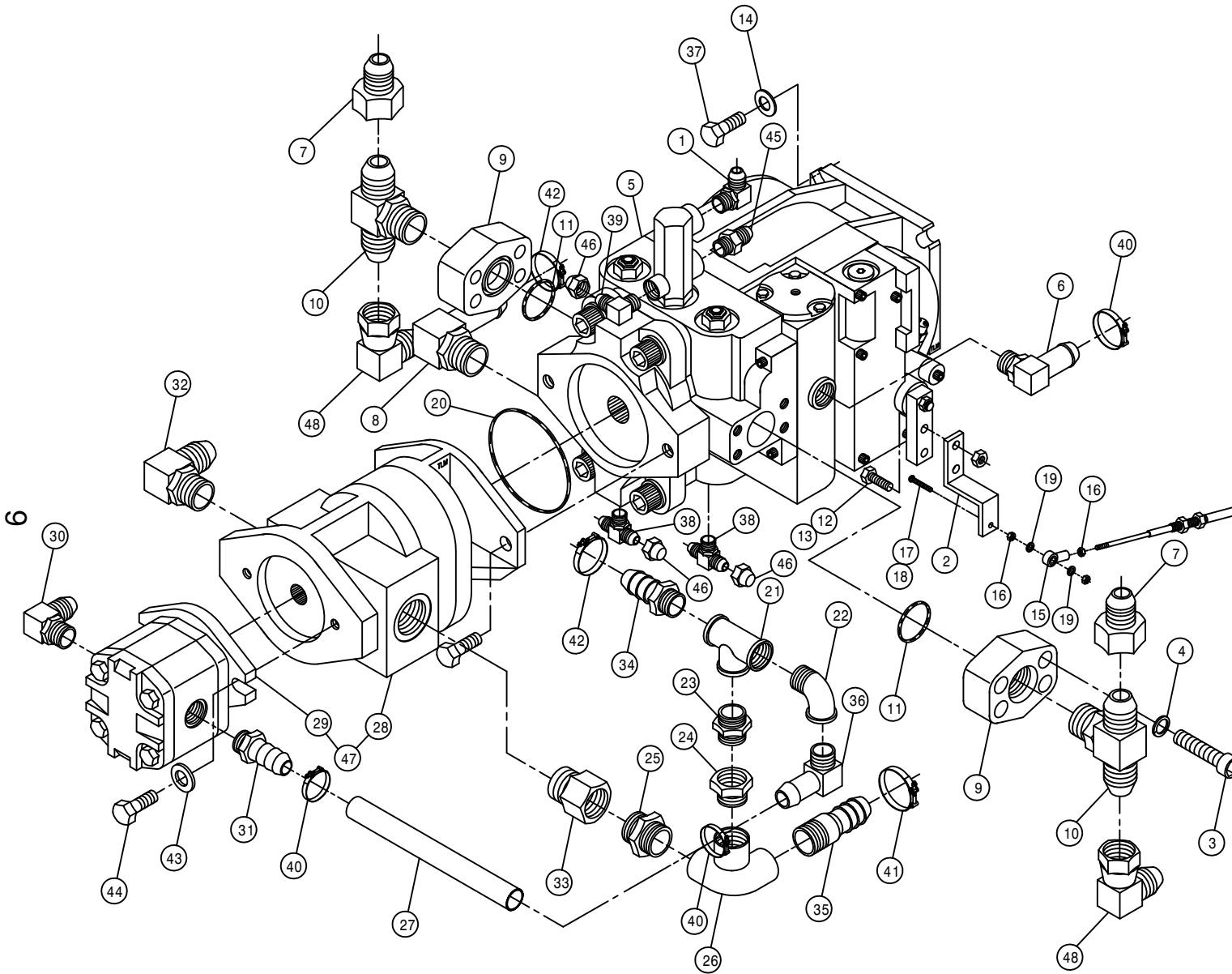
1	1	606937	TANDEM PUMP, 606929 & 606938
2	1	316160	PUMP CONT LEVER EXT 280 CUMM
3	8	470188	7/16-14 X 1 1/2 SKTHD CAP SCR
4	8	470189	7/16 HC LOCK WASH FOR 618598
5	1	606902	SUND 100CC PUMP,B-MT W/FILT
6	1	618118	3/4 HOSE BARB-90-1 1/16MOR
7	2	618541	1 5/16FJIC-1 1/16MJIC ADPTR
8	1	618638	1IN HOSE BARB-45-1 5/16MOR
9	2	618598	1" 4-BOLT FLG X 1 5/16 FOR
10	2	618599	1 5/16MOR BRANCH TEE-1 5/16MJ
11	2	870219	BUNA ORING 1 5/16 X 1 9/16
12	2	900003	1/4UNC X 1" HEX BOLT
13	2	914000	1/4UNC HEX STOVER NUT
14	4	920004	1/2 SAE FLAT WASHER
15	1	473921	BALL JOINT NO 10-32 THD
16	2	910027	10-32 HEX NUT
17	1	903893	10-32 X 1" SLT RD HD MACH SCR
18	1	914027	10-32 HEX STOVER NUT
19	2	920510	#10 LOCK WASHER
20	1	606870	O-RING FOR 606865 SUND B-MT
21	1	505101	BLK PIPE TEE 1.00NPT
22	1	618639	1 5/8MOR-1 5/16FOR ADPTR
23	1	505105	1MNPT HEX PIPE NIPPLE STL
24	1	506005	1 1/4 TO 1 RED BUSH BLK MAL
25	1	507026	1 1/4MNPT HEX PIPE NIPPLE STL
26	1	506701	SIDE OUTLET EL 90DEG 1.25NPT
27	1	601399	HOSE, 3/4 X 13 1FBR-1SPI
28	1	606938	SUND GEAR PUMP,4.00CIR SPLNED
29	1	606929	SUND GEAR PUMP .66CI, SPLINED
30	1	611128	7/8MJIC-90-7/8MOR LBO
31	1	618075	3/4 HOSE BARB-1 1/16MOR
32	1	618178	1 5/16MJIC-90-1 5/16MOR LBO
33	1	618596	1 5/8MOR-1 1/4FNPT ADPTR
34	1	714560	1NPT X 1 HOSE BARB
35	1	715660	HOSE BARB 1 1/4NPT X 1 1/4
36	1	716000	3/4 HOSE BARB-90-1MNPT
37	4	900265	1/2UNC X 1 1/2 HEX BOLT
38	1	618119	9/16MJIC-90-9/16MOR LBO
39	1	618183	3/4MJIC-90-7/8MOR LBO
40	3	520137	1.19/1.37 T-BOLT HOSE CLAMP
41	1	520132	1.62/1.87 T-BOLT HOSE CLAMP SS
42	2	520138	1.38/1.56 T-BOLT HOSE CLAMP
43	2	920002	3/8 SAE FLAT WASHER
44	2	900130	3/8UNC X 1 1/4 HEX BOLT
45	1	618327	3/4MJIC-7/8MOR ADPTR
46	3	618531	9/16FJIC CAP NUT
47	2	618191	1 1/16MJ-90-1 1/16FJ SWIV LBO
48	2	618629	9/16MOR BRANCH TEE-9/16MJIC
49	2	506410	BLK PIPE ST EL 90DEG 1.25NPT

8

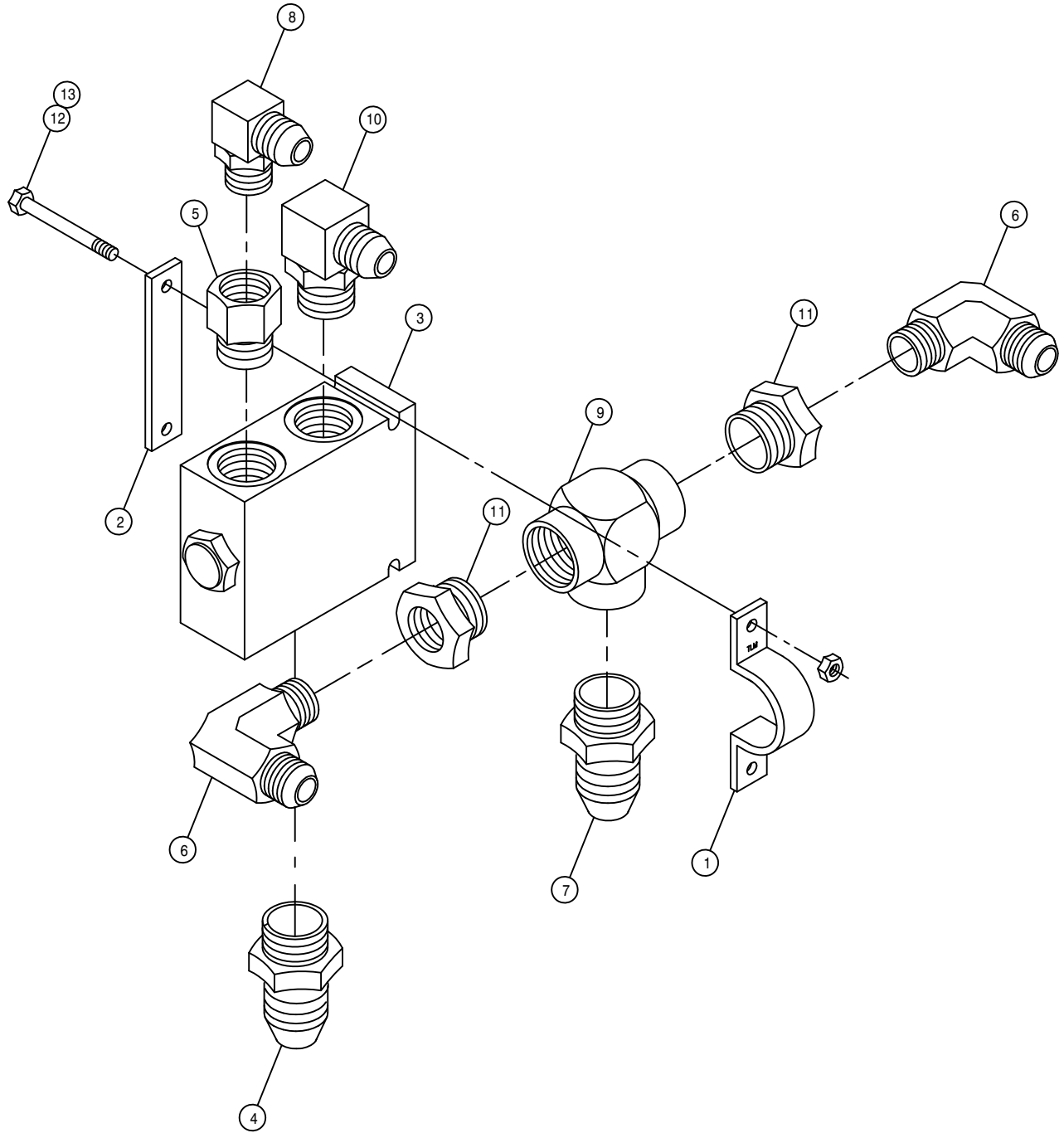
215008



GMC PUMP ASSEMBLY

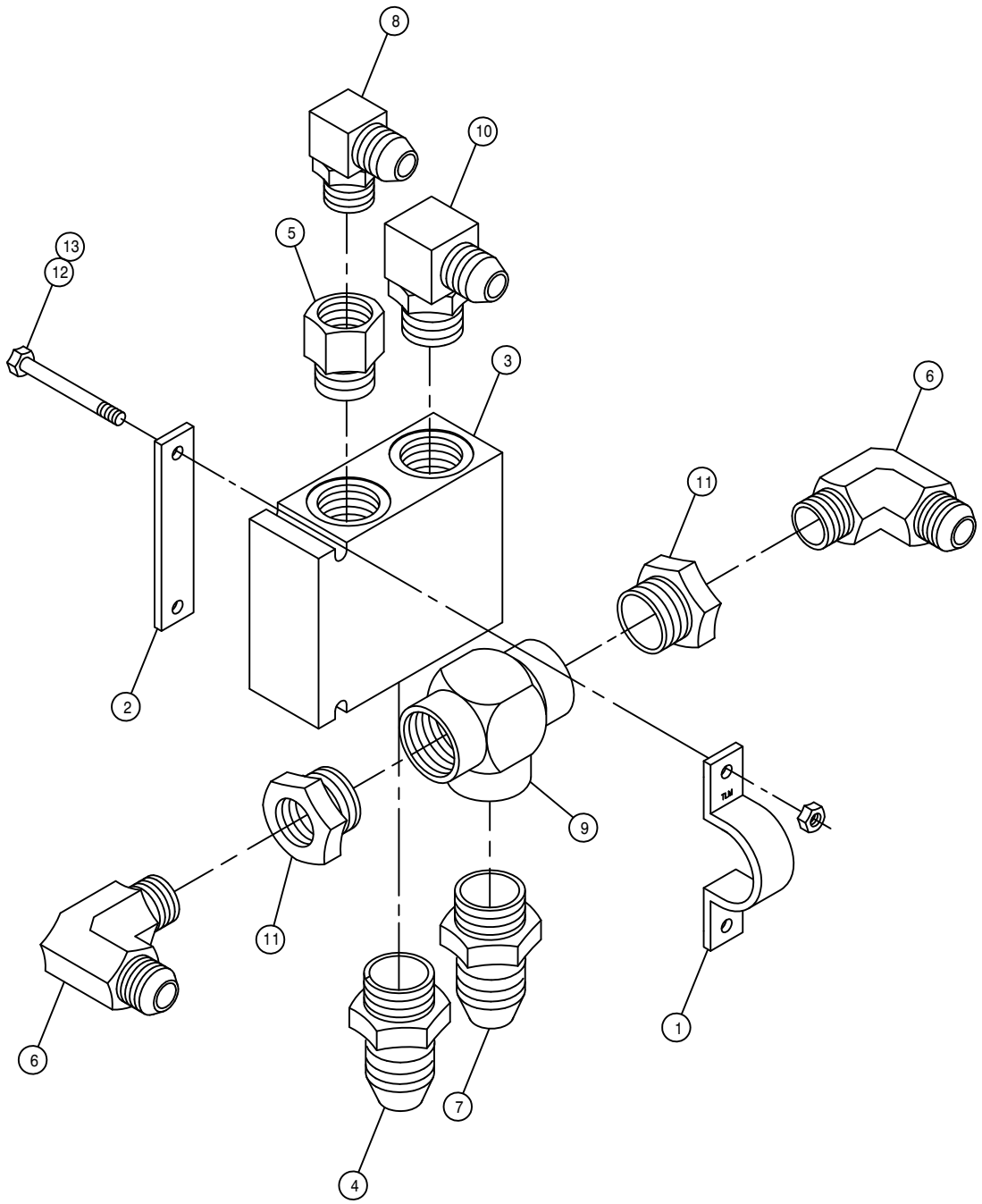


DET.	QTY	PART NO.	DESCRIPTION
1	1	618183	3/4MJIC-90-7/8MOR LBO
2	1	314957	PUMP CTRL LEVR EXT,204 GMC 96
3	8	470188	7/16-14 X 1 1/2 SKTHD CAP SCR
4	8	470189	7/16 HC LOCK WASH FOR 618598
5	1	606911	SUND 75CC PUMP,B-MT W/FILT
6	1	618118	3/4 HOSE BARB-90-1 1/16MOR
7	2	618541	1 5/16FJIC-1 1/16MJIC ADPTR
8	1	618564	1IN HOSE BARB-90-1 5/16MOR
9	2	618598	1" 4-BOLT FLG X 1 5/16 FOR
10	2	618599	1 5/16MOR BRANCH TEE-1 5/16MJ
11	2	870219	BUNA ORING 1 5/16 X 1 9/16
12	2	900003	1/4UNC X 1" HEX BOLT
13	2	914000	1/4UNC HEX STOVER NUT
14	4	920004	1/2 SAE FLAT WASHER
15	1	473921	BALL JOINT NO 10-32 THD
16	2	910027	10-32 HEX NUT
17	1	903893	10-32 X 1" SLT RD HD MACH SCR
18	1	914027	10-32 HEX STOVER NUT
19	2	920510	#10 LOCK WASHER
20	1	606870	O-RING FOR 606865 SUND B-MT
21	1	505101	BLK PIPE TEE 1.00NPT
22	1	505200	BLK PIPE ST EL 90DEG 1.00NPT
23	1	505105	1MNPT HEX PIPE NIPPLE STL
24	1	506005	1 1/4 TO 1 RED BUSH BLK MAL
25	1	507026	1 1/4MNPT HEX PIPE NIPPLE STL
26	1	506701	SIDE OUTLET EL 90DEG 1.25NPT
27	1	601383	HOSE, 3/4 X 8 1FBR-1SPI
28	1	606894	SUND GEAR PUMP 3.40CI SPLINED
29	1	606891	SUND GEAR PMP .52CI SPLINED
30	1	611128	7/8MJIC-90-7/8MOR LBO
31	1	618075	3/4 HOSE BARB-1 1/16MOR
32	1	618178	1 5/16MJIC-90-1 5/16MOR LBO
33	1	618596	1 5/8MOR-1 1/4FNPT ADPTR
34	1	714560	1NPT X 1 HOSE BARB
35	1	715660	HOSE BARB 1 1/4NPT X 1 1/4
36	1	716000	3/4 HOSE BARB-90-1MNPT
37	4	900265	1/2UNC X 1 1/2 HEX BOLT
38	2	618629	9/16MOR BRANCH TEE-9/16MJIC
39	1	618119	9/16MJIC-90-9/16MOR LBO
40	3	520137	1.19/1.37 T-BOLT HOSE CLAMP
41	1	520132	1.62/1.87 T-BOLT HOSE CLAMP SS
42	2	520138	1.38/1.56 T-BOLT HOSE CLAMP
43	2	920002	3/8 SAE FLAT WASHER
44	2	900130	3/8UNC X 1 1/4 HEX BOLT
45	1	618327	3/4MJIC-7/8MOR ADPTR
46	3	618531	9/16FJIC CAP NUT
47	1	606942	TANDEM PUMP, 606891 & 606894
48	2	618640	1 5/16MJ-90-1 5/16FJ SWIV LBO



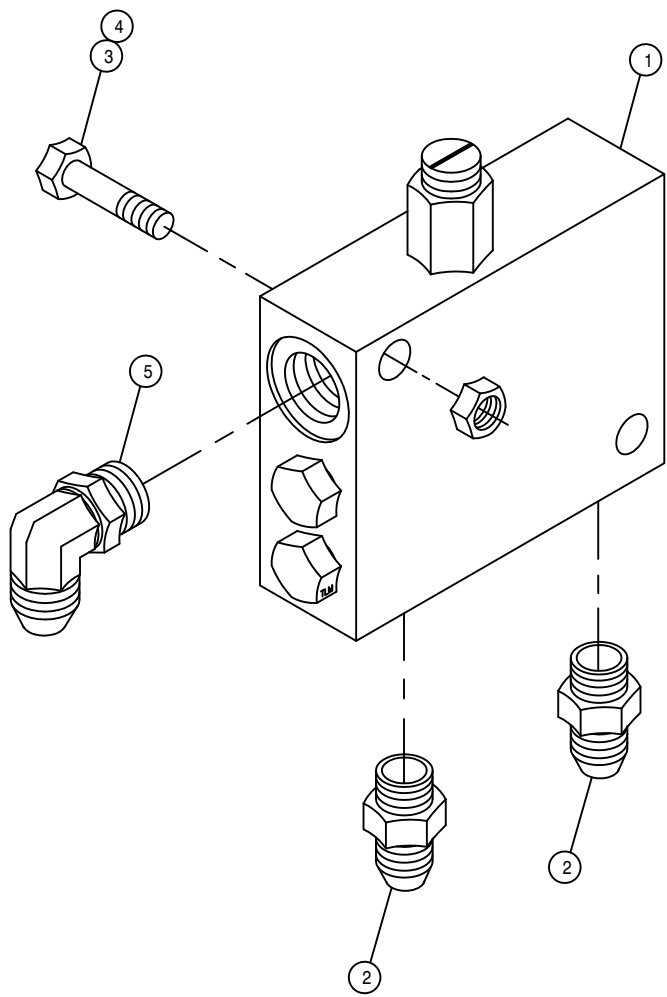
CUMMINS POSITRACTION VALVE ASSEMBLY

DET.	QTY	PART NO.	DESCRIPTION
1	1	314842	TEE CLAMP, TRAC VLV 200 89
2	1	314843	TEE KEEPER, TRAC VLV 200 89
3	1	610468	POSITRACTION VLV MOD CONT 20G
4	1	618308	1 1/16MJIC-1 5/16MOR ADPTR
5	1	618312	1 5/16MOR-1 1/16FOR ADPTR
6	2	611124	7/8MJIC-90-1/2MNPT LBO
7	1	618434	1 1/16MJIC-1MNPT ADPTR
8	1	618535	7/8MJIC-90-1 1/16MOR LBO
9	1	618575	1FNPT PIPE TEE STL
10	1	618589	7/8MJIC-90-1 5/16MOR LBO
11	2	505005	RED BUSH 1 TO 1/2
12	2	900011	1/4UNC X 3 1/4 HEX BOLT
13	2	914000	1/4UNC HEX STOVER NUT



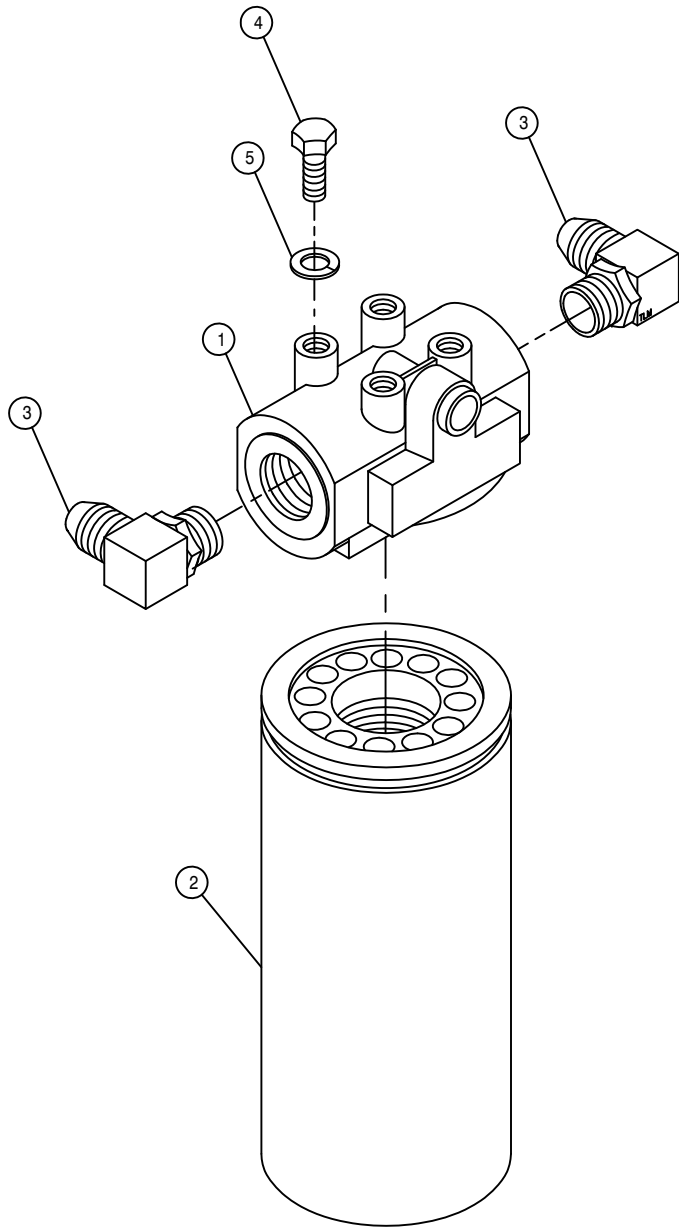
GMC POSITRACTION VALVE ASSEMBLY

DET.	QTY	PART NO.	DESCRIPTION	
1	1	314842	TEE CLAMP, TRAC VLV 200	89
2	1	314843	TEE KEEPER, TRAC VLV 200	89
3	1	610468	POSITRACTION VLV MOD CONT 20G	
4	1	618308	1 1/16MJIC-1 5/16MOR ADPTR	
5	1	618312	1 5/16MOR-1 1/16FOR ADPTR	
6	2	611124	7/8MJIC-90-1/2MNPT LBO	
7	1	618434	1 1/16MJIC-1MNPT ADPTR	
8	1	618535	7/8MJIC-90-1 1/16MOR LBO	
9	1	618575	1FNPT PIPE TEE STL	
10	1	618589	7/8MJIC-90-1 5/16MOR LBO	
11	2	505005	RED BUSH 1 TO 1/2	
12	2	900011	1/4UNC X 3 1/4 HEX BOLT	
13	2	914000	1/4UNC HEX STOVER NUT	



LOOP FLUSHING VALVE ASSEMBLY

DET.	QTY	PART NO.	DESCRIPTION
1	1	610580	REMOTE FLUSHING VALVE, SUND
2	2	618126	9/16MJIC-9/16MOR ADPTR
3	2	900133	3/8UNC X 2" HEX BOLT
4	2	914004	3/8UNC HEX STOVER NUT
5	1	618119	9/16MJIC-90-9/16MOR LBO



HI-PRESS FILTER ASSEMBLY

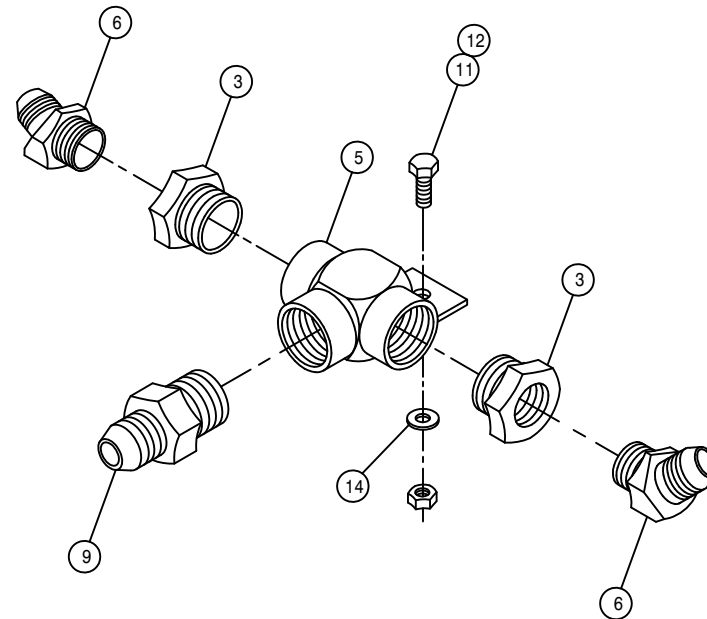
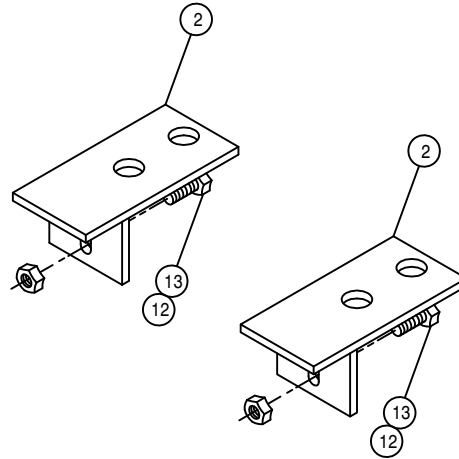
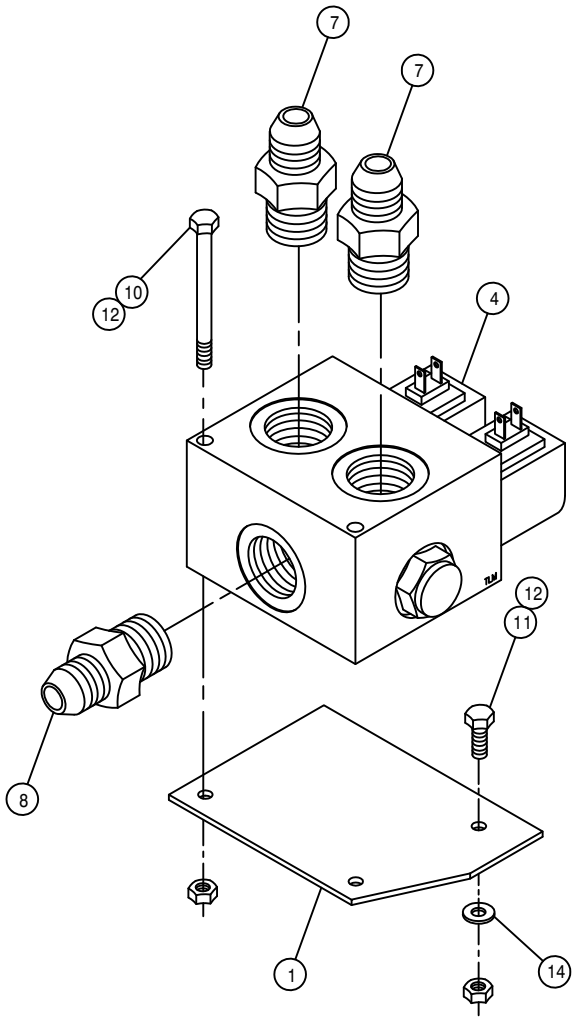
DET. QTY PART NO. DESCRIPTION

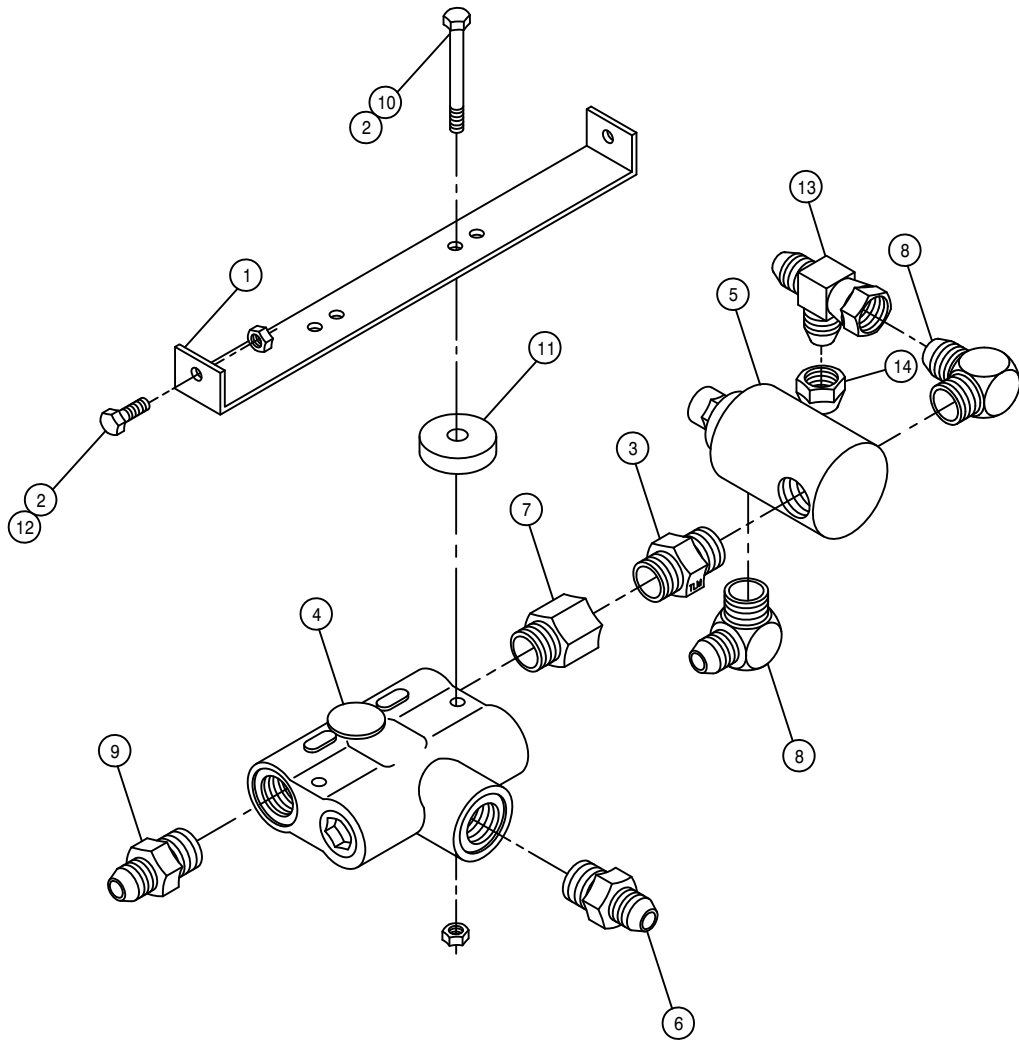
1	1	605608	HYD FILTER HEAD, DONALDSON
2	1	605609	HYD FILTER ELEMENT, DONALDSON
3	2	618474	3/4MJIC-90-1 1/16MOR LBO
4	4	900128	3/8UNC X 3/4 HEX BOLT
5	4	920502	3/8 LOCK WASHER

POSITRACTION VALVE ASSEMBLY

DET. QTY PART NO. DESCRIPTION

DET.	QTY	PART NO.	DESCRIPTION	
1	1	341849	POSITRACTION VALVE MT	200
2	2	341850	200 RETURN TEE MT WLD	89
3	2	505213	RED BUSH 1 X 3/4 BLK MAL	
4	1	610586	POSITRACTION VLV,ALUM,88SP60G	
5	1	614660	1IN STL TEE WLD 280	89
6	2	618156	7/8MJIC-90-3/4MNPT LBO	
7	2	618601	7/8MJIC-1 5/16MOR ADPT	
8	1	618186	1 5/16MJIC-1 5/16MOR ADPTR	
9	1	618322	1 5/16MJIC-1MNPT ADPTR	
10	2	900012	1/4UNC X 3 1/2 HEX BOLT	
11	2	900002	1/4UNC X 3/4 HEX BOLT	
12	6	914000	1/4UNC HEX STOVER NUT	
13	2	900003	1/4UNC X 1" HEX BOLT	
14	2	920000	1/4 SAE FLAT WASHER	

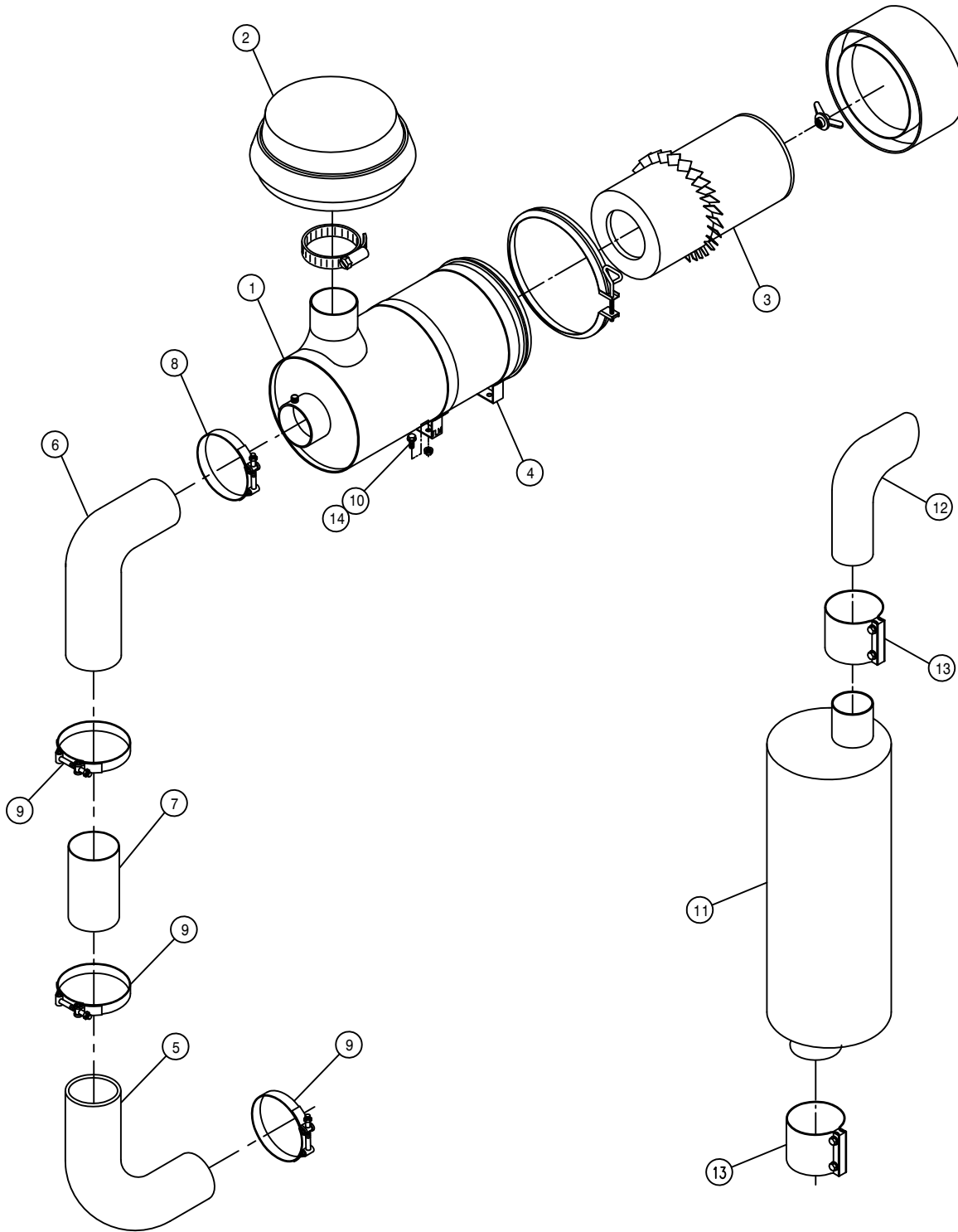




FLOW DIVIDER ASSEMBLY

DET. QTY PART NO. DESCRIPTION

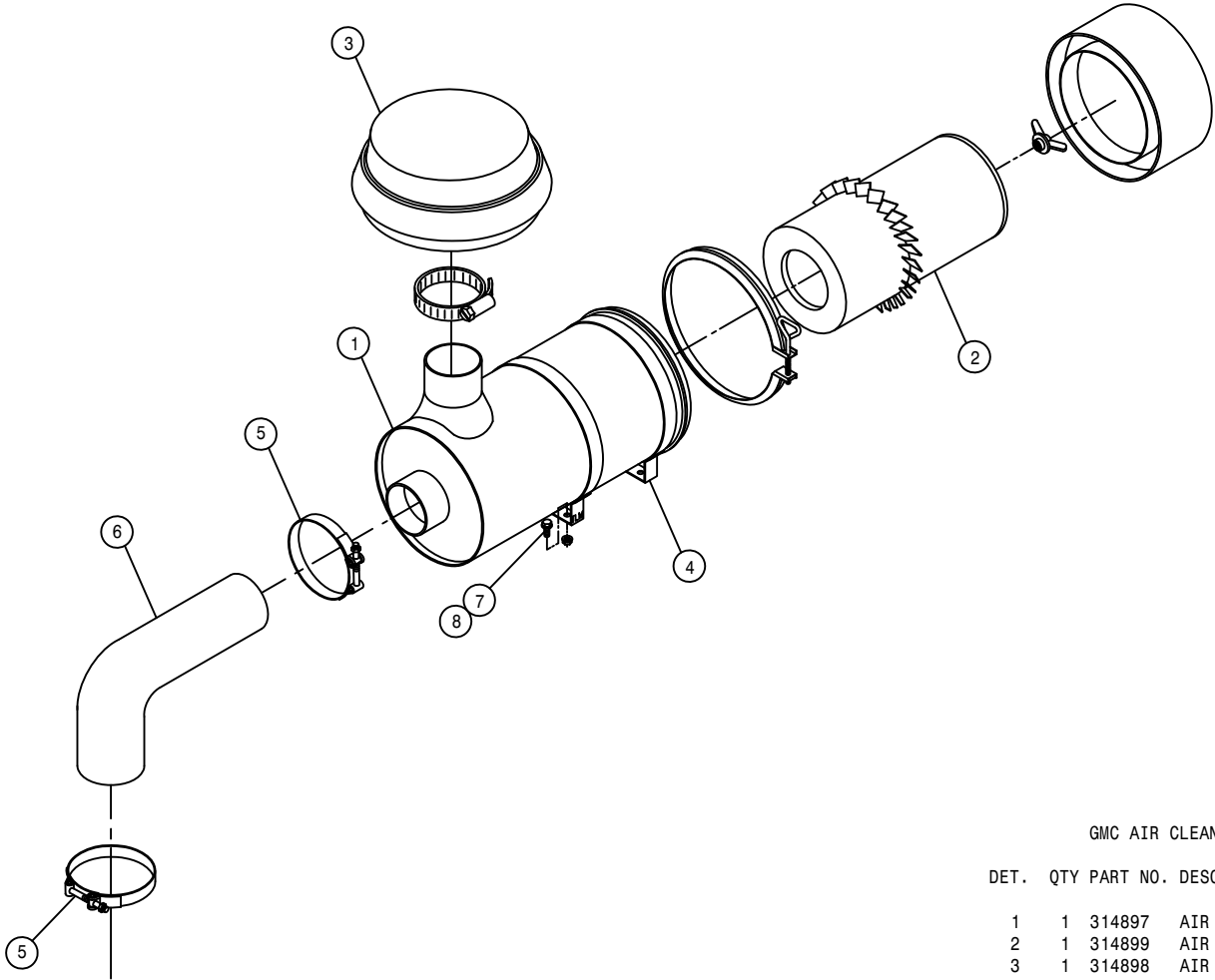
1	1	341774	FLOW DIVIDER MT 280	89
2	4	914000	1/4UNC HEX STOVER NUT	
3	1	500000	1/2MNPT HEX PIPE NIPPLE STL	
4	1	607504	FLO DIV B50 2-8GPM 7/8 FOR	
5	1	607512	RELIEF VALVE, RL50, 1850 PSI	
6	1	611126	7/8MJC-7/8MOR ADPTR	
7	1	618072	7/8MOR-1/2FNPT ADPTR	
8	2	618107	9/16MJC-90-1/2MNPT LBO	
9	1	618310	9/16MJC-7/8MOR ADPTR	
10	2	900008	1/4UNC X 2 1/2 HEX BOLT	
11	2	748500	RUBER WASH 3/8X1/4IDX1 1/2 OD	
12	2	900002	1/4UNC X 3/4 HEX BOLT	
13	1	618486	9/16FJIC SW RUN TEE-9/16MJC	
14	1	618531	9/16FJIC CAP NUT	



CUMMINS AIR CLEANER AND EXHAUST ASSEMBLY

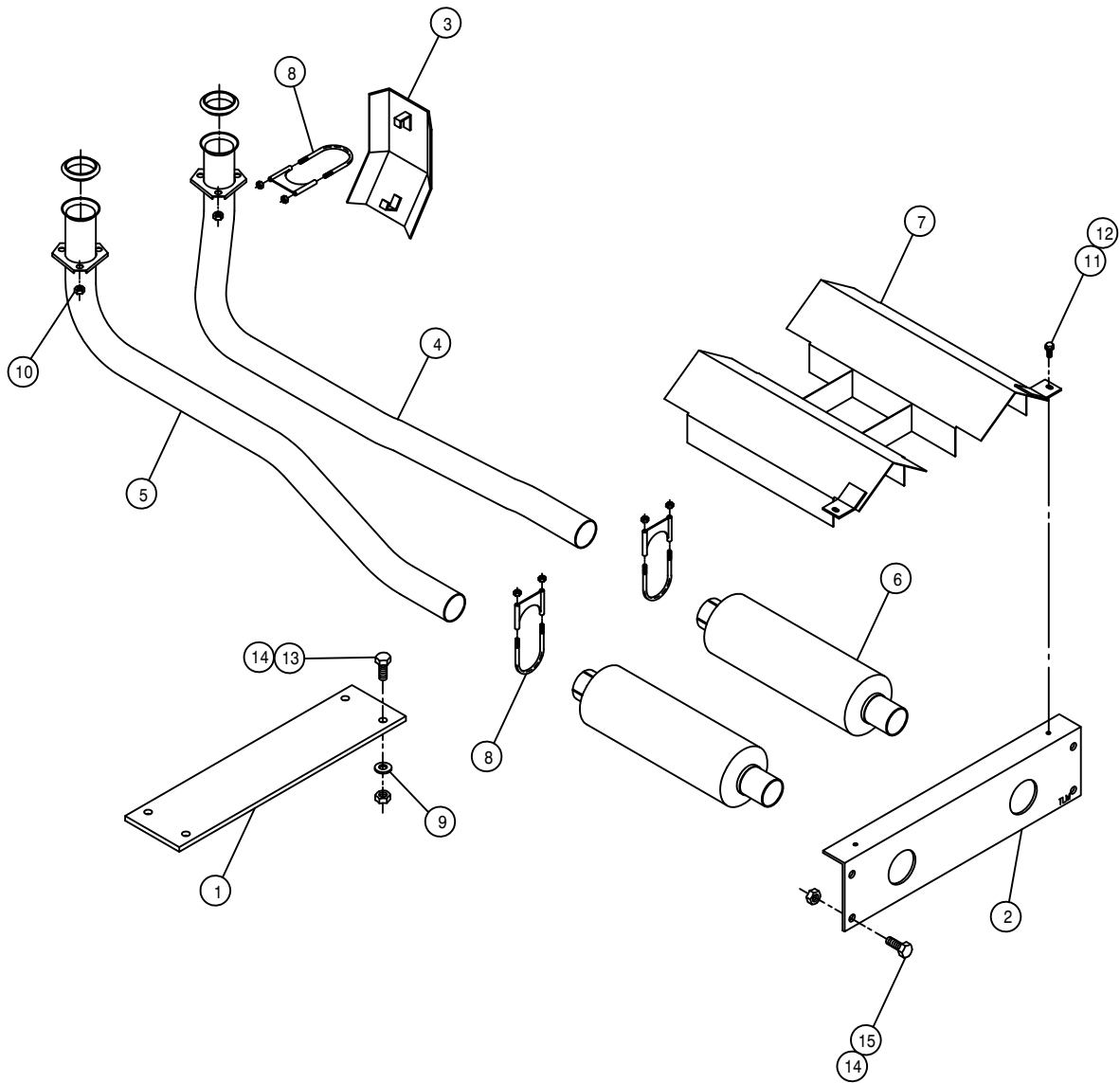
DET.	QTY	PART NO.	DESCRIPTION
1	1	314970	AIR CLEANER, 510 CFM
2	1	314971	AIR CLEANER HOOD FOR 314970
3	1	314973	AIR CLEANER ELEMENT FOR314970
4	2	314972	AIR CLEANER MT BAND FOR314970
5	1	316309	4" 90DEG ELBOW, RUBBER
6	1	316297	5"-4" 90DEG REDU ELBOW,RUBBER
7	1	316298	4" X 11.50" AIR INTAKE TUBE,97
8	1	520136	5.31/5.59 T-BOLT HOSE CLAMP SS
9	3	520134	4.31/4.59 T-BOLT HOSE CLAMP SS
10	4	470113	5/16UNC HEX FLANGE LOCK NUT
11	1	316299	MUFFLER, 3" DONALDSON 97
12	1	316300	3" EXHAUST STACK 97
13	2	470243	3" STRAP BAND EXHAUST CLAMP
14	4	470233	5/16UNC X 3/4 FLANGE HEX BOLT





GMC AIR CLEANER ASSEMBLY

DET.	QTY	PART NO.	DESCRIPTION
	1	314897	AIR CLEANER, 280 CFM
	1	314899	AIR CLEANER ELEMENT FOR314897
	1	314898	AIR CLEANER HOOD FOR 314897
	2	314536	AIR CLEANER BAND 8IN DONALDSON
	2	520131	3.81/4.09 T-BOLT HOSE CLAMP SS
	1	314900	3.50 90 DEG AIR INTAKE HOSE
	4	470121	1/4UNC HEX FLANGE LOCK NUT
	4	470118	1/4UNC X 3/4 FLANGE HEX BOLT

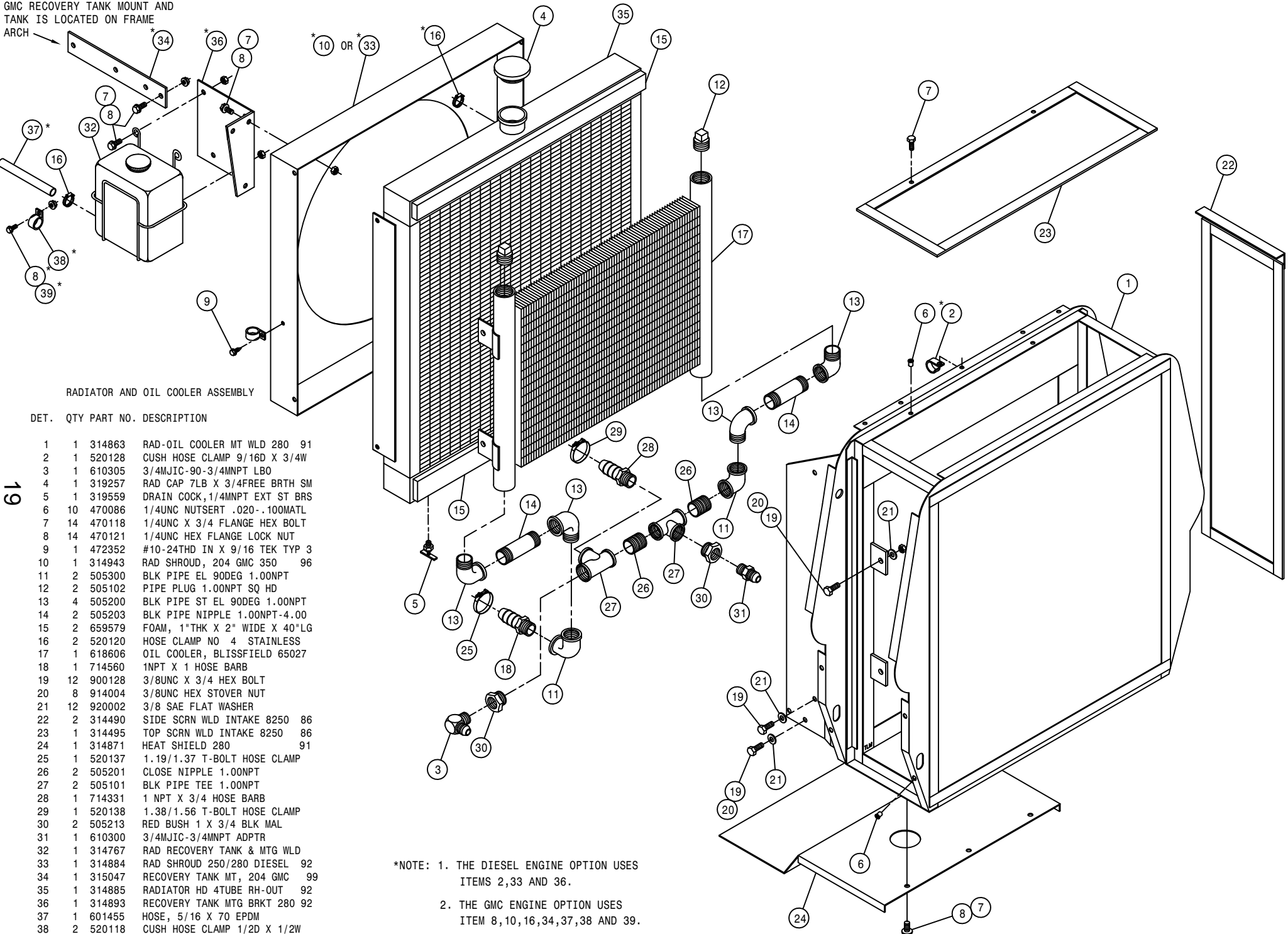


GMC EXHAUST PIPE ASSEMBLY

DET. QTY PART NO. DESCRIPTION

1	1	361347	MAINFRAME TIE PLATE 200 318
2	1	361346	MAINFRAME REAR TIE ANGLE 280
3	2	314960	HEAT SHIELD WLD,204 GMC350 96
4	1	314958	RH EXHAUST PIPE,204 GMC350 96
5	1	314959	LH EXHAUST PIPE,204 GMC350 96
6	2	319287	MUFFLER CHRY 440
7	1	341829	MUFFLER HEAT SHIELD WLD200 89
8	6	319327	MUFFLER CLAMP 2IN HVY DUTY
9	4	920004	1/2 SAE FLAT WASHER
10	6	914004	3/8UNC HEX STOVER NUT
11	3	470118	1/4UNC X 3/4 FLANGE HEX BOLT
12	3	470121	1/4UNC HEX FLANGE LOCK NUT
13	4	900265	1/2UNC X 1 1/2 HEX BOLT
14	8	914008	1/2UNC HEX STOVER NUT
15	4	900263	1/2UNC X 1" HEX BOLT

GMC RECOVERY TANK MOUNT AND TANK IS LOCATED ON FRAME ARCH



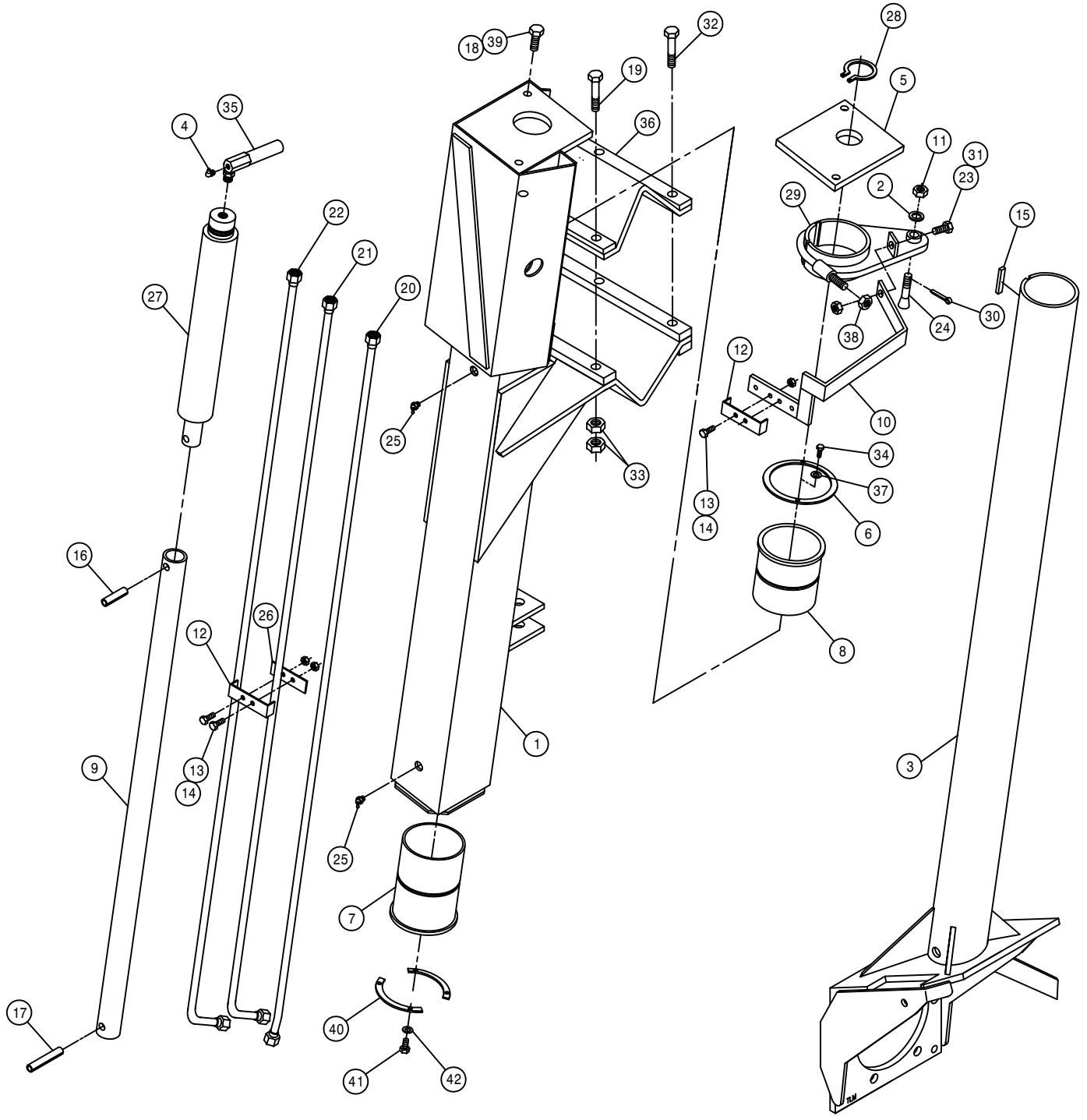
RADIATOR AND OIL COOLER ASSEMBLY

DET. QTY PART NO. DESCRIPTION

DET.	QTY	PART NO.	DESCRIPTION
1	1	314863	RAD-OIL COOLER MT WLD 280 91
2	1	520128	CUSH HOSE CLAMP 9/16D X 3/4W
3	1	610305	3/4MJIC-90-3/4MNPT LBO
4	1	319257	RAD CAP 7LB X 3/4FREE BRTH SM
5	1	319559	DRAIN COCK, 1/4MNPT EXT ST BRS
6	10	470086	1/4UNC NUTSERT .020-.100MATL
7	14	470118	1/4UNC X 3/4 FLANGE HEX BOLT
8	14	470121	1/4UNC HEX FLANGE LOCK NUT
9	1	472352	#10-24THD IN X 9/16 TEK TYP 3
10	1	314943	RAD SHROUD, 204 GMC 350 96
11	2	505300	BLK PIPE EL 90DEG 1.00NPT
12	2	505102	PIPE PLUG 1.00NPT SQ HD
13	4	505200	BLK PIPE ST EL 90DEG 1.00NPT
14	2	505203	BLK PIPE NIPPLE 1.00NPT-4.00
15	2	659579	FOAM, 1"THK X 2" WIDE X 40"LG
16	2	520120	HOSE CLAMP NO 4 STAINLESS
17	1	618606	OIL COOLER, BLISSFIELD 65027
18	1	714560	1NPT X 1 HOSE BARB
19	12	900128	3/8UNC X 3/4 HEX BOLT
20	8	914004	3/8UNC HEX STOVER NUT
21	12	920002	3/8 SAE FLAT WASHER
22	2	314490	SIDE SCR N WLD INTAKE 8250 86
23	1	314495	TOP SCR N WLD INTAKE 8250 86
24	1	314871	HEAT SHIELD 280 91
25	1	520137	1.19/1.37 T-BOLT HOSE CLAMP
26	2	505201	CLOSE NIPPLE 1.00NPT
27	2	505101	BLK PIPE TEE 1.00NPT
28	1	714331	1 NPT X 3/4 HOSE BARB
29	1	520138	1.38/1.56 T-BOLT HOSE CLAMP
30	2	505213	RED BUSH 1 X 3/4 BLK MAL
31	1	610300	3/4MJIC-3/4MNPT ADPTR
32	1	314767	RAD RECOVERY TANK & MTG WLD
33	1	314884	RAD SHROUD 250/280 DIESEL 92
34	1	315047	RECOVERY TANK MT, 204 GMC 99
35	1	314885	RADIATOR HD 4TUBE RH-OUT 92
36	1	314893	RECOVERY TANK MTG BRKT 280 92
37	1	601455	HOSE, 5/16 X 70 EPDM
38	2	520118	CUSH HOSE CLAMP 1/2D X 1/2W
39	2	900002	1/4UNC X 3/4 HEX BOLT

\*NOTE: 1. THE DIESEL ENGINE OPTION USES ITEMS 2,33 AND 36.  
 2. THE GMC ENGINE OPTION USES ITEM 8,10,16,34,37,38 AND 39.

20



RIGHT FRONT LEG ASSEMBLY W/W1BF HUB

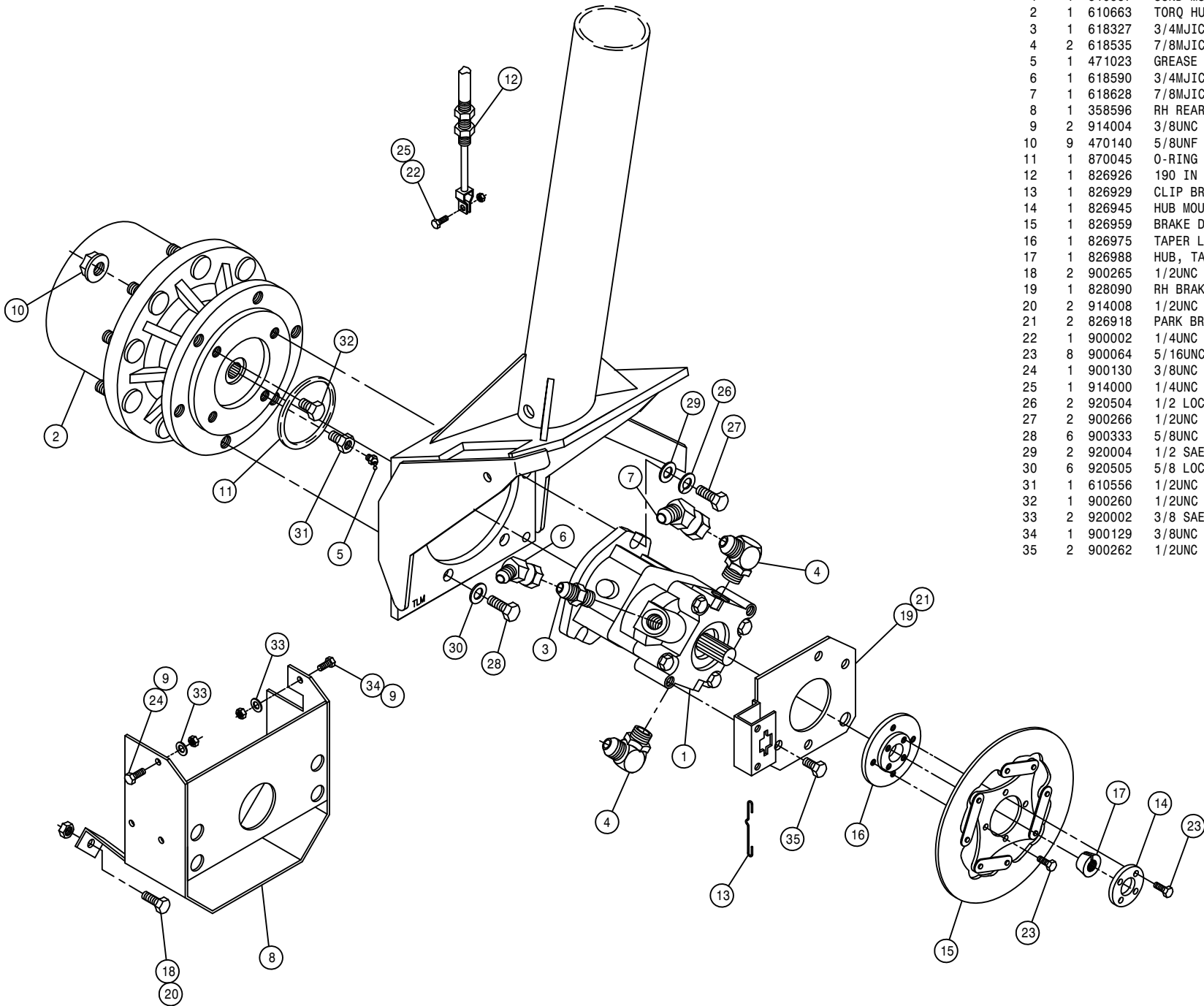
DET.	QTY	PART NO.	DESCRIPTION
1	1	357836	RH FRT OUTER LEG WLD,204/204I
2	1	920505	5/8 LOCK WASHER
3	1	357800	RH FRT INNER LEG WLD, 204 94
4	1	471027	GREASE ZERK 1/8NPT 90DEG LP
5	1	358562	LEG CYL MTG PLATE 280 89
6	1	358563	FRT LEG BRG KPR 280 89
7	1	358564	FRT LEG LWR NYL SLEEVE 280 89
8	1	358565	FRT LEG UPR NYL SLEEVE 280 89
9	1	358566	LEG CYL SHAFT EXTENSION280 89
10	1	358707	RH FRT LEG TUBE BRKT WLD280TA
11	1	822040	5/8-18UNF SLOTTED HEX NUT
12	2	358739	FRT LEG HYD TUBE CLMP, 284 94
13	4	900004	1/4UNC X 1 1/4 HEX BOLT
14	4	470121	1/4UNC HEX FLANGE LOCK NUT
15	1	470185	KEY .25 X .375 X 2.00 LG
16	1	473903	SPIRAL PIN 1/2 X 2 640
17	1	473904	SPIRAL PIN 1/2 X 3 640
18	2	914008	1/2UNC HEX STOVER NUT
19	3	900836	5/8UNF X 3 1/4 HEX BOLT GR8
20	1	615659	FRT LEG INNER HYD TUBE,204 94
21	1	615660	FRT LEG CNTR HYD TUBE,204 94
22	1	615661	FRT LEG OUTER HYD TUBE,204 94
23	1	900129	3/8UNC X 1" HEX BOLT
24	1	749293	STRG ARM BOLT, TAPERED
25	2	471023	GREASE ZERK 1/4-28 X 45
26	1	358740	FRT LEG HYD TUBE KPR, 284 94
27	1	620805	LEG LEVEL CYL ASSY,2.00 X 12.0
28	1	629515	SNAP RING 1 3/4 EXTRN HDUTY
29	1	749290	RH STRG ARM WLD,280 TREAD ADJ
30	1	470035	COTTER PIN 5/32 X 1 1/2
31	1	914004	3/8UNC HEX STOVER NUT
32	3	900837	5/8UNF X 3 1/2 HEX BOLT GR8
33	12	914811	5/8UNF HEX NUT GR8
34	2	900000	1/4UNC X 1/2 HEX BOLT
35	1	615614	FRT LEG CYL JUMPER HOSE280 89
36	1	358759	LEG MT V-PLT WLD, 284T 94
37	2	920500	1/4 LOCK WASHER
38	1	914010	5/8UNC HEX STOVER NUT
39	2	900265	1/2UNC X 1 1/2 HEX BOLT
40	2	358927	LWR BRG KPR, LEG 98
41	4	900064	5/16UNC X 3/4 HEX BOLT
42	4	920501	5/16 LOCK WASHER

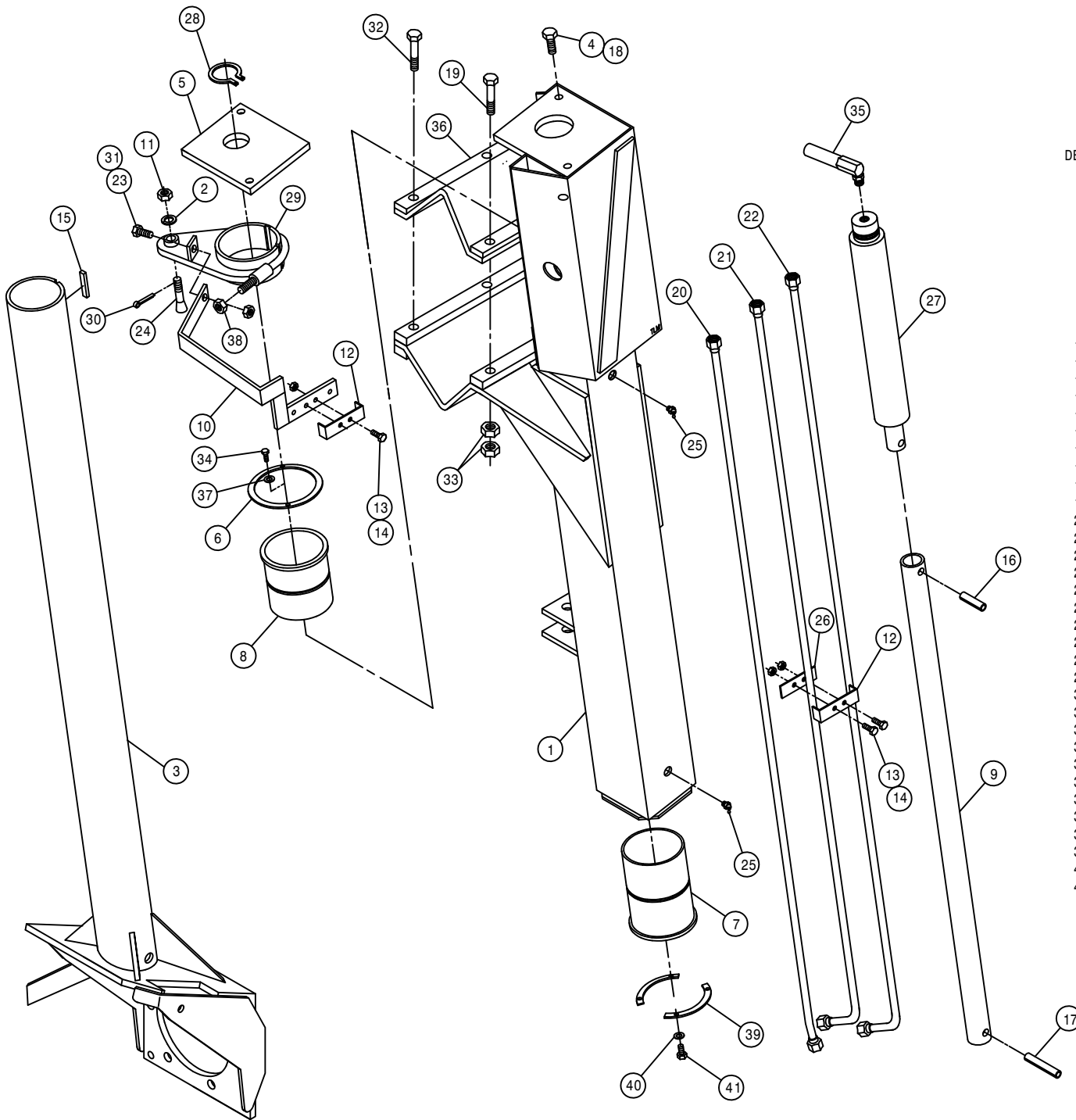
215020

RIGHT FRONT LEG ASSEMBLY W/W1BF HUB

DET. QTY PART NO. DESCRIPTION

DET.	QTY	PART NO.	DESCRIPTION
1	1	610557	SUND M35-3102 WHL MTR W/SHFT
2	1	610663	TORQ HUB, 24:1 B-MT W1BFFZ
3	1	618327	3/4MJIC-7/8MOR ADPTR
4	2	618535	7/8MJIC-90-1 1/16MOR LBO
5	1	471023	GREASE ZERK 1/4-28 X 45
6	1	618590	3/4MJIC-45-3/4FJIC SWIV LBO
7	1	618628	7/8MJIC-45-7/8FJIC SWIV LBO
8	1	358596	RH REAR WHL MTR SHLD WLD 280
9	2	914004	3/8UNC HEX STOVER NUT
10	9	470140	5/8UNF HEX SMTH FLANGE NUT PLT
11	1	870045	O-RING 4 1/8 OD X 4 ID
12	1	826926	190 IN BRAKE CABLE
13	1	826929	CLIP BRAKE RETAINER
14	1	826945	HUB MOUNT, BRAKE
15	1	826959	BRAKE DISC SUB ASSY
16	1	826975	TAPER LOCK HUB
17	1	826988	HUB, TAPER LOCK 13 TEETH
18	2	900265	1/2UNC X 1 1/2 HEX BOLT
19	1	828090	RH BRAKE MT WLD, 204 94
20	2	914008	1/2UNC HEX STOVER NUT
21	2	826918	PARK BRAKE PAD
22	1	900002	1/4UNC X 3/4 HEX BOLT
23	8	900064	5/16UNC X 3/4 HEX BOLT
24	1	900130	3/8UNC X 1 1/4 HEX BOLT
25	1	914000	1/4UNC HEX STOVER NUT
26	2	920504	1/2 LOCK WASHER
27	2	900266	1/2UNC X 1 3/4 HEX BOLT
28	6	900333	5/8UNC X 1 1/2 HEX BOLT
29	2	920004	1/2 SAE FLAT WASHER
30	6	920505	5/8 LOCK WASHER
31	1	610556	1/2UNC X 1/2 ZERK BOLT T-HUB
32	1	900260	1/2UNC X 1/2 H BOLT GR2 UNPLT
33	2	920002	3/8 SAE FLAT WASHER
34	1	900129	3/8UNC X 1" HEX BOLT
35	2	900262	1/2UNC X 3/4 HEX BOLT





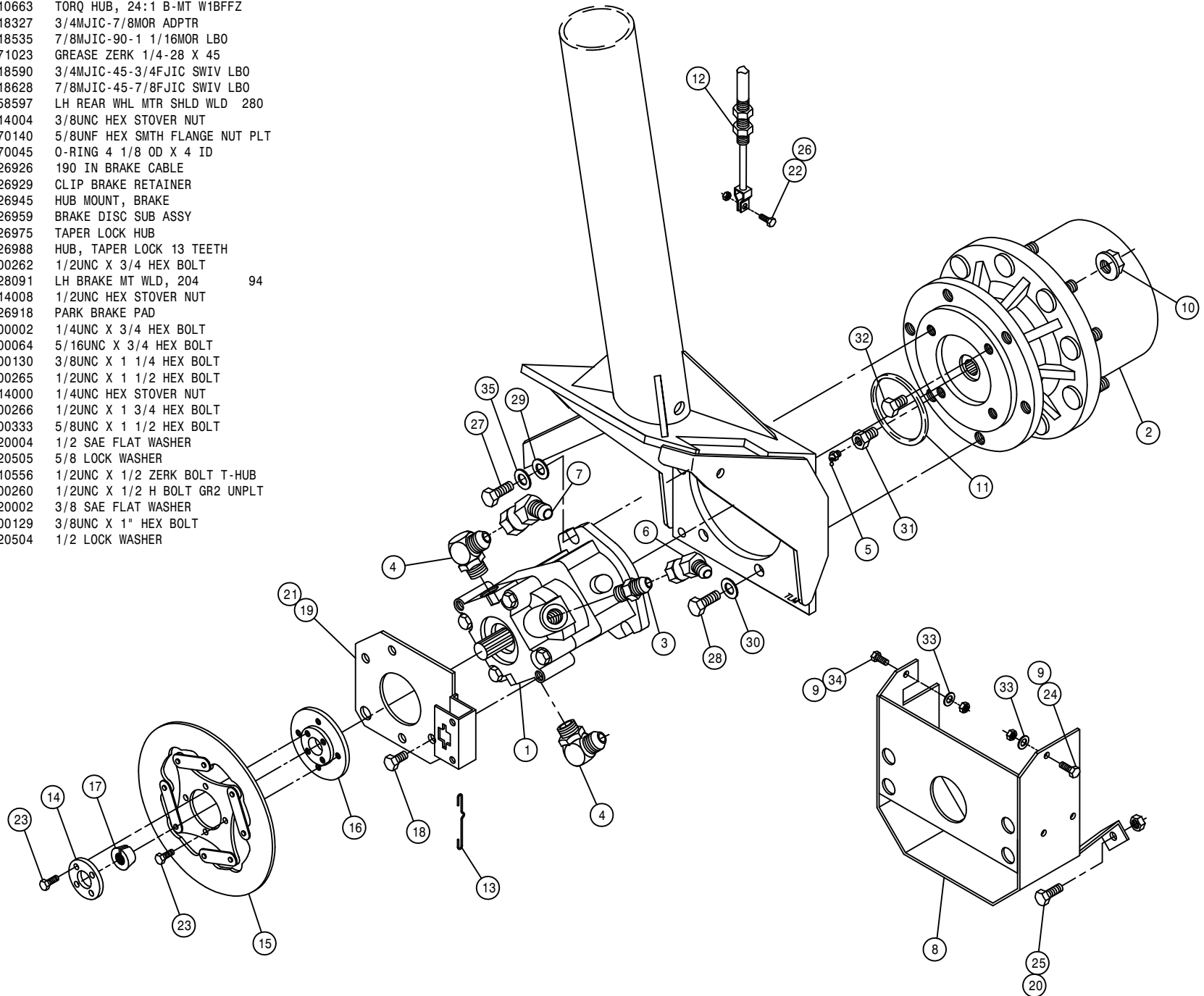
LEFT FRONT LEG ASSEMBLY W/W1BF HUB

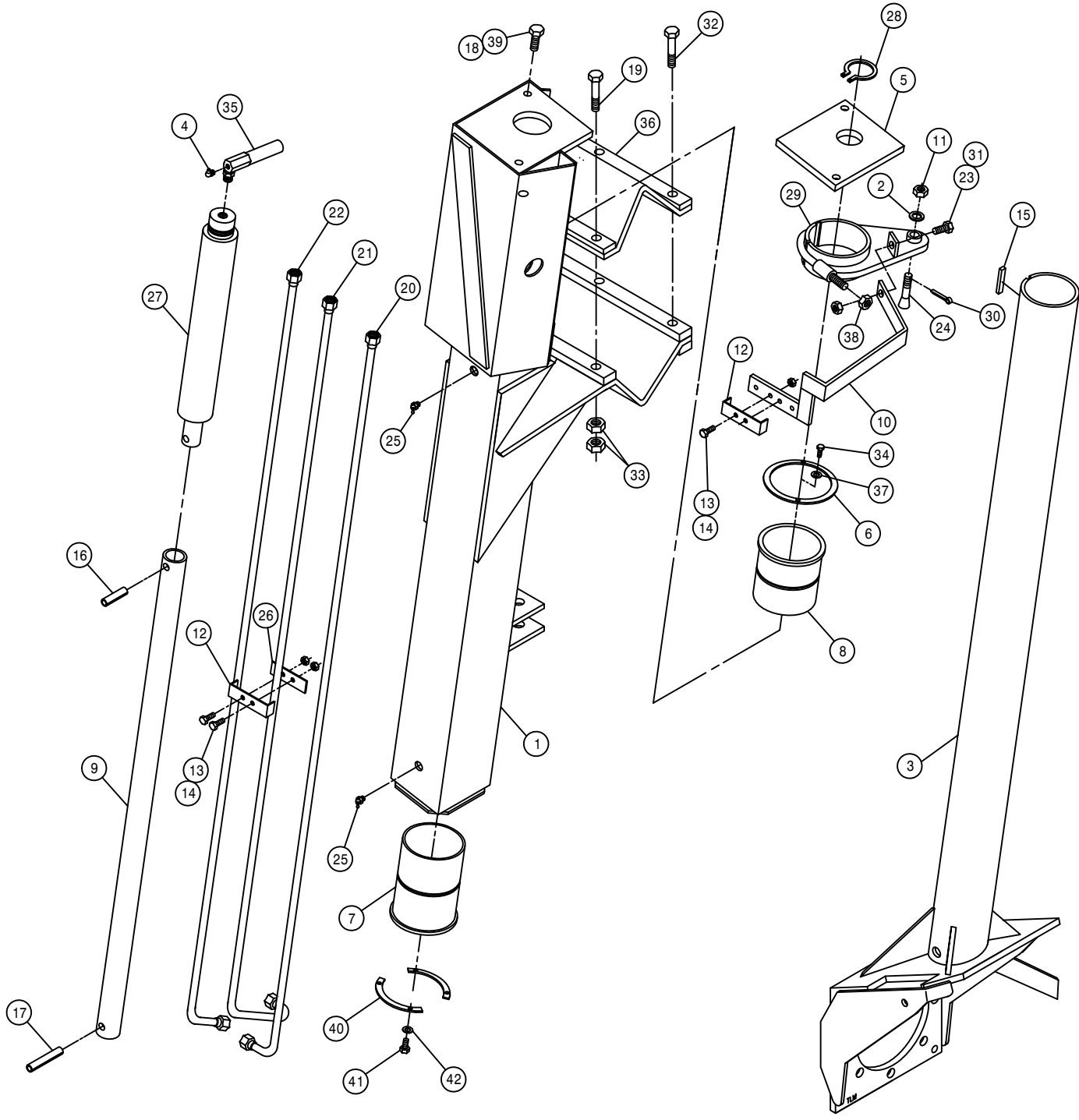
DET.	QTY	PART NO.	DESCRIPTION
	1	357837	LH FRT OUTER LEG WLD,204/204I
	2	920505	5/8 LOCK WASHER
	3	357801	LH FRT INNER LEG WLD, 204 94
	4	2	900265 1/2UNC X 1 1/2 HEX BOLT
	5	358562	LEG CYL MTG PLATE 280 89
	6	358563	FRT LEG BRG KPR 280 89
	7	358564	FRT LEG LWR NYL SLEEVE 280 89
	8	358565	FRT LEG UPR NYL SLEEVE 280 89
	9	358566	LEG CYL SHAFT EXTENSION280 89
	10	358708	LH FRT LEG TUBE BRKT WLD280TA
	11	822040	5/8-18UNF SLOTTED HEX NUT
	12	358739	FRT LEG HYD TUBE CLMP, 284 94
	13	4	900004 1/4UNC X 1 1/4 HEX BOLT
	14	4	470121 1/4UNC HEX FLANGE LOCK NUT
	15	470185	KEY .25 X .375 X 2.00 LG
	16	473903	SPIRAL PIN 1/2 X 2 640
	17	473904	SPIRAL PIN 1/2 X 3 640
	18	2	914008 1/2UNC HEX STOVER NUT
	19	3	900836 5/8UNF X 3 1/4 HEX BOLT GR8
	20	1	615659 FRT LEG INNER HYD TUBE,204 94
	21	1	615660 FRT LEG CNTR HYD TUBE,204 94
	22	1	615661 FRT LEG OUTER HYD TUBE,204 94
	23	1	900129 3/8UNC X 1" HEX BOLT
	24	1	749293 STRG ARM BOLT, TAPERED
	25	2	471023 GREASE ZERK 1/4-28 X 45
	26	1	358740 FRT LEG HYD TUBE KPR, 284 94
	27	1	620805 LEG LEVEL CYL ASSY,2.00 X 12.0
	28	1	629515 SNAP RING 1 3/4 EXTRN HDUTY
	29	1	749291 LH STRG ARM WLD,280 TREAD ADJ
	30	1	470035 COTTER PIN 5/32 X 1 1/2
	31	1	914004 3/8UNC HEX STOVER NUT
	32	3	900837 5/8UNF X 3 1/2 HEX BOLT GR8
	33	12	914811 5/8UNF HEX NUT GR8
	34	2	900000 1/4UNC X 1/2 HEX BOLT
	35	1	615614 FRT LEG CYL JUMPER HOSE280 89
	36	1	358759 LEG MT V-PLT WLD, 284T 94
	37	2	920500 1/4 LOCK WASHER
	38	1	914010 5/8UNC HEX STOVER NUT
	39	2	358927 LWR BRG KPR, LEG 98
	40	4	920501 5/16 LOCK WASHER
	41	4	900064 5/16UNC X 3/4 HEX BOLT

LEFT FRONT LEG ASSEMBLY W/W1BF HUB

DET. QTY PART NO. DESCRIPTION

1	1	610557	SUND M35-3102 WHL MTR W/SHFT	
2	1	610663	TORQ HUB, 24:1 B-MT W1BFFZ	
3	1	618327	3/4MJIC-7/8MOR ADPTR	
4	2	618535	7/8MJIC-90-1 1/16MOR LBO	
5	1	471023	GREASE ZERK 1/4-28 X 45	
6	1	618590	3/4MJIC-45-3/4FJIC SWIV LBO	
7	1	618628	7/8MJIC-45-7/8FJIC SWIV LBO	
8	1	358597	LH REAR WHL MTR SHLD WLD 280	
9	2	914004	3/8UNC HEX STOVER NUT	
10	9	470140	5/8UNF HEX SMTH FLANGE NUT PLT	
11	1	870045	O-RING 4 1/8 OD X 4 ID	
12	1	826926	190 IN BRAKE CABLE	
13	1	826929	CLIP BRAKE RETAINER	
14	1	826945	HUB MOUNT, BRAKE	
15	1	826959	BRAKE DISC SUB ASSY	
16	1	826975	TAPER LOCK HUB	
17	1	826988	HUB, TAPER LOCK 13 TEETH	
18	2	900262	1/2UNC X 3/4 HEX BOLT	
19	1	828091	LH BRAKE MT WLD, 204	94
20	2	914008	1/2UNC HEX STOVER NUT	
21	2	826918	PARK BRAKE PAD	
22	1	900002	1/4UNC X 3/4 HEX BOLT	
23	8	900064	5/16UNC X 3/4 HEX BOLT	
24	1	900130	3/8UNC X 1 1/4 HEX BOLT	
25	2	900265	1/2UNC X 1 1/2 HEX BOLT	
26	1	914000	1/4UNC HEX STOVER NUT	
27	2	900266	1/2UNC X 1 3/4 HEX BOLT	
28	6	900333	5/8UNC X 1 1/2 HEX BOLT	
29	2	920004	1/2 SAE FLAT WASHER	
30	6	920505	5/8 LOCK WASHER	
31	1	610556	1/2UNC X 1/2 ZERK BOLT T-HUB	
32	1	900260	1/2UNC X 1/2 H BOLT GR2 UNPLT	
33	2	920002	3/8 SAE FLAT WASHER	
34	1	900129	3/8UNC X 1" HEX BOLT	
35	2	920504	1/2 LOCK WASHER	

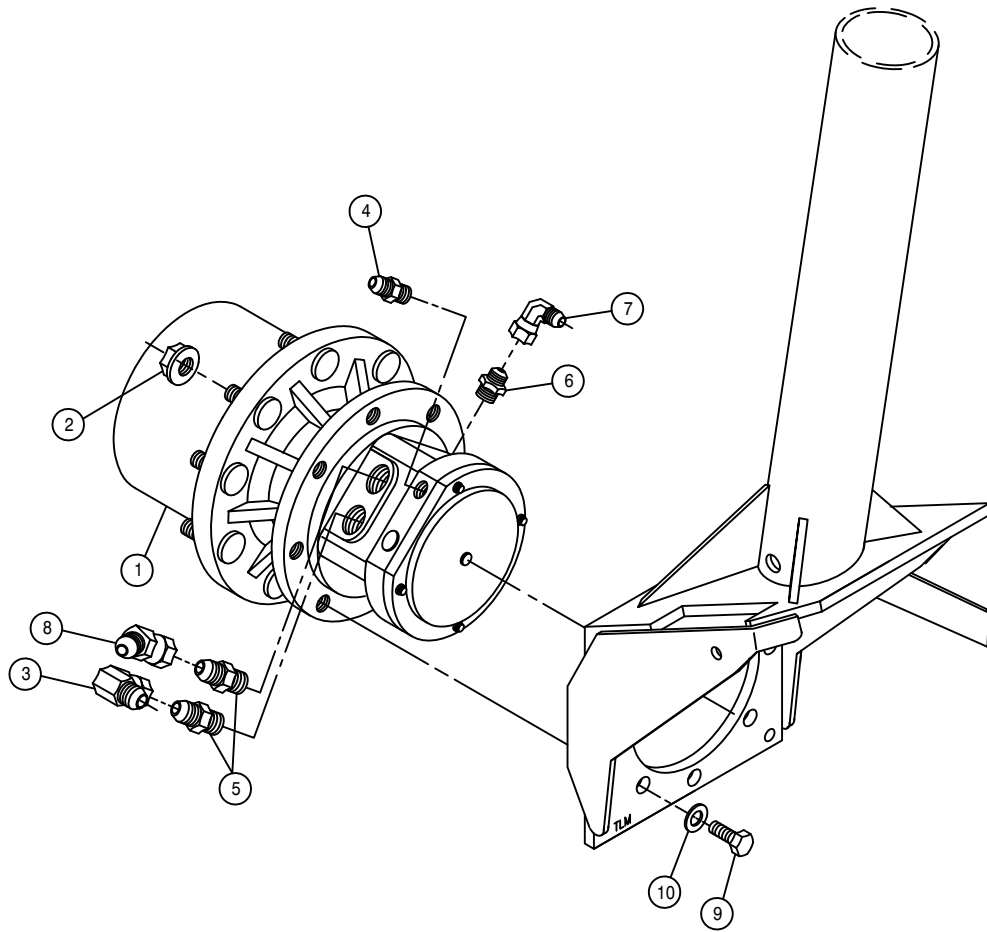




RIGHT FRONT LEG ASSEMBLY W/W1M1 HUB

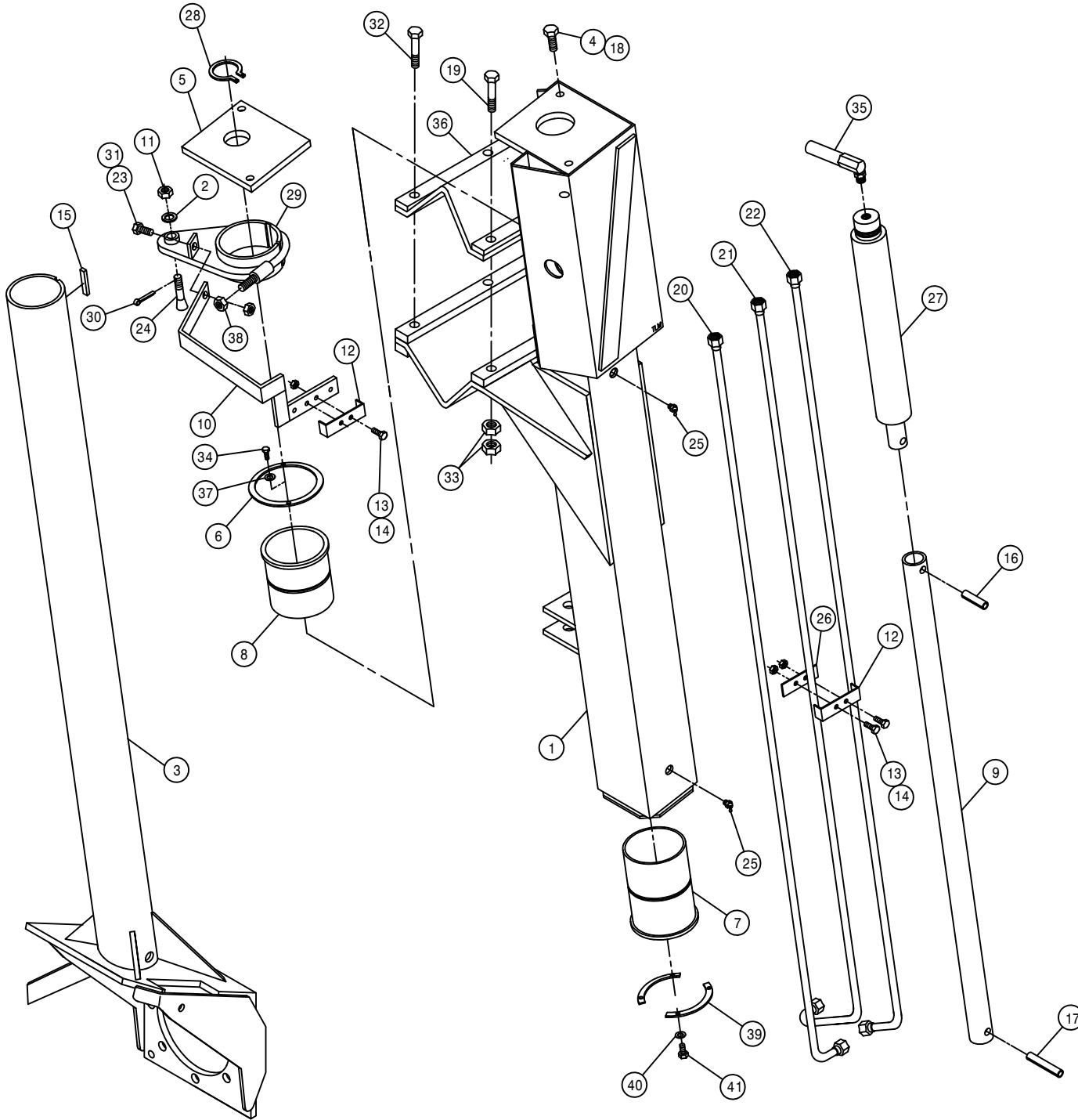
DET.	QTY	PART NO.	DESCRIPTION
1	1	357836	RH FRT OUTER LEG WLD, 204/204I
2	1	920505	5/8 LOCK WASHER
3	1	357832	RH FRT INNER LEG WLD, 204I 2000
4	1	471027	GREASE ZERK 1/8NPT 90DEG LP
5	1	358562	LEG CYL MTG PLATE 280 89
6	1	358563	FRT LEG BRG KPR 280 89
7	1	358564	FRT LEG LWR NYL SLEEVE 280 89
8	1	358565	FRT LEG UPR NYL SLEEVE 280 89
9	1	358566	LEG CYL SHAFT EXTENSION 280 89
10	1	358707	RH FRT LEG TUBE BRKT WLD 280TA
11	1	822040	5/8-18UNF SLOTTED HEX NUT
12	2	358739	FRT LEG HYD TUBE CLMP, 284 94
13	4	900004	1/4UNC X 1 1/4 HEX BOLT
14	4	470121	1/4UNC HEX FLANGE LOCK NUT
15	1	470185	KEY .25 X .375 X 2.00 LG
16	1	473903	SPIRAL PIN 1/2 X 2 640
17	1	473904	SPIRAL PIN 1/2 X 3 640
18	2	914008	1/2UNC HEX STOVER NUT
19	3	900836	5/8UNF X 3 1/4 HEX BOLT GR8
20	1	615750	FRT LEG CNTR HYD TUBE, 204 W1M1
21	1	615748	RH FRT INNER HYD TUBE, 204 W1M1
22	1	615751	FRT LEG OTR HYD TUBE, 204 W1M1
23	1	900129	3/8UNC X 1" HEX BOLT
24	1	749293	STRG ARM BOLT, TAPERED
25	2	471023	GREASE ZERK 1/4-28 X 45
26	1	358740	FRT LEG HYD TUBE KPR, 284 94
27	1	620805	LEG LEVEL CYL ASSY, 2.00 X 12.0
28	1	629515	SNAP RING 1 3/4 EXTRN HDUTY
29	1	749290	RH STRG ARM WLD, 280 TREAD ADJ
30	1	470035	COTTER PIN 5/32 X 1 1/2
31	1	914004	3/8UNC HEX STOVER NUT
32	3	900837	5/8UNF X 3 1/2 HEX BOLT GR8
33	12	914811	5/8UNF HEX NUT GR8
34	2	900000	1/4UNC X 1/2 HEX BOLT
35	1	615614	FRT LEG CYL JUMPER HOSE 280 89
36	1	358759	LEG MT V-PLT WLD, 284T 94
37	2	920500	1/4 LOCK WASHER
38	1	914010	5/8UNC HEX STOVER NUT
39	2	900265	1/2UNC X 1 1/2 HEX BOLT
40	2	358927	LWR BRG KPR, LEG 98
41	4	900064	5/16UNC X 3/4 HEX BOLT
42	4	920501	5/16 LOCK WASHER





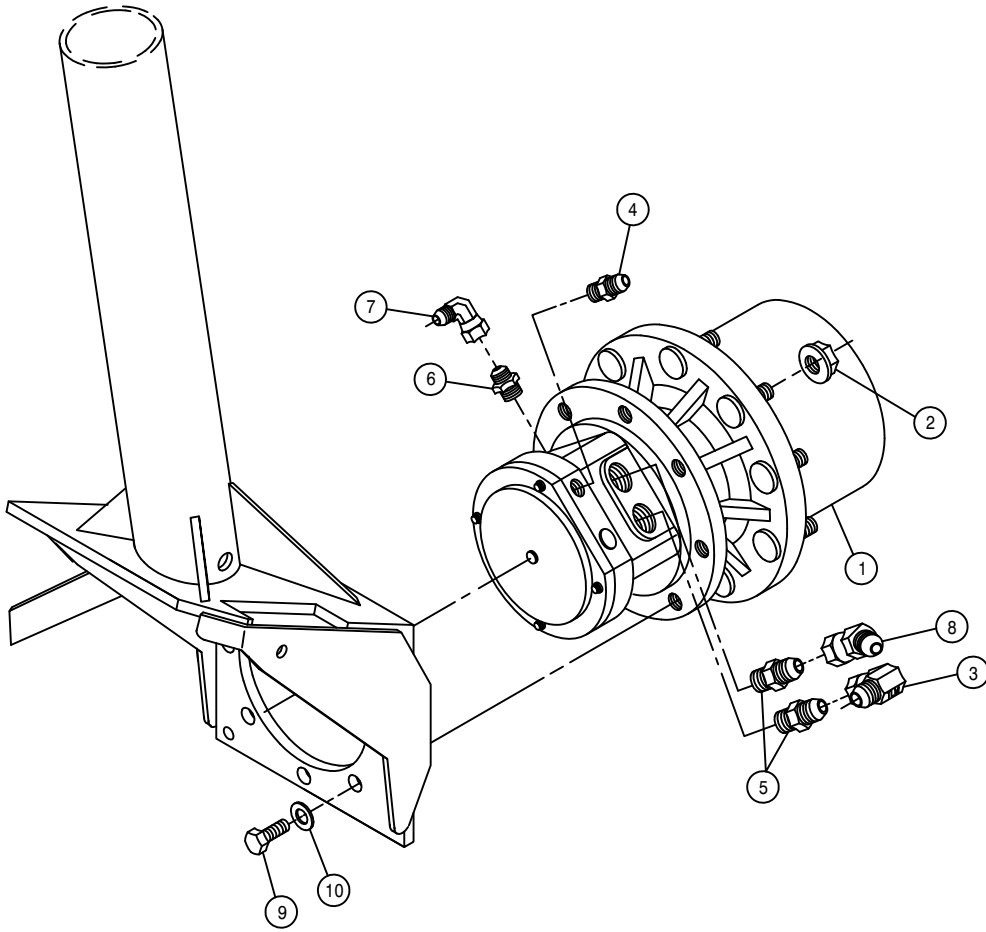
RIGHT FRONT LEG ASSEMBLY W/W1M1 HUB

DET.	QTY	PART NO.	DESCRIPTION
	1	610717	TORQ HUB,24:1 W1M1 INTEGRATED
	2	470140	5/8UNF HEX SMTH FLANGE NUT PLT
	3	618301	7/8MJIC-90-7/8FJIC SWIV LBO
	4	618304	9/16MJIC-7/16MOR ADPTR
	5	618309	7/8MJIC-1 1/16MOR ADPTR
	6	618327	3/4MJIC-7/8MOR ADPTR
	7	618609	3/4MJIC-90-3/4FJIC SWIV LBO
	8	618628	7/8MJIC-45-7/8FJIC SWIV LBO
	9	900333	5/8UNC X 1 1/2 HEX BOLT
	10	920505	5/8 LOCK WASHER



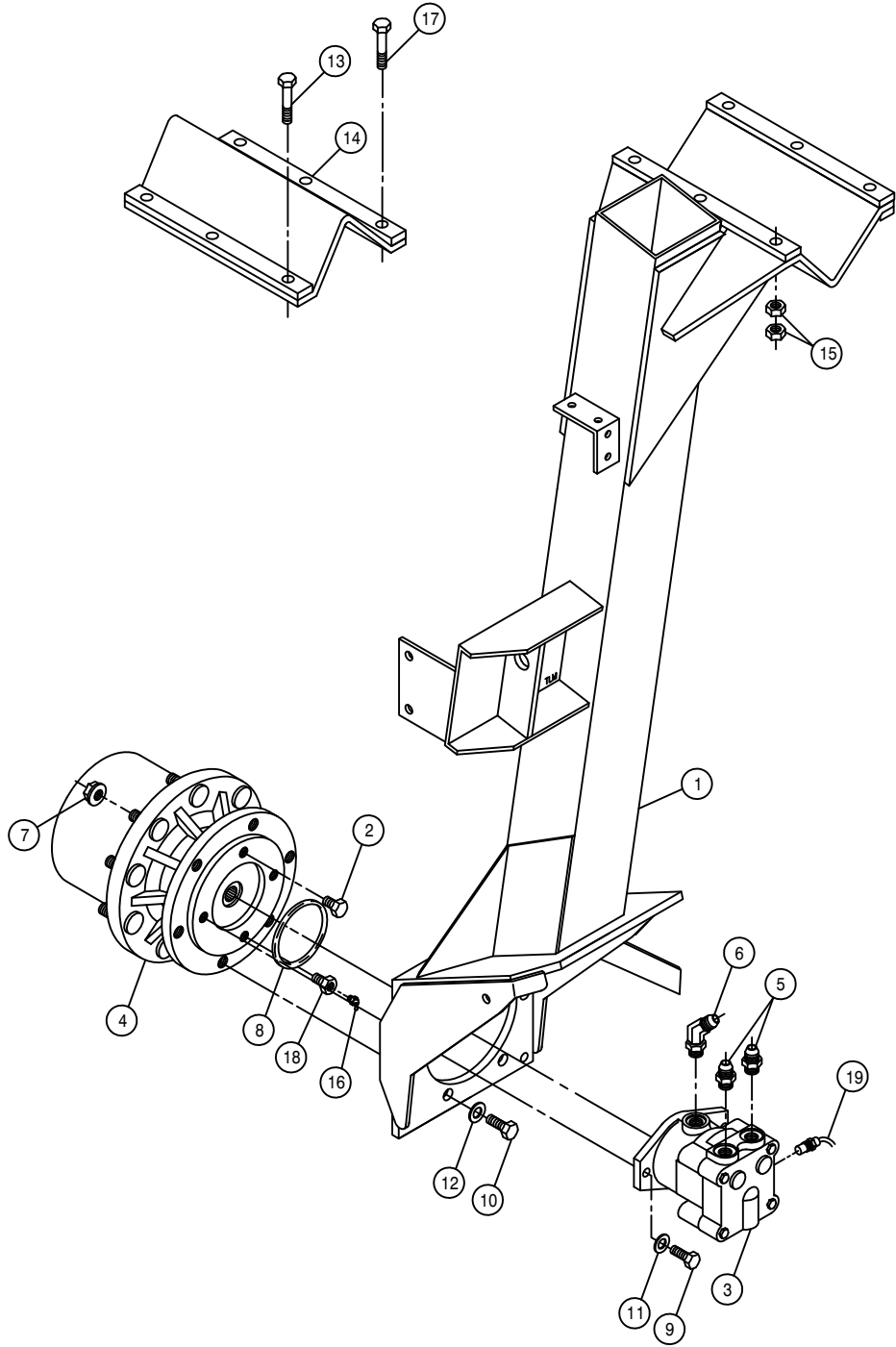
LEFT FRONT LEG ASSEMBLY W/W1M1

DET.	QTY	PART NO.	DESCRIPTION
	1	357837	LH FRT OUTER LEG WLD,204/204I
	2	920505	5/8 LOCK WASHER
	3	357833	LH FRT INNER LEG WLD,204I 2000
	4	900265	1/2UNC X 1 1/2 HEX BOLT
	5	358562	LEG CYL MTG PLATE 280 89
	6	358563	FRT LEG BRG KPR 280 89
	7	358564	FRT LEG LWR NYL SLEEVE 280 89
	8	358565	FRT LEG UPR NYL SLEEVE 280 89
	9	358566	LEG CYL SHAFT EXTENSION280 89
	10	358708	LH FRT LEG TUBE BRKT WLD280TA
	11	822040	5/8-18UNF SLOTTED HEX NUT
	12	358739	FRT LEG HYD TUBE CLMP, 284 94
	13	900004	1/4UNC X 1 1/4 HEX BOLT
	14	470121	1/4UNC HEX FLANGE LOCK NUT
	15	470185	KEY .25 X .375 X 2.00 LG
	16	473903	SPIRAL PIN 1/2 X 2 640
	17	473904	SPIRAL PIN 1/2 X 3 640
	18	914008	1/2UNC HEX STOVER NUT
	19	900836	5/8UNF X 3 1/4 HEX BOLT GR8
	20	615750	FRT LEG CNTR HYD TUBE,204 W1M1
	21	615749	LH FRT INNER HYD TUBE,204 W1M1
	22	615751	FRT LEG OUTR HYD TUBE,204 W1M1
	23	900129	3/8UNC X 1" HEX BOLT
	24	749293	STRG ARM BOLT, TAPERED
	25	471023	GREASE ZERK 1/4-28 X 45
	26	358740	FRT LEG HYD TUBE KPR, 284 94
	27	620805	LEG LEVEL CYL ASSY,2.00 X 12.0
	28	629515	SNAP RING 1 3/4 EXTRN HDUTY
	29	749291	LH STRG ARM WLD,280 TREAD ADJ
	30	470035	COTTER PIN 5/32 X 1 1/2
	31	914004	3/8UNC HEX STOVER NUT
	32	900837	5/8UNF X 3 1/2 HEX BOLT GR8
	33	914811	5/8UNF HEX NUT GR8
	34	900000	1/4UNC X 1/2 HEX BOLT
	35	615614	FRT LEG CYL JUMPER HOSE280 89
	36	358759	LEG MT V-PLT WLD, 284T 94
	37	920500	1/4 LOCK WASHER
	38	914010	5/8UNC HEX STOVER NUT
	39	358927	LWR BRG KPR, LEG 98
	40	920501	5/16 LOCK WASHER
	41	900064	5/16UNC X 3/4 HEX BOLT



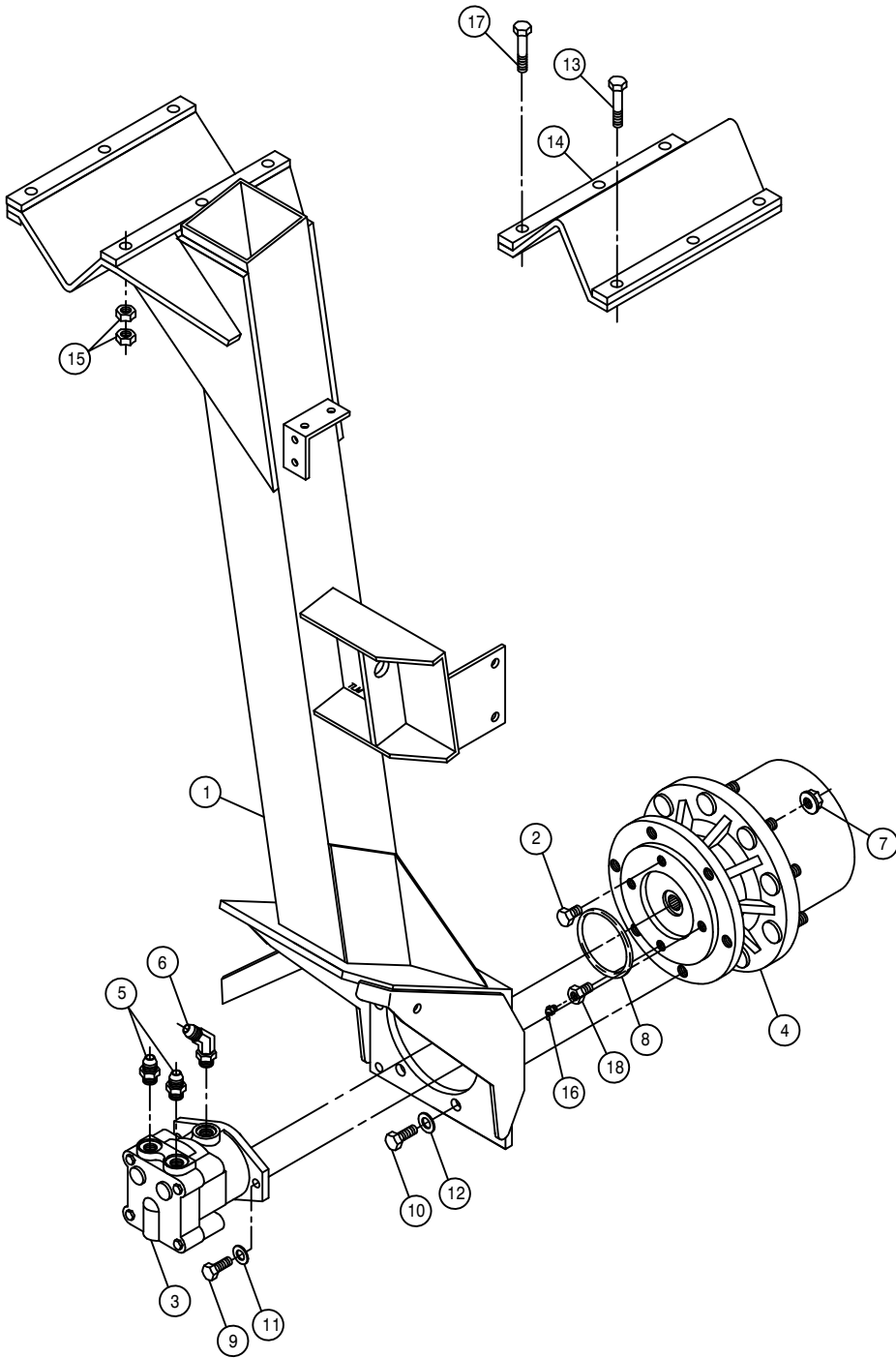
LEFT FRONT LEG ASSEMBLY W/W1M1 HUB

DET.	QTY	PART NO.	DESCRIPTION
	1	610717	TORQ HUB,24:1 W1M1 INTEGRATED
	9	470140	5/8UNF HEX SMTH FLANGE NUT PLT
	3	618301	7/8MJIC-90-7/8FJIC SWIV LBO
	4	618304	9/16MJIC-7/16MOR ADPTR
	5	618309	7/8MJIC-1 1/16MOR ADPTR
	6	618327	3/4MJIC-7/8MOR ADPTR
	7	618609	3/4MJIC-90-3/4FJIC SWIV LBO
	8	618628	7/8MJIC-45-7/8FJIC SWIV LBO
	9	900333	5/8UNC X 1 1/2 HEX BOLT
	10	920505	5/8 LOCK WASHER



RIGHT REAR LEG ASSEMBLY

DET.	QTY	PART NO.	DESCRIPTION
	1	357838	RH REAR LEG WLD, 204/204I 2000
	1	900260	1/2UNC X 1/2 H BOLT GR2 UNPLT
	1	610721	SUND M25-3000 WHL MTR W/SENSOR
	1	610660	TORQ HUB, 18:1 B-MT W1BFFZ
	2	611126	7/8MJIC-7/8MOR ADPTR
	1	618496	9/16MJIC-45-3/4MOR LBO
	9	470140	5/8UNF HEX SMTH FLANGE NUT PLT
	1	870045	O-RING 4 1/8 OD X 4 ID
	2	900265	1/2UNC X 1 1/2 HEX BOLT
	6	900333	5/8UNC X 1 1/2 HEX BOLT
	2	920504	1/2 LOCK WASHER
	6	920505	5/8 LOCK WASHER
	3	900836	5/8UNF X 3 1/4 HEX BOLT GR8
	1	358759	LEG MT V-PLT WLD, 284T 94
	12	914811	5/8UNF HEX NUT GR8
	1	471023	GREASE ZERK 1/4-28 X 45
	3	900837	5/8UNF X 3 1/2 HEX BOLT GR8
	1	610556	1/2UNC X 1/2 ZERK BOLT T-HUB
	1	610625	SENSOR, WHL MOTOR 610621/610671



LEFT REAR LEG ASSEMBLY

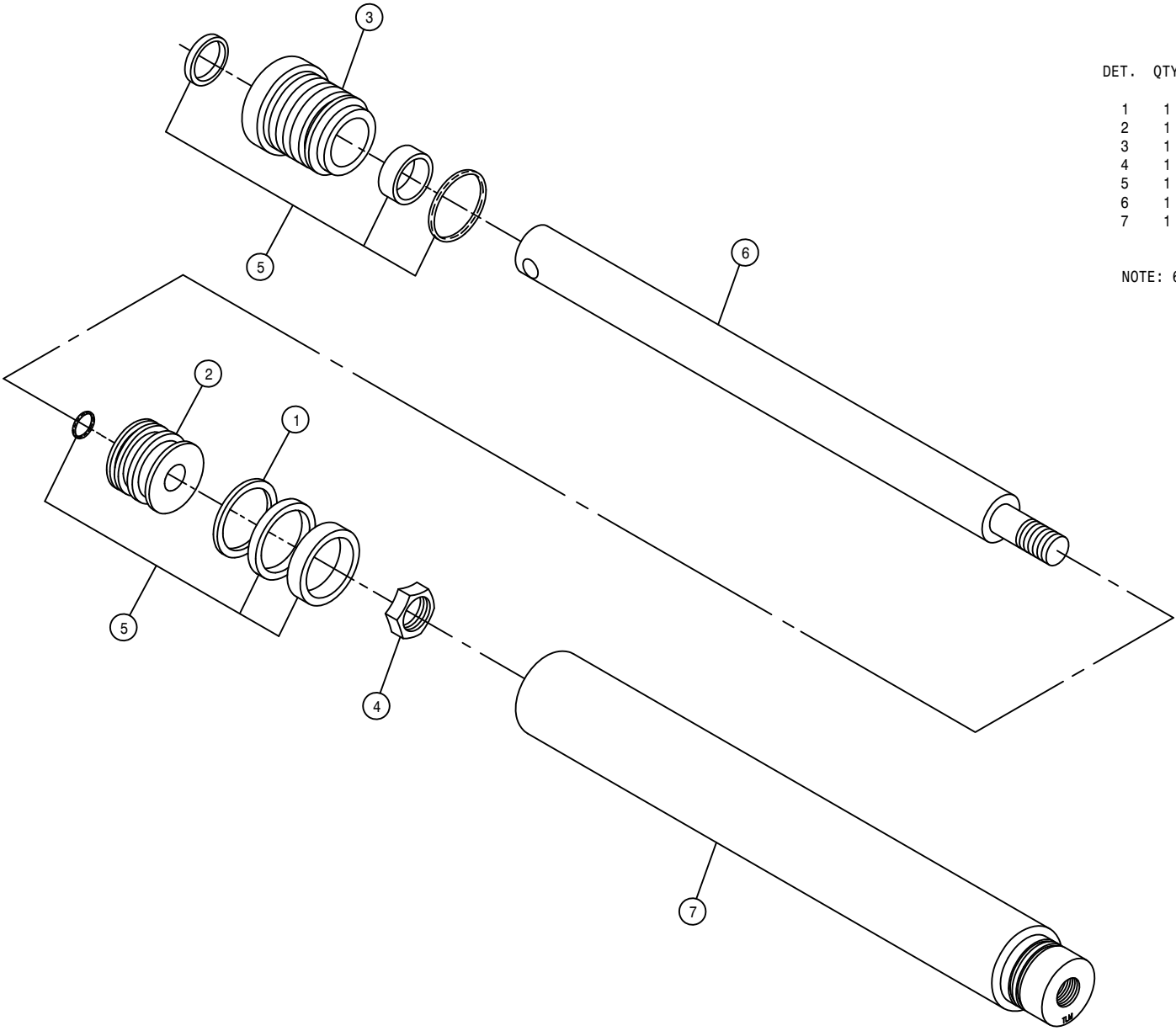
DET.	QTY	PART NO.	DESCRIPTION
1	1	357839	LH REAR LEG WLD, 204/204I 2000
2	1	900260	1/2UNC X 1/2 H BOLT GR2 UNPLT
3	1	610567	SUND M25-3000 WHL MTR 1.5CI
4	1	610660	TORQ HUB, 18:1 B-MT W1BFFZ
5	2	611126	7/8MJIC-7/8MOR ADPTR
6	1	618496	9/16MJIC-45-3/4MOR LBO
7	9	470140	5/8UNF HEX SMTH FLANGE NUT PLT
8	1	870045	O-RING 4 1/8 OD X 4 ID
9	2	900265	1/2UNC X 1 1/2 HEX BOLT
10	6	900333	5/8UNC X 1 1/2 HEX BOLT
11	2	920504	1/2 LOCK WASHER
12	6	920505	5/8 LOCK WASHER
13	3	900836	5/8UNF X 3 1/4 HEX BOLT GR8
14	1	358759	LEG MT V-PLT WLD, 284T 94
15	12	914811	5/8UNF HEX NUT GR8
16	1	471023	GREASE ZERK 1/4-28 X 45
17	3	900837	5/8UNF X 3 1/2 HEX BOLT GR8
18	1	610556	1/2UNC X 1/2 ZERK BOLT T-HUB

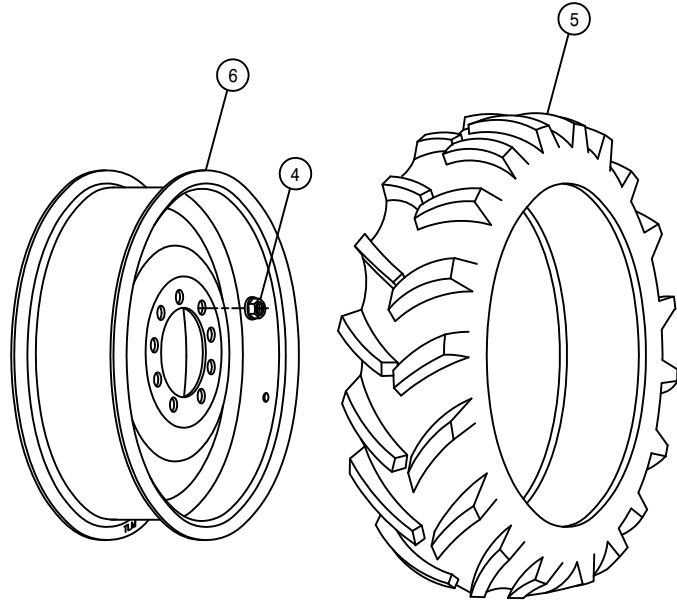
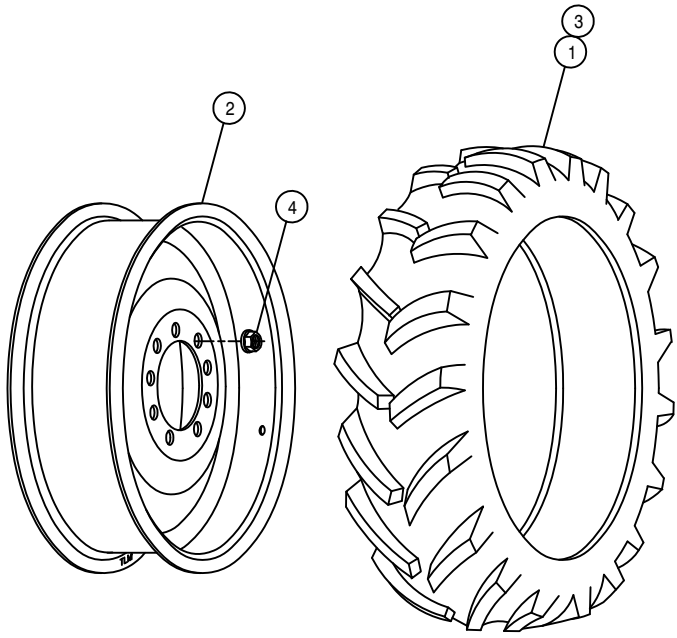
FRONT LEG CYLINDER ASSEMBLY

DET. QTY PART NO. DESCRIPTION

1	1	620753	STEEL PISTON RING,R-2.00-01
2	1	620754	PISTON, P-2.00-120
3	1	620756	HEAD, H-2.00-349
4	1	620757	NUT, N-0.75-02
5	1	620779	REPAIR KIT,HYD CYL,RK-2.00-801
6	1	620808	SHAFT,HYD LEG LEV CYL 620805
7	1	620809	BARREL,HYD LEG LEV CYL 620805

NOTE: 620805 - CYLINDER ASSEMBLY INCLUDES ITEMS 1-7

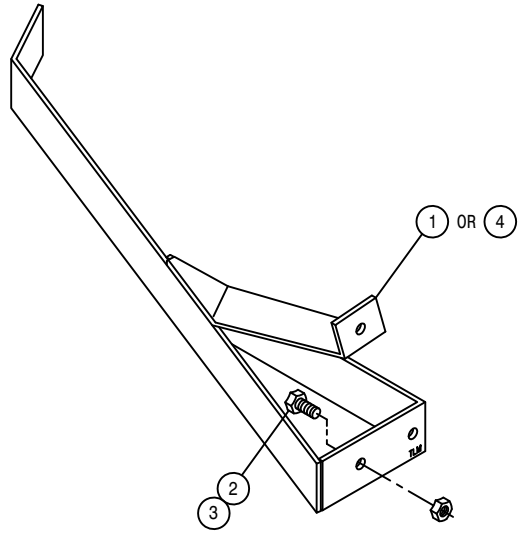




TIRE RIM ASSEMBLY

DET. QTY PART NO. DESCRIPTION

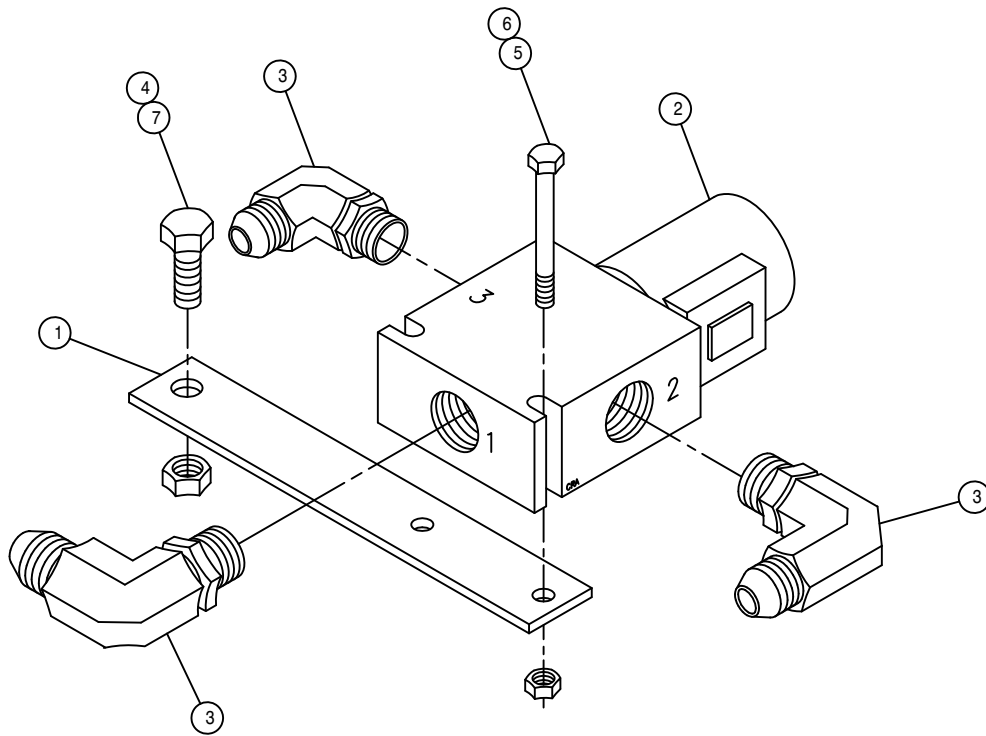
1	1	820001	12.4 X 28 4P TIRE, FIRESTONE
2	1	821040	RIM WLD, W10 X 28, W1B 204 97
3	1	820002	12.4 X 28 RADIAL INNER TUBE
4	18	470140	5/8UNF HEX SMTH FLANGE NUT PLT
5	1	820063	11.2-38 TL GOODYEAR TIRE
6	1	821050	RIM WLD, W10 X 38, W1M1 204



CROP GUIDE

DET.	QTY	PART NO.	DESCRIPTION
1	1	662217	RH REAR STALK GUIDE WLD280 89
2	2	900129	3/8UNC X 1" HEX BOLT
3	2	914004	3/8UNC HEX STOVER NUT
4	1	662218	LH REAR STALK GUIDE WLD280 89

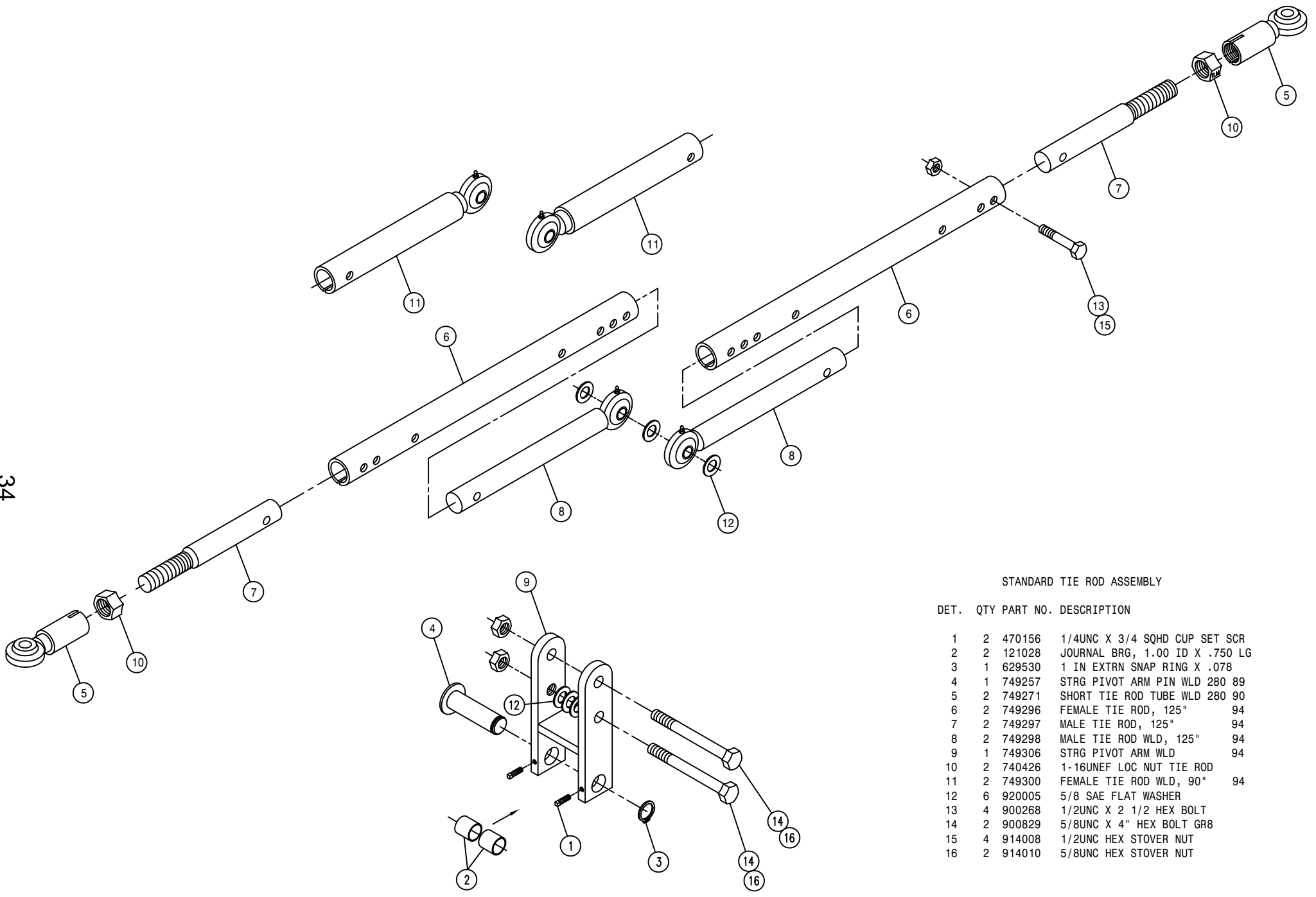




BRAKE SOLENOID ASSEMBLY

DET. QTY PART NO. DESCRIPTION

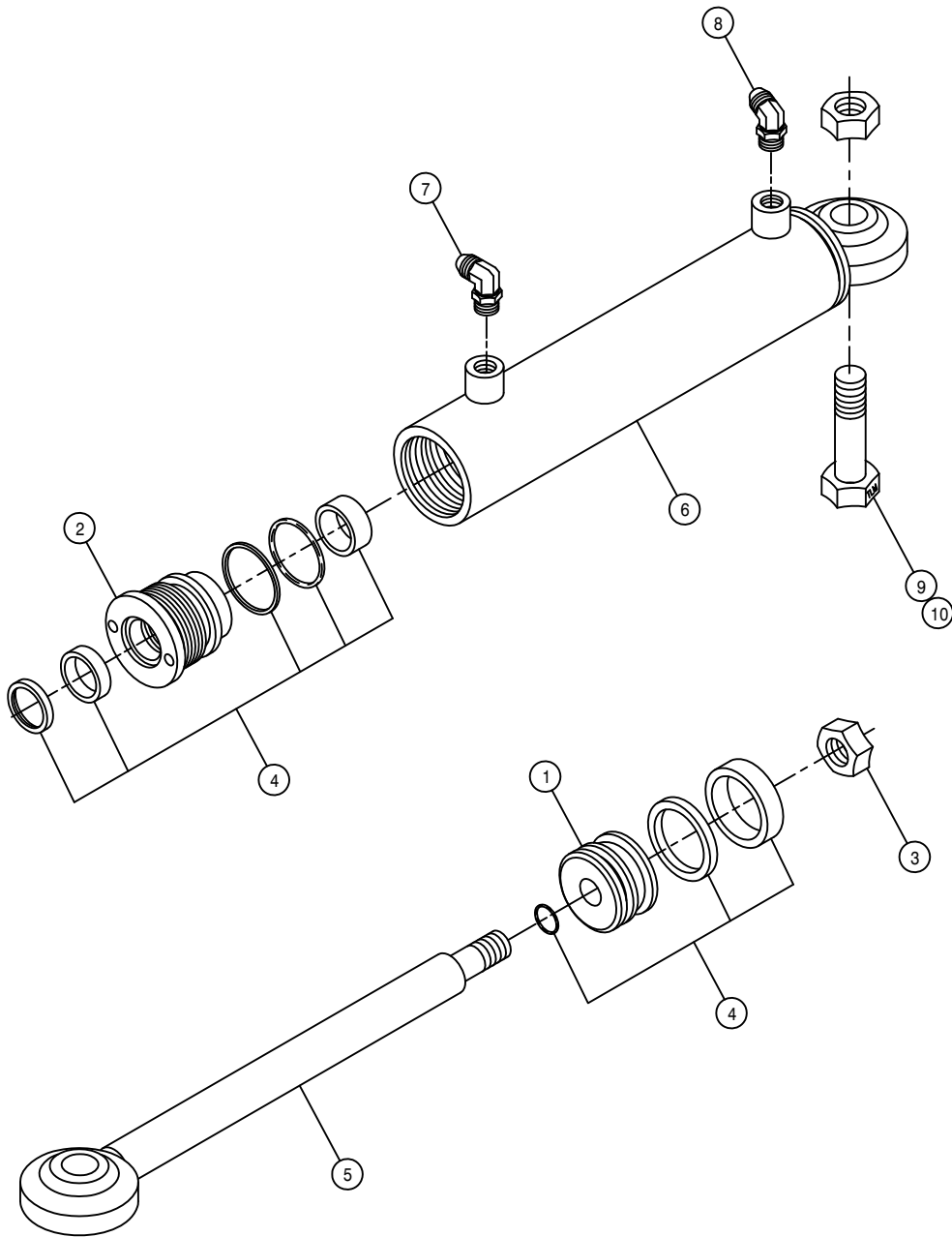
1	1	342332	PARK BRAKE SOL VLV MT	97
2	1	610318	HYD SOLE VLV, 2P-3W, 9/16FOR, 12V	
3	3	618119	9/16MJIC-90-9/16MOR LBO	
4	1	914004	3/8UNC HEX STOVER NUT	
5	2	900006	1/4UNC X 1 3/4 HEX BOLT	
6	2	914000	1/4UNC HEX STOVER NUT	
7	1	900129	3/8UNC X 1" HEX BOLT	



STANDARD TIE ROD ASSEMBLY

DET.	QTY	PART NO.	DESCRIPTION
1	2	470156	1/4UNC X 3/4 SQHD CUP SET SCR
2	2	121028	JOURNAL BRG, 1.00 ID X .750 LG
3	1	629530	1 IN EXTRN SNAP RING X .078
4	1	749257	STRG PIVOT ARM PIN WLD 280 89
5	2	749271	SHORT TIE ROD TUBE WLD 280 90
6	2	749296	FEMALE TIE ROD, 125" 94
7	2	749297	MALE TIE ROD, 125" 94
8	2	749298	MALE TIE ROD WLD, 125" 94
9	1	749306	STRG PIVOT ARM WLD 94
10	2	740426	1-16UNEF LOC NUT TIE ROD
11	2	749300	FEMALE TIE ROD WLD, 90" 94
12	6	920005	5/8 SAE FLAT WASHER
13	4	900268	1/2UNC X 2 1/2 HEX BOLT
14	2	900829	5/8UNC X 4" HEX BOLT GR8
15	4	914008	1/2UNC HEX STOVER NUT
16	2	914010	5/8UNC HEX STOVER NUT

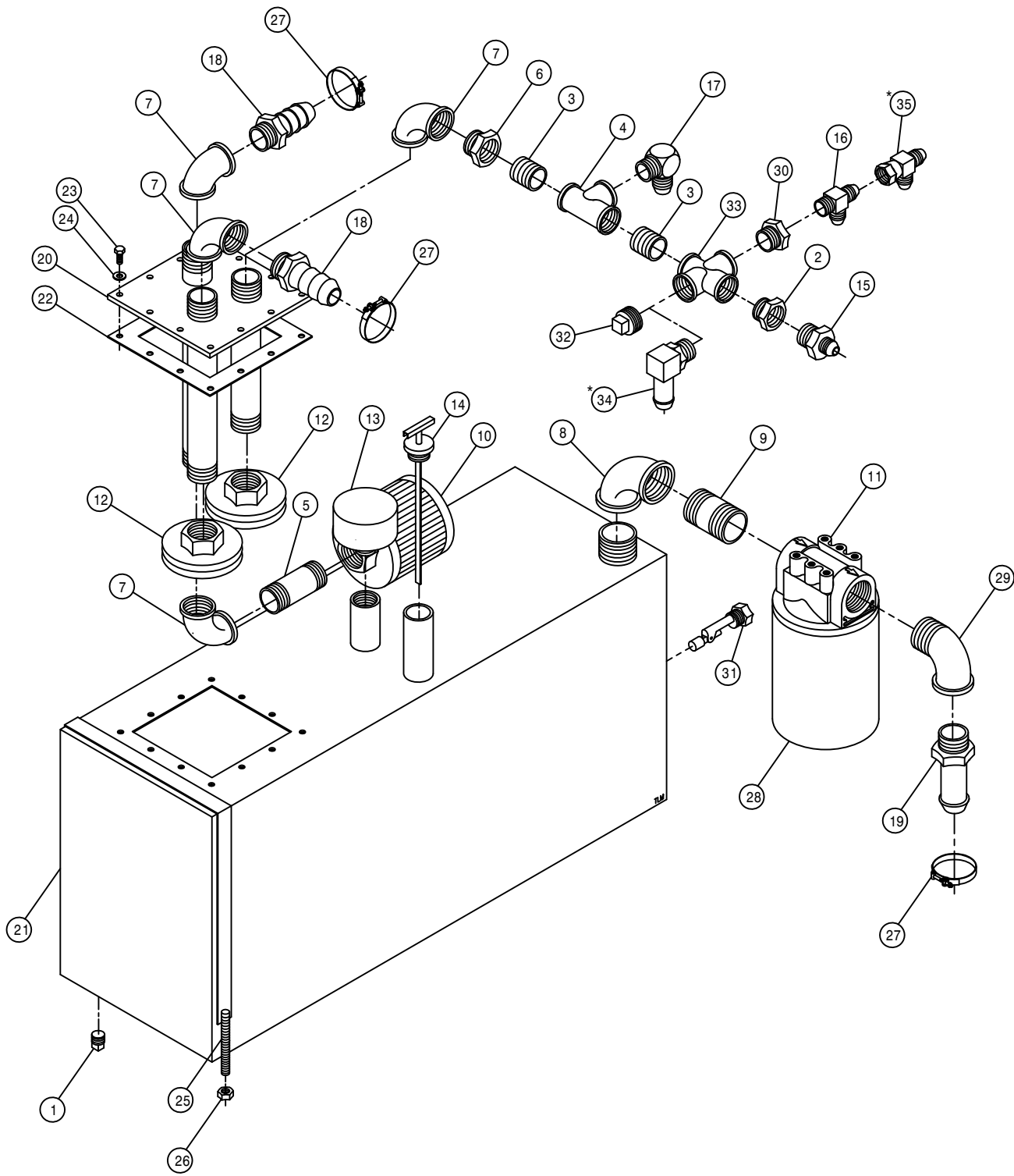
NOTE: DETAIL 11 IS USED WITH NARROW TREAD.



STEERING CYLINDER ASSEMBLY

DET.	QTY	PART NO.	DESCRIPTION
	1	620750	PISTON, P-1.50-021
	1	620751	HEAD, H-1.50-330
	1	620752	NUT, N-0.50-01
	1	620777	REPAIR KIT, HYD CYL, RK-1.50-800
	1	620803	SHAFT WLD, STRG CYL 620800
	1	620804	BARREL WLD, STRG CYL 620800
	1	618119	9/16MJIC-90-9/16MOR LBO
	1	618425	9/16MJIC-45-9/16MOR LBO
	1	900336	5/8UNC X 2 1/2 HEX BOLT
	1	914010	5/8UNC HEX STOVER NUT

NOTE: 620800 - CYLINDER ASSEMBLY INCLUDES ITEMS 1-6  
 621001 - CYLINDER ASSEMBLY WITH FITTINGS



HYDRAULIC TANK ASSEMBLY

DET.	QTY	PART NO.	DESCRIPTION
1	1	501102	1/4 PIPE PLUG
2	1	504210	RED BUSH 3/4 NPT X 1/2 NPT
3	2	504702	CLOSE NIPPLE .75NPT
4	1	504955	BLK PIPE TEE .75NPT
5	1	505203	BLK PIPE NIPPLE 1.00NPT-4.00
6	1	505213	RED BUSH 1 X 3/4 BLK MAL
7	4	505300	BLK PIPE EL 90DEG 1.00NPT
8	1	506303	BLK PIPE EL 90DEG 1.25NPT
9	1	506602	PIPE NIPPLE 1 1/4NPT-2 1/2
10	1	605600	MICHIGAN RESERVOIR FILTER
11	1	605601	PARKER FILTER ASSY,10M,1.25NPT
12	2	605603	LINE SUMP DIFFUSER
13	1	611052	FILLER BREATHER 3/4NPT
14	1	614453	DIPSTICK, 8IN
15	1	618018	9/16MJIC-1/2MNPT ADPTR
16	1	618520	1/4MNPT RUN TEE-9/16MJIC
17	1	610305	3/4MJIC-90-3/4MNPT LBO
18	2	714560	1NPT X 1 HOSE BARB
19	1	715664	1 1/4 NPT X 1 HOSE BARB
20	1	760090	RECEIVER PLT WLD 8240
21	1	760097	OIL TANK WLD 8240 1982
22	1	763039	HYD MTR MTG PLT GSKT
23	12	900064	5/16UNC X 3/4 HEX BOLT
24	12	920001	5/16 SAE FLAT WASHER
25	2	341360	OIL TANK STRAP WLD 8240 1982
26	4	914004	3/8UNC HEX STOVER NUT
27	3	520138	1.38/1.56 T-BOLT HOSE CLAMP
28	1	605602	PARKER FILTER ELEMENT,10MICRON
29	1	506410	BLK PIPE ST EL 90DEG 1.25NPT
30	1	504001	RED BUSH 3/4 X 1/4 BLK MAL
31	1	470290	LIQUID LEVEL SWITCH, 1/2MNPT
32	1	504900	PIPE PLUG .75NPT SQ HD
33	1	504400	BLK PIPE CROSS .75NPT
34	1	618135	3/4 HOSE BARB-90-3/4MNPT
35	1	618486	9/16FJIC SW RUN TEE-9/16MJIC

\*NOTE: DETAIL 34 IS USED WITH THE CUTTER OPTION.  
 DETAIL 35 IS USED WITH THE HYDRAULIC BRAKE.

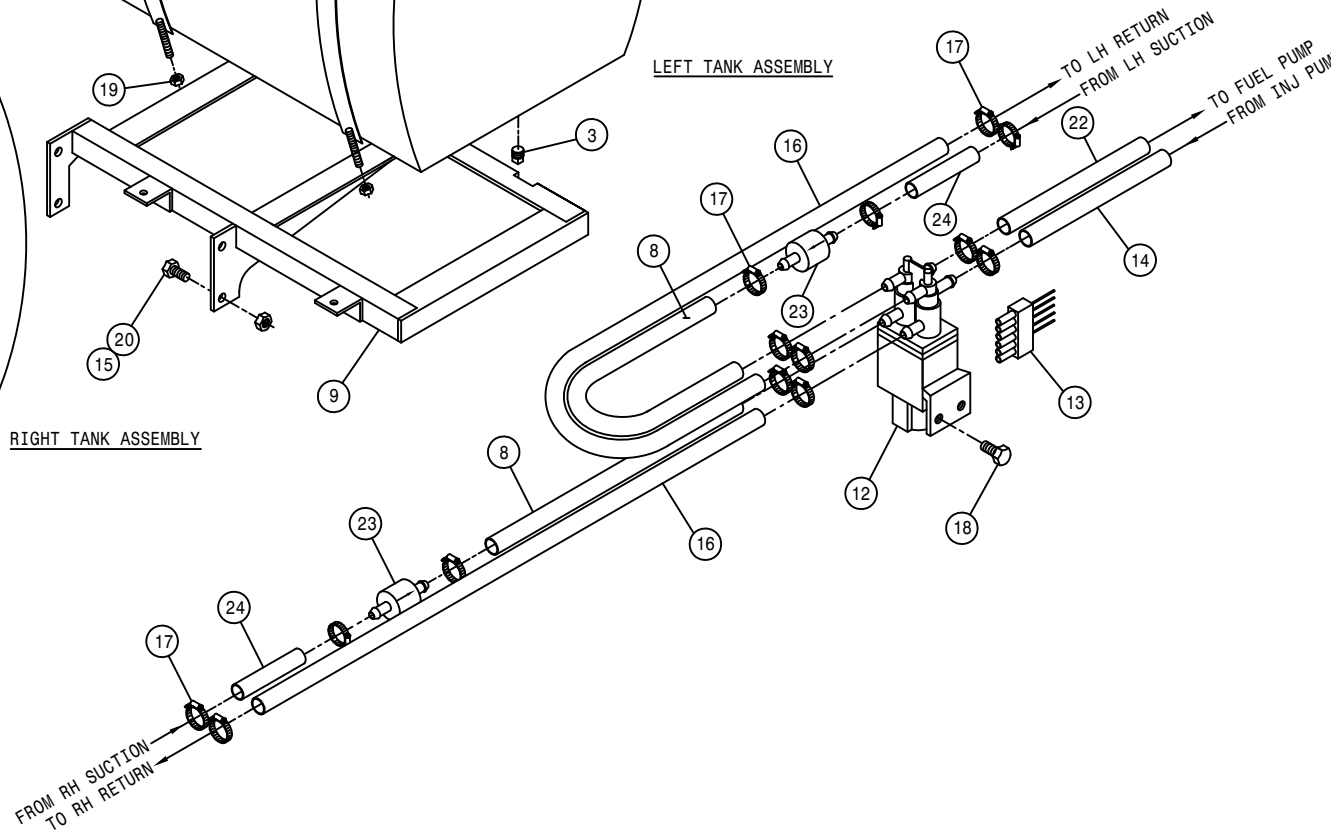
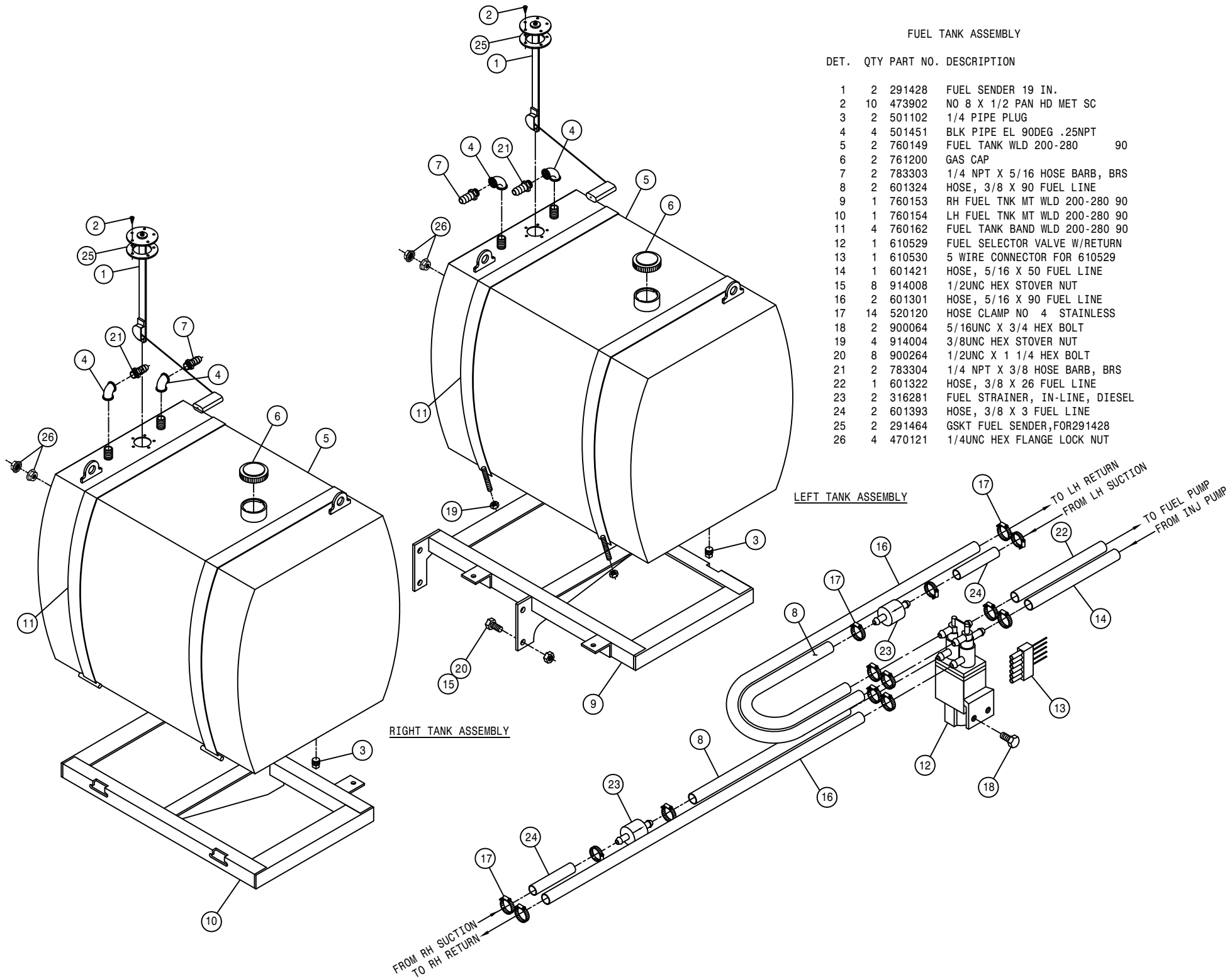
# FUEL TANK ASSEMBLY

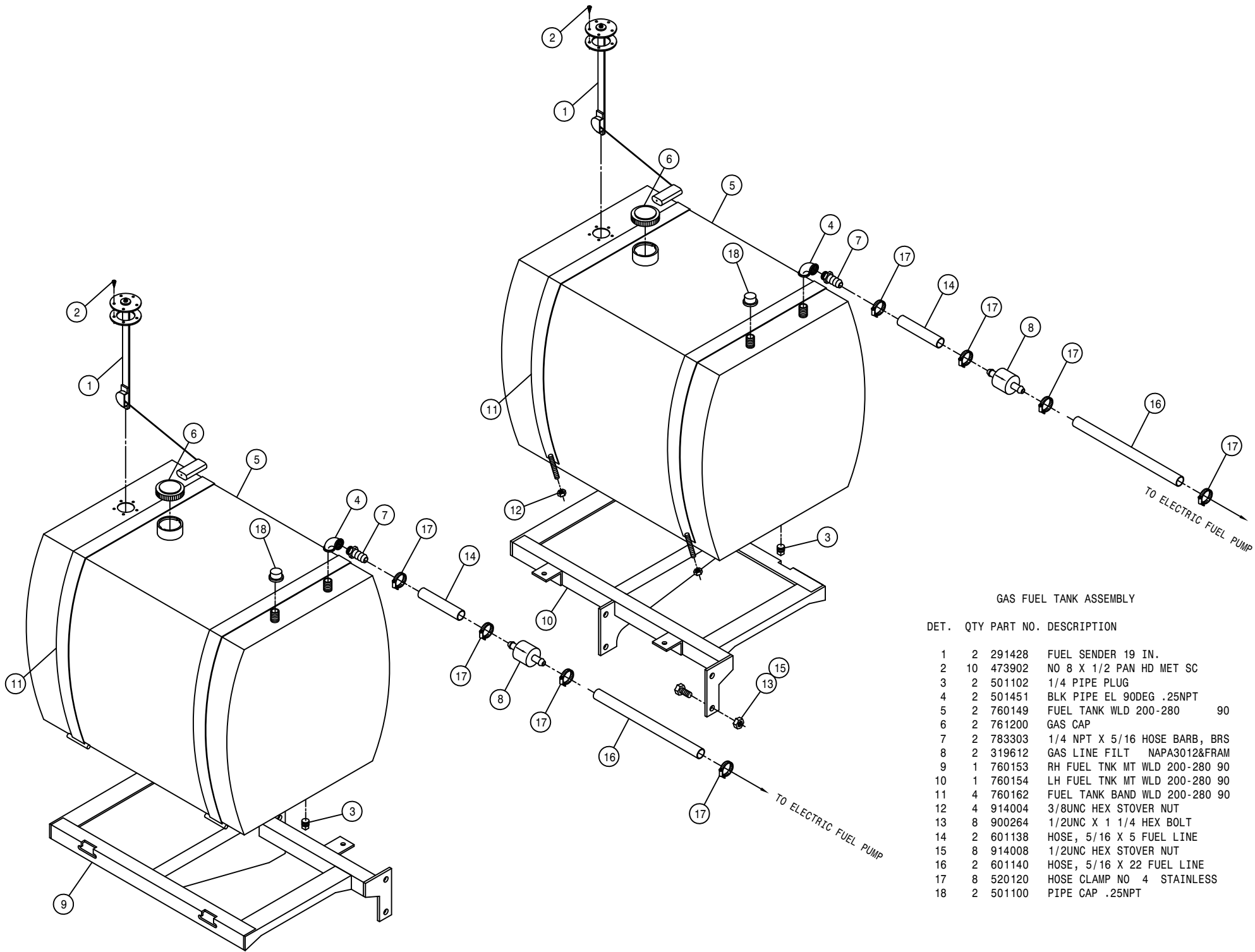
DET. QTY PART NO. DESCRIPTION

1	2	291428	FUEL SENDER 19 IN.	
2	10	473902	NO 8 X 1/2 PAN HD MET SC	
3	2	501102	1/4 PIPE PLUG	
4	4	501451	BLK PIPE EL 90DEG .25NPT	
5	2	760149	FUEL TANK WLD 200-280	90
6	2	761200	GAS CAP	
7	2	783303	1/4 NPT X 5/16 HOSE BARB, BRS	
8	2	601324	HOSE, 3/8 X 90 FUEL LINE	
9	1	760153	RH FUEL TNK MT WLD 200-280 90	
10	1	760154	LH FUEL TNK MT WLD 200-280 90	
11	4	760162	FUEL TANK BAND WLD 200-280 90	
12	1	610529	FUEL SELECTOR VALVE W/RETURN	
13	1	610530	5 WIRE CONNECTOR FOR 610529	
14	1	601421	HOSE, 5/16 X 50 FUEL LINE	
15	8	914008	1/2UNC HEX STOVER NUT	
16	2	601301	HOSE, 5/16 X 90 FUEL LINE	
17	14	520120	HOSE CLAMP NO 4 STAINLESS	
18	2	900064	5/16UNC X 3/4 HEX BOLT	
19	4	914004	3/8UNC HEX STOVER NUT	
20	8	900264	1/2UNC X 1 1/4 HEX BOLT	
21	2	783304	1/4 NPT X 3/8 HOSE BARB, BRS	
22	1	601322	HOSE, 3/8 X 26 FUEL LINE	
23	2	316281	FUEL STRAINER, IN-LINE, DIESEL	
24	2	601393	HOSE, 3/8 X 3 FUEL LINE	
25	2	291464	GSKT FUEL SENDER, FOR 291428	
26	4	470121	1/4UNC HEX FLANGE LOCK NUT	

LEFT TANK ASSEMBLY

RIGHT TANK ASSEMBLY





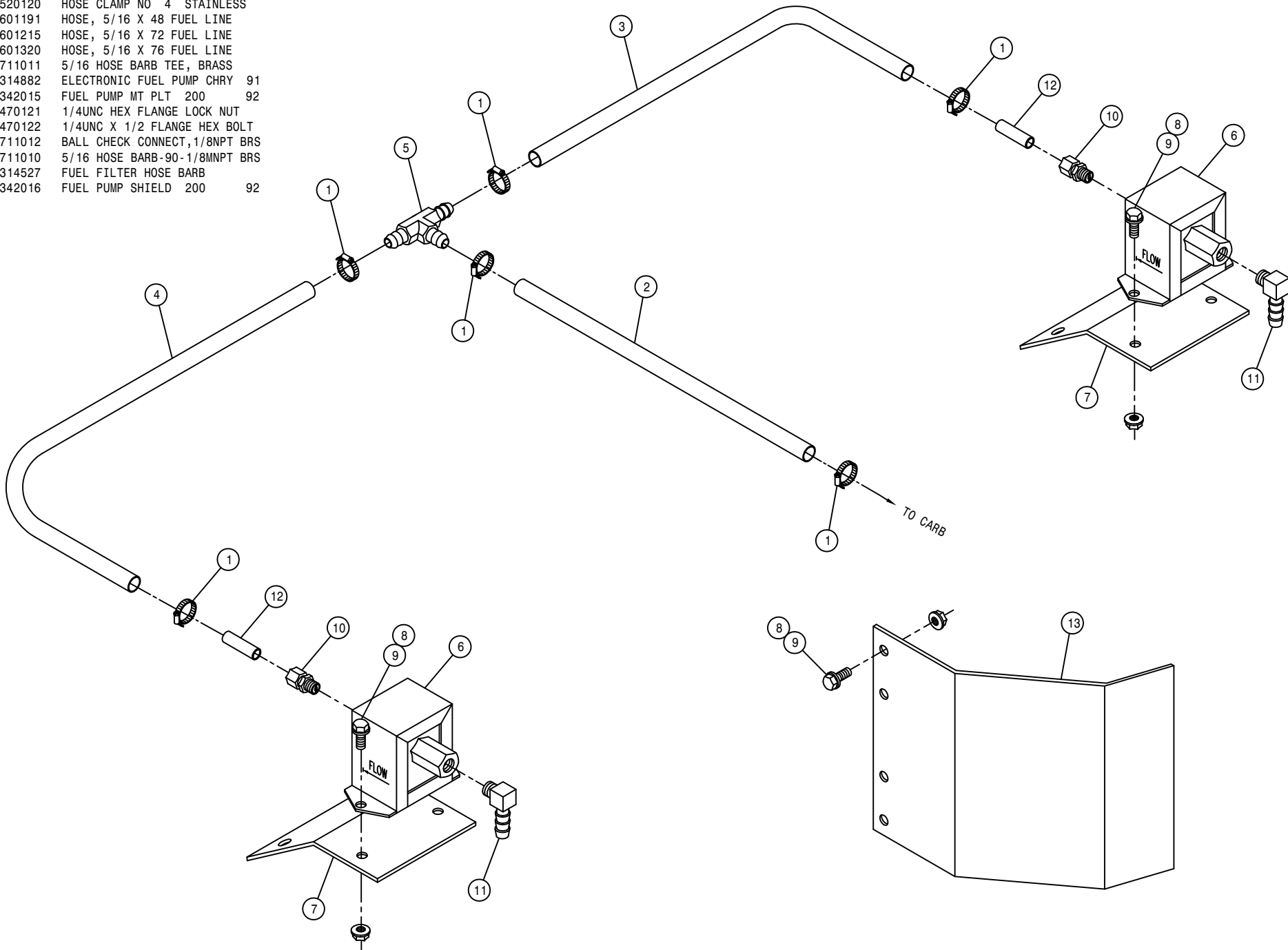
GAS FUEL TANK ASSEMBLY

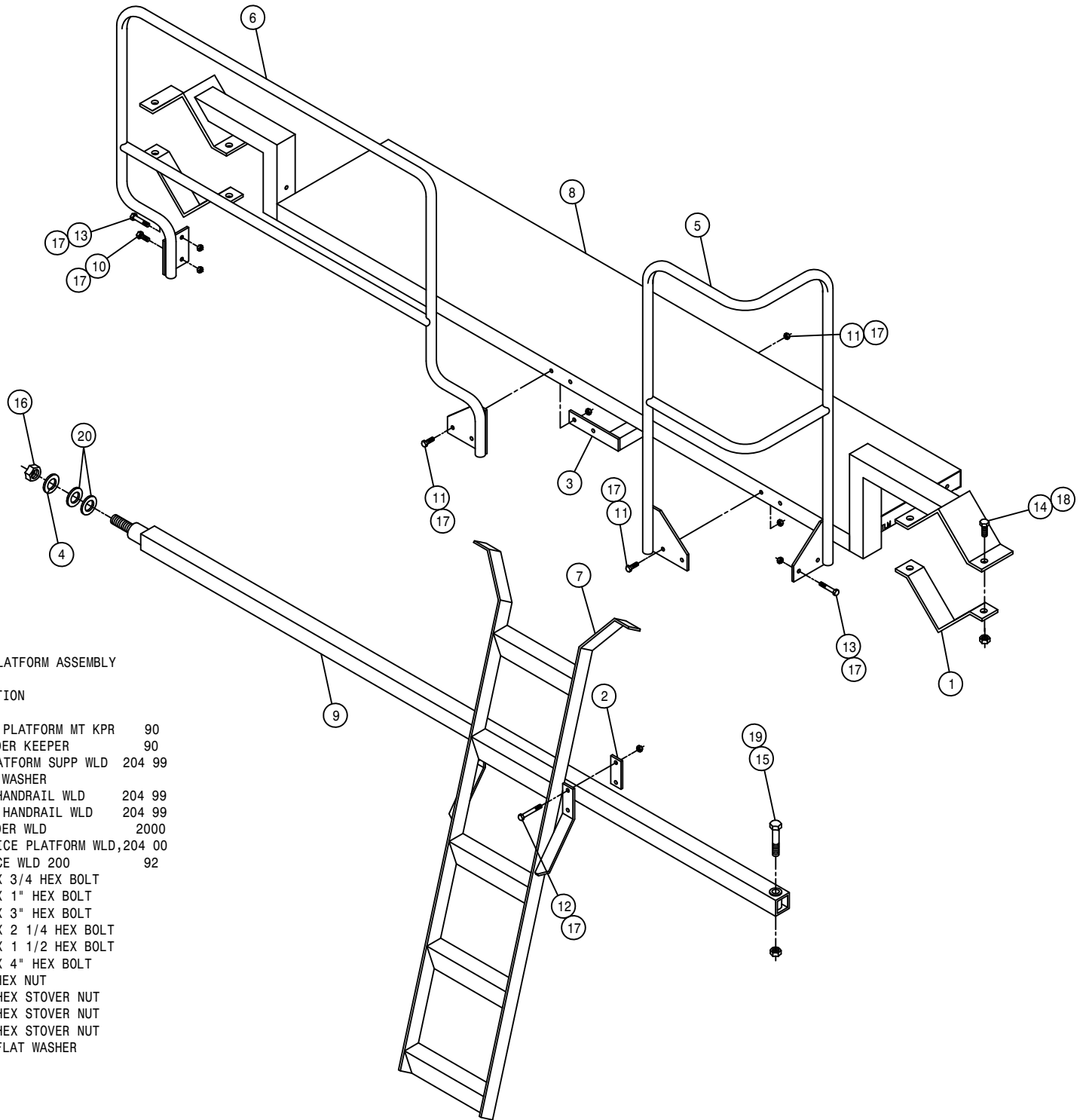
DET.	QTY	PART NO.	DESCRIPTION
	2	291428	FUEL SENDER 19 IN.
	10	473902	NO 8 X 1/2 PAN HD MET SC
	2	501102	1/4 PIPE PLUG
	4	501451	BLK PIPE EL 90DEG .25NPT
	2	760149	FUEL TANK WLD 200-280 90
	2	761200	GAS CAP
	2	783303	1/4 NPT X 5/16 HOSE BARB, BRS
	2	319612	GAS LINE FILT NAPA3012&FRAM
	1	760153	RH FUEL TNK MT WLD 200-280 90
	1	760154	LH FUEL TNK MT WLD 200-280 90
	4	760162	FUEL TANK BAND WLD 200-280 90
	4	914004	3/8UNC HEX STOVER NUT
	8	900264	1/2UNC X 1 1/4 HEX BOLT
	2	601138	HOSE, 5/16 X 5 FUEL LINE
	8	914008	1/2UNC HEX STOVER NUT
	2	601140	HOSE, 5/16 X 22 FUEL LINE
	8	520120	HOSE CLAMP NO 4 STAINLESS
	2	501100	PIPE CAP .25NPT

FUEL PUMP ASSEMBLY

DET. QTY PART NO. DESCRIPTION

1	6	520120	HOSE CLAMP NO 4 STAINLESS
2	1	601191	HOSE, 5/16 X 48 FUEL LINE
3	1	601215	HOSE, 5/16 X 72 FUEL LINE
4	1	601320	HOSE, 5/16 X 76 FUEL LINE
5	1	711011	5/16 HOSE BARB TEE, BRASS
6	2	314882	ELECTRONIC FUEL PUMP CHRY 91
7	2	342015	FUEL PUMP MT PLT 200 92
8	12	470121	1/4UNC HEX FLANGE LOCK NUT
9	12	470122	1/4UNC X 1/2 FLANGE HEX BOLT
10	2	711012	BALL CHECK CONNECT, 1/8NPT BRS
2	2	711010	5/16 HOSE BARB-90-1/8MNPT BRS
11	2	314527	FUEL FILTER HOSE BARB
13	2	342016	FUEL PUMP SHIELD 200 92



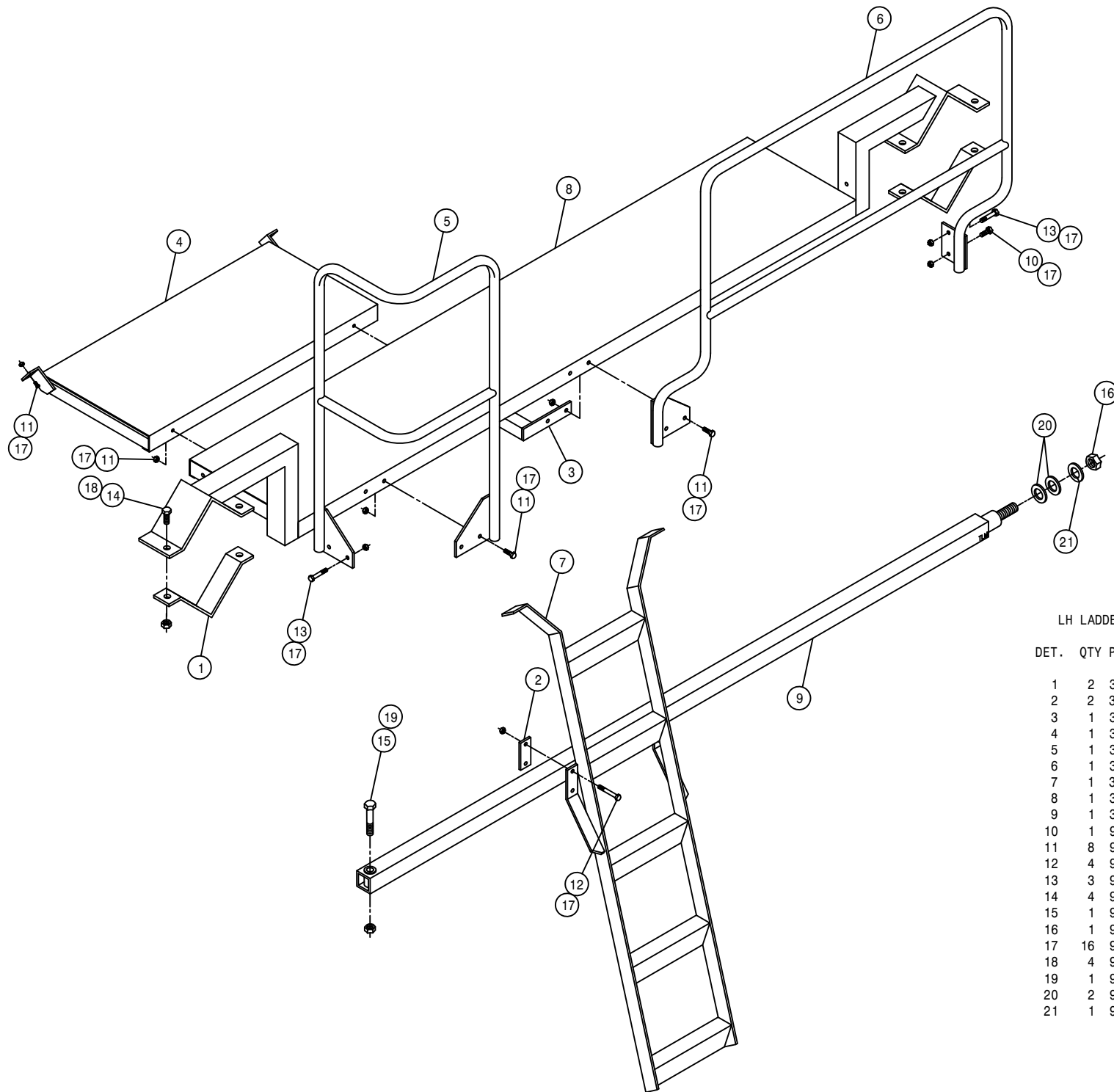


RH LADDER AND SERVICE PLATFORM ASSEMBLY

DET. QTY PART NO. DESCRIPTION

1	2	341900	SERVICE PLATFORM MT KPR	90
2	2	341912	200 LADDER KEEPER	90
3	1	342673	SERV PLATFORM SUPP WLD	204 99
4	1	920508	1" LOCK WASHER	
5	1	342681	RH FRT HANDRAIL WLD	204 99
6	1	342687	RH REAR HANDRAIL WLD	204 99
7	1	342700	204 LADDER WLD	2000
8	1	342710	RH SERVICE PLATFORM WLD,	204 00
9	1	358673	LEG BRACE WLD	200 92
10	1	900128	3/8UNC X 3/4 HEX BOLT	
11	5	900129	3/8UNC X 1" HEX BOLT	
12	4	900136	3/8UNC X 3" HEX BOLT	
13	3	900170	3/8UNC X 2 1/4 HEX BOLT	
14	4	900265	1/2UNC X 1 1/2 HEX BOLT	
15	1	900410	3/4UNC X 4" HEX BOLT	
16	1	910017	1" UNC HEX NUT	
17	13	914004	3/8UNC HEX STOVER NUT	
18	4	914008	1/2UNC HEX STOVER NUT	
19	1	914012	3/4UNC HEX STOVER NUT	
20	2	920008	1" SAE FLAT WASHER	



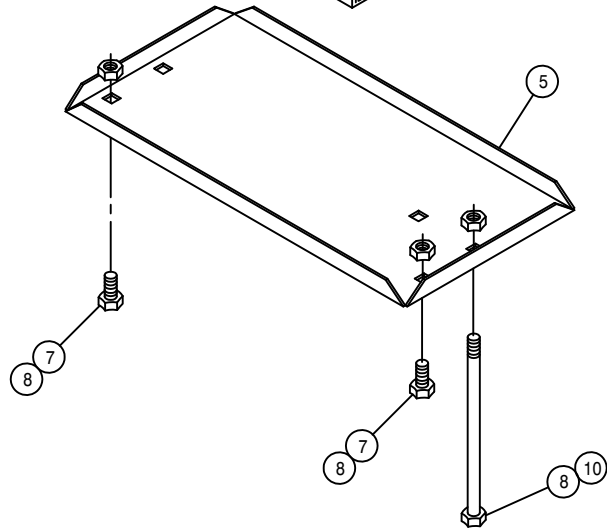
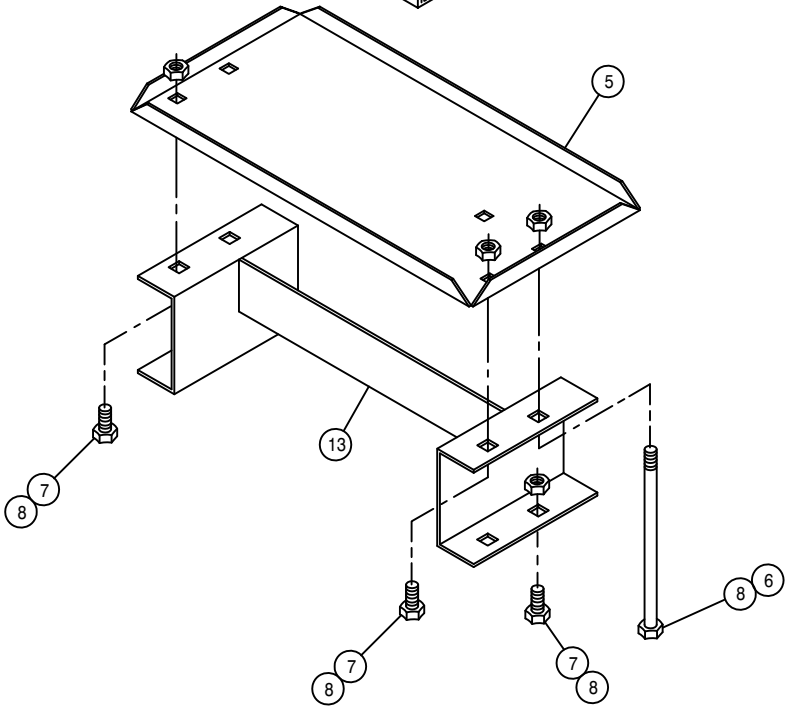
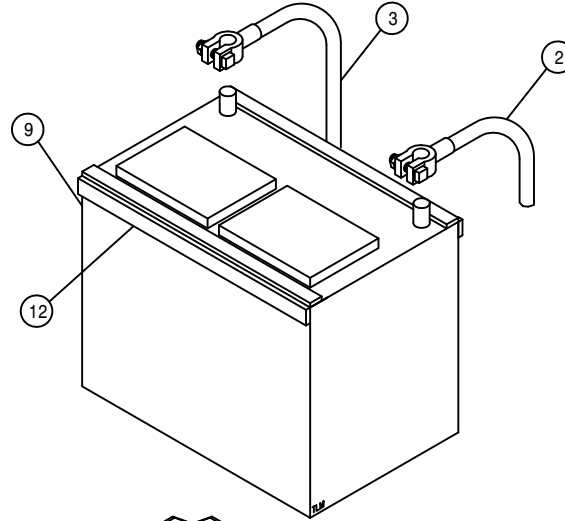
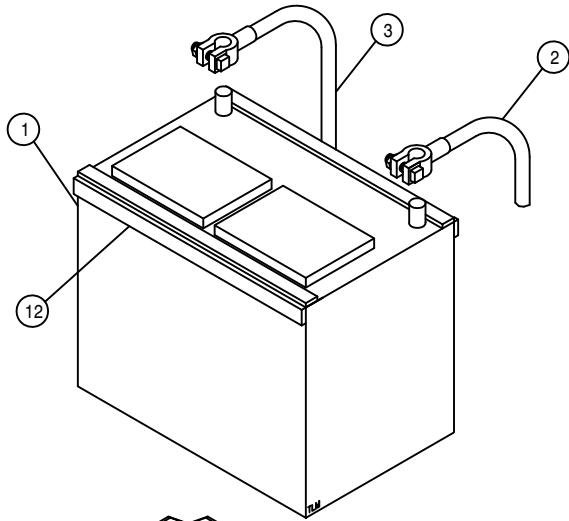
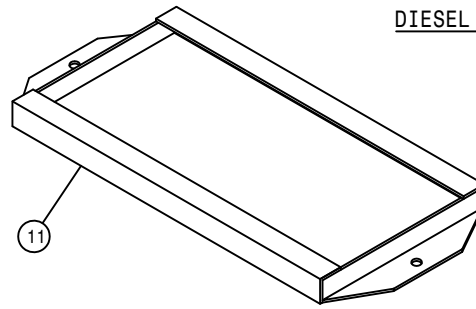
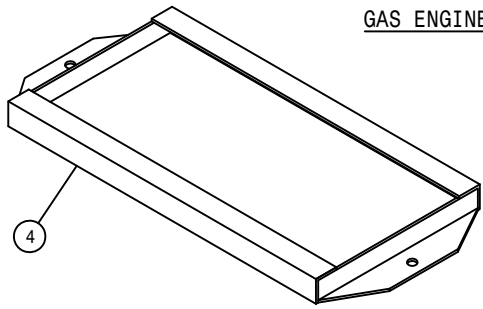


LH LADDER AND SERVICE PLATFORM ASSEMBLY

DET.	QTY	PART NO.	DESCRIPTION	
1	2	341900	SERVICE PLATFORM MT KPR	90
2	2	341912	200 LADDER KEEPER	90
3	1	342673	SERV PLATFORM SUPP WLD	204 99
4	1	342677	SERV PLATFORM STEP WLD	204 99
5	1	342685	LH FRT HANDRAIL WLD	204 99
6	1	342688	LH REAR HANDRAIL WLD	204 99
7	1	342700	204 LADDER WLD	2000
8	1	342711	LH SERVICE PLATFORM WLD,204	00
9	1	358673	LEG BRACE WLD 200	92
10	1	900128	3/8UNC X 3/4 HEX BOLT	
11	8	900129	3/8UNC X 1" HEX BOLT	
12	4	900136	3/8UNC X 3" HEX BOLT	
13	3	900170	3/8UNC X 2 1/4 HEX BOLT	
14	4	900265	1/2UNC X 1 1/2 HEX BOLT	
15	1	900410	3/4UNC X 4" HEX BOLT	
16	1	910017	1" UNC HEX NUT	
17	16	914004	3/8UNC HEX STOVER NUT	
18	4	914008	1/2UNC HEX STOVER NUT	
19	1	914012	3/4UNC HEX STOVER NUT	
20	2	920008	1" SAE FLAT WASHER	
21	1	920508	1" LOCK WASHER	

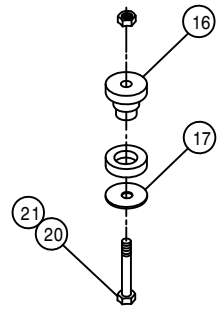
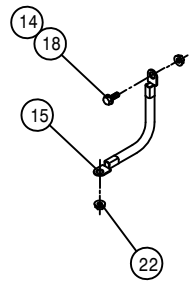
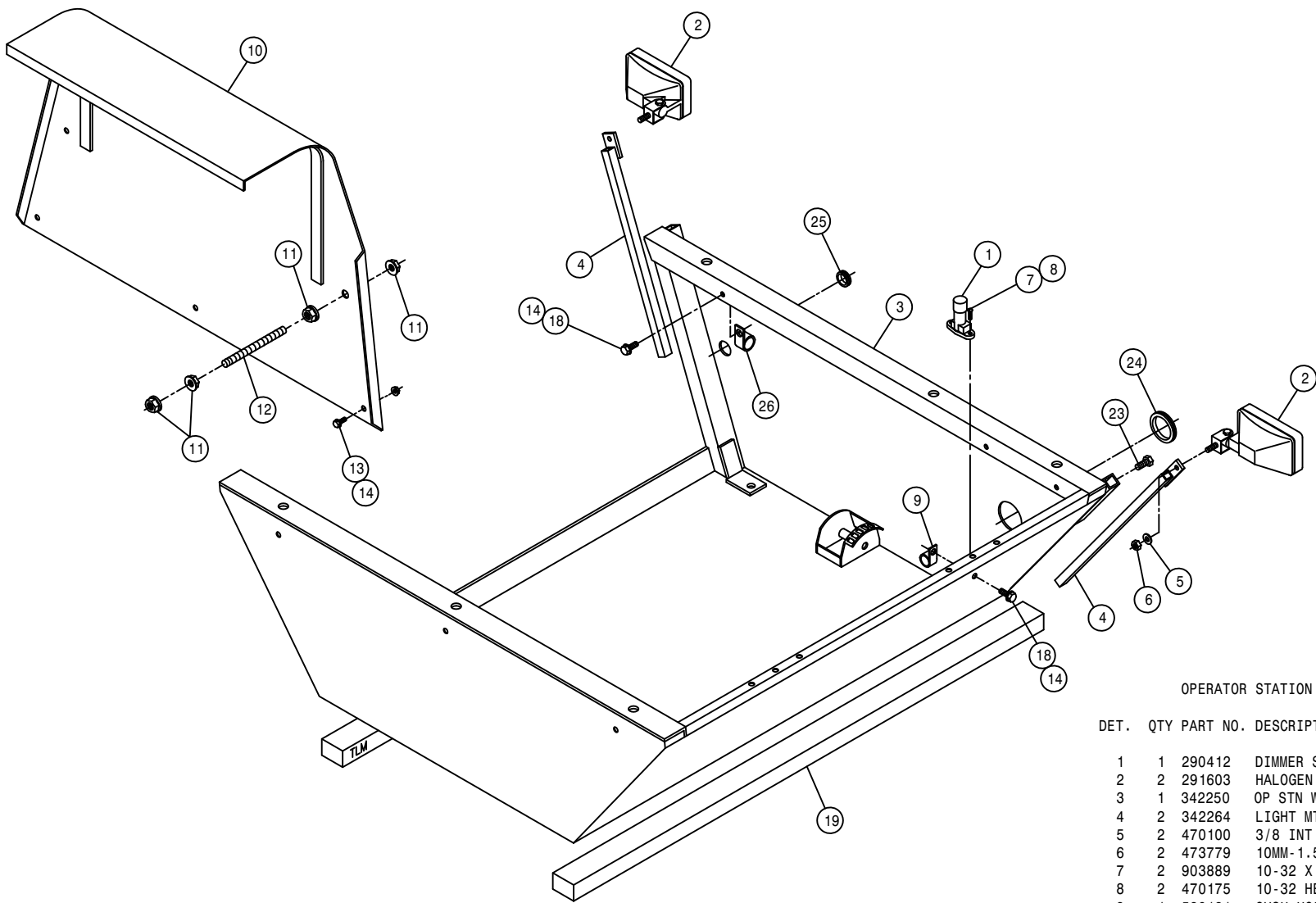
GAS ENGINE

DIESEL ENGINE



BATTERY BOX ASSEMBLY

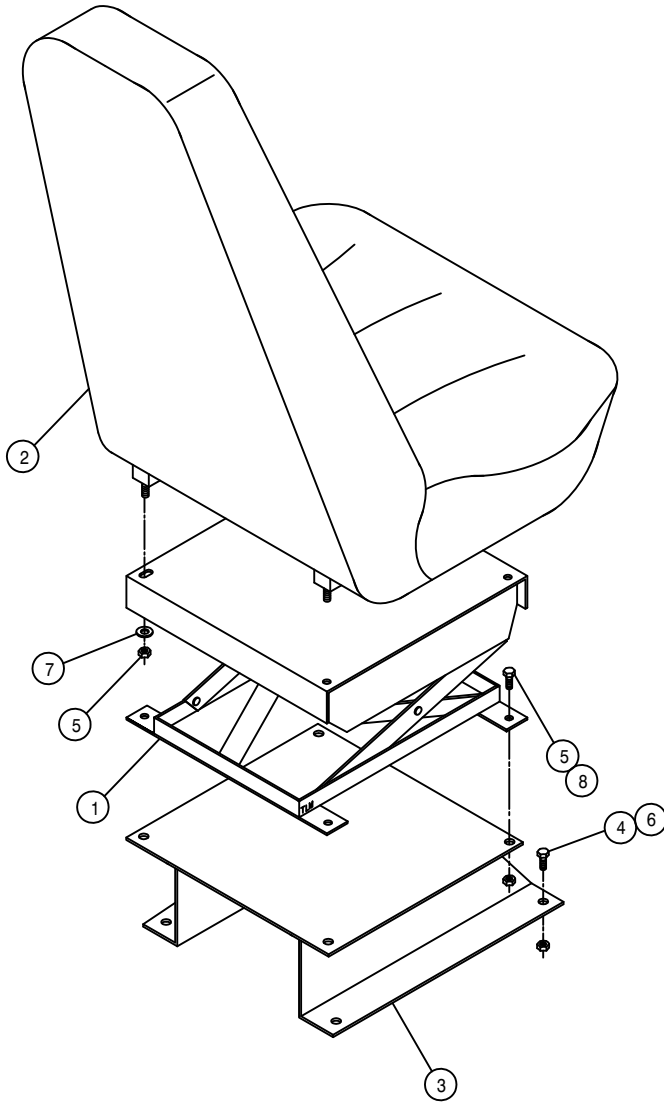
DET.	QTY	PART NO.	DESCRIPTION
	1	290013	BATT 12V 90AH LT WARRANTY
	2	291128	BATTERY CABLE 48 IN
	3	291530	BATTERY GROUND CABLE, 23"
	4	290212	BATT HOLD DOWN WLD CHRY
	5	361149	BATTERY BOX 8300-8400 1981
	6	901149	3/8UNC X 8 1/2 CARR BOLT
	7	900128	3/8UNC X 3/4 HEX BOLT
	8	914004	3/8UNC HEX STOVER NUT
	9	291122	BATTERY, 12V 950CCA, SAE POST
	10	901150	3/8UNC X 9" CARR BOLT
	11	341322	BATTERY HOLD DOWN WLD 1981
	12	8	193022 STICKERTITE 1/4 X 3/4
	13	1	361417 BATT BOX SPACER WLD



OPERATOR STATION ASSEMBLY

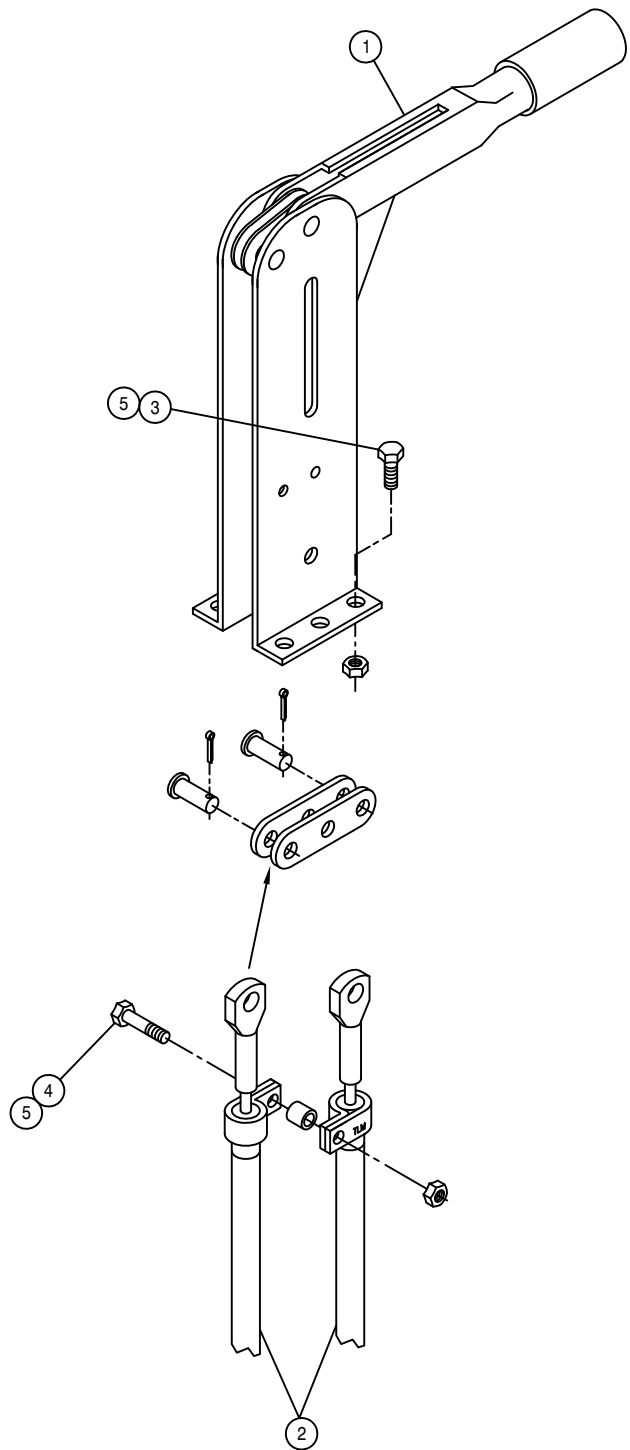
DET.	QTY	PART NO.	DESCRIPTION	
1	1	290412	DIMMER SWITCH	
2	2	291603	HALOGEN WORKLAMP, SIDE MT 12V	
3	1	342250	OP STN WLD, 204	94
4	2	342264	LIGHT MT WLD, 204	94
5	2	470100	3/8 INT TOOTH LOCK WASHER	
6	2	473779	10MM-1.50 HEX NUT	
7	2	903889	10-32 X 3/4 SLT RDHD MACH SCR	
8	2	470175	10-32 HEX FLANGE LOCK NUT	
9	1	520121	CUSH HOSE CLAMP 1IN X 3/4W	
10	1	342098	NOISE DEFLECTOR SHIELD WLD, 204	
11	8	470087	3/8UNC HEX FLANGE LOCK NUT	
12	2	314929	3/8UNC X 3.00 STUD LOCK BOLT, FULL	
13	3	470122	1/4UNC X 1/2 FLANGE HEX BOLT	
14	6	470121	1/4UNC HEX FLANGE LOCK NUT	
15	1	290107	GROUND CABLE, 8" X 4GA .406LUGS	
16	4	311051	RUBBER MOUNT, RB3-350	
17	4	311052	SNUBBING WASHER FOR 311051	
18	3	470118	1/4UNC X 3/4 FLANGE HEX BOLT	
19	2	659704	FOAM, 2" THK X 2" WIDE X 42" LG	
20	4	900342	5/8UNC X 4" HEX BOLT	
21	4	914010	5/8UNC HEX STOVER NUT	
22	1	914004	3/8UNC HEX STOVER NUT	
23	2	900128	3/8UNC X 3/4 HEX BOLT	
24	1	473915	GROMMET, 1.500ID .062GW 1.750GD	
25	1	470067	GROMMET, .250ID .125GW .375GD	
26	2	520118	CUSH HOSE CLAMP 1/2D X 1/2W	

NOTE: DETAILS 10, 11, 12, 13, AND 14 ARE USED WITH THE DIESEL ENGINE OPTION.



SEAT ASSEMBLY

DET.	QTY	PART NO.	DESCRIPTION
	1	330015	SUSPENSION ASSY TRIMLINE SEAT
	1	330017	TRIMLINE SEAT, MID HIGH, VINYL
	1	341554	SEAT MT WLD TRIMLINE SEAT
	4	900129	3/8UNC X 1" HEX BOLT
	8	914002	5/16UNC HEX STOVER NUT
	4	914004	3/8UNC HEX STOVER NUT
	2	920001	5/16 SAE FLAT WASHER
	4	900064	5/16UNC X 3/4 HEX BOLT



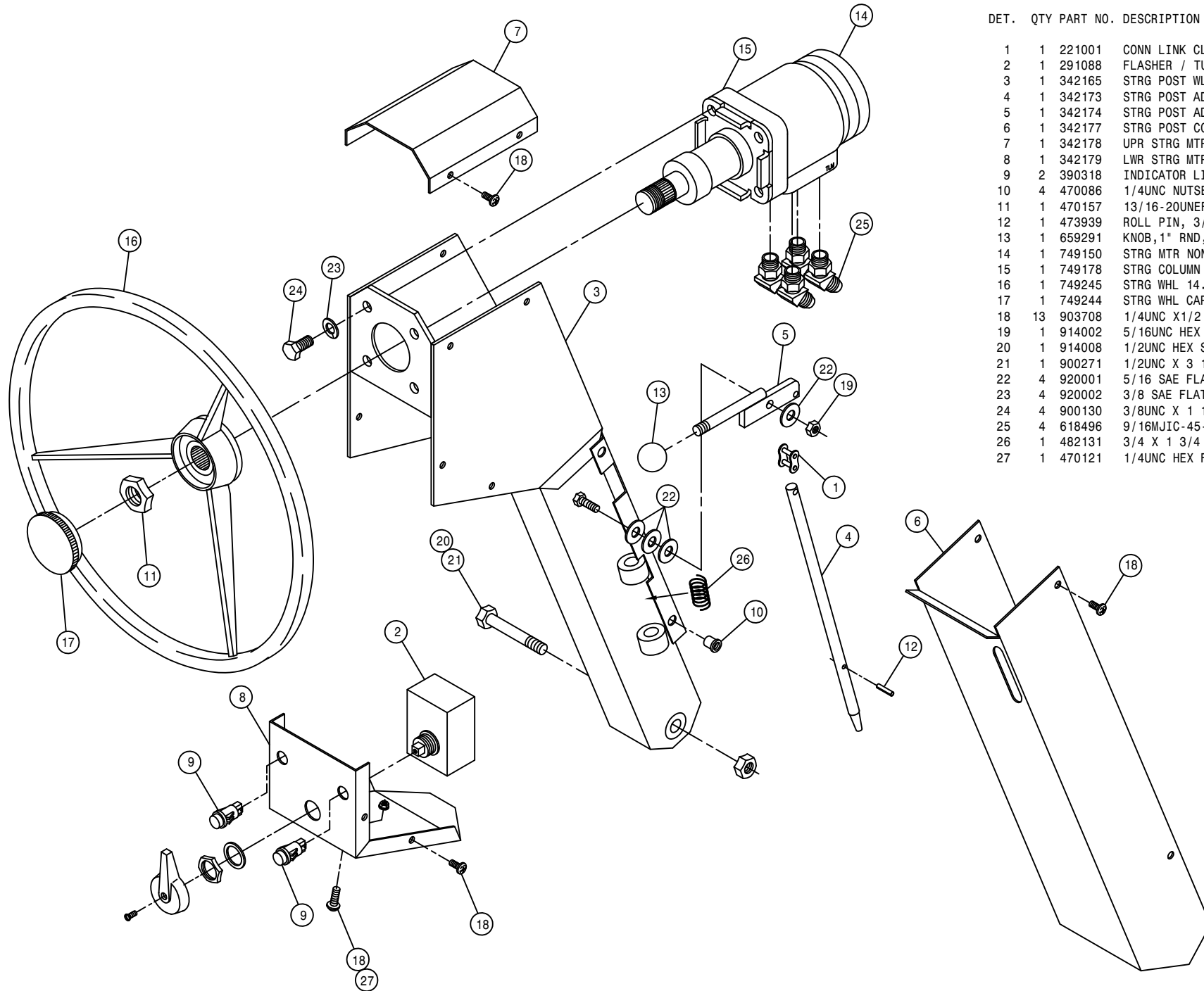
BRAKE LEVER ASSEMBLY

DET.	QTY	PART NO.	DESCRIPTION
1	1	826108	BRAKE LEVER ASSY
2	2	826926	190 IN BRAKE CABLE
3	4	900064	5/16UNC X 3/4 HEX BOLT
4	1	900067	5/16UNC X 1 1/2 HEX BOLT
5	5	914002	5/16UNC HEX STOVER NUT

STEERING POST ASSEMBLY

DET. QTY PART NO. DESCRIPTION

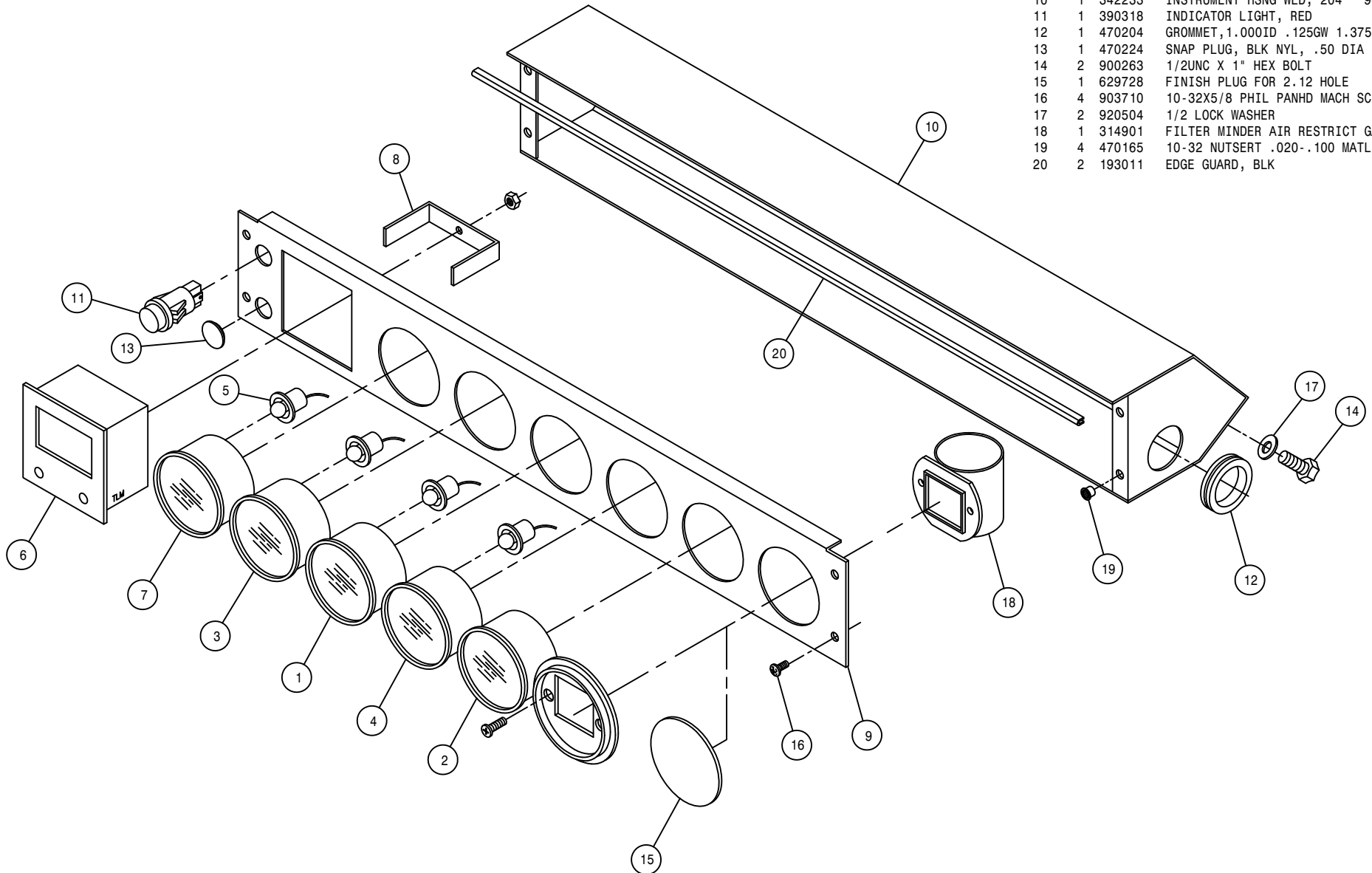
1	1	221001	CONN LINK CLIP TYPE RC50
2	1	291088	FLASHER / TURN SIGNAL SWITCH
3	1	342165	STRG POST WLD, 284 CAB 94
4	1	342173	STRG POST ADJ PIN, 284 CAB 94
5	1	342174	STRG POST ADJ PIN LEVER WLD94
6	1	342177	STRG POST COVER, 284 CAB 94
7	1	342178	UPR STRG MTR HSNQ COVER 94
8	1	342179	LWR STRG MTR HSNQ COVER 94
9	2	390318	INDICATOR LIGHT, RED
10	4	470086	1/4UNC NUTSERT .020-.100MATL
11	1	470157	13/16-20UNEF HEX NUT STRG WHL
12	1	473939	ROLL PIN, 3/16DIA X 7/8
13	1	659291	KNOB, 1" RND, BLK, 3/8-16
14	1	749150	STRG MTR NON-LOAD REACT 1008
15	1	749178	STRG COLUMN 2.5IN LONG
16	1	749245	STRG WHL 14.0 DIA
17	1	749244	STRG WHL CAP FOR 749245
18	13	903708	1/4UNC X 1/2 PHIL PNHD MACHSCR
19	1	914002	5/16UNC HEX STOVER NUT
20	1	914008	1/2UNC HEX STOVER NUT
21	1	900271	1/2UNC X 3 1/4 HEX BOLT
22	4	920001	5/16 SAE FLAT WASHER
23	4	920002	3/8 SAE FLAT WASHER
24	4	900130	3/8UNC X 1 1/4 HEX BOLT
25	4	618496	9/16MJIC-45-3/4MOR LBO
26	1	482131	3/4 X 1 3/4 COMPRSN SPRING
27	1	470121	1/4UNC HEX FLANGE LOCK NUT

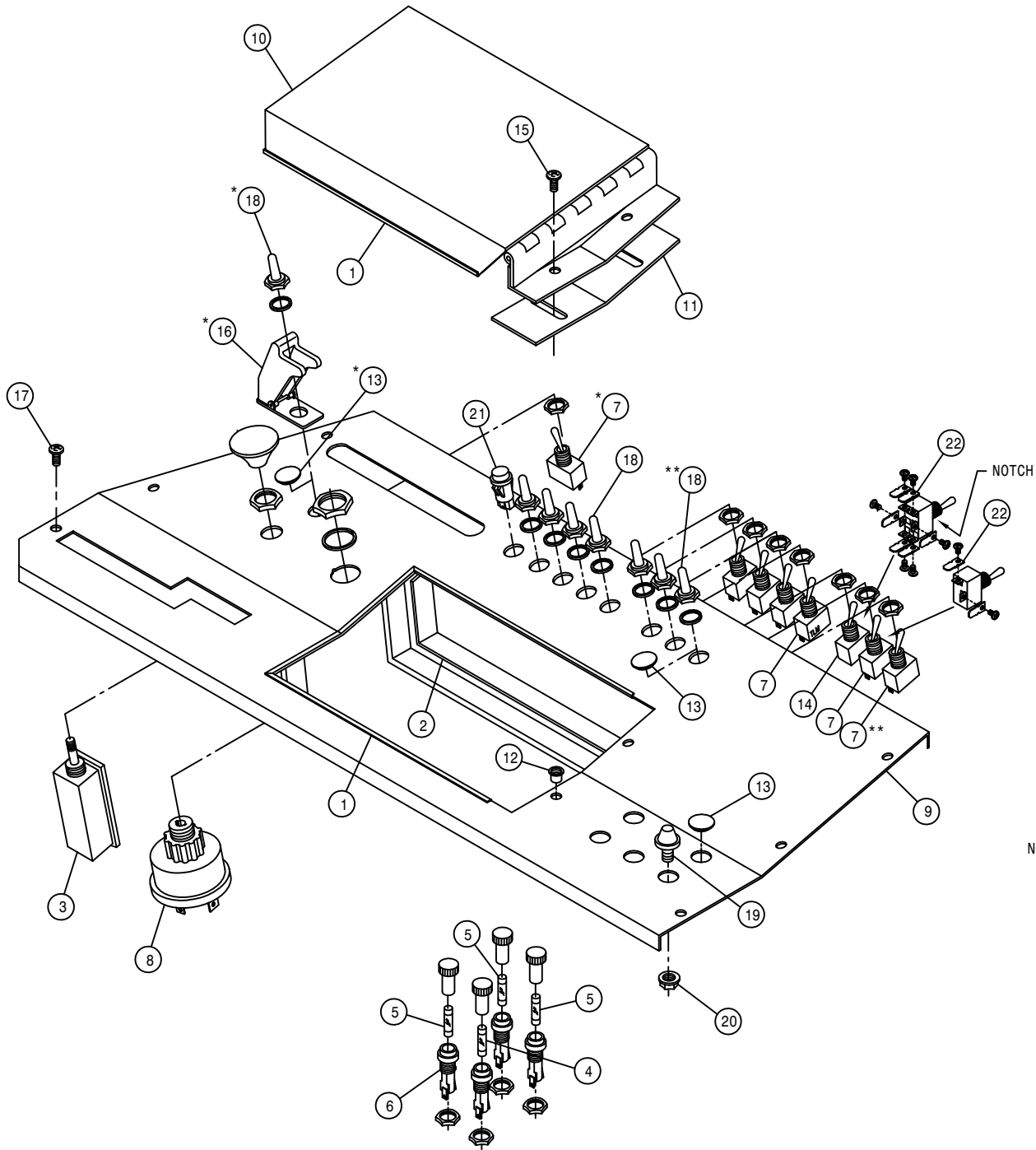


INSTRUMENT PANEL ASSEMBLY

DET. QTY PART NO. DESCRIPTION

DET.	QTY	PART NO.	DESCRIPTION
1	1	290401	FUEL GAUGE FOR 2.125 DIA HOLE
2	1	291203	HOUR METER, 12/24VDC BLACK BEZ
3	1	291609	OIL PRESS GAUGE, 80PSI
4	1	291611	VOLTMETER, 8V TO 18V DC
5	4	291612	LIGHT KIT FOR 2" GAUGE
6	1	291641	DIGITAL MPH/RPM INDICATOR W/P
7	1	314436	TEMP GA 100-280 DEG LIGHTED
8	1	342068	DIGITAL MPH/RPM IND KEEPER 94
9	1	342232	INSTRUMENT PANEL, 204 94
10	1	342233	INSTRUMENT HSNGL WLD, 204 94
11	1	390318	INDICATOR LIGHT, RED
12	1	470204	GROMMET, 1.000ID .125GW 1.375GD
13	1	470224	SNAP PLUG, BLK NYL, .50 DIA
14	2	900263	1/2UNC X 1" HEX BOLT
15	1	629728	FINISH PLUG FOR 2.12 DIA HOLE
16	4	903710	10-32X5/8 PHIL PANHD MACH SCR
17	2	920504	1/2 LOCK WASHER
18	1	314901	FILTER MINDER AIR RESTRICT GA
19	4	470165	10-32 NUTSERT .020-.100 MATL
20	2	193011	EDGE GUARD, BLK





CONSOLE PANEL ASSEMBLY

DET. QTY PART NO. DESCRIPTION

1	2	193011	EDGE GUARD, BLK
2	2	193037	STICKERTITE 1/8 X 3/4
3	1	290046	LIGHT SWITCH TWO POSITION
4	1	291602	FUSE 10 AMP
5	3	298004	20 AMP FUSE SFE 20
6	4	298011	FUSE HOLDER
7	7	298012	TOGGLE SWITCH
8	1	321020	IGN SWITCH, SEALED 5 POLE
9	1	342237	CONSOLE PANEL WLD, 204 94
10	1	342240	CONTROL BOX COVER WLD, 204 94
11	1	342244	CONTROL BOX KEEPER, 204 94
12	2	470165	10-32 NUTSERT .020-.100 MATL
13	3	470224	SNAP PLUG, BLK NYL, .50 DIA
14	1	610412	TOGGLE SWITCH FOR FUEL VLV
15	2	903710	10-32X5/8 PHIL PANHD MACH SCR
16	1	291655	AIRCRAFT TOGGLE SWITCH GUARD
17	6	903708	1/4UNC X1/2 PHIL PNHD MACHSCR
18	8	470001	RUBBER BOOT W NUT FOR 298012
19	1	470230	1/2 RUBBER BUMPER, 1/4-20 STUD
20	1	470121	1/4UNC HEX FLANGE LOCK NUT
21	1	390318	INDICATOR LIGHT, RED
22	8	291644	.250MALE FASTON-#6 RING ADAPT

NOTE: ITEMS WITH (\*) ARE USED WITH THE ELECTRIC BRAKE.  
 ITEMS WITH (\*\*) ARE USED WITH THE WINDSHIELD WIPER IN THE CAB OPTION.

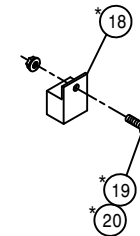
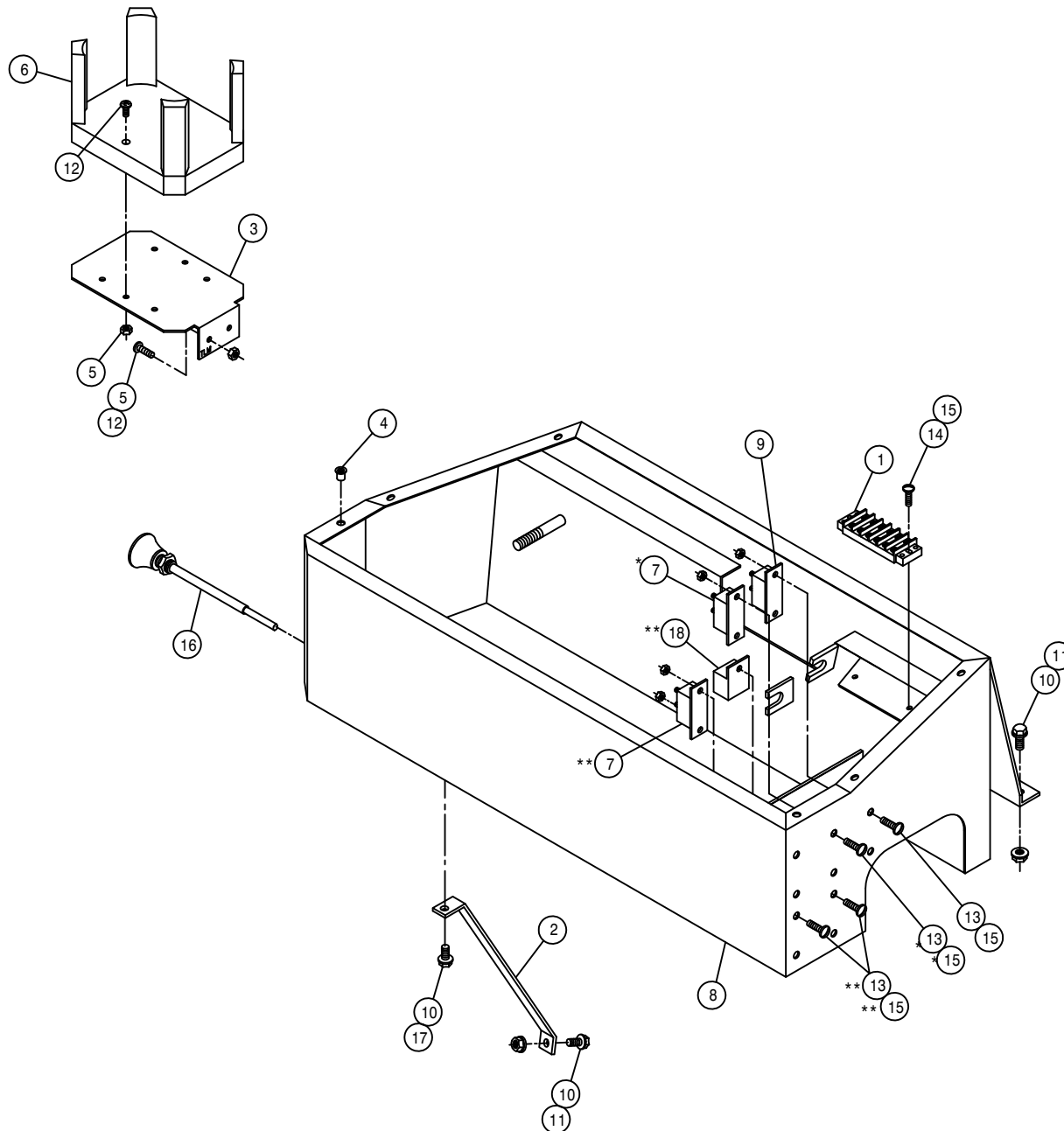


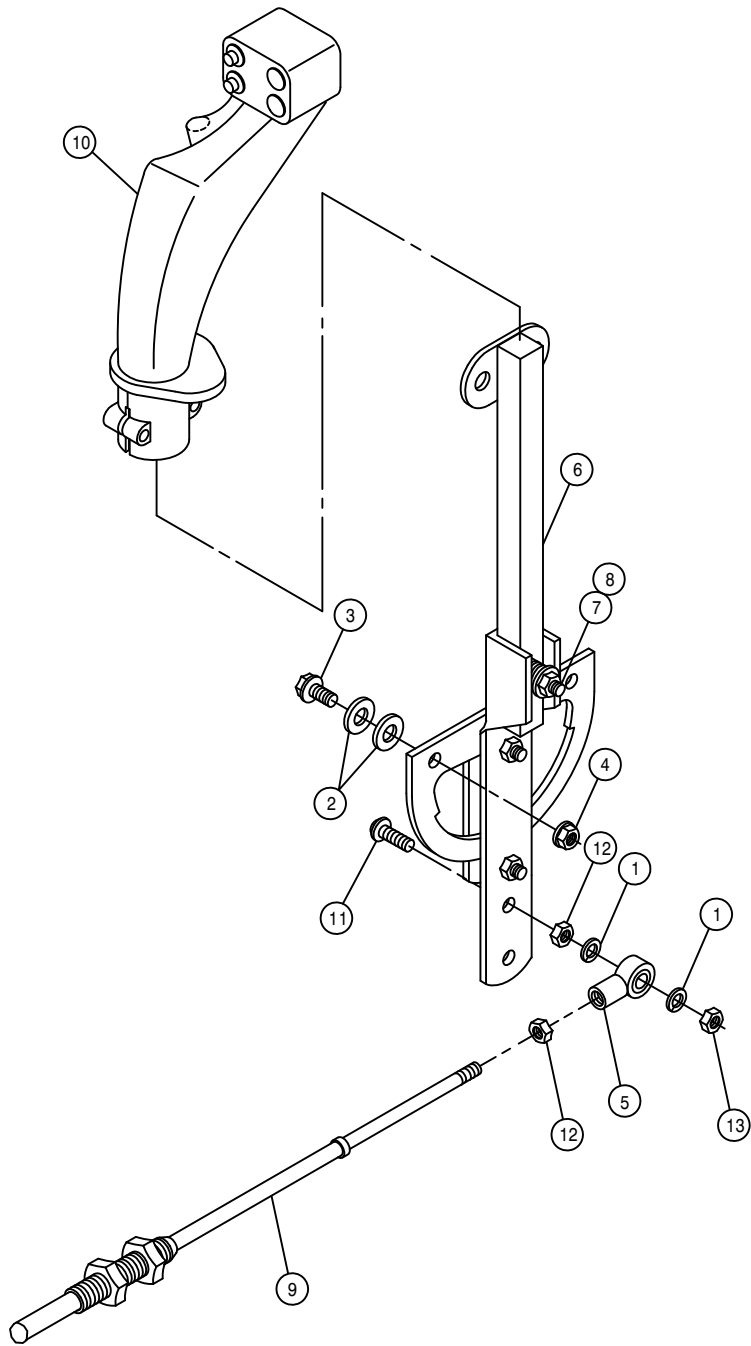
CONSOLE ASSEMBLY

DET. QTY PART NO. DESCRIPTION

1	1	293093	TERMINAL BLOCK 6 POS - 2 ROW
2	1	342248	CONSOLE BRACE, 204 94
3	1	342216	DRINK HOLDER MT BRKT 94
4	6	470086	1/4UNC NUTSERT .020-.100MATL
5	4	470175	10-32 HEX FLANGE LOCK NUT
6	1	470214	SPILLMASTER DRINK HOLDER
7	2	291197	CIRCUIT BREAKER,30AMP,INLINEMT
8	1	342245	CONSOLE WLD, 204 94
9	1	291024	CIRCUIT BREAKER,40AMP,INLINEMT
10	4	470121	1/4UNC HEX FLANGE LOCK NUT
11	3	470118	1/4UNC X 3/4 FLANGE HEX BOLT
12	4	903710	10-32X5/8 PHIL PANHD MACH SCR
13	7	903812	6-32 X 1/2 SLT RD HD MACH SCR
14	2	903814	6-32 X 3/4 SLT RD HD MACH SCR
15	9	910022	6-32 HEX NUT
16	1	780101	CHOKE CONTROL CABLE, 144 IN
17	1	470231	1/4UNC X 1" FLANGE HEX BOLT
18	2	291640	RELAY, 12V 20/30AMP BOSCH
19	1	903844	8-32 X 1/2 SLT RD HD MACH SCR
20	1	910024	8-32 HEX NUT

NOTE: 1. ITEMS MARKED WITH A (\*) ARE USED WITH THE CAB OPTION.  
2. ITEMS MARKED WITH A (\*\*) ARE USED WITH THE DIESEL ENGINE OPTION.





HYDROSTATIC LEVER ASSEMBLY

DET. QTY PART NO. DESCRIPTION

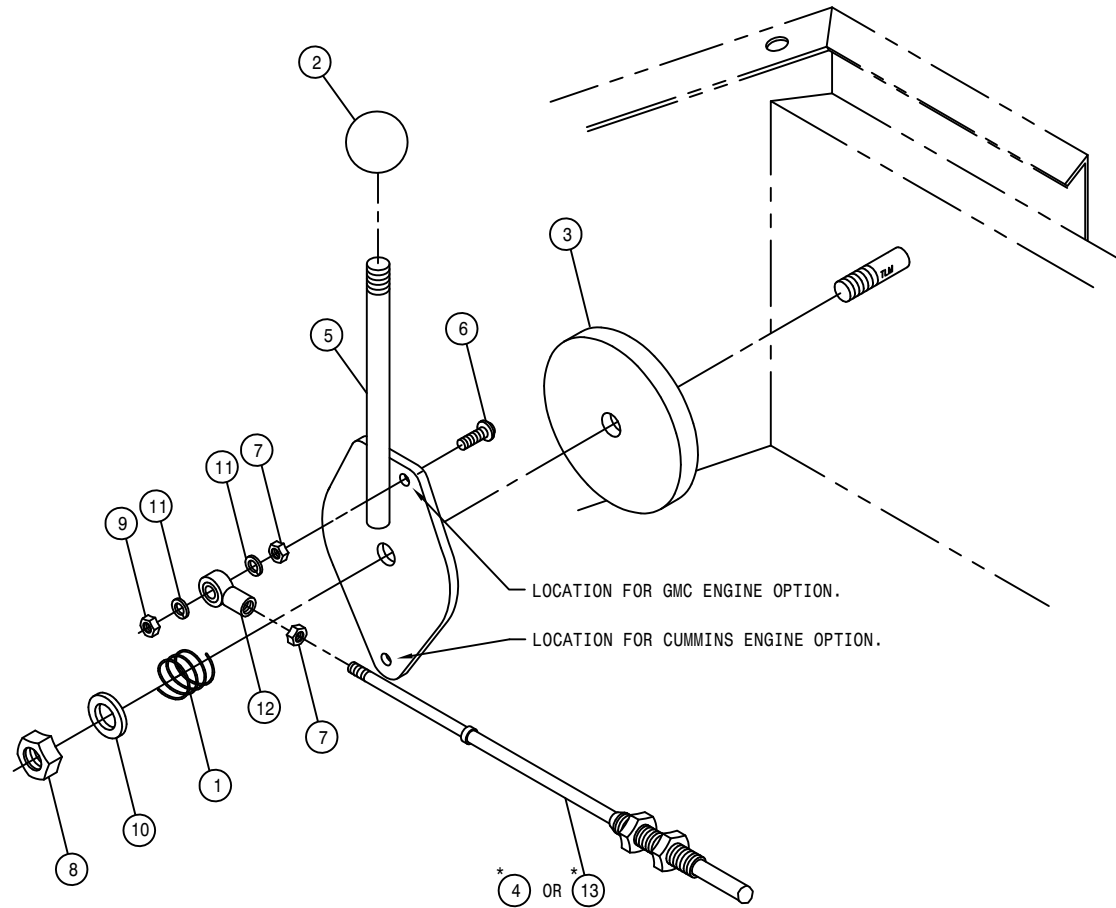
1	2	920510	#10 LOCK WASHER
2	4	920000	1/4 SAE FLAT WASHER
3	2	470118	1/4UNC X 3/4 FLANGE HEX BOLT
4	2	470121	1/4UNC HEX FLANGE LOCK NUT
5	1	473921	BALL JOINT NO 10-32 THD
6	1	606907	HYDST CTRL LEVER ASSY 204-284
7	1	900005	1/4UNC X 1 1/2 HEX BOLT
8	1	914000	1/4UNC HEX STOVER NUT
9	1	785003	CTRL CABLE 10-32 4IN X 112 LG
10	1	785077	FASSE EZ-3 CONTROL HANDLE,204
11	1	903893	10-32 X 1" SLT RD HD MACH SCR
12	2	910027	10-32 HEX NUT
13	1	914027	10-32 HEX STOVER NUT

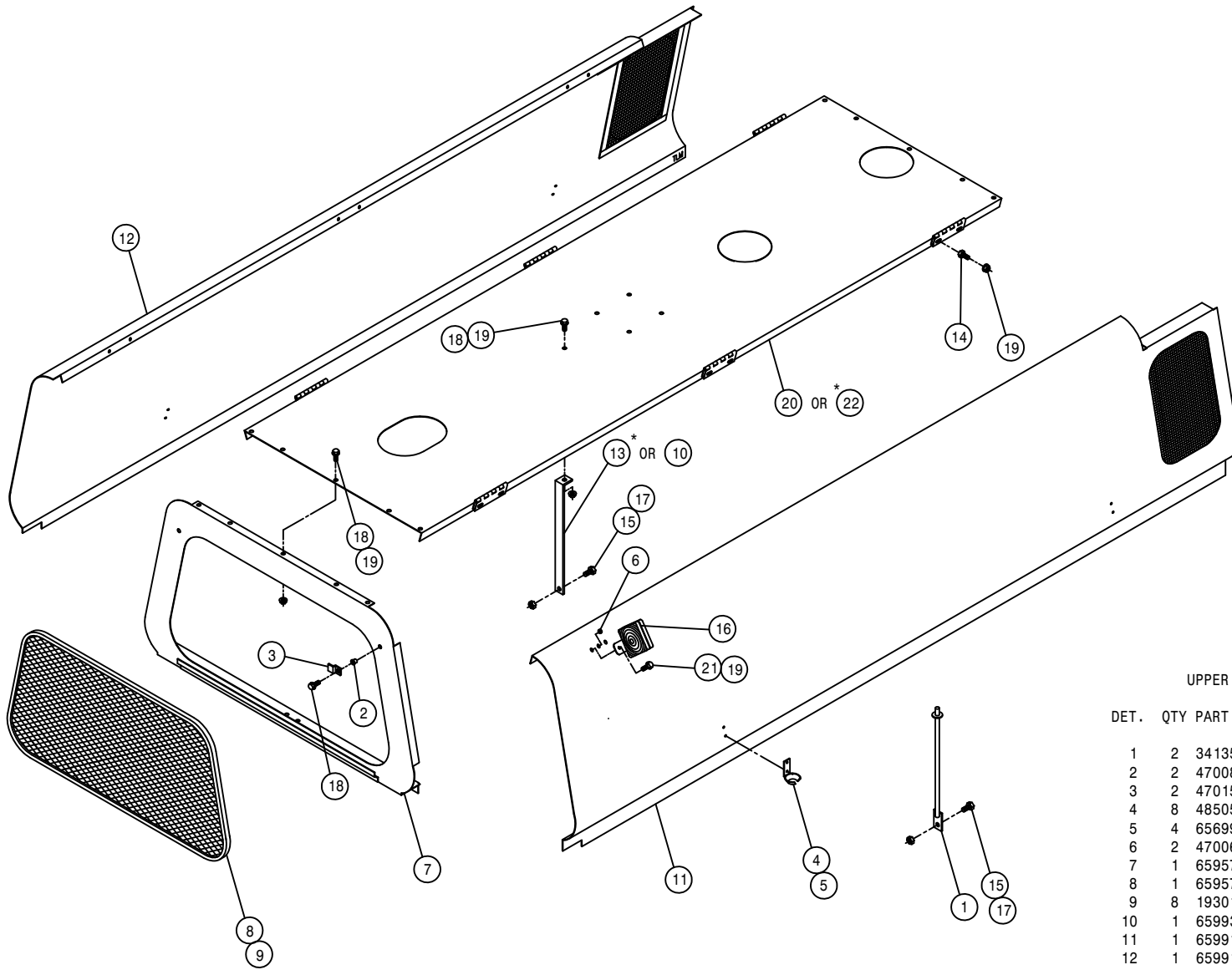
THROTTLE LEVER ASSEMBLY

DET. QTY PART NO. DESCRIPTION

1	1	499001	SPRING HYDRO CONTROL
2	1	785007	KNOB, 1 3/16" BALL, RED, 3/8-16
3	1	785046	FRICTION DISC 3-333 X .38
4	1	785066	CTRL CABLE 10-32 4IN X 129 IN
5	1	785067	THROT LEVER WLD, GAS/DIESEL 94
6	1	903893	10-32 X 1" SLT RD HD MACH SCR
7	2	910027	10-32 HEX NUT
8	1	914004	3/8UNC HEX STOVER NUT
9	1	914027	10-32 HEX STOVER NUT
10	1	920002	3/8 SAE FLAT WASHER
11	2	920510	#10 LOCK WASHER
12	1	473921	BALL JOINT NO 10-32 THD
13	1	785079	CTRL CABLE 10-32 4IN X 140 IN

\*NOTE: 1. CUMMINS ENGINE OPTION USED DETAIL 4.  
 2. GMC ENGINE OPTION USES DETAIL 13.



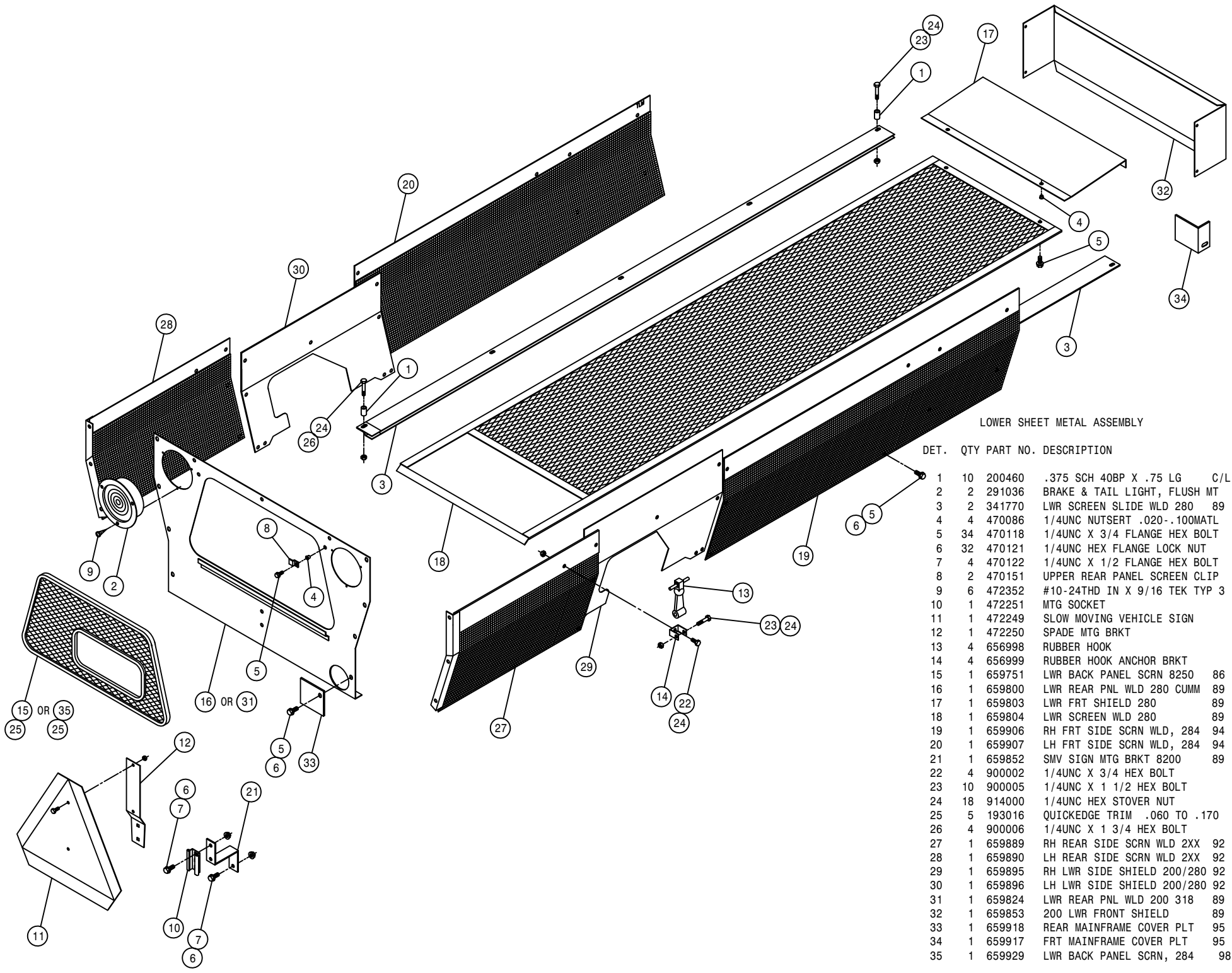


## UPPER SHEET METAL ASSEMBLY

DET. QTY PART NO. DESCRIPTION

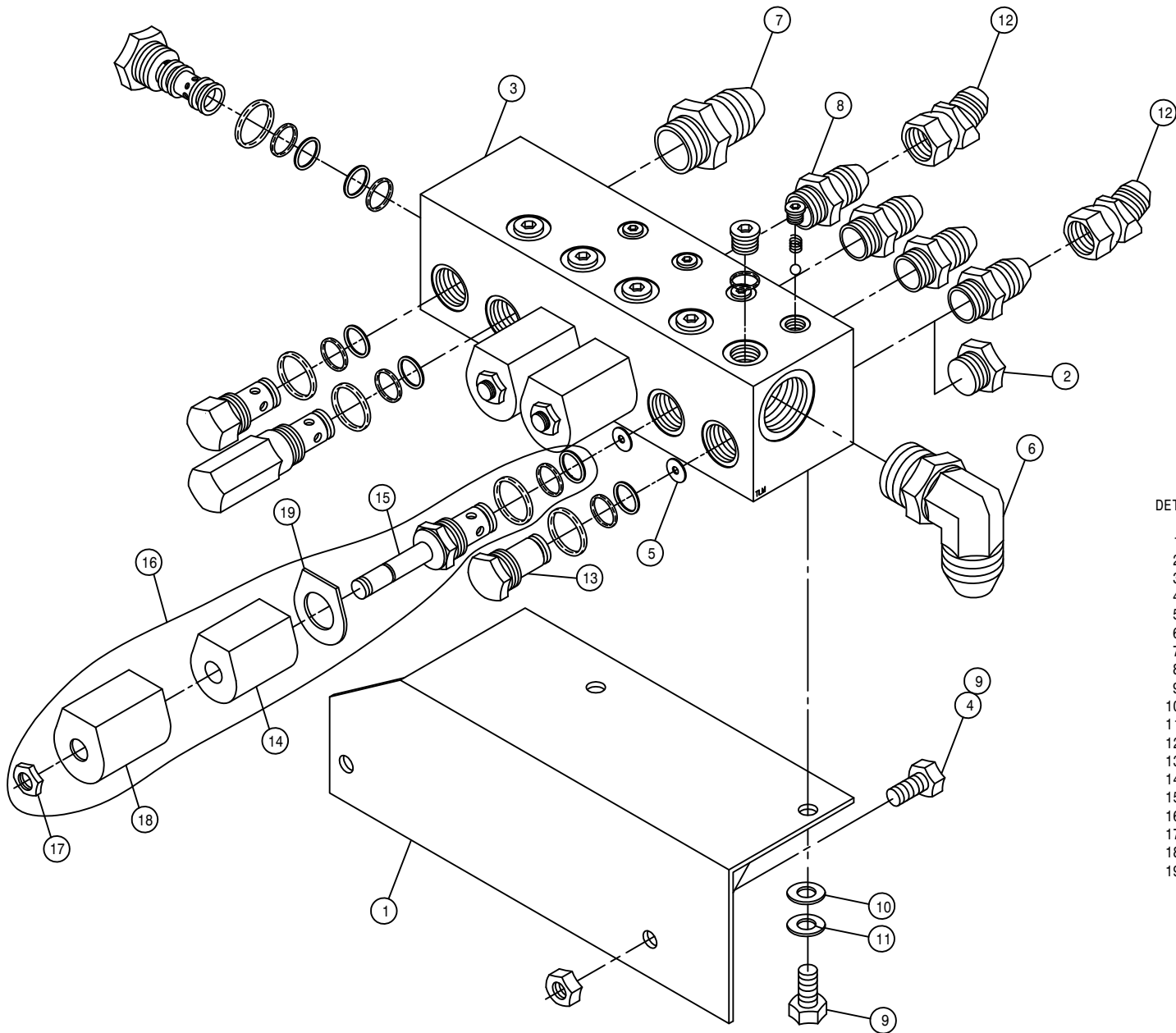
DET.	QTY	PART NO.	DESCRIPTION
1	2	341356	ENGINE HOOD PROP WLD 8240 82
2	2	470086	1/4UNC NUTSERT .020-.100MATL
3	2	470151	UPPER REAR PANEL SCREEN CLIP
4	8	485053	POP RIVET 3/16 X 3/8
5	4	656997	RUBBER HOOK BRKT
6	2	470067	GROMMET, .250ID .125GW .375GD
7	1	659575	UPPER REAR PANEL WLD 8240 82
8	1	659578	UPPER REAR PANEL SCREEN 8240
9	8	193016	QUICKEDGE TRIM .060 TO .170
10	1	659930	MULLION SUPPORT BRKT, 284 97
11	1	659911	RH ENG HOOD WLD, 204 94
12	1	659912	LH ENG HOOD WLD, 204 94
13	1	659835	MULLION SUPPORT 200 89
14	12	900000	1/4UNC X 1/2 HEX BOLT
15	3	900128	3/8UNC X 3/4 HEX BOLT
16	2	291604	TURN SIGNAL LIGHT, PED MT, YEL
17	3	914004	3/8UNC HEX STOVER NUT
18	13	470118	1/4UNC X 3/4 FLANGE HEX BOLT
19	27	470121	1/4UNC HEX FLANGE LOCK NUT
20	1	659931	MULLION WLD, 204 CUMM 97
21	4	470122	1/4UNC X 1/2 FLANGE HEX BOLT
22	1	659822	MULLION WLD, 200 GAS ENG 89

\*NOTE: DETAIL 13 &amp; 22 IS USED WITH THE GMC ENGINE OPTION.



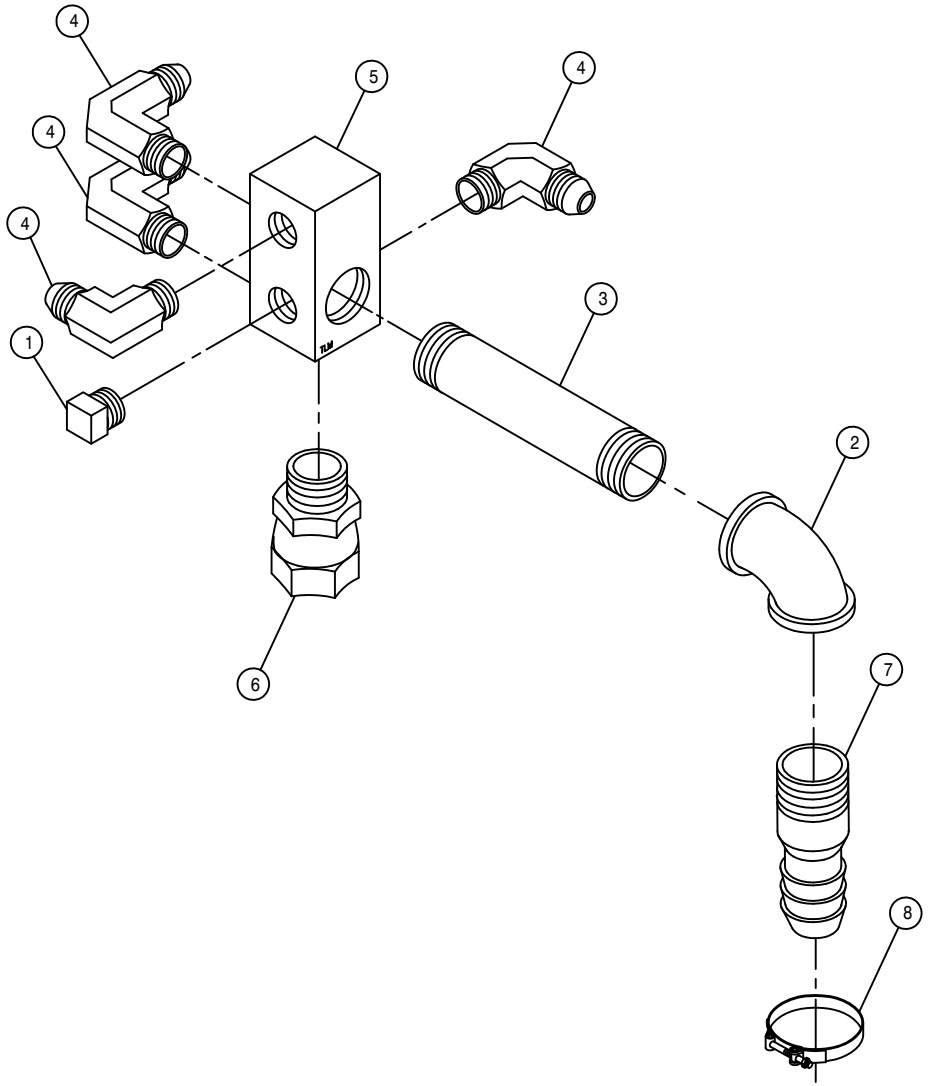
LOWER SHEET METAL ASSEMBLY

DET.	QTY	PART NO.	DESCRIPTION	
1	10	200460	.375 SCH 40BP X .75 LG	C/L
2	2	291036	BRAKE & TAIL LIGHT, FLUSH MT	
3	2	341770	LWR SCREEN SLIDE WLD 280	89
4	4	470086	1/4UNC NUTSERT .020-.100MATL	
5	34	470118	1/4UNC X 3/4 FLANGE HEX BOLT	
6	32	470121	1/4UNC HEX FLANGE LOCK NUT	
7	4	470122	1/4UNC X 1/2 FLANGE HEX BOLT	
8	2	470151	UPPER REAR PANEL SCREEN CLIP	
9	6	472352	#10-24THD IN X 9/16 TEK TYP 3	
10	1	472251	MTG SOCKET	
11	1	472249	SLOW MOVING VEHICLE SIGN	
12	1	472250	SPADE MTG BRKT	
13	4	656998	RUBBER HOOK	
14	4	656999	RUBBER HOOK ANCHOR BRKT	
15	1	659751	LWR BACK PANEL SCR N 8250	86
16	1	659800	LWR REAR PNL WLD 280 CUMM	89
17	1	659803	LWR FRT SHIELD 280	89
18	1	659804	LWR SCREEN WLD 280	89
19	1	659906	RH FRT SIDE SCR N WLD, 284	94
20	1	659907	LH FRT SIDE SCR N WLD, 284	94
21	1	659852	SMV SIGN MTG BRKT 8200	89
22	4	900002	1/4UNC X 3/4 HEX BOLT	
23	10	900005	1/4UNC X 1 1/2 HEX BOLT	
24	18	914000	1/4UNC HEX STOVER NUT	
25	5	193016	QUICKEDGE TRIM .060 TO .170	
26	4	900006	1/4UNC X 1 3/4 HEX BOLT	
27	1	659889	RH REAR SIDE SCR N WLD 2XX	92
28	1	659890	LH REAR SIDE SCR N WLD 2XX	92
29	1	659895	RH LWR SIDE SHIELD 200/280	92
30	1	659896	LH LWR SIDE SHIELD 200/280	92
31	1	659824	LWR REAR PNL WLD 200 318	89
32	1	659853	200 LWR FRONT SHIELD	89
33	1	659918	REAR MAINFRAME COVER PLT	95
34	1	659917	FRT MAINFRAME COVER PLT	95
35	1	659929	LWR BACK PANEL SCR N, 284	98



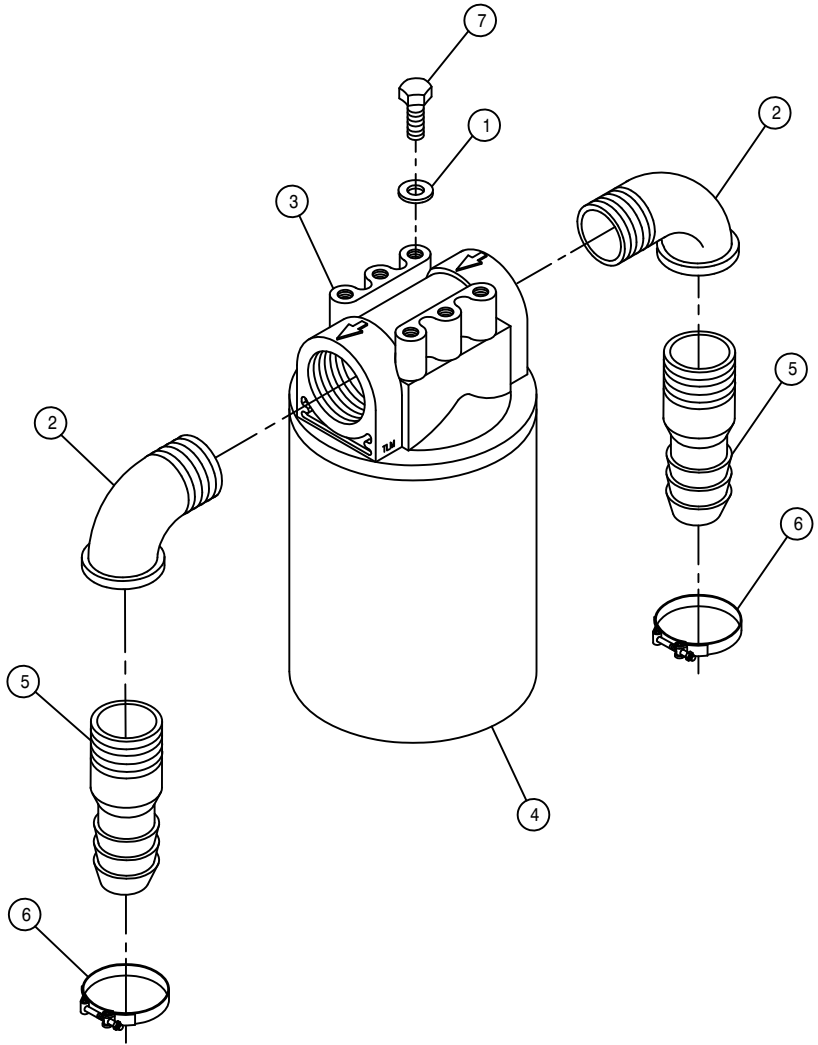
MOTOR CONTROL VALVE ASSEMBLY

DET.	QTY	PART NO.	DESCRIPTION	
	1	341846	MTR CTRL VLV MT WLD	200
	1	610186	1 1/16MOR PLUG	
	1	610467	MODULAR MTR CONTROL ELECT VLV	
	4	914004	3/8UNC HEX STOVER NUT	
	5	610478	DISK .182 ORIFICE MOD CTRL	
	6	1 618178	1 5/16MJIC-90-1 5/16MOR LBO	
	7	1 618186	1 5/16MJIC-1 5/16MOR ADPTR	
	8	4 618469	3/4MJIC-1 1/16MOR ADPTR	
	9	4 900128	3/8UNC X 3/4 HEX BOLT	
	10	2 920002	3/8 SAE FLAT WASHER	
	11	2 920502	3/8 LOCK WASHER	
	12	2 618590	3/4MJIC-45-3/4FJIC SWIV LBO	
	13	1 610477	PLUG-10SERIES 2WAY MOD CTRL	
	14	4 610480	SOLENOID COIL FOR610476REPAIR	
	15	4 610481	SOLENOID VLV FOR 610476REPAIR	
	16	4 610476	SOLENOID VLV W/COIL MOD CTRL	
	17	4 610725	NUT FOR 610480	
	18	4 610511	COIL COVER FOR 610480	
	19	4 610724	BACKING PLATE FOR 610480	



RETURN MANIFOLD FILTER ASSEMBLY

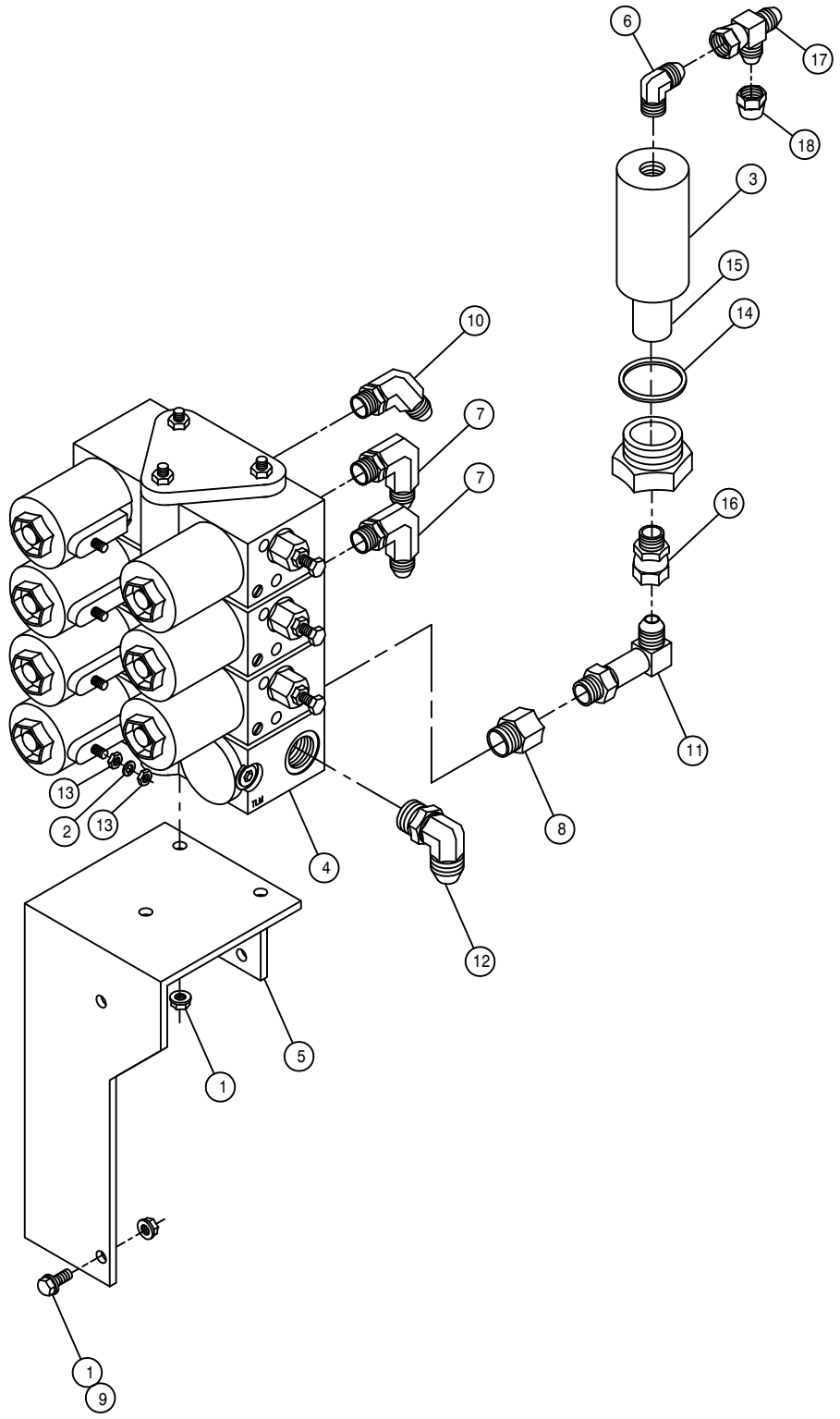
DET.	QTY	PART NO.	DESCRIPTION
1	1	503700	PIPE PLUG .50NPT SQ HD
2	1	505300	BLK PIPE EL 90DEG 1.00NPT
3	1	505209	BLK PIPE NIPPLE 1.00NPT-6.00
4	4	611145	3/4MJIC-90-1/2MNPT LBO
5	1	614633	HYD MANIF 8200 86
6	1	618587	1 5/16FJIC SWIV-1MNPT
7	1	714561	1.00NPT-1.25 HOSE BARB
8	1	520132	1.62/1.87 T-BOLT HOSE CLAMP SS



DETASSELER FILTER ASSEMBLY

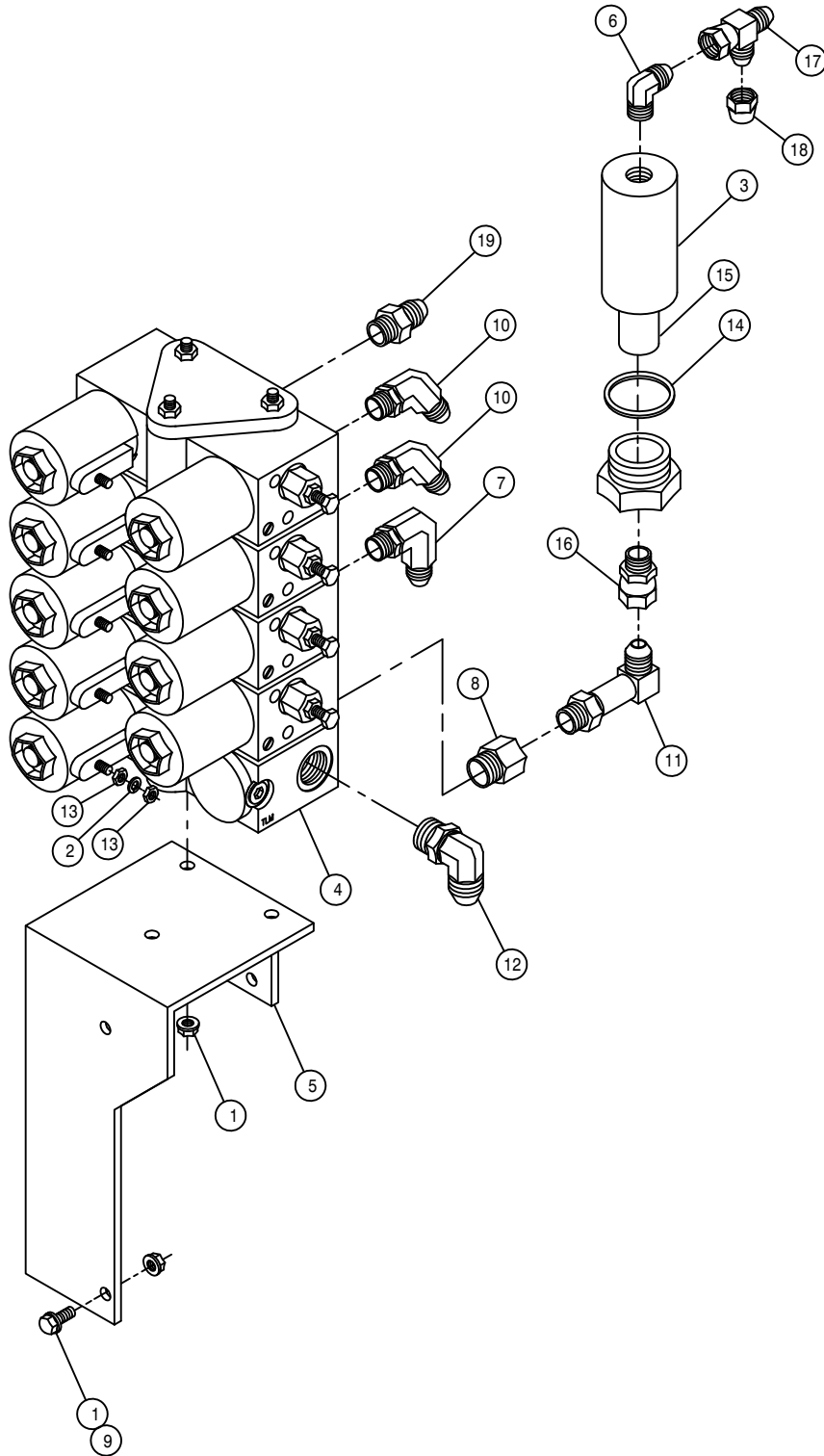
DET.	QTY	PART NO.	DESCRIPTION
1	4	920501	5/16 LOCK WASHER
2	2	506410	BLK PIPE ST EL 90DEG 1.25NPT
3	1	605601	PARKER FILTER ASSY,10M,1.25NPT
4	1	605602	PARKER FILTER ELEMENT,10MICRON
5	2	715660	HOSE BARB 1 1/4NPT X 1 1/4
6	2	520132	1.62/1.87 T-BOLT HOSE CLAMP SS
7	4	900062	5/16UNC X 1/2 HEX BOLT





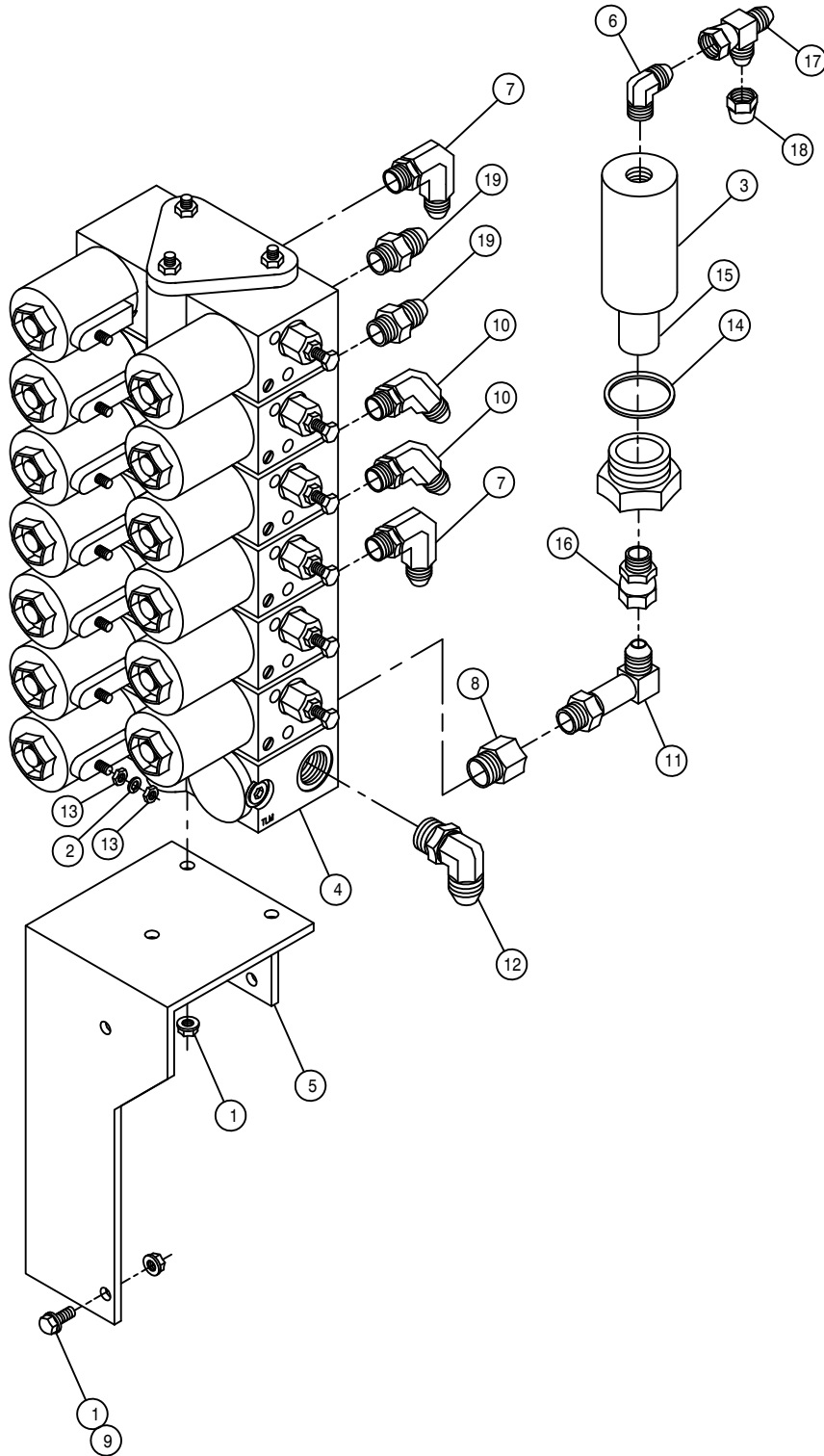
3-SECTION ELECTRIC VALVE ASSEMBLY

DET.	QTY	PART NO.	DESCRIPTION
	6	470121	1/4UNC HEX FLANGE LOCK NUT
	7	473821	#10 INT TOOTH WASHER
	1	610447	HYD FILTER, INLINE 1/4FNPT 90M
	1	610532	ELECT HYD STACK VLV, 3 SECT
	1	610541	200 ELECT T-TROL VLV MT WLD89
	1	611122	9/16MJIC-90-1/4MNPT LBO
	2	618119	9/16MJIC-90-9/16MOR LBO
	1	618170	3/4MOR-9/16FOR ADPTR
	3	470118	1/4UNC X 3/4 FLANGE HEX BOLT
	1	618425	9/16MJIC-45-9/16MOR LBO
	1	618440	9/16MJIC-90-9/16MOR EX LG LBO
	1	618600	9/16MJIC-90-7/8MOR LBO
	14	910027	10-32 HEX NUT
	1	610462	GASKET FOR 610447 ARROW FILT
	1	610459	90M FILTER & GASKET FOR610447
	1	618608	9/16FJIC SWIV-1/4MNPT
	1	618486	9/16FJIC SW RUN TEE-9/16MJIC
	1	618531	9/16FJIC CAP NUT



4-SECTION ELECTRIC VALVE ASSEMBLY

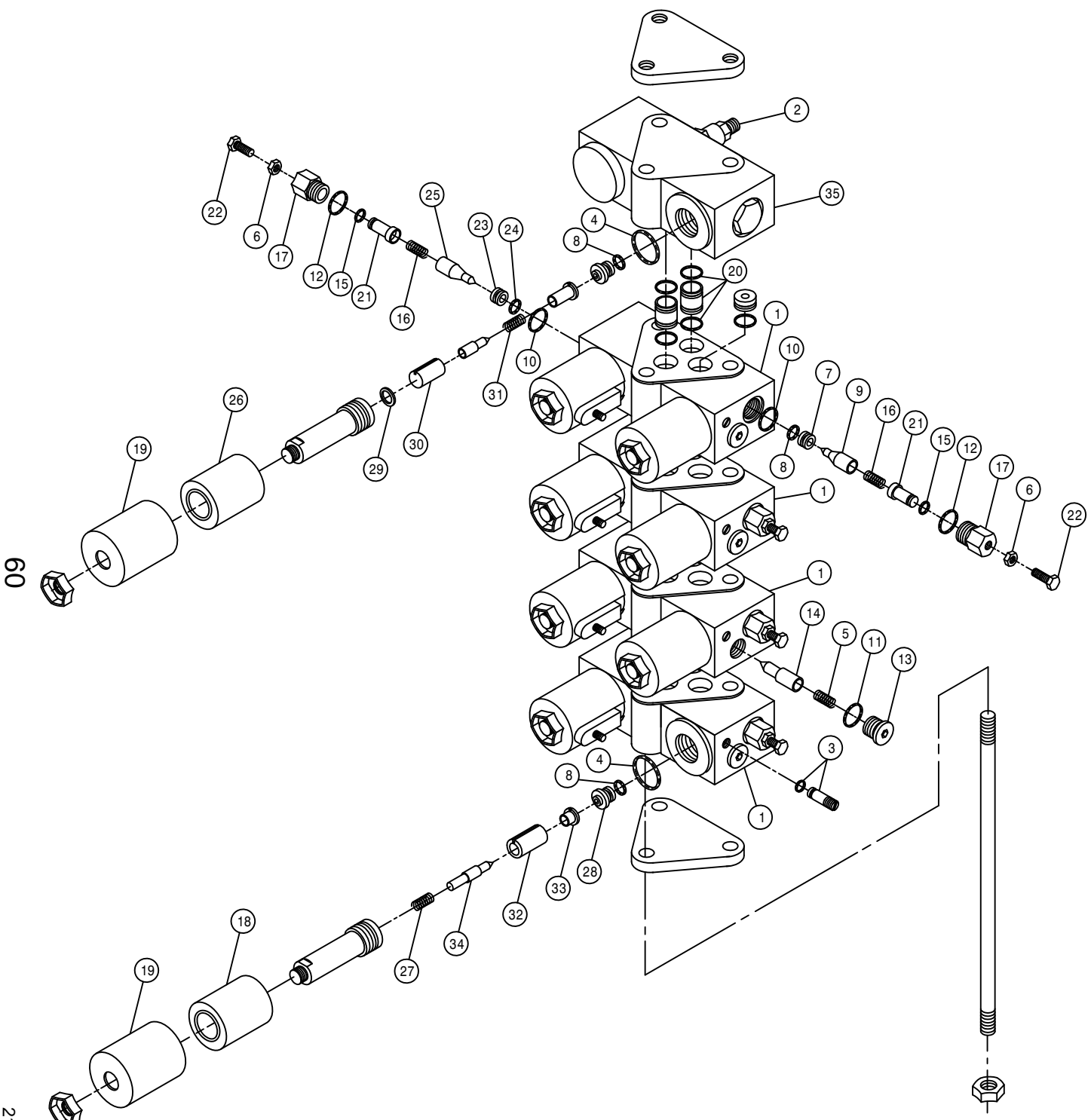
DET.	QTY	PART NO.	DESCRIPTION
	6	470121	1/4UNC HEX FLANGE LOCK NUT
	9	473821	#10 INT TOOTH WASHER
	1	610447	HYD FILTER, INLINE 1/4FNPT 90M
	1	610613	ELECT HYD STACT VLV, 4 SECT
	1	610541	200 ELECT T-TROL VLV MT WLD89
	1	611122	9/16MJIC-90-1/4MNPT LBO
	1	618119	9/16MJIC-90-9/16MOR LBO
	1	618170	3/4MOR-9/16FOR ADPTR
	3	470118	1/4UNC X 3/4 FLANGE HEX BOLT
	2	618425	9/16MJIC-45-9/16MOR LBO
	1	618440	9/16MJIC-90-9/16MOR EX LG LBO
	1	618600	9/16MJIC-90-7/8MOR LBO
	18	910027	10-32 HEX NUT
	1	610462	GASKET FOR 610447 ARROW FILT
	1	610459	90M FILTER & GASKET FOR610447
	1	618608	9/16FJIC SWIV-1/4MNPT
	1	618486	9/16FJIC SW RUN TEE-9/16MJIC
	1	618531	9/16FJIC CAP NUT
	1	618126	9/16MJIC-9/16MOR ADPTR



6-SECTION ELECTRIC VALVE ASSEMBLY

DET. QTY PART NO. DESCRIPTION

1	6	470121	1/4UNC HEX FLANGE LOCK NUT
2	13	473821	#10 INT TOOTH WASHER
3	1	610447	HYD FILTER, INLINE 1/4FNPT 90M
4	1	610615	ELECT HYD STACT VLV, 6 SECT
5	1	610541	200 ELECT T-TROL VLV MT WLD89
6	1	611122	9/16MJIC-90-1/4MNPT LBO
7	2	618119	9/16MJIC-90-9/16MOR LBO
8	1	618170	3/4MOR-9/16FOR ADPTR
9	3	470118	1/4UNC X 3/4 FLANGE HEX BOLT
10	2	618425	9/16MJIC-45-9/16MOR LBO
11	1	618440	9/16MJIC-90-9/16MOR EX LG LBO
12	1	618600	9/16MJIC-90-7/8MOR LBO
13	26	910027	10-32 HEX NUT
14	1	610462	GASKET FOR 610447 ARROW FILT
15	1	610459	90M FILTER & GASKET FOR610447
16	1	618608	9/16FJIC SWIV-1/4MNPT
17	1	618486	9/16FJIC SW RUN TEE-9/16MJIC
18	1	618531	9/16FJIC CAP NUT
19	2	618126	9/16MJIC-9/16MOR ADPTR

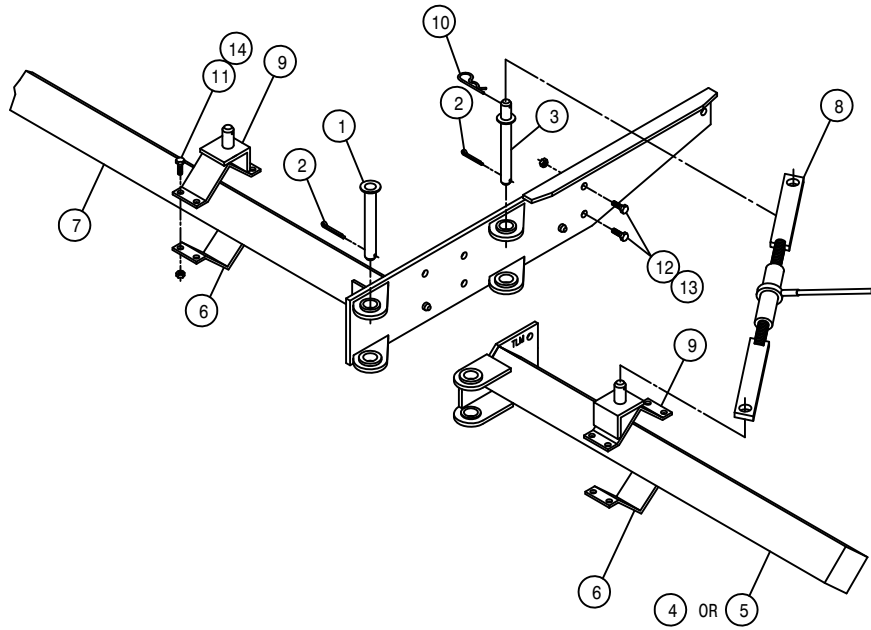


ELECTROHYDRAULIC VALVE

DET.	QTY	PART NO.	DESCRIPTION
1	4	610533	UNBALANCED LOAD VALVE 89
2	1	610551	R.V. CARTRIDGE FOR 610532 90
3	8	610267	SEAL PLUG ASSY FOR 610257
4	9	871019	ORING, 13/16 X 15/16 NEO 90D
5	4	610491	SPRING AM-501-3-035 FOR610485
6	8	910000	1/4UNC HEX NUT
7	4	610488	ORIFICE PRESSED IN BLACK
8	13	871010	ORING 1/4 X 3/8 VITON 90D
9	4	610129	POPPET,ELECT VALVE,UNBAL LOAD
10	8	870013	ORING, 7/16 X 9/16 NEO 70D
11	4	871904	ORING, .351 X .072CS NEO 90D
12	8	871906	ORING, .468ID X .078CS NEO 90D
13	4	610130	PLUG, SAE4,ELECT VALVE,UNBAL
14	4	610489	CHECK VLV POPPET
15	8	871008	O-RING 3/16 X 5/16 90D
16	8	610492	SPRING AM-570-3-126 FOR610485
17	8	610453	VLV CAP
18	8	610493	COIL FOR 610485 86
19	9	610113	COVER, ELECT VALVE, NON ADJ
20	8	610534	THRU TUBE ASSY ELEC VLV 89
21	8	610452	ADJ VLV STOP
22	8	900003	1/4UNC X 1" HEX BOLT
23	4	610494	ORIFICE FOR 610485
24	4	871056	O-RING 90D
25	4	610495	POPPET FOR 610485AM-570-3-654
26	1	610076	COIL, ELECT STACK VALVE
27	8	610127	SPRING,ELECT VALVE,UNBAL LOAD
28	8	610108	ORIFICE 040, ELECT VALVE
29	1	610084	WASHER, ELECT-HYD VALVE
30	1	610112	ARMATURE, ELECT VALVE
31	1	610110	SPRING, ELECT VALVE, NON ADJ
32	8	610126	ARMATURE, ELECT VALVE, UNBAL
33	8	610133	POLE PIECE,ELECT VALVE, UNBAL
34	8	610490	POPPET FOR 610485AM-501-3-033
35	1	610679	UNLOAD RELIEF VALVE

60

215060

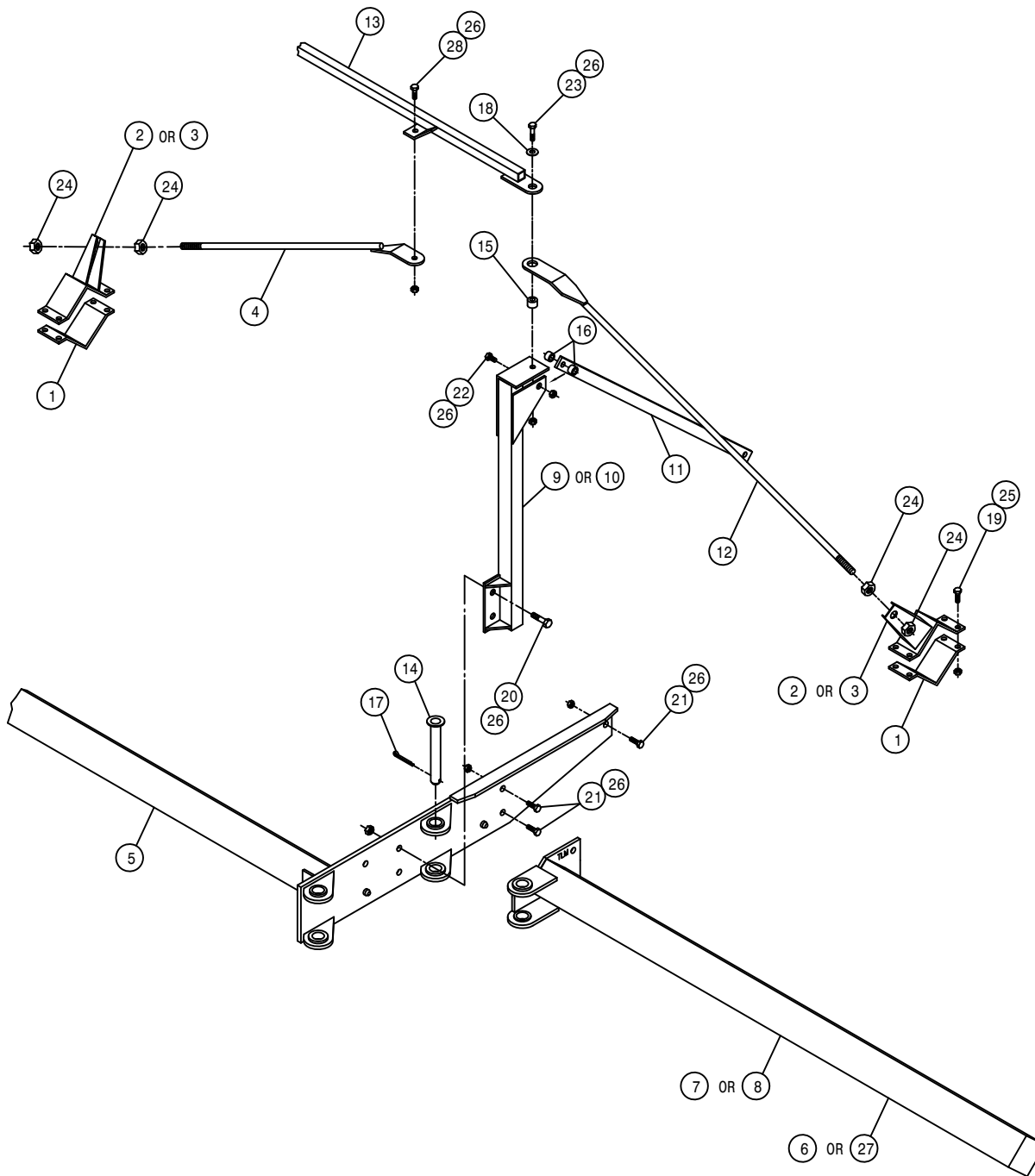


6-ROW OUTRIGGER ASSEMBLY

DET. QTY PART NO. DESCRIPTION

1	2	438283	OUTRGR PIVOT PIN WLD 8200	86
2	4	470117	COTTER PIN 3/16 1 3/4 SQ CUT	
3	2	438474	STABILIZER MT PIN WLD 10-12R	
4	1	438277	RH 32IN OUTRGR WLD8200-850086	
5	1	438282	LH 32IN OUTRGR WLD8200-850086	
6	4	438324	75IN OUTRGR BRACE CLAMP	
7	1	438530	204 TOOL BAR WLD,12R 5/6L	96
8	2	438657	RATCHET JACK WLD	
9	4	438397	STABILIZER PIN MT WLD	90
10	4	611016	HAIR PIN #6	
11	16	900265	1/2UNC X 1 1/2 HEX BOLT	
12	8	900334	5/8UNC X 1 3/4 HEX BOLT	
13	8	914010	5/8UNC HEX STOVER NUT	
14	16	914008	1/2UNC HEX STOVER NUT	

QUANTITY LISTED IS FOR ONE MACHINE.



8-ROW, 3-4 LIFT OUTRIGGER ASSEMBLY

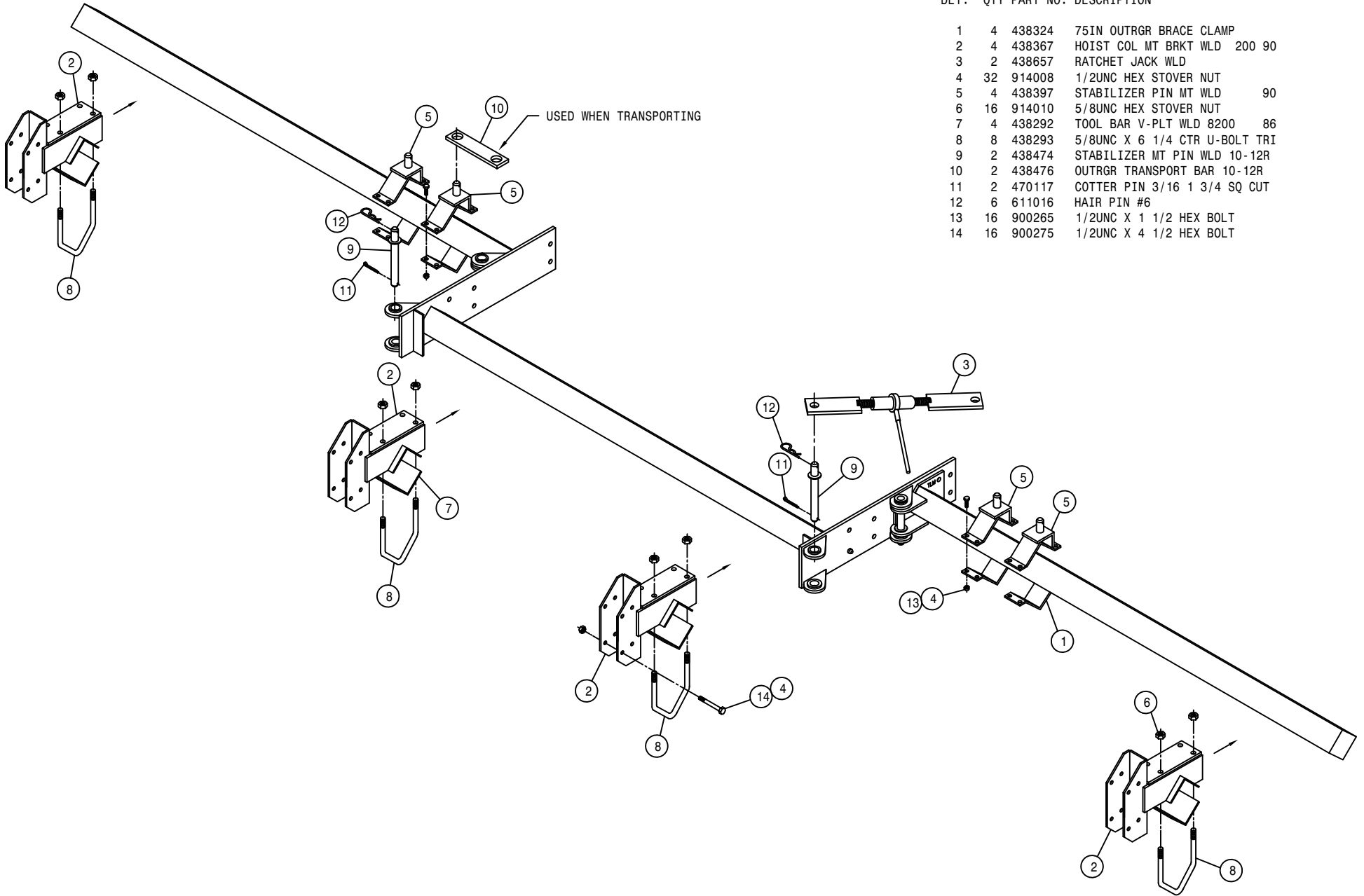
DET.	QTY	PART NO.	DESCRIPTION	
1	4	438324	75IN OUTGR BRACE CLAMP	
2	2	438362	RH OUTGR CLAMP WLD 200	89
3	2	438363	LH OUTGR CLAMP WLD 200	89
4	2	438469	OUTGR TIE BAR WLD 200 10-12R	
5	1	438530	204 TOOL BAR WLD,12R 5/6L	96
6	1	438497	RH 82" OUTGR WLD, 204	94
7	1	438307	RH 75IN OUTGR WLD8200-850086	
8	1	438309	LH 75IN OUTGR WLD8200-850086	
9	1	438536	RH OUTGR SUPP POST WLD10/12R	
10	1	438537	LH OUTGR SUPP POST WLD10/12R	
11	2	438543	OUTGR SUPP BRACE,10/12R	96
12	2	438676	OUTGR SUPP ROD WLD 72" 8R	
13	1	438672	204 TIE TUBE WLD,	2001
14	2	438283	OUTGR PIVOT PIN WLD 8200	86
15	2	438232	BUSH, 1.00 OD X .656ID X .28	
16	4	438542	BUSH, 1.00 OD X .656ID X .78	
17	2	470117	COTTER PIN 3/16 1 3/4 SQ CUT	
18	2	483037	5/8 REGULAR FLAT WASHER	
19	16	900265	1/2UNC X 1 1/2 HEX BOLT	
20	4	900336	5/8UNC X 2 1/2 HEX BOLT	
21	6	900334	5/8UNC X 1 3/4 HEX BOLT	
22	2	900339	5/8UNC X 3 1/4 HEX BOLT	
23	2	900352	5/8UNC X 2 1/4 HEX BOLT	
24	8	910012	3/4UNC HEX NUT	
25	16	914008	1/2UNC HEX STOVER NUT	
26	16	914010	5/8UNC HEX STOVER NUT	
27	1	438498	LH 82" OUTGR WLD, 204	94
28	2	900333	5/8UNC X 1 1/2 HEX BOLT	

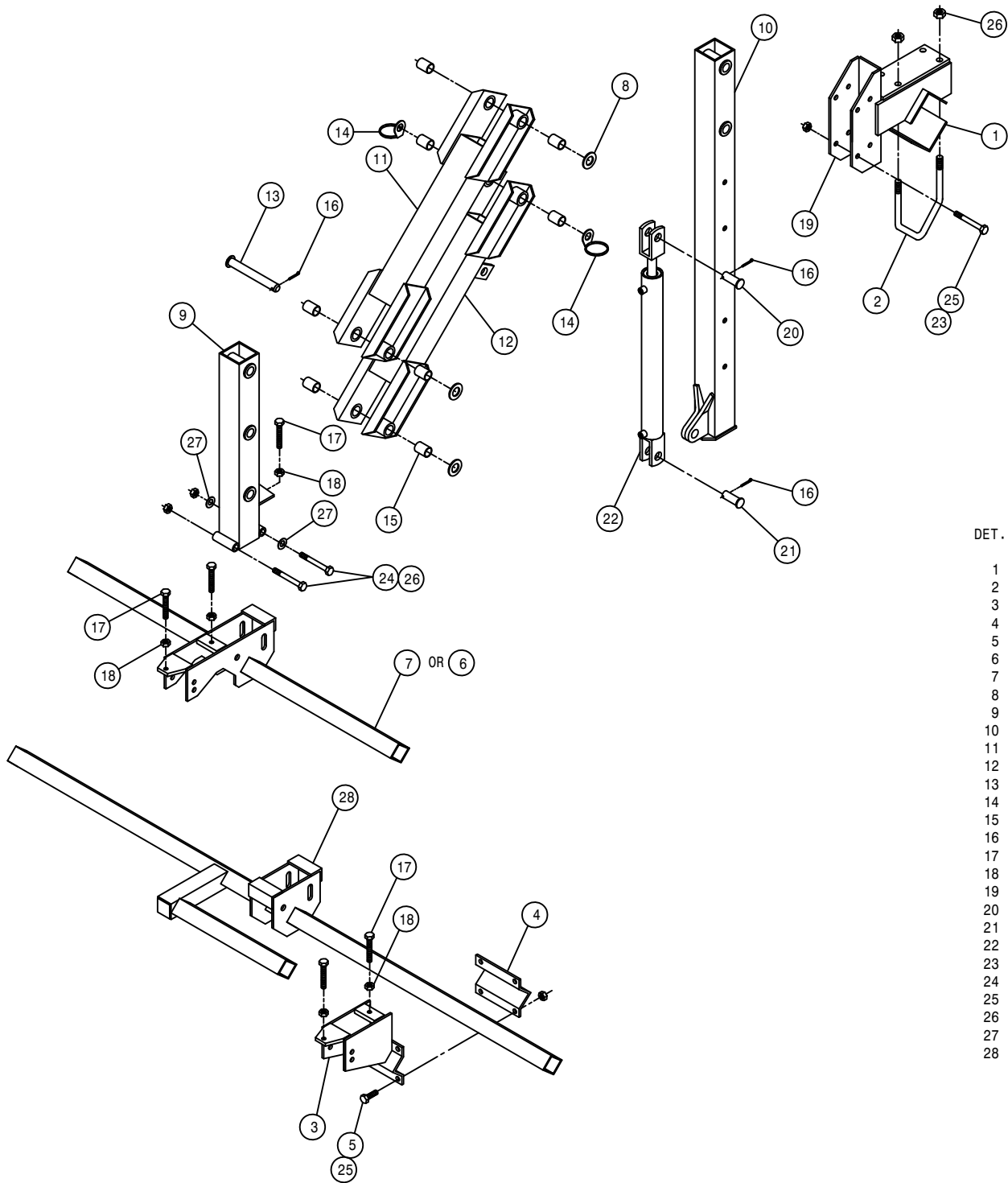
QUANTITY LISTED IS FOR ONE MACHINE.

8-ROW, 3-4 LIFT OUTRIGGER ASSEMBLY

DET. QTY PART NO. DESCRIPTION

DET.	QTY	PART NO.	DESCRIPTION
1	4	438324	75IN OUTGR BRACE CLAMP
2	4	438367	HOIST COL MT BRKT WLD 200 90
3	2	438657	RATCHET JACK WLD
4	32	914008	1/2UNC HEX STOVER NUT
5	4	438397	STABILIZER PIN MT WLD 90
6	16	914010	5/8UNC HEX STOVER NUT
7	4	438292	TOOL BAR V-PLT WLD 8200 86
8	8	438293	5/8UNC X 6 1/4 CTR U-BOLT TRI
9	2	438474	STABILIZER MT PIN WLD 10-12R
10	2	438476	OUTGR TRANSPORT BAR 10-12R
11	2	470117	COTTER PIN 3/16 1 3/4 SQ CUT
12	6	611016	HAIR PIN #6
13	16	900265	1/2UNC X 1 1/2 HEX BOLT
14	16	900275	1/2UNC X 4 1/2 HEX BOLT





6-8 ROW DETASSLER LIFT ASSEMBLY

DET. QTY PART NO. DESCRIPTION

1	1	438292	TOOL BAR V-PLT WLD 8200	86
2	2	438293	5/8UNC X 6 1/4 CTR U-BOLT TRI	
3	1	438199	T-TROL MT WLD 8R DETAS	83
4	1	410016	RLR HANGER V 473	
5	4	900265	1/2UNC X 1 1/2 HEX BOLT	
6	1	438500	TOOL BAR WLD, 54"	94
7	1	438194	TOOL BAR WLD DETAS 4-6R 83	
8	3	920008	1" SAE FLAT WASHER	
9	1	438245	TOOL BAR MT WLD,2-POS DETAS	
10	1	438184	HOIST COL WLD DETAS LIFT 83	
11	1	438294	UPPER LIFT ARM WLD 8200	86
12	1	438297	LWR LIFT ARM WLD 8200	86
13	4	438300	LIFT ARM PIVOT PIN WLD8200 86	
14	2	438302	HOSE SUPPORT RING WLD W/WASHER	
15	8	121025	JOURNAL BRG, 1.00 ID X 1.50 LG	
16	6	470162	COTTER PIN 3/16 X 1 1/2 SQ CUT	
17	5	900538	1/2UNC X 3 1/2 HEX BOLT FULL	
18	5	910008	1/2UNC HEX NUT	
19	1	438367	HOIST COL MT BRKT WLD 200 90	
20	1	472012	CLEVIS PIN, 1.00 X 3.25 PLT	
21	1	472206	PICKER PIN 1 DIA X 2 1/4	
22	1	620810	LIFT CYL ASSY, DETASSELER	
23	4	900275	1/2UNC X 4 1/2 HEX BOLT	
24	2	900343	5/8UNC X 4 1/2 HEX BOLT	
25	8	914008	1/2UNC HEX STOVER NUT	
26	6	914010	5/8UNC HEX STOVER NUT	
27	2	920005	5/8 SAE FLAT WASHER	
28	1	438201	TOOL BAR WLD 8R DETAS 83	

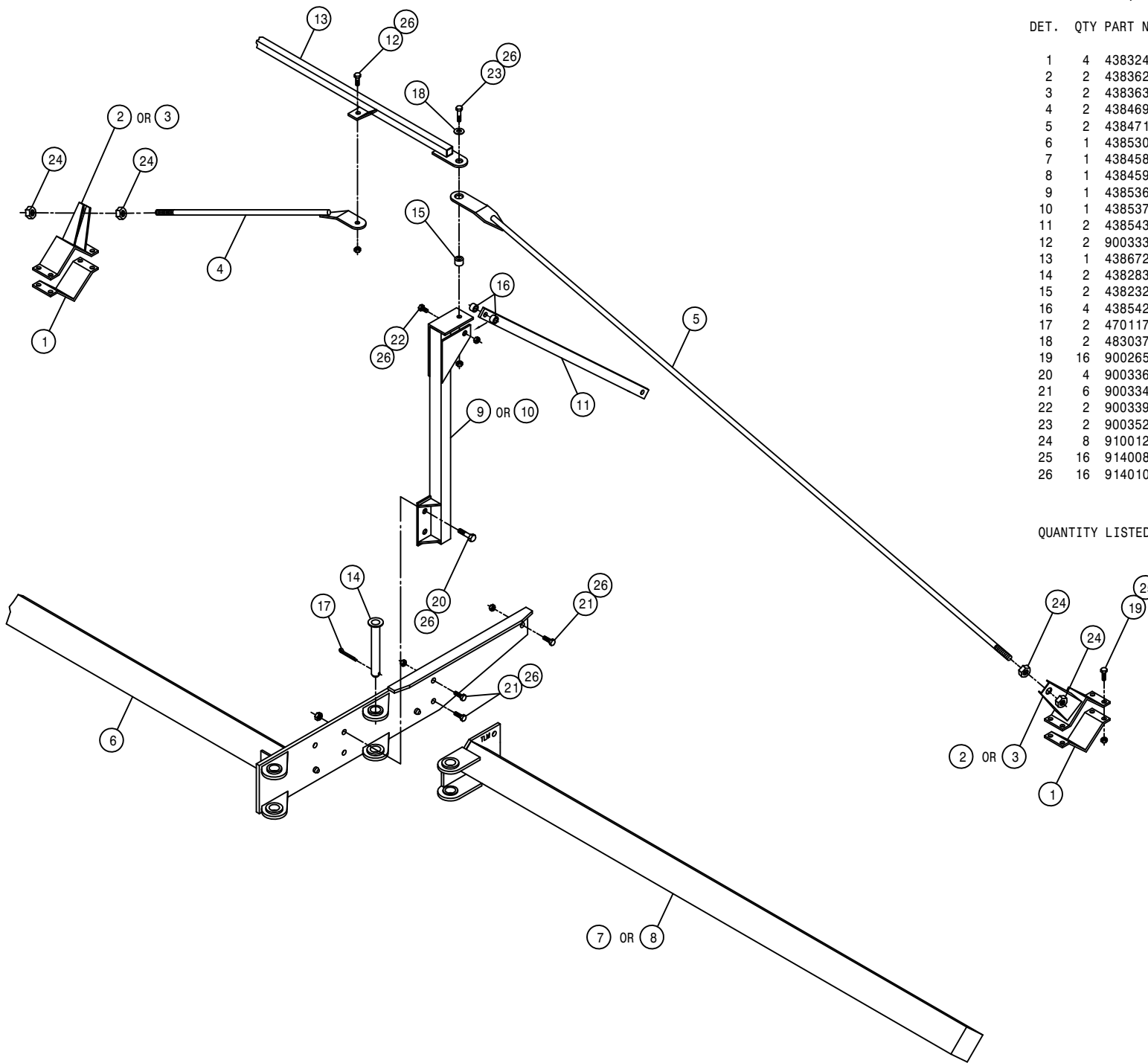


10-12 ROW, 4-LIFT OUTRIGGER ASSEMBLY

DET. QTY PART NO. DESCRIPTION

DET.	QTY	PART NO.	DESCRIPTION
1	4	438324	75IN OUTGR BRACE CLAMP
2	2	438362	RH OUTGR CLAMP WLD 200 89
3	2	438363	LH OUTGR CLAMP WLD 200 89
4	2	438469	OUTGR TIE BAR WLD 200 10-12R
5	2	438471	OUTGR SUPP ROD WLD 10-12R
6	1	438530	204 TOOL BAR WLD, 12R 5/6L 96
7	1	438458	RH 101IN OUTGR WLD 10-12R 92
8	1	438459	LH 101IN OUTGR WLD 10-12R 92
9	1	438536	RH OUTGR SUPP POST WLD10/12R
10	1	438537	LH OUTGR SUPP POST WLD10/12R
11	2	438543	OUTGR SUPP BRACE, 10/12R 96
12	2	900333	5/8UNC X 1 1/2 HEX BOLT
13	1	438672	204 TIE TUBE WLD, 2001
14	2	438283	OUTGR PIVOT PIN WLD 8200 86
15	2	438232	BUSH, 1.00 OD X .656ID X .28
16	4	438542	BUSH, 1.00 OD X .656ID X .78
17	2	470117	COTTER PIN 3/16 1 3/4 SQ CUT
18	2	483037	5/8 REGULAR FLAT WASHER
19	16	900265	1/2UNC X 1 1/2 HEX BOLT
20	4	900336	5/8UNC X 2 1/2 HEX BOLT
21	6	900334	5/8UNC X 1 3/4 HEX BOLT
22	2	900339	5/8UNC X 3 1/4 HEX BOLT
23	2	900352	5/8UNC X 2 1/4 HEX BOLT
24	8	910012	3/4UNC HEX NUT
25	16	914008	1/2UNC HEX STOVER NUT
26	16	914010	5/8UNC HEX STOVER NUT

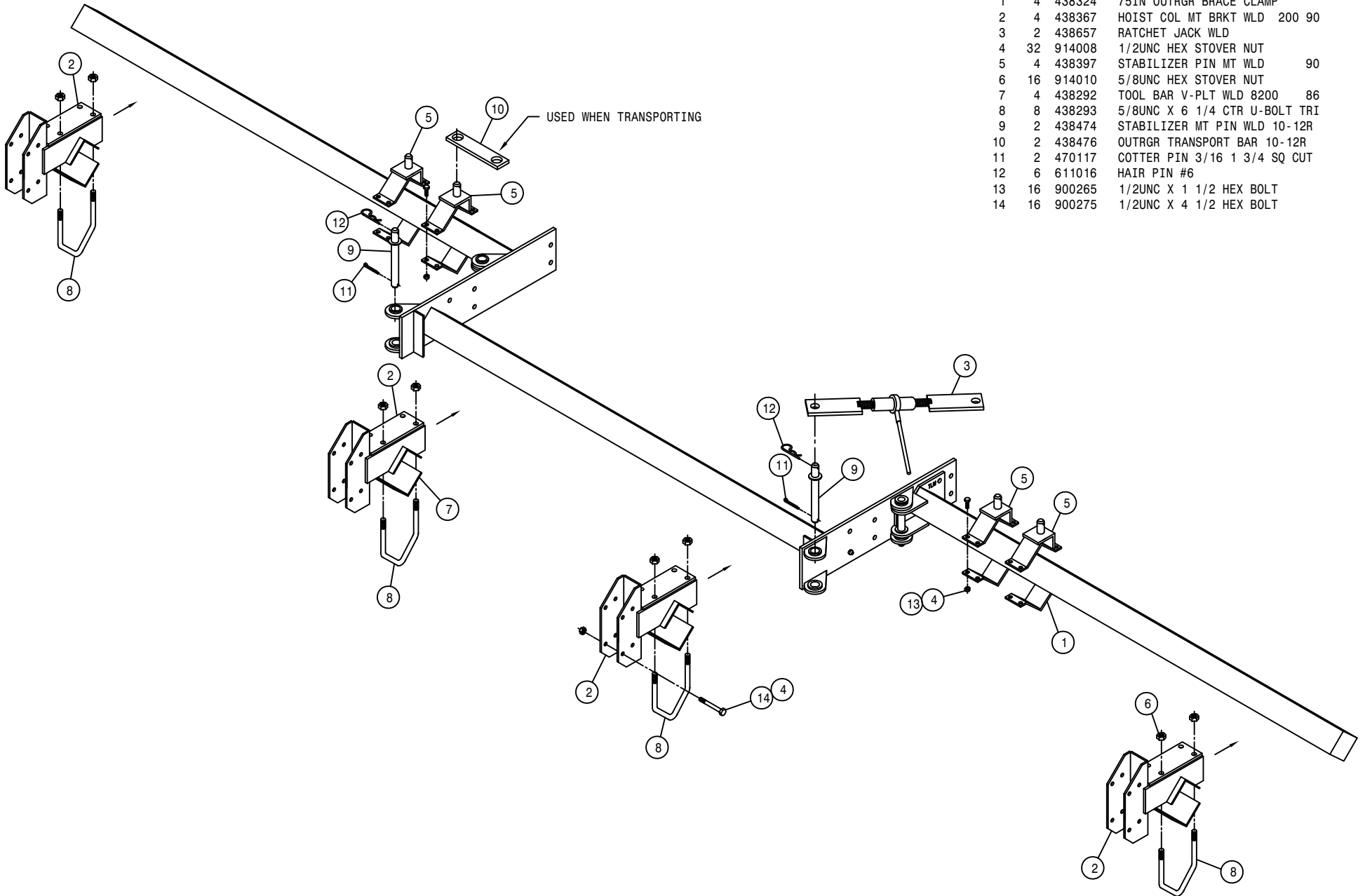
QUANTITY LISTED IS FOR ONE MACHINE.



10-ROW, 4-LIFT OUTRIGGER ASSEMBLY

DET. QTY PART NO. DESCRIPTION

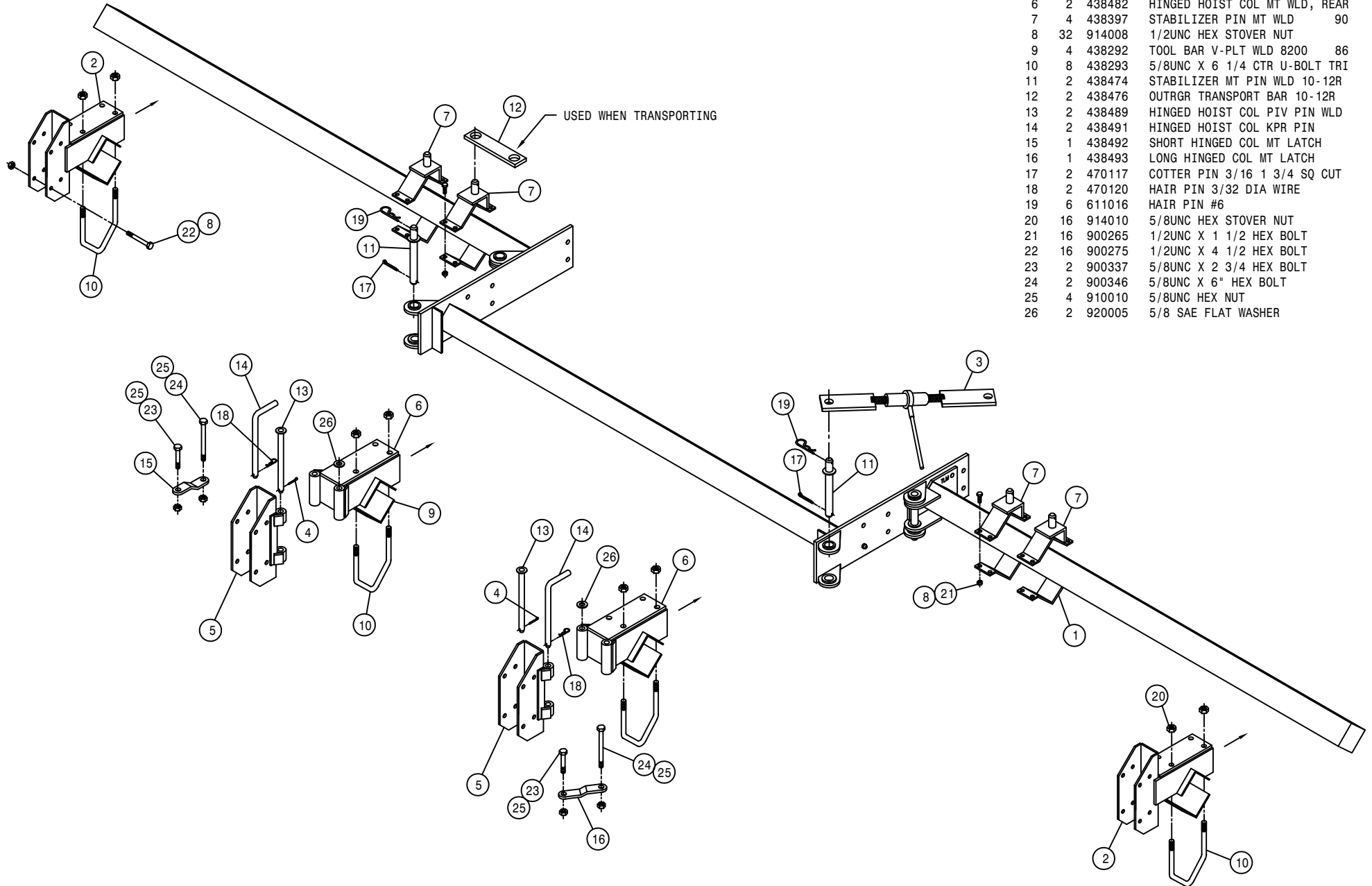
DET.	QTY	PART NO.	DESCRIPTION
1	4	438324	75IN OUTRGR BRACE CLAMP
2	4	438367	HOIST COL MT BRKT WLD 200 90
3	2	438657	RATCHET JACK WLD
4	32	914008	1/2UNC HEX STOVER NUT
5	4	438397	STABILIZER PIN MT WLD 90
6	16	914010	5/8UNC HEX STOVER NUT
7	4	438292	TOOL BAR V-PLT WLD 8200 86
8	8	438293	5/8UNC X 6 1/4 CTR U-BOLT TRI
9	2	438474	STABILIZER MT PIN WLD 10-12R
10	2	438476	OUTRGR TRANSPORT BAR 10-12R
11	2	470117	COTTER PIN 3/16 1 3/4 SQ CUT
12	6	611016	HAIR PIN #6
13	16	900265	1/2UNC X 1 1/2 HEX BOLT
14	16	900275	1/2UNC X 4 1/2 HEX BOLT

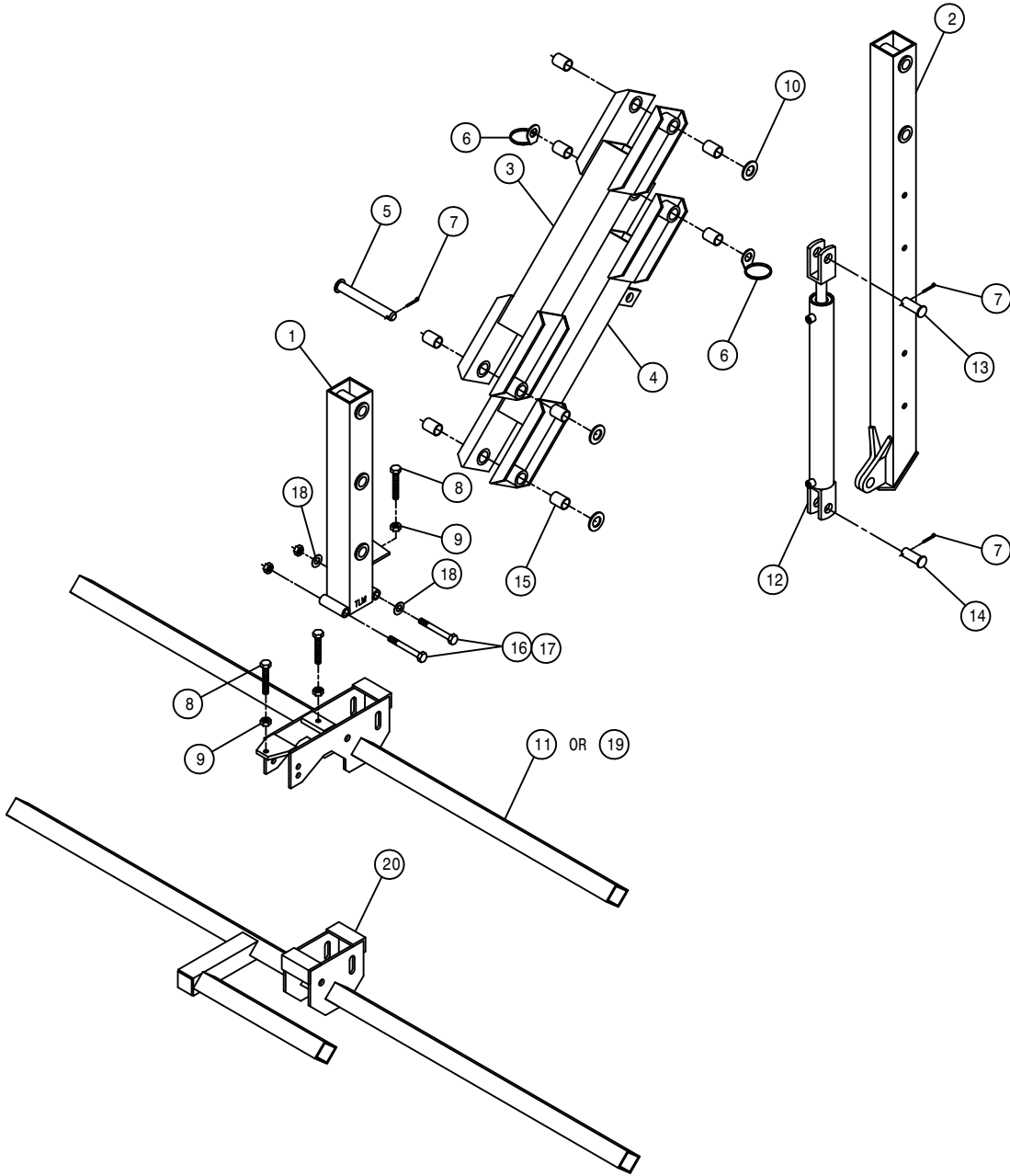


12-ROW, 4-LIFT OUTRIGGER ASSEMBLY

DET. QTY PART NO. DESCRIPTION

DET.	QTY	PART NO.	DESCRIPTION
1	4	438324	75IN OUTRGR BRACE CLAMP
2	2	438367	HOIST COL MT BRKT WLD 200 90
3	2	438657	RATCHET JACK WLD
4	2	390984	COTTER PIN 1/8 X 1 1/4
5	2	438481	HINGED HOIST COL MT WLD, FRT
6	2	438482	HINGED HOIST COL MT WLD, REAR
7	4	438397	STABILIZER PIN MT WLD 90
8	32	914008	1/2UNC HEX STOVER NUT
9	4	438292	TOOL BAR V-PLT WLD 8200 86
10	8	438293	5/8UNC X 6 1/4 CTR U-BOLT TRI
11	2	438474	STABILIZER MT PIN WLD 10-12R
12	2	438476	OUTRGR TRANSPORT BAR 10-12R
13	2	438489	HINGED HOIST COL PIV PIN WLD
14	2	438491	HINGED HOIST COL KPR PIN
15	1	438492	SHORT HINGED COL MT LATCH
16	1	438493	LONG HINGED COL MT LATCH
17	2	470117	COTTER PIN 3/16 1 3/4 SQ CUT
18	2	470120	HAIR PIN 3/32 DIA WIRE
19	6	611016	HAIR PIN #6
20	16	914010	5/8UNC HEX STOVER NUT
21	16	900265	1/2UNC X 1 1/2 HEX BOLT
22	16	900275	1/2UNC X 4 1/2 HEX BOLT
23	2	900337	5/8UNC X 2 3/4 HEX BOLT
24	2	900346	5/8UNC X 6" HEX BOLT
25	4	910010	5/8UNC HEX NUT
26	2	920005	5/8 SAE FLAT WASHER





10-12 ROW, 4-LIFT ASSEMBLY

DET. QTY PART NO. DESCRIPTION

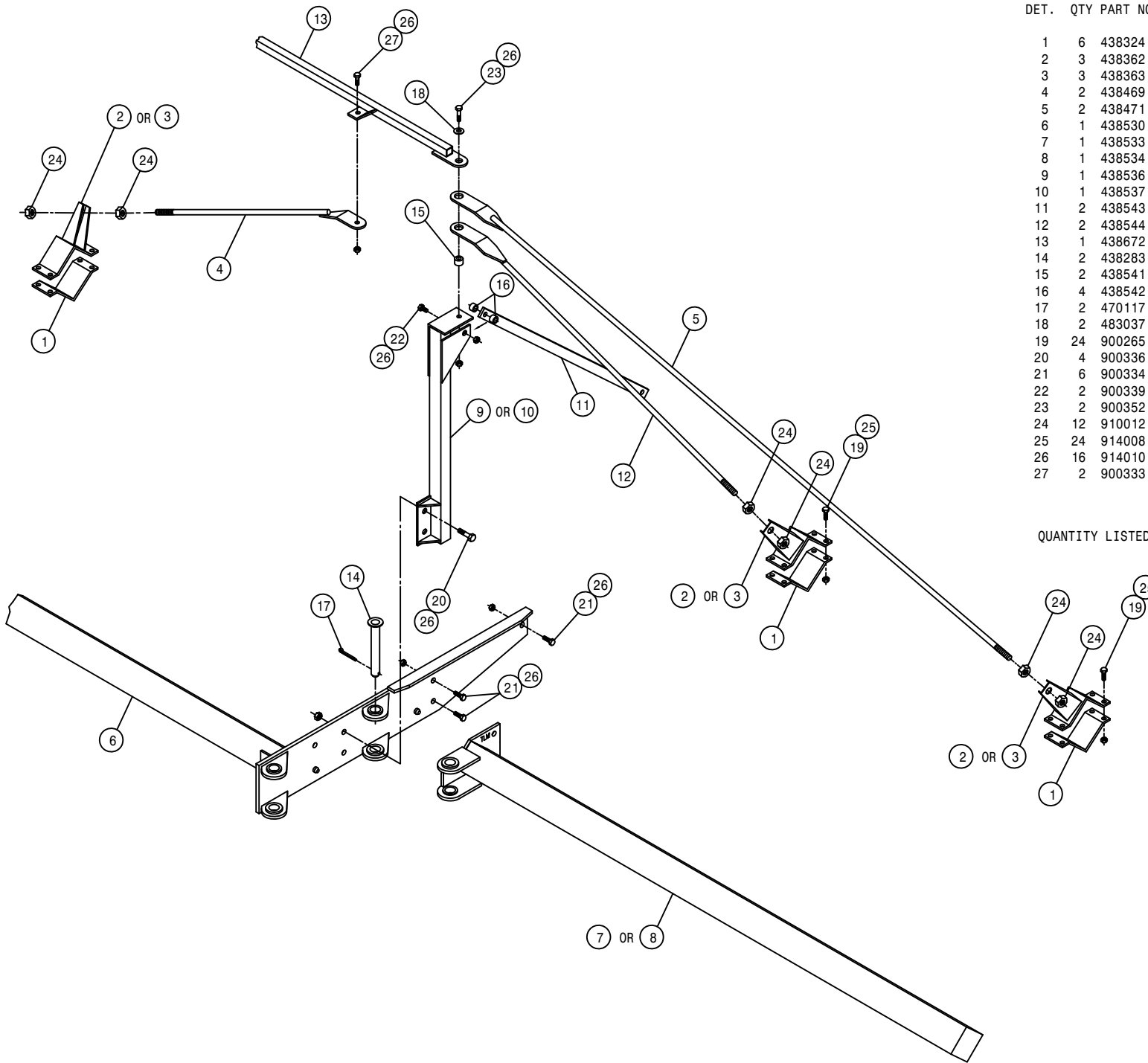
1	1	438245	TOOL BAR MT WLD,2-POS DETAS
2	1	438184	HOIST COL WLD DETAS LIFT 83
3	1	438294	UPPER LIFT ARM WLD 8200 86
4	1	438297	LWR LIFT ARM WLD 8200 86
5	4	438300	LIFT ARM PIVOT PIN WLD8200 86
6	2	438302	HOSE SUPPORT RING WLD W/WASHER
7	6	470162	COTTER PIN 3/16 X 1 1/2 SQ CUT
8	2	900538	1/2UNC X 3 1/2 HEX BOLT FULL
9	2	910008	1/2UNC HEX NUT
10	3	920008	1" SAE FLAT WASHER
11	1	438194	TOOL BAR WLD DETAS 4-6R 83
12	1	620810	LIFT CYL ASSY, DETASSELER
13	1	472012	CLEVIS PIN, 1.00 X 3.25 PLT
14	1	472206	PICKER PIN 1 DIA X 2 1/4
15	8	121025	JOURNAL BRG, 1.00 ID X 1.50 LG
16	2	900343	5/8UNC X 4 1/2 HEX BOLT
17	2	914010	5/8UNC HEX STOVER NUT
18	2	920005	5/8 SAE FLAT WASHER
19	1	438478	TOOL BAR WLD 10-12R DETASSLR
20	1	438201	TOOL BAR WLD 8R DETAS 83

12 ROW, 6 LIFT OUTRIGGER ASSEMBLY

DET. QTY PART NO. DESCRIPTION

DET.	QTY	PART NO.	DESCRIPTION
1	6	438324	75IN OUTRGR BRACE CLAMP
2	3	438362	RH OUTRGR CLAMP WLD 200 89
3	3	438363	LH OUTRGR CLAMP WLD 200 89
4	2	438469	OUTRGR TIE BAR WLD 200 10-12R
5	2	438471	OUTRGR SUPP ROD WLD 10-12R
6	1	438530	204 TOOL BAR WLD,12R 5/6L 96
7	1	438533	RH 133" OUTRGR WLD, 10/12R 96
8	1	438534	LH 133" OUTRGR WLD, 10/12R 96
9	1	438536	RH OUTRGR SUPP POST WLD10/12R
10	1	438537	LH OUTRGR SUPP POST WLD10/12R
11	2	438543	OUTRGR SUPP BRACE,10/12R 96
12	2	438544	OUTRGR SUPP ROD WLD 50"10/12R
13	1	438672	204 TIE TUBE WLD, 2001
14	2	438283	OUTRGR PIVOT PIN WLD 8200 86
15	2	438541	BUSH, 1.00 OD X .656ID X .53
16	4	438542	BUSH, 1.00 OD X .656ID X .78
17	2	470117	COTTER PIN 3/16 1 3/4 SQ CUT
18	2	483037	5/8 REGULAR FLAT WASHER
19	24	900265	1/2UNC X 1 1/2 HEX BOLT
20	4	900336	5/8UNC X 2 1/2 HEX BOLT
21	6	900334	5/8UNC X 1 3/4 HEX BOLT
22	2	900339	5/8UNC X 3 1/4 HEX BOLT
23	2	900352	5/8UNC X 2 1/4 HEX BOLT
24	12	910012	3/4UNC HEX NUT
25	24	914008	1/2UNC HEX STOVER NUT
26	16	914010	5/8UNC HEX STOVER NUT
27	2	900333	5/8UNC X 1 1/2 HEX BOLT

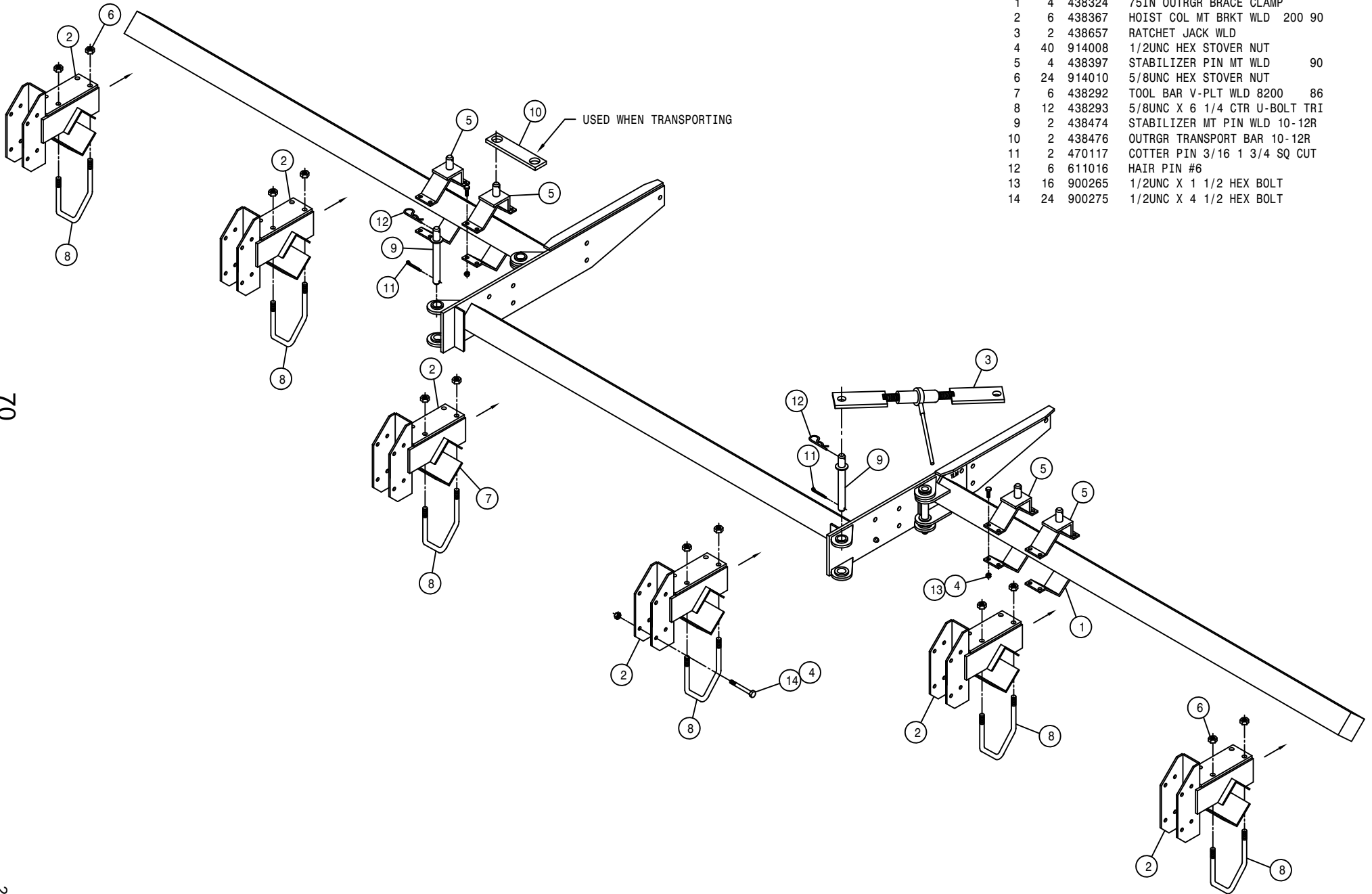
QUANTITY LISTED IS FOR ONE MACHINE.



12-ROW, 6-LIFT OUTRIGGER ASSEMBLY

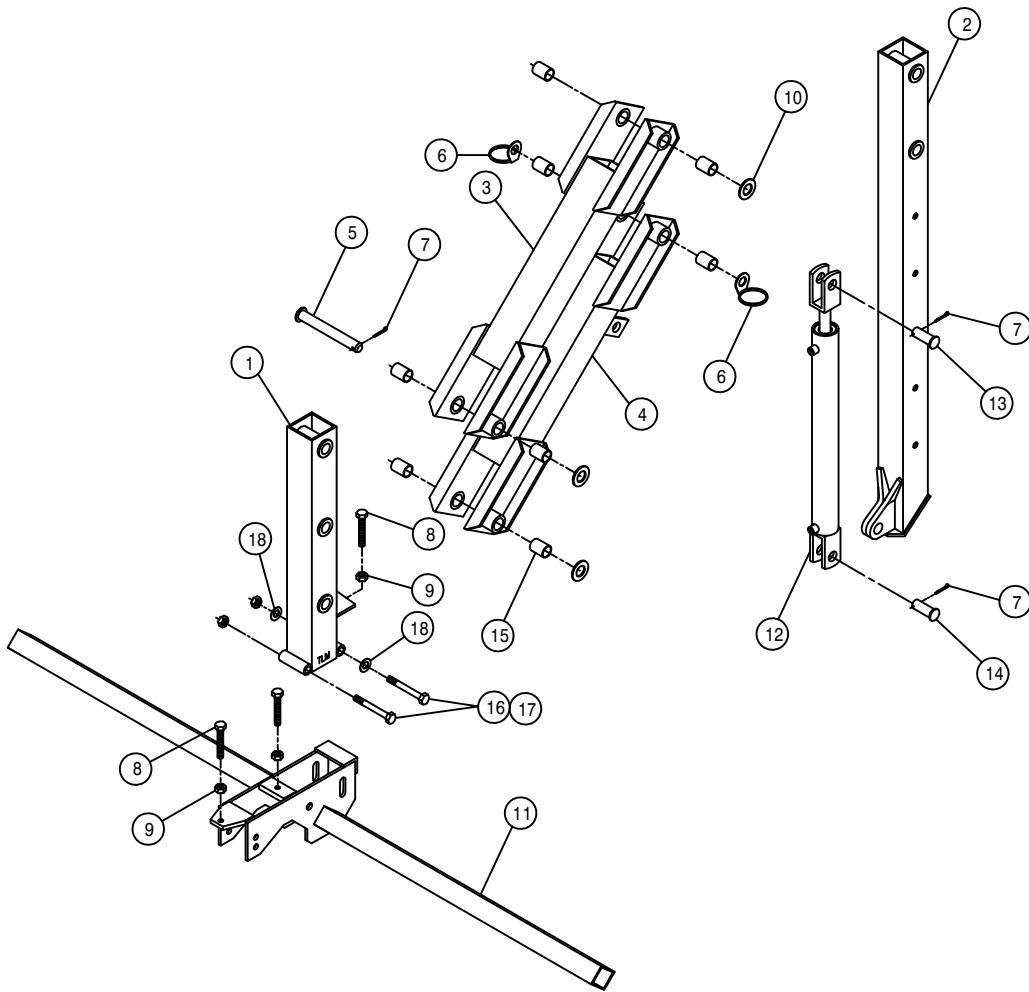
DET. QTY PART NO. DESCRIPTION

DET.	QTY	PART NO.	DESCRIPTION
1	4	438324	75IN OUTRGR BRACE CLAMP
2	6	438367	HOIST COL MT BRKT WLD 200 90
3	2	438657	RATCHET JACK WLD
4	40	914008	1/2UNC HEX STOVER NUT
5	4	438397	STABILIZER PIN MT WLD 90
6	24	914010	5/8UNC HEX STOVER NUT
7	6	438292	TOOL BAR V-PLT WLD 8200 86
8	12	438293	5/8UNC X 6 1/4 CTR U-BOLT TRI
9	2	438474	STABILIZER MT PIN WLD 10-12R
10	2	438476	OUTRGR TRANSPORT BAR 10-12R
11	2	470117	COTTER PIN 3/16 1 3/4 SQ CUT
12	6	611016	HAIR PIN #6
13	16	900265	1/2UNC X 1 1/2 HEX BOLT
14	24	900275	1/2UNC X 4 1/2 HEX BOLT



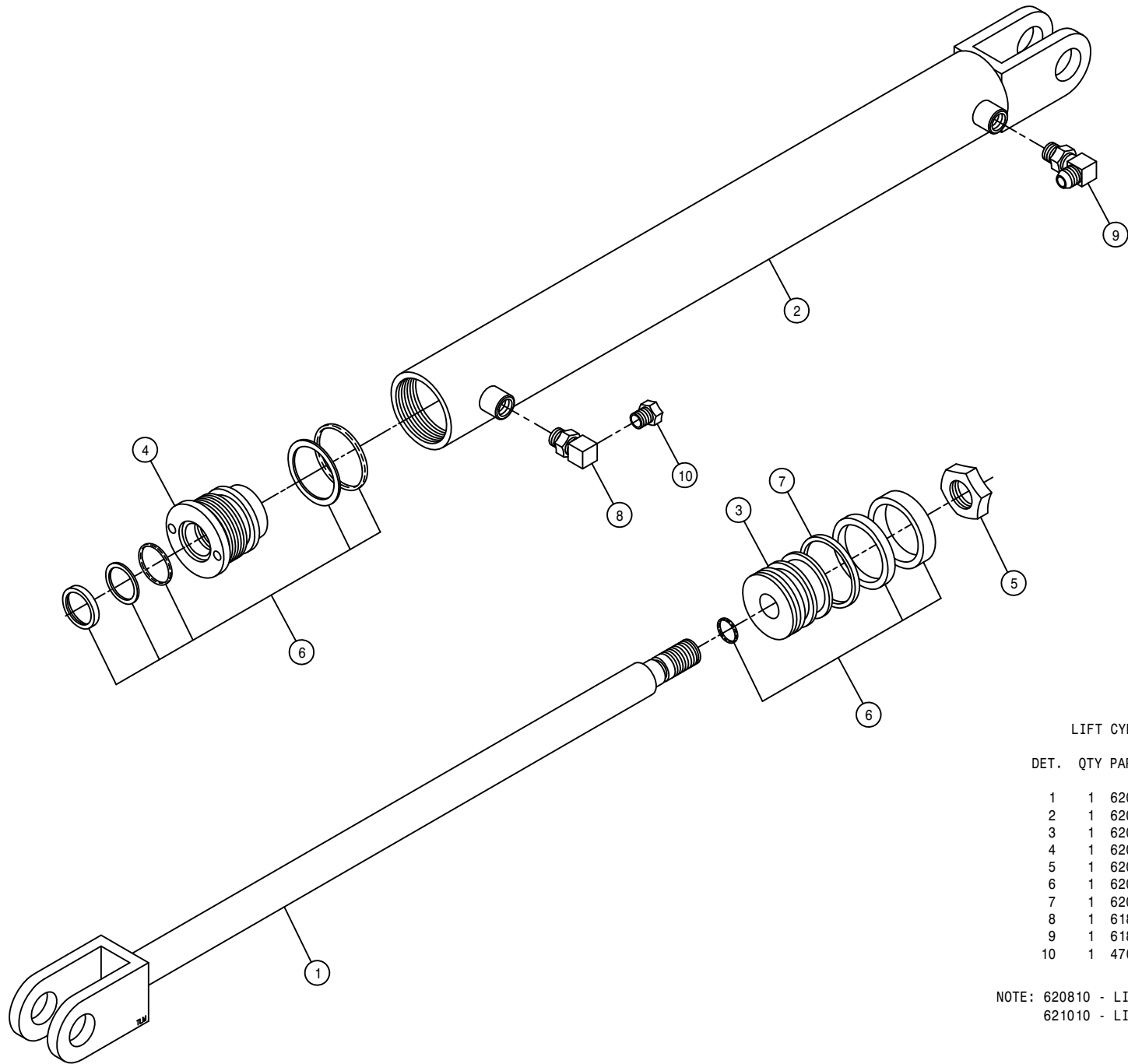
70

215070



12 ROW, 6 LIFT ASSEMBLY

DET.	QTY	PART NO.	DESCRIPTION
1	1	438245	TOOL BAR MT WLD,2-POS DETAS
2	1	438184	HOIST COL WLD DETAS LIFT 83
3	1	438294	UPPER LIFT ARM WLD 8200 86
4	1	438297	LWR LIFT ARM WLD 8200 86
5	4	438300	LIFT ARM PIVOT PIN WLD8200 86
6	2	438302	HOSE SUPPORT RING WLD W/WASHER
7	6	470162	COTTER PIN 3/16 X 1 1/2 SQCUT
8	2	900538	1/2UNC X 3 1/2 HEX BOLT FULL
9	2	910008	1/2UNC HEX NUT
10	3	920008	1" SAE FLAT WASHER
11	1	438194	TOOL BAR WLD DETAS 4-6R 83
12	1	620810	LIFT CYL ASSY, DETASSELER
13	1	472012	CLEVIS PIN, 1.00 X 3.25 PLT
14	1	472206	PICKER PIN 1 DIA X 2 1/4
15	8	121025	JOURNAL BRG, 1.00 ID X 1.50 LG
16	2	900343	5/8UNC X 4 1/2 HEX BOLT
17	2	914010	5/8UNC HEX STOVER NUT
18	2	920005	5/8 SAE FLAT WASHER

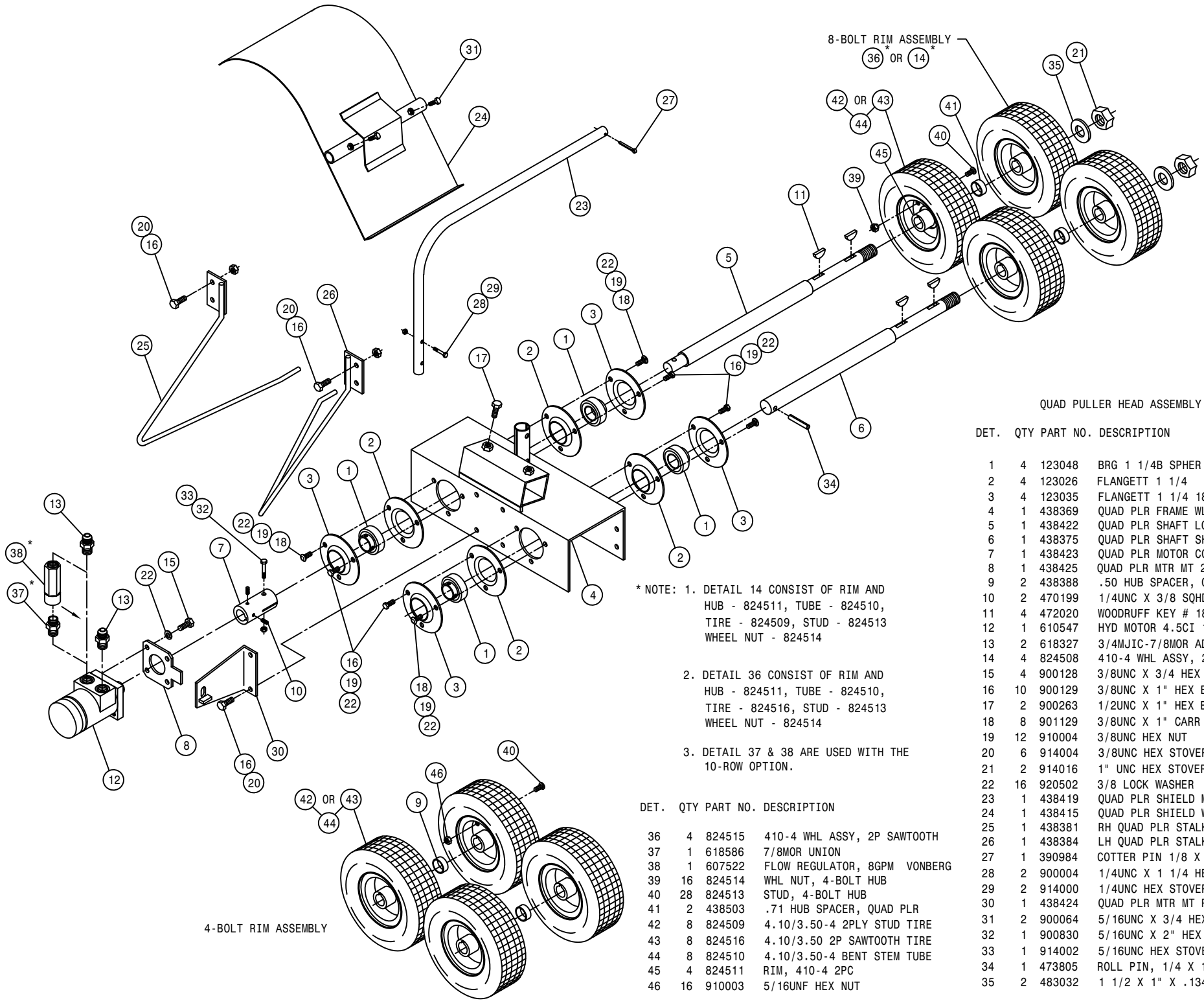


LIFT CYLINDER ASSEMBLY WITH T-TROL

DET.	QTY	PART NO.	DESCRIPTION
	1	620813	SHAFT, LIFT CYL, DETASS 620810
	1	620814	BARREL, LIFT CYL, DETASS 620810
	1	620754	PISTON, P-2.00-120
	1	620758	HEAD, H-2.00-345
	1	620757	NUT, N-0.75-02
	1	620778	REPAIR KIT, HYD CYL, RK-2.00-800
	1	620753	STEEL PISTON RING, R-2.00-01
	1	618116	9/16MOR-90-1/4FNPT LBO
	1	618119	9/16MJIC-90-9/16MOR LBO
	1	470114	BREATHER FILTER VENT, 1/4 NPT

NOTE: 620810 - LIFT CYLINDER INCLUDES ITEMS 1-7.  
 621010 - LIFT CYLINDER WITH FITTINGS.





QUAD PULLER HEAD ASSEMBLY

DET.	QTY	PART NO.	DESCRIPTION
1	4	123048	BRG 1 1/4B SPHER RELUB SCRLOC
2	4	123026	FLANGETT 1 1/4
3	4	123035	FLANGETT 1 1/4 180 DEG ZERK
4	1	438369	QUAD PLR FRAME WLD 200 90
5	1	438422	QUAD PLR SHAFT LONG 200 91
6	1	438375	QUAD PLR SHAFT SHORT 200 90
7	1	438423	QUAD PLR MOTOR COUPLER 200 91
8	1	438425	QUAD PLR MTR MT 200 91
9	2	438388	.50 HUB SPACER, QUAD PLR
10	2	470199	1/4UNC X 3/8 SQHD CUP SET SCR
11	4	472020	WOODRUFF KEY # 18 1/4 X 1 1/8
12	1	610547	HYD MOTOR 4.5CI 1IN SHFT
13	2	618327	3/4MJIC-7/8MOR ADPTR
14	4	824508	410-4 WHL ASSY, 2P STUD
15	4	900128	3/8UNC X 3/4 HEX BOLT
16	10	900129	3/8UNC X 1" HEX BOLT
17	2	900263	1/2UNC X 1" HEX BOLT
18	8	901129	3/8UNC X 1" CARR BOLT
19	12	910004	3/8UNC HEX NUT
20	6	914004	3/8UNC HEX STOVER NUT
21	2	914016	1" UNC HEX STOVER NUT
22	16	920502	3/8 LOCK WASHER
23	1	438419	QUAD PLR SHIELD MT TUBE 91
24	1	438415	QUAD PLR SHIELD WLD 200 91
25	1	438381	RH QUAD PLR STALK GUIDE WLD90
26	1	438384	LH QUAD PLR STALK GUIDE WLD90
27	1	390984	COTTER PIN 1/8 X 1 1/4
28	2	900004	1/4UNC X 1 1/4 HEX BOLT
29	2	914000	1/4UNC HEX STOVER NUT
30	1	438424	QUAD PLR MTR MT PLT WLD
31	2	900064	5/16UNC X 3/4 HEX BOLT
32	1	900830	5/16UNC X 2" HEX BOLT GR8
33	1	914002	5/16UNC HEX STOVER NUT
34	1	473805	ROLL PIN, 1/4 X 1 1/2
35	2	483032	1 1/2 X 1" X .134TH MACH WASH

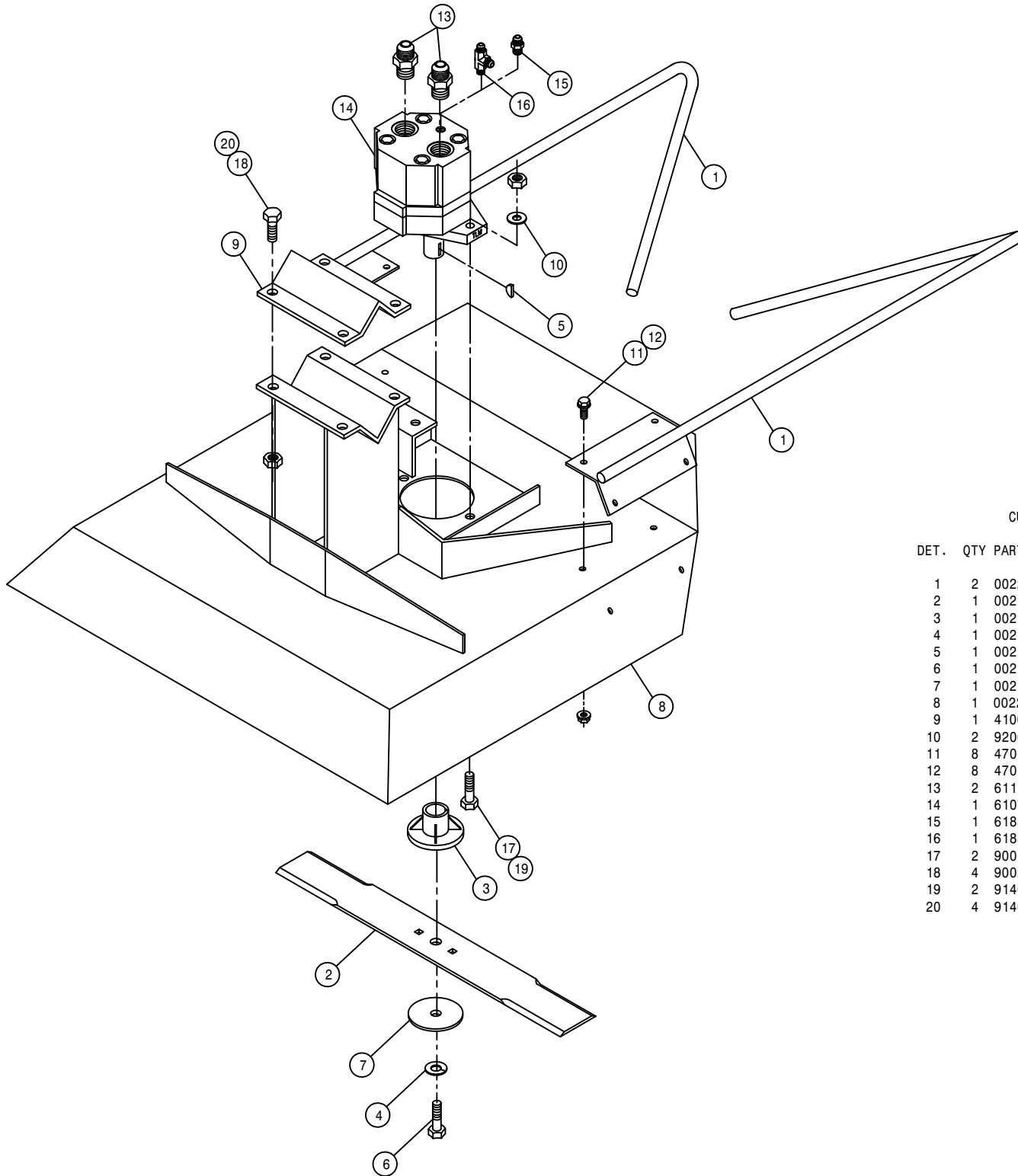
\* NOTE: 1. DETAIL 14 CONSIST OF RIM AND HUB - 824511, TUBE - 824510, TIRE - 824509, STUD - 824513 WHEEL NUT - 824514

2. DETAIL 36 CONSIST OF RIM AND HUB - 824511, TUBE - 824510, TIRE - 824516, STUD - 824513 WHEEL NUT - 824514

3. DETAIL 37 & 38 ARE USED WITH THE 10-ROW OPTION.

DET.	QTY	PART NO.	DESCRIPTION
36	4	824515	410-4 WHL ASSY, 2P SAWTOOTH
37	1	618586	7/8MOR UNION
38	1	607522	FLOW REGULATOR, 8GPM VONBERG
39	16	824514	WHL NUT, 4-BOLT HUB
40	28	824513	STUD, 4-BOLT HUB
41	2	438503	.71 HUB SPACER, QUAD PLR
42	8	824509	4.10/3.50-4 2PLY STUD TIRE
43	8	824516	4.10/3.50 2P SAWTOOTH TIRE
44	8	824510	4.10/3.50-4 BENT STEM TUBE
45	4	824511	RIM, 410-4 2PC
46	16	910003	5/16UNF HEX NUT

4-BOLT RIM ASSEMBLY



CUTTER HEAD ASSEMBLY

DET. QTY PART NO. DESCRIPTION

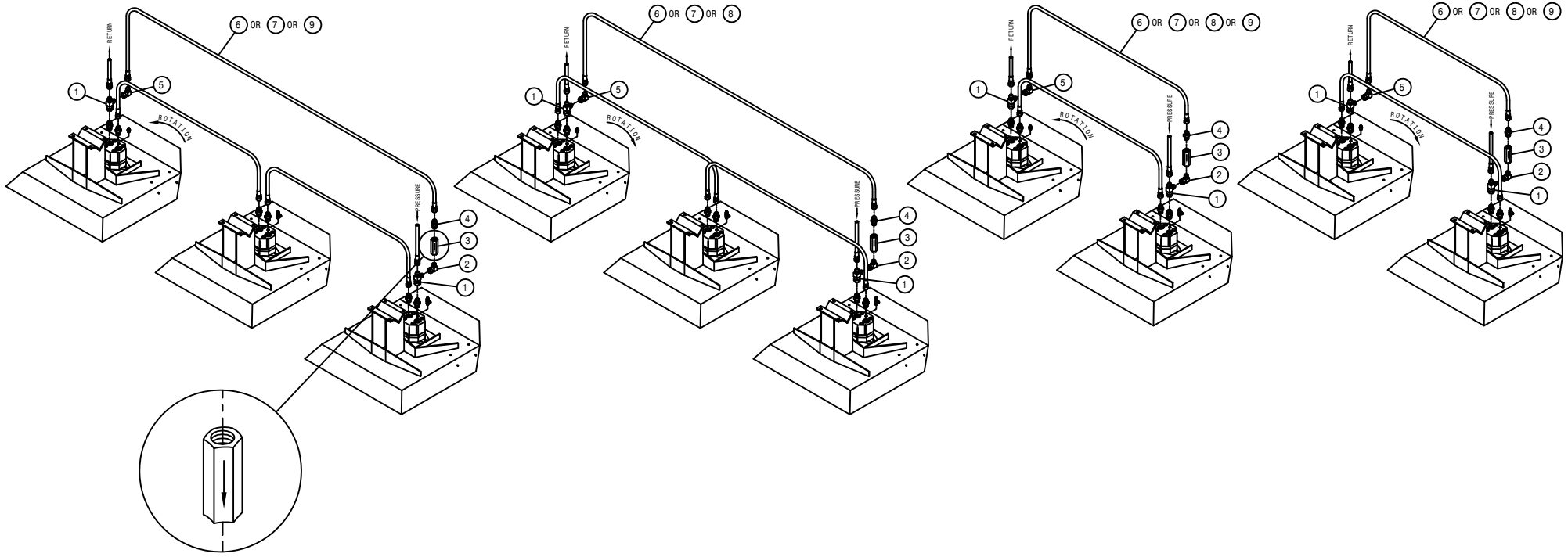
1	2	002215	CUTR STALK GUIDE WLD 8200	85
2	1	002103	CUTR BLADE 18 IN	
3	1	002104	CLUTCH BODY BLADE	
4	1	002105	STEEL LOCK WASH CUTR BLADE	
5	1	002106	WOODRUFF KEY #6 .156 X .625	
6	1	002107	3/8UNF X 1 1/2 HEX BOLT CUTR	
7	1	002108	STEEL WASHER CUTTER BLADE	
8	1	002210	CUTR TOP WLD 8200	85
9	1	410016	RLR HANGER V 473	
10	2	920002	3/8 SAE FLAT WASHER	
11	8	470118	1/4UNC X 3/4 FLANGE HEX BOLT	
12	8	470121	1/4UNC HEX FLANGE LOCK NUT	
13	2	611125	3/4MJIC-3/4MOR ADPTR	
14	1	610755	BARNES HYD MOTOR, D-SERIES	01
15	1	618530	9/16MJIC-1/8MNPT ADPTR	
16	1	618546	1/8MNPT RUN TEE-9/16MJIC	
17	2	900130	3/8UNC X 1 1/4 HEX BOLT	
18	4	900265	1/2UNC X 1 1/2 HEX BOLT	
19	2	914004	3/8UNC HEX STOVER NUT	
20	4	914008	1/2UNC HEX STOVER NUT	

LEFT SIDE OF OPERATOR

RIGHT SIDE OF OPERATOR

LEFT SIDE OF OPERATOR

RIGHT SIDE OF OPERATOR

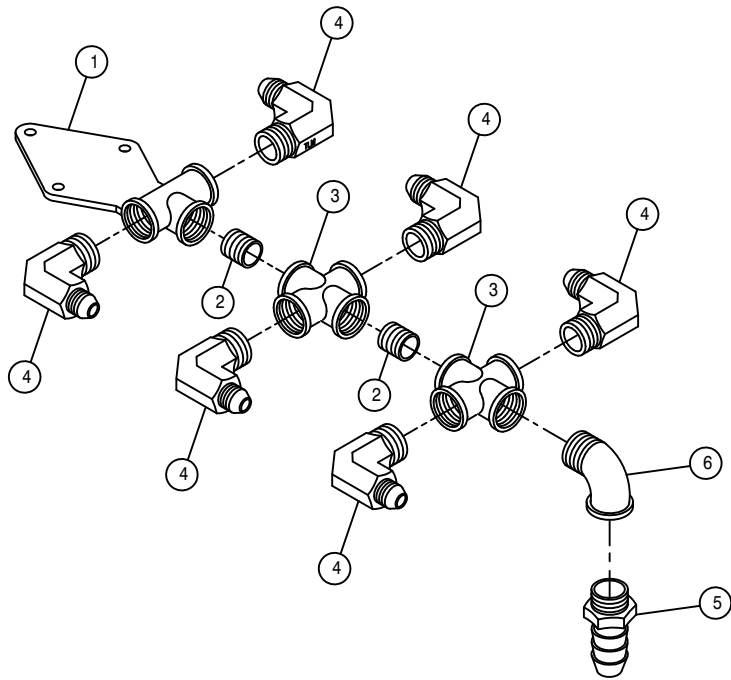


CUTTER CHECK VALVE HYDRAULIC SCHEMATIC

DET. QTY PART NO. DESCRIPTION

1	2	618451	3/4FJIC SW RUN TEE-3/4MJIC	
2	1	618620	3/4FJX-90-1/2MNPT ADPTR	
3	1	690338	LINE CHECK VALVE HYD .50NPT	
4	1	611147	3/4MJIC-1/2MNPT ADPTR	
5	1	618609	3/4MJIC-90-3/4FJIC SWIV LBO	
6	1	614375	08C1T-08FJX-08FJX-177	H/A
7	1	616057	08C1T-08FJX-08FJX-88	H/A
8	1	614368	08C1T-08FJX-08FJX-60	H/A
9	1	614384	08C1T-08FJX-08FJX-237	H/A

NOTE: LISTING IS FOR ONE GROUP OF CUTTER HEADS.

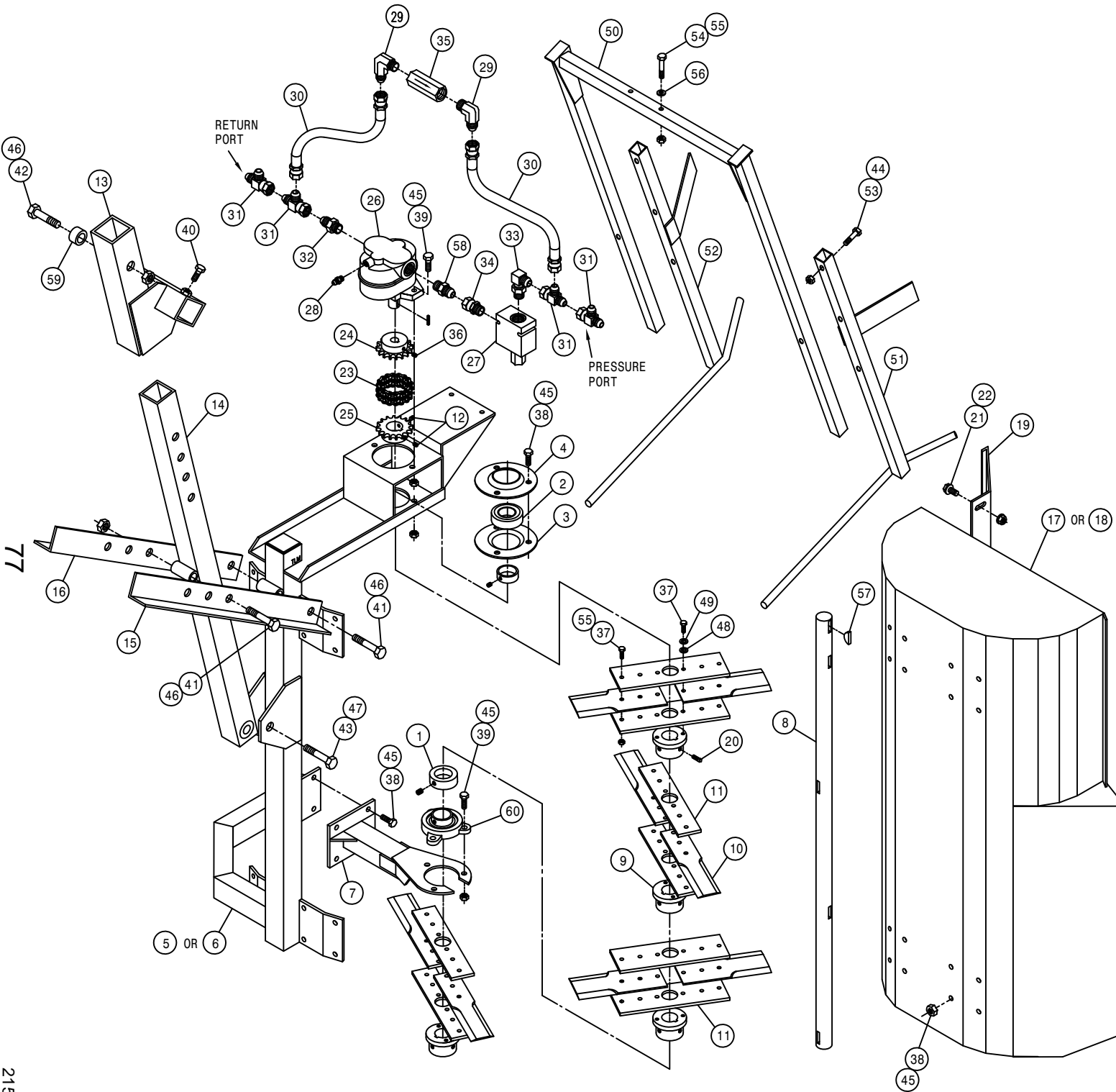


CUTTER CASE DRAIN FITTING ASSEMBLY

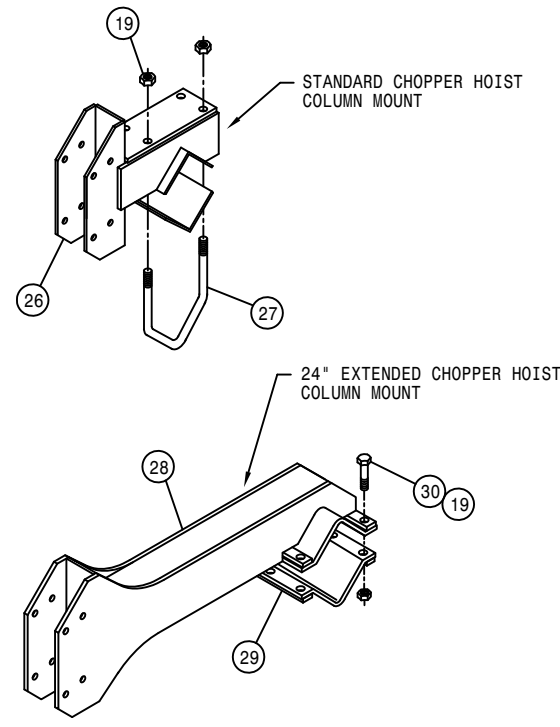
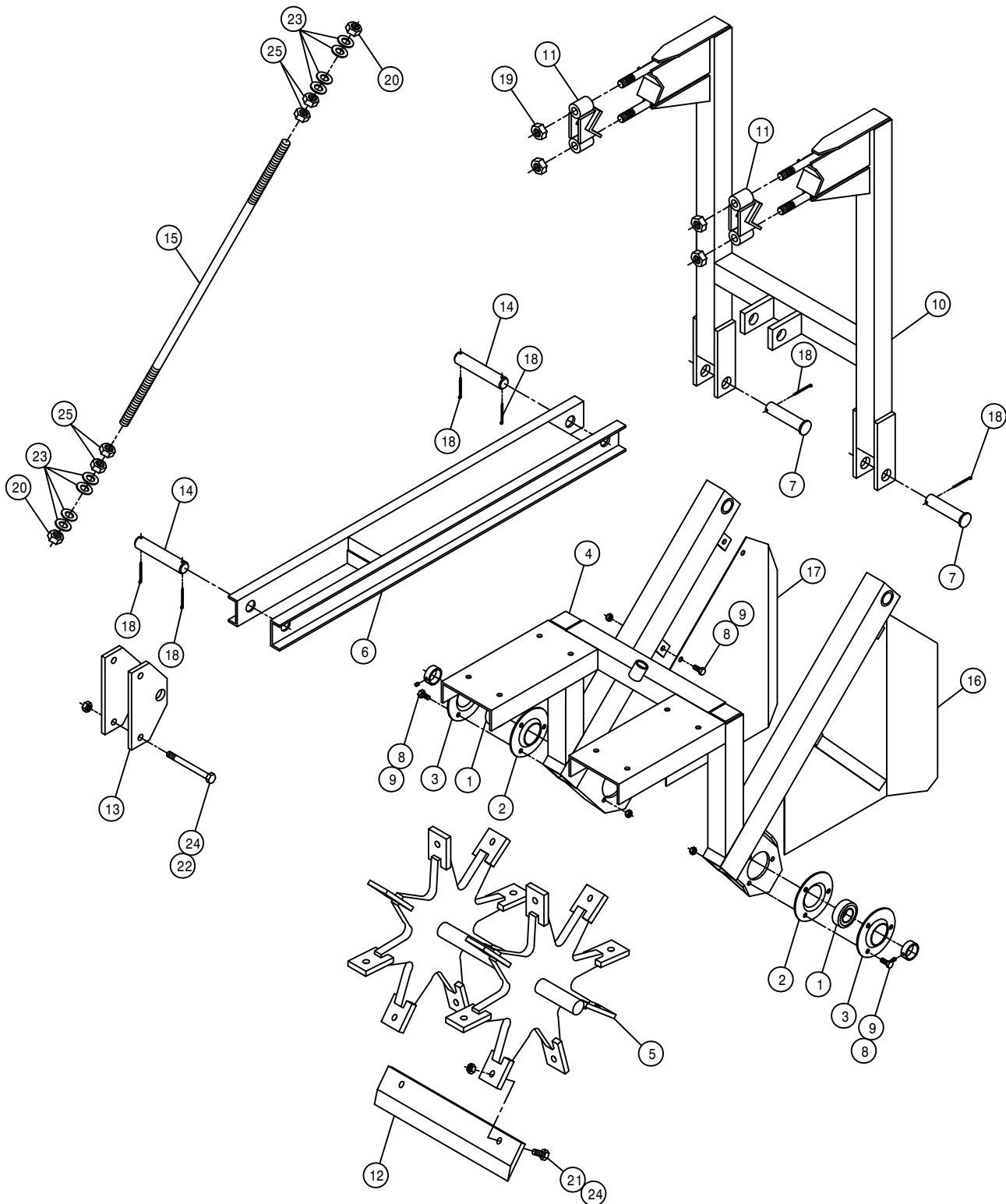
DET.	QTY	PART NO.	DESCRIPTION
1	1	615746	CASE DRAIN FTG WLD
2	2	503600	CLOSE NIPPLE .50NPT
3	2	503824	BLK PIPE CROSS .50NPT
4	6	618107	9/16MJIC-90-1/2MNPT LBO
5	1	712440	1/2 NPT X 3/4 HOSE BARB
6	1	503400	BLK PIPE ST EL 90DEG .50NPT

MALE ROW 4-BLADE CUTTER ASSEMBLY

DET. QTY PART NO. DESCRIPTION

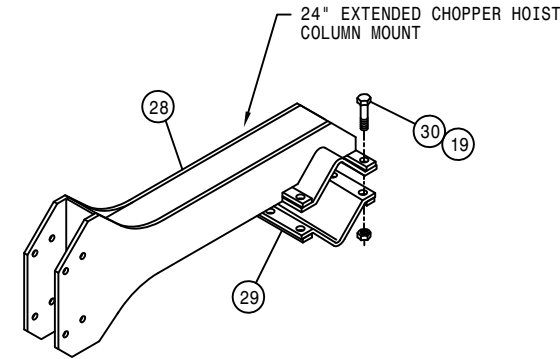
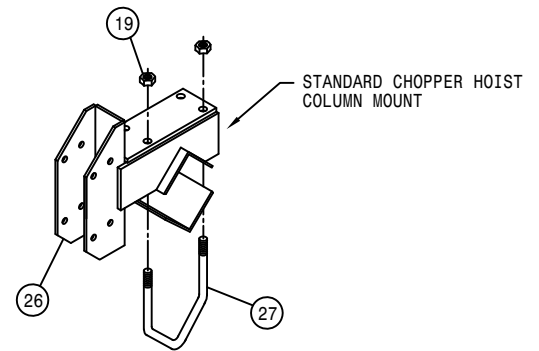
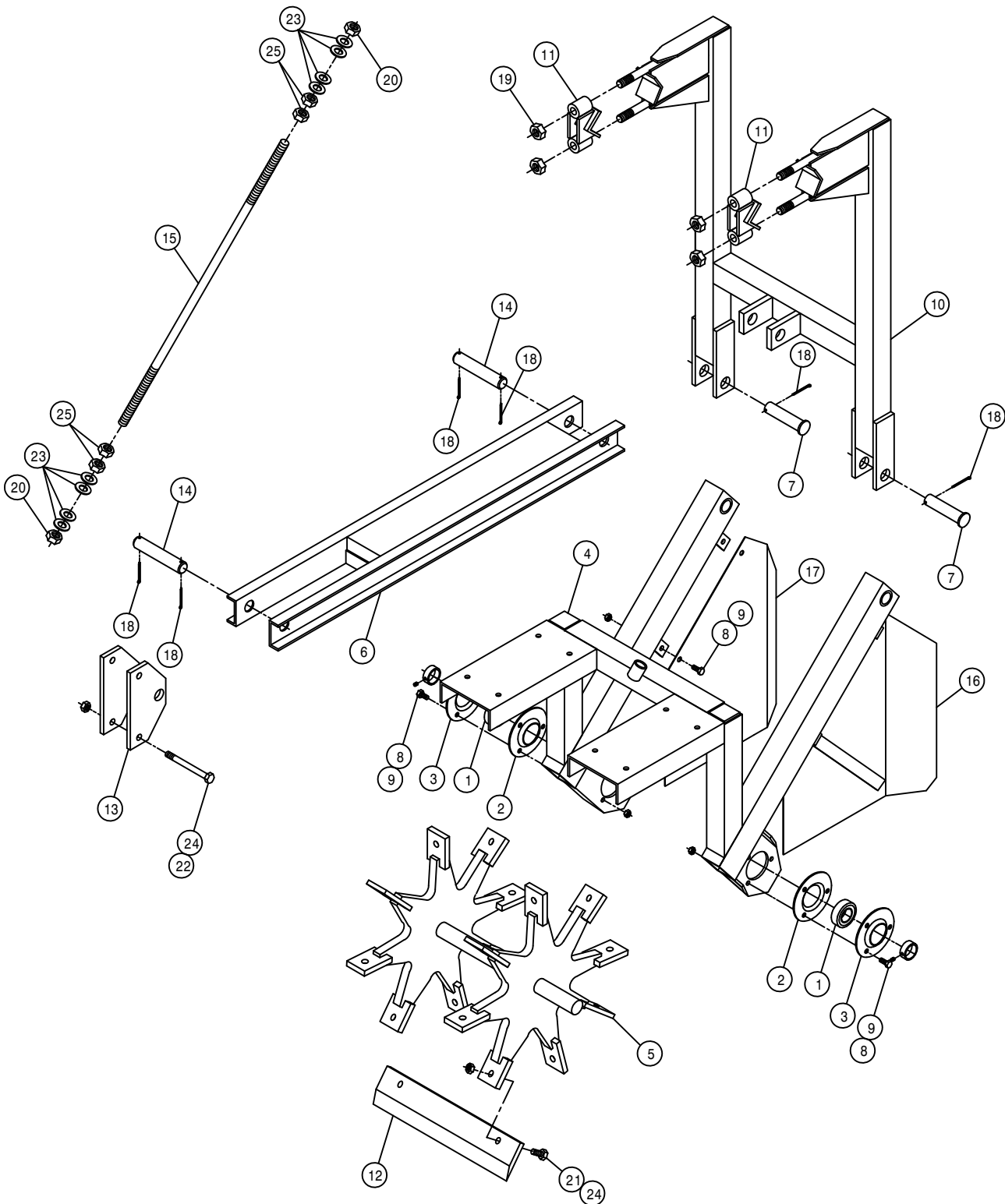


DET.	QTY	PART NO.	DESCRIPTION
1	1	474020	1 1/4 SHAFT SET COLLAR
2	1	123024	BGR 1 1/4 BORE SPHERICL RELUB
3	1	123026	FLANGETT 1 1/4
4	1	123035	FLANGETT 1 1/4 180 DEG ZERK
5	1	270880	RH 4-BLADE CUTTER FRAME WLD95
6	1	270881	LH 4-BLADE CUTTER FRAME WLD95
7	1	270896	LWR BRG MT WLD,4-BLD CUTR 95
8	1	270902	BLADE SHAFT,4-BLD CUTR 95
9	4	270903	BLADE MT HUB,4-BLD CUTR 95
10	8	270904	CUTTER BLADE,4-BLD CUTR 95
11	8	270905	UPPER BLADE SUPP,4-BLD CUTR95
12	2	470060	5/16UNC X 3/8 SET SCR
13	1	270907	CUTTER ADPT WLD,4-BLD CUTR 95
14	1	270910	CUTTER MT WLD,4-BLD CUTR 95
15	1	270913	RH ADJ ANG,4-BLD CUTR 95
16	1	270914	LH ADJ ANG,4-BLD CUTR 95
17	1	270915	RH SHIELD WLD,4-BLD CUTR 95
18	1	270916	LH SHIELD WLD,4-BLD CUTR 95
19	1	270923	DEFLECTOR SHLD,4-BLD CUTR 95
20	8	470057	5/16 X 1/2 LG SQ HD SET SCR
21	4	470121	1/4UNC HEX FLANGE LOCK NUT
22	4	470122	1/4UNC X 1/2 FLANGE HEX BOLT
23	1	492084	CHAIN FOR 4016 CHAIN COUPLER
24	1	492092	CHAIN CPLR 5/8 BORE 5/32 KWY
25	1	492091	CHAIN CPLR 1 1/4 BORE .25 KWY
26	1	610510	CESSNA GEAR MOTOR 1.48CI
27	1	610597	PRESS COMP FIXED FLO REG 18G
28	1	611121	9/16MJIC-1/4MNPT ADPTR
29	2	611145	3/4MJIC-90-1/2MNPT LBO
30	2	615626	08C1T-08FJX-08FJX-15
31	4	618451	3/4FJIC SW RUN TEE-3/4MJIC
32	1	618469	3/4MJIC-1 1/16MOR ADPTR
33	1	618474	3/4MJIC-90-1 1/16MOR LBO
34	1	618578	1 1/16FJIC SWIV-1 1/16MOR
35	1	690338	LINE CHECK VALVE HYD .50NPT
36	1	470052	1/4-20X1/2 AL HD SET SC CUP
37	24	900066	5/16UNC X 1 1/4 HEX BOLT
38	23	900129	3/8UNC X 1" HEX BOLT
39	5	900130	3/8UNC X 1 1/4 HEX BOLT
40	2	900263	1/2UNC X 1" HEX BOLT
41	2	900270	1/2UNC X 3" HEX BOLT
42	1	900273	1/2UNC X 3 3/4 HEX BOLT
43	1	900408	3/4UNC X 3 1/2 HEX BOLT
44	2	914000	1/4UNC HEX STOVER NUT
45	28	914004	3/8UNC HEX STOVER NUT
46	3	914008	1/2UNC HEX STOVER NUT
47	1	914012	3/4UNC HEX STOVER NUT
48	8	920001	5/16 SAE FLAT WASHER
49	8	920501	5/16 LOCK WASHER
50	1	270924	GUIDE MT WLD,4-BLD CUTR 95
51	1	270928	RH STALK GUIDE WLD,4-BLD CUTR
52	1	270929	LH STALK GUIDE WLD,4-BLD CUTR
53	2	900005	1/4UNC X 1 1/2 HEX BOLT
54	2	900069	5/16UNC X 2" HEX BOLT
55	18	914002	5/16UNC HEX STOVER NUT
56	2	920001	5/16 SAE FLAT WASHER
57	5	472020	WOODRUFF KEY # 18 1/4 X 1 1/8
58	1	611127	1 1/16MJIC-1 1/16MOR ADPTR
59	1	200015	.75 OD X 11GA WA X .38LG C/L
60	1	123050	1.25 PILLOW BLOCK BEARING,FLG



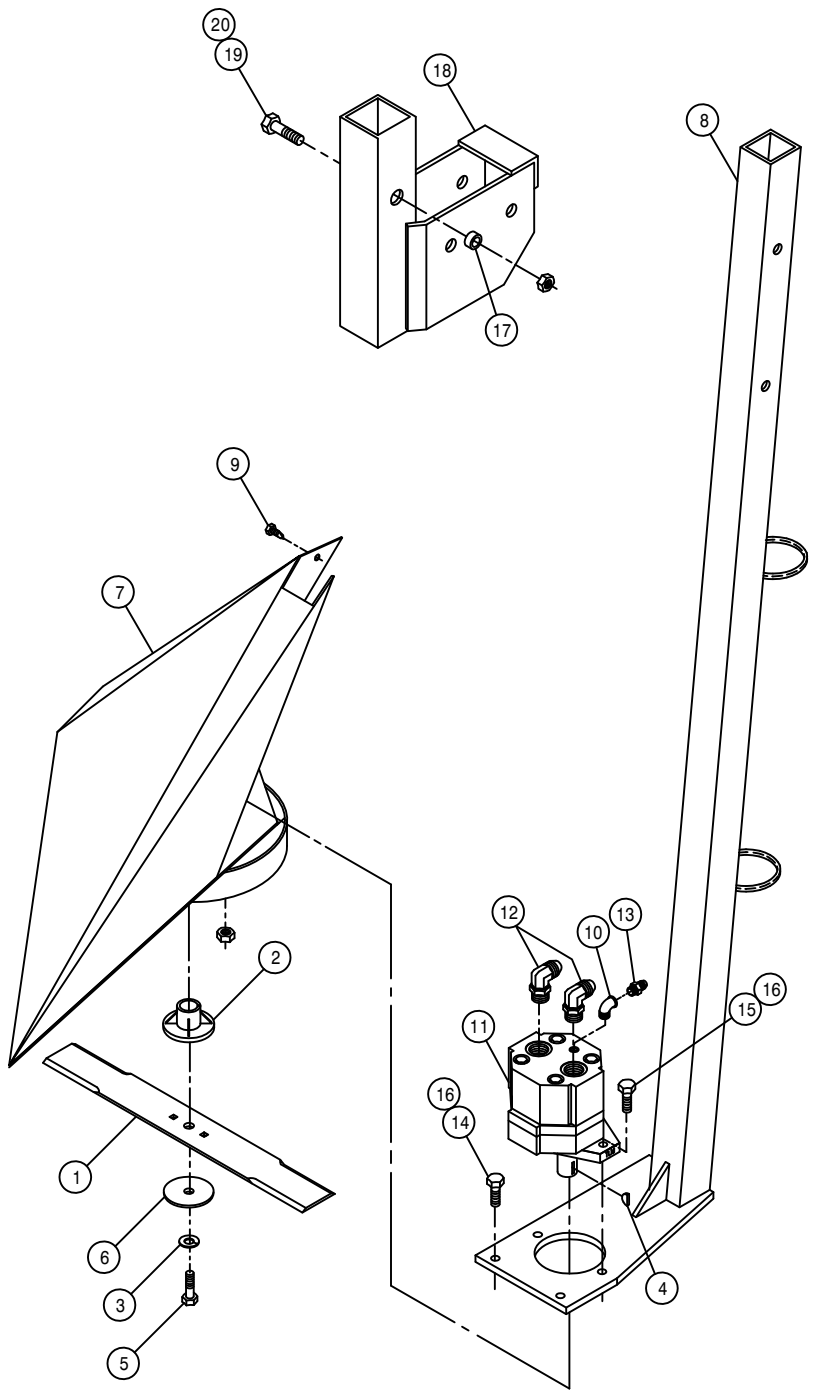
15" MALE ROW CHOPPER ASSEMBLY

DET.	QTY	PART NO.	DESCRIPTION
	1	2	123024 BGR 1 1/4 BORE SPHERICL RELUB
	2	2	123026 FLANGETT 1 1/4
	3	2	123035 FLANGETT 1 1/4 180 DEG ZERK
	4	1	270814 LWR FRAME WLD MALE ROW CHOP
	5	1	270860 BLADE MT WHL WLD, CHOPPER 92
	6	1	270852 LWR LIFT ARM WLD MALE CHOP 91
	7	2	472012 CLEVIS PIN, 1.00 X 3.25 PLT
	8	10	900129 3/8UNC X 1" HEX BOLT
	9	10	914004 3/8UNC HEX STOVER NUT
	10	1	270855 UPR FRAME WLD MALE ROW CHOP91
	11	2	270833 TOOL BAR CLAMP WLD MALE CHOP
	12	8	270838 CHOPPER BLADE 8131 STEEL TREA
	13	2	270842 LWR LIFT ARM MTG PLT
	14	2	270843 LIFT ARM PIN MALE ROW CHOPPER
	15	1	270844 ADJ ROD MALE ROW CHOPPER
	16	1	270845 RH SHLD WLD MALE ROW CHOPPER
	17	1	270846 LH SHLD WLD MALE ROW CHOPPER
	18	6	470162 COTTER PIN 3/16 X 1 1/2 SQ CUT
	19	14	914010 5/8UNC HEX STOVER NUT
	20	2	914012 3/4UNC HEX STOVER NUT
	21	16	900265 1/2UNC X 1 1/2 HEX BOLT
	22	2	900275 1/2UNC X 4 1/2 HEX BOLT
	23	8	920006 3/4 SAE FLAT WASHER
	24	18	914008 1/2UNC HEX STOVER NUT
	25	4	910012 3/4UNC HEX NUT
	26	1	438367 HOIST COL MT BRKT WLD 200 90
	27	2	438293 5/8UNC X 6 1/4 CTR U-BOLT TRI
	28	1	438665 24" HOIST COL MT BRKT WLD
	29	1	438671 24" HOIST COL MT V-PLT KPR WLD
	30	6	900337 5/8UNC X 2 3/4 HEX BOLT



20" MALE ROW CHOPPER ASSEMBLY

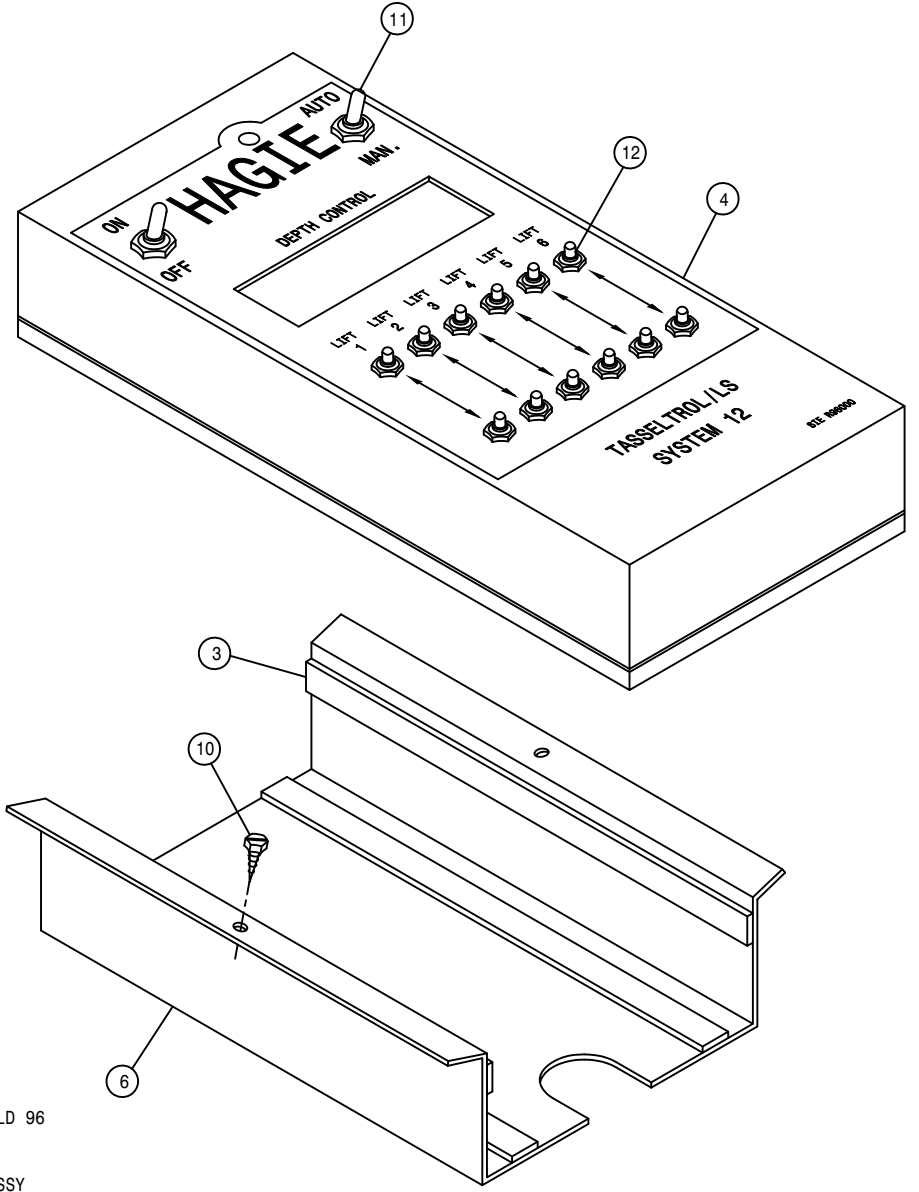
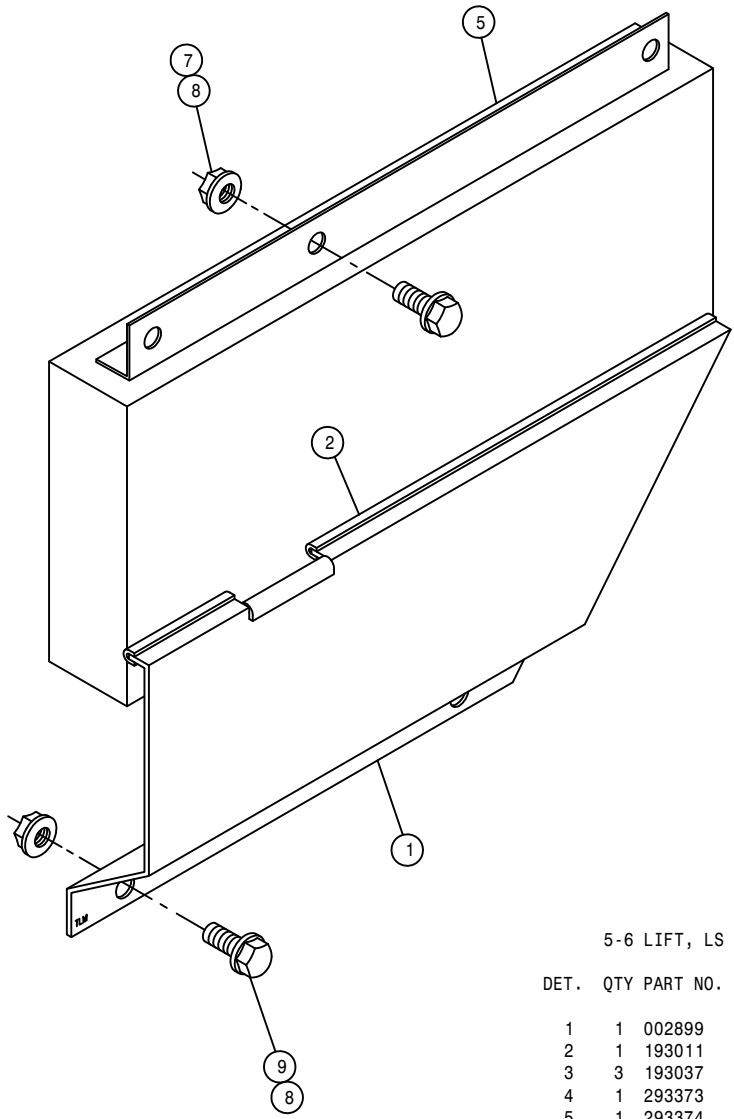
DET.	QTY	PART NO.	DESCRIPTION
1	2	123024	BGR 1 1/4 BORE SPHERICL RELUB
2	2	123026	FLANGETT 1 1/4
3	2	123035	FLANGETT 1 1/4 180 DEG ZERK
4	1	270872	LWR FRAME WLD,20"MALE CHOPR95
5	1	270874	BLADE MT WHL WLD,20"CHOPR 95
6	1	270852	LWR LIFT ARM WLD MALE CHOP 91
7	2	472012	CLEVIS PIN, 1.00 X 3.25 PLT
8	10	900129	3/8UNC X 1" HEX BOLT
9	10	914004	3/8UNC HEX STOVER NUT
10	1	270876	UPR FRAME WLD,20"MALE CHOPR95
11	2	270833	TOOL BAR CLAMP WLD MALE CHOP
12	8	270866	CHOPPER BLADE,MALE ROW,20" 95
13	2	270842	LWR LIFT ARM MTG PLT
14	2	270843	LIFT ARM PIN MALE ROW CHOPPER
15	1	270867	ADJ ROD WLD,MALE ROW CHOPR 95
16	1	270845	RH SHLD WLD MALE ROW CHOPPER
17	1	270846	LH SHLD WLD MALE ROW CHOPPER
18	6	470162	COTTER PIN 3/16 X 1 1/2 SQCUT
19	14	914010	5/8UNC HEX STOVER NUT
20	2	914012	3/4UNC HEX STOVER NUT
21	16	900265	1/2UNC X 1 1/2 HEX BOLT
22	2	900275	1/2UNC X 4 1/2 HEX BOLT
23	8	920006	3/4 SAE FLAT WASHER
24	18	914008	1/2UNC HEX STOVER NUT
25	4	910012	3/4UNC HEX NUT
26	1	438367	HOIST COL MT BRKT WLD 200 90
27	2	438293	5/8UNC X 6 1/4 CTR U-BOLT TRI
28	1	438665	24" HOIST COL MT BRKT WLD
29	1	438671	24" HOIST COL MT V-PLT KPR WLD
30	6	900337	5/8UNC X 2 3/4 HEX BOLT



MALE CORN CUTTER ASSEMBLY

DET.	QTY	PART NO.	DESCRIPTION
1	1	002103	CUTR BLADE 18 IN
2	1	002104	CLUTCH BODY BLADE
3	1	002105	STEEL LOCK WASH CUTR BLADE
4	1	002106	WOODRUFF KEY #6 .156 X .625
5	1	002107	3/8UNC X 1 1/2 HEX BOLT CUTR
6	1	002108	STEEL WASHER CUTTER BLADE
7	1	270800	MALE CORN CUTR WLD
8	1	270805	MALE CORN CUTR DROP TUBE WLD
9	1	472349	1/4 X 3/4 20THD-IN TEK TYPE
10	1	500900	BLK PIPE ST EL 90DEG .125NPT
11	1	610755	BARNES HYD MOTOR, D-SERIES 01
12	2	618241	3/4MJIC-90-3/4MOR LBO
13	1	618530	9/16MJIC-1/8MNPT ADPTR
14	2	900129	3/8UNC X 1" HEX BOLT
15	2	900132	3/8UNC X 1 3/4 HEX BOLT
16	4	914004	3/8UNC HEX STOVER NUT
17	1	200015	.75 OD X 11GA WA X .38LG C/L
18	1	270809	MALE CUTR ADPTR BRKT WLD 83
19	1	900273	1/2UNC X 3 3/4 HEX BOLT
20	1	914008	1/2UNC HEX STOVER NUT



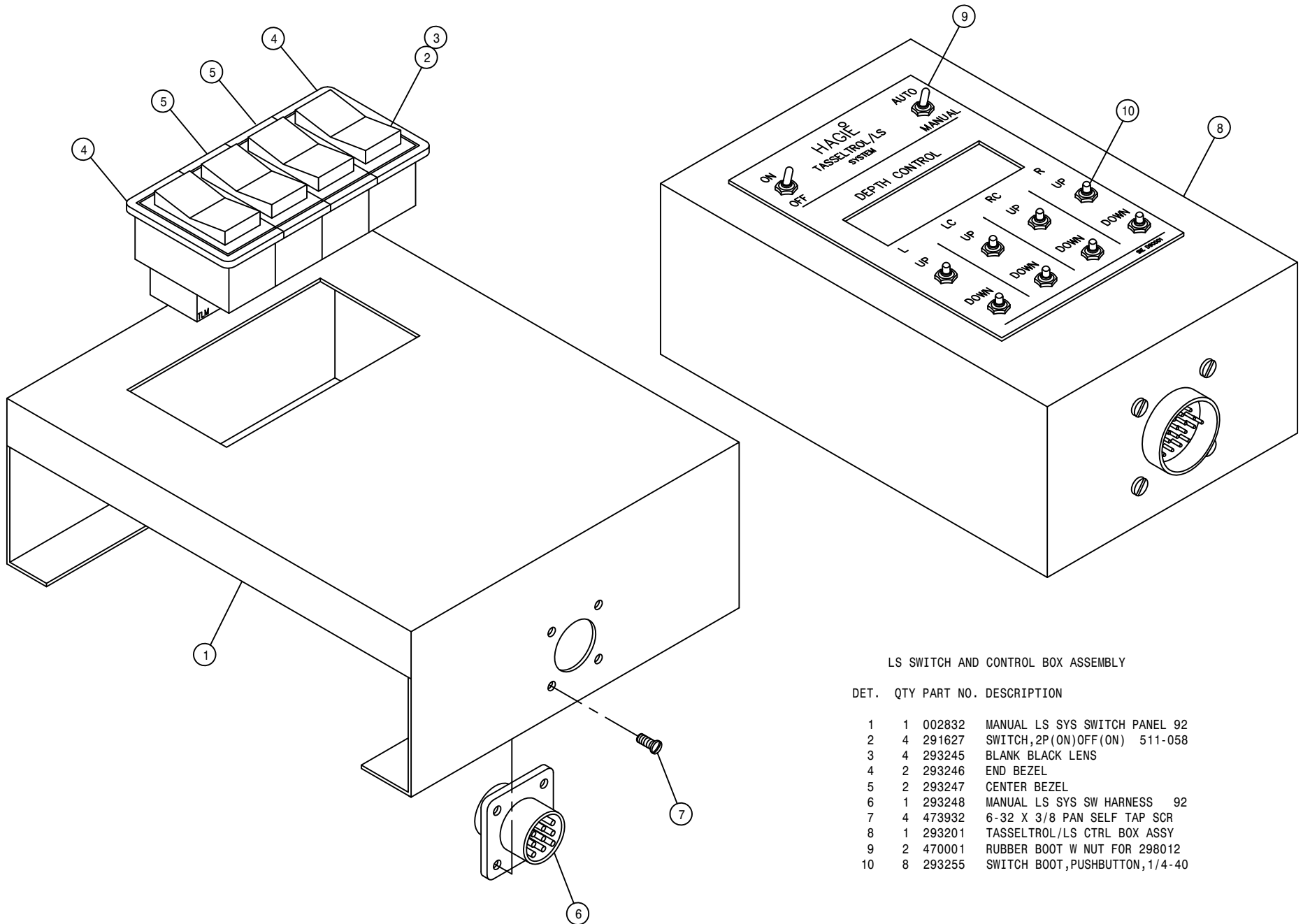


5-6 LIFT, LS CONTROL BOX ASSEMBLY

DET.	QTY	PART NO.	DESCRIPTION
	1	002899	LS CTRL BOX CONNECTOR SHLD 96
	1	193011	EDGE GUARD, BLK
	3	193037	STICKERTITE 1/8 X 3/4
	1	293373	LS CTRL 6L DISPLAY BOX ASSY
	1	293374	LS CTRL 6L CABLE BOX ASSY
	1	342297	LS CTRL 6L DISPLAY BOX MT
	2	470118	1/4UNC X 3/4 FLANGE HEX BOLT
	4	470121	1/4UNC HEX FLANGE LOCK NUT
	2	470122	1/4UNC X 1/2 FLANGE HEX BOLT
	2	473902	NO 8 X 1/2 PAN HD MET SC
	2	470001	RUBBER BOOT W NUT FOR 298012
	12	293255	SWITCH BOOT,PUSHBUTTON,1/4-40

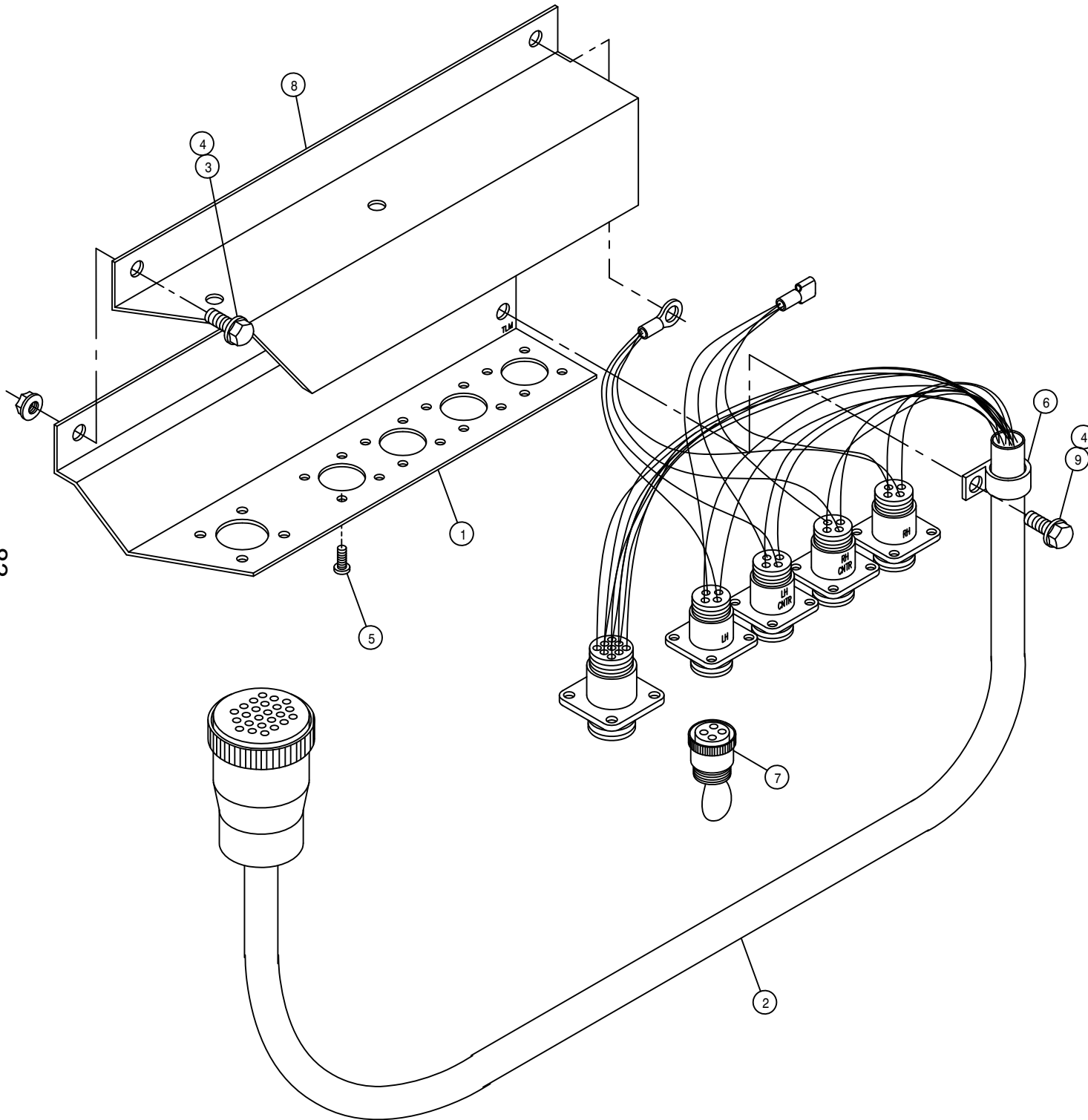
LS MANUAL SWITCH ASSEMBLY

LS CONTROL BOX ASSEMBLY



LS SWITCH AND CONTROL BOX ASSEMBLY

DET.	QTY	PART NO.	DESCRIPTION
	1	002832	MANUAL LS SYS SWITCH PANEL 92
	4	291627	SWITCH,2P(ON)OFF(ON) 511-058
	4	293245	BLANK BLACK LENS
	4	293246	END BEZEL
	2	293247	CENTER BEZEL
	1	293248	MANUAL LS SYS SW HARNESS 92
	4	473932	6-32 X 3/8 PAN SELF TAP SCR
	1	293201	TASSELTROL/LS CTRL BOX ASSY
	2	470001	RUBBER BOOT W NUT FOR 298012
	10	8	293255 SWITCH BOOT,PUSHBUTTON,1/4-40

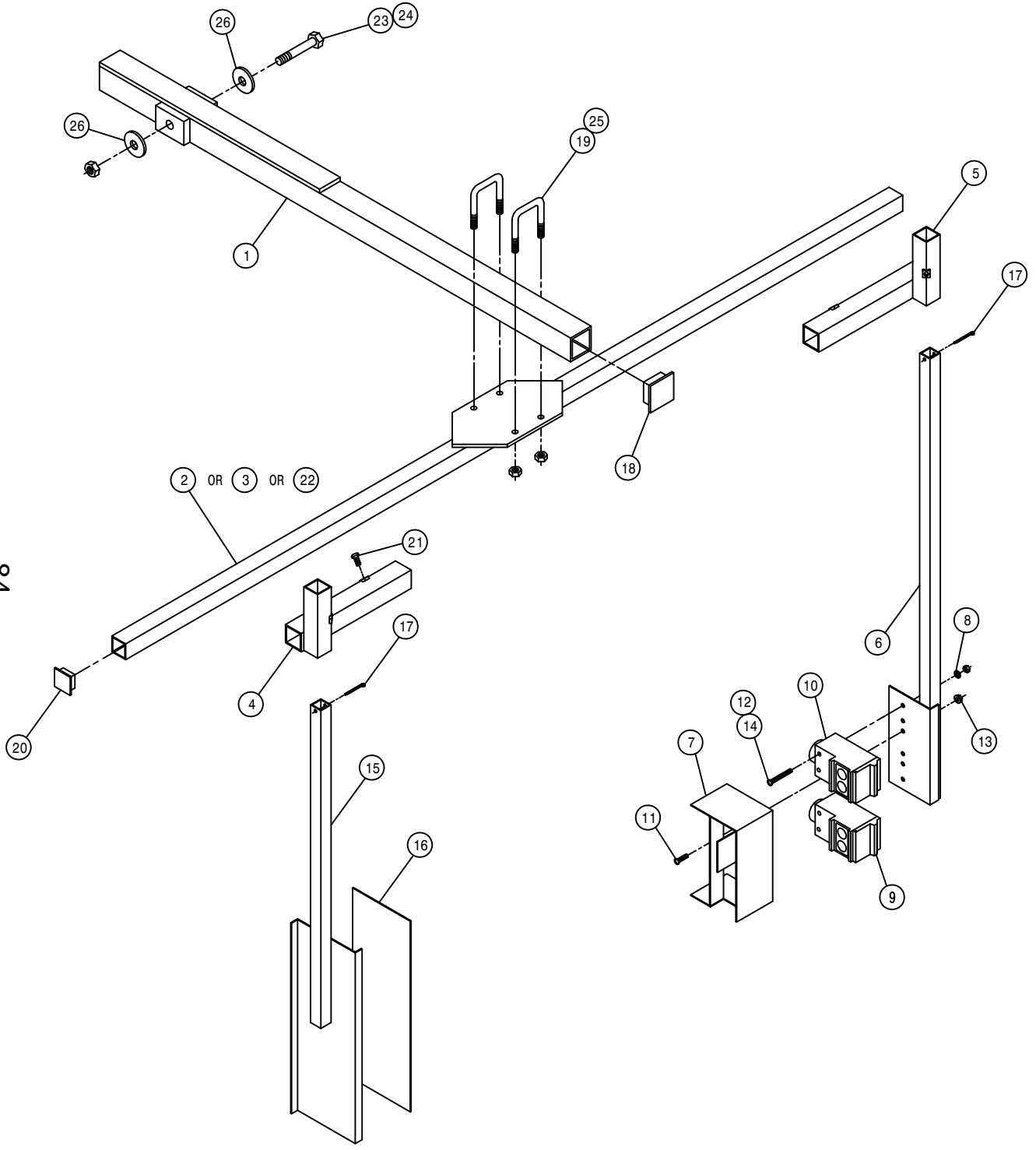


LS RECEPTACLE ASSEMBLY

DET.	QTY	PART NO.	DESCRIPTION
1	1	002777	T-TROL/LS RECEPTACLE MT
2	1	293200	MAIN CONTROL WIRE ASSY LS 90
3	2	470118	1/4UNC X 3/4 FLANGE HEX BOLT
4	3	470121	1/4UNC HEX FLANGE LOCK NUT
5	20	473932	6-32 X 3/8 PAN SELF TAP SCR
6	1	520118	CUSH HOSE CLAMP 1/2D X 1/2W
7	1	293211	JUMPER PLUG, T-TROL/LS SYS
8	1	002879	RECEPTACLE MT COVER, 204 94
9	1	470122	1/4UNC X 1/2 FLANGE HEX BOLT

NOTE: DETAIL 7 IS USED (1) WITH 3-LIFT OPTION AND (2) WITH 2-LIFT OPTION.

84



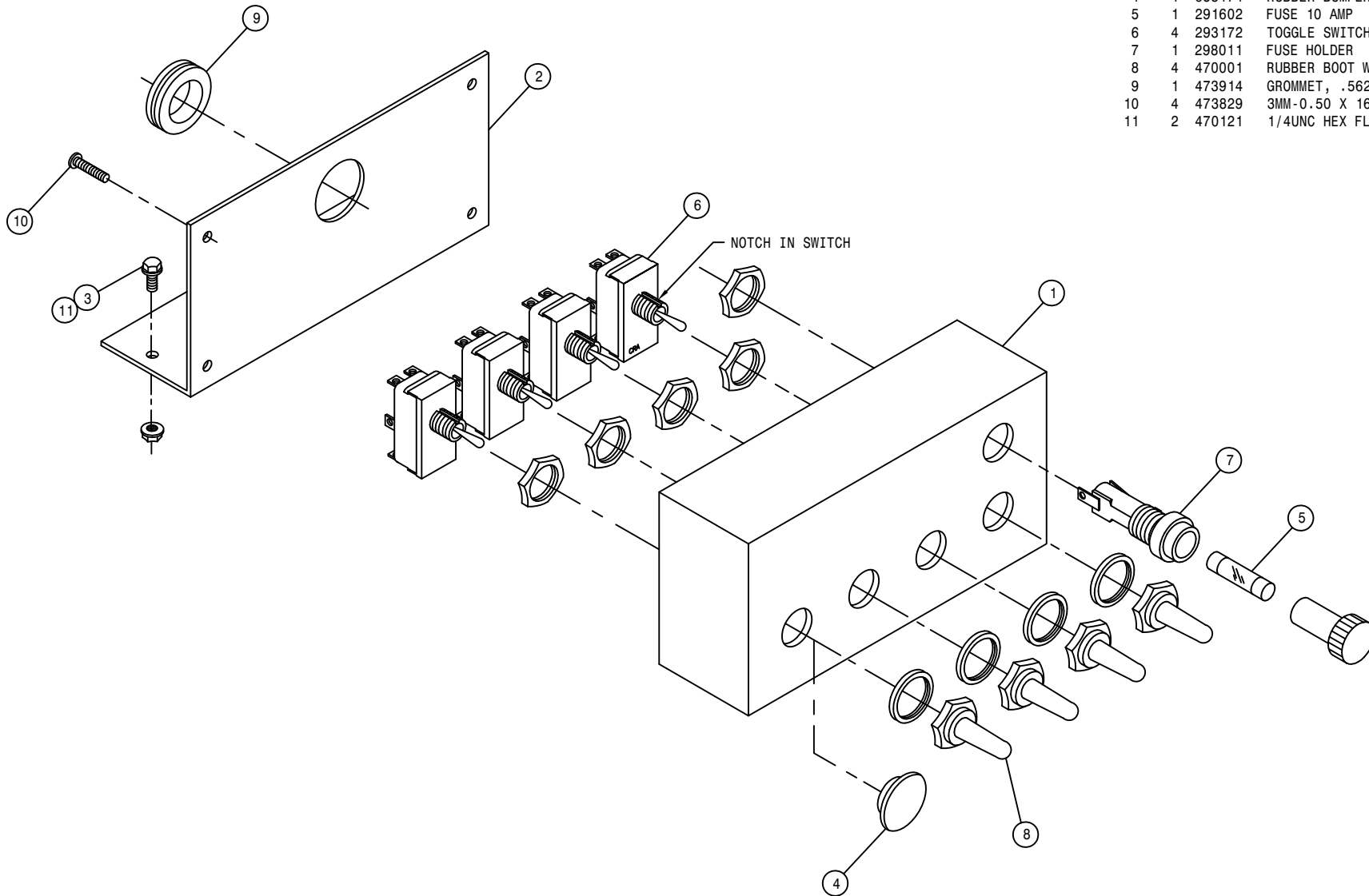
LS SENSOR ASSEMBLY

DET.	QTY	PART NO.	DESCRIPTION	
1	1	002813	SENSOR ARM WELD 200 DET	92
2	1	002834	LS CROSSTUBE WLD 10-12R	92
3	1	002709	LS CROSSTUBE WLD	90
4	1	002712	LS REFLECTOR SLIDE MT WLD	90
5	1	002713	LS SENSOR SLIDE MT WLD	90
6	1	002839	LS 42GRU PHOTOSW SENS MT WLD	
7	1	002841	LS 42GRU SENSOR SHIELD WLD	
8	2	920510	#10 LOCK WASHER	
9	1	293258	LWR LS 9000 SENSOR ASSY, FEM	
10	1	293259	UPR LS 9000 SENSOR ASSY, MALE	
11	2	903883	10-32 X 1/2 SLT RDHD MACH SCR	
12	2	910027	10-32 HEX NUT	
13	2	470175	10-32 HEX FLANGE LOCK NUT	
14	4	903902	10-32 X 2" SLT RD HD MACH SCR	
15	1	002723	LS REFLECTOR MT WLD	90
16	1	650310	LS REFLECTOR 4 X 12	90
17	2	390984	COTTER PIN 1/8 X 1 1/4	
18	1	473943	FINISH PLUG 1 1/2 SQ	
19	2	473949	5/16UNC-1 9/16ID-1 15/16U-BOLT	
20	2	629727	FINISH PLUG FOR 1 IN X 16 GA	
21	4	900000	1/4UNC X 1/2 HEX BOLT	
22	1	002876	LS CROSSTUBE WLD, 62"	94
23	1	900275	1/2UNC X 4 1/2 HEX BOLT	
24	1	914008	1/2UNC HEX STOVER NUT	
25	4	914002	5/16UNC HEX STOVER NUT	
26	2	002815	SENSOR ARM WASH, NYL	

2-3-4 LIFT, DEPTH COMMAND SWITCH ASSEMBLY

DET. QTY PART NO. DESCRIPTION

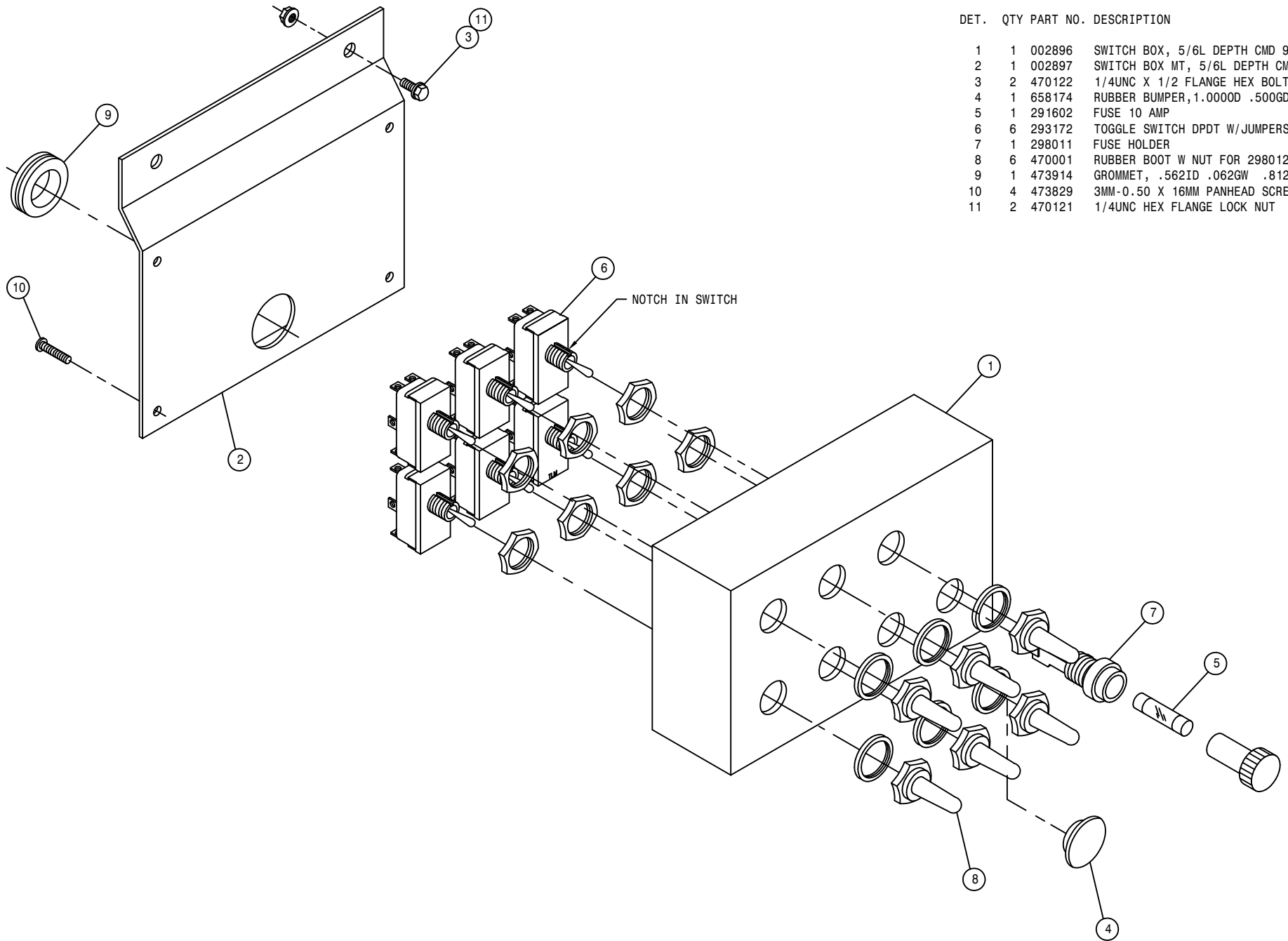
DET.	QTY	PART NO.	DESCRIPTION
1	1	002744	SWITCH BOX, DEPTH CMD
2	1	002745	SWITCH BOX MT, DEPTH CMD
3	2	470122	1/4UNC X 1/2 FLANGE HEX BOLT
4	1	658174	RUBBER BUMPER, 1.0000D .500GD
5	1	291602	FUSE 10 AMP
6	4	293172	TOGGLE SWITCH DPDT W/JUMPERS
7	1	298011	FUSE HOLDER
8	4	470001	RUBBER BOOT W NUT FOR 298012
9	1	473914	GROMMET, .562ID .062GW .812GD
10	4	473829	3MM-0.50 X 16MM PANHEAD SCREW
11	2	470121	1/4UNC HEX FLANGE LOCK NUT



5-6 LIFT, DEPTH COMMAND SWITCH ASSEMBLY

DET. QTY PART NO. DESCRIPTION

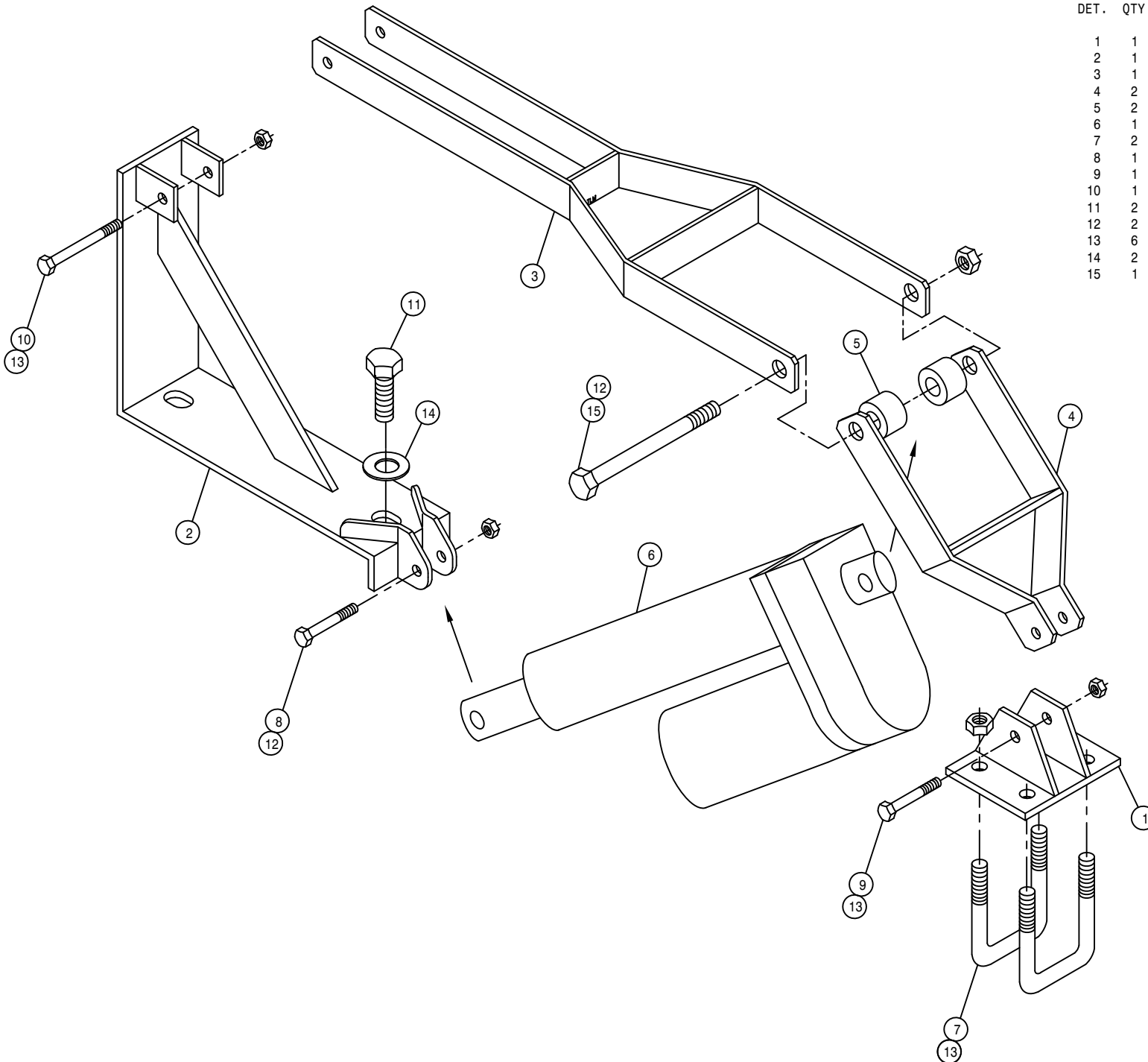
DET.	QTY	PART NO.	DESCRIPTION
1	1	002896	SWITCH BOX, 5/6L DEPTH CMD 96
2	1	002897	SWITCH BOX MT, 5/6L DEPTH CMD
3	2	470122	1/4UNC X 1/2 FLANGE HEX BOLT
4	1	658174	RUBBER BUMPER, 1.0000D .500GD
5	1	291602	FUSE 10 AMP
6	6	293172	TOGGLE SWITCH DPDT W/JUMPERS
7	1	298011	FUSE HOLDER
8	6	470001	RUBBER BOOT W NUT FOR 298012
9	1	473914	GROMMET, .562ID .062GW .812GD
10	4	473829	3MM-0.50 X 16MM PANHEAD SCREW
11	2	470121	1/4UNC HEX FLANGE LOCK NUT



DEPTH COMMAND ACTUATOR ASSEMBLY

DET. QTY PART NO. DESCRIPTION

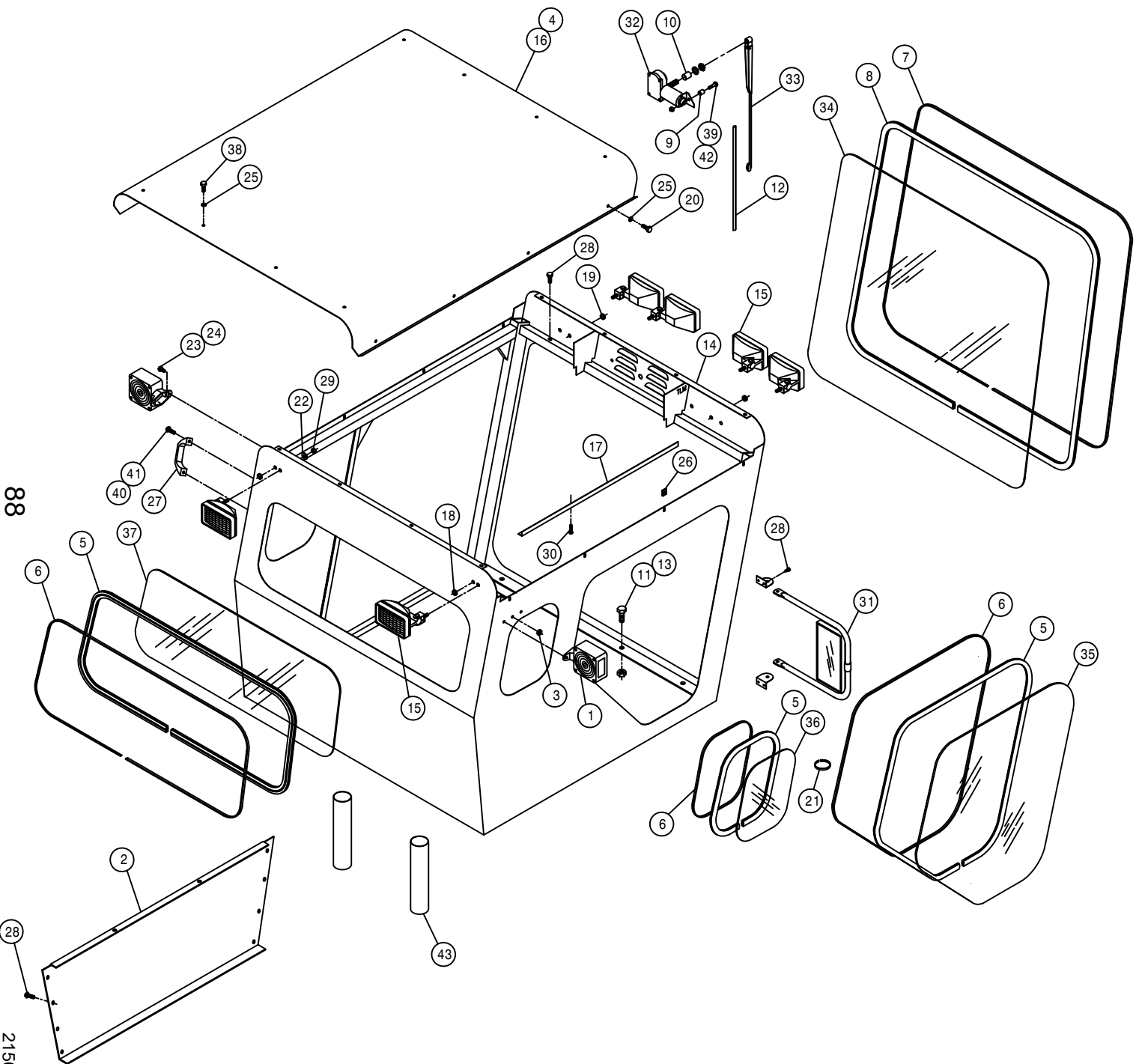
DET.	QTY	PART NO.	DESCRIPTION	
1	1	002849	HD DEPTH CMD ARM MT WLD	94
2	1	002846	HD DEPTH CMD MTG BRKT WLD	94
3	1	002851	HD DEPTH CMD UPR ARM WLD	94
4	2	002855	HD DEPTH CMD LWR ARM WLD	94
5	2	002858	HD DEPTH CMD ARM BUSH	94
6	1	291634	LINEAR ACTUATOR, ELECTRAK 2	
7	2	473949	5/16UNC-1 9/16ID-1 15/16U-BOLT	
8	1	900267	1/2UNC X 2" HEX BOLT	
9	1	900069	5/16UNC X 2" HEX BOLT	
10	1	900070	5/16UNC X 2 1/2 BOLT	
11	2	900263	1/2UNC X 1" HEX BOLT	
12	2	914008	1/2UNC HEX STOVER NUT	
13	6	914002	5/16UNC HEX STOVER NUT	
14	2	920004	1/2 SAE FLAT WASHER	
15	1	900275	1/2UNC X 4 1/2 HEX BOLT	



CAB ASSEMBLY

DET. QTY PART NO. DESCRIPTION

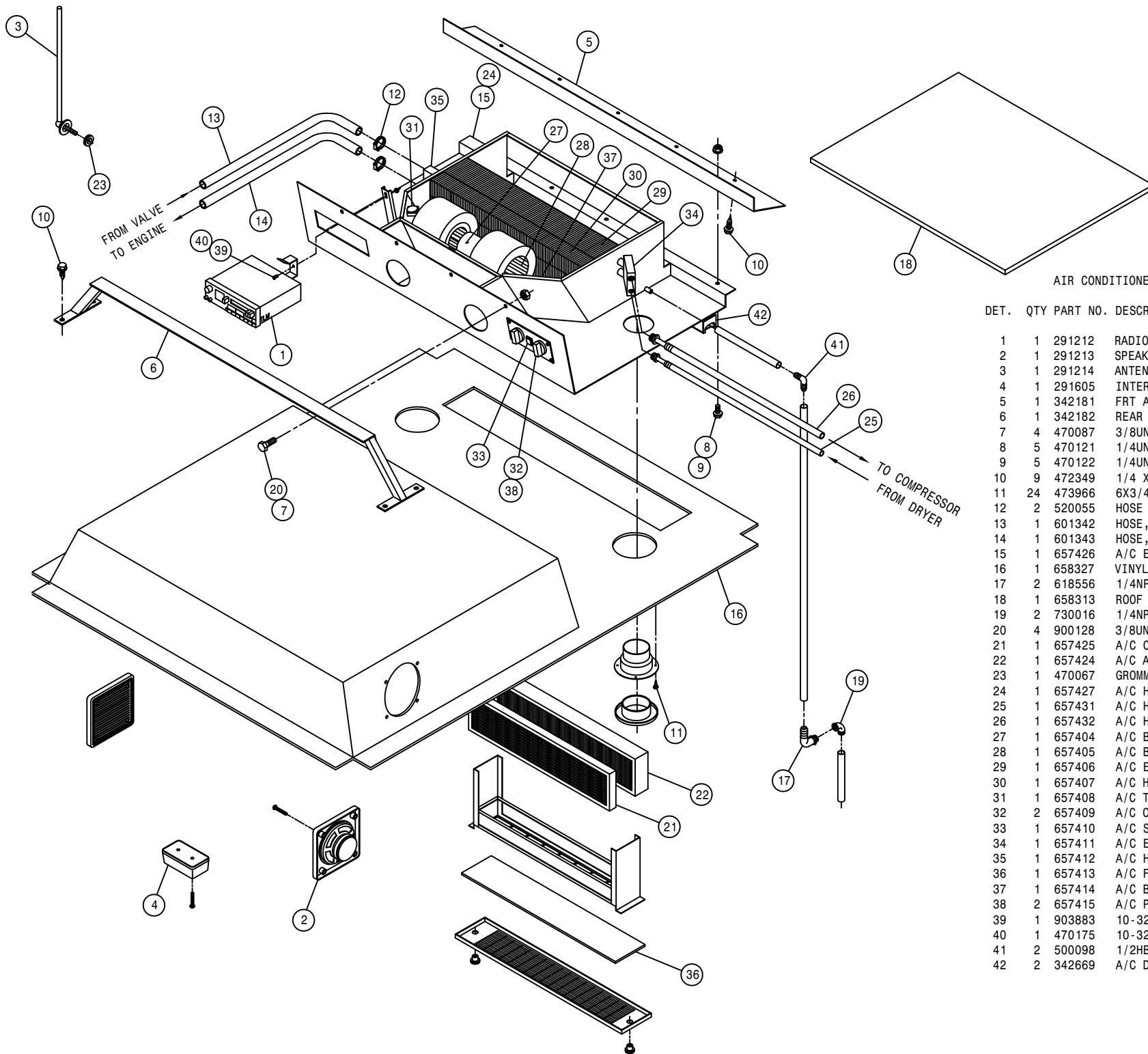
1	2	291604	TURN SIGNAL LIGHT,PED MT, YEL
2	1	342295	LH SIDE PANEL, 204 CAB 95
3	2	470226	GROMMET, .156ID .062GW .250GD
4	18	193037	STICKERTITE 1/8 X 3/4
5	25	193044	WINDOW WEATHERSTRIP 94
6	25	193045	LOCK STRIP FOR 193044 94
7	13	192001	FILLR STRIP FOR WEATHERSTRIP
8	13	193018	2 P/C SELF SEAL WEATHERSTRIP
9	1	200019	.25 SCH 40BP X 1.00 LG C/L
10	1	202037	WINDSHIELD WIPER SPACER
11	6	900264	1/2UNC X 1 1/4 HEX BOLT
12	1	290417	18" WIPER BLADE
13	6	914008	1/2UNC HEX STOVER NUT
14	1	342287	204 CAB WELDMT 95
15	6	291603	HALOGEN WORKLAMP, SIDE MT 12V
16	1	342150	CAB ROOF WLD, 284 94
17	1	342180	HEADLINER KPR ANGLE, 284 CAB 94
18	2	470067	GROMMET, .250ID .125GW .375GD
19	2	470070	GROMMET, .375ID .062GW .500GD
20	8	470118	1/4UNC X 3/4 FLANGE HEX BOLT
21	1	470229	IDENTIFICATION TIE, WHITE
22	6	470100	3/8 INT TOOTH LOCK WASHER
23	4	470121	1/4UNC HEX FLANGE LOCK NUT
24	4	470122	1/4UNC X 1/2 FLANGE HEX BOLT
25	16	470212	1/4 X 5/8 BONDED SEALING WASH
26	16	470218	1/4UNC NUT J-TYPE CAGE CLIP
27	1	470222	GRAB HANDLE, BLACK MOULDED
28	22	472349	1/4 X 3/4 20THD-IN TEK TYPE
29	6	473779	10MM-1.50 HEX NUT
30	2	473910	1/4 X 1 1/2 PHIL HD SHT MTL S
31	2	650524	OUTSIDE REAR VIEW MIRROR
32	1	658008	WINDSHIELD WIPER MOTOR
33	1	658013	WIPER ARM
34	1	658018	FRONT CAB GLASS, 204 95
35	1	658015	FRONT SIDE CAB/DOOR GLASS 94
36	2	658016	REAR SIDE CAB GLASS 94
37	1	658017	REAR CAB GLASS 94
38	8	900002	1/4UNC X 3/4 HEX BOLT
39	1	900005	1/4UNC X 1 1/2 HEX BOLT
40	2	470175	10-32 HEX FLANGE LOCK NUT
41	2	903883	10-32 X 1 1/2 SLT RDHD MACH SCR
42	1	914000	1/4UNC HEX STOVER NUT
43	2	342333	NYL HOSE SLEEVE, 2.64ID X 12.00



88

215088

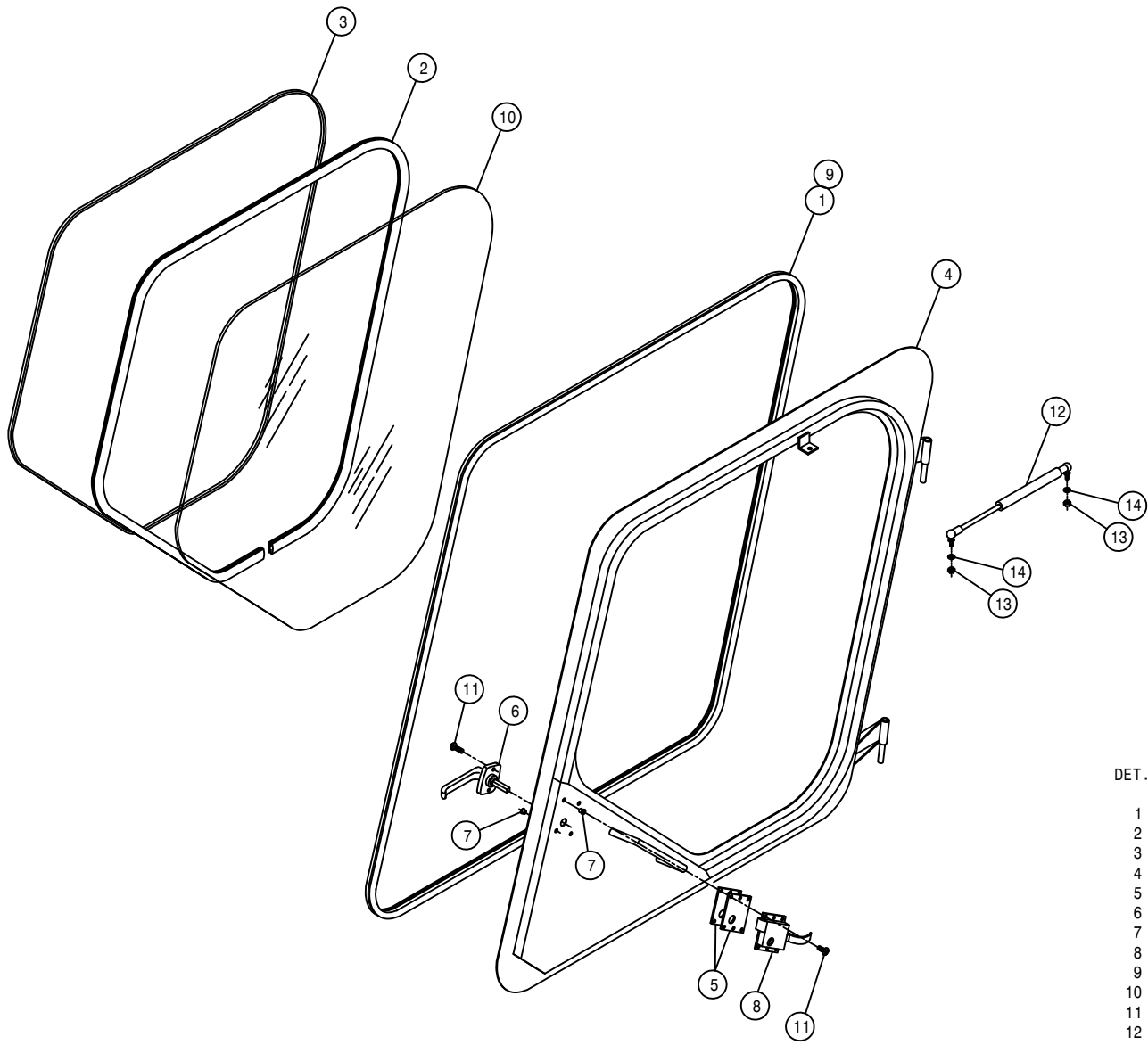




AIR CONDITIONER ASSEMBLY

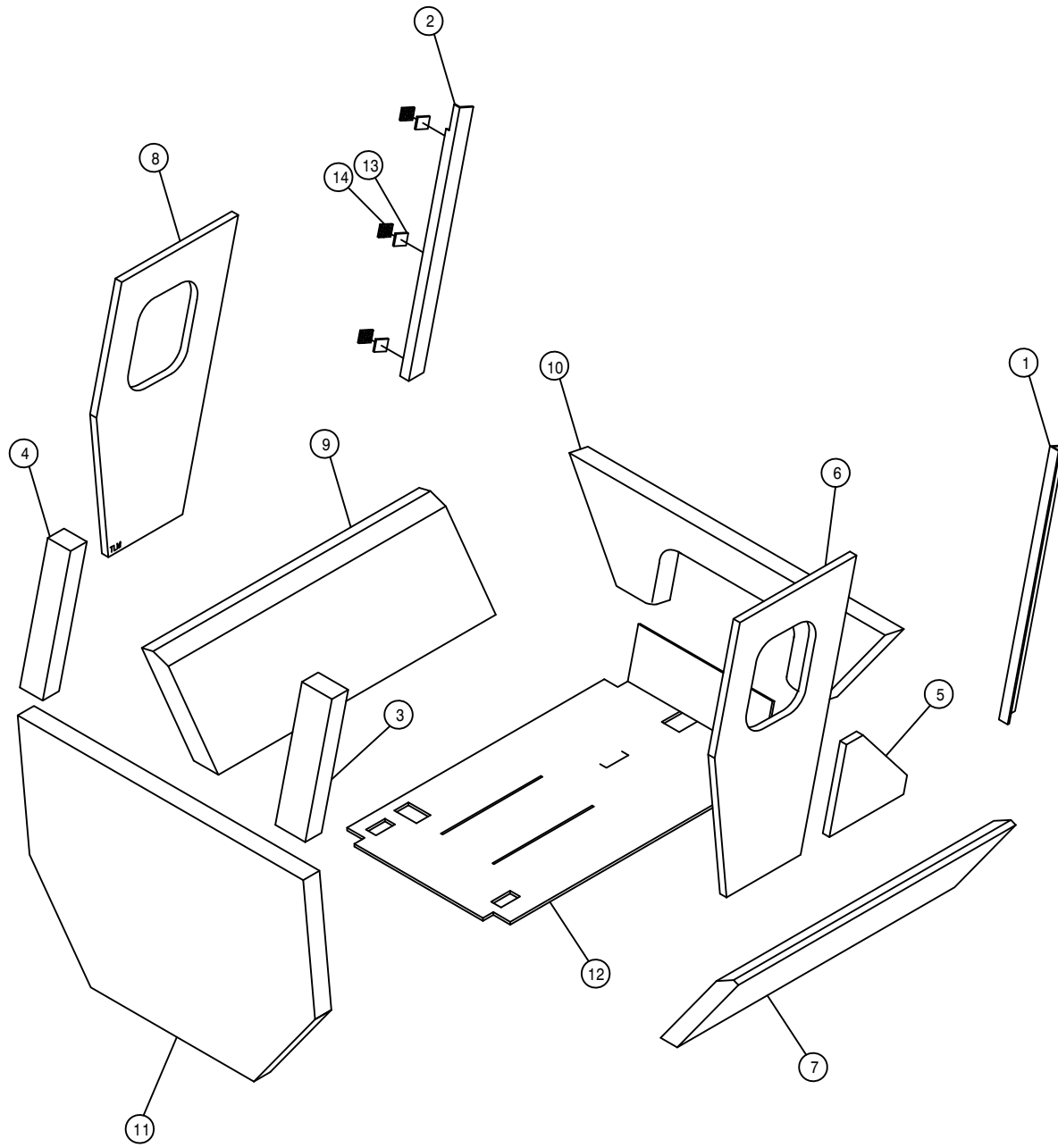
DET. QTY PART NO. DESCRIPTION

1	1	291212	RADIO	94
2	1	291213	SPEAKERS (PAIR)	94
3	1	291214	ANTENNA	94
4	1	291605	INTERIOR LIGHT W/SWITCH	
5	1	342181	FRT A/C BLOWER MT ANG, CAB 94	
6	1	342182	REAR A/C BLOWER MT WLD, CAB 94	
7	4	470087	3/8UNC HEX FLANGE LOCK NUT	
8	5	470121	1/4UNC HEX FLANGE LOCK NUT	
9	5	470122	1/4UNC X 1/2 FLANGE HEX BOLT	
10	9	472349	1/4 X 3/4 20THD-IN TEK TYPE	
11	24	473966	6X3/4 PHIL FLT HD SHT MTL SCR	
12	2	520055	HOSE CLAMP NO 12 STAINLESS	
13	1	601342	HOSE, 5/8 X 192 HEATER	
14	1	601343	HOSE, 5/8 X 216 HEATER	
15	1	657426	A/C EVAPORATOR/HEATER, 284	
16	1	658327	VINYL HEAD LINER	99
17	2	618556	1/4NPT-90-1/2 HOSE BARB,POLY	
18	1	658313	ROOF SEAL,AIR COND 204,254,284	
19	2	730016	1/4NPT ST EL, 90 DEG POLY	
20	4	900128	3/8UNC X 3/4 HEX BOLT	
21	1	657425	A/C CHARCOAL AIR FILTER	
22	1	657424	A/C AIR FILTER	
23	1	470067	GROMMET, .250ID .125GW .375GD	
24	1	657427	A/C HOSE KIT, EVAP 284, 99	
25	1	657431	A/C HOSE ASSY, 5/16 X 173	
26	1	657432	A/C HOSE ASSY, 1/2 X 190.	
27	1	657404	A/C BLOWER MOTOR, 12V	MCC
28	1	657405	A/C BLOWER WHEEL W/CLIP	
29	1	657406	A/C EVAPORATOR COIL	
30	1	657407	A/C HEATER COIL	
31	1	657408	A/C THERMOSTAT	
32	2	657409	A/C CONTROL KNOB	
33	1	657410	A/C SWITCH, PUSH ON-OFF	
34	1	657411	A/C EXPANSION VALVE	
35	1	657412	A/C HEATER VALVE,MOTORIZED	
36	1	657413	A/C FILTER, RECIRCULATION	
37	1	657414	A/C BLOWER DRIVE ASSY	
38	2	657415	A/C POTENTIOMETER ASSY	
39	1	903883	10-32 X 1/2 SLT RDHD MACH SCR	
40	1	470175	10-32 HEX FLANGE LOCK NUT	
41	2	500098	1/2HB-90-1/2 HOSE BARB, POLY	
42	2	342669	A/C DRAIN HOSE KEEPER	



DOOR ASSEMBLY

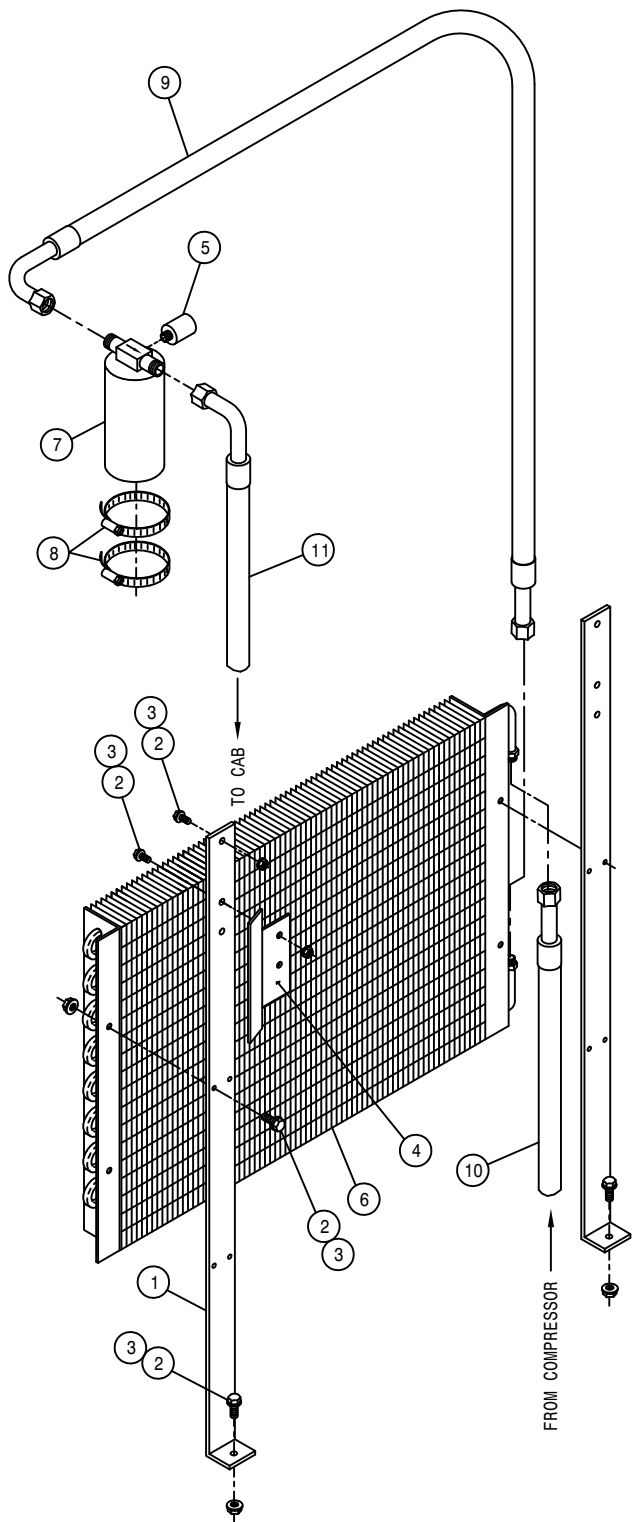
DET.	QTY	PART NO.	DESCRIPTION
	12	193028	PUSH-ON TRIM SEAL RS-130-FX
	9	193044	WINDOW WEATHERSTRIP 94
	9	193045	LOCK STRIP FOR 193044 94
	1	342153	LH DOOR WLD, 284 CAB 94
	2	342163	CAB DOOR LATCH SHIM, .06 94
	1	342217	DOOR HANDLE, 254/284 CAB 94
	6	470165	10-32 NUTSERT .020-.100 MATL
	1	470219	CAB LOCK, LH #55
	2	485052	POP RIVET 1/8 X 3/8
	1	658015	FRONT SIDE CAB/DOOR GLASS 94
	6	903710	10-32X5/8 PHIL PANHD MACH SCR
	1	470221	GAS SPRING, 60LB 3.5 STROKE
	2	910002	5/16UNC HEX NUT
	2	920501	5/16 LOCK WASHER



CAB FOAM

DET. QTY PART NO. DESCRIPTION

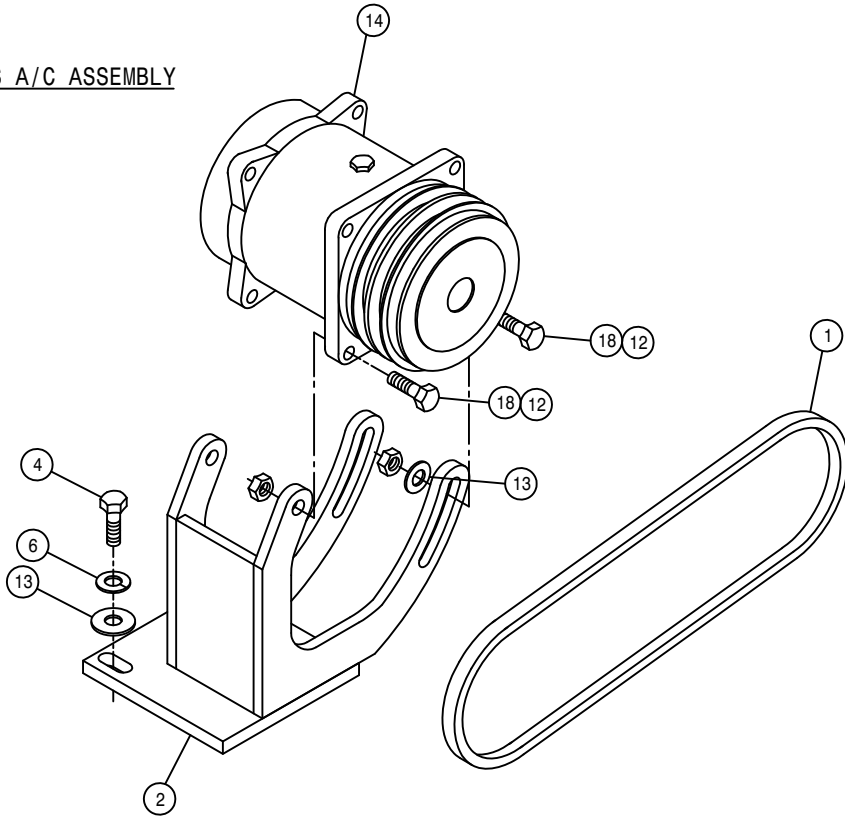
1	1	658301	VINYL POST COVER, RH FRONT	94
2	1	658302	VINYL POST COVER, LH FRONT	94
3	1	658303	VINYL POST COVER, RH REAR	94
4	1	658304	VINYL POST COVER, LH REAR	94
5	1	658305	VINYL SIDE PANEL, RH	94
6	1	658306	VINYL SIDE PANEL, RH UPPER	94
7	1	658307	VINYL SIDE PANEL, RH LOWER	94
8	1	658308	VINYL SIDE PANEL, LH UPPER	94
9	1	658309	VINYL SIDE PANEL, LH LOWER	94
10	1	658310	VINYL FRONT COVER PANEL	94
11	1	658311	VINYL REAR COVER PANEL	94
12	1	658315	CAB FLOORMAT 254/284	95
13	3	471101	DUAL LOCK, 1.00 X 1.00 SJ3542	
14	3	471100	DUAL LOCK, 1.00 X 1.00 SJ3541	



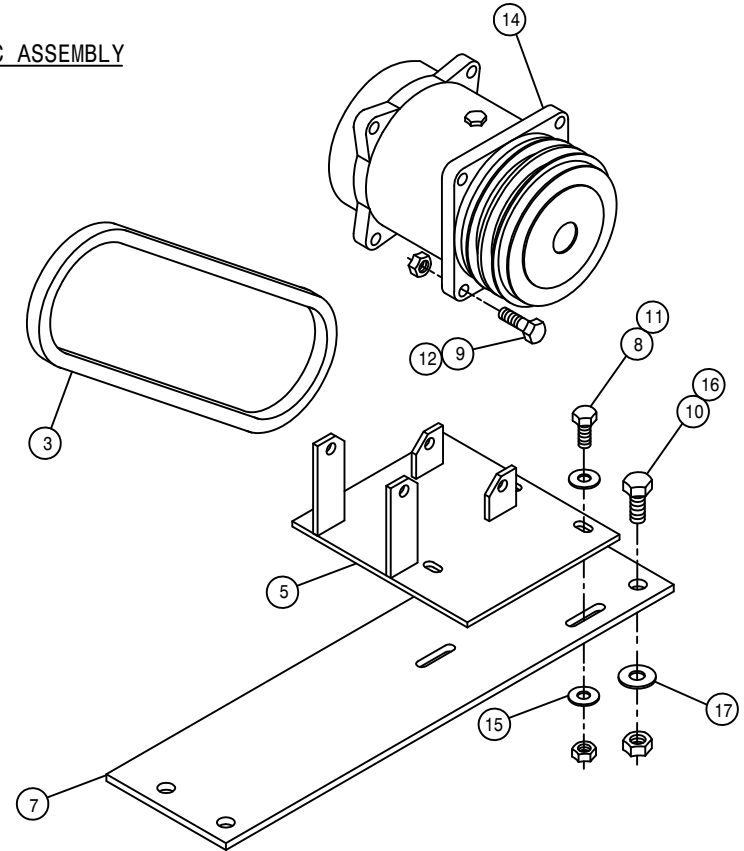
A/C CONDENSOR ASSEMBLY

DET.	QTY	PART NO.	DESCRIPTION		
	1	2	315036	CONDENSER MTG BRKT	99
	2	10	470118	1/4UNC X 3/4 FLANGE HEX BOLT	
	3	10	470121	1/4UNC HEX FLANGE LOCK NUT	
	4	1	315038	A/C DRIER MT,204-254-284	99
	5	1	657422	A/C BINARY SWITCH	
	6	1	657423	A/C CONDENSER COIL 21-0324	
	7	1	657421	A/C RECEIVER/DRIER	
	8	2	520052	HOSE CLAMP NO 52 STAINLESS	
	9	1	657429	A/C HOSE ASSY, 5/16 X 44	
	10	1	657430	A/C HOSE ASSY, 13/32 X 80	
	11	1	657431	A/C HOSE ASSY, 5/16 X 173	

CUMMINS A/C ASSEMBLY



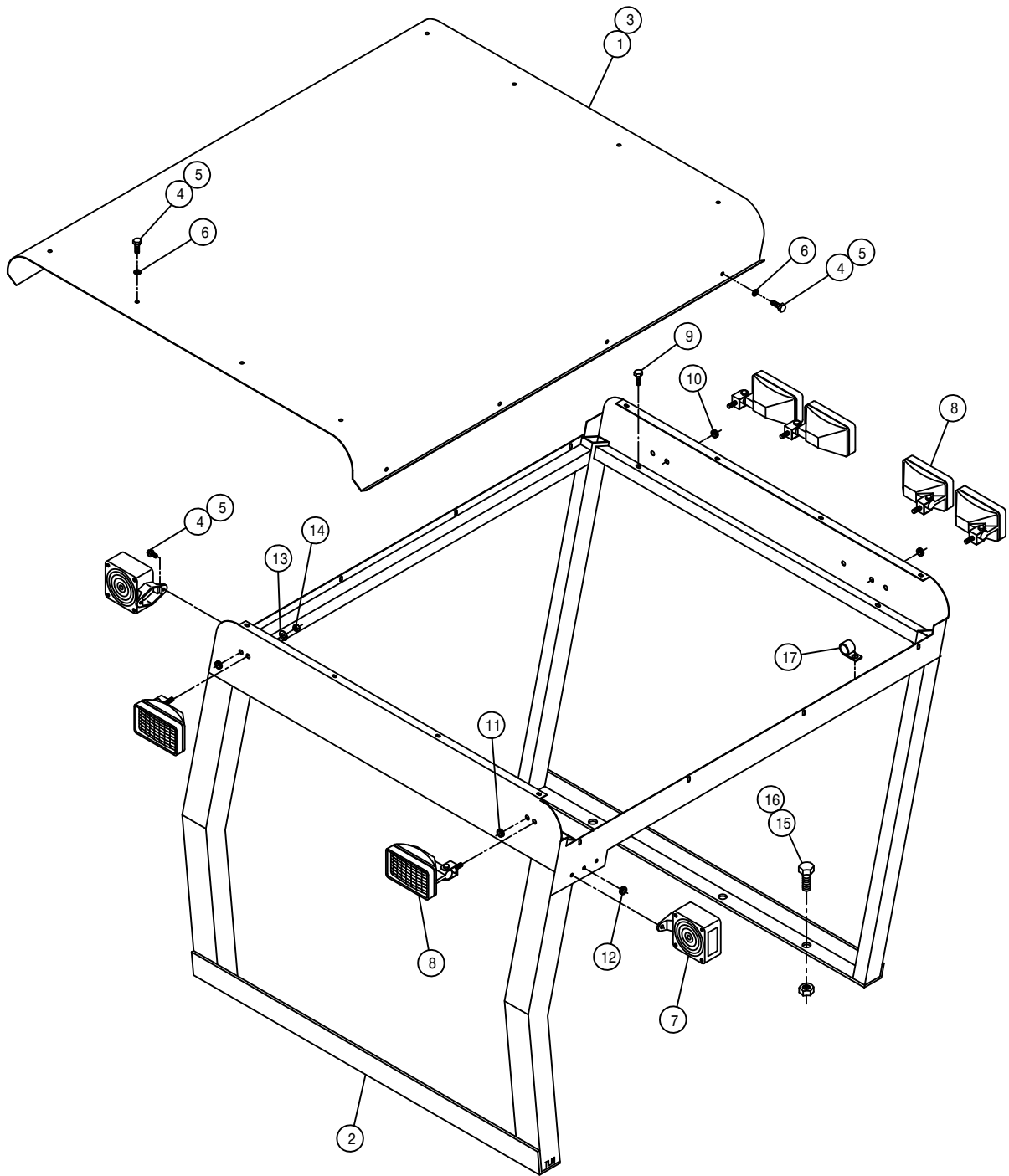
GMC A/C ASSEMBLY



A/C COMPRESSOR PUMP ASSEMBLY

DET. QTY PART NO. DESCRIPTION

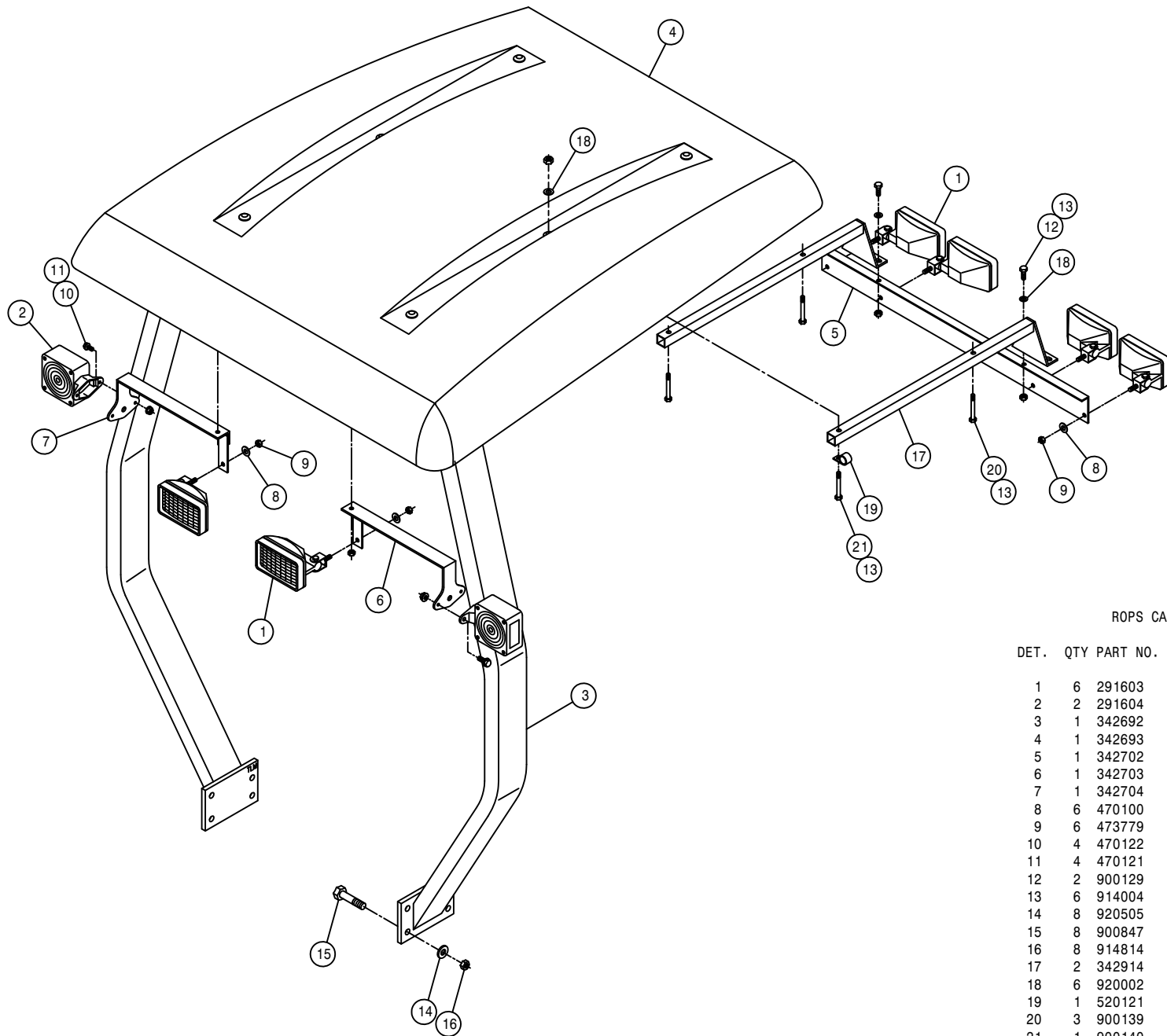
1	1	147050	9455XL BELT, GATES	
2	1	316314	A/C COMPRESR MT WLD, 284	98
3	1	147023	7365 BELT	
4	3	473792	10MM-1.50 X 30MM HEX BOLT	
5	1	657383	A/C COMPRESR MT WLD, 204 GMC	99
6	3	473798	10MM LOCK WASHER	
7	1	342309	A/C COMPRESR MT PLT, 204 GMC	96
8	3	900065	5/16UNC X 1" HEX BOLT	
9	4	900130	3/8UNC X 1 1/4 HEX BOLT	
10	4	900264	1/2UNC X 1 1/4 HEX BOLT	
11	3	914002	5/16UNC HEX STOVER NUT	
12	8	914004	3/8UNC HEX STOVER NUT	
13	5	483043	3/8 REGULAR FLAT WASHER	
14	2	657403	A/C COMPRESR, 180D PORTS TM15/12	
15	6	920001	5/16 SAE FLAT WASHER	
16	4	914008	1/2UNC HEX STOVER NUT	
17	4	920004	1/2 SAE FLAT WASHER	
18	4	900131	3/8UNC X 1 1/2 HEX BOLT	



CANOPY ASSEMBLY

DET. QTY PART NO. DESCRIPTION

1	1	342151	CAB ROOF, 284	94
2	1	342270	CANOPY WLD, 204	94
3	1	658314	CANOPY ROOF FOAM, 204	94
4	20	470122	1/4UNC X 1/2 FLANGE HEX BOLT	
5	20	470121	1/4UNC HEX FLANGE LOCK NUT	
6	16	470212	1/4 X 5/8 BONDED SEALING WASH	
7	2	291604	TURN SIGNAL LIGHT,PED MT, YEL	
8	6	291603	HALOGEN WORKLAMP,SIDE MT 12V	
9	4	472349	1/4 X 3/4 20THD-IN TEK TYPE	
10	2	470067	GROMMET, .250ID .125GW .375GD	
11	2	470070	GROMMET, .375ID .062GW .500GD	
12	2	470226	GROMMET, .156ID .062GW .250GD	
13	6	470100	3/8 INT TOOTH LOCK WASHER	
14	6	473779	10MM-1.50 HEX NUT	
15	6	900264	1/2UNC X 1 1/4 HEX BOLT	
16	6	914008	1/2UNC HEX STOVER NUT	
17	6	520117	CUSH HOSE CLAMP 5/8D X 1/2W	



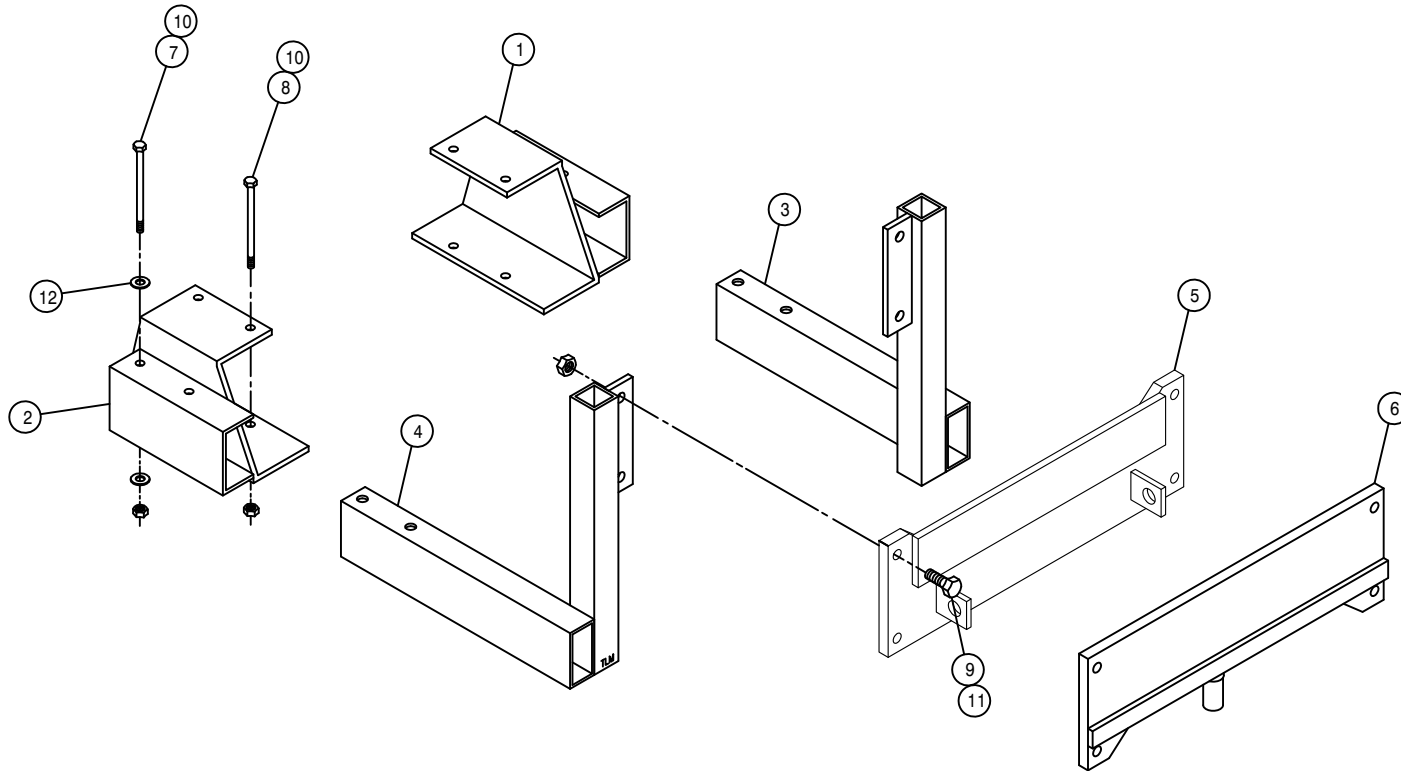
ROPS CANOPY ASSEMBLY

DET. QTY PART NO. DESCRIPTION

DET.	QTY	PART NO.	DESCRIPTION
1	6	291603	HALOGEN WORKLAMP, SIDE MT 12V
2	2	291604	TURN SIGNAL LIGHT, PED MT, YEL
3	1	342692	204 ROPS
4	1	342693	CANOPY FOR 204 ROPS (342692)
5	1	342702	HEADLIGHT MT, 204 ROPS 2000
6	1	342703	RH FLASHER MT WLD, 204 ROPS 2000
7	1	342704	LH FLASHER MT WLD, 204 ROPS 2000
8	6	470100	3/8 INT TOOTH LOCK WASHER
9	6	473779	10MM-1.50 HEX NUT
10	4	470122	1/4UNC X 1/2 FLANGE HEX BOLT
11	4	470121	1/4UNC HEX FLANGE LOCK NUT
12	2	900129	3/8UNC X 1" HEX BOLT
13	6	914004	3/8UNC HEX STOVER NUT
14	8	920505	5/8 LOCK WASHER
15	8	900847	5/8UNC X 4 1/2 HEX BOLT GR8
16	8	914814	5/8UNC HEX NUT GR8
17	2	342914	LIGHT SUPPORT WLD, ROPS
18	6	920002	3/8 SAE FLAT WASHER
19	1	520121	CUSH HOSE CLAMP 1IN X 3/4W
20	3	900139	3/8UNC X 3 3/4 HEX BOLT
21	1	900140	3/8UNC X 4" HEX BOLT

REAR WEIGHT BRACKET ASSEMBLY

DET.	QTY	PART NO.	DESCRIPTION
1	1	341980	RH REAR TOOL BAR MT WLD 2XX
2	1	341981	LH REAR TOOL BAR MT WLD 2XX
3	1	438575	RH WEIGHT MT BRKT WLD 96
4	1	438576	LH WEIGHT MT BRKT WLD 96
5	1	438660	IH 173MAG WEIGHT ADPT PLT WLD
6	1	438581	WEIGHT MT PLATE WLD,JD 204 96
7	4	900277	1/2UNC X 5 1/2 HEX BOLT
8	4	900281	1/2UNC X 7 1/2 HEX BOLT
9	4	900335	5/8UNC X 2" HEX BOLT
10	8	914008	1/2UNC HEX STOVER NUT
11	4	914010	5/8UNC HEX STOVER NUT
12	8	920004	1/2 SAE FLAT WASHER

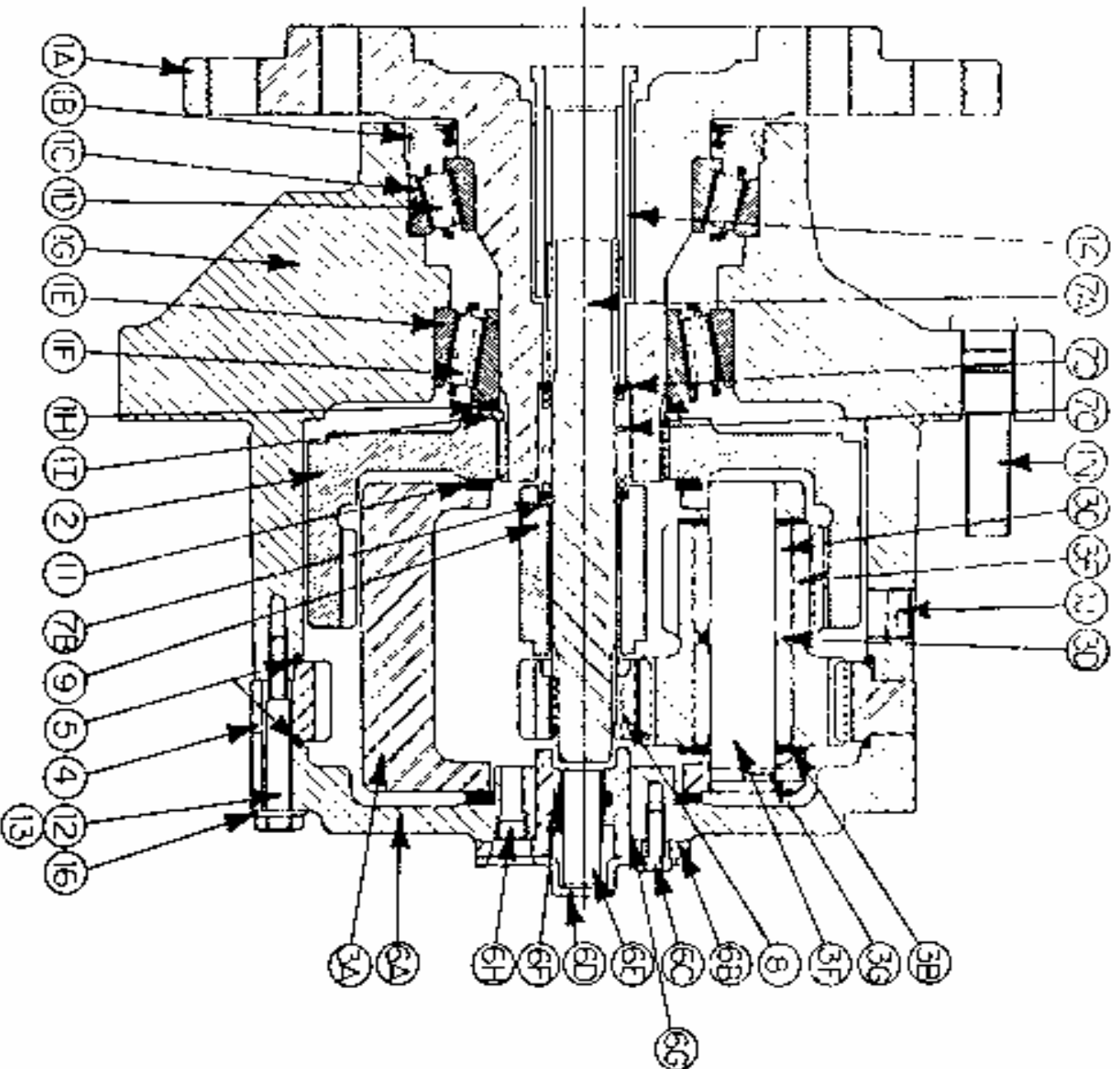




WHEEL DRIVE ASSEMBLY - 610660  
W1BFFZ318

ITEMS	DESCRIPTION	PART NO.	QTY.
1	HUB-SPINDLE SUB-ASSEMBLY	-----	
1A	SPINDLE	610518	1
1B	SEAL	610519	1
1C	BEARING CUP	610520	1
1D	BEARING CONE	610521	1
1E	BEARING CUP	610907	1
1F	BEARING CONE	610908	1
1G	HUB	610522	1
1H	SPACER	610909	1
1I	RETAINER RING	610910	1
1J	PIPE PLUG	610147	2
1N	STUD	824054	9
2	INTERNAL GEAR	610148	1
3	CARRIER ASSEMBLY	610912	1
4	RING GEAR	610929	1
5	O-RING	610903	2
6	COVER ASSEMBLY	610155	1
6A	COVER	610149	1
6B	COVER CAP	610914	1
6C	BOLT	610150	4
6D	DISCONNECT CAP	610901	1
6E	DISCONNECT ROD	610915	1
6F	O-RING	610916	1
6G	O-RING	610917	1
6H	PIPE NIPPLE	610151	1
6I	ID PLATE	610152	1
7	INPUT SHAFT ASSEMBLY	610048	1
7A	INPUT SHAFT	610046	1
7B	RETAINING RING	610936	1
7C	SPRING	610145	1
7D	SPACER	610153	2
8	INPUT GEAR	610919	1
9	THRUST SPACER	610920	1
10	THRUST SPACER	610921	1
11	THRUST WASHER	610922	2
12	BOLT	610930	12
13	SHOULDER BOLT	610923	4
14	COUPLING	610037	1
16	FLAT WASHER	610049	16
NS	SEAL BOOT	610552	1

CROSS-SECTIONAL VIEW OF W1B TORQUE-HUB®



WHEEL DRIVE ASSEMBLY - 610663  
W1BFFZ324

ITEMS	DESCRIPTION	PART NO.	QTY.
1	HUB-SPINDLE SUB-ASSEMBLY	-----	
1A	SPINDLE	610518	1
1B	SEAL	610519	1
1C	BEARING CUP	610520	1
1D	BEARING CONE	610521	1
1E	BEARING CUP	610907	1
1F	BEARING CONE	610908	1
1G	HUB	610522	1
1H	SPACER	610909	1
1I	RETAINER RING	610910	1
1J	PIPE PLUG	610147	2
1N	STUD	824054	9
2	INTERNAL GEAR	610148	1
3	CARRIER ASSEMBLY	610933	1
4	RING GEAR	610937	1
5	O-RING	610903	2
6	COVER ASSEMBLY	610155	1
6A	COVER	610149	1
6B	COVER CAP	610914	1
6C	BOLT	610150	4
6D	DISCONNECT CAP	610901	1
6E	DISCONNECT ROD	610915	1
6F	O-RING	610916	1
6G	O-RING	610917	1
6H	PIPE NIPPLE	610151	1
6I	ID PLATE	610152	1
7	INPUT SHAFT ASSEMBLY	610048	1
7A	INPUT SHAFT	610046	1
7B	RETAINING RING	610936	1
7C	SPRING	610145	1
7D	SPACER	610153	2
8	INPUT GEAR	610919	1
9	THRUST SPACER	610920	1
10	THRUST SPACER	610921	1
11	THRUST WASHER	610922	2
12	BOLT	610930	12
13	SHOULDER BOLT	610923	4
14	COUPLING	610037	1
16	FLAT WASHER	610049	16
NS	SEAL BOOT	610552	1

# NOTICE

---

The following page contains decals for the model 204.

These decals can be obtained from Hagie Mfg. Co. and should be used whenever your machine is repainted or when the decals become worn, weathered, or faded.

Special attention should be paid to decals involving personal safety. They have been attached for your protection.

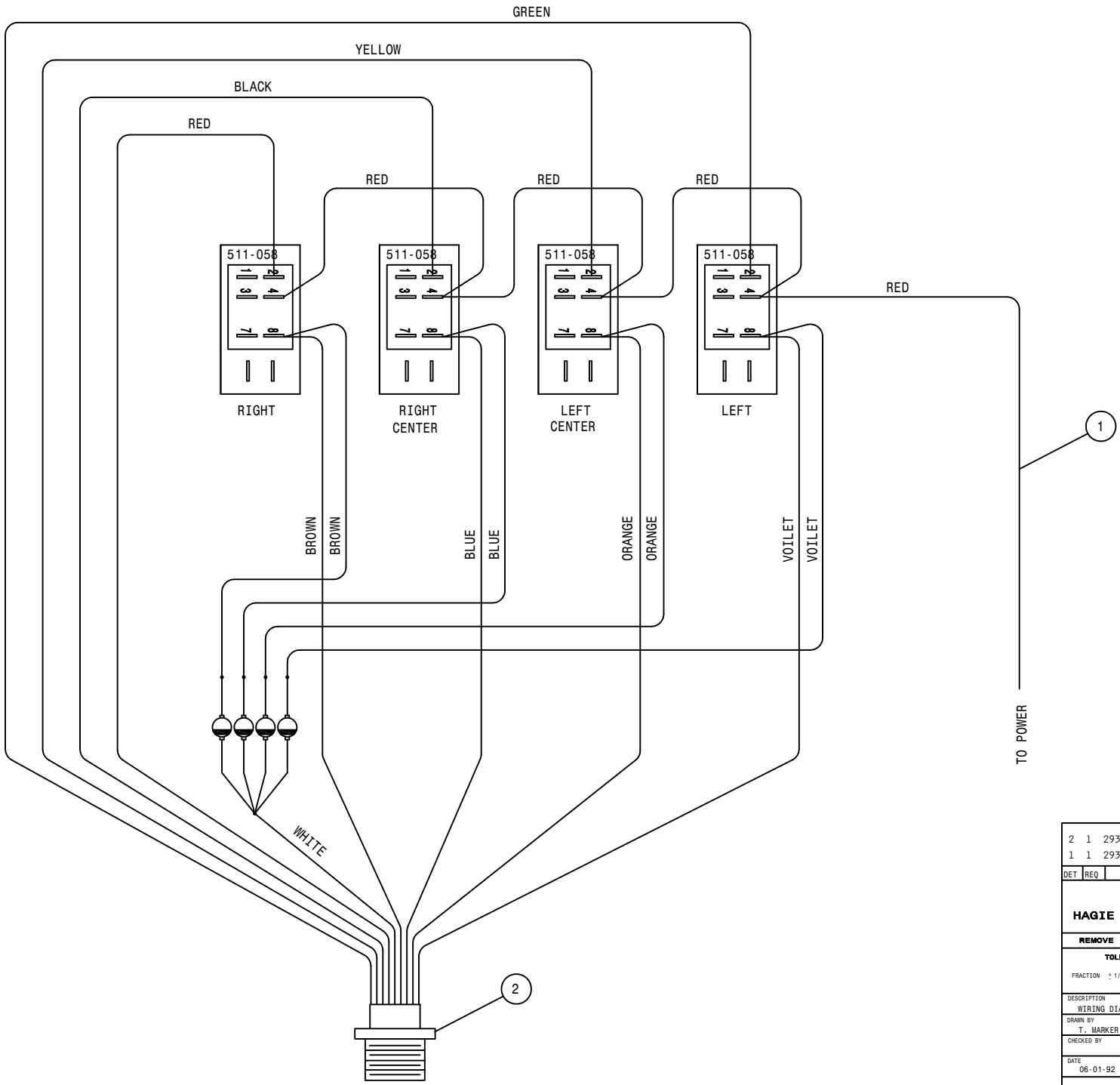
**KEEP THEM IN PLACE.**

Contact: Hagie Manufacturing Co.  
Box 273  
Clarion, Iowa 50525

## 204 DECALS

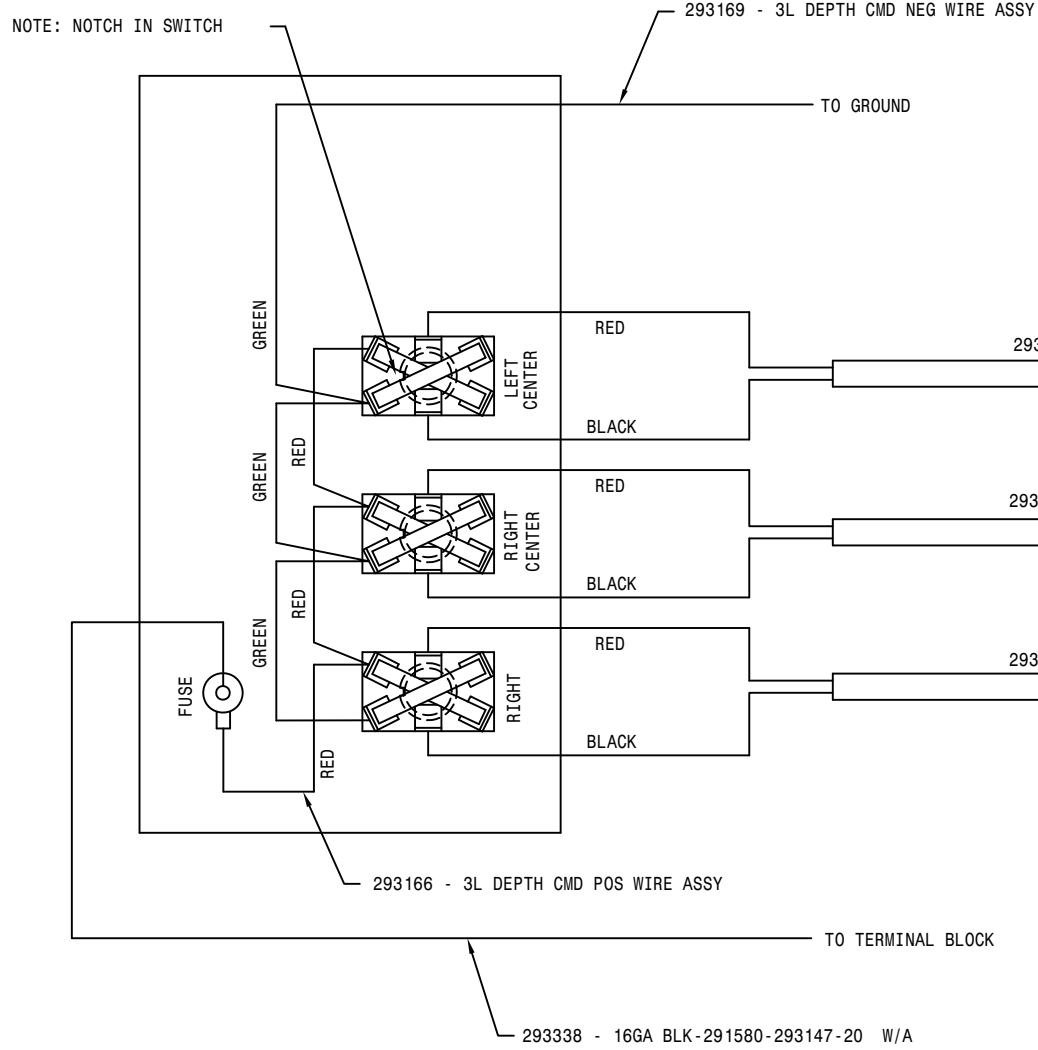
QTY.	PART NO.	DESCRIPTION	LOCATION
1	650831	EMERGENCY STOP DECAL	ON CONSOLE SHEET METAL
1	650329	TRACTION VALVE DECAL	ON INSTRUMENT PANEL
2	650953	GASOLINE DECAL	NEAR EACH FUEL TANK NECK
1	650814	PARK BRAKE DECAL	NEAR PARK BRAKE
2	650819	DANGER, CUTTING BLADES	2-ON EACH CUTTER HEAD
1	650847	NO PASSENGER DECAL	ON FRONT OPERATOR STATION
1	650848	SLIP OR FALL DECAL	NEXT TO STEP ON LEG RAIL
2	650849	ENGINE FUEL DECAL	NEAR EACH FUEL TANK NECK
4	650985	WHEEL BOLT TORQUE DECAL	ON EACH WHEEL RIM
2	650851	SHIELDS DECAL	ON SIDE OF TOP ENGINE COVER
1	650852	READ MANUAL DECAL	ON FRONT OPERATOR STATION
1	650981	COOLING SYSTEM DECAL	NEAR RADIATOR CAP
1	650982	ELECTRICAL DECAL	RIGHT HAND SIDE OF OIL TANK
3	650931	HAGIE DECAL 1 3/4 X 4	1 - ON EACH TASSEL DEFLECTOR 1 - ON EACH QUAD PULLER
4	650820	CAUTION MOVING PARTS DECAL	2 - EACH TASSEL DEFLECTOR 1 - ON EACH QUAD PULLER 1 - ON EACH TIRE PULLER
2	650954	DIESEL DECAL	NEAR EACH FUEL TANK NECK
1	650321	DECAL SET, HAGIE 204 STRIPE	ON EACH ENGINE HOOD
1	650319	DECAL,NOTICE LEG CYL OIL	ON TOP LH FRT LEG
2	650308	LEFT L-CTR R-CTR RIGHT DECAL	1 - ON CONSOLE COVER 1 - DEPTH COMMAND SWITCH BOX
1	650332	MTR CTRL-FUEL-FLASH DECALL	ON CONSOLE COVER
1	650955	CAUTION SLOW ENG IDL DECAL	ON CONSOLE COVER
1	650967	THROTTLE DECAL	ON CONSOLE COVER
1	650968	HYDRO DRIVE DECAL	ON CONSOLE COVER
1	650881	CHOKE DECAL	ON CONSOLE COVER
1	650333	10 AMP FUSE DECAL	ON CONSOLE COVER
1	650339	WARNING, HYD OIL INJ DECAL	ON FRONT OPERATOR STATION
1	650338	DEPTH CMD 6-LIFT DECAL	DEPTH COMMAND SWITCH BOX
1	650320	EMERGENCY EXIT DECAL	RIGHT SIDE CAB GALSS
1	650882	WIPER DECAL	ON CONSOLE COVER
1	650347	NOTICE-R134A CHARGE DECAL	NEXT TO A/C COMPRESSOR
1	650303	CUTTER ROTATION DECAL	ON FRONT OPERATOR STATION

101



2	1	293248	MANUAL LS SYS SW HARNESS
1	1	293249	MANUAL LS SYS PWR WIRE ASSY
DET		REQ	DESCRIPTION
<b>HAGIE</b> HAGIE MANUFACTURING COMPANY CLARION, IOWA 50525			
REMOVE ALL SHARP CORNERS & BURRS			
TOLERANCE UNLESS OTHERWISE SPECIFIED			
FRACTION	1/32	DECIMALS	X.XX 1/32 X.XXX 1/64
DESCRIPTION			
WIRING DIAG. MANUAL LS SYS SW			
DRAWN BY		SCALE	
T. MARKER		NONE (1)	
CHECKED BY		APPROVED BY	
DATE		DRAWING NUMBER	
06-01-92		498414	
SHEET		OF	

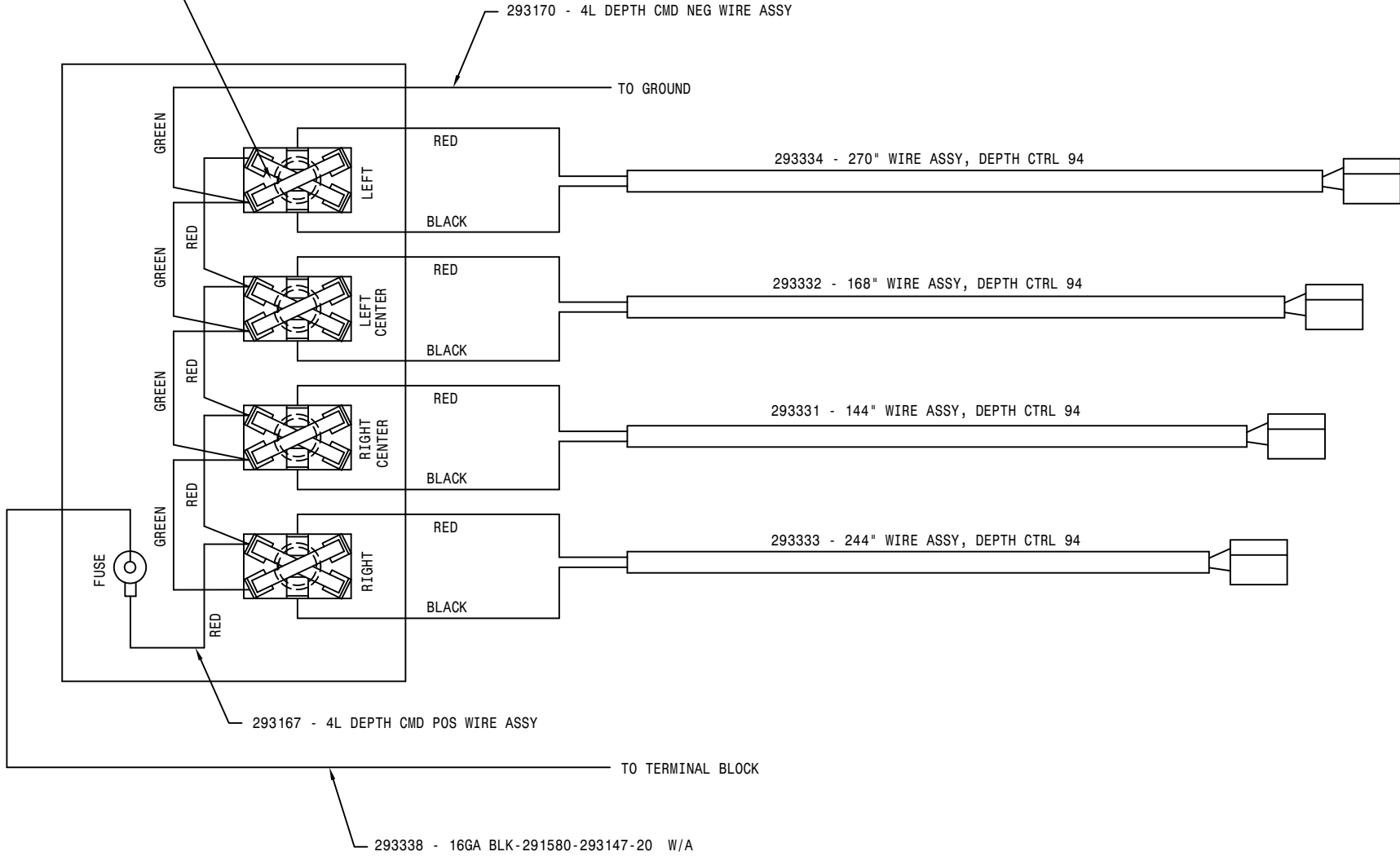
103



DET	REQ	DESCRIPTION			
<b>HAGIE</b> HAGIE MANUFACTURING COMPANY CLARION, IOWA 50525					
REMOVE ALL SHARP CORNERS & BURRS					
TOLERANCE UNLESS OTHERWISE SPECIFIED					
FRACTION	± 1/32	DECIMALS	X.XX ±.03 X.XXX ±.005	ANGLES	± *
DESCRIPTION					
WIRE DIAG, 3-LIFT DEPTH CMD 94					
DRAWN BY		SCALE			
T. MARKER		NONE			
CHECKED BY		APPROVED BY			
DATE		DRAWING NUMBER			
03-29-94		498451			
SHEET OF					

215103

NOTE: NOTCH IN SWITCH

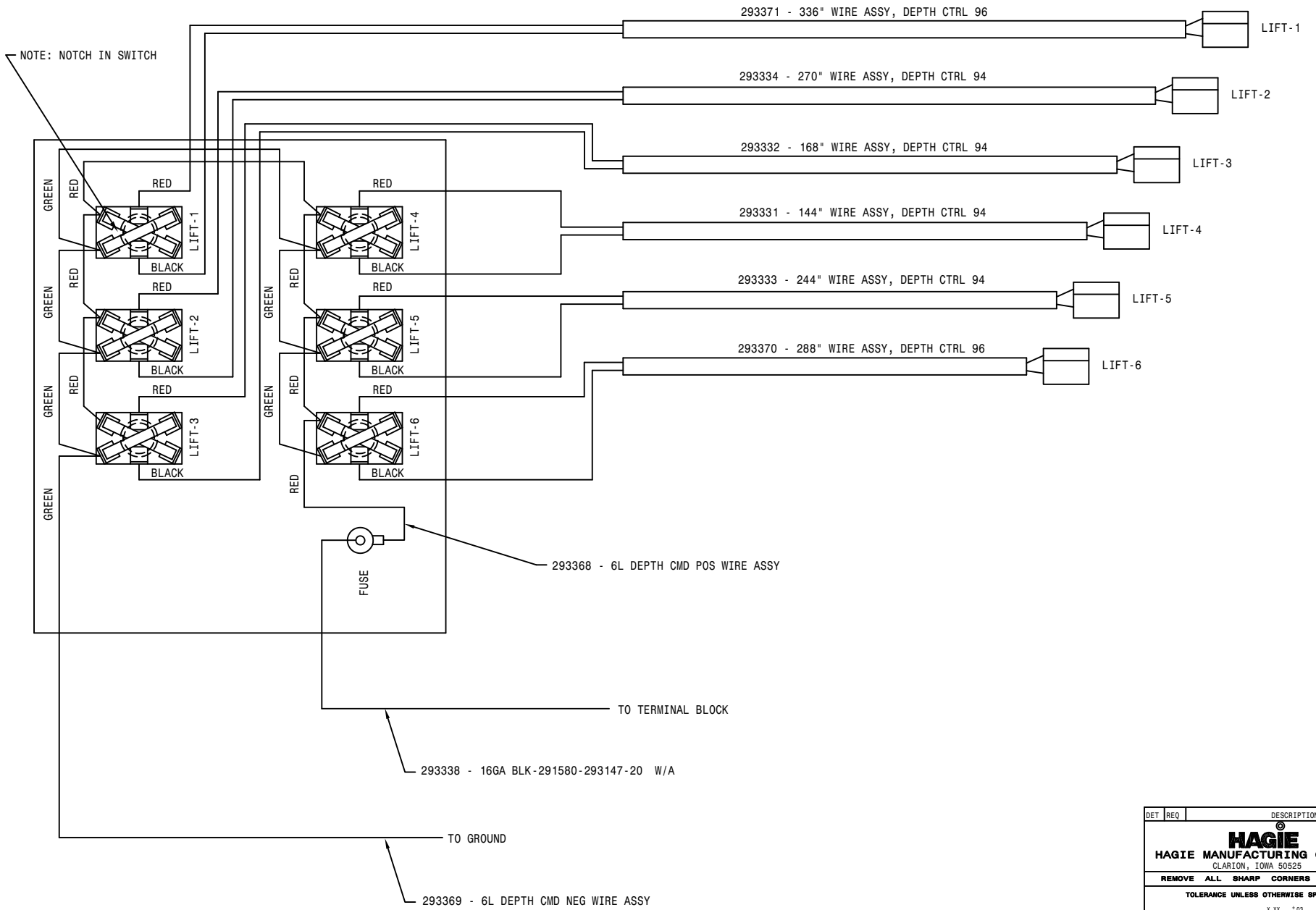


104

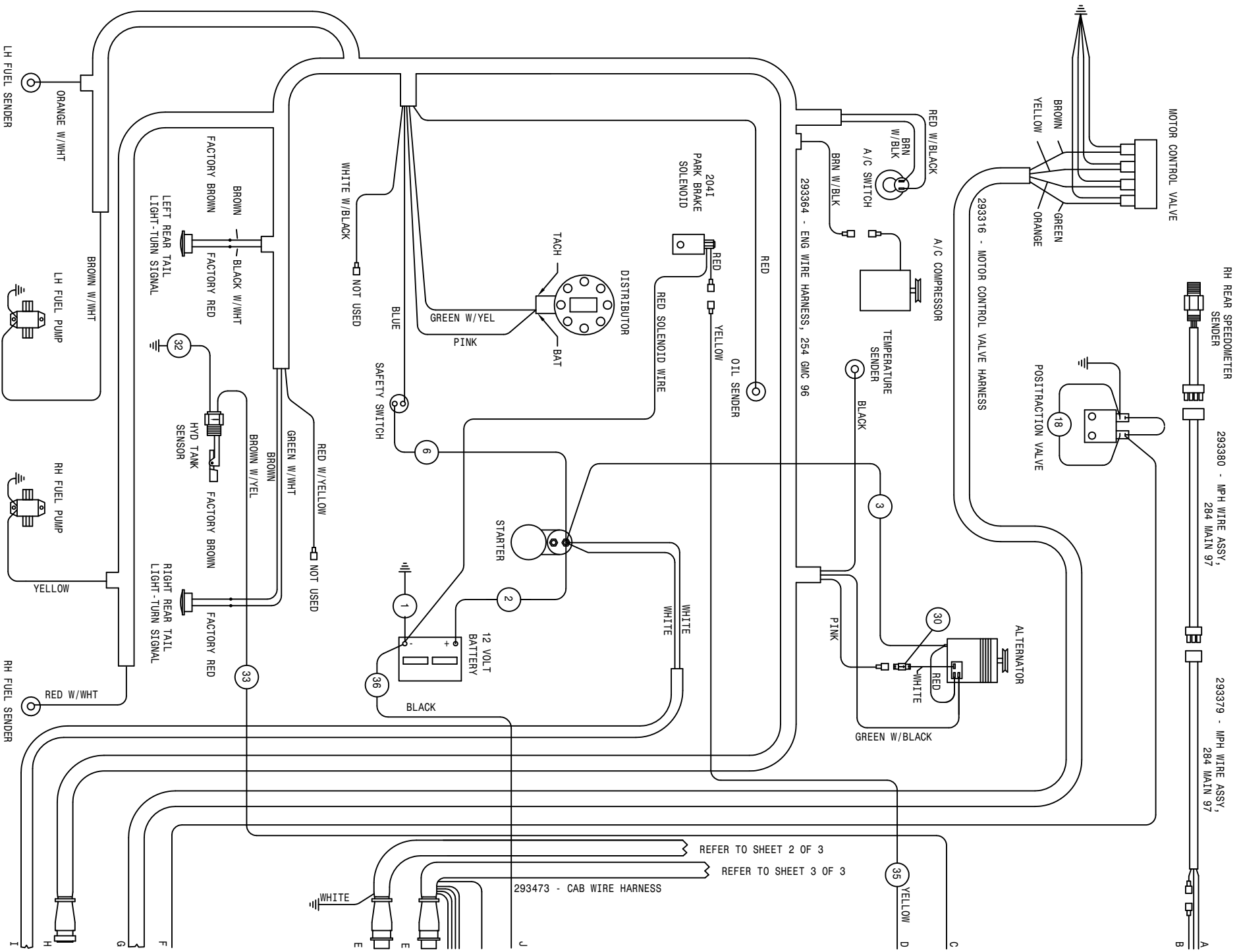
215104

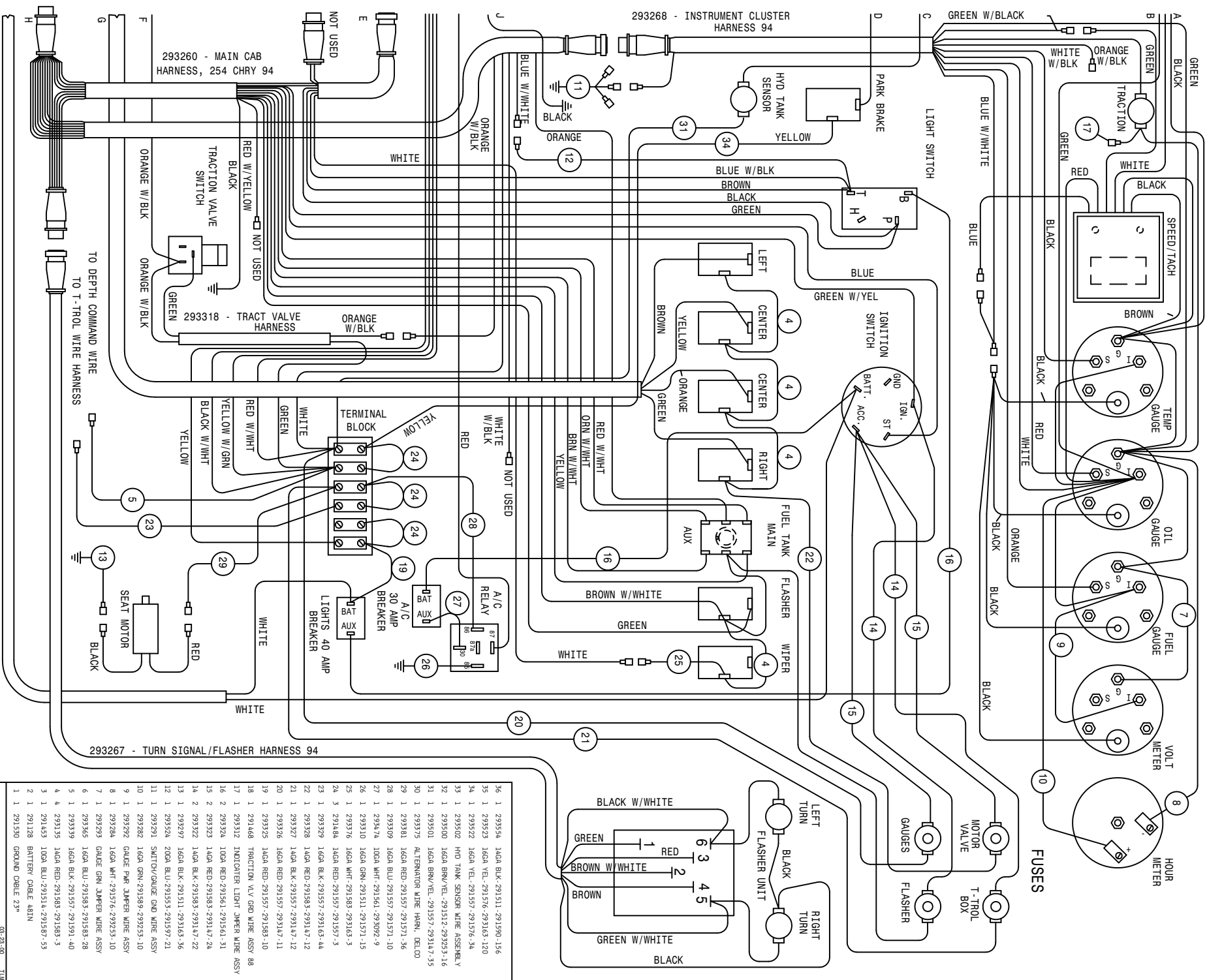
DET	REQ	DESCRIPTION		
<b>HAGIE</b> <b>HAGIE MANUFACTURING COMPANY</b> <small>CLARION, IOWA 50525</small>				
<b>REMOVE ALL SHARP CORNERS &amp; BURRS</b>				
<b>TOLERANCE UNLESS OTHERWISE SPECIFIED</b>				
FRACTION	1/32	DECIMALS	X.XX X.XXX	ANGLES ° 03 ° 005
DESCRIPTION				
WIRE DIAG, 4-LFT DEPTH CMD 94				
DRAWN BY		SCALE		
T. MARKER		NONE		
CHECKED BY		APPROVED BY		
DATE		DRAWING NUMBER		
03-29-94		498452		
SHEET OF				





DET	REQ	DESCRIPTION
<b>HAGIE</b> <b>HAGIE MANUFACTURING COMPANY</b> CLARION, IOWA 50525		
<b>REMOVE ALL SHARP CORNERS &amp; BURRS</b>		
<b>TOLERANCE UNLESS OTHERWISE SPECIFIED</b>		
FRACTION	DECIMALS	ANGLES
1/32	.03	1°
	.005	
DESCRIPTION		
WIRE DIAG, 6-LIFT DEPTH CMD 96		
DRAWN BY	SCALE	
T. MARKER	NONE (1)	
CHECKED BY	APPROVED BY	
DATE	DRAWING NUMBER	
02-26-96	498479	
SHEET	OF	



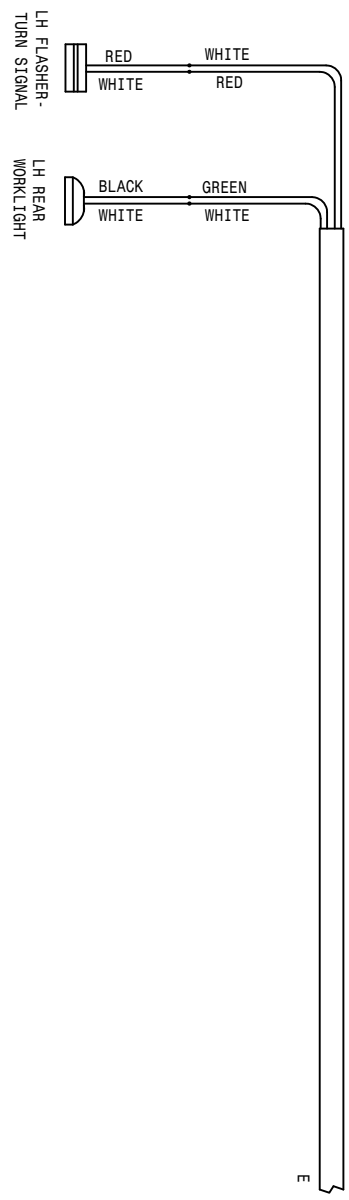
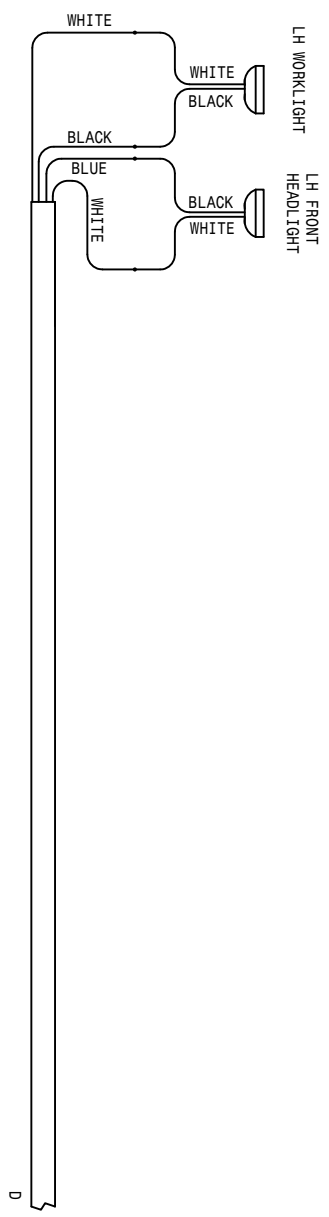
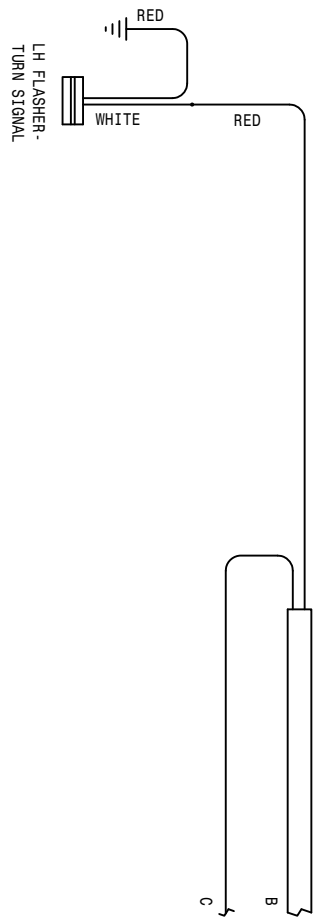
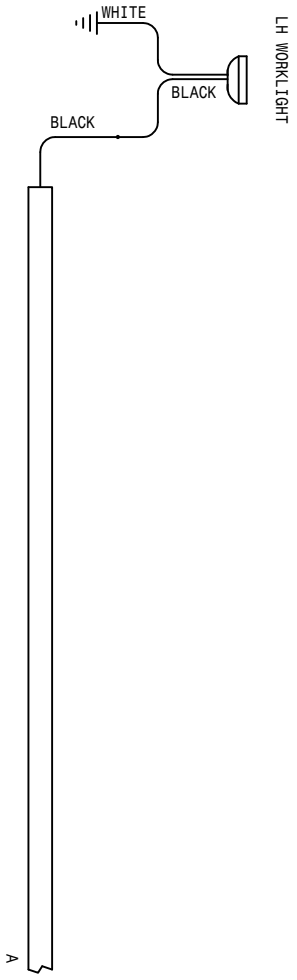


36	1	293554	16GA	BLK	291511	291590	156
35	1	293523	16GA	VEL	291576	293163	120
34	1	293522	16GA	VEL	291576	293156	34
33	1	293502	HND TANK	SENSOR WIRE	ASSEMBLY		
32	1	293500	16GA	BRN/VEL	291512	293253	16
31	1	293501	16GA	BRN/VEL	291557	293147	35
30	1	293375	ALTERNATOR	WIRE	HAIRN	DEL CD	
29	1	293381	16GA	RED	291557	291571	36
28	1	293309	16GA	BLU	291557	291571	10
27	1	293474	10GA	WHT	291561	293092	9
26	1	293310	16GA	GRN	291511	291571	15
25	1	293376	16GA	WHT	291583	293163	3
24	3	293484	16GA	RED	291557	293157	3
23	1	293329	16GA	BLK	291557	293163	44
22	1	293328	16GA	RED	291583	293147	12
21	1	293327	16GA	BLK	291557	293147	12
20	1	293326	16GA	RED	291557	293147	11
19	1	293168	TRACTION	V.V. GRD	WIRE	ASSY	88
17	1	293312	INDICATOR	LIGHT	SWER	WIRE	ASSY
16	2	293324	10GA	RED	291561	291561	31
15	2	293323	16GA	RED	291583	293147	24
14	2	293322	16GA	BLK	291583	293147	22
13	1	293297	10GA	BLK	291511	293163	36
12	1	293524	20GA	BLU	291553	291597	21
11	1	293291	SWITCH/GAUGE	OND	WIRE	ASSY	
10	1	293282	16GA	GRN	291589	293253	10
9	1	293292	GALDE	PHR	JAMPER	WIRE	ASSY
8	1	293284	16GA	WHT	291576	293253	10
7	1	293293	GALDE	GRN	JAMPER	WIRE	ASSY
6	1	293345	16GA	BLU	291583	291583	28
5	1	293339	16GA	BLK	291557	291591	40
4	2	293135	16GA	RED	291583	291583	3
3	1	291453	10GA	BLU	291514	291587	53
2	1	291128	BATTERY	CABLE	482N		
1	1	291520	GROUND	CABLE	23V		

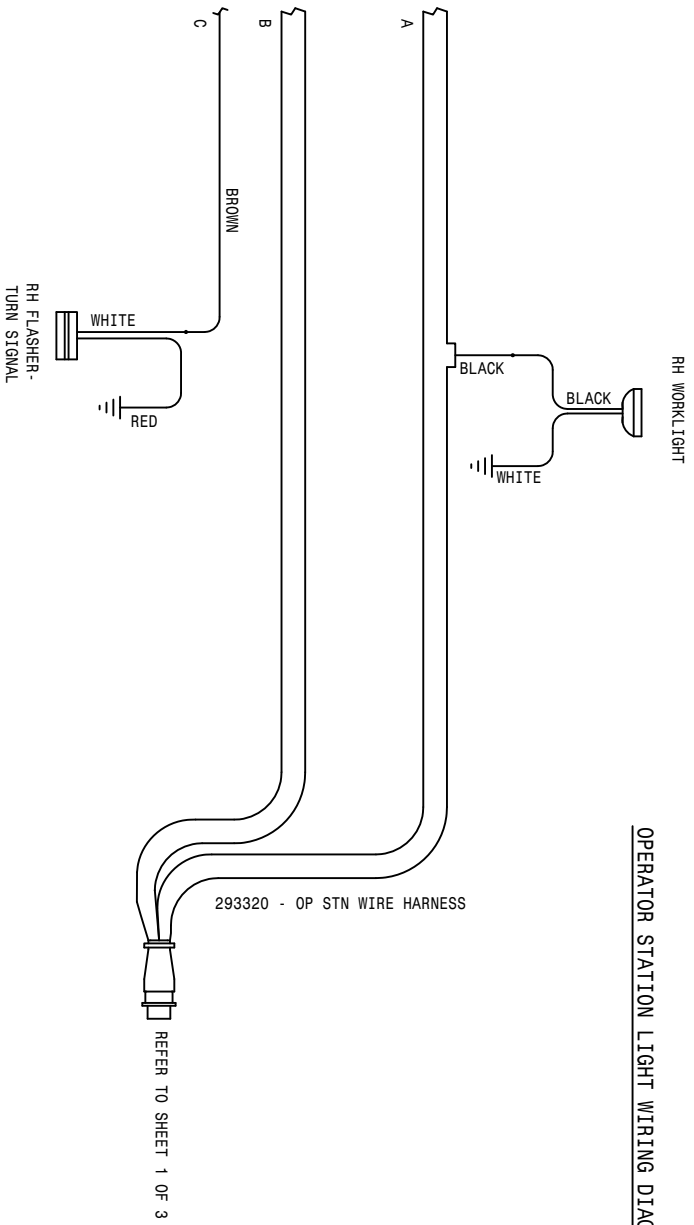
204 GMC WIRING DIAGRAM 00  
2041  
SHEET 1 OF 3  
REVISION DATE: 07-20-01

498586  
03-23-00  
TUL

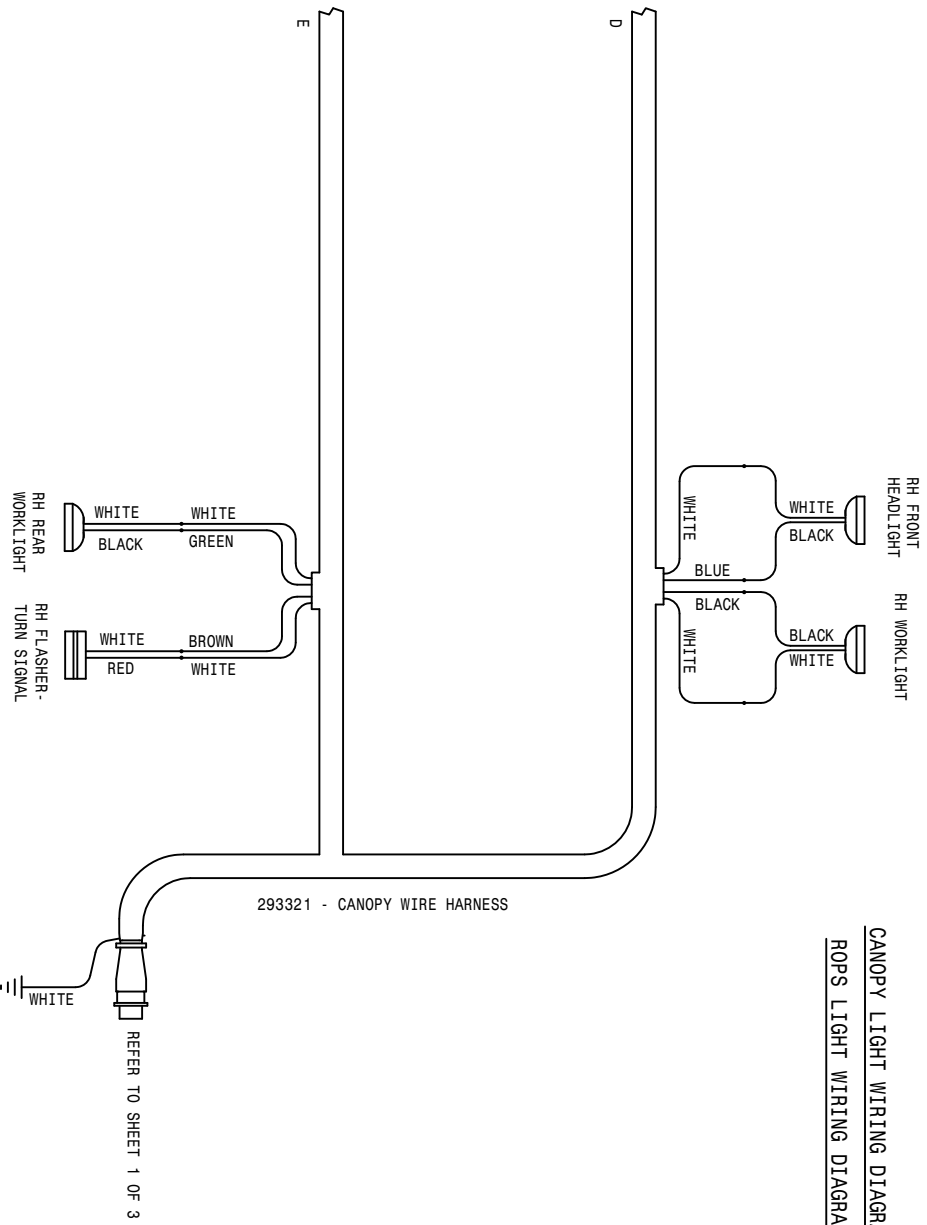
293262 - MAIN POWER HARNESS, 254 CHRY 94

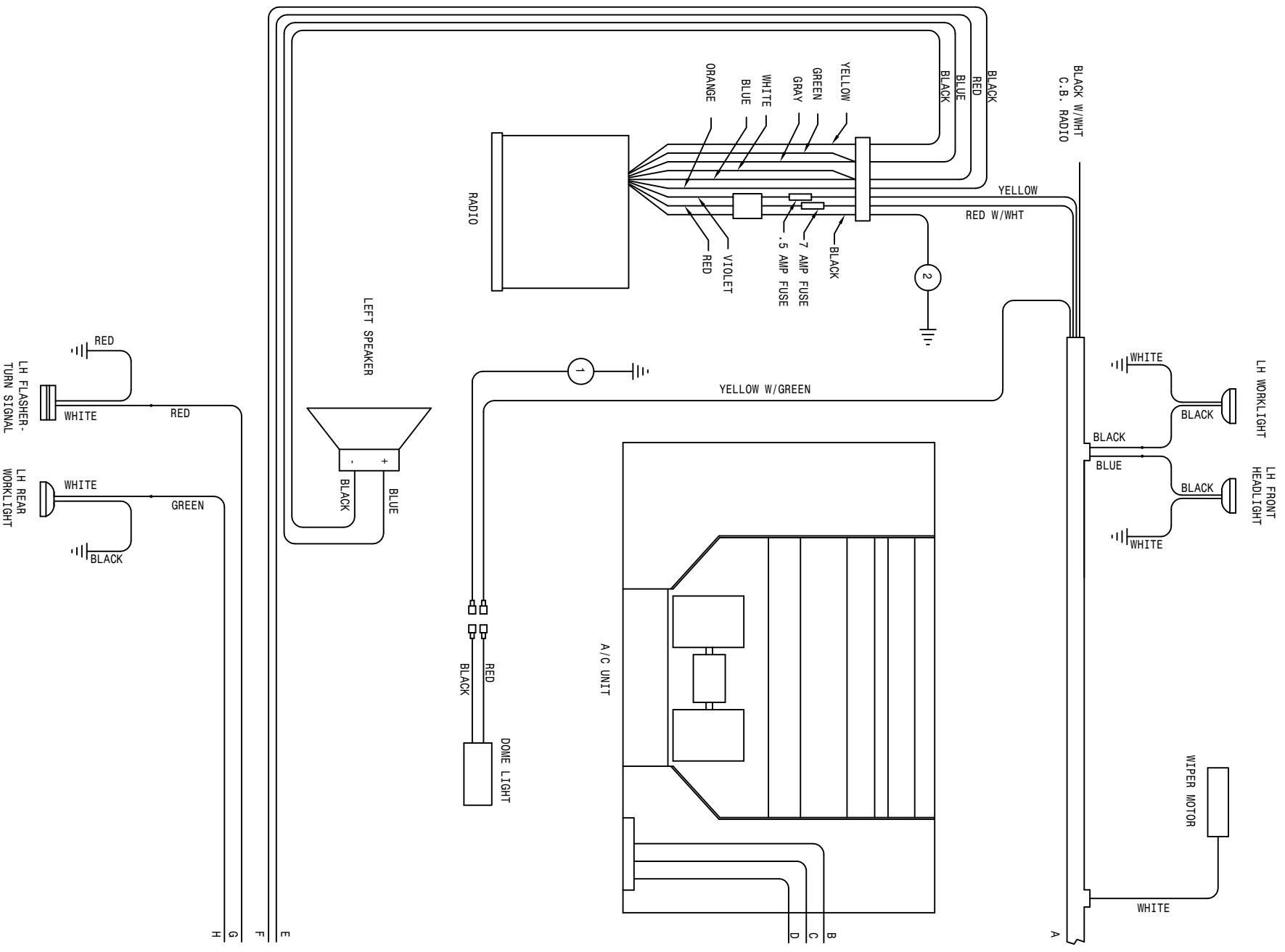


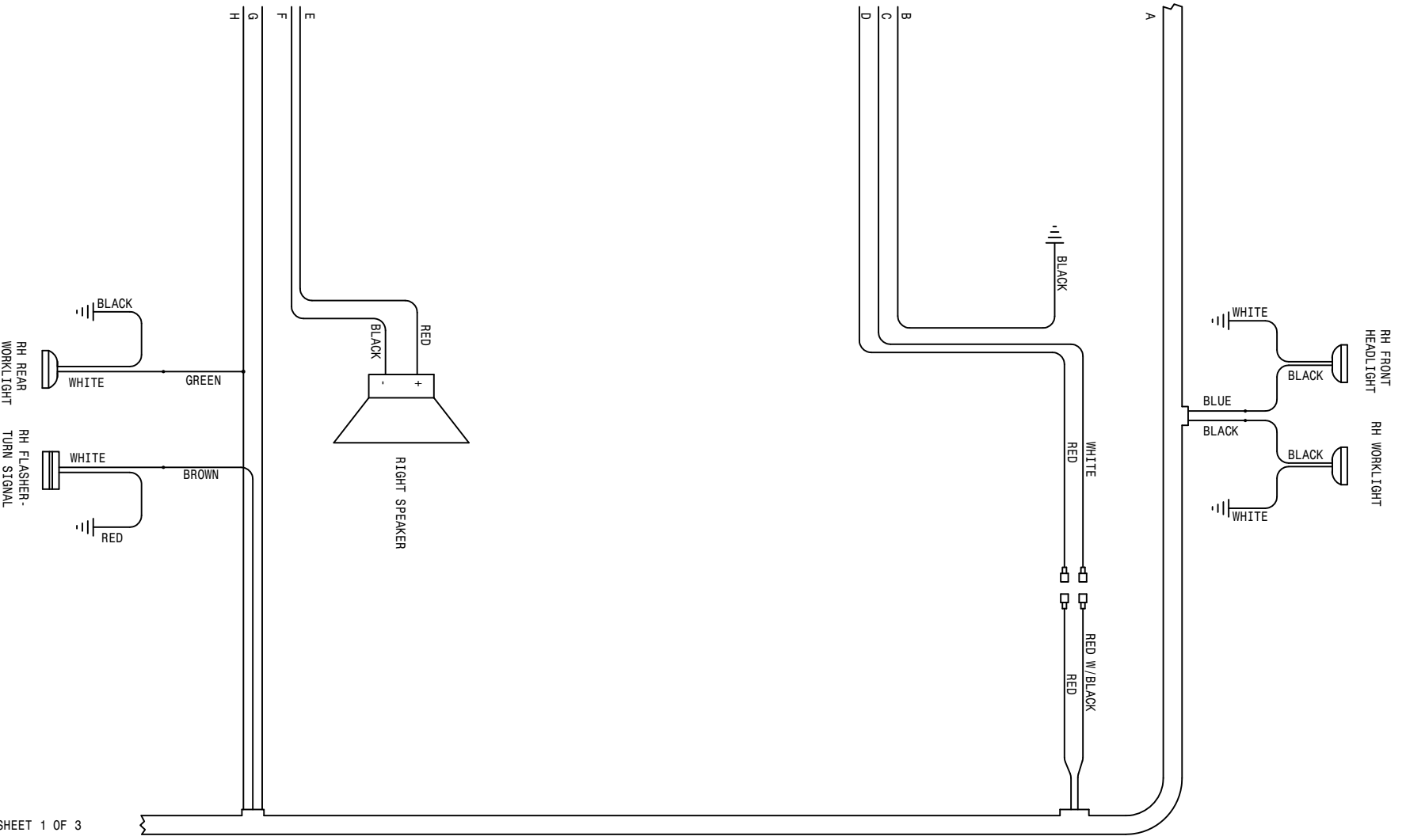
OPERATOR STATION LIGHT WIRING DIAGRAM



CANOPY LIGHT WIRING DIAGRAM  
ROPS LIGHT WIRING DIAGRAM



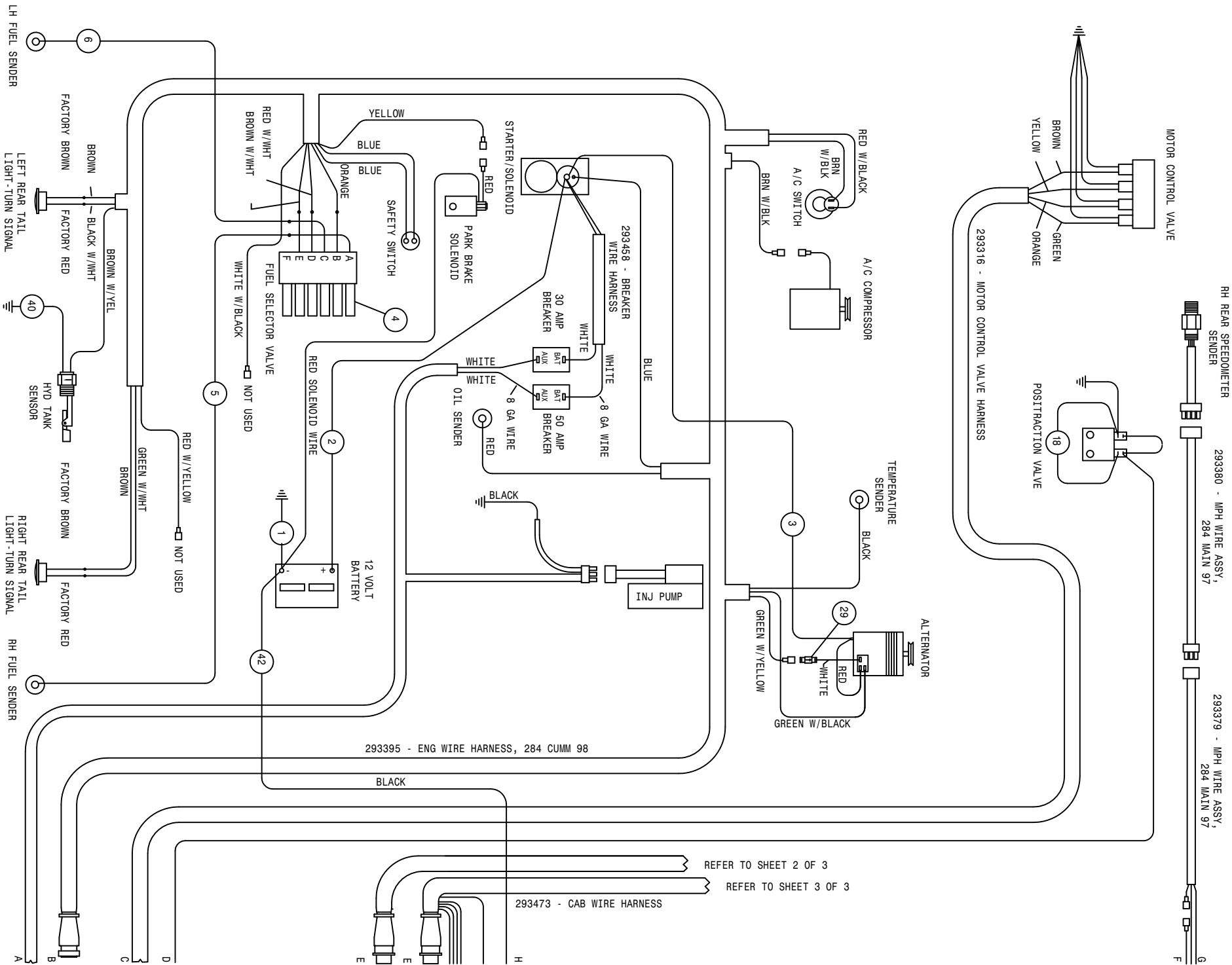




293473 - CAB WIRE HARNESS

REFER TO SHEET 1 OF 3

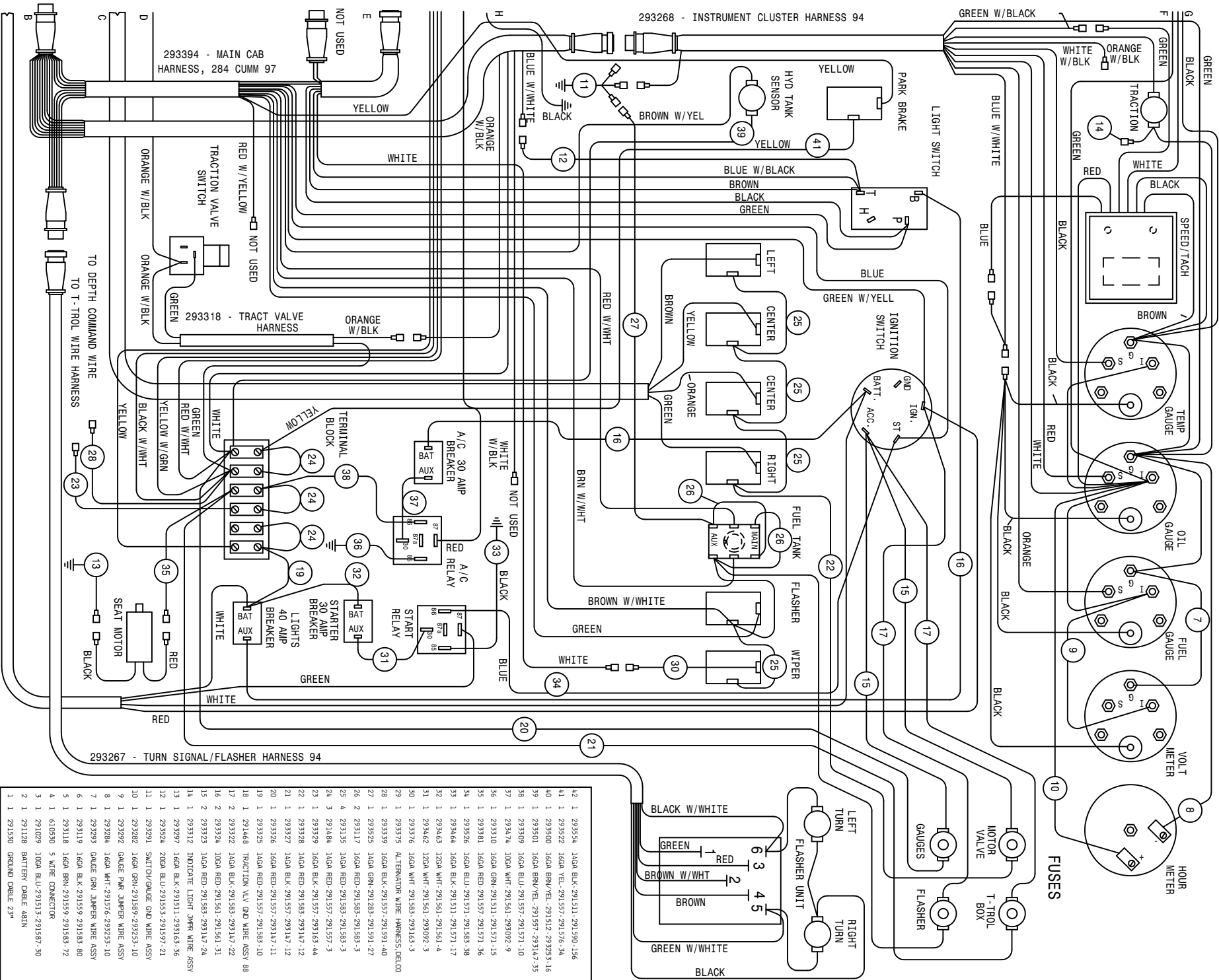
2	1	293300	16GA BLK-291511-291571-18
1	1	293299	16GA BLK-291511-291571-30
204 GMC WIRING DIAGRAM 00			
2041			
SHEET 3 OF 3			
REVISION DATE:			
03-23-00			
TJM			
498586			



REFER TO SHEET 2 OF 3

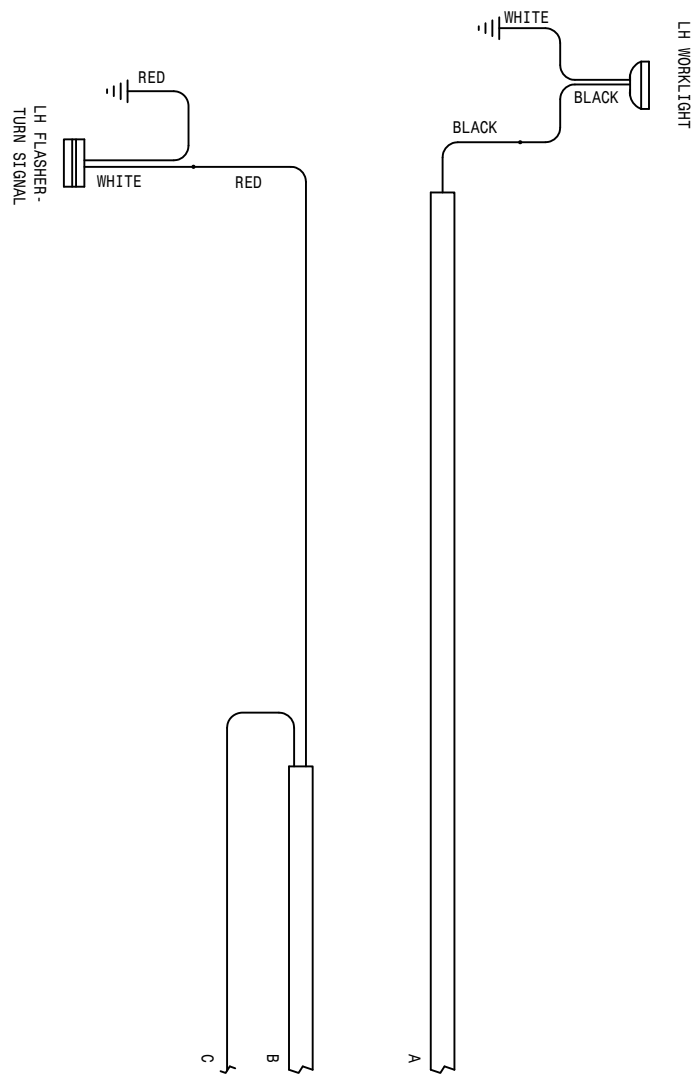
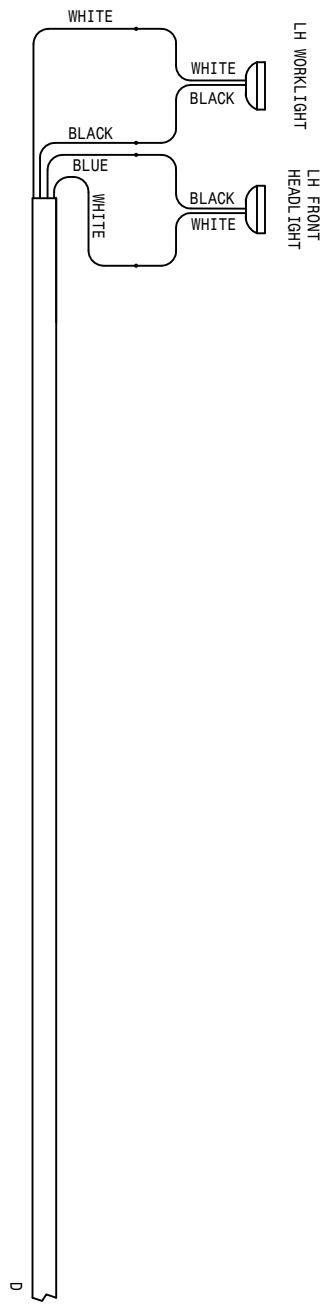
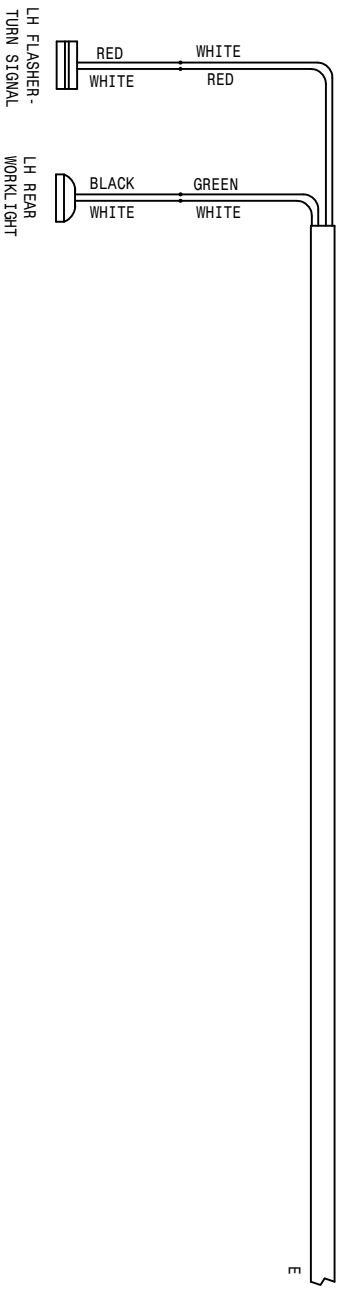
REFER TO SHEET 3 OF 3



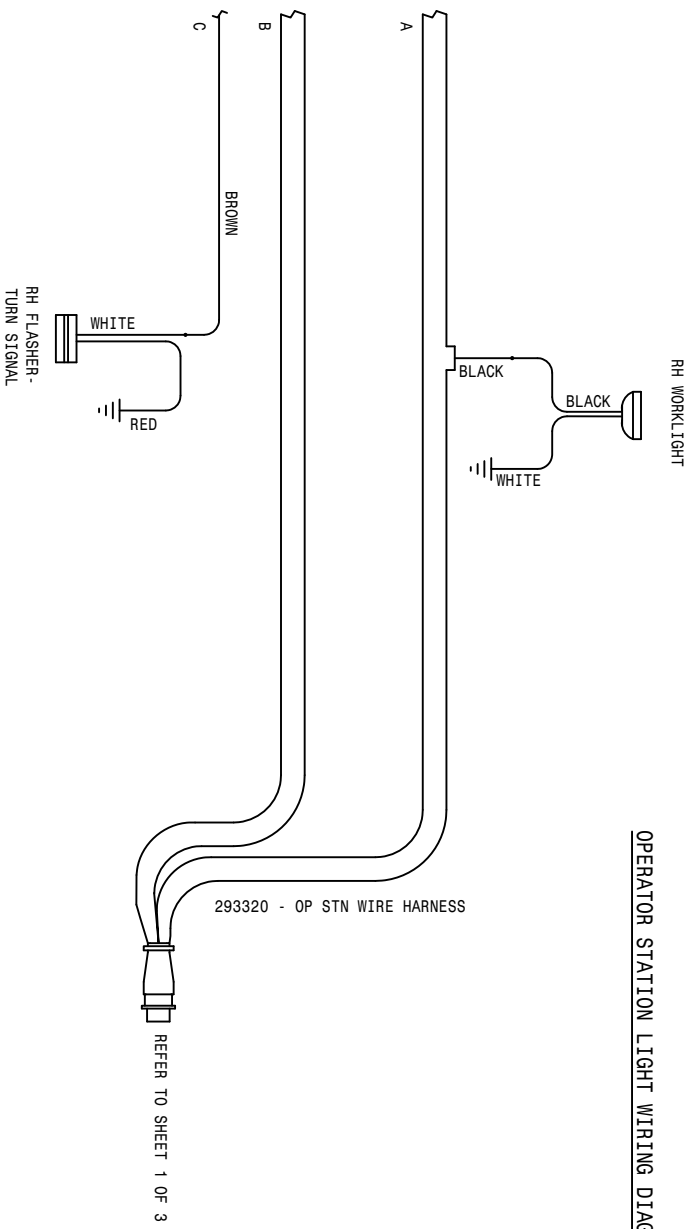


42	1	293554	16GA. BLK.	291511	291590	156
41	1	293552	16GA. YEL.	291597	291576	34
40	1	293500	16GA. BRN/VEL.	291512	293253	16
39	1	293501	16GA. BRN/VEL.	291597	293147	35
38	1	293309	16GA. BLU.	291597	291571	10
37	1	293474	16GA. WHT.	291561	293092	9
36	1	293310	16GA. GRN.	291511	291571	15
35	1	293381	16GA. RED.	291597	291571	36
34	1	293556	16GA. BLU.	291571	291583	38
33	1	293464	16GA. BLK.	291511	291571	17
32	1	293463	12GA. WHT.	291561	291561	4
31	1	293462	12GA. WHT.	291561	293092	3
30	1	293376	16GA. WHT.	291584	293163	3
29	1	293375	ALTERNATOR WIRE HARNESS, DELCO			
28	1	293359	16GA. BLK.	291597	291591	40
27	1	293525	16GA. GRN.	291284	291591	27
26	2	293317	16GA. RED.	291583	291583	3
25	4	293135	16GA. RED.	291583	291583	3
24	3	291484	16GA. RED.	291597	291597	3
23	1	293329	16GA. BLK.	291597	293163	44
22	1	293328	16GA. RED.	291583	293147	12
21	1	293327	16GA. BLK.	291597	293147	11
20	1	293326	16GA. RED.	291597	293147	11
19	1	293325	16GA. RED.	291597	291583	10
18	1	291468	TRACTION VLV. GND WIRE ASSY			88
17	2	293322	16GA. BLK.	291584	293147	22
16	2	293324	16GA. RED.	291561	291561	31
15	2	293323	16GA. RED.	291584	293147	24
14	1	293312	INDICATE LIGHT JMR WIRE ASSY			
13	1	292977	16GA. BLK.	291511	293163	36
12	1	293324	20GA. BLU.	291553	291597	21
11	1	292921	SWITCH/GAUGE GND WIRE ASSY			
10	1	292922	16GA. GRN.	291584	293253	10
9	1	292924	16GA. WHT.	291576	293253	10
8	1	292923	GAUGE GRN. JUMPER WIRE ASSY			
7	1	292923	GAUGE GRN. JUMPER WIRE ASSY			
6	1	293119	16GA. BLK.	291559	291583	80
5	1	293118	16GA. BRN.	291559	291583	72
4	1	610530	5 WIRE CONNECTOR			
3	1	291029	10GA. BLU.	291513	291587	30
2	1	291128	BATTERY CABLE MAIN			
1	1	291350	GROUND CABLE 23"			

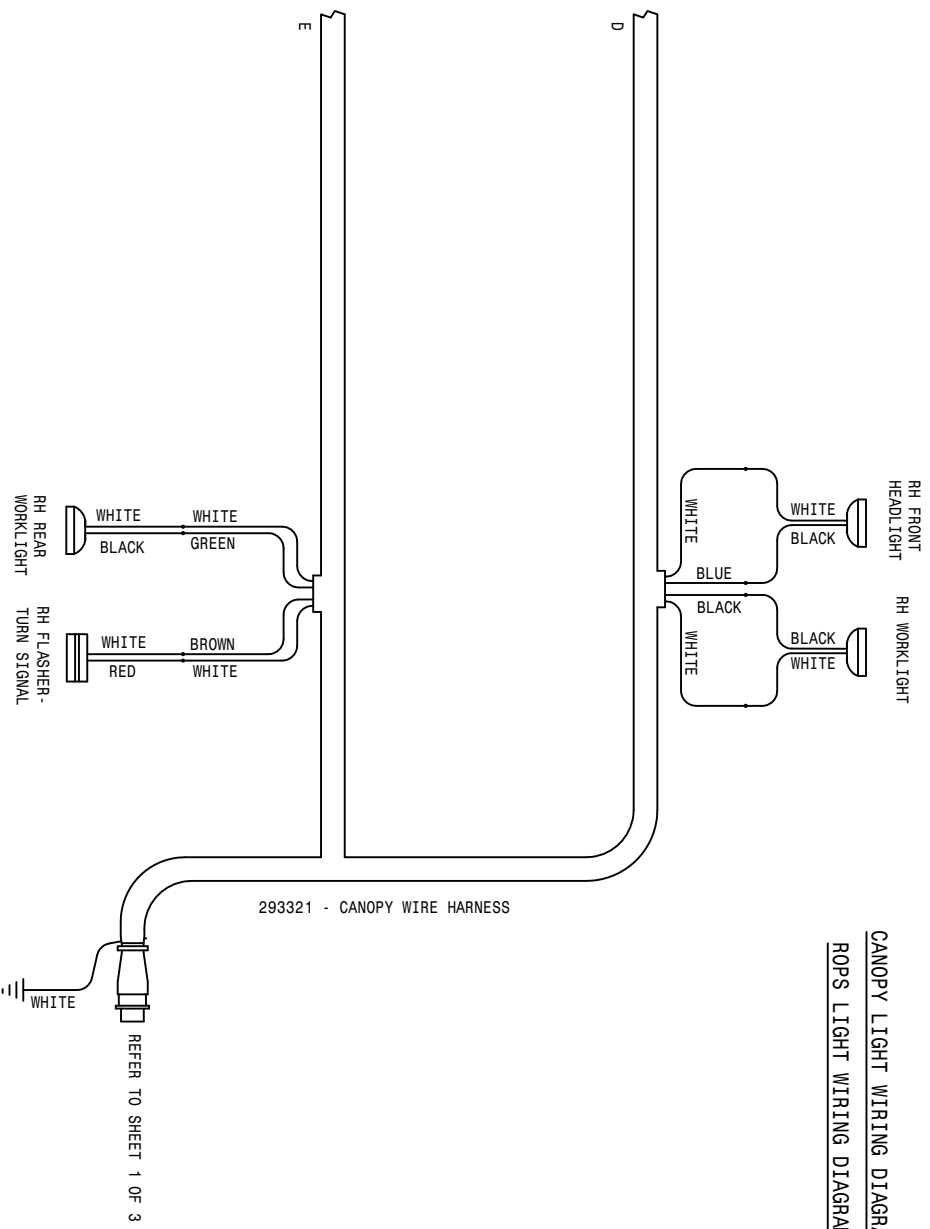
204 CUMM WIRING DIAGRAM 00  
 SHEET 1 OF 3  
 REVISION DATE: 07-20-00  
 498587



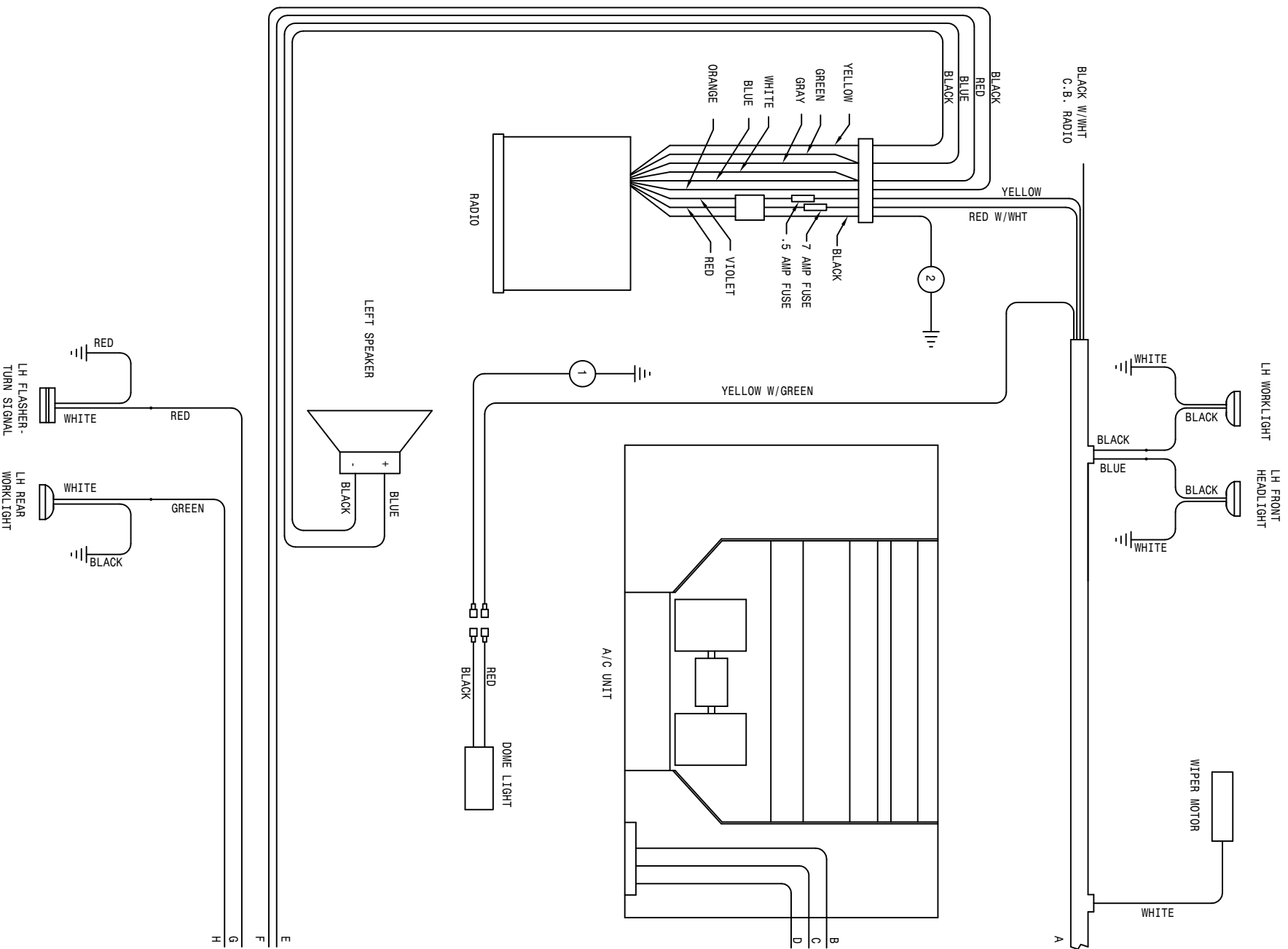
OPERATOR STATION LIGHT WIRING DIAGRAM

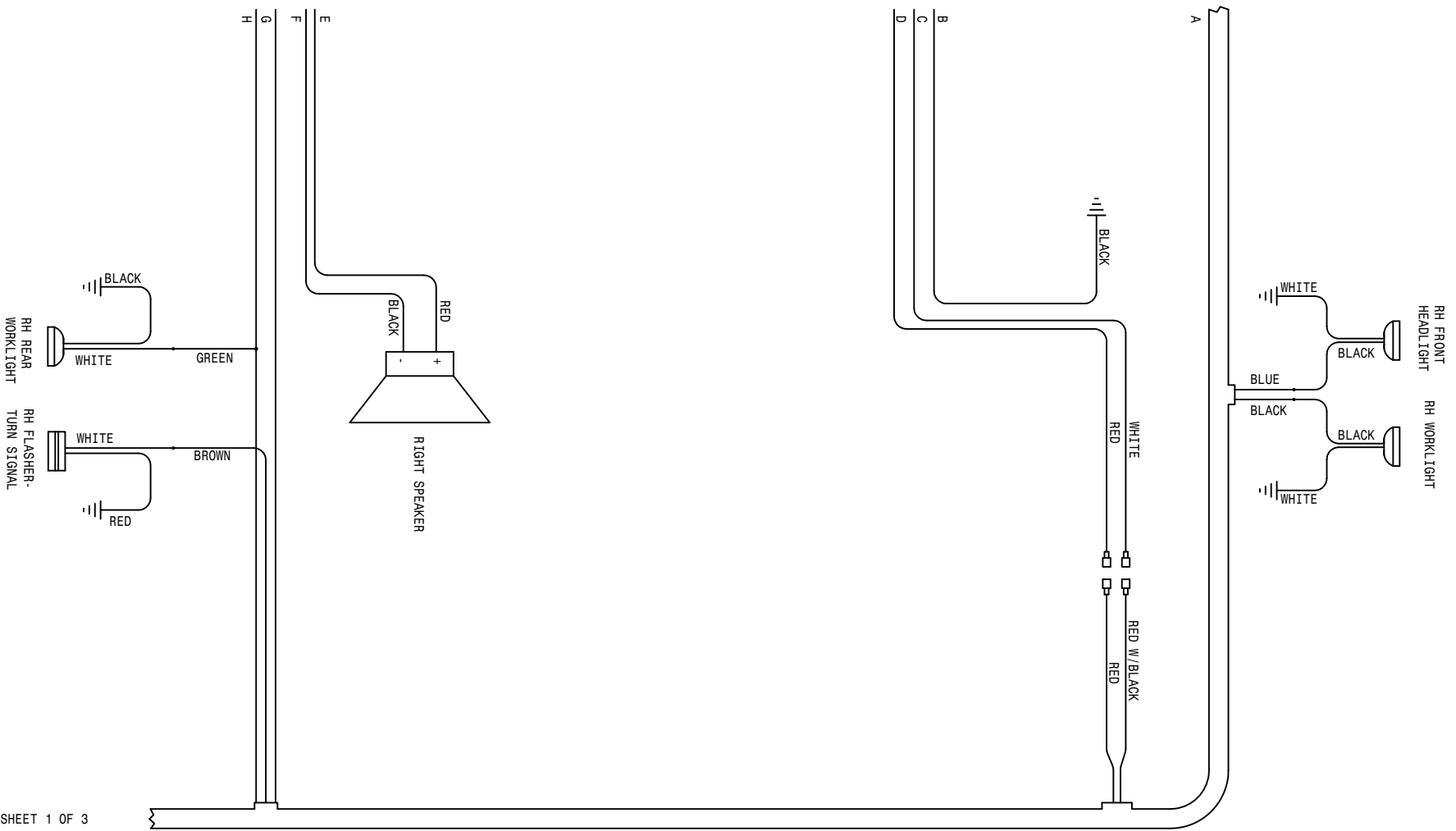


CANOPY LIGHT WIRING DIAGRAM  
ROPS LIGHT WIRING DIAGRAM



03-24-00 TEL  
204 CUMM WIRING DIAGRAM 00  
2041  
SHEET 2 OF 3  
REVISED DATE: 498587

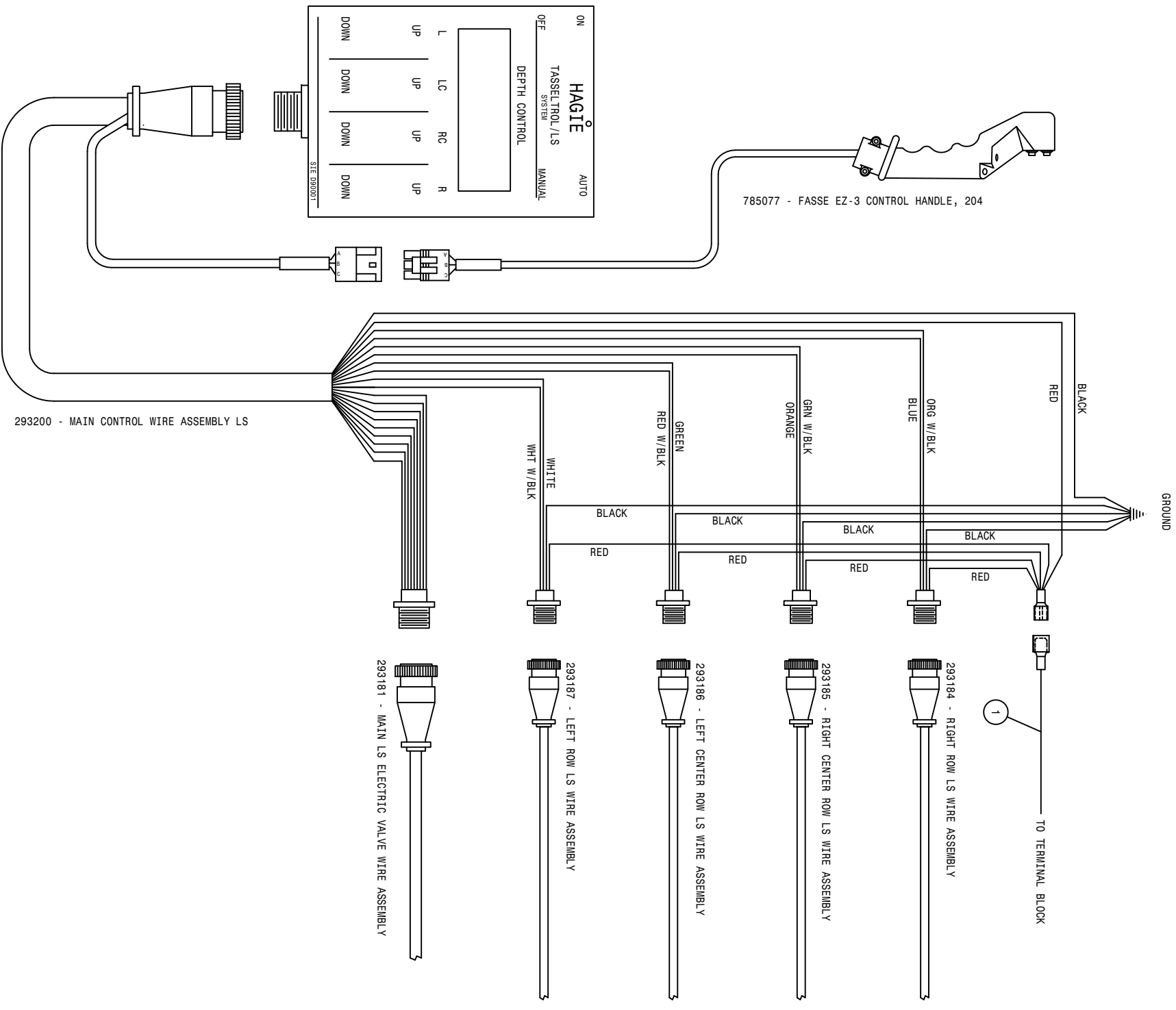


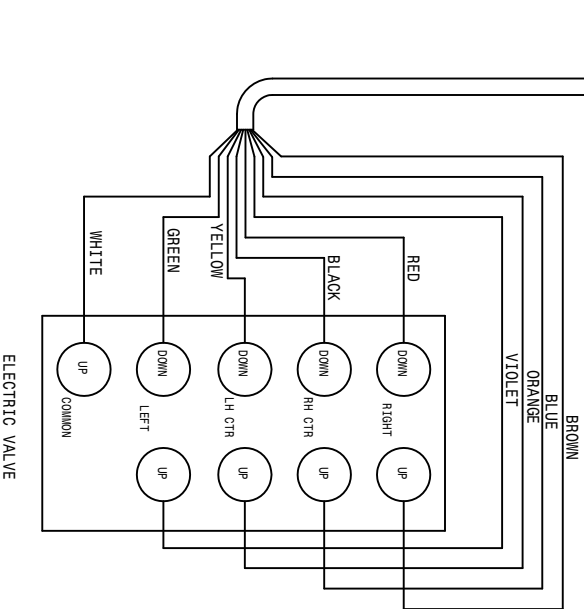
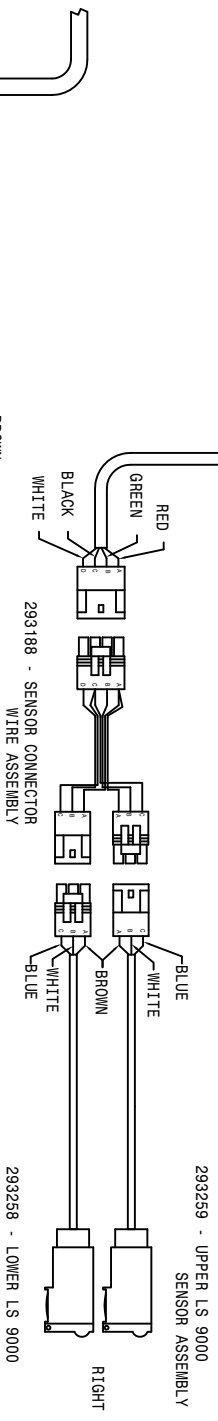
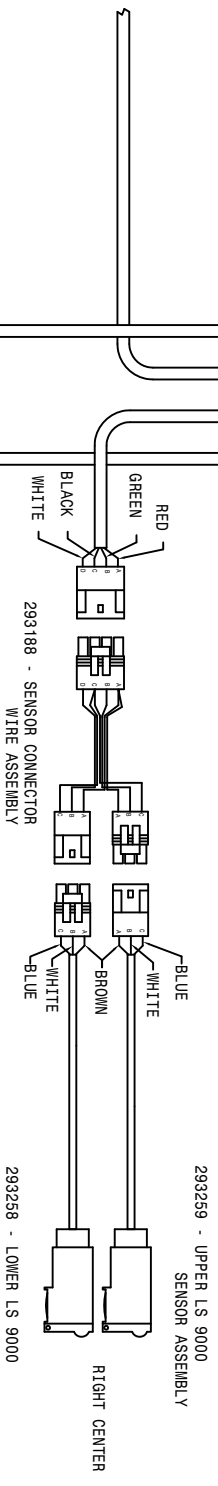
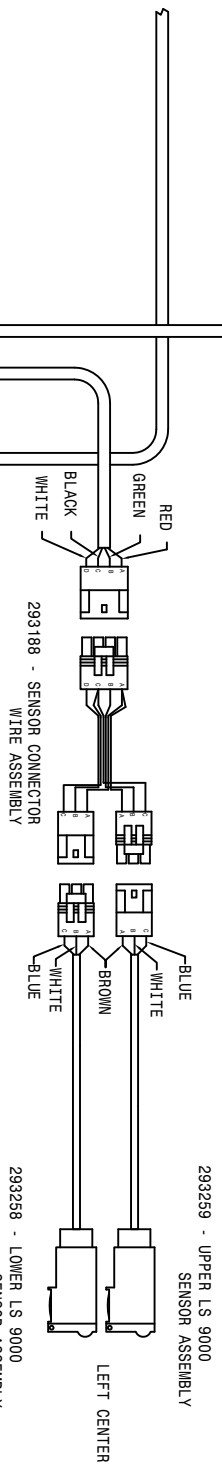
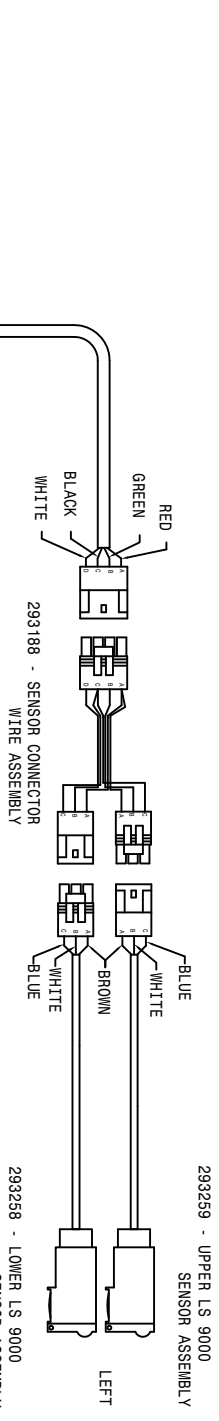


293473 - CAB WIRE HARNESS

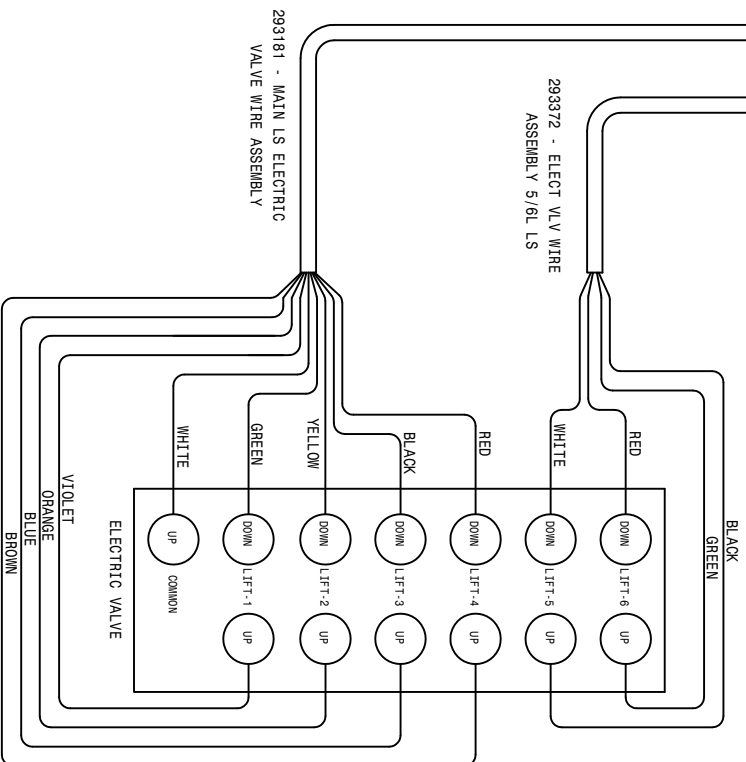
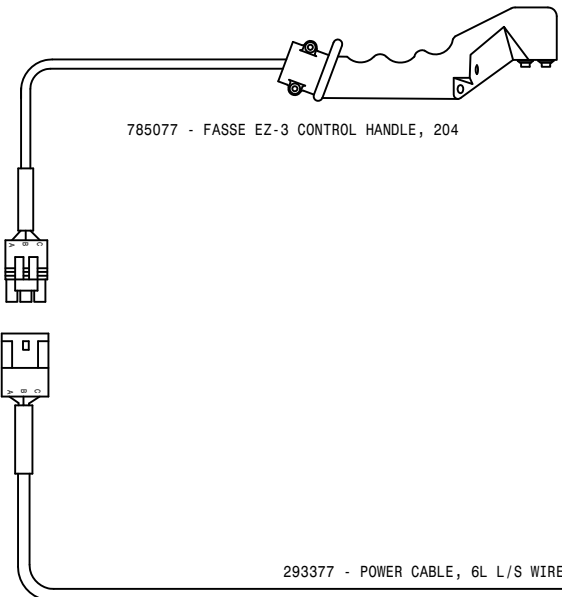
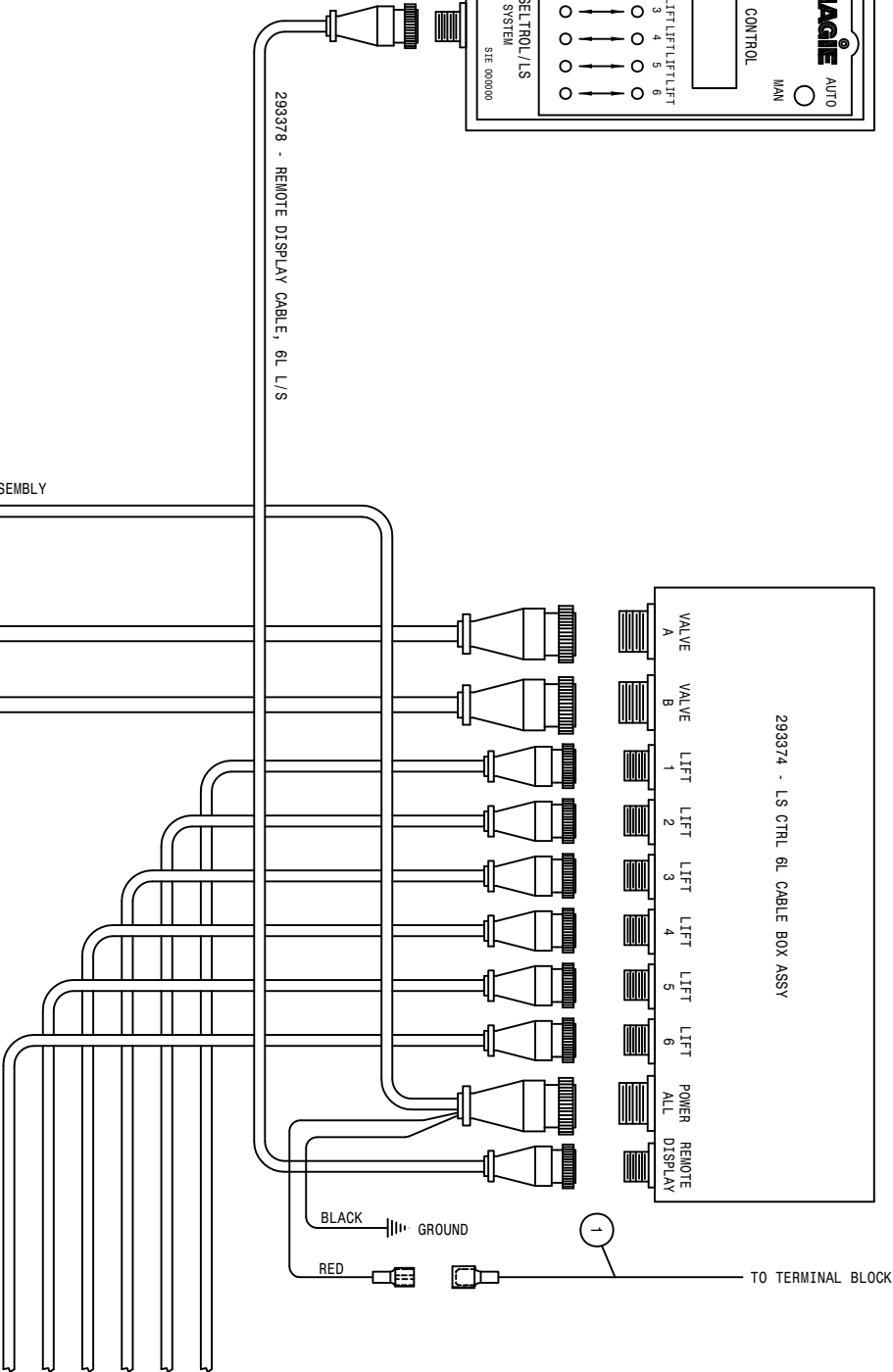
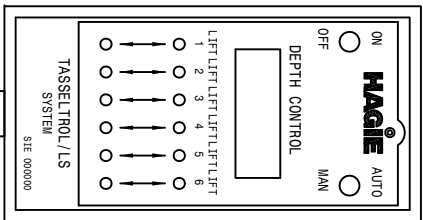
REFER TO SHEET 1 OF 3

2	1	293300	16GA	BLK-291511-291571-18
1	1	293299	16GA	BLK-291511-291571-30
204 CUMM WIRING DIAGRAM 00				
2041				
SHEET 3 OF 3				
REVISION DATE:				
498587				

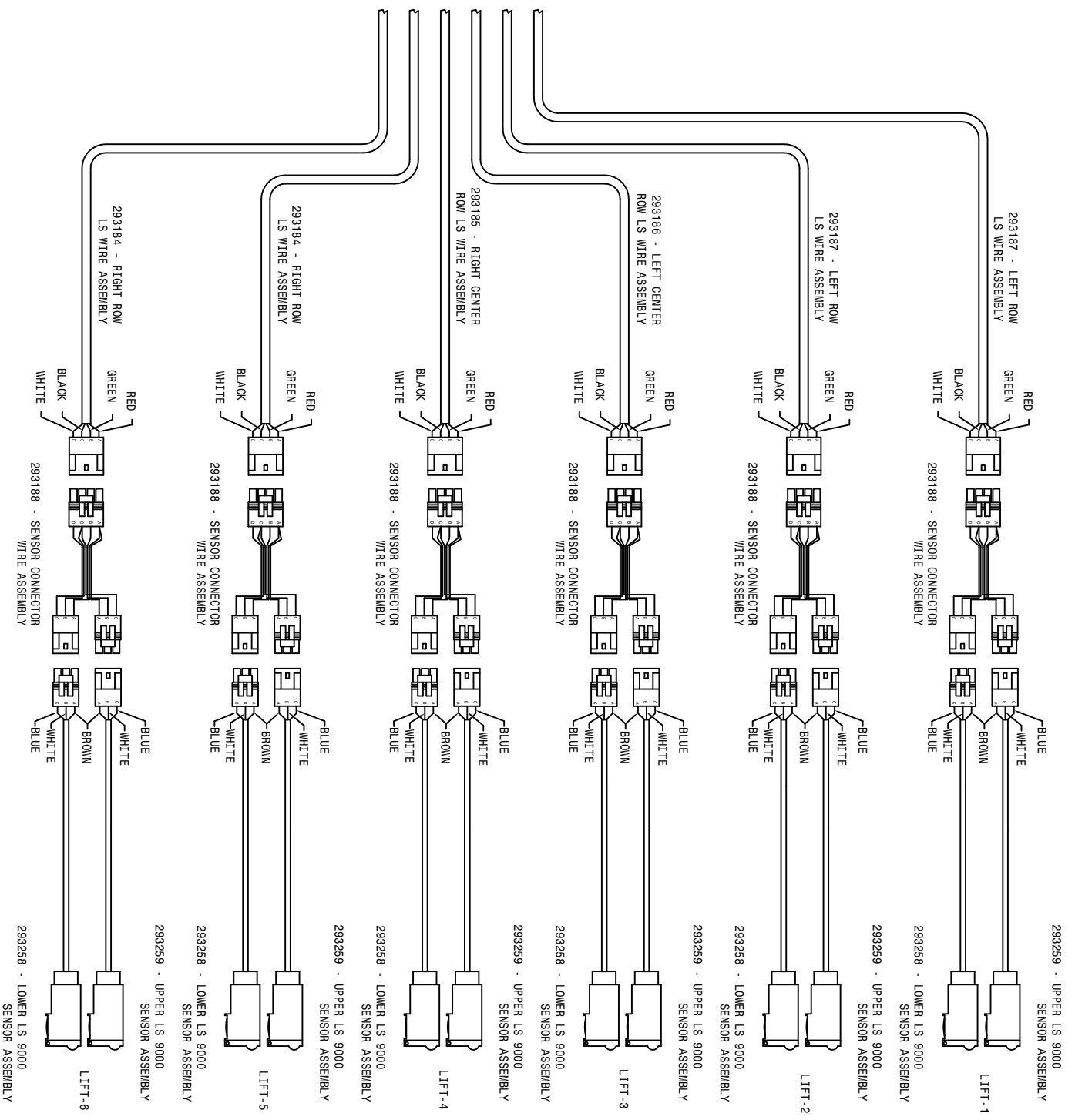




1	1	280029	1804	BLK-293187-293188-44	DESCRIPTION
LEFT	HEAD				
<b>HAGIE</b>					
HAGIE MANUFACTURING COMPANY					
CLANTON, IOWA 50525					
REMOVE ALL SHARP CORNERS & BURRS					
TOLERANCE UNLESS OTHERWISE SPECIFIED					
FINISH	1:112	ORIGINAL	X, XX	1:50	ANGLE: 1:1
DESCRIPTION	US SPS WIRE DIAG, 204 94				
DATE BY	30.94	DATE		SCALE	
DESIGNED BY		APPROVED BY			
DRAWN BY		DATE		ORDERING NUMBER	498454
SHEET	OF				

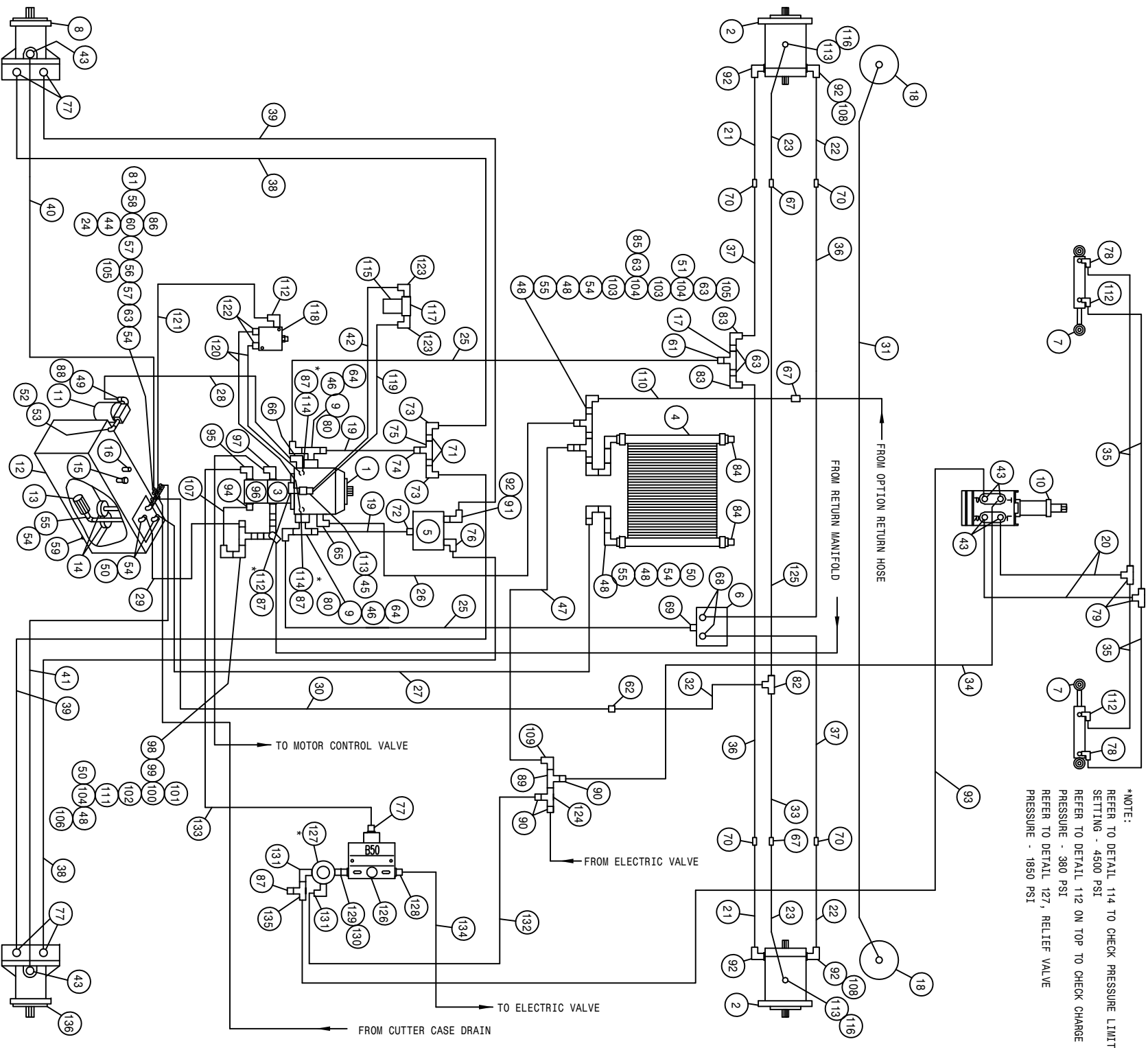






1	293259	UPPER LS 9000 SENSOR ASSEMBLY
1	293258	LOWER LS 9000 SENSOR ASSEMBLY
1	293188	SENSOR CONNECTOR WIRE ASSEMBLY
1	293186	LEFT CENTER ROW LS WIRE ASSEMBLY
1	293187	LEFT ROW LS WIRE ASSEMBLY
1	293185	RIGHT CENTER ROW LS WIRE ASSEMBLY
1	293184	RIGHT ROW LS WIRE ASSEMBLY
1	293259	UPPER LS 9000 SENSOR ASSEMBLY
1	293258	LOWER LS 9000 SENSOR ASSEMBLY
1	293188	SENSOR CONNECTOR WIRE ASSEMBLY
1	293186	LEFT CENTER ROW LS WIRE ASSEMBLY
1	293187	LEFT ROW LS WIRE ASSEMBLY
1	293185	RIGHT CENTER ROW LS WIRE ASSEMBLY
1	293184	RIGHT ROW LS WIRE ASSEMBLY

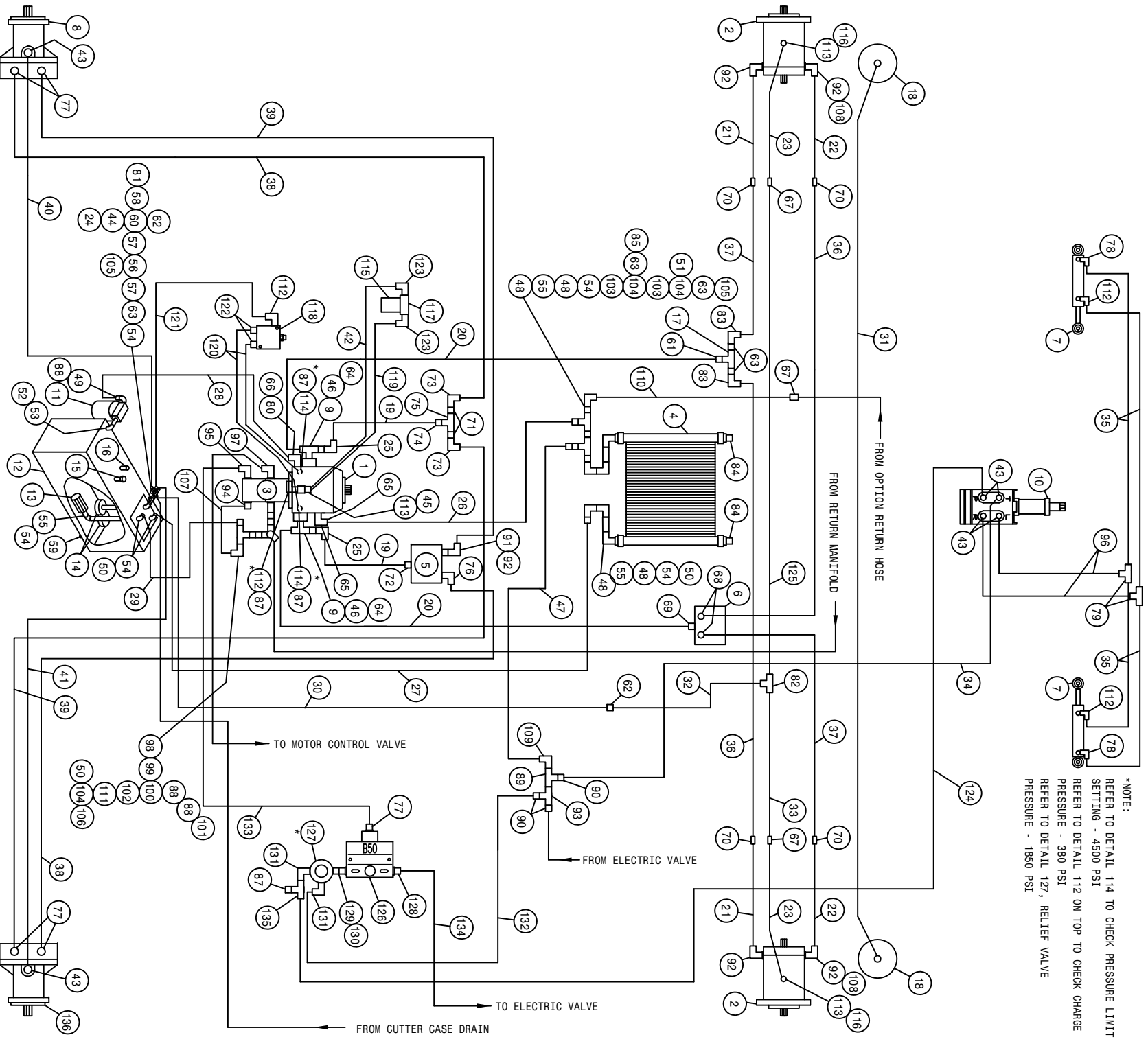
**HAAGLE**  
**MANUFACTURING COMPANY**  
 CARLTON, IOWA 50525  
 REMOVE ALL SHARP CORNERS & BURRS  
 TOLERANCE UNLESS OTHERWISE SPECIFIED  
 FINISHES: 1:100 2:100 3:100 4:100 5:100 6:100 7:100 8:100 9:100 10:100  
 MATERIALS: 1:100 2:100 3:100 4:100 5:100 6:100 7:100 8:100 9:100 10:100  
 DRAWN BY: T. LAMBERG  
 CHECKED BY: J. LAMBERG  
 DATE: 05-01-98  
 SHEET: 02 OF 02  
**498509**



\*NOTE:  
 REFER TO DETAIL 114 TO CHECK PRESSURE LIMIT  
 SETTING - 4500 PSI  
 REFER TO DETAIL 112 ON TOP TO CHECK CHANGE  
 PRESSURE - 380 PSI  
 REFER TO DETAIL 127, RELIEF VALVE  
 PRESSURE - 1850 PSI

204 BASIC MACHINE GMC HYD SCHEMATIC 2000  
REFERENCE DRAWING NO. 498588

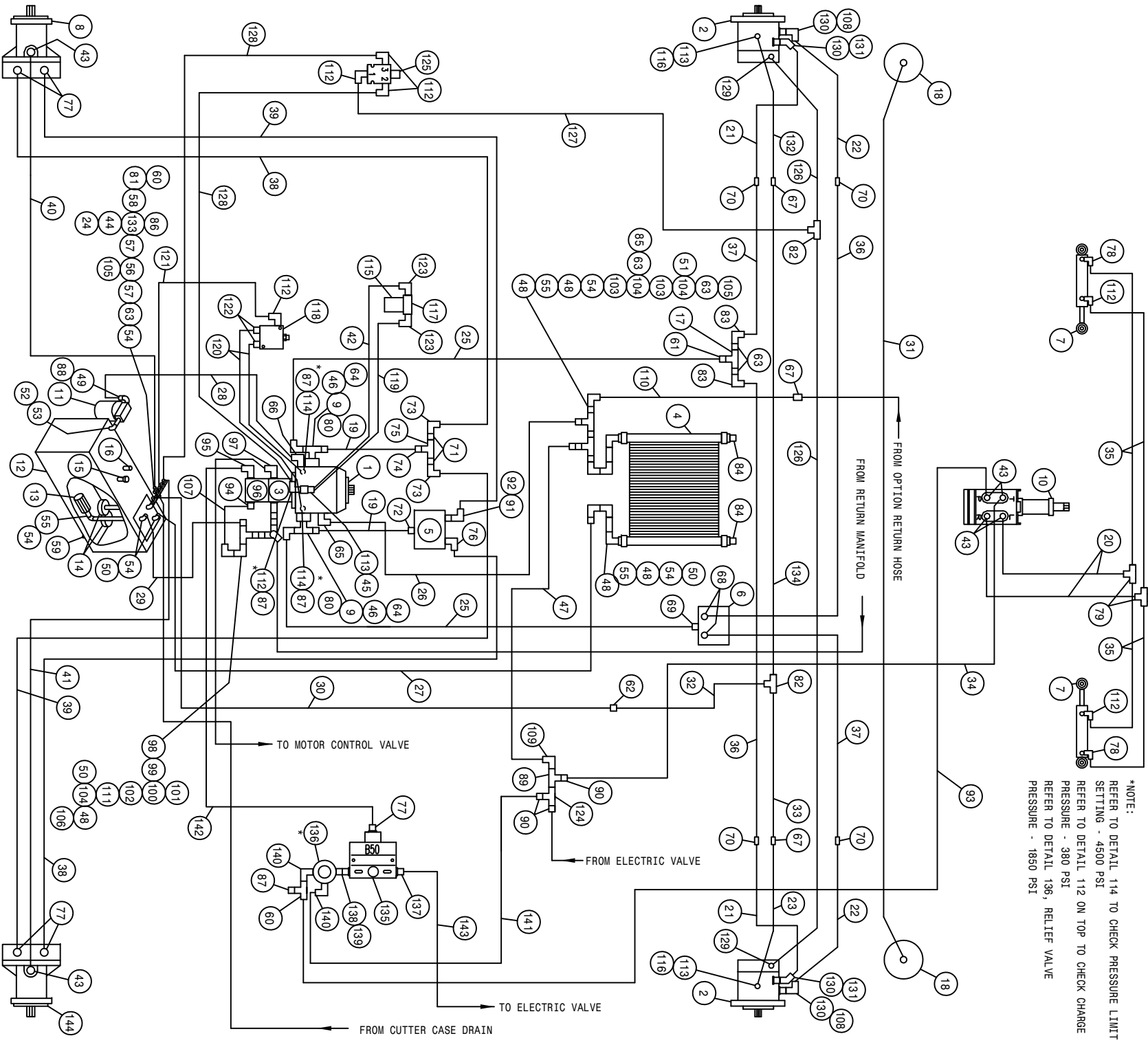
DET.	QTY	PART NO.	DESCRIPTION	DET.	QTY	PART NO.	DESCRIPTION
1	1	606911	SUND 750C PUMP,B-MT W/FILT	69	1	618186	1 5/16MJIC-1 5/16MOR ADPTR
2	2	61057	SUND M35-3102 WHL MTR W/SHFT	70	4	618553	1 1/16MJIC-7/8MJIC REDU UNION
3	1	606894	SUND GEAR PUMP 3.40CI SPLINED	2	505005	RED BUSH 1 TO 1/2	
4	1	618606	OIL COOLER, BLISSFIELD 65027	71	2	618308	1 1/16MJIC-1 5/16MOR ADPTR
5	1	610468	POSTTRACTION VLV MOD CONT 206	72	2	611124	7/8MJIC-90-1/2MNP LBO
6	1	610586	POSTTRACTION VLV,ALUM,88SP60G	73	2	611124	1 1/16MJIC-1MNP ADPTR
7	2	620800	STRG CYL ASSY, 2XX	74	1	618434	1 1/16MJIC-1MNP ADPTR
8	1	610567	SUND M25-3000 WHL MTR 1.5CI	75	1	618575	1MNP PIPE TEE STL
9	2	618598	1" 4-BOLT FLG X 1 5/16 FOR	76	1	618589	7/8MJIC-90-1 5/16MOR LBO
10	1	749150	STRG MTR NON-LOAD REACT 1008	77	5	611126	7/8MJIC-7/8MOR ADPTR
11	1	605601	PARKER FILTER ASSY,10M,1.25NPT	78	2	618425	9/16MJIC-45-9/16MOR LBO
12	1	760097	OIL TANK WLD 8240 1982	79	2	618019	9/16MJIC-90-1 5/16FJ SWIV LBO
13	1	605600	TANK FILTER, 100 MESH,1"FNPT	80	2	618640	9/16MJIC UNION TEE
14	2	605603	LINE SUMP DTEFUSER	81	1	618018	9/16MJIC-1/2MNP ADPTR
15	1	611052	FILLER BREATHER 3/4NPT	82	1	610193	9/16MJIC BLKHD BRANCH TEE
16	1	614453	DIPSTICK, 81N	83	2	618156	7/8MJIC-90-3/4MNP LBO
17	1	614660	1IN STL TEE WLD 280	84	2	505102	PIPE PLUG 1.00NPT SQ HD
18	2	620805	LEG LEVEL CYL ASSY,2.00 X 12.0	85	1	610300	3/4MJIC-3/4MNP ADPTR
19	2	614672	HYD TUBE ASSY, SUND PUMP	86	1	618135	3/4 HOSE BARB-90-3/4MNP
20	2	616028	04C1T-06FJX-06FJX-47	87	4	618531	9/16FJIC CAP NUT
21	2	615659	FRT LEG INNER HYD TUBE,204 94	88	1	506410	BLK PIPE ST EL 90DEG 1.25NPT
22	2	615660	FRT LEG CNTR HYD TUBE,204 94	89	1	618311	3/4MJIC UNION TEE
23	2	615661	FRT LEG OUTER HYD TUBE,204 94	90	3	618482	3/4FJIC-9/16MJIC ADPTR
24	1	618520	1/4MNP RUN TEE-9/16MJIC	91	1	618312	1 5/16MOR-1 1/16FOR ADPTR
25	2	615687	12TWM-16FJX-16 FJBR-122	92	5	618535	7/8MJIC-90-1 1/16MOR LBO
26	1	601395	HOSE, 3/4 X 64 1FBR-1SPI	93	1	616040	04C1T-06FJX-06FJX-67
27	1	601396	HOSE, 1 X 81 1FBR-1SPI	94	1	618075	3/4 HOSE BARB-1 1/16MOR
28	1	601375	HOSE, 1 X 24 1FBR-1SPI	95	1	611128	7/8MJIC-90-7/8MOR LBO
29	1	601377	HOSE, 1 X 48 1FBR-1SPI	96	1	606891	SUND GEAR PMP .52CI SPLINED
30	1	614388	08C1T-08FJX-08FJX-129	97	1	618178	1 5/8MOR-1 1/4FNPT ADPTR
31	1	615614	FRT LEG CYL JUMPER HOSE280	98	1	618596	1 1/4MNP HEX PIPE NIPPLE STL
32	1	614625	06C1T-06FJX-06FJX-30	99	1	507026	1 1/4MNP HEX PIPE NIPPLE STL
33	1	615451	06C1T-06FJX-08FJX-58	100	1	506701	SIDE OUTLET EL 90DEG 1.25NPT
34	1	611204	04C1T-06FJX-06FJX-78	101	1	715660	HOSE BARB 1 1/4NPT X 1 1/4
35	4	614663	04C1T-06FJX-06FJX-16	102	2	506201	1 1/4 TO 1 RED BUSH BLK MAL
36	2	614655	08C2AT-10FJX-12FJX90-70	103	2	505201	BLK PIPE TEE 1.00NPT
37	2	614654	08C2AT-10FJX-12FJX90-60	104	3	505101	BLK PIPE TEE 1.00NPT
38	2	614656	08C2AT-10FJX-10FJX-118	105	2	610305	3/4MJIC-90-3/4MNP LBO
39	2	614657	08C2AT-10FJX-10FJX-125	106	1	716000	3/4 HOSE BARB-90-1MNP
40	1	615449	06C1T-06FJX-06FJX-140	107	1	601383	HOSE, 3/4 X 8 1FBR-1SPI
41	1	615449	06C1T-06FJX-06FJX-126	108	2	618628	7/8MJIC-45-7/8FJIC SWIV LBO
42	1	615633	08C1T-08FJX-08FJX-23	109	1	618609	3/4MJIC-90-3/4FJIC SWIV LBO
43	6	618496	9/16MJIC-45-3/4MOR LBO	110	1	614662	08C1T-08FJX-08FJX-72
44	1	504001	RED BUSH 3/4 X 1/4 BLK MAL	111	1	505105	1MNP HEX PIPE NIPPLE STL
45	1	618183	3/4MJIC-90-7/8MOR LBO	112	4	618119	9/16MJIC-90-9/16MOR LBO
46	2	618599	1 5/16MOR BRANCH TEE-1 5/16MJ	113	3	618327	3/4MJIC-7/8MOR ADPTR
47	1	615465	08C1T-08FJX-08FJX-33	114	2	618629	9/16MOR BRANCH TEE-9/16MJIC
48	5	505200	BLK PIPE ST EL 90DEG 1.00NPT	115	1	605609	HYD FILTER ELEMENT, DONALDSON
49	1	715664	1 1/4 NPT X 1 HOSE BARB	116	2	618590	3/4MJIC-45-3/4FJIC SWIV LBO
50	4	714560	1NPT X 1 HOSE BARB	117	1	605608	HYD FILTER HEAD, DONALDSON
51	1	714331	1 NPT X 3/4 HOSE BARB	118	1	610580	REMOTE FLUSHING VALVE, SUND
52	1	506602	PIPE NIPPLE 1 1/4NPT-2 1/2	119	1	616034	08C1T-08FJX-08FJX-17
53	1	506303	BLK PIPE EL 90DEG 1.25NPT	120	2	616043	04C1T-06FJX-06FJX-23
54	6	505300	BLK PIPE EL 90DEG 1.00NPT	121	2	616048	04C1T-06FJX-06FJX-35
55	3	505203	BLK PIPE NIPPLE 1.00NPT-4.00	122	2	618126	9/16MJIC-9/16MOR ADPTR
56	1	504955	BLK PIPE TEE .75NPT	123	2	618474	3/4MJIC-90-1 1/16MOR LBO
57	2	504702	CLOSE NIPPLE .75NPT	124	1	618451	3/4FJIC SW RUN TEE-3/4MJIC
58	1	504210	RED BUSH 3/4 NPT X 1/2 NPT	125	1	616024	06C1T-06FJX-08FJX-70
59	1	501102	1/4 PIPE PLUG	126	1	607504	FLO DIV B50 2-8GPM 7/8 FOR
60	1	504400	BLK PIPE CROSS .75NPT	127	1	607512	RELIEF VALVE, RL50, 1850 PSI
61	1	618322	1 5/16MJIC-1MNP ADPTR	128	1	618310	9/16MJIC-7/8MOR ADPTR
62	1	618511	3/4MJIC-9/16MJIC REDU UNION	129	1	500000	1/2MNP HEX PIPE NIPPLE STL
63	5	505213	RED BUSH 1 X 3/4 BLK MAL	130	2	618107	7/8MOR-1/2FNPT ADPTR
64	2	618541	1 5/16FJIC-1 1/16MJIC ADPTR	131	2	618072	9/16MJIC-90-1/2MNP LBO
65	1	618118	3/4 HOSE BARB-90-1 1/16MOR	132	1	616042	04C1T-06FJX-06FJX-13
66	1	618564	1IN HOSE BARB-90-1 5/16MOR	133	1	614664	10C1T-10FJX-10FJX-98
67	3	618314	3/4MJIC UNION	134	1	615616	04C1T-06FJX-06FJX-65
68	2	618601	7/8MJIC-1 5/16MOR ADPT	135	1	618486	9/16FJIC SW RUN TEE-9/16MJIC
				136	1	610721	SUND M25-3000 WHL MTR W/SENSOR



\*NOTE:  
 REFER TO DETAIL 114 TO CHECK PRESSURE LIMIT  
 SETTING - 4500 PSI  
 REFER TO DETAIL 112 ON TOP TO CHECK CHARGE  
 PRESSURE - 380 PSI  
 REFER TO DETAIL 127, RELIEF VALVE  
 PRESSURE - 1850 PSI

204 BASIC MACHINE CUMM HYD SCHEMATIC 2000  
REFERENCE DRAWING NO. 498589

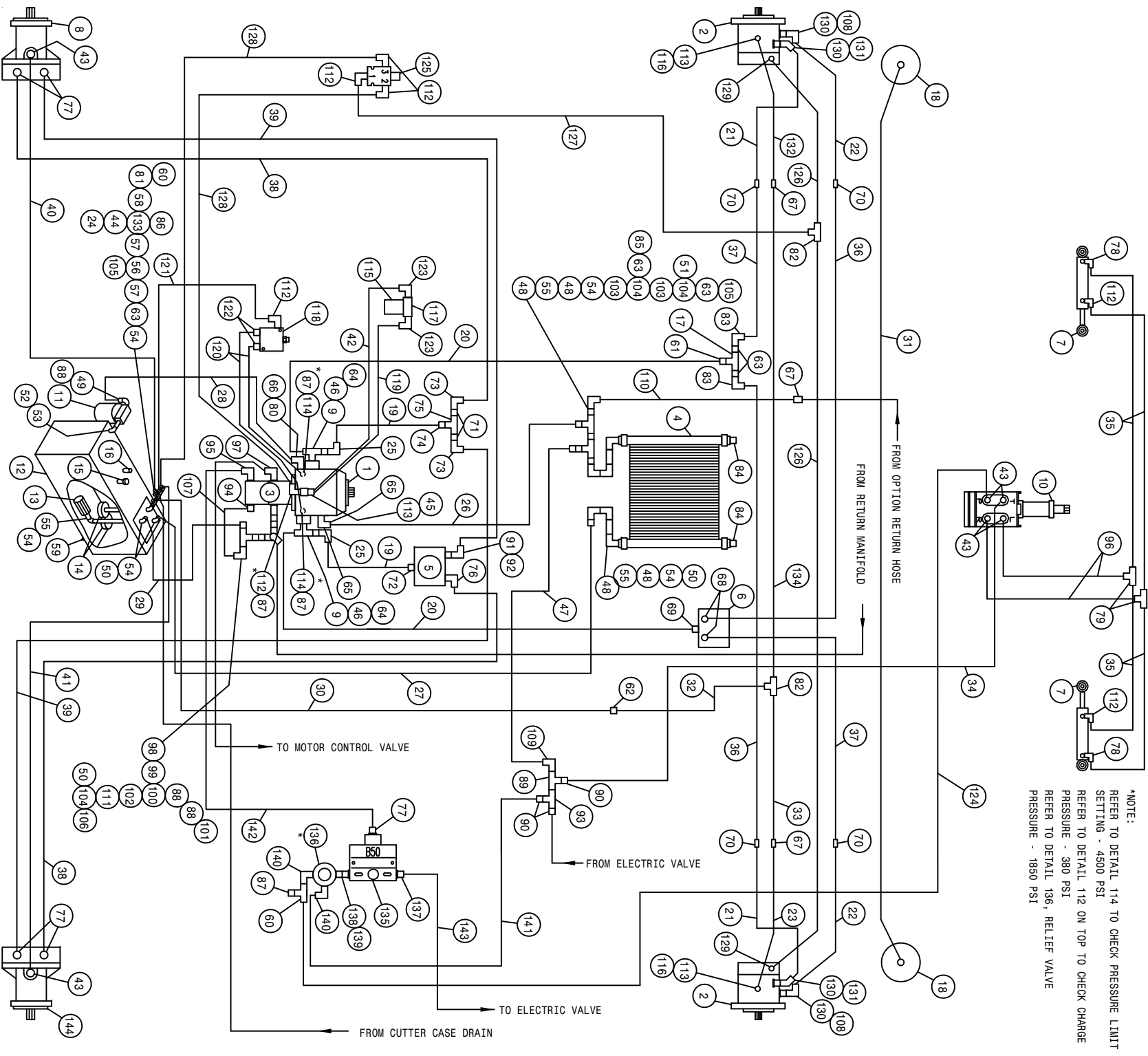
DET.	QTY	PART NO.	DESCRIPTION	DET.	QTY	PART NO.	DESCRIPTION
1	1	606902	SUND 100CC PUMP,B-MT W/FILT	69	1	618186	1 5/16MJIC-1 5/16MOR ADPTR
2	2	610577	SUND M35-3102 WHL MTR W/SHFT	70	4	618553	1 1/16MJIC-7/8MJIC REDU UNION
3	1	606937	TANDEM PUMP, 606929 & 606938	71	2	505005	RED BUSH 1 TO 1/2
4	1	618606	OIL COOLER, BLISSFIELD 65027	72	1	618308	1 1/16MJIC-1 5/16MOR ADPTR
5	1	610468	POSTTRACTION VLV MOD CONT 20G	73	2	611124	7/8MJIC-90-1/2MNP LBO
6	1	610586	POSTTRACTION VLV,ALUM,885P60G	74	1	618434	1 1/16MJIC-1MNP ADPTR
7	2	620800	STRG CYL ASSY, 2XX	75	1	618575	1MNP PIPE TEE STL
8	1	610567	SUND M25-3000 WHL MTR 1.5CI	76	1	618589	7/8MJIC-90-1 5/16MOR LBO
9	2	618598	1" 4-BOLT FLG X 5/16 FOR	77	5	611126	7/8MJIC-7/8MOR ADPTR
10	2	749150	STRG MTR NON-LOAD REACT 1008	78	2	618425	9/16MJIC-45-9/16MOR LBO
11	1	605601	PARKER FILTER ASSY,10M,1.25NPT	79	2	618019	9/16MJIC UNION TEE
12	1	760097	OIL TANK WLD 8240 1982	80	1	618639	1 5/8MOR-1 5/16FOR ADPTR
13	1	605600	TANK FILTER, 100 MESH,1"FNPT	81	1	618018	9/16MJIC-1/2MNP ADPTR
14	2	605603	LINE SUMP DIFFUSER	82	1	610193	9/16MJIC BLKHD BRANCH TEE
15	1	611052	FILLER BREATHER 3/4MPT	83	2	618156	7/8MJIC-90-3/4MNP LBO
16	1	614453	DIPSTICK, 8IN	84	2	505102	PIPE PLUG 1.00NPT SQ HD
17	1	614660	1IN STL TEE WLD 280	85	1	610300	3/4MJIC-3/4MNP ADPTR
18	2	620805	LEG LEVEL CYL ASSY,2.00 X 12.0	86	1	618135	3/4 HOSE BARB-90-3/4MNP
19	2	614707	HYD TUBE ASSY,SUND,200 DIESEL	87	4	618531	9/16FJIC CAP NUT
20	2	615634	12TMM-16FJX-16FJX-123	88	3	506410	BLK PIPE ST EL 90DEG 1.25NPT
21	2	615659	FRT LEG INNER HYD TUBE,204 94	89	1	618311	3/4MJIC UNION TEE
22	2	615660	FRT LEG CNTR HYD TUBE,204 94	90	3	618482	3/4FJIC-9/16MJIC ADPTR
23	2	615661	FRT LEG OUTER HYD TUBE,204 94	91	1	618312	1 5/16MOR-1 1/16FOR ADPTR
24	1	618520	1/4MNP RUN TEE-9/16MJIC	92	5	618535	7/8MJIC-90-1 1/16MOR LBO
25	2	618191	1 1/16MJ-90-1 1/16FJ SWIV LBO	93	1	618451	3/4FJIC SW RUN TEE-3/4MJIC
26	1	601395	HOSE, 3/4 X 64 1FBR-1SPI	94	1	618075	3/4 HOSE BARB-1 1/16MOR
27	1	601396	HOSE, 1 X 81 1FBR-1SPI	95	1	611128	7/8MJIC-90-7/8MOR LBO
28	1	601376	HOSE, 1 X 29 1FBR-1SPI	96	2	616028	04CIT-06FJX-06FJX-47
29	1	601377	HOSE, 1 X 48 1FBR-1SPI	97	1	618178	1 5/16MJIC-90-1 5/16MOR LBO
30	1	614388	08CIT-08FJX-08FJX-129	98	1	618596	1 5/8MOR-1 1/4FNPT ADPTR
31	1	615614	FRT LEG CYL JUMPER HOSE280	99	1	507026	1 1/4MNP HEX PIPE NIPPLE STL
32	1	614625	06CIT-06FJX-06FJX-30	100	1	506701	SIDE OUTLET EL 90DEG 1.25NPT
33	1	615451	06CIT-06FJX-08FJX-58	101	1	715660	HOSE BARB 1 1/4NPT X 1 1/4
34	1	611204	04CIT-06FJX-06FJX-78	102	1	506005	1 1/4 TO 1 RED BUSH BLK MAL
35	4	614663	04CIT-06FJX-06FJX-16	103	2	505201	CLOSE NIPPLE 1.00NPT
36	2	614655	08C2AT-10FJX-12FJX90-70	104	3	505101	BLK PIPE TEE 1.00NPT
37	2	614654	08C2AT-10FJX-10FJX-60	105	2	610305	3/4MJIC-90-3/4MNP LBO
38	2	614656	08C2AT-10FJX-10FJX-118	106	1	716000	3/4 HOSE BARB-90-1MNP
39	2	614657	08C2AT-10FJX-10FJX-125	107	1	601399	HOSE, 3/4 X 13 1FBR-1SPI
40	1	614549	06CIT-06FJX-06FJX-140	108	2	618628	7/8MJIC-45-7/8FJIC SWIV LBO
41	1	615449	06CIT-06FJX-06FJX-126	109	1	618609	3/4MJIC-90-3/4FJIC SWIV LBO
42	1	615633	08CIT-08FJX-08FJX-23	110	1	614662	08CIT-08FJX-08FJX-72
43	6	618496	9/16MJIC-45-3/4MOR LBO	111	1	505105	1MNP HEX PIPE NIPPLE STL
44	1	504001	RED BUSH 3/4 X 1/4 BLK MAL	112	4	618119	9/16MJIC-90-9/16MOR LBO
45	1	618183	3/4MJIC-90-7/8MOR LBO	113	3	618327	3/4MJIC-7/8MOR ADPTR
46	2	618599	1 5/16MOR BRANCH TEE-1 5/16MJ	114	2	618629	9/16MOR BRANCH TEE-9/16MJIC
47	1	615465	08CIT-08FJX-08FJX-33	115	1	605609	HYD FILTER ELEMENT, DONALDSON
48	4	505200	BLK PIPE ST EL 90DEG 1.00NPT	116	2	618590	3/4MJIC-45-3/4FJIC SWIV LBO
49	1	715664	1 1/4 NPT X 1 HOSE BARB	117	1	605608	HYD FILTER HEAD, DONALDSON
50	4	714560	1NPT X 1 HOSE BARB	118	1	610580	REMOTE FLUSHING VALVE, SUND
51	1	714331	1 NPT X 3/4 HOSE BARB	119	1	616034	08CIT-08FJX-08FJX-17
52	1	506602	PIPE NIPPLE 1 1/4NPT-2 1/2	120	2	616043	04CIT-06FJX-06FJX-23
53	1	506303	BLK PIPE EL 90DEG 1.25NPT	121	1	616048	04CIT-06FJX-06FJX-35
54	6	505300	BLK PIPE EL 90DEG 1.00NPT	122	2	618126	9/16MJIC-9/16MOR ADPTR
55	3	505203	BLK PIPE NIPPLE 1.00NPT-4.00	123	2	618474	3/4MJIC-90-1 1/16MOR LBO
56	1	504955	BLK PIPE TEE .75NPT	124	1	616040	04CIT-06FJX-06FJX-67
57	2	504702	CLOSE NIPPLE .75NPT	125	1	616024	06CIT-06FJX-08FJX-70
58	1	504210	RED BUSH 3/4 NPT X 1/2 NPT	126	1	607504	FLO DIV B50 2-8GPM 7/8 FOR
59	1	501102	1/4 PIPE PLUG	127	1	607512	RELIEF VALVE, RL50, 1850 PSI
60	1	504400	BLK PIPE CROSS .75NPT	128	1	618310	9/16MJIC-7/8MOR ADPTR
61	1	618322	1 5/16MJIC-1MNP ADPTR	129	1	500000	1/2MNP HEX PIPE NIPPLE STL
62	1	618551	3/4MJIC-9/16MJIC REDU UNION	130	1	618072	7/8MOR-1/2FNPT ADPTR
63	5	505213	RED BUSH 1 X 3/4 BLK MAL	131	2	618107	9/16MJIC-90-1/2MNP LBO
64	2	618541	1 5/16FJIC-1 1/16MJIC ADPTR	132	1	616042	04CIT-06FJX-06FJX-13
65	1	618118	3/4 HOSE BARB-90-1 1/16MOR	133	1	614664	10CIT-10FJX-10FJX-98
66	1	618638	1IN HOSE BARB-45-1 5/16MOR	134	1	615616	04CIT-06FJX-06FJX-65
67	3	618314	3/4MJIC UNION	135	1	618486	9/16FJIC SW RUN TEE-9/16MJIC
68	2	618601	7/8MJIC-1 5/16MOR ADPT	136	1	610721	SUND M25-3000 WHL MTR W/SENSOR



\*NOTE:  
 REFER TO DETAIL 114 TO CHECK PRESSURE LIMIT  
 SETTING - 4500 PSI  
 REFER TO DETAIL 112 ON TOP TO CHECK CHANGE  
 PRESSURE - 380 PSI  
 REFER TO DETAIL 136, RELIEF VALVE  
 PRESSURE - 1850 PSI

2041 BASIC MACHINE GMC HYD SCHEMATIC 2000  
REFERENCE DRAWING NO. 498590

DET.	QTY	PART NO.	DESCRIPTION	DET.	QTY	PART NO.	DESCRIPTION
1	1	606911	SUND 75CC PUMP-B-MT W/FILT	73	2	611124	7/8MJC-90-1/2MNP LBO
2	1	610717	TORQ HUB,24:1 W/M1 INTEGRATED	74	1	618434	1 1/16MJC-1MNP ADPTR
3	1	606894	SUND GEAR PUMP 3.40CI SPLINED	75	1	618575	1NPT PIPE TEE STL
4	1	618606	OIL COOLER, BLISSFIELD 65027	76	1	618589	7/8MJC-90-1 5/16MOR LBO
5	1	610468	POSITRACTION VLV MOD CONT 20G	77	5	611126	7/8MJC-7/8MOR ADPTR
6	1	610586	POSITRACTION VLV,ALUM,885P60G	78	2	618425	9/16MJC-45-9/16MOR LBO
7	2	620800	STRG CYL ASSY, 2XX	79	2	618019	9/16MJC UNION TEE
8	1	610567	SUND M25-3000 WHL MTR 1.5CI	80	2	618640	1 5/16M3-90-1 5/16FJ SWIV LBO
9	2	618598	1" 4-BOLT FLG X 1 5/16 FOR	81	1	618018	9/16MJC-1/2MNP ADPTR
10	1	749150	STRG MTR NON-LOAD REACT 1008	82	2	610193	9/16MJC BLKHD BRANCH TEE
11	1	605601	PARKER FILTER ASSY,10M,1.25NPT	83	2	618156	7/8MJC-90-3/4MNP LBO
12	1	760097	OIL TANK WLD 8240 1982	84	2	505102	PIPE PLUG 1.00NPT SQ HD
13	1	605600	TANK FILTER, 100 MESH,1"FNPT	85	1	610300	3/4MJC-3/4MNP ADPTR
14	2	605603	LINE SUMP DIFFUSER	86	1	618135	3/4 HOSE BARB-90-3/4MNP
15	1	611052	FILLER BREATHER 3/4NPT	87	4	618531	9/16FJIC CAP NUT
16	1	614453	DIPSTICK, 8IN	88	1	506410	BLK PIPE ST EL 90DEG 1.25NPT
17	1	614660	1IN STL TEE WLD 280	89	1	618311	3/4MJC UNION TEE
18	2	620805	LEG LEVEL CYL ASSY,2.00 X 12.0	90	3	618482	3/4FJIC-9/16MJC ADPTR
19	2	614672	HYD TUBE ASSY, SUND PUMP	91	1	618312	1 5/16MOR-1 1/16FOR ADPTR
20	2	616028	04CIT-06FJX-06FJX-47	92	1	618335	7/8MJC-90-1 1/16MOR LBO
21	2	615751	FRT LEG CNTR HYD TUBE, 204 W/M1	93	1	616040	04CIT-06FJX-06FJX-67
22	2	615750	FRT LEG CNTR HYD TUBE, 204 W/M1	94	1	618075	3/4 HOSE BARB-1 1/16MOR
23	1	615748	RH FRT INNER HYD TUBE, 204 W/M1	95	1	611128	7/8MJC-90-7/8MOR LBO
24	1	618520	1/4MNP RUN TEE-9/16MJC	96	1	606891	SUND GEAR PMP .52CI SPLINED
25	2	615687	12TWM-16FJX-16FJX-122	97	1	618178	1 5/16MJC-90-1 5/16MOR LBO
26	1	601395	HOSE, 3/4 X 64 1FBR-1SPI	98	1	618596	1 5/8MOR-1 1/4FNPT ADPTR
27	1	601396	HOSE, 1 X 81 1FBR-1SPI	99	1	507026	1 1/4MNP HEX PIPE NIPPLE STL
28	1	601375	HOSE, 1 X 24 1FBR-1SPI	100	1	506701	SIDE OUTLET EL 90DEG 1.25NPT
29	1	601377	HOSE, 1 X 48 1FBR-1SPI	101	1	715660	HOSE BARB 1 1/4NPT X 1 1/4
30	1	614388	08CIT-08FJX-08FJX-129	102	1	506005	1 1/4 TO 1 RED BUSH BLK MAL
31	1	615614	FRT LEG CYL JUMPER HOSE280	103	2	505201	BLK PIPE TEE 1.00NPT
32	1	614625	06CIT-06FJX-06FJX-30	104	3	505101	BLK PIPE TEE 1.00NPT
33	1	615451	06CIT-06FJX-08FJX-58	105	2	610305	3/4MJC-90-3/4MNP LBO
34	1	611204	04CIT-06FJX-06FJX-78	106	1	716000	3/4 HOSE BARB-90-1MNP
35	4	614663	04CIT-06FJX-06FJX-16	107	1	601383	HOSE, 3/4 X 8 1FBR-1SPI
36	2	614655	08C2AT-10FJX-12FJX90-70	108	2	618301	7/8MJC-90-7/8FJIC SWIV LBO
37	2	614654	08C2AT-10FJX-12FJX90-60	109	1	618609	3/4MJC-90-3/4FJIC SWIV LBO
38	2	614656	08C2AT-10FJX-10FJX-118	110	1	614662	08CIT-08FJX-08FJX-72
39	2	614657	08C2AT-10FJX-10FJX-125	111	1	505105	1MNP HEX PIPE NIPPLE STL
40	1	615449	06CIT-06FJX-06FJX-140	112	7	618119	9/16MJC-90-9/16MOR LBO
41	1	615449	06CIT-06FJX-06FJX-126	113	3	618327	3/4MJC-7/8MOR ADPTR
42	1	615633	08CIT-08FJX-08FJX-23	114	2	618629	9/16MOR BRANCH TEE-9/16MJC
43	6	618496	9/16MJC-45-3/4MOR LBO	115	2	610580	HYD FILTER ELEMENT, DONALDSON
44	1	504001	RED BUSH 3/4 X 1/4 BLK MAL	116	2	618609	3/4MJC-90-3/4FJIC SWIV LBO
45	1	618183	3/4MJC-90-7/8MOR LBO	117	1	605608	HYD FILTER HEAD, DONALDSON
46	1	618599	1 5/16MOR BRANCH TEE-1 5/16M3	118	1	610380	REMOTE FLUSHING VALVE, SUND
47	1	615465	08CIT-08FJX-08FJX-33	119	2	616043	04CIT-06FJX-06FJX-23
48	5	505200	BLK PIPE ST EL 90DEG 1.00NPT	120	2	616048	04CIT-06FJX-06FJX-35
49	1	715664	1 1/4 NPT X 1 HOSE BARB	121	1	616048	04CIT-06FJX-06FJX-35
50	4	714560	1NPT X 1 HOSE BARB	122	2	618126	9/16MJC-9/16MOR ADPTR
51	1	714331	1NPT X 3/4 HOSE BARB	123	2	618474	3/4MJC-90-1 1/16MOR LBO
52	1	506602	PIPE NIPPLE 1 1/4NPT-2 1/2	124	1	618451	3/4FJIC SW RUN TEE-3/4MJC
53	1	506303	BLK PIPE EL 90DEG 1.25NPT	125	1	601318	HOSE, 1 X 254 1BR BLK EPDM
54	6	505300	BLK PIPE EL 90DEG 1.00NPT	126	2	614101	04CIT-06FJX-06FJX-133
55	3	505203	BLK PIPE NIPPLE 1.00NPT-4.00	127	1	611246	04CIT-06FJX-06FJX-174
56	1	504955	BLK PIPE TEE .75NPT	128	2	616056	04CIT-06FJX-06FJX-32
57	2	504702	CLOSE NIPPLE .75NPT	129	2	618304	9/16MJC-7/16MOR ADPTR
58	1	504210	RED BUSH 3/4 NPT X 1/2 NPT	130	4	618309	7/8MJC-1 1/16MOR ADPTR
59	1	501102	1/4 PIPE PLUG	131	2	618628	7/8MJC-45-7/8FJIC SWIV LBO
60	2	618486	9/16FJIC SW RUN TEE-9/16MJC	132	1	615749	LH FRT INNER HYD TUBE,204 W/M1
61	1	618322	1 5/16MJC-1MNP ADPTR	133	1	504400	BLK PIPE CROSS .75NPT
62	1	618551	3/4MJC-9/16MJC REDU UNION	134	1	616024	06CIT-06FJX-08FJX-70
63	5	505213	RED BUSH 1 X 3/4 BLK MAL	135	1	607504	FLO DIV B50 2-8GPM 7/8 FOR
64	2	618541	1 5/16FJIC-1 1/16MJC ADPTR	136	1	607512	RELIEF VALVE, RL50, 1850 PSI
65	1	618118	3/4 HOSE BARB-90-1 1/16MOR	137	1	618310	9/16MJC-7/8MOR ADPTR
66	1	618564	1IN HOSE BARB-90-1 5/16MOR	138	1	500000	1/2MNP HEX PIPE NIPPLE STL
67	3	618314	3/4MJC UNION	139	1	618072	7/8MOR-1/2NPT ADPTR
68	2	618601	7/8MJC-1 5/16MOR ADPT	140	2	618107	9/16MJC-90-1/2MNP LBO
69	1	618186	1 5/16MJC-1 5/16MOR ADPTR	141	1	616042	04CIT-06FJX-06FJX-13
70	4	618553	1 1/16MJC-7/8MJC REDU UNION	142	1	614664	10CIT-10FJX-10FJX-98
71	2	505005	RED BUSH 1 TO 1/2	143	1	615616	04CIT-06FJX-06FJX-65
72	1	618308	1 1/16MJC-1 5/16MOR ADPTR	144	1	610721	SUND M25-3000 WHL MTR W/SENSOR

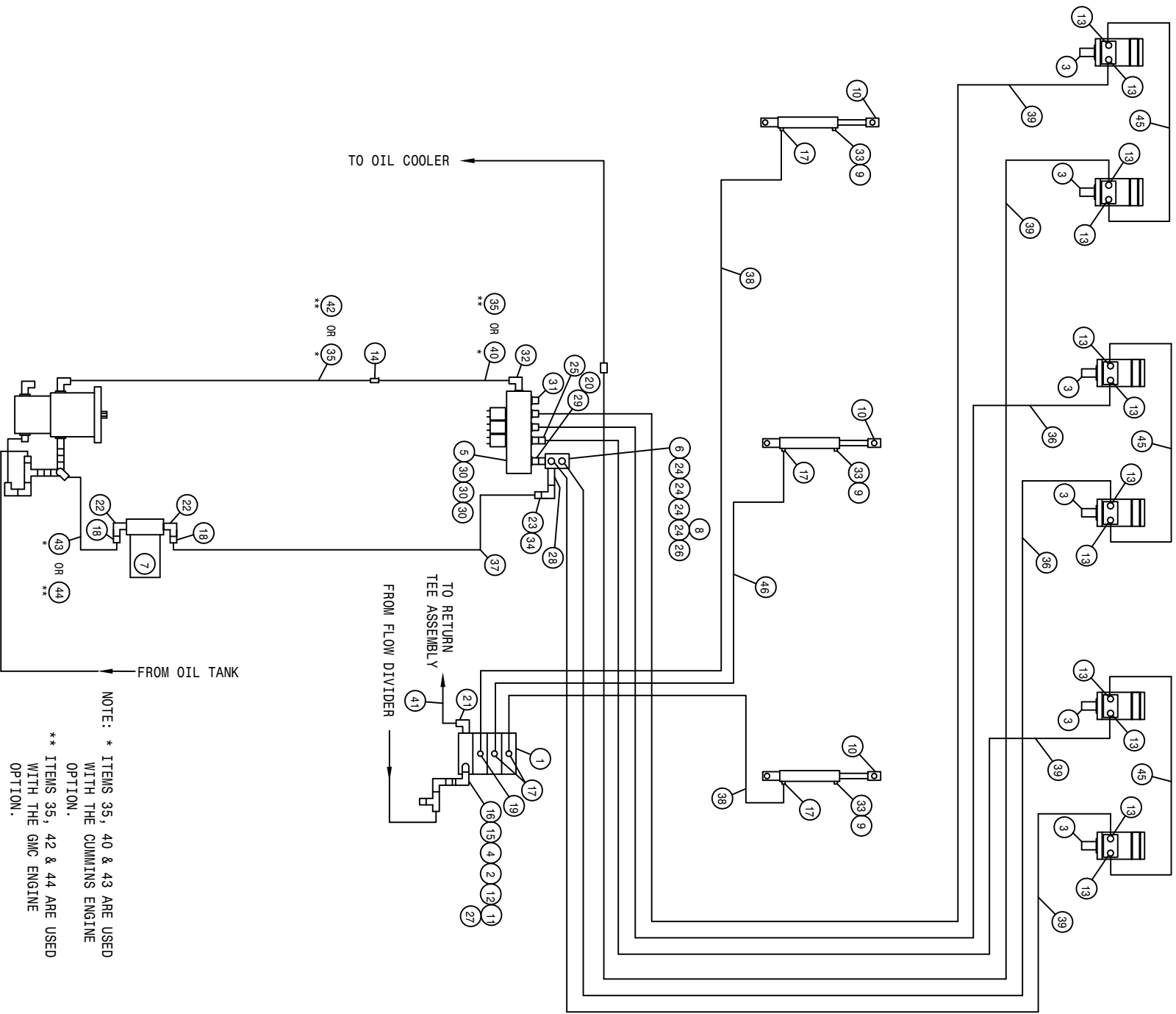


\*NOTE:  
 REFER TO DETAIL 114 TO CHECK PRESSURE LIMIT  
 SETTING - 4500 PSI  
 REFER TO DETAIL 112 ON TOP TO CHECK CHARGE  
 PRESSURE - 380 PSI  
 REFER TO DETAIL 136, RELIEF VALVE  
 PRESSURE - 1850 PSI



2041 BASIC MACHINE CUMM HYD SCHEMATIC 2000  
REFERENCE DRAWING NO. 498591

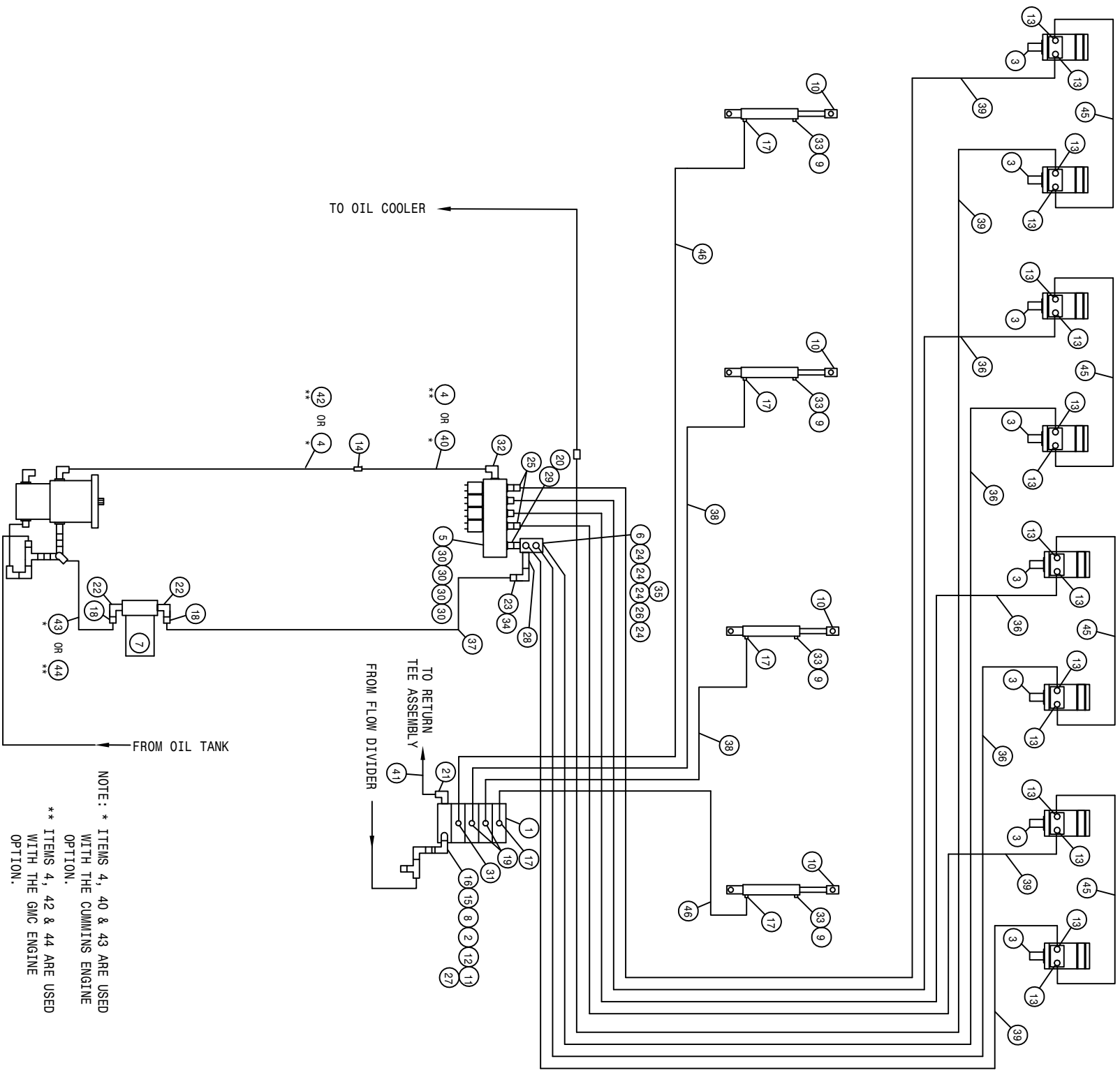
DET.	QTY	PART NO.	DESCRIPTION	DET.	QTY	PART NO.	DESCRIPTION
1	1	606902	SUND 100CC PUMP, B-MT W/FILT	73	2	611124	7/8MJC-90-1/2MNP LBO
2	2	610717	TORQ HUB, 24-1 W/M1 INTEGRATED	74	1	618434	1 1/16MJC-1MNP ADPTR
3	1	606937	TANDEM PUMP, 606929 & 606938	75	1	618575	1FNPT PIPE TEE STL
4	1	619860	OIL COOLER, BLISSFIELD 65027	76	1	618589	7/8MJC-90-1 5/16MOR LBO
5	1	610468	POSTTRACTION VLV MOD CONT 206	77	5	611126	7/8MJC-7/8MOR ADPTR
6	1	610586	POSTTRACTION VLV, ALUM, 885P606	78	2	618425	9/16MJC-45-9/16MOR LBO
7	2	620800	STRG CYL ASSY, 2XX	79	2	618019	9/16MJC UNION TEE
8	1	610567	SUND M25-3000 WHL MTR 1.5CI	80	1	618639	1 5/8MOR-1 5/16FOR ADPTR
9	2	618598	1" 4-BOLT FLG X 1 5/16 FOR	81	1	618018	9/16MJC-1/2MNP ADPTR
10	1	749150	STRG MTR NON-LOAD REACT 1008	82	2	610193	9/16MJC BLKHD BRANCH TEE
11	1	605601	PARKER FILTER ASSY, 10M, 1.25NPT	83	2	618156	7/8MJC-90-3/4MNP LBO
12	1	760097	OIL TANK WLD 8240 1982	84	2	505102	PIPE PLUG 1.00NPT SQ HD
13	2	605603	TANK FILTER, 100 MESH, 1"FNPT	85	1	610300	3/4 HOSE BARB-90-3/4MNP
14	2	605603	LINE SUMP DIFEUSER	86	1	618135	3/4 HOSE BARB-90-3/4MNP
15	1	611052	FILLER BREATHER 3/4MPT	87	4	618531	9/16FJIC CAP NUT
16	1	614453	DIPSTICK, 81N	88	3	506410	BLK PIPE ST EL 90DEG 1.25NPT
17	1	614660	1IN STL TEE WLD 280	89	1	618311	3/4MJC UNION TEE
18	2	620805	LEG LEVEL CYL ASSY, 2.00 X 12.0	90	3	618482	3/4FJIC-9/16MJC ADPTR
19	2	614707	HYD TUBE ASSY, SUND, 200 DIESEL	91	1	618512	1 5/16MOR-1 1/16FOR ADPTR
20	2	615634	12TMM-16FJX-16FJX-123	92	1	618535	7/8MJC-90-1 1/16MOR LBO
21	2	615751	FRT LEG OUTFR HYD TUBE, 204 W/M1	93	1	618451	3/4FJIC SW RUN TEE-3/4MJC
22	2	615750	FRT LEG CNTR HYD TUBE, 204 W/M1	94	1	618075	3/4 HOSE BARB-1 1/16MOR
23	1	615748	RH FRT INNER HYD TUBE, 204 W/M1	95	1	611128	7/8MJC-90-7/8MOR LBO
24	1	618520	1/4MNP RUN TEE-9/16MJC	96	2	616028	04C1T-06FJX-06FJX-47
25	2	618191	1 1/16MJC-90-1 1/16FJ SWIV LBO	97	1	618178	1 5/16MJC-90-1 5/16MOR LBO
26	1	601395	HOSE, 3/4 X 64 1FRB-1SPI	98	1	618596	1 5/8MOR-1 1/4FNPT ADPTR
27	1	601396	HOSE, 1 X 81 1FRB-1SPI	99	1	507026	1 1/4MNP HEX PIPE NIPPLE STL
28	1	601376	HOSE, 1 X 29 1FRB-1SPI	100	1	506701	SIDE OUTLET EL 90DEG 1.25NPT
29	1	601377	HOSE, 1 X 48 1FRB-1SPI	101	1	715660	HOSE BARB 1 1/4NPT X 1 1/4
30	1	614388	08C1T-08FJX-08FJX-129	102	1	506005	1 1/4 TO 1 RED BUSH BLK MAL
31	1	615614	FRT LEG CYL JUMPER HOSE280	103	2	505201	CLOSE NIPPLE 1.00NPT
32	1	614625	06C1T-06FJX-06FJX-30	104	3	505101	BLK PIPE TEE 1.00NPT
33	1	615451	06C1T-06FJX-08FJX-58	105	2	610305	3/4MJC-90-3/4MNP LBO
34	1	611204	04C1T-06FJX-06FJX-78	106	1	716000	3/4 HOSE BARB-90-1MNP
35	4	614663	08C2AT-10FJX-12FJX90-70	107	1	6101399	HOSE, 3/4 X 13 1FRB-1SPI
36	2	614655	08C2AT-10FJX-12FJX90-60	108	2	618301	7/8MJC-90-7/8FJIC SWIV LBO
37	2	614654	08C2AT-10FJX-12FJX90-60	109	1	618609	3/4MJC-90-3/4FJIC SWIV LBO
38	2	614656	08C2AT-10FJX-10FJX-118	110	1	614662	08C1T-08FJX-08FJX-72
39	2	614657	08C2AT-10FJX-10FJX-125	111	1	505105	1MNP HEX PIPE NIPPLE STL
40	1	614549	06C1T-06FJX-06FJX-140	112	7	618119	9/16MJC-90-9/16MOR LBO
41	1	615449	06C1T-06FJX-06FJX-126	113	3	618327	3/4MJC-7/8MOR ADPTR
42	1	615633	08C1T-08FJX-08FJX-23	114	2	618629	9/16MOR BRANCH TEE-9/16MJC
43	6	618496	9/16MJC-45-3/4MOR LBO	115	1	605609	HYD FILTER ELEMENT, DONALDSON
44	1	504001	RED BUSH 3/4 X 1/4 BLK MAL	116	2	618109	9/16MJC-3/4MOR ADPTR
45	1	618183	3/4MJC-90-7/8MOR LBO	117	1	605608	HYD FILTER HEAD, DONALDSON
46	2	618599	1 5/16MOR BRANCH TEE-1 5/16M3	118	1	610580	REMOTE FLUSHING VALVE, SUND
47	1	615465	08C1T-08FJX-08FJX-33	119	1	616034	08C1T-08FJX-08FJX-17
48	4	505200	BLK PIPE ST EL 90DEG 1.00NPT	120	2	616043	04C1T-06FJX-06FJX-23
49	1	715664	1 1/4 NPT X 1 HOSE BARB	121	1	616048	04C1T-06FJX-06FJX-35
50	4	714560	1NPT X 1 HOSE BARB	122	2	618126	9/16MJC-9/16MOR ADPTR
51	1	714531	1 NPT X 3/4 HOSE BARB	123	2	618474	3/4MJC-90-1 1/16MOR LBO
52	1	506602	PIPE NIPPLE 1 1/4NPT-2 1/2	124	1	616040	04C1T-06FJX-06FJX-67
53	1	506303	BLK PIPE EL 90DEG 1.25NPT	125	1	610318	HYD SOLE VLV, 2P-3W, 9/16FOR, 12V
54	6	505300	BLK PIPE EL 90DEG 1.00NPT	126	2	614101	04C1T-06FJX-06FJX-133
55	3	505203	BLK PIPE NIPPLE 1.00NPT-4.00	127	1	611246	04C1T-06FJX-06FJX-174
56	1	504955	BLK PIPE TEE .75NPT	128	2	616056	04C1T-06FJX-06FJX-32
57	2	504702	CLOSE NIPPLE .75NPT	129	2	618304	9/16MJC-7/16MOR ADPTR
58	1	504210	RED BUSH 3/4 NPT X 1/2 NPT	130	4	618309	7/8MJC-1 1/16MOR ADPTR
59	1	501102	1/4 PIPE PLUG	131	2	618628	7/8MJC-45-7/8FJIC SWIV LBO
60	2	618486	9/16FJIC SW RUN TEE-9/16MJC	132	1	615749	LH FRT INNER HYD TUBE, 204 W/M1
61	1	618322	1 5/16MJC-1MNP ADPTR	133	1	504400	BLK PIPE CROSS .75NPT
62	1	618551	3/4MJC-9/16MJC REDU UNION	134	1	616024	06C1T-06FJX-08FJX-70
63	5	505213	RED BUSH 1 X 3/4 BLK MAL	135	1	607504	FLO DIV B50 2-8GPM 7/8 FOR
64	2	618541	1 5/16FJIC-1 1/16MJC ADPTR	136	1	607512	RELIEF VALVE, RLS50, 1850 PSI
65	1	618118	3/4 HOSE BARB-90-1 1/16MOR	137	1	618310	9/16MJC-7/8MOR ADPTR
66	1	618638	1IN HOSE BARB-45-1 5/16MOR	138	1	500000	1/2MNP HEX PIPE NIPPLE STL
67	2	618314	3/4MJC UNION	139	1	618072	7/8MOR-1/2FNPT ADPTR
68	2	618601	7/8MJC-1 5/16MOR ADPT	140	2	618107	9/16MJC-90-1/2MNP LBO
69	1	618186	1 5/16MJC-1 5/16MOR ADPTR	141	1	616042	04C1T-06FJX-06FJX-13
70	4	618553	1 1/16MJC-7/8MJC REDU UNION	142	1	614664	10C1T-10FJX-10FJX-98
71	2	505005	RED BUSH 1 TO 1/2	143	1	615616	04C1T-06FJX-06FJX-65
72	1	618308	1 1/16MJC-1 5/16MOR ADPTR	144	1	610721	SUND M25-3000 WHL MTR W/SENSOR



NOTE: \* ITEMS 35, 40 & 43 ARE USED WITH THE CUMMINS ENGINE OPTION.  
 \*\* ITEMS 35, 42 & 44 ARE USED WITH THE GMC ENGINE OPTION.

204 6R QUAD 3L LS HYD SCHEM 00  
REFERENCE DRAWING NO. 498630

DET.	QTY	PART NO.	DESCRIPTION	DET.	QTY	PART NO.	DESCRIPTION
	1	610532	ELECT HYD STACK VLV, 3 SECT	*24	4	611145	3/4MJC-90-1/2MNP LBO
2	1	610447	HYD FILTER, INLINE 1/4FNPT 90M	25	1	618590	3/4MJC-45-3/4FJIC SWIV LBO
3	6	610547	HYD MOTOR 4.5CI 1IN SHFT	*26	1	503700	PIPE PLUG .50NPT SQ HD
4	1	618608	9/16FJIC SWIV-1/4MNP	*27	1	618531	9/16FJIC CAP NUT
5	1	610467	MODULAR MTR CONTROL ELECT VLV	*28	1	505209	BLK PIPE NIPPLE 1.00NPT-6.00
*6	1	614633	HYD MANIF 8200 86	29	1	618186	1 5/16MJC-1 5/16MOR ADPTR
*7	1	605601	GRESEN FILTER 10 MICRON 40GPM	30	3	618469	3/4MJC-1 1/16MOR ADPTR
*8	1	618532	3/4FJIC CAP NUT	31	1	610186	1 1/16MOR PLUG
9	3	470114	BREATHER FILTER VENT, 1/4 NPT	32	1	618178	1 5/16MJC-90-1 5/16MOR LBO
10	3	620810	LIFT CYL ASSY, DETASSELER	33	3	618116	9/16MOR-90-1/4FNPT LBO
*11	1	618486	9/16FJIC SW RUN TEE-9/16MJC	*34	1	714561	1.00NPT-1.25 HOSE BARB
12	1	611122	9/16MJC-90-1/4MNP LBO	35	1	614350	16C2AT-16FJX-16FJX-55
13	12	618327	3/4MJC-7/8MOR ADPTR	36	2	614688	08CIT-08FJX-08FJX-108
*14	1	618577	1 5/16MJC UNION	*37	1	601378	HOSE, 1 1/4 X 156 1FBR-1SPI
15	1	618440	9/16MJC-90-9/16MOR EX LG LBO	38	2	614101	04CIT-06FJX-06FJX-133
16	1	618170	3/4MOR-9/16FOR ADPTR	39	4	614690	08CIT-08FJX-08FJX-192
17	5	618119	9/16MJC-90-9/16MOR LBO	40	1	614703	HYD TUBE ASSY, 200 MAIN
*18	2	715660	HOSE BARB 1 1/4NPT X 1 1/4	*41	1	614627	06CIT-06FJX-06FJX-45
19	1	618425	9/16MJC-45-9/16MOR LBO	42	1	614719	HYD TUBE ASSY, AUX 204 GMC 96
*20	1	618587	1 5/16FJIC SWIV-1MNP	43	1	601437	HOSE, 1 1/4 X 40 1FBR-1SPI
21	1	618600	9/16MJC-90-7/8MOR LBO	44	1	601440	HOSE, 1 1/4 X 25 1FBR-1SPI
*22	2	506410	BLK PIPE ST EL 90DEG 1.25NPT	45	3	616025	08CIT-08FJX-08FJX-50
*23	1	505300	BLK PIPE EL 90DEG 1.00NPT	46	1	614077	04CIT-06FJX-06FJX-88



NOTE: \* ITEMS 4, 40 & 43 ARE USED WITH THE CUMMINS ENGINE OPTION.  
 \*\* ITEMS 4, 42 & 44 ARE USED WITH THE GMC ENGINE OPTION.

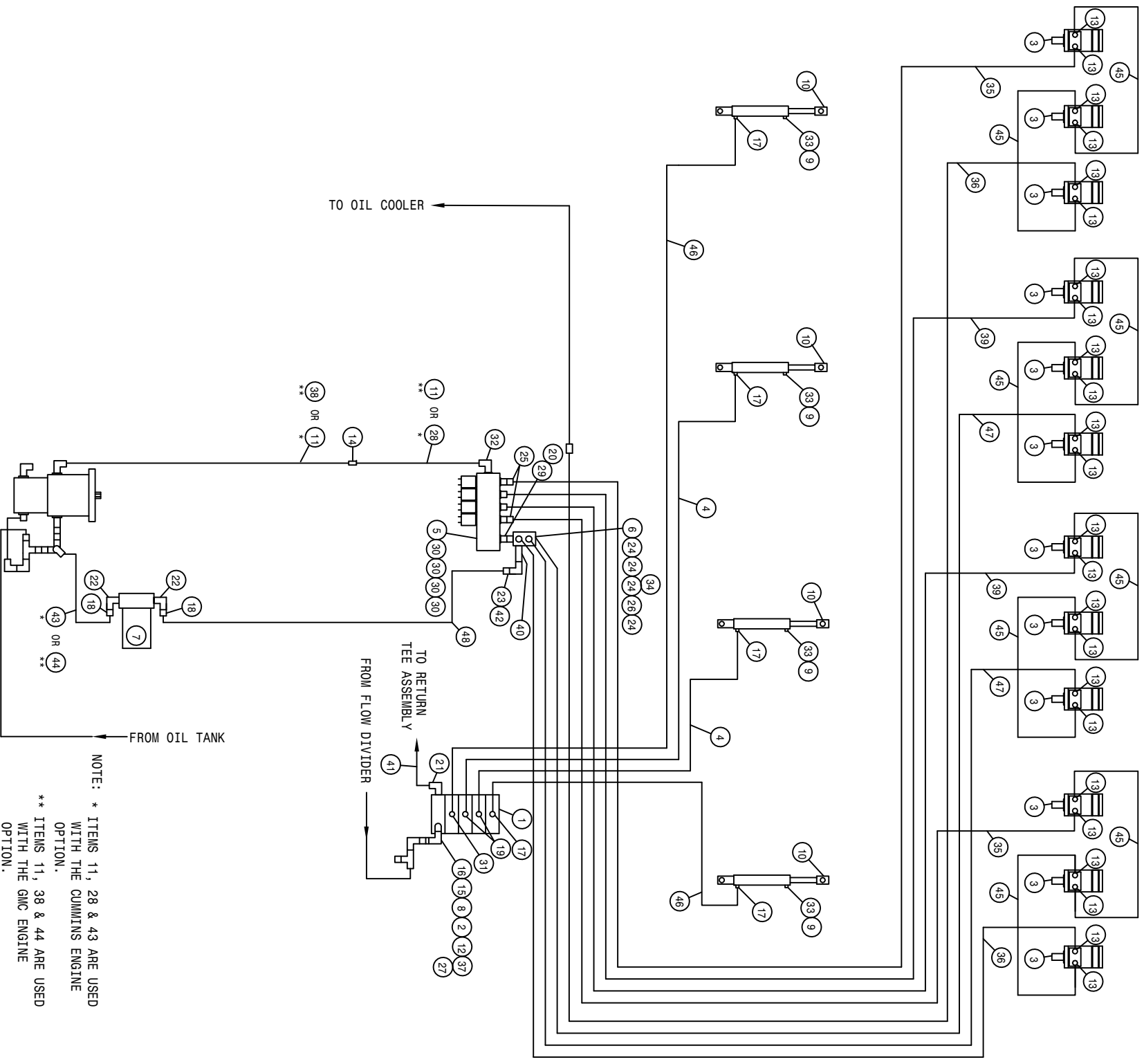
204 8R QUAD 4L LS HYD SCHEM 00  
REFERENCE DRAWING NO. 498631

DET.	QTY	PART NO.	DESCRIPTION	DET.	QTY	PART NO.	DESCRIPTION
1	1	610613	ELECT HYD STACT VLV, 4 SECT	*24	4	611145	3/4MJCIC-90-1/2MNP LBO
2	1	610447	HYD FILTER, INLINE 1/4FNPT 90M	25	2	618590	3/4MJCIC-45-3/4FJIC SWIV LBO
3	8	610547	HYD MOTOR 4.5CI 1IN SHFT	*26	1	503700	PIPE PLUG .50NPT SQ HD
4	1	614350	16C2AT-16FJX-16FJX-55 H/A	27	1	618531	9/16FJIC CAP NUT
5	1	610467	MODULAR MTR CONTROL ELECT VLV	*28	1	505209	BLK PIPE NIPPLE 1.00NPT-6.00
*6	1	614633	HYD MANIF 8200 86	29	1	618186	1 5/16MJCIC-1 5/16MOR ADPTR
*7	1	605601	GRESEN FILTER 10 MICRON 40GPM	30	4	618469	3/4MJCIC-1 1/16MOR ADPTR
8	1	618608	9/16FJIC SWIV-1/4MNP	31	1	618126	9/16MJCIC-9/16MOR ADPTR
9	4	470114	BREATHER FILTER VENT, 1/4 NPT	32	1	618178	1 5/16MJCIC-90-1 5/16MOR LBO
10	4	620810	LIFT CYL ASSY, DETASSELER	33	4	618116	9/16MOR-90-1/4FNPT LBO
11	1	618486	9/16FJIC SW RUN TEE-9/16MJCIC	*34	1	714561	1.00NPT-1.25 HOSE BARB
12	1	611122	9/16MJCIC-90-1/4MNP LBO	*35	1	618532	3/4FJIC CAP NUT
13	16	618327	3/4MJCIC-7/8MOR ADPTR	36	4	614689	08CIT-08FJX-08FJX-120
*14	1	618577	1 5/16MJCIC UNION	*37	1	601378	HOSE, 1 1/4 X 156 1FBR-1SPI
15	1	618440	9/16MJCIC-90-9/16MOR EX LG LBO	38	2	614101	04CIT-06FJX-06FJX-133
16	1	618170	3/4MOR-9/16FOR ADPTR	39	4	614691	08CIT-08FJX-08FJX-220
17	5	618119	9/16MJCIC-90-9/16MOR LBO	40	1	614703	HYD TUBE ASSY, 200 MAIN
*18	2	715660	HOSE BARB 1 1/4NPT X 1 1/4	*41	1	614627	06CIT-06FJX-06FJX-45
19	2	618425	9/16MJCIC-45-9/16MOR LBO	42	1	614719	HYD TUBE ASSY, AUX 204 GMC 96
*20	1	618587	1 5/16FJIC SWIV-1MNP	43	1	601437	HOSE, 1 1/4 X 40 1FBR-1SPI
21	1	618600	9/16MJCIC-90-7/8MOR LBO	44	1	601440	HOSE, 1 1/4 X 25 1FBR-1SPI
*22	2	506410	BLK PIPE ST EL 90DEG 1.25NPT	45	4	616025	08CIT-08FJX-08FJX-50
*23	1	505300	BLK PIPE EL 90DEG 1.00NPT	46	2	611246	04CIT-06FJX-06FJX-174



204 10R QUAD 4L LS HYD SCHEM 00  
REFERENCE DRAWING NO. 498632

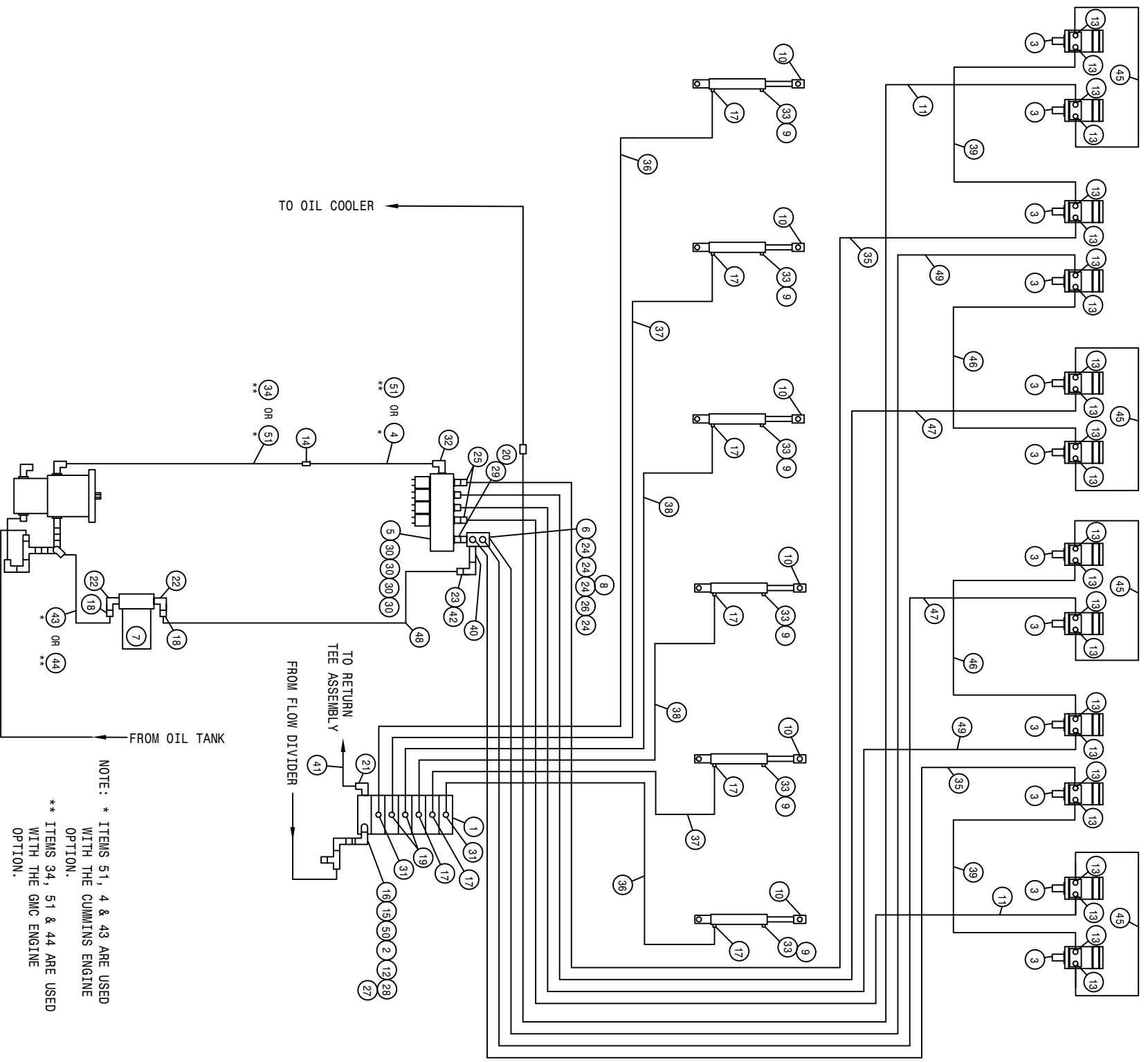
DET.	QTY	PART NO.	DESCRIPTION	DET.	QTY	PART NO.	DESCRIPTION
1	1	610613	ELECT HYD STACT VLV, 4 SECT	*26	1	503700	PIPE PLUG .50NPT SQ HD
2	1	610447	HYD FILTER, INLINE 1/4FNPT 90M	27	1	618531	9/16FJIC CAP NUT
3	10	610547	HYD MOTOR 4.5CI 1IN SHFT	*28	1	618532	3/4FJIC CAP NUT
4	1	618608	9/16FJIC SMIV-1/4MNPT	29	1	618186	1 5/16MJIC-1 5/16MOR ADPTR
5	1	610467	MODULAR MTR CONTROL ELECT VLV	30	4	618469	3/4MJIC-1 1/16MOR ADPTR
*6	1	614633	HYD MANIF 8200 86	31	1	618126	9/16MJIC-9/16MOR ADPTR
*7	1	605601	GRESEN FILTER 10 MICRON 40GPM	32	1	618178	1 5/16MJIC-90-1 5/16MOR LBO
8	1	614350	16C2AT-16FJX-16FJX-55	33	4	618116	9/16MOR-90-1/4FNPT LBO
9	4	470114	BREATHER FILTER VENT, 1/4 NPT	34	2	618586	7/8MOR UNION
10	4	620810	LIFT CYL ASSY, DETASSELER	35	2	614384	08CIT-08FJX-08FJX-237
11	1	614703	HYD TUBE ASSY, 200 MAIN	36	2	607522	FLOW REGULATOR, 8GPM VONBERG
12	1	611122	9/16MJIC-90-1/4MNPT LBO	37	1	618486	9/16FJIC SW RUN TEE-9/16MJIC
13	20	618327	3/4MJIC-7/8MOR ADPTR	38	1	614719	HYD TUBE ASSY, AUX 204 GMC 96
*14	1	618577	1 5/16MJIC UNION	39	2	614387	08CIT-08FJX-08FJX-267
15	1	618440	9/16MJIC-90-9/16MOR EX LG LBO	*40	1	505209	BLK PIPE NIPPLE 1.00NPT-6.00
16	1	618170	3/4MOR-9/16FOR ADPTR	*41	1	614627	06CIT-06FJX-06FJX-45
17	5	618119	9/16MJIC-90-9/16MOR LBO	*42	1	714561	1.00NPT-1.25 HOSE BARB
*18	2	715660	HOSE BARB 1 1/4NPT X 1 1/4	43	1	601437	HOSE, 1 1/4 X 40 IFBR-ISP1
19	2	618425	9/16MJIC-45-9/16MOR LBO	44	1	601440	HOSE, 1 1/4 X 25 IFBR-ISP1
*20	1	618587	1 5/16FJIC SMIV-1MNPT	45	6	616025	08CIT-08FJX-08FJX-50
21	1	618600	9/16MJIC-90-7/8MOR LBO	46	2	614098	04CIT-06FJX-06FJX-201
*22	2	506410	BLK PIPE ST EL 90DEG 1.25NPT	47	4	614689	08CIT-08FJX-08FJX-120
*23	1	505300	BLK PIPE EL 90DEG 1.00NPT	*48	1	601378	HOSE, 1 1/4 X 156 IFBR-ISP1
*24	4	611145	3/4MJIC-90-1/2MNPT LBO	49	2	611202	04CIT-06FJX-06FJX-136
25	2	618590	3/4MJIC-45-3/4FJIC SMIV LBO				H/A





204 12R QUAD 4L LS HYD SCHEM 00  
REFERENCE DRAWING NO. 498633

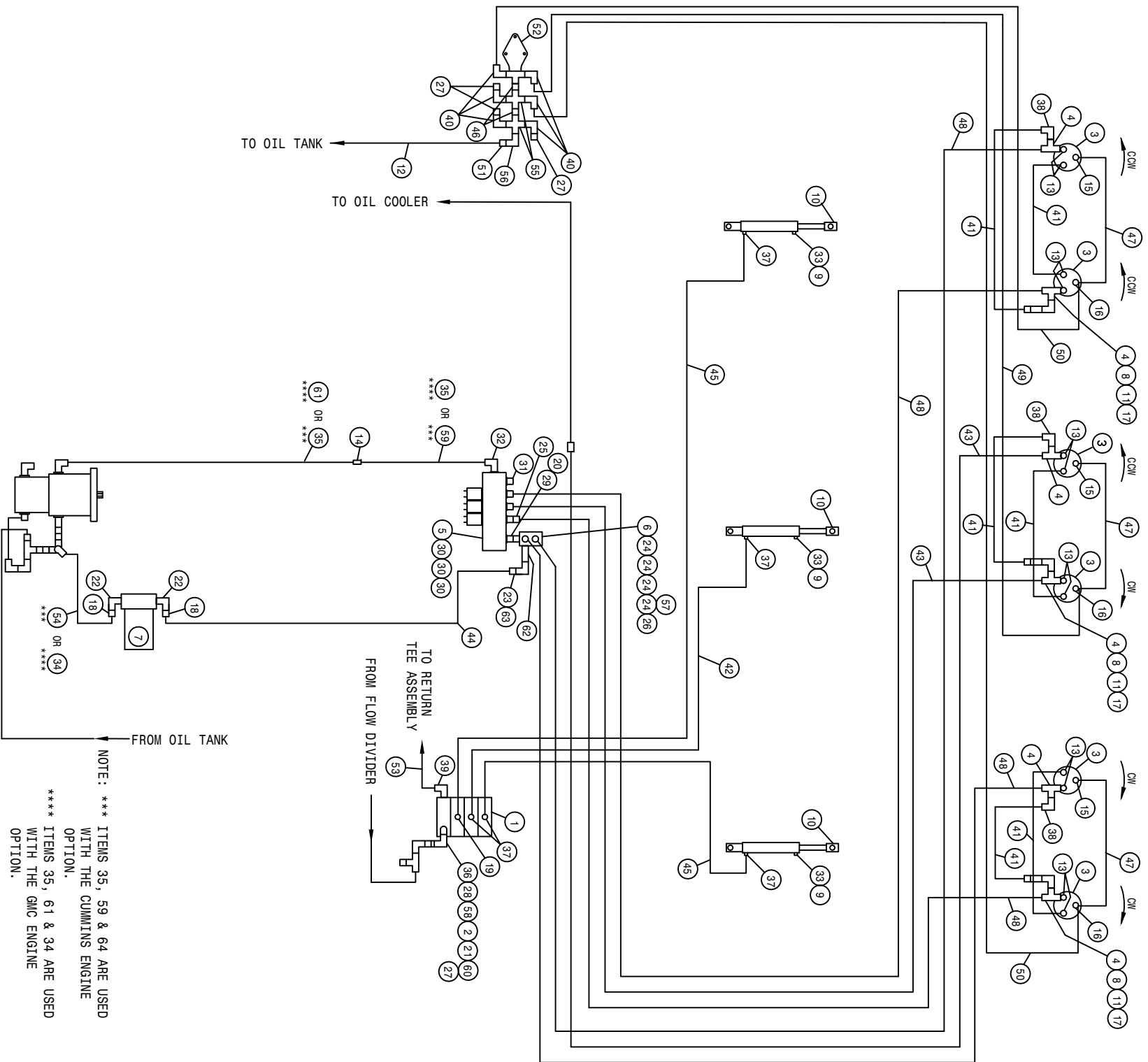
DET.	QTY	PART NO.	DESCRIPTION	DET.	QTY	PART NO.	DESCRIPTION
1	1	610613	ELECT HYD STACT VLV, 4 SECT	25	2	618590	3/4MJIC-45-3/4FJIC SWIV LBO
2	1	610447	HYD FILTER, INLINE 1/4FNPT 90M	*26	1	503700	PIPE PLUG, .50NPT SQ HD
3	12	610547	HYD MOTOR 4.5CI 1IN SHFT	27	1	618531	9/16FJIC CAP NUT
4	2	611202	04CIT-.06FJX-.06FJX-136	28	1	614703	HYD TUBE ASSY, 200 MAIN
5	1	610467	MODULAR MTR CONTROL ELECT VLV	29	1	618186	1 5/16MJIC-1 5/16MOR ADPTR
*6	1	614633	HYD MANIF 8200 86	30	4	618469	3/4MJIC-1 1/16MOR ADPTR
*7	1	605601	GRESEN FILTER 10 MICRON 40GPM	31	1	618126	9/16MJIC-.9/16MOR ADPTR
8	1	618608	9/16FJIC SWIV-1/4MNPT	32	1	618178	1 5/16MJIC-90-1 5/16MOR LBO
9	4	470114	BREATHER FILTER VENT, 1/4 NPT	33	4	618116	9/16MOR-90-1/4FNPT LBO
10	4	620810	LIFT CYL ASSY, DETASSELER	*34	1	618532	3/4FJIC CAP NUT
11	1	614350	16C2AT-.16FJX-.16FJX-55	35	2	614384	08C1T-.08FJX-.08FJX-237
12	1	611122	9/16MJIC-90-1/4MNPT LBO	36	2	614387	08C1T-.08FJX-.08FJX-267
13	24	618327	3/4MJIC-7/8MOR ADPTR	37	1	618486	HYD TUBE ASSY, AUX 204 GMC 96
*14	1	618577	1 5/16MJIC UNION	38	1	614719	08C1T-.08FJX-.08FJX-177
15	1	618440	9/16MJIC-90-9/16MOR EX LG LBO	39	2	614375	BLK PIPE NIPPLE 1.00NPT-6.00
16	1	618170	3/4MOR-9/16FOR ADPTR	*40	1	505209	BLK PIPE NIPPLE 1.00NPT-6.00
17	5	618119	9/16MJIC-90-9/16MOR LBO	*41	1	614627	06C1T-.06FJX-.06FJX-45
*18	2	715660	HOSE BARB 1 1/4NPT X 1 1/4	*42	1	714561	1.00NPT-1.25 HOSE BARB
19	2	618425	9/16MJIC-45-9/16MOR LBO	43	1	601437	HOSE, 1 1/4 X 40 1FBR-1SPI
*20	1	618587	1 5/16FJIC SWIV-1MNPT	44	1	601440	HOSE, 1 1/4 X 25 1FBR-1SPI
21	1	618600	9/16MJIC-90-7/8MOR LBO	45	8	616025	08C1T-.08FJX-.08FJX-50
*22	2	506410	BLK PIPE ST EL 90DEG 1.25NPT	46	2	614098	04C1T-.06FJX-.06FJX-201
*23	1	505300	BLK PIPE EL 90DEG 1.00NPT	47	2	614378	08C1T-.08FJX-.08FJX-207
*24	4	611145	3/4MJIC-90-1/2MNPT LBO	*48	1	601378	HOSE, 1 1/4 X 156 1FBR-1SPI



NOTE: \* ITEMS 51, 4 & 43 ARE USED WITH THE CUMMINS ENGINE OPTION.  
 \*\* ITEMS 34, 51 & 44 ARE USED WITH THE GMC ENGINE OPTION.

204 12R QUAD 6L LS HYD SCHEM 00  
REFERENCE DRAWING NO. 498634

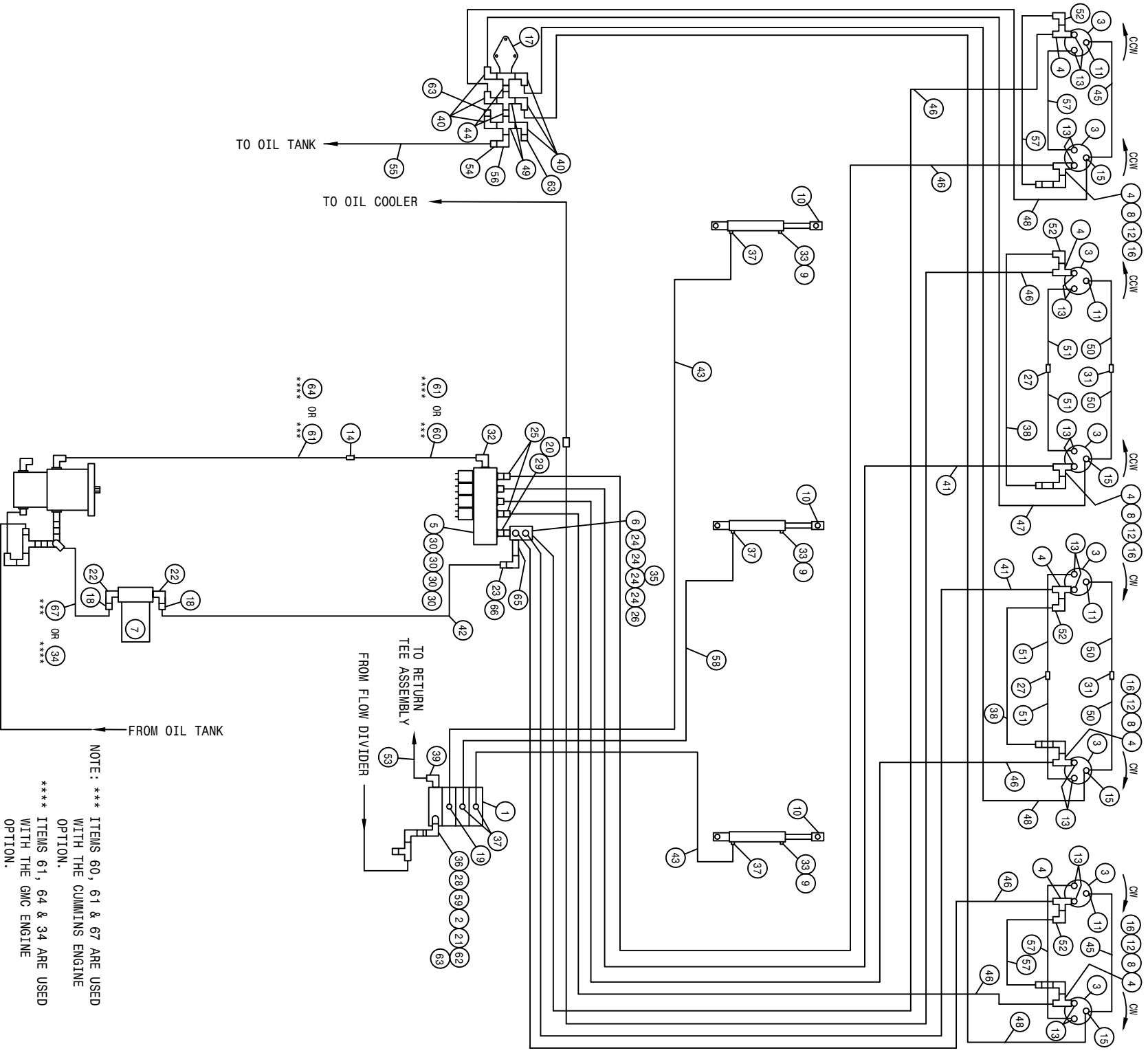
DET.	QTY	PART NO.	DESCRIPTION	DET.	QTY	PART NO.	DESCRIPTION
1	1	610615	ELECT HYD STACT VLV, 6 SECT	27	1	618531	9/16FJIC CAP NUT
2	1	610447	HYD FILTER, INLINE 1/4FNPT 90M	28	1	618486	9/16FJIC Sw RUN TEE-9/16MJIC
3	12	610547	HYD MOTOR 4.5CI 1IN SHFT	29	1	618186	1 5/16MJIC-1 5/16MOR ADPTR
*4	1	614703	HYD TUBE ASSY, 200 MAIN 92	30	4	618469	3/4MJIC-1 1/16MOR ADPTR
5	1	610467	MODULAR MTR CONTROL ELECT VLV	31	2	618126	9/16MJIC-9/16MOR ADPTR
*6	1	614633	HYD MANIF 8200 86	32	1	618178	1 5/16MJIC-90-1 5/16MOR LBO
*7	1	605601	GREEN FILTER 10 MICRON 40GPM	33	6	618116	9/16MOR-90-1/4FNPT LBO
*8	1	618532	3/4FJIC CAP NUT	34	1	614719	HYD TUBE ASSY, AUX 204 GMC 96
9	6	470114	BREATHER FILTER VENT, 1/4 NPT	35	2	614378	08C1T-08FJX-08FJX-207
10	6	620810	LIFT CYL ASSY, DETASSELER	36	2	614377	04C1T-06FJX-06FJX-258
11	2	614387	08C1T-08FJX-08FJX-267	37	2	611246	04C1T-06FJX-06FJX-174
12	1	611112	HYD TUBE 3/8 X 035 X 56 3/8	38	2	614101	04C1T-06FJX-06FJX-133
13	24	618327	3/4MJIC-7/8MOR ADPTR	39	2	614690	08C1T-08FJX-08FJX-192
*14	1	618577	1 5/16MJIC UNION	*40	1	505209	BLK PIPE NIPPLE 1.00NPT-6.00
15	1	618440	9/16MJIC-90-9/16MOR EX LG LBO	*41	1	614627	06C1T-06FJX-06FJX-45
16	1	618170	3/4MOR-9/16FOR ADPTR	*42	1	714561	1.00NPT-1.25 HOSE BARB
17	8	618119	9/16MJIC-90-9/16MOR LBO	43	1	601437	HOSE, 1 1/4 X 40 1FBR-1SPI
*18	2	715660	HOSE BARB 1 1/4NPT X 1 1/4	44	1	601440	HOSE, 1 1/4 X 25 1FBR-1SPI
19	2	618425	9/16MJIC-45-9/16MOR LBO	45	4	616025	08C1T-08FJX-08FJX-50
*20	1	618587	1 5/16FJIC SWIV-1MNPT	46	2	614384	08C1T-08FJX-08FJX-237
21	1	618600	9/16MJIC-90-7/8MOR LBO	47	2	614689	08C1T-08FJX-08FJX-120
*22	2	506410	BLK PIPE ST EL 90DEG 1.25NPT	*48	1	601378	HOSE, 1 1/4 X 156 1FBR-1SPI
*23	1	505300	BLK PIPE EL 90DEG 1.00NPT	49	2	614691	08C1T-08FJX-08FJX-220
*24	4	611145	3/4MJIC-90-1/2MNPT LBO	50	1	618608	9/16FJIC SWIV-1/4MNPT
25	2	618590	3/4MJIC-45-3/4FJIC SWIV LBO	51	1	614350	16C2AT-16FJX-16FJX-55
*26	1	503700	PIPE PLUG .50NPT SQ HD				H/A



NOTE: \*\*\* ITEMS 35, 59 & 64 ARE USED WITH THE CUMMINS ENGINE OPTION.  
 \*\*\*\* ITEMS 35, 61 & 34 ARE USED WITH THE GMC ENGINE OPTION.

204 6R CUTTER 3L LS HYD SCHEM 2000  
REFERENCE DRAWING NO. 498593

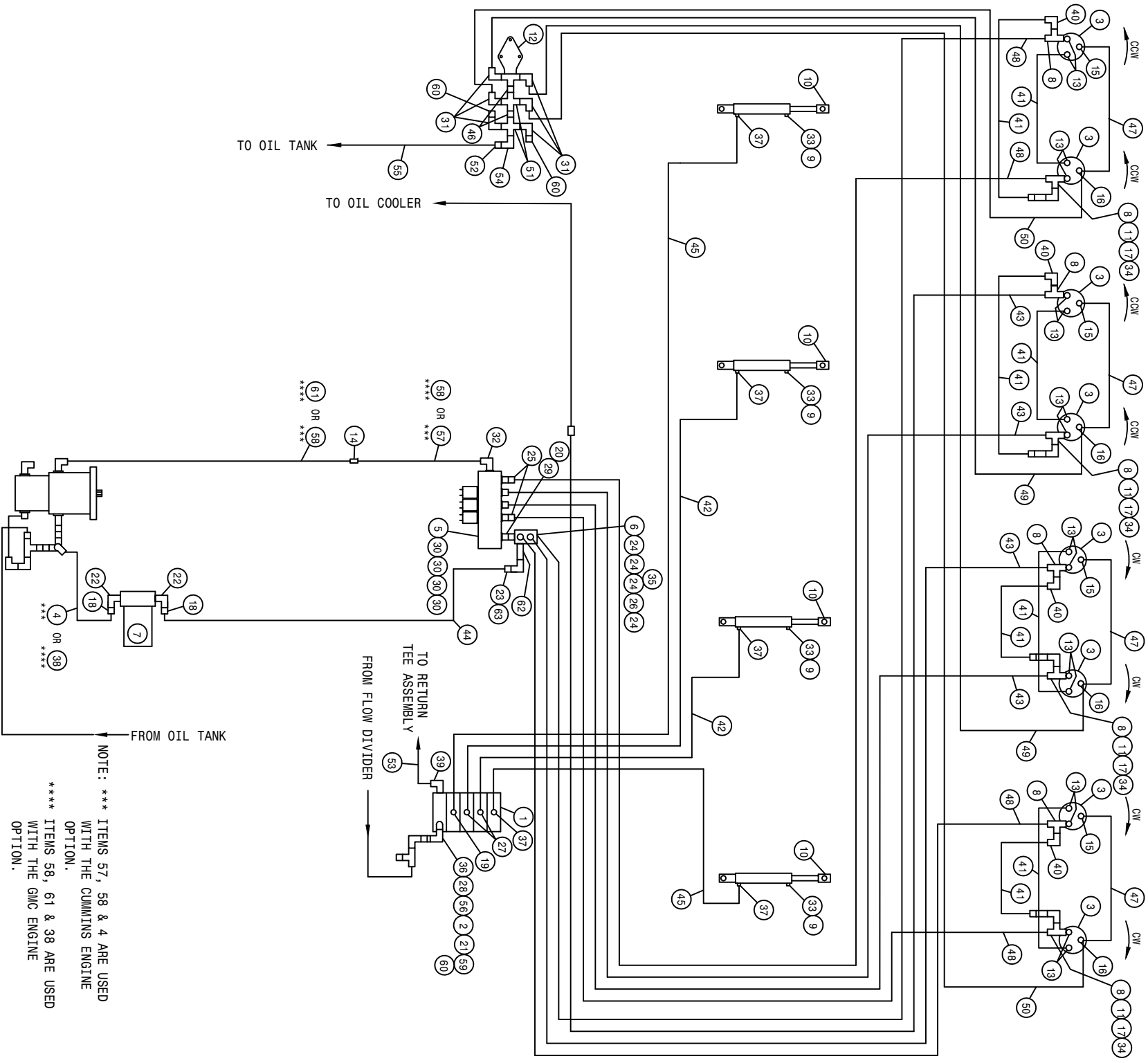
DET.	QTY	PART NO.	DESCRIPTION	DET.	QTY	PART NO.	DESCRIPTION
1	1	610532	ELECT HYD STACK VLV, 3 SECT	33	3	618116	9/16MOR-90-1/4FNPT LBO
2	1	610447	HYD FILTER, INLINE 1/4FNPT 90M	34	1	601440	HOSE, 1 1/4 X 25 1FBR-1SPI
3	6	610755	BARNES HYD MOTOR, D-SERIES 01	35	1	614350	16C2AT-16FJX-16FJX-55
4	6	610451	3/4FJIC SW RUN TEE-3/4MJIC	36	1	618170	3/4MOR-9/16FOR ADPTR
5	1	610467	MODULAR MTR CONTROL ELECT VLV	37	5	618119	9/16MJIC-90-9/16MOR LBO
*6	1	614633	HYD MANIF 8200 86	38	3	618609	3/4MJIC-90-3/4FJIC SWIV LBO
*7	1	605601	GRESEN FILTER 10 MICRON 40GPM	39	1	618600	9/16MJIC-90-7/8MOR LBO
8	3	618620	3/4FJX-90-1/2MNPT ADPTR	40	6	618107	9/16MJIC-90-1/2MNPT LBO
9	3	470114	BREATHER FILTER VENT, 1/4 NPT	41	6	614368	08C1T-08FJX-08FJX-60
10	3	620810	LIFT CYL ASSY, DETASSELLER	42	1	614077	04C1T-06FJX-06FJX-88
11	3	690338	LINE CHECK VALVE HYD .50NPT	43	2	614688	08C1T-08FJX-08FJX-108
12	1	601526	HOSE, 3/4 X 162 1FBR-1SPI	*44	1	601378	HOSE, 1 1/4 X 156 1FBR-1SPI
13	12	611125	3/4MJIC-3/4MOR ADPTR	45	2	614101	04C1T-06FJX-06FJX-133
*14	1	618577	1 5/16MJIC UNION	46	2	503600	CLOSE NIPPLE .50NPT
15	3	618530	9/16MJIC-1/8MNPT ADPTR	47	3	611206	04C1T-06FJX-06FJX-66
16	3	618546	1/8MNPT RUN TEE-9/16MJIC	48	4	614690	08C1T-08FJX-08FJX-192
17	3	611147	3/4MJIC-1/2MNPT ADPTR	49	1	614152	04C1T-06FJX-06FJX-114
*18	2	715660	HOSE BARB 1 1/4NPT X 1 1/4	50	2	611210	04C1T-06FJX-06FJX-156
19	1	618425	9/16MJIC-45-9/16MOR LBO	51	1	712440	1/2 NPT X 3/4 HOSE BARB
*20	1	618587	1 5/16FJIC SWIV-1MNPT	52	1	615746	CASE DRAIN FTG WLD
21	1	611122	9/16MJIC-90-1/4MNPT LBO	*53	1	614627	06C1T-06FJX-06FJX-45
*22	2	506410	BLK PIPE ST EL 90DEG 1.25NPT	54	1	601437	HOSE, 1 1/4 X 40 1FBR-1SPI
*23	1	505300	BLK PIPE EL 90DEG 1.00NPT	55	2	503824	BLK PIPE CROSS .50NPT
*24	4	611145	3/4MJIC-90-1/2MNPT LBO	56	1	503400	BLK PIPE ST EL 90DEG .50NPT
25	1	618590	3/4MJIC-45-3/4FJIC SWIV LBO	*57	1	618532	3/4FJIC CAP NUT
*26	1	503700	PIPE PLUG .50NPT SQ HD	58	1	618608	9/16FJIC SWIV-1/4MNPT
27	4	618531	9/16FJIC CAP NUT	59	1	614703	HYD TUBE ASSY, 200 MAIN 92
28	1	618440	9/16MJIC-90-9/16MOR EX LG LBO	60	1	618486	9/16FJIC SW RUN TEE-9/16MJIC
29	1	618186	1 5/16MJIC-1 5/16MOR ADPTR	61	1	614719	HYD TUBE ASSY, AUX 204 GMC 96
30	3	618469	3/4MJIC-1 1/16MOR ADPTR	*62	1	505209	BLK PIPE NIPPLE 1.00NPT-6.00
31	1	610186	1 1/16MOR PLUG	*63	1	714561	1.00NPT-1.25 HOSE BARB
32	1	618178	1 5/16MJIC-90-1 5/16MOR LBO				



NOTE: \*\*\* ITEMS 60, 61 & 67 ARE USED WITH THE CUMMINS ENGINE OPTION.  
 \*\*\*\* ITEMS 61, 64 & 34 ARE USED WITH THE GMC ENGINE OPTION.

204 8R CUTTER 3L LS HYD SCHEM 2000  
REFERENCE DRAWING NO. 498594

DET.	QTY	PART NO.	DESCRIPTION	DET.	QTY	PART NO.	DESCRIPTION
	1	610532	ELECT HYD STACK VLV, 3 SECT	*35	1	618532	3/4FJIC CAP NUT
	1	610447	HYD FILTER, INLINE 1/4FNPT 90M	36	1	618170	3/4MOR-9/16FOR ADPTR
	8	610755	BARNES HYD MOTOR, D-SERIES 01	37	5	618119	9/16MJIC-90-9/16MOR LBO
	8	618451	3/4FJIC SW RUN TEE-3/4MJIC	38	2	614384	08CIT-08FJX-08FJX-237
	5	610467	MODULAR MTR CONTROL ELECT VLV	39	1	618607	9/16MJIC-90-7/8MOR LBO
*	6	614653	HYD MANIF 8200 86	40	6	618107	9/16MJIC-90-1/2MNP LBO
	1	605601	GRESEN FILTER 10 MICRON 40GPM	41	2	614688	08CIT-08FJX-08FJX-108
	4	618620	3/4FJX-90-1/2MNP ADPTR	*42	1	601378	HOSE, 1 1/4 X 156 1FBR-1SPI
	3	470114	BREATHER FILTER VENT, 1/4 NPT	43	2	611246	04CIT-06FJX-06FJX-174
	3	620810	LIFT CYL ASSY, DETASSELER	44	2	503600	CLOSE NIPPLE .50NPT
	4	618530	9/16MJIC-1/8MNP ADPTR	45	2	611206	04CIT-06FJX-06FJX-66
	4	690338	LINE CHECK VALVE HYD .50NPT	46	6	614691	08CIT-08FJX-08FJX-220
	16	611125	3/4MJIC-3/4MOR ADPTR	47	1	614152	04CIT-06FJX-06FJX-114
*14	1	618577	1 5/16MJIC UNION	48	3	614154	04CIT-06FJX-06FJX-221
	4	618546	1/8MNP RUN TEE-9/16MJIC	49	2	503824	BLK PIPE CROSS .50NPT
	4	611147	3/4MJIC-1/2MNP ADPTR	50	4	614101	04CIT-06FJX-06FJX-133
	1	615746	CASE DRAIN FTG WLD	51	4	614425	08CIT-08FJX-08FJX-132
*18	2	715660	HOSE BARB 1 1/4NPT X 1 1/4	52	4	618609	3/4MJIC-90-3/4FJIC SMIV LBO
	1	618425	9/16MJIC-45-9/16MOR LBO	*53	1	614627	06CIT-06FJX-06FJX-45
*20	1	618587	1 5/16FJIC SMIV-1MNP	54	1	712440	1/2 NPT X 3/4 HOSE BARB
	1	611122	9/16MJIC-90-1/4MNP LBO	55	1	601526	HOSE, 3/4 X 162 1FBR-1SPI
*22	2	506410	BLK PIPE ST EL 90DEG 1.25NPT	56	1	503400	BLK PIPE ST EL 90DEG .50NPT
*23	1	505300	BLK PIPE EL 90DEG 1.00NPT	57	4	614368	08CIT-08FJX-08FJX-60
*24	4	611145	3/4MJIC-90-1/2MNP LBO	58	1	614077	04CIT-06FJX-06FJX-88
	2	618590	3/4MJIC-45-3/4FJIC SMIV LBO	59	1	618608	9/16FJIC SMIV-1/4MNP
*26	1	503700	PIPE PLUG .50NPT SQ HD	60	1	614703	HYD TUBE ASSY, 200 MAIN
	2	618314	3/4MJIC UNION	61	1	614350	16C2AT-16FJX-16FJX-55
	1	618440	9/16MJIC-90-9/16MOR EX LG LBO	62	1	618486	9/16FJIC SW RUN TEE-9/16MJIC
	1	618186	1 5/16MJIC-1 5/16MOR ADPTR	63	3	618531	9/16FJIC CAP NUT
	4	618469	3/4MJIC-1 1/16MOR ADPTR	64	1	614719	HYD TUBE ASSY, AUX 204 GMC 96
	2	619010	9/16MJIC UNION	*65	1	505209	BLK PIPE NIPPLE 1.00NPT-6.00
	1	618178	1 5/16MJIC-90-1 5/16MOR LBO	*66	1	714561	1.00NPT-1.25 HOSE BARB
	3	618116	9/16MOR-90-1/4FNPT LBO	67	1	601437	HOSE, 1 1/4 X 40 1FBR-1SPI
	1	601440	HOSE, 1 1/4 X 25 1FBR-1SPI				

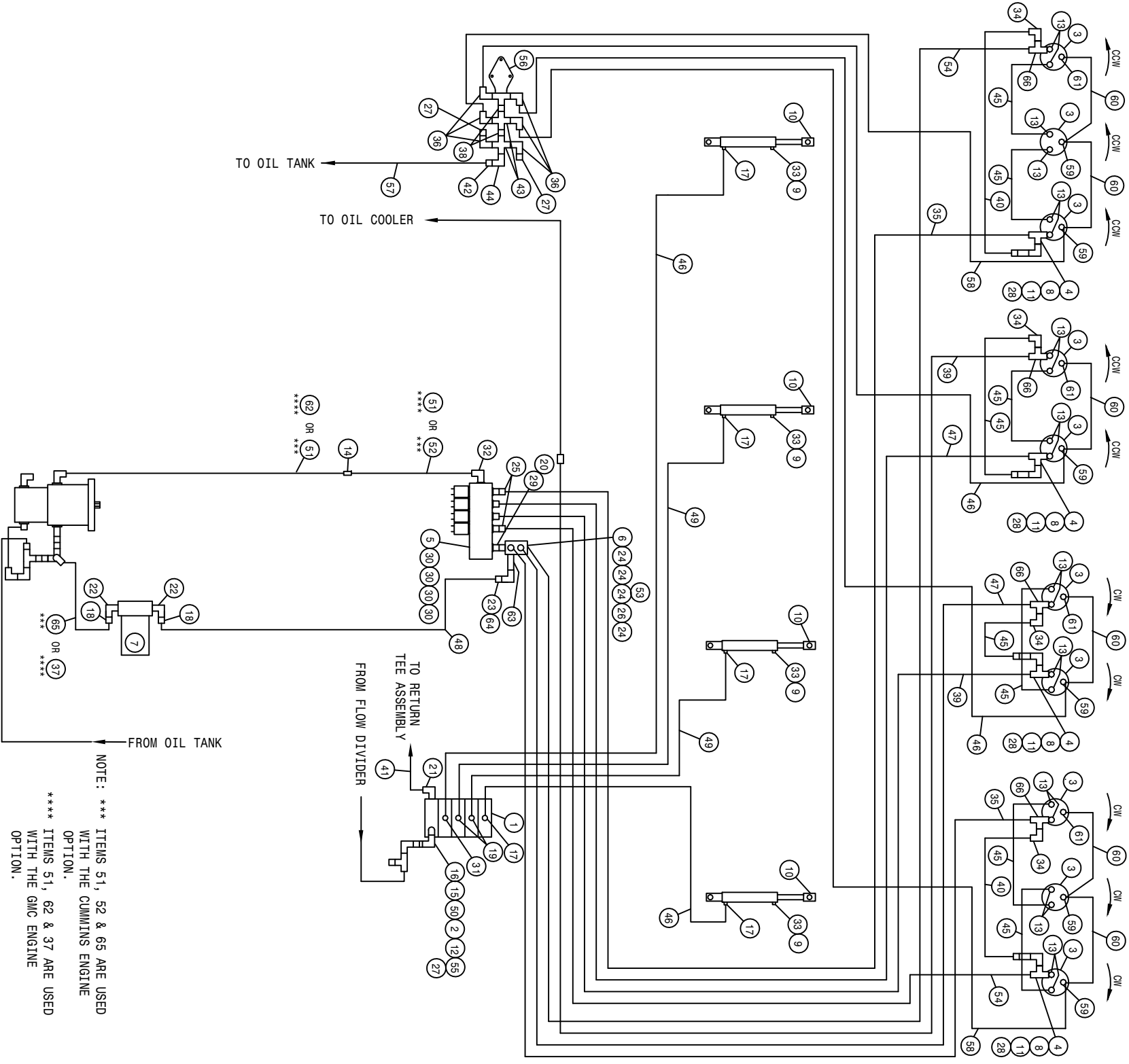


NOTE: \*\*\* ITEMS 57, 58 & 4 ARE USED WITH THE CUMMINS ENGINE OPTION.  
 \*\*\*\* ITEMS 58, 61 & 38 ARE USED WITH THE GMC ENGINE OPTION.



204 8R CUTTER 4L LS HYD SCHEM 2000  
REFERENCE DRAWING NO. 498595

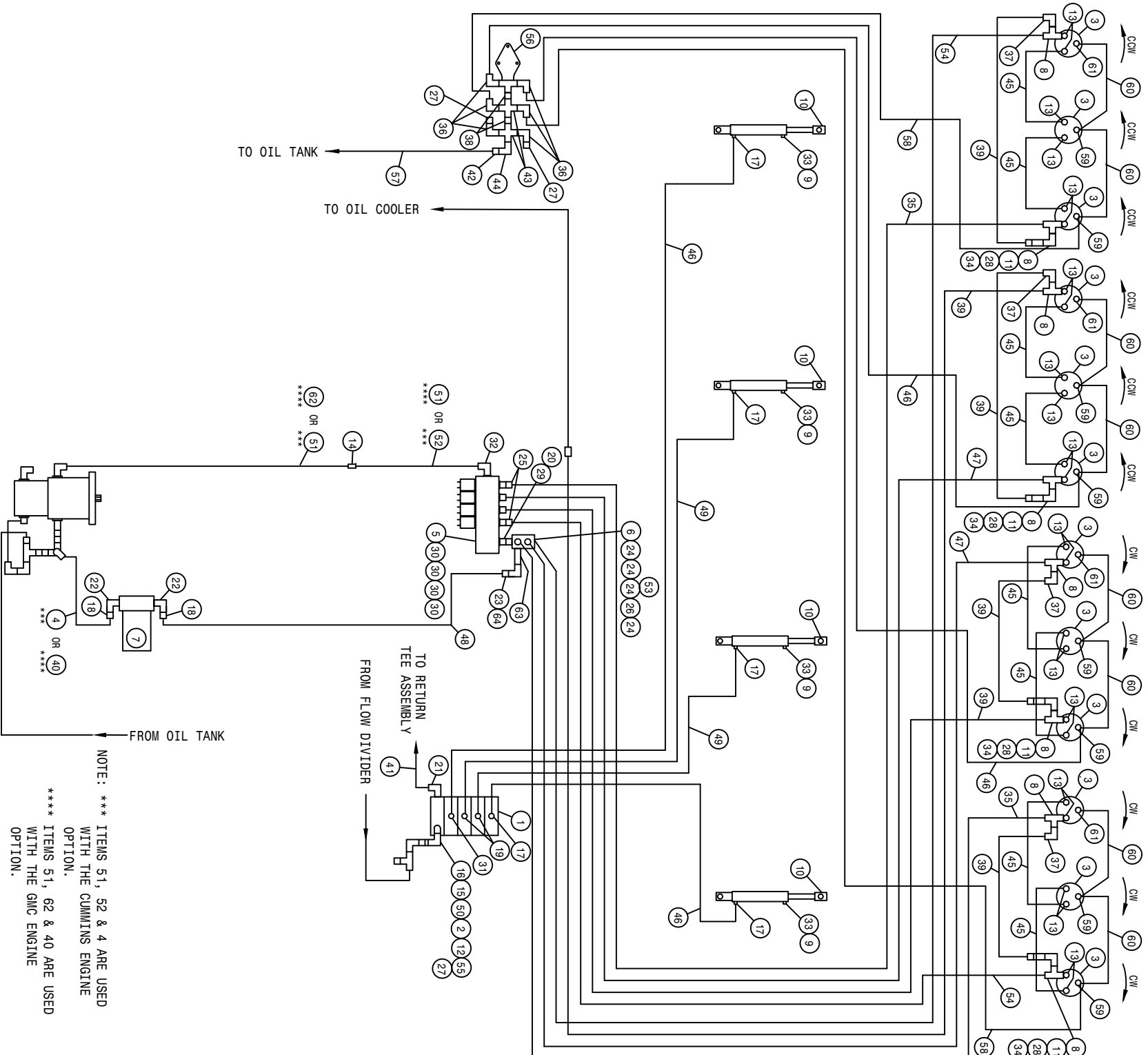
DET.	QTY	PART NO.	DESCRIPTION	DET.	QTY	PART NO.	DESCRIPTION
1	1	610613	ELECT HYD STACT VLV, 4 SECT	33	4	618116	9/16MOR-90-1/4FNPT LBO
2	1	610447	HYD FILTER, INLINE 1/4FNPT 90M	34	4	611147	3/4MJIC-1/2MNPT ADPTR
3	8	610755	BARNES HYD MOTOR, D-SERIES 01	*35	1	618532	3/4FJIC CAP NUT
4	1	601437	HOSE, 1 1/4 X 40 1FBR-1SPI	36	1	618170	3/4MOR-9/16FOR ADPTR
5	1	610467	MODULAR MTR CONTROL ELECT VLV	37	5	618119	9/16MJIC-90-9/16MOR LBO
*6	1	614633	HYD MANIF 8200 86	38	1	601440	HOSE, 1 1/4 X 25 1FBR-1SPI
*7	1	605601	GRESEN FILTER 10 MICRON 40GPM	39	1	618600	9/16MJIC-90-7/8MOR LBO
8	8	618451	3/4FJIC SW RUN TEE-3/4MJIC	40	4	618609	3/4MJIC-90-3/4FJIC SWIV LBO
9	4	470114	BREATHER FILTER VENT, 1/4 NPT	41	8	614368	08C1T-08FJX-08FJX-60
10	4	620810	LIFT CYL ASSY, DETASSELER	42	2	614101	04C1T-06FJX-06FJX-133
11	4	618620	3/4FJX-90-1/2MNPT ADPTR	43	4	614689	08C1T-08FJX-08FJX-120
12	1	615746	CASE DRAIN FTG WLD	*44	1	601378	HOSE, 1 1/4 X 156 1FBR-1SPI
13	16	611125	3/4MJIC-3/4MOR ADPTR	45	2	611246	04C1T-06FJX-06FJX-174
*14	1	618577	1 5/16MJIC UNION	46	2	503600	CLOSE NIPPLE .50NPT
15	4	618530	9/16MJIC-1/8MNPT ADPTR	47	4	611206	04C1T-06FJX-06FJX-66
16	4	618546	1/8MNPT RUN TEE-9/16MJIC	48	4	614691	08C1T-08FJX-08FJX-220
17	4	690338	LINE CHECK VALVE HYD .50NPT	49	2	611212	04C1T-06FJX-06FJX-164
*18	2	715660	HOSE BARB 1 1/4NPT X 1 1/4	50	2	614154	04C1T-06FJX-06FJX-221
19	1	618126	9/16MJIC-9/16MOR ADPTR	51	2	503824	BLK PIPE CROSS .50NPT
*20	1	618587	1 5/16FJIC SWIV-1MNPT	52	1	712440	1/2 NPT X 3/4 HOSE BARB
21	1	611122	9/16MJIC-90-1/4MNPT LBO	*53	1	614627	06C1T-06FJX-06FJX-45
*22	2	506410	BLK PIPE ST EL 90DEG 1.25NPT	54	1	503400	BLK PIPE ST EL 90DEG .50NPT
*23	1	505300	BLK PIPE EL 90DEG 1.00NPT	55	1	601526	HOSE, 3/4 X 162 1FBR-1SPI
*24	4	611145	3/4MJIC-90-1/2MNPT LBO	56	1	618608	9/16FJIC SWIV-1/4MNPT
25	2	618590	3/4MJIC-45-3/4FJIC SWIV LBO	57	1	614703	HYD TUBE ASSY, 200 MAIN
*26	1	503700	PIPE PLUG .50NPT SQ HD	58	1	614350	16C2AT-16FJX-16FJX-55
27	2	618425	9/16MJIC-45-9/16MOR LBO	59	1	618486	9/16FJIC SW RUN TEE-9/16MJIC
28	1	618440	9/16MJIC-90-9/16MOR EX LG LBO	60	3	618531	9/16FJIC CAP NUT
29	1	618186	1 5/16MJIC-1 5/16MOR ADPTR	61	1	614719	HYD TUBE ASSY, AUX 204 GMC 96
30	4	618469	3/4MJIC-1 1/16MOR ADPTR	*62	1	505209	BLK PIPE NIPPLE 1.00NPT-6.00
31	6	618107	9/16MJIC-90-1/2MNPT LBO	*63	1	714561	1.00NPT-1.25 HOSE BARB
32	1	618178	1 5/16MJIC-90-1 5/16MOR LBO				



NOTE: \*\*\* ITEMS 51, 52 & 65 ARE USED WITH THE CUMMINS ENGINE OPTION.  
 \*\*\*\* ITEMS 51, 62 & 37 ARE USED WITH THE GMC ENGINE OPTION.

204 10R CUTR 4L LS HYD SCHEM 2000  
REFERENCE DRAWING NO. 498596

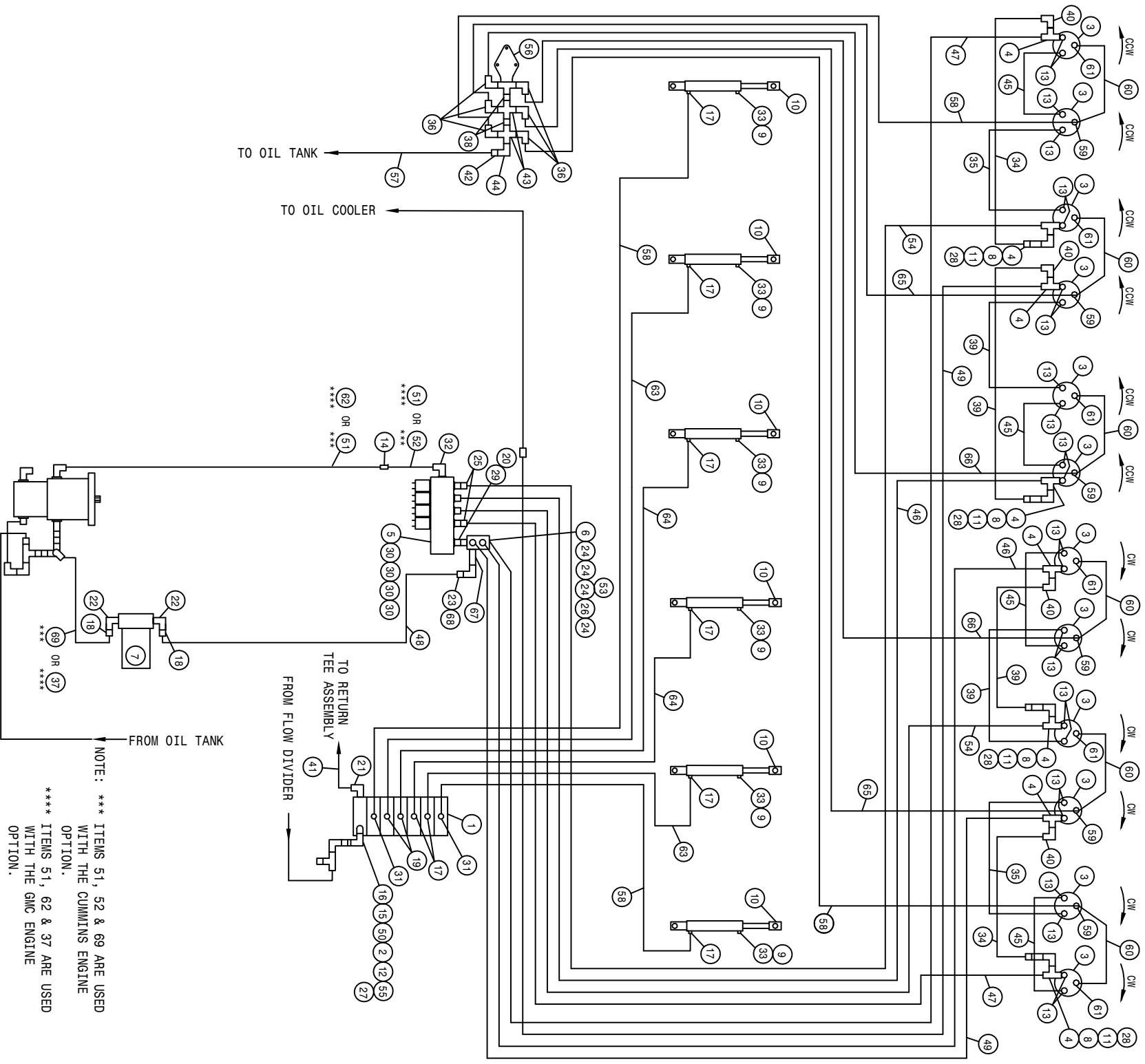
DET.	QTY	PART NO.	DESCRIPTION	DET.	QTY	PART NO.	DESCRIPTION
1	1	610613	ELECT HYD STACT VLV, 4 SECT	34	4	618609	3/4MJCIC-90-3/4FJIC SWIV LBO
2	1	610447	HYD FILTER, INLINE 1/4FNPT 90M	35	2	614384	08CIT-08FJX-08FJX-237
3	10	610755	BARNES HYD MOTOR, D-SERIES 01	36	6	618107	9/16MJCIC-90-1/2MNPT LBO
4	8	618451	3/4FJIC SW RUN TEE-3/4MJCIC	37	1	601440	HOSE, 1 1/4 X 25 1FBR-1SPI
5	1	610467	MODULAR MTR CONTROL ELECT VLV	38	2	503600	CLOSE NIPPLE .50NPT
*6	1	614633	HYD MANIF 8200 86	39	2	614375	08CIT-08FJX-08FJX-177
*7	1	605601	GRESEN FILTER 10 MICRON 40GPM	40	2	616057	08CIT-08FJX-08FJX-88
8	4	618620	3/4FX-90-1/2MNPT ADPTR	*41	1	614627	06CIT-06FJX-06FJX-45
9	4	470114	BREATHER FILTER VENT, 1/4 NPT	42	1	712440	1/2 NPT X 3/4 HOSE BARB
10	4	620810	LIFT CYL ASSY, DETASSELER	*43	2	503824	BLK PIPE CROSS .50NPT
11	4	690338	LINE CHECK VALVE HYD .50NPT	44	1	503400	BLK PIPE ST EL 90DEG .50NPT
12	1	611122	9/16MJCIC-90-1/4MNPT LBO	45	8	614368	08CIT-08FJX-08FJX-60
13	20	611125	3/4MJCIC-3/4MOR ADPTR	46	4	614098	04CIT-06FJX-06FJX-201
*14	1	618577	1 5/16MJCIC UNION	47	2	614378	HOSE, 1 1/4 X 156 1FBR-1SPI
15	1	618440	9/16MJCIC-90-9/16MOR EX LG LBO	*48	1	601378	HOSE, 1 1/4 X 156 1FBR-1SPI
16	1	618170	3/4MOR-9/16FOR ADPTR	49	2	611202	04CIT-06FJX-06FJX-136
17	5	618119	9/16MJCIC-90-9/16MOR LBO	50	1	618608	9/16FJIC SWIV-1/4MNPT
*18	2	715660	HOSE BARB 1 1/4NPT X 1 1/4	51	1	614350	16C2AT-16FJX-16FJX-55
19	2	618425	9/16MJCIC-45-9/16MOR LBO	52	1	614703	HYD TUBE ASSY, 200 MAIN
*20	1	618587	1 5/16FJIC SWIV-1MNPT	*53	1	618532	3/4FJIC CAP NUT
21	1	618600	9/16MJCIC-90-7/8MOR LBO	54	2	614387	08CIT-08FJX-08FJX-267
*22	2	506410	BLK PIPE ST EL 90DEG 1.25NPT	55	1	618486	9/16FJIC SW RUN TEE-9/16MJCIC
*23	1	505300	BLK PIPE EL 90DEG 1.00NPT	56	1	615746	CASE DRAIN FTG WLD
*24	4	611145	3/4MJCIC-90-1/2MNPT LBO	57	1	601526	HOSE, 3/4 X 162 1FBR-1SPI
25	2	618590	3/4MJCIC-45-3/4FJIC SWIV LBO	58	2	614554	04CIT-06FJX-06FJX-240
*26	1	503700	PIPE PLUG .50NPT SQ HD	59	6	618546	1/8MNPT RUN TEE-9/16MJCIC
27	3	618531	9/16FJIC CAP NUT	60	6	611206	04CIT-06FJX-06FJX-66
28	4	611147	3/4MJCIC-1/2MNPT ADPTR	61	4	618530	9/16MJCIC-1/8MNPT ADPTR
29	1	618186	1 5/16MJCIC-1 5/16MOR ADPTR	62	1	614719	HYD TUBE ASSY, AUX 204 GMC 96
30	4	618469	3/4MJCIC-1 1/16MOR ADPTR	*63	1	505209	BLK PIPE NIPPLE 1.00NPT-6.00
31	1	618126	9/16MJCIC-9/16MOR ADPTR	*64	1	714561	1.00NPT-1.25 HOSE BARB
32	1	618178	1 5/16MJCIC-90-1 5/16MOR LBO	65	1	601437	HOSE, 1 1/4 X 40 1FBR-1SPI
33	4	618116	9/16MOR-90-1/4FNPT LBO				



NOTE: \*\*\* ITEMS 51, 52 & 4 ARE USED WITH THE CUMMINS ENGINE OPTION.  
 \*\*\*\* ITEMS 51, 62 & 40 ARE USED WITH THE GMC ENGINE OPTION.

204 12R CUTR 4L LS HYD SCHEM 2000  
REFERENCE DRAWING NO. 498597

DET.	QTY	PART NO.	DESCRIPTION	DET.	QTY	PART NO.	DESCRIPTION
1	1	610613	ELECT HYD STACT VLV, 4 SECT	33	4	618116	9/16MOR-90-1/4FNPT LBO
2	1	610447	HYD FILTER, INLINE 1/4FNPT 90M	34	4	611147	3/4MJIC-1/2MNPT ADPTR
3	12	610755	BARNES HYD MOTOR, D-SERIES 01	35	2	614384	08C1T-08FJX-08FJX-237
4	1	601437	HOSE, 1 1/4 X 40 1FBR-1SPI	36	6	618107	9/16MJIC-90-1/2MNPT LBO
5	1	610467	MODULAR MTR CONTROL ELECT VLV	37	4	618609	3/4MJIC-90-3/4FJIC SWIV LBO
* 6	1	614633	HYD MANIF 8200 86	*38	2	503600	CLOSE NIPPLE .50NPT
* 7	1	605601	GRESEN FILTER 10 MICRON 40GPM	39	6	614375	08C1T-08FJX-08FJX-177
8	8	618451	3/4FJIC SW RUN TEE-3/4MJIC	40	4	601440	HOSE, 1 1/4 X 25 1FBR-1SPI
9	4	470114	BREATHER FILTER VENT, 1/4 NPT	*41	1	614627	06C1T-06FJX-06FJX-45
10	4	620810	LIFT CYL ASSY, DETASSELER	42	1	712440	1/2 NPT X 3/4 HOSE BARB
11	4	618620	3/4FJX-90-1/2MNPT ADPTR	43	2	503824	BLK PIPE CROSS .50NPT
12	1	611122	9/16MJIC-90-1/4MNPT LBO	44	1	503400	BLK PIPE ST EL 90DEG .50NPT
13	24	611125	3/4MJIC-3/4MOR ADPTR	45	8	614368	08C1T-08FJX-08FJX-60
*14	1	618577	1 5/16MJIC UNION	46	4	614098	04C1T-06FJX-06FJX-201
15	1	618440	9/16MJIC-90-9/16MOR EX LG LBO	47	2	614378	08C1T-08FJX-08FJX-207
16	1	618170	3/4MOR-9/16FOR ADPTR	*48	1	601378	HOSE, 1 1/4 X 156 1FBR-1SPI
17	5	618119	9/16MJIC-90-9/16MOR LBO	49	2	611202	04C1T-06FJX-06FJX-136
*18	2	715660	HOSE BARB 1 1/4NPT X 1 1/4	50	1	618608	9/16FJIC SWIV-1/4MNPT
19	2	618425	9/16MJIC-45-9/16MOR LBO	51	1	614350	16C2AT-16FJX-16FJX-55
*20	1	618587	1 5/16FJIC SWIV-1MNPT	52	1	614703	HYD TUBE ASSY, 200 MAIN
21	1	618600	9/16MJIC-90-7/8MOR LBO	*53	1	618532	3/4FJIC CAP NUT
*22	2	506410	BLK PIPE ST EL 90DEG 1.25NPT	54	2	614387	08C1T-08FJX-08FJX-267
*23	1	505300	BLK PIPE EL 90DEG 1.00NPT	55	1	618486	9/16FJIC SW RUN TEE-9/16MJIC
*24	4	611145	3/4MJIC-90-1/2MNPT LBO	56	1	615746	CASE DRAIN FTG WLD
25	2	618590	3/4MJIC-45-3/4FJIC SWIV LBO	57	1	601526	HOSE, 3/4 X 162 1FBR-1SPI
*26	1	503700	PIPE PLUG .50NPT SQ HD	58	2	614554	04C1T-06FJX-06FJX-240
27	3	618531	9/16FJIC CAP NUT	59	8	618546	1/8MNPT RUN TEE-9/16MJIC
28	4	690338	LINE CHECK VALVE HYD .50NPT	60	8	611206	04C1T-06FJX-06FJX-66
29	1	618186	1 5/16MJIC-1 5/16MOR ADPTR	61	4	618530	9/16MJIC-1/8MNPT ADPTR
30	4	618469	3/4MJIC-1 1/16MOR ADPTR	62	1	614719	HYD TUBE ASSY, AUX 204 GMC 96
31	1	618126	9/16MJIC-9/16MOR ADPTR	*63	1	505209	BLK PIPE NIPPLE 1.00NPT-6.00
32	1	618178	1 5/16MJIC-90-1 5/16MOR LBO	*64	1	714561	1.00NPT-1.25 HOSE BARB



NOTE: \*\*\* ITEMS 51, 52 & 69 ARE USED WITH THE CUMMINS ENGINE OPTION.  
 \*\*\*\* ITEMS 51, 62 & 37 ARE USED WITH THE GMC ENGINE OPTION.

204 12R CUTR 6L LS HYD SCHEM 2000  
REFERENCE DRAWING NO. 498598

DET.	QTY	PART NO.	DESCRIPTION	DET.	QTY	PART NO.	DESCRIPTION
1	1	610615	ELECT HYD STACT VLV, 6 SECT	36	618107	9/16MJIC-90-1/2MNPT LBO	
2	1	610447	HYD FILTER, INLINE 1/4FNPT 90M	37	601440	HOSE, 1 1/4 X 25 1FBR-1SP1	
3	12	610755	BARNES HYD MOTOR, D-SERIES 01	38	503600	CLOSE NIPPLE .50NPT	
4	8	618451	3/4FJIC SW RUN TEE-3/4MJIC	39	614384	08C1T-08FJX-08FJX-237	
5	1	610467	MODULAR MTR CONTROL ELECT VLV	40	618609	3/4MJIC-90-3/4FJIC SWIV LBO	
* 6	1	614633	HYD MAINF 8200 86	*41	614627	06C1T-06FJX-06FJX-45	
* 7	1	605601	GRESEN FILTER 10 MICRON 40GPM	42	712440	1/2 NPT X 3/4 HOSE BARB	
8	4	618620	3/4FJX-90-1/2MNPT ADPTR	2	503824	BLK PIPE CROSS .50NPT	
9	6	470114	BREATHER FILTER VENT, 1/4 NPT	44	503400	BLK PIPE ST EL 90DEG .50NPT	
10	6	620810	LIFT CYL ASSY, DETASSELER	45	614368	08C1T-08FJX-08FJX-60	
11	4	690338	LINE CHECK VALVE HYD .50NPT	46	614689	08C1T-08FJX-08FJX-120	
12	1	611122	9/16MJIC-90-1/4MNPT LBO	47	614387	08C1T-08FJX-08FJX-267	
13	24	611125	3/4MJIC-3/4MOR ADPTR	*48	601378	HOSE, 1 1/4 X 156 1FBR-1SP1	
*14	1	618577	1 5/16MJIC UNION	49	614691	08C1T-08FJX-08FJX-220	
15	1	618440	9/16MJIC-90-9/16MOR EX LG LBO	50	618608	9/16FJIC SWIV-1/4MNPT	
16	1	618170	3/4MOR-9/16FOR ADPTR	51	614350	16C2AT-16FJX-16FJX-55	
17	8	618119	9/16MJIC-90-9/16MOR LBO	52	614703	HYD TUBE ASSY, 200 MAIN	
*18	2	715660	HOSE BARB 1 1/4NPT X 1 1/4	*53	618532	3/4FJIC CAP NUT	
19	2	618425	9/16MJIC-45-9/16MOR LBO	54	614378	08C1T-08FJX-08FJX-207	
*20	1	618587	1 5/16FJIC SWIV-1MNPT	55	618486	9/16FJIC SW RUN TEE-9/16MJIC	
21	1	618600	9/16MJIC-90-7/8MOR LBO	56	615746	CASE DRAIN FTG WLD	
*22	2	506410	BLK PIPE ST EL 90DEG 1.25NPT	57	601526	HOSE, 3/4 X 162 1FBR-1SP1	
*23	1	505300	BLK PIPE EL 90DEG 1.00NPT	58	614377	04C1T-06FJX-06FJX-258	
*24	4	611145	3/4MJIC-90-1/2MNPT LBO	59	618546	1/8MNPT RUN TEE-9/16MJIC	
25	2	618590	3/4MJIC-45-3/4FJIC SWIV LBO	60	611206	04C1T-06FJX-06FJX-66	
*26	1	503700	PIPE PLUG .50NPT SQ HD	61	618530	9/16MJIC-1/8MNPT ADPTR	
27	1	618531	9/16FJIC CAP NUT	62	614719	HYD TUBE ASSY, AUX 204 GMC 96	
28	4	611147	3/4MJIC-1/2MNPT ADPTR	63	611246	04C1T-06FJX-06FJX-174	
29	1	618186	1 5/16MJIC-1 5/16MOR ADPTR	64	614101	04C1T-06FJX-06FJX-133	
30	4	618469	3/4MJIC-1 1/16MOR ADPTR	65	614100	04C1T-06FJX-06FJX-211	
31	2	618126	9/16MJIC-9/16MOR ADPTR	66	614076	04C1T-06FJX-06FJX-119	
32	1	618178	1 5/16MJIC-90-1 5/16MOR LBO	*67	505209	BLK PIPE NIPPLE 1.00NPT-6.00	
33	6	618116	9/16MOR-90-1/4FNPT LBO	*68	714561	1.00NPT-1.25 HOSE BARB	
34	2	614375	08C1T-08FJX-08FJX-177	H/A	601437	HOSE, 1 1/4 X 40 1FBR-1SP1	
35	2	614690	08C1T-08FJX-08FJX-192	H/A			

ABBREVIATIONS

A/C - AIR CONDITIONER	MT - MOUNT
ADPTR - ADAPTER	MTR - MOTOR
AGI - AGITATOR	P/N - PART NUMBER
ALT - ALTERNATOR	PLT - PLATE
ASSY - ASSEMBLY	QTY - QUANTITY
BRKT - BRACKET	RED - REDUCER
DET - DETAIL	REF - REFERENCE
DISPL - DISPLACEMENT	REST - RESTRICTOR
EL - ELBOW	REQ - REQUIRED
EXT - EXTENSION	SHFT - SHAFT
FLO - FLOW	SOL - SOLUTION
FNPT - FEMALE NATIONAL PIPE THREAD	STRG - STEERING
FOR - FEMALE O-RING	ST - STREET
FRT - FRONT	SWIV - SWIVEL
HYD - HYDRAULIC	UNC - UNIFIED NATIONAL COURSE
HYDRO - HYDROSTATIC	UNF - UNIFIED NATIONAL FINE
LG - LONG	V - VOLT
LWR - LOWER	W/ - WITH
MJIC - MALE J.I.C.	WHL - WHEEL
MOR - MALE O-RING	WLD - WELDMENT



-A-

ABBREVIATIONS.....152  
 ACTUATOR,  
     EXTENSION.....87  
     LINEAR.....87  
 AIR CLEANER.....16,17  
 BAND.....16,17  
 CAP.....16,17  
 CLAMP.....16,17  
 FILTER.....16,17  
 HOSE.....16,17  
 AIR INTAKE SCREEN.....19  
 ARM,  
     SENSOR.....84  
     STEERING.....20,22,24,26

-B-

BAND, AIR CLEANER.....16,17  
 BATTERY.....42  
 BOX.....42  
 CABLE.....42  
 HOLD DOWN.....42  
 BELT.....5,7  
 BLADE,  
     CHOPPER.....77,78,79,80  
     CUTTER.....74,77,78,79,80  
     FAN.....5,7  
     BLOCK, TERMINAL.....49  
     BOX,  
         CONTROL.....81,82  
         MANUAL SWITCH.....82  
     BRACKET, THROTTLE.....7  
     BRAKE  
         CABLE.....21,23  
         DISC.....21,23  
         LEVER.....45  
         MOUNT.....21,23  
         PAD.....21,23  
         SOLENOID.....33  
     BREATHER.....36

-C-

CAB.....88  
 CABLE,  
     BRAKE.....21,23  
     CHOKE.....49  
     HYDROSTATIC.....51  
     THROTTLE.....51  
 CANOPY.....94,95  
 CAP,  
     AIR CLEANER.....16,17

FUEL.....37,38  
 RADIATOR.....19  
 STEERING.....46  
 CHOKE CABLE.....49  
 CHOPPER,  
     BLADE.....77,78,79,80  
     MALE ROW.....77,78,79,80  
 CIRCUIT BREAKER.....49  
 CLAMP,  
     MUFFLER.....16,18  
     TEE.....10  
 CONSOLE.....49  
 PANEL.....48  
 CONTROL BOX.....85,86  
     COVER.....46  
     COVER, RECEPTACLE.....83  
 CUTTER  
     BLADE.....74  
     CASE DRAIN.....76  
     HEAD.....74  
 CYLINDER  
     LEG.....30  
     LIFT.....72  
     STEERING.....35

-D-

DECALS.....100,101  
 DEPTH COMMAND.....85,87  
 DIAGRAM, WIRING...102,103,104,105  
 DIFFUSER, SUMP.....36  
 DIPSTICK.....36  
 DISC,  
     BRAKE.....21,23  
     SENSOR.....21,23  
     DRAIN COCK, RADIATOR.....19  
     DRINK HOLDER.....49  
     DRIVE ASSEMBLY.....4,6

-E-

ELECTRIC VALVE.....57,58,59  
 ENGINE,  
     CUMMINS.....4,5  
     GMC.....6,7  
     HOOD.....52  
     HOOD PROP.....52  
     EXHAUST PIPE.....16,18

-F-

FAN BLADE.....5,7  
 FAN SPACER.....5,7

FILTER  
 FUEL.....4, 38  
 OIL.....5, 7, 13, 36, 56  
 FLASHER  
 LIGHT.....52, 88, 94

SWITCH.....46  
 FLOW DIVIDER.....15  
 FLOW REGULATOR.....73  
 FLUSHING VALVE.....12  
 FOAM.....19, 43, 88, 94  
 FRONT LEG.....20, 22, 24, 26  
 FUEL

CAP.....37, 38  
 GAUGE.....47  
 PUMP.....39  
 SELECTOR VALVE.....37  
 SENDER.....37, 38  
 TANK.....37, 38  
 FUSE.....48, 85, 86  
 HOLDER.....48, 85, 86

-G-

GAUGE,  
 FUEL.....47  
 OIL PRESSURE.....47  
 TEMPERATURE.....47  
 GEAR PUMP.....8, 9  
 GROUND STRAP.....4, 6

-H-

HANDRAIL.....40, 41  
 HEAD,  
 CUTTER.....74  
 PULLER.....73  
 HEADLIGHT.....88, 94  
 HEAT SHIELD.....7, 18  
 HOLD DOWN, BATTERY.....42  
 HOLDER, DRINK.....49  
 HOSE,  
 AIR CLEANER.....16, 17  
 RADIATOR.....5, 7  
 HOUR METER.....47  
 HYDRAULIC  
 MOTOR.....73, 74, 80  
 SCHEMATIC.....122  
 HYDROSTATIC  
 CABLE MOUNT.....6  
 LEVER.....50

-I-

INDICATOR  
 LIGHT.....46, 47  
 MPH/RPM.....47

INNER TUBE.....31  
 INSTRUMENT PANEL.....47

-K-

KIT, LIGHT.....47  
 KNOB.....46

-L-

LADDER.....40, 41  
 LEG  
 CYLINDER.....30  
 FRONT.....20, 22, 24, 26  
 REAR.....28, 29  
 SHIM.....20, 22, 24, 26  
 SLEEVE, NYLON.....20, 22, 24, 26  
 LEVER,  
 BRAKE.....45  
 HYDROSTATIC.....50  
 THROTTLE.....51  
 LIFTARM.....68  
 LIFT CYLINDER.....72  
 LIGHT,  
 FLASHER.....52, 88, 94  
 KIT.....47  
 SWITCH.....48  
 LS CROSS TUBE.....84  
 LS SENSOR.....84

-M-

MALE ROW CHOPPER.....77, 78, 79, 80  
 MANIFOLD, HYDRAULIC.....55  
 MANUAL SWITCH.....82  
 MOTOR,  
 CONTROL VALVE.....54  
 MOUNT.....4, 5, 6, 7  
 STEERING.....46  
 MOUNT,  
 BRAKE.....20, 22  
 HYDROSTATIC CABLE.....6  
 RADIATOR.....19  
 RECEPTACLE.....83  
 RUBBER.....4, 43  
 MPH/RPM INDICATOR.....47  
 MUFFLER.....16, 18  
 CLAMP.....16, 18  
 HEAT SHIELD.....18  
 MULLION.....52

-N-

NOISE DEFLECTOR SHIELD.....43

-0-

OIL

COOLER..... 19  
 FILTER.....6,56  
 PRESSURE GAUGE.....47  
 PRESSURE SENDER.....4,6  
 TANK.....36  
 OPERATOR STATION.....43  
 OUTRIGGER.....61,65,69

-P-

PAD, BRAKE.....21,23  
 PANEL, INSTRUMENT.....47  
 PHOTO SENSOR.....84  
 PIPE, EXHAUST.....16,18  
 PIVOT PIN.....61,65,69  
 PIVOT, STEERING.....34  
 PLATFORM, SERVICE.....40,41  
 POSITRACTION VALVE.....10,11,14  
 PROP ENGINE HOOD.....52  
 PULLER  
 HEAD.....73  
 SHIELD.....73  
 PUMP,  
 FUEL.....39  
 GEAR.....8,9  
 SUNDSTRAND.....8,9

-R-

RADIATOR.....19  
 HOSE.....5,7  
 MOUNT.....19  
 SHROUD.....19  
 REAR LEG.....27,28  
 RECEPTACLE  
 COVER.....83  
 MOUNT.....83  
 RECOVERY TANK.....19  
 REGULATOR, FLOW.....73  
 RELIEF VALVE.....15  
 RIM.....31  
 ROOF, CANOPY.....94  
 RUBBER.....88,94  
 BOOT.....48  
 HOOK.....52  
 MOUNT.....4,5,43

-S-

SCHEMATIC,  
 HYDRAULIC.....122  
 WIRING.....105  
 SCREEN, AIR INTAKE.....19

SEAT.....44

SELECTOR VALVE FUEL.....37

SENDER,

FUEL.....37,38

OIL PRESSURE.....4

TEMPERTURE.....5,7

SENSOR,

ARM.....84

DISC.....21,23

MPH.....21,23,28

SERVICE PLATFORM.....40,41

SHEET METAL.....52,53

SHIELD,

FUEL.....39

HEAT.....7,19

NOISE DEFLECTOR.....43

PULLER.....73

WHEEL MOTOR.....21,23,25,27

SHIM, LEG.....20,22,25,27,28,29

SHROUD, RADIATOR.....19

SMV SIGN.....53

SPACER,

FAN.....5

STABILIZER TUBE.....52,62,65,69

STALK GUIDE.....28,73,74

STEERING,

ARM.....20,22,24,26

CYLINDER.....35

MOTOR.....46

PIVOT.....34

POST.....46

WHEEL.....46

STRAP, GROUND.....4,6

SUNDSTRAND PUMP.....8,9

SUPPORT POST.....61,65,69

SWITCH.....43

BOX.....85,86

FLASHER.....46

LIGHT.....48

TOGGLE.....48,85,86

-T-

TAILLIGHT.....53

TANK,

FUEL.....37,38

OIL.....36

TEE CLAMP.....10,11

TEMPERTURE

GAUGE.....47

SENDER.....5,7

TERMINAL BLOCK.....49

THROTTLE

CABLE BRACKET.....4,7

LEVER.....51  
TIE ANGLE.....18  
TIE BAR.....61, 65, 69  
TIE PLATE.....18  
TIE ROD.....34  
TIRE.....31  
PULLER.....73  
TOGGLE SWITCH.....48  
TOOLBAR.....61, 62, 65, 69  
TORQUE HUB... 21, 23, 25, 27, 28, 97, 99  
TUBE,  
AIR CLEANER.....16, 17  
INNER.....31

-V-

VALVE,  
ELECTRIC.....57, 58, 59  
FLUSHING.....12  
MOTOR CONTROL VALVE.....54  
POSITRACTION.....10, 11, 14  
VOLTMETER.....47

-W-

WHEELMOTOR.....21, 23, 25, 27, 28, 29  
SHIELD.....21, 23  
WIRING,  
DIAGRAM.....102, 103, 104, 105  
SCHEMATIC.....106



# PARTS ORDER FAX

**Fax**  
24 hours  
a day  
7 days  
a week\*\*

Ph. 1 (800) 247-4885    Fx. 1 (515) 532-3553

Photocopy and fax to Hagie Customer Support Department

ORDERED BY/BILL TO:

Name \_\_\_\_\_

Co. Name \_\_\_\_\_

Street \_\_\_\_\_

City, St, Zip \_\_\_\_\_

Ph. \_\_\_\_\_ Fx. \_\_\_\_\_

SHIP TO:

Name \_\_\_\_\_

Co. Name \_\_\_\_\_

Street \_\_\_\_\_

City, St, Zip \_\_\_\_\_

Ph. \_\_\_\_\_ Fx. \_\_\_\_\_

HOW SHIP:    UPS Ground    Next Day    2 Day    3 Day    Other \_\_\_\_\_

If "HOW SHIP" is left blank, parts will be sent UPS ground service. If part is over 150 pounds, an independent motor freight company will be used.

**PAYMENT:**    Hagie Account #\*\*\* \_\_\_\_\_

C.O.D

American Express    Discover    Visa    Master Card

Signature: \_\_\_\_\_  
name as appears on card: \_\_\_\_\_  
card no. \_\_\_\_\_ exp. date \_\_\_\_\_

Year and Model No. \_\_\_\_\_

Serial No. \_\_\_\_\_

Item Serial No. (if necessary): \_\_\_\_\_

Engine (include type) \_\_\_\_\_

Hydrostatic Pump (s) \_\_\_\_\_

Torque Hub \_\_\_\_\_       LF    RF    LR    RR

Wheel Motor \_\_\_\_\_       LF    RF    LR    RR

HAGIE Part No.	Qty.	Description

Check here if you want phone confirmation of parts order.

\* Orders received before 3:00 p.m., CST will be processed the same business day.

Regular business hours are Monday through Friday, 7:00 a.m. through 5:00 p.m..

\*\* If you do not have a Hagie account number, contact the Hagie Customer Support Department and you will be issued one.



# PARTS ORDER FAX



Ph. 1 (800) 247-4885    Fx. 1 (515) 532-3553    Photocopy and fax to Hagie Customer Support Department

ORDERED BY/BILL TO:

Name \_\_\_\_\_  
 Co. Name \_\_\_\_\_  
 Street \_\_\_\_\_  
 City, St, Zip \_\_\_\_\_  
 Ph. \_\_\_\_\_ Fx. \_\_\_\_\_

SHIP TO:

Name \_\_\_\_\_  
 Co. Name \_\_\_\_\_  
 Street \_\_\_\_\_  
 City, St, Zip \_\_\_\_\_  
 Ph. \_\_\_\_\_ Fx. \_\_\_\_\_

HOW SHIP:  UPS Ground    Next Day    2 Day    3 Day    Other \_\_\_\_\_

If "HOW SHIP" is left blank, parts will be sent UPS ground service. If part is over 150 pounds, an independent motor freight company will be used.

PAYMENT:  Hagie Account #\*\*\* \_\_\_\_\_

C.O.D

American Express    Discover    Visa    Master Card  
 Signature: \_\_\_\_\_  
 name as appears on card: \_\_\_\_\_  
 card no. \_\_\_\_\_ exp. date \_\_\_\_\_

Year and Model No. \_\_\_\_\_

Serial No. \_\_\_\_\_

Item Serial No. (if necessary): \_\_\_\_\_

Engine (include type) \_\_\_\_\_

Hydrostatic Pump (s) \_\_\_\_\_

Torque Hub \_\_\_\_\_  LF    RF    LR    RR

Wheel Motor \_\_\_\_\_  LF    RF    LR    RR

HAGIE Part No.	Qty.	Description

Check here if you want phone confirmation of parts order.

\* Orders received before 3:00 p.m., CST will be processed the same business day.  
 Regular business hours are Monday through Friday, 7:00 a.m. through 5:00 p.m..  
 \*\* If you do not have a Hagie account number, contact the Hagie Customer Support Department and you will be issued one.