

PARTS MANUAL
FOR
HAGIE MODEL 204 DETASSELER

HAGIE MANUFACTURING COMPANY

BOX 273 CLARION, IOWA 50525 (515) 532-2861

COVERS MACHINE SERIAL NUMBERS: U1000000001 thru U1000000100

06-00 493212
02-08

DETASSELER IDENTIFICATION

Each Hagie detasseler is identified by means of a frame serial number. This serial number denotes the model, the year in which it was built, and the number of the detasseler. As for further identification, the engine has a serial number, the hydrostatic pump has a serial number, the wheel motors have identification tags, and the planetary hubs have identification plates that describe the type of mount and gear ratio. To insure prompt, efficient service when ordering parts or requesting service repairs from Hagie Manufacturing Company, record the serial and identification numbers in the space provided below.

NOTE: Reference to left hand and right hand used throughout this manual refers to the position when seated in the operator's seat facing forward.

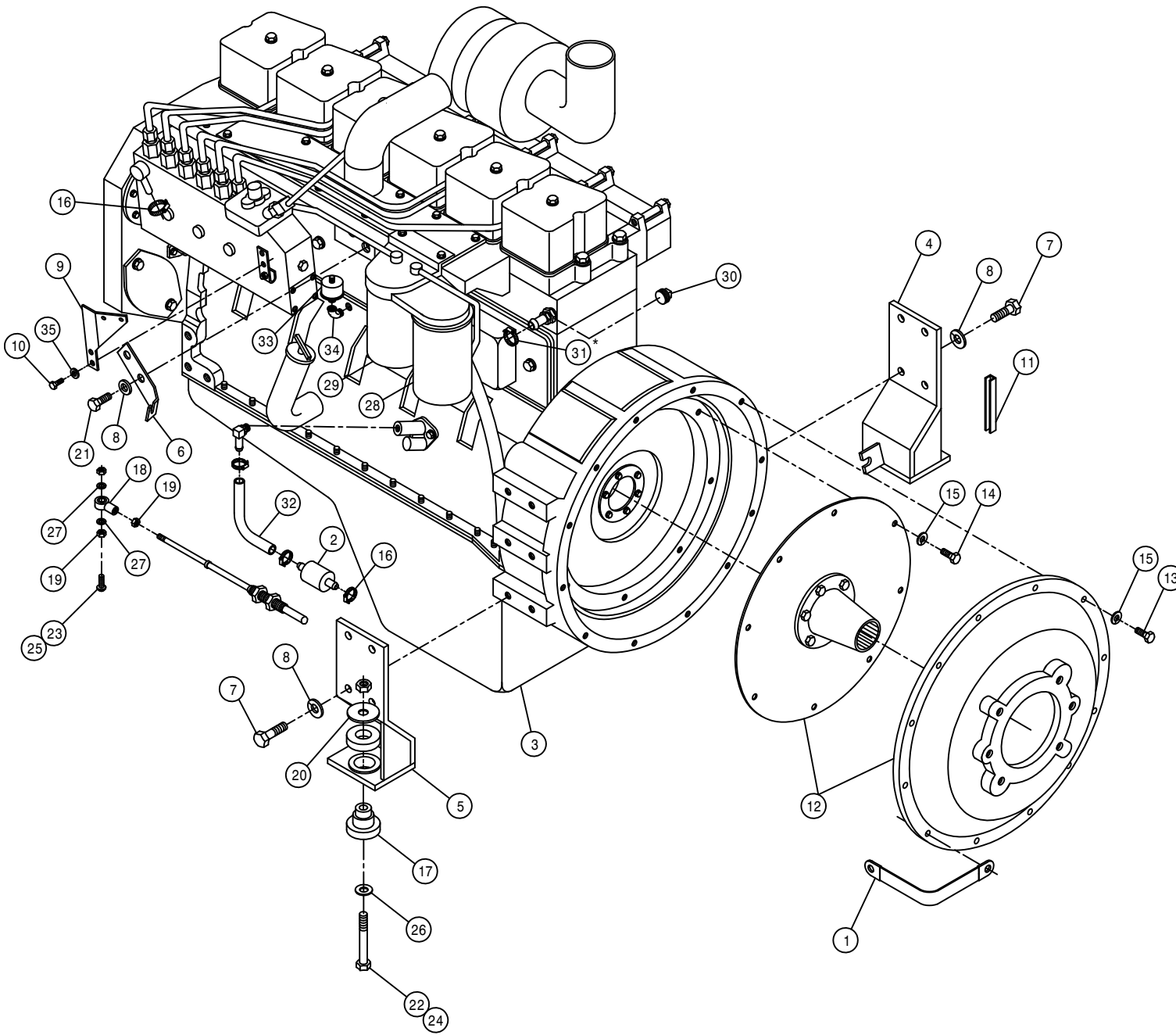
DETASSELER SERIAL NUMBER

ENGINE SERIAL NUMBER

PLANETARY HUB IDENTIFICATION NUMBERS

TABLE OF CONTENTS

ENGINE ASSEMBLIES	4-9
POSITRACTION VALVE	10-11
HI-PRESS FILTER & LOOP FLUSHING VALVE	12-13
FLOW DIVIDER	14-15
EXHAUST PIPE & AIR CLEANER	16-18
RADIATOR AND OIL COOLER19
LEG ASSEMBLIES	20-30
TIRE AND STALK GUIDE	31-32
BRAKE SOLENOID ASSEMBLY33
TIE ROD ASSEMBLY34
STEERING CYLINDER ASSEMBLY35
FUEL AND OIL TANKS	36-39
LADDER AND SERVICE PLATFORM	40-41
BATTERY42
OPERATOR STATION ASSEMBLY	43-46
INSTRUMENT PANEL ASSEMBLY47
CONSOLE ASSEMBLY	48-51
SHEET METAL	52-53
MOTOR CONTROL VALVE54
RETURN FILTER	55-56
ELECTROHYDRAULIC VALVE	57-61
OUTRIGGER AND LIFT ASSEMBLY	62-71
LIFT CYLINDER ASSEMBLY72
QUAD AND CUTTER HEAD	73-75
CUTTER CASE DRAIN FITTING ASSEMBLY76
MALE ROW CHOPPER	77-80
CONTROL BOX ASSEMBLY	81-83
LS SENSOR84
DEPTH COMMAND	85-87
CAB OPTION	88-93
CANOPY OPTION	94-95
WEIGHT BRACKET OPTION96
WHEEL DRIVE ASSEMBLY	97-99
DECALS	100-101
WIRING DIAGRAM	102-107
ELECTRICAL SCHEMATIC	108-123
HYDRAULIC SCHEMATIC	124-159
ABBREVIATIONS	160
INDEX	161

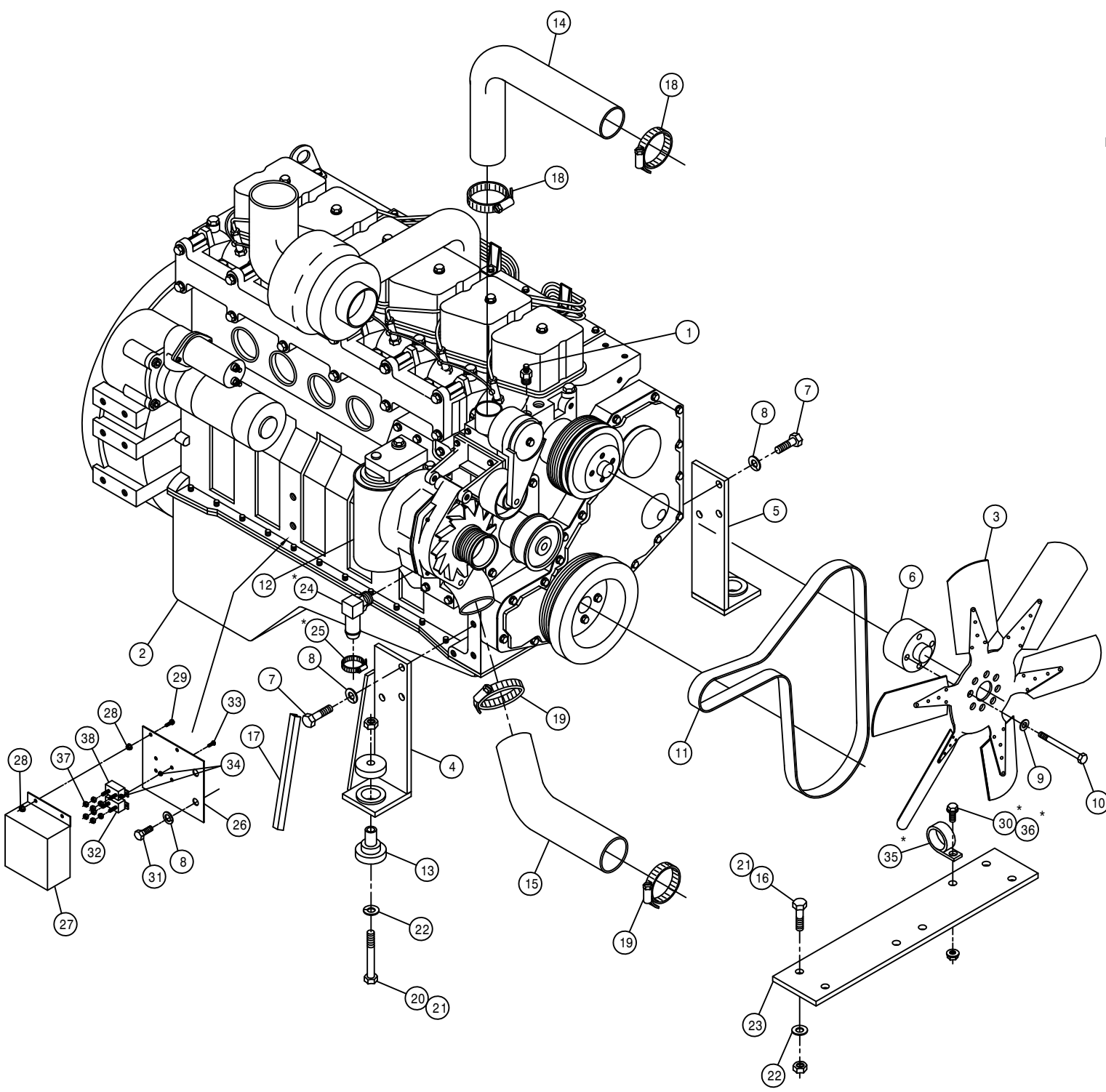


DIESEL ENGINE ASSEMBLY

DET.	QTY	PART NO.	DESCRIPTION
1	1	290107	GROUND CABLE, 8" X 4GA .406LUGS
2	1	316281	FUEL STRAINER, IN-LINE, DIESEL
3	1	316302	CUMM ENG, 6B5.9A 152@2500
4	1	316252	RH REAR ENG MT WLD, CUMM 94
5	1	316253	LH REAR ENG MT WLD, CUMM 94
6	1	316303	THROTTLE CABLE MT, 6CYL CUMM 97
7	8	473775	12MM-1.75 X 30MM HEX BOLT
8	10	473784	12MM LOCK WASHER
9	1	316304	THROTTLE LEVER EXT, 6CYL CUMM97
10	2	473826	6MM-1.00 X 16MM HEX BOLT
11	1	193012	QUICKEDGE TRIM .135 TO .250
12	1	800495	SUND DRIVE ASSY, 2.83PILOT 14T
13	12	473792	10MM-1.50 X 30MM HEX BOLT
14	8	473793	10MM-1.50 X 20MM HEX BOLT
15	20	473798	10MM LOCK WASHER
16	4	520120	HOSE CLAMP NO 4 STAINLESS
17	2	311054	RUBBER MOUNT SET, CB-2202-4
18	1	473921	BALL JOINT NO 10-32 THD
19	2	910027	10-32 HEX NUT
20	2	311055	REBOUND WASHER FOR 311054
21	2	473828	12MM-1.50 X 20MM HEX BOLT
22	2	900271	1/2UNC X 3 1/4 HEX BOLT
23	1	903893	10-32 X 1" SLT RD HD MACH SCR
24	2	914008	1/2UNC HEX STOVER NUT
25	1	914027	10-32 HEX STOVER NUT
26	2	920004	1/2 SAE FLAT WASHER
27	2	920510	#10 LOCK WASHER
28	1	316208	FUEL FILTER, PRIMARY CUMM 92
29	1	316209	FUEL FILTER, SECONDARY CUMM92
30	1	504900	PIPE PLUG .75NPT SQ HD
31	1	520055	HOSE CLAMP NO 12 STAINLESS
32	1	601347	HOSE, 3/8 X 10 FUEL LINE
33	1	291674	OIL PRESS SENDER, 125PSI, 1/8NPT
34	1	500900	BLK PIPE ST EL 90DEG .125NPT
35	2	920500	1/4 LOCK WASHER

*NOTE: DETAIL 31 AND HOSE BARB ARE USED WITH THE CAB OPTION.

5



DIESEL ENGINE ASSEMBLY

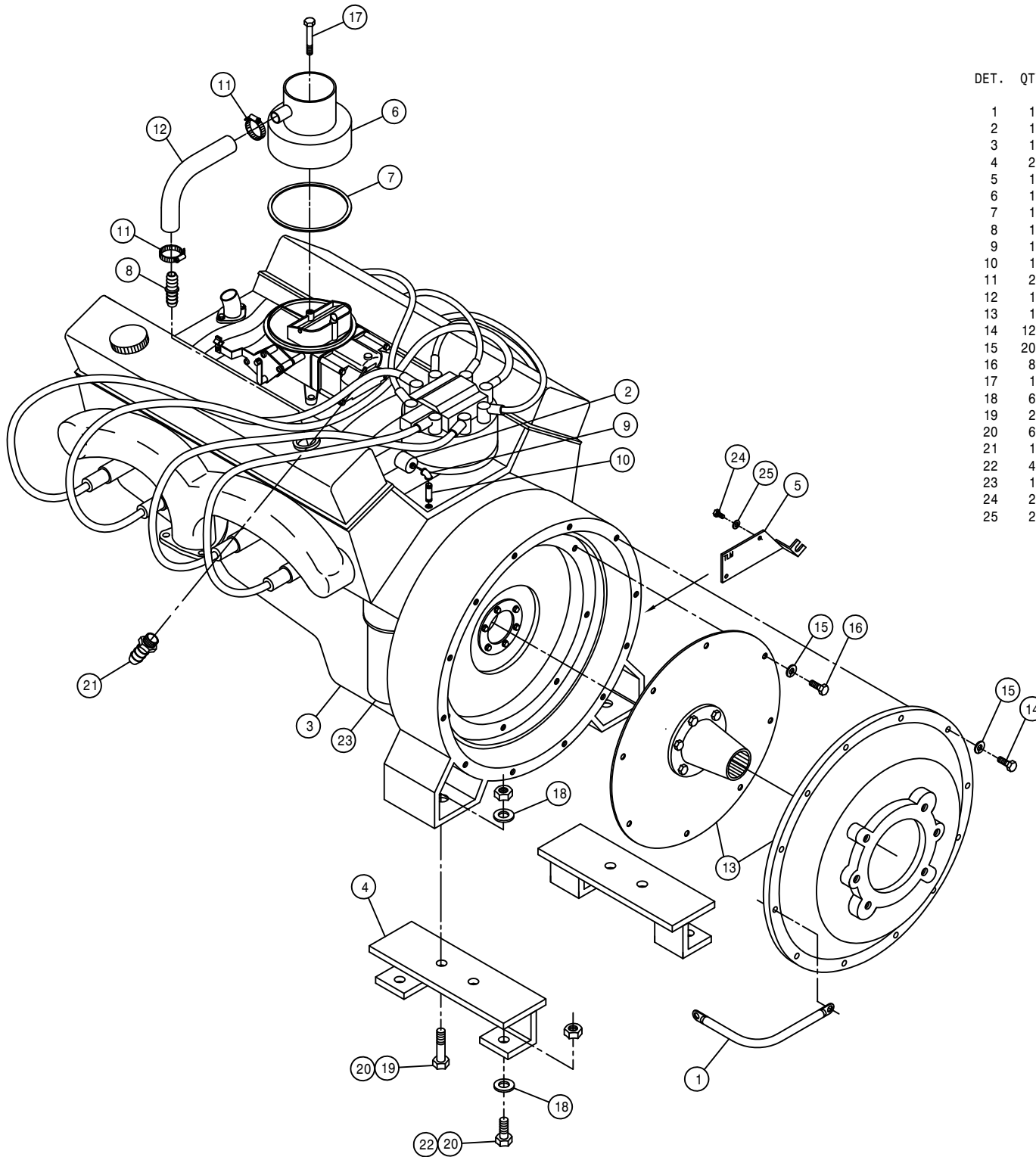
DET.	QTY	PART NO.	DESCRIPTION
1	1	314836	TEMP SENDR 280D 1/2NPT FOR GA
2	1	316302	CUMM ENG,6B5.9A 152@2500
3	1	316410	FAN, 22" 6 BLADE 40DEG
4	1	316250	RH FRT ENG MT WLD, CUMM 94
5	1	316313	LH FRT ENG MT WLD, 284 CUMM 98
6	1	316199	22IN FAN SPACER CUMM 92
7	6	473775	12MM-1.75 X 30MM HEX BOLT
8	8	473784	12MM LOCK WASHER
9	4	473804	8MM LOCK WASHER
10	4	473822	8MM-1.25 X 70MM HEX BOLT
11	1	316206	POLY V BELT CUMMINS DIESEL 92
12	1	316207	LUBE FILTER CUMMINS DIESEL 92
13	2	311053	RUBBER MOUNT SET,SSB26-1000-1
14	1	314832	RADIATOR HOSE 1.75 X 19
15	1	314886	RADIATOR HOSE 2 1/4 20717
16	4	900265	1/2UNC X 1 1/2 HEX BOLT
17	1	193012	QUICKEDGE TRIM .135 TO .250
18	2	520067	HOSE CLAMP NO 28 STAINLESS
19	2	520099	HOSE CLAMP NO 40 STAINLESS
20	2	900271	1/2UNC X 3 1/4 HEX BOLT
21	6	914008	1/2UNC HEX STOVER NUT
22	6	920004	1/2 SAE FLAT WASHER
23	1	341968	TIE PLT 250/280 CUMM 92
24	1	618573	5/8 HOSE BARB-90-1/2MNPT
25	1	520055	HOSE CLAMP NO 12 STAINLESS
26	1	316339	BREAKER MTG PLT, 2100 98
27	1	316340	BREAKER COVER, 2100 98
28	4	470175	10-32 HEX FLANGE LOCK NUT
29	2	470216	10-32 X 3/4 FLANGE HEX BOLT
30	1	470121	1/4UNC HEX FLANGE LOCK NUT
31	2	473783	12MM-1.75 X 25MM HEX BOLT
32	1	291197	CIRCUIT BREAKER,30AMP,INLINEMT
33	4	903812	6-32 X 1/2 SLT RD HD MACH SCR
34	8	910022	6-32 HEX NUT
35	1	520126	CUSH HOSE CLAMP 2IN X 5/8W
36	1	470118	1/4UNC X 3/4 FLANGE HEX BOLT
37	4	910027	10-32 HEX NUT
38	1	291556	CIRCUIT BREAKER,50AMP,INLINEMT

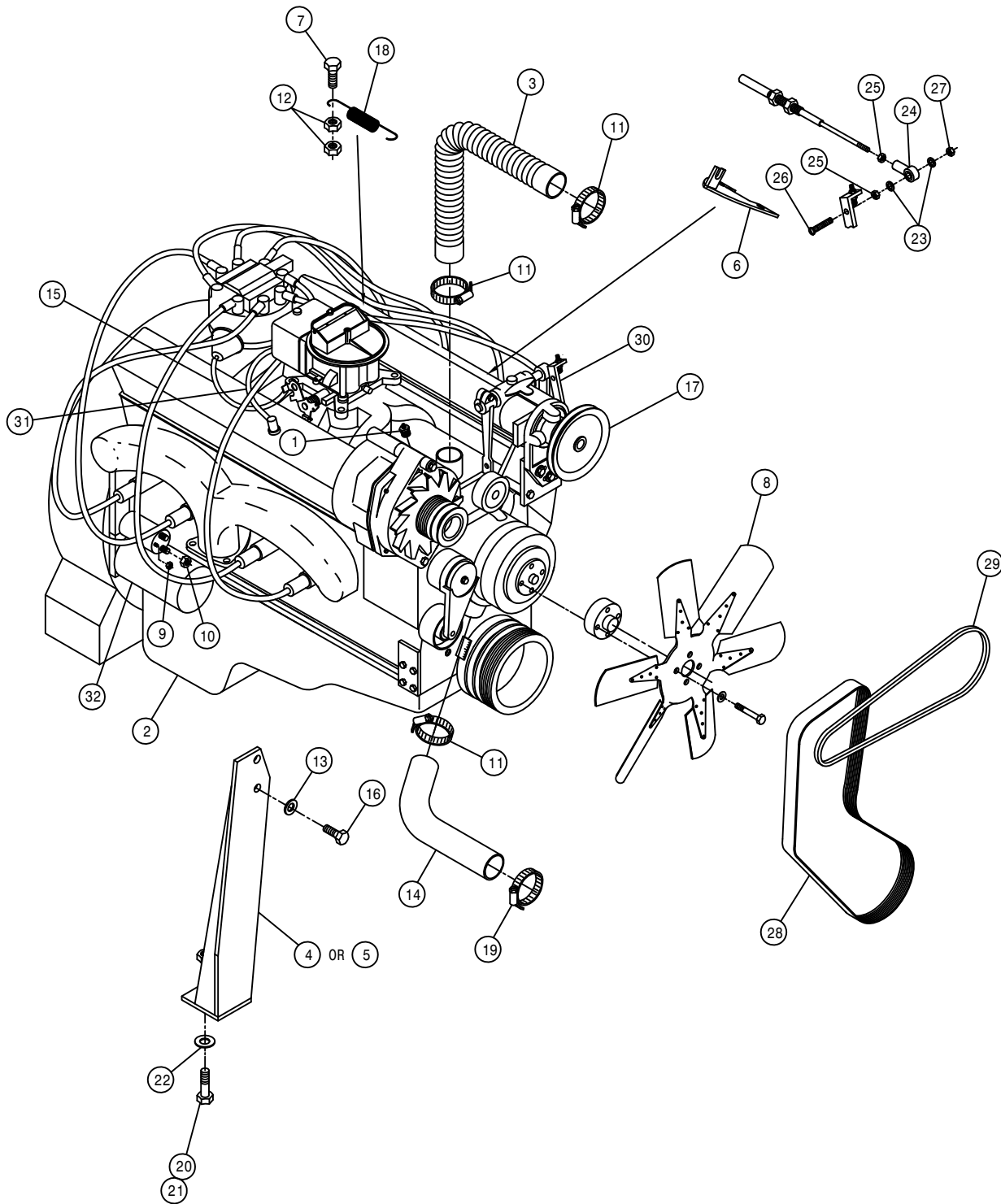
*NOTE: DETAIL 24,25,30,35,AND 36 ARE USED WITH THE CAB OPTION.

GMC ENGINE ASSEMBLY

DET. QTY PART NO. DESCRIPTION

1	1	291531	GROUND CABLE, 15"
2	1	291610	OIL PRESS SENDER, 80PSI, 1/8NPT
3	1	315041	ENGINE, 350 GMPT 5.7 98
4	2	314949	REAR MTR MT WLD, 204 GMC350 96
5	1	314952	HYDST CABLE MT WLD, 204 GMC 96
6	1	314963	CARB INTAKE WLD, 204 GMC350 96
7	1	314969	CARB INTAKE GASKET, GMC350 96
8	1	500070	3/4-3/4 HOSE BARB, POLY
9	1	500201	BLK PIPE EL 90DEG .125NPT
10	1	500520	BLK PIPE NIPPLE .125NPT-2.00
11	2	520055	HOSE CLAMP NO 12 STAINLESS
12	1	601379	HOSE, 3/4 X 16 2BR RED
13	1	800495	SUND DRIVE ASSY, 2.83PILOT 14T
14	12	900131	3/8UNC X 1 1/2 HEX BOLT
15	20	920502	3/8 LOCK WASHER
16	8	900128	3/8UNC X 3/4 HEX BOLT
17	1	900009	1/4UNC X 2 3/4 HEX BOLT
18	6	920004	1/2 SAE FLAT WASHER
19	2	900266	1/2UNC X 1 3/4 HEX BOLT
20	6	914008	1/2UNC HEX STOVER NUT
21	1	783305	1/2-20IF X 5/16 HOSE BARB, BRS
22	4	900265	1/2UNC X 1 1/2 HEX BOLT
23	1	314981	OIL FILTER, AC PH-35
24	2	900000	1/4UNC X 1/2 HEX BOLT
25	2	920500	1/4 LOCK WASHER





GMC ENGINE ASSEMBLY

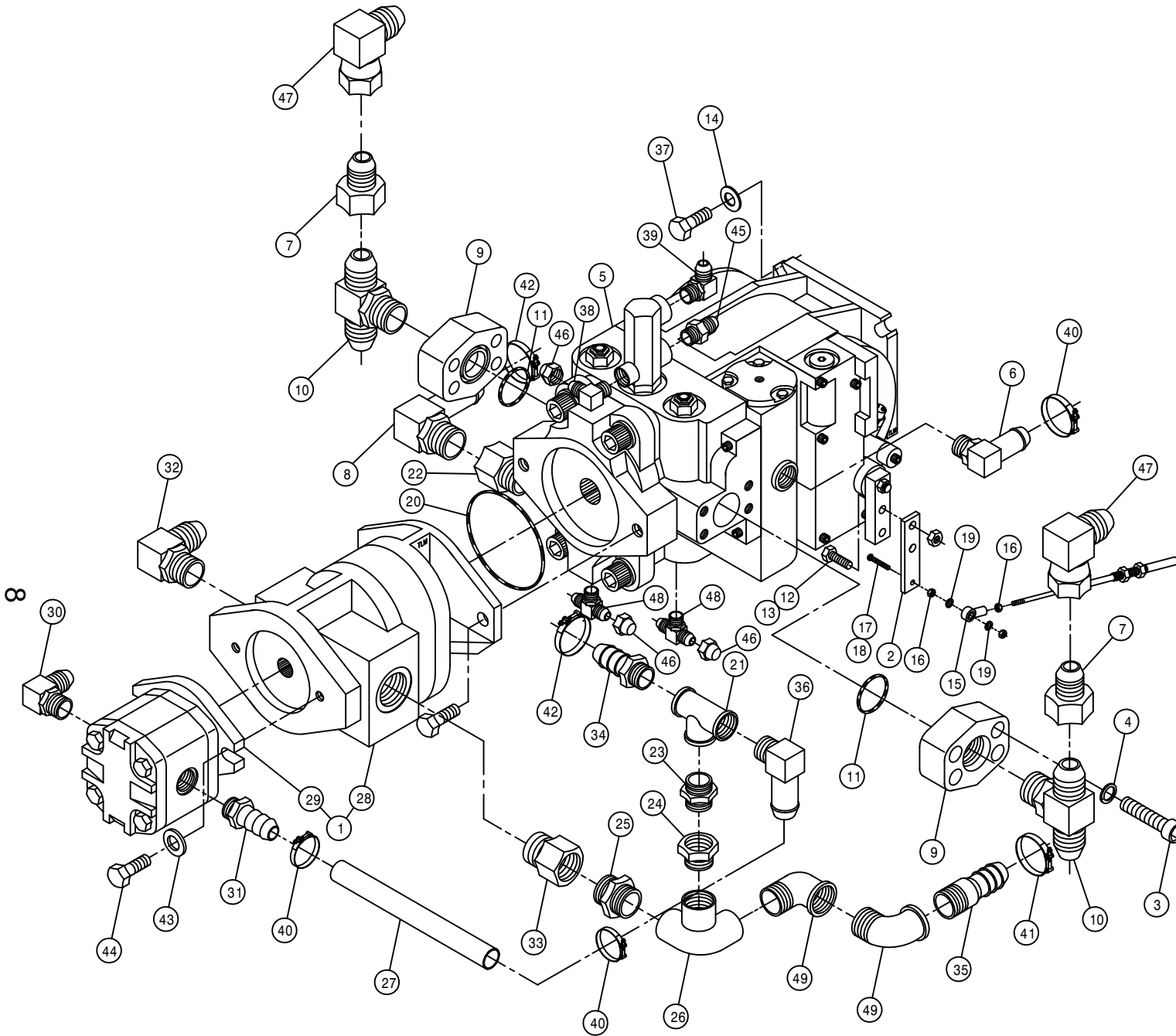
DET. QTY PART NO. DESCRIPTION

1	1	314836	TEMP SENDR 280D 1/2NPT FOR GA
2	1	315041	ENGINE,350 GEN-1E 5.7L 98
3	1	314940	RADIATOR HOSE, 1.75
4	1	314944	RH FRT MTR MT WLD, 204 GMC 96
5	1	314945	LH FRT MTR MT WLD, 204 GMC 96
6	1	315042	THROT CABLE MT WLD,204 GMC 99
7	1	900065	5/16UNC X 1" HEX BOLT
8	1	315050	FAN, 99
9	1	473770	5MM-.80 HEX NUT
10	1	473778	8MM-1.25 HEX NUT
11	3	520067	HOSE CLAMP NO 28 STAINLESS
12	2	910002	5/16UNC HEX NUT
13	4	920502	3/8 LOCK WASHER
14	1	314975	LWR RAD HOSE, 204 GMC
15	1	601405	HOSE, 5/32 X 16 VACUUM
16	4	900129	3/8UNC X 1" HEX BOLT
17	1	147034	5"OD 5/8"BORE PULLEY FOR GOV
18	1	482015	SPRING, GMC CARB
19	1	520099	HOSE CLAMP NO 40 STAINLESS
20	2	900265	1/2UNC X 1 1/2 HEX BOLT
21	2	914008	1/2UNC HEX STOVER NUT
22	2	920004	1/2 SAE FLAT WASHER
23	2	920510	#10 LOCK WASHER
24	1	473921	BALL JOINT NO 10-32 THD
25	2	910027	10-32 HEX NUT
26	1	903893	10-32 X 1" SLT RD HD MACH SCR
27	1	914027	10-32 HEX STOVER NUT
28	1	315049	SERPENTINE FAN BELT,350 GMPT
29	1	315048	BELT,GOVERNOR,350 GMPT 5.7 ENG
30	1	315045	GOVERNOR W/PULLEY FOR GM350 99
31	1	601527	HOSE, 3/8 X 16 FUEL LINE
32	1	315051	STARTER GMC 350 315041

CUMMINS PUMP ASSEMBLY

DET. QTY PART NO. DESCRIPTION

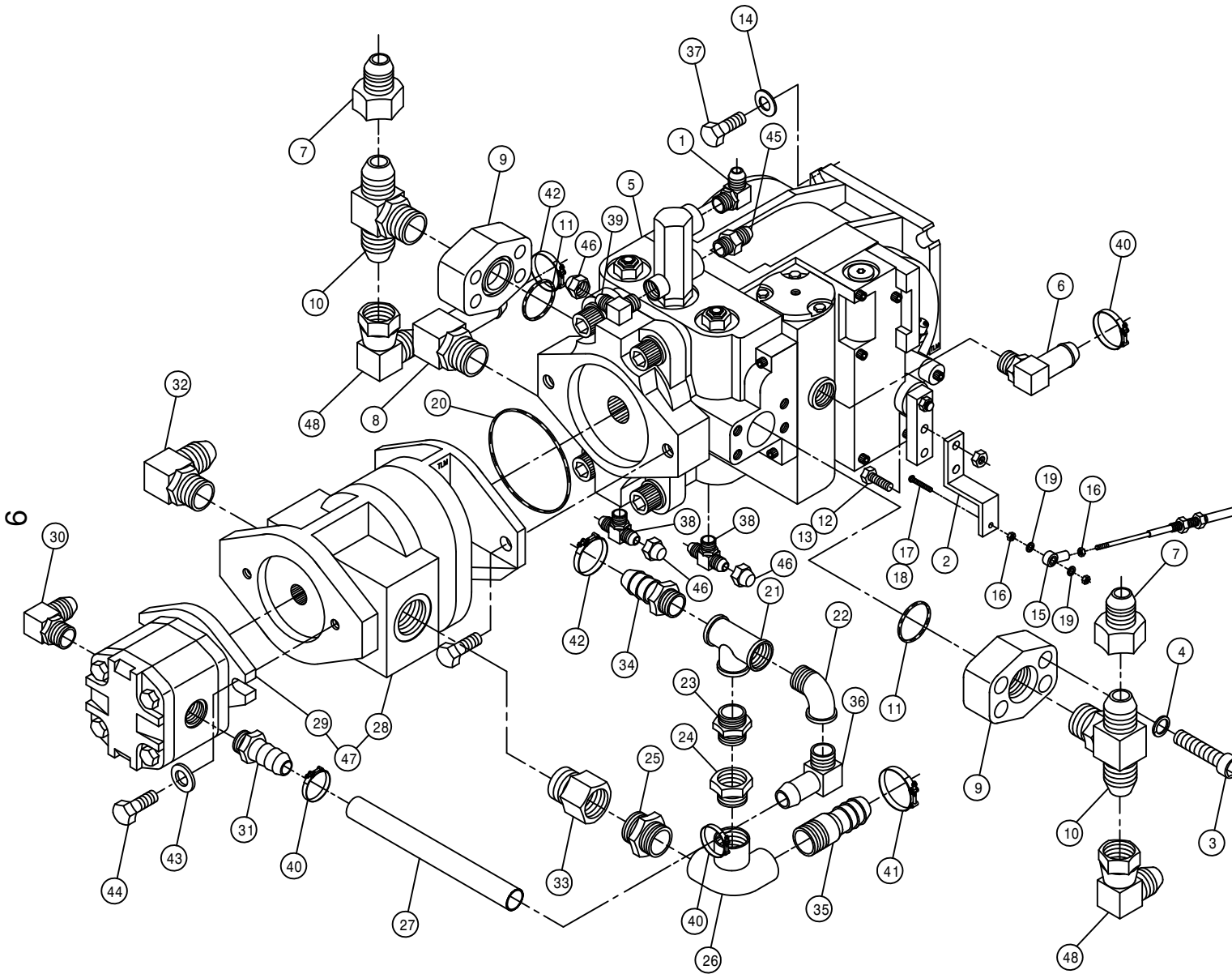
1	1	606937	TANDEM PUMP, 606929 & 606938
2	1	316160	PUMP CONT LEVER EXT 280 CUMM
3	8	470188	7/16-14 X 1 1/2 SKTHD CAP SCR
4	8	470189	7/16 HC LOCK WASH FOR 618598
5	1	606902	SUND 100CC PUMP,B-MT W/FILT
6	1	618118	3/4 HOSE BARB-90-1 1/16MOR
7	2	618541	1 5/16FJIC-1 1/16MJIC ADPTR
8	1	618638	1IN HOSE BARB-45-1 5/16MOR
9	2	618599	1" 4-BOLT FLG X 1 5/16 FOR
10	2	618598	1 5/16MOR BRANCH TEE-1 5/16MJ
11	2	870219	BUNA ORING 1 5/16 X 1 9/16
12	2	900003	1/4UNC X 1" HEX BOLT
13	2	914000	1/4UNC HEX STOVER NUT
14	4	920004	1/2 SAE FLAT WASHER
15	1	473921	BALL JOINT NO 10-32 THD
16	2	910027	10-32 HEX NUT
17	1	903893	10-32 X 1" SLT RD HD MACH SCR
18	1	914027	10-32 HEX STOVER NUT
19	2	920510	#10 LOCK WASHER
20	1	606870	O-RING FOR 606865 SUND B-MT
21	1	505101	BLK PIPE TEE 1.00NPT
22	1	618639	1 5/8MOR-1 5/16FOR ADPTR
23	1	505105	1MNPT HEX PIPE NIPPLE STL
24	1	506005	1 1/4 TO 1 RED BUSH BLK MAL
25	1	507026	1 1/4MNPT HEX PIPE NIPPLE STL
26	1	506701	SIDE OUTLET EL 90DEG 1.25NPT
27	1	601399	HOSE, 3/4 X 13 1FBR-1SPI
28	1	606938	SUND GEAR PUMP,4.00CIR SPLINED
29	1	606929	SUND GEAR PUMP .66CI, SPLINED
30	1	611128	7/8MJIC-90-7/8MOR LBO
31	1	618075	3/4 HOSE BARB-1 1/16MOR
32	1	618178	1 5/16MJIC-90-1 5/16MOR LBO
33	1	618596	1 5/8MOR-1 1/4FNPT ADPTR
34	1	714560	1NPT X 1 HOSE BARB
35	1	715660	HOSE BARB 1 1/4NPT X 1 1/4
36	1	716000	3/4 HOSE BARB-90-1MNPT
37	4	900265	1/2UNC X 1 1/2 HEX BOLT
38	1	618119	9/16MJIC-90-9/16MOR LBO
39	1	618183	3/4MJIC-90-7/8MOR LBO
40	3	520137	.75 T-BOLT HOSE CLAMP
41	1	520132	1.62/1.87 T-BOLT HOSE CLAMP
42	2	520138	1.00 T-BOLT HOSE CLAMP
43	2	920002	3/8 SAE FLAT WASHER
44	2	900130	3/8UNC X 1 1/4 HEX BOLT
45	1	618327	3/4MJIC-7/8MOR ADPTR
46	3	618531	9/16FJIC CAP NUT
47	2	618191	1 1/16MJ-90-1 1/16FJ SWIV LBO
48	2	618629	9/16MOR BRANCH TEE-9/16MJIC
49	2	506410	BLK PIPE ST EL 90DEG 1.25NPT

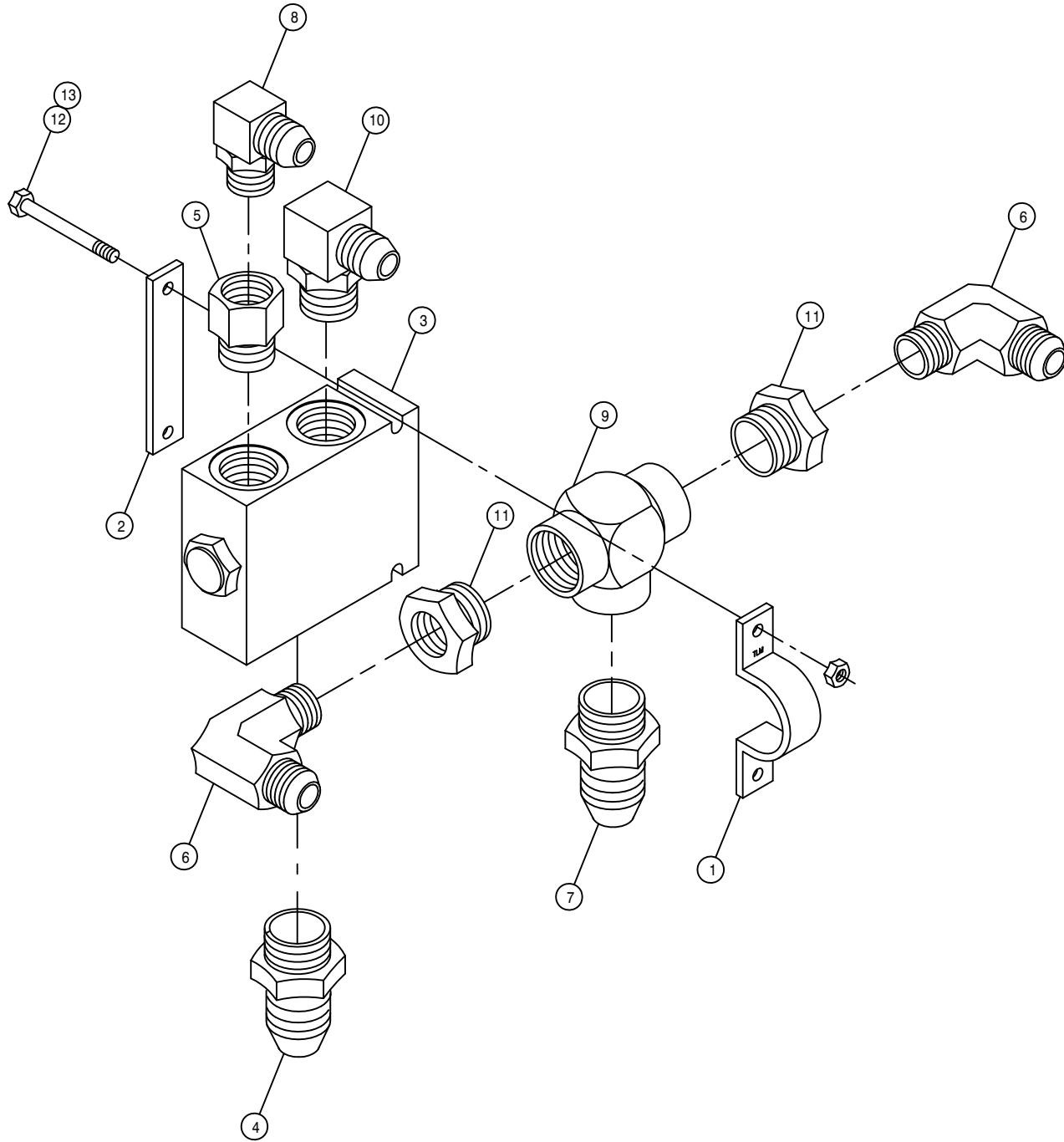


GMC PUMP ASSEMBLY

DET. QTY PART NO. DESCRIPTION

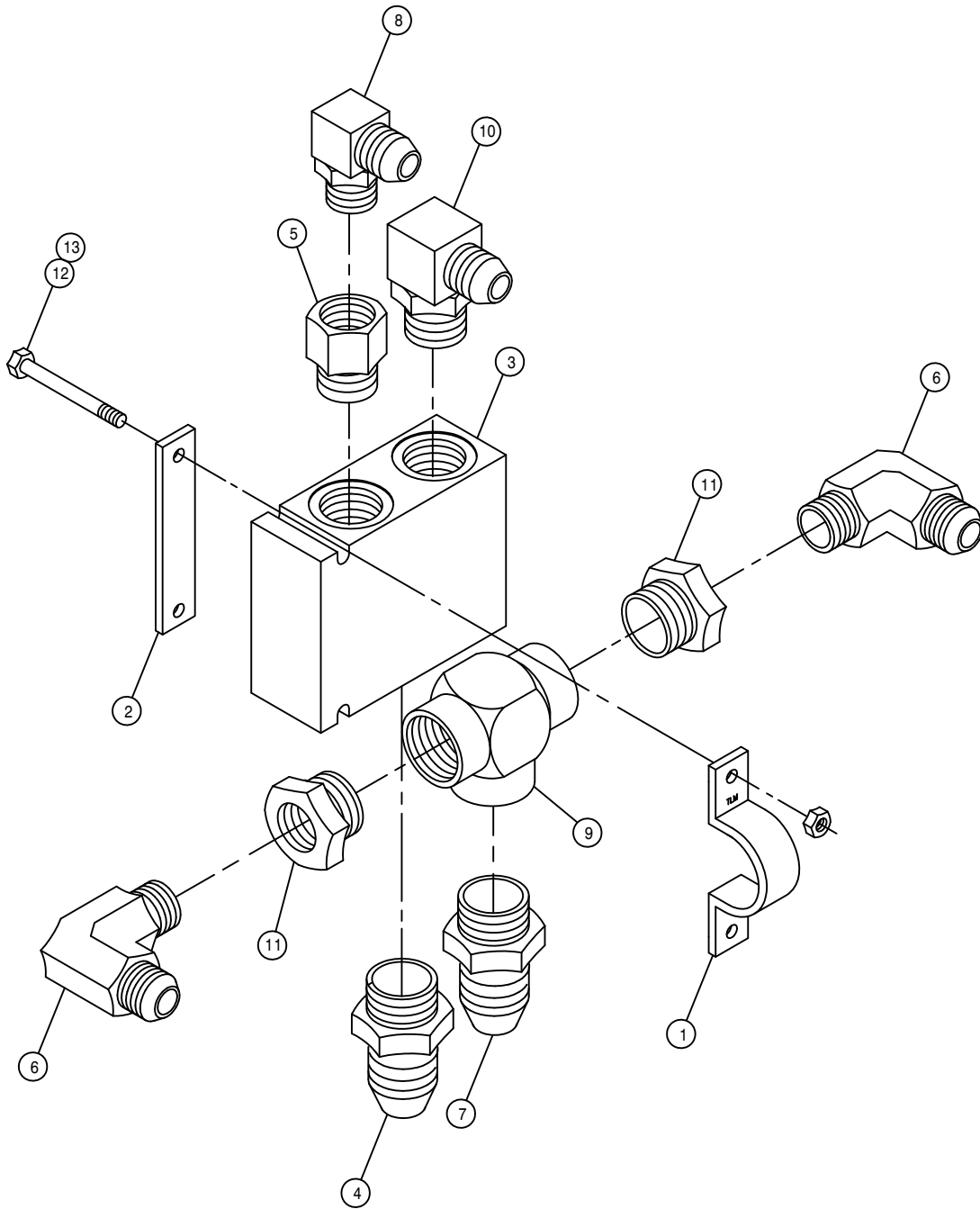
1	1	618183	3/4MJIC-90-7/8MOR LBO
2	1	314957	PUMP CTRL LEVR EXT,204 GMC 96
3	8	470188	7/16-14 X 1 1/2 SKTHD CAP SCR
4	8	470189	7/16 HG LOCK WASH FOR 618598
5	1	606911	SUND 75CC PUMP,B-MT W/FILT
6	1	618118	3/4 HOSE BARB-90-1 1/16MOR
7	2	618541	1 5/16FJIC-1 1/16MJIC ADPTR
8	1	618564	1IN HOSE BARB-90-1 5/16MOR
9	2	618598	1" 4-BOLT FLG X 1 5/16 FOR
10	2	618599	1 5/16MOR BRANCH TEE-1 5/16MJ
11	2	870219	BUNA ORING 1 5/16 X 1 9/16
12	2	900003	1/4UNC X 1" HEX BOLT
13	2	914000	1/4UNC HEX STOVER NUT
14	4	920004	1/2 SAE FLAT WASHER
15	1	473921	BALL JOINT NO 10-32 THD
16	2	910027	10-32 HEX NUT
17	1	903893	10-32 X 1" SLT RD HD MACH SCR
18	1	914027	10-32 HEX STOVER NUT
19	2	920510	#10 LOCK WASHER
20	1	606870	O-RING FOR 606865 SUND B-MT
21	1	505101	BLK PIPE TEE 1.00NPT
22	1	505200	BLK PIPE ST EL 90DEG 1.00NPT
23	1	505105	1MNPT HEX PIPE NIPPLE STL
24	1	506005	1 1/4 TO 1 RED BUSH BLK MAL
25	1	507026	1 1/4MNPT HEX PIPE NIPPLE STL
26	1	506701	SIDE OUTLET EL 90DEG 1.25NPT
27	1	601383	HOSE, 3/4 X 8 1FBR-1SPI
28	1	606894	SUND GEAR PUMP 3.40CI SPLINED
29	1	606891	SUND GEAR PMP .52CI SPLINED
30	1	611128	7/8MJIC-90-7/8MOR LBO
31	1	618075	3/4 HOSE BARB-1 1/16MOR
32	1	618178	1 5/16MJIC-90-1 5/16MOR LBO
33	1	618596	1 5/8MOR-1 1/4FNPT ADPTR
34	1	714560	1NPT X 1 HOSE BARB
35	1	715660	HOSE BARB 1 1/4NPT X 1 1/4
36	1	716000	3/4 HOSE BARB-90-1MNPT
37	4	900265	1/2UNC X 1 1/2 HEX BOLT
38	2	618629	9/16MOR BRANCH TEE-9/16MJIC
39	1	618119	9/16MJIC-90-9/16MOR LBO
40	3	520137	.75 T-BOLT HOSE CLAMP
41	1	520132	1.62/1.87 T-BOLT HOSE CLAMP
42	2	520138	1.00 T-BOLT HOSE CLAMP
43	2	920002	3/8 SAE FLAT WASHER
44	2	900130	3/8UNC X 1 1/4 HEX BOLT
45	1	618327	3/4MJIC-7/8MOR ADPTR
46	3	618531	9/16FJIC CAP NUT
47	1	606942	TANDEM PUMP, 606891 & 606894
48	2	618640	1 5/16MJ-90-1 5/16FJ SWIV LBO





CUMMINS POSITRACTION VALVE ASSEMBLY

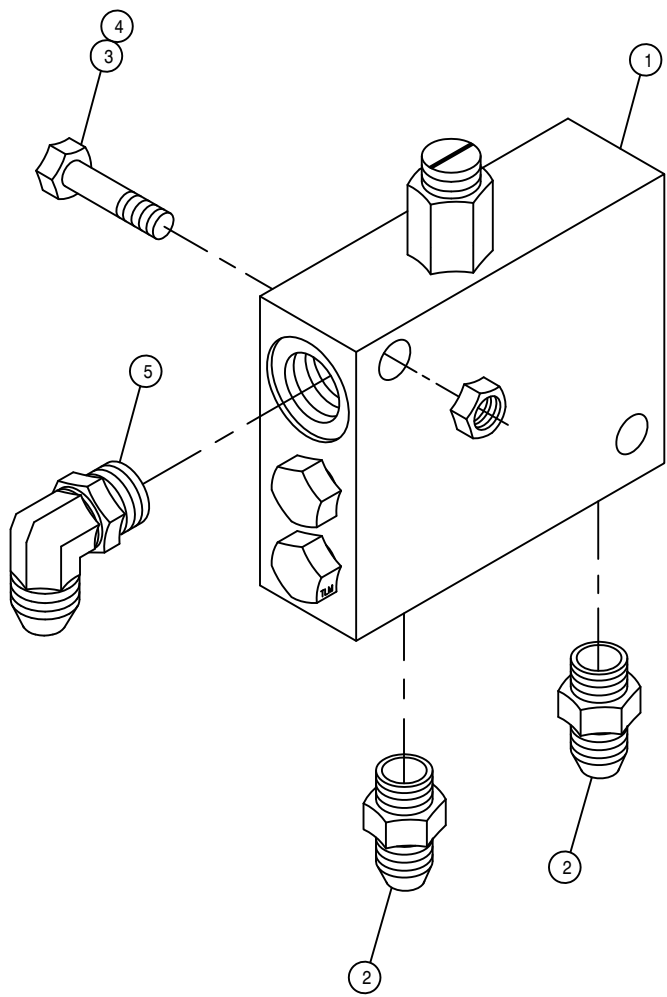
DET.	QTY	PART NO.	DESCRIPTION	
	1	314842	TEE CLAMP, TRAC VLV 200	89
	2	314843	TEE KEEPER, TRAC VLV 200	89
	3	610468	POSITRACTION VLV MOD CONT 20G	
	4	618308	1 1/16MJIC-1 5/16MOR ADPTR	
	5	618312	1 5/16MOR-1 1/16FOR ADPTR	
	6	611124	7/8MJIC-90-1/2MNPT LBO	
	7	618434	1 1/16MJIC-1MNPT ADPTR	
	8	618535	7/8MJIC-90-1 1/16MOR LBO	
	9	618575	1FNPT PIPE TEE STL	
	10	618589	7/8MJIC-90-1 5/16MOR LBO	
	11	505005	RED BUSH 1 TO 1/2	
	12	900011	1/4UNC X 3 1/4 HEX BOLT	
	13	914000	1/4UNC HEX STOVER NUT	



GMC POSITRACTION VALVE ASSEMBLY

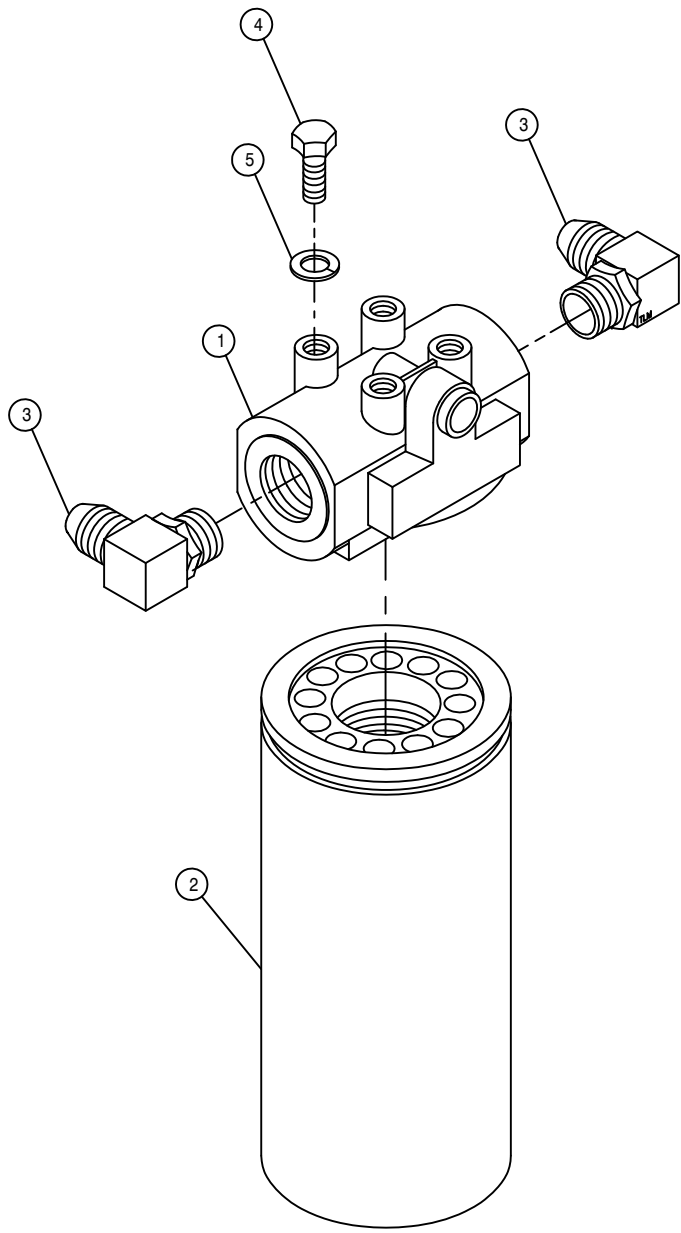
DET. QTY PART NO. DESCRIPTION

1	1	314842	TEE CLAMP, TRAC VLV 200	89
2	1	314843	TEE KEEPER, TRAC VLV 200	89
3	1	610468	POSITRACTION VLV MOD CONT 20G	
4	1	618308	1 1/16MJIC-1 5/16MOR ADPTR	
5	1	618312	1 5/16MOR-1 1/16FOR ADPTR	
6	2	611124	7/8MJIC-90-1/2MNPT LBO	
7	1	618434	1 1/16MJIC-1MNPT ADPTR	
8	1	618535	7/8MJIC-90-1 1/16MOR LBO	
9	1	618575	1FNPT PIPE TEE STL	
10	1	618589	7/8MJIC-90-1 5/16MOR LBO	
11	2	505005	RED BUSH 1 TO 1/2	
12	2	900011	1/4UNC X 3 1/4 HEX BOLT	
13	2	914000	1/4UNC HEX STOVER NUT	



LOOP FLUSHING VALVE ASSEMBLY

DET.	QTY	PART NO.	DESCRIPTION
1	1	610580	REMOTE FLUSHING VALVE, SUND
2	2	618126	9/16MJIC-9/16MOR ADPTR
3	2	900133	3/8UNC X 2" HEX BOLT
4	2	914004	3/8UNC HEX STOVER NUT
5	1	618119	9/16MJIC-90-9/16MOR LBO



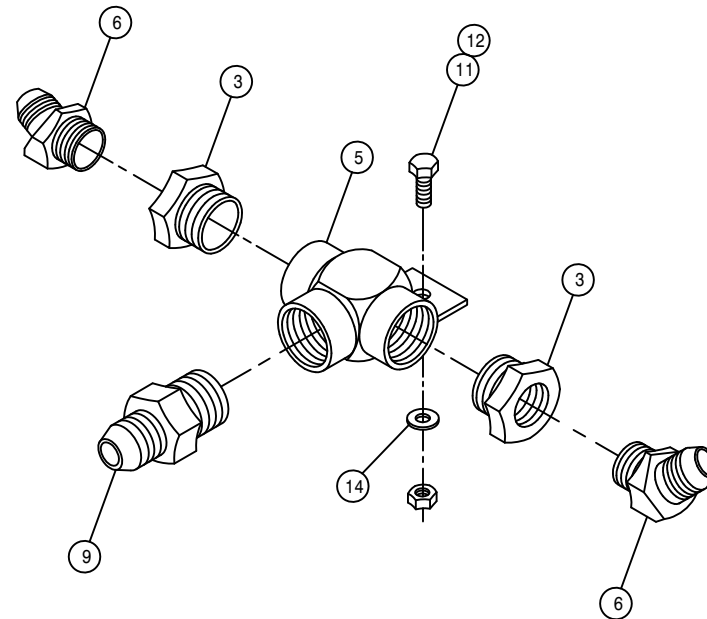
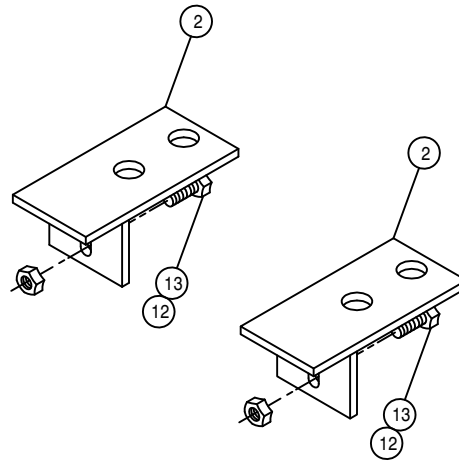
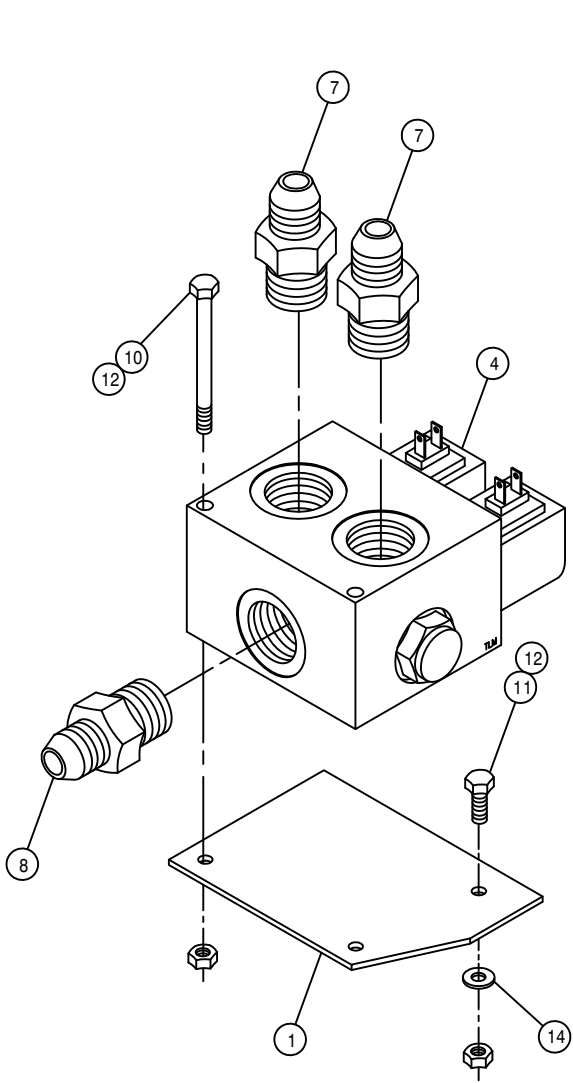
HI-PRESS FILTER ASSEMBLY

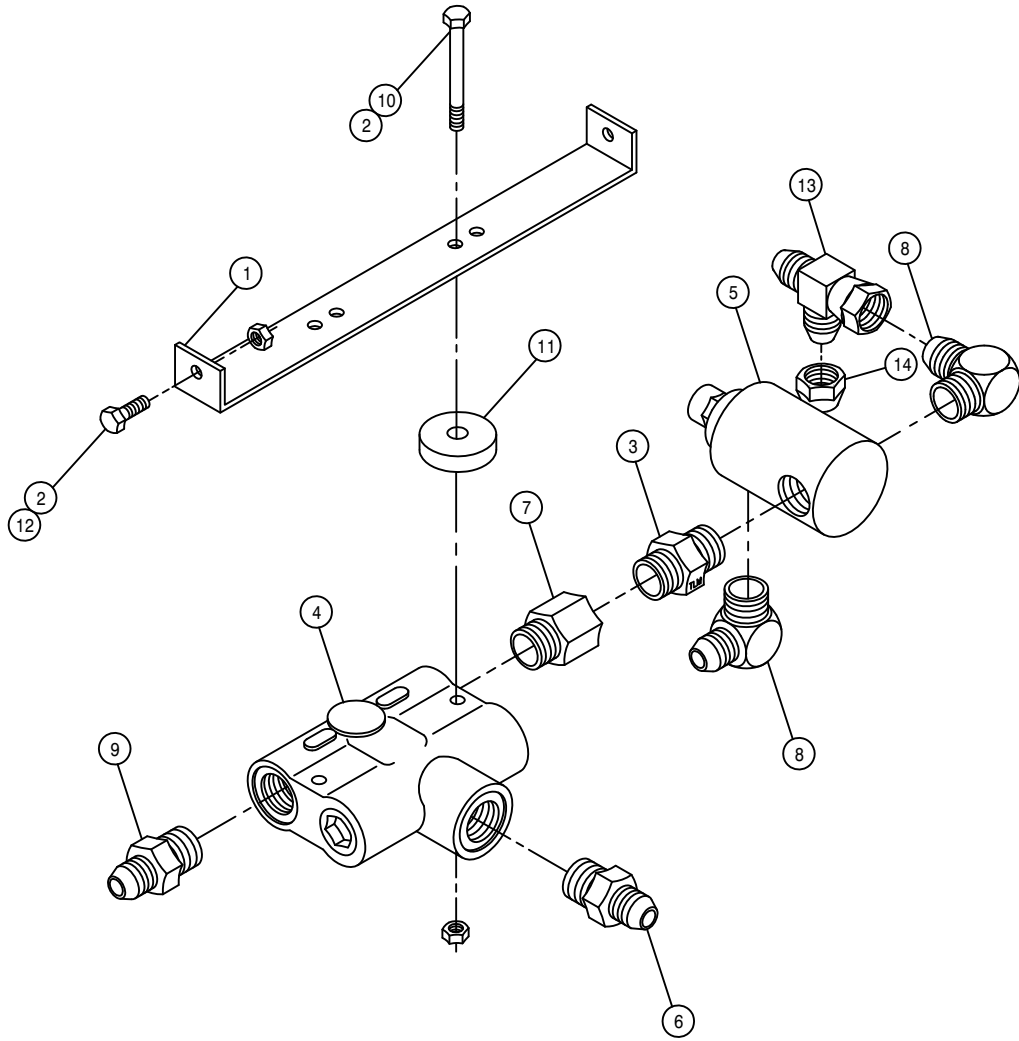
DET.	QTY	PART NO.	DESCRIPTION
	1	605608	HYD FILTER HEAD, DONALDSON
	1	605609	HYD FILTER ELEMENT, DONALDSON
	2	618474	3/4MJIC-90-1 1/16MOR LBO
	4	900128	3/8UNC X 3/4 HEX BOLT
	4	920502	3/8 LOCK WASHER

POSITRACTION VALVE ASSEMBLY

DET. QTY PART NO. DESCRIPTION

1	1	341849	POSITRACTION VALVE MT	200
2	2	341850	200 RETURN TEE MT WLD	89
3	2	505213	RED BUSH 1 X 3/4 BLK MAL	
4	1	610586	POSITRACTION VLV,ALUM,88SP60G	
5	1	614660	1IN STL TEE WLD 280	89
6	2	618156	7/8MJIC-90-3/4MNPT LBO	
7	2	618601	7/8MJIC-1 5/16MOR ADPT	
8	1	618186	1 5/16MJIC-1 5/16MOR ADPTR	
9	1	618322	1 5/16MJIC-1MNPT ADPTR	
10	2	900012	1/4UNC X 3 1/2 HEX BOLT	
11	2	900002	1/4UNC X 3/4 HEX BOLT	
12	6	914000	1/4UNC HEX STOVER NUT	
13	2	900003	1/4UNC X 1" HEX BOLT	
14	2	920000	1/4 SAE FLAT WASHER	

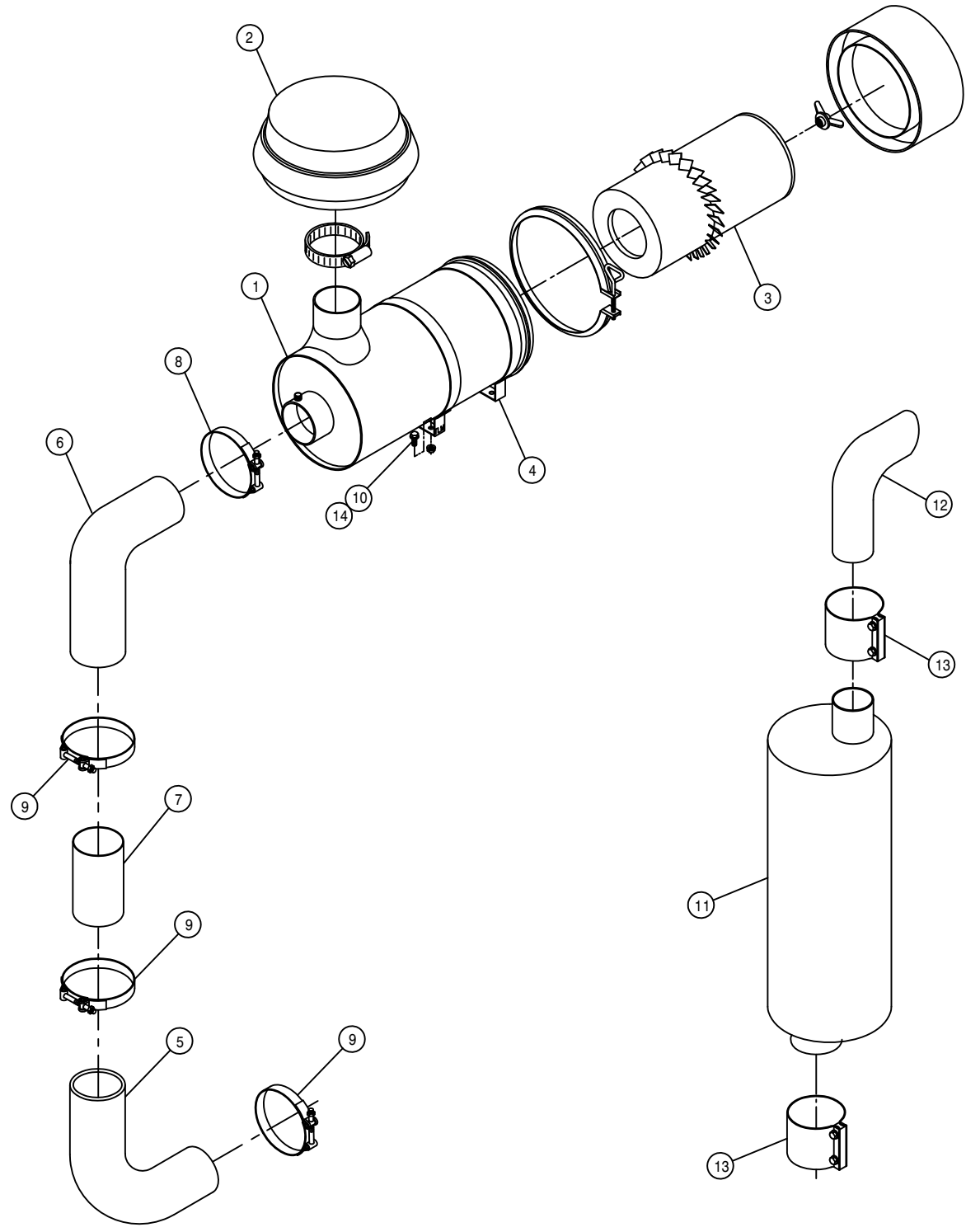




FLOW DIVIDER ASSEMBLY

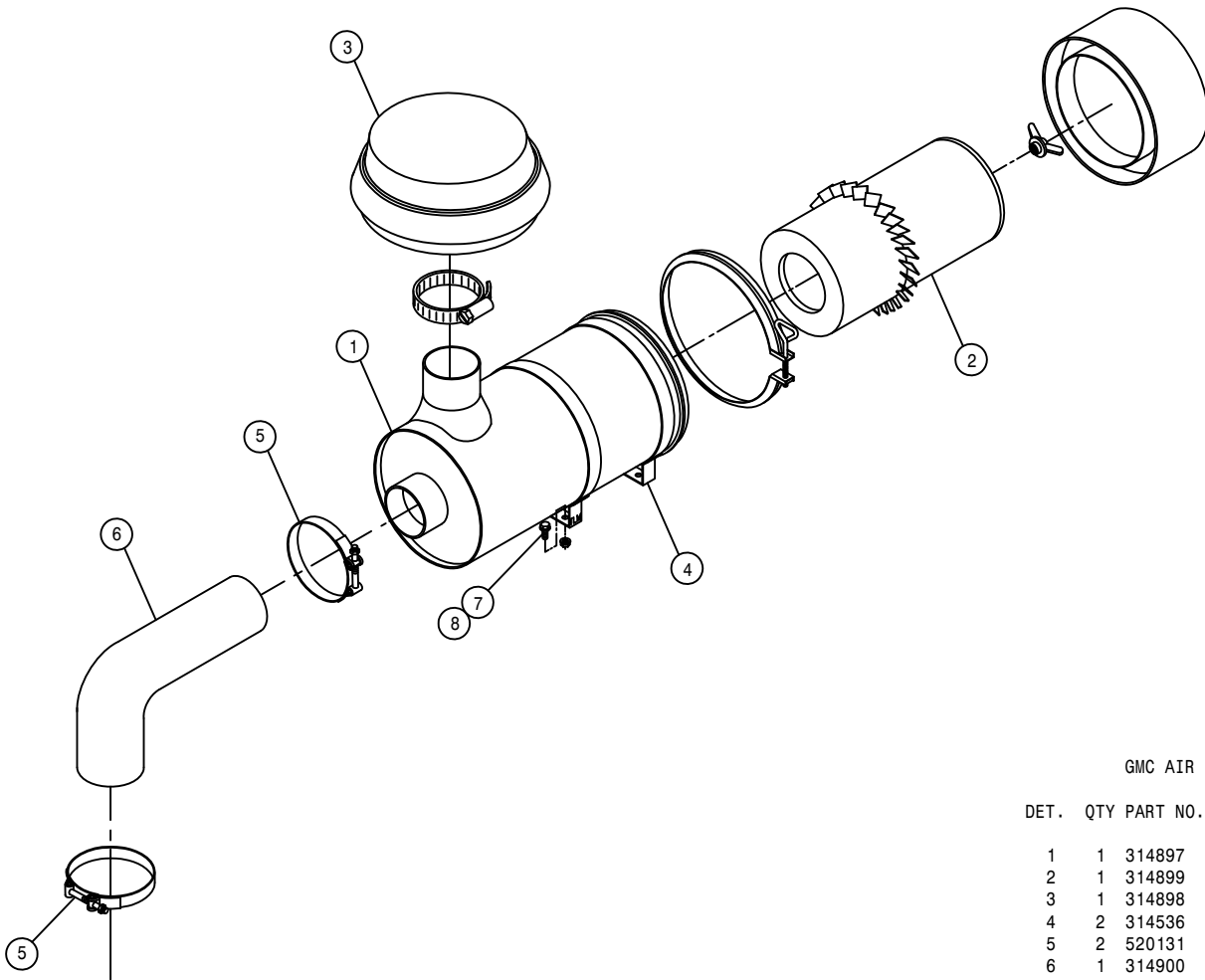
DET. QTY PART NO. DESCRIPTION

1	1	341774	FLOW DIVIDER MT 280	89
2	4	914000	1/4UNC HEX STOVER NUT	
3	1	500000	1/2MNPT HEX PIPE NIPPLE STL	
4	1	607504	FLO DIV B50 2-8GPM 7/8 FOR	
5	1	607512	RELIEF VALVE, RL50, 1850 PSI	
6	1	611126	7/8MJIC-7/8MOR ADPTR	
7	1	618072	7/8MOR-1/2FNPT ADPTR	
8	2	618107	9/16MJIC-90-1/2MNPT LBO	
9	1	618310	9/16MJIC-7/8MOR ADPTR	
10	2	900008	1/4UNC X 2 1/2 HEX BOLT	
11	2	748500	RUBER WASH 3/8X1/4IDX1 1/2 OD	
12	2	900002	1/4UNC X 3/4 HEX BOLT	
13	1	618486	9/16FJIC SW RUN TEE-9/16MJIC	
14	1	618531	9/16FJIC CAP NUT	



CUMMINS AIR CLEANER AND EXHAUST ASSEMBLY

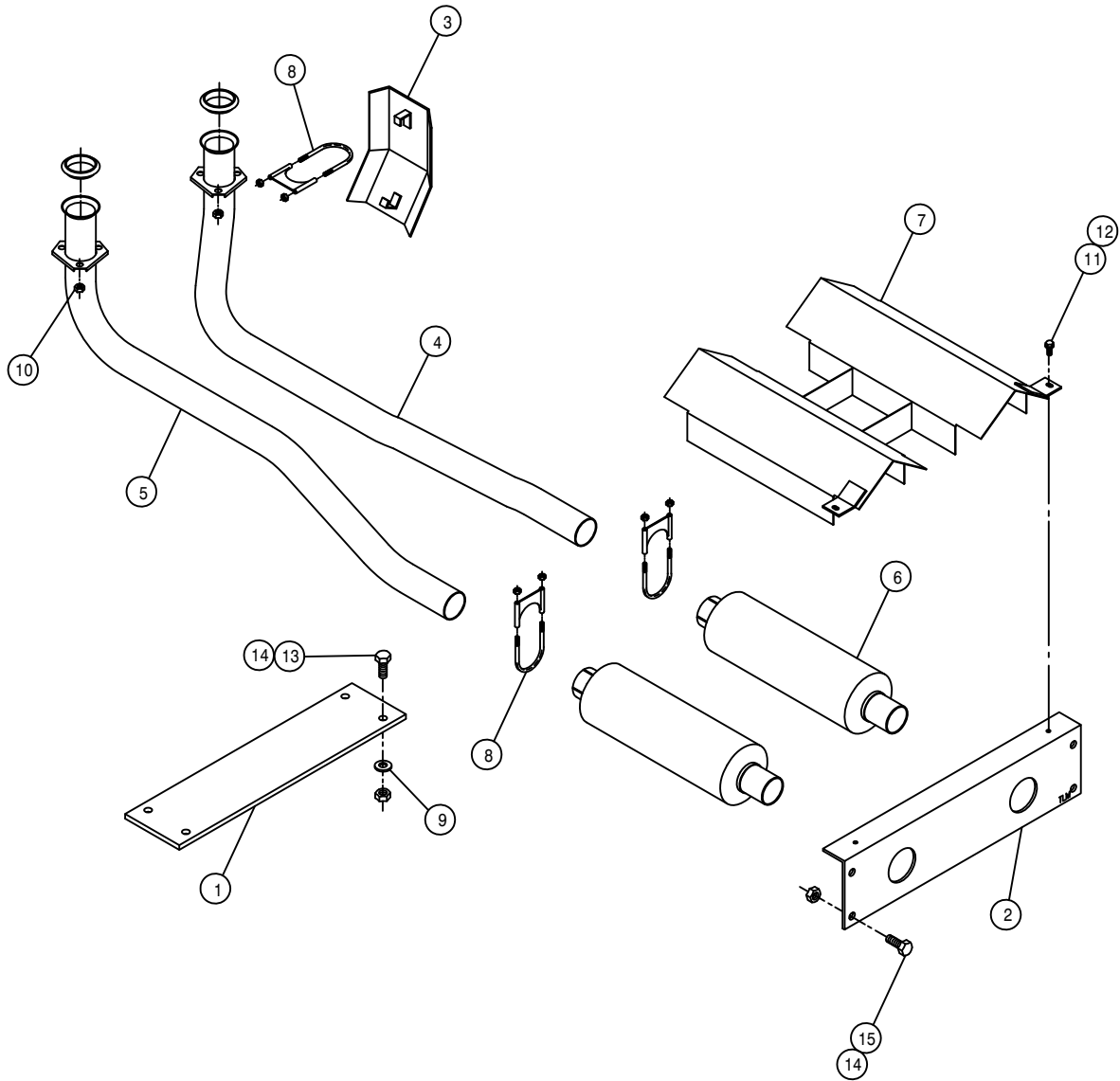
DET.	QTY	PART NO.	DESCRIPTION
1	1	314970	AIR CLEANER, 510 CFM
2	1	314971	AIR CLEANER HOOD FOR 314970
3	1	314973	AIR CLEANER ELEMENT FOR314970
4	2	314972	AIR CLEANER MT BAND FOR314970
5	1	316309	4" 90DEG ELBOW, RUBBER
6	1	316297	5" -4" 90DEG REDU ELBOW,RUBBER
7	1	316298	4" X 11.50" AIR INTAKE TUBE,97
8	1	520136	5.00 T-BOLT HOSE CLAMP
9	3	520134	4.00 T-BOLT HOSE CLAMP
10	4	470113	5/16UNC HEX FLANGE LOCK NUT
11	1	316299	MUFFLER, 3" DONALDSON 97
12	1	316300	3" EXHAUST STACK 97
13	2	470243	3" STRAP BAND EXHAUST CLAMP
14	4	470233	5/16UNC X 3/4 FLANGE HEX BOLT



GMC AIR CLEANER ASSEMBLY

DET. QTY PART NO. DESCRIPTION

1	1	314897	AIR CLEANER, 280 CFM
2	1	314899	AIR CLEANER ELEMENT FOR314897
3	1	314898	AIR CLEANER HOOD FOR 314897
4	2	314536	AIR CLEANER BAND 8IN DONALDSON
5	2	520131	3.50 T-BOLT HOSE CLAMP
6	1	314900	3.50 90 DEG AIR INTAKE HOSE
7	4	470121	1/4UNC HEX FLANGE LOCK NUT
8	4	470118	1/4UNC X 3/4 FLANGE HEX BOLT

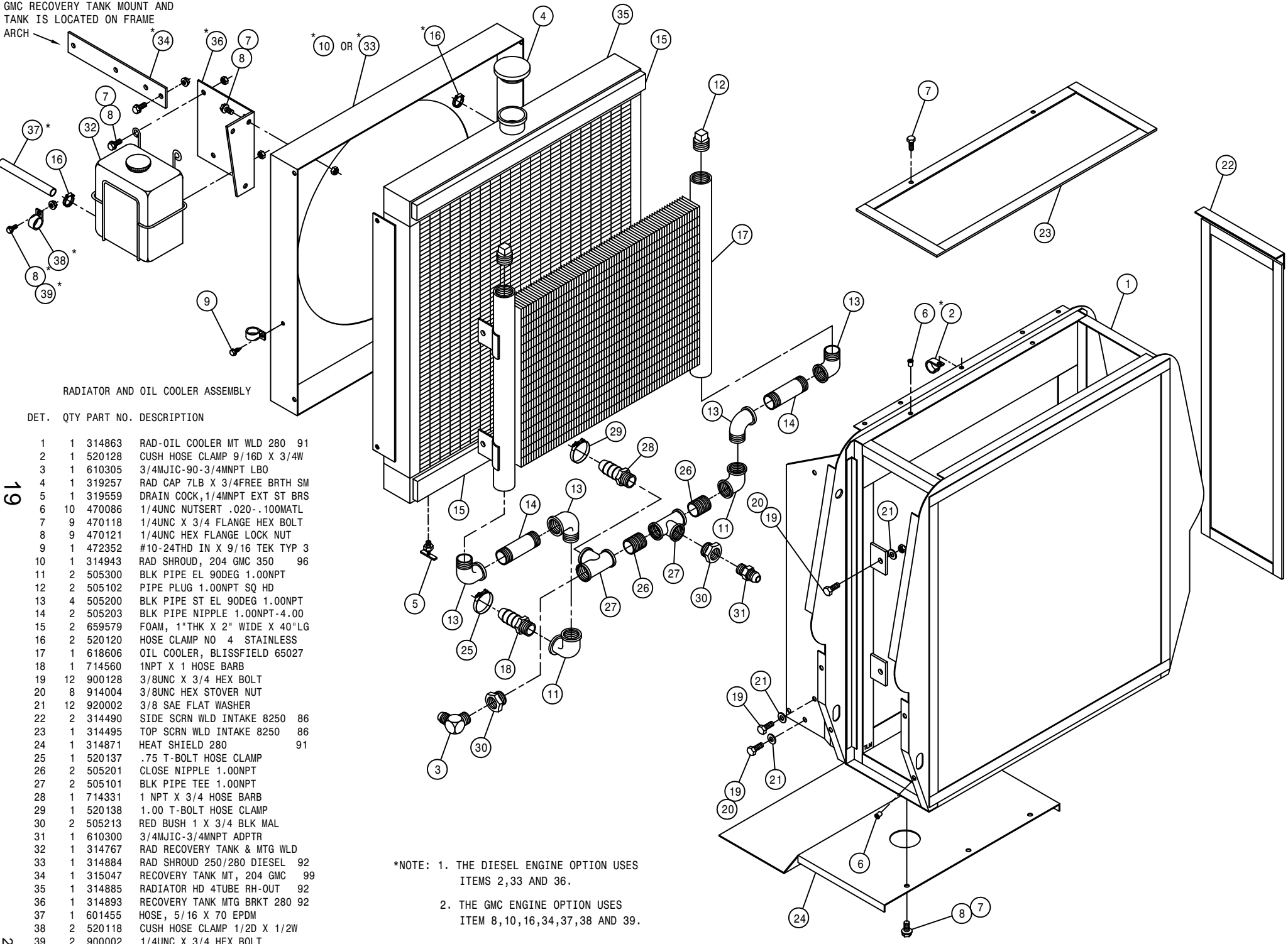


GMC EXHAUST PIPE ASSEMBLY

DET. QTY PART NO. DESCRIPTION

1	1	361347	MAINFRAME TIE PLATE 200 318
2	1	361346	MAINFRAME REAR TIE ANGLE 280
3	2	314960	HEAT SHIELD WLD,204 GMC350 96
4	1	314958	RH EXHAUST PIPE,204 GMC350 96
5	1	314959	LH EXHAUST PIPE,204 GMC350 96
6	2	319287	MUFFLER CHRY 440
7	1	341829	MUFFLER HEAT SHIELD WLD200 89
8	6	319327	MUFFLER CLAMP 2IN HVY DUTY
9	4	920004	1/2 SAE FLAT WASHER
10	6	914004	3/8UNC HEX STOVER NUT
11	3	470118	1/4UNC X 3/4 FLANGE HEX BOLT
12	3	470121	1/4UNC HEX FLANGE LOCK NUT
13	4	900265	1/2UNC X 1 1/2 HEX BOLT
14	8	914008	1/2UNC HEX STOVER NUT
15	4	900263	1/2UNC X 1" HEX BOLT

GMC RECOVERY TANK MOUNT AND TANK IS LOCATED ON FRAME ARCH

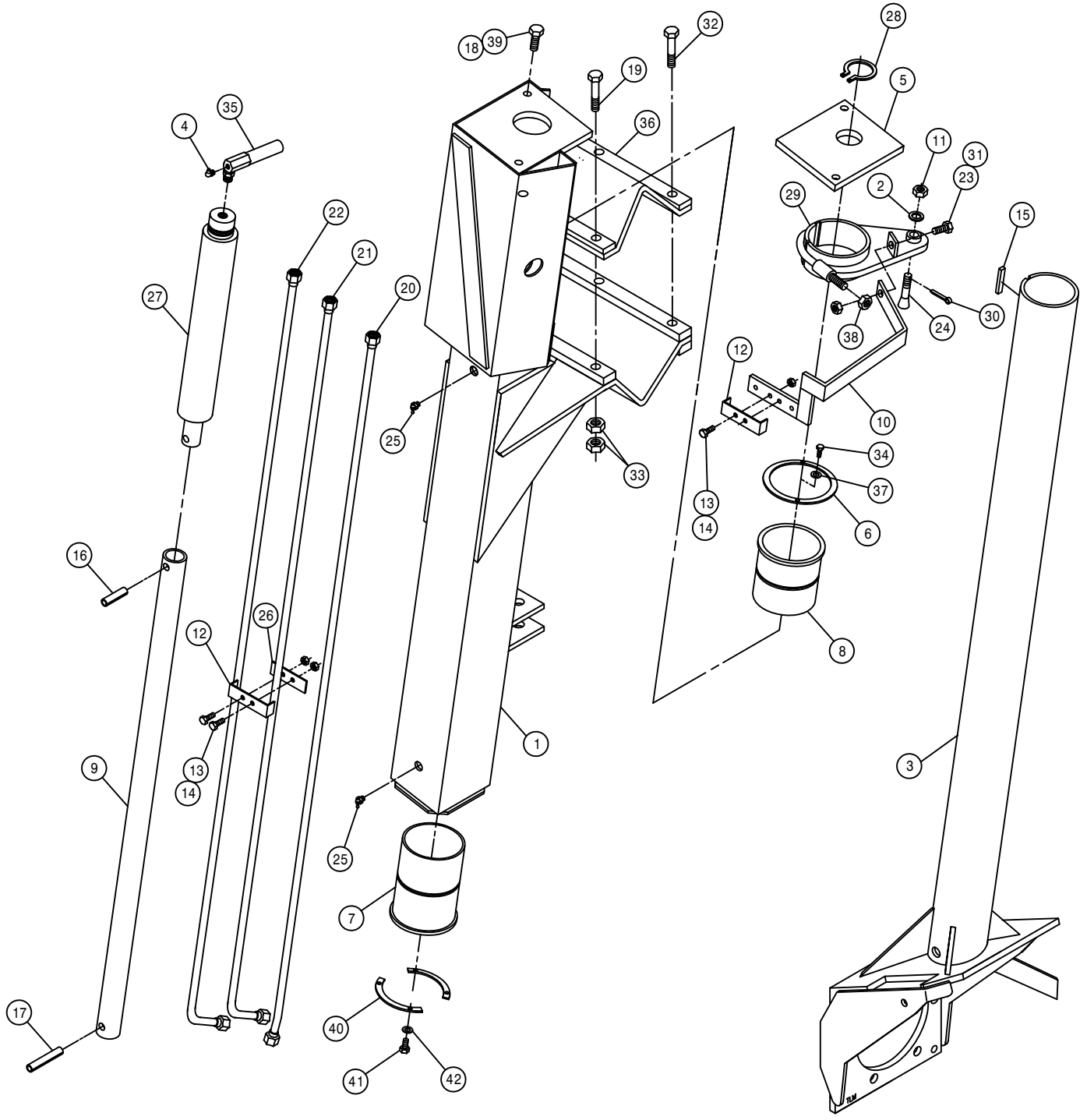


RADIATOR AND OIL COOLER ASSEMBLY

DET. QTY PART NO. DESCRIPTION

1	1	314863	RAD-OIL COOLER MT WLD 280 91
2	1	520128	CUSH HOSE CLAMP 9/16D X 3/4W
3	1	610305	3/4MJIC-90-3/4MNPT LBO
4	1	319257	RAD CAP 7LB X 3/4FREE BRTH SM
5	1	319559	DRAIN COCK,1/4MNPT EXT ST BRS
6	10	470086	1/4UNC NUTSERT .020-.100MATL
7	9	470118	1/4UNC X 3/4 FLANGE HEX BOLT
8	9	470121	1/4UNC HEX FLANGE LOCK NUT
9	1	472352	#10-24THD IN X 9/16 TEK TYP 3
10	1	314943	RAD SHROUD, 204 GMC 350 96
11	2	505300	BLK PIPE EL 90DEG 1.00NPT
12	2	505102	PIPE PLUG 1.00NPT SQ HD
13	4	505200	BLK PIPE ST EL 90DEG 1.00NPT
14	2	505203	BLK PIPE NIPPLE 1.00NPT-4.00
15	2	659579	FOAM, 1"THK X 2" WIDE X 40"LG
16	2	520120	HOSE CLAMP NO 4 STAINLESS
17	1	618606	OIL COOLER, BLISSFIELD 65027
18	1	714560	1NPT X 1 HOSE BARB
19	12	900128	3/8UNC X 3/4 HEX BOLT
20	8	914004	3/8UNC HEX STOVER NUT
21	12	920002	3/8 SAE FLAT WASHER
22	2	314490	SIDE SCR N WLD INTAKE 8250 86
23	1	314495	TOP SCR N WLD INTAKE 8250 86
24	1	314871	HEAT SHIELD 280 91
25	1	520137	.75 T-BOLT HOSE CLAMP
26	2	505201	CLOSE NIPPLE 1.00NPT
27	2	505101	BLK PIPE TEE 1.00NPT
28	1	714331	1 NPT X 3/4 HOSE BARB
29	1	520138	1.00 T-BOLT HOSE CLAMP
30	2	505213	RED BUSH 1 X 3/4 BLK MAL
31	1	610300	3/4MJIC-3/4MNPT ADPTR
32	1	314767	RAD RECOVERY TANK & MTG WLD
33	1	314884	RAD SHROUD 250/280 DIESEL 92
34	1	315047	RECOVERY TANK MT, 204 GMC 99
35	1	314885	RADIATOR HD 4TUBE RH-OUT 92
36	1	314893	RECOVERY TANK MTG BRKT 280 92
37	1	601455	HOSE, 5/16 X 70 EPDM
38	2	520118	CUSH HOSE CLAMP 1/2D X 1/2W
39	2	900002	1/4UNC X 3/4 HEX BOLT

*NOTE: 1. THE DIESEL ENGINE OPTION USES ITEMS 2,33 AND 36.
2. THE GMC ENGINE OPTION USES ITEM 8,10,16,34,37,38 AND 39.



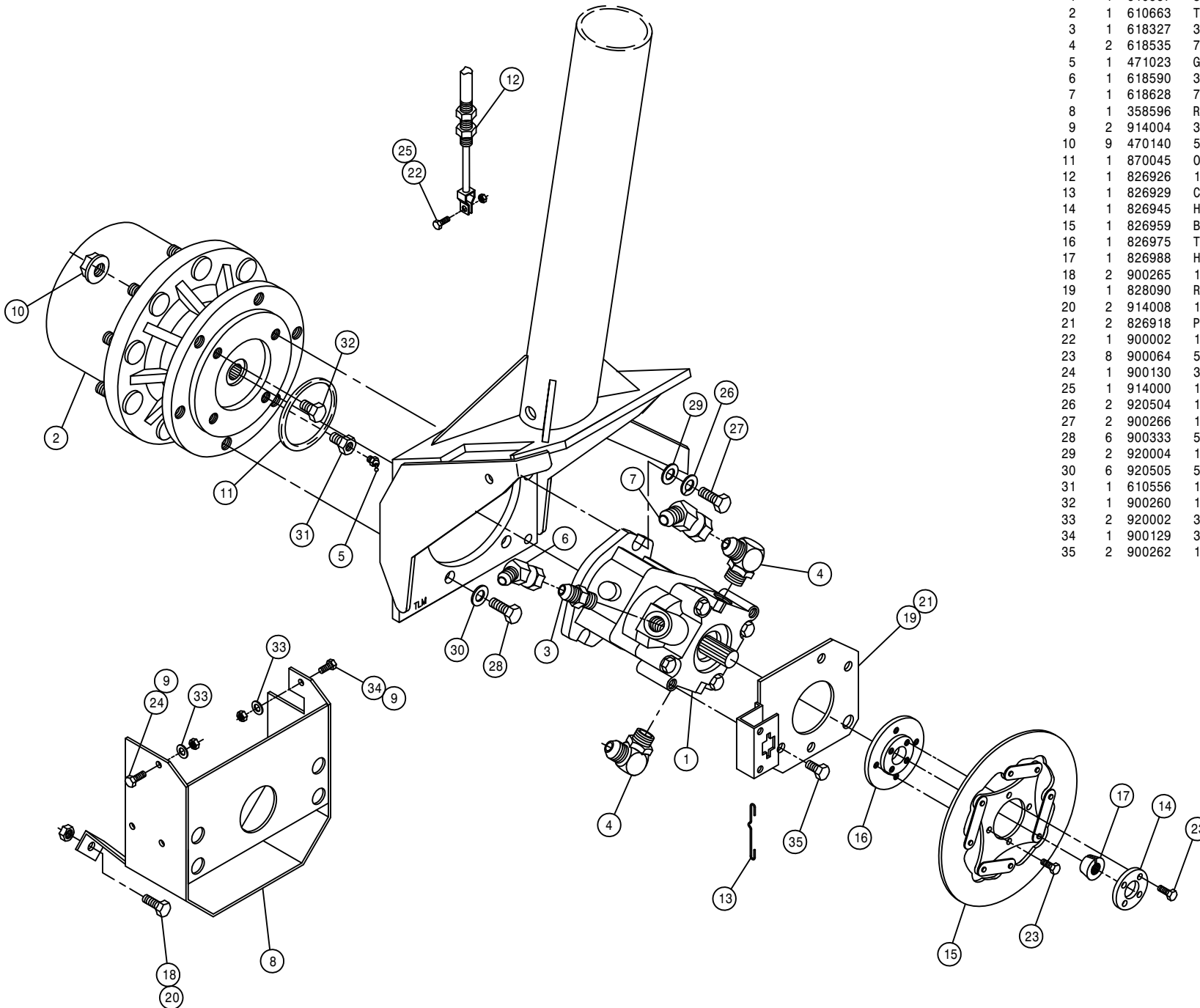
RIGHT FRONT LEG ASSEMBLY W/W1BF HUB

DET.	QTY	PART NO.	DESCRIPTION
	1	357836	RH FRT OUTER LEG WLD, 204 2000
	2	920505	5/8 LOCK WASHER
	3	357800	RH FRT INNER LEG WLD, 204 94
	4	471027	GREASE ZERK 1/8NPT 90DEG LP
	5	358562	LEG CYL MTG PLATE 280 89
	6	358563	FRT LEG BRG KPR 280 89
	7	358564	FRT LEG LWR NYL SLEEVE 280 89
	8	358565	FRT LEG UPR NYL SLEEVE 280 89
	9	358566	LEG CYL SHAFT EXTENSION 280 89
	10	358707	RH FRT LEG TUBE BRKT WLD 280TA
	11	822040	5/8-18UNF SLOTTED HEX NUT
	12	358739	FRT LEG HYD TUBE CLMP, 284 94
	13	900004	1/4UNC X 1 1/4 HEX BOLT
	14	470121	1/4UNC HEX FLANGE LOCK NUT
	15	470185	KEY .25 X .375 X 2.00 LG
	16	473903	SPIRAL PIN 1/2 X 2 640
	17	473904	SPIRAL PIN 1/2 X 3 640
	18	914008	1/2UNC HEX STOVER NUT
	19	900836	5/8UNF X 3 1/4 HEX BOLT GR8
	20	615659	FRT LEG INNER HYD TUBE, 204 94
	21	615660	FRT LEG CNTR HYD TUBE, 204 94
	22	615661	FRT LEG OUTER HYD TUBE, 204 94
	23	900129	3/8UNC X 1" HEX BOLT
	24	749293	STRG ARM BOLT, TAPERED
	25	471023	GREASE ZERK 1/4-28 X 45
	26	358740	FRT LEG HYD TUBE KPR, 284 94
	27	620805	LEG LEVEL CYL ASSY, 2.00 X 12.0
	28	629515	SNAP RING 1 3/4 EXTRN HDUTY
	29	749290	RH STRG ARM WLD, 280 TREAD ADJ
	30	470035	COTTER PIN 5/32 X 1 1/2
	31	914004	3/8UNC HEX STOVER NUT
	32	900837	5/8UNF X 3 1/2 HEX BOLT GR8
	33	12 914811	5/8UNF HEX NUT GR8
	34	2 900000	1/4UNC X 1/2 HEX BOLT
	35	1 615614	FRT LEG CYL JUMPER HOSE 280 89
	36	1 358759	LEG MT V-PLT WLD, 284T 94
	37	2 920500	1/4 LOCK WASHER
	38	1 914010	5/8UNC HEX STOVER NUT
	39	2 900265	1/2UNC X 1 1/2 HEX BOLT
	40	2 358927	LWR BRG KPR, LEG 98
	41	4 900064	5/16UNC X 3/4 HEX BOLT
	42	4 920501	5/16 LOCK WASHER

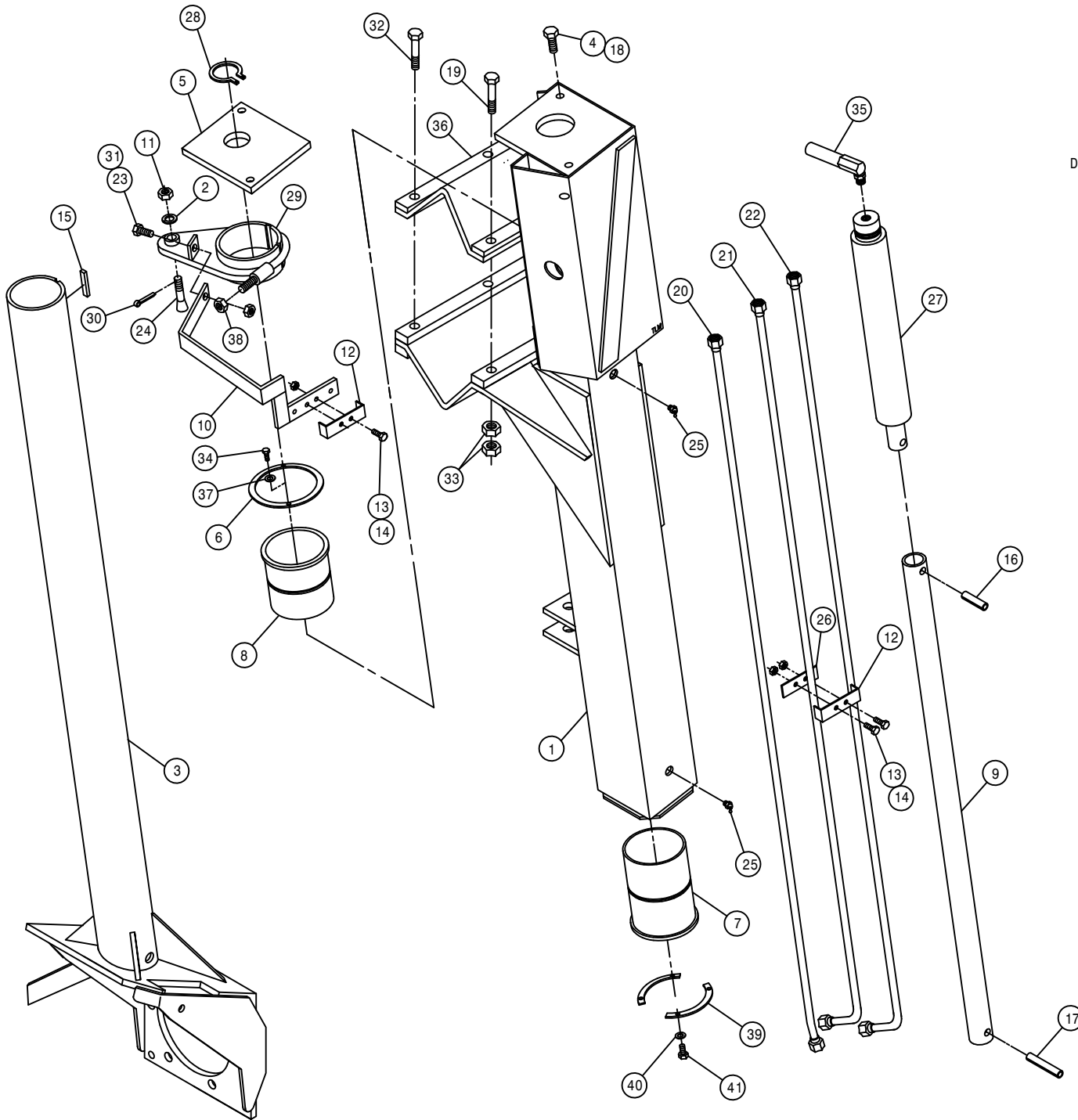
RIGHT FRONT LEG ASSEMBLY W/WIBF HUB

DET. QTY PART NO. DESCRIPTION

DET.	QTY	PART NO.	DESCRIPTION
1	1	610557	SUND M35-3102 WHL MTR W/SHFT
2	1	610663	TORQ HUB, 24:1 B-MT W1BFFZ
3	1	618327	3/4MJIC-7/8MOR ADPTR
4	2	618535	7/8MJIC-90-1 1/16MOR LBO
5	1	471023	GREASE ZERK 1/4-28 X 45
6	1	618590	3/4MJIC-45-3/4FJIC SWIV LBO
7	1	618628	7/8MJIC-45-7/8FJIC SWIV LBO
8	1	358596	RH REAR WHL MTR SHLD WLD 280
9	2	914004	3/8UNC HEX STOVER NUT
10	9	470140	5/8UNF HEX SMTH FLANGE NUT PLT
11	1	870045	O-RING 4 1/8 OD X 4 ID
12	1	826926	190 IN BRAKE CABLE
13	1	826929	CLIP BRAKE RETAINER
14	1	826945	HUB MOUNT, BRAKE
15	1	826959	BRAKE DISC SUB ASSY
16	1	826975	TAPER LOCK HUB
17	1	826988	HUB, TAPER LOCK 13 TEETH
18	2	900265	1/2UNC X 1 1/2 HEX BOLT
19	1	828090	RH BRAKE MT WLD, 204
20	2	914008	1/2UNC HEX STOVER NUT
21	2	826918	PARK BRAKE PAD
22	1	900002	1/4UNC X 3/4 HEX BOLT
23	8	900064	5/16UNC X 3/4 HEX BOLT
24	1	900130	3/8UNC X 1 1/4 HEX BOLT
25	1	914000	1/4UNC HEX STOVER NUT
26	2	920504	1/2 LOCK WASHER
27	2	900266	1/2UNC X 1 3/4 HEX BOLT
28	6	900333	5/8UNC X 1 1/2 HEX BOLT
29	2	920004	1/2 SAE FLAT WASHER
30	6	920505	5/8 LOCK WASHER
31	1	610556	1/2UNC X 1/2 ZERK BOLT T-HUB
32	1	900260	1/2UNC X 1/2 H BOLT GR2 UNPLT
33	2	920002	3/8 SAE FLAT WASHER
34	1	900129	3/8UNC X 1" HEX BOLT
35	2	900262	1/2UNC X 3/4 HEX BOLT



94

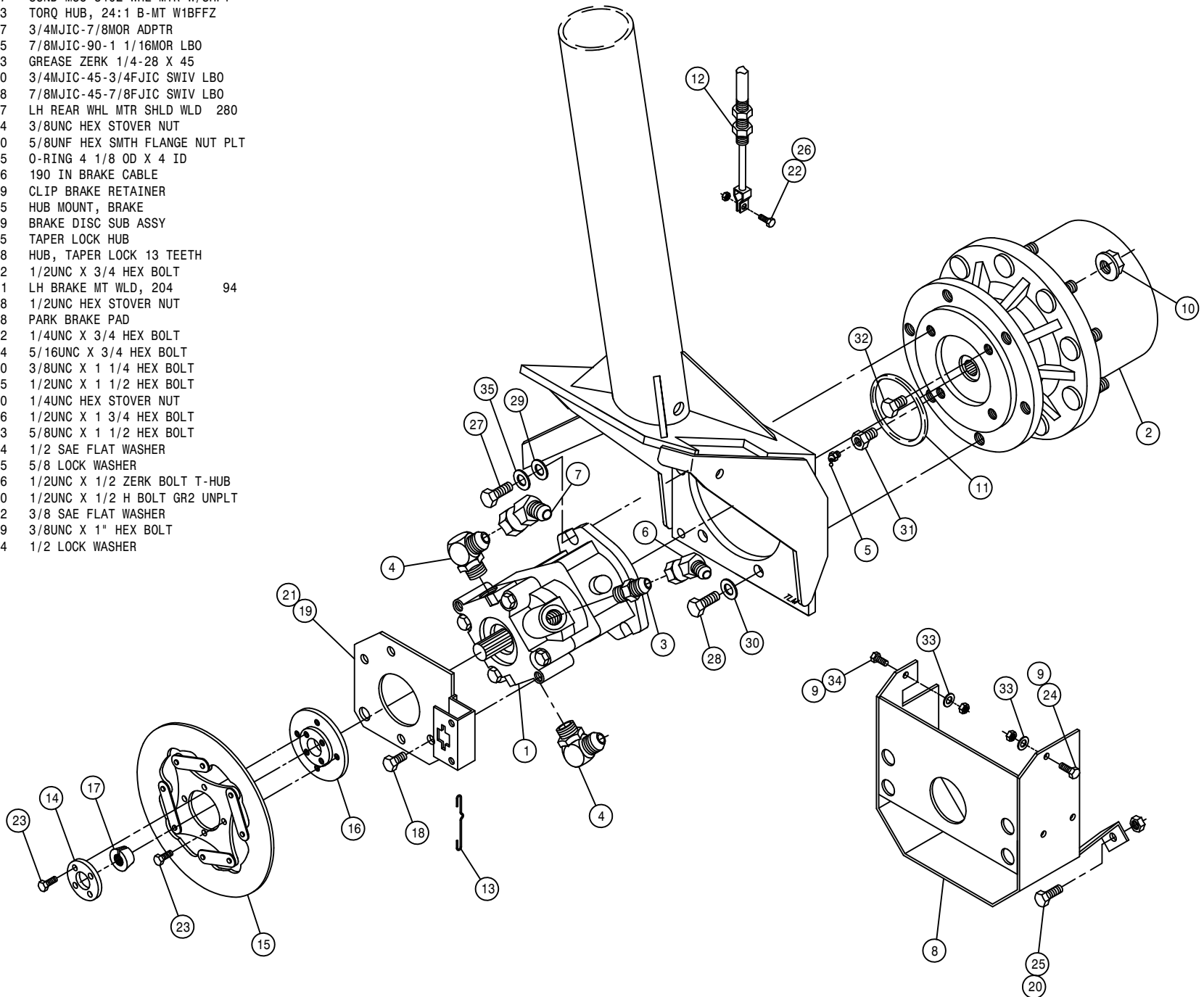


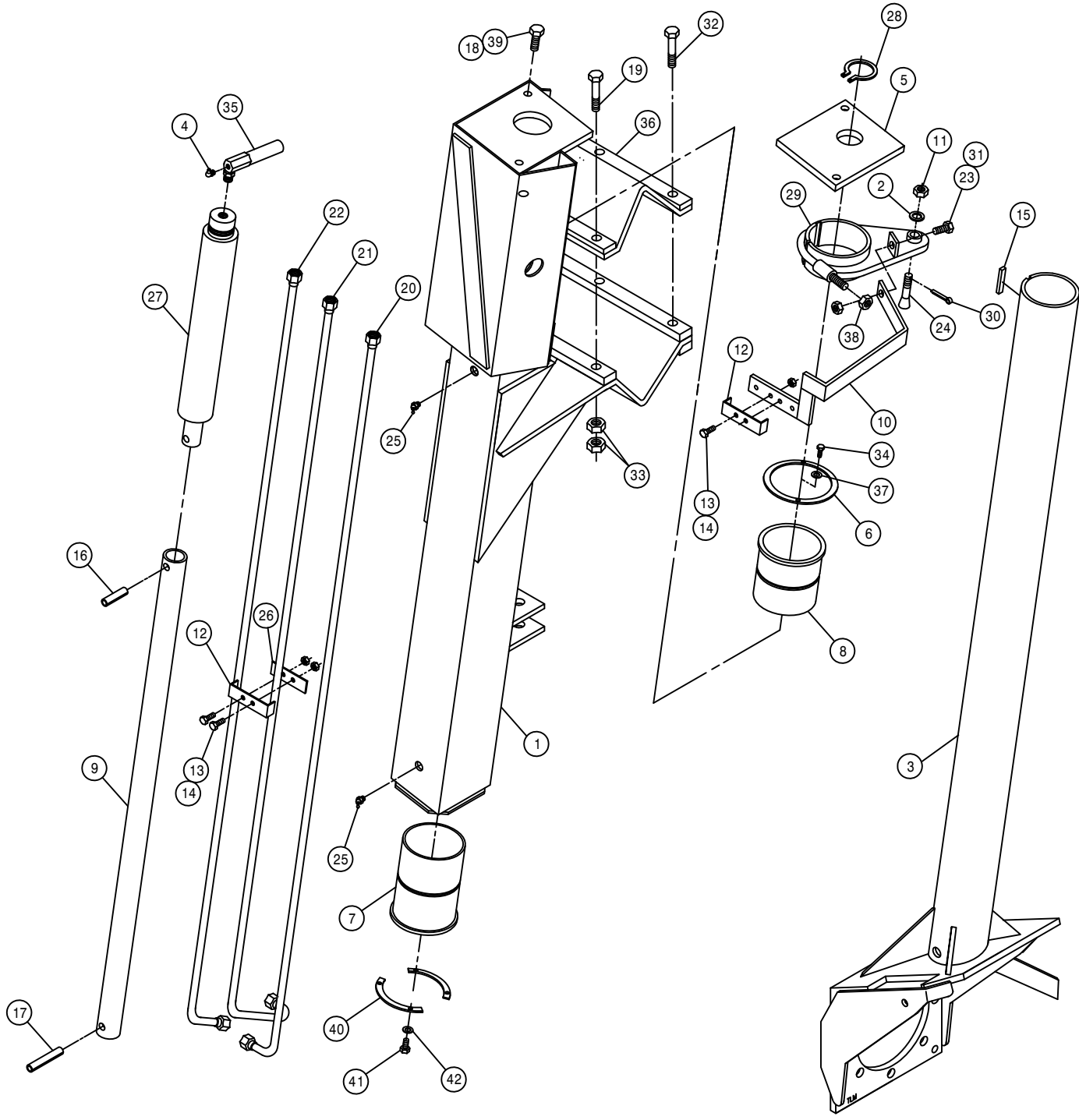
LEFT FRONT LEG ASSEMBLY W/W1BF HUB

DET.	QTY	PART NO.	DESCRIPTION
1	1	357837	LH FRT OUTER LEG WLD, 204 2000
2	1	920505	5/8 LOCK WASHER
3	1	357801	LH FRT INNER LEG WLD, 204 94
4	2	900265	1/2UNC X 1 1/2 HEX BOLT
5	1	358562	LEG CYL MTG PLATE 280 89
6	1	358563	FRT LEG BRG KPR 280 89
7	1	358564	FRT LEG LWR NYL SLEEVE 280 89
8	1	358565	FRT LEG UPR NYL SLEEVE 280 89
9	1	358566	LEG CYL SHAFT EXTENSION 280 89
10	1	358708	LH FRT LEG TUBE BRKT WLD 280TA
11	1	822040	5/8-18UNF SLOTTED HEX NUT
12	2	358739	FRT LEG HYD TUBE CLMP, 284 94
13	4	900004	1/4UNC X 1 1/4 HEX BOLT
14	4	470121	1/4UNC HEX FLANGE LOCK NUT
15	1	470185	KEY .25 X .375 X 2.00 LG
16	1	473903	SPIRAL PIN 1/2 X 2 640
17	1	473904	SPIRAL PIN 1/2 X 3 640
18	2	914008	1/2UNC HEX STOVER NUT
19	3	900836	5/8UNF X 3 1/4 HEX BOLT GR8
20	1	615659	FRT LEG INNER HYD TUBE, 204 94
21	1	615660	FRT LEG CNTR HYD TUBE, 204 94
22	1	615661	FRT LEG OUTER HYD TUBE, 204 94
23	1	900129	3/8UNC X 1" HEX BOLT
24	1	749293	STRG ARM BOLT, TAPERED
25	2	471023	GREASE ZERK 1/4-28 X 45
26	1	358740	FRT LEG HYD TUBE KPR, 284 94
27	1	620805	LEG LEVEL CYL ASSY, 2.00 X 12.0
28	1	629515	SNAP RING 1 3/4 EXTRN HDUTY
29	1	749291	LH STRG ARM WLD, 280 TREAD ADJ
30	1	470035	COTTER PIN 5/32 X 1 1/2
31	1	914004	3/8UNC HEX STOVER NUT
32	3	900837	5/8UNF X 3 1/2 HEX BOLT GR8
33	12	914811	5/8UNF HEX NUT GR8
34	2	900000	1/4UNC X 1/2 HEX BOLT
35	1	615614	FRT LEG CYL JUMPER HOSE 280 89
36	1	358759	LEG MT V-PLT WLD, 284T 94
37	2	920500	1/4 LOCK WASHER
38	1	914010	5/8UNC HEX STOVER NUT
39	2	358927	LWR BRG KPR, LEG 98
40	4	920501	5/16 LOCK WASHER
41	4	900064	5/16UNC X 3/4 HEX BOLT

LEFT FRONT LEG ASSEMBLY W/W1BF HUB

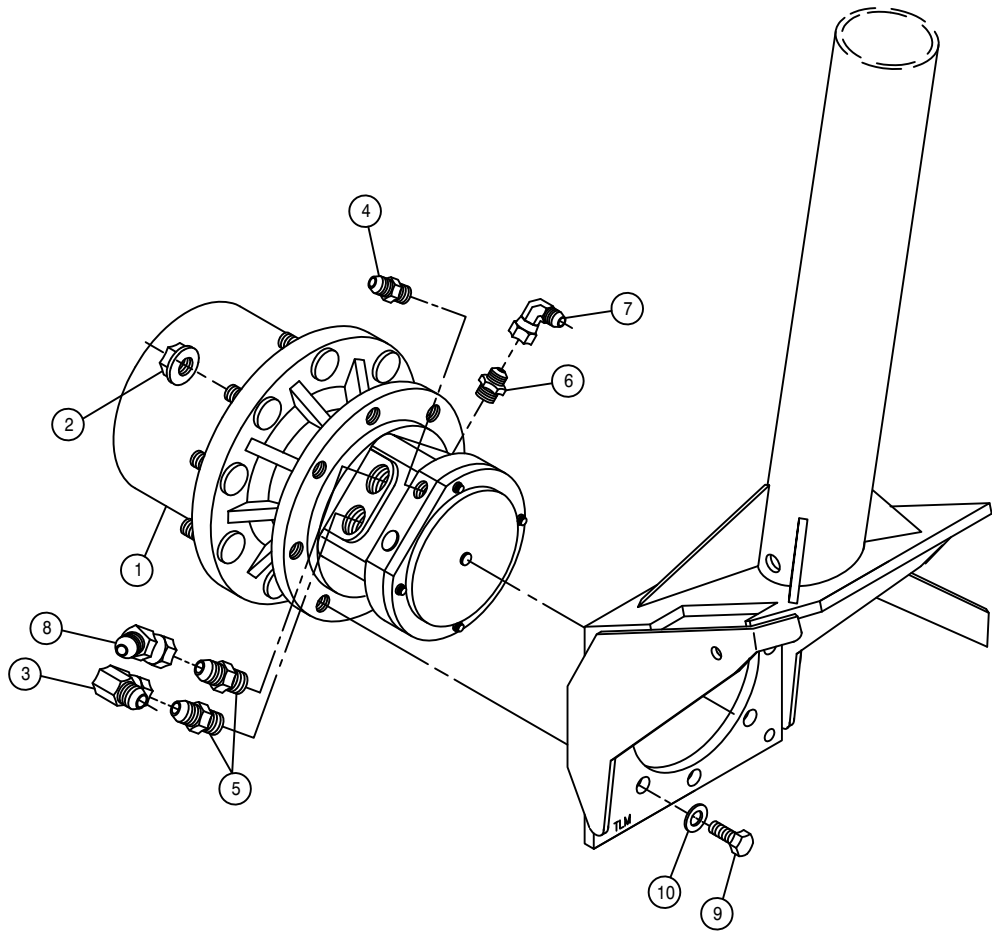
DET.	QTY	PART NO.	DESCRIPTION
1	1	610557	SUND M35-3102 WHL MTR W/SHFT
2	1	610663	TORQ HUB, 24:1 B-MT W1BFFZ
3	1	618327	3/4MJIC-7/8MOR ADPTR
4	2	618535	7/8MJIC-90-1 1/16MOR LBO
5	1	471023	GREASE ZERK 1/4-28 X 45
6	1	618590	3/4MJIC-45-3/4FJIC SWIV LBO
7	1	618628	7/8MJIC-45-7/8FJIC SWIV LBO
8	1	358597	LH REAR WHL MTR SHLD WLD 280
9	2	914004	3/8UNC HEX STOVER NUT
10	9	470140	5/8UNF HEX SMTH FLANGE NUT PLT
11	1	870045	O-RING 4 1/8 OD X 4 ID
12	1	826926	190 IN BRAKE CABLE
13	1	826929	CLIP BRAKE RETAINER
14	1	826945	HUB MOUNT, BRAKE
15	1	826959	BRAKE DISC SUB ASSY
16	1	826975	TAPER LOCK HUB
17	1	826988	HUB, TAPER LOCK 13 TEETH
18	2	900262	1/2UNC X 3/4 HEX BOLT
19	1	828091	LH BRAKE MT WLD, 204
20	2	914008	1/2UNC HEX STOVER NUT
21	2	826918	PARK BRAKE PAD
22	1	900002	1/4UNC X 3/4 HEX BOLT
23	8	900064	5/16UNC X 3/4 HEX BOLT
24	1	900130	3/8UNC X 1 1/4 HEX BOLT
25	2	900265	1/2UNC X 1 1/2 HEX BOLT
26	1	914000	1/4UNC HEX STOVER NUT
27	2	900266	1/2UNC X 1 3/4 HEX BOLT
28	6	900333	5/8UNC X 1 1/2 HEX BOLT
29	2	920004	1/2 SAE FLAT WASHER
30	6	920505	5/8 LOCK WASHER
31	1	610556	1/2UNC X 1/2 ZERK BOLT T-HUB
32	1	900260	1/2UNC X 1/2 H BOLT GR2 UNPLT
33	2	920002	3/8 SAE FLAT WASHER
34	1	900129	3/8UNC X 1" HEX BOLT
35	2	920504	1/2 LOCK WASHER





RIGHT FRONT LEG ASSEMBLY W/W1M1 HUB

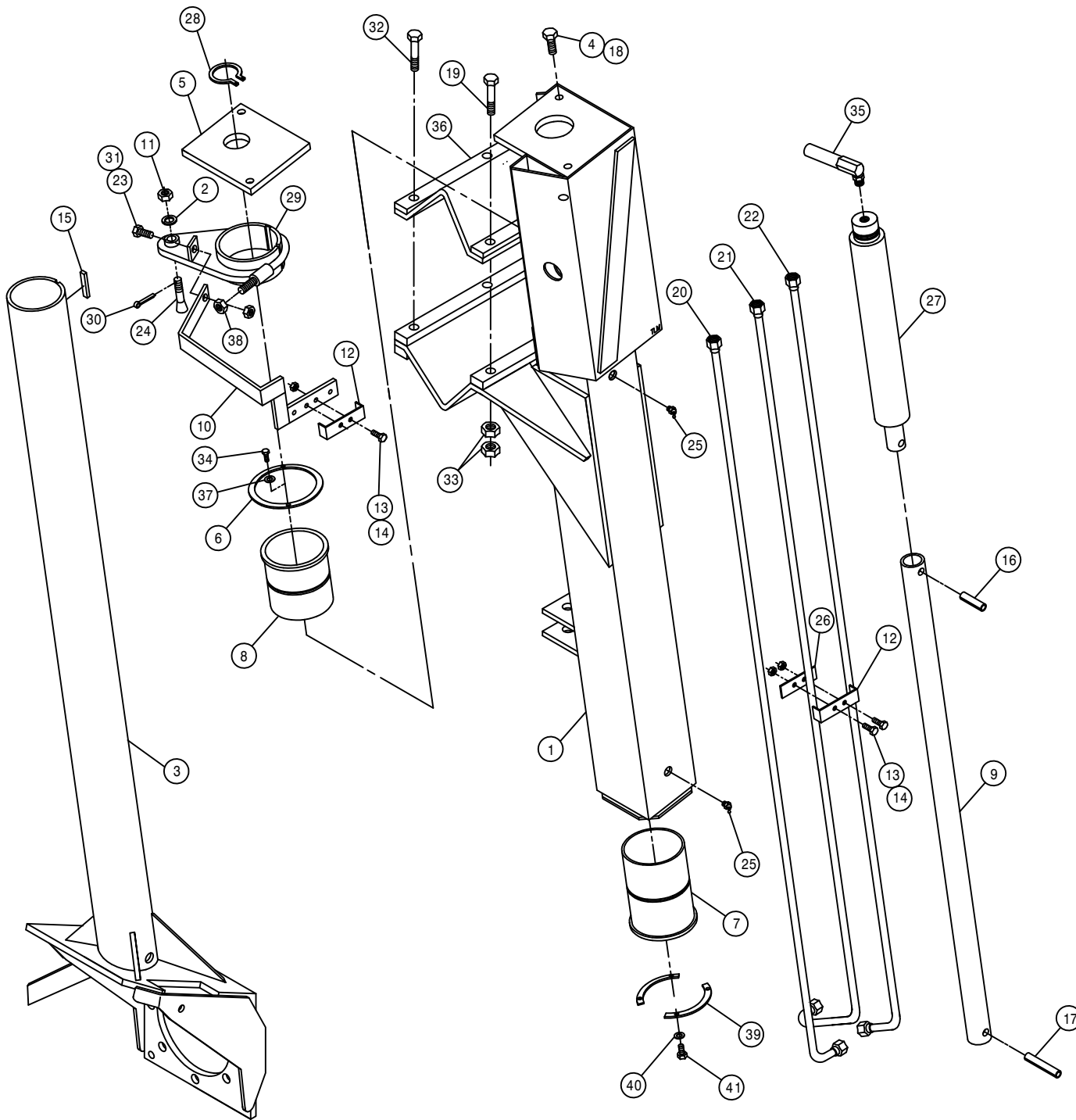
DET.	QTY	PART NO.	DESCRIPTION
1	1	357836	RH FRT OUTER LEG WLD, 204 2000
2	1	920505	5/8 LOCK WASHER
3	1	357832	RH FRT INNER LEG WLD,204 W1M1
4	1	471027	GREASE ZERK 1/8NPT 90DEG LP
5	1	358562	LEG CYL MTG PLATE 280 89
6	1	358563	FRT LEG BRG KPR 280 89
7	1	358564	FRT LEG LWR NYL SLEEVE 280 89
8	1	358565	FRT LEG UPR NYL SLEEVE 280 89
9	1	358566	LEG CYL SHAFT EXTENSION 280 89
10	1	358707	RH FRT LEG TUBE BRKT WLD280TA
11	1	822040	5/8-18UNF SLOTTED HEX NUT
12	2	358739	FRT LEG HYD TUBE CLMP, 284 94
13	4	900004	1/4UNC X 1 1/4 HEX BOLT
14	4	470121	1/4UNC HEX FLANGE LOCK NUT
15	1	470185	KEY .25 X .375 X 2.00 LG
16	1	473903	SPIRAL PIN 1/2 X 2 640
17	1	473904	SPIRAL PIN 1/2 X 3 640
18	2	914008	1/2UNC HEX STOVER NUT
19	3	900836	5/8UNF X 3 1/4 HEX BOLT GR8
20	1	615750	FRT LEG CNTR HYD TUBE,204 W1M1
21	1	615748	RH FRT INNER HYD TUBE,204 W1M1
22	1	615751	FRT LEG OUTR HYD TUBE,204 W1M1
23	1	900129	3/8UNC X 1" HEX BOLT
24	1	749293	STRG ARM BOLT, TAPERED
25	2	471023	GREASE ZERK 1/4-28 X 45
26	1	358740	FRT LEG HYD TUBE KPR, 284 94
27	1	620805	LEG LEVEL CYL ASSY,2.00 X 12.0
28	1	629515	SNAP RING 1 3/4 EXTRN HDUTY
29	1	749290	RH STRG ARM WLD,280 TREAD ADJ
30	1	470035	COTTER PIN 5/32 X 1 1/2
31	1	914004	3/8UNC HEX STOVER NUT
32	3	900837	5/8UNF X 3 1/2 HEX BOLT GR8
33	12	914811	5/8UNF HEX NUT GR8
34	2	900000	1/4UNC X 1/2 HEX BOLT
35	1	615614	FRT LEG CYL JUMPER HOSE 280 89
36	1	358759	LEG MT V-PLT WLD, 284T 94
37	2	920500	1/4 LOCK WASHER
38	1	914010	5/8UNC HEX STOVER NUT
39	2	900265	1/2UNC X 1 1/2 HEX BOLT
40	2	358927	LWR BRG KPR, LEG 98
41	4	900064	5/16UNC X 3/4 HEX BOLT
42	4	920501	5/16 LOCK WASHER



RIGHT FRONT LEG ASSEMBLY W/W1M1 HUB

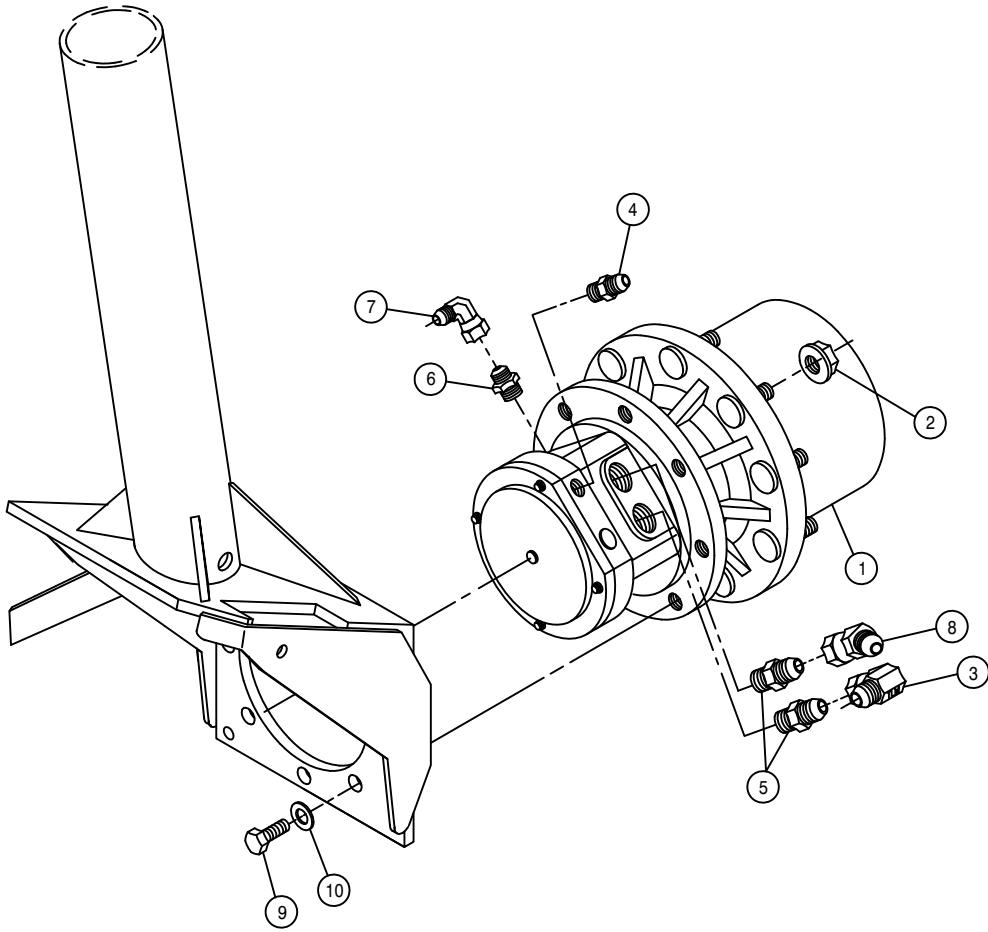
DET. QTY PART NO. DESCRIPTION

1	1	610717	TORQ HUB,24:1 W1M1 INTEGRATED
2	9	470140	5/8UNF HEX SMTH FLANGE NUT PLT
3	1	618301	7/8MJIC-90-7/8FJIC SWIV LBO
4	1	618304	9/16MJIC-7/16MOR ADPTR
5	2	618309	7/8MJIC-1 1/16MOR ADPTR
6	1	618327	3/4MJIC-7/8MOR ADPTR
7	1	618609	3/4MJIC-90-3/4FJIC SWIV LBO
8	1	618628	7/8MJIC-45-7/8FJIC SWIV LBO
9	8	900333	5/8UNC X 1 1/2 HEX BOLT
10	8	920505	5/8 LOCK WASHER



LEFT FRONT LEG ASSEMBLY W/W1M1 HUB

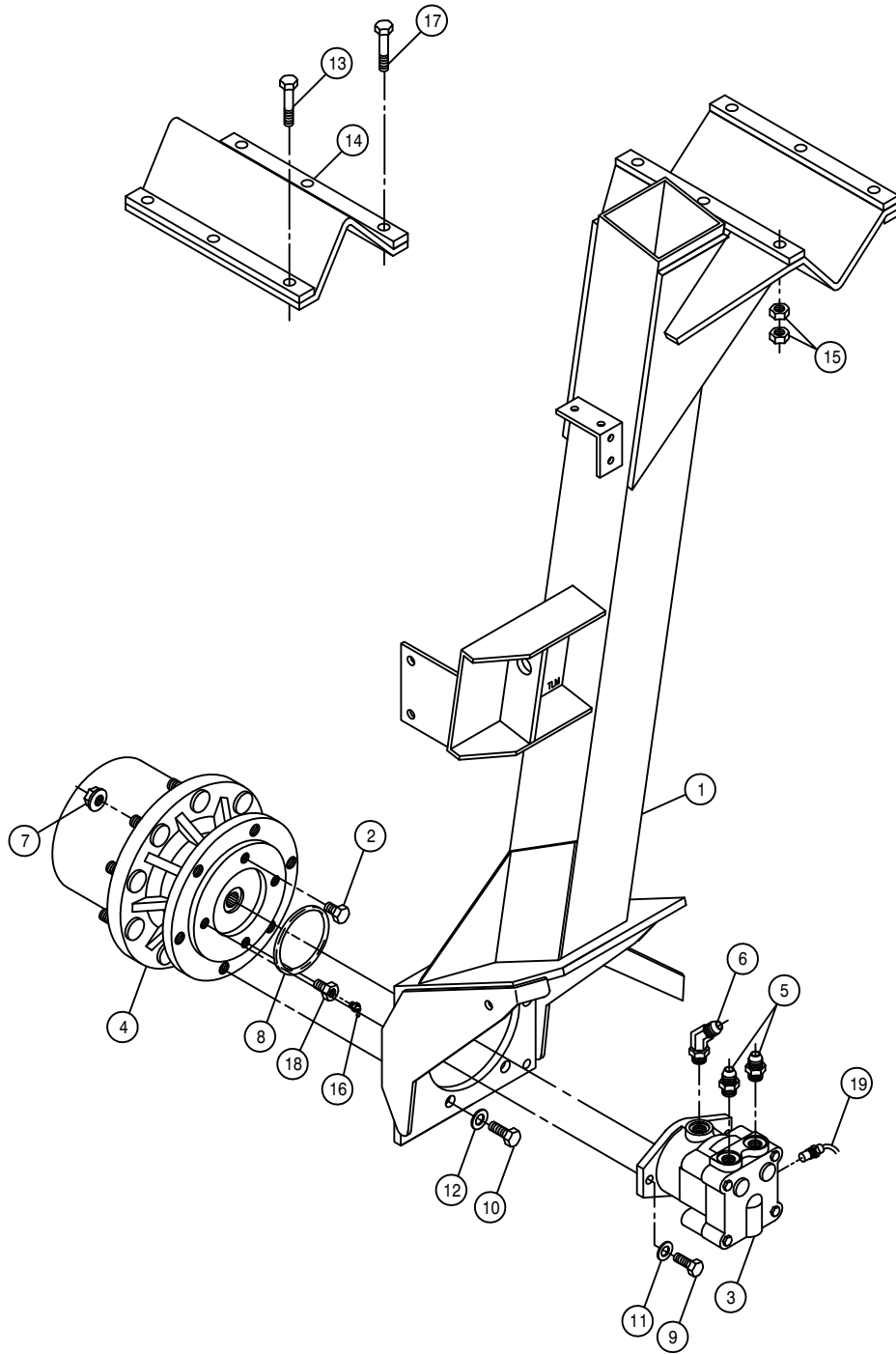
DET.	QTY	PART NO.	DESCRIPTION
1	1	357837	LH FRT OUTER LEG WLD, 204 2000
2	1	920505	5/8 LOCK WASHER
3	1	357833	LH FRT INNER LEG WLD,204 W1M1
4	2	900265	1/2UNC X 1 1/2 HEX BOLT
5	1	358562	LEG CYL MTG PLATE 280 89
6	1	358563	FRT LEG BRG KPR 280 89
7	1	358564	FRT LEG LWR NYL SLEEVE 280 89
8	1	358565	FRT LEG UPR NYL SLEEVE 280 89
9	1	358566	LEG CYL SHAFT EXTENSION280 89
10	1	358708	LH FRT LEG TUBE BRKT WLD280TA
11	1	822040	5/8-18UNF SLOTTED HEX NUT
12	2	358739	FRT LEG HYD TUBE CLMP, 284 94
13	4	900004	1/4UNC X 1 1/4 HEX BOLT
14	4	470121	1/4UNC HEX FLANGE LOCK NUT
15	1	470185	KEY .25 X .375 X 2.00 LG
16	1	473903	SPIRAL PIN 1/2 X 2 640
17	1	473904	SPIRAL PIN 1/2 X 3 640
18	2	914008	1/2UNC HEX STOVER NUT
19	3	900836	5/8UNF X 3 1/4 HEX BOLT GR8
20	1	615750	FRT LEG CNTR HYD TUBE,204 W1M1
21	1	615749	LH FRT INNER HYD TUBE,204 W1M1
22	1	615751	FRT LEG OUTR HYD TUBE,204 W1M1
23	1	900129	3/8UNC X 1" HEX BOLT
24	1	749293	STRG ARM BOLT, TAPERED
25	2	471023	GREASE ZERK 1/4-28 X 45
26	1	358740	FRT LEG HYD TUBE KPR, 284 94
27	1	620805	LEG LEVEL CYL ASSY,2.00 X 12.0
28	1	629515	SNAP RING 1 3/4 EXTRN HDUTY
29	1	749291	LH STRG ARM WLD,280 TREAD ADJ
30	1	470035	COTTER PIN 5/32 X 1 1/2
31	1	914004	3/8UNC HEX STOVER NUT
32	3	900837	5/8UNF X 3 1/2 HEX BOLT GR8
33	12	914811	5/8UNF HEX NUT GR8
34	2	900000	1/4UNC X 1/2 HEX BOLT
35	1	615614	FRT LEG CYL JUMPER HOSE280 89
36	1	358759	LEG MT V-PLT WLD, 284T 94
37	2	920500	1/4 LOCK WASHER
38	1	914010	5/8UNC HEX STOVER NUT
39	2	358927	LWR BRG KPR, LEG 98
40	4	920501	5/16 LOCK WASHER
41	4	900064	5/16UNC X 3/4 HEX BOLT



LEFT FRONT LEG ASSEMBLY W/W1M1 HUB

DET. QTY PART NO. DESCRIPTION

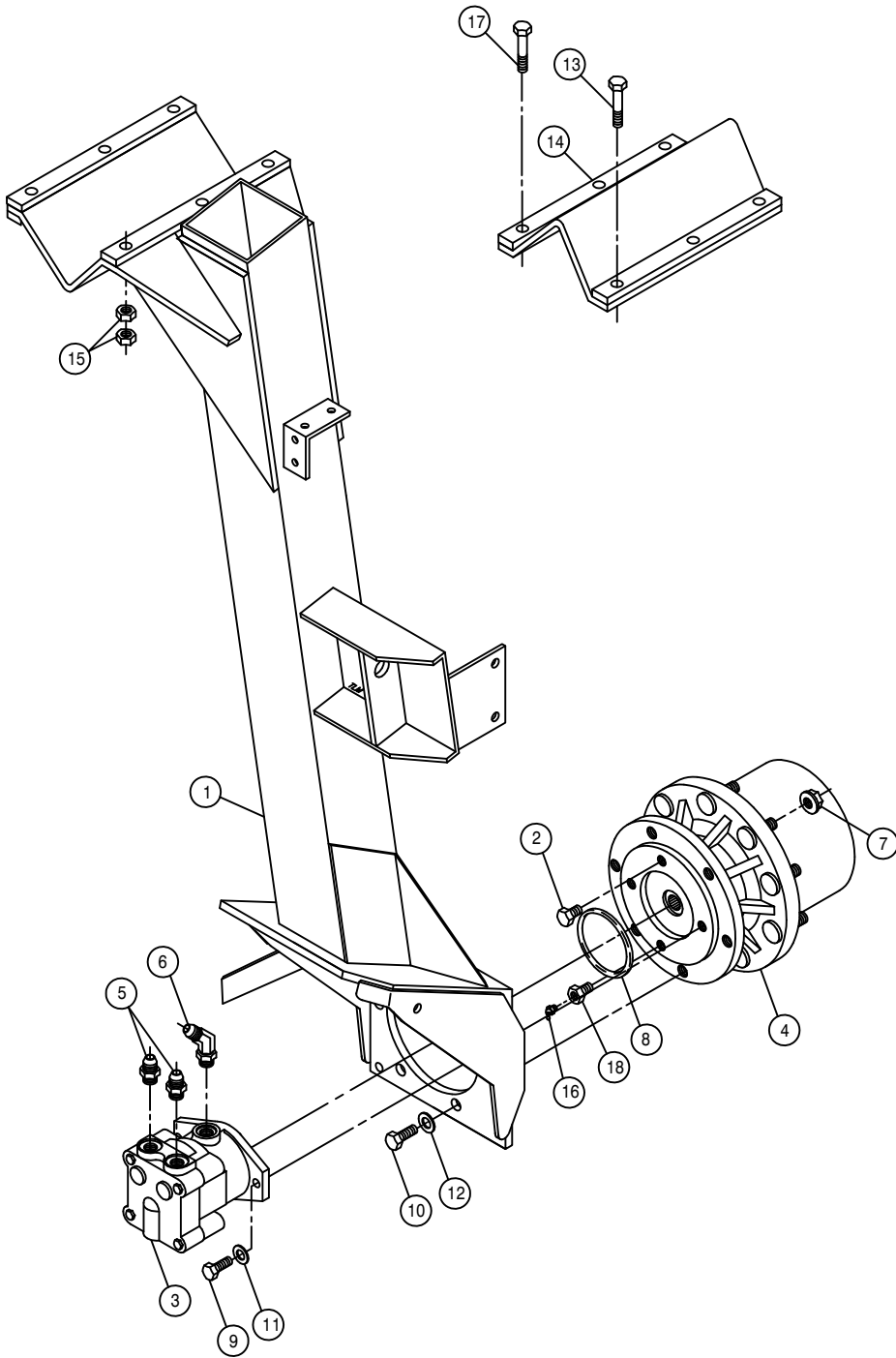
1	1	610717	TORQ HUB,24:1 W1M1 INTEGRATED
2	9	470140	5/8UNF HEX SMTH FLANGE NUT PL
3	1	618301	7/8MJIC-90-7/8FJIC SWIV LBO
4	1	618304	9/16MJIC-7/16MOR ADPTR
5	2	618309	7/8MJIC-1 1/16MOR ADPTR
6	1	618327	3/4MJIC-7/8MOR ADPTR
7	1	618609	3/4MJIC-90-3/4FJIC SWIV LBO
8	1	618628	7/8MJIC-45-7/8FJIC SWIV LBO
9	8	900333	5/8UNC X 1 1/2 HEX BOLT
10	8	920505	5/8 LOCK WASHER



RIGHT REAR LEG ASSEMBLY

DET. QTY PART NO. DESCRIPTION

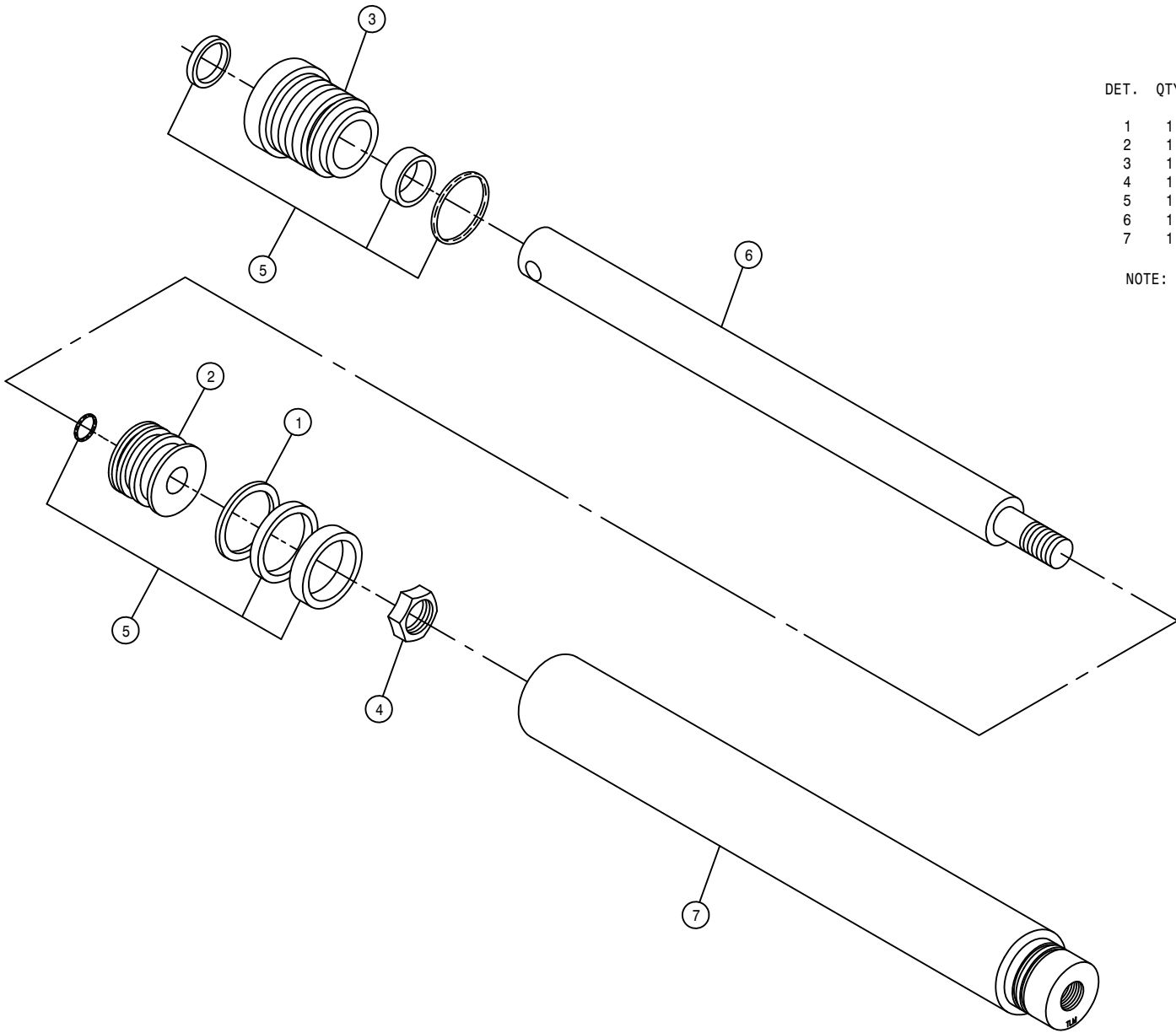
1	1	357838	RH REAR LEG WLD, 204	2000
2	1	900260	1/2UNC X 1/2 H BOLT GR2 UNPLT	
3	1	610721	SUND M25-3000 WHL MTR W/SENSOR	
4	1	610660	TORQ HUB, 18:1 B-MT W1BFFZ	
5	2	611126	7/8MJIC-7/8MOR ADPTR	
6	1	618496	9/16MJIC-45-3/4MOR LBO	
7	9	470140	5/8UNF HEX SMTH FLANGE NUT PLT	
8	1	870045	O-RING 4 1/8 OD X 4 ID	
9	2	900265	1/2UNC X 1 1/2 HEX BOLT	
10	6	900333	5/8UNC X 1 1/2 HEX BOLT	
11	2	920504	1/2 LOCK WASHER	
12	6	920505	5/8 LOCK WASHER	
13	3	900836	5/8UNF X 3 1/4 HEX BOLT GR8	
14	1	358759	LEG MT V-PLT WLD, 284T	94
15	12	914811	5/8UNF HEX NUT GR8	
16	1	471023	GREASE ZERK 1/4-28 X 45	
17	3	900837	5/8UNF X 3 1/2 HEX BOLT GR8	
18	1	610556	1/2UNC X 1/2 ZERK BOLT T-HUB	
19	1	610625	SENSOR, WHL MOTOR 610621/610671	



LEFT REAR LEG ASSEMBLY

DET. QTY PART NO. DESCRIPTION

1	1	357839	LH REAR LEG WLD, 204/204I 2000
2	1	900260	1/2UNC X 1/2 H BOLT GR2 UNPLT
3	1	610567	SUND M25-3000 WHL MTR 1.5CI
4	1	610660	TORQ HUB, 18:1 B-MT W1BFFZ
5	2	611126	7/8MJIC-7/8MOR ADPTR
6	1	618496	9/16MJIC-45-3/4MOR LBO
7	9	470140	5/8UNF HEX SMTH FLANGE NUT PLT
8	1	870045	O-RING 4 1/8 OD X 4 ID
9	2	900265	1/2UNC X 1 1/2 HEX BOLT
10	6	900333	5/8UNC X 1 1/2 HEX BOLT
11	2	920504	1/2 LOCK WASHER
12	6	920505	5/8 LOCK WASHER
13	3	900836	5/8UNF X 3 1/4 HEX BOLT GR8
14	1	358759	LEG MT V-PLT WLD, 284T 94
15	12	914811	5/8UNF HEX NUT GR8
16	1	471023	GREASE ZERK 1/4-28 X 45
17	3	900837	5/8UNF X 3 1/2 HEX BOLT GR8
18	1	610556	1/2UNC X 1/2 ZERK BOLT T-HUB

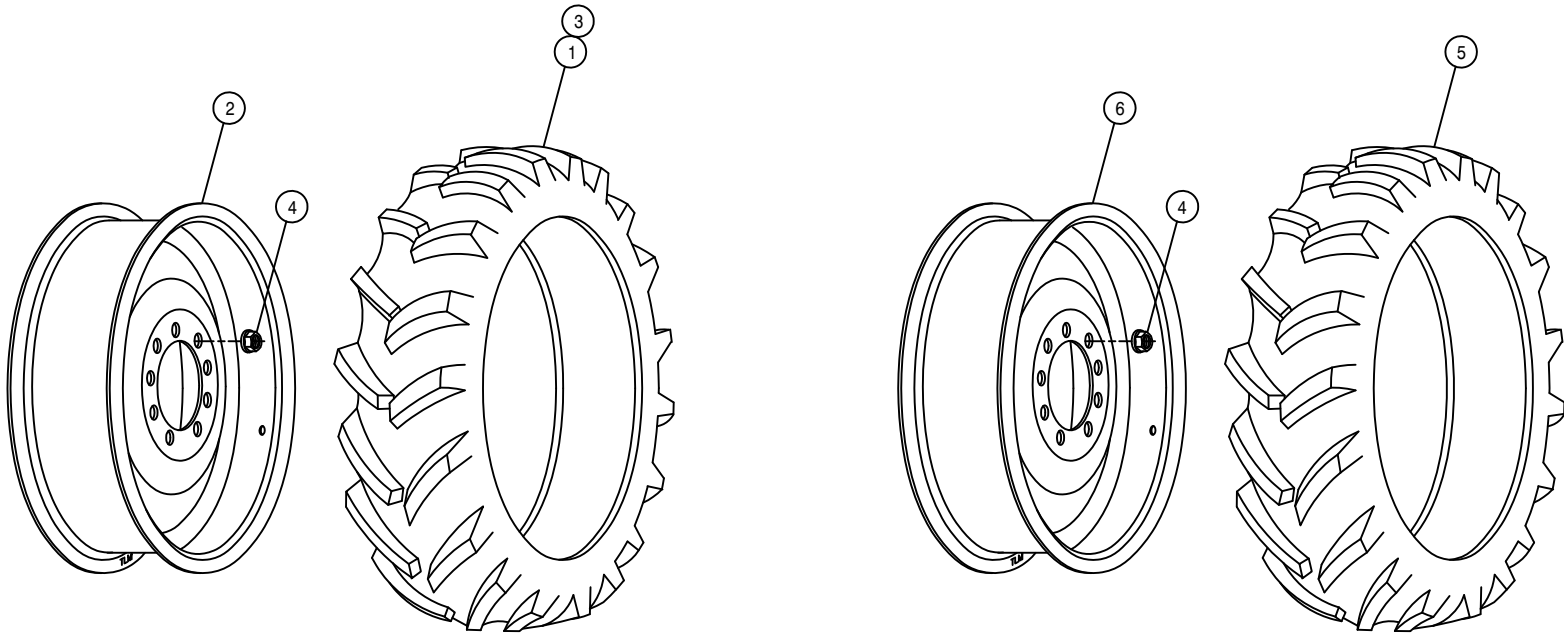


FRONT LEG CYLINDER ASSEMBLY

DET. QTY PART NO. DESCRIPTION

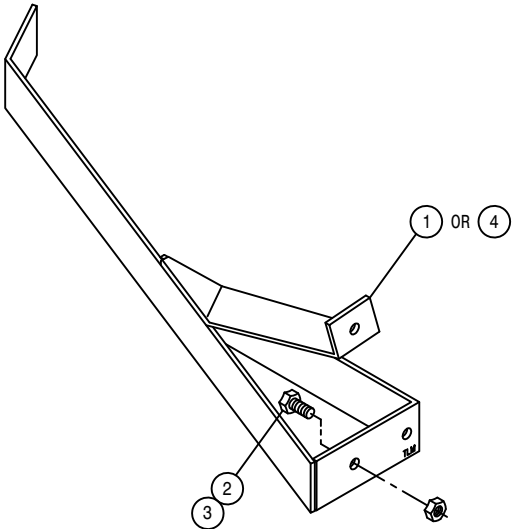
1	1	620753	STEEL PISTON RING,R-2.00-01
2	1	620754	PISTON, P-2.00-120
3	1	620756	HEAD, H-2.00-349
4	1	620757	NUT, N-0.75-02
5	1	620779	REPAIR KIT, RK-2.00-801
6	1	620808	SHAFT, HYD LEG LEV CYL 620805
7	1	620809	BARREL, HYD LEG LEV 620805

NOTE: 620805 - CYLINDER ASSEMBLY INCLUDES ITEMS 1-7



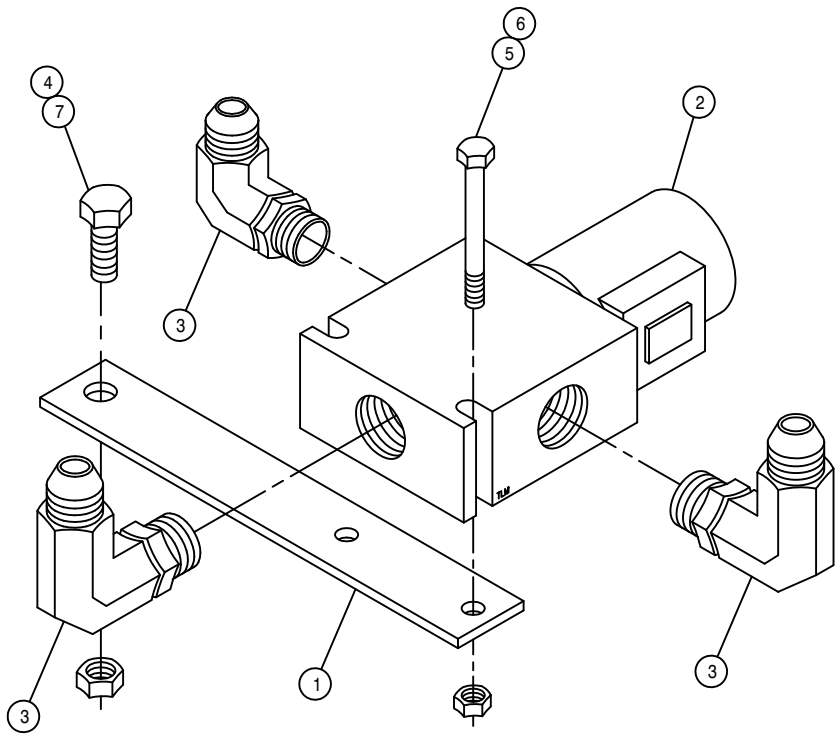
TIRE RIM ASSEMBLY

DET.	QTY	PART NO.	DESCRIPTION
1	1	820001	12.4 X 28 4P TIRE, FIRESTONE
2	1	821040	RIM WLD, W10 X 28, W1B 204 97
3	1	820002	12.4 X 28 RADIAL TUBE
4	18	470140	5/8UNF HEX SMTH FLANGE NUT PLT
5	1	820063	11.2-38 TL GOODYEAR TIRE
6	1	821050	RIM WLD, W10 X 38, W1M1 204



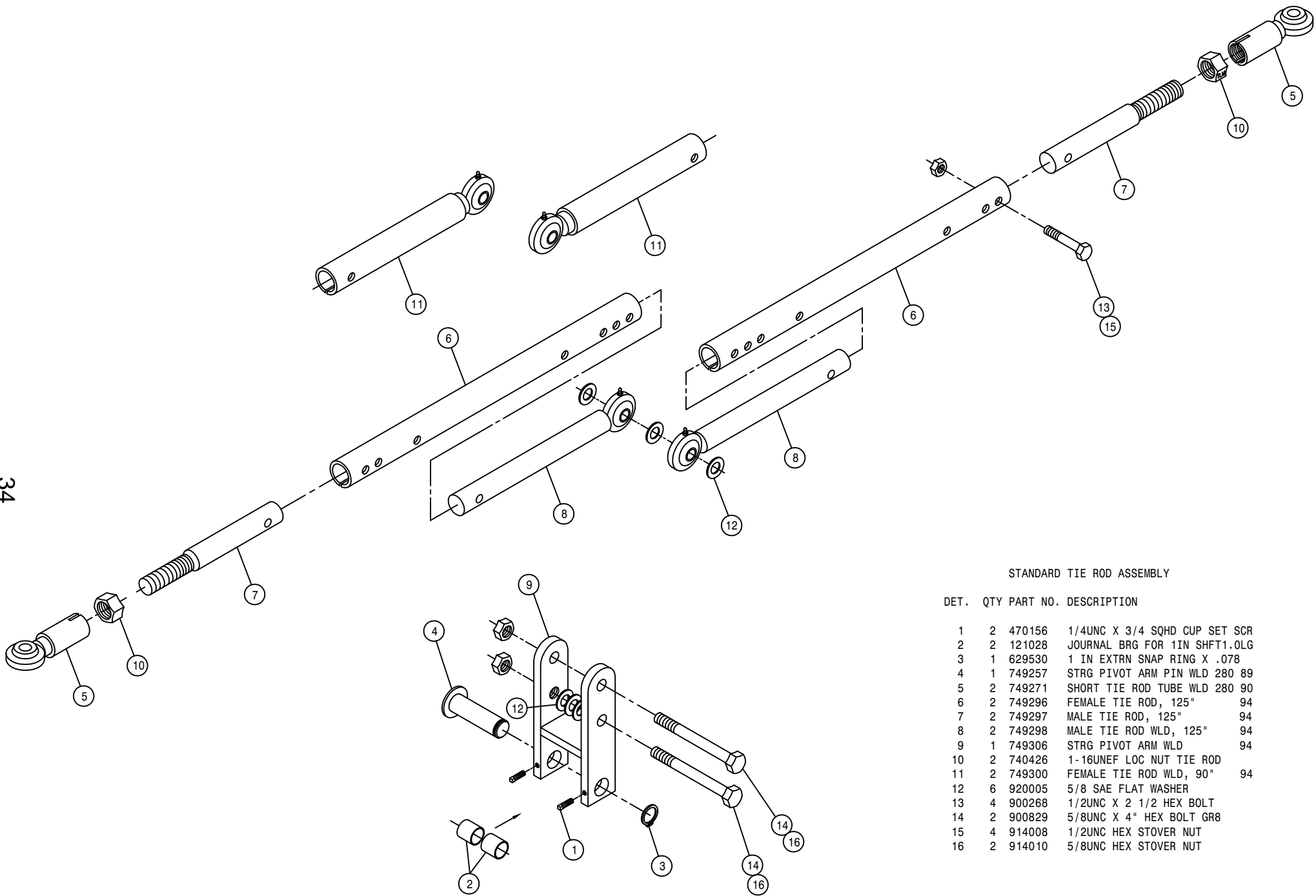
CROP GUIDE

DET.	QTY	PART NO.	DESCRIPTION
1	1	662217	RH REAR STALK GUIDE WLD280 89
2	2	900129	3/8UNC X 1" HEX BOLT
3	2	914004	3/8UNC HEX STOVER NUT
4	1	662218	LH REAR STALK GUIDE WLD280 89



BRAKE SOLENOID ASSEMBLY

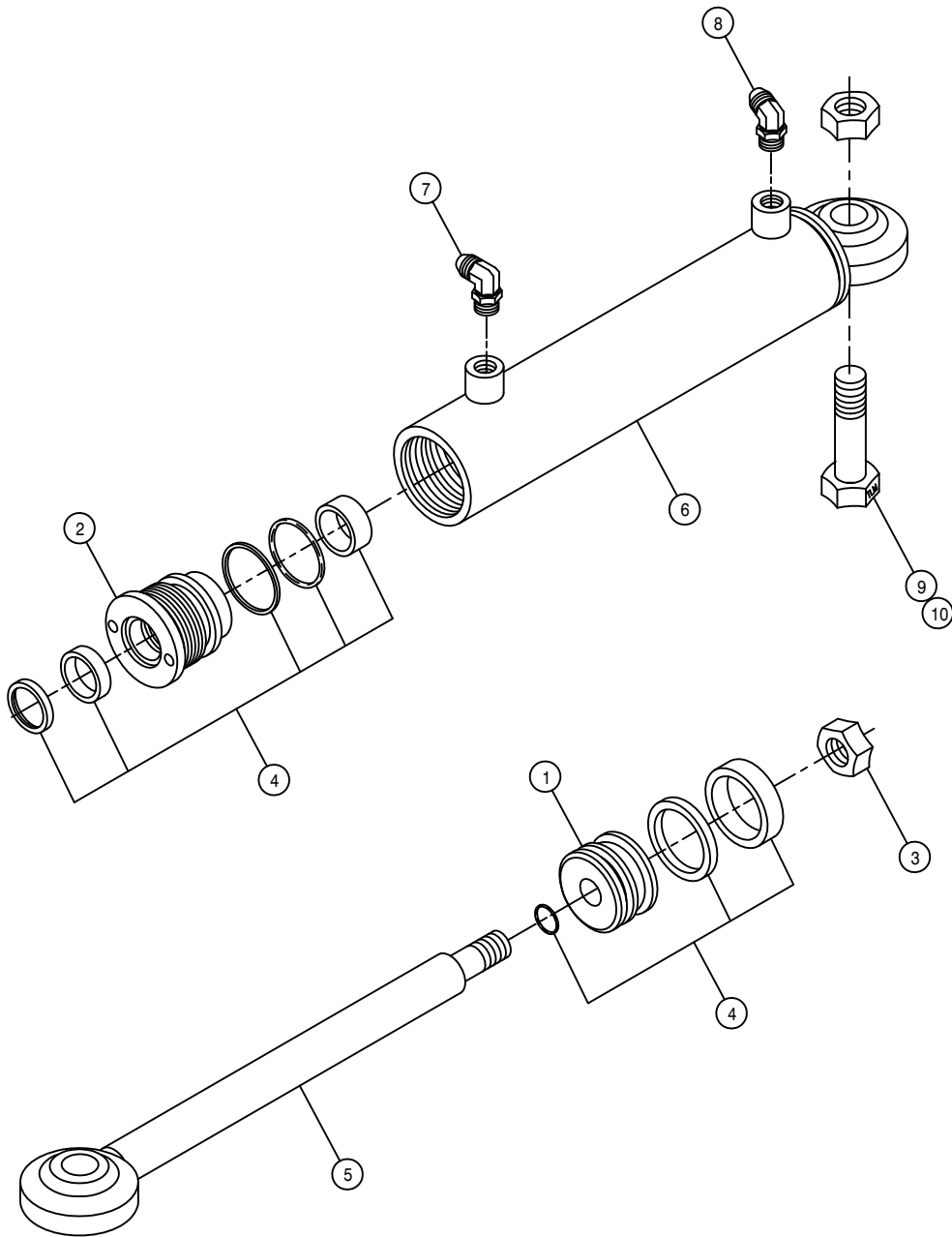
DET.	QTY	PART NO.	DESCRIPTION
1	1	342332	PARK BRAKE SOL VLV MT 97
2	1	610318	HYD SOLE VLV, 2P-3W, 9/16FOR, 12V
3	3	618119	9/16MJIC-90-9/16MOR LBO
4	1	914004	3/8UNC HEX STOVER NUT
5	2	900006	1/4UNC X 1 3/4 HEX BOLT
6	2	914000	1/4UNC HEX STOVER NUT
7	1	900129	3/8UNC X 1" HEX BOLT



STANDARD TIE ROD ASSEMBLY

DET.	QTY	PART NO.	DESCRIPTION
1	2	470156	1/4UNC X 3/4 SQHD CUP SET SCR
2	2	121028	JOURNAL BRG FOR 1IN SHFT1.0LG
3	1	629530	1 IN EXTRN SNAP RING X .078
4	1	749257	STRG PIVOT ARM PIN WLD 280 89
5	2	749271	SHORT TIE ROD TUBE WLD 280 90
6	2	749296	FEMALE TIE ROD, 125" 94
7	2	749297	MALE TIE ROD, 125" 94
8	2	749298	MALE TIE ROD WLD, 125" 94
9	1	749306	STRG PIVOT ARM WLD 94
10	2	740426	1-16UNEF LOC NUT TIE ROD
11	2	749300	FEMALE TIE ROD WLD, 90" 94
12	6	920005	5/8 SAE FLAT WASHER
13	4	900268	1/2UNC X 2 1/2 HEX BOLT
14	2	900829	5/8UNC X 4" HEX BOLT GR8
15	4	914008	1/2UNC HEX STOVER NUT
16	2	914010	5/8UNC HEX STOVER NUT

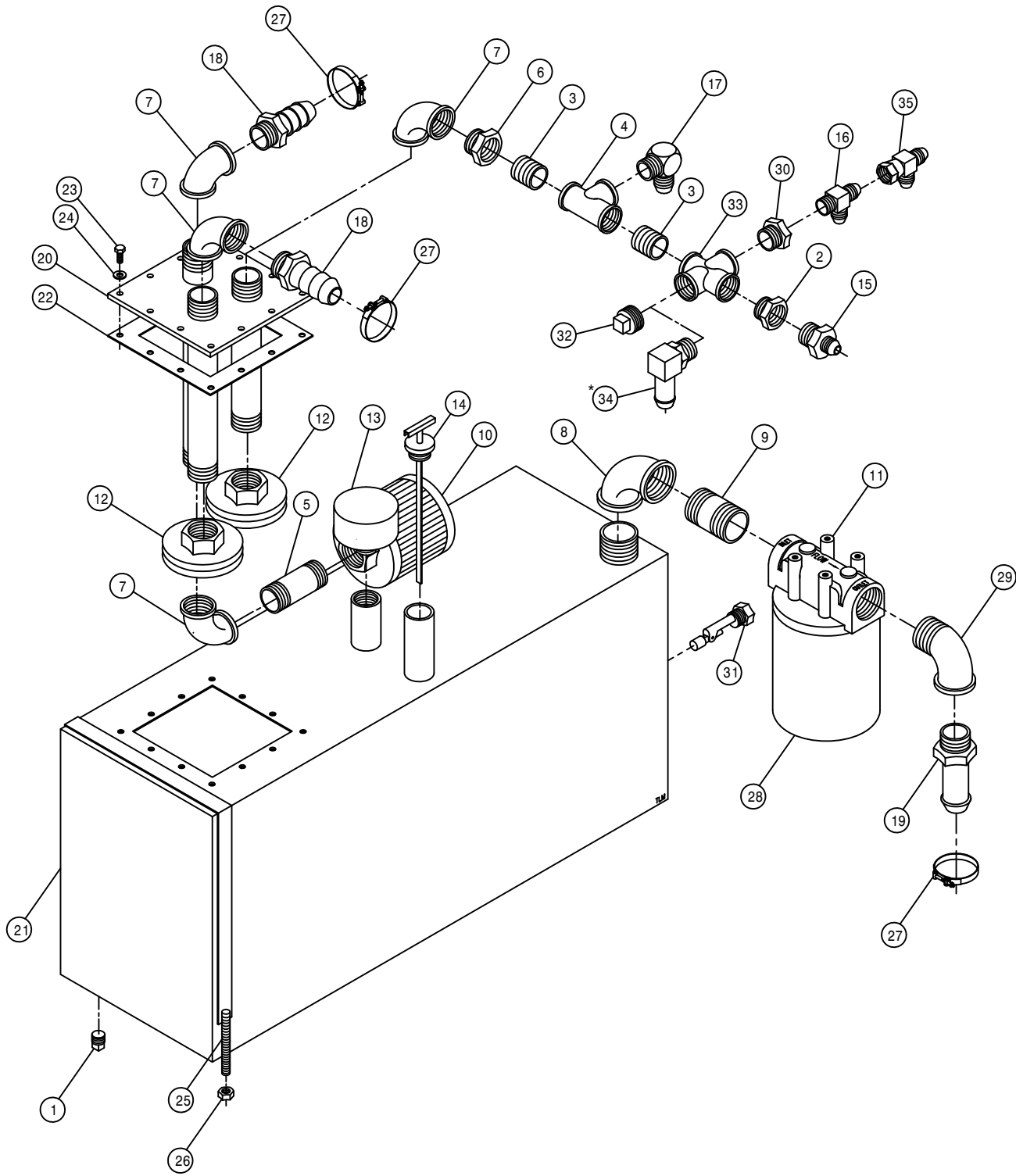
NOTE: DETAIL 11 IS USED WITH NARROW TREAD.



STEERING CYLINDER ASSEMBLY

DET.	QTY	PART NO.	DESCRIPTION
	1	620750	PISTON, P-1.50-021
	1	620751	HEAD, H-1.50-330
	1	620752	NUT, N-0.50-01
	1	620777	REPAIR KIT, RK-1.50-800
	1	620803	SHAFT WLD, STRG CYL 620800
	1	620804	BARREL WLD, STRG CYL 620800
	1	618119	9/16MJIC-90-9/16MOR LBO
	1	618425	9/16MJIC-45-9/16MOR LBO
	1	900336	5/8UNC X 2 1/2 HEX BOLT
	1	914010	5/8UNC HEX STOVER NUT

NOTE: 620800 - CYLINDER ASSEMBLY INCLUDES ITEMS 1-6
 621001 - CYLINDER ASSEMBLY WITH FITTINGS



HYDRAULIC TANK ASSEMBLY

DET.	QTY	PART NO.	DESCRIPTION
	1	501102	1/4 PIPE PLUG
	2	504210	RED BUSH 3/4 NPT X 1/2 NPT
	3	504702	CLOSE NIPPLE .75NPT
	4	504955	BLK PIPE TEE .75NPT
	5	505203	BLK PIPE NIPPLE 1.00NPT-4.00
	6	505213	RED BUSH 1 X 3/4 BLK MAL
	7	505300	BLK PIPE EL 90DEG 1.00NPT
	8	506303	BLK PIPE EL 90DEG 1.25NPT
	9	506602	PIPE NIPPLE 1 1/4NPT-2 1/2
	10	605600	MICHIGAN RESERVOIR FILTER
	11	605601	GRESEN FILTER 10 MICRON 40GPM
	12	605603	LINE SUMP DIFFUSER
	13	611052	FILLER BREATHER 3/4NPT
	14	614453	DIPSTICK, 8IN
	15	618018	9/16MJIC-1/2MNPT ADPTR
	16	618520	1/4MNPT RUN TEE-9/16MJIC
	17	610305	3/4MJIC-90-3/4MNPT LBO
	18	714560	1NPT X 1 HOSE BARB
	19	715664	1 1/4 NPT X 1 HOSE BARB
	20	760090	RECEIVER PLT WLD 8240
	21	760097	OIL TANK WLD 8240 1982
	22	763039	HYD MTR MTG PLT GSKT
	23	900064	5/16UNC X 3/4 HEX BOLT
	24	920001	5/16 SAE FLAT WASHER
	25	341360	OIL TANK STRAP WLD 8240 1982
	26	914004	3/8UNC HEX STOVER NUT
	27	520138	1.38/1.56 T-BOLT HOSE CLAMP
	28	605602	FILT ELEMENT 10MICRON 40GPM
	29	506410	BLK PIPE ST EL 90DEG 1.25NPT
	30	504001	RED BUSH 3/4 X 1/4 BLK MAL
	31	470290	LIQUID LEVEL SWITCH, 1/2MNPT
	32	504900	PIPE PLUG .75NPT SQ HD
	33	504400	BLK PIPE CROSS .75NPT
	34	618135	3/4 HOSE BARB-90-3/4MNPT
	35	618486	9/16FJIC SW RUN TEE-9/16MJIC

*NOTE: DETAIL 34 IS USED WITH THE CUTTER OPTION.

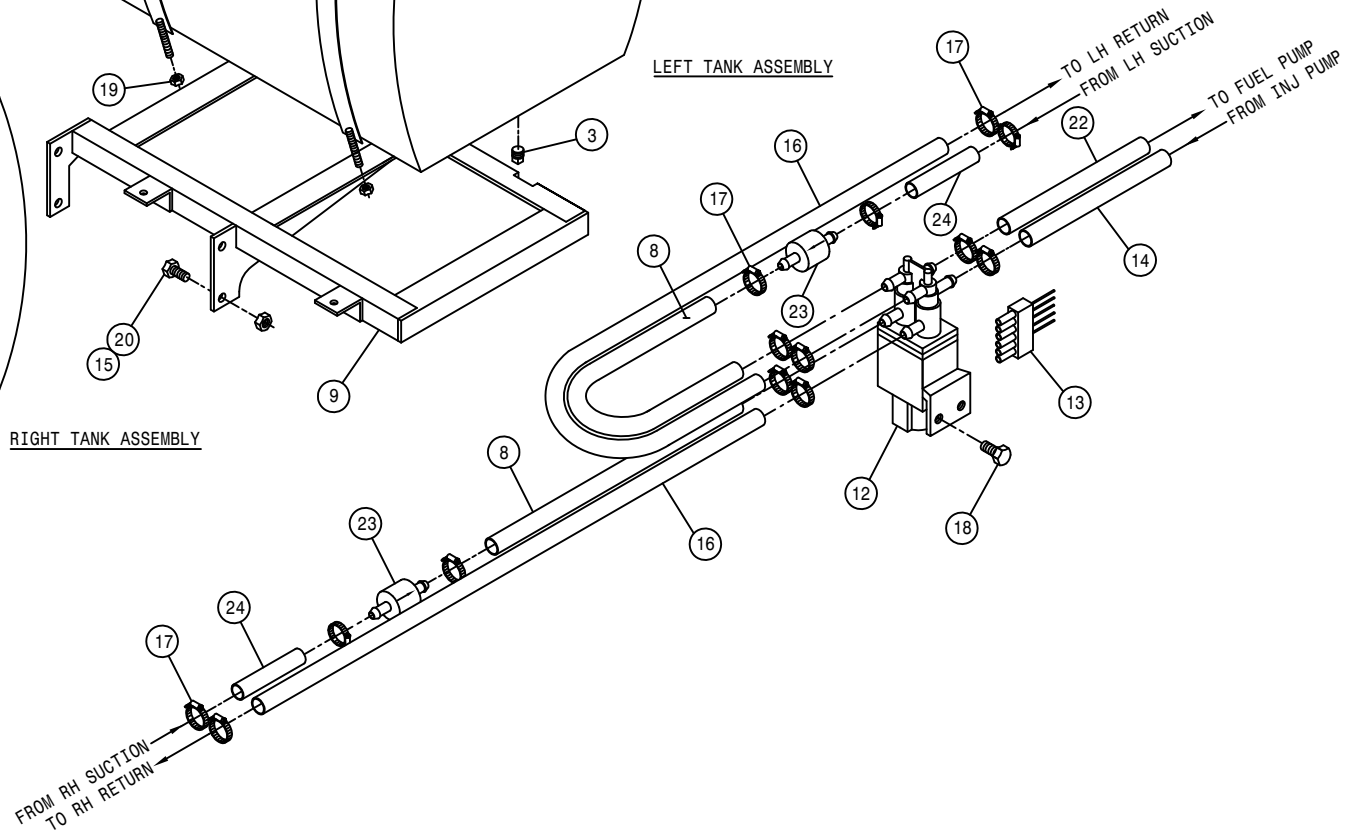
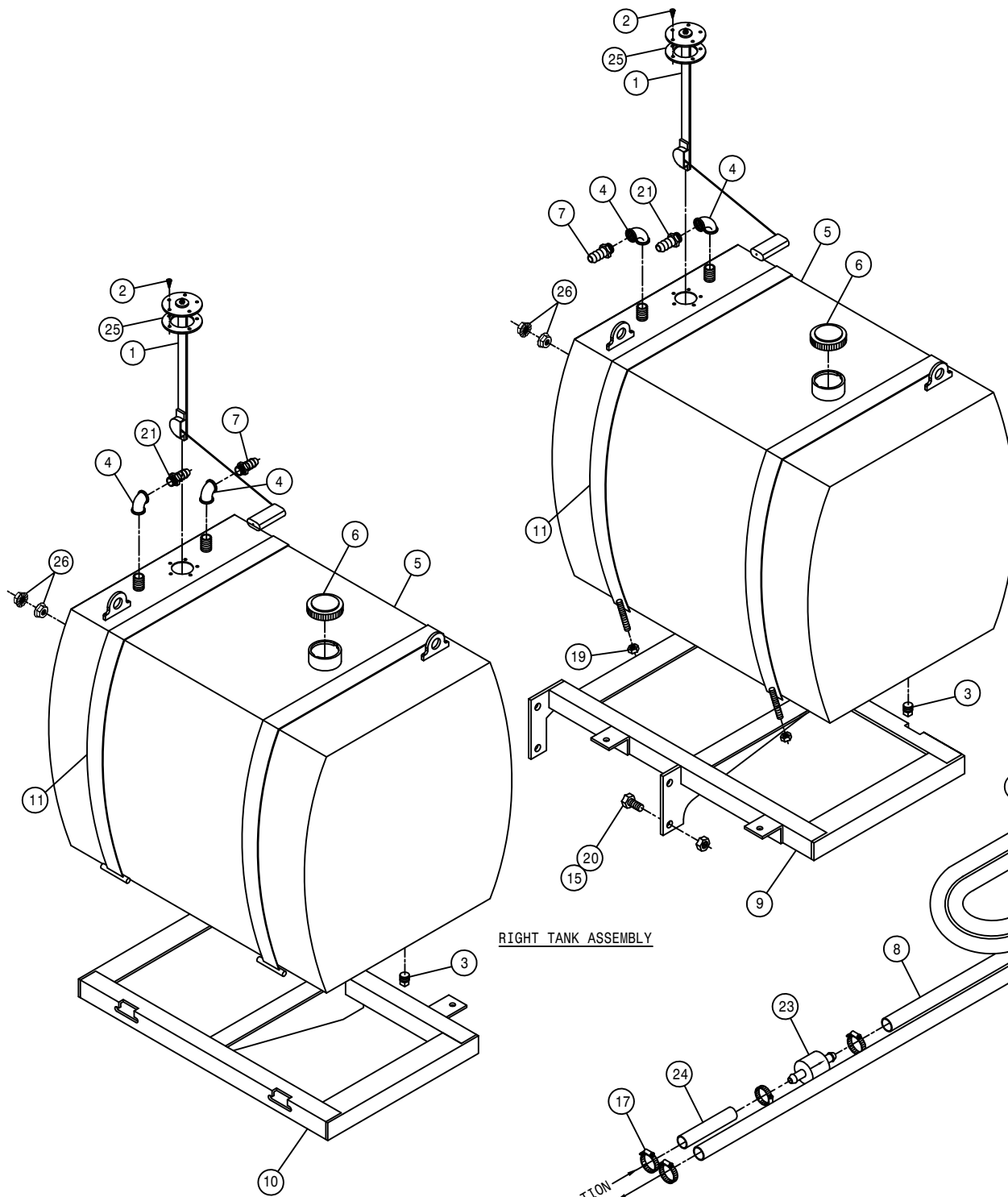
FUEL TANK ASSEMBLY

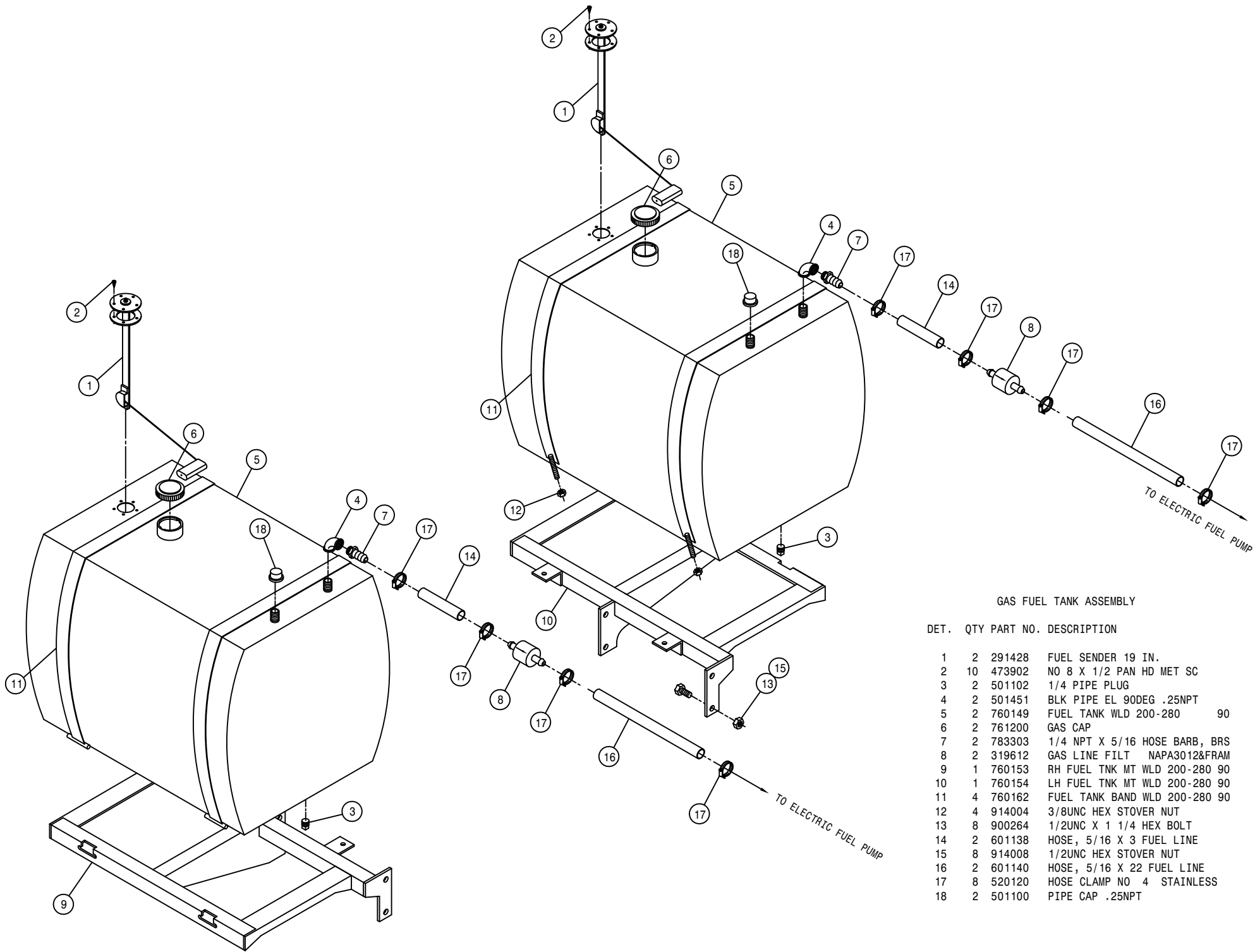
DET. QTY PART NO. DESCRIPTION

1	2	291428	FUEL SENDER 19 IN.
2	10	473902	NO 8 X 1/2 PAN HD MET SC
3	2	501102	1/4 PIPE PLUG
4	4	501451	BLK PIPE EL 90DEG .25NPT
5	2	760149	FUEL TANK WLD 200-280 90
6	2	761200	GAS CAP
7	2	783303	1/4 NPT X 5/16 HOSE BARB, BRS
8	2	601324	HOSE, 3/8 X 90 FUEL LINE
9	1	760153	RH FUEL TNK MT WLD 200-280 90
10	1	760154	LH FUEL TNK MT WLD 200-280 90
11	4	760162	FUEL TANK BAND WLD 200-280 90
12	1	610529	FUEL SELECTOR VALVE W/RETURN
13	1	610530	5 WIRE CONNECTOR FOR 610529
14	1	601421	HOSE, 5/16 X 50 FUEL LINE
15	8	914008	1/2UNC HEX STOVER NUT
16	2	601301	HOSE, 5/16 X 90 FUEL LINE
17	14	520120	HOSE CLAMP NO 4 STAINLESS
18	2	900064	5/16UNC X 3/4 HEX BOLT
19	4	914004	3/8UNC HEX STOVER NUT
20	8	900264	1/2UNC X 1 1/4 HEX BOLT
21	2	783304	1/4 NPT X 3/8 HOSE BARB, BRS
22	1	601322	HOSE, 3/8 X 26 FUEL LINE
23	2	316281	FUEL STRAINER, IN-LINE, DIESEL
24	2	601393	HOSE, 3/8 X 3 FUEL LINE
25	2	291464	GSKT FUEL SENDER, FOR 291428
26	4	470121	1/4UNC HEX FLANGE LOCK NUT

LEFT TANK ASSEMBLY

RIGHT TANK ASSEMBLY





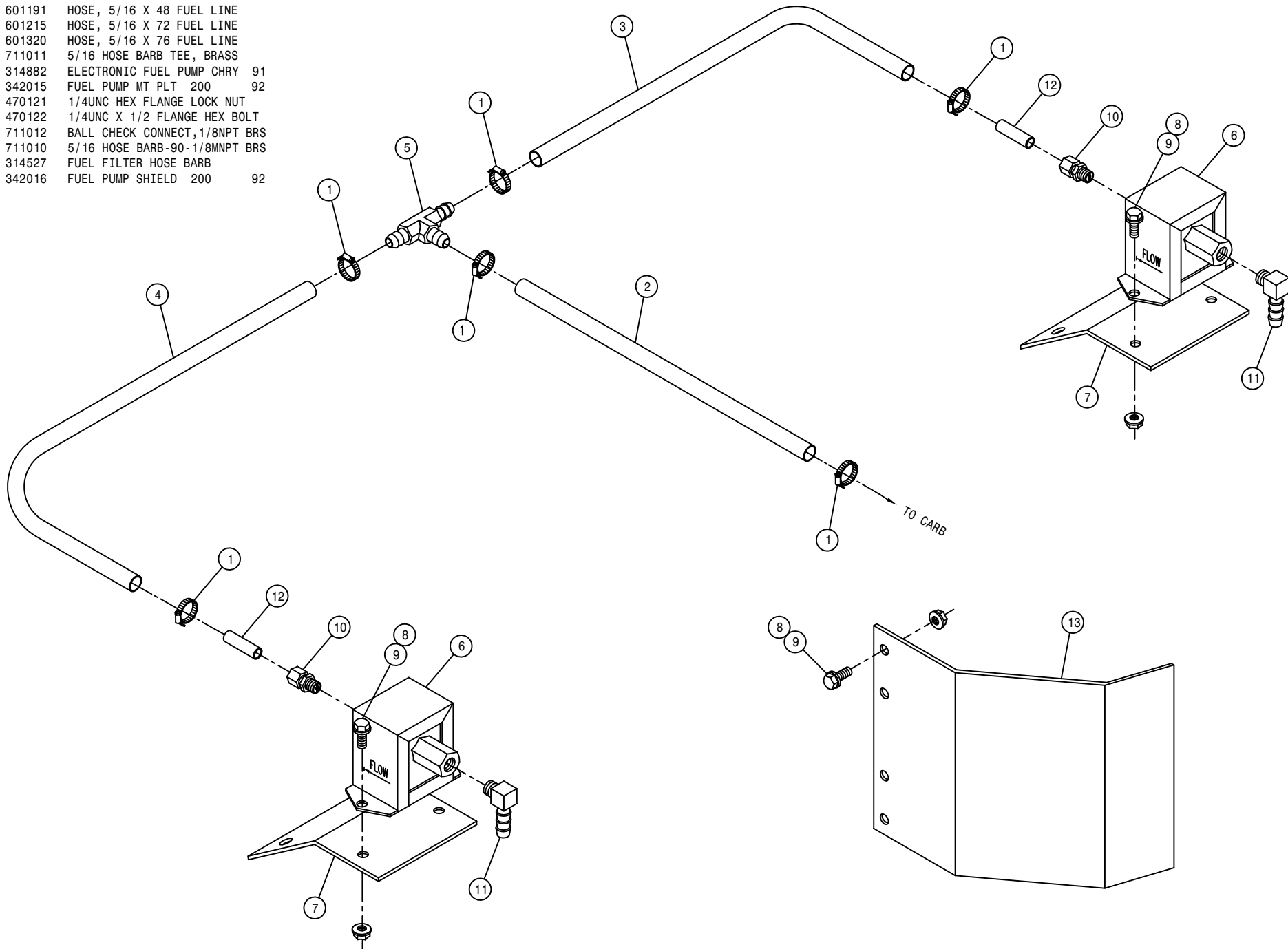
GAS FUEL TANK ASSEMBLY

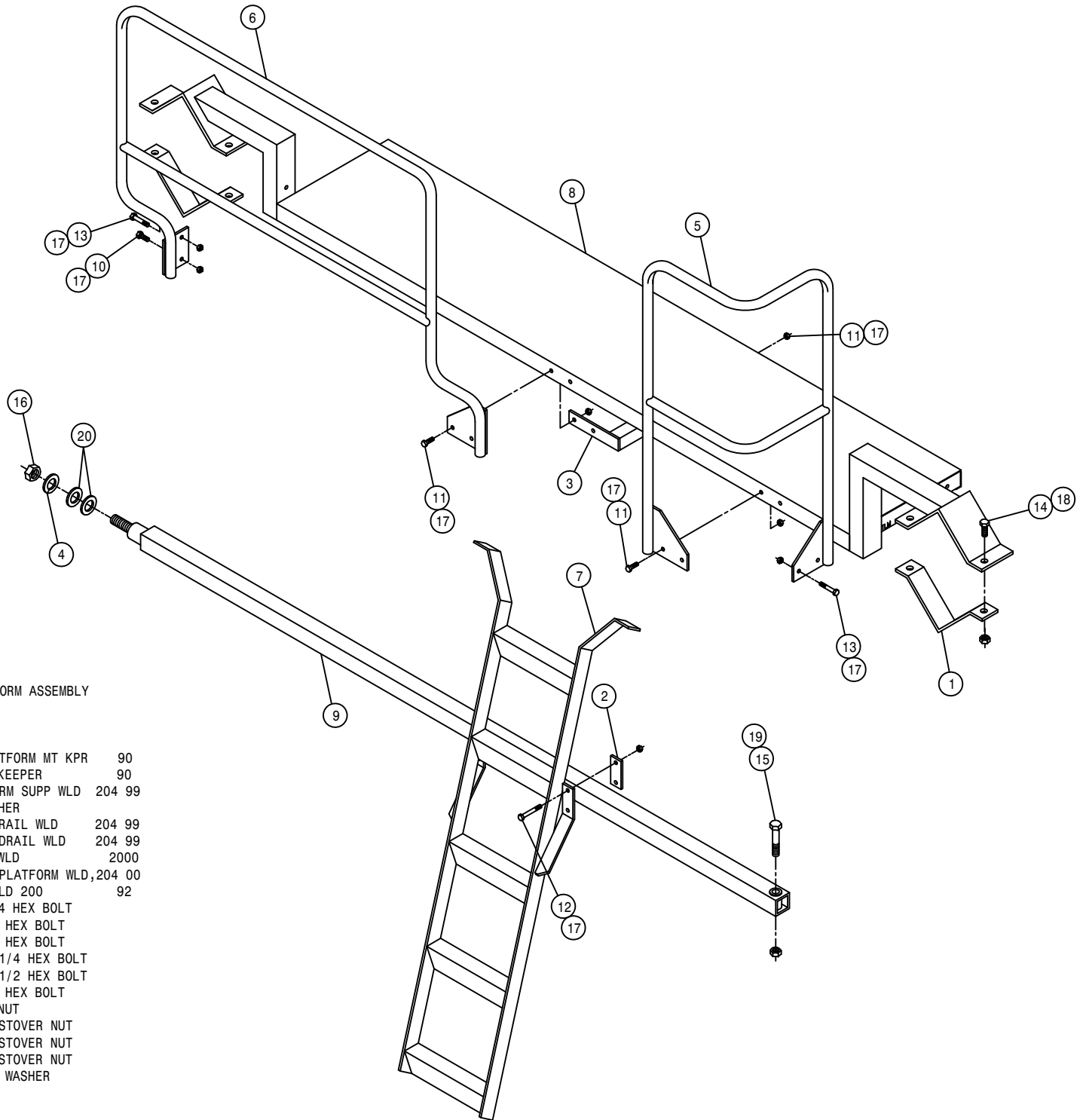
DET.	QTY	PART NO.	DESCRIPTION
	1	2	291428 FUEL SENDER 19 IN.
	2	10	473902 NO 8 X 1/2 PAN HD MET SC
	3	2	501102 1/4 PIPE PLUG
	4	2	501451 BLK PIPE EL 90DEG .25NPT
	5	2	760149 FUEL TANK WLD 200-280 90
	6	2	761200 GAS CAP
	7	2	783303 1/4 NPT X 5/16 HOSE BARB, BRS
	8	2	319612 GAS LINE FILT NAPA3012&FRAM
	9	1	760153 RH FUEL TNK MT WLD 200-280 90
	10	1	760154 LH FUEL TNK MT WLD 200-280 90
	11	4	760162 FUEL TANK BAND WLD 200-280 90
	12	4	914004 3/8UNC HEX STOVER NUT
	13	8	900264 1/2UNC X 1 1/4 HEX BOLT
	14	2	601138 HOSE, 5/16 X 3 FUEL LINE
	15	8	914008 1/2UNC HEX STOVER NUT
	16	2	601140 HOSE, 5/16 X 22 FUEL LINE
	17	8	520120 HOSE CLAMP NO 4 STAINLESS
	18	2	501100 PIPE CAP .25NPT

FUEL PUMP ASSEMBLY

DET. QTY PART NO. DESCRIPTION

1	6	520120	HOSE CLAMP NO 4 STAINLESS
2	1	601191	HOSE, 5/16 X 48 FUEL LINE
3	1	601215	HOSE, 5/16 X 72 FUEL LINE
4	1	601320	HOSE, 5/16 X 76 FUEL LINE
5	1	711011	5/16 HOSE BARB TEE, BRASS
6	2	314882	ELECTRONIC FUEL PUMP CHRY 91
7	2	342015	FUEL PUMP MT PLT 200 92
8	12	470121	1/4UNC HEX FLANGE LOCK NUT
9	12	470122	1/4UNC X 1/2 FLANGE HEX BOLT
10	2	711012	BALL CHECK CONNECT, 1/8NPT BRS
11	2	711010	5/16 HOSE BARB-90-1/8MNPT BRS
12	2	314527	FUEL FILTER HOSE BARB
13	2	342016	FUEL PUMP SHIELD 200 92

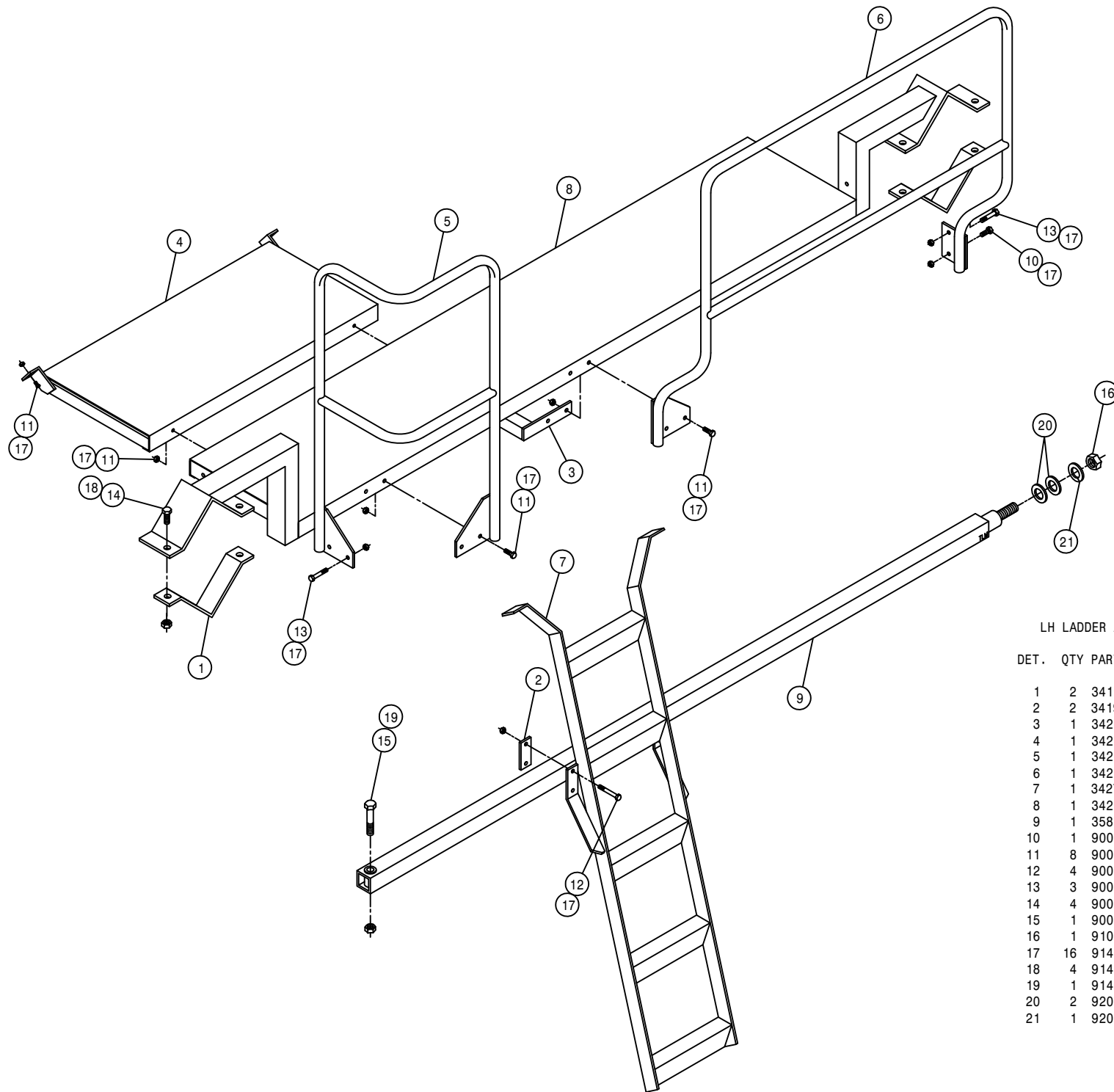




RH LADDER AND SERVICE PLATFORM ASSEMBLY

DET. QTY PART NO. DESCRIPTION

1	2	341900	SERVICE PLATFORM MT KPR	90
2	2	341912	200 LADDER KEEPER	90
3	1	342673	SERV PLATFORM SUPP WLD	204 99
4	1	920508	1" LOCK WASHER	
5	1	342681	RH FRT HANDRAIL WLD	204 99
6	1	342687	RH REAR HANDRAIL WLD	204 99
7	1	342700	204 LADDER WLD	2000
8	1	342710	RH SERVICE PLATFORM WLD, 204 00	
9	1	358673	LEG BRACE WLD 200	92
10	1	900128	3/8UNC X 3/4 HEX BOLT	
11	5	900129	3/8UNC X 1" HEX BOLT	
12	4	900136	3/8UNC X 3" HEX BOLT	
13	3	900170	3/8UNC X 2 1/4 HEX BOLT	
14	4	900265	1/2UNC X 1 1/2 HEX BOLT	
15	1	900410	3/4UNC X 4" HEX BOLT	
16	1	910017	1" UNC HEX NUT	
17	13	914004	3/8UNC HEX STOVER NUT	
18	4	914008	1/2UNC HEX STOVER NUT	
19	1	914012	3/4UNC HEX STOVER NUT	
20	2	920008	1" SAE FLAT WASHER	

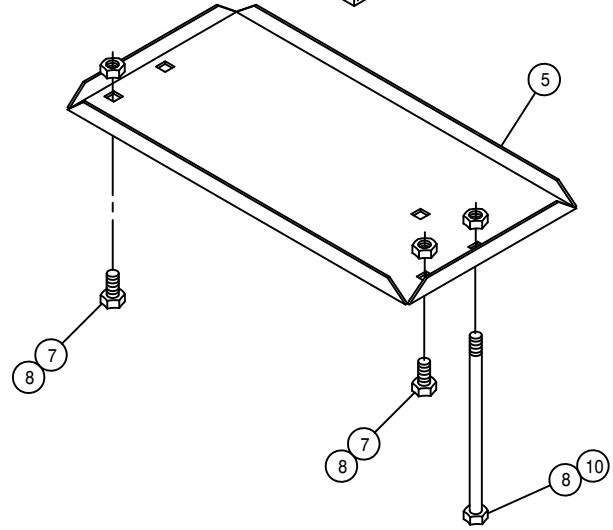
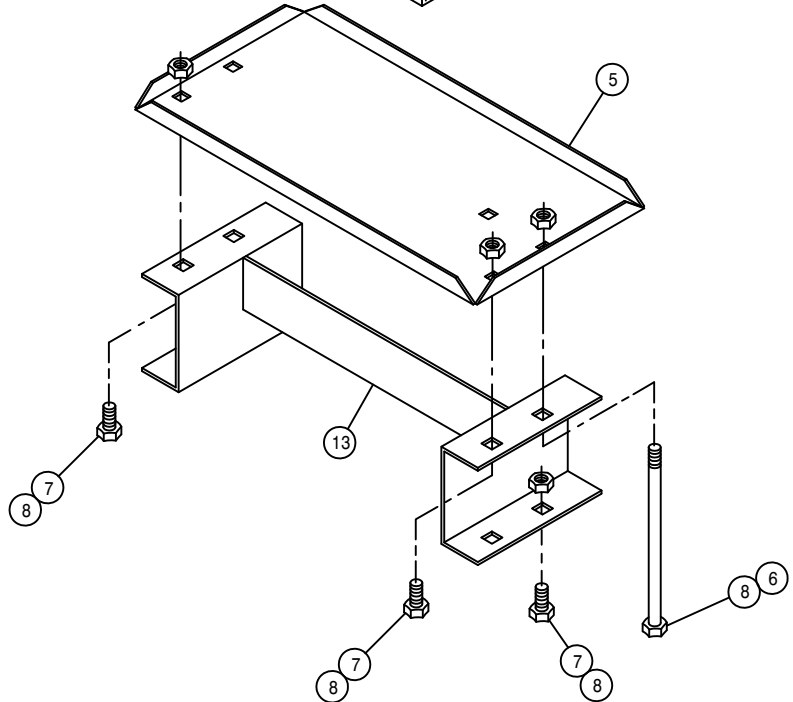
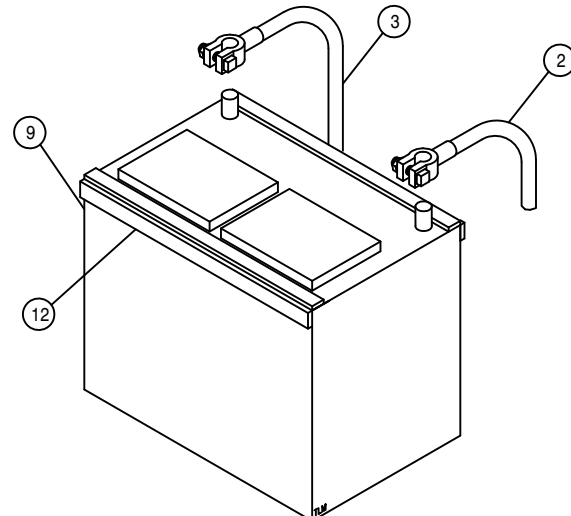
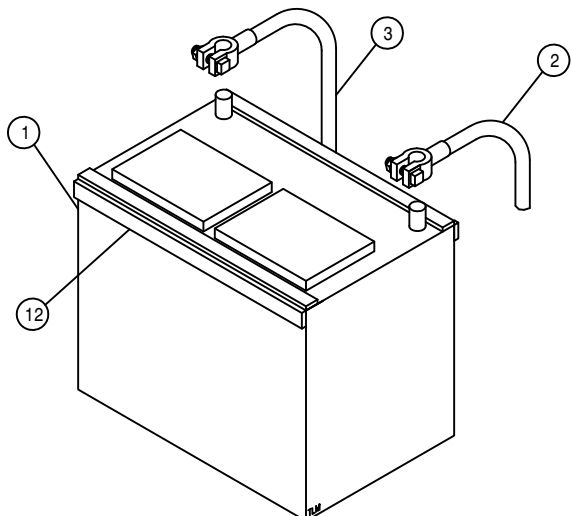
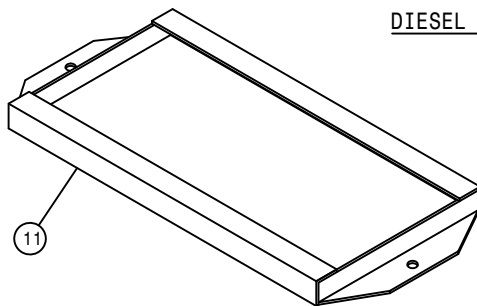
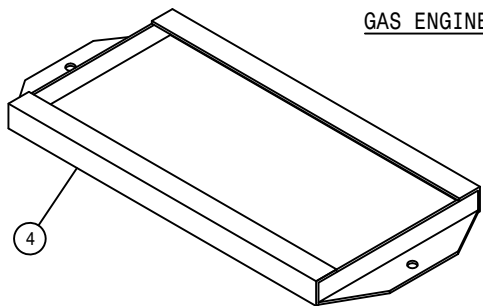


LH LADDER AND SERVICE PLATFORM ASSEMBLY

DET.	QTY	PART NO.	DESCRIPTION	
1	2	341900	SERVICE PLATFORM MT KPR	90
2	2	341912	200 LADDER KEEPER	90
3	1	342673	SERV PLATFORM SUPP WLD	204 99
4	1	342677	SERV PLATFORM STEP WLD	204 99
5	1	342685	LH FRT HANDRAIL WLD	204 99
6	1	342688	LH REAR HANDRAIL WLD	204 99
7	1	342700	204 LADDER WLD	2000
8	1	342711	LH SERVICE PLATFORM WLD,	204 00
9	1	358673	LEG BRACE WLD 200	92
10	1	900128	3/8UNC X 3/4 HEX BOLT	
11	8	900129	3/8UNC X 1" HEX BOLT	
12	4	900136	3/8UNC X 3" HEX BOLT	
13	3	900170	3/8UNC X 2 1/4 HEX BOLT	
14	4	900265	1/2UNC X 1 1/2 HEX BOLT	
15	1	900410	3/4UNC X 4" HEX BOLT	
16	1	910017	1" UNC HEX NUT	
17	16	914004	3/8UNC HEX STOVER NUT	
18	4	914008	1/2UNC HEX STOVER NUT	
19	1	914012	3/4UNC HEX STOVER NUT	
20	2	920008	1" SAE FLAT WASHER	
21	1	920508	1" LOCK WASHER	

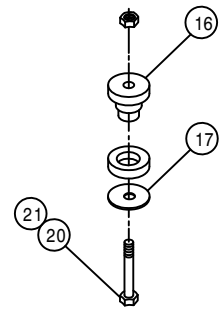
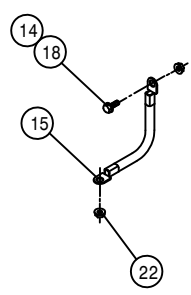
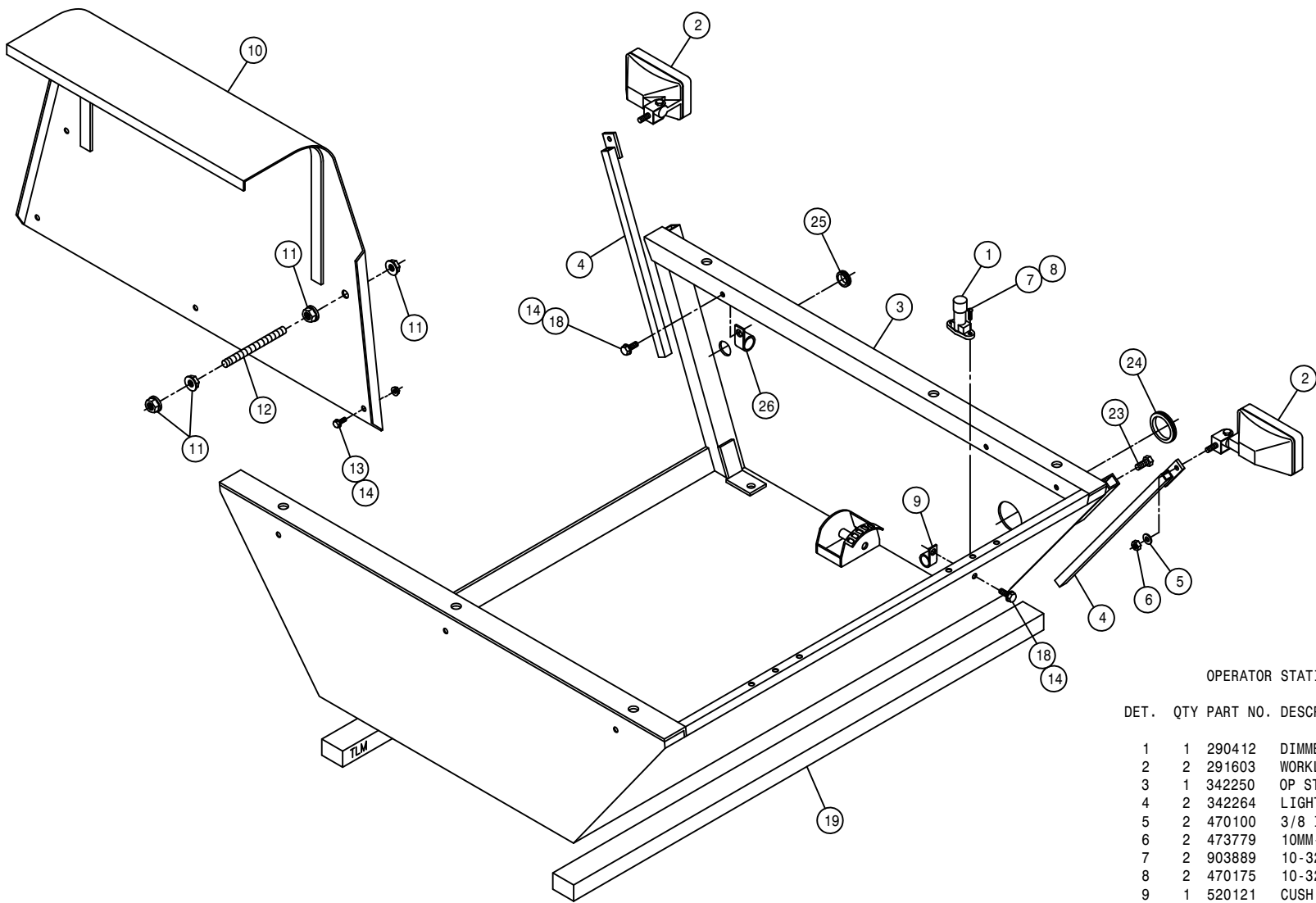
GAS ENGINE

DIESEL ENGINE



BATTERY BOX ASSEMBLY

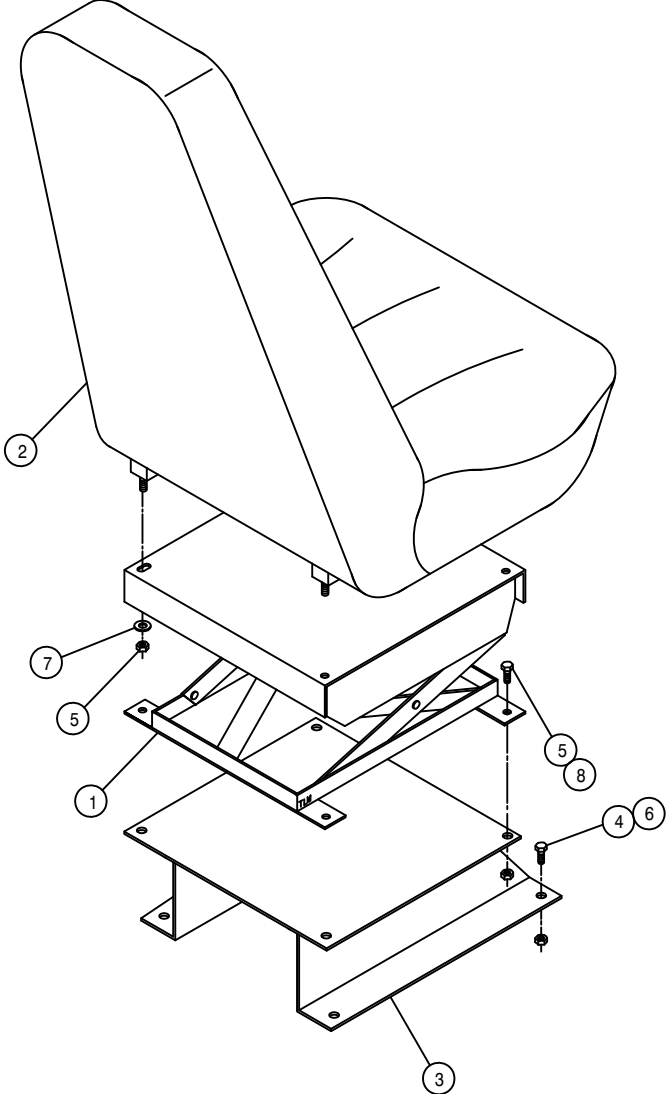
DET.	QTY	PART NO.	DESCRIPTION
	1	290013	BATT 12V 90AH LT WARRANTY
	2	291128	BATTERY CABLE 48 IN
	2	291530	BATTERY GROUND CABLE, 23"
	1	290212	BATT HOLD DOWN WLD CHRY
	2	361149	BATTERY BOX 8300-8400 1981
	2	901149	3/8UNC X 8 1/2 CARR BOLT
	9	900128	3/8UNC X 3/4 HEX BOLT
	13	914004	3/8UNC HEX STOVER NUT
	1	291122	BATTERY, 12V 950CCA, SAE POST
	2	901150	3/8UNC X 9" CARR BOLT
	1	341322	BATTERY HOLD DOWN WLD 1981
	8	193022	STICKERTITE 1/4 X 3/4
	1	361417	BATT BOX SPACER WLD



NOTE: DETAILS 10,11,12,13, AND 14 ARE USED WITH THE DIESEL ENGINE OPTION.

OPERATOR STATION ASSEMBLY

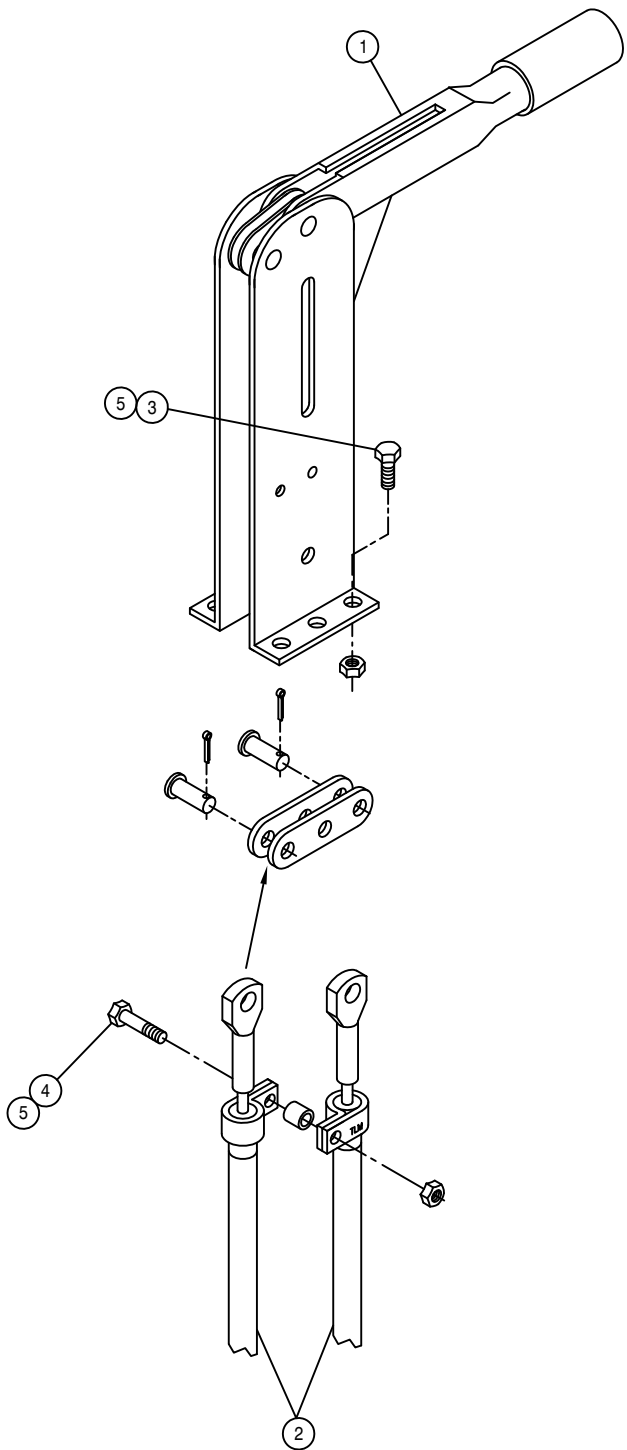
DET.	QTY	PART NO.	DESCRIPTION
1	1	290412	DIMMER SWITCH
2	2	291603	WORKLAMP, SIDE MT 12V HALOGEN
3	1	342250	OP STN WLD, 204 94
4	2	342264	LIGHT MT WLD, 204 94
5	2	470100	3/8 INT TOOTH LOCK WASHER
6	2	473779	10MM-1.50 HEX NUT
7	2	903889	10-32 X 3/4 SLT RDHD MACH SCR
8	2	470175	10-32 HEX FLANGE LOCK NUT
9	1	520121	CUSH HOSE CLAMP 1IN X 3/4W
10	1	342098	NOISE DEFLECTOR SHIELD WLD,204
11	8	470087	3/8UNC HEX FLANGE LOCK NUT
12	2	314929	3/8UNC X 3.00 STUD BOLT, FULL
13	3	470122	1/4UNC X 1/2 FLANGE HEX BOLT
14	6	470121	1/4UNC HEX FLANGE LOCK NUT
15	1	290107	GROUND CABLE,8" X 4GA .406LUGS
16	4	311051	RUBBER MOUNT, RB3-350
17	4	311052	SNUBBING WASHER FOR 311051
18	3	470118	1/4UNC X 3/4 FLANGE HEX BOLT
19	2	659704	FOAM, 2"THK X 2" WIDE X 42"LG
20	4	900343	5/8UNC X 4 1/2 HEX BOLT
21	4	914010	5/8UNC HEX STOVER NUT
22	1	914004	3/8UNC HEX STOVER NUT
23	2	900128	3/8UNC X 3/4 HEX BOLT
24	1	473915	RUBBER GROMMET 1 1/2 ID
25	1	470067	RUBBER GROMMET 1/4 ID
26	2	520118	CUSH HOSE CLAMP 1/2D X 1/2W



SEAT ASSEMBLY

DET. QTY PART NO. DESCRIPTION

DET.	QTY	PART NO.	DESCRIPTION
1	1	330015	SUSPENSION ASSY TRIMLINE SEAT
2	1	330017	TRIMLINE SEAT, MID HIGH, VINYL
3	1	341554	SEAT MT WLD TRIMLINE SEAT
4	4	900129	3/8UNC X 1" HEX BOLT
5	8	914002	5/16UNC HEX STOVER NUT
6	4	914004	3/8UNC HEX STOVER NUT
7	2	920001	5/16 SAE FLAT WASHER
8	4	900064	5/16UNC X 3/4 HEX BOLT



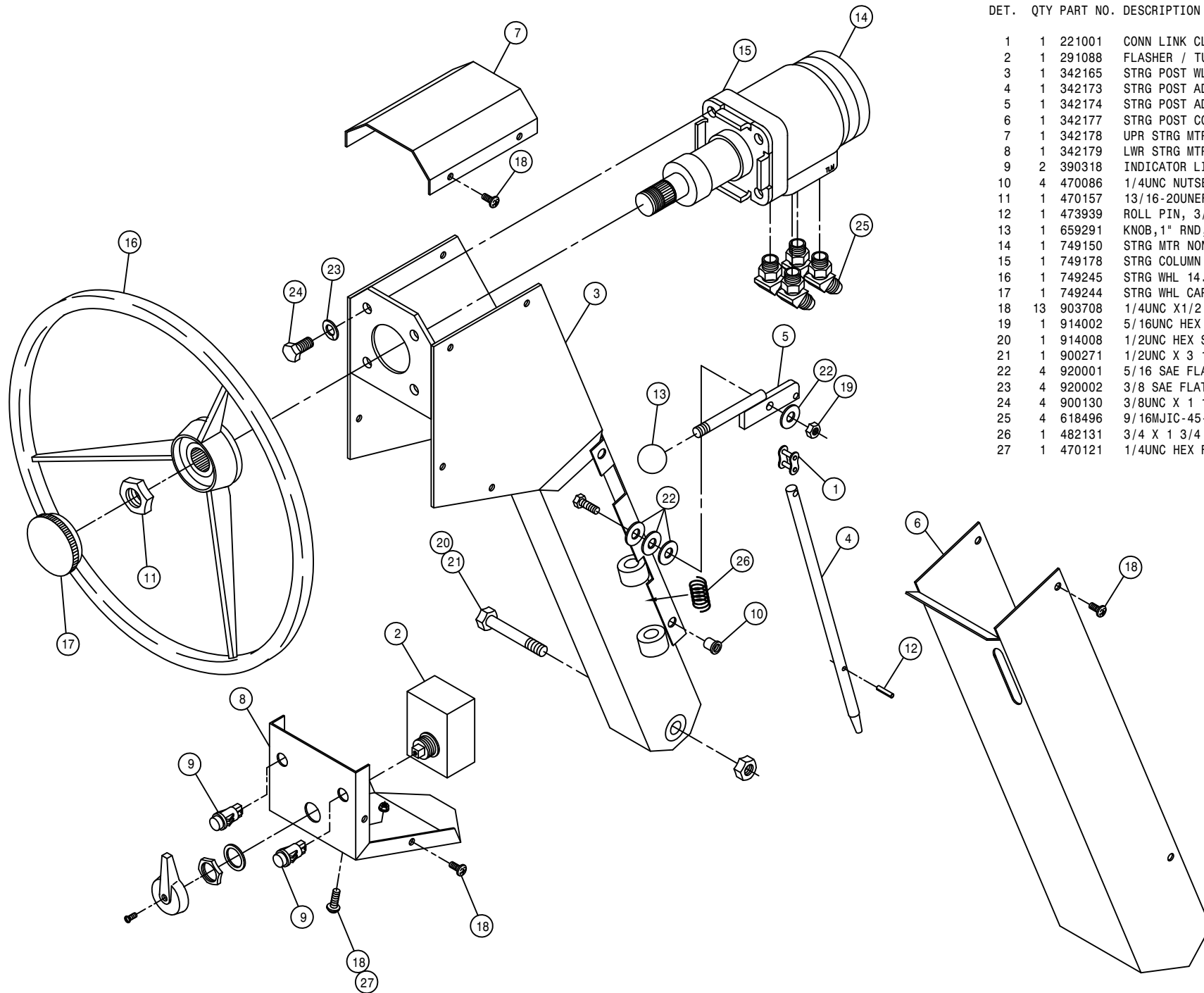
BRAKE LEVER ASSEMBLY

DET.	QTY	PART NO.	DESCRIPTION
1	1	826108	BRAKE LEVER ASSY
2	2	826926	190 IN BRAKE CABLE
3	4	900064	5/16UNC X 3/4 HEX BOLT
4	1	900067	5/16UNC X 1 1/2 HEX BOLT
5	5	914002	5/16UNC HEX STOVER NUT

STEERING POST ASSEMBLY

DET. QTY PART NO. DESCRIPTION

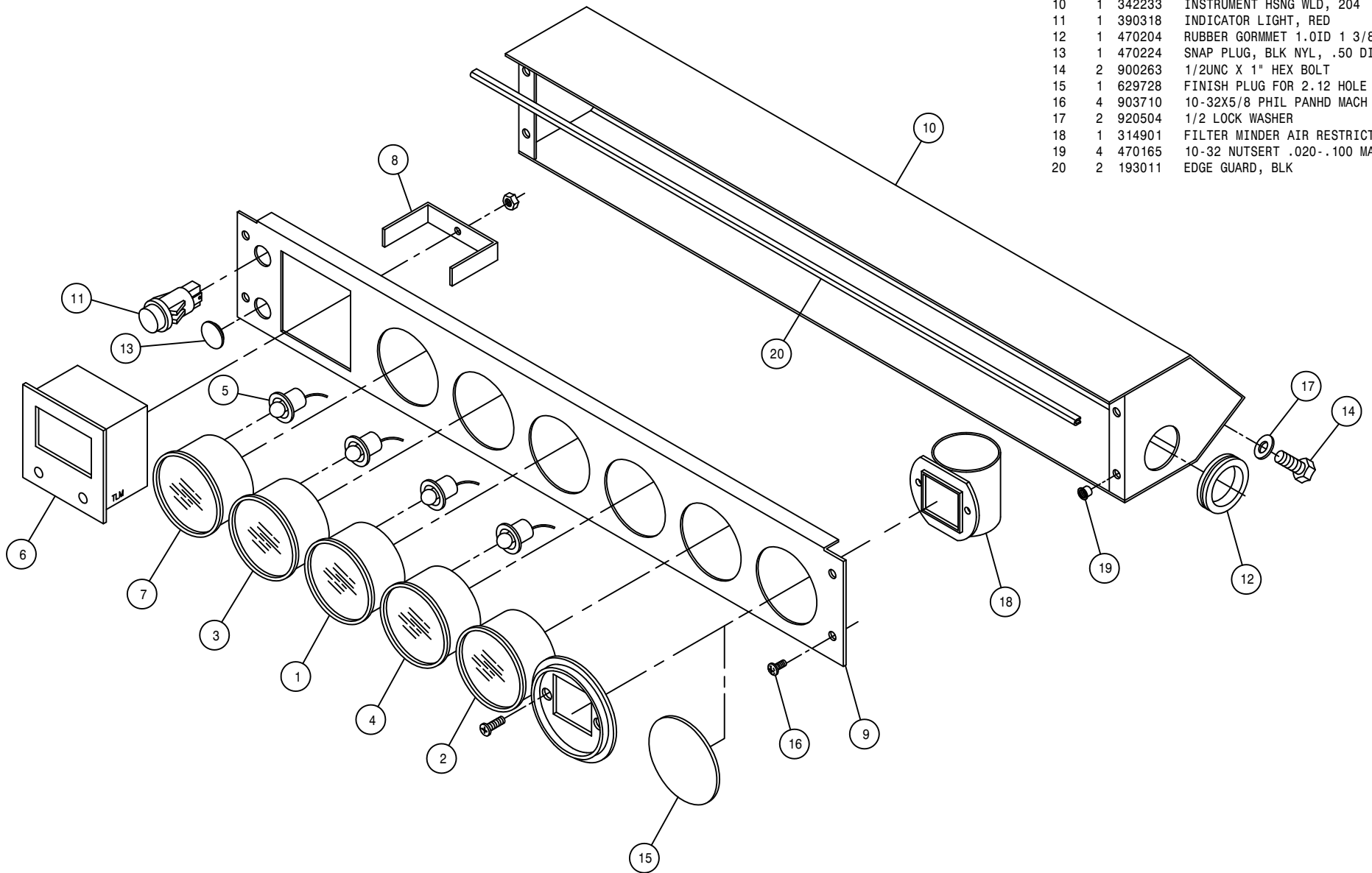
DET.	QTY	PART NO.	DESCRIPTION
1	1	221001	CONN LINK CLIP TYPE RC50
2	1	291088	FLASHER / TURN SIGNAL SWITCH
3	1	342165	STRG POST WLD, 284 CAB 94
4	1	342173	STRG POST ADJ PIN, 284 CAB 94
5	1	342174	STRG POST ADJ PIN LEVER WLD94
6	1	342177	STRG POST COVER, 284 CAB 94
7	1	342178	UPR STRG MTR HSNG COVER 94
8	1	342179	LWR STRG MTR HSNG COVER 94
9	2	390318	INDICATOR LIGHT, RED
10	4	470086	1/4UNC NUTSERT .020-.100MATL
11	1	470157	13/16-20UNEF HEX NUT STRG WHL
12	1	473939	ROLL PIN, 3/16DIA X 7/8
13	1	659291	KNOB, 1" RND, BLK, 3/8-16
14	1	749150	STRG MTR NON-LOAD REACT 1008
15	1	749178	STRG COLUMN 2.5IN LONG
16	1	749245	STRG WHL 14.0 DIA
17	1	749244	STRG WHL CAP FOR 749245
18	13	903708	1/4UNC X 1/2 PHIL PNHD MACHSCR
19	1	914002	5/16UNC HEX STOVER NUT
20	1	914008	1/2UNC HEX STOVER NUT
21	1	900271	1/2UNC X 3 1/4 HEX BOLT
22	4	920001	5/16 SAE FLAT WASHER
23	4	920002	3/8 SAE FLAT WASHER
24	4	900130	3/8UNC X 1 1/4 HEX BOLT
25	4	618496	9/16MJIC-45-3/4MOR LBO
26	1	482131	3/4 X 1 3/4 COMPRSN SPRING
27	1	470121	1/4UNC HEX FLANGE LOCK NUT

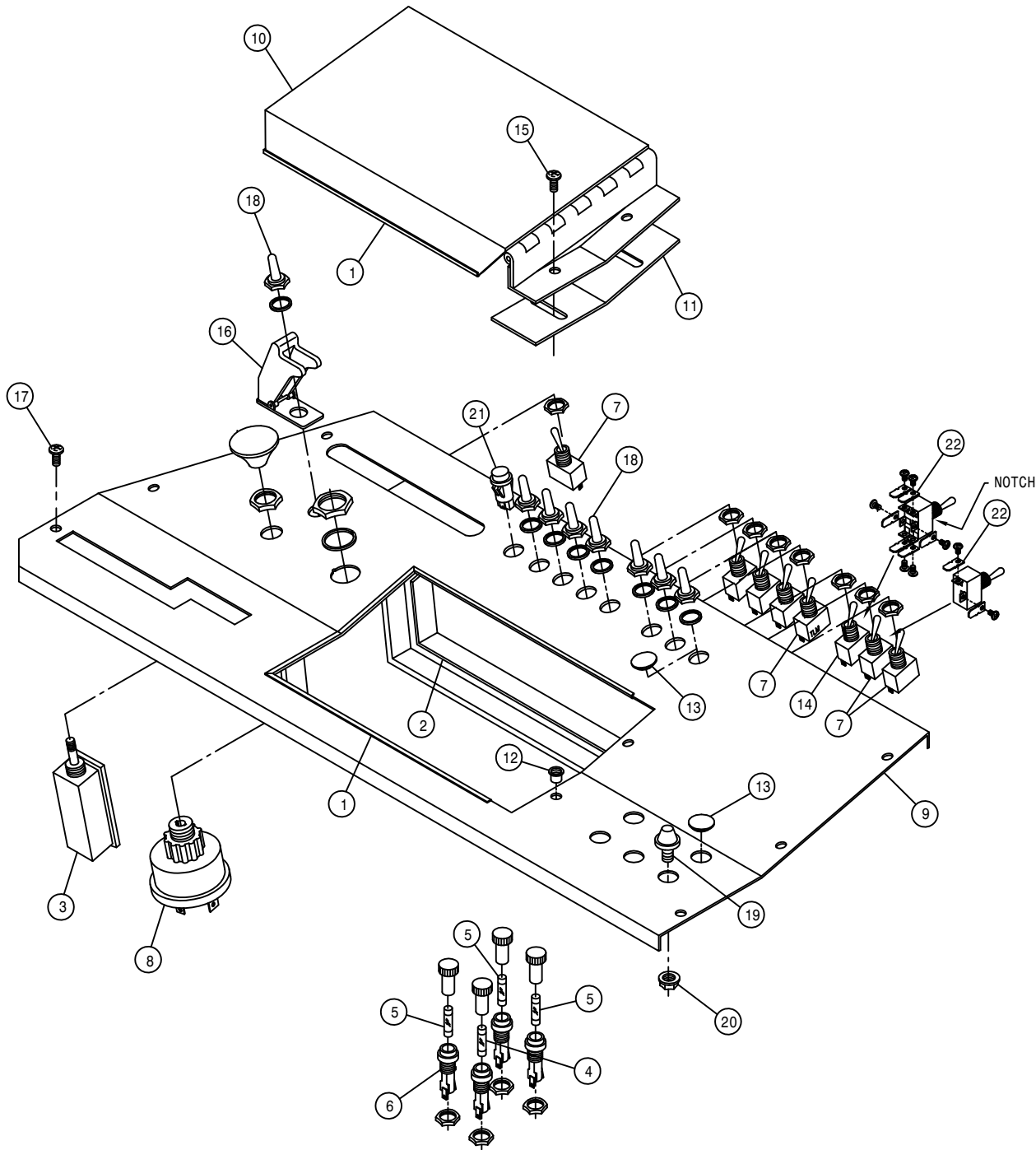


INSTRUMENT PANEL ASSEMBLY

DET. QTY PART NO. DESCRIPTION

DET.	QTY	PART NO.	DESCRIPTION
1	1	290401	FUEL GAUGE FOR 2.125 DIA HOLE
2	1	291203	HOURLY METER
3	1	291609	OIL PRESS GAUGE, 80PSI
4	1	291611	VOLTMETER, 8V TO 18V DC
5	4	291612	LIGHT KIT FOR 2" GAUGE
6	1	291641	DIGITAL MPH/RPM INDICATOR W/P
7	1	314436	TEMP GA 100-280 DEG LIGHTED
8	1	342068	DIGITAL MPH/RPM IND KEEPER 94
9	1	342232	INSTRUMENT PANEL, 204 94
10	1	342233	INSTRUMENT HSG WLD, 204 94
11	1	390318	INDICATOR LIGHT, RED
12	1	470204	RUBBER GORMMET 1.0ID 1 3/8GR
13	1	470224	SNAP PLUG, BLK NYL, .50 DIA
14	2	900263	1/2UNC X 1" HEX BOLT
15	1	629728	FINISH PLUG FOR 2.12 HOLE
16	4	903710	10-32X5/8 PHIL PANHD MACH SCR
17	2	920504	1/2 LOCK WASHER
18	1	314901	FILTER MINDER AIR RESTRICT GA
19	4	470165	10-32 NUTSERT .020-.100 MATL
20	2	193011	EDGE GUARD, BLK





CONSOLE PANEL ASSEMBLY

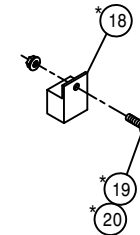
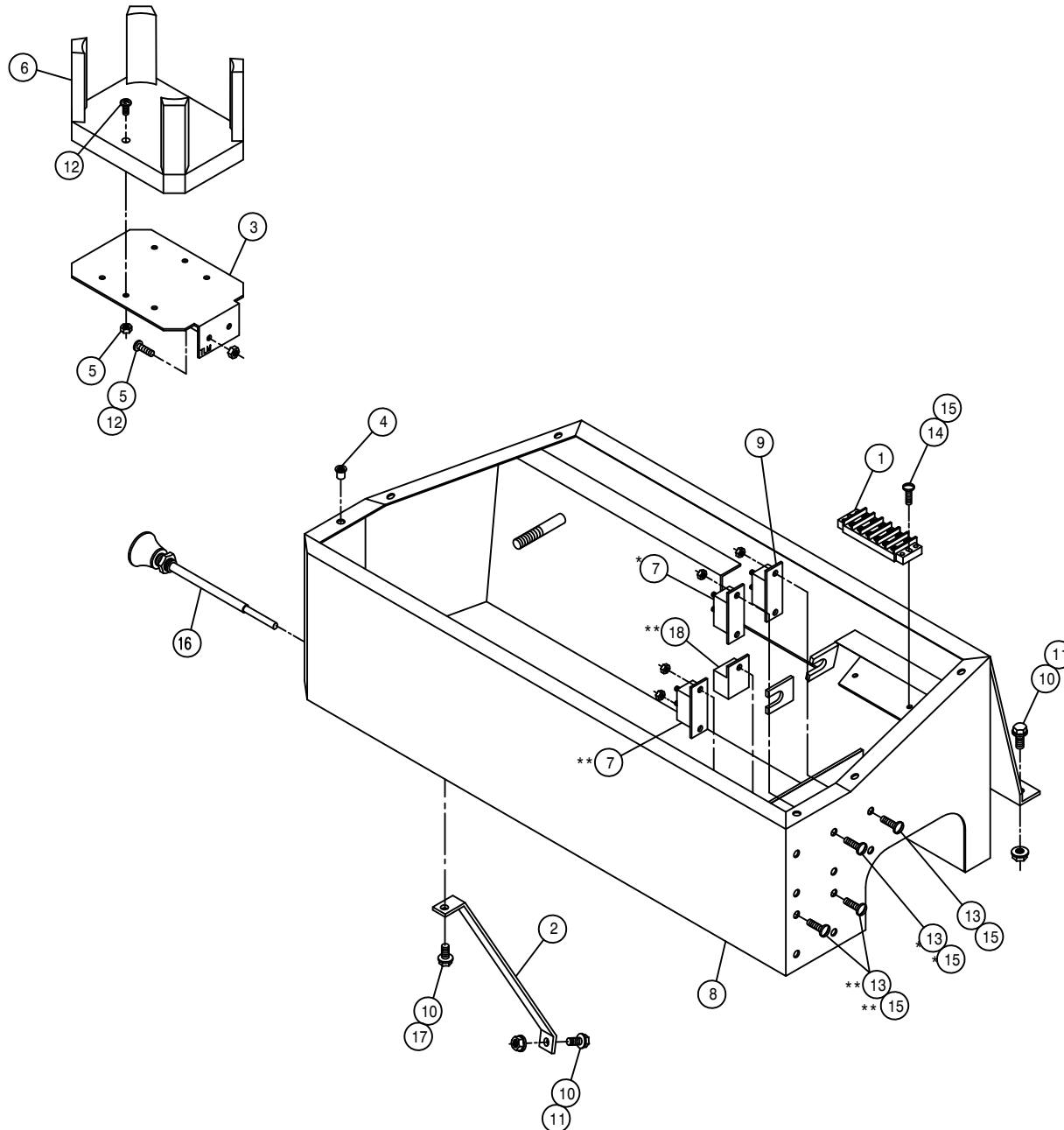
DET.	QTY	PART NO.	DESCRIPTION
1	2	193011	EDGE GUARD, BLK
2	2	193037	STICKERTITE 1/8 X 3/4
3	1	290046	LIGHT SWITCH TWO POSITION
4	1	291602	FUSE 10 AMP
5	3	298004	20 AMP FUSE SFE 20
6	4	298011	FUSE HOLDER
7	7	298012	TOGGLE SWITCH
8	1	321020	IGN SWITCH, SEALED 5POLE
9	1	342237	CONSOLE PANEL WLD, 204
10	1	342240	CONTROL BOX COVER WLD, 204 94
11	1	342244	CONTROL BOX KEEPER, 204 94
12	2	470165	10-32 NUTSERT .020-.100 MATL
13	2	470224	SNAP PLUG, BLK NYL, .50 DIA
14	1	610412	TOGGLE SWITCH FOR FUEL VLV
15	2	903710	10-32X5/8 PHIL PANHD MACH SCR
16	1	291655	AIRCRAFT TOGGLE SWITCH GUARD
17	6	903708	1/4UNC X1/2 PHIL PNHD MACHSCR
18	8	470001	RUBBER BOOT W NUT FOR 298012
19	1	470230	1/2 RUBBER BUMPER, 1/4-20 STUD
20	1	470121	1/4UNC HEX FLANGE LOCK NUT
21	1	390318	INDICATOR LIGHT, RED
22	8	291644	.250MALE FASTON-#6 RING ADAPT

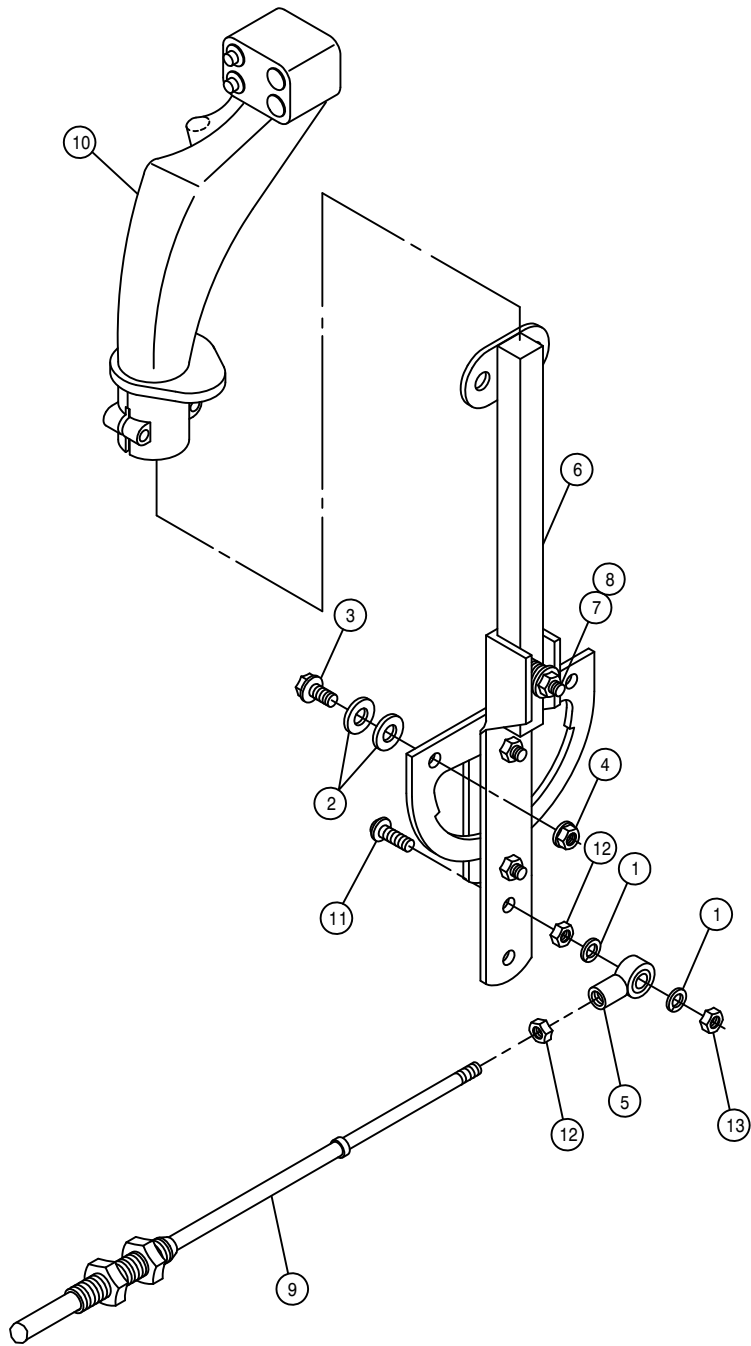
CONSOLE ASSEMBLY

DET. QTY PART NO. DESCRIPTION

1	1	293093	TERMINAL BLOCK 6 POS - 2 ROW
2	1	342248	CONSOLE BRACE, 204 94
3	1	342216	DRINK HOLDER MT BRKT 94
4	6	470086	1/4UNC NUTSERT .020-.100MATL
5	4	470175	10-32 HEX FLANGE LOCK NUT
6	1	470214	SPILLMASTER DRINK HOLDER
7	2	291197	CIRCUIT BREAKER,30AMP,INLINEMT
8	1	342245	CONSOLE WLD, 204 94
9	1	291024	CIRCUIT BREAKER,40AMP,INLINEMT
10	4	470121	1/4UNC HEX FLANGE LOCK NUT
11	3	470118	1/4UNC X 3/4 FLANGE HEX BOLT
12	4	903710	10-32X5/8 PHIL PANHD MACH SCR
13	7	903812	6-32 X 1/2 SLT RD HD MACH SCR
14	2	903814	6-32 X 3/4 SLT RD HD MACH SCR
15	9	910022	6-32 HEX NUT
16	1	780101	CHOKE CONTROL CABLE, 144 IN
17	1	470231	1/4UNC X 1" FLANGE HEX BOLT
18	2	291640	RELAY, 12V 20/30AMP BOSCH
19	1	903844	8-32 X 1/2 SLT RD HD MACH SCR
20	1	910024	8-32 HEX NUT

NOTE: 1. ITEMS MARKED WITH A (*) ARE USED WITH THE CAB OPTION.
 2. ITEMS MARKED WITH A (**) ARE USED WITH THE DIESEL ENGINE OPTION.





HYROSTATIC LEVER ASSEMBLY

DET. QTY PART NO. DESCRIPTION

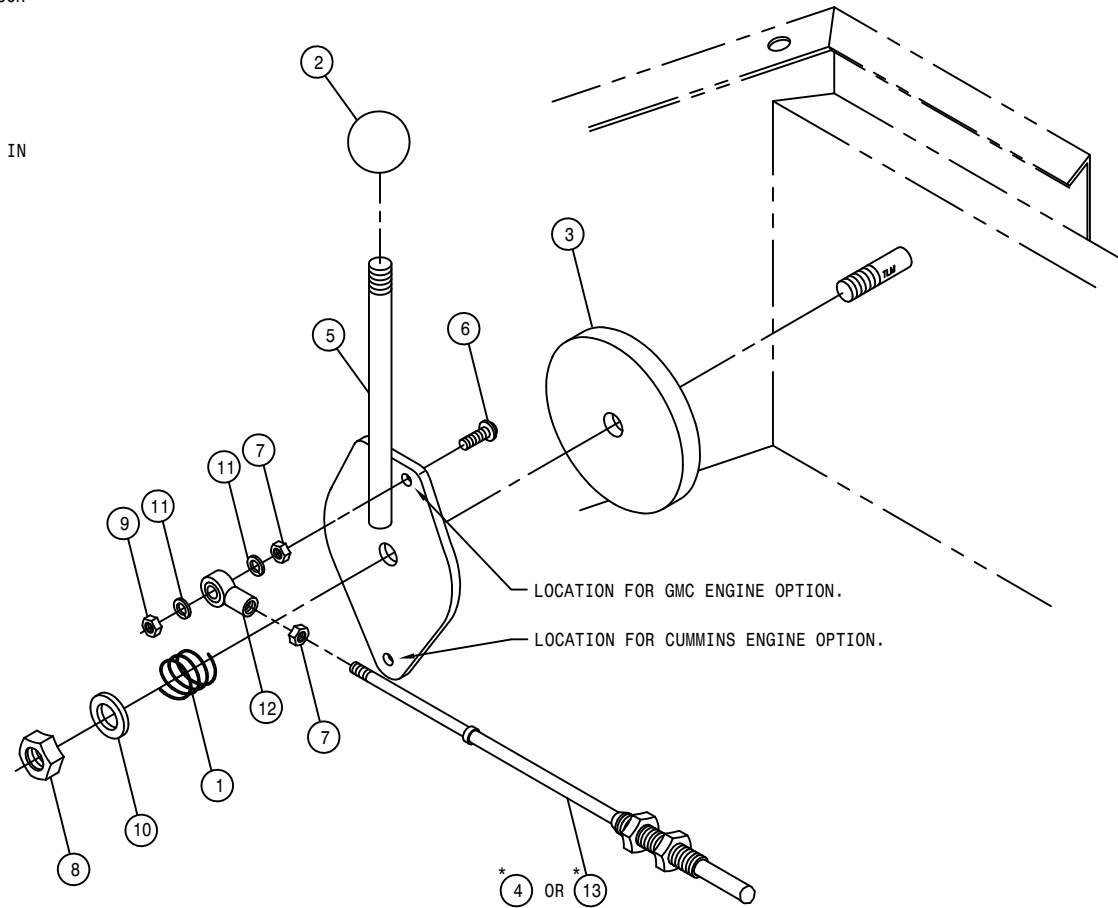
1	2	920510	#10 LOCK WASHER
2	4	920000	1/4 SAE FLAT WASHER
3	2	470118	1/4UNC X 3/4 FLANGE HEX BOLT
4	2	470121	1/4UNC HEX FLANGE LOCK NUT
5	1	473921	BALL JOINT NO 10-32 THD
6	1	606907	HYDST CTRL LEVER ASSY 204-284
7	1	900005	1/4UNC X 1 1/2 HEX BOLT
8	1	914000	1/4UNC HEX STOVER NUT
9	1	785003	CTRL CABLE 10-32 4IN X 112 LG
10	1	785077	FASSE EZ-3 CONTROL HANDLE,204
11	1	903893	10-32 X 1" SLT RD HD MACH SCR
12	2	910027	10-32 HEX NUT
13	1	914027	10-32 HEX STOVER NUT

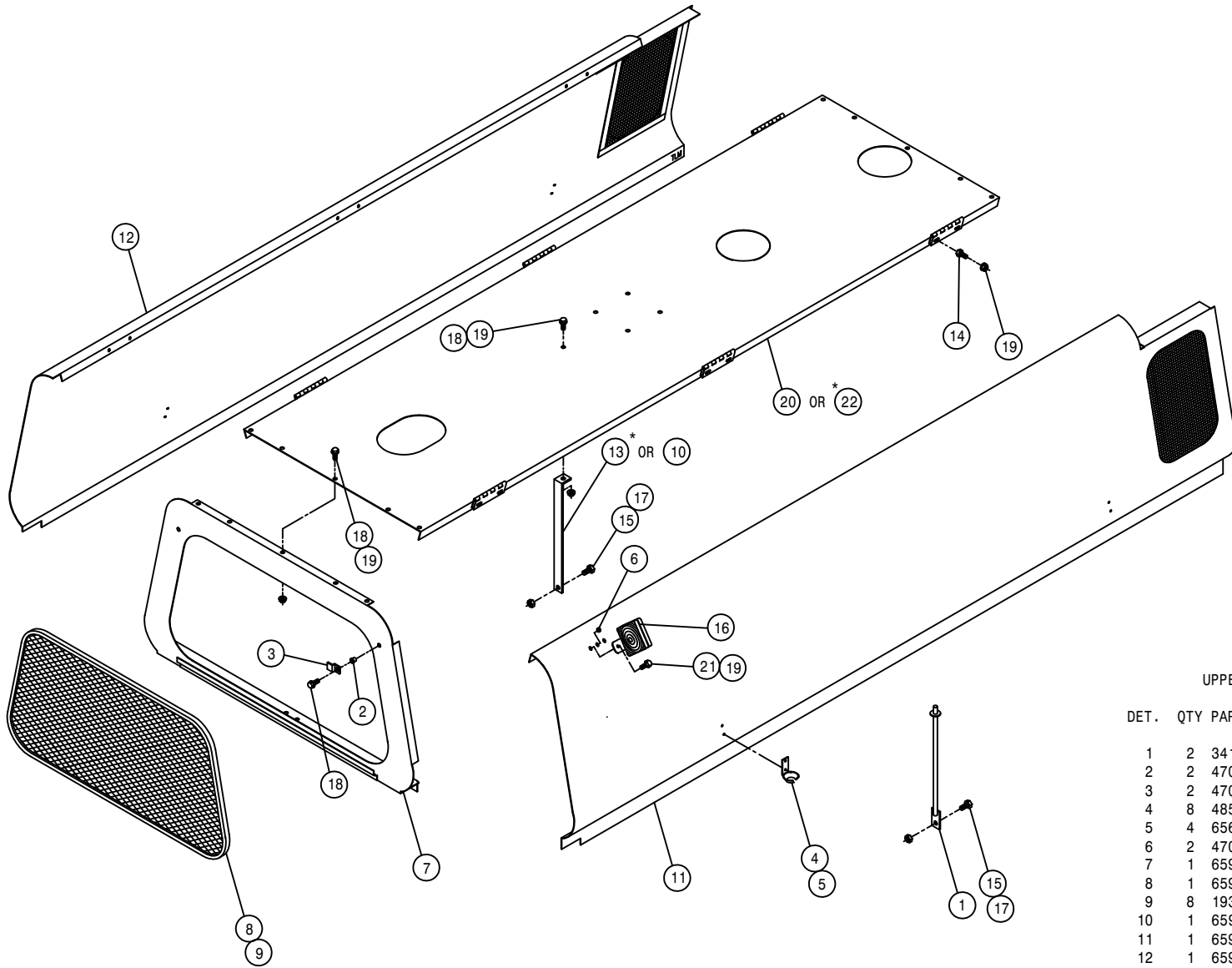
THROTTLE LEVER ASSEMBLY

DET. QTY PART NO. DESCRIPTION

1	1	499001	SPRING HYDRO CONTROL
2	1	785007	KNOB, 1 3/16" BALL, RED, 3/8-16
3	1	785046	FRICION DISC 3-333 X .38
4	1	785066	CTRL CABLE 10-32 4IN X 129 IN
5	1	785067	THROT LEVER WLD, GAS/DIESEL 94
6	1	903893	10-32 X 1" SLT RD HD MACH SCR
7	2	910027	10-32 HEX NUT
8	1	914004	3/8UNC HEX STOVER NUT
9	1	914027	10-32 HEX STOVER NUT
10	1	920002	3/8 SAE FLAT WASHER
11	2	920510	#10 LOCK WASHER
12	1	473921	BALL JOINT NO 10-32 THD
13	1	785079	CTRL CABLE 10-32 4IN X 140 IN

*NOTE: 1. CUMMINS ENGINE OPTION USED DETAIL 4.
2. GMC ENGINE OPTION USES DETAIL 13.

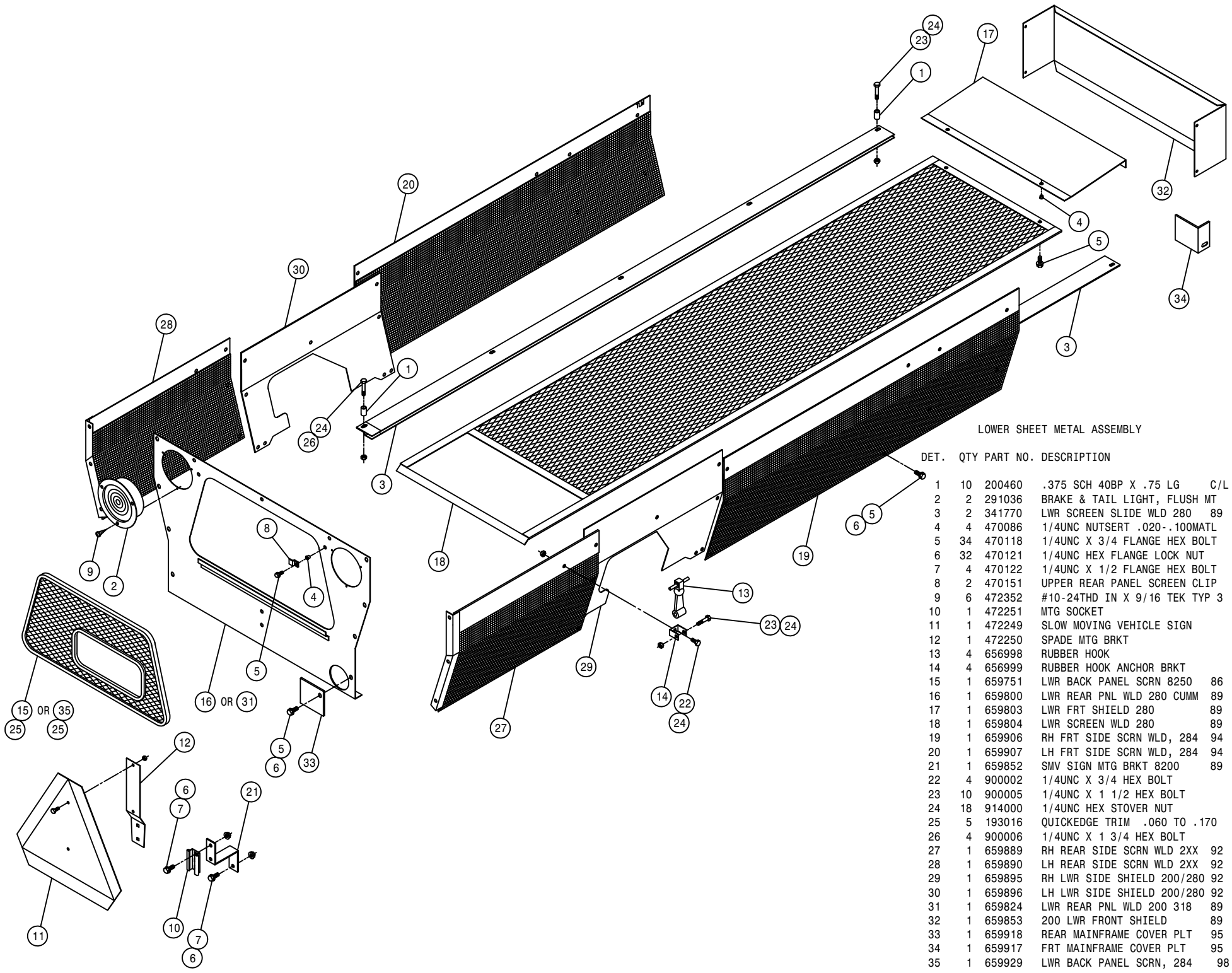




UPPER SHEET METAL ASSEMBLY

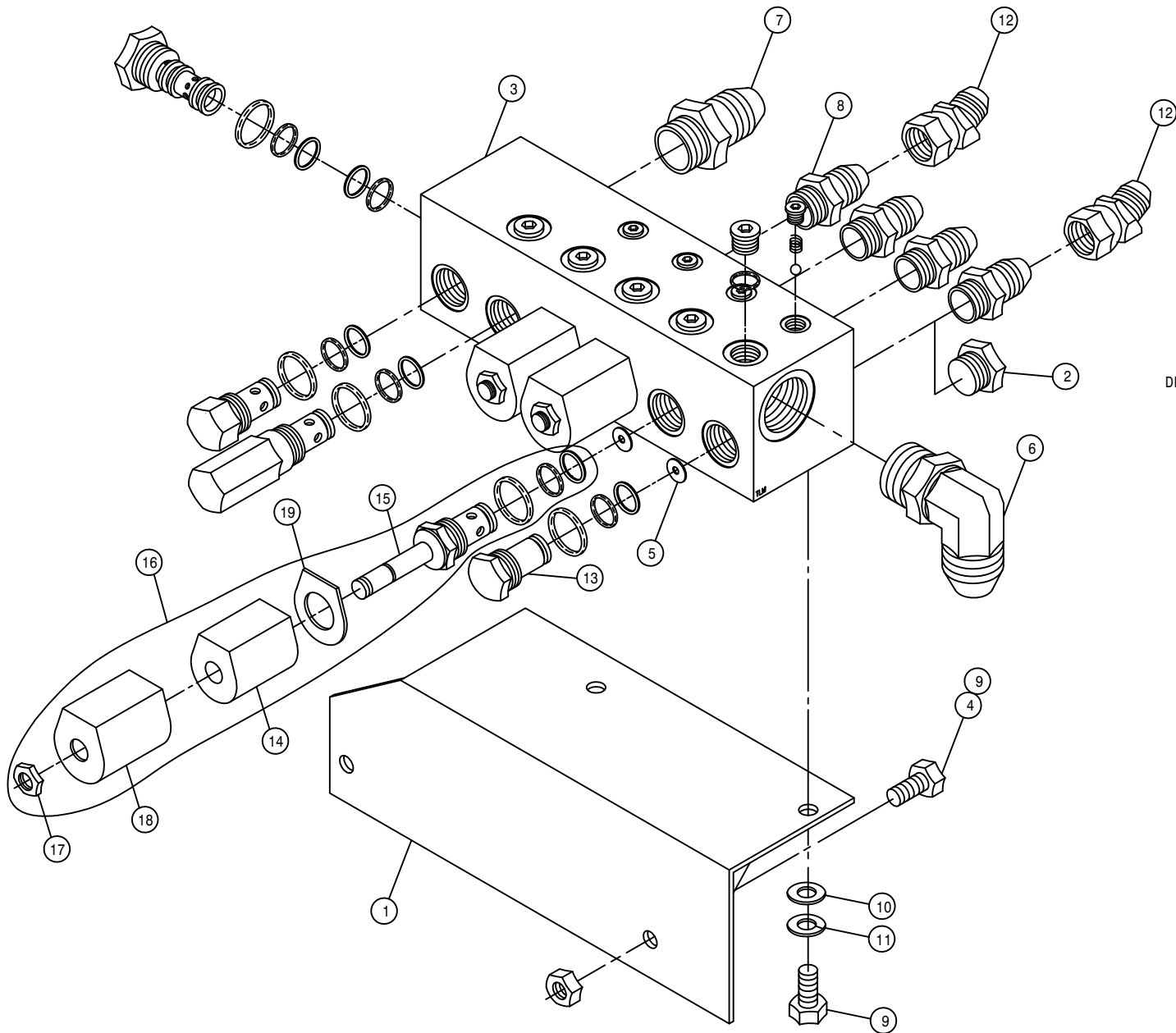
DET.	QTY	PART NO.	DESCRIPTION
	1	2	341356 ENGINE HOOD PROP WLD 8240 82
	2	2	470086 1/4UNC NUTSERT .020-.100MATL
	3	2	470151 UPPER REAR PANEL SCREEN CLIP
	4	8	485053 POP RIVET 3/16 X 3/8
	5	4	656997 RUBBER HOOK BRKT
	6	2	470067 RUBBER GROMMET 1/4 ID
	7	1	659575 UPPER REAR PANEL WLD 8240 82
	8	1	659578 UPPER REAR PANEL SCREEN 8240
	9	8	193016 QUICKEDGE TRIM .060 TO .170
	10	1	659930 MULLION SUPPORT BRKT, 284 97
	11	1	659911 RH ENG HOOD WLD, 204 94
	12	1	659912 LH ENG HOOD WLD, 204 94
	13	1	659835 MULLION SUPPORT 200 89
	14	12	900000 1/4UNC X 1/2 HEX BOLT
	15	3	900128 3/8UNC X 3/4 HEX BOLT
	16	2	291604 TURN SIGNAL LIGHT,PED MT, YEL
	17	3	914004 3/8UNC HEX STOVER NUT
	18	13	470118 1/4UNC X 3/4 FLANGE HEX BOLT
	19	27	470121 1/4UNC HEX FLANGE LOCK NUT
	20	1	659931 MULLION WLD, 204 CUMM 97
	21	4	470122 1/4UNC X 1/2 FLANGE HEX BOLT
	22	1	659822 MULLION WLD, 200 GAS ENG 89

*NOTE: DETAIL 13 & 22 IS USED WITH THE GMC ENGINE OPTION.



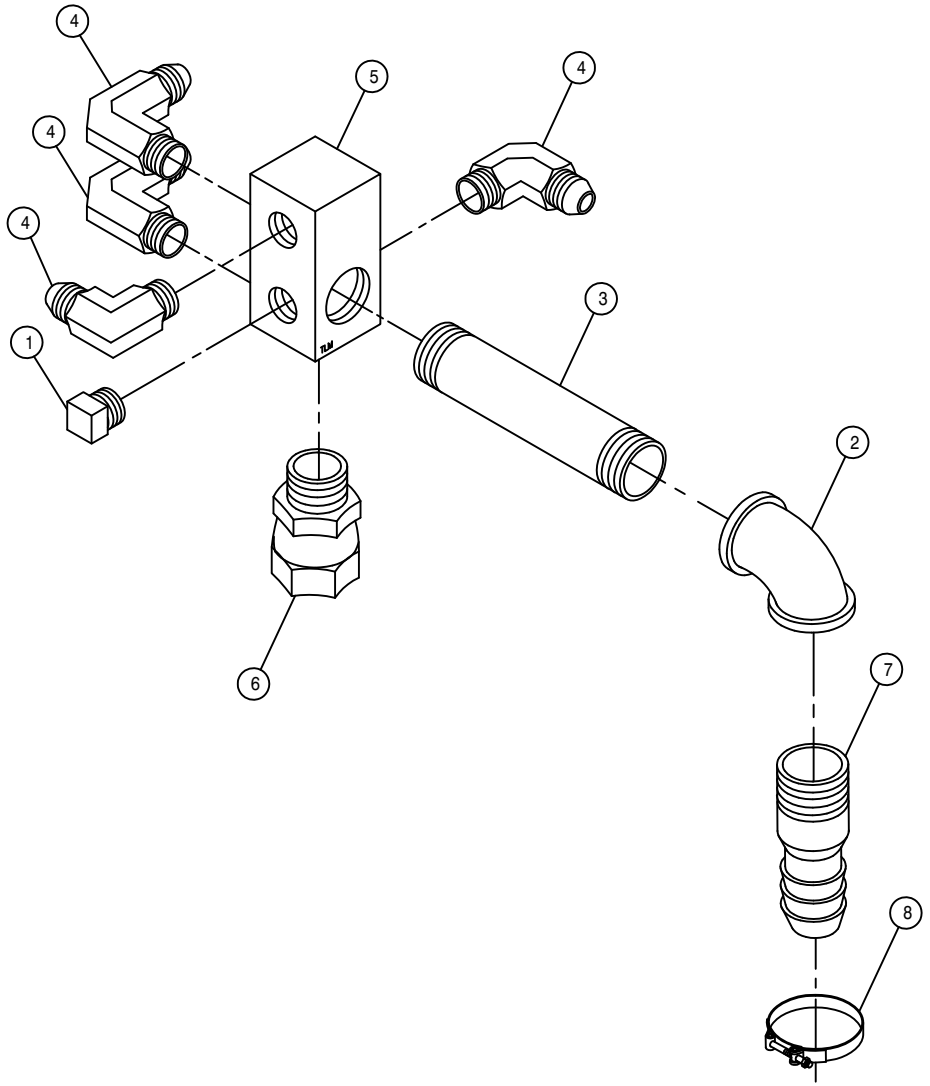
LOWER SHEET METAL ASSEMBLY

DET.	QTY	PART NO.	DESCRIPTION	
1	10	200460	.375 SCH 40BP X .75 LG	C/L
2	2	291036	BRAKE & TAIL LIGHT, FLUSH MT	
3	2	341770	LWR SCREEN SLIDE WLD 280	89
4	4	470086	1/4UNC NUTSERT .020-.100MATL	
5	34	470118	1/4UNC X 3/4 FLANGE HEX BOLT	
6	32	470121	1/4UNC HEX FLANGE LOCK NUT	
7	4	470122	1/4UNC X 1/2 FLANGE HEX BOLT	
8	2	470151	UPPER REAR PANEL SCREEN CLIP	
9	6	472352	#10-24THD IN X 9/16 TEK TYP 3	
10	1	472251	MTG SOCKET	
11	1	472249	SLOW MOVING VEHICLE SIGN	
12	1	472250	SPADE MTG BRKT	
13	4	656998	RUBBER HOOK	
14	4	656999	RUBBER HOOK ANCHOR BRKT	
15	1	659751	LWR BACK PANEL SCR N 8250	86
16	1	659800	LWR REAR PNL WLD 280 CUMM	89
17	1	659803	LWR FRT SHIELD 280	89
18	1	659804	LWR SCREEN WLD 280	89
19	1	659906	RH FRT SIDE SCR N WLD, 284	94
20	1	659907	LH FRT SIDE SCR N WLD, 284	94
21	1	659852	SMV SIGN MTG BRKT 8200	89
22	4	900002	1/4UNC X 3/4 HEX BOLT	
23	10	900005	1/4UNC X 1 1/2 HEX BOLT	
24	18	914000	1/4UNC HEX STOVER NUT	
25	5	193016	QUICKEDGE TRIM .060 TO .170	
26	4	900006	1/4UNC X 1 3/4 HEX BOLT	
27	1	659889	RH REAR SIDE SCR N WLD 2XX	92
28	1	659890	LH REAR SIDE SCR N WLD 2XX	92
29	1	659895	RH LWR SIDE SHIELD 200/280	92
30	1	659896	LH LWR SIDE SHIELD 200/280	92
31	1	659824	LWR REAR PNL WLD 200 318	89
32	1	659853	200 LWR FRONT SHIELD	89
33	1	659918	REAR MAINFRAME COVER PLT	95
34	1	659917	FRT MAINFRAME COVER PLT	95
35	1	659929	LWR BACK PANEL SCR N, 284	98



MOTOR CONTROL VALVE ASSEMBLY

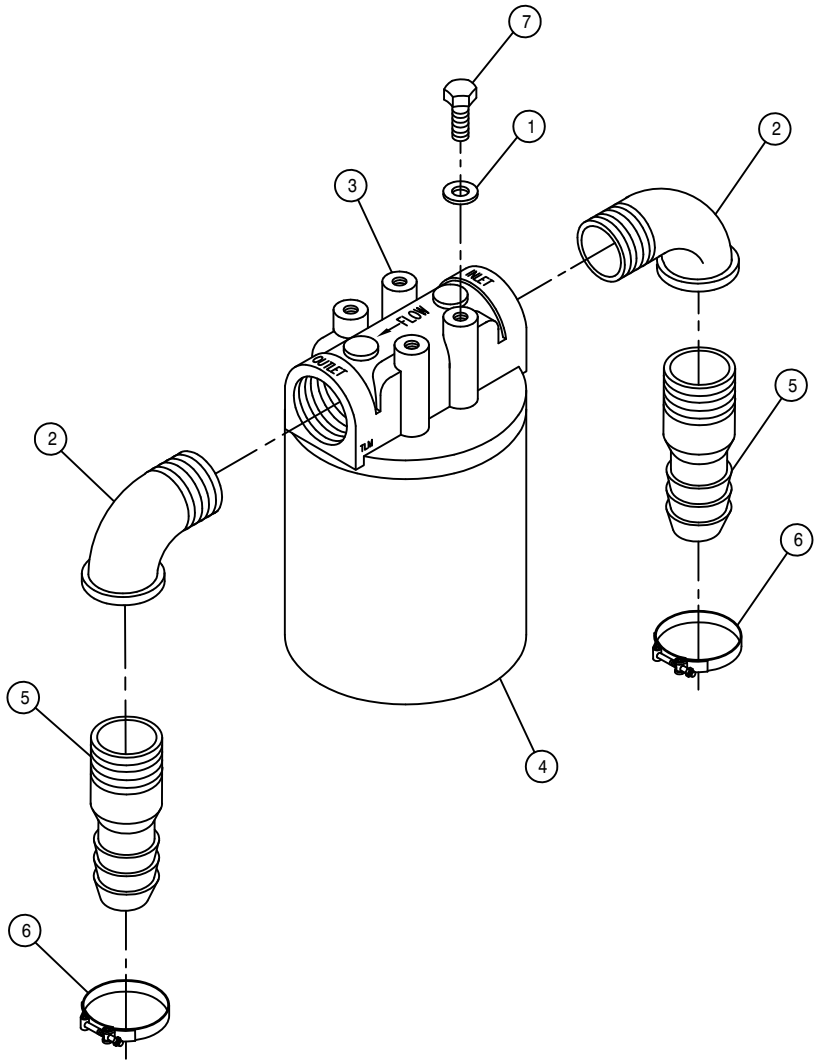
DET.	QTY	PART NO.	DESCRIPTION	
	1	341846	MTR CTRL VLV MT WLD	200
	2	610186	1 1/16MOR PLUG	
	3	610467	MODULAR MTR CONTROL ELECT VLV	
	4	914004	3/8UNC HEX STOVER NUT	
	5	610478	DISK .182 ORIFICE MOD CTRL	
	6	618178	1 5/16MJIC-90-1 5/16MOR LBO	
	7	618186	1 5/16MJIC-1 5/16MOR ADPTR	
	8	618469	3/4MJIC-1 1/16MOR ADPTR	
	9	900128	3/8UNC X 3/4 HEX BOLT	
	10	920002	3/8 SAE FLAT WASHER	
	11	920502	3/8 LOCK WASHER	
	12	618590	3/4MJIC-45-3/4FJIC SWIV LBO	
	13	610477	PLUG-10SERIES 2WAY MOD CTRL	
	14	610480	SOLENOID COIL FOR610476REPAIR	
	15	610481	SOLENOID VLV FOR 610476REPAIR	
	16	610476	SOLENOID VLV W/COIL MOD CTRL	
	17	610725	NUT FOR 610480	
	18	610511	COIL COVER FOR 610480	
	19	610724	BACKING PLATE FOR 610480	



RETURN MANIFOLD FILTER ASSEMBLY

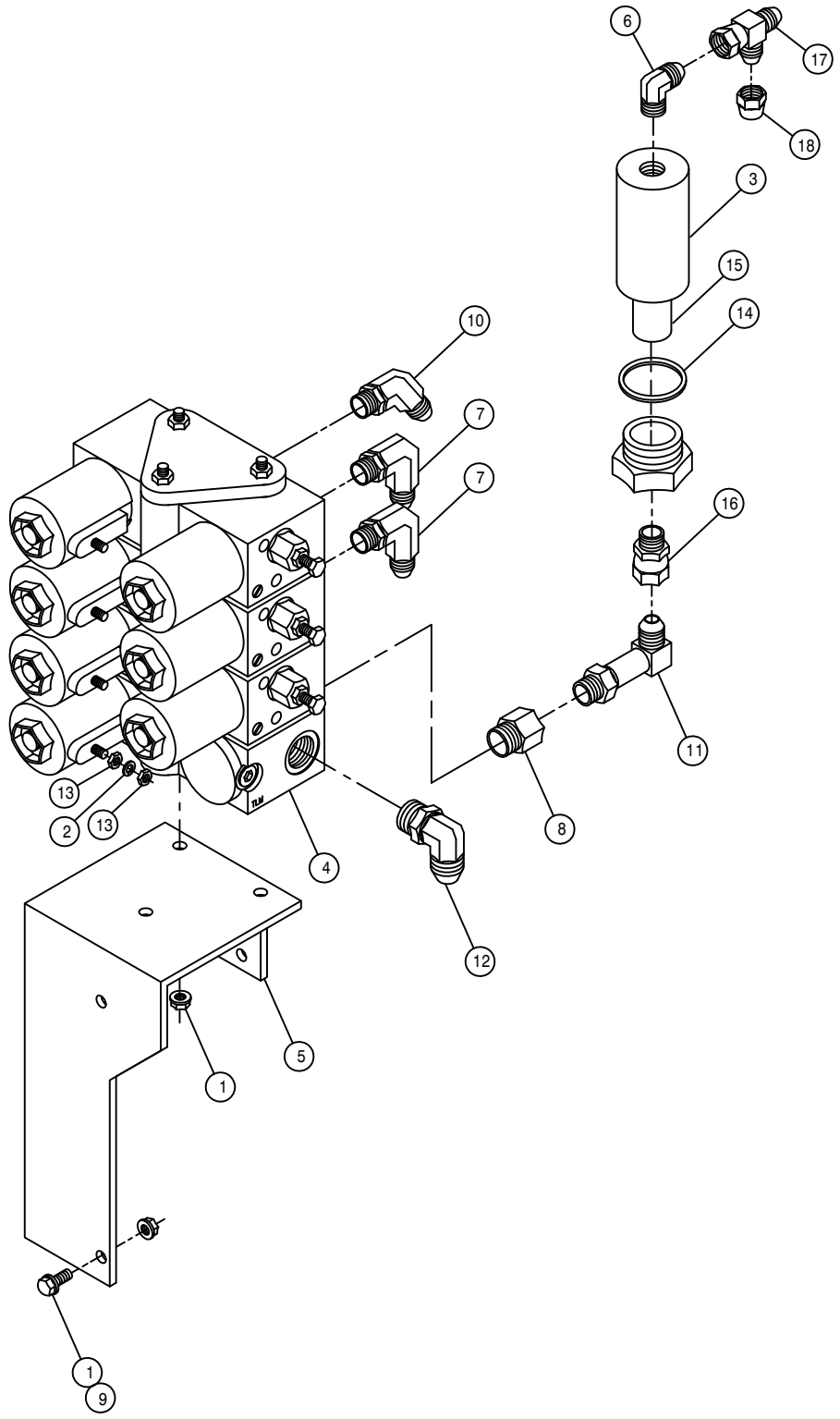
DET. QTY PART NO. DESCRIPTION

1	1	503700	PIPE PLUG .50NPT SQ HD
2	1	505300	BLK PIPE EL 90DEG 1.00NPT
3	1	505209	BLK PIPE NIPPLE 1.00NPT-6.00
4	4	611145	3/4MJIC-90-1/2MNPT LBO
5	1	614633	HYD MANIF 8200 86
6	1	618587	1 5/16FJIC SWIV-1MNPT
7	1	714561	1.00NPT-1.25 HOSE BARB
8	1	520132	1.62/1.87 T-BOLT HOSE CLAMP



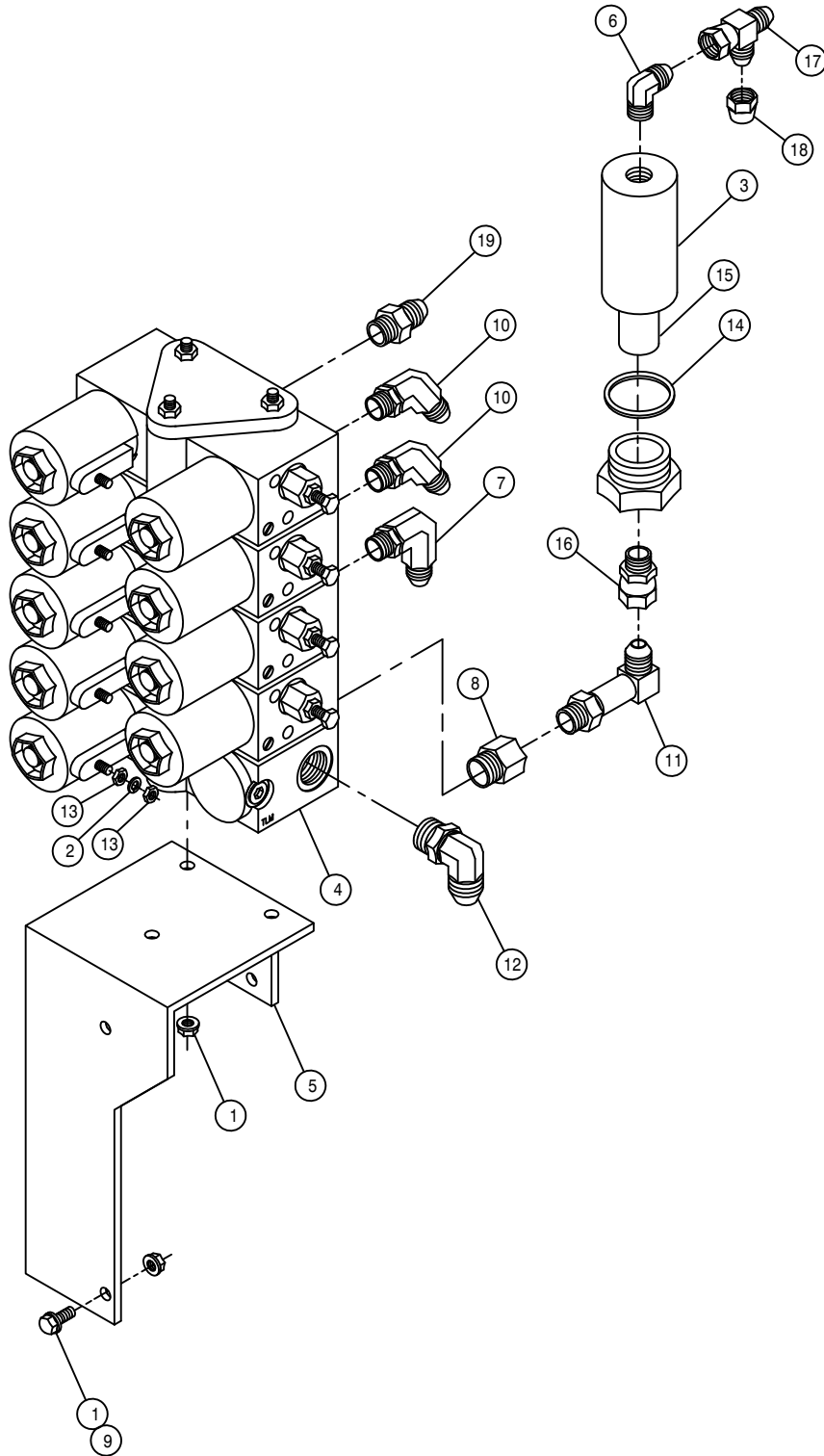
DETASSELER FILTER ASSEMBLY

DET.	QTY	PART NO.	DESCRIPTION
1	4	920501	5/16 LOCK WASHER
2	2	506410	BLK PIPE ST EL 90DEG 1.25NPT
3	1	605601	GRESEN FILTER 10 MICRON 40GPM
4	1	605602	FILT ELEMENT 10MICRON 40GPM
5	2	715660	HOSE BARB 1 1/4NPT X 1 1/4
6	2	520132	1.62/1.87 T-BOLT HOSE CLAMP
7	4	900062	5/16UNC X 1/2 HEX BOLT



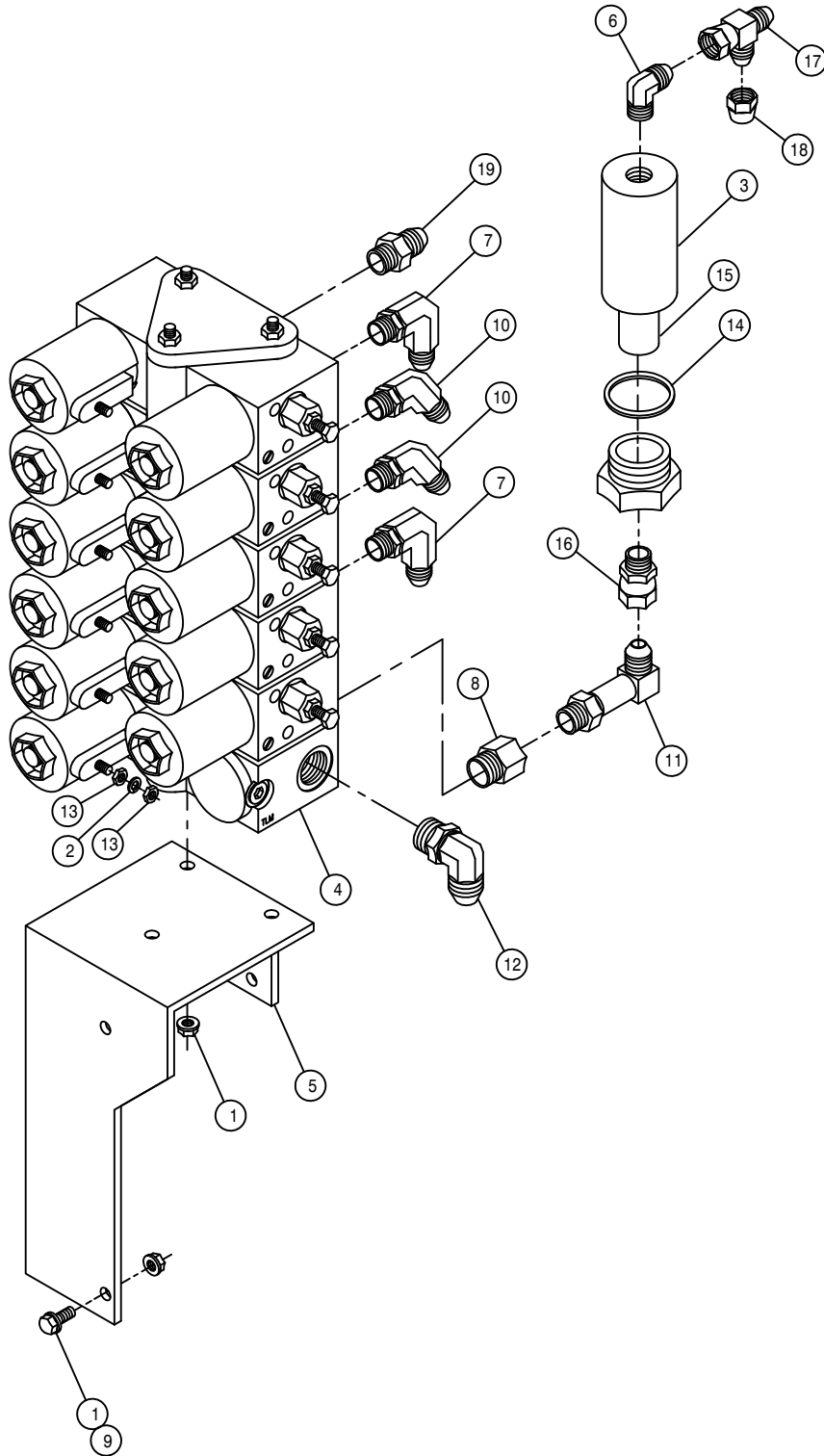
3-SECTION ELECTRIC VALVE ASSEMBLY

DET.	QTY	PART NO.	DESCRIPTION
	6	470121	1/4UNC HEX FLANGE LOCK NUT
	7	473821	#10 INT TOOTH WASHER
	1	610447	HYD FILTER, INLINE 1/4FNPT 90M
	1	610532	ELECT HYD STACK VLV, 3 SECT
	1	610541	200 ELECT T-TROL VLV MT WLD89
	1	611122	9/16MJIC-90-1/4MNPT LBO
	2	618119	9/16MJIC-90-9/16MOR LBO
	1	618170	3/4MOR-9/16FOR ADPTR
	3	470118	1/4UNC X 3/4 FLANGE HEX BOLT
	1	618425	9/16MJIC-45-9/16MOR LBO
	1	618440	9/16MJIC-90-9/16MOR EX LG LBO
	1	618600	9/16MJIC-90-7/8MOR LBO
	14	910027	10-32 HEX NUT
	1	610462	GASKET FOR 610447 ARROW FILT
	1	610459	90M FILTER & GASKET FOR610447
	1	618608	9/16FJIC SWIV-1/4MNPT
	1	618486	9/16FJIC SW RUN TEE-9/16MJIC
	1	618531	9/16FJIC CAP NUT



4-SECTION ELECTRIC VALVE ASSEMBLY

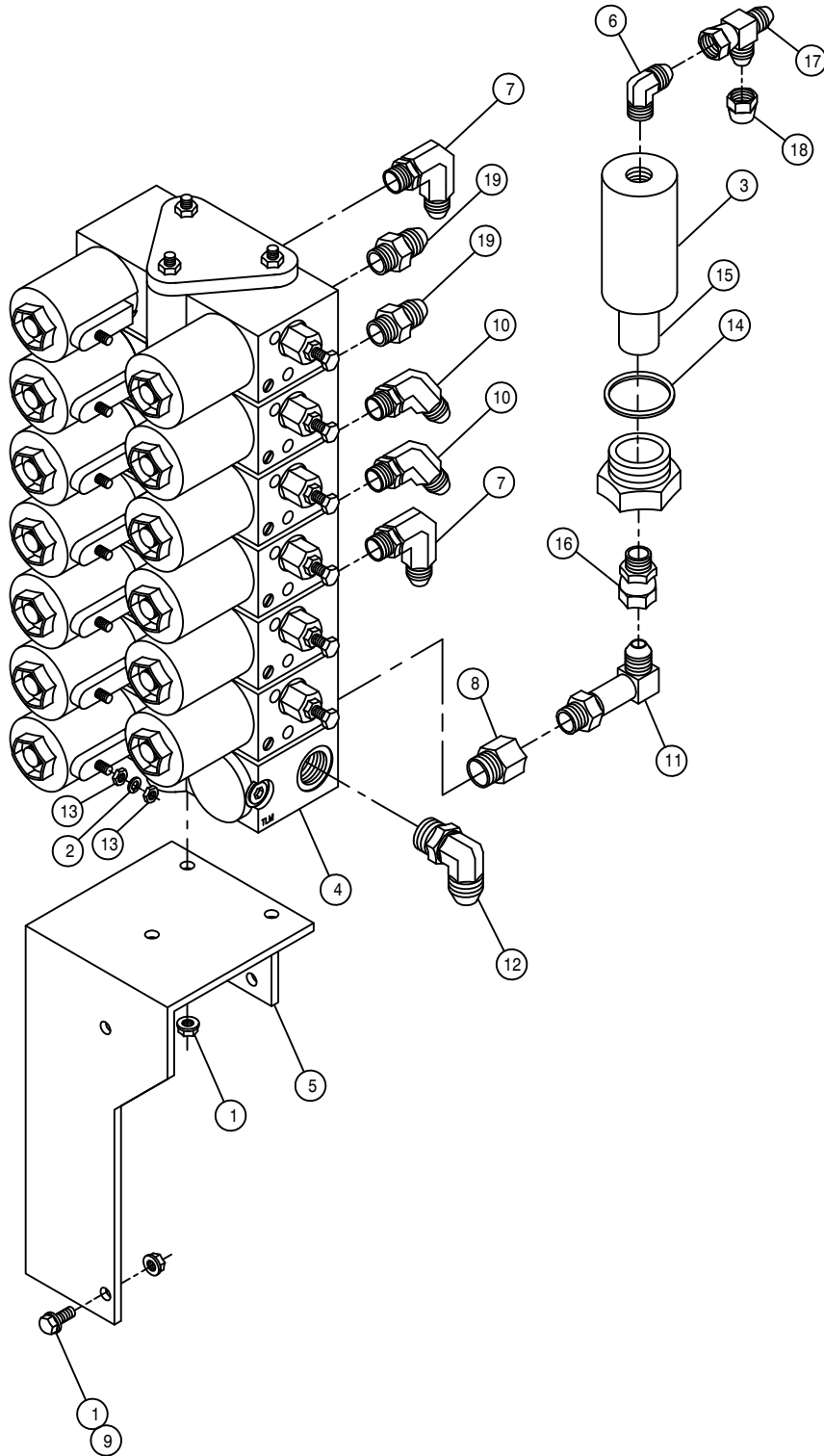
DET.	QTY	PART NO.	DESCRIPTION
	1	6 470121	1/4UNC HEX FLANGE LOCK NUT
	2	9 473821	#10 INT TOOTH WASHER
	3	1 610447	HYD FILTER, INLINE 1/4FNPT 90M
	4	1 610613	ELECT HYD STACT VLV, 4 SECT
	5	1 610541	200 ELECT T-TROL VLV MT WLD89
	6	1 611122	9/16MJIC-90-1/4MNPT LBO
	7	1 618119	9/16MJIC-90-9/16MOR LBO
	8	1 618170	3/4MOR-9/16FOR ADPTR
	9	3 470118	1/4UNC X 3/4 FLANGE HEX BOLT
	10	2 618425	9/16MJIC-45-9/16MOR LBO
	11	1 618440	9/16MJIC-90-9/16MOR EX LG LBO
	12	1 618600	9/16MJIC-90-7/8MOR LBO
	13	18 910027	10-32 HEX NUT
	14	1 610462	GASKET FOR 610447 ARROW FILT
	15	1 610459	90M FILTER & GASKET FOR610447
	16	1 618608	9/16FJIC SWIV-1/4MNPT
	17	1 618486	9/16FJIC SW RUN TEE-9/16MJIC
	18	1 618531	9/16FJIC CAP NUT
	19	1 618126	9/16MJIC-9/16MOR ADPTR



5-SECTION ELECTRIC VALVE ASSEMBLY

DET. QTY PART NO. DESCRIPTION

1	6	470121	1/4UNC HEX FLANGE LOCK NUT
2	11	473821	#10 INT TOOTH WASHER
3	1	610447	HYD FILTER, INLINE 1/4FNPT 90M
4	1	610614	ELECT HYD STACT VLV, 5 SECT
5	1	610541	200 ELECT T-TROL VLV MT WLD89
6	1	611122	9/16MJIC-90-1/4MNPT LBO
7	2	618119	9/16MJIC-90-9/16MOR LBO
8	1	618170	3/4MOR-9/16FOR ADPTR
9	3	470118	1/4UNC X 3/4 FLANGE HEX BOLT
10	2	618425	9/16MJIC-45-9/16MOR LBO
11	1	618440	9/16MJIC-90-9/16MOR EX LG LBO
12	1	618600	9/16MJIC-90-7/8MOR LBO
13	22	910027	10-32 HEX NUT
14	1	610462	GASKET FOR 610447 ARROW FILT
15	1	610459	90M FILTER & GASKET FOR610447
16	1	618608	9/16FJIC SWIV-1/4MNPT
17	1	618486	9/16FJIC SW RUN TEE-9/16MJIC
18	1	618531	9/16FJIC CAP NUT
19	1	618126	9/16MJIC-9/16MOR ADPTR

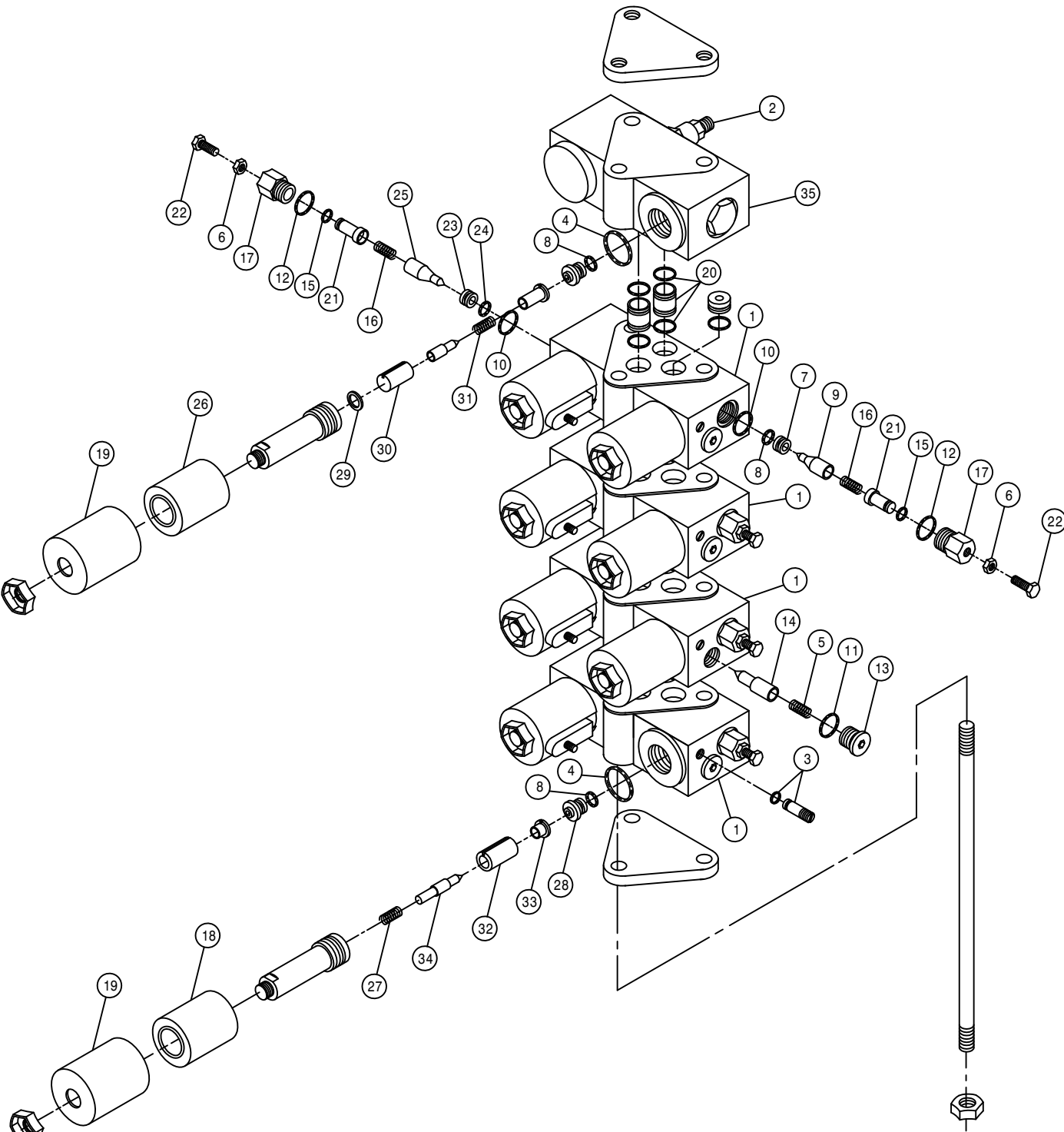


6-SECTION ELECTRIC VALVE ASSEMBLY

DET. QTY PART NO. DESCRIPTION

1	6	470121	1/4UNC HEX FLANGE LOCK NUT
2	13	473821	#10 INT TOOTH WASHER
3	1	610447	HYD FILTER, INLINE 1/4FNPT 90M
4	1	610615	ELECT HYD STACT VLV, 6 SECT
5	1	610541	200 ELECT T-TROL VLV MT WLD89
6	1	611122	9/16MJIC-90-1/4MNPT LBO
7	2	618119	9/16MJIC-90-9/16MOR LBO
8	1	618170	3/4MOR-9/16FOR ADPTR
9	3	470118	1/4UNC X 3/4 FLANGE HEX BOLT
10	2	618425	9/16MJIC-45-9/16MOR LBO
11	1	618440	9/16MJIC-90-9/16MOR EX LG LBO
12	1	618600	9/16MJIC-90-7/8MOR LBO
13	26	910027	10-32 HEX NUT
14	1	610462	GASKET FOR 610447 ARROW FILT
15	1	610459	90M FILTER & GASKET FOR610447
16	1	618608	9/16FJIC SWIV-1/4MNPT
17	1	618486	9/16FJIC SW RUN TEE-9/16MJIC
18	1	618531	9/16FJIC CAP NUT
19	2	618126	9/16MJIC-9/16MOR ADPTR

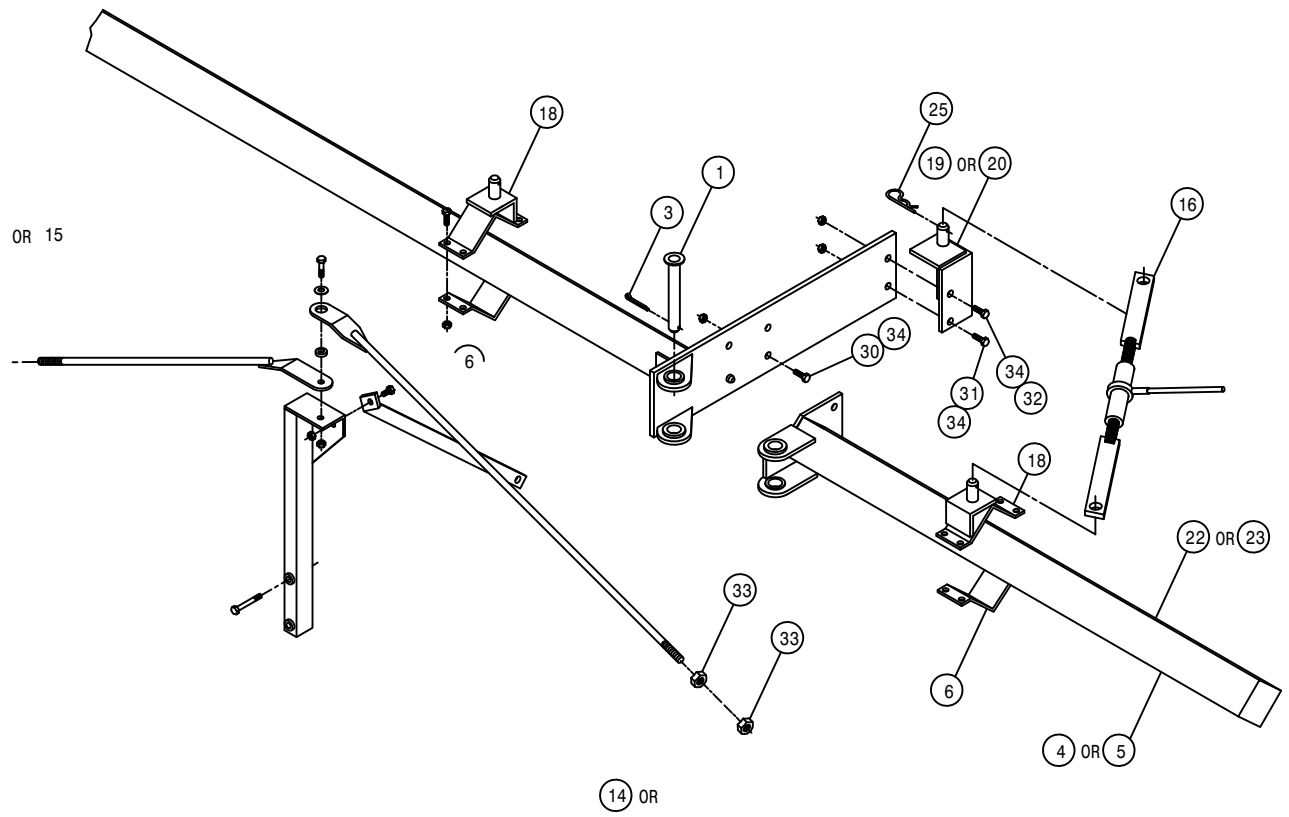
61



ELECTROHYDRAULIC VALVE

DET.	QTY	PART NO.	DESCRIPTION	
1	4	610533	UNBALANCED LOAD VALVE	89
2	1	610551	R.V. CARTRIDGE FOR 610532	90
3	8	610267	SEAL PLUG ASSY FOR 610257	
4	9	871019	ORING, 13/16 X 15/16 NEO 90D	
5	4	610491	SPRING AM-501-3-035 FOR610485	
6	8	910000	1/4UNC HEX NUT	
7	4	610488	ORIFICE PRESSED IN BLACK	
8	13	871010	ORING 1/4 X 3/8 VITON 90D	
9	4	610129	POPPET,ELECT VALVE,UNBAL LOAD	
10	8	870013	ORING, 7/16 X 9/16 NEO 70D	
11	4	871904	ORING, .351 X .072CS NEO 90D	
12	8	871906	ORING, .468ID X .078CS NEO 90D	
13	4	610130	PLUG, SAE4,ELECT VALVE,UNBAL	
14	4	610489	CHECK VLV POPPET	
15	8	871008	O-RING 3/16 X 5/16 90D	
16	8	610492	SPRING AM-570-3-126 FOR610485	
17	8	610453	VLV CAP	
18	8	610493	COIL FOR 610485	86
19	9	610113	COVER, ELECT VALVE, NON ADJ	
20	8	610534	THRU TUBE ASSY ELEC VLV	89
21	8	610452	ADJ VLV STOP	
22	8	900003	1/4UNC X 1" HEX BOLT	
23	4	610494	ORIFICE FOR 610485	
24	4	871056	O-RING	90D
25	4	610495	POPPET FOR 610485AM-570-3-654	
26	1	610076	COIL, ELECT STACK VALVE	
27	8	610127	SPRING,ELECT VALVE,UNBAL LOAD	
28	8	610108	ORIFICE 040, ELECT VALVE	
29	1	610084	WASHER, ELECT-HYD VALVE	
30	1	610112	ARMATURE, ELECT VALVE	
31	1	610110	SPRING, ELECT VALVE, NON ADJ	
32	8	610126	ARMATURE, ELECT VALVE, UNBAL	
33	8	610133	POLE PIECE,ELECT VALVE, UNBAL	
34	8	610490	POPPET FOR 610485AM-501-3-033	
35	1	610679	UNLOAD RELIEF VALVE	

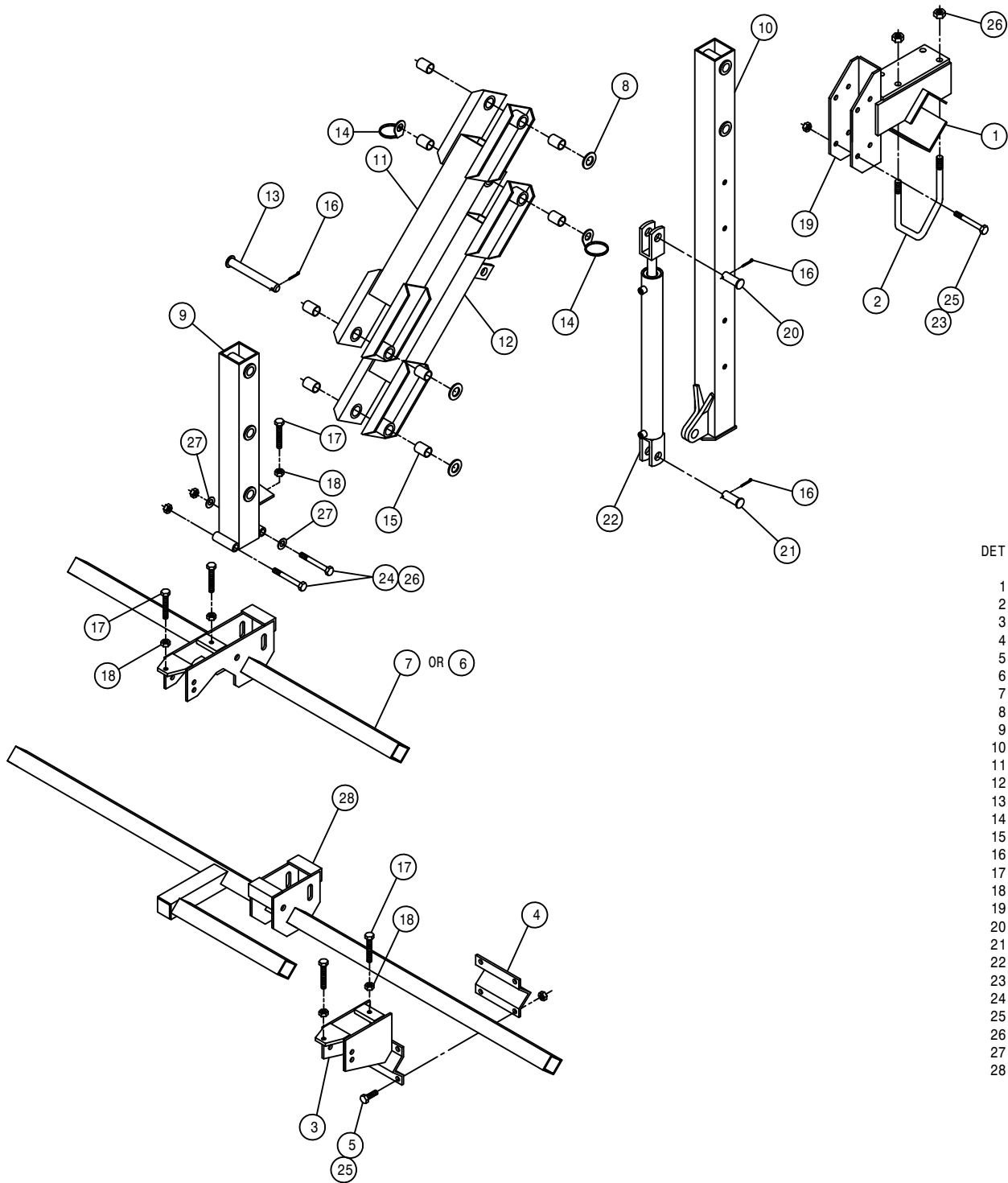
212061



4-6-8 ROW OUTRIGGER ASSEMBLY

DET.	QTY	PART NO.	DESCRIPTION
1	2	438283	OUTRGR PIVOT PIN WLD 8200 86
2	2	438320	BUSH 1.00 OD X .531ID X.28LG
3	2	470117	COTTER PIN 3/16 1 3/4 SQ CUT
4	1	438307	RH 75IN OUTRGR WLD8200-850086
5	1	438309	LH 75IN OUTRGR WLD8200-850086
6	8	438324	75IN OUTRGR BRACE CLAMP
7	1	438344	200 TOOL BAR WLD 89
8	1	438349	RH OUTRGR SUPP POST WLD200 89
9	1	438350	LH OUTRGR SUPP POST WLD200 89
10	1	438355	RH OUTRGR SUPP BRACE 200 89
11	1	438356	LH OUTRGR SUPP BRACE 200 89
12	2	438357	OUTRGR SUPP ROD WLD 200 89
13	2	438359	OUTRGR TIE BAR WLD 200 89
14	2	438362	RH OUTRGR CLAMP WLD 200 89
15	2	438363	LH OUTRGR CLAMP WLD 200 89
16	2	438657	RATCHET JACK WLD
17	1	438497	RH 82" OUTRGR WLD, 204 94
18	4	438397	STABILIZER PIN MT WLD 90
19	1	438400	RH STABILIZER PIN MT WLD 90
20	1	438403	LH STABILIZER PIN MT WLD 90
21	1	438498	LH 82" OUTRGR WLD, 204 94
22	1	438277	RH 32IN OUTRGR WLD8200-850086
23	1	438282	LH 32IN OUTRGR WLD8200-850086
24	2	483041	1/2 REGULAR FLAT WASHER
25	4	611016	HAIR PIN #6
26	2	900264	1/2UNC X 1 1/4 HEX BOLT
27	32	900265	1/2UNC X 1 1/2 HEX BOLT
28	2	900266	1/2UNC X 1 3/4 HEX BOLT
29	4	900271	1/2UNC X 3 1/4 HEX BOLT
30	4	900334	5/8UNC X 1 3/4 HEX BOLT
31	2	900336	5/8UNC X 2 1/2 HEX BOLT
32	2	900352	5/8UNC X 2 1/4 HEX BOLT
33	8	910012	3/4UNC HEX NUT
34	8	914010	5/8UNC HEX STOVER NUT
35	40	914008	1/2UNC HEX STOVER NUT

QUANTITY LISTED IS FOR ONE MACHINE.



4-6-8 ROW DETASSLER LIFT ASSEMBLY

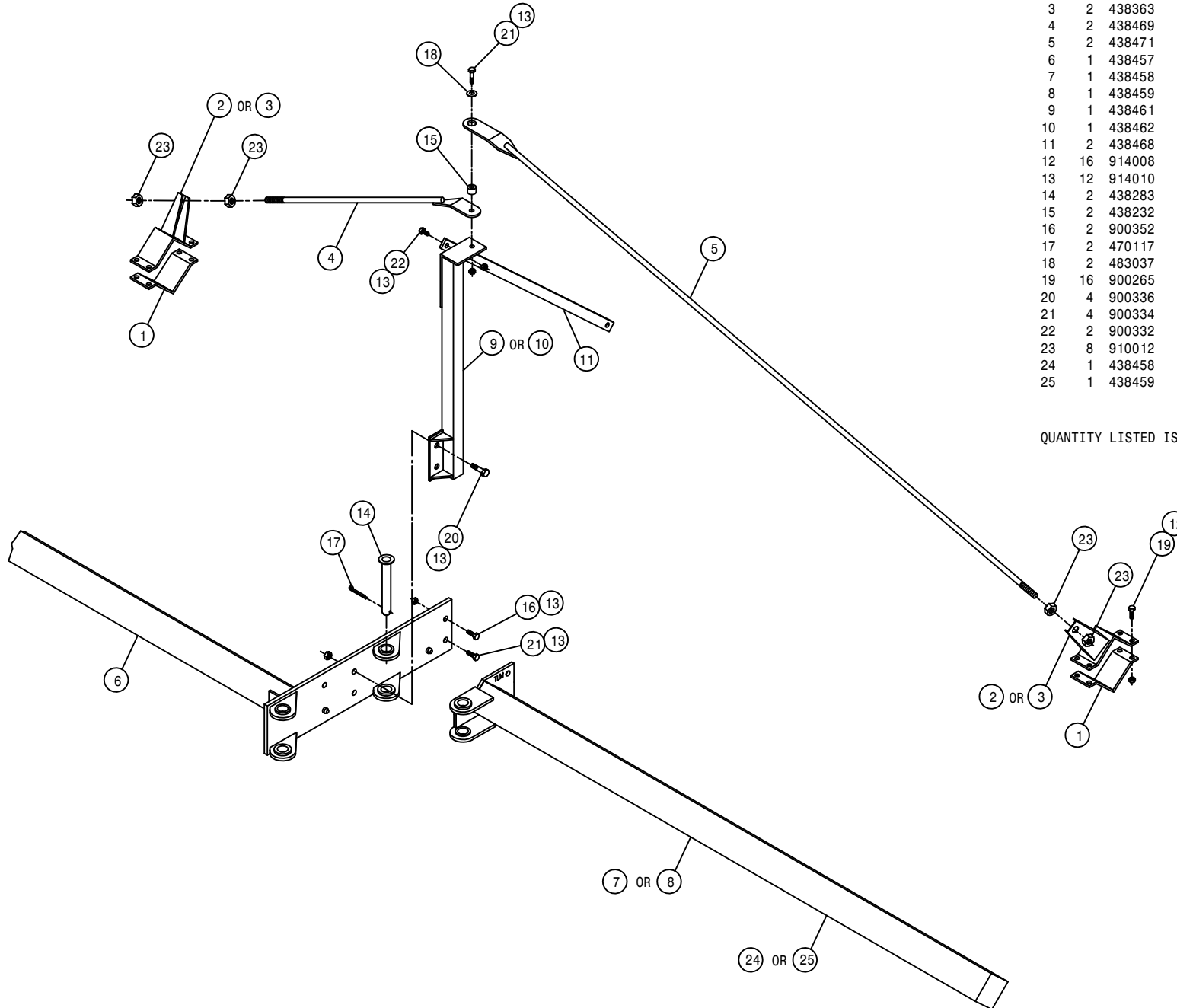
DET.	QTY	PART NO.	DESCRIPTION
1	1	438292	TOOL BAR V-PLT WLD 8200 86
2	2	438293	5/8UNC X 6 1/4 CTR U-BOLT TRI
3	1	438199	T-TROL MT WLD 8R DETAS 83
4	1	410016	RLR HANGER V 473
5	4	900265	1/2UNC X 1 1/2 HEX BOLT
6	1	438500	TOOL BAR WLD, 54" 94
7	1	438194	TOOL BAR WLD DETAS 4-6R 83
8	3	920008	1" SAE FLAT WASHER
9	1	438245	TOOL BAR MT WLD,2-POS DETAS
10	1	438184	HOIST COL WLD DETAS LIFT 83
11	1	438294	UPPER LIFT ARM WLD 8200 86
12	1	438297	LWR LIFT ARM WLD 8200 86
13	4	438300	LIFT ARM PIVOT PIN WLD8200 86
14	2	438302	HOSE SUPPORT RING WLD W/WASHER
15	8	121025	JOURNAL BRG, 1.00 ID X 1.50 LG
16	6	470162	COTTER PIN 3/16 X 1 1/2 SQ CUT
17	5	900538	1/2UNC X 3 1/2 HEX BOLT FULL
18	5	910008	1/2UNC HEX NUT
19	1	438367	HOIST COL MT BRKT WLD 200 90
20	1	472012	CLEVIS PIN, 1.00 X 3.25 PLT
21	1	472206	PICKER PIN 1 DIA X 2 1/4
22	1	620810	LIFT CYL ASSY, DETASSELER
23	4	900275	1/2UNC X 4 1/2 HEX BOLT
24	2	900343	5/8UNC X 4 1/2 HEX BOLT
25	8	914008	1/2UNC HEX STOVER NUT
26	6	914010	5/8UNC HEX STOVER NUT
27	2	920005	5/8 SAE FLAT WASHER
28	1	438201	TOOL BAR WLD 8R DETAS 83

10-12 ROW, 4-LIFT OUTRIGGER ASSEMBLY

DET. QTY PART NO. DESCRIPTION

DET.	QTY	PART NO.	DESCRIPTION
1	4	438324	75IN OUTGR BRACE CLAMP
2	2	438362	RH OUTGR CLAMP WLD 200 89
3	2	438363	LH OUTGR CLAMP WLD 200 89
4	2	438469	OUTGR TIE BAR WLD 200 10-12R
5	2	438471	OUTGR SUPP ROD WLD 10-12R
6	1	438457	200 TOOL BAR WLD 10-12R 92
7	1	438458	RH 101IN OUTGR WLD 10-12R 92
8	1	438459	LH 101IN OUTGR WLD 10-12R 92
9	1	438461	RH OUTGR SUPP POST WLD10-12R
10	1	438462	LH OUTGR SUPP POST WLD10-12R
11	2	438468	OUTGR SUPP BRACE 200 10-12R
12	16	914008	1/2UNC HEX STOVER NUT
13	12	914010	5/8UNC HEX STOVER NUT
14	2	438283	OUTGR PIVOT PIN WLD 8200 86
15	2	438232	BUSH, 1.00 OD X .656ID X .28
16	2	900352	5/8UNC X 2 1/4 HEX BOLT
17	2	470117	COTTER PIN 3/16 1 3/4 SQ CUT
18	2	483037	5/8 REGULAR FLAT WASHER
19	16	900265	1/2UNC X 1 1/2 HEX BOLT
20	4	900336	5/8UNC X 2 1/2 HEX BOLT
21	4	900334	5/8UNC X 1 3/4 HEX BOLT
22	2	900332	5/8UNC X 1 1/4 HEX BOLT
23	8	910012	3/4UNC HEX NUT
24	1	438458	RH 101IN OUTGR WLD 10-12R 92
25	1	438459	LH 101IN OUTGR WLD 10-12R 92

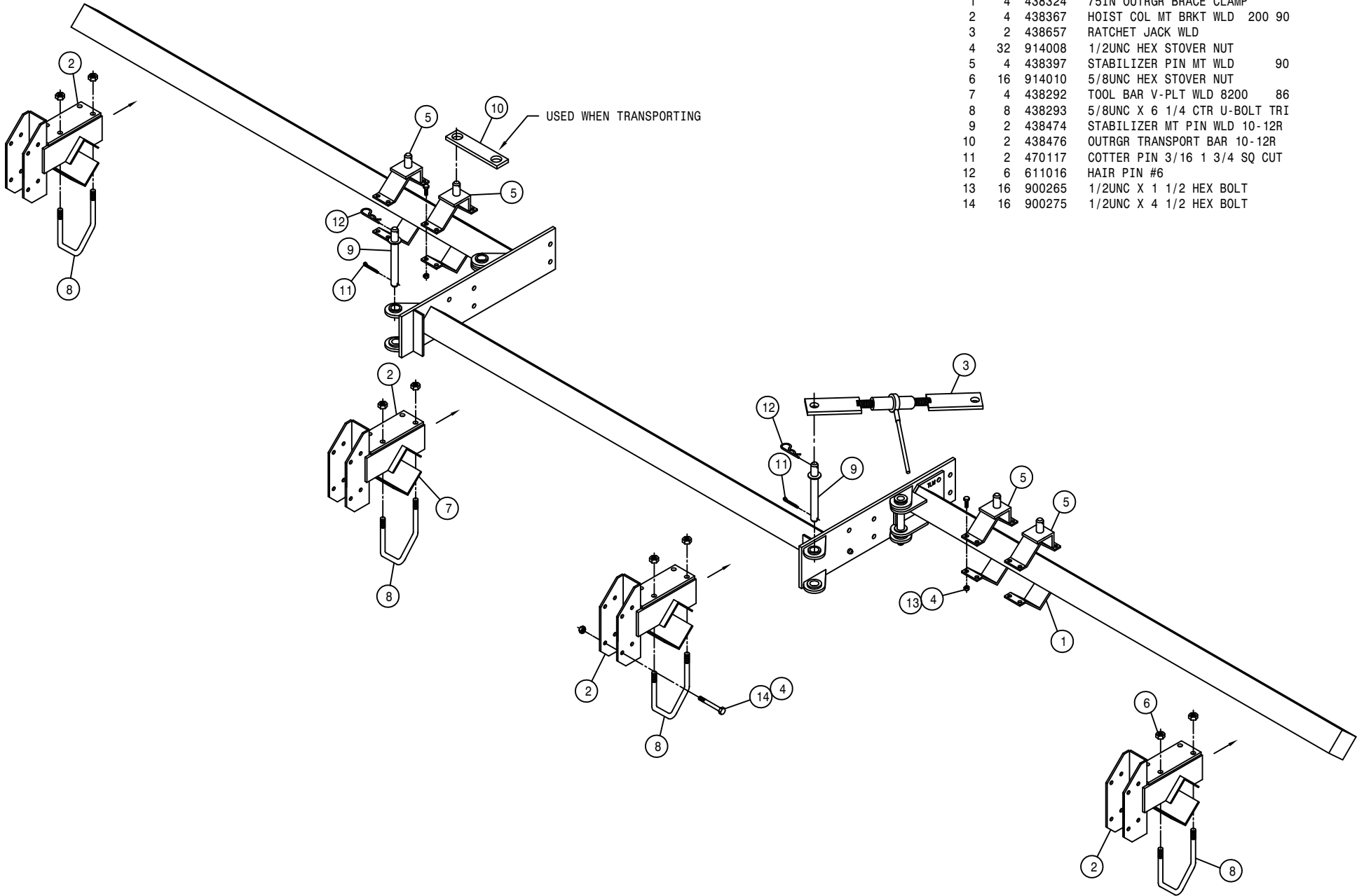
QUANTITY LISTED IS FOR ONE MACHINE.



10-ROW, 4-LIFT OUTRIGGER ASSEMBLY

DET. QTY PART NO. DESCRIPTION

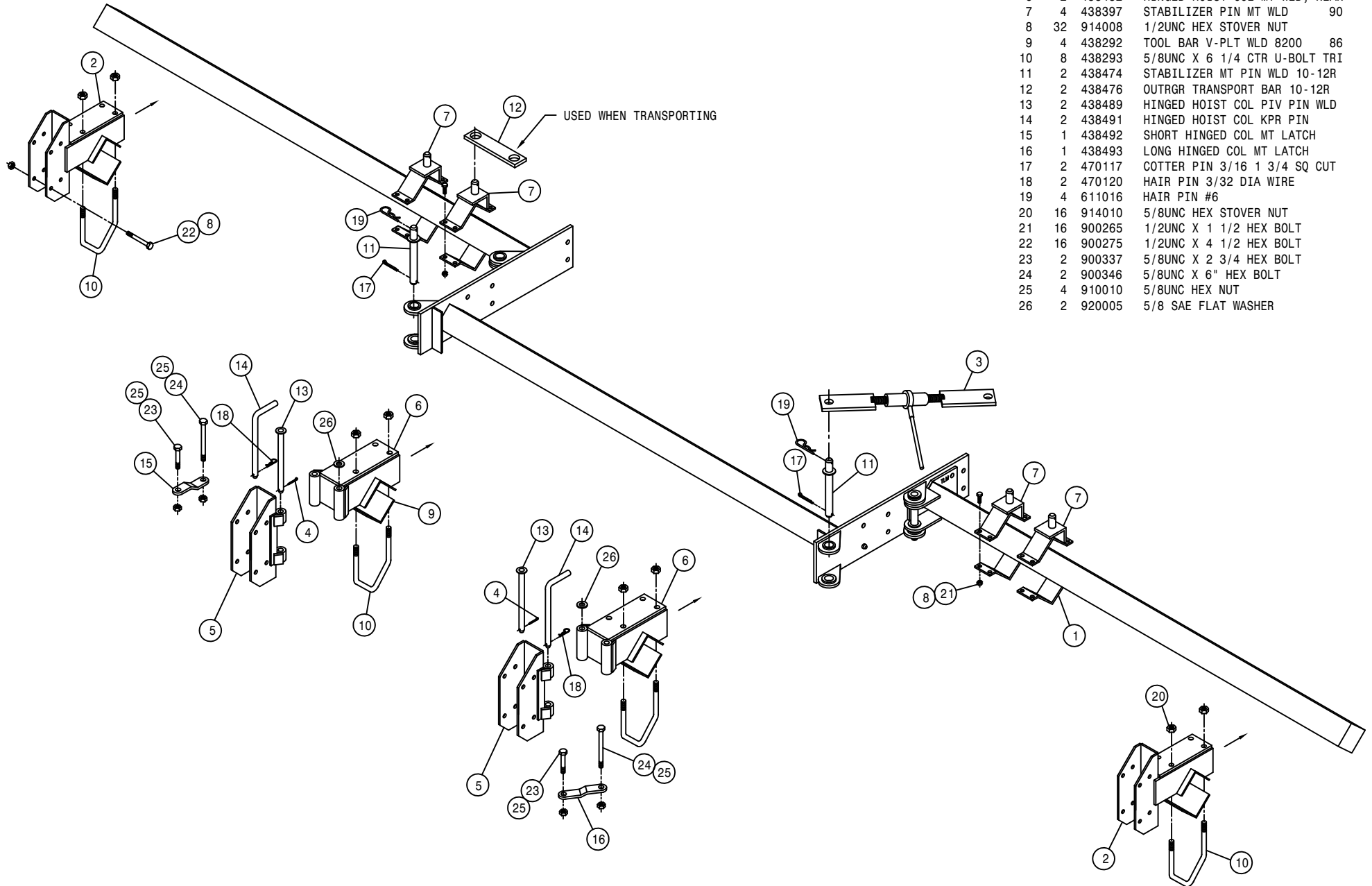
DET.	QTY	PART NO.	DESCRIPTION
1	4	438324	75IN OUTGR BRACE CLAMP
2	4	438367	HOIST COL MT BRKT WLD 200 90
3	2	438657	RATCHET JACK WLD
4	32	914008	1/2UNC HEX STOVER NUT
5	4	438397	STABILIZER PIN MT WLD 90
6	16	914010	5/8UNC HEX STOVER NUT
7	4	438292	TOOL BAR V-PLT WLD 8200 86
8	8	438293	5/8UNC X 6 1/4 CTR U-BOLT TRI
9	2	438474	STABILIZER MT PIN WLD 10-12R
10	2	438476	OUTGR TRANSPORT BAR 10-12R
11	2	470117	COTTER PIN 3/16 1 3/4 SQ CUT
12	6	611016	HAIR PIN #6
13	16	900265	1/2UNC X 1 1/2 HEX BOLT
14	16	900275	1/2UNC X 4 1/2 HEX BOLT

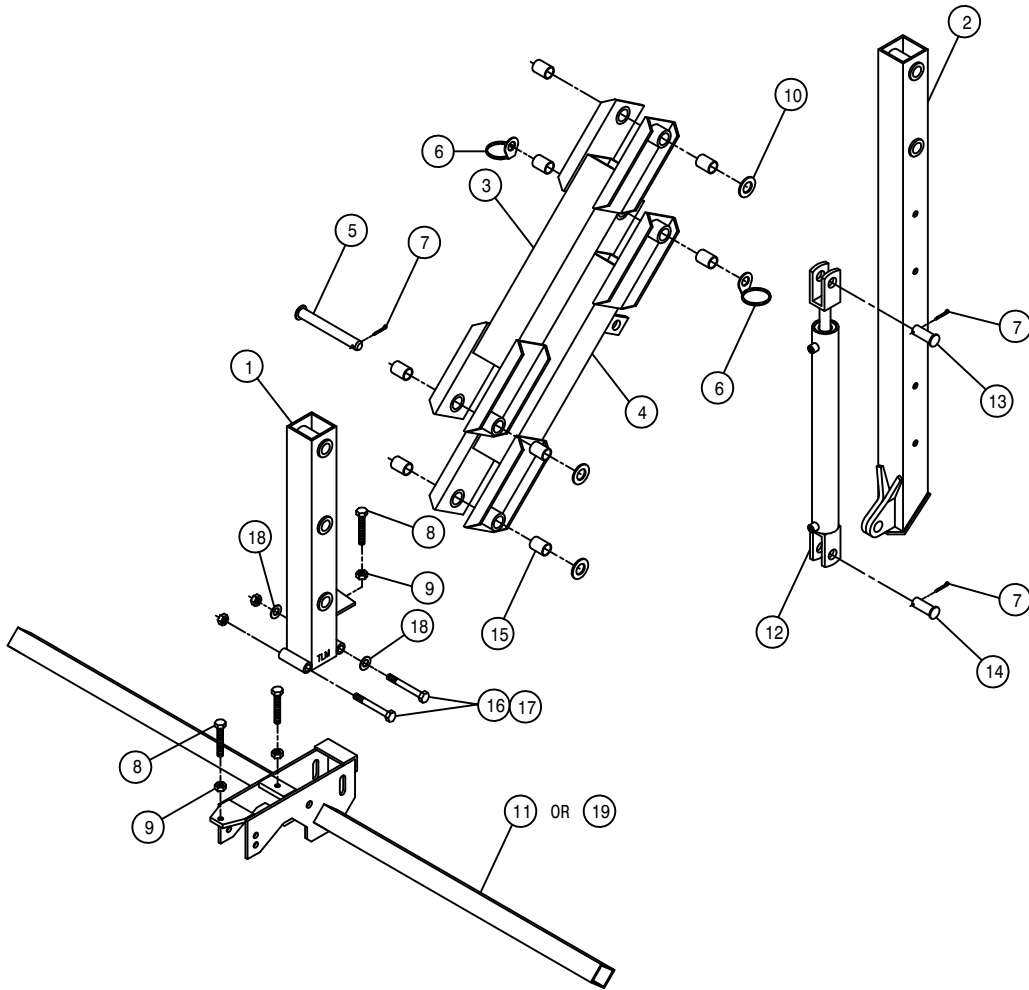


12-ROW, 4-LIFT OUTRIGGER ASSEMBLY

DET. QTY PART NO. DESCRIPTION

1	4	438324	75IN OUTGR BRACE CLAMP
2	2	438367	HOIST COL MT BRKT WLD 200 90
3	2	438657	RATCHET JACK WLD
4	2	390984	COTTER PIN 1/8 X 1 1/4
5	2	438481	HINGED HOIST COL MT WLD, FRT
6	2	438482	HINGED HOIST COL MT WLD, REAR
7	4	438397	STABILIZER PIN MT WLD 90
8	32	914008	1/2UNC HEX STOVER NUT
9	4	438292	TOOL BAR V-PLT WLD 8200 86
10	8	438293	5/8UNC X 6 1/4 CTR U-BOLT TRI
11	2	438474	STABILIZER MT PIN WLD 10-12R
12	2	438476	OUTGR TRANSPORT BAR 10-12R
13	2	438489	HINGED HOIST COL PIV PIN WLD
14	2	438491	HINGED HOIST COL KPR PIN
15	1	438492	SHORT HINGED COL MT LATCH
16	1	438493	LONG HINGED COL MT LATCH
17	2	470117	COTTER PIN 3/16 1 3/4 SQ CUT
18	2	470120	HAIR PIN 3/32 DIA WIRE
19	4	611016	HAIR PIN #6
20	16	914010	5/8UNC HEX STOVER NUT
21	16	900265	1/2UNC X 1 1/2 HEX BOLT
22	16	900275	1/2UNC X 4 1/2 HEX BOLT
23	2	900337	5/8UNC X 2 3/4 HEX BOLT
24	2	900346	5/8UNC X 6" HEX BOLT
25	4	910010	5/8UNC HEX NUT
26	2	920005	5/8 SAE FLAT WASHER





10-12 ROW, 4-LIFT ASSEMBLY

DET. QTY PART NO. DESCRIPTION

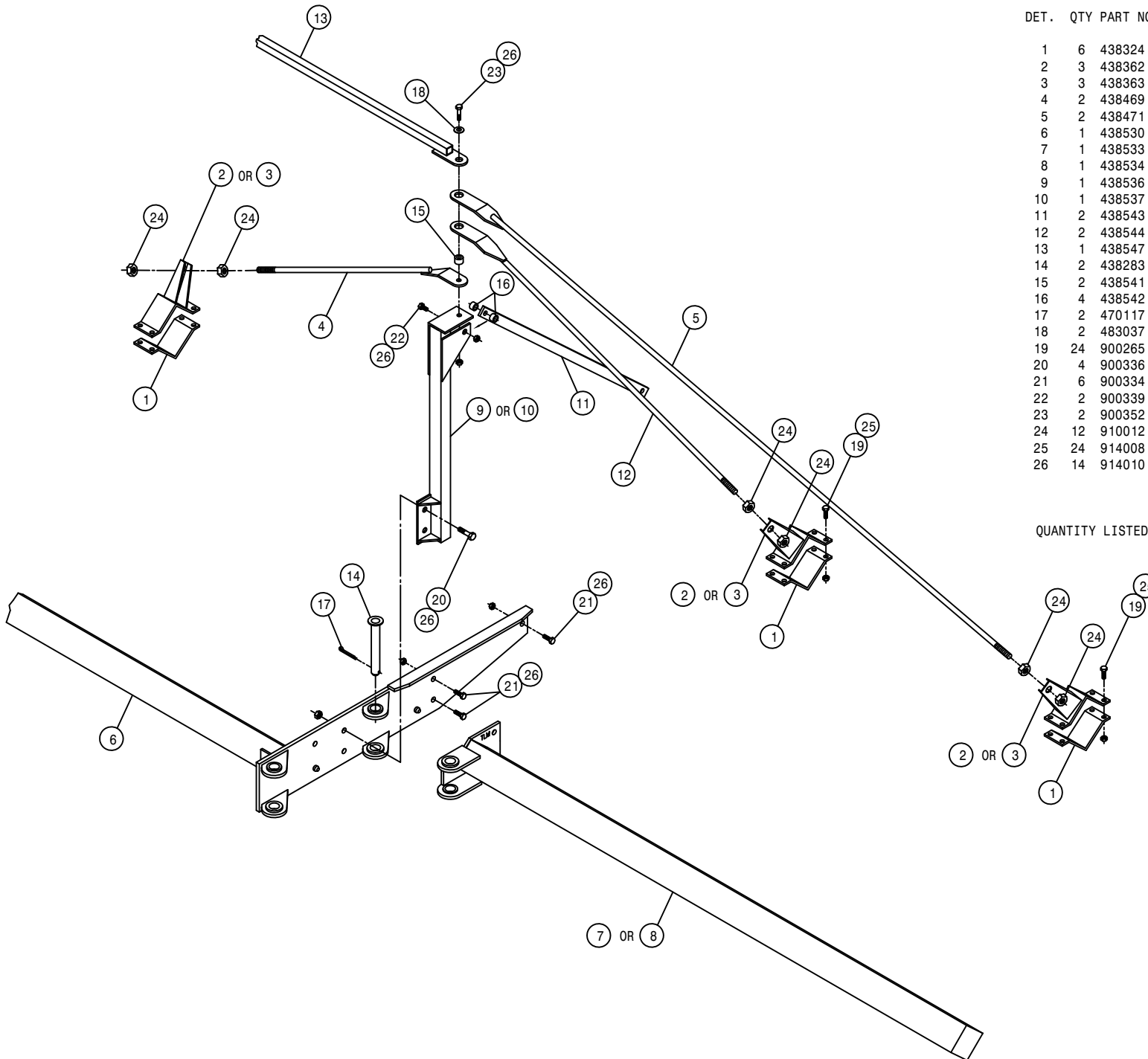
1	1	438245	TOOL BAR MT WLD,2-POS DETAS
2	1	438184	HOIST COL WLD DETAS LIFT 83
3	1	438294	UPPER LIFT ARM WLD 8200 86
4	1	438297	LWR LIFT ARM WLD 8200 86
5	4	438300	LIFT ARM PIVOT PIN WLD8200 86
6	2	438302	HOSE SUPPORT RING WLD W/WASHER
7	6	470162	COTTER PIN 3/16 X 1 1/2 SQCUT
8	2	900538	1/2UNC X 3 1/2 HEX BOLT FULL
9	2	910008	1/2UNC HEX NUT
10	3	920008	1" SAE FLAT WASHER
11	1	438194	TOOL BAR WLD DETAS 4-6R 83
12	1	620810	LIFT CYL ASSY, DETASSELER
13	1	472012	CLEVIS PIN, 1.00 X 3.25 PLT
14	1	472206	PICKER PIN 1 DIA X 2 1/4
15	8	121025	JOURNAL BRG, 1.00 ID X 1.50 LG
16	2	900343	5/8UNC X 4 1/2 HEX BOLT
17	2	914010	5/8UNC HEX STOVER NUT
18	2	920005	5/8 SAE FLAT WASHER
19	1	438478	TOOL BAR WLD 10-12R DETASSLR

10-12 ROW, 5-6 LIFT OUTRIGGER ASSEMBLY

DET. QTY PART NO. DESCRIPTION

DET.	QTY	PART NO.	DESCRIPTION
1	6	438324	75IN OUTGR BRACE CLAMP
2	3	438362	RH OUTGR CLAMP WLD 200 89
3	3	438363	LH OUTGR CLAMP WLD 200 89
4	2	438469	OUTGR TIE BAR WLD 200 10-12R
5	2	438471	OUTGR SUPP ROD WLD 10-12R
6	1	438530	204 TOOL BAR WLD, 12R 5/6L 96
7	1	438533	RH 133" OUTGR WLD, 10/12R 96
8	1	438534	LH 133" OUTGR WLD, 10/12R 96
9	1	438536	RH OUTGR SUPP POST WLD10/12R
10	1	438537	LH OUTGR SUPP POST WLD10/12R
11	2	438543	OUTGR SUPP BRACE, 10/12R 96
12	2	438544	OUTGR SUPP ROD WLD 50"10/12R
13	1	438547	204 TIE TUBE WLD, 10/12R 96
14	2	438283	OUTGR PIVOT PIN WLD 8200 86
15	2	438541	BUSH, 1.00 OD X .656ID X .53
16	4	438542	BUSH, 1.00 OD X .656ID X .78
17	2	470117	COTTER PIN 3/16 1 3/4 SQ CUT
18	2	483037	5/8 REGULAR FLAT WASHER
19	24	900265	1/2UNC X 1 1/2 HEX BOLT
20	4	900336	5/8UNC X 2 1/2 HEX BOLT
21	6	900334	5/8UNC X 1 3/4 HEX BOLT
22	2	900339	5/8UNC X 3 1/4 HEX BOLT
23	2	900352	5/8UNC X 2 1/4 HEX BOLT
24	12	910012	3/4UNC HEX NUT
25	24	914008	1/2UNC HEX STOVER NUT
26	14	914010	5/8UNC HEX STOVER NUT

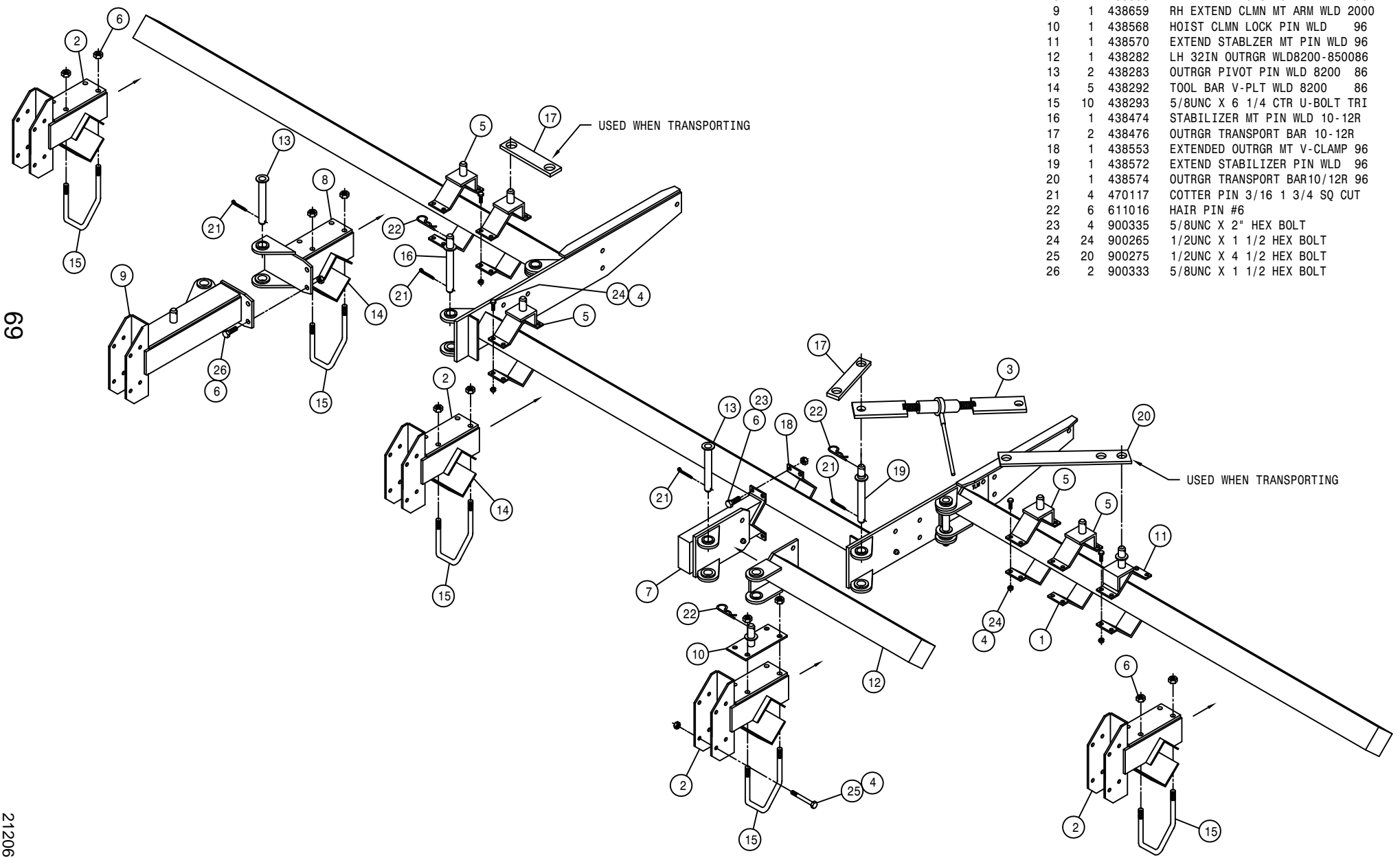
QUANTITY LISTED IS FOR ONE MACHINE.



10-ROW, 5-LIFT OUTRIGGER ASSEMBLY

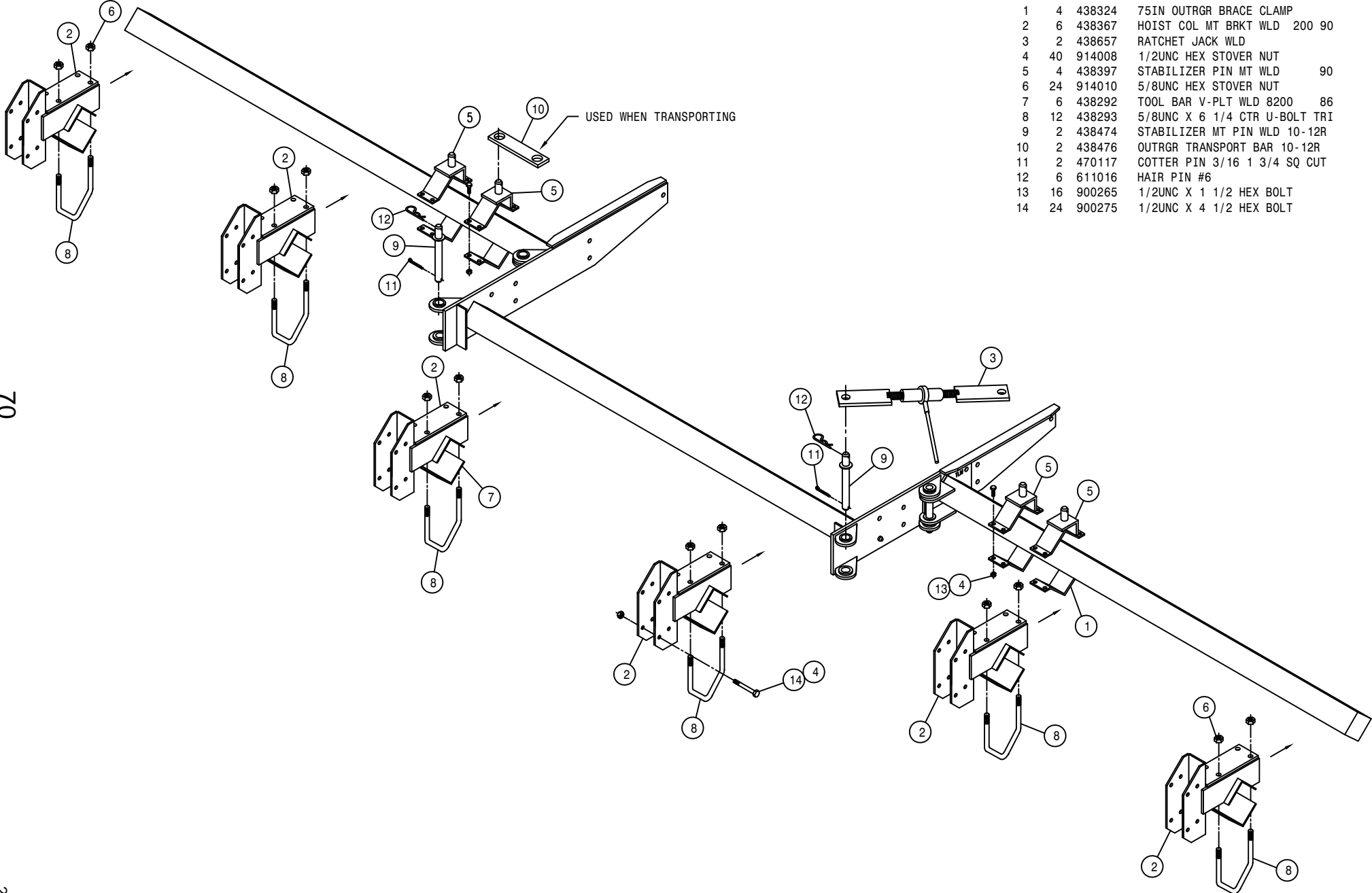
DET. QTY PART NO. DESCRIPTION

DET.	QTY	PART NO.	DESCRIPTION
1	6	438324	75IN OUTRGR BRACE CLAMP
2	4	438367	HOIST COL MT BRKT WLD 200 90
3	2	438657	RATCHET JACK WLD
4	44	914008	1/2UNC HEX STOVER NUT
5	5	438397	STABILIZER PIN MT WLD 90
6	26	914010	5/8UNC HEX STOVER NUT
7	1	438551	LH EXTENDED OUTRGR MT WLD 96
8	1	438555	RH EXTEND HOIST CLMN MT WLD96
9	1	438659	RH EXTEND CLMN MT ARM WLD 2000
10	1	438568	HOIST CLMN LOCK PIN WLD 96
11	1	438570	EXTEND STABLZER MT PIN WLD 96
12	1	438282	LH 32IN OUTRGR WLD8200-850086
13	2	438283	OUTRGR PIVOT PIN WLD 8200 86
14	5	438292	TOOL BAR V-PLT WLD 8200 86
15	10	438293	5/8UNC X 6 1/4 CTR U-BOLT TRI
16	1	438474	STABILIZER MT PIN WLD 10-12R
17	2	438476	OUTRGR TRANSPORT BAR 10-12R
18	1	438553	EXTENDED OUTRGR MT V-CLAMP 96
19	1	438572	EXTEND STABILIZER PIN WLD 96
20	1	438574	OUTRGR TRANSPORT BAR10/12R 96
21	4	470117	COTTER PIN 3/16 1 3/4 SQ CUT
22	6	611016	HAIR PIN #6
23	4	900335	5/8UNC X 2" HEX BOLT
24	24	900265	1/2UNC X 1 1/2 HEX BOLT
25	20	900275	1/2UNC X 4 1/2 HEX BOLT
26	2	900333	5/8UNC X 1 1/2 HEX BOLT

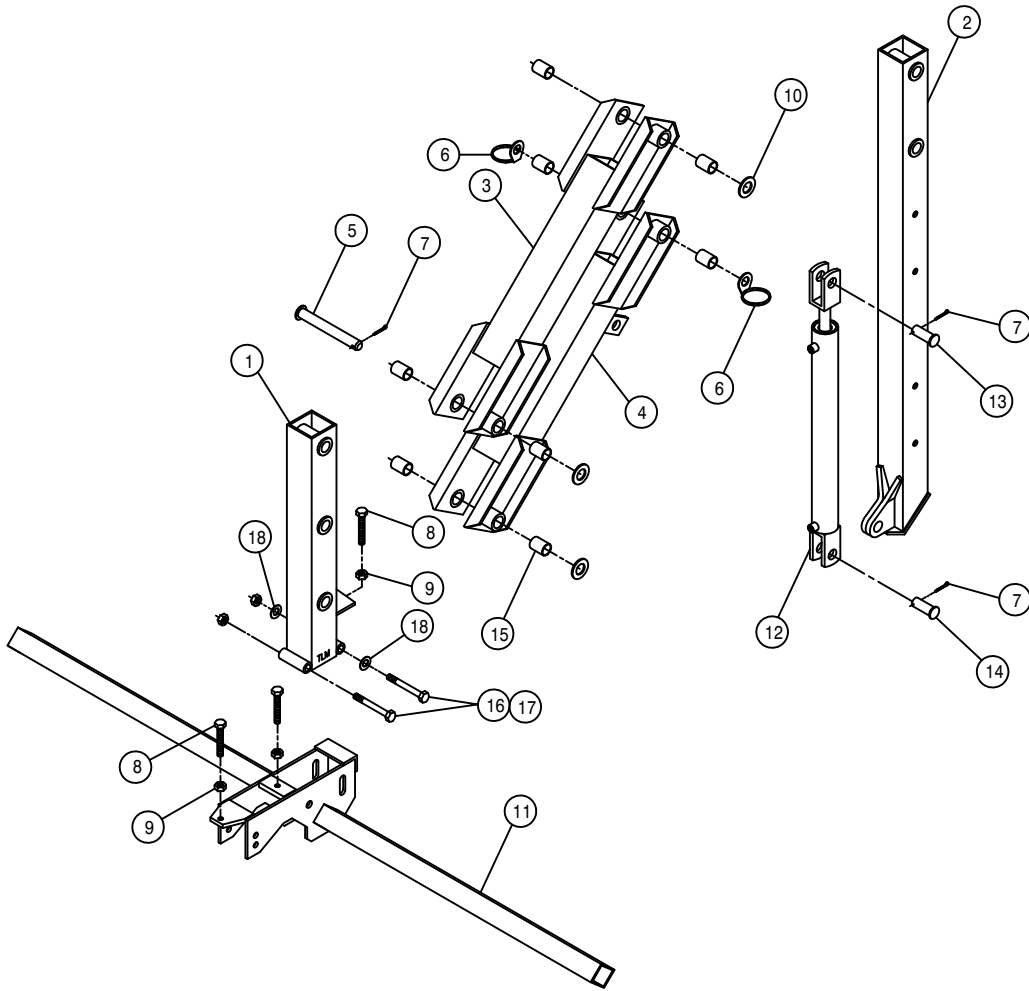


12-ROW, 6-LIFT OUTRIGGER ASSEMBLY

DET.	QTY	PART NO.	DESCRIPTION
1	4	438324	75IN OUTGR BRACE CLAMP
2	6	438367	HOIST COL MT BRKT WLD 200 90
3	2	438657	RATCHET JACK WLD
4	40	914008	1/2UNC HEX STOVER NUT
5	4	438397	STABILIZER PIN MT WLD 90
6	24	914010	5/8UNC HEX STOVER NUT
7	6	438292	TOOL BAR V-PLT WLD 8200 86
8	12	438293	5/8UNC X 6 1/4 CTR U-BOLT TRI
9	2	438474	STABILIZER MT PIN WLD 10-12R
10	2	438476	OUTGR TRANSPORT BAR 10-12R
11	2	470117	COTTER PIN 3/16 1 3/4 SQ CUT
12	6	611016	HAIR PIN #6
13	16	900265	1/2UNC X 1 1/2 HEX BOLT
14	24	900275	1/2UNC X 4 1/2 HEX BOLT



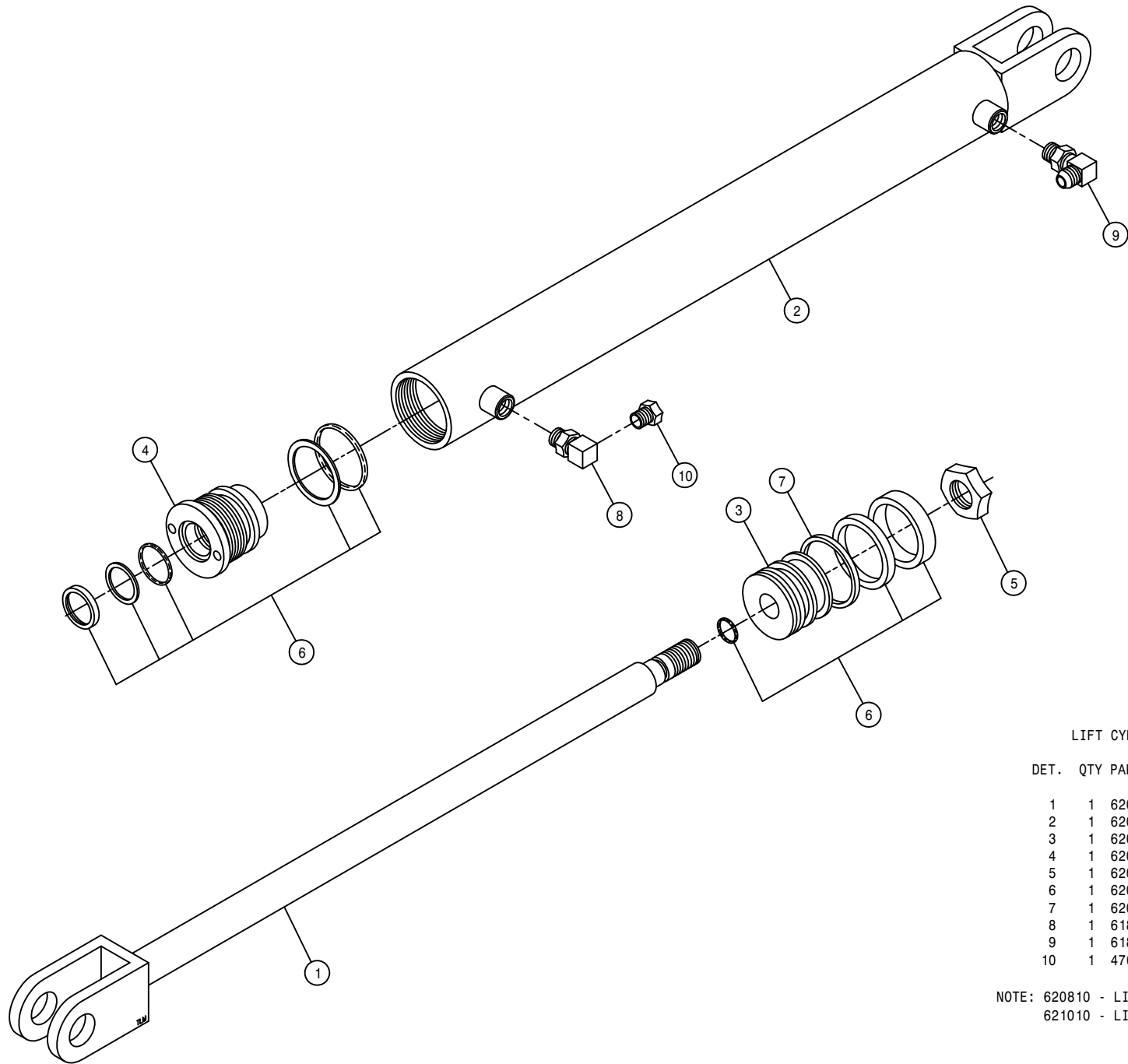
70



10-12 ROW, 5-6 LIFT ASSEMBLY

DET. QTY PART NO. DESCRIPTION

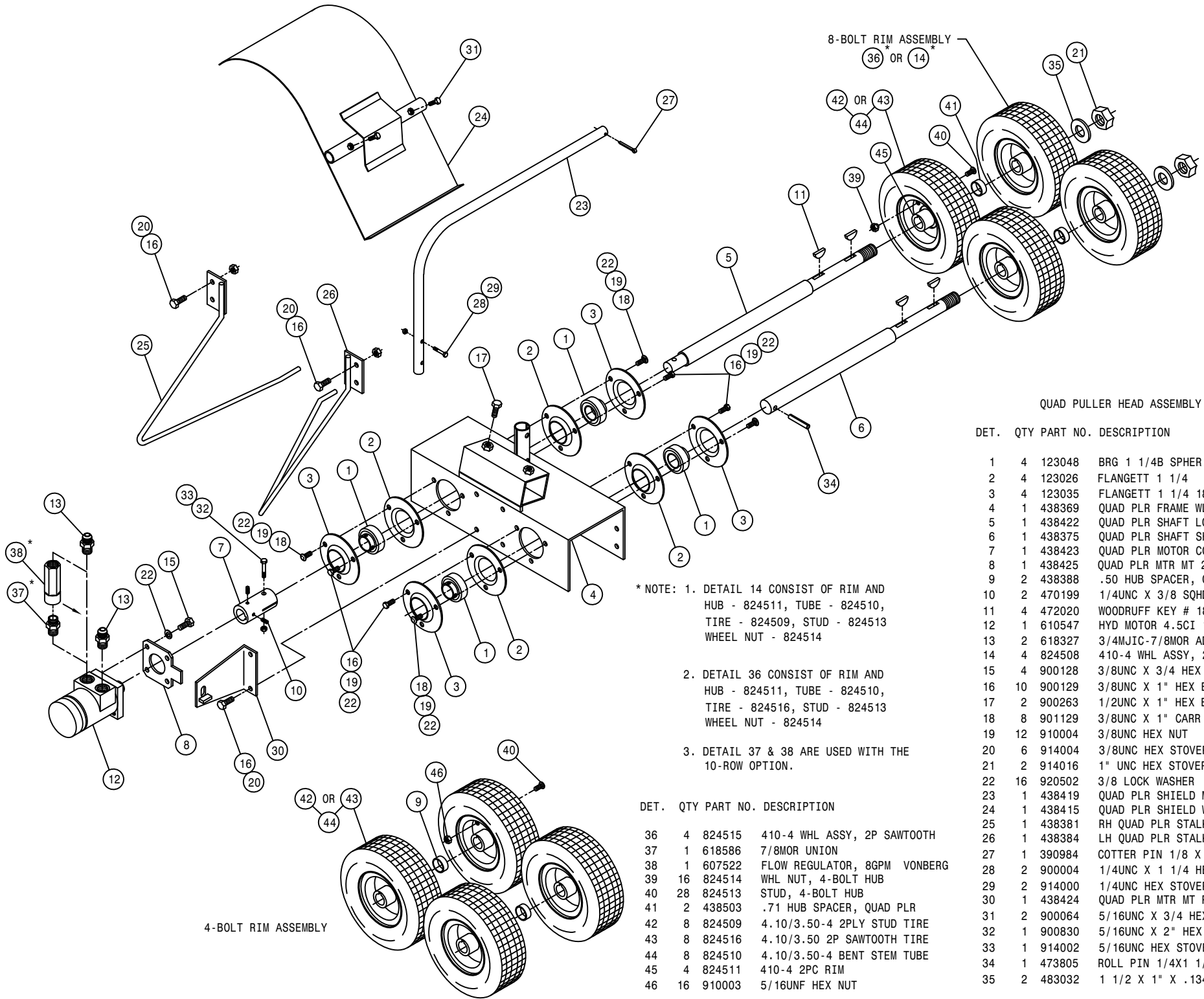
1	1	438245	TOOL BAR MT WLD,2-POS DETAS
2	1	438184	HOIST COL WLD DETAS LIFT 83
3	1	438294	UPPER LIFT ARM WLD 8200 86
4	1	438297	LWR LIFT ARM WLD 8200 86
5	4	438300	LIFT ARM PIVOT PIN WLD8200 86
6	2	438302	HOSE SUPPORT RING WLD W/WASHER
7	6	470162	COTTER PIN 3/16 X 1 1/2 SQCUT
8	2	900538	1/2UNC X 3 1/2 HEX BOLT FULL
9	2	910008	1/2UNC HEX NUT
10	3	920008	1" SAE FLAT WASHER
11	1	438194	TOOL BAR WLD DETAS 4-6R 83
12	1	620810	LIFT CYL ASSY, DETASSELER
13	1	472012	CLEVIS PIN, 1.00 X 3.25 PLT
14	1	472206	PICKER PIN 1 DIA X 2 1/4
15	8	121025	JOURNAL BRG, 1.00 ID X 1.50 LG
16	2	900343	5/8UNC X 4 1/2 HEX BOLT
17	2	914010	5/8UNC HEX STOVER NUT
18	2	920005	5/8 SAE FLAT WASHER



LIFT CYLINDER ASSEMBLY WITH T-TROL

DET.	QTY	PART NO.	DESCRIPTION
	1	620813	SHAFT, LIFT CYL,DETASS 620810
	1	620814	BARREL,LIFT CYL,DETASS 620810
	1	620754	PISTON, P-2.00-120
	1	620758	HEAD, H-2.00-345
	1	620757	NUT, N-0.75-02
	1	620778	REPAIR KIT, RK-2.00-800
	1	620753	STEEL PISTON RING,R-2.00-01
	1	618116	9/16MOR-90-1/4FNPT LBO
	1	618119	9/16MJIC-90-9/16MOR LBO
	1	470114	BREATHER FILTER VENT, 1/4 NPT

NOTE: 620810 - LIFT CYLINDER INCLUDES ITEMS 1-7.
 621010 - LIFT CYLINDER WITH FITTINGS.



QUAD PULLER HEAD ASSEMBLY

DET.	QTY	PART NO.	DESCRIPTION
1	4	123048	BRG 1 1/4B SPHER RELUB SCRLOC
2	4	123026	FLANGETT 1 1/4
3	4	123035	FLANGETT 1 1/4 180 DEG ZERK
4	1	438369	QUAD PLR FRAME WLD 200 90
5	1	438422	QUAD PLR SHAFT LONG 200 91
6	1	438375	QUAD PLR SHAFT SHORT 200 90
7	1	438423	QUAD PLR MOTOR COUPLER 200 91
8	1	438425	QUAD PLR MTR MT 200 91
9	2	438388	.50 HUB SPACER, QUAD PLR
10	2	470199	1/4UNC X 3/8 SQHD CUP SET SCR
11	4	472020	WOODRUFF KEY # 18 1/4 X 1 1/8
12	1	610547	HYD MOTOR 4.5CI 1IN SHFT
13	2	618327	3/4MJIC-7/8MOR ADPTR
14	4	824508	410-4 WHL ASSY, 2P STUD
15	4	900128	3/8UNC X 3/4 HEX BOLT
16	10	900129	3/8UNC X 1" HEX BOLT
17	2	900263	1/2UNC X 1" HEX BOLT
18	8	901129	3/8UNC X 1" CARR BOLT
19	12	910004	3/8UNC HEX NUT
20	6	914004	3/8UNC HEX STOVER NUT
21	2	914016	1" UNC HEX STOVER NUT
22	16	920502	3/8 LOCK WASHER
23	1	438419	QUAD PLR SHIELD MT TUBE 91
24	1	438415	QUAD PLR SHIELD WLD 200 91
25	1	438381	RH QUAD PLR STALK GUIDE WLD90
26	1	438384	LH QUAD PLR STALK GUIDE WLD90
27	1	390984	COTTER PIN 1/8 X 1 1/4
28	2	900004	1/4UNC X 1 1/4 HEX BOLT
29	2	914000	1/4UNC HEX STOVER NUT
30	1	438424	QUAD PLR MTR MT PLT WLD
31	2	900064	5/16UNC X 3/4 HEX BOLT
32	1	900830	5/16UNC X 2" HEX BOLT GR8
33	1	914002	5/16UNC HEX STOVER NUT
34	1	473805	ROLL PIN 1/4X1 1/2
35	2	483032	1 1/2 X 1" X .134TH MACH WASH

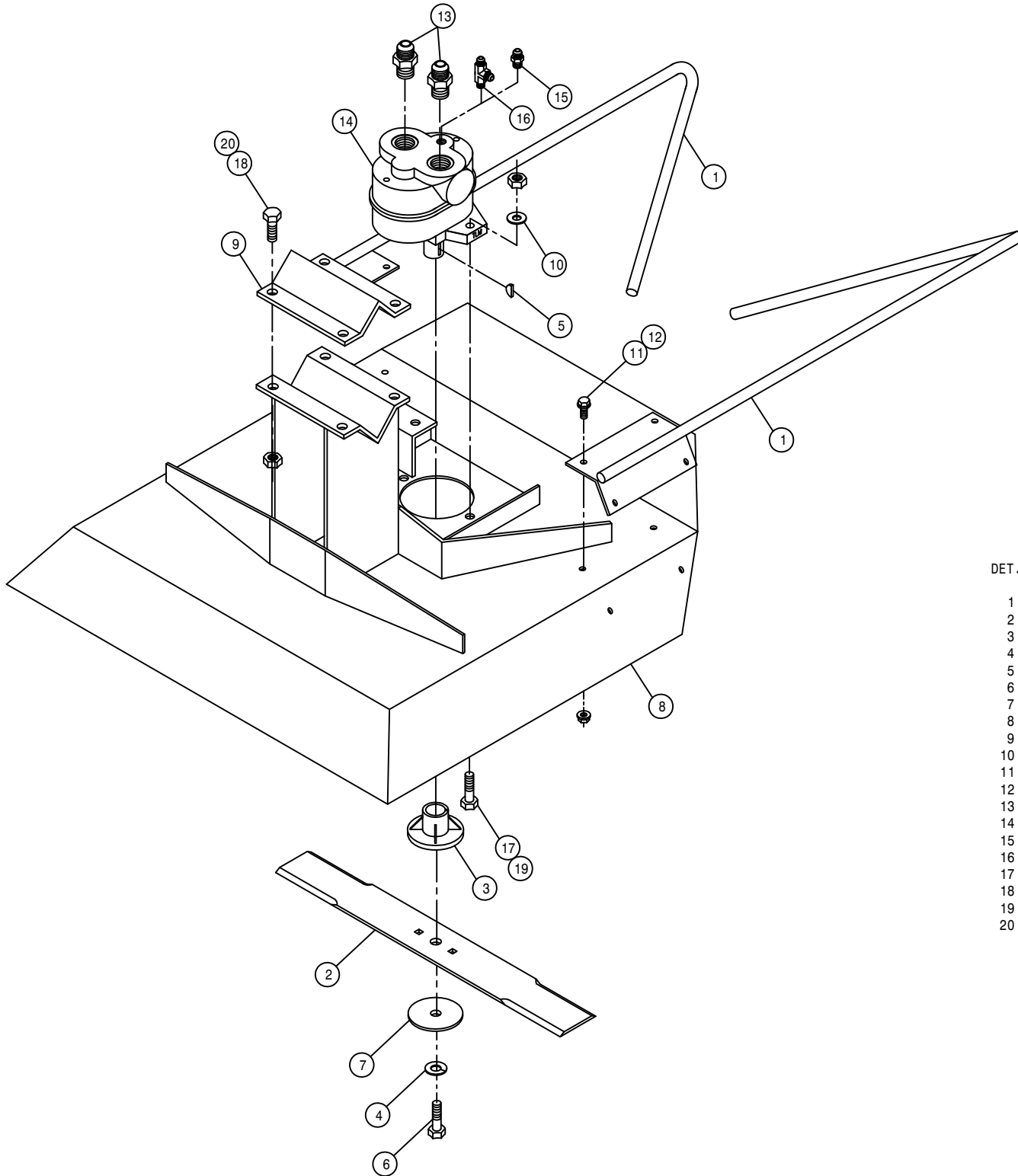
* NOTE: 1. DETAIL 14 CONSIST OF RIM AND HUB - 824511, TUBE - 824510, TIRE - 824509, STUD - 824513 WHEEL NUT - 824514

2. DETAIL 36 CONSIST OF RIM AND HUB - 824511, TUBE - 824510, TIRE - 824516, STUD - 824513 WHEEL NUT - 824514

3. DETAIL 37 & 38 ARE USED WITH THE 10-ROW OPTION.

DET.	QTY	PART NO.	DESCRIPTION
36	4	824515	410-4 WHL ASSY, 2P SAWTOOTH
37	1	618586	7/8MOR UNION
38	1	607522	FLOW REGULATOR, 8GPM VONBERG
39	16	824514	WHL NUT, 4-BOLT HUB
40	28	824513	STUD, 4-BOLT HUB
41	2	438503	.71 HUB SPACER, QUAD PLR
42	8	824509	4.10/3.50-4 2PLY STUD TIRE
43	8	824516	4.10/3.50 2P SAWTOOTH TIRE
44	8	824510	4.10/3.50-4 BENT STEM TUBE
45	4	824511	410-4 2PC RIM
46	16	910003	5/16UNF HEX NUT

4-BOLT RIM ASSEMBLY



CUTTER HEAD ASSEMBLY

DET. QTY PART NO. DESCRIPTION

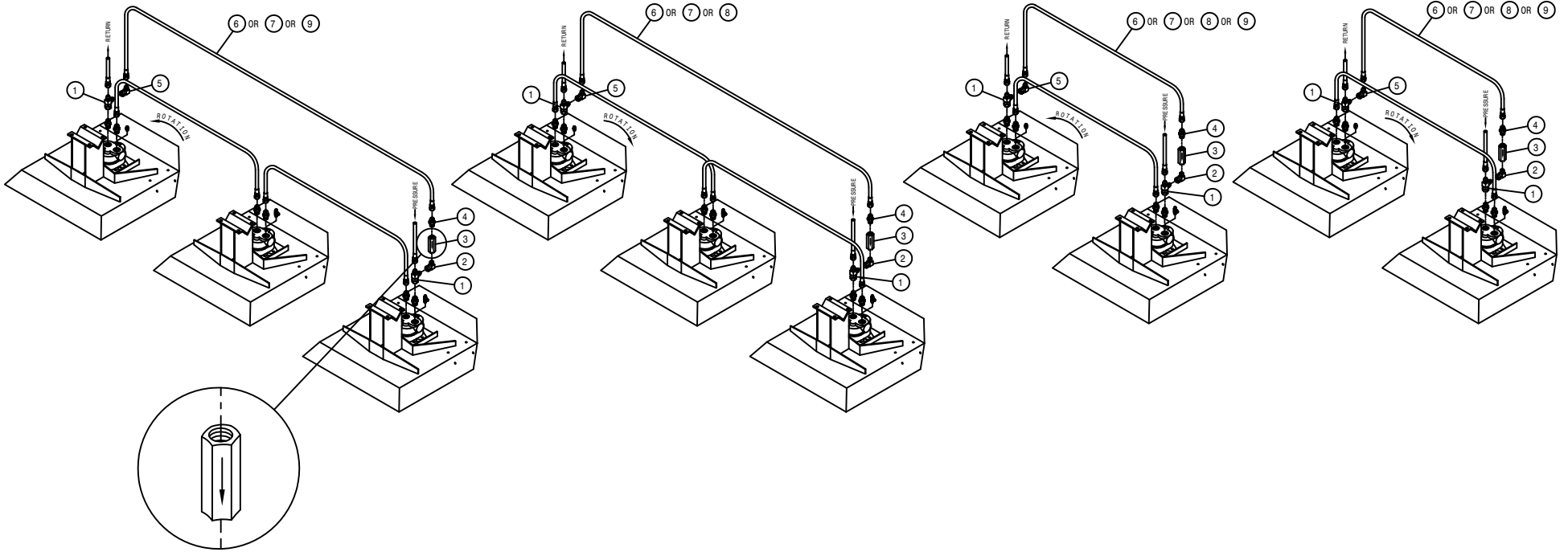
1	2	002215	CUTR STALK GUIDE WLD 8200	85
2	1	002103	CUTR BLADE 18 IN	
3	1	002104	CLUTCH BODY BLADE	
4	1	002105	STEEL LOCK WASH CUTR BLADE	
5	1	002106	WOODRUFF KEY #6 .156 X .625	
6	1	002107	3/8UNC X 1 1/2 HEX BOLT CUTR	
7	1	002108	STEEL WASHER CUTTER BLADE	
8	1	002210	CUTR TOP WLD 8200	85
9	1	410016	RLR HANGER V 473	
10	2	920002	3/8 SAE FLAT WASHER	
11	8	470118	1/4UNC X 3/4 FLANGE HEX BOLT	
12	8	470121	1/4UNC HEX FLANGE LOCK NUT	
13	2	611125	3/4MJIC-3/4MOR ADPTR	
14	1	610590	SUB>610755:BARNES HYD MOTOR	
15	1	618530	9/16MJIC-1/8MNPT ADPTR	
16	1	618546	1/8MNPT RUN TEE-9/16MJIC	
17	2	900130	3/8UNC X 1 1/4 HEX BOLT	
18	4	900265	1/2UNC X 1 1/2 HEX BOLT	
19	2	914004	3/8UNC HEX STOVER NUT	
20	4	914008	1/2UNC HEX STOVER NUT	

LEFT SIDE OF OPERATOR

RIGHT SIDE OF OPERATOR

LEFT SIDE OF OPERATOR

RIGHT SIDE OF OPERATOR

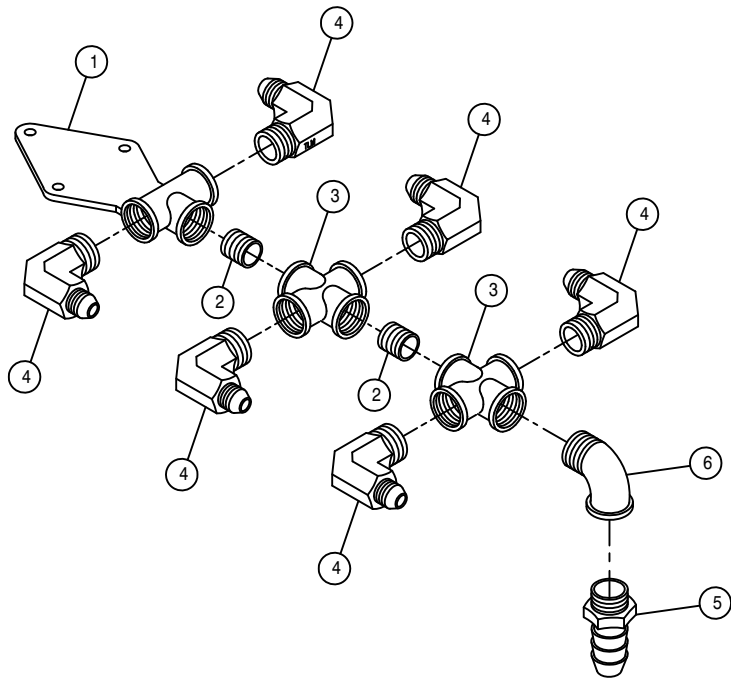


CUTTER CHECK VALVE HYDRAULIC SCHEMATIC

DET. QTY PART NO. DESCRIPTION

1	2	618451	3/4FJIC SW RUN TEE-3/4MJIC	
2	1	618620	3/4FJX-90-1/2MNPT ADPTR	
3	1	690338	LINE CHECK VALVE HYD .50NPT	
4	1	611147	3/4MJIC-1/2MNPT ADPTR	
5	1	618609	3/4MJIC-90-3/4FJIC SWIV LBO	
6	1	614375	08C1T-08FJX-08FJX-177	H/A
7	1	616057	08C1T-08FJX-08FJX-88	H/A
8	1	614368	08C1T-08FJX-08FJX-60	H/A
9	1	614384	08C1T-08FJX-08FJX-237	H/A

NOTE: LISTING IS FOR ONE GROUP OF CUTTER HEADS.

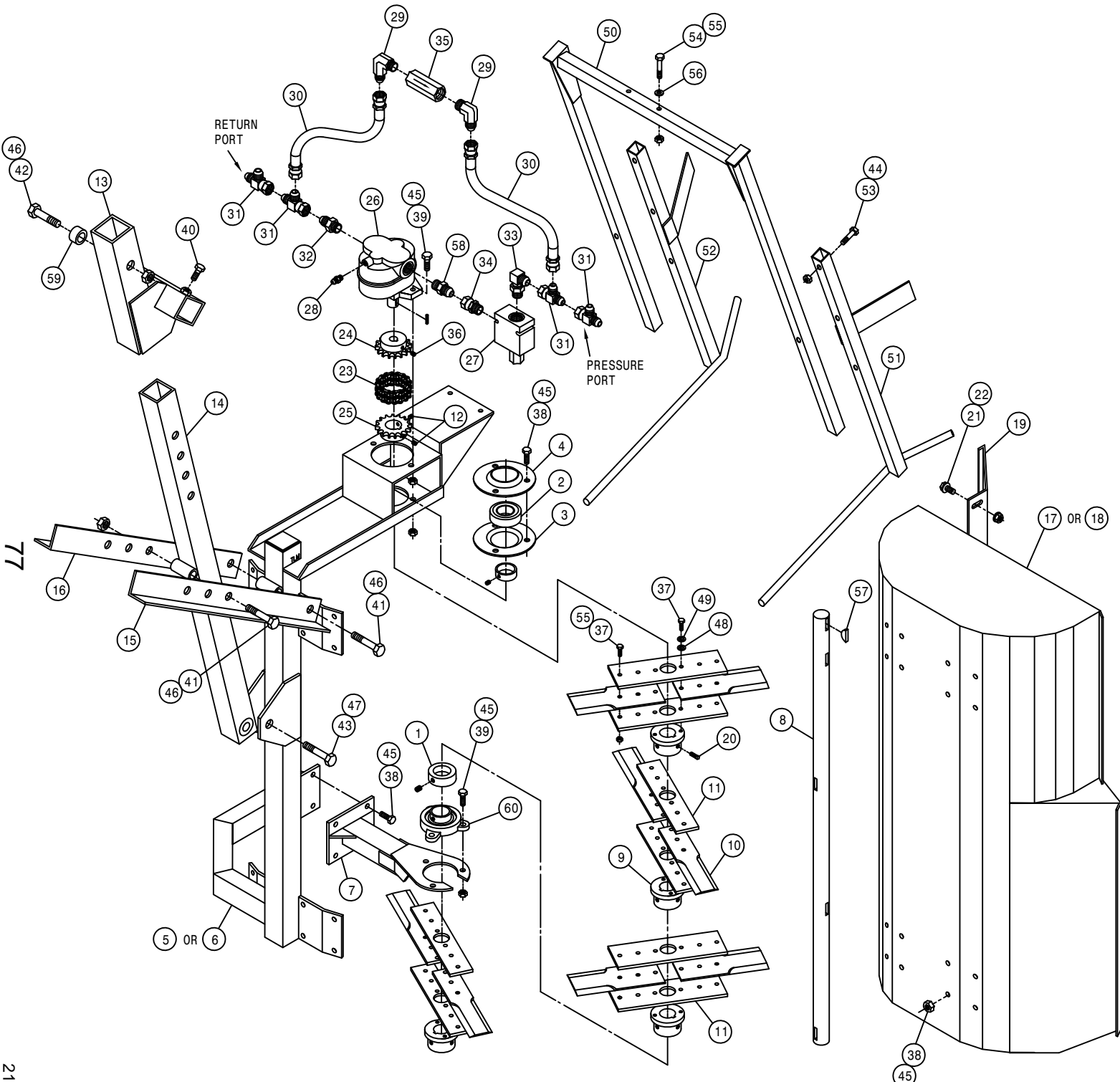


CUTTER CASE DRAIN FITTING ASSEMBLY

DET.	QTY	PART NO.	DESCRIPTION
	1	615746	CASE DRAIN FTG WLD
	2	503600	CLOSE NIPPLE .50NPT
	2	503824	BLK PIPE CROSS .50NPT
	6	618107	9/16MJIC-90-1/2MNPT LBO
	1	712440	1/2 NPT X 3/4 HOSE BARB
	1	503400	BLK PIPE ST EL 90DEG .50NPT

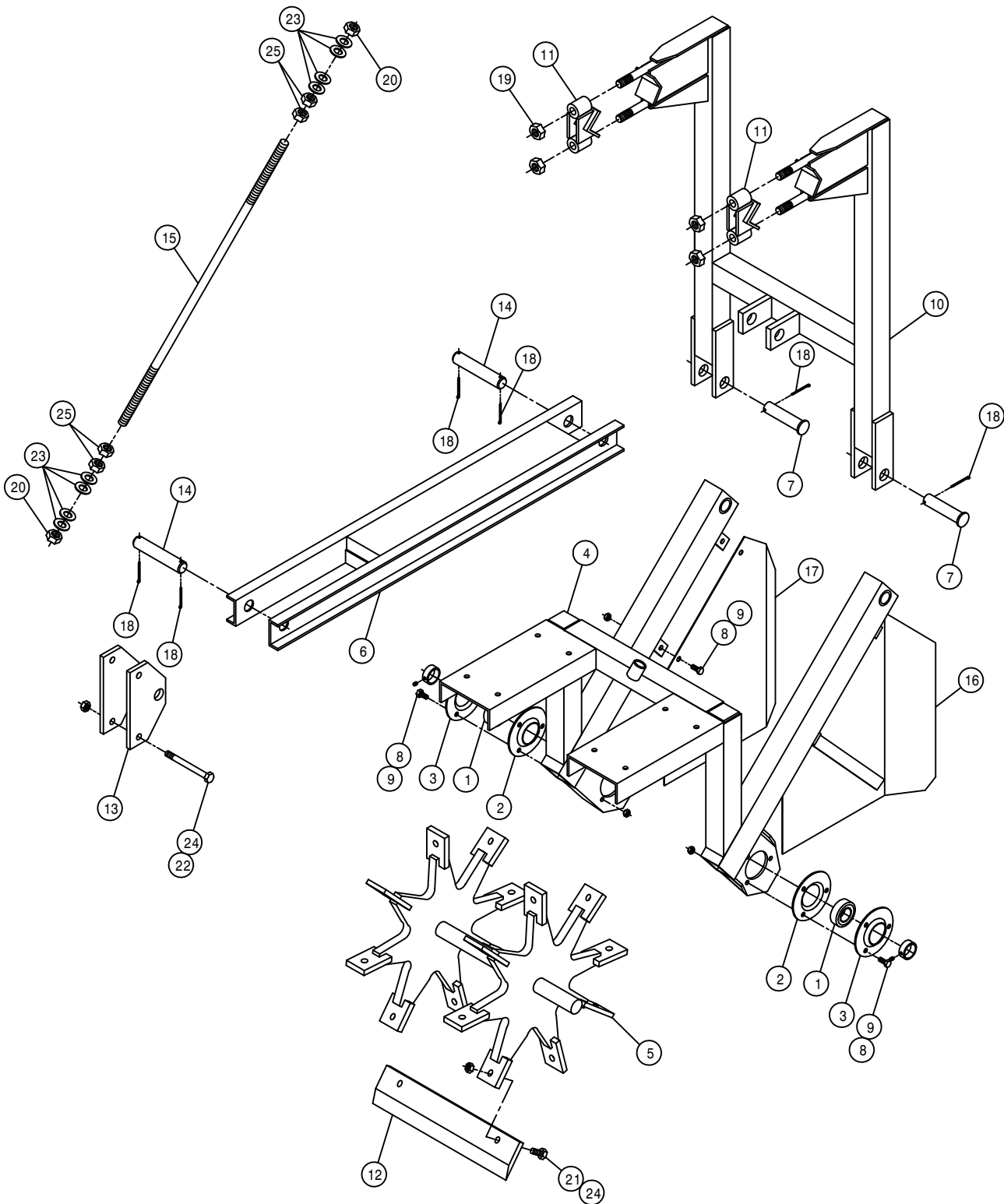
MALE ROW 4-BLADE CUTTER ASSEMBLY

DET. QTY PART NO. DESCRIPTION



DET.	QTY	PART NO.	DESCRIPTION
1	1	474020	1 1/4 SHAFT SET COLLAR
2	2	123024	BGR 1 1/4 BORE SPHERICL RELUB
3	2	123026	FLANGETT 1 1/4
4	2	123035	FLANGETT 1 1/4 180 DEG ZERK
5	1	270880	RH 4-BLADE CUTTER FRAME WLD95
6	1	270881	LH 4-BLADE CUTTER FRAME WLD95
7	1	270896	LWR BRG MT WLD,4-BLD CUTR 95
8	1	270902	BLADE SHAFT,4-BLD CUTR 95
9	4	270903	BLADE MT HUB,4-BLD CUTR 95
10	8	270904	CUTTER BLADE,4-BLD CUTR 95
11	8	270905	UPPER BLADE SUPP,4-BLD CUTR95
12	2	470060	5/16UNC X 3/8 SET SCR
13	1	270907	CUTTER ADPT WLD,4-BLD CUTR 95
14	1	270910	CUTTER MT WLD,4-BLD CUTR 95
15	1	270913	RH ADJ ANG,4-BLD CUTR 95
16	1	270914	LH ADJ ANG,4-BLD CUTR 95
17	1	270915	RH SHIELD WLD,4-BLD CUTR 95
18	1	270916	LH SHIELD WLD,4-BLD CUTR 95
19	1	270923	DEFLECTOR SHLD,4-BLD CUTR 95
20	8	470057	5/16 X 1/2 LG SQ HD SET SCR
21	4	470121	1/4UNC HEX FLANGE LOCK NUT
22	4	470122	1/4UNC X 1/2 FLANGE HEX BOLT
23	1	492084	CHAIN FOR 4016 CHAIN COUPLER
24	1	492092	CHAIN CPLR 5/8 BORE 5/32 KWY
25	1	492091	CHAIN CPLR 1 1/4 BORE .25 KWY
26	1	610510	CESSNA GEAR MOTOR 1.48CI
27	1	610597	PRESS COMP FIXED FLO REG 18G
28	1	611121	9/16MJIC-1/4MNPT ADPTR
29	2	611145	3/4MJIC-90-1/2MNPT LBO
30	2	615626	08C1T-08FJX-08FJX-15
31	4	618451	3/4FJIC SW RUN TEE-3/4MJIC
32	1	618469	3/4MJIC-1 1/16MOR ADPTR
33	1	618474	3/4MJIC-90-1 1/16MOR LBO
34	1	618578	1 1/16FJIC SWIV-1 1/16MOR
35	1	690338	LINE CHECK VALVE HYD .50NPT
36	1	470052	1/4-20X1/2 AL HD SET SC CUP
37	24	900066	5/16UNC X 1 1/4 HEX BOLT
38	23	900129	3/8UNC X 1" HEX BOLT
39	5	900130	3/8UNC X 1 1/4 HEX BOLT
40	2	900263	1/2UNC X 1" HEX BOLT
41	2	900270	1/2UNC X 3" HEX BOLT
42	1	900273	1/2UNC X 3 3/4 HEX BOLT
43	1	900408	3/4UNC X 3 1/2 HEX BOLT
44	2	914000	1/4UNC HEX STOVER NUT
45	28	914004	3/8UNC HEX STOVER NUT
46	3	914008	1/2UNC HEX STOVER NUT
47	1	914012	3/4UNC HEX STOVER NUT
48	8	920001	5/16 SAE FLAT WASHER
49	8	920501	5/16 LOCK WASHER
50	1	270924	GUIDE MT WLD,4-BLD CUTR 95
51	1	270928	RH STALK GUIDE WLD,4-BLD CUTR
52	1	270929	LH STALK GUIDE WLD,4-BLD CUTR
53	2	900005	1/4UNC X 1 1/2 HEX BOLT
54	2	900069	5/16UNC X 2" HEX BOLT
55	18	914002	5/16UNC HEX STOVER NUT
56	2	920001	5/16 SAE FLAT WASHER
57	5	472020	WOODRUFF KEY # 18 1/4 X 1 1/8
58	1	611127	1 1/16MJIC-1 1/16MOR ADPTR
59	1	200015	.75 OD X 11GA WA X .38LG C/L
60	1	123050	1.25 PILLOW BLOCK BEARING,FLG

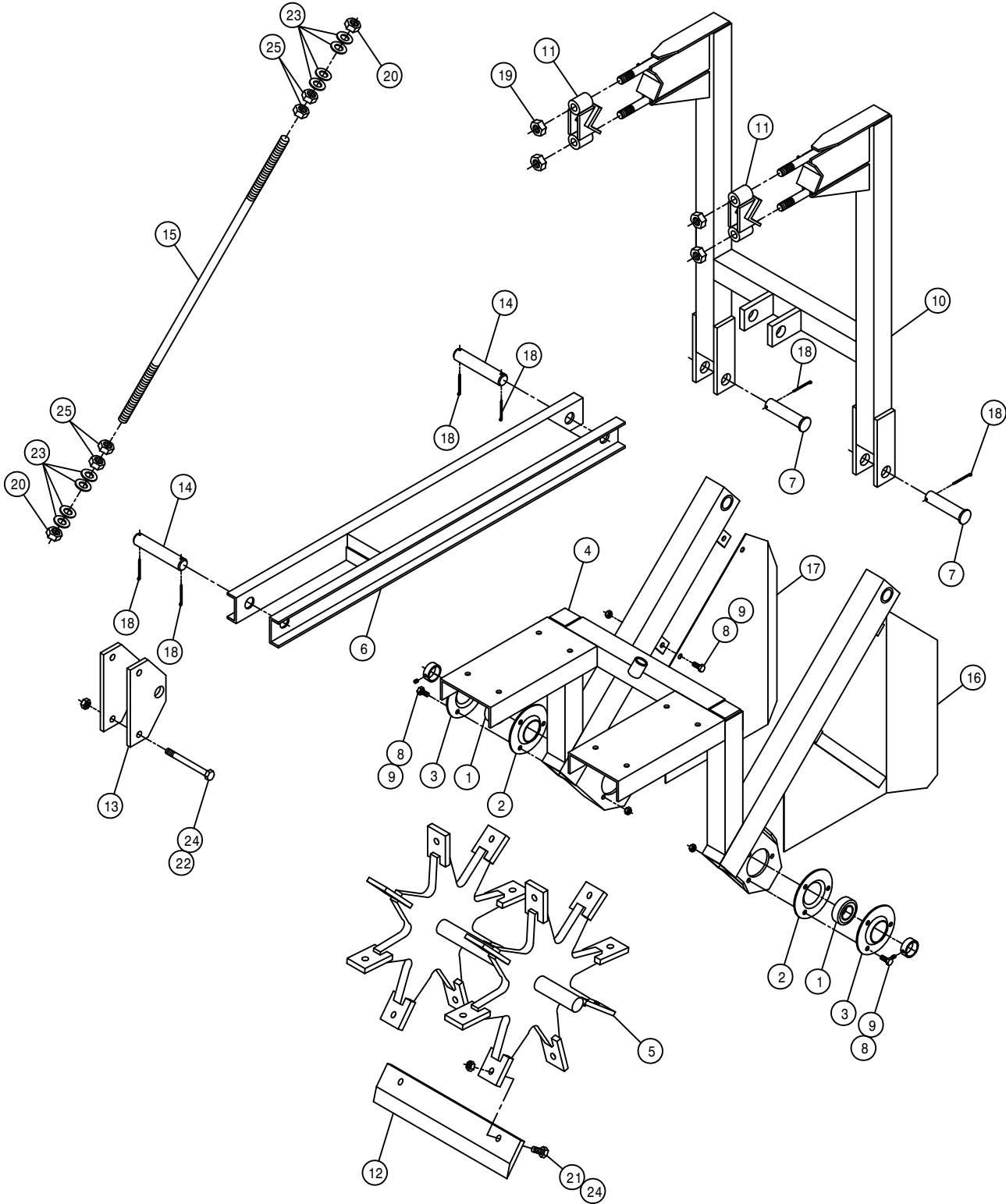
H/A



15" MALE ROW CHOPPER ASSEMBLY

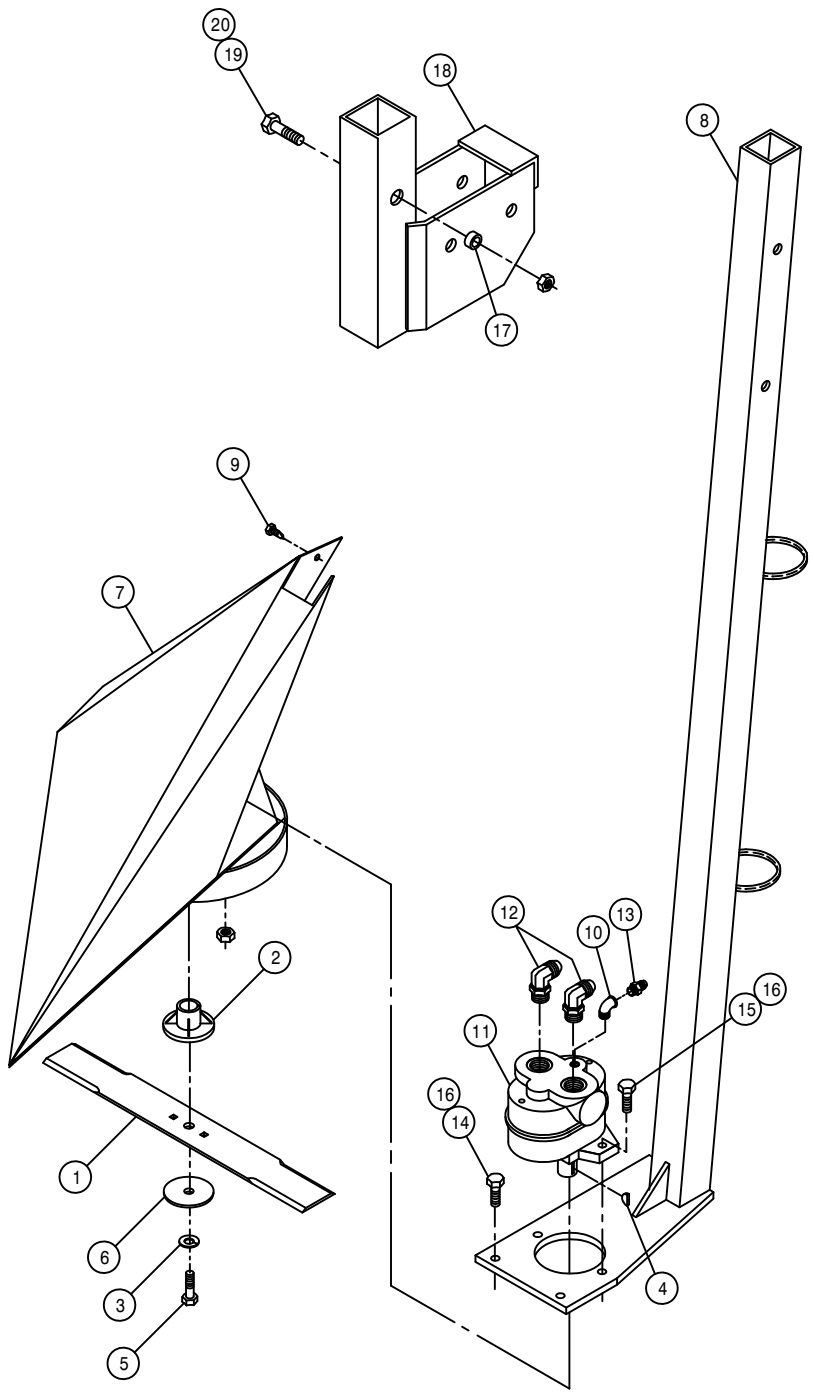
DET. QTY PART NO. DESCRIPTION

1	2	123024	BGR 1 1/4 BORE SPHERICL RELUB
2	2	123026	FLANGETT 1 1/4
3	2	123035	FLANGETT 1 1/4 180 DEG ZERK
4	1	270814	LWR FRAME WLD MALE ROW CHOP
5	1	270860	BLADE MT WHL WLD, CHOPPER 92
6	1	270852	LWR LIFT ARM WLD MALE CHOP 91
7	2	472012	CLEVIS PIN, 1.00 X 3.25 PLT
8	10	900129	3/8UNC X 1" HEX BOLT
9	10	914004	3/8UNC HEX STOVER NUT
10	1	270855	UPR FRAME WLD MALE ROW CHOP91
11	2	270833	TOOL BAR CLAMP WLD MALE CHOP
12	8	270838	CHOPPER BLADE 8131 STEEL TREA
13	2	270842	LWR LIFT ARM MTG PLT
14	2	270843	LIFT ARM PIN MALE ROW CHOPPER
15	1	270844	ADJ ROD MALE ROW CHOPPER
16	1	270845	RH SHLD WLD MALE ROW CHOPPER
17	1	270846	LH SHLD WLD MALE ROW CHOPPER
18	6	470162	COTTER PIN 3/16 X 1 1/2 SQCUT
19	4	914010	5/8UNC HEX STOVER NUT
20	2	914012	3/4UNC HEX STOVER NUT
21	16	900265	1/2UNC X 1 1/2 HEX BOLT
22	2	900275	1/2UNC X 4 1/2 HEX BOLT
23	8	920006	3/4 SAE FLAT WASHER
24	18	914008	1/2UNC HEX STOVER NUT
25	4	910012	3/4UNC HEX NUT



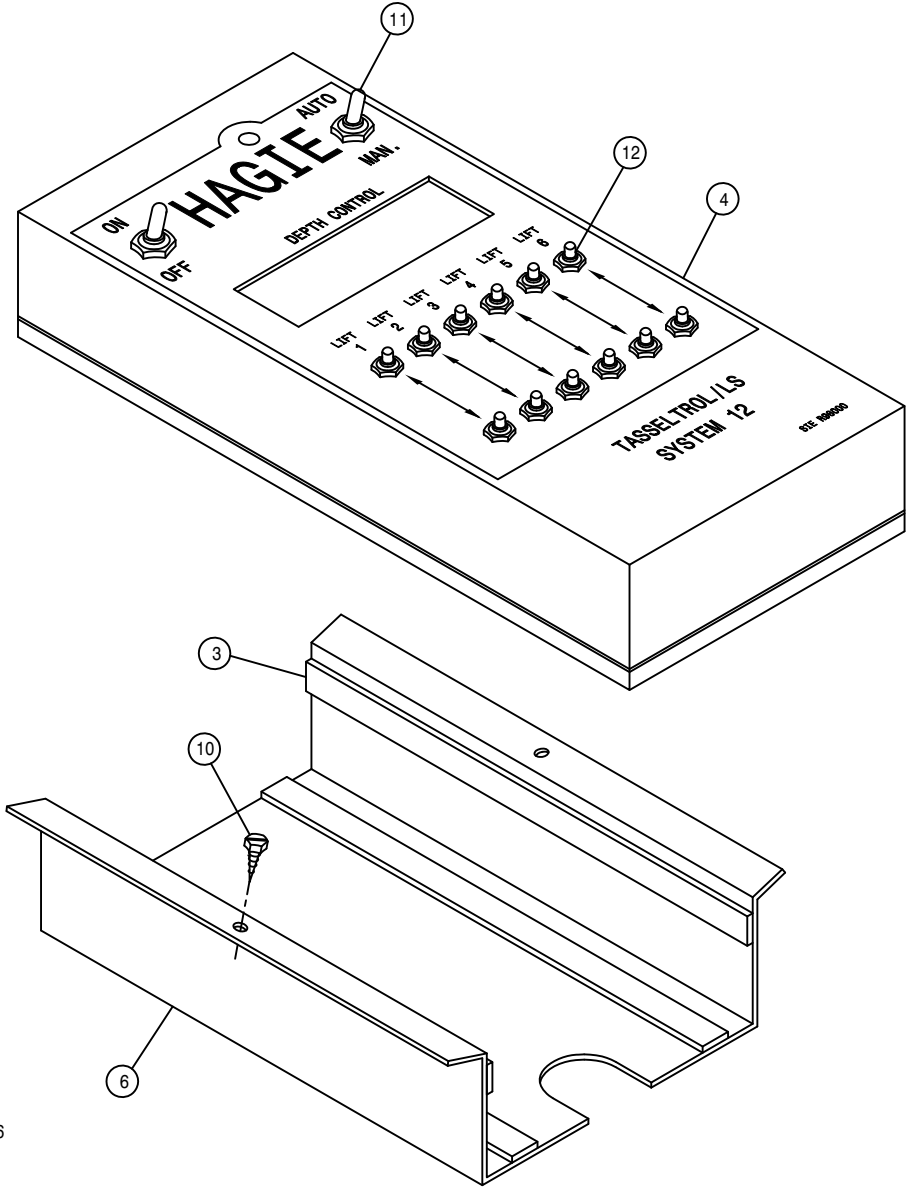
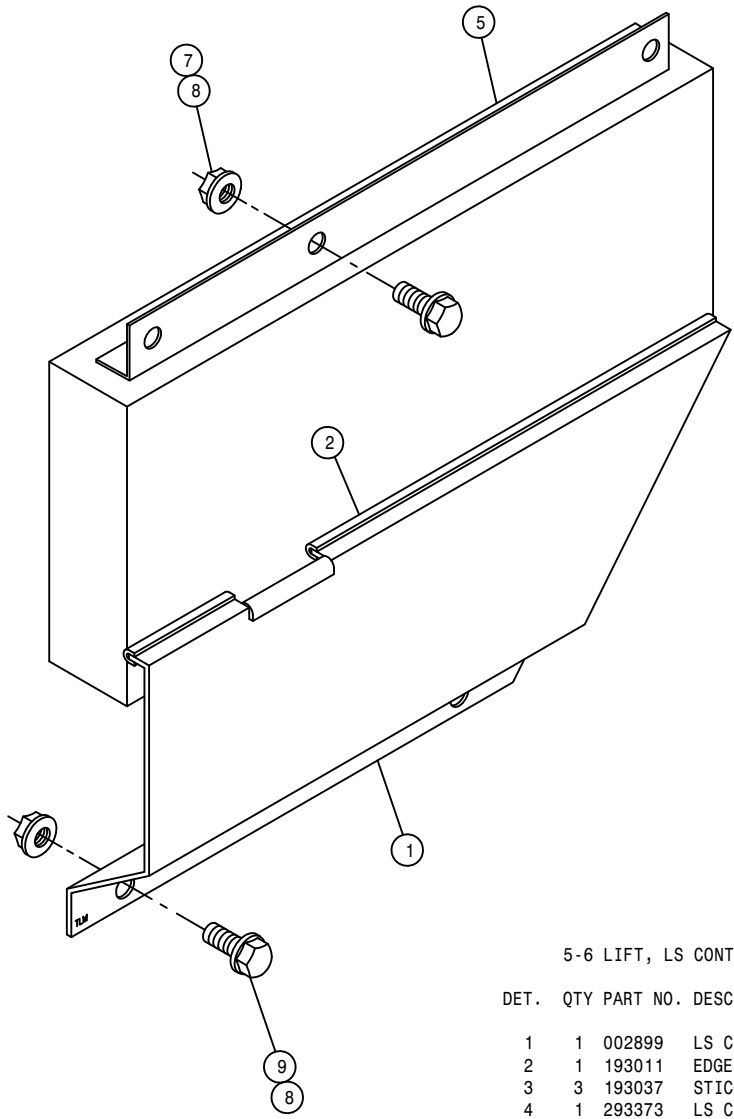
20" MALE ROW CHOPPER ASSEMBLY

DET.	QTY	PART NO.	DESCRIPTION
1	2	123024	BGR 1 1/4 BORE SPHERICL RELUB
2	2	123026	FLANGETT 1 1/4
3	2	123035	FLANGETT 1 1/4 180 DEG ZERK
4	1	270872	LWR FRAME WLD,20"MALE CHOPR95
5	1	270874	BLADE MT WHL WLD,20"CHOPR 95
6	1	270852	LWR LIFT ARM WLD MALE CHOP 91
7	2	472012	CLEVIS PIN, 1.00 X 3.25 PLT
8	10	900129	3/8UNC X 1" HEX BOLT
9	10	914004	3/8UNC HEX STOVER NUT
10	1	270876	UPR FRAME WLD,20"MALE CHOPR95
11	2	270833	TOOL BAR CLAMP WLD MALE CHOP
12	8	270866	CHOPPER BLADE,MALE ROW,20" 95
13	2	270842	LWR LIFT ARM MTG PLT
14	2	270843	LIFT ARM PIN MALE ROW CHOPPER
15	1	270867	ADJ ROD WLD,MALE ROW CHOPR 95
16	1	270845	RH SHLD WLD MALE ROW CHOPPER
17	1	270846	LH SHLD WLD MALE ROW CHOPPER
18	6	470162	COTTER PIN 3/16 X 1 1/2 SQCUT
19	4	914010	5/8UNC HEX STOVER NUT
20	2	914012	3/4UNC HEX STOVER NUT
21	16	900265	1/2UNC X 1 1/2 HEX BOLT
22	2	900275	1/2UNC X 4 1/2 HEX BOLT
23	8	920006	3/4 SAE FLAT WASHER
24	18	914008	1/2UNC HEX STOVER NUT
25	4	910012	3/4UNC HEX NUT



MALE CORN CUTTER ASSEMBLY

DET.	QTY	PART NO.	DESCRIPTION
	1	002103	CUTR BLADE 18 IN
	1	002104	CLUTCH BODY BLADE
	1	002105	STEEL LOCK WASH CUTR BLADE
	1	002106	WOODRUFF KEY #6 .156 X .625
	1	002107	3/8UNF X 1 1/2 HEX BOLT CUTR
	1	002108	STEEL WASHER CUTTER BLADE
	1	270800	MALE CORN CUTR WLD
	1	270805	MALE CORN CUTR DROP TUBE WLD
	1	472349	1/4 X 3/4 20THD-IN TEK TYPE
	1	500900	BLK PIPE ST EL 90DEG .125NPT
	1	610590	BARNES HYD MOTOR
	2	618241	3/4MJIC-90-3/4MOR LBO
	1	618530	9/16MJIC-1/8MNPT ADPTR
	2	900129	3/8UNC X 1" HEX BOLT
	2	900132	3/8UNC X 1 3/4 HEX BOLT
	4	914004	3/8UNC HEX STOVER NUT
	1	200015	.75 OD X 11GA WA X .38LG C/L
	1	270809	MALE CUTR ADPTR BRKT WLD 83
	1	900273	1/2UNC X 3 3/4 HEX BOLT
	1	914008	1/2UNC HEX STOVER NUT

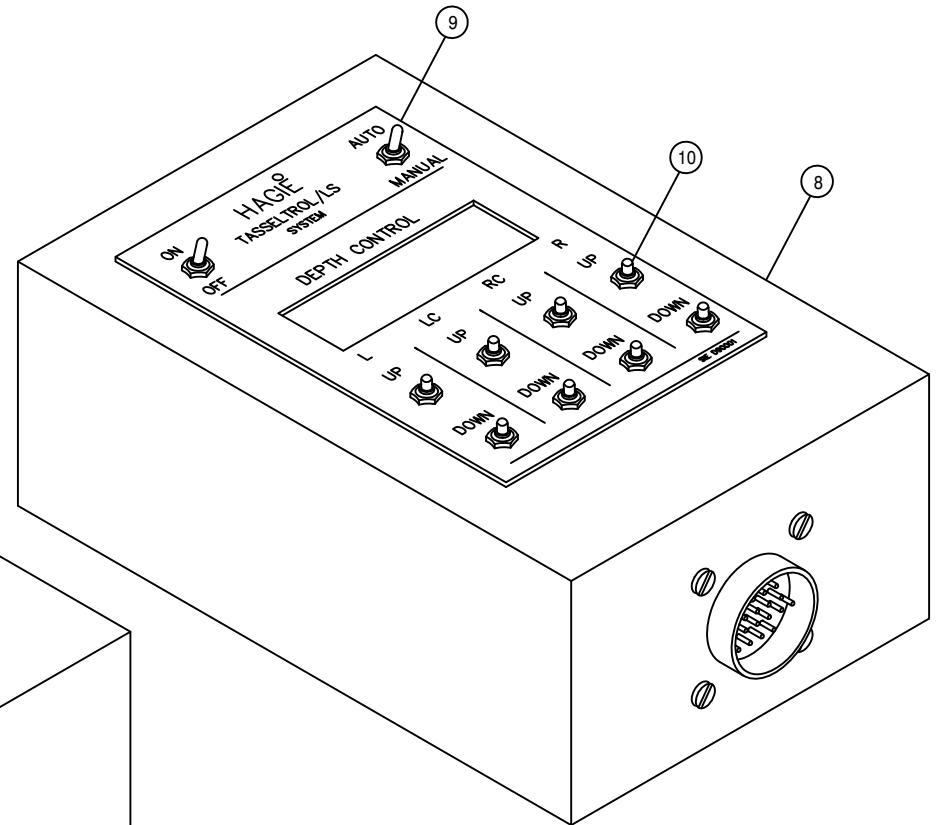
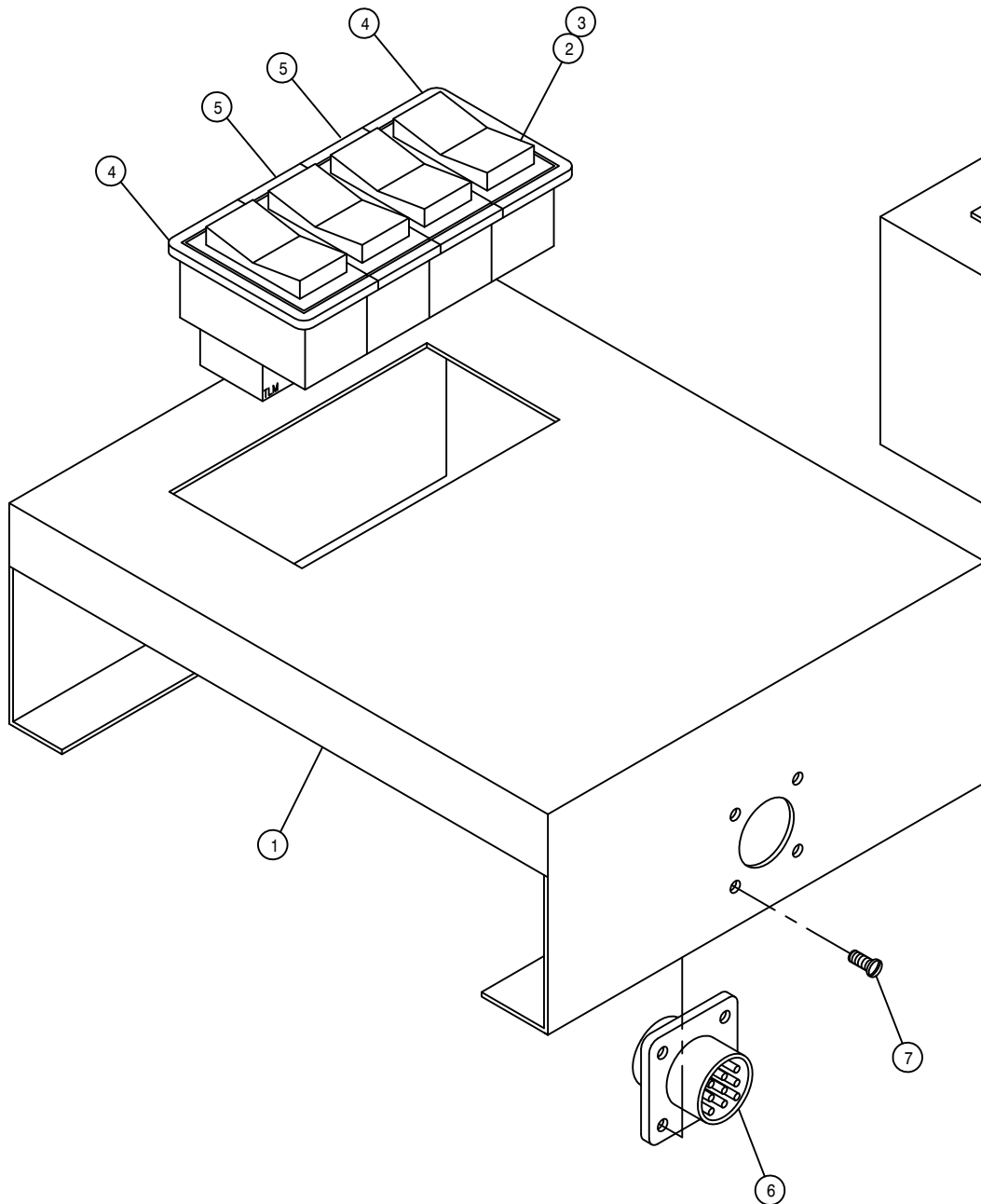


5-6 LIFT, LS CONTROL BOX ASSEMBLY

DET.	QTY	PART NO.	DESCRIPTION
	1	002899	LS CTRL BOX CONNECTOR SHLD 96
	2	193011	EDGE GUARD, BLK
	3	193037	STICKERTITE 1/8 X 3/4
	4	293373	LS CTRL 6L DISPLAY BOX ASSY
	5	293374	LS CTRL 6L CABLE BOX ASSY
	6	342297	LS CTRL 6L DISPLAY BOX MT
	7	470118	1/4UNC X 3/4 FLANGE HEX BOLT
	8	470121	1/4UNC HEX FLANGE LOCK NUT
	9	470122	1/4UNC X 1/2 FLANGE HEX BOLT
	10	473902	NO 8 X 1/2 PAN HD MET SC
	11	470001	RUBBER BOOT W NUT FOR 298012
	12	293255	SWITCH BOOT,PUSHBUTTON,1/4-40

LS MANUAL SWITCH ASSEMBLY

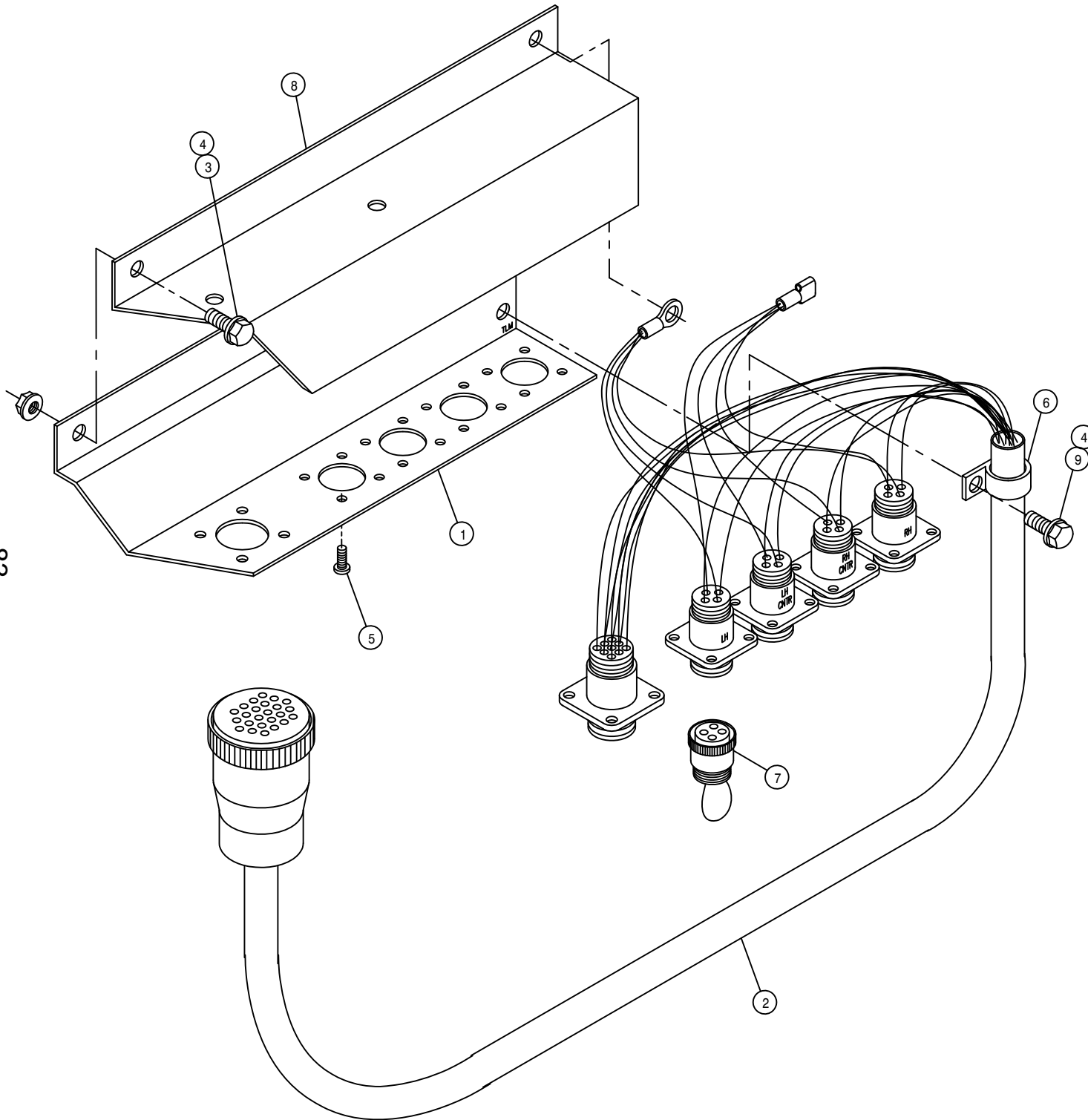
LS CONTROL BOX ASSEMBLY



LS SWITCH AND CONTROL BOX ASSEMBLY

DET. QTY PART NO. DESCRIPTION

1	1	002832	MANUAL LS SYS SWITCH PANEL 92
2	4	291627	SWITCH, 2P(ON)OFF(ON) 511-058
3	4	293245	BLANK BLACK LENS
4	2	293246	END BEZEL
5	2	293247	CENTER BEZEL
6	1	293248	MANUAL LS SYS SW HARNESS 92
7	4	473932	6-32 X 3/8 PAN SELF TAP SCR
8	1	293201	TASSELTROL/LS CTRL BOX ASSY
9	2	470001	RUBBER BOOT W NUT FOR 298012
10	8	293255	SWITCH BOOT,PUSHBUTTON,1/4-40

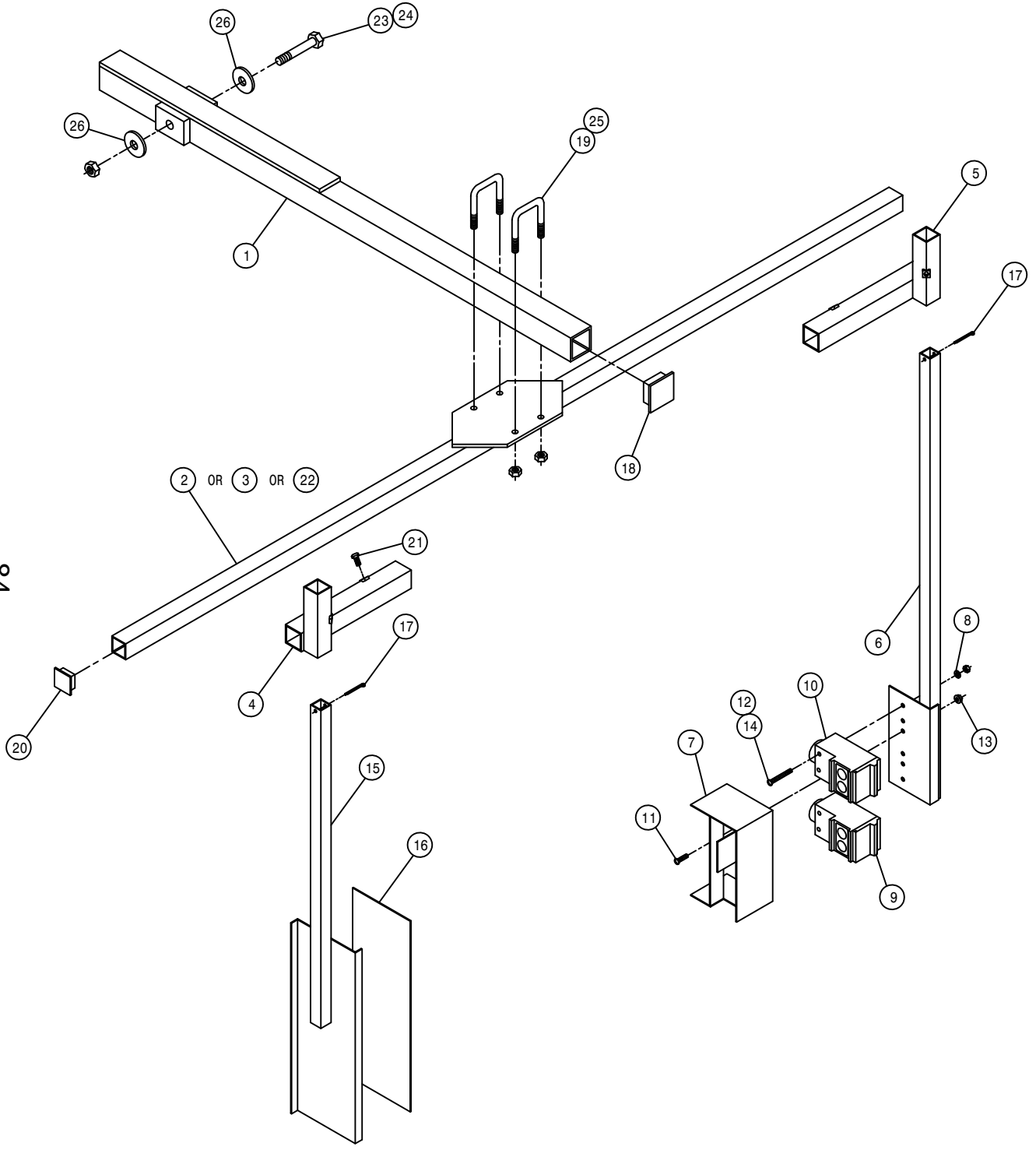


LS RECEPTACLE ASSEMBLY

DET.	QTY	PART NO.	DESCRIPTION
	1	002777	T-TROL/LS RECEPTACLE MT
	1	293200	MAIN CONTROL WIRE ASSY LS 90
	2	470118	1/4UNC X 3/4 FLANGE HEX BOLT
	3	470121	1/4UNC HEX FLANGE LOCK NUT
	20	473932	6-32 X 3/8 PAN SELF TAP SCR
	1	520118	CUSH HOSE CLAMP 1/2D X 1/2W
	1	293211	JUMPER PLUG, T-TROL/LS SYS
	1	002879	RECEPTACLE MT COVER, 204 94
	1	470122	1/4UNC X 1/2 FLANGE HEX BOLT

NOTE: DETAIL 7 IS USED (1) WITH 3-LIFT OPTION AND (2) WITH 2-LIFT OPTION.

84



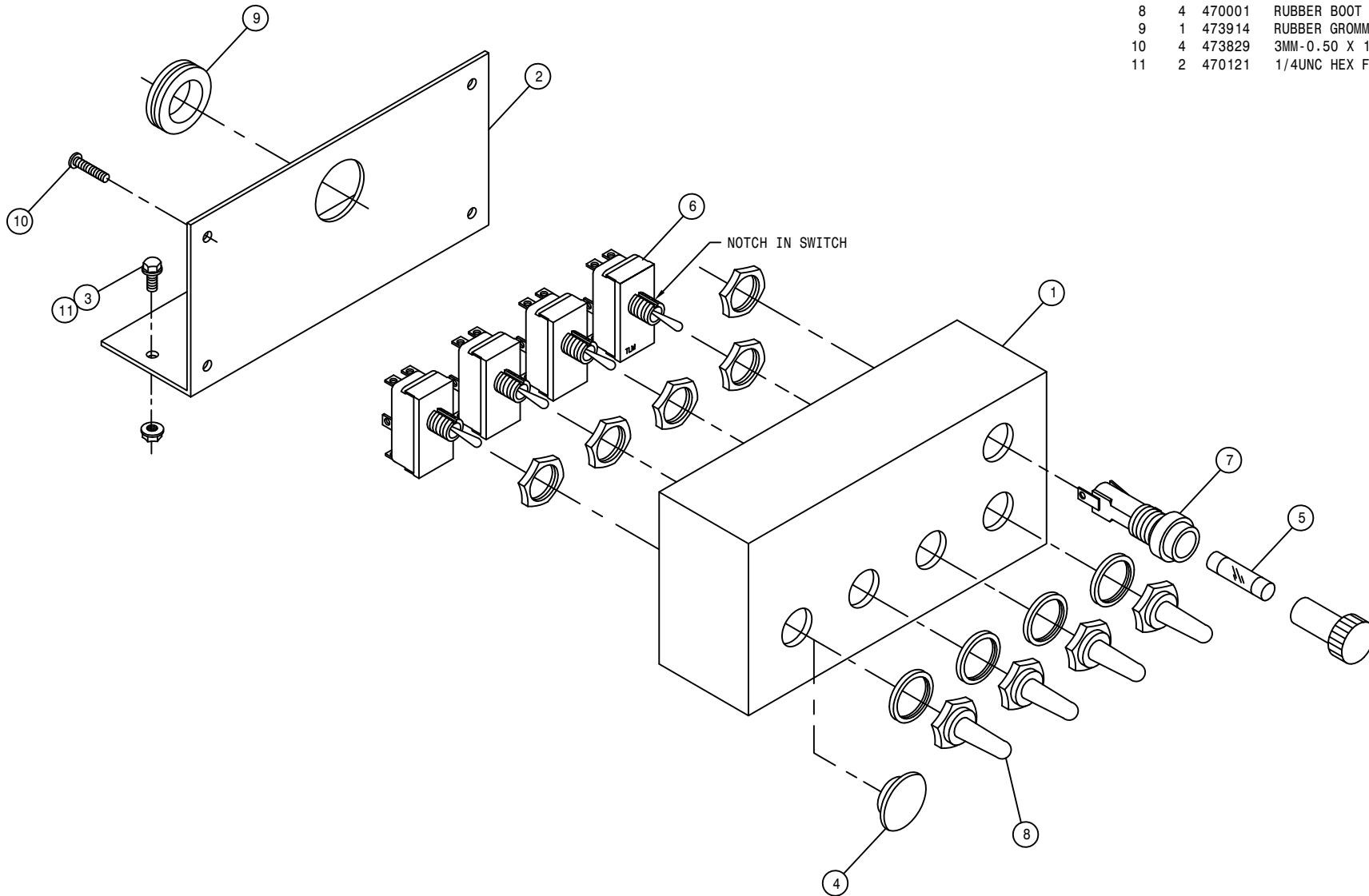
LS SENSOR ASSEMBLY

DET.	QTY	PART NO.	DESCRIPTION	
1	1	002813	SENSOR ARM WELD 200 DET	92
2	1	002834	LS CROSSTUBE WLD 10-12R	92
3	1	002709	LS CROSSTUBE WLD	90
4	1	002712	LS REFLECTOR SLIDE MT WLD	90
5	1	002713	LS SENSOR SLIDE MT WLD	90
6	1	002839	LS 42GRU PHOTOSW SENSR MT WLD	
7	1	002841	LS 42GRU SENSOR SHIELD WLD	
8	2	920510	#10 LOCK WASHER	
9	1	293258	LWR LS 9000 SENSOR ASSY, FEM	
10	1	293259	UPR LS 9000 SENSOR ASSY, MALE	
11	2	903883	10-32 X 1/2 SLT RDHD MACH SCR	
12	2	910027	10-32 HEX NUT	
13	2	470175	10-32 HEX FLANGE LOCK NUT	
14	4	903902	10-32 X 2" SLT RD HD MACH SCR	
15	1	002723	LS REFLECTOR MT WLD	90
16	1	650310	LS REFLECTOR 4 X 12	90
17	2	390984	COTTER PIN 1/8 X 1 1/4	
18	1	473943	FINISH PLUG 1 1/2 SQ	
19	2	473949	5/16UNC-1 9/16ID-1 15/16U-BOLT	
20	2	629727	FINISH PLUG FOR 1 IN X 16 GA	
21	4	900000	1/4UNC X 1/2 HEX BOLT	
22	1	002876	LS CROSSTUBE WLD, 62"	94
23	1	900275	1/2UNC X 4 1/2 HEX BOLT	
24	1	914008	1/2UNC HEX STOVER NUT	
25	4	914002	5/16UNC HEX STOVER NUT	
26	2	002815	SENSOR ARM WASH, NYL	

2-3-4 LIFT, DEPTH COMMAND SWITCH ASSEMBLY

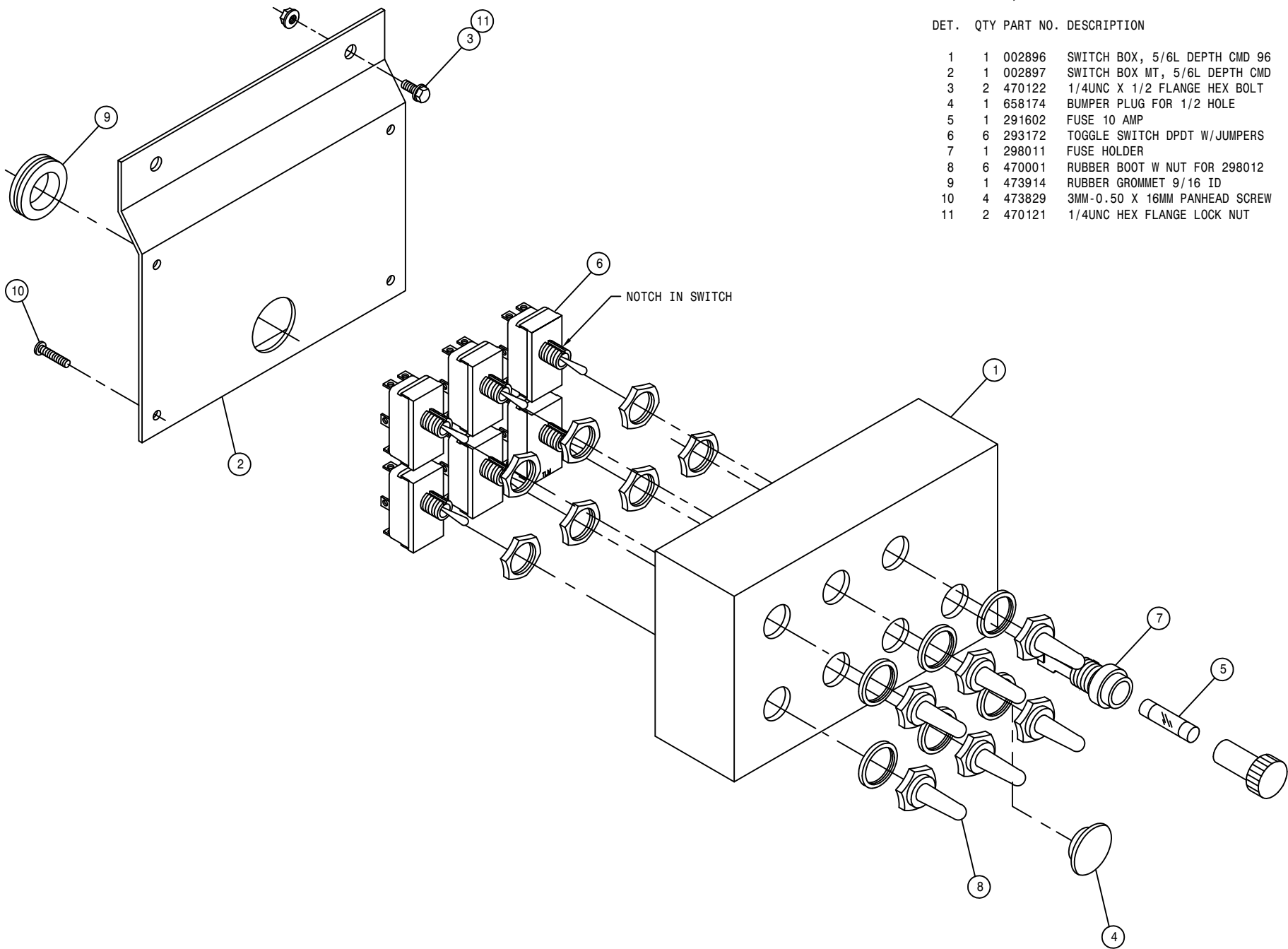
DET. QTY PART NO. DESCRIPTION

DET.	QTY	PART NO.	DESCRIPTION
1	1	002744	SWITCH BOX, DEPTH CMD
2	1	002745	SWITCH BOX MT, DEPTH CMD
3	2	470122	1/4UNC X 1/2 FLANGE HEX BOLT
4	1	658174	BUMPER PLUG FOR 1/2 HOLE
5	1	291602	FUSE 10 AMP
6	4	293172	TOGGLE SWITCH DPDT W/JUMPERS
7	1	298011	FUSE HOLDER
8	4	470001	RUBBER BOOT W NUT FOR 298012
9	1	473914	RUBBER GROMMET 9/16 ID
10	4	473829	3MM-0.50 X 16MM PANHEAD SCREW
11	2	470121	1/4UNC HEX FLANGE LOCK NUT



5-6 LIFT, DEPTH COMMAND SWITCH ASSEMBLY

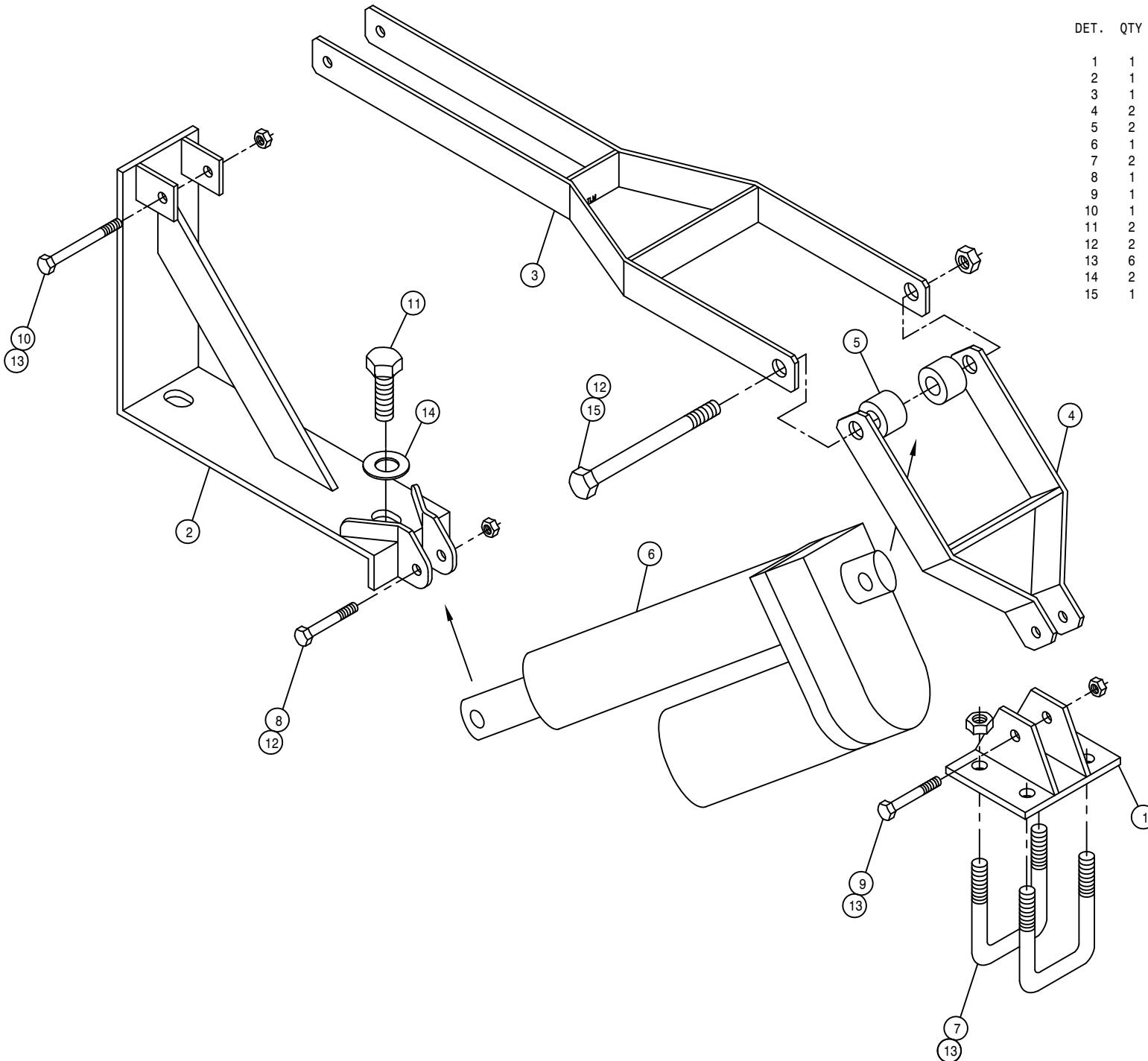
DET.	QTY	PART NO.	DESCRIPTION
1	1	002896	SWITCH BOX, 5/6L DEPTH CMD 96
2	1	002897	SWITCH BOX MT, 5/6L DEPTH CMD
3	2	470122	1/4UNC X 1/2 FLANGE HEX BOLT
4	1	658174	BUMPER PLUG FOR 1/2 HOLE
5	1	291602	FUSE 10 AMP
6	6	293172	TOGGLE SWITCH DPDT W/JUMPERS
7	1	298011	FUSE HOLDER
8	6	470001	RUBBER BOOT W NUT FOR 298012
9	1	473914	RUBBER GROMMET 9/16 ID
10	4	473829	3MM-0.50 X 16MM PANHEAD SCREW
11	2	470121	1/4UNC HEX FLANGE LOCK NUT



DEPTH COMMAND ACTUATOR ASSEMBLY

DET. QTY PART NO. DESCRIPTION

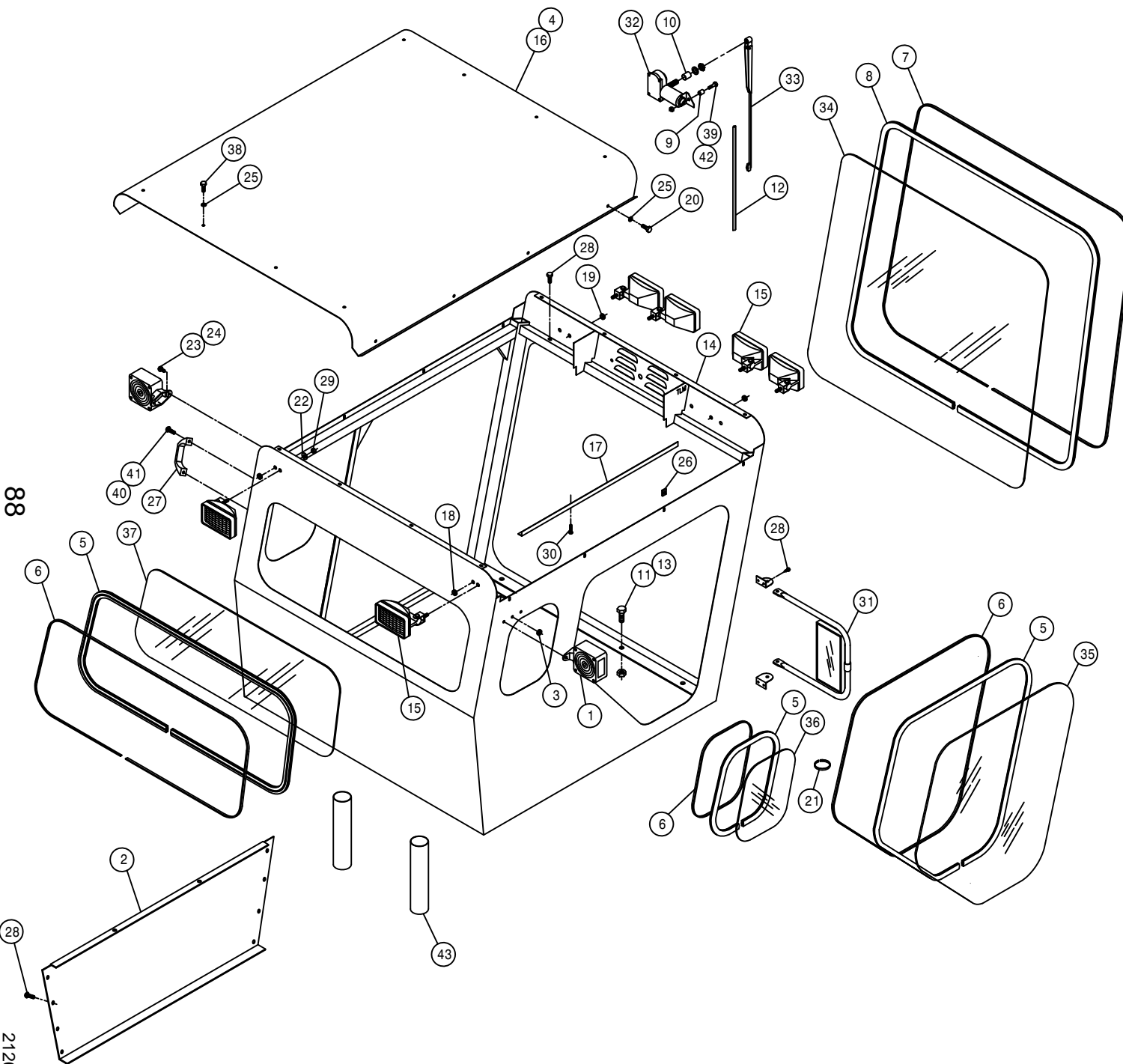
DET.	QTY	PART NO.	DESCRIPTION	
1	1	002849	HD DEPTH CMD ARM MT WLD	94
2	1	002846	HD DEPTH CMD MTG BRKT WLD	94
3	1	002851	HD DEPTH CMD UPR ARM WLD	94
4	2	002855	HD DEPTH CMD LWR ARM WLD	94
5	2	002858	HD DEPTH CMD ARM BUSH	94
6	1	291634	LINEAR ACTUATOR, ELECTRAK 2	
7	2	473949	5/16UNC-1 9/16ID-1 15/16U-BOLT	
8	1	900267	1/2UNC X 2" HEX BOLT	
9	1	900069	5/16UNC X 2" HEX BOLT	
10	1	900070	5/16UNC X 2 1/2 BOLT	
11	2	900263	1/2UNC X 1" HEX BOLT	
12	2	914008	1/2UNC HEX STOVER NUT	
13	6	914002	5/16UNC HEX STOVER NUT	
14	2	920004	1/2 SAE FLAT WASHER	
15	1	900275	1/2UNC X 4 1/2 HEX BOLT	



CAB ASSEMBLY

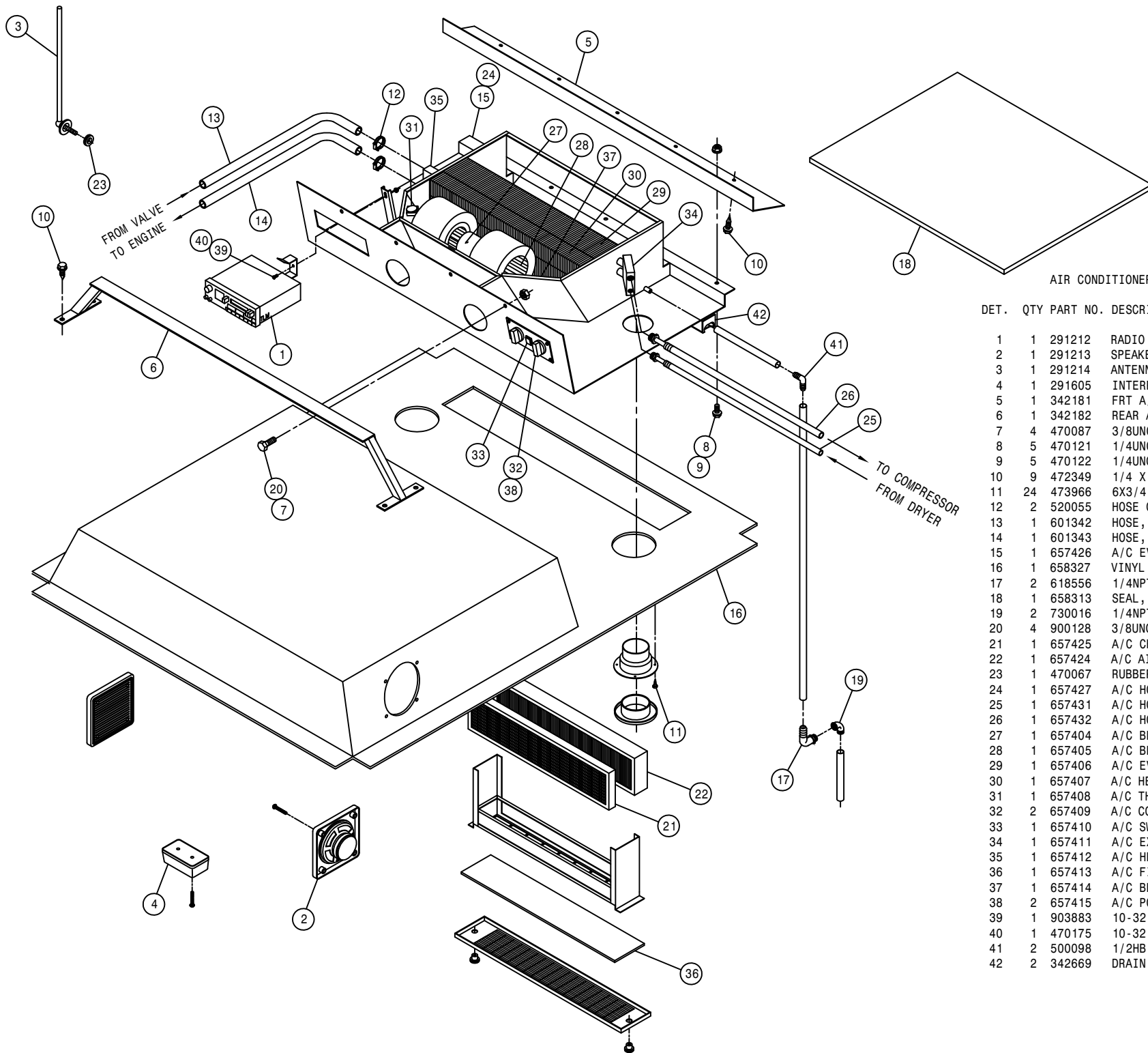
DET. QTY PART NO. DESCRIPTION

1	2	291604	TURN SIGNAL LIGHT,PED MT, YEL	
2	1	342295	LH SIDE PANEL, 204 CAB	95
3	2	470226	RUBBER GROMMET 5/32 ID	
4	18	193037	STICKERTITE 1/8 X 3/4	
5	25	193044	WINDOW WEATHERSTRIP	94
6	25	193045	LOCK STRIP FOR 193044	94
7	13	192001	FILLR STRIP FOR WEATHERSTRIP	
8	13	193018	2 P/C SELF SEAL WEATHERSTRIP	
9	1	200019	.25 SCH 40BP X 1.00 LG	C/L
10	1	202037	WINDSHIELD WIPER SPACER	
11	6	900264	1/2UNC X 1 1/4 HEX BOLT	
12	1	290417	18" WIPER BLADE	
13	6	914008	1/2UNC HEX STOVER NUT	
14	1	342287	204 CAB WELDMT	95
15	6	291603	WORKLAMP, SIDE MT 12V HALOGEN	
16	1	342150	CAB ROOF WLD, 284	94
17	1	342180	HEADLINER KPR ANGLE,284CAB	94
18	2	470067	RUBBER GROMMET 1/4 ID	
19	2	470070	RUBBER GROMMET 3/8 ID	
20	8	470118	1/4UNC X 3/4 FLANGE HEX BOLT	
21	1	470229	IDENTIFICATION TIE, 3/4"	
22	6	470100	3/8 INT TOOTH LOCK WASHER	
23	4	470121	1/4UNC HEX FLANGE LOCK NUT	
24	4	470122	1/4UNC X 1/2 FLANGE HEX BOLT	
25	16	470212	1/4 X 5/8 BONDED SEALING WASH	
26	16	470218	1/4UNC NUT J-TYPE CAGE CLIP	
27	1	470222	GRAB HANDLE, BLACK MOULDED	
28	22	472349	1/4 X 3/4 20THD-IN TEK TYPE	
29	6	473779	10MM-1.50 HEX NUT	
30	2	473910	1/4 X 1 1/2 PHIL HD SHT MTL S	
31	2	650524	OUTSIDE REAR VIEW MIRROR	
32	1	658008	WINDSHIELD WIPER MOTOR	
33	1	658013	WIPER ARM	
34	1	658018	FRONT CAB GLASS, 204	95
35	1	658015	FRONT SIDE CAB/DOOR GLASS	94
36	2	658016	REAR SIDE CAB GLASS	94
37	1	658017	REAR CAB GLASS	94
38	8	900002	1/4UNC X 3/4 HEX BOLT	
39	1	900005	1/4UNC X 1 1/2 HEX BOLT	
40	2	470175	10-32 HEX FLANGE LOCK NUT	
41	2	903883	10-32 X 1/2 SLT RDHD MACH SCR	
42	1	914000	1/4UNC HEX STOVER NUT	
43	2	342333	NYL HOSE SLEEVE,2.64ID X 12.00	



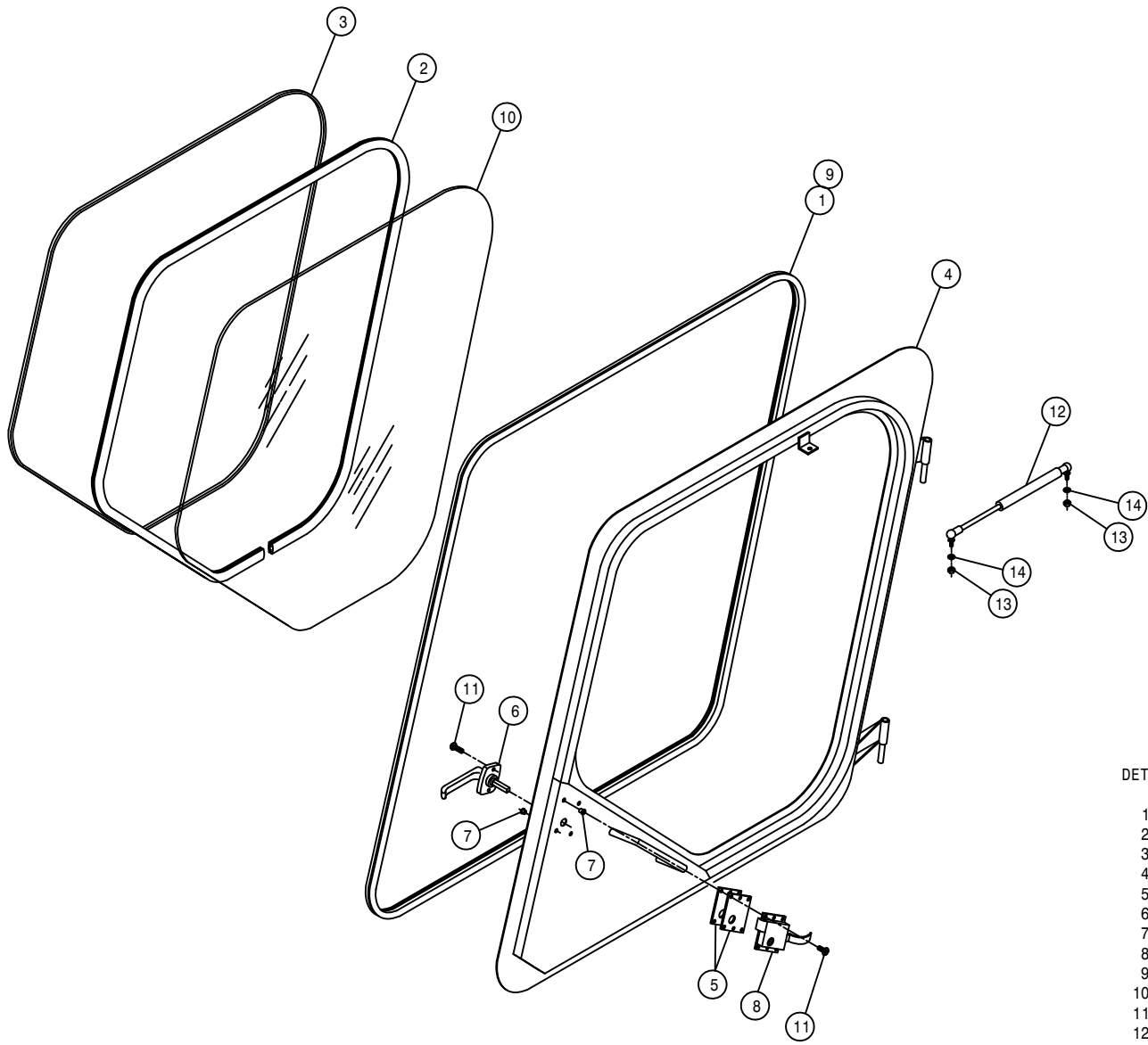
88

212088



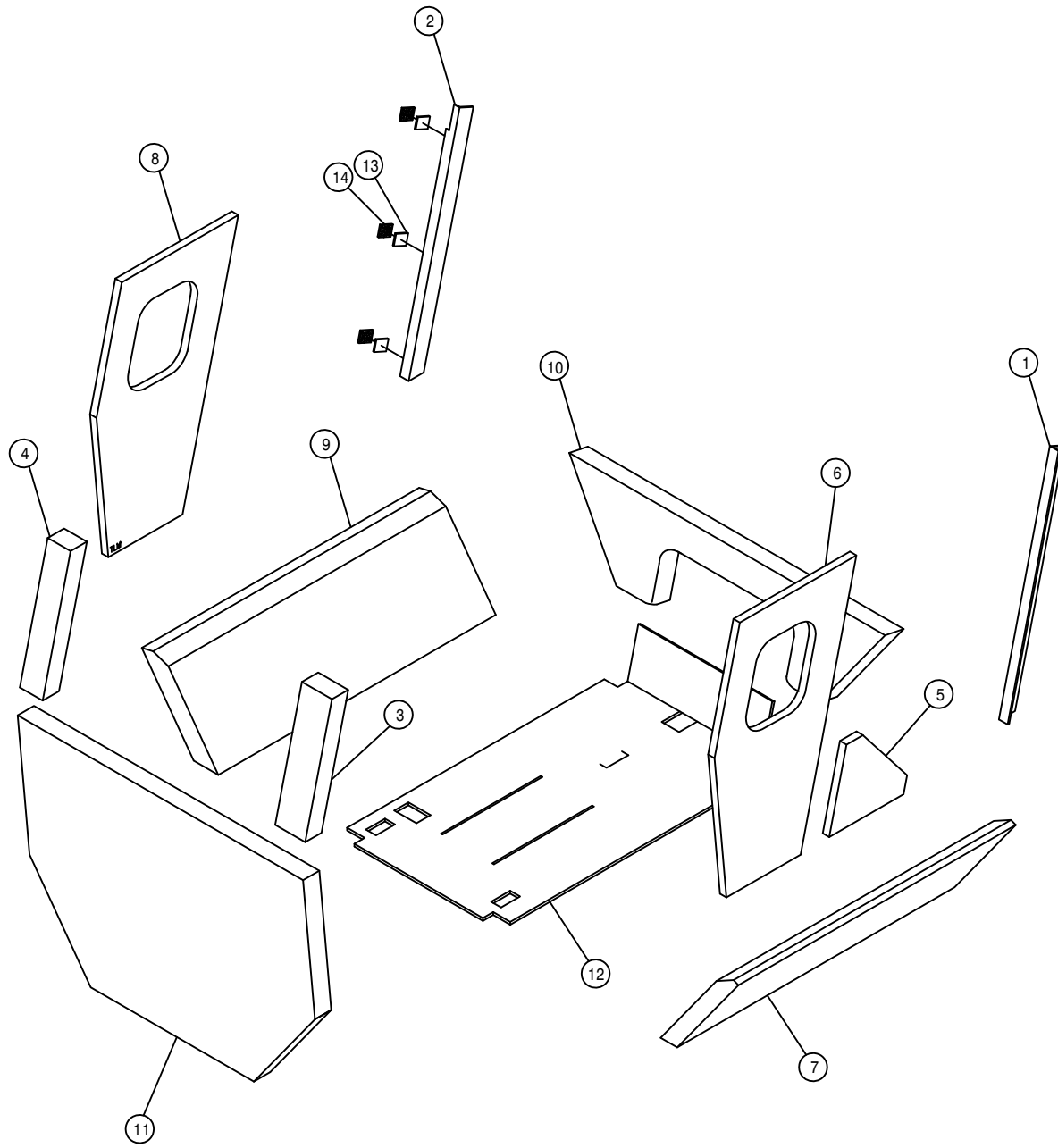
AIR CONDITIONER ASSEMBLY

DET.	QTY	PART NO.	DESCRIPTION	
	1	291212	RADIO	94
	2	291213	SPEAKERS (PAIR)	94
	3	291214	ANTENNA	94
	4	291605	INTERIOR LIGHT W/SWITCH	
	5	342181	FRT A/C BLOWER MT ANG, CAB 94	
	6	342182	REAR A/C BLOWER MT WLD,CAB 94	
	7	470087	3/8UNC HEX FLANGE LOCK NUT	
	8	470121	1/4UNC HEX FLANGE LOCK NUT	
	9	470122	1/4UNC X 1/2 FLANGE HEX BOLT	
	10	472349	1/4 X 3/4 20THD-IN TEK TYPE	
	11	473966	6X3/4 PHIL FLT HD SHT MTL SCR	
	12	520055	HOSE CLAMP NO 12 STAINLESS	
	13	601342	HOSE, 5/8 X 192 HEATER	
	14	601343	HOSE, 5/8 X 216 HEATER	
	15	657426	A/C EVAPORATOR/HEATER, 284 MCC	
	16	658327	VINYL HEAD LINER	99
	17	618556	1/4NPT-90-1/2 HOSE BARB,POLY	
	18	658313	SEAL, AIR CONDITIONER	94
	19	730016	1/4NPT ST EL, 90 DEG POLY	
	20	900128	3/8UNC X 3/4 HEX BOLT	
	21	657425	A/C CHARCOAL AIR FILTER	MCC
	22	657424	A/C AIR FILTER	MCC
	23	470067	RUBBER GROMMET 1/4 ID	
	24	657427	A/C HOSE KIT, EVAP 284, 99	MCC
	25	657431	A/C HOSE ASSY, 5/16 X 173	MCC
	26	657432	A/C HOSE ASSY, 1/2 X 190.	MCC
	27	657404	A/C BLOWER MOTOR, 12V	MCC
	28	657405	A/C BLOWER WHEEL W/CLIP	MCC
	29	657406	A/C EVAPORATOR COIL	MCC
	30	657407	A/C HEATER COIL	MCC
	31	657408	A/C THERMOSTAT	MCC
	32	657409	A/C CONTROL KNOB	MCC
	33	657410	A/C SWITCH, PUSH ON-OFF	MCC
	34	657411	A/C EXPANSION VALVE	MCC
	35	657412	A/C HEATER VALVE,MOTORIZED	MCC
	36	657413	A/C FILTER, RECIRCULATION	MCC
	37	657414	A/C BLOWER DRIVE ASSY	MCC
	38	657415	A/C POTENTIOMETER ASSY	MCC
	39	903883	10-32 X 1/2 SLT RDHD MACH SCR	
	40	470175	10-32 HEX FLANGE LOCK NUT	
	41	500098	1/2HB-90-1/2 HOSE BARB, POLY	
	42	342669	DRAIN HOSE KEEPER	



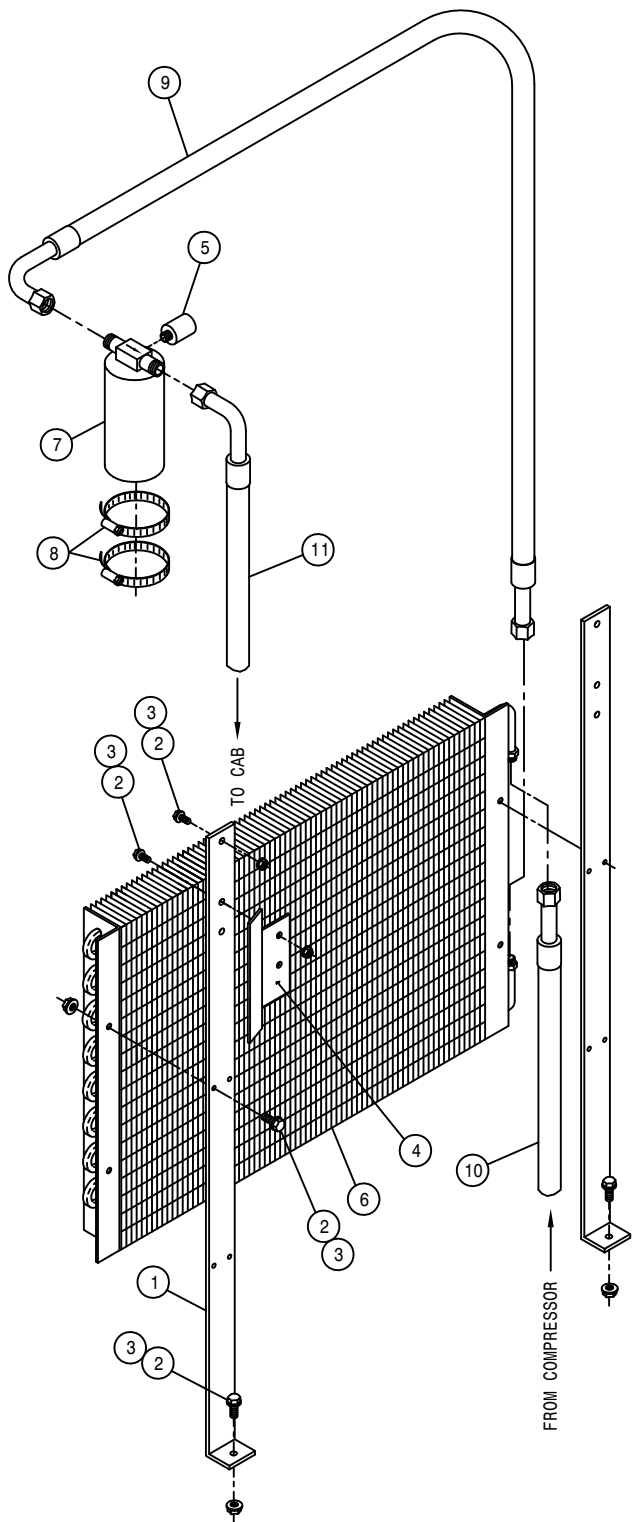
DOOR ASSEMBLY

DET.	QTY	PART NO.	DESCRIPTION
1	12	193028	PUSH-ON TRIM SEAL RS-130-FX
2	9	193044	WINDOW WEATHERSTRIP 94
3	9	193045	LOCK STRIP FOR 193044 94
4	1	342153	LH DOOR WLD, 284 CAB 94
5	2	342163	CAB DOOR LATCH SHIM, .06 94
6	1	342217	DOOR HANDLE, 254/284 CAB 94
7	6	470165	10-32 NUTSERT .020-.100 MATL
8	1	470219	CAB LOCK, LH #55
9	9	485052	POP RIVET 1/8 X 3/8
10	1	658015	FRONT SIDE CAB/DOOR GLASS 94
11	6	903710	10-32X5/8 PHIL PANHD MACH SCR
12	1	470221	GAS SPRING, 60LB 3.5 STROKE
13	2	910002	5/16UNC HEX NUT
14	2	920501	5/16 LOCK WASHER



CAB FOAM

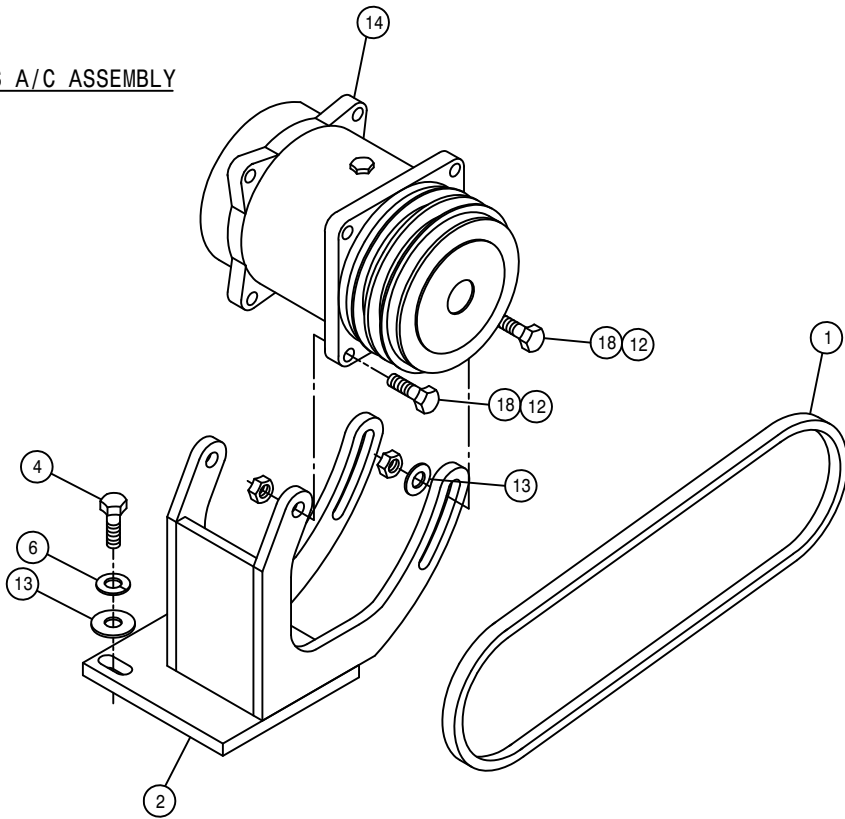
DET.	QTY	PART NO.	DESCRIPTION
1	1	658301	VINYL POST COVER, RH FRONT 94
2	1	658302	VINYL POST COVER, LH FRONT 94
3	1	658303	VINYL POST COVER, RH REAR 94
4	1	658304	VINYL POST COVER, LH REAR 94
5	1	658305	VINYL SIDE PANEL, RH 94
6	1	658306	VINYL SIDE PANEL, RH UPPER 94
7	1	658307	VINYL SIDE PANEL, RH LOWER 94
8	1	658308	VINYL SIDE PANEL, LH UPPER 94
9	1	658309	VINYL SIDE PANEL, LH LOWER 94
10	1	658310	VINYL FRONT COVER PANEL 94
11	1	658311	VINYL REAR COVER PANEL 94
12	1	658315	CAB FLOORMAT 254/284 95
13	3	471101	DUAL LOCK, 1.00 X 1.00 SJ3542
14	3	471100	DUAL LOCK, 1.00 X 1.00 SJ3541



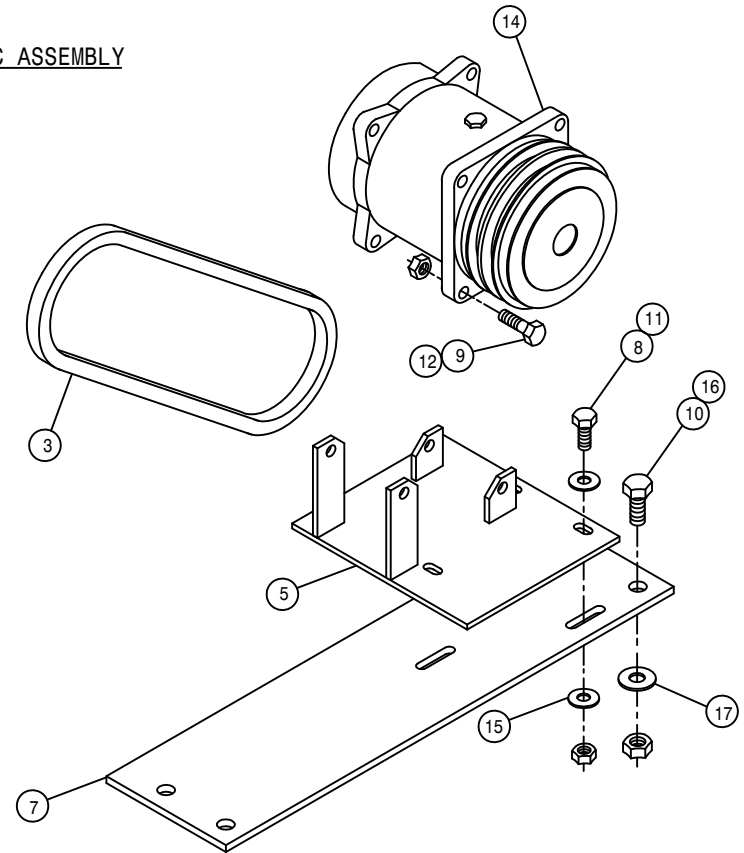
A/C CONDENSOR ASSEMBLY

DET.	QTY	PART NO.	DESCRIPTION		
	1	2	315036	CONDENSER MTG BRKT	99
	2	10	470118	1/4UNC X 3/4 FLANGE HEX BOLT	
	3	10	470121	1/4UNC HEX FLANGE LOCK NUT	
	4	1	315038	A/C DRIER MT,204-254-284	99
	5	1	657422	A/C BINARY SWITCH	MCC
	6	1	657423	A/C CONDENSER COIL	MCC
	7	1	657421	A/C RECEIVER/DRIER	MCC
	8	2	520052	HOSE CLAMP NO 52 STAINLESS	
	9	1	657429	A/C HOSE ASSY, 5/16 X 44	MCC
	10	1	657430	A/C HOSE ASSY, 13/32 X 80	MCC
	11	1	657431	A/C HOSE ASSY, 5/16 X 173	MCC

CUMMINS A/C ASSEMBLY



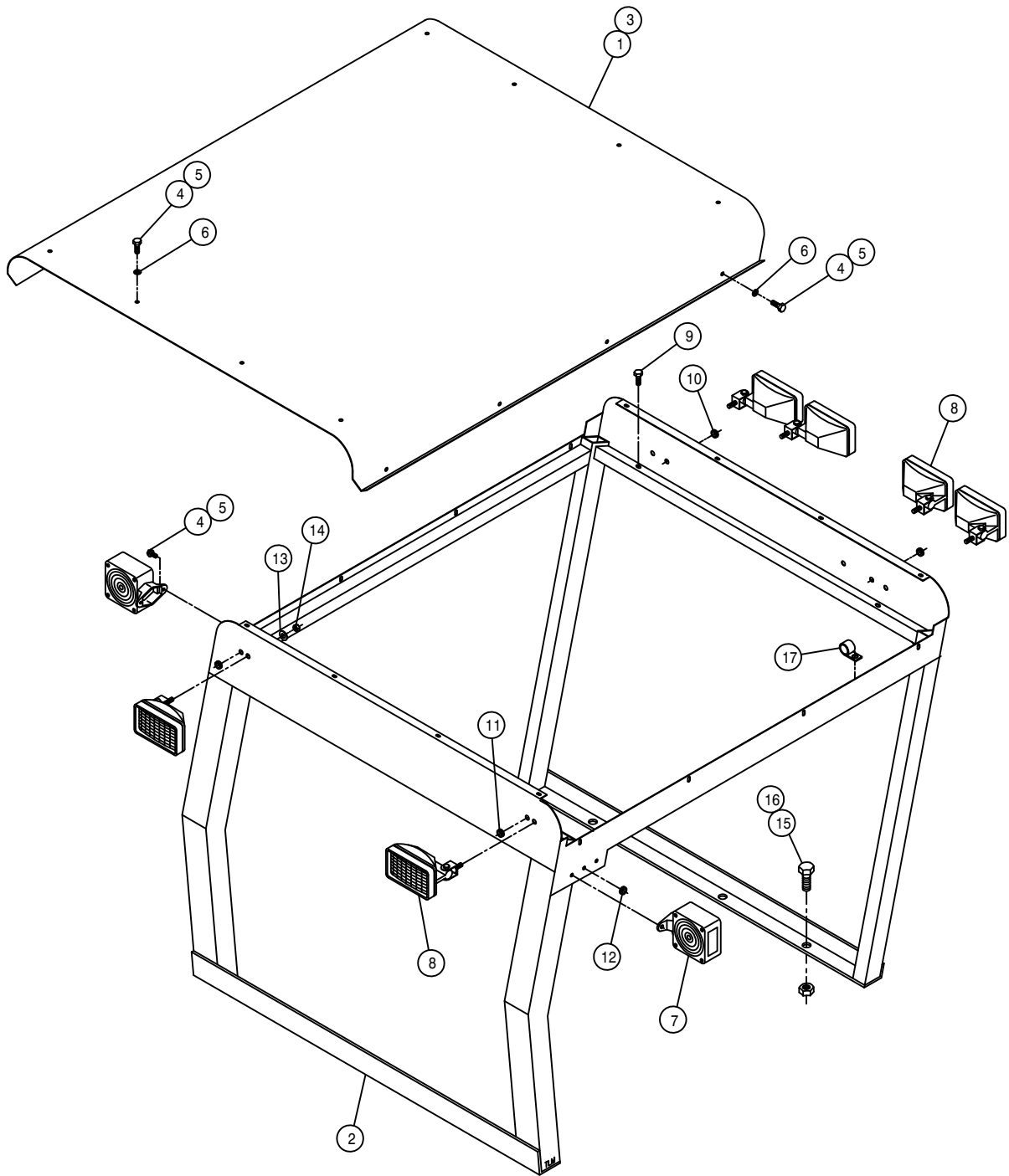
GMC A/C ASSEMBLY



A/C COMPRESSOR PUMP ASSEMBLY

DET. QTY PART NO. DESCRIPTION

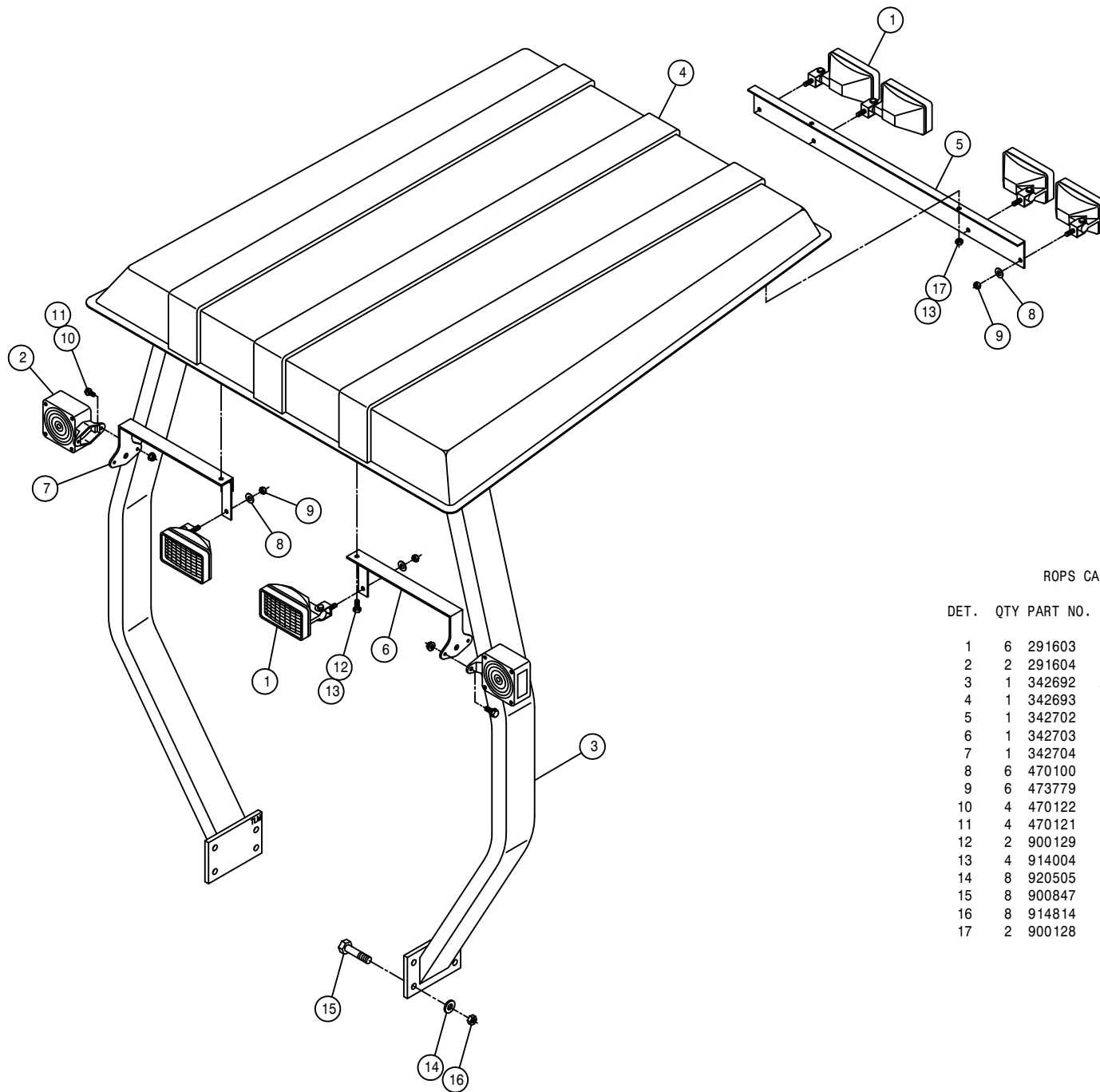
1	1	147050	9455XL BELT, GATES	
2	1	316314	A/C COMPRESR MT WLD, 284	98
3	1	147023	7365 BELT	
4	3	473792	10MM-1.50 X 30MM HEX BOLT	
5	1	657383	A/C COMPRESR MT WLD GMC 204 99	
6	3	473798	10MM LOCK WASHER	
7	1	342309	A/C COMPRESR MT PLT,204 GMC	96
8	3	900065	5/16UNC X 1" HEX BOLT	
9	4	900130	3/8UNC X 1 1/4 HEX BOLT	
10	4	900264	1/2UNC X 1 1/4 HEX BOLT	
11	3	914002	5/16UNC HEX STOVER NUT	
12	8	914004	3/8UNC HEX STOVER NUT	
13	5	483043	3/8 REGULAR FLAT WASHER	
14	2	657403	A/C COMPRESSOR, SELTEC TM15/12	
15	6	920001	5/16 SAE FLAT WASHER	
16	4	914008	1/2UNC HEX STOVER NUT	
17	4	920004	1/2 SAE FLAT WASHER	
18	4	900131	3/8UNC X 1 1/2 HEX BOLT	



CANOPY ASSEMBLY

DET. QTY PART NO. DESCRIPTION

1	1	342151	CAB ROOF, 284	94
2	1	342270	CANOPY WLD, 204	94
3	1	658314	CANOPY ROOF FOAM, 204	94
4	20	470122	1/4UNC X 1/2 FLANGE HEX BOLT	
5	20	470121	1/4UNC HEX FLANGE LOCK NUT	
6	16	470212	1/4 X 5/8 BONDED SEALING WASH	
7	2	291604	TURN SIGNAL LIGHT,PED MT, YEL	
8	6	291603	WORKLAMP, SIDE MT 12V HALOGEN	
9	4	472349	1/4 X 3/4 20THD-IN TEK TYPE	
10	2	470067	RUBBER GROMMET 1/4 ID	
11	2	470070	RUBBER GROMMET 3/8 ID	
12	2	470226	RUBBER GROMMET 5/32 ID	
13	6	470100	3/8 INT TOOTH LOCK WASHER	
14	6	473779	10MM-1.50 HEX NUT	
15	6	900264	1/2UNC X 1 1/4 HEX BOLT	
16	6	914008	1/2UNC HEX STOVER NUT	
17	6	520117	CUSH HOSE CLAMP 5/8D X 1/2W	



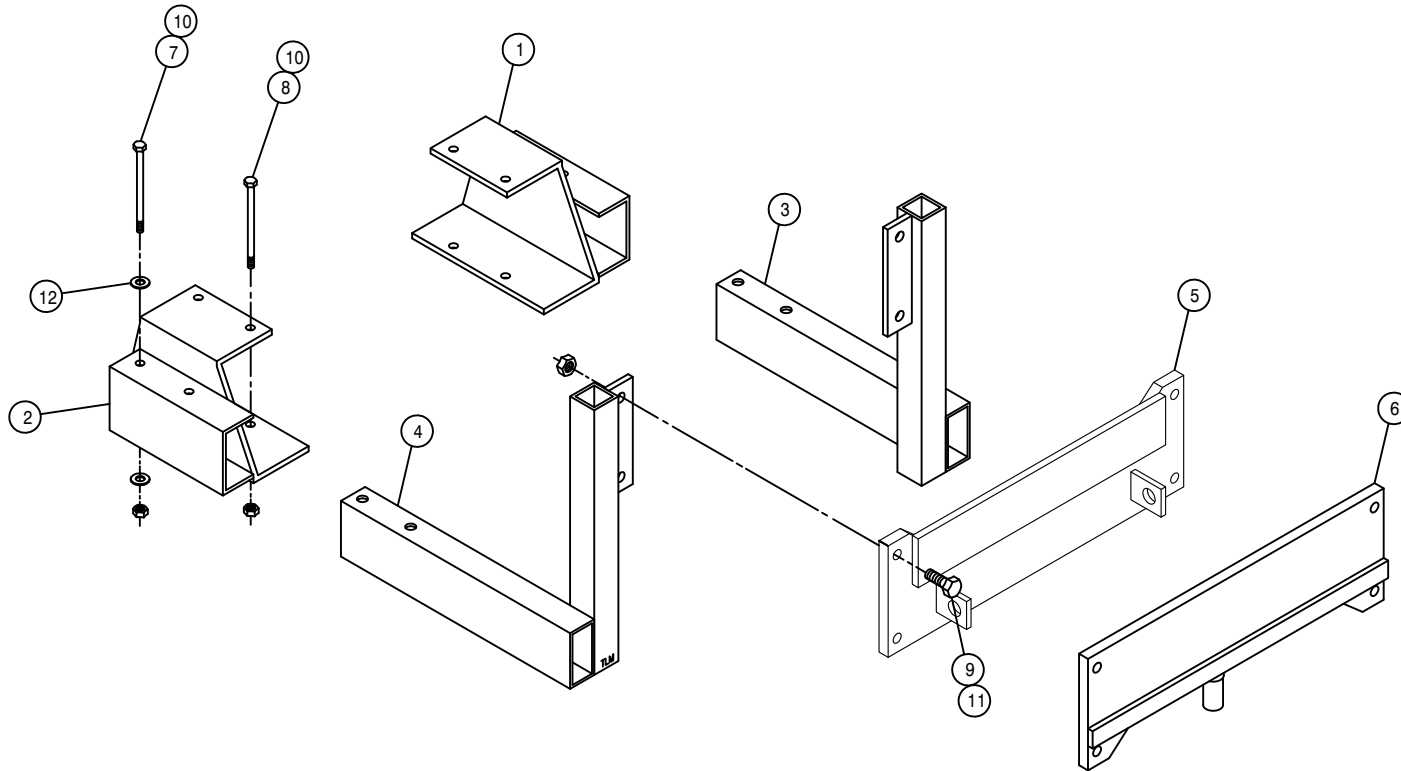
ROPS CANOPY ASSEMBLY

DET.	QTY	PART NO.	DESCRIPTION
1	6	291603	HALOGEN WORKLAMP, SIDE MT 12V
2	2	291604	TURN SIGNAL LIGHT, PED MT, YEL
3	1	342692	204 ROPS
4	1	342693	CANOPY FOR 204 ROPS (342692)
5	1	342702	HEADLIGHT MT, 204 ROPS 2000
6	1	342703	RH FLASHER MT WLD, 204ROPS 2000
7	1	342704	LH FLASHER MT WLD, 204ROPS 2000
8	6	470100	3/8 INT TOOTH LOCK WASHER
9	6	473779	10MM-1.50 HEX NUT
10	4	470122	1/4UNC X 1/2 FLANGE HEX BOLT
11	4	470121	1/4UNC HEX FLANGE LOCK NUT
12	2	900129	3/8UNC X 1" HEX BOLT
13	4	914004	3/8UNC HEX STOVER NUT
14	8	920505	5/8 LOCK WASHER
15	8	900847	5/8UNC X 4 1/2 HEX BOLT GR8
16	8	914814	5/8UNC HEX NUT GR8
17	2	900128	3/8UNC X 3/4 HEX BOLT

REAR WEIGHT BRACKET ASSEMBLY

DET. QTY PART NO. DESCRIPTION

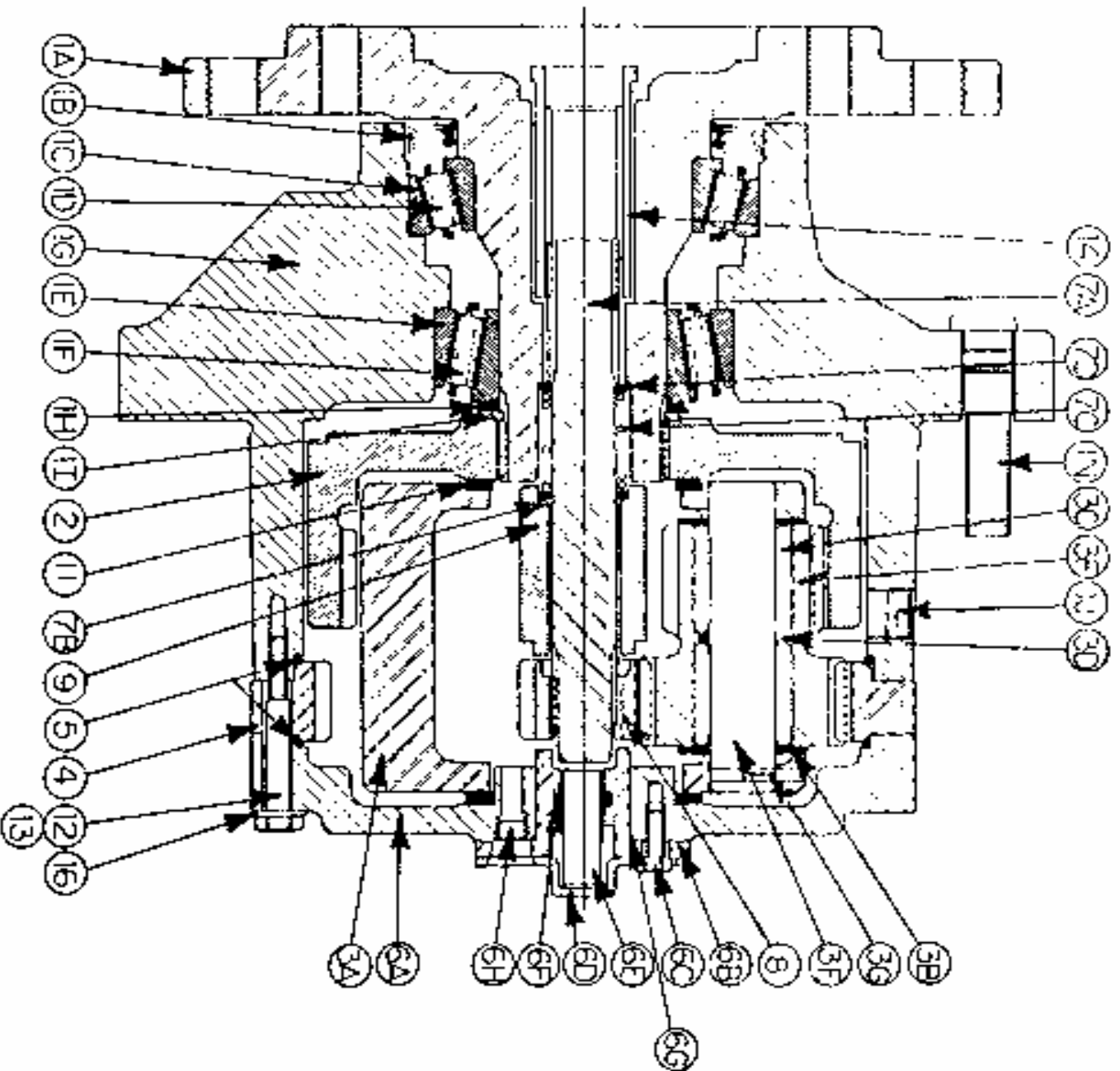
1	1	341980	RH REAR TOOL BAR MT WLD 2XX
2	1	341981	LH REAR TOOL BAR MT WLD 2XX
3	1	438575	RH WEIGHT MT BRKT WLD 96
4	1	438576	LH WEIGHT MT BRKT WLD 96
5	1	438660	IH 173MAG WEIGHT ADPT PLT WLD
6	1	438581	WEIGHT MT PLATE WLD,JD 204 96
7	4	900277	1/2UNC X 5 1/2 HEX BOLT
8	4	900281	1/2UNC X 7 1/2 HEX BOLT
9	4	900335	5/8UNC X 2" HEX BOLT
10	8	914008	1/2UNC HEX STOVER NUT
11	4	914010	5/8UNC HEX STOVER NUT
12	8	920004	1/2 SAE FLAT WASHER



WHEEL DRIVE ASSEMBLY - 610660
W1BFFZ318

ITEMS	DESCRIPTION	PART NO.	QTY.
1	HUB-SPINDLE SUB-ASSEMBLY	-----	
1A	SPINDLE	610518	1
1B	SEAL	610519	1
1C	BEARING CUP	610520	1
1D	BEARING CONE	610521	1
1E	BEARING CUP	610907	1
1F	BEARING CONE	610908	1
1G	HUB	610522	1
1H	SPACER	610909	1
1I	RETAINER RING	610910	1
1J	PIPE PLUG	610147	2
1N	STUD	824054	9
2	INTERNAL GEAR	610148	1
3	CARRIER ASSEMBLY	610912	1
4	RING GEAR	610929	1
5	O-RING	610903	2
6	COVER ASSEMBLY	610155	1
6A	COVER	610149	1
6B	COVER CAP	610914	1
6C	BOLT	610150	4
6D	DISCONNECT CAP	610901	1
6E	DISCONNECT ROD	610915	1
6F	O-RING	610916	1
6G	O-RING	610917	1
6H	PIPE NIPPLE	610151	1
6I	ID PLATE	610152	1
7	INPUT SHAFT ASSEMBLY	610048	1
7A	INPUT SHAFT	610046	1
7B	RETAINING RING	610936	1
7C	SPRING	610145	1
7D	SPACER	610153	2
8	INPUT GEAR	610919	1
9	THRUST SPACER	610920	1
10	THRUST SPACER	610921	1
11	THRUST WASHER	610922	2
12	BOLT	610930	12
13	SHOULDER BOLT	610923	4
14	COUPLING	610037	1
16	FLAT WASHER	610049	16
NS	SEAL BOOT	610552	1

CROSS-SECTIONAL VIEW OF W1B TORQUE-HUB®



WHEEL DRIVE ASSEMBLY - 610663
W1BFFZ324

ITEMS	DESCRIPTION	PART NO.	QTY.
1	HUB-SPINDLE SUB-ASSEMBLY	-----	
1A	SPINDLE	610518	1
1B	SEAL	610519	1
1C	BEARING CUP	610520	1
1D	BEARING CONE	610521	1
1E	BEARING CUP	610907	1
1F	BEARING CONE	610908	1
1G	HUB	610522	1
1H	SPACER	610909	1
1I	RETAINER RING	610910	1
1J	PIPE PLUG	610147	2
1N	STUD	824054	9
2	INTERNAL GEAR	610148	1
3	CARRIER ASSEMBLY	610933	1
4	RING GEAR	610937	1
5	O-RING	610903	2
6	COVER ASSEMBLY	610155	1
6A	COVER	610149	1
6B	COVER CAP	610914	1
6C	BOLT	610150	4
6D	DISCONNECT CAP	610901	1
6E	DISCONNECT ROD	610915	1
6F	O-RING	610916	1
6G	O-RING	610917	1
6H	PIPE NIPPLE	610151	1
6I	ID PLATE	610152	1
7	INPUT SHAFT ASSEMBLY	610048	1
7A	INPUT SHAFT	610046	1
7B	RETAINING RING	610936	1
7C	SPRING	610145	1
7D	SPACER	610153	2
8	INPUT GEAR	610919	1
9	THRUST SPACER	610920	1
10	THRUST SPACER	610921	1
11	THRUST WASHER	610922	2
12	BOLT	610930	12
13	SHOULDER BOLT	610923	4
14	COUPLING	610037	1
16	FLAT WASHER	610049	16
NS	SEAL BOOT	610552	1

NOTICE

The following page contains decals for the model 204.

These decals can be obtained from Hagie Mfg. Co. and should be used whenever your machine is repainted or when the decals become worn, weathered, or faded.

Special attention should be paid to decals involving personal safety. They have been attached for your protection.

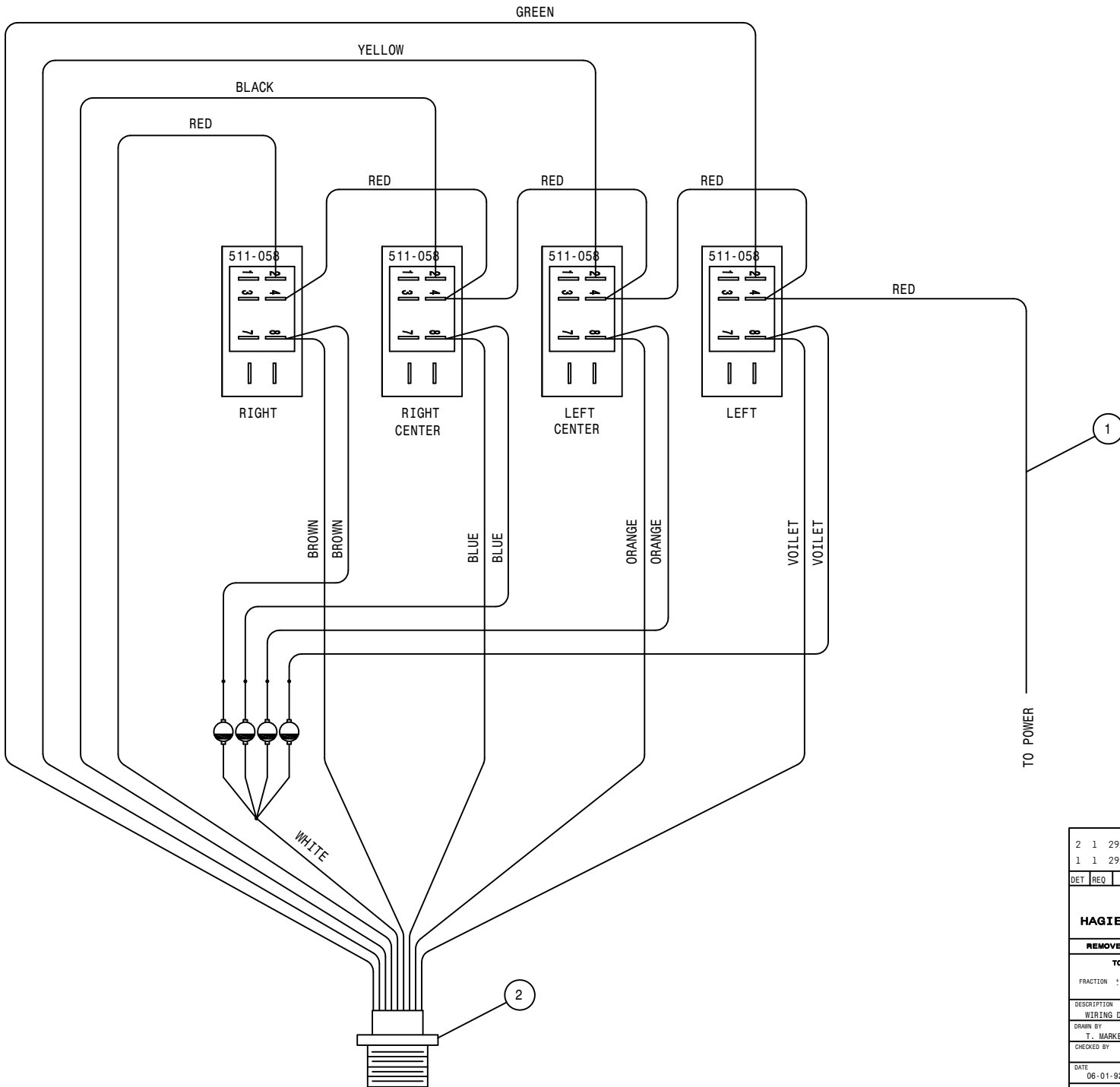
KEEP THEM IN PLACE.

Contact: Hagie Manufacturing Co.
Box 273
Clarion, Iowa 50525

204 DECALS

QTY.	PART NO.	DESCRIPTION	LOCATION
1	650831	EMERGENCY STOP DECAL	ON CONSOLE SHEET METAL
1	650329	TRACTION VALVE DECAL	ON INSTRUMENT PANEL
2	650953	GASOLINE DECAL	NEAR EACH FUEL TANK NECK
1	650814	PARK BRAKE DECAL	NEAR PARK BRAKE
2	650819	DANGER, CUTTING BLADES	2-ON EACH CUTTER HEAD
1	650847	NO PASSENGER DECAL	ON FRONT OPERATOR STATION
1	650848	SLIP OR FALL DECAL	NEXT TO STEP ON LEG RAIL
2	650849	ENGINE FUEL DECAL	NEAR EACH FUEL TANK NECK
4	650985	WHEEL BOLT TORQUE DECAL	ON EACH WHEEL RIM
2	650851	SHIELDS DECAL	ON SIDE OF TOP ENGINE COVER
1	650852	READ MANUAL DECAL	ON FRONT OPERATOR STATION
1	650981	COOLING SYSTEM DECAL	NEAR RADIATOR CAP
1	650982	ELECTRICAL DECAL	RIGHT HAND SIDE OF OIL TANK
3	650931	HAGIE DECAL 1 3/4 X 4	1 - ON EACH TASSSEL DEFLECTOR 1 - ON EACH QUAD PULLER
4	650820	CAUTION MOVING PARTS DECAL	2 - EACH TASSSEL DEFLECTOR 1 - ON EACH QUAD PULLER 1 - ON EACH TIRE PULLER
2	650954	DIESEL DECAL	NEAR EACH FUEL TANK NECK
1	650321	DECAL SET, HAGIE 204 STRIPE	ON EACH ENGINE HOOD
1	650319	DECAL,NOTICE LEG CYL OIL	ON TOP LH FRT LEG
2	650308	LEFT L-CTR R-CTR RIGHT DECAL	1 - ON CONSOLE COVER 1 - DEPTH COMMAND SWITCH BOX
1	650332	MTR CTRL-FUEL-FLASH DECALL	ON CONSOLE COVER
1	650955	CAUTION SLOW ENG IDL DECAL	ON CONSOLE COVER
1	650967	THROTTLE DECAL	ON CONSOLE COVER
1	650968	HYDRO DRIVE DECAL	ON CONSOLE COVER
1	650881	CHOKE DECAL	ON CONSOLE COVER
1	650333	10 AMP FUSE DECAL	ON CONSOLE COVER
1	650339	WARNING, HYD OIL INJ DECAL	ON FRONT OPERATOR STATION
1	650338	DEPTH CMD 6-LIFT DECAL	DEPTH COMMAND SWITCH BOX
1	650320	EMERGENCY EXIT DECAL	RIGHT SIDE CAB GALSS
1	650882	WIPER DECAL	ON CONSOLE COVER
1	650347	NOTICE-R134A CHARGE DECAL	NEXT TO A/C COMPRESSOR
1	650303	CUTTER ROTATION DECAL	ON FRONT OPERATOR STATION

101

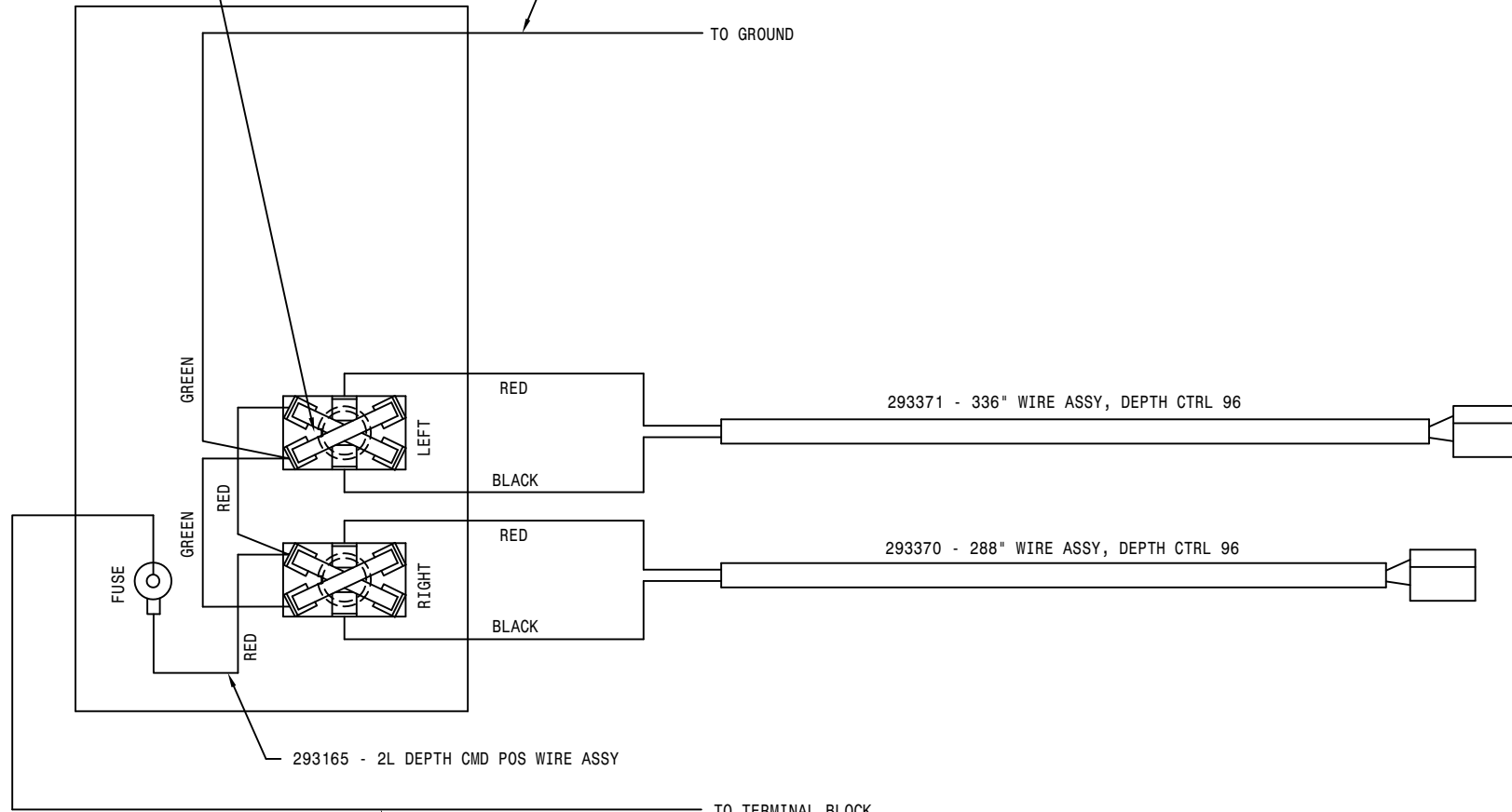


2	1	293248	MANUAL LS SYS SW HARNESS
1	1	293249	MANUAL LS SYS PWR WIRE ASSY
DET	REQ	DESCRIPTION	
HAGIE			
HAGIE MANUFACTURING COMPANY			
CLARION, IOWA 50525			
REMOVE ALL SHARP CORNERS & BURRS			
TOLERANCE UNLESS OTHERWISE SPECIFIED			
FRACTION	1/32	DECIMALS	X.XX 1/32 X.XXX 1/64
ANGLES	1°		
DESCRIPTION			
WIRING DIAG. MANUAL LS SYS SW			
DRAWN BY	SCALE		
T. MARKER	NONE (1)		
CHECKED BY	APPROVED BY		
DATE	DRAWING NUMBER		
06-01-92	498414		
SHEET	OF		

NOTE: NOTCH IN SWITCH

293168 - 2L DEPTH CMD NEG WIRE ASSY

TO GROUND



293165 - 2L DEPTH CMD POS WIRE ASSY

TO TERMINAL BLOCK

293338 - 16GA BLK-291580-293147-20 W/A

DET	REQ	DESCRIPTION		
HAGIE HAGIE MANUFACTURING COMPANY <small>CLARION, IOWA 50525</small>				
REMOVE ALL SHARP CORNERS & BURRS				
TOLERANCE UNLESS OTHERWISE SPECIFIED				
FRACTION	1/32	DECIMALS	X.XX X.XXX	ANGLES
			.03 .005	! *
DESCRIPTION				
WIRE DIAG, 2-LIFT DEPTH CMD 94				
DRAWN BY		SCALE		
T. MARKER		NONE		
CHECKED BY		APPROVED BY		
DATE		DRAWING NUMBER		
03-29-94		498450		
SHEET OF				

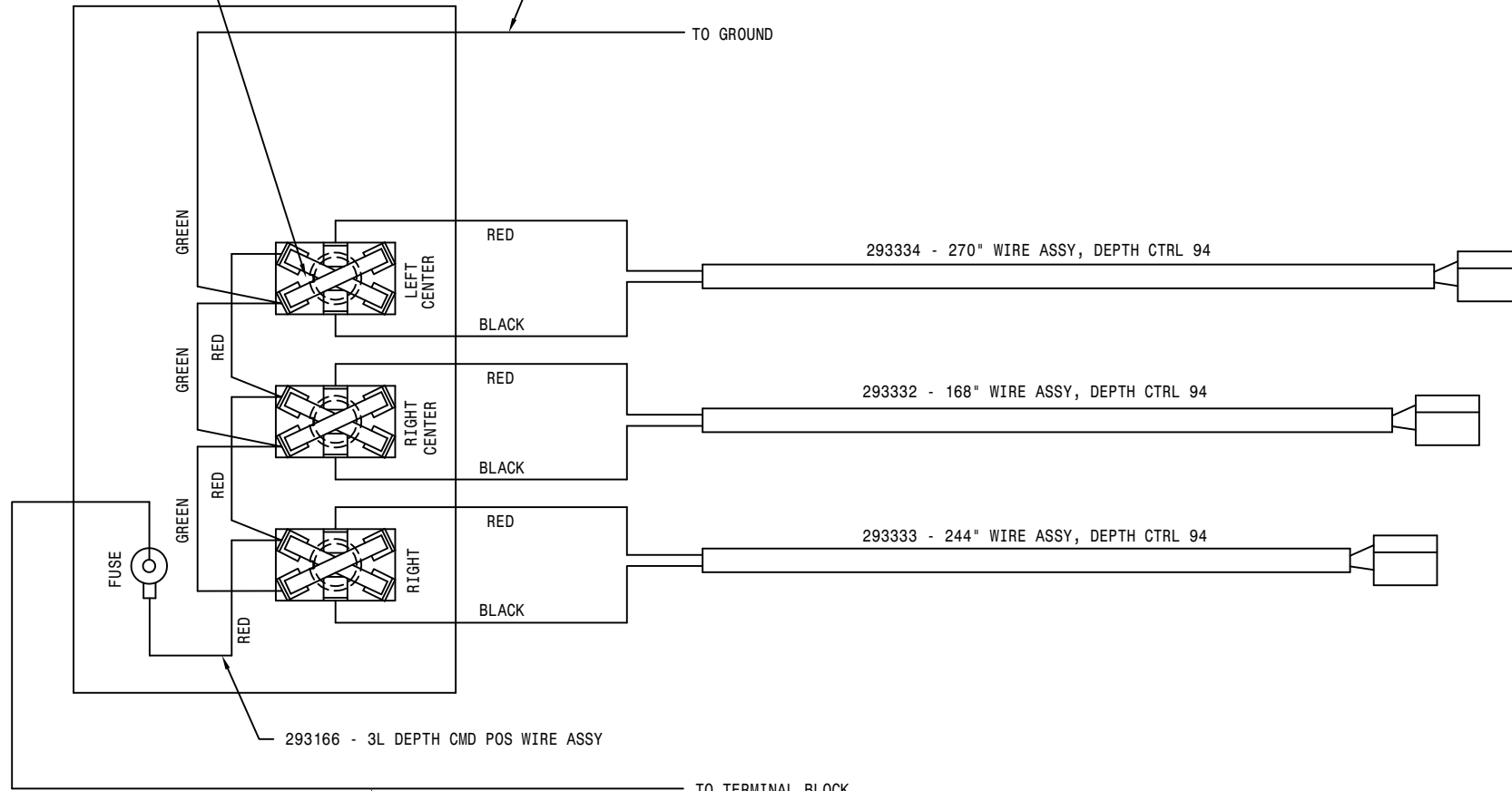
103

212103

NOTE: NOTCH IN SWITCH

293169 - 3L DEPTH CMD NEG WIRE ASSY

TO GROUND



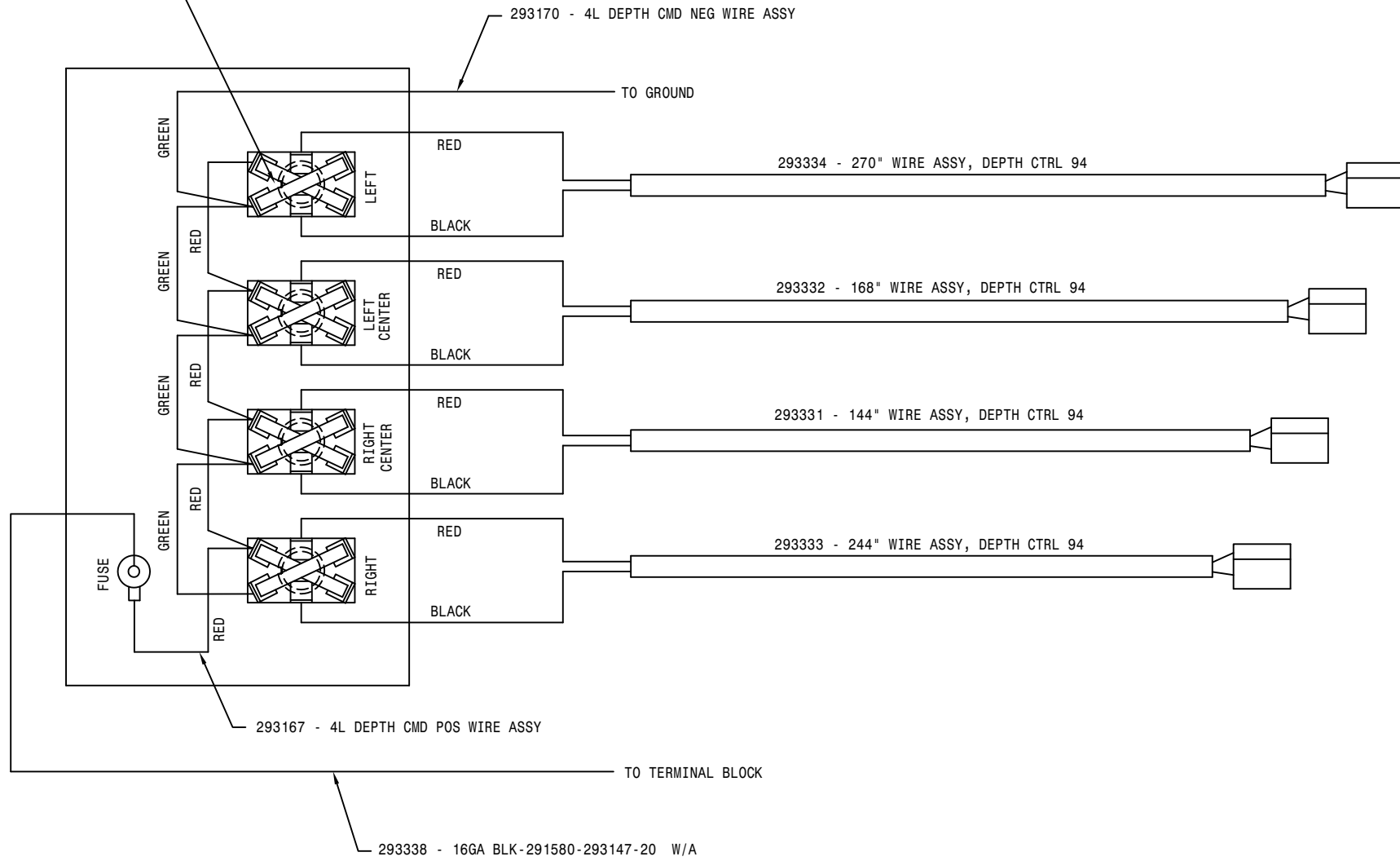
293166 - 3L DEPTH CMD POS WIRE ASSY

TO TERMINAL BLOCK

293338 - 16GA BLK-291580-293147-20 W/A

DET	REQ	DESCRIPTION
HAGIE HAGIE MANUFACTURING COMPANY <small>CLARION, IOWA 50525</small>		
REMOVE ALL SHARP CORNERS & BURRS		
TOLERANCE UNLESS OTHERWISE SPECIFIED		
FRACTION	DECIMALS	ANGLES
1/32	X.XX X.XXX	°.03 °.005
DESCRIPTION		
WIRE DIAG, 3-LIFT DEPTH CMD 94		
DRAWN BY	SCALE	
T. MARKER	NONE	
CHECKED BY	APPROVED BY	
DATE	DRAWING NUMBER	
03-29-94	498451	
SHEET	OF	

NOTE: NOTCH IN SWITCH

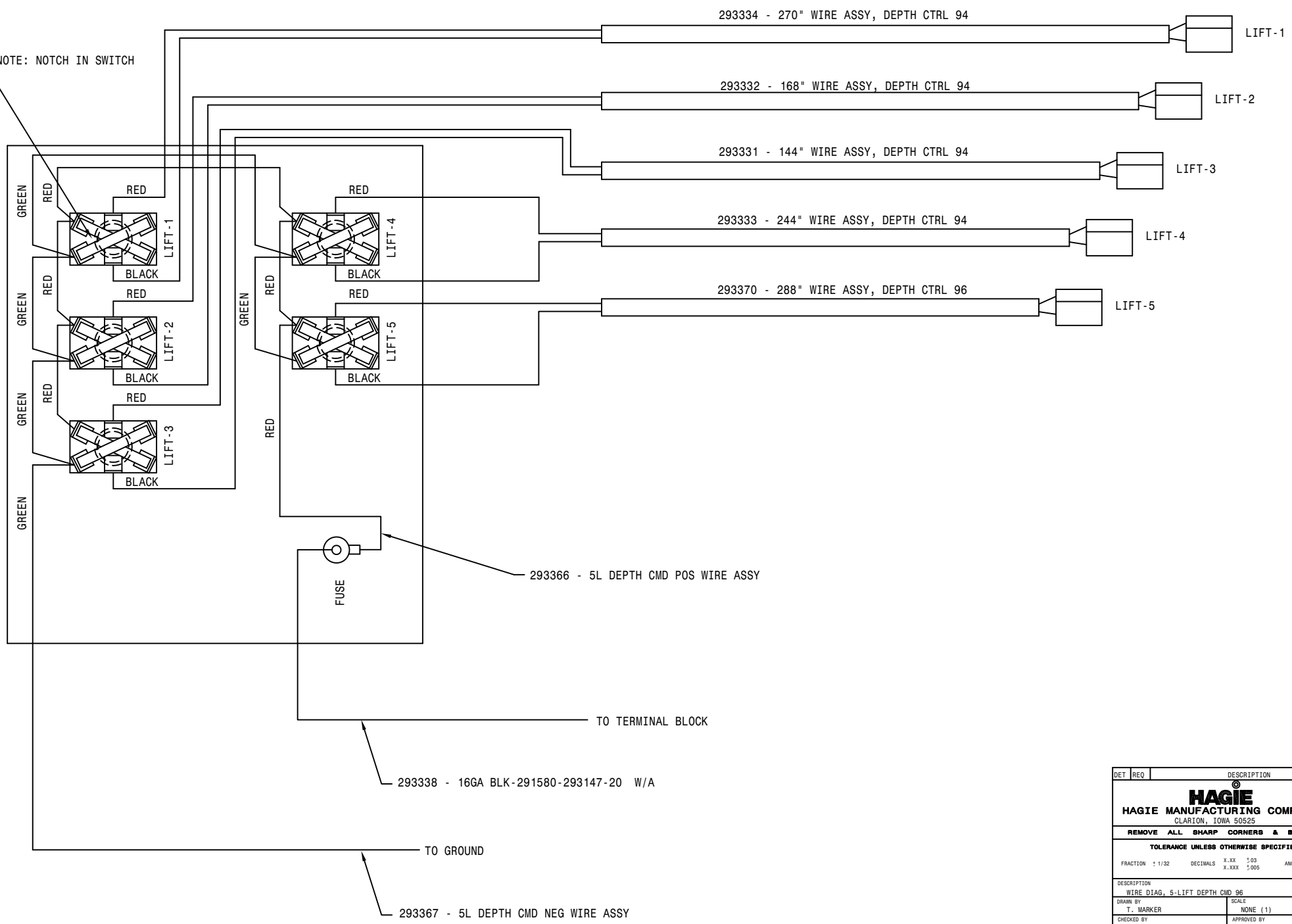


105

DET	REQ	DESCRIPTION
HAGIE HAGIE MANUFACTURING COMPANY <small>CLARION, IOWA 50525</small>		
REMOVE ALL SHARP CORNERS & BURRS		
TOLERANCE UNLESS OTHERWISE SPECIFIED		
FRACTION	DECIMALS	ANGLES
1/32	.03125	1°
	.005	5.000°
DESCRIPTION		
WIRE DIAG, 4-LFT DEPTH CMD 94		
DRAWN BY	SCALE	
T. MARKER	NONE	
CHECKED BY	APPROVED BY	
DATE	DRAWING NUMBER	
03-29-94	498452	
SHEET	OF	

212105

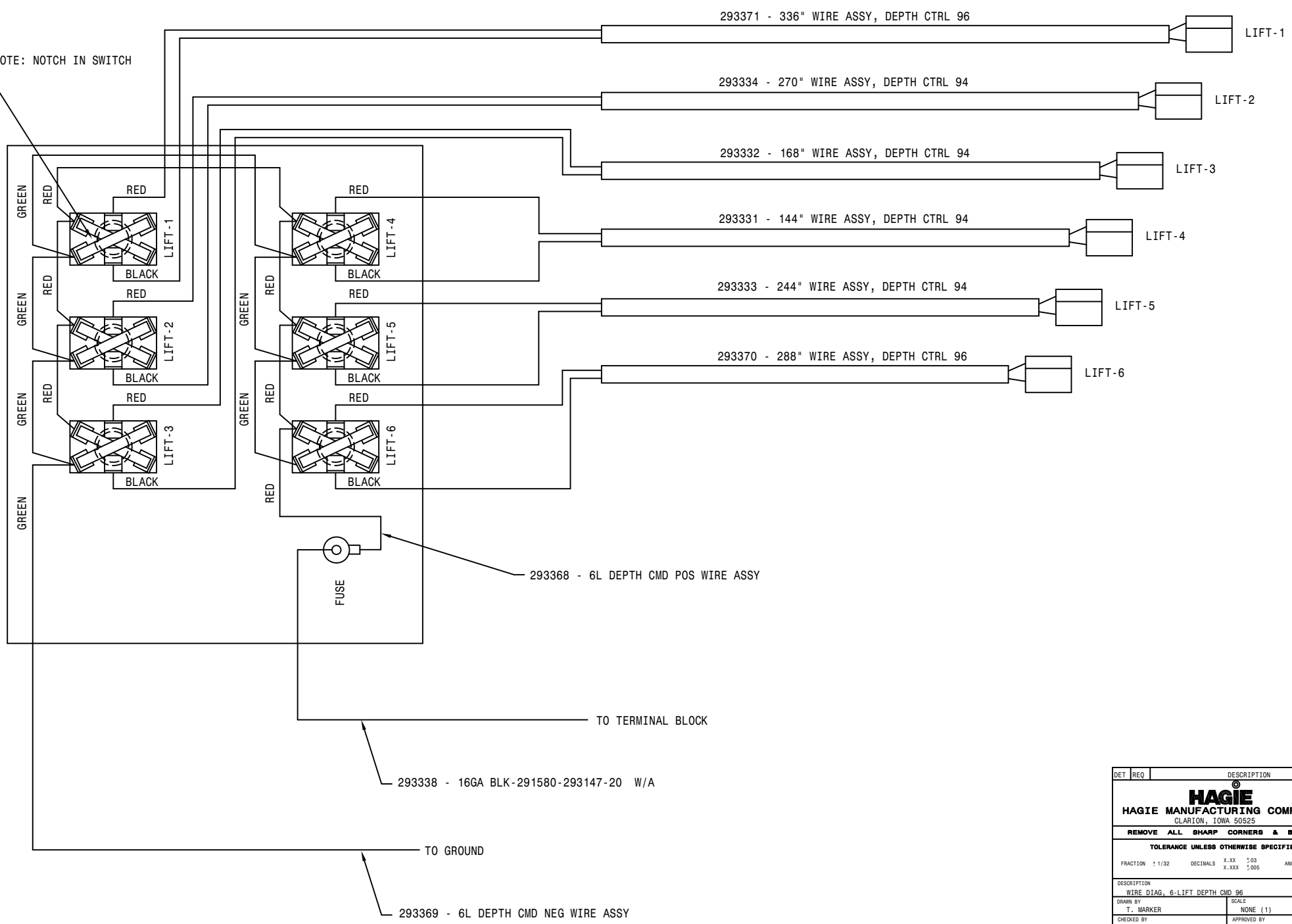
NOTE: NOTCH IN SWITCH



DET	REQ	DESCRIPTION
HAGIE HAGIE MANUFACTURING COMPANY CLARION, IOWA 50525		
REMOVE ALL SHARP CORNERS & BURRS		
TOLERANCE UNLESS OTHERWISE SPECIFIED		
FRACTION	1/32	DECIMALS
		X.XX ±.03
		X.XXX ±.005
ANGLES ±°		
DESCRIPTION		
WIRE DIAG, 5-LIFT DEPTH CMD 96		
DRAWN BY	SCALE	
T. MARKER	NONE (1)	
CHECKED BY	APPROVED BY	
DATE	DRAWING NUMBER	
02-26-96	498478	
SHEET	OF	

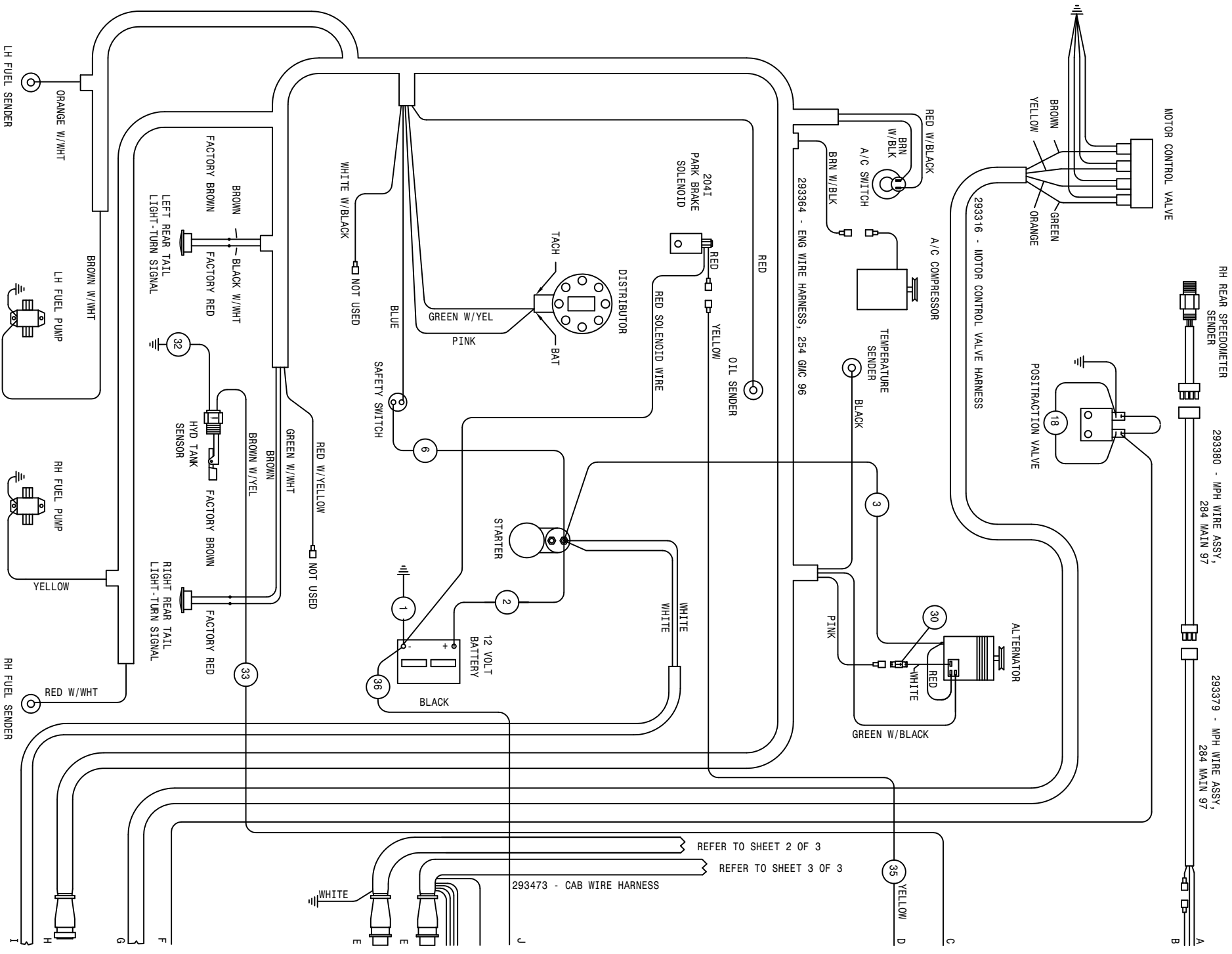
107

NOTE: NOTCH IN SWITCH



DET	REQ	DESCRIPTION
HAGIE HAGIE MANUFACTURING COMPANY CLARION, IOWA 50525		
REMOVE ALL SHARP CORNERS & BURRS		
TOLERANCE UNLESS OTHERWISE SPECIFIED		
FRACTION	DECIMALS	ANGLES
1/32	X.XX	° 03
	X.XXX	° 005
DESCRIPTION		
WIRE DIAG, 6-LIFT DEPTH CMD 96		
DRAWN BY	SCALE	
T. MARKER	NONE (1)	
CHECKED BY	APPROVED BY	
DATE	DRAWING NUMBER	
02-26-96	498479	
SHEET	OF	

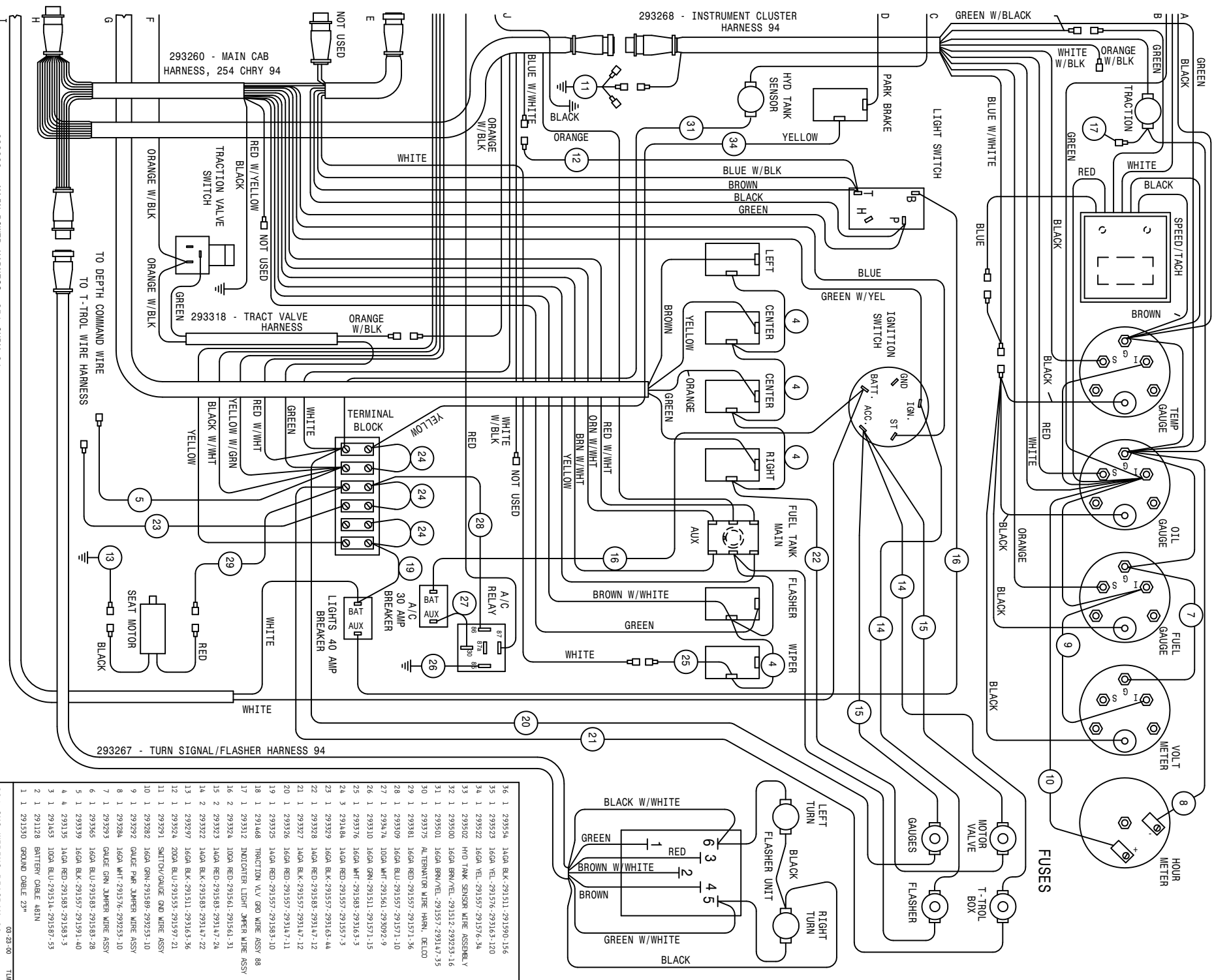
212107



REFER TO SHEET 2 OF 3

REFER TO SHEET 3 OF 3

293473 - CAB WIRE HARNESS



36	1	293554	16GA	BLK	291511	291590	156	
35	1	293523	16GA	VEL	291576	293163	120	
34	1	293522	16GA	VEL	291576	291576	34	
33	1	293502	HND	TANK	SENSOR	WIRE	ASSEMBLY	
32	1	293500	16GA	BRN/VEL	291512	293255	16	
31	1	293501	16GA	BRN/VEL	291557	293147	35	
30	1	293375	AL	TERMINATOR	WIRE	HORN	DELCO	
29	1	293381	16GA	RED	291557	291571	36	
28	1	293309	16GA	BLU	291557	291571	10	
27	1	293474	10GA	WHT	291561	293009	9	
26	1	293310	16GA	GRN	291511	291571	15	
25	1	293376	16GA	WHT	291583	293163	3	
24	3	293484	16GA	RED	291557	291557	3	
23	1	293329	16GA	BLK	291557	293163	44	
22	1	293328	16GA	RED	291583	293147	12	
21	1	293327	16GA	BLK	291557	293147	12	
20	1	293326	16GA	RED	291557	293147	11	
19	1	293146	TRAC	ION	V.V	GRD	WIRE	ASSY
18	1	293312	INDICATOR	LIGHT	JAMBER	WIRE	ASSY	
17	1	293312	INDICATOR	LIGHT	JAMBER	WIRE	ASSY	
16	2	293324	10GA	RED	291561	291561	31	
15	2	293323	16GA	RED	291583	293147	24	
14	2	293322	16GA	BLK	291583	293147	22	
13	1	293297	16GA	BLK	291511	293153	36	
12	1	293524	20GA	BLU	291553	291597	21	
11	1	293291	SM	TR	CH/GAUGE	OND	WIRE	ASSY
10	1	293282	16GA	GRN	291589	293253	10	
9	1	293292	GAUGE	PHR	JAMBER	WIRE	ASSY	
8	1	293284	16GA	WHT	291576	293253	10	
7	1	293293	GAUGE	GRN	JAMBER	WIRE	ASSY	
6	1	293335	16GA	BLU	291583	291583	28	
5	1	293339	16GA	BLK	291557	291591	40	
4	4	293135	16GA	RED	291583	291583	3	
3	1	291453	10GA	BLU	291514	291587	53	
2	1	291128	BATT	ERY	CABLE	481N		
1	1	291530	GRD	ND	CABLE	29"		

204 GMC WIRING DIAGRAM 00
 2041
 SHEET 1 OF 3
 REVISION DATE: 07-20-01
 498586

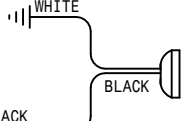
293262 - MAIN POWER HARNESS, 254 CHRY 94

293260 - MAIN CAB HARNESS, 254 CHRY 94

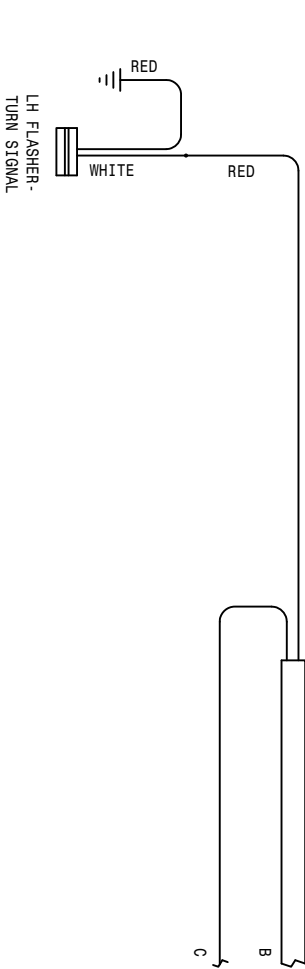
293318 - TRACT VALVE HARNESS

293267 - TURN SIGNAL/FLASHER HARNESS 94

LH WORKLIGHT



A



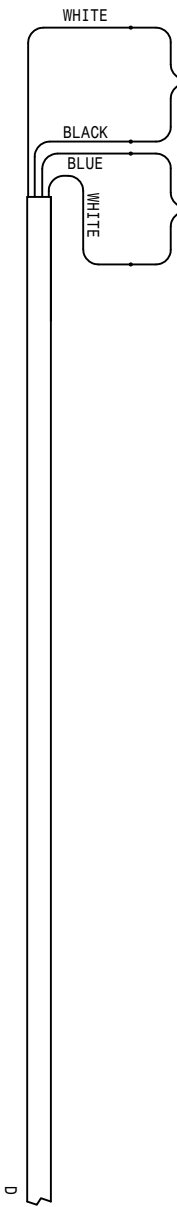
LH WORKLIGHT



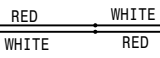
LH FRONT HEADLIGHT



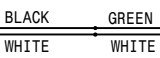
D



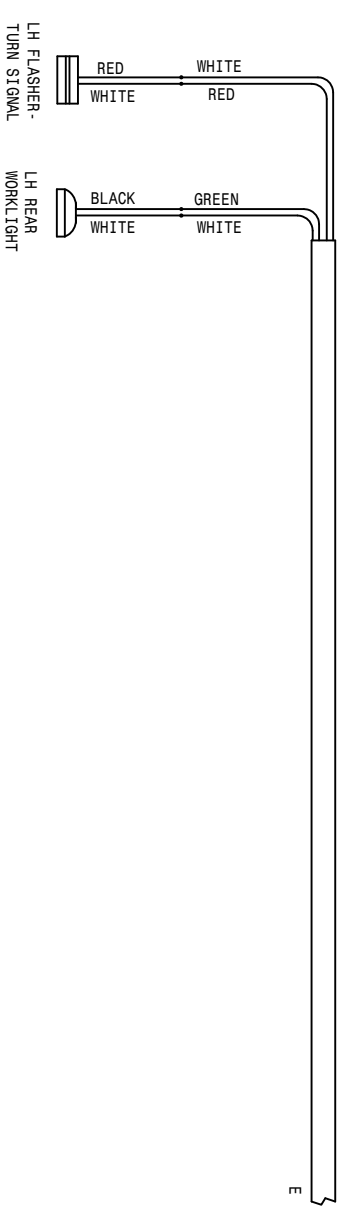
LH FLASHER-TURN SIGNAL



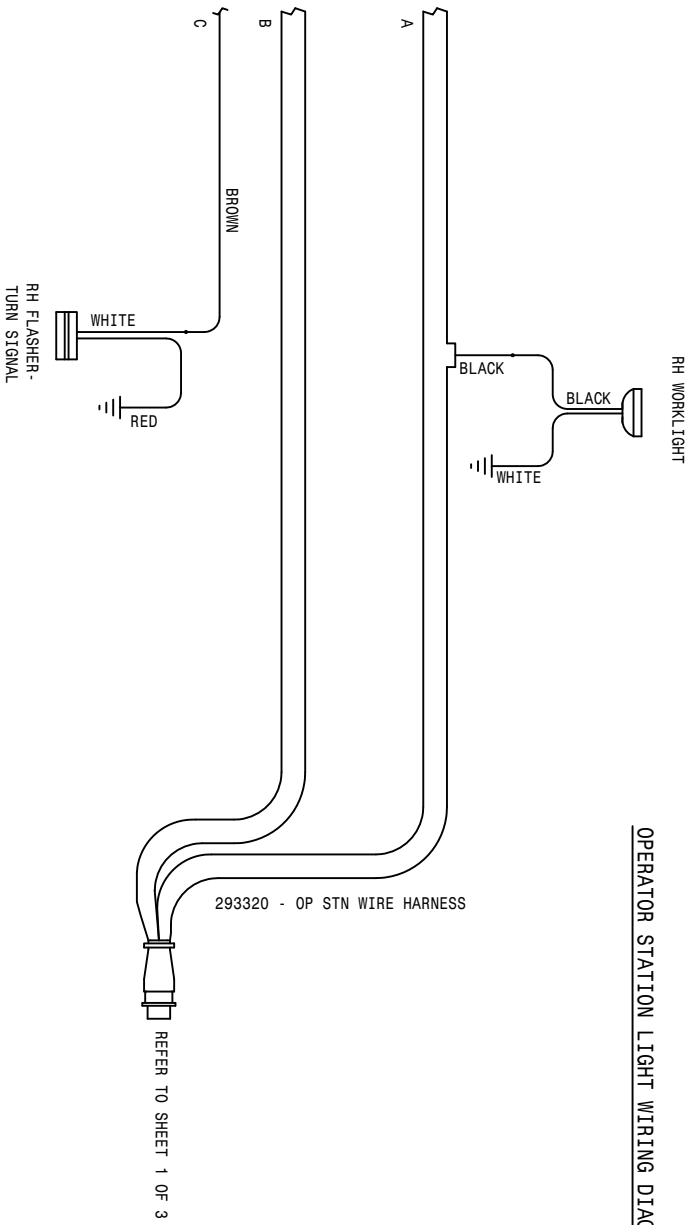
LH REAR WORKLIGHT



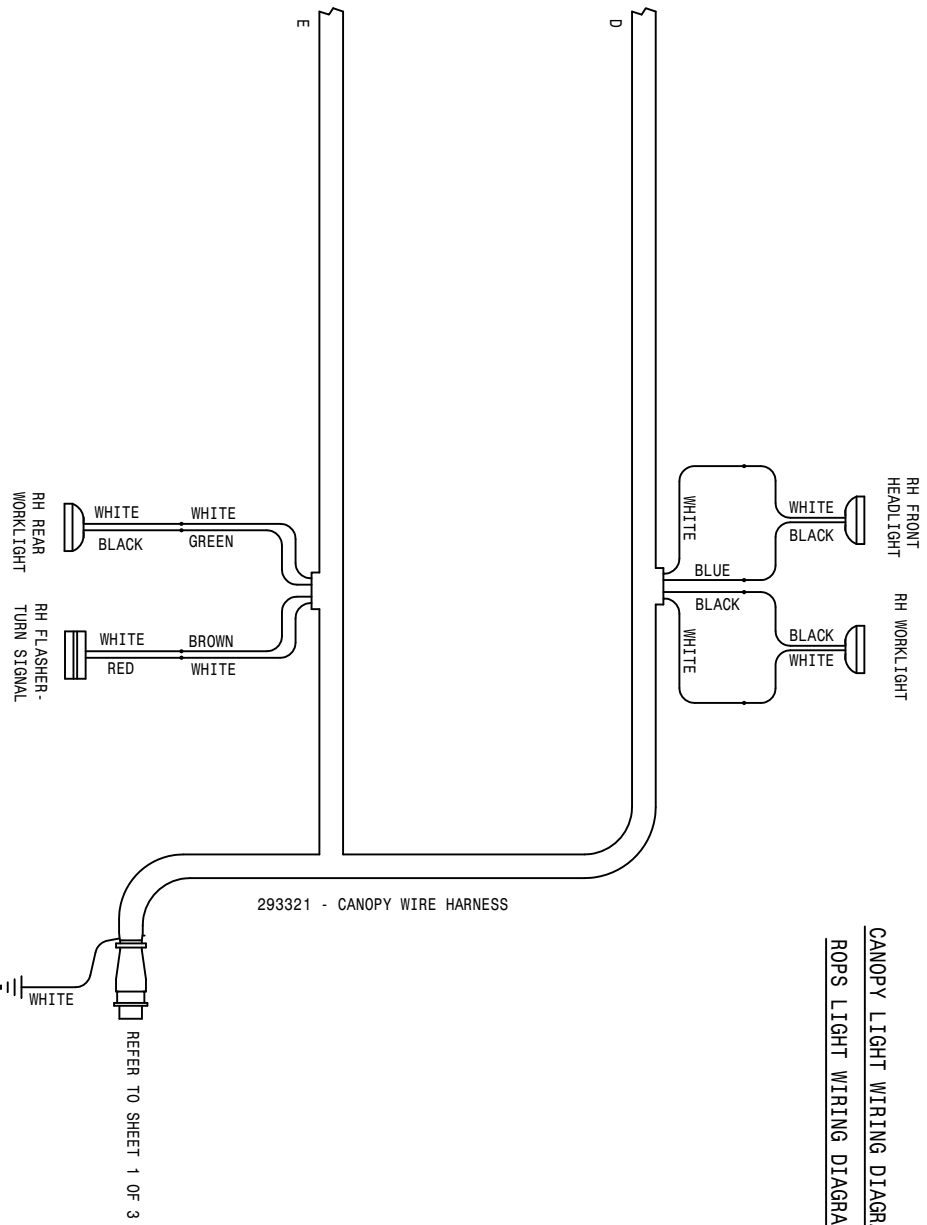
E

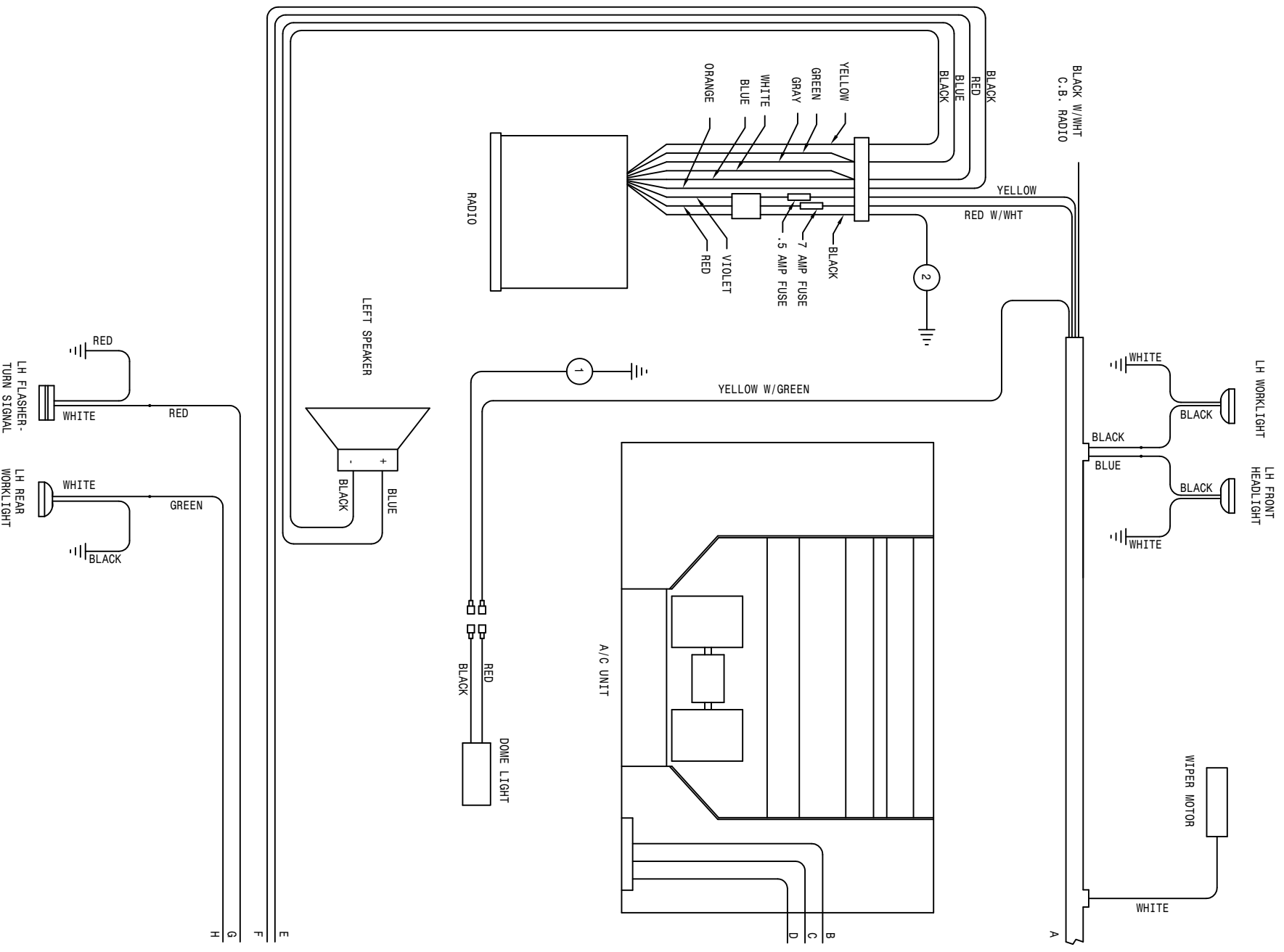


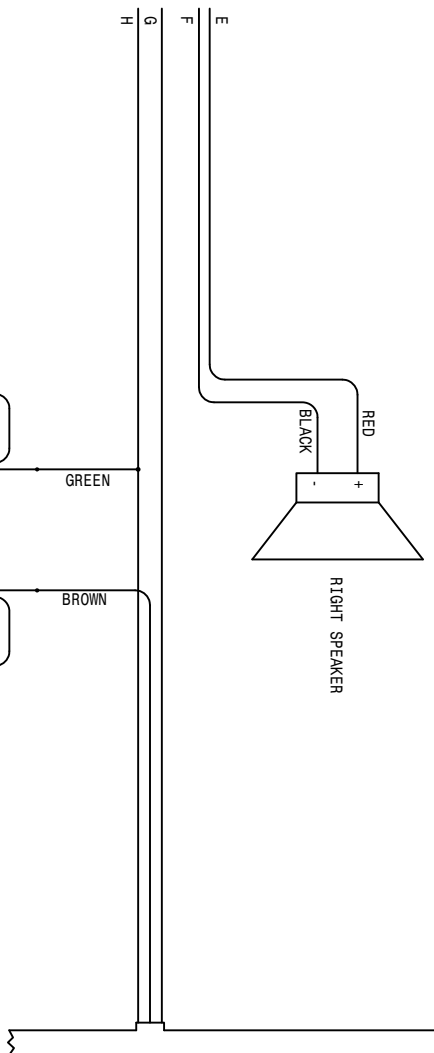
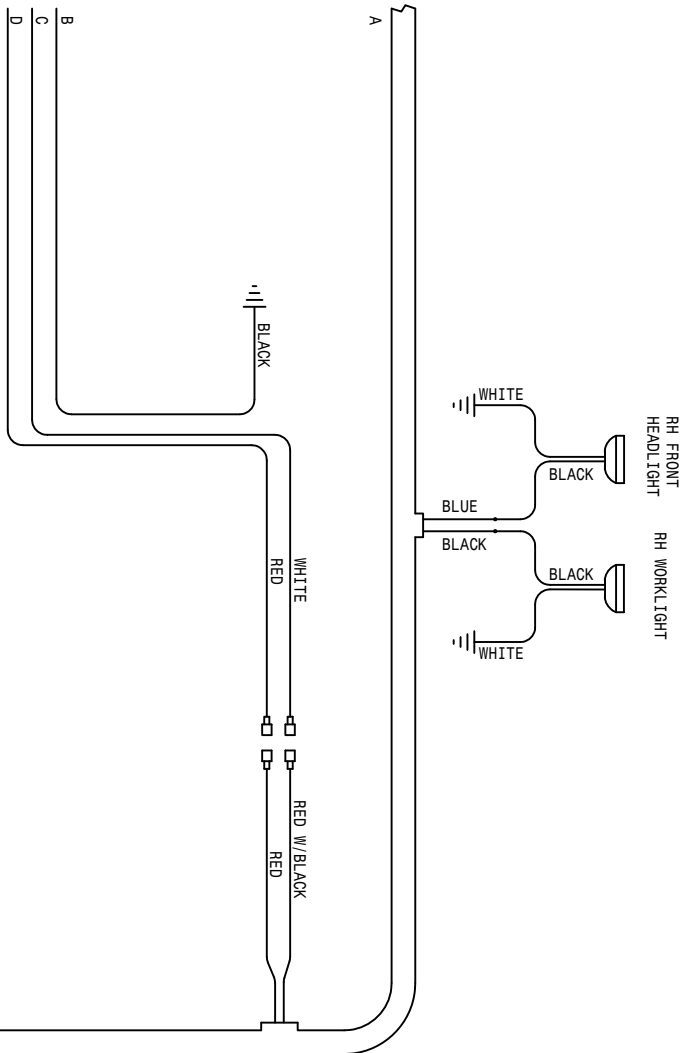
OPERATOR STATION LIGHT WIRING DIAGRAM



CANOPY LIGHT WIRING DIAGRAM
ROPS LIGHT WIRING DIAGRAM



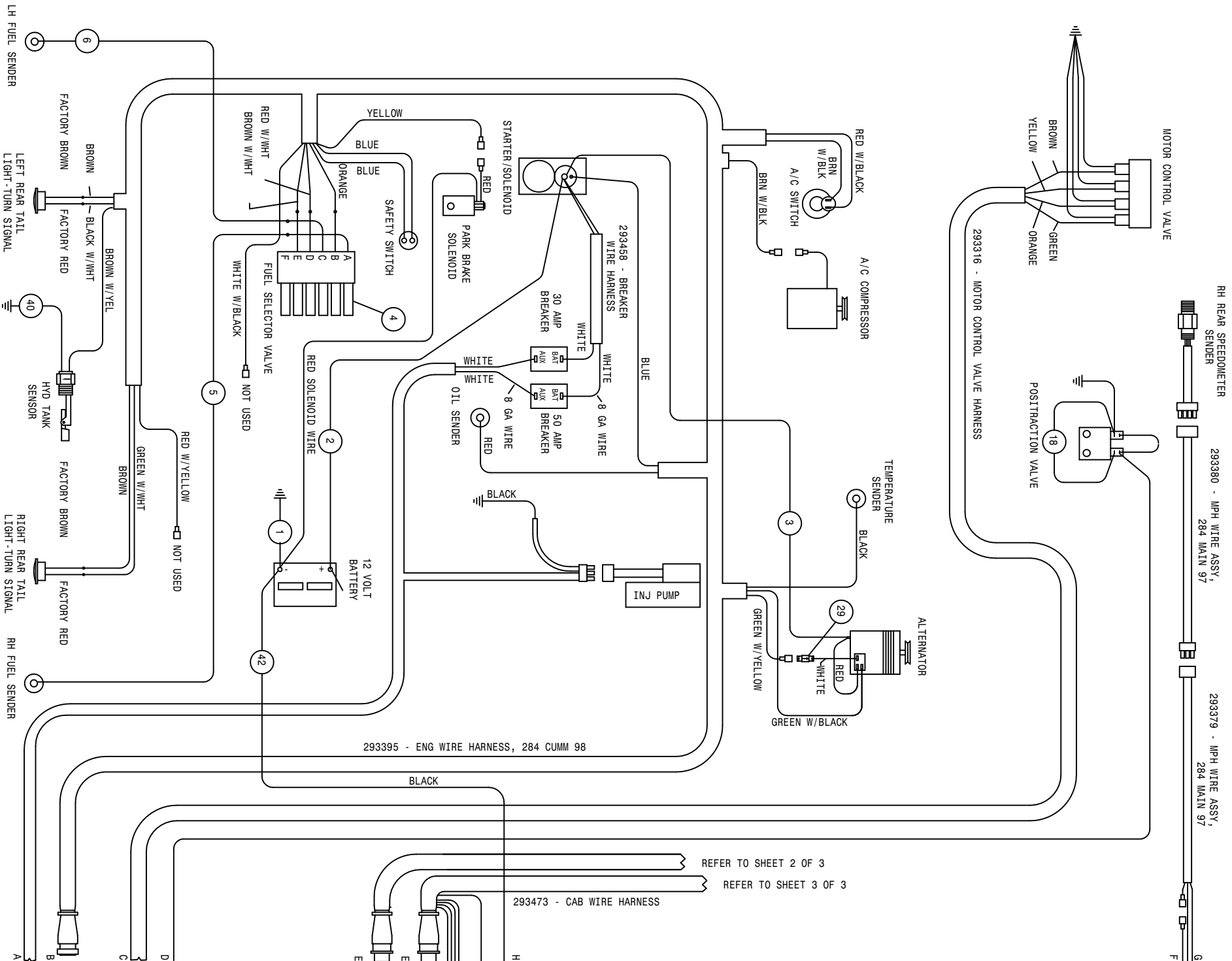




293473 - CAB WIRE HARNESS

REFER TO SHEET 1 OF 3

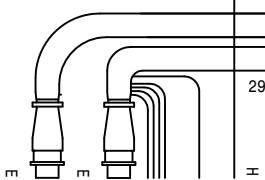
2	1	293300	16GM BLK-291511-291571-18
1	1	293299	16GM BLK-291511-291571-30
204 GMC WIRING DIAGRAM 00			
2041			
SHEET 3 OF 3			
REVISION DATE:			
498586			

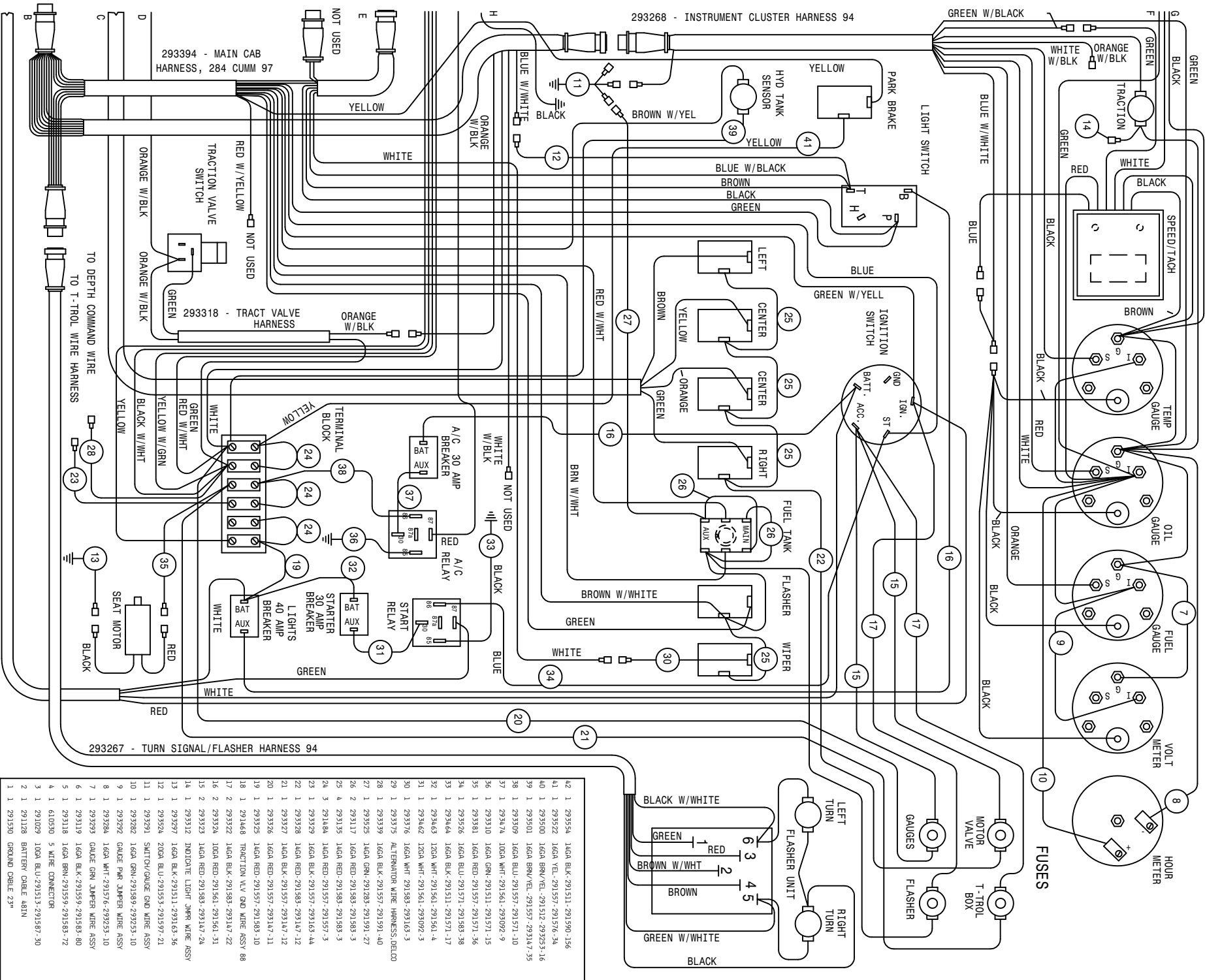


REFER TO SHEET 2 OF 3

REFER TO SHEET 3 OF 3

293473 - CAB WIRE HARNESS





A

293394 - MAIN CAB HARNESS, 284 CUMM 97

293268 - INSTRUMENT CLUSTER HARNESS 94

NOT USED

TRACTION VALVE SWITCH

293318 - TRACT VALVE HARNESS

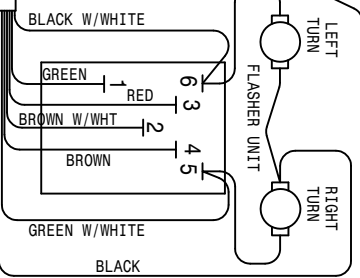
TO T-TROL WIRE HARNESS

TO DEPTH COMMAND WIRE

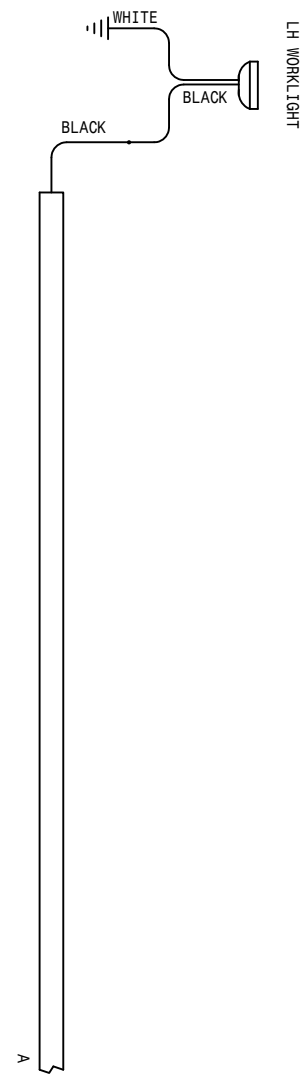
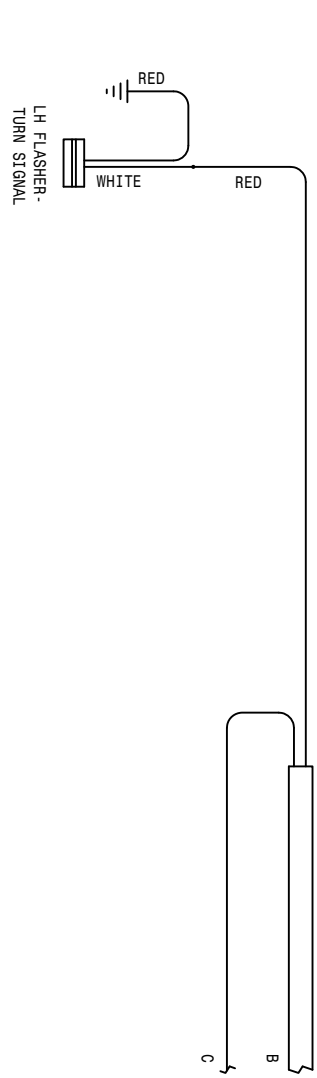
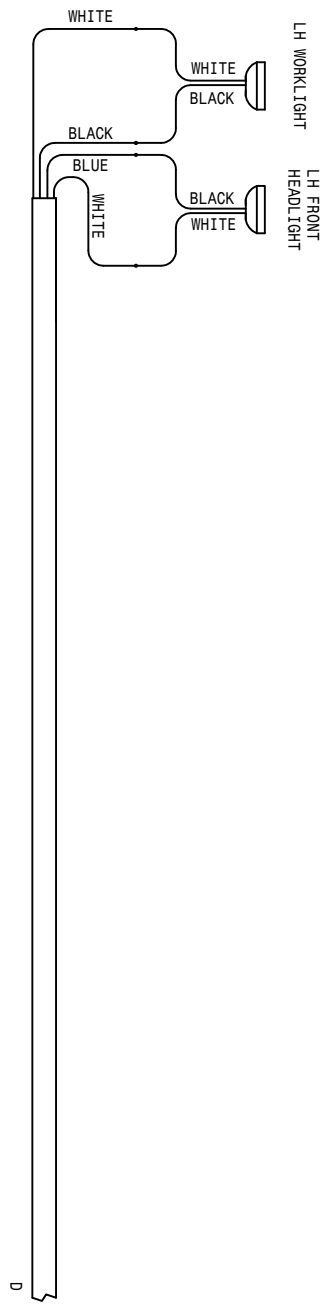
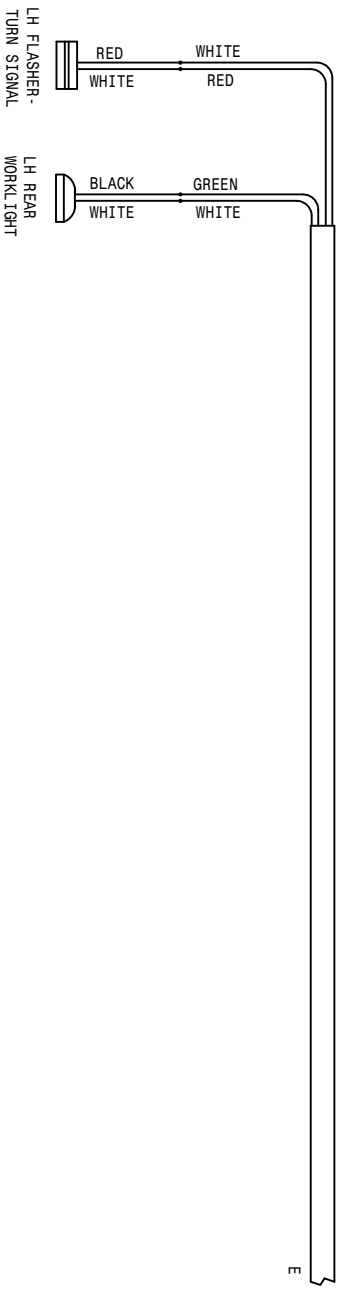
SEAT MOTOR

BLACK

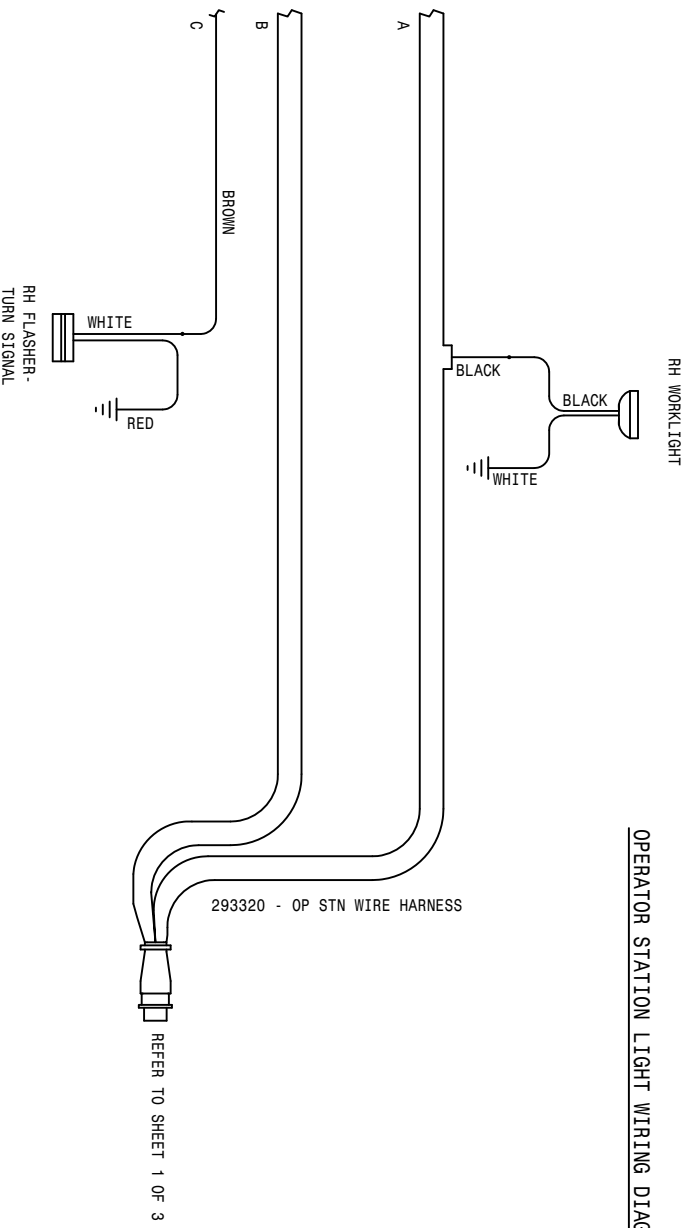
293267 - TURN SIGNAL/FLASHER HARNESS 94



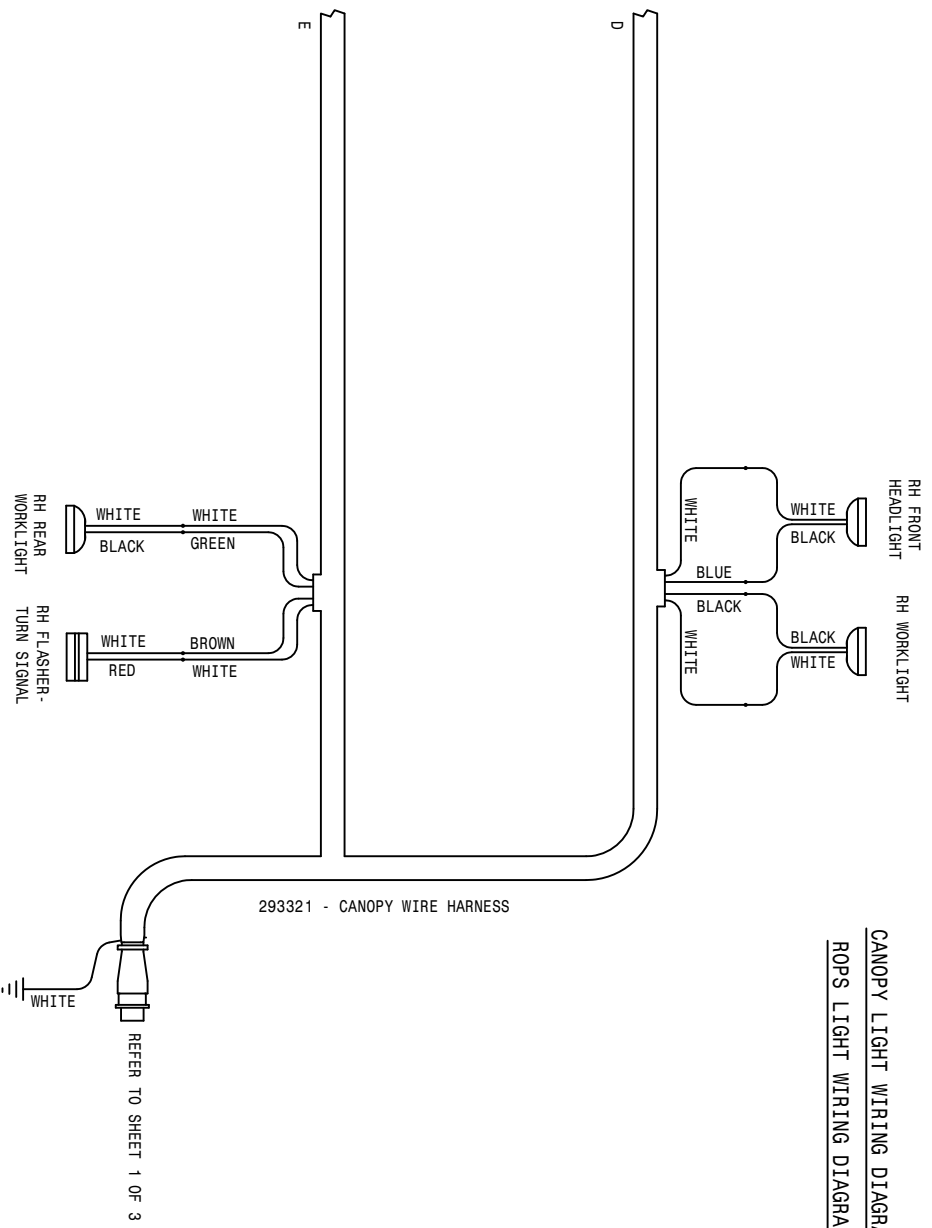
293466 - MAIN POWER HARNESS, 284 CUMM 98



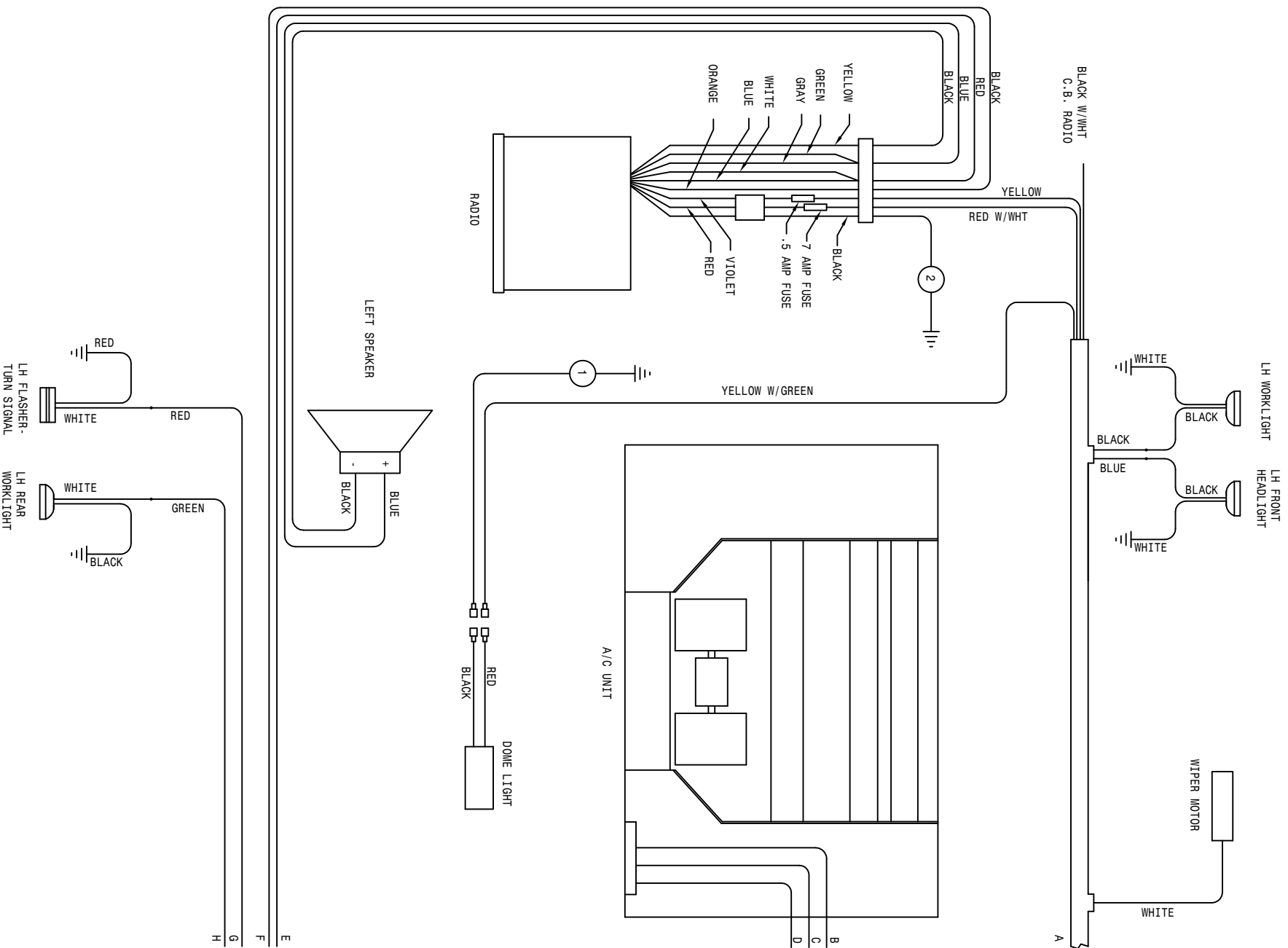
OPERATOR STATION LIGHT WIRING DIAGRAM

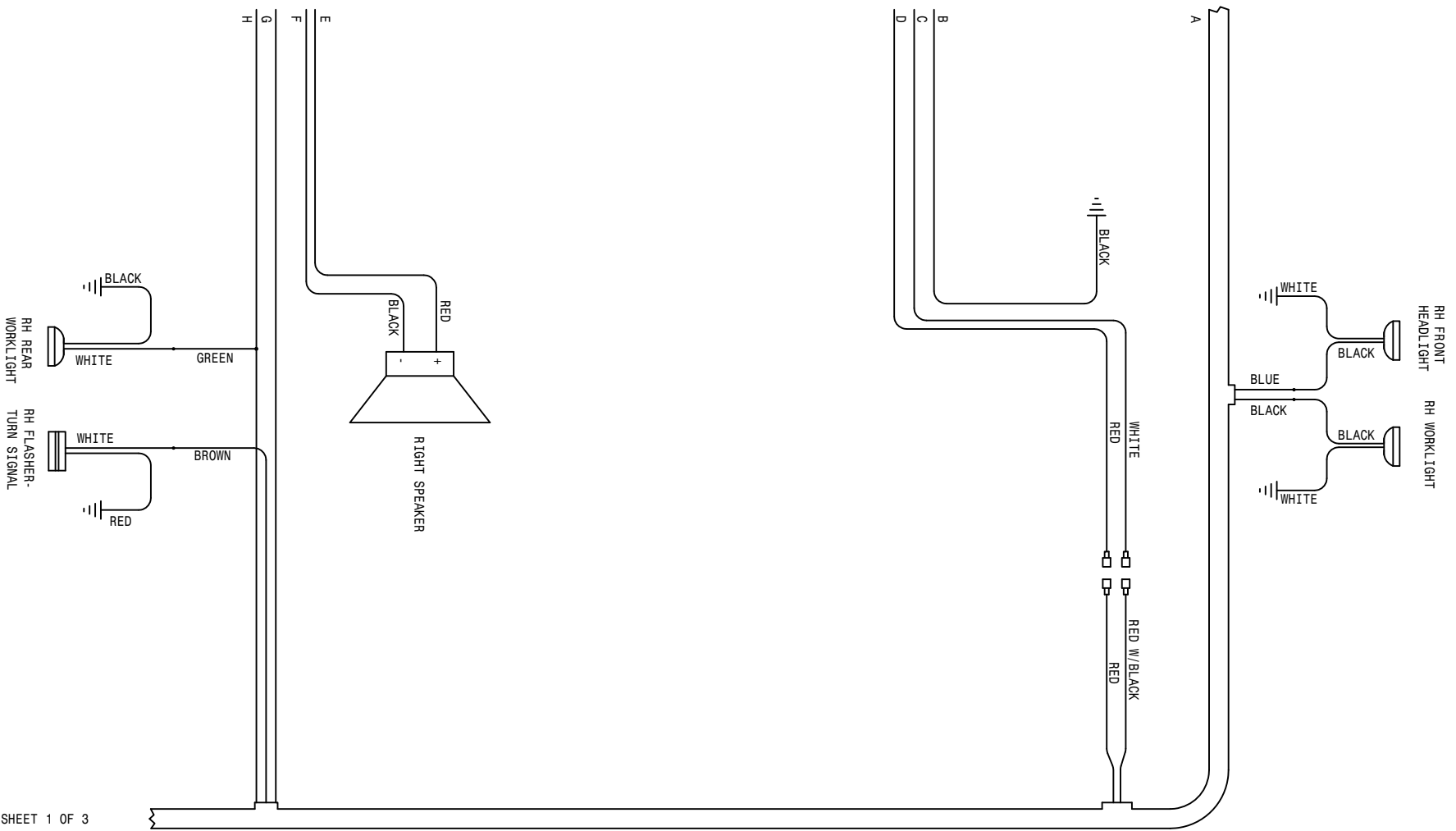


CANOPY LIGHT WIRING DIAGRAM
ROPS LIGHT WIRING DIAGRAM



03-24-00 TLM
204 CUMM WIRING DIAGRAM 00
2041
SHEET 2 OF 3
REVISED DATE: 498587

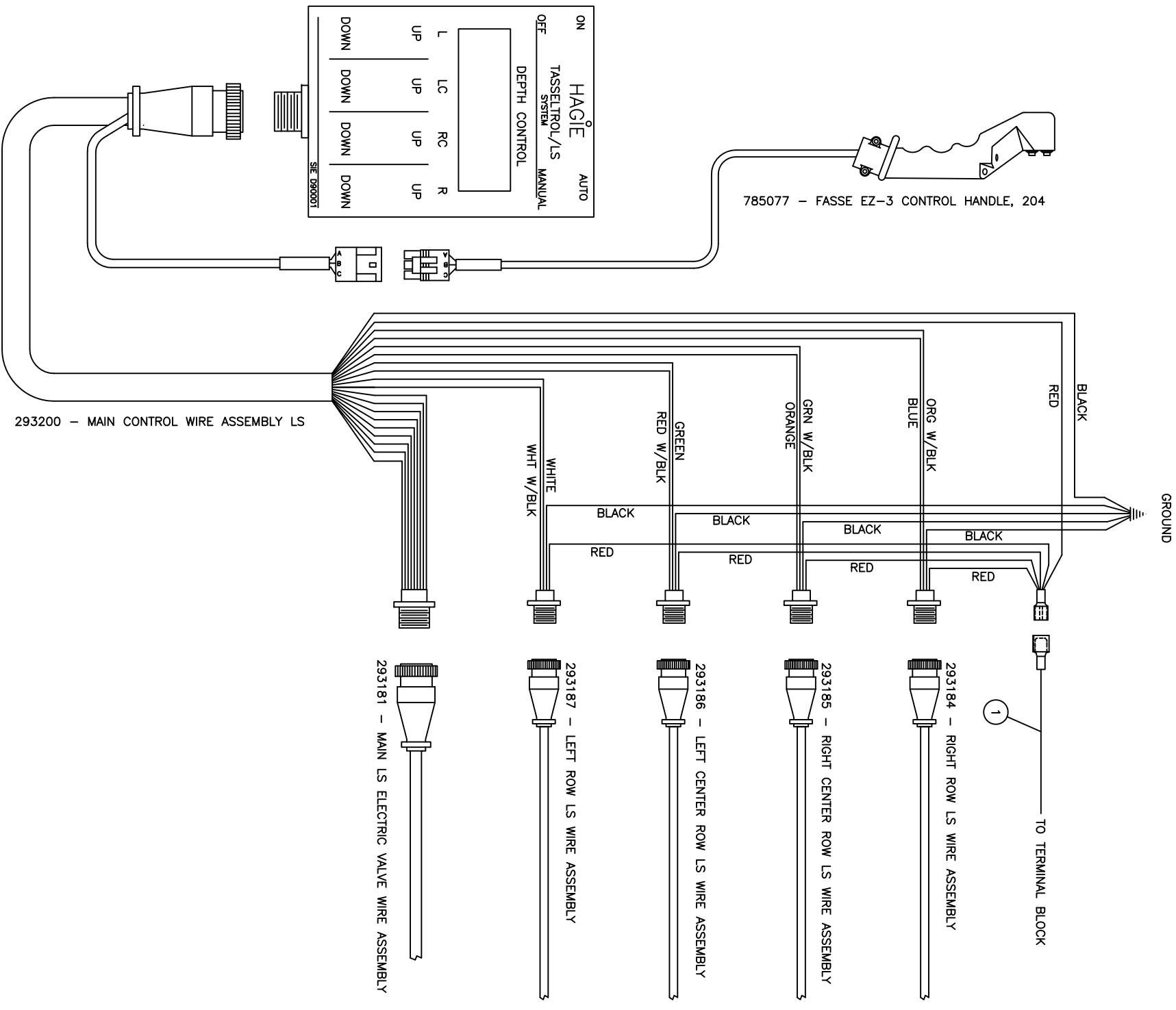


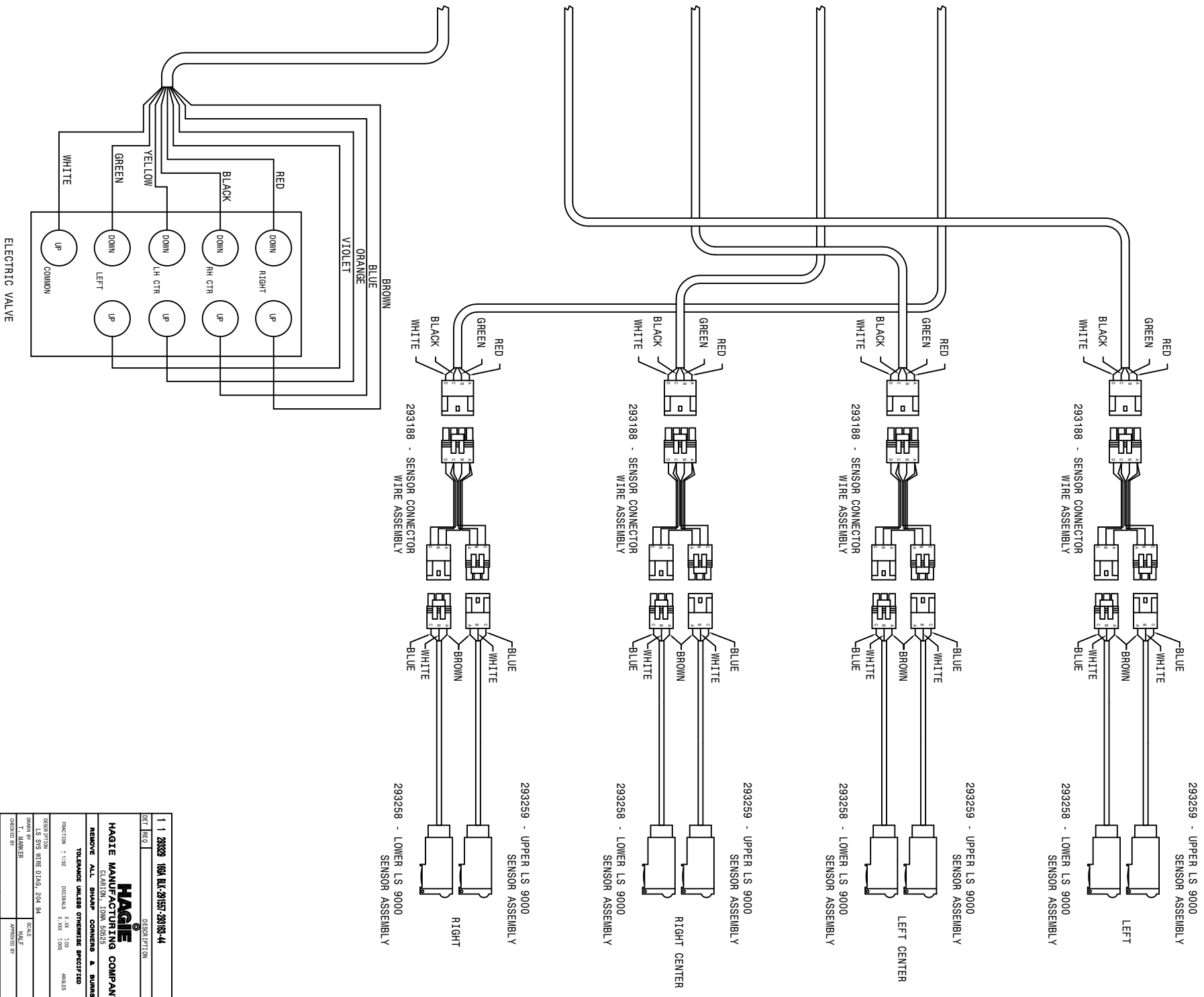


293473 - CAB WIRE HARNESS

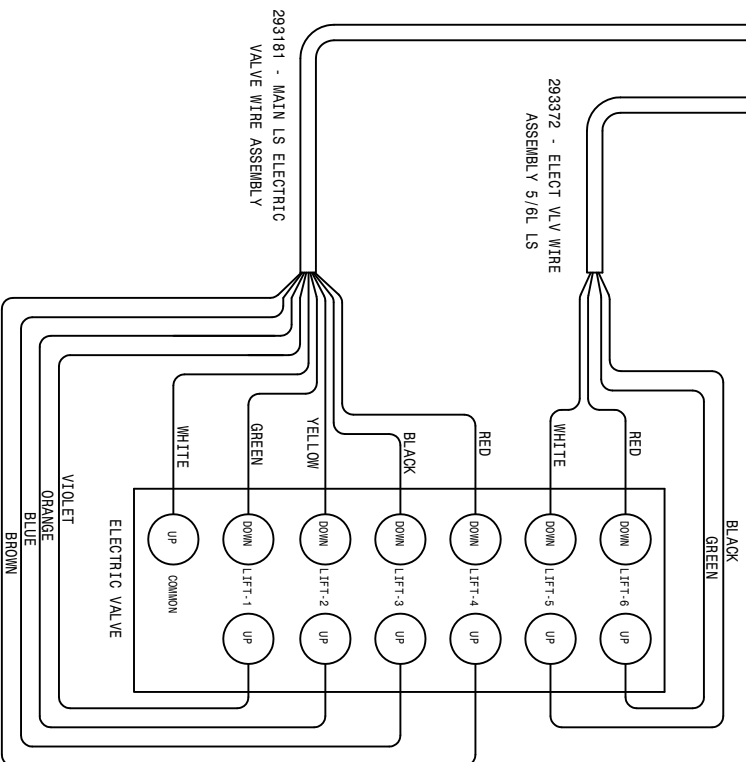
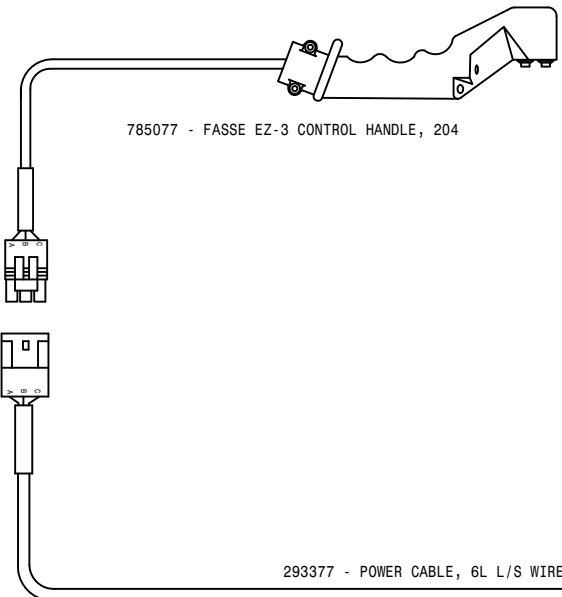
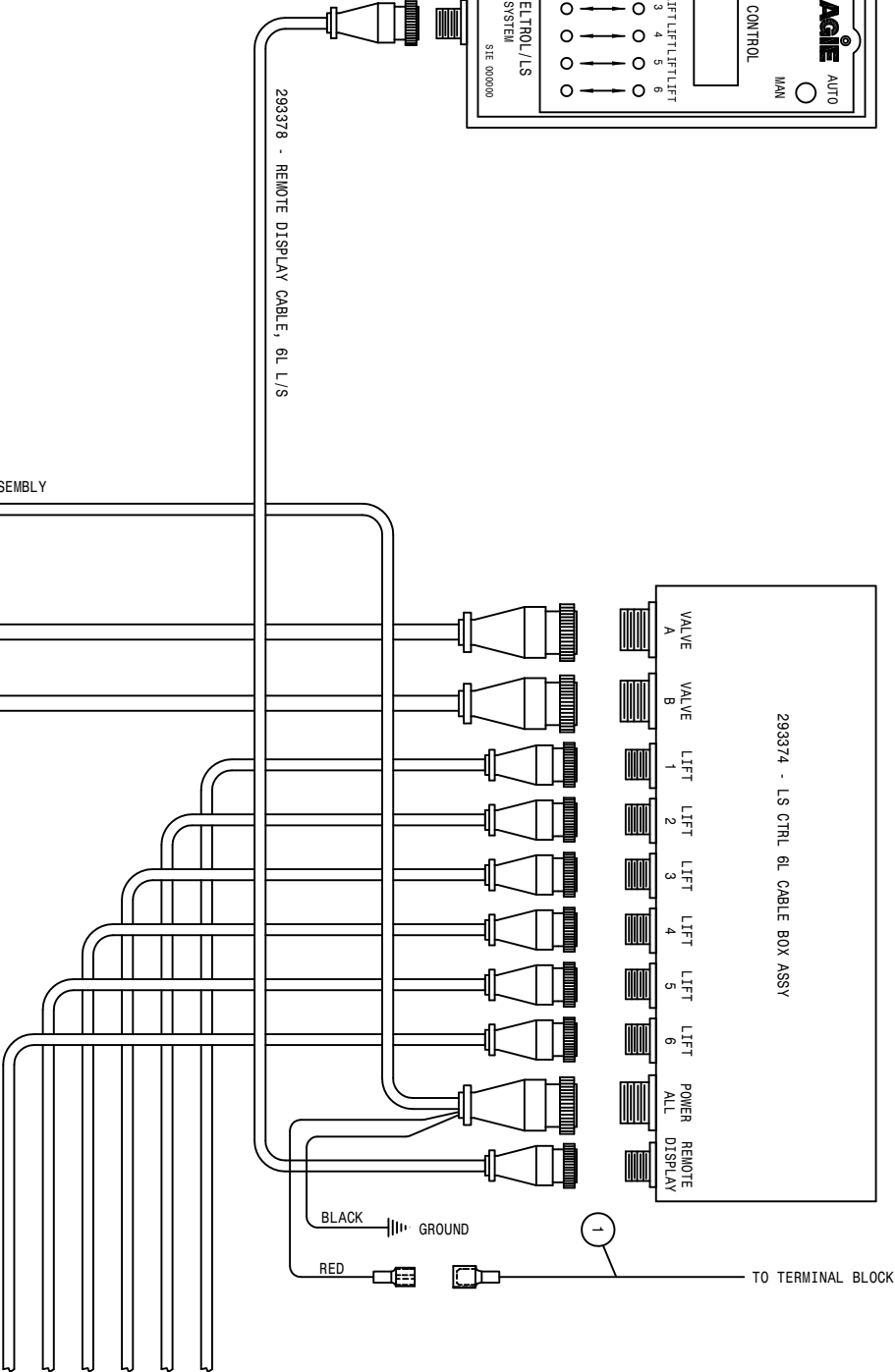
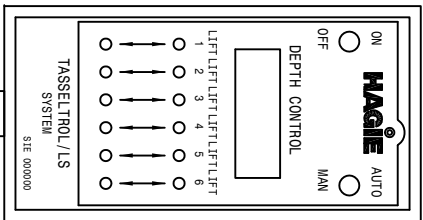
REFER TO SHEET 1 OF 3

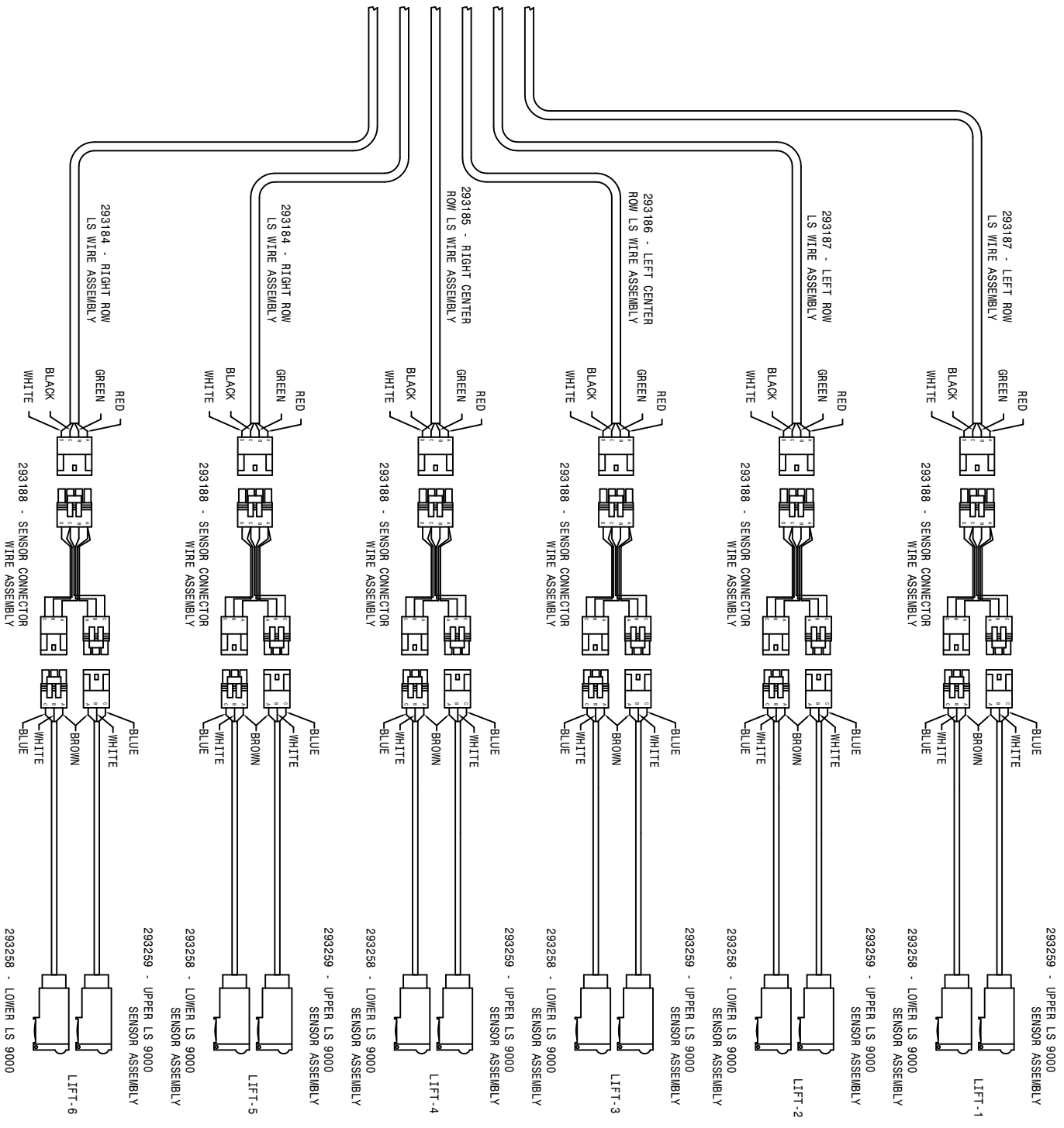
2	1	293300	16GA	BLK-291511-291571-18	
1	1	293299	16GA	BLK-291511-291571-30	
204 CUMM WIRING DIAGRAM 00					03-24-00 TLW
SHEET 3 OF 3					
REVISION DATE:					498587



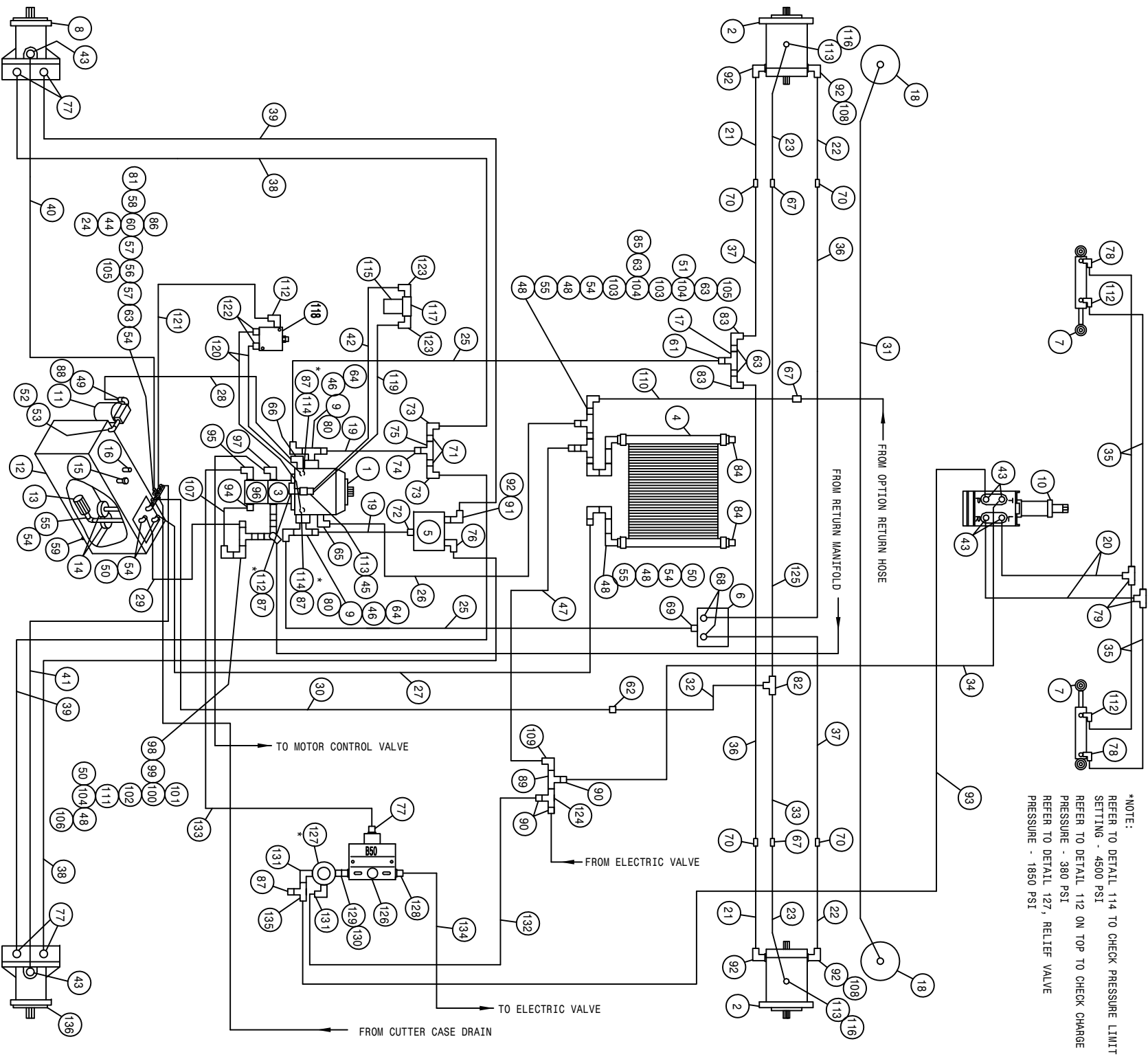


1	1	28009	18A	BLK-29157-28018-44	DESCRIPTION
DEF	REV				
HAGIE					
HAGIE MANUFACTURING COMPANY					
CLARION, TOWNSHIP, OHIO 43025					
REMOVE ALL SHARP CORNERS & BURRS					
TOLERANCE UNLESS OTHERWISE SPECIFIED					
FINISH:	1:102	DECIMALS	X.XX	1:50	ANGLES: 1/4°
US STD WIRE DIA.	204	94			
DESCRIPTION	DATE		DESIGN		
DRAWN BY	DATE		SCALE		
CHECKED BY	DATE		REVISED BY		
DATE	NO.	BY	QTY	DESCRIPTION	REVISION NUMBER
05.30.94					498454
SHEET	OF				





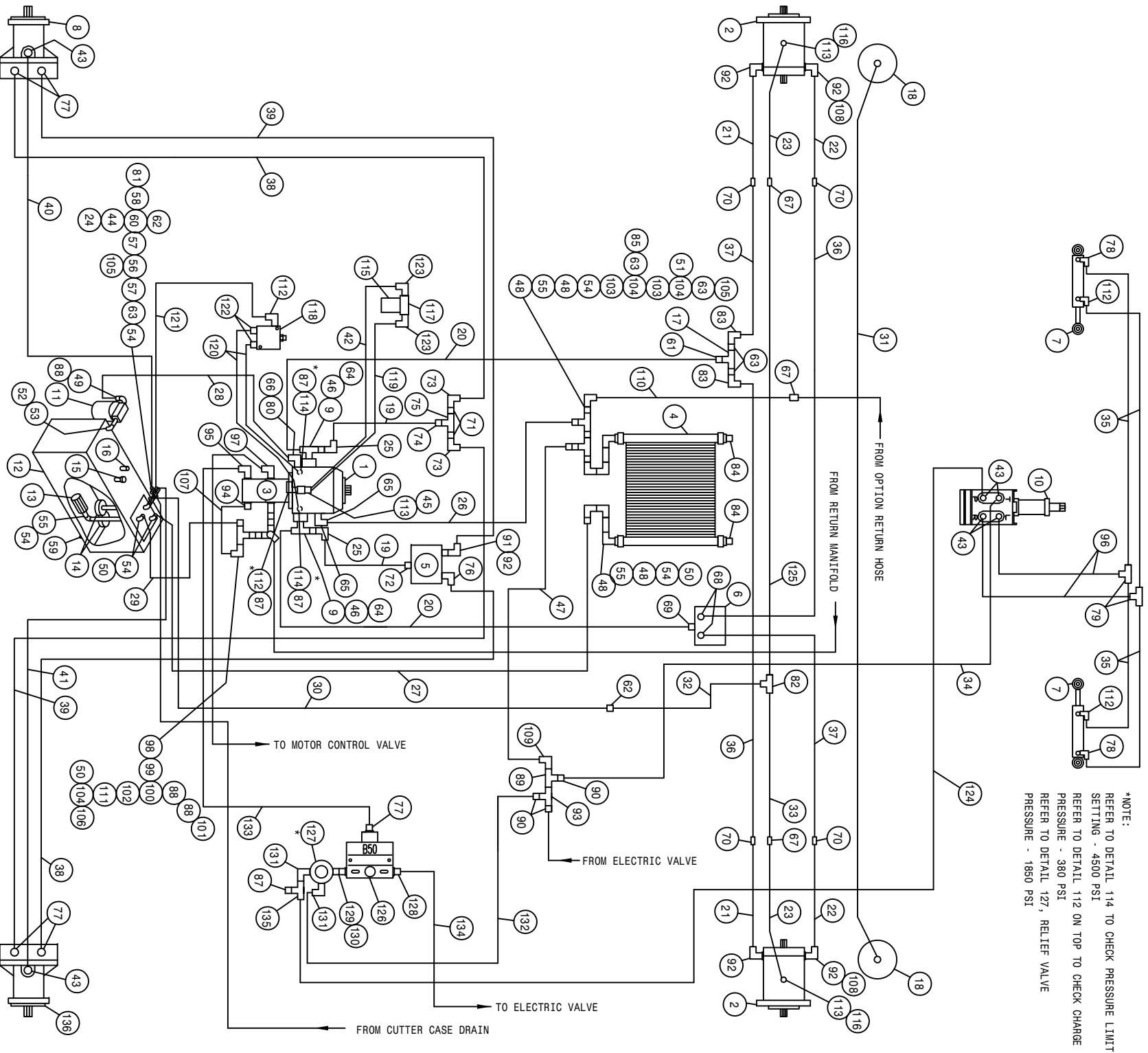
1	293259	UPPER LS 9000 SENSOR ASSEMBLY
1	293258	LOWER LS 9000 SENSOR ASSEMBLY
HAGIE HAGIE MANUFACTURING COMPANY CLARION, IOWA 50555 REMOVE ALL SHARP CORNERS & BURRS TOLERANCE UNLESS OTHERWISE SPECIFIED FINISHES: 1.1X 100 2.0X 100 4.0X 100 8.0X 100 16.0X 100		
DESCRIPTION: LS 9000 PART: LS 9000 WIRE ORDN, 294 98 2024 DRAWN BY: T. MAMBER CHECKED BY: T. MAMBER DATE: 05-01-96 SHEET: 02		
498509		



*NOTE:
 REFER TO DETAIL 114 TO CHECK PRESSURE LIMIT
 SETTING - 4500 PSI
 REFER TO DETAIL 112 ON TOP TO CHECK CHARGE
 PRESSURE - 380 PSI
 REFER TO DETAIL 127, RELIEF VALVE
 PRESSURE - 1850 PSI

204 BASIC MACHINE GMC HYD SCHEMATIC 2000
 REFERENCE DRAWING NO. 498588

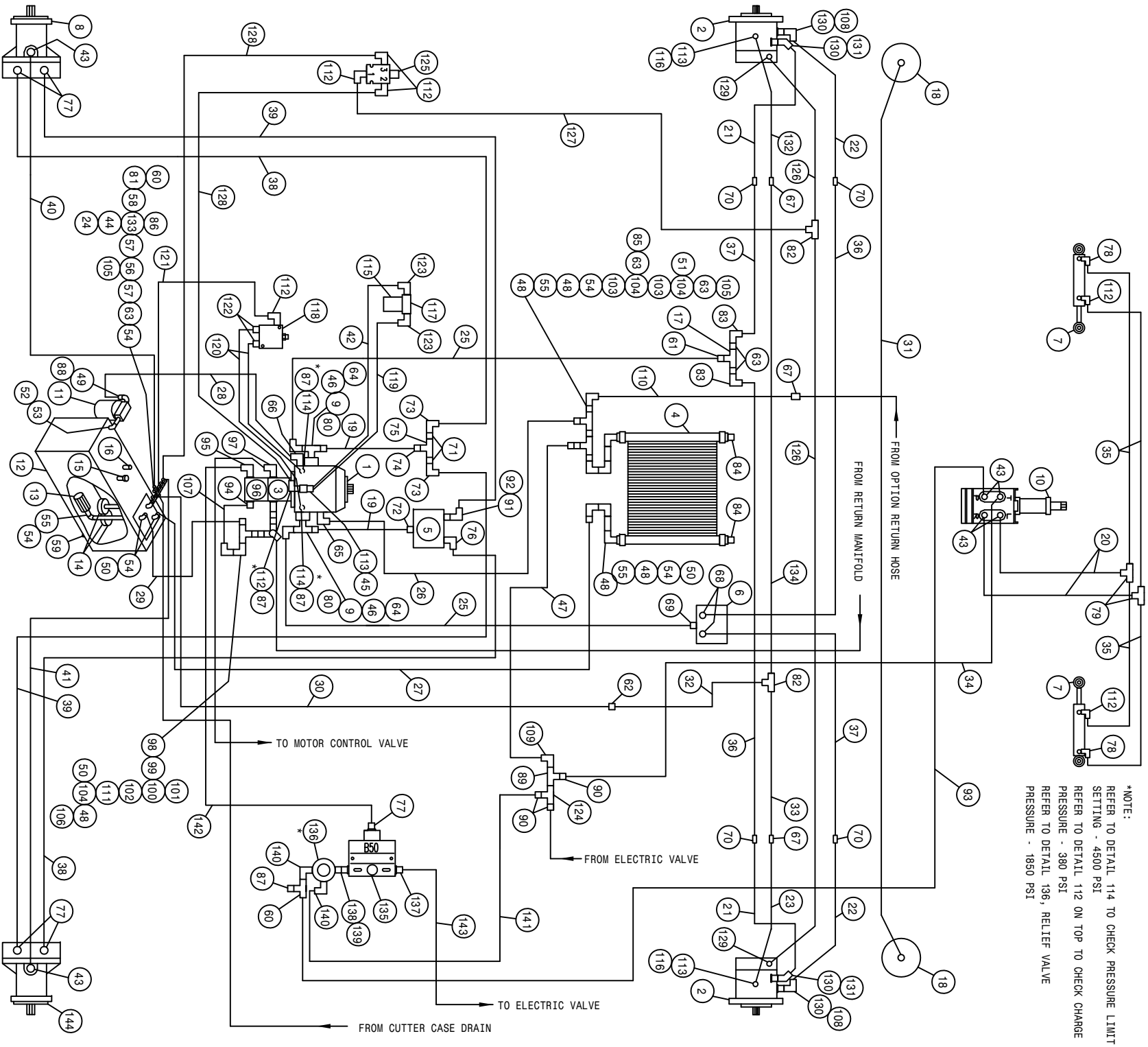
DET.	QTY	PART NO.	DESCRIPTION	DET.	QTY	PART NO.	DESCRIPTION
1	1	606911	SUND 75CC PUMP,B-MT W/FILT	69	1	618186	1 5/16MJC-1 5/16MOR ADPTR
2	1	610557	SUND M35-3102 WHL MTR W/SHFT	70	4	618553	1 1/16MJC-7/8MJC REDU UNION
3	1	606894	SUND GEAR PUMP 3.40CI SPLINED	71	2	505005	RED BUSH 1 TO 1/2
4	1	618606	OIL COOLER, BLISSFIELD 65027	72	1	618308	1 1/16MJC-1 5/16MOR ADPTR
5	1	610468	POSTTRACTION VLV MOD CONT 20G	73	2	611124	7/8MJC-90-1/2MPT LBO
6	1	610586	POSTTRACTION VLV,ALUM,889P60G	74	1	618434	1 1/16MJC-1MPT ADPTR
7	2	620800	STRG CYL ASSY, 2XX	75	1	618575	1FNPT PIPE TEE STL
8	1	610567	SUND M25-3000 WHL MTR 1.5CI	76	1	618589	7/8MJC-90-1 5/16MOR LBO
9	2	618598	1" 4-BOLT FLG X 1 5/16 FOR	77	5	611126	7/8MJC-7/8MOR ADPTR
10	1	749150	STRG MTR NON-LOAD REACT 1008	78	2	618425	9/16MJC-45-9/16MOR LBO
11	1	605601	PARKER FILTER ASSY,10M,1.25NPT	79	2	618019	9/16MJC UNION TEE
12	1	760097	OIL TANK WLD 8240 1982	80	2	618640	1 5/16M-90-1 5/16F3 SWIV LBO
13	1	605600	TANK FILTER, 100 MESH,1"FNPT	81	1	618018	9/16MJC-1/2MPT ADPTR
14	2	605603	LINE SUMP DIFFUSER	82	1	610193	9/16MJC BLKHD BRANCH TEE
15	1	611052	FILLER BREATHER 3/4MPT	83	2	618156	7/8MJC-90-3/4MPT LBO
16	1	614453	DIPSTICK, 8IN	84	2	505102	PIPE PLUG 1.00NPT SQ HD
17	1	614660	1IN STL TEE WLD 280	85	1	610300	3/4MJC-3/4MPT ADPTR
18	2	620805	LEG LEVEL CYL ASSY,2.00 X 12.0	86	1	618135	3/4 HOSE BARB-90-3/4MPT
19	2	614672	HYD TUBE ASSY, SUND PUMP	87	4	618531	9/16FJIC CAP NUT
20	2	616028	04C1T-06FJX-06FJX-47	88	1	506410	BLK PIPE ST EL 90DEG 1.25NPT
21	2	615659	FRT LEG INNER HYD TUBE,204 94	89	1	618311	3/4MJC UNION TEE
22	2	615660	FRT LEG CNTR HYD TUBE,204 94	90	3	618482	3/4FJIC-9/16MJC ADPTR
23	2	615661	FRT LEG OUTER HYD TUBE,204 94	91	1	618312	1 5/16MOR-1 1/16FOR ADPTR
24	2	618520	1/4MPT RUN TEE-9/16MJC	92	5	618535	7/8MJC-90-1 1/16MOR LBO
25	2	615687	12TMM-16FJX-16FJX-122	93	1	616040	04C1T-06FJX-06FJX-67
26	1	601395	HOSE, 3/4 X 64 IFBR-1SPI	94	1	618075	3/4 HOSE BARB-1 1/16MOR
27	1	601396	HOSE, 1 X 81 IFBR-1SPI	95	1	611128	7/8MJC-90-7/8MOR LBO
28	1	601375	HOSE, 1 X 24 IFBR-1SPI	96	1	606891	SUND GEAR PMP .52CI SPLINED
29	1	601377	HOSE, 1 X 48 IFBR-1SPI	97	1	618178	1 5/16MJC-90-1 5/16MOR LBO
30	1	614388	08C1T-08FJX-08FJX-129	98	1	618596	1 5/8MOR-1 1/4FNPT ADPTR
31	1	615614	FRT LEG CYL JUMPER HOSE280	99	1	507026	1 1/4MPT HEX PIPE NIPPLE STL
32	1	614625	06C1T-06FJX-06FJX-50	100	1	506701	SIDE OUTLET EL 90DEG 1.25NPT
33	1	615451	06C1T-06FJX-08FJX-58	101	1	715660	HOSE BARB 1 1/4NPT X 1 1/4
34	1	611204	04C1T-06FJX-06FJX-78	102	1	506005	1 1/4 TO 1 RED BUSH BLK MAL
35	4	614663	04C1T-06FJX-06FJX-16	103	2	505201	CLOSE NIPPLE 1.00NPT
36	2	614655	08C2AT-10FJX-12FJX90-70	104	3	505101	BLK PIPE TEE 1.00NPT
37	2	614654	08C2AT-10FJX-12FJX90-60	105	2	610305	3/4MJC-90-3/4MPT LBO
38	2	614656	08C2AT-10FJX-10FJX-118	106	1	716000	3/4 HOSE BARB-90-1MPT
39	2	614657	08C2AT-10FJX-10FJX-125	107	1	601383	HOSE, 3/4 X 8 IFBR-1SPI
40	1	614549	06C1T-06FJX-06FJX-140	108	2	618628	7/8MJC-45-7/8FJIC SWIV LBO
41	1	615449	06C1T-06FJX-06FJX-126	109	1	618609	3/4MJC-90-3/4FJIC SWIV LBO
42	1	615633	08C1T-08FJX-08FJX-23	110	1	614662	08C1T-08FJX-08FJX-72
43	6	618496	9/16MJC-45-3/4MOR LBO	111	1	505105	1MPT HEX PIPE NIPPLE STL
44	1	504001	RED BUSH 3/4 X 1/4 BLK MAL	112	4	618119	9/16MJC-90-9/16MOR LBO
45	1	618183	3/4MJC-90-7/8MOR LBO	113	3	618327	3/4MJC-7/8MOR ADPTR
46	2	618599	1 5/16MOR BRANCH TEE-1 5/16M	114	2	618629	9/16MOR BRANCH TEE-9/16MJC
47	1	615465	08C1T-08FJX-08FJX-33	115	1	605609	HYD FILTER ELEMENT, DONALDSON
48	5	505200	BLK PIPE ST EL 90DEG 1.00NPT	116	2	618590	3/4MJC-45-3/4FJIC SWIV LBO
49	1	715664	1 1/4 NPT X 1 HOSE BARB	117	1	605608	HYD FILTER HEAD, DONALDSON
50	4	714560	1NPT X 1 HOSE BARB	118	1	610580	REMOTE FLUSHING VALVE, SUND
51	1	714531	1 NPT X 3/4 HOSE BARB	119	1	616034	08C1T-08FJX-08FJX-17
52	1	506602	PIPE NIPPLE 1 1/4NPT-2 1/2	120	2	616043	04C1T-06FJX-06FJX-23
53	1	506303	BLK PIPE EL 90DEG 1.25NPT	121	1	616048	04C1T-06FJX-06FJX-35
54	6	505300	BLK PIPE EL 90DEG 1.00NPT	122	2	618126	9/16MJC-9/16MOR ADPTR
55	3	505203	BLK PIPE NIPPLE 1.00NPT-4.00	123	2	618474	3/4MJC-90-1 1/16MOR LBO
56	1	504955	BLK PIPE TEE .75NPT	124	1	618451	3/4FJIC SW RUN TEE-3/4MJC
57	2	504702	CLOSE NIPPLE .75NPT	125	1	616024	06C1T-06FJX-08FJX-70
58	1	504210	RED BUSH 3/4 NPT X 1/2 NPT	126	1	607504	FLO DIV B50 2-8GPM 7/8 FOR
59	1	501102	1/4 PIPE PLUG	127	1	607512	RELIEF VALVE, RL50, 1850 PSI
60	1	504400	BLK PIPE CROSS .75NPT	128	1	618310	9/16MJC-7/8MOR ADPTR
61	1	618322	1 5/16MJC-1MPT ADPTR	129	1	500000	1/2MPT HEX PIPE NIPPLE STL
62	1	618551	3/4MJC-9/16MJC REDU UNION	130	1	618072	7/8MOR-1/2FNPT ADPTR
63	5	505213	RED BUSH 1 X 3/4 BLK MAL	131	2	618107	9/16MJC-90-1/2MPT LBO
64	2	618541	1 5/16FJIC-1 1/16MJC ADPTR	132	1	616042	04C1T-06FJX-06FJX-13
65	1	618118	3/4 HOSE BARB-90-1 1/16MOR	133	1	614664	10C1T-10FJX-10FJX-98
66	1	618564	1IN HOSE BARB-90-1 5/16MOR	134	1	615616	04C1T-06FJX-06FJX-65
67	3	618314	3/4MJC UNION	135	1	618486	9/16FJIC SW RUN TEE-9/16MJC
68	2	618601	7/8MJC-1 5/16MOR ADPT	136	1	610721	SUND M25-3000 WHL MTR W/SENSOR



*NOTE:
 REFER TO DETAIL 114 TO CHECK PRESSURE LIMIT
 SETTING - 4500 PSI
 REFER TO DETAIL 112 ON TOP TO CHECK CHARGE
 PRESSURE - 380 PSI
 REFER TO DETAIL 127, RELIEF VALVE
 PRESSURE - 1850 PSI

204 BASIC MACHINE CUMM HYD SCHEMATIC 2000
REFERENCE DRAWING NO. 498589

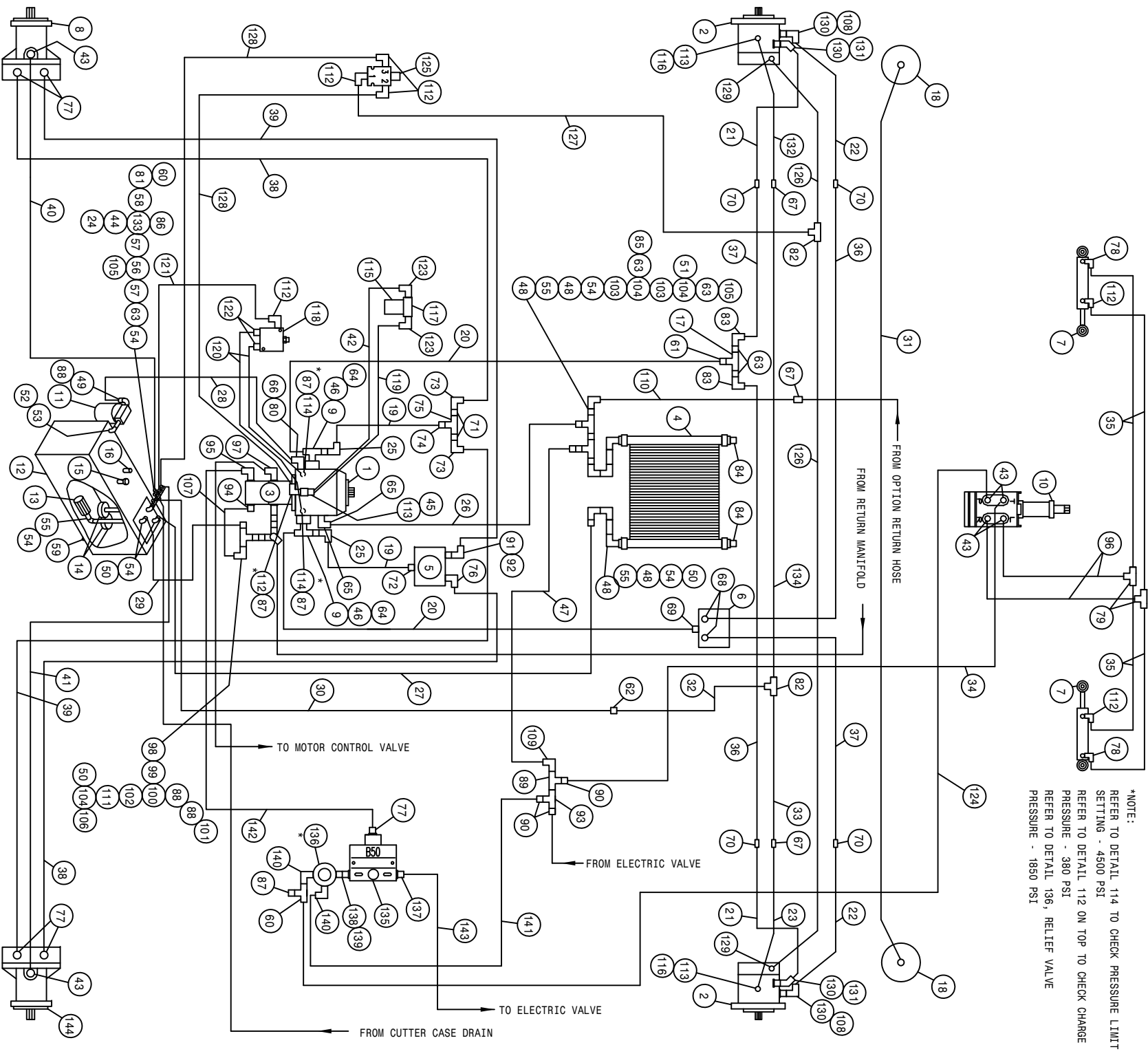
DET.	QTY	PART NO.	DESCRIPTION	DET.	QTY	PART NO.	DESCRIPTION
1	1	606902	SUND 100CC PUMP,B-MT W/FILT	69	1	618186	1 5/16MJIC-1 5/16MOR ADPTR
2	2	610557	SUND M35-3102 WHL MTR W/SHT	70	4	618553	1 1/16MJIC-7/8MJIC REDU UNION
3	1	606937	TANDEM PUMP, 606929 & 606938	71	2	505005	RED BUSH 1 TO 1/2
4	1	618606	OIL COOLER, BLISSFIELD 65027	72	1	618308	1 1/16MJIC-1 5/16MOR ADPTR
5	1	610468	POSITION TRACTION VLV MOD CONT 20G	73	2	611124	7/8MJIC-90-1/2MNPT LBO
6	1	610586	POSITRCTION VLV,ALUM,88SP60G	74	1	618434	1 1/16MJIC-1MNPT ADPTR
7	2	620800	STRG CYL ASSY, 2XX	75	1	618575	1FNPT PIPE TEE STL
8	1	610567	SUND M25-3000 WHL MTR 1.5CI	76	1	618589	7/8MJIC-90-1 5/16MOR LBO
9	2	618598	1" 4-BOLT FLG X 1 5/16 FOR	77	5	611126	7/8MJIC-7/8MOR ADPTR
10	1	749150	STRG MTR NON-LOAD REACT 1008	78	2	618425	9/16MJIC-45-9/16MOR LBO
11	1	605601	PARKER FILTER ASSY,10M,1.25NPT	79	2	618019	9/16MJIC UNION TEE
12	1	760097	OIL TANK WLD 8240 1982	80	1	618639	1 5/8MOR-1 5/16FOR ADPTR
13	1	605600	TANK FILTER, 100 MESH,1"FNPT	81	1	618018	9/16MJIC-1/2MNPT ADPTR
14	2	605603	LINE SUMP DIFFUSER	82	1	610193	9/16MJIC BLKHD BRANCH TEE
15	1	611052	FILLER BREATHER 3/4ANPT	83	2	618156	7/8MJIC-90-3/4MNPT LBO
16	1	614453	DIPSTICK, 8IN	84	2	505102	PIPE PLUG 1.00NPT SQ HD
17	1	614660	1IN STL TEE WLD 280	85	1	610300	3/4MJIC-3/4MNPT ADPTR
18	2	620805	LEG LEVEL CYL ASSY,2.00 X 12.0	86	1	618135	3/4 HOSE BARB-90-3/4MNPT
19	2	614707	HYD TUBE ASSY,SUND,200 DIESEL	87	4	618531	9/16FJIC CAP NUT
20	2	615634	12TMM-16FJX-16FJX-123	88	3	506410	BLK PIPE ST EL 90DEG 1.25NPT
21	2	615659	FRT LEG INNER HYD TUBE,204 94	89	1	618311	3/4MJIC UNION TEE
22	2	615660	FRT LEG CNTR HYD TUBE,204 94	90	3	618482	3/4FJIC-9/16MJIC ADPTR
23	2	615661	FRT LEG OUTER HYD TUBE,204 94	91	1	618312	1 5/16MOR-1 1/16FOR ADPTR
24	1	618520	1/4MNPT RUN TEE-9/16MJIC	92	5	618535	7/8MJIC-90-1 1/16MOR LBO
25	2	618191	1 1/16MJ-90-1 1/16FJ SMIV LBO	93	1	618451	3/4FJIC SW RUN TEE-3/4MJIC
26	1	601395	HOSE, 3/4 X 64 1FBR-1SPI	94	1	618075	3/4 HOSE BARB-1 1/16MOR
27	1	601396	HOSE, 1 X 81 1FBR-1SPI	95	1	611128	7/8MJIC-90-7/8MOR LBO
28	1	601376	HOSE, 1 X 29 1FBR-1SPI	96	2	616028	04C1T-06FJX-06FJX-47
29	1	601377	HOSE, 1 X 48 1FBR-1SPI	97	1	618178	04C1T-06FJX-06FJX-47
30	1	614388	08C1T-08FJX-08FJX-129	98	1	618596	1 5/16MJIC-90-1 5/16MOR LBO
31	1	615614	FRT LEG CYL JUMPER HOSE280	99	1	507026	1 1/4MNPT HEX PIPE NIPPLE STL
32	1	614625	06C1T-06FJX-06FJX-50	100	1	506701	1 1/4MNPT HEX PIPE NIPPLE STL
33	1	615451	06C1T-06FJX-08FJX-58	101	1	715660	HOSE BARB 1 1/4ANPT X 1 1/4
34	1	611204	04C1T-06FJX-06FJX-78	102	1	506005	1 1/4 TO 1 RED BUSH BLK MAL
35	4	614663	04C1T-06FJX-06FJX-16	103	2	505201	CLOSE NIPPLE 1.00NPT
36	2	614655	08C2AT-10FJX-12FJX90-70	104	3	505101	BLK PIPE TEE 1.00NPT
37	2	614654	08C2AT-10FJX-12FJX90-60	105	2	610305	3/4MJIC-90-3/4MNPT LBO
38	2	614656	08C2AT-10FJX-10FJX-118	106	1	716000	3/4 HOSE BARB-90-1MNPT
39	2	614657	08C2AT-10FJX-10FJX-125	107	1	601399	HOSE, 3/4 X 13 1FBR-1SPI
40	1	614549	06C1T-06FJX-06FJX-140	108	2	618628	7/8MJIC-45-7/8FJIC SMIV LBO
41	1	615449	06C1T-06FJX-06FJX-126	109	1	618609	3/4MJIC-90-3/4FJIC SMIV LBO
42	1	615633	08C1T-08FJX-08FJX-23	110	1	614662	08C1T-08FJX-08FJX-72
43	6	618496	9/16MJIC-45-3/4MOR LBO	111	1	505105	1MNPT HEX PIPE NIPPLE STL
44	1	504001	RED BUSH 3/4 X 1/4 BLK MAL	112	4	618119	9/16MJIC-90-9/16MOR LBO
45	1	618183	3/4MJIC-90-7/8MOR LBO	113	3	618327	3/4MJIC-7/8MOR ADPTR
46	2	618599	1 5/16MOR BRANCH TEE-1 5/16MJ	114	2	618609	9/16MOR BRANCH TEE-9/16MJIC
47	1	615465	08C1T-08FJX-08FJX-33	115	1	605629	HYD FILTER ELEMENT, DONALDSON
48	4	505200	BLK PIPE ST EL 90DEG 1.00NPT	116	2	618590	3/4MJIC-45-3/4FJIC SMIV LBO
49	1	715664	1 1/4 NPT X 1 HOSE BARB	117	1	605608	HYD FILTER HEAD, DONALDSON
50	4	714560	1NPT X 1 HOSE BARB	118	1	610580	REMOTE FLUSHING VALVE, SUND
51	1	714531	1 NPT X 3/4 HOSE BARB	119	1	616034	08C1T-08FJX-08FJX-17
52	1	506602	PIPE NIPPLE 1 1/4NPT-2 1/2	120	2	616043	04C1T-06FJX-06FJX-23
53	1	506303	BLK PIPE EL 90DEG 1.25NPT	121	1	616048	04C1T-06FJX-06FJX-35
54	6	505300	BLK PIPE EL 90DEG 1.00NPT	122	2	618126	9/16MJIC-9/16MOR ADPTR
55	3	505203	BLK PIPE NIPPLE 1.00NPT-4.00	123	2	618474	3/4MJIC-90-1 1/16MOR LBO
56	1	504955	BLK PIPE TEE .75NPT	124	1	616040	04C1T-06FJX-06FJX-67
57	2	504702	CLOSE NIPPLE .75NPT	125	1	616024	06C1T-06FJX-08FJX-70
58	1	504210	RED BUSH 3/4 NPT X 1/2 NPT	126	1	607504	FLO DIV B50 2-8GPM 7/8 FOR
59	1	501102	1/4 PIPE PLUG	127	1	607512	RELIEF VALVE, RL50, 1850 PSI
60	1	504400	BLK PIPE CROSS .75NPT	128	1	618310	9/16MJIC-7/8MOR ADPTR
61	1	618322	1 5/16MJIC-1MNPT ADPTR	129	1	500000	1/2MNPT HEX PIPE NIPPLE STL
62	1	618511	3/4MJIC-9/16MJIC REDU UNION	130	1	618072	7/8MOR-1/2FNPT ADPTR
63	5	505213	RED BUSH 1 X 3/4 BLK MAL	131	2	618107	9/16MJIC-90-1/2MNPT LBO
64	2	618541	1 5/16FJIC-1 1/16MJIC ADPTR	132	1	616042	04C1T-06FJX-06FJX-13
65	1	618118	3/4 HOSE BARB-90-1 1/16MOR	133	1	614664	10C1T-10FJX-10FJX-98
66	1	618638	1IN HOSE BARB-45-1 5/16MOR	134	1	615616	04C1T-06FJX-06FJX-65
67	3	618314	3/4MJIC UNION	135	1	618486	9/16FJIC SW RUN TEE-9/16MJIC
68	2	618601	7/8MJIC-1 5/16MOR ADPT	136	1	610721	SUND M25-3000 WHL MTR W/SENSOR



*NOTE:
 REFER TO DETAIL 114 TO CHECK PRESSURE LIMIT
 SETTING - 4500 PSI
 REFER TO DETAIL 112 ON TOP TO CHECK CHARGE
 PRESSURE - 380 PSI
 REFER TO DETAIL 136, RELIEF VALVE
 PRESSURE - 1850 PSI

204I BASIC MACHINE GMC HYD SCHEMATIC 2000
REFERENCE DRAWING NO. 498590

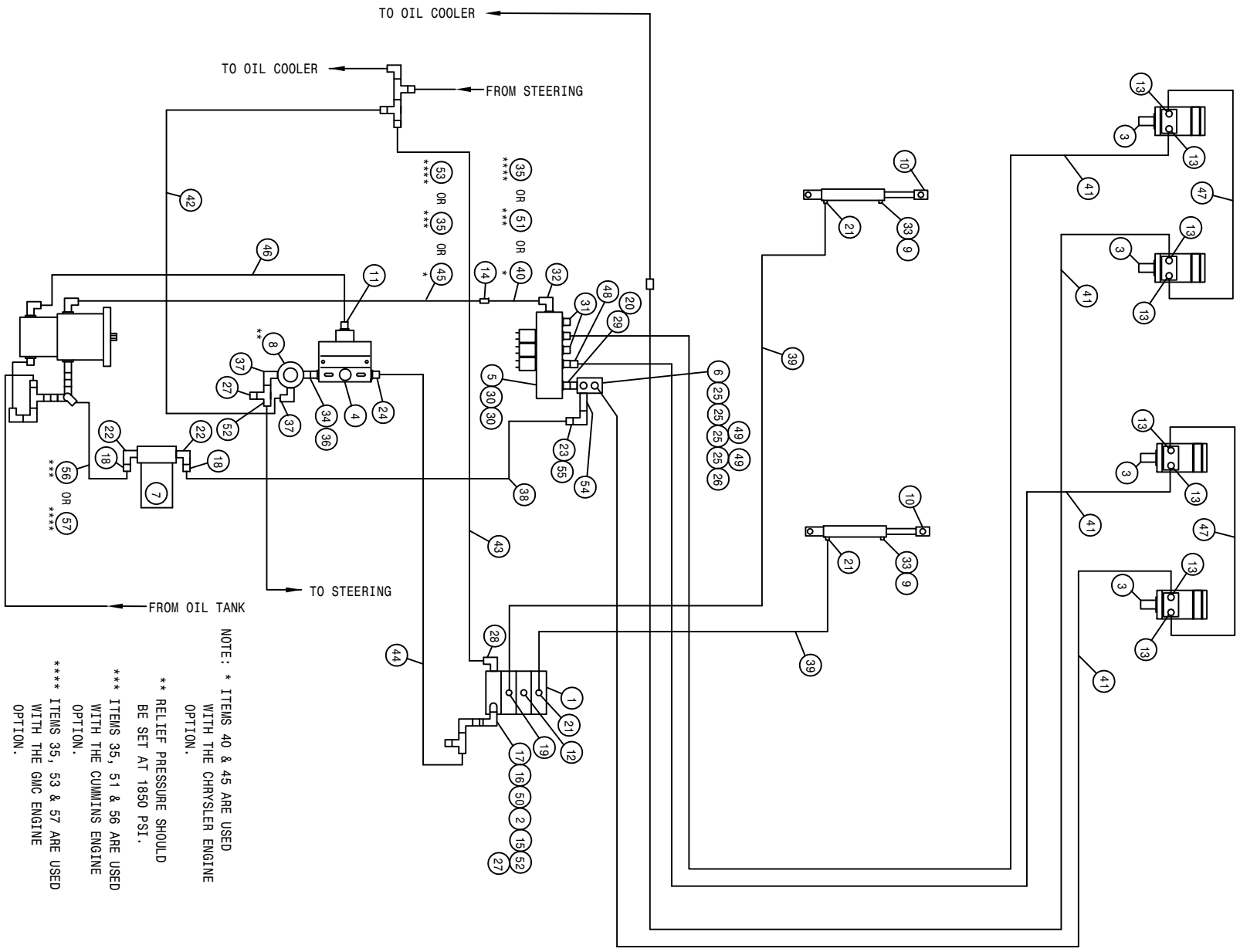
DET.	QTY	PART NO.	DESCRIPTION	DET.	QTY	PART NO.	DESCRIPTION
1	1	606911	SUND 750C PUMP,B-MT W/FILT	73	2	611124	7/8MJIC-90-1/2NPT LBO
2	2	610717	TORQ HUB,24:1 W/M1 INTEGRATED	74	1	618434	1 1/16MJIC-1/2NPT ADPTR
3	1	606894	SUND GEAR PUMP 3.40CI SPLINED	75	1	618575	1FNPT PIPE TEE STL
4	1	618606	OIL COOLER, BLISSFIELD 65027	76	1	618589	7/8MJIC-90-1/516MOR LBO
5	1	610468	POSTTRACTION VLV MOD CONT 20G	77	5	611126	7/8MJIC-7/8MOR ADPTR
6	1	610586	POSTTRACTION VLV,ALUM,88SP60G	78	2	618425	9/16MJIC-45-9/16MOR LBO
7	2	620800	STRG CYL ASSY, 2XX	79	2	618019	9/16MJIC UNION TEE
8	1	610567	SUND M25-3000 WHL MTR 1.5CI	80	2	618640	1 5/16MJ-90-1 5/16FJ SWIV LBO
9	2	618598	1" 4-BOLT FLG X 1 5/16 FOR	81	1	618018	9/16MJIC-1/2NPT ADPTR
10	1	749150	STRG MTR NON-LOAD REACT 1008	82	2	610193	9/16MJIC BLKHD BRANCH TEE
11	1	605601	PARKER FILTER ASSY,10M,1.25NPT	83	2	618156	7/8MJIC-90-3/4MNPT LBO
12	1	760097	OIL TANK W/LD 8240 1982	84	2	505102	PIPE PLUG 1.00NPT SQ HD
13	1	605600	TANK FILTER, 100 MESH,1"FNPT	85	1	610300	3/4MJIC-3/4MNPT ADPTR
14	2	605603	LINE SUMP DIFFUSER	86	1	618135	3/4 HOSE BARB-90-3/4MNPT
15	1	611052	FILLER BREATHER 3/4NPT	87	4	618531	9/16FJIC CAP NUT
16	1	614453	DIPSTICK, 8IN	88	1	506410	BLK PIPE ST EL 90DEG 1.25NPT
17	1	614660	1IN STL TEE W/LD 280	89	1	618311	3/4MJIC UNION TEE
18	2	620805	LEG LEVEL CYL ASSY,2.00 X 12.0	90	3	618482	3/4FJIC-9/16MJIC ADPTR
19	2	614672	HYD TUBE ASSY, SUND PUMP	91	1	618312	1 5/16MOR-1 1/16FOR ADPTR
20	2	616028	04CIT-06F3X-06F3X-47	H/A	92	618535	7/8MJIC-90-1 1/16MOR LBO
21	2	615751	FRT LEG OLTR HYD TUBE,204 W/M1	93	1	616040	04CIT-06F3X-06F3X-67
22	2	615750	FRT LEG CNTR HYD TUBE,204 W/M1	94	1	618075	3/4 HOSE BARB-1 1/16MOR
23	1	615748	RH FRT INNER HYD TUBE,204 W/M1	95	1	611128	7/8MJIC-90-7/8MOR LBO
24	1	618520	1/4MNPT RUN TEE-9/16MJIC	96	1	606891	SUND GEAR PMP .52CI SPLINED
25	2	615687	127MM-16F3X-16F3X-122	H/A	97	618178	1 5/16MJIC-90-1 5/16MOR LBO
26	1	601395	HOSE, 3/4 X 64 1FBR-1SPI	98	1	618596	1 5/8MOR-1 1/4FNPT ADPTR
27	1	601396	HOSE, 1 X 81 1FBR-1SPI	99	1	507026	1 1/4MNPT HEX PIPE NIPPLE STL
28	1	601375	HOSE, 1 X 24 1FBR-1SPI	100	1	506701	SIDE OUTLET EL 90DEG 1.25NPT
29	1	601377	HOSE, 1 X 48 1FBR-1SPI	101	1	715660	HOSE BARB 1 1/4NPT X 1 1/4
30	1	614388	08CIT-08F3X-08F3X-129	H/A	102	506005	1 1/4 TO 1 RED BUSH BLK MAL
31	1	615614	FRT LEG CYL JUMPER HOSE280	89	103	505201	CLOSE NIPPLE 1.00NPT
32	1	614625	06CIT-06F3X-06F3X-30	H/A	104	505101	BLK PIPE TEE 1.00NPT
33	1	615451	06CIT-06F3X-08F3X-58	H/A	105	616035	3/4MJIC-90-3/4MNPT LBO
34	1	611204	04CIT-06F3X-06F3X-78	H/A	106	716000	3/4 HOSE BARB-90-1MNPT
35	4	614663	04CIT-06F3X-06F3X-16	H/A	107	601383	HOSE, 3/4 X 8 1FBR-1SPI
36	2	614655	08CZAT-10F3X-12F3X90-70	H/A	108	618301	7/8MJIC-90-7/8FJIC SWIV LBO
37	2	614654	08CZAT-10F3X-12F3X90-60	H/A	109	618669	3/4MJIC-90-3/4FJIC SWIV LBO
38	2	614656	08CZAT-10F3X-10F3X-118	H/A	110	614662	08CIT-08F3X-08F3X-72
39	2	614657	08CZAT-10F3X-10F3X-125	H/A	111	505105	1MNPT HEX PIPE NIPPLE STL
40	1	614549	06CIT-06F3X-06F3X-140	H/A	112	618119	9/16MJIC-90-9/16MOR LBO
41	1	615449	06CIT-06F3X-06F3X-126	H/A	113	618327	3/4MJIC-7/8MOR ADPTR
42	1	615633	08CIT-08F3X-08F3X-23	H/A	114	618629	9/16MOR BRANCH TEE-9/16MJIC
43	6	618496	9/16MJIC-45-3/4MOR LBO	115	1	605609	HYD FILTER ELEMENT, DONALDSON
44	1	504001	RED BUSH 3/4 X 1/4 BLK MAL	116	2	618609	3/4MJIC-90-3/4FJIC SWIV LBO
45	1	618183	3/4MJIC-90-7/8MOR LBO	117	1	605608	HYD FILTER HEAD, DONALDSON
46	2	618599	1 5/16MOR BRANCH TEE-1 5/16MJ	118	1	610580	REMOTE FLUSHING VALVE, SUND
47	1	615465	08CIT-08F3X-08F3X-33	H/A	119	616034	08CIT-08F3X-08F3X-17
48	5	505200	BLK PIPE ST EL 90DEG 1.00NPT	120	1	616043	04CIT-06F3X-06F3X-23
49	1	715664	1 1/4 NPT X 1 HOSE BARB	121	2	616048	04CIT-06F3X-06F3X-35
50	4	714560	1NPT X 1 HOSE BARB	122	2	618126	9/16MJIC-9/16MOR ADPTR
51	1	714331	1 NPT X 3/4 HOSE BARB	123	2	618474	3/4MJIC-90-1 1/16MOR LBO
52	1	506602	PIPE NIPPLE 1 1/4NPT-2 1/2	124	1	618451	3/4FJIC SW RUN TEE-3/4MJIC
53	1	506303	BLK PIPE EL 90DEG 1.25NPT	125	1	601318	HOSE, 1 X 254 1BR BLK EPDM
54	6	505300	BLK PIPE EL 90DEG 1.00NPT	126	2	614101	04CIT-06F3X-06F3X-133
55	3	505203	BLK PIPE NIPPLE 1.00NPT-4.00	127	1	611246	04CIT-06F3X-06F3X-174
56	1	504955	BLK PIPE TEE .75NPT	128	2	616056	04CIT-06F3X-06F3X-32
57	2	504702	CLOSE NIPPLE .75NPT	129	2	618304	9/16MJIC-7/16MOR ADPTR
58	1	504210	RED BUSH 3/4 NPT X 1/2 NPT	130	4	618309	7/8MJIC-1 1/16MOR ADPTR
59	1	501102	1/4 PIPE PLUG	131	2	618628	7/8MJIC-45-7/8FJIC SWIV LBO
60	2	618486	9/16FJIC SW RUN TEE-9/16MJIC	132	1	615749	LH FRT INNER HYD TUBE,204 W/M1
61	1	618322	1 5/16MJIC-1MNPT ADPTR	133	1	504400	BLK PIPE CROSS .75NPT
62	1	618551	3/4MJIC-9/16MJIC REDU UNION	134	1	616024	06CIT-06F3X-08F3X-70
63	5	505213	RED BUSH 1 X 3/4 BLK MAL	135	1	607504	FLO DIV B30 2-8GPM 7/8 FOR
64	2	618541	1 5/16FJIC-1 1/16MJIC ADPTR	136	1	607512	RELIEF VALVE, RLS0, 1850 PSI
65	1	618118	3/4 HOSE BARB-90-1 1/16MOR	137	1	618310	9/16MJIC-7/8MOR ADPTR
66	1	618564	1IN HOSE BARB-90-1 5/16MOR	138	1	500000	1/2MNPT HEX PIPE NIPPLE STL
67	3	618314	3/4MJIC UNION	139	1	618072	7/8MOR-1/2FNPT ADPTR
68	2	618601	7/8MJIC-1 5/16MOR ADPT	140	2	618107	9/16MJIC-90-1/2NPT LBO
69	1	618186	1 5/16MJIC-1 5/16MOR ADPTR	141	1	616042	04CIT-06F3X-06F3X-13
70	4	618553	1 1/16MJIC-7/8MJIC REDU UNION	142	1	614664	10CIT-10F3X-10F3X-98
71	2	505005	RED BUSH 1 TO 1/2	143	1	615616	04CIT-06F3X-06F3X-65
72	1	618308	1 1/16MJIC-1 5/16MOR ADPTR	144	1	610721	SUND M25-3000 WHL MTR W/SENSOR



*NOTE:
 REFER TO DETAIL 114 TO CHECK PRESSURE LIMIT
 SETTING - 4500 PSI
 REFER TO DETAIL 112 ON TOP TO CHECK CHARGE
 PRESSURE - 380 PSI
 REFER TO DETAIL 136, RELIEF VALVE
 PRESSURE - 1850 PSI

204I BASIC MACHINE CUMM HYD SCHEMATIC 2000
 REFERENCE DRAWING NO. 498591

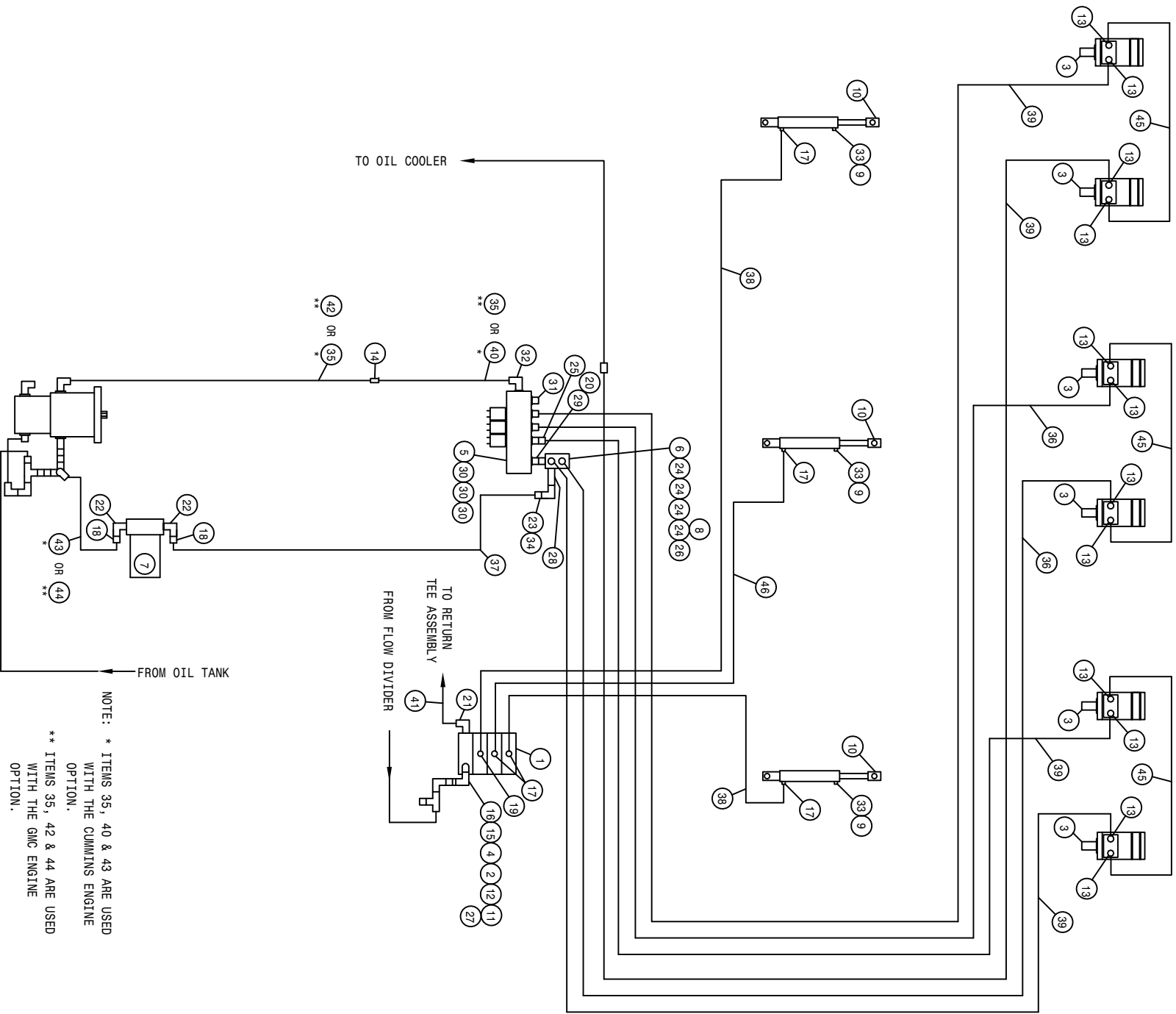
DET.	QTY	PART NO.	DESCRIPTION	DET.	QTY	PART NO.	DESCRIPTION
1	1	606902	SUND 100CC PUMP-B-MT W/FILT	73	2	611124	7/8MJIC-90-1/2NMPT LBO
2	2	610717	TORQ HUB,24:1 W/M1 INTEGRATED	74	1	618434	1/16MJIC-1NMPT ADPTR
3	1	606937	TANDEM PUMP, 6069329 & 606938	75	1	618575	1FNPT PIPE TEE STL
4	1	618606	OIL COOLER, BLISSFIELD 65027	76	1	618589	7/8MJIC-90-1/516MOR LBO
5	1	610468	POSITIONER BLV MOD CONT 20G	77	5	611126	7/8MJIC-7/8MOR ADPTR
6	1	610586	POSITIONER VLV, ALUM, 88SP60G	78	2	618425	9/16MJIC-45-9/16MOR LBO
7	2	620800	STRG CYL ASSY, 2XX	79	2	618619	9/16MJIC UNION TEE
8	1	610567	SUND M25-3000 WHL MTR 1.5CT	80	1	618039	1/5/8MOR-1/516FOR ADPTR
9	2	618598	1" 4-BOLT FLG X 1/516 FOR	81	1	618018	9/16MJIC-1/2NMPT ADPTR
10	1	749150	STRG MTR NON-LOAD REACT 1008	82	2	610193	9/16MJIC BLKHD BRANCH TEE
11	1	605601	PARKER FILTER ASSY,10M,1.25NPT	83	2	618156	7/8MJIC-90-3/4NMPT LBO
12	1	760097	OIL TANK W/LD 8240 1982	84	2	505102	PIPE PLUG 1.00NPT SQ HD
13	1	605600	TANK FILTER, 100 MESH,1"FNPT	85	1	610300	3/4MJIC-3/4NMPT ADPTR
14	2	605603	LINE SUMP DIFFUSER	86	1	618135	3/4 HOSE BARB-90-3/4NMPT
15	1	611052	FILLER BREATHER 3/4ANPT	87	4	618531	9/16FJIC CAP NUT
16	1	614453	DIPSTICK, 8IN	88	3	506410	BLK PIPE ST EL 90DEG 1.25NPT
17	1	614660	1IN STL TEE W/LD 280	89	1	618311	3/4MJIC UNION TEE
18	2	620805	LEG LEVEL CYL ASSY,2.00 X 12.0	90	3	618482	3/4FJIC-9/16MJIC ADPTR
19	2	614707	HYD TUBE ASSY,SUND,200 DIESEL	91	1	618312	1/5/16MOR-1/16FOR ADPTR
20	2	615634	127MM-16FCX-16FCX-123	92	1	618535	7/8MJIC-90-1/16MOR LBO
21	2	615751	FRT LEG OUTR HYD TUBE,204 W/M1	93	1	618451	3/4FJIC SW RUN TEE-3/4MJIC
22	2	615750	FRT LEG CNTR HYD TUBE,204 W/M1	94	1	618075	3/4 HOSE BARB-1/16MOR
23	1	615748	RH FRT INNER HYD TUBE,204 W/M1	95	1	611128	7/8MJIC-90-7/8MOR LBO
24	1	618520	1/4NMPT RUN TEE-9/16MJIC	96	2	616028	04CIT-06FCX-06FCX-47
25	2	618191	1/16MJ-90-1/16FJ SWIV LBO	97	1	618178	1/5/16MJIC-90-1/516MOR LBO
26	1	601395	HOSE, 3/4 X 64 1FBR-1SPI	98	1	618596	1/5/8MOR-1/14FNPT ADPTR
27	1	601396	HOSE, 1 X 81 1FBR-1SPI	99	1	507026	1/14NMPT HEX PIPE NIPPLE STL
28	1	601376	HOSE, 1 X 29 1FBR-1SPI	100	1	506701	SIDE OUTLET EL 90DEG 1.25NPT
29	1	601377	HOSE, 1 X 48 1FBR-1SPI	101	1	715660	HOSE BARB 1/14NPT X 1/14
30	1	614388	08CIT-08FCX-08FCX-129	102	1	506005	1/14 TO 1 RED BUSH BLK MAL
31	1	615614	FRT LEG CYL JUMPER HOSE280	103	2	505201	CLOSE NIPPLE 1.00NPT
32	1	614625	06CIT-06FCX-06FCX-30	104	3	505101	BLK PIPE TEE 1.00NPT
33	1	615451	06CIT-06FCX-08FCX-58	105	2	610305	3/4MJIC-90-3/4NMPT LBO
34	1	611204	04CIT-06FCX-06FCX-78	106	1	716000	3/4 HOSE BARB-90-1NMPT
35	4	614663	04CIT-06FCX-06FCX-16	107	1	601399	HOSE, 3/4 X 13 1FBR-1SPI
36	2	614655	08C2AT-10FCX-12FCX90-70	108	2	618301	7/8MJIC-90-7/8FJIC SWIV LBO
37	2	614654	08C2AT-10FCX-10FCX-118	109	1	618609	3/4MJIC-90-3/4FNPT SWIV LBO
38	2	614656	08C2AT-10FCX-10FCX-118	110	1	614662	08CIT-08FCX-08FCX-72
39	2	614657	08C2AT-10FCX-10FCX-125	111	1	505105	1NMPT HEX PIPE NIPPLE STL
40	1	614549	06CIT-06FCX-06FCX-140	112	7	618119	9/16MJIC-90-9/16MOR LBO
41	1	615449	06CIT-06FCX-06FCX-126	113	3	618327	3/4MJIC-7/8MOR ADPTR
42	1	615635	08CIT-08FCX-08FCX-23	114	2	618629	9/16MOR BRANCH TEE-9/16MJIC
43	6	618496	9/16MJIC-45-3/4MOR LBO	115	1	605609	HYD FILTER ELEMENT, DONALDSON
44	1	504001	RED BUSH 3/4 X 1/4 BLK MAL	116	2	618126	9/16MJIC-3/4MOR ADPTR
45	1	618183	3/4MJIC-90-7/8MOR LBO	117	1	605608	HYD FILTER HEAD, DONALDSON
46	2	618599	1/5/16MOR BRANCH TEE-1/5/16MJ	118	1	610580	REMOTE FLUSHING VALVE, SUND
47	1	615465	08CIT-08FCX-08FCX-33	119	1	616034	08CIT-08FCX-08FCX-17
48	4	705200	BLK PIPE ST EL 90DEG 1.00NPT	120	2	616043	04CIT-06FCX-06FCX-23
49	1	715664	1/14 NPT X 1 HOSE BARB	121	1	616048	04CIT-06FCX-06FCX-35
50	4	714560	1NPT X 1 HOSE BARB	122	2	618126	9/16MJIC-9/16MOR ADPTR
51	1	714331	1 NPT X 3/4 HOSE BARB	123	2	618474	3/4MJIC-90-1/16MOR LBO
52	1	506602	PIPE NIPPLE 1/14NPT-2 1/2	124	1	616040	04CIT-06FCX-06FCX-67
53	1	506303	BLK PIPE EL 90DEG 1.25NPT	125	1	610318	HYD SOLE VLV,2P-3M,9/16FOR,12V
54	6	505300	BLK PIPE EL 90DEG 1.00NPT	126	2	614101	04CIT-06FCX-06FCX-133
55	3	505203	BLK PIPE NIPPLE 1.00NPT-4.00	127	1	611246	04CIT-06FCX-06FCX-174
56	1	504955	BLK PIPE TEE .75NPT	128	2	616056	04CIT-06FCX-06FCX-32
57	2	504702	CLOSE NIPPLE .75NPT	129	2	618304	9/16MJIC-7/16MOR ADPTR
58	1	504210	RED BUSH 3/4 NPT X 1/2 NPT	130	4	618309	7/8MJIC-1/16MOR ADPTR
59	1	501102	1/4 PIPE PLUG	131	2	618628	7/8MJIC-45-7/8FJIC SWIV LBO
60	2	618486	9/16FJIC SW RUN TEE-9/16MJIC	132	1	615749	LH FRT INNER HYD TUBE,204 W/M1
61	1	618322	1/5/16MJIC-1NMPT ADPTR	133	1	504400	BLK PIPE CROSS .75NPT
62	1	618551	3/4MJIC-9/16MJIC REDU UNION	134	1	616024	06CIT-06FCX-08FCX-78
63	5	505213	RED BUSH 1 X 3/4 BLK MAL	135	1	607504	FLO DIV B50 2-8GPM 7/8 FOR
64	2	618541	1/5/16FJIC-1/16MJIC ADPTR	136	1	607512	RELIEF VALVE, RLSO, 1850 PSI
65	1	618118	3/4 HOSE BARB-90-1/16MOR	137	1	618310	9/16MJIC-7/8MOR ADPTR
66	1	618638	1IN HOSE BARB-45-1/5/16MOR	138	1	500000	1/2NMPT HEX PIPE NIPPLE STL
67	3	618314	3/4MJIC UNION	139	1	618072	7/8MOR-1/2FNPT ADPTR
68	2	618601	7/8MJIC-1/5/16MOR ADPT	140	2	618107	9/16MJIC-90-1/2NMPT LBO
69	1	618186	1/5/16MJIC-1/5/16MOR ADPTR	141	1	616042	04CIT-06FCX-06FCX-13
70	4	618553	1/16MJIC-7/8MJIC REDU UNION	142	1	614664	10CIT-10FCX-10FCX-98
71	2	505005	RED BUSH 1 TO 1/2	143	1	615616	04CIT-06FCX-06FCX-65
72	1	618308	1/16MJIC-1/5/16MOR ADPTR	144	1	610721	SUND M25-3000 WHL MTR W/SENSOR



NOTE: * ITEMS 40 & 45 ARE USED WITH THE CHRYSLER ENGINE OPTION.
 ** RELIEF PRESSURE SHOULD BE SET AT 1850 PSI.
 *** ITEMS 35, 51 & 56 ARE USED WITH THE CUMMINS ENGINE OPTION.
 **** ITEMS 35, 53 & 57 ARE USED WITH THE GMC ENGINE OPTION.

200 4R QUAD 2L W/T-TROL HYD SCHEM 91
REFERENCE DRAWING NO. 498378

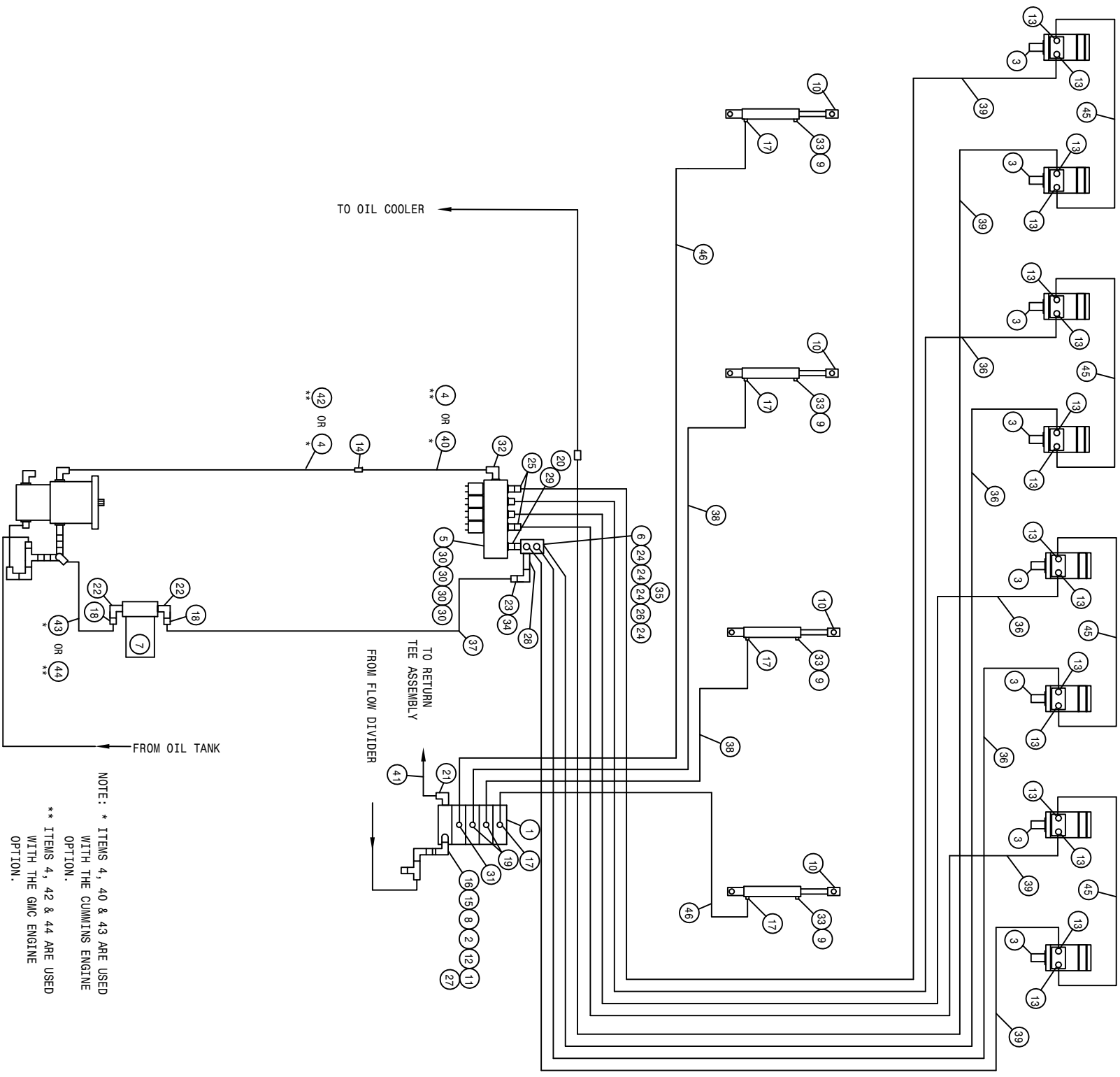
DET.	QTY	PART NO.	DESCRIPTION	DET.	QTY	PART NO.	DESCRIPTION
1	1	610532	ELECT HYD STACK VLV, 3 SECT	30	2	618469	3/4MJIC-1 1/16MOR ADPTR
2	1	610447	HYD FILTER, INLINE 1/4FNPT 90M	31	2	610186	1 1/16MOR PLUG
3	4	610547	HYD MOTOR 4.5CI LIN SHFT	32	1	618178	1 5/16MJIC-90-1 5/16MOR LBO
* 4	1	607504	FLO DIV B50 2-8GPM 7/8 FOR	33	2	618116	9/16MOR-90-1/4FNPT LBO
5	1	610467	MODULAR MTR CONTROL ELECT VLV	*34	1	500000	1/2MNPT HEX PIPE NIPPLE STL
* 6	1	614633	HYD MANIF 8200 86	35	1	614350	16C2AT-16FJX-16FJX-55
* 7	1	605601	GRESEN FILTER 10 MICRON 40GPM	*36	1	618072	7/8MOR-1/2FNPT ADPTR
* 8	1	607512	RELIEF VALVE, RL50, 1850 PSI	*37	2	618107	9/16MJIC-90-1/2MNPT LBO
9	2	470114	BREATHER FILTER VENT, 1/4 NPT	*38	1	601378	HOSE, 1 1/4 X 156 1FBR-1SPI
10	2	620810	LIFT CYL ASSY, DETASSELER	39	2	614101	04C1T-06FJX-06FJX-133
*11	1	611126	7/8MJIC-7/8MOR ADPTR	*40	1	614348	16C2AT-16FJX-16FJX-25
12	1	610185	9/16MOR PLUG	41	4	614689	08C1T-08FJX-08FJX-120
13	8	618327	3/4MJIC-7/8MOR ADPTR	*42	1	616042	04C1T-06FJX-06FJX-13
*14	1	618577	1 5/16MJIC UNION	*43	1	614627	06C1T-06FJX-06FJX-45
15	1	611122	9/16MJIC-90-1/4MNPT LBO	*44	1	615616	04C1T-06FJX-06FJX-65
16	1	618440	9/16MJIC-90-9/16MOR EX LG LBO	45	1	614687	HYD TUBE ASSY SUND AUX 200 90
17	1	618170	3/4MOR-9/16FOR ADPTR	*46	1	614664	10C1T-10FJX-10FJX-98
*18	2	715660	HOSE BARB 1 1/4NPT X 1 1/4	47	2	616025	08C1T-08FJX-08FJX-50
19	1	618425	9/16MJIC-45-9/16MOR LBO	48	1	618590	3/4MJIC-45-3/4FJIC SWIV LBO
*20	1	618587	1 5/16FJIC SWIV-1MNPT	*49	2	618532	3/4FJIC CAP NUT
21	3	618119	9/16MJIC-90-9/16MOR LBO	50	1	618608	9/16FJIC SWIV-1/4MNPT
*22	2	506410	BLK PIPE ST EL 90DEG 1.25NPT	51	1	614703	HYD TUBE ASSY, 200 MAIN 92
*23	1	505300	BLK PIPE EL 90DEG 1.00NPT	*52	2	618486	9/16FJIC SW RUN TEE-9/16MJIC
*24	1	618310	9/16MJIC-7/8MOR ADPTR	53	1	614719	HYD TUBE ASSY, AUX 204 GMC 96
*25	4	611145	3/4MJIC-90-1/2MNPT LBO	*54	1	505209	BLK PIPE NIPPLE 1.00NPT-6.00
*26	1	503700	PIPE PLUG .50NPT SQ HD	*55	1	714561	1.00NPT-1.25 HOSE BARB
*27	2	618531	9/16FJIC CAP NUT	56	1	601437	HOSE, 1 1/4 X 40 1FBR-1SPI
28	1	618600	9/16MJIC-90-7/8MOR LBO	57	1	601440	HOSE, 1 1/4 X 25 1FBR-1SPI
29	1	618186	1 5/16MJIC-1 5/16MOR ADPTR				



NOTE: * ITEMS 35, 40 & 43 ARE USED WITH THE CUMMINS ENGINE OPTION.
 ** ITEMS 35, 42 & 44 ARE USED WITH THE GMC ENGINE OPTION.

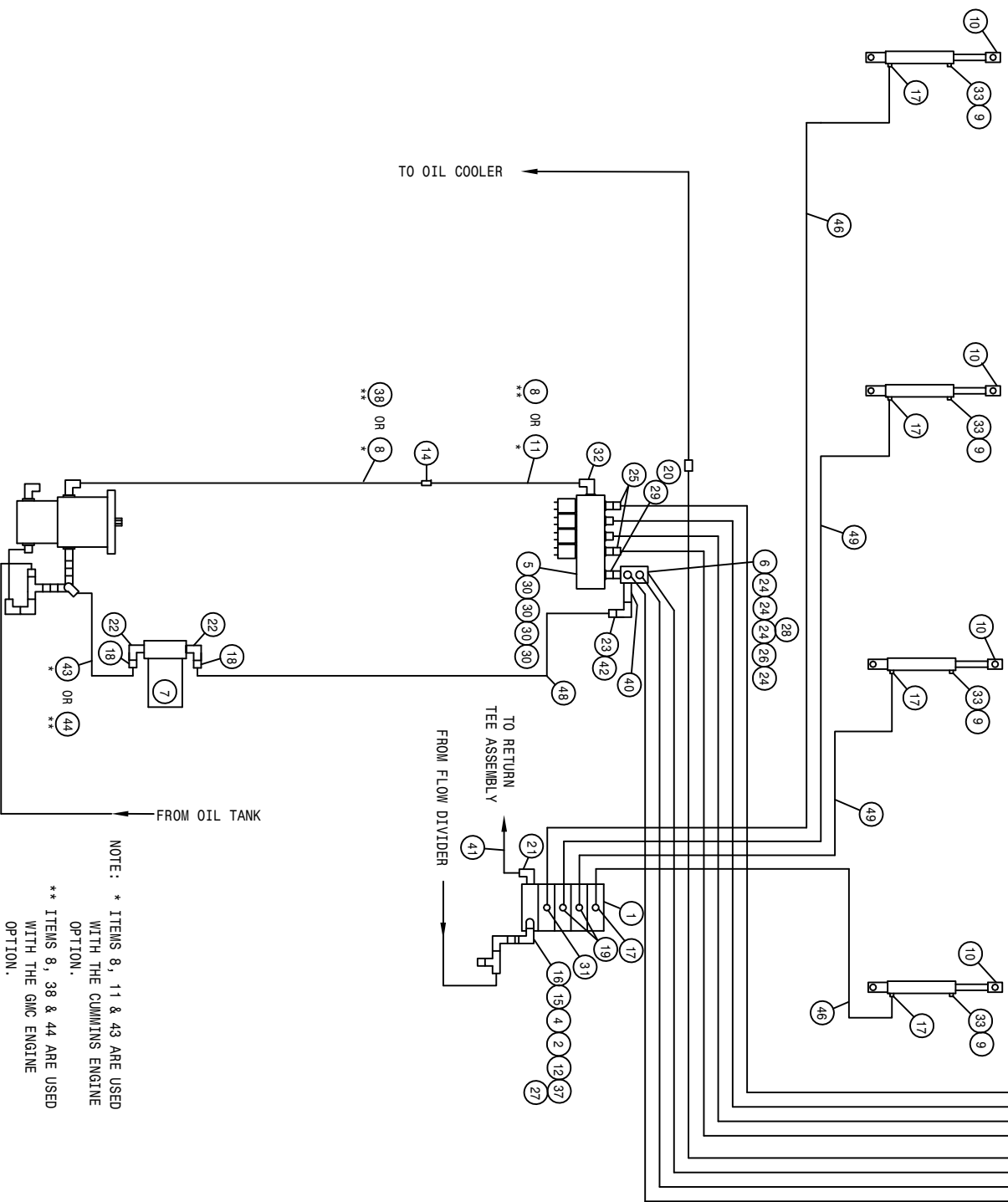
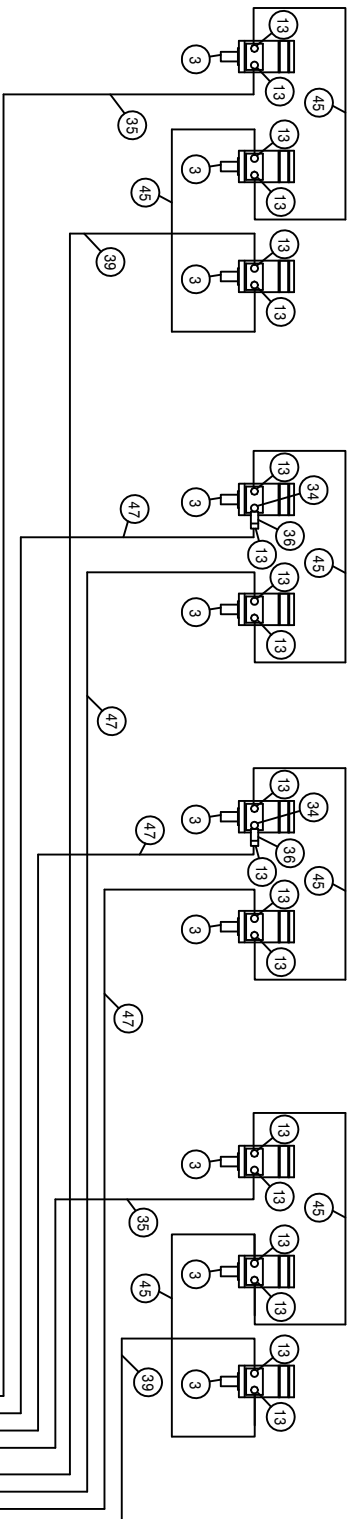
204 6R QUAD 3L LS HYD SCHEM 00
REFERENCE DRAWING NO. 498630

DET.	QTY	PART NO.	DESCRIPTION	DET.	QTY	PART NO.	DESCRIPTION
1	1	610532	ELECT HYD STACK VLV, 3 SECT	*24	4	611145	3/4MJIC-90-1/2MNPT LBO
2	1	610447	HYD FILTER, INLINE 1/4FNPT 90M	25	1	618590	3/4MJIC-45-3/4FJIC SWIV LBO
3	6	610547	HYD MOTOR 4.5CI 1IN SHFT	*26	1	503700	PIPE PLUG .50NPT SQ HD
4	1	618608	9/16FJIC SWIV-1/4MNPT	*27	1	618531	9/16FJIC CAP NUT
5	1	610467	MODULAR MTR CONTROL ELECT VLV	*28	1	505209	BLK PIPE NIPPLE 1.00NPT-6.00
*6	1	614633	HYD MANIF 8200 86	29	1	618186	1 5/16MJIC-1 5/16MOR ADPTR
*7	1	605601	GRESEN FILTER 10 MICRON 40GPM	30	3	618469	3/4MJIC-1 1/16MOR ADPTR
*8	1	618532	3/4FJIC CAP NUT	31	1	610186	1 1/16MOR PLUG
9	3	470114	BREATHER FILTER VENT, 1/4 NPT	32	1	618178	1 5/16MJIC-90-1 5/16MOR LBO
10	3	620810	LIFT CYL ASSY, DETASSELER	33	3	618116	9/16MOR-90-1/4FNPT LBO
*11	1	618486	9/16FJIC SW RUN TEE-9/16MJIC	*34	1	714561	1.00NPT-1.25 HOSE BARB
12	1	611122	9/16MJIC-90-1/4MNPT LBO	35	1	614350	16C2AT-16FJX-16FJX-55
13	12	618327	3/4MJIC-7/8MOR ADPTR	36	2	614688	08C1T-08FJX-08FJX-108
*14	1	618577	1 5/16MJIC UNION	*37	1	601378	HOSE, 1 1/4 X 156 1FBR-1SPI
15	1	618440	9/16MJIC-90-9/16MOR EX LG LBO	38	2	614101	04C1T-06FJX-06FJX-133
16	1	618170	3/4MOR-9/16FOR ADPTR	39	4	614690	08C1T-08FJX-08FJX-192
17	5	618119	9/16MJIC-90-9/16MOR LBO	40	1	614703	HYD TUBE ASSY, 200 MAIN
*18	2	715660	HOSE BARB 1 1/4NPT X 1 1/4	*41	1	614627	06C1T-06FJX-06FJX-45
19	1	618425	9/16MJIC-45-9/16MOR LBO	42	1	614719	HYD TUBE ASSY, AUX 204 GMC 96
*20	1	618587	1 5/16FJIC SWIV-1MNPT	43	1	601437	HOSE, 1 1/4 X 40 1FBR-1SPI
21	1	618600	9/16MJIC-90-7/8MOR LBO	44	1	601440	HOSE, 1 1/4 X 25 1FBR-1SPI
*22	2	506410	BLK PIPE ST EL 90DEG 1.25NPT	45	3	616025	08C1T-08FJX-08FJX-50
*23	1	505300	BLK PIPE EL 90DEG 1.00NPT	46	1	614077	04C1T-06FJX-06FJX-88



204 8R QUAD 4L LS HYD SCHEM 00
REFERENCE DRAWING NO. 498631

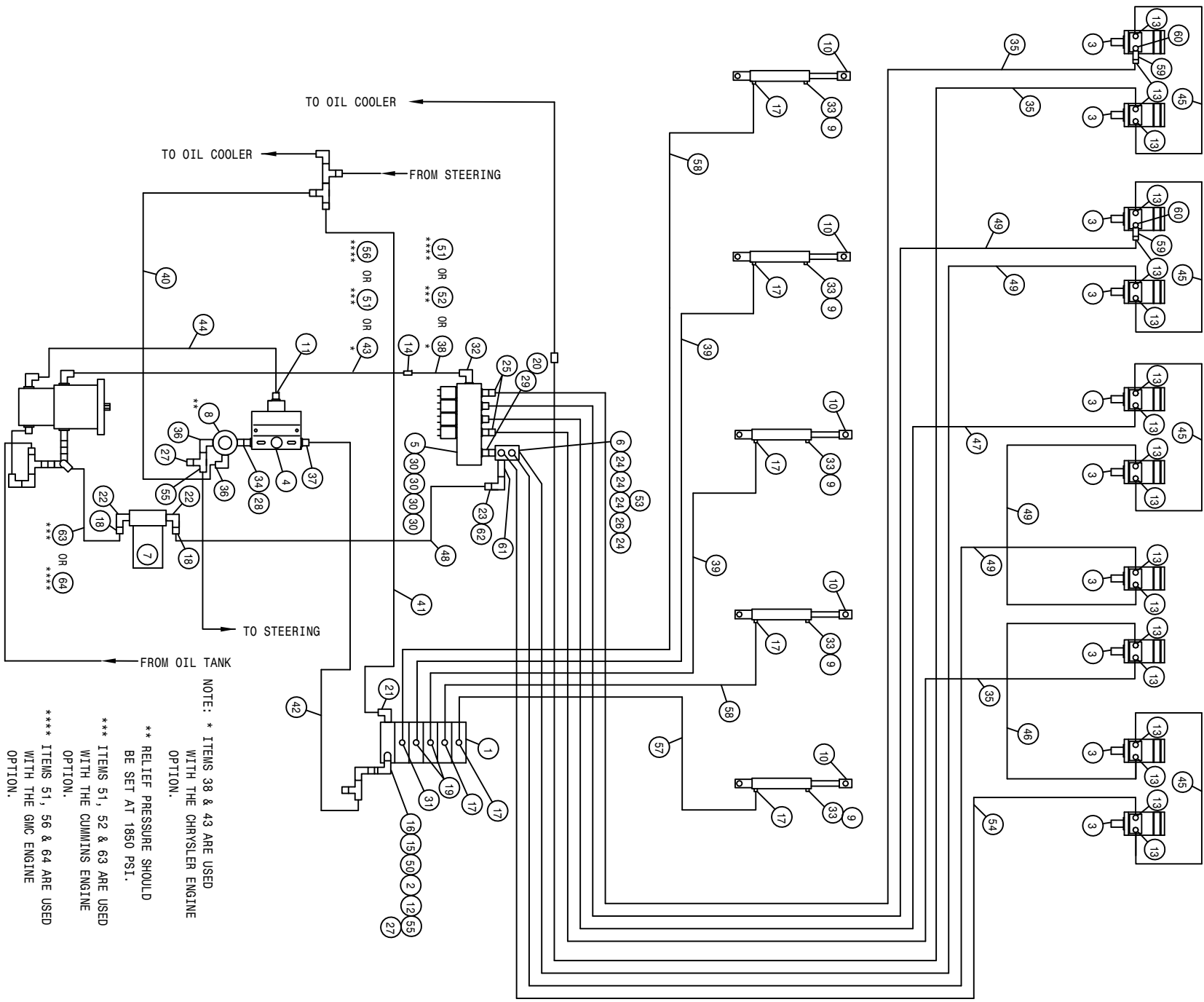
DET.	QTY	PART NO.	DESCRIPTION	DET.	QTY	PART NO.	DESCRIPTION
1	1	610613	ELECT HYD STACT VLV, 4 SECT	*24	4	611145	3/4MJIC-90-1/2MNP LBO
2	1	610447	HYD FILTER, INLINE 1/4FNPT 90M	25	2	618590	3/4MJIC-45-3/4FJIC SWIV LBO
3	8	610547	HYD MOTOR 4.5CI 1IN SHFT	*26	1	503700	PIPE PLUG .50NPT SQ HD
4	1	614350	16CZAT-16FJX-16FJX-55 H/A	27	1	618531	9/16FJIC CAP NUT
5	1	610467	MODULAR MTR CONTROL ELECT VLV	*28	1	505209	BLK PIPE NIPPLE 1.00NPT-6.00
*6	1	614633	HYD MANIF 8200 86	29	1	618186	1 5/16MJIC-1 5/16MOR ADPTR
7	1	605601	GRESEN FILTER 10 MICRON 40GPM	30	4	618469	3/4MJIC-1 1/16MOR ADPTR
8	1	618608	9/16FJIC SWIV-1/4MNP	31	1	618126	9/16MJIC-9/16MOR ADPTR
9	4	470114	BREATHR FILTER VENT, 1/4 NPT	32	1	618178	1 5/16MJIC-90-1 5/16MOR LBO
10	4	620810	LIFT CYL ASSY, DETASSELER	33	4	618116	9/16MOR-90-1/4FNPT LBO
11	1	618486	9/16FJIC SW RUN TEE-9/16MJIC	*34	1	714561	1.00NPT-1.25 HOSE BARB
12	1	611122	9/16MJIC-90-1/4MNP LBO	*35	1	618532	3/4FJIC CAP NUT
13	16	618327	3/4MJIC-7/8MOR ADPTR	36	4	614689	08C1T-08FJX-08FJX-120
*14	1	618577	1 5/16MJIC UNION	*37	1	601378	HOSE, 1 1/4 X 156 1FBR-1SPI
15	1	618440	9/16MJIC-90-9/16MOR EX LG LBO	38	2	614101	04C1T-06FJX-06FJX-133
16	1	618170	3/4MOR-9/16FOR ADPTR	39	4	614691	08C1T-08FJX-08FJX-220
17	5	618119	9/16MJIC-90-9/16MOR LBO	40	1	614703	HYD TUBE ASSY, 200 MAIN
*18	2	715660	HOSE BARB 1 1/4NPT X 1 1/4	*41	1	614627	06C1T-06FJX-06FJX-45
19	2	618425	9/16MJIC-45-9/16MOR LBO	42	1	614719	HYD TUBE ASSY, AUX 204 GMC 96
*20	1	618587	1 5/16FJIC SWIV-1MNP	43	1	601437	HOSE, 1 1/4 X 40 1FBR-1SPI
21	1	618600	9/16MJIC-90-7/8MOR LBO	44	1	601440	HOSE, 1 1/4 X 25 1FBR-1SPI
*22	2	506410	BLK PIPE ST EL 90DEG 1.25NPT	45	4	616025	08C1T-08FJX-08FJX-50
*23	1	505300	BLK PIPE EL 90DEG 1.00NPT	46	2	611246	04C1T-06FJX-06FJX-174



NOTE: * ITEMS 8, 11 & 43 ARE USED WITH THE CUMMINS ENGINE OPTION.
 ** ITEMS 8, 38 & 44 ARE USED WITH THE GMC ENGINE OPTION.

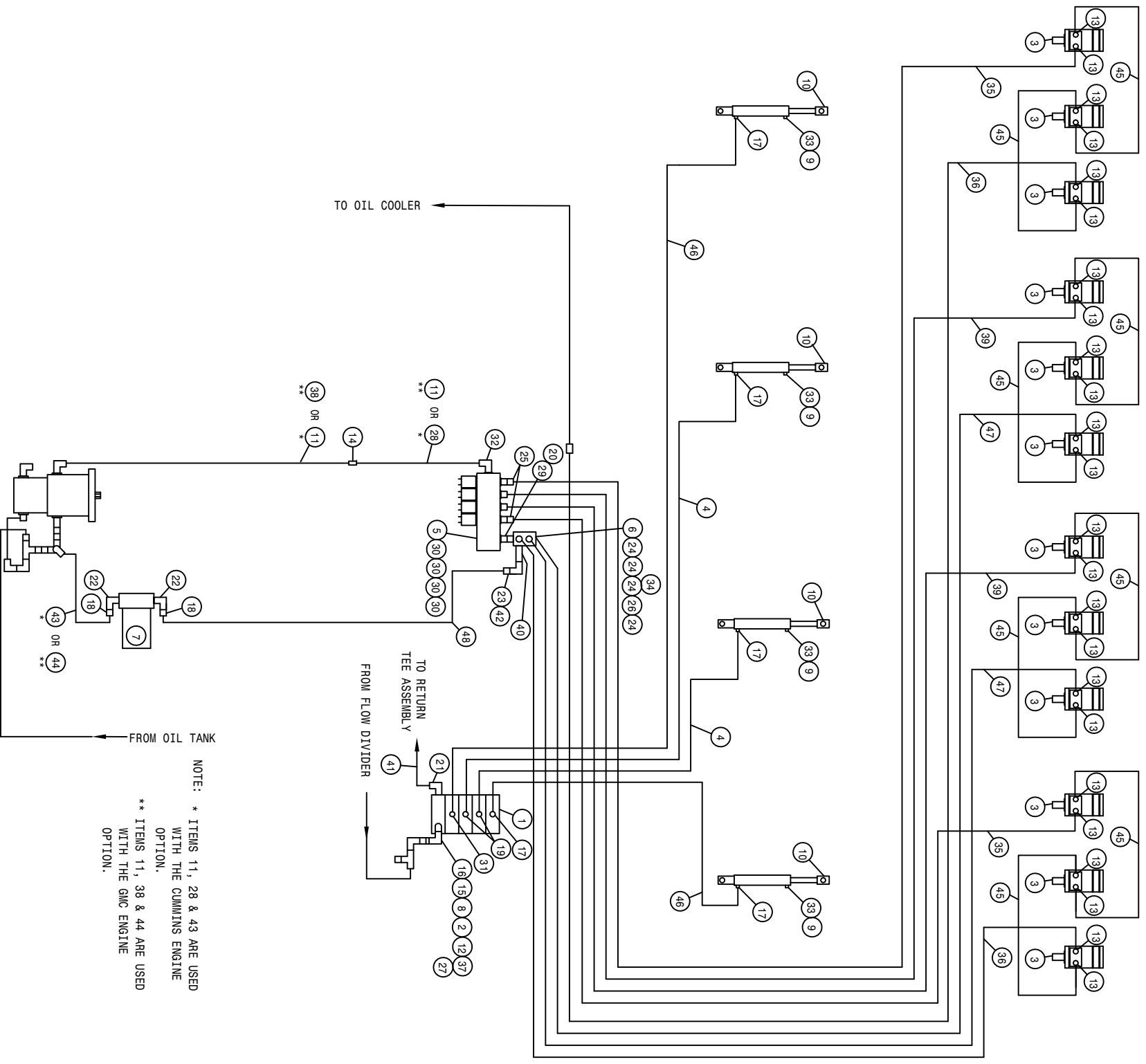
204 10R QUAD 4L LS HYD SCHEM 00
REFERENCE DRAWING NO. 498632

DET.	QTY	PART NO.	DESCRIPTION	DET.	QTY	PART NO.	DESCRIPTION
1	1	610613	ELECT HYD STACT VLV, 4 SECT	*26	1	503700	PIPE PLUG .50NPT SQ HD
2	1	610447	HYD FILTER, INLINE 1/4FNPT 90M	27	1	618531	9/16FJIC CAP NUT
3	10	610547	HYD MOTOR 4.5CI 1IN SHFT	*28	1	618532	3/4FJIC CAP NUT
4	1	618608	9/16FJIC SWIV-1/4MNPT	29	1	618186	1 5/16MJIC-1 5/16MOR ADPTR
5	1	610467	MODULAR MTR CONTROL ELECT VLV	30	4	618469	3/4MJIC-1 1/16MOR ADPTR
*6	1	614633	HYD MANIF 8200 86	31	1	618126	9/16MJIC-9/16MOR ADPTR
*7	1	605601	GRESEN FILTER 10 MICRON 40GPM	32	1	618178	1 5/16MJIC-90-1 5/16MOR LBO
8	1	614350	16CZAT-16FX-16FX-55	33	4	618116	9/16MOR-90-1/4FNPT LBO
9	4	470114	BREATHER FILTER VENT, 1/4 NPT	34	2	618586	7/8MOR UNION
10	4	620810	LIFT CYL ASSY, DETASSELER	35	2	614384	08CIT-08FJX-08FJX-237
11	4	614703	HYD TUBE ASSY, 200 MAIN	35	2	607522	FLOW REGULATOR, 8GPM VONBERG
12	1	611122	9/16MJIC-90-1/4MNPT LBO	36	2	618486	9/16FJIC SW RUN TEE-9/16MJIC
13	20	618327	3/4MJIC-7/8MOR ADPTR	37	1	618486	HYD TUBE ASSY, AUX 204 GMC 96
*14	1	618577	1 5/16MJIC UNION	38	1	614719	08CIT-06FJX-06FJX-45
15	1	618440	9/16MJIC-90-9/16MOR EX LG LBO	39	2	614387	08CIT-08FJX-08FJX-267
16	1	618170	3/4MOR-9/16FOR ADPTR	*40	1	505209	BLK PIPE NIPPLE 1.00NPT-6.00
17	5	618119	9/16MJIC-90-9/16MOR LBO	*41	1	614627	06CIT-06FJX-06FJX-45
*18	2	715660	HOSE BARB 1 1/4NPT X 1 1/4	*42	1	714561	1.00NPT-1.25 HOSE BARB
19	2	618425	9/16MJIC-45-9/16MOR LBO	43	1	601437	HOSE, 1 1/4 X 40 1FBR-1SPI
*20	1	618587	1 5/16FJIC SWIV-1MNPT	44	1	601440	HOSE, 1 1/4 X 25 1FBR-1SPI
21	1	618600	9/16MJIC-90-7/8MOR LBO	45	6	616025	08CIT-08FJX-08FJX-50
*22	2	506410	BLK PIPE ST EL 90DEG 1.25NPT	46	2	614098	04CIT-06FJX-06FJX-201
*23	1	505300	BLK PIPE EL 90DEG 1.00NPT	47	4	614689	08CIT-08FJX-08FJX-120
*24	4	611145	3/4MJIC-90-1/2MNPT LBO	*48	1	601378	HOSE, 1 1/4 X 156 1FBR-1SPI
25	2	618590	3/4MJIC-45-3/4FJIC SWIV LBO	49	2	611202	04CIT-06FJX-06FJX-136



204 10R QUAD 5L W/T-TROL HYD SCHEM 96
REFERENCE DRAWING NO. 498506

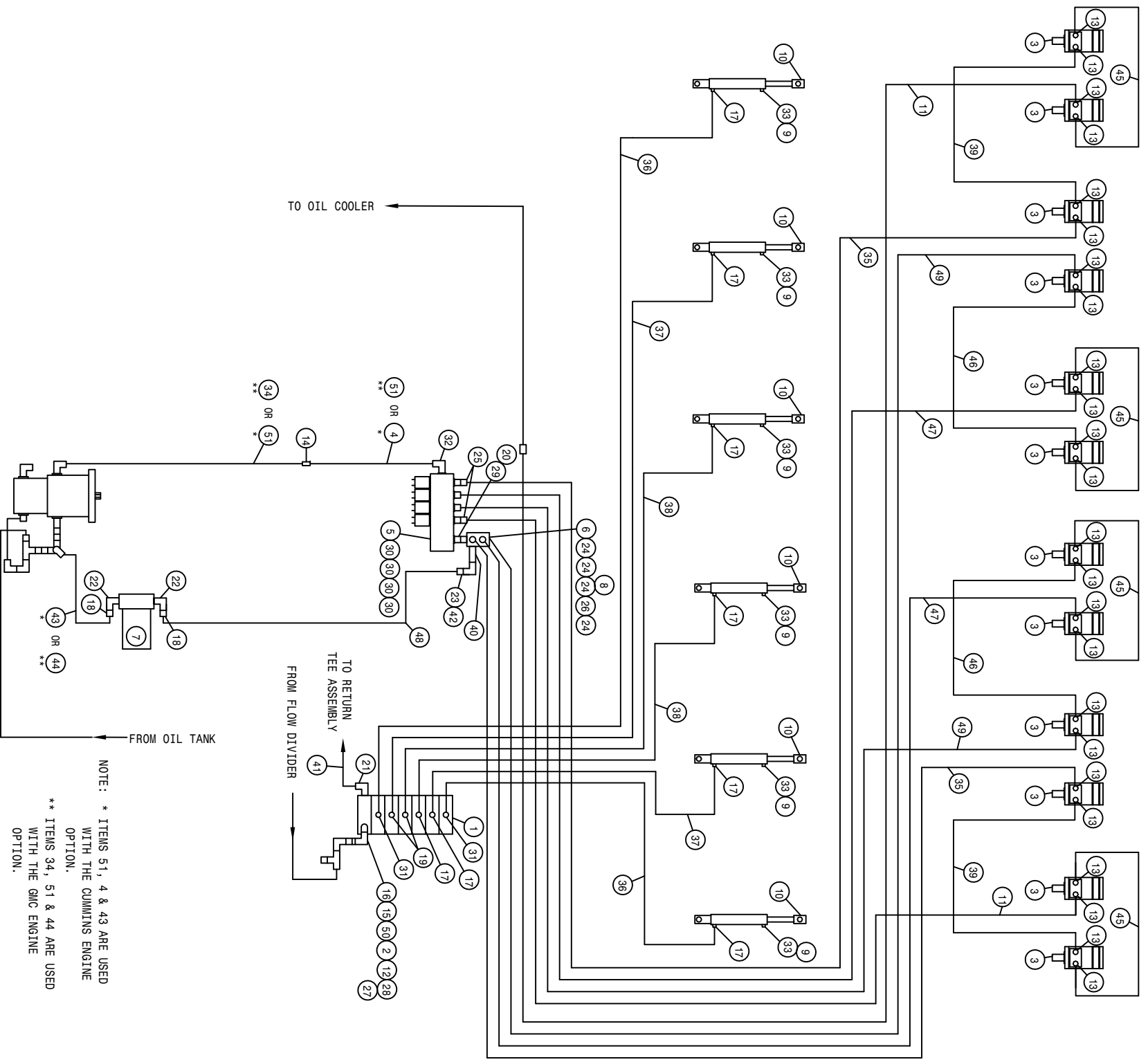
DET.	QTY	PART NO.	DESCRIPTION	DET.	QTY	PART NO.	DESCRIPTION
1	1	610614	ELECT HYD STACT VLV, 5 SECT	33	5	618116	9/16MOR-90-1/4FNPT LBO
2	1	610447	HYD FILTER, INLINE 1/4FNPT 90M	*34	1	500000	1/2MNP HEX PIPE NIPPLE STL
3	10	610547	HYD MOTOR 4.5CI 1IN SHFT	35	3	614691	08C1T-08FJX-08FJX-220
*4	1	607504	FLO DIV B50 2-8GPM 7/8 FOR	*36	2	618107	9/16MJIC-90-1/2MNP LBO
5	1	610467	MODULAR MTR CONTROL ELECT VLV	*37	1	618310	9/16MJIC-7/8MOR ADPTR
*6	1	614633	HYD MANIF 8200 86	*38	1	614348	16C2AT-16FJX-16FJX-25
*7	1	605601	GRESEN FILTER 10 MICRON 40GPM	39	2	614101	04C1T-06FJX-06FJX-133
*8	1	607512	RELIEF VALVE, RL50, 1850 PSI	*40	1	616042	04C1T-06FJX-06FJX-13
9	5	470114	BREATHER FILTER VENT, 1/4 NPT	*41	1	614627	06C1T-06FJX-06FJX-45
10	5	620810	LIFT CYL ASSY, DETASSELER	*42	1	615616	04C1T-06FJX-06FJX-65
*11	1	611126	7/8MJIC-7/8MOR ADPTR	43	1	614687	HYD TUBE ASSY SUND AUX 200 90
12	1	611122	9/16MJIC-90-1/4MNP LBO	*44	1	614664	10C1T-10FJX-10FJX-98
13	20	618327	3/4MJIC-7/8MOR ADPTR	45	4	616025	08C1T-08FJX-08FJX-50
*14	1	618577	1 5/16MJIC UNION	46	1	614384	08C1T-08FJX-08FJX-237
15	1	618440	9/16MJIC-90-9/16MOR EX LG LBO	47	1	614689	08C1T-08FJX-08FJX-120
16	1	618170	3/4MOR-9/16FOR ADPTR	*48	1	601378	HOSE, 1 1/4 X 156 IFBR-1SP1
17	7	618119	9/16MJIC-90-9/16MOR LBO	49	4	614690	08C1T-08FJX-08FJX-192
*18	2	715660	HOSE BARB 1 1/4NPT X 1 1/4	50	1	618608	9/16FJIC SWIV-1/4MNP
19	2	618425	9/16MJIC-45-9/16MOR LBO	51	1	614350	16C2AT-16FJX-16FJX-55
*20	1	618587	1 5/16FJIC SWIV-1MNP	52	1	614703	HYD TUBE ASSY, 200 MAIN
21	1	618600	9/16MJIC-90-7/8MOR LBO	*53	1	618532	3/4FJIC CAP NUT
*22	2	506410	BLK PIPE ST EL 90DEG 1.25NPT	54	1	614387	08C1T-08FJX-08FJX-267
*23	1	505300	BLK PIPE EL 90DEG 1.00NPT	*55	2	618486	9/16FJIC SW RUN TEE-9/16MJIC
*24	4	611145	3/4MJIC-90-1/2MNP LBO	56	1	614719	HYD TUBE ASSY, AUX 204 GMC 96
25	2	618590	3/4MJIC-45-3/4FJIC SWIV LBO	57	1	614377	04C1T-06FJX-06FJX-258
*26	1	503700	PIPE PLUG .50NPT SQ HD	58	2	611246	04C1T-06FJX-06FJX-174
*27	2	618531	9/16FJIC CAP NUT	59	2	607522	FLOW REGULATOR, 8GPM VONBERG
*28	1	618072	7/8MOR-1/2FNPT ADPTR	60	2	618586	7/8MOR UNION
29	1	618186	1 5/16MJIC-1 5/16MOR ADPTR	*61	1	505209	BLK PIPE NIPPLE 1.00NPT-6.00
30	4	618469	3/4MJIC-1 1/16MOR ADPTR	*62	1	714561	1.00NPT-1.25 HOSE BARB
31	1	618126	9/16MJIC-9/16MOR ADPTR	63	1	601437	HOSE, 1 1/4 X 40 1FBR-1SPI
32	1	618178	1 5/16MJIC-90-1 5/16MOR LBO	64	1	601440	HOSE, 1 1/4 X 25 1FBR-1SPI



NOTE: * ITEMS 11, 28 & 43 ARE USED WITH THE CUMMINS ENGINE OPTION.
 ** ITEMS 11, 38 & 44 ARE USED WITH THE GMC ENGINE OPTION.

204 12R QUAD 4L LS HYD SCHEM 00
REFERENCE DRAWING NO. 498633

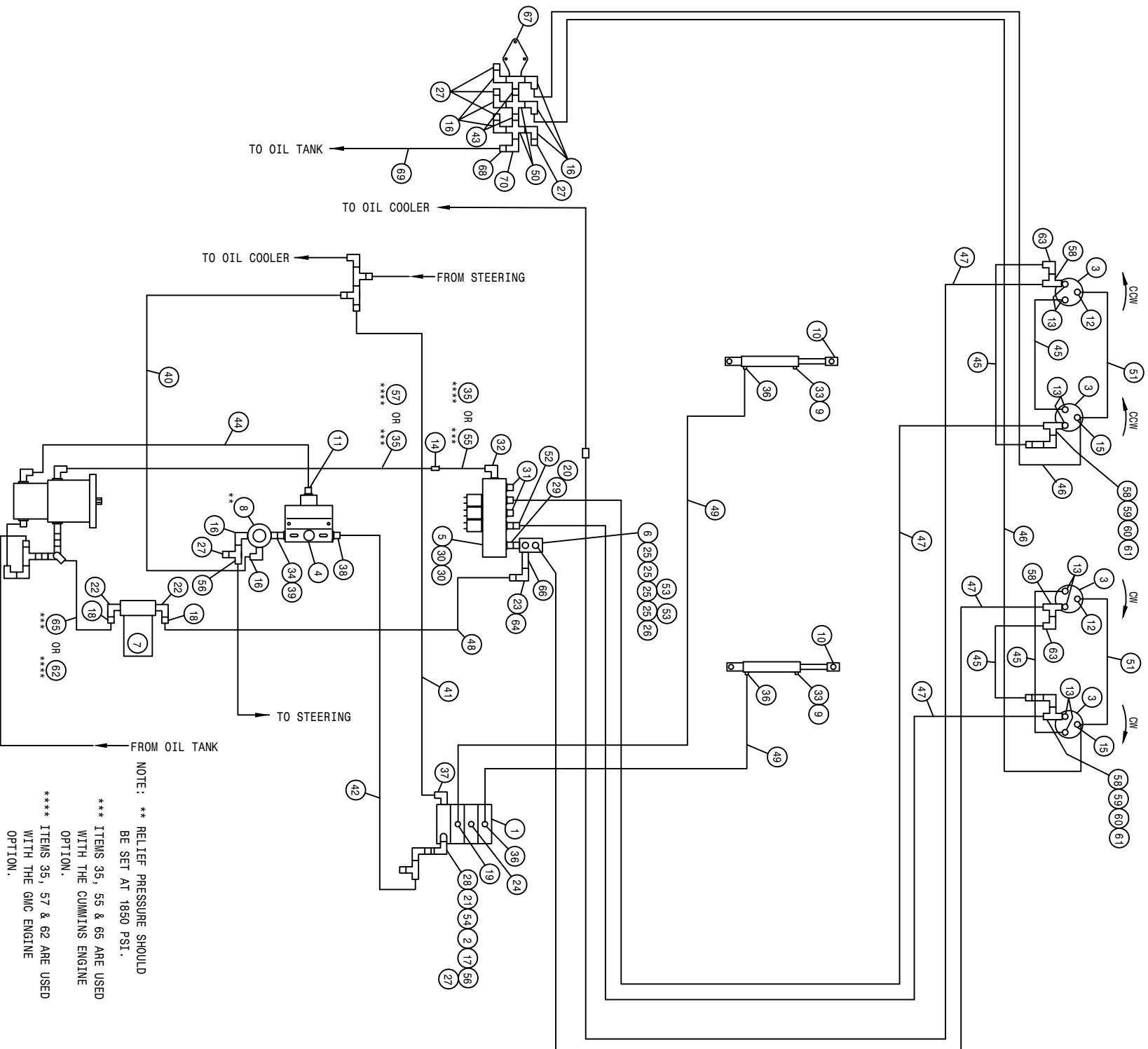
DET.	QTY	PART NO.	DESCRIPTION	DET.	QTY	PART NO.	DESCRIPTION
1	1	610613	ELECT HYD STACT VLV, 4 SECT	25	2	618590	3/4MJIC-45-3/4FJIC SWIV LBO
2	1	610447	HYD FILTER, INLINE 1/4FNPT 90M	*26	1	503700	PIPE PLUG .50NPT SQ HD
3	12	610547	HYD MOTOR 4.5CI 1IN SHFT	27	1	618531	9/16FJIC CAP NUT
4	2	611202	04C1T-06FJX-06FJX-136 H/A	28	1	614703	HYD TUBE ASSY, 200 MAIN
5	1	610467	MODULAR MTR CONTROL ELECT VLV	29	1	618186	1 5/16MJIC-1 5/16MOR ADPTR
*6	1	614633	HYD MANIF 8200 86	30	4	618469	3/4MJIC-1 1/16MOR ADPTR
*7	1	605601	GRESEN FILTER 10 MICRON 40GPM	31	1	618126	9/16MJIC-9/16MOR ADPTR
8	1	618608	9/16FJIC SWIV-1/4MNPT	32	1	618178	1 5/16MJIC-90-1 5/16MOR LBO
9	4	470114	BREATHER FILTER VENT, 1/4 NPT	33	4	618116	9/16MOR-90-1/4FNPT LBO
10	4	620810	LIFT CYL ASSY, DETASSELER	*34	1	618532	3/4FJIC CAP NUT
11	1	614350	16C2AT-16FJX-16FJX-55 H/A	35	2	614384	08C1T-08FJX-08FJX-237
12	1	611122	9/16MJIC-90-1/4MNPT LBO	36	2	614387	08C1T-08FJX-08FJX-267
13	24	618327	3/4MJIC-7/8MOR ADPTR	37	1	614886	9/16FJIC SW RUN TEE-9/16MJIC
*14	1	618577	1 5/16MJIC UNION	38	1	614719	HYD TUBE ASSY, AUX 204 GMC 96
15	1	618440	9/16MJIC-90-9/16MOR EX LG LBO	39	2	614375	08C1T-08FJX-08FJX-177
16	1	618170	3/4MOR-9/16FOR ADPTR	*40	1	505209	BLK PIPE NIPPLE 1.00NPT-6.00
17	5	618119	9/16MJIC-90-9/16MOR LBO	*41	1	614627	06C1T-06FJX-06FJX-45
*18	2	715660	HOSE BARB 1 1/4NPT X 1 1/4	*42	1	714561	1.00NPT-1.25 HOSE BARB
19	2	618425	9/16MJIC-45-9/16MOR LBO	43	1	601437	HOSE, 1 1/4 X 40 1FBR-1SPI
*20	1	618587	1 5/16FJIC SWIV-1MNPT	44	1	601440	HOSE, 1 1/4 X 25 1FBR-1SPI
21	1	618600	9/16MJIC-90-7/8MOR LBO	45	8	616025	08C1T-08FJX-08FJX-50
*22	2	506410	BLK PIPE ST EL 90DEG 1.25NPT	46	2	614098	04C1T-06FJX-06FJX-201
*23	1	505300	BLK PIPE EL 90DEG 1.00NPT	47	2	614378	08C1T-08FJX-08FJX-207
*24	4	611145	3/4MJIC-90-1/2MNPT LBO	*48	1	601378	HOSE, 1 1/4 X 156 1FBR-1SPI



NOTE: * ITEMS 51, 4 & 43 ARE USED WITH THE CUMMINS ENGINE OPTION.
 ** ITEMS 34, 51 & 44 ARE USED WITH THE GMC ENGINE OPTION.

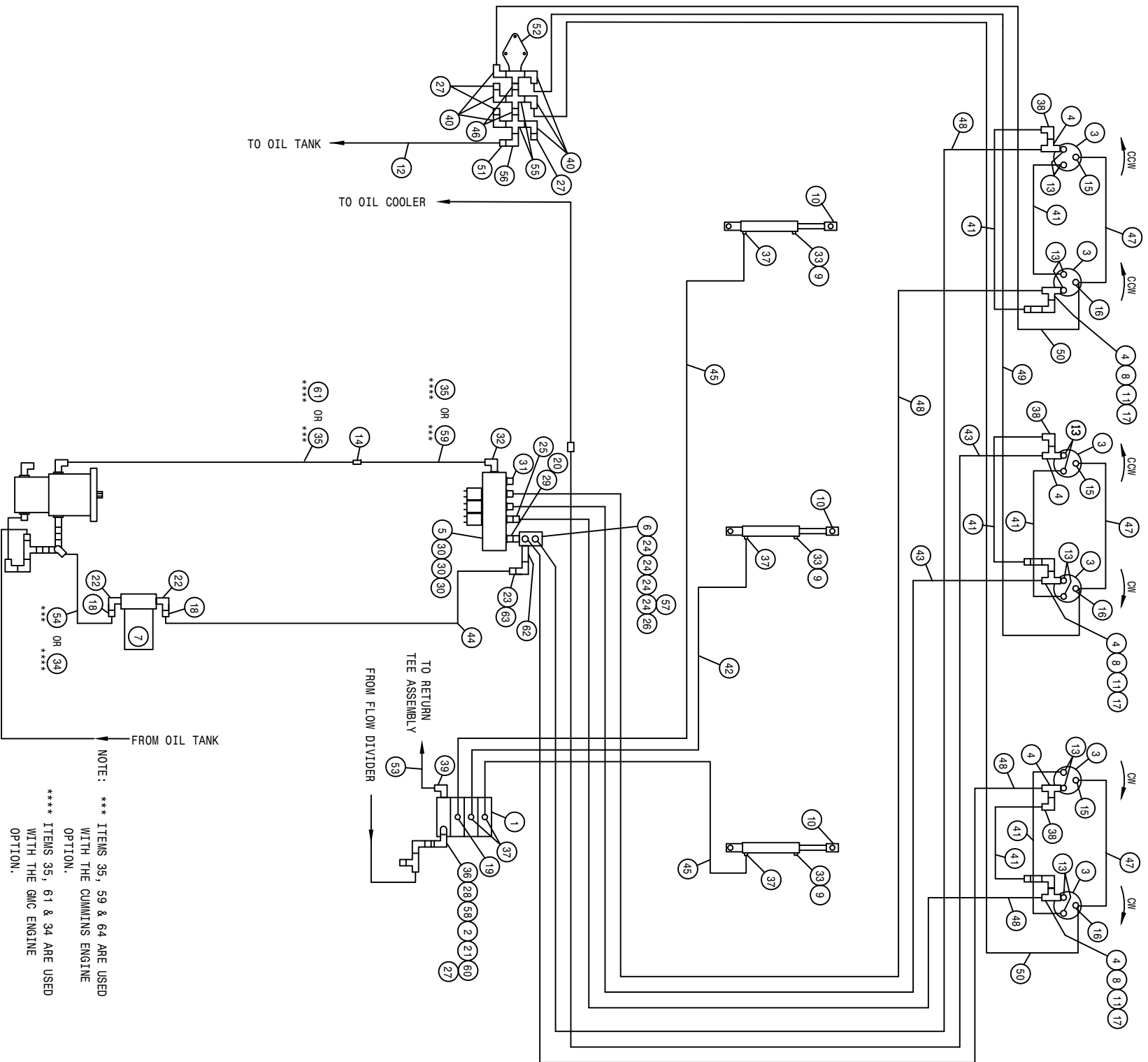
204 12R QUAD 6L LS HYD SCHEM 00
REFERENCE DRAWING NO. 498634

DET.	QTY	PART NO.	DESCRIPTION	DET.	QTY	PART NO.	DESCRIPTION
1	1	610615	ELECT HYD STACT VLV, 6 SECT	27	1	618531	9/16FJIC CAP NUT
2	1	610447	HYD FILTER, INLINE 1/4FNPT 90M	28	1	618486	9/16FJIC Sw RUN TEE-9/16MJIC
3	12	610547	HYD MOTOR 4.5CI 1IN SHFT	29	1	618186	1 5/16MJIC-1 5/16MOR ADPTR
* 4	1	614703	HYD TUBE ASSY, 200 MAIN 92	30	4	618469	3/4MJIC-1 1/16MOR ADPTR
5	1	610467	MODULAR MTR CONTROL ELECT VLV	31	2	618126	9/16MJIC-9/16MOR ADPTR
* 6	1	614633	HYD MANIF 8200 86	32	1	618178	1 5/16MJIC-90-1 5/16MOR LBO
* 7	1	605601	GREEN FILTER 10 MICRON 40GPM	33	6	618116	9/16MOR-90-1/4FNPT LBO
* 8	1	618532	3/4FJIC CAP NUT	34	1	614719	HYD TUBE ASSY, AUX 204 GMC 96
9	6	470114	BREATHER FILTER VENT, 1/4 NPT	35	2	614378	08C1T-08FJX-08FJX-207
10	6	620810	LIFT CYL ASSY, DETASSELER	36	2	614377	04C1T-06FJX-06FJX-258
11	2	614387	08C1T-08FJX-08FJX-267	37	2	611246	04C1T-06FJX-06FJX-174
12	1	611112	HYD TUBE 3/8 X 035 X 56 3/8	38	2	614101	04C1T-06FJX-06FJX-133
13	24	618327	3/4MJIC-7/8MOR ADPTR	39	2	614690	08C1T-08FJX-08FJX-192
*14	1	618577	1 5/16MJIC UNION	*40	1	505209	BLK PIPE NIPPLE 1.00NPT-6.00
15	1	618440	9/16MJIC-90-9/16MOR EX LG LBO	*41	1	614627	06C1T-06FJX-06FJX-45
16	1	618170	3/4MOR-9/16FOR ADPTR	*42	1	714561	1.00NPT-1.25 HOSE BARB
17	8	618119	9/16MJIC-90-9/16MOR LBO	43	1	601437	HOSE, 1 1/4 X 40 1FBR-1SPI
*18	2	715660	HOSE BARB 1 1/4NPT X 1 1/4	44	1	601440	HOSE, 1 1/4 X 25 1FBR-1SPI
19	2	618425	9/16MJIC-45-9/16MOR LBO	45	4	616025	08C1T-08FJX-08FJX-50
*20	1	618587	1 5/16FJIC SWIV-1MNPT	46	2	614384	08C1T-08FJX-08FJX-237
21	1	618600	9/16MJIC-90-7/8MOR LBO	47	2	614689	08C1T-08FJX-08FJX-120
*22	2	506410	BLK PIPE ST EL 90DEG 1.25NPT	*48	1	601378	HOSE, 1 1/4 X 156 1FBR-1SPI
*23	1	505300	BLK PIPE EL 90DEG 1.00NPT	49	2	614691	08C1T-08FJX-08FJX-220
*24	4	611145	3/4MJIC-90-1/2MNPT LBO	50	1	618608	9/16FJIC SWIV-1/4MNPT
25	2	618590	3/4MJIC-45-3/4FJIC SWIV LBO	51	1	614350	16C2AT-16FJX-16FJX-55
*26	1	503700	PIPE PLUG .50NPT SQ HD				H/A



204 4R CUTTER 2L LS HYD SCHEM 2000
REFERENCE DRAWING NO. 498592

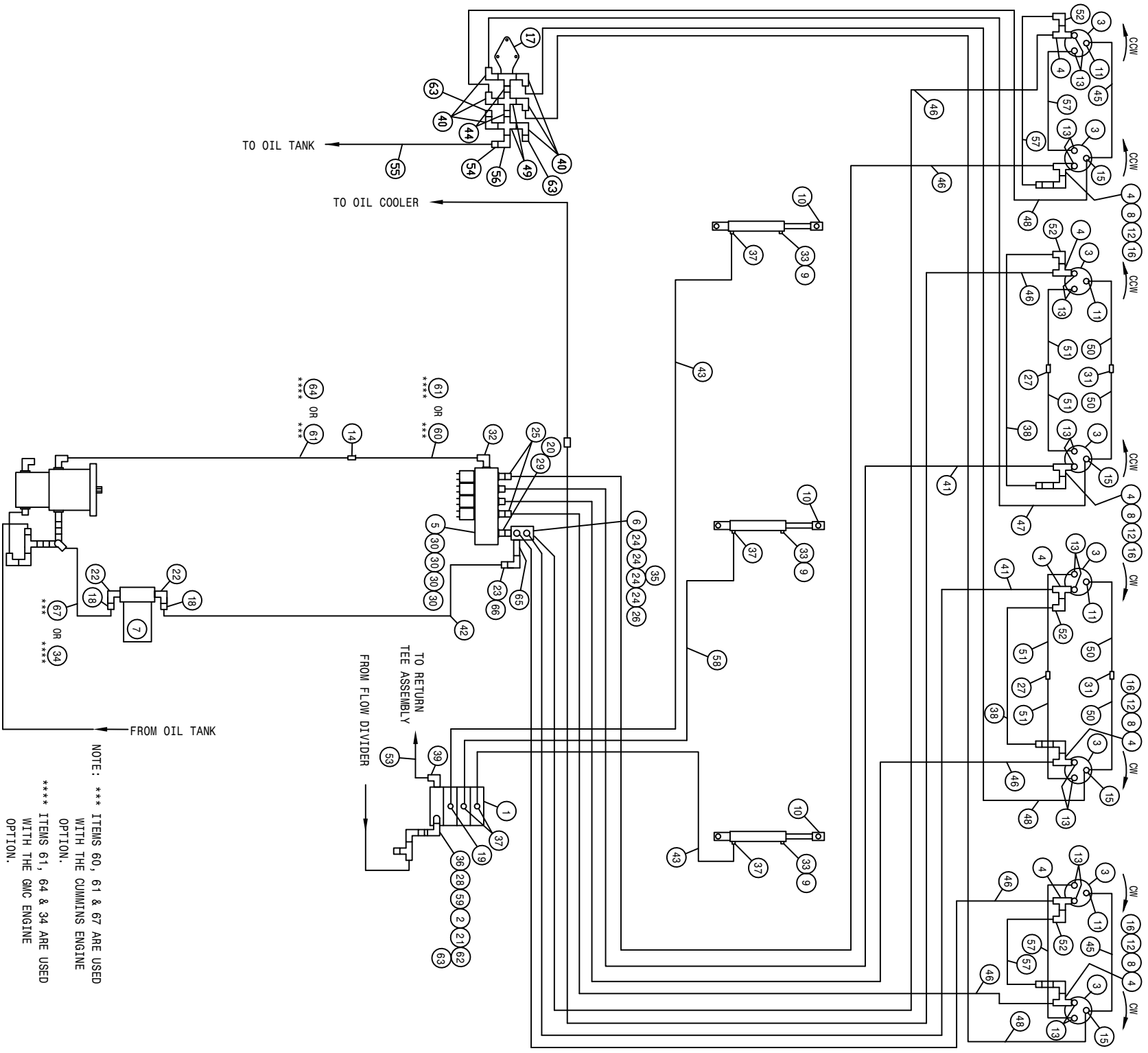
DET.	QTY	PART NO.	DESCRIPTION	DET.	QTY	PART NO.	DESCRIPTION
1	1	610532	ELECT HYD STACK VLV, 3 SECT	36	3	618119	9/16MJIC-90-9/16MOR LBO
2	1	610447	HYD FILTER, INLINE 1/4FNPT 90M	37	1	618600	9/16MJIC-90-7/8MOR LBO
3	4	610590	BARNES HYD MOTOR	*38	1	618310	9/16MJIC-7/8MOR ADPTR
*4	1	607504	FLO DIV B50 2-8GPM 7/8 FOR	*39	1	618072	7/8MOR-1/2FNPT ADPTR
5	1	610467	MODULAR MTR CONTROL ELECT VLV	*40	1	616042	04C1T-06FJX-06FJX-13
*6	1	614633	HYD MANIF 8200 86	*41	1	614627	06C1T-06FJX-06FJX-45
*7	1	605601	GRESEN FILTER 10 MICRON 40GPM	*42	1	615616	04C1T-06FJX-06FJX-65
*8	1	607512	RELIEF VALVE, RLSO, 1850 PSI	43	2	503600	CLOSE NIPPLE .50NPT
9	2	470114	BREATHER FILTER VENT, 1/4 NPT	*44	1	614664	10C1T-10FJX-10FJX-98
10	2	620810	LIFT CYL ASSY, DETASSELER	45	4	614368	08C1T-08FJX-08FJX-60
*11	1	611126	7/8MJIC-7/8MOR ADPTR	46	2	614639	04C1T-06FJX-06FJX-126
12	2	618530	9/16MJIC-1/8MNPT ADPTR	47	4	614689	08C1T-08FJX-08FJX-120
13	8	611125	3/4MJIC-3/4MOR ADPTR	*48	1	601378	HOSE, 1 1/4 X 156 1FBR-1SPI
*14	1	618577	1 5/16MJIC UNION	49	2	614101	04C1T-06FJX-06FJX-133
15	2	618546	1/8MNPT RUN TEE-9/16MJIC	50	2	503824	BLK PIPE CROSS .50NPT
*16	8	618107	9/16MJIC-90-1/2MNPT LBO	51	2	611206	04C1T-06FJX-06FJX-66
17	1	611122	9/16MJIC-90-1/4MNPT LBO	52	1	618590	3/4MJIC-45-3/4FJIC SWIV LBO
*18	2	715660	HOSE BARB 1 1/4NPT X 1 1/4	*53	2	618532	3/4FJIC CAP NUT
19	1	618425	9/16MJIC-45-9/16MOR LBO	54	1	618608	9/16FJIC SW RUN TEE-9/16MJIC
*20	1	618587	1 5/16FJIC SWIV-1MNPT	55	1	614703	HYD TUBE ASSY, 200 MAIN
21	1	618440	9/16MJIC-90-9/16MOR EX LG LBO	*56	2	618486	9/16FJIC SW RUN TEE-9/16MJIC
*22	2	506410	BLK PIPE ST EL 90DEG 1.25NPT	57	1	614719	HYD TUBE ASSY, AUX 204 GMC 96
*23	1	505300	BLK PIPE EL 90DEG 1.00NPT	58	4	618451	3/4FJIC SW RUN TEE-3/4MJIC
24	1	610185	9/16MOR PLUG	59	2	618620	3/4FJX-90-1/2MNPT ADPTR
*25	4	611145	3/4MJIC-90-1/2MNPT LBO	60	2	690338	LINE CHECK VALVE HYD .50NPT
*26	1	503700	PIPE PLUG .50NPT SQ HD	61	2	611147	3/4MJIC-1/2MNPT ADPTR
*27	6	618531	9/16FJIC CAP NUT	62	1	601440	HOSE, 1 1/4 X 25 1FBR-1SPI
28	1	618170	3/4MOR-9/16FOR ADPTR	63	2	618609	3/4MJIC-90-3/4FJIC SWIV LBO
29	1	618186	1 5/16MJIC-1 5/16MOR ADPTR	*64	1	714561	1.00NPT-1.25 HOSE BARB
30	2	618469	3/4MJIC-1 1/16MOR ADPTR	65	1	601437	HOSE, 1 1/4 X 40 1FBR-1SPI
31	2	610186	1 1/16MOR PLUG	*66	1	505209	BLK PIPE NIPPLE 1.00NPT-6.00
32	1	618178	1 5/16MJIC-90-1 5/16MOR LBO	67	1	615746	CASE DRAIN FTG WLD
33	2	618116	9/16MOR-90-1/4FNPT LBO	68	1	712440	1/2 NPT X 3/4 HOSE BARB
*34	1	500000	1/2MNPT HEX PIPE NIPPLE STL	69	1	601526	HOSE, 3/4 X 162 1FBR-1SPI
35	1	614350	16C2AT-16FJX-16FJX-55	70	1	503400	BLK PIPE ST EL 90DEG .50NPT



NOTE: *** ITEMS 35, 59 & 64 ARE USED WITH THE CUMMINS ENGINE OPTION.
 **** ITEMS 35, 61 & 34 ARE USED WITH THE GMC ENGINE OPTION.

204 6R CUTTER 3L LS HYD SCHEM 2000
REFERENCE DRAWING NO. 498593

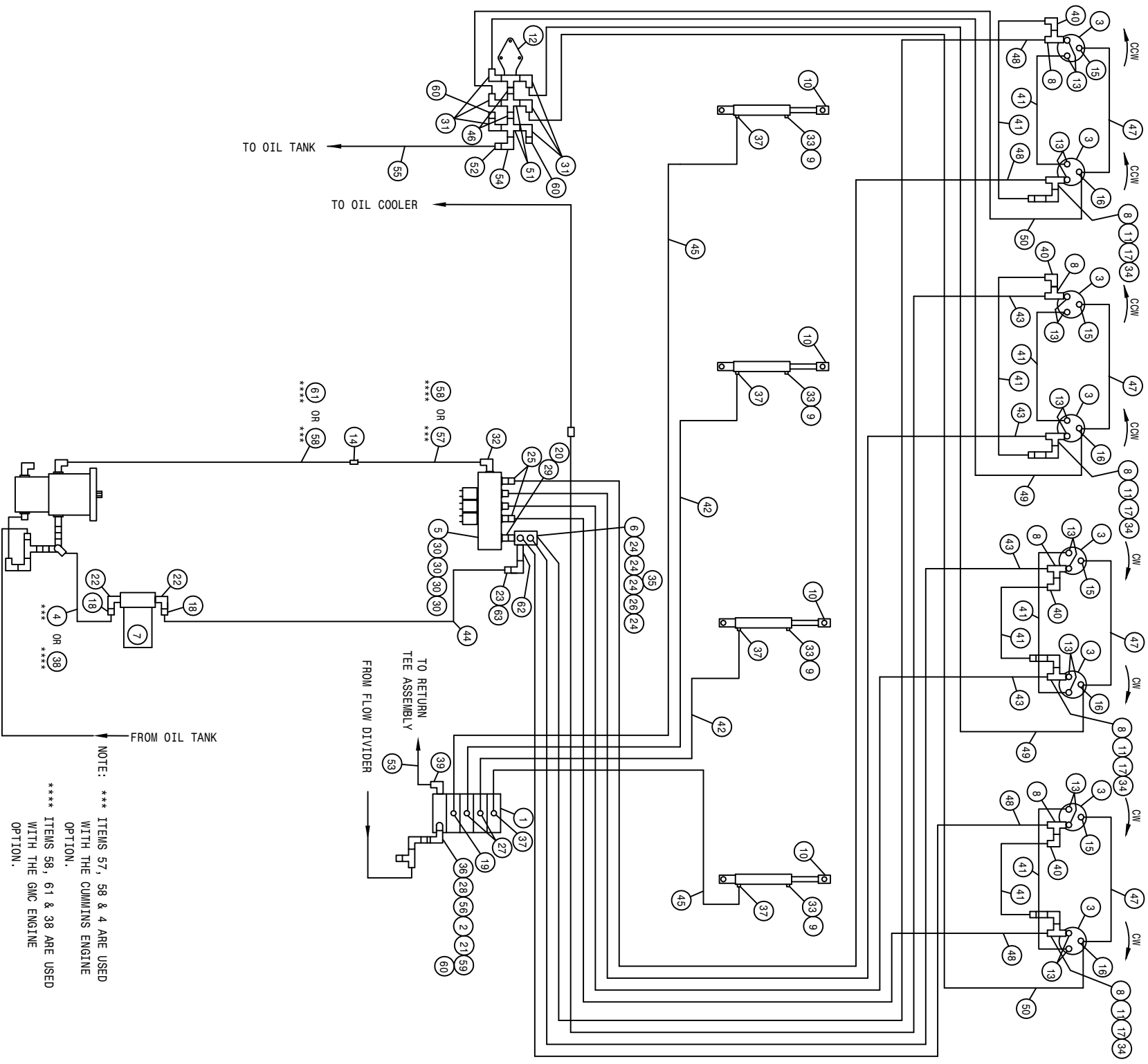
DET.	QTY	PART NO.	DESCRIPTION	DET.	QTY	PART NO.	DESCRIPTION
1	1	610532	ELECT HYD STACK VLV, 3 SECT	33	3	618116	9/16MOR-90-1/4FNPT LBO
2	1	610447	HYD FILTER, INLINE 1/4FNPT 90M	34	1	601440	HOSE, 1 1/4 X 25 1FBR-1SPT
3	6	6180755	BARNES HYD MOTOR, D-SERIES 01	35	1	614350	16C2AT-16FJX-16FJX-55
4	6	6184651	3/4FJIC SW RUN TEE-3/4MJIC	36	1	618170	3/4MOR-9/16FOR ADPTR
5	1	610467	MODULAR MTR CONTROL ELECT VLV	37	5	618119	9/16MJIC-90-9/16MOR LBO
*6	1	614633	HYD MANIF 8200 86	38	3	618609	3/4MJIC-90-3/4FJIC SWIV LBO
*7	1	605601	GRESEN FILTER 10 MICRON 40GPM	39	1	618600	9/16MJIC-90-7/8MOR LBO
8	1	618620	3/4FJX-90-1/2MNPT ADPTR	40	6	618107	9/16MJIC-90-1/2MNPT LBO
9	3	470114	BREATHER FILTER VENT, 1/4 NPT	41	6	614368	08C1T-08FJX-08FJX-60
10	3	620810	LIFT CYL ASSY, DETASSELER	42	1	614077	04C1T-06FJX-06FJX-88
11	3	690338	LINE CHECK VALVE HYD .50NPT	43	2	614688	08C1T-08FJX-08FJX-108
12	1	601526	HOSE, 3/4 X 162 1FBR-1SPT	*44	1	601378	HOSE, 1 1/4 X 156 1FBR-1SPT
13	12	611125	3/4MJIC-3/4MOR ADPTR	45	2	614101	04C1T-06FJX-06FJX-133
*14	1	618577	1 5/16MJIC UNION	46	2	503600	CLOSE NIPPLE .50NPT
15	3	618530	9/16MJIC-1/8MNPT ADPTR	47	3	611206	04C1T-06FJX-06FJX-66
16	3	618546	1/8MNPT RUN TEE-9/16MJIC	48	4	614690	08C1T-08FJX-08FJX-192
17	3	611147	3/4MJIC-1/2MNPT ADPTR	49	1	614152	04C1T-06FJX-06FJX-114
*18	2	715660	HOSE BARB 1 1/4NPT X 1 1/4	50	2	611210	04C1T-06FJX-06FJX-156
19	1	618425	9/16MJIC-45-9/16MOR LBO	51	1	712440	1/2 NPT X 3/4 HOSE BARB
*20	1	618587	1 5/16FJIC SWIV-1MNPT	52	1	615746	CASE DRAIN FTG WLD
21	1	611122	9/16MJIC-90-1/4MNPT LBO	*53	1	614627	06C1T-06FJX-06FJX-45
*22	2	506410	BLK PIPE ST EL 90DEG 1.25NPT	54	1	601437	HOSE, 1 1/4 X 40 1FBR-1SPT
*23	1	505300	BLK PIPE EL 90DEG 1.00NPT	55	2	503824	BLK PIPE CROSS .50NPT
*24	4	611145	3/4MJIC-90-1/2MNPT LBO	56	1	503400	BLK PIPE ST EL 90DEG .50NPT
25	1	618590	3/4MJIC-45-3/4FJIC SWIV LBO	*57	1	618532	3/4FJIC CAP NUT
*26	1	503700	PIPE PLUG .50NPT SQ HD	58	1	618608	9/16FJIC SWIV-1/4MNPT
27	4	618531	9/16FJIC CAP NUT	59	1	614703	HYD TUBE ASSY, 200 MAIN 92
28	1	618440	9/16MJIC-90-9/16MOR EX LG LBO	60	1	618486	9/16FJIC SW RUN TEE-9/16MJIC
29	1	618186	1 5/16MJIC-1 5/16MOR ADPTR	61	1	614719	HYD TUBE ASSY, AUX 204 GMC 96
30	3	618469	3/4MJIC-1 1/16MOR ADPTR	*62	1	505209	BLK PIPE NIPPLE 1.00NPT-6.00
31	1	610186	1 1/16MOR PLUG	*63	1	714561	1.00NPT-1.25 HOSE BARB
32	1	618178	1 5/16MJIC-90-1 5/16MOR LBO				



NOTE: *** ITEMS 60, 61 & 67 ARE USED WITH THE CUMMINS ENGINE OPTION.
 **** ITEMS 61, 64 & 94 ARE USED WITH THE GMC ENGINE OPTION.

204 8R CUTTER 3L LS HYD SCHEM 2000
REFERENCE DRAWING NO. 498594

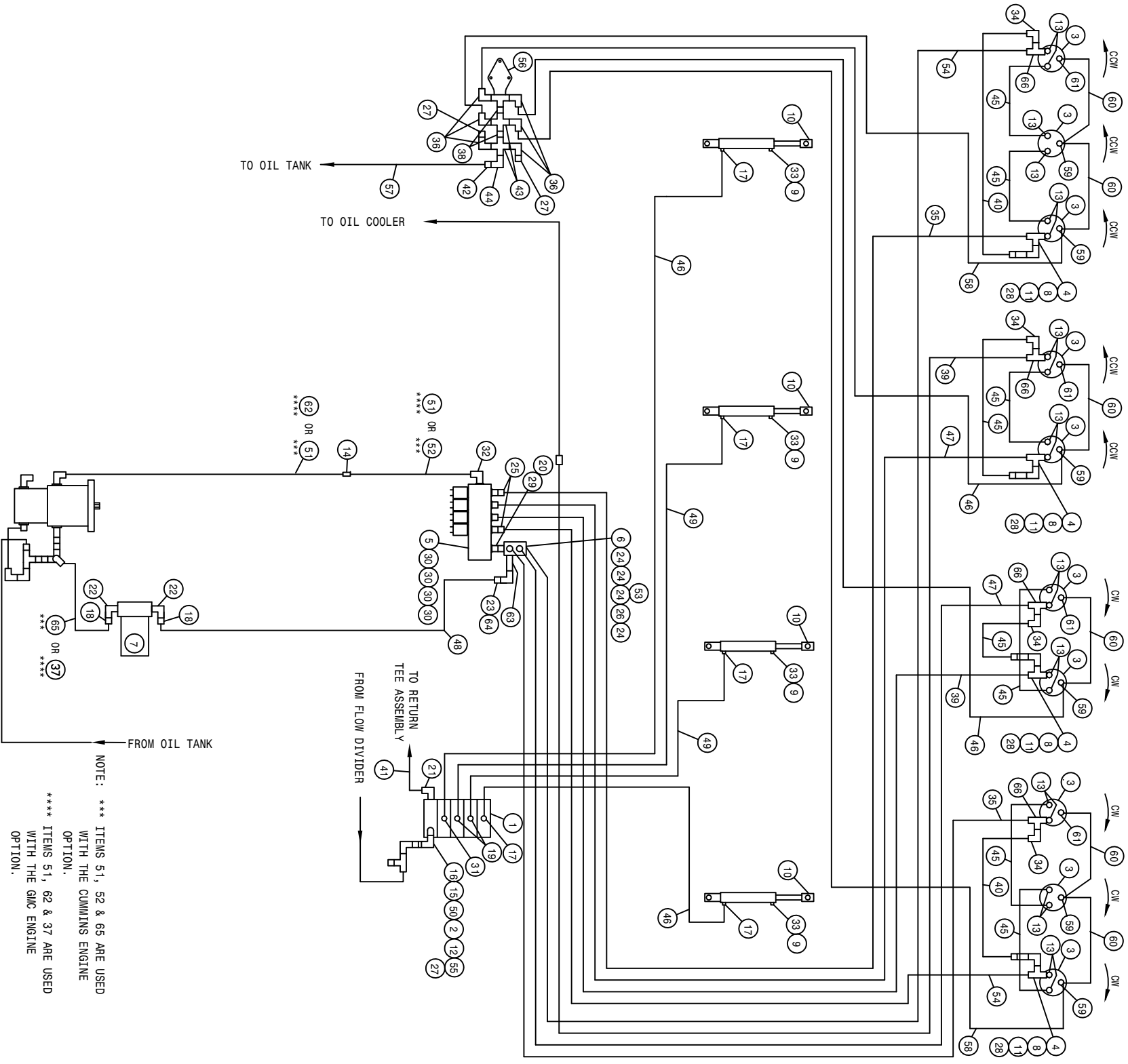
DET.	QTY	PART NO.	DESCRIPTION	DET.	QTY	PART NO.	DESCRIPTION
1	1	610532	ELECT HYD STACK VLV, 3 SECT	*35	1	618532	3/4FJIC CAP NUT
2	1	610447	HYD FILTER, INLINE 1/4FNPT 90M	36	1	618170	3/4MOR-9/16FOR ADPTR
3	8	610755	BARNES HYD MOTOR, D-SERIES 01	37	5	618119	9/16MJIC-90-9/16MOR LBO
4	8	610451	3/4FJIC SW RUN TEE-3/4MJIC	38	2	614384	08C1T-08FJX-08FJX-237
5	1	610467	MODULAR MTR CONTROL ELECT VLV	39	1	618600	9/16MJIC-90-7/8MOR LBO
*6	1	614633	HYD MANIF 8200 86	40	6	618107	9/16MJIC-90-1/2MNP LBO
*7	1	605601	GREEN FILTER 10 MICRON 40GPM	41	2	614688	08C1T-08FJX-08FJX-108
8	4	618620	3/4FJX-90-1/2MNP ADPTR	*42	1	601378	HOSE, 1 1/4 X 156 1FBR-1SPI
9	3	470114	BREATHER FILTER VENT, 1/4 NPT	43	2	611246	04C1T-06FJX-06FJX-174
10	3	620810	LIFT CYL ASSY, DETASSELER	44	2	503600	CLOSE NIPPLE .50NPT
11	4	618530	9/16MJIC-1/8MNP ADPTR	45	2	611206	04C1T-06FJX-06FJX-66
12	4	690338	LINE CHECK VALVE HYD .50NPT	46	6	614691	08C1T-08FJX-08FJX-220
13	4	611125	3/4MJIC-3/4MOR ADPTR	47	1	614152	04C1T-06FJX-06FJX-114
*14	16	618577	1 5/16MJIC UNION	48	3	614154	04C1T-06FJX-06FJX-221
15	4	618546	1/8MNP RUN TEE-9/16MJIC	49	2	503824	BLK PIPE CROSS .50NPT
16	4	611147	3/4MJIC-1/2MNP ADPTR	50	4	614101	04C1T-06FJX-06FJX-133
17	1	615746	CASE DRAIN FTG WLD	51	4	614425	08C1T-08FJX-08FJX-132
*18	2	715660	HOSE BARB 1 1/4NPT X 1 1/4	52	4	618609	3/4MJIC-90-3/4FJIC SWIV LBO
19	1	618425	9/16MJIC-45-9/16MOR LBO	*53	1	614627	06C1T-06FJX-06FJX-45
*20	1	618587	1 5/16FJIC SWIV-1MNP	54	1	712440	1/2 NPT X 3/4 HOSE BARB
21	1	611122	9/16MJIC-90-1/4MNP LBO	55	1	601526	HOSE, 3/4 X 162 1FBR-1SPI
*22	2	506410	BLK PIPE ST EL 90DEG 1.25NPT	56	1	503400	BLK PIPE ST EL 90DEG .50NPT
*23	1	505300	BLK PIPE EL 90DEG 1.00NPT	57	4	614368	08C1T-08FJX-08FJX-60
*24	4	611145	3/4MJIC-90-1/2MNP LBO	58	1	614077	04C1T-06FJX-06FJX-88
25	2	618590	3/4MJIC-45-3/4FJIC SWIV LBO	59	1	618608	9/16FJIC SWIV-1/4MNP
*26	1	503700	PIPE PLUG .50NPT SQ HD	60	1	614703	HYD TUBE ASSY, 200 MAIN
27	2	618314	3/4MJIC UNION	61	1	614350	16C2AT-16FJX-16FJX-55
28	1	618440	9/16MJIC-90-9/16MOR EX LG LBO	62	1	618486	9/16FJIC SW RUN TEE-9/16MJIC
29	1	618186	1 5/16MJIC-1 5/16MOR ADPTR	63	3	618531	9/16FJIC CAP NUT
30	4	618469	3/4MJIC-1 1/16MOR ADPTR	64	1	614719	HYD TUBE ASSY, AUX 204 GMC 96
31	2	619010	9/16MJIC UNION	*65	1	505209	BLK PIPE NIPPLE 1.00NPT-6.00
32	1	618178	1 5/16MJIC-90-1 5/16MOR LBO	*66	1	714561	1.00NPT-1.25 HOSE BARB
33	3	618116	9/16MOR-90-1/4FNPT LBO	67	1	601437	HOSE, 1 1/4 X 40 1FBR-1SPI
34	1	601440	HOSE, 1 1/4 X 25 1FBR-1SPI				



NOTE: *** ITEMS 57, 58 & 4 ARE USED WITH THE CUMMINS ENGINE OPTION.
 **** ITEMS 58, 61 & 38 ARE USED WITH THE GMC ENGINE OPTION.

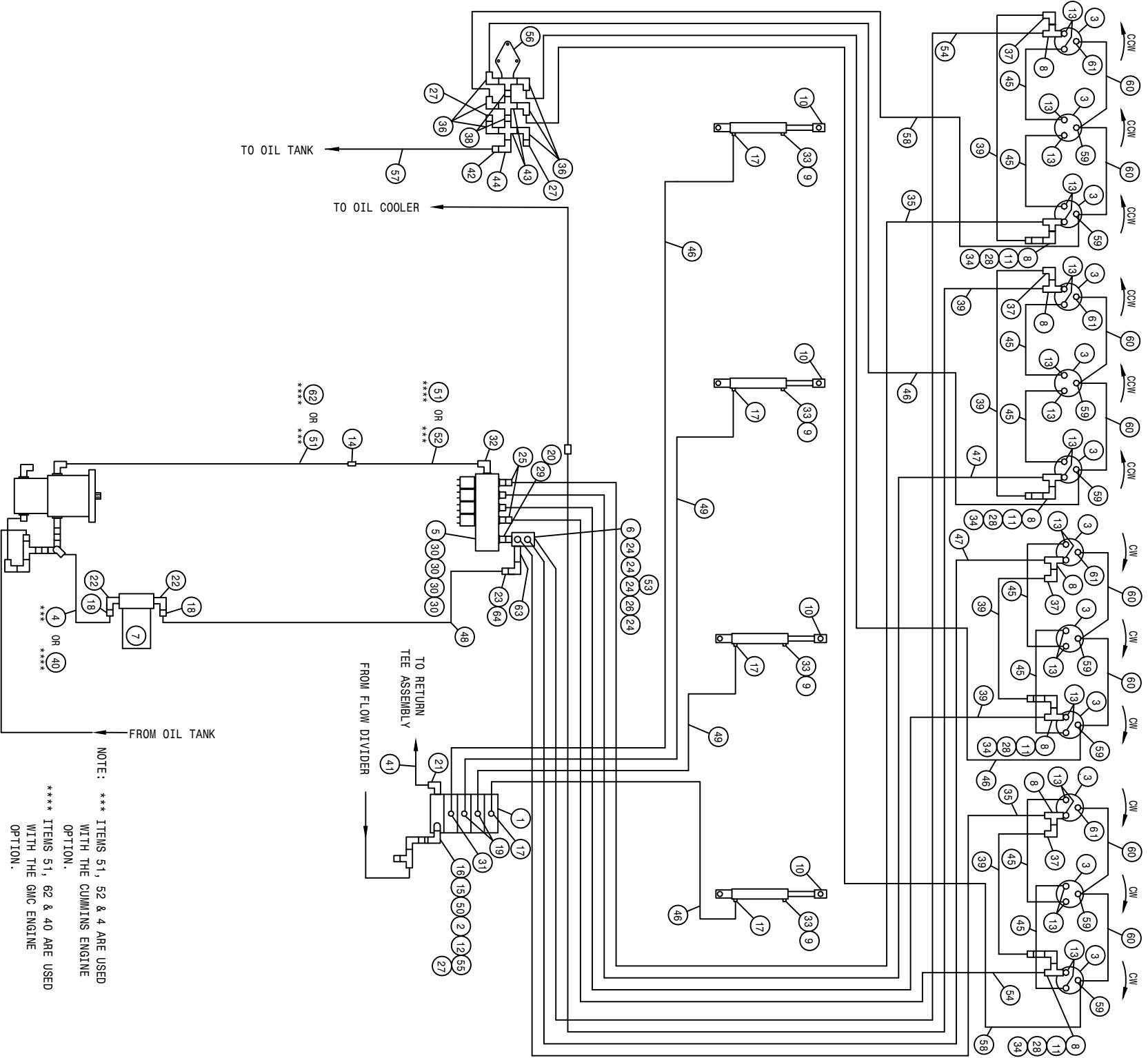
204 8R CUTTER 4L LS HYD SCHEM 2000
REFERENCE DRAWING NO. 498595

DET.	QTY	PART NO.	DESCRIPTION	DET.	QTY	PART NO.	DESCRIPTION
1	1	610613	ELECT HYD STACT VLV, 4 SECT	33	4	618116	9/16MOR-90-1/4FNPT LBO
2	1	610447	HYD FILTER, INLINE 1/4FNPT 90M	34	4	611147	3/4MJIC-1/2MNPT ADPTR
3	8	610755	BARNES HYD MOTOR, D-SERIES 01	*35	1	618532	3/4FJIC CAP NUT
4	1	601437	HOSE, 1 1/4 X 40 1FBR-1SPI	36	1	618170	3/4MOR-9/16FOR ADPTR
5	1	610467	MODULAR MTR CONTROL ELECT VLV	37	5	618119	9/16MJIC-90-9/16MOR LBO
*6	1	614633	HYD MANIF 8200 86	38	1	601440	HOSE, 1 1/4 X 25 1FBR-1SPI
*7	1	605601	GRESEN FILTER 10 MICRON 40GPM	39	1	618600	9/16MJIC-90-7/8MOR LBO
8	8	618451	3/4FJIC SW RUN TEE-3/4MJIC	40	4	618609	3/4MJIC-90-3/4FJIC SWIV LBO
9	4	470114	BREATHER FILTER VENT, 1/4 NPT	41	8	614368	08C1T-.08FJX-.08FJX-60
10	4	620810	LIFT CYL ASSY, DETASSELER	42	2	614101	04C1T-.06FJX-.06FJX-133
11	4	618620	3/4FJX-90-1/2MNPT ADPTR	43	4	614689	08C1T-.08FJX-.08FJX-120
12	1	615746	CASE DRAIN FTG WLD	*44	1	601378	HOSE, 1 1/4 X 156 1FBR-1SPI
13	16	611125	3/4MJIC-3/4MOR ADPTR	45	2	611246	04C1T-.06FJX-.06FJX-174
*14	1	618577	1 5/16MJIC UNION	46	2	503600	CLOSE NIPPLE .50NPT
15	4	618530	9/16MJIC-1/8MNPT ADPTR	47	4	611206	04C1T-.06FJX-.06FJX-66
16	4	618546	1/8MNPT RUN TEE-9/16MJIC	48	4	614691	08C1T-.08FJX-.08FJX-220
17	4	690338	LINE CHECK VALVE HYD .50NPT	49	2	611212	04C1T-.06FJX-.06FJX-164
*18	2	715660	HOSE BARB 1 1/4NPT X 1 1/4	50	2	614154	04C1T-.06FJX-.06FJX-221
19	1	618126	9/16MJIC-9/16MOR ADPTR	51	2	503824	BLK PIPE CROSS .50NPT
*20	1	618587	1 5/16FJIC SWIV-1MNPT	52	1	712440	1/2 NPT X 3/4 HOSE BARB
21	1	611122	9/16MJIC-90-1/4MNPT LBO	*53	1	614627	06C1T-.06FJX-.06FJX-45
*22	2	506410	BLK PIPE ST EL 90DEG 1.25NPT	54	1	503400	BLK PIPE ST EL 90DEG .50NPT
*23	1	505300	BLK PIPE EL 90DEG 1.00NPT	55	1	601526	HOSE, 3/4 X 162 1FBR-1SPI
*24	4	611145	3/4MJIC-90-1/2MNPT LBO	56	1	618608	9/16FJIC SWIV-1/4MNPT
25	2	618590	3/4MJIC-45-3/4FJIC SWIV LBO	57	1	614703	HYD TUBE ASSY, 200 MAIN
*26	1	503700	PIPE PLUG .50NPT SQ HD	58	1	614350	16C2AT-16FJX-16FJX-55
27	2	618425	9/16MJIC-45-9/16MOR LBO	59	1	618486	9/16FJIC SW RUN TEE-9/16MJIC
28	1	618440	9/16MJIC-90-9/16MOR EX LG LBO	60	3	618531	9/16FJIC CAP NUT
29	1	618186	1 5/16MJIC-1 5/16MOR ADPTR	61	1	614719	HYD TUBE ASSY, AUX 204 GMC 96
30	4	618469	3/4MJIC-1 1/16MOR ADPTR	*62	1	505209	BLK PIPE NIPPLE 1.00NPT-6.00
31	6	618107	9/16MJIC-90-1/2MNPT LBO	*63	1	714561	1.00NPT-1.25 HOSE BARB
32	1	618178	1 5/16MJIC-90-1 5/16MOR LBO				



204 10R CUTR 4L LS HYD SCHEM 2000
REFERENCE DRAWING NO. 498596

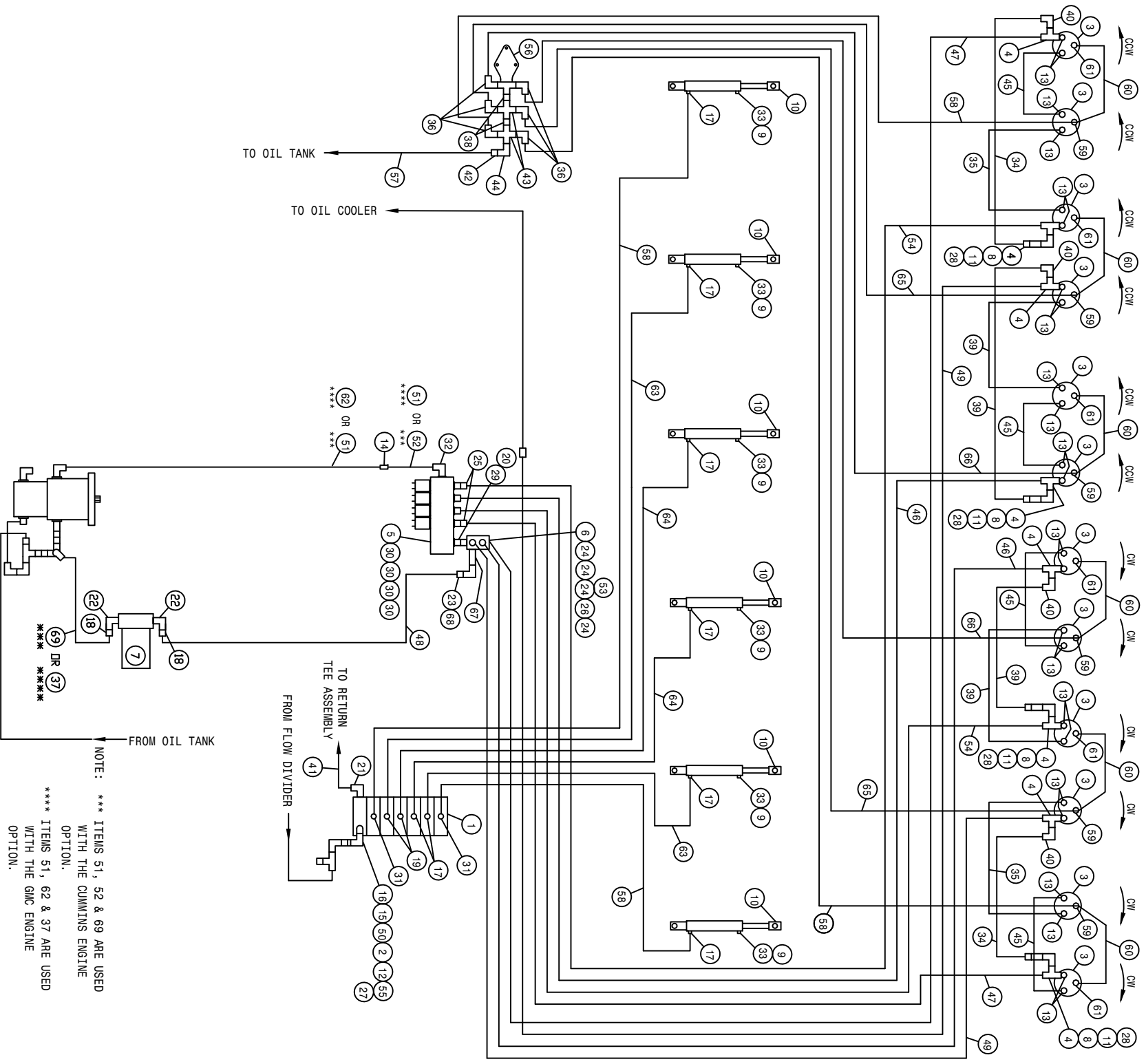
DET.	QTY	PART NO.	DESCRIPTION	DET.	QTY	PART NO.	DESCRIPTION
1	1	610613	ELECT HYD STACT VLV, 4 SECT	34	4	618609	3/4MJIC-90-3/4FJIC SWIV LBO
2	1	610447	HYD FILTER, INLINE 1/4FNPT 90M	35	2	614384	08C1T-08FJX-08FJX-237
3	10	610755	BARNES HYD MOTOR, D-SERIES 01	36	6	618107	9/16MJIC-90-1/2MNPT LBO
4	8	618451	3/4FJIC SW RUN TEE-3/4MJIC	37	1	601440	HOSE, 1 1/4 X 25 1FBR-1SP1
5	1	610467	MODULAR MTR CONTROL ELECT VLV	38	2	503600	CLOSE NIPPLE .50NPT
*6	1	614633	HYD MANIF 8200 86	39	2	614375	08C1T-08FJX-08FJX-177
*7	1	605601	GRESEN FILTER 10 MICRON 40GPM	40	2	616057	08C1T-08FJX-08FJX-88
8	4	618620	3/4FJX-90-1/2MNPT ADPTR	*41	1	614627	06C1T-06FJX-06FJX-45
9	4	470114	BREATHER FILTER VENT, 1/4 NPT	42	1	712440	1/2 NPT X 3/4 HOSE BARB
10	4	620810	LIFT CYL ASSY, DETASSELER	*43	2	503824	BLK PIPE CROSS .50NPT
11	4	690338	LINE CHECK VALVE HYD .50NPT	44	1	503400	BLK PIPE ST EL 90DEG .50NPT
12	1	611122	9/16MJIC-90-1/4MNPT LBO	45	8	614368	08C1T-08FJX-08FJX-60
13	20	611125	3/4MJIC-3/4MOR ADPTR	46	4	614098	04C1T-06FJX-06FJX-201
*14	1	618577	1 5/16MJIC UNION	47	2	614378	08C1T-08FJX-08FJX-207
15	1	618440	9/16MJIC-90-9/16MOR EX LG LBO	*48	1	601378	HOSE, 1 1/4 X 156 1FBR-1SP1
16	1	618170	3/4MOR-9/16FOR ADPTR	49	2	611202	04C1T-06FJX-06FJX-136
17	5	618119	9/16MJIC-90-9/16MOR LBO	50	1	618608	9/16FJIC SWIV-1/4MNPT
*18	2	715660	HOSE BARB 1 1/4NPT X 1 1/4	51	1	614350	16CZAT-16FJX-16FJX-55
19	2	618425	9/16MJIC-45-9/16MOR LBO	52	1	614703	HYD TUBE ASSY, 200 MAIN
*20	1	618587	1 5/16FJIC SWIV-1MNPT	*53	1	618532	3/4FJIC CAP NUT
21	1	618600	9/16MJIC-90-7/8MOR LBO	54	2	614387	08C1T-08FJX-08FJX-267
*22	2	506410	BLK PIPE ST EL 90DEG 1.25NPT	55	1	618486	9/16FJIC SW RUN TEE-9/16MJIC
*23	1	505300	BLK PIPE EL 90DEG 1.00NPT	56	1	615746	CASE DRAIN FTG WLD
*24	4	611145	3/4MJIC-90-1/2MNPT LBO	57	1	601526	HOSE, 3/4 X 162 1FBR-1SP1
25	2	618590	3/4MJIC-45-3/4FJIC SWIV LBO	58	2	614554	04C1T-06FJX-06FJX-240
*26	1	503700	PIPE PLUG .50NPT SQ HD	59	6	618546	1/8MNPT RUN TEE-9/16MJIC
27	3	618531	9/16FJIC CAP NUT	60	6	611206	04C1T-06FJX-06FJX-66
28	4	611147	3/4MJIC-1/2MNPT ADPTR	61	4	618530	9/16MJIC-1/8MNPT ADPTR
29	1	618186	1 5/16MJIC-1 5/16MOR ADPTR	62	1	614719	HYD TUBE ASSY, AUX 204 GMC 96
30	4	618469	3/4MJIC-1 1/16MOR ADPTR	*63	1	505209	BLK PIPE NIPPLE 1.00NPT-6.00
31	1	618126	9/16MJIC-9/16MOR ADPTR	*64	1	714561	1.00NPT-1.25 HOSE BARB
32	1	618178	1 5/16MJIC-90-1 5/16MOR LBO	65	1	601437	HOSE, 1 1/4 X 40 1FBR-1SP1
33	4	618116	9/16MOR-90-1/4FNPT LBO				



NOTE: *** ITEMS 51, 52 & 4 ARE USED WITH THE CUMMINS ENGINE OPTION.
 **** ITEMS 51, 62 & 40 ARE USED WITH THE GMC ENGINE OPTION.

204 12R CUTR 4L LS HYD SCHEM 2000
REFERENCE DRAWING NO. 498597

DET.	QTY	PART NO.	DESCRIPTION	DET.	QTY	PART NO.	DESCRIPTION
1	1	610613	ELECT HYD STACT VLV, 4 SECT	33	4	618116	9/16MOR-90-1/4FNPT LBO
2	1	610447	HYD FILTER, INLINE 1/4FNPT 90M	34	4	611147	3/4MJIC-1/2MNPT ADPTR
3	12	610755	BARNES HYD MOTOR, D-SERIES 01	35	2	614384	08C1T-08FJX-08FJX-237
4	1	601437	HOSE, 1 1/4 X 40 1FBR-1SPI	36	6	618107	9/16MJIC-90-1/2MNPT LBO
5	1	610467	MODULAR MFR CONTROL ELECT VLV	37	4	618609	3/4MJIC-90-3/4FJIC SWIV LBO
*6	1	614633	HYD MANIF 8200 86	*38	2	503600	CLOSE NIPPLE .50NPT
*7	1	605601	GRESEN FILTER 10 MICRON 40GPM	39	6	614375	08C1T-08FJX-08FJX-177
8	8	618451	3/4FJIC SW RUN TEE-3/4MJIC	40	4	601440	HOSE, 1 1/4 X 25 1FBR-1SPI
9	4	470114	BREATHER FILTER VENT, 1/4 NPT	*41	1	614627	06C1T-06FJX-06FJX-45
10	4	620810	LIFT CYL ASSY, DETASSELER	42	1	712440	1/2 NPT X 3/4 HOSE BARB
11	4	618620	3/4FJX-90-1/2MNPT ADPTR	43	2	503824	BLK PIPE CROSS .50NPT
12	1	611122	9/16MJIC-90-1/4MNPT LBO	44	1	503400	BLK PIPE ST EL 90DEG .50NPT
13	24	611125	3/4MJIC-3/4MOR ADPTR	45	8	614368	08C1T-08FJX-08FJX-60
*14	1	618577	1 5/16MJIC UNION	46	4	614098	04C1T-06FJX-06FJX-201
15	1	618440	9/16MJIC-90-9/16MOR EX LG LBO	47	1	614378	08C1T-08FJX-08FJX-207
16	1	618170	3/4MOR-9/16FOR ADPTR	*48	1	601378	HOSE, 1 1/4 X 156 1FBR-1SPI
17	5	618119	9/16MJIC-90-9/16MOR LBO	49	2	611202	04C1T-06FJX-06FJX-136
*18	2	715660	HOSE BARB 1 1/4NPT X 1 1/4	50	1	618608	9/16FJIC SWIV-1/4MNPT
19	2	618425	9/16MJIC-45-9/16MOR LBO	51	1	614350	16G2AT-16FJX-16FJX-55
*20	1	618587	1 5/16FJIC SWIV-1MNPT	52	1	614703	HYD TUBE ASSY, 200 MAIN
21	1	618600	9/16MJIC-90-7/8MOR LBO	*53	1	618532	3/4FJIC CAP NUT
*22	2	506410	BLK PIPE ST EL 90DEG 1.25NPT	54	2	614387	08C1T-08FJX-08FJX-267
*23	1	505300	BLK PIPE EL 90DEG 1.00NPT	55	1	618486	9/16FJIC SW RUN TEE-9/16MJIC
*24	4	611145	3/4MJIC-90-1/2MNPT LBO	56	1	615746	CASE DRAIN FTG WLD
25	2	618590	3/4MJIC-45-3/4FJIC SWIV LBO	57	1	601526	HOSE, 3/4 X 162 1FBR-1SPI
*26	1	503700	PIPE PLUG .50NPT SQ HD	58	2	614554	04C1T-06FJX-06FJX-240
27	3	618531	9/16FJIC CAP NUT	59	8	618546	1/8MNPT RUN TEE-9/16MJIC
28	4	690338	LINE CHECK VALVE HYD .50NPT	60	8	611206	04C1T-06FJX-06FJX-66
29	1	618186	1 5/16MJIC-1 5/16MOR ADPTR	61	4	618530	9/16MJIC-1/8MNPT ADPTR
30	4	618469	3/4MJIC-1 1/16MOR ADPTR	62	1	614719	HYD TUBE ASSY, AUX 204 GMC 96
31	1	618126	9/16MJIC-9/16MOR ADPTR	*63	1	505209	BLK PIPE NIPPLE 1.00NPT-6.00
32	1	618178	1 5/16MJIC-90-1 5/16MOR LBO	*64	1	714561	1.00NPT-1.25 HOSE BARB



FROM OIL TANK

TO RETURN
TEE ASSEMBLY

FROM FLOW DIVIDER

TO OIL COOLER

TO OIL TANK

NOTE: *** ITEMS 51, 52 & 69 ARE USED
WITH THE CUMMINS ENGINE
OPTION.
**** ITEMS 51, 62 & 37 ARE USED
WITH THE GMC ENGINE
OPTION.

204 12R CUTR 6L LS HYD SCHEM 2000
REFERENCE DRAWING NO. 498598

DET.	QTY	PART NO.	DESCRIPTION	DET.	QTY	PART NO.	DESCRIPTION
1	1	610615	ELECT HYD STACT VLV, 6 SECT	36	618107	9/16MJIC-90-1/2MNPT LBO	
2	1	610447	HYD FILTER, INLINE 1/4FNPT 90M	37	601440	HOSE, 1 1/4 X 25 1FBR-1SP1	
3	12	610755	BARNES HYD MOTOR, D-SERIES 01	38	503600	CLOSE NIPPLE .50NPT	
4	8	618451	3/4FJIC SW RUN TEE-3/4MJIC	39	614384	08C1T-08FJX-08FJX-237	
5	1	610467	MODULAR MTR CONTROL ELECT VLV	40	618609	3/4MJIC-90-3/4FJIC SWIV LBO	
* 6	1	614633	HYD MAINF 8200 86	*41	614627	06C1T-06FJX-06FJX-45	
* 7	1	605601	GRESEN FILTER 10 MICRON 40GPM	42	712440	1/2 NPT X 3/4 HOSE BARB	
8	4	618620	3/4FJX-90-1/2MNPT ADPTR	2	503824	BLK PIPE CROSS .50NPT	
9	6	470114	BREATHER FILTER VENT, 1/4 NPT	1	503400	BLK PIPE ST EL 90DEG .50NPT	
10	6	620810	LIFT CYL ASSY, DETASSELER	45	614368	08C1T-08FJX-08FJX-60	
11	4	690338	LINE CHECK VALVE HYD .50NPT	46	614689	08C1T-08FJX-08FJX-120	
12	1	611122	9/16MJIC-90-1/4MNPT LBO	47	614387	08C1T-08FJX-08FJX-267	
13	24	611125	3/4MJIC-3/4MOR ADPTR	*48	601378	HOSE, 1 1/4 X 156 1FBR-1SP1	
*14	1	618577	1 5/16MJIC UNION	49	614691	08C1T-08FJX-08FJX-220	
15	1	618440	9/16MJIC-90-9/16MOR EX LG LBO	50	618608	9/16FJIC SWIV-1/4MNPT	
16	1	618170	3/4MOR-9/16FOR ADPTR	51	614350	16C2AT-16FJX-16FJX-55	
17	8	618119	9/16MJIC-90-9/16MOR LBO	52	614703	HYD TUBE ASSY, 200 MAIN	
*18	2	715660	HOSE BARB 1 1/4NPT X 1 1/4	*53	618532	3/4FJIC CAP NUT	
19	2	618425	9/16MJIC-45-9/16MOR LBO	54	614378	08C1T-08FJX-08FJX-207	
*20	1	618587	1 5/16FJIC SWIV-1MNPT	55	618486	9/16FJIC SW RUN TEE-9/16MJIC	
21	1	618600	9/16MJIC-90-7/8MOR LBO	56	615746	CASE DRAIN FTG WLD	
*22	2	506410	BLK PIPE ST EL 90DEG 1.25NPT	57	601526	HOSE, 3/4 X 162 1FBR-1SP1	
*23	1	505300	BLK PIPE EL 90DEG 1.00NPT	58	614377	04C1T-06FJX-06FJX-258	
*24	4	611145	3/4MJIC-90-1/2MNPT LBO	59	618546	1/8MNPT RUN TEE-9/16MJIC	
25	2	618590	3/4MJIC-45-3/4FJIC SWIV LBO	60	611206	04C1T-06FJX-06FJX-66	
*26	1	503700	PIPE PLUG .50NPT SQ HD	61	618530	9/16MJIC-1/8MNPT ADPTR	
27	1	618531	9/16FJIC CAP NUT	62	614719	HYD TUBE ASSY, AUX 204 GMC 96	
28	4	611147	3/4MJIC-1/2MNPT ADPTR	63	611246	04C1T-06FJX-06FJX-174	
29	1	618186	1 5/16MJIC-1 5/16MOR ADPTR	64	614101	04C1T-06FJX-06FJX-133	
30	4	618469	3/4MJIC-1 1/16MOR ADPTR	65	614100	04C1T-06FJX-06FJX-211	
31	2	618126	9/16MJIC-9/16MOR ADPTR	66	614076	04C1T-06FJX-06FJX-119	
32	1	618178	1 5/16MJIC-90-1 5/16MOR LBO	*67	505209	BLK PIPE NIPPLE 1.00NPT-6.00	
33	6	618116	9/16MOR-90-1/4FNPT LBO	*68	714561	1.00NPT-1.25 HOSE BARB	
34	2	614375	08C1T-08FJX-08FJX-177	H/A	601437	HOSE, 1 1/4 X 40 1FBR-1SP1	
35	2	614690	08C1T-08FJX-08FJX-192	H/A			

ABBREVIATIONS

A/C - AIR CONDITIONER	MT - MOUNT
ADPTR - ADAPTER	MTR - MOTOR
AGI - AGITATOR	P/N - PART NUMBER
ALT - ALTERNATOR	PLT - PLATE
ASSY - ASSEMBLY	QTY - QUANTITY
BRKT - BRACKET	RED - REDUCER
DET - DETAIL	REF - REFERENCE
DISPL - DISPLACEMENT	REST - RESTRICTOR
EL - ELBOW	REQ - REQUIRED
EXT - EXTENSION	SHFT - SHAFT
FLO - FLOW	SOL - SOLUTION
FNPT - FEMALE NATIONAL PIPE THREAD	STRG - STEERING
FOR - FEMALE O-RING	ST - STREET
FRT - FRONT	SWIV - SWIVEL
HYD - HYDRAULIC	UNC - UNIFIED NATIONAL COURSE
HYDRO - HYDROSTATIC	UNF - UNIFIED NATIONAL FINE
LG - LONG	V - VOLT
LWR - LOWER	W/ - WITH
MJIC - MALE J.I.C.	WHL - WHEEL
MOR - MALE O-RING	WLD - WELDMENT

-A-

ABBREVIATIONS..... 160
 ACTUATOR,
 EXTENSION..... 87
 LINEAR..... 87
 AIR CLEANER..... 16, 17
 BAND..... 16, 17
 CAP..... 16, 17
 CLAMP..... 16, 17
 FILTER..... 16, 17
 HOSE..... 16, 17
 AIR INTAKE SCREEN..... 19
 ARM,
 SENSOR..... 84
 STEERING..... 20, 22, 24, 26

-B-

BAND, AIR CLEANER..... 16, 17
 BATTERY..... 42
 BOX..... 42
 CABLE..... 42
 HOLD DOWN..... 42
 BELT..... 5, 7
 BLADE,
 CHOPPER..... 77, 78, 79, 80
 CUTTER..... 74, 77, 78, 79, 80
 FAN..... 5, 7
 BLOCK, TERMINAL..... 49
 BOX,
 CONTROL..... 81, 82
 MANUAL SWITCH..... 82
 BRACKET, THROTTLE..... 7
 BRAKE
 CABLE..... 21, 23
 DISC..... 21, 23
 LEVER..... 45
 MOUNT..... 21, 23
 PAD..... 21, 23
 SOLENOID..... 33
 BREATHER..... 36

-C-

CAB..... 88
 CABLE,
 BRAKE..... 21, 23
 CHOKE..... 49
 HYDROSTATIC..... 51
 THROTTLE..... 51
 CANOPY..... 94, 95
 CAP,
 AIR CLEANER..... 16, 17

FUEL..... 37, 38
 RADIATOR..... 19
 STEERING..... 46
 CHOKE CABLE..... 49
 CHOPPER,
 BLADE..... 77, 78, 79, 80
 MALE ROW..... 77, 78, 79, 80
 CIRCUIT BREAKER..... 49
 CLAMP,
 MUFFLER..... 16, 18
 TEE..... 10
 CONSOLE..... 49
 PANEL..... 48
 CONTROL BOX..... 81, 82
 COVER..... 46
 COVER, RECEPTACLE..... 83
 CUTTER
 BLADE..... 74
 CASE DRAIN..... 76
 HEAD..... 74
 CYLINDER
 LEG..... 30
 LIFT..... 72
 STEERING..... 35

-D-

DECALS..... 100, 101
 DEPTH COMMAND..... 85, 87
 DIAGRAM, WIRING.. 102, 103, 104, 105
 DIFFUSER, SUMP..... 36
 DIPSTICK..... 36
 DISC,
 BRAKE..... 21, 23
 SENSOR..... 21, 23
 DRAIN COCK, RADIATOR..... 19
 DRINK HOLDER..... 49
 DRIVE ASSEMBLY..... 4, 6

-E-

ELECTRIC VALVE..... 57, 58, 59, 60
 ENGINE,
 CUMMINS..... 4, 5
 GMC..... 6, 7
 HOOD..... 52
 HOOD PROP..... 52
 EXHAUST PIPE..... 16, 18

-F-

FAN BLADE..... 5, 7
 FAN SPACER..... 5, 7

FILTER
 FUEL.....4, 38
 OIL.....5, 7, 13, 36, 56
 FLASHER
 LIGHT.....52, 88, 94

SWITCH.....46
 FLOW DIVIDER.....15
 FLOW REGULATOR.....73
 FLUSHING VALVE.....12
 FOAM.....19, 43, 88, 94
 FRONT LEG.....20, 22, 24, 26
 FUEL

CAP.....37, 38
 GAUGE.....47
 PUMP.....39
 SELECTOR VALVE.....37
 SENDER.....37, 38
 TANK.....37, 38
 FUSE.....48, 85, 86
 HOLDER.....48, 85, 86

-G-

GAUGE,
 FUEL.....47
 OIL PRESSURE.....47
 TEMPERATURE.....47
 GEAR PUMP.....8, 9
 GROUND STRAP.....4, 6

-H-

HANDRAIL.....40, 41
 HEAD,
 CUTTER.....74
 PULLER.....73
 HEADLIGHT.....88, 94
 HEAT SHIELD.....7, 18
 HOLD DOWN, BATTERY.....42
 HOLDER, DRINK.....49
 HOSE,
 AIR CLEANER.....16, 17
 RADIATOR.....5, 7
 HOUR METER.....47
 HYDRAULIC
 MOTOR.....73, 74, 80
 SCHEMATIC.....124
 HYDROSTATIC
 CABLE MOUNT.....6
 LEVER.....50

-I-

INDICATOR
 LIGHT.....46, 47
 MPH/RPM.....47

INNER TUBE.....31
 INSTRUMENT PANEL.....47

-K-

KIT, LIGHT.....47
 KNOB.....46

-L-

LADDER.....40, 41
 LEG
 CYLINDER.....30
 FRONT.....20, 22, 24, 26
 REAR.....28, 29
 SHIM.....20, 22, 24, 26
 SLEEVE, NYLON.....20, 22, 24, 26
 LEVER,
 BRAKE.....45
 HYDROSTATIC.....50
 THROTTLE.....51
 LIFTARM.....67
 LIFT CYLINDER.....72
 LIGHT,
 FLASHER.....52, 88, 94
 KIT.....47
 SWITCH.....48
 LS CROSS TUBE.....84
 LS SENSOR.....84

-M-

MALE ROW CHOPPER.....77, 78, 79, 80
 MANIFOLD, HYDRAULIC.....55
 MANUAL SWITCH.....82
 MOTOR,
 CONTROL VALVE.....54
 MOUNT.....4, 5, 6, 7
 STEERING.....46
 MOUNT,
 BRAKE.....20, 22
 HYDROSTATIC CABLE.....6
 RADIATOR.....19
 RECEPTACLE.....83
 RUBBER.....4, 43
 MPH/RPM INDICATOR.....47
 MUFFLER.....16, 18
 CLAMP.....16, 18
 HEAT SHIELD.....18
 MULLION.....52

-N-

NOISE DEFLECTOR SHIELD.....43

-0-

OIL

COOLER..... 19
 FILTER.....6,56
 PRESSURE GAUGE.....47
 PRESSURE SENDER.....4,6
 TANK.....36
 OPERATOR STATION.....43
 OUTRIGGER.....62,64,68

-P-

PAD, BRAKE.....21,23
 PANEL, INSTRUMENT.....47
 PHOTO SENSOR.....84
 PIPE, EXHAUST.....16,18
 PIVOT PIN.....62,64,68
 PIVOT, STEERING.....34
 PLATFORM, SERVICE.....40,41
 POSITRACTION VALVE.....10,11,14
 PROP ENGINE HOOD.....52
 PULLER
 HEAD.....73
 SHIELD.....73
 PUMP,
 FUEL.....39
 GEAR.....8,9
 SUNDSTRAND.....8,9

-R-

RADIATOR.....19
 HOSE.....5,7
 MOUNT.....19
 SHROUD.....19
 REAR LEG.....27,28
 RECEPTACLE
 COVER.....83
 MOUNT.....83
 RECOVERY TANK.....19
 REGULATOR, FLOW.....73
 RELIEF VALVE.....15
 RIM.....31
 ROOF, CANOPY.....94
 RUBBER.....88,94
 BOOT.....48
 HOOK.....52
 MOUNT.....4,5,43

-S-

SCHEMATIC,
 HYDRAULIC.....124
 WIRING.....108
 SCREEN, AIR INTAKE.....19

SEAT.....44

SELECTOR VALVE FUEL.....37

SENDER,
 FUEL.....37,38

OIL PRESSURE.....4

TEMPERTURE.....5,7

SENSOR,
 ARM.....84

DISC.....21,23

MPH.....21,23,28

SERVICE PLATFORM.....40,41

SHEET METAL.....52,53

SHIELD,
 FUEL.....39

HEAT.....7,19

NOISE DEFLECTOR.....43

PULLER.....73

WHEEL MOTOR.....21,23,25,27

SHIM, LEG.....20,22,25,27,28,29

SHROUD, RADIATOR.....19

SNV SIGN.....53

SPACER,
 FAN.....5

STABILIZER TUBE.....52,62,68

STALK GUIDE.....28,73,74

STEERING,
 ARM.....20,22,24,26

CYLINDER.....35

MOTOR.....46

PIVOT.....34

POST.....46

WHEEL.....46

STRAP, GROUND.....4,6

SUNDSTRAND PUMP.....8,9

SUPPORT POST.....62,64,68

SWITCH.....43

BOX.....85,86

FLASHER.....46

LIGHT.....48

TOGGLE.....48,85,86

-T-

TAILLIGHT.....53

TANK,
 FUEL.....37,38

OIL.....36

TEE CLAMP.....10,11

TEMPERTURE
 GAUGE.....47

SENDER.....5,7

TERMINAL BLOCK.....49

THRITTLE

CABLE BRACKET.....4,7

LEVER.....51
TIE ANGLE.....18
TIE BAR.....62,64,68
TIE PLATE.....18
TIE ROD.....34
TIRE.....31
 PULLER.....73
TOGGLE SWITCH.....48
TOOLBAR.....62,63,64,68
TORQUE HUB... 21,23,25,27,28,97,99
TUBE,
 AIR CLEANER.....16,17
 INNER.....31

-V-

VALVE,
 ELECTRIC.....57,58,59,60
 FLUSHING.....12
 MOTOR CONTROL VALVE.....54
 POSITRACTION.....10,11,14
VOLTMETER.....47

-W-

WHEELMOTOR.....21,23,25,27,28,29
SHIELD.....21,23
WIRING,
 DIAGRAM.... 102,103,104,105,106
 SCHEMATIC.....108



PARTS ORDER FAX

**Fax 24 hours
a day
7 days
a week****

Ph. 1 (800) 247-4885

Fx. 1 (515) 532-3553

Photocopy and fax to Hagie Customer Support Department

ORDERED BY/BILL TO:

Name _____
 Co. Name _____
 Street _____
 City, St, Zip _____
 Ph. _____ Fx. _____

SHIP TO:

Name _____
 Co. Name _____
 Street _____
 City, St, Zip _____
 Ph. _____ Fx. _____

HOW SHIP: UPS Ground Next Day 2 Day 3 Day Other _____

If "HOW SHIP" is left blank, parts will be sent UPS ground service. If part is over 150 pounds, an independent motor freight company will be used.

PAYMENT: Hagie Account #*** _____

C.O.D

American Express Discover Visa Master Card
 Signature: _____
 name as appears on card: _____
 card no. _____ exp. date _____

Year and Model No. _____
 Serial No. _____

Item Serial No. (if necessary): _____

Engine (include type) _____

Hydrostatic Pump (s) _____

Torque Hub _____ LF RF LR RR

Wheel Motor _____ LF RF LR RR

HAGIE Part No.	Qty.	Description

Check here if you want phone confirmation of parts order.

* Orders received before 3:00 p.m., CST will be processed the same business day.
 Regular business hours are Monday through Friday, 7:00 a.m. through 5:00 p.m..
 ** If you do not have a Hagie account number, contact the Hagie Customer Support Department and you will be issued one.



PARTS ORDER FAX



Ph. 1 (800) 247-4885 Fx. 1 (515) 532-3553

Photocopy and fax to Hagie Customer Support Department

ORDERED BY/BILL TO:

Name _____
 Co. Name _____
 Street _____
 City, St, Zip _____
 Ph. _____ Fx. _____

SHIP TO:

Name _____
 Co. Name _____
 Street _____
 City, St, Zip _____
 Ph. _____ Fx. _____

HOW SHIP: UPS Ground Next Day 2 Day 3 Day Other _____

If "HOW SHIP" is left blank, parts will be sent UPS ground service. If part is over 150 pounds, an independent motor freight company will be used.

PAYMENT: Hagie Account #*** _____

C.O.D

American Express Discover Visa Master Card
 Signature: _____
 name as appears on card: _____
 card no. _____ exp. date _____

Year and Model No. _____

Serial No. _____

Item Serial No. (if necessary): _____

Engine (include type) _____

Hydrostatic Pump (s) _____

Torque Hub _____ LF RF LR RR

Wheel Motor _____ LF RF LR RR

HAGIE Part No.	Qty.	Description

Check here if you want phone confirmation of parts order.

* Orders received before 3:00 p.m., CST will be processed the same business day.
 Regular business hours are Monday through Friday, 7:00 a.m. through 5:00 p.m..
 ** If you do not have a Hagie account number, contact the Hagie Customer Support Department and you will be issued one.