

**PARTS MANUAL**  
**FOR**  
**HAGIE MODEL 200 DETASSELER**

**HAGIE MANUFACTURING COMPANY**

BOX 273 CLARION, IOWA 50525 (515) 532-2861

COVERS MACHINE SERIAL NUMBERS: 017009001 thru 017009100

07-90 493120  
02-08

DETASSELER IDENTIFICATION

Each Hagie detasseler is identified by means of a frame serial number. This serial number denotes the model, the year in which it was built, and the number of the detasseler. As for further identification, the engine has a serial number, the hydrostatic pump has a serial number, the wheel motors have identification tags, and the planetary hubs have identification plates that describe the type of mount and gear ratio. To insure prompt, efficient service when ordering parts or requesting service repairs from Hagie Manufacturing Company, record the serial and identification numbers in the space provided below.

NOTE: Reference to left hand and right hand used throughout this manual refers to the position when seated in the operator's seat facing forward.

DETASSELER SERIAL NUMBER

\_\_\_\_\_

ENGINE SERIAL NUMBER

\_\_\_\_\_

PLANETARY HUB IDENTIFICATION NUMBERS

\_\_\_\_\_

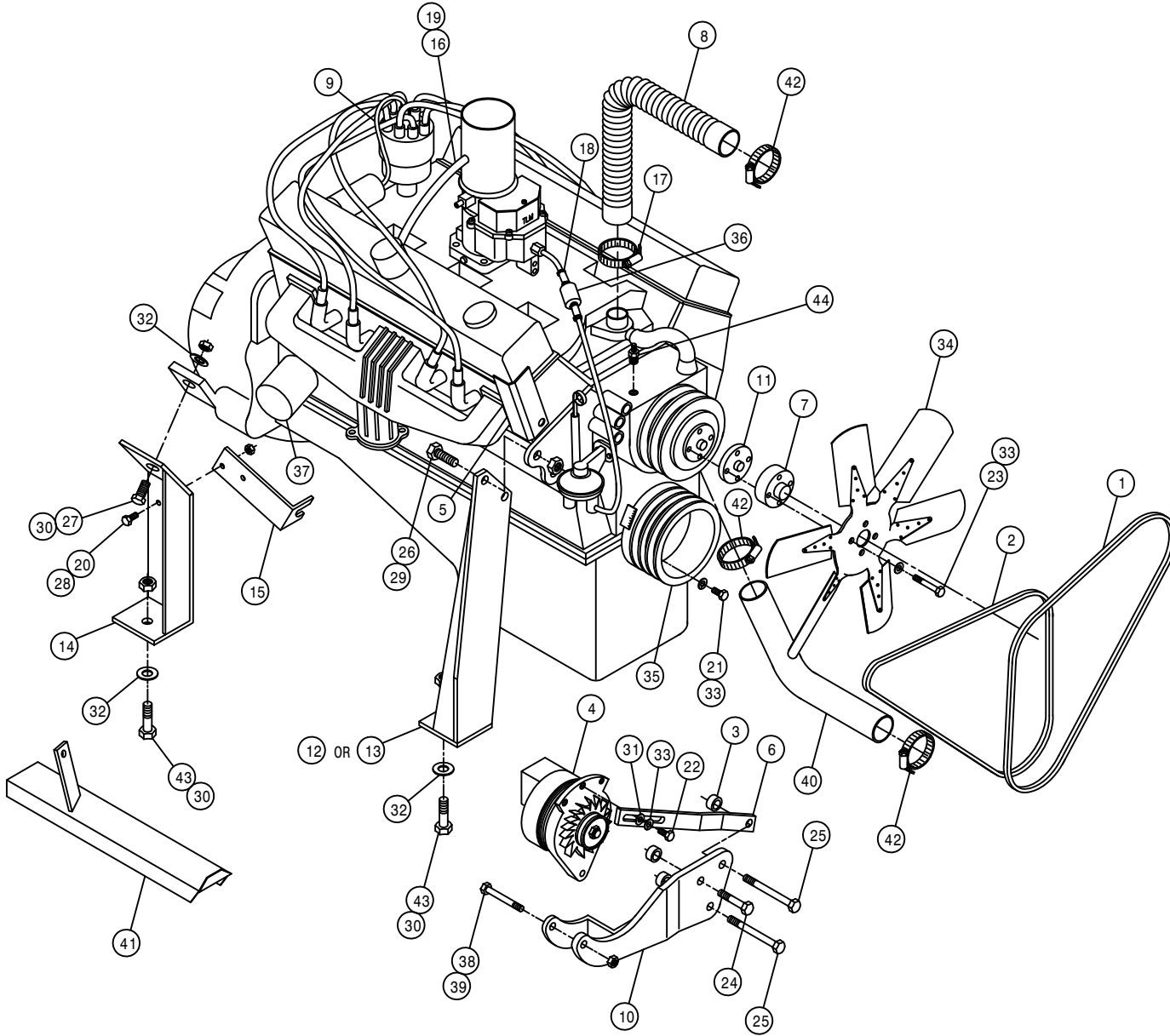
TABLE OF CONTENTS

ENGINE ASSEMBLIES . . . . .	4-6
FLOW DIVIDER. . . . .	7
POSITRACTION VALVE. . . . .	8-9
AIR CLEANER AND EXHAUST PIPE. . . . .	10-11
RADIATOR AND OIL COOLER . . . . .	12
LEG ASSEMBLIES. . . . .	13-15
TIRE ASSEMBLY . . . . .	16
LADDER AND SERVICE PLATFORM . . . . .	17
TIE ROD ASSEMBLY. . . . .	18
STEERING CYLINDER . . . . .	19
FUEL AND OIL TANKS. . . . .	20-21
OPERATOR STATION. . . . .	22-23
INSTRUMENT PANEL ASSEMBLY . . . . .	24
CONSOLE ASSEMBLY. . . . .	25-27
STEERING WHEEL ASSEMBLY . . . . .	28
BATTERY . . . . .	29
SHEET METAL . . . . .	30-31
MOTOR CONTROL VALVE . . . . .	32
RETURN FILTER . . . . .	33
THREE SPOOL VALVE . . . . .	34-35
ELECTROHYDRAULIC VALVE. . . . .	36-37
OUTRIGGER AND LIFT ASSEMBLY . . . . .	38-41
ROLLER AND CUTTER HEAD. . . . .	42-43
QUAD AND TIRE PULLER HEAD . . . . .	44-45
MALE ROW CHOPPER. . . . .	46-47
TASSELTROL COMPONENTS . . . . .	48-51
DEPTH COMMAND . . . . .	52-53
STALK GUIDE AND T-TROL\LS RECEPTACLE. . . . .	54-55
WHEEL DRIVE ASSEMBLY. . . . .	56-58
DECALS. . . . .	59-60
ELECTRICAL SCHEMATIC. . . . .	61-67
HYDRAULIC SCHEMATIC . . . . .	68-119
ABBREVIATIONS . . . . .	120
INDEX . . . . .	121

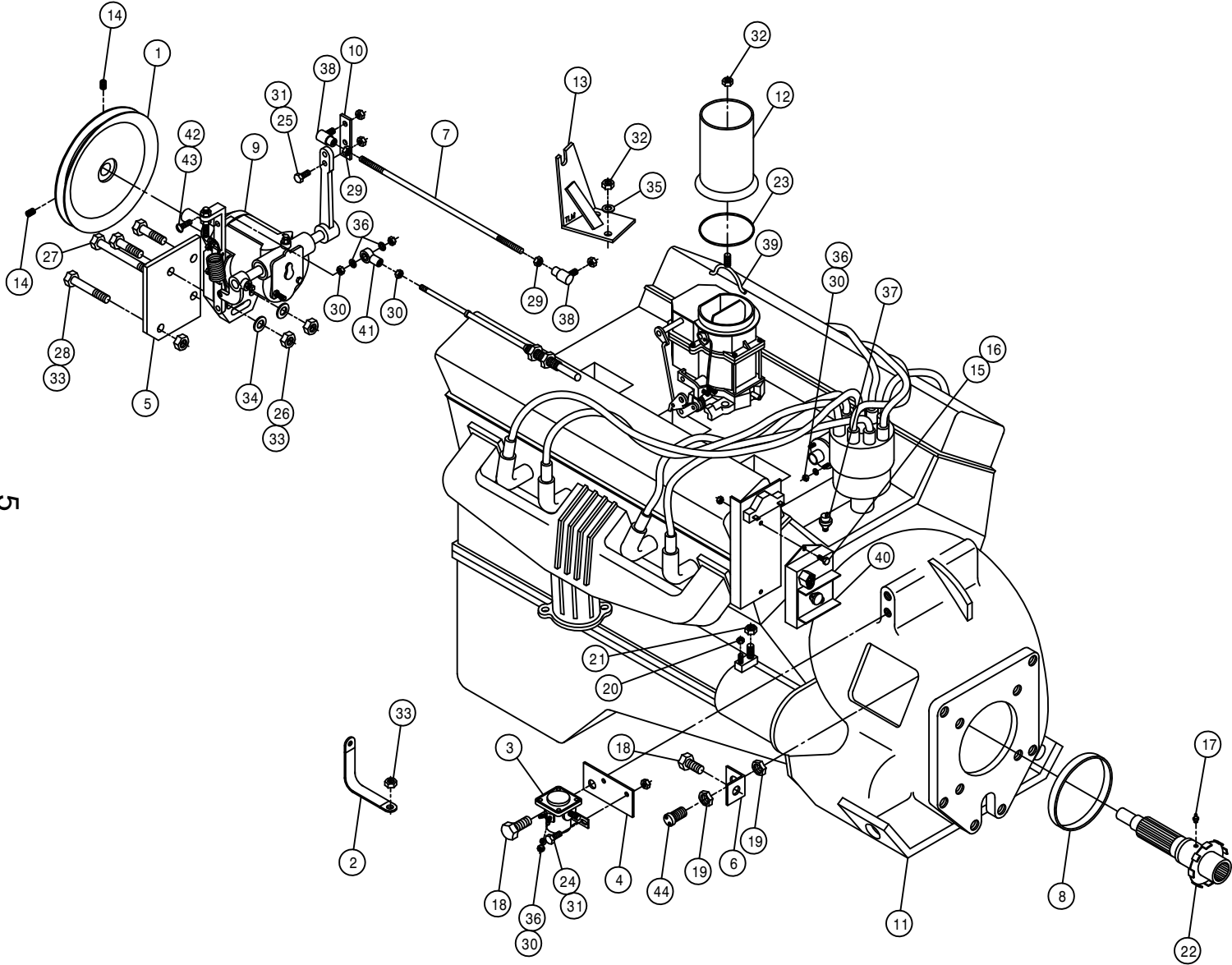
CHRYSLER ENGINE ASSEMBLY

DET. QTY PART NO. DESCRIPTION

1	1	147000	BELT GATES 2490 TRUFLEX
2	1	147001	BELT GATES 8510
3	3	200015	ADJ TUBE SPACER3/40DX11GAX3/8
4	1	293176	DELCO 72 AMP ALTERNATOR
5	1	314303	EXHAUST MANIF HEAT SHIELD
6	1	314309	ALT ADJ ARM
7	1	314359	FAN SPACER CHRY 383014
8	1	314832	RADIATOR HOSE 1.75 X 19
9	1	314841	COIL WIRE FOR CHRY 318
10	1	314849	CHRY 72A ALT MT WLD
11	1	319614	SHORT ADPTR FOR 19 IN FAN
12	1	341793	RH FRT MTR MT WLD 200 318
13	1	341794	LH FRT MTR MT WLD 200 318
14	2	341797	REAR MTR MT WLD 200 318
15	1	341815	HYDST CABLE MT 200 CHRY 318
16	2	520070	HOSE CLAMP NO 8 PLATED
17	1	520085	HOSE CLAMP NO 24 PLATED
18	4	520120	HOSE CLAMP NO 4 MINIATURE PLT
19	1	601151	HOSE, 5/8 X 12 HEATER
20	2	900002	1/4UNC X 3/4 HEX BOLT
21	6	900064	5/16UNC X 3/4 HEX BOLT
22	1	900065	5/16UNC X 1 HEX BOLT
23	4	900086	5/16UNC X 2 1/4 HEX BOLT
24	1	900132	3/8UNC X 1 3/4 HEX BOLT
25	2	900142	3/8UNC X 5 HEX BOLT
26	4	900198	7/16UNC X 1 3/4 HEX BOLT
27	2	900283	1/2UNC X 2 1/4 HEX BOLT
28	2	914000	1/4 UNC STOVER NUT
29	4	914006	7/16 UNC STOVER NUT
30	6	914008	1/2 UNC STOVER NUT
31	1	920001	5/16 FLAT WASHER SAE PLT
32	6	920004	1/2 FLAT WASHER SAE
33	11	920501	LOCK WASH 5/16
34	1	314435	19 IN PLR FAN W/2.25 PITCH
35	1	314824	3GR CRANK PULLEY CHRY 318
36	1	314388	FUEL LINE W/ FILT CHRY 318
37	1	319260	PH8 FRAM FILT OIL
38	1	473816	08MM-1.25 X 25MM HEX BOLT
39	1	473778	HEX NUT 8MM X 1.25THD
40	1	314417	LWR RAD HOSE 8240 82 318 CHRY
41	1	314428	CABLE HEAT SHLD WLD CHRY 318
42	3	520067	HOSE CLAMP NO 28 PLATED
43	4	900265	1/2UNC X 1 1/2 HEX BOLT
44	1	314471	TEMP SENDR 280D 3/8NPT FOR GA



CHRYSLER ENGINE ASSEMBLY

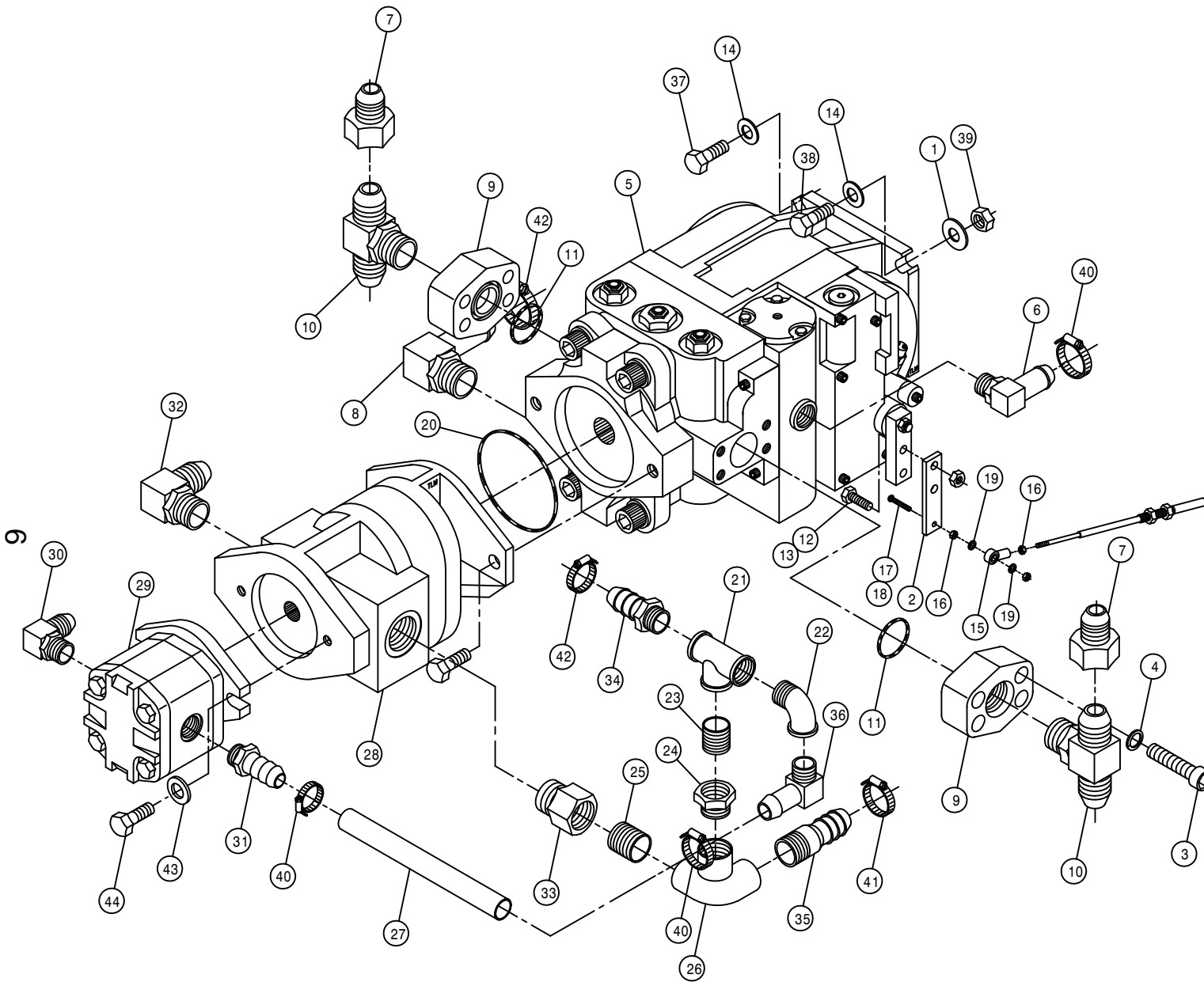


DET.	QTY	PART NO.	DESCRIPTION
1	1	147030	SHEAVE, 6IN MACH
2	1	290109	GROUND STRAP, 8IN 17/32 HOLES
3	1	310491	STARTER SOLENOID FORD 300 ENG
4	1	311021	START SOLENOID MT 473 CHRY
5	1	311044	GOV MT WLD
6	1	314302	TACH SENSOR MT
7	1	314311	GOV CONTROL ROD
8	1	314323	SUND PUMP SPACER RING 647 3/8
9	1	314337	GOV REWORKED 647
10	1	314341	GOV ARMEXTENSION647CHRY
11	1	314728	CHRY 318 X-8 STUB ENGINE
12	1	314732	AIR INTAKE TUBE WLD 2840 82
13	1	314845	THROT CABLE BRKT WLD CHRY 89
14	2	470054	SET SCREW 5/16X 1/4 AL HD CUP
15	2	470121	1/4-20 FLANGED WHIZ NUT
16	2	470122	1/4UNC X 1/2 HEX BOLT FLG LOC
17	1	471005	1/4 28 X 1/2 GREASE ZERK
18	2	472363	9/16UNC X 3/4 HEX BOLT
19	2	473061	3/4-16 TRUSEAL NUT
20	1	473777	HEX NUT 4MM X .7THD
21	1	473778	HEX NUT 8MM X 1.25THD
22	1	800490	CHRY 318 OUTPUT SHFT WLD 14T
23	1	870334	NEO ORING 2 5/8 X 3
24	2	900000	1/4UNC X 1/2 HEX BOLT
25	2	900002	1/4UNC X 3/4 HEX BOLT
26	2	900131	3/8UNC X 1 1/2 HEX BOLT
27	1	900142	3/8UNC X 5 HEX BOLT
28	1	900170	3/8UNC X 2 1/4 HEX BOLT
29	2	910001	1/4-28 H H NUT GR 5
30	6	910027	HEX NUT NO 10-32
31	4	914000	1/4 UNC STOVER NUT
32	3	914002	5/16 UNC STOVER NUT
33	4	914004	3/8 UNC STOVER NUT
34	2	920002	WASH FLAT 3/8 SAE
35	2	920501	LOCK WASH 5/16
36	6	920510	LOCK WASH NO 10
37	1	314361	CHRY 318 OIL SENDER SWITCH
38	2	473918	BALL JOINT 1/4 28 FEM STUDED
39	1	314649	AIRINTK CLAMP FOR 314453 CARB
40	1	314362	ELECT IGN MODULATOR 647
41	1	473921	BALL JOINT NO 10-32 THD
42	1	914027	NO 10-32 STOVER NUT
43	1	903893	10 32 X 1 SLT RD HD MACH SCR
44	1	291206	SENSOR SPEEDO TACH 640

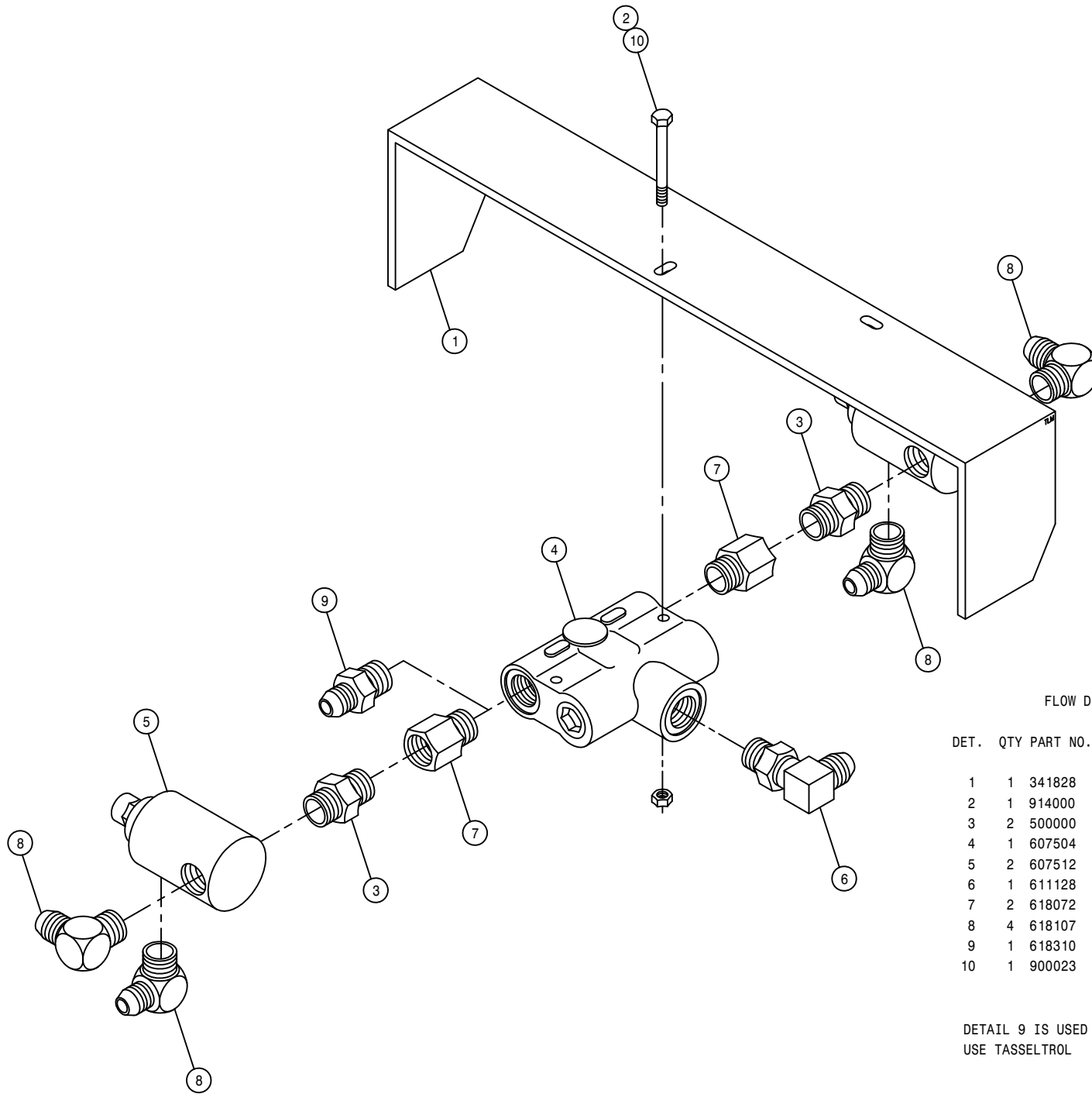
5

SUNDSTRAND PUMP ASSEMBLY

DET. QTY PART NO. DESCRIPTION



DET.	QTY	PART NO.	DESCRIPTION
1	2	483041	1/2 REGULAR FLAT WASH PLT
2	1	316160	PUMP CONT LEVER EXT 280 CUMM
3	8	470188	7/16-14 X 1 1/2 SOCHD CAP SCR
4	8	470189	7/16 HC LOCK WASH FOR 618598
5	1	606884	SUND 75CC ECLIPSE PUMP B-MT
6	1	618118	3/4 HOSE BARB-90-1 1/16MOR
7	2	618541	1 5/16FJIC-1 1/16MJIC ADPTR
8	1	618564	1IN HOSE BARB-90-1 5/16MOR
9	2	618598	1 IN 4-BOLT FLG X 1 5/16FOR
10	2	618599	1 5/16MOR BRANCH TEE-1 5/16MOR
11	2	870219	BUNA ORING 1 5/16 X 1 9/16
12	2	900003	1/4UNC X 1 HEX BOLT
13	2	914000	1/4 UNC STOVER NUT
14	4	920004	1/2 FLAT WASHER SAE
15	1	473921	BALL JOINT NO 10-32 THD
16	2	910027	HEX NUT NO 10-32
17	1	903893	10 32 X 1 SLT RD HD MACH SCR
18	1	914027	NO 10-32 STOVER NUT
19	2	920510	LOCK WASH NO 10
20	1	606870	O-RING FOR 606865 SUND B-MT
21	1	505101	BLK PIPE TEE 1.00NPT
22	1	505200	BLK PIPE ST EL 90DEG 1.00NPT
23	1	505201	CLOSE NIPPLE 1.00NPT
24	1	506005	1 1/4 TO 1 RED BUSH BLK MAL
25	1	506200	CLOSE NIPPLE 1.25NPT
26	1	506701	SIDE OUTLET EL 90DEG 1.25NPT
27	1	601311	HOSE, 3/4 X 8 2BR RED
28	1	606890	SUND GEAR PMP 2.92CI SPLINED
29	1	606891	SUND GEAR PMP .52CI SPLINED
30	1	611128	7/8MJIC-90-7/8MOR LBO
31	1	618075	3/4 HOSE BARB-1 1/16MOR
32	1	618178	1 5/16MJIC-90-1 5/16MOR LBO
33	1	618596	1 5/8MOR-1 1/4FNPT ADPTR
34	1	714560	1NPT X 1 HOSE BARB
35	1	715660	HOSE BARB 1 1/4NPT X 1 1/4
36	1	716000	3/4 HOSE BARB-90-1MNPT
37	2	900266	1/2UNC X 1 3/4 HEX BOLT
38	2	900267	1/2UNC X 2 HEX BOLT
39	2	914008	1/2 UNC STOVER NUT
40	3	520055	HOSE CLAMP NO 12 PLATED
41	1	520085	HOSE CLAMP NO 24 PLATED
42	2	520087	HOSE CLAMP NO 20 PLATED
43	2	920002	WASH FLAT 3/8 SAE
44	2	900130	3/8UNC X 1 1/4 HEX BOLT



FLOW DIVIDER ASSEMBLY

DET. QTY PART NO. DESCRIPTION

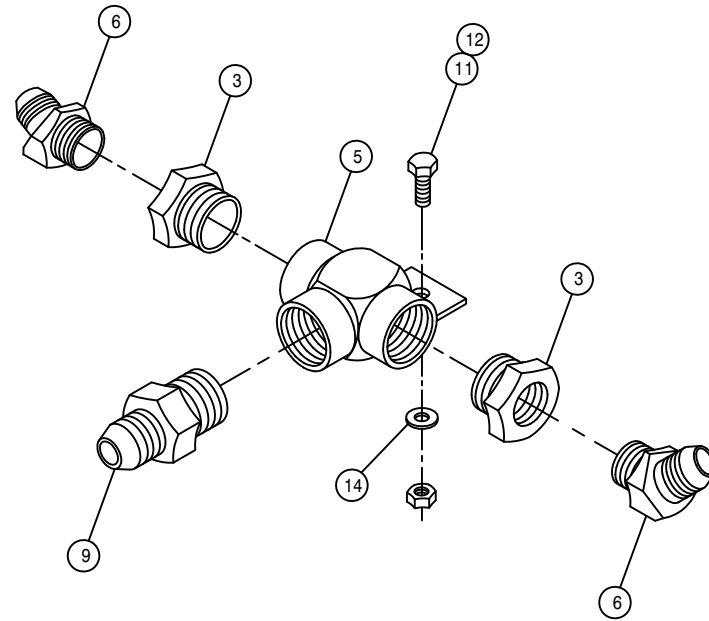
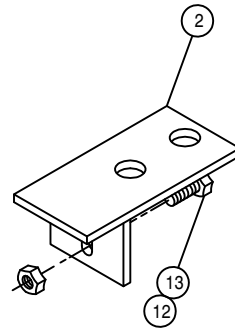
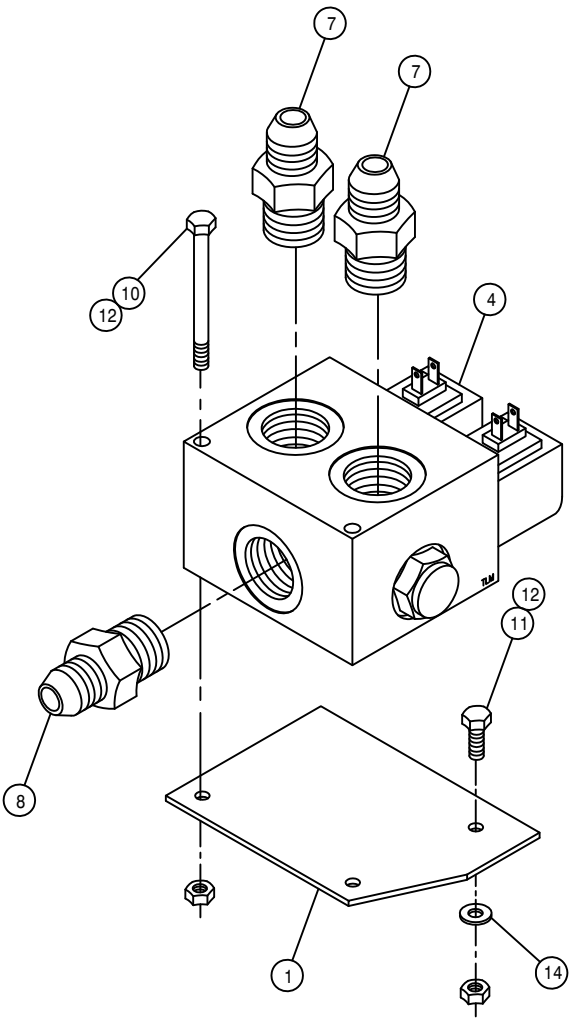
1	1	341828	FLOW DIVIDER MTG BRKT 200 89
2	1	914000	1/4 UNC STOVER NUT
3	2	500000	1/2MNPT HEX PIPE NIPPLE STL
4	1	607504	FLO DIV B50 2-8GPM 7/8 FOR
5	2	607512	RELIEF VALVE, RL50 1800 PSI
6	1	611128	7/8MJIC-90-7/8MOR LBO
7	2	618072	7/8MOR-1/2FNPT ADPTR
8	4	618107	9/16MJIC-90-1/2MNPT LBO
9	1	618310	9/16MJIC-7/8MOR ADPTR
10	1	900023	1/4UNC X 2 1/4 HEX BOLT

DETAIL 9 IS USED WITH OPTIONS THAT  
USE TASSELTRON

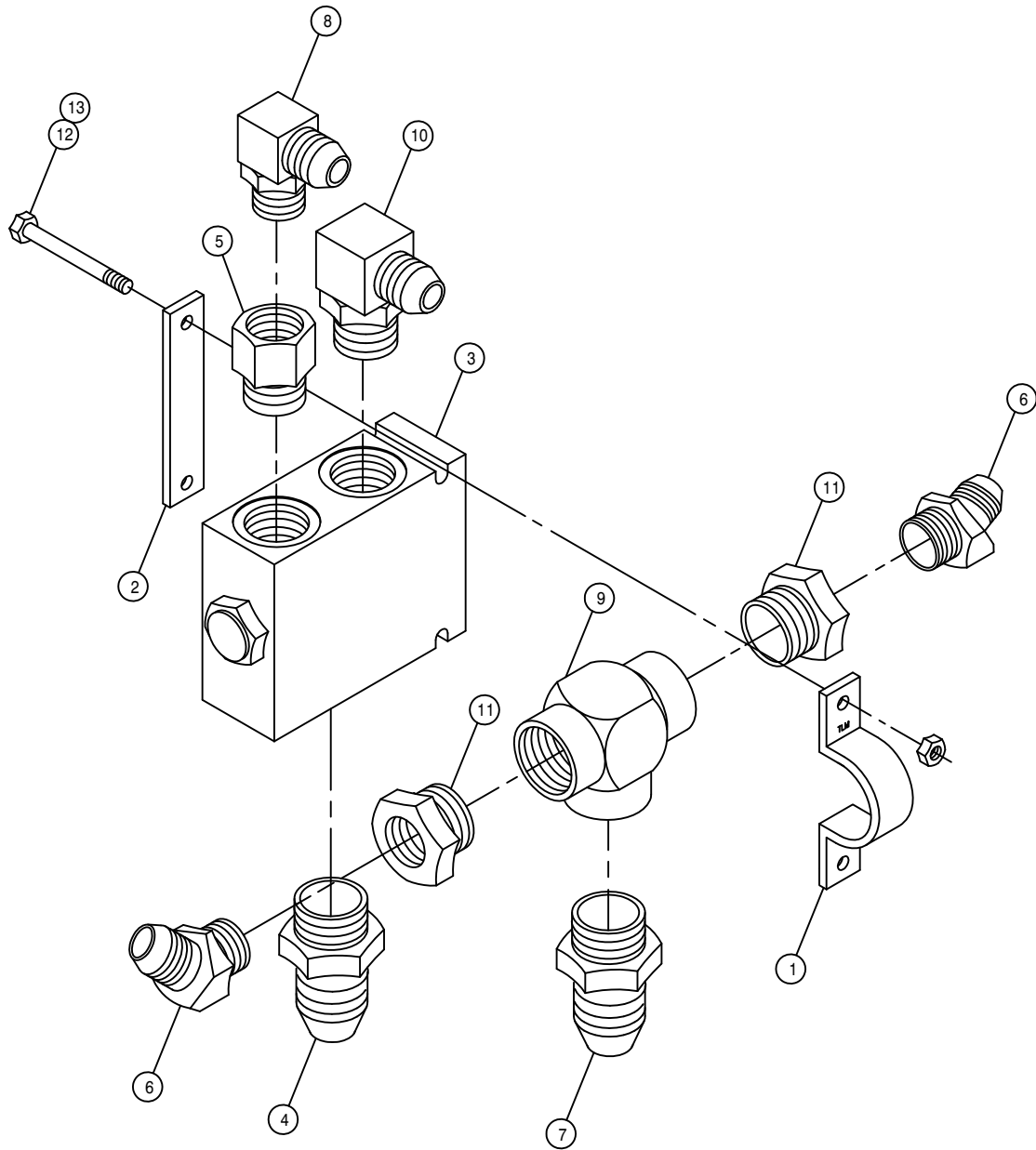
POSITRACTION VALVE ASSEMBLY

DET. QTY PART NO. DESCRIPTION

DET.	QTY	PART NO.	DESCRIPTION	
1	1	341849	POSITRACTION VALVE MT	200
2	1	341850	200 RETURN TEE MT WLD	89
3	2	505213	RED BUSH 1 X 3/4 BLK MAL	
4	1	610513	POSITRACTION VLV W/BYPASS 60G	
5	1	614660	1IN STL TEE WLD 280	89
6	2	618156	7/8MJIC-90-3/4MNPT LBO	
7	2	618601	7/8MJIC-1 5/16MOR ADPT	
8	1	618186	1 5/16MJIC-1 5/16MOR ADPTR	
9	1	618322	1 5/16MJIC-1MNPT ADPTR	
10	2	900012	1/4UNC X 3 1/2 HEX BOLT	
11	2	900002	1/4UNC X 3/4 HEX BOLT	
12	5	914000	1/4 UNC STOVER NUT	
13	1	900003	1/4UNC X 1 HEX BOLT	
14	2	920000	1/4 FLAT WASH SAE	



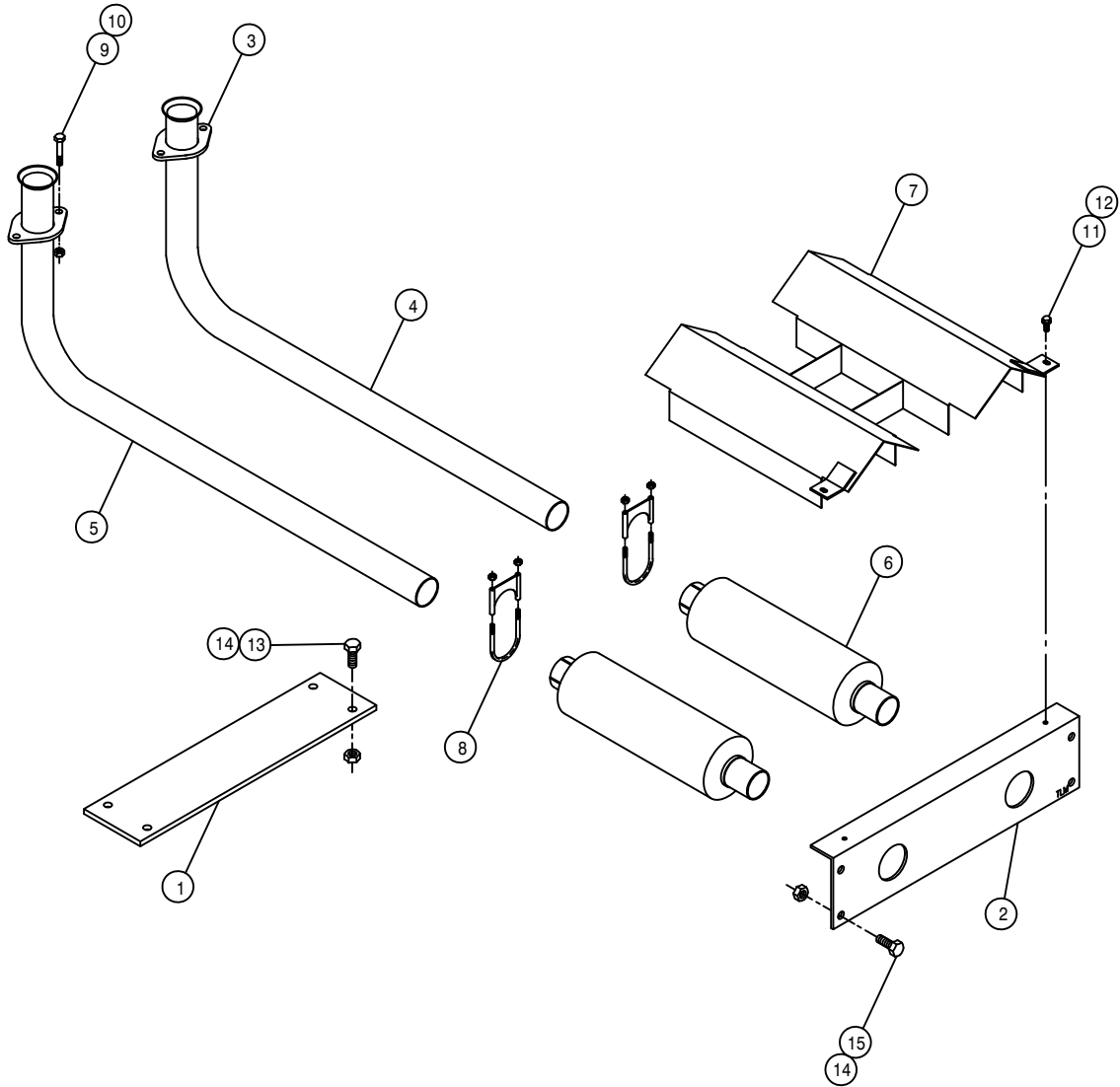




POSITRACTION VALVE ASSEMBLY

DET. QTY PART NO. DESCRIPTION

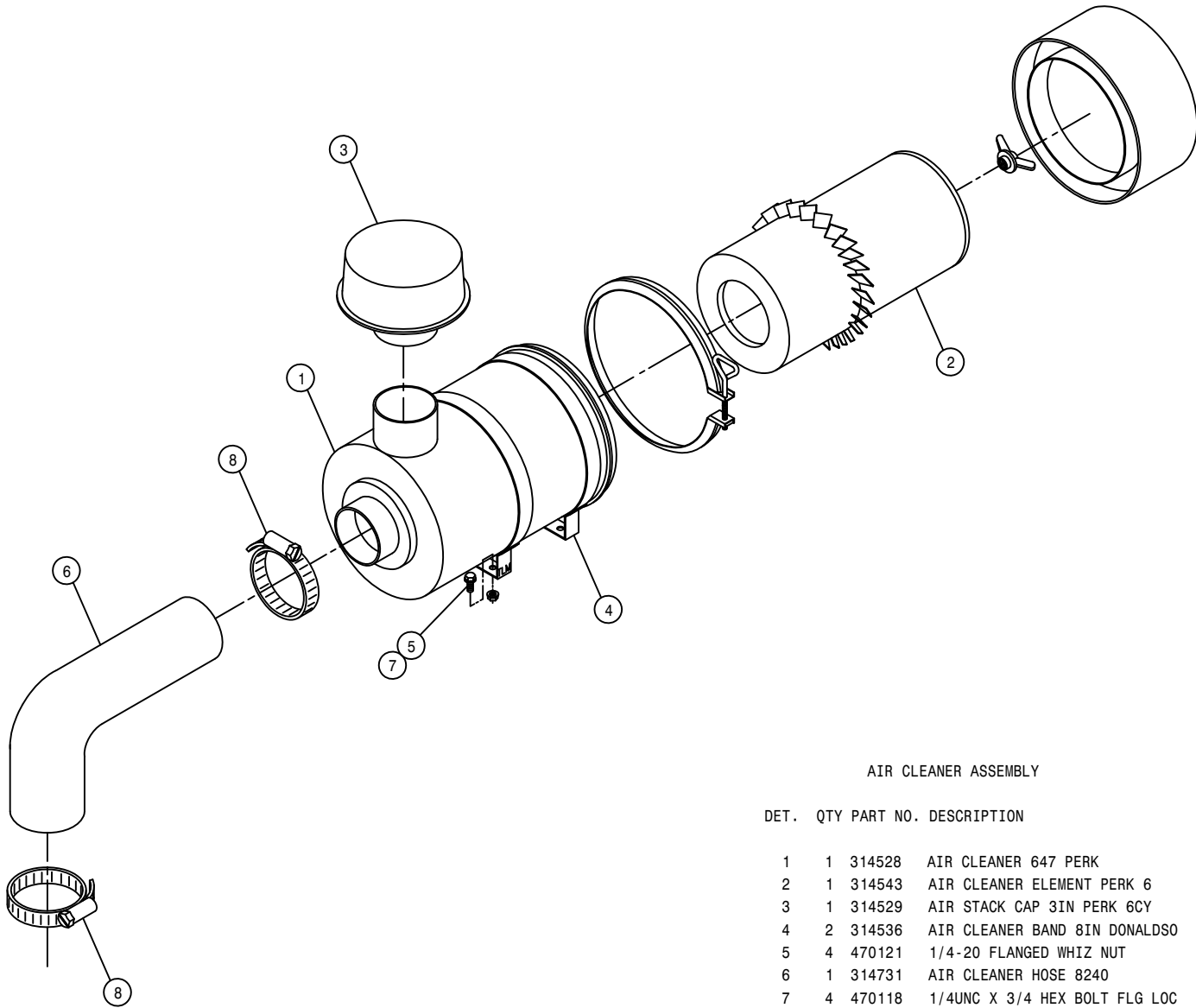
1	1	314842	TEE CLAMP, TRAC VLV 200	89
2	1	314843	TEE KEEPER, TRAC VLV 200	89
3	1	610468	POSITRACTION VLV MOD CONT 20G	
4	1	618308	1 1/16MJIC-1 5/16MOR ADPTR	
5	1	618312	1 5/16MOR-1 1/16FOR ADPTR	
6	2	618323	7/8MJIC-45-1/2MNPT LBO	
7	1	618434	1 1/16MJIC-1MNPT ADPTR	
8	1	618535	7/8MJIC-90-1 1/16MOR LBO	
9	1	618575	1FNPT PIPE TEE STL	
10	1	618589	7/8MJIC-90-1 5/16MOR LBO	
11	2	505005	RED BUSH 1 TO 1/2	
12	2	900010	1/4UNC X 3 HEX BOLT	
13	2	914000	1/4 UNC STOVER NUT	



EXHUAUST PIPE ASSEMBLY

DET. QTY PART NO. DESCRIPTION

1	1	361347	MAINFRAME TIE PLATE 200 318
2	1	361346	MAINFRAME REAR TIE ANGLE 280
3	2	314735	EXHAUST PIPE FLG 8240 318 82
4	1	314838	RH EXHAUST PIPE 200 CHRY 318
5	1	314839	LH EXHAUST PIPE 200 CHRY 318
6	2	319287	MUFFLER CHRY 440
7	1	341829	MUFFLER HEAT SHIELD WLD200 89
8	2	319327	MUFFLER CLAMP 2IN HVY DUTY
9	4	900170	3/8UNC X 2 1/4 HEX BOLT
10	4	914004	3/8 UNC STOVER NUT
11	3	470118	1/4UNC X 3/4 HEX BOLT FLG LOC
12	3	470121	1/4-20 FLANGED WHIZ NUT
13	4	900265	1/2UNC X 1 1/2 HEX BOLT
14	8	914008	1/2 UNC STOVER NUT
15	4	900263	1/2UNC X 1 HEX BOLT



AIR CLEANER ASSEMBLY

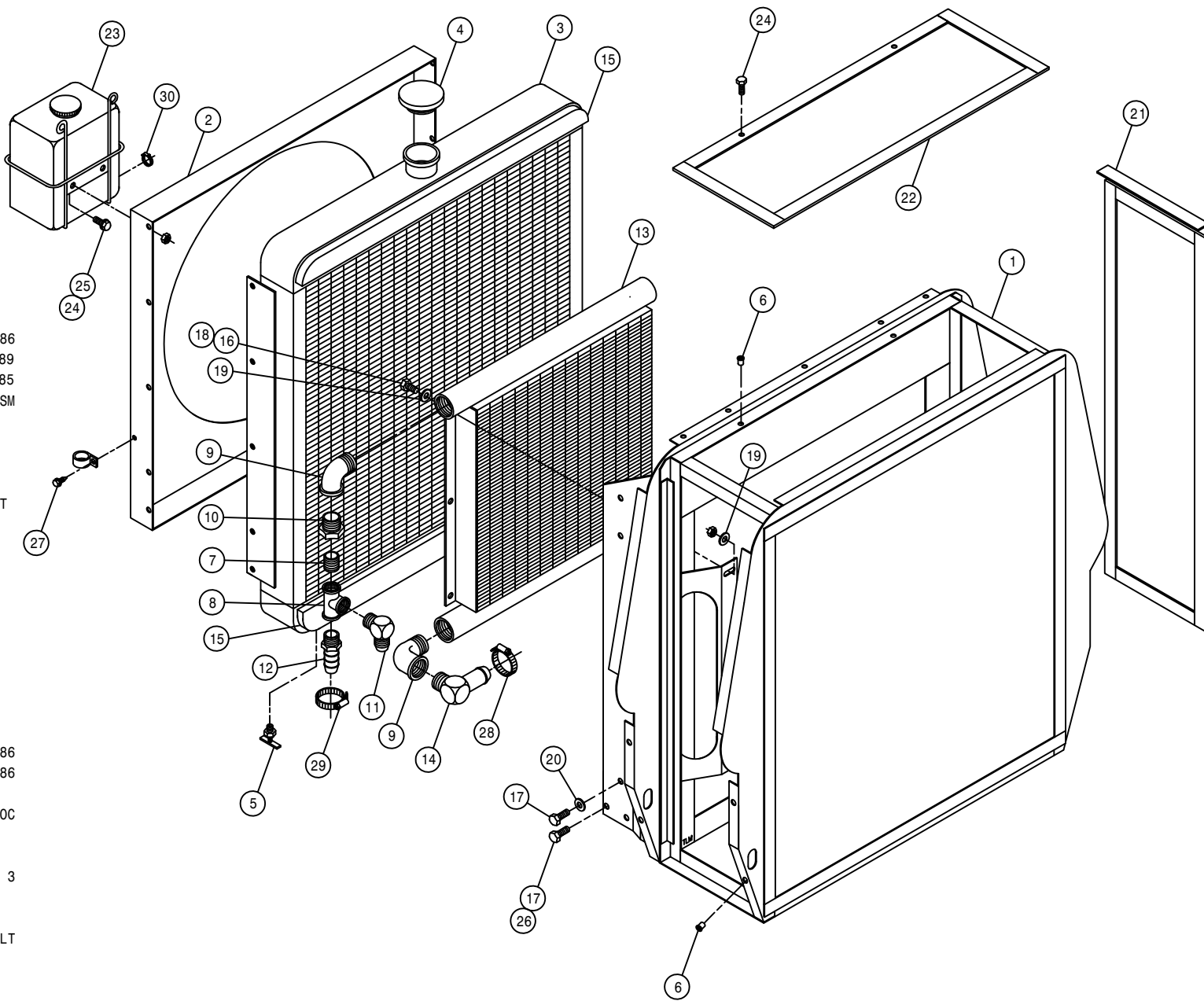
DET. QTY PART NO. DESCRIPTION

1	1	314528	AIR CLEANER 647 PERK
2	1	314543	AIR CLEANER ELEMENT PERK 6
3	1	314529	AIR STACK CAP 3IN PERK 6CY
4	2	314536	AIR CLEANER BAND 8IN DONALDSON
5	4	470121	1/4-20 FLANGED WHIZ NUT
6	1	314731	AIR CLEANER HOSE 8240
7	4	470118	1/4UNC X 3/4 HEX BOLT FLG LOC
8	2	520052	HOSE CLAMP NO 52 PLATED

RADIATOR AND OIL COOLER ASSEMBLY

DET. QTY PART NO. DESCRIPTION

1	1	314477	RAD-OIL COOLER MT WLD 8250 86
2	1	314835	RADIATOR SHROUD 280 89
3	1	314791	RADIATOR LONG MFG 1985
4	1	319257	RAD CAP 7LB X 3/4FREE BRTH SM
5	1	319559	RADIATOR DRAIN COCK CHRY
6	10	470086	NUTSERT, 1/4UNC .020-.100GR
7	1	504702	CLOSE NIPPLE .75NPT
8	1	504955	BLK PIPE TEE .75NPT
9	2	505200	BLK PIPE ST EL 90DEG 1.00NPT
10	1	505213	RED BUSH 1 X 3/4 BLK MAL
11	1	610305	3/4MJIC-90-3/4MNPT LBO
12	1	713220	HOSE BARB 3/4 NPT X 3/4
13	1	618088	OIL COOLER BLISSFIELD
14	1	618138	1IN HOSE BARB-90-1MNPT
15	2	659579	FOAM, 2IN WIDE X 40IN LONG
16	6	900064	5/16UNC X 3/4 HEX BOLT
17	14	900128	3/8UNC X 3/4 HEX BOLT
18	6	914002	5/16 UNC STOVER NUT
19	12	920001	5/16 FLAT WASHER SAE PLT
20	10	920002	WASH FLAT 3/8 SAE
21	2	314490	SIDE SCR N WLD INTAKE 8250 86
22	1	314495	TOP SCR N WLD INTAKE 8250 86
23	1	314767	RAD RECOVERY TANK & MTG WLD
24	4	470118	1/4UNC X 3/4 HEX BOLT FLG LOC
25	2	470121	1/4-20 FLANGED WHIZ NUT
26	4	914004	3/8 UNC STOVER NUT
27	1	472352	#10-24THD IN X 9/16 TEK TYP 3
28	1	520087	HOSE CLAMP NO 20 PLATED
29	1	520055	HOSE CLAMP NO 12 PLATED
30	1	520120	HOSE CLAMP NO 4 MINIATURE PLT

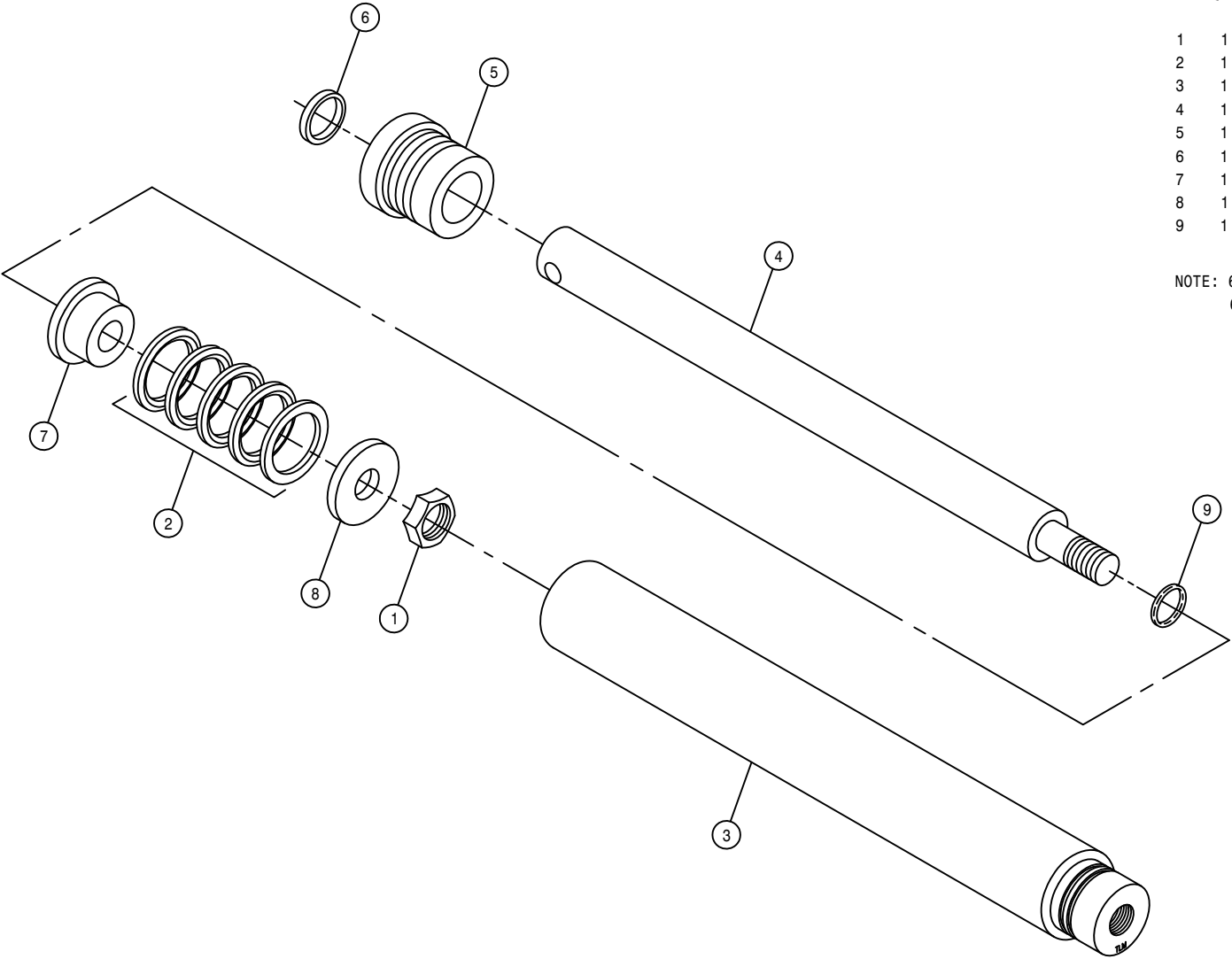


FRONT LEG CYLINDER ASSEMBLY

DET. QTY PART NO. DESCRIPTION

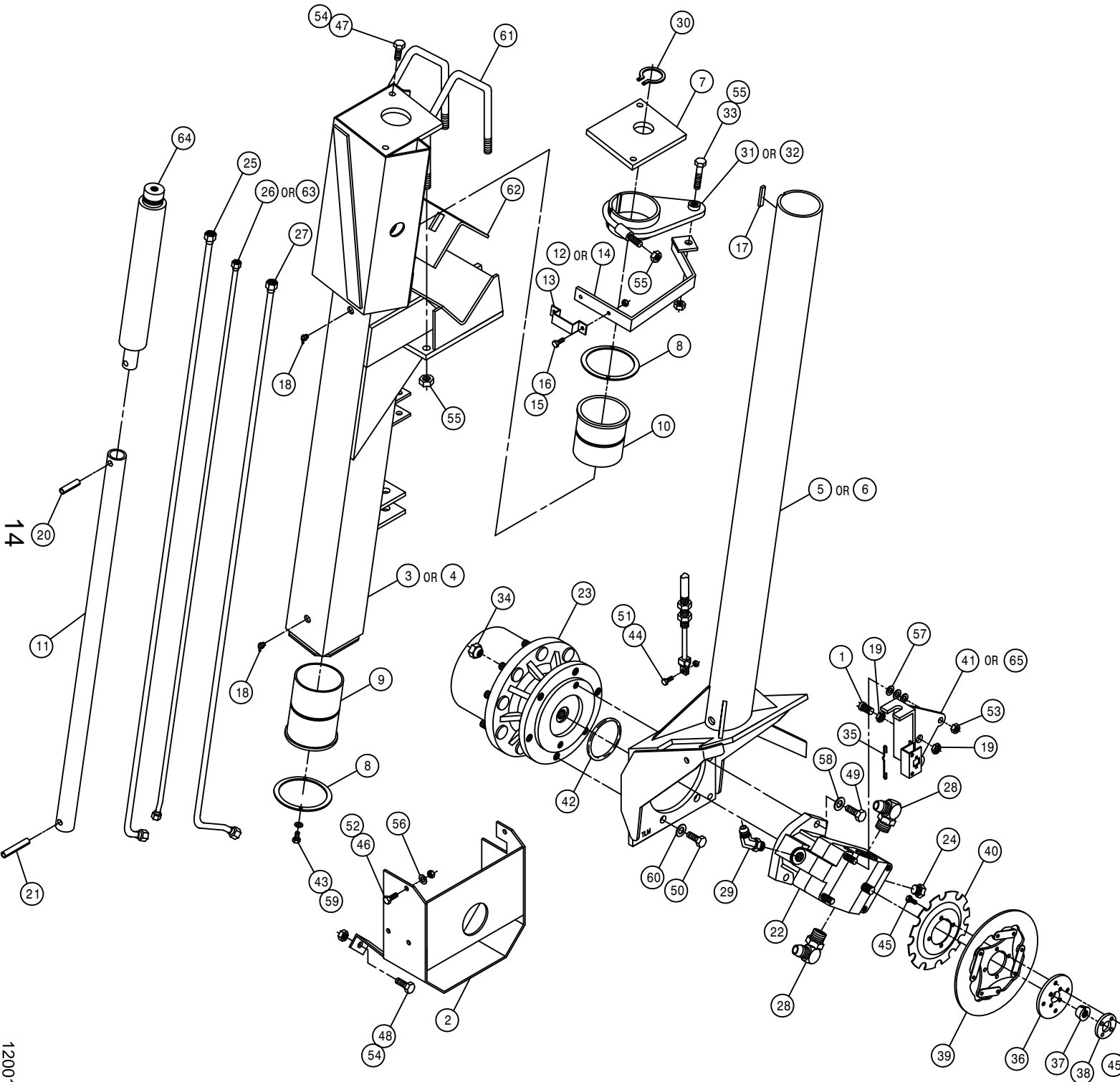
1	1	472297	3/4 UNF STOVER THIN HEX NUT
2	1	620321	VEE PACK 1 1/2 X 2
3	1	620571	TUBE WLD
4	1	620573	SHAFT 1 1/4 X 17 3/8
5	1	620574	BRG HEAD 2 X 1 1/4
6	1	629002	WIPER 1 1/4 X 1 1/2 X 1/8
7	1	620578	PISTON 2 X 3/4 VPX
8	1	620579	RETAINER 2 X 3/4 X 1/4
9	1	870018	NEO ORING 3/4 X 7/8

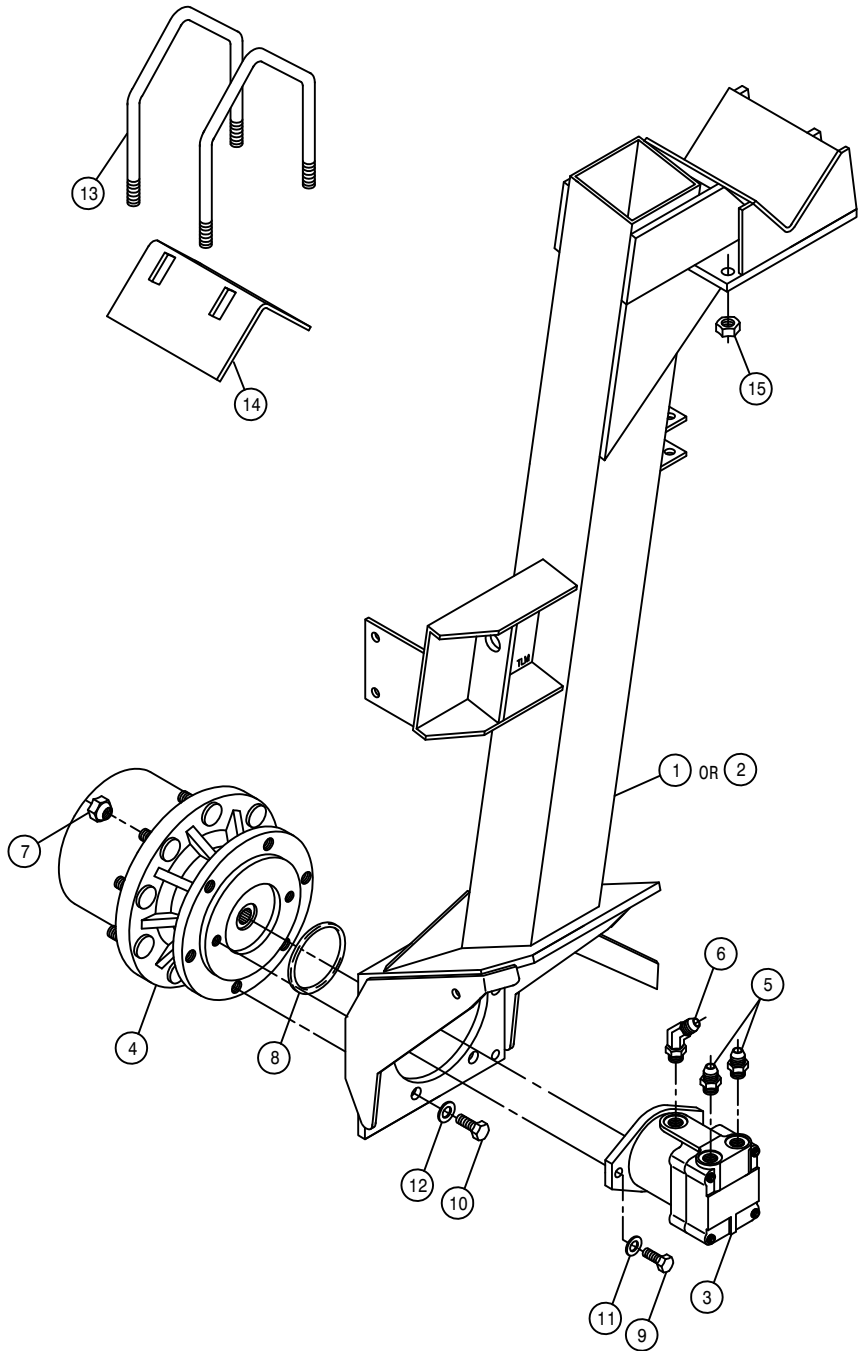
NOTE: 620570 - CYLINDER ASSEMBLY  
620575 - SEAL KIT



FRONT LEG ASSEMBLY

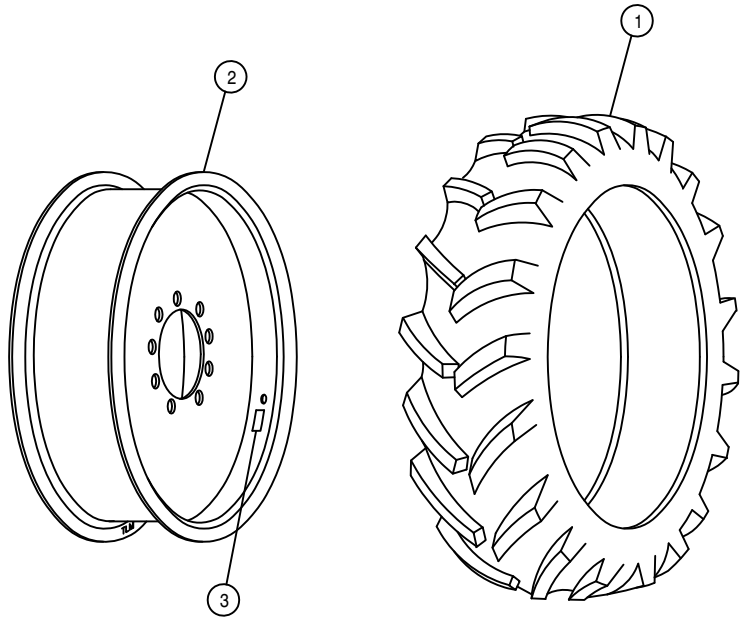
DET.	QTY	PART NO.	DESCRIPTION	
1	1	291206	SENSOR SPEEDO TACH	640
2	1	357704	WHL MTR SHLD WLD FRT B-MT8200	
3	1	357789	RH FRT OUTER LEG WLD 200	90
4	1	357790	LH FRT OUTER LEG WLD 200	90
5	1	358535	RH FRT INNER LEG WLD 280	89
6	1	358536	LH FRT INNER LEG WLD 280	89
7	1	358562	LEG CYL MTG PLATE 280	89
8	2	358563	FRT LEG BRG KPR 280	89
9	1	358564	FRT LEG LWR NYL SLEEVE 280	89
10	1	358565	FRT LEG UPR NYL SLEEVE 280	89
11	1	358566	LEG CYL SHAFT EXTENSION280	89
12	1	358590	RH FRT LEG TUBE BRKT WLD 280	
13	1	358594	FRT LEG HYD TUBE KEEPER 280	
14	1	358591	LH FRT LEG TUBE BRKT WLD 280	
15	2	470118	1/4UNC X 3/4 HEX BOLT FLG LOC	
16	2	470121	1/4-20 FLANGED WHIZ NUT	
17	1	470185	KEY .25 X .375 X 2.00 LG	
18	2	471005	1/4 28 X 1/2 GREASE ZERK	
19	2	473061	3/4-16 TRUSEAL NUT	
20	1	473903	SPIRAL PIN 1/2 X 2	640
21	1	473904	SPIRAL PIN 1/2 X 3	640
22	1	610030	SUND WHL MTR EXTEN SHAFT 18	
23	1	610516	TORQ HUB 24 TO 1 B-MT W1BFN	
24	1	611159	3/4MOR PLUG	
25	1	614665	FRT LEG INNER HYD TUBE ASSY200	
26	1	614666	RH FRT LEG HYD TUBE ASSY 200	
27	1	614668	FRT LEG CNTR HYD TUBE ASSY200	
28	2	618302	1 1/16MJIC-90-1 5/16MOR LBO	
29	1	618315	3/4MJIC-45-3/4MOR LBO	
30	1	629515	SNAP RING 1 3/4 EXTRN HDUTY	
31	1	749250	RH STRG ARM WLD 280	89
32	1	749251	LH STRG ARM WLD 280	89
33	1	749269	STRG ARM BOLT 280	89
34	9	824052	WHEEL STUD NUT 1/2-20X60DEG	
35	1	826929	CLIP BRAKE RETAINER	
36	1	826943	HUB, BRAKE MT	
37	1	826944	HUB, TAPER LOCK	
38	1	826945	HUB MOUNT, BRAKE	
39	1	826959	BRAKE DISC SUB ASSY	
40	1	826983	SENSOR DISC, 280 BRAKE FORMED	
41	1	828080	BRAKE SENSOR MT WLD RH	
42	1	870155	BUNA ORING 4 X 4 3/16	
43	4	900000	1/4UNC X 1/2 HEX BOLT	
44	1	900002	1/4UNC X 3/4 HEX BOLT	
45	8	900064	5/16UNC X 3/4 HEX BOLT	
46	2	900129	3/8UNC X 1 HEX BOLT	
47	2	900264	1/2UNC X 1 1/4 HEX BOLT	
48	2	900265	1/2UNC X 1 1/2 HEX BOLT	
49	2	900267	1/2UNC X 2 HEX BOLT	
50	6	900333	5/8UNC X 1 1/2 HEX BOLT	
51	1	914000	1/4 UNC STOVER NUT	
52	2	914004	3/8 UNC STOVER NUT	
53	2	914006	7/16 UNC STOVER NUT	
54	4	914008	1/2 UNC STOVER NUT	
55	6	914010	5/8 UNC STOVER NUT	
56	2	920002	WASH FLAT 3/8 SAE	
57	8	920003	7/16 FLATWASHER SAE	
58	2	920004	1/2 FLAT WASHER SAE	
59	4	920500	LOCK WASH 1/4	
60	6	920505	LOCK WASHER 5/8	
61	2	358426	5/8UNC X 7 9/16 CTR UBOLT TRI	
62	1	358567	UPPER LEG V-PLATE WLD 280	89
63	1	614667	LH FRT LEG HYD TUBE ASSY 200	
64	1	620570	HYD CYL LEG LEVEL 2.00 X 12	
65	1	828079	BRAKE SENSOR MT WLD LH	





REAR LEG ASSEMBLY

DET.	QTY	PART NO.	DESCRIPTION	
1	1	357784	RH REAR LEG WLD 200	89
2	1	357785	LH REAR LEG WLD 200	89
3	1	610512	SUND M23 WHL MTR	
4	1	610515	TORQ HUB 18 TO 1 B-MT W1BFN	
5	2	611126	7/8MJIC-7/8MOR ADPTR	
6	1	618496	9/16MJIC-45-3/4MOR LBO	
7	9	824052	WHEEL STUD NUT 1/2-20X60DEG	
8	1	870155	BUNA ORING 4 X 4 3/16	
9	2	900266	1/2UNC X 1 3/4 HEX BOLT	
10	6	900333	5/8UNC X 1 1/2 HEX BOLT	
11	2	920004	1/2 FLAT WASHER SAE	
12	2	920505	LOCK WASHER 5/8	
13	2	358426	5/8UNC X 7 9/16 CTR UBOLT TRI	
14	1	358567	UPPER LEG V-PLATE WLD 280	89
15	4	914010	5/8 UNC STOVER NUT	

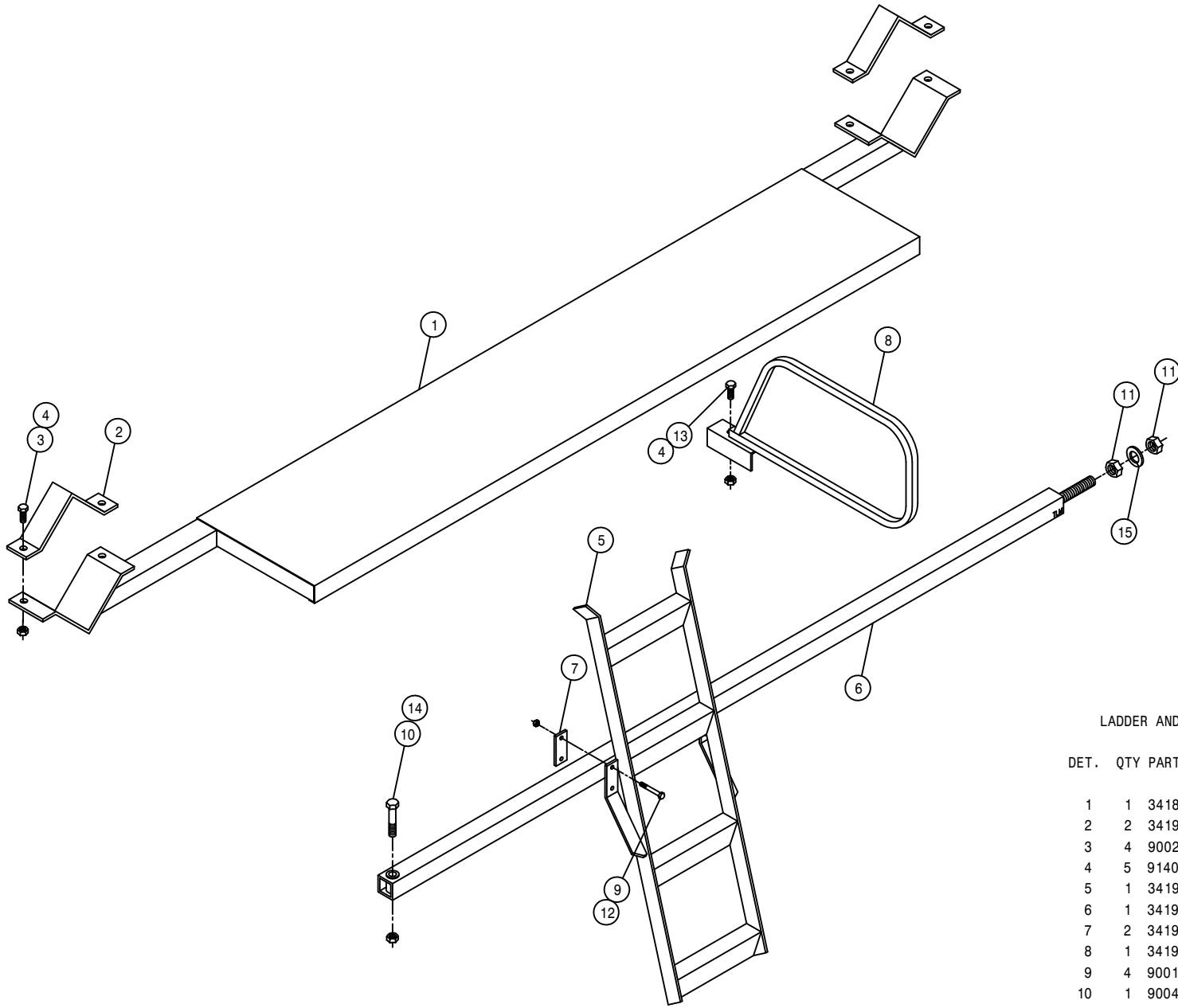


TIRE AND RIM ASSEMBLY

DET. QTY PART NO. DESCRIPTION

1	1	820001	12.4 X 28 4P TIRE TRACT F&R
2	1	820020	WHL WLD 12.4 X 28 200 89
3	1	650985	WHL BOLT TORQ DECAL 203854C

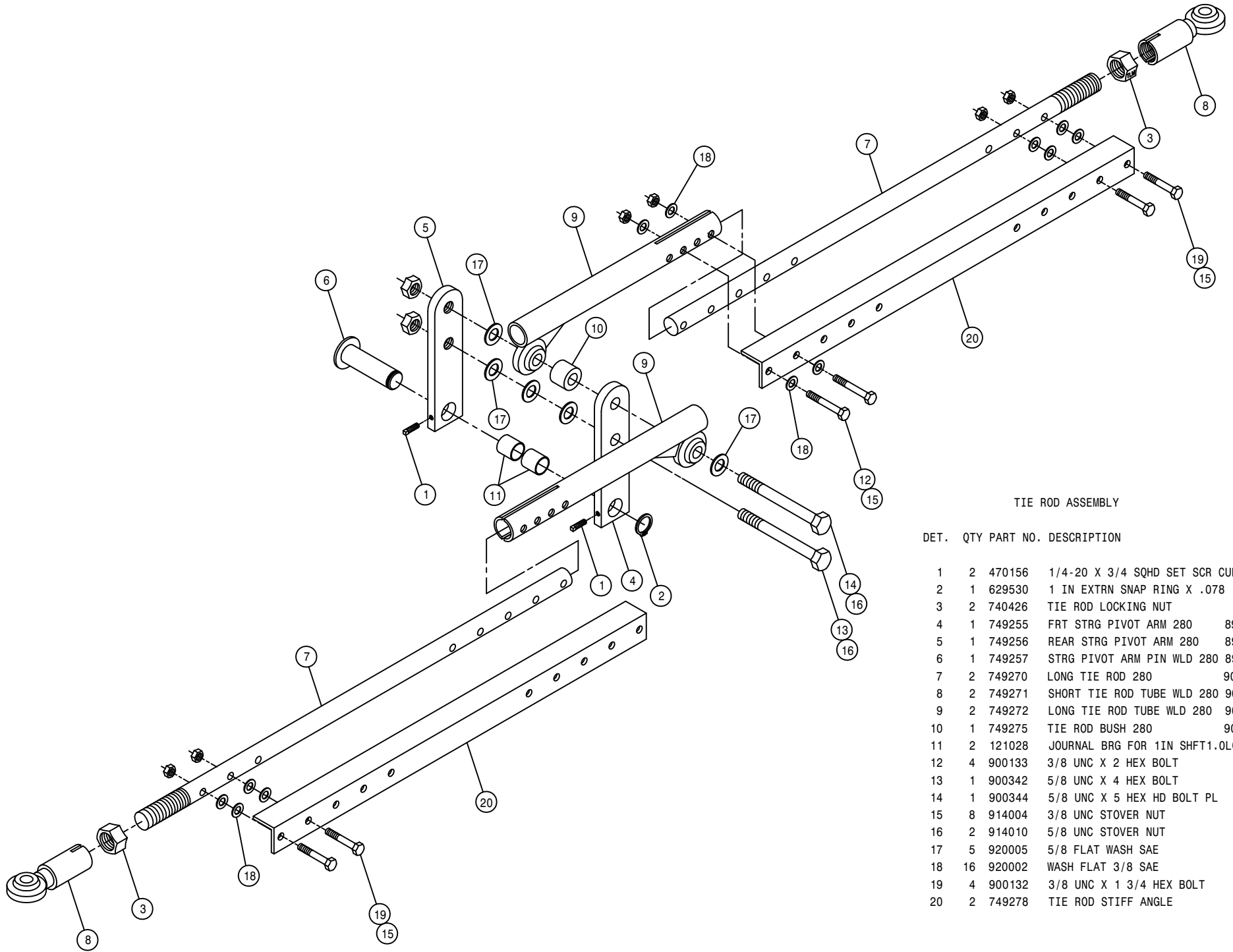




LADDER AND SERVICE PLATFORM ASSEMBLY

DET. QTY PART NO. DESCRIPTION

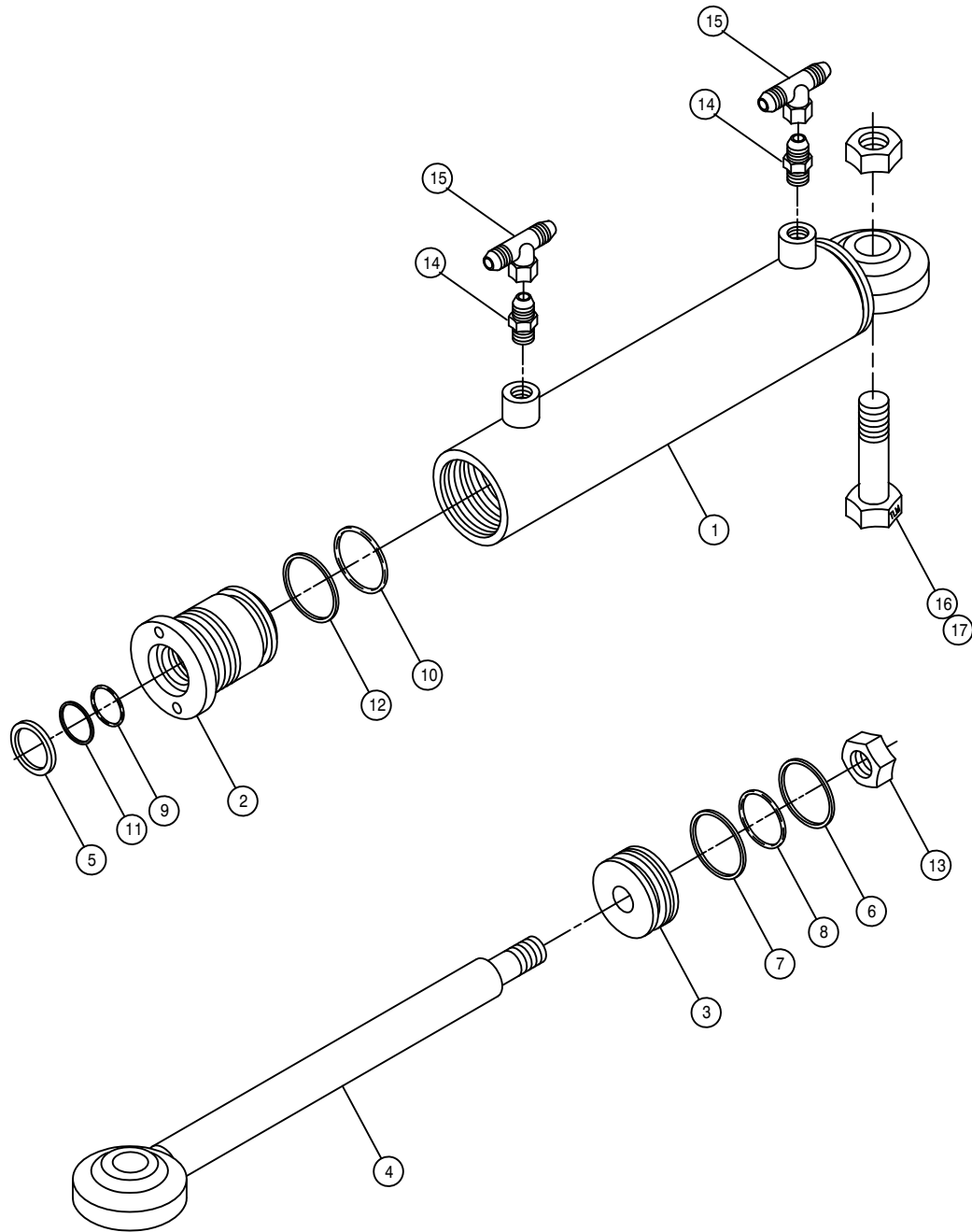
DET.	QTY	PART NO.	DESCRIPTION	
1	1	341895	SERVICE PLATFORM WLD 200-280	
2	2	341900	SERVICE PLATFORM MT KPR	90
3	4	900265	1/2UNC X 1 1/2 HEX BOLT	
4	5	914008	1/2 UNC STOVER NUT	
5	1	341908	200 LADDER WLD 200	90
6	1	341906	LEG BRACE WLD 200	90
7	2	341912	200 LADDER KEEPER	90
8	1	341913	200 HANDRAIL WLD	90
9	4	900136	3/8UNC X 3 HEX BOLT	
10	1	900410	3/4UNC X 4 HEX BOLT	
11	2	910017	1 IN UNC HEX NUT PLATED	
12	4	914004	3/8 UNC STOVER NUT	
13	1	900263	1/2UNC X 1 HEX BOLT	
14	1	914012	3/4 UNC STOVER NUT	
15	1	920508	LOCK WASH 1 IN	



TIE ROD ASSEMBLY

DET. QTY PART NO. DESCRIPTION

DET.	QTY	PART NO.	DESCRIPTION	
1	2	470156	1/4-20 X 3/4 SQHD SET SCR CUP	
2	1	629530	1 IN EXTRN SNAP RING X .078	
3	2	740426	TIE ROD LOCKING NUT	
4	1	749255	FRT STRG PIVOT ARM 280	89
5	1	749256	REAR STRG PIVOT ARM 280	89
6	1	749257	STRG PIVOT ARM PIN WLD 280	89
7	2	749270	LONG TIE ROD 280	90
8	2	749271	SHORT TIE ROD TUBE WLD 280	90
9	2	749272	LONG TIE ROD TUBE WLD 280	90
10	1	749275	TIE ROD BUSH 280	90
11	2	121028	JOURNAL BRG FOR 1IN SHFT1.0LG	
12	4	900133	3/8 UNC X 2 HEX BOLT	
13	1	900342	5/8 UNC X 4 HEX BOLT	
14	1	900344	5/8 UNC X 5 HEX HD BOLT PL	
15	8	914004	3/8 UNC STOVER NUT	
16	2	914010	5/8 UNC STOVER NUT	
17	5	920005	5/8 FLAT WASH SAE	
18	16	920002	WASH FLAT 3/8 SAE	
19	4	900132	3/8 UNC X 1 3/4 HEX BOLT	
20	2	749278	TIE ROD STIFF ANGLE	



STEERING CYLINDER ASSEMBLY

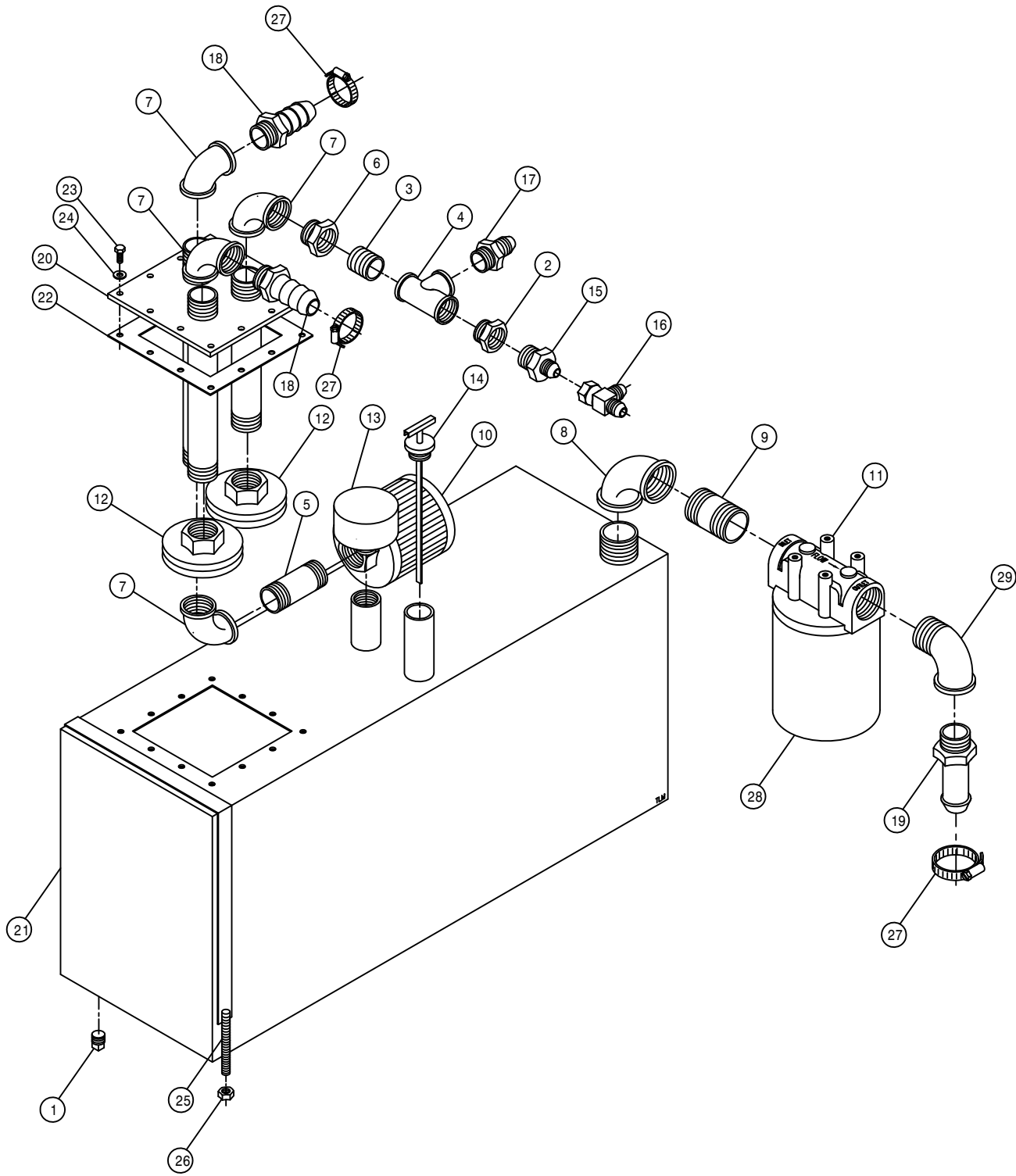
DET. QTY PART NO. DESCRIPTION

1	1	620089	STRG CYL TUBE WLD 1.5 X 6. 85
2	1	620109	GLAND HYD CYL 1.5 X .75 1985
3	1	620129	PISTON HYD CYL 1.5 X .5 1985
4	1	620148	STRG CYL SHAFT WLD X-10
5	1	629028	WIPER, 10D X 3/4ID X 1/8
6	1	629616	SEAL, 1704-24 HT2055OR POLYHON
7	1	629618	WEAR RING HYD CYL 1985
8	1	870025	BUNA ORING 1 3/16 X 1 5/16
9	1	870210	BUNA ORING 3/4 X 1
10	1	870218	BUNA ORING 1 1/4 X 1 1/2
11	1	890210	BACKUP WASH 3/4 X1 HT2022
12	1	890218	BACKUP WASH1 1/4X1 1/2 HT2022
13	1	914009	1/2 UNF STOVER NUT
14	2	611121	9/16MJIC-1/4MNPT ADPTR
15	2	618514	9/16FJ SW BRANCH TEE-9/16MJ
16	1	900336	5/8UNC X 2 1/2 HEX BOLT
17	1	914010	5/8 UNC STOVER NUT

NOTE: 1. RIGHT STEERING CYLINDER ASSEMBLY IS SHOWN.  
 FOR LEFT CYLINDER ASSEMBLY DELETE DETAIL 14 AND 15  
 REPLACE WITH (2) 611122 - 9/16 MJIC-90-1/4 MNPT ELBOW

2. 620080 - CYLINDER ASSEMBLY

3. 620998 - SEAL KIT



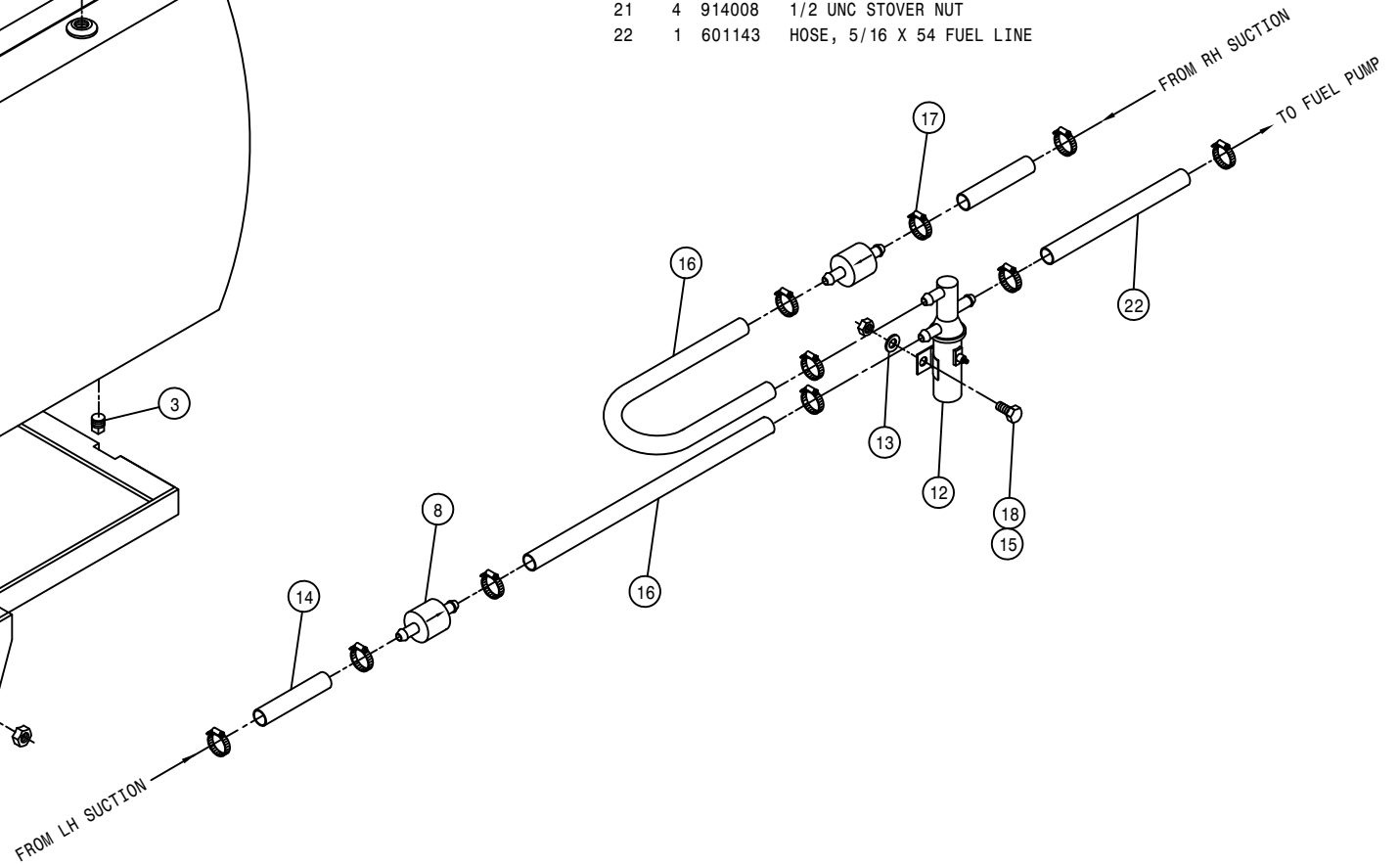
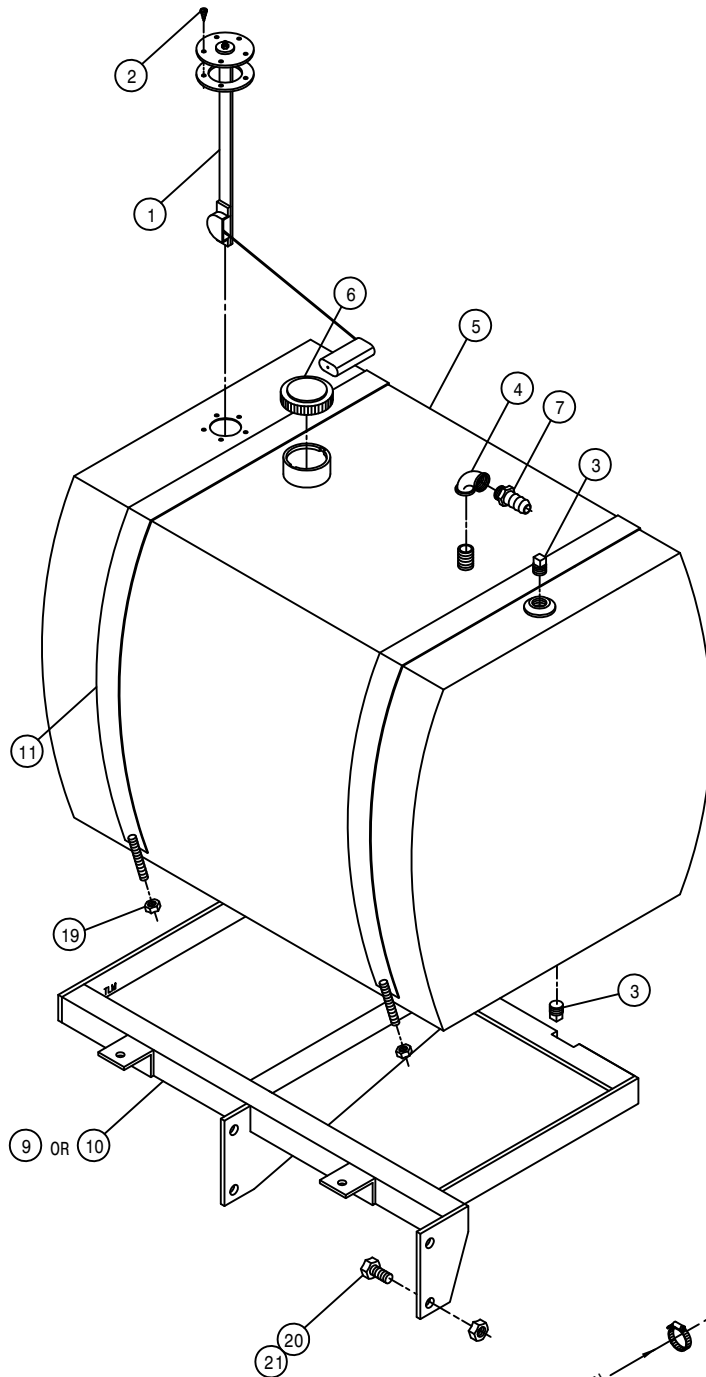
HYDRAULIC TANK ASSEMBLY

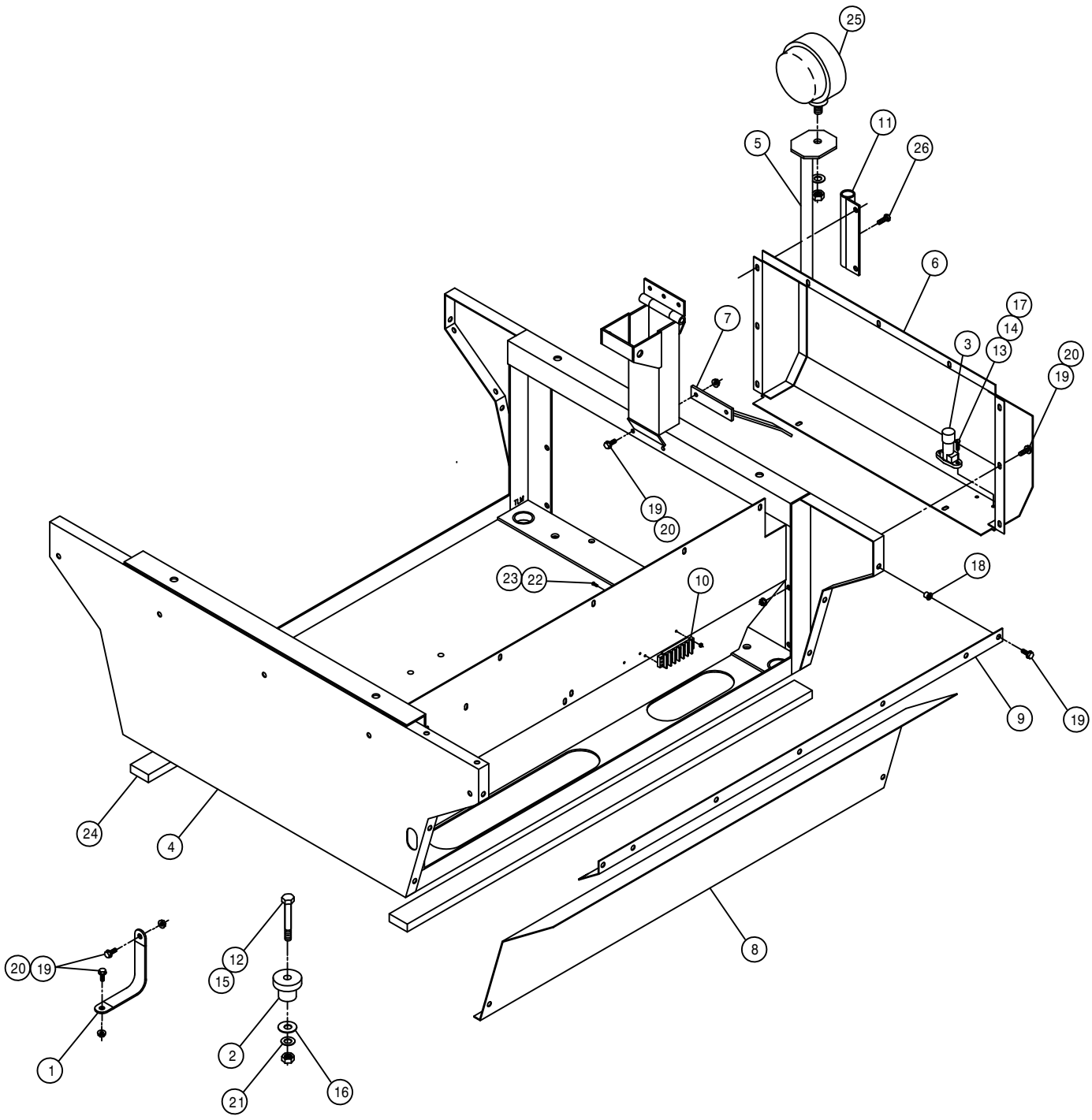
DET.	QTY	PART NO.	DESCRIPTION
	1	501102	1/4 PIPE PLUG
	2	504210	RED BUSH 3/4 NPT X 1/2 NPT
	3	504702	CLOSE NIPPLE .75NPT
	4	504955	BLK PIPE TEE .75NPT
	5	505203	BLK PIPE NIPPLE 1.00NPT-4.00
	6	505213	RED BUSH 1 X 3/4 BLK MAL
	7	505300	BLK PIPE EL 90DEG 1.00NPT
	8	506303	BLK PIPE EL 90DEG 1.25NPT
	9	506602	PIPE NIPPLE 1 1/4NPT-2 1/2
	10	605600	MICHIGAN RESERVOIR FILTER
	11	605601	GRESEN FILTER 10 MICRON 40GPM
	12	605603	LINE SUMP DIFFUSER
	13	611052	FILLER BREATHER 3/4NPT
	14	614453	DIPSTICK, 8IN
	15	618018	9/16MJIC-1/2MNPT ADPTR
	16	618486	9/16FJIC SW RUN TEE-9/16MJIC
	17	610300	3/4MJIC-3/4MNPT ADPTR
	18	714560	1NPT X 1 HOSE BARB
	19	715664	1 1/4 NPT X 1 HOSE BARB
	20	760090	RECIEVER PLT WLD 8240
	21	760097	OIL TANK WLD 8240 1982
	22	763039	HYD MTR MTG PLT GSKT
	23	900064	5/16UNC X 3/4 HEX BOLT
	24	920001	5/16 FLAT WASHER SAE PLT
	25	341360	OIL TANK STRAP WLD 8240 1982
	26	914004	3/8 UNC STOVER NUT
	27	520087	HOSE CLAMP NO 20 PLATED
	28	605602	FILT ELEMENT 10MICRON 40GPM
	29	506410	BLK PIPE ST EL 90DEG 1.25NPT

FUEL TANK ASSEMBLY

DET. QTY PART NO. DESCRIPTION

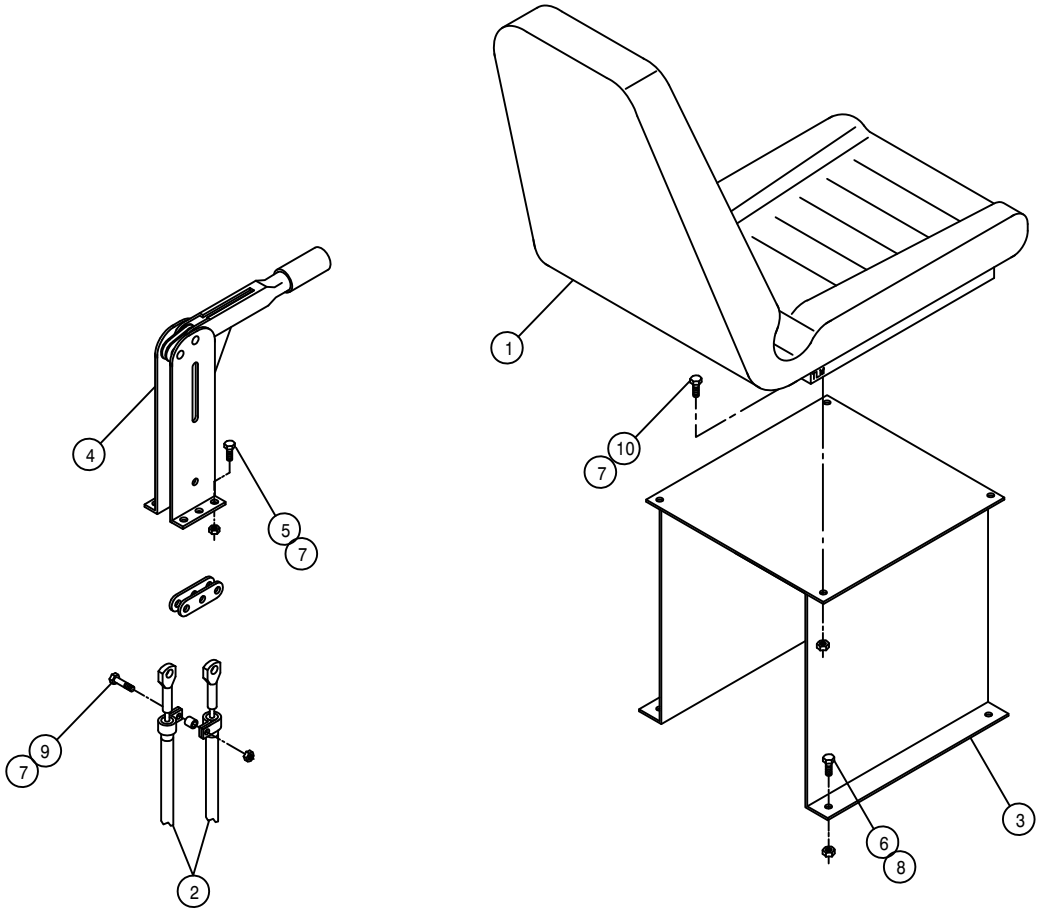
1	1	291428	FUEL SENDER 19 IN 470 PINTO
2	5	473902	NO 8 X 1/2 PAN HD MET SC 640
3	2	501102	1/4 PIPE PLUG
4	1	501451	BLK PIPE EL 90DEG .25NPT
5	1	760149	FUEL TANK WLD 200-280 90
6	1	761200	GAS CAP
7	1	783303	HOSE BARB 1/4 NPT X 5/16 HOSE
8	2	319612	GAS LINE FILT NAPA3012&FRAM
9	1	760153	RH FUEL TNK MT WLD 200-280 90
10	1	760154	LH FUEL TNK MT WLD 200-280 90
11	2	760162	FUEL TANK BAND WLD 200-280 90
12	1	610411	FUEL SELECTOR VALVE AUX TANK
13	2	920000	1/4 FLAT WASH SAE
14	2	601138	HOSE, 5/16 X 3 FUEL LINE
15	2	914000	1/4 UNC STOVER NUT
16	2	601299	HOSE, 5/16 X 82IN FUEL LINE
17	10	520120	HOSE CLAMP NO 4 MINIATURE PLT
18	2	900002	1/4UNC X 3/4 HEX BOLT
19	2	914004	3/8 UNC STOVER NUT
20	4	900264	1/2UNC X 1 1/4 HEX BOLT
21	4	914008	1/2 UNC STOVER NUT
22	1	601143	HOSE, 5/16 X 54 FUEL LINE





OPERATOR STATION ASSEMBLY

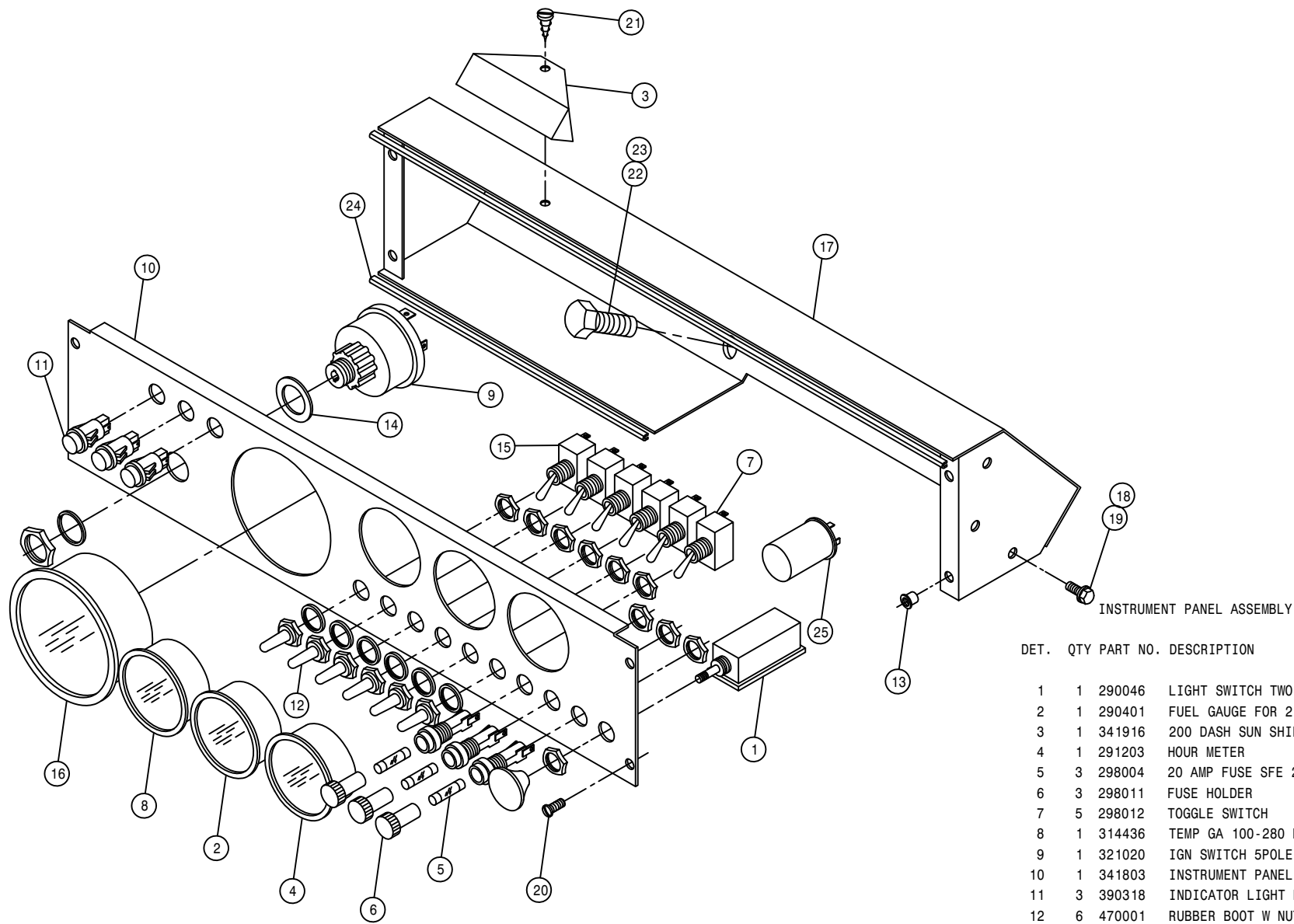
DET.	QTY	PART NO.	DESCRIPTION
1	1	290107	ENG TO GROUND STRAP 8 IN TB2
2	4	311032	ENG IS/LATOR 470 472 1978
3	1	290412	DIMMER SWITCH TB
4	1	341668	OP STN WLD 280 89
5	2	341855	200 ADJUSTABLE LIGHT MT WLD89
6	1	341700	OP STN BOOT WLD 280 89
7	1	341738	STRG POST BRACE WLD 280 89
8	1	341824	RH OP STN LOWER PANEL 200 89
9	1	341825	RH OP STN PANEL KPR WLD 200
10	1	293093	TERMINAL BLOCK 6 POS - 2 ROW
11	2	341858	200 ADJ LIGHT MT BRKT WLD 89
12	4	900269	1/2UNC X 2 3/4 HEX BOLT
13	2	903889	10-32 X 3/4 SLT RDHD MACH SCR
14	2	910027	HEX NUT NO 10-32
15	4	914008	1/2 UNC STOVER NUT
16	4	483037	FLAT WASH 5/8 REGULAR
17	2	920510	LOCK WASH NO 10
18	6	470086	NUTSERT, 1/4UNC .020-.100GR
19	22	470118	1/4UNC X 3/4 HEX BOLT FLG LOC
20	16	470121	1/4-20 FLANGED WHIZ NUT
21	4	483041	1/2 REGULAR FLAT WASH PLT
22	2	903814	6-32 X 3/4 SLT RD HD MACH SCR
23	2	910022	6-32 HEX NUT PLATED
24	2	659579	FOAM, 2IN WIDE X 40IN LONG
25	2	291089	ADJUSTABLE LIGHT W/ GUARD
26	2	900128	3/8UNC X 3/4 HEX BOLT



SEAT AND BRAKE ASSEMBLY

DET. QTY PART NO. DESCRIPTION

1	1	330002	SEAT FOR 647	1977
2	2	826926	190 IN BRAKE CABLE 470	
3	1	341336	SEAT MT WLD 8300 X-11	1981
4	1	826108	BRAKE LEVER ASSY TB2	
5	4	900064	5/16UNC X 3/4 HEX BOLT	
6	4	900129	3/8UNC X 1 HEX BOLT	
7	9	914002	5/16 UNC STOVER NUT	
8	4	914004	3/8 UNC STOVER NUT	
9	1	900067	5/16UNC X 1 1/2 HEX BOLT	
10	4	901064	5/16UNC X 3/4 CARR BOLT	

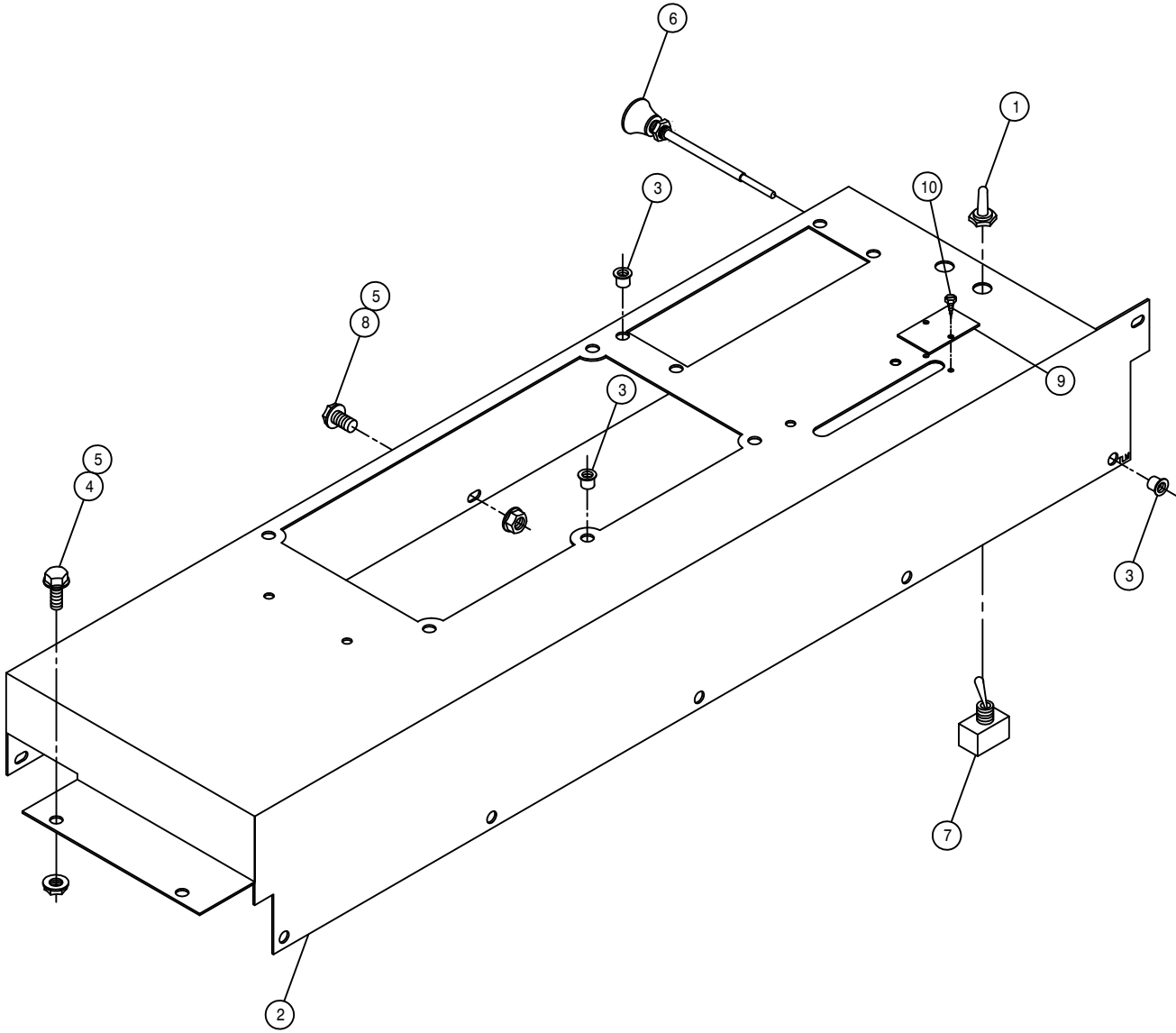


INSTRUMENT PANEL ASSEMBLY

DET. QTY PART NO. DESCRIPTION

DET.	QTY	PART NO.	DESCRIPTION	
1	1	290046	LIGHT SWITCH TWO POSITION	
2	1	290401	FUEL GAUGE FOR 2.125 DIA HOLE	
3	1	341916	200 DASH SUN SHIELD	90
4	1	291203	HOUR METER	640
5	3	298004	20 AMP FUSE SFE 20	
6	3	298011	FUSE HOLDER	
7	5	298012	TOGGLE SWITCH	
8	1	314436	TEMP GA 100-280 DEG LIGHTED	
9	1	321020	IGN SWITCH 5POLE 470 640 TB2	
10	1	341803	INSTRUMENT PANEL 200	89
11	3	390318	INDICATOR LIGHT RED SNAP-IN	
12	6	470001	RUBBER BOOT W NUT FOR 298012	
13	4	470165	NUTSERT 10-32 .020-100 GR	
14	1	483031	MACH WASH 7/8 ID 1 3/8 OD	
15	1	291204	TOGGLE SWITCH 2 P.D.T.	
16	1	674000	MOTOROLA SPEEDOMETER	
17	1	341742	INSTRUMENT PANEL HSG WLD 280	
18	1	470118	1/4UNC X 3/4 HEX BOLT FLG LOC	
19	1	470121	1/4-20 FLANGED WHIZ NUT	
20	4	903883	10-32 X 1/2 SLTRD HD MACH SCR	
21	1	473902	NO 8 X 1/2 PAN HD MET SC	640
22	1	900263	1/2UNC X 1 HEX BOLT	
23	1	914008	1/2 UNC STOVER NUT	
24	2	193011	EDGE GUARD, BLK	
25	1	473917	FLASHER SAE 536	640

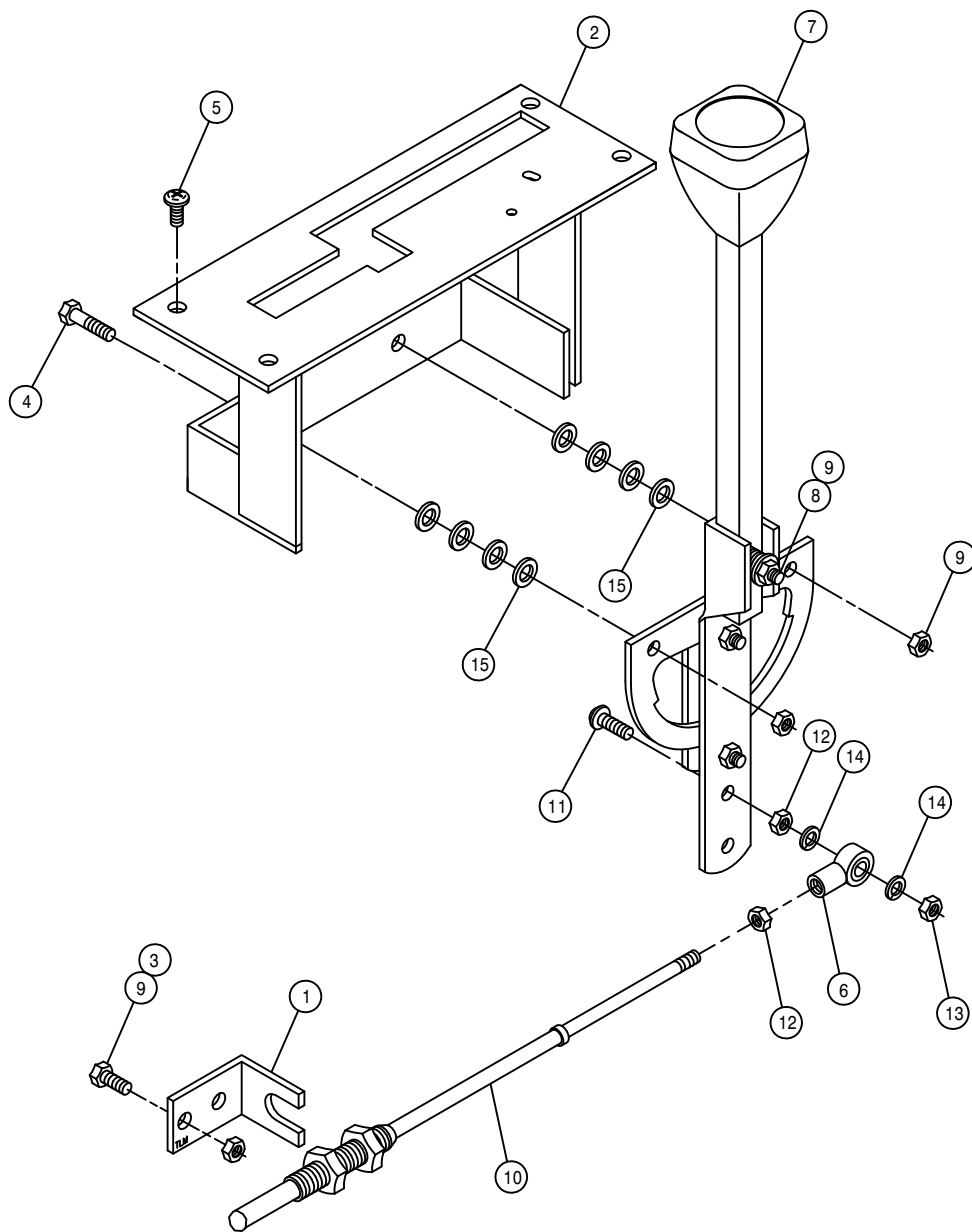




CONSOLE ASSEMBLY

DET. QTY PART NO. DESCRIPTION

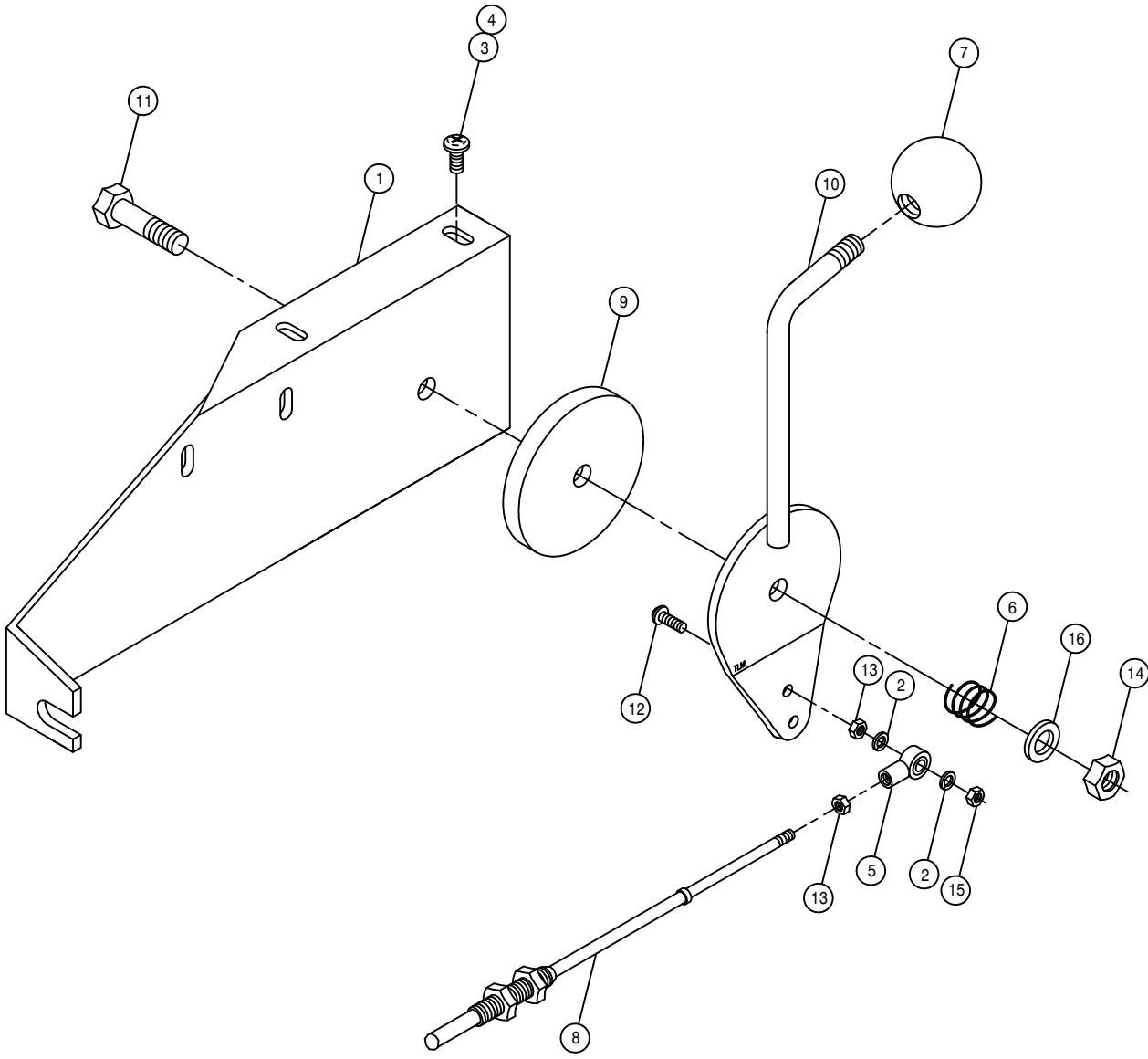
1	1	470001	RUBBER BOOT W NUT FOR 298012
2	1	341802	CONSOLE WLDMT 200 89
3	15	470086	NUTSERT, 1/4UNC .020-.100GR
4	3	470118	1/4UNC X 3/4 HEX BOLT FLG LOC
5	7	470121	1/4-20 FLANGED WHIZ NUT
6	1	780101	CHOKE CONTROL 144 IN TB2
7	1	610412	TOGGLE SWITCH FOR FUEL VLV
8	4	470122	1/4UNC X 1/2 HEX BOLT FLG LOC
9	1	341626	THROTTLE STOP
10	2	473994	SCREW, HH SHT MTL 6/32X 3/8AB



HYDROSTATIC LEVER ASSEMBLY

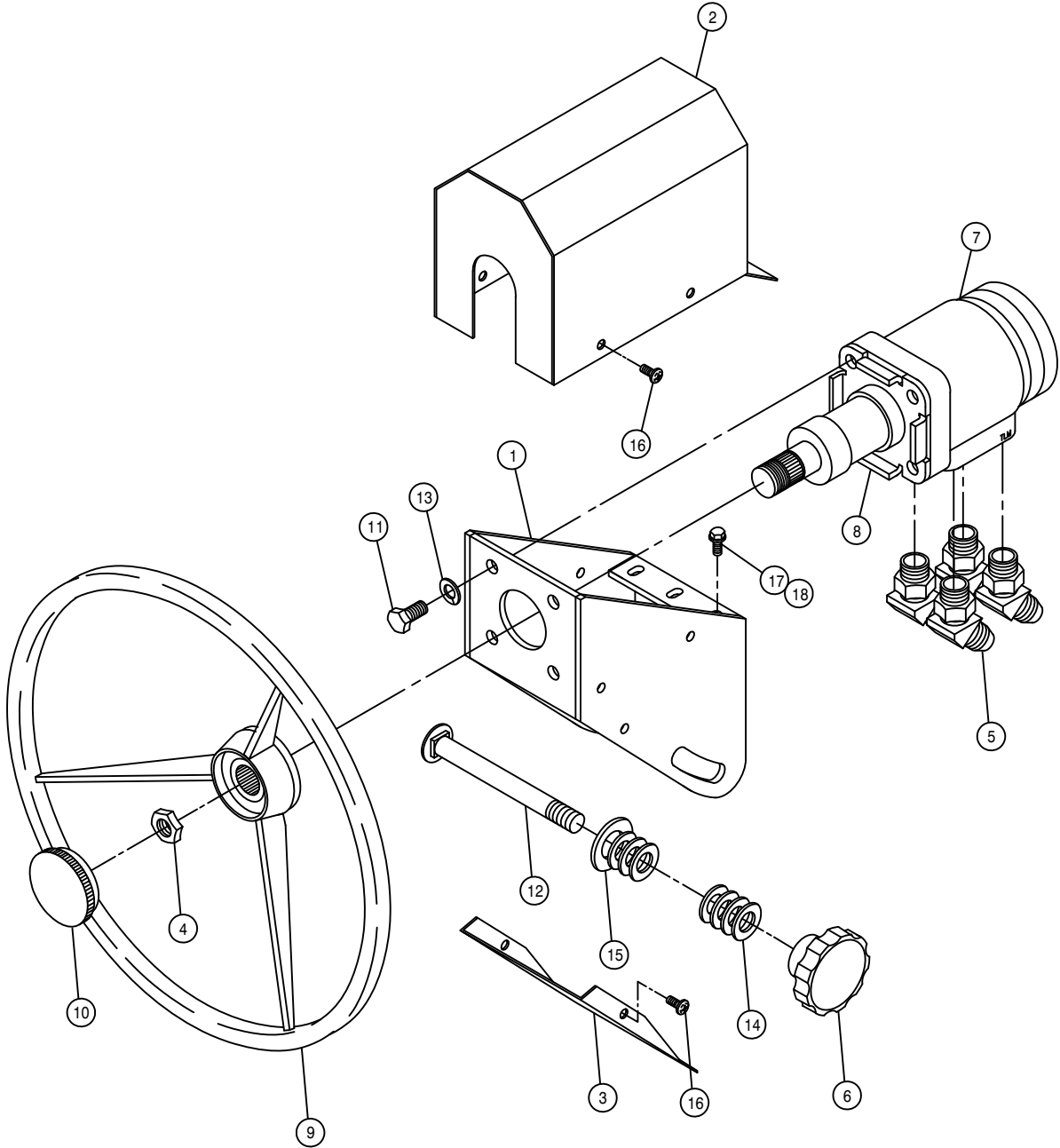
DET. QTY PART NO. DESCRIPTION

1	1	341188	CONSOLE THROT CABLE MT ANGLE
2	1	341501	HYDST CONT LEVER MT WLD 8540
3	2	900000	1/4UNC X 1/2 HEX BOLT
4	2	900003	1/4UNC X 1 HEX BOLT
5	4	903708	MACH SCR 1/4-20X1/2 PHIL PNHD
6	1	473921	BALL JOINT NO 10-32 THD
7	1	606864	HYDST CONTROL LEVER MODIFIED
8	1	900005	1/4UNC X 1 1/2 HEX BOLT
9	5	914000	1/4 UNC STOVER NUT
10	1	785061	CTRL CABLE 10-32 4IN X 100 LG
11	1	903893	10 32 X 1 SLT RD HD MACH SCR
12	2	910027	HEX NUT NO 10-32
13	1	914027	NO 10-32 STOVER NUT
14	2	920510	LOCK WASH NO 10
15	8	920000	1/4 FLAT WASH SAE



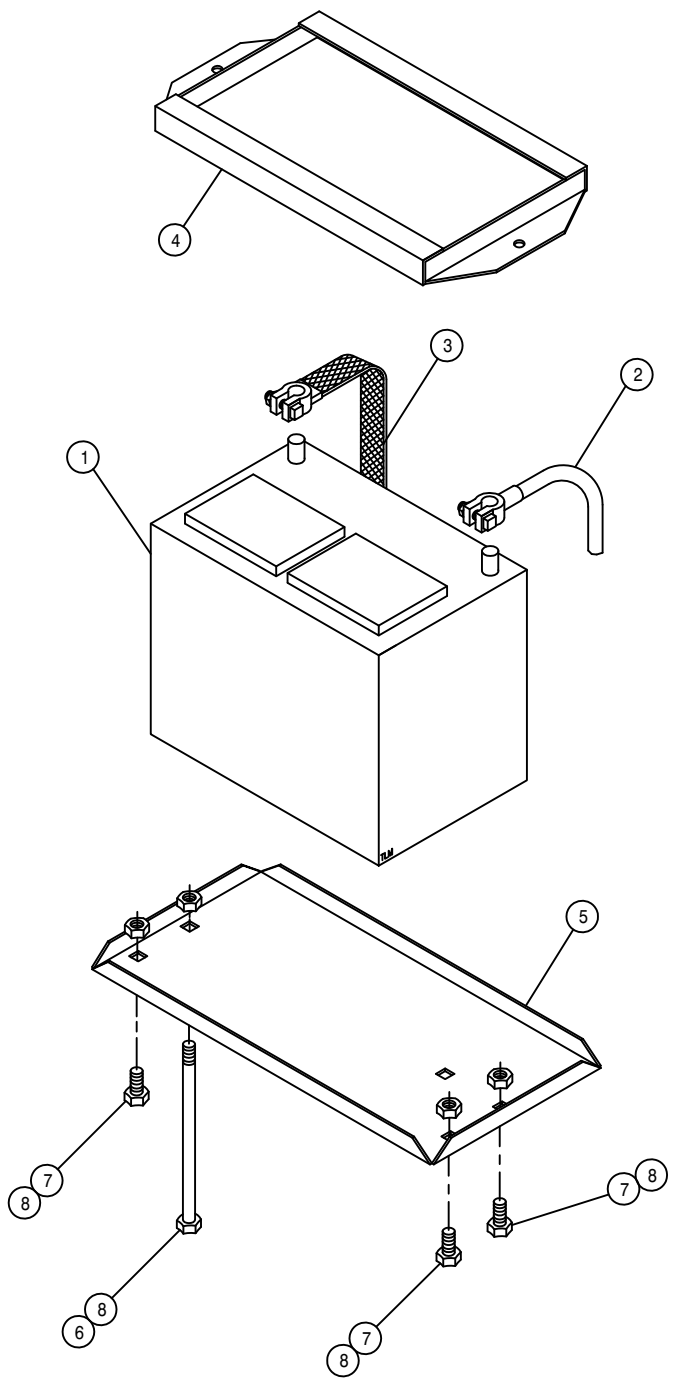
THROTTLE LEVER ASSEMBLY

DET.	QTY	PART NO.	DESCRIPTION	
	1	341689	THROTTLE LEVER MT 280	89
	2	920510	LOCK WASH NO 10	
	2	903711	MACH SCR 1/4-20X3/4 PHIL PNHD	
	2	470121	1/4-20 FLANGED WHIZ NUT	
	1	473921	BALL JOINT NO 10-32 THD	
	1	499001	SPRING HYDRO CONTROL	
	1	659292	1 7/8DIA BALL KNOB 3/8-16	
	1	785003	CTRL CABLE 10-32 4IN X 112 LG	
	1	785046	FRICTION DISC 3-333 X .38	
	1	785040	THROT LEVER WLD CONSOLE 8400	
	1	900170	3/8UNC X 2 1/4 HEX BOLT	
	1	903893	10 32 X 1 SLT RD HD MACH SCR	
	2	910027	HEX NUT NO 10-32	
	1	914004	3/8 UNC STOVER NUT	
	1	914027	NO 10-32 STOVER NUT	
	1	920002	WASH FLAT 3/8 SAE	



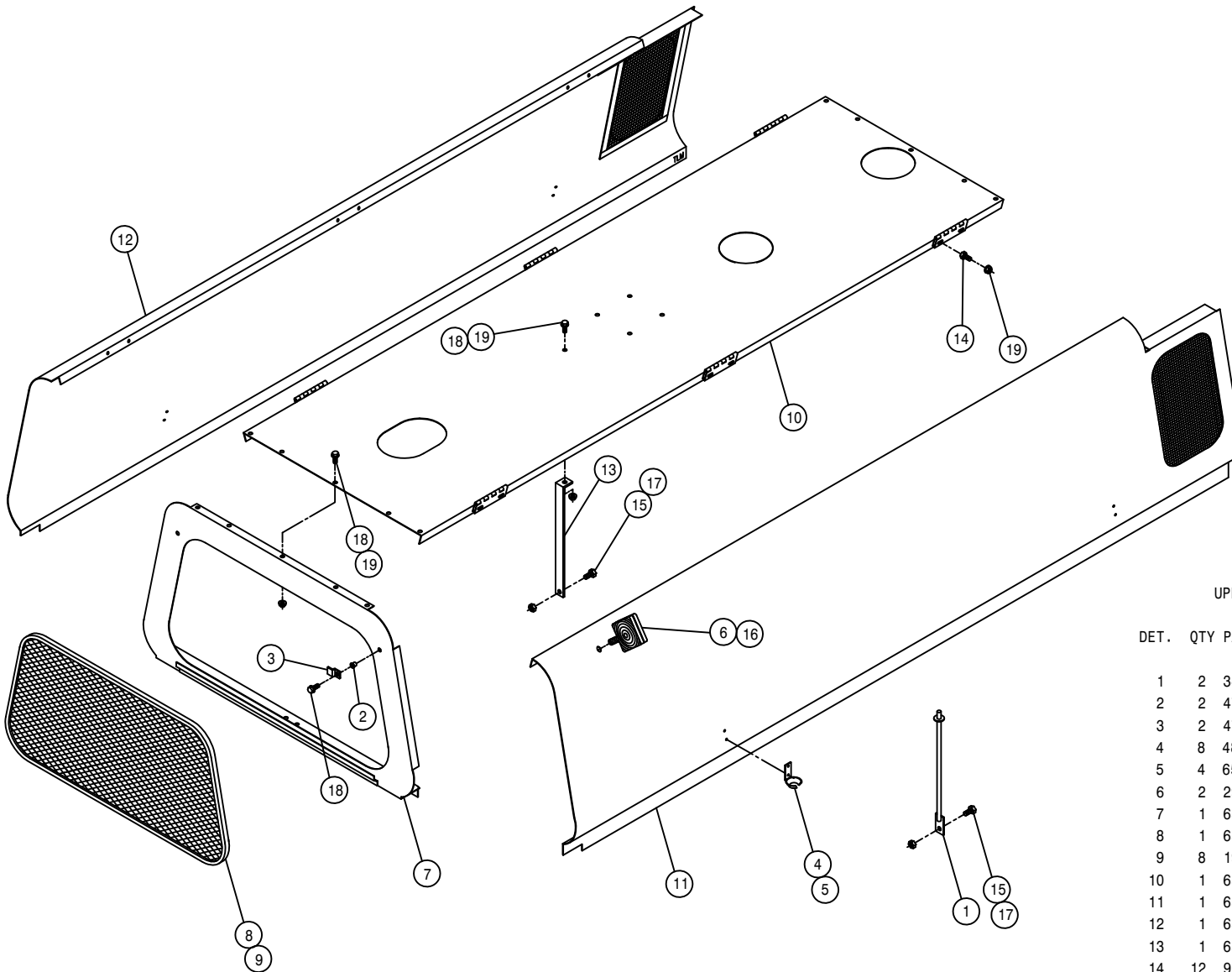
STEERING WHEEL ASSEMBLY

DET.	QTY	PART NO.	DESCRIPTION
	1	341691	STRG MTR PIVOT HSGNG WLD 280
	1	341695	STRG MTR COVER WELD 280 89
	1	341705	STRG MTR LWR COVER 280 89
	1	470157	NUT 13/16-20 UNEF FOR 749245
	4	618496	9/16MJIC-45-3/4MOR LBO
	1	742502	STRG ADJ KNOB 440
	1	749150	STRG MTR NON-LOAD REACT 1008
	1	749178	STRG COLUMN 2.5IN LONG
	1	749245	STRG WHL 14.0 DIA W/CAP
	1	749244	STRG WHL CAP FOR 749245
	4	900130	3/8UNC X 1 1/4 HEX BOLT
	1	901276	1/2UNC X 5 CARR BOLT
	4	920002	WASH FLAT 3/8 SAE
	7	920004	1/2 FLAT WASHER SAE
	1	920005	5/8 FLAT WASH SAE
	6	903708	MACH SCR 1/4-20X1/2 PHIL PNHD
	3	470118	1/4UNC X 3/4 HEX BOLT FLG LOC
	3	470121	1/4-20 FLANGED WHIZ NUT



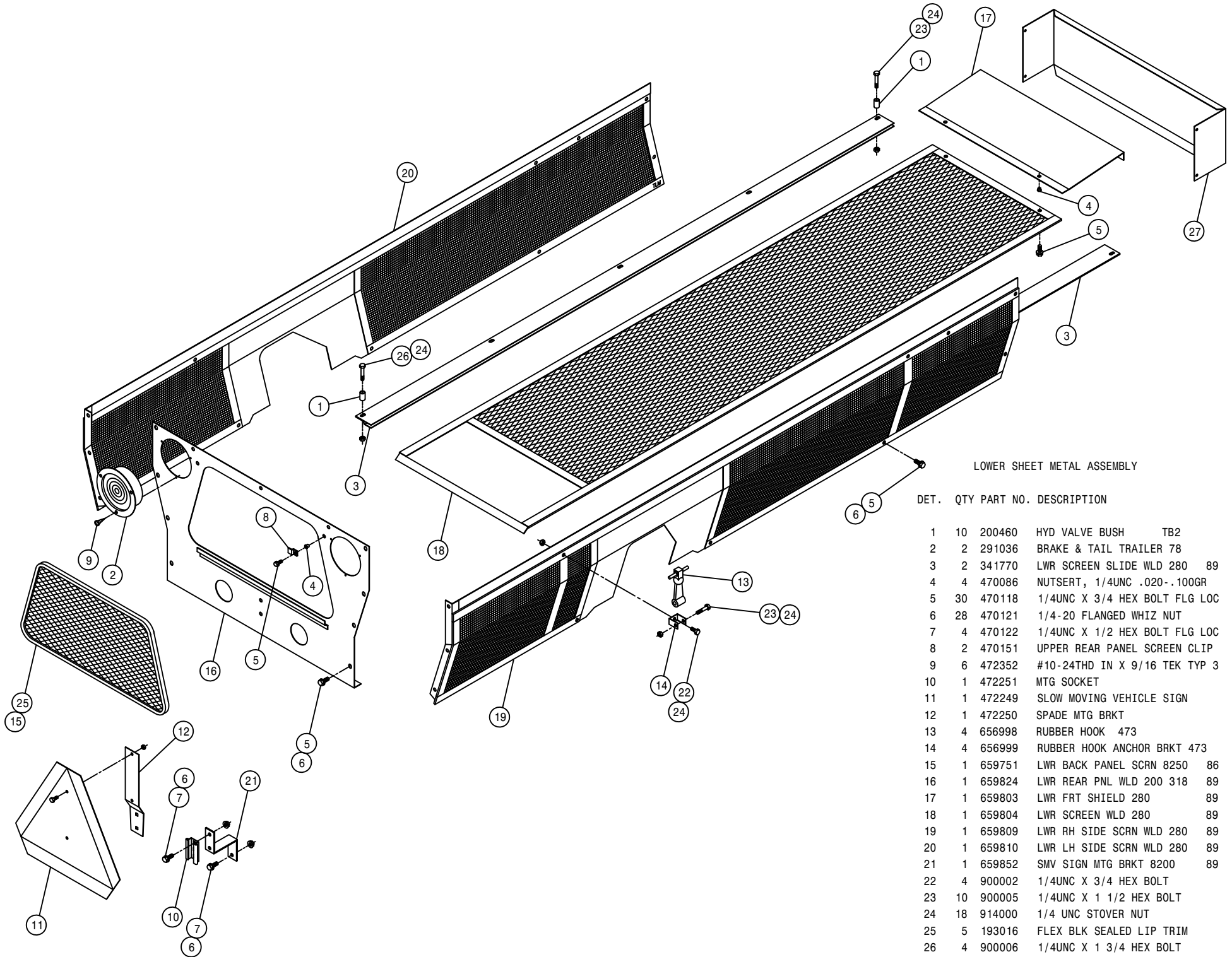
BATTERY BOX ASSEMBLY

DET.	QTY	PART NO.	DESCRIPTION
1	1	290013	BATT 12V 90AH LT WARRANTY
2	1	291128	BATTERY CABLE 48 IN
3	1	290111	GROUND STRAP
4	1	290212	HOLD DOWN BATT W/CLAMPS
5	1	361149	BATTERY BOX 8300-8400 1981
6	2	901149	3/8UNC X 8 1/2 CARR BOLT
7	3	900128	3/8UNC X 3/4 HEX BOLT
8	5	914004	3/8 UNC STOVER NUT



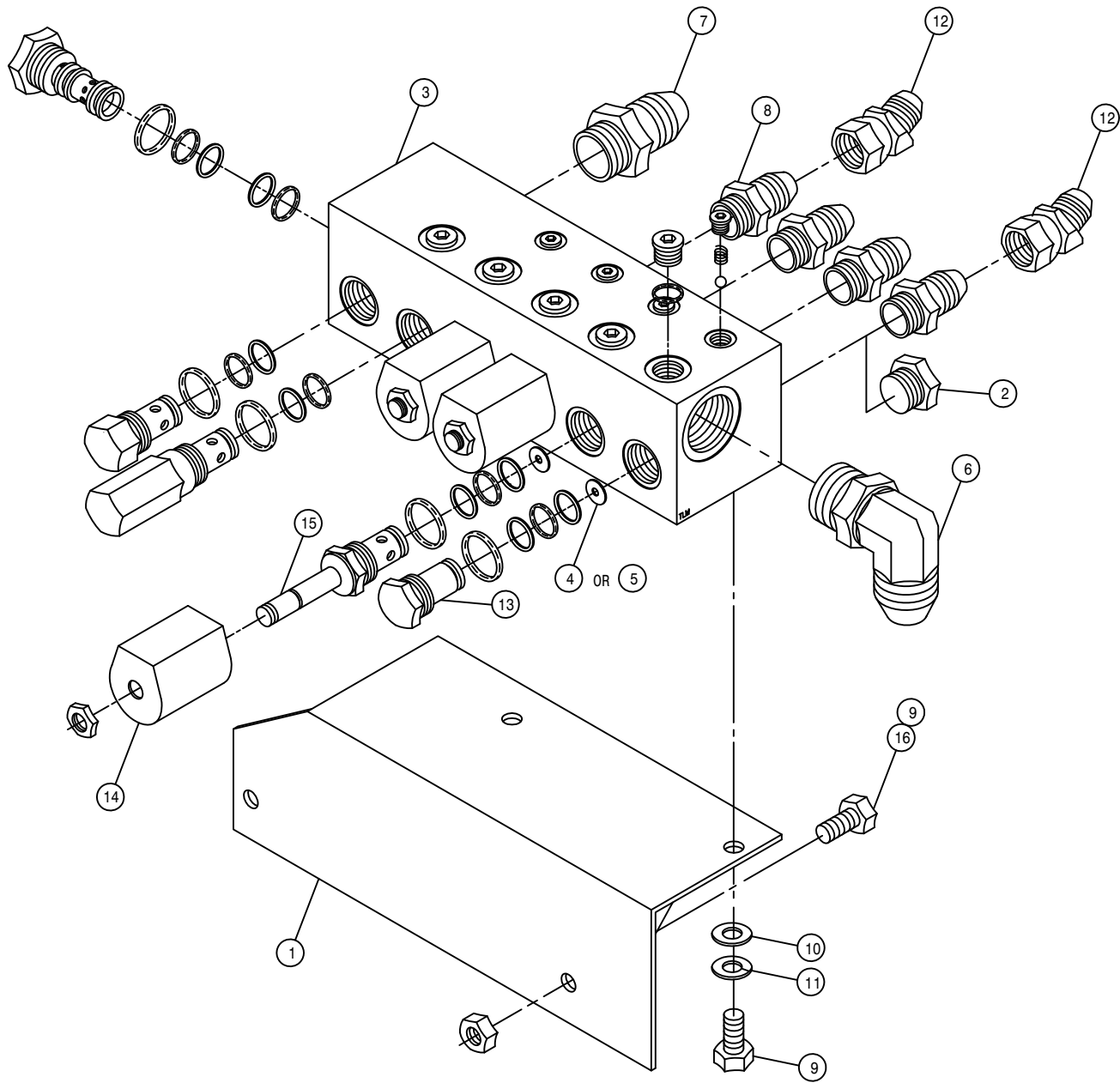
UPPER SHEET METAL ASSEMBLY

DET.	QTY	PART NO.	DESCRIPTION
	1	2	341356 ENGINE HOOD PROP WLD 8240 82
	2	2	470086 NUTSERT, 1/4UNC .020-.100GR
	3	2	470151 UPPER REAR PANEL SCREEN CLIP
	4	8	485053 POP RIVET 3/16 X 3/8
	5	4	656997 RUBBER HOOK BRKT 473
	6	2	291186 AMBER LENS FOR FLASHER 291114
	7	1	659575 UPPER REAR PANEL WLD 8240 82
	8	1	659578 UPPER REAR PANEL SCREEN 8240
	9	8	193016 FLEX BLK SEALED LIP TRIM
	10	1	659822 MULLION WLD 200 CHRY 318 89
	11	1	659796 RH ENGINE HOOD WLD 280 89
	12	1	659797 LH ENGINE HOOD WLD 280 89
	13	1	659835 MULLION SUPPORT 200 89
	14	12	900000 1/4UNC X 1/2 HEX BOLT
	15	3	900128 3/8UNC X 3/4 HEX BOLT
	16	2	291114 FLASHER & SIDE MARKER LIGHT
	17	3	914004 3/8 UNC STOVER NUT
	18	13	470118 1/4UNC X 3/4 HEX BOLT FLG LOC
	19	25	470121 1/4-20 FLANGED WHIZ NUT



LOWER SHEET METAL ASSEMBLY

DET.	QTY	PART NO.	DESCRIPTION
	1	10	200460 HYD VALVE BUSH TB2
	2	2	291036 BRAKE & TAIL TRAILER 78
	3	2	341770 LWR SCREEN SLIDE WLD 280 89
	4	4	470086 NUTSERT, 1/4UNC .020-.100GR
	5	30	470118 1/4UNC X 3/4 HEX BOLT FLG LOC
	6	28	470121 1/4-20 FLANGED WHIZ NUT
	7	4	470122 1/4UNC X 1/2 HEX BOLT FLG LOC
	8	2	470151 UPPER REAR PANEL SCREEN CLIP
	9	6	472352 #10-24THD IN X 9/16 TEK TYP 3
	10	1	472251 MTG SOCKET
	11	1	472249 SLOW MOVING VEHICLE SIGN
	12	1	472250 SPADE MTG BRKT
	13	4	656998 RUBBER HOOK 473
	14	4	656999 RUBBER HOOK ANCHOR BRKT 473
	15	1	659751 LWR BACK PANEL SCRN 8250 86
	16	1	659824 LWR REAR PNL WLD 200 318 89
	17	1	659803 LWR FRT SHIELD 280 89
	18	1	659804 LWR SCREEN WLD 280 89
	19	1	659809 LWR RH SIDE SCRN WLD 280 89
	20	1	659810 LWR LH SIDE SCRN WLD 280 89
	21	1	659852 SMV SIGN MTG BRKT 8200 89
	22	4	900002 1/4UNC X 3/4 HEX BOLT
	23	10	900005 1/4UNC X 1 1/2 HEX BOLT
	24	18	914000 1/4 UNC STOVER NUT
	25	5	193016 FLEX BLK SEALED LIP TRIM
	26	4	900006 1/4UNC X 1 3/4 HEX BOLT
	27	1	659853 200 LWR FRONT SHIELD 89

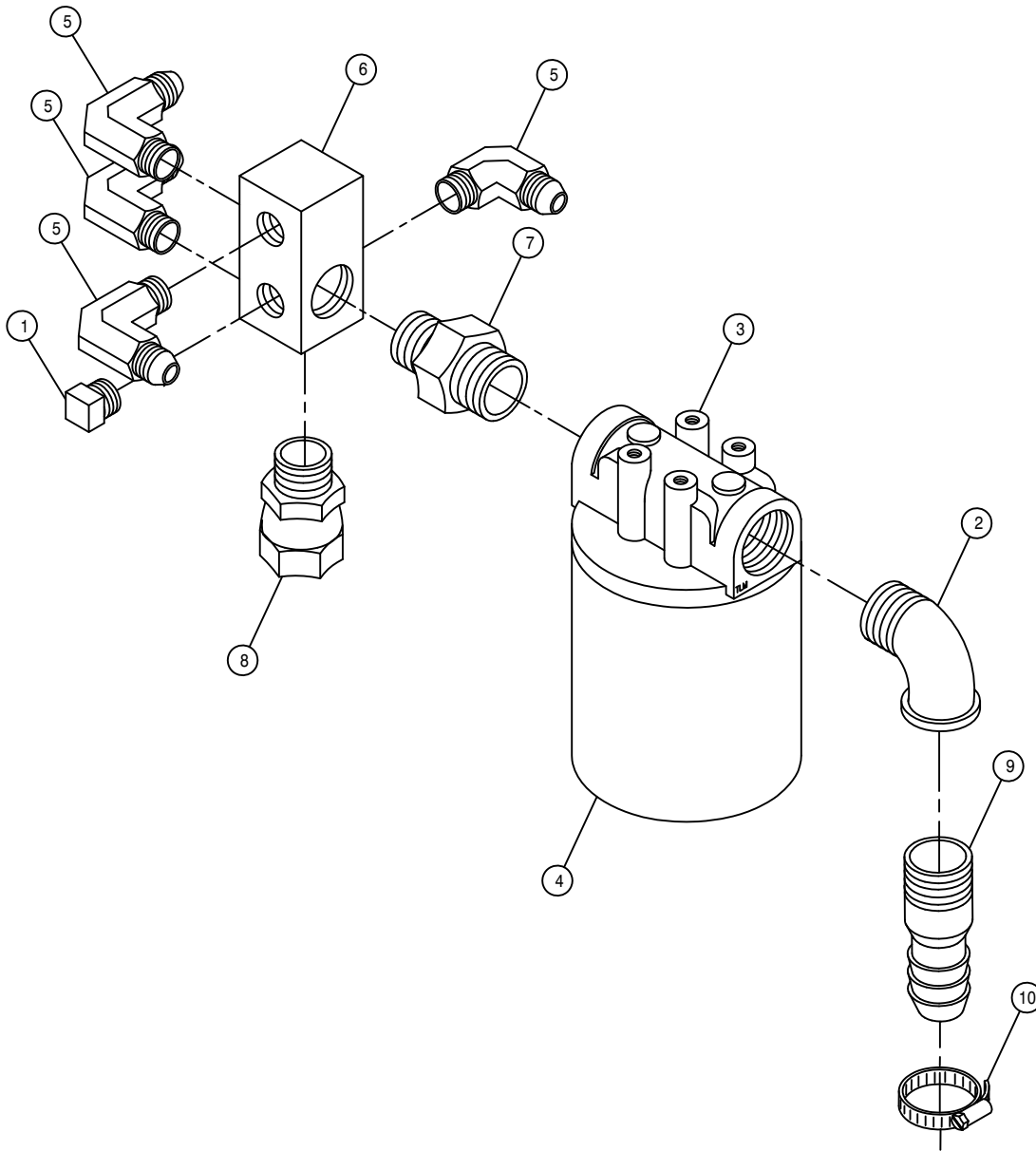


MOTOR CONTROL VALVE ASSEMBLY

DET. QTY PART NO. DESCRIPTION

1	1	341846	MTR CTRL VLV MT WLD	200
2	1	610186	1 1/16MOR PLUG	
3	1	610467	MODULAR MTR CONTROL ELECT VLV	
4	4	610546	DISK .213 ORIFICE MOD CTRL	
5	4	610478	DISK .182 ORIFICE MOD CTRL	
6	1	618178	1 5/16MJIC-90-1 5/16MOR LBO	
7	1	618186	1 5/16MJIC-1 5/16MOR ADPTR	
8	4	618469	3/4MJIC-1 1/16MOR ADPTR	
9	4	900128	3/8UNC X 3/4 HEX BOLT	
10	2	920002	WASH FLAT 3/8 SAE	
11	2	920502	LOCK WASH 3/8	
12	2	618590	3/4MJIC-45-3/4FJIC SWIV LBO	
13	1	610477	PLUG-10SERIES 2WAY MOD CTRL	
14	4	610480	SOLENOID COIL FOR610476REPAIR	
15	4	610481	SOLENOID VLV FOR 610476REPAIR	
16	2	914004	3/8 UNC STOVER NUT	

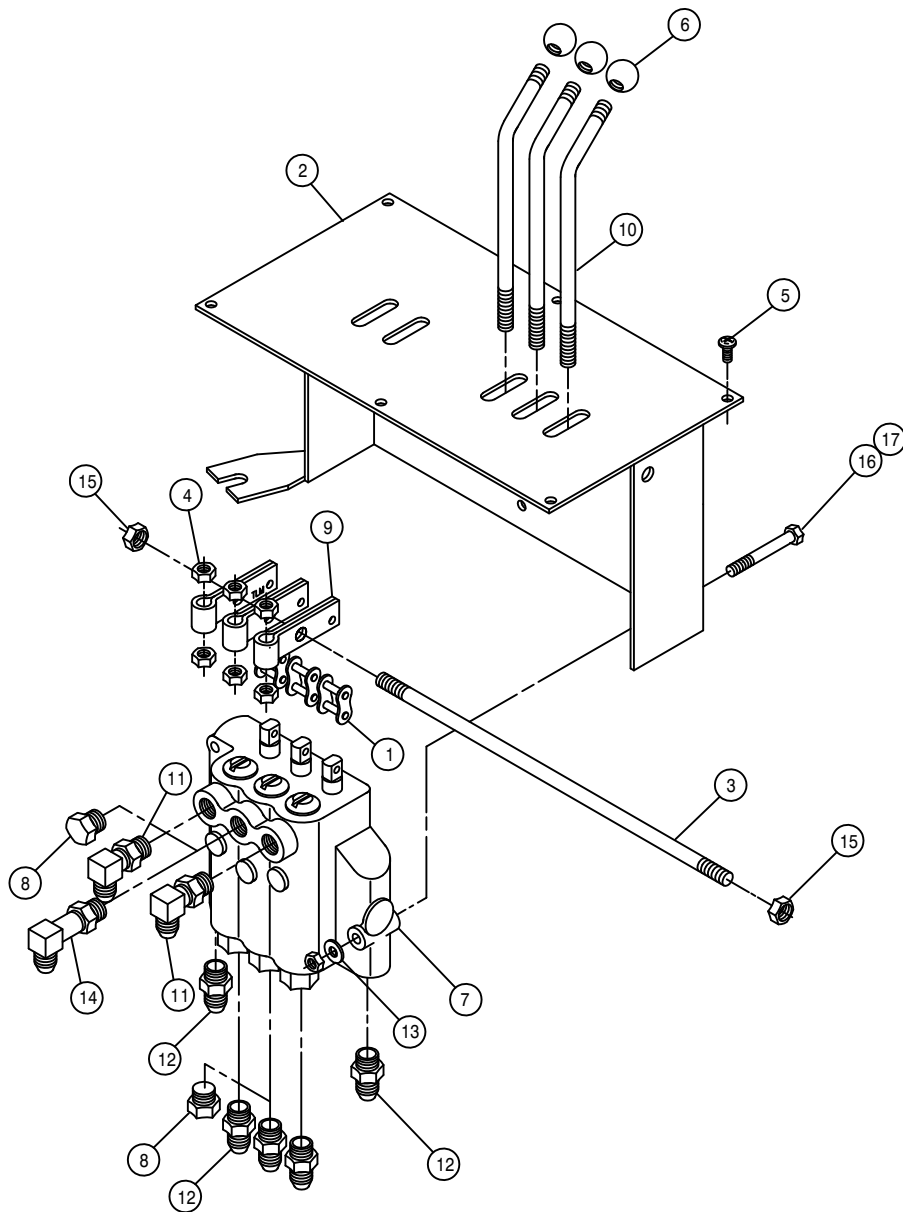




RETURN MANIFOLD FILTER ASSEMBLY

DET. QTY PART NO. DESCRIPTION

1	1	503700	PIPE PLUG .50NPT SQ HD
2	1	506410	BLK PIPE ST EL 90DEG 1.25NPT
3	1	605601	GRESEN FILTER 10 MICRON 40GPM
4	1	605602	FILT ELEMENT 10MICRON 40GPM
5	4	611145	3/4MJIC-90-1/2MNPT LBO
6	1	614633	HYD MANIF 8200 86
7	1	618144	1 1/4-1MP HEX PIPE NIPPLE STL
8	1	618587	1 5/16FJIC SWIV-1MNPT
9	1	715660	HOSE BARB 1 1/4NPT X 1 1/4
10	1	520085	HOSE CLAMP NO 24 PLATED

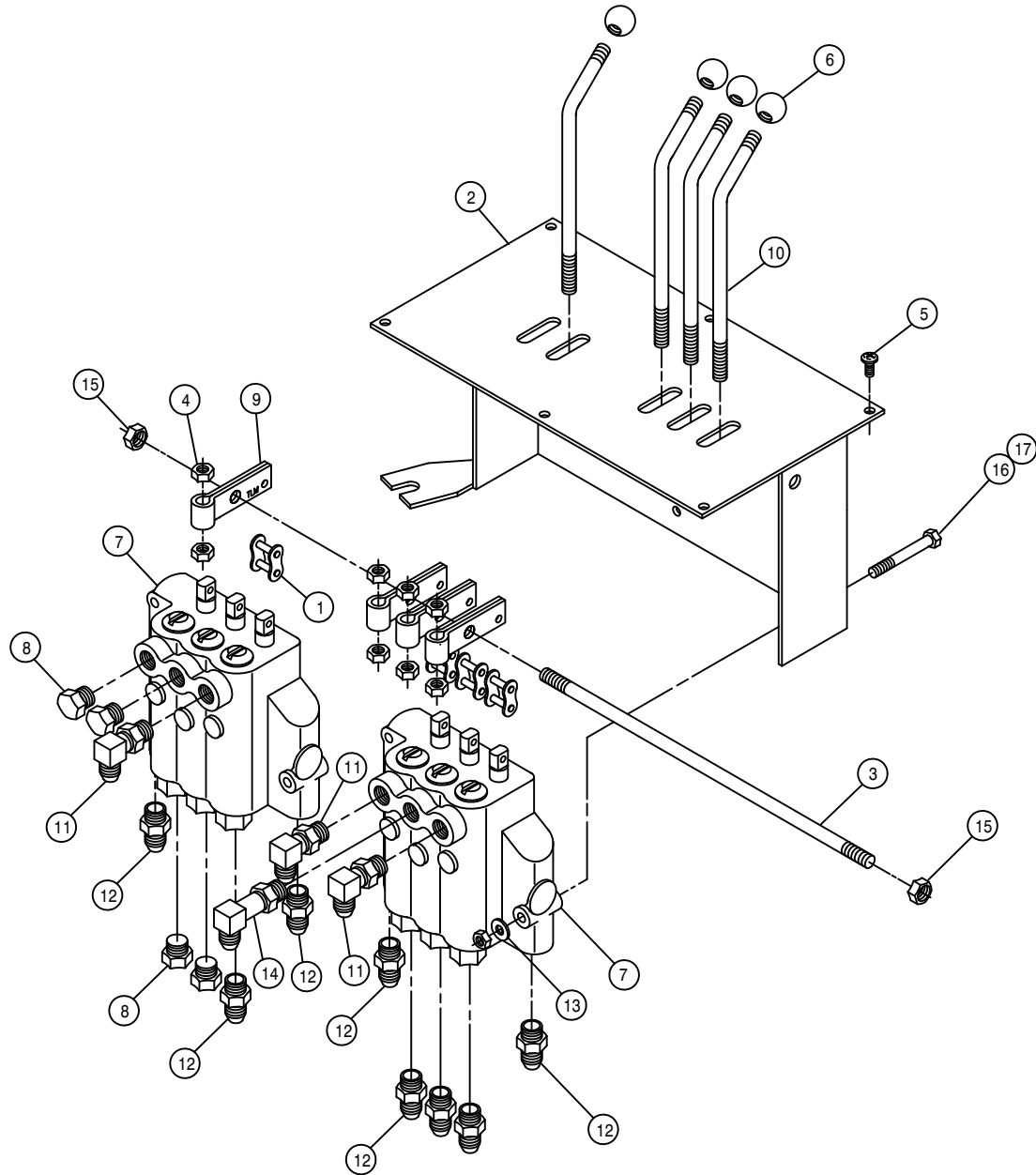


THREE SPOOL VALVE 3-LIFT ASSEMBLY

DET. QTY PART NO. DESCRIPTION

1	3	221001	CONN LINK CLIP TYPE RC50
2	1	341706	VLV MT WLD 2-3SPL VLV 280 89
3	1	341710	3SPL VLV LEVER PIVOT ROD 280
4	6	470087	NUT, 3/8UNC WHIZ LOC
5	6	903708	MACH SCR 1/4-20X1/2 PHIL PNHD
6	3	659291	1 DIA BALL KNOB 3/8-16INSERT
7	1	606585	CESSNA 3SPL VALVE W/O RELIEF
8	2	610185	9/16MOR PLUG
9	3	615336	LINK, VALVE HANDLE, 2.35PL
10	3	615337	HANDLE, 2-3SPL VALVE, 647
11	2	618119	9/16MJIC-90-9/16MOR LBO
12	5	618126	9/16MJIC-9/16MOR ADPTR
13	2	920000	1/4 FLAT WASH SAE
14	1	618440	9/16MJIC-90-9/16MOR EX LG LBO
15	2	914004	3/8 UNC STOVER NUT
16	2	900007	1/4UNC X 2 HEX BOLT
17	2	914000	1/4 UNC STOVER NUT

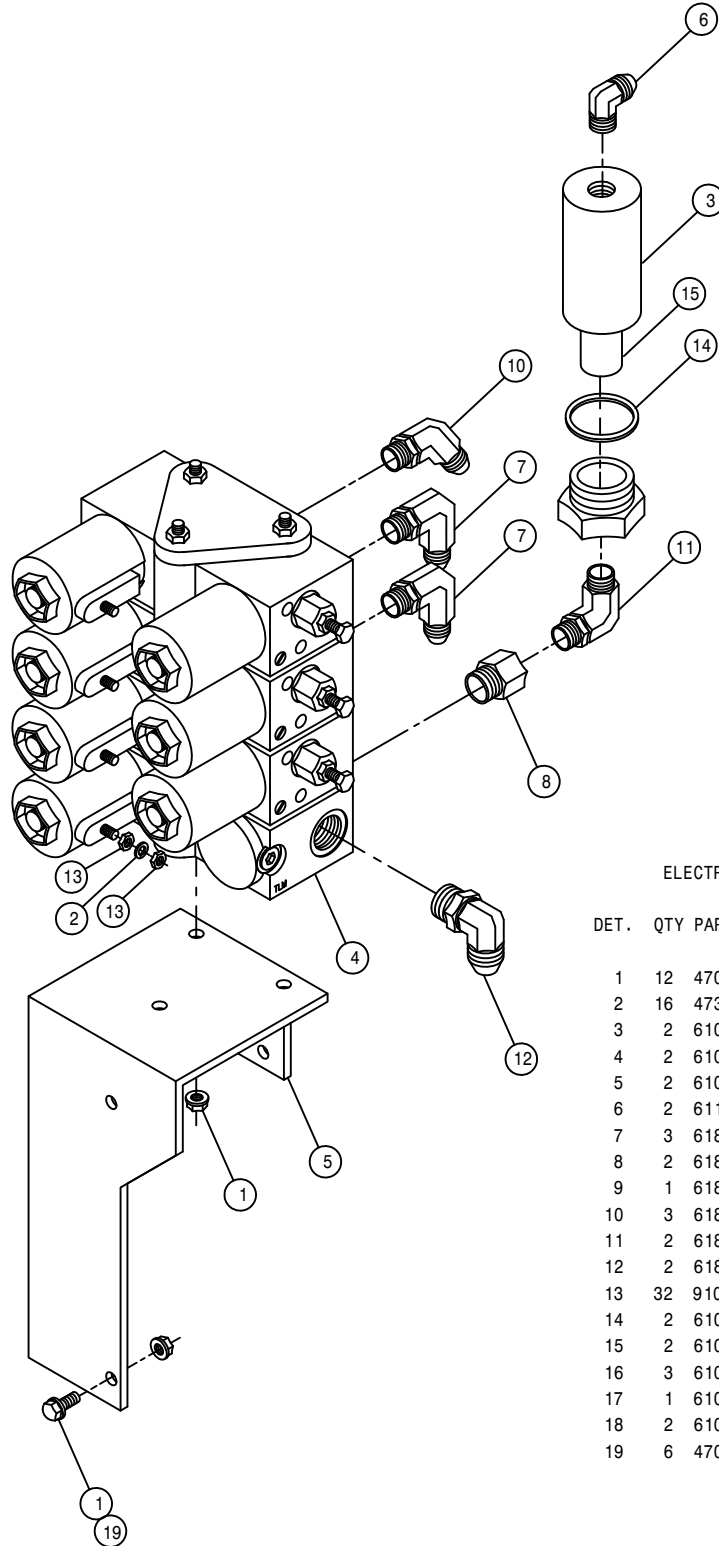
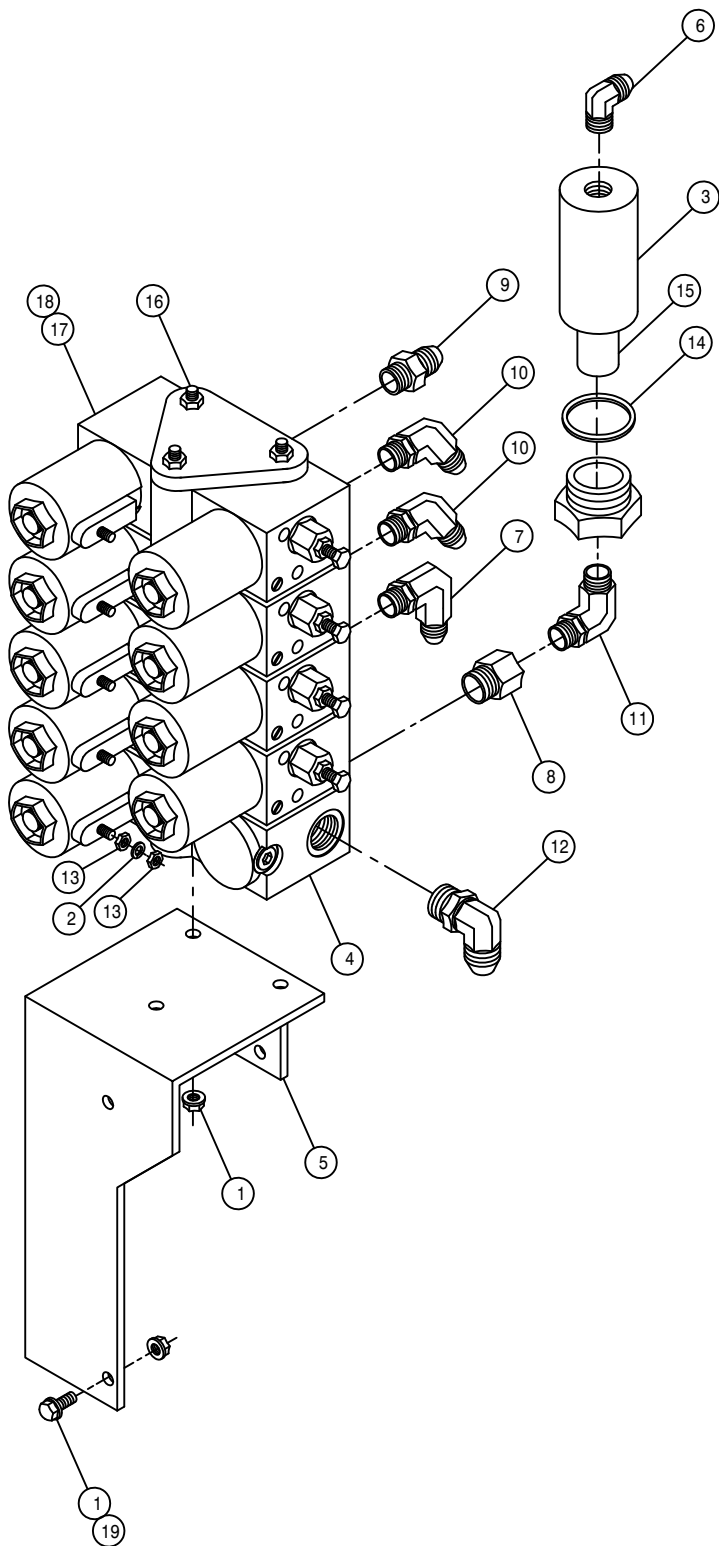
ITEM 8 IS USED WITH THE 2-LIFT OPTION.



THREE SPOOL VALVE 4-LIFT ASSEMBLY

DET. QTY PART NO. DESCRIPTION

DET.	QTY	PART NO.	DESCRIPTION
	4	221001	CONN LINK CLIP TYPE RC50
	1	341706	VLV MT WLD 2-3SPL VLV 280 89
	1	341710	3SPL VLV LEVER PIVOT ROD 280
	8	470087	NUT, 3/8UNC WHIZ LOC
	6	903708	MACH SCR 1/4-20X1/2 PHIL PNHD
	4	659291	1 DIA BALL KNOB 3/8-16INSERT
	2	606585	CESSNA 3SPL VALVE W/O RELIEF
	4	610185	9/16MOR PLUG
	4	615336	LINK, VALVE HANDLE, 2.35PL
	4	615337	HANDLE, 2-3SPL VALVE, 647
	3	618119	9/16MJIC-90-9/16MOR LBO
	8	618126	9/16MJIC-9/16MOR ADPTR
	4	920000	1/4 FLAT WASH SAE
	1	618440	9/16MJIC-90-9/16MOR EX LG LBO
	2	914004	3/8 UNC STOVER NUT
	4	900007	1/4UNC X 2 HEX BOLT
	4	914000	1/4 UNC STOVER NUT

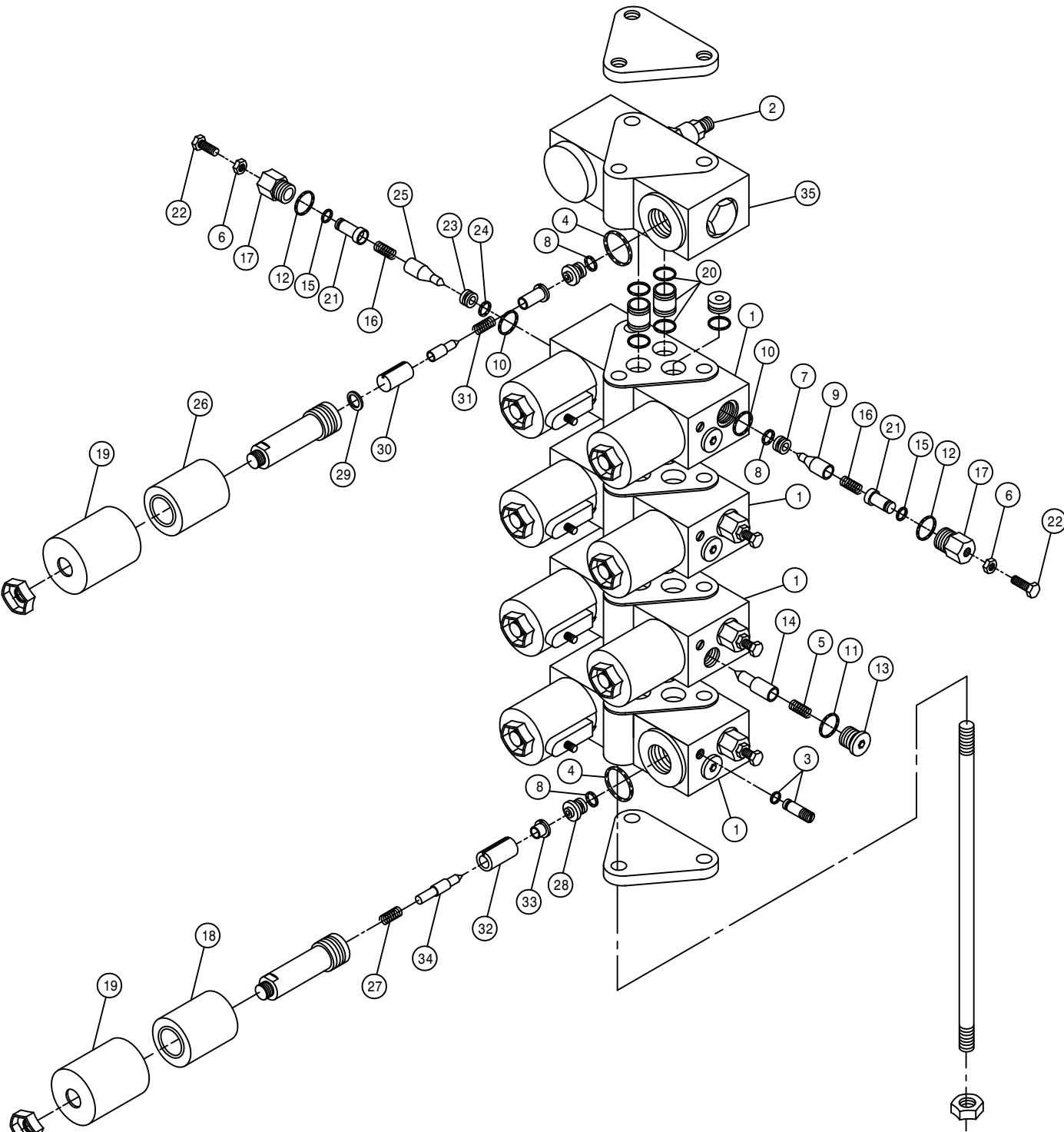


ELECTROHYDRAULIC VALVE ASSEMBLY

DET. QTY PART NO. DESCRIPTION

1	12	470121	1/4-20 FLANGED WHIZ NUT
2	16	473821	WASHER, INT TOOTH #10
3	2	610447	HYD FILTER, INLINE 1/4FNPT 90M
4	2	610532	ELECT HYD STACK VLV W/ADJ 89
5	2	610541	200 ELECT T-TROL VLV MT WLD89
6	2	611122	9/16MJIC-90-1/4MNPT LBO
7	3	618119	9/16MJIC-90-9/16MOR LBO
8	2	618170	3/4MOR-9/16FOR ADPTR
9	1	618126	9/16MJIC-9/16MOR ADPTR
10	3	618425	9/16MJIC-45-9/16MOR LBO
11	2	618562	9/16MOR-90-1/4MNPT LBO
12	2	618600	9/16MJIC-90-7/8MOR LBO
13	32	910027	HEX NUT NO 10-32
14	2	610462	GASKET FOR 610447 ARROW FILT
15	2	610459	FILTER ELEMENT FOR 610447 90M
16	3	610527	TIE ROD- 4 SECTION ELECT VLV
17	1	610533	UNBALANCED LOAD VALVE 89
18	2	610534	THRU TUBE ASSY ELEC VLV 89
19	6	470118	1/4UNC X 3/4 HEX BOLT FLG LOC

37



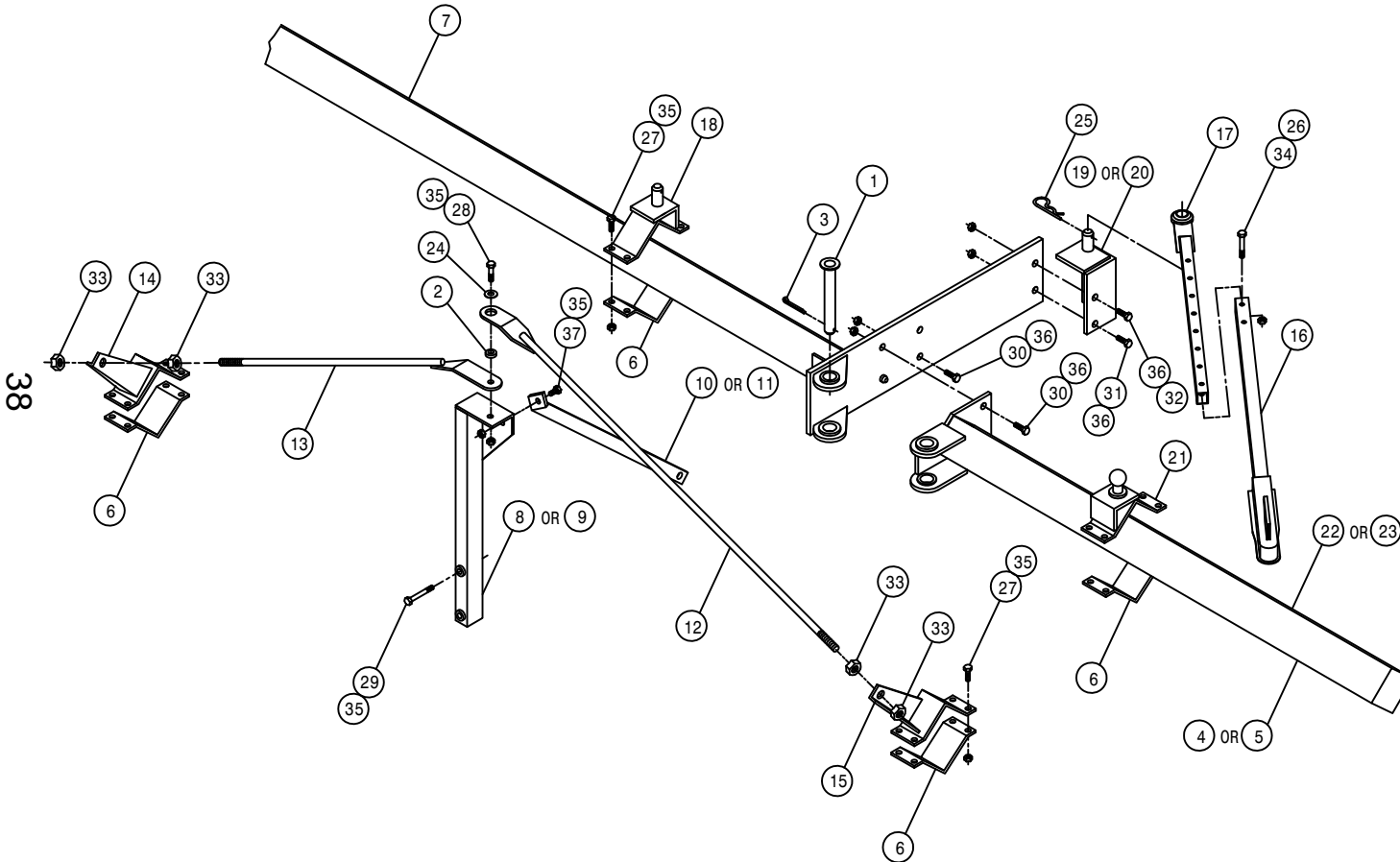
ELECTROHYDRAULIC VALVE

DET.	QTY	PART NO.	DESCRIPTION		
	1	4	610533	UNBALANCED LOAD VALVE	89
	2	1	610551	R.V. CARTRIDGE FOR 610532	90
	3	8	610267	SEAL PLUG ASSY FOR 610257	
	4	9	871019	ORING, 13/16 X 15/16 NEO 90D	
	5	4	610491	SPRING AM-501-3-035 FOR610485	
	6	8	910000	1/4UNC HEX NUT	
	7	4	610488	ORIFICE PRESSED IN BLACK	
	8	13	871010	ORING 1/4 X 3/8 VITON 90D	
	9	4	610129	POPPET,ELECT VALVE,UNBAL LOAD	
	10	8	870013	ORING, 7/16 X 9/16 NEO 70D	
	11	4	871904	ORING, .351 X .072CS NEO 90D	
	12	8	871906	ORING, .468ID X .078CS NEO 90D	
	13	4	610130	PLUG, SAE4,ELECT VALVE,UNBAL	
	14	4	610489	CHECK VLV POPPET	
	15	8	871008	O-RING 3/16 X 5/16 90D	
	16	8	610492	SPRING AM-570-3-126 FOR610485	
	17	8	610453	VLV CAP	
	18	8	610493	COIL FOR 610485	86
	19	9	610113	COVER, ELECT VALVE, NON ADJ	
	20	8	610534	THRU TUBE ASSY ELEC VLV	89
	21	8	610452	ADJ VLV STOP	
	22	8	900003	1/4UNC X 1" HEX BOLT	
	23	4	610494	ORIFICE FOR 610485	
	24	4	871056	O-RING	90D
	25	4	610495	POPPET FOR 610485AM-570-3-654	
	26	1	610076	COIL, ELECT STACK VALVE	
	27	8	610127	SPRING,ELECT VALVE,UNBAL LOAD	
	28	8	610108	ORIFICE 040, ELECT VALVE	
	29	1	610084	WASHER, ELECT-HYD VALVE	
	30	1	610112	ARMATURE, ELECT VALVE	
	31	1	610110	SPRING, ELECT VALVE, NON ADJ	
	32	8	610126	ARMATURE, ELECT VALVE, UNBAL	
	33	8	610133	POLE PIECE,ELECT VALVE, UNBAL	
	34	8	610490	POPPET FOR 610485AM-501-3-033	
	35	1	610679	UNLOAD RELIEF VALVE	

4-6-8 ROW OUTRIGGER ASSEMBLY

DET. QTY PART NO. DESCRIPTION

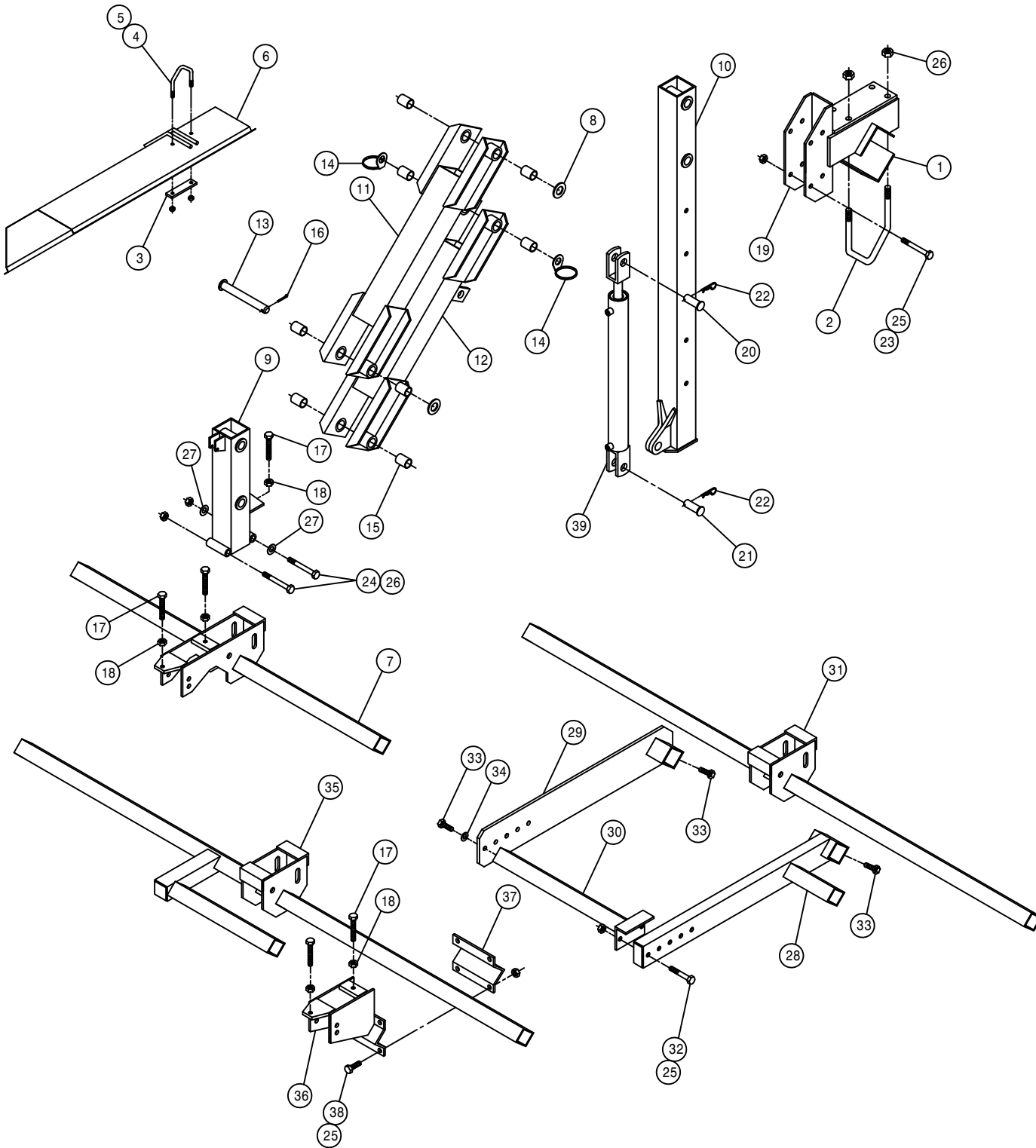
1	1	438283	OUTRGR PIVOT PIN WLD 8200	86
2	1	438320	BUSH 1.00 OD X .531ID X.28LG	
3	1	470117	COTTER PIN 3/16 1 3/4 SQ CUT	
4	1	438307	RH 75IN OUTRGR WLD8200-850086	
5	1	438309	LH 75IN OUTRGR WLD8200-850086	
6	4	438324	75IN OUTRGR BRACE CLAMP	
7	1	438344	200 TOOL BAR WLD	89
8	1	438349	RH OUTRGR SUPP POST WLD200	89
9	1	438350	LH OUTRGR SUPP POST WLD200	89
10	1	438355	RH OUTRGR SUPP BRACE 200	89
11	1	438356	LH OUTRGR SUPP BRACE 200	89
12	1	438357	OUTRGR SUPP ROD WLD 200	89
13	1	438359	OUTRGR TIE BAR WLD 200	89
14	1	438362	RH OUTRGR CLAMP WLD 200	89
15	1	438363	LH OUTRGR CLAMP WLD 200	89
16	1	438390	OUTER STABILIZER TUBE WLD	90
17	1	438393	INNER STABILIZER TUBE WLD	90
18	1	438397	STABILIZER PIN MT WLD	90
19	1	438400	RH STABILIZER PIN MT WLD	90
20	1	438403	LH STABILIZER PIN MT WLD	90
21	1	438405	STABILIZER BALL MT WLD	90
22	1	438277	RH 32IN OUTRGR WLD8200-850086	
23	1	438282	LH 32IN OUTRGR WLD8200-850086	
24	1	483041	1/2 REGULAR FLAT WASH PLT	
25	1	611016	HAIR PIN #6	
26	2	900133	3/8UNC X 2 HEX BOLT	
27	16	900265	1/2UNC X 1 1/2 HEX BOLT	
28	1	900266	1/2UNC X 1 3/4 HEX BOLT	
29	2	900271	1/2UNC X 3 1/4 HEX BOLT	
30	3	900334	5/8UNC X 1 3/4 HEX BOLT	
31	1	900336	5/8UNC X 2 1/2 HEX BOLT	
32	1	900352	5/8UNC X 2 1/4 HEX BOLT	
33	4	910010	5/8UNC HEX NUT	
34	2	914004	3/8UNC HEX STOVER NUT	
35	20	914008	1/2UNC HEX STOVER NUT	
36	5	914010	5/8UNC HEX STOVER NUT	
37	1	900264	1/2UNC X 1 1/4 HEX BOLT	

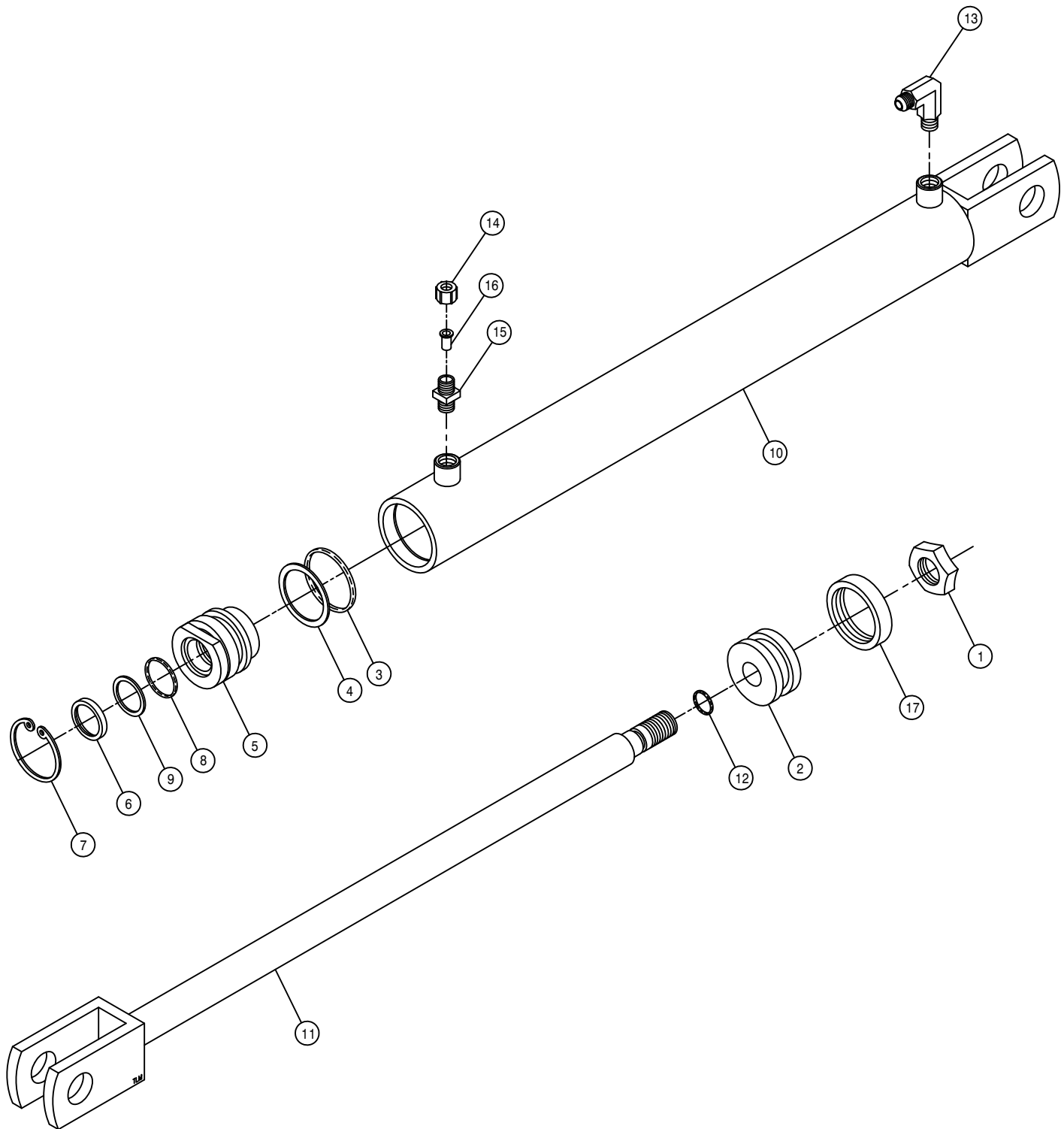


DETASSLER LIFT ASSEMBLY

DET. QTY PART NO. DESCRIPTION

1	1	438292	TOOL BAR V-PLT WLD 8200	86
2	2	438293	5/8UNC X 6 1/4 CTR UBOLT TRI	
3	1	410051	U BOLT CLAMP CENTER DEFLECTOR	
4	1	410052	5/16UNC X 3 CTR UBOLT TRIBEND	
5	2	914002	5/16 UNC STOVER NUT	
6	1	410048	CENTER DEFLECTOR WLD 473	
7	1	438194	TOOL BAR WLD DETAS 4-6R 83	
8	2	200004	CARRIAGE PIVOT PIN WASHER	
9	1	438177	TOOL BAR MT WLD DETAS 83	
10	1	438184	HOIST COL WLD DETAS LIFT 83	
11	1	438294	UPPER LIFT ARM WLD 8200	86
12	1	438297	LWR LIFT ARM WLD 8200	86
13	4	438300	LIFT ARM PIVOT PIN WLD8200	86
14	2	438302	HOSE SUPPORT RING WLD W/WASHER	
15	8	121025	JOURNAL BRG FOR 1IN SHFT1.5LG	
16	4	470162	COTTER PIN 3/16 X 1 1/2	
17	5	900538	1/2UNC X 3 1/2 HEX BOLT FULL	
18	5	910008	1/2 UNC HEX NUT	
19	1	438367	HOIST COL MT BRKT WLD 200 90	
20	1	472012	PICKER PIN 1 X 3 1/4	
21	1	472206	PICKER PIN 1 DIA X 2 1/4	
22	2	611016	HAIR PIN #6	
23	4	900275	1/2UNC X 4 1/2 HEX BOLT	
24	2	900343	5/8UNC X 4 1/2 HEX BOLT	
25	10	914008	1/2 UNC STOVER NUT	
26	6	914010	5/8 UNC STOVER NUT	
27	2	920005	5/8 FLAT WASH SAE	
28	1	438209	8R PLR OUTER MT ARM WLD 8200	
29	1	438214	8R PLR INNER MT ARM WLD 8200	
30	1	438216	8R PLR MT WLD 8200 83	
31	1	438220	8R TIRE PLR TOOL BAR WLD 83	
32	2	900268	1/2UNC X 2 1/2 HEX BOLT	
33	3	900263	1/2UNC X 1 HEX BOLT	
34	1	920504	LOCK WASH 1/2	
35	1	438201	TOOL BAR WLD 8R DETAS 83	
36	1	438199	T-TROL MT WLD 8R DETAS 83	
37	1	410016	RLR HANGER V 473	
38	4	900265	1/2UNC X 1 1/2 HEX BOLT	
39	1	620900	CYL ASSY CC2016 D00 SRG 180	



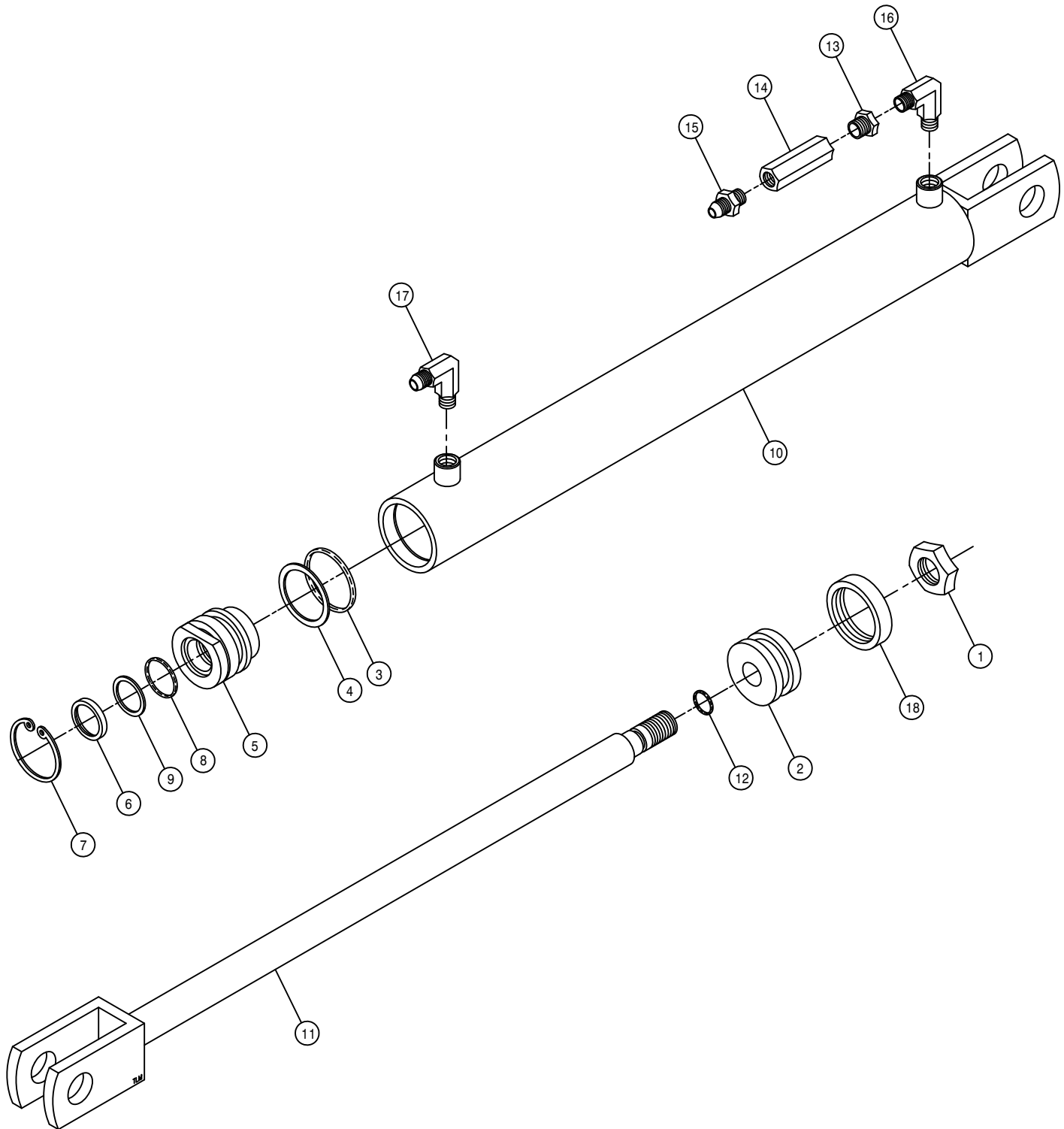


LIFT CYLINDER ASSEMBLY WITH T-TROL

DET.	QTY	PART NO.	DESCRIPTION
	1	472297	3/4UNF HEX STOVER NUT THIN
	2	620081	PISTON 2 X 1 ZAMAC ORING TYPE
	3	870326	BUNA ORING 1 5/8 X 2
	4	890326	BACKUP WASH 1 5/8 X 2 LEATH
	5	620082	GLAND 2 IN X 1 IN ZAMAC
	6	629003	WIPER 1 X 1 1/4 X 1/8
	7	629505	SNAP RING 2 IN INTRN
	8	870214	BUNA ORING 1 X 1 1/4
	9	890214	BACKUP WASH 1 X 1 1/4 HT2022
	10	620901	TUBE WLD CC2016 D00 SRG 180
	11	620905	SHAFT WLD CC2016 D00 SRG180
	12	870113	BUNA ORING 9/16 X 3/4
	13	611122	9/16MJIC-90-1/4MNPT LBO
	14	500005	CAP NUT .688FPS NYLON
	15	737810	NOZL BODY .25NPT NYLON MALE
	16	738859	STRAINER 50 MESH NYLON
	17	860326	CROWN SEAL, 2" PISTON, HYD

NOTE: 620900 - LIFT CYLINDER INCLUDES ITEMS 1-12.  
620083 - SEAL KIT



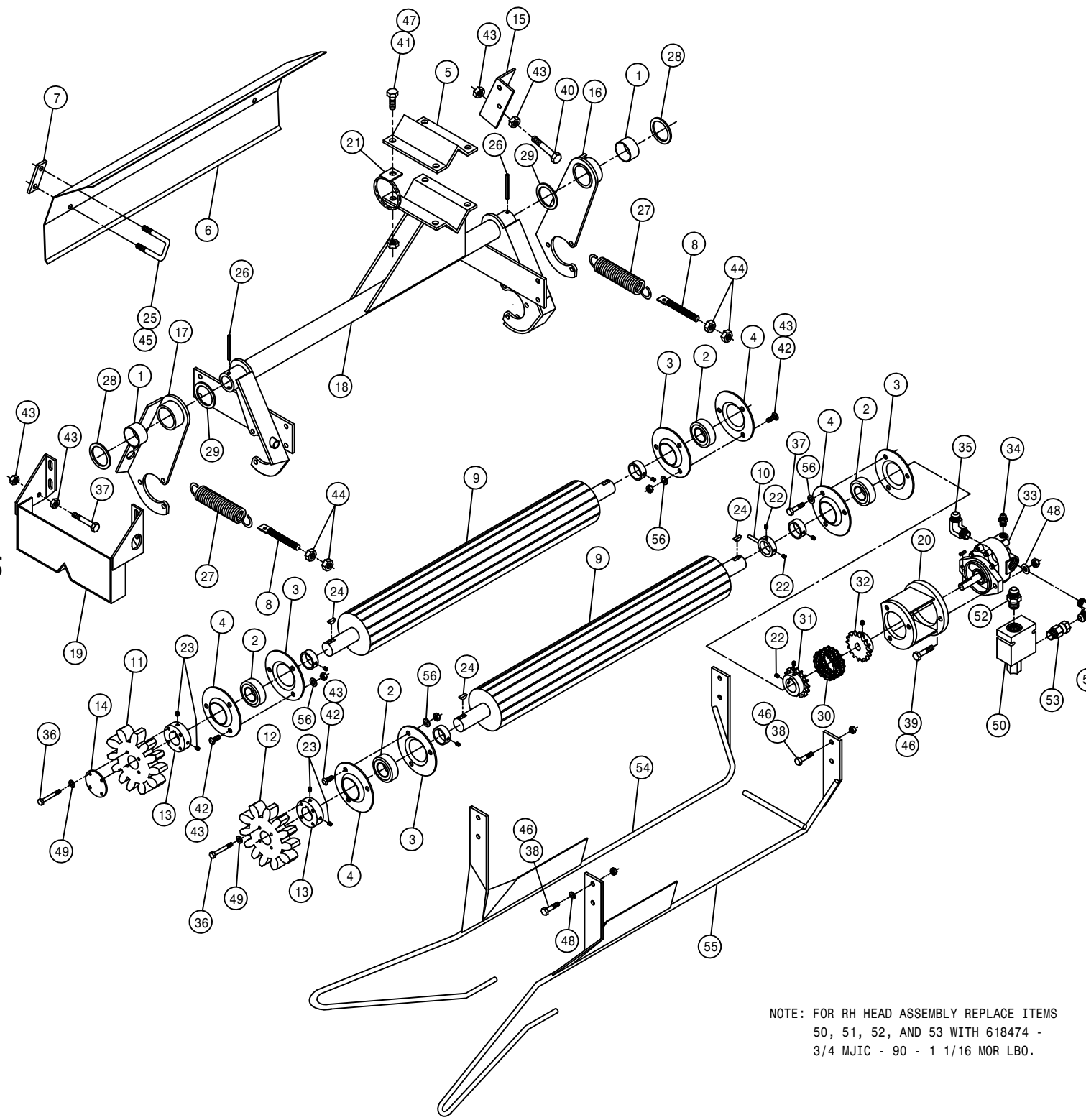


LIFT CYLINDER ASSEMBLY WITHOUT T-TROL

DET.	QTY	PART NO.	DESCRIPTION
	1	472297	3/4UNF HEX STOVER NUT THIN
	2	620081	PISTON 2 X 1 ZAMAC ORING TYPE
	3	870326	BUNA ORING 1 5/8 X 2
	4	890326	BACKUP WASH 1 5/8 X 2 LEATH
	5	620082	GLAND 2 IN X 1 IN ZAMAC
	6	629003	WIPER 1 X 1 1/4 X 1/8
	7	629505	SNAP RING 2 IN INTRN
	8	870214	BUNA ORING 1 X 1 1/4
	9	890214	BACKUP WASH 1 X 1 1/4 HT2022
	10	620901	TUBE WLD CC2016 D00 SRG 180
	11	620905	SHAFT WLD CC2016 D00 SRG180
	12	870113	BUNA ORING 9/16 X 3/4
	13	503000	RED BUSH 1/2 TO 1/4 BLK MAL
	14	610449	RESTRICTOR .062 1 WAY 1/2NPTF
	15	618018	9/16MJIC-1/2MNPT ADPTR
	16	618571	1/4MNPT-90-1/4MNPT LBO
	17	611122	9/16MJIC-90-1/4MNPT LBO
	18	860326	CROWN SEAL, 2" PISTON, HYD

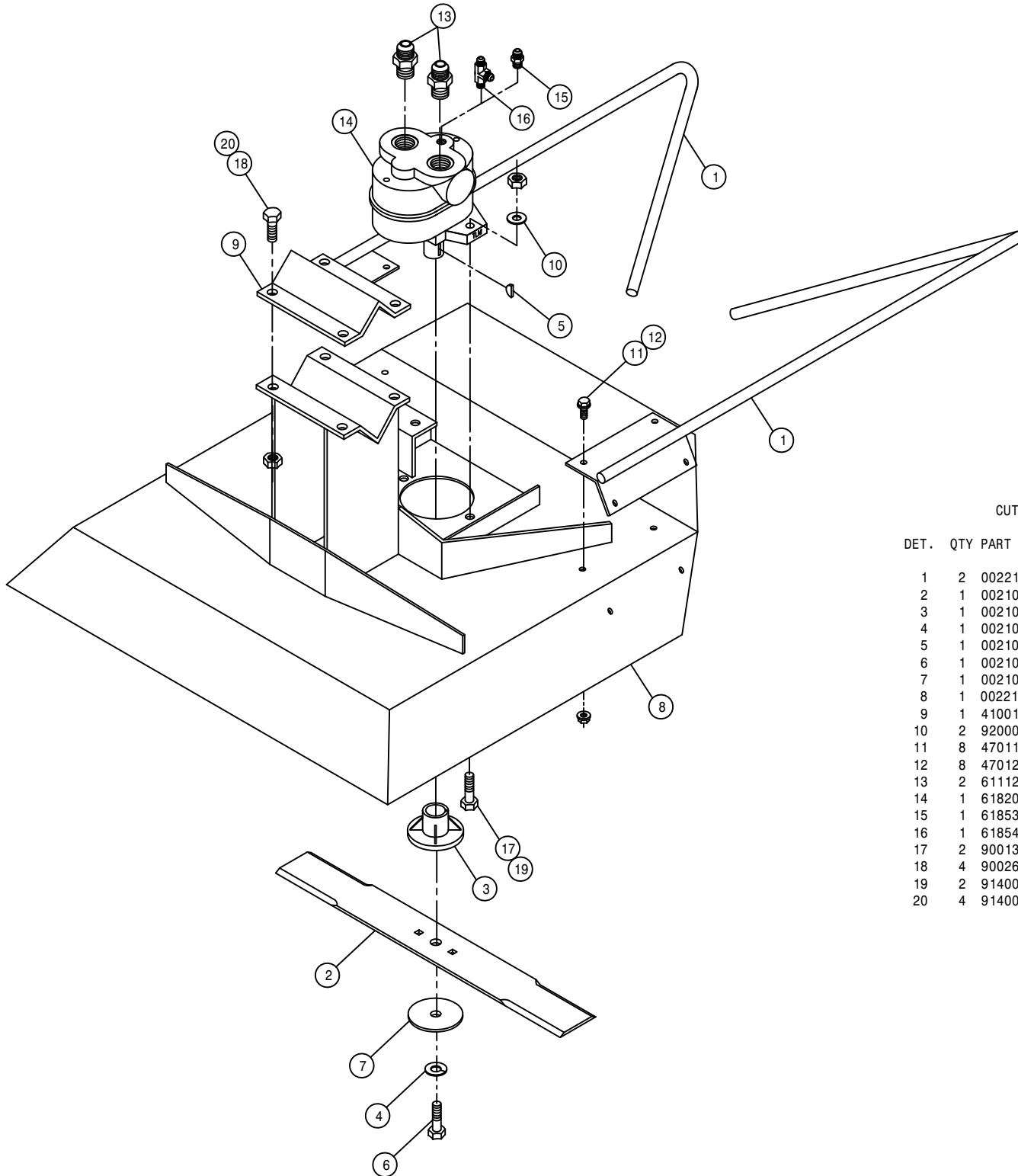
NOTE: 620900 - LIFT CYLINDER INCLUDES ITEMS 1-12.  
 620083 - SEAL KIT  
 614649 - 1-WAY RESTRICTOR ASSEMBLY INCLUDES 13-16

ROLLER PULLER HEAD ASSEMBLY



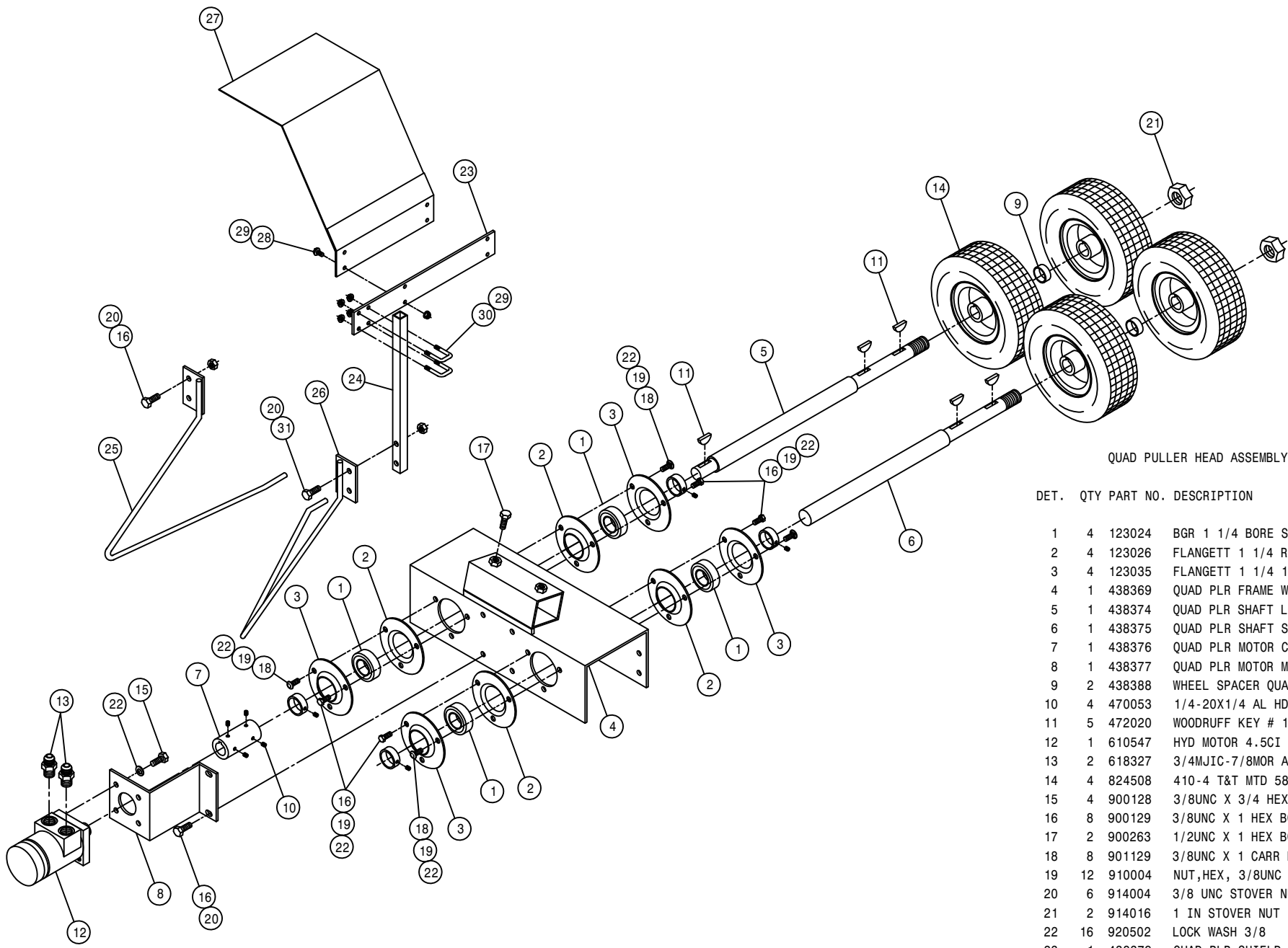
DET.	QTY	PART NO.	DESCRIPTION
	1	2	120913 BUSH HALF 1.8750D X 1LG
	2	4	123024 BGR 1 1/4 BORE SPHERICL RELUB
	3	4	123026 FLANGETT 1 1/4 RELUBE
	4	4	123035 FLANGETT 1 1/4 180 DEG ZERK
	5	1	410016 RLR HANGER V 473
	6	1	410028 RLR TASSLE DEFLECTOR
	7	2	410029 U BOLT CLAMP 473
	8	2	410032 SPRING HOOK BOLT WLD 473
	9	2	410060 RUBBER ROLLER, GROOVED 78
	10	1	410063 TRASH FINGER WLD 473 1978
	11	1	410065 GEAR PLASTIC RLR 473 78
	12	1	410066 GEAR, ALUM RLR 473 78
	13	2	410067 HUB, RLR GEAR 473 1978
	14	1	410069 WASHER, PLASTIC GEAR, ROLLER
	15	1	410078 STOP RLR REAR
	16	1	410084 BRG MT WLD, RLR
	17	1	410090 BRG MT WLD FT
	18	1	410120 RLR PLR TUBE WLD 83
	19	1	410145 RLR SPRKT SHLD WLD
	20	1	410166 CES MTR MT WLD 8200 RLR 89
	21	1	438303 HOSE KPR RING WLD W/TAB
	22	3	470054 SET SCREW 5/16X 1/4 AL HD CUP
	23	4	470156 1/4-20 X 3/4 SQHD SET SCR CUP
	24	3	472000 91 WOODRUFF KEY
	25	2	472264 5/16UNC-1 3/4ID-2 15/16 UBOLT
	26	2	473945 ROLL PIN, 1/4DIA X 2 1/2 LONG
	27	2	482006 SPRING FOR 473 ROLLER4IN LONG
	28	2	483008 MACH WASH 1 13/16ID 2 3/8OD
	29	2	483009 MACH WASH 1 13/16ID X 2 3/8OD
	30	1	492084 CHAIN FOR 492083 4016
	31	1	492091 CHAIN CPLR 1 1/4 BORE .25 KWY
	32	1	492092 CHAIN CPLR 5/8 BORE 5/32 KWY
	33	1	610510 CESSNA GEAR MOTOR 1.48CI
	34	1	611121 9/16MJIC-1/4MNPT ADPTR
	35	1	618474 3/4MJIC-90-1 1/16MOR LBO
	36	8	900006 1/4UNC X 1 3/4 HEX BOLT
	37	4	900129 3/8UNC X 1 HEX BOLT
	38	8	900130 3/8UNC X 1 1/4 HEX BOLT
	39	2	900131 3/8UNC X 1 1/2 HEX BOLT
	40	1	900134 3/8UNC X 2 1/2 HEX BOLT
	41	4	900265 1/2UNC X 1 1/2 HEX BOLT
	42	9	901129 3/8UNC X 1 CARR BOLT
	43	13	910004 NUT, HEX, 3/8UNC GRS PLT
	44	4	910008 1/2 UNC HEX NUT
	45	4	914002 5/16 UNC STOVER NUT
	46	10	914004 3/8 UNC STOVER NUT
	47	4	914008 1/2 UNC STOVER NUT
	48	6	920002 WASH FLAT 3/8 SAE
	49	8	920500 LOCK WASH 1/4
	50	1	610528 PRESS COMP FIXED FLO REG 11G
	51	1	618248 1 1/16MJIC-90-1 1/16MOR LBO
	52	1	618469 3/4MJIC-1 1/16MOR ADPTR
	53	1	618578 1 1/16FJIC SWIV-1 1/16MOR
	54	1	410153 RH STALK GUIDE WLD 8200 RLR86
	55	1	410155 LF STALK GUIDE WLD 8200 RLR86
	56	12	920502 3/8 LOCK WASHER

NOTE: FOR RH HEAD ASSEMBLY REPLACE ITEMS  
50, 51, 52, AND 53 WITH 618474 -  
3/4 MJIC - 90 - 1 1/16 MOR LBO.



CUTTER HEAD ASSEMBLY

DET.	QTY	PART NO.	DESCRIPTION
1	2	002215	CUTR STALK GUIDE WLD 8200 85
2	1	002103	CUTR BLADE 18 IN
3	1	002104	CLUTCH BODY BLADE
4	1	002105	STEEL LOCK WASH CUTR BLADE
5	1	002106	WOODRUFF KEY #6 .156 X .625
6	1	002107	3/8UNC X 1 1/2 HEX BOLT CUTR
7	1	002108	STEEL WASHER CUTTER BLADE
8	1	002210	CUTR TOP WLD 8200 85
9	1	410016	RLR HANGER V 473
10	2	920002	3/8 SAE FLAT WASHER
11	8	470118	1/4UNC X 3/4 FLANGE HEX BOLT
12	8	470121	1/4UNC HEX FLANGE LOCK NUT
13	2	611125	3/4MJIC-3/4MOR ADPTR
14	1	618203	SUB>610590:BARNES HYD MOTOR
15	1	618530	9/16MJIC-1/8MNPT ADPTR
16	1	618546	1/8MNPT RUN TEE-9/16MJIC
17	2	900130	3/8UNC X 1 1/4 HEX BOLT
18	4	900265	1/2UNC X 1 1/2 HEX BOLT
19	2	914004	3/8UNC HEX STOVER NUT
20	4	914008	1/2UNC HEX STOVER NUT



QUAD PULLER HEAD ASSEMBLY

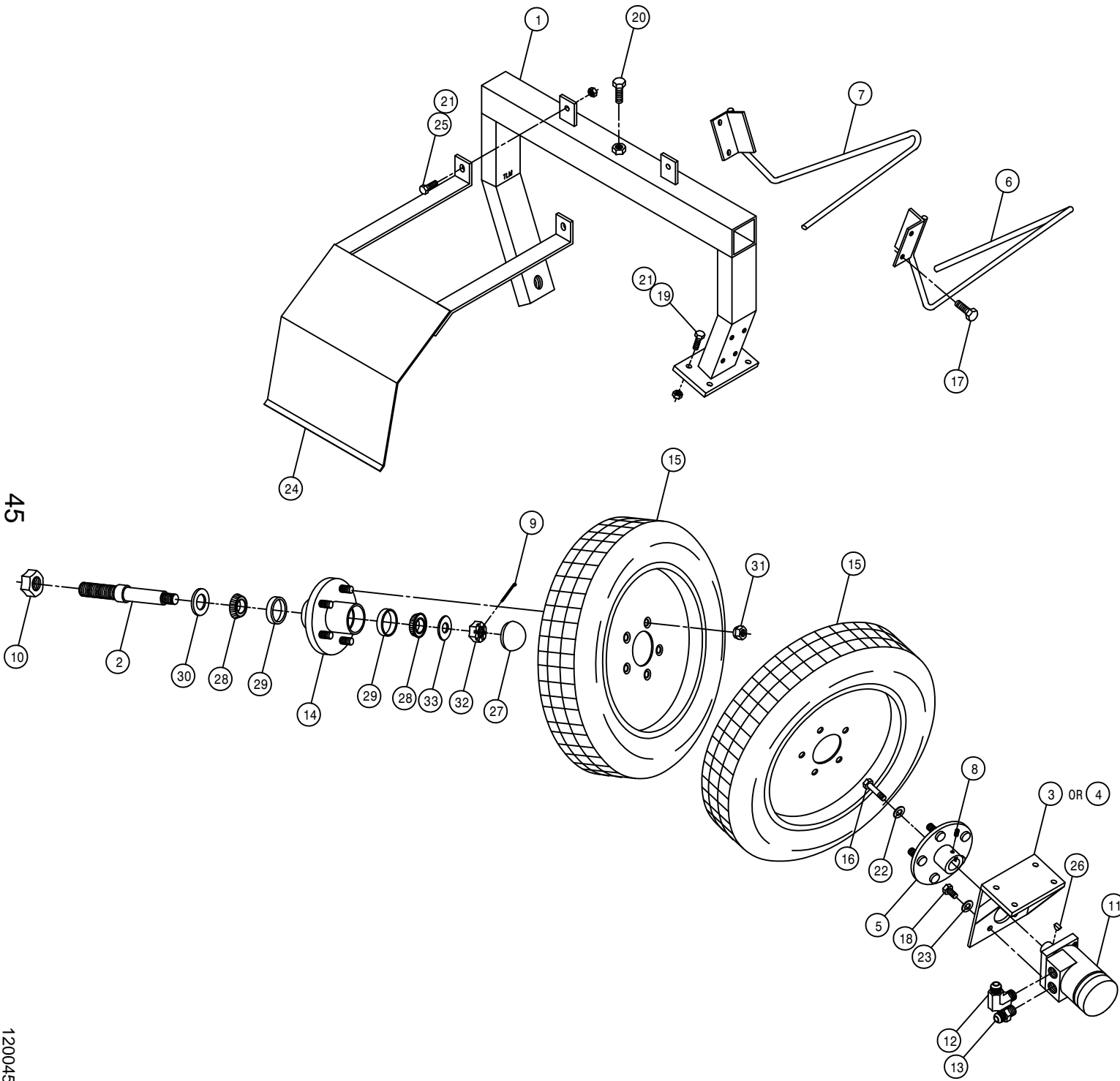
DET. QTY PART NO. DESCRIPTION

DET.	QTY	PART NO.	DESCRIPTION
1	4	123024	BGR 1 1/4 BORE SPHERICL RELUB
2	4	123026	FLANGETT 1 1/4 RELUBE
3	4	123035	FLANGETT 1 1/4 180 DEG ZERK
4	1	438369	QUAD PLR FRAME WLD 200 90
5	1	438374	QUAD PLR SHAFT LONG 200 90
6	1	438375	QUAD PLR SHAFT SHORT 200 90
7	1	438376	QUAD PLR MOTOR COUPLER 200 90
8	1	438377	QUAD PLR MOTOR MT 200 90
9	2	438388	WHEEL SPACER QUAD PLR 90
10	4	470053	1/4-20X1/4 AL HD SET SC CUP
11	5	472020	WOODRUFF KEY # 18 1/4 X 1 1/8
12	1	610547	HYD MOTOR 4.5CI 1IN SHFT
13	2	618327	3/4MJIC-7/8MOR ADPTR
14	4	824508	410-4 T&T MTD 5880 WHL W/8616
15	4	900128	3/8UNC X 3/4 HEX BOLT
16	8	900129	3/8UNC X 1 HEX BOLT
17	2	900263	1/2UNC X 1 HEX BOLT
18	8	901129	3/8UNC X 1 CARR BOLT
19	12	910004	NUT,HEX, 3/8UNC GRS PLT
20	6	914004	3/8 UNC STOVER NUT
21	2	914016	1 IN STOVER NUT
22	16	920502	LOCK WASH 3/8
23	1	438379	QUAD PLR SHIELD MT 200 90
24	1	438380	QUAD PLR SHIELD SUPPORT200 90
25	1	438381	RH QUAD PLR STALK GUIDE WLD90
26	1	438384	LH QUAD PLR STALK GUIDE WLD90
27	1	438413	QUAD PLR SHIELD WLD 200 90
28	4	470118	1/4UNC X 3/4 HEX BOLT FLG LOC
29	8	470121	1/4-20 FLANGED WHIZ NUT
30	2	473926	1/4UNC-3/4ID-1 1/4 UBLT SQ
31	2	900132	3/8UNC X 1 3/4 HEX BOLT

TIRE PULLER HEAD ASSEMBLY

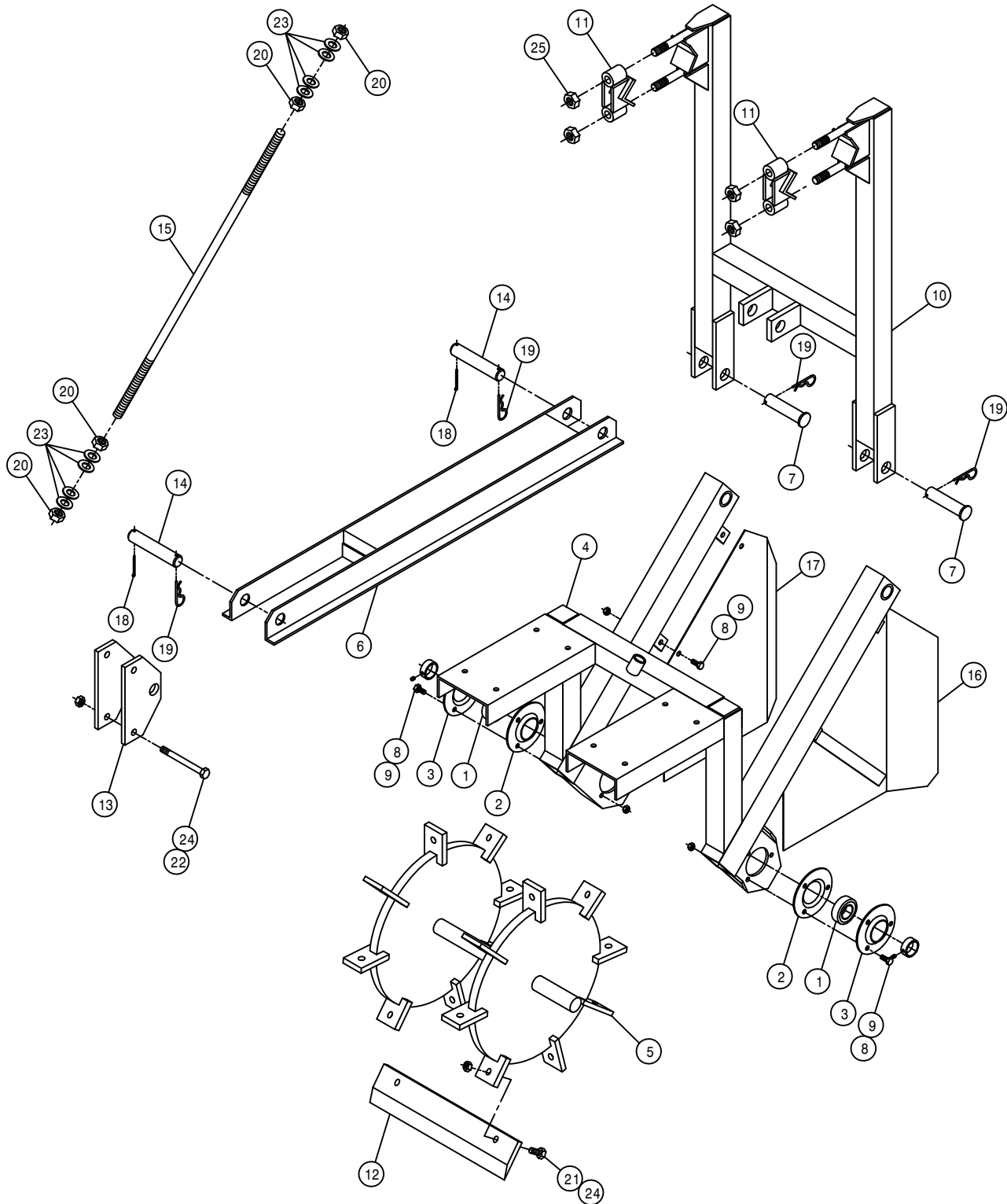
DET. QTY PART NO. DESCRIPTION

1	1	438000	TIRE PLR WLD 1977
2	1	438009	PLR SPINDLE
3	1	438010	HYD MTR HSNG MT WLD R H
4	1	438014	HYD MTR HSNG MT WLD LH
5	1	438015	HYD HUB WLD PLR
6	1	438048	PLR STALK GUIDE WLD
7	1	438050	INSIDE STALK GUIDE WLD
8	2	470053	1/4-20X1/4 AL HD SET SC CUP
9	1	472008	COTTER PIN 5/32X1LG
10	1	473060	1 IN 14 SAE HEX NUT UNPLATED
11	1	604005	ORBIT MOTOR A5E
12	1	611145	3/4MJIC-90-1/2MNPT LBO
13	1	611147	3/4MJIC-1/2MNPT ADPTR
14	1	824501	1 IN TAPER BRG HUB GROUP
15	2	824503	WHL W/480X12-B TIRE
16	1	900006	1/4UNC X 1 3/4 HEX BOLT
17	4	900064	5/16UNC X 3/4 HEX BOLT
18	4	900128	3/8UNC X 3/4 HEX BOLT
19	4	900130	3/8UNC X 1 1/4 HEX BOLT
20	1	900263	1/2UNC X 1 HEX BOLT
21	6	914004	3/8 UNC STOVER NUT
22	1	920500	LOCK WASH 1/4
23	4	920502	LOCK WASH 3/8
24	1	438173	TIRE PLR SHLD WLD
25	2	900129	3/8UNC X 1 HEX BOLT
26	1	472022	NO. 15 WOODRUFF KEY 1/4 X 1
27	1	824507	DUST CAP FOR 824501P01
28	2	824504	BRG FOR 824501P01
29	2	824506	BRG CUP FOR 824501P01
30	1	824505	SEAL FOR 824501P01
31	10	824052	WHEEL STUD NUT 1/2-20X60DEG
32	1	129003	SPINDLE NUT
33	1	920006	3/4 FLAT WASH SAE



45

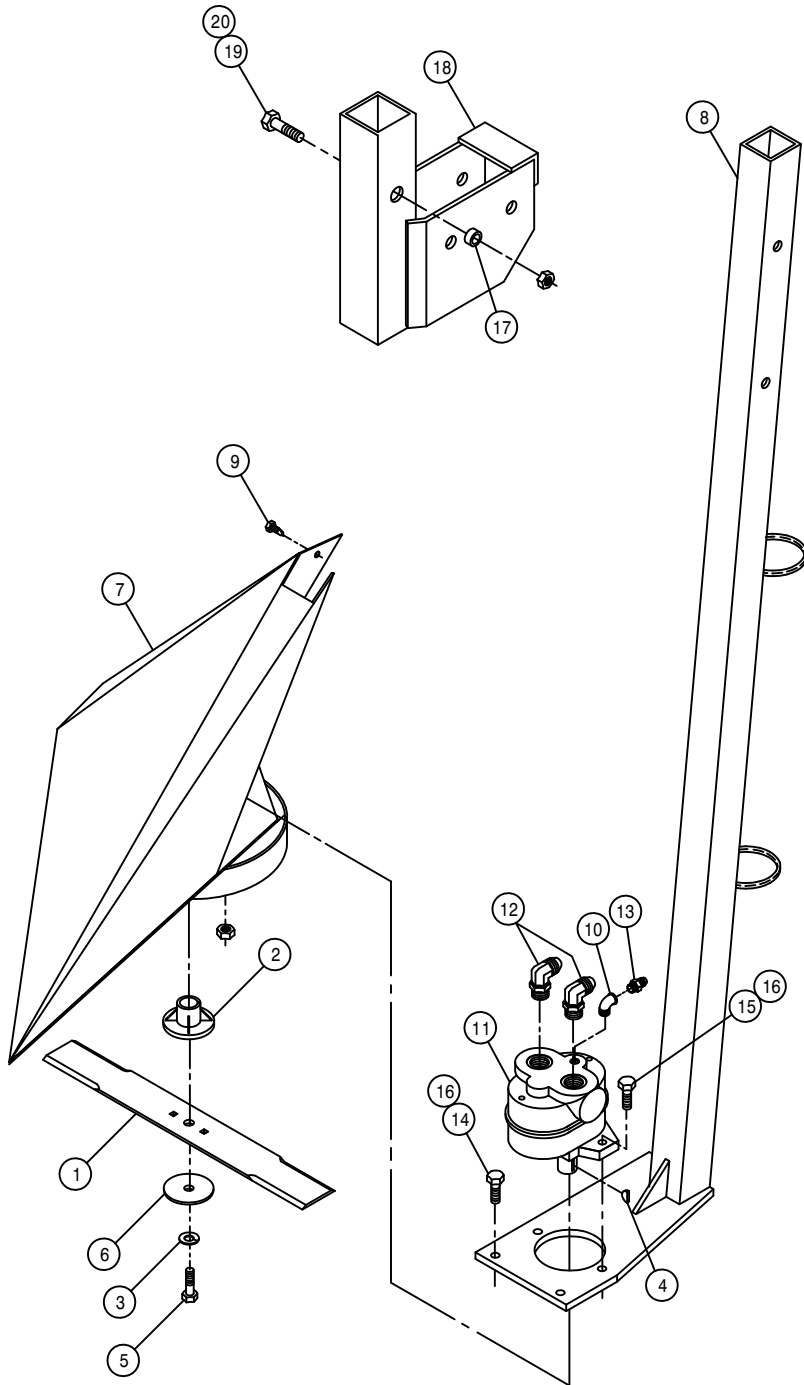
120045



MALE ROW CHOPPER ASSEMBLY

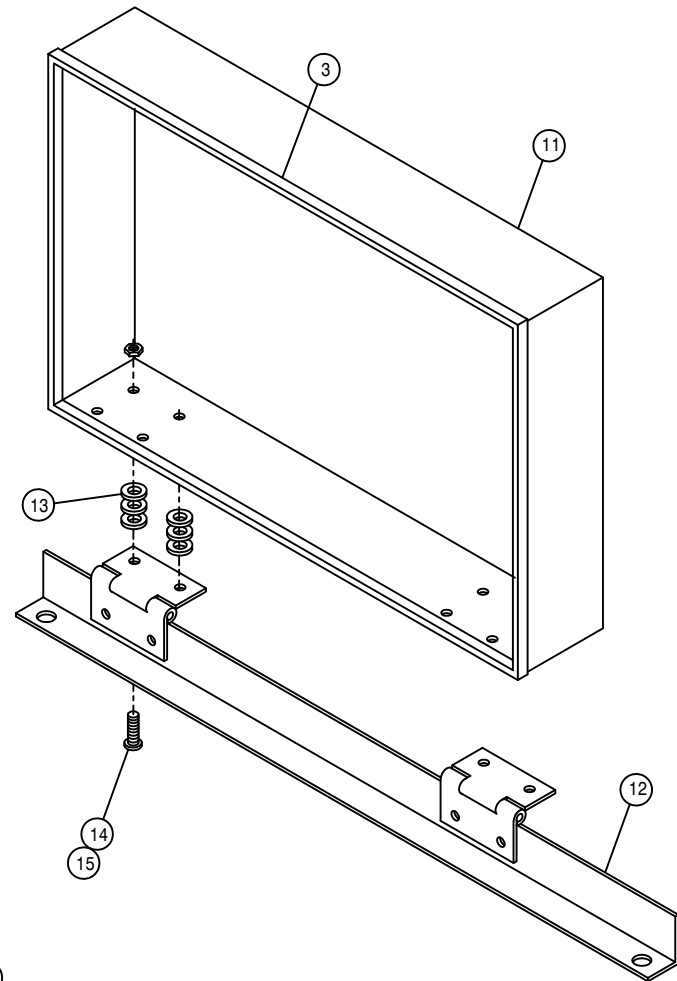
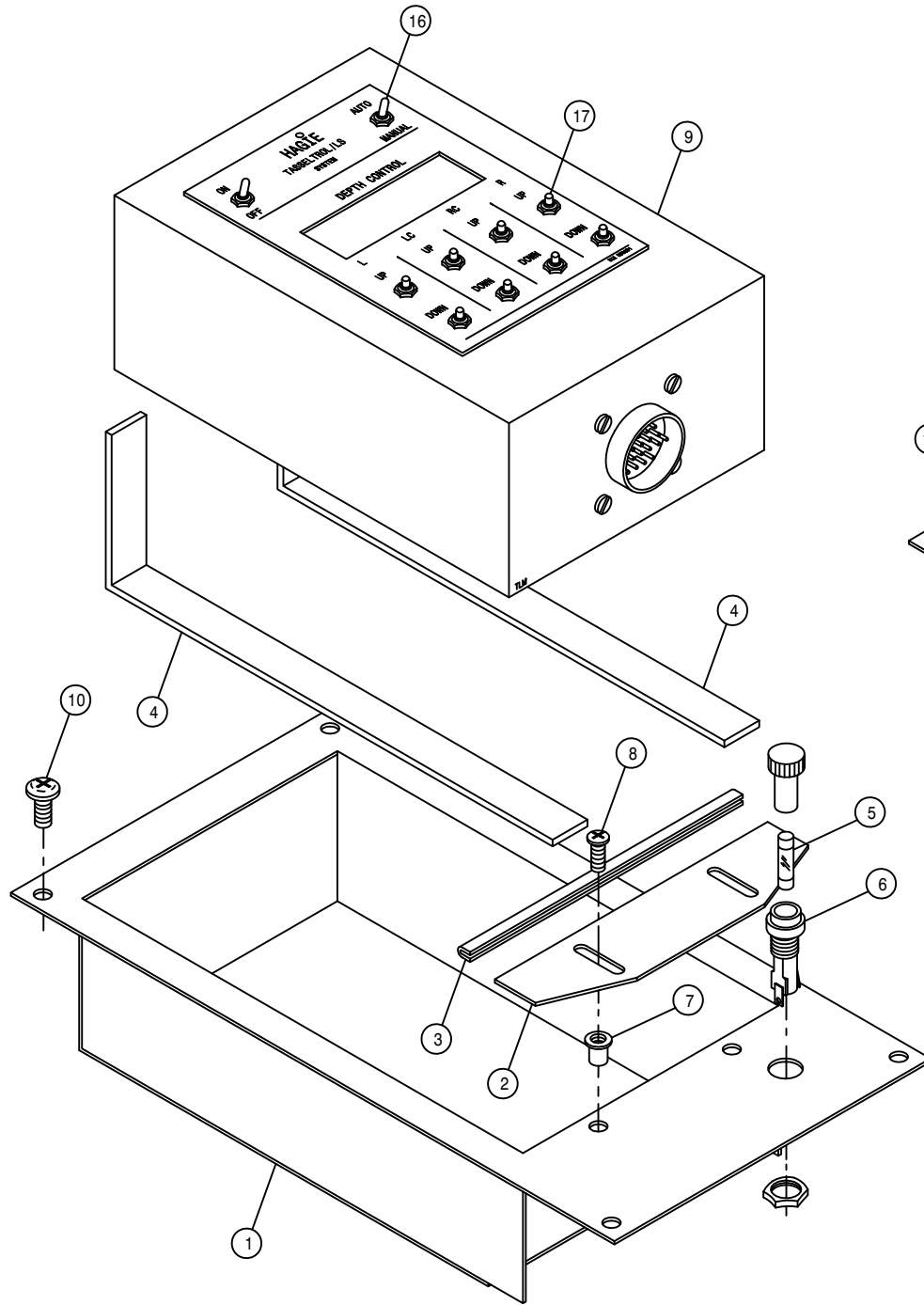
DET. QTY PART NO. DESCRIPTION

1	2	123024	BGR 1 1/4 BORE SPHERICL RELUB
2	2	123026	FLANGETT 1 1/4 RELUBE
3	2	123035	FLANGETT 1 1/4 180 DEG ZERK
4	1	270814	LWR FRAME WLD MALE ROW CHOP
5	1	270834	BLADE MT WHL WLD MALE CHOPPER
6	1	270839	LWR LIFT ARM WLD MALE CHOPPER
7	2	472012	PICKER PIN 1 X 3 1/4
8	10	900129	3/8UNC X 1 HEX BOLT
9	10	914004	3/8 UNC STOVER NUT
10	1	270824	UPR FRAME WLD MALE ROW CHOP
11	2	270833	TOOL BAR CLAMP WLD MALE CHOP
12	8	270838	CHOPPER BLADE 8131 STEEL TREA
13	2	270842	LWR LIFT ARM MTG PLT
14	2	270843	LIFT ARM PIN MALE ROW CHOPPER
15	1	270844	ADJ ROD MALE ROW CHOPPER
16	1	270845	RH SHLD WLD MALE ROW CHOPPER
17	1	270846	LH SHLD WLD MALE ROW CHOPPER
18	2	470117	COTTER PIN 3/16 X 1 3/4
19	4	611016	HAIR PIN #6
20	4	914012	3/4 UNC STOVER NUT
21	16	900265	1/2UNC X 1 1/2 HEX BOLT
22	2	900275	1/2UNC X 4 1/2 HEX BOLT
23	8	920006	3/4 FLAT WASH SAE
24	18	914008	1/2 UNC STOVER NUT
25	4	914010	5/8 UNC STOVER NUT



MALE CORN CUTTER ASSEMBLY

DET.	QTY	PART NO.	DESCRIPTION
1	1	002103	CUTR BLADE 18 IN
2	1	002104	CLUTCH BODY BLADE
3	1	002105	STEEL LOCK WASH CUTR BLADE
4	1	002106	WOODRUFF KEY #6 .156 X .625
5	1	002107	3/8UNF X 1 1/2 HEX BOLT CUTR
6	1	002108	STEEL WASHER CUTTER BLADE
7	1	270800	MALE CORN CUTR WLD
8	1	270805	MALE CORN CUTR DROP TUBE WLD
9	1	472349	1/4 X 3/4 20THD-IN TEK TYPE
10	1	500900	BLK PIPE ST EL 90DEG .125NPT
11	1	618203	BARNES FLUID MOTOR HYD CUTTER
12	2	618241	3/4MJIC-90-3/4MOR LBO
13	1	618530	9/16MJIC-1/8MNPT ADPTR
14	2	900129	3/8UNC X 1 HEX BOLT
15	2	900132	3/8UNC X 1 3/4 HEX BOLT
16	4	914004	3/8 UNC STOVER NUT
17	1	200015	ADJ TUBE SPACER3/40DX11GAX3/8
18	1	270809	MALE CUTR ADPTR BRKT WLD 83
19	1	900273	1/2UNC X 3 3/4 HEX BOLT
20	1	914008	1/2 UNC STOVER NUT



TASSELTROL/LS BOX CONTROL ASSEMBLY

DET.	QTY	PART NO.	DESCRIPTION
1	1	002773	T-TROL/LS CTRL BOX MT WLD 200
2	1	002776	T-TROL/LS CTRL BOX KPR 200
3	2	193011	EDGE GUARD, BLK
4	2	193037	STICKERTITE 1/8 X 3/4
5	1	291602	FUSE 10 AMP
6	1	298011	FUSE HOLDER
7	2	470165	#10-32 NUTSERT .020-.100 MATL
8	2	903710	MACH SCR 10-32X1/2 PHIL PANHD
9	1	293201	TASSELTROL/LS CTRL BOX ASSY
10	4	903708	MACH SCR 1/4-20X1/2 PHIL PNHD
11	1	002790	T-TROL/LS CTRL COVER
12	1	002791	T-T/LS CTRL COVER HINGE WLD
13	12	920011	WASHER, #6 SAE FLAT PLATED
14	4	473932	SCREW, SELF TAP 6/32 X 3/8PAN
15	4	910022	#6-32 HEX NUT
16	2	293256	SWITCH BOOT, TOGGLE, 1/4-40
17	8	293255	SWITCH BOOT,PUSHBUTTON,1/4-40

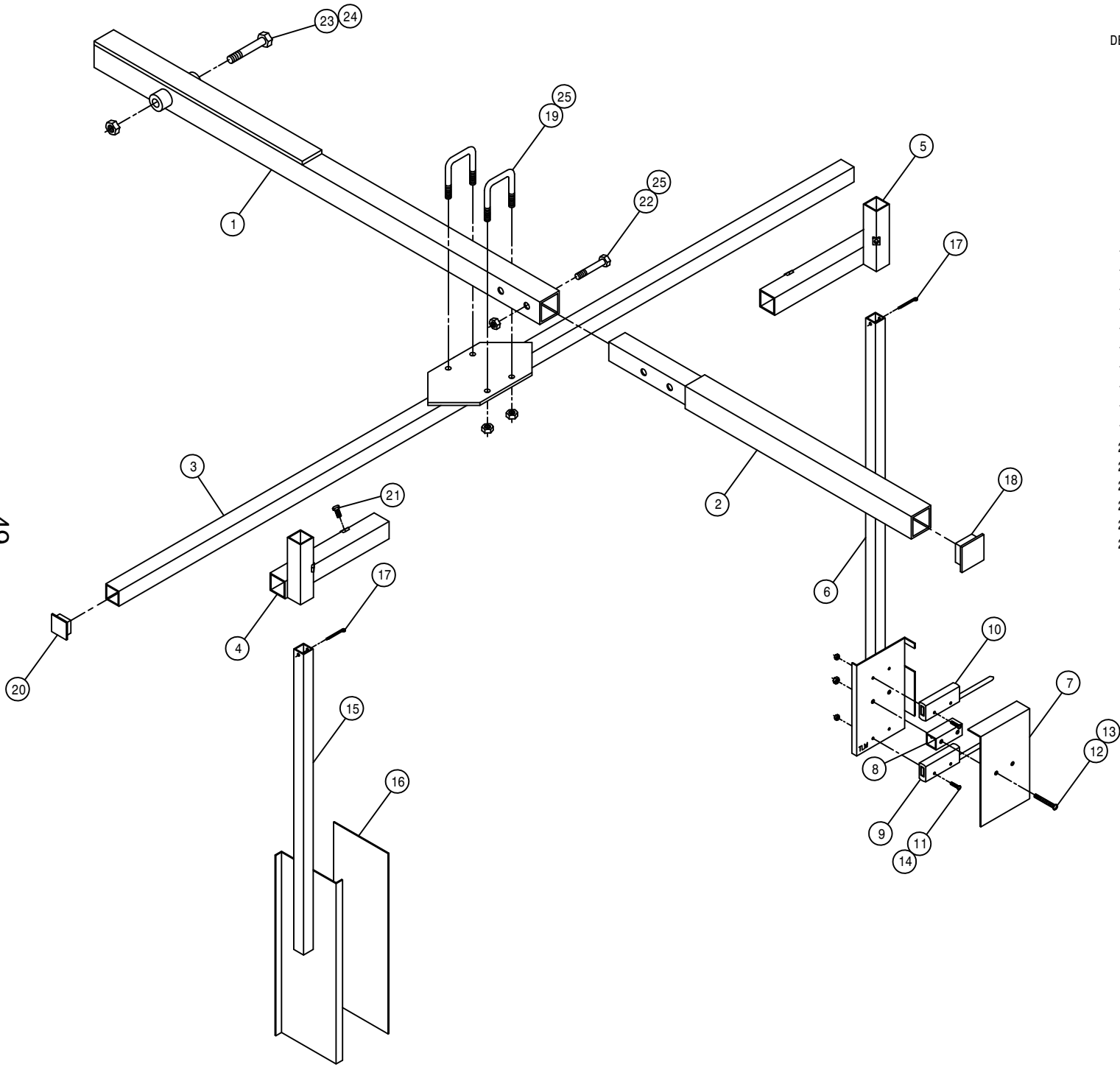


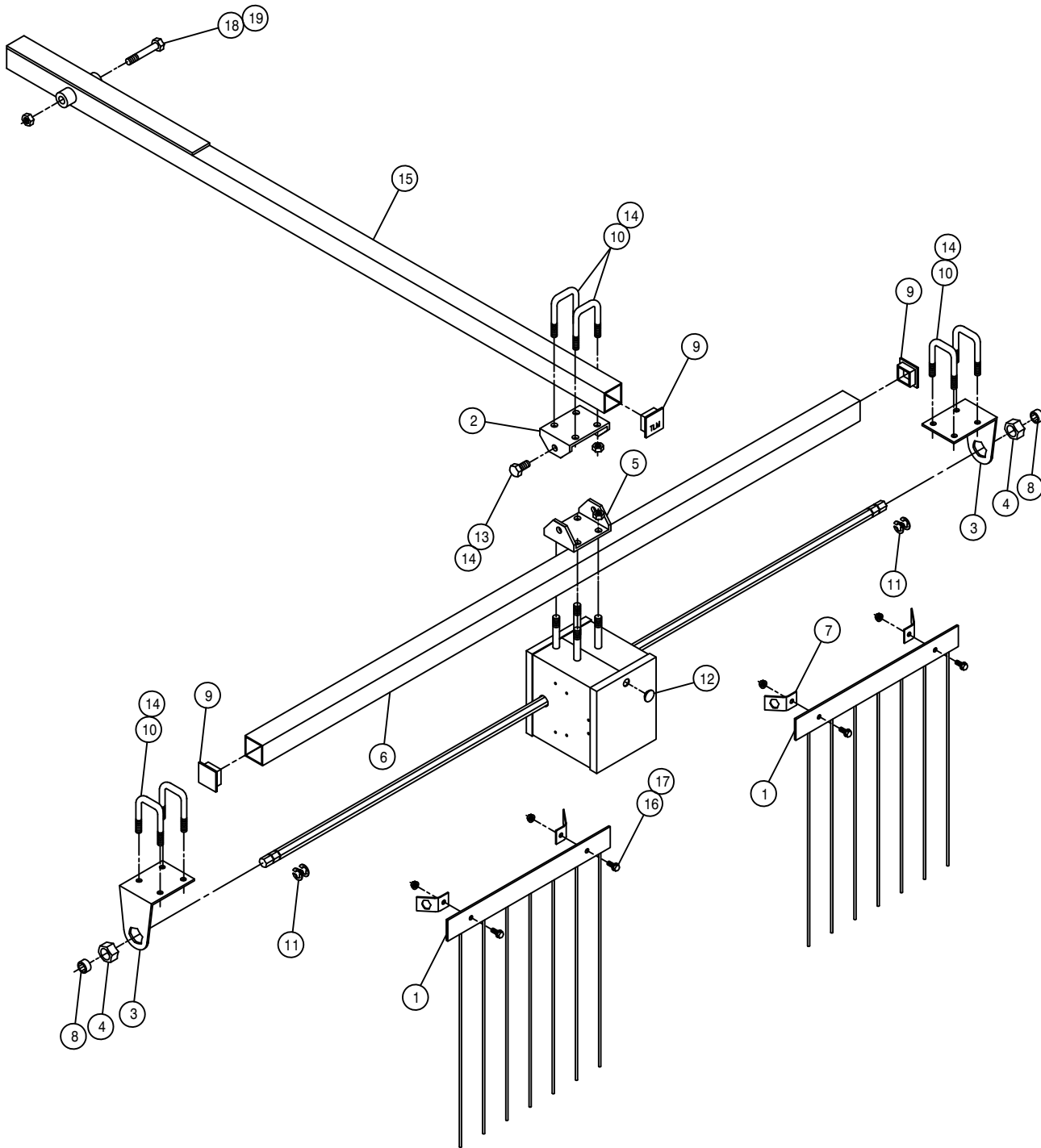
TASSELTROL SENSOR ASSEMBLY

DET. QTY PART NO. DESCRIPTION

DET.	QTY	PART NO.	DESCRIPTION	
1	1	002682	SENSOR ARM WLD 200	90
2	1	002684	SENSOR ARM EXTEN WLD 200	90
3	1	002709	LS CROSSTUBE WLD	90
4	1	002712	LS REFLECTOR SLIDE MT WLD	90
5	1	002713	LS SENSOR SLIDE MT WLD	90
6	1	002717	LS SENSOR MT WLD	90
7	1	002720	LS SENSOR COVER PLT	90
8	1	002721	LS SENSOR SPACER	90
9	1	293152	LWR LS SENSOR ASSY	90
10	1	293154	UPR LS SENSOR ASSY	90
11	4	903814	6-32 X 3/4 SLT RD HD MACH SCR	
12	2	903996	10-32 X 1 1/4 RD HD MACH SCR	
13	2	914027	NO 10-32 STOVER NUT	
14	4	914029	NUT 6-32 STOVER PLT	
15	1	002723	LS REFLECTOR MT WLD	90
16	1	650310	LS REFLECTOR 4 X 12	90
17	2	390984	COTTER PIN 1/8 X 1 1/4	
18	1	473943	FINISH PLUG 1 1/2 SQ	
19	2	473949	5/16UNC-1 9/16ID-1 15/16BOLT	
20	2	629727	FINISH PLUG FOR 1 IN X 16 GA	
21	4	900000	1/4UNC X 1/2 HEX BOLT	
22	2	900069	5/16UNC X 2 HEX BOLT	
23	1	900275	1/2UNC X 4 1/2 HEX BOLT	
24	1	914008	1/2 UNC STOVER NUT	
25	6	914002	5/16 UNC STOVER NUT	

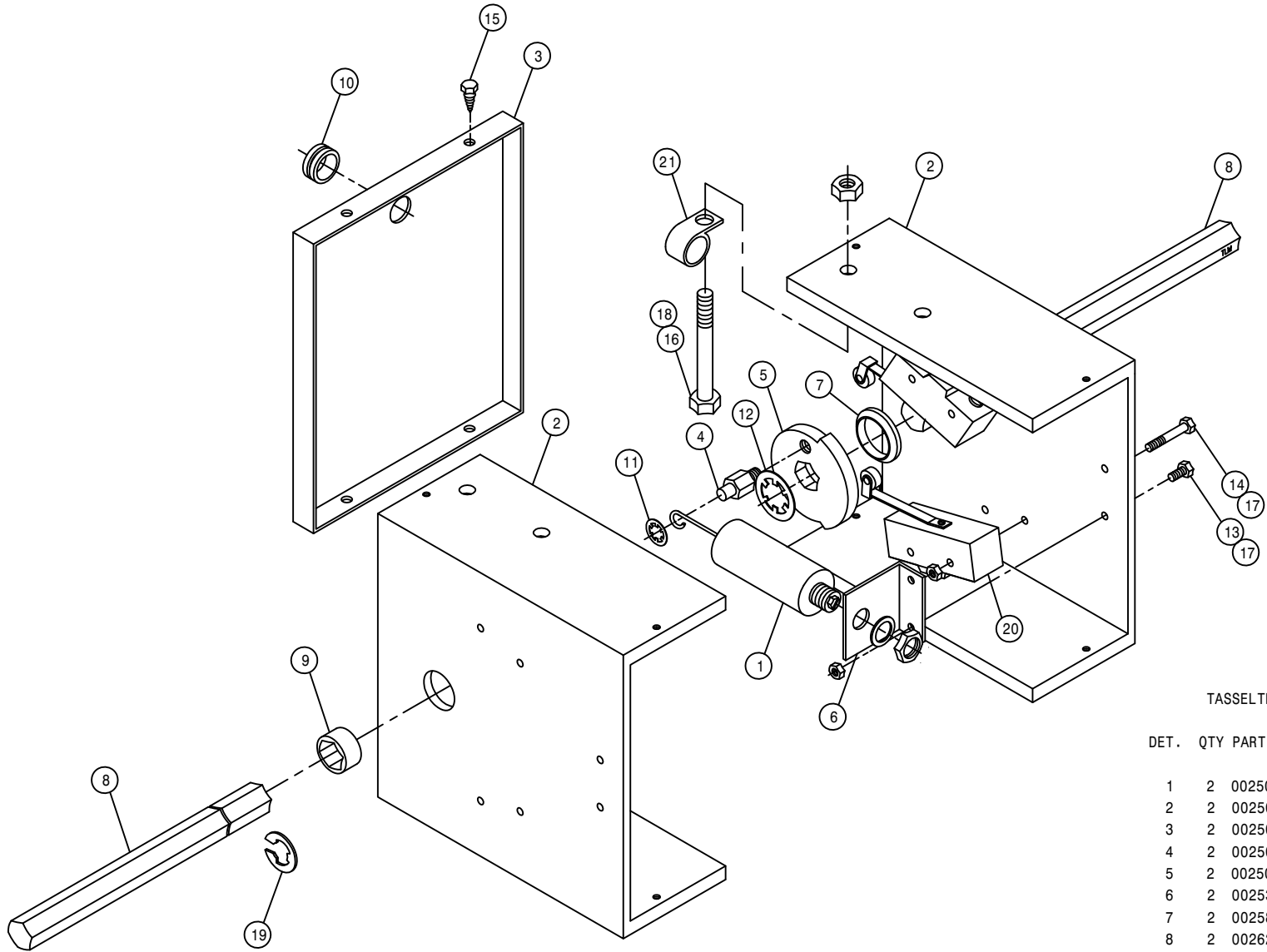
49





TASSEL TROL SENSOR ASSEMBLY

DET.	QTY	PART NO.	DESCRIPTION
1	2	002515	SENSOR FLAG WLD T-TROL
2	1	002579	PIVOT BRKT T-TROL ROW UNIT
3	2	002587	T-TROL HEX BRG HANGER
4	2	002588	T-TROL HANGER BRG
5	1	002595	T-TROL PIVOT BRKT SMALL 1979
6	1	002628	T-TROL SENSOR CROSS TUBE 83
7	4	002663	SENSOR FLAG CLIP T-TROL 86
8	2	121011	BEARING, SHAFT, HEX TASSLETRL
9	3	473943	FINISH PLUG 1 1/2 SQ
10	6	473949	5/16UNC-1 9/16ID-1 15/16UBOLT
11	4	629525	RING, RETAINING, .50DIA SHAFT
12	1	658174	BUMPER PLUG FOR 640 CAB
13	2	900065	5/16UNC X 1 HEX BOLT
14	14	914002	5/16 UNC STOVER NUT
15	1	002630	T-TROL SENSOR ARM WLD 83
16	4	470121	1/4-20 FLANGED WHIZ NUT
17	4	470122	1/4UNC X 1/2 HEX BOLT FLG LOC
18	1	900275	1/2UNC X 4 1/2 HEX BOLT
19	1	914008	1/2 UNC STOVER NUT



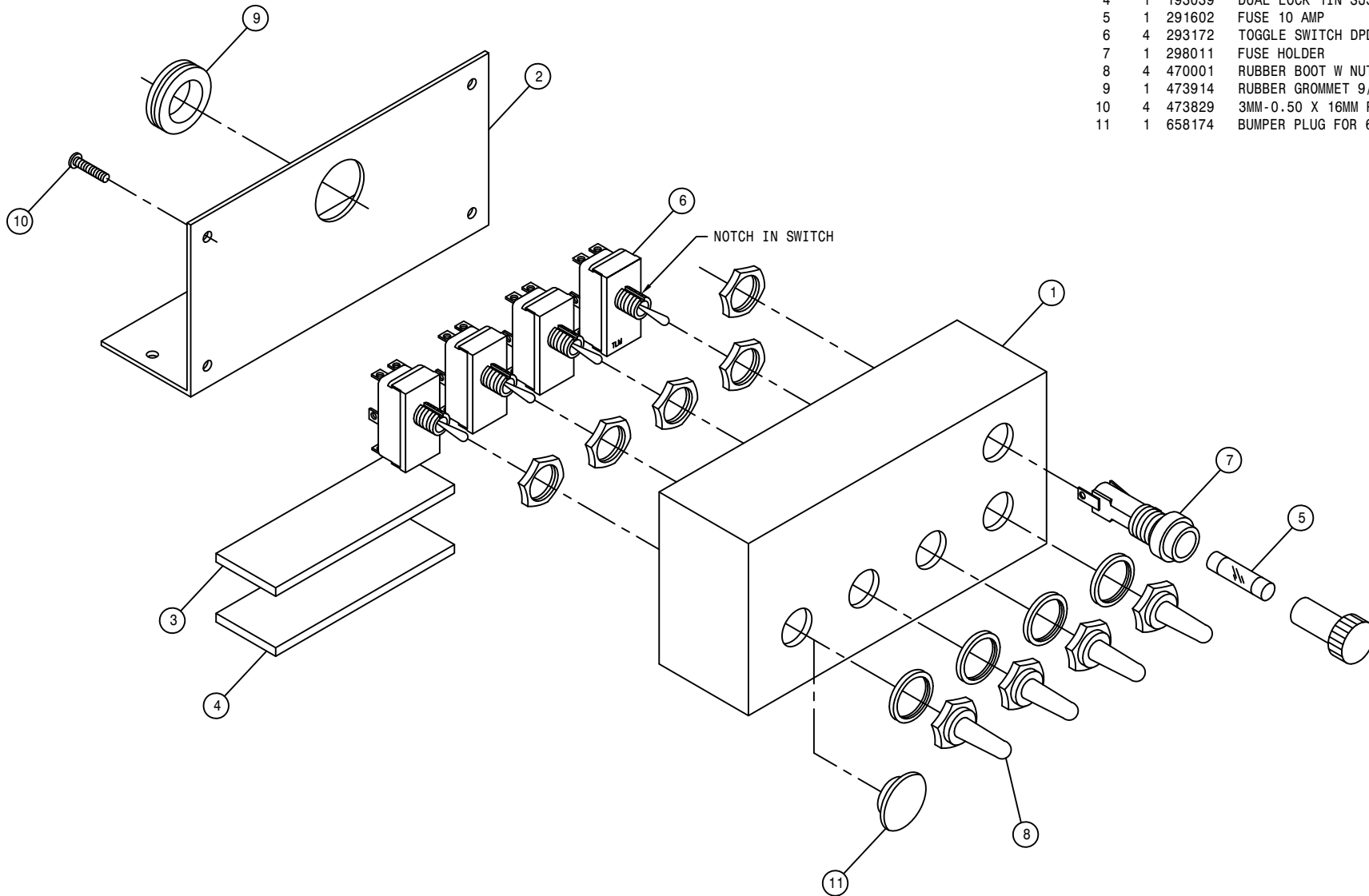
TASSELROL CONTROL BOX ASSEMBLY

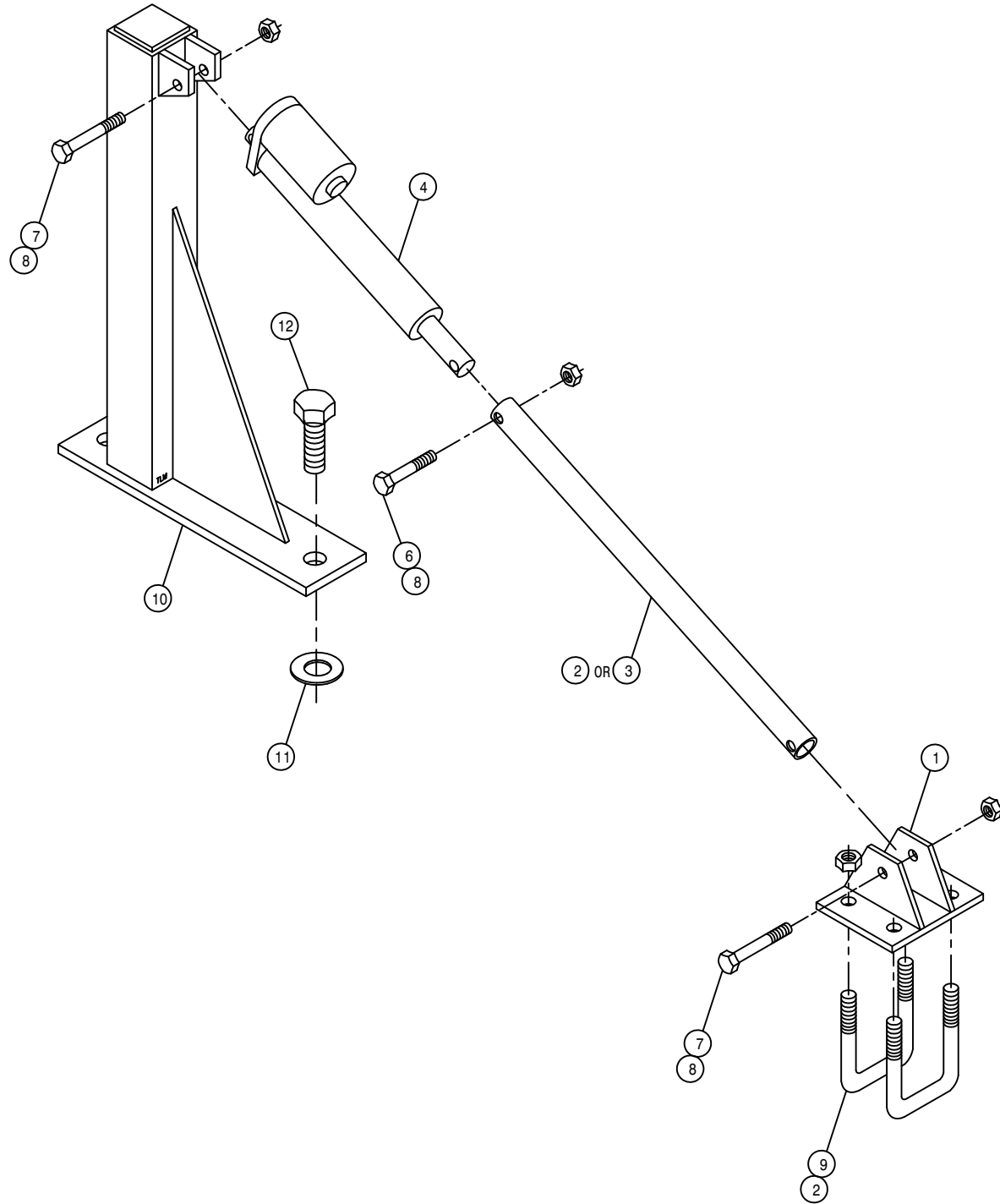
DET.	QTY	PART NO.	DESCRIPTION
	1	2	002500 AIR POT T-TROL
	2	2	002503 BOX HALF T-TROL ROW UNIT
	3	2	002505 BOX END T-TROL ROW UNIT
	4	2	002507 STANDOFF, AIR POT TO CAM
	5	2	002509 T-TROL CAM
	6	2	002536 AIR POT MTG BRKT T-TROL
	7	2	002589 T-TROL CAM TO BOX SPACER
	8	2	002627 T-TROL SENSOR FLAG SHFT 83
	9	2	121011 BEARING, SHAFT, HEX TASSELROL
	10	1	470070 RUBBER GROMMET 3/8 ID
	11	2	473933 FASTENER, PUSH ON 7/32DIA
	12	2	473940 PUSHON FASTENER, REINFORCED
	13	4	473992 SCREW, H H MACH, 6/32X 3/8
	14	8	473993 SCREW HH MACH, 6-32 X 1 1/8
	15	8	473994 SCREW, HH SHT MTL 6/32X 3/8AB
	16	4	900008 1/4UNC X 2 1/2 HEX BOLT
	17	12	910022 6-32 HEX NUT PLATED
	18	4	914000 1/4 UNC STOVER NUT
	19	2	629525 RING, RETAINING, .50DIA SHAFT
	20	4	293006 MICRO SWITCH #BZ-2RL25551-A2
	21	1	520122 CUSH HOSE CLAMP 3/16D X 3/4W

DEPTH COMMAND SWITCH ASSEMBLY

DET. QTY PART NO. DESCRIPTION

1	1	002744	SWITCH BOX, DEPTH CMD
2	1	002745	SWITCH BOX MT, DEPTH CMD
3	1	193038	DUAL LOCK 1IN SJ3541 TYPE 400
4	1	193039	DUAL LOCK 1IN SJ3542 TYPE 40
5	1	291602	FUSE 10 AMP
6	4	293172	TOGGLE SWITCH DPDT W/JUMPERS
7	1	298011	FUSE HOLDER
8	4	470001	RUBBER BOOT W NUT FOR 298012
9	1	473914	RUBBER GROMMET 9/16 ID
10	4	473829	3MM-0.50 X 16MM PANHEAD SCREW
11	1	658174	BUMPER PLUG FOR 640 CAB

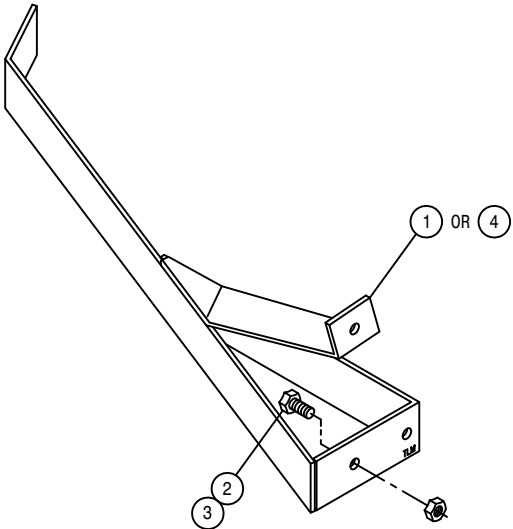




DEPTH COMMAND ACTUATOR ASSEMBLY

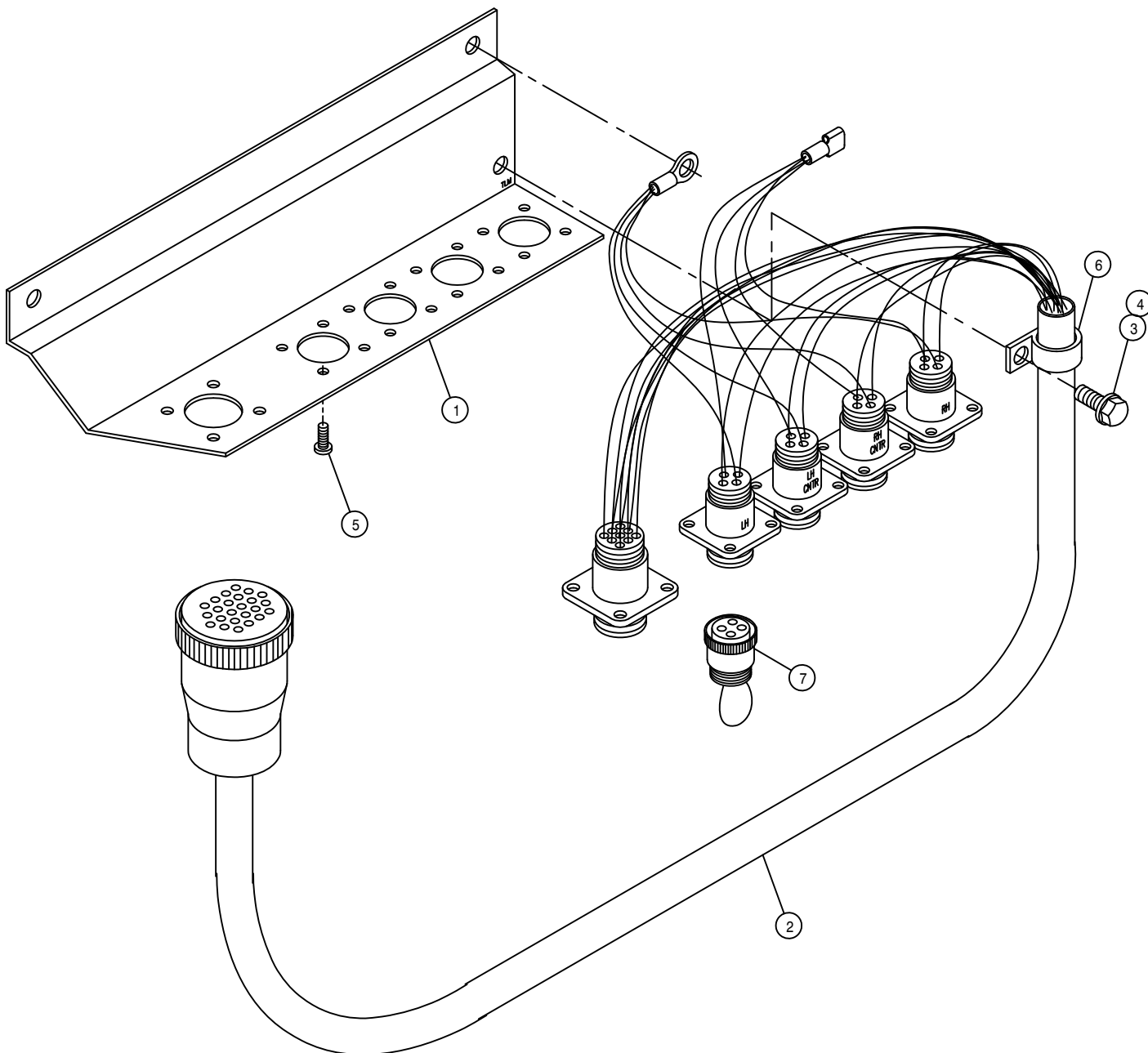
DET.	QTY	PART NO.	DESCRIPTION	
	1	002729	ACTUATOR EXT TUBE MT WLD	90
	1	002732	SHORT ACTUATOR EXT TUBE	90
	1	002733	LONG ACTUATOR EXT TUBE	90
	1	293156	LINEAR ACTUATOR 12V 3.8STROKE	
	2	473949	5/16UNC-1 9/16ID-1 15/16UBOLT	
	1	900004	1/4UNC X 1 1/4 HEX BOLT	
	2	900005	1/4UNC X 1 1/2 HEX BOLT	
	3	914000	1/4 UNC STOVER NUT	
	4	914002	5/16 UNC STOVER NUT	
	1	002767	DEPTH CMD ADPTR WLD	90
	2	920004	1/2 FLAT WASHER SAE	
	2	900263	1/2UNC X 1 HEX BOLT	

NOTE: ITEMS 10, 11, AND 12 ARE USED WITH 8-ROW 3-LIFT OPTIONS.



CROP GUIDES

DET.	QTY	PART NO.	DESCRIPTION
1	1	662217	RH REAR STALK GUIDE WLD280 89
2	2	900129	3/8UNC X 1 HEX BOLT
3	2	914004	3/8 UNC STOVER NUT
4	1	662218	LH REAR STALK GUIDE WLD280 89



T-TROL/LS RECEPTACLE ASSEMBLY

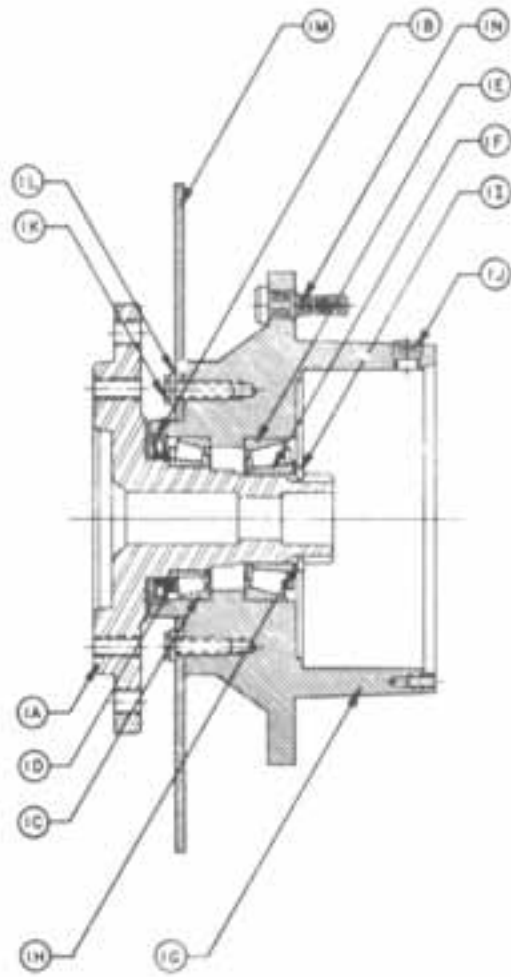
DET.	QTY	PART NO.	DESCRIPTION
1	1	002777	T-TROL/LS RECEPTACLE MT
2	1	293200	MAIN CONTROL WIRE ASSY LS 90
3	1	470118	1/4UNC X 3/4 HEX BOLT FLG LOC
4	1	470121	1/4-20 FLANGED WHIZ NUT
5	20	473932	SCREW, SELF TAP 6/32 X 3/8PAN
6	1	520118	CUSHION HOSE CLAMP 1/2 IN
7	1	293211	JUMPER PLUG T-TROL/LS SYS

NOTE: DETAIL 7 IS USED (1) WITH 3-LIFT OPTION AND (2) WITH 2-LIFT OPTION.

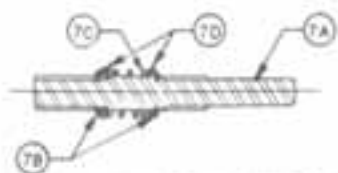
WHEEL DRIVE ASSEMBLY - 610516  
W1BFNZ324

ITEMS	DESCRIPTION	PART NO.	QTY.
1	HUB-SPINDLE SUB-ASSEMBLY	-----	
1A	SPINDLE	610518	1
1B	SEAL	610519	1
1C	BEARING CUP	610520	1
1D	BEARING CONE	610521	1
1E	BEARING CUP	610907	1
1F	BEARING CONE	610908	1
1G	HUB	610522	1
1H	SPACER	610909	1
1I	RETAINER RING	610910	1
1J	PIPE PLUG	610147	2
1N	STUD	610523	9
2	INTERNAL GEAR	610148	1
3	CARRIER ASSEMBLY	610933	1
4	RING GEAR	610937	1
5	O-RING	610903	2
6	COVER ASSEMBLY	610155	1
6A	COVER	610149	1
6B	COVER CAP	610914	1
6C	BOLT	610150	4
6D	DISCONNECT CAP	610901	1
6E	DISCONNECT ROD	610915	1
6F	O-RING	610916	1
6G	O-RING	610917	1
6H	PIPE NIPPLE	610151	1
6I	ID PLATE	610152	1
7	INPUT SHAFT ASSEMBLY	610048	1
7A	INPUT SHAFT	610046	1
7B	RETAINING RING	610936	1
7C	SPRING	610145	1
7D	SPACER	610153	2
8	INPUT GEAR	610919	1
9	THRUST SPACER	610920	1
10	THRUST SPACER	610921	1
11	THRUST WASHER	610922	2
12	BOLT	610930	12
13	SHOULDER BOLT	610923	4
14	COUPLING	610037	1
16	FLAT WASHER	610049	16
NS	SEAL BOOT	610552	1

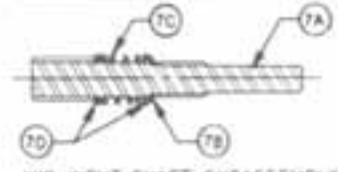




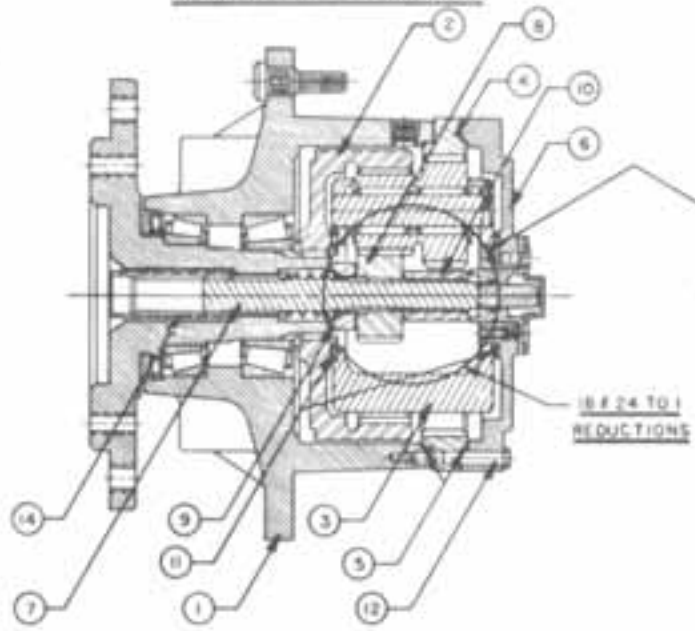
HUB-SPINDLE SUBASSEMBLY



WIA INPUT SHAFT SUBASSEMBLY



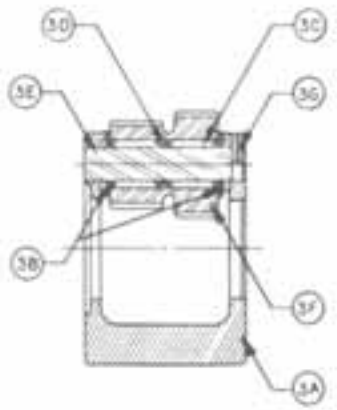
WIB INPUT SHAFT SUBASSEMBLY



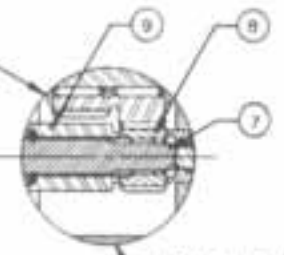
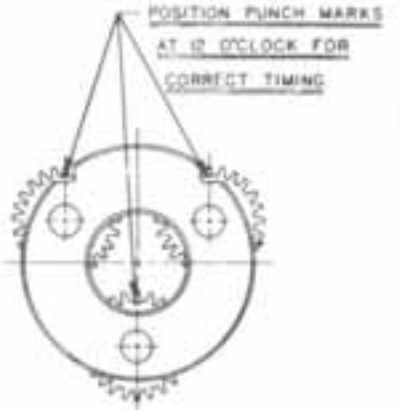
COMPLETE ASSEMBLY



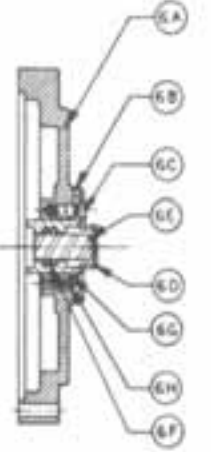
VIEW OF SHOULDER BOLT



CARRIER SUBASSEMBLY



10E24 TO 1 REDUCTIONS



COVER SUBASSEMBLY

THIS DRAWING AND DESIGN IS THE PROPERTY OF / AND ALL PROPRIETARY RIGHTS ARE RESERVED TO / FAIRFIELD MFG. CO., INC. THE RECIPIENT AGREES NOT TO DISCLOSE TO ANY PERSON OR ORGANIZATION ANY INFORMATION REGARDING THE DESIGN OR MANUFACTURE OF THE ARTICLE REPRESENTED HEREON, OR USE SAME IN ANY WAY DETRIMENTAL TO THE INTERESTS OF FAIRFIELD MFG. CO., INC.

DRAFTERMAN <b>Beck</b>		DATE 10-8-73	FAIRFIELD MFG. Co., INC. LAFAYETTE, IND. 47305
CHECKER			
PROJECT ENG.			TITLE SERVICE LITERATURE
RELEASED			SCALE: DRAWING NO. WIA & WIB

WHEEL DRIVE ASSEMBLY - 610515  
W1BFNZ318

ITEMS	DESCRIPTION	PART NO.	QTY.
1	HUB-SPINDLE SUB-ASSEMBLY	-----	
1A	SPINDLE	610518	1
1B	SEAL	610519	1
1C	BEARING CUP	610520	1
1D	BEARING CONE	610521	1
1E	BEARING CUP	610907	1
1F	BEARING CONE	610908	1
1G	HUB	610522	1
1H	SPACER	610909	1
1I	RETAINER RING	610910	1
1J	PIPE PLUG	610147	2
1N	STUD	610523	9
2	INTERNAL GEAR	610148	1
3	CARRIER ASSEMBLY	610912	1
4	RING GEAR	610929	1
5	O-RING	610903	2
6	COVER ASSEMBLY	610155	1
6A	COVER	610149	1
6B	COVER CAP	610914	1
6C	BOLT	610150	4
6D	DISCONNECT CAP	610901	1
6E	DISCONNECT ROD	610915	1
6F	O-RING	610916	1
6G	O-RING	610917	1
6H	PIPE NIPPLE	610151	1
6I	ID PLATE	610152	1
7	INPUT SHAFT ASSEMBLY	610048	1
7A	INPUT SHAFT	610046	1
7B	RETAINING RING	610936	1
7C	SPRING	610145	1
7D	SPACER	610153	2
8	INPUT GEAR	610919	1
9	THRUST SPACER	610920	1
10	THRUST SPACER	610921	1
11	THRUST WASHER	610922	2
12	BOLT	610930	12
13	SHOULDER BOLT	610923	4
14	COUPLING	610037	1
16	FLAT WASHER	610049	16
NS	SEAL BOOT	610552	1

# NOTICE

---

The following page contains decals for the model 200.

These decals can be obtained from Hagie Mfg. Co. and should be used whenever your machine is repainted or when the decals become worn, weathered, or faded.

Special attention should be paid to decals involving personal safety. They have been attached for your protection.

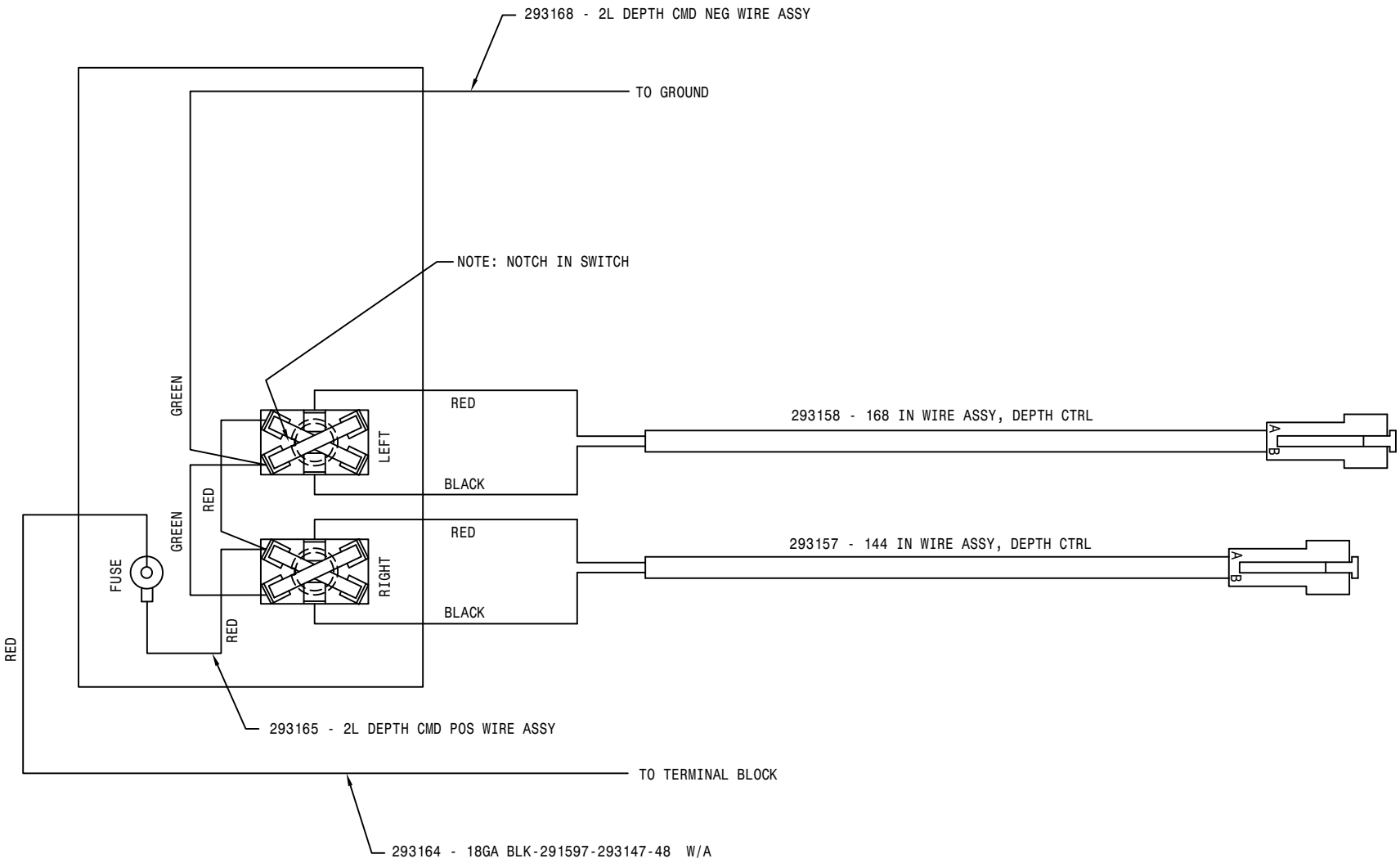
**KEEP THEM IN PLACE.**

Contact: Hagie Manufacturing Co.  
Box 273  
Clarion, Iowa 50525

200 DECALS

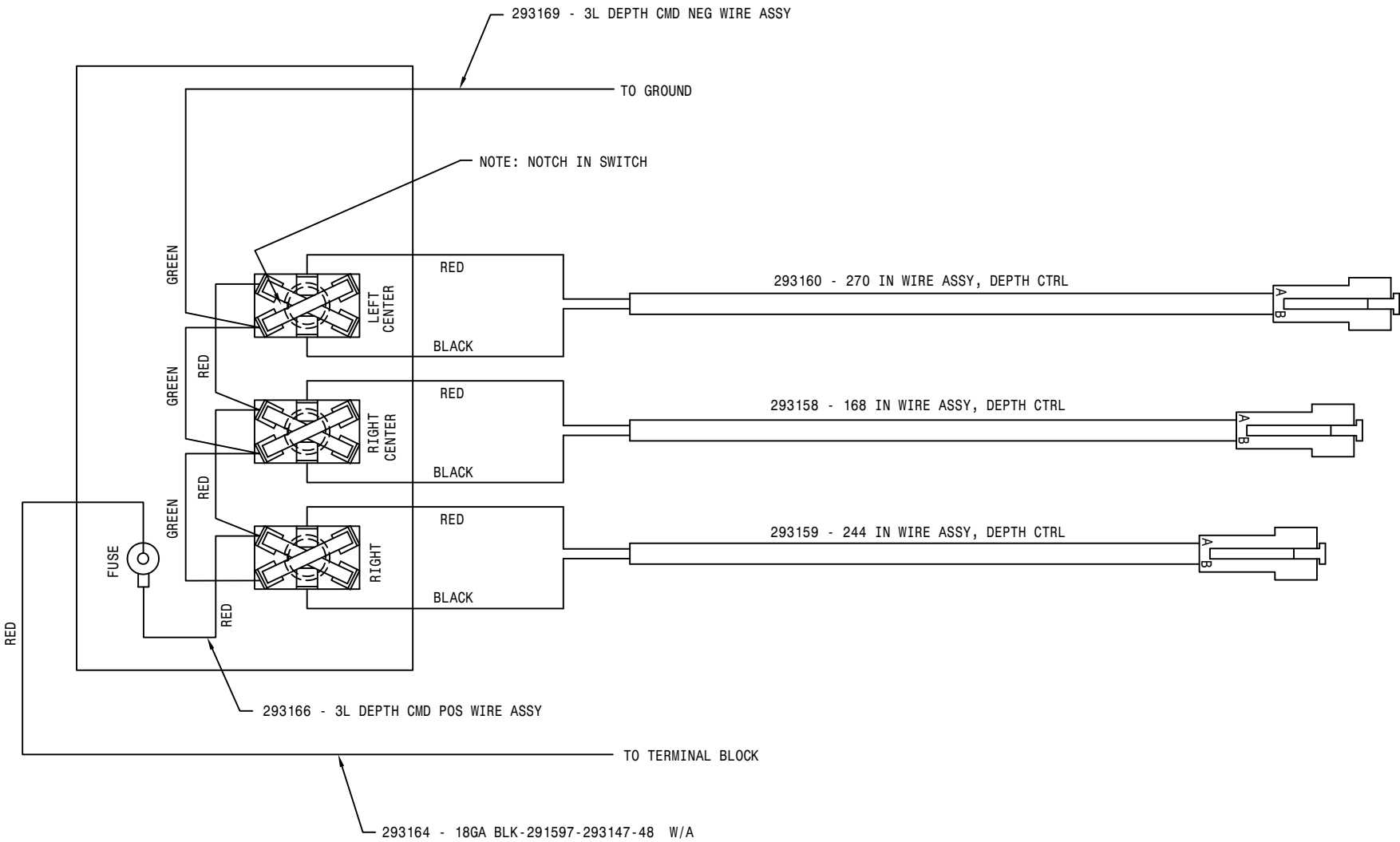
QTY.	PART NO.	DESCRIPTION	LOCATION
1	650831	EMERGENCY STOP DECAL	ON CONSOLE SHEET METAL
1	650935	SPEEDOMETER DECAL	ON SPEEDOMETER
2	650953	GASOLINE DECAL	NEAR EACH FUEL TANK NECK
1	650814	PARK BRAKE DECAL	NEAR PARK BRAKE
2	650819	DANGER, CUTTING BLADES	2-ON EACH CUTTER HEAD
1	650847	NO PASSENGER DECAL	ON FRONT OPERATOR STATION
1	650848	SLIP OR FALL DECAL	NEXT TO STEP ON LEG RAIL
2	650849	ENGINE FUEL DECAL	NEAR EACH FUEL TANK NECK
4	650985	WHEEL BOLT TORQUE DECAL	ON EACH WHEEL RIM
2	650851	SHIELDS DECAL	ON SIDE OF TOP ENGINE COVER
1	650852	READ MANUAL DECAL	ON FRONT OPERATOR STATION
1	650981	COOLING SYSTEM DECAL	NEAR RADIATOR CAP
1	650982	ELECTRICAL DECAL	RIGHT HAND SIDE OF OIL TANK
3	650931	HAGIE DECAL 1 3/4 X 4	1 - ON EACH TASSEL DEFLECTOR 1 - ON EACH QUAD PULLER
4	650820	CAUTION MOVING PARTS DECAL	2 - EACH TASSEL DEFLECTOR 1 - ON EACH QUAD PULLER 1 - ON EACH TIRE PULLER

61



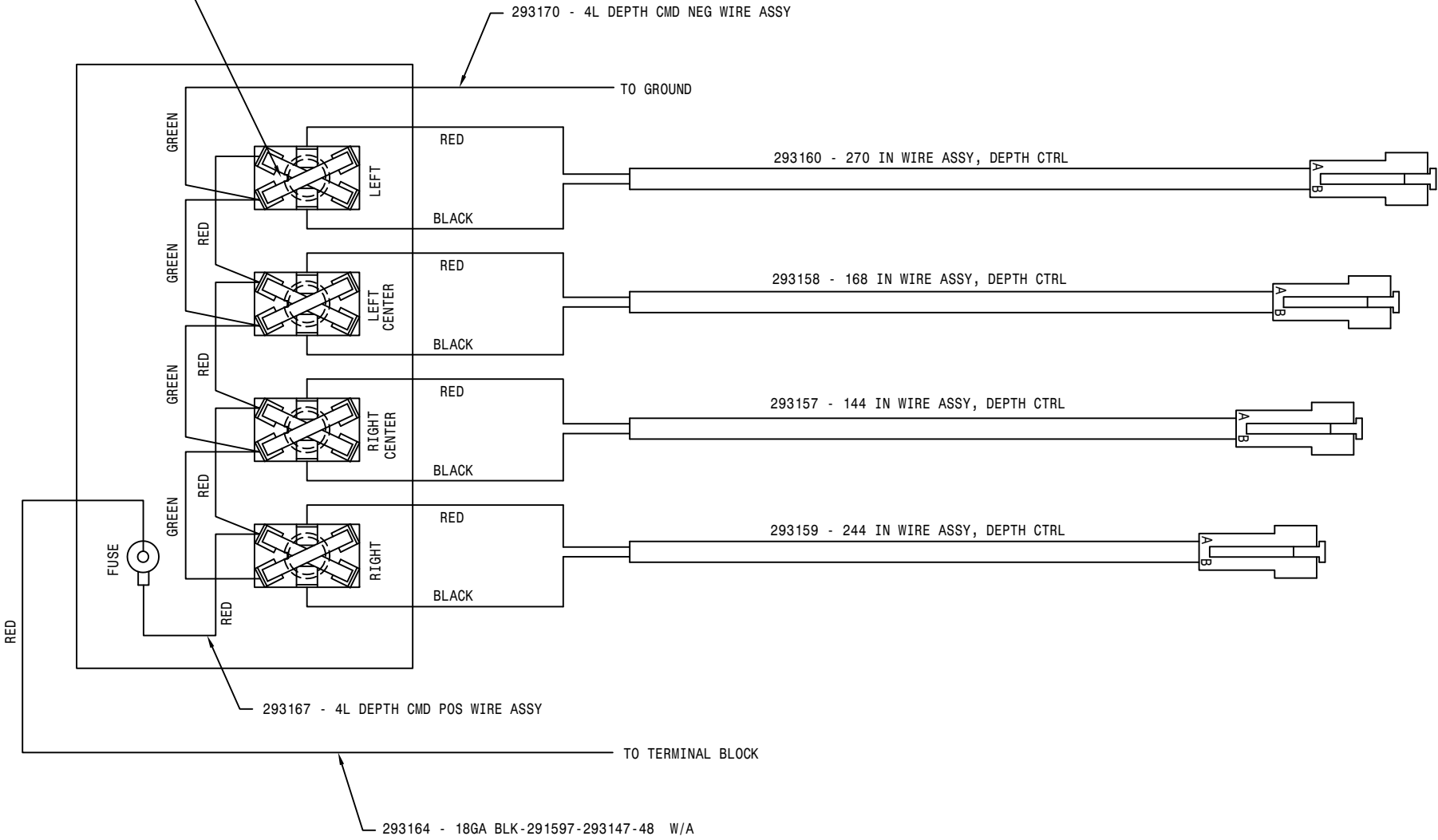
DET	REQ	DESCRIPTION		
<b>HAGIE</b> HAGIE MANUFACTURING COMPANY CLARION, IOWA 50525				
REMOVE ALL SHARP CORNERS & BURRS				
TOLERANCE UNLESS OTHERWISE SPECIFIED				
FRACTION	1/32	DECIMALS	X.XX X.XXX	ANGLES
			°.03 °.005	!*
DESCRIPTION				
WIRE DIAG 2 LIFT DEPTH CMD 90				
DRAWN BY		SCALE		
T. MARKER		NONE		
CHECKED BY		APPROVED BY		
DATE		DRAWING NUMBER		
02-09-90		498359		
SHEET		OF		

120061



DET	REQ	DESCRIPTION
<b>HAGIE</b> <b>HAGIE MANUFACTURING COMPANY</b> <small>CLARION, IOWA 50525</small>		
<b>REMOVE ALL SHARP CORNERS &amp; BURRS</b>		
<b>TOLERANCE UNLESS OTHERWISE SPECIFIED</b>		
FRACTION	DECIMALS	ANGLES
1/32	.03	1°
	.005	
DESCRIPTION		
WIRE DIAG 3 LIFT DEPTH CMD 90		
DRAWN BY	SCALE	
T. MARKER	NONE	
CHECKED BY	APPROVED BY	
DATE	DRAWING NUMBER	
02-09-90	498360	
SHEET	OF	

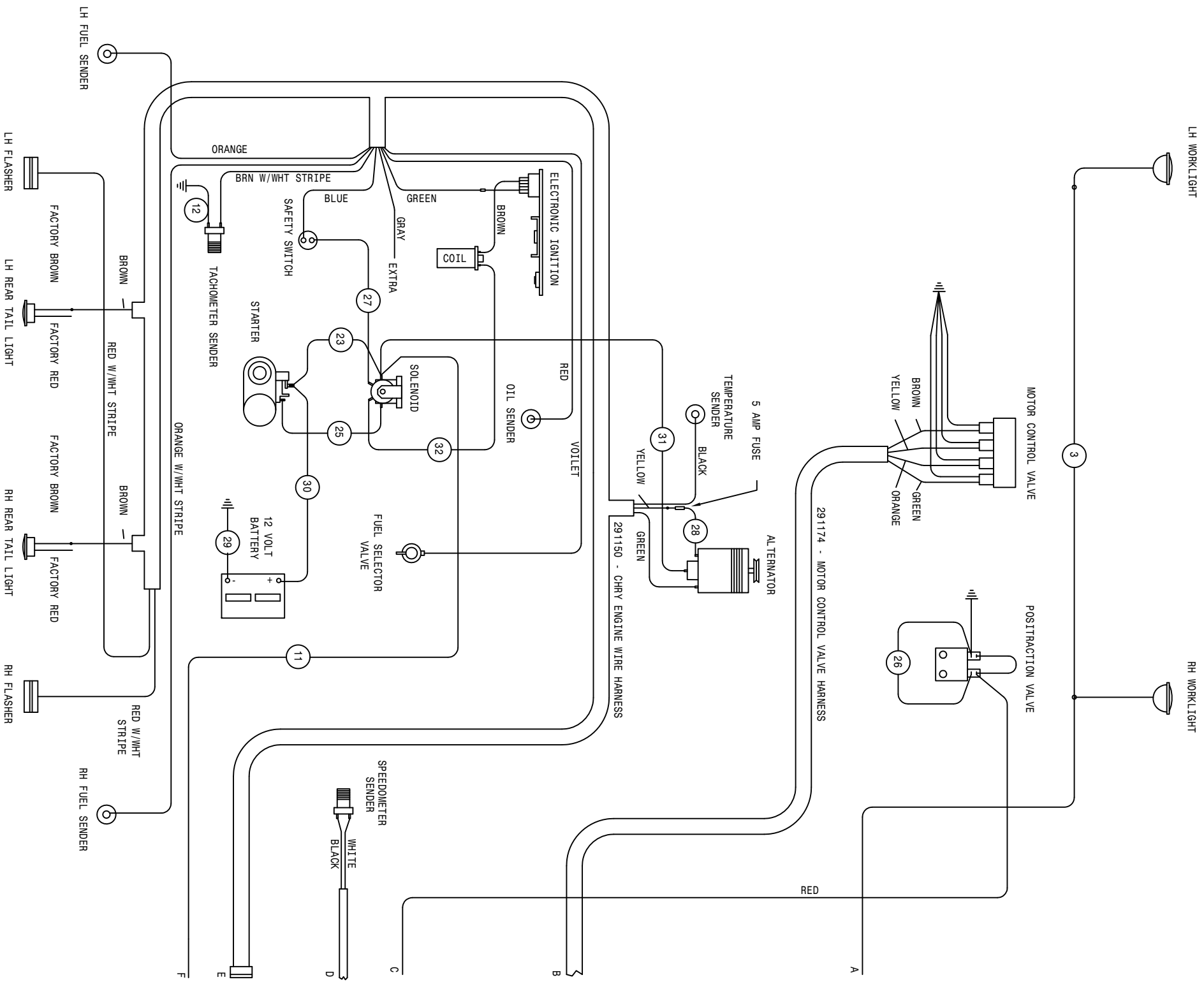
NOTE: NOTCH IN SWITCH



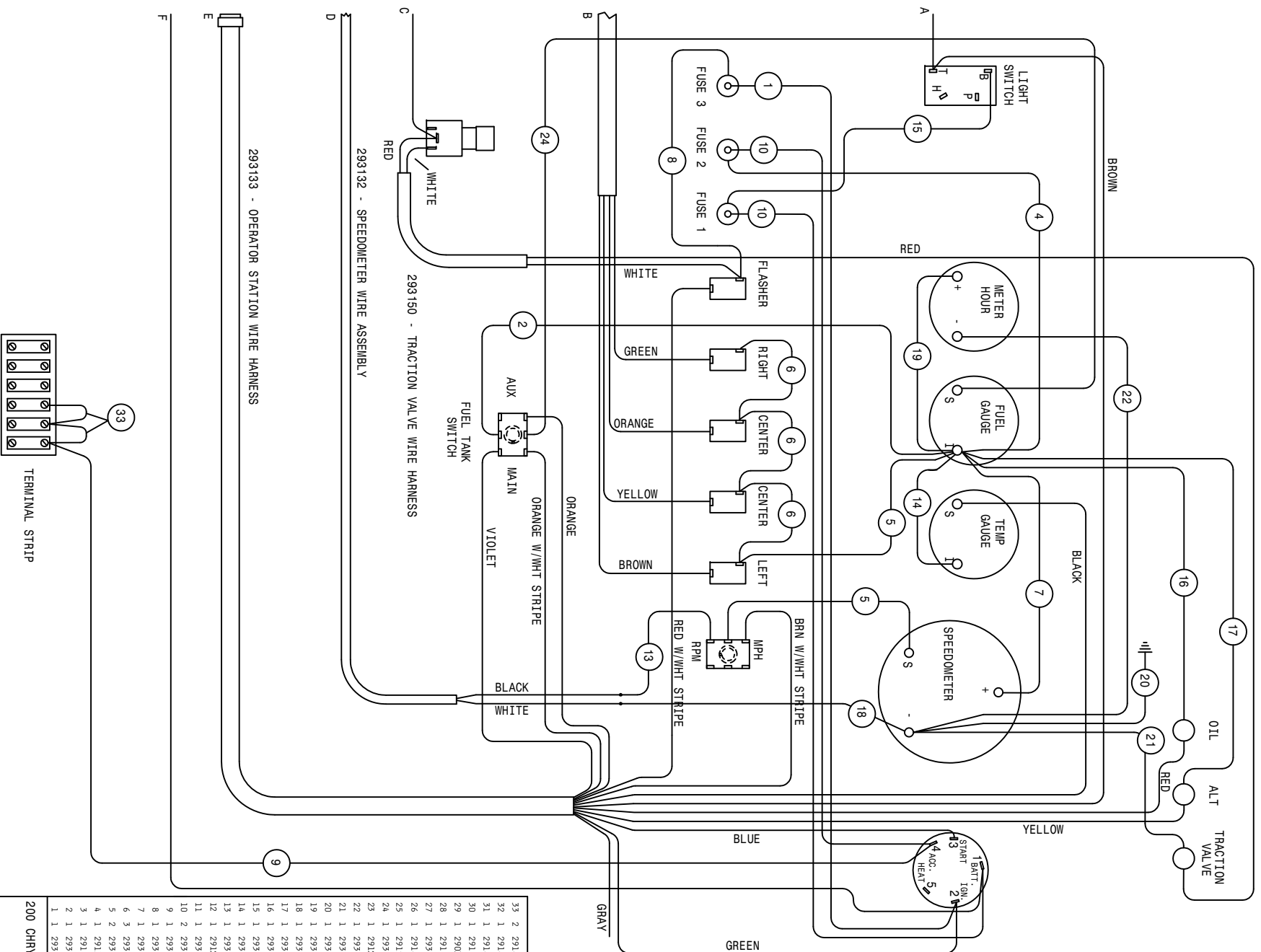
63

DET	REQ	DESCRIPTION		
<b>HAGIE</b> HAGIE MANUFACTURING COMPANY CLARION, IOWA 50525				
REMOVE ALL SHARP CORNERS & BURRS				
TOLERANCE UNLESS OTHERWISE SPECIFIED				
FRACTION	1/32	DECIMALS	X.XX X.XXX	ANGLES
			.03 .005	1°
DESCRIPTION WIRE DIAG 4 LIFT DEPTH CMD 90				
DRAWN BY T. MARKER		SCALE NONE		
CHECKED BY		APPROVED BY		
DATE 02-09-90	DRAWING NUMBER 498361			
SHEET	OF			

120063



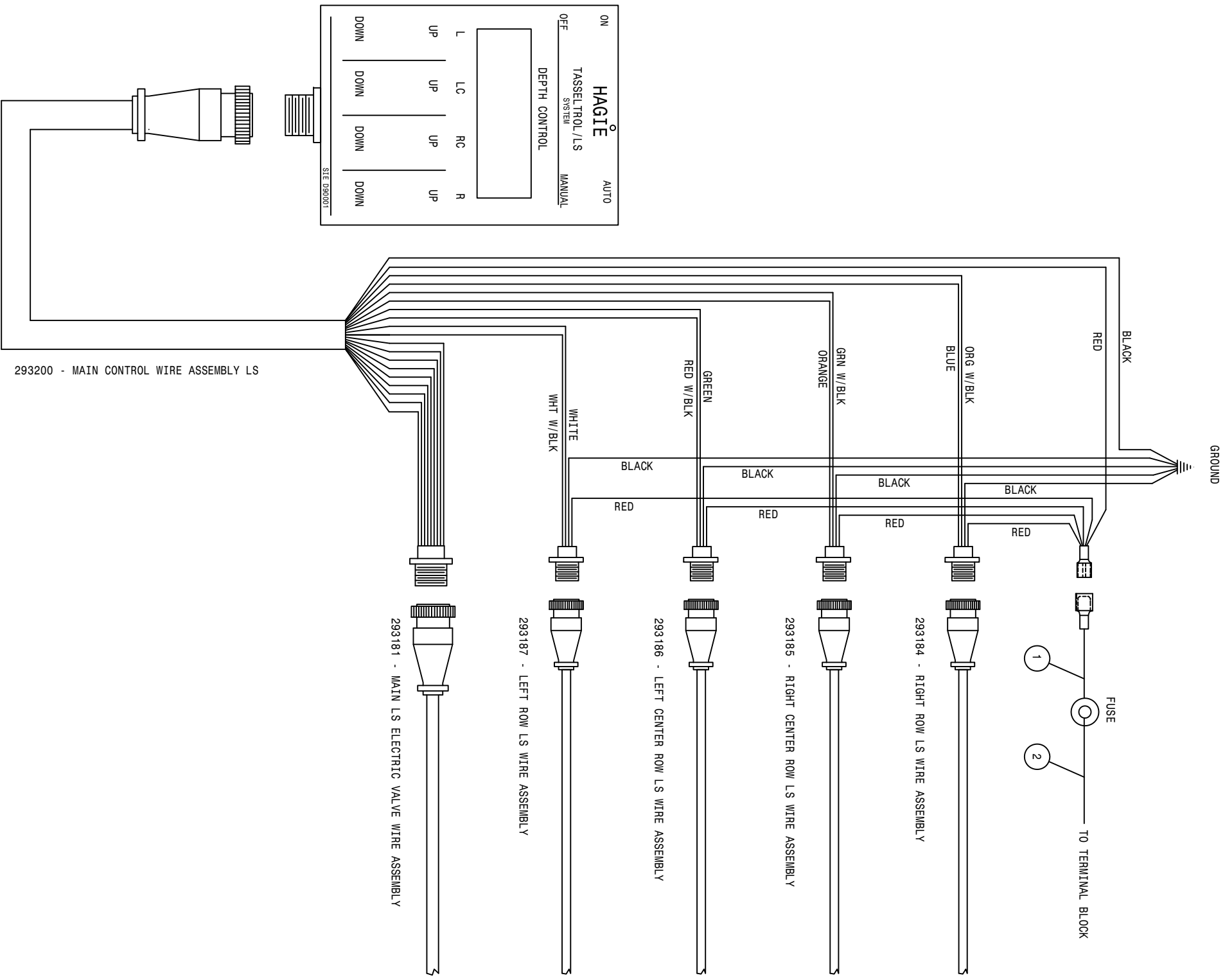


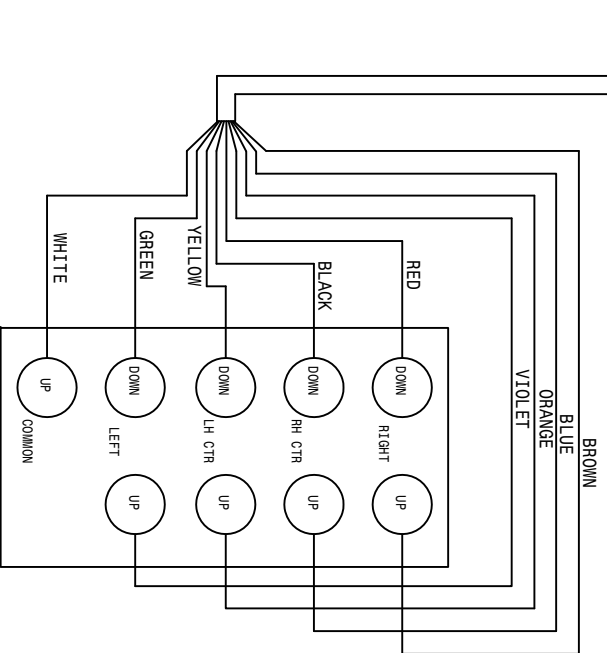
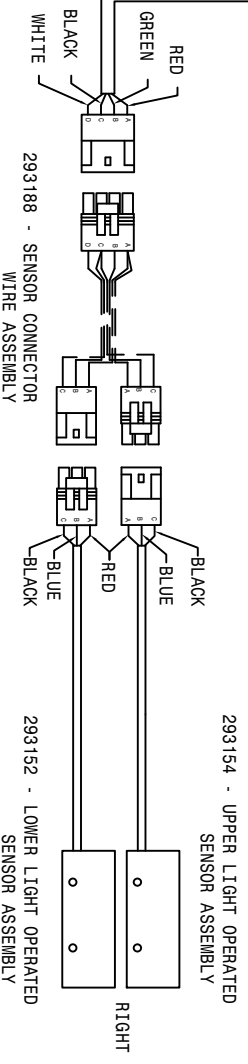
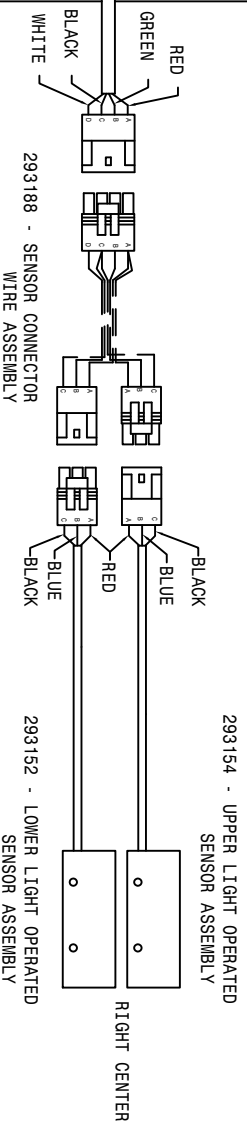
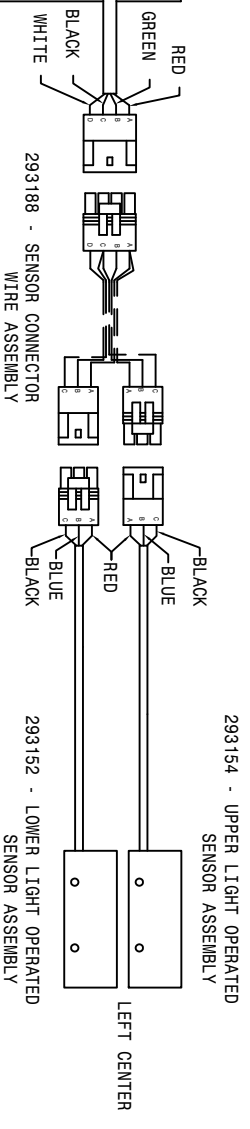
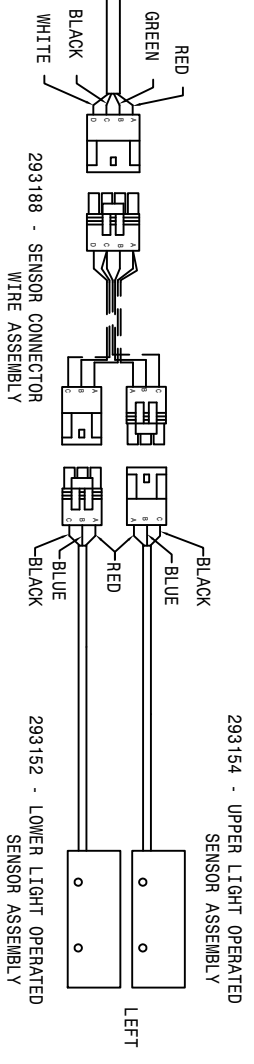


33	2	291464	14 GA RED	291583-291583-3
32	1	291461	10 GA RED	291583-291583-18
31	1	291459	10 GA BLU	291514-291587-53
30	1	291128	48" BATTERY CABLE	
29	1	290111	GROUND STRAP	
28	1	291147	14 GA YEL	291583-8
27	1	291141	16 GA BLU	291583-291583-21
26	1	291468	TRACT VLV GRD	WIRE ASSEMBLY
25	1	291278	10 GA RED	291514-291514-12
24	1	291440	16 GA WHT	291583-291583-17
23	1	291276	10 GA BLU	291514-291561-14
22	1	291115	16 GA WHT	291571-291583-10
21	1	291114	16 GA WHT	291583-291598-6
20	1	291112	16 GA GRN	291511-291583-20
19	1	291113	16 GA WHT	291571-291583-14
18	1	291105	14 GA WHT	291583-291591-12
17	1	291110	16 GA RED	291583-291598-12
16	1	291109	16 GA RED	291583-291598-10
15	1	291111	16 GA GRN	291583-5
14	1	291107	16 GA RED	291583-291583-4
13	1	291106	14 GA BLK	291583-291591-12
12	1	291277	16 GA BLU	291511-291583-14
11	1	291134	12 GA WHT	291561-291514-148
10	2	291103	14 GA GRN	291583-14
9	1	291138	14 GA RED	291583-291557-36
8	1	291139	14 GA BLK	291583-7
7	1	291100	14 GA RED	291583-291583-11
6	3	291135	14 GA RED	291583-291583-3
5	2	291136	14 GA RED	291583-291583-4
4	1	291308	14 GA RED	291583-5
3	1	291151	HEADLIGHT WIRE ASSEMBLY	
2	1	291142	16 GA BLU	291583-291583-17
1	1	291137	14 GA RED	291583-15

200 CHRY WIRING DIAGRAM 90

REVISION DATE: 06-24-90 **498331**





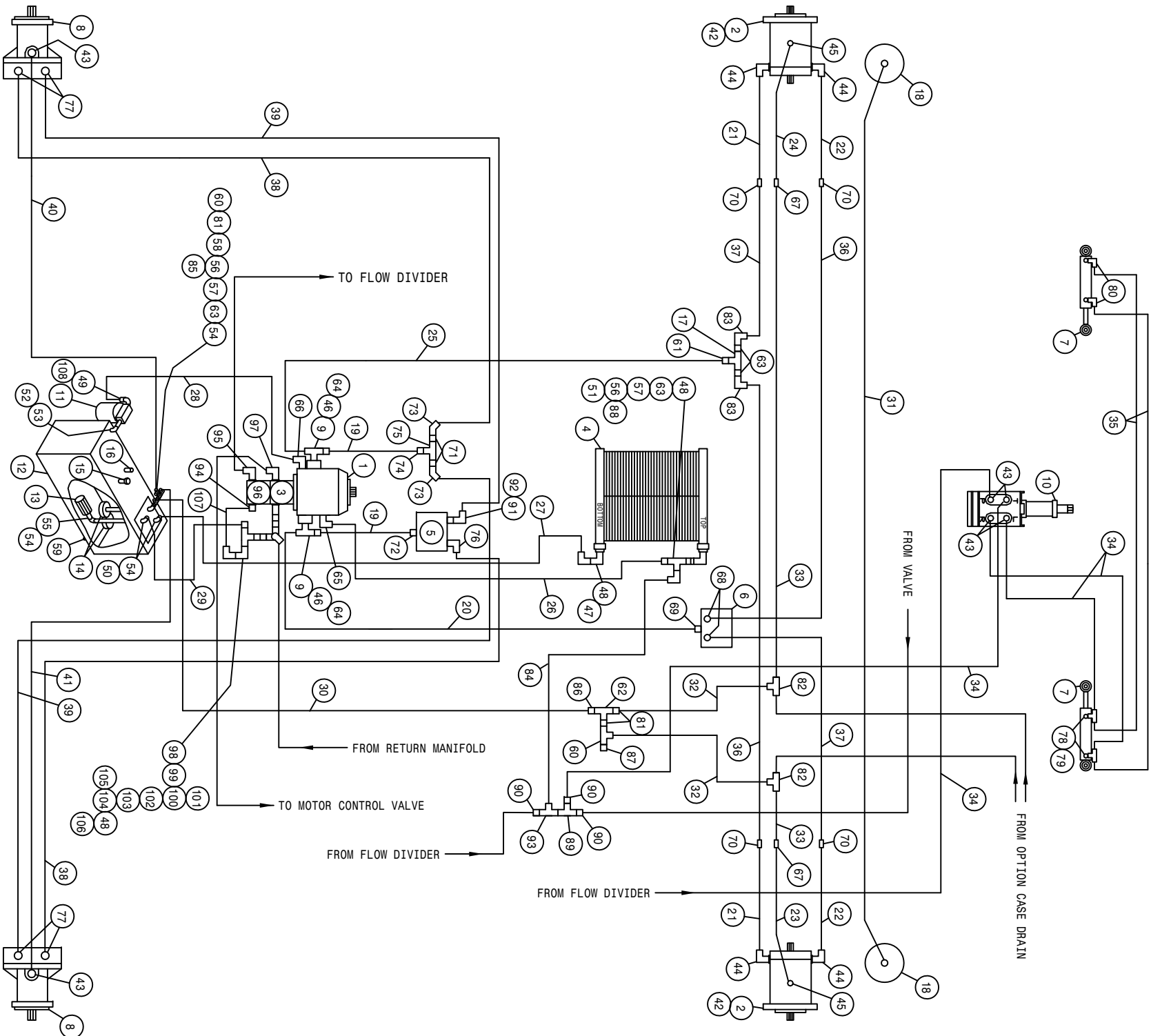
QTY	PART NO	DESCRIPTION
2	1 293203	16GA RED-291557-21
1	1 293202	16GA RED-293163-7

**HAGIE**  
**HAGIE MANUFACTURING COMPANY**  
 CLANTON, TOWNSHIP 50625  
 REMOVE ALL SHARP CORNERS & BURRS  
 TOLERANCE UNLESS OTHERWISE SPECIFIED

NO	DATE	E.C. BY	REVISION

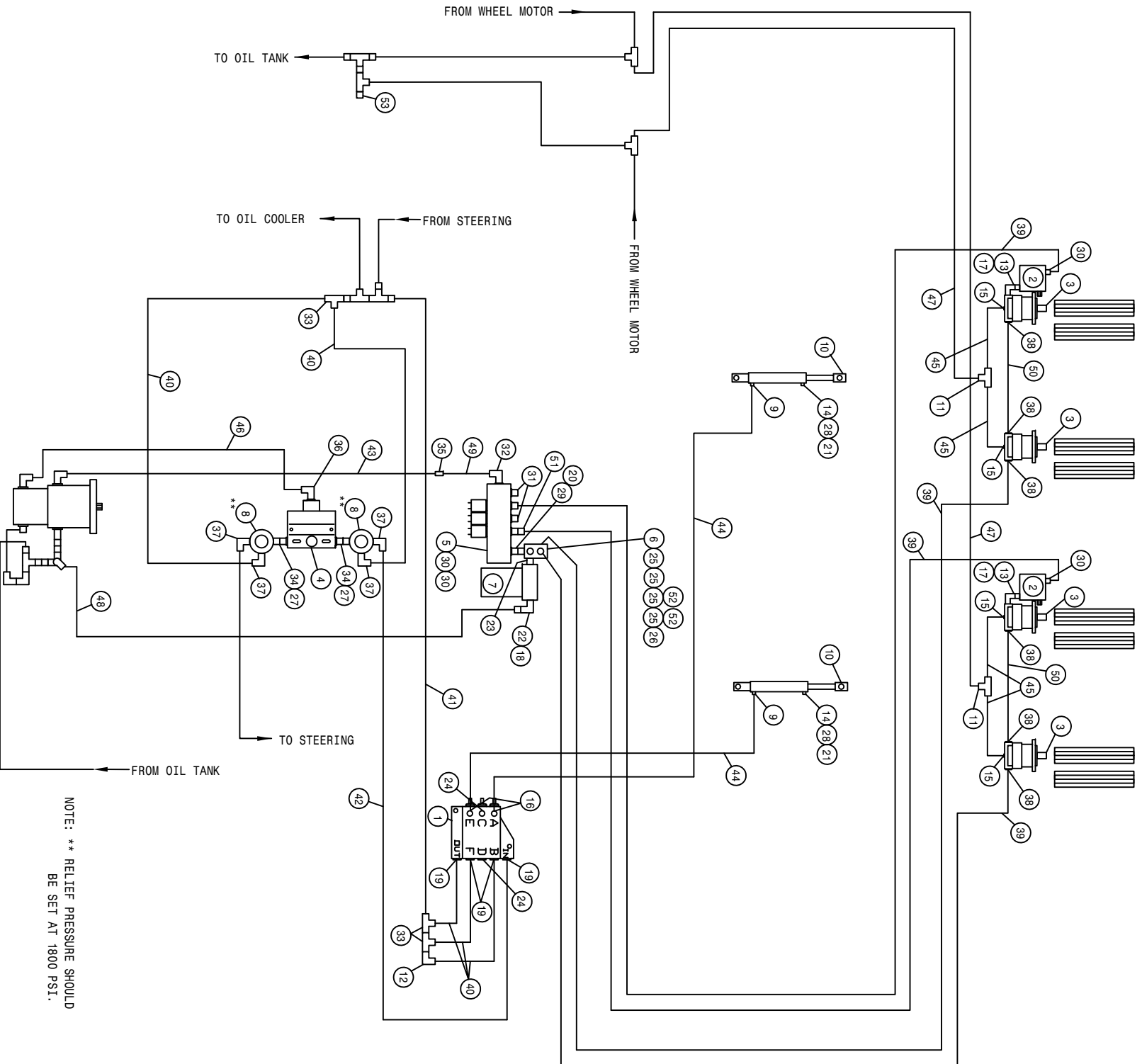
  

DATE	DRAWING NUMBER
05-02-90	498365



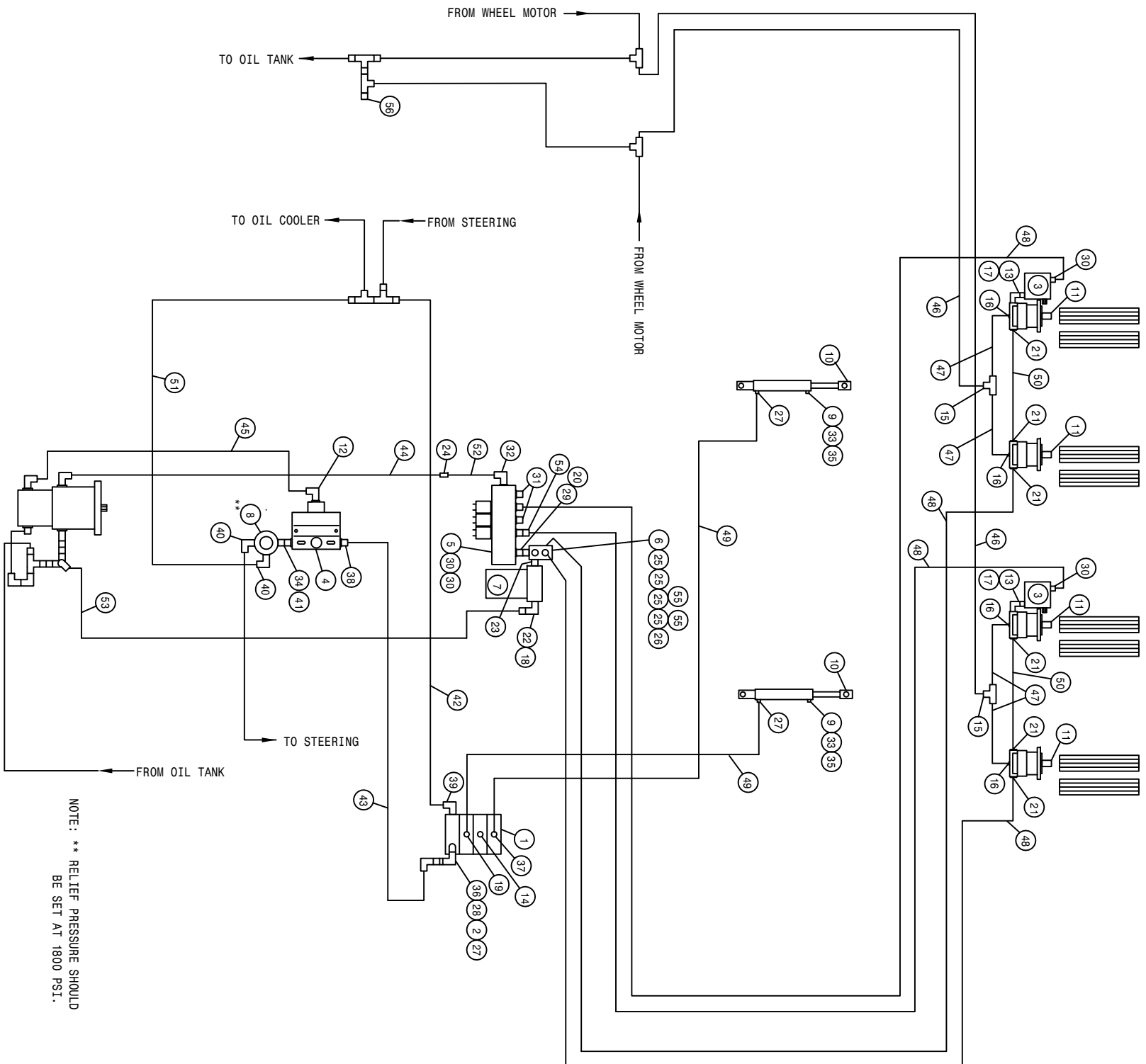
200 BASIC MACHINE HYD SCHEMATIC 1990  
 REFERENCE DRAWING NO. 498330

DET.	QTY	PART NO.	DESCRIPTION	DET.	QTY	PART NO.	DESCRIPTION
1	1	606884	SUND 75CC ECLIPSE PUMP B-MT	55	1	505203	BLK PIPE NIPPLE 1.00NPT-4.00
2	2	610030	SUND WHL MTR EXTEN SHAFT 18	56	2	504955	BLK PIPE TEE .75NPT
3	1	606890	SUND GEAR PMP 2.92CI SPLINED	57	2	504702	CLOSE NIPPLE .75NPT
4	1	618088	OIL COOLER BLISSFIELD	58	1	504210	RED BUSH 3/4 NPT X 1/2 NPT
5	1	610468	POSITIONACTION VLV MOD CONT 20G	59	1	501102	1/4 PIPE PLUG
6	1	610513	POSITIONACTION VLV W/BYPASS 60G	60	2	618486	9/16FJIC SW RUN TEE-9/16MJIC
7	2	620080	STRG CYL ASSY 1.50 X 6.0 1985	61	1	618322	1 5/16MJIC-1MNP ADPTR
8	2	610512	SUND M23 WHL MTR	62	1	503820	BLK PIPE TEE .50NPT
9	2	618598	1 IN 4-BOLT FLG X 1 5/16FOR	63	4	505213	RED BUSH 1 X 3/4 BLK MAL
10	1	749150	STRG MTR NON-LOAD REACT 1008	64	2	618541	1 5/16FJIC-1 1/16MJIC ADPTR
11	1	605601	GRESN FILTER 10 MICRON 40GPM	65	1	618118	3/4 HOSE BARB-90-1 1/16MOR
12	1	760097	OIL TANK WLD 8240 1982	66	1	618564	1IN HOSE BARB-90-1 5/16MOR
13	1	605600	MICHIGAN RESERVOIR FILTER	67	2	618314	3/4MJIC UNION
14	2	605603	LINE SUMP DIFFUSER	68	2	618601	7/8MJIC-1 5/16MOR ADPT
15	1	611052	FILLER BREATHER 3/4NPT	69	1	618186	1 5/16MJIC-1 5/16MOR ADPTR
16	1	614453	DIPSTICK, 8IN	70	4	618177	1 1/16MJIC UNION
17	1	614660	1IN STL TEE WLD 280	71	2	505005	RED BUSH 1 TO 1/2
18	2	620570	HYD CYL LEG LEVEL 2.00 X 12	72	1	618308	1 1/16MJIC-1 5/16MOR ADPTR
19	2	614672	HYD TUBE ASSY, SUND PUMP	73	2	618323	7/8MJIC-45-1/2MNP LBO
20	1	614675	HYD TUBE ASSY, RH MAIN	74	1	618434	1 1/16MJIC-1MNP ADPTR
21	2	614665	FRT LEG INNER HYD TUBE ASSY200	75	1	618575	1FNPT PIPE TEE STL
22	2	614668	FRT LEG CNTR HYD TUBE ASSY200	76	1	618589	7/8MJIC-90-1 5/16MOR LBO
23	1	614666	RH FRT LEG HYD TUBE ASSY 200	77	4	611126	7/8MJIC-7/8MOR ADPTR
24	1	614667	LH FRT LEG HYD TUBE ASSY 200	78	2	611121	9/16MJIC-1/4MNP ADPTR
25	1	614676	HYD TUBE ASSY, LH MAIN	79	2	618514	9/16FJ SW BRANCH TEE-9/16MJ
26	1	601112	HOSE, 3/4 X 84 2BR RED	80	2	611122	9/16MJIC-90-1/4MNP LBO
27	1	601255	HOSE, 1.00 2BR RED X 104 LG	81	2	618018	9/16MJIC-1/2MNP ADPTR
28	1	601305	HOSE, 1.00 2BR RED X 29 LG	82	2	610193	7/8MJIC BLKHD BRANCH TEE
29	1	601309	HOSE, 1 X 48 2BR RED	83	2	618156	7/8MJIC-90-3/4MNP LBO
30	1	614388	08RLA-08FJX-08FJX-129	84	1	614373	08RLA-08FJX-08FJX-44
31	1	615614	FRT LEG CYL JUMPER HOSE280 89	85	1	610300	3/4MJIC-.5/4MNP ADPTR
32	2	616056	04C1A-06FJX-06FJX-32	86	1	611147	3/4MJIC-1/2MNP ADPTR
33	2	615451	06C1T-06FJX-08FJX-58	87	1	618531	9/16FJIC CAP NUT
34	4	611204	04C1T-06FJX-06FJX-78	88	1	610305	3/4MJIC-90-3/4MNP LBO
35	2	614663	04C1T-06FJX-06FJX-16	89	1	618311	3/4MJIC UNION TEE
36	2	614655	HOSE ASSY 70I F-F 4500P	90	3	618482	3/4FJIC-.9/16MJIC ADPTR
37	2	614654	HOSE ASSY 60I F-F 4500P	91	1	618312	1 5/16MOR-1 1/16FOR ADPTR
38	2	614656	HOSE ASSY 118I F-F 4500P	92	1	618535	7/8MJIC-90-1 1/16MOR LBO
39	2	614657	HOSE ASSY 125I F-F 4500P	93	1	618451	3/4FJIC SW RUN TEE-3/4MJIC
40	1	614549	06C1T-06FJX-06FJX-140	94	1	618075	3/4 HOSE BARB-1 1/16MOR
41	1	615449	06C1T-06FJX-06FJX-126	95	1	611128	7/8MJIC-90-7/8MOR LBO
42	2	611159	3/4MOR PLUG	96	1	606891	SUND GEAR PMP .52CI SPLINED
43	6	618496	9/16MJIC-45-3/4MOR LBO	97	1	618178	1 5/16MJIC-90-1 5/16MOR LBO
44	4	618302	1 1/16MJIC-90-1 5/16MOR LBO	98	1	618596	1 5/8MOR-1 1/4FNPT ADPTR
45	2	618315	3/4MJIC-45-3/4MOR LBO	99	1	506200	CLOSE NIPPLE 1.25NPT
46	2	618599	1 5/16MOR BRANCH TEE-1 5/16MJ	100	1	506701	SIDE OUTLET EL 90DEG 1.25NPT
47	1	618138	1IN HOSE BARB-90-1MNP	101	1	715660	HOSE BARB 1 1/4NPT X 1 1/4
48	3	505200	BLK PIPE ST EL 90DEG 1.00NPT	102	1	506005	1 1/4 TO 1 RED BUSH BLK MAL
49	1	715664	1 1/4 NPT X 1 HOSE BARB	103	1	505201	CLOSE NIPPLE 1.00NPT
50	2	714560	1NPT X 1 HOSE BARB	104	1	505101	BLK PIPE TEE 1.00NPT
51	1	713220	HOSE BARB 3/4 NPT X 3/4	105	1	714560	1NPT X 1 HOSE BARB
52	1	506602	PIPE NIPPLE 1 1/4NPT-2 1/2	106	1	716000	3/4 HOSE BARB-90-1MNP
53	1	506303	BLK PIPE EL 90DEG 1.25NPT	107	1	601311	HOSE, 3/4 2BR RED X 8.00
54	4	505300	BLK PIPE EL 90DEG 1.00NPT	108	1	506410	BLK PIPE ST EL 90DEG 1.25NPT



200 4R ROLLER 2L W/O T-TROL HYD SCHEM 90  
REFERENCE DRAWING NO. 498332

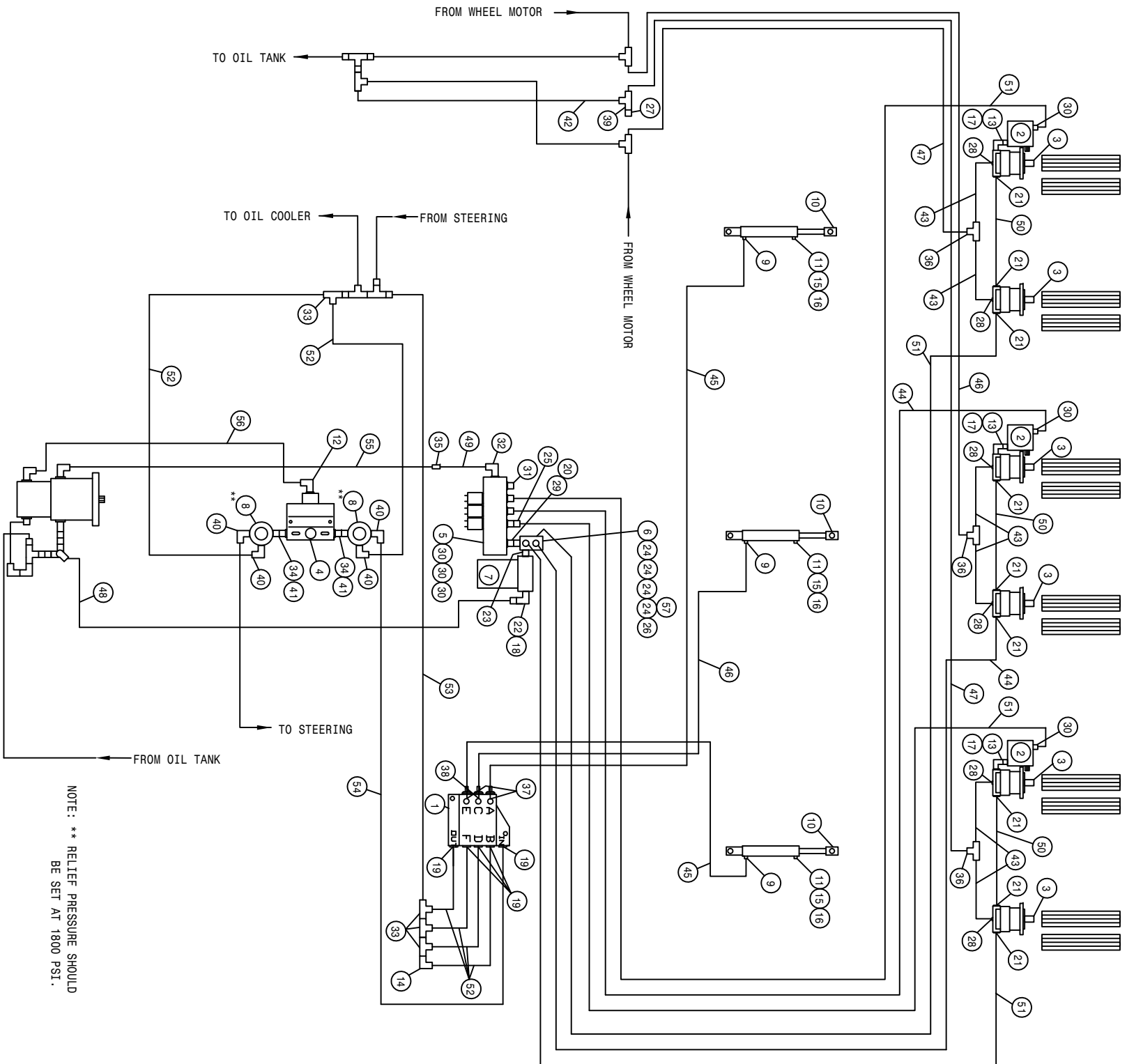
DET.	QTY	PART NO.	DESCRIPTION	DET.	QTY	PART NO.	DESCRIPTION
1	1	606585	CESSNA 3SPL VALVE W/O RELIEF	28	2	738859	STRAINER 50 MESH NYLON
2	2	610528	PRESS COMP FIXED FLO REG 11G	29	1	618186	1 5/16MJIC-1 5/16MOR ADPTR
3	4	610510	CESSNA GEAR MOTOR 1.48CI	30	4	618469	3/4MJIC-1 1/16MOR ADPTR
4	1	607504	FLO DIV B50 2-8GPM 7/8 FOR	31	2	610186	1 1/16MOR PLUG
5	1	610467	MODULAR MTR CONTROL ELECT VLV	32	1	618178	1 5/16MJIC-90-1 5/16MOR LBO
* 6	1	614633	HYD MANIF 8200 86	33	3	618486	9/16FJIC SW RUN TEE-9/16MJIC
* 7	1	605601	GRESEN FILTER 10 MICRON 40GPM	34	2	500000	1/2MNPIT HEX PIPE NIPPLE STL
8	2	607512	RELIEF VALVE, RL50 1800 PSI	*35	1	618577	1 5/16MJIC UNION
9	2	614649	RESTRICTOR ASSY 1-WAY	36	1	611128	7/8MJIC-90-7/8MOR LBO
10	2	620900	CYL ASSY CC2016 DOO SRG 180	37	4	618107	9/16MJIC-90-1/2MNPIT LBO
11	2	618019	9/16MJIC UNION TEE	38	6	618474	3/4MJIC-90-1 1/16MOR LBO
12	1	618603	9/16MJIC-90-9/16MJIC LBO	39	4	614689	08C1A-08FJX-08FJX-120
13	2	618578	1 1/16FJIC SWIV-1 1/16MOR	*40	5	616042	04C1A-06FJX-06FJX-13
14	2	737810	NOZL BODY .25NPT NYLON MALE	*41	1	614627	06C1T-06FJX-06FJX-45
15	4	611121	9/16MJIC-1/4MNP ADPTR	*42	1	615616	04C1T-06FJX-06FJX-65
16	2	618119	9/16MJIC-90-9/16MOR LBO	*43	1	614687	HYD TUBE ASSY SUND AUX 200 90
17	2	618248	1 1/16MJIC-90-1 1/16MOR LBO	44	2	614101	04C1A-06FJX-06FJX-133
*18	1	715660	HOSE BARB 1 1/4NPT X 1 1/4	45	4	616027	04C1A-06FJX-06FJX-39
19	4	618126	9/16MJIC-9/16MOR ADPTR	*46	1	614664	10C1T-10FJX-10FJX-91
*20	1	618587	1 5/16FJIC SWIV-1MNPIT	47	2	614639	04C1A-06FJX-06FJX-126
21	2	500005	CAP NUT .688FPS NYLON	*48	1	601289	HOSE, 1 1/4 X 144 2BR RED
*22	1	506410	BLK PIPE ST EL 90DEG 1.25NPT	*49	1	614348	16C2AT-16FJX-16FJX-25
*23	1	618144	1 1/4-1MP HEX PIPE NIPPLE STL	50	2	616058	08C1T-08FJX-08FJX-80
24	2	610185	9/16MOR PLUG	51	1	618590	3/4MJIC-45-3/4FJIC SWIV LBO
*25	4	611145	3/4MJIC-90-1/2MNPIT LBO	*52	2	618532	3/4FJIC CAP NUT
*26	1	503700	PIPE PLUG .50NPT SQ HD	*53	1	618531	9/16FJIC CAP NUT
27	2	618072	7/8MOR-1/2FNPT ADPTR				





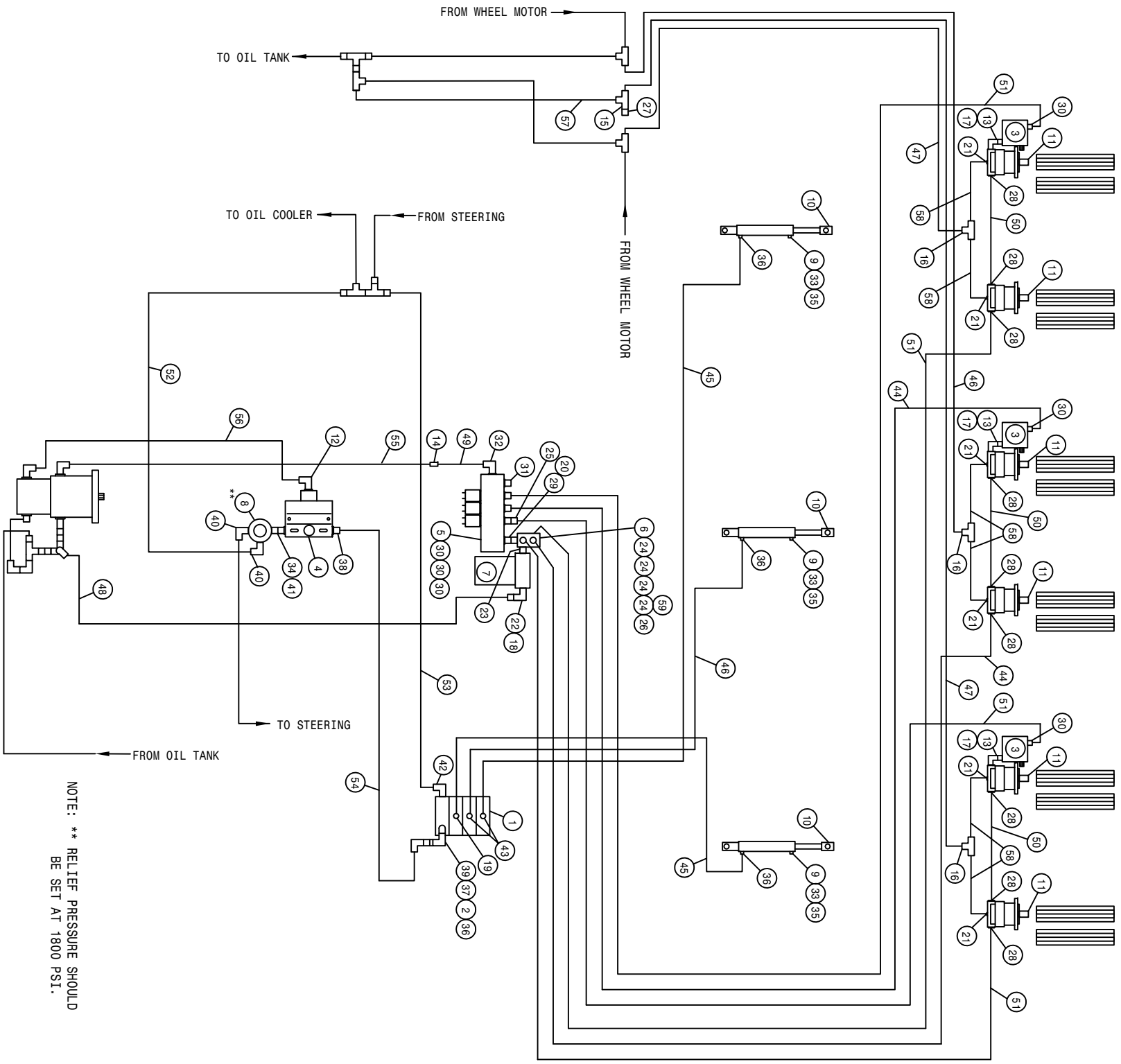
200 4R ROLLER 2L W/T-TROL HYD SCHEM 90  
 REFERENCE DRAWING NO. 498333

DET.	QTY	PART NO.	DESCRIPTION	DET.	QTY	PART NO.	DESCRIPTION
1	1	610532	ELECT HYD STACK VLV W/ADJ	89	29	618186	1 5/16MJIC-1 5/16MOR ADPTR
2	1	610447	HYD FILTER, INLINE 1/4FNPT 90M	30	4	618469	3/4MJIC-1 1/16MOR ADPTR
3	2	610528	PRESS COMP FIXED FLO REG. 11G	31	2	610186	1 1/16MOR PLUG
4	1	607504	FLO DIV B50 2-8GPM 7/8 FOR	32	1	618178	1 5/16MJIC-90-1 5/16MOR LBO
5	1	610467	MODULAR MTR CONTROL ELECT VLV	33	2	738859	STRAINER 50 MESH NYLON
* 6	1	614633	HYD MANIF 8200 86	34	1	500000	1/2MNPT HEX PIPE NIPPLE STL
* 7	1	605601	GRESEN FILTER 10 MICRON 40GPM	35	2	500005	CAP NUT .688FPS NYLON
8	1	607512	RELIEF VALVE, RL50 1800 PSI	36	1	618170	3/4MOR-9/16FOR ADPTR
9	2	737810	NOZL BODY .25NPT NYLON MALE	37	1	618119	9/16MJIC-90-9/16MOR LBO
10	2	620900	CYL ASSY CC2016 D00 SRG 180	38	1	618310	9/16MJIC-7/8MOR ADPTR
11	4	610510	CESSNA GEAR MOTOR 1.48CI	39	1	618600	9/16MJIC-90-7/8MOR LBO
12	1	611128	7/8MJIC-90-7/8MOR LBO	40	2	618107	9/16MJIC-90-1/2MNPT LBO
13	2	618578	1 1/16FJIC SWIV-1 1/16MOR	41	1	618072	7/8MOR-1/2FNPT ADPTR
14	1	610185	9/16MOR PLUG	*42	1	614627	06CJT-06F3X-06F3X-45
15	2	618019	9/16MJIC UNION TEE	*43	1	615616	04CJT-06F3X-06F3X-65
16	4	611121	9/16MJIC-1/4MNPT ADPTR	*44	1	614687	HYD TUBE ASSY SUND AUX 200 90
17	2	618248	1 1/16MJIC-90-1 1/16MOR LBO	*45	1	614664	10CJT-10F3X-10F3X-91
*18	1	715660	HOSE BARB 1 1/4NPT X 1 1/4	46	2	614639	04C1A-06F3X-06F3X-126
19	1	618425	9/16MJIC-45-9/16MOR LBO	47	4	616027	04C1A-06F3X-06F3X-39
*20	1	618587	1 5/16FJIC SWIV-1MNPT	48	4	614689	08C1T-08F3X-08F3X-120
21	6	618474	3/4MJIC-90-1 1/16MOR LBO	49	2	614101	04C1A-06F3X-06F3X-133
*22	1	506410	BLK PIPE ST EL 90DEG 1.25NPT	50	2	616058	08C1T-08F3X-08F3X-80
*23	1	618144	1 1/4-1MP HEX PIPE NIPPLE STL	*51	1	616042	04C1A-06F3X-06F3X-13
*24	1	618577	1 5/16MJIC UNION	*52	1	614348	16C2AT-16F3X-16F3X-25
*25	4	611145	3/4MJIC-90-1/2MNPT LBO	*53	1	601289	HOSE, 1 1/4 X 144 2BR RED
*26	1	503700	PIPE PLUG .50NPT SQ HD	54	1	618590	3/4MJIC-45-3/4FJIC SWIV LBO
27	3	611122	9/16MJIC-90-1/4MNPT LBO	*55	2	618532	3/4FJIC CAP NUT
28	1	618562	9/16MOR-90-1/4MNPT LBO	*56	1	618531	9/16FJIC CAP NUT



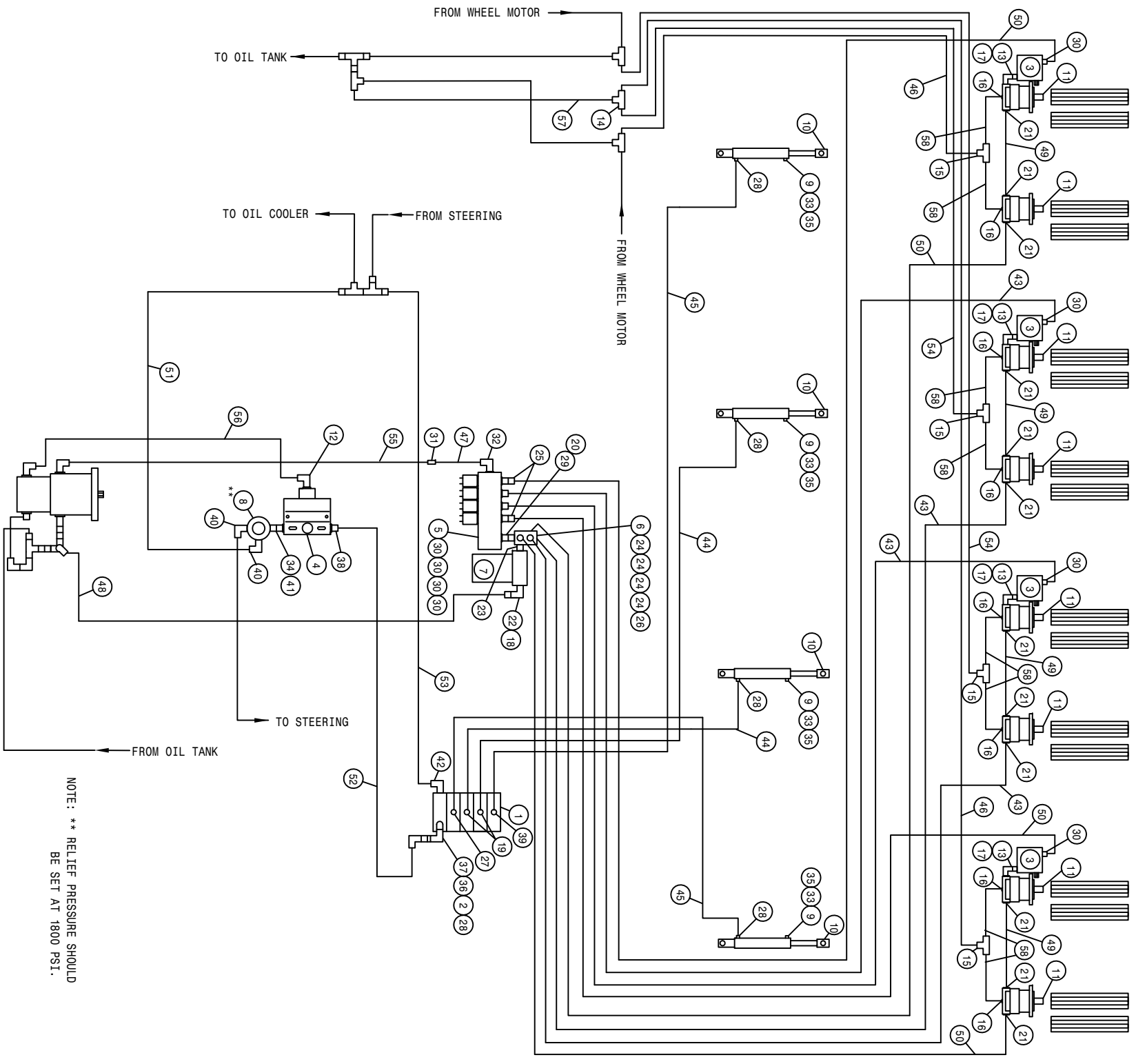
200 6R ROLLER 3L W/O T-TROL HYD SCHEM 90  
REFERENCE DRAWING NO. 498334

DET.	QTY	PART NO.	DESCRIPTION	DET.	QTY	PART NO.	DESCRIPTION
1	1	606585	CESSNA 3SPL VALVE W/O RELIEF	30	6	618469	3/4MJIC-1 1/16MOR ADPTR
2	3	610528	PRESS COMP FIXED FLO REG 11G	31	1	610186	1 1/16MOR PLUG
3	6	610510	CESSNA GEAR MOTOR 1.48CI	32	1	618178	1 5/16MJIC-90-1 5/16MOR LBO
4	1	607504	FLO DIV B50 2-8GPM 7/8 FOR	33	4	618486	9/16FJIC SW RUN TEE-9/16MJIC
5	1	610467	MODULAR MTR CONTROL ELECT VLV	34	2	500000	1/2MNPT HEX PIPE NIPPLE STL
* 6	1	614633	HYD MANIF 8200 86	*35	1	618577	1 5/16MJIC UNION
* 7	1	605601	GRESEN FILTER 10 MICRON 40GPM	36	3	618019	9/16MJIC UNION TEE
8	2	607512	RELIEF VALVE, R150 1800 PSI	37	2	618119	9/16MJIC-90-9/16MOR LBO
9	3	614649	RESTRICTOR ASSY 1-WAY	38	1	618440	9/16MJIC-90-9/16MOR EX LG LBO
10	3	620900	CYL ASSY CC2016 D00 SRG 180	39	1	610193	9/16MJIC BLKHD BRANCH TEE
11	3	500005	CAP NUT .688FPS NYLON	40	4	618107	9/16MJIC-90-1/2MNPT LBO
12	1	611128	7/8MJIC-90-7/8MOR LBO	41	2	618072	7/8MOR-1/2FNPT ADPTR
13	3	618578	1 1/16FJIC SWIV-1 1/16MOR	42	1	616026	04C1A-06FJX-06FJX-37
14	1	618603	9/16MJIC-90-9/16MJIC	43	6	616027	04C1A-06FJX-06FJX-39
15	3	737810	NOZL BODY .25NPT NYLON MALE	44	2	614688	08C1T-08FJX-08FJX-108
16	3	738859	STRAINER 50 MESH NYLON	45	2	611212	04C1T-06FJX-06FJX-164
17	3	618248	1 1/16MJIC-90-1 1/16MOR LBO	46	2	614077	04C1T-06FJX-06FJX-88
*18	1	715660	HOSE BARB 1 1/4NPT X 1 1/4	47	2	611210	04C1A-06FJX-06FJX-156
19	5	618126	9/16MJIC-9/16MOR ADPTR	*48	1	601289	HOSE, 1 1/4 X 144 2BR RED
*20	1	618587	1 5/16FJIC SWIV-1MNPT	*49	1	614348	16C2AT-16FJX-16FJX-25
21	9	618474	3/4MJIC-90-1 1/16MOR LBO	50	3	616058	08C1T-08FJX-08FJX-80
*22	1	506410	BLK PIPE ST EL 90DEG 1.25NPT	51	4	614690	08C1T-08FJX-08FJX-192
*23	1	618144	1 1/4-IMP HEX PIPE NIPPLE STL	*52	6	616042	04C1A-06FJX-06FJX-13
*24	4	611145	3/4MJIC-90-1/2MNPT LBO	*53	1	614627	06C1T-06FJX-06FJX-45
25	1	618590	3/4MJIC-45-3/4FJIC SWIV LBO	*54	1	615616	04C1T-06FJX-06FJX-65
*26	1	503700	PIPE PLUG .50NPT SQ HD	*55	1	614687	HYD TUBE ASSY SUND AUX 200 90
*27	1	618531	9/16FJIC CAP NUT	*56	1	614664	10C1T-10FJX-10FJX-91
28	6	611121	9/16MJIC-1/4MNPT ADPTR	*57	1	618532	3/4FJIC CAP NUT
29	1	618186	1 5/16MJIC-1 5/16MOR ADPTR				



200 6R ROLLER 3L W/T-TRRL HYD SCHEM 90  
REFERENCE DRAWING NO. 498335

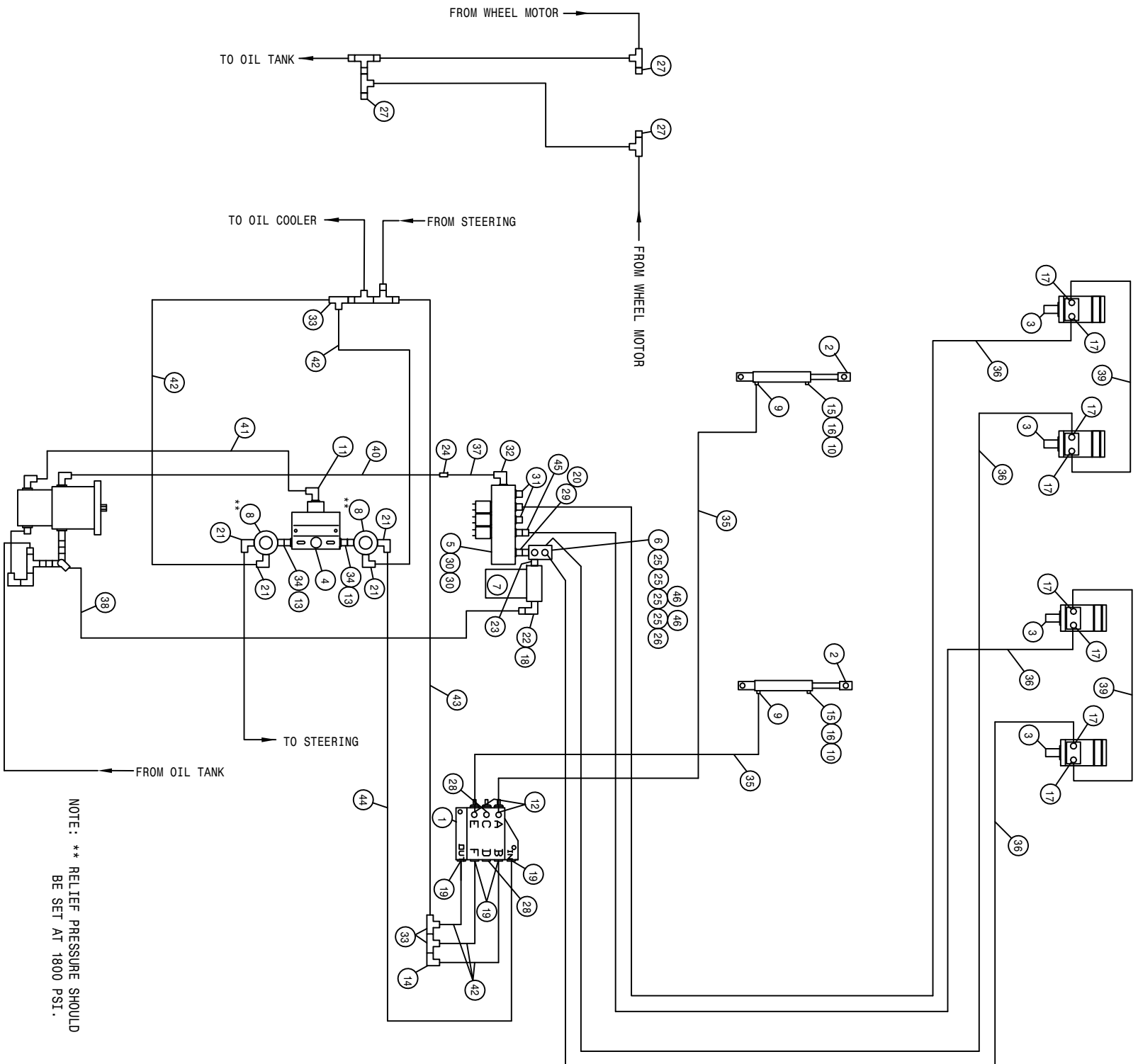
DET.	QTY	PART NO.	DESCRIPTION	DET.	QTY	PART NO.	DESCRIPTION
1	1	610532	ELECT HYD STACK VLV W/ADJ	89	31	610186	1 1/16MOR PLUG
2	1	610447	HYD FILTER, INLINE 1/4FNPT	90M	32	618178	1 5/16MJC-90-1 5/16MOR LBO
3	3	610528	PRESS COMP FIXED FLO REG 11G	33	3	738859	STRAINER 50 MESH NYLON
4	1	607504	FLO DIV B50 2-8GPM 7/8 FOR	34	1	500000	1/2MNP HEX PIPE NIPPLE STL
5	1	610467	MODULAR MTR CONTROL ELECT VLV	35	3	500005	CAP NUT .688FPS NYLON
* 6	1	614653	HYD MANIF 8200 86	36	4	611122	9/16MJC-90-1/4MNP LBO
* 7	1	605601	GRESEN FILTER 10 MICRON 40GPM	37	1	618562	9/16MOR-90-1/4MNP LBO
8	1	607512	RELIEF VALVE, RLSO 1800 PSI	38	1	618310	9/16MJC-7/8MOR ADPTR
9	3	737810	NOZL BODY .25NPT NYLON MALE	39	1	618170	3/4MOR-9/16FOR ADPTR
10	3	620900	CYL ASSY CC2016 D00 SRG 180	40	2	618107	9/16MJC-90-1/2MNP LBO
11	6	610510	CESSNA GEAR MOTOR 1.48CI	41	1	618072	7/8MOR-1/2FNPT ADPTR
12	1	611128	7/8MJC-90-7/8MOR LBO	42	1	618600	9/16MJC-90-7/8MOR LBO
13	3	618578	1 1/16FJIC SWIV-1 1/16MOR	43	2	618119	9/16MJC-90-9/16MOR LBO
*14	1	618577	1 5/16MJC UNION	44	2	614688	08C1T-08FJX-08FJX-108
15	1	610193	9/16MJC BLKHD BRANCH TEE	45	2	614101	04C1A-06FJX-06FJX-133
16	3	618019	9/16MJC UNION TEE	46	2	614077	04C1T-06FJX-06FJX-88
17	3	618248	1 1/16MJC-90-1 1/16MOR LBO	47	2	611210	04C1A-06FJX-06FJX-156
*18	1	715660	HOSE BARB 1 1/4NPT X 1 1/4	*48	1	601289	HOSE, 1 1/4 X 144 2BR RED
19	1	618425	9/16MJC-45-9/16MOR LBO	*49	1	614348	16C2AT-16FJX-16FJX-25
*20	1	618587	1 5/16FJIC SWIV-1MNP	50	3	616058	08C1T-08FJX-08FJX-80
21	6	611121	9/16MJC-1/4MNP ADPTR	51	4	614690	08C1T-08FJX-08FJX-192
*22	1	506410	BLK PIPE ST EL 90DEG 1.25NPT	*52	1	616042	04C1A-06FJX-06FJX-13
*23	1	618144	1 1/4-IMP HEX PIPE NIPPLE STL	*53	1	614627	06C1T-06FJX-06FJX-45
*24	4	611145	3/4MJC-90-1/2MNP LBO	*54	1	615616	04C1T-06FJX-06FJX-65
25	1	618590	3/4MJC-45-3/4FJIC SWIV LBO	*55	1	614687	HYD TUBE ASSY SUND AUX 200 90
*26	1	503700	PIPE PLUG .50NPT SQ HD	*56	1	614664	10C1T-10FJX-10FJX-91
*27	1	618531	9/16FJIC CAP NUT	57	1	616026	04C1A-06FJX-06FJX-37
28	9	618474	3/4MJC-90-1 1/16MOR LBO	58	6	616027	04C1A-06FJX-06FJX-39
29	1	618186	1 5/16MJC-1 5/16MOR ADPTR	*59	1	618532	3/4FJIC CAP NUT
30	6	618469	3/4MJC-1 1/16MOR ADPTR				



NOTE: \*\* RELIEF PRESSURE SHOULD BE SET AT 1800 PSI.

200 8R ROLLER 4L W/T-TRRL HYD SCHEM 90  
REFERENCE DRAWING NO. 498336

DET.	QTY	PART NO.	DESCRIPTION	DET.	QTY	PART NO.	DESCRIPTION
1	1	610532	ELECT HYD STACK VLV W/ADJ	89	30	618469	3/4MJIC-1 1/16MOR ADPTR
2	1	610447	HYD FILTER, INLINE 1/4FNPT 90M	*31	1	618577	1 5/16MJIC UNION
3	4	610528	PRESS COMP FIXED FLO REG 11G	32	1	618178	1 5/16MJIC-90-1 5/16MOR LBO
4	1	607504	FLO DIV B50 2-8GPM 7/8 FOR	33	4	738859	STRAINER 50 MESH NYLON
5	1	610467	MODULAR MTR CONTROL ELECT VLV	34	1	500000	1/2MNPT HEX PIPE NIPPLE STL
*6	1	614633	HYD MANIF 8200 86	35	4	500005	CAP NUT .688FPS NYLON
*7	1	605601	GRESEN FILTER 10 MICRON 40GPM	36	1	618562	9/16MOR-90-1/4MNPT LBO
8	1	607512	RELIEF VALVE, RL50 1800 PSI	37	1	618170	3/4MOR-9/16FOR ADPTR
9	4	737810	NOZL BODY .25NPT NYLON MALE	38	1	618310	9/16MJIC-7/8MOR ADPTR
10	4	620900	CYL ASSY CC2016 D00 SRG 180	39	1	618119	9/16MJIC-90-9/16MOR LBO
11	8	610510	CESSNA GEAR MOTOR 1.48CI	40	2	618107	9/16MJIC-90-1/2MNPT LBO
12	1	611128	7/8MJIC-90-7/8MOR LBO	41	1	618072	7/8MOR-1/2FNPT ADPTR
13	4	618578	1 1/16FJIC SWIV-1 1/16MOR	42	1	618600	9/16MJIC-90-7/8MOR LBO
14	1	610193	9/16MJIC BLKHD BRANCH TEE	43	4	614689	08C1T-08FJX-08FJX-120
15	4	618019	9/16MJIC UNION TEE	44	2	614101	04C1A-06FJX-06FJX-133
16	8	611121	9/16MJIC-1/4MNPT ADPTR	45	2	611246	04C1A-06FJX-06FJX-174
17	4	618248	1 1/16MJIC-90-1 1/16MOR LBO	46	2	611262	04C1T-06FJX-06FJX-182
*18	1	715660	HOSE BARB 1 1/4NPT X 1 1/4	*47	1	614348	16C2AT-16FJX-16FJX-25
19	2	618425	9/16MJIC-45-9/16MOR LBO	*48	1	601289	HOSE, 1 1/4 X 144 2BR RED
*20	1	618587	1 5/16FJIC SWIV-1MNPT	49	4	616058	08C1T-08FJX-08FJX-80
21	12	618474	3/4MJIC-90-1 1/16MOR LBO	50	4	614691	08C1T-08FJX-08FJX-220
*22	1	506410	BLK PIPE ST EL 90DEG 1.25NPT	*51	1	616042	04C1A-06FJX-06FJX-13
*23	1	618144	1 1/4-1MP HEX PIPE NIPPLE STL	*52	1	615616	04C1T-06FJX-06FJX-65
*24	4	611145	3/4MJIC-90-1/2MNPT LBO	*53	1	614627	06C1T-06FJX-06FJX-45
25	2	618590	3/4MJIC-45-3/4FJIC SWIV LBO	54	2	614639	04C1A-06FJX-06FJX-126
*26	1	503700	PIPE PLUG .50NPT SQ HD	*55	1	614687	HYD TUBE ASSY SUND AUX 200 90
27	1	618126	9/16MJIC-9/16MOR ADPTR	*56	1	614664	10C1T-10FJX-10FJX-91
28	5	611122	9/16MJIC-90-1/4MNPT LBO	57	1	616026	04C1A-06FJX-06FJX-37
29	1	618186	1 5/16MJIC-1 5/16MOR ADPTR	58	8	616027	04C1A-06FJX-06FJX-39

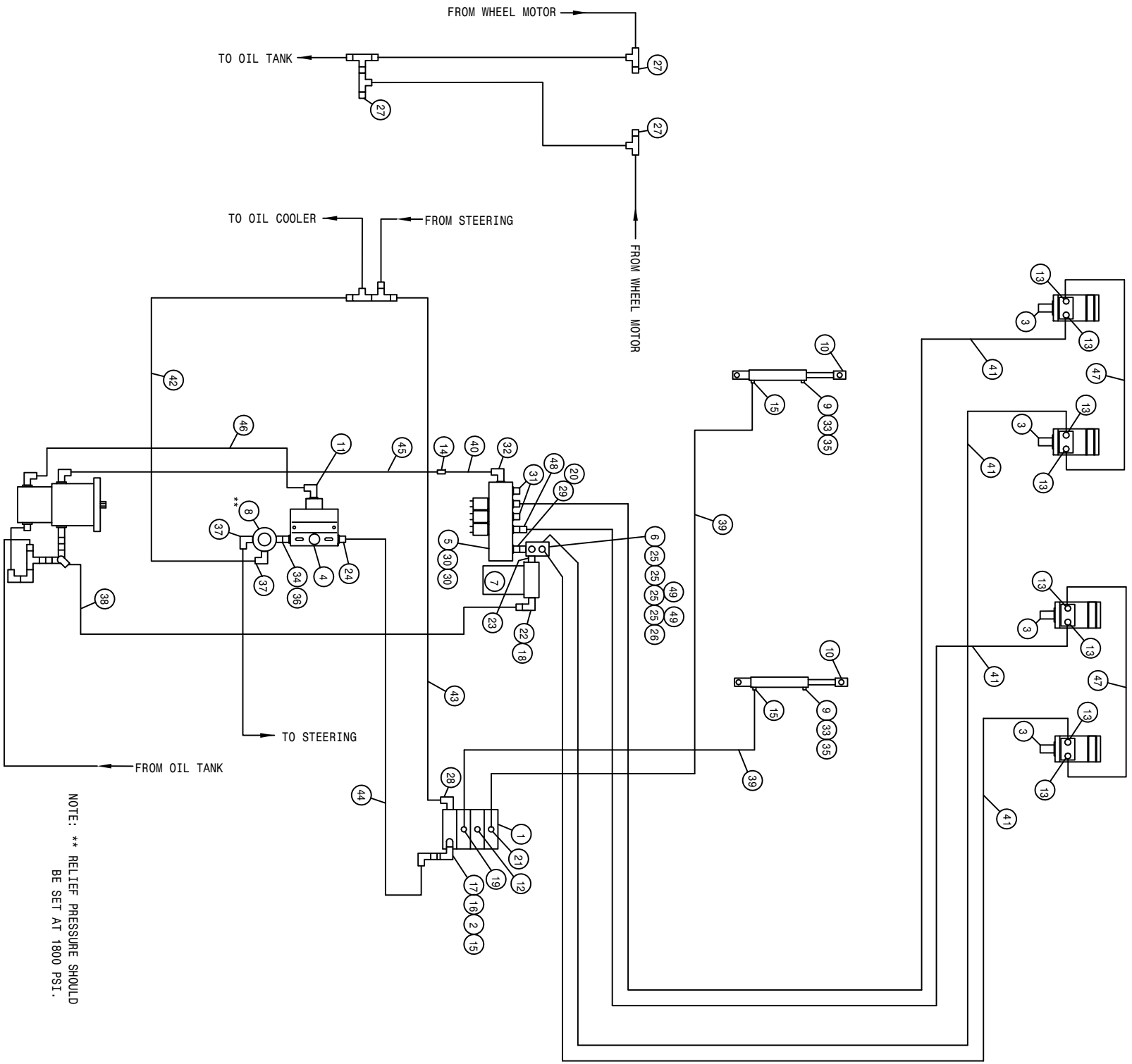


NOTE: \*\* RELIEF PRESSURE SHOULD BE SET AT 1800 PSI.



200 4R QUAD 2L W/O T-TROL HYD SCHEM 90  
REFERENCE DRAWING NO. 498337

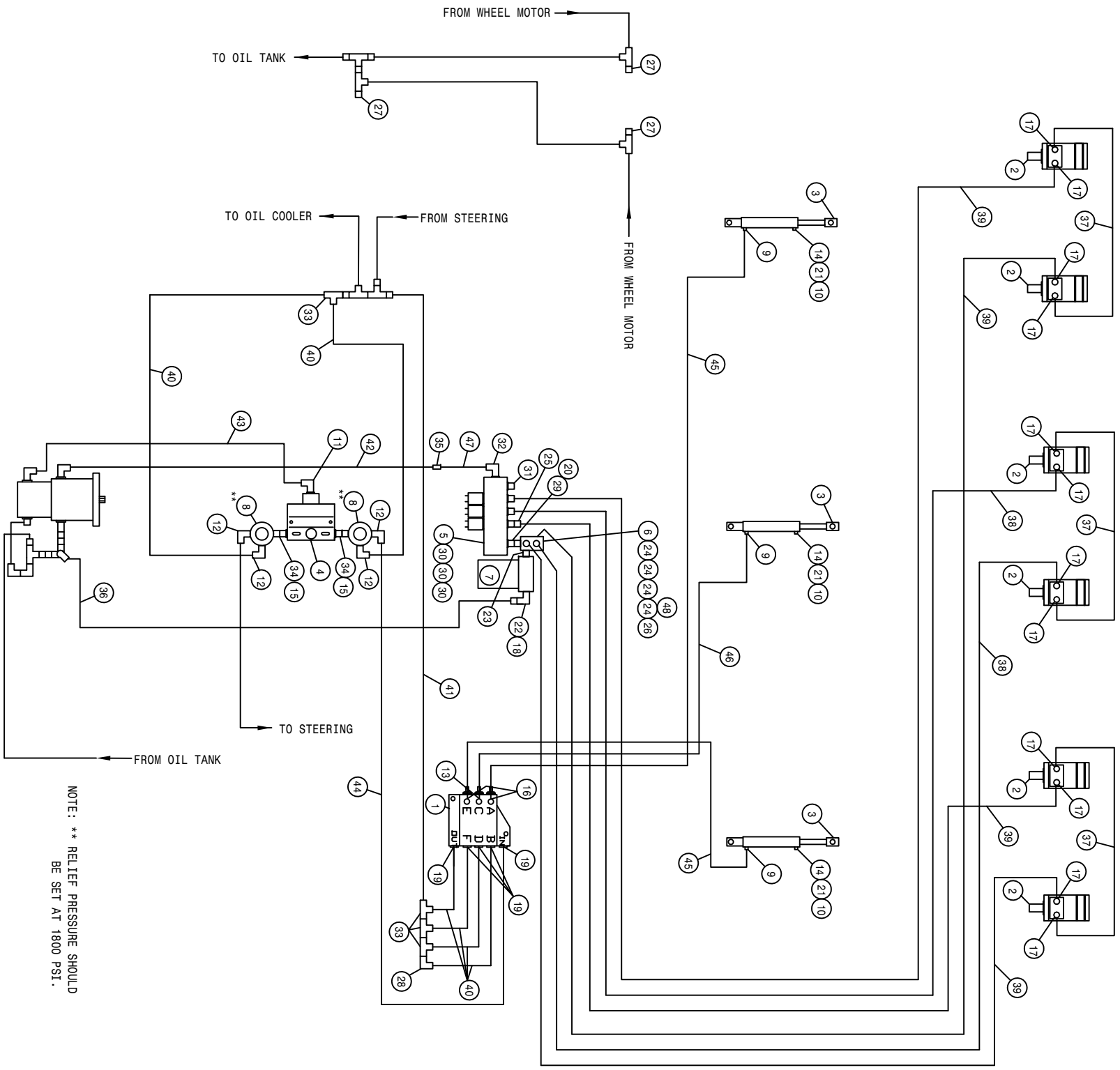
DET.	QTY	PART NO.	DESCRIPTION	DET.	QTY	PART NO.	DESCRIPTION
1	1	606585	CESSNA 3SPL VALVE W/O RELIEF	*24	1	618577	1 5/16MJIC UNION
2	2	620900	CYL ASSY CC2016 D00 SRG 180	*25	4	611145	3/4MJIC-90-1/2MNPT LBO
3	4	610547	HYD MOTOR 4.5 CI 1IN SHFT	*26	1	503700	PIPE PLUG .50NPT SQ HD
4	1	607504	FLO DIV B50 2-8GPM 7/8 FOR	*27	3	618531	9/16FJIC CAP NUT
5	1	610467	MODULAR MTR CONTROL ELECT VLV	28	2	610185	9/16MOR PLUG
* 6	1	614633	HYD MANIF 8200 86	29	1	618186	1 5/16MJIC-1 5/16MOR ADPTR
* 7	1	605601	GRESEN FILTER 10 MICRON 40GPM	30	2	618469	3/4MJIC-1 1/16MOR ADPTR
8	2	607512	RELIEF VALVE, RL50 1800 PSI	31	2	610186	1 1/16MOR PLUG
9	2	614649	RESTRICTOR ASSY 1-WAY	32	1	618178	1 5/16MJIC-90-1 5/16MOR LBO
10	2	500005	CAP NUT .688FPS NYLON	33	3	618486	9/16FJIC SW RUN TEE-9/16MJIC
11	1	611128	7/8MJIC-90-7/8MOR LBO	34	2	500000	1/2MNPT HEX PIPE NIPPLE STL
12	2	618119	9/16MJIC-90-9/16MOR LBO	35	2	614101	04C1A-06FJX-06FJX-133
13	2	618072	7/8MOR-1/2FNPT ADPTR	36	4	614689	08C1T-08FJX-08FJX-120
14	1	618603	9/16MJIC-90-9/16MJIC LBO	*37	1	614348	16C2AT-16FJX-16FJX-25
15	2	737810	NDZL BODY .25NPT NYLON MALE	*38	1	601289	HOSE, 1 1/4 X 144 2BR RED
16	2	738859	STRAINER 50 MESH NYLON	39	2	616025	08C1A-08FJX-08FJX-50
17	8	618327	3/4MJIC-7/8MOR ADPTR	*40	1	614687	HYD TUBE ASSY SUND AUX 200 90
*18	1	715660	HOSE BARB 1 1/4NPT X 1 1/4	*41	1	614664	10C1T-10FJX-10FJX-91
19	4	618126	9/16MJIC-9/16MOR ADPTR	*42	5	616042	04C1A-06FJX-06FJX-13
*20	1	618587	1 5/16FJIC SWIV-1MNPT	*43	1	614627	06C1T-06FJX-06FJX-45
21	4	618107	9/16MJIC-90-1/2MNPT LBO	*44	1	615616	04C1T-06FJX-06FJX-65
*22	1	506410	BLK PIPE ST EL 90DEG 1.25NPT	45	1	618590	3/4MJIC-45-3/4FJIC SWIV LBO
*23	1	618144	1 1/4-1MP HEX PIPE NIPPLE STL	*46	2	618532	3/4FJIC CAP NUT



NOTE: \*\* RELIEF PRESSURE SHOULD BE SET AT 1800 PSI.

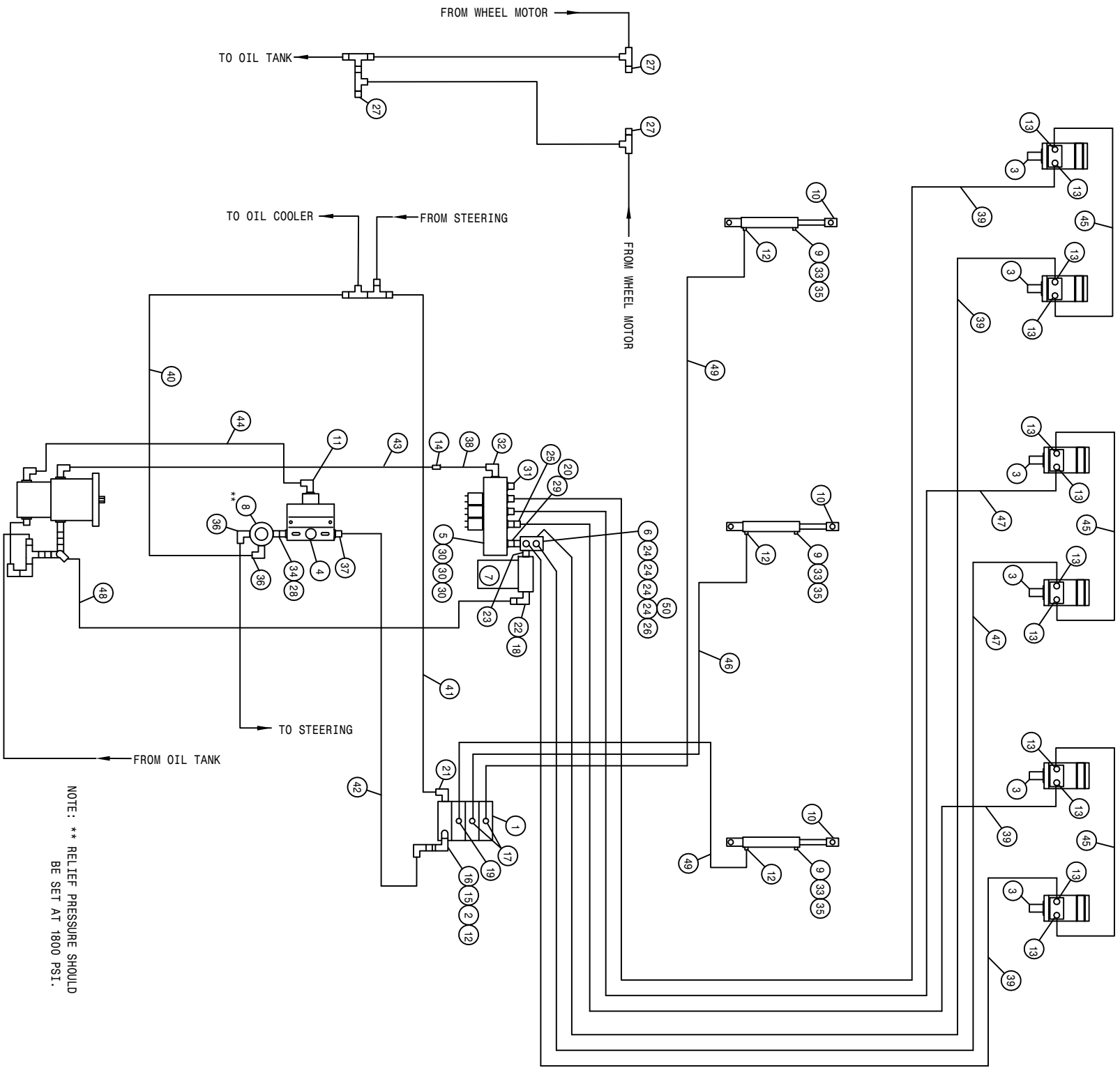
200 4R QUAD 2L W/T-TRRL HYD SCHEM 90  
REFERENCE DRAWING NO. 498338

DET.	QTY	PART NO.	DESCRIPTION	DET.	QTY	PART NO.	DESCRIPTION
1	1	610532	ELECT HYD STACK VLV W/ADJ	*26	1	503700	PIPE PLUG .50NPT SQ HD
2	1	610447	HYD FILTER, INLINE 1/4FNPT 90M	*27	3	618531	9/16FJIC CAP NUT
3	4	610547	HYD MOTOR 4.5 CI 1IN SHFT	28	1	618600	9/16MJIC-90-7/8MOR LBO
4	1	607504	FLO DIV B50 2-8GPM 7/8 FOR	29	1	618186	1 5/16MJIC-1 5/16MOR ADPTR
5	1	610467	MODULAR MTR CONTROL ELECT VLV	30	2	618469	3/4MJIC-1 1/16MOR ADPTR
*6	1	614633	HYD MANIF 8200 86	31	2	610186	1 1/16MOR PLUG
*7	1	605601	GRESEN FILTER 10 MICRON 40GPM	32	1	618178	1 5/16MJIC-90-1 5/16MOR LBO
8	1	607512	RELIEF VALVE, R150 1800 PSI	33	2	738859	STRAINER 50 MESH NYLON
9	2	737810	NOZL BODY .25NPT NYLON MALE	34	1	500000	1/2MNPT HEX PIPE NIPPLE STL
10	2	620900	CYL ASSY CC2016 D00 SRG 180	35	2	500005	CAP NUT .688FPS NYLON
11	1	611128	7/8MJIC-90-7/8MOR LBO	36	1	618072	7/8MOR-1/2FNPT ADPTR
12	1	610185	9/16MOR PLUG	37	2	618107	9/16MJIC-90-1/2MNPT LBO
13	8	618327	3/4MJIC-7/8MOR ADPTR	*38	1	601289	HOSE, 1 1/4 X 1/4 2BR RED
*14	1	618577	1 5/16MJIC UNION	39	2	614101	04C1A-06FJX-06FJX-133
15	3	611122	9/16MJIC-90-1/4MNPT LBO	*40	1	614348	16C2AT-16FJX-16FJX-25
16	1	618562	9/16MOR-90-1/4MNPT LBO	41	4	614689	08C1T-08FJX-08FJX-120
17	1	618170	3/4MOR-9/16FOR ADPTR	*42	1	616042	04C1A-06FJX-06FJX-13
*18	1	715660	HOSE BARB 1 1/4NPT X 1 1/4	*43	1	614627	06C1T-06FJX-06FJX-45
19	1	618425	9/16MJIC-45-9/16MOR LBO	*44	1	615616	04C1T-06FJX-06FJX-65
*20	1	618587	1 5/16FJIC SWIV-1MNPT	*45	1	614687	HYD TUBE ASSY SUND AUX 200 90
21	1	618119	9/16MJIC-90-9/16MOR LBO	*46	1	614664	10C1T-10FJX-10FJX-91
*22	1	506410	BLK PIPE ST EL 90DEG 1.25NPT	47	2	616025	08C1A-08FJX-08FJX-50
*23	1	618144	1 1/4-IMP HEX PIPE NIPPLE STL	48	1	618590	3/4MJIC-45-3/4FJIC SWIV LBO
24	1	618310	9/16MJIC-7/8MOR ADPTR	*49	2	618532	3/4FJIC CAP NUT
*25	4	611145	3/4MJIC-90-1/2MNPT LBO				



200 6R QUAD 3L W/O T-TROL HYD SCHEM 90  
REFERENCE DRAWING NO. 498339

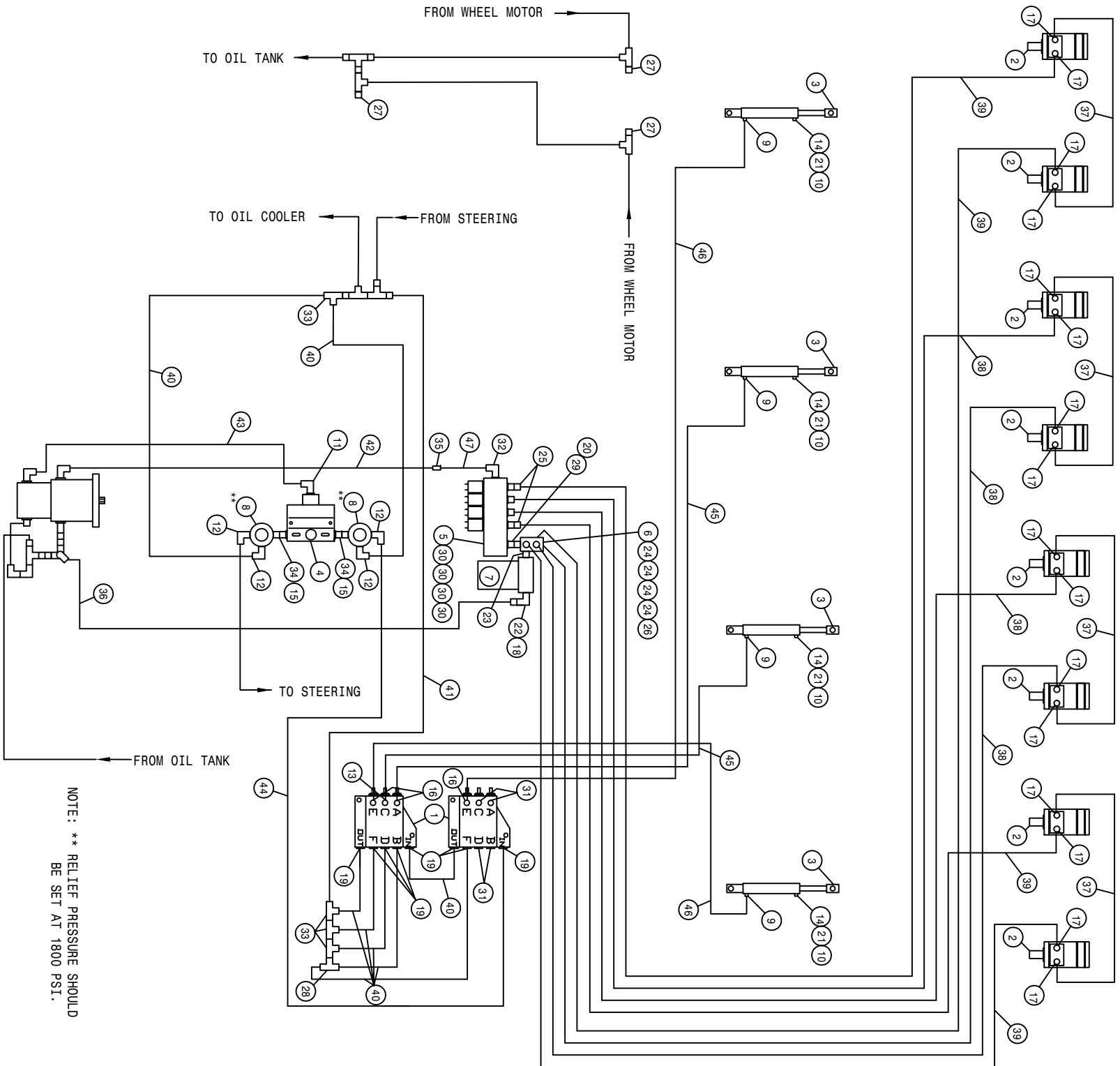
DET.	QTY	PART NO.	DESCRIPTION	DET.	QTY	PART NO.	DESCRIPTION
1	1	606585	CESSNA 3SPL VALVE W/O RELIEF	25	1	618590	3/4MJIC-4.5-3/4FJIC SWIV LBO
2	6	610547	HYD MOTOR 4.5 CI 1IN SHAFT	*26	1	503700	PIPE PLUG .50NPT SQ HD
3	3	620900	CYL ASSY CC2016 D00 SRG 180	*27	3	618531	9/16FJIC CAP NUT
4	1	607504	FLO DIV B50 2-8GPM 7/8 FOR	28	1	618603	9/16MJIC-90-9/16MJIC LBO
5	1	610467	MODULAR MTR CONTROL ELECT VLV	29	1	618186	1 5/16MJIC-1 5/16MOR ADPTR
* 6	1	614633	HYD MANIF 8200 86	30	3	618469	3/4MJIC-1 1/16MOR ADPTR
* 7	1	605601	GRESEN FILTER 10 MICRON 40GPM	31	1	610186	1 1/16MOR PLUG
8	2	607512	RELIEF VALVE, RL50 1800 PSI	32	1	618178	1 5/16MJIC-90-1 5/16MOR LBO
9	3	614649	RESTRICTOR ASSY 1-WAY	33	4	618486	9/16FJIC SW RUN TEE-9/16MJIC
10	3	500005	CAP NUT .688FPS NYLON	34	2	500000	1/2MNPT HEX PIPE NIPPLE STL
11	1	611128	7/8MJIC-90-7/8MOR LBO	*35	1	618577	1 5/16MJIC UNION
12	4	618107	9/16MJIC-90-1/2MNPT LBO	*36	1	601289	HOSE, 1 1/4 X 144 2BR RED
13	1	618440	9/16MJIC-90-9/16MOR EX LG LBO	37	3	616025	08C1A-08FJX-08FJX-50
14	3	737810	NOZL BODY .25NPT NYLON MALE	38	2	614688	08C1T-08FJX-08FJX-108
15	2	618072	7/8MOR-1/2FNPT ADPTR	39	4	614690	08C1T-08FJX-08FJX-192
16	2	618119	9/16MJIC-90-9/16MOR LBO	*40	6	616042	04C1A-06FJX-06FJX-13
17	12	618327	3/4MJIC-7/8MOR ADPTR	*41	1	614627	06C1T-06FJX-06FJX-45
*18	1	715660	HOSE BARB 1 1/4NPT X 1 1/4	*42	1	614687	HYD TUBE ASSY SUND AUX 200 90
19	5	618126	9/16MJIC-9/16MOR ADPTR	*43	1	614664	10C1T-10FJX-10FJX-91
*20	1	618587	1 5/16FJIC SWIV-1MNPT	*44	1	615616	04C1T-06FJX-06FJX-65
21	3	738859	STRAINER 50 MESH NYLON	45	2	611212	04C1T-06FJX-06FJX-164
*22	1	506410	BLK PIPE ST EL 90DEG 1.25NPT	46	1	614077	04C1T-06FJX-06FJX-88
*23	1	618144	1 1/4-1MP HEX PIPE NIPPLE STL	*47	1	614348	16C2AT-16FJX-16FJX-25
*24	4	611145	3/4MJIC-90-1/2MNPT LBO	*48	1	618532	3/4FJIC CAP NUT



NOTE: \*\* RELIEF PRESSURE SHOULD BE SET AT 1800 PSI.

200 6R QUAD 3L W/T-TROL HYD SCHEM 90  
REFERENCE DRAWING NO. 498340

DET.	QTY	PART NO.	DESCRIPTION	DET.	QTY	PART NO.	DESCRIPTION
1	1	610532	ELECT HYD STACK VLV W/ADJ	89	*26	503700	PIPE PLUG .50NPT SQ HD
2	1	610447	HYD FILTER, INLINE 1/4FNPT	90M	*27	618531	9/16FJIC CAP NUT
3	6	610547	HYD MOTOR 4.5 CI 1IN SHAFT		28	618072	7/8MOR-1/2FNPT ADPTR
4	1	607504	FLO DIV B50 2-8GPM 7/8 FOR		29	618186	1 5/16MJIC-1 5/16MOR ADPTR
5	1	610467	MODULAR MTR CONTROL ELECT VLV		30	618469	3/4MJIC-1 1/16MOR ADPTR
* 6	1	614633	HYD MANIF 8200 86		31	610186	1 1/16MOR PLUG
* 7	1	605601	GRESEN FILTER 10 MICRON 40GPM		32	618178	1 5/16MJIC-90-1 5/16MOR LBO
8	1	607512	RELIEF VALVE, R150 1800 PSI		33	738859	STRAINER 50 MESH NYLON
9	3	737810	NOZL BODY .25NPT NYLON MALE		34	500000	1/2MNPT HEX PIPE NIPPLE STL
10	3	620900	CYL ASSY CC2016 D00 SRG 180		35	500005	CAP NUT .688FPS NYLON
11	1	611128	7/8MJIC-90-7/8MOR LBO		36	618107	9/16MJIC-90-1/2MNPT LBO
12	4	611122	9/16MJIC-90-1/4MNPT LBO		37	618310	9/16MJIC-7/8MOR ADPTR
13	12	618327	3/4MJIC-7/8MOR ADPTR		*38	614348	16C2AT-16FJX-16FJX-25
*14	1	618577	1 5/16MJIC UNION		39	614690	08C1T-08FJX-08FJX-192
15	1	618562	9/16MOR-90-1/4MNPT LBO		*40	616042	04C1A-06FJX-06FJX-13
16	1	618170	3/4MOR-9/16FOR ADPTR		*41	614627	06C1T-06FJX-06FJX-45
17	1	618119	9/16MJIC-90-9/16MOR LBO		*42	615616	04C1T-06FJX-06FJX-65
*18	2	715660	HOSE BARB 1 1/4NPT X 1 1/4		*43	614687	HYD TUBE ASSY SUND AUX 200 90
19	1	618425	9/16MJIC-45-9/16MOR LBO		*44	614664	10C1T-10FJX-10FJX-91
*20	1	618587	1 5/16FJIC SWIV-1MNPT		45	616025	08C1A-08FJX-08FJX-50
21	1	618600	9/16MJIC-90-7/8MOR LBO		46	614077	04C1T-06FJX-06FJX-88
*22	1	506410	BLK PIPE ST EL 90DEG 1.25NPT		47	614688	08C1T-08FJX-08FJX-108
*23	1	618144	1 1/4-1MP HEX PIPE NIPPLE STL		*48	601289	HOSE, 1 1/4 X 144 2BR RED
*24	4	611145	3/4MJIC-90-1/2MNPT LBO		49	614101	04C1A-06FJX-06FJX-133
25	1	618590	3/4MJIC-45-3/4FJIC SWIV LBO		*50	618532	3/4FJIC CAP NUT



NOTE: \*\* RELIEF PRESSURE SHOULD BE SET AT 1800 PSI.



200 8R QUAD 4L W/O T-TROL HYD SCHEM 90  
REFERENCE DRAWING NO. 498341

DET.	QTY	PART NO.	DESCRIPTION	DET.	QTY	PART NO.	DESCRIPTION
1	2	606585	CESSNA 3SPL VALVE W/O RELIEF	*25	2	618590	3/4MJIC-45-3/4FJIC SWIV LBO
2	8	610547	HYD MOTOR 4.5 CI 1IN SHAFT	*26	1	503700	PIPE PLUG .50NPT SQ HD
3	4	620900	CYL ASSY CC2016 D00 SRG 180	*27	3	618531	9/16FJIC CAP NUT
4	1	607504	FLO DIV B50 2-8GPM 7/8 FOR	28	1	618019	9/16MJIC UNION TEE
5	1	610467	MODULAR MTR CONTROL ELECT VLV	29	1	618186	1 5/16MJIC-1 5/16MOR ADPTR
* 6	1	614633	HYD MANIF 8200 86	30	4	618469	3/4MJIC-1 1/16MOR ADPTR
* 7	1	605601	GRESEN FILTER 10 MICRON 40GPM	31	4	610185	9/16MOR PLUG
8	2	607512	RELIEF VALVE, RL50 1800 PSI	32	1	618178	1 5/16MJIC-90-1 5/16MOR LBO
9	4	614649	RESTRICTOR ASSY 1-WAY	33	4	618486	9/16FJIC SW RUN TEE-9/16MJIC
10	4	500005	CAP NUT .688FPS NYLON	34	2	500000	1/2MNPT HEX PIPE NIPPLE STL
11	1	611128	7/8MJIC-90-7/8MOR LBO	*35	1	618577	1 5/16MJIC UNION
12	4	618107	9/16MJIC-90-1/2MNPT LBO	*36	1	601289	HOSE, 1 1/4 X 144 2BR RED
13	1	618440	9/16MJIC-90-9/16MOR EX LG LBO	37	4	616025	08C1A-.08FJX-.08FJX-50
14	4	737810	NOZL BODY .25NPT NYLON MALE	38	4	614689	08C1T-.08FJX-.08FJX-120
15	2	618072	7/8MOR-1/2FNPT ADPTR	39	4	614691	08C1T-.08FJX-.08FJX-220
16	3	618119	9/16MJIC-90-9/16MOR LBO	*40	8	616042	04C1A-.06FJX-.06FJX-13
17	16	618327	3/4MJIC-7/8MOR ADPTR	*41	1	614627	04C1T-.06FJX-.06FJX-45
*18	1	715660	HOSE BARB 1 1/4NPT X 1 1/4	*42	1	614687	HYD TUBE ASSY SUND AUX 200 90
19	8	618126	9/16MJIC-9/16MOR ADPTR	*43	1	614664	10C1T-10FJX-10FJX-91
*20	1	618587	1 5/16FJIC SWIV-1MNPT	*44	1	615616	04C1T-.06FJX-.06FJX-65
21	4	738859	STRAINER 50 MESH NYLON	45	2	614101	04C1A-.06FJX-.06FJX-133
*22	1	506410	BLK PIPE ST EL 90DEG 1.25NPT	46	2	611246	04C1A-.06FJX-.06FJX-174
*23	1	618144	1 1/4-1MP HEX PIPE NIPPLE STL	*47	1	614348	16C2AT-16FJX-16FJX-25
*24	4	611145	3/4MJIC-90-1/2MNPT LBO				H/A



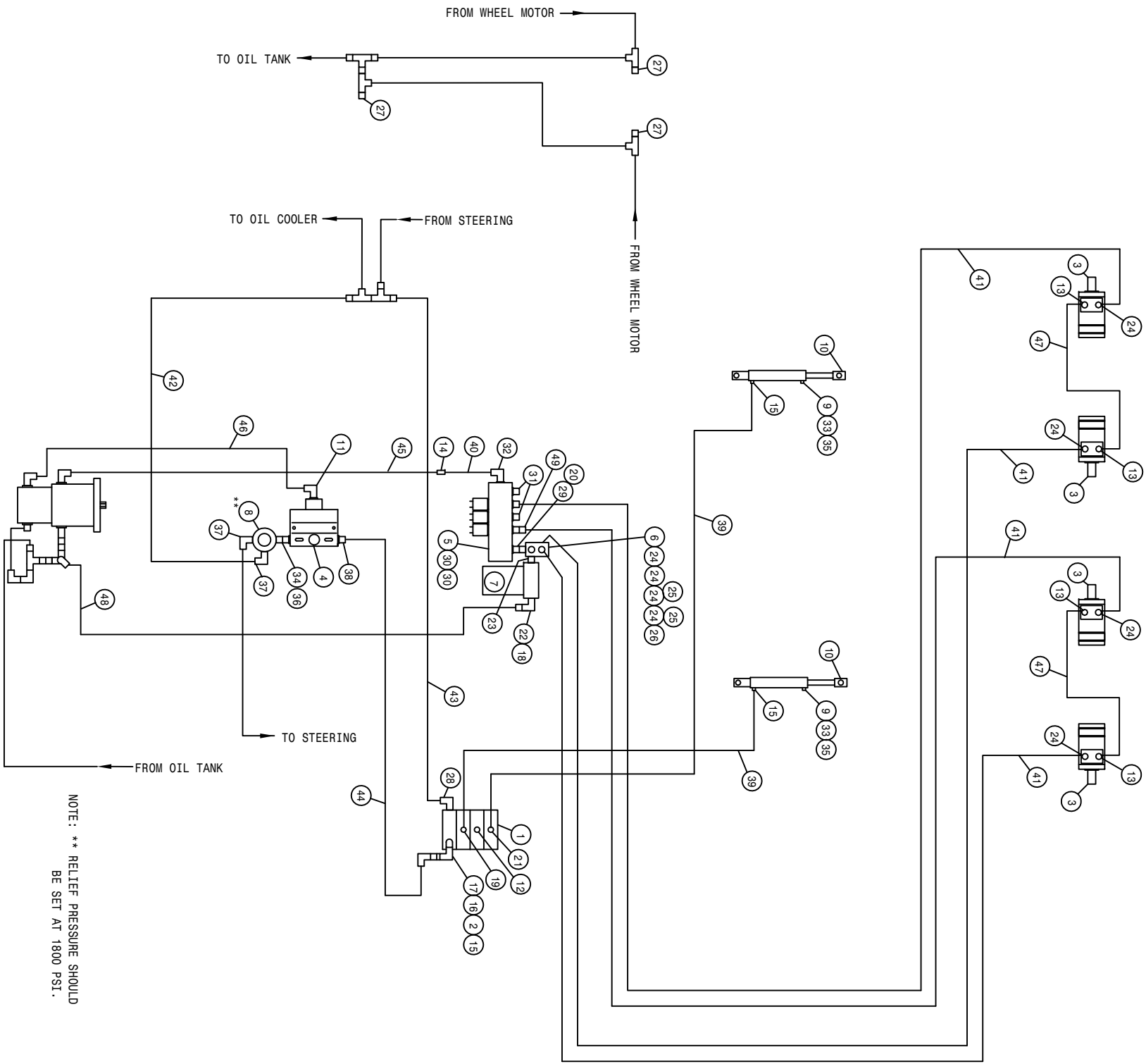
200 8R QUAD 4L W/T-TROL HYD SCHEM 90  
REFERENCE DRAWING NO. 498342

DET.	QTY	PART NO.	DESCRIPTION	DET.	QTY	PART NO.	DESCRIPTION
1	1	610532	ELECT HYD STACK VLV W/ADJ	89	*26	503700	PIPE PLUG .50NPT SQ HD
2	1	610447	HYD FILTER, INLINE 1/4FNPT	90M	*27	618531	9/16FJIC CAP NUT
3	8	610547	HYD MOTOR 4.5 CI 1IN SHAFT	28	1	618072	7/8MOR-1/2FNPT ADPTR
4	1	607504	FLO DIV B50 2-8GPM 7/8 FOR	29	1	618186	1 5/16MJIC-1 5/16MOR ADPTR
5	1	610467	MODULAR MTR CONTROL ELECT VLV	30	4	618469	3/4MJIC-1 1/16MOR ADPTR
* 6	1	614633	HYD MANIF 8200 86	31	1	618126	9/16MJIC-9/16MOR ADPTR
* 7	1	605601	GRESEN FILTER 10 MICRON 40GPM	32	1	618178	1 5/16MJIC-90-1 5/16MOR LBO
8	1	607512	RELIEF VALVE, RL50 1800 PSI	33	4	738859	STRAINER 50 MESH NYLON
9	4	737810	NOZL BODY .25NPT NYLON MALE	34	1	500000	1/2MNPT HEX PIPE NIPPLE STL
10	4	620900	CYL ASSY CC2016 D00 SRG 180	35	4	500005	CAP NUT .688FPS NYLON
11	1	611128	7/8MJIC-90-7/8MOR LBO	35	4	500005	CAP NUT .688FPS NYLON
12	5	611122	9/16MJIC-90-1/4MNPT LBO	36	2	618107	9/16MJIC-90-1/2MNPT LBO
13	16	618327	3/4MJIC-7/8MOR ADPTR	37	1	618310	9/16MJIC-7/8MOR ADPTR
*14	1	618577	1 5/16MJIC UNION	*38	1	614348	16C2AT-16FJX-16FJX-25
15	1	618562	9/16MOR-90-1/4MNPT LBO	39	4	614691	08C1T-08FJX-08FJX-220
16	1	618170	3/4MOR-9/16FOR ADPTR	*40	1	616042	04C1A-06FJX-06FJX-13
17	1	618119	9/16MJIC-90-9/16MOR LBO	*41	1	614627	06C1T-06FJX-06FJX-45
*18	1	715660	HOSE BARB 1 1/4NPT X 1 1/4	*42	1	615616	04C1T-06FJX-06FJX-65
19	2	618425	9/16MJIC-45-9/16MOR LBO	*43	1	614687	HYD TUBE ASSY SUND AUX 200 90
*20	1	618587	1 5/16FJIC SWIV-1MNPT	*44	1	614664	10C1T-10FJX-10FJX-91
21	1	618600	9/16MJIC-90-7/8MOR LBO	45	4	616025	08C1A-08FJX-08FJX-50
*22	1	506410	BLK PIPE ST EL 90DEG 1.25NPT	46	2	611246	04C1A-06FJX-06FJX-174
*23	1	618144	1 1/4-1MP HEX PIPE NIPPLE STL	47	4	614689	08C1T-08FJX-08FJX-120
*24	4	611145	3/4MJIC-90-1/2MNPT LBO	*48	1	601289	HOSE, 1 1/4 X 144 2BR RED
25	2	618590	3/4MJIC-45-3/4FJIC SWIV LBO	49	2	614101	04C1A-06FJX-06FJX-133



200 4R PULLER 2L W/O T-TROL HYD SCHEM 90  
REFERENCE DRAWING NO. 498343

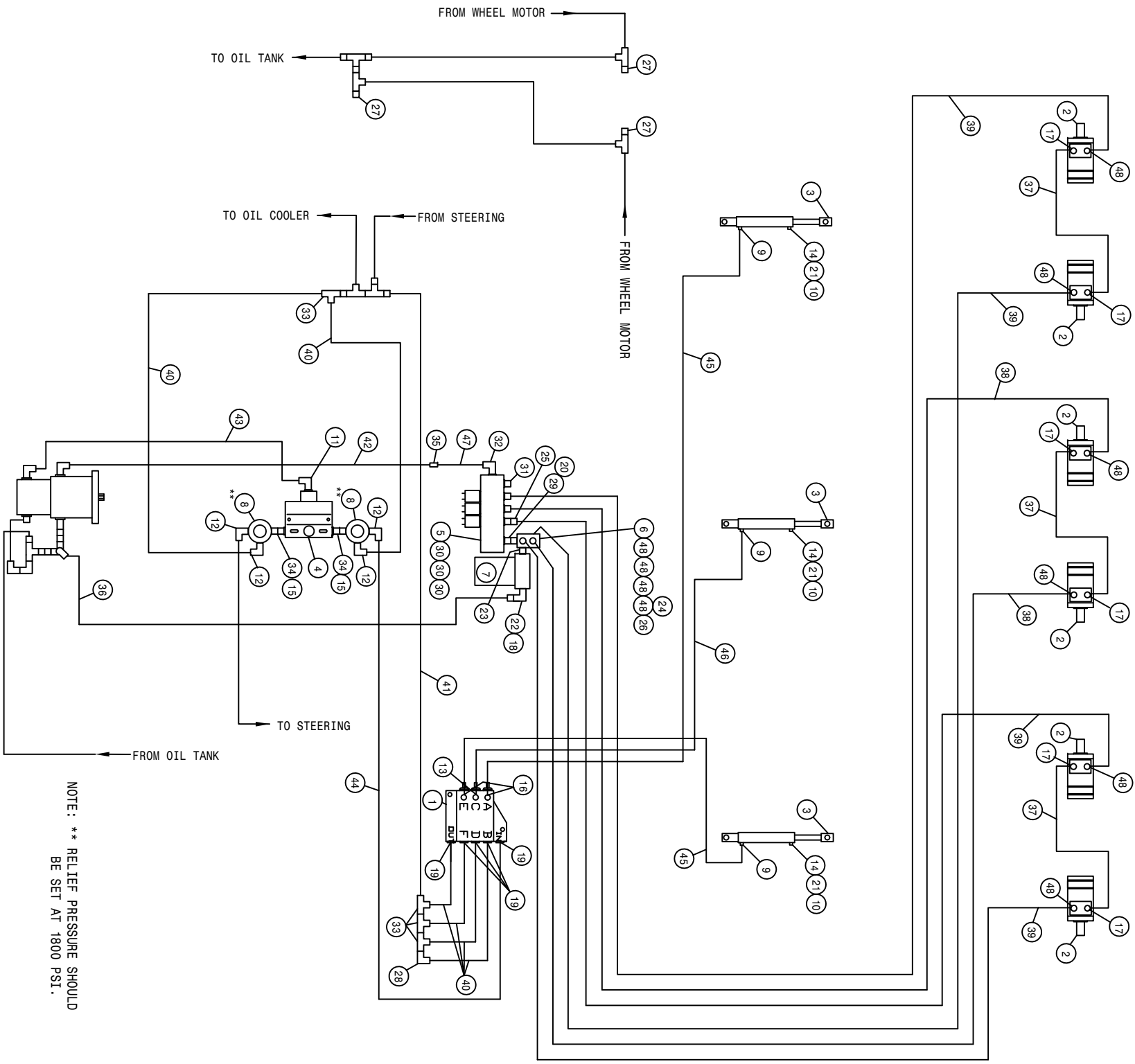
DET.	QTY	PART NO.	DESCRIPTION	DET.	QTY	PART NO.	DESCRIPTION
1	1	606585	CESSNA 3SPLE VALVE W/O RELIEF	*24	8	611145	3/4MJIC-90-1/2MNPT LBO
2	2	620900	CYL ASSY CC2016 D00 SRG 180	*25	2	618532	3/4FJIC CAP NUT
3	4	604005	ORBIT MOTOR ASE	*26	1	503700	PIPE PLUG .50NPT SQ HD
4	1	607504	FLO DIV B50 2-8GPM 7/8 FOR	*27	3	618531	9/16FJIC CAP NUT
5	1	610467	MODULAR MTR CONTROL ELECT VLV	28	2	610185	9/16MOR PLUG
*6	1	614633	HYD MANIF 8200 86	29	1	618186	1 5/16MJIC-1 5/16MOR ADPTR
*7	1	605601	GRESEN FILTER 10 MICRON 40GPM	30	2	618469	3/4MJIC-1 1/16MOR ADPTR
8	2	607512	RELIEF VALVE, RLS0 1800 PSI	31	2	610186	1 1/16MOR PLUG
9	2	614649	RESTRICTOR ASSY 1-WAY	32	1	618178	1 5/16MJIC-90-1 5/16MOR LBO
10	2	500005	CAP NUT .688FPS NYLON	33	3	618486	9/16FJIC SW RUN TEE-9/16MJIC
11	1	611128	7/8MJIC-90-7/8MOR LBO	34	2	500000	1/2MNPT HEX PIPE NIPPLE STL
12	2	618119	9/16MJIC-90-9/16MOR LBO	*35	1	618577	1 5/16MJIC UNION
13	2	618072	7/8MOR-1/2FNPT ADPTR	36	4	614689	08C1T-08FJX-08FJX-120
14	1	618603	9/16MJIC-90-9/16MJIC LBO	*37	1	614348	16C2AT-16FJX-16FJX-25
15	2	737810	NOZL BODY .25NPT NYLON MALE	38	1	601289	HOSE, 1 1/4 X 144 2BR RED
16	2	738859	STRAINER 50 MESH NYLON	39	2	614382	08C1T-08FJX-08FJX-40
17	4	611147	3/4MJIC-1/2MNPT ADPTR	*40	1	614687	HYD TUBE ASSY SUND AUX 200 90
*18	1	715660	HOSE BARB 1 1/4NPT X 1 1/4	*41	1	614664	10C1T-10FJX-10FJX-91
19	4	618126	9/16MJIC-9/16MOR ADPTR	*42	5	616042	04C1A-06FJX-06FJX-13
*20	1	618587	1 5/16FJIC SWIV-1MNPT	*43	1	614627	06C1T-06FJX-06FJX-45
21	4	618107	9/16MJIC-90-1/2MNPT LBO	*44	1	615616	04C1T-06FJX-06FJX-65
*22	1	506410	BLK PIPE ST EL 90DEG 1.25NPT	45	2	614101	04C1A-06FJX-06FJX-133
*23	1	618144	1 1/4-IMP HEX PIPE NIPPLE STL	46	1	618590	3/4MJIC-45-3/4FJIC SWIV LBO



NOTE: \*\* RELIEF PRESSURE SHOULD BE SET AT 1800 PSI.

200 4R PULLER 2L W/T-TRRL HYD SCHEM 90  
REFERENCE DRAWING NO. 498344

DET.	QTY	PART NO.	DESCRIPTION	DET.	QTY	PART NO.	DESCRIPTION
1	1	610532	ELECT HYD STACK VLV W/ADJ	*26	1	503700	PIPE PLUG .50NPT SQ HD
2	1	610447	HYD FILTER, INLINE 1/4FNPT 90M	*27	3	618531	9/16FJIC CAP NUT
3	4	604005	ORBIT MOTOR A5E	28	1	618600	9/16MJIC-90-7/8MOR LBO
4	1	607504	FLO DIV B50 2-8GPM 7/8 FOR	29	1	618186	1 5/16MJIC-1 5/16MOR ADPTR
5	1	610467	MODULAR MTR CONTROL ELECT VLV	30	2	618469	3/4MJIC-1 1/16MOR ADPTR
*6	1	614633	HYD MANIF 8200 86	31	2	610186	1 1/16MOR PLUG
*7	1	605601	GRESEN FILTER 10 MICRON 40GPM	32	1	618178	1 5/16MJIC-90-1 5/16MOR LBO
8	1	607512	RELIEF VALVE, R150 1800 PSI	33	2	738859	STRAINER 50 MESH NYLON
9	2	737810	NDZL BODY .25NPT NYLON MALE	34	1	500000	1/2MNPT HEX PIPE NIPPLE STL
10	2	620900	CYL ASSY CC2016 D00 SRG 180	35	2	500005	CAP NUT .688FPS NYLON
11	1	611128	7/8MJIC-90-7/8MOR LBO	36	1	618072	7/8MOR-1/2FNPT ADPTR
12	1	610185	9/16MOR PLUG	37	2	618107	9/16MJIC-90-1/16MOR ADPTR
13	4	611147	3/4MJIC-1/2MNPT ADPTR	38	1	618310	9/16MJIC-7/8MOR ADPTR
*14	1	618577	1 5/16MJIC UNION	39	2	614101	04C1A-06FJX-06FJX-133
15	3	611122	9/16MJIC-90-1/4MNPT LBO	*40	1	614348	16C2AT-16FJX-16FJX-25
16	1	618562	9/16MOR-90-1/4MNPT LBO	41	4	614689	08C1T-08FJX-08FJX-120
17	1	618170	3/4MOR-9/16FOR ADPTR	*42	1	616042	04C1A-06FJX-06FJX-13
*18	1	715660	HOSE BARB 1 1/4NPT X 1 1/4	*43	1	614627	06C1T-06FJX-06FJX-45
19	1	618425	9/16MJIC-45-9/16MOR LBO	*44	1	615616	04C1T-06FJX-06FJX-65
*20	1	618587	1 5/16FJIC SWIV-1MNPT	*45	1	614687	HYD TUBE ASSY SUND AUX 200 90
21	1	618119	9/16MJIC-90-9/16MOR LBO	*46	1	614664	10C1T-10FJX-10FJX-91
*22	1	506410	BLK PIPE ST EL 90DEG 1.25NPT	47	2	614382	08C1T-08FJX-08FJX-40
*23	1	618144	1 1/4-1MP HEX PIPE NIPPLE STL	*48	1	601289	HOSE, 1 1/4 X 144 2BR RED
*24	8	611145	3/4MJIC-90-1/2MNPT LBO	49	1	618590	3/4MJIC-45-3/4FJIC SWIV LBO
*25	2	618532	3/4FJIC CAP NUT				

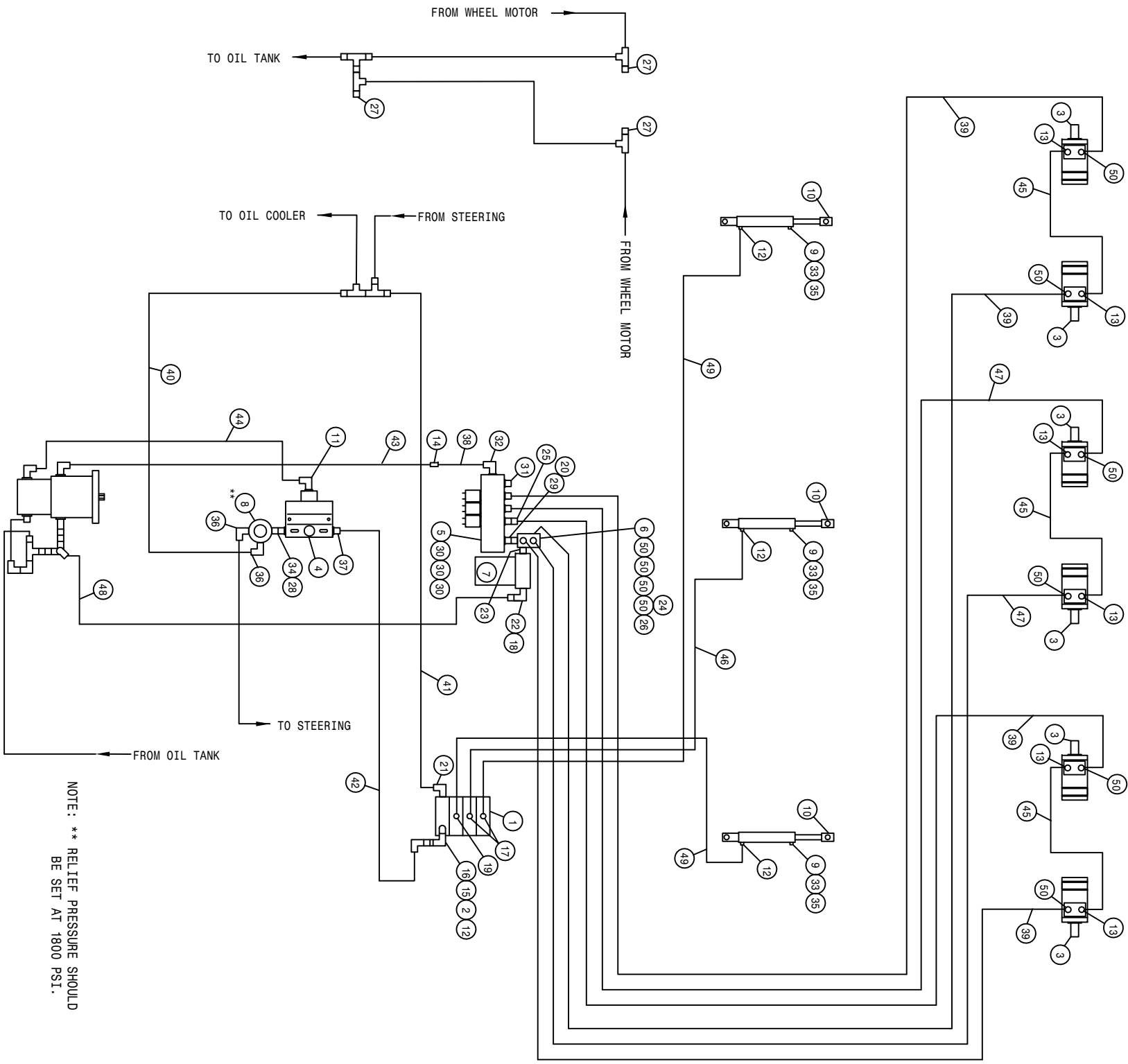


NOTE: \*\* RELIEF PRESSURE SHOULD BE SET AT 1800 PSI.



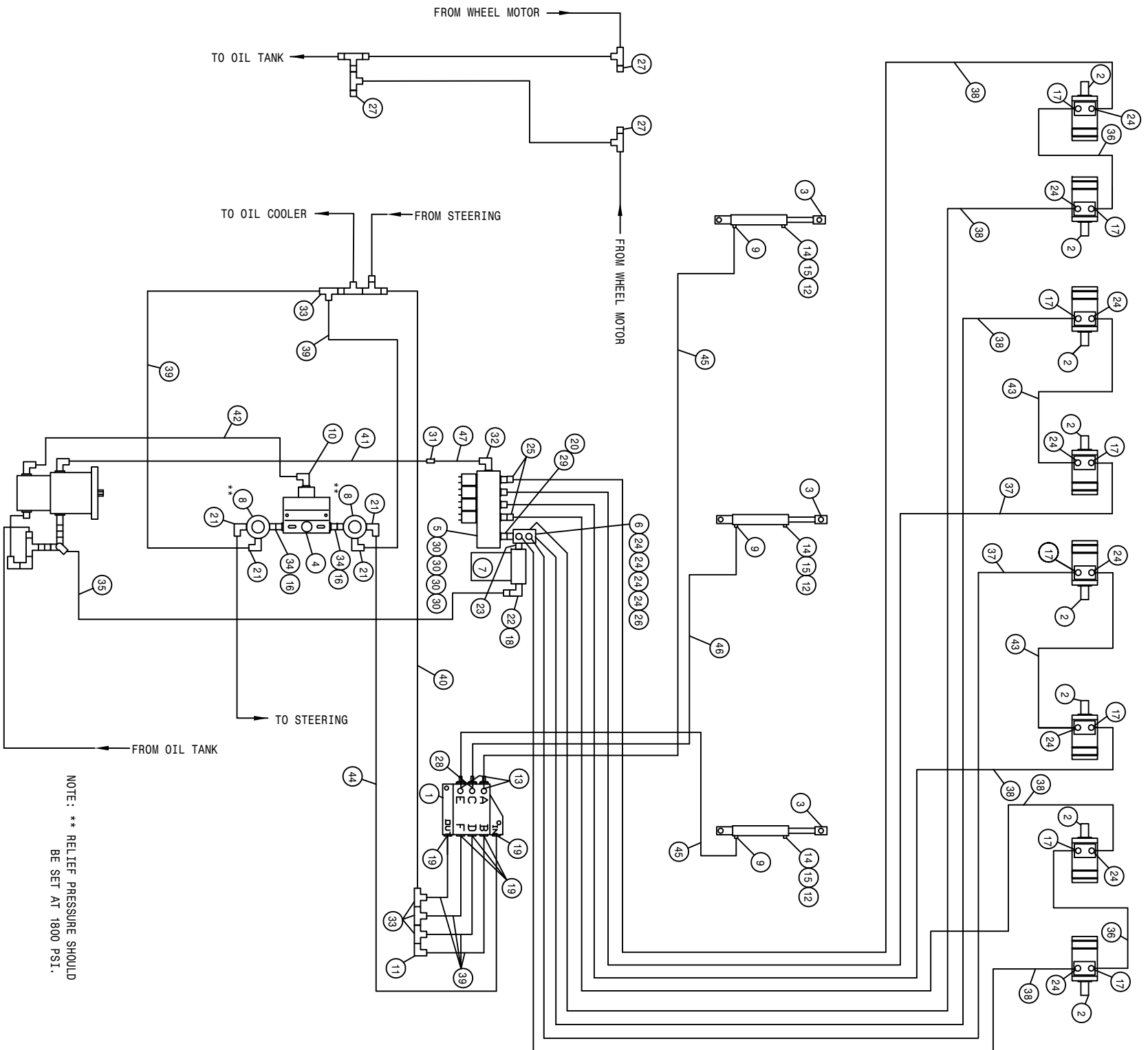
200 6R PULLER 3L W/O T-TROL HYD SCHEM 90  
REFERENCE DRAWING NO. 498345

DET.	QTY	PART NO.	DESCRIPTION	DET.	QTY	PART NO.	DESCRIPTION
1	1	606585	CESSNA 3SPV VALVE W/O RELIEF	25	1	618590	3/4MJIC-45-3/4FJIC SWIV LBO
2	6	604005	ORBIT MOTOR ASE	*26	1	503700	PIPE PLUG .50NPT SQ HD
3	3	620900	CYL ASSY CC2016 D00 SRG 180	*27	3	618531	9/16FJIC CAP NUT
4	1	607504	FLO DIV B50 2-8GPM 7/8 FOR	28	1	618603	9/16MJIC-90-9/16MJIC LBO
5	1	610467	MODULAR MTR CONTROL ELECT VLV	29	1	618186	1 5/16MJIC-1 5/16MOR ADPTR
*6	1	614633	HYD MANIF 8200 86	30	3	618469	3/4MJIC-1 1/16MOR ADPTR
*7	1	605601	GRESEN FILTER 10 MICRON 40GPM	31	1	610186	1 1/16MOR PLUG
8	2	607512	RELIEF VALVE, RLS0 1800 PSI	32	1	618178	1 5/16MJIC-90-1 5/16MOR LBO
9	3	614649	RESTRICTOR ASSY 1-WAY	33	4	618486	9/16FJIC SW RUN TEE-9/16MJIC
10	3	500005	CAP NUT .688FPS NYLON	34	2	500000	1/2MNPT HEX PIPE NIPPLE STL
11	1	611128	7/8MJIC-90-7/8MOR LBO	*35	1	618577	1 5/16MJIC UNION
12	4	618107	9/16MJIC-90-1/2MNPT LBO	*36	1	601289	HOSE, 1 1/4 X 144 2BR RED
13	1	618440	9/16MJIC-90-9/16MOR EX LG LBO	37	3	614382	08C1T-08FJX-08FJX-40
14	3	737810	NOZL BODY .25NPT NYLON MALE	38	2	614688	08C1T-08FJX-08FJX-108
15	2	618072	7/8MOR-1/2FNPT ADPTR	39	4	614690	08C1T-08FJX-08FJX-192
16	2	618119	9/16MJIC-90-9/16MOR LBO	*40	6	616042	04C1A-06FJX-06FJX-13
17	6	611147	3/4MJIC-1/2MNPT ADPTR	*41	1	614627	06C1T-06FJX-06FJX-45
*18	1	715660	HOSE BARB 1 1/4NPT X 1 1/4	*42	1	614687	HYD TUBE ASSY SUND AUX 200 90
19	5	618126	9/16MJIC-9/16MOR ADPTR	*43	1	614664	10C1T-10FJX-10FJX-91
*20	1	618587	1 5/16FJIC SWIV-1MNPT	*44	1	615616	04C1T-06FJX-06FJX-65
21	3	738859	STRAINER 50 MESH NYLON	45	2	611212	04C1T-06FJX-06FJX-164
*22	1	506410	BLK PIPE ST EL 90DEG 1.25NPT	46	1	614077	04C1T-06FJX-06FJX-88
*23	1	618144	1 1/4-IMP HEX PIPE NIPPLE STL	*47	1	614548	16C2AT-16FJX-16FJX-25
*24	1	618532	3/4FJIC CAP NUT	*48	10	611145	3/4MJIC-90-1/2MNPT LBO



200 6R PULLER 3L W/T-TROL HYD SCHEM 90  
REFERENCE DRAWING NO. 498346

DET.	QTY	PART NO.	DESCRIPTION	DET.	QTY	PART NO.	DESCRIPTION
1	1	610532	ELECT HYD STACK VLV W/ADJ	89	*26	503700	PIPE PLUG .50NPT SQ HD
2	1	610447	HYD FILTER, INLINE 1/4FNPT	90M	*27	618531	9/16FJIC CAP NUT
3	6	604005	ORBIT MOTOR A5E	28	1	618072	7/8MOR-1/2FNPT ADPTR
4	1	607504	FLO DIV B50 2-8GPM 7/8 FOR	29	1	618186	1 5/16MJIC-1 5/16MOR ADPTR
5	1	610467	MODULAR MTR CONTROL ELECT VLV	30	3	618469	3/4MJIC-1 1/16MOR ADPTR
* 6	1	614633	HYD MANIF 8200 86	31	1	610186	1 1/16MOR PLUG
* 7	1	605601	GRESEN FILTER 10 MICRON 40GPM	32	1	618178	1 5/16MJIC-90-1 5/16MOR LBO
8	1	607512	RELIEF VALVE, RL50 1800 PSI	33	3	738859	STRAINER 50 MESH NYLON
9	3	737810	NOZL BODY .25NPT NYLON MALE	34	1	500000	1/2MNPT HEX PIPE NIPPLE STL
10	3	620900	CYL ASSY CC2016 D00 SRG 180	35	3	500005	CAP NUT .688FPS NYLON
11	1	611128	7/8MJIC-90-7/8MOR LBO	36	2	618107	9/16MJIC-90-1/1/2MNPT LBO
12	4	611122	9/16MJIC-90-1/4MNPT LBO	37	1	618310	9/16MJIC-7/8MOR ADPTR
13	6	611147	3/4MJIC-1/2MNPT ADPTR	*38	1	614348	16C2AT-16FJX-16FJX-25
*14	1	618577	1 5/16MJIC UNION	39	4	614690	08C1T-08FJX-08FJX-192
15	1	618562	9/16MOR-90-1/4MNPT LBO	*40	1	616042	04C1A-06FJX-06FJX-13
16	1	618170	3/4MOR-9/16FOR ADPTR	*41	1	614627	06C1T-06FJX-06FJX-45
17	2	618119	9/16MJIC-90-9/16MOR LBO	*42	1	615616	04C1T-06FJX-06FJX-65
*18	1	715660	HOSE BARB 1 1/4NPT X 1 1/4	*43	1	614687	HYD TUBE ASSY SUND AUX 200 90
19	1	618425	9/16MJIC-45-9/16MOR LBO	*44	1	614664	10C1T-10FJX-10FJX-91
*20	1	618587	1 5/16FJIC SWIV-1MNPT	45	3	614382	08C1T-08FJX-08FJX-40
21	1	618600	9/16MJIC-90-7/8MOR LBO	46	1	614077	04C1T-06FJX-06FJX-88
*22	1	506410	BLK PIPE ST EL 90DEG 1.25NPT	47	2	614688	08C1T-08FJX-08FJX-108
*23	1	618144	1 1/4-1MP HEX PIPE NIPPLE STL	*48	1	601289	HOSE, 1 1/4 X 144 2BR RED
*24	1	618532	3/4FJIC CAP NUT	49	2	614101	04C1A-06FJX-06FJX-133
25	1	618590	3/4MJIC-45-3/4FJIC SWIV LBO	*50	10	611145	3/4MJIC-90-1/1/2MNPT LBO



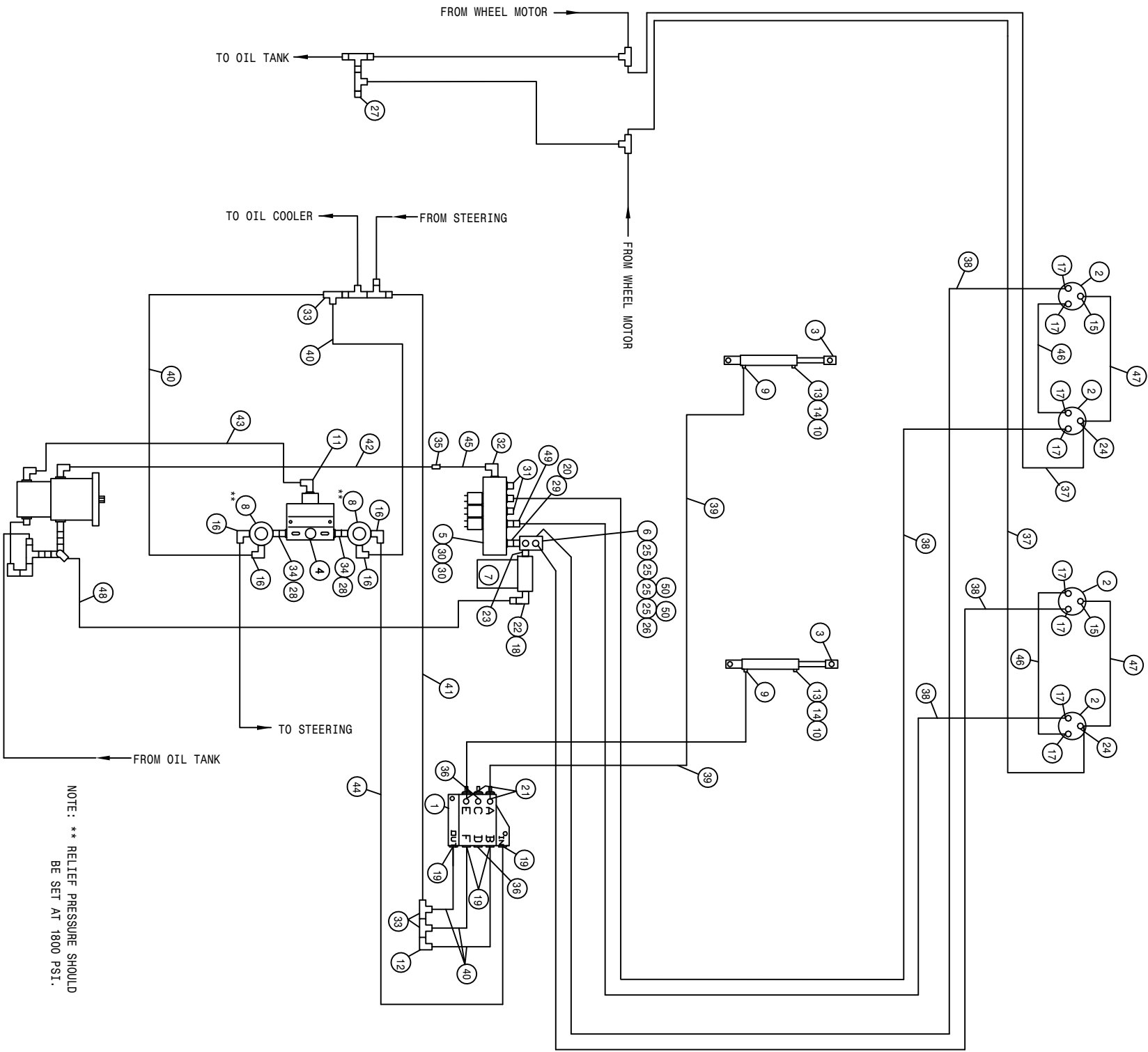
200 8R PULLER 3L W/O T-TROL HYD SCHEM 90  
REFERENCE DRAWING NO. 498347

DET.	QTY	PART NO.	DESCRIPTION	DET.	QTY	PART NO.	DESCRIPTION
1	1	606585	CESSNA 3SPL VALVE W/O RELIEF	*25	2	618590	3/4MJIC-45-3/4FJIC SWIV LBO
2	8	604005	ORBIT MOTOR ASE	*26	1	503700	PIPE PLUG .50NPT SQ HD
3	3	620900	CYL ASSY CC2016 D00 SRG 180	*27	3	618531	9/16FJIC CAP NUT
4	1	607504	FLO DIV B50 2-8GPM 7/8 FOR	28	1	618440	9/16MJIC-90-9/16MOR EX LG LBO
5	1	610467	MODULAR MTR CONTROL ELECT VLV	29	1	618186	1 5/16MJIC-1 5/16MOR ADPTR
* 6	1	614633	HYD MANIF 8200 86	30	4	618469	3/4MJIC-1 1/16MOR ADPTR
* 7	1	605601	GRESEN FILTER 10 MICRON 40GPM	*31	1	618577	1 5/16MJIC UNION
8	2	607512	RELIEF VALVE, RL50 1800 PSI	32	1	618178	1 5/16MJIC-90-1 5/16MOR LBO
9	3	614649	RESTRICTOR ASSY 1-WAY	33	4	618486	9/16FJIC SW RUN TEE-9/16MJIC
10	1	611128	7/8MJIC-90-7/8MOR LBO	34	2	500000	1/2MNPT HEX PIPE NIPPLE STL
11	1	618603	9/16MJIC-90-9/16MJIC LBO	*35	1	601289	HOSE, 1 1/4 X 144 ZBR RED
12	3	500005	CAP NUT .688FPS NYLON	36	2	614382	08C1T-08F3X-08F3X-40
13	2	618119	9/16MJIC-90-9/16MOR LBO	37	2	614688	08C1T-08F3X-08F3X-108
14	3	737810	NOZL BODY .25NPT NYLON MALE	38	6	614691	08C1T-08F3X-08F3X-220
15	3	738859	STRAINER 50 MESH NYLON	*39	6	616042	04C1A-06F3X-06F3X-13
16	2	618072	7/8MOR-1/2FNPT ADPTR	*40	1	614627	06C1T-06F3X-06F3X-45
17	8	611147	3/4MJIC-1/2MNPT ADPTR	*41	1	614687	HYD TUBE ASSY SUND AUX 200 90
*18	1	715660	HOSE BARB 1 1/4NPT X 1 1/4	*42	1	614664	10C1T-10F3X-10F3X-91
19	5	618126	9/16MJIC-9/16MOR ADPTR	43	2	614384	08C1T-08F3X-08F3X-237
*20	1	618587	1 5/16FJIC SWIV-1MNPT	*44	1	615616	04C1T-06F3X-06F3X-65
21	4	618107	9/16MJIC-90-1/2MNPT LBO	45	2	611246	04C1A-06F3X-06F3X-174
*22	1	506410	BLK PIPE ST EL 90DEG 1.25NPT	46	1	614077	04C1T-06F3X-06F3X-88
*23	1	618144	1 1/4-1MP HEX PIPE NIPPLE STL	*47	1	614348	16C2AT-16F3X-16F3X-25
*24	12	611145	3/4MJIC-90-1/2MNPT LBO				H/A



200 8R PULLER 3L W/T-TROL HYD SCHEM 90  
REFERENCE DRAWING NO. 498348

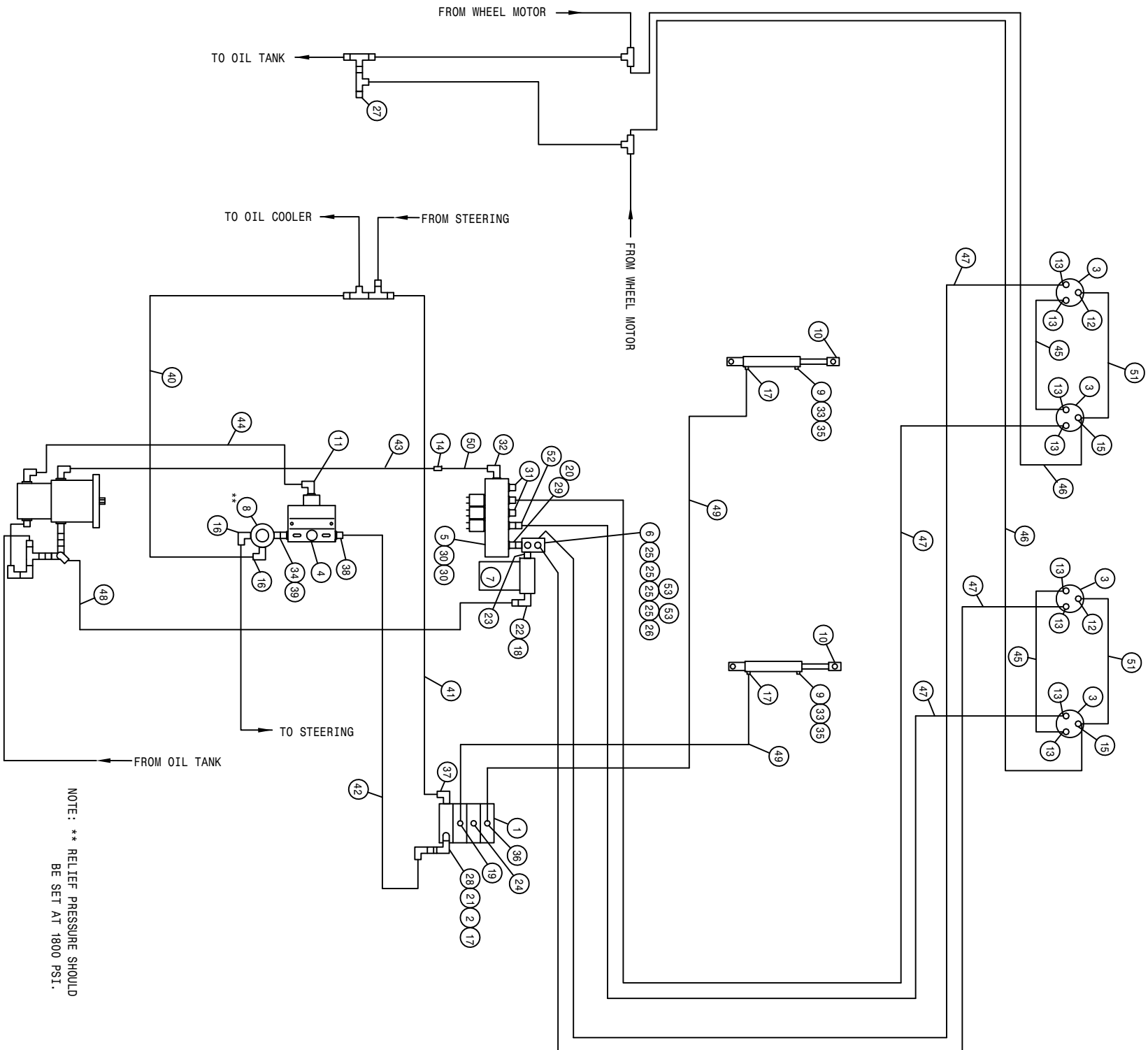
DET.	QTY	PART NO.	DESCRIPTION	DET.	QTY	PART NO.	DESCRIPTION
1	1	610532	ELECT HYD STACK VLV W/ADJ	89	*26	503700	PIPE PLUG .50NPT SQ HD
2	1	610447	HYD FILTER, INLINE 1/4FNPT	90M	*27	618531	9/16FJIC CAP NUT
3	8	604005	ORBIT MOTOR A5E	28	2	618107	9/16MJIC-90-1/2MNPT LBO
4	1	607504	FLO DIV B50 2-8GPM 7/8 FOR	29	1	618186	1 5/16MJIC-1 5/16MOR ADPTR
5	1	610467	MODULAR MTR CONTROL ELECT VLV	30	4	618469	3/4MJIC-1 1/16MOR ADPTR
* 6	1	614633	HYD MANIF 8200 86	31	4	611122	9/16MJIC-90-1/4MNPT LBO
* 7	1	605601	GRESEN FILTER 10 MICRON 40GPM	32	1	618178	1 5/16MJIC-90-1 5/16MOR LBO
8	1	607512	RELIEF VALVE, RL50 1800 PSI	33	3	738859	STRAINER 50 MESH NYLON
9	3	737810	NOLZ BODY .25NPT NYLON MALE	34	1	500000	1/2MNPT HEX PIPE NIPPLE STL
10	3	620900	CYL ASSY CC2016 D00 SRG 180	35	3	500005	CAP NUT .688FPS NYLON
11	1	611128	7/8MJIC-90-7/8MOR LBO	36	1	618310	9/16MJIC-7/8MOR ADPTR
12	1	618600	9/16MJIC-90-7/8MOR LBO	*37	1	614348	16C2AT-16FJX-16FJX-25
13	8	611147	3/4MJIC-1/2MNPT ADPTR	38	6	614691	08C1T-08FJX-08FJX-220
*14	1	618577	1 5/16MJIC UNION	*39	1	616042	04C1A-06FJX-06FJX-13
15	1	618170	3/4MOR-9/16FOR ADPTR	*40	1	614627	06C1T-06FJX-06FJX-45
16	2	618119	9/16MJIC-90-9/16MOR LBO	*41	1	615616	04C1T-06FJX-06FJX-65
17	1	618562	9/16MOR-90-1/4MNPT LBO	*42	1	614687	HYD TUBE ASSY SUND AUX 200 90
*18	1	715660	HOSE BARB 1 1/4NPT X 1 1/4	*43	1	614664	10C1T-10FJX-10FJX-91
19	1	618425	9/16MJIC-45-9/16MOR LBO	44	2	614382	08C1T-08FJX-08FJX-40
*20	1	618587	1 5/16FJIC SWIV-1MNPT	45	2	614688	08C1T-08FJX-08FJX-108
21	1	618072	7/8MOR-1/2FNPT ADPTR	46	1	614077	04C1T-06FJX-06FJX-88
*22	1	506410	BLK PIPE ST EL 90DEG 1.25NPT	47	2	614384	08C1T-08FJX-08FJX-237
*23	1	618144	1 1/4-1MP HEX PIPE NIPPLE STL	*48	1	601289	HOSE, 1 1/4 X 144 2BR RED
*24	12	611145	3/4MJIC-90-1/2MNPT LBO	49	2	611246	04C1A-06FJX-06FJX-174
*25	2	618590	3/4MJIC-45-3/4FJIC SWIV LBO				H/A





200 4R CUTTER 2L W/O T-TROL HYD SCHEM 90  
REFERENCE DRAWING NO. 498349

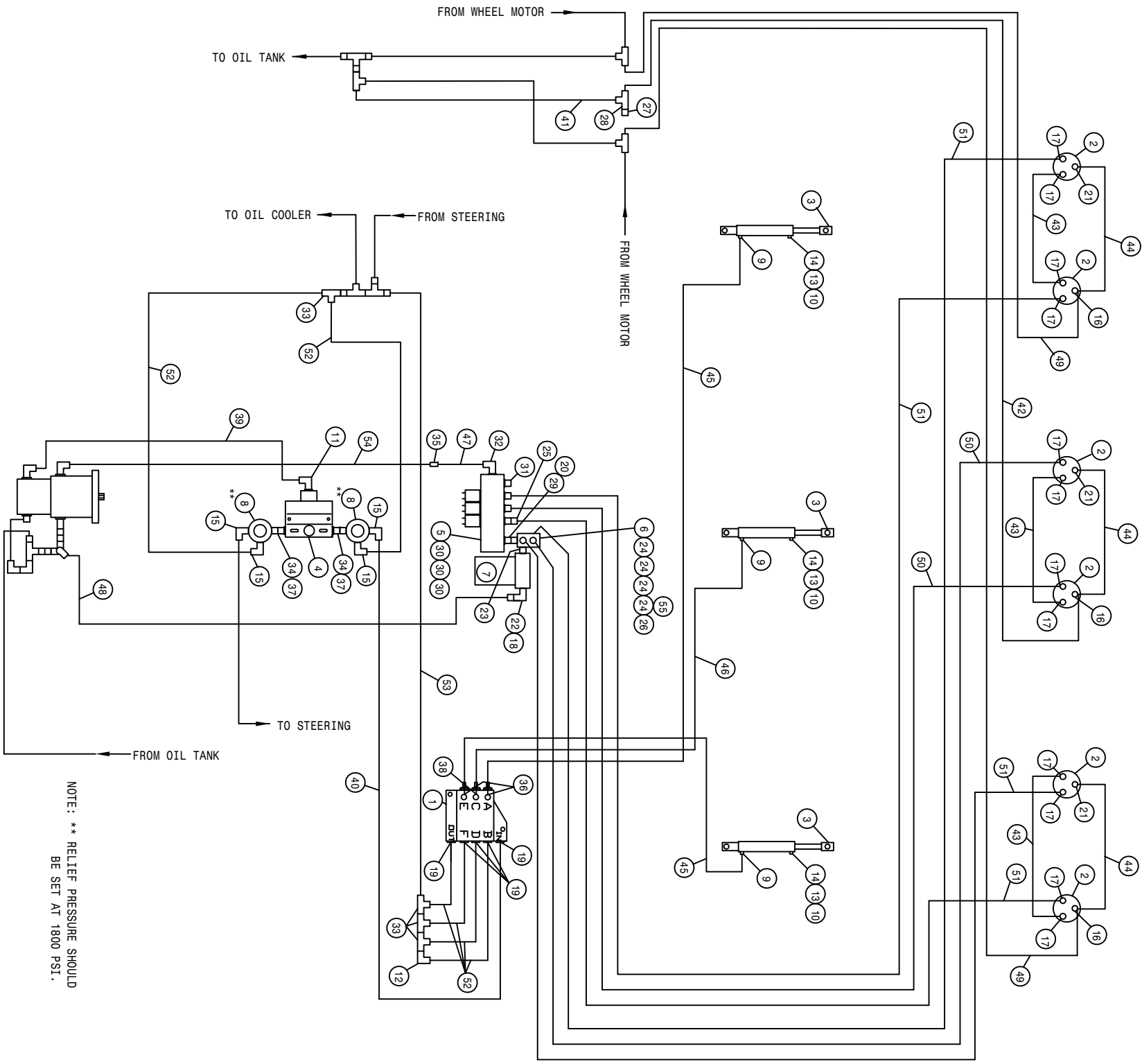
DET.	QTY	PART NO.	DESCRIPTION	DET.	QTY	PART NO.	DESCRIPTION
1	1	606585	CESSNA 3SPD VALVE W/O RELIEF	*26	1	503700	PIPE PLUG .50NPT SQ HD
2	4	618203	BARNES FLUID MOTOR HYD CUTTER	*27	1	618531	9/16FJIC CAP NUT
3	2	620900	CYL ASSY CC2016 D00 SRG 180	28	2	618072	7/8MOR-1/2FNPT ADPTR
4	1	607504	FLO DIV B50 2-8GPM 7/8 FOR	29	1	618186	1 5/16MJIC-1 5/16MOR ADPTR
5	1	610467	MODULAR MTR CONTROL ELECT VLV	30	2	618469	3/4MJIC-1 1/16MOR ADPTR
*6	1	614633	HYD MANIF 8200 86	31	2	610186	1 1/16MOR PLUG
*7	1	605601	GRESEN FILTER 10 MICRON 40GPM	32	1	618178	1 5/16MJIC-90-1 5/16MOR LBO
8	2	607512	RELIEF VALVE, RL50 1800 PSI	33	3	618486	9/16FJIC SW RUN TEE-9/16MJIC
9	2	614649	RESTRICTOR ASSY 1-WAY	34	1	500000	1/2MNPT HEX PIPE NIPPLE STL
10	2	500005	CAP NUT .688FPS NYLON	*35	2	618577	1 5/16MJIC UNION
11	1	611128	7/8MJIC-90-7/8MOR LBO	36	2	610185	9/16MOR PLUG
12	1	618603	9/16MJIC-90-9/16MJIC LBO	37	2	614639	04C1A-06F3X-06F3X-126
13	2	737810	NOZL BODY .25NPT NYLON MALE	38	4	614689	08C1T-08F3X-08F3X-120
14	2	738859	STRAINER 50 MESH NYLON	39	2	614101	04C1A-06F3X-06F3X-133
15	2	618530	9/16MJIC-1/8MNPT ADPTR	*40	5	616042	04C1A-06F3X-06F3X-13
16	4	611107	3/4MJIC-90-1/2MNPT LBO	*41	1	614627	06C1T-06F3X-06F3X-45
17	8	611125	HOSE BARB 1 1/4NPT X 1 1/4	*42	1	614687	HYD TUBE ASSY SUND AUX 200 90
*18	1	715660	HOSE BARB 1 1/4NPT X 1 1/4	*43	1	614664	10C1T-10F3X-10F3X-91
19	4	618126	9/16MJIC-9/16MOR ADPTR	*44	1	615616	04C1T-06F3X-06F3X-65
*20	1	618587	1 5/16FJIC SWIV-1MNPT	*45	1	614348	16C2AT-16F3X-16F3X-25
21	2	618119	9/16MJIC-90-9/16MOR LBO	46	2	614368	08C1T-08F3X-08F3X-60
*22	1	506410	BLK PIPE ST EL 90DEG 1.25NPT	47	2	611206	04C1T-6F3X-6F3X-66
*23	1	618144	1 1/4-1MP HEX PIPE NIPPLE STL	*48	1	601289	HOSE, 1 1/4 X 144 2BR RED
24	2	618546	1/8MNPT RUN TEE-9/16MJIC	49	1	618590	3/4MJIC-45-3/4FJIC SWIV LBO
*25	4	611145	3/4MJIC-90-1/2MNPT LBO	*50	2	618532	3/4FJIC CAP NUT



NOTE: \*\* RELIEF PRESSURE SHOULD BE SET AT 1800 PSI.

200 4R CUTTER 2L W/T-TROL HYD SCHEM 90  
REFERENCE DRAWING NO. 498350

DET.	QTY	PART NO.	DESCRIPTION	DET.	QTY	PART NO.	DESCRIPTION
1	1	610532	ELECT HYD STACK VLV W/ADJ	89	28	618170	3/4MOR-9/16FOR ADPTR
2	1	610447	HYD FILTER, INLINE 1/4FNPT 90M	29	1	618186	1 5/16MJIC-1 5/16MOR ADPTR
3	4	618203	BARNES FLUID MOTOR HYD CUTTER	30	2	618469	3/4MJIC-1 1/16MOR ADPTR
4	1	607504	FLO DIV B50 2-8GPM 7/8 FOR	31	2	610186	1 1/16MOR PLUG
5	1	610467	MODULAR MTR CONTROL ELECT VLV	32	1	618178	1 5/16MJIC-90-1 5/16MOR LBO
* 6	1	614633	HYD MANIF 8200 86	33	2	738859	STRAINER 50 MESH NYLON
* 7	1	605601	GRESEN FILTER 10 MICRON 40GPM	34	1	500000	1/2MNP HEX PIPE NIPPLE STL
8	1	607512	RELIEF VALVE, RL50 1800 PSI	35	2	500005	CAP NUT ,688FPS NYLON
9	2	737810	NOZL BODY ,25NPT NYLON MALE	36	1	618119	9/16MJIC-90-9/16MOR LBO
10	2	620900	CYL ASSY CC2016 D00 SRG 180	37	1	618600	9/16MJIC-90-7/8MOR LBO
11	1	611128	7/8MJIC-90-7/8MOR LBO	38	1	618310	9/16MJIC-7/8MOR ADPTR
12	2	618530	9/16MJIC-1/8MNP ADPTR	39	1	618072	7/8MOR-1/2FNPT ADPTR
13	8	611125	3/4MJIC-3/4MOR ADPTR	*40	1	616042	04C1A-06F3X-06F3X-13
*14	1	618577	1 5/16MJIC UNION	*41	1	614627	06C1T-06F3X-06F3X-45
15	2	618546	1/8MNP RUN TEE-9/16MJIC	*42	1	615616	04C1T-06F3X-06F3X-65
16	2	618107	9/16MJIC-90-1/2MNP LBO	*43	1	614687	HYD TUBE ASSY SUND AUX 200 90
17	3	611122	9/16MJIC-90-1/4MNP LBO	*44	1	614664	10C1T-10F3X-10F3X-91
*18	1	715660	HOSE BARB 1 1/4NPT X 1 1/4	45	2	614368	08C1T-08F3X-08F3X-60
19	1	618425	9/16MJIC-45-9/16MOR LBO	46	2	614639	04C1A-06F3X-06F3X-126
*20	1	618587	1 5/16FJIC SWIV-1MNP	47	4	614689	08C1T-08F3X-08F3X-120
21	1	618562	9/16MOR-90-1/4MNP LBO	*48	1	601289	HOSE, 1 1/4 X 144 2BR RED
*22	1	506410	BLK PIPE ST EL 90DEG 1.25NPT	49	2	614101	04C1A-06F3X-06F3X-133
*23	1	618144	1 1/4-1MP HEX PIPE NIPPLE STL	*50	1	614348	16C2AT-16F3X-16F3X-25
24	1	610185	9/16MOR PLUG	51	2	611206	04C1T-6F3X-6F3X-66
*25	4	611145	3/4MJIC-90-1/2MNP LBO	52	1	618590	3/4MJIC-45-3/4FJIC SWIV LBO
*26	1	503700	PIPE PLUG ,50NPT SQ HD	*53	2	618532	3/4FJIC CAP NUT
*27	1	618531	9/16FJIC CAP NUT				



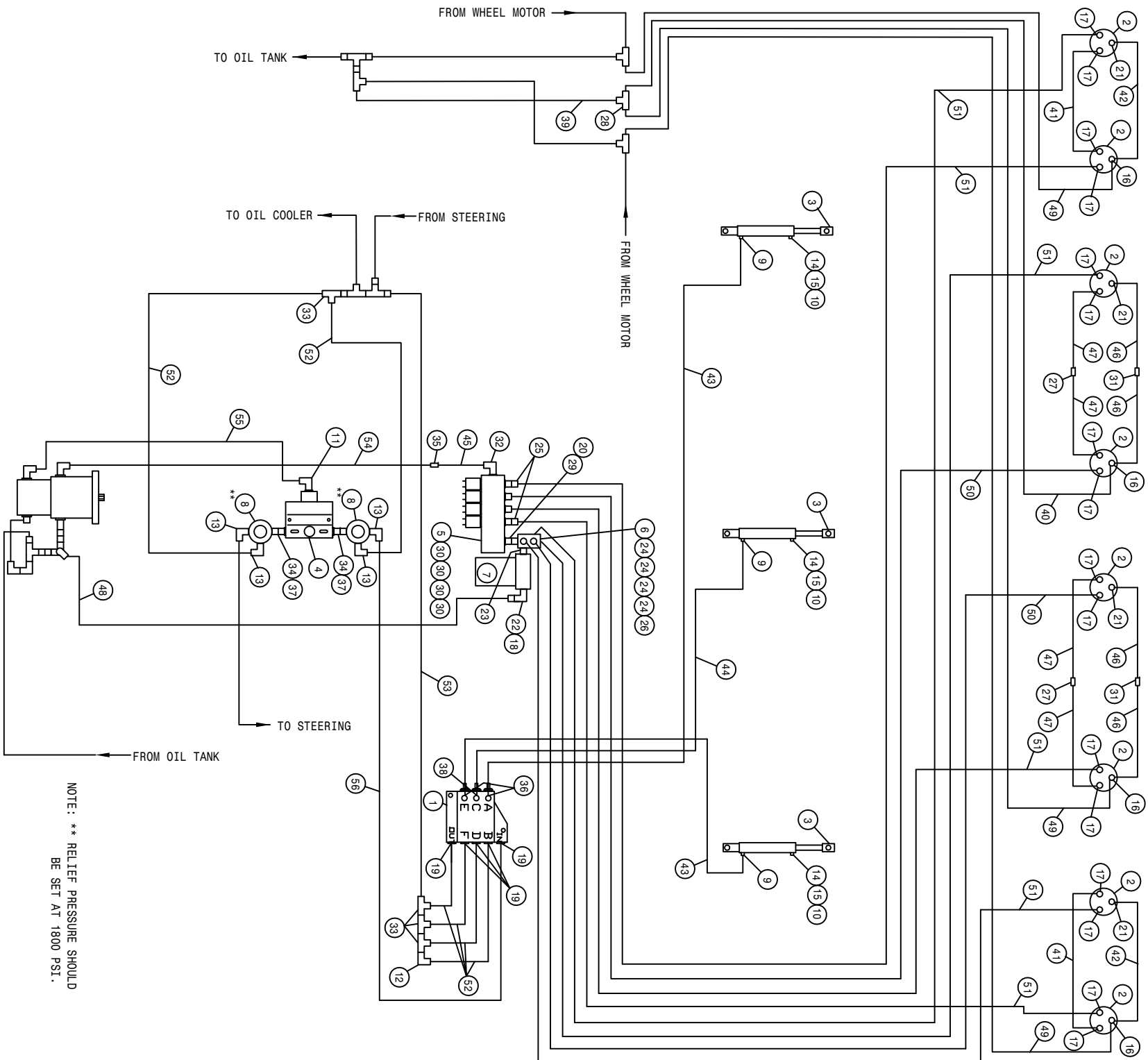
200 6R CUTTER 3L W/O T-TROL HYD SCHEM 90  
REFERENCE DRAWING NO. 498351

DET.	QTY	PART NO.	DESCRIPTION	DET.	QTY	PART NO.	DESCRIPTION
1	1	606585	CESSNA 3SPL VALVE W/O RELIEF	29	1	618186	1 5/16MJIC-1 5/16MOR ADPTR
2	6	618203	BARNES FLUID MOTOR HYD CUTTER	30	3	618469	3/4MJIC-1 1/16MOR ADPTR
3	3	620900	CYL ASSY CC2016 D00 SRG.180	31	1	610186	1 1/16MOR PLUG
4	1	607504	FLO DIV B50 2-8GPM 7/8 FOR	32	1	618178	1 5/16MJIC-90-1 5/16MOR LBO
5	1	610467	MODULAR MTR CONTROL ELECT VLV	33	4	618486	9/16FJIC SW RUN TEE-9/16MJIC
* 6	1	614633	HYD MANIF 8200 86	34	2	500000	1/2MNPPT HEX PIPE NIPPLE STL
* 7	1	605601	GRESEN FILTER 10 MICRON 40GPM	*35	1	618577	1 5/16MJIC UNION
8	2	607512	RELIEF VALVE, R150 1800 PSI	36	2	618119	9/16MJIC-90-9/16MOR LBO
9	3	614649	RESTRICTOR ASSY 1-WAY	37	2	618072	7/8MOR-1/2FNPT ADPTR
10	3	500005	CAP NUT .688FPS NYLON	38	1	618440	9/16MJIC-90-9/16MOR EX LG LBO
11	1	611128	7/8MJIC-90-7/8MOR LBO	*39	1	614664	10C1T-10FJX-10FJX-91
12	1	618603	9/16MJIC-90-9/16MJIC LBO	*40	1	615616	04C1T-06FJX-06FJX-65
13	3	738859	STRAINER 50 MESH NYLON	41	1	616026	04C1A-06FJX-06FJX-37
14	3	737810	NOZL BODY .25NPT NYLON MALE	42	1	614152	04C1A-06FJX-06FJX-114
15	4	618107	9/16MJIC-90-1/2MNPPT LBO	43	3	614368	08C1T-08FJX-08FJX-60
16	3	618546	1/8MNPPT RUN TEE-9/16MJIC	44	2	611206	04C1T-6FJX-6FJX-66
17	12	611125	3/4MJIC-3/4MOR ADPTR	45	2	611212	04C1T-06FJX-06FJX-164
*18	1	715660	HOSE BARB 1 1/4NPT X 1 1/4	46	1	614077	04C1T-06FJX-06FJX-88
19	5	618126	9/16MJIC-9/16MOR ADPTR	*47	1	614348	16C2AT-16FJX-16FJX-25
*20	1	618587	1 5/16FJIC SWIV-1MNPPT	*48	1	601289	HOSE, 1 1/4 X 144 2BR RED
21	3	618530	9/16MJIC-1/8MNPPT ADPTR	49	2	611210	04C1A-06FJX-06FJX-156
*22	1	506410	BLK PIPE ST EL 90DEG 1.25NPT	50	2	614688	08C1T-08FJX-08FJX-108
*23	1	618144	1 1/4-1MP HEX PIPE NIPPLE STL	51	4	614690	08C1T-08FJX-08FJX-192
*24	4	611145	3/4MJIC-90-1/2MNPPT LBO	*52	6	616042	04C1A-06FJX-06FJX-13
25	1	618590	3/4MJIC-45-3/4FJIC SWIV LBO	*53	1	614627	06C1T-06FJX-06FJX-45
*26	1	503700	PIPE PLUG .50NPT SQ HD	*54	1	614687	HYD TUBE ASSY SUND AUX 200 90
*27	1	618531	9/16FJIC CAP NUT	*55	1	618532	3/4FJIC CAP NUT
28	1	610193	9/16MJIC BLKHD BRANCH TEE				



200 6R CUTTER 3L W/T-TROL HYD SCHEM 90  
REFERENCE DRAWING NO. 498352

DET.	QTY	PART NO.	DESCRIPTION	DET.	QTY	PART NO.	DESCRIPTION
1	1	610532	ELECT HYD STACK VLV W/ADJ	30	3	618469	3/4MJC-1 1/16MOR ADPTR
2	1	610447	HYD FILTER, INLINE 1/4FNPT 90M	31	1	610186	1 1/16MOR PLUG
3	6	618203	BARNES FLUID MOTOR HYD CUTTER	32	1	618178	1 5/16MJC-90-1 5/16MOR LBO
4	1	607504	FLO DIV B50 2-8GPM 7/8 FOR	33	3	738859	STRAINER 50 MESH NYLON
5	1	610467	MODULAR MTR CONTROL ELECT VLV	34	1	500000	1/2MNP HEX PIPE NIPPLE STL
*6	1	614633	HYD MANIF 8200 86	35	3	500005	CAP NUT .688FPPS NYLON
*7	1	605601	GRESEN FILTER 10 MICRON 40GPM	36	1	618170	3/4MOR-9/16FOR ADPTR
8	1	607512	RELIEF VALVE, RL50 1800 PSI	37	2	618119	9/16MJC-90-9/16MOR LBO
9	3	737810	NOZL BODY .25NPT NYLON MALE	38	1	618310	9/16MJC-7/8MOR ADPTR
10	3	620900	CYL ASSY CC2016 D00 SRG 180	39	1	618600	9/16MJC-90-7/8MOR LBO
11	1	611128	7/8MJC-90-7/8MOR LBO	40	2	618107	9/16MJC-90-1/2MNP LBO
12	1	610193	9/16MJC BLKHD BRANCH TEE	41	3	614368	08C1T-.08FJX-.08FJX-60
13	12	611125	3/4MJC-3/4MOR ADPTR	42	1	614077	04C1T-.06FJX-.06FJX-88
*14	1	618577	1 5/16MJC UNION	43	2	614688	08C1T-.08FJX-.08FJX-108
15	3	618530	9/16MJC-1/8MNP ADPTR	*44	1	601289	HOSE, 1 1/4 X 144 2BR RED
16	3	618546	1/8MNP RUN TEE-9/16MJC	45	2	614101	04C1A-.06FJX-.06FJX-133
17	1	618072	7/8MOR-1/2FNPT ADPTR	46	1	614348	16C2AT-16FJX-16FJX-25
*18	1	715660	HOSE BARB 1 1/4NPT X 1 1/4	47	3	611206	04C1T-.06FJX-6FJX-66
19	1	618425	9/16MJC-45-9/16MOR LBO	48	4	614690	08C1T-.08FJX-.08FJX-192
*20	1	618587	1 5/16FJIC SWIV-1MNP	49	1	614152	04C1A-.06FJX-.06FJX-114
21	4	611122	9/16MJC-90-1/4MNP LBO	50	2	611210	04C1A-.06FJX-.06FJX-156
*22	1	506410	BLK PIPE ST EL 90DEG 1.25NPT	51	1	616026	04C1A-.06FJX-.06FJX-37
*23	1	618144	1 1/4-1MP HEX PIPE NIPPLE STL	*52	1	616042	04C1A-.06FJX-.06FJX-13
*24	4	611145	3/4MJC-90-1/2MNP LBO	*53	1	614627	06C1T-.06FJX-.06FJX-45
25	1	618590	3/4MJC-45-3/4FJIC SWIV LBO	*54	1	615616	04C1T-.06FJX-.06FJX-65
*26	1	503700	PIPE PLUG .50NPT SQ HD	*55	1	614687	HYD TUBE ASSY SUND AUX 200 90
*27	1	618531	9/16FJIC CAP NUT	*56	1	614664	10C1T-.10FJX-.10FJX-91
28	1	618562	9/16MOR-90-1/4MNP LBO	*57	1	618532	3/4FJIC CAP NUT
29	1	618186	1 5/16MJC-1 5/16MOR ADPTR				

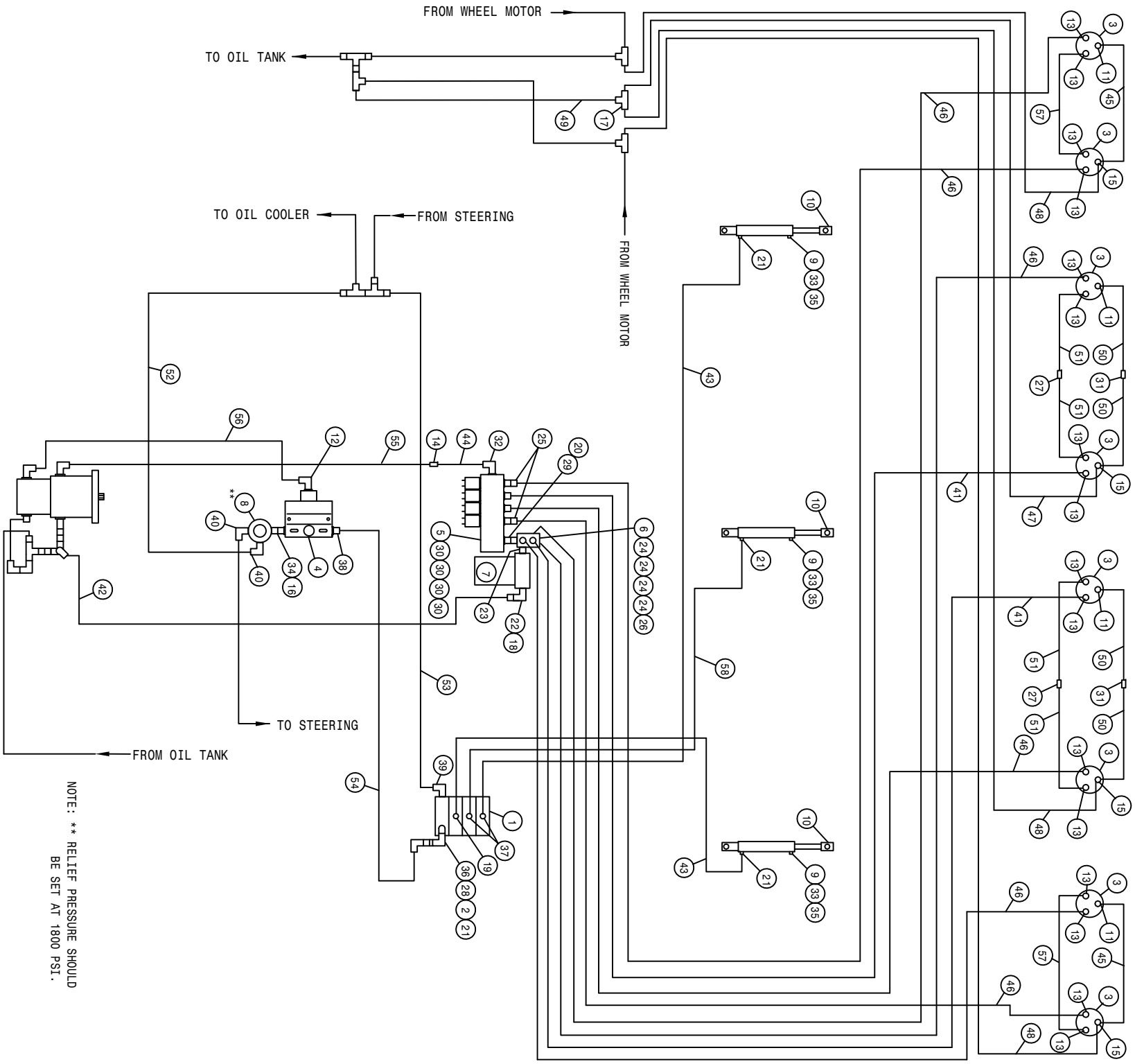


NOTE: \*\* RELIEF PRESSURE SHOULD BE SET AT 1800 PSI.



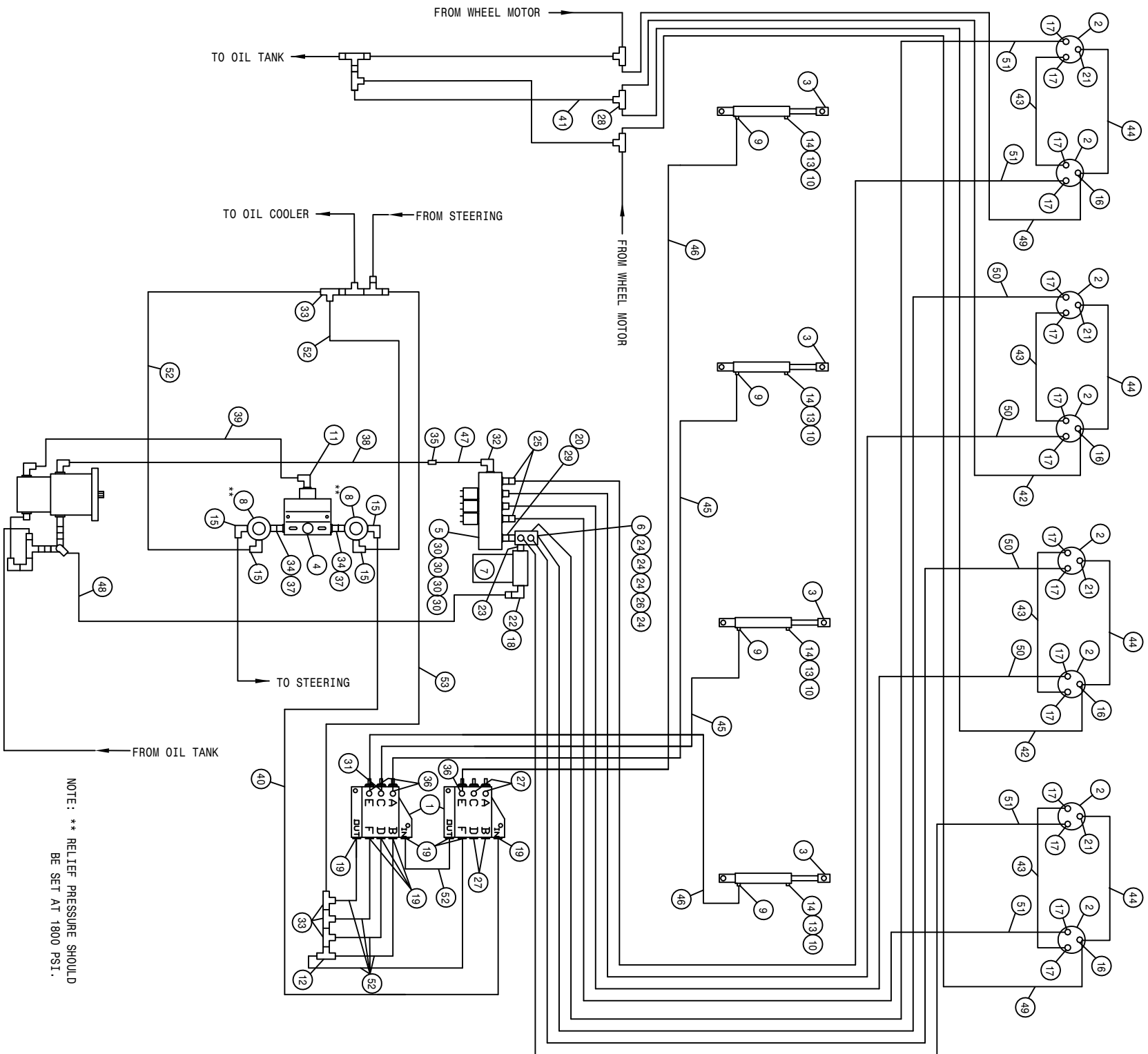
200 8R CUTTER 3L W/O T-TROL HYD SCHEM 90  
REFERENCE DRAWING NO. 498353

DET.	QTY	PART NO.	DESCRIPTION	DET.	QTY	PART NO.	DESCRIPTION
1	1	606585	CESSNA 3SPD VALVE W/O RELIEF	29	1	618186	1 5/16MJIC-1 5/16MOR ADPTR
2	8	618203	BARNES FLUID MOTOR HYD CUTTER	30	4	618469	3/4MJIC-1 1/16MOR ADPTR
3	3	620900	CYL ASSY CC2016 D00 SRG 180	31	2	619010	9/16MJIC UNION
4	1	607504	FLO DIV B50 2-8GPM 7/8 FOR	32	1	618178	1 5/16MJIC-90-1 5/16MOR LBO
5	1	610467	MODULAR MTR CONTROL ELECT VLV	33	4	618486	9/16FJIC SW RUN TEE-9/16MJIC
* 6	1	614633	HYD MANIF 8200 86	34	2	500000	1/2MNPT HEX PIPE NIPPLE STL
* 7	1	605601	GRESEN FILTER 10 MICRON 40GPM	*35	1	618577	1 5/16MJIC UNION
8	2	607512	RELIEF VALVE, RL50 1800 PSI	36	2	618119	9/16MJIC-90-9/16MOR LBO
9	3	614649	RESTRICTOR ASSY 1-WAY	37	2	618072	7/8MOR-1/2FNPT ADPTR
10	3	500005	CAP NUT .688FPS NYLON	38	1	618440	9/16MJIC-90-9/16MOR EX LG LBO
11	1	611128	7/8MJIC-90-7/8MOR LBO	39	1	616026	04C1A-06FJX-06FJX-37
12	1	618603	9/16MJIC-90-9/16MJIC LBO	40	1	614152	04C1A-06FJX-06FJX-114
13	4	618107	9/16MJIC-90-1/2MNPT LBO	41	2	614368	08C1T-08FJX-08FJX-60
14	3	737810	NOZL BODY .25NPT NYLON MALE	42	2	611206	04C1T-6FJX-6FJX-66
15	3	738859	STRAINER 50 MESH NYLON	43	2	611246	04C1A-06FJX-06FJX-174
16	4	618546	1/8MNPT RUN TEE-9/16MJIC	44	1	614077	04C1T-06FJX-06FJX-88
17	16	611125	3/4MJIC-3/4MOR ADPTR	*45	1	614348	16C2AT-16FJX-16FJX-25
*18	1	715660	HOSE BARB 1 1/4NPT X 1 1/4	46	4	614101	04C1A-06FJX-06FJX-133
19	5	618126	9/16MJIC-9/16MOR ADPTR	47	4	614425	08C1T-08FJX-08FJX-132
*20	1	618587	1 5/16FJIC SWIV-1MNPT	*48	1	601289	HOSE, 1 1/4 X 144 2BR RED
21	4	618530	9/16MJIC-1/8MNPT ADPTR	49	3	614154	04C1T-06FJX-06FJX-221
*22	1	506410	BLK PIPE ST EL 90DEG 1.25NPT	50	2	614688	08C1T-08FJX-08FJX-108
*23	1	618144	1 1/4-1MP HEX PIPE NIPPLE STL	51	6	614691	08C1T-08FJX-08FJX-220
*24	4	611145	3/4MJIC-90-1/2MNPT LBO	*52	6	616042	04C1A-06FJX-06FJX-13
25	2	618590	3/4MJIC-45-3/4FJIC SWIV LBO	*53	1	614627	06C1T-06FJX-06FJX-45
*26	1	503700	PIPE PLUG .50NPT SQ HD	*54	1	614687	HYD TUBE ASSY SUND AUX 200 90
27	2	618314	3/4MJIC UNION	*55	1	614664	10C1T-10FJX-10FJX-91
28	1	610193	9/16MJIC BLKHD BRANCH TEE	*56	1	615616	04C1T-06FJX-06FJX-65



200 8R CUTTER 3L W/T-TROL HYD SCHEM 90  
REFERENCE DRAWING NO. 498354

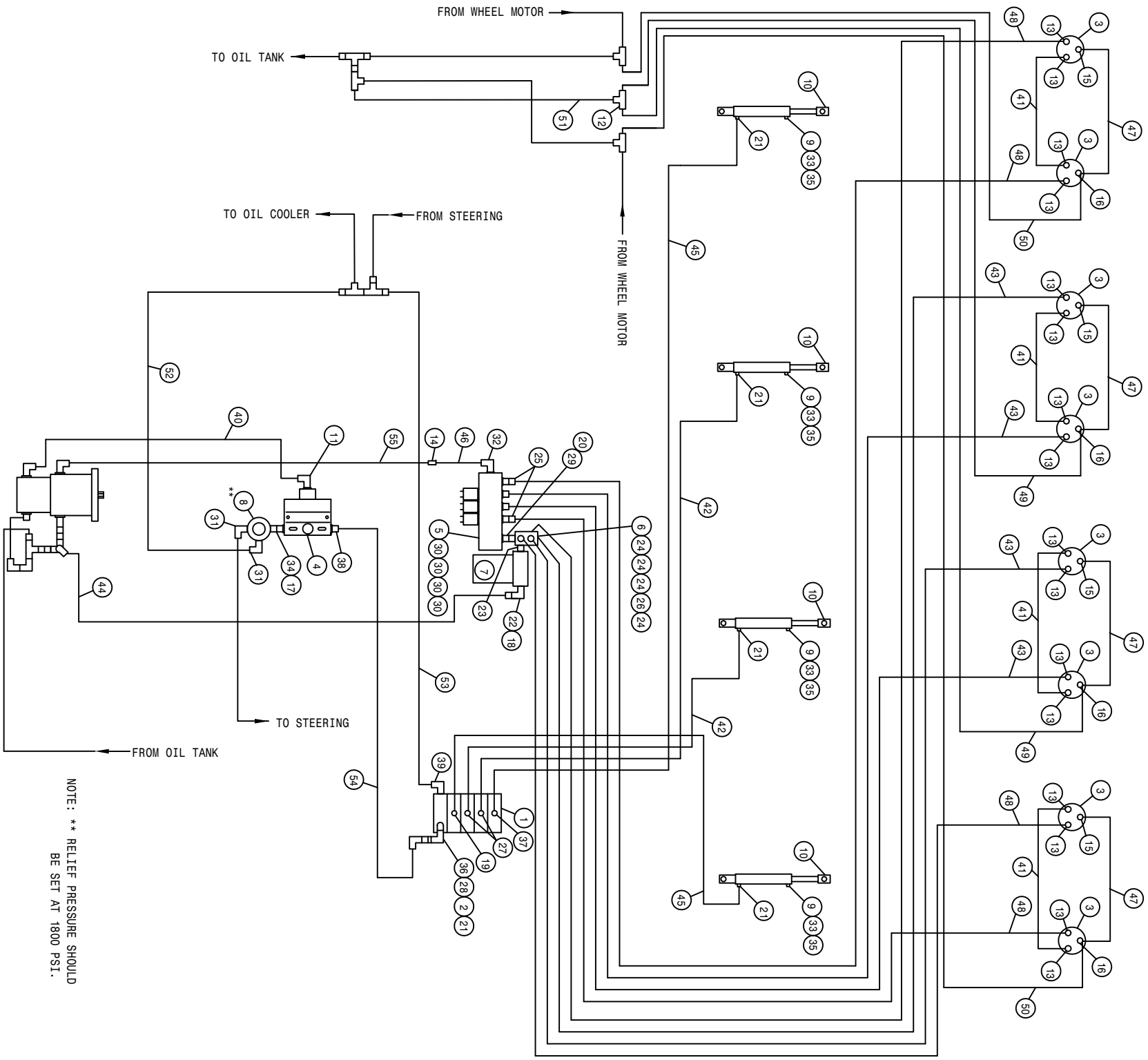
DET.	QTY	PART NO.	DESCRIPTION	DET.	QTY	PART NO.	DESCRIPTION
1	1	610532	ELECT HYD STACK VLV W/ADJ	89	30	618469	3/4MJC-1 1/16MOR ADPTR
2	1	610447	HYD FILTER,INLINE 1/4FNPT 90M	31	4	619010	9/16MJC UNION
3	8	618203	BARNES FLUID MOTOR HYD CUTTER	32	1	618178	1 5/16MJC-90-1 5/16MOR LBO
4	1	607504	FLO DIV B50 2-8GPM 7/8 FOR	33	3	738859	STRAINER 50 MESH NYLON
5	1	610467	MODULAR MTR CONTROL ELECT VLV	34	3	500000	1/2MNPT HEX PIPE NIPPLE STL
* 6	1	614633	HYD MANIF 8200 86	35	3	500005	CAP NUT .688FPS NYLON
* 7	1	605601	GRESEN FILTER 10 MICRON 40GPM	36	1	618170	3/4MOR-9/16FOR ADPTR
8	1	707512	RELIEF VALVE, RL50 1800 PSI	37	2	618119	9/16MJC-90-9/16MOR LBO
9	3	620900	NOZL BODY .25NPT NYLON MALE	38	1	618310	9/16MJC-7/8MOR ADPTR
10	3	620900	CYL ASSY CC2016 D00 SRG 180	39	1	618600	9/16MJC-90-7/8MOR LBO
11	4	618530	9/16MJC-1/8MNPT ADPTR	40	2	618107	9/16MJC-90-1/2MNPT LBO
12	1	611128	7/8MJC-90-7/8MOR LBO	41	2	614688	08C1T-08FJX-08FJX-108
13	16	611125	3/4MJC-3/4MOR ADPTR	*42	1	601289	HOSE, 1 1/4 X 144 2BR RED
*14	1	618577	1 5/16MJC UNION	43	2	611246	04C1A-06FJX-06FJX-174
15	4	618546	1/8MNPT RUN TEE-9/16MJC	*44	2	614348	16C2AT-16FJX-16FJX-25
16	1	618072	7/8MOR-1/2FNPT ADPTR	45	2	611206	04C1T-6FJX-6FJX-66
17	1	610193	9/16MJC BLKHD BRANCH TEE	46	6	614691	08C1T-08FJX-08FJX-220
*18	1	715660	HOSE BARB 1 1/4NPT X 1 1/4	47	1	614152	04C1A-06FJX-06FJX-114
19	1	618425	9/16MJC-45-9/16MOR LBO	48	3	614154	04C1T-06FJX-06FJX-221
*20	1	618587	1 5/16FJIC SWIV-1MNPT	49	1	616026	04C1A-06FJX-06FJX-37
21	4	611122	9/16MJC-90-1/4MNPT LBO	50	4	614101	04C1A-06FJX-06FJX-133
*22	1	506410	BLK PIPE ST EL 90DEG 1.25NPT	51	4	614425	08C1T-08FJX-08FJX-132
*23	1	618144	1 1/4-1MP HEX PIPE NIPPLE STL	*52	1	616042	04C1A-06FJX-06FJX-13
*24	4	611145	3/4MJC-90-1/2MNPT LBO	*53	1	614627	06C1T-06FJX-06FJX-45
25	2	618590	3/4MJC-45-3/4FJIC SWIV LBO	*54	1	615616	04C1T-06FJX-06FJX-65
*26	1	503700	PIPE PLUG .50NPT SQ HD	*55	1	614687	HYD TUBE ASSY SUND AUX 200 90
27	2	618314	3/4MJC UNION	*56	1	614664	10C1T-10FJX-10FJX-91
28	1	618562	9/16MOR-90-1/4MNPT LBO	57	2	614368	08C1T-08FJX-08FJX-60
29	1	618186	1 5/16MJC-1 5/16MOR ADPTR	58	1	614077	04C1T-06FJX-06FJX-88



NOTE: \*\* RELIEF PRESSURE SHOULD BE SET AT 1800 PSI.

200 8R CUTTER 4L W/O T-TROL HYD SCHEM 90  
REFERENCE DRAWING NO. 498355

DET.	QTY	PART NO.	DESCRIPTION	DET.	QTY	PART NO.	DESCRIPTION
1	2	606585	CESSNA 35PL VALVE W/O RELIEF	28	1	610193	9/16MJIC BLKHD BRANCH TEE
2	8	618203	BARNES FLUID MOTOR HYD CUTTER	29	1	618186	1 5/16MJIC-1 5/16MOR ADPTR
3	4	620900	CYL ASSY CC2016 D00 SRG 180	30	4	618469	3/4MJIC-1 1/16MOR ADPTR
4	1	607504	FLO DIV B50 2-8GPM 7/8 FOR	31	1	618440	9/16MJIC-90-9/16MOR EX LG LBO
5	1	610467	MODULAR MTR CONTROL ELECT VLV	32	1	618178	1 5/16MJIC-90-1 5/16MOR LBO
* 6	1	614633	HYD MANIF 8200 86	33	4	618486	9/16FJIC SW RUN TEE-9/16MJIC
* 7	1	605601	GRESEN FILTER 10 MICRON 40GPM	34	2	500000	1/2MNPT HEX PIPE NIPPLE STL
8	2	607512	RELIEF VALVE, RL50 1800 PSI	* 35	1	618577	1 5/16MJIC UNION
9	4	614649	RESTRICTOR ASSY 1-WAY	36	3	618119	9/16MJIC-90-9/16MOR LBO
10	4	500005	CAP NUT .688FPS NYLON	37	2	618072	7/8MOR-1/2FNPT ADPTR
11	1	611128	7/8MJIC-90-7/8MOR LBO	* 38	1	614687	HYD TUBE ASSY SUND AUX 200 90
12	1	618019	9/16MJIC UNION TEE	* 39	1	614664	10C1T-10FJX-10FJX-91
13	4	738859	STRAINER 50 MESH NYLON	* 40	1	615616	04C1T-06FJX-06FJX-65
14	4	737810	NOZL BODY .25NPT NYLON MALE	41	1	616026	04C1A-06FJX-06FJX-57
15	4	618107	9/16MJIC-90-1/2MNPT LBO	42	2	611212	04C1T-06FJX-06FJX-164
16	4	618546	1/8MNPT RUN TEE-9/16MJIC	43	4	614368	08C1T-08FJX-08FJX-60
17	16	611125	3/4MJIC-3/4MOR ADPTR	44	4	611206	04C1T-6FJX-6FJX-66
* 18	1	715660	HOSE BARB 1 1/4NPT X 1 1/4	45	2	614101	04C1A-06FJX-06FJX-133
19	8	618126	9/16MJIC-9/16MOR ADPTR	46	2	611246	04C1A-06FJX-06FJX-174
* 20	1	618587	1 5/16FJIC SMIV-1MNPT	* 47	1	614348	16C2AT-16FJX-16FJX-25
21	4	618530	9/16MJIC-1/8MNPT ADPTR	* 48	1	601289	HOSE, 1 1/4 X 144 2BR RED
* 22	1	506410	BLK PIPE ST EL 90DEG 1.25NPT	49	2	614154	04C1T-06FJX-06FJX-221
* 23	1	618144	1 1/4-1MP HEX PIPE NIPPLE STL	50	4	614689	08C1T-08FJX-08FJX-120
* 24	4	611145	3/4MJIC-90-1/2MNPT LBO	51	4	614691	08C1T-08FJX-08FJX-220
25	2	618590	3/4MJIC-45-3/4FJIC SMIV LBO	* 52	8	616042	04C1A-06FJX-06FJX-13
* 26	1	503700	PIPE PLUG .50NPT SQ HD	* 53	1	614627	06C1T-06FJX-06FJX-45
27	4	610185	9/16MOR PLUG				H/A



200 8R CUTTER 4L W/T-TROL HYD SCHEM 90  
REFERENCE DRAWING NO. 498356

DET.	QTY	PART NO.	DESCRIPTION	DET.	QTY	PART NO.	DESCRIPTION
1	1	610532	ELECT HYD STACK VLV W/ADJ	89	29	618186	1 5/16MJIC-1 5/16MOR ADPTR
2	1	610447	HYD FILTER INLINE 1/4FNPT 90M	30	4	618469	3/4MJIC-1 1/16MOR ADPTR
3	8	618203	BARNES FLUID MOTOR HYD CUTTER	31	2	618107	9/16MJIC-90-1/2MNPT LBO
4	1	607504	FLO DIV B50 2-8GPM 7/8 FOR	32	1	618178	1 5/16MJIC-90-1 5/16MOR LBO
5	1	610467	MODULAR MTR CONTROL ELECT VLV	33	4	738859	STRAINER 50 MESH NYLON
* 6	1	614633	HYD MANIF 8200 86	34	1	500000	1/2MNPT HEX PIPE NIPPLE STL
* 7	1	605601	GRESEN FILTER 10 MICRON 40GPM	35	4	500005	CAP NUT .688FPS NYLON
8	1	707512	RELIEF VALVE, R150 1800 PSI	36	1	618170	3/4MOR-9/16FOR ADPTR
9	4	618710	NOZL BODY .25NPT NYLON MALE	37	1	618119	9/16MJIC-90-9/16MOR LBO
10	4	620900	CYL ASSY CC2016 D00 SRG 180	38	1	618310	9/16MJIC-7/8MOR ADPTR
11	1	611128	7/8MJIC-90-7/8MOR LBO	39	1	618600	9/16MJIC-90-7/8MOR LBO
12	1	610193	9/16MJIC BLKHD BRANCH TEE	*40	1	614664	10CIT-10FJX-10FJX-91
13	16	611125	3/4MJIC-3/4MOR ADPTR	41	4	614368	08CIT-08FJX-08FJX-60
*14	1	618577	1 5/16MJIC UNION	42	2	614101	04C1A-06FJX-06FJX-133
15	4	618530	9/16MJIC-1/8MNPT ADPTR	43	4	614689	08CIT-08FJX-08FJX-120
16	4	618546	1/8MNPT RUN TEE-9/16MJIC	*44	1	601289	HOSE, 1 1/4 X 144 2BR RED
17	1	618072	7/8MOR-1/2FNPT ADPTR	45	2	611246	04C1A-06FJX-06FJX-174
*18	1	715660	HOSE BARB 1 1/4NPT X 1 1/4	*46	1	614348	16C2AT-16FJX-16FJX-25
19	1	618126	9/16MJIC-9/16MOR ADPTR	47	4	611206	04CIT-6FJX-6FJX-66
*20	1	618587	1 5/16FJIC SWIV-1MNPT	48	4	614691	08CIT-08FJX-08FJX-220
21	5	611122	9/16MJIC-90-1/4MNPT LBO	49	2	611212	04C1T-06FJX-06FJX-164
*22	1	506410	BLK PIPE ST EL 90DEG 1.25NPT	50	2	614154	04C1T-06FJX-06FJX-221
*23	1	618144	1 1/4-IMP HEX PIPE NIPPLE STL	51	1	616026	04C1A-06FJX-06FJX-37
*24	4	611145	3/4MJIC-90-1/2MNPT LBO	*52	1	616042	04C1A-06FJX-06FJX-13
25	2	618590	3/4MJIC-45-3/4FJIC SWIV LBO	*53	1	614627	06C1T-06FJX-06FJX-45
*26	1	503700	PIPE PLUG .50NPT SQ HD	*54	1	615616	04C1T-06FJX-06FJX-65
27	2	618425	9/16MJIC-45-9/16MOR LBO	*55	1	614687	HYD TUBE ASSY SUND AUX 200 90
28	1	618562	9/16MOR-90-1/4MNPT LBO				

ABBREVIATIONS

A/C - AIR CONDITIONER	MT - MOUNT
ADPTR - ADAPTER	MTR - MOTOR
AGI - AGITATOR	P/N - PART NUMBER
ALT - ALTERNATOR	PLT - PLATE
ASSY - ASSEMBLY	QTY - QUANTITY
BRKT - BRACKET	RED - REDUCER
DET - DETAIL	REF - REFERENCE
DISPL - DISPLACEMENT	REST - RESTRICTOR
EL - ELBOW	REQ - REQUIRED
EXT - EXTENSION	SHFT - SHAFT
FLO - FLOW	SOL - SOLUTION
FNPT - FEMALE NATIONAL PIPE THREAD	STRG - STEERING
FOR - FEMALE O-RING	ST - STREET
FRT - FRONT	SWIV - SWIVEL
HYD - HYDRAULIC	UNC - UNIFIED NATIONAL COURSE
HYDRO - HYDROSTATIC	UNF - UNIFIED NATIONAL FINE
LG - LONG	V - VOLT
LWR - LOWER	W/ - WITH
MJIC - MALE J.I.C.	WHL - WHEEL
MOR - MALE O-RING	WLD - WELDMENT



-A-

ABBREVIATIONS.....120  
 ACTUATOR.....53  
 EXTENSION.....53  
 ADAPTOR  
 DEPTH COMMAND.....53  
 FAN.....4  
 AIR CLEANER.....11  
 BAND.....11  
 CAP.....11  
 CLAMP.....11  
 FILTER.....11  
 HOSE.....11  
 AIR INTAKE TUBE.....5  
 AIR POT.....51  
 ALTERNATOR.....4  
 ADJUSTMENT ARM.....4  
 MOUNT.....4  
 ARM  
 SENSOR.....49  
 STEERING.....14

-B-

BAND  
 AIR CLEANER.....11  
 BATTERY.....29  
 BOX.....29  
 CABLE.....29  
 HOLD DOWN.....29  
 BELT.....4  
 BLADE  
 CHOPPER.....46  
 CUTTER.....43  
 BOOT.....22  
 BOX, CONTROL.....48  
 BRACE  
 LEG.....17  
 OUTRIGGER.....38  
 STREERING POST.....22  
 BRACKET, THROTTLE CABLE.....5  
 BRAKE  
 CABLE.....23  
 CLIP RETAINER.....14  
 DISC.....14  
 HUB.....14  
 LEVER.....23

-C-

CABLE  
 BATTERY.....29  
 BRAKE.....23  
 MOUNT, THROTTLE.....26

CAP

AIR CLEANER.....11  
 FUEL.....21  
 RADIATOR.....12  
 STEERING.....28  
 GESSNA GEAR MOTOR.....42  
 CHAIN COUPLER.....42  
 CHOKE CONTROL.....25  
 CHOPPER  
 BLADE.....46  
 MALE ROW.....46  
 CLUTCH BODY.....43, 47  
 COIL WIRE.....4  
 COLUMN  
 HOIST.....39  
 STEERING.....28  
 CONSOLE.....25  
 CONTROL  
 BOX.....48  
 COVER.....48  
 ROD, GOVERNOR.....5  
 COUPLER, QUAD PULLER.....44  
 COVER  
 HINGE.....48  
 STEERING.....28  
 CRANK PULLEY.....4  
 CROP GUIDE.....54  
 CROSSTUBE, LS.....49  
 CUTTER  
 BLADE.....43  
 HEAD.....43  
 CYLINDER  
 LEG.....13  
 LIFT.....39, 40, 41  
 STEERING.....19

-D-

DECALS.....59, 60  
 DEPTH COMMAND.....52, 53  
 DIAGRAM, WIRING.....61, 62, 63, 64, 66  
 DIFFUSER, LINE.....20  
 DIMMER SWITCH.....22  
 DIPSTICK.....20  
 DISC  
 BRAKE.....14  
 FRICTION.....27  
 SENSOR.....14  
 DRAIN COCK.....12  
 DRIVE SHAFT.....5  
 DUST CAP.....45

-E-

ELECTROHYDRAULIC VALVE.....36, 37

ENGINE.....4,5  
 HOOD.....30  
 EXHAUST PIPE.....10  
 EXTENSION, ACTUATOR.....53

-F-

FAN.....4  
 ADAPTER.....4  
 SPACER.....4  
 FILTER  
 GRESEN.....20,33  
 HYDRAULIC.....36  
 MICHIGAN.....20  
 FLASHER.....24,30  
 FLOW DIVIDER.....7  
 MOUNT.....7  
 FOAM.....12,22  
 FRAME, QUAD PULLER.....44  
 FRICTION DISC.....27  
 FUEL  
 CAP.....21  
 FILTER.....4,21  
 GAUGE.....24  
 SELECTOR VALVE.....21  
 SENDER.....21  
 FUEL TANK.....21  
 MOUNT.....21  
 FUSE.....24,48

-G-

GASKET HYDRAULIC TANK.....20  
 GAUGE  
 FUEL.....24  
 HOUR METER.....24  
 TEMPERATURE.....24  
 GEAR.....42  
 GOVERNOR.....5  
 MOUNT.....5  
 GROUND STRAP.....5,21,29  
 GUIDE  
 CROP.....54  
 STALK.....42,43

-H-

HANDLE, 3-SPool VALVE.....34,35  
 HANDRAIL.....17  
 HEAD  
 CUTTER.....43  
 QUAD PULLER.....44  
 ROLLER PULLER.....42  
 TIRE PULLER.....45  
 HEAT SHIELD  
 ENGINE.....4  
 MUFFLER.....10  
 HINGE, CONTROL COVER.....48

HOIST COLUMN.....39  
 HOLD DOWN, BATTERY.....29  
 HOOD  
 ENGINE.....30  
 PROP.....30  
 HOOK, RUBBER.....30,31  
 HOSE  
 AIR CLEANER.....11  
 RADIATOR.....4  
 HOUR METER.....24  
 HUB  
 BRAKE.....14  
 TORQUE.....14,15  
 HYDRAULIC  
 FILTER.....36  
 MANIFOLD.....33  
 MOTOR.....43,44  
 SCHEMATIC.....68  
 TANK.....20  
 TUBE, LEG.....14  
 HYDROSTATIC  
 CABLE MOUNT.....4  
 LEVER.....26

-I-

IGNITION SWITCH.....24  
 INDICATOR LIGHT.....24  
 INSTRUMENT PANEL.....24  
 INTAKE SCREEN.....12

-K-

KNOB  
 3-SPool.....34,35  
 STEERING.....28

-L-

LADDER.....17  
 LEG.....14,15  
 BRACE.....17  
 LEVER  
 BRAKE.....23  
 HYDROSTATIC.....26  
 THROTTLE.....27  
 LIGHT.....22  
 INDICATOR.....24  
 SWITCH.....24  
 LIFT ARM.....39  
 LIFT CYLINDER.....39,40,41

-M-

MALE ROW CHOPPER.....46  
 MALE CUTTER.....47  
 MANIFOLD, HYDRAULIC.....33  
 MICHIGAN FILTER.....20

MODULATOR.....	5
MOTOR	
BARNES HYDRAULIC.....	43
CESSNA GEAR.....	42
CONTROL VALVE.....	32
HOUSING.....	45
MOUNT.....	4
ORBITAL.....	45
STEERING.....	28
WHEEL.....	14, 15
MOUNT	
ALTERNATOR.....	4
BRAKE SENSOR.....	14
CABLE.....	26
FLOW DIVIDER.....	7
FUEL TANK.....	21
HYDROSTATIC CABLE.....	4
SEAT.....	23
STARTER SOLENOID.....	5
TACH SENSOR.....	5
MUFFLER.....	10
HEAT SHIELD.....	10
MULLION.....	30
-N-	
NYLON SLEEVE.....	14
-O-	
OIL	
COOLER.....	12
FILTER.....	4
SENDER.....	5
OPERATOR STATION.....	22
OUTRIGGER.....	38
BRACE.....	38
PIVOT PIN.....	38
-P-	
PANEL	
INSTRUMENT.....	24
SIDE.....	22
PIN, OUTRIGGER PIVOT.....	38
PIVOT ARM, STEERING.....	18
PIVOT BRACKET.....	50
POSITRACTION VALVE.....	8, 9
PULLEY, CRANK.....	4
PUMP	
SUNDSTRAND.....	6
-Q-	
QUAD PULLER	
FRAME.....	44
HEAD.....	44

-R-	
RADIATOR.....	12
CAP.....	12
HOSE.....	4
SHROUD.....	12
RECOVERY TANK.....	12
REFLECTOR L/S.....	49
SLIDE.....	49
RELIEF VALVE.....	7
RETAINER CLIP, BRAKE.....	14
RIM.....	16
ROLLER PULLER.....	42
RUBBER HOOK.....	30, 31

-S-	
SCHEMATIC	
ELECTRICAL.....	64, 66
HYDRAULIC.....	68
SCREEN	
AIR INTAKE.....	12
LOWER.....	31
UPPER.....	31
SEAT.....	23
MOUNT.....	23
SENDER	
FUEL.....	21
OIL.....	5
TEMPERATURE.....	4
SENSOR	
ARM.....	49
DISC.....	14
FLAG.....	50
L/S.....	49
MOUNT, BRAKE.....	14
TACHOMETER.....	5
SERVICE PLATFORM.....	17
SHAFT, DRIVE.....	5
SHEAVE.....	5
SHIELD	
FRONT.....	31
MALE CHOPPER.....	46
MALE CUTTER.....	47
QUAD PULLER.....	44
SUN.....	24
TIRE PULLER.....	45
WHEEL MOTOR.....	14
SHROUD, RADIATOR.....	12
SLEEVE, NYLON.....	14
SLIDE REFLECTOR.....	49
S M V SIGN.....	31
SPACER	
FAN.....	4
RING, SUNDSTRAND.....	5
SPEEDOMETER.....	24
SPRING, THROTTLE LEVER.....	27
STABILIZER.....	38

STALK GUIDE.....42,43,44  
 STARTER SOLENOID.....5  
 MOUNT.....5  
 STATION, OPERATOR.....22  
 STEERING

ELECTRO HYDRAULIC.....36,37  
 FUEL SELECTOR.....21  
 MOTOR CONTROL.....32  
 POSITRACTION.....8,9  
 RELIEF.....7

-W-

WHEEL  
 DRIVE ASSEMBLY.....56,57,58  
 STEERING.....14,15  
 WHEEL MOTOR.....14,15  
 SHIELD.....14  
 WIRING DIAGRAM.....61,62,63,64,66

STRAP  
 GROUND.....5,22,29  
 OIL TANK.....20  
 SUNDSTRAND PUMP.....6  
 SWITCH  
 BOX.....52  
 DIMMER.....22  
 IGNITION.....24  
 LIGHT.....24  
 TOGGLE.....24

-T-

TACH SENSOR.....5  
 MOUNT.....5  
 TAILLIGHT.....31  
 TANK  
 FUEL.....20  
 HYDRAULIC.....20  
 RADIATOR RECOVERY.....12  
 TASSELTRON CONTROL BOX.....51  
 TEMPERATURE  
 GAUGE.....24  
 SENDER.....4  
 TERMINAL BLOCK.....22  
 THROTTLE  
 CABLE BRACKET.....5  
 LEVER.....27  
 STOP.....54  
 TIE PLATE, MAINFRAME.....10  
 TIE ROD, STEERING.....18  
 TIRE.....16  
 TIRE PULLER HEAD.....45  
 TOGGLE SWITCH.....24  
 TOOLBAR.....38,39  
 CLAMP.....46  
 TORQUE HUB.....14,15  
 TUBE HYDRAULIC.....14

-V-

VALVE  
 3-SPPOOL.....34,35



